

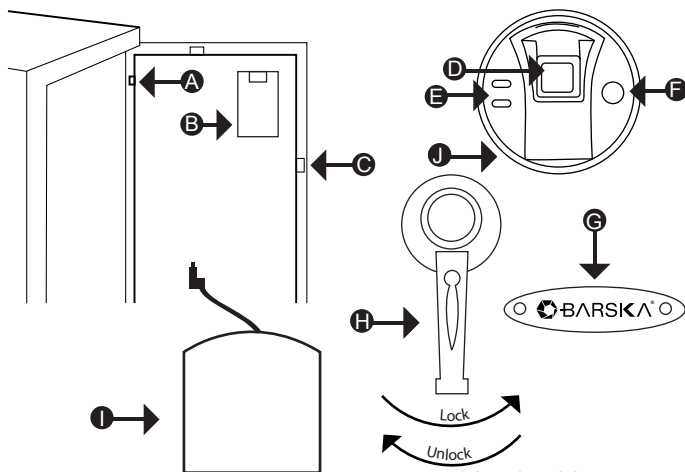


User's Manual for Biometric Safe

Read all instructions before using this safe.

WARNING

- New Safe is in either Pre-registered mode or Factory Default mode; ANY fingerprint can open the safe. Only a successfully registered Fingerprint(s) can terminate Factory Default mode.
- Register at least two different fingerprints and test a few times before closing the safe door.
- Test with a non-registered fingerprint. If the safe opens, the safe is still in Factory Default mode.
- Avoid leaving safe door open and unattended; it will allow unauthorized individuals to add their fingerprints and/or reprogram the safe, gaining full access to the safe and the contents.
- Test the Emergency Keys and store them in a secure place, NOT inside of the safe.
- To maximize the security and performance of the safe, test registered fingerprints every 6 months.
- Initialization button cover must be restored after every use.
- If user resets the safe to Factory Default mode: ANY fingerprint can open the safe.
- Test and make sure the safe works properly before mounting.
- Mount the safe before use because the safe has a small base with a heavy door, and will tip forward if not properly mounted.
- Keep children away from safe; they should not play with or around the safe at anytime. Children at play could accidentally get locked inside the safe or accidentally pull on the safe door causing safe to tip over if not properly mounted.
- Failure to follow these warnings could result in serious injury or death.



- A. Initialization Button
- B. Battery Compartment
- C. Bolts
- D. Fingerprint Scanner
- E. Indicator Lights
- F. Wake-Up Button
- G. Logo Plate and Emergency Key Access
- H. Handle
- I. External Battery Pack (batteries not included)
- J. External Battery Access

GETTING STARTED

1. Remove Emergency Keys from accessory package
2. To expose the Emergency Key access, remove Logo Plate (G) screws with provided tool
3. Insert Emergency Key into key access, push and turn counter-clockwise
4. Turn Handle (H) clockwise to open the safe
5. Continue with INSTALL BATTERIES

INSTALL BATTERIES

1. Remove Battery Compartment (B) cover
2. Insert 4 AA batteries and restore battery cover
3. Continue with FINGERPRINT REGISTRATION

FINGERPRINT REGISTRATION

IMPORTANT: The safe is in either Pre-registered mode or Factory Default mode, test safe to determine factory settings below

Pre-registered mode: Safe can NOT be opened with any fingerprint(s)

Factory Default mode: Safe can be opened with ANY fingerprint(s)

1. With the safe door open, press and release Initialization Button (A)
2. Immediately place a finger on the Fingerprint Scanner (D)
 - Hold finger still
 - 1 beep will be heard recognizing the fingerprint; followed by 2 consecutive beeps
 - Remove finger
 - Registration is complete

Successful Registration

Registration is successful when a total of 3 beeps are heard

Unsuccessful Registration

2 short beeps will be heard; repeat registration process again

3. To register another fingerprint - repeat steps 1 – 2
4. Continue with TEST (NON) REGISTERED FINGERPRINTS

TEST (NON) REGISTERED FINGERPRINTS

1. Test multiple Non-Registered fingerprints
 - Close safe door, turn Handle (H) counter-clockwise to lock the safe
 - Press and release Wake-Up Button (F)
 - Place a non-registered finger on the Fingerprint Scanner (D)
 - Turn Handle (H) clockwise, the door should not open
 - If the door opens with a non-registered fingerprint, registration was unsuccessful; the safe is still in Factory Default mode
 - Repeat steps under FINGERPRINT REGISTRATION, and test multiple non-registered fingerprints
2. Test a Registered fingerprint
 - With door closed, press and release Wake-Up Button (F)
 - Place a registered finger on the Fingerprint Scanner (D)
 - Turn Handle (H) clockwise, the door should open
 - Registration was successful, if it only opened with registered fingerprint(s)

CLOSE/OPEN SAFE DOOR

CLOSE: Close safe door, turn Handle (H) counter-clockwise to lock the safe

OPEN: Press and release Wake-Up Button (F)

- Place a registered finger on Fingerprint Scanner (D)
- Turn Handle (H) clockwise to open the safe

BEEP SOUND OPTIONS

Beep OFF: Press and HOLD the Initialization Button (A) (20 - 30 seconds) until the Indicator Lights (E) flash green once
- RELEASE the Initialization Button

Beep ON: Press and HOLD the Initialization Button (A) (20 - 30 seconds) until the Indicator Lights (E) flash green, followed by 1 beep
- RELEASE the Initialization Button

OPEN SAFE WITH EMERGENCY KEY

1. To expose the Emergency Key access, remove Logo Plate (G) screws with provided tool
2. Insert Emergency Key into key access, push and turn key counter-clockwise, and turn Handle (H) clockwise to open the safe

NOTE: Store Emergency Keys in a secure place, NOT inside of the safe

OPEN SAFE WITH EXTERNAL BATTERY PACK

Use this option when internal batteries are low

1. Insert 4 AA batteries into External Battery Pack (I)
2. Plug into External Battery Access (J)
3. Press and release Wake-Up Button (F)
 - Place a registered finger on Fingerprint Scanner (D)
 - Turn Handle (H) clockwise to open the safe

DELETE ALL STORED FINGERPRINTS / RESET TO FACTORY DEFAULT MODE

1. Open safe, remove Battery Compartment (B) cover and all 4 AA batteries
2. Press and release Wake-Up Button (F) a few times until no beeps are heard
3. Press and HOLD the Initialization Button (A)
 - Re-insert batteries; on the 4th battery you will hear 1 beep, followed by 2 consecutive beeps indicating safe is in Factory Default mode
4. RELEASE Initialization Button (A)
5. Repeat steps 1-3 if a total of 3 beeps are not heard
6. Restore Battery Compartment (B) cover
7. All fingerprints stored in the safe have been deleted

NOTE: The safe is in Factory Default mode, ANY fingerprint can open the safe

8. Continue with FINGERPRINT REGISTRATION and TEST (NON) REGISTERED FINGERPRINTS

LOW BATTERY WARNING

1. When the door is closed and 3 repetitive beeps are heard, and Indicator Lights (E) flash red, it indicates the batteries are low
2. Replace batteries immediately
 - Open safe, remove Battery Compartment (B) cover and all 4 AA batteries
 - Insert 4 new AA batteries and restore Battery Compartment (B) cover

NOTE: All registered fingerprints remain stored

CARE AND MAINTENANCE

- To maximize the security and performance of the safe, keep Fingerprint Scanner (D) clean; use a dry cloth to remove any smudges or prints off the Fingerprint Scanner after each use
- Test registered fingerprints every 6 months
- Keep liquids away from the control panel. Spills on the control panel will cause damage and possibly electric shock
- Secure safe in a proper area to prevent from falling and causing damage or injury
- DO NOT disassemble the product. For all repairs, contact BARSKA Customer Service
- DO NOT use chemicals or cleaning agents to clean the safe

MOUNTING INSTRUCTIONS

The safe must be mounted to a wall or floor. Be aware of the load bearing. Failure to do so can result in personal injury and/or damage to property. Use appropriate tools when performing work and always use eye protection

Wall Mounting

Do not mount the safe without anchoring to the wall

- Find the studs in the wall, at your desired location. Most studs are 16 inches or 24 inches apart
- Check the wall for concealed wires or pipes

- Measure the location of the pre-set drill holes; mark their exact position onto the wall ensuring that the studs or anything else behind will not interfere

- Drill the appropriate size holes for the anchors you are using

- Carefully press the anchor into the holes at this time

- Mount the safe by running screws from inside of the safe and securing to anchors; ensure the safe is mounted securely

Floor Mounting

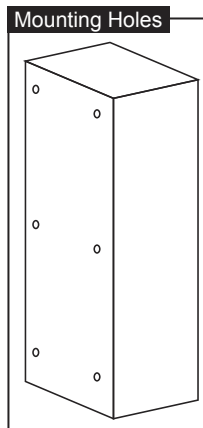
- Use proper drill tools depending on the type of floor you are mounting the safe (wood, tile, or concrete)

- Measure the location of the pre-set drill holes; mark their exact position onto the floor

- Drill the appropriate size holes for the anchors you are using

- Carefully press the anchor into the holes at this time

- Mount the safe by running screws from inside of the safe and securing to anchors; ensure the safe is mounted securely



* Actual model may vary