

Monocrystalline Module Models

SG-100WM

Electrical Specifications

*STC : Irradiance 1000W/m², AM1.5 spectrum, module temperature 25°C

Model type	SG-100WM
Peak power (Pmax)	100W
Cell Efficiency	22.80%
Maximum power voltage (Vmp)	19.1V
Maximum power current (Imp)	5.24A
Open circuit voltage (Voc)	22.1V
Short circuit current (Isc)	5.57A
Power Tolerance	±3%
Maximum system voltage	600V
Series fuse rating (A)	8
Number of bypass diode	1

Temperature Coefficients

Temperature Coefficient	0.03%/°C
Voltage Temperature Coefficient β(Voc)	- 0.32%/°C
Power Temperature Coefficient	-0.42%/°C
Nominal Temperature Of Cells(NOTC)	46±2°C
Application Temperature Range	-40~+85°C

Mechanical Characteristics

Dimensions :	970 x 540 x 30mm (38.19x21.26x1.18 inch)
Weight:	5.88kg (13.05lbs)
Solar Cells:	33cells in series(3x 11)
Construction:	High-transmission low-iron tempered glass , EVA, TPE
Frame:	Anodized aluminum is mainly for improving corrosion resistance. Color: silver

Output

Cable	LAPP(4mm ²)
Lengths	900(+) and 900(-)
Connector	MC IV Plug

Module Warranty:

25-year limited warranty of 80% power output;

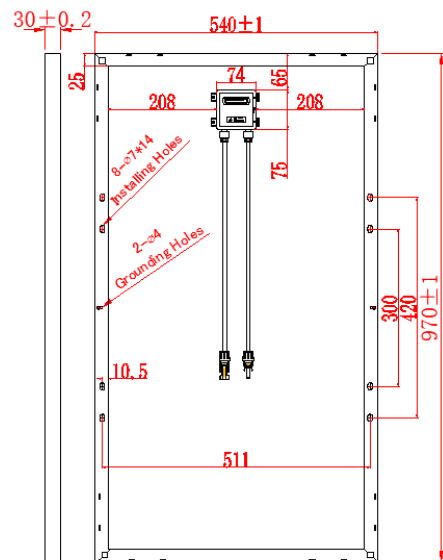
10-year limited warranty of 90% power output;

5-year limited warranty of materials and workmanship.

Note: This publication summarizes product warranty and

Specifications which are subject to change without notice

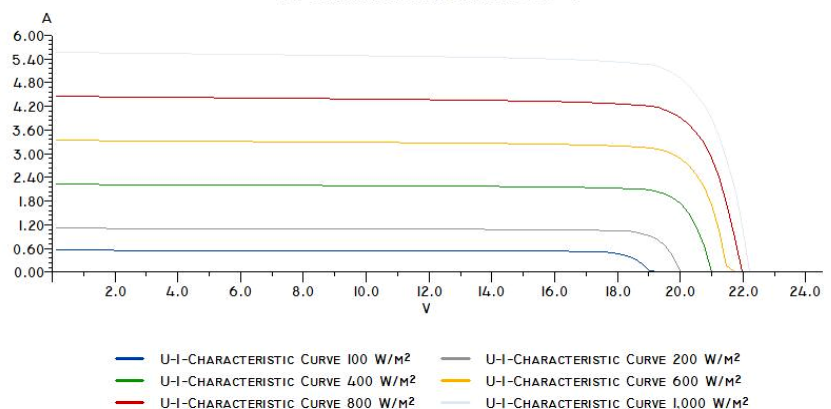
Product photos are for reference only, on behalf of actual product.



Frame thickness: 0.9±0.12MM
Treatment for frame: Anodized.

Module Diagram

U-I-CHARACTERISTIC CURVE AT 25 °C



Electrical Performance