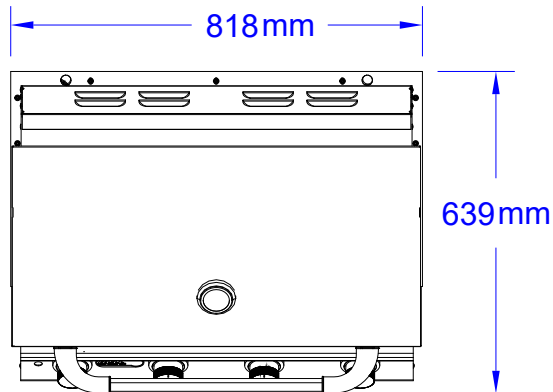
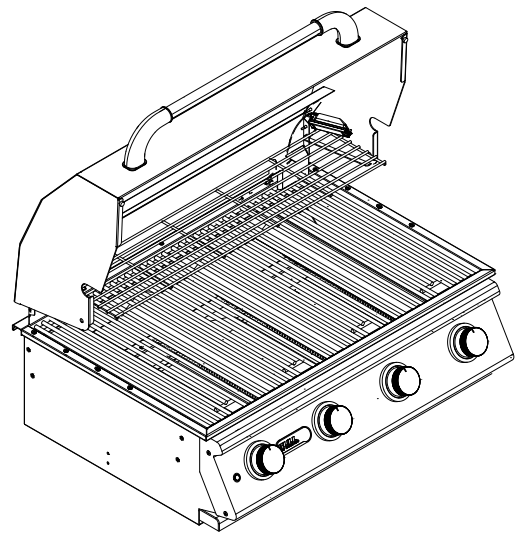




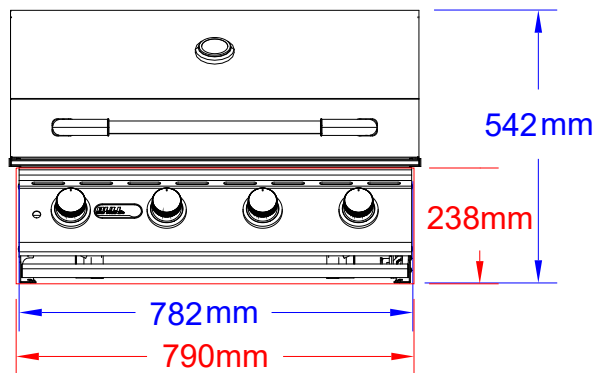
ITEMS: #87048CE LP, #87049CE NG  
LONESTAR GRILL



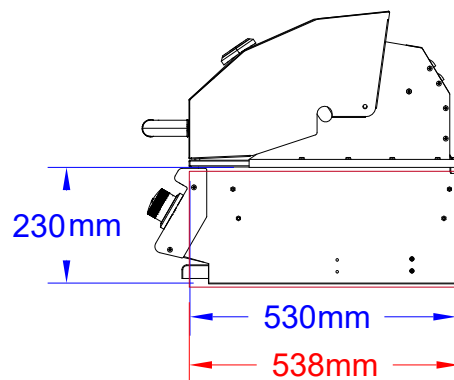
Top View



Isometric View



Front View



Side View

SPEC SHEET NOTES:

1. **CUTOUT DIMENSIONS: 790L x 538D x 238H**
2. SCALE: 1 : 15 ( Printer page scaling none, do not use fit to printable area option )
3. VISION: 08/2018