

# PRODUCT TECHNICAL DATASHEET

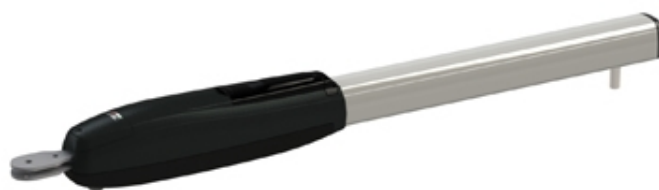
# SMARTY4/HS

Brushless 

Intensive use 

High Speed 

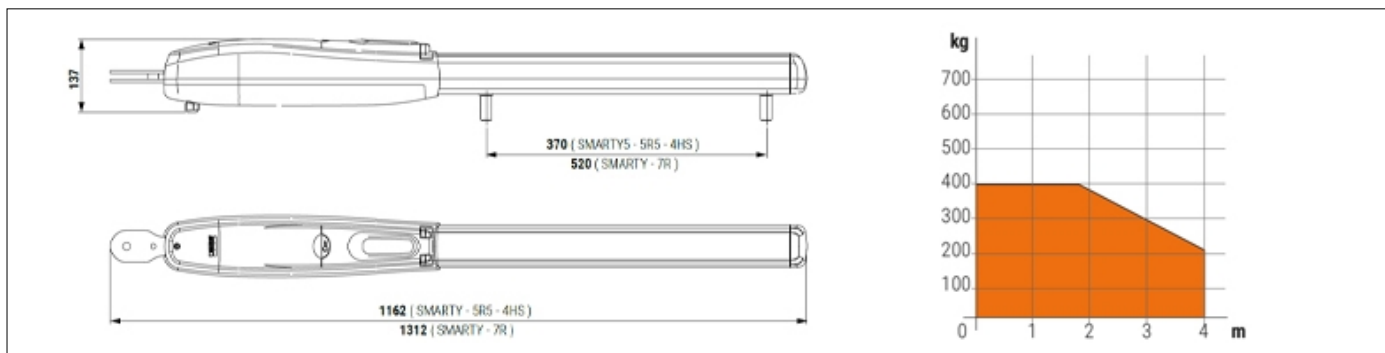
Digital Encoder 



CODE	DESCRIPTION	PCS/PALLET
SMARTY4/HS	Electromechanical actuator HIGH SPEED BRUSHLESS, low voltage, super intensive use. Irreversible. For swing gates with gate leaf up to 4 m.	36

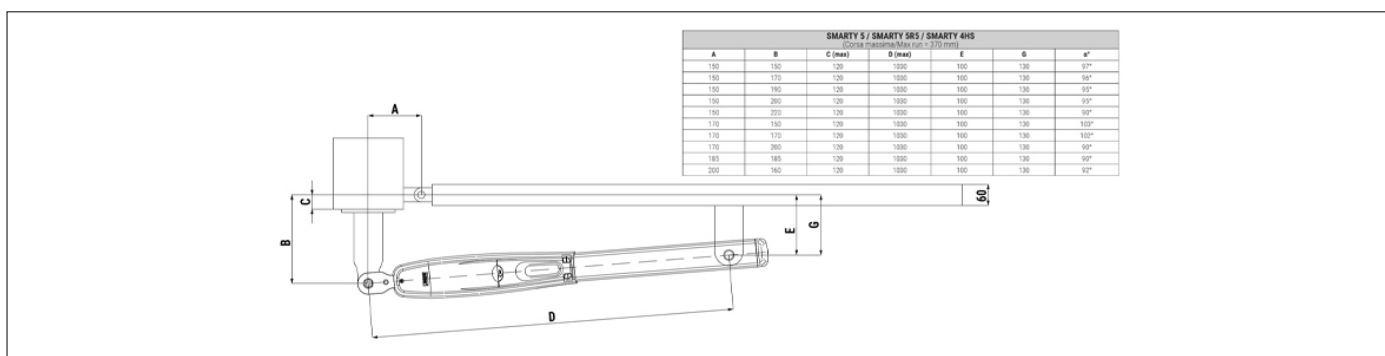
PRODUCT TECHNICAL SPECIFICATIONS	
Power line supply	230V AC - 50Hz
Motor power supply	36V
Power rating	200W
Frequency of use	Intensive use
Thrust	600 - 4500N
Operating temperature	-20 C° +55 C°
Protection level	IP44
Reductor Type	Irreversible
Manoeuvre speed	2 - 1 cm/s
Opening time	15-25 s
Stroke	370 mm
Limit switch	Mechanical stopper in opening and closing
Recommended digital controllers	230V: EDGE1/BOX - 115V: EDGE1/BOX/115
Encoder	Digital native encoder SENSORLESS 48 PPR
Operating cycles per day (opening/closing - 24 hours no stop)	1000
Maximum dimension product in mm (L x W x H)	1162 x 116 x 165
Product weight packed (Kg)	16
Number items per pallet	36

# PRODUCT DIMENSIONS AND PREPARING FOR INSTALLATION



DIMENSIONS

# PRODUCT PREPARING FOR INSTALLATION



PREDISPOSITION FOR STANDARD INSTALLATION

# PRODUCT ACCESSORIES



**B71/PBX36/BOX**  
Hybrid inverter, "Network Assisted" version, for powering the automation. Also provides a battery-charger function thanks to the connection to the solar panels or mains supply for powering the 36V DC brushless digital controllers with a mains voltage of 230V AC.



**B71/PBX36/BOX/115**  
Hybrid inverter, "Network Assisted" version, for powering the automation. Also provides a battery-charger function thanks to the connection to the solar panels or mains supply for powering the 36V DC brushless digital controllers with a mains voltage of 115V AC.



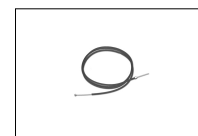
**B71/PBX/BOX**  
Hybrid inverter, "Full Solar" version, for powering the automation. Also provides a battery-charger function thanks to the connection to the solar panels for powering the brushless digital controllers.



**MC782**  
Kit 2 mechanical stop SMARTY series.



**RL669**  
Kit for release from outside without handle for series SMARTY.



**RL671**  
Metallic wire length 3 m for release from outside.



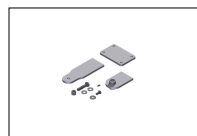
**SMARTY/EMA**  
Module Encoder Magnetic Absolute for SMARTY Series.



**B74/BCONNECT**  
Module WI-FI B-CONNECT - Remote management and programming system in IP and CLOUD web browser mode via WI-FI hot spot P2P connection for Brushless control units (B70/2ML - EDGE1 - CTRL - CTRL/P - B70/1DC - B70/1DCHP - B70/1T - B70/1THP).



**RL670**  
European cylinder key for release system series SMARTY - BIONIK.



**KT237**  
Kit 3 hinge plates short, to weld, for series SMARTY5 - SMARTY5RS.



**R99/C/001AL**  
Signboard "Automatic Opening" Aluminium version.



**R99/C/001**  
Signboard "Automatic Opening".