

# PRODUCT TECHNICAL DATASHEET

# FIFTHY/230

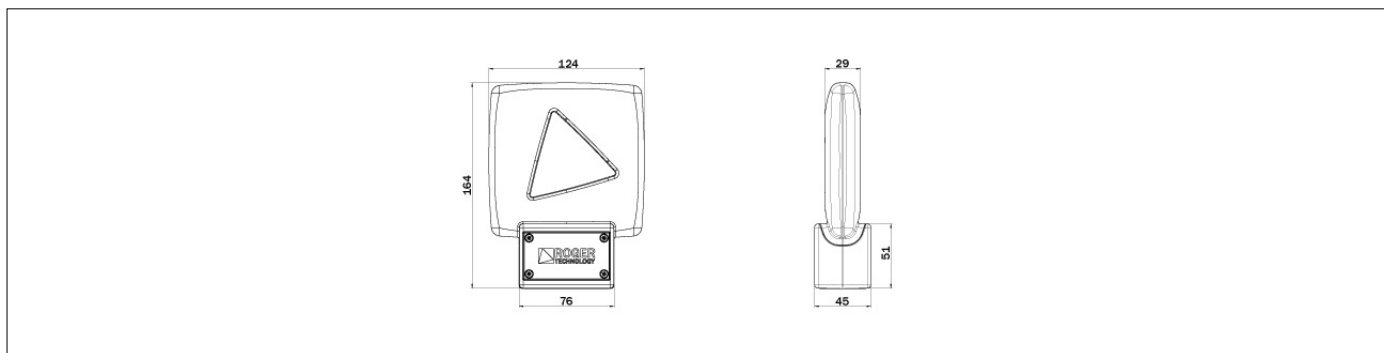
230V AC 



CODE	DESCRIPTION	PCS/PALLET
FIFTHY/230	LED flashing light series FIFTHY 230V - 115V with integrated antenna.	

PRODUCT TECHNICAL SPECIFICATIONS	
Standard power	230V AC - 115V AC +/- 10%
Operating temperature	-20+55 °C
Protection level	IP55
Max flashing light charge	6,5W
Tuning frequency	433.920 MHz
Modulation	1Hz
Type of light	24 LED
Maximum dimension product in mm (L x W x H)	124 x 45 x 164
Product weight packed (Kg)	0.3

# PRODUCT DIMENSIONS AND PREPARING FOR INSTALLATION



DIMENSIONS

## PRODUCT ACCESSORIES



KT243

Fixing plate for flashing light  
FIFTY series.