



RRP \$429

132cm (52")
Blade span

180
RPM

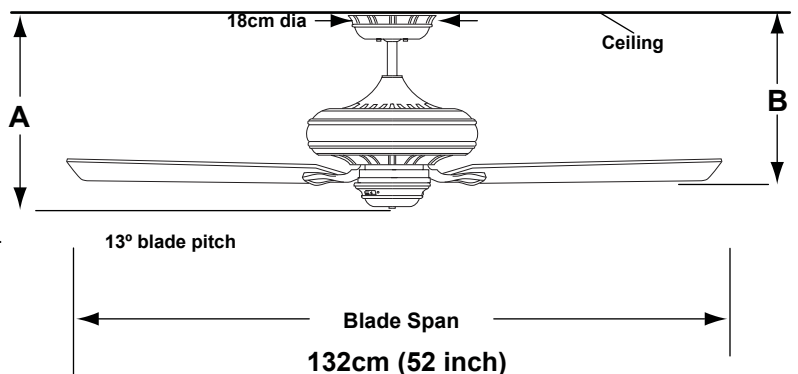
63 W
Energy usage

- + Enjoy superior performance in a timeless style that can interplay with contemporary and classic design schemes
- + Engineered to run quietly for a lifetime there is minimal maintenance required on the weather-resistant plastic blades
- + High performance 188 x 15mm motor designed for powerful cooling, with the housing completely covered with a rust-resistant paint finish inside and out
- + Patented interlocking blade holder system delivers superior structural integrity and a clean finish, with the blades engineered from a weather-resistant polymer to withstand the elements

| | |
|------------------|-----------------------------|
| Fan Speed | 180 RPM |
| Airflow | 10,080 m ³ / hr |
| Efficiency | 160 m ³ / hr / W |
| Energy usage (W) | 63 W |
| Location | Indoor & Outdoor |
| Wall Control | Included |
| Remote Control | Available |
| Light Adaptable | Yes |
| Mounting angle | Up to 30° |

| For ceilings | Downrod (Ø21 mm) | A | B |
|--------------|--------------------|--------|--------|
| 2.4m – 3m | 12 cm (4.5 inch)* | 36 cm | 31 cm |
| 3m – 4m | 90 cm (36 inch) # | 114 cm | 109 cm |
| 4m – 5.5m | 180 cm (72 inch) # | 204 cm | 199 cm |

* Standard downrod included with fan. # Optional downrod available for purchase.



Net hanging weight: 9.8 kg

THREE YEAR | **ONSITE WARRANTY**

fanSync Compatible

FV52OB

FV52WW

Fan finish



Oil-rubbed Bronze

High quality, carbon stamped steel fan housing, switch cup and ceiling canopy in Oil-rubbed Bronze with all-weather Walnut blades



Appliance White

High quality, carbon stamped steel fan housing, switch cup and ceiling canopy in Appliance White with all-weather White blades

Motor

- High performance 188 x 15mm motor designed for powerful cooling
- Vertical and horizontal motor balancing minimizes fan wobble
- High performance and efficient operation
- Hardware is stainless steel and steel components are zinc plated for corrosion resistance
- Housing completely covered with a rust-resistant paint finish – inside and out

Blades & Span

- 132cm (52”) blade span with a 13° blade pitch for optimal airflow/efficiency
- Patented interlocking blade holder system delivers superior structural integrity and a clean finish
- Blades are moulded with a weather-resistant polymer that withstands the elements
- All blades are balanced to within one gram for wobble-free operation

Mounting

- Hanging ball and bracket made from die-cast zinc for durable wear allows up to 30° slope
- Extra safe, triple-locking unthreaded downrod system
- For sloped ceilings over 30°, sloped ceiling kit [SCB52] and longer downrods available

| | Oil-rubbed Bronze | Appliance White | RRP |
|-----------------|-------------------|-----------------|----------|
| 90cm (36 inch) | CFDR3OB | CFDR3WW | \$55.00 |
| 180cm (72 inch) | CFDR6OB | CFDR6WW | \$100.00 |

Controls

Wall Control



INCLUDED

Three-speed wall control (without face plate) for basic fan operation

Remote Controls



RC4

Three-speed remote control (fan and light) with optional dimmer
\$90.00



RC9

fanSync Bluetooth remote control (fan and light) with dimming
\$149.00

Location

- IP24 rated for use in wet, damp and indoor locations

Lighting

Clear/Frosted Mosaic
\$210.00



G422

Amber/Brown Mosaic
\$210.00



G426

Amber
\$210.00



G450

White Frost
\$210.00



G456