

SILO CERAMIC SCONCE

Silo is a slipcast stoneware ceramic wall sconce with integral LED lighting, suitable for residential and commercial spaces.



Technical Details

Dimensions	Ø200 x 95mm (incl. bulb)
Material	Stoneware, Glass
LED	Cree Integral LED
Bulb	ø80mm Matte Opal Glass Sphere
Input Voltage	6V via 240V remote driver
CRI	90
Wattage	2W
Lumens	350lm approx
Colour Temperature	2700K 3000K
Dimming	Phase-cut, DALI other dimming types on request
Warranty	3 Years

Create a Custom Sconce

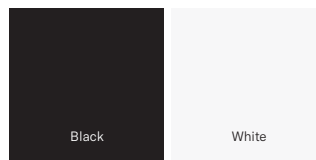
Design	Silo Ceramic Sconce	SC
Ceramic Finish	Gloss White	GW
	Speckled Satin White	SW
	Natural Terracotta	TE
	Matte Black	MB
Wall Plate Finish	White	WP
	Black	BP
LED Colour Temperature	2700K	27K
	3000K	3K

Example Code: SC - GW - WP - 27K

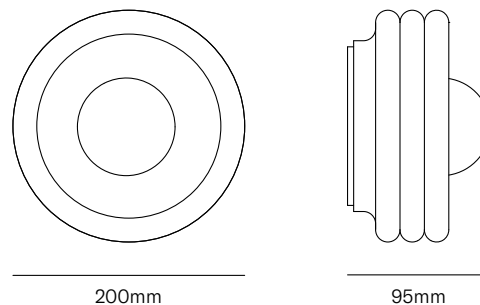
Ceramic Finish



Wall Plate Finish



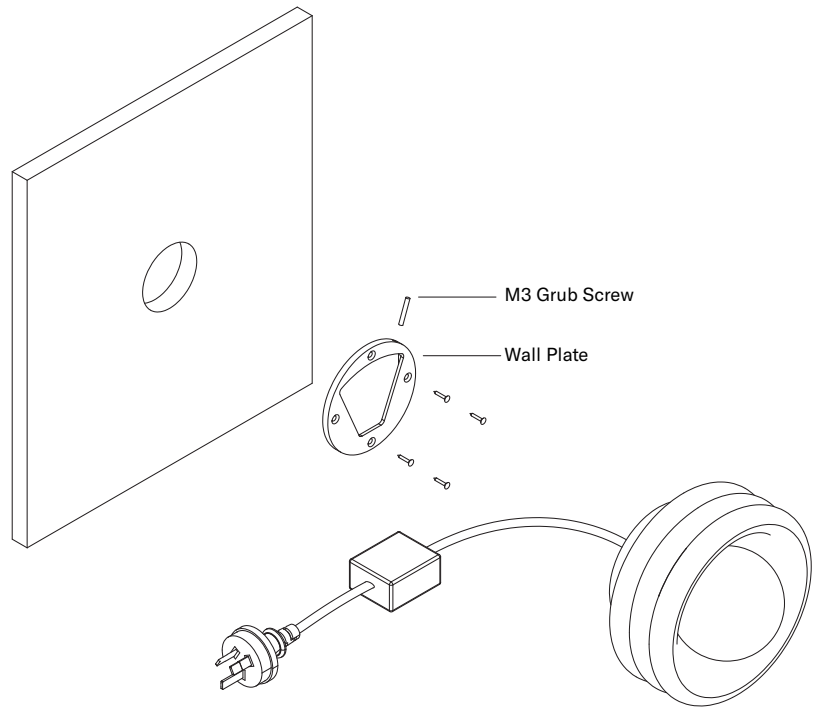
Dimensions



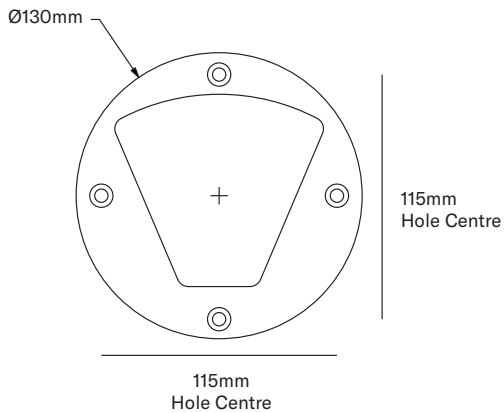
SILO CERAMIC SCONCE

Installation Details

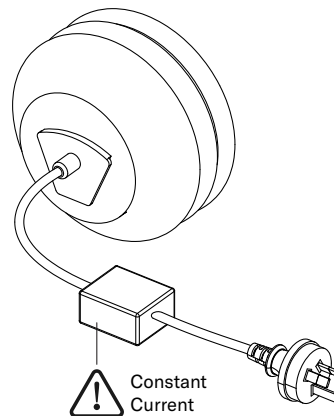
1. Prep the wall with a (minimum) 40mm hole.
2. Screw the wall plate onto the wall with the appropriate fasteners for the wall material.
3. Terminate cables appropriately. The transformer needs to be accessible for maintenance purposes.
4. Mount the timber body to the wall plate using the attached bracket. Secure the two brackets together using the M3 grub screw. (A suitable hex key is supplied)
5. Test installation meets the requirements of AS/NZS 3000.



Wall Plate Details



Driver Details



Warranty only valid when installed with the supplied driver.