



RRP \$429

152cm (60")
Blade span

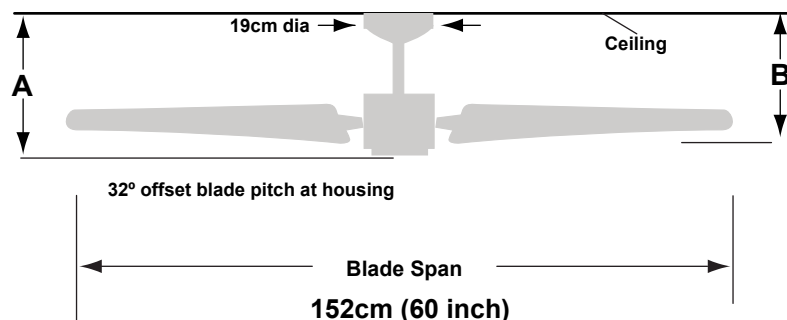
214
RPM

77 W
Energy usage

- + High performance 188 x 15mm, 16-pole motor designed for powerful cooling
- + Crafted from polypropylene (a high grade plastic), the Loft's blades are chemical-resistant, easy to clean and quieter than metal blades
- + 152 cm (60") blade span with 32° offset blade pitch, each blade is balanced to within one gram for wobble-free operation
- + Patented all-weather aerodynamic, high efficiency blade design ensures powerful airflow

Fan Speed	214 RPM
Airflow	12,790 m ³ / hr
Efficiency	166 m ³ / hr / W
Energy usage (W)	77 W
Location	Indoor
Wall Control	Included
Remote Control	Available
Light Adaptable	No
Mounting angle	Up to 30°

For ceilings	Downrod 21mm dia	A	B
2.4m – 3m	15 cm (6 inch)	33 cm	33 cm
3m – 4m	90 cm (36 inch)	111 cm	111 cm
4m – 5.5m	180 cm (72 inch)	201 cm	201 cm



Net hanging weight: 7.6 kg

THREE YEAR | **ONSITE WARRANTY**

FL65BS

FL65BQ

FL65WW

Fan finish



Brushed Steel

High quality, carbon stamped steel fan housing and ceiling canopy in Brushed Steel with matching all-weather blades



Barbeque Black

High quality, carbon stamped steel fan housing and ceiling canopy in Barbeque Black with matching all-weather blades



Appliance White

High quality, carbon stamped steel fan housing and ceiling canopy in Appliance White with matching all-weather blades

Location

Suitable for indoor use only

Suitable for indoor use only

Suitable for indoor use only

Motor

- High performance 188 x 15mm, 16-pole motor designed for powerful cooling and high RPMs
- Vertical and horizontal motor balancing minimizes fan wobble
- High performance and efficient operation
- Motor is hot varnished for longer life and the stator is pre-heated to ensure an evenly insulated motor
- High quality, shielded stainless bearings and precision copper wire for smooth, quiet operation

Blades & Span

- 152cm (60") blade span with a 32° offset blade pitch at housing for optimal airflow/efficiency
- Patented all-weather aerodynamic, high efficiency airfoil blade design ensures impressive airflow
- Blades are moulded from a chemical-resistant high-grade polymer to help endure the elements
- All blades are balanced to within one gram for wobble-free operation

Mounting

- Hanging ball and bracket made from die-cast zinc for durable wear allows up to 30° slope
- Extra safe, triple-locking unthreaded downrod system
- For sloped ceilings over 30°, sloped ceiling kit [SCB52] and longer downrods available

	Brushed Steel	Barbeque Black	Appliance White	RRP
90cm (36 inch)	CFDR3BS	CFDR3BQ	CFDR3WW	\$55.00
180cm (72 inch)	CFDR6BS	CFDR6BQ	CFDR6WW	\$100.00

Controls

Wall Control



INCLUDED

Three-speed wall control (without face plate) for basic fan operation

Remote Controls



RC4

Three-speed remote control (fan and light) with optional dimmer
\$90.00



RC9

fanSync Bluetooth remote control (fan and light) with dimming
\$149.00