



# CORAL

## LINEAR QUAD PENDANT (x4)

Designed and Handmade by Oliver Höglund & Ryan Roberts

Elevate your space with the Coral Quad Linear pendant light, a captivating modern centrepiece perfect for dining spaces and over kitchen islands. Four exquisite glass-blown discs are suspended from a beautiful crafted rod structure, available in a selection of finishes including natural brass, steel finish, matte black, matte white, or medium bronze powder coating. Choose from a frosted or clear finish and set the mood of your space with a choice of warm, warm white, or white LED temperatures. Meticulously hand-blown using premium Swedish clear glass, each disc carries the distinctiveness of SOKTAS Glass designs, promising an unparalleled and personalised lighting masterpiece that adds both elegance and character to your space.

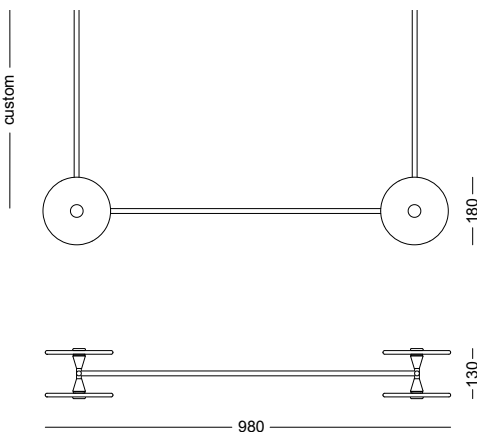
Hand Made in Currumbin, Australia.



### TECHNICAL DATA

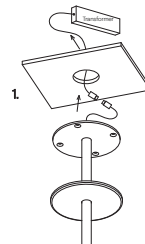
Application	Interior Use Only	Input Power	100 - 240VAC
Glass Colour	Clear / Frosted	Output Voltage (Standard)	12V DC Driver (350mA Constant Current) Supplied with Remote Driver
Rod Suspensions	Natural Brass / Matte Black / Matte White / Steel Finish / Medium Bronze Powdercoat	Dedicated LED	4 x 1W - 350mA (Standard) 4 x 2W - 350mA (additional cost) Lifespan - 60,000+ Hours CRI>90
Ceiling Canopy	Natural Brass / Matte Black / Matte White / Steel Finish / Medium Bronze Powdercoat	Colour Temperature	2700K / 3000K (Standard) / 4000K
Dimensions	Glass Diameter: 180mm Linear Rod: 800mm	Dimming	Yes - Dimmable TRIAC/Phase (Standard) Dimmable DALI (additional cost) Please contact for alternative dimming
Measurement between vertical rods - 800mm		Warranty	24 Months / 2 Years
		Certification	CE / AS/NZS - 60598.2.1

### DIMENSIONS



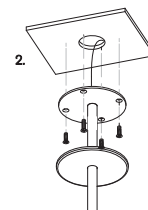
### MOUNTING

#### Installation Instructions

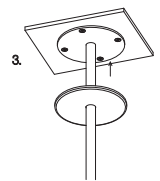


Prep the ceiling with an approx. 50mm hole to fit the transformer. Place the transformer in the ceiling and feed the cable through the hole into the room. Connect the single electrified cable to the transformer.

\*The transformer needs to be accessible for maintenance purposes.



Screw the steel mounting plate to the ceiling using appropriate fasteners for the ceiling substrate.



Secure the magnetic cover plate onto the mounting plate.