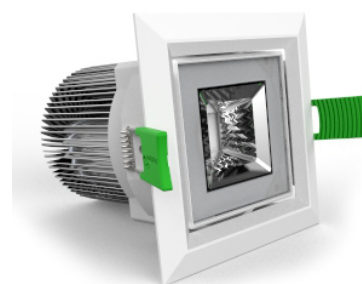


D900.v2 Cube LED downlight

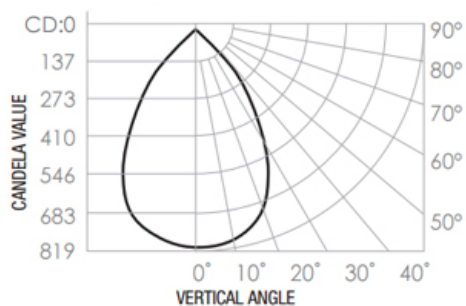
Datasheet



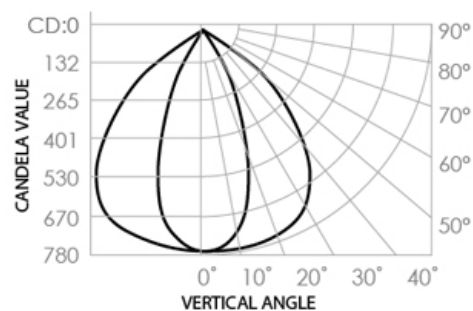
Product codes

Unit: D900	Family: CB	Colour temp. (K): 3K	Beam angle (°): 55 9030	Colour: S (Silver) W (White)
----------------------	----------------------	--------------------------------	--------------------------------------	---

Photometrics



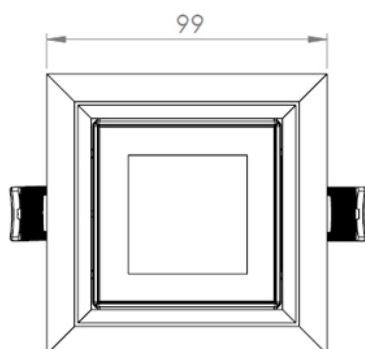
Lumen output: 927lm
 Colour temp.: 3000K
 Efficacy: 51lm/W
 Beam angle: 55°



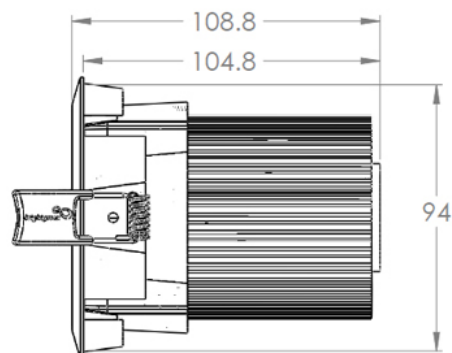
Lumen output: 904lm
 Colour temp.: 3000K
 Efficacy: 50lm/W
 Beam angle: 90/30°

Dimensions (mm)

Front view



Side view



Physical

Weight: 730g	Gimbal angle: ±15°	Warranty: 7 years
------------------------	------------------------------	-----------------------------

Electrical

Input voltage: 220-240V	Power usage: 18.2W	Driver power factor: >0.98	IP rating: IP44	Surge protection: 3100
Cable length: 1.5m	Dimmable: Yes	Driver: BG- DRV:A-900/20-V3		

Operational

Operating temp.: -30 to 85°C	Average temp.: 60°C	Ambient temp.: -28 to 70°C	Lifetime: 70000 hrs (@TA25)	Thermal rating: IC
--	-------------------------------	--------------------------------------	---------------------------------------	------------------------------

Compatibility

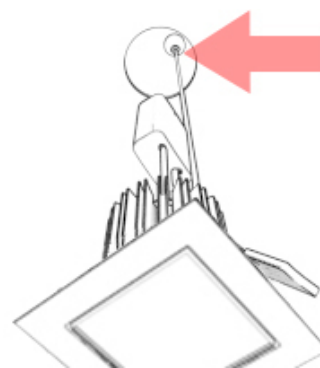
Recommended Dimmers:
Clipsal, Universal
Clipsal, Trailing Edge
Legrand 400T, Trailing Edge

*Compatible with many centralised control systems such as Clipsal C-Bus. All systems are unique, please call 1300 672 499 for advice on your installation.

Installation

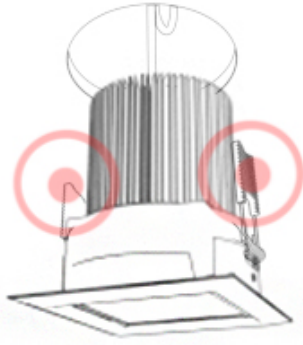


Step 1
Using a 94mm holesaw, cut a hole in the ceiling at the desired location.



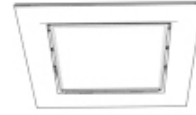
Step 2
Plug the driver to a mains socket located in the ceiling cavity.

Installation



Step 3

Lift the springs up, and insert the D900.v2 CB in the hole cutout.



Step 4

Installation complete.