

FOSSIL CORAL WALL SCONCE WITH BRASS WALL ROSE

INSTALLATION INSTRUCTIONS
FOR DOME + TUBE IN SMALL



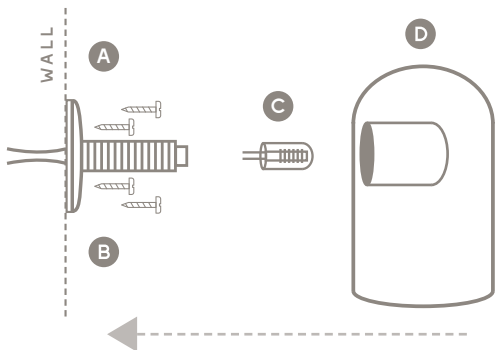
12V+ G4 GLOBE

(2.5W LED 270° LAMP INPUT VOLTAGE 12VDC)
MUST BE INSTALLED BY A LICENSED ELECTRICIAN

MAROVO
ISLAND TRADERS

PRODUCT COMPONENTS

- A. 1X BRASS WALL PLATE WITH SILICONE SEAL (WITH 12V WIRING AND G4 LAMP HOLDER)
- B. 4X SCREWS
- C. 1X G4 GLOBE (12V) WARM WHITE 2.5 WATTS
- D. 1X FOSSIL CORAL DOME LIGHT SHADE (MED) WITH GLOBE DIFFUSER ATTACHED INSIDE



INSTALLATION

1. CONNECT WIRES ON THE BRASS WALL PLATE TO A 12V DRIVER
2. SCREW BRASS WALL PLATE ONTO WALL WITH SILICONE SEAL PRESSED AGAINST THE WALL
3. SLIDE G4 GLOBE ONTO LAMP HOLDER
4. WIND FOSSIL CORAL LIGHT SHADE ONTO WALL PLATE UNTIL SECURE. DO NOT FORCE TOO TIGHTLY. THE GLOBE WILL SIT INSIDE THE GLOBE DIFFUSER WHICH IS ATTACHED TO THE INSIDE OF THE SHADE

NATURAL VARIATION IN CHARACTER

All Fossil Coral products are hand-crafted with unique variations in character and detail. The expressions of sacred geometry are never the same and the natural imperfections evoke the timeless rare antiquity.

Fossil Coral is a type of natural stone that forms over millions of years from the gradual accumulation of ancient coral and other organic materials. These variations in colour, pattern, fracture lines and texture and are not considered to be defects but rather celebrations of the beauty and uniqueness of each piece.

We take great care in selecting high-quality Fossil Coral for our products, and we strive to ensure that each item we produce meets our high standards of quality and craftsmanship. However, because of the natural variations in the stone, no two pieces will be exactly alike.

PRODUCT CARE

Fossil Coral light shades may be gently dusted or removed from electrical components and hand washed in warm soapy water.

HELLO@MAROVOISLANDTRADERS.COM

MAROVOISLANDTRADERS.COM

WARRANTY

Thank you for purchasing our hand-crafted Fossil Coral lights. We take great pride in the quality of our products and are confident that you will enjoy your new purchase for years to come. Our Fossil Coral lights are covered by a limited warranty for 12 months from the date of purchase.

The warranty covers faulty defects in materials and workmanship under normal use. Please note, that the warranty excludes light bulbs and does not cover damage caused by misuse, breakages or accidents. All Marovo Island Traders lights must be installed by a certified electrician.

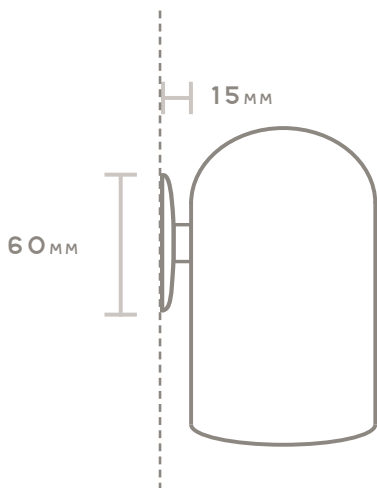
If you believe that your Fossil Coral light has a defect covered by this warranty, please contact us to initiate a warranty claim including your proof of purchase. Upon receipt of your claim, we will review the information provided and may request additional information or photos of the product. If we determine that your Fossil Coral light is covered by the warranty, we will repair or replace the product at our discretion.

Please do not hesitate to contact us with any queries about your precious piece.

HELLO@MAROVOISLANDTRADERS.COM

MAROVOISLANDTRADERS.COM

WALL SCONCE SPECIFICATIONS WITH BRASS WALL SCONCE



SHADE SIZES (MM):

DOME:

SML: 130D X 140H

TUBE:

SML: 140D X 130H