



BERMUDA

SUSPENDED / MOSS

84 BELGRAVE STREET
BRONTE NSW
AUSTRALIA
2024

INFO@MARZDESIGNS.COM
+61 450 190 016

WWW.MARZDESIGNS.COM

BERMUDA

SUSPENDED / MOSS

DESCRIPTION

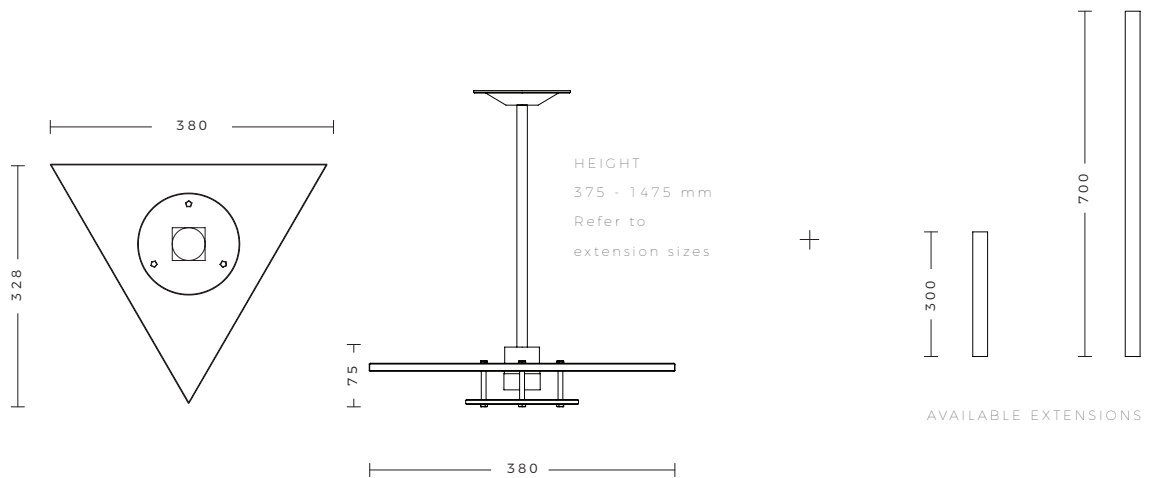
The equilateral form of the Bermuda allows the design to be infinitely tessellated to create an impressive centerpiece installation, when in use and when switched off. The modular designs pay homage to the quality and characteristics of raw materials. The natural colour or vein variations in the marble make each piece truly unique.

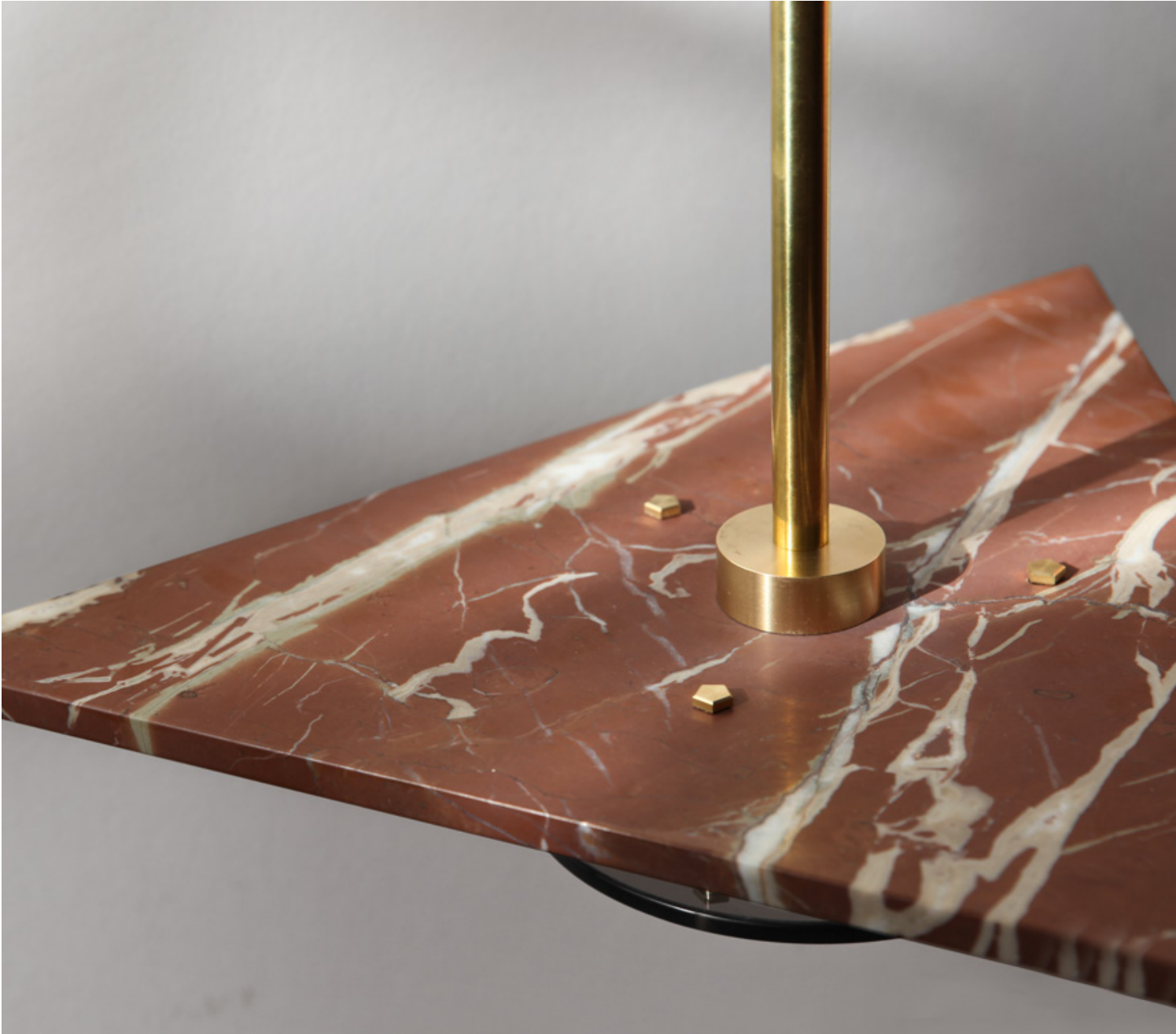
SPECIFICATIONS

MATERIALS	Moss Marble Brass Hardware Bronze tint glass
FINISHES	Honed marble plate, with bronze glass diffuser
VOLTAGE	Maximum Voltage and Wattage DC12V / 10W
IP	IP 20 (indoor only)
GLOBE	3000K Warm White 3W Crystal Light LED
WEIGHT	2kgs
LEAD TIME	Stock Held Otherwise 6 weeks
INSTALLATION	Suspended - Must be installed by a qualified electrician
CARE	Marble reacts, on contact, with any acid so special care must be taken when handling. If dust or other debris has accumulated on the marble, dilute a gentle dish soap in a little warm water and use a soft cloth to clean. Never use vinegar on marble and avoid using acidic or abrasive cleaners.

DIMENSIONS

(mm)





BERMUDA

SUSPENDED / OCHRE

84 BELGRAVE STREET
BRONTE NSW
AUSTRALIA
2024

INFO@MARZDESIGNS.COM
+61 450 190 016

WWW.MARZDESIGNS.COM

BERMUDA

SUSPENDED / OCHRE

DESCRIPTION

The equilateral form of the Bermuda allows the design to be infinitely tessellated to create an impressive centerpiece installation, when in use and when switched off. The modular designs pay homage to the quality and characteristics of raw materials. The natural colour or vein variations in the marble make each piece truly unique.

SPECIFICATIONS

MATERIALS	Ochre Marble Brass Hardware Bronze tint glass
FINISHES	Honed marble plate, with bronze glass diffuser
VOLTAGE	Maximum Voltage and Wattage DC12V / 10W
IP	IP 20 (indoor only)
GLOBE	3000K Warm White 3W Crystal Light LED
WEIGHT	2kgs
LEAD TIME	Stock Held Otherwise 6 weeks
INSTALLATION	Suspended - Must be installed by a qualified electrician
CARE	Marble reacts, on contact, with any acid so special care must be taken when handling. If dust or other debris has accumulated on the marble, dilute a gentle dish soap in a little warm water and use a soft cloth to clean. Never use vinegar on marble and avoid using acidic or abrasive cleaners.

DIMENSIONS (mm)

