



BERMUDA

WALL LIGHT

BRONTE NSW
AUSTRALIA
2024

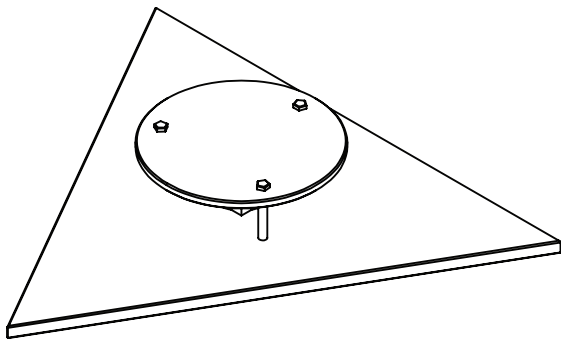
INFO@MARZDESIGNS.COM
+61 450 190 016

WWW.MARZDESIGNS.COM

BERMUDA COMPONENTS

WALL LIGHT

DESCRIPTION



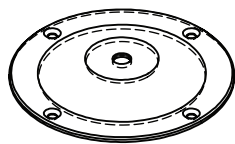
1x



1x



1x

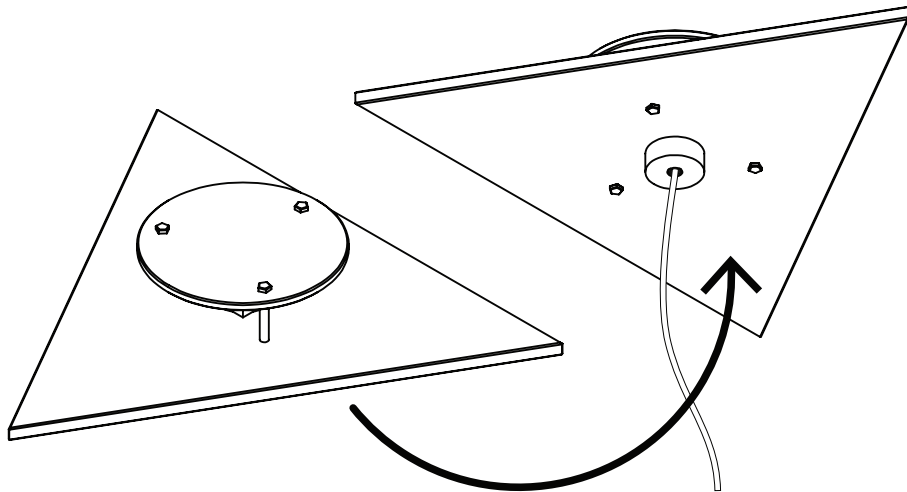


1x



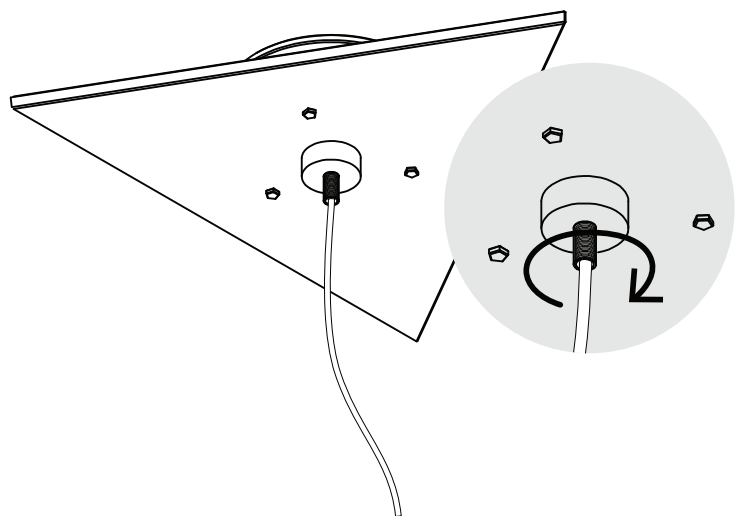
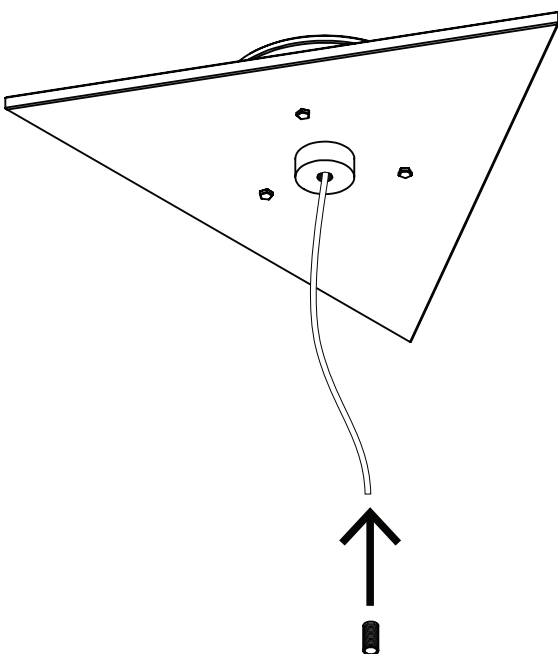
1x

STEP 1



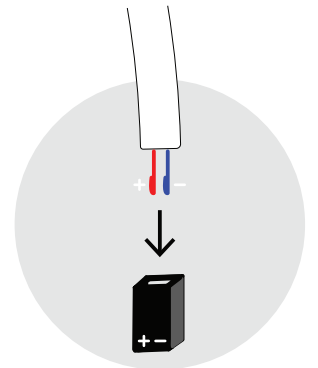
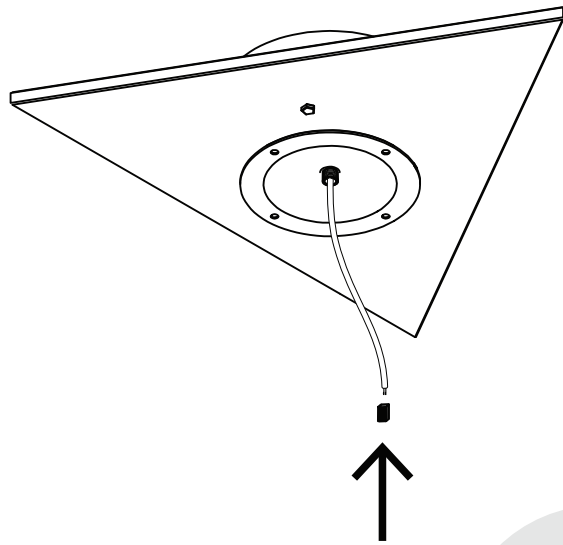
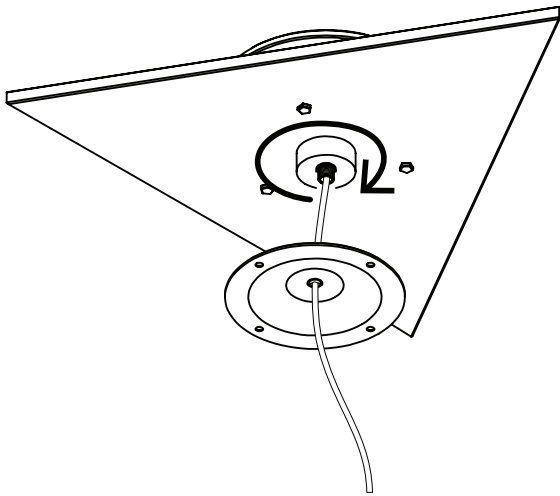
STEP 2

STEP 3



STEP 4

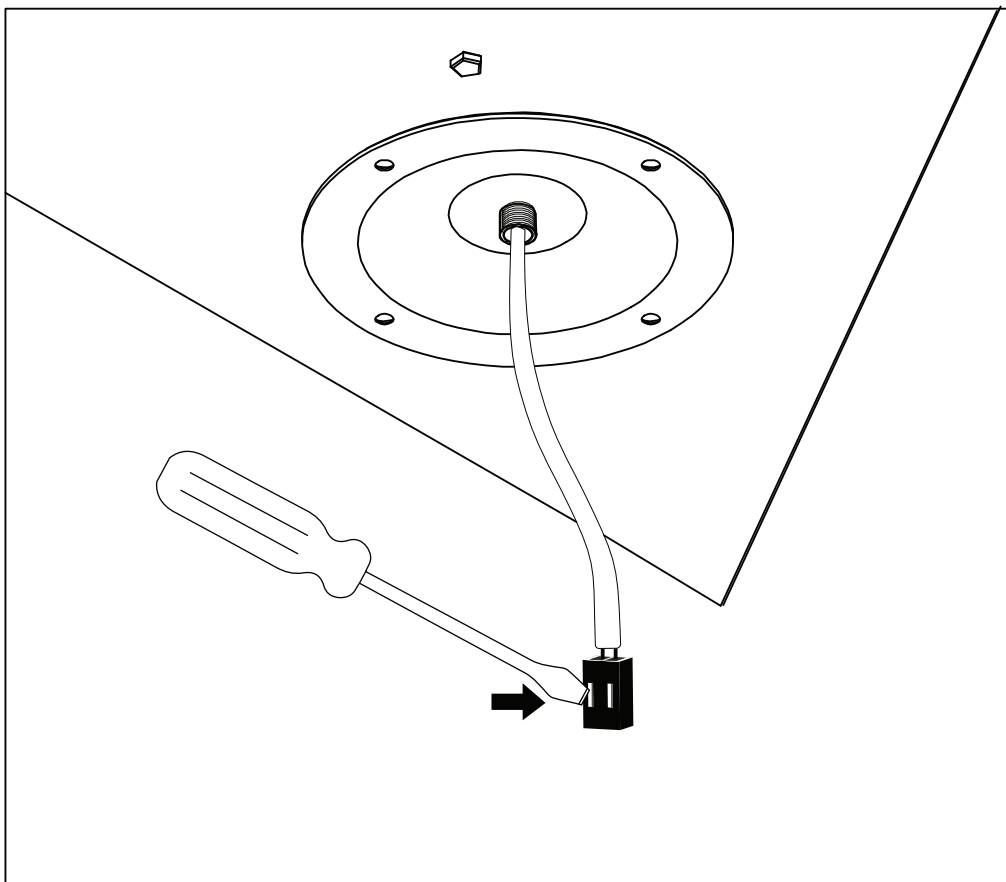
STEP 5



STEP 6



IMPORTANT
Push down both sides with a sharp
object to lock cord in place.



STEP 7



NEXT STEPS

Electrical installation work may only be carried out by a authorised electrical contractor. Contact your local electricity authority for advice.

The luminaire must be permanently installed in the electric system and placed in the correct zone.

Different materials require different types of fittings. Always choose screws and plugs that are specially suited to the material.