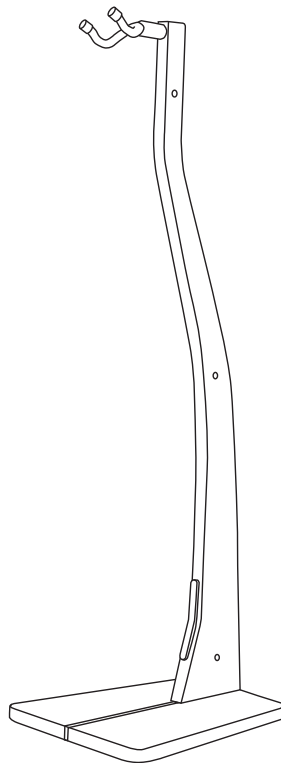




Solid Wood Guitar Stand
CHG15 • MAG15 • MHG15
OWNER'S MANUAL



Thank You and Congratulations on your SoThere USA GuitarStand purchase.

Man, you got some good taste!

Read these instructions fully before assembly and use of the stand. Visit our website at www.sothereusa.com for the most recent version of this manual. Make sure there are no defective or missing parts. Do not use defective parts. If there is hardware missing, or if you are uncertain whether the part is defective, email SoThere USA directly at support@sothereusa.com. SoThere USA cannot be liable for property damage or injury caused by incorrect assembly or use of this product.



CAUTION

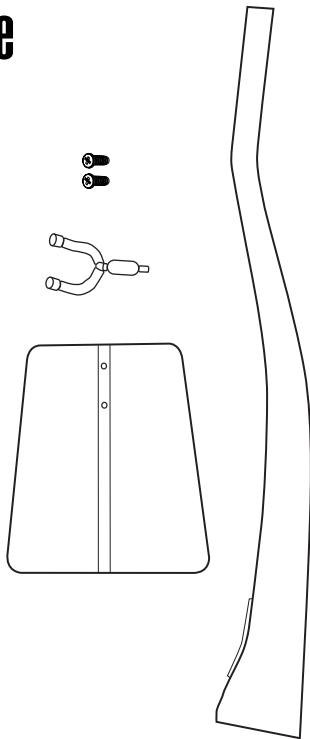
The maximum loading weight is 15 lbs (6,8 kg). This stand is intended for use only with a guitar as indicated. Use with other products may result in instability causing possible injury. Do not use this product for any purpose other than to hold a guitar as outlined in this manual. Improper assembly may cause damage to your guitar or serious injury. Don't be a dumb ass. If you're not sure how to use this product, contact us.



See assembly and care video online at:
www.sothereusa.com

Supplied Parts and Hardware

- 1 - Arm
- 1 - Base
- 1 - String Swing Yoke
- 2 - Screws
- 1 - Owner's Manual
(which you are reading... good job!)

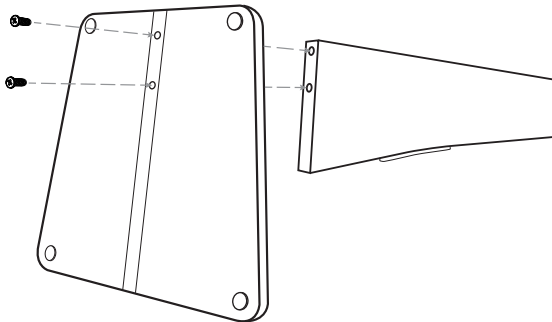


If any of these parts are damaged or missing,
please contact support@sothereusa.com

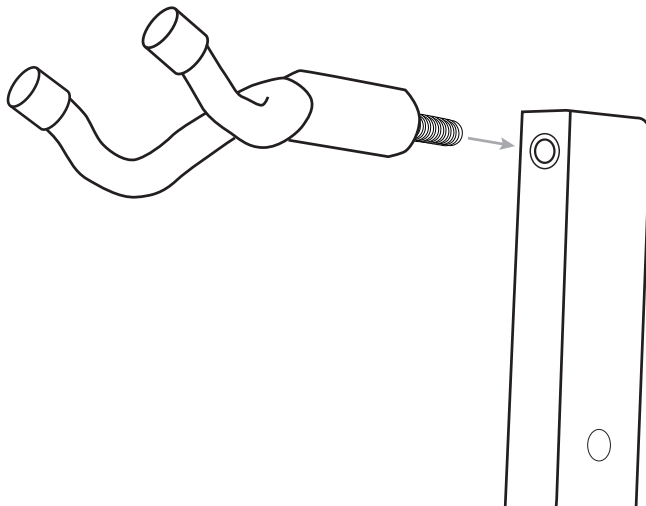
Assembly Instructions

(That even a lead singer can follow)

- 1 Work on a clean soft surface. Carpet is great. Be careful not to ding the stand.
- 2 Use a Phillips screwdriver and the two screws to secure the base and arm.
DO NOT OVERTIGHTEN - you can crack the wood. Maybe not a job for a drummer.



- ③ The hanger or yoke at the top of the stand should move slightly. **DO NOT OVERTIGHTEN.** Again, keep the drummer away from this.



Care Instructions

Our stands are rugged and durable, but we do have a few pointers on keeping them looking and working great.

Avoid placing your stand in direct Sunlight – Those pesky UV rays can damage and bleach the wood.

It's best not to use commercial polishes or waxes. Instead, re-oil periodically with lemon oil. We suggest once a week for the first month, once a month for the first year and once a year thereafter. This regular oiling will deepen the finish and enhance the natural beauty of the wood. And it just feels good.

Like scotch, your SoThere USA Stand gets even better with age if you take care of it. The hand-rubbed oil finish hardens in the wood, not on the wood. Protect your investment. Re-oil the wood.

Here are a few other tips to help you care for your awesome new stand:

Water – Be very careful using water to clean your stand. Wood should never get wet or soaked. Water can cause swelling, warping or staining and we all know how painful that can be.

Low Humidity – Wood is very sensitive to changes in humidity and is constantly expanding and contracting. Excess heat and dryness can cause wood to split or crack. Avoid this bummer.

Dusting – Use a clean, washable cloth made of soft, lint-free cotton or micro-fiber. Please, do not use your nasty old T-shirt unless it's been properly laundered.

Thank you for choosing SoThere USA to improve your life

Warranty Registration

To register your guitar stand for the
Limited Lifetime Warranty,
please visit WWW.SOTHEREUSA.COM
and claim your FREE GIFT!

SO THERE™
SO THERE USA.COM

So There's where all the cool stuff is....