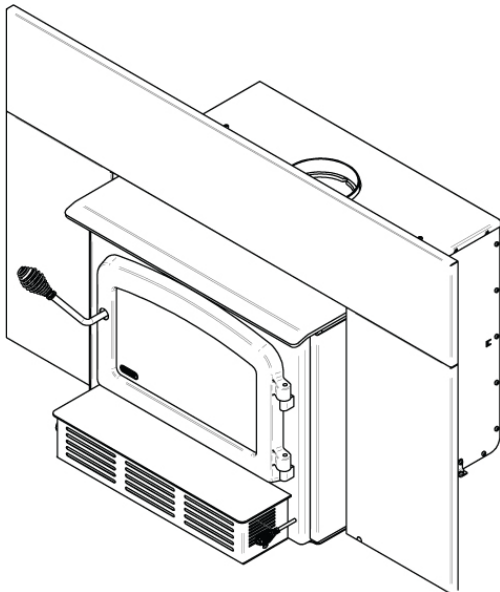




Installation and Operation Manual

Escape 1800-I Insert

(DB03125, DB03127K and DB03128K models)



US ENVIRONMENTAL PROTECTION
AGENCY PHASE II CERTIFIED
WOOD INSERT COMPLIANT WITH
2020 CORD WOOD STANDARD

Safety tested according to ULC S628,
UL 737 and UL 1482 Standards
by an accredited laboratory

EPA
 ≤ 2.5 g/h

www.drolet.ca

Stove Builder International Inc.

250, De Copenhague, St-Augustin-de-Desmaures
(Quebec) Canada G3A 2H3

After-sale service: 1-877-356-6663 E-mail: tech@sbi-international.com



This manual is available for free download on the manufacturer's web site. It is a copyrighted document. Re-sale is strictly prohibited. The manufacturer may update this manual from time to time and cannot be responsible for problems, injuries, or damages arising out of the use of information contained in any manual obtained from unauthorized sources.

READ AND KEEP THIS MANUAL FOR REFERENCE

THANK YOU FOR CHOOSING THIS DROLET WOOD INSERT

As one of North America's largest and most respected wood stove and fireplace manufacturers, Stove Builder International takes pride in the quality and performance of all its products. We want to help you get maximum satisfaction as you use this product.

In the pages that follow you will find general advice on wood heating, detailed instructions for safe and effective installation, and guidance on how to get the best performance from this insert as you build and maintain fires and maintain your wood heating system.

We recommend that our wood burning hearth products be installed and serviced by professionals who are certified in the United States by NFI (National Fireplace Institute®) or in Canada by WETT (Wood Energy Technology Transfer) or in Quebec by APC (Association des Professionnels du Chauffage).

Congratulations on making a wise purchase.

If this insert is not properly installed, combustible materials near it may overheat. To reduce the risk of fire, follow the installation instructions in this manual exactly. Contact local building or fire officials about restrictions and installation inspection requirements in your area.

Please read this entire manual before you install and use your new insert. You may need to get a building permit for the installation of this insert and the chimney that it is connected to. Consult your municipal building department or fire department before installation. We recommend that you also inform your home insurance company to find out if the installation will affect your policy.

This heating unit is designed to serve as a supplementary heat source. We recommend that a primary heat source also be available in the home. The manufacturer cannot be responsible for costs associated with the use of another heating system.

Dealer : _____

Installer : _____

Phone number : _____

SERIAL NUMBER: _____

Table of content

| | |
|--|-----------|
| PART A - OPERATION AND MAINTENANCE | 7 |
| 1. Safety Information | 7 |
| 2. General Information..... | 8 |
| 2.1 Appliance performance ⁽¹⁾ | 8 |
| 2.2 Specifications | 9 |
| 2.3 EPA Certification Loading | 11 |
| 2.4 Zone Heating and How to Make It Work for You | 12 |
| 2.5 The Benefits of Low Emissions and High Efficiency..... | 13 |
| 2.6 The SBI Commitment to You and the Environment..... | 13 |
| 2.6.1 What is Your New Insert Made Of?..... | 13 |
| 3. Fuel | 14 |
| 3.1 How to Prepare or Buy Good Firewood..... | 14 |
| 3.1.1 What is Good Firewood? | 14 |
| 3.1.2 Tree Species..... | 14 |
| 3.1.3 Log Length..... | 15 |
| 3.1.4 Piece Size..... | 15 |
| 3.1.5 How to Dry Firewood | 15 |
| 3.1.6 Judging Firewood Moisture Content | 16 |
| 3.2 Manufactured Logs..... | 17 |
| 4. Operating Your Insert..... | 17 |
| 4.1 The use of a fire screen..... | 17 |
| 4.2 Your First Fires..... | 17 |
| 4.3 Lighting Fires..... | 18 |
| 4.3.1 Conventional Fire Starting | 18 |
| 4.3.2 The Top Down Fire | 18 |
| 4.3.3 Two Parallel Logs | 19 |
| 4.3.4 Using Fire Starters | 19 |
| 4.4 Maintaining Wood Fires..... | 19 |
| 4.4.1 General Advice | 19 |
| 4.4.2 Ash Removal..... | 20 |
| 4.4.3 Raking Charcoal | 20 |
| 4.4.4 Firing Each New Load Hot | 20 |
| 4.4.5 Turning Down the Air Supply | 21 |
| 4.5 Blower Operation | 22 |
| 4.5.1 Building Different Fires for Different Needs..... | 22 |

- 5. Maintaining Your Wood Heating System.....24**
 - 5.1 Insert Maintenance..... 24
 - 5.1.1 Cleaning Door Glass..... 24
 - 5.1.2 Door Adjustment 25
 - 5.1.3 Replacing the Door Gasket..... 25
 - 5.1.4 Replacing the Glass Gasket and/or the Glass 26
 - 5.1.5 Door Alignment 27
 - 5.1.6 Cleaning and Painting the Insert..... 28
 - 5.2 Chimney and Chimney Liner Maintenance..... 28
 - 5.2.1 Why Chimney Cleaning is Necessary 28
 - 5.2.2 How Often Should You Clean the Chimney? 28
 - 5.2.3 Cleaning the Chimney..... 29
- PART B - INSTALLATION30**
- 6. Pre-Installation Masonry fireplace requirements30**
- 7. Safety Information31**
 - 7.1 Regulations Covering Insert Installation..... 31
- 8. Clearances to Combustible Material.....32**
 - 8.1 Location of the Certification Label..... 32
 - 8.2 The Masonry Fireplace’s Draft Control System (Throat Damper) 32
 - 8.3 Installation of a Combustible Mantel Shelf 33
 - 8.4 Floor protection 33
 - 8.4.1 Installation raised 5" and less 34
 - 8.4.2 Installation raised more than 5"..... 35
 - 8.4.3 R Value 35
 - 8.5 Minimum Masonry Opening, Clearances to Combustibles, and Floor Protector .. 37
- 9. The Venting System39**
 - 9.1 General 39
 - 9.2 Block-Off Plate 39
 - 9.3 Suitable Chimneys 40
 - 9.4 Liner Installation 40
 - 9.5 Chimney Liner Installation 41
 - 9.5.1 If the chimney liner does align with the insert’s flue outlet, you have two options. 41
 - 9.5.2 If the chimney liner does not align with the insert’s flue outlet 42
 - 9.6 Minimum Chimney Height 42
 - 9.7 The Relationship Between the Chimney and the House 42
 - 9.7.1 Why the Chimney Should Penetrate the Highest Heated Space 43

9.8 Supply of Combustion Air 43

9.8.1 Air Supply in Conventional Houses 43

Appendix 1: Blower Installation44

Appendix 2: Optional Fresh Air Intake Kit Installation.....45

Annexe 3 : Installation des reteneurs de bûches46

**Appendix 4: Optional Faceplate and Decorative Trims
Installation47**

Appendix 5: Optional Cuttable Faceplate Installation.....50

Appendix 6: Optional Fire Screen Installation51

Appendix 7: Secondary Air Tubes and Baffle Installation.....52

Appendix 8: Removal instructions.....53

Appendix 9: Exploded Diagram and Parts List.....54

DROLET LIMITED LIFETIME WARRANTY57


REGISTER YOUR WARRANTY ONLINE

To receive full warranty coverage, you will need to show evidence of the date you purchased your insert. Keep your sales invoice. We also recommend that you register your warranty online at:

<https://www.drolet.ca/en/warranty/warranty-registration/>

Registering your warranty online will help us to quickly track the information we need about your insert.

Certification Label



Intertek
Control number: 4002461
(March/Mars 2018)

REFER TO INTERTEK'S DIRECTORY OF BUILDING PRODUCTS FOR DETAILED INFORMATION
SE RÉFÉRER AU RÉPERTOIRE DES PRODUITS HOMOLOGUÉS D'INTERTEK POUR PLUS D'INFORMATION

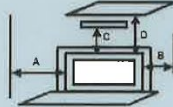
STANDARDS / NORMES D'ESSAI:
 Certified to / Certifié selon ULC S628
 Certified to / Certifié selon UL 1482
 Certified to / Certifié selon UL 737
 Certified to/Certifié selon CSA B415.1
 Certified to/Certifié selon ASTM E3053
 Certified to/Certifié selon ASTM E2515

LISTED SOLID FUEL BURNING INSERT APPLIANCE
APPAREIL ENCASTRABLE À COMBUSTIBLE SOLIDE HOMOLOGUÉ
MODEL / MODÈLE :
ESCAPE 1800-I

Serial Number / No. de Série: **999998**

Clearances to combustibles / Dégagements aux combustibles

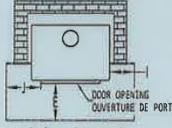
Measured from Insert body / Mesuré à partir de la chemise de l'encastable



Biower / Ventilateur:
115VOLTS, 0.8 AMPS, 60Hz

| | |
|---|---|
| Combustible side wall / Mur côté adjacent Combustible side surround [1] / Parement latéral combustible [1] Combustible top surround [1] / Parement supérieur combustible [1] Combustible mantle shelf [1] / Tablette combustible [1] | A: 16 in./po. (406 mm) B: 9 in./po. (229 mm) C: 27 in./po. (686 mm) D: 27 in./po. (686 mm) |
|---|---|

Floor protection / Protection de plancher



E: 16 in./po. (406 mm) USA
 I: 18 in./po. (457 mm) CANADA
 J: 8 in./po. (203 mm) CANADA
 J: 8 in./po. (203 mm) USA


PREVENT HOUSE FIRES

- Install and use only in accordance with the manufacturer's Installation and operating Instructions.
- Contact local building or fire officials about restrictions and installation inspection in your area.
- Use with solid wood fuel only. Do not use other fuels.
- Risk of smoke and flame spillage. Operate only with door closed or door open with screen door installed. Open door or remove screen door only to feed the stove.
- Do not connect this unit to a chimney serving another appliance.
- Install only in masonry fireplaces. Do not remove bricks or mortar from masonry fireplace.
- This stove must be installed as a freestanding heater with the clearances listed in the manufacturer's Installation Instructions. It is strictly forbidden to install this stove in a factory-built fireplace.
- The non-combustible floor protection in front of the unit should have an R value equal or greater than 1.00 extending 23 inches (584 mm) in front of the insert if the hearth elevation is lower than 5 inches (127 mm) or extend 16 inches (406 mm) (USA), 18 inches (457 mm) (CANADA) without a R value if the hearth elevation is higher than 5 inches (127 mm).
- Connect to a code-approved masonry chimney or listed factory-built fireplace chimney with a direct flue connector into the first chimney liner section.
- Do not overfire. If stove or chimney connector glows, you are overfiring.
- Inspect and clean chimney frequently. Under certain conditions of use, creosote buildup may occur rapidly.
- Do not use grate or elevate fire. Build wood fire directly on hearth.
- Replace glass only with ceramic glass.
- This wood heater needs periodic inspection and repair for proper operation. Consult the owner's manual for further information. It is against US federal regulations to operate this wood heater in a manner inconsistent with the operating instructions in the owner's manual.

PRÉVENEZ LES INCENDIES


- Installer et utiliser conformément au manuel d'utilisation du fabricant.
- Contacter les autorités de votre localité ayant juridiction concernant les restrictions et inspections d'installation.
- Utiliser avec le bois seulement. Ne pas utiliser d'autres combustibles.
- Risque de fuite de fumée et de flammes. Utiliser l'appareil la porte fermée ou ouverte avec le pare-étincelle en place uniquement. Ouvrir la porte ou retirer le pare-étincelle seulement lors du chargement.
- Ne pas raccorder à un conduit de fumée servant déjà pour un autre appareil.
- Installer seulement dans un foyer de maçonnerie. Ne pas enlever les briques ou le mortier du foyer de maçonnerie.
- Ce poêle doit être installé comme appareil de chauffage autonome avec les dégagements indiqués dans les instructions d'installation du fabricant. Il est strictement défendu d'installer ce poêle dans un foyer préfabriqué.
- La protection de plancher incombustible au devant de l'encastable devrait avoir un facteur d'isolation R égal ou supérieure à 1,00 et se prolonger 23 pouces (584 mm) au devant de l'appareil lorsque l'âtre possède moins de 5 pouces (127 mm) d'élévation et se prolonger 16 pouces (406 mm) (USA), 18 pouces (457 mm) (CANADA), sans facteur d'isolation R au devant de l'encastable lorsque l'âtre possède plus de 5 pouces (127 mm) d'élévation.
- Raccorder à une cheminée de maçonnerie respectant les codes ou à une cheminée préfabriquée homologuée, directement à la première section de cheminée gainée.
- Ne pas surchauffer. Si l'appareil ou le tuyau rougit, il y a surchauffe.
- Inspecter et nettoyer la cheminée fréquemment. Dans certaines conditions, la formation de crésote peut être rapide.
- Ne pas utiliser de chenets ou de grilles pour élever le feu. Préparer le feu directement sur l'âtre.
- Remplacer la vitre avec un verre de céramique.
- Cet appareil de chauffage requiert des inspections et réparations périodiques. Consulter le manuel de l'utilisateur pour plus d'information. Opérer cet appareil de chauffage de façon inconsistente par rapport au manuel de l'utilisateur consiste une violation de la loi fédérale (USA).

U.S. ENVIRONMENTAL PROTECTION AGENCY Certified to comply with 2020 particulate emission standards using cordwood.
 AGENCE DE PROTECTION DE L'ENVIRONNEMENT DES É.-U. Conforme aux normes d'émission de particules de 2020 avec bûche de bois.
 Weighted average emission rate: / Moyenne pondérée des émissions: 2.3 g/h
 Tested and certified in compliance with CFR 40 part 60, subpart AAA, section 60.534(a)(1)(ii).
 WARNING: This product can expose you to carbon monoxide, which is known to the State of California to cause cancer, birth defects or other reproductive harm.
 (For more information go to www.p65warnings.ca.gov)



CAUTION

- HOT WHILE IN OPERATION.
- DO NOT TOUCH. KEEP CHILDREN, CLOTHING AND FURNITURE AWAY.
- CONTACT MAY CAUSE SKIN BURNS. SEE NAME-PLATE AND INSTRUCTIONS.




ATTENTION

- CHAUD EN FONCTIONNEMENT.
- NE PAS TOUCHER. GARDER LES ENFANTS, LES VÊTEMENTS ET LES MEUBLES ÉLOIGNÉS.
- UN CONTACT AVEC LA PEAU PEUT OCCASIONNER DES BRÛLURES. VOIR LES INSTRUCTIONS.

R27723

Made in St-Augustin-de-Desmaures (Qc), Canada / Fabriqué à St-Augustin-de-Desmaures (Qc), Canada

05/10/2022 (# Test) / 05/10/2022 (# Test)



Fabricant de poêles international / Stove Builder International

PART A - OPERATION AND MAINTENANCE

Please see Part B for installation instructions.

1. Safety Information

- Operate only with the door fully closed or fully open with the fire screen in place. If the door is left partly open, gas and flame may be drawn out of the opening, creating risks from both fire and smoke.
- **HOT WHILE IN OPERATION, KEEP CHILDREN, CLOTHING AND FURNITURE AWAY. CONTACT MAY CAUSE SKIN BURNS. GLOVES MAY BE NEEDED FOR INSERT OPERATION.**
- Using an insert with cracked or broken components, such as glass or firebricks or baffles may produce an unsafe condition and may damage the insert.
- Open the air control fully before opening the loading door.
- This insert has been tested for use with an open door in conjunction with a fire screen, sold separately. The door may be opened, or fire screen removed only during lighting procedures or reloading. Always close the door or put back on the fire screen after ignition. Do not leave the insert unattended when the door is opened with or without a fire screen.
- **NEVER USE GASOLINE, LANTERN FUEL (NAPHTHA), FUEL OIL, MOTOR OIL, KEROSENE, CHARCOAL LIGHTER FLUID, OR SIMILAR LIQUIDS OR AEROSOLS TO START A FIRE IN THIS INSERT. KEEP ALL SUCH LIQUIDS OR AEROSOLS WELL AWAY FROM THE INSERT WHILE IT IS IN USE.**
- Do not store fuel within heater minimum installation clearances.
- Burn only seasoned natural firewood.
- This wood heater needs periodic inspection and repair for proper operation. It is against federal regulations to operate this wood heater in a manner inconsistent with operating instructions in this manual
- This appliance should be maintained and operated at all times in accordance with these instructions.
- Do not elevate the fire by means of grates, and irons or other means.
- A smoke detector, a carbon monoxide detector and a fire extinguisher should be installed in the house. The location of the fire extinguisher should be known by all family members.



WARNING: This product can expose you to chemicals including carbon monoxide, which is known to the State of California to cause cancer, birth defects or other reproductive harm. For more information go to www.P65warnings.ca.gov/

2. General Information

2.1 Appliance performance⁽¹⁾

| | | |
|--|--|----------------------------|
| Fuel type | Dry cordwood | |
| Recommended heating area ^[*] | 500 to 2,100 ft ² (47 to 195 m ²) | |
| Overall firebox volume ⁽²⁾ | 2.4 ft ³ (0.068 m ³) | |
| EPA loading volume | 1.95 ft ³ (0.055 m ³) | |
| Maximum burn time ^[*] | 8 h | |
| Maximum heat output ⁽³⁾ (dry cordwood) | 75,000 BTU/h (22.0 kW) | |
| Overall heat output rates (min. to max.) ⁽³⁾⁽⁴⁾ | 14,200 BTU/h to 44,500 BTU/h (4.16 kW to 13.04 kW) | |
| Average overall efficiency ⁽⁴⁾ – Dry Cordwood | 72 % (HHV ⁽⁵⁾) | 77 % (LHV ⁽⁶⁾) |
| Optimum overall efficiency ⁽³⁾⁽⁷⁾ | 79 % | |
| Optimum heat transfer efficiency ⁽⁸⁾ | 76 % | |
| Average particulate emissions rate ⁽⁹⁾ | 2.3 g/h (EPA / CSA B415.1-10) ⁽¹⁰⁾ | |
| Average CO ⁽¹¹⁾ | 69 g/h | |

[*] Recommended heating area and maximum burn time may vary subject to location in home, chimney draft, heat loss factors, climate, fuel type and other variables. The recommended heated area for a given appliance is defined by the manufacturer as its capacity to maintain a minimum acceptable temperature in the designated area in case of a power failure.

(1) Values are as measured per test method, except for the recommended heating area, firebox volume, maximum burn time and maximum heat output.

(2) The overall firebox calculation is an approximation and is not intended to be used for loading. This volume includes a buffer zone to allow an easier fuel insertion, prevent ash spillage and allow the air wash to work properly.

(3) The maximum heat output (dry cordwood) is based on a loading density varying between 15 lb/ft³ and 20 lb/ft³. Other performances are based on a fuel load prescribed by the standard. The specified loading density varies between 7 lb/ft³ and 12 lb/ft³. The moisture content is between 19% and 25%.

(4) As measured per CSA B415.1-10 stack loss method.

(5) Higher Heating Value of the fuel.

(6) Lower Heating Value of the fuel.

(7) Optimum overall efficiency at a specific burn rate (LHV).

(8) The optimum heat transfer efficiency is for the low burn rate and represents the appliance's ability to convert the energy contained in the wood logs into energy transferred to the room in the form of heat and does not take into account the chemical losses during combustion.

(9) This appliance is officially tested and certified by an independent agency.

(10) Tested and certified in compliance with CFR 40 part 60, subpart AAA, section 60.534(a)(1)(ii) and ASTM E3053-17. Based on ALT-125 sent by EPA on February 28th, 2018.

(11) Carbon monoxide.

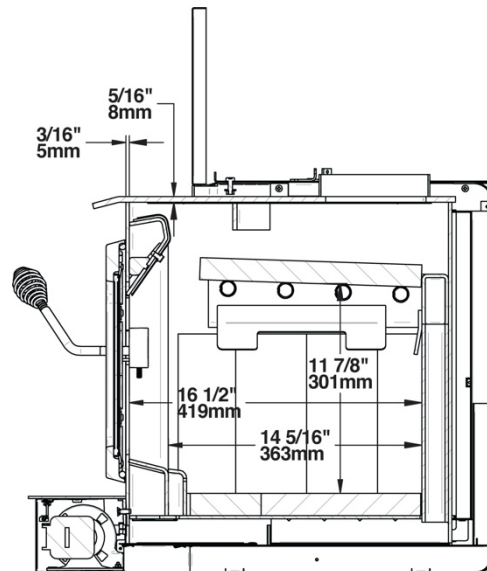
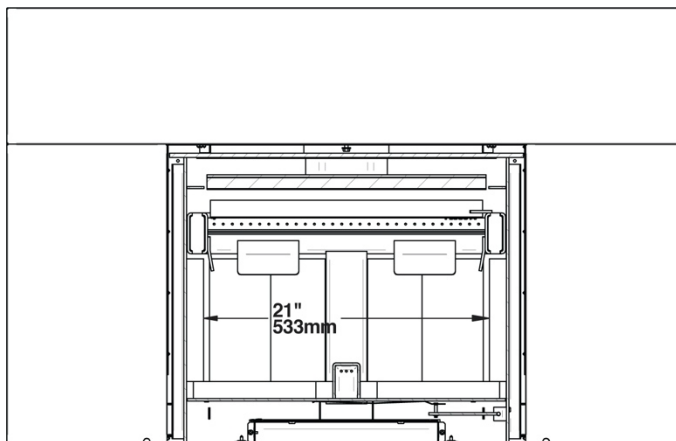
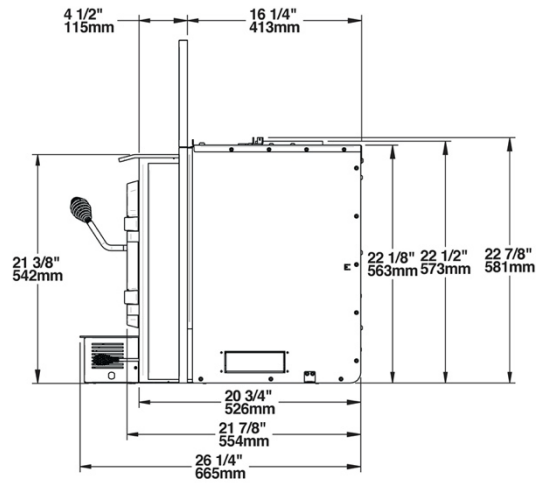
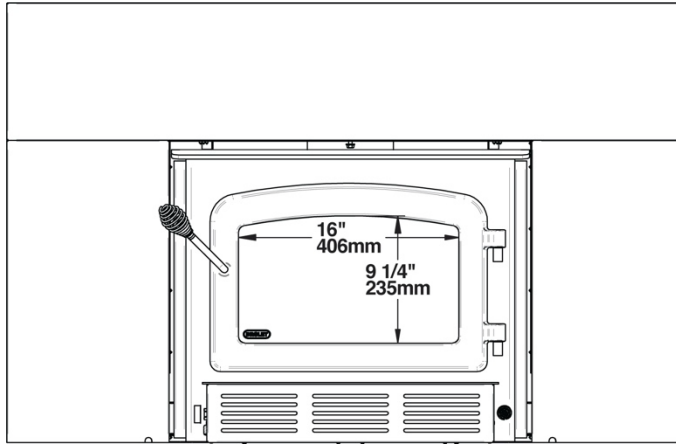
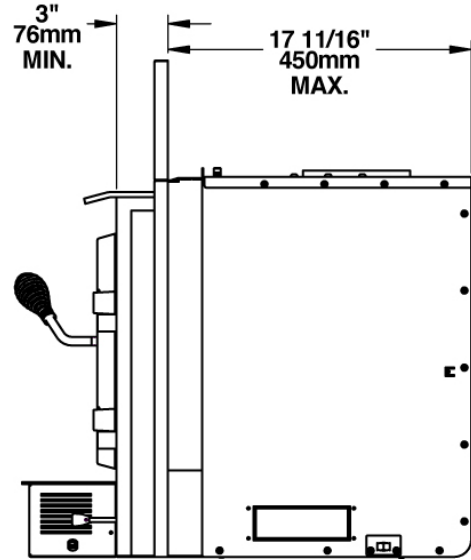
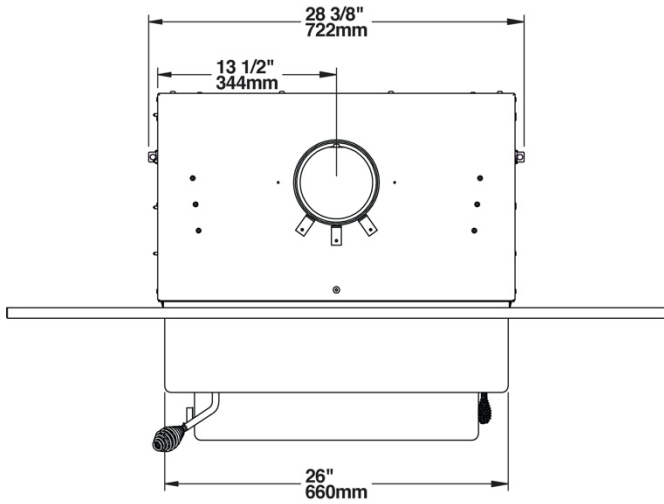
2.2 Specifications

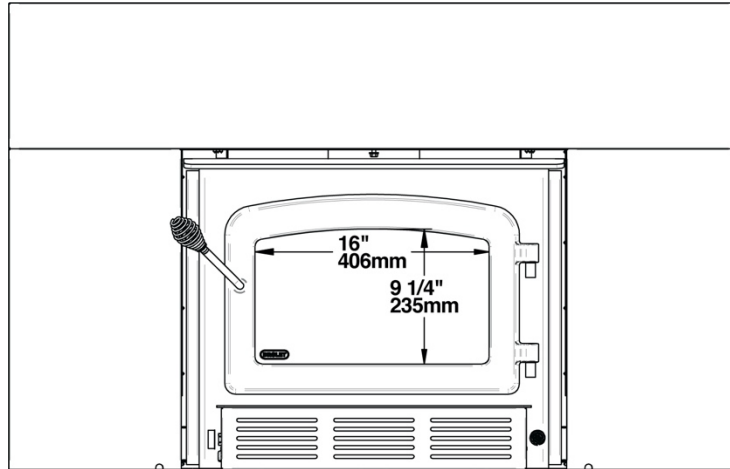
| | |
|--|------------------------------------|
| Recommended log length | 16 in (406 mm) east-west |
| Maximum log length | 20 in (508 mm) east-west* |
| Flue outlet diameter | 6 in (150 mm) |
| Recommended connector pipe diameter | 6 in (150 mm) |
| Type of chimney | ULC-S635, CAN/ULC-S640, UL1777 |
| Minimum chimney height | 12 feet |
| Baffle material | Vermiculite |
| Approved for alcove installation | Not approved |
| Approved for mobile home installation‡ | Not approved |
| Shipping weight (without option) | 392 lb (178 kg) |
| Appliance weight (without option) | 336 lb (152 kg) |
| Type of door | Single, glass with cast iron frame |
| Type of glass | Ceramic glass |
| Blower | Included (up to 144 CFM) |
| Particulate emission standard | EPA / CSA B415.1-10** |
| USA standard (safety) | UL 1482, UL 737 |
| Canadian standard (safety) | ULC S628 |

* *East-west: through the door you see the longitudinal sides of the logs; north-south: through the door you see the tips of the logs.*

** Tested and certified in compliance with CFR 40 part 60, subpart AAA, section 60.534(a)(1(ii) and ASTM E3053-17. Based on ALT-125 sent by EPA on February 28th, 2018.

‡ *Mobile home (Canada) or manufactured home (USA): The US Department of Housing and Urban Development describes “manufactured homes” better known as “mobile homes” as follows; buildings built on fixed wheels and those transported on temporary wheels/axles and set on a permanent foundation. In Canada, a mobile home is a dwelling for which the manufacture and assembly of each component is completed or substantially completed prior to being moved to a site for installation on a foundation and connection to service facilities and which conforms to the CAN/CSA-Z240 MH standard.*





2.3 EPA Certification Loading

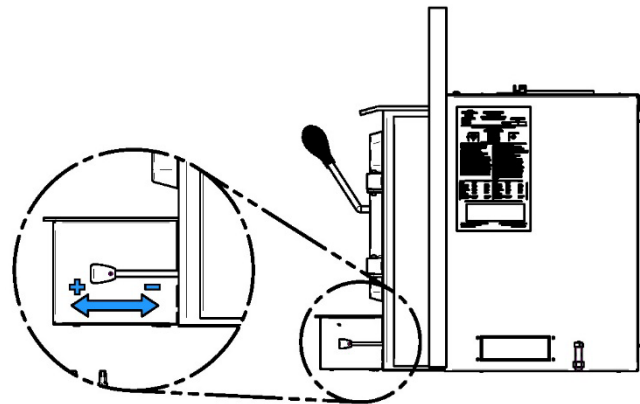
For EPA Certification testing, wood logs were 16 ± 1 inches long and the specie used was hard maple.

2.4.1 Air control

The air control is located underneath the ash shelf. To open the air control, pull the air control handle completely (High). This will increase the burn rate. To close the air control, push the air control handle completely (Low). This will decrease the burn rate.

2.4.2 High burn rate

Open the air control completely. Place height small pieces (2" x 2") of wood in the firebox crossing them at the greatest possible angle. Criss cross 10 to 16 kindling wood pieces on the small pieces of wood in three layers at the greatest possible angle.



Tie knot with five sheets of paper and place them on top of the kindling wood. Light up the paper and let the door ajar at 90° until all the kindling wood is on fire and the first row of small pieces of wood is on fire too. Close the door. When there is no more fire in the front of the firebox and there are only faint flames on the wood in the back of the firebox, break ashes, level the coal bed and put five logs in the firebox. Put 3 pieces on the coal bed, without air space between them. Leave one inch of air space between the rear firebrick and the first piece. The two other pieces should be added on top of the first 3, in an East-West

configuration. Let the door ajar to leave a space of one inch on the door handle's side for 1 minute maximum and then close the door.

2.4.3 Medium and low burn rate

On a two inches thick coal bed that is still red, place three logs in an East-West orientation. There should be air space between each log and between the logs and the bricks. The two other pieces should be added on top of the first three, slightly angled of 20°. Let the door ajar at 90° for approximately 5 min. Then, close the door with the primary air control open. Leave to burn with the primary air control open for approximately 10 more minutes and then close the primary air control completely for the low burn rate and halfway for the medium burn rate. For better results, close the air control gradually from the closing of the door to the complete closing of the air control.

2.4 Zone Heating and How to Make It Work for You

Your new Escape 1800-I wood insert is a space heater, which means it is intended to heat the area it is installed in, as well as spaces that connect to that area, although to a lower temperature. This is called zone heating and it is an increasingly popular way to heat homes or spaces within homes.

Zone heating can be used to supplement another heating system by heating a particular space within a home, such as a basement family room or an addition that lacks another heat source.

Houses of moderate size and relatively new construction can be heated with a properly sized and located wood insert. Whole house zone heating works best when the insert is located in the part of the house where the family spends most of its time. This is normally the main living area where the kitchen, dining and living rooms are located. By locating the insert in this area, you will get the maximum benefit of the heat it produces and will achieve the highest possible heating efficiency and comfort. The space where you spend most of your time will be warmest, while bedrooms and basement (if there is one) will stay cooler. In this way, you will burn less wood than with other forms of heating.

Although the insert may be able to heat the main living areas of your house to an adequate temperature, we strongly recommend that you also have a conventional oil, gas or electric heating system to provide backup heating.

Your success with zone heating will depend on several factors, including the correct sizing and location of the insert, the size, layout and age of your home and your climate zone. Three-season vacation homes can usually be heated with smaller inserts than houses that are heated all winter.

2.5 The Benefits of Low Emissions and High Efficiency

The low smoke emissions produced by the special features inside the Escape 1800-I insert firebox mean that your household will release up to 90 percent less smoke into the outside environment than if you used an older conventional stove. But there is more to the emission control technologies than protecting the environment.

The smoke released from wood when it is heated contains about half of the energy content of the fuel. By burning the wood completely, your insert releases all the heat energy from the wood instead of wasting it as smoke up the chimney. Also, the features inside the firebox allow you to reduce the air supply to control heat output, while maintaining clean and efficient flaming combustion, which boosts the efficient delivery of heat to your home.

The emission control and advanced combustion features of your insert can only work properly if your fuel is in the correct moisture content range of 15 to 20 percent. See **Section 3** of this manual for suggestions on preparing fuelwood and judging its moisture.

2.6 The SBI Commitment to You and the Environment

The SBI team is committed to protecting the environment, so we do everything we can to use only materials in our products that will have no lasting negative impact on the environment.

2.6.1 What is Your New Insert Made Of?

The body of your insert, which is most of its weight, is carbon steel. Should it ever become necessary many years in the future, almost the entire insert can be recycled into new products, thus eliminating the need to mine new materials.

The paint coating on your insert is very thin. Its VOC content (Volatile Organic Compounds) is very low. VOCs can be responsible for smog, so all the paint used during the manufacturing process meets the latest air quality requirements regarding VOC reduction or elimination.

The air tubes are stainless steel, which can also be recycled.

Vermiculite is used for the baffle. Vermiculite is a mineral. Large commercial mines exist in China, Russia, South Africa, and Brazil. Potassium silicate is used as a binder to form a rigid board. Vermiculite can withstand temperatures above 2,000 °F. It is not considered hazardous waste. Disposal at a landfill is recommended.

Lightweight firebrick is made of pumice and cement. Pumice is volcanic rock, a naturally green product found in the Northwest United States. Disposal at a landfill is recommended.

The door and glass gaskets are fibreglass which is spun from melted sand. Black gaskets have been dipped into a solvent-free solution. Disposal at a landfill is recommended.

The door glass is a 4 mm thick ceramic material that contains no toxic chemicals. It is made of natural raw materials such as sand and quartz that are combined in such a way to form a high temperature glass. Ceramic glass cannot be recycled in the same way as normal glass, so it should not be disposed of with your regular household products. Disposal at a landfill is recommended.

3. Fuel

MATERIALS THAT SHOULD NOT BE BURNED

- COAL;
- GARBAGE;
- LAWN CLIPPINGS OR YARD WASTE;
- MATERIALS CONTAINING RUBBER, INCLUDING TIRES;
- MATERIALS CONTAINING PLASTIC;
- WASTE PETROLEUM PRODUCTS, PAINTS OR PAINT THINNERS, OR ASPHALT PRODUCTS;
- MATERIALS CONTAINING ASBESTOS;
- CONSTRUCTION OR DEMOLITION DEBRIS;
- RAILROAD TIES OR PRESSURE-TREATED WOOD;
- MANURE OR ANIMAL REMAINS;
- SALT WATER DRIFTWOOD OR OTHER PREVIOUSLY SALT WATER SATURATED MATERIALS;
- UNSEASONED WOOD; OR
- PAPER PRODUCTS, CARDBOARD, PLYWOOD, OR PARTICLEBOARD. THE PROHIBITION AGAINST BURNING THESE MATERIALS DOES NOT PROHIBIT THE USE OF FIRE STARTERS MADE FROM PAPER, CARDBOARD, SAW DUST, WAX AND SIMILAR SUBSTANCES FOR THE PURPOSE OF STARTING A FIRE IN AN AFFECTED WOOD HEATER.

BURNING THESE MATERIALS MAY RESULT IN RELEASE OF TOXIC FUMES OR RENDER THE HEATER INEFFECTIVE AND CAUSE SMOKE.

3.1 How to Prepare or Buy Good Firewood

3.1.1 What is Good Firewood?

Good firewood has been cut to the correct length for the insert, split to a range of sizes and stacked in the open until its moisture content is reduced to 15 to 20 per cent.

3.1.2 Tree Species

The tree species the firewood is produced from is less important than its moisture content. The main difference in firewood from various tree species is the density of the wood. Hardwoods are denser than softwoods. People who live in the coldest regions of North America usually have only spruce, birch and poplar, other low-density species to burn and yet they can heat their homes successfully.

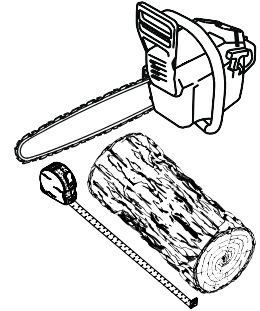
Homeowners with access to both hardwood and softwood fuel sometimes use both types for different purposes. For example, softer woods make good fuel for relatively mild weather in spring and fall because they light quickly and produce less heat. Softwoods are not as dense as hardwoods so a given volume of wood contains less energy. Using softwoods avoids overheating the house, which can be a common problem with wood heating in moderate weather. Harder woods are best for colder winter weather when more heat and longer burn cycles are desirable.

Note that hardwood trees like oak, maple, ash and beech are slower growing and longer lived than softer woods like poplar and birch. That makes hardwood trees more valuable. The advice that only hardwoods are good to burn is outdated. Old, leaky cast iron stoves wouldn't hold a fire overnight unless they were fed large pieces of hardwood. That is no longer true. You can successfully heat your home by using the less desirable tree species and give the forest a break at the same time.

3.1.3 Log Length

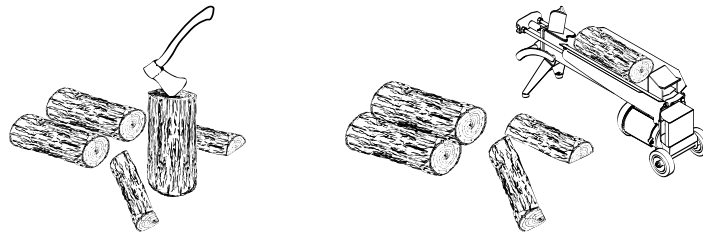
Logs should be cut at least 1" (25 mm) shorter than the firebox so they fit in easily. Pieces that are even slightly too long makes loading the insert very difficult. The most common standard length of firewood is 16" (400 mm).

The pieces should be a consistent length, with a maximum of 1" (25 mm) variation from piece to piece.



3.1.4 Piece Size

Firewood dries more quickly when it is split. Large unsplit rounds can take years to dry enough to burn. Even when dried, unsplit logs are difficult to ignite because they don't have the sharp edges where the flames first catch. Logs as small as 3" (75 mm) should be split to encourage drying.



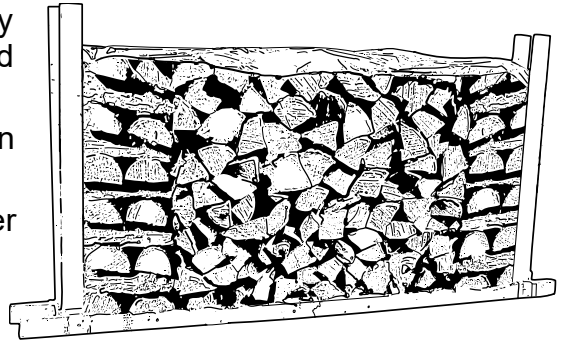
Wood should be split to a range of sizes, from about 3" to 6" (75 mm to 150 mm) in cross section. Having a range of sizes makes starting and rekindling fires much easier. Often, the firewood purchased from commercial suppliers is not split finely enough for convenient stoking. It is sometimes advisable to resplit the wood before stacking to dry.

3.1.5 How to Dry Firewood

Firewood that is not dry enough to burn is the cause of most complaints about wood inserts. Continually burning green or unseasoned wood produces more creosote and involves lack of heat and dirty glass door. See **Section 5: Maintaining your wood heating system** for concerns about creosote.

Here are some things to consider in estimating drying time:

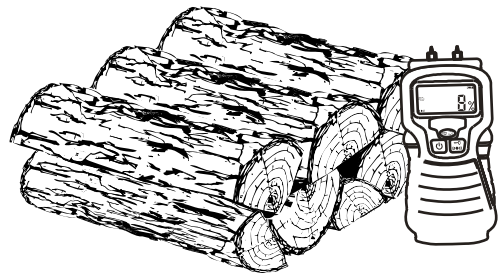
- Firewood takes a long time to dry;
- Firewood bought from a dealer is rarely dry enough to burn, so it is advisable to buy the wood in spring and dry it yourself;
- Drying happens faster in dry weather than in damp, maritime climates;
- Drying happens faster in warm summer weather than in winter weather;
- Small pieces dry more quickly than large pieces;
- Split pieces dry more quickly than unsplit rounds;
- Softwoods take less time to dry than hardwoods;
- Softwoods like pine, spruce, and poplar/aspens can be dry enough to burn after being stacked in the open for only the summer months;
- Hardwoods like oak, maple and ash can take one, or even two years to dry fully, especially if the pieces are big;
- Firewood dries more quickly when stacked in the open where it is exposed to sun and wind; it takes much longer to dry when stacked in a wood shed;
- Firewood that is ready to burn has a moisture content between 15 and 20% by weight and will allow your insert to produce its highest possible efficiency.



3.1.6 Judging Firewood Moisture Content

You can find out if some firewood is dry enough to burn by using these guidelines:

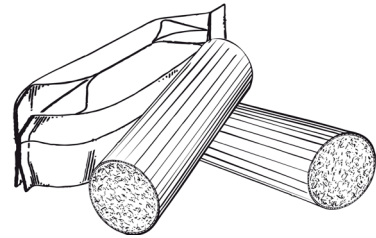
- Cracks form at the ends of logs as they dry;
- As it dries in the sun, the wood turns from white or cream colored to grey or yellow;
- Bang two pieces of wood together; seasoned wood sounds hollow and wet wood sounds dull;
- Dry wood is much lighter in weight than wet wood;
- Split a piece, and if the fresh face feels warm and dry it is dry enough to burn; if it feels damp, it is too wet;
- Burn a piece; wet wood hisses and sizzles in the fire and dry wood does not.



You could buy a wood moisture meter to test your firewood.

3.2 Manufactured Logs

Do not burn manufactured logs made of wax impregnated sawdust or logs with any chemical additives. Manufactured logs made of 100% compressed sawdust can be burned but use caution in the number of these logs burned at once. Start with one manufactured log and see how the insert reacts. Never use more than two manufactured logs.



4. Operating Your Insert

This wood heater has a manufacturer-set minimum low burn rate that must not be altered. It is against federal regulations to alter this setting or otherwise operate this wood heater in a manner inconsistent with operating instructions in this manual.

4.1 The use of a fire screen.

In the United States or in provinces with a particulate emission limit (eg US EPA), the use of wood stoves with open door with and fire screen is prohibited.

This stove has been tested for use with an open door in conjunction with a fire screen, sold separately. Make sure the fire screen is properly secured on the stove to avoid any risk of fire. When the fire screen is in use, it is important not to leave the stove unattended to respond promptly in the event of smoke spillage into the room. Potential causes of smoke spillage are described in **Section 9 The Venting System** of this manual. See **Appendix 5: Optional Fire Screen Installation** for installation instructions.

OPERATING WITH THE FIRE SCREEN INCREASES POSSIBILITIES OF GENERATING CARBON MONOXIDE. CARBON MONOXIDE IS AN ODOURLESS GAS THAT IS HIGHLY TOXIC AND WHICH CAN CAUSE DEATH AT HIGH CONCENTRATION IN AIR.

4.2 Your First Fires

Two things will happen as you burn your first few fires; the paint cures and the internal components of the insert are conditioned.

As the paint cures, some of the chemicals vaporize. The vapors are not poisonous, but they do smell bad. Fresh paint fumes can also cause false alarms in smoke detectors. So, when you first light your insert, be prepared by opening doors and/or windows to ventilate the house. As you burn hotter and hotter fires, more of the painted surfaces reach the curing temperature of the paint. The smell of curing paint does not disappear until you have burned one or two very hot fires.

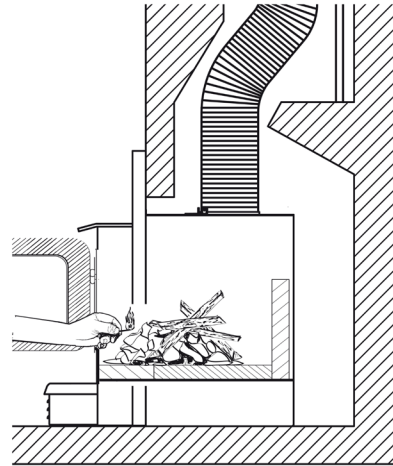
Burn one or two small fires to begin the curing and conditioning process. Then build bigger and hotter fires until there is no longer any paint smell from the insert. Once the paint smell disappears, your insert is ready for serious heating.

4.3 Lighting Fires

Each person who heats with wood develops their own favorite way to light fires. Whatever method you choose, your goal should be to get a hot fire burning quickly. A fire that starts fast produces less smoke and deposits less creosote in the chimney. Here are three popular and effective ways to start wood fires.

4.3.1 Conventional Fire Starting

The conventional way to build a wood fire is to bunch up 5 to 10 sheets of plain newspapers and place them in the firebox. Next, place 10 or so pieces of fine kindling on the newspaper. This kindling should be very thin; less than 1" (25 mm). Next, place some larger kindling pieces on the fine kindling. Open the air control fully and light the newspaper. If you have a tall, straight venting system you should be able to close the door immediately and the fire will ignite. Once the fire has ignited, close the door and leave the air control fully open.



A conventional kindling fire with paper under finely split wood.

DO NOT LEAVE THE INSERT UNATTENDED WHEN THE DOOR IS SLIGHTLY OPEN. ALWAYS CLOSE AND LATCH THE DOOR AFTER THE FIRE IGNITES.

After the kindling fire has mostly burned, you can add standard firewood pieces until you have a fire of the right size for the conditions.

4.3.2 The Top Down Fire

The top down method solves two problems with the conventional method: first, it does not collapse and smother itself as it burns; and second, it is not necessary to build up the fire gradually because the firebox is loaded before the fire is lit. A top down fire can provide up to two hours of heating or more. The top down method only works properly if the wood is well seasoned.

Start by placing three or four full-sized split pieces of dry firewood in the firebox. Next, place 4 or 5 more finely split pieces of firewood (2" to 3" [50 mm to 75 mm] in dia.) on the base logs at right angles (log cabin style). Now place about 10 pieces of finely split kindling on the second layer at right angles.

The fire is topped with about 5 sheets of newspaper. You can just bunch them up and stuff them in between the kindling and the underside of the baffle. Or you can make newspaper knots by rolling up single sheets corner to corner and tying a knot in them. The advantage of knots is that they don't roll off the fire as they burn. Light the newspaper and watch as the fire burns from top to bottom.

4.3.3 Two Parallel Logs

Place two spit logs in the firebox. Place a few sheets of twisted newspapers between the logs. Now place some fine kindling across the two logs and some larger kindling across those, log cabin style. Light the newspaper.

4.3.4 Using Fire Starters

Many people like to use commercial fire starters instead of newspapers. Some of these starters are made of sawdust and wax and others are specialized flammable solid chemicals. Follow the package directions for use.

Gel starter may be used but only if there are no hot embers present. Use only in a cold firebox to start a fire.

DO NOT USE FLAMMABLE LIQUIDS SUCH AS GASOLINE, NAPHTHA, FUEL OIL, MOTOR OIL, OR AEROSOLS TO START OR REKINDLE THE FIRE.

4.4 Maintaining Wood Fires

4.4.1 General Advice

Wood heating with a space heater is very different than other forms of heating. There will be variations in temperature in different parts of the house and there will be variations in temperature throughout the day and night. This is normal, and for experienced wood burners these are advantages of zone heating with wood.

Do not expect steady heat output from your insert. It is normal for its surface temperature to rise after a new load of wood is ignited and for its temperature to gradually decline as the fire progresses. This rising and falling of temperature can be matched to your household routines. For example, the area temperature can be cooler when you are active, such as when doing housework or cooking, and it can be warmer when you are inactive, such as when reading or watching television.

Wood burns best in cycles. A cycle starts when a new load of wood is ignited by hot coals and ends when that load has been consumed down to a bed of charcoal about the same size as it was when the wood was loaded. Do not attempt to produce a steady heat output by placing a single log on the fire at regular intervals. Always place at least three, and preferably more, pieces on the fire at a time so that the heat radiated from one piece helps to ignite the pieces next to it. Each load of wood should provide several hours of heating. The size of each load can be matched to the amount of heat needed.

When you burn in cycles, you rarely need to open the insert's loading door while the wood is flaming. This is an advantage because there is more chance that smoke will leak from the insert when the door is opened as a full fire is burning.

IF YOU MUST OPEN THE DOOR WHILE THE FUEL IS FLAMING, OPEN THE AIR CONTROL FULLY FOR A FEW MINUTES, THEN UNLATCH AND OPEN THE DOOR SLOWLY.

4.4.2 Ash Removal

Ash should be removed from the firebox every two or three days of full time heating. Do not let the ash build up in the firebox because it will interfere with proper fire management.

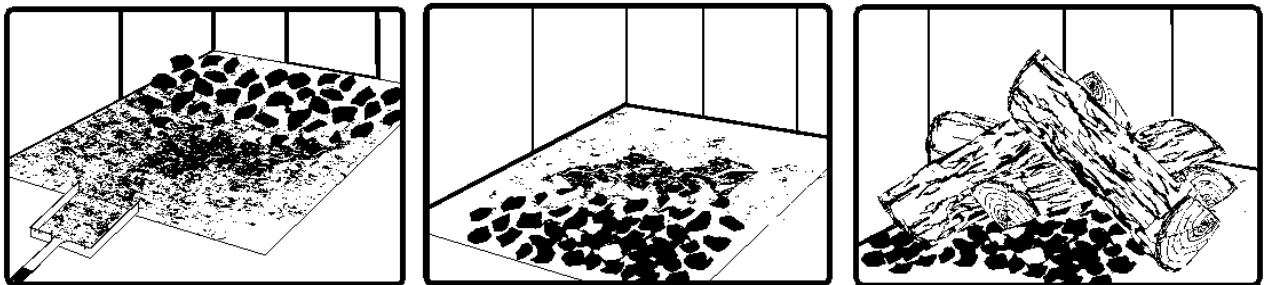
The best time to remove ash is after an overnight fire when the insert is relatively cool, but there is still some chimney draft to draw the ash dust into the insert and prevent it from coming into the room.

After ashes have been removed from the insert and placed in a tightly covered metal container, they should be taken outside immediately. The closed container of ashes should be placed on a non-combustible floor or on the ground well away from all combustible materials pending final disposal. Ashes normally contain some live charcoal that can stay hot for several days. If the ashes are disposed of by burial in soil or otherwise locally dispersed, they should be retained in a closed container until all cinders have thoroughly cooled. Other waste should not be placed in this container.

NEVER STORE ASHES INDOORS OR IN A NON-METALLIC CONTAINER OR ON A WOODEN DECK.

4.4.3 Raking Charcoal

Rekindle the fire when you notice that the room temperature has fallen. You will find most of the remaining charcoal at the back of the firebox, furthest from the door. Rake these coals towards the door before loading. There are two reasons for this raking of the coals. First, it concentrates them near where most of the combustion air enters the firebox and where they can ignite the new load quickly, and second, the charcoal will not be smothered by the new load of wood. If you were to simply spread the charcoal out, the new load will smoulder for a long time before igniting.



Remove ash first, and then rake charcoal towards the front of the firebox before loading so that it will ignite the new load.

4.4.4 Firing Each New Load Hot

Place the new load of wood on and behind the charcoal, and not too close to the glass. Close the door and open the air control fully. Leave the air control fully open until the firebox is full of flames, the wood has charred to black and its edges are glowing red. Firing each load of wood hot accomplishes a few things:

- drives the surface moisture from the wood,

- creates a layer of char on the wood, which slows down its release of smoke,
- heats the firebox components so they reflect heat back to the fire, and
- heats the chimney so it can produce strong, steady draft for the rest of the cycle.

Although it is important to fire each new load hot to prepare for a clean burn, do not allow the fire to burn at full intensity for more than a few minutes.

DO NOT LEAVE THE INSERT UNATTENDED WHILE A NEW LOAD IS BEING FIRED HOT.

DO NOT OVERFIRE.

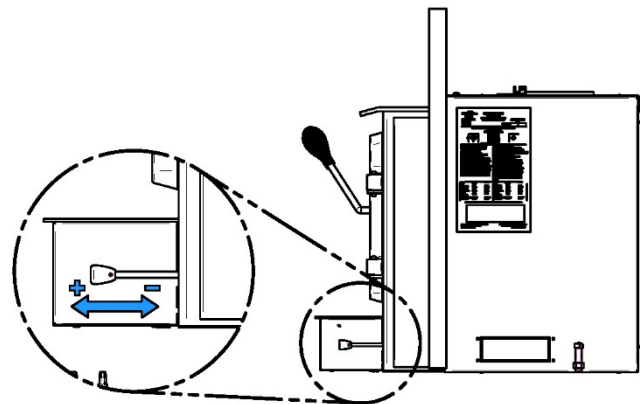
When you burn a new load of wood hot to heat up the wood, the insert and the chimney, the result will be a surge of heat from the insert. This heat surge is welcome when the room temperature is a little lower than desirable, but not welcome if the space is already warm. Therefore, allow each load of wood to burn down so that the space begins to cool off a little before loading. Letting the space cool before loading is one of the secrets to clean burning and effective zone heating.

4.4.5 Turning Down the Air Supply

Once the firewood, firebox and chimney are hot, you can begin to reduce the air supply for a steady burn.

As you reduce the air supply to the fire, two important things happen. First, the firing rate slows down to spread the heat energy in the fuel over a longer period of time. Second, the flow rate of exhaust through the insert and flue pipe slows down, which gives more time for the transfer of heat from the exhaust. You will notice that as you reduce the air setting, the flames slow down. This is your indication that the insert is burning at its peak efficiency.

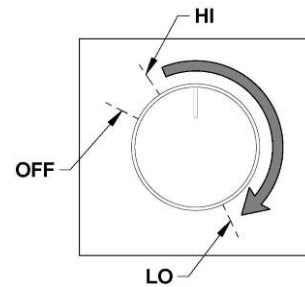
If the flames get small and almost disappear when you turn down the air, you have turned down the air too early, or your firewood is wetter than it should be. With good fuel and correct air control use, the flames should slow down, but should stay large and steady, even as the air supply is reduced.



4.5 Blower Operation

The blower has a rheostat that can be adjusted in three different positions; either from high (HI) to low (LO) or closed (OFF).

Allow the insert to reach operating temperature (approximately one hour) before turning on the blower, since increased airflow from the blower will remove heat and affect the start-up combustion efficiency.



Since your insert's blower is equipped with a heat sensor, when the blower is ON, the blower will start automatically when the insert is hot enough and it will stop when the insert has cooled down. Therefore, you can leave the blower speed control at the desired setting.

NOTE: ENSURE THE BLOWER CORD IS NOT IN CONTACT WITH ANY SURFACE OF THE INSERT TO PREVENT ELECTRICAL SHOCK OR FIRE DAMAGE. DO NOT RUN CORD BENEATH THE INSERT.

4.5.1 Building Different Fires for Different Needs

Using the air control is not the only way to match the insert's heat output to the heat demand. Your house will need far less heat in October than in January to be kept at a comfortable temperature. If you fill the firebox full in fall weather, you will either overheat the space or turn the insert down so much that the fire will be smoky and inefficient. Here are some suggestions for building fires to match different heat demand.

4.5.1.1 Small Fires to Take the Chill Off the House

To build a small fire that will produce a low heat output, use small pieces of firewood and load them crisscross in the firebox. The pieces should be only 3" to 4" in diameter. After raking the coals, you can lay two pieces parallel to each other corner to corner in the firebox and lay two more across them in the other direction. Open the air control fully and only reduce the air after the wood is fully flaming. This kind of fire is good for mild weather when you are around to tend the insert and should provide enough heat for four hours or more. Small fires like this are a good time to use softer wood species so there will be less chance of overheating the house.

4.5.1.2 Long Lasting Low Output Fires

Sometimes you will want to build a fire to last up to eight hours, but don't need intense heat. In this case use soft wood species and place the logs compactly in the firebox so the pieces are packed tightly together. You will need to fire the load hot for long enough to fully char the log surfaces before you can turn the air down. Make sure the fire is flaming brightly before leaving the fire to burn.

4.5.1.3 High Output Fires for Cold Weather

When the heat demand is high during cold weather, you'll need a fire that burns steadily and brightly. This is the time to use larger pieces of hardwood fuel if you have it. Put the biggest pieces at the back of the firebox and place the rest of the pieces compactly. A densely built fire like this will produce the longest burn your insert is capable of.

You will need to be cautious when building fires like this because if the air is turned down too much, the fire could smoulder. Make sure the wood is flaming brightly before leaving the fire to burn.

4.5.1.4 Maximum Burn Cycle Times

The burn cycle time is the period between loading wood on a coal bed and the consumption of that wood back to a coal bed of the same size. The flaming phase of the fire lasts for roughly the first half of the burn cycle and the second half is the coal bed phase during which there is little or no flame. The length of burn you can expect from your insert, including both the flaming and coal bed phases, will be affected by a number of things, such as:

- firebox size,
- the amount of wood loaded,
- the species of wood you burn,
- the wood moisture content,
- the size of the space to be heated,
- the climate zone you live in, and
- the time of year.

The table below provides a very general indication of the maximum burn cycle times you are likely to experience, based on firebox volume.

| FIREBOX VOLUME | MAXIMUM BURN TIME |
|-----------------------|--------------------------|
| <1.5 cubic feet | 3 to 5 hours |
| 1.5 c.f. to 2.0 c.f. | 5 to 6 hours |
| 2.0 c.f. to 2.5 c.f. | 6 to 8 hours |
| 2.5 c.f. to 3.0 c.f. | 8 to 9 hours |
| >3.0 c.f. | 9 to 10 hours |

Long burn times are not necessarily an indication of efficient insert operation. When you are home during the day and able to tend the fire, it is preferable to build a smaller fire that might provide three or four hours of heating than to fully load the firebox for a much longer burn. Shorter burn cycles make it easier to match the heat output of the insert to the heat demand for the space.

4.5.1.5 North-South Fires Versus East-West Fires

In fireboxes that are roughly square, wood can be loaded so that looking through the glass door you see the ends of the logs (north-south) or the sides of the logs (east-west).

East-west loads that are built compactly break down slowly when heated, but the amount of wood you can load is limited because if you put in too many pieces, one may fall against the glass. East-west loads are excellent for long, low output fires for relatively mild weather.

North-south loads break down more quickly, but much more wood can be loaded at a time. This makes north-south loading good for high output, long lasting fires for cold weather.

4.5.1.6 Carbon Monoxide

When unburned logs remain in the firebox and the flame disappears, go outside and look at the chimney exit. If there is visible smoke, it means that there is still combustible to burn but

that the fire lacks air to burn properly. In this situation, the CO rate will increase so it is important to react. Open the door slightly and move the log with a poker. Turn it over and create a passage for the air below, making a trench with the coal bed. Add small pieces of wood to restart the combustion.

5. Maintaining Your Wood Heating System

5.1 Insert Maintenance

Your new insert will give many years of reliable service if you use and maintain it correctly. Some of the internal components of the firebox, such as firebricks, baffles and air tubes, will wear over time under intense heat. You should always replace defective parts with original parts (see **Appendix 8: Exploded Diagram and Parts List**). Firing each load hot to begin a cycle as described above will not cause premature deterioration of the insert. However, letting the insert run with the air control fully open for the entire burn cycles can cause damage over time. The hotter you run the insert throughout burn cycles, the more quickly its components will deteriorate. For that reason, **never leave the insert unattended while a new load is being fired hot.**

5.1.1 Cleaning Door Glass

Under normal conditions, your door glass should stay relatively clear. If your firewood is dry enough and you follow the operating instructions in this manual, a whitish, dusty deposit will form on the inside of the glass after a week or so of use. This is normal and can be easily removed when the insert is cool by wiping with a damp cloth or paper towel and then drying. **Never try to clean the glass when the insert is hot.**

In spring and fall when the insert is run at lower temperatures, you may see some light brown stains forming, especially at the lower corners of the glass. This indicates that the fire has been smoky and some of the smoke has condensed on the glass. When the weather is mild, you may find that letting the fire go out is better than trying to maintain a continuous fire. Use the technique described above for building a fire to take the chill off the house.

If you do get brown stains on the glass, you can remove them with special cleaners for wood heater glass doors. **Do not use abrasives to clean your insert's door glass.**

The deposits that form on the glass are the best indication of the quality of your fuel and how well you are doing in operating the insert. Your goal should be clear glass with no brown stains. If you continue to see brown stains on the glass, something about your fuel and operating procedure needs to be changed. Stains on the glass indicate incomplete combustion of the wood, which also means more smoke emissions and faster formation of creosote in the chimney.

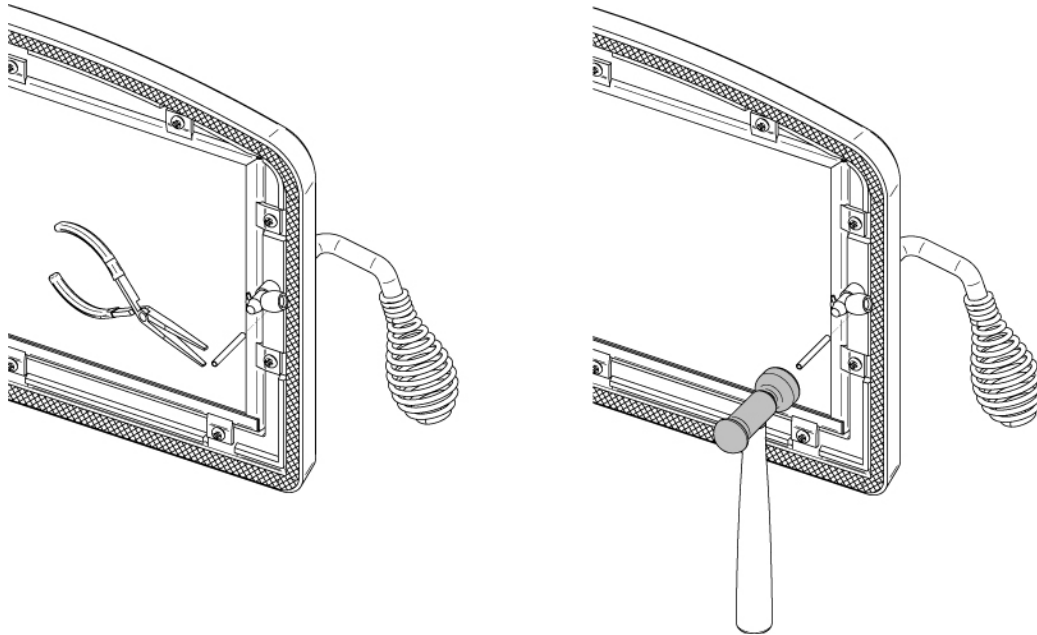
If you see brown streaks coming from the edge of the glass, it is time to replace the gasket around the glass. Visit your insert retailer to get the self-adhesive glass gasket and follow the instructions below for installation.

Do not abuse the glass door by striking or slamming shut. Do not use the insert if the glass is broken.

5.1.2 Door Adjustment

In order for your stove to burn at its best efficiency, the door must provide a perfect seal with the firebox. Therefore, the gasket should be inspected periodically to check for a good seal. The gasket seal may be improved with a simple latch mechanism adjustment. To adjust:

1. Remove the split pin by pulling and turning it using pliers.
2. Turn the handle counter clock wise one turn to increase pressure.
3. Re-install the split pin with a small hammer.



5.1.3 Replacing the Door Gasket

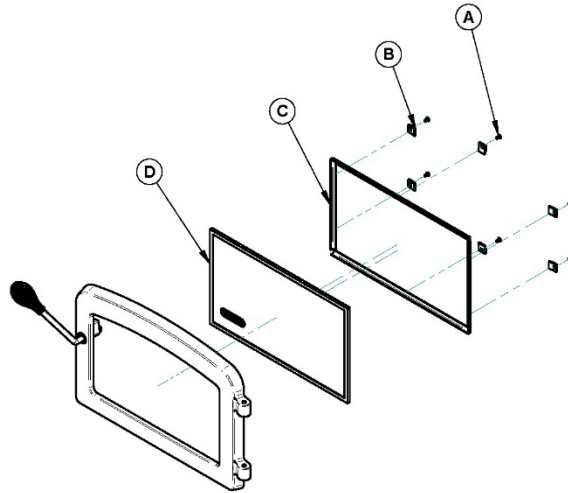
It is important to maintain the gasket in good condition. After a year or more of use, the door gasket will compress and become hard, which may allow air to leak past it. You can test the condition of the door gasket by closing and latching the door on a strip of paper. Test all around the door. If the paper slips out easily anywhere, it is time to replace the gasket.

Use the correct replacement gasket that you can purchase from your retailer. The diameter and density of the gasket is important to getting a good seal.

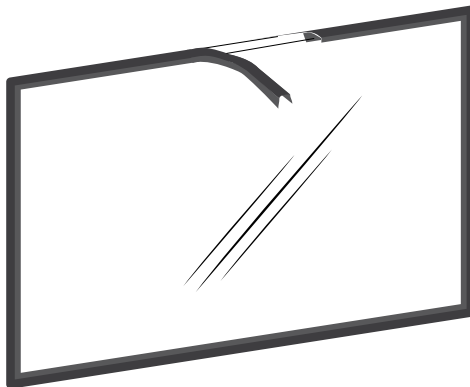
Place the door face-down on something soft like a cushion of rags or piece of carpet. Remove the old gasket from the door by pulling and prying it out with an old screw driver. Then use the screwdriver to scrape the old gasket adhesive from the door. Now run a 1/4" (6 mm) bead of high temperature silicone in the door gasket groove. Starting from the middle of the hinge side, press the gasket into the groove. Do not stretch the gasket as you place it. Leave the gasket about 1/2" long when you cut it and press the end into the groove. Tuck any loose fibres under the gasket and into the silicone. Close the door and do not use the insert for 24 hours.

5.1.4 Replacing the Glass Gasket and/or the Glass

It is a good idea to replace the glass gasket when the door gasket is replaced. The gasket is flat, adhesive-backed, woven fibreglass. Remove the glass retaining screws (A), the clips (B) and the metal frame (C). Lift out the glass (D) and pull off the old gasket. This is a good time to clean the glass thoroughly.



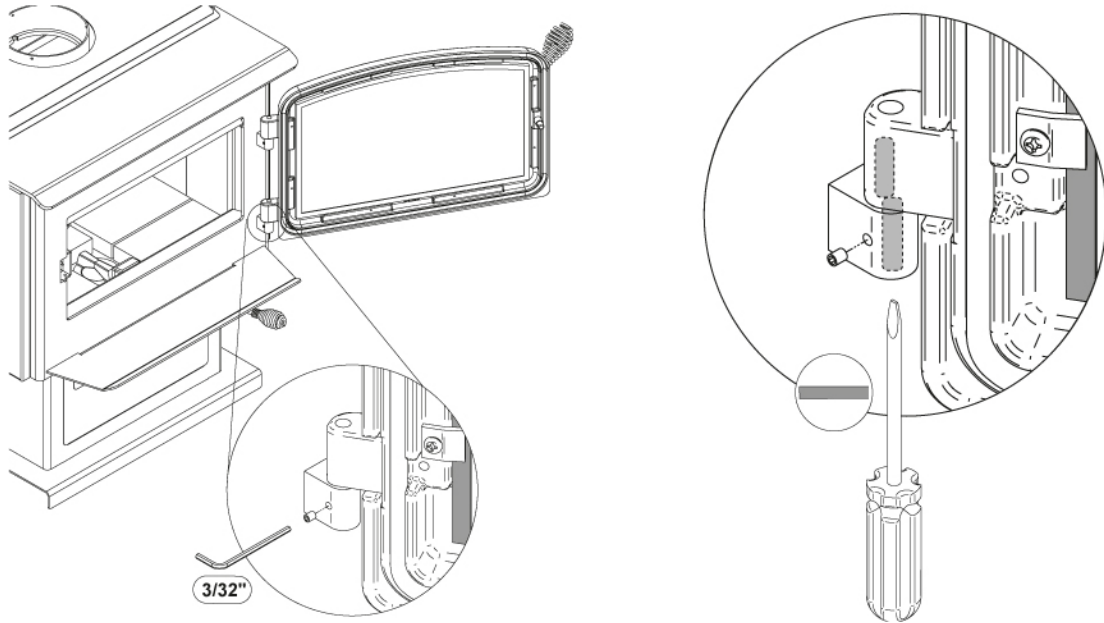
The gasket must be centred on the edge of the glass. To do this easily, peel back a section of the paper covering the adhesive and place the gasket on a table with the adhesive side up. Stick the end of the gasket to the middle of one edge, then press the edge of the glass down onto the gasket, taking care that it is perfectly centred on the gasket. Peel off more of the backing and rotate the glass and press the next section onto the gasket. Do not stretch the gasket as you place it. Continue until you get to the start and trim the gasket to length. Now pinch the gasket to the glass in a U shape, all around the glass. Reinstall the glass, being careful to centre the glass carefully in the door. Do not over-tighten the screws. Note that the two main causes of broken door glass are uneven placement in the door and over-tightening of retaining screws.



Do not abuse the glass door by striking or slamming shut. Do not use the insert if the glass is broken. To change the glass, perform the same operation described above.

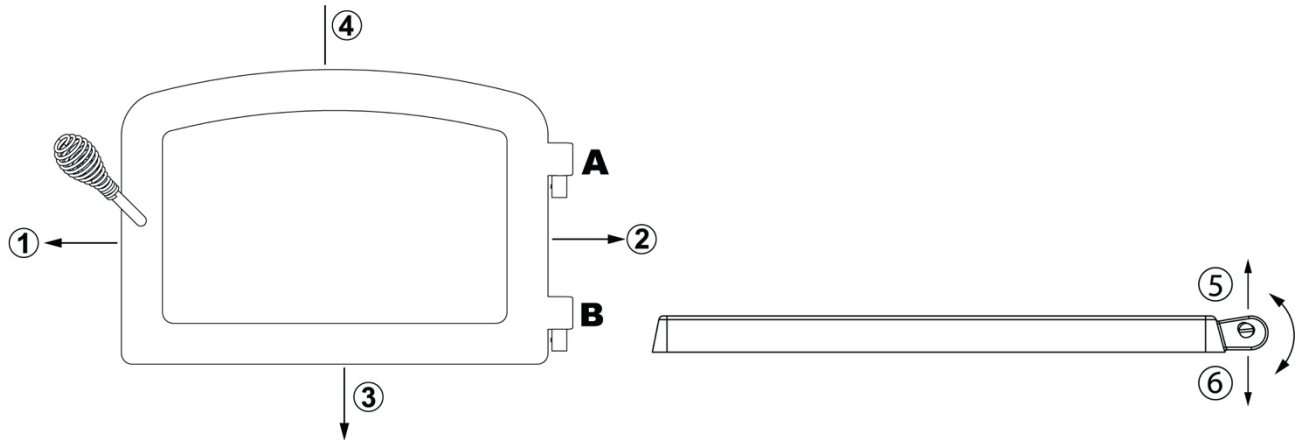
5.1.5 Door Alignment

To align, open the door and loosen the pressures screws located on the lower and upper hinges of the door using a 3/32" Allen key to free the adjustable hinge rods.



Using a flat screwdriver, turn the adjustable hinge rods in the direction shown to adjust the doors. Tighten all door hinge pressure screws when they are at the desired positions. Configurations 1-2-3-4-5-6, show in which direction these act on the adjustment of the door.

| ① | | ② | | ③ | | ④ | |
|---|---|---|---|---|---|---|---|
| | A | | A | | A | | A |
| | B | | B | | B | | B |



5.1.6 Cleaning and Painting the Insert

Do not attempt to clean or paint the insert when the unit is hot. Painted surfaces can be wiped down with a damp cloth. Plated surfaces may be scratched by abrasive cleaners. To maintain the finish at its original brilliance, use only a damp soft cloth to clean plated surfaces.

If the paint becomes scratched or damaged, you can give your wood insert a brand new look by repainting it with heat-resistant paint. Before painting, roughen the surface with fine sand paper, wipe it down to remove dust, and apply two thin coats of paint. For best results, use the same paint that was originally used on the insert, which is available in spray cans. See your dealer for details.

5.2 Chimney and Chimney Liner Maintenance

5.2.1 Why Chimney Cleaning is Necessary

Wood smoke can condense inside the chimney liner and chimney, forming a combustible deposit called creosote. If creosote is allowed to build up in the venting system, it can ignite when a hot fire is burned in the insert and a very hot fire can progress to the top of the chimney. Severe chimney fires can damage even the best chimneys. Smoldering, smoky fires can quickly cause a thick layer of creosote to form. When you avoid smoldering so the exhaust from the chimney is mostly clear, creosote builds up more slowly. Your new insert has the right characteristics to help you to burn clean fires with little or no smoke, resulting in less creosote in the chimney.

5.2.2 How Often Should You Clean the Chimney?

It is not possible to predict how much or how quickly creosote will form in your chimney. It is important, therefore, to check the build-up in your chimney monthly when getting used to the new insert until you determine the rate of creosote formation. Even if creosote forms slowly in your system, the chimney should be cleaned and inspected at least once each year.

Contact your local municipal or provincial fire authority for information on how to handle a chimney fire. Have a clearly understood plan to handle a chimney fire.

5.2.3 Cleaning the Chimney

Chimney cleaning can be a difficult and dangerous job. If you don't have experience cleaning chimneys, you might want to hire a professional chimney sweep to clean and inspect the system for the first time. After having seen the cleaning process, you can decide if it is a job you would like to take on.

The most common equipment used are fibreglass rods with threaded fittings and stiff plastic brushes. The brush is forced up and down inside the chimney flue to scrub off the creosote.

The chimney should be checked regularly for creosote build-up. Inspection and cleaning of the chimney can be facilitated by removing the baffle.



CAUTION: OPERATION OF YOUR ESCAPE 1800-I INSERT WITHOUT THE BAFFLE MAY CAUSE UNSAFE AND HAZARDOUS TEMPERATURE CONDITIONS AND WILL VOID THE WARRANTY.

PART B - INSTALLATION

6. Pre-Installation Masonry fireplace requirements

The masonry fireplace must meet the minimum requirements found in the building code enforced locally, or the equivalent for a safe installation. Contact your local Building Inspector for requirements in your area. An inspection of the fireplace should include the following:

1. CONDITION OF THE FIREPLACE AND CHIMNEY:

The masonry fireplace and chimney should be inspected prior to installation, to determine that they are free from cracks, loose mortar, creosote deposits, blockage, or other signs of deterioration. If evidence of deterioration is noted, the fireplace or chimney should be upgraded and/or cleaned prior to installation.

Masonry or steel, including the damper plate, may be removed from the smoke shelf and adjacent damper frame if necessary to accommodate the insert's chimney liner, provided that their removal will not weaken the structure of the fireplace and chimney, and will not reduce protection for combustible materials to less than that required by the building code.

2. CHIMNEY CAPS:

Mesh type chimney caps must have provision for regular cleaning, or the mesh should be removed to eliminate the potential of plugging.

3. ADJACENT COMBUSTIBLES:

The fireplace should be inspected to make sure that there is adequate clearance to combustibles, both exposed combustibles to the top, side, and front as well as concealed combustibles, in the chimney and mantle area. Your local inspector should have information on whether older fireplaces are of adequate construction.

4. OPENING SIZE:

Refer to **Section 8.5, "MINIMUM MASONRY OPENING"** for suitable size fireplace openings.

7. Safety Information

- THE INFORMATION GIVEN ON THE CERTIFICATION LABEL AFFIXED TO THE APPLIANCE ALWAYS OVERRIDES THE INFORMATION PUBLISHED, IN ANY OTHER MEDIA (OWNER'S MANUAL, CATALOGUES, FLYERS, MAGAZINES AND/OR WEB SITES).
- MIXING OF APPLIANCE COMPONENTS FROM DIFFERENT SOURCES OR MODIFYING COMPONENTS MAY RESULT IN HAZARDOUS CONDITIONS. WHERE ANY SUCH CHANGES ARE PLANNED, STOVE BUILDER INTERNATIONAL INC. SHOULD BE CONTACTED IN ADVANCE.
- ANY MODIFICATION OF THE APPLIANCE THAT HAS NOT BEEN APPROVED IN WRITING BY THE TESTING AUTHORITY VIOLATES CSA B365 (CANADA), AND ANSI NFPA 211 (USA).
- CONNECT THIS INSERT ONLY TO A LISTED STAINLESS STEEL CHIMNEY LINER FOR USE WITH SOLID FUEL.
- IF REQUIRED, A SUPPLY OF COMBUSTION AIR SHALL BE PROVIDED TO THE ROOM.
- CAUTION: DO NOT CONNECT TO OR USE IN CONJUNCTION WITH ANY AIR DISTRIBUTION DUCTWORK UNLESS SPECIFICALLY APPROVED FOR SUCH INSTALLATION.
- CAUTION: DO NOT CONNECT THIS UNIT TO A CHIMNEY FLUE SERVING ANOTHER APPLIANCE.
- THE INSERT AND ITS STAINLESS-STEEL CHIMNEY LINER ARE TO BE INSTALLED ONLY WITHIN A LINED MASONRY CHIMNEY AND MASONRY FIREPLACE CONFORMING TO BUILDING CODES FOR USE WITH SOLID FUEL. DO NOT REMOVE BRICKS OR MORTAR FROM THE EXISTING FIREPLACE WHEN INSTALLING THE INSERT.
- TO BE INSTALLED AS A FREESTANDING ROOM HEATER WITH THE CLEARANCES IN THE MANUFACTURER'S INSTALLATION INSTRUCTIONS. IT IS STRICTLY FORBIDDEN TO INSTALL THIS ROOM HEATER IN ANY FACTORY-BUILT FIREPLACE.

7.1 Regulations Covering Insert Installation

When installed and operated as described in these instructions, the Escape 1800-I wood insert is suitable for use in residential installations. The Escape 1800-I wood insert is not intended for installation in a bedroom.

In Canada, the CSA B365 Installation Code for Solid Fuel Burning Appliances and Equipment and the CSA C22.1 Canadian National Electrical Code are to be followed in the absence of local code requirements. In the USA, the ANSI NFPA 211 Standard for Chimneys, Fireplaces, Vents and Solid Fuel-Burning Appliances and the ANSI NFPA 70 National Electrical Code are to be followed in the absence of local code requirements.

This insert must be installed with a continuous chimney liner of 6" diameter extending from the insert to the top of the chimney. The chimney liner must conform to the Class 3 requirements of CAN/ULC-S635, Standard for Lining Systems for Existing Masonry or

Factory-built Chimneys and Vents, or CAN/ULC-S640, Standard for Lining Systems for New Masonry Chimneys, UL1777, Standard for Safety for Chimney Liners.

NOTE: The Insert is not approved for use with a so-called “positive flue connection” to the clay tile of a masonry chimney.

8. Clearances to Combustible Material

The clearances shown in this section have been determined by tests according to procedures set out in safety standards ULC S628 (Canada), UL1482 (U.S.A.) and UL737 (U.S.A.). When the insert is installed so that its surfaces are at or beyond the minimum clearances specified, combustible surfaces will not overheat under normal and even abnormal operating conditions.

No part of the insert may be located closer to combustibles than the minimum clearance figures given.

8.1 Location of the Certification Label

Since the information given on the certification label attached to the appliance always overrides the information published in any other media (owner’s manual, catalogues, flyers, magazines and web sites), it is important to refer to it in order to have a safe and compliant installation. In addition, you will find information about your insert (model, serial number, etc.). You can find the certification label to the front on the outside of the air jacket of the insert.

To access the certification label, the faceplate may need to be removed. Therefore, we recommend that you note the insert’s serial number on this manual, since it will be needed to precisely identify the version of the appliance in the event you require replacement parts or technical assistance.

8.2 The Masonry Fireplace’s Draft Control System (Throat Damper)

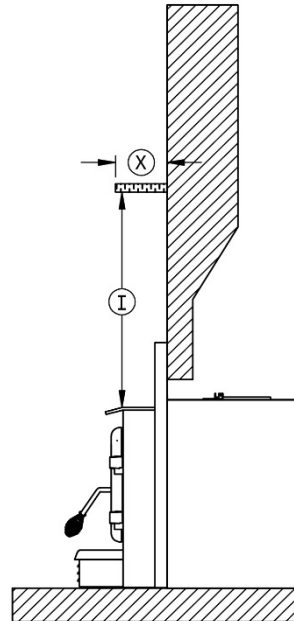
If the fireplace's draft control system is to remain in the masonry fireplace, it must be locked open for access of the chimney liner or removed entirely. If you remove the draft control system from the masonry hearth, you will need to install the metal plate (27009), supplied with the owner’s manual kit, indicating that the masonry hearth has been modified. It must be secured inside the masonry hearth, in a visible place and easy to locate.

| |
|---|
| <p>THIS FIREPLACE MAY HAVE BEEN ALTERED TO ACCOMMODATE A FIREPLACE INSERT AND SHOULD BE INSPECTED BY A QUALIFIED PERSON PRIOR TO RE-USE AS A CONVENTIONAL FIREPLACE.</p> <p>⊕ CE FOYER A PEUT-ÊTRE ÉTÉ MODIFIÉ AFIN DE RECEVOIR UN APPAREIL ENCASTRABLE, IL DOIT DONC ÊTRE VÉRIFIÉ PAR UNE PERSONNE QUALIFIÉE AFIN DE DÉTERMINER SA CONFORMITÉ AU CODE LOCAL AVANT DE LE RÉUTILISER. ⊕</p> <p>27009</p> |
|---|

8.3 Installation of a Combustible Mantel Shelf

It is possible to install a combustible shelf with a maximum depth of 12" at a height of at least 27" above the insert. At a height of more than 27", the shelf must still have a depth of 12" maximum. Refer to the following figure.

| MAXIMUM MANTEL SHELF DIMENSION (X) | MANTEL SHELF CLEARANCES (I) |
|------------------------------------|-----------------------------|
| 12" (305 mm) max | 27" (686 mm) min |

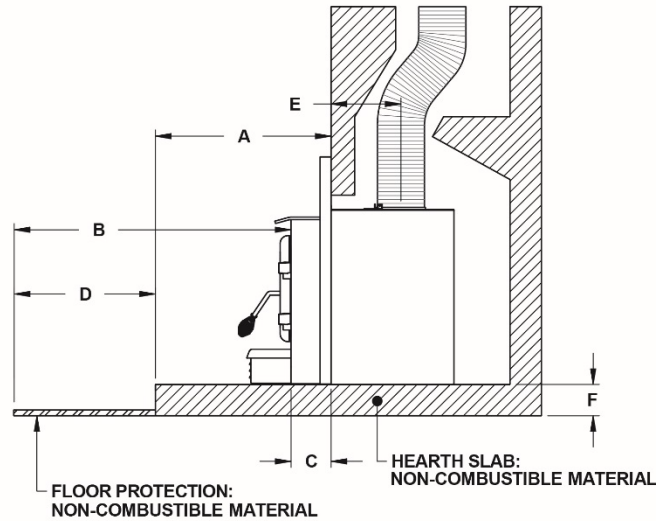


8.4 Floor protection

It is necessary to have a floor protection made of non-combustible materials that meets the measurements specified in the table "floor protection" from section 8.5. To determine the need to add floor protection (D) beyond the hearth extension, you must do the following calculation using the data in the table below: $D = B - (A - C)$.

Data for Floor Protection Calculation

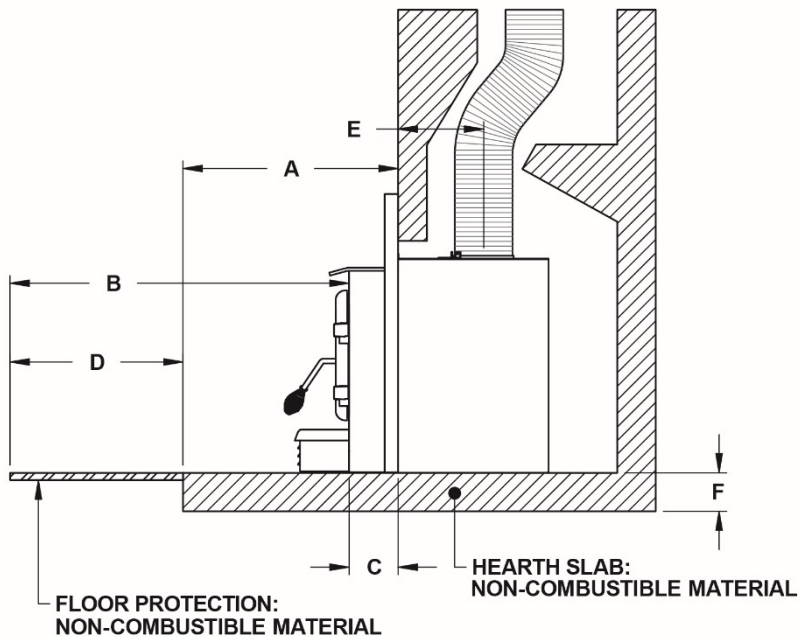
| MAXIMUM EXTENDED | A | B (Note 1) | C | D | E | AIR JACKET |
|------------------|-----------------------------------|---------------------|--------|-------------------|--------|---------------------------------------|
| INCHES | Dimension of the hearth extension | See 8.4.1 and 8.4.2 | 5" | $D = B - (A - C)$ | 9" | Flush with fireplace facing |
| MILLIMETRES | | See 8.4.1 and 8.4.2 | 128 mm | $D = B - (A - C)$ | 228 mm | |
| MINIMUM EXTENDED | A | B (Note 1) | C | D | E | AIR JACKET |
| INCHES | Dimension of the hearth extension | See 8.4.1 and 8.4.2 | 3" | $D = B - (A - C)$ | 11" | Back from fireplace facing 2" (51 mm) |
| MILLIMETRES | | See 8.4.1 and 8.4.2 | 77 mm | $D = B - (A - C)$ | 279 mm | |



If the value (D) is negative or zero, you do not have to add more floor protection in front of the unit, because the masonry fireplace hearth extension is large enough. If the value (D) is positive, you will need floor protection in front of the hearth extension at least equivalent to the result (D).

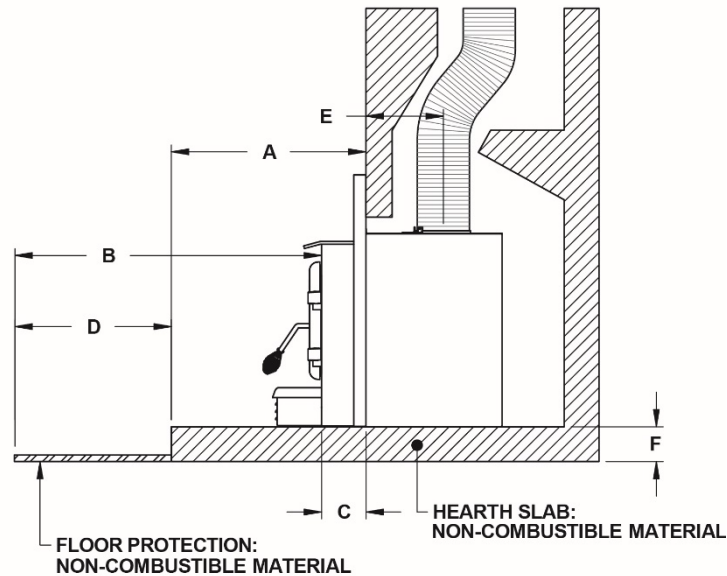
8.4.1 Installation raised 5" and less

If non-combustible material floor protection needs to be added in front of, and level with the hearth extension of the masonry fireplace (F = 5" and less), an R factor equal to or greater than 1.00 is required and should extend at least 23" (584 mm) in front of the unit (**B**).



8.4.2 Installation raised more than 5"

If the extension of the masonry hearth is raised at least 5" (127 mm) from the floor protection (F), a non-combustible material without an R value must extend at least 16" (406 mm USA) or 18" (457 mm Canada) in front of the unit (B).



8.4.3 R Value

There are two ways to calculate the R factor of the floor protection. First, by adding the R-values of materials used, or by the conversion if the K factor and thickness of the floor protection are given.

To calculate the total R factor from R factors of the materials used, simply add the R-values of materials. If the result is equal to or greater than the R-value requirements, the combination is acceptable. To know the R-values of some selected materials, see table ***Thermal Characteristics of Common Floor Protection Materials***.

Example:

Required floor protection R of 1.00. Proposed materials: four inches of brick and one inch of Durock® board

Four inches of brick ($R = 4 \times 0,2 = 0,8$) plus 1 inch of Durock® ($R = 1 \times 0.52 = 0.52$).

$$0.8 + 0.52 = \mathbf{1.32}.$$

This R value is larger than the required 1.00 and is therefore **acceptable**

In the case of a known **K** and thickness of alternative materials to be used in combination, convert all **K** values to R by dividing the thickness of each material by its **K** value. Add **R** values of your proposed materials as shown in the previous example.

Example:

K value = 0.75

Thickness = 1

R value = Thickness/K = 1/0.75 = 1.33

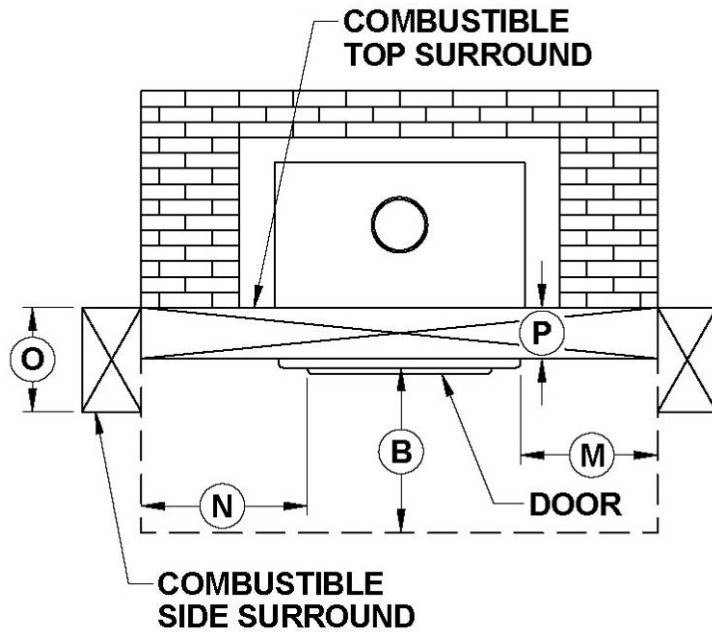
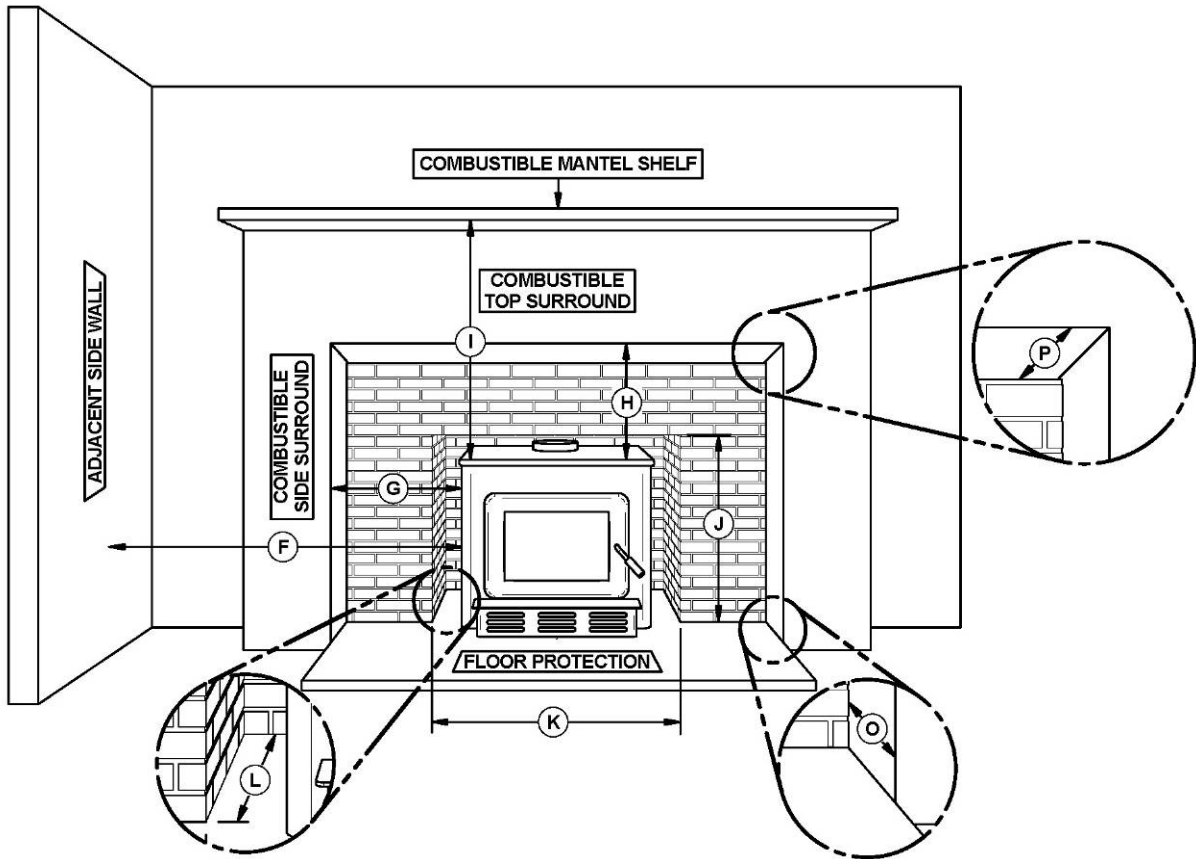
Thermal Characteristics of Common Floor Protection Materials*

| MATERIAL | CONDUCTIVITY (k) PER INCH | RESISTANCE (R) PER INCH THICKNESS |
|-------------------------------|--------------------------------------|--|
| Micore® 160 | 0.39 | 2.54 |
| Micore® 300 | 0.49 | 2.06 |
| Durock® | 1.92 | 0.52 |
| Hardibacker® | 1.95 | 0.51 |
| Hardibacker® 500 | 2.3 | 0.44 |
| Wonderboard® | 3.23 | 0.31 |
| Cement mortar | 5.00 | 0.2 |
| Common brick | 5.00 | 0.2 |
| Face brick | 9.00 | 0.11 |
| Marble | 14.3 – 20.00 | 0.07 – 0.05 |
| Ceramic tile | 12.5 | 0.008 |
| Concrete | 1.050 | 0.950 |
| Mineral wool insulation | 0.320 | 3.120 |
| Limestone | 6.5 | 0.153 |
| Ceramic board (Fibremax) | 0.450 | 2.2 |
| Horizontal still air** (1/8") | 0.135 | 0,920** |

* Information as reported by manufacturers and other resources

** For a 1/8" thickness. You cannot «stack» horizontal still air to accumulate R-values; you must separate each layer of horizontal still air with another non-combustible material.

8.5 Minimum Masonry Opening, Clearances to Combustibles, and Floor Protector



| CLEARANCES | |
|------------|--------------|
| F | 16" (406 mm) |
| G | 9" (229 mm) |
| H | 27" (686 mm) |
| I | 27" (686 mm) |

| MINIMUM MASONRY OPENING | |
|-------------------------|-------------------|
| J | 23 3/8" (594 mm) |
| K | 28 7/8" (733 mm)* |
| L | 15 3/4" (400 mm) |

| MAXIMUM THICKNESS | |
|-------------------|--------------|
| O | 5" (127 mm) |
| P | 12" (305 mm) |

| FLOOR PROTECTION | | |
|------------------|------------------------------|------------------------------|
| | CANADA | USA |
| B | 18" (457 mm) – Note 1 | 16" (406 mm) – Note 1 |
| M | 8" (203 mm) | N/A (Canada only) |
| N | N/A (USA only) | 8" (203 mm) |

Minimum floor to ceiling clearance: 84" (213 cm)

* Where a fresh air intake is needed, we suggest you add a minimum of 4" to the width of the minimum masonry opening.

Note 1: From door opening. The depth of the hearth extension in front of the insert is included in the calculation of the floor protector's dimensions. The masonry hearth should be at least 5" (127 mm) higher than the combustible floor in front of it and a floor protection must extend at least 16" (406 mm USA) and at least 18" (457 mm Canada) without an R value. If the hearth elevation is lower than 5" (127 mm), the non-combustible floor protector in front of the insert should have an R value equal or greater than 1.00 and shall extend 23" (584 mm) in front of the unit.

9. The Venting System

9.1 General

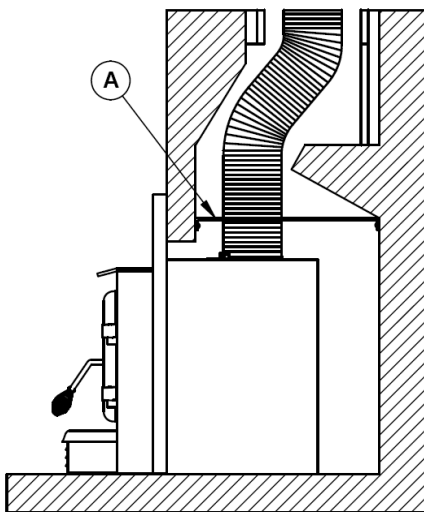
The venting system, made up of the chimney and the liner inside the chimney, acts as the engine that drives your wood heating system. Even the best insert will not function safely and efficiently as intended if it is not connected to a suitable chimney and liner system.

The heat in the flue gases that pass from the insert into the chimney is not waste heat. This heat is what the chimney uses to make the draft that draws in combustion air, keeps smoke inside the insert and safely vents exhaust to outside. You can think of heat in the flue gas as fuel the chimney uses to make draft.

9.2 Block-Off Plate

To reduce the possibility of a cold air draft from the masonry chimney to get into the room when the insert is not working, the installation of a sheet metal block-off plate ((A) in the drawing below) is recommended. Once you have made the block-off plate to the proper dimension, cut the pipe hole slightly larger than the liner's diameter and then install the liner through this hole. Set the Block-off plate in place and secure with masonry nails into mortar joints. Finally, seal the joints between the plate and the wall with high temperature silicone, and then use stove-furnace cement to seal between the pipe and the hole.

In Canada, CSA B365 Standard permits the use of "Roxul" type wool stuffed around the liner as it passes through the throat area as an alternative to a sheet metal block-off plate. However, this method is inferior to the use of a sheet metal block-off plate.



9.3 Suitable Chimneys

Your wood insert will provide optimum efficiency and performance when connected to a 6" diameter chimney liner. The connection to a chimney having a diameter of at least 5" (Canada only) is permitted, if it allows the proper venting of combustion gases and that such application is verified and authorized by a qualified installer. Otherwise, the diameter of the flue should be 6". The reduction of the liner diameter to less than 6" should only be done if the total height of the masonry chimney is greater than 20 feet.

9.4 Liner Installation

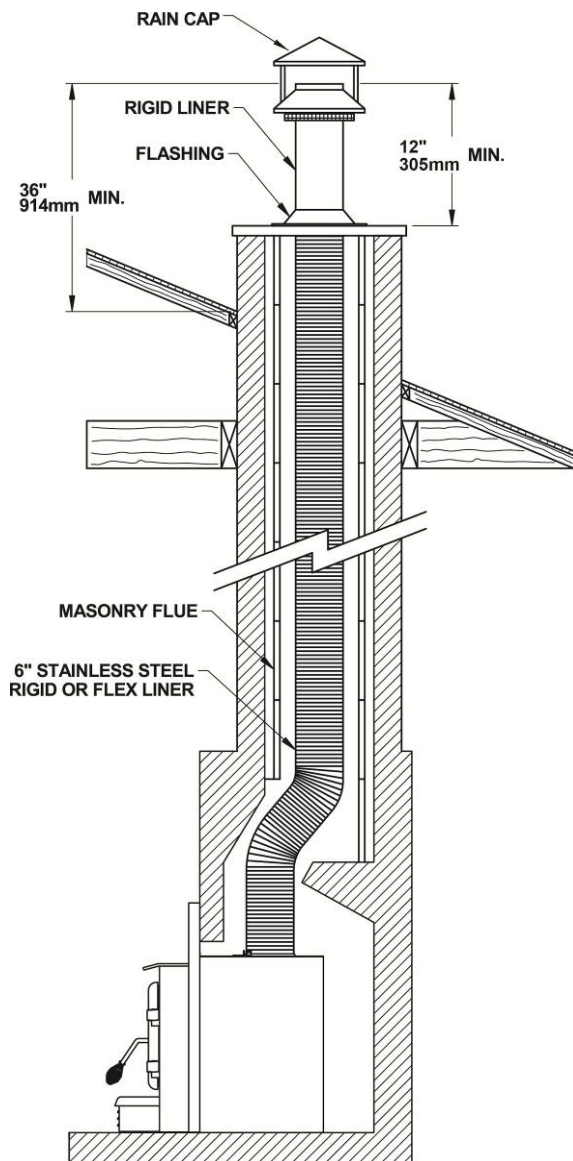
We recommend the use of a chimney liner (rigid or flexible) to ensure satisfactory performance. To ensure an optimal draft, we also strongly recommend adding a minimum of 12" rigid liner between the top of the masonry chimney and the rain cap. In all cases, liners should be installed in accordance with the liner manufacturer's instructions, including instructions for extension above the masonry.

Use Listed Chimney Liners – UL 1777, ULC S635 or CAN/ULC S640.

In order to connect the insert to the liner, refer to **section 9.5 Chimney liner installation**.

ATTENTION INSTALLER: When positioning the unit in a fireplace opening prior to the flue installation, install the insert into the opening until the top lip of air jacket is flush with fireplace facing.

If lag bolts or anchors are to be used to secure the insert, the hole locations should be marked with the unit in place. Remove the insert and locate the anchors.



9.5 Chimney Liner Installation

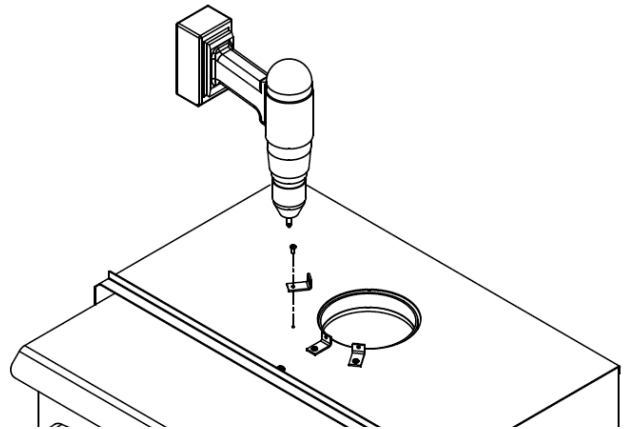
The preferred methods for installing the chimney liner are found in **Section 9.5.1**. Use a liner offset adapter (**Section 9.5.2**) only as a last resort.

9.5.1 If the chimney liner does align with the insert's flue outlet, you have two options.

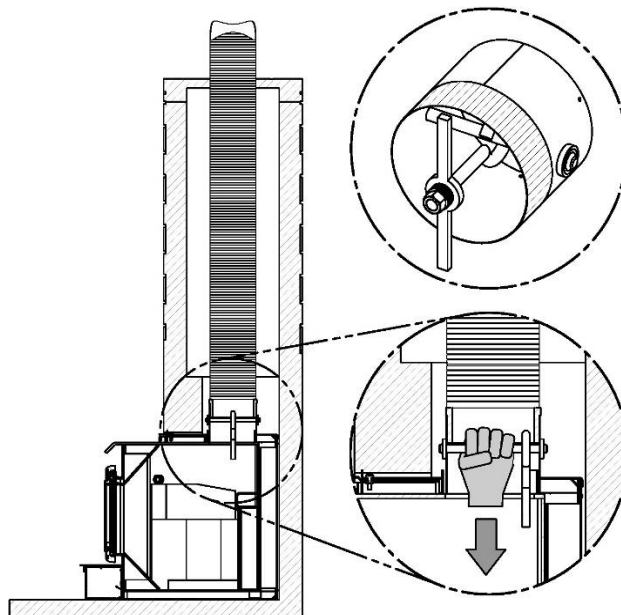
- A) Install the chimney liner starter adapter, provided with the chimney liner. Follow the chimney liner starter adapter manufacturer's instructions.

In order to connect the chimney liner starter adapter to the flue outlet, you can install the brackets with the screws that are in the owner's manual kit.

Using a powered driver, secure the three brackets with the three screws provided on top of the insert in the three holes in front of the flue outlet. The long end of the brackets must be attached to the insert. Insert the chimney liner into the flue collar of the unit and secure the liner to the brackets with three self-tapping screws (not included).

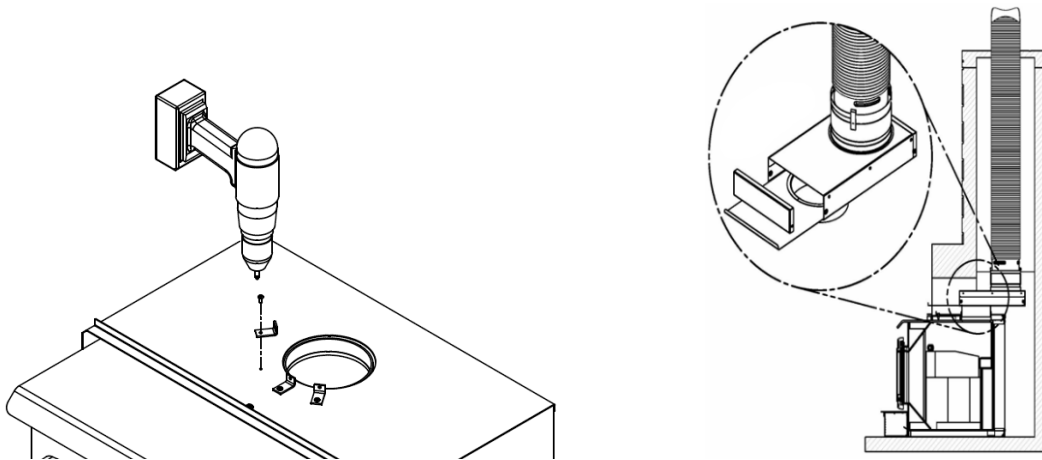


- B) Your dealer may offer a liner fastening system, sold separately. Follow the installation instructions provided with the liner fastening system.



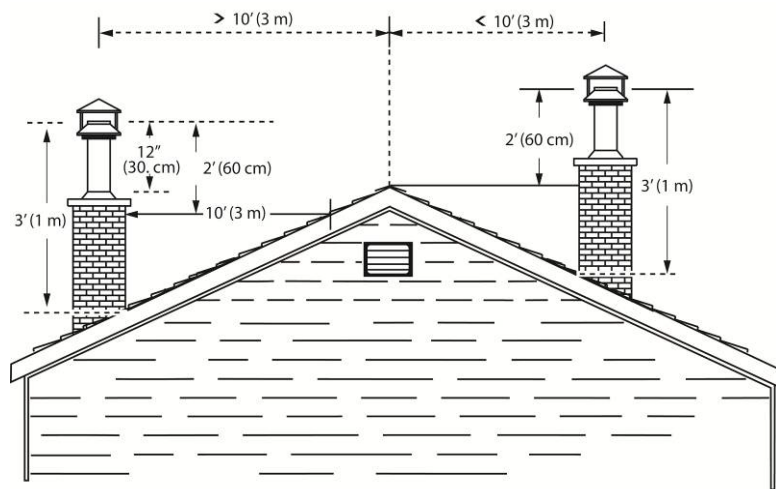
9.5.2 If the chimney liner does not align with the insert's flue outlet

You can install a liner offset adapter, which is sold separately. Please note that an offset adaptor reduces the free flow of exhaust gases and may result in smoke roll-out from the insert when its door is open for loading. Only use an offset adaptor if a) there is no other alternative and b) if the total height of the fireplace and chimney is at least 20 feet. If you must install a liner offset adapter, secure the three brackets with the three screws provided on top of the insert in the three holes in front of the flue outlet. The long end of the brackets must be attached to the insert. The brackets and screws are in the insert's owner's manual kit. Then follow the instructions in the manual provided with the liner offset adapter kit.



9.6 Minimum Chimney Height

The top of the chimney should be tall enough to be above the air turbulence caused when wind blows against the house and its roof. The chimney must extend at least 1 m (3 ft.) above the highest point of contact with the roof, and at least 60 cm (2 ft.) higher than any roof line or obstacle within a horizontal distance of 3 m (10 ft.).



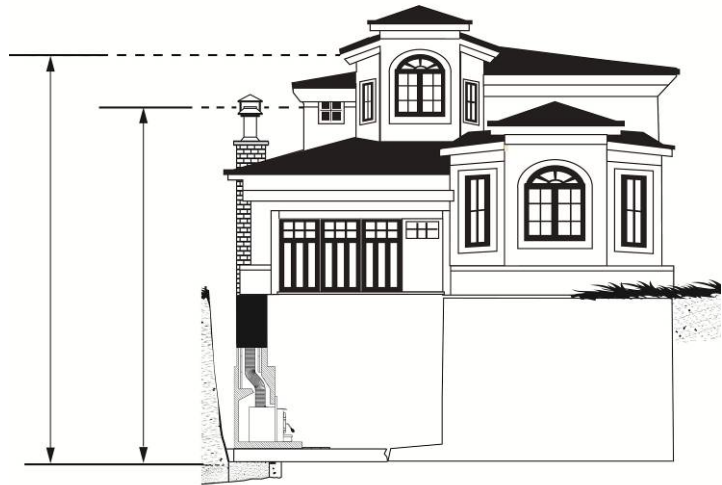
9.7 The Relationship Between the Chimney and the House

Because the venting system is the engine that drives the wood heating system, it must have the right characteristics. The signs of bad system design are cold back drafting when there is no fire in the insert, slow kindling of new fires, and smoke roll-out when the door is open for loading.

9.7.1 Why the Chimney Should Penetrate the Highest Heated Space

When it is cold outside, the warm air in the house is buoyant so it tends to rise. This tendency of warm air to rise creates a slight pressure difference in the house. Called 'stack effect', it produces a slightly negative pressure low in the house (relative to outside) and a slightly positive pressure zone high in the house. If there is no fire burning in a heater connected to a chimney that is shorter than the warm space inside the house, the slight negative pressure low in the house will compete against the desired upward flow in the chimney.

There are two reasons why the chimney in the house at right will cold backdraft when it is cold outside and there is no fire burning in the insert. First, the chimney runs up the outside of the house, so the air in it is colder and denser than the warm air in the house. And second, the chimney is shorter than the heated space of the house, meaning the negative pressure low in the house will pull outside air down the chimney, through the insert and into the room. Even the finest insert will not work well when connected to this chimney.



9.8 Supply of Combustion Air

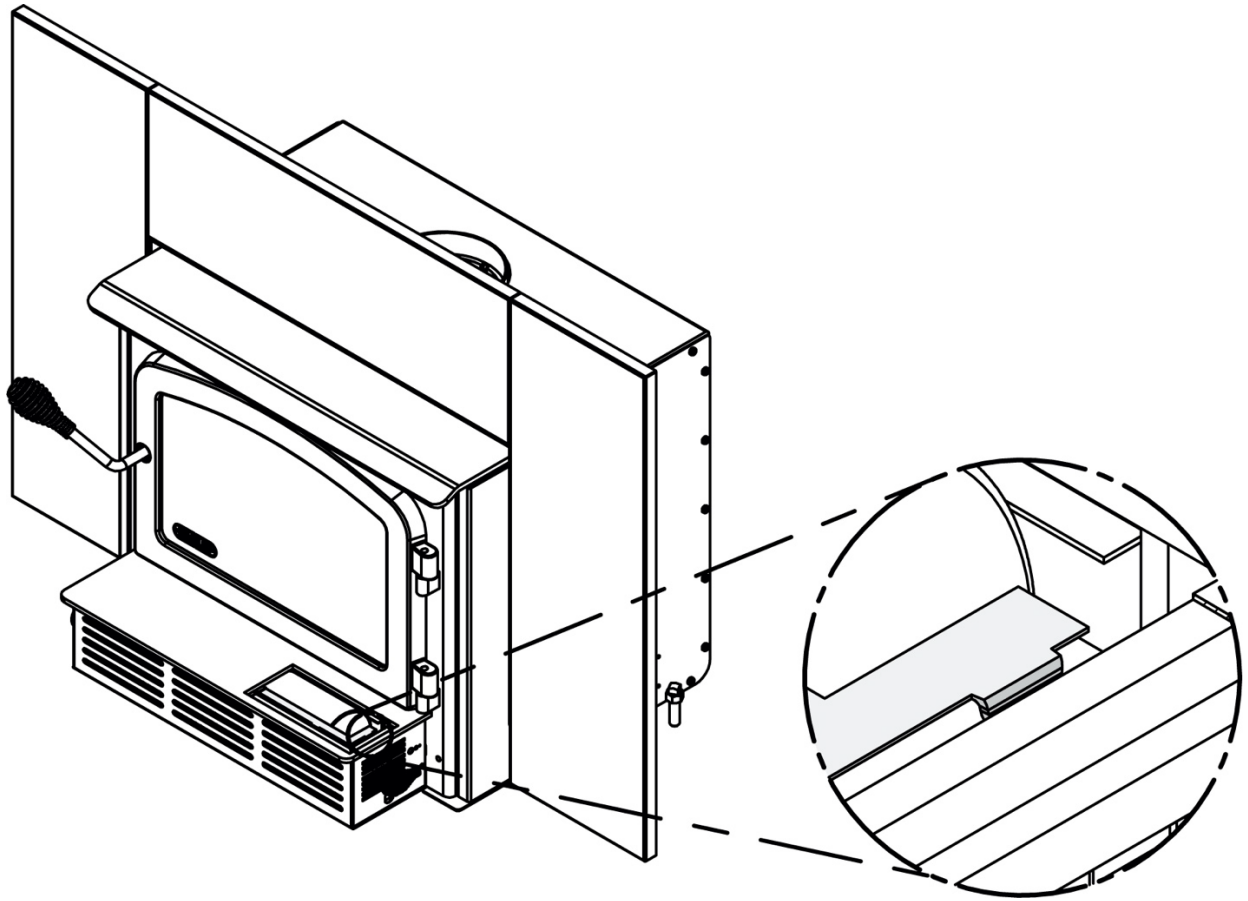
In Canada, wood inserts are not required to have a supply of combustion air from outdoors because research has shown that these supplies do not give protection against house depressurization and may fail to supply combustion air during windy weather. However, to protect against the risk of smoke spillage due to house depressurization, **a carbon monoxide (CO) detector/alarm is required** in the room in which the insert is installed. The CO detector will provide warning if for any reason the wood insert fails to function correctly.

9.8.1 Air Supply in Conventional Houses

The safest and most reliable supply of combustion air for your wood insert is from the room in which it is installed. Room air is already preheated so it will not chill the fire, and its availability is not affected by wind pressures on the house. Contrary to commonly expressed concerns, almost all tightly sealed new houses have enough natural leakage to provide a small amount of air needed by the insert. The only case in which the wood insert may not have adequate access to combustion air is if the operation of a powerful exhaust device (such as a kitchen range exhaust) causes the pressure in the house to become negative relative to outdoors.

If you do install an air supply through the wall of the house, be aware that its pressure can be affected during windy weather. If you notice changes in wood insert performance in windy weather, and in particular if smoke puffs from the insert, you should disconnect the outdoor air duct from the insert and remove the duct. In some windy conditions, negative pressure at the duct outside the house wall may draw hot exhaust gases from the insert backwards through the duct to outdoors. Check the outdoor air duct for soot deposits when the full system is cleaned and inspected at least once each year.

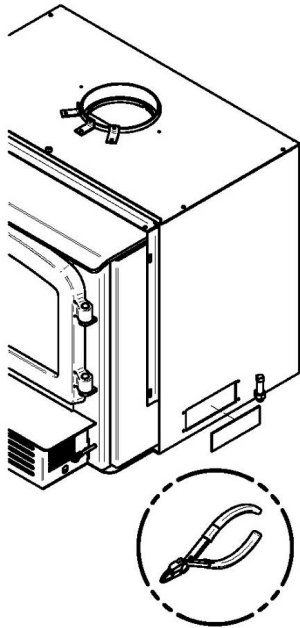
Appendix 1: Blower Installation



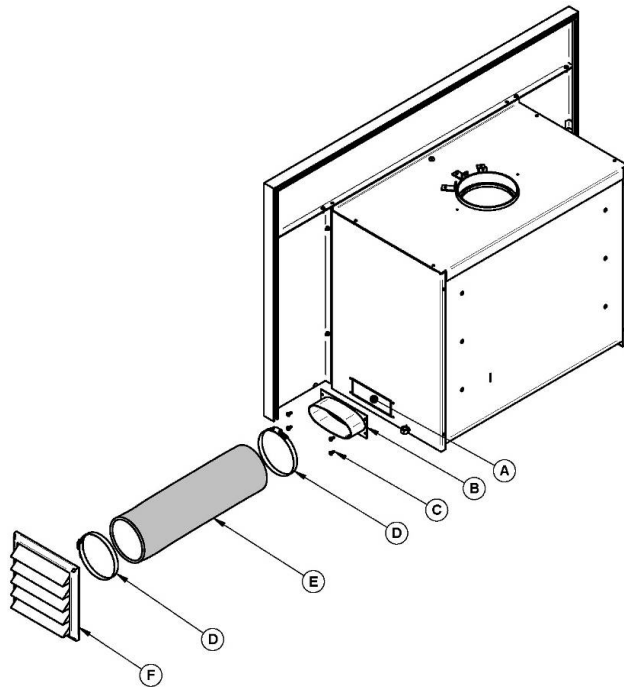
1. Center the blower on the ash lip and push it against the firebox. Then push it until it clips.

Appendix 2: Optional Fresh Air Intake Kit Installation

Note: Only remove the knock-out that will be connected to the fresh air intake kit.



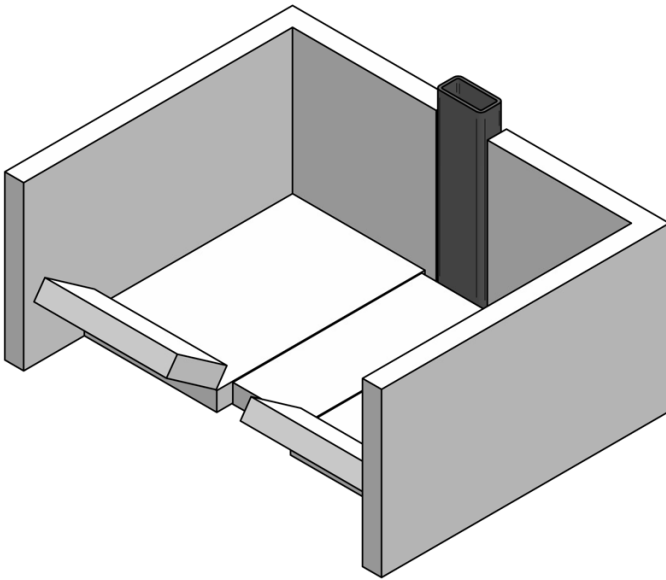
Using pliers, remove the rectangular knock-out plate **(A)** located on the left or right side of the convection air jacket. Choose the side that is best for your installation.



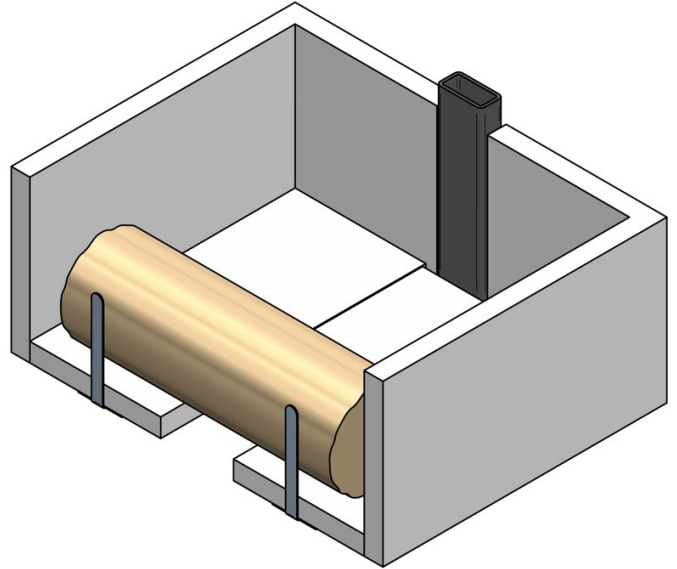
Then, install the fresh air kit adapter **(B)** using 4 screws **(C)**. Secure the flexible pipe **(E)** (not included) to the adapter **(B)** using one of the adjustable pipe clamps **(D)**. The pipe must be HVAC type, insulated, and must comply with ULC S110 and/or UL 181, Class 0 or Class 1. Secure the other end of the pipe to the outside wall termination **(F)** using the second adjustable pipe clamp **(D)**. The outside wall termination **(F)** must be installed outside of the building.

Annexe 3 : Installation des reteneurs de bûches

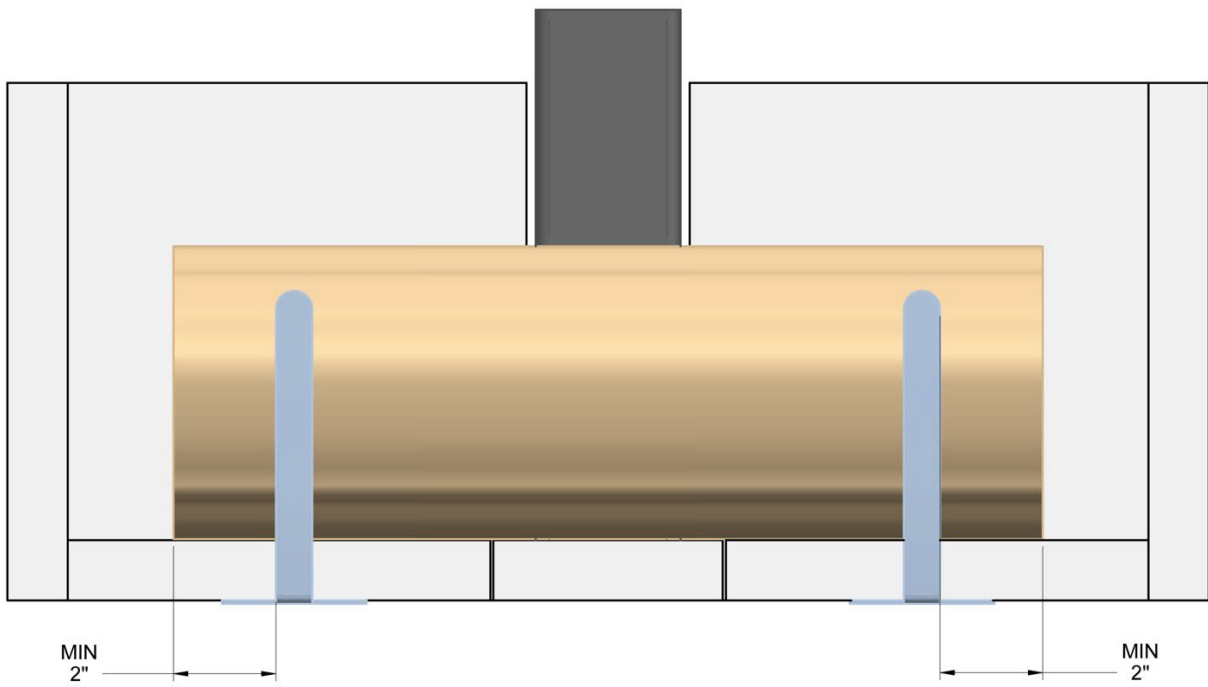
1.



2.



3.



Appendix 4: Optional Faceplate and Decorative Trims Installation

Note: The illustrations may vary from one model to another, but the method of assembly remains the same.

Remove the faceplate panels from its box and the faceplate extension secured between the firebox and the convection air jacket.

Place the faceplate panels with the finished side down on a flat, soft, non-abrasive surface and follow the installation instructions below;

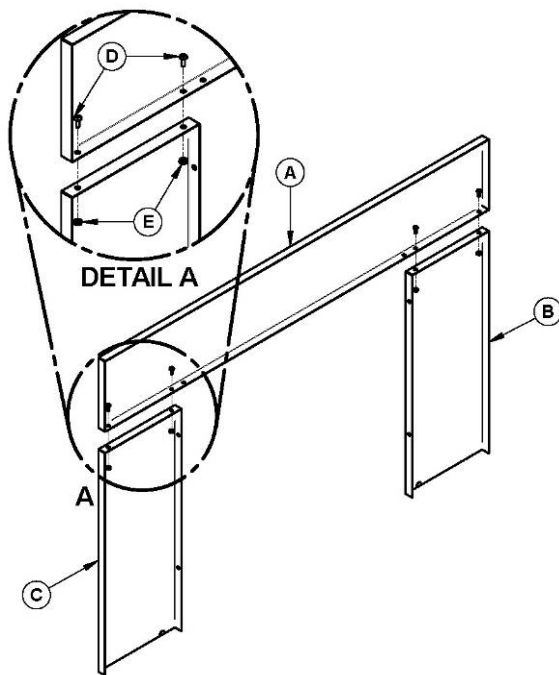
Hardware bag content:

8 - #10-24" x 1/2" bolts

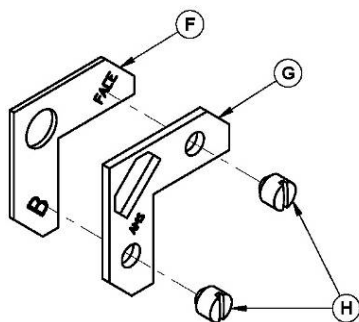
2 - Corner bracket and screws

8 - Trim retainer

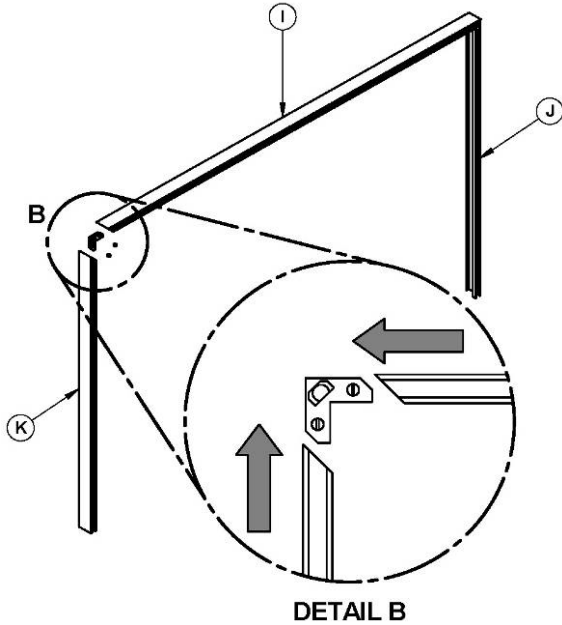
8 - #10-24" hex nuts



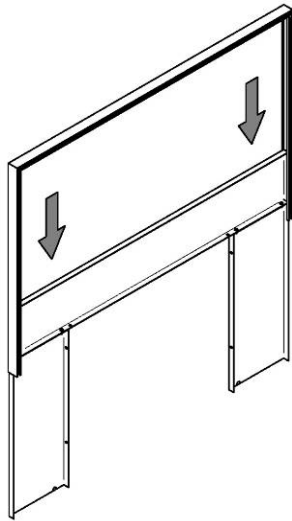
Line up the holes of the upper faceplate panel (A) with the holes of the side panels (B) and (C). Secure them together using four (4) bolts (D) and nuts (E) provided (see **DETAIL A**).



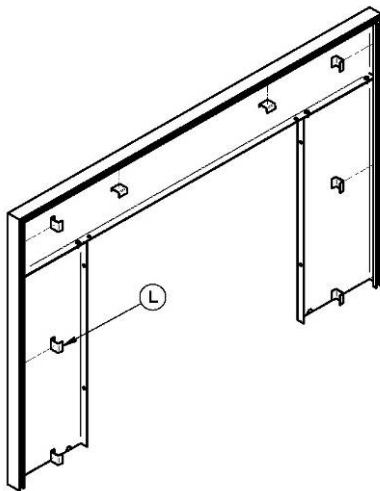
Partially thread the screws (H) on the trim's corner bracket (G) then superimpose the corner brackets (F) and (G) as shown in the image on the left.



Insert the superimposed brackets (F) and (G) with the screws (H) in the groove of each decorative trim (I), (J) and (K) (see **DETAIL B**). Align the corners of the angled side of each trim, and then tighten the screws (L) to secure the trims.

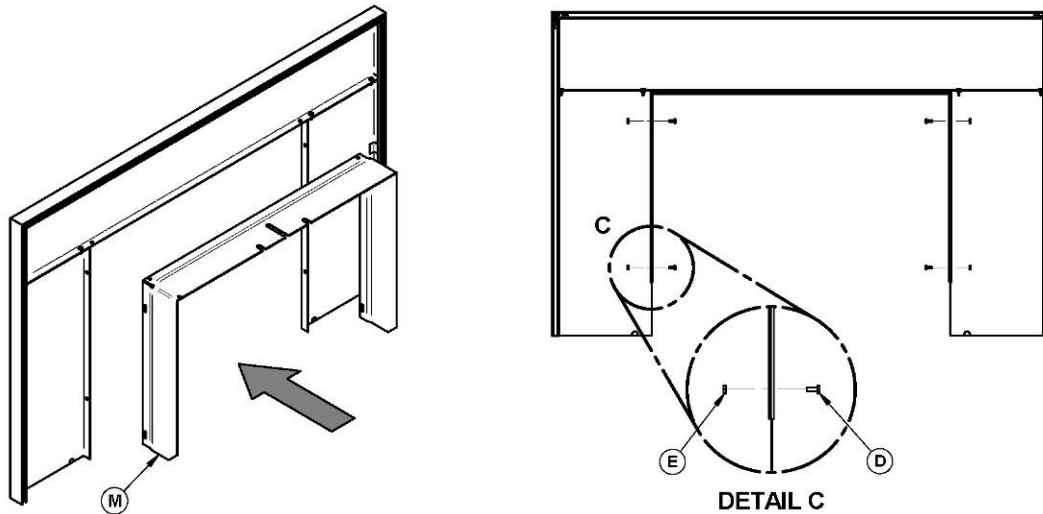


Align the trim assembly with the left and right edge of the faceplate and slowly slide it down over the faceplate.



Secure the trim to the faceplate by squeezing the eight trim retainers (L) between the inner edge of the trim and the front of the faceplate. As in the image on the left.

Then align the holes in the faceplate extension (M) with the holes in each faceplate side panels and secure both assemblies together using four (4) bolts (D) and nuts (E) provided (see **DETAIL C**).

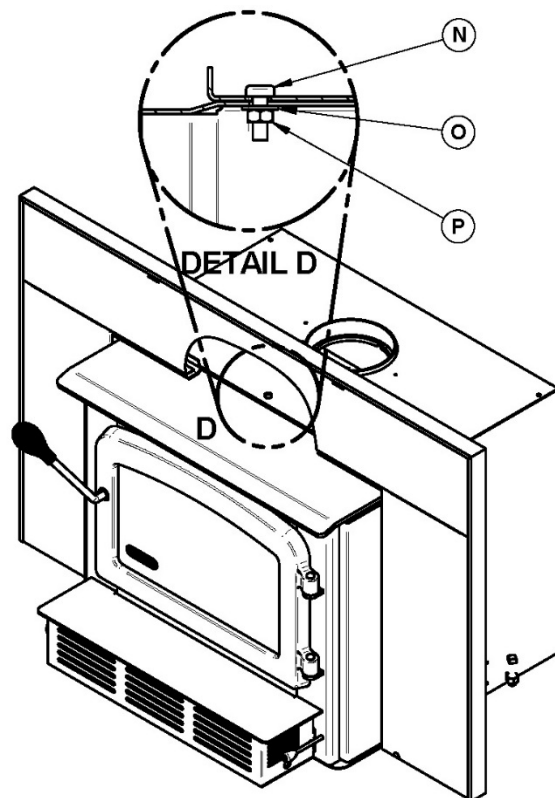
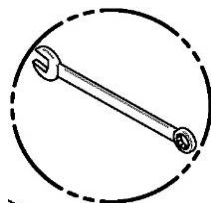


Center the insert into the fireplace opening.

Align the notch in the faceplate extension with the bolt (N) welded to the air jacket located (see **DETAIL D**) and slide the faceplate assembly just over the bolt's head and washer (O). Then push towards the fireplace.

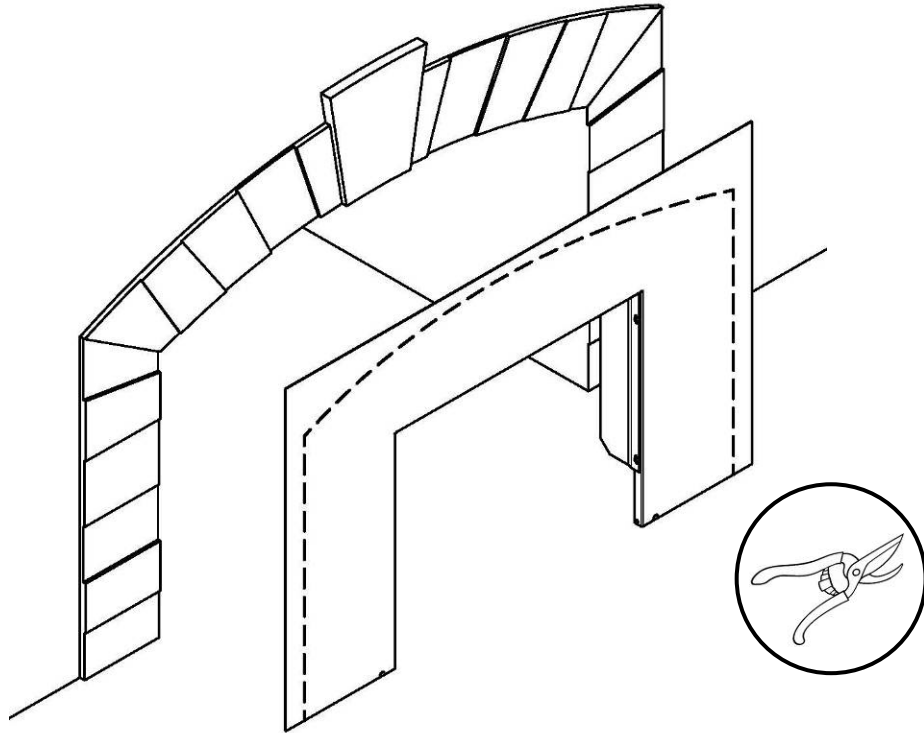
If necessary, adjust the height of the insert using the leveling bolts on each side of the convection air jacket until the faceplate is properly seated on the floor of the hearth extension.

Once the faceplate is in place, secure the assembly by tightening nuts (P) using a 7/16" (11 mm) open end wrench.



Appendix 5: Optional Cuttable Faceplate Installation

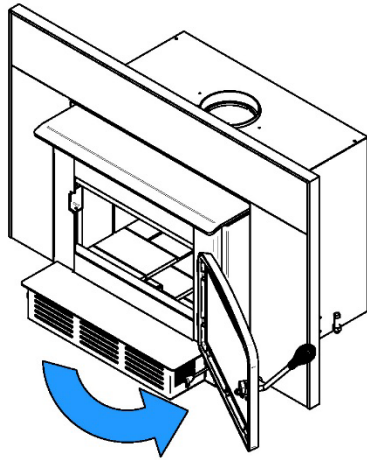
This 18G steel faceplate is cuttable to the desired shape of the fireplace opening if it contains irregular edges (e.g.: fieldstones). The use of a template may be useful prior to cutting of the faceplate.



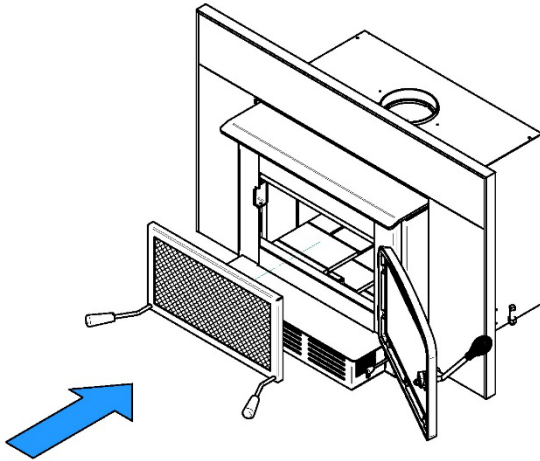
See the installation manual provided with the faceplate.

Appendix 6: Optional Fire Screen Installation

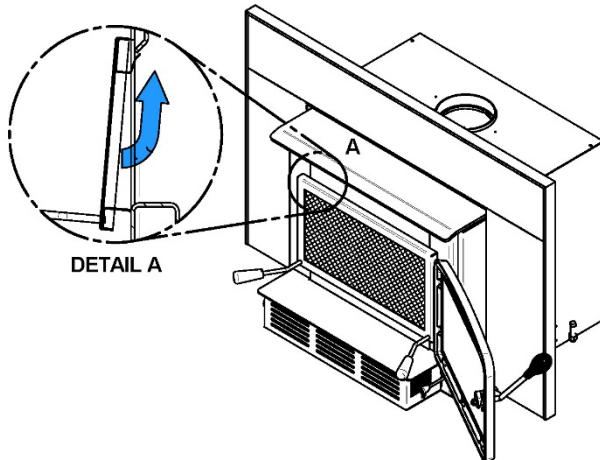
Open the door.



Hold the fire screen by the two handles and bring it close to the door opening.



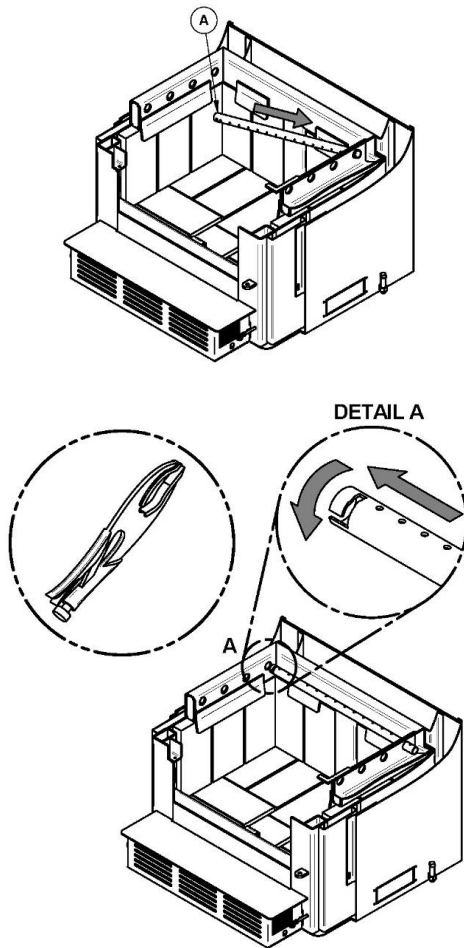
Lean the upper part of the fire screen against the top door opening making sure to insert the top fire screen brackets behind the primary air deflector as in **(DETAIL A)**.



Lift the fire screen upwards and push the bottom part towards the stove then let the fire screen rest on the bottom of the door opening.

Warning: Never leave the stove unattended while in use with the fire screen.

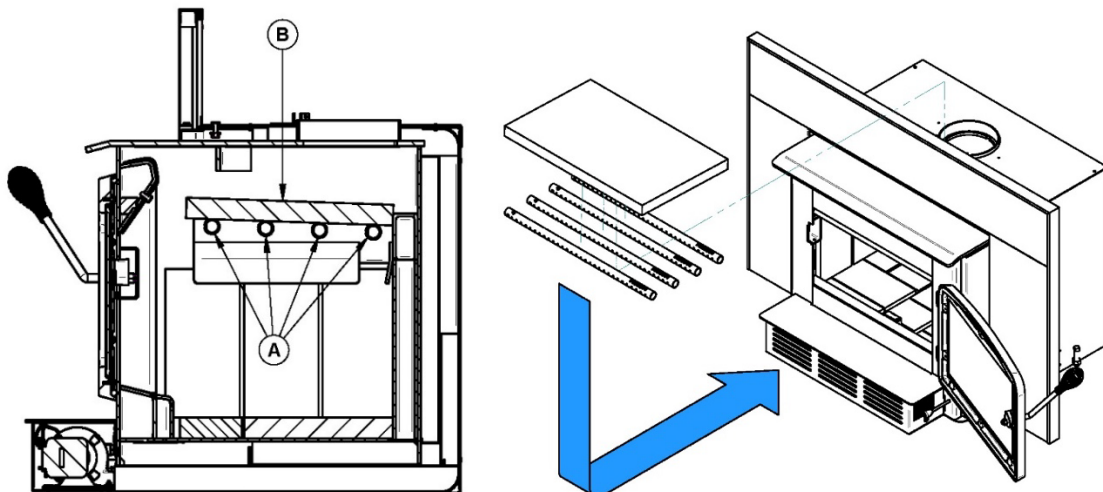
Appendix 7: Secondary Air Tubes and Baffle Installation



1. Starting with the rear tube (A), lean and insert the right end of the secondary air tube into the rear right channel hole. Then lift and insert the left end of the tube into the rear left channel.
2. Align the notch in the left end of the tube with the key of the left air channel hole. Using a « Wise grip » hold the tube and lock it in place by turning the tube as shown in detail A. Make sure the notch reaches the end of the key way.
3. Repeat **steps 1** and **2** for the two tubes in the back then install the baffle before installing the two front tubes.

To remove the tubes use the above steps in reverse order.

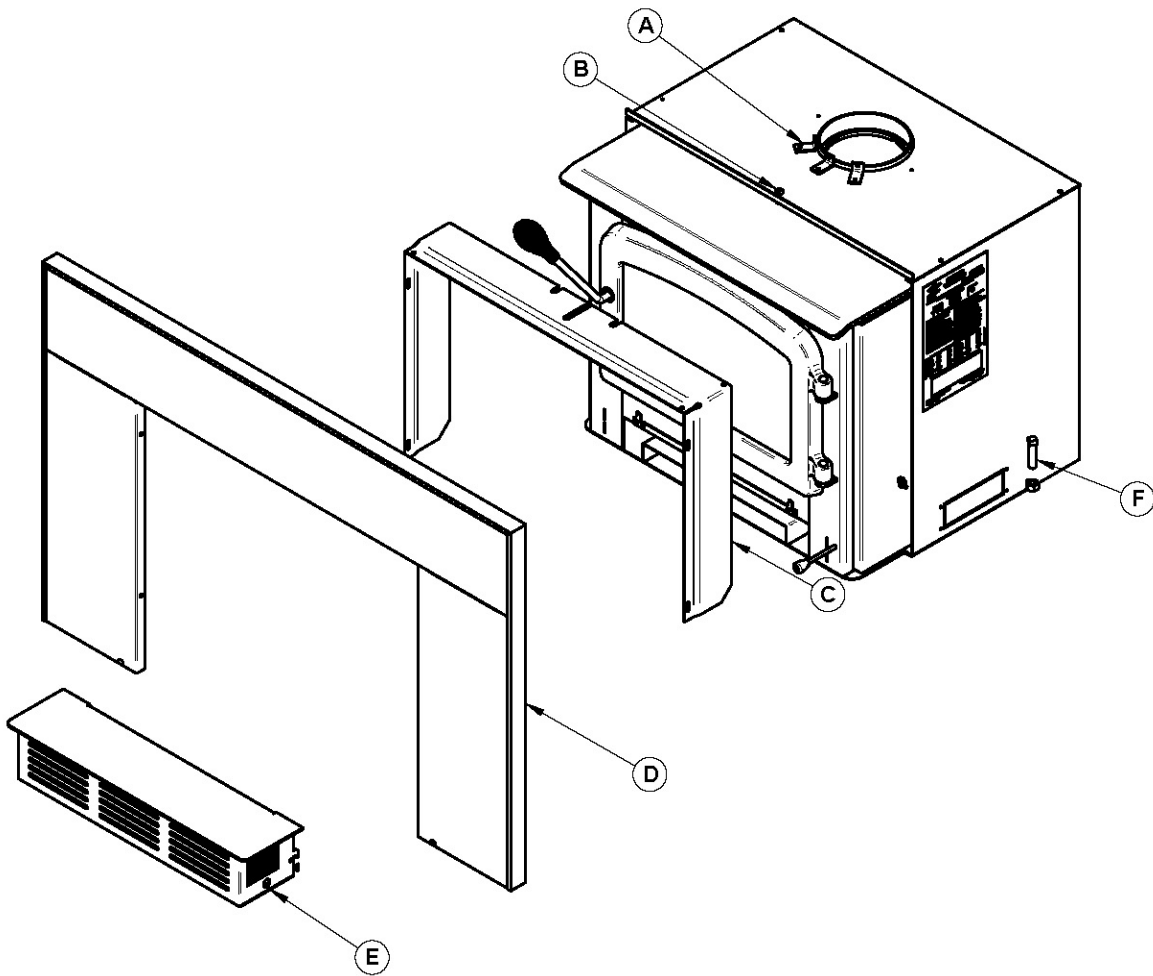
Note that secondary air tubes (A) can be replaced without removing the baffle board (B) and all tubes are identical.



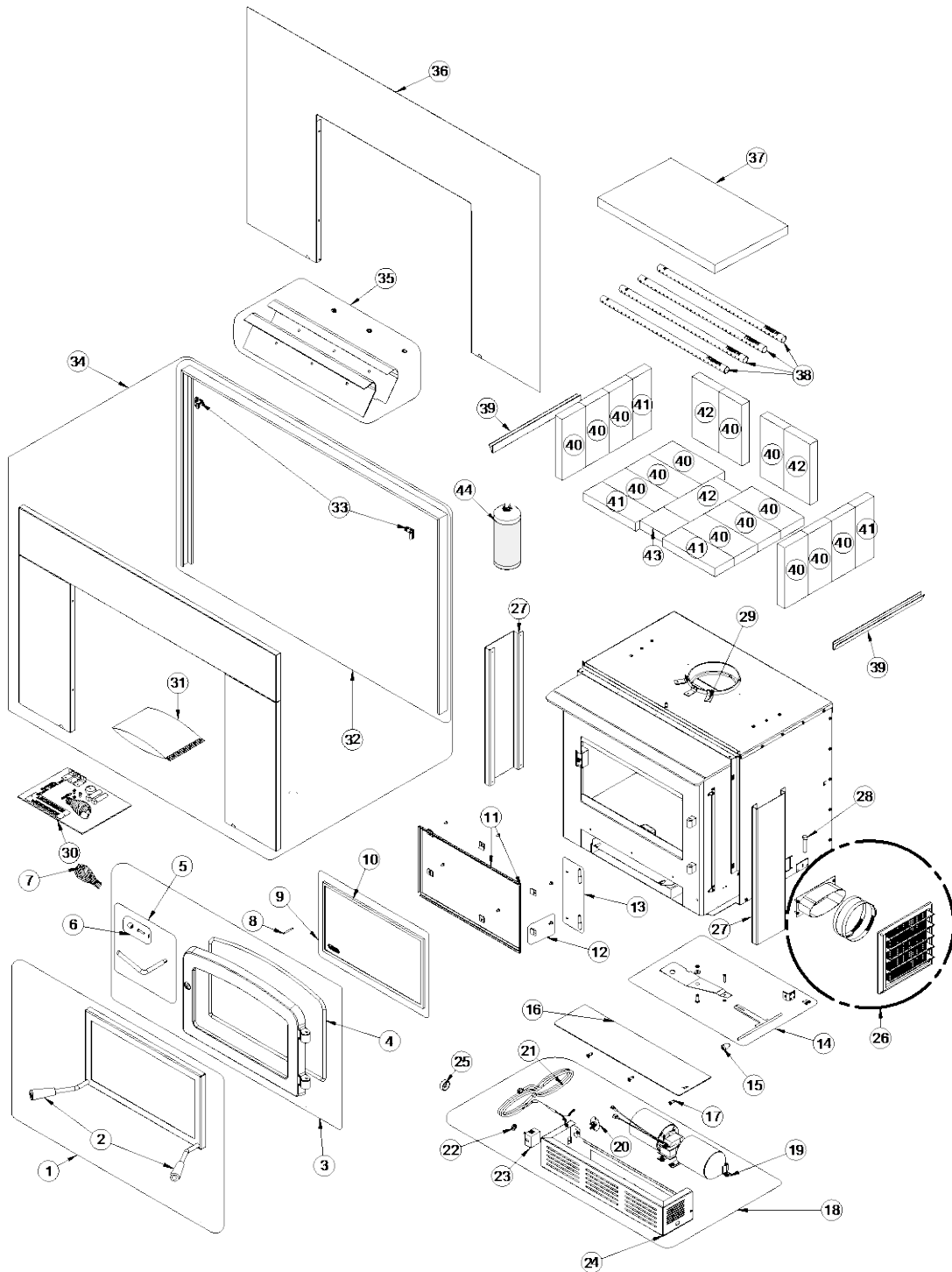
Appendix 8: Removal instructions

For the purpose of inspecting the insert itself or the fireplace, your insert may need to be removed. To remove your insert follow these instructions:

- Unscrew the nut secured on the screw (B) holding the faceplate extension (C) to the insert.
- Remove faceplate (D) by pulling it towards you.
- Remove the blower assembly (E).
- Remove the three screws securing the pipe connector (A).
- Unscrew the levelling bolts (F) located on each side of the insert.
- Move the insert to perform maintenance.



Appendix 9: Exploded Diagram and Parts List



IMPORTANT: THIS IS DATED INFORMATION. When requesting service or replacement parts for your stove, please provide the model number and the serial number. We reserve the right to change parts due to technology upgrades or availability. Contact an authorized dealer to obtain any of these parts. Never use substitute materials. Use of non-approved parts can result in poor performance and safety hazards.

| # | Item | Description | Qty |
|----|------------|--|-----|
| 1 | AC01315 | RIGID FIRESCREEN | 1 |
| 2 | SE74166 | HANDLE 30898 REPLACEMENT KIT | 1 |
| 3 | SE24107-08 | DOOR ASSEMBLY | 1 |
| 4 | AC06500 | SILICONE AND 5/8" X 8' BLACK DOOR GASKET KIT | 1 |
| 5 | SE70697 | REPLACEMENT HANDLE WITH LATCH KIT | 1 |
| 6 | AC09185 | DOOR LATCH KIT | 1 |
| 7 | AC07867 | 1/2" CHROME PLATED COIL HANDLE | 1 |
| 8 | 30101 | SPRING TENSION PIN 5/32"Ø X 1 1/2"L | 1 |
| 9 | SE55103 | GLASS WITH GASKET - 17 1/8"W X 10 3/16"H | 1 |
| 10 | AC06400 | 3/4" X 6' FLAT BLACK SELF-ADHESIVE GLASS GASKET | 1 |
| 11 | PL55041 | GLASS RETAINER FRAME | 2 |
| 12 | SE53585 | GLASS RETAINER KIT WITH SCREWS (12 PER KIT) | 1 |
| 13 | SE74167 | DOOR HINGE REPLACEMENT KIT | 1 |
| 14 | SE74169 | INSERT TRAP KIT | 1 |
| 15 | 30102 | 1/4" CAST STEEL AIR CONTROL HANDLE WITH MOUNTING SCREW | 1 |
| 16 | SE74124 | ASHTRAY ASSEMBLY | 1 |
| 17 | 30507 | BLACK TORX SCREW WITH FLAT HEAD TYPE F 1/4-20 X 3/4" | 3 |
| 18 | SE74125 | BLOWER ASSEMBLY | 1 |
| 19 | 44089 | DOUBLE CAGE BLOWER 144 CFM 115V - 60Hz - 1.1A | 1 |
| 20 | 44028 | CERAMIC THERMODISC F110-20F | 1 |
| 21 | 60013 | POWER CORD 96" X 18-3 type SJT (50 pcs per carton) | 1 |
| 22 | 44087 | RHEOSTAT NUT | 1 |
| 23 | 44080 | RHEOSTAT WITHOUT NUT (MODEL KBMS-13BV) | 1 |
| 24 | PL74125 | BLOWER HOUSING | 1 |
| 25 | 44085 | RHEOSTAT KNOB | 1 |
| 26 | AC01298 | 5"Ø FRESH AIR INTAKE KIT | 1 |
| 27 | PL53722 | RIGHT DECORATIVE PANEL | 1 |
| 28 | 30337 | SQUARE HEAD SET SCREW 1/2-13 X 1-3/4" | 2 |
| 29 | PL34052 | LINER FIXATION BRACKET | 1 |
| 30 | SE45931 | ESCAPE 1800 INSERT INSTRUCTION MANUAL KIT | 1 |
| 31 | SE15097 | FACEPLATE HARDWARE KIT | 1 |
| 32 | OA10123 | BRUSHED NICKEL FACEPLATE TRIMS (29" X 44") | 1 |
| 32 | OA10129 | BRUSHED NICKEL LARGE FACEPLATE TRIMS (32" X 50") | 1 |
| 33 | 30456 | AMS HARDWARE KIT (TAPPED CORNERS AND BACK PLATES) | 1 |
| 34 | AC03375 | LARGE FACEPLATE 32" X 50" WITH NICKEL TRIM KIT | 1 |
| 34 | AC03370 | REGULAR FACEPLATE 29" X 44" WITH NICKEL TRIM KIT | 1 |
| 35 | SE65505 | TOP AIR DEFLECTOR PROTECTOR KIT | 1 |
| 36 | AC01357 | 32" X 50" CUTTABLE FACEPLATE (18 GA) | 1 |
| 37 | 21388 | VERMICULITE BAFFLE 20" X 12 1/2" X 1 1/4" | 1 |
| 38 | PL65514 | SECONDARY AIR TUBE | 4 |

| | | | |
|----|---------|---|----|
| 39 | PL65127 | FLOORED BRICK RETAINER | 2 |
| 40 | 29015 | 4" X 9" X 1 1/4" REFRACTORY BRICK | 14 |
| 41 | 29007 | 3 1/4" X 9" X 1 1/4" REFRACTORY BRICK | 4 |
| 42 | 29010 | 4 1/2" X 9" X 1 1/4" REFRACTORY BRICK | 3 |
| 43 | 29004 | 4" X 4 1/2" X 1 1/4" REFRACTORY BRICK | 1 |
| 44 | AC05959 | METALLIC BLACK STOVE PAINT - 342 g (12oz) AEROSOL | 1 |

DROLET LIMITED LIFETIME WARRANTY

The warranty of the manufacturer extends only to the original retail purchaser and is not transferable. This warranty covers brand new products only, which have not been altered, modified nor repaired since shipment from factory. Proof of purchase (dated bill of sale), model name and serial number must be supplied when making any warranty claim to your DROLET dealer.

This warranty applies to normal residential use only. This warranty is void if the unit is used to burn material other than cordwood (for which the unit is not certified by EPA) and void if not operated according to the owner's manual. Damages caused by misuse, abuse, improper installation, lack of maintenance, over firing, negligence or accident during transportation, power failures, downdrafts, venting problems or under-estimated heating area are not covered by this warranty. The recommended heated area for a given appliance is defined by the manufacturer as its capacity to maintain a minimum acceptable temperature in the designated area in case of a power failure.

This warranty does not cover any scratch, corrosion, distortion, or discoloration. Any defect or damage caused by the use of unauthorized or other than original parts voids this warranty. An authorized qualified technician must perform the installation in accordance with the instructions supplied with this product and all local and national building codes. Any service call related to an improper installation is not covered by this warranty.

The manufacturer may require that defective products be returned or that digital pictures be provided to support the claim. Returned products are to be shipped prepaid to the manufacturer for investigation. Transportation fees to ship the product back to the purchaser will be paid by the manufacturer. Repair work covered by the warranty, executed at the purchaser's domicile by an authorized qualified technician requires the prior approval of the manufacturer. All parts and labour costs covered by this warranty are limited according to the table below.

The manufacturer, at its discretion, may decide to repair or replace any part or unit after inspection and investigation of the defect. The manufacturer may, at its discretion, fully discharge all obligations with respect to this warranty by refunding the wholesale price of any warranted but defective parts. The manufacturer shall, in no event, be responsible for any uncommon, indirect, consequential damages of any nature, which are in excess of the original purchase price of the product. A one-time replacement limit applies to all parts benefiting from lifetime coverage. This warranty applies to products purchased after March 1st, 2019.

| DESCRIPTION | WARRANTY APPLICATION* | |
|--|-----------------------|---------|
| | PARTS | LABOUR |
| Combustion chamber (welds only) and cast iron door frame. | Lifetime | 3 years |
| Surrounds, heat shields, ash drawer, steel legs, pedestal, trims (aluminum extrusions), plating (defective manufacture**), and convector air-mate. | 5 years | 3 years |
| Removable stainless steel combustion chamber components, secondary air tubes**, deflectors, and supports. | 5 years | N/A |
| Glass retainers, handle assembly, and air control mechanism. | 3 years | 1 year |
| Carbon steel combustion chamber components, vermiculite baffle**, and C-Cast baffle**. | 2 years | N/A |
| Standard blower, heat sensors, switches, rheostat, wiring, and other commands. | 1 year | 1 year |
| Optional blower, paint (peeling**), ceramic glass (thermal breakage only**), ceramic fibre blankets, gaskets, insulation, and other options. | 1 year | N/A |
| Firebricks. | N/A | N/A |
| All parts replaced under the warranty. | 90 days | N/A |

**Subject to limitations above. **Picture required.*

Labour cost and repair work to the account of the manufacturer are based on a predetermined rate schedule and must not exceed the wholesale price of the replacement part.

Shall your unit or a components be defective, contact immediately your **DROLET** dealer. To accelerate processing of your warranty claim, make sure to have on hand the following information when calling:

- Your name, address and telephone number;
- Bill of sale and dealer's name;
- Installation configuration;
- Serial number and model name as indicated on the nameplate fixed to the back of your unit;
- Nature of the defect and any relevant information.

Before shipping your unit or defective component to our plant, you must obtain an Authorization Number from your DROLET dealer. Any merchandise shipped to our plant without authorization will be refused automatically and returned to sender.

