

4

3

2

1

D

D

C

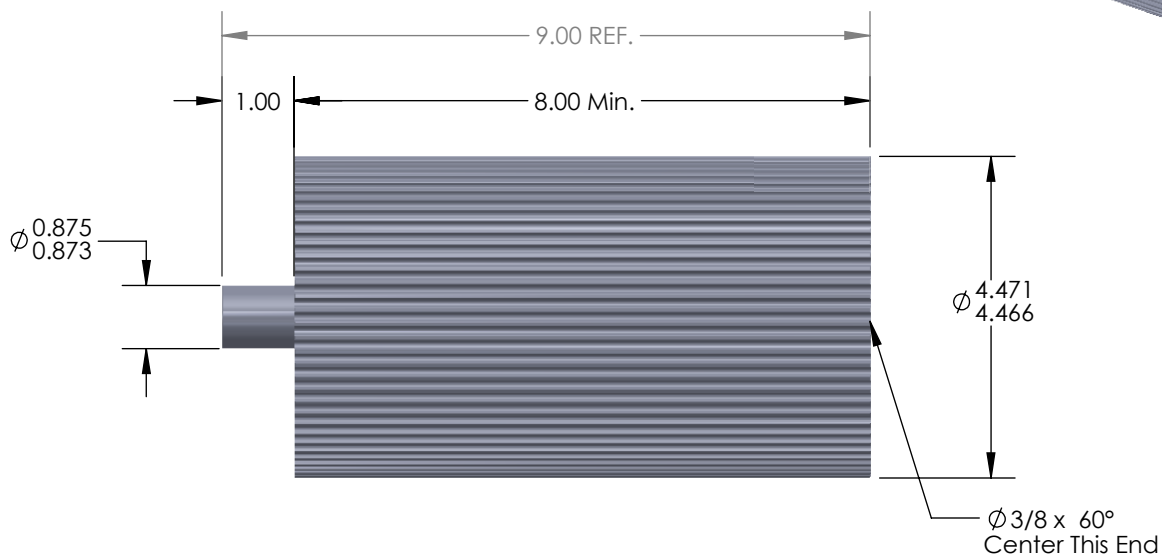
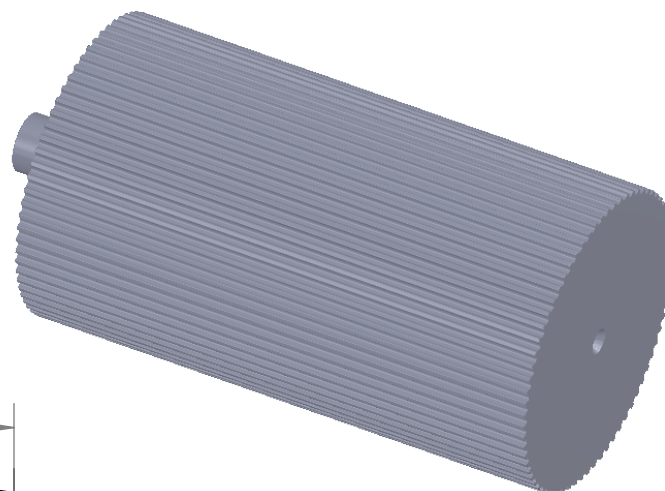
C


B

B

A

A



DO NOT SCALE DRAWING Flanges:	Tooth Information: 5mm PowerGrip GT 72 Teeth	UNLESS OTHERWISE SPECIFIED: DIMENSIONS ARE IN INCHES TOLERANCES: FRACTIONAL ±0.015 ANGULAR: MACH ±1° BEND ±2° TWO PLACE DECIMAL ±0.010 THREE PLACE DECIMAL ±0.005 SURFACE FINISH: $\sqrt{63}$	Serial # of Hob Used:	 Illinois Pulley & Gear, Inc. 611 Lunt Ave., Schaumburg, IL 60193
	PROPRIETARY AND CONFIDENTIAL THE INFORMATION CONTAINED IN THIS DRAWING IS THE SOLE PROPERTY OF ILLINOIS PULLEY & GEAR, INC. ANY REPRODUCTION IN PART OR AS A WHOLE WITHOUT THE WRITTEN PERMISSION OF ILLINOIS PULLEY & GEAR, INC. IS PROHIBITED.		Inspection Notes:	
MATERIAL 4 3/4" Rd. 6061 Aluminum		Plating / Surface Treatment Performed:		SIZE DWG. NO. REV A 72-5MR-PS-8A 01
		FINISH None - As Machined	Sundries Installed:	SCALE: 1:2 WEIGHT: SHEET 1 OF 1
			COMMENTS: 1. Break all sharp corners.	

4

3

2

1