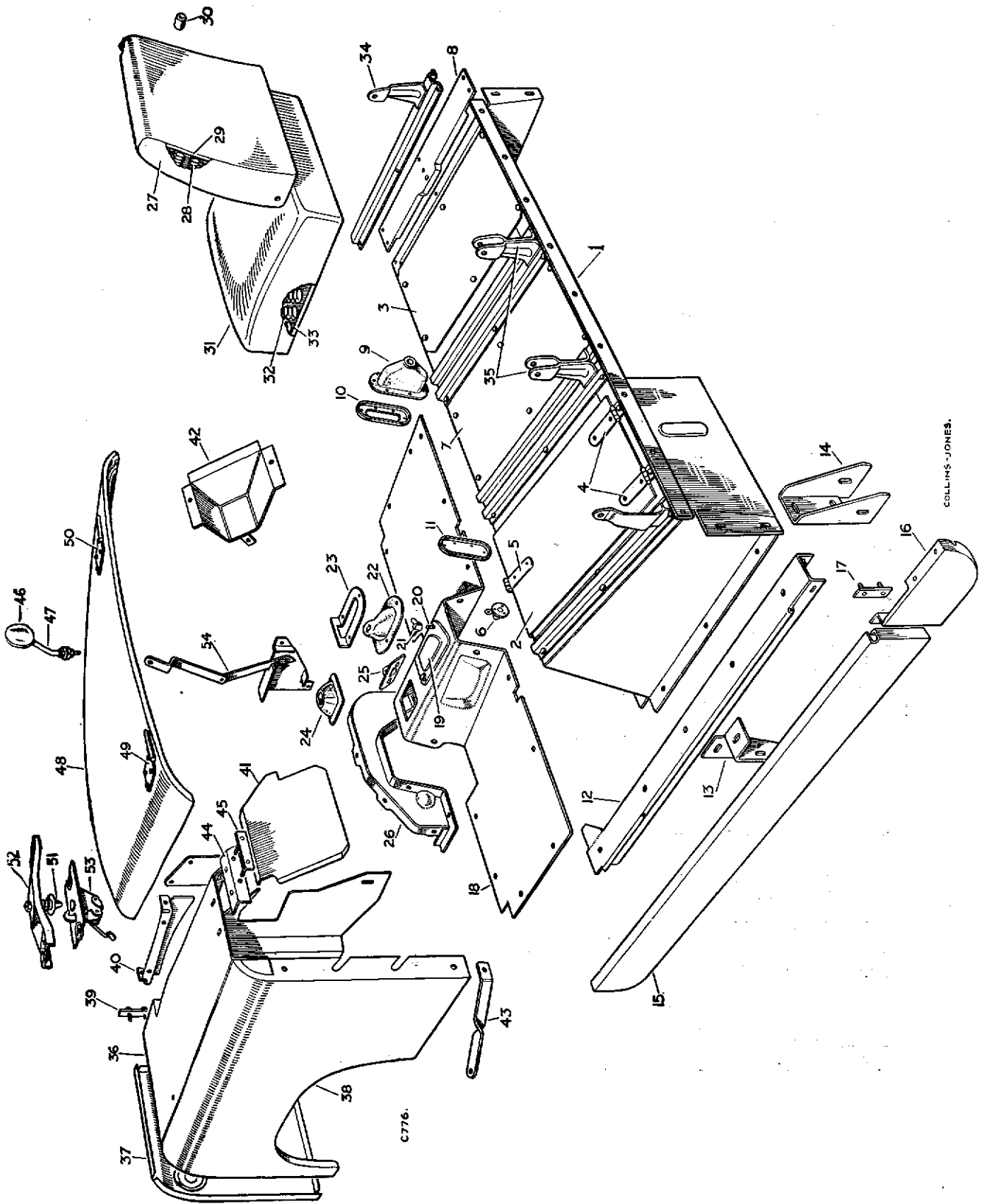


SEAT BASE, SEATS, FRONT FLOOR, FRONT WINGS AND BONNET

PLATE REF.	1 2 3 4	DESCRIPTION	Qty.	Part No.	REMARKS	
26		Gearbox cover complete	1	330069		
		Special bolt	4	303750		
		Plain washer	4	3900	}	
		Special nut	4	302532		Fixing gearbox cover
27		Seat squab, trimmed, outer	2	331042	}	
		Seat squab, trimmed, centre	1	331049		88
		Seat squab, trimmed, driver's	1	331138	}	
		Seat squab, trimmed, passenger's, outer	1	331126		109
		Seat squab, trimmed, centre	1	331127		
28		Spring case for outer squab	2	331022		
		Spring case for centre squab	1	331023		
29		Frame for outer squab, non-adjustable	2	331744*	1 off on 109	
		Frame for outer squab, adjustable	1	331689	109	
		Frame for centre squab	1	331745*		
		Plain washer	9	4032	}	
		Drive screw	9	78126		Fixing squab cover
		Special stud	6	331170	}	
		Split pin	6	3901		4 off on 109
		Plain washer, thin, 1/4" hole	As required	3960	}	
		Plain washer, 5/16" hole	2	3974		non-adjustable As required seats
		Special bolt	2	331471	}	
		Plain washer, thin, 1/4" hole	2	3960		109
		Plain washer, 5/16" hole	2	3974		Fixing squab to supports on adjustable
		Plain washer, thick	2	3446	}	
		Strap retaining front squab	3	331273		88
		Strap retaining front squab, non-adjustable seat	2	331408	109	
		Plain washer	3	4032	}	
		Drive screw	3	77704		2 off on 109
30		Buffer for seat squab, non-adjustable seat	4	312027	}	
		Plain washer	4	3886		6 off on 88 models
		Drive screw	4	77704		
31		Seat cushion trimmed, outer, non-adjustable	2	331730	Metal base type. 1 off on 109	
		Seat cushion trimmed, centre	1	331724	Metal base type	
32		Spring case for outer cushion, non-adjustable	2	331030	1 off on 109. For cushion with canvas base. Check before ordering	
		Spring case for outer cushion, non-adjustable	2	331727	1 off on 109. For metal base type cushion. Check before ordering	
		Spring case for centre cushion	1	331031	For cushion with canvas base. Check before ordering	
		Spring case for centre cushion	1	331728	For metal base type cushion. Check before ordering	
33		Frame for outer cushion, non-adjustable	2	331028	1 off on 109	
		Frame for centre cushion	1	331029	}	
		Base for outer cushion, non-adjustable	2	331713		For cushion with canvas base. Check before ordering
		Base for centre cushion	1	331721	}	
		Clip fixing cover to frame or base	58	331071		1 off on 109. For metal base type cushion. Check before ordering
		Protective capping, R.H.	6	331716	}	
		Protective capping, L.H.	6	331717		4 off on 109
		Drive screw fixing capping	24	78140		16 off on 109

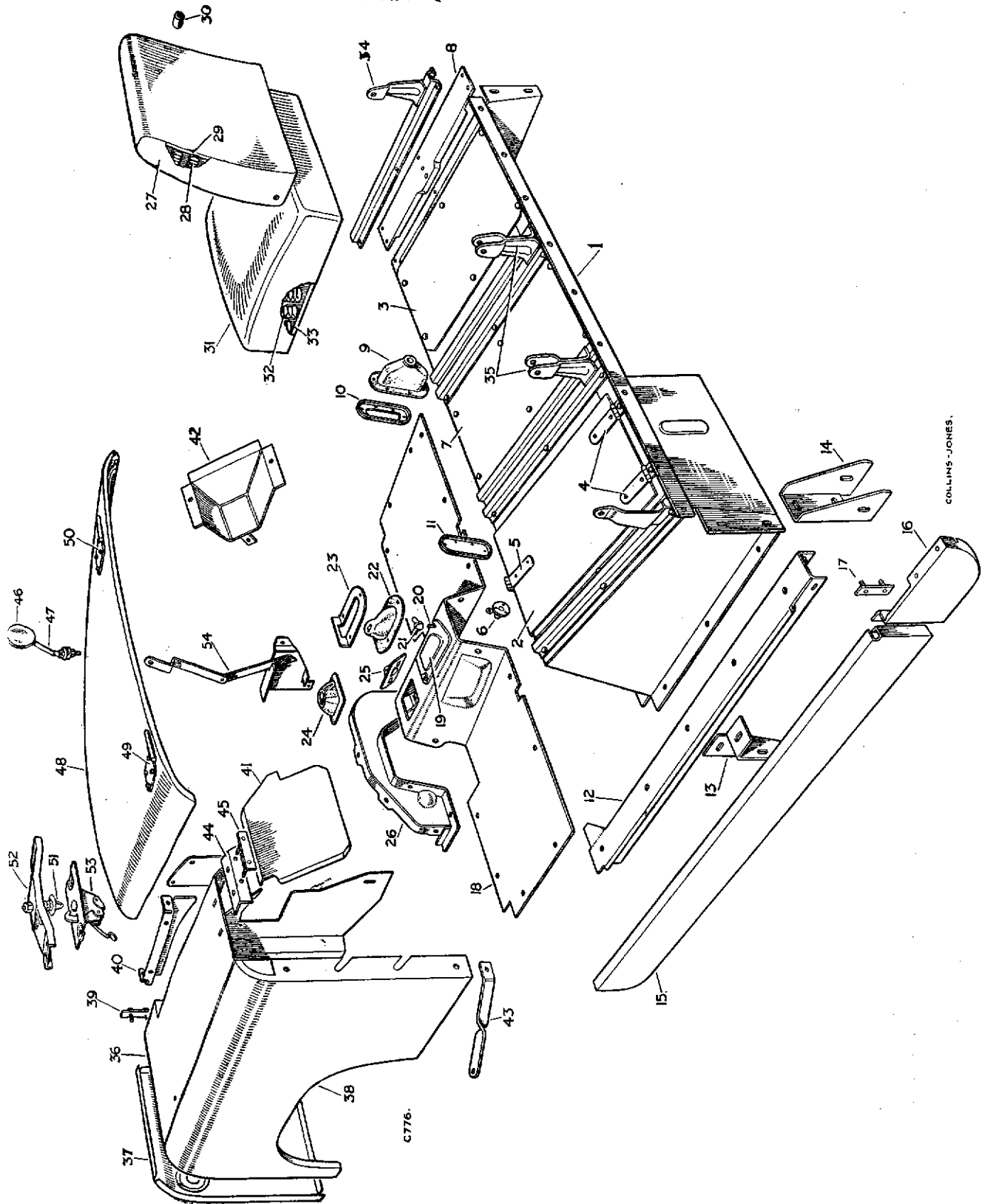
SEAT BASE, SEATS, FRONT FLOOR, FRONT WINGS AND BONNET



SEAT BASE, SEATS, FRONT FLOOR, FRONT WINGS AND BONNET

PLATE REF.	1	2	3	4	DESCRIPTION	Qty.	Part No.	REMARKS
					Strap retaining front cushion, outer, non-adjustable	2	331272	1 off on 109
					Strap retaining front cushion, centre	1	331273	
					Plain washer } Fixing	3	4203	} 2 off on 109
					Drive screw } strap	3	77704	
					Rubber buffer for seat cushion	6	304125	} 4 off on 109 } For metal base type cushion Check before ordering
					Spire nut	6	78237	
					Plain washer } Fixing buffer	6	4030	
					Drive screw }	6	78434	
					Seat cushion, adjustable, trimmed, outer, driver's	1	331726	Metal base type
					Spring case for driver's cushion	1	331114	
					Frame for driver's cushion....	1	331233	For cushion with canvas base. Check before ordering
					Base for driver's cushion	1	331720	Metal base type cushion. Check before ordering
					Clip fixing cover to frame or base	20	331071	
					Rubber buffer	4	312027	} For cushion with canvas base. Check before ordering
					Plain washer } Fixing buffer	4	3886	
					Drive screw } to cushion	6	69310	
					Protective capping, R.H., front	1	331716	} For driver's cushion } Metal base type cushion. Check before ordering
					Protective capping, L.H., front	1	331717	
					Protective capping, R.H., rear	1	331718	
					Protective capping, L.H., rear	1	331719	
					Drive screw fixing capping	8	78140	
					Front seat slide with control	1	331102	R.H.D.
					Front seat slide with control	1	331103	L.H.D.
					Front seat slide without control	1	331104	
					Screw (1/4" U.N.F. x 3/4" long) } Fixing slides	6	78358	} to seat supports and seat box
					Plain washer }	6	3833	
					Spring washer }	8	3074	
					Nut (1/2" U.N.F.) }	8	254810	
					Frame for adjustable seat cushion	1	331074	
					Spring washer } Fixing frame	4	3075	} to seat slides
					Distance washer }	4	4094	
					Nut (5/8" U.N.F.) }	4	254811	
					Rubber stop for squab in frame	2	331083	
					Stud for cushion and squab retaining straps	6	320345	4 off on 109
					Screw (2 B.A. x 1" long) } Fixing studs to seat	3	78120	2 off on 109
					Screw (2 B.A. x 1 1/4" long) }	3	77993	2 off on 109
					Spring washer }	6	3073	4 off on 109
					Nut (2 B.A.) }	6	2247	4 off on 109
					Grommet for redundant hole in seat base	1	307220	109
34					Support for front seat cushion, outer, R.H.	1	331007	
					Support for front seat cushion, outer, L.H.	1	331008	
35					Support for front seat, centre	2	331006	1 off on 109
					Retaining bracket for front seat cushion	6	331818	For metal base type cushion. 4 off on 109
					Bolt (1/4" U.N.F. x 5/8" long) } Fixing seat	26	255207	} supports and extension panels to seat base } 17 off on 109
					Plain washer }	28	3840	
					Spring washer }	28	3074	
					Nut (1/4" U.N.F.) }	28	254810	

SEAT BASE, SEATS, FRONT FLOOR, FRONT WINGS AND BONNET



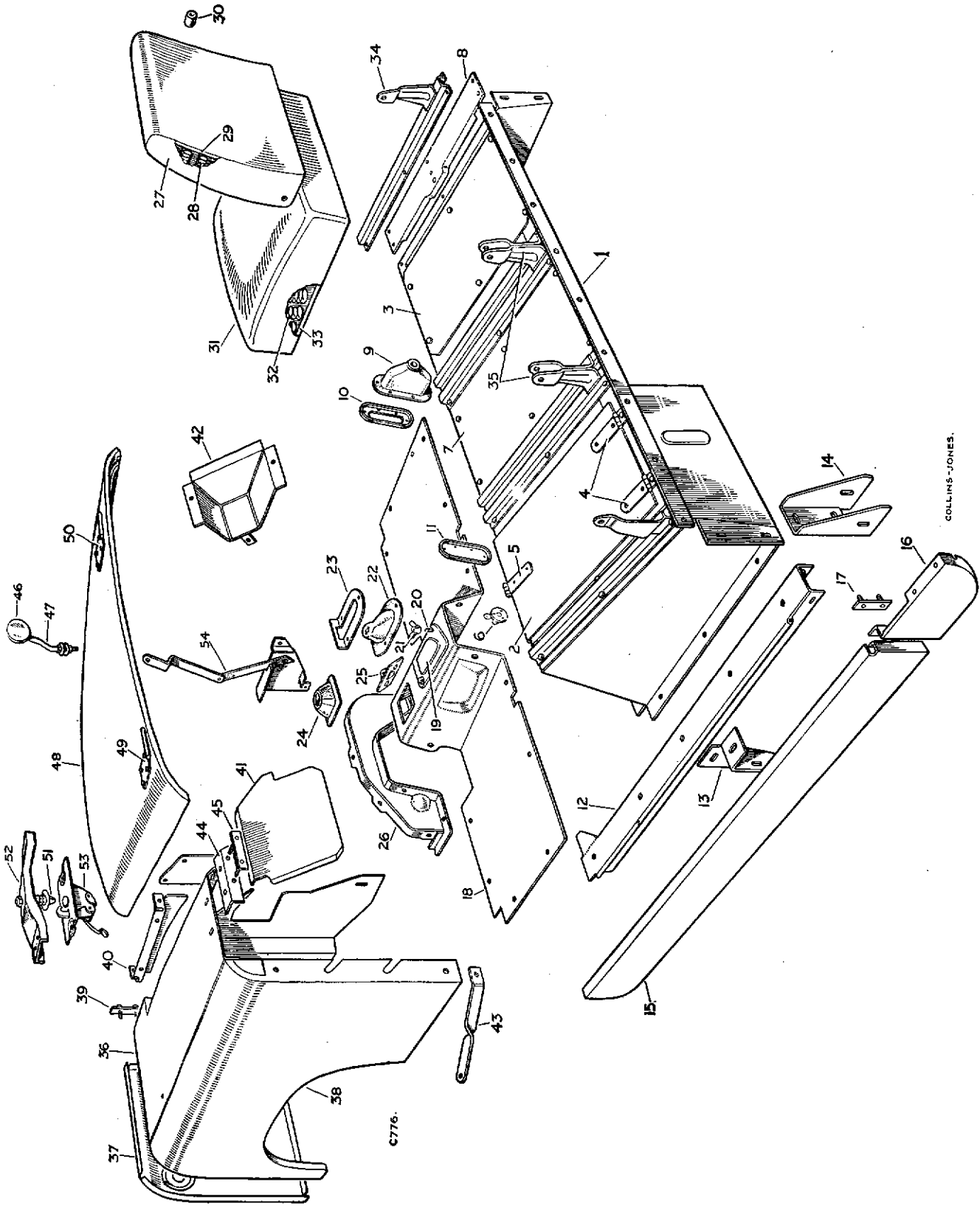
COLLINS-JONES.

C776.

SEAT BASE, SEATS, FRONT FLOOR, FRONT WINGS AND BONNET

PLATE REF.	1 2 3 4	DESCRIPTION	Qty.	Part No.	REMARKS		
36		Front wing, top, R.H.	1	330424	}		
		Front wing, top, L.H.	1	330425		88	
		Front wing, top, R.H.	1	330530	}		
		Front wing, top, L.H.	1	330531		109	
37		Front panel and number plate, R.H. } For front	1	330436	}		
		Front panel and number plate, L.H. } wing	1	330437			
		Cover plate at L.H. wing valance for redundant exhaust hole	1	330144	}		
		Pop rivet, fixing cover plate	4	78248		1961 models onwards	
		Outer panel for front wing, R.H.	1	330426			
38		Outer panel for front wing, L.H.	1	330427			
		Bolt ($\frac{1}{4}$ " U.N.F. x $\frac{5}{8}$ " long) } Fixing	11	255206	}		
	Plain washer } wing outer	22	2213				
		Spring washer } panel to	11	3074	}		
		Nut ($\frac{1}{4}$ " U.N.F.) } wing top	11	254810			
		Special set bolt ($\frac{5}{16}$ " U.N.F. x $\frac{5}{8}$ " long) } Fixing	8	78331	}		
		Plain washer } wings	8	2249		Alternatives to three lines below. Check before ordering.	
		Spring washer } to	8	3075	}		
		Special bolt } scuttle	8	78392		}	
		Plain washer } side	8	3830			}
		Spire nut } pillar	8	78393		Alternatives to two lines above. Check before ordering.	
39		Fixing plate, L.H. side, 2-bolt type } Fixing	1	330147	}		
		Fixing plate, L.H. side, 3-bolt type } Fixing	1	332589		Alternatives. Check before ordering	
		Bolt ($\frac{1}{4}$ " U.N.F. x $\frac{3}{4}$ " long) } wings to	6	255207	}		
		Spring washer } grille	8	3074		4 off with 3-bolt fixing plate 9 off with 3-bolt fixing plate	
		Plain washer, large } panel	14	2215	}		
		Nut ($\frac{1}{4}$ " U.N.F.) } panel	8	254810		13 off with 3-bolt fixing plate 9 off with 3-bolt fixing plate	
		Bolt ($\frac{1}{4}$ " U.N.F. x $\frac{5}{8}$ " long) } Fixing wing	2	255206	}		
		Plain washer } valance to	4	2215			
		Spring washer } steering box	2	3074	}		
		Nut ($\frac{1}{4}$ " U.N.F.) } support bracket	2	254800			
40		Bottom panel for wing valance, L.H.	1	330443	}		
		Bottom panel for wing valance, L.H.	1	330534		All 88 Petrol and Series IIA 88 2 $\frac{1}{4}$ litre Diesel models All 109 2 $\frac{1}{4}$ litre Petrol and Series IIA 109 2 $\frac{1}{4}$ litre Diesel models	
		Bolt (2 B.A. x $\frac{1}{2}$ " long) } Fixing	4	234603	}		
		Spring washer } bottom panel	4	3073		}	
		Plain washer } to L.H. wing	8	3902			}
		Nut (2 B.A.) } valance	4	3823			
		Mudshield for front wing, R.H.	1	330445	R.H.D.		
		Mudshield for front wing, R.H.	1	330444	L.H.D.		
41		Mudshield for front wing, L.H.	1	330448	R.H.D.		
		Mudshield for front wing, L.H.	1	330447	L.H.D.		
		Bolt ($\frac{1}{4}$ " U.N.F. x $\frac{5}{8}$ " long) } Fixing	10	255206	}		
		Spring washer } mudshield	10	3074			
		Plain washer } to angle	13	3900	}		
		Nut ($\frac{1}{4}$ " U.N.F.) } on wing	10	254810			
		Bolt ($\frac{1}{4}$ " U.N.F. x $\frac{1}{2}$ " long) } Fixing mudshield	8	255204	}		
		Spring washer } to dash and	8	3074			
		Plain washer } steering unit	8	3817	}		
		Nut ($\frac{1}{4}$ " U.N.F.) } cover box	8	254810			

SEAT BASE, SEATS, FRONT FLOOR, FRONT WINGS AND BONNET

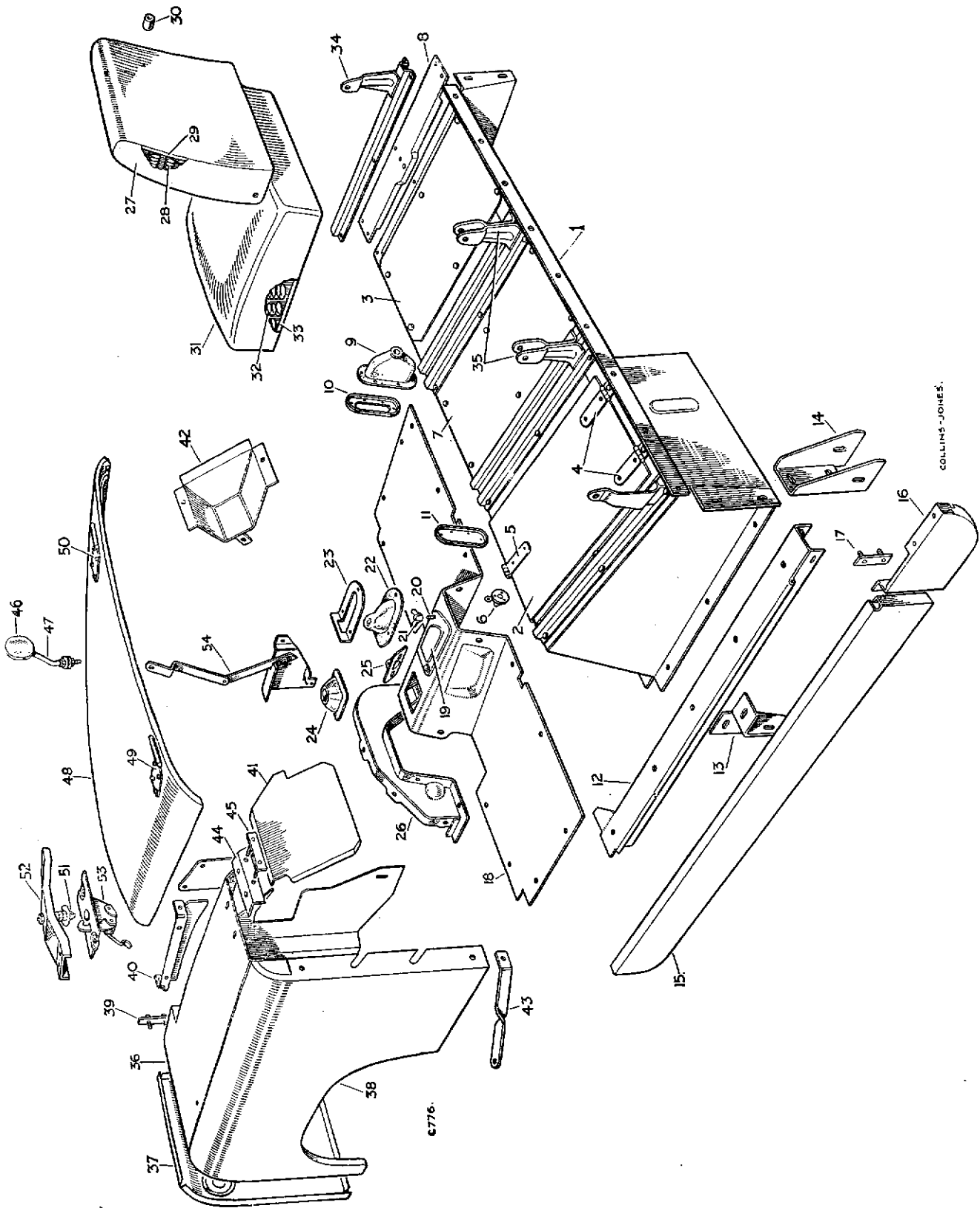


COLLINS-JONES.

SEAT BASE, SEATS, FRONT FLOOR, FRONT WINGS AND BONNET

PLATE REF.	1	2	3	4	DESCRIPTION	Qty.	Part No.	REMARKS
42					Cover box for steering unit, R.H.	1	330459	R.H.D.
					Cover box for steering unit, L.H.	1	330460	L.H.D.
					Bolt ($\frac{1}{4}$ " U.N.F. x $\frac{1}{2}$ " long)	1	255204	
					Plain washer	1	4071	
					Spring washer	1	3074	
					Nut ($\frac{1}{4}$ " U.N.F.)	1	254810	
					Bolt ($\frac{1}{4}$ " U.N.F. x $\frac{1}{2}$ " long)	1	255204	
					Spring washer	1	3074	
					Nut ($\frac{1}{4}$ " U.N.F.)	1	254810	
43					Stay for front wing	2	332581	
					Bolt ($\frac{1}{4}$ " U.N.F. x $\frac{5}{8}$ " long)	4	255206	
					Spring washer	4	3074	
					Nut ($\frac{1}{4}$ " U.N.F.)	4	254810	
					Bracket, R.H. } For rear	1	330067	
44					Bracket, L.H. } of wing	1	330068	
					Bolt ($\frac{1}{4}$ " U.N.F. x $\frac{5}{8}$ " long)	6	255206	
					Plain washer	12	2215	
					Spring washer	6	3074	
					Nut ($\frac{1}{4}$ " U.N.F.)	6	254810	
45					Fixing plate	2	330333	
					Plain washer	4	3840	
					Spring washer	4	3074	
					Nut ($\frac{1}{4}$ " U.N.F.)	4	254810	
					Mirror complete	2	272244	1 off on Export models
46					Mirror only	2	279880	
47					Arm for mirror	2	262658	
					Nut ($\frac{3}{8}$ "	4	2827	
					Plain washer, small	2	2219	
					Plain washer, large	2	2851	
48					Bonnet top panel	1	330543	88 Standard model
					Bonnet top panel	1	330126	De-luxe bonnet standard on all 109 models and 88 Station Wagon
					Bonnet top panel	1	330812	De-luxe bonnet recessed for spare wheel carrier. Optional on 109
49					Hinge for bonnet, L.H.	1	330139	
50					Hinge for bonnet, R.H.	1	330138	
					Bolt ($\frac{1}{4}$ " U.N.F. x $\frac{5}{8}$ " long)	8	255206	
					Spring washer	8	3074	
					Nut ($\frac{1}{4}$ " U.N.F.)	8	254810	
51					Striker pin for bonnet catch	1	332625	
52					Bracket for bonnet striker	1	330548	88 Standard models
					Bracket for bonnet striker	1	330132	For use with bonnet 330126
					Bracket for bonnet striker	1	330648	For use with bonnet 330812
					Plain washer	4	3830	
					Spring washer	4	3075	
					Set bolt ($\frac{5}{16}$ " U.N.F. x $\frac{3}{4}$ " long)	4	255226	

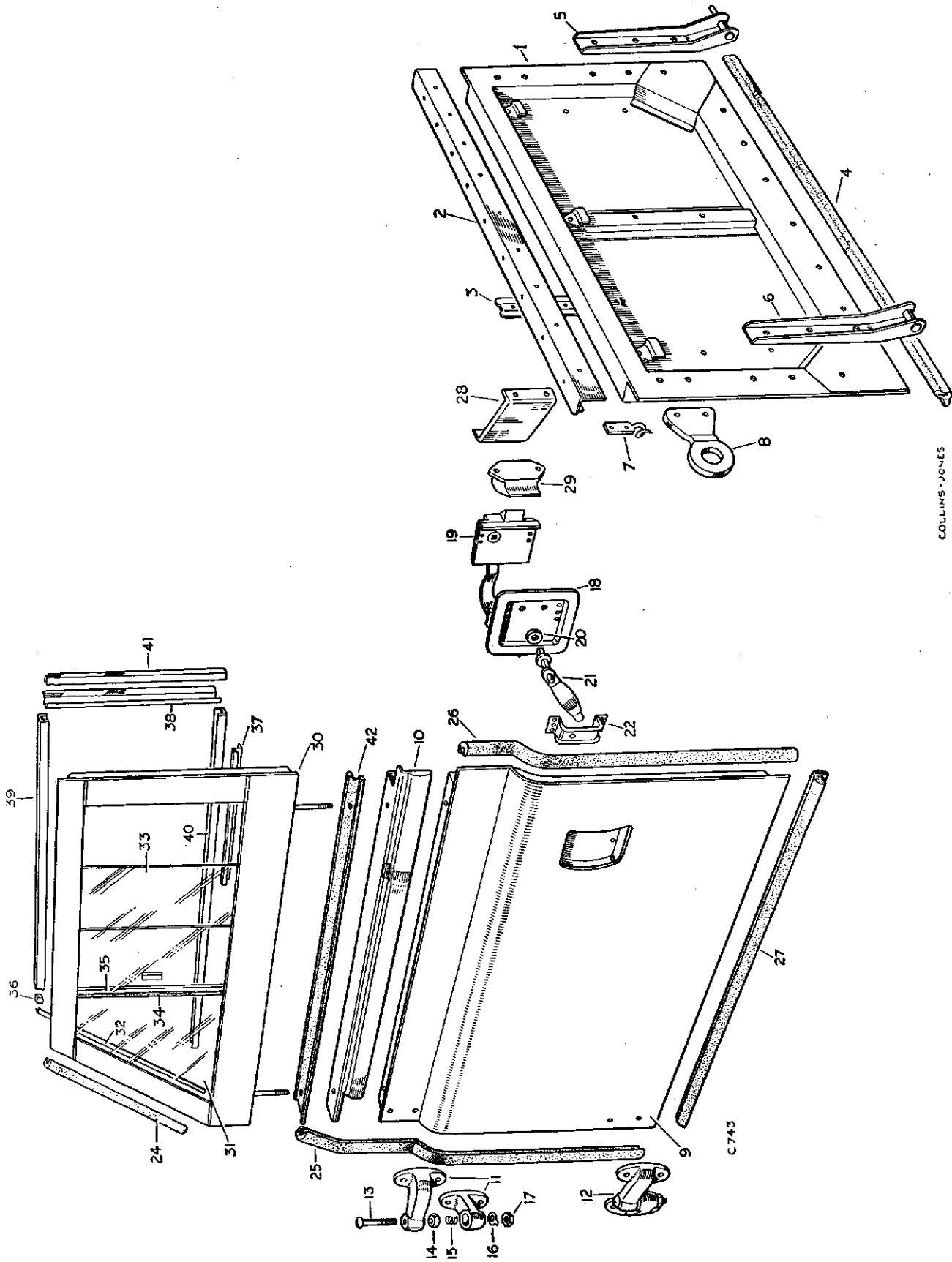
SEAT BASE, SEATS, FRONT FLOOR, FRONT WINGS AND BONNET



SEAT BASE, SEATS, FRONT FLOOR, FRONT WINGS AND BONNET

PLATE REF.	1	2	3	4	DESCRIPTION	Qty.	Part No.	REMARKS
53					Control for bonnet	1	332401	
					Washer plate for bonnet control	1	332400	
					Set bolt ($\frac{1}{4}$ " U.N.F. x $\frac{5}{8}$ " long)	2	255206	} Fixing control to radiator grille
				Plain washer	2			
54					Prop rod for bonnet	1	330599	
					Bolt ($\frac{5}{16}$ " U.N.F. x $1\frac{1}{8}$ " long)	1	255229	
					Plain washer	2	3446	} Fixing
				Plain washer	1			
					Spring washer	1	3075	} prop rod to bonnet
					Locknut ($\frac{5}{16}$ " U.N.F.)	2	254861	
					Bolt ($\frac{1}{4}$ " U.N.F. x $\frac{3}{4}$ " long)	2	255207	} Fixing
					Plain washer	4	2215	} prop rod to
				Spring washer	2			
					Nut ($\frac{1}{4}$ " U.N.F.)	2	254810	} wing valance and grille panel

TAILBOARD, DOORS AND SIDE SCREENS



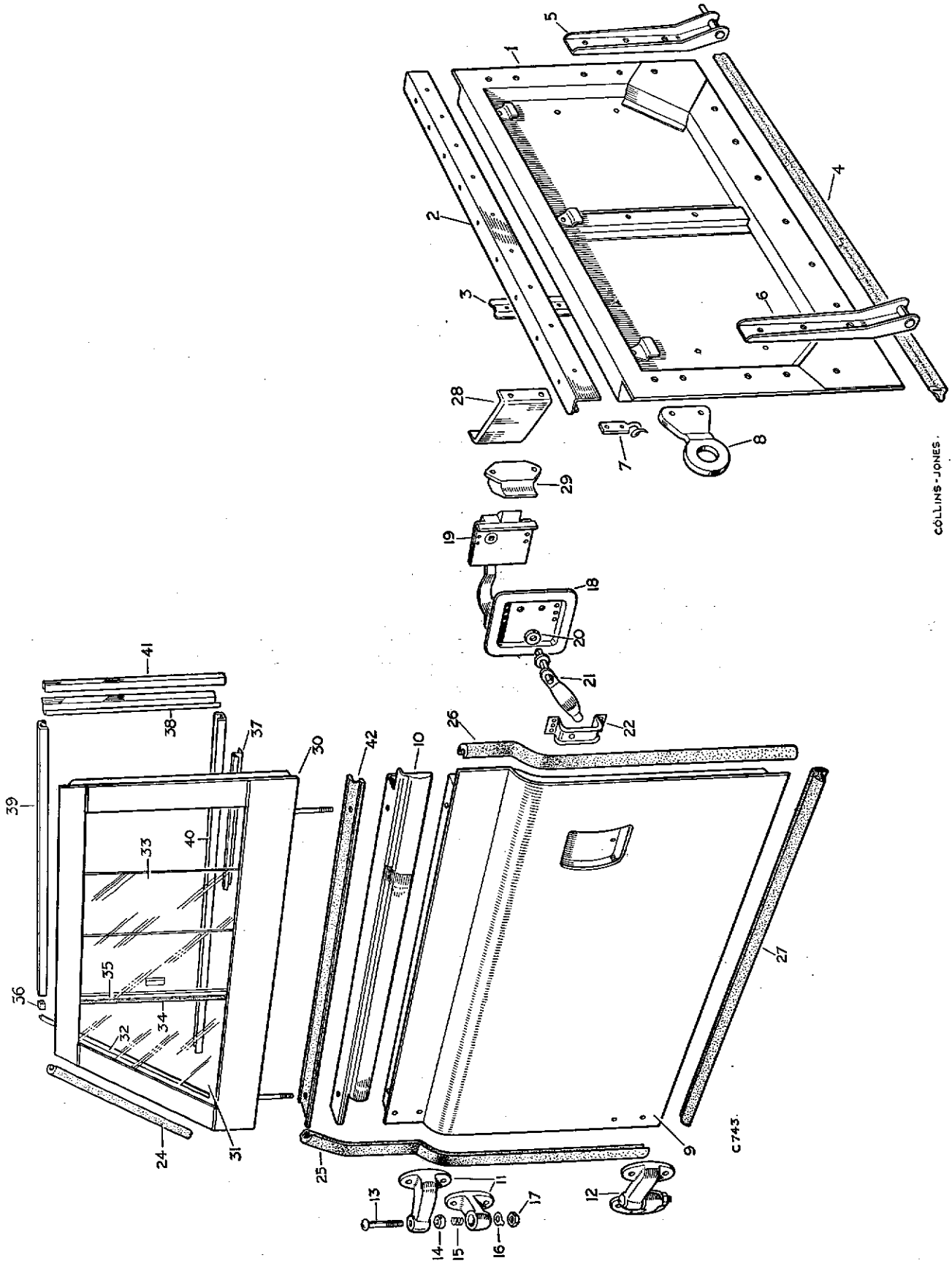
COLLINS-JONES

C743

TAILBOARD, DOORS AND SIDE SCREENS

PLATE REF.	1	2	3	4	DESCRIPTION	Qty.	Part No.	REMARKS
1					TAILBOARD ASSEMBLY	1	330952	
2					Top capping for tailboard	1	330416	
					Pop rivet, short	8	300919	} Fixing tailboard top capping
					Pop rivet, long	8	300781	
3					Tread plate for tailboard	4	304874	
					Pop rivet	2	300781	} Fixing tread plate
					Rivet	14	300789	
4					Sealing rubber, bottom, for tailboard	1	303975	
					Rivet fixing sealing rubber to rear body and tailboard	8	302818	
5					Hinge for tailboard, R.H.	1	330411	
6					Hinge for tailboard, L.H.	1	330412	
					Spring washer	1	2289	} Retaining tailboard hinge to chassis
					Distance washer	4	4171	
					Plain washer	1	3895	
					Split pin	1	3896	
					Set bolt ($\frac{1}{4}$ " U.N.F. x $2\frac{3}{8}$ " long)	6	253887	} Fixing hinge to tailboard
					Plain washer	12	3821	
					Spring washer	6	3074	
					Nut ($\frac{1}{4}$ " U.N.F.)	6	254810	
					Hook for tailboard chain, R.H.	1	332445	
7					Hook for tailboard chain, L.H.	1	332446	
8					Locking plate for tailboard	2	330409	
					Bolt ($\frac{1}{4}$ " U.N.F. x $2\frac{3}{8}$ " long)	4	253888	} Fixing locking plate and hook to tailboard
					Spring washer	4	3074	
					Nut ($\frac{1}{4}$ " U.N.F.)	4	254810	
					FRONT DOOR ASSEMBLY, R.H.	1	330076	} Two-piece door
9					FRONT DOOR ASSEMBLY, L.H.	1	330077	
					FRONT DOOR ASSEMBLY, R.H.	1	332411	} Full length door. Includes side window glasses and fixings on Pages 301 and 303
					FRONT DOOR ASSEMBLY, L.H.	1	332412	
					Top capping for door, R.H.	1	330122	} Two-piece door only
10					Top capping for door, L.H.	1	330123	
					Pop rivet fixing cappings	18	78248	
					Pop rivet fixing door outer panel at top	6	300919	
					Waist moulding, R.H.	1	333717	} Full length door
					Waist moulding, L.H.	1	333718	
					Special bolt	8	302533	
					Plain washer	8	2630	
					Special nut	8	302532	
					Hinge complete, R.H. upper	1	330115	
11					Hinge complete, L.H. upper	1	330116	
					Hinge complete, R.H. lower	1	330117	
12					Hinge complete, L.H. lower	1	330118	
13					Special bolt	1	330953	} For door hinge
14					Cone bush	1	330954	
15					Spring	1	330955	
16					Lockwasher	1	330956	
17					Nut	1	330957	
					Bolt ($\frac{5}{16}$ " U.N.F. x 2" long)	8	256226	} Fixing hinges to doors
					Plain washer	8	3966	
					Spring washer	8	3075	
					Nut ($\frac{5}{16}$ " U.N.F.)	8	254811	
					Nut plate	2	333710	

TAILBOARD, DOORS AND SIDE SCREENS



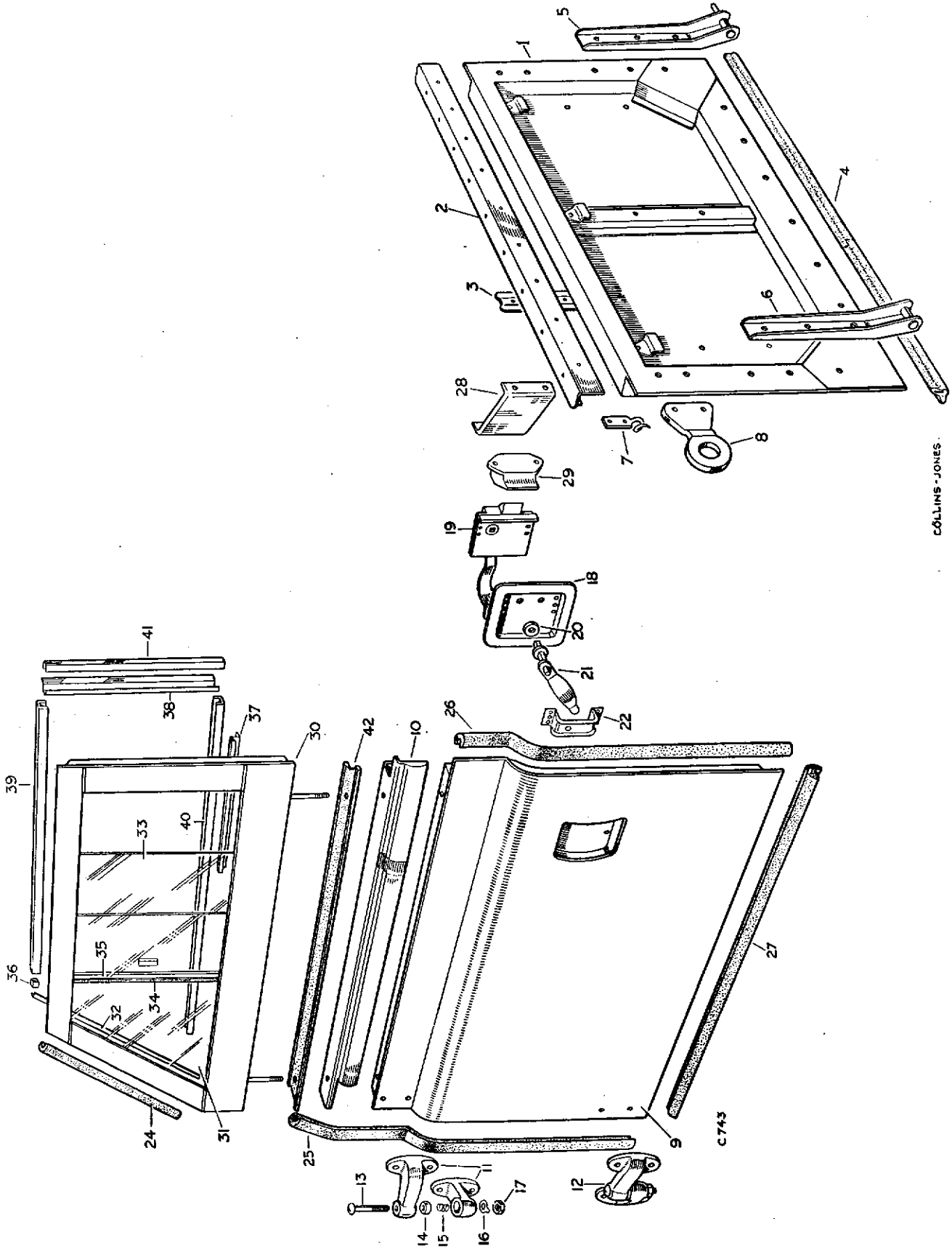
COLLINS-JONES.

C743.

TAILBOARD, DOORS AND SIDE SCREENS

PLATE REF.	1 2 3 4	DESCRIPTION	Qty.	Part No.	REMARKS
		DOOR LOCK AND MOUNTING			
		ASSEMBLY, R.H.	1	330111	
		DOOR LOCK AND MOUNTING			
		ASSEMBLY, L.H.	1	330112	
18		Mounting plate for door lock	2	333080	
		Door lock, R.H.	1	330113	
19		Door lock, L.H.	1	330114	
20		Washer, handle to cover	4	302859	
		Handle, R.H.	1	307977	
21		Handle, L.H.	1	307978	
22		Bracket for door handle	2	302854	
		Screw (2 B.A. x $\frac{1}{2}$ " long)	12	313858	
		Spring washer	12	3073	} Fixing lock together
		Plain washer	8	3685	
		Nut (2 B.A.)	12	2247	
		Rivet	8	302222	
		Special bolt	8	78216	} Fixing door lock mounting to door
		Screw retainer	4	332732	
		Spring washer	8	3074	
		Nut ($\frac{1}{4}$ " U.N.F.)	8	254800	
		Drive screw, fixing lock assembly to door	2	77903	
24		Seal for door, front upper	2	330536	
		Drive screw	2	72626	} Fixing seal to screen
		Rivet	6	302818	
		Seal for door, front lower, dash R.H.	1	330898	
25		Seal for door, front lower, dash L.H.	1	330899	
		Seal for door, rear lower, body R.H.	1	330539	
26		Seal for door, rear lower, body L.H.	1	330540	
27		Seal for door, bottom, sill	2	330542	
		Rivet fixing lower and bottom seals	48	302818	
28		Support bracket at door striker	2	330146	88
		Support bracket at door striker, R.H.	1	332484	} 109
		Support bracket at door striker, L.H.	1	332485	
		Bolt ($\frac{1}{4}$ " U.N.F. x $\frac{5}{8}$ " long)	8	255206	} Fixing support bracket to body
		Spring washer	8	3074	
		Plain washer, small	8	3840	
		Plain washer, large	4	3900	
		Nut ($\frac{1}{4}$ " U.N.F.)	8	254810	
29		Striking plate for door lock	2	333140	
		Bolt ($\frac{1}{4}$ " U.N.F. x $\frac{5}{8}$ " long)	4	255206	} Fixing striking plate to body
		Plain washer	4	3840	
		Spring washer	4	3074	
		Nut ($\frac{1}{4}$ " U.N.F.)	4	254800	
		SIDE SCREEN ASSEMBLY, R.H.	1	330157	} Two-piece door only
30		SIDE SCREEN ASSEMBLY, L.H.	1	330158	
31		Fixed window, front	2	330159	
32		Retainer for window	2	330198	
		Drive screw fixing retainer....	10	78140	
33		Sliding window, rear	2	330160	
34		Sealing rubber for front edge of sliding window	2	330660	
35		Channel for sealing rubber	2	330661	

TAILBOARD, DOORS AND SIDE SCREENS



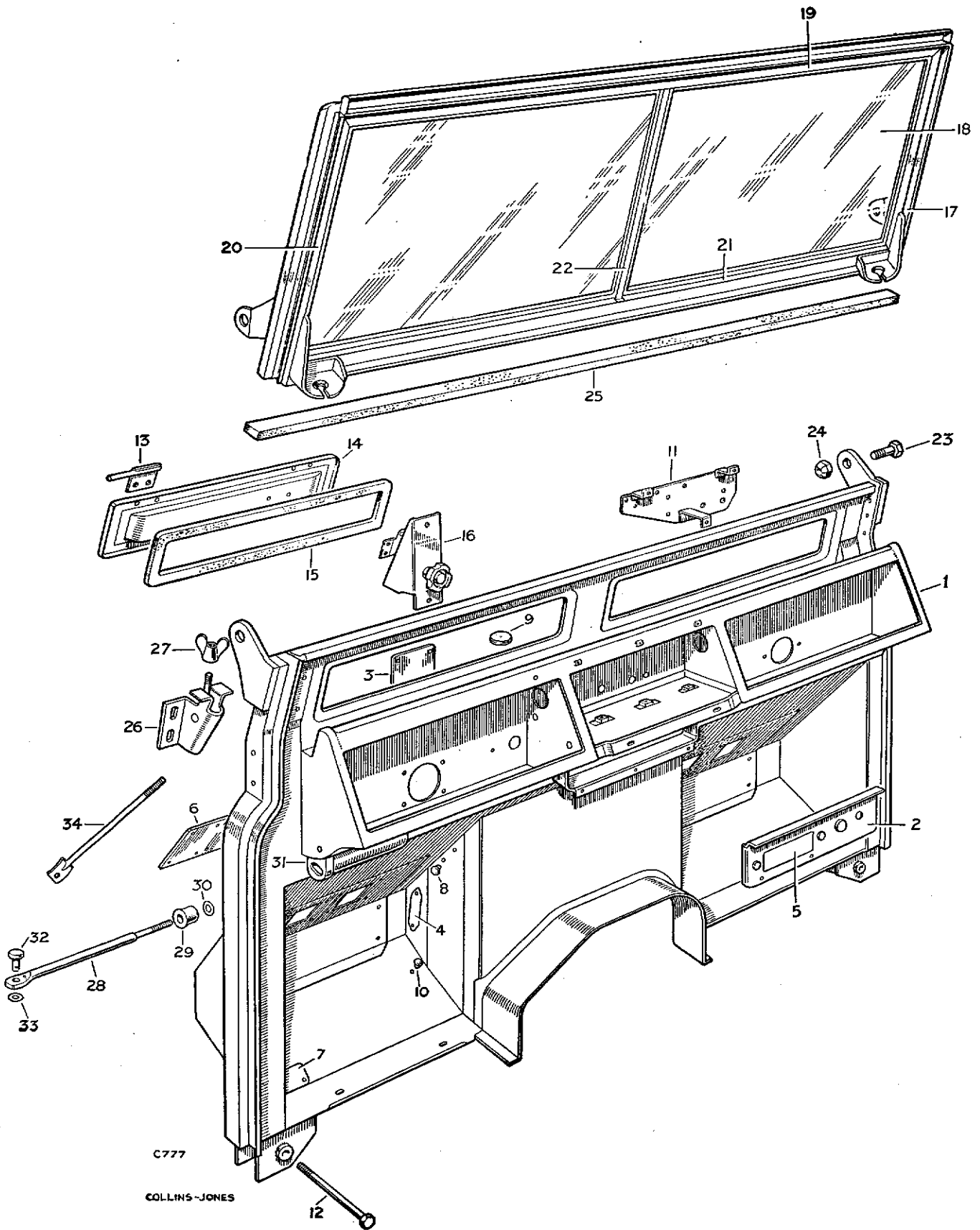
COLLINS - JONES

C743

TAILBOARD, DOORS AND SIDE SCREENS

PLATE REF.	1	2	3	4	DESCRIPTION	Qty.	Part No.	REMARKS
36					Buffer for sliding window at top	2	330162	
					Plain washer	2	3886	} Fixing buffers and channels to frame
					Drive screw	2	78160	
37					Filler, top and bottom	4	330202	
38					Filler, rear	2	330203	} For windows
39					Channel top	2	332749	
40					Channel, bottom	2	332750	
41					Channel, rear	2	332746	
					Drive screw fixing channel....	26	77707	
42					Sealing strip for sidescreen	2	330163	} Two-piece door only
					Pop rivet	10	300781	
					Plain washer	10	3912	
					Plain washer	4	3843	
					Spring washer	4	3077	
					Nut ($\frac{1}{8}$ " U.N.F.)	4	254813	
					Set bolt ($\frac{1}{8}$ " U.N.F. x $\frac{3}{8}$ " long)	8	255227	
					Spring washer	8	3075	

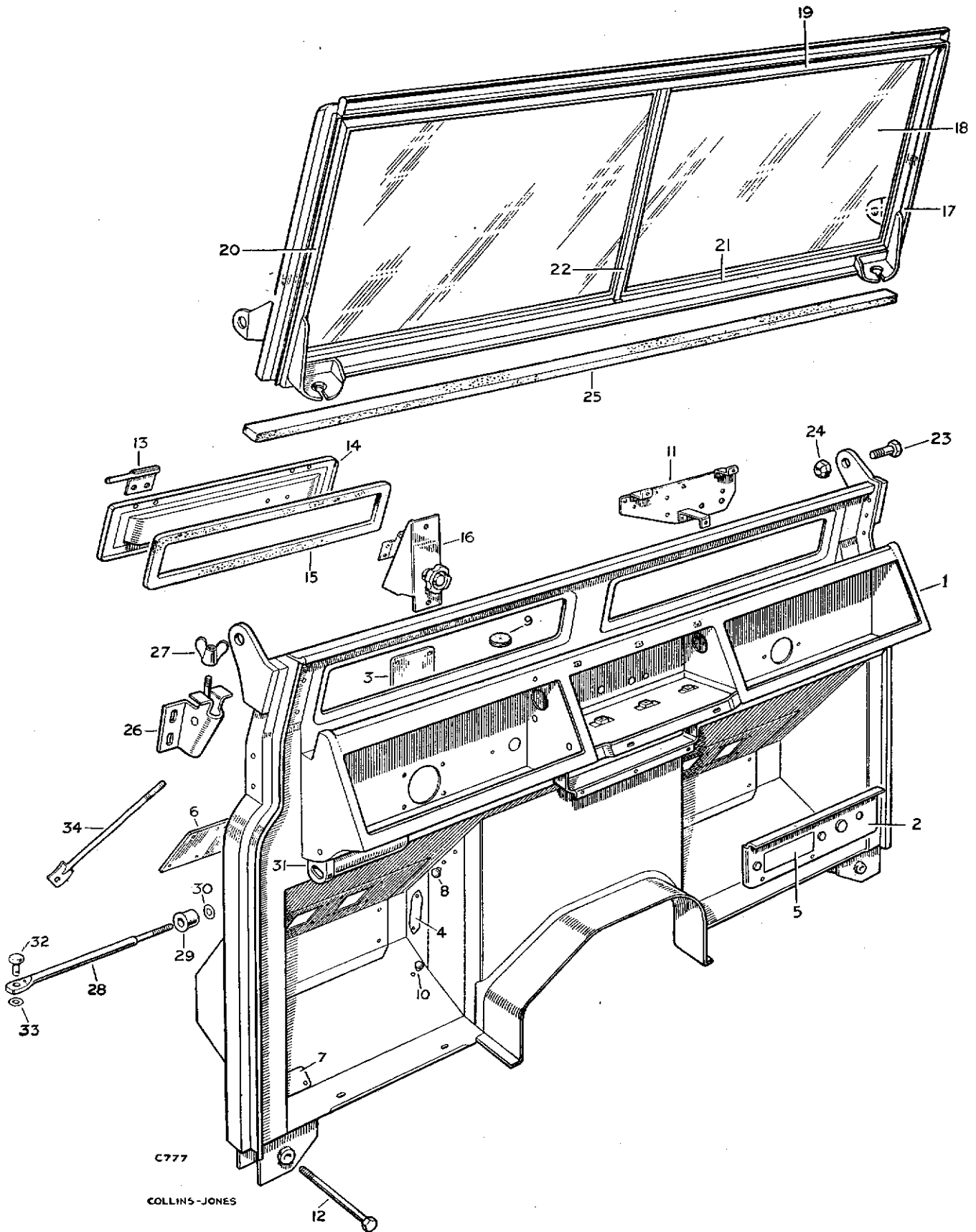
DASH, WINDSCREEN AND VENTILATOR



DASH, WINDSCREEN AND VENTILATOR

PLATE REF.	1	2	3	4	DESCRIPTION	Qty.	Part No.	REMARKS
1					Dash complete	1	330000	
2					Panel for controls	1	332725	Petrol models
					Panel for controls	1	307992	Diesel models
					Screw (2 B.A. x $\frac{1}{2}$ " long)	6	77869	
					Spring washer	6	3073	} Fixing panel to dash
					Plain washer	6	3685	
					Nut (2 B.A.)	3	2247	
3					Cover panel for steering cutout	1	304111	
					Rivet fixing cover plate	4	302222	
4					Cover plate for accelerator pedal hole	1	303990	
					Bolt ($\frac{1}{4}$ " U.N.F. x $\frac{3}{8}$ " long)	2	255202	} Fixing cover plate to dash
					Spring washer	2	3074	
					Nut ($\frac{1}{4}$ " U.N.F.)	2	254810	
5					Cover panel for governor cutout in dash	1	306421	} Petrol models
					Bolt ($\frac{1}{4}$ " U.N.F. x $\frac{5}{8}$ " long)	2	255006	
					Spring washer	2	3074	
					Nut ($\frac{1}{4}$ " U.N.F.)	2	254800	} Diesel models
					Cover panel on dash for hand speed control	1	275742	
					Grommet in dash for hand speed control rod	1	236389	
6					Cover plate for pedal holes	1	330143	
					Rivet fixing plate	8	78248	
7					Cover plate for dipswitch hole	1	307909	} 1958-60 models
					Screw (2 B.A. x $\frac{3}{8}$ " long)	2	77846	
					Spring washer	2	3073	
					Nut (2 B.A.)	2	3823	} Series IIA models
					Drive screw, earth point on dash	1	72628	
8					Rubber plug, redundant accelerator holes	5	307220	
9					Rubber grommet for demister holes	2	302954	
10					Rubber plug, redundant accelerator stop hole	1	73198	
					Rubber grommet for filling redundant clip holes	6	73198	2½ litre Petrol models. 1 off on Diesel models
					Buffer for bonnet panel on dash front	2	332647	
					Bolt ($\frac{5}{16}$ " U.N.F. x $\frac{7}{8}$ " long)	4	255227	} Fixing dash to steering box support brackets
					Plain washer	10	2249	
					Self-locking nut ($\frac{5}{16}$ " U.N.F.)	4	252211	
11					Mounting plate for voltage regulator	1	271863	} Series II models
					Drive screw fixing plate at top	2	72628	
					Bolt ($\frac{1}{4}$ " U.N.F. x $\frac{1}{2}$ " long)	1	255204	
					Plain washer	1	3831	
					Nut ($\frac{1}{4}$ " U.N.F.)	1	254810	} Fixing plate at bottom
12					Tie bolt	2	303907	
					Plain washer	4	3829	} Fixing dash to chassis
					Nut ($\frac{1}{2}$ ")	2	3828	
					Ventilator hinge, R.H.	2	330060	} For ventilator lids with hinges fixed by screws and nuts. Check before ordering
13					Ventilator hinge, L.H.	2	330061	
					Screw (2 B.A. x $\frac{1}{2}$ " long)	8	78399	
					Spring washer	8	3073	
					Plain washer	16	4280	
					Nut (2 B.A.)	8	2247	

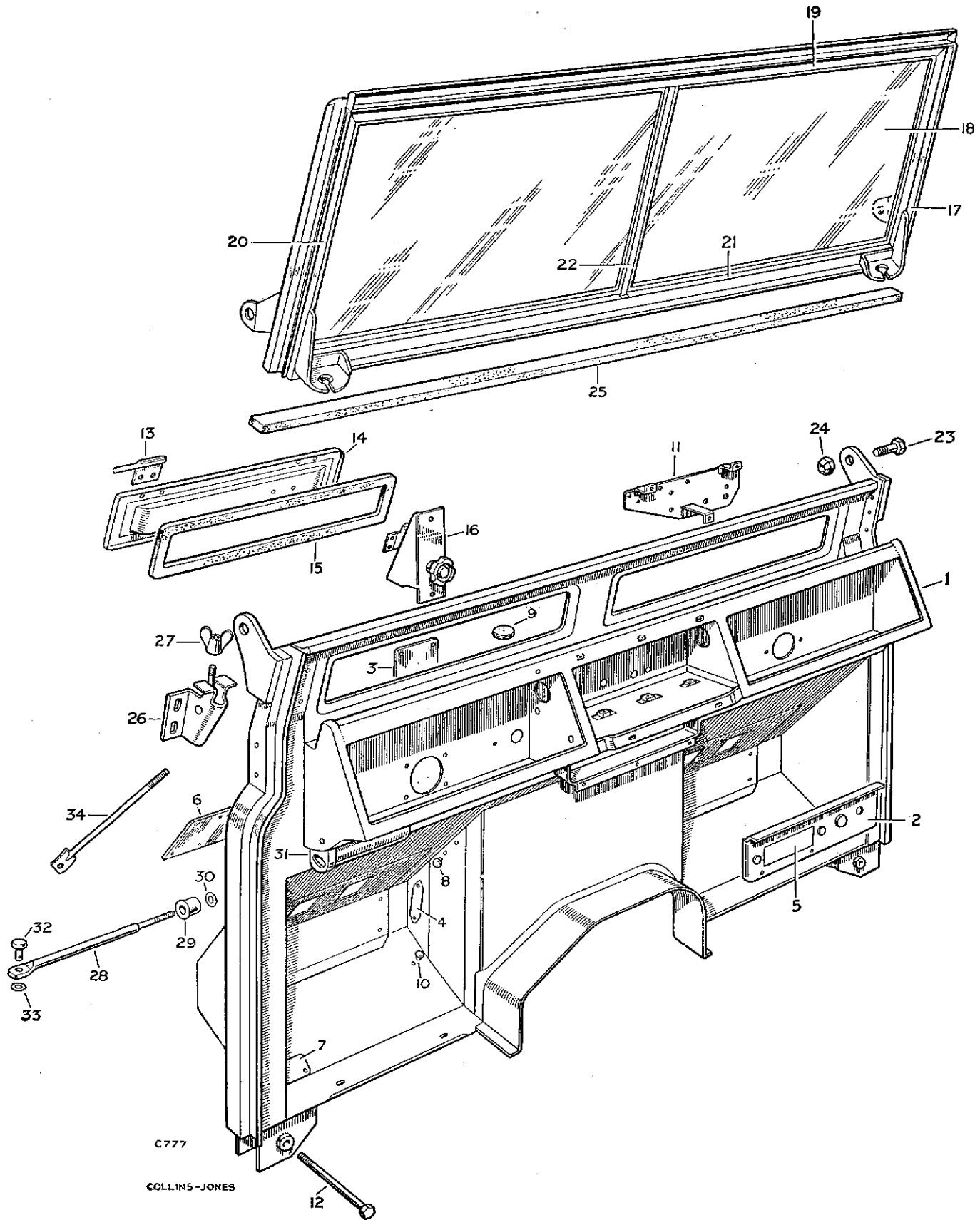
DASH, WINDSCREEN AND VENTILATOR



DASH, WINDSCREEN AND VENTILATOR

PLATE REF.	1 2 3 4	DESCRIPTION	Qty.	Part No.	REMARKS
		Ventilator lid and hinge for dash, R.H. 1	334114	
14		Ventilator lid and hinge for dash, L.H. 1	334115	
		Hinge pin for ventilator lid 4	334121	For ventilator lid with welded hinges. Check before ordering
15		Sealing rubber for ventilator lids 2	330621	
16		Ventilator control mechanism complete 2	332326	Quadrant type
		Knob and fixing screw for ventilator control 2	332327	For quadrant type ventilator control. Check before ordering
		Circlip for ventilator control knob 2	320500	For screw type ventilator control. Check before ordering
		Drive screw	4	78153	} For screw type ventilator control. Check before ordering
		Spire nut	4	78237	
		Bolt (2 B.A. x ½" long)	8	234603	
		Plain washer, small	4	3816	
		Plain washer, medium	4	4034	
		Plain washer, large	4	3852	
		Spring washer	8	3073	
		Nut (2 B.A.)	8	3823	
		Drive screw	4	78436	
		Plain washer	4	4034	
		Spire nut	4	78237	
		Set bolt (2 B.A. x ½" long)	4	234603	} Fixing control to ventilator lid
		Plain washer	4	3816	
		Spring washer	4	3073	
17		Windscreen complete assembly, toughened glass	1	330665	
		Windscreen complete assembly, laminated glass....	1	330875	
18		Glass for windscreen, toughened 2	330666	
		Glass for windscreen, laminated 2	330876	
		Glazing strip for glass 2	330914	
19		Retainer for windscreen glass, R.H. top 1	330668	
		Retainer for windscreen glass, L.H. top 1	330669	
20		Retainer for windscreen glass, side 2	330667	
21		Retainer for windscreen glass, R.H. bottom 1	330486	
		Retainer for windscreen glass, L.H. bottom 1	330487	
22		Cover for centre strip 1	330670	
		Drive screw fixing retainers and cover 37	78126	
23		Special bolt	2	256280	} Fixing windscreen to dash
		Plain washer	4	3829	
24		Special self-locking nut	2	250004	
25		Rubber sealing strip for windscreen 1	330877	
		End filler for windscreen sealing strip 2	330850	
		Buffer for top of windscreen 1	332550	} Only required when hood is fitted
		Pop rivet fixing buffer 4	300782	
		Fastener for windscreen, R.H.	1	332631	} With loose wing nut
26		Fastener for windscreen, L.H.	1	332632	
27		Wing nut for fastener (5/16" B.S.F.) 2	303729	} Alternatives Check before ordering
		Wing nut for fastener (5/16" U.N.F.)	2	332098	
		Set bolt (5/16" x 5/8" long)	4	255225	} Fixing fasteners to dash
		Plain washer	4	3841	
		Spring washer	4	3075	

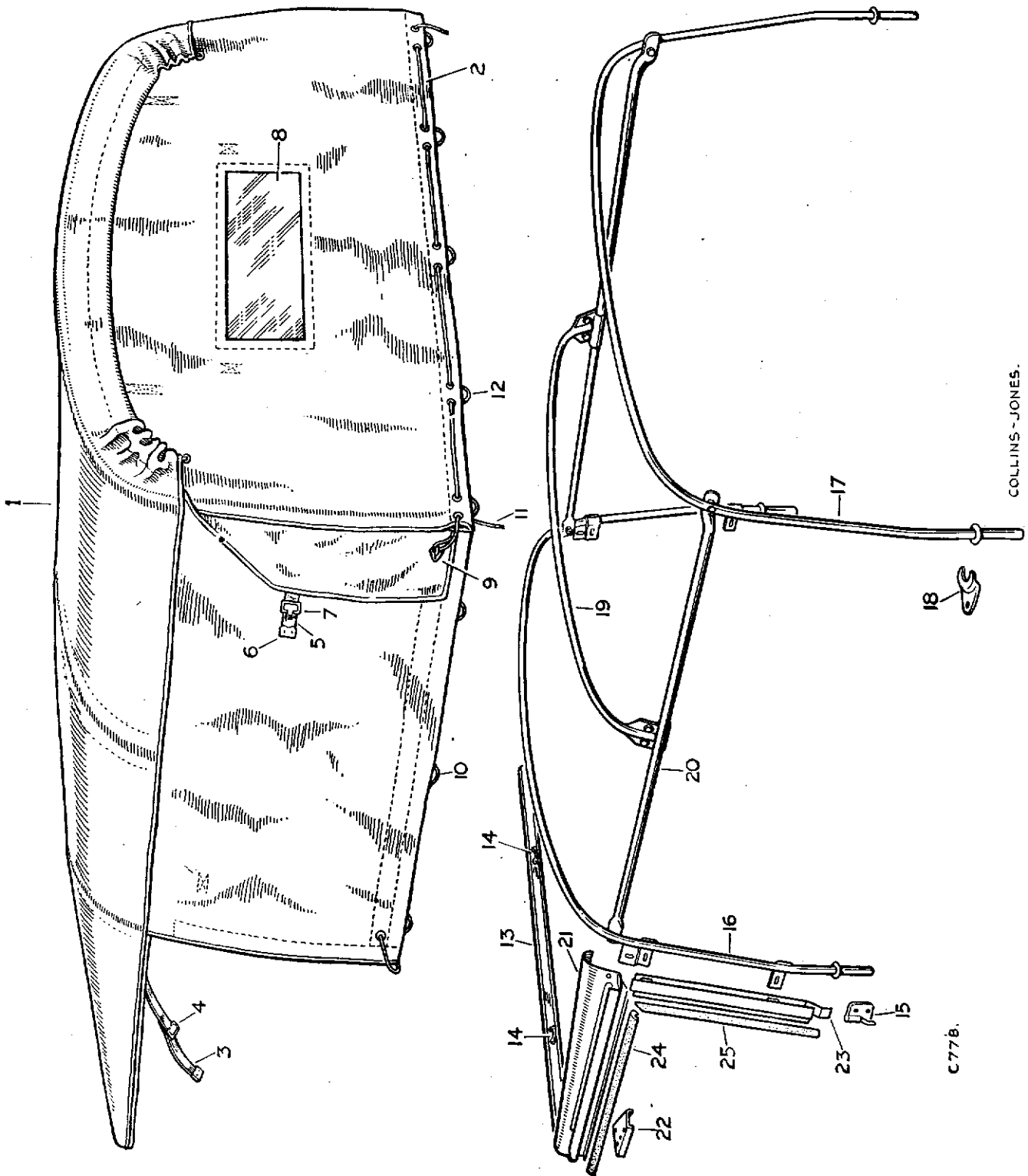
DASH, WINDSCREEN AND VENTILATOR



DASH, WINDSCREEN AND VENTILATOR

PLATE REF	1	2	3	4	DESCRIPTION	Qty.	Part No.	REMARKS
					CHECK STRAP ASSEMBLY	2	306474	
28					Rod for check strap	2	332715	
29					Buffer for check strap	2	306471	
30					Plain washer	4	4035	
					Spring washer	2	3074	
					Nut ($\frac{1}{4}$ " B.S.F.)	4	3819	} Alternatives. } Check before ordering
					Nut ($\frac{1}{4}$ " U.N.F.)	2	254810	
					Check strap mounting bracket, R.H.	1	330393	
31					Check strap mounting bracket, L.H.	1	330394	
					Bolt ($\frac{1}{4}$ " U.N.F. x $\frac{5}{8}$ " long)	8	255006	
					Plain washer	8	3946	
					Spring washer	8	3074	
					Plain washer	8	2213	
					Nut ($\frac{1}{4}$ " U.N.F.)	8	254800	
32					Clevis pin	2	306564	
33					Plain washer	4	3815	
					Split pin	2	3901	
34					Tie bar for dash support	1	332588	
					Nut ($\frac{3}{8}$ " fixing bar to dash	2	2827	
					Bolt ($\frac{5}{16}$ " x $\frac{7}{8}$ " long)	1	255027	
					Spring washer	1	3075	
					Nut ($\frac{5}{16}$ "	1	254801	
					Licence holder	1	26470	

FULL LENGTH HOOD AND FITTINGS, 88

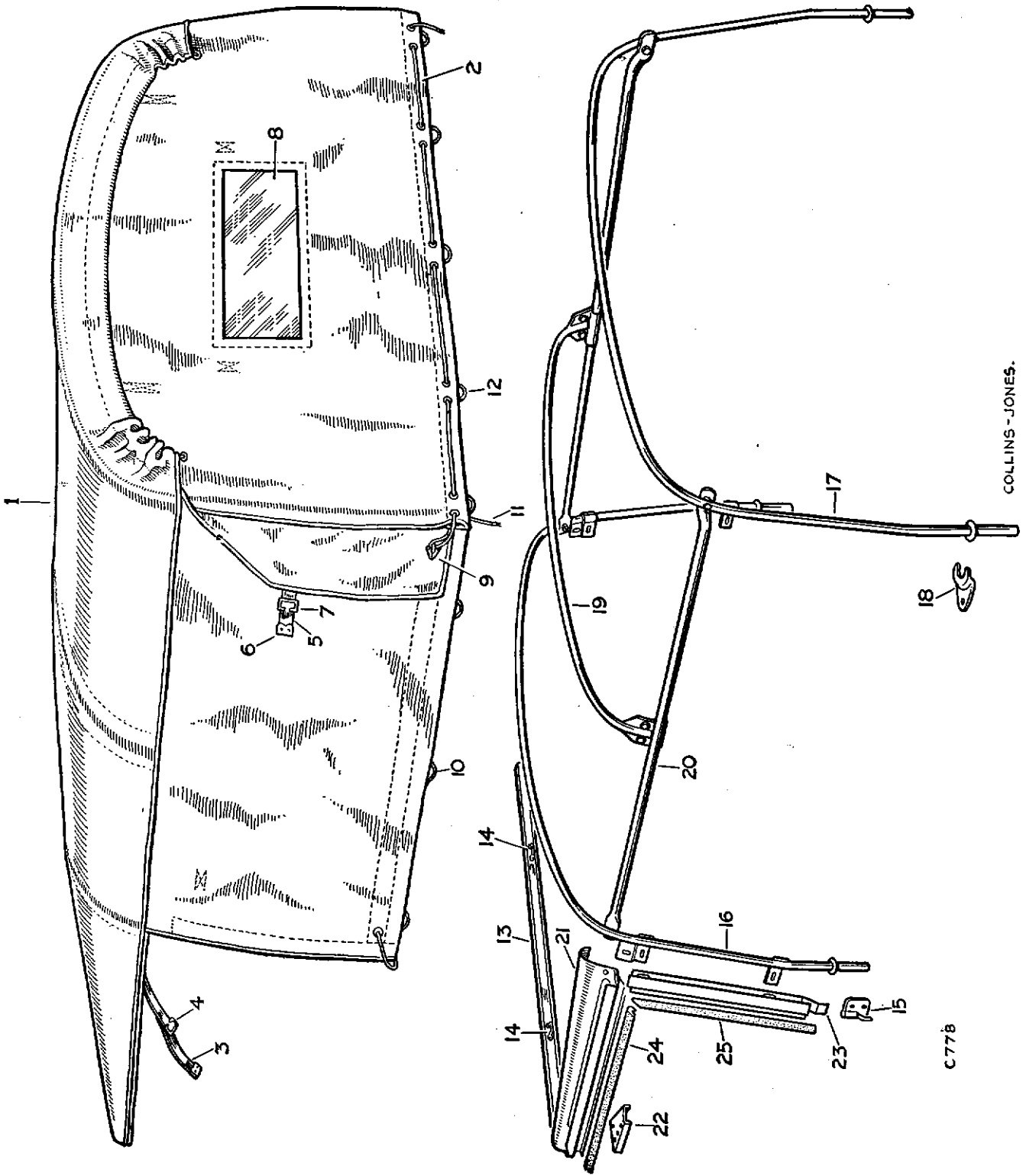


COLLINS-JONES.

C77b.

FULL LENGTH HOOD AND FITTINGS, 88

PLATE REF.	1 2 3 4	DESCRIPTION	Qty.	Part No.	REMARKS
1		HOOD COMPLETE, FULL LENGTH, PLAIN SIDES, GREEN	1	331110	
		HOOD COMPLETE, FULL LENGTH, PLAIN SIDES, BLUE	1	330982	
		HOOD COMPLETE, FULL LENGTH, WITH SIDE WINDOWS, GREEN	1	331113	} Export only
		HOOD COMPLETE, FULL LENGTH, WITH SIDE WINDOWS, BLUE	1	330983	
2		Rear curtain complete, green	1	331106	
		Rear curtain complete, blue	1	330978	
3		Strap complete, hood support, front, green	1	331086	
		Strap complete, hood support, front, blue	1	330979	
4		Buckle	2	300953	
		End cap	2	300954	} For hood support strap
		Eyelet for end cap	4	300785	
		Strap complete, rear curtain to body, green	2	331105	
		Strap complete, rear curtain to body, blue	2	330981	
		Buckle	2	300953	} For rear curtain to body strap
		End cap	2	300954	
		Eyelet for end cap	4	300785	
		Strap complete, retaining rear curtain, green	2	301332	
		Strap complete, retaining rear curtain, blue	2	307199	
		End cap	2	300954	} For rear curtain retaining strap
		Eyelet for end cap	4	300785	
		Buckle for rear curtain retaining strap	2	300953	
5		Strap complete, for extension flap, green	2	301332	
		Strap complete, for extension flap, blue	2	307199	
6		End cap	2	300954	} For extension flap strap
		Eyelet for end cap	4	300785	
7		Buckle for extension flap strap	2	300953	
		Strap complete for side curtain, green	4	301332	
		Strap complete for side curtain, blue	4	307199	
		End cap	4	300954	} For side curtain strap
		Eyelet for end cap	8	300785	
8		Back light, plastic	1	306340	} 3 off with side windows
		Adhesive tape for back light	1	306375	
9		Rope hook for curtain side	2	304797	
		Washer plate for rope hook	2	301343	
		Rivet fixing rope hook	6	3547	
10		Rope complete for side curtain lower edge, 70"	2	331220	
11		Rope complete for hood top and sides, 116"	1	331222	
12		Rope complete for rear curtain, 88"	1	331221	
		HOODSTICKS AND FIXINGS COMPLETE	1	330999	
13		Top rail for hood attachment	1	330575	
		Bolt (1/4" U.N.F. x 3/4" long)	4	255207	} Fixing top rail to adjustment plate and windscreen
		Plain washer	8	3900	
		Self-locking nut (1/4" U.N.F.)	4	252220	
		Rivet	11	300789	
		Pop rivet, long	7	300781	} Fixing top rail to windscreen
		Pop rivet, short	6	300919	



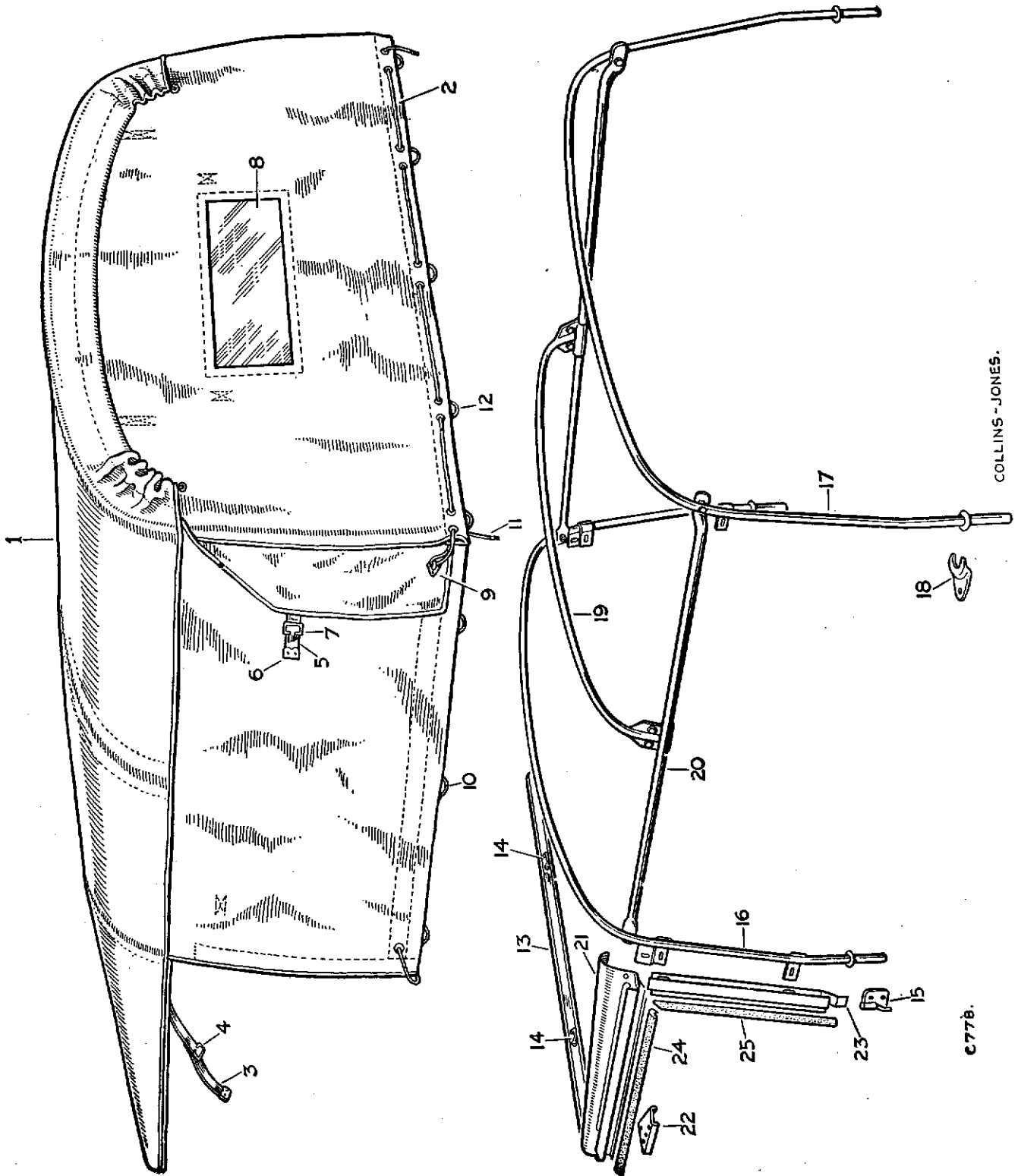
COLLINS - JONES.

C 778

FULL LENGTH HOOD AND FITTINGS, 88

PLATE REF.	1	2	3	4	DESCRIPTION	Qty.	Part No.	REMARKS
14					Staple for hood strap	2	300924	
					Pop rivet fixing staple to top rail	4	300781	
					Buffer for top of windscreen	1	332550	
					Pop rivet fixing buffer	4	300782	
					Front hook R.H. } For	1	330578	
15					Front hook L.H. } hood rope	1	330579	
					Screw (2 B.A. x $\frac{5}{8}$ " long)	4	77758	
					Plain washer	4	3902	} Fixing hook to rear body
					Spring washer	4	3073	
					Nut (2 B.A.)	4	3823	
					Staple for hood strap at tailboard corner	2	300924	
					Screw (2 B.A. x $\frac{3}{4}$ " long)	4	77758	} Fixing staple to rear body
					Spring washer	4	3073	
					Nut (2 B.A.)	4	2247	
16					Hood stick, front	1	330551	
17					Hood stick, rear	1	330553	
18					Clamp arm for hood stick	4	304301	
					Bolt ($\frac{1}{8}$ " U.N.F. x 1" long)	4	255228	} Fixing clamp arm to hood socket
					Plain washer	4	3899	
					Spring washer	4	3075	
					Nut ($\frac{1}{8}$ " U.N.F.)	4	254811	
19					Hood stick, intermediate	1	330557	
					Bolt ($\frac{1}{4}$ " U.N.F. x $\frac{5}{8}$ " long)	4	255206	} Fixing intermediate hood stick to tie bar
					Plain washer	4	3900	
					Self-locking nut ($\frac{1}{4}$ " U.N.F.)	4	250000	
20					Tie tube for hood stick	2	330559	
					Screw ($\frac{1}{4}$ " U.N.F. x $1\frac{1}{8}$ " long)	4	78303	} Fixing tie tube to front and rear hood sticks
					Square nut ($\frac{1}{4}$ " U.N.F.)	4	78205	
					Self-locking nut ($\frac{1}{4}$ " U.N.F.)	4	252220	
					Top drain channel for door, R.H.	1	330567	
21					Top drain channel for door, L.H.	1	330568	
					Special bolt	2	78208	} Fixing drain channel to hood stick
					Plain washer	2	3900	
					Self-locking nut ($\frac{1}{4}$ " U.N.F.)	2	252220	
					Adjustment plate, R.H.	1	330622	} For drain channel
22					Adjustment plate, L.H.	1	330623	
					Bolt ($\frac{1}{4}$ " U.N.F. x $\frac{3}{4}$ " long)	4	255207	} Fixing adjustment plates to drain channels
					Plain washer	8	3900	
					Self-locking nut ($\frac{1}{4}$ " U.N.F.)	4	252220	
					Sealing rubber, windscreen to top drain channel	2	332605	

FULL LENGTH HOOD AND FITTINGS, 88



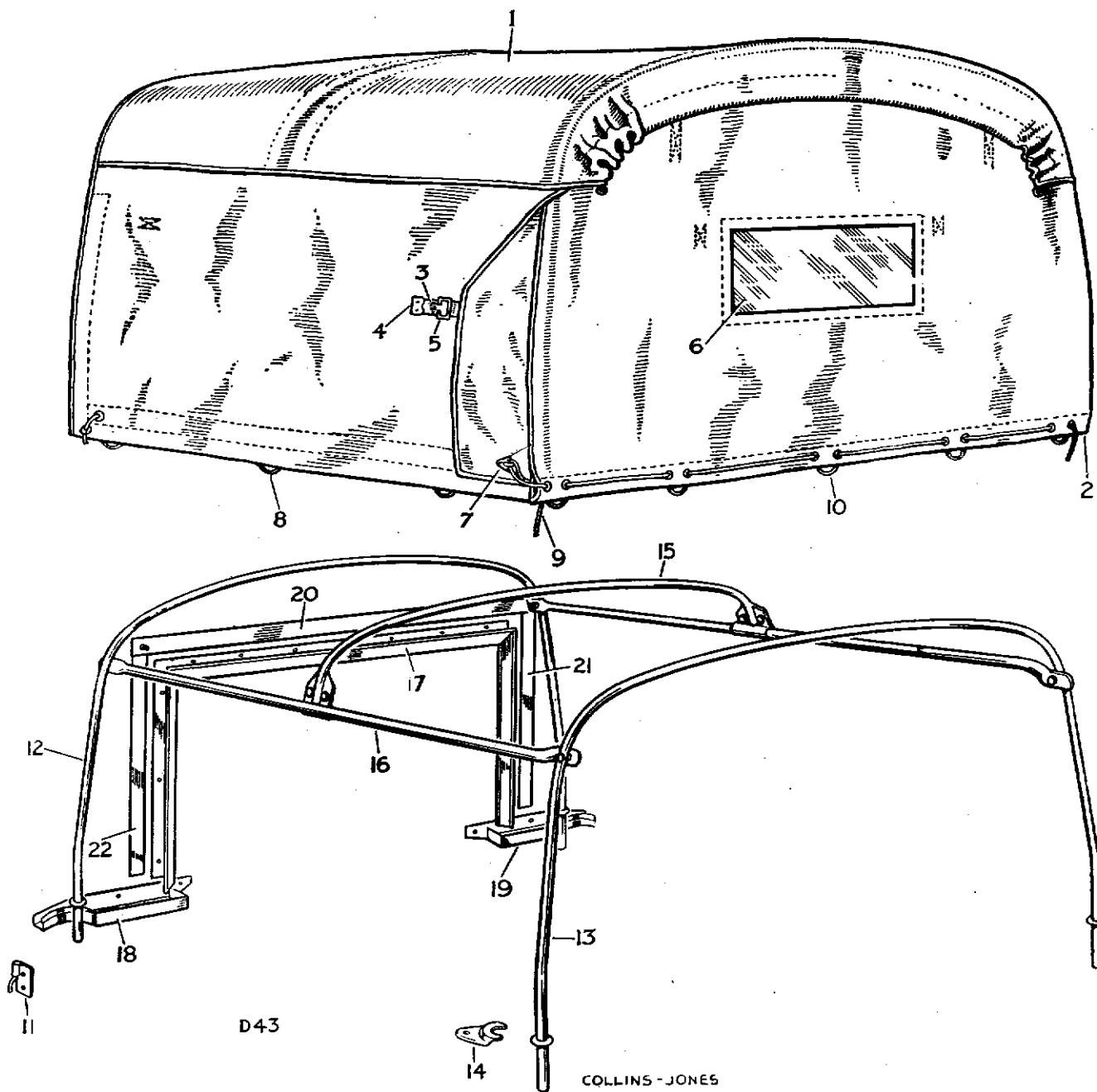
COLLINS-JONES.

677b.

FULL LENGTH HOOD AND FITTINGS, 88

PLATE REF.	1	2	3	4	DESCRIPTION	Qty.	Part No.	REMARKS
					Side drain channel for door, R.H.	1	330561	
23					Side drain channel for door, L.H.	1	330562	
					Bolt ($\frac{1}{4}$ " U.N.F. x $\frac{5}{8}$ " long) } Fixing	4	255206	
					Plain washer } drain channel	8	3900	
					Self-locking nut ($\frac{1}{4}$ " U.N.F.) } to hood stick	4	252220	
24					Sealing rubber for door, top	2	330541	
25					Sealing rubber for door, rear top	2	330535	
					Rivet fixing rubber to channel	22	308517	
					Strap retaining side curtain in rolled-up position, green	4	301332	} Optional equipment
					Strap retaining side curtain in rolled-up position, blue	4	307199	
					Buckle for strap	4	300953	
					Curtain complete for rear of driver, green	1	330990	} Optional equipment
					Curtain complete for rear of driver, blue	1	330991	
					Hook	2	301005	} Optional equipment
					Buckle	2	300953	
					End cap	2	300954	
					Eyelet	4	300785	
					Buckle	2	300953	
					Plastic backlight	1	306340	

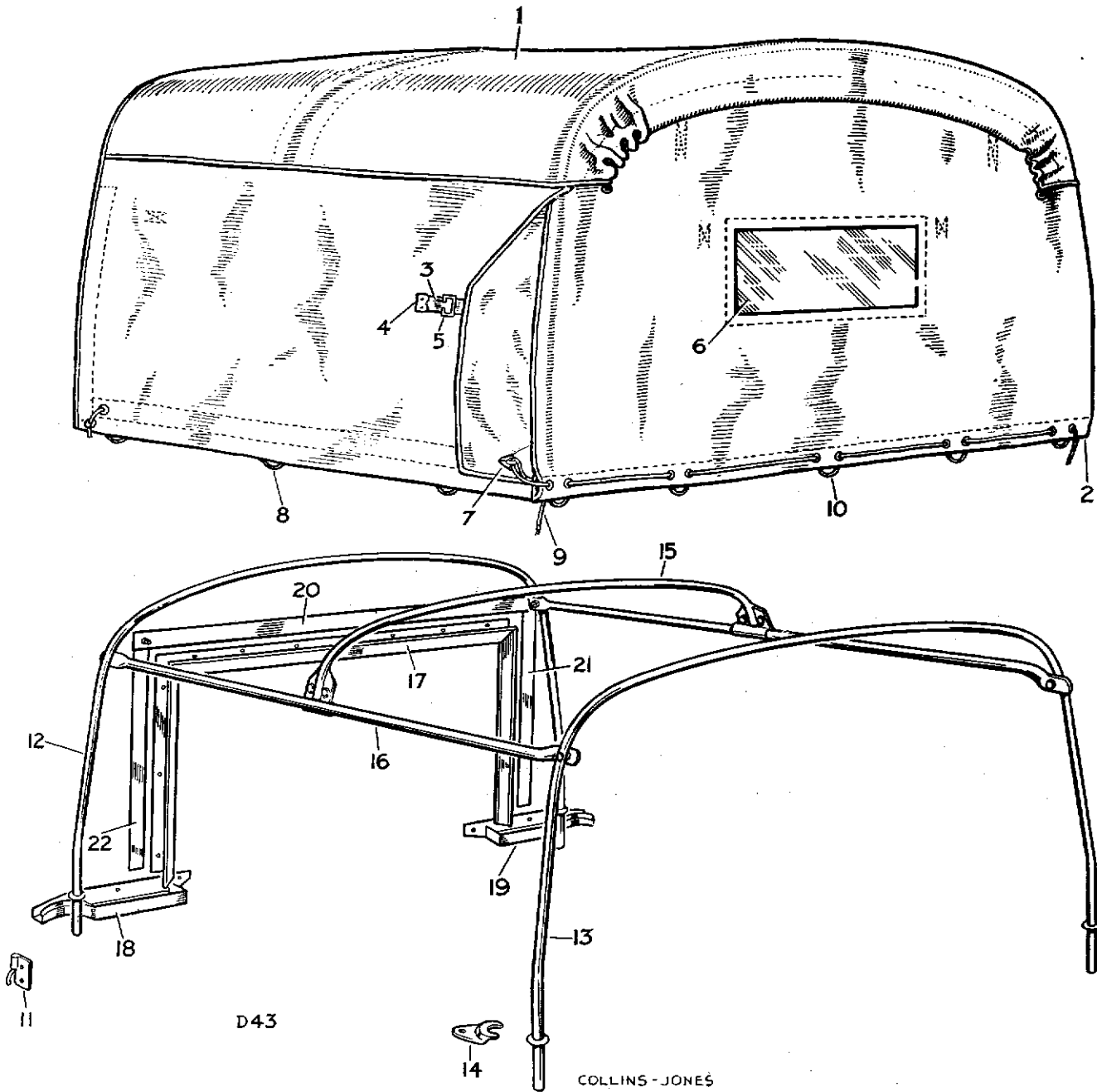
HOOD, THREE-QUARTER LENGTH, 88



HOOD, THREE-QUARTER LENGTH, 88

PLATE REF.	1 2 3 4	DESCRIPTION	Qty.	Part No.	REMARKS
1		HOOD COMPLETE, THREE-QUARTER LENGTH PLAIN SIDES, GREEN	1	331371	
		HOOD COMPLETE, THREE-QUARTER LENGTH PLAIN SIDES, BLUE	1	330986	
		HOOD COMPLETE, THREE-QUARTER LENGTH WITH SIDE WINDOWS, GREEN	1	331372	
		HOOD COMPLETE, THREE-QUARTER LENGTH WITH SIDE WINDOWS, BLUE	1	330987	
2		Rear curtain complete, green	1	331106	
		Rear curtain complete, blue	1	330978	
		Strap complete, rear curtain to body, green	2	331105	
		Strap complete, rear curtain to body, blue	2	330981	
		Buckle } For rear	2	300953	
		End cap } curtain to	2	300954	
		Eyelet for end cap } body strap	4	300785	
		Strap complete, retaining rear curtain, green	2	301332	
		Strap complete, retaining rear curtain, blue	2	307199	
		End cap } For rear curtain	2	300954	
		Eyelet for end cap } retaining strap	4	300785	
		Buckle for rear curtain retaining strap	2	300953	
3		Strap complete for extension flap, green	2	301332	
		Strap complete for extension flap, blue	2	307119	
4		End cap } For extension	2	300954	
		Eyelet for end cap } flap strap	2	300785	
5		Buckle for extension flap strap	2	300953	
6		Backlight, plastic	1	306340	} 3 off with side windows
		Adhesive tape for backlight	2	306375	
7		Rope hook for curtain side	2	304797	
		Washer plate for rope hook	2	301343	
		Rivet fixing rope hook	6	3547	
8		Rope complete for side curtain lower edge, 60"	2	331316	
9		Rope complete for hood top and sides, 116"	1	331222	
10		Rope complete for rear curtain, 88"	1	331221	
		HOODSTICKS AND FIXINGS COMPLETE	1	332950	
		Front hook R.H. } For	1	330578	
11		Front hook L.H. } hood rope	1	330579	
		Screw (2 B.A. x $\frac{5}{8}$ " long)	4	77758	} Fixing hook to rear body
		Plain washer	4	3902	
		Spring washer	4	3073	
		Nut (2 B.A.)	4	2247	
		Staple for hood strap at tailboard corner	2	300924	
		Screw (2 B.A. x $\frac{3}{4}$ " long)	4	77758	} Fixing staple to rear body
		Spring washer	4	3073	
		Nut (2 B.A.)	4	2247	
12		Hoodstick, front	1	332465	
13		Hoodstick, rear	1	330553	
14		Clamp arm for rear hood stick	2	304301	
		Bolt ($\frac{5}{16}$ " U.N.F. x 1" long)	2	255228	} Fixing clamp arm to hood socket
		Plain washer	2	3899	
		Spring washer	2	3075	
		Nut ($\frac{5}{16}$ " U.N.F.)	2	254811	

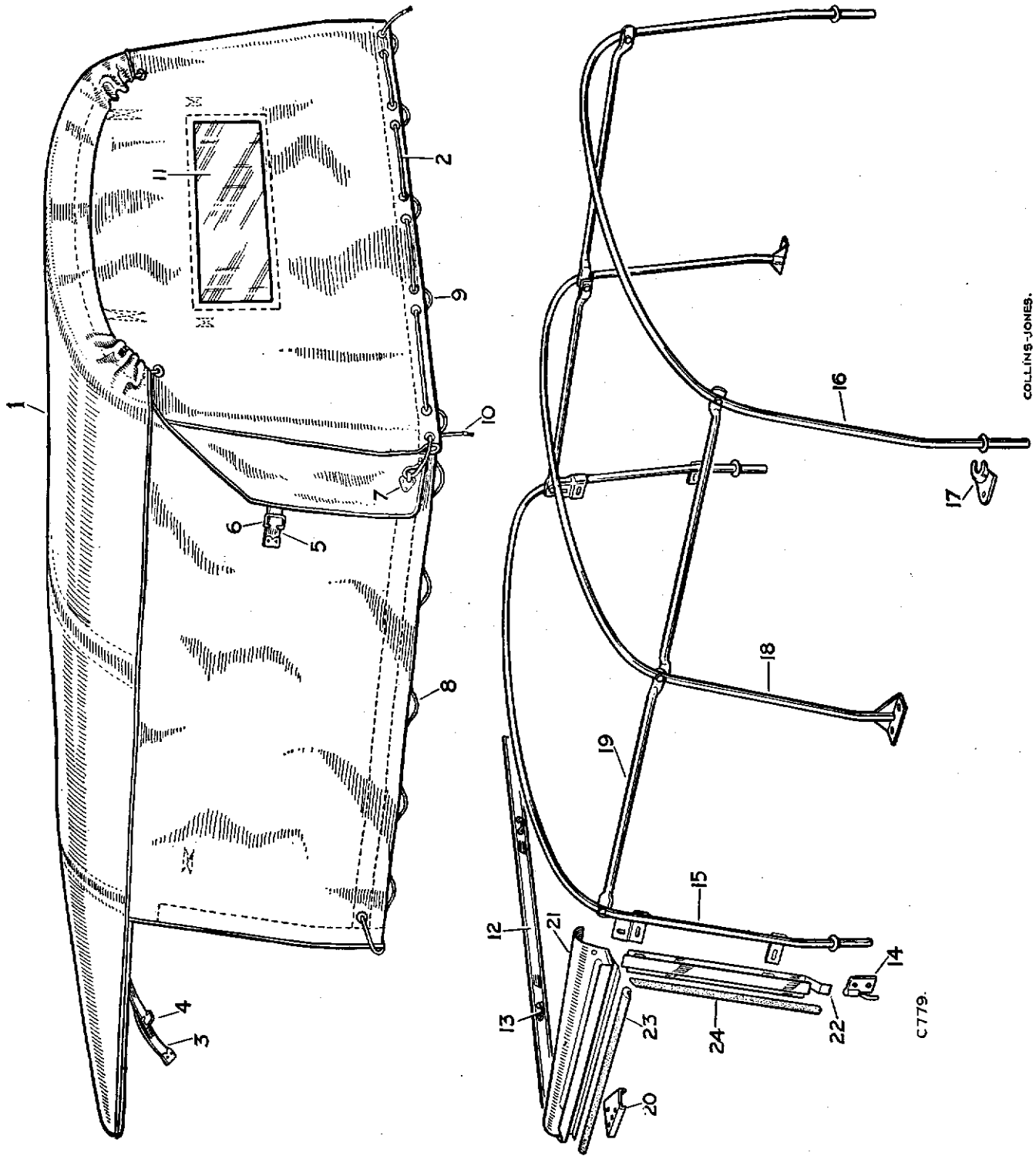
HOOD, THREE-QUARTER LENGTH, 88



HOOD, THREE-QUARTER LENGTH, 88

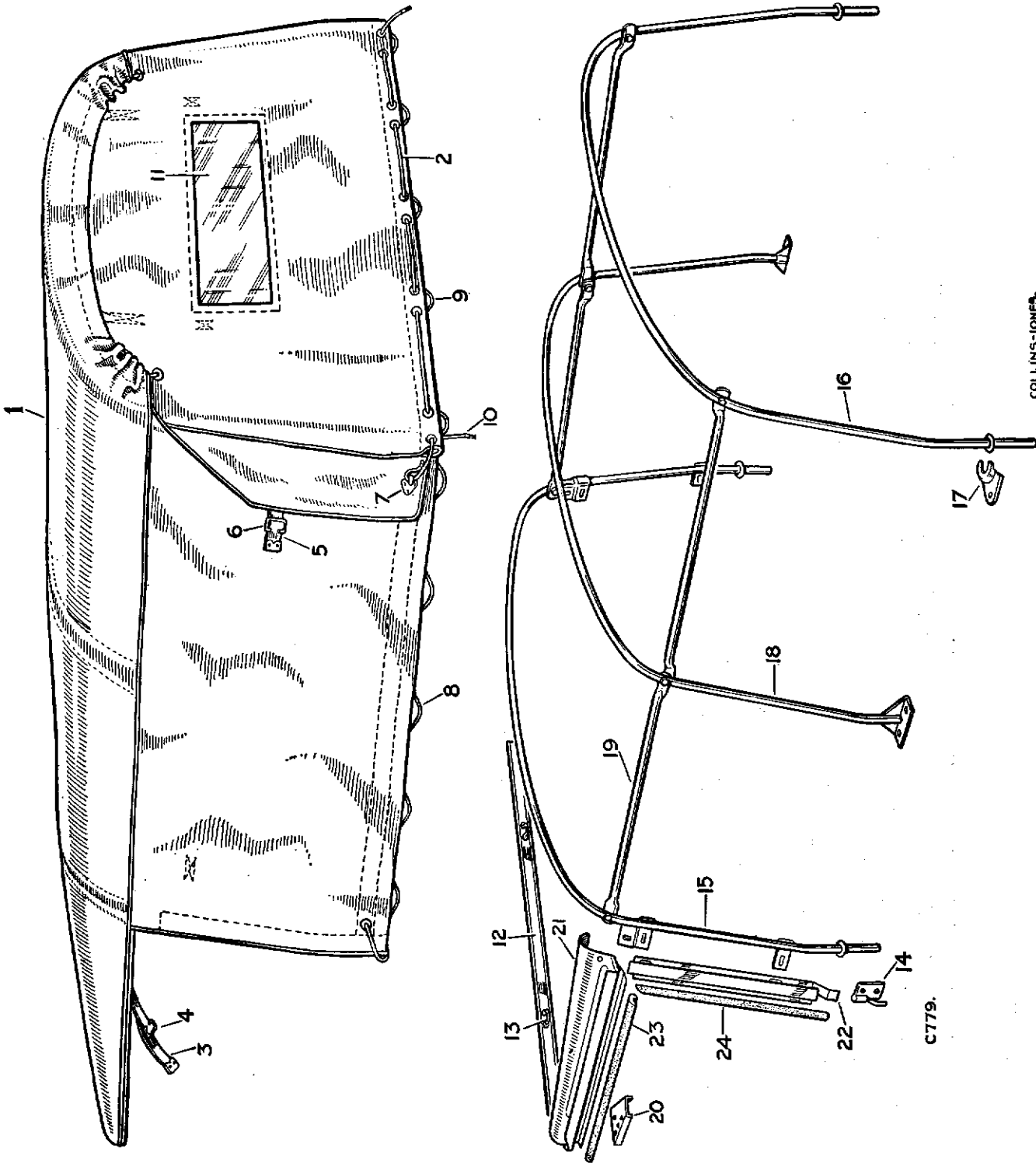
PLATE REF.	1 2 3 4	DESCRIPTION	Qty.	Part No.	REMARKS
		Bolt plate	2	330908	
		Spring washer	4	3074	
		Nut (1/4" U.N.F.)	4	254810	
15		Hood stick, intermediate	1	330557	
		Bolt (1/4" U.N.F. x 1/8" long)	4	255206	
		Plain washer	4	3900	
		Nut (1/4" U.N.F.)	4	250000	
		Locknut (1/4" U.N.F.)	4	254860	
16		Tie tube for hoodstick	2	332459	
		Screw (1/4" U.N.F. x 1 1/8" long)	4	78303	
		Square nut (1/4" U.N.F.)	4	78205	
		Self-locking nut (1/4" U.N.F.)	4	252220	
17		Frame for hood attachment to cab	1	331281	
		Bolt (1/4" U.N.F. x 3/4" long)	12	78210	
		Plain washer	24	3900	
		Spring washer	12	3074	
		Nut (1/4" U.N.F.)	12	254810	
18		Drain channel for rear of cab L.H.	1	331276	} Alternatives to six lines below
19		Drain channel for rear of cab R.H.	1	331275	
		Drain channel for rear of cab L.H.	1	331674	} Stud type
		Drain channel for rear of cab R.H.	1	331673	
		Stud retaining hood	2	320345	} Alternatives to two lines above
		Screw (2 B.A. x 1 1/4" long)	2	77993	
		Spring washer	2	3073	
		Nut (2 B.A.)	2	3823	
		Bolt (1/4" U.N.F. x 3/4" long)	6	78210	
		Plain washer	12	3900	
		Spring washer	6	3074	
		Nut (1/4" U.N.F.)	6	254810	
		Hook R.H.	1	334245	} Retaining hood
		Hook L.H.	1	334246	
		Pop rivet, fixing hooks to cab capping	4	78248	
20		Hood retaining strip, top	1	331349	} Strap- type fixing
21		Hood retaining strip complete R.H.	1	331346	
22		Hood retaining strip complete L.H.	1	331347	
		Strap, fixing front curtain	2	331361	} Alternatives to two lines below
		End cap	2	331362	
		Eyelet	2	300785	
		Rivet fixing strap to retaining strip	2	78313	
		Hood retaining strip, top	1	331675	} Alternatives to seven lines above
		Hood retaining strip, side	2	331676	

FULL LENGTH HOOD AND FITTINGS, 109



FULL LENGTH HOOD AND FITTINGS, 109

PLATE REF.	1 2 3 4	DESCRIPTION	Qty.	Part No.	REMARKS
1		HOOD COMPLETE, FULL LENGTH, PLAIN SIDES, GREEN	1	331259	
		HOOD COMPLETE, FULL LENGTH, PLAIN SIDES, BLUE	1	330984	
		HOOD COMPLETE, FULL LENGTH, WITH SIDE WINDOWS, GREEN	1	331260	} Export only
		HOOD COMPLETE, FULL LENGTH, WITH SIDE WINDOWS, BLUE	1	330985	
2		Rear curtain, complete, green	1	331106	
		Rear curtain, complete, blue	1	330978	
3		Strap complete, hood support, front, green	1	331086	
		Strap complete, hood support, front, blue	1	330979	
4		Buckle	2	300953	} For hood support strap
		End cap	2	300954	
		Eyelet	4	300785	
		Strap complete for centre stick, green	1	331249	
		Strap complete, for centre stick, blue	1	330980	
		Buckle	2	300953	} For centre stick strap
		End cap	2	300954	
		Eyelet	4	300785	
		Strap complete for side curtain, green	4	301332	
		Strap complete for side curtain, blue	4	307199	
		End cap	4	300954	} For side curtain strap
		Eyelet for end cap	8	300785	
5		Strap for extension flap, green	2	301332	
		Strap for extension flap, blue	2	307199	
		End cap	2	300954	} For strap
		Eyelet	4	300785	
6		Buckle for extension flap strap	2	300953	
		Strap, rear curtain to body, green	2	331105	
		Strap, rear curtain to body, blue	2	330981	
		Buckle	2	300953	} For rear curtain strap
		End cap	2	300954	
		Eyelet	4	300785	
		Strap, rear curtain retaining, green	2	301332	
		Strap, rear curtain retaining, blue	2	307199	
		End cap	2	300954	} For curtain retaining strap
		Eyelet	4	300785	
		Buckle for rear curtain retaining straps	2	300953	
7		Rope hook for side curtain	2	304797	
		Washer plate	2	301343	} Fixing rope hook to side curtain
		Rivet	6	3547	
8		Rope for curtain side, 100" long	2	331317	
9		Rope for rear curtain, 88" long	1	331221	
10		Rope for hood top and sides, 116" long	1	331222	
11		Back light, plastic	1	306340	} 3 off with side windows
		Adhesive tape for back light	1	306375	
		HOODSTICKS AND FIXINGS COMPLETE	1	332951	
12		Top rail for hood attachment	1	330575	
		Bolt (1/4" U.N.F. x 3/4" long)	4	255207	} Fixing top rail to adjustment plate and windscreen
		Plain washer	8	3900	
		Self-locking nut (1/4" U.N.F.)	4	252220	
		Rivet	11	300789	} Fixing top rail to windscreen
		Pop rivet, long	7	300781	
		Pop rivet, short	6	300919	



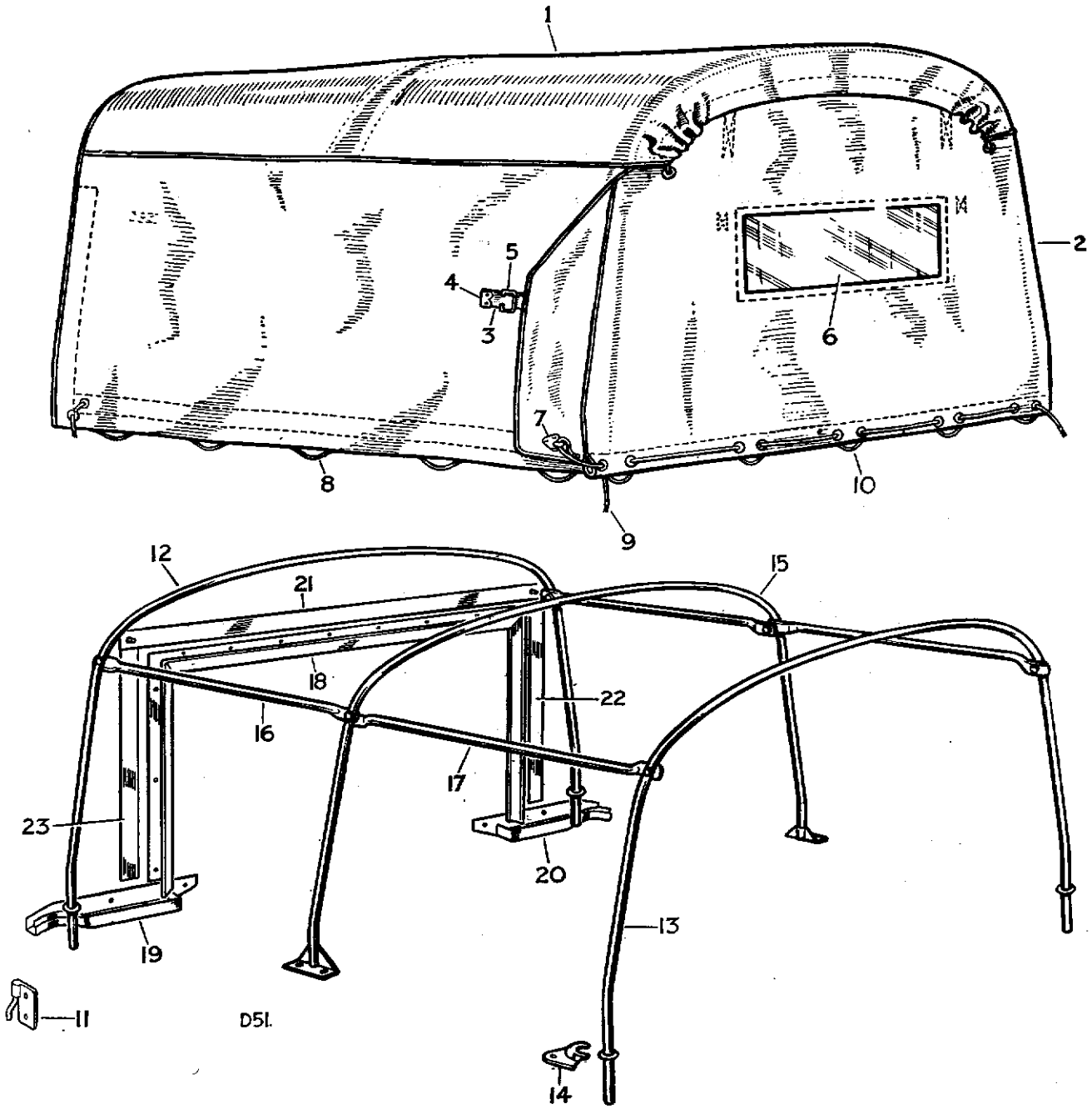
COLLINS-JONES.

C779.

FULL LENGTH HOOD AND FITTINGS, 109

PLATE REF.	1 2 3 4	DESCRIPTION	Qty.	Part No.	REMARKS
13		Staple for hood strap	2	300924	
		Pop rivet fixing staple to top rail	4	300781	
		Buffer for top of windscreen	1	332550	
		Pop rivet fixing buffer	4	300782	
		Front hook R.H. } For	1	330578	
14		Front hook L.H. } hood rope	1	330579	
		Screw (2 B.A. x $\frac{1}{2}$ " long)	4	77758	
		Plain washer } Fixing hook to	4	3902	
		Spring washer } rear body	4	3073	
		Nut (2 B.A.) } rear body	4	3823	
		Staple for hood strap at tailboard corner	2	300924	
		Screw (2 B.A. x $\frac{3}{4}$ " long)	4	77758	
		Spring washer } Fixing	4	3073	
		Nut (2 B.A.) } staple to	4	2247	
			4	2247	
15		Hood stick, front	1	330551	
16		Hood stick, rear	1	330553	
17		Clamp arm for hood stick	4	304301	
		Bolt ($\frac{5}{16}$ " U.N.F. x 1" long)	4	255228	
		Plain washer } Fixing clamp arm	4	3899	
		Spring washer } to hood sockets	4	3075	
		Nut ($\frac{5}{16}$ " U.N.F.) } to hood sockets	4	254811	
18		Hood stick, intermediate	1	330699	
		Bolt ($\frac{1}{4}$ " U.N.F. x $\frac{3}{4}$ " long)	4	255207	
		Nut plate } Fixing	4	330830	
			4	330830	
19		Tie tube	4	330896	
		Screw ($\frac{1}{4}$ " U.N.F. x $1\frac{1}{4}$ " long)	6	78303	
		Square nut ($\frac{1}{4}$ " U.N.F.) } Fixing	6	78205	
		Self-locking nut ($\frac{1}{4}$ " U.N.F.) } tie tube to	6	252220	
			6	252220	
		Adjustment plate R.H. } For drain	1	330622	
20		Adjustment plate L.H. } channel	1	330623	
		Bolt ($\frac{1}{4}$ " U.N.F. x $\frac{3}{4}$ " long)	4	255207	
		Plain washer } Fixing adjust-	8	3900	
		Self-locking nut ($\frac{1}{4}$ " U.N.F.) } ment plates to	4	252220	
			4	252220	
		Top drain channel for door R.H.	1	330567	
21		Top drain channel for door L.H.	1	330568	
		Special bolt } Fixing	2	78208	
		Plain washer } drain channel	2	3900	
		Self-locking nut ($\frac{1}{4}$ " U.N.F.) } to hoodstick	2	252220	
		Side drain channel for door R.H.	1	330561	
22		Side drain channel for door L.H.	1	330562	
		Bolt ($\frac{1}{4}$ " U.N.F. x $\frac{5}{8}$ " long)	4	255206	
		Plain washer } Fixing drain	8	3900	
		Self-locking nut ($\frac{1}{4}$ " U.N.F.) } channel to	4	252220	
			4	252220	
23		Sealing rubber for door, top	2	330541	
24		Sealing rubber for door, rear top	2	330535	
		Rivet fixing rubber to channel	22	308517	
		Strap retaining side curtain in rolled-up position, green	4	301332	} Optional equipment
		Strap retaining side curtain in rolled-up position, blue	4	307199	
		Buckle for strap	4	300953	

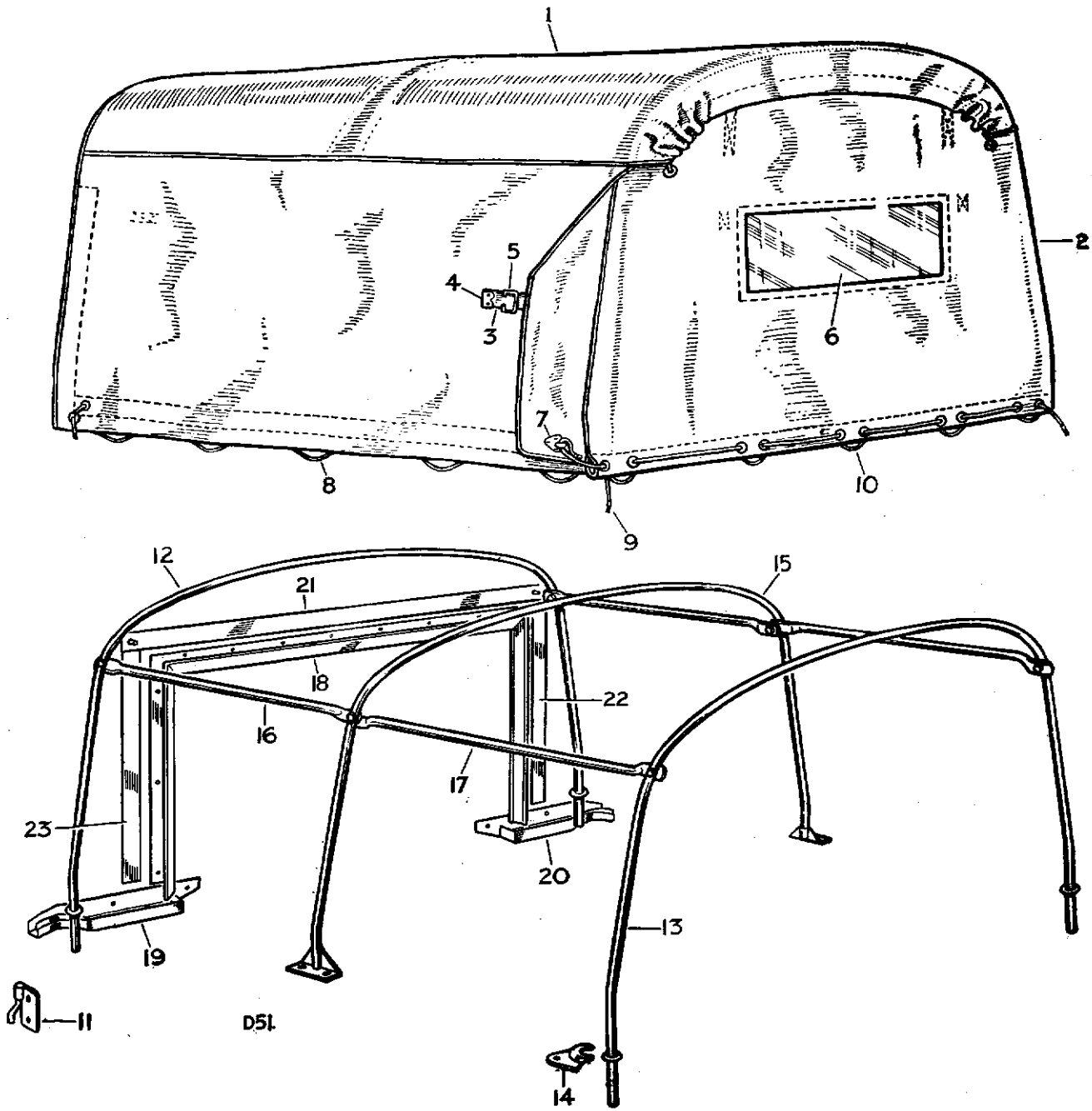
HOOD, THREE-QUARTER LENGTH, 109



HOOD, THREE-QUARTER LENGTH, 109

PLATE REF.	1 2 3 4	DESCRIPTION	Qty.	Part No.	REMARKS
1		HOOD COMPLETE, THREE-QUARTER LENGTH PLAIN SIDES, GREEN	1	331307	
		HOOD COMPLETE, THREE-QUARTER LENGTH PLAIN SIDES, BLUE	1	330997	
		HOOD COMPLETE, THREE-QUARTER LENGTH WITH SIDE WINDOWS, GREEN	1	331308	
		HOOD COMPLETE, THREE-QUARTER LENGTH WITH SIDE WINDOWS, BLUE	1	330998	
2		Rear curtain complete, green	1	331106	
		Rear curtain complete, blue	1	330978	
		Strap complete, rear curtain to body, green	2	331105	
		Strap complete, rear curtain to body, blue	2	330981	
		Buckle } For rear	2	300953	
		End cap } curtain to	2	300954	
		Eyelet for end cap } body strap	4	300785	
		Strap complete, retaining rear curtain, green	2	301332	
		Strap complete, retaining rear curtain, blue	2	307199	
		End cap } For rear curtain	2	300954	
		Eyelet for end cap } retaining strap	4	300785	
		Buckle for rear curtain retaining strap	2	300953	
3		Strap complete for extension flap, green	2	301332	
		Strap complete for extension flap, blue	2	307199	
4		End cap } For extension	2	300954	
		Eyelet for end cap } flap strap	2	300785	
5		Buckle for extension flap strap	2	300953	
6		Backlight, plastic	1	306340	} 3 off with side windows
		Adhesive tape for backlight	2	306375	
7		Rope hook for curtain side...	2	304797	
		Washer plate for rope hook	2	301343	
		Rivet fixing rope hook	6	3547	
8		Rope complete for side curtain lower edge, 93"	2	331318	
9		Rope complete for hood top and sides, 116"	1	331222	
10		Rope complete for rear curtain, 88"	1	331221	
		HOOD STICKS AND FIXINGS COMPLETE	1	332952	
		Front hook R.H. } For	1	330578	
11		Front hook L.H. } hood rope	1	330579	
		Screw (2 B.A. x 1/2" long) }	4	77758	
		Plain washer } Fixing hook	4	3902	
		Spring washer 5/8" } to rear body	4	3073	
		Nut (2 B.A.) }	4	3823	
		Staple for hood strap at tailboard corner	2	300924	
		Screw (2 B.A. x 3/4" long) }	4	77758	
		Spring washer } staple to	4	3073	
		Nut (2 B.A.) } rear body	4	2247	
12		Hoodstick, front	1	330553	
13		Hoodstick, rear	1	330553	
14		Clamp arm for rear hood stick	4	304301	
		Bolt (5/8" U.N.F. x 1" long) }	4	255228	
		Plain washer } clamp arm	4	3899	
		Spring washer } to hood	4	3075	
		Nut (5/8" U.N.F.) } socket	4	254811	

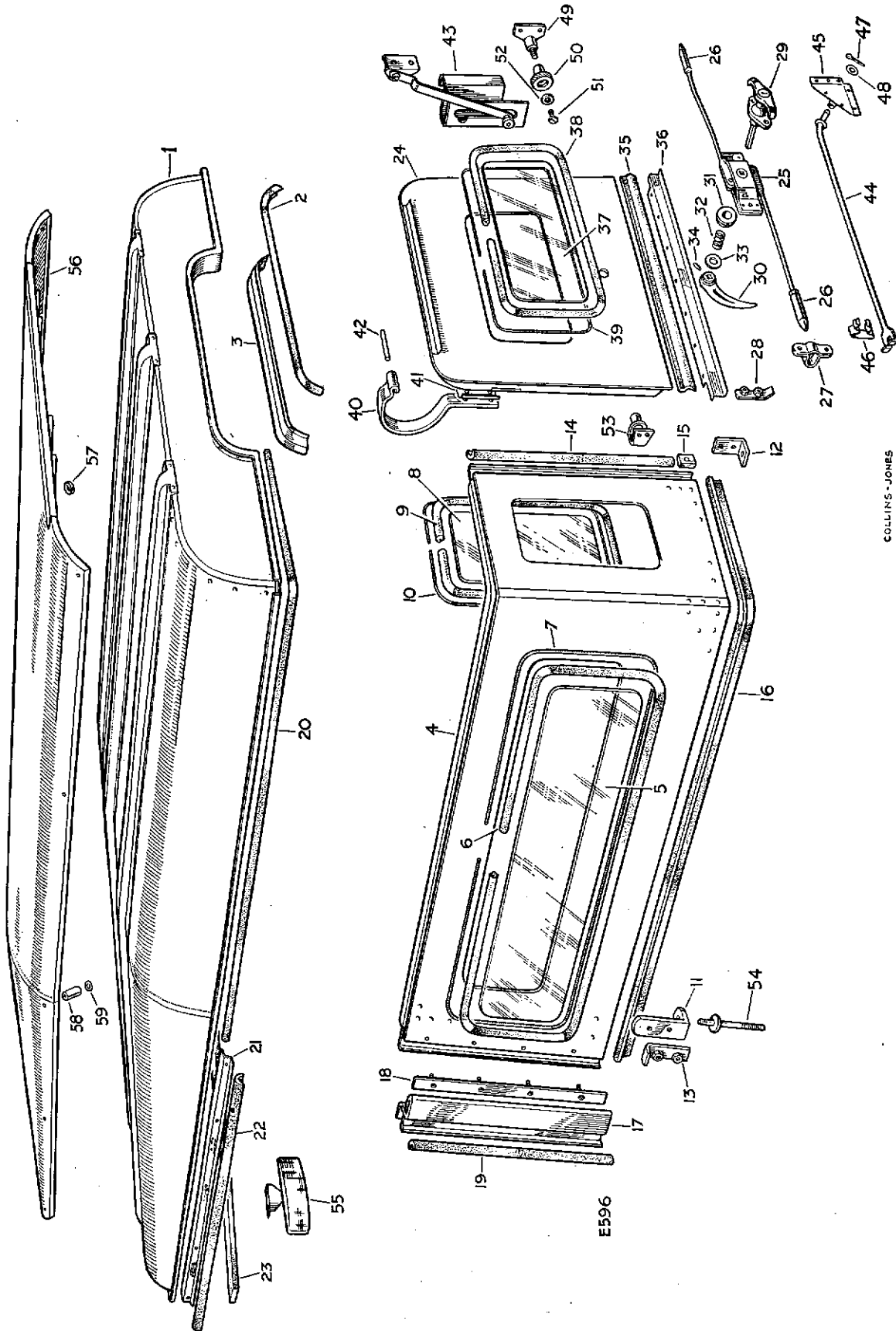
HOOD, THREE-QUARTER LENGTH, 109



HOOD, THREE-QUARTER LENGTH, 109

PLATE REF.	1	2	3	4	DESCRIPTION	Qty.	Part No.	REMARKS
					Bolt plate	2	330908	
					Spring washer	4	3074	} Fixing front hood
					Nut (1/4" U.N.F.)	4	254810	
15					Hood stick, intermediate	1	330699	
					Bolt (1/4" U.N.F. x 5/8" long)	4	255207	} Fixing intermediate hood stick to tie bar
					Spring washer	4	3074	
					Nut plate (1/4" U.N.F.)	4	330830	
					Locknut (1/4" U.N.F.)	4	254860	
16					Tie tube for hood stick (Front)	2	330897	
17					Tie tube for hood stick (Rear)	2	330896	
					Screw (1/4" U.N.F. x 1 5/8" long)	4	78225	
					Screw (1/4" U.N.F. x 1 3/4" long)	2	78303	
					Square nut (1/4" U.N.F.)	6	78205	
					Self-locking nut (1/4" U.N.F.)	6	252220	
18					Frame for hood attachment to cab	1	331281	
					Bolt (1/4" U.N.F. x 3/4" long)	11	78210	} Fixing frame to rear of cab
					Plain washer	22	3900	
					Spring washer	11	3074	
					Nut (1/4" U.N.F.)	11	254810	
19					Drain channel for rear of cab L.H.	1	331276	} Alternatives to six lines below
20					Drain channel for rear of cab R.H.	1	331275	
					Drain channel for rear of cab L.H.	1	331674	
					Drain channel for rear of cab R.H.	1	331673	
					Stud retaining hood	2	320345	} Alternatives to two lines above
					Screw (2 B.A. x 1 1/4" long)	2	77993	
					Spring washer	2	3073	
					Nut (2 B.A.)	2	3823	
					Bolt (1/4" U.N.F. x 3/4" long)	6	78210	} Fixing channel to rear of cab
					Plain washer	12	3900	
					Spring washer	6	3074	
					Nut (1/4" U.N.F.)	6	254810	
					Hook R.H.	1	334245	} Retaining hood
					Hook L.H.	1	334246	
					Pop rivet, fixing hooks to cab capping	4	78248	
21					Hood retaining strip, top	1	331349	} Strap-type fixing
22					Hood retaining strip complete R.H.	1	331346	
23					Hood retaining strip complete L.H.	1	331347	
					Strap, fixing front curtain	2	331361	} Alternatives to two lines below
					End cap	2	331362	
					Eyelet	2	300785	
					Rivet fixing strap to retaining strip	2	78313	
					Hood retaining strip, top	1	331675	} Alternatives to seven lines above
					Hood retaining strip, side	2	331676	

HARD TOP AND TROPICAL ROOF, 88

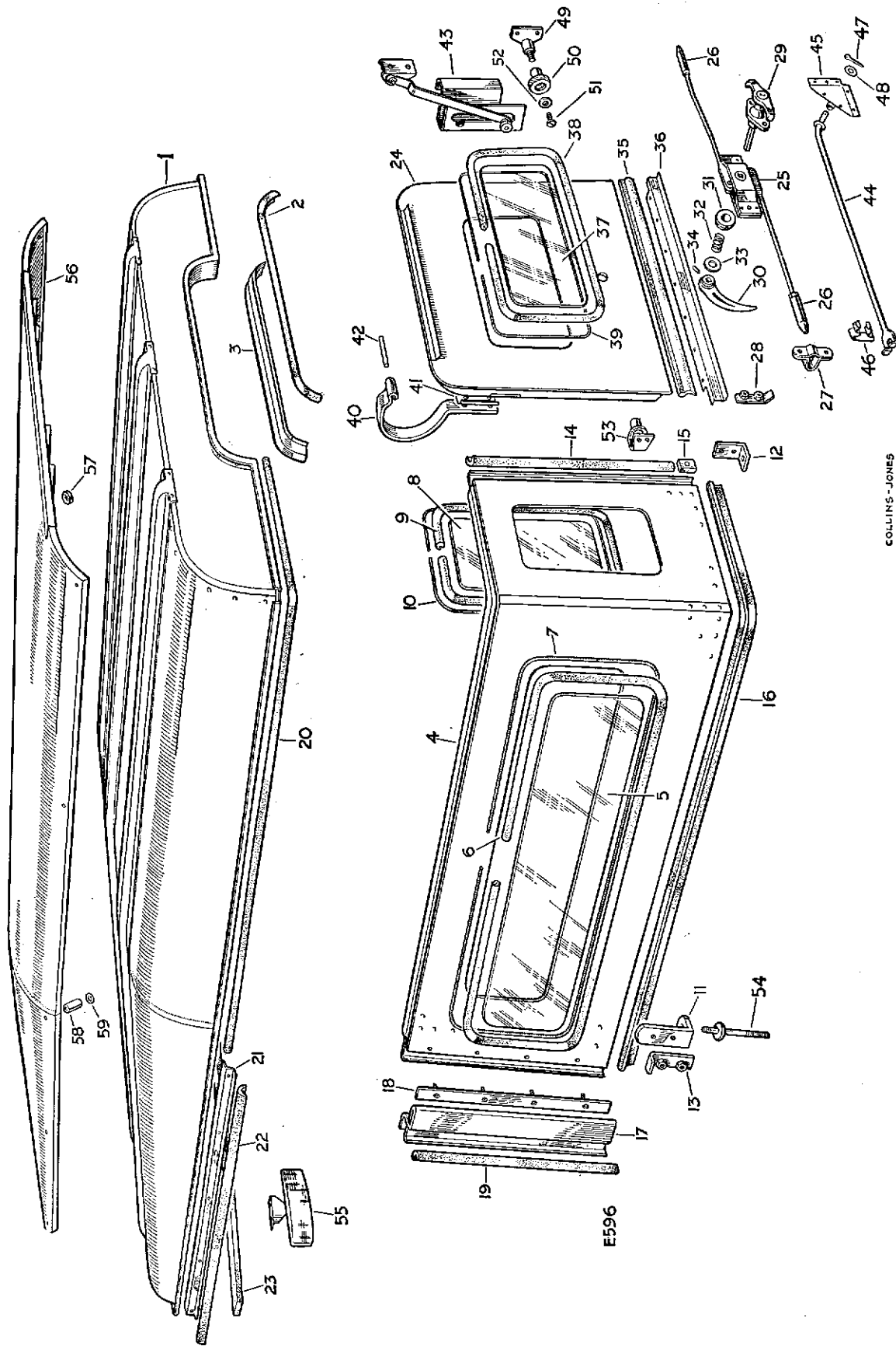


COLLINS-JONES

HARD TOP AND TROPICAL ROOF, 88

PLATE REF.	1 2 3 4	DESCRIPTION	Qty.	Part No.	REMARKS
		HARD TOP COMPLETE ASSEMBLY	1	330963	Without rear end windows } Plain
		HARD TOP COMPLETE ASSEMBLY	1	334727*	With rear end windows } sides
		HARD TOP COMPLETE ASSEMBLY	1	330964	Without rear end windows } Fixed side windows
		HARD TOP COMPLETE ASSEMBLY	1	334729*	With rear end windows } Export only
1		ROOF ASSEMBLY	1	332000	
2		Rubber seal for roof, rear	1	332149	
3		Seal retainer for roof, rear	1	332151	
		Rivet fixing seal to retainer	11	302818	
		Screw (2 B.A. x $\frac{1}{2}$ " long)	9	77869	} Fixing retainer to hard top
		Plain washer	9	3902	
		Spring washer	9	3073	
		Nut (2 B.A.)	9	3823	
		Bolt ($\frac{1}{4}$ " U.N.F. x $\frac{3}{4}$ " long)	10	255207	} Fixing roof to sides
		Plain washer	14	3840	
		Spring washer	10	3074	
		Nut ($\frac{1}{4}$ " U.N.F.)	10	254810	
		Bolt ($\frac{1}{4}$ " U.N.F. x $\frac{3}{4}$ " long)	10	255207	} Fixing roof to windscreen
		Plain washer	10	3900	
		Spring washer	10	3074	
		Nut ($\frac{1}{4}$ " U.N.F.)	10	254810	
		SIDE PANEL ASSEMBLY, R.H.	1	334001	} Without rear end windows } Plain
		SIDE PANEL ASSEMBLY, L.H.	1	334002	
		SIDE PANEL ASSEMBLY, R.H.	1	334707*	} With rear end windows
		SIDE PANEL ASSEMBLY, L.H.	1	334708*	
		SIDE PANEL ASSEMBLY, R.H.	1	334003	} Without rear end windows
		SIDE PANEL ASSEMBLY, L.H.	1	334004	
		SIDE PANEL ASSEMBLY, R.H.	1	334713*	} Without rear end windows
4		SIDE PANEL ASSEMBLY, L.H.	1	334714*	
5		Glass for side window	2	304234	} Export only
6		Weather strip for glass	2	304235	
7		Filler strip for weather strip	2	304236	
8		Glass for rear end window	2	332341	
9		Weather strip for glass	2	306287	
10		Filler strip for weather strip	2	306289	
11		Mounting bracket, front...	2	332080	
12		Mounting bracket, rear	2	332052	
		Bolt ($\frac{5}{16}$ " U.N.F. x $\frac{5}{8}$ " long)	4	255225	} Fixing mounting brackets to body sides
		Bolt ($\frac{1}{4}$ " U.N.F. x $\frac{3}{4}$ " long)	4	255207	
		Plain washer	4	3830	
		Plain washer	8	3840	
		Spring washer	4	3074	
		Spring washer	4	3075	
		Nut ($\frac{1}{4}$ " U.N.F.)	4	254810	
13		Nut plate	2	332081	
14		Rubber seal for rear lid, side	2	332150	
		Rivet fixing seal	10	302818	
15		Rubber buffer for rear lid, side	2	332146	
		Drive screw	2	77932	} Fixing buffers
		Plain washer	2	3867	

HARD TOP AND TROPICAL ROOF, 88



COLLINS-JONES

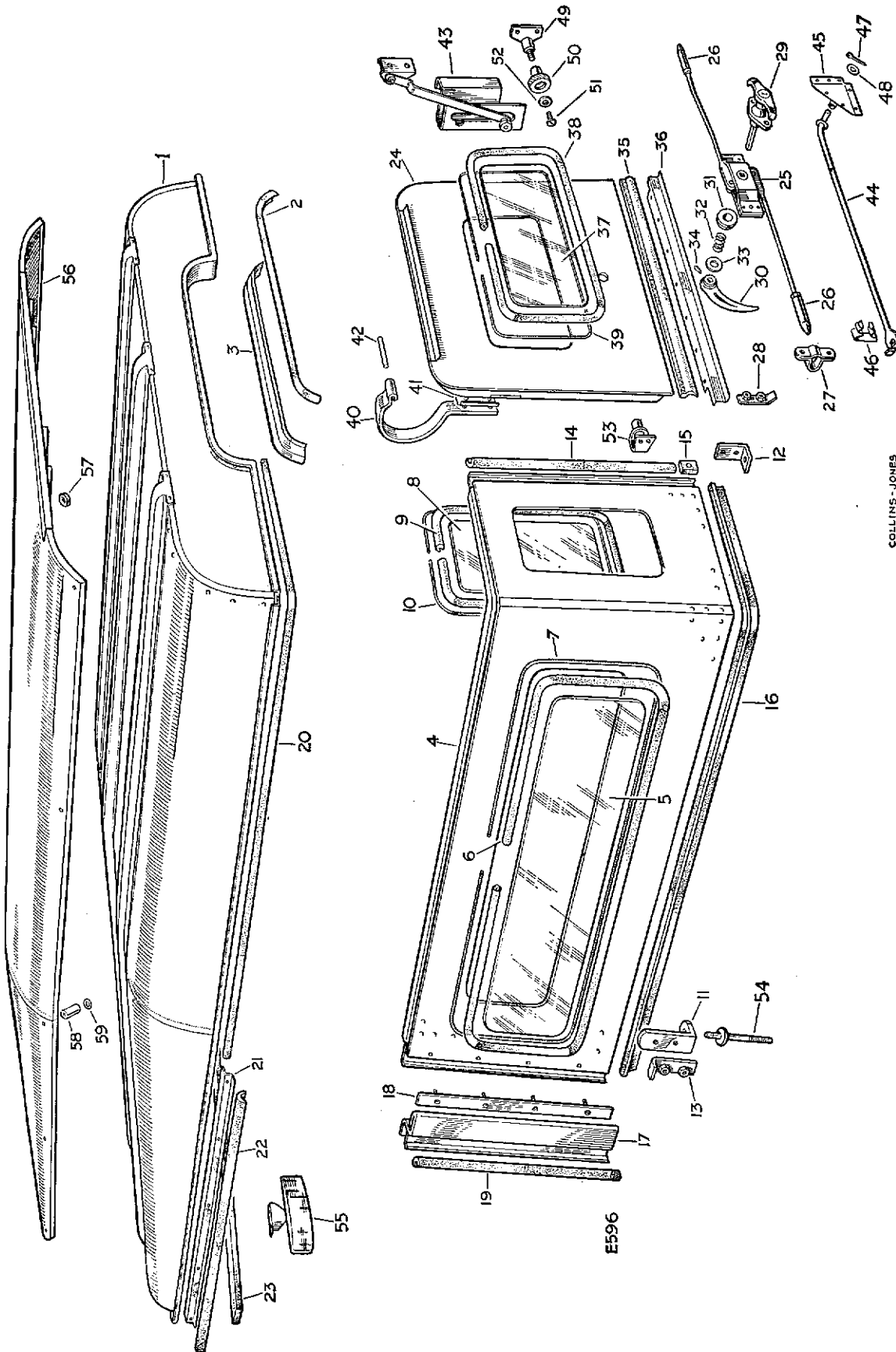
E596

HARD TOP AND TROPICAL ROOF, 88

PLATE REF.	1 2 3 4	DESCRIPTION	Qty.	Part No.	REMARKS
16		Rubber sealing strip, lower edge to body	2	333487	
		Capping for front door rear seal, R.H.	1	332112	
17		Capping for front door rear seal, L.H.	1	332113	
18		Stud plate	2	332065	
		Screw (2 B.A. x ½" long)	6	77869	} Fixing cappings to side panel
		Plain washer	6	3852	
		Plain washer	8	3885	
		Spring washer	14	3073	
		Nut (2 B.A.)	14	3823	
19		Seal for front door, upper, side	2	332152	
		Rivet fixing seal to capping	10	302818	
20		Rubber seal, roof to side	2	332154	
		Seal retainer for door top, R.H.	1	330788	
21		Seal retainer for door top, L.H.	1	330789	
		Screw (2 B.A. x ½" long)	10	77869	} Fixing seal retainer to roof
		Plain washer	10	3902	
		Spring washer	10	3073	
		Nut (2 B.A.)	10	3823	
		Rubber seal at door pillar top and bottom	6	332215	
22		Sealing rubber for door top	2	330541	
		Rivet fixing seal to retainer	10	302818	
23		Sealing rubber, windscreen to roof	1	330878	
24		REAR LID ASSEMBLY	1	332181	} Quadrant type fixing Rod type fixing
		REAR LID ASSEMBLY	1	333467	
25		Lock complete for rear lid	1	302164	
26		Bolt end for lock	2	262798	
		Screw (2 B.A. x ½" long)	4	77700	} Fixing lock to rear lid
		Plain washer	4	3816	
		Spring washer	4	3073	
		Nut (2 B.A.)	4	2247	
27		Guide for rear lid lock	2	332097	
		Set bolt (¼" U.N.F. x ¾" long)	4	255207	} Fixing guide to rear lid
		Spring washer	4	3074	
		Plain washer	4	3900	
28		Nut plate	2	332121	
29		Handle for rear lid, outer, locking	1	306461	
		Screw (2 B.A. x ¾")	2	78171	} Fixing handle
		Nut (2 B.A.)	2	2247	
30		Handle for rear lid, inner	1	302207	
31		Boss	1	320046	} Fixing handle
32		Coil spring	1	313493	
33		Cap for coil spring	1	320047	
34		Locking pin	1	302262	
35		Rubber seal for rear lid, bottom	1	332143	
36		Retainer for bottom seal	1	332122	
		Pop rivet fixing retaining strip	9	78257	
37		Glass for rear lid	1	332089	
38		Weather strip for back light	1	302177	
39		Filler strip for weather strip	1	302178	

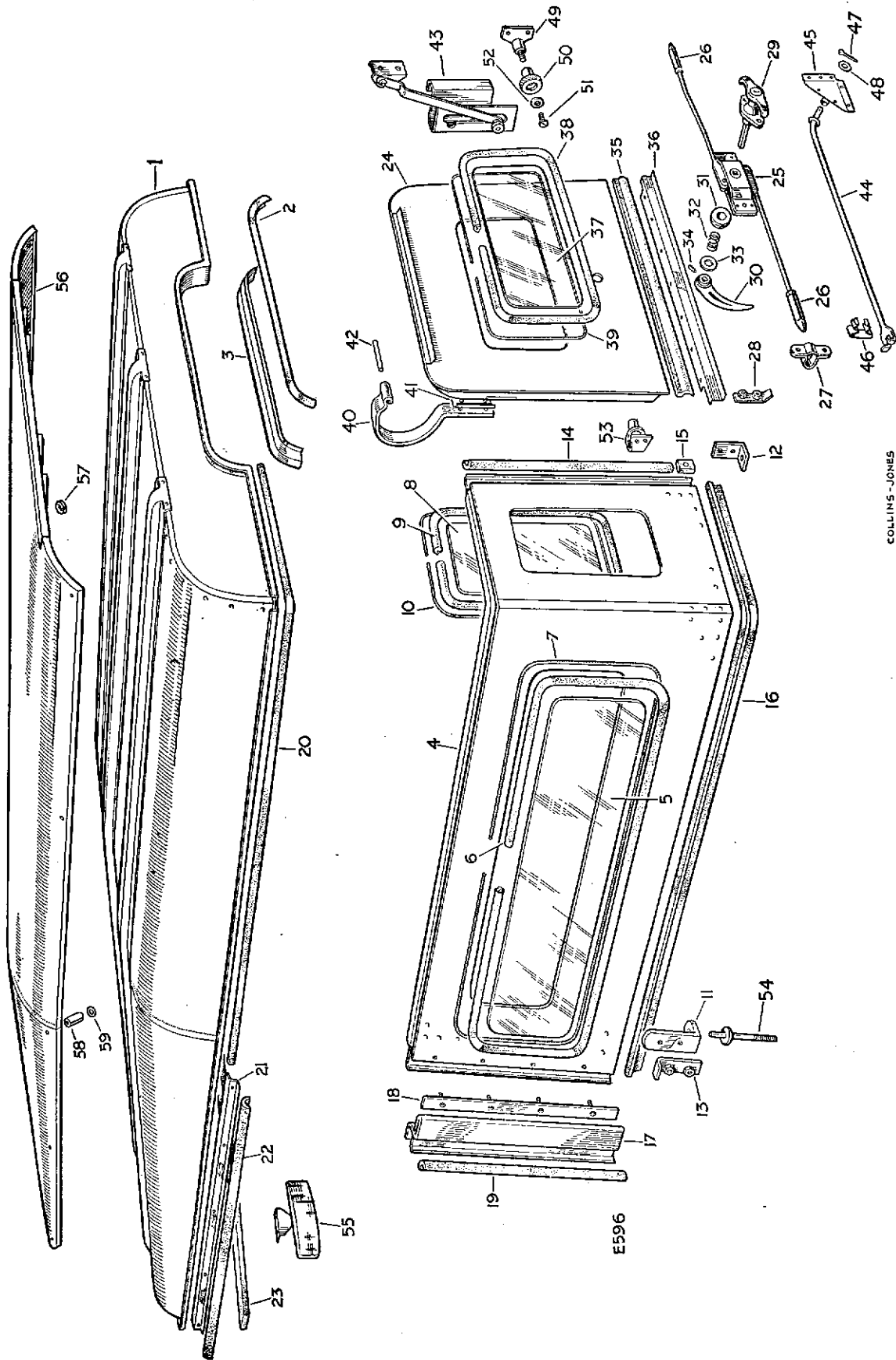
Alternative to rear door
See also pages 355 and 357
Check before ordering

HARD TOP AND TROPICAL ROOF, 88



COLLINS-JONES

HARD TOP AND TROPICAL ROOF, 88

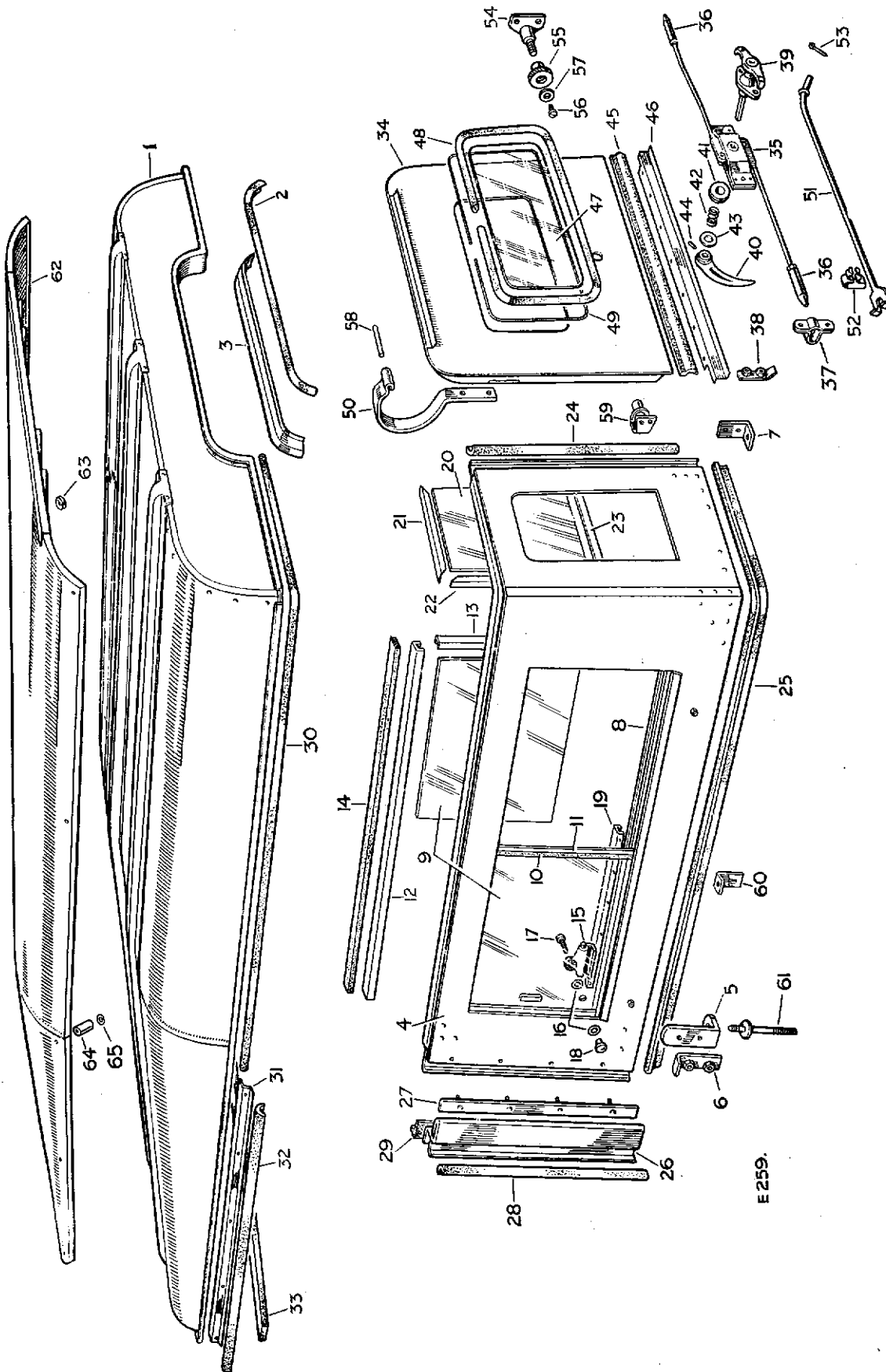


HARD TOP AND TROPICAL ROOF, 88

PLATE REF.	1	2	3	4	DESCRIPTION	Qty.	Part No.	REMARKS
					Support bracket, centre	2	332201	
					Bolt ($\frac{1}{4}$ " U.N.F. x $\frac{3}{4}$ " long)	4	255207	} Fixing bracket to body side and capping
					Plain washer	6	3900	
					Nut ($\frac{1}{4}$ " U.N.F.)	4	254810	
55					Interior mirror	1	334000	
					Drive screw, trimmed vehicles	2	77789	} Untrimmed } Fixing vehicles } mirror
					Bolt (2 B.A. x $\frac{1}{2}$ " long)	2	234603	
					Packing washer	2	3864	
					Spring washer	2	3073	
					Nut (2 B.A.)	2	3823	
					TROPICAL ROOF PANEL ASSEMBLY	1	330966	
56					Tropical roof panel	1	332025	
					Stiffener for roof panel	3	332028	
					Drive screw	21	77704	} Alternatives } Check before ordering
					Pop rivet	21	78248	
					Screw (2 B.A. x $\frac{1}{2}$ " long)	8	77869	} Fixing panel to roof at end of stiffener
					Plain washer	16	3852	
57					Rubber washer	8	302371	
					Shakeproof washer	8	71082	
					Nut (2 B.A.)	8	3823	
					Screw ($\frac{1}{4}$ " U.N.F. x 2" long)	8	78274	} Fixing roof to panel at sides
					Screw ($\frac{1}{4}$ " U.N.F. x $2\frac{1}{4}$ " long)	2	78382	
					Plain washer	20	3900	
58					Distance piece	10	302372	
59					Rubber washer	10	302373	
					Spring washer	10	3074	} Alternative } Check before ordering
					Nut ($\frac{1}{4}$ " U.N.F.)	10	254810	
					Drive screw	45	77704	
					Pop rivet	45	78248	

See Page 480 for locking handles and catches for front doors and sliding windows

HARD TOP AND TROPICAL ROOF, 88, WITH SLIDING SIDE WINDOWS

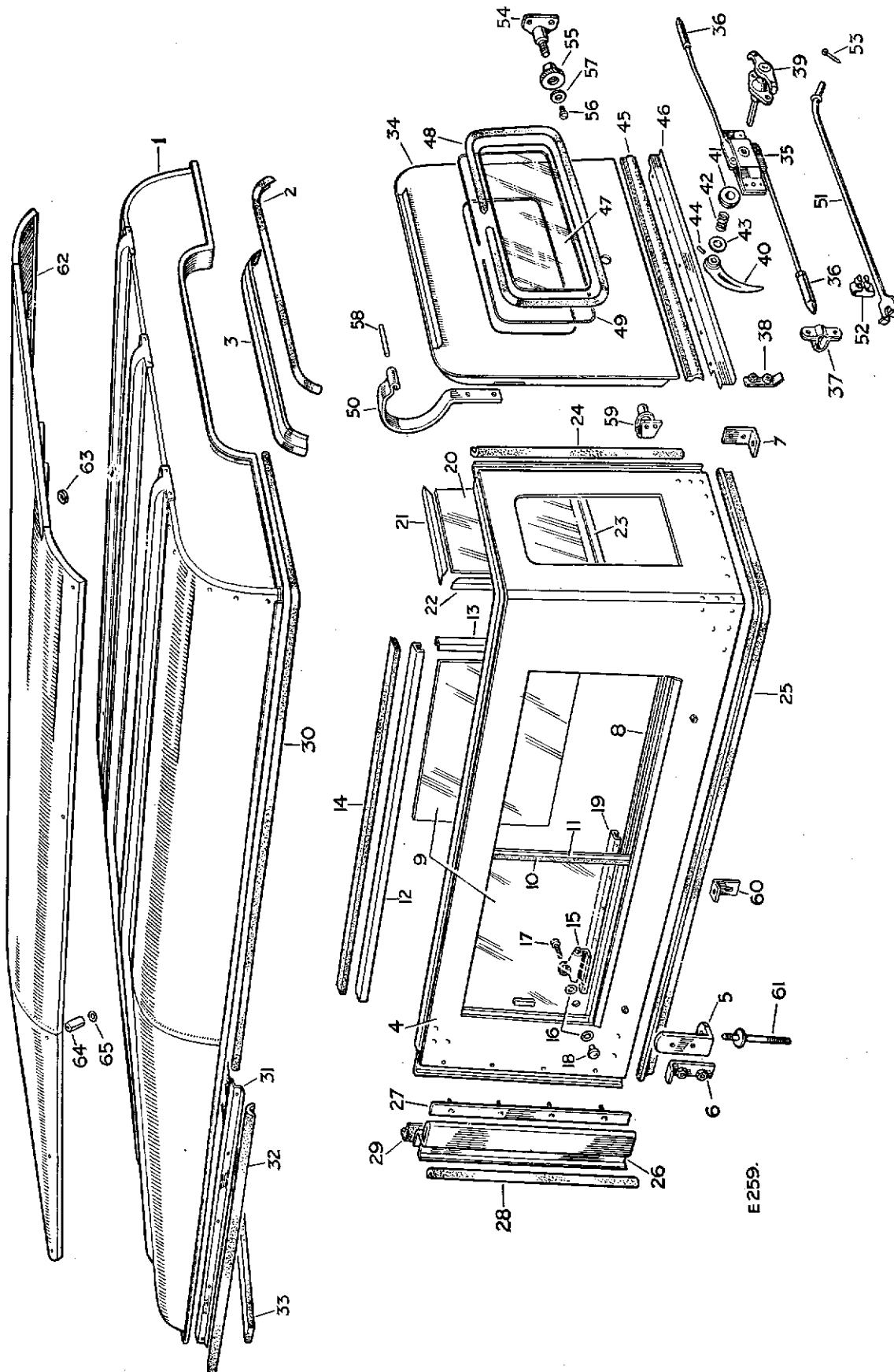


E 259.

HARD TOP AND TROPICAL ROOF, 88, WITH SLIDING SIDE WINDOWS

PLATE REF.	1 2 3 4	DESCRIPTION	Qty.	Part No.	REMARKS
		HARD TOP COMPLETE ASSEMBLY WITH			
		SLIDING SIDE WINDOWS	1	334190*	Export only
1		ROOF ASSEMBLY	1	332783	
2		Rubber seal for roof, rear	1	332149	
3		Seal retainer for roof, rear	1	332151	
		Rivet fixing seal to retainer	11	302818	
		Screw (2 B.A. x $\frac{1}{2}$ " long)	9	77869	
		Plain washer	9	3852	} Fixing retainer to hard top
		Spring washer	9	3073	
		Nut (2 B.A.)	9	3823	
		Bolt ($\frac{1}{4}$ " U.N.F. x $\frac{3}{4}$ " long)	18	255207	
		Plain washer	22	3840	} Fixing roof to sides
		Spring washer	18	3074	
		Nut ($\frac{1}{4}$ " U.N.F.)	18	254810	
		Bolt ($\frac{1}{4}$ " U.N.F. x $\frac{3}{4}$ " long)	10	255207	
		Plain washer	20	3900	} Fixing roof to windscreen
		Spring washer	10	3074	
		Nut ($\frac{1}{4}$ " U.N.F.)	10	254810	
		SIDE PANEL ASSEMBLY, R.H.	1	332306	
4		SIDE PANEL ASSEMBLY, L.H.	1	332307	
5		Mounting bracket front	2	332080	
		Bolt ($\frac{5}{16}$ " U.N.F. x $\frac{5}{8}$ " long)	4	255225	} Fixing mounting bracket to body
		Plain washer	4	3830	
		Spring washer	4	3075	
		Nut plate	2	332081	
6		Support bracket at tailboard	2	332052	
7		Bolt ($\frac{1}{4}$ " U.N.F. x $\frac{3}{4}$ " long)	4	255207	} Fixing support bracket at tailboard corner
		Plain washer	8	3840	
		Spring washer	4	3074	
		Nut ($\frac{1}{4}$ " U.N.F.)	4	254810	
8		Drain channel complete for side windows	2	332223	
		Bolt ($\frac{1}{4}$ " U.N.F. x $\frac{5}{8}$ " long)	4	255206	} Fixing drain channel to body
		Plain washer	4	4071	
		Spring washer	4	3074	
		Nut ($\frac{1}{4}$ " U.N.F.)	4	254810	
9		Glass for side window, sliding	4	332217	
10		Sealing rubber for sliding light	2	332230	
11		Channel for sliding light rubber	2	330661	
12		Channel for sliding light, top	4	332744	
		Channel for sliding light, bottom inner	2	332745	
		Channel for sliding light, bottom outer	2	332752	
13		Channel for sliding light, sides	4	332746	
14		Packing strip for top channel	4	332216	
		Drive screws fixing channels	76	77707	
15		Catch for sliding glass, front	2	332324	
		Catch for sliding glass, rear	2	332325	
16		Washer for catch	16	340391	
		Screw ($\frac{1}{4}$ " U.N.F. x $\frac{3}{4}$ " long) fixing rear catch	2	78401	
17		Screw ($\frac{1}{4}$ " U.N.F. x $\frac{7}{8}$ " long) fixing front catch	2	78402	
18		Tapped plate for catch	4	332329	

HARD TOP AND TROPICAL ROOF, 88, WITH SLIDING SIDE WINDOWS

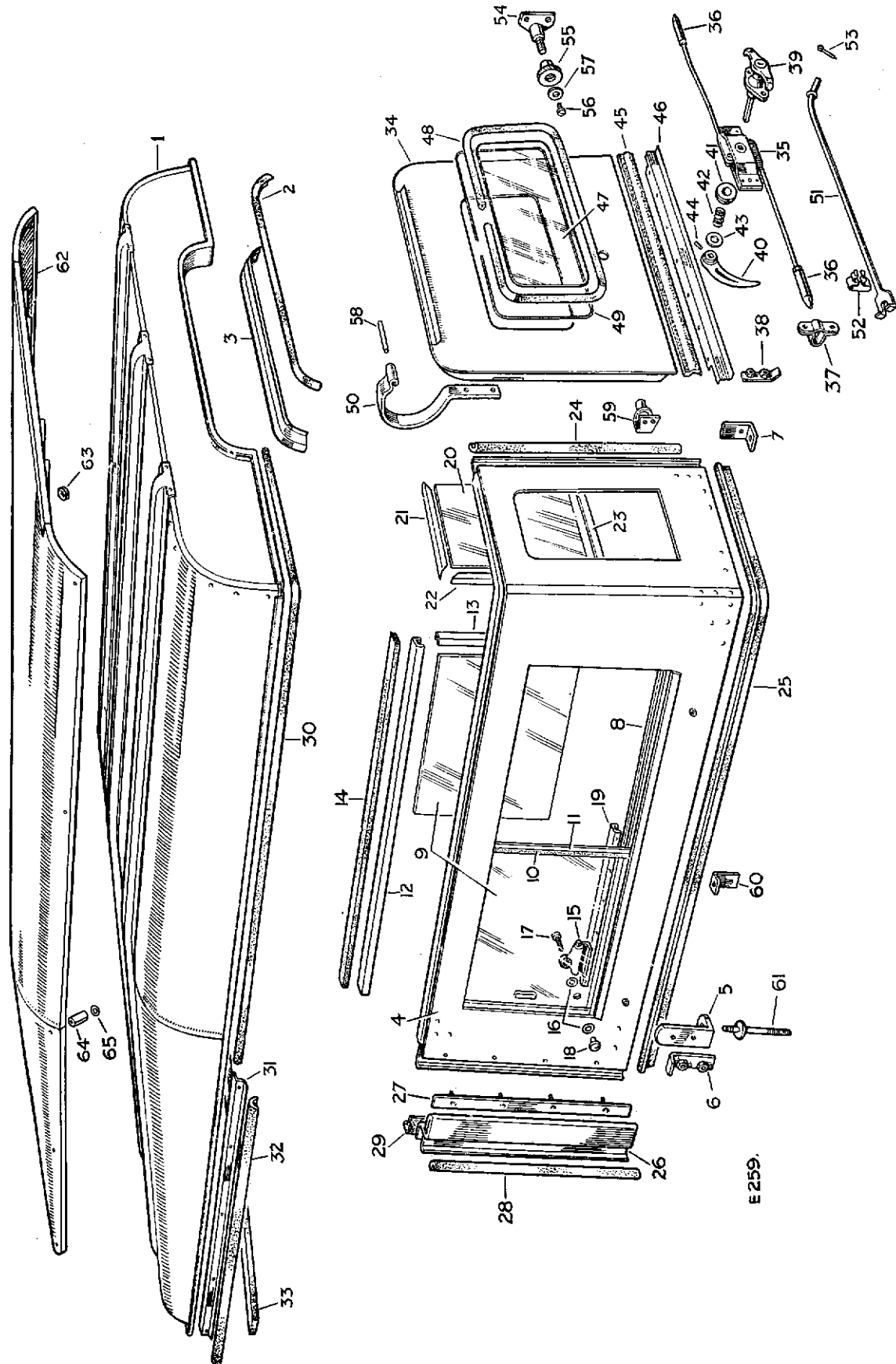


E 259.

HARD TOP AND TROPICAL ROOF, 88, WITH SLIDING SIDE WINDOWS

PLATE REF.	1	2	3	4	DESCRIPTION	Qty.	Part No.	REMARKS
19					Runner for sliding catch	4	330848	
					Rivet fixing runner to drain channel	28	78248	
20					Glass for rear end window	2	332200	
					Glazing strip for rear end window	2	332308	
					Retainer for rear end glass, upper R.H.	1	332280	
21					Retainer for rear end glass, upper L.H.	1	332281	
22					Retainer for rear end glass, inner and outer	4	332282	
23					Retainer for rear end glass, lower L.H.	1	332284	
					Retainer for rear end glass, lower R.H.	1	332283	
24					Rubber seal for rear lid, side	2	330535	
					Rivet fixing seal	12	302818	
25					Rubber sealing strip, lower edge to body	2	333487	
					Capping for front door rear seal, R.H.	1	332112	
26					Capping for front door rear seal, L.H.	1	332113	
27					Stud plate	2	332065	
					Screw (2 B.A. x $\frac{1}{2}$ " long)	6	78869	} Fixing cappings to side panel
					Plain washer, large	6	3852	
					Plain washer, small	8	3885	
					Spring washer	14	3073	
					Nut (2 B.A.)	14	3823	
28					Seal for front door, upper side	2	332152	
					Rivet fixing seal to capping	10	302818	
29					Rubber seal at door pillar top and bottom	4	332215	
30					Rubber seal, roof to side	2	332154	
					Seal retainer for door top, R.H.	1	330788	} Part of roof assembly
31					Seal retainer for door top, L.H.	1	330789	
					Screw (2 B.A. x $\frac{1}{2}$ " long)	10	77869	
					Plain washer	10	3852	
					Spring washer	10	3073	
					Nut (2 B.A.)	10	3823	
32					Sealing rubber for door top	2	330541	
					Rivet fixing seal to retainer	10	302818	
33					Sealing rubber, windscreen to roof	1	330878	
34					REAR LID ASSEMBLY	1	333467	
35					Lock complete for rear lid	1	302164	
36					Bolt end for lock	2	262798	
					Screw (2 B.A. x $\frac{1}{2}$ " long)	4	77700	} Fixing lock to rear lid
					Plain washer	4	3816	
					Spring washer	4	3073	
					Nut (2 B.A.)	4	2247	
37					Guide for rear lid lock	2	332097	} Alternative to rear door See also pages 355 and 357 Check before ordering
					Set bolt ($\frac{1}{4}$ " U.N.F. x $\frac{3}{4}$ " long)	4	255207	
					Spring washer	4	3074	
					Plain washer	4	3900	
38					Nut plate	2	332121	
39					Handle for rear lid, outer, locking	1	306461	
					Screw (2 B.A. x $\frac{3}{4}$ " long)	2	78171	} Fixing handle
					Nut (2 B.A.)	2	2247	
40					Handle for rear lid, inner	1	302207	

HARD TOP AND TROPICAL ROOF, 88, WITH SLIDING SIDE WINDOWS

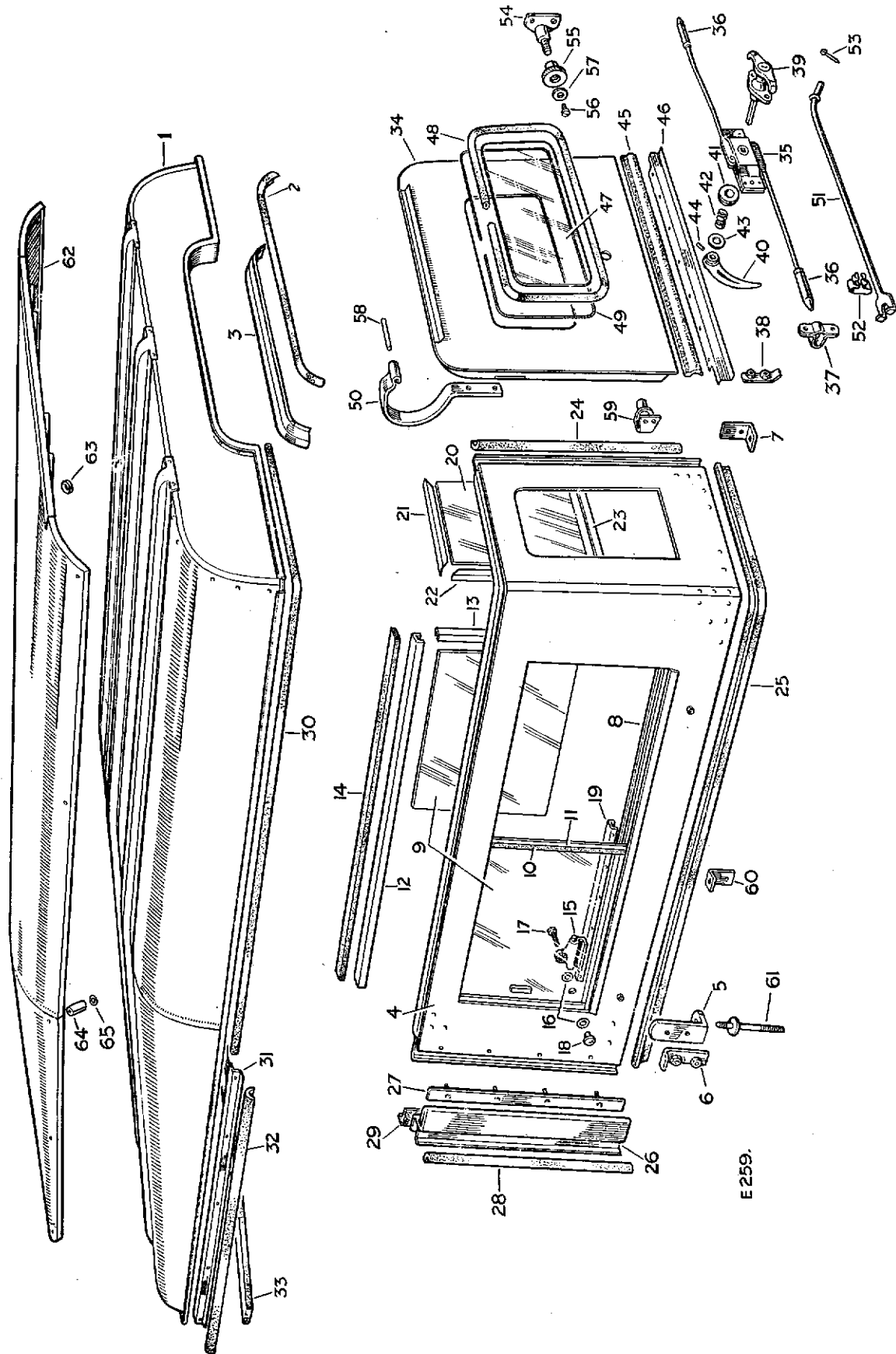


E 259.

HARD TOP AND TROPICAL ROOF, 88, WITH SLIDING SIDE WINDOWS

PLATE REF.	1 2 3 4	DESCRIPTION	Qty.	Part No.	REMARKS
41		Boss	1	320046	Alternative to rear door See also pages 355 and 357 Check before ordering
42		Coil spring	1	313493	
43		Cap for coil spring	1	320047	
44		Locking pin	1	302262	
45		Rubber seal for rear lid, bottom	1	332143	
46		Retainer for bottom seal	1	332122	
		Pop rivet fixing retaining strip	9	78257	
47		Glass for rear lid	1	332089	
48		Weather strip for back light	1	302177	
49		Filler strip for weather strip	1	302178	
50		Hinge leaf for rear lid	2	333468	
		Plain washer	4	3830	
		Spring washer	4	3075	
		Bolt ($\frac{5}{16}$ " U.N.F. x $\frac{3}{4}$ " long)	4	255226	
		Tapped plate	2	332047	
51		Stay for rear lid, R.H.	1	332385	
		Stay for rear lid, L.H.	1	332386	
		Securing plate, R.H.	1	332391*	
		Securing plate, L.H.	1	332392*	
		Rivet fixing plate to rear lid	14	300783	
52		Spring clip for rear lid stay	2	334073	
		Pop rivet, fixing clip to rear lid	2	78248	
53		Split pin	2	3901	
		Plain washer	2	2208	
54		Mounting bracket for stay support	2	332393	
55		Locking nut for rear lid stay	2	332397	
56		Screw (2 B.A. x $\frac{3}{8}$ " long)	2	77941	
57		Plain washer	2	2983	
		Bolt ($\frac{1}{4}$ " U.N.F. x $\frac{5}{8}$ " long)	4	255206	
		Plain washer	4	4071	
		Spring washer	4	3074	
		Nut ($\frac{1}{4}$ " U.N.F.)	4	254810	
58		Pin for rear lid hinge	2	302165	
		Split pin	4	3901	
		Plain washer	4	3899	
		Socket for rear lid lock bolt, R.H.	1	332083	
59		Socket for rear lid lock bolt, L.H.	1	332084	
		Bolt ($\frac{1}{4}$ " U.N.F. x $\frac{3}{4}$ " long)	4	255207	
		Plain washer	4	3840	
		Spring washer	4	3074	
		Nut ($\frac{1}{4}$ " U.N.F.)	4	254810	
60		Support bracket, centre, body side	2	332201	
		Bolt ($\frac{1}{4}$ " U.N.F. x $\frac{3}{4}$ " long)	4	255207	
		Plain washer	6	3900	
		Spring washer	4	3074	
		Nut ($\frac{1}{4}$ " U.N.F.)	4	254810	

HARD TOP AND TROPICAL ROOF, 88, WITH SLIDING SIDE WINDOWS

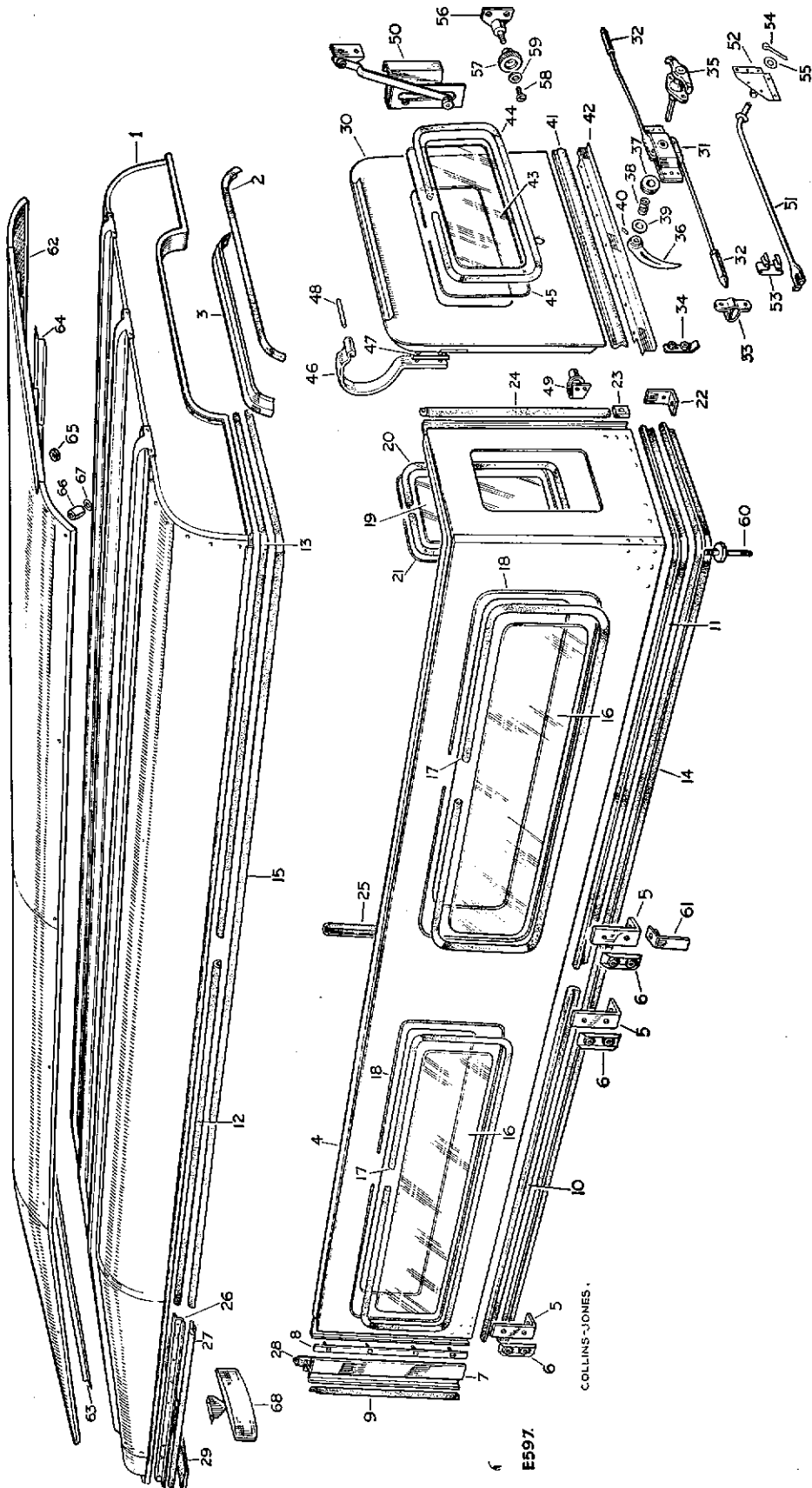


E 259.

HARD TOP AND TROPICAL ROOF, 88, WITH SLIDING SIDE WINDOWS

PLATE REF.	1	2	3	4	DESCRIPTION	Qty.	Part No.	REMARKS
					Bolt ($\frac{5}{16}$ " U.N.F. x $\frac{7}{8}$ " long)	2	255227	
					Plain washer	4	3830	
					Spring washer	2	3075	
					Nut ($\frac{5}{16}$ " U.N.F.)	2	254811	
					Bolt ($\frac{1}{2}$ " U.N.F. x $\frac{5}{8}$ " long)	4	255206	
					Plain washer	4	3840	
					Spring washer	4	3074	
					Nut ($\frac{1}{2}$ " U.N.F.)	4	254810	
61					Mounting stud	4	332157	
					Plain washer	6	3898	
					Special washer	2	332293	
					Spring washer	8	3075	
					Nut ($\frac{5}{16}$ " U.N.F.)	8	254811	
					Interior mirror	1	334000	
					Bolt (2 B.A. x $\frac{1}{2}$ " long)	2	234603	
					Packing washer	2	3864	
					Spring washer	2	3073	
					Nut (2 B.A.)	2	3823	
					TROPICAL ROOF PANEL ASSEMBLY	1	330966	
62					Tropical roof panel	1	332025	
					Stiffener for roof panel	3	332028	
					Drive screw	21	77704	} Alternatives } Check before ordering
					Pop rivet	21	78248	
					Screw (2 B.A. x $\frac{1}{2}$ " long)	8	77869	
					Plain washer	16	3852	
63					Rubber washer	8	302371	
					Shakeproof washer	8	71082	
					Nut (2 B.A.)	8	3823	
					Screw ($\frac{1}{4}$ " U.N.F. x 2" long)	8	78274	
					Screw ($\frac{1}{4}$ " U.N.F. x 2 $\frac{1}{4}$ " long)	2	78382	
					Plain washer	20	3900	
64					Distance piece	10	302372	
65					Rubber washer	10	302373	
					Spring washer	10	3074	
					Nut ($\frac{1}{4}$ " U.N.F.)	10	254810	
					Drive screw	45	77704	} Alternatives } Check before ordering
					Pop rivet	45	78248	

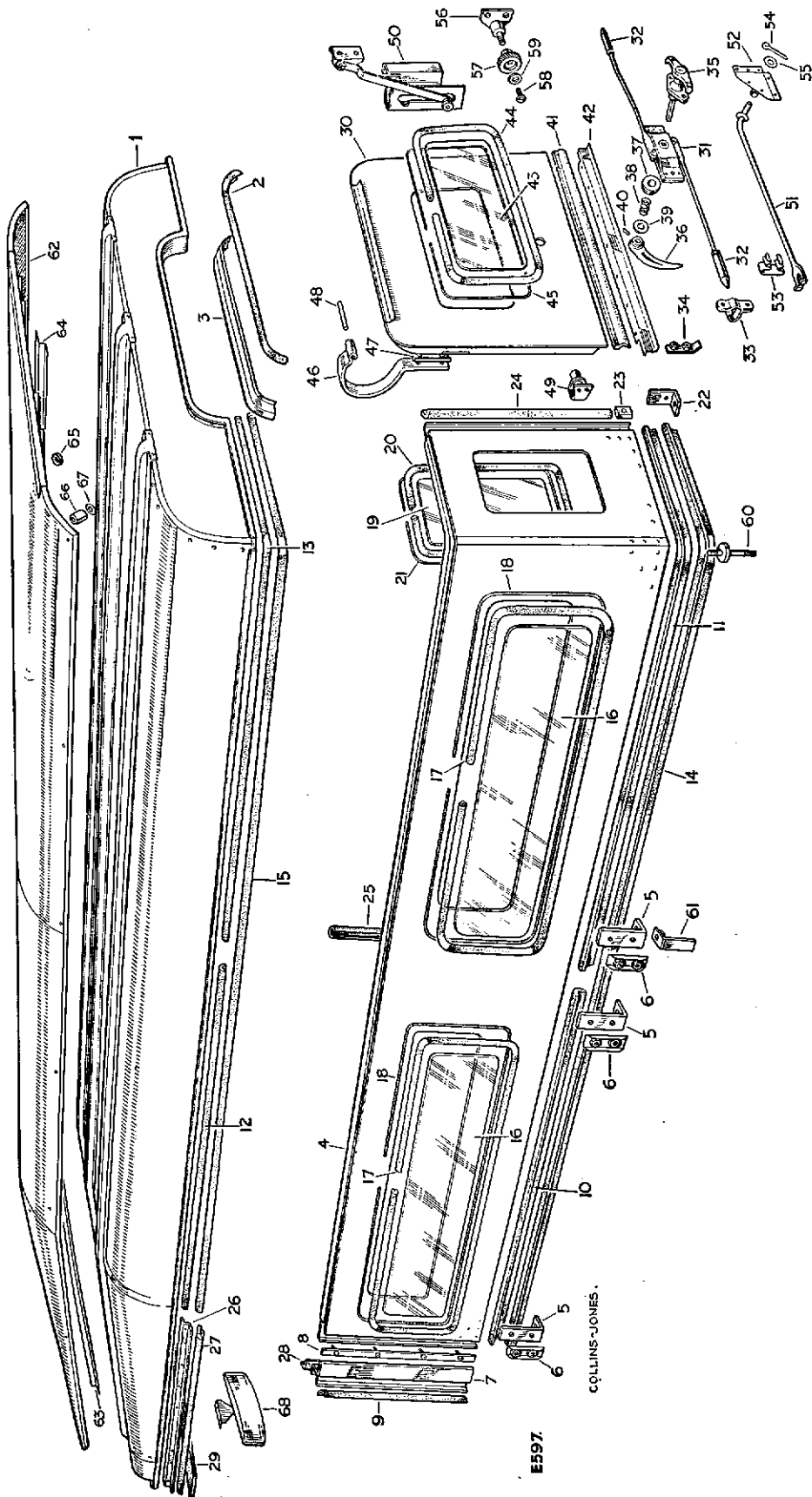
HARD TOP AND TROPICAL ROOF, 109



HARD TOP AND TROPICAL ROOF, 109

PLATE REF.	1 2 3 4	DESCRIPTION	Qty.	Part No.	REMARKS
		HARD TOP COMPLETE ASSEMBLY	1	332977	Without rear end windows } Plain
		HARD TOP COMPLETE ASSEMBLY	1	334731*	With rear end windows } sides
		HARD TOP COMPLETE ASSEMBLY	1	332978	Without rear end windows } Fixed side windows
		HARD TOP COMPLETE ASSEMBLY	1	334733*	With rear end windows } Export only
1		ROOF ASSEMBLY	1	333819	
2		Rubber seal for roof, rear	1	332149	
3		Seal retainer for roof, rear	1	332151	
		Rivet fixing seal to retainer	11	302818	
		Screw (2 B.A. x $\frac{1}{2}$ " long)	9	77869	} Fixing retainer to hard top
		Plain washer	9	3816	
		Spring washer	9	3073	
		Nut (2 B.A.)	9	3823	
		Bolt ($\frac{1}{4}$ " U.N.F. x $\frac{3}{4}$ " long)	28	255207	} Fixing hard top roof to sides
		Plain washer	28	3840	
		Spring washer	28	3074	
		Nut ($\frac{1}{4}$ " U.N.F.)	28	254810	
		SIDE PANEL ASSEMBLY, R.H. FRONT	1	333347	} Plain sides } Two-piece side panels
		SIDE PANEL ASSEMBLY, L.H. FRONT	1	333348	
		SIDE PANEL ASSEMBLY, R.H. FRONT	1	333349	
		SIDE PANEL ASSEMBLY, L.H. FRONT	1	333350	
		SIDE PANEL ASSEMBLY, R.H. REAR	1	333355	} Plain sides } Two-piece side panels
		SIDE PANEL ASSEMBLY, L.H. REAR	1	333356	
		SIDE PANEL ASSEMBLY, R.H. REAR	1	333357	
		SIDE PANEL ASSEMBLY, L.H. REAR	1	333358	
		SIDE PANEL ASSEMBLY, R.H.	1	334005*	} One-piece side panel without rear end windows } Plain sides
		SIDE PANEL ASSEMBLY, L.H.	1	334006*	
		SIDE PANEL ASSEMBLY, R.H.	1	334719*	
		SIDE PANEL ASSEMBLY, L.H.	1	334720*	
		SIDE PANEL ASSEMBLY, R.H.	1	334007*	} One-piece side panel without rear end windows } Fixed side windows
		SIDE PANEL ASSEMBLY, L.H.	1	334008*	
		SIDE PANEL ASSEMBLY, R.H.	1	334725*	
		SIDE PANEL ASSEMBLY, L.H.	1	334726*	
4		SIDE PANEL ASSEMBLY, L.H.	1	334726*	} with rear end windows
5		Mounting angle for side panel	6	332080	
		Bolt ($\frac{5}{16}$ " U.N.F. x $\frac{5}{8}$ " long)	12	255225	} Fixing mounting angle to corner bracket
		Plain washer	12	3830	
		Spring washer	12	3075	
6		Nut plate	6	332081	
		Capping and seal retainer for front door R.H.	1	332112	
7		Capping and seal retainer for front door L.H.	1	332113	
8		Stud plate, (2 B.A.)	2	332065	
		Spring washer	8	3073	
		Plain washer	8	3885	} Fixing front door
		Nut (B.A.)	8	2247	
		Screw (2 B.A. x $\frac{1}{2}$ " long)	6	77869	} capping and retainer to side panel
		Plain washer	6	3852	
		Spring washer	6	3073	
		Nut (2 B.A.)	6	3823	

HARD TOP AND TROPICAL ROOF, 109



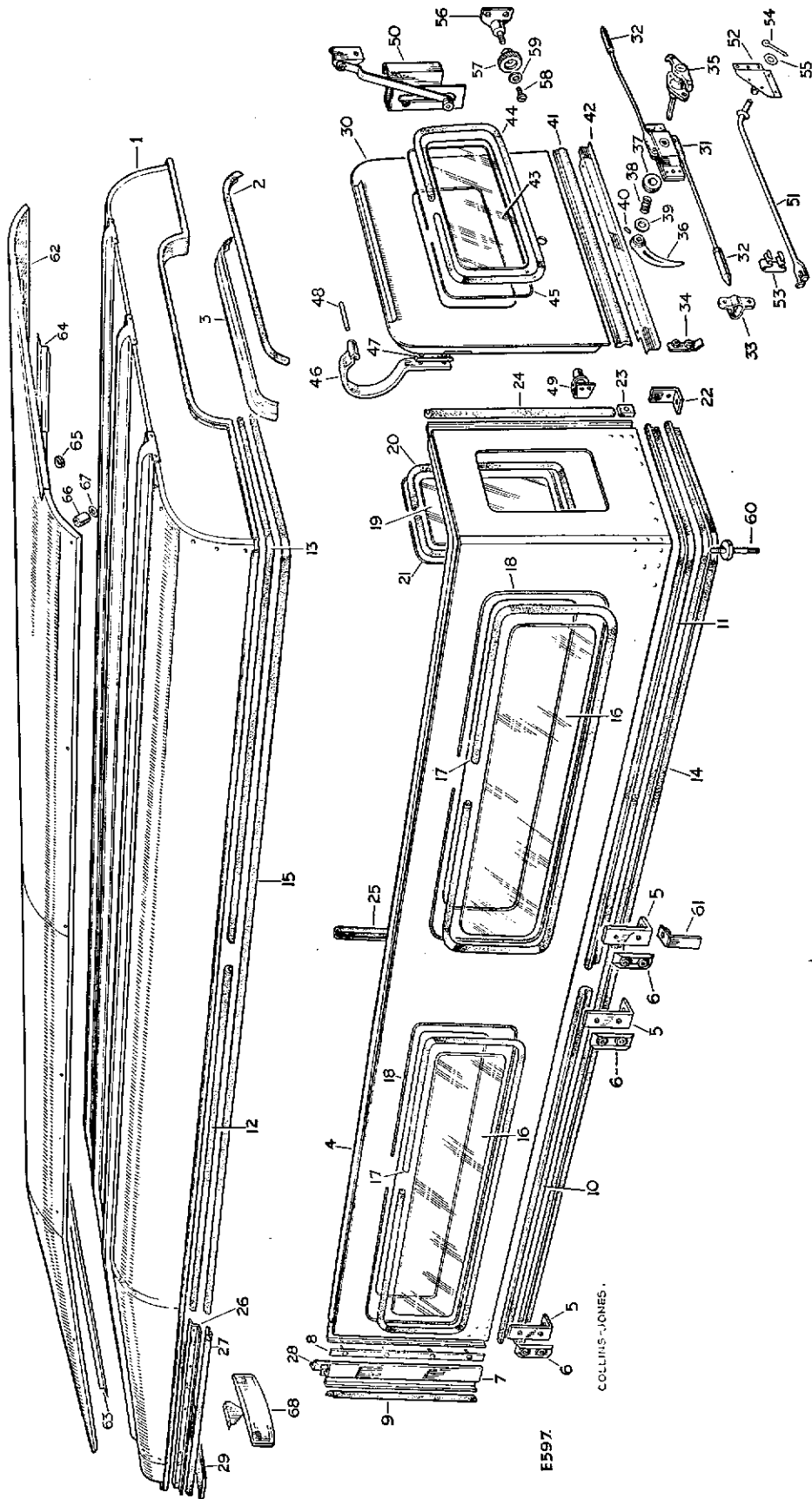
E597.

COLLINS-JONES.

HARD TOP AND TROPICAL ROOF, 109

PLATE REF.	1 2 3 4	DESCRIPTION	Qty.	Part No.	REMARKS
9		Seal for front door, upper, side	2	332152	
		Rivet fixing rubber to retainer	10	302818	With two-piece side panels
		Rivet fixing rubber to retainer	10	305192	With one-piece side panel
10		Rubber seal, side panel to body capping	2	333402	} With two-piece side panels
11		Rubber seal, side panel to body capping	2	333403	
12		Rubber seal, side panel to roof	2	333404	
13		Rubber seal, side panel to roof	2	333405	
14		Rubber seal, side panel to body capping	2	333490	
15		Rubber seal, side panel to roof	2	333983	} With one-piece side panel
16		Glass for side window	4	302174	
17		Weather strip for glass	4	302177	
18		Filler strip for weather strip	4	302178	
19		Glass for rear end window	2	332341	
20		Weather strip for glass	2	306287	
21		Filler strip for weather strip	2	306289	
22		Support bracket at tailboard corner	2	332052	
		Bolt ($\frac{1}{4}$ " U.N.F. x $\frac{3}{4}$ " long)	4	255207	} Fixing support bracket at tailboard corner
		Plain washer	8	3840	
		Spring washer	4	3074	
		Nut ($\frac{1}{4}$ " U.N.F.)	4	254810	
23		Buffer for rear lid	2	332146	
		Plain washer	2	3867	} Fixing buffer
		Drive screw ($\frac{1}{2}$ " No. 6)	2	77932	
24		Rubber seal for rear lid side	2	332150	
		Rivet fixing seal	10	302818	} With two-piece side panels Check before ordering
		Bolt ($\frac{1}{4}$ " U.N.F. x $\frac{3}{4}$ " long)	6	255207	
		Plain washer	12	3840	
		Spring washer	6	3074	
		Nut ($\frac{1}{4}$ " U.N.F.)	6	254810	
25		Protection strip at joint (inside)	2	333401	
		Seal retainer for door top R.H.	1	330788	
26		Seal retainer for door top, L.H.	1	330789	
27		Sealing rubber for door top	2	330541	
		Rivet fixing seal to retainer	10	302818	} Fixing seal retainer to cant rail
		Screw (2 B.A. x $\frac{1}{2}$ " long)	10	77869	
		Plain washer	10	3902	
		Spring washer	10	3073	
		Nut (2 B.A.)	10	3823	

HARD TOP AND TROPICAL ROOF, 109



E597.

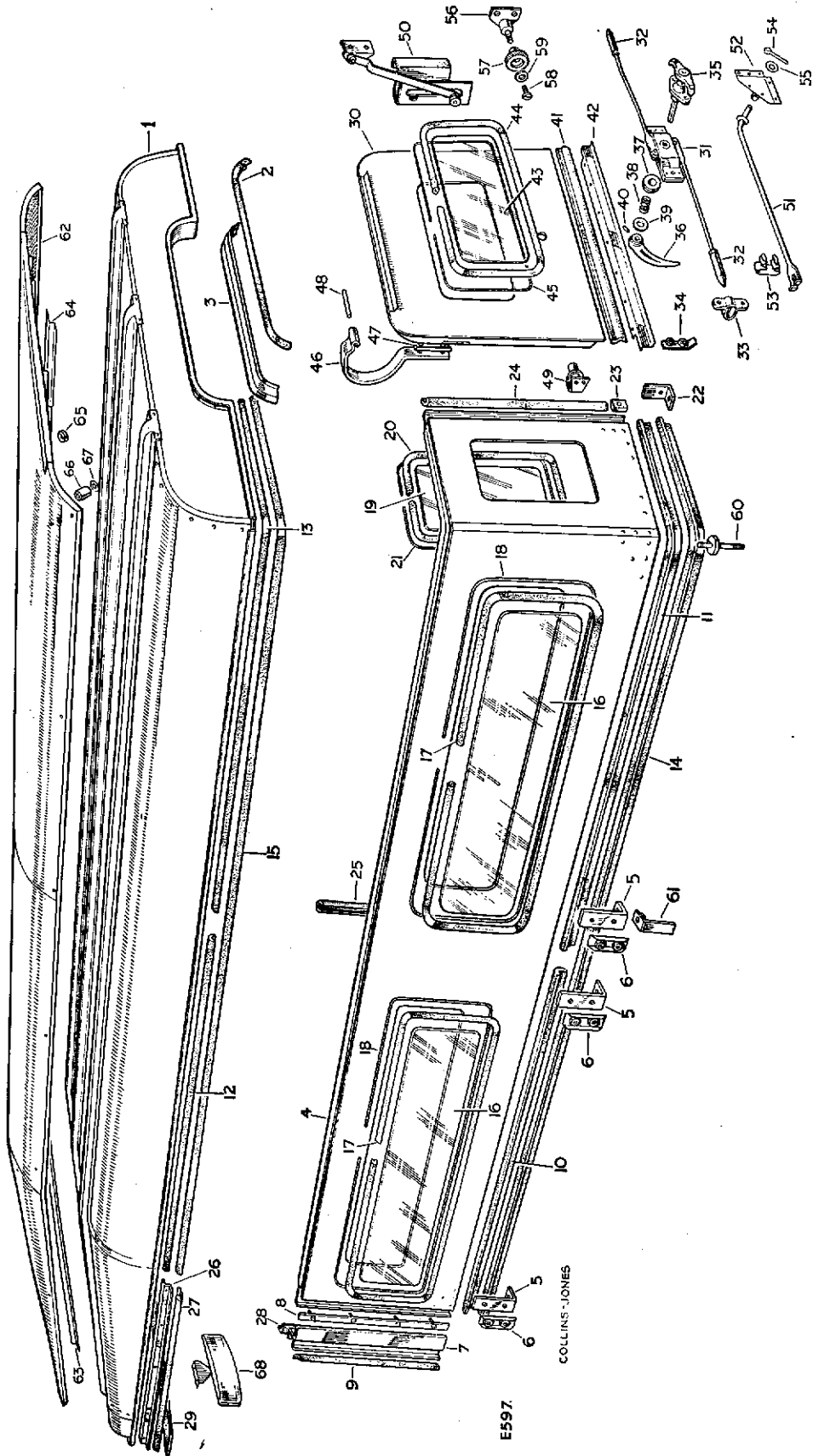
COLLINS-JONES.

HARD TOP AND TROPICAL ROOF, 109

PLATE REF.	1 2 3 4	DESCRIPTION	Qty.	Part No.	REMARKS
28		Rubber seal, top and bottom, for capping at front door, rear	6	332215	
29		Sealing rubber, windscreen to roof	1	330878	
30		REAR LID ASSEMBLY	1	332181	Quadrant type fixing } Alternatives. Rod type fixing } Check before ordering
		REAR LID ASSEMBLY	1	333467	
31		Lock complete for rear lid	1	302164	
32		Bolt end for lock	2	262798	
		Screw (2 B.A. x $\frac{1}{2}$ " long)	4	77700	} Fixing lock to rear lid
		Plain washer	4	3816	
		Spring washer	4	3073	
		Nut (2 B.A.)	4	2247	
33		Guide for rear lid lock	2	332097	
		Set bolt ($\frac{1}{4}$ " U.N.F. x $\frac{3}{4}$ " long)	4	255207	} Fixing guide to rear lid
		Plain washer	4	3900	
		Spring washer	4	3074	
		Nut plate	2	332121	
34		Handle for rear lid, outer, locking	1	306461	
35		Screw (2 B.A. x $\frac{3}{4}$ " long)	2	78171	} Fixing handle
		Nut (2 B.A.)	2	2247	
36		Handle for rear lid, inner	1	302207	
37		Boss	1	320046	
38		Coil spring	1	313493	} Fixing handle
39		Cap for coil spring	1	320047	
40		Locking pin	1	302262	
41		Rubber seal for rear lid, bottom	1	332143	
42		Retainer for bottom seal	1	332122	
		Pop rivet fixing retaining strip	9	78257	
43		Glass for rear lid	1	332089	
44		Weather strip for glass	1	302177	
45		Filler strip for weather strip	1	302178	
		Hinge leaf for rear lid, R.H.	1	332040	} For lid with quadrant type fixing } Alternatives } Check before ordering
46		Hinge leaf for rear lid, L.H.	1	332041	
		Hinge leaf for rear lid	2	333468	
		Set bolt ($\frac{5}{16}$ " U.N.F. x $\frac{3}{4}$ " long)	4	255226	} Fixing hinge leaf to rear lid
		Plain washer	4	3830	
		Spring washer	4	3075	
47		Tapped plate	2	332047	
48		Pin for rear lid hinge	2	302165	
		Split pin	4	3901	} Fixing hinge pin
		Plain washer	4	3899	
		Socket R.H. for rear lid lock bolt	1	332083	
49		Socket L.H., for rear lid lock bolt	1	332084	
		Bolt ($\frac{1}{4}$ " U.N.F. x $\frac{5}{8}$ " long)	4	255206	} Fixing socket to rear pillar
		Plain washer	4	3840	
		Spring washer	4	3074	
		Nut ($\frac{1}{4}$ " U.N.F.)	4	254810	

Alternative
to rear
door
See also
pages 355
and 357
Check
before
ordering

HARD TOP AND TROPICAL ROOF, 109



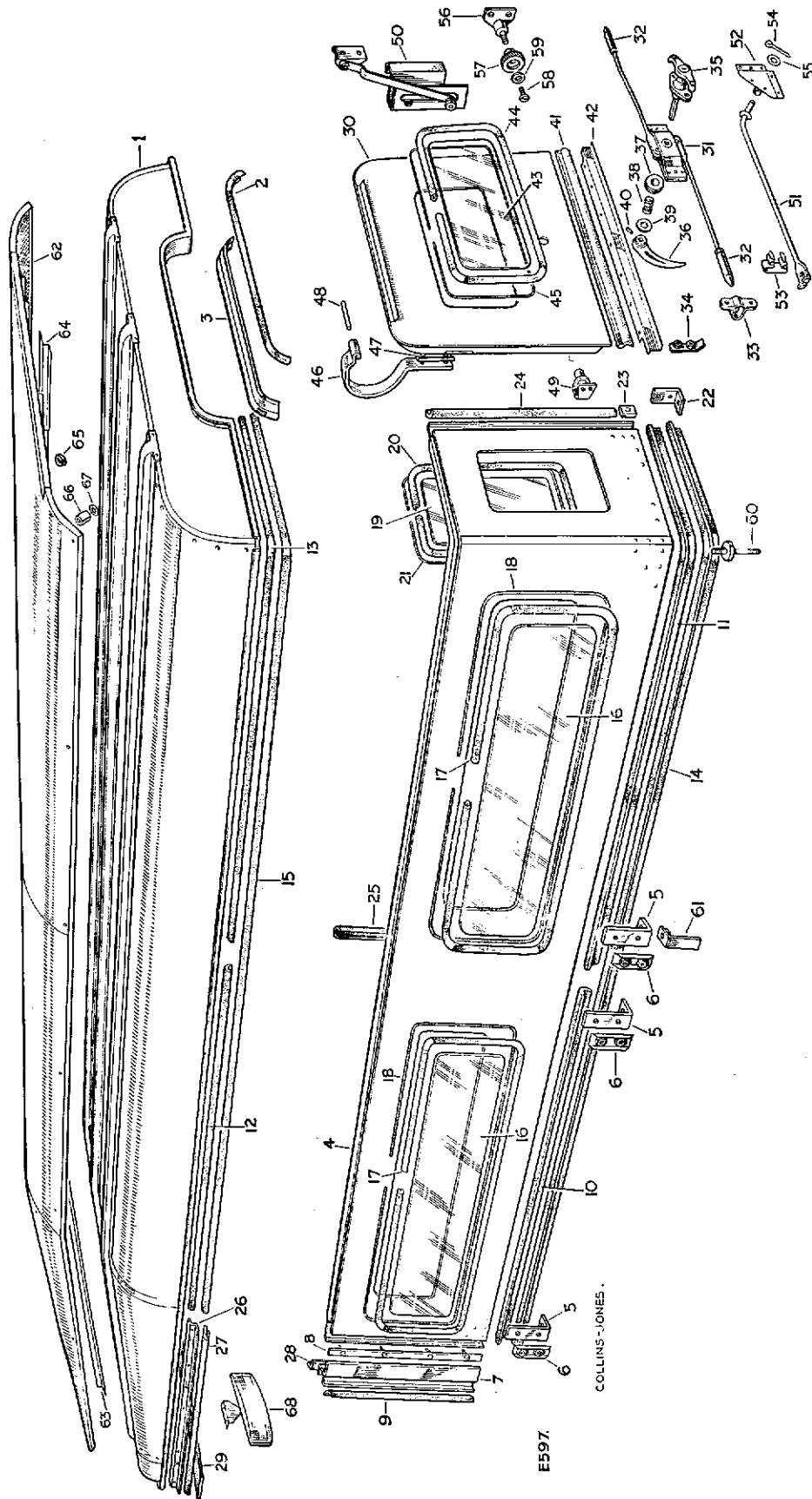
E597

COLLINS-JONES

HARD TOP AND TROPICAL ROOF, 109

PLATE REF.	1 2 3 4	DESCRIPTION	Qty.	Part No.	REMARKS	
50		Stay for rear lid, R.H.	1	332182	} Quadrant type fixing	
		Stay for rear lid, L.H.	1	332183		
		Plain washer	2	3899		
		Spring washer } Fixing stay to hinge leaf	2	2285		
		Split pin	2	3901		
		Bolt ($\frac{1}{4}$ " U.N.F. x $\frac{5}{8}$ " long)	4	255206		
		Plain washer } Fixing stay to body	4	3946		
		Spring washer	4	3074		
	Nut ($\frac{1}{4}$ " U.N.F.)	4	254810			
51		Stay for rear lid, R.H.	1	332385	} Part of rear lid 333467	
		Stay for rear lid, L.H.	1	332386		
52		Securing plate, R.H. } For rear lid stays	1	332391*		
		Securing plate, L.H. }	1	332392*		
		Rivet fixing plate to rear lid	14	300783		
53		Spring clip for rear lid stay	2	332398		
		Pop rivet, fixing clip to rear lid	2	78248		
54		Split pin } Fixing rear lid stay	2	3901		} Rod type fixing
55		Plain washer } to support	2	2208		
56		Mounting bracket for stay support	2	332393*		} Alternatives Check before ordering
57		Locking nut for rear lid stay	2	332397*		
58		Screw (2 B.A. x $\frac{3}{8}$ " long) } Retaining	2	77941	} Alternative to rear door See also pages 355 and 357 Check before ordering	
59		Plain washer } locking nut	2	2983		
		Bolt ($\frac{1}{4}$ " U.N.F. x $\frac{5}{8}$ " long)	4	255206		
		Plain washer } Fixing mounting bracket to body	4	4071		
		Spring washer	4	3074		
		Nut ($\frac{1}{4}$ " U.N.F.)	4	254810		
60		Mounting stud	4	332157		
		Special washer } Fixing hard top to body	2	332293		
		Plain washer, medium	2	3830		
		Plain washer, large } at front	4	3898		
		Plain washer, small } and rear	2	4047		
		Spring washer } corners	8	3075		
		Nut ($\frac{5}{16}$ " U.N.F.)	8	254811		
		Bolt ($\frac{5}{16}$ " U.N.F. x $\frac{1}{2}$ " long)	2	255227		
		Plain washer } to body	2	3830		
		Spring washer } at rear inner	2	3075		
		Nut ($\frac{5}{16}$ " U.N.F.) } bracket	2	254811		
		Bolt ($\frac{1}{4}$ " U.N.F. x $\frac{5}{8}$ " long)	2	255227		
		Plain washer } to body	2	3830		
		Spring washer } at rear inner	2	3075		
		Nut ($\frac{5}{16}$ " U.N.F.) } bracket	2	254811		
		Bolt ($\frac{1}{4}$ " U.N.F. x $\frac{5}{8}$ " long)	4	255206		
		Plain washer } to body	4	3840		
		Spring washer } at rear	4	3074		
		Nut ($\frac{1}{4}$ " U.N.F.) } inner gusset	4	254810		
		Bolt ($\frac{1}{4}$ " U.N.F. x $\frac{3}{4}$ " long)	10	255207		
	Plain washer } Fixing roof to windscreen	10	2760			
	Spring washer	10	3074			
	Nut ($\frac{1}{4}$ " U.N.F.)	10	254810			

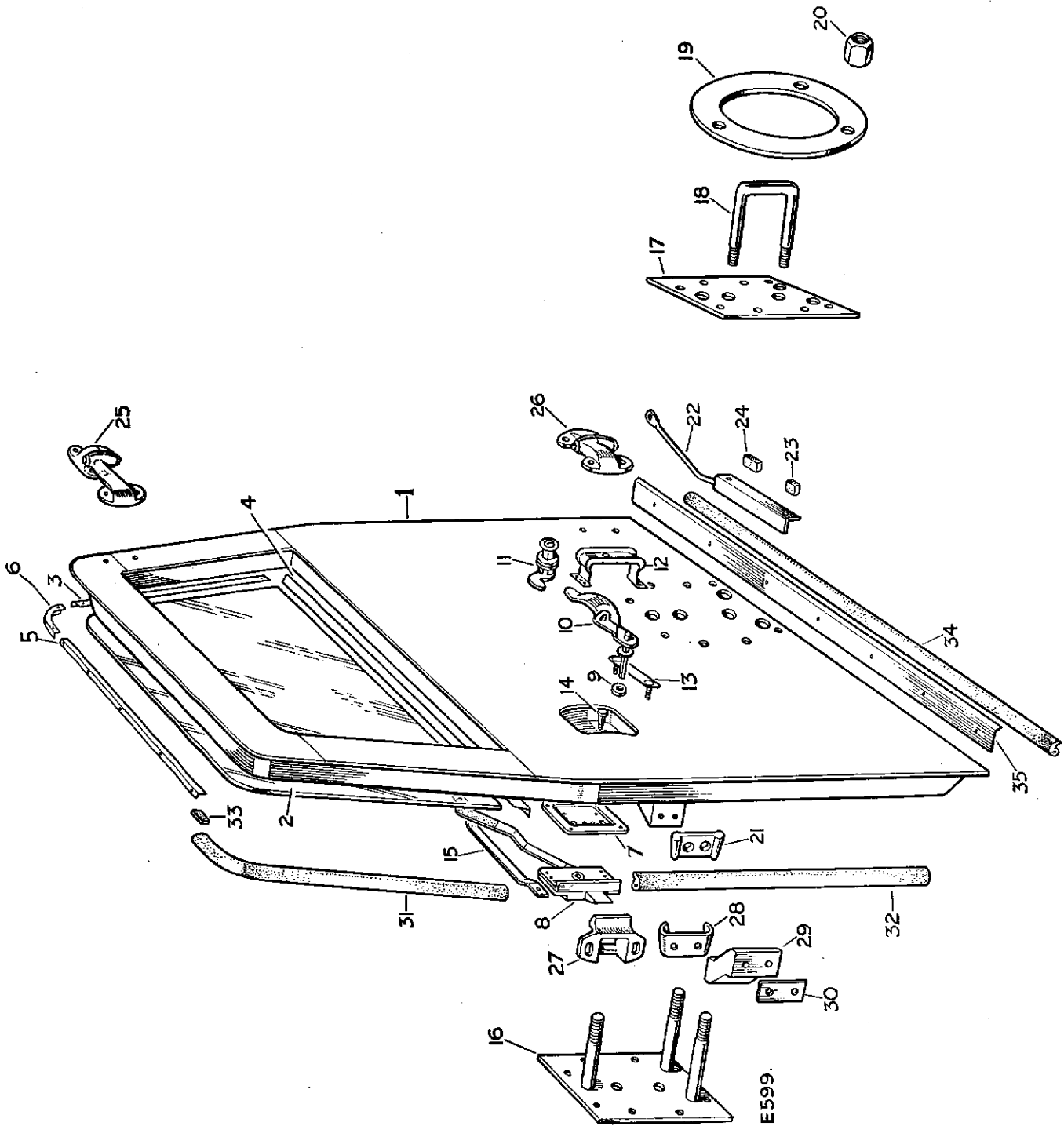
HARD TOP AND TROPICAL ROOF, 109



HARD TOP AND TROPICAL ROOF, 109

PLATE REF.	1 2 3 4	DESCRIPTION	Qty.	Part No.	REMARKS
		Set bolt ($\frac{5}{16}$ " x $1\frac{1}{4}$ " long)	4	255230	
		Plain washer, small	4	3830	
		Spring washer	4	3075	
		Plain washer, large	12	3898	
61		Nut plate	4	333837	
62		TROPICAL ROOF PANEL ASSEMBLY	1	332987	
63		Stiffener, front	3	332028	
64		Stiffener, rear	3	333252	
		Drive screw	33	77704	} Alternatives } Check before ordering
		Pop rivet	33	78248	
		Screw (2 B.A. x $\frac{1}{2}$ " long)	8	77869	
		Plain washer	16	3852	
65		Rubber washer	8	302371	
		Shakeproof washer	8	71082	
		Nut (2 B.A.)	8	3823	
		Screw ($\frac{1}{4}$ " U.N.F. x 2" long)	16	78274	
		Plain washer	32	3900	
66		Distance piece	16	302372	
67		Rubber washer	16	302373	
		Spring washer	16	3074	
		Nut ($\frac{1}{4}$ " U.N.F.)	16	254810	
		Drive screw	66	77704	
		Pop rivet	66	78248	
68		Interior mirror	1	334000	
		Drive screw, trimmed vehicles	2	77789	
		Bolt (2 B.A. x $\frac{1}{2}$ " long)	2	234603	
		Packing washer	2	3864	
		Spring washer	2	3073	
		Nut (2 B.A.)	2	3823	

REAR DOOR, HARD TOP, 88 AND 109

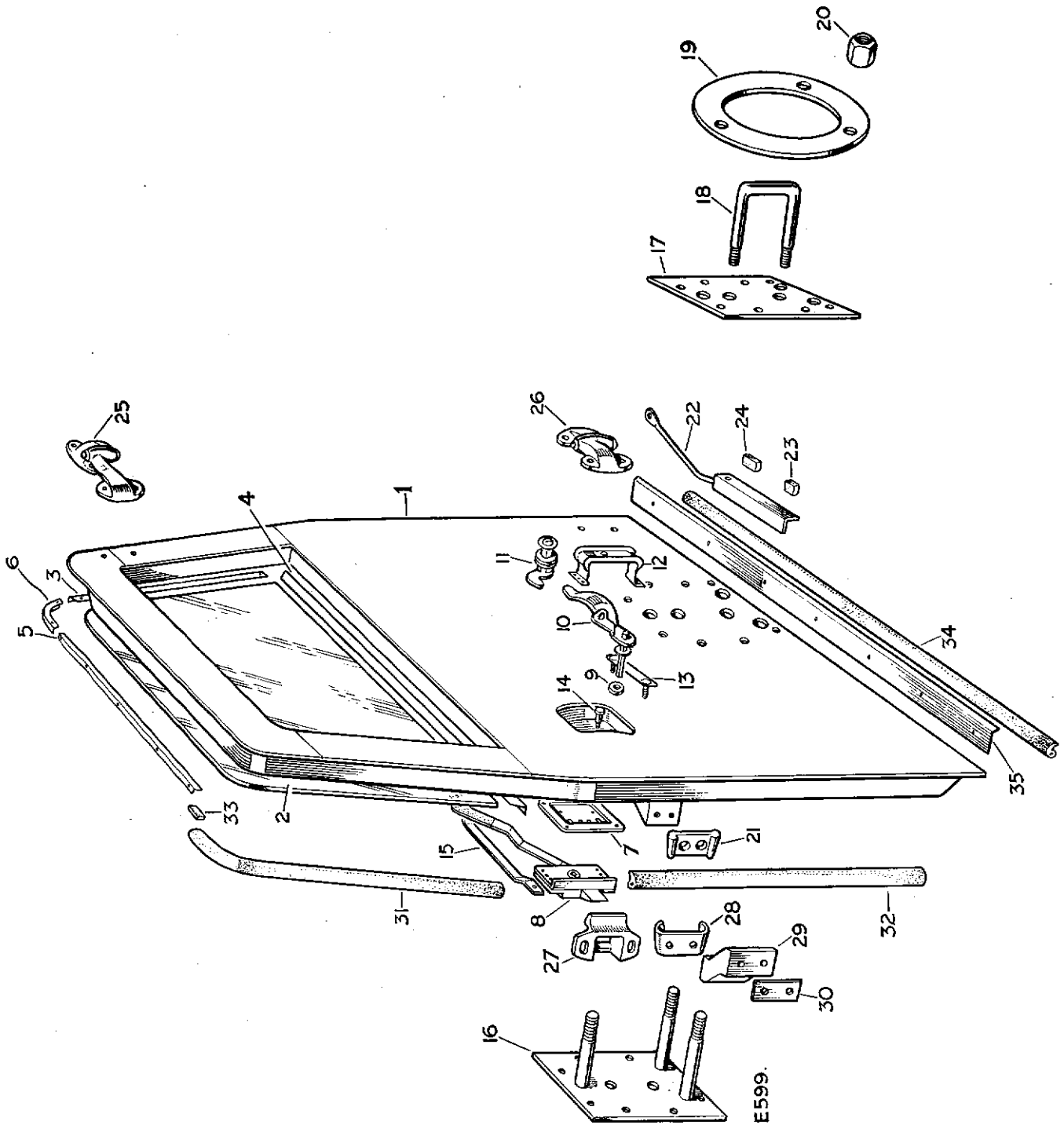


REAR DOOR, HARD TOP, 88 AND 109

PLATE REF.	1	2	3	4	DESCRIPTION	Qty.	Part No.	REMARKS
					REAR DOOR KIT COMPLETE ASSEMBLY	1	516473	
					REAR DOOR COMPLETE	1	333415	
1					Rear door	1	333416	
2					Glass for rear door	1	333031	
3					Retainer for glass, vertical	2	333033	
4					Retainer for glass, bottom	1	333032	
5					Retainer for glass, top	1	333034	
6					Retainer for glass, corners	2	333035	
					Drive Screw fixing retainers	32	78140	
					DOOR LOCK, MOUNTING AND HANDLE ASSEMBLY	1	333039	
7					Mounting plate for door lock	1	333080	
8					Door lock	1	333040	
9					Washer, handle to cover	1	302859	
10					Door handle with lock	1	332432	
11					Barrel lock	1	306036	
					Key for barrel lock	1	307289	State key number when ordering
12					Bracket for door handle	1	302854	
					Screw (2 B.A. x $\frac{1}{2}$ " long)	6	313858	
					Spring washer	6	3073	
					Plain washer	4	3685	
					Nut (2 B.A.)	6	2247	
					Rivet	4	302222	
					Special screw	4	78216	2 off when stud plate is fitted
13					Stud plate, door lock, bottom	1	332732	
					Spring washer	4	3074	
					Nut ($\frac{1}{4}$ " U.N.F.)	4	254800	
					Drive screw, fixing lock assembly to door	2	77903	
14					Locking pillar for catch	1	332434	
					Plain washer	1	2226	
					Spring washer	1	3073	
					Nut (2 B.A.)	1	2247	
15					Waist rail lock handle protection strip	1	333037	
					Bolt ($\frac{1}{4}$ " U.N.F. x $\frac{3}{4}$ " long)	2	255207	
					Spring washer	2	3074	
					Nut ($\frac{1}{4}$ " U.N.F.)	1	254800	
16					Wheel stud plate	1	333435	
17					Clamp plate for spare wheel stud plate	1	333446	
					Screw ($\frac{1}{4}$ " U.N.F. x $\frac{3}{4}$ " long)	8	78210	
					Spring washer	8	3074	
					Nut ($\frac{1}{4}$ " U.N.F.)	8	254810	
18					'U' bolt for spare wheel support	1	333447	
					Nut ($\frac{1}{2}$ " U.N.F.) fixing 'U' bolt to door	4	254814	

Alternative
to rear lid
Check
before
ordering

REAR DOOR, HARD TOP, 88 AND 109

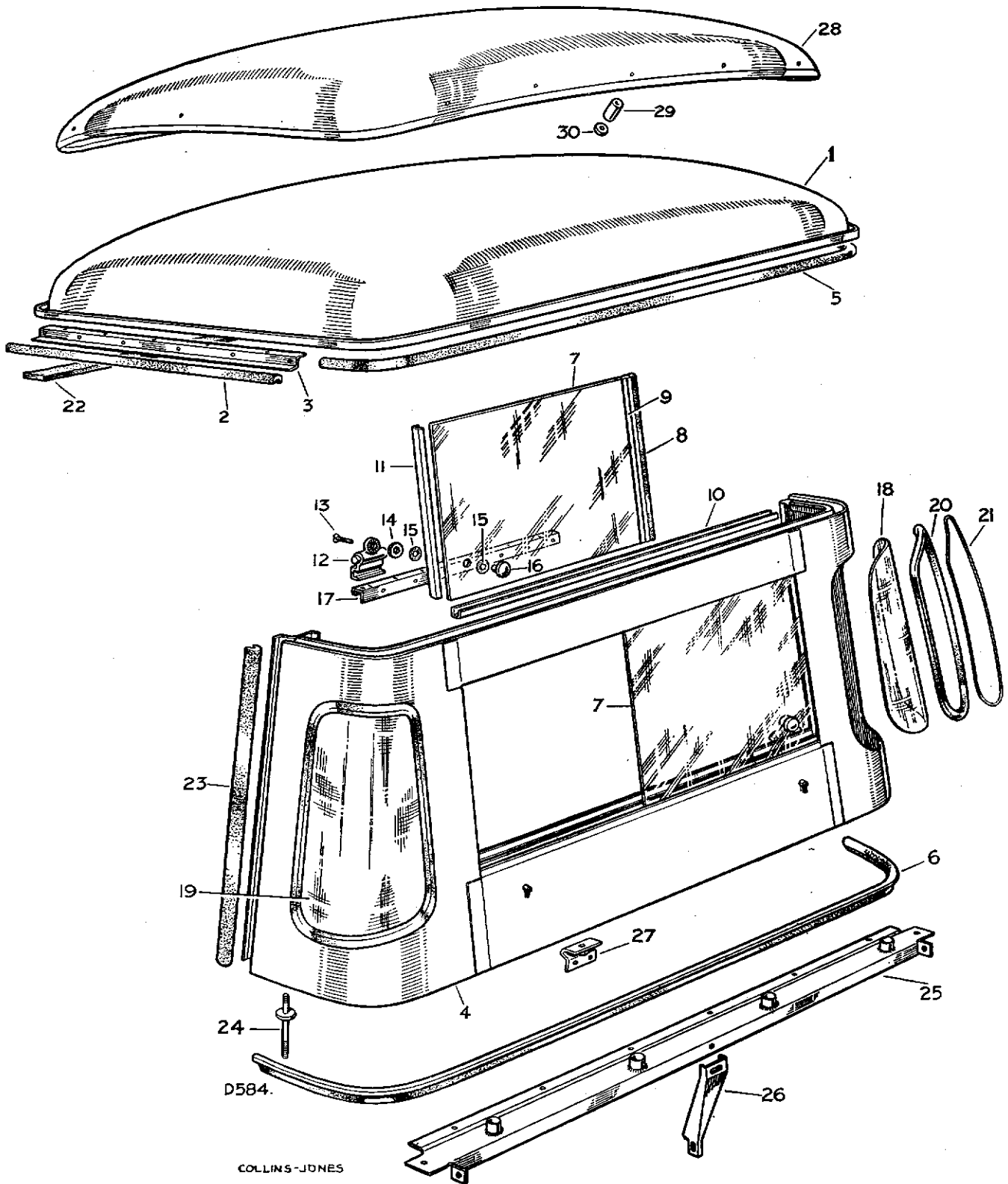


E599.

REAR DOOR, HARD TOP, 88 AND 109

PLATE REF.	1	2	3	4	DESCRIPTION	Qty.	Part No.	REMARKS
19					Retaining plate for spare wheel	1	333439	
20					Hub nut fixing wheel and retaining plate to 'U' bolt	6	217361	
21					Male dovetail for rear end door	1	332942	
					Screw ($\frac{1}{4}$ " U.N.F. x 1" long) } Fixing	2	78389	
					Spring washer } male dovetail	2	3074	
					Nut ($\frac{1}{4}$ " U.N.F.) } to door	2	254810	
22					Rod for check strap	1	333041	
23					Buffer for check strap, short	1	306295	
24					Buffer for check strap, long	1	333445	
25					Hinge for rear door, upper	1	333036	
26					Hinge for rear door, lower	1	330117	
					Bolt ($\frac{5}{16}$ " U.N.F. x 2" long) } Fixing	4	256226	
					Spring washer } hinge to	4	3075	
					Nut ($\frac{5}{16}$ " U.N.F.) } door frame	4	254811	
					Bolt ($\frac{5}{16}$ " U.N.F. x $\frac{7}{8}$ " long) } Fixing door	4	255227	
					Plain washer } hinges to body	4	3830	
					Spring washer } hinges to body	4	3075	
					Nut ($\frac{5}{16}$ " U.N.F.) } hinges to body	4	254811	
					Bolt ($\frac{1}{4}$ " U.N.F. x $1\frac{1}{2}$ " long) } Fixing	1	255251	
					Spring washer } check strap rod	1	3074	Alternative to rear lid
					Plain washer, thick } check strap rod	2	4075	
					Plain washer, thin } to floor	2	3947	
					Nut ($\frac{1}{4}$ " U.N.F.) } to floor	2	254810	
27					Striking plate	1	333140	Check before ordering
					Bolt ($\frac{1}{4}$ " U.N.F. x 1" long) } Fixing striking	2	255009	
					Plain washer } plate to rear of	As required	3817	
					Spring washer } body	2	3074	
					Nut ($\frac{1}{4}$ " U.N.F.) } body	2	254800	
28					Female dovetail for rear door on body	1	332147	
29					Spacer for female dovetail	1	332943	
					Screw ($\frac{1}{4}$ " U.N.F. x $\frac{5}{8}$ " long), fixing dovetail to spacer	2	78233	
					Screw ($\frac{1}{4}$ " U.N.F. x $\frac{3}{4}$ " long) } Fixing spacer to	2	255207	
					Plain washer } L.H. rear pillar	2	3900	
30					Shim } L.H. rear pillar	2	305232	
					Spring washer } L.H. rear pillar	2	3074	
31					Seal for door sides	3	330535	
32					Seal for door side, L.H. bottom	1	332563	
33					End filler piece for seals	4	330850	
					Rivet fixing seals to body	22	302818	
34					Rubber seal, door bottom	1	332564	
35					Seal retainer	1	332566	
					Drive screw fixing retainer....	7	77707	

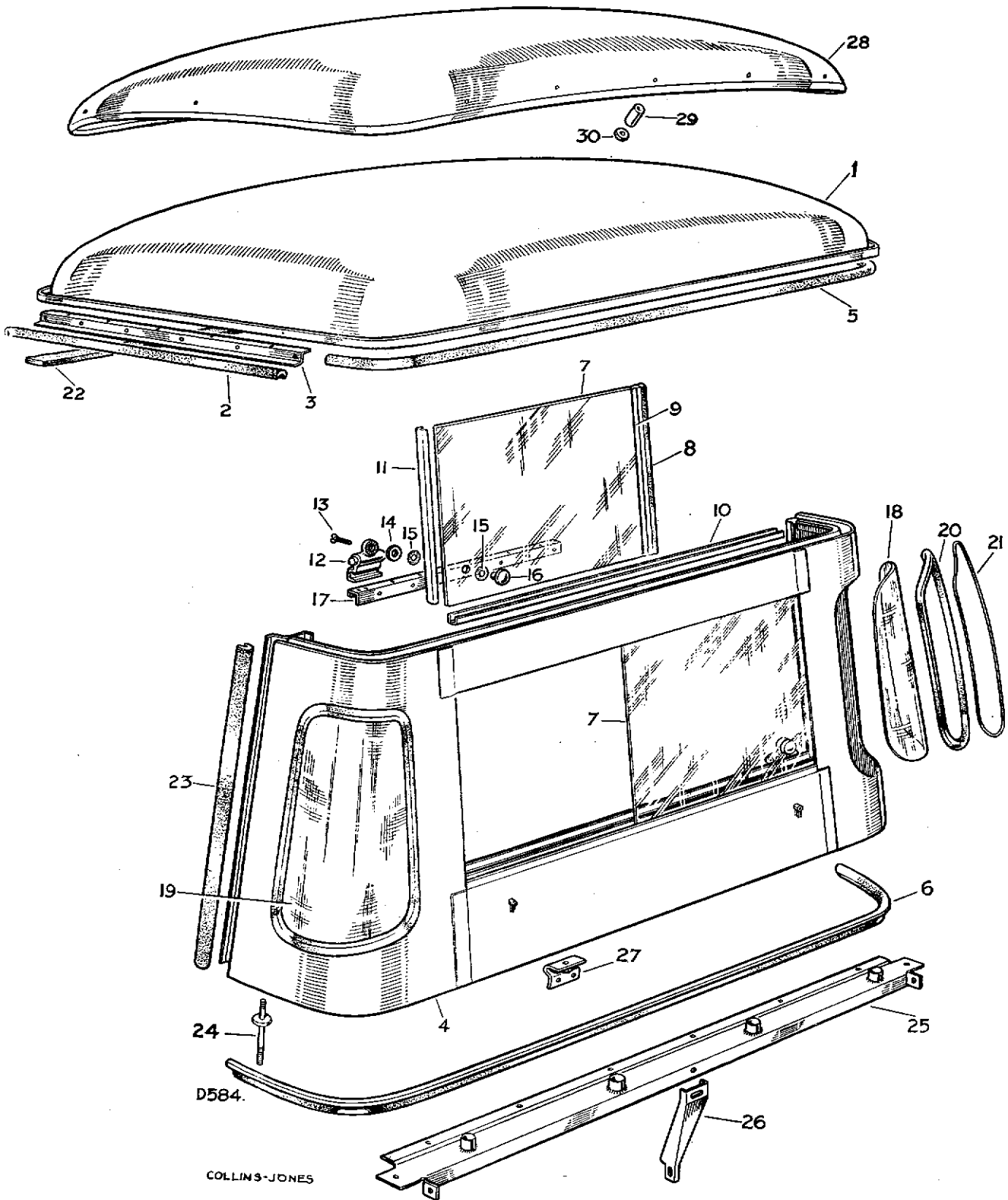
CAB AND TROPICAL ROOF



CAB AND TROPICAL ROOF

PLATE REF.	1	2	3	4	DESCRIPTION	Qty.	Part No.	REMARKS
					CAB COMPLETE ASSEMBLY	1	330959	88
					CAB COMPLETE ASSEMBLY	1	330961	109
1					CAB ROOF ASSEMBLY	1	332945	
2					Sealing rubber, door top	2	330541	
					Rivet fixing rubber to retainer	10	302818	
					Retainer for seal, R.H.	1	330788	} For door top
3					Retainer for seal, L.H.	1	330789	
					Screw (2 B.A. x $\frac{1}{2}$ " long)	10	77869	} Fixing seal retainer to cab top
					Plain washer	10	3902	
					Spring washer	10	3073	
					Nut (2 B.A.)	10	3823	
4					CAB REAR PANEL ASSEMBLY	1	330769	
5					Rubber seal, roof to back panel, top	1	330780	
6					Rubber seal, back panel to rear body	1	333486	
7					Sliding backlight	2	330768	
8					Sealing rubber for backlight	1	330798	
9					Channel for rubber	1	330799	
10					Channel, top	2	332744	} For backlight
					Channel, bottom	2	332745	
11					Channel, sides	2	332751	
					Vertical finisher for L.H. side	1	332683	
					Drive screw fixing channel	26	77707	
					Catch for sliding backlight, R.H., overall length $1\frac{1}{2}$ "	1	332324	
12					Catch for sliding backlight, L.H., overall length 1"	1	332325	
13					Screw (2 B.A. x $\frac{3}{4}$ " long), L.H.	1	78223	} 2 B.A. fixing. Alternative to U.N.F.
					Screw (2 B.A. x $\frac{3}{8}$ " long), R.H.	1	78260	
14					Distance piece	3	340390	} Check before ordering
15					Special washer	4	340391	
					Screw ($\frac{1}{4}$ " U.N.F. x $\frac{3}{4}$ " long), L.H.	1	78401	} $\frac{1}{4}$ " U.N.F. fixing. Alternative to 2 B.A. Check before ordering
					Screw ($\frac{1}{4}$ " U.N.F. x $\frac{7}{8}$ " long), R.H.	1	78402	
					Special washer	8	340391	
					Tapped plate	2	332329	
16					Runner for sliding backlight catch	2	330848	
17					Pop rivet fixing runner	14	78248	
18					Quarter light for cab, R.H.	1	330792	
19					Quarter light for cab, L.H.	1	330793	
20					Weather strip	2	330790	} For quarter light
21					Sealing strip	2	330791	
22					Sealing rubber, windscreen to roof	1	330878	
23					Sealing rubber, door side	2	330535	
					Rivet fixing sealing rubber to rear panel	12	302818	
					Bolt ($\frac{1}{4}$ " U.N.F. x $\frac{3}{4}$ " long)	12	255207	} Fixing roof to rear panel
					Plain washer	12	3900	
					Spring washer	12	3074	
					Nut ($\frac{1}{4}$ " U.N.F.)	12	254810	
24					Mounting stud	2	330762	
					Plain washer, $\frac{5}{16}$ " I.D.	4	3898	} Fixing stud and cab to rear body
					Plain washer, $\frac{1}{2}$ " I.D.	6	3829	
					Spring washer	4	3075	
					Nut ($\frac{1}{8}$ " U.N.F.)	4	254811	

CAB AND TROPICAL ROOF

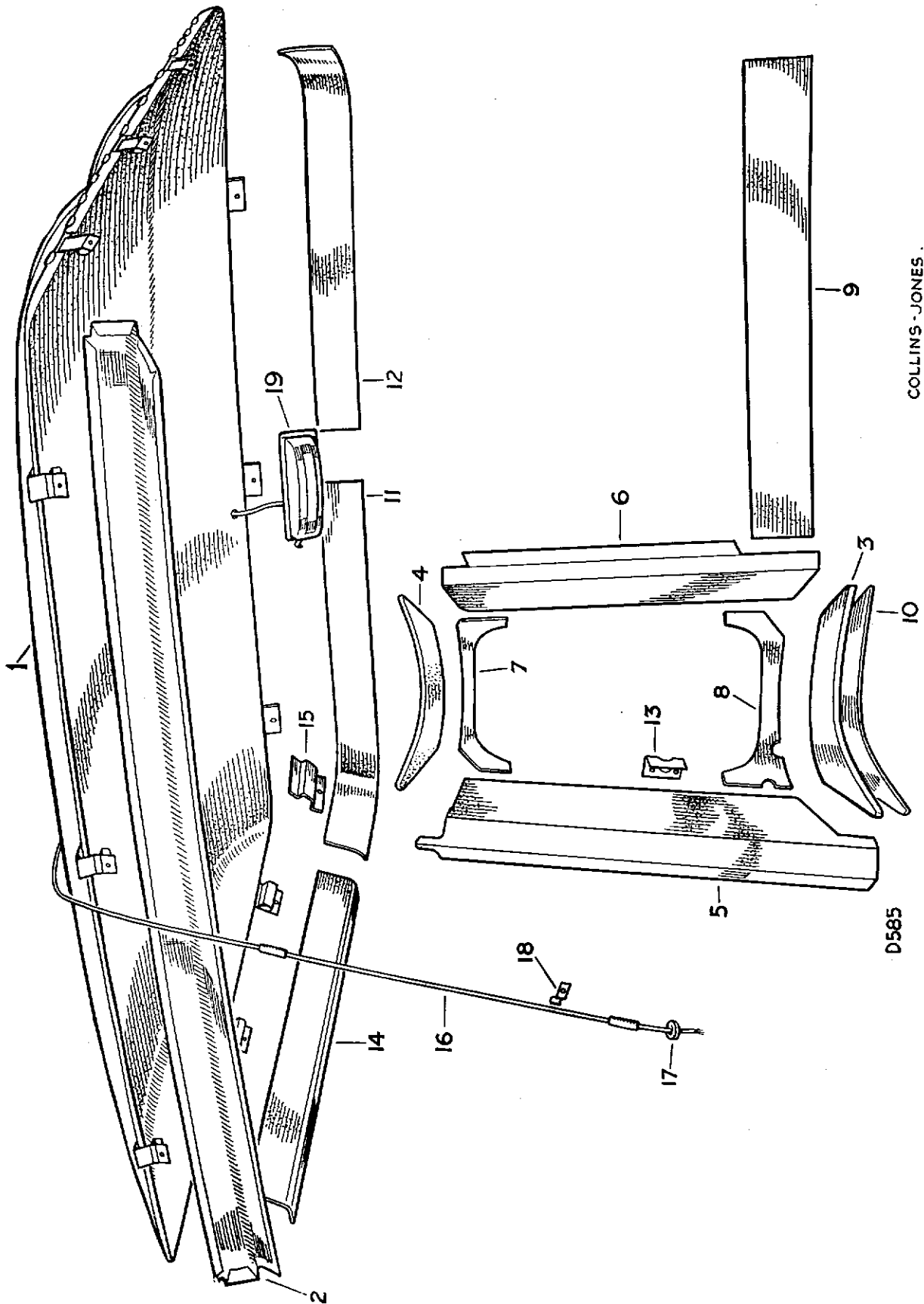


CAB AND TROPICAL ROOF

PLATE REF.	1	2	3	4	DESCRIPTION	Qty.	Part No.	REMARKS
					Bolt ($\frac{1}{4}$ " U.N.F. x $\frac{3}{4}$ " long)	10	255207	
					Plain washer	10	3900	} Fixing cab to windscreen
					Spring washer	10	3074	
					Nut ($\frac{1}{4}$ " U.N.F.)	10	254810	
25					Mounting rail for cab	1	330750	
26					Support bracket for mounting rail	1	330767	
					Bolt ($\frac{1}{4}$ " U.N.F. x $\frac{3}{4}$ " long)	12	255207	} Fixing mounting rail and support bracket to rear body
					Plain washer	8	3900	
					Spring washer	12	3074	
					Nut ($\frac{1}{4}$ " U.N.F.)	12	254810	
					Bolt ($\frac{5}{16}$ " U.N.F. x $1\frac{1}{8}$ " long)	4	256223	} Fixing cab to mounting rail
					Plain washer	4	3898	
					Spring washer	4	3075	
					Nut ($\frac{5}{16}$ " U.N.F.)	4	254811	
					Screw (2 B.A. x $\frac{7}{8}$ " long)	3	77925	} Fixing seat strap studs to mounting rail
					Packing washer	9	3851	
27					Distance piece for cab mounting	4	330782	
					Bolt ($\frac{1}{4}$ " U.N.F. x $\frac{1}{2}$ " long)	8	255204	} Fixing distance pieces to rear body
					Spring washer	8	3074	
					Nut ($\frac{1}{4}$ " U.N.F.)	8	254810	
					Set bolt ($\frac{5}{16}$ " U.N.F. x $\frac{3}{4}$ " long)	4	255226	
					Spring washer	4	3075	} Fixing cab to distance pieces
					Plain washer	4	3898	
					Interior mirror	1	334000	
					Drive screw, trimmed vehicles	2	77789	} Untrimmed } Fixing Vehicles } mirror
					Bolt (2 B.A. x $\frac{1}{2}$ " long)	2	234603	
					Packing washer	2	3864	
					Spring washer	2	3073	
					Nut (2 B.A.)	2	3823	
28					Tropical roof panel for cab	1	330894	
					Screw ($\frac{1}{4}$ " U.N.F. x 2" long)	10	78274	} Fixing tropical roof panel to cab roof
					Plain washer	20	3900	
29					Distance piece	10	302372	
30					Rubber washer	10	302373	
					Spring washer	10	3074	
					Nut ($\frac{1}{4}$ " U.N.F.)	10	254810	

See Page 480 for locking handles and catches for front doors and sliding windows.

DE LUXE TRIM FOR CAB, UPPER



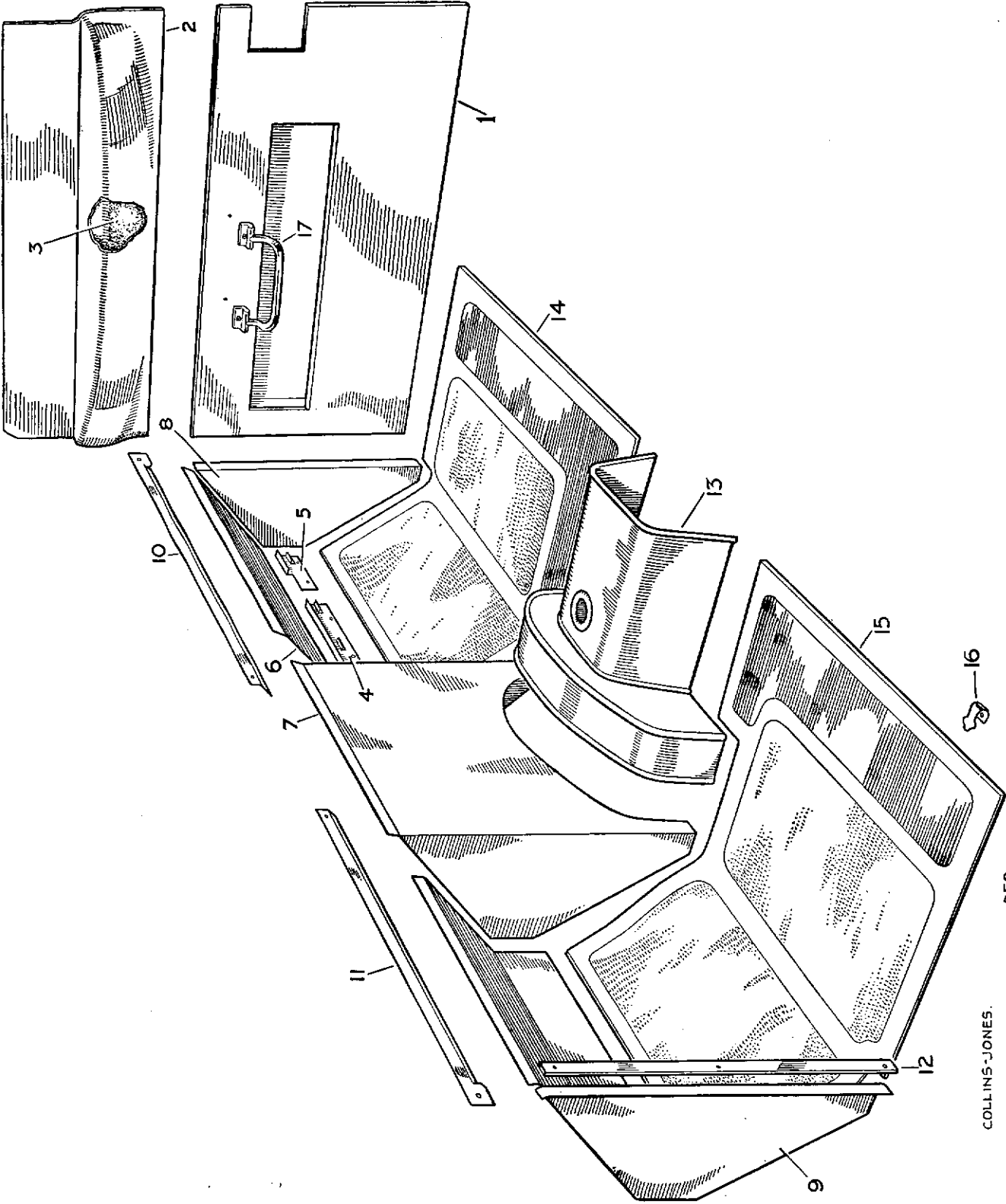
COLLINS-JONES.

D585

DE LUXE TRIM FOR CAB, UPPER

PLATE REF.	1 2 3 4	DESCRIPTION	Qty.	Part No.	REMARKS	
TRIM FOR CAB, UPPER, COMPLETE						
		ASSEMBLY	1	332956		
1		Roof trim complete	1	331581		
		Drive screw, fixing roof trim	20	77704		
2		Canopy trim panel complete	1	331416		
		Drive screw } Fixing panel	5	77704		
		Plain washer } to roof	5	3886		
3		Lower member, R.H. } Quarter trim	1	331556		
		Lower member, L.H. } panel	1	331557		
4		Upper member, R.H. } Quarter trim	1	331560		
		Upper member, L.H. } panel	1	331561		
5		Outer member, R.H. } Quarter trim	1	331553		
		Outer member, L.H. } panel	1	331554		
6		Inner member, R.H. } Quarter trim	1	331549		
		Inner member, L.H. } panel	1	331550		
7		Upper panel, R.H. } Quarter	1	331564		
		Upper panel, L.H. } trim	1	331565		
8		Lower panel, R.H. } Quarter	1	331567		
		Lower panel, L.H. } trim	1	331568		
9		Rear lower panel for backlight	1	331574		
10		Inner panel, R.H. lower member } Quarter	1	331570		
		Inner panel, L.H. lower member } trim	1	331571		
11		Rear head trim, R.H. } For	1	331578		
12		Rear head trim, L.H. } backlight	1	331579		
13		Mounting bracket, quarter trim panel	4	331530		
		Pop rivet fixing mounting bracket to front pillar	8	78257		
		Trim clips securing panels	16	310599		
		Drive screw } Fixing	17	78126		
		Plain washer } outer panels	17	3925		
14		Cant rail casing	2	331576		
15		Bracket for cant rail casing....	2	331150		
		Drive screw fixing bracket to cant rail	2	77949		
16		Lead for roof lamp	1	245386	For lamp with integral switch	
		Lead for roof lamp, roof portion, LU 862546....	1	265482	} For lamp with separate switch	
		Lead for roof lamp, chassis portion, LU 862545	1	265481		Series II models
		Lead for roof lamp, chassis portion	1	519876		Series IIA models
17		Grommet—roof lead to dash	1	233244		
18		Cable clip } Fixing lead to dash	2	41379		
		Drive screw } and windscreen	2	78116		
		Fuse box	1	219078	} Series II models	
		Screw (5 B.A. x $\frac{5}{8}$ " long) } Fixing fuse box	2	3279		
		Nut (5 B.A.) } to dash	2	3280		
19		Roof lamp	1	340704	} Lamp with integral switch. Alternative to type with separate switch. Check before ordering	
		Bulb (LU No. 222)	1	242491		
		Packing block for roof lamp	1	332985		
		Drive screw } Fixing lamp and	2	77707	} Alternatives	
		Drive screw } packing block	2	77892		
		Roof lamp complete, LU 56062/A Lucas type	1	265295	} Lamp with separate switch	
		Roof lamp complete, Sparto type	1	514900		} Alternative to type with integral switch
		Bulb for roof lamp, LU 382	1	264591		
		Switch for roof lamp	1	240908	} Check before ordering	
		Drive screw fixing lamp to bracket on roof trim frame	2	77704		

DE LUXE TRIM FOR DOORS AND FLOOR



COLLINS-JONES.

D52.

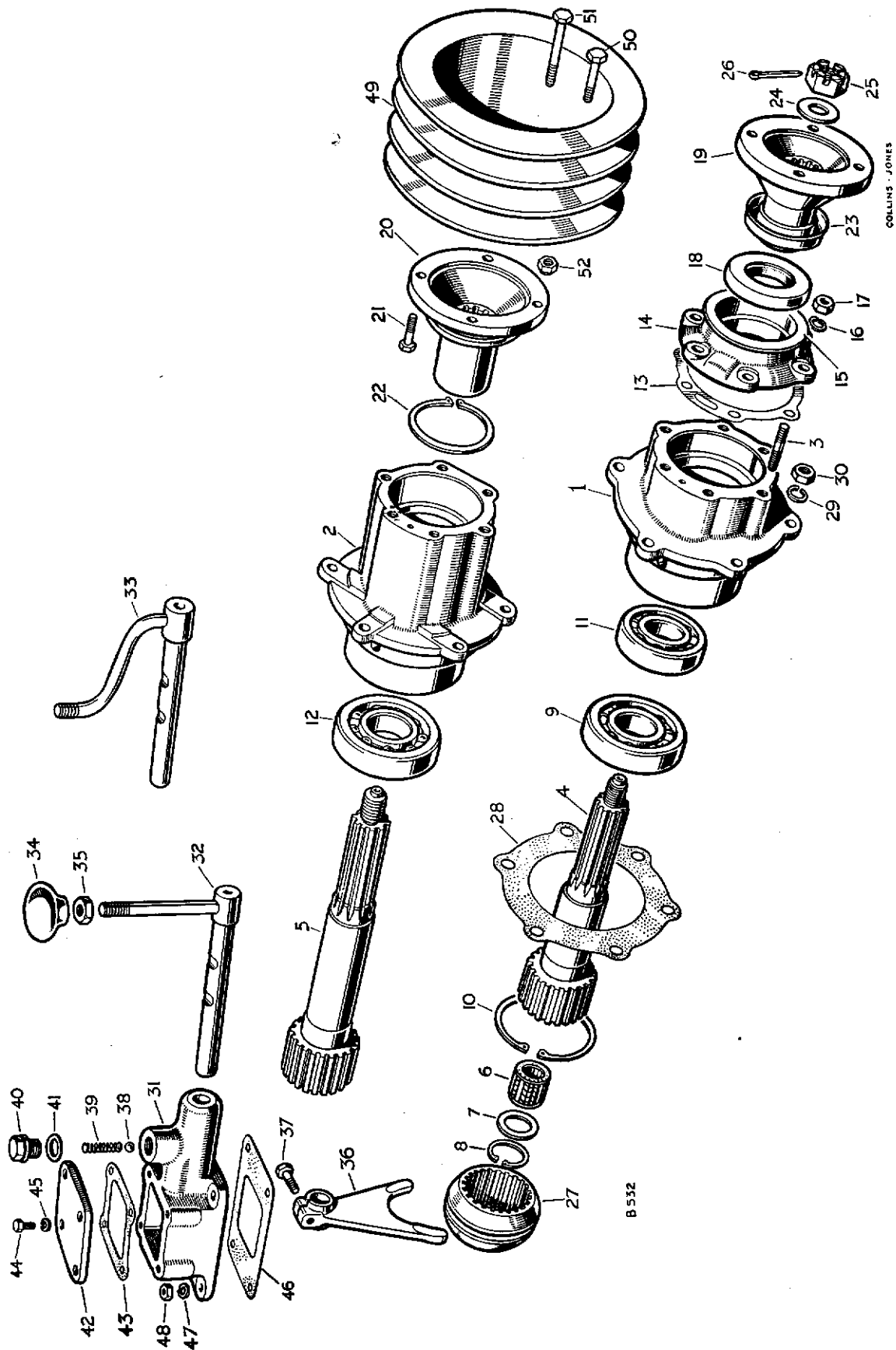
DE LUXE TRIM FOR DOORS AND FLOOR

PLATE REF.	1 2 3 4	DESCRIPTION	Qty.	Part No.	REMARKS
		TRIM FOR DOOR AND FLOOR COMPLETE			
		ASSEMBLY	1	332958 R.H.D.	
		TRIM FOR DOOR AND FLOOR COMPLETE			
		ASSEMBLY	1	332986* L.H.D.	
1		Door casing, trimmed, R.H.	1	331702	
		Door casing, trimmed, L.H.	1	331703	
2		Side armrest and upper casing assembly, R.H.	1	331437	} With integral armrest. } Alternative to separate armrest type.
		Side armrest and upper casing assembly, L.H.	1	331438	
3		Topping for side armrest	2	331356	} Check before ordering
		Upper door casing assembly R.H.	1	331812	
		Upper door casing assembly L.H.	1	331813	} With separate armrest. } Alternative to integral armrest type
		Side armrest assembly R.H.	1	331810	
		Side armrest assembly L.H.	1	331811	} Check before ordering.
		Topping for side armrest	2	331807	
		Drive screw } Fixing armrest	8	77704	
		Plain washer } to door	8	4032	
4		Front support, inner } For dash	1	331166	} Alternative to line below
5		Front support, outer } top casing	1	331163 R.H.D.	
		Retaining plate for dash top casing	2	331776*	} Alternative to two lines above
		Drive screw fixing inner support to dash	1	78140	
6		Top casing for pedals	1	331780 R.H.D.	
		Top casing for pedals	1	331781 L.H.D.	
7		Floor covering at dash centre	1	331456	
8		Floor covering at dash side R.H.	1	331457 R.H.D.	
		Floor covering at dash side R.H.	1	331526 L.H.D.	
9		Floor covering at dash side L.H.	1	331458 R.H.D.	
		Floor covering at dash side L.H.	1	331527 L.H.D.	
10		Retainer for dash top casing R.H.	1	331411 R.H.D.	
		Retainer for dash top casing R.H.	1	331403 L.H.D.	
11		Retainer for dash top casing L.H.	1	331402 R.H.D.	
		Retainer for dash top casing L.H.	1	331415 L.H.D.	
12		Retainer for floor covering at 'A' post	2	331400	
		Drive screw fixing retainers	12	78140	
13		Gearbox cover	1	331452	
14		Front floor mat, R.H.	1	331392	
15		Front floor mat, L.H.	1	331393	
16		Carpet clip for floor mats	4	355847	
17		Drive screw fixing clips	8	77932	
		Front door pull handle	2	306460	
		Special nut } Fixing handle to	4	78319	
		Drive screw } armrest casing	4	78121	

REAR POWER TAKE-OFF

PLATE REF.	1	2	3	4	DESCRIPTION	Qty.	Part No.	REMARKS
					Complete kits of parts of the various combinations of rear power take-off are supplied under the part numbers listed below:—			
					REAR POWER TAKE-OFF COMPLETE ASSEMBLY, WITHOUT REAR PULLEY, 88	1	241706	Comprises all standard items on pages 369 to 377
					CENTRE POWER TAKE-OFF, LESS CENTRE PULLEY	1	261835	Comprises drive unit and selector unit on pages 369 and 371
					REAR POWER TAKE-OFF COMPLETE ASSEMBLY WITHOUT REAR PULLEY, 109	1	501680	Comprises all the standard items on pages 369 to 377 except those marked "88".

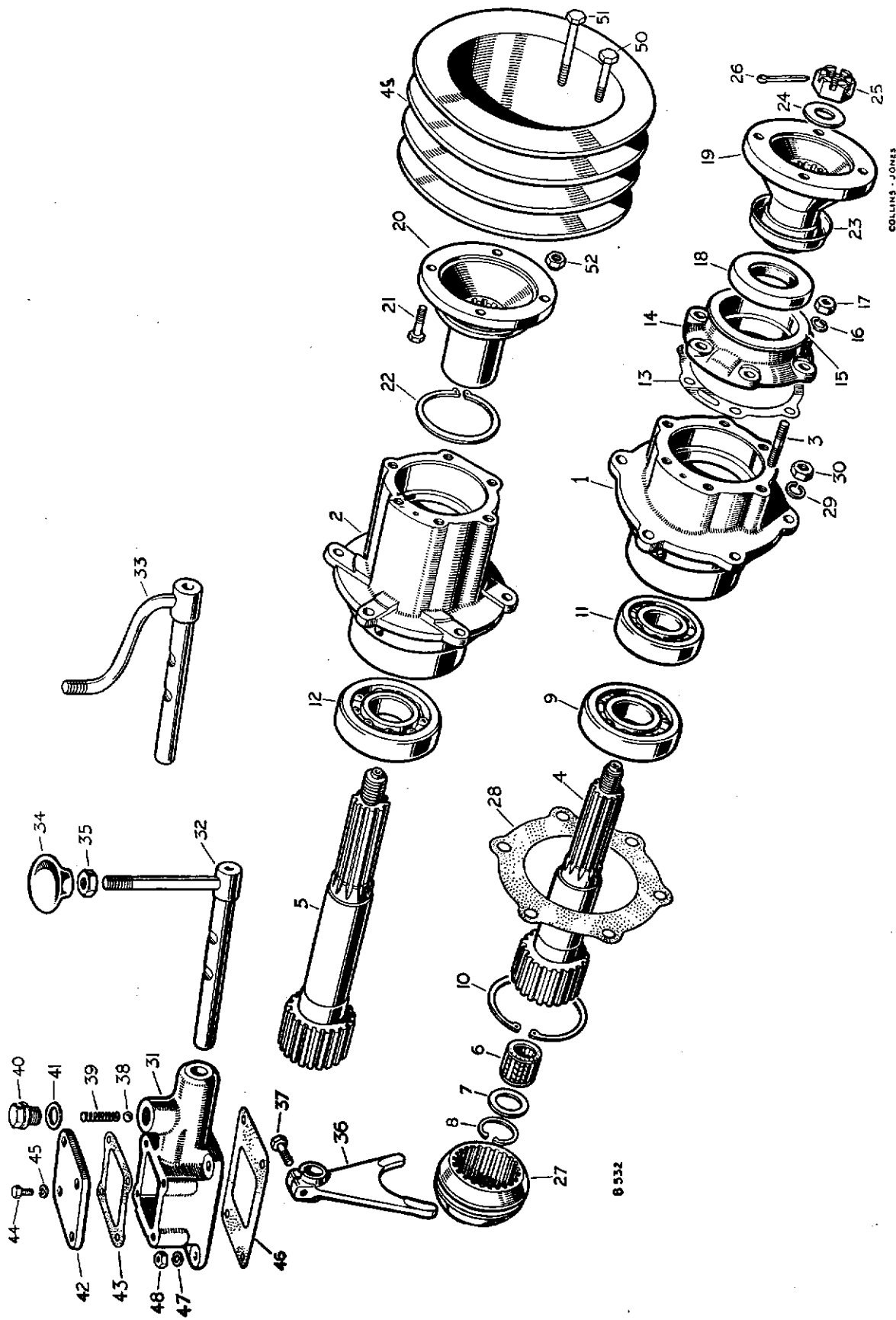
REAR AND CENTRE POWER TAKE-OFF GEARBOX UNITS



REAR AND CENTRE POWER TAKE-OFF GEARBOX UNITS

PLATE REF.	1 2 3 4	DESCRIPTION	Qty.	Part No.	REMARKS	
		GEARBOX P.T.O. DRIVE ASSEMBLY	1	230855		
		GEARBOX P.T.O. DRIVE ASSEMBLY	1	235241	Heavy-duty type	
1		HOUSING ASSEMBLY FOR DRIVE				
		BEARING	1	219860		
2		HOUSING ASSEMBLY FOR DRIVE				
		BEARING	1	235239	Heavy-duty type	
3		Stud for oil seal housing	6	216986		
4		Shaft for P.T.O. drive	1	219744		
5		Shaft for P.T.O. drive	1	235237	Heavy-duty type	
6		Bearing for gearbox mainshaft	1	217478		
7		Retaining plate for bearing	1	217523		
8		Circlip fixing retaining plate	1	217525		
9		Bearing for drive shaft, front	1	55714		
10		Circlip, bearing to housing	1	217972		
11		Bearing for drive shaft, rear	1	217325		
12		Bearing for drive shaft, rear	1	235240	Heavy-duty type	
13		Shim for bearing, .003"	As required	41050		
		Shim for bearing, .005"	As required	41131		
14		Housing for oil seal	1	236543		
15		Mudshield for housing	1	236548		
16		Spring washer	6	3075	} Fixing oil seal housing to bearing housing	
17		Nut ($\frac{1}{8}$ " B.S.F.)	6	2828		
18		Oil seal for drive shaft	1	236417		
19		Flange for P.T.O. drive shaft	1	237912		
20		Flange for P.T.O. drive shaft	1	235253	} Heavy-duty type	
21		Bolt ($\frac{3}{8}$ " B.S.F. x $1\frac{1}{8}$ " long) for flange	4	215328		
22		Circlip retaining bolts	1	217546		
23		Mudshield for flange	1	236074		
24		Plain washer	1	3300	} Fixing flange to shaft	
25		Slotted nut	1	3259		
26		Split pin	1	2428		
27		Dog clutch for P.T.O. shaft	1	217522		
28		Joint washer for housing	1	217680		
29		Spring washer	6	3076	} Fixing housing to transfer case	
30		Nut ($\frac{3}{8}$ " B.S.F.)	6	2827		
		P.T.O. SELECTOR ASSEMBLY	1	230693		
		P.T.O. SELECTOR ASSEMBLY	1	231853	Heavy-duty type	
31		Housing for P.T.O. selector	1	217773	} With selector knob under centre seat	
32		Selector shaft and rod for P.T.O.	1	218171		
33		Selector shaft and rod for P.T.O.	1	231507		Heavy-duty type
34		Knob for rod	1	218050		
35		Locknut ($\frac{1}{8}$ ") for knob	1	3764		
36		Fork for selector shaft	1	217584		
37		Set bolt ($\frac{1}{8}$ " B.S.F. x 1" long) fixing fork to shaft	1	237160		
38		Steel ball	1	1643		} For selector shaft
39		Spring	1	214290		
40		Plug for spring	1	217763		

REAR AND CENTRE POWER TAKE-OFF GEARBOX UNITS



8 532

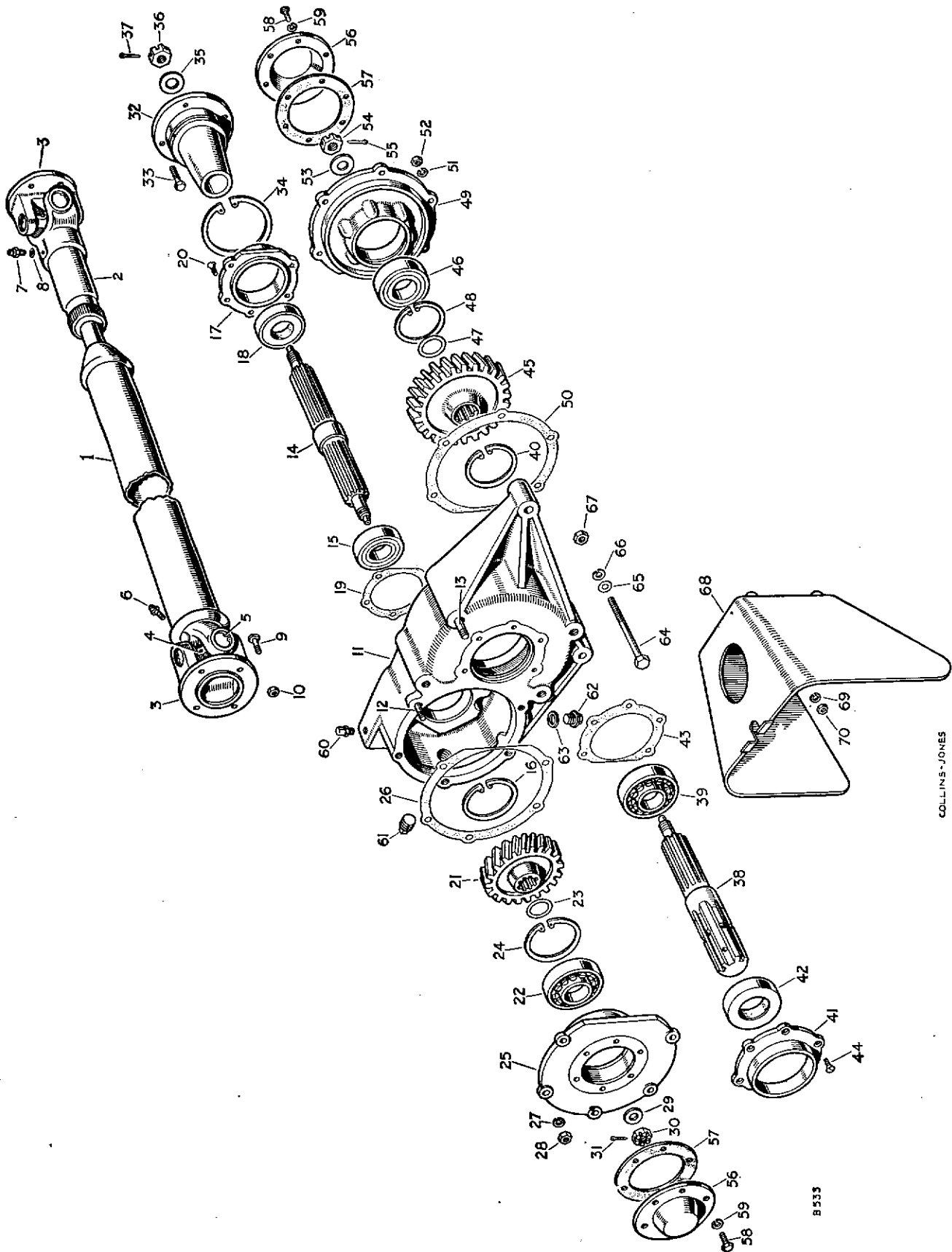
REAR AND CENTRE POWER TAKE-OFF GEARBOX UNITS

PLATE REF.	1	2	3	4	DESCRIPTION	Qty.	Part No.	REMARKS
41					Joint washer for plug	1	213960	} With selector knob under centre seat
42					Cover plate for housing	1	217774	
43					Joint washer for plate	1	219995	
44					Set bolt ($\frac{1}{4}$ " Whit. x $\frac{3}{4}$ " long)	4	215594	
45					Spring washer	4	3074	
					P.T.O. SELECTOR ASSEMBLY	1	509076	
					Housing for P.T.O. selector	1	217773	
					Selector shaft for P.T.O.	1	506203	
					Fork for selector shaft	1	217584	
					Set bolt ($\frac{5}{16}$ " B.S.F. x 1" long) fixing fork to shaft	1	237160	
					Steel ball	1	1643	
					Spring	1	56102	
					Plug for spring	1	217763	
					Joint washer for plug	1	213960	
					Cover plate for housing	1	217774	
					Joint washer for plate	1	219995	
					Set bolt ($\frac{1}{4}$ " Whit. x $\frac{3}{4}$ " long)	4	215594	
					Spring washer	4	3074	
					Pivot piece	1	506205	
					Locknut ($\frac{3}{8}$ " B.S.F.) for pivot piece	1	2323	
					Stud for P.T.O. housing and pivot piece	1	506204	
					Lever for selector shaft	1	506206	
					Clevis pin and spring complete	2	216421	
					Split pin	2	2423	
					Rod for lever	1	506207	
					Grommet for rod	1	508571	
					Knob for rod	1	218050	
					Locknut ($\frac{7}{16}$ " B.S.F.) for knob	1	3764	
					Clevis pin and spring complete	1	230279	
					Split pin	1	2422	
46					Joint washer for housing	1	217771	} With selector knob in front of seat
47					Spring washer	4	3075	
48					Nut ($\frac{1}{16}$ " B.S.F.)	4	2828	
49					Pulley for centre power take-off	1	231636	
50					Bolt ($\frac{3}{8}$ " B.S.F. x $1\frac{1}{8}$ " long)	4	237343	When centre P.T.O. pulley only is fitted
51					Bolt ($\frac{3}{8}$ " B.S.F. x $1\frac{1}{8}$ " long)	4	237344	When rear P.T.O. is also fitted
52					Self-locking nut ($\frac{3}{8}$ " B.S.F.)	4	251322	
					Cover for P.T.O. knob	1	301957	} With selector knob under centre seat
					Spring clip for cover	1	301139	
					Plain washer	1	2869	
					Rivet	1	300783	

When centre power take-off is fitted, Part Nos. 230855 Gearbox power take-off drive assembly and 230693 Power take-off selector assembly are required; the pulley and bolts are normally supplied by the makers of any special equipment fitted.

When Part Nos. 230855 Gearbox power take-off drive assembly and 230693, 231853 or 509076 Power take-off selector assembly are fitted, the following parts, listed on page 153, are not required: 230696 Mainshaft bearing housing complete: 217970 Cover plate.

REAR POWER TAKE-OFF DRIVE SECTION



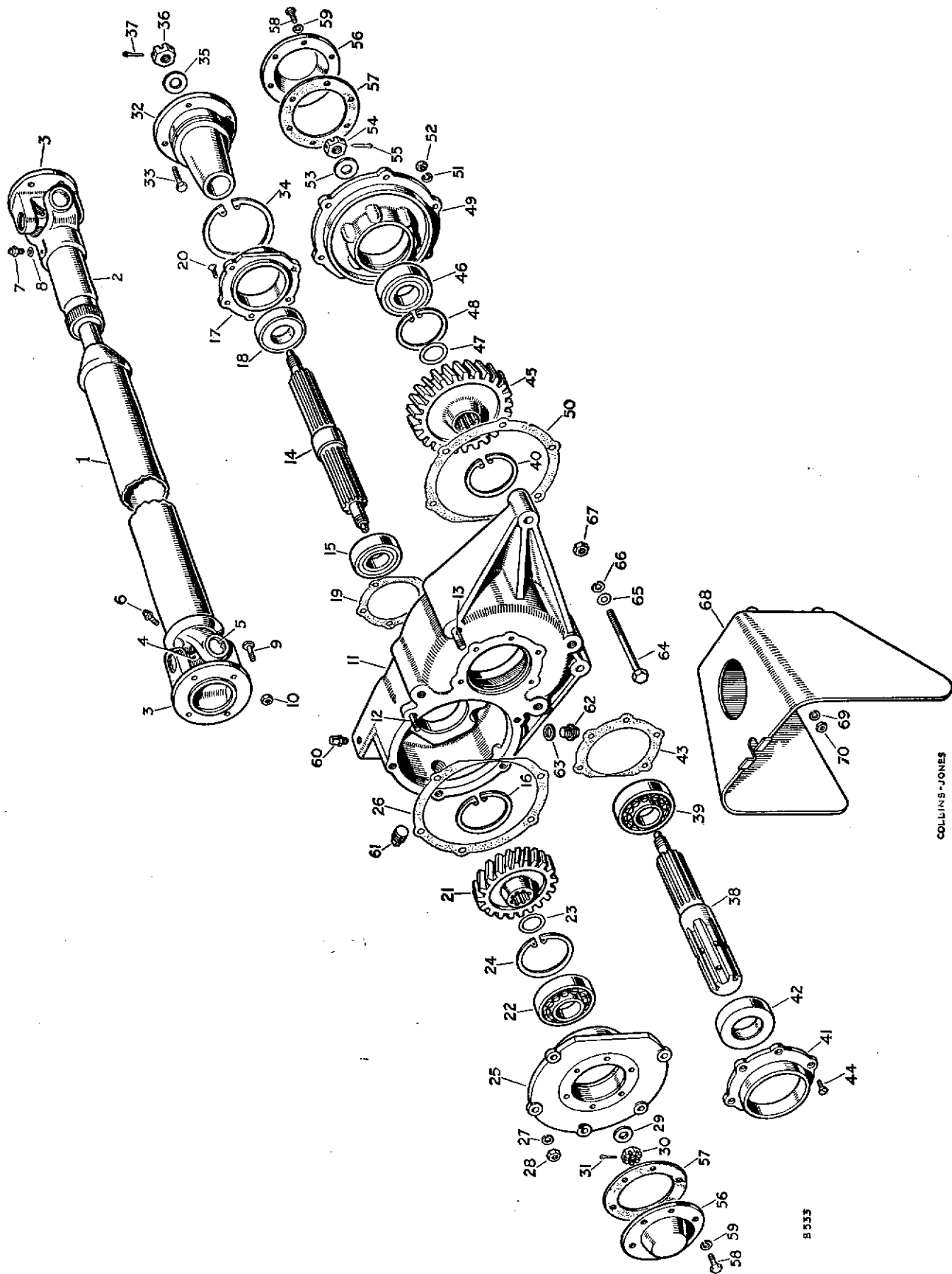
COLLINS-JONES

B 533

REAR POWER TAKE-OFF DRIVE SECTION

PLATE REF.	1 2 3 4	DESCRIPTION	Qty.	Part No.	REMARKS
1		Propeller shaft, P.T.O. drive....	1	236941	
2		Splined end } For	1	262468	
3		Flange } propeller shaft	2	262469	
4		Journal complete for propeller shaft	2	43023	} 88
5		Circlip for journal	8	242522	
6		Grease nipple for journal	2	232557	
7		Grease nipple for propeller shaft .250" dia.	1	234532	
8		Washer for nipple	1	261428	
		Propeller shaft, rear half	1	277139	
		Flange for shaft	1	262469	
		Journal for shaft	1	43023	
		Circlip for journal	4	242522	
		Grease nipple for journal	1	232557	
		Dust shield	1	261774	
		Bearing for shaft	1	261775	
		Support tube and plate	1	261776	
		Bolt ($\frac{3}{8}$ " B.S.F. x $2\frac{1}{8}$ " long)	2	215285	
		Steel bush	2	244380	
		Rubber bush	2	235919	} Fixing centre of propeller shaft
		Plain washer	2	3933	
		Spring washer	2	3076	
		Nut ($\frac{3}{8}$ " B.S.F.)	2	2827	
		Flange for propeller shaft	2	261924	
		Woodruff key	2	261925	} 109
		Special castle nut	1	243196	
		Split pin	1	2428	
		Propeller shaft, front half	1	236941	
		Splined end } For	1	262468	
		Flange } shaft	2	262469	
		Journal for shaft	2	43023	
		Grease nipple for journal	2	232557	
		Circlip for journal	8	242522	
		Grease nipple for spline	1	234532	
		Washer for nipple	1	261428	
		Shim for propeller shaft centre bearing	As required	232684	
		Intermediate support for propeller shaft	1	277140	
		Bolt ($\frac{1}{4}$ " U.N.F. x $\frac{3}{4}$ " long)	4	255007	
		Plain washer	2	2213	} Fixing intermediate support to chassis frame
		Spring washer	4	3074	
		Locking plate	2	277491	
		Special nut	2	277490	
		Nut ($\frac{1}{4}$ " U.N.F.)	2	254800	
9		Special bolt ($\frac{3}{8}$ " B.S.F. x $1\frac{1}{8}$ " long)	4	237341	} 12 off on 109 } B.S.F. } Alternatives } Check before ordering
10		Self-locking nut ($\frac{3}{8}$ " B.S.F.)	8	50526	
		Special bolt ($\frac{3}{8}$ " U.N.F. x $1\frac{1}{8}$ " long)	4	509045	
		Self-locking nut ($\frac{3}{8}$ " U.N.F.)	8	509751	} U.N.F. fixing
REAR POWER TAKE-OFF DRIVE					
		ASSEMBLY, SIX-SPLINE	1	230176	
11		HOUSING ASSEMBLY FOR P.T.O.	1	230288	
12		Stud for bearing housing	10	214054	
13		Stud ($2\frac{5}{16}$ " long) for pulley housing or guard)	4	231432	
14		Input shaft for P.T.O.	1	217562	
15		Bearing for input shaft, front	1	217504	
16		Circlip, bearing to housing	1	217566	

REAR POWER TAKE-OFF DRIVE SECTION



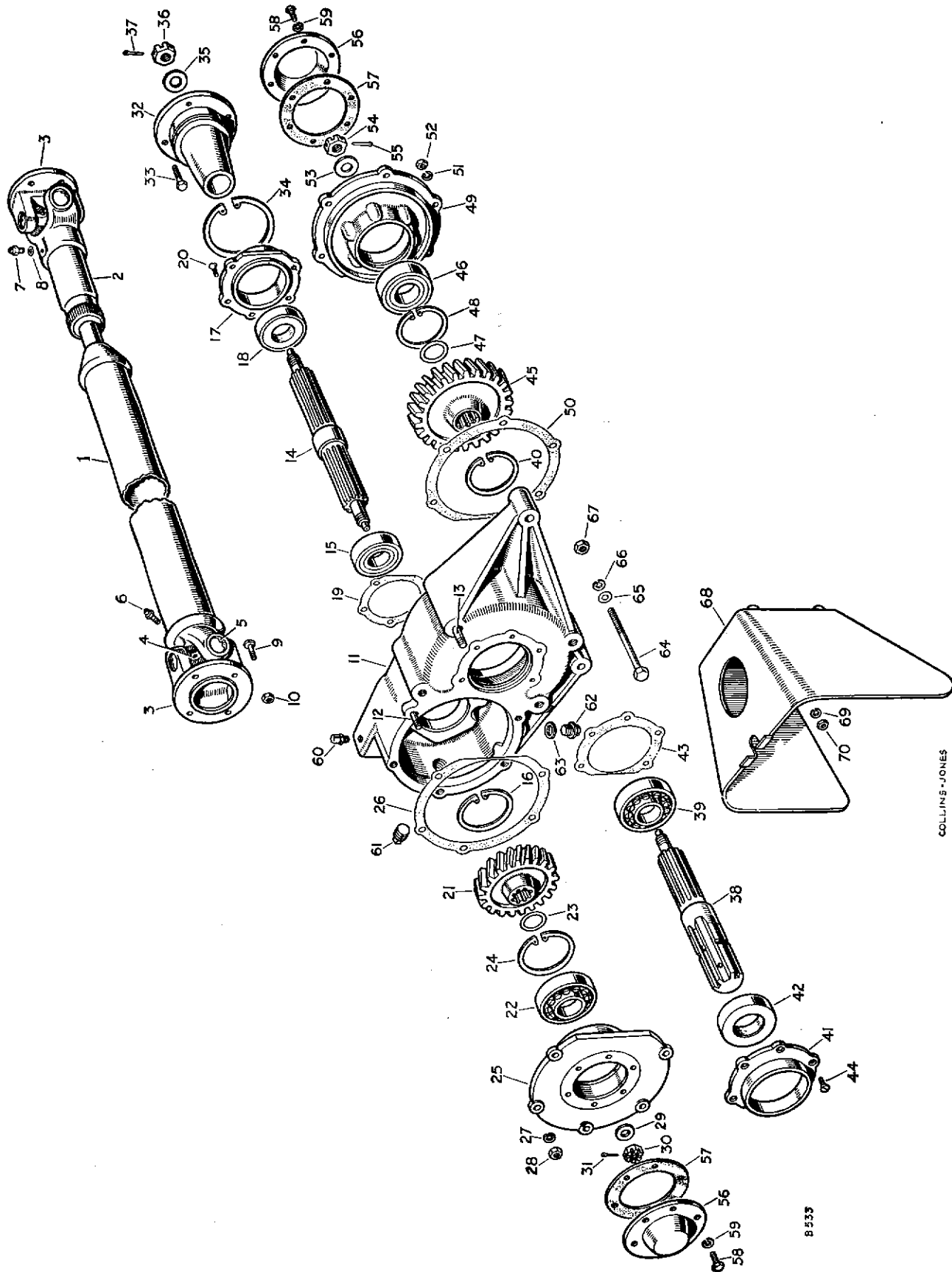
COLLINS-JONES

8333

REAR POWER TAKE-OFF DRIVE SECTION

PLATE REF.	1 2 3 4	DESCRIPTION	Qty.	Part No.	REMARKS
17		Retainer for oil seal	1	217663	
18		Oil seal	1	217508	
19		Joint washer for retainer	1	217664	
20		Screw ($\frac{1}{4}$ " Whit. x $\frac{3}{8}$ " long) fixing retainer	5	55779	
21		Gear wheel, 20 teeth	1	236301	Only supplied in pairs
22		Bearing for input shaft, rear	1	217504	
		Shim .005"	As required	217553	
23		Shim .010"	As required	217554	
		Shim .020"	As required	217555	
24		Circlip, bearing to housing	1	217566	
25		Housing for rear input shaft bearing	1	217661	
26		Joint washer for rear bearing housing	1	217662	
27		Spring washer	5	3075	
28		Nut ($\frac{1}{8}$ " B.S.F.)	5	2828	
29		Plain washer	1	3300	
30		Slotted nut	1	3259	
31		Split pin	1	2428	
32		Flange for P.T.O. input shaft	1	217667	
33		Special bolt for propeller shaft	4	217565	B.S.F. fixing
		Special bolt for propeller shaft	4	512701	U.N.F. fixing
					Alternatives } Check before ordering
34		Circlip retaining bolts to flange	1	217546	
35		Plain washer	1	3300	
36		Slotted nut	1	3259	
37		Split pin	1	2428	
38		Output shaft for P.T.O., six-spline	1	230098	
39		Bearing for output shaft, rear	1	217504	
40		Circlip for bearing	1	217566	
41		Retainer for oil seal	1	217663	
42		Oil seal	1	217508	
43		Joint washer for retainer	1	217664	
44		Screw ($\frac{1}{4}$ " Whit. x $\frac{3}{8}$ " long) fixing retainer	5	55779	
45		Gear wheel, 24 teeth	1	236301	Only supplied in pairs
46		Bearing for output shaft, front	1	217504	
		Shim .005"	As required	217553	
47		Shim .010"	As required	217554	
		Shim .020"	As required	217555	
48		Circlip, bearing to housing	1	217566	
49		Housing for output shaft front bearing	1	217661	
50		Joint washer for bearing housing	1	217662	
51		Spring washer	5	3075	
52		Nut ($\frac{1}{8}$ " B.S.F.)	5	2828	
53		Plain washer	1	3300	
54		Slotted nut	1	3259	
55		Split pin	1	2428	
56		Cover plate for bearings	2	217659	
57		Joint washer for cover plate	2	217660	
58		Set bolt ($\frac{1}{4}$ " Whit. x $\frac{1}{2}$ " long)	12	215758	
59		Spring washer	12	3074	
60		Breather for casing	1	42431	
61		Filler plug	1	3292	
62		Drain plug for casing	1	3088	
63		Fibre washer for plug	1	213960	

REAR POWER TAKE-OFF DRIVE SECTION



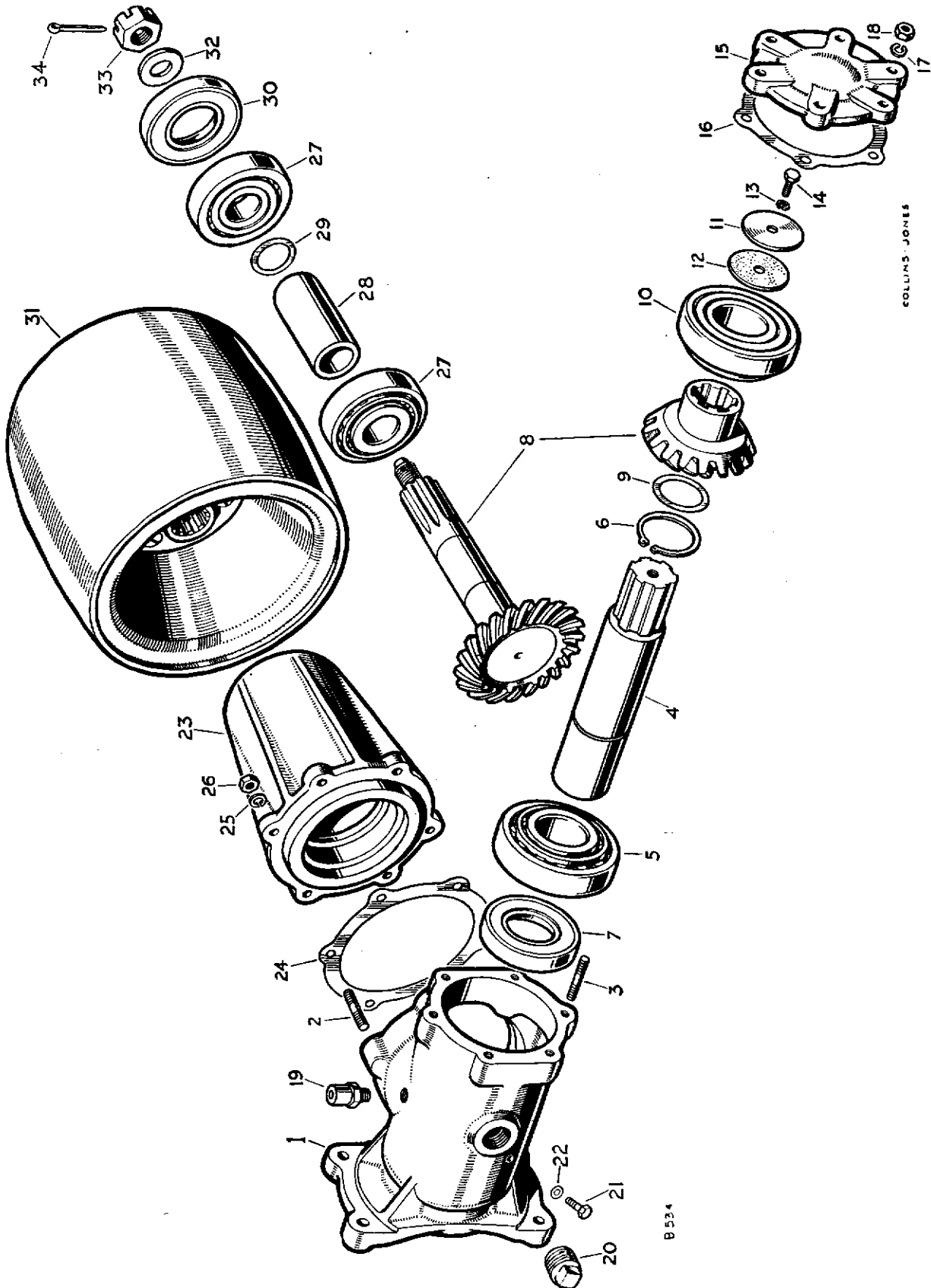
COLLINS-JONES

B 533

REAR POWER TAKE-OFF DRIVE SECTION

PLATE REF.	1	2	3	4	DESCRIPTION	Qty.	Part No.	REMARKS
64					Bolt ($\frac{3}{8}$ " U.N.F. x $5\frac{1}{4}$ " long)	2	253824	
					Bolt ($\frac{3}{8}$ " U.N.F. x $2\frac{3}{4}$ " long)	1	256448	
65					Plain washer	4	4067	} Fixing P.T.O. assembly to chassis
66					Spring washer	3	3076	
67					Nut ($\frac{3}{8}$ " U.N.F.)	3	254810	
68					Guard for P.T.O. spline	1	230122	
69					Spring washer	4	3076	} Fixing guard
70					Nut ($\frac{3}{8}$ " B.S.F.)	4	2827	
					End cover for guard	1	502037	
					Bracket for end cover	1	502039	
					Bolt ($\frac{3}{8}$ " U.N.C. x $1\frac{1}{8}$ " long)	1	253254	} Fixing guard to P.T.O. cover
					Plain washer, large	1	502044	
					Plain washer, small	2	4067	
					Spring washer	1	3076	
					Nut ($\frac{3}{8}$ " U.N.C.)	1	256812	
					Wing nut	1	250046	
					Anchor for pintle hook	1	231498	
					Bolt ($\frac{3}{4}$ " B.S.F. x 2" long)	2	267431	} Fixing anchor to chassis frame
					Self-locking nut ($\frac{3}{8}$ " B.S.F.)	2	234828	

REAR POWER TAKE-OFF PULLEY SECTION



COLLINS-JONES

B 534

REAR POWER TAKE-OFF PULLEY SECTION

PLATE REF.	1 2 3 4	DESCRIPTION	Qty.	Part No.	REMARKS
		POWER TAKE-OFF ASSEMBLY, PULLEY SECTION, SIX-SPLINE	1	230177	
1		HOUSING ASSEMBLY FOR P.T.O.			
		PINION	1	218846	
2		Stud for pulley drive housing	6	214054	
3		Stud for end plate	6	212103	
4		Pinion driving sleeve, six-spline	1	232960	
5		Bearing for sleeve	1	217505	
6		Circlip, bearing to sleeve	1	217567	
7		Oil seal for driving sleeve	1	217507	
8		Spiral bevel wheel and pinion	1	233377	
		Shim .005"	As required	231308	
9		Shim .010" } For spiral bevel wheel	As required	231309	
		Shim .020" }	As required	231310	
10		Bearing for bevel wheel	1	217505	
11		Retaining plate for bevel wheel	1	217657	
12		Cork washer for retaining plate	1	217658	
13		Spring washer	1	3074	} Fixing plate to driving sleeve
14		Set bolt (¼" Whit. x ½" long)	1	237139	
15		End plate for bevel wheel bearing	1	218841	
		Shim .005"	As required	218842	
16		Shim .010" } For bevel wheel end plate	As required	218843	
		Shim .020" }	As required	218844	
17		Spring washer	6	3074	} Fixing bearing end plate to pinion housing
18		Nut (¼" B.S.F.)	6	2823	
19		Breather for housing	1	42431	
20		Filler plug for housing	1	3292	
21		Plug for oil level	1	215769	
22		Washer for plug	1	232037	
23		Housing for pulley drive pinion	1	217650	
		Shim .005"	As required	217651	
24		Shim .010" } For pulley drive	As required	217652	
		Shim .020" } pinion housing	As required	217653	
25		Spring washer	6	3075	} Fixing pulley drive housing to pinion housing
26		Nut (⅜" B.S.F.)	6	2828	
27		Bearing for pinion	2	217506	
28		Distance tube for bearings	1	217560	
		Shim .005"	As required	217553	
29		Shim .010" } For bevel pinion bearings	As required	217554	
		Shim .020" }	As required	217555	
30		Oil seal for bevel pinion bearings	1	217507	
31		Pulley	1	217647	
32		Plain washer	1	3300	} Fixing pulley to bevel pinion
33		Slotted nut	1	3259	
34		Split pin	1	2428	

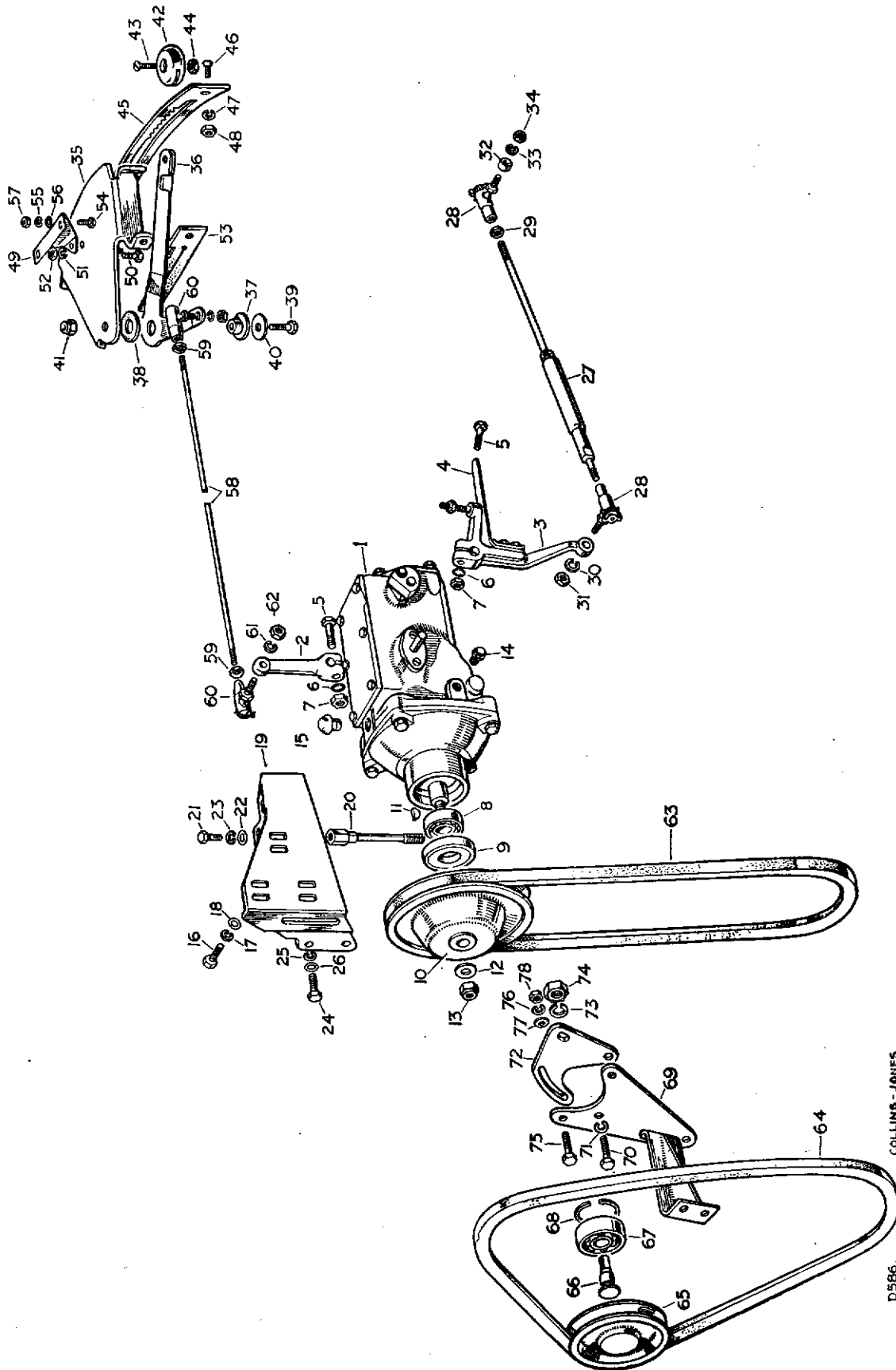
ENGINE GOVERNOR, 2 LITRE PETROL

PLATE REF.	1 2 3 4	DESCRIPTION	Qty.	Part No.	REMARKS
ENGINE GOVERNOR COMPLETE					
		ASSEMBLY	1	241708	
1		Engine governor complete	1	240628	
2		Lever, governor to quadrant	1	261515	
3		Lever, governor to bell crank	1	244339	
4		Spring blade for bell crank	1	263059	
5		Bolt ($\frac{1}{4}$ " B.S.F. x 1" long) } Fixing	2	237143	
6		Shakeproof washer } levers to	2	70884	
7		Nut ($\frac{1}{4}$ " B.S.F.) } governor	2	2823	
8		Bearing, large } For engine	1	262729	
		Bearing, small } governor	1	262728	
9		Oil seal for pulley end	1	261573	
10		Pulley for governor	1	261517	
11		Woodruff key for pulley	1	261561	
12		Plain washer } Fixing	1	3665	
13		Special self-locking nut } pulley	1	261518	
14		Level plug for governor	1	261574	
15		Filler plug for governor	1	261575	
16		Set bolt ($\frac{5}{16}$ " B.S.F. x $\frac{3}{4}$ " long) } Fixing governor	3	237159	
17		Spring washer } to bracket	3	3075	
18		Bracket for governor	1	219511	
19		Special nut } Fixing bracket to	3	219508	
20		Shakeproof washer } thermostat housing	3	73353	
21		Support for bracket	1	232610	
22		Bolt ($\frac{5}{16}$ " B.S.F. x $\frac{3}{4}$ " long) } Fixing	1	237159	
23		Spring washer } support to	1	3075	
24		Nut ($\frac{5}{16}$ " B.S.F.) } bracket	1	2828	
25		Control rod, governor to bell crank	1	240490	
26		Ball joint complete for rod	2	231261	
27		Locknut ($\frac{1}{4}$ " B.S.F.) for ball joint	2	2823	
28		Distance piece, bell crank lever end	1	231356	
29		Spring washer } Fixing rod	2	3074	
30		Nut ($\frac{1}{4}$ " B.S.F.) } to levers	2	2823	
31		Belt for governor drive	1	219560	
GOVERNOR CONTROL QUADRANT					
		ASSEMBLY	1	240066	
32		Housing for governor control quadrant	1	219644	
33		Lever for control	1	235097	
34		Bush for lever	1	235098	
35		Washer for lever	1	219659	
36		Bolt ($\frac{5}{16}$ " B.S.F. x 1" long) } Fixing	1	237160	
37		Plain washer } control lever	1	3662	
38		Self-locking nut ($\frac{5}{16}$ " B.S.F.) } to housing	1	50525	
39		Knob for lever	1	219512	

ENGINE GOVERNOR, 2 LITRE PETROL

PLATE REF.	1	2	3	4	DESCRIPTION	Qty.	Part No.	REMARKS
40					Special screw } Fixing knob	1	219673	
41					Nut (2 B.A.) } to lever	1	2247	
42					Quadrant plate	1	219463	
43					Special screw } Fixing	2	219675	
44					Spring washer } quadrant plate	2	3074	
45					Nut ($\frac{1}{4}$ " B.S.F.) } to housing	2	2823	
46					Support for governor control	1	240065	
47					Bolt (2 B.A. x $\frac{1}{2}$ " long) } Fixing	1	250959	
48					Spring washer } support to	1	3073	
49					Nut (2 B.A.) } housing	1	2247	
50					Rubber draught excluder	1	231625	
51					Bolt (2 B.A. x $\frac{1}{2}$ " long) } Fixing control	2	250959	
52					Plain washer } to dash	2	3685	
53					Spring washer } to dash	2	3073	
54					Nut (2 B.A.) } to dash	2	2247	
55					Operating rod, quadrant to governor	1	240410	
56					Ball joint for rod	2	219065	
57					Locknut ($\frac{1}{4}$ " B.S.F.) for ball joint on rod	2	2823	
58					Spring washer } Fixing operating rod to	2	3074	
59					Nut ($\frac{1}{4}$ " B.S.F.) } governor and control lever	2	2823	
					Special stud for governor bracket	3	232955	
					Fan pulley and governor drive	1	218563	
					Distance washer for fan pulley	1	233803	
					Spring for carburetter pump rod	1	237774	

ENGINE GOVERNOR, 2½ LITRE PETROL, Series II



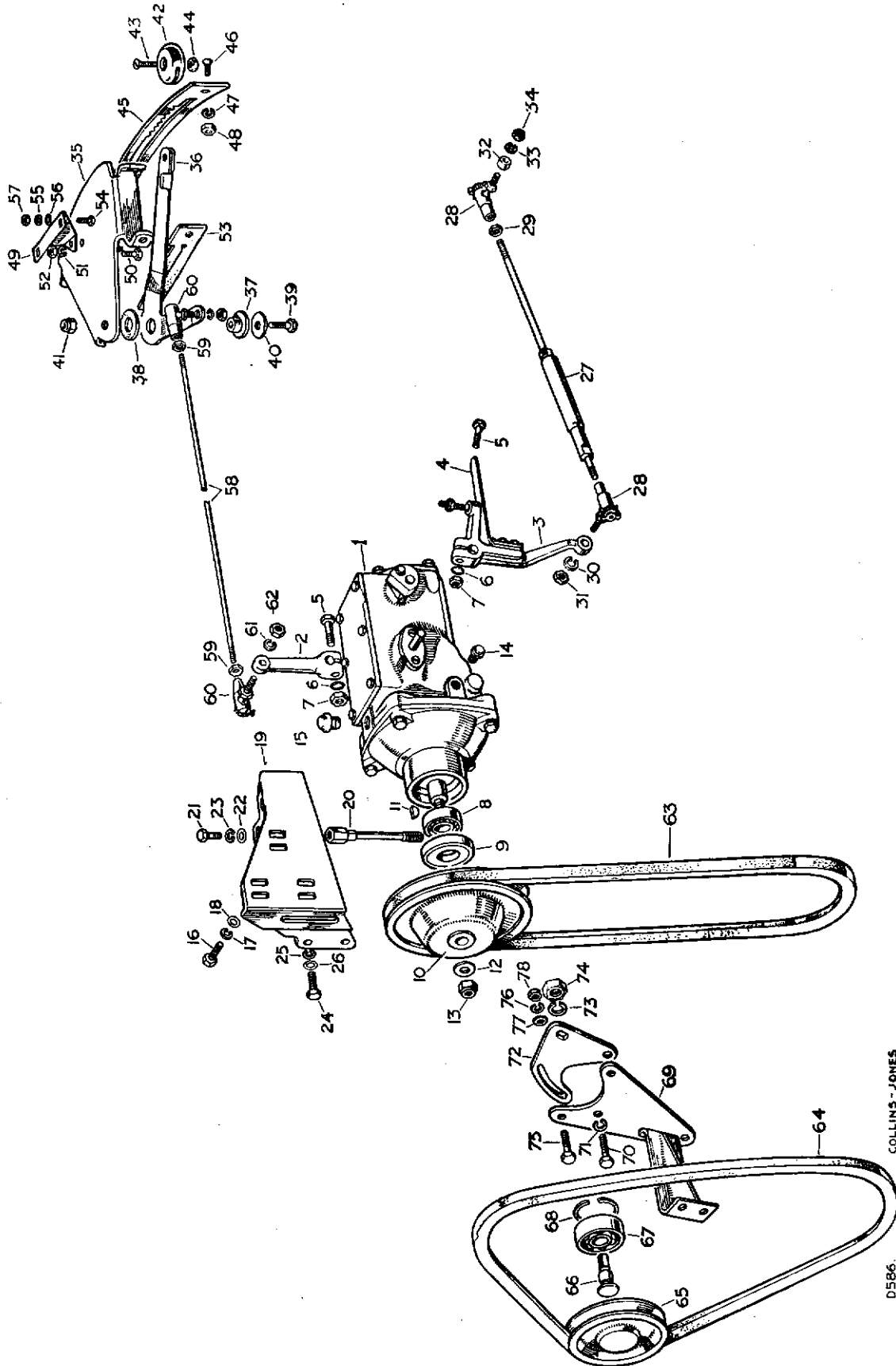
COLLINS - JONES

D586.

ENGINE GOVERNOR, 2½ LITRE PETROL, Series II

PLATE REF.	1 2 3 4	DESCRIPTION	Qty.	Part No.	REMARKS
ENGINE GOVERNOR COMPLETE					
ASSEMBLY					
		ASSEMBLY	1	506863	
1		Engine governor complete	1	512406	
2		Lever governor to quadrant	1	261515	
3		Lever governor to bell crank	1	513428	
4		Spring blade for bell crank	1	263059	
5		Bolt (¼" U.N.F. x 1" long)	2	255209	} Fixing levers to governor
6		Shakeproof washer	2	70884	
7		Nut (¼" U.N.F.)	2	254800	
8		Bearing, large	1	262729	} For engine governor
		Bearing, small	1	262728	
9		Oil seal for pulley end	1	261573	
10		Pulley for governor	1	513429	
11		Woodruff key for pulley	1	261561	
12		Plain washer	1	3665	} Fixing pulley
13		Special self-locking nut	1	261518	
14		Level plug for governor	1	261574	
15		Filler plug	1	261575	
16		Set bolt (⅝" B.S.F. x ⅞" long)	3	237161	} Fixing governor to bracket
17		Spring washer	3	3075	
18		Plain washer	3	2550	
19		Bracket for governor	1	278540	
20		Special cylinder head bolt for mounting bracket	2	278553	
21		Set bolt (⅝" U.N.F. x ¾" long)	2	255026	} Fixing bracket to set bolt
22		Plain washer	2	2550	
23		Spring washer	2	3075	
24		Set bolt (⅝" U.N.F. x 1" long)	2	255228	} Fixing bracket to front of cylinder head
25		Spring washer	2	3075	
26		Plain washer	8	2550	
27		Control rod, governor to bell crank	1	504287	
28		Ball end	2	277633	} For control rod
29		Locknut (¼" U.N.F.)	1	254850	
30		Spring washer	1	3074	} Fixing control rod to governor
31		Nut (¼" U.N.F.)	1	254800	
32		Distance washer	1	231356	} Fixing control rod to bell crank lever
33		Spring washer	1	3074	
34		Nut (¼" U.N.F.)	1	254800	
GOVERNOR CONTROL QUADRANT					
ASSEMBLY					
		ASSEMBLY	1	508690	
35		Housing for governor control quadrant	1	279786	
36		Lever for control	1	508692	
37		Bush for lever	1	235098	
38		Washer for lever	1	219659	
39		Bolt (⅝" U.N.F. x 1⅜" long)	1	255029	} Fixing lever to housing
40		Plain washer	1	3662	
41		Self-locking nut (⅝" U.N.F.)	1	252161	
42		Knob for lever	1	219512	
43		Screw (2 B.A. x 8" long)	1	219673	} Fixing knob to lever
44		Nut (2 B.A.)	1	2247	
45		Quadrant plate	1	508691	
46		Screw (¼" U.N.F. x ⅜" long)	2	278386	} Fixing quadrant plate to housing
47		Spring washer	2	3074	
48		Nut (¼" U.N.F.)	2	254800	

ENGINE GOVERNOR, 2½ LITRE PETROL, Series II



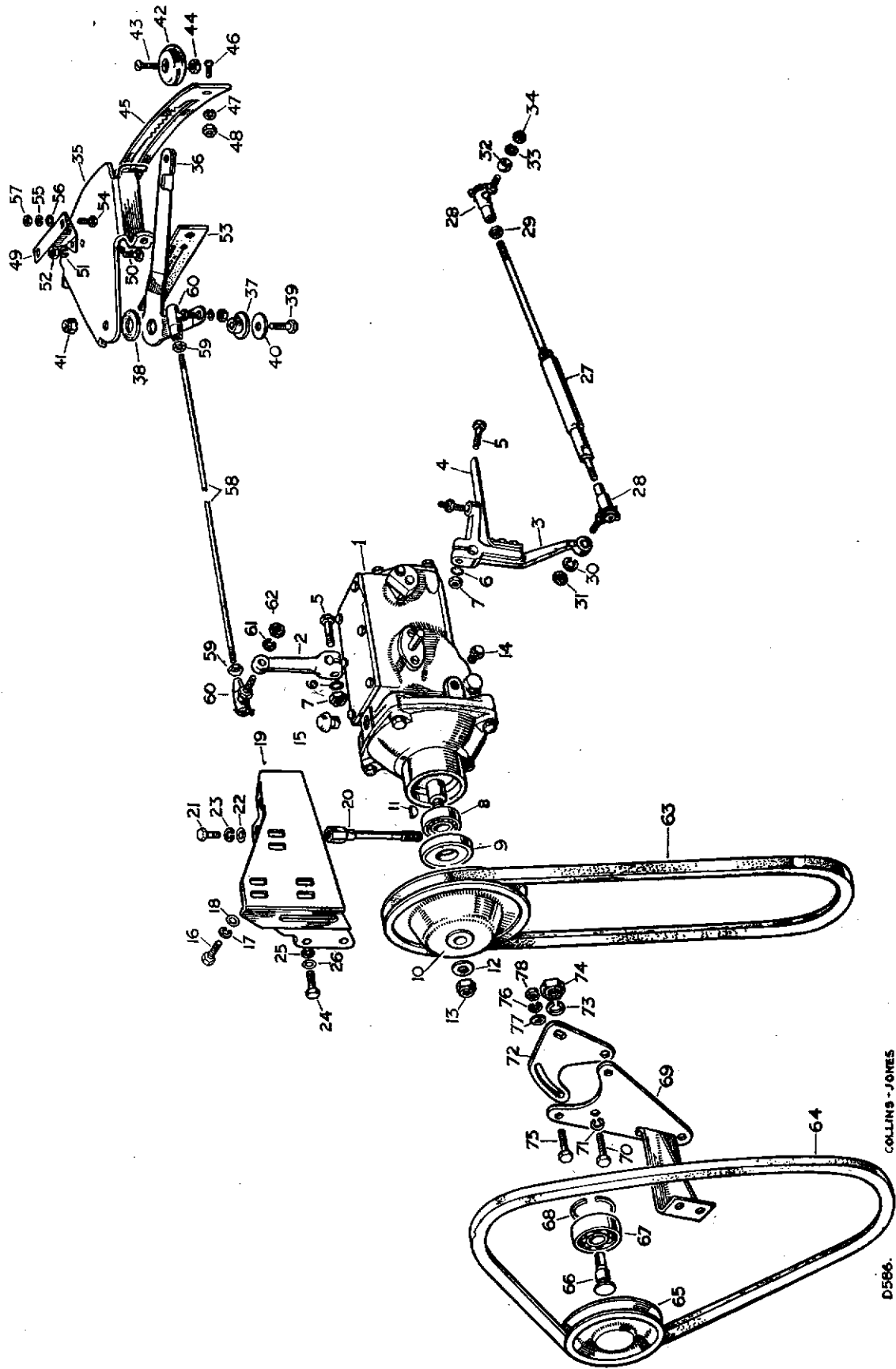
COLLINS - JONES

D586.

ENGINE GOVERNOR, 2½ LITRE PETROL, Series II

PLATE REF.	1 2 3 4	DESCRIPTION	Qty.	Part No.	REMARKS
49		Support for governor control	1	240065
50		Bolt (2 B.A. x ½" long)		1	234603
51		Spring washer		1	3073
52		Nut (2 B.A.)		1	2247
53		Rubber draught excluder	1	231625
54		Bolt (2 B.A. x ½" long)		2	234603
55		Spring washer		2	3073
56		Plain washer		4	3685
57		Nut (2 B.A.)		2	2247
58		Operating rod, quadrant to governor, 19" long	1	279697	} Alternatives } Check before ordering
		Operating rod, quadrant to governor, 20" long	1	509085	
59		Locknut (¼" U.N.F.)		2	254800
60		Ball joint		2	279698
61		Spring washer		2	3074
62		Nut (¼" U.N.F.)		2	254800
		Panel for control on instrument panel	1	332725
63		Belt for engine governor	1	278547
64		Fan belt	1	278546
65		Jockey pulley	1	279100
66		Shaft		1	278552
67		Bearing		1	235860
68		Circlip		1	235861
69		Support plate for jockey pulley	1	278554
70		Set bolt (⅝" U.N.C. x ⅞" long)		2	253027
71		Spring washer		2	3075
72		Belt adjusting plate	1	278542
73		Spring washer		1	3077
74		Nut (⅞" U.N.F.)		1	254803
75		Bolt (⅝" U.N.F. x ⅞" long)		2	255227
76		Spring washer		2	3075
77		Plain washer		1	2550
78		Nut (⅝" U.N.F.)		2	254811
		Fan	1	507845
		Spring washer		4	3074
		Set bolt (¼" U.N.F. x ¾" long)		4	255207
		Fan pulley	1	503039
		Set bolt (¼" U.N.F. x ⅝" long) fixing fan pulley		4	255006
		Crankshaft pulley	1	278543
		Lockwasher for starting dog	1	247771
		Dynamo pulley	1	278545
		Lockwasher for dynamo pulley	1	217781
		Spindle for carburetter bell crank	1	504282
		Bracket for bell crank spindle	1	504283
		Shakeproof washer fixing spindle to bracket	1	70822
		Plain washer for spindle	1	2210
		Plain washer, steering unit to support bracket	4	2266 L.H.D.
		Stud for inlet manifold	2	530135*
		Carburetter lever	1	504683
		Lockwasher for carburetter lever	1	504485
		Control rod, bell crank to carburetter lever	1	506210
		Ball end		2	277633
		Locknut (¼" U.N.F.)		2	254800

ENGINE GOVERNOR, 2½ LITRE PETROL, Series II

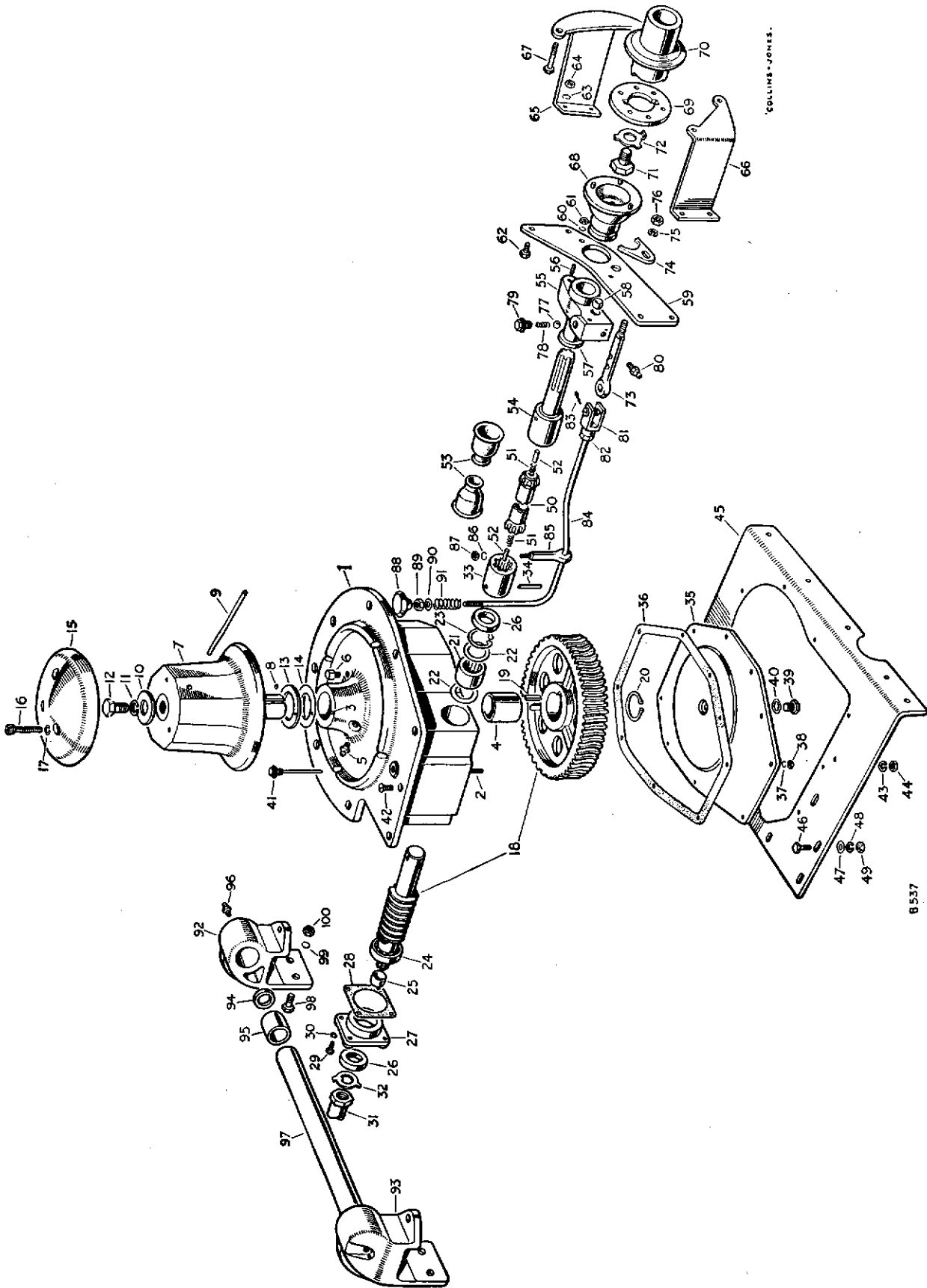


D586. COLLINS-JONES

ENGINE GOVERNOR, 2½ LITRE PETROL, Series II

PLATE REF.	1	2	3	4	DESCRIPTION	Qty.	Part No.	REMARKS
					Tie rod for engine	1	504606	
					Sleeve for engine tie rod	2	504607	
					Rubber bush	4	07014	
					Cup washer	4	07015	
					Nut ($\frac{5}{16}$ " U.N.F.)	4	254801	} For tie rod
					Locknut ($\frac{5}{16}$ " U.N.F.)	4	254861	
					Bracket for tie rod at bell housing	1	504605	
					Bolt ($\frac{5}{16}$ " U.N.F. x 1" long)	2	255228	} Fixing bracket to bell housing
					Spring washer	2	3075	
					Nut ($\frac{5}{16}$ " U.N.F.)	2	254801	
					Bracket for tie rod at frame	1	508339	
					Bolt ($\frac{3}{8}$ " U.N.F. x 3¼" long)	1	256050	} Fixing bracket to frame
					Spring washer	1	3076	
					Nut ($\frac{3}{8}$ " U.N.F.)	1	254812	

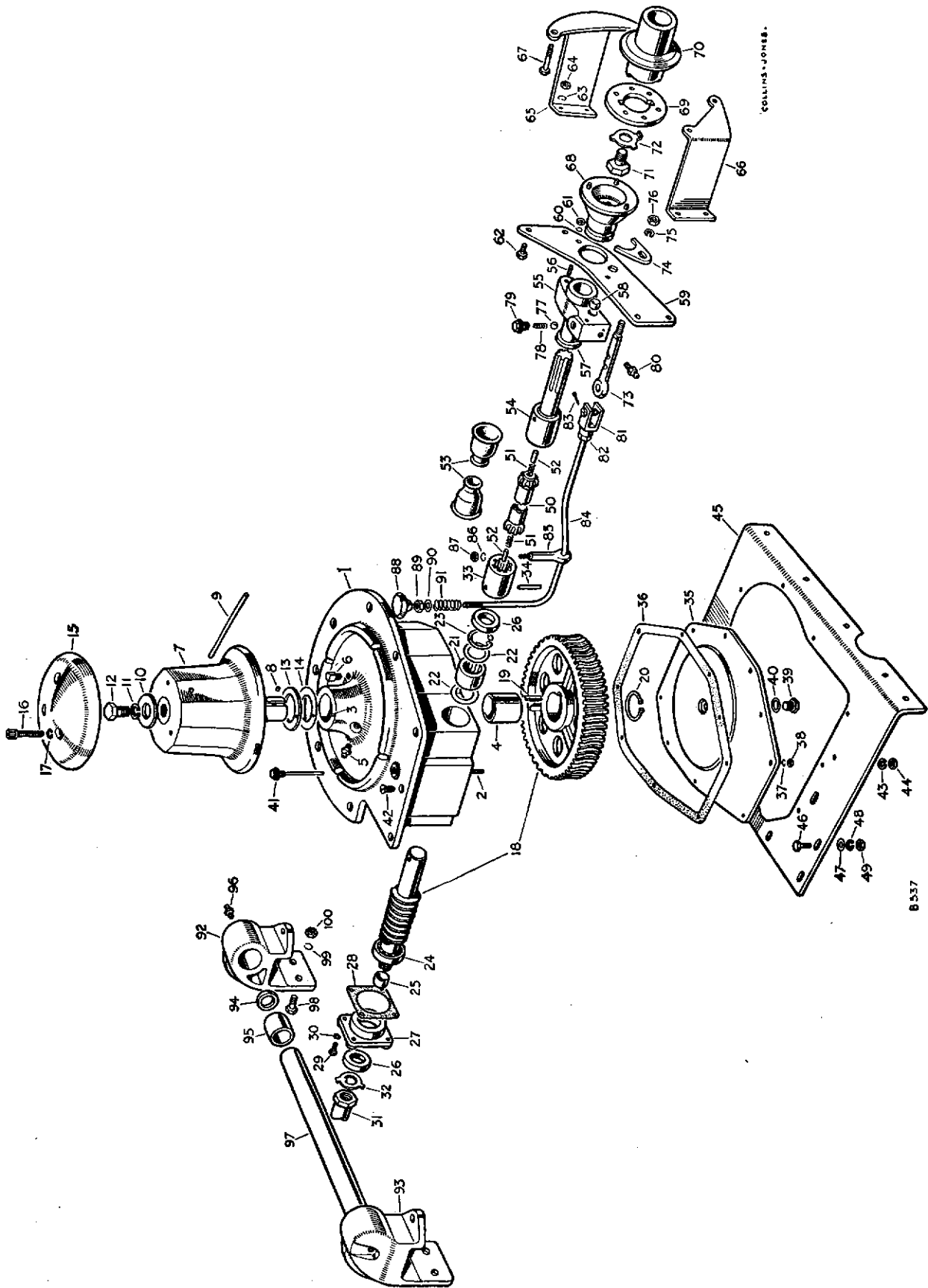
FRONT CAPSTAN WINCH, 2 LITRE PETROL



FRONT CAPSTAN WINCH, 2 LITRE PETROL

PLATE REF.	1 2 3 4	DESCRIPTION	Qty.	Part No.	REMARKS
		FRONT WINCH COMPLETE ASSEMBLY	1	501451	
		FRONT WINCH ASSEMBLY	1	269163	
1		CASING ASSEMBLY FOR FRONT WINCH	1	268698	
2		Stud for bottom cover	10	212104	
3		Dowel for thrust washer	1	09561	
4		Bush for bollard shaft	2	219161	
5		Grease nipple for shaft	1	219696	
6		Breather cup for housing	1	219564	
7		BOLLARD AND SHAFT ASSEMBLY....	1	234370	
8		Dowel for shaft	1	09561	
9		Pin for bollard, 0.265" diameter	1	237006	} Alternatives } Check before ordering
		Pin for bollard, 0.328" diameter	1	506287	
10		Plain washer	1	8060	} Fixing } bollard } to shaft
11		Spring washer	1	3078	
12		Set bolt ($\frac{1}{2}$ " B.S.F. x $\frac{1\frac{1}{8}}$ " long)	1	215767	
13		Thrust washer	1	219089	} For } bollard
14		Shim	As required	233324	
15		Cap for bollard	1	219115	
16		Special screw	3	219742	} Fixing cap } to bollard
17		Spring washer	3	3076	
18		Worm wheel and worm complete	1	234807	
19		Special key for worm wheel	1	219125	
20		Circlip fixing worm wheel	1	219691	
21		Roller bearing for worm	1	235646	
22		Washer for bearing	2	235648	
23		Circlip fixing bearing to casing	1	235647	
24		Ball bearing for worm shaft	1	219088	
25		Distance piece for worm shaft	1	219113	
26		Oil seal for worm shaft	2	219624	
27		Retainer for oil seal	1	219062	
28		Joint washer for oil seal retainer	1	219119	
29		Set bolt (2 B.A. x $\frac{1}{2}$ " long)	4	250960	} Fixing oil seal re- } tainer to housing
30		Spring washer	4	3073	
31		Starting dog	1	219087	
32		Lock washer for starting dog	1	219118	
33		Universal joint sleeve	1	219083	
34		Special pin fixing sleeve to worm	1	250362	
35		Bottom cover for winch casing	1	219117	
36		Joint washer for bottom cover	1	219116	
37		Spring washer	10	3074	} Fixing bottom } cover to casing
38		Nut ($\frac{1}{4}$ " B.S.F.)	10	2823	
39		Drain plug for front winch	1	3088	
40		Joint washer for drain plug	1	230507	
41		Filler plug and dipstick	1	219179	

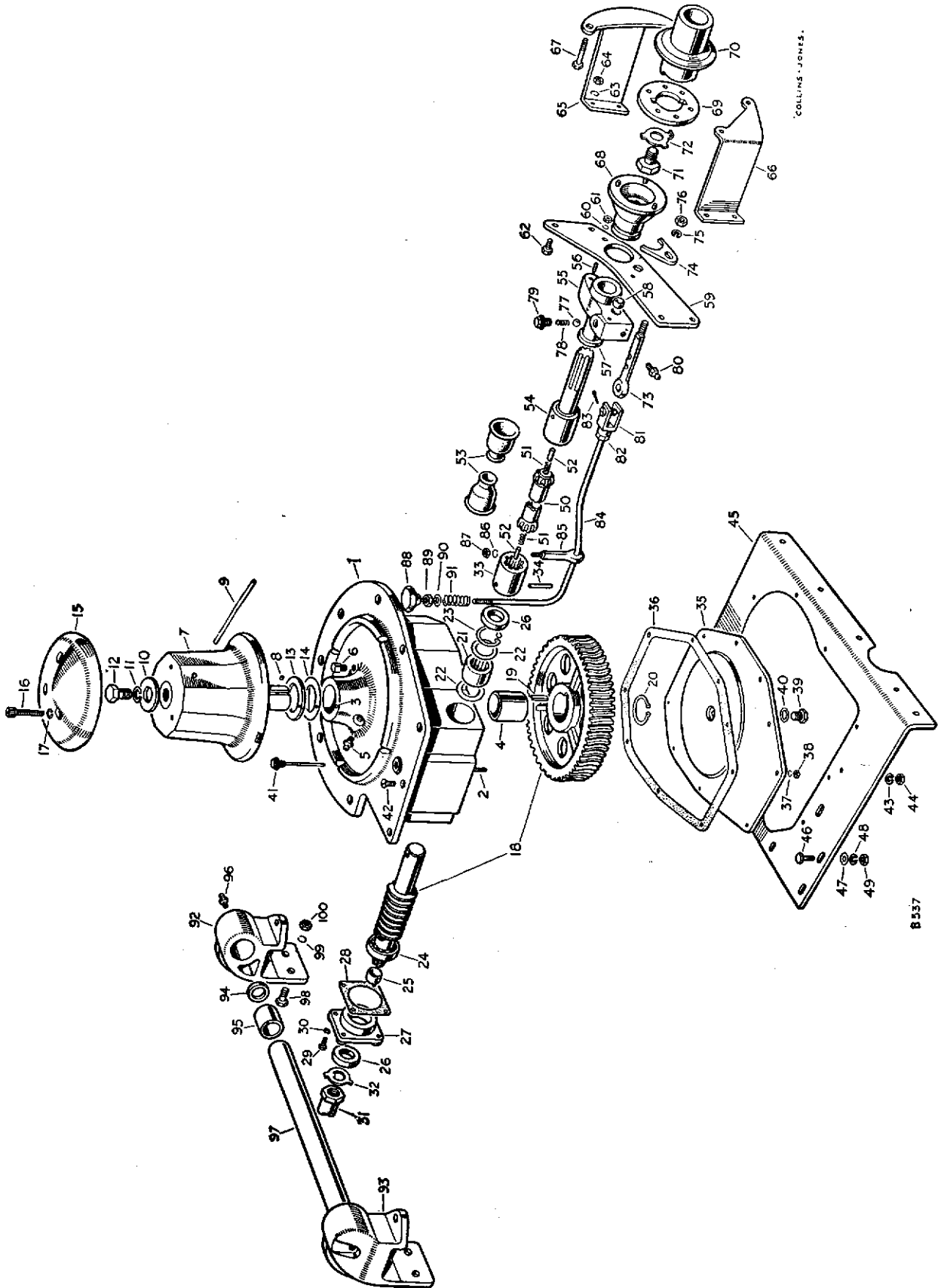
FRONT CAPSTAN WINCH, 2 LITRE PETROL



FRONT CAPSTAN WINCH, 2 LITRE PETROL

PLATE REF.	1	2	3	4	DESCRIPTION	Qty.	Part No.	REMARKS
42					Special bolt	9	252120	
43					Spring washer	9	3075	} front winch to support plate
44					Nut ($\frac{5}{16}$ " U.N.F.)	9	254801	
45					Support plate for front winch	1	504246	
					Bolt ($\frac{5}{16}$ " B.S.F. x $\frac{3}{8}$ " long)	5	250704	
46					Bolt ($\frac{5}{16}$ " U.N.F. x $\frac{3}{4}$ " long)	5	255026	} Fixing support plate to cross-member and front bumper
47					Plain washer	5	2550	
48					Spring washer	10	3075	
49					Nut ($\frac{5}{16}$ " U.N.F.)	5	254801	
					Riv-nut ($\frac{5}{16}$ " B.S.F.)	5	268703	
50					Propeller shaft for front winch	1	278061	
51					Plunger spring	2	55742	
52					Plunger	2	219093	} For propeller shaft
53					Dust cover	2	219080	
54					Driving shaft for front winch	1	269162	
55					WINCH SHAFT HOUSING ASSEMBLY	1	219793	
56					Stud for support plate	2	212104	
57					Bush for winch driving shaft	1	219104	
58					Bush for control shaft	2	219103	
59					Support plate for winch shaft	1	236511	
60					Spring washer	2	3074	} Fixing housing to support plate
61					Nut ($\frac{1}{4}$ " B.S.F.)	2	2823	
62					Bolt ($\frac{5}{16}$ " B.S.F. x $\frac{3}{4}$ " long)	4	237159	} Fixing support plate to bracket on front cover
63					Spring washer	4	3075	
64					Nut ($\frac{5}{16}$ " B.S.F.)	4	2828	
65					Bracket for winch shaft support plate, R.H.	1	219074	
66					Bracket for winch shaft support plate, L.H.	1	236510	
67					Set bolt ($\frac{5}{16}$ " B.S.F. x 2" long) fixing brackets to front cover	3	250530	
					Set bolt ($\frac{5}{16}$ " B.S.F. x 2 $\frac{1}{4}$ " long)	1	250331	} Fixing dynamo adjusting strap to front cover
					Distance piece	1	2204	
68					Driving flange for front winch	1	263356	
69					Winch driving plate	1	218549	
70					Driving flange for fan pulley	1	218653	
71					Special plug	1	218584	} Fixing driving flange and plate
72					Lock washer	1	218605	
73					Control shaft for driving flange	1	219561	
74					Selector fork for control shaft	1	219562	
75					Spring washer	1	3074	} Fixing fork to shaft
76					Nut ($\frac{1}{4}$ " B.S.F.)	1	2823	
77					Steel ball	1	3050	
78					Spring	1	211382	} For control shaft
79					Plug for spring	1	219101	
80					Grease nipple for control shaft	1	219696	
81					Clevis complete	1	215809	} Fixing control rod to shaft
82					Locknut ($\frac{5}{16}$ " B.S.F.)	1	2828	
83					Split pin	1	2392	
84					Control rod for winch	1	278059	
85					Eyebolt for winch control rod	1	219559	
86					Spring washer	1	3074	} Fixing eyebolt to winch support plate
87					Nut ($\frac{1}{4}$ " B.S.F.)	1	2823	

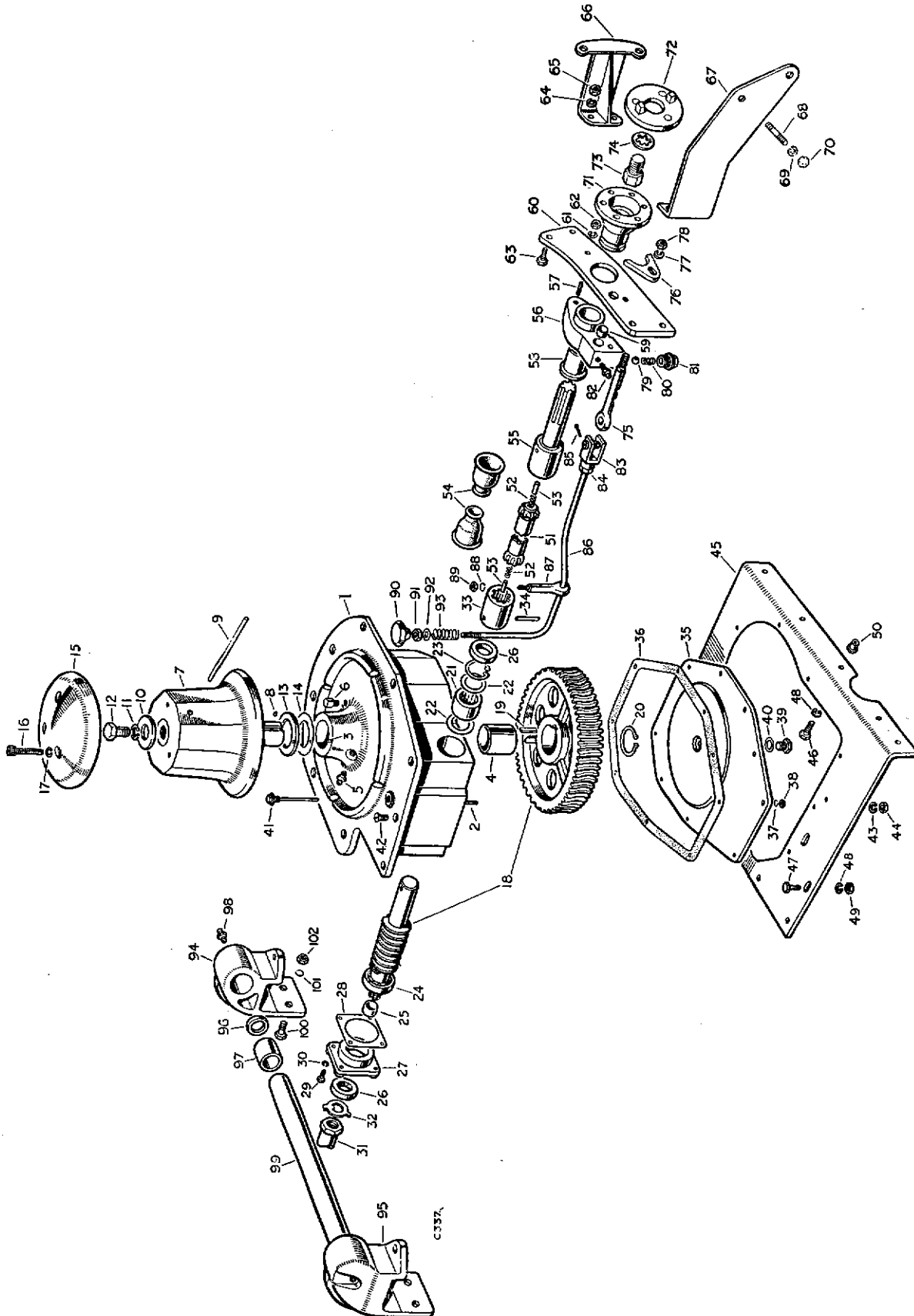
FRONT CAPSTAN WINCH, 2 LITRE PETROL



FRONT CAPSTAN WINCH, 2 LITRE PETROL

PLATE REF.	1	2	3	4	DESCRIPTION	Qty.	Part No.	REMARKS
88					Knob for control rod	1	219558	
89					Locknut ($\frac{3}{8}$ " B.S.F.) for knob	1	2827	
90					Plain washer for spring	2	2251	
91					Spring for control rod	1	212943	
92					ROPE GUIDE BRACKET ASSEMBLY			
					R.H.	1	219577	
93					ROPE GUIDE BRACKET ASSEMBLY			
					L.H.	1	219576	
94					Thrust washer	2	219241	
95					Bush for guide bar	2	219237	
96					Grease nipple for bush	2	219696	
97					Guide bar for winch rope	1	219214	
					Bolt ($\frac{3}{8}$ " U.N.F. x 1" long)	} Fixing rope guide to support plate and front bumper	2	255047
98				Bolt ($\frac{3}{8}$ " U.N.F. x $1\frac{1}{8}$ " long)	4		255048	
99				Spring washer	6		3076	
100					Nut ($\frac{3}{8}$ " U.N.F.)	6	254802	
					Starting handle	1	234402	
					Wrench for bollard cap screw	1	237255	
					Front spring, driver's side	1	241283	
					Front spring, passenger's side	1	242863	

FRONT CAPSTAN WINCH, 2½ LITRE PETROL AND DIESEL

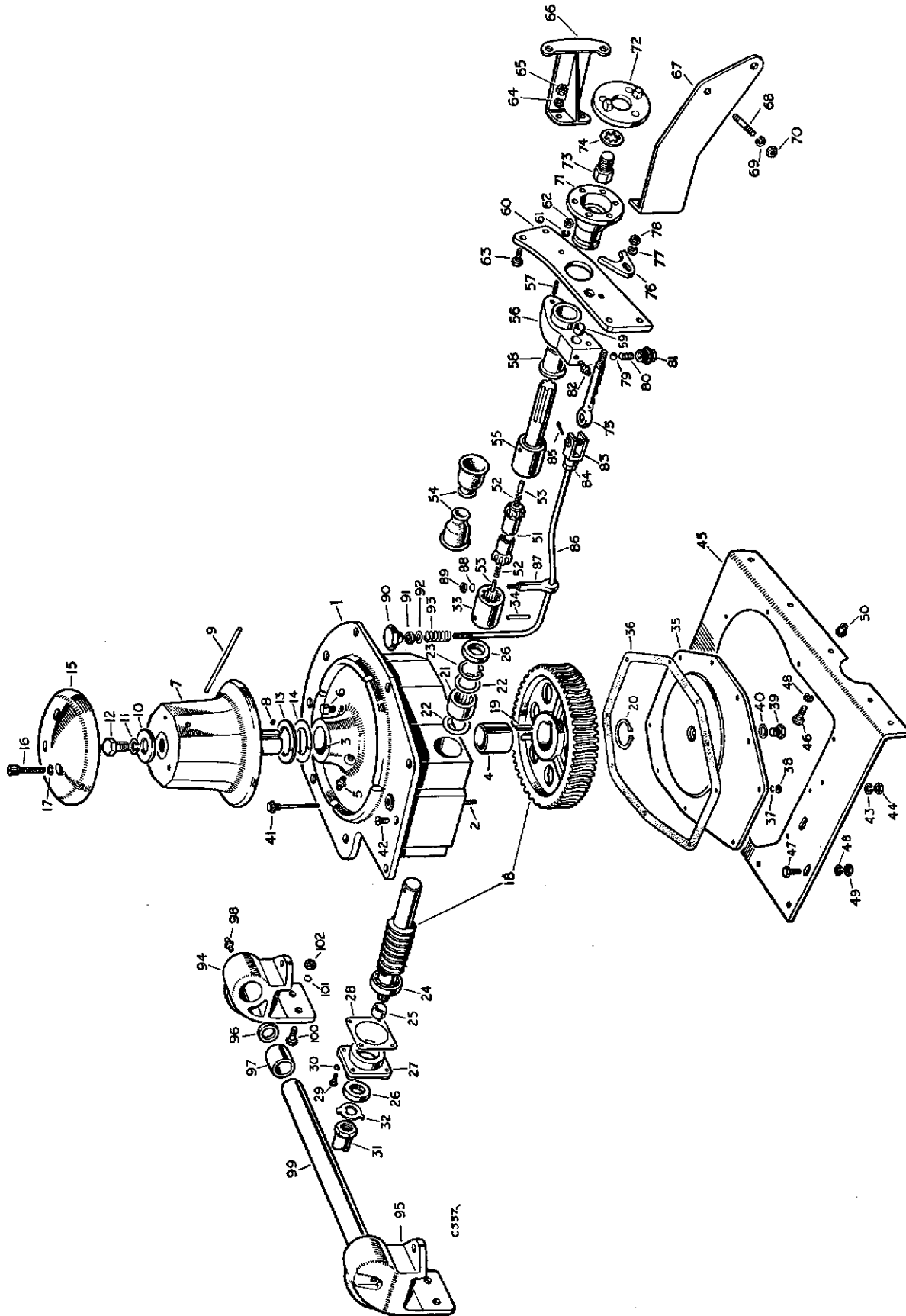


C337.

FRONT CAPSTAN WINCH, 2½ LITRE PETROL AND DIESEL

PLATE REF.	1 2 3 4	DESCRIPTION	Qty.	Part No.	REMARKS
		FRONT WINCH COMPLETE ASSEMBLY	1	501453	
		FRONT WINCH ASSEMBLY	1	269163	
1		CASING ASSEMBLY FOR FRONT			
		WINCH	1	268698	
2		Stud for bottom cover	10	212104	
3		Dowel for thrust washer	1	09561	
4		Bush for bollard shaft	2	219161	
5		Grease nipple for shaft	1	219696	
6		Breather cup for housing	1	219564	
7		BOLLARD AND SHAFT ASSEMBLY....	1	234370	
8		Dowel for shaft	1	09561	
9		Pin for bollard, 0.265" diameter	1	237006	} Alternatives } Check before ordering
		Pin for bollard, 0.328" diameter	1	506287	
10		Plain washer	} Fixing } bollard } to shaft	1	8060
11		Spring washer		1	3078
12		Set bolt (½" B.S.F. x 1½" long)		1	215767
13		Thrust washer } For	1	219089	
14		Shim } bollard	As required	233324	
15		Cap for bollard	1	219115	
16		Special screw } Fixing cap	3	219742	
17		Spring washer } to bollard	3	3076	
18		Worm wheel and worm complete	1	234807	
19		Special key for worm wheel	1	219125	
20		Circlip fixing worm wheel	1	219691	
21		Roller bearing for worm	1	235646	
22		Washer for bearing	2	235648	
23		Circlip fixing bearing to casing	1	235647	
24		Ball bearing for worm shaft	1	219088	
25		Distance piece for worm shaft	1	219113	
26		Oil seal for worm shaft	2	219624	
27		Retainer for oil seal	1	219062	
28		Joint washer for oil seal retainer	1	219119	
29		Set bolt (2 B.A. x ½" long)	} Fixing oil seal re- } tainer to housing	4	250960
30		Spring washer		4	3073
31		Starting dog	1	219087	
32		Lock washer for starting dog	1	219118	
33		Universal joint sleeve	1	219083	
34		Special pin fixing sleeve to worm	1	250362	
35		Bottom cover for winch casing	1	219117	
36		Joint washer for bottom cover	1	219116	
37		Spring washer } Fixing bottom cover	} to casing	10	3074
38		Nut (¼" B.S.F.)		10	2823
39		Drain plug for front winch	1	3088	
40		Joint washer for drain plug	1	230507	
41		Filler plug and dipstick	1	219179	

FRONT CAPSTAN WINCH, 2½ LITRE PETROL AND DIESEL

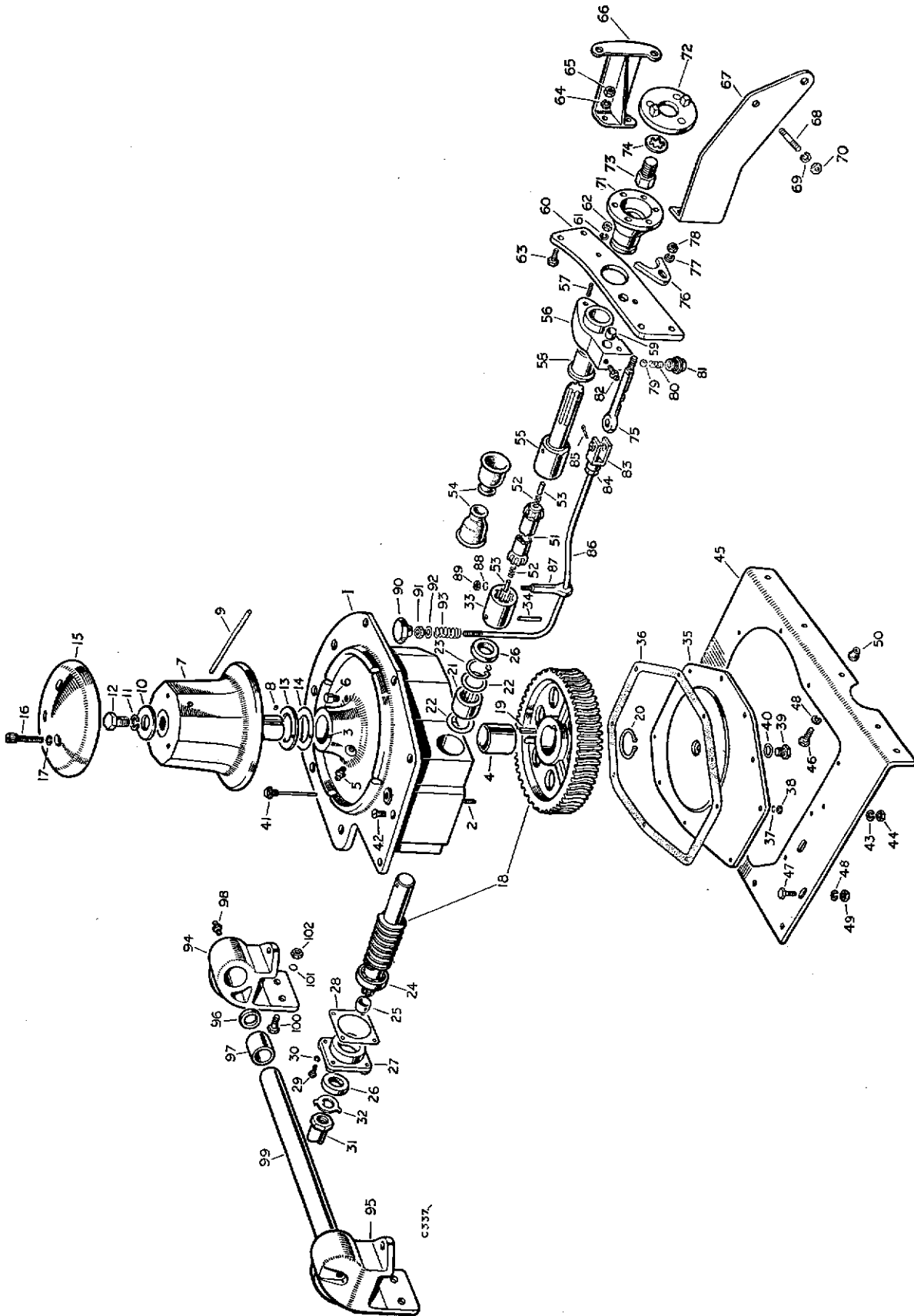


C337A

FRONT CAPSTAN WINCH, 2 $\frac{1}{4}$ LITRE PETROL AND DIESEL

PLATE REF.	1	2	3	4	DESCRIPTION	Qty.	Part No.	REMARKS
42					Special bolt } Fixing	9	252120	
43					Spring washer } front winch to	9	3075	
44					Nut ($\frac{5}{16}$ " U.N.F.) } support plate	9	254801	
45					Support plate for front winch	1	504246	
46					Bolt ($\frac{5}{16}$ " B.S.F. x $\frac{3}{4}$ " long) } Fixing support	5	250704	
47					Bolt ($\frac{5}{16}$ " U.N.F. x $\frac{3}{4}$ " long) } plate to cross-	5	255026	
48					Spring washer } member and	10	3075	
49					Nut ($\frac{5}{16}$ " U.N.F.) } front	5	254801	
50					Riv-nut ($\frac{5}{16}$ " B.S.F.) } bumper	5	268703	
51					Propeller shaft for front winch	1	278056	
52					Plunger spring } For propeller shaft	2	55742	
53					Plunger } For propeller shaft	2	219093	
54					Dust cover } For propeller shaft	2	219080	
55					Driving shaft for front winch	1	269162	
56					WINCH SHAFT HOUSING ASSEMBLY	1	504248	
57					Stud for support plate	2	212104	
58					Bush for winch driving shaft, overall length 1.750"	1	219104	} Alternatives. Check before ordering
					Bush for winch driving shaft, overall length 1.437"	1	504250	
59					Bush for control shaft, overall length .375"	2	219103	1 off on 1961 models onwards
					Bush for control shaft, overall length .625"	1	504252	1961 models onwards
60					Support plate for winch shaft	1	268910	
61					Spring washer } Fixing housing to	2	3074	
62					Nut ($\frac{1}{4}$ " B.S.F.) } support plate	2	2823	
63					Bolt ($\frac{5}{16}$ " U.N.F. x $\frac{3}{8}$ " long) } Fixing	4	255227	
64					Spring washer } support plate	4	3075	
					Shim } to bracket on As required	1	279068	
65					Nut ($\frac{5}{16}$ " U.N.F.) } front cover	4	254811	
66					Bracket for winch shaft support plate, R.H.	1	268907	
67					Bracket for winch shaft support plate, L.H.	1	268905	
68					Stud in front cover for brackets	4	252511	
69					Spring washer } Fixing	4	3075	
70					Nut ($\frac{5}{16}$ " U.N.F.) } brackets	4	254801	
71					Winch driving flange	1	268903	
72					Winch driving plate	1	268900	
73					Special plug } Fixing	1	269461	
74					Shakeproof washer } driving plate	1	78193	
75					Control shaft for driving flange, detents for steel ball .437" apart	1	219561	} Alternatives. Check before ordering
					Control shaft for driving flange, detents for steel ball .687" apart	1	504253	
76					Selector fork for control shaft	1	219562	
77					Spring washer } Fixing fork	1	3074	
78					Nut ($\frac{1}{4}$ " B.S.F.) } to shaft	1	2823	
79					Steel ball } For control shaft	1	3050	
80					Spring } For control shaft	1	211382	
81					Plug for spring } For control shaft	1	219101	
82					Grease nipple for control shaft	1	219696	

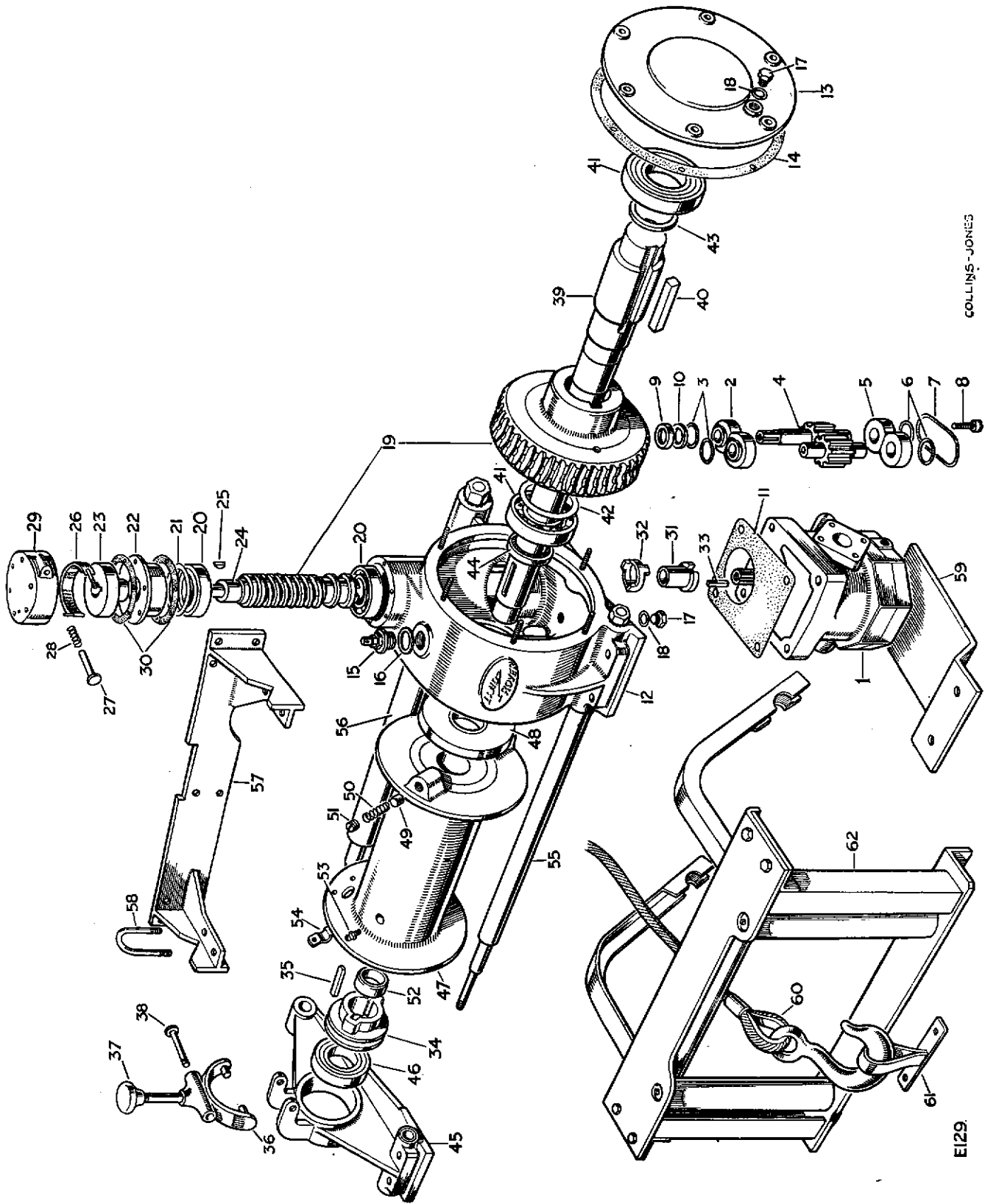
FRONT CAPSTAN WINCH, 2½ LITRE PETROL AND DIESEL



FRONT CAPSTAN WINCH, 2½ LITRE PETROL AND DIESEL

PLATE REF.	1	2	3	4	DESCRIPTION	Qty.	Part No.	REMARKS
83					Clevis complete	1	215809	
84					Locknut (⅜" B.S.F.)	1	2828	} Fixing control rod to shaft
85					Split pin	1	2392	
86					Control rod for winch	1	278054	
87					Eyebolt for winch control rod	1	269197	
88					Spring washer	1	3074	} Fixing eyebolt to winch support plate
89					Nut (¼" B.S.F.)	1	2823	
90					Knob for control rod	1	219558	
91					Locknut (⅜" B.S.F.) for knob	1	2827	
92					Plain washer for spring	2	2251	
93					Spring for control rod	1	212943	
94					ROPE GUIDE BRACKET ASSEMBLY			
					R.H.	1	219577	
95					ROPE GUIDE BRACKET ASSEMBLY			
					L.H.	1	219576	
96					Thrust washer	2	219241	
97					Bush for guide bar	2	219237	
98					Grease nipple for bush	2	219696	
99					Guide bar for winch rope	1	219214	
					Bolt (⅜" U.N.F. x 1" long)	2	255047	} Fixing rope guide to support plate and front bumper
100					Bolt (⅜" U.N.F. x 1½" long)	4	255048	
101					Spring washer	6	3076	
102					Nut (⅜" U.N.F.)	6	254802	
					Starting handle	1	234402	
					Wrench for bollard cap screw	1	237255	

HYDRAULIC FRONT WINCH



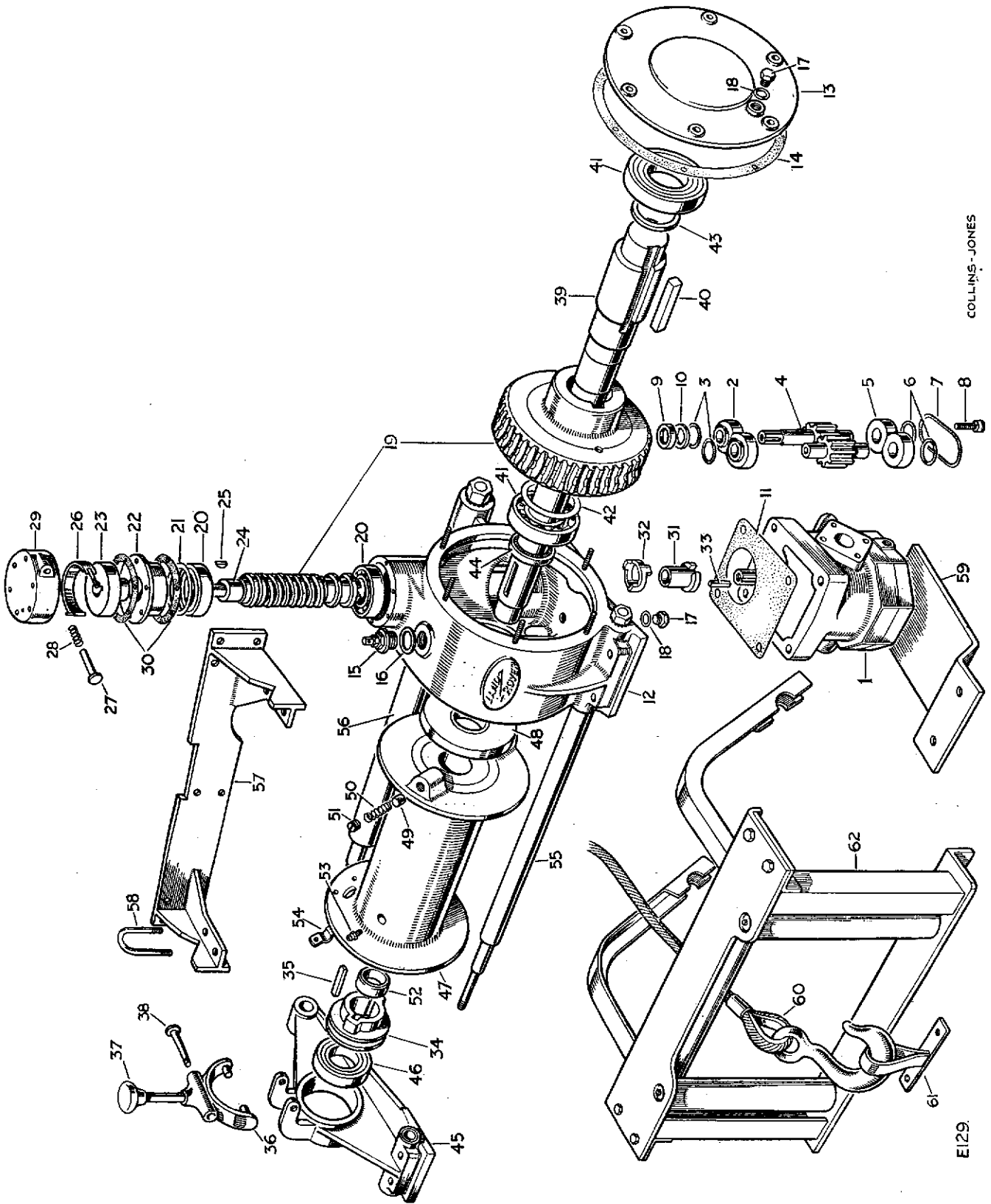
COLLINS-JONES

E129

HYDRAULIC FRONT WINCH

PLATE REF.	1 2 3 4	DESCRIPTION	Qty.	Part No.	REMARKS
		HYDRAULIC FRONT WINCH, COMPLETE			
		ASSEMBLY	1	524135 88	
		HYDRAULIC FRONT WINCH COMPLETE			
		ASSEMBLY	1	524136 109	
		HYDRAULIC WINCH ASSEMBLY	1	580001	
1		Motor unit, complete, for winch	1	580038	
2		Bush 'B' for gear shafts	1	515510	
3		'O' ring for 'B' bushes	2	515511	
4		Gears and shafts	1	515512	
5		Bush 'A' for gear shafts	1	515513	
6		Sealing ring for 'A' bushes	2	515514	
7		'O' ring for housing	1	515515	
8		Special screw fixing body cover and body	8	515516	
9		Oil seal for shaft	1	515517	
10		Baffle for oil seal	1	515518	
11		Joint washer for motor unit	1	580007	
		Plain washer } Fixing motor	4	2765	
		Spring washer } unit to winch	4	3076	
		Nut ($\frac{3}{8}$ " U.N.F.) } gearbox	4	254812	
12		Gearbox casing for winch	1	515549	
13		End plate for gearbox casing	1	580003	
14		Joint washer for gearbox casing	1	580004	
		Plain washer } Fixing end	6	2250	
		Spring washer } cover to	6	3075	
		Nut ($\frac{5}{16}$ " U.N.F.) } gearbox casing	6	254801	
15		Oil filler plug	1	580133	
16		Joint washer for oil filler plug	1	06009	
17		Oil level and drain plug	2	515133	
18		Joint washer for plug	2	2347	
19		Wormwheel, wormshaft and distance pieces	1	515550	
20		Bearing for wormshaft	2	580035	
		Shim for wormshaft .002"	As required	580139	
21		Shim for wormshaft .005"	As required	580138	
		Shim for wormshaft .010"	As required	580137	
22		Retaining cap for bearing	1	580042	
23		Brake drum for wormwheel shaft	1	580041	
24		Distance piece } For	1	580067	
25		Key } brake drum	1	580048	
26		Brake band	1	580044	
27		Plunger for brake band	1	580047	
28		Spring for plunger	1	509536	
29		Cover for brake drum	1	580043	
30		Joint washer for retaining cap and cover	2	580046	
		Set bolt ($\frac{1}{4}$ " U.N.F.) } Fixing			
		x $2\frac{1}{4}$ " long) } retaining cap	6	256008	
		Plain washer } and cover to	6	2213	
		Spring washer } gearbox casing	6	3074	
31		Coupling sleeve } Connecting	1	580063	
32		Coupling dog } motor unit	1	580064	
33		Key } to wormshaft	1	580031	

HYDRAULIC FRONT WINCH



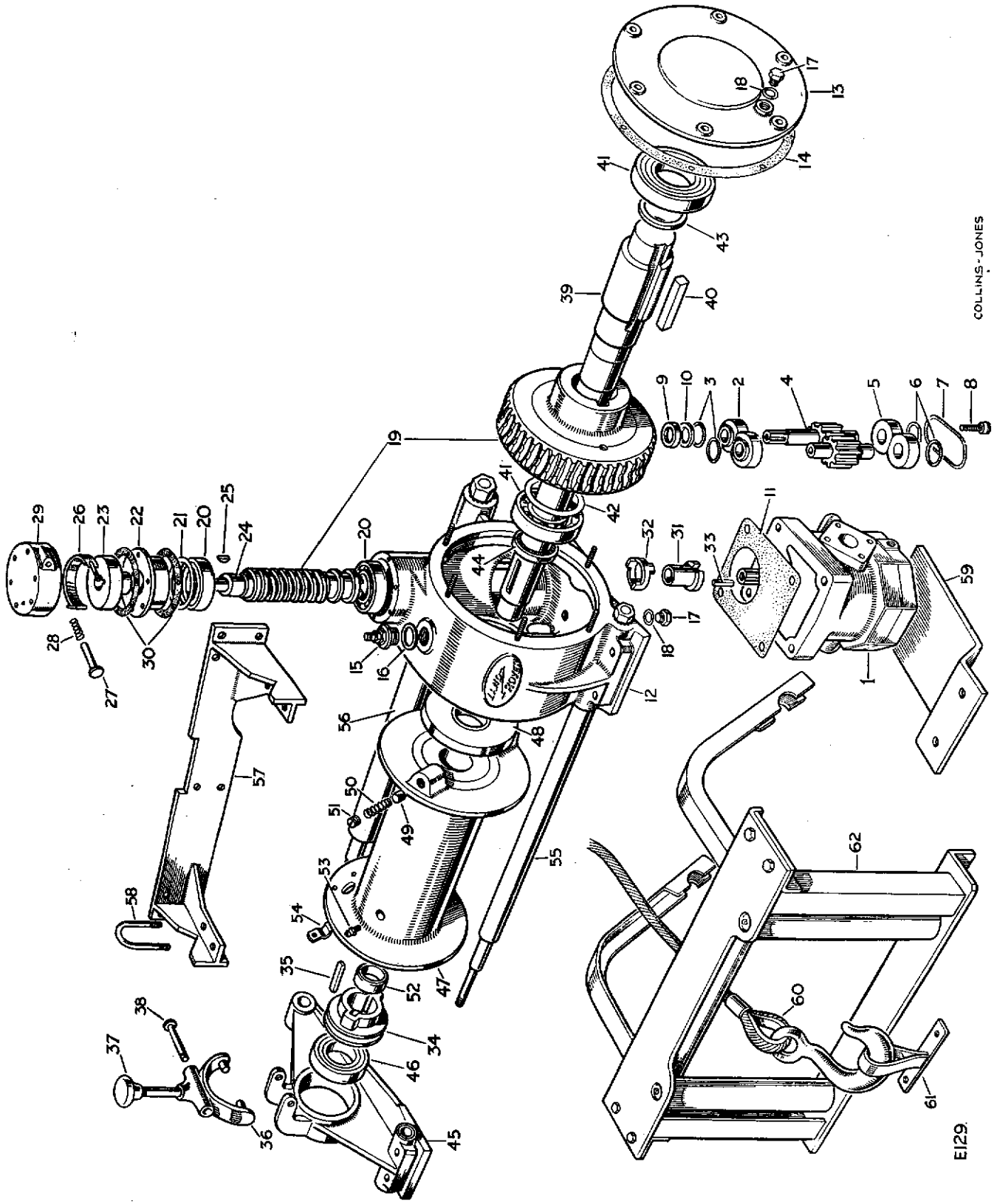
COLLINS-JONES

E129

HYDRAULIC FRONT WINCH

PLATE REF.	1 2 3 4	DESCRIPTION	Qty.	Part No.	REMARKS
34		Dog clutch for cable drum	1	580015	
35		Key fixing dog clutch to worm and drum shaft	2	580017	
36		Selector lever for dog clutch	1	509446	
37		Knob for selector lever	1	219521	
38		Retaining pin for selector lever	1	580016	
		Plain washer } Fixing	1	2765	
		Split pin } retaining pin	1	2392	
39		Shaft and key for worm wheel and drum	1	530621*	
40		Key } Fixing worm	1	580036	Key with square ends } Key with rounded ends } Alternatives Part of 530621 } Check before ordering
		Key } to shaft	1	526768*	
41		Bearing for shaft, worm end	2	580033	
		Shim for wormwheel .002"	As required	580136	
42		Shim for wormwheel .005"	As required	580135	
		Shim for wormwheel .010"	As required	580134	
43		Distance ring for shaft, worm end	1	580008	
44		Oil seal for shaft, worm end	1	580039	
45		Support bracket for worm and drum shaft at dog clutch end	1	580022	
46		Bearing for worm and drum shaft, dog clutch end	1	270604	
47		Cable drum	1	580010	
48		Friction disc for cable drum	1	580011	
49		Pad } For	2	580012	
50		Spring } friction	2	03649	
51		Retaining plug } disc	2	580140	
52		Thrust ring for cable drum	1	580009	
53		Grease nipple for cable drum	2	234532	
54		Cleat for cable } Fixing	1	580045	
		Bolt ($\frac{5}{16}$ " U.N.F. x $\frac{5}{8}$ " long) } cleat to	2	255025	
		Spring washer } cable drum	2	3075	
55		Connecting tube, front	1	580019	
56		Connecting tube, rear	1	580018	
		Nut ($\frac{1}{2}$ " U.N.F.) } For front } Fixing tubes	2	254804	
		Shakeproof washer } tube } to gearbox	2	73353	
		Nut ($\frac{5}{8}$ " U.N.F.) } For rear } casing and	2	254806	
		Shakeproof washer } tube } support	2	233017	
					bracket
57		Rear mounting bracket	1	580020	
58		'U' bolt } Fixing	2	580021	
		Spring washer } rear mounting	4	3075	
		Nut ($\frac{5}{16}$ " U.N.F.) } bracket to winch	4	254801	
		Set bolt ($\frac{5}{16}$ " U.N.F. x $1\frac{1}{4}$ " long) } Fixing winch	10	256220	
		Spring washer } to chassis	10	3075	
		Riv-nut ($\frac{5}{8}$ " U.N.F.) } cross-member	10	501224	
		Bolt ($\frac{3}{8}$ " U.N.F. x $2\frac{1}{4}$ " long) } Fixing winch to	4	256046	
		Plain washer } front bumper	4	2765	
		Spring washer } front bumper	4	3076	
		Nut ($\frac{3}{8}$ " U.N.F.) } front bumper	4	254812	
59		Protection shield for motor unit	1	580141	
		Bolt ($\frac{5}{16}$ " U.N.F. x $\frac{5}{8}$ " long) } Fixing	2	255025	
		Spring washer } shield to	2	3075	
		Nut ($\frac{5}{16}$ " U.N.F.) } front bumper	2	254801	
60		Cable for winch, $\frac{3}{8}$ " diameter x 100 feet long	1	580032	

HYDRAULIC FRONT WINCH



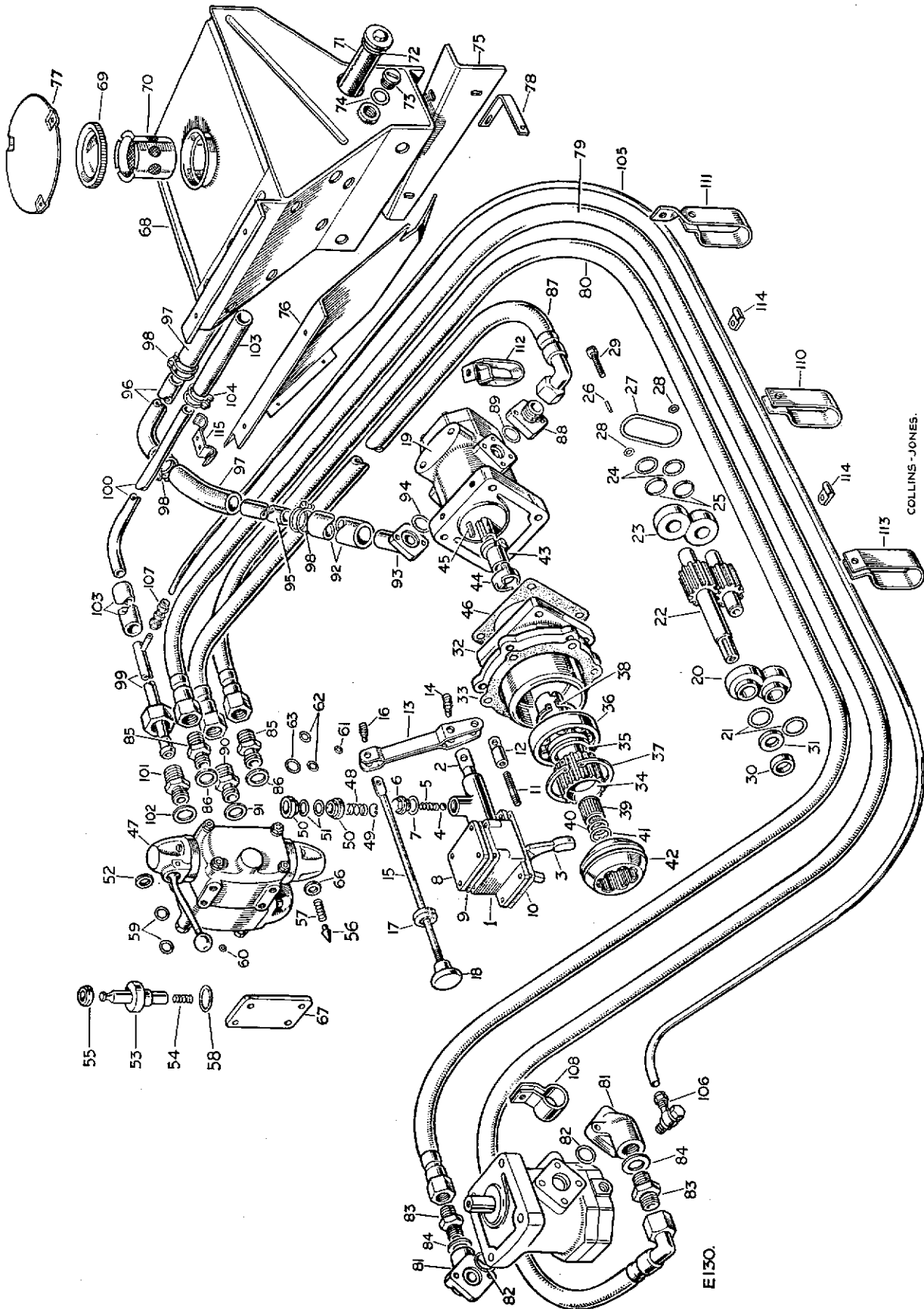
COLLINS-JONES

E129

HYDRAULIC FRONT WINCH

PLATE REF.	1	2	3	4	DESCRIPTION	Qty.	Part No.	REMARKS	
61					Anchor for cable hook	1	580132	} 1959-60 models
					Bolt ($\frac{1}{4}$ " U.N.F. x $\frac{3}{8}$ " long)	2	255006	
					Spring washer	2	3074	
					Nut ($\frac{1}{4}$ " U.N.F.)	2	254800	
					} Fixing anchor				
62					Roller guide complete for winch cable	1	580124	
					Bolt ($\frac{3}{8}$ " U.N.F. x 1" long)	3	255047	} Fixing roller guide
					Plain washer	3	2765	
					Spring washer	3	3076	
					Nut ($\frac{3}{8}$ " U.N.F.)	3	254812	} to front bumper
					'U' bolt	2	580152	} Fixing roller guide to winch
					Spring washer	4	3075	
					Nut ($\frac{1}{8}$ " U.N.F.)	4	254801	

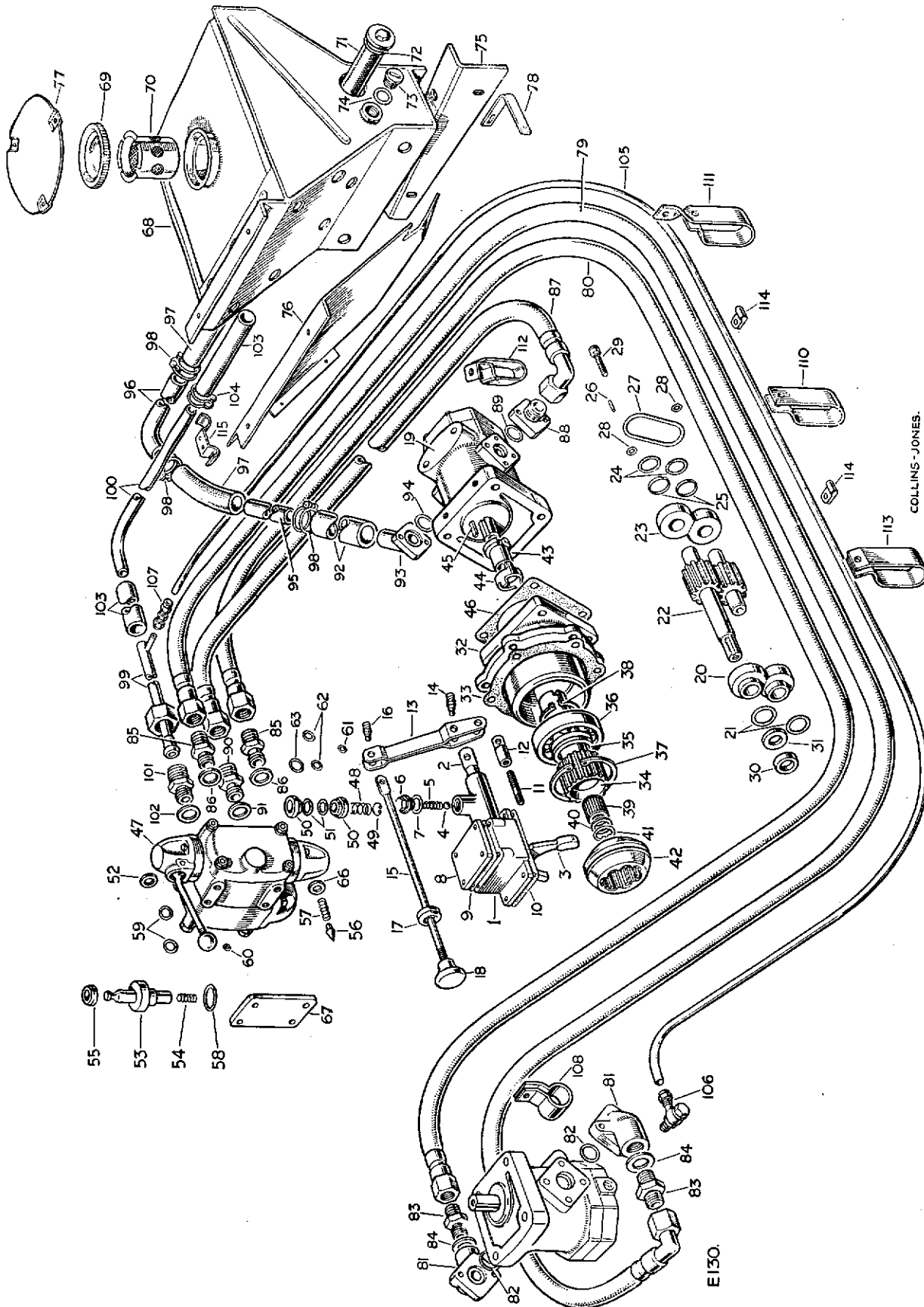
FRONT WINCH HYDRAULIC MECHANISM



FRONT WINCH HYDRAULIC MECHANISM

PLATE REF.	1 2 3 4	DESCRIPTION	Qty.	Part No.	REMARKS	
		SELECTOR UNIT ASSEMBLY,				
		MECHANICAL				
		1	509076		
1		Housing for selector	1	217773		
2		Shaft for selector	1	506203		
3		Fork for selector	1	217584		
		Set bolt ($\frac{5}{16}$ " B.S.F. x 1" long) fixing fork to shaft	1	237160		
4		Ball	1	1643	} For selector control mechanism	
5		Spring	1	56102		
6		Plug for spring	1	217763		
7		Joint washer for plug	1	213960		
8		Cover plate for selector housing	1	217774		
9		Joint washer for cover plate	1	219995		
		Set bolt ($\frac{1}{4}$ " Whit. x $\frac{3}{4}$ " long)	4	215594	} Fixing cover plate to housing	
		Spring washer	4	3074		
10		Joint washer for selector unit	1	217771		
11		Stud for selector pivot	1	506204		
12		Pivot for selector lever	1	506205		
		Lock nut ($\frac{3}{8}$ " B.S.F.) for pivot	1	2323		
13		Operating lever for shaft	1	506206		
14		Clevis complete	2	216421	} Fixing lever and pivot to selector shaft	
		Split pin	2	2423		
15		Rod for operating lever	1	506207		
16		Clevis complete	1	230279	} Fixing rod to operating lever	
		Split pin	1	2422		
17		Grommet for rod...	1	508571		
18		Knob for operating rod	1	218050		
		Locknut ($\frac{1}{8}$ " B.S.F.) for knob	1	3764		
		P.T.O. DRIVE UNIT WITH HYDRAULIC PUMP				
		1	580026		
19		HYDRAULIC PUMP FOR P.T.O. UNIT	1	580030		
20		Bush 'A' for gear shafts	1	515519		
21		'O' ring for 'A' bushes	2	515520		
22		Gears and shafts	1	515521		
23		Bush 'C' for gear shafts	1	515522		
24		Sealing ring for 'C' bushes	2	515523		
25		Support ring for 'C' bushes	2	515524		
26		Special dowel for body and bush	3	515526		
27		'O' ring for housing	1	515515		
28		'O' ring, body ports	2	515525		
29		Special screw fixing body cover to body	8	515516		
30		Oil seal for shaft	1	515517		
31		Baffle for oil seal	1	515518		
32		Adaptor for hydraulic pump	1	580027		
33		Joint washer for adaptor...	1	217680		
		Spring washer	6	3076	} Fixing adaptor to transfer housing	
		Nut ($\frac{3}{8}$ " B.S.F.)	6	2827		
34		Drive shaft for hydraulic pump	1	580028		
35		Distance piece for shaft ball bearing	1	580029		
36		Ball bearing for shaft	1	55714		
37		Circlip, large, fixing bearing to adaptor	1	217972		
38		Circlip, small, fixing bearing to shaft	1	214795		
39		Roller bearing for shaft	1	217478		

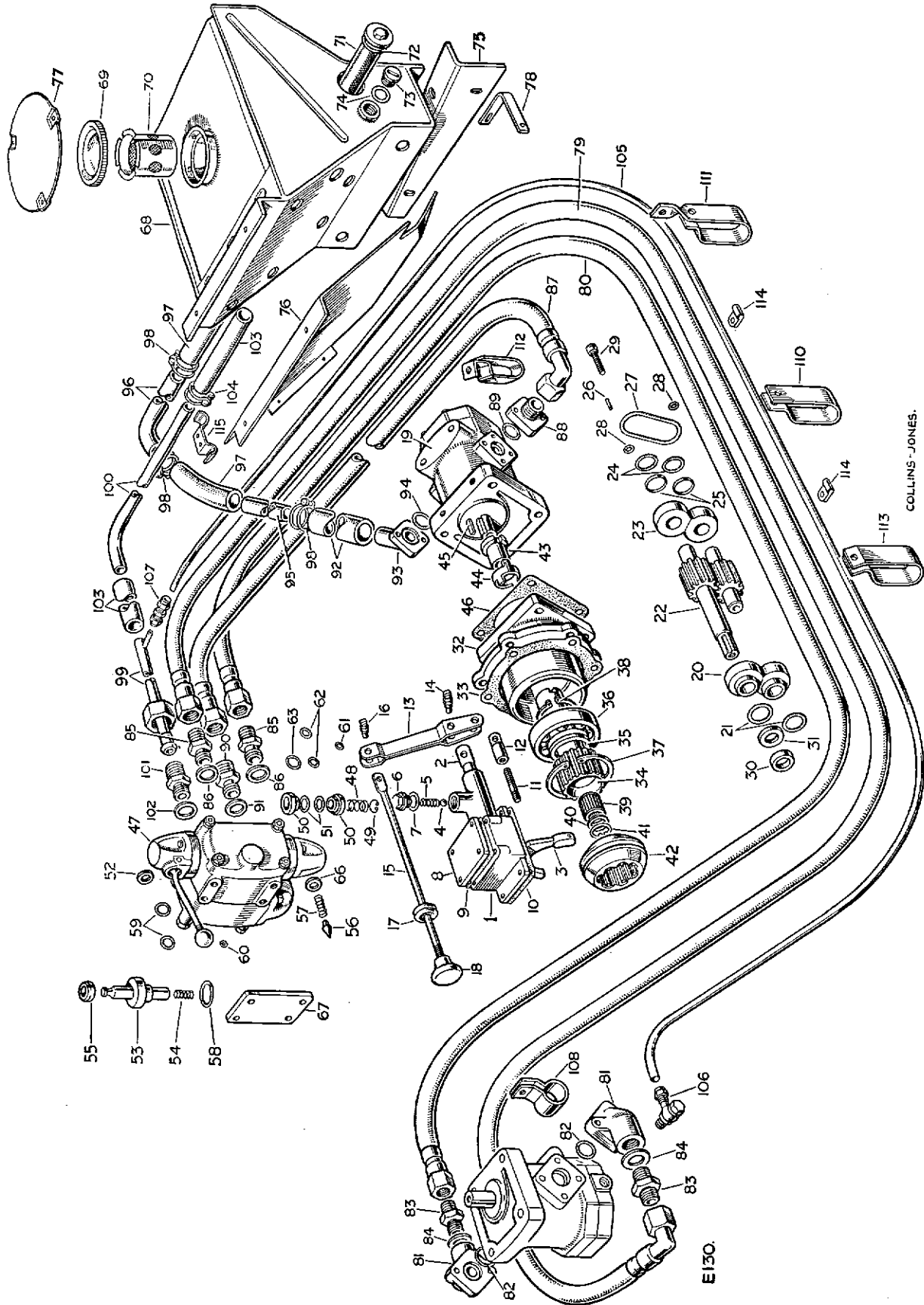
FRONT WINCH HYDRAULIC MECHANISM



FRONT WINCH HYDRAULIC MECHANISM

PLATE REF.	1	2	3	4	DESCRIPTION	Qty.	Part No.	REMARKS
40					Retaining ring } Fixing roller bearing	1	217523	
41					Circlip } to shaft	1	217525	
42					Dog clutch for drive shaft	1	217522	
43					Coupling sleeve	1	580063	
44					Coupling dog	1	580064	
45					Key	1	58003T	
					Set bolt ($\frac{1}{4}$ " U.N.F. x $\frac{1}{2}$ " long)	1	255204	
					Plain washer	1	2213	
					Spring washer	1	3074	
46					Joint washer for hydraulic pump	1	580007	
					Bolt ($\frac{3}{8}$ " B.S.F. x $1\frac{1}{2}$ " long)	4	237183	
					Plain washer	4	2765	
					Spring washer	4	3076	
					Nut ($\frac{3}{8}$ " B.S.F.)	4	2827	
47					CONTROL VALVE ASSEMBLY,			
					HYDRAULIC	1	580094	
48					Piston return spring	1	515527	
49					Retaining ring for piston	1	515528	
50					Gland washer for piston	2	515529	
51					'O' ring for piston	2	515530	
52					Washer for selector lever	1	515531	
					Set bolt (No. 10 U.N.F. x $\frac{3}{4}$ " long)	7	515532	
					Spring washer	7	3073	
53					Piston, unloader	1	515534	
54					Spring for unloader piston	1	515535	
55					Valve seat for unloader piston	1	515536	
56					Relief valve	1	515537	
57					Spring for relief valve	1	515538	
58					'O' ring, relief valve housing to unloader housing	1	515539	
					Special set bolt } Fixing relief valve housing	4	515540	
					Spring washer } to unloader housing	4	3075	
59					'O' ring, large, body to unloader	2	515542	
60					'O' ring, small, body to unloader	1	515543	
61					'O' ring, small, for cover plate	1	515543	
62					'O' ring, medium, for cover plate	2	515542	
63					'O' ring, large, for cover plate	1	515541	
66					Special seal for relief valve cap nut	2	515548	
67					Mounting plate	1	580095	
					Set bolt ($\frac{1}{16}$ " U.N.F. x $\frac{5}{8}$ " long)	4	255025	
					Spring washer	4	3075	
68					Oil tank for hydraulic winch	1	580122	
69					Filler cap for oil tank	1	231189	
70					Filter gauze for filler	1	580123	
71					Oil filter	1	03040	
72					Joint washer for oil filter	1	3413	
73					Drain plug for oil tank	1	235592	
74					Joint washer for drain plug	1	230509	
					Bracket, oil tank flange to wheelarch	1	509141	109
					Packing block, oil tank to wheelarch	1	509140	109
					Protection strip for tank access hole	1	334075	
					Grommet at L.H. rear wheelarch panel	1	334189	

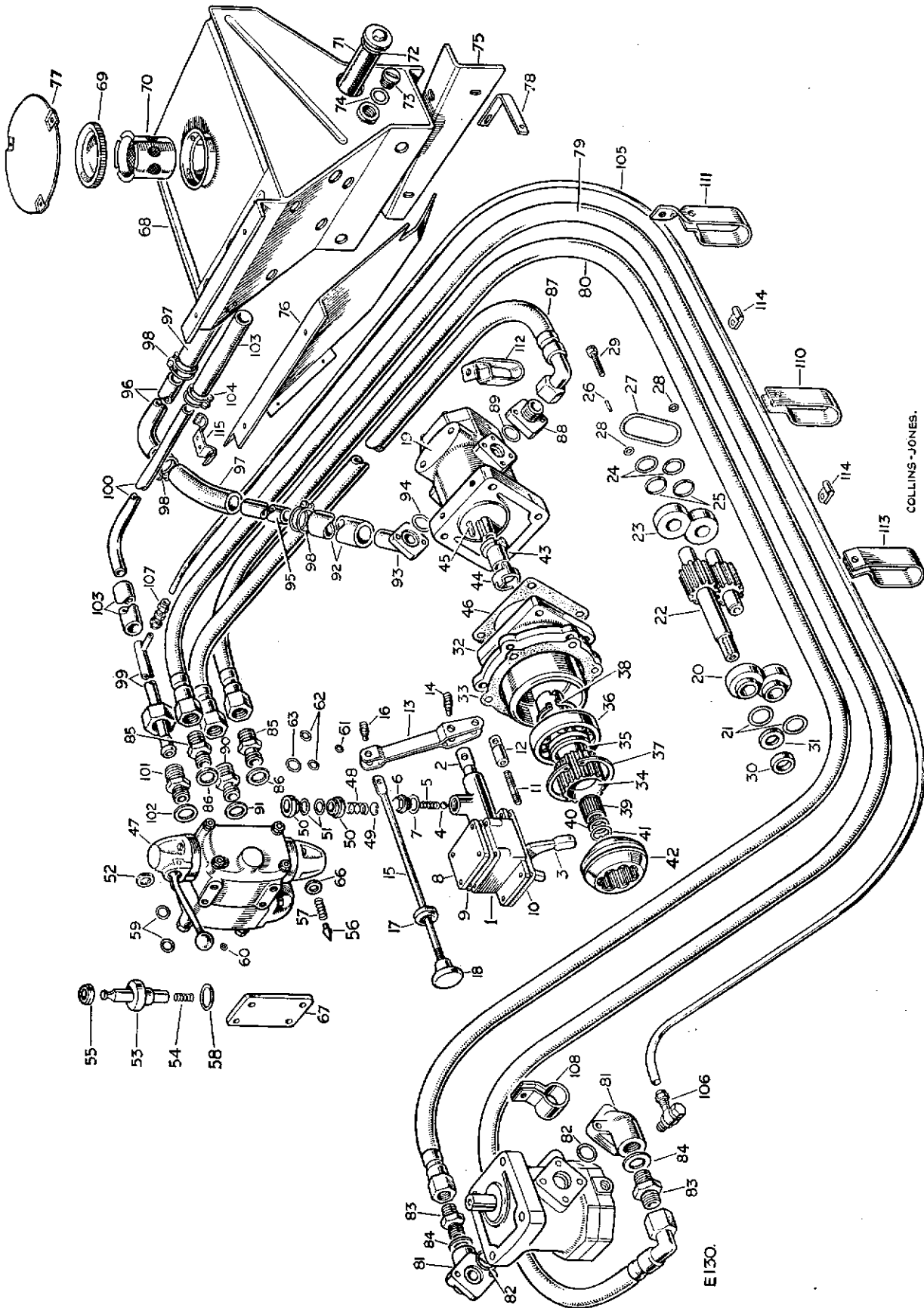
FRONT WINCH HYDRAULIC MECHANISM



FRONT WINCH HYDRAULIC MECHANISM

PLATE REF.	1 2 3 4	DESCRIPTION	Qty.	Part No.	REMARKS
75		Bracket for mounting oil tank	1	580070	
		Bolt ($\frac{1}{4}$ " U.N.F. x $\frac{5}{8}$ " long)	9	255006	} 88
		Plain washer	9	3840	
		Spring washer	9	3074	
		Nut ($\frac{1}{4}$ " U.N.F.)	9	254800	
		Bracket, upper	1	580108	
		Bracket, lower	1	580109	
		Bolt ($\frac{1}{4}$ " U.N.F. x $\frac{3}{4}$ " long)	7	255207	} 109
		Plain washer	7	3840	
		Spring washer	7	3074	
		Nut ($\frac{1}{4}$ " U.N.F.)	7	254800	
		Bracket, upper	1	580108	
76		Protection panel for oil tank	1	332313	} 88
		Pop rivet fixing panel to body	6	78248	
77		Cover plate for oil tank filler	1	580142	
		Special bolt	3	320045	
		Plain washer	3	2213	
		Special nut	3	302532	
78		Stay for rear wing	1	580071	} 109
		Protection panel for oil tank	1	334074	
		Bolt ($\frac{1}{4}$ " U.N.F. x $\frac{5}{8}$ " long)	5	78208	
		Plain washer	5	3840	
		Spring washer	5	3074	
		Nut ($\frac{1}{4}$ " U.N.F.)	5	254810	
79		Flexible pipe, control valve to motor, 113" long	1	580090	
80		Flexible pipe, control valve to motor, 101 $\frac{1}{2}$ " long	1	580091	
81		Elbow for flexible pipe on motor	2	580084	} 1 off on 1961 models onwards
82		'O' ring	2	580085	
		Set bolt ($\frac{5}{16}$ " U.N.F. x 1 $\frac{1}{4}$ " long)	4	256220	} 2 off on 1961 models onwards
		Spring washer	4	3075	
83		Adaptor on elbow on motor	2	580086	
84		Special seal for adaptor	2	580087	
85		Adaptor	2	580092	} Fixing flexible pipe to control valve
86		Special seal	2	580093	
87		Flexible pipe, pump to control valve, 26" long	1	580104	
88		Connection for pipe, pump to control valve, on pump	1	580089	
89		'O' ring	1	267828	} Fixing connection to pump
		Set bolt ($\frac{5}{16}$ " U.N.F. x 1" long)	2	255228	
		Spring washer	2	3075	
90		Adaptor	1	580092	} For pipe, pump to control valve, on control valve
91		Special seal	1	580093	
92		Rubber connection, pump to tank, pump end	1	517577	
93		Elbow on pump for rubber connection	1	580088	
94		'O' ring	1	267828	} Fixing elbow to pump
		Set bolt ($\frac{5}{16}$ " U.N.F. x 1" long)	2	255228	
		Spring washer	2	3075	
95		Pipe, steel, front	1	580113	88
		Pipe, steel, front	1	580101	109
96		Pipe, steel, rear	1	580114	88
		Pipe, steel, rear	1	580100	109
97		Rubber connection, front to rear pipe and rear pipe to tank	2	580098	

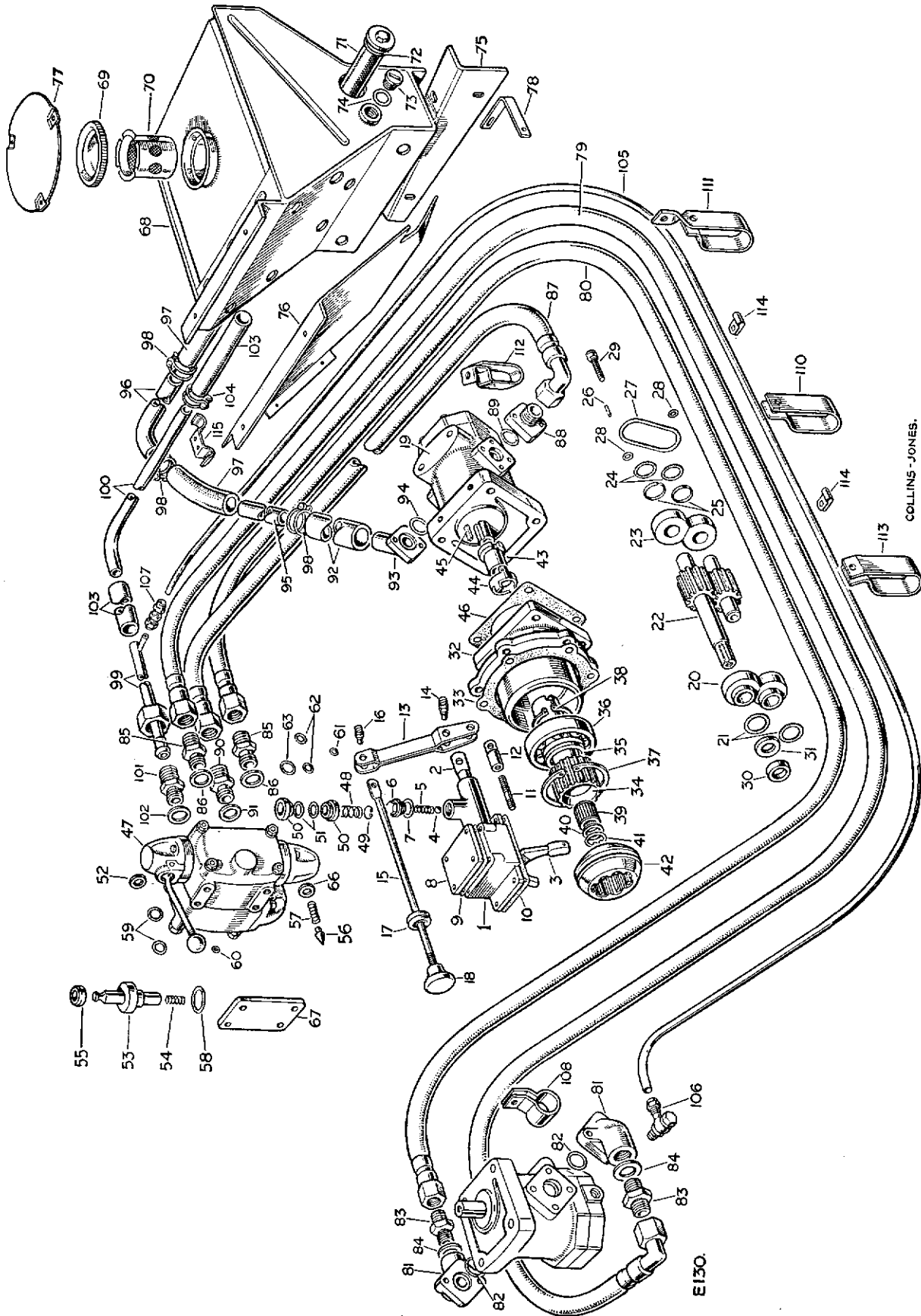
FRONT WINCH HYDRAULIC MECHANISM



FRONT WINCH HYDRAULIC MECHANISM

PLATE REF.	1 2 3 4	DESCRIPTION	Qty.	Part No.	REMARKS
98		Hose clip for rubber connections, pump to tank	6	50314	
99		Pipe, steel, front	1	580111 88	
		Pipe, steel, front	1	580103 109	} Control valve to tank
100		Pipe, steel, rear	1	580112 88	
		Pipe, steel, rear	1	580102 109	
101		Adaptor, brass, on control valve for tank pipe	1	580096	
102		Joint washer for adaptor	1	3425	
103		Rubber connection, front to rear pipe and rear pipe to tank	2	580099	
104		Hose clip for rubber connection, control valve to tank	4	50310	
105		Oil exhaust pipe from motor	1	580106	
106		Banjo complete for exhaust pipe on motor	1	580105	
107		Union for exhaust pipe at rear	1	580107	
108		Clip at front winch bolt	1	580128	} 1959-60 models
110		Clip at steering base bracket	1	580119	
111		Clip at body mounting bracket	1	580117	
112		Clip at tapped hole, hydraulic pump	1	580121	
113		Clip at bump rubber bracket	1	580118	
114		Clip at chassis frame	2	215791	
		Drive screw fixing clip	2	72626	
		Clip, large diameter	1	523707*	} 109
		Clip, small diameter	1	523708*	
		Drive screw fixing clip	4	72626	
115		Clip for steel pipe	2	580110 88	} At rear floor, above axle
		Clip for steel pipe	1	580127 109	
		Clip fixing steel pipes together	1	580126 109	
		Clip for steel pipe, rear	1	580125 109	
		Drive screw	6	72626	4 off on 109
		Bolt ($\frac{5}{16}$ " U.N.F. x $\frac{5}{8}$ " long)	1	255025	
		Plain washer	1	2550	
		Spring washer	1	3075	
		Nut ($\frac{5}{16}$ " U.N.F.)	1	254801	
		Bolt ($\frac{1}{4}$ " U.N.F. x $\frac{3}{4}$ " long)	2	255207	} 109
		Spring washer	2	3074	
		Nut ($\frac{1}{4}$ " U.N.F.)	2	254800	
		Connection, high pressure hose to hydraulic motor	1	580089	} 1961 models onwards
		'O' ring	1	267828	
		Spring washer	2	3075	
		Set bolt ($\frac{5}{16}$ " U.N.F. x 1" long)	2	255228	
		Clip, single, high pressure hose to bumper	1	580120	

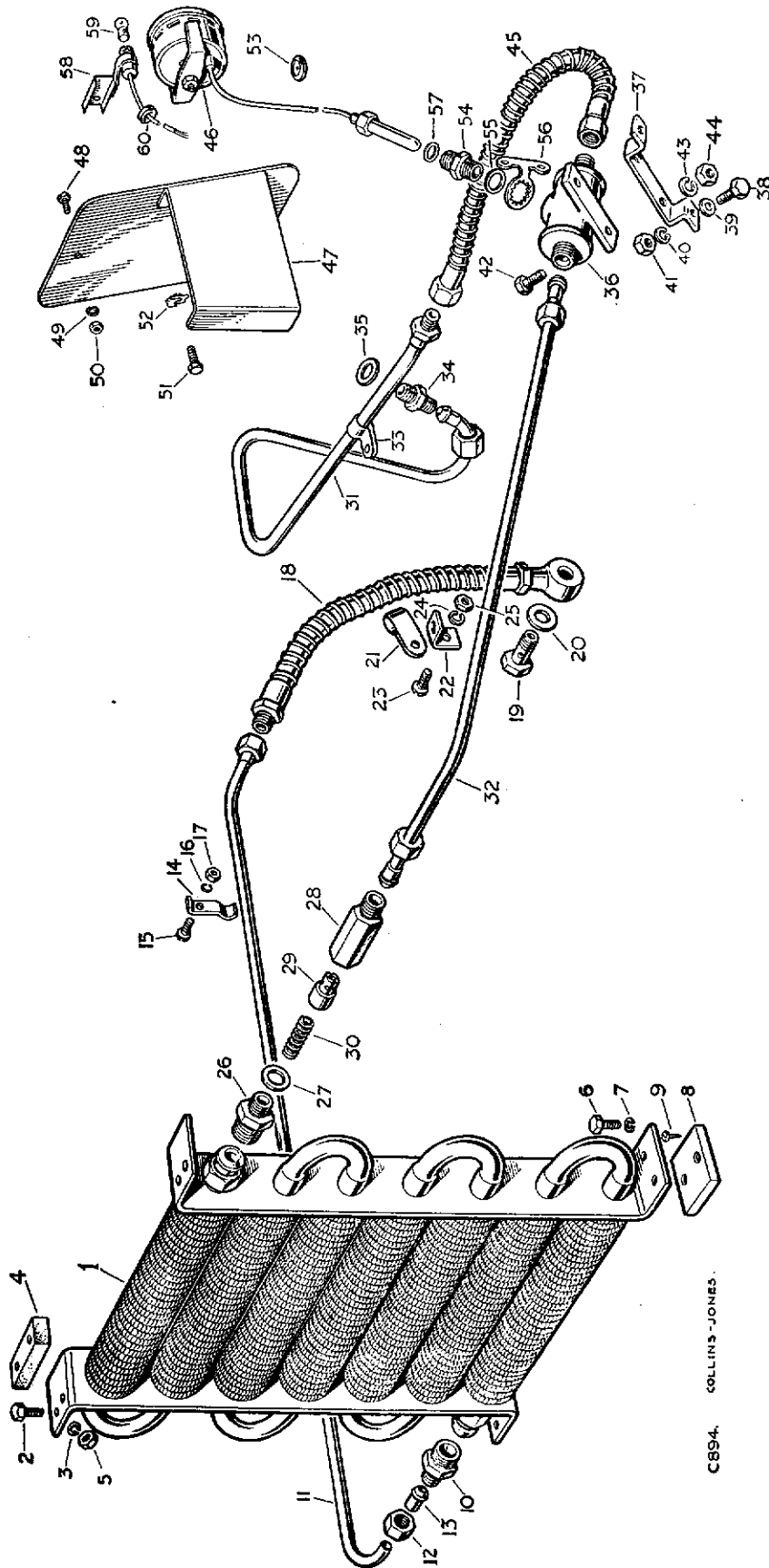
FRONT WINCH HYDRAULIC MECHANISM



FRONT WINCH HYDRAULIC MECHANISM

PLATE REF.	1	2	3	4	DESCRIPTION	Qty.	Part No.	REMARKS
					Bolt ($\frac{1}{4}$ " U.N.F. x 5" long)	1	255206	} 1961 models onwards
					Spring washer	1	3074	
					Nut ($\frac{1}{4}$ " U.N.F.)	1	254810	
					Clip, single, high pressure hose to R.H. chassis side member	2	517836	
					Riv-nut ($\frac{5}{16}$ " U.N.F.)	2	501224	
					Spring washer	2	3075	
					Set bolt ($\frac{5}{16}$ " U.N.F. x $\frac{3}{4}$ " long)	2	255226	
					Clip, double, high pressure hoses to R.H. chassis side member....	1	517837	
					Clip, double, high pressure hoses to R.H. chassis side member....	1	517838	
					Bolt ($\frac{1}{4}$ " U.N.F. x $\frac{3}{4}$ " long)	1	255207	
					Spring washer	1	3074	} Clamping clip
					Nut ($\frac{1}{4}$ " U.N.F.)	1	254810	
					Clip, double, high pressure hoses to R.H. rear engine mounting	1	517839	
					Exhaust silencer complete	1	523655	109 Station Wagon 1961 onwards Not part of assembly 524136
					Road spring, complete, front, driver's	1	265627	} 1961 models onwards
					Road spring, complete, front, passenger's	1	264563	
					Road spring, complete, front, driver's	1	276034	
					Road spring, complete, front, passenger's	1	265627	

OIL COOLER, 2 LITRE PETROL

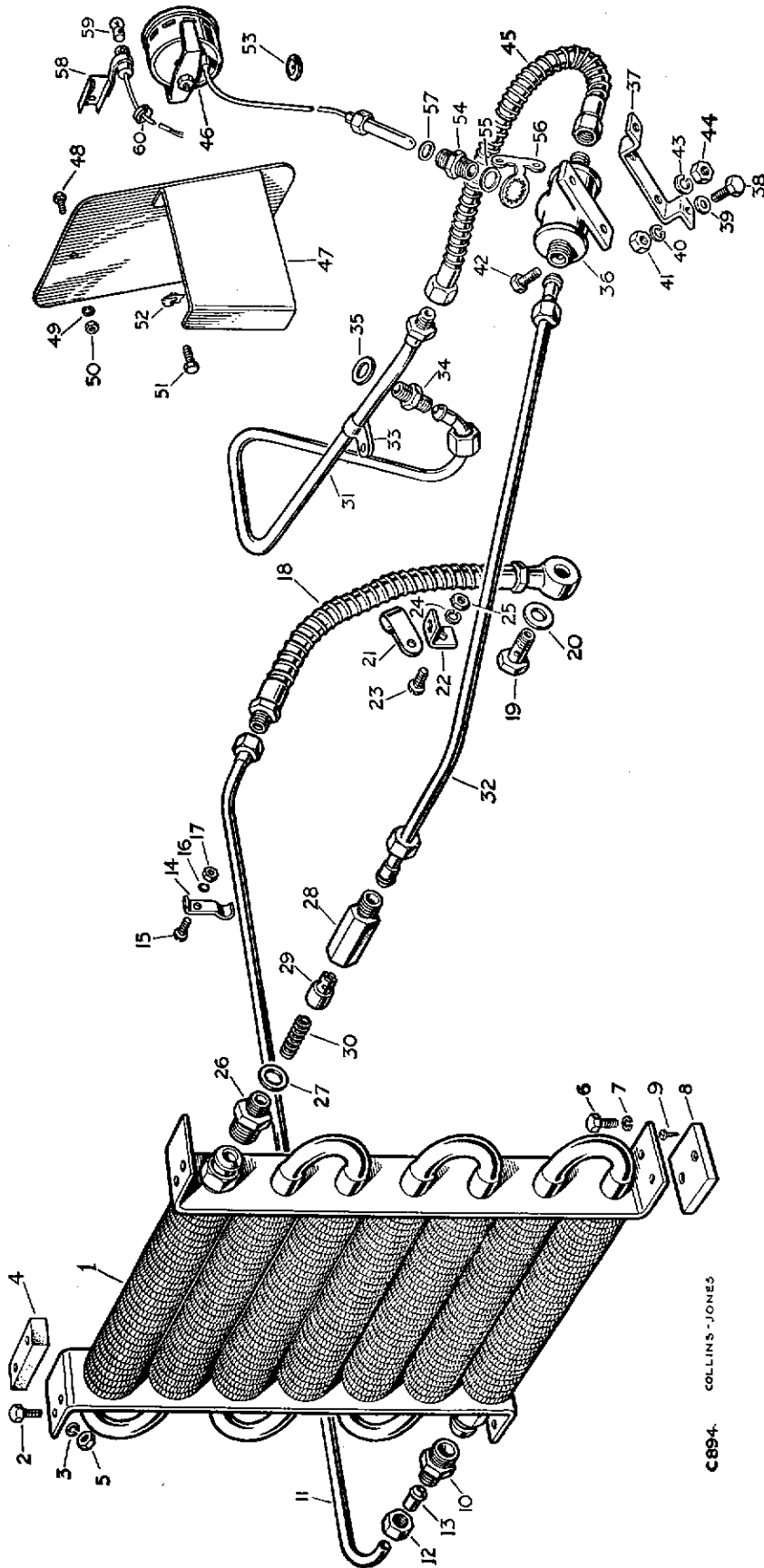


C894. COLLINS-JONES.

OIL COOLER, 2 LITRE PETROL

PLATE REF	1 2 3 4	DESCRIPTION	Qty.	Part No.	REMARKS
		OIL COOLER COMPLETE ASSEMBLY 1	504080	
1		Oil cooler complete 1	232212	
2		Bolt ($\frac{1}{4}$ " U.N.F. x $1\frac{3}{8}$ " long) 4	256002	
3		Spring washer 4	3074	} Fixing oil cooler to radiator
4		Spacer 2	278766	
		Shim 6	504299	
5		Nut ($\frac{1}{4}$ " U.N.F.) 4	254800	
6		Set bolt ($\frac{1}{4}$ " U.N.F. x $\frac{1}{2}$ " long) 4	255204	
7		Spring washer 4	3074	} Fixing oil cooler to frame
8		Tapping plate for oil cooler 2	270605	
9		Drive screw fixing plate to frame 4	78167	
10		Union for oil return pipe 1	232141	
11		Oil return pipe complete 1	269178	
12		Union nut 2	2338	} For oil return pipe
13		Nipple 2	2337	
14		Clip for oil return pipe 1	216708	
15		Screw (2 B.A. x $\frac{1}{2}$ " long) 1	71164	} Fixing clip
16		Spring washer 1	3073	
17		Nut (2 B.A.) 1	2247	
		Bolt ($\frac{1}{4}$ " U.N.F. x $\frac{5}{8}$ " long) 1	255206	} For earthing clip on radiator
		Spring washer 1	3074	
		Nut ($\frac{1}{4}$ " U.N.F.) 1	254810	
18		Flexible oil pipe, return to sump 1	232180	
19		Banjo centre 1	232349	} Fixing flexible pipe to sump
20		Joint washer 2	232042	
21		Clip for flexible pipe 1	50690	
22		Bracket for clip 1	232351	
23		Screw (2 B.A. x $\frac{1}{2}$ " long) 1	71164	} Fixing clip
24		Spring washer 1	3073	
25		Nut (2 B.A.) 1	2247	
		OIL RELIEF VALVE ASSEMBLY 1	232145	
26		Oil union 1	232141	} For oil relief valve
27		Joint washer for union 1	231577	
28		Body 1	232143	
29		Plunger 1	232144	
30		Spring for plunger 1	232142	
31		Oil pipe, union to flexible pipe 1	264527	
32		Oil pipe to relief valve 1	502523	
33		Clip for pipe, union to flexible pipe 1	264528	
34		Union for oil pipe 1	264529	} On oil filter adaptor
35		Joint washer for union 1	231577	
36		Thermometer pocket complete 1	232339	
42		Bolt (2 B.A. x $\frac{5}{8}$ " long) 2	250960	} Fixing pocket to wing valance
43		Spring washer 2	3073	
44		Nut (2 B.A.) 2	2247	
45		Flexible oil pipe, pump to pocket 1	232181	
46		Oil temperature gauge 1	500555	
47		Mounting bracket for gauge 1	503147	

OIL COOLER, 2 LITRE PETROL

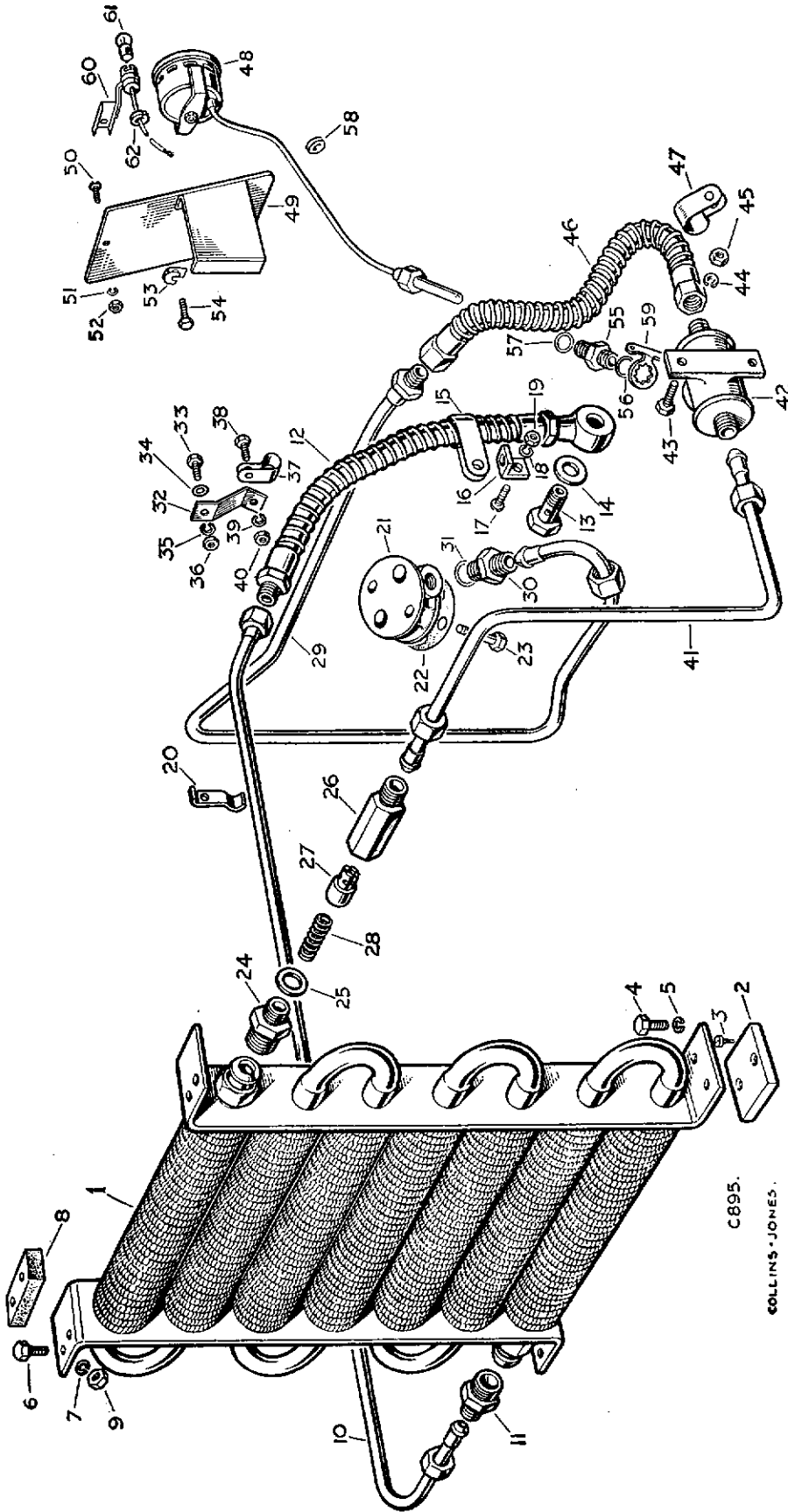


C.894. COLLINS-JONES

OIL COOLER, 2 LITRE PETROL

PLATE REF.	1	2	3	4	DESCRIPTION	Qty.	Part No.	REMARKS	
48					Bolt (2 B.A. x $\frac{1}{2}$ " long)	1	234603		
49					Spring washer	1	3073		
50					Nut (2 B.A.)	1	2247		
					Bolt ($\frac{1}{4}$ " U.N.F. x $\frac{1}{2}$ " long)	1	255204	} Fixing mounting bracket to dash	
					Plain washer	1	3840		
					Spring washer	1	3074		
					Nut ($\frac{1}{4}$ " U.N.F.)	1	254810		
53					Grommet for pipe in dash	1	311200		
54					Union for gauge bulb	1	218512		
55					Joint washer for union	1	3055		
56					Locker for union	1	217321		
57					Joint washer for gauge bulb	1	218751		
58					Panel light adaptor complete, LU.39024B	1	273714		
59					Bulb for adaptor, LU.207	1	10211		
60					Grommet for panel light lead, LU.859341	1	233244	R.H.D.	
					Oil pump gear, driver	1	214996		
					OIL PUMP COVER ASSEMBLY	1	234297		
					Dowel locating body	2	52710		
					Spindle for idler wheel	1	234307		
					Castle nut ($\frac{3}{8}$ " fixing spindle	1	251602		
					Split pin for nut	1	2556		
					OIL PUMP IDLER GEAR ASSEMBLY	1	214994		
					Bush for idler wheel	1	214995		
					Special bolt	4	234838	} Fixing oil pump cover	
					Castle nut ($\frac{5}{16}$ "	4	251601		
					Split pin	4	2555		
					Split pin fixing strainer	1	2422		
					Crankcase sump	1	263332		
					Plunger for oil release valve	1	09038		
					Adjusting screw	1	232245	} For oil pump relief valve	
					Spring	1	232244		
					Fan complete	1	245654		
					Radiator block complete	1	279847		
					Cowl for radiator block	1	269952		
					Filler cap for radiator, 10 lbs.	1	242399		

OIL COOLER, DIESEL

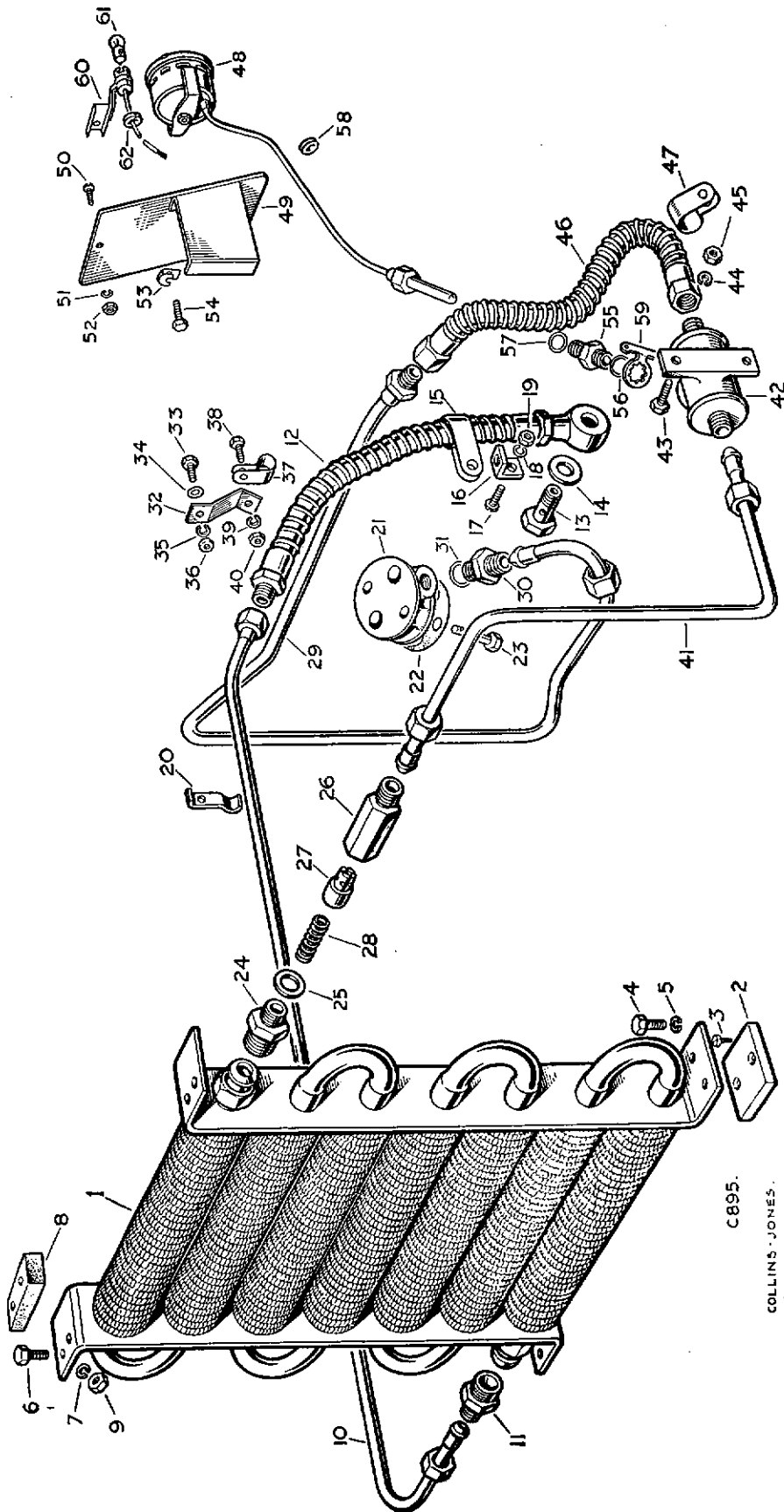


C895.
COLLINS-JONES.

OIL COOLER, DIESEL

PLATE REF.	1 2 3 4	DESCRIPTION	Qty.	Part No.	REMARKS	
		OIL COOLER COMPLETE ASSEMBLY	1	504766	2 litre models	
		OIL COOLER COMPLETE ASSEMBLY	1	531875*	2½ litre models	
1		Oil cooler	1	232212		
2		Tapping plate	2	270605		
3		Drive screw fixing plate to frame	4	78167		
4		Set bolt (¼" U.N.F. x ½" long)	4	255204	} Fixing cooler to chassis frame	
5		Spring washer	4	3074		
6		Bolt (¼" U.N.F. x 1⅜" long)	4	256002		
7		Spring washer	4	3074		
8		Spacer	2	278766		
		Shim	6	504299		
9		Nut (¼" U.N.F.)	4	254800		
10		Oil return pipe	1	270074		
11		Union for return pipe	1	232141		
12		Flexible oil pipe, return to sump	1	232180		
13		Banjo centre	1	232349	} Fixing flexible oil pipe to sump	
14		Joint washer	2	232042		
15		Clip for flexible oil pipe	1	50690		
16		Bracket for clip	1	232351		
17		Screw (2 B.A. x ½" long)	1	71164	} Fixing return pipe clip to bracket	
18		Spring washer	1	3073		
19		Nut (2 B.A.)	1	2247		
20		Clip for oil return pipe	1	216708		
21		Adaptor for engine oil filter	1	247753		
22		Joint washer for adaptor	1	272839		
23		Bolt (⅞" U.N.F. x 2⅞" long) fixing adaptor	2	253921		
		OIL COOLER RELIEF VALVE ASSEMBLY	1	232145		
24		Oil union	1	232141		
25		Joint washer	1	231577		
26		Body	1	232143		
27		Plunger	1	232144		
28		Spring for plunger	1	232142		
29		Oil pipe, union to flexible pipe	1	527442		
30		Union for oil pipe	1	264529		
31		Joint washer for union	1	243959		
32		Bracket for clip	1	500556		
33		Bolt (¼" U.N.F. x ¾" long)	1	255007	} Fixing bracket to front engine lifting bracket	
34		Plain washer	1	2213		
35		Spring washer	1	3074		
36		Nut (¼" U.N.F.)	1	254800		
37		Clip for union to flexible oil pipe	1	264528		
38		Bolt (¼" U.N.F. x ⅝" long)	1	255006	} Fixing clip to bracket	
39		Spring washer	1	3074		
40		Nut (¼" U.N.F.)	1	254800		
41		Oil pipe to relief valve	1	502521		
42		Thermometer pocket complete	1	232339		
43		Bolt (2 B.A. x ½" long)	2	234603	} Fixing thermometer pocket to valance	
44		Spring washer	2	3073		
45		Nut (2 B.A.)	2	2247		
46		Flexible oil pipe, pump to pocket	1	232181		
47		Clip fixing flexible pipe to L.H. battery support	1	56667		

OIL COOLER, DIESEL



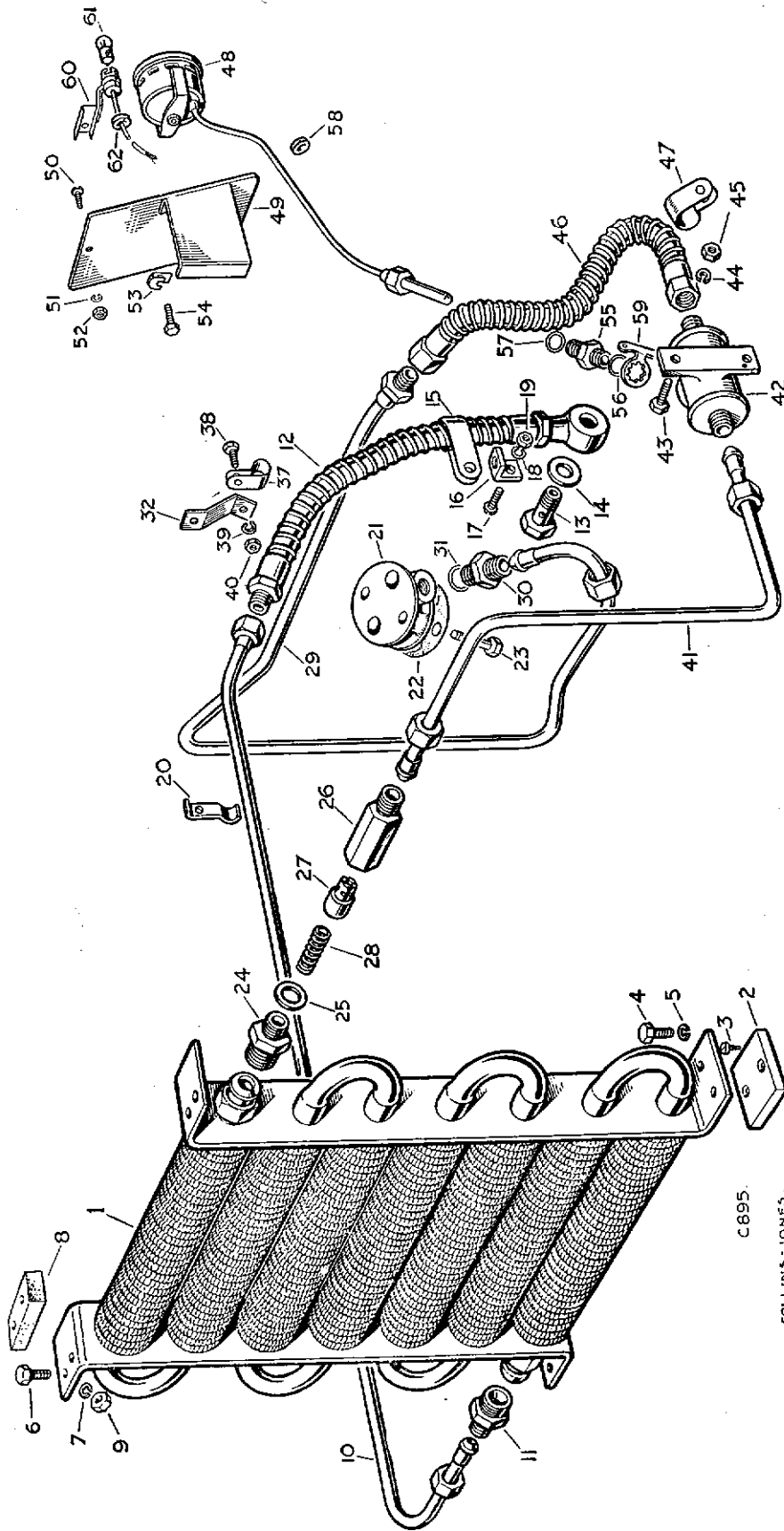
C 895.

COLLINS · JONES ·

OIL COOLER, DIESEL

PLATE REF.	1	2	3	4	DESCRIPTION	Qty.	Part No.	REMARKS
48					Oil temperature gauge	1	500555	
49					Mounting bracket for gauge	1	503147	
50					Bolt (2 B.A. x ½" long)	1	234603	
51					Spring washer	1	3073	
52					Nut (2 B.A.)	1	2247	Fixing mounting bracket to glove box and dash
					Bolt (¼" U.N.F. x ½" long)	1	255204	
					Plain washer	1	3840	
					Spring washer	1	3074	
					Nut (¼" U.N.F.)	1	254810	
55					Union for gauge bulb	1	218512	
56					Joint washer for union	1	3055	
57					Joint washer for gauge bulb	1	218751	
58					Rubber grommet	1	311200	
59					Locker	1	217321	
					Cleat, gauge pipe to tie-rod	2	240429	
60					Panel light adaptor complete, LU.39024B	1	273714	
61					Bulb for adaptor, LU.207	1	10211	
62					Grommet for panel light lead, LU 859341	1	233244	R.H.D. 1958-60 models
					Grommet for panel light lead, LU 859059	1	233243	R.H.D. 1961 models onwards
					Crankcase sump	1	269611	
					Fan with fixing bolts at front	1	279551	2 litre models } Alternatives. Check before ordering
					Fan with fixing bolts at side	1	502723	
					Fan complete	1	523410*	2¼ litre models
					Plug retaining oil relief spring in pump	1	500427	
					Joint washer for plug	1	243970	
					Vibration damper assembly	1	500199	2 litre models
					Vibration damper assembly	1	530305*	2¼ litre models
					Lock washer for starting dog	1	247771	
					Fan pulley with fixing bolts at front	1	277687	2 litre models } Alternatives. Check before ordering
					Fan pulley with fixing bolts at side	1	502729	
					Fan pulley	1	530304*	2¼ litre models
					Dynamo pulley	1	277686	2 litre models
					Dynamo pulley	1	530132*	2¼ litre models
					Lock washer for dynamo pulley	1	03748	
					Fan belt, pair	1	512501	2 litre models
					Fan belt, pair	1	530303*	2¼ litre models
					Set bolt (¼" U.N.F. x ⅞" long)	4	255008	Alternative to two lines below
				Set bolt (¼" U.N.F. x ⅝" long)				
				Spring washer	4			
					Tie rod for engine	1	504606	
					Sleeve for engine tie rod	2	504607	
					Rubber bush	4	07014	For tie rod
				Cup washer				
				Nut (⅝" U.N.F.)				
				Locknut (⅝" U.N.F.)				
					Bracket for tie rod at bell housing	1	504605	
					Bolt (⅝" U.N.F. x 1" long)	2	255228	Fixing bracket to bell housing
				Spring washer				
				Nut (⅝" U.N.F.)				
					Bracket for tie rod at frame	1	508339	
					Bolt (⅝" U.N.F. x 3¼" long)	1	256050	Fixing bracket to frame
				Spring washer				
				Nut (⅝" U.N.F.)				

OIL COOLER, 2½ LITRE PETROL

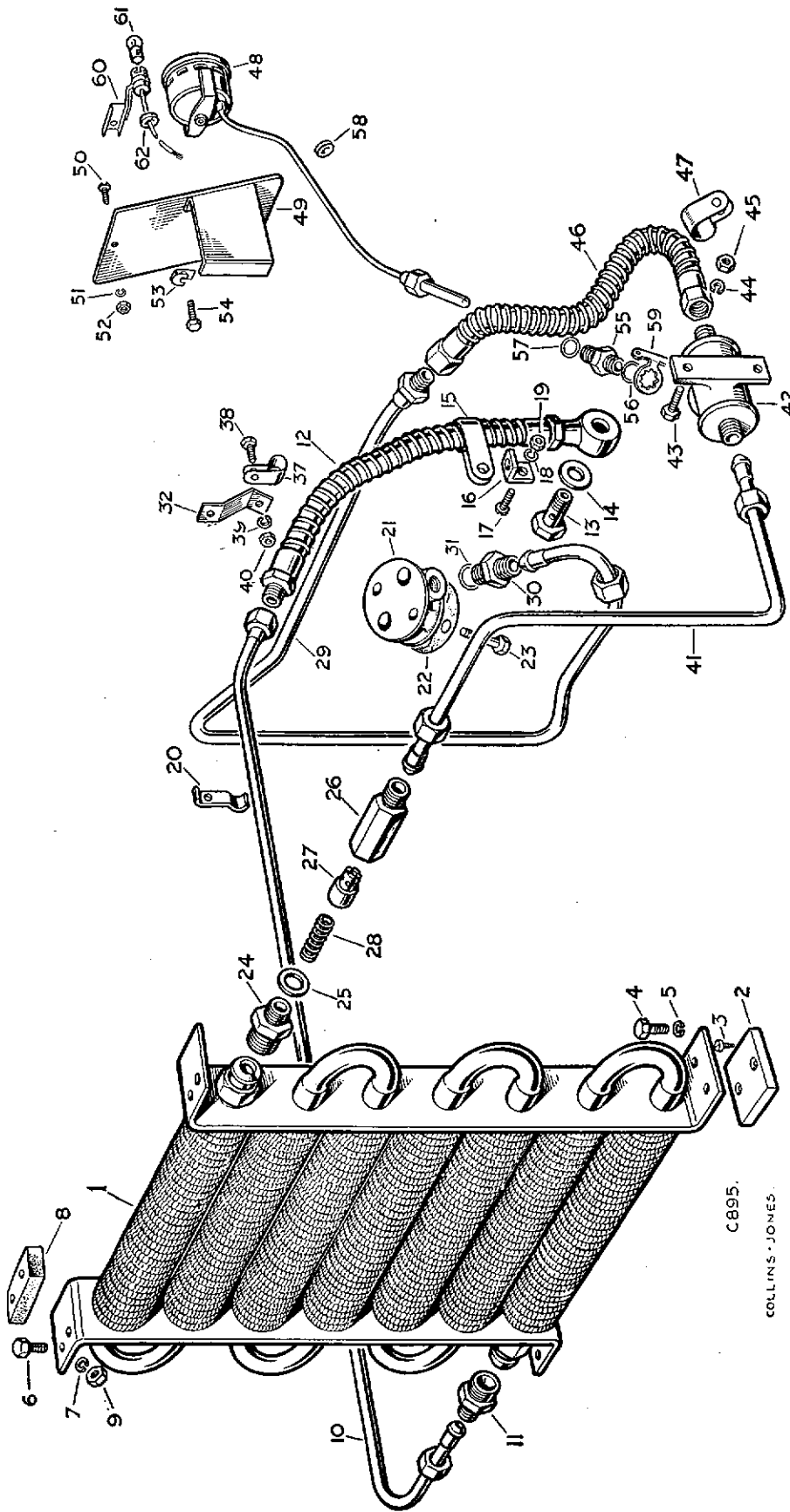


C.895.
COLLINS-JONES.

OIL COOLER, 2½ LITRE PETROL

PLATE REF.	1	2	3	4	DESCRIPTION	Qty.	Part No.	REMARKS
					OIL COOLER COMPLETE ASSEMBLY 1	504922	Series II models
					OIL COOLER COMPLETE ASSEMBLY 1	531879*	Series IIA models
1					Oil cooler 1	232212	
2					Tapping plate 2	270605	
3					Drive screw fixing plate to frame 4	78167	
4					Set bolt (¼" U.N.F. x ½" long) 4	255204	
5					Spring washer 4	3074	
6				} Fixing cooler to radiator and grille panel assembly	Bolt (¼" U.N.F. x 1⅜" long) 4	256002	
7					Spring washer 4	3074	
8					Spacer 2	278766	
					Shim for oil cooler spacer 6	504299	
9					Nut (¼" U.N.F.) 4	254800	
10					Oil return pipe 1	270074	
11					Union for return pipe 1	232141	
12					Flexible oil pipe, return to sump 1	232180	
13				} Fixing flexible oil pipe to sump	Banjo centre 1	232349	
14					Joint washer 2	232042	
15					Clip for flexible oil pipe 1	50690	
16					Bracket for clip 1	232351	
17				} Fixing return pipe clip to bracket	Screw (2 B.A. x ½" long) 2	71164	
18					Spring washer 2	3073	
19					Nut (2 B.A.) 2	2247	
20					Clip for oil return pipe 1	216708	
21					Adaptor for engine oil filter 1	247753	
22					Joint washer for adaptor 1	272839	
23					Bolt (⅞" U.N.F. x 2⅜" long) fixing adaptor 2	253921	
					OIL COOLER RELIEF VALVE ASSEMBLY 1	232145	
24				} For relief valve	Oil union 1	232141	
25					Joint washer 1	231577	
26					Body 1	232143	
27					Plunger 1	232144	
28					Spring for plunger 1	232142	
29					Oil pipe, union to flexible pipe 1	527442	
30					Union for oil pipe 1	264529	
31					Joint washer for union 1	243959	
32					Bracket for clip 1	523500	
37					Clip for union flexible oil pipe 1	264528	
38				} Fixing clip to bracket	Bolt (¼" U.N.F. x ⅝" long) 1	255006	
39					Spring washer 1	3074	
40					Nut (¼" U.N.F.) 1	254800	
					Bracket for pipe clip 1	500625	
				} Fixing bracket to L.H. wing valance	Bolt (2 B.A. x ⅝" long) 2	250960	
					Plain washer 2	3557	
					Spring washer 2	3073	
					Nut (2 B.A.) 2	2247	
41					Oil pipe to relief valve 1	502521	

OIL COOLER, 2½ LITRE PETROL

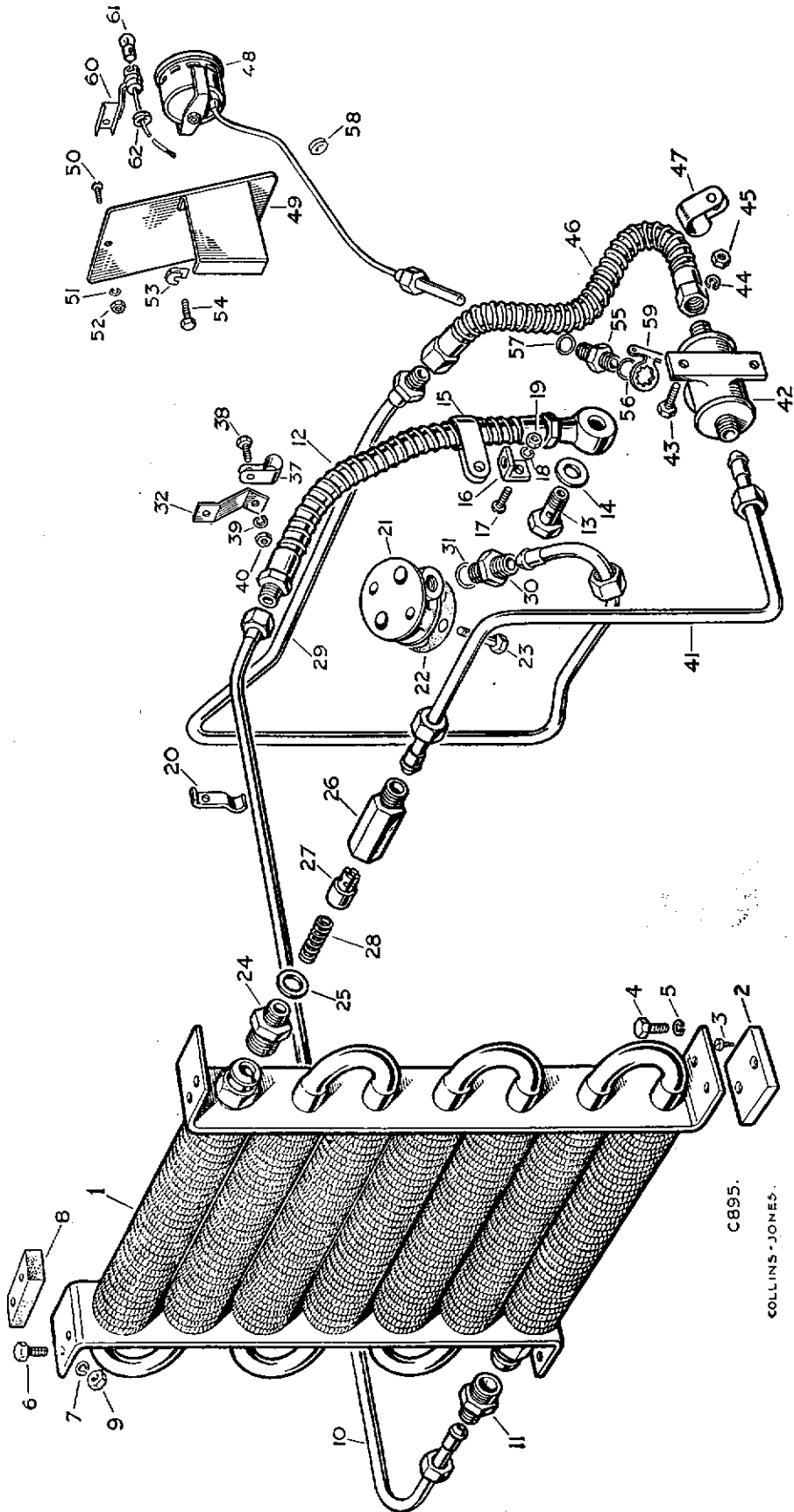


C.895.
COLLINS-JONES.

OIL COOLER, 2 $\frac{1}{4}$ LITRE PETROL

PLATE REF.	1 2 3 4	DESCRIPTION	Qty.	Part No.	REMARKS
42		Thermometer pocket complete	1	232339
43		Bolt (2 B.A. x $\frac{5}{8}$ " long)	2	250960
44		Spring washer	2	3075
45		Nut (2 B.A.)	2	2247
		Bracket for thermometer pocket	1	279811
		Bolt (2 B.A. x $\frac{5}{8}$ " long)	2	250960
		Plain washer	2	3557
		Spring washer	2	3073
		Nut (2 B.A.)	2	2247
46		Flexible oil pipe, pump to pocket	1	232181
47		Clip for flexible pipe	1	56667
		Bolt (2 B.A. x $\frac{1}{2}$ " long)	1	234603
		Spring washer	1	3073
		Nut (2 B.A.)	1	2247
48		Oil temperature gauge	1	500555
49		Mounting bracket for gauge	1	503147
50		Bolt (2 B.A. x $\frac{1}{2}$ " long)	1	234603
51		Spring washer	1	3073
52		Nut (2 B.A.)	1	2247
		Bolt ($\frac{1}{4}$ " U.N.F. x $\frac{1}{2}$ " long)	1	255204
		Plain washer	1	3840
		Spring washer	1	3074
		Nut ($\frac{1}{4}$ " U.N.F.)	1	254810
55		Union for gauge bulb	1	218512
56		Joint washer for union	1	3055
57		Joint washer for gauge bulb	1	218751
58		Rubber grommet for oil gauge pipe	1	311200
59		Locker for gauge union	1	217321
		Cleat, gauge pipe to tie-rod	2	240429
60		Panel light adaptor, complete, LU. 39024B	1	273714
61		Bulb for adaptor, LU. 207	1	10211
62		Grommet for panel light lead, LU 859341	1	233244 R.H.D. 1958-60
		Grommet for panel light lead, LU 859059	1	233243 R.H.D. 1961 onwards
		Bolt ($\frac{1}{4}$ " U.N.F. x $\frac{5}{8}$ " long)	1	255206
		Spring washer	1	3074
		Nut ($\frac{1}{4}$ " U.N.F.)	1	254810
		Crankcase sump	1	269611
		Fan	1	507845 Series II models
		Fan	1	530511* Series IIA models
		Plug retaining oil relief spring in pump	1	500427
		Crankshaft pulley	1	278543 Series II models
		Crankshaft pulley	1	530130* Series IIA models
		Lock washer for starting dog	1	247771
		Joint washer for plug retaining oil relief valve	1	243970
		spring	1	243970
		Fan pulley	1	503039 Series II models
		Fan pulley	1	530304* Series IIA models

OIL COOLER, 2½ LITRE, PETROL

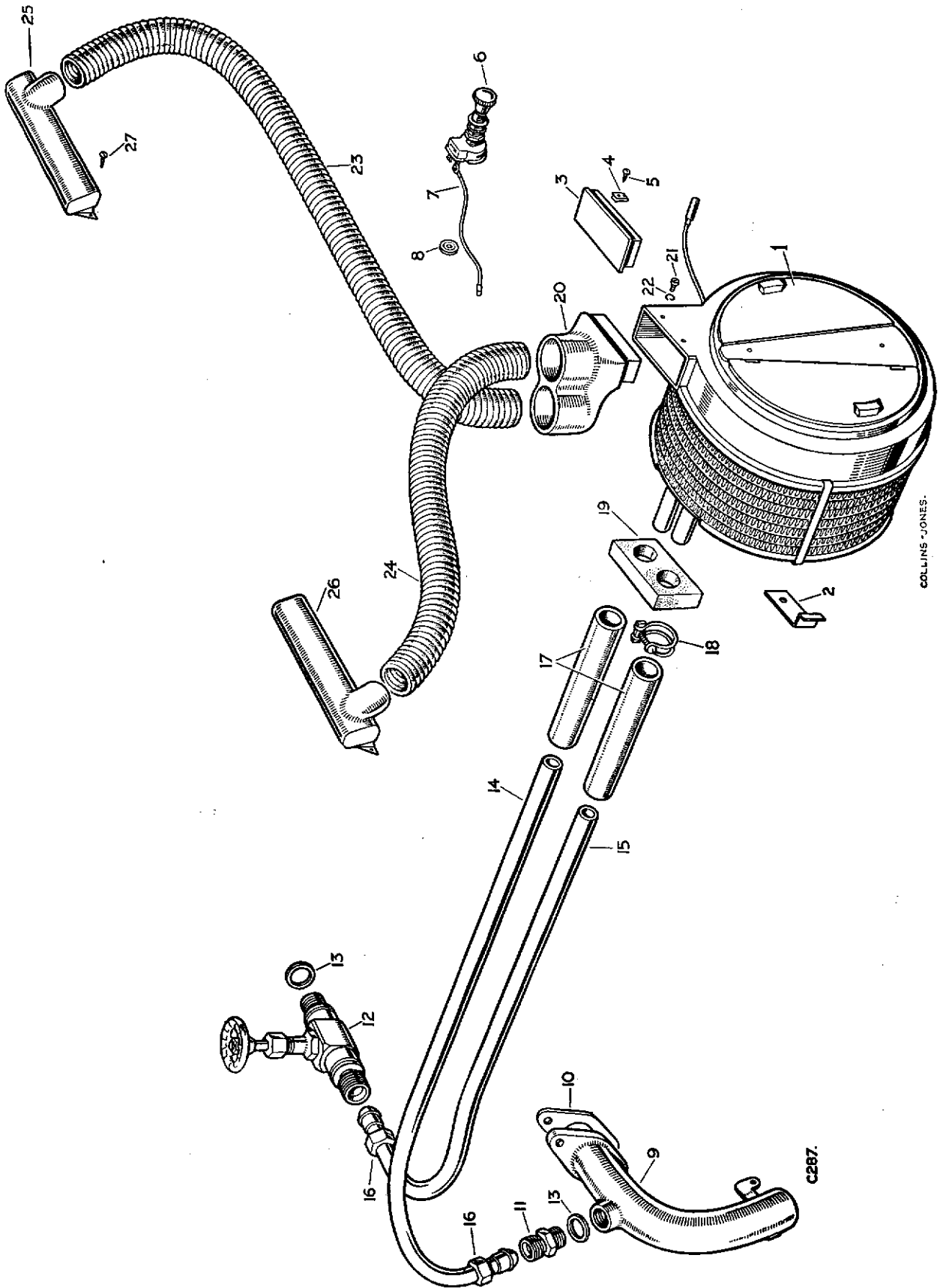


C895.
COLLINS-JONES.

OIL COOLER, 2½ LITRE PETROL

PLATE REF.	1 2 3 4	DESCRIPTION	Qty.	Part No.	REMARKS
		Dynamo pulley 1	501019	Series II models
		Dynamo pulley 1	530132*	Series IIA models
		Lock washer for dynamo pulley 1	217781	
		Fan belt, pair 1	503041	Series II models
		Fan belt, pair 1	530303*	Series IIA models
		Set bolt (¼" U.N.F. x ⅝" long) } Fixing	4	255006	
		Spring washer } fan	4	3074	
		Tie rod for engine 1	504606	
		Sleeve for engine tie rod 2	504607	
		Rubber bush } For	4	07014	
		Cup washer } tie rod	4	07015	
		Nut (⅝" U.N.F.) } tie rod	4	254801	
		Locknut (⅝" U.N.F.) } tie rod	4	254861	
		Bracket for tie rod at bell housing 1	504605	
		Bolt (⅝" U.N.F. x 1" long) } Fixing	2	255228	
		Spring washer } bracket to	2	3075	
		Nut (⅝" U.N.F.) } bell housing	2	254801	
		Bracket for tie rod at frame 1	508339	
		Bolt (⅝" U.N.F. x 3¼" long) } Fixing	1	256050	
		Spring washer } bracket	1	3076	
		Nut (⅝" U.N.F.) } to frame	1	254812	

RECIRCULATING VEHICLE HEATER, FRONT, 2 LITRE PETROL



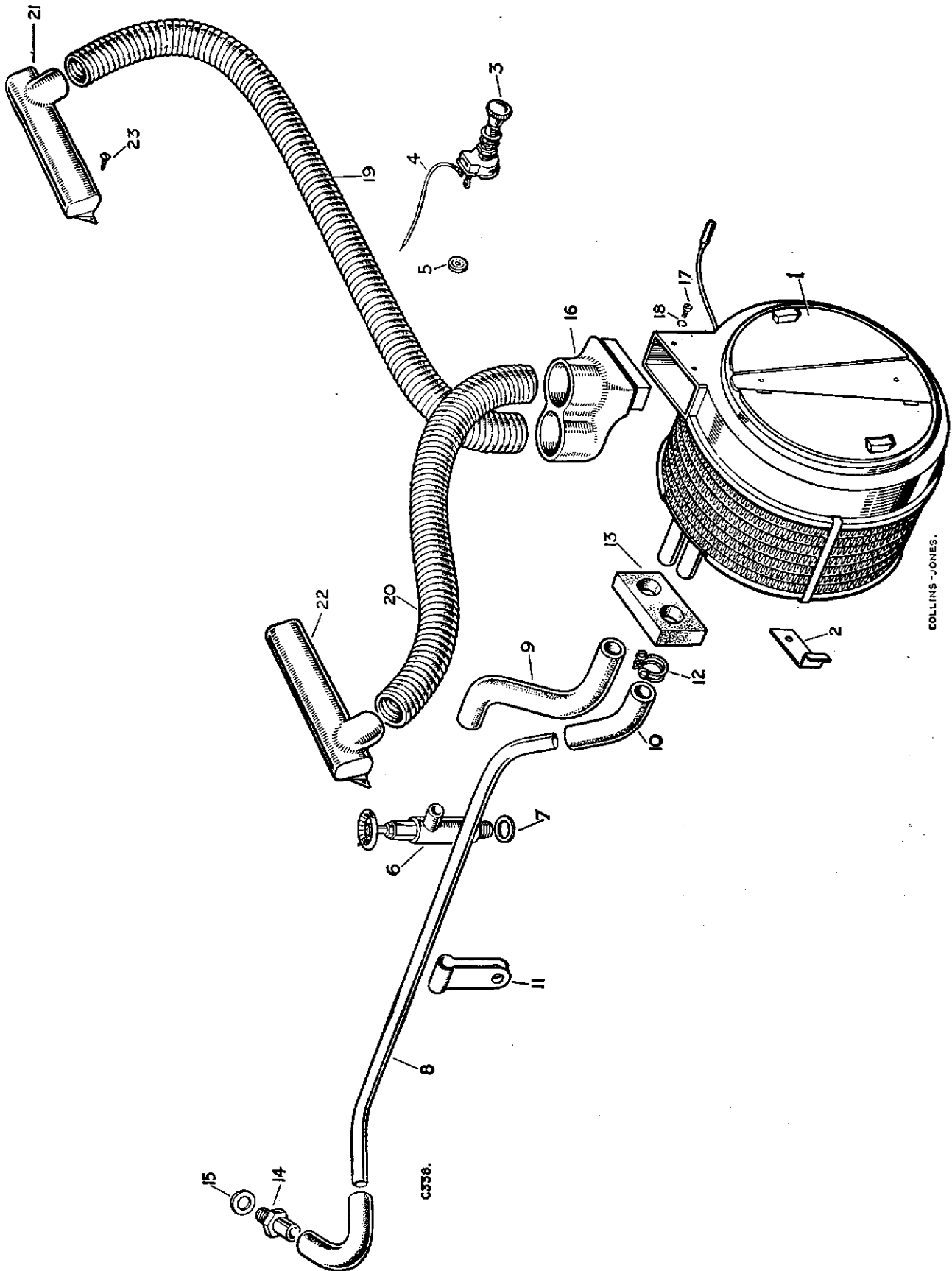
COLLINS-JONES.

C287.

RECIRCULATING VEHICLE HEATER, FRONT, 2 LITRE PETROL

PLATE REF.	1 2 3 4	DESCRIPTION	Qty.	Part No.	REMARKS
FRONT HEATER UNIT COMPLETE WITH					
		DEMISTER	1	330976	
1		Heater only, front, SM 620	1	304326	
2		Bracket for heater unit	3	320009	
3		Blanking cap	1	302672	} Not required when demister is fitted.
4		Special nut	2	304098	
5		Drive screw	2	304099	
6		Switch for heater, LU 54033070	1	519726*	
		Knob for heater switch	1	519725*	
7		Feed wire for heater, LU.861167	1	240649	
8		Grommet for heater leads	1	70742	
9		Inlet pipe for water pump	1	277509	
10		Joint washer for inlet pipe	1	213724	
11		Reducing union for heater outlet pipe	1	213276	
12		Valve for heater water supply	1	214264	
13		Joint washer for union and valve	2	213961	
14		Water outlet pipe complete	1	264631	
15		Water inlet pipe complete	1	264629	
16		Union nut fixing pipes	2	213275	
17		Hose for water pipes	2	240639	
18		Clip for hose	4	50306	
19		Rubber seal for pipes	1	304327	
		Bracket for pipe clip	1	264575	
		Saddle for pipe clip bracket	1	213513	
		Bolt ($\frac{1}{4}$ " U.N.F. x $\frac{3}{4}$ " long)	1	255007	} Fixing saddle to bracket
		Nut ($\frac{1}{4}$ " U.N.F.)	1	252210	
		Thermostat housing assembly	1	263695	
		Plug	1	3088	} Blanking thermostat housing
		Fibre washer	1	3055	
		Joint washer for thermostat	1	213811	
		Joint washer, water inlet to thermostat housing	1	210419	
20		Junction box for demister tubes	1	304348	
21		Set screw (4 B.A. x $\frac{1}{4}$ " long)	2	78149	} Fixing junction box to heater
22		Spring washer	2	3072	
23		Tube for demister, R.H.	1	304345	
24		Tube for demister, L.H.	1	304346	
25		Nozzle for demister, R.H.	1	332558	
26		Nozzle for demister, L.H.	1	332558	
27		Drive screw fixing nozzle	4	77789	

RECIRCULATING VEHICLE HEATER, FRONT, 2 1/4 LITRE PETROL AND DIESEL

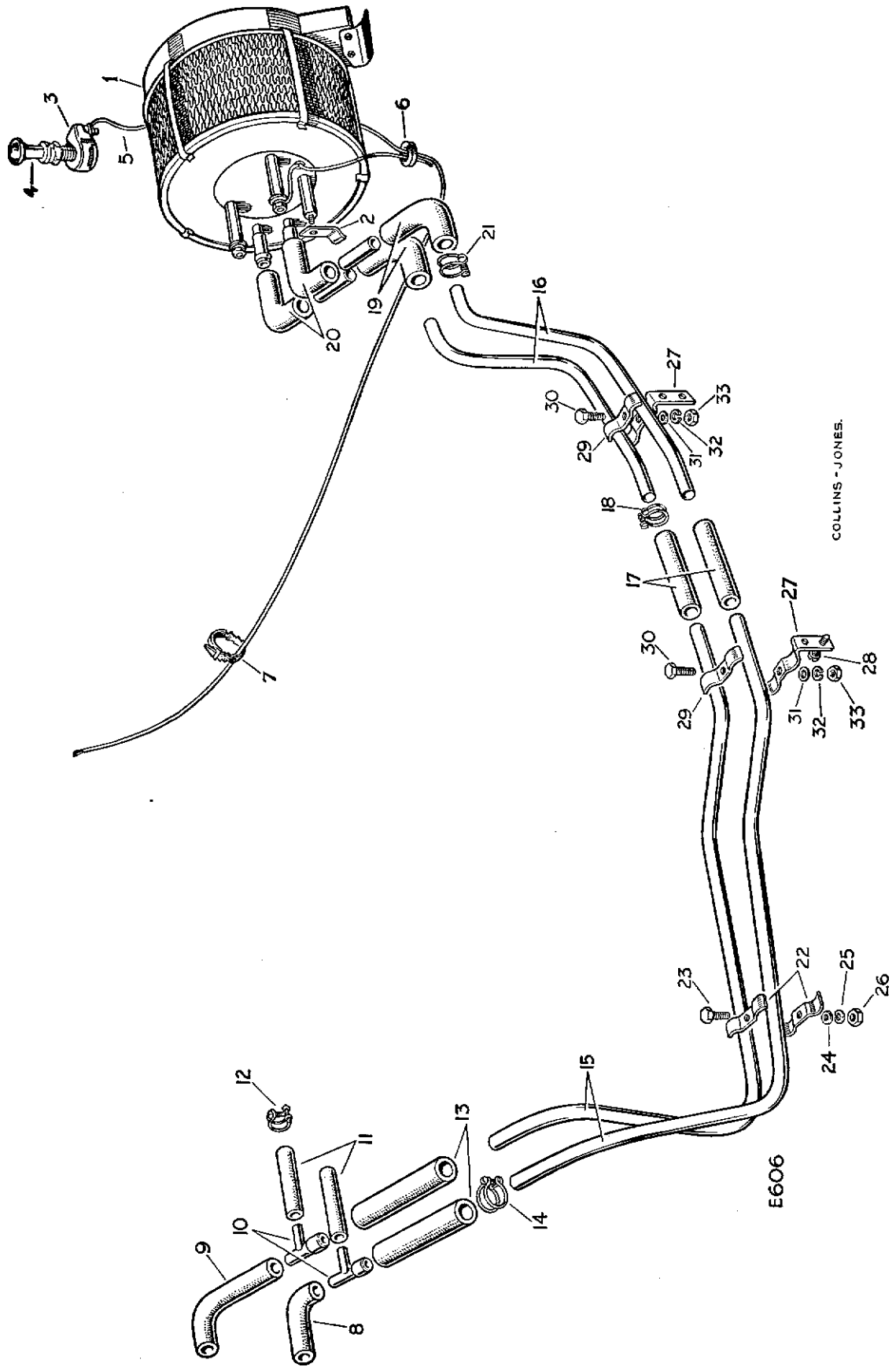


RECIRCULATING VEHICLE HEATER, FRONT, 2½ LITRE PETROL AND DIESEL

PLATE REF.	1 2 3 4	DESCRIPTION	Qty.	Part No.	REMARKS
FRONT HEATER UNIT COMPLETE WITH					
		DEMISTER	1	330988	
1		Heater only, front	1	307838	
2		Bracket for heater unit	3	320009	
3		Switch for heater, LU 54033070	1	519726*	
		Knob for heater switch	1	519725*	
4		Feed wire for heater	1	240649	
		Connector for feed lead, fuse unit to switch	1	510119	Series IIA models
5		Grommet for heater leads	1	70742	
6		Valve for heater water supply	1	269562	
7		Joint washer for valve	2	213960	
8		Water outlet pipe complete	1	500880	
9		Water inlet pipe complete	1	269567	
10		Hose for outlet pipe to heater	1	234063	
		Hose for outlet pipe to pump	1	242358	1958-60 models
		Hose, outlet pipe to pump	1	509754	1961 models onwards
11		Pipe clip for outlet pipe, steel	2	278891	
12		Clip for hose and inlet pipe	6	50304	
13		Rubber seal for pipes	1	304327	
14		Adaptor for return pipe hose	1	269565	
15		Joint washer for adaptor	1	213960	
16		Junction box for demister tubes	1	304348	
17		Set screw (4 B.A. x ¼" long) } Fixing junction	2	78149	
18		Spring washer } box to heater	2	3072	
19		Tube for demister, R.H.	1	304345	} Handed type nozzle
20		Tube for demister, L.H.	1	304346	
21		Nozzle for demister, R.H.	1	332558	
22		Nozzle for demister, L.H.	1	332558	
		Tube for demister, short	1	302677	
		Tube for demister, long	1	333479*	
		Nozzle for demister	2	333473*	} Non-handed type nozzle
23		Drive screw fixing nozzle	4	77789	

} Alternatives
} Check before ordering

RECIRCULATING VEHICLE HEATER, REAR, 2½ LITRE PETROL

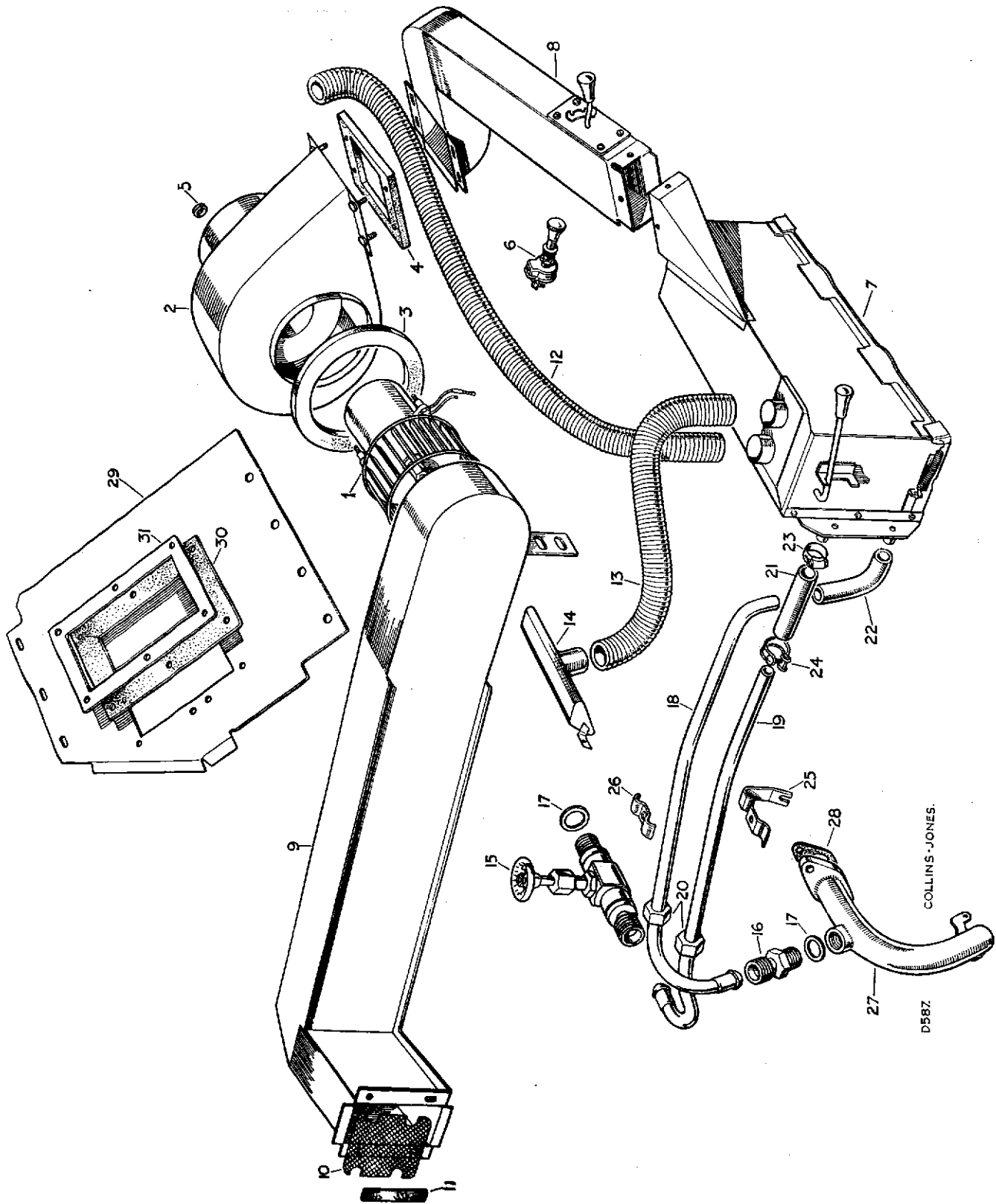


COLLINS - JONES.

RECIRCULATING VEHICLE HEATER, REAR, 2¼ LITRE PETROL

PLATE REF.	1	2	3	4	DESCRIPTION	Qty.	Part No.	REMARKS
					REAR HEATER UNIT, COMPLETE 1	320502	Must be used in conjunction with front heater, Part No. 330988
1					Heater only, rear 1	306426	
2					Bracket for heater unit 3	304331	
3					Switch for heater, rear 1	519726*	
4					Knob for heater switch 1	519725	
5					Feed wire for heater, rear, 9 feet long 1	264837	
6					Grommet for heater leads 1	70742	
7					Cleat fixing heater leads 5	240429	
8					Hose, outlet pipe to junction 1	234063	
9					Hose, inlet, tap to junction 1	242358	
10					Junction for heater pipes 2	516318	
11					Hose, junction to front heater 2	231896	
12					Clip for hose 4	50304	
13					Hose, junction to front pipes 2	240639	
14					Clip for hose 4	50306	
15					Pipe, front, for rear heater 2	248831	
16					Pipe, rear, for rear heater 2	248826	
17					Hose, front to rear pipes 2	240639	
18					Clip for hose 4	50306	
19					Hose, rear heater pipe 2	246778	
20					Hose at rear heater 2	246778	
21					Clip for hose 8	50306	
22					Clip for front pipe 2	213513	
23					Bolt (¼" B.S.F. x ⅝" long) 1	237140	
24					Plain washer 1	3946	} Fixing front pipe clips together
25					Spring washer 1	3074	
26					Nut (¼" B.S.F.) 1	2823	
27					Support bracket for front pipe clip 2	248822	
28					Drive screw fixing support bracket to chassis 4	78436	
29					Clip for rear pipe 2	213513	
30					Bolt (¼" B.S.F. x ⅝" long) 2	237140	
31					Plain washer 2	3945	} Fixing rear pipe clips to support bracket
32					Spring washer 2	3074	
33					Nut (¼" B.S.F.) 2	2823	

FRESH AIR HEATER, 2 LITRE PETROL, L.H.D.

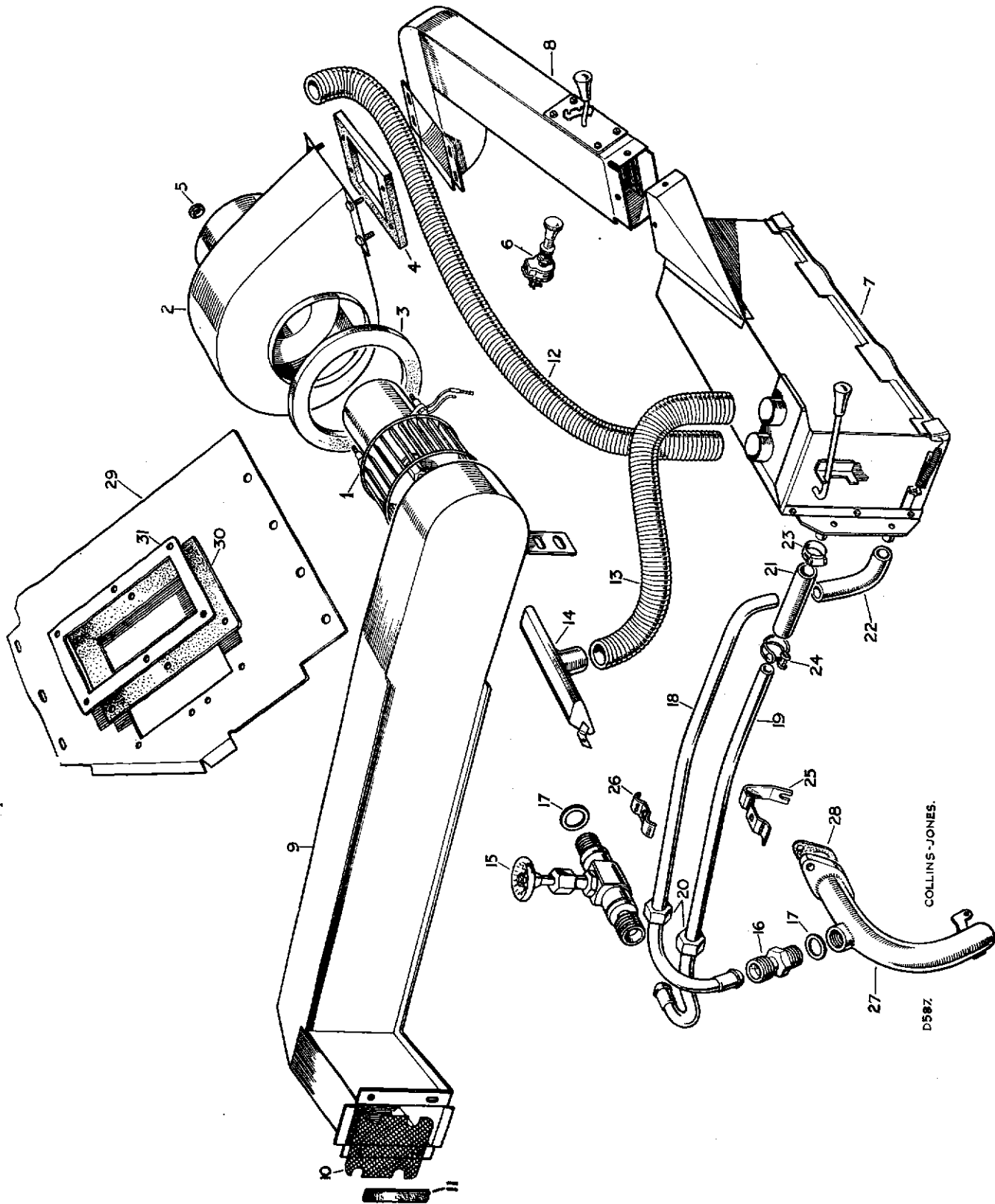


D587.
COLLINS-JONES.

FRESH AIR HEATER, 2 LITRE PETROL, L.H.D.

PLATE REF.	1 2 3 4	DESCRIPTION	Qty.	Part No.	REMARKS
		HEATER COMPLETE ASSEMBLY 1	332965	
1		Heater blower and fan complete 1	320251	
2		Blower volute and shroud 1	332551	
3		Sealing rubber, volute to wing duct 1	320174	
4		Sealing rubber, volute and duct to dash toe box	1	320198	
		Plain washer	4	3840	
		Spring washer	4	3074	
		Nut ($\frac{1}{4}$ " U.N.F.)	4	254810	
5		Grommet in blower shroud for leads 1	233243	
6		Switch for heater, LU 54033070 1	519726*	
		Knob for heater switch 1	519725*	
		Feed wire for heater 1	240649	
7		Heater box assembly 1	332531	
8		Air duct assembly at dash 1	332540	
		Coil spring	2	320273	
		Plain washer	2	2678	
		Split pin	2	3939	
		Drive screw	4	78153	
		Spire nut	4	78237	
9		Air duct assembly at wing 1	332545	
10		Air duct mesh 1	320175	
		Special bolt	2	78208	
		Plain washer	2	3900	
		Spring washer	2	3074	
		Nut ($\frac{1}{4}$ " U.N.F.)	2	254810	
		Bolt ($\frac{1}{4}$ " U.N.F. x $\frac{5}{8}$ " long)	2	255007	} L.H.D
		Plain washer	2	2213	
		Spring washer	2	3074	
		Nut ($\frac{1}{4}$ " U.N.F.)	2	254800	
11		Sealing rubber at air intake 1	320197	
		Drive screw	4	78153	
		Spire nut	4	78237	
		Bolt ($\frac{1}{4}$ " U.N.F. x $\frac{5}{8}$ " long)	4	255207	
		Plain washer	4	3900	
		Spring washer	3	3074	
		Nut ($\frac{1}{4}$ " U.N.F.)	3	254810	
12		Demister tube R.H. 1	304345	
13		Demister tube, L.H. 1	304346	
14		Demister nozzle 2	332558	
		Drive screw fixing nozzle 4	77789	
15		Valve for water heater 1	214264	
16		Reducing union 1	213276	
17		Joint washer for union and valve 2	213961	
18		Heater water outlet pipe 1	278500	
19		Heater water inlet pipe 1	264629	
20		Union nut for pipes 2	213275	
21		Hose, water inlet 1	278702	
22		Hose, water outlet 1	278703	
23		Clip, $\frac{1}{2}$ " diameter	2	279630	
24		Clip, $\frac{3}{8}$ " diameter	2	50306	

FRESH AIR HEATER, 2 LITRE PETROL, L.H.D.



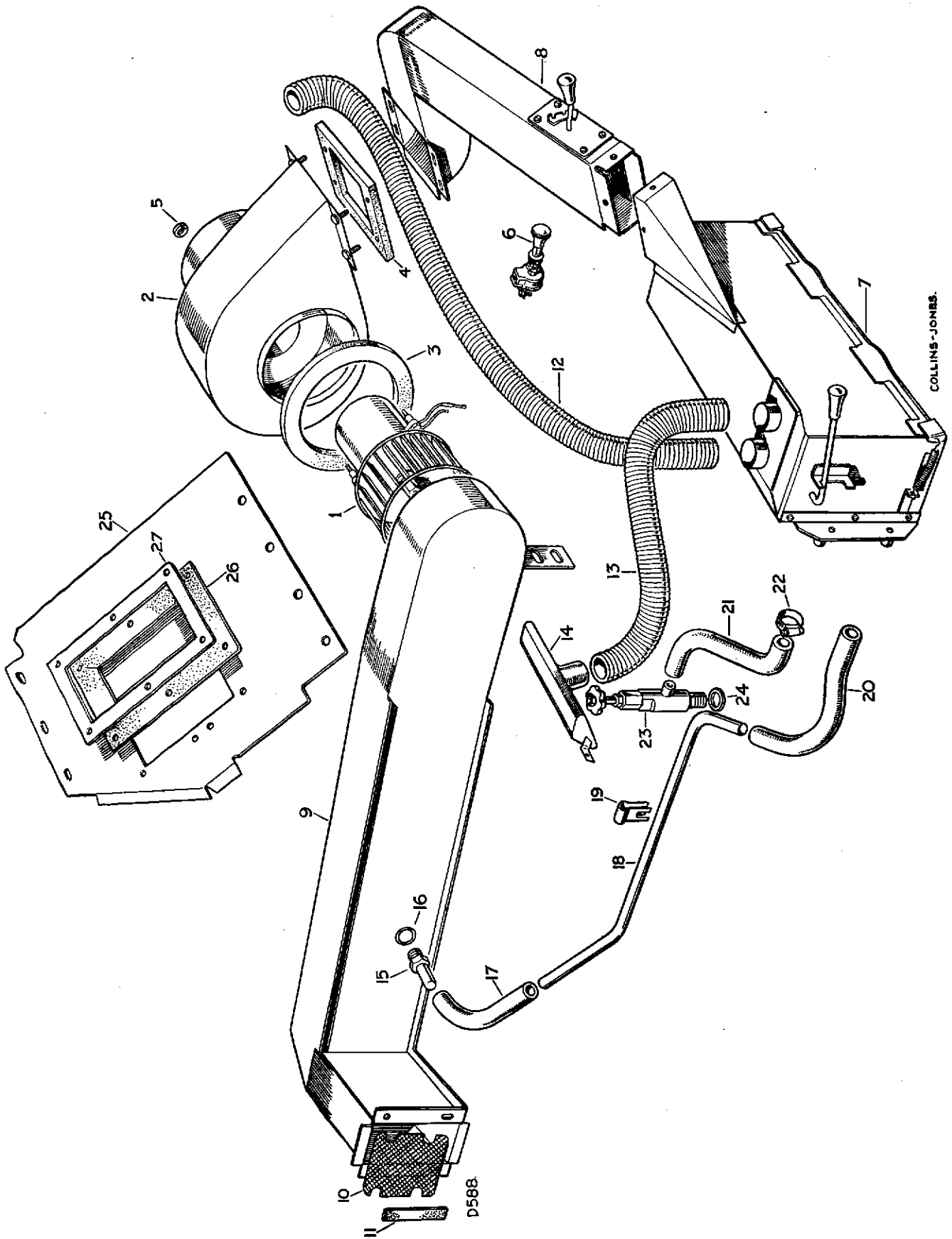
COLLINS-JONES.

D587.

FRESH AIR HEATER, 2 LITRE PETROL, L.H.D.

PLATE REF.	1 2 3 4	DESCRIPTION	Qty.	Part No.	REMARKS
25		Pipe clip bracket	1	264575	} L.H.D.
26		Saddle for pipe clip bracket	1	213513	
		Bolt ($\frac{1}{4}$ " U.N.F. x $\frac{5}{8}$ " long)	1	255007	
		Self-locking nut ($\frac{1}{4}$ " U.N.F.)	1	252210	
		Thermostat housing	1	263695	
		Plug	1	3088	
		Joint washer	1	3055	
		Tube, thermo housing to water pump	1	09197	
		Joint washer, water outlet pipe to thermostat....	1	210419	
		Joint washer, thermostat housing to cylinder head	1	213811	
27		Water pump inlet pipe	1	277509	
28		Joint washer for inlet pipe	1	213724	
		Transfer gear change lever complete	1	279331	
		Check strap assembly	1	332553	
		Check strap mounting bracket	1	332552	
29		Mud shield for front wing R.H.	1	332555	
30		Rubber seal on R.H. mud shield	1	332556	
31		Retaining plate for rubber seal	1	332557	
		Screw (2 B.A. x $\frac{1}{2}$ " long)	6	77869	
		Spring washer	6	3073	
		Nut (2 B.A.)	6	2247	

FRESH AIR HEATER, 2½ LITRE PETROL, L.H.D.

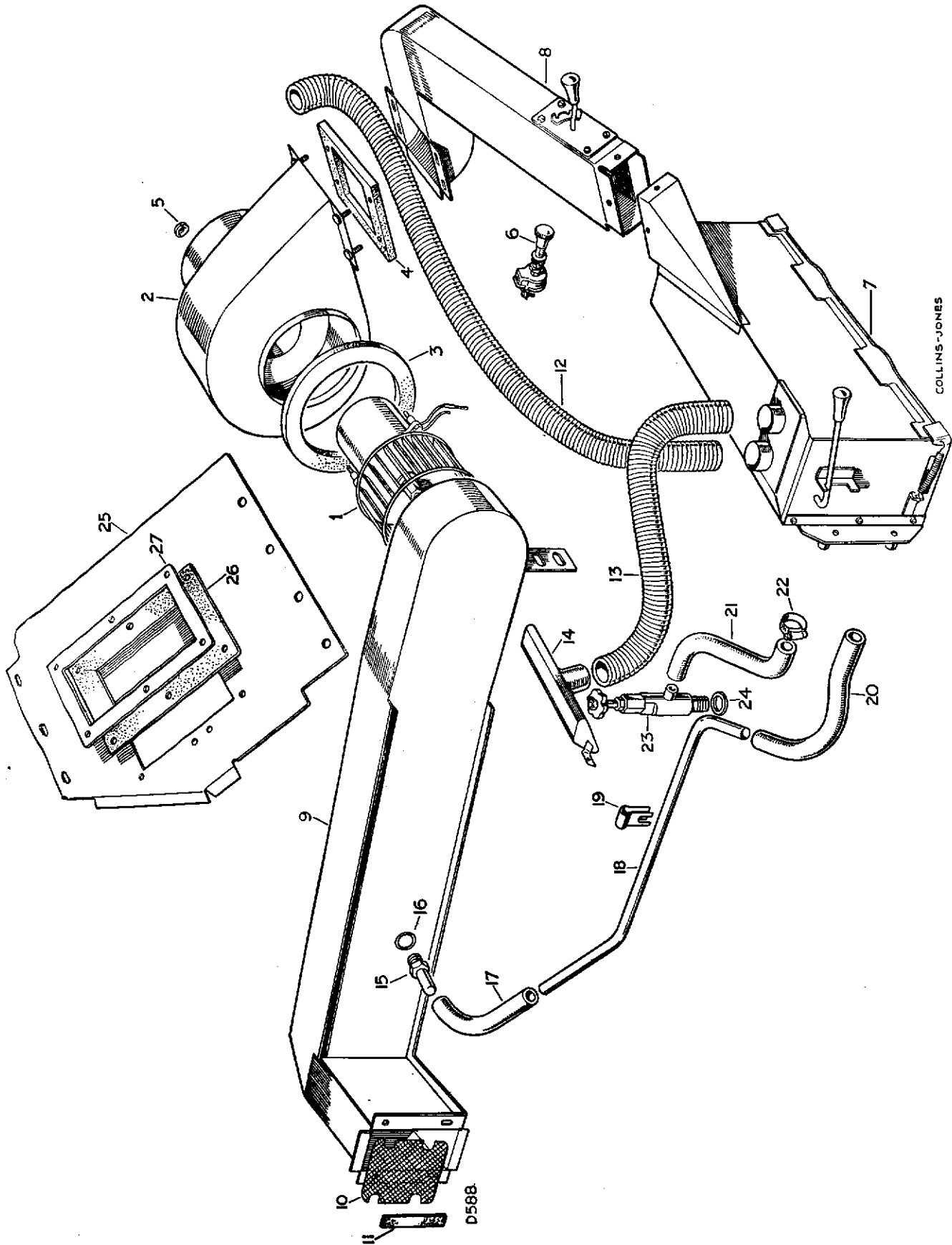


FRESH AIR HEATER, 2½ LITRE PETROL, L.H.D.

PLATE REF.	1 2 3 4	DESCRIPTION	Qty.	Part No.	REMARKS
		HEATER COMPLETE ASSEMBLY 1	332973	
1		Heater blower and fan complete 1	320251	
2		Blower volute and shroud 1	332551	
3		Sealing rubber, volute to wing duct 1	320174	
4		Sealing rubber, volute and duct to dash toe box	1	320198	
		Plain washer	4	3840	} Fixing volute, dash air duct and sealing rubbers to dash toe box
		Spring washer	4	3074	
		Nut (¼" U.N.F.)	4	254810	
5		Grommet in blower shroud for leads 1	233243	
6		Switch for heater, LU 54033070 1	519726*	
		Knob for heater switch 1	519725*	
		Feed wire for heater 1	240649	
		Eyelet for feed wire 1	243380	
7		Heater box assembly 1	332531	
8		Air duct assembly at dash 1	332540	
		Coil spring	2	320273	} Fixing air flow control spindle
		Plain washer	2	2678	
		Split pin	2	3939	
		Drive screw	4	78153	} Fixing control plate to air duct
		Spire nut	4	78237	
9		Air duct assembly at wing 1	332545	
10		Air duct mesh 1	320175	
		Special bolt	2	78208	} Fixing mesh and air duct to wing valance at front
		Plain washer	2	3900	
		Spring washer	2	3074	
		Nut (¼" U.N.F.)	2	254810	} Fixing air duct support bracket to dash toe box
		Bolt (¼" U.N.F. x ⅝" long)	2	255007	
		Plain washer	2	2213	
		Spring washer	2	3074	
		Nut (¼" U.N.F.)	2	254800	
11		Sealing rubber at air intake 1	320197	
		Drive screw	4	78153	} Fixing dash air duct to heater box
		Spire nut	4	78237	
		Bolt (¼" U.N.F. x ⅝" long)	4	255207	} Fixing heater box to dash
		Plain washer	4	3900	
		Spring washer	3	3074	
		Nut (¼" U.N.F.)	3	254810	
12		Demister tube R.H. 1	304345	
13		Demister tube L.H. 1	304346	
14		Demister nozzle 2	332558	
		Drive screw fixing nozzle 4	77789	
15		Adaptor for hose, return pipe to thermostat housing 1	269565	
16		Joint washer for adaptor 1	213960	
17		Hose, return pipe to thermostat housing 1	242358	
18		Pipe, heater water return 1	500880	
19		Clip for return pipe 3	278891	
20		Hose, return pipe to heater 1	501081	
21		Hose, valve to heater 1	269567	
22		Clip for hoses 6	279630	

} L.H.D.

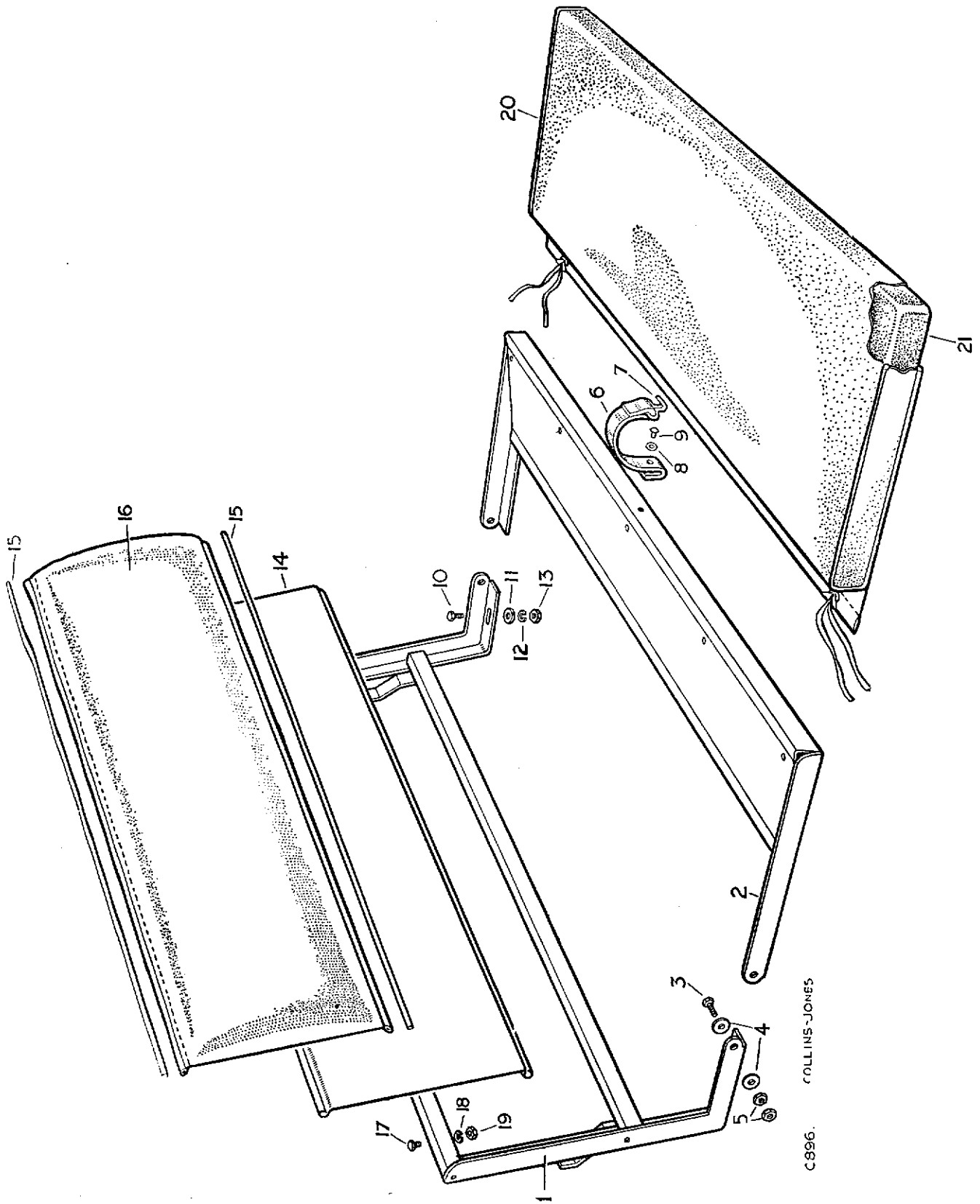
FRESH AIR HEATER, 2½ LITRE PETROL, L.H.D.



FRESH AIR HEATER, 2 $\frac{1}{4}$ LITRE PETROL, L.H.D.

PLATE REF.	1	2	3	4	DESCRIPTION	Qty.	Part No.	REMARKS
23					Valve, for heater water	1	269562	} L.H.D.
24					Joint washer for valve	2	213960	
					Transfer gear change lever complete	1	279331	
					Check strap assembly	1	332553	
					Check strap mounting bracket	1	332552	
25					Mud shield for front wing R.H.	1	332555	
26					Rubber seal on R.H. mud shield	1	332556	
27					Retaining plate for rubber seal	1	332557	
					Screw (2 B.A. x $\frac{1}{2}$ " long)	6	77869	
					Spring washer	6	3073	
					Nut (2 B.A.)	6	2247	
					Fixing seal and plate to R.H. mud shield			

REAR SEATS

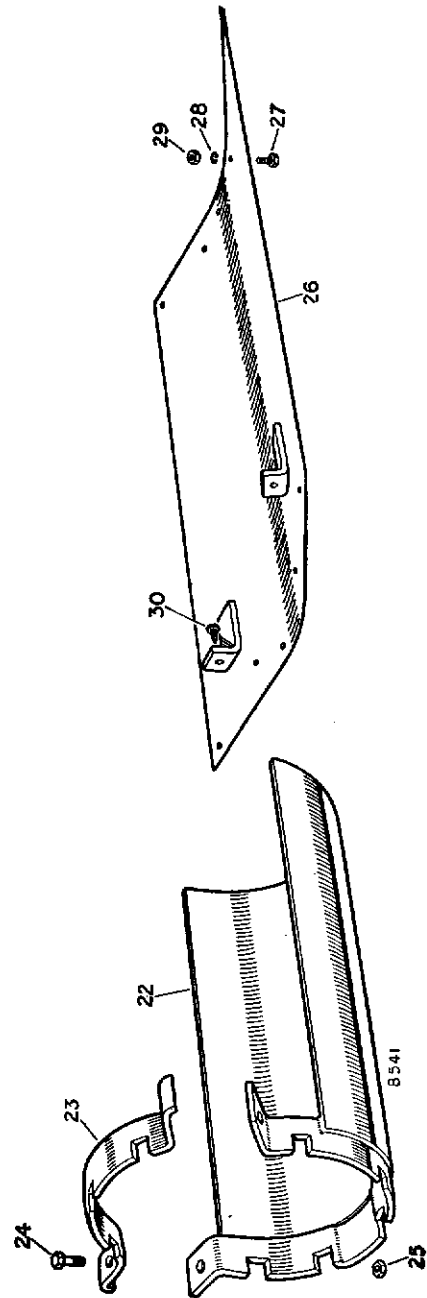
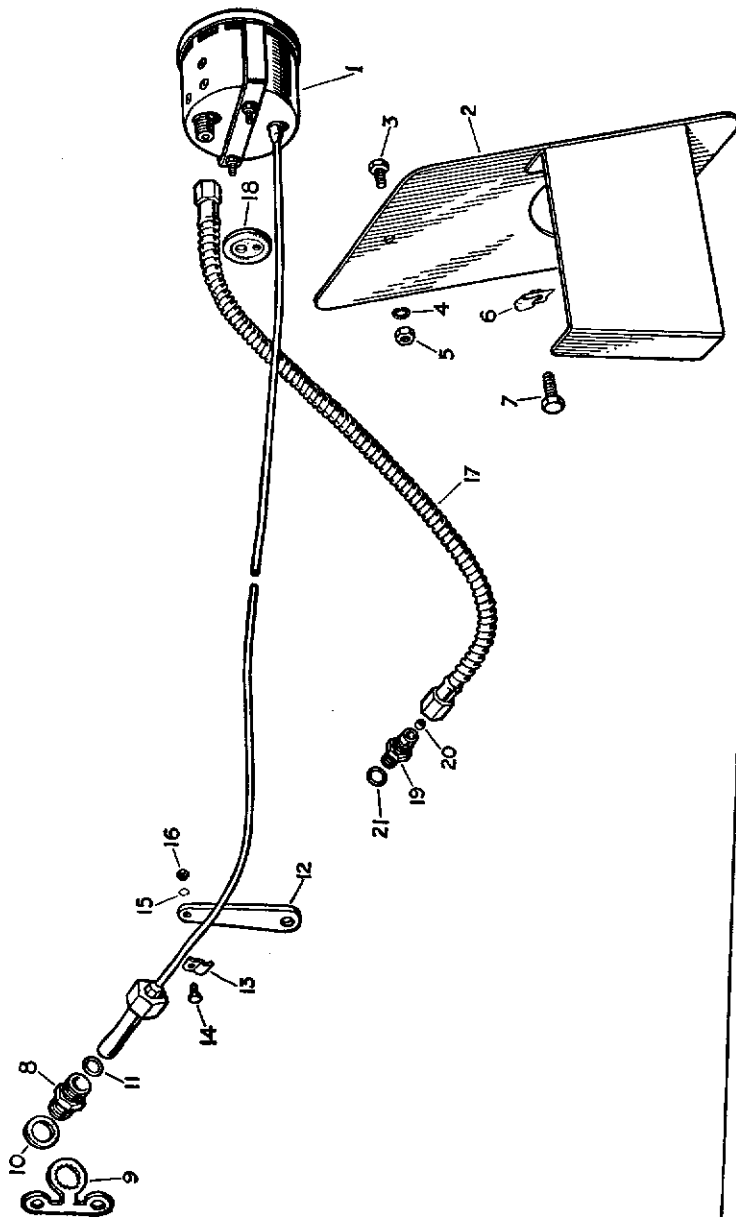


C896. COLLINS-JONES

REAR SEATS

PLATE REF.	1 2 3 4	DESCRIPTION	Qty.	Part No.	REMARKS
		REAR SEAT COMPLETE ASSEMBLY, GREY	2	330969	Up to four seats may be fitted in the body of the 109
		REAR SEAT FRAME ASSEMBLY 2	331228	
1		Rear seat back frame 2	331229	
		Securing clip for backrest R.H. 1	331314	
		Securing clip for backrest L.H. 1	331315	
		Bolt ($\frac{1}{4}$ " U.N.F. x $\frac{5}{8}$ " long)	8	255206	} Fixing clip to backrest frame
		Spring washer	8	3074	
		Nut ($\frac{1}{4}$ " U.N.F.)	8	254810	
2		Hinged base for rear seat 2	301489	
3		Bolt ($\frac{1}{4}$ " U.N.F. x $\frac{3}{4}$ " long)	4	255207	} Fixing base to back frame
4		Plain washer	12	3821	
5		Nut ($\frac{1}{4}$ " U.N.F.)	4	254810	
6		Seat strap complete 2	302648	
7		Hook for strap 2	301005	
8		Plain washer	4	3816	} Fixing strap to hinged base
9		Pop rivet	2	300782	
		Rubber buffer 4	304125	} 109
		Screw (2 B.A. x 1" long)	4	78120	
		Packing washer	4	3898	
		Plain washer	8	4030	
		Nut (2 B.A.)	4	2247	
10		Bolt ($\frac{1}{4}$ " U.N.F. x $\frac{3}{4}$ " long)	4	255207	} Fixing seat frame to wheel arch box
11		Plain washer	4	3821	
12		Spring washer	4	3074	
13		Nut ($\frac{1}{4}$ " U.N.F.)	4	254810	
		Packing washer	8	2228	
		REAR SEAT BACK REST TRIMMED ASSEMBLY, GREY 2	320084	
14		Back rest panel 2	301470	
15		Retaining rod for pad 4	301476	
16		Pad for back rest 2	302647	
17		Bolt ($\frac{1}{4}$ " U.N.F. x $\frac{1}{2}$ " long)	12	255204	} Fixing back rest to frame
18		Spring washer	12	3074	
19		Nut ($\frac{1}{4}$ " U.N.F.)	12	254810	
20		REAR SEAT CUSHION ASSEMBLY, GREY	2	320085	
21		Pad for rear cushion 2	302655	

WATER TEMPERATURE AND OIL PRESSURE GAUGE, 2 LITRE PETROL



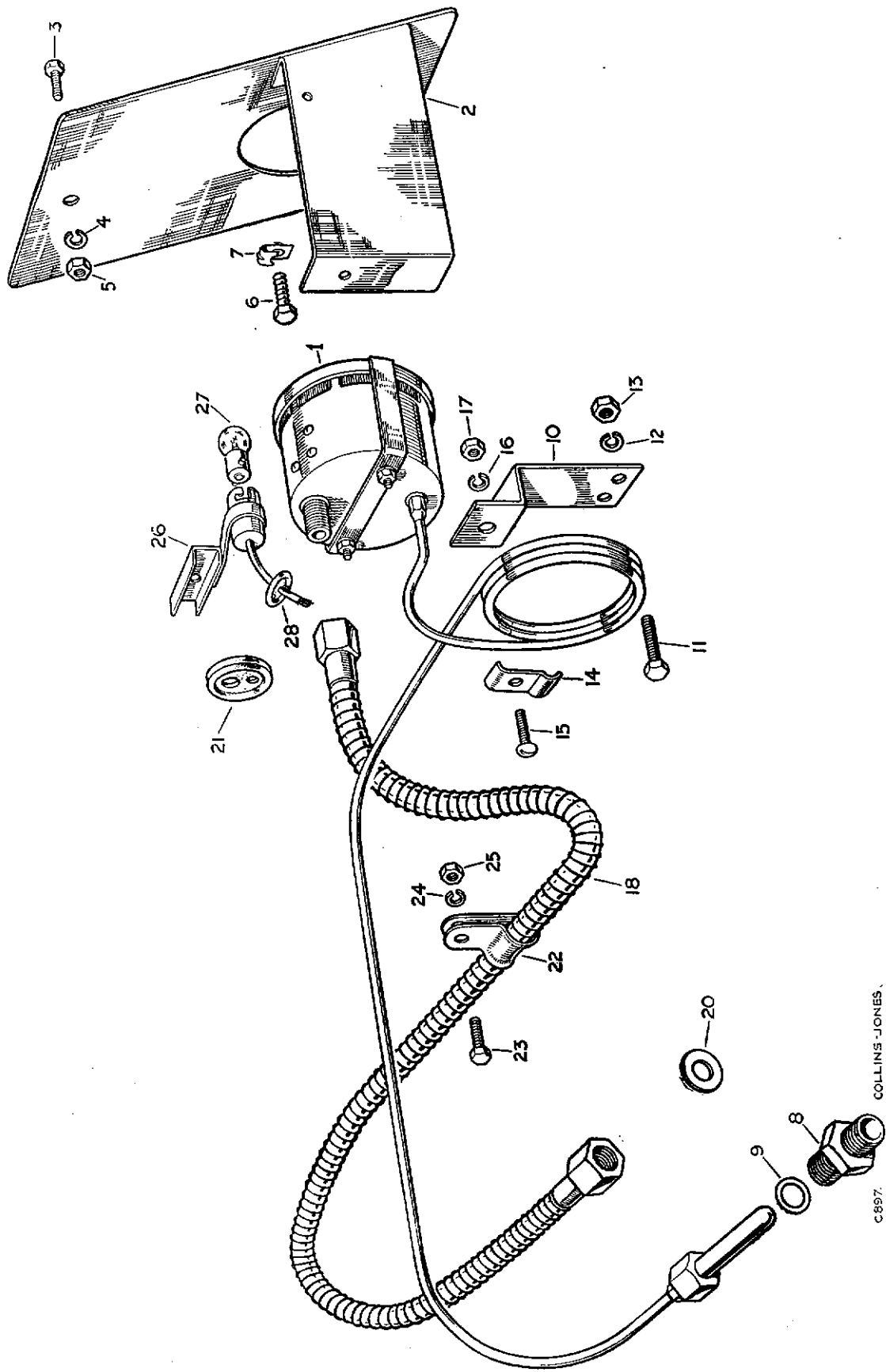
WATER TEMPERATURE AND OIL PRESSURE GAUGE, 2 LITRE PETROL

PLATE REF.	1 2 3 4	DESCRIPTION	Qty.	Part No.	REMARKS
		WATER TEMPERATURE AND OIL PRES- SURE GAUGE COMPLETE ASSEMBLY	1	241713	
1		Water temperature and oil pressure gauge, JA TO 10	1	233480	
2		Mounting bracket for gauge	1	503147	
3		Bolt (2 B.A. x ½" long)	1	234603	
4		Spring washer	1	3073	
5		Nut (2 B.A.)	1	2247	
		Bolt (¼" U.N.F. x ½" long)	1	255204	} Fixing mounting bracket to dash
		Plain washer	1	3840	
		Spring washer	1	3074	
		Nut (¼" U.N.F.)	1	254810	
8		Union for thermometer bulb, JA WA/8/P/7059	1	218512	
9		Locker for union	1	217321	
10		Washer for union	1	3055	
11		Washer for thermometer bulb, JA WA/8/P/9423	1	218751	
12		Bracket supporting thermometer pipe	1	234059	
13		Clip for thermometer pipe	6	41379	
14		Screw (2 B.A. x ½" long)	6	71164	
15		Spring washer	6	3073	} Fixing clips
16		Nut (2 B.A.)	6	2247	
17		Oil pipe for gauge	1	275377	
18		Grommet for pipe in dash	1	311200	
		Clip for flexible pipe	1	50642	
		Bolt (¼" U.N.F. x ½" long)	1	255004	} Fixing clip to dash
		Spring washer	1	3074	
		Nut (¼" U.N.F.)	1	254800	
19		Union for oil pipe	1	270938	
21		Washer for union	1	232039	
		Panel light adaptor, LU.390248	1	273714	
		Bulb for panel light, LU.207	1	10211	
		Grommet for panel light lead, LU.859341	1	233244	
		THERMOSTAT HOUSING ASSEMBLY	1	263695	
		Plug, large	1	10713	} Blanking heater tapping in housing
		Fibre washer	1	213961	
		Plug for oil light hole	1	274897	

UNIVERSAL JOINT COVER PLATES, ALL MODELS

PLATE REF.	1 2 3 4	DESCRIPTION	Qty.	Part No.	REMARKS
		UNIVERSAL JOINT COVER PLATE COMPLETE ASSEMBLY	1	261829	
22		Cover plate for joint at differential housings	2	233071	
23		Top strap for cover plate	2	233068	
24		Bolt (¼" B.S.F. x ⅝" long)	4	237142	} Fixing cover plates to differential housings
25		Nut (¼" B.S.F.)	4	2823	
26		Shield for joint at transfer box	1	233073	
27		Bolt (2 B.A. x ½" long)	2	234603	} Fixing shield
28		Spring washer	2	3073	
29		Nut (2 B.A.)	2	2247	
30		Drive screw	2	77926	

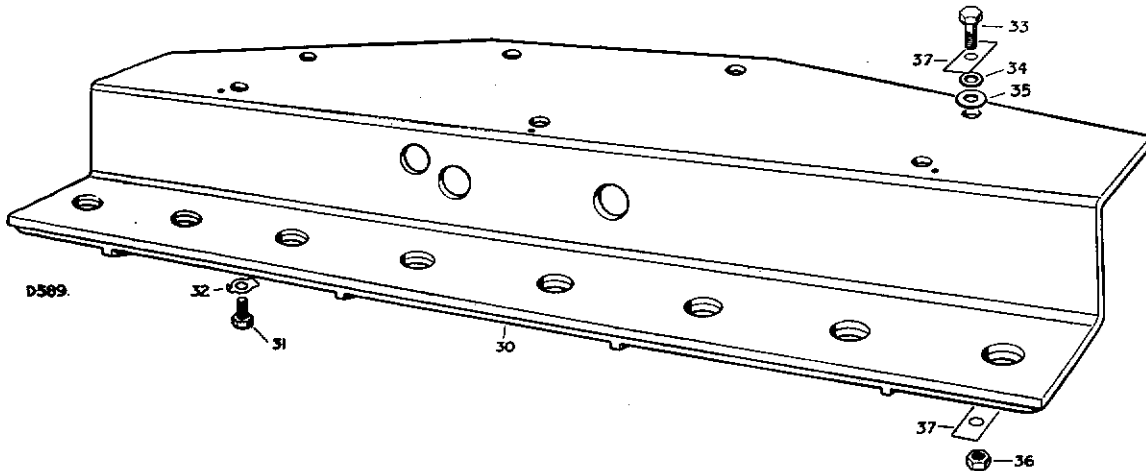
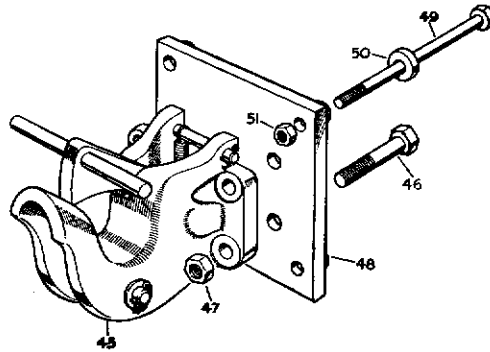
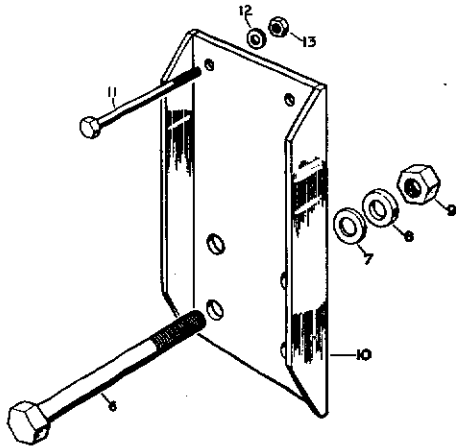
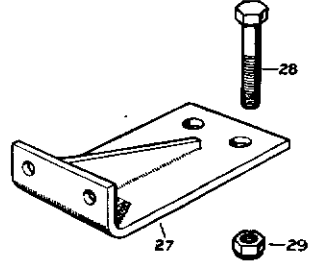
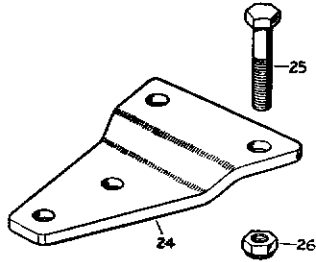
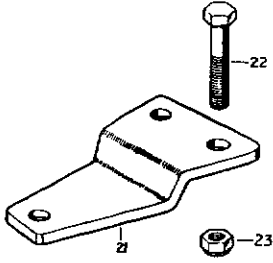
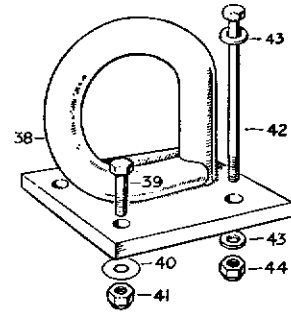
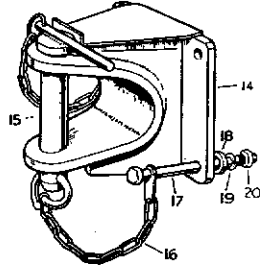
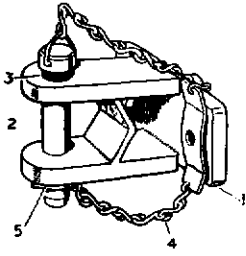
WATER TEMPERATURE AND OIL PRESSURE GAUGE, 2½ LITRE PETROL AND DIESEL



WATER TEMPERATURE AND OIL PRESSURE GAUGE, 2¼ LITRE PETROL AND DIESEL

PLATE REF.	1 2 3 4	DESCRIPTION	Qty.	Part No.	REMARKS
		WATER TEMPERATURE AND OIL PRESSURE GAUGE COMPLETE 1	525590	
1		Water temperature and oil pressure gauge 1	502961	No red marking on dial
		Water temperature and oil pressure gauge 1	523683	With dial marked in red at 100°C to 120°C
2		Mounting bracket for gauge 1	503147	
3		Bolt (2 B.A. x ½" long) 1	234603	
4		Spring washer 1	3073	
5		Nut (2 B.A.) 1	2247	
		Bolt (¼" U.N.F. x ½" long) 1	255204	} Fixing mounting bracket to dash
		Plain washer 1	3840	
		Spring washer 1	3074	
		Nut (¼" U.N.F.) 1	254810	
8		Union for thermometer bulb 1	218512	2¼ litre Petrol models
		Union for thermometer bulb 1	278165	Diesel models
9		Joint washer for gauge bulb 1	218751	
		Joint washer } Union to 1	243959	} 2¼ litre Petrol models Diesel models
		Joint washer } cylinder head 2	243972	
10		Support bracket for pipe clip 1	279861	2¼ litre Petrol models
		Support bracket for pipe clip 1	279783	Diesel models
11		Bolt (2 B.A. x ½" long) 2	234603	} Fixing bracket to dash
12		Spring washer 2	3073	
13		Nut (2 B.A.) 2	2247	
14		Clip for thermometer pipe 1	41379	
15		Screw (2 B.A. x ½" long) 1	71164	} Fixing pipe clip to support bracket
16		Spring washer 1	3073	
17		Nut (2 B.A.) 1	2247	
18		Oil pipe for gauge 1	279785	
		Banjo for oil pipe 1	502655	
		Adaptor for oil pipe 1	502653	
		Joint washer for oil pipe and filter 2	232039	
20		Joint washer for union 2	231575	1958-59
21		Grommet for oil pipe in dash 1	311200	
22		Clip for pipe, L.H. side of dash 1	4020	
23		Bolt (¼" U.N.F. x ½" long) 1	255004	} Fixing clip to L.H. side of dash
24		Spring washer 1	3074	
25		Nut (¼" U.N.F.) 1	254800	
		Clip for oil pipe, R.H. side of dash 2	50640	
		Bolt (2 B.A. x ½" long) 2	234603	} Fixing clips on R.H. side of dash
		Spring washer 2	3073	
		Nut (2 B.A.) 2	2247	
26		Panel light adaptor, LU.39024B 1	273714	
27		Bulb for panel light, LU.207 1	10211	
28		Grommet for panel light lead, LU.859341 1	233244	1958-60
		Grommet for panel light lead, LU.859059 1	233243	1961 onwards

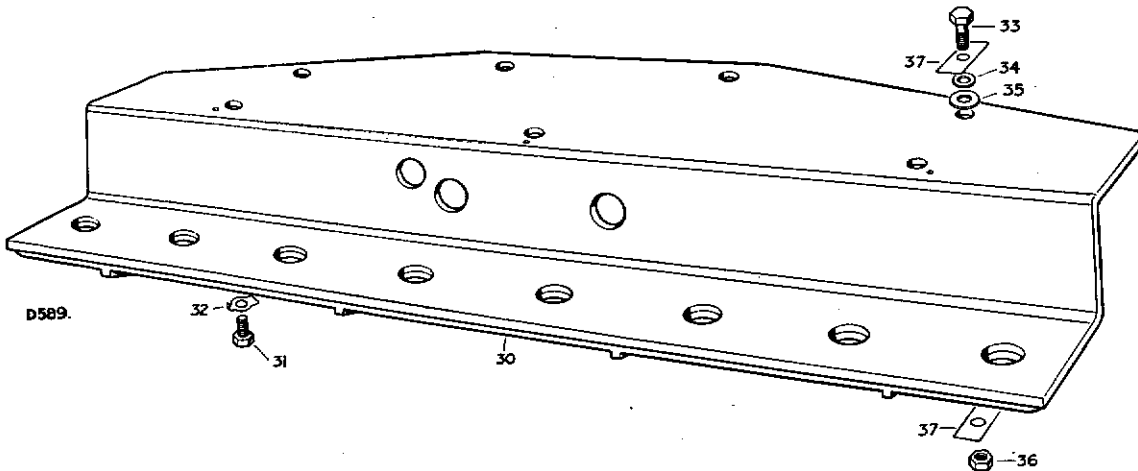
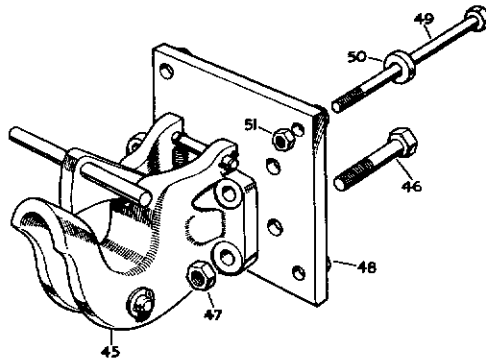
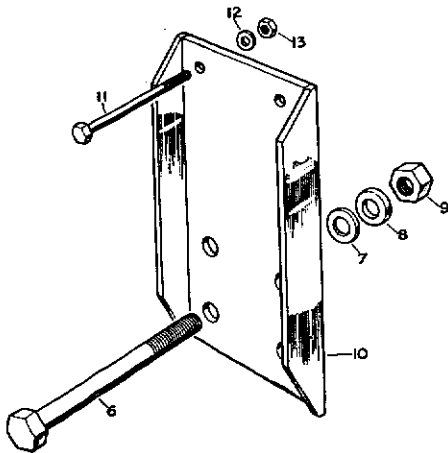
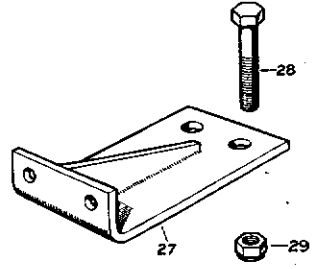
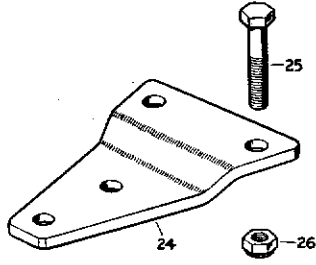
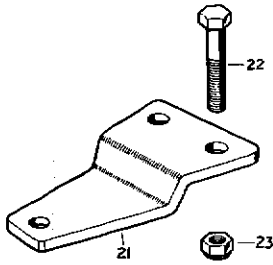
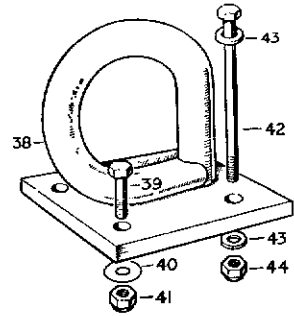
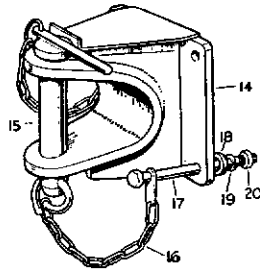
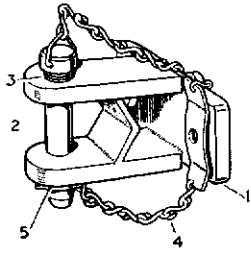
TOWING ATTACHMENTS



TOWING ATTACHMENTS

PLATE REF.	1	2	3	4	DESCRIPTION	Qty.	Part No.	REMARKS
					TOWING JAW, COMPLETE ASSEMBLY,			
					STANDARD TYPE	1	518674	
1					TOWING JAW ASSEMBLY	1	517489	
2					Pintle pin, chain and ring complete	1	524134	
3					Spring for pin	1	269598	
5					Spring clip for chain	1	235268	
					Locking ring for chain	1	517773	Part of 524134
								} Alternatives. } Check before ordering
					Bolt ($\frac{5}{8}$ " U.N.F. x 5" long)	2	256333	} Alternatives } Check before ordering
6					Bolt ($\frac{5}{8}$ " U.N.F. x $5\frac{1}{2}$ " long) } Fixing bracket	2	256335	
					Bolt ($\frac{5}{8}$ " U.N.F. x 6" long) } 514651 or	2	518363	} Alternatives. } Check before ordering
7					Plain washer, small } towing jaw	2	4132	
					Distance piece } 518674 to	1	508390	} Check before ordering
8					Plain washer, large } cross-member	4	4233	
9					Nut ($\frac{5}{8}$ " U.N.F.)	4	254816	} Alternatives. } Check before ordering
					Bolt ($\frac{5}{8}$ " U.N.F. x $2\frac{1}{2}$ " long) } Fixing towing	2	256323	
					Bolt ($\frac{5}{8}$ " U.N.F. x 3" long) } jaw to attach-	2	518362	} Alternatives. } Check before ordering
					Nut ($\frac{5}{8}$ " U.N.F.) } ment bracket	4	254816	
					TOWING BRACKET ASSEMBLY FOR STANDARD TOWING JAW			
10					Bracket for towing jaw	1	514651	
11					Bolt ($\frac{3}{8}$ " U.N.F. x $4\frac{3}{4}$ " long) } Fixing	2	256256	} Alternatives. } Check before ordering
12					Plain washer, thin } bracket to	2	4094	
					Plain washer, thick } rear	2	4067	
13					Nut ($\frac{3}{8}$ " U.N.F.) } cross-member	4	254812	
					TOWING JAW COMPLETE ASSEMBLY			
14					Towing jaw	1	232493	} Except 109 Station Wagon
15					Pin for towing jaw	1	232474	
16					Chain for towing jaw pin	1	232484	
17					Bolt ($\frac{3}{8}$ " B.S.F. x $4\frac{3}{4}$ " long) } Fixing jaw	4	273483	
18					Plain washer } to chassis	8	4067	
19					Spring washer	4	3076	
20					Nut ($\frac{3}{8}$ " B.S.F.)	8	3485	
					TOW BAR ANCHOR ASSEMBLY, STANDARD			
21					Tow bar anchor	1	231213	
22					Bolt ($\frac{3}{4}$ " B.S.F. x 2" long) } Fixing anchor plate	2	267431	} to rear draw bar
23					Self-locking nut ($\frac{3}{4}$ " B.S.F.)	2	234828	
					TOW BAR ANCHOR ASSEMBLY, COMBINE HARVESTER			
24					Tow bar anchor	1	231214	
25					Bolt ($\frac{3}{4}$ " B.S.F. x 2" long) } Fixing anchor plate	2	267431	} to rear draw bar
26					Self-locking nut ($\frac{3}{4}$ " B.S.F.)	2	234828	
27					Extension plate for standard towing jaw	1	231498	} Only required when Power Take-off is fitted
28					Bolt ($\frac{3}{4}$ " B.S.F. x 2" long) } Fixing extension	2	267431	
29					Self-locking nut ($\frac{3}{4}$ " B.S.F.) } plate to rear draw bar	2	234828	

TOWING ATTACHMENTS

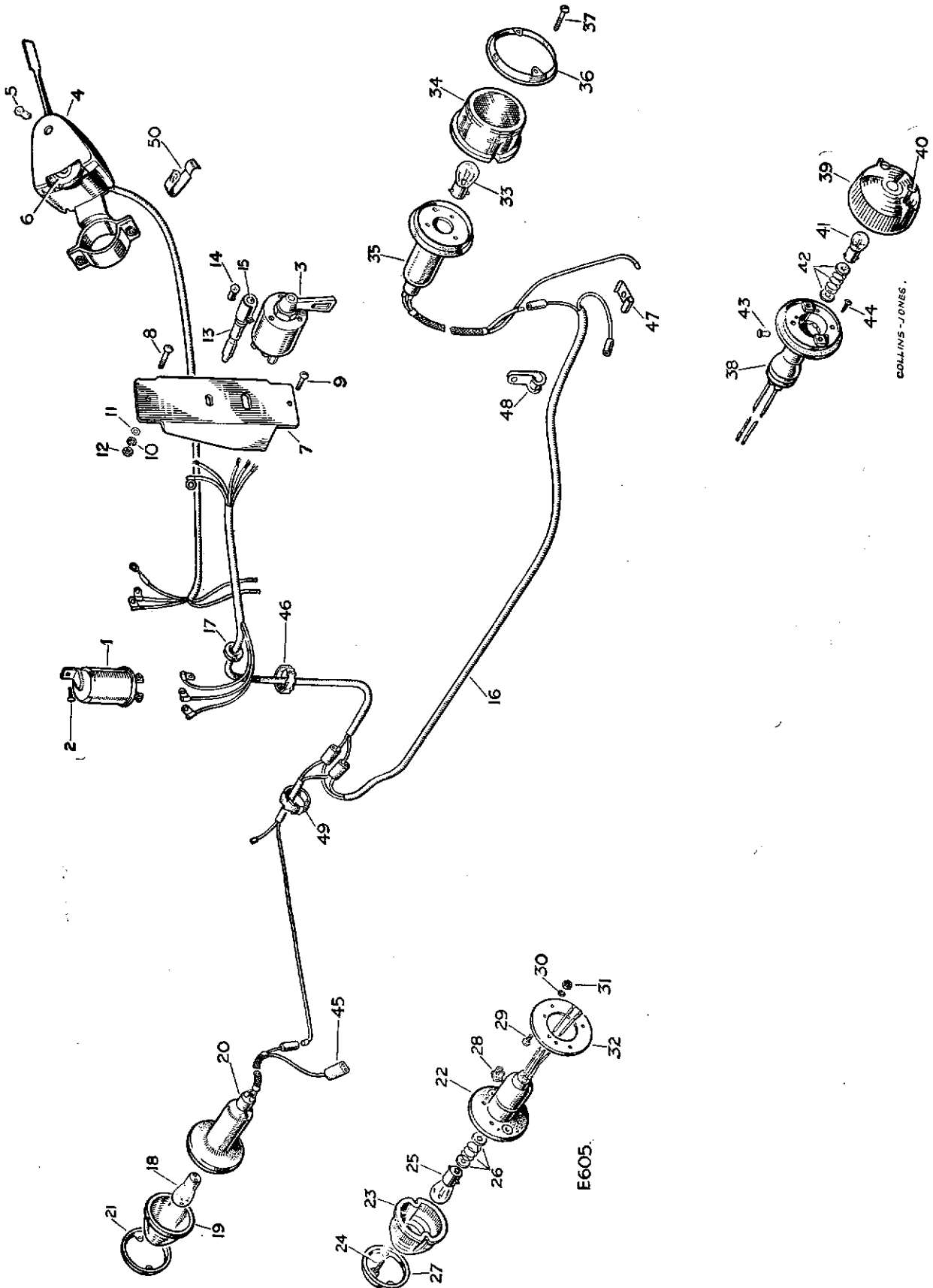


D589.

TOWING ATTACHMENTS

PLATE REF.	1	2	3	4	DESCRIPTION	Qty.	Part No.	REMARKS
					REAR TOW PLATE ASSEMBLY	1	501683	
30					Rear tow plate	1	502125	
31					Set bolt ($\frac{3}{8}$ " U.N.F. x $\frac{7}{8}$ " long)	3	255046	
32					Locking plate	3	235731	
33					Bolt ($\frac{3}{8}$ " U.N.F. x 1" long)	4	255047	
34					Plain washer, small	4	2219	
35					Plain washer, large	4	3040	
36					Nut ($\frac{3}{8}$ " U.N.F.)	2	254802	
					Self-locking nut ($\frac{3}{8}$ " U.N.F.)	2	252162	
37					Locking plate	4	235730	
					FRONT LIFTING AND TOWING RINGS			
					ASSEMBLY	1	267950	
38					Lifting and towing ring	2	242139	
39					Bolt ($\frac{3}{8}$ " U.N.F. x $1\frac{1}{4}$ " long)	4	255249	
40					Plain washer	4	4094	
41					Self-locking nut ($\frac{3}{8}$ " U.N.F.)	4	252212	
42					Bolt ($\frac{3}{8}$ " U.N.F. x $4\frac{1}{2}$ " long)	4	256255	
43					Plain washer	8	4094	
44					Self-locking nut ($\frac{3}{8}$ " U.N.F.)	4	252212	
					TOWING HOOK ASSEMBLY	1	332974	
45					Towing hook	1	246109	
46					Bolt ($\frac{1}{2}$ " B.S.F. x $2\frac{1}{4}$ " long)	4	273881	
47					Nut ($\frac{1}{2}$ " B.S.F.)	8	3828	} Except 109 Station Wagon
48					Adaptor plate for towing hook	1	245599	
49					Bolt ($\frac{3}{8}$ " B.S.F. x 5" long)	4	273484	
50					Plain washer	8	4067	
51					Nut ($\frac{3}{8}$ " B.S.F.)	8	3485	

FLASHING INDICATORS



COLLINS-JONES.

E605.

FLASHING INDICATORS

PLATE REF.	1 2 3 4	DESCRIPTION	Qty.	Part No.	REMARKS
		FLASHING INDICATOR COMPLETE ASSEMBLY	1	501684	With flasher switch on dash. Check before ordering
		FLASHING INDICATOR COMPLETE ASSEMBLY	1	522646	Series II models
		FLASHING INDICATOR COMPLETE ASSEMBLY	1	531945*	Series IIA models
1		Flasher unit, LU FL5 35010A	1	271459	Series II models
		Flasher unit	1	502096	Series IIA models
2		Drive screw fixing flasher unit	1	72628	
3		Self-cancelling switch for flasher, LU.031296	1	271108	Switch on dash. Check before ordering
4		Self-cancelling switch for flasher, Magnatex	1	519672	Series II models
		Self-cancelling switch for flasher, Magnatex	1	519866*	Series IIA models
5		Bulb, 12v. 1.8w. for flasher switch, Magnatex G.B.P.	1	519705	Switch on steering column. Check before ordering
6		Wheel for flasher switch	1	522882	
7		Mounting plate for flasher switch	1	500229	
8		Screw (2 B.A. x 1/8" long)	1	77869	
9		Screw (2 B.A. x 3/8" long)	1	77941	
10		Spring washer	2	3073	
11		Plain washer	2	3851	With flasher switch on dash.
12		Nut (2 B.A.)	2	2247	Check before ordering
13		Warning light for flasher, LU.38125A	1	264429	
14		Bulb for warning light, LU 987	1	232590	
15		Green lens for warning light	1	271915	
16		Harness for flasher	1	500227	
		Harness for flasher	1	519671	Series II models
		Feed lead for flasher switch	1	519865*	Series IIA models
					With flasher switch on steering column. Check before ordering
17		Grommet for flasher harness, LU 859059	1	233243	With flasher switch on dash. Check before ordering.
		Front flasher lamp	2	505145†	
18		Bulb for flasher lamp, LU 382	2	264591	
		Bulb holder, interior (Sparto 12207)	2	524497	Sparto type.
19		Lens for flasher lamp	2	500837	Alternative to Lucas.
20		Rubber body for flasher lamp	2	500515	Check before ordering
21		Bezel for flasher lamp	2	500514	
22		Front flasher lamp, LU 52438	2	510178††	
23		Lens for flasher lamp, LU 54570410	2	514151	
24		Special screw fixing lens, LU 54127522	4	514149	Lucas type.
25		Bulb for flasher lamp, LU 382	2	264591	Alternative to Sparto.
26		Bulb holder, interior, LU 573832	2	514144	Check before ordering.
27		Bezel for flasher lamp, LU 54570407	2	514148	
28		Nylon insert	4	505150	
29		Screw (4 B.A. x 3/8" long)	4	501679	
30		Spring washer	4	3072	Alternatives.
31		Nut (4 B.A.)	4	75805	Check before ordering
32		Fixing plate for front flasher lamp	2	504048	Not required when special screw and nylon insert is fitted

† Up to vehicles numbered:

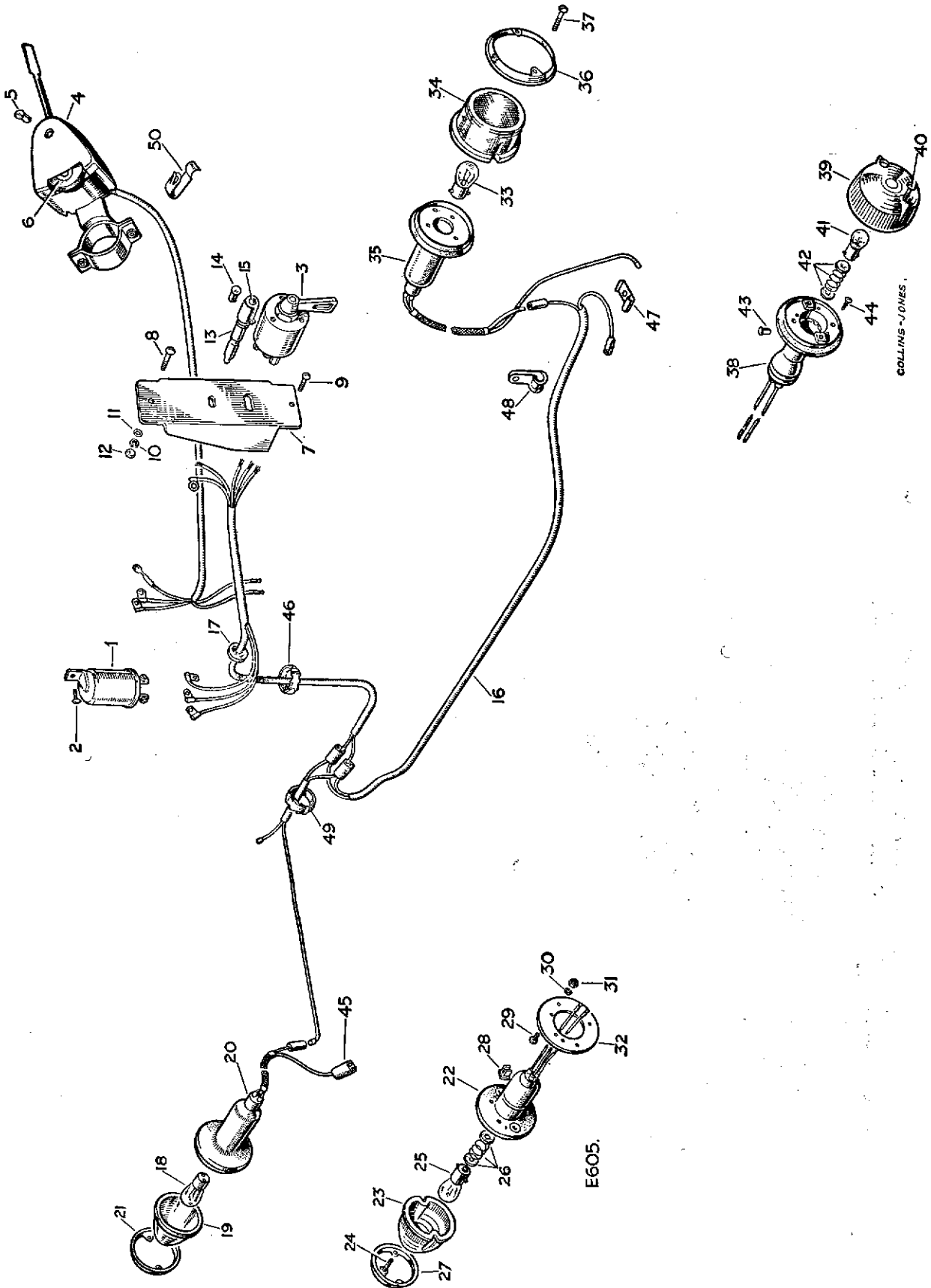
141903513	146901439	151900889	156900918
142901597	147900175	152902901	157900456
144903030	149900307	154901596	159900275

* Asterisk indicates a new part which has not been used on any previous model.

†† From vehicles numbered:

141903514	146901440	151900890	156900919
142901598	147900176	152902902	157900457
144903031	149900308	154901597	159900276 onwards

FLASHING INDICATORS



FLASHING INDICATORS

PLATE REF.	1 2 3 4	DESCRIPTION	Qty.	Part No.	REMARKS
		Rear flasher lamp	2	279188†	} Sparto type. Alternative to Lucas. Check before ordering
33		Bulb for flasher lamp, LU 382	2	264591	
		Bulb holder, interior (Sparto 12208)	2	524498	
34		Lens for flasher lamp	2	500838	
35		Rubber body for flasher lamp	2	500413	
36		Bezel for flasher lamp	2	500412	} Lucas type. Alternative to Sparto. Check before ordering
37		Special screw fixing rear flasher lamp to body	4	500414	
38		Rear flasher lamp, LU 53806	2	510177††	
39		Lens for flasher lamp, LU 54570563	2	514142	
40		Special screw fixing lens, LU 576396	4	514143	
41		Bulb for flasher lamp, LU 382	2	264591	} Series II models
42		Bulb holder, interior, LU 573832	2	514144	
43		Sleeve for terminal, LU 555910	2	514145	
44		Drive screw fixing rear flasher lamp to body	4	78135	
45		Snap connector, 4-way, LU 850641	2	3626	
46		Cleat, flasher to dash harness, LU 941833	1	240430	} L.H.D.
47		Earthing clip on rear chassis cross-member, LU 860019A	2	236366	
		Clip for flasher harness on R.H. wing valance	2	240406	
		Clip for flasher harness to horn lead	1	233771	
48		Clip for number plate harness	2	50639	
		Clip for lamp and flasher harness to wing valance	1	3621	Diesel
49		Cleat for flasher harness, at tie bar and rear cross-member, LU 941834	5	240429	Series II models
50		Clip for flasher harness	1	233770	With flasher switch on steering column. Check before ordering

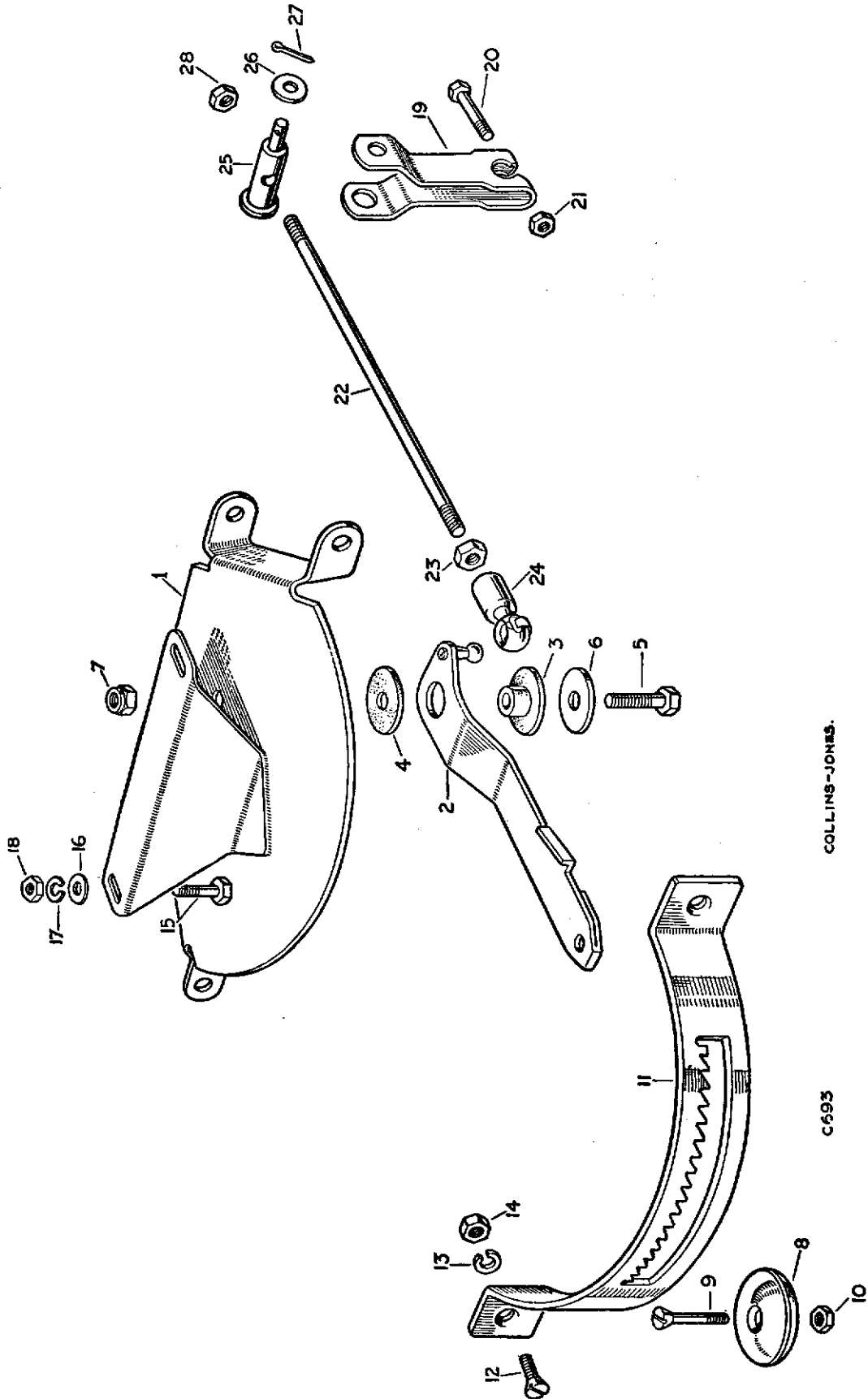
* Asterisk indicates a new part which has not been used on any previous model.

† Up to vehicles numbered:	141903513	146901439	151900889	156900918	†† From vehicles numbered:	141903514	146901440	151900890	156900919
	142901597	147900175	152902901	157900456		142901598	147900176	152902902	157900457
	144903030	149900307	154901596	159900275		144903031	149900308	154901597	159900276 onwards

HAND THROTTLE, 2 LITRE PETROL

PLATE REF.	1 2 3 4	DESCRIPTION	Qty.	Part No.	REMARKS
		HAND THROTTLE COMPLETE ASSEMBLY	1	241715	
1		Hand throttle control	1	239016	
2		Cork washer	1	232095	
3		Plain washer	1	2218	} For hand throttle
4		Circlip	1	232097	
5		Spindle for carburetter bell crank	1	219499	
6		Split pin for spindle	1	2392	
7		BELL CRANK LEVER ASSEMBLY	1	231289	
8		Bush for levers....	1	231290	
9		RELAY LEVER ASSEMBLY	1	231291	
10		Ball end for lever	1	1481	
11		HAND THROTTLE LEVER ASSEMBLY	1	231292	
12		Swivel clamp for wire	1	219582	
13		Abutment bracket for hand throttle	1	239531	
14		Plain washer	1	2550	} Fixing abut- ment bracket
15		Spring washer	1	3075	
16		Set bolt ($\frac{5}{16}$ " Whit. x $\frac{11}{8}$ " long)	1	215647	} to manifold
17		Cable clip	1	219501	
18		Screw (2 B.A. x $\frac{1}{2}$ " long)	1	71164	} Fixing hand throttle cable
19		Spring washer	1	3073	
20		Nut (2 B.A.)	1	2247	} to abutment bracket

HAND THROTTLE, 2½ LITRE PETROL



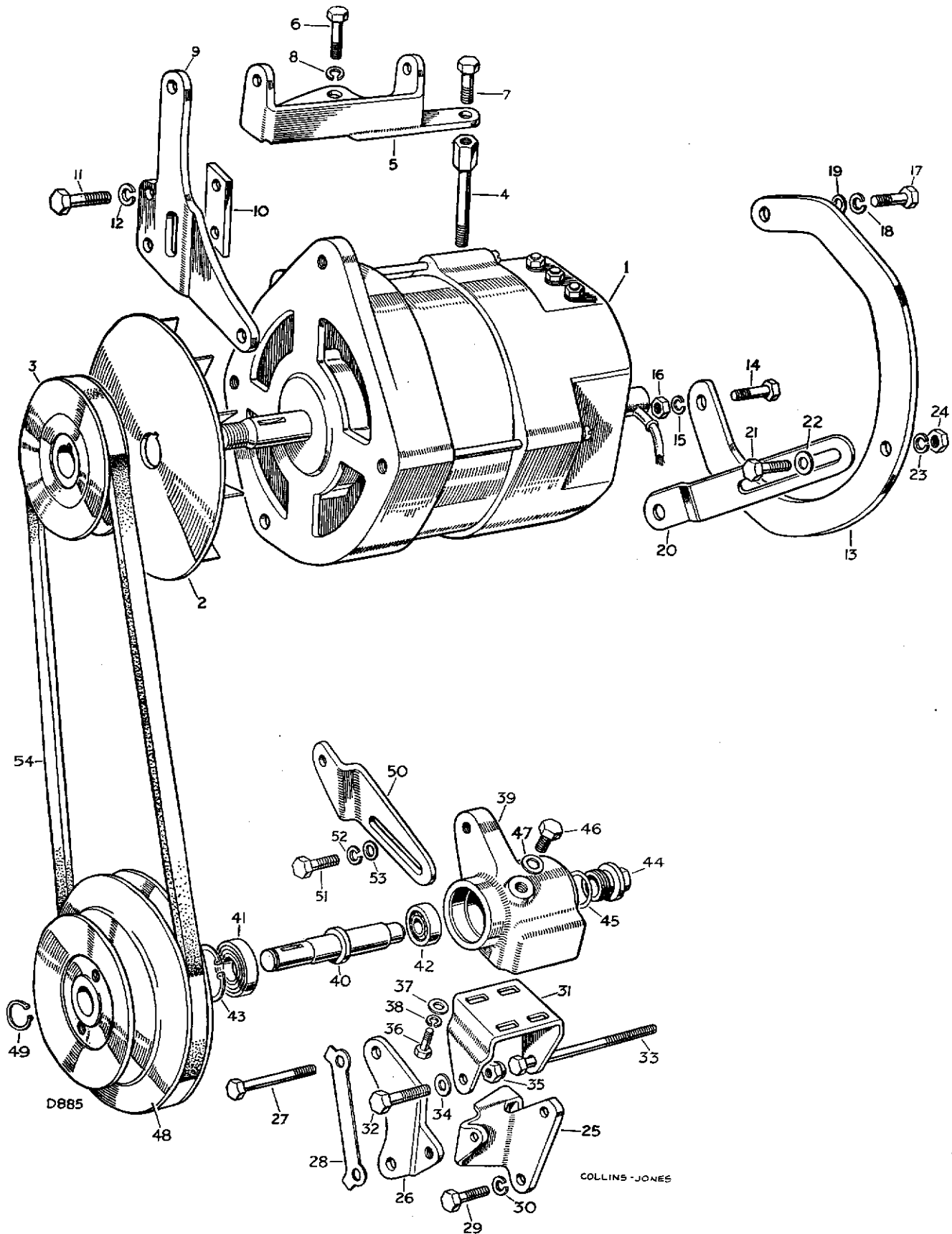
COLLINS-JONES.

C695

HAND THROTTLE, 2½ LITRE PETROL

PLATE REF.	1 2 3 4	DESCRIPTION	Qty.	Part No.	REMARKS
		HAND THROTTLE COMPLETE ASSEMBLY	1	503033	
1		Lever housing complete hand speed....	1	275706	
2		Lever, for hand speed control complete with ball end	1	275709	
3		Bush	1	275714	
4		Washer	1	275715	
5		Bolt	1	255028	
6		Plain washer	1	2223	
7		Self-locking nut	1	252211	
8		Knob, for lever	1	219512	
9		Screw	1	219673	
10		Nut	1	2247	
11		Quadrant plate	1	275713	
12		Screw	2	278386	
13		Spring washer	2	3074	
14		Plain washer	2	3840	
15		Nut	2	254800	
16		Bolt	2	234603	
17		Plain washer	2	3685	
18		Spring washer	2	3073	
19		Nut	2	2247	
20		Stop clip	1	269132	L.H.D.
21		Lever, for quadrant control rod	1	276013	
22		Bolt (¼" U.N.F. x 1¼" long)	1	256001	2 off on L.H.D.
23		Plain washer	2	3911	3 off on L.H.D.
24		Nut (¼" U.N.F.)	1	254800	2 off on L.H.D.
25		Control rod, lever to accelerator shaft	1	276014	
26		Nut, for ball socket	1	2247	
27		Ball socket	1	1659	
28		Joint pin for lever on accelerator relay	1	276015	
29		Plain washer	1	2208	
30		Split pin	1	2388	
31		Nut fixing control rod to joint pin for lever	2	2247	
32		Cover panel at dash for hand speed control	1	275742	
33		Bracket for accelerator relay shaft	2	236998	
34		Bolt (¼" U.N.F. x ⅝" long)	4	255006	
35		Spring washer	4	3074	
36		Nut (¼" U.N.F.)	4	254800	
37		Accelerator relay shaft	1	277154	L.H.D.

A.C./D.C. GENERATOR, 12 VOLT, 2½ LITRE PETROL, Series II



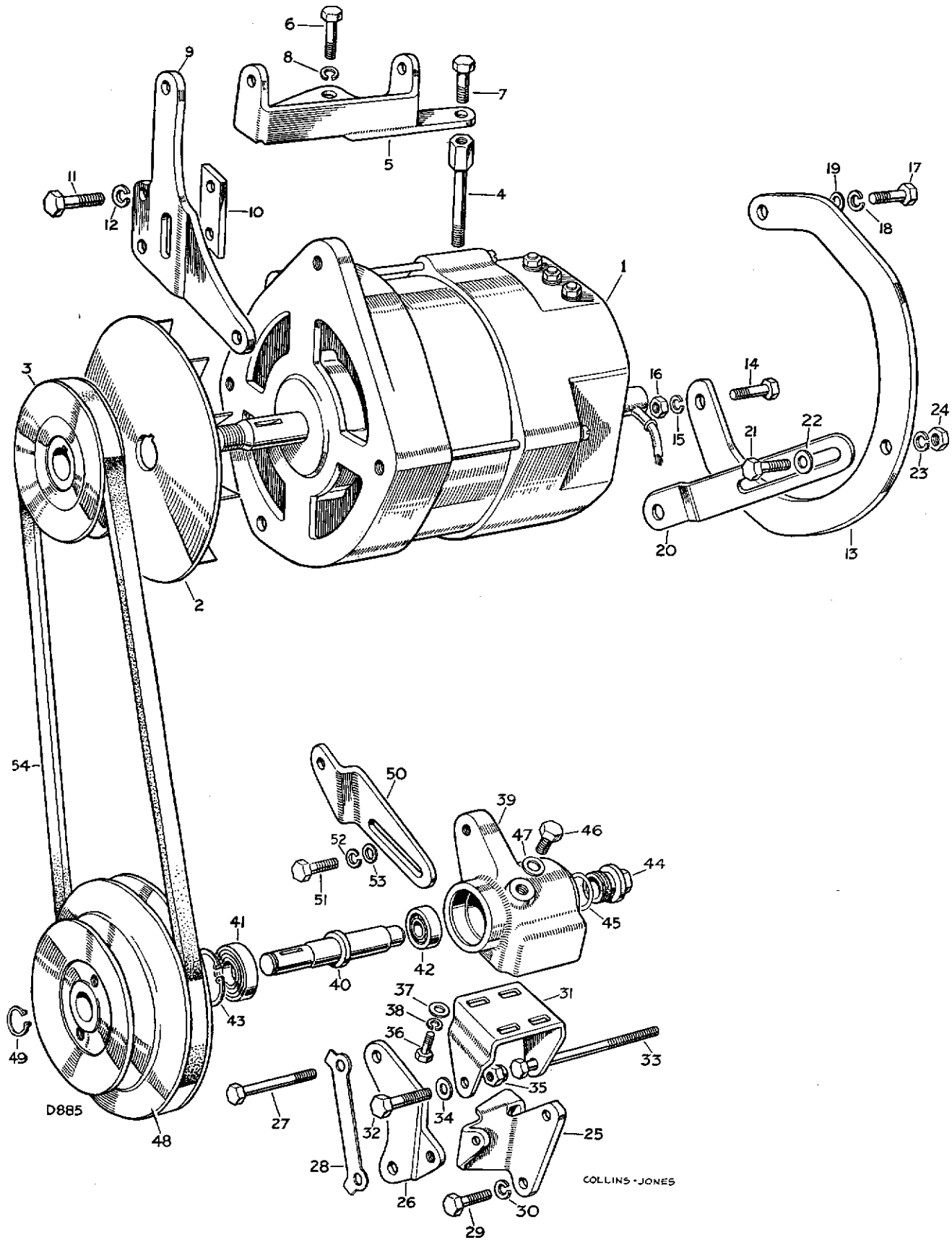
A.C./D.C. GENERATOR, 12 VOLT, 2½ LITRE PETROL, Series II

PLATE REF.	1 2 3 4	DESCRIPTION	Qty.	Part No.	REMARKS
		A.C./D.C. GENERATOR, COMPLETE			
		ASSEMBLY, 12 VOLT			
1		Generator complete, 12 volt, LU 2 AC 23500B	1	507147	
		Special bolt, fixing bracket, LU 244130	3	516475	
		Generator bracket complete, LU 54210635	1	516476	
		Brush box, set, for generator, LU 54211975	1	516477	
		Brushes for generator, set, LU 244018	1	516478	
		Spring, set, for brushes, LU 54210582	1	516479	
		Shield for terminal, LU 54210037	1	516480	
		Condensor for generator, LU 425823	1	516481	
		Anode base diode, LU 49074	3	516482	
		Cathode base diode, LU 49073	3	516483	
		Stator complete for generator, LU 54210221	1	516484	
		Bracket, drive end, LU 54211974	1	516485	
		Bearing, drive end, LU 189275	1	516486	
		Special nut for shaft, LU 180620	1	516487	
		Rotor and slip ring complete, LU 54410448	1	516488	
		Bearing, slip ring end, LU 189212	1	516489	
		Sundry parts set, LU 54211976	1	516490	
2		Fan for generator	1	514296	
3		Pulley for generator, driven	1	518712	
4		Set bolt (½" U.N.F. x 4 9/16" long), fixing generator bracket and cylinder head	2	278553	
5		Bracket for generator, top	1	507308	
6		Set bolt, front (1/16" U.N.F. x 3/4" long)	} Fixing bracket to bolt on cylinder head	1	255426
7		Set bolt, rear (1/16" U.N.F. x 5/8" long)		1	255425
8		Spring washer		2	3075
9		Bracket for generator, front	1	507300	
10		Packing piece	} Fixing bracket to cylinder head, front	1	507311
11		Set bolt (1/16" U.N.F. x 1" long)		2	255428
12		Spring washer	2	3075	
13		Yoke for generator	1	507312	
14		Bolt (1/16" U.N.F. x 1 1/2" long) for yoke and bracket	} Fixing yoke and generator to bracket	1	256422
		Bolt (1/16" U.N.F. x 1" long) for bracket		1	255228
15		Spring washer		2	3075
16		Nut (1/16" U.N.F.)	2	254801	
17		Set bolt	} Fixing yoke to generator, upper	1	233568
18		Spring washer		1	3075
19		Plain washer	1	2550	
20		Adjusting link for yoke	1	247523	
21		Bolt (1/16" U.N.F. x 7/8" long)	} Fixing adjusting link to yoke and front bracket	2	255427
22		Plain washer		1	2550
23		Spring washer		2	3075
24		Nut (1/16" U.N.F.)	2	254801	
25		Anchor bracket, rear	1	277999	
26		Anchor bracket, front	1	278000	

A.C./D.C. GENERATOR, 12 VOLT, 2¼ LITRE PETROL, Series II

PLATE REF.	1 2 3 4	DESCRIPTION	Qty.	Part No.	REMARKS
27		Set bolt ($\frac{5}{16}$ " U.N.F. x 3" long)	2	256030	} Fixing front anchor bracket
28		Locking plate	1	501198	
29		Set bolt ($\frac{5}{16}$ " U.N.F. x $\frac{5}{8}$ " long)	2	255425	} Fixing rear anchor bracket
30		Spring washer	2	3075	
31		Bracket, for idler body	1	500212	
32		Bolt ($\frac{5}{16}$ " U.N.F. x 1¼" long)	1	256220	} Pivot for idler
33		Bolt ($\frac{5}{16}$ " U.N.F. x 3¼" long)	1	256033	
34		Shim washer	5	3815	} pulley bracket
35		Self-locking nut ($\frac{5}{16}$ " U.N.F.)	2	252161	
36		Set bolt ($\frac{5}{16}$ " U.N.F. x ¾" long)	4	255026	} Fixing bracket to idler body
37		Plain washer	4	2249	
38		Spring washer	4	3075	
39		Idler wheel body	1	500209	
40		Spindle for idler wheel	1	521488	
		Circlip for spindle	1	241999	
41		Ball bearing, outer	1	235860	} For spindle
42		Ball bearing, inner	1	500388	
43		Circlip, fixing outer bearing to body	1	235861	
44		Plug ($\frac{1}{2}$ " B.S.F.)	1	10713	} Closing body end
45		Joint washer	1	243960	
46		Set bolt ($\frac{5}{16}$ " U.N.F. x $\frac{3}{8}$ " long)	1	255021	} For grease hole
47		Joint washer	1	232038	
48		Pulley for generator, driver	1	513989	
49		Circlip, fixing pulley to spindle	1	230255	
50		Adjusting link for idler pulley	1	500213	
51		Set bolt ($\frac{5}{16}$ " U.N.F. x $\frac{5}{8}$ " long)	1	255025	} Fixing link to idler
52		Spring washer	1	3075	
53		Plain washer	1	3868	} pulley body
54		Belt for generator	1	515987*	
		Belt for fan	1	515986	
		Mounting bracket for ammeter	1	503147	
		Bolt (2 B.A. x ½" long)	1	234603	} Fixing bracket to dash
		Spring washer	1	3073	
		Nut (2 B.A.)	1	2247	} bottom rail
		Bolt ($\frac{1}{4}$ " U.N.F. x ½" long)	1	255204	
		Plain washer	1	3840	} Fixing bracket to dash
		Spring washer	1	3074	
		Nut ($\frac{1}{4}$ " U.N.F.)	1	254810	} centre panel
		Ammeter 60-0-60 (CAV Y 5539/233/E)	1	500907	
		Dash harness, LU 54944702	1	512385	
		Feed lead, ammeter to fuse box	1	514934	} Required when roof lamp is fitted
		Lead for engine thermostat	1	279517	
		Lead for oil pressure switch	1	279518	
		Relay (LU 340950 SB 60)	1	266510	
		Drive screw	2	78417	} Fixing relay to dash
		Shakeproof washer	2	311373	
		Cover for relay, LU 340931	1	266509	
		Clip for generator leads, LU 187052	4	50639	
		Screw (2 B.A. x ½" long)	4	77869	} Fixing clips to L.H. wing valance
		Plain washer	4	3816	
		Spring washer	4	3073	
		Nut (2 B.A.)	4	3823	

A.C./D.C. GENERATOR, 12 VOLT, 2 1/4 LITRE PETROL, Series II

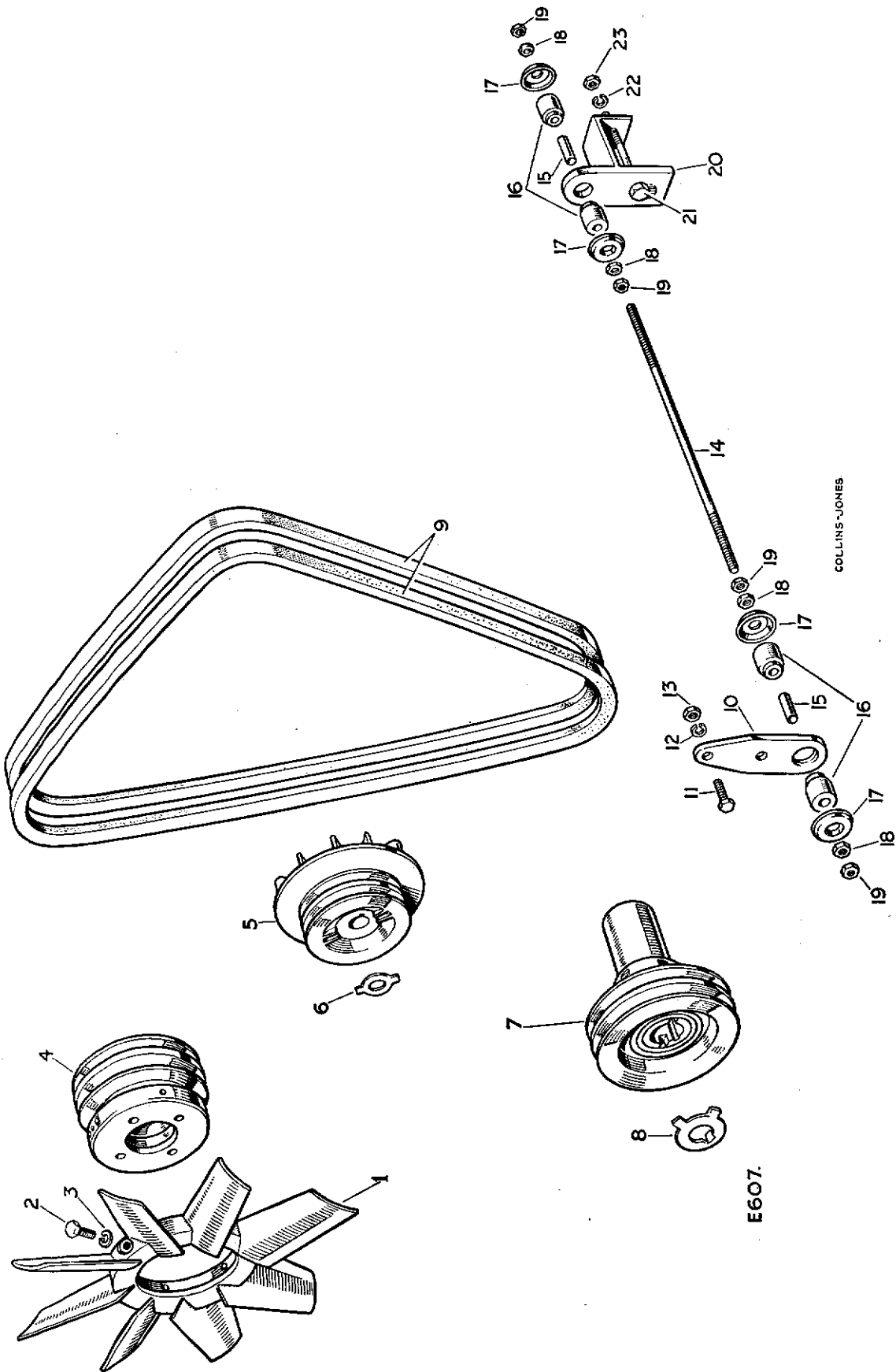


COLLINS-JONES

A.C./D.C. GENERATOR, 12 VOLT, 2½ LITRE PETROL, Series II

PLATE REF.	1	2	3	4	DESCRIPTION	Qty.	Part No.	REMARKS
					Voltage regulator box, transistorised, LU 37299B			
					2 TR	1	507172	
					Bolt (¼" U.N.F. x ⅝" long)	3	255006	} Fixing regulator box to mounting plate
				Shakeproof washer	3	70884		
				Nut (¼" U.N.F.)	3	254800		
				Plug for warning light hole	1	513193		
					Blanking plate for redundant ammeter hole	1	520098	
					Clip for generator leads at dash	1	233770	
					Clip for harness at steering box blanking plate, LU 187079	1	50639	
					Screw (2 B.A. x ⅝" long)	1	75940	} Fixing clip to blanking plate
				Plain washer	1	3816		
				Spring washer	1	3073		
				Nut (2 B.A.)	1	3823		
					Cleat, generator leads to horn lead, LU 941834	1	240429	
					Cleat for harness at control box mounting plate	1	240431	
					Grommet for ammeter leads in glove box	1	233243	
					BATTERY CHARGING CONVERSION KIT, 12 VOLT A.C./D.C. GENERATOR	1	532156*	* Must be used in conjunction with 12 volt A.C./D.C. Generator
					Ammeter	1	500907	
					Panel assembly for ammeter	1	530012	
					Name plate, "Vehicle" amps	1	508493	
					Name plate, "Radio" amps	1	508499	
					Terminal bracket assembly	1	528968	
					Bolt (10 U.N.F. x ½" long)	6	257017	} Fixing terminal bracket to L.H. rear body
				Spring washer	6	3073		
				Nut (10 U.N.F.)	6	257023		
					Grommet, in body for relay cable	1	276053	
					Relay 7 RA	1	519979	
					Insulating base for relay	1	528959	
					Bracket for relay	1	528957	
					Drive screw	1	72628	} Fixing relay and bracket to dash
				Fan disc washer	1	510170		
					Drive screw fixing relay bracket to dash	2	78417	
					Bolt (¼" U.N.F. x ½" long)	1	255204	} For relay bottom fixing
				Shakeproof washer	1	70884		
				Nut (¼" U.N.F.)	1	254810		
					Cable assembly, auxiliary ammeter to junction box	1	531643*	
					Cable assembly, auxiliary ammeter to 7 RA relay	1	528953*	
					Cable assembly, junction box to earth	1	528987*	
					Cable assembly, SB60 relay to 7 RA relay	1	528955*	
					Cable assembly, 7 RA relay to earth	1	528956*	
					Cable assembly, ammeter to SB 60 relay	1	531637*	
					Cable assembly, ammeter to 7 RA relay	1	531636*	
					Polystrip, fixing relay to cable and main harness	2	531642*	
					Clip, fixing cable, ammeter to junction box	6	56667	
					Screw (2 B.A. x ½" long)	3	77869	} Fixing clips to body
				Spring washer	3	3073		
				Nut (2 B.A.)	3	3823		
					Drive screw, fixing clips to chassis	3	78436	

EIGHT-BLADED FAN AND ENGINE TIE-ROD, 2½ LITRE PETROL

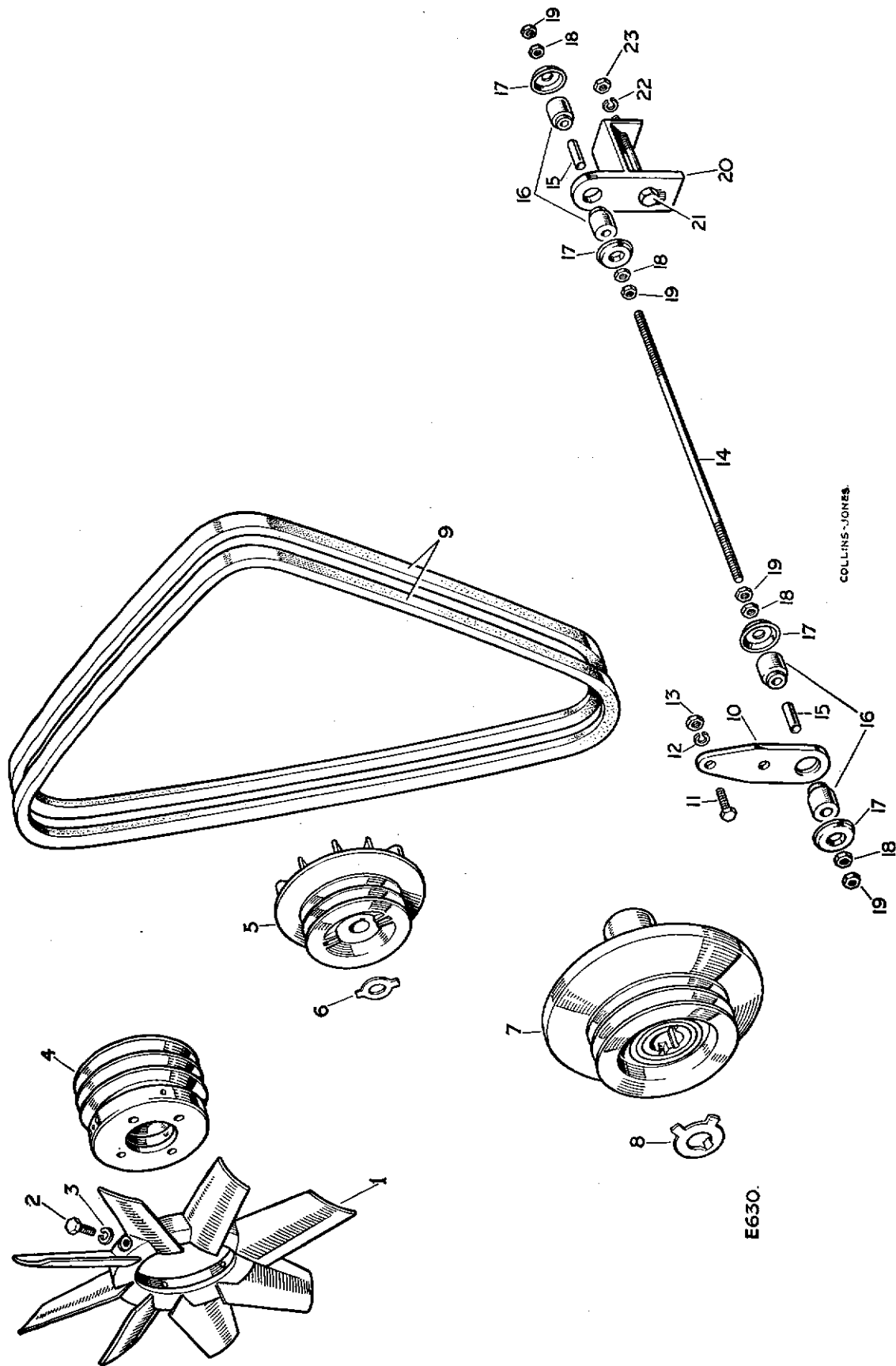


E607.

EIGHT-BLADED FAN AND ENGINE TIE-ROD, 2 $\frac{1}{4}$ LITRE PETROL

PLATE REF.	1	2	3	4	DESCRIPTION	Qty.	Part No.	REMARKS		
					EIGHT-BLADED FAN AND ENGINE TIE-ROD ASSEMBLY	1	525205	Series II models		
					EIGHT-BLADED FAN AND ENGINE TIE-ROD ASSEMBLY	1	531881*	Series IIA models		
1					Fan complete	1	507845	Series II models		
					Fan complete	1	530511*	Series IIA models		
2					}	4	255006	Fixing fan		
3				Bolt ($\frac{1}{4}$ " U.N.F. x $\frac{5}{8}$ " long)					4	3074
4					Fan pulley	1	503039	Series II models		
					Fan pulley	1	530304*	Series IIA models		
5					Dynamo pulley	1	501019	Series II models		
					Dynamo pulley	1	530132*	Series IIA models		
6					Lock washer for dynamo pulley	1	217781			
7					Crankshaft pulley	1	278543	Series II models		
					Crankshaft pulley	1	530130*	Series IIA models		
8					Lock washer for starting dog	1	247771			
9					Fan belt, pair	1	503041	Series II models		
					Fan belt, pair	1	530303*	Series IIA models		
10					Bracket for tie rod at bell housing	1	504605			
11					}	2	255228	Fixing bracket		
12				Bolt ($\frac{5}{16}$ " U.N.F. x 1" long)					2	3075
13				Spring washer					2	254801
14					Nut ($\frac{5}{16}$ " U.N.F.)	2	254801			
14					Tie-rod for engine	1	504606			
15					Sleeve for engine tie-rod	2	504607			
16					}	4	07014	Fixing tie-rod		
16				Rubber bush					4	07015
17				Cup washer					4	254801
18				Nut ($\frac{5}{16}$ " U.N.F.)					4	254861
19					Locknut ($\frac{5}{16}$ " U.N.F.)	4	254861			
20					Bracket for tie-rod at frame	1	508339			
21					}	1	256050	Fixing bracket		
21				Bolt ($\frac{3}{8}$ " U.N.F. x 3 $\frac{1}{4}$ " long)					1	3076
22				Spring washer					1	254812
23					Nut ($\frac{3}{8}$ " U.N.F.)	1	254812			

EIGHT-BLADED FAN AND ENGINE TIE-ROD, DIESEL



EIGHT-BLADED FAN AND ENGINE TIE-ROD, DIESEL

PLATE REF.	1 2 3 4	DESCRIPTION	Qty.	Part No.	REMARKS
		EIGHT-BLADED FAN AND ENGINE TIE-ROD ASSEMBLY	1	511871	2 litre models
		EIGHT-BLADED FAN AND ENGINE TIE-ROD ASSEMBLY	1	531877*	2¼ litre models
1		Fan complete	1	502723	2 litre models
		Fan complete	1	523410*	2¼ litre models
2		Bolt (¼" U.N.F. x ⅝" long)	4	255006	} Fixing fan
3		Spring washer	4	3074	
4		Fan pulley	1	502729	2 litre models
		Fan pulley	1	530304*	2¼ litre models
5		Dynamo pulley	1	277686	2 litre models
		Dynamo pulley	1	530132*	2¼ litre models
6		Lock washer for dynamo pulley	1	03748	
7		Vibration damper	1	500199	2 litre models
		Vibration damper	1	530305*	2¼ litre models
8		Lock washer for starting dog	1	247771	
9		Fan belt, pair	1	512501*	2 litre models
		Fan belt, pair	1	530303*	2¼ litre models
10		Bracket for tie rod at bell housing	1	504605	
11		Bolt (⅙" U.N.F. x 1" long)	2	255228	} Fixing bracket to bell housing
12		Spring washer	2	3075	
13		Nut (⅙" U.N.F.)	2	254801	
14		Tie rod for engine	1	504606	
15		Sleeve for engine tie rod	2	504607	
16		Rubber bush	4	07014	} For tie rod
17		Cup washer	4	07015	
18		Nut (⅙" U.N.F.)	4	254801	
19		Locknut (⅙" U.N.F.)	4	254861	
20		Bracket for tie rod at chassis	1	508339	
21		Bolt (⅜" U.N.F. x 3¼" long)	1	256050	} Fixing bracket to chassis
22		Spring washer	1	3076	
23		Nut (⅜" U.N.F.)	1	254812	

MISCELLANEOUS OPTIONAL EQUIPMENT

PLATE REF.	1	2	3	4	DESCRIPTION	Qty.	Part No.	REMARKS
					Cylinder liner, shaped	4	246762	2 litre Petrol
					Cylinder liner	4	503160	2½ litre Petrol and 2½ litre Diesel
					Wedge block for re-boring	1	261287	2 litre Petrol
					Immersion heater for cylinder block, 200-250 volts, 250 watt	1	511302	} Diesel and 2½ litre Petrol
					Immersion heater for cylinder block, 100-125 volts, 400 watt	1	511303	
					Thermostat, opens at 90°C	1	516853	2½ litre Petrol, North America 1958-60
					THERMOSTAT COMPLETE ASSEMBLY (Opens at 165°F)	1	525588	} Diesel and 2½ litre Petrol <i>Note: When fitting to Diesel models, Part No. 525590, water temperature and oil pressure gauge, must also be supplied.</i>
					Thermostat	1	522651	
					Joint washer for thermostat	1	522923	
					Joint washer, outlet pipe to housing	1	522872	
					Water outlet pipe to radiator	1	522870	
					CARBURETTER STARTER UNIT ANTI- ICING, COMPLETE ASSEMBLY	1	527281	} Conversion kit for Land-Rover 2½ litre petrol models, to fit starter unit with heater element to prevent icing-up of the carburetter
					Carburetter starter unit with heater element	1	527280	
					Sealing washer, elbow to starter	1	503922	
					Cable, green	1 ft.	357072	
					Cable, white/brown	3 ft.	357081	
					Cable, white/blue	6 ft.	527328	
					4 B.A. eyelet	1	527270	
					2 B.A. eyelet	1	527271	
					Snap-in connector	3	3632	
					Snap connector	1	3549	
					Lucar connector	1	510697	
					Lucar sleeve	1	260345	
					Cleat	4	240429	
					Rubber grommet set for propeller shaft splines	1	276484	
					Gaiter set for front axle swivel housing	1	276954	
					Rubber tube for bleeding brakes	1	261844	
					BRAKE SERVO CONVERSION KIT	1	533822*	109 2½ litre Petrol models

MISCELLANEOUS OPTIONAL EQUIPMENT

PLATE REF.	1 2 3 4	DESCRIPTION	Qty.	Part No.	REMARKS	
		MUDSHIELD ASSEMBLY FOR FRONT				
		AND REAR BRAKE	1	528162*	} 88	
		Mudshield	4	508863		
		Rivet fixing mudshield to anchor plate	40	2910		
		Joint washer for driving member	4	231505		
		Locker	4	217353		
		Oil seal	4	501412		
		Split pin	4	2428		
		Locker for front hub	6	277311		
		Locking plate for trailing shoe anchor	4	236995		
		MUDSHIELD ASSEMBLY FOR FRONT				
		AND REAR BRAKE	1	528163*	} 109	
		Mudshield	4	277144		
		Rivet fixing mudshield to brake anchor plate	40	2910		
		Joint washer for driving member	4	231505		
		Locker	4	217353		
		Oil seal	4	501412		
		Split pin	4	2428		
		Locker for front hub	6	277311		
		Front spring, passenger's side	1	242863		} 88 } 2 litre } Petrol } 88 } 2 litre } and } 2½ litre } Petrol } Heavy duty road springs and shock } absorbers. } Must be fitted in complete sets when } replacing standard equipment.
		Front spring, driver's side	1	241283		
		Main leaf for front spring	2	243125		
		Second leaf for front spring	2	243126		
		Dowel for front spring	2	243131		
		Rear spring, passenger's side	1	265989		
		Rear spring, driver's side	1	241285		
		Main leaf for rear spring	2	243127		
		Second leaf for rear spring	2	243128		
		Dowel for rear spring	2	243132		
		"U" bolt for R.H. rear spring	1	531081*	} 88 } Diesel } 109	
		Shock absorber, front	2	512102		
		Shock absorber, rear	2	512086		
		Rear spring, driver's side	1	241285		
		Rear spring, passenger's side	1	265989		
		Main leaf for rear spring	2	243127		
		Second leaf for rear spring	2	243128		
		Dowel for rear spring	2	243132		
		"U" bolt for R.H. rear spring	1	531081*		
		Shock absorber, front	2	512102		
		Shock absorber, rear	2	512086		
		Rear spring, driver's side	1	272967		
		Rear spring, passenger's side	1	272968		
		Shock absorber, front	2	508033		
		Shock absorber, rear	2	508034		

MISCELLANEOUS OPTIONAL EQUIPMENT

PLATE REF.	1 2 3 4	DESCRIPTION	Qty.	Part No.	REMARKS
		TRAILER PLUG AND SOCKET ASSEMBLY	1	502501	
		Trailer socket and leads on vehicle	1	510081	
		Trailer plug and leads on trailer, LU 82056A....	1	500669	
		Dummy socket on rear cross-member, 5-way....	1	501270	
		Bracket for dummy socket	1	273276	
		Drive screw fixing bracket to cross-member	2	72628	
		Grommet in rear cross-member for lead	1	77918	
		Flasher plug and lead	1	510127	
		Tail light bridge lead, LU 54940524	1	500695	
		Snap connector	3	3549	
		Earth clip	2	236366	
		 Skid chains, set	 1	 262247	 6" tyres only
		 Wheel brace, divided rim wheels	 1	 237421	
		 Undershield assembly	 1	 246543	} Swiss 109 vehicles only
		Rivnut ($\frac{5}{16}$ " U.N.F.) fixing shield to chassis	4	501224	
		Undershield support bracket	2	504616	
		Set bolt ($\frac{5}{16}$ " U.N.F. x 1" long) } Fixing bracket	4	255228	
		Plain washer } to underside of	4	2223	
		Spring washer } side-member	4	3675	
		Clamping plate	1	238707	
		Special bolt ($\frac{5}{16}$ " U.N.F.) } Clamp fixing	3	252084	
		Spring washer } front end to	3	3075	
		Nut ($\frac{5}{16}$ " U.N.F.) } No. 4 cross-member	3	254801	
		Set bolt ($\frac{5}{16}$ " U.N.F. x 1" long)	4	255228	
		Plain washer	4	2550	
		Spring washer	4	3075	
		Nut ($\frac{5}{16}$ " U.N.F.)	4	254811	
		 Front mudflap kit	 1	 332962	
		Front mudflap	2	278967	
		Support bracket for L.H. mudflap	1	508392	
		Support bracket for R.H. mudflap	1	508393	
		Strengthening strip for front mudflap	2	278964	
		Rivet } Fixing mudflap and	8	68087	
		Boss cap } strengthening strip to support	8	78429	
		 Rear mudflap kit	 1	 332963	} Except 109 Station Wagon
		Rear mudflap	2	278968	
		Strengthening strip for rear mudflap	1	508394	
		Rivet } Fixing	8	68087	
		Boss cap } strengthening strip	8	66299	
		Mudflap retainer, R.H.	1	332960	
		Mudflap retainer, L.H.	1	332961	
		Bolt (2 B.A. x $\frac{1}{2}$ " long) } Fixing	6	234603	
		Spring washer } mudflap	6	3073	
		Nut (2 B.A.) } retainers	6	3823	

MISCELLANEOUS OPTIONAL EQUIPMENT

PLATE REF.	1 2 3 4	DESCRIPTION	Qty.	Part No.	REMARKS
		Rubber pad for brake and clutch pedals 2	278166	
		Chaff guard for radiator 1	332440	
		AIR CLEANER, CENTRIFUGAL INTAKE			
		TYPE AT WINDSCREEN 1	517057	
		Air cleaner support and battery casing 1	517869	
		Packing piece, air cleaner 1	509510	
		Air cleaner 1	509482	
		Air intake elbow 1	509476	
		Set bolt ($\frac{1}{4}$ " UNF x $\frac{5}{8}$ " long) 3	255206	
		Plain washer 3	3665	} Fixing elbow to wing panel outer
		Spring washer 3	3074	
		Nut ($\frac{1}{4}$ " UNF) 3	254800	
		Connection hose, intake elbow to cleaner 1	279519	
		Clip, elbow to connection 1	279653	
		Clip, connection to air cleaner 1	517585	
		Air intake pipe 1	509481	
		Bracket for intake pipe 1	517868	
		Bolt (2 B.A. x $\frac{3}{8}$ " long) 2	237119	} Fixing bracket to intake pipe
		Spring washer 2	3073	
		Nut (2 B.A.) 2	2247	
		Drive screw, pipe to windscreen 2	72626	
		Hose, intake pipe to elbow... 1	276426	
		Clip for hose 2	271870	
		Centrifugal air cleaner 1	509483	
		Hose, centrifugal cleaner to intake 1	276426	
		Clip for hose 2	271870	
		ENGINE BREATHER SYSTEM, OIL BATH			
		TYPE 1	517055	} Must be used in conjunction with 517057
		Carburettor elbow 1	512897	
		Side cover and oil filler pipe 1	516399	
		Oil bath breather and filler cap 1	512896	
		Top rocker cover breather 1	512891	
		Hose elbow to breather 1	269274	
		Clip for hose 2	50302	
		Locking hasp for fuel filler 1	504697	
		Screw fixing hasp (2 B.A. x $\frac{1}{2}$ " long) 2	77869	

} 2½ litre petrol models

MISCELLANEOUS OPTIONAL EQUIPMENT

PLATE REF.	1	2	3	4	DESCRIPTION	Qty.	Part No.	REMARKS	
					Speedometer, with trip, M.P.H., SM SN 5328/00	1	240426	} 88	
					Speedometer, with trip, K.P.H., SM SN 5328/01	1	240427		
					Speedometer, with trip, M.P.H., SM SN 5328/02	1	279342	} 109	
					Speedometer, with trip, K.P.H., SM SN 5328/03	1	279343		
					Speedometer, non-trip, M.P.H., SM SN 3321/03	1	279340	} 88	
					Speedometer, non-trip, K.P.H., SM SN 3321/04	1	279341		
								} When 7.50" x 16" tyres are fitted.	
					'Hourmeter', SM ATFC 268/1	1	521027*	Instrument for calculating running time	
					Mounting bracket for gauge R.H.	1	529443*	For use when an additional instrument is fitted to R.H. side of instrument panel.	
					WINDSCREEN WIPER ASSEMBLY	1	502830		
					Windscreen wiper motor	1	277931	} Series II models	
					Arm for wiper motor	1	261503		
					Blade for arm	1	272306		
					Grommet } For wiper	1	233244		} 1958-60
					Grommet } feed lead	1	233243		
					Cable clip, feed lead to dash	1	240406		
					Socket for wiper feed	1	233531		
					Cap for socket	1	240408		
					Feed lead, gauge to socket, LU 852020	1	240497		
					Wiper motor feed and earth lead	1	233533		
					WINDSCREEN WIPER ASSEMBLY	1	531947*	} Series IIA models	
					Windscreen wiper motor	1	519900*		
					Arm for wiper motor	1	261503		
					Blade for arm	1	272306		
					Feed lead for wiper motor	1	526432*		
					Earth lead for wiper motor	1	519899*		
					Grommet for wiper feed lead	4	236389		
					Cable clip, feed lead to dash	1	240406		
					WINDSCREEN WASHER KIT	1	526358		
					Pump for screen washer	1	526426		
					Reservoir for screen washer	1	526427		
					Bracket, reservoir to dash	1	526428		
					Bolt (2 B.A. x ½" long)	4	234603	} Fixing reservoir bracket to dash	
					Spring washer	4	3073		
					Plain washer	4	2678		
					Nut (2 B.A.)	4	2247		
					Screen washer jet	2	526429		
					Tubing for jet pump and reservoir, 10½ ft. long	1	526353		
					Clip for tube on wiper arm	2	526354		
					Clip for jet on wiper arm	2	526355		
					Tee junction for tubing	1	526430		
					Clip for tubing on dash	8	519602		
					Drive screw	6	77704		
					Screw (4 B.A. x ⅝" long)	2	77902	} Fixing tubing clips to dash	
					Spring washer	2	3072		
					Nut (4 B.A.)	2	4023		
					Grommet in dash for tubing	3	236389		
					Bracket for screen washer pump	1	526357		
					Screw (2 B.A. x ½" long)	1	77869	} Fixing pump bracket to dash	
					Screw (2 B.A. x ⅝" long)	1	79941		
					Spring washer	2	3073		
					Plain washer	2	3816		
					Nut (2 B.A.)	2	2247		

MISCELLANEOUS OPTIONAL EQUIPMENT

PLATE REF.	1	2	3	4	DESCRIPTION	Qty.	Part No.	REMARKS
					Suppressor, coil dynamo, pump and wiper motor	4	50693	} Radio interference suppressors, 2 litre Petrol
					Terminal for wiper motor, LU 189363	1	243380	
					Cap for suppressor on wiper motor	1	278420	
					Drive screw } Fixing wiper	1	78155	
					Plain washer } suppressor	1	3851	
					Bolt (2 B.A. x ½" long)	1	234603	
					Plain washer } Fixing coil	1	3851	
					Shakeproof washer } suppressor	1	74236	
					Nut (2 B.A.)	1	2247	
					Resistor for distributor lead	1	213646	
					Terminal for fuel pump and coil, LU 189367	2	232990	
					Terminal for dynamo, LU 189364	1	232991	
					RADIO SUPPRESSOR KIT	1	332991	
					Suppressor for coil, dynamo and wiper motor	3	50693	
					Cap for condenser on wiper motor	1	278420	
					Drive screw } Fixing wiper	1	514416	
					Plain washer } suppressor to screen	1	3851	
					RADIO SUPPRESSOR KIT	1	531951*	} Series IIA, 2½ litre Petrol models
					Suppressor for coil and wiper motor	2	50693	
					Suppressor for dynamo	1	531539*	
					Cap for suppressor on wiper motor	1	278420	
					Drive screw } Fixing wiper suppressor	1	514416	
					Plain washer } to windscreen	1	3851	
					Connector, coil suppressor lead	1	510119	
					RADIO SUPPRESSOR KIT	1	332992	} Series II, 2 litre Diesel models
					Suppressor for dynamo and wiper motor	2	50693	
					Cap for condenser on wiper motor	1	278420	
					Drive screw } Fixing wiper	1	514416	
					Plain washer } suppressor to screen	1	3851	
					RADIO SUPPRESSOR KIT	1	531949*	} Series IIA, 2½ litre Diesel models
					Suppressor for wiper motor	1	50693	
					Suppressor for dynamo	1	531539*	
					Cap for suppressor on wiper motor	1	278420	
					Drive screw } Fixing wiper suppressor	1	514416	
					Plain washer } to windscreen	1	3851	
					SUPPORT ASSEMBLY FOR SPARE WHEEL	1	330971	} No locking device
					SUPPORT ASSEMBLY FOR SPARE WHEEL	1	330972	
					SUPPORT ASSEMBLY FOR SPARE WHEEL	1	332971	} With locking device
					SUPPORT ASSEMBLY FOR SPARE WHEEL	1	332972	
					Support for spare wheel on bonnet	1	330600	} No locking device
					Support for spare wheel on bonnet, welded dowel	1	332700	
					Support for spare wheel on bonnet, screwed dowel	1	333458	} With locking device
					Dowel for lock	1	333459	
					Screw (¼" U.N.F. x ¾" long)	2	255208	
					Plain washer } dowel to	2	3840	
					Spring washer } spare wheel	2	3074	
					Rivnut (¼" U.N.F.) } support	2	514929	
					Rivet fixing support	9	300783	
					Clamp for spare wheel	2	307235	
					Special bolt for spare wheel clamp	2	307234	
					Split pin for bolt	2	3707	

MISCELLANEOUS OPTIONAL EQUIPMENT

PLATE REF.	1 2 3 4	DESCRIPTION	Qty.	Part No.	REMARKS	
		Rubber support block for spare wheel	4	304434		
		Special screw for support	8	77869	} 88, also 109 without locking device	
		Plain washer, small	8	3816		
		Plain washer, large	8	3987		
		Spring washer	8	3073		
		Nut (2 B.A.)	8	2247		
		} Fixing supports to bonnet top				
		BONNET LOCKING DEVICE COMPLETE	1	332969	De luxe bonnet	
		BONNET LOCKING DEVICE COMPLETE	1	332970	Plain bonnet	
		Hasp for bonnet locking	1	332614	De luxe bonnet	
		Hasp for bonnet locking	1	332611	Plain bonnet	
		Pop rivet	} Fixing hasp to bonnet	2	300781	
		Pop rivet		2	300783	
		Turnbuckle	1	300851		
		Screw (2 B.A. x 1/2" long)	} Fixing turnbuckle to grille panel	3	77784	
		Spring washer		3	3074	
		Nut (2 B.A.)		3	2247	
		Wing mirror, 'boomerang' type	1	516495		
		LOCKING HANDLES AND CATCHES				
		ASSEMBLY	1	330974		
		Door handle R.H. with lock	1	332432	} With barrel lock on R.H. door	
		Barrel lock	1	306036		
		Locking pillar for catch	1	332434		
		Plain washer	} Fixing catch to cover	1		2226
		Spring washer		1		3073
		Nut (2 B.A.)		1		2247
		Safety catch for L.H. door lock	1	333272		} Models with pivot type catch. Check before ordering
		Plain washer	1	4034		
		Screw (2 B.A. x 5/8" long)	1	313860		
		Packing washer	1	3902		
		Spring washer	1	3073		
		Nut (2 B.A.)	2	2247		
		Locknut (2 B.A.)	1	25996		
		Safety catch for L.H. door lock	1	334874*		Models with spring loaded type catch
		Catch for door sliding window	2	332435		
		Pop rivet fixing catch	4	300781		
		LOCKING HANDLES AND CATCHES				
		ASSEMBLY, L.H.	1	332997		
		Door handle, L.H. with lock	1	332317	} With barrel lock on L.H. door	
		Barrel lock	1	332999		
		Locking pillar for catch	1	332434		
		Plain washer	} Fixing catch to cover	1		2226
		Spring washer		1		3073
		Nut (2 B.A.)		1		2247
		Safety catch for R.H. door lock	1	333271		} Models with pivot type catch. Check before ordering
		Plain washer	1	4034		
		Screw (2 B.A. x 5/8" long)	1	313860		
		Packing washer	1	3902		
		Spring washer	1	3073		
		Nut (2 B.A.)	2	2247		
		Locknut (2 B.A.)	1	25996		
		Safety catch for R.H. door lock	1	334873*		Models with spring loaded type catch.
		Catch for door sliding window	2	332435		
		Pop rivet fixing catch	4	300781		

MISCELLANEOUS OPTIONAL EQUIPMENT

PLATE REF.	1	2	3	4	DESCRIPTION	Qty.	Part No.	REMARKS
FOLDING STEP ASSEMBLY FOR SIDE								
					DOORS	2	515835	
					SIDE STEP ASSEMBLY	2	508947	
					Rubber mat	2	508957	} 4 off on 109 Station Wagon
					Capping, rear	2	508958	
					Capping, front	2	508959	
					Capping, side	4	245136	
					Rivet, fixing mat and capping to step	28	4022	8 off on 109 Station Wagon
					Step support bracket	2	508950	4 off on 109 Station Wagon
					Bolt ($\frac{1}{4}$ " U.N.F. x 1" long)	8	255209	} 16 off on 109 Station Wagon
					Plain washer	8	3900	
					Spring washer	8	3074	
					Nut ($\frac{1}{4}$ " U.N.F.)	8	254810	
					Support stay for step bracket (no fuel tank under seat)	2	508952	4 off on 109 Station Wagon
					Support stay for step bracket (when fuel tank is fitted under seat)	1	509950	
					Bracket, for stay, to chassis	1	508953	
					Bolt ($\frac{1}{4}$ " U.N.F. x $\frac{3}{4}$ " long)	4	255208	} 8 off on Station Wagon
					Spring washer	4	3074	
					Nut ($\frac{1}{4}$ " U.N.F.)	4	254810	
					Bolt ($\frac{1}{4}$ " U.N.F. x $\frac{3}{4}$ " long)	4	255207	} 109 Station Wagon only
					Spring washer	4	3074	
					Nut ($\frac{1}{4}$ " U.N.F.)	4	254810	
					Bolt ($\frac{1}{4}$ " U.N.F. x $1\frac{1}{2}$ " long)	4	255211	
					Spring washer	4	3074	
					Riv-nut ($\frac{1}{4}$ " U.N.F.)	4	514929	
					Hinge pin for step	2	509120	4 off on 109 Station Wagon
					Plain washer	4	3833	8 off on 109 Station Wagon
					Spring washer	2	2286	4 off on 109 Station Wagon
					Split pin	4	2395	8 off on 109 Station Wagon
					Spring for step	2	264362	
					Rubber buffer	2	304125	
					Screw (2 B.A. x $\frac{5}{8}$ " long)	2	77758	} 4 off on 109 Station Wagon
					Plain washer, small	2	3867	
					Plain washer, large	2	3816	
					Spring washer	2	3073	
					Nut (2 B.A.)	2	3823	
					Rubber buffer on step	2	312027	4 off on
					Screw (2 B.A. x $\frac{5}{8}$ " long)	2	77758	109 Station
					Plain washer	2	3867	Wagon
					Waist moulding, R.H. front door	1	332660	} For one-piece doors
					Waist moulding, L.H. front door	1	332661	
					Acme bolt	8	302533	
					Plain washer	8	2630	
					Spire nut	8	302532	

MISCELLANEOUS OPTIONAL EQUIPMENT

PLATE REF.	1	2	3	4	DESCRIPTION	Qty.	Part No.	REMARKS	
					FLYSCREEN ASSEMBLY FOR DASH				
					VENTS....	1	332995		
					Fly screen for dash vent, inner	2	332402		
					Fly screen for dash vent, outer	2	332403		
					Drive screw fixing screen to dash	20	77932		
					Fire extinguisher and bracket	1	501025		
					Screw (2 B.A. x $\frac{5}{8}$ " long)	5	75940	} Fixing } bracket } to dash	
					Spring washer	5	3073		
					Nut (2 B.A.)	5	2247		
					Interior sun visor complete assembly	2	332642		
					Exterior sun visor complete assembly	1	503979		
					Curtain complete for rear of driver, green	1	330990	} For full length hood 88	
					Curtain complete for rear of driver, blue	1	330991		
					Hook	2	301005		
					Buckle	2	300953		
					End cap	2	300954		
					Eyelet	4	300785		
					Buckle	2	300953		
					Plastic backlight	1	306340		
					Roof luggage rack complete	1	320532*		Applicable to Station Wagons and Hard Top vehicles
					Glass for rear end window	2	332341		} 88 and 109 Hard Top, to convert early models
					Weather strip for glass	2	306287		
					Filler strip for weather strip	2	306289		
					Bracket, cant rail to roof frame	4	331168	} Canadian vehicles	
					Drive screw, $\frac{1}{2}$ " No. 6, fixing bracket to cant rail	8	77704		
					Roof trim, front portion	1	331491		
					Drive screw, $\frac{1}{2}$ " No. 6	9	77704		
					Plain washer	5	3886		
					Plain washer	4	3852		
					Centre bracket, canopy panel	1	331391		
					Outer bracket, canopy panel	2	331390		
					Canopy trim panel R.H.	1	331492		
					Canopy trim panel L.H.	1	331493		
					Plain washer	4	3852		
					Drive screw, $\frac{1}{2}$ " No. 6	4	77704		
					Cover for seat base, front and sides	1	331648		
					Cover for seat base, top centre	1	331652		
					Cover for tank/locker lid	2	331655		
					Cover for lower cab back panel	1	331658		

MISCELLANEOUS OPTIONAL EQUIPMENT

PLATE REF.	1	2	3	4	DESCRIPTION	Qty.	Part No.	REMARKS
					Floor mat, front	1	330992	R.H.D.
					Floor mat, front	1	330993	L.H.D.
					Floor mat, rear body	1	330994	88
					Floor mat, rear body	1	330995	109
					Wrench for winch bollard screw	1	237255	Front winch
					ROVER BODY REPAIR KIT	1	314000	
					Demon welding blowpipe complete with nozzles	1	314001	
					Rubber hose, red	1	314002	
					Rubber hose, black	1	314003	
					Tubular container for welding rod	2	314004	
					Birmabright welding rod, .080" x 23" long	100 sticks	13605	
					Birmabright welding rod, .125" x 23" long	50 sticks	13606	
					Sheets of coated Birmabright	12	13604	
					Welding flux	2 tins	13607	
					Filzall rods for filling body panels	100 sticks	13608	
					Electric paddle, 240v.	1	314005	} Please state voltage when ordering
				Electric paddle, 110v.	1	313998		
				Element for electric paddle, 240v.	1	314006		
				Element for electric paddle, 110v.	1	313999		
					Wooden paddle, small	1	314007	
					Wooden paddle, medium	1	314008	
					Wooden paddle, large	1	314009	
					Lubricant for wooden paddle	1 tin	13609	
					Steel wool	2 rolls	99710	
					Glass paper, No. 2	6 sheets	97188	

OVERHAUL KITS

PLATE REF.	1	2	3	4	DESCRIPTION	Qty.	Part No.	REMARKS	
					Engine overhaul gasket kit	1	270568	2 litre Petrol	
					Engine overhaul gasket kit	1	501677	Series II 2½ litre Petrol models	
					Engine overhaul gasket kit	1	525856*	Series IIA 2½ litre Petrol models	
					Engine overhaul gasket kit	1	272564	2 litre Diesel	
					Engine overhaul gasket kit	1	525520*	2½ litre Diesel	
					Gasket set, decarbonising	1	269365	2 litre Petrol	
					Gasket set, decarbonising	1	501676	Series II 2½ litre Petrol models	
					Gasket set, decarbonising	1	525857*	Series IIA 2½ litre Petrol models	
					Gasket set, decarbonising	1	272653	2 litre Diesel	
					Gasket set, decarbonising	1	525521*	2½ litre Diesel	
					Brake wheel cylinder overhaul kit, front	1	275744	88	
					Brake wheel cylinder overhaul kit, front	1	266684	109	
					Brake wheel cylinder overhaul kit, rear	1	266687	88	
					Brake wheel cylinder overhaul kit, rear, SP 2004	1	266683	109 With steel dust cover	
					Brake wheel cylinder overhaul kit, rear (GI SP 2103)	1	523164	109 With rubber dust cover	
								} Series II models. } Alternatives. } Check before ordering	
					Brake wheel cylinder overhaul kit, rear (GI SP2051)	1	275744	109 Series IIA models	
					Brake master cylinder overhaul kit	1	502333	88	
					Brake master cylinder overhaul kit	1	503754	109	
					Clutch master cylinder overhaul kit	1	276176		
					Clutch slave cylinder overhaul kit	1	502335		
					Repair kit for adjuster unit (transmission brake)			} From gearboxes numbered:	
					GI SP 1856	1	515924		146000566
					Repair kit for expander unit (transmission brake)				156000431
					GI SP 1807	1	515923	151005187 onwards	
					White brake grease, tube	1	514577		
					Red brake rubber grease, tube	1	514578		
					Repair kit for fuel pump, AC 1524507	1	272069	} 2½ litre Petrol and } Diesel models	
					Overhaul kit for fuel pump, AC 7950463	1	524684		
					Swivel pin overhaul kit	1	266752		
					Water pump overhaul kit	1	265255	2 litre Petrol	
					Water pump overhaul kit	1	506003	Series II 2½ litre Petrol and 2 litre Diesel models	
					Water pump overhaul kit	1	530590*	Series IIA Petrol and Diesel models	
					Carburettor overhaul kit	1	266693	2 litre Petrol	
					Carburettor overhaul kit	1	507687	2½ litre Petrol	
					Carburettor gasket kit	1	274895	2 litre Petrol	
					Carburettor gasket kit	1	507693	2½ litre Petrol	



88

INTERIM STATION WAGON

GENERAL EXPLANATION

The Interim Station Wagon is mounted on a standard 88 chassis with a modified body. The majority of spare parts are, therefore, the same as those required for the basic vehicle.

The optional and additional equipment listed below is also required:—

Hard top with side windows (less the rear lid and fittings)....	See Pages 329 and 331
Plain bonnet with spare wheel carrier	See Pages 295, 479 and 480
Flasher equipment	See Pages 457 and 459
Half length doors and sidescreens	See Pages 299 to 303
Locking handles and security catches	See Page 480
Rear seats	See Page 447
Extra driving mirror	See Page 295
Floor mats and fixing	See Page 365
Rear door complete	See Pages 495 to 499



88

STATION WAGON

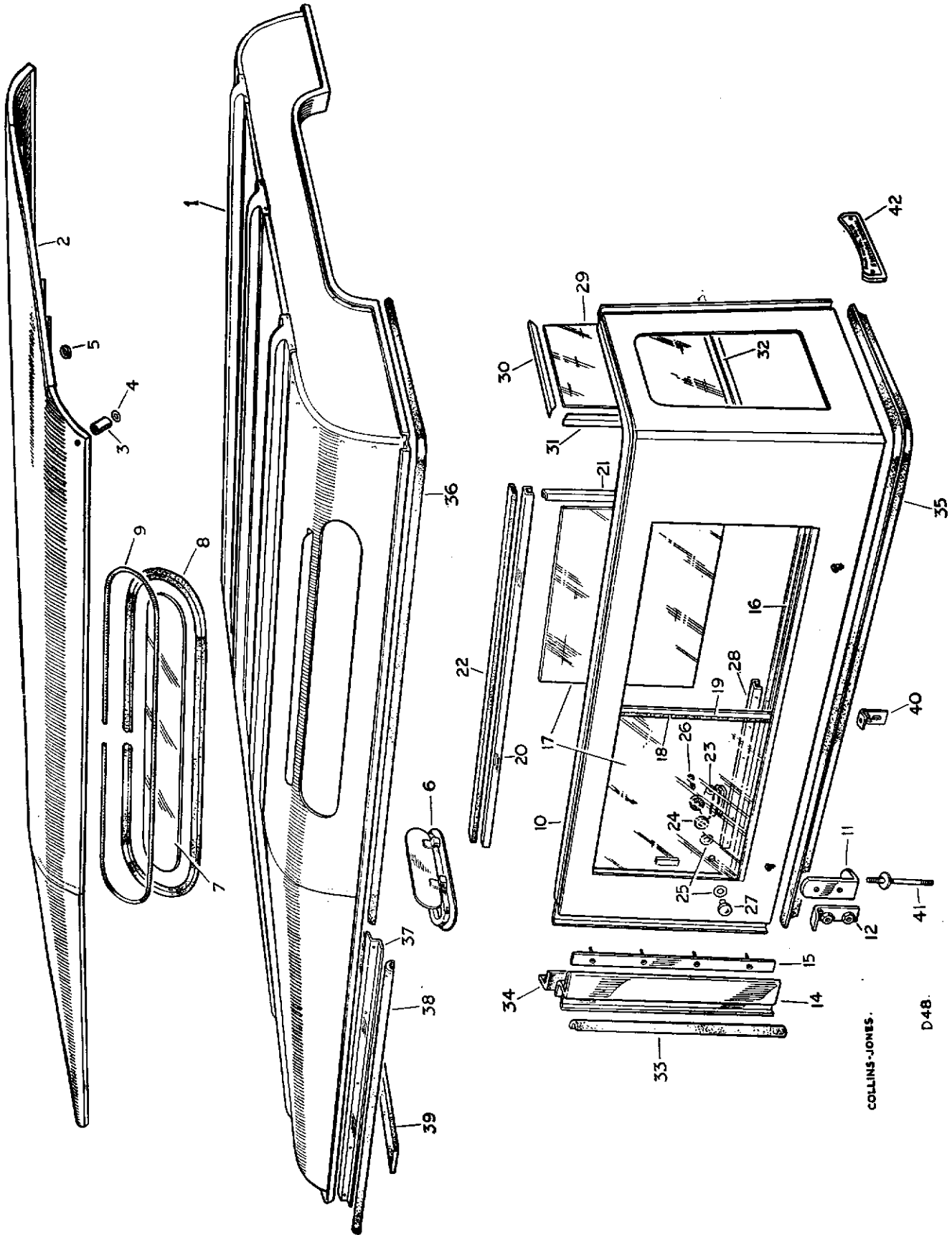
GENERAL EXPLANATION

The Station Wagon is mounted on a standard 88 chassis with a modified body. The majority of spare parts are, therefore, the same as those required for the basic vehicle. The following pages 489 to 505 inclusive, list the parts which are peculiar to the Station Wagon.

The optional and additional equipment listed below is also required:—

De-luxe bonnet with spare wheel carrier	See Pages 295, 479 and 480
Flasher equipment	See Pages 457 and 459
Full length doors	See Page 299
Locking handles and security catches	See Page 480
De-luxe trim for floors and doors	See Page 365

88 STATION WAGON, BODY PANELS AND WINDOWS



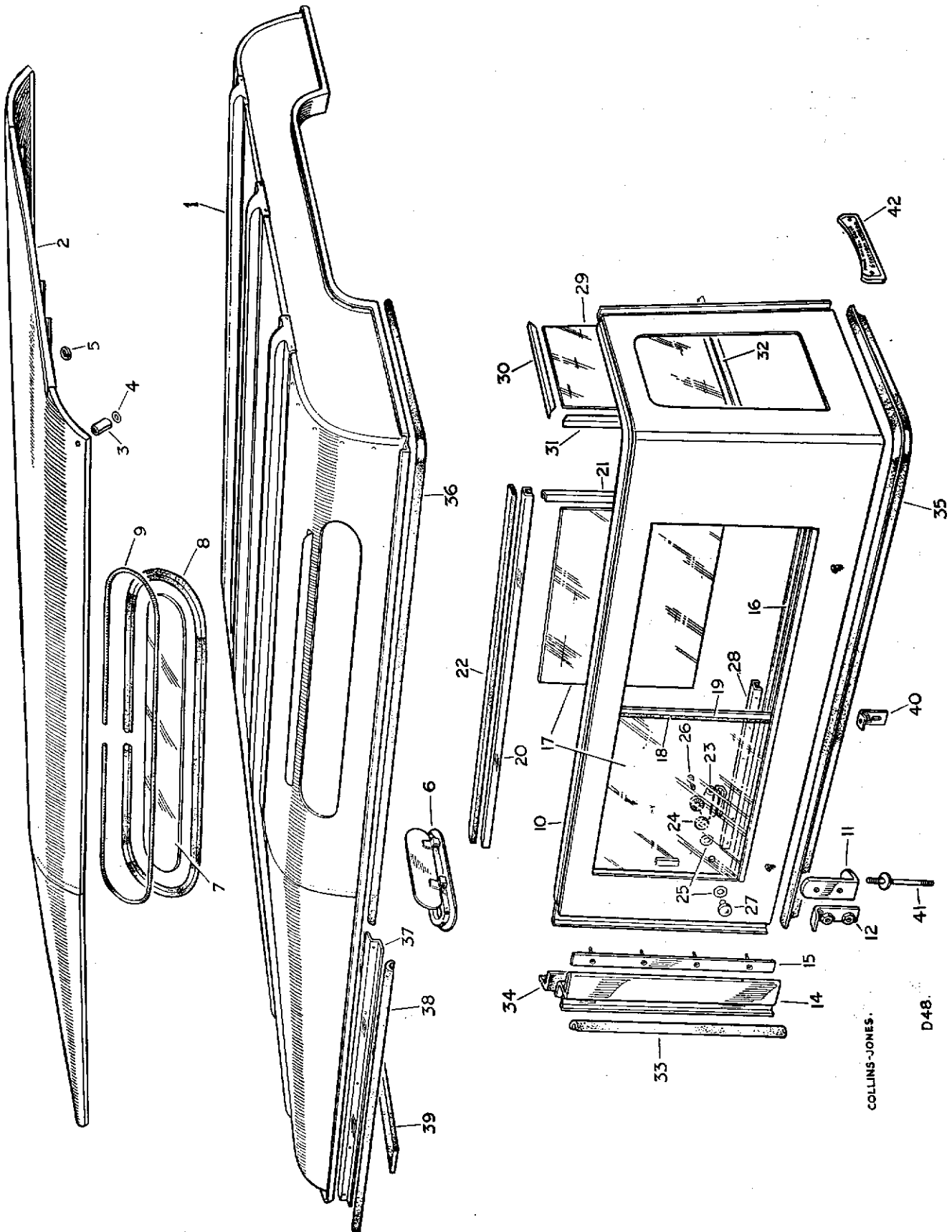
COLLINS-JONES.

D.48.

88 STATION WAGON, BODY PANELS AND WINDOWS

PLATE REF.	1 2 3 4	DESCRIPTION	Qty.	Part No.	REMARKS
1		ROOF AND TROPICAL ROOF PANEL ASSEMBLY	1	332937	
2		Tropical roof panel	1	332194	
		Pop rivet } Roof panel to	45	78248	Alternative fixing
		Drive screw } stiffeners	45	77704	
		Screw ($\frac{1}{4}$ " U.N.F. x 2" long)	10	78274	
		Plain washer	20	3900	
3		Distance piece	10	302372	
4		Rubber washer	10	302373	
		Spring washer	10	3074	
		Nut ($\frac{1}{4}$ " U.N.F.)	10	254810	
		Screw (2 B.A. x $\frac{1}{2}$ " long)	8	77869	
		Plain washer	16	3852	
5		Rubber washer	8	302371	
		Shakeproof washer	8	71082	
		Nut (2 B.A.)	8	3823	
		Roof ventilator, rear	2	333836	
6		Roof ventilator, front	2	333835	
		Drive screw, fixing ventilator to roof	36	77932	
7		Side light for roof	2	308070	
8		Weather strip for side light	2	302177	
9		Filler strip for weather strip	2	302178	
		SIDE PANEL ASSEMBLY, R.H.	1	332306	
10		SIDE PANEL ASSEMBLY, L.H.	1	332307	
11		Mounting bracket front	2	332080	
		Bolt ($\frac{1}{8}$ " U.N.F. x $\frac{3}{8}$ " long)	4	255225	
		Plain washer	4	3830	
		Spring washer	4	3075	
12		Nut plate	2	332081	
		Support bracket at tailboard	2	332052	
		Bolt ($\frac{1}{4}$ " U.N.F. x $\frac{3}{4}$ " long)	4	255207	
		fixing support			
		Plain washer	8	3840	
		Spring washer	4	3074	
		Nut ($\frac{1}{4}$ " U.N.F.)	4	254810	
		Capping for front door rear seal R.H.	1	332112	
14		Capping for front door rear seal L.H.	1	332113	
15		Stud plate	2	332065	
		Screw (2 B.A. x $\frac{1}{2}$ " long)	6	78869	
		Plain washer, large	6	3852	
		Plain washer, small	8	3885	
		Spring washer	14	3073	
		Nut (2 B.A.)	14	3823	
16		Drain channel complete for side windows	2	332223	
		Bolt ($\frac{1}{4}$ " U.N.F. x $\frac{3}{8}$ " long)	4	255206	
		Plain washer	4	4071	
		Spring washer	4	3074	
		Nut ($\frac{1}{4}$ " U.N.F.)	4	254810	

88 STATION WAGON, BODY PANELS AND WINDOWS



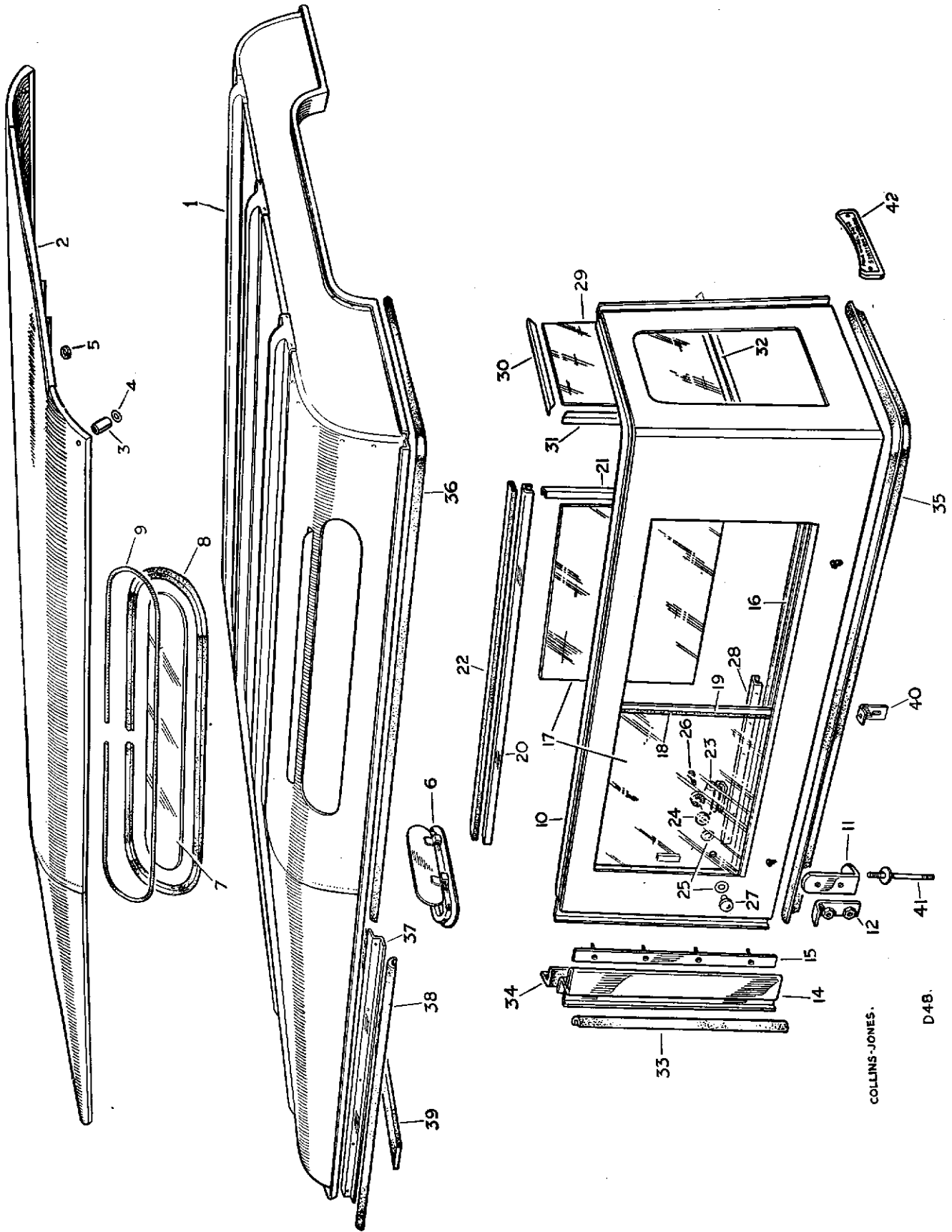
COLLINS-JONES.

D48.

88 STATION WAGON, BODY PANELS AND WINDOWS

PLATE REF.	1 2 3 4	DESCRIPTION	Qty.	Part No.	REMARKS
17		Glass for side window, sliding	4	332217	
18		Sealing rubber for sliding light	2	332230	
19		Channel for sliding light rubber	2	330661	
20		Channel for sliding light—top	4	332744	
		Channel for sliding light—bottom inner	2	332745	
		Channel for sliding light—bottom outer	2	332752	
21		Channel for sliding light—sides	4	332746	
22		Packing strip for top channel	4	332216	
		Drive screws fixing channels	76	77707	
23		Catch for sliding glass, front, overall length 1½"	2	332324	
		Catch for sliding glass, rear, overall length 1"....	2	332325	
24		Distance piece for catch	6	340390	} 2 B.A. fixing. Alternative to ¼" U.N.F. Check before ordering
25		Washer for catch	8	340391	
		Screw (2 B.A. x ¾" long)	2	78223	} ¼" U.N.F. fixing. Alternative to 2 B.A. Check before ordering
26		Screw (2 B.A. x ⅞" long)	2	78260	
		Washer for catch	16	340391	
		Screw (¼" U.N.F. x ¾" long)	2	78401	
		Screw (¼" U.N.F. x ⅞" long)	2	78402	
27		Tapped plate for catch	4	332329	
28		Runner for sliding catch	4	330848	
		Rivet fixing runner to drain channel	28	78248	
29		Glass for rear end window	2	332200	
		Retainer for rear end glass upper R.H.	1	332280	
30		Retainer for rear end glass upper L.H.	1	332281	
31		Retainer for rear end glass inner and outer	4	332282	
32		Retainer for rear end glass lower L.H.	1	332284	
		Retainer for rear end glass lower R.H.	1	332283	
		Drive screw fixing retainer....	36	78126	
33		Seal for front door, upper side	2	332152	
34		Seal at top and bottom for front door, upper side	6	332215	
		Rivet fixing rubber to retainer	10	302818	
35		Sealing rubber, lower edge to body	2	333487	
36		Sealing rubber, roof to side	2	332154	
		Retainer for front door seal top R.H.	1	330788	
37		Retainer for front door seal top L.H.	1	330789	
38		Seal for front door top	2	330541	
		Rivets, fixing door seal to retainer	10	302818	
		Screws (2 B.A. x ½" long)	10	77869	} Fixing seal
		Spring washer	10	3073	
		Plain washer	10	3902	} retainer to roof
		Nut (2 B.A.)	10	3823	
39		Rubber seal for canopy	1	330878	
40		Support bracket, centre, body side	2	332201	
		Bolt (¼" U.N.F. x ¾" long)	4	255207	} Fixing bracket to body side and capping
		Plain washer	6	3900	
		Spring washer	4	3074	
		Nut (¼" U.N.F.)	4	254810	

88 STATION WAGON, BODY PANELS AND WINDOWS



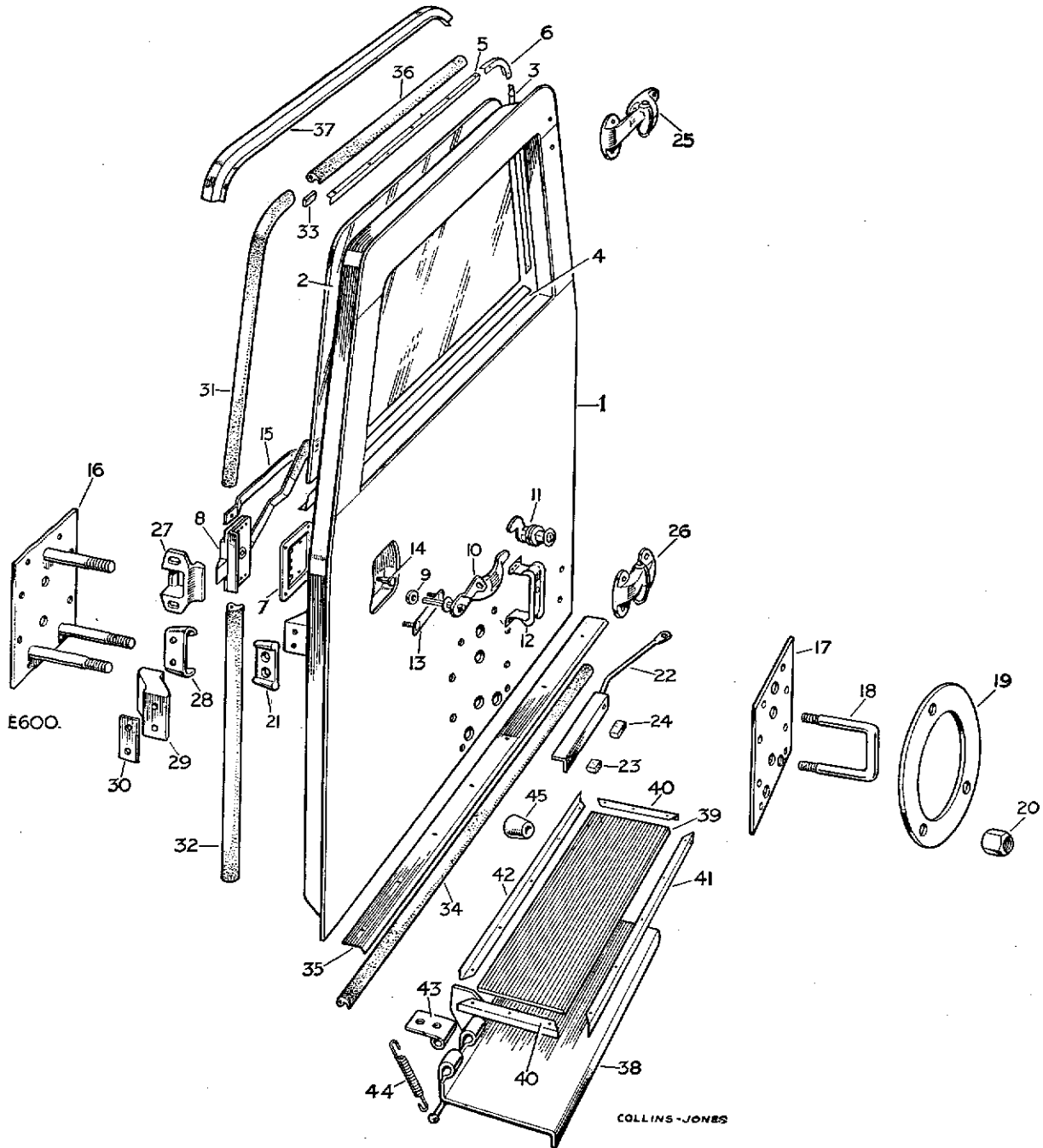
COLLINS-JONES.

D48.

88 STATION WAGON, BODY PANELS AND WINDOWS

PLATE REF.	1 2 3 4	DESCRIPTION	Qty.	Part No.	REMARKS
41		Mounting stud	4	332157	
		Plain washer (large)	8	3898	
		Plain washer (small)	2	3830	} Fixing body at front and rear corners
		Special washer	2	332293	
		Spring washer	8	3075	
		Nut ($\frac{5}{16}$ " U.N.F.)	8	254811	
		Bolt ($\frac{1}{4}$ " U.N.F. x $\frac{5}{8}$ " long)	4	255206	} Fixing body at rear inner
		Plain washer	4	3840	
		Spring washer	4	3074	
		Nut ($\frac{1}{4}$ " U.N.F.)	4	254810	} gusset
		Bolt ($\frac{1}{4}$ " U.N.F. x $\frac{3}{4}$ " long)	10	255207	} Fixing windscreen to cant
		Plain washer	20	3900	
		Spring washer	10	3074	
		Nut ($\frac{1}{4}$ " U.N.F.)	10	254810	} rail
		Bolt ($\frac{1}{4}$ " x $\frac{3}{4}$ " long)	22	255207	} In roof for fixing at rear corners, sides and rear
		Plain washer	22	3840	
		Spring washer	22	3074	
	Nut ($\frac{5}{16}$ ")	22	254810		
42		"Station Wagon" name plate, front and rear	2	306407	
		Backing plate for name plate, front	1	306408	
		Screw (2 B.A. x $\frac{1}{2}$ " long)	2	77700	} Fixing name plate
		Plain washer	2	2260	
		Spring washer	2	3073	} to radiator
		Nut (2 B.A.)	2	2247	} grille
		Pop rivet fixing name plate to body	2	300919	
		Rear corner protection angle, R.H.	1	333253	
		Rear corner protection angle, L.H.	1	333254	

88 STATION WAGON, REAR DOOR



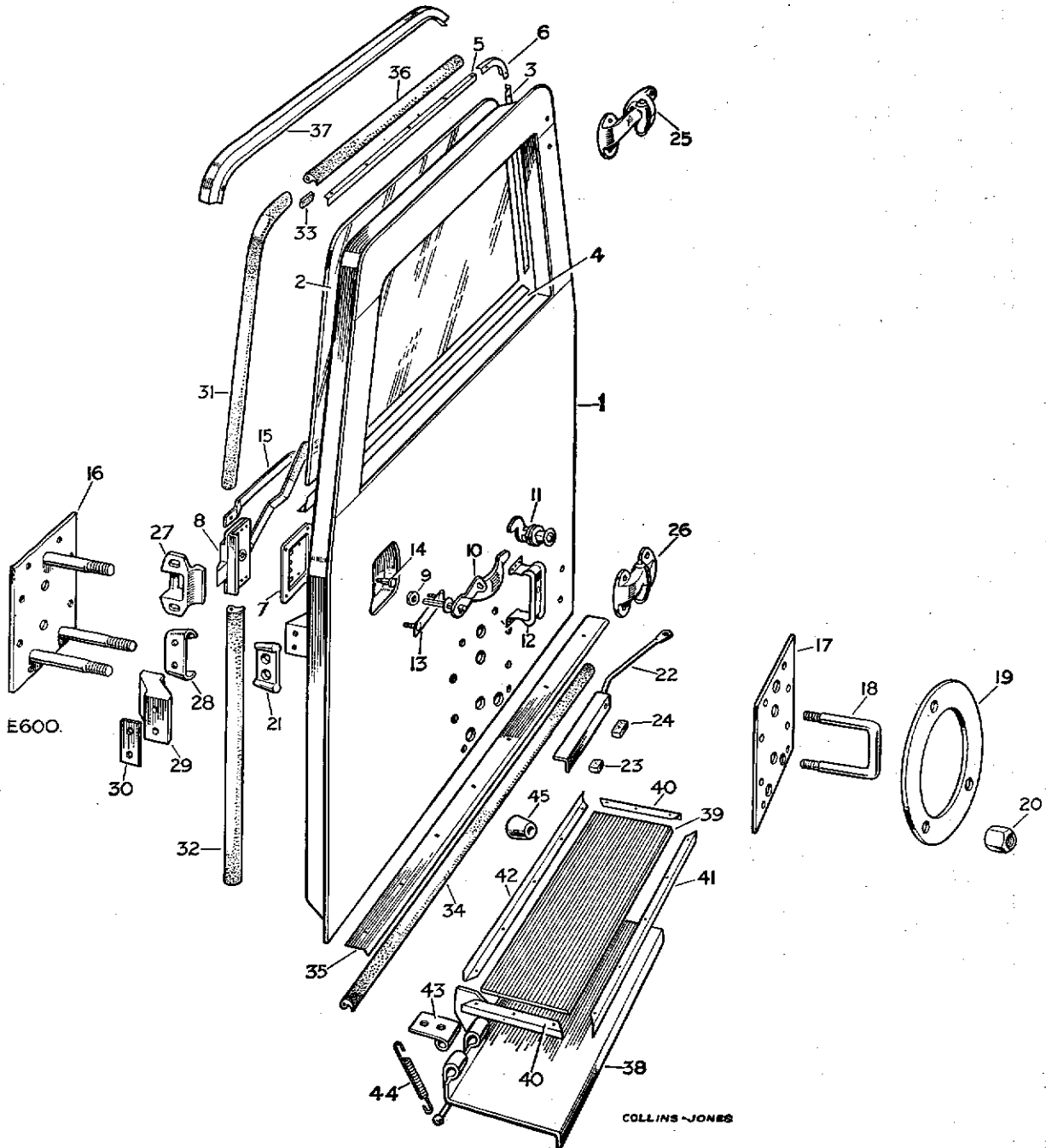
88 STATION WAGON, REAR DOOR

PLATE REF.	1 2 3 4	DESCRIPTION	Qty.	Part No.	REMARKS	
		REAR DOOR COMPLETE ASSEMBLY 1	333415		
1		Rear door 1	333416		
2		Glass for rear door 1	333031		
3		Retainer for glass, vertical 2	333033		
4		Retainer for glass, bottom 1	333032		
5		Retainer for glass, top 1	333034		
6		Retainer for glass, corners 2	333035		
		Drive screw fixing retainers 32	78140		
		DOOR LOCK, MOUNTING AND HANDLE ASSEMBLY 1	333039		
7		Mounting plate for door lock 1	333080		
8		Door lock 1	333040		
9		Washer, handle to cover 1	302859		
10		Door handle with lock 1	332432		
11		Barrel lock 1	306036		
		Key for barrel lock 1	307289	State key number when ordering	
12		Bracket for door handle 1	302854		
		Screw (2 B.A. x $\frac{1}{2}$ " long)	6	313858		
		Spring washer	6	3073	} Fixing lock together	
		Plain washer	4	3685		
		Nut (2 B.A.)	6	2247		
		Rivet	4	302222		
		Special screw	4	78216	} Fixing door lock	
13		Stud plate, door lock, bottom	1	332732		2 off when stud plate is fitted
		Spring washer	4	3074		
		Nut ($\frac{1}{4}$ " U.N.F.)	4	254800		
		Drive screw, fixing lock assembly to door 2	77903		
14		Locking pillar for catch 1	332434		
		Plain washer	1	2226	} Fixing catch to pillar	
		Spring washer	1	3073		
		Nut (2 B.A.)	1	2247		
15		Waist rail lock handle protection strip 1	333037		
		Bolt ($\frac{1}{4}$ " x $\frac{3}{4}$ " long)	2	255207	} Fixing strip to door	
		Spring washer	2	3074		
		Nut ($\frac{1}{4}$ " U.N.F.)	1	254800		
16		Wheel stud plate 1	333435		
17		Clamp plate for spare wheel stud plate 1	333446		
		Screw ($\frac{1}{4}$ " U.N.F. x $\frac{3}{4}$ " long)	8	78210	} Fixing stud and clamp plates to rear door	
		Spring washer	8	3074		
		Nut ($\frac{1}{4}$ " U.N.F.)	8	254810		
18		'U' bolt for spare wheel support 1	333447		
		Nut ($\frac{1}{2}$ " U.N.F.) fixing 'U' bolt to door 4	254814		
19		Retaining plate for spare wheel 1	333439		
20		Hub nut fixing wheel and retaining plate to 'U' bolt 6	217361		
		Male dovetail	1	333438	} For rear end door	
		Male dovetail	1	332942		1958-59 1960 onwards
		Screw ($\frac{1}{4}$ " U.N.F. x 1" long)	2	78389	} Fixing male dovetail to door	
		Spring washer	2	3074		
		Nut ($\frac{1}{4}$ " U.N.F.)	2	254810		
22		Rod for check strap 1	333041		
23		Buffer for check strap, short 1	306295		
24		Buffer for check strap, long 1	333445		

88 STATION WAGON, REAR DOOR

PLATE REF.	1	2	3	4	DESCRIPTION	Qty.	Part No.	REMARKS
25					Hinge for rear door, upper	1	333036	
26					Hinge for rear door, lower	1	330117	
					Bolt ($\frac{5}{16}$ " U.N.F. x 2" long)	4	256226	} Fixing hinge to door
					Spring washer	4	3075	
					Nut ($\frac{5}{16}$ " U.N.F.)	4	254811	} frame
					Bolt ($\frac{5}{16}$ " U.N.F. x $\frac{7}{8}$ " long)	4	255227	
					Plain washer	4	3830	} Fixing door hinges to body
					Spring washer	4	3075	
					Nut ($\frac{5}{16}$ " U.N.F.)	4	254811	} to body
					Bolt ($\frac{1}{2}$ " U.N.F. x $1\frac{1}{2}$ " long)	1	255251	
					Spring washer	1	3074	} Fixing check strap rod to floor
					Plain washer, thick	2	4075	
					Plain washer, thin	2	3947	} rod to floor
					Nut ($\frac{1}{2}$ " U.N.F.)	2	254810	
27					Striking plate	1	333140	
					Bolt ($\frac{1}{2}$ " U.N.F. x 1" long)	2	255009	} Fixing striking plate to rear of body
					Plain washer	As required	3817	
					Spring washer	2	3074	} rear of body
					Nut ($\frac{1}{2}$ " U.N.F.)	2	254800	
					Female dovetail	1	333440	For rear door
28					Female dovetail	1	332147	on body 1960 onwards
					Spacer	1	333444	For female dovetail 1958-59
29					Spacer	1	332943	dovetail 1960 onwards
					Screw ($\frac{1}{4}$ " U.N.F. x $\frac{5}{8}$ " long) fixing dovetail to spacer	2	78233	
					Screw ($\frac{1}{4}$ " U.N.F. x $\frac{3}{4}$ " long)	2	255207	} Fixing spacer to L.H. rear pillar
					Plain washer	2	3900	
30					Shim	2	305232	} L.H. rear pillar
					Spring washer	2	3074	
31					Seal for door sides	3	330535	
32					Seal for door side, L.H. bottom	1	332563	
33					End filler piece for seals	4	330850	
					Rivet fixing seals to body	22	302818	
34					Rubber seal, door, bottom	1	332564	
35					Seal retainer, door bottom seal	1	332566	
					Drive screw fixing retainer	7	77707	
36					Seal for rear door, top	1	332149	
					Rivet fixing seal	11	302818	
37					Retainer for rear door seal, top	1	332151	
					Screw (2 B.A. x $\frac{1}{2}$ " long)	9	77869	} Fixing retainers to roof panel
					Plain washer	9	3902	
					Spring washer	9	3073	
					Nut (2 B.A.)	9	3823	
38					REAR STEP COMPLETE	1	501053	
39					Rubber mat for step	1	245137	
40					Retainer for rear step, side	2	245136	
41					Retainer for rear step mat, front	1	245135	
42					Retainer for rear step mat, rear	1	245134	
					Rivets fixing mat end cappings	16	4022	
43					Hinge centre for rear step	2	245131	
					Bolt ($\frac{3}{8}$ " U.N.F. x 4" long)	2	256253	} Fixing hinge centre to rear step
					Locknut ($\frac{3}{8}$ " U.N.F.)	4	254852	

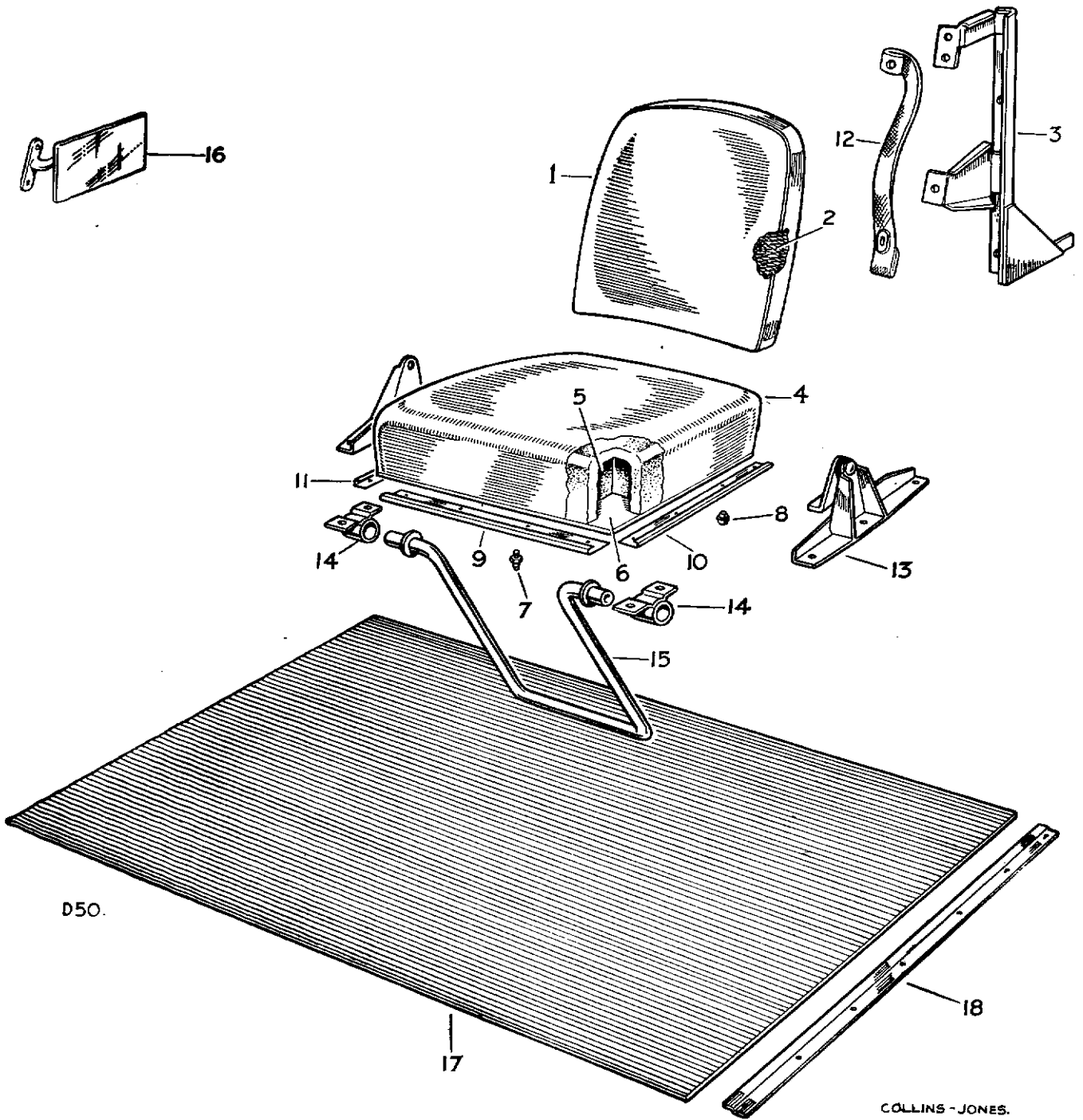
88 STATION WAGON, REAR DOOR



88 STATION WAGON, REAR DOOR

PLATE REF.	1	2	3	4	DESCRIPTION	Qty.	Part No.	REMARKS
					Bolt ($\frac{3}{8}$ " U.N.F. x $1\frac{1}{8}$ " long)	2	255048	
					Bolt ($\frac{3}{8}$ " U.N.F. x $\frac{7}{8}$ " long)	2	255046	} Fixing hinge centre to rear cross member
					Locker	2	235731	
					Plain washer	2	2251	
					Packing washer	2	500588	
					Shakeproof washer	2	73352	
					Self-locking nut ($\frac{3}{8}$ " U.N.F.)	2	252212	} Fixing hinge centre to rear cross member
44					Spring for rear step....	2	264362	
45					Buffer for rear step	1	304125	
					Plain washer	1	3867	} Fixing buffer to rear cross member
					Drive screw	1	78142	

88 STATION WAGON, REAR SEATS AND MISCELLANEOUS FITTINGS



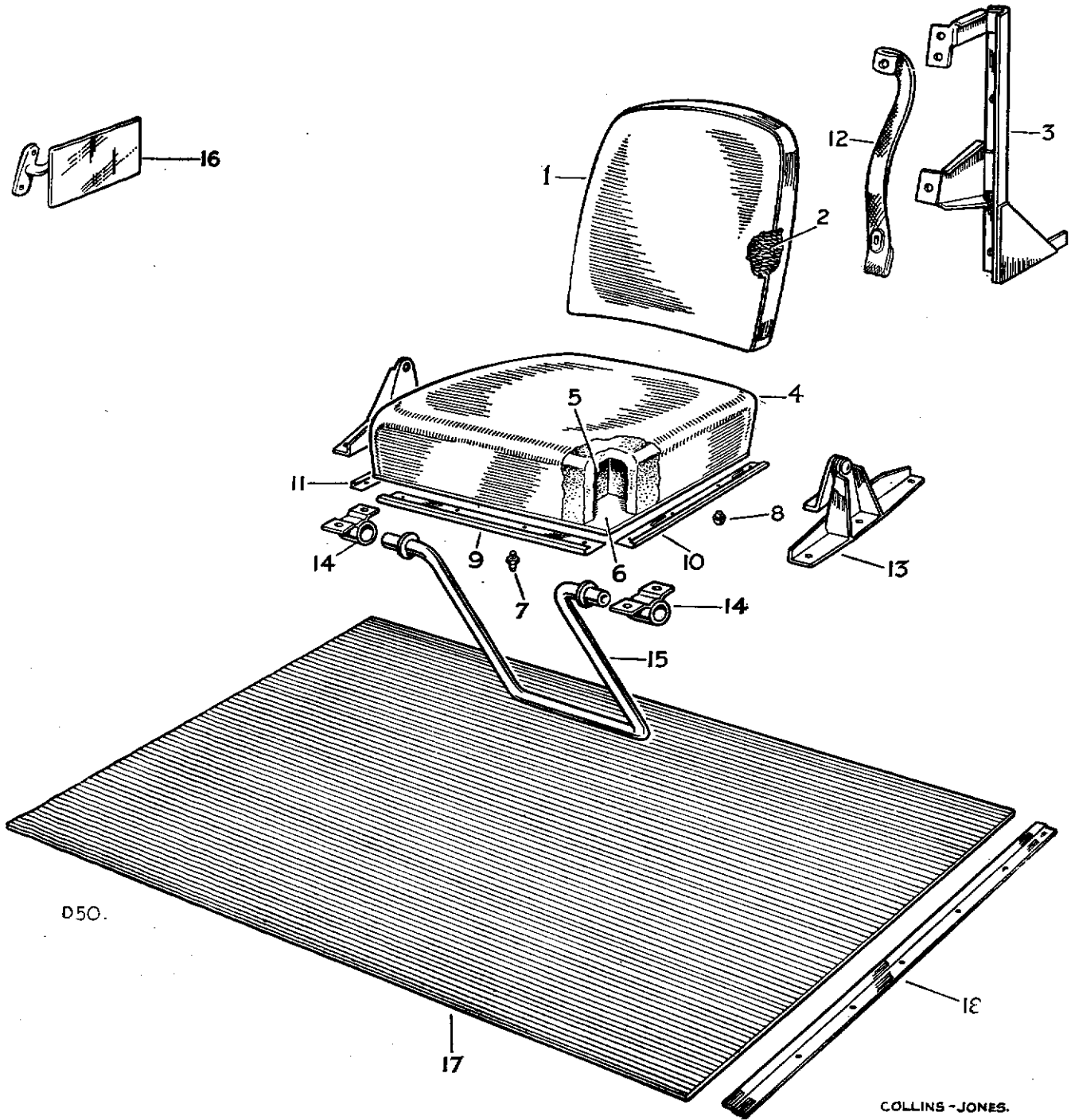
D50.

COLLINS - JONES.

88 STATION WAGON, REAR SEATS AND MISCELLANEOUS FITTINGS

PLATE REF.	1 2 3 4	DESCRIPTION	Qty.	Part No.	REMARKS	
1		Rear seat backrest complete	4	331149		
2		Pad for rear seat backrest	4	304054		
		Bolt ($\frac{1}{4}$ " U.N.F. x $\frac{1}{2}$ " long)	20	255204		
		Set bolt ($\frac{1}{4}$ " U.N.F. x $\frac{3}{8}$ " long)	4	255208	} Fixing backrests to supports	
		Plain washer	24	3912		
		Spring washer	24	3074		
3		Support for backrest R.H.	4	331291		
		Support for backrest L.H.	4	331292		
		Bolt ($\frac{1}{4}$ " U.N.F. x $\frac{3}{8}$ " long)	6	255206	} Fixing backrest support to body capping	
		Plain washer, small	6	3912		
		Plain washer, large	6	3842		
		Spring washer	6	3074		
4		Rear seat cushion complete	4	331148		
5		Rubber interior for seat cushion	4	303809		
6		Seat base panel	4	306316		
7		Fastener stud	4	243618		
		Plain washer	4	3557	} Fixing stud	
		Spring washer	4	3073		
		Nut (2 B.A.)	4	2247		
8		Rubber buffer for rear seat cushion	4	312028		
		Woodscrew	8	20034	} Fixing base panel to seat cushion frame	
		Cup washer	8	73962		
9		Front finishers for rear seats	4	307418		
10		Side finishers for rear seats R.H.	4	307419		
11		Side finishers for rear seats L.H.	4	307420		
		Woodscrew	8	20138	} Fixing finishers front and sides	
		Woodscrew	16	20147		
12		Retaining straps complete for seat cushion	4	306326		
		Special nut	4	313484	} Fixing backrest and strap to upper body	
		Special bolt	4	78296		
13		Cushion pivot bracket complete	8	331122		
14		Support tube bearing	8	306199	} For rear seat cushion	
15		Support tube	4	306200		
		Bolt ($\frac{1}{4}$ " U.N.F. x $\frac{3}{8}$ " long)	24	255208	} Fixing cushion pivot bracket and support tube bearings to seat cushion frame	
		Bolt ($\frac{1}{4}$ " U.N.F. x $1\frac{1}{4}$ " long)	8	256201		
		Plain washer	32	3912		
		Spring washer	32	3074		
		Bolt ($\frac{1}{4}$ " x $\frac{5}{8}$ " long)	28	255206	} Fixing cushion pivot bracket to wheelarch box	
		Plain washer	28	3900		
		Spring washer	28	3074		
		Nut ($\frac{1}{4}$ " U.N.F.)	28	254810		
		Packing block for roof lamp	1	332985	} Alternatives. Check before ordering	
		Mounting pad for roof lamp	1	308461		Suitable for Lucas type lamp only
		Mounting pad for roof lamp	1	334111		Suitable for Lucas and Sparto type lamps
		Roof lamp complete	1	265295	} Alternative types. Check before ordering	
		Roof lamp complete	1	514900		Lucas
		Bulb for roof lamp, LU 382	1	264591	Sparto	
		Drive screw, fixing lamp and block	2	77892	} Alternatives. Check before ordering	
		Drive screw, fixing lamps and mounting pad	2	77704		

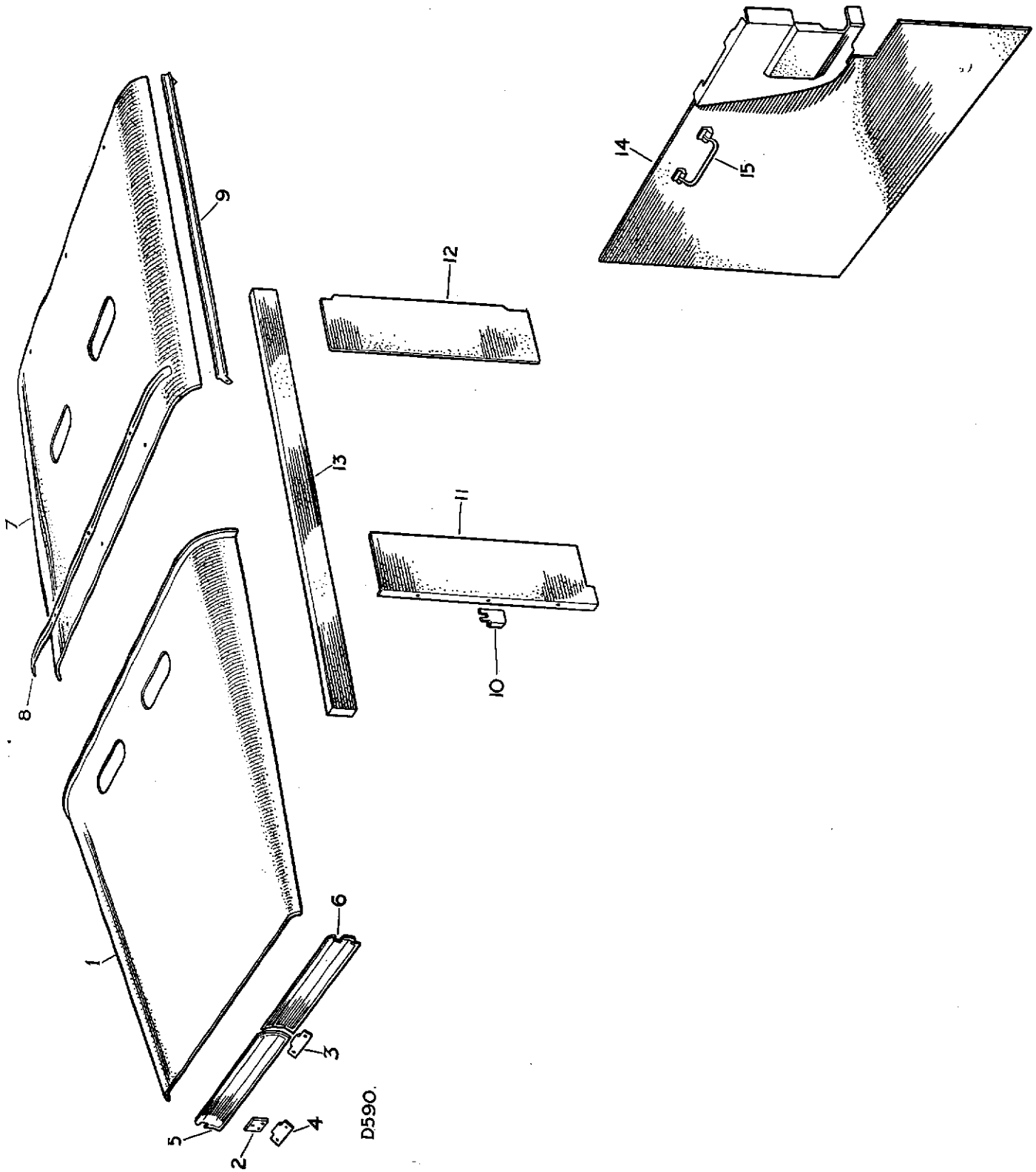
88 STATION WAGON, REAR SEATS AND MISCELLANEOUS FITTINGS



88 STATION WAGON, REAR SEATS AND MISCELLANEOUS FITTINGS

PLATE REF.	1 2 3 4	DESCRIPTION	Qty.	Part No.	REMARKS	
		Lead for roof lamp, LU. 861618 1	245386	Alternative to two lines below Check before ordering
		Lead for roof lamp, roof portion 1	265482	
		Lead for roof lamp, chassis portion 1	265481	Series II models
		Lead for roof lamp, chassis portion 1	519876	Series IIA models
		Grommet for roof lamp lead 1	312856	
		Grommet for lead, LU. 859341 2	233244	
		Cable clip } Fixing roof 2	41379	
		Drive screw } lamp lead 2	78155	
		Fuse box, LU./SF5/237131 1	219078	
		Special screw, LU. 153564 } For 2	3279	Series II models
		Special nut, LU. 167530 } fuse box 2	3280	
16		Interior mirror 1	334000	
		Drive screw fixing mirror 2	77789	
17		Rubber mat for rear body floor 1	331401	
18		Protection strip for floor mat 1	332565	
		Drive screw fixing protection strip 7	77707	

88 STATION WAGON TRIM



D590.

88 STATION WAGON TRIM

PLATE REF.	1	2	3	4	DESCRIPTION	Qty.	Part No.	REMARKS
1					Roof trim, front portion	1	331491	
2					Bracket, cant rail to roof frame	4	331168	
					Drive screw ($\frac{1}{2}$ " No. 6) fixing bracket to cant rail	8	77704	
					Drive screw ($\frac{1}{2}$ " No. 6) } Fixing	9	77704	
					Plain washer, rear } roof frame	5	3886	
					Plain washer, front } to bracket	4	3852	
3					Centre bracket, canopy panel	1	331391	
4					Outer bracket, canopy panel	2	331390	
5					Canopy trim panel R.H.	1	331492	
6					Canopy trim panel L.H.	1	331493	
					Plain washer } Fixing trim panel	4	3852	
					Drive screw ($\frac{1}{2}$ " No. 6) } to brackets	4	77704	
7					Head cloth, rear portion	1	331508	
8					Fixing strip, head cloth, front and rear	2	331203	
					Drive screw ($\frac{1}{2}$ " No. 6) } Fixing	6	77704	
					Plain washer } strip to roof	6	3886	
					Retainer for roof trim } Fixing retainer to vent	4	332240	
					Spire nut } Fixing retainer to vent	12	314394	
					Drive screw } Fixing retainer to vent	24	77932	
9					Side rail, head cloth, rear portion	2	331196	
					Plain washer } Fixing	2	3925	
					Drive screw ($\frac{1}{2}$ " No. 6) } side panel	2	77704	
					Bolt (10 U.N.F. x $\frac{3}{8}$ " long) } Fixing	2	257015	
					Plain washer } side panel to	2	3902	
					Nut (10 U.N.F.) } roof at rear	2	257023	
10					Fixing bracket, R.H., sidelight casing, front	3	331192	
					Fixing bracket, L.H., sidelight casing, front	3	331193	
11					Sidelight casing, trimmed R.H. front	1	331186	
					Sidelight casing, trimmed L.H. front	1	331187	
					Drive screw } Fixing casing	6	77704	
					Plain washer } to bracket	6	3886	
12					Sidelight casing, trimmed R.H. rear	1	331179	
					Sidelight casing, trimmed L.H. rear	1	331180	
					Drive screw ($\frac{1}{2}$ " No. 6) } Fixing casing	2	77704	
					Plain washer } to panel	2	3886	
13					Roll trim for cant rail, R.H.	1	331497	
					Roll trim for cant rail, L.H.	1	331498	
					Drive screw ($\frac{1}{2}$ " No. 6) fixing roll trim to body	4	77704	
14					Rear door trim casing	1	331638	
					Drive screw ($\frac{1}{2}$ " No. 6) fixing lock casing to door	4	77704	
15					Door pull handle	1	306460	
					Drive screw ($\frac{3}{8}$ " No. 10) fixing handle to door	2	78167	



109 STATION WAGON

GENERAL EXPLANATION

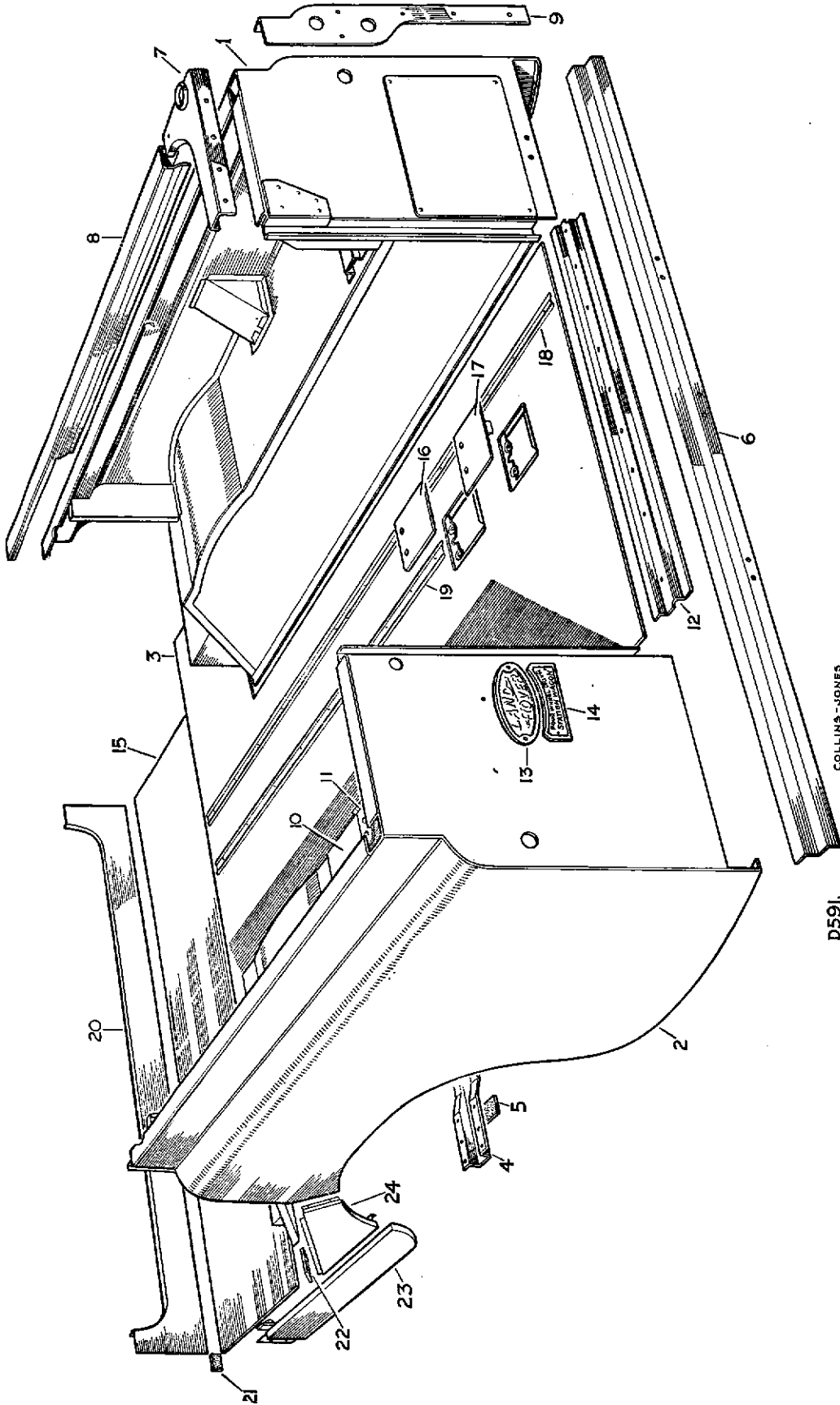
The 109 Station Wagon is mounted on a modified Land-Rover 109 chassis; the majority of spare parts are, however, the same as those required for the basic vehicle.

The following pages, 509 to 539 inclusive, list the parts which are peculiar to the 109 Station Wagon.

The optional equipment listed below is also fitted:—

Private locks	See Page 480
Full length doors on early models. Later models are fitted with the standard two piece doors	See Page 299
De Luxe bonnet with spare wheel carrier	See Page 295, 479 and 480
Flasher equipment	See Pages 457 and 459
Front door and floor trim	See Page 365

109 STATION WAGON, REAR BODY



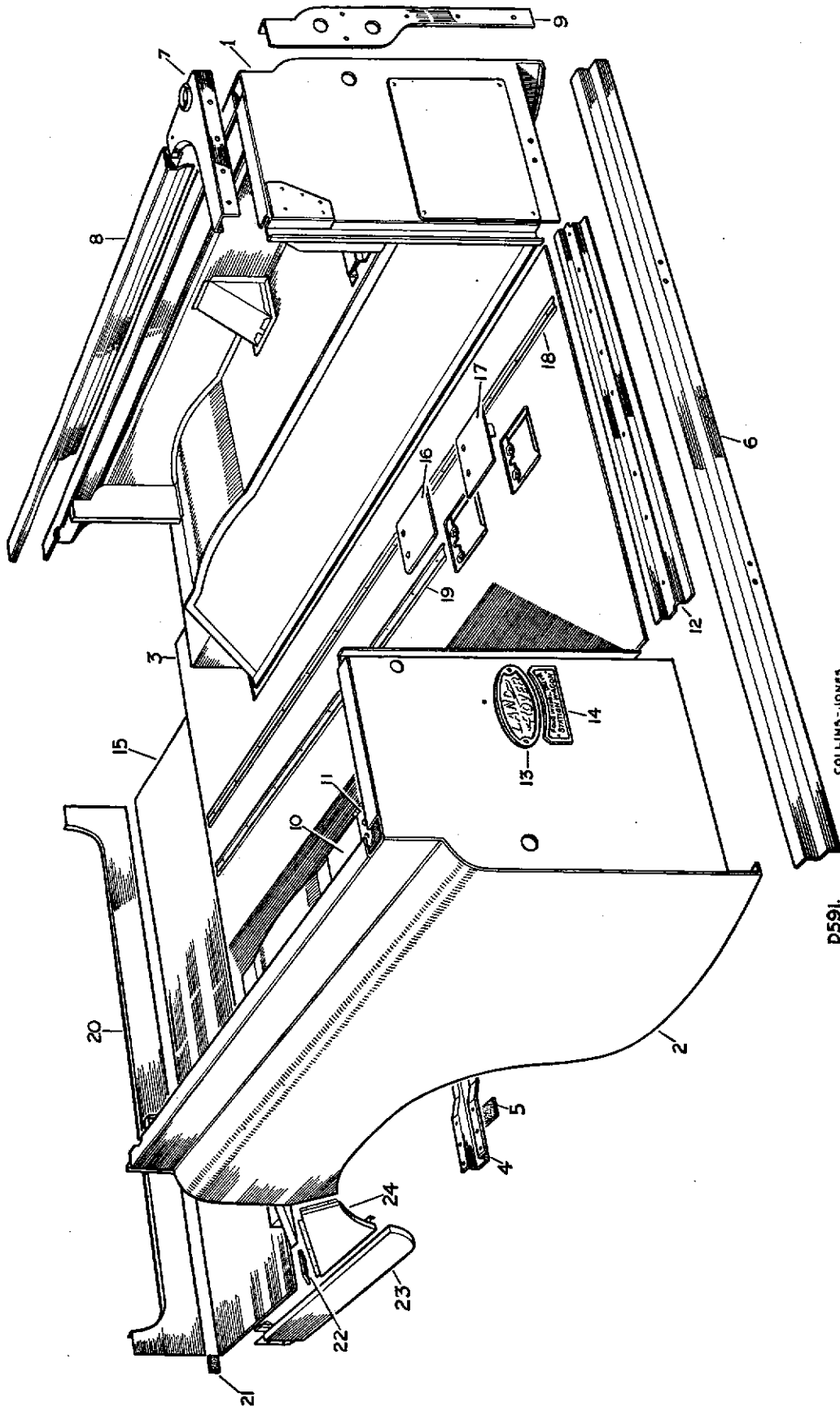
COLLINS-JONES

D591.

109 STATION WAGON, REAR BODY

PLATE REF.	1 2 3 4	DESCRIPTION	Qty.	Part No.	REMARKS
		REAR BODY COMPLETE ASSEMBLY,			
		LOWER	1	332983	
1		Body side and wheelarch complete, R.H.	1	333562	
2		Body side and wheelarch complete, L.H.	1	333452	
3		Rear floor	1	333176	
4		Cross-member and pads for rear floor	4	330265	
5		Mounting pad for rear floor cross-member	8	332582	
		Rivet fixing pad to cross-member	16	73979	
6		Rear mounting angle	1	333159	
7		Rear corner capping, R.H.	1	333266	
		Rear corner capping, L.H.	1	333267	
		Pop rivet, long	4	300782	
		Pop rivet, short	4	300919	} Fixing capping to body
		Rivet	8	300783	
8		Capping for body top side, R.H.	1	333234	
		Capping for body top side, L.H.	1	333235	
		Pop rivet	26	300919	} Fixing cappings to rear body sides
		Rivet	18	300789	
9		Rear corner protection angle, R.H.	1	333253	
		Rear corner protection angle, L.H.	1	333254	
		Rivet, medium	20	300783	} Fixing protection angle to body
		Rivet, short	2	300781	
		Rivet, long	2	302186	
10		Lid for rear tool locker	1	304401	
11		Hinge complete	2	303875	
		Pop rivet, fixing hinge to lid	4	300781	
		Hasp complete	1	303871	
		Rivet fixing hasp to lid	2	300789	
		Packing washer	2	3968	
		Bolt ($\frac{1}{4}$ " U.N.F. x $\frac{5}{8}$ " long)	2	255206	} Fixing hinge to wheelarch box
		Spring washer	2	3074	
		Nut ($\frac{1}{4}$ " U.N.F.)	2	254800	
		Turnbuckle for locker lid	1	300851	
		Rivet fixing turnbuckle to wheelarch box	3	78248	
12		Retainer for floor mat, rear end	1	332756	
		Drive screw fixing retainer	13	77704	
13		"Land-Rover" nameplate	1	332670	
14		"Station Wagon" nameplate	1	306407	
		Pop rivet, fixing nameplates	4	300919	
15		Intermediate floor for rear body	1	333189	
		Special bolt	10	320045	} Fixing floor to rear heelboard and toe panel
		Plain washer	10	3817	
		Special nut	10	302532	
		Bolt ($\frac{1}{4}$ " U.N.F. x $\frac{3}{4}$ " long)	6	78210	} Fixing floor to sill
		Plain washer	12	3900	
		Spring washer	6	3074	
		Nut ($\frac{1}{4}$ " U.N.F.)	6	254810	
16		Cover plate for fuel tank, front	1	333201	
17		Cover plate for fuel tank, rear	1	333202	
		Special bolt	4	307339	} Fixing cover plate to floor
		Plain washer	4	3900	
		Special nut	4	302532	

109 STATION WAGON, REAR BODY



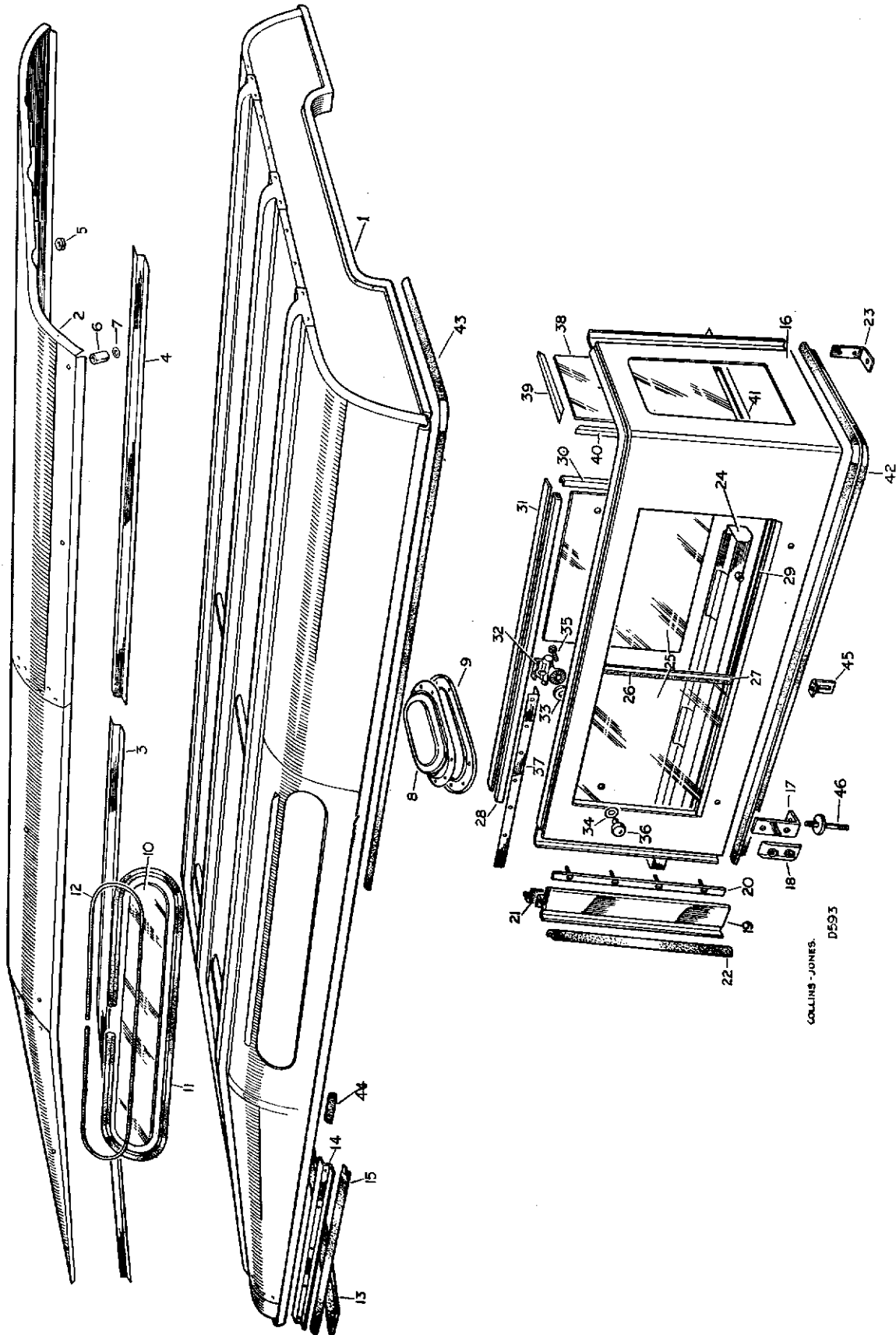
COLLINS-JONES.

D591.

109 STATION WAGON, REAR BODY

PLATE REF.	1 2 3 4	DESCRIPTION	Qty.	Part No.	REMARKS
		Bolt ($\frac{5}{16}$ " U.N.F. x $1\frac{1}{4}$ " long)	4	255211	
		Shakeproof washer	4	72614	
		Shim	10	305232	
		Nut ($\frac{5}{16}$ " U.N.F.)	4	254811	
18		Tread plate, long	3	333183	
19		Tread plate, short	1	333184	
		Pop rivet fixing tread plates to floor	36	78248	
		Tread plate for locker floor	1	334179	
		Pop rivet fixing tread plate to locker floor	7	78248	
20		Toe panel complete....	1	333097	
		Bolt ($\frac{1}{4}$ " U.N.F. x $\frac{3}{4}$ " long)	9	255207	
		Plain washer	9	3840	
		Spring washer	9	3074	
		Nut ($\frac{1}{4}$ " U.N.F.)	9	254810	
		Bolt ($\frac{1}{4}$ " U.N.F. x $\frac{5}{8}$ " long)	4	255206	
		Plain washer	4	3840	
		Spring washer	4	3074	
		Nut ($\frac{1}{4}$ " U.N.F.)	4	254810	
		Drive screw	4	72628	Alternative to nut plate and fixing below
		Nut plate	2	333714	
		Bolt ($\frac{1}{4}$ " U.N.F. x $\frac{5}{8}$ " long)	4	255206	} Alternatives to drive screw, Part Number 72628
		Plain washer	4	3840	
		Spring washer	4	3074	
		Bolt ($\frac{1}{4}$ " U.N.F. x $\frac{5}{8}$ " long)	4	255206	
		Plain washer	4	3840	
		Spring washer	4	3074	
21		Sealing rubber, 'BC' post to toe panel	2	333745	
22		Sealing rubber, 'D' post to wheelarch front flange	2	333263	
		Sill panel, rear R.H.	1	333160	
23		Sill panel, rear L.H.	1	333161	
		Bolt ($\frac{1}{4}$ " U.N.F. x $\frac{5}{8}$ " long)	4	255206	
		Plain washer	8	3821	
		Spring washer	4	3074	
		Nut ($\frac{1}{4}$ " U.N.F.)	4	254810	
		Fixing plate	2	330333	
		Plain washer	4	3821	
		Spring washer	4	3074	
		Nut ($\frac{1}{4}$ " U.N.F.)	4	254810	
		Bolt ($\frac{1}{4}$ " U.N.F. x $\frac{5}{8}$ " long)	2	255206	
		Plain washer	4	3840	
		Spring washer	2	3074	
		Nut ($\frac{1}{4}$ " U.N.F.)	2	254810	
		Body side lower front extension, R.H.	1	333243	
24		Body side lower front extension, L.H.	1	333244	
		Rivet, panel to rear pillar	18	78248	
		Rivet, front to rear panel	4	78248	

109 STATION WAGON, ROOF AND BODY SIDE PANELS

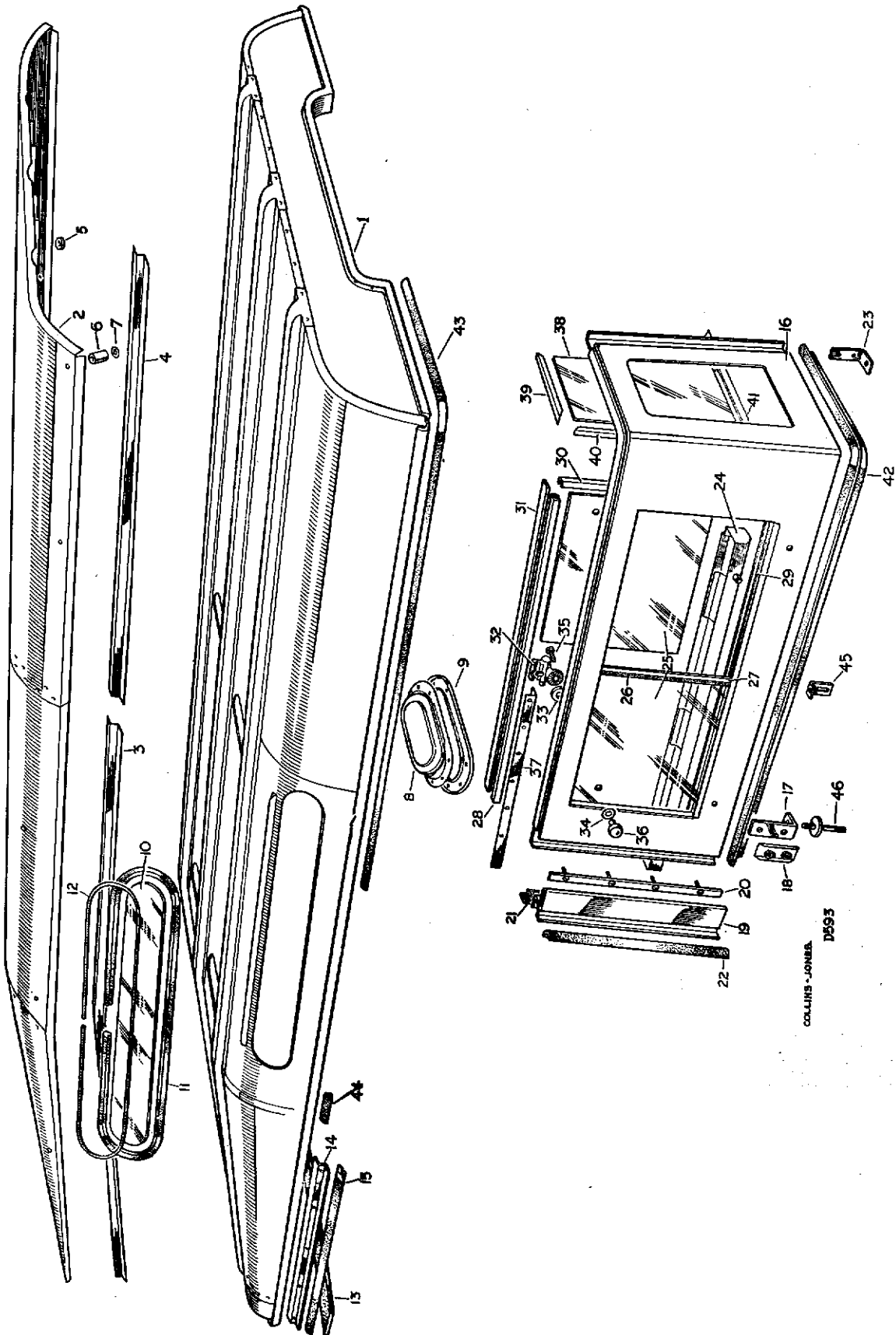


COLLINS-JONES.
D593

109 STATION WAGON, ROOF AND BODY SIDE PANELS

PLATE REF.	1	2	3	4	DESCRIPTION	Qty.	Part No.	REMARKS
1					ROOF COMPLETE	1	333211	
2					TROPICAL ROOF PANEL ASSEMBLY	1	332987	
3					Stiffener, front	3	332028	
4					Stiffener, rear	3	333252	
					Drive screw	33	77704	} Alternatives, check before ordering
					Pop rivet	33	78248	
					Screw (2 B.A. x 1/2" long)	8	77869	
					Plain washer	16	3852	
5					Rubber washer	8	302371	
					Shakeproof washer	8	71082	
					Nut (2 B.A.)	8	3823	
					Screw (1/4" U.N.F. x 2" long)	12	78274	
					Screw (1/4" U.N.F. x 2 1/4" long)	2	78382	
					Plain washer	28	3900	
6					Distance piece	14	302372	
7					Rubber washer	14	302373	
					Spring washer	14	3074	
					Nut (1/4" U.N.F.)	14	254810	
					Drive screw	66	77704	} Alternatives, check before ordering
					Pop rivet	66	78248	
8					Roof ventilator	4	333836	
					Drive screw	32	77932	
9					Retainer for roof trim at ventilator	4	332240	
					Drive screw fixing retainer to vent	24	77932	
10					Roof side light glass	2	308070	
11					Weather strip for glass	2	302177	
12					Filler strip for weather strip	2	302178	
13					Sealing rubber for roof to windscreen	1	330878	
					Bolt (1/4" U.N.F. x 3/4" long)	10	255207	
					Plain washer	10	3900	
					Spring washer	10	3074	
					Nut (1/4" U.N.F.)	10	254810	
					Seal retainer for door top, R.H. front	1	330788	
14					Seal retainer for door top, L.H. front	1	330789	
15					Seal for retainer	2	330541	
					Rivet fixing seal to retainer	10	302818	
					Screw (2 B.A. x 1/2" long)	10	77869	
					Plain washer	10	3852	
					Spring washer	10	3073	
					Nut (2 B.A.)	10	3823	
					Bolt (1/4" U.N.F. x 3/4" long)	30	255207	
					Plain washer	34	3840	
					Spring washer	30	3074	
					Nut (1/4" U.N.F.)	30	254810	

109 STATION WAGON, ROOF AND BODY SIDE PANELS

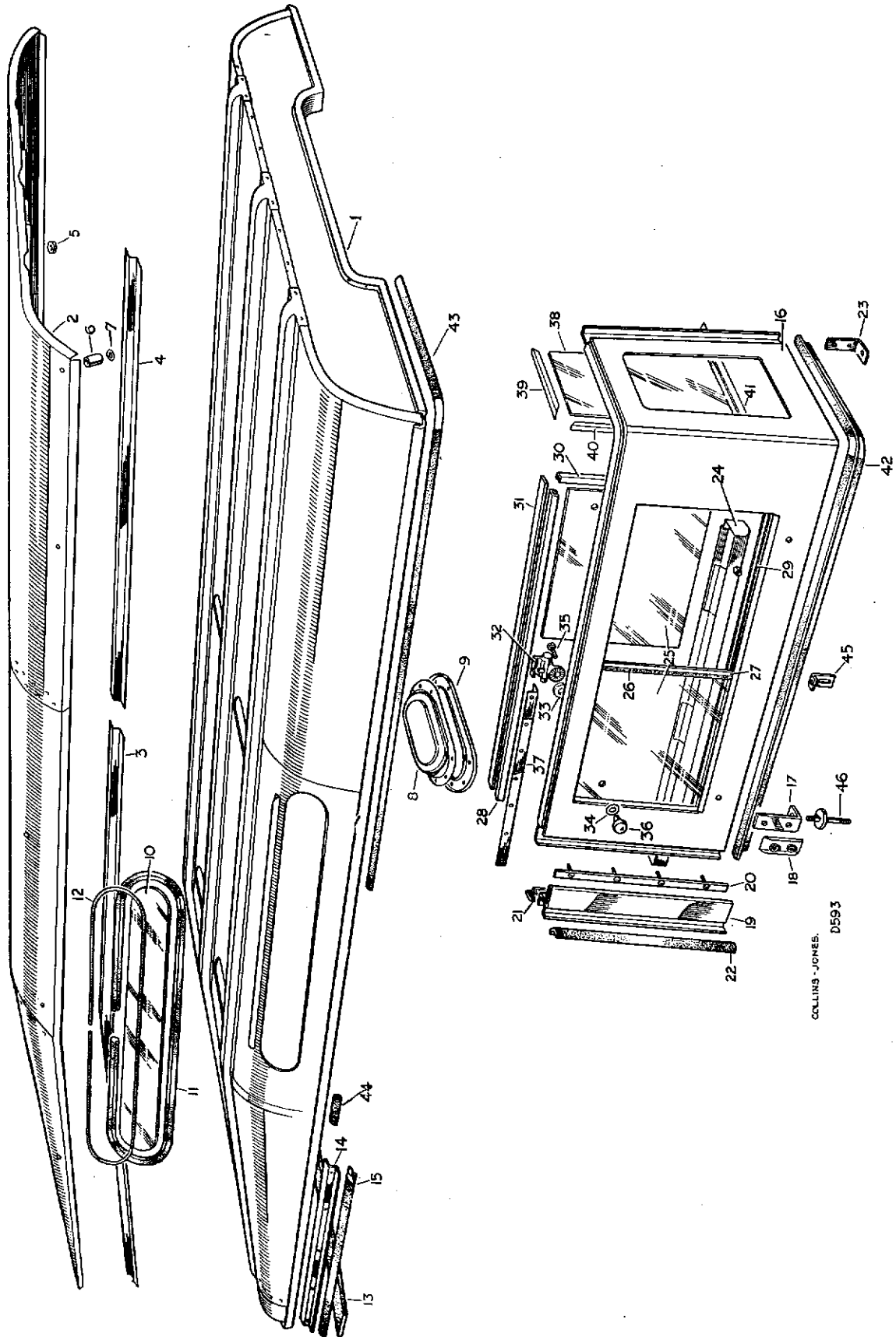


COLLINS-JONKER
D595

109 STATION WAGON, ROOF AND BODY SIDE PANELS

PLATE REF.	1 2 3 4	DESCRIPTION	Qty.	Part No.	REMARKS
		SIDE PANEL ASSEMBLY, R.H.	1	332306	
16		SIDE PANEL ASSEMBLY, L.H.	1	332307	
17		Mounting bracket front	2	332080	
		Bolt ($\frac{5}{16}$ " U.N.F. x $\frac{5}{8}$ " long) } Fixing	4	255225	
		Plain washer } mounting	4	3830	
		Spring washer } bracket	4	3075	
18		Nut plate } to body	2	332081	
		Capping for 'D' post, R.H.	1	332112	
19		Capping for 'D' post, L.H.	1	332113	
20		Stud plate	2	332065	
		Screw (2 B.A. x $\frac{1}{2}$ " long) } Fixing	6	77869	
		Plain washer, large } cappings to	6	3852	
		Plain washer, small } side panels	8	3885	
		Spring washer } side panels	14	3073	
		Nut (2 B.A.) } side panels	14	3823	
21		Sealing rubber at top and bottom, upper side, 'D' post pillar	6	332215	
22		Door sealing rubber at 'D' post, upper side	2	332152	
		Rivet fixing seal	10	78321	
23		Support bracket at tailboard	2	332052	
		Bolt ($\frac{1}{4}$ " U.N.F. x $\frac{3}{4}$ " long), fixing support } Fixing support	4	255207	
		Plain washer } bracket at	8	3840	
		Spring washer } tailboard	4	3074	
		Nut ($\frac{1}{4}$ " U.N.F.) } corner	4	254810	
24		Drain channel complete for side window	2	332223	
		Bolt ($\frac{1}{4}$ " U.N.F. x $\frac{5}{8}$ " long) } Fixing drain	4	255206	
		Plain washer } channel to body	4	4071	
		Spring washer } channel to body	4	3074	
		Nut ($\frac{1}{4}$ " U.N.F.) } channel to body	4	254810	
25		Glass for side window, sliding	4	332217	
26		Sealing rubber for sliding light	2	332230	
27		Retainer for sliding light rubber	2	330661	
28		Channel for sliding light, top	4	332744*	
		Channel for sliding light, bottom inner	2	332745*	
29		Channel for sliding light, bottom outer	2	332752	
30		Channel for sliding light, side	4	332746*	
31		Packing strip for top channel	4	332216	
		Drive screw fixing channel....	76	77707	
32		Catch for sliding glass, front, overall length $1\frac{1}{2}$ "	2	332324	
		Catch for sliding glass, rear, overall length 1"....	2	332325	
33		Distance piece for catch } Fixing catches	6	340390	
34		Washer for catch } Fixing catches	8	340391	} 2 B.A.-type fixing. Alternative to $\frac{1}{4}$ " U.N.F. Check before ordering
		Screw (2 B.A. x $\frac{3}{4}$ " long) } Fixing catches	2	78223	
35		Screw (2 B.A. x $\frac{7}{8}$ " long) } Fixing catches	2	78260	} $\frac{1}{4}$ " U.N.F.-type fixing. Alternative to 2 B.A. Check before ordering
		Washer for catch } Fixing catches	16	340391	
		Screw ($\frac{1}{4}$ " U.N.F. x $\frac{3}{4}$ " long) } Fixing catches	2	78401	
		Screw ($\frac{1}{4}$ " U.N.F. x $\frac{7}{8}$ " long) } Fixing catches	2	78402	
36		Tapped plate for catch } Fixing catches	4	332329	

109 STATION WAGON, ROOF AND BODY SIDE PANELS

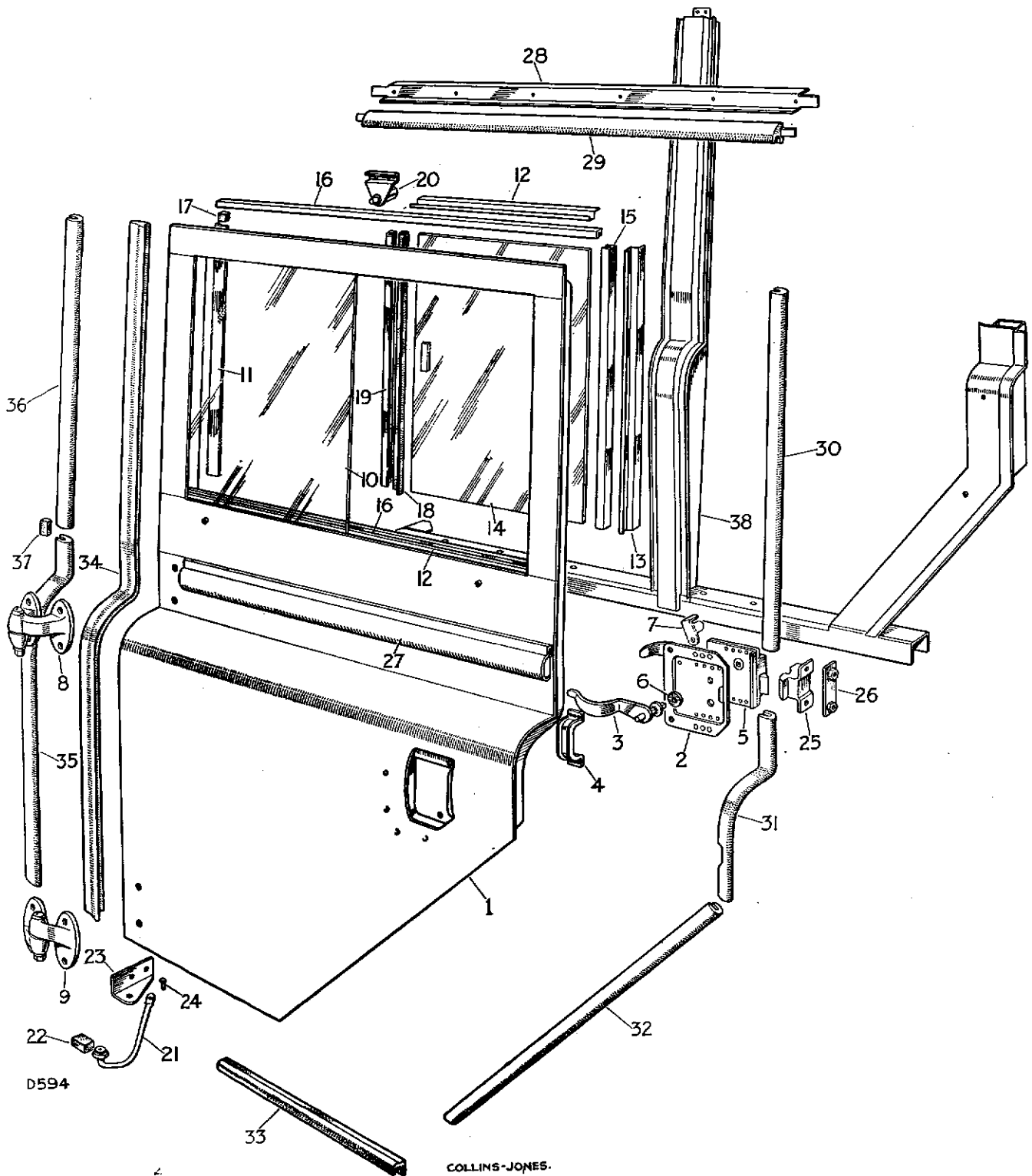


COLLINS-JONES.
D593

109 STATION WAGON, ROOF AND BODY SIDE PANELS

PLATE REF.	1 2 3 4	DESCRIPTION	Qty.	Part No.	REMARKS
37		Runner for sliding catch	4	330848	
		Rivet fixing runner to drain channel	28	78248	
38		Glass for rear end window	2	332200	
		Glazing strip for glass	2	332308	
		Retainer for rear end glass, upper R.H.	1	332280	
39		Retainer for rear end glass, upper L.H.	1	332281	
40		Retainer for rear end glass, inner and outer	4	332282	
41		Retainer for rear end glass, lower L.H.	1	332284	
		Retainer for rear end glass, lower R.H.	1	332283	
		Drive screw fixing retainer....	36	78126	
42		Sealing rubber, upper to lower body side	2	333487	
43		Sealing rubber, body side to roof	2	332154	
44		Rubber seal, 'BC' post to roof	2	333257	
45		Support bracket, centre body side	2	332201	
		Bolt ($\frac{1}{4}$ " U.N.F. x $\frac{3}{4}$ " long)	4	255207	} Fixing bracket to body side and capping
		Plain washer	6	3900	
		Spring washer	4	3074	
		Nut ($\frac{1}{4}$ " U.N.F.)	4	254810	
46		Mounting stud ($\frac{5}{16}$ " U.N.F.)	4	333268	} Fixing upper to lower body at front and rear corners
		Plain washer	6	3898	
		Special washer	2	332293	
		Plain washer	2	3830	
		Spring washer	8	3075	
		Nut ($\frac{5}{16}$ " U.N.F.)	8	254811	
		Bolt ($\frac{5}{16}$ " U.N.F. x $\frac{7}{8}$ " long)	2	255227	
		Plain washer	2	3830	
		Spring washer	2	3075	
		Nut ($\frac{5}{16}$ " U.N.F.)	2	254811	
		Bolt ($\frac{1}{4}$ " U.N.F. x $\frac{5}{8}$ " long)	4	255206	} Fixing upper to lower body at rear inner gusset
		Plain washer	4	3840	
		Spring washer	4	3074	
		Nut ($\frac{1}{4}$ " U.N.F.)	4	254810	

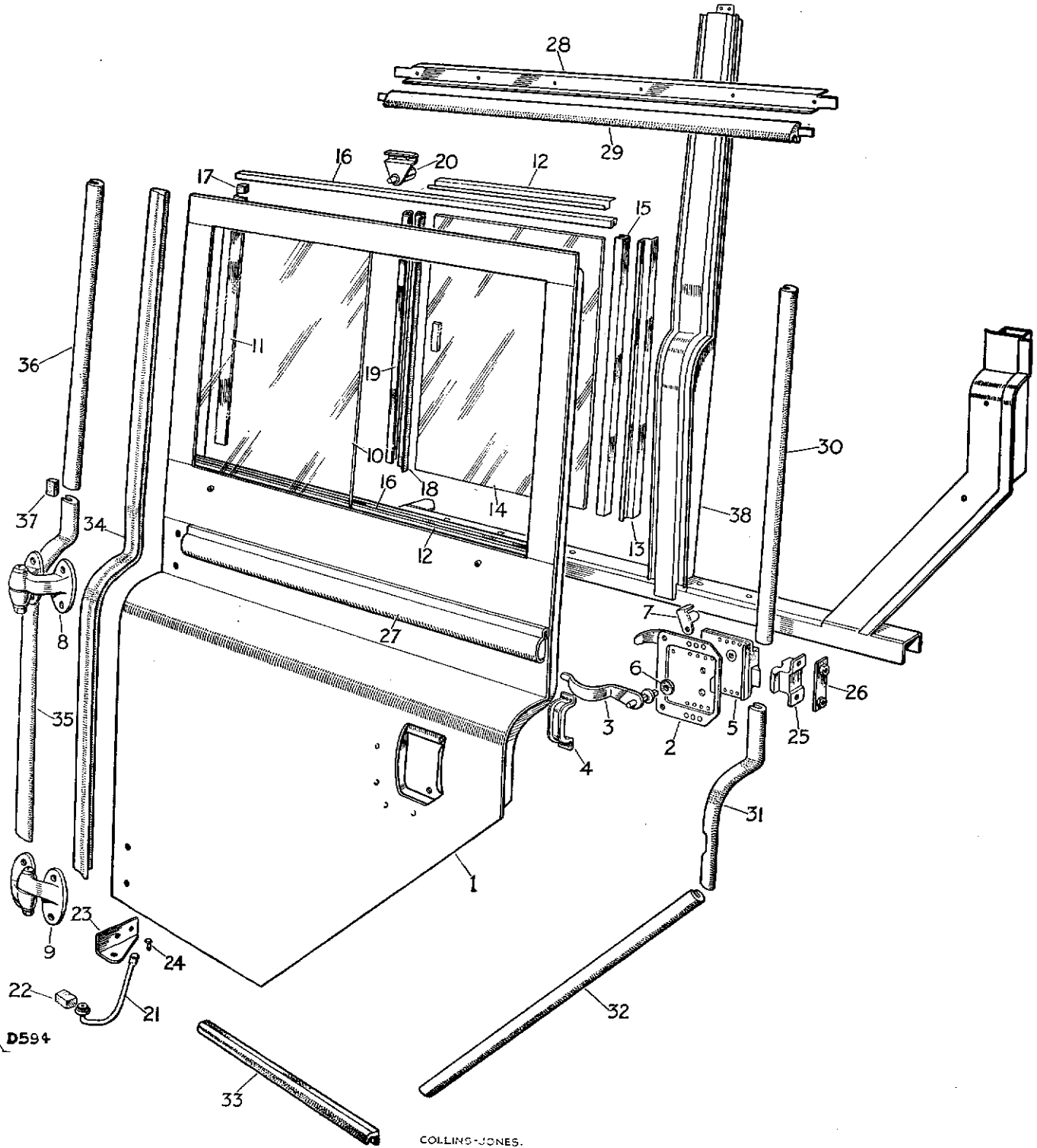
109 STATION WAGON, REAR SIDE DOORS



109 STATION WAGON, REAR SIDE DOORS

PLATE REF.	1	2	3	4	DESCRIPTION	Qty.	Part No.	REMARKS
					REAR SIDE DOOR ASSEMBLY, R.H.	1	333044	
1					REAR SIDE DOOR ASSEMBLY, L.H.	1	333045	
					DOOR LOCK, MOUNTING AND HANDLE ASSEMBLY, R.H.	1	333083	
					DOOR LOCK, MOUNTING AND HANDLE ASSEMBLY, L.H.	1	332627	
2					Mounting plate for door lock	2	333080	
					Door handle complete, R.H.	1	307977	
3					Door handle complete, L.H.	1	307978	
4					Bracket for door handle, outer mounting	2	302854	
					Door lock complete, R.H.	1	330113	
5					Door lock complete, L.H.	1	330114	
6					Sealing washer, handle to cover	2	302859	
					Screw (2 B.A. x $\frac{1}{2}$ " long)	8	313858	
					Spring washer	12	3073	
					Nut (2 B.A.)	12	2247	
					Plain washer	8	3685	
					Screw (2 B.A. x $\frac{3}{8}$ " long)	4	314203	
					Locking catch, R.H.	1	333271	
7					Locking catch, L.H.	1	333272	
					Screw (2 B.A. x $\frac{5}{8}$ " long)	2	313860	
					Plain washer, large	2	4034	Models with pivot type catch. Check before ordering
					Plain washer, small	2	3902	
					Spring washer	2	3073	
					Nut (2 B.A.)	4	2247	
					Locknut (2 B.A.)	2	25996	
					Locking catch, R.H.	1	334873	Models with spring-loaded type catch. Check before ordering.
					Locking catch, L.H.	1	334874	
					Rivet fixing door lock cover to outer panel	8	302222	
					Screw ($\frac{1}{4}$ " U.N.F. x $\frac{3}{8}$ " long)	8	78216	Alternative to 2 lines below
					Screw retainer, R.H.	2	332732	
					Screw retainer, L.H.	2	332733	Alternative to line above
					Spring washer	8	3074	
					Nut	8	254800	
					Drive screw, fixing lock assembly to door	2	77903	
					Door hinge, upper R.H.	1	330115	
8					Door hinge, upper L.H.	1	330116	
					Door hinge, lower R.H.	1	330117	
9					Door hinge, lower L.H.	1	330118	
					Bolt ($\frac{5}{16}$ " U.N.F. x 2" long)	8	256226	
					Spring washer	8	3075	
					Nut ($\frac{5}{16}$ " U.N.F.)	8	254811	
10					Fixed window for sidescreen	2	333093	
11					Retainer for sidescreen, fixed window	2	333033	
					Drive screw ($\frac{3}{8}$ " No. 6) fixing retainer to frame	10	78140	
12					Filler, top and bottom, for side screen	4	333081	
13					Filler, rear, for sidescreen	2	330203	
					Packing strip, for glass channel	2	333082	
14					Sliding window with knob for sidescreen	2	333089	
15					Sliding light channel, rear	2	332746	
16					Sliding light channel, top and bottom	4	332747	
					Drive screw ($\frac{1}{2}$ " No. 6) fixing sliding channel	28	77707	

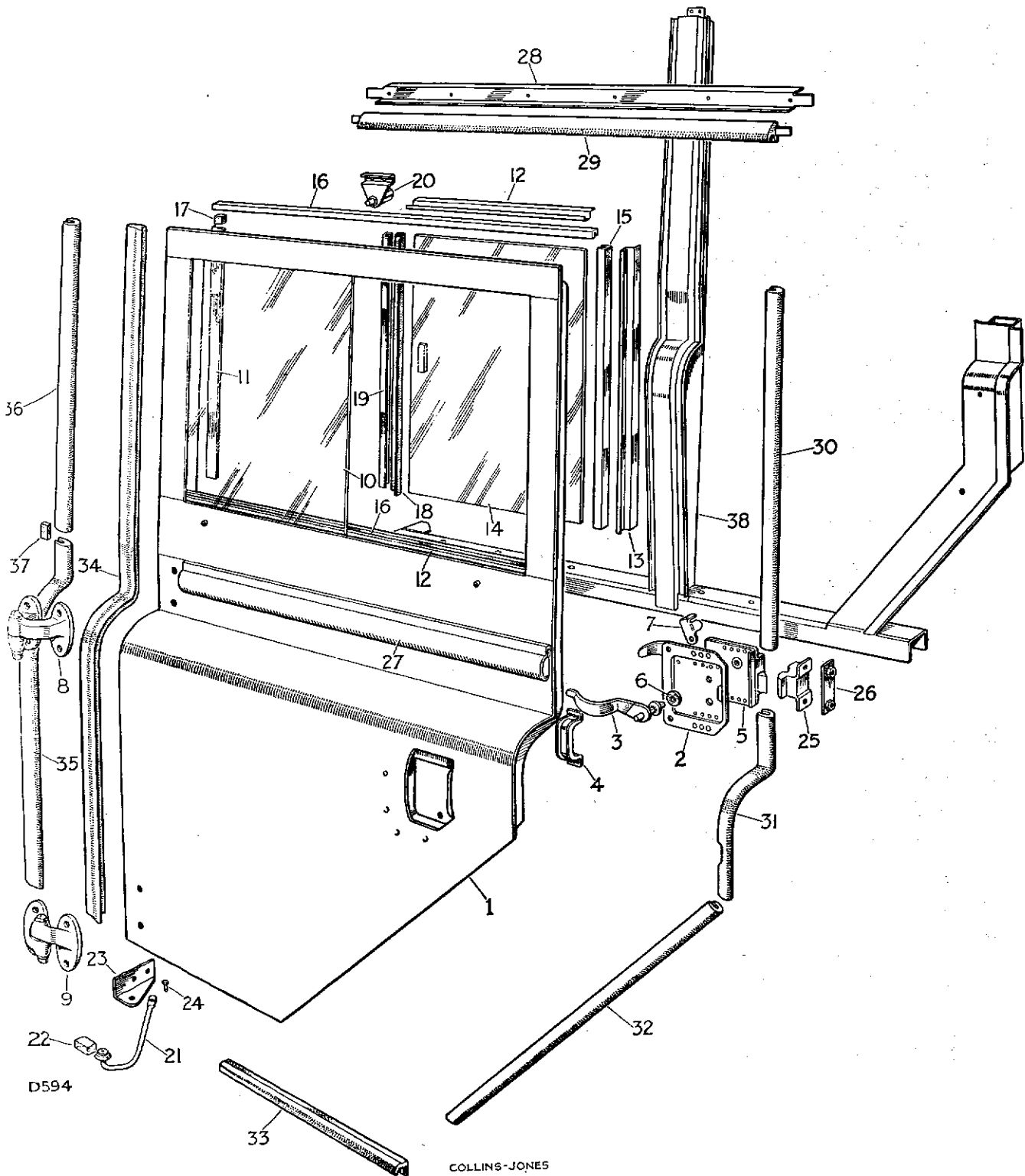
109 STATION WAGON, REAR SIDE DOORS



109 STATION WAGON, REAR SIDE DOORS

PLATE REF.	1 2 3 4	DESCRIPTION	Qty.	Part No.	REMARKS
17		Buffer for sidescreen sliding window at top 2	330162	
		Plain washer } Fixing	2	3886	
		Drive screw } buffer	2	78160	
18		Sealing rubber for sliding glass 2	330660	
19		Retainer for sliding glass sealing rubber 2	330661	
20		Sliding window catch 2	332435	
		Pop rivet fixing catch 4	300781	
		Rod for check strap, R.H. 1	333041	
21		Rod for check strap, L.H. 1	333204	
22		Buffer for check strap, short 2	306295	
		Buffer for check strap, long 2	333445	
		Door check bracket, R.H., for rear side door 1	333095	
23		Door check bracket, L.H., for rear side door 1	333096	
		Bolt ($\frac{5}{16}$ " U.N.F. x $1\frac{1}{8}$ " long)	4	255210	
		Bolt ($\frac{5}{16}$ " U.N.F. x 1" long)	4	255209	
		Shakeproof washer	8	72614	
		Shim	8	305232	
		Nut ($\frac{5}{16}$ " U.N.F.)	8	254811	
24		Clevis pin	2	302828	
		Plain washer, small	4	3947	
		Plain washer, large	2	3840	
		Split pin	2	4042	
		Bolt, top ($\frac{5}{16}$ " U.N.F. x $2\frac{1}{2}$ " long)	4	256228	
		Bolt, bottom ($\frac{5}{16}$ " U.N.F. x 3" long)	4	256230	
		Plain washer	8	3966	4 off when nut plate is used
		Spring washer	8	3075	
		Nut ($\frac{5}{16}$ " U.N.F.)	8	254811	4 off when nut plate is used
		Nut plate	2	333710	
25		Striking plate for rear side door locks 2	333140	
		Bolt ($\frac{1}{2}$ " U.N.F. x $\frac{5}{8}$ " long)	4	255226	
		Plain washer	4	3840	
		Spring washer	4	3074	
26		Nut plate	2	333137	
		Waist moulding, rear side door R.H. 1	332658	
27		Waist moulding, rear side door, L.H. 1	333720	
		Special bolt	16	302533	
		Plain washer	16	2630	
		Spire nut	16	302532	
		Seal retainer for rear side door, R.H. top 1	333410	
28		Seal retainer for rear side door, L.H. top 1	333411	
29		Rubber seal for retainer 2	333228	
		Rivet fixing seal to retainer 12	78321	
		Screw (2 B.A. x $\frac{1}{2}$ " long)	8	77869	
		Plain washer	8	3902	
		Spring washer	8	3073	
		Nut (2 B.A.)	8	3823	

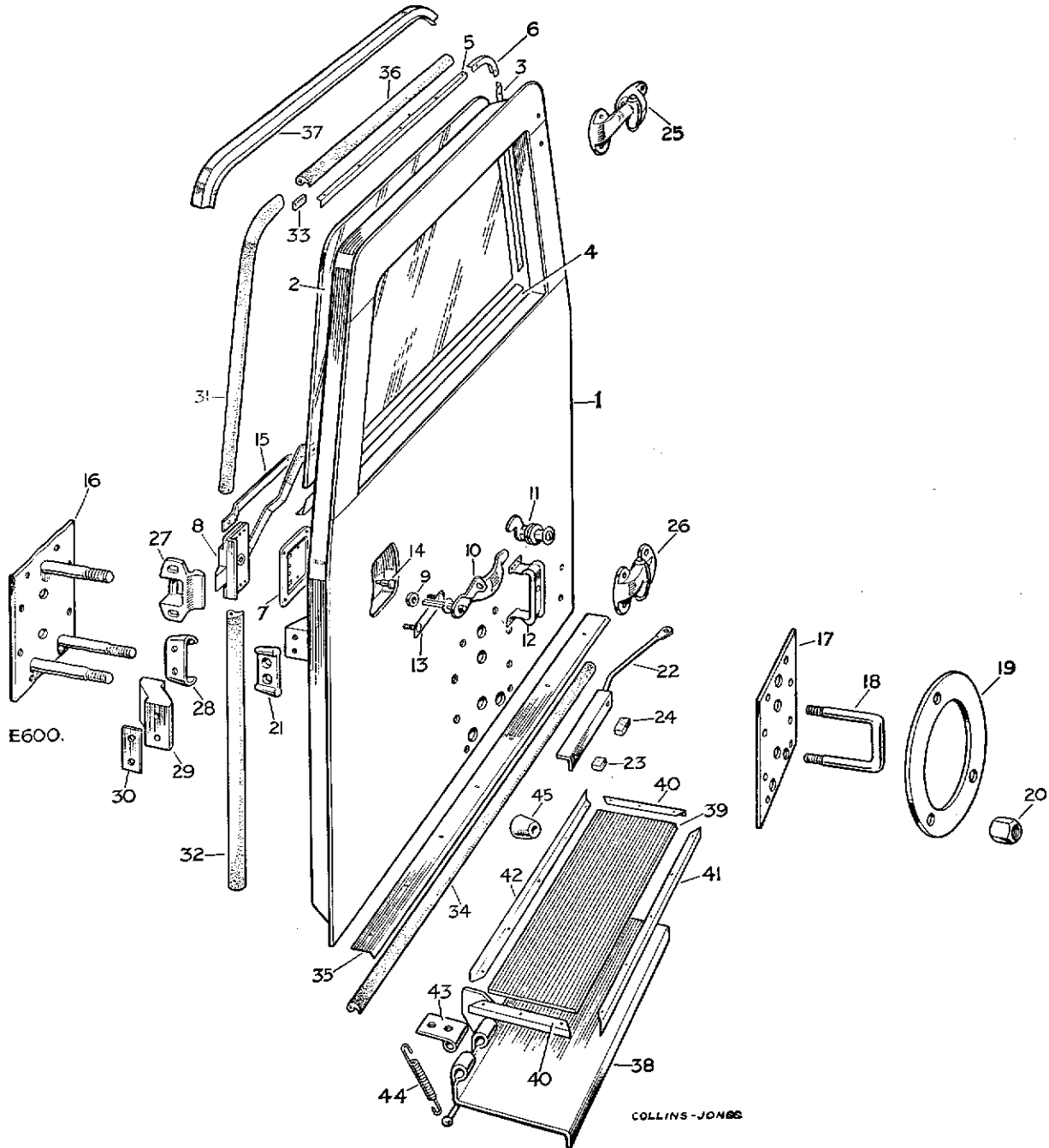
109 STATION WAGON, REAR SIDE DOORS



109 STATION WAGON, REAR SIDE DOORS

PLATE REF.	1 2 3 4	DESCRIPTION	Qty.	Part No.	REMARKS
30		Door sealing rubber for upper vertical 'D' post	2	332152	
		Rivet fixing seal to 'D' post	10	78321	
		Door sealing rubber for lower vertical 'D' post, R.H.	1	333261	
31		Door sealing rubber for lower vertical 'D' post, L.H.	1	333262	
		Rivet fixing seal to 'D' post	10	78321	
32		Door sealing rubber for sloping 'D' post	2	332152	
		Rivet fixing seal to 'D' post	8	78321	
33		Door sealing rubber at rear side sills, bottom	2	333233	
		Rivet fixing seal to sill	8	78321	
34		Door sealing rubber at 'C' post	2	333229	
		Rivet fixing seal at 'C' post	22	78321	
		Door sealing rubber at 'B' post, lower R.H.	1	330539	
35		Door sealing rubber at 'B' post, lower L.H.	1	330540	
		Rivet fixing seal to 'B' post	12	78321	
36		Door sealing rubber at 'B' post, upper	2	332152	
		Rivet fixing seal to 'B' post	10	78321	
37		Filler piece for 'B' post seal	2	330850	
		Frame for front and rear side doors, R.H.	1	333100	
38		Frame for front and rear side doors, L.H.	1	333101	
		Bracket, sill channel to panel....	6	330389	
		Bolt ($\frac{1}{4}$ " U.N.F. x $\frac{3}{4}$ " long)	12	255207	} Fixing brackets to sill channels
		Plain washer	24	3821	
		Spring washer	12	3074	
		Nut ($\frac{1}{4}$ " U.N.F.)	12	254810	
		Bolt plate	2	332603	} Fixing sill channels to dash pillar
		Plain washer	4	3841	
		Spring washer	4	3075	
		Nut ($\frac{5}{16}$ " U.N.F.)	4	254811	
		Bracket for sill, rear end, R.H.	1	333259	
		Bracket for sill, rear end, L.H.	1	333260	
		Bolt ($\frac{5}{16}$ " U.N.F. x $\frac{7}{8}$ " long)	8	255227	} Fixing bracket to sill and chassis frame
		Plain washer	16	3841	
		Spring washer	8	3075	
		Nut ($\frac{5}{16}$ " U.N.F.)	8	254811	
		Plug for redundant hole on 'BC' post, bottom	2	265683	

109 STATION WAGON, REAR DOOR



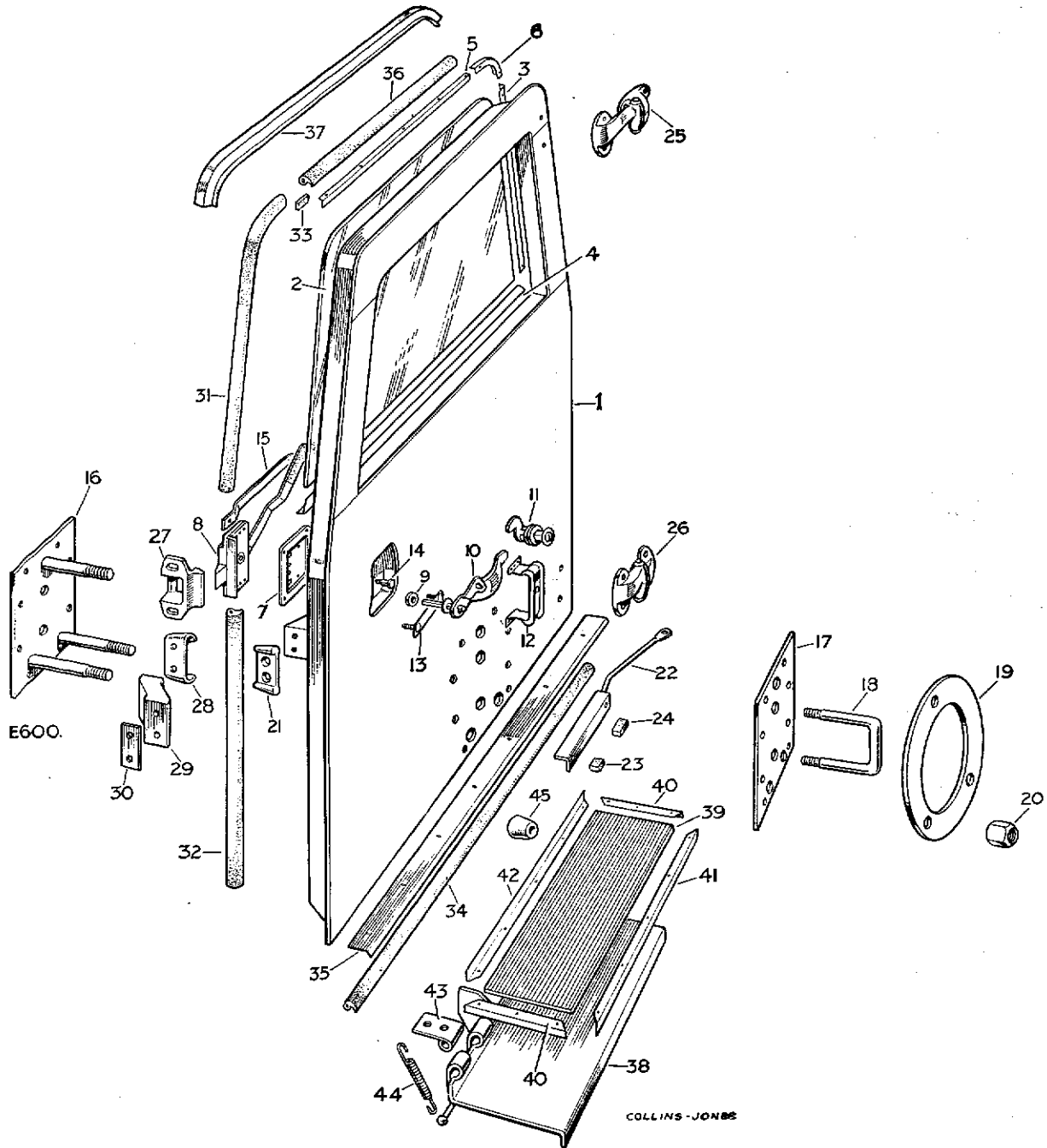
109 STATION WAGON, REAR DOOR

PLATE REF.	1 2 3 4	DESCRIPTION	Qty.	Part No.	REMARKS
		REAR DOOR COMPLETE ASSEMBLY	1	333415	
1		Rear door	1	333416	
2		Glass for rear door	1	333031	
3		Retainer for glass, vertical	2	333033	
4		Retainer for glass, bottom	1	333032	
5		Retainer for glass, top	1	333034	
6		Retainer for glass, corners	2	333035	
		Drive screw fixing retainers	32	78140	
		DOOR LOCK, MOUNTING AND HANDLE ASSEMBLY	1	333039	
7		Mounting plate for door lock	1	333080	
8		Door lock	1	333040	
9		Washer, handle to cover	1	302859	
10		Door handle with lock	1	332432	
11		Barrel lock	1	306036	
		Key for barrel lock	1	307289	State key number when ordering
12		Bracket for door handle	1	302854	
		Screw (2 B.A. x $\frac{1}{2}$ " long)	6	313858	
		Spring washer	6	3073	
		Plain washer	4	3685	
		Nut (2 B.A.)	6	2247	
		Rivet	4	302222	
		Special screw	4	78216	2 off when stud plate is fitted
13		Stud plate, door lock, bottom	1	332732*	
		Spring washer	4	3074	
		Nut ($\frac{1}{4}$ " U.N.F.)	4	254800	
		Drive screw, fixing lock assembly to door	2	77903	
14		Locking pillar for catch	1	332434	
		Plain washer	1	2226	
		Spring washer	1	3073	
		Nut (2 B.A.)	1	2247	
15		Waist rail lock handle protection strip	1	333037	
		Bolt ($\frac{1}{4}$ " U.N.F. x $\frac{3}{4}$ " long)	2	255207	
		Spring washer	2	3074	
		Nut ($\frac{1}{4}$ " U.N.F.)	1	254800	
16		Wheel stud plate	1	333435	
17		Clamp plate for spare wheel stud plate	1	333446	
		Screw ($\frac{1}{4}$ " U.N.F. x $\frac{3}{4}$ " long)	8	78210	
		Spring washer	8	3074	
		Nut ($\frac{1}{4}$ " U.N.F.)	8	254810	
18		'U' bolt for spare wheel support	1	333447	
		Nut ($\frac{1}{2}$ " U.N.F.) fixing 'U' bolt to door	2	254814	
19		Retaining plate for spare wheel	1	333439	
20		Hub nut fixing wheel and retaining plate to 'U' bolt	6	217361	
		Male dovetail	1	333438	1958-59
21		Male dovetail	1	332942	1960 onwards
		Screw ($\frac{1}{4}$ " U.N.F. x $\frac{5}{8}$ " long)	2	78233	
		Spring washer	2	3074	
		Nut	2	254810	
22		Rod for check strap	1	333041	
23		Buffer for check strap, short	1	306295	
24		Buffer for check strap, long	1	333445	

109 STATION WAGON, REAR DOOR

PLATE REF.	1	2	3	4	DESCRIPTION	Qty.	Part No.	REMARKS
25					Hinge for rear door, upper	1	333036	
26					Hinge for rear door, lower	1	330117	
					Bolt ($\frac{5}{16}$ " U.N.F. x 2" long)	4	256226	} Fixing hinge to door frame
					Spring washer	4	3075	
					Nut ($\frac{5}{16}$ " U.N.F.)	4	254811	
					Bolt ($\frac{5}{16}$ " U.N.F. x $\frac{3}{8}$ " long)	4	255227	} Fixing door hinges to body
					Plain washer	4	3830	
					Spring washer	4	3075	
					Nut ($\frac{5}{16}$ " U.N.F.)	4	254811	
					Bolt ($\frac{1}{4}$ " U.N.F. x $1\frac{1}{2}$ " long)	1	255251	} Fixing check strap rod to floor
					Spring washer	1	3074	
					Plain washer, thick	2	4075	
					Plain washer, thin	2	3947	
					Nut ($\frac{1}{4}$ " U.N.F.)	2	254810	
27					Striking plate	1	333140	
					Bolt ($\frac{1}{4}$ " U.N.F. x 1" long)	2	255209	} Fixing striking plate to rear of body
					Plain washer	As required	3817	
					Spring washer	2	3074	
					Nut ($\frac{1}{4}$ " U.N.F.)	2	254800	
					Female dovetail	1	333440	1958-59
28					Female dovetail	1	332147	1960 onwards
					Spacer	1	333444	1958-59
29					Spacer	1	332943	1960 onwards
					Screw ($\frac{1}{4}$ " U.N.F. x $\frac{5}{8}$ " long) fixing dovetail to spacer	2	78233	
					Screw ($\frac{1}{4}$ " U.N.F. x 1" long)	2	78387	} Fixing male dovetail to door
					Spring washer	2	3074	
					Nut ($\frac{1}{4}$ " U.N.F.)	2	254810	
					Set bolt ($\frac{1}{4}$ " U.N.F. x $\frac{3}{4}$ " long)	2	255207	} Fixing spacer to L.H. rear pillar
					Plain washer	2	3900	
30					Shim	2	305232	
					Spring washer	2	3074	
31					Seal for door sides	3	330535	
32					Seal for door side, L.H. bottom	1	332563	
33					End filler piece for seals	4	330850	
					Rivet fixing seals to body	22	302818	
					Protection strip for rear door, bottom	1	333203	
34					Seal for rear door, bottom	1	332564	
35					Retainer fixing seal to rear door, bottom	1	332756	
					Drive screw ($\frac{1}{2}$ " No. 6) fixing seal and retainer to floor	13	77704	
36					Seal for rear door, top	1	332149	
					Rivet fixing seal	11	302818	
37					Retainer for rear door seal, top	1	332151	
					Screw (2 B.A. x $\frac{1}{2}$ " long)	9	77869	} Fixing retainers to roof panel
					Plain washer	9	3902	
					Spring washer	9	3073	
					Nut (2 B.A.)	9	3823	

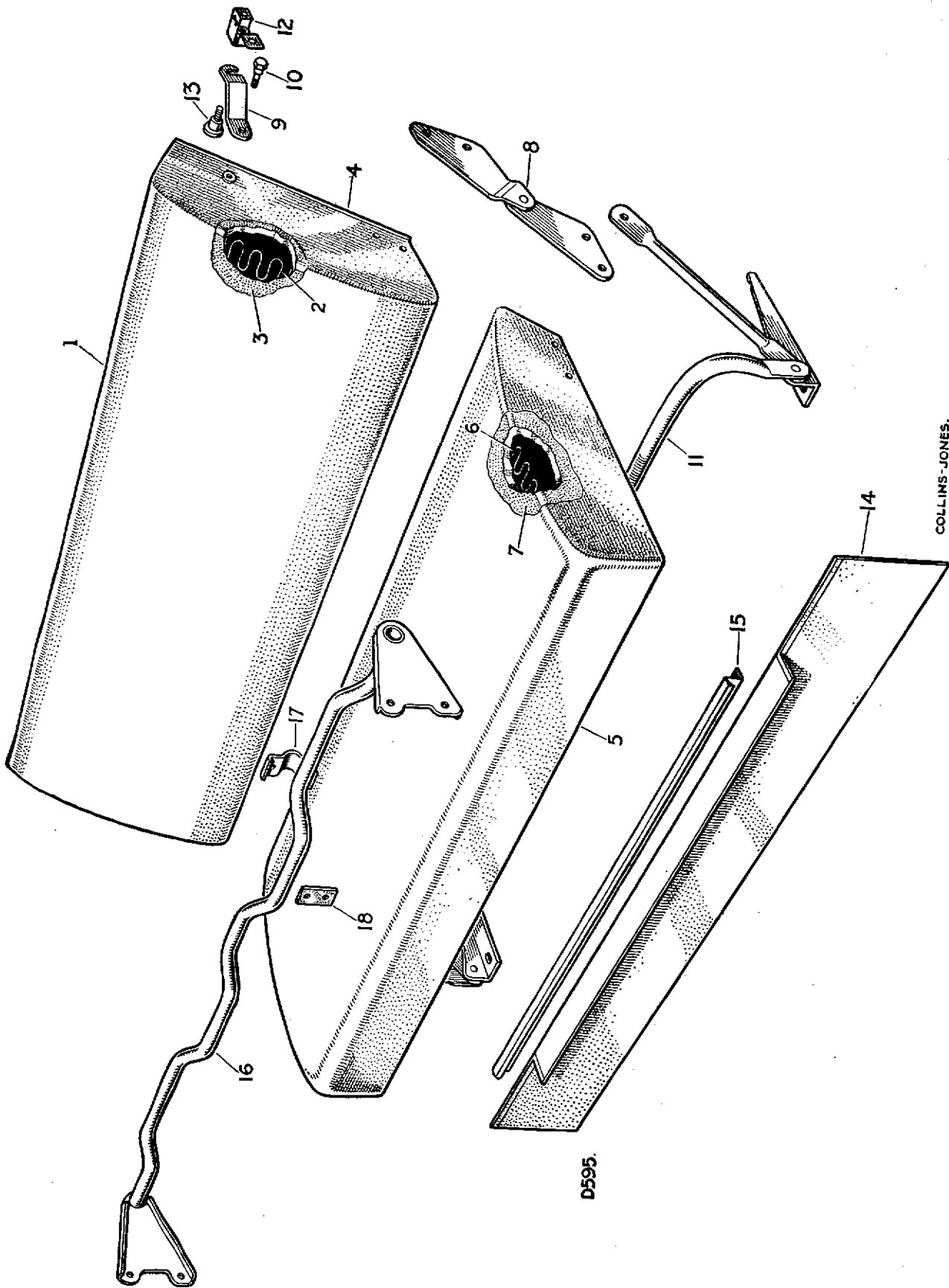
109 STATION WAGON, REAR DOOR



109 STATION WAGON, REAR DOOR

PLATE REF.	1	2	3	4	DESCRIPTION	Qty.	Part No.	REMARKS
38					REAR STEP COMPLETE	1	501053	<div style="display: flex; align-items: center;"> <div style="font-size: 3em; margin-right: 5px;">}</div> <div> <p>Overall width 19½".</p> <p>Alternative to the 11½" step below</p> <p>Check before ordering</p> <p>Overall width 11½".</p> <p>Alternative to the 19½" step, above</p> <p>Check before ordering</p> </div> </div>
39					Rubber mat for step	1	245137	
40					Retainer for rear step, side...	2	245136	
41					Retainer for rear step mat, front	1	245135	
42					Retainer for rear step mat, rear	1	245134	
					Rivets fixing mat end cappings	16	4022	
43					Hinge, centre, for rear step	2	245131	
					Bolt (⅜" U.N.F. x 4" long)	2	256253	
					Locknut (⅜" U.N.F.)	4	254852	
					Bolt (⅜" U.N.F. x ⅝" long)	2	255046	
					Locker	2	235731	
44					Spring for rear step....	2	264362	
45					Buffer for rear step	1	304125	
					Plain washer	1	3867	
					Drive screw	1	78142	
					REAR STEP COMPLETE	1	508947	
					Rubber for rear step	1	508957	
					Retainer for rear step, side...	2	245136	
					Retainer for rear step mat, front	1	508959	
					Retainer for rear step mat, rear	1	508958	
					Rivet fixing mat end cappings	14	4022	
					Spring for rear step....	1	264362	
					Buffer for rear step	1	304125	
					Plain washer	1	3867	
					Drive screw	1	78142	
					Rubber buffer for underside of rear step	1	304125	
					Plain washer	1	3867	
					Screw (2 B.A. x ⅝" long)	1	77758	
					Hinge pin for rear step	1	509120	
					Plain washer	2	3833	
					Split pin	2	2395	

109 STATION WAGON, CENTRE SEAT AND FRONT SQUAB



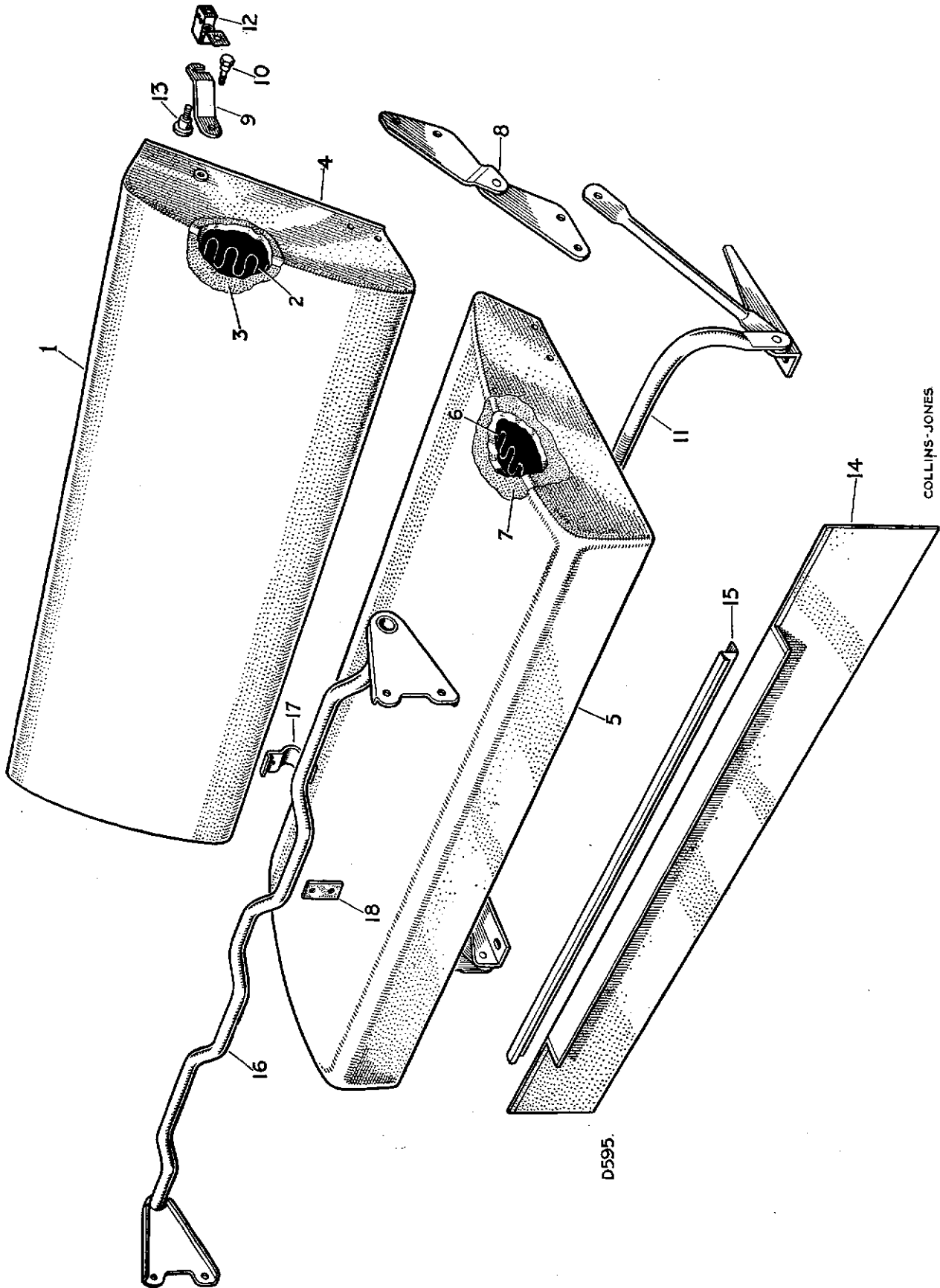
COLLINS-JONES.

D595.

109 STATION WAGON, CENTRE SEAT AND FRONT SQUAB

PLATE REF.	1 2 3 4	DESCRIPTION	Qty.	Part No.	REMARKS
		CENTRE SEAT COMPLETE ASSEMBLY....	1	333526	
1		CENTRE SEAT SQUAB ASSEMBLY, TRIMMED	1	333527	
2		No-sag seat spring	17	308173	
		Wire for seat springs	1	308310	
3		Interior for centre squab	1	308144	
4		Trim board for centre seat squab	1	308156	
		Drive screw } Fixing trim board	15	77903	
		Plain washer } to frame	15	3886	
		Trim clip, fixing squab cover	38	315264	
5		CENTRE SEAT CUSHION ASSEMBLY, TRIMMED	1	333528	
6		No-sag seat springs	17	308173	
		Wire for seat springs	1	308310	
7		Interior for centre cushion	1	308155	
		Trim clip fixing cushion cover	38	315264	
		Hinge R.H. } For	1	308136	
8		Hinge L.H. } seat squab	1	308137	
		Set bolt ($\frac{5}{16}$ " U.N.F. x $\frac{5}{8}$ " long)	8	255225	
		Spring washer } cushion and support tube	8	3075	
		Support link, R.H.	1	308713	
9		Support link, L.H.	1	308714	
10		Special set bolt ($\frac{5}{16}$ " U.N.F.)	2	331708	
		Plain washer } Fixing links to centre squab	2	3830	
11		Centre seat support tube	1	333507	
		Set bolt ($\frac{5}{16}$ " U.N.F. x $1\frac{1}{2}$ " long)	2	255232	
		Plain washer } seat to support tube	2	3899	
		Spring washer } support tube	2	3075	
		Bolt ($\frac{5}{16}$ " U.N.F. x $\frac{5}{8}$ " long)	2	255225	
		Spring washer } Fixing centre seat to wheelarch	2	3075	
		Nut ($\frac{5}{16}$ " U.N.F.)	2	254811	
		Bolt ($\frac{5}{16}$ " U.N.F. x $\frac{3}{4}$ " long)	6	255226	
		Plain washer } Fixing centre seat to floor	6	3830	
		Spring washer } seat to floor	6	3075	
		Nut ($\frac{5}{16}$ " U.N.F.)	6	254811	
12		Bracket and locking screw for squab support link	2	333277	} Riveted type
13		Locking screw ($\frac{5}{16}$ " U.N.F.)	2	333280	
		Pop rivet fixing bracket to capping	8	78248	} Bolted type
		Locking plate and screw for squab support link...	2	334174*	
		Locking screw ($\frac{5}{16}$ " U.N.F.)	2	334176*	
		Bolt ($\frac{1}{4}$ " U.N.F. x $1\frac{9}{16}$ " long)	4	255205	
		Spring washer	4	3074	
		Nut plate ($\frac{1}{4}$ " U.N.F.)	2	334177	
		Strap for rear centre seat	2	331707	} Alternatives. Check before ordering
		Stud for strap	2	320245	
		Screw (2 B.A. x $\frac{1}{4}$ " long)	2	77993	
		Spring washer } Fixing stud	2	3073	
		Nut (2 B.A.)	2	3823	

109 STATION WAGON, CENTRE SEAT AND FRONT SQUAB



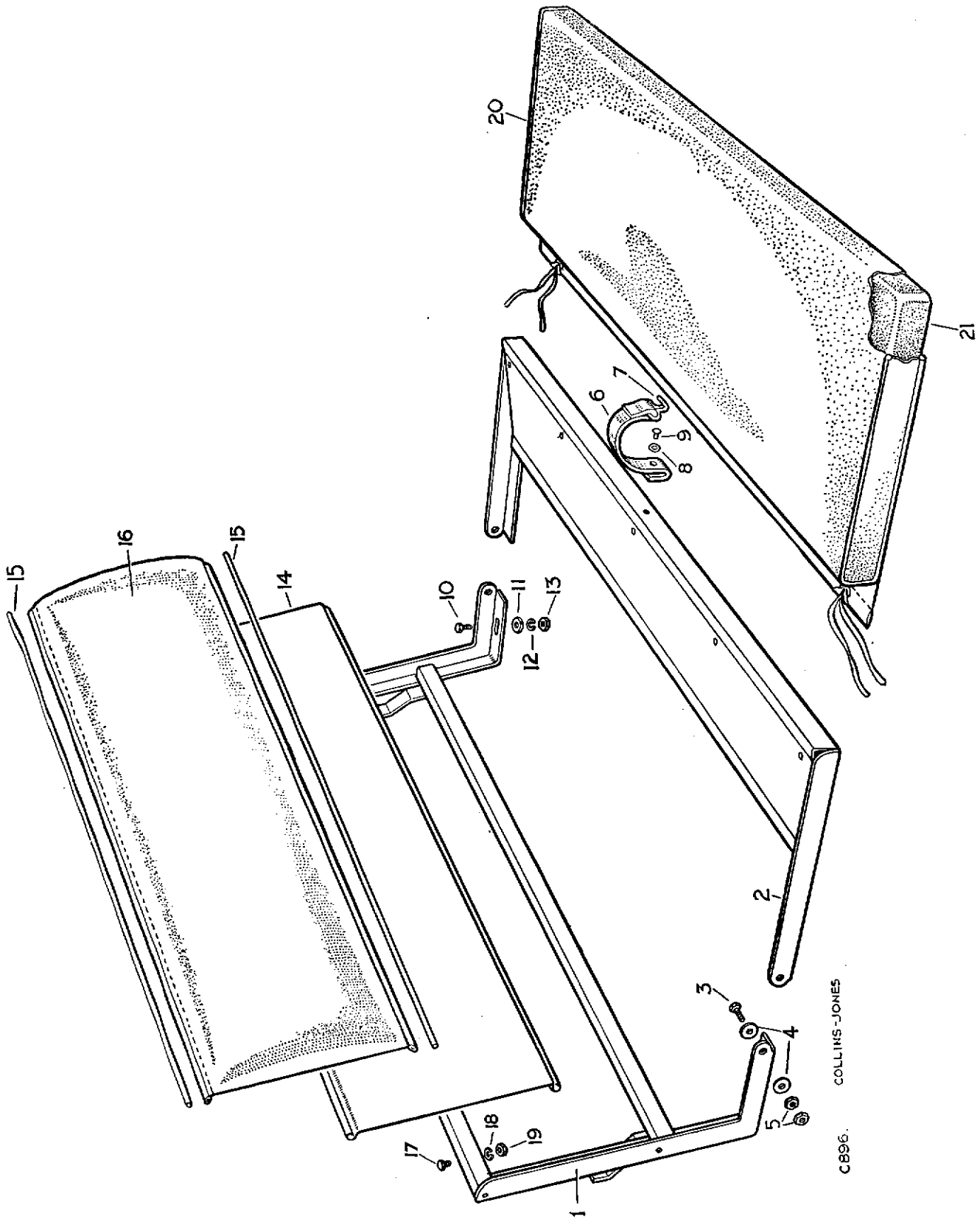
COLLINS-JONES

D595.

109 STATION WAGON, CENTRE SEAT AND FRONT SQUAB

PLATE REF.	1 2 3 4	DESCRIPTION	Qty.	Part No.	REMARKS
14		Cover for rear centre toe panel	1	331616	
15		Retainer, cover to seat base	1	331532	
		Drive screw ($\frac{3}{8}$ " No. 6) fixing retainer to seat base	5	77704	
16		Grab rail between 'BC' posts in front of centre seat	1	333395	
		Set bolt ($\frac{5}{16}$ " U.N.F. x $\frac{3}{4}$ " long)	4	255226	} Fixing grab rail to 'BC' post
		Plain washer	4	3830	
		Spring washer	4	3075	
		Front squab, trimmed, driver's	1	331784	
		Front squab, trimmed, passenger	1	332357	
		Front squab, trimmed, centre	1	332340	
17		Retaining clip	4	333399	} Clip type fixing Alternative to strap
18		Packing rubber	4	333400	
		Drive screw to grab rail	8	72628	} Check before ordering
		Retaining strap, non-adjustable front seat to grab rail	4	332355	
		Spire nut	8	78237	} Strap type fixing. Alternative to clip Check before ordering
		Plain washer	8	4034	
		Drive screw front seat	8	78438	
		Stud for retaining strap	4	320345	
		Drive screw, fixing stud to grab rail	4	78412	
		Packing rubber	2	333400	} Alternative to three lines below Check before ordering
		Plain washer	4	3840	
		Drive screw	4	72628	} Alternative to two lines above Check before ordering
		Spire nut adjustable front seat	2	78237	
		Plain washer	2	3885	
		Drive screw	2	78438	
		Grab rail behind centre seat	1	333510	
		Set bolt ($\frac{5}{16}$ " U.N.F. x $\frac{5}{8}$ " long)	2	255225	} Fixing grab rail
		Spring washer	2	3075	
		Clip for starting handle and jack handle	5	508035	
		Bracket for starting handle	4	332376	
		Bracket for starting handle and jack handle	1	332377	
		Rivet fixing clips to brackets	5	78248	
		Drive screw ($\frac{1}{2}$ " No. 10)	10	78153	} Fixing brackets to base of centre seat cushion
		Packing washer	8	4171	

109 STATION WAGON, REAR SEATS

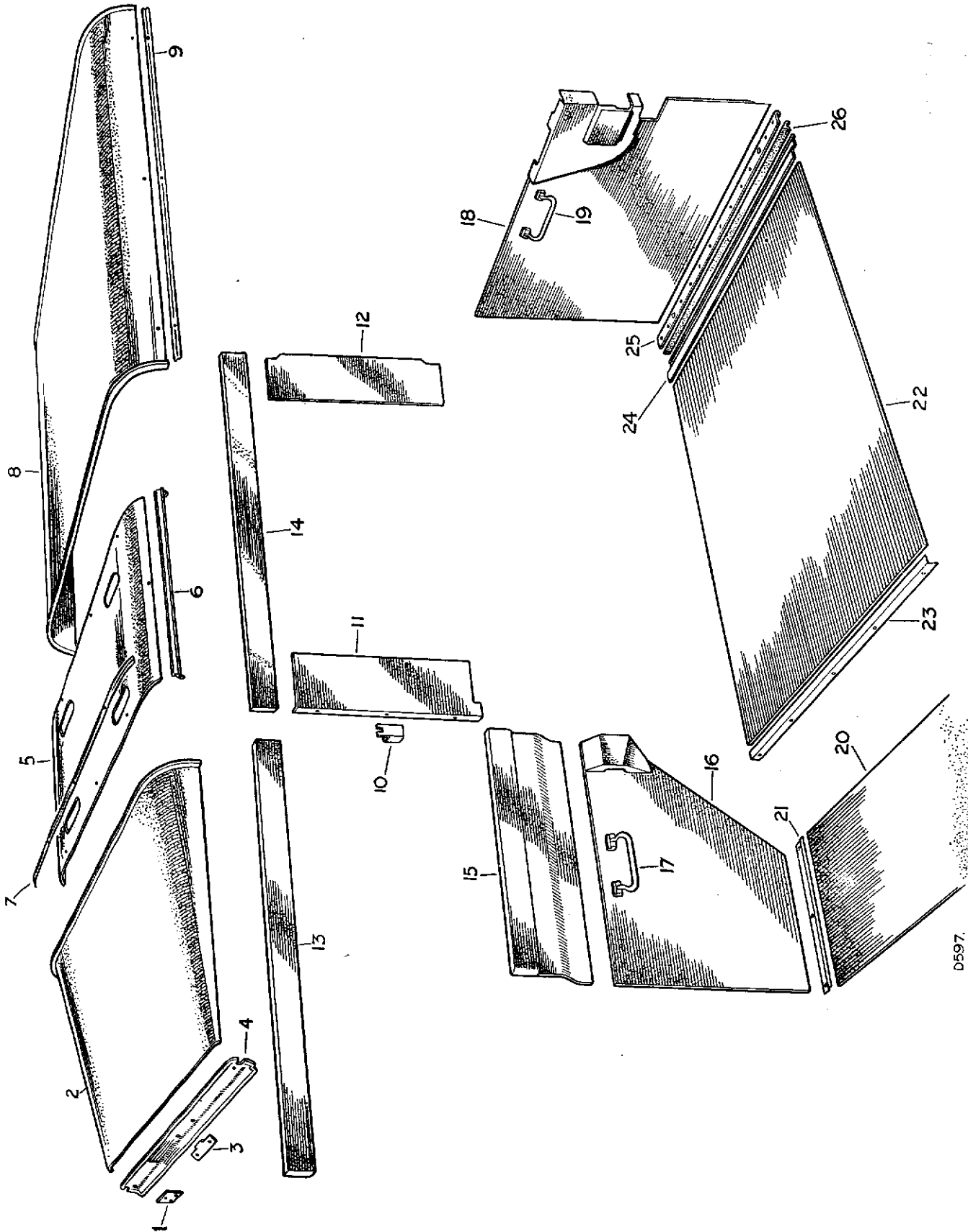


CB96. COLLINS-JONES

109 STATION WAGON, REAR SEATS

PLATE REF.	1 2 3 4	DESCRIPTION	Qty.	Part No.	REMARKS
		REAR SEAT FRAME ASSEMBLY, R.H. 1	331646	
		REAR SEAT FRAME ASSEMBLY, L.H. 1	331647	
1		Rear seat back frame 2	331229	
2		Hinged base for rear seat 2	320521	
3		Bolt ($\frac{1}{4}$ " U.N.F. x $\frac{3}{4}$ " long) 4	255207	} Fixing seat base to
4		Plain washer 12	3821	
5		Nut ($\frac{1}{4}$ " U.N.F.) 4	254810	} frame back
		Backrest securing clip, R.H. 1	333293	
		Backrest securing clip, L.H. 1	333294	
		Backrest securing clip 2	333295	
		Bolt ($\frac{1}{4}$ " U.N.F. x $\frac{5}{8}$ " long) 8	255206	} Fixing clips to
		Spring washer 3	3074	
		Nut ($\frac{1}{4}$ " U.N.F.) 8	254180	} frame
		Buffer 2	331699	
		Screw (2 B.A. x $\frac{7}{8}$ " long) 2	77925	} Fixing buffer to
		Plain washer 4	4030	
		Nut (2 B.A.) 2	3823	} seat frame back
6		Strap for seat 2	302648	
7		Hook for strap 2	301005	
		Plain washer 4	3816	} Fixing strap to hinged base
		Pop rivet 2	300782	
8		Bolt ($\frac{1}{4}$ " U.N.F. x $\frac{3}{4}$ " long) 4	255207	} Fixing seat frame to wheelarch box
9		Plain washer 4	3821	
10		Spring washer 4	3074	
		Packing washer 8	2228	
11		Nut ($\frac{1}{4}$ " U.N.F.) 4	254810	
		REAR SEAT BACKREST TRIMMED ASSEMBLY, GREY 2	320084	
12		Back rest panel 2	301470	
13		Retaining rod for pad 2	301476	
14		Pad for back rest 2	302647	
15		Bolt ($\frac{1}{4}$ " U.N.F. x $\frac{1}{2}$ " long) 12	255204	} Fixing back rest to frame
16		Spring washer 12	3074	
17		Nut ($\frac{1}{4}$ " U.N.F.) 12	254800	
		REAR SEAT CUSHION ASSEMBLY, GREY 2	320085	
18		Pad for rear cushion 2	302655	

109 STATION WAGON, BODY TRIM



D597.

109 STATION WAGON, BODY TRIM

PLATE REF.	1 2 3 4	DESCRIPTION	Qty.	Part No.	REMARKS
1		Bracket, cant rail to roof frame	4	331168	
		Drive screw ($\frac{3}{8}$ " No. 6) fixing bracket to cant rail	8	77704	
2		Roof trim, front portion	1	331491	
		Plain washer	9	3886	} Fixing roof trim to bracket
		Drive screw ($\frac{1}{2}$ " No. 6)	9	77704	
3		Centre bracket for canopy trim panel	1	331391	
4		Canopy trim panel	1	331607	
		Plain washer	3	3852	} Fixing trim panel to centre bracket
		Drive screw ($\frac{1}{2}$ " No. 6)	3	77704	
5		Headcloth, intermediate	1	331610	
6		Side rail for intermediate headcloth	2	331216	
7		Fixing strip for intermediate headcloth	2	331203	
		Drive screw ($\frac{1}{2}$ " No. 6) fixing side rail to roof	10	77704	
8		Headcloth, rear	1	331605	
9		Side strip for rear headcloth	2	331547	
		Drive screw ($\frac{1}{2}$ " No. 6) fixing strip to roof	5	77704	
10		Fixing bracket, R.H. sidelight casing, front	1	331192	
		Fixing bracket, L.H. sidelight casing, front	1	331193	
11		Sidelight casing, front, R.H.	1	331186	
		Sidelight casing, front, L.H.	1	331187	
		Drive screw ($\frac{1}{2}$ " No. 6)	6	77704	} Fixing casing to bracket
		Plain washer	6	3886	
12		Sidelight casing, rear, R.H.	1	331179	
		Sidelight casing, rear, L.H.	1	331180	
		Drive screw ($\frac{1}{2}$ " No. 6)	2	77704	} Fixing casing to panel
		Plain washer	2	3886	
13		Roll trim, cant rail, R.H. front	1	331589	
		Roll trim, cant rail, L.H. front	1	331590	
		Drive screw ($\frac{1}{2}$ " No. 6) fixing roll trim to body	6	77704	
14		Roll trim, cant rail, R.H. rear	1	331497	
		Roll trim, cant rail, L.H. rear	1	331498	
		Drive screw ($\frac{1}{2}$ " No. 6) fixing roll trim to body	4	77704	
15		Door trim upper, centre, R.H.	1	331599	
		Door trim upper, centre, L.H.	1	331600	
		Drive screw ($\frac{1}{2}$ " No. 6) fixing trim to door	10	77704	
16		Door trim, centre, R.H.	1	331213	
		Door trim, centre, L.H.	1	331214	
17		Door pull handle for rear side door	2	306460	
		Drive screw ($\frac{5}{8}$ " No. 10) fixing handle to door	4	78167	
		Captive nut for drive screw	4	78319	
18		Rear door trim casing	1	331638	
		Drive screw ($\frac{1}{2}$ " No. 6) fixing door casing	5	77704	
19		Door pull handle for rear door	1	306460	
		Drive screw ($\frac{5}{8}$ " No. 10) fixing handle to door	2	78167	
20		Intermediate floor rubber mat	1	331481	
21		Retainer for floor mat, intermediate	2	331480	
22		Rear floor rubber mat	1	331670	
23		Retainer for rear floor mat, front end	1	331669	
		Pop rivet fixing retainer	7	78248	
24		Retainer for seal and rear floor mat, rear end	1	332756	
25		Protection strip for rear door, bottom	1	333203	
26		Sealing rubber for rear door, bottom	1	332564	
		Drive screw fixing retainer, strip and seal to floor	13	77704	

109 STATION WAGON, CHASSIS FRAME, FUEL TANK, EXHAUST SYSTEM, ELECTRICAL EQUIPMENT

PLATE REF.	1	2	3	4	DESCRIPTION	Qty.	Part No.	REMARKS
					Chassis frame	1	278665	
					Fuel tank complete	1	500429	Petrol model
					Fuel tank complete	1	500817	Diesel model
					Joint washer for drain plug	1	230509	
					Drain plug	1	235592	
					Bolt ($\frac{3}{8}$ " U.N.F. x $1\frac{3}{8}$ " long)	2	256040	
					Plain washer	2	3109	} Fixing fuel tank to frame at front
					Distance piece	2	508544	
					Mounting rubber	2	508545	
					Spring washer	2	3076	
					Nut ($\frac{3}{8}$ " U.N.F.)	2	254802	
					Bolt ($\frac{3}{8}$ " U.N.F. x $2\frac{1}{2}$ " long)	2	256047	
					Distance piece, top	2	501070	
					Plain washer	4	3933	
					Spring washer	1	2286	} Fixing fuel tank to frame at rear
					Distance piece	2	500446	
					Mounting rubber	4	500447	
					Distance piece, bottom	2	500588	
					Self-locking nut ($\frac{3}{8}$ " U.N.F.)	2	252162	
					Fuel tank gauge unit, SM FT 5300/89....	1	501620	Series II Petrol models
					Fuel tank gauge unit	1	519875*	Series IIA Petrol models
					Fuel tank gauge unit, SM FT 5340/06....	1	501621	2 litre Diesel models
					Fuel tank gauge unit	1	529970*	2 $\frac{1}{4}$ litre Diesel models
					Spring washer	6	3101	} Fixing gauge unit
					Set screw (3 B.A. x $\frac{1}{2}$ " long)	6	3100	
					Earth lead for fuel tank gauge unit	1	239688	} 1961 models onwards
					Fan disc washer	2	519857	
					Drive screw	1	72626	
					Fuel tank elbow and pipe	1	500432	Petrol model
					Fuel tank elbow and pipe	1	500818	Diesel model
					Joint washer for feed elbow	1	267837	
					Spring washer	2	3101	} Fixing elbow to tank
					Set screw (3 B.A. x $\frac{9}{16}$ " long)	2	3972	
					Fuel pipe, copper, tank to flexible pipe	1	500438	1958-60 Diesel and Petrol models
					Fuel pipe (nylon), tank to pump	1	509926	} Diesel and 2 $\frac{1}{4}$ litre Petrol models, 1961 onwards
					Nut	1	270115	
					Olive	1	270105	
					Fuel pipe, flex to tank return	1	500821	Diesel model, 1958-60
					Fuel pipe, spill return to tank	1	509910	} Diesel models, 1961 onwards
					Bolt (2 B.A. x $\frac{3}{4}$ " long)	1	250961	
					Distance piece	1	509912	
					Spring washer	1	3073	
					Nut (2 B.A.)	1	2247	
					Grommet for spill return pipe	1	273370	
					Fuel pipe retaining bracket	1	270297	
					Single pipe clip	1	50183	Petrol model, 1958-60
					Double pipe clip	1	243395	} Diesel model
					Pipe clip	1	500823	
					Pipe clip	1	500839	

109 STATION WAGON, CHASSIS FRAME, FUEL TANK, EXHAUST SYSTEM, ELECTRICAL EQUIPMENT

PLATE REF.	1	2	3	4	DESCRIPTION	Qty.	Part No.	REMARKS
					Pipe clip at check strap plate	500445	1958-60 2 off on Diesel model
					Pipe clip at check strap plate	509413	1961 models onwards
					Bolt (2 B.A. x ½" long)	3	250959	} Fixing clip to bracket on No. 3 cross-member
					Spring washer	3	3073	
					Plain washer	1	2226	
					Nut (2 B.A.)	3	2247	
					Pipe clip	3	500833	
					Pipe clip	2	50183	} Petrol model, 1958-60
					Drive screw (⅜" No. 6)	5	72626	
					Pipe clip fixing fuel pipe to No. 3 cross-member	1	216708	} 1961 Petrol models onwards
					Pipe clip fixing fuel pipe to chassis	3	509414	
					Drive screw fixing clip to chassis	3	72626	
					Intermediate exhaust pipe	500289	
					Exhaust silencer, complete	500290	
					Exhaust silencer complete	523655	Required when hydraulic front winch is fitted
					Hose, tank to filler tube	500435	
					Hose clip, bottom	50328	
					Hose clip, top	50343	
					Hose, tank to tank	500437	
					Breather hose for fuel tank	500436	
					Clip fixing breather and tank hose	4	50302	
					Gauge and ammeter panel complete	519873*	} Series IIA models
					Fuel gauge	519874*	
					Frame harness	504684	Series II models
					Frame harness	528900*	Series IIA models
					Grommet in chassis side member	276053	
					Lead, tank unit to warning lamp	504685	Diesel models
					Lead for roof lamp, roof portion	265482	
					Lead for roof lamp, chassis portion	265481	Series II models
					Lead for roof lamp, chassis portion	519876*	Series IIA models
					Cable clip	1	41379	} Fixing roof lamp lead to dash
					Drive screw	1	78116	
					Grommet in fuse box for lead	233244	
					Fuse box	219078	} Series II models
					Screw (5 B.A.)	2	3279	
					Nut (5 B.A.)	2	3280	
					Interior mirror	334000	
					Drive screw fixing mirror	77789	
					Switch for roof lamp	240908	
					Roof lamp complete LU 56062/A	265295	Lucas
					Roof lamp complete	514900	Sparto
					Bulb for roof lamp LU 382	264591	} Alternative types. } Check before ordering
					Mounting pad for roof lamp	308461	
					Mounting pad for roof lamp	334111	Suitable for Lucas and Sparto type lamps
					Drive screw fixing lamp	77892	
					Grommet for roof lamp lead	312856	



FIRE TENDER

1958-61 PETROL MODELS ONLY

GENERAL EXPLANATION

The Fire Tender is mounted on a standard Land-Rover 88 or 109 chassis and body, and the spare parts are, therefore, the same as those required for the basic models. The following pages list the parts which are peculiar to the Fire Tender.

The extras and additional equipment listed below are also required:—

Centre power take-off	Listed on pages 369 and 371
Spare wheel carrier on bonnet	Listed on page 295
Truck cab	Listed on pages 359 to 361
Propeller shaft for pump	Listed on page 373
Oil cooler, 2 litre	Listed on pages 419 to 421
Oil cooler, 2½ litre	Listed on pages 427 to 431
Engine governor, 2 litre	Listed on pages 381 to 383
Engine governor, 2½ litre	Listed on pages 385 to 389
Full length doors, 109 models	Listed on page 299
Rear seat, 1 off, 109 models	Listed on page 447
Private locks, 109 models	Listed on page 480

But with the following differences:—

Engine governor, 2 litre, 243434 replacing 240628
 Governor control quadrant, 2 litre, 265346 replacing 240066
 Governor control quadrant, 2½ litre 265346 replacing 508690
 Lever for quadrant, 2 litre, 265348 replacing 235097
 Lever for quadrant, 2½ litre, 265348 replacing 508692
 Washer for lever 265347 replacing 219659
 Support for governor control 237549 replacing 240065

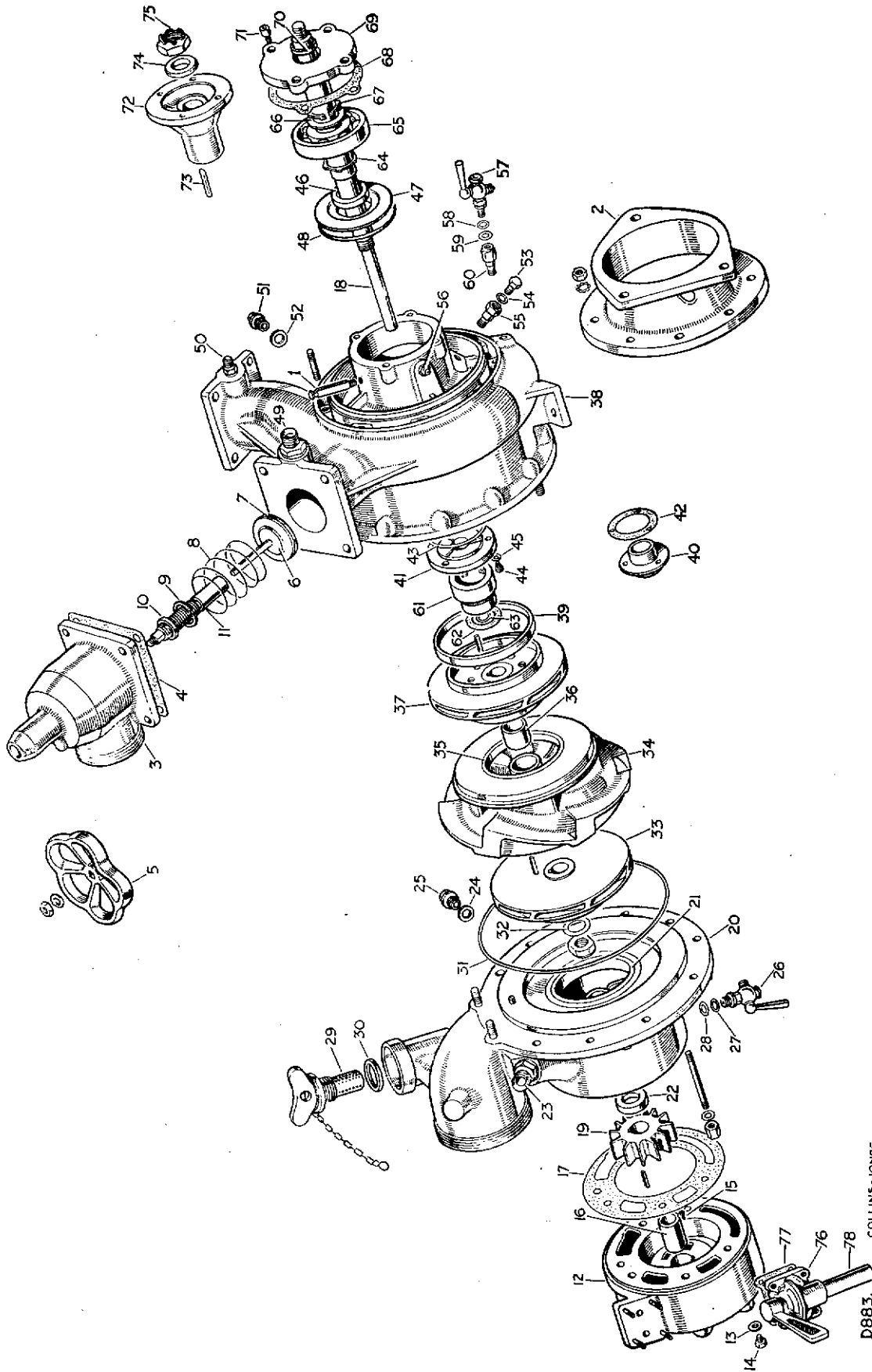
LESS	Operating rod	1	240410
	Ball joint	2	219065

When universal joint covers are fitted a modified cover, part number 243547, must be fitted to prevent a foul with the oil cooler return pipe.

All parts normally painted body colour are painted red.

All seats are trimmed in red.

FIRE TENDER PUMP, PETROL MODELS ONLY, 1958-61

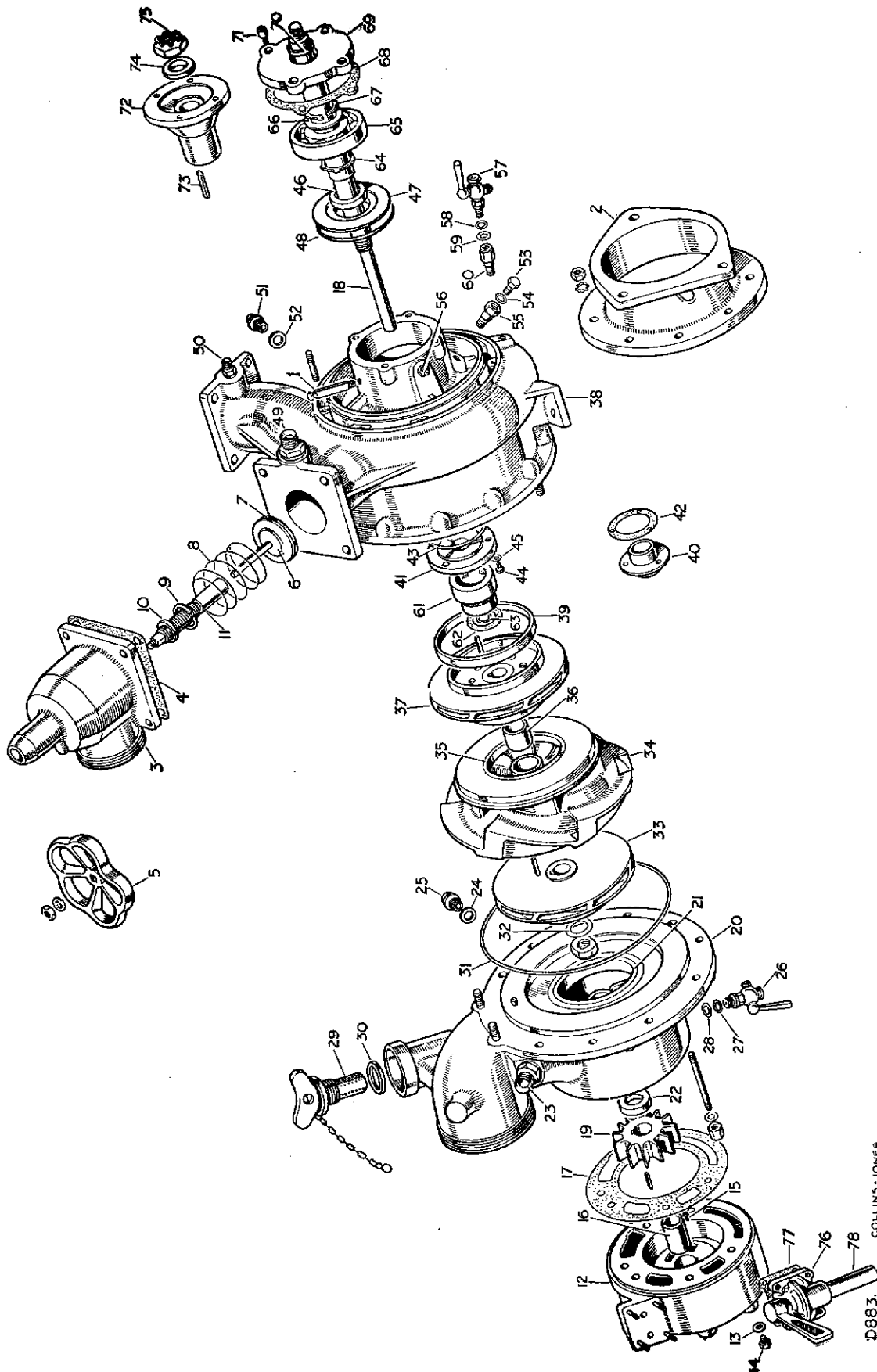


D883.
COLLINS-JONES.

FIRE TENDER PUMP, PETROL MODELS ONLY, 1958-61

PLATE REF.	1	2	3	4	DESCRIPTION	Qty.	Part No.	REMARKS
					Pump complete	1	265200	
1					Oil filler tube	2	271751	
2					Mounting ring	1	271752	
3					Delivery valve	2	271754	
4					Joint washer for valve	2	271755	
5					Control wheel for valve	2	271756	
6					Spindle and seal complete	2	271757	
7					Rubber seal	2	271758	} For valve
8					Spring	2	271759	
9					Circlip	2	271760	} For spindle body
10					Seal	2	271761	
11					Spindle body, for valve	2	271762	
12					Priming casing	1	267623	
13					Washer	1	271770	} When drain cock is fitted to suction casing
14					Plug	1	271771	
15					Grub screw, securing bush	1	271763	
16					Bush for shaft	1	271764	
17					Gasket for priming casing	1	271765	
18					Shaft for impellers with washers and keys	1	267615	
19					Priming impeller	1	267620	
20					Suction casing	1	271766	
21					Wearing ring for suction impeller	1	267621	
22					Seal for shaft in suction casing	1	271768	
23					Suction pipe union first aid	1	240041	
24					Washer	1	271770	} 2 off when drain cock is fitted to priming casing
25					Plug	1	271771	
26					Drain cock in suction casing	1	271772	} In priming casing on pumps numbered from A745060 onwards
27					Fibre washer for drain cock	1	271773	
28					Copper washer	1	213959	
29					Cap and filter complete	1	271775	
30					Washer for cap	1	271776	
31					Rubber 'O' ring for priming casing	1	271777	
32					Locking washer for pump shaft nut, suction impeller end	1	275385	
33					Suction impeller	1	267618	
34					Diffuser ring	1	271778	
35					Wearing ring, small pressure impeller	1	267621	
36					Distance piece for impeller	1	271779	
37					Suction and pressure impeller	1	267619	
38					Main casing	1	271780	Up to pump number A745059
					Main casing with stationary seal	1	514574	From pump number A745060
39					Wearing ring, large pressure impeller	1	267622	
40					Stationary sealing ring	1	271781	Up to pump number A745059
41					Stationary sealing ring	1	514575	From pump number A745060
42					Joint washer for stationary sealing ring	1	514560	Up to pump number A745059
43					Sealing ring for stationary sealing ring	1	514561	From pump number A745060
44					Screw	3	271782	
45					Washer	3	271783	
46					Seal for shaft in main casing	1	271784	2 off from pumps numbered A745060 onwards
47					Cover for rear seal in main casing	1	514563	} From pump number A745060
48					Sealing ring for rear seal cover	1	514561	

FIRE TENDER PUMP, PETROL MODELS ONLY, 1958-61

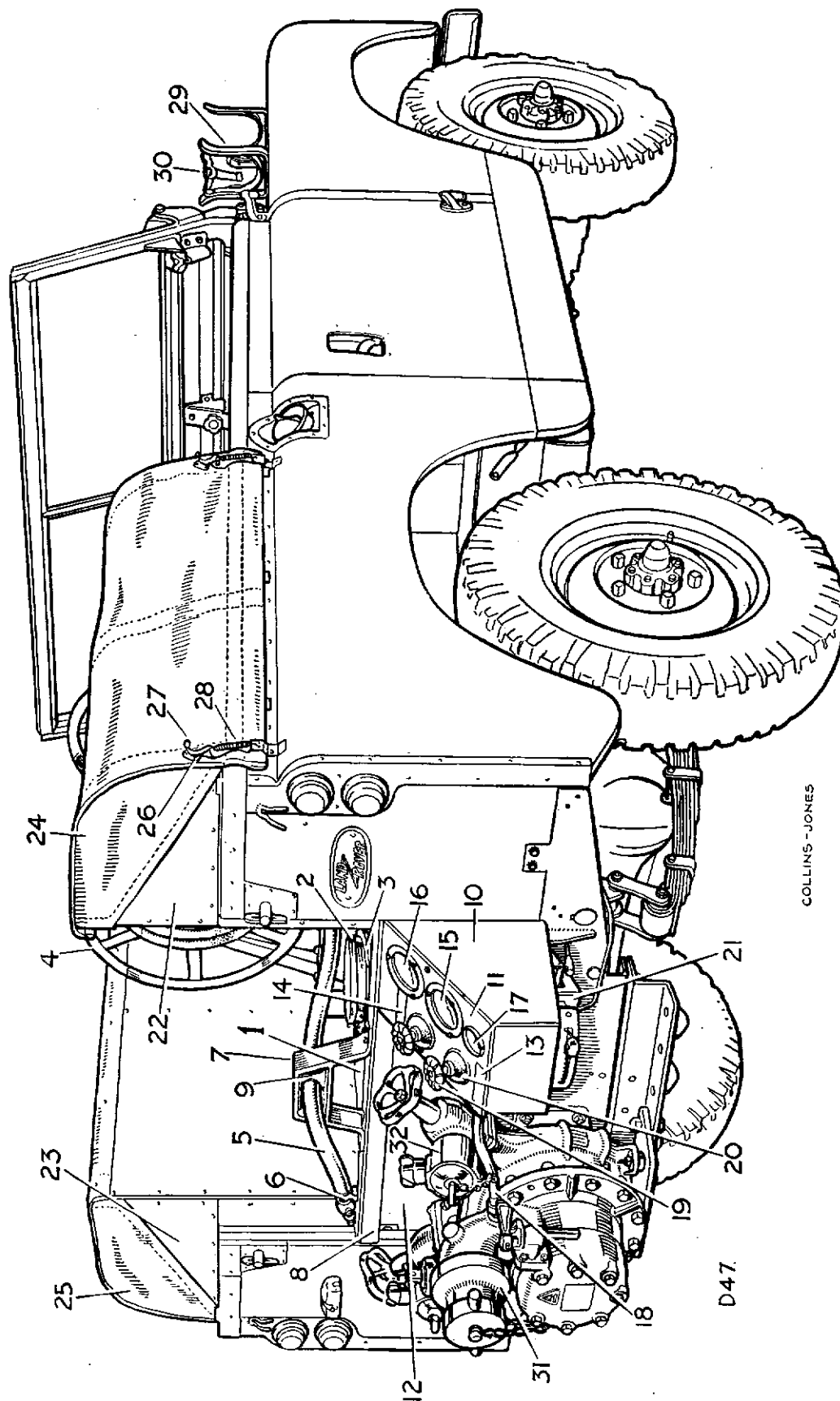


D883. COLLINS-JONES

FIRE TENDER PUMP, PETROL MODELS ONLY, 1958-61

PLATE REF.	1 2 3 4	DESCRIPTION	Qty.	Part No.	REMARKS
49		Union for delivery pipe, first aid	1	240041	
50		Union for pressure gauge pipe	1	3057	
51		Plug for main casing at side	1	271787	
52		Washer for plug	1	271770	
53		Oil drain plug for main casing at bottom	1	271771	} From pump number A745060
54		Joint washer for plug	1	271770	
55		Extension tube for plug	1	514564	
56		Grease nipple for main casing	1	271789	
57		Drain cock	1	271772	
58		Fibre washer } For drain	1	271773	
59		Copper washer } cock	1	213959	
60		Extension for drain cock	1	514562	} From pump number A745060
61		Mechanical seal, for shaft c/w rubber 'O' ring and fibre washer	1	504062	
62		Fibre washer for shaft	1	271790	
63		Rubber 'O' ring for shaft	1	271791	
64		Circlip, front, fixing bearing	1	271793	
65		Ball bearing for shaft	1	267616	
66		Distance piece for bearing	1	271794	
67		Circlip, rear, fixing bearing	1	271793	
68		Joint washer for bearing cover	1	271796	
69		Bearing cover	1	271797	
70		Seal for bearing cover	1	271798	
71		Screw for cover	4	271799	
72		Driving flange	1	271800	
73		Key for flange	1	271801	
74		Washer } For	1	271802	
75		Nut } flange	1	271803	
76		Priming cock	1	271804	
77		Joint washer for cock	1	271805	
78		Exhaust pipe	1	271806	
		Bolt ($\frac{3}{8}$ " B.S.F. x $4\frac{1}{4}$ " long) } Fixing pump	3	237348	
		Plain washer, small } to chassis	3	3851	
		Plain washer, large } to chassis	3	2251	
		Spring washer } to chassis	3	3076	
		Nut ($\frac{3}{8}$ ") } to chassis	3	2827	
		Support plate for pump } Fixing	1	265051	
		Bolt ($\frac{3}{8}$ " x $2\frac{1}{4}$ " long) } support plate	2	237346	
		Plain washer } to pump	As required	2599	
		Self-locking nut ($\frac{3}{8}$ ") } to pump	2	50526	
		Bolt ($\frac{3}{8}$ " x $2\frac{1}{8}$ " long) } Fixing support	4	239906	
		Plain washer } plate to	8	3299	
		Self-locking nut ($\frac{3}{8}$ ") } towing plate	4	50531	

FIRE TENDER CONTROLS, PETROL MODELS ONLY, 1958-61



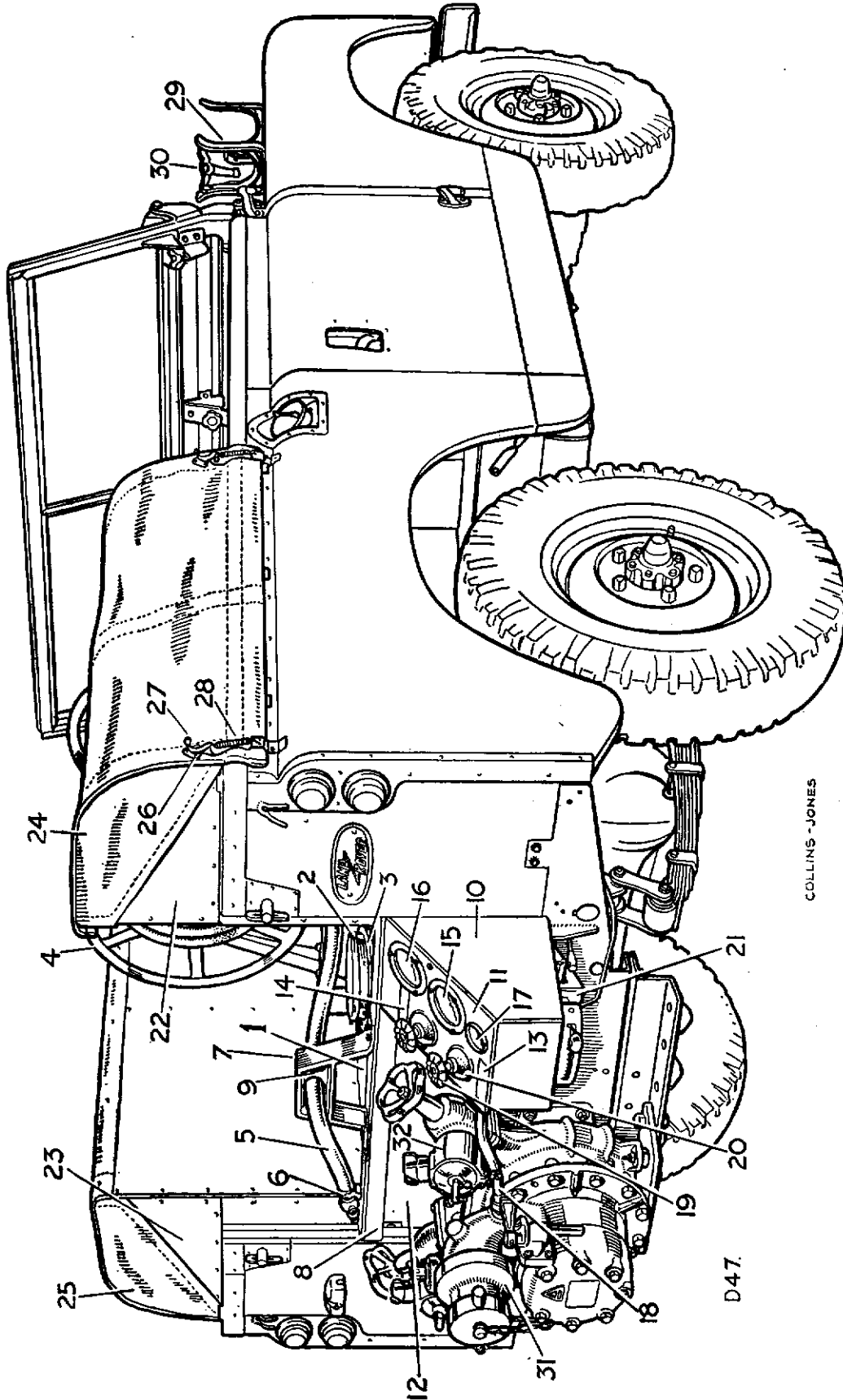
COLLINS-JONES

D47.

FIRE TENDER CONTROLS, PETROL MODELS ONLY, 1958-61

PLATE REF.	1 2 3 4	DESCRIPTION	Qty.	Part No.	REMARKS
1		Water tank complete	1	504625
2		Filler cap for water tank	1	307280
3		Body for filter	1	307279
		Filter for water tank	1	303610
		Bolt ($\frac{1}{4}$ " x $1\frac{1}{8}$ " long)	6	256200	
		Plain washer	6	3840	
		Spring washer	6	3074	
		Nut ($\frac{1}{4}$ ")	6	254810	
		Rubber pad for water tank	4	303661
		Breather pipe for tank	1	243229
		Union nut pipe for tank	1	4013
		Clip for breather pipe	1	50647
		Strap fixing water tank, long	2	243677
		Strap fixing water tank, short	2	303612
		Bolt ($\frac{1}{4}$ " x $\frac{1}{2}$ " long)	4	255204	
		Bolt ($\frac{1}{4}$ " x $\frac{7}{8}$ " long)	4	255208	
		Spring washer	8	3074	
		Nut ($\frac{1}{4}$ ")	8	254800	
		Special bolt	2	255238	
		Nut ($\frac{5}{16}$ ")	2	254811	
		Bolt ($\frac{1}{4}$ " U.N.F. x $2\frac{3}{8}$ " long)	6	253888	
		Plain washer	6	2213	
		Spring washer	6	3074	
		Nut ($\frac{1}{4}$ " U.N.F.)	6	254800	
4		Hose reel complete	1	277843
		Hose complete with nozzle	1	303618
		Bolt ($\frac{3}{8}$ " x $1\frac{1}{4}$ " long)	12	255249	
		Spring washer	12	3076	
		Plain washer	12	4087	
		Nut ($\frac{3}{8}$ ")	12	254800	
		Support for hose reel pipe	1	277949 88
		Clip for hose reel support	1	266966 88
		Set bolt (2 B.A. x $\frac{1}{2}$ " long)	3	234603	
		Spring washer	3	3073	
		Plain washer	3	2630	
6		Clip for hose nozzle	1	72085
		Rivet fixing hose nozzle clips to bobbin support	2	302222
7		Bracket for hose bobbin	1	243217
		Bolt ($\frac{1}{4}$ " x $\frac{5}{8}$ " long)	8	255206	
		Spring washer	8	3074	
		Nut ($\frac{1}{4}$ ")	8	254800	
8		Support for bobbin bracket and control box	1	500359 88
		Support for bobbin bracket and control box	1	503005 109
		Packing plate, short	2	243682	
		Packing plate, long	4	243071	
		Bolt ($\frac{1}{4}$ " U.N.F. x $1\frac{1}{8}$ " long)	4	255210	
		Spring washer	4	3074	
		Nut ($\frac{1}{4}$ ")	4	254800	

FIRE TENDER CONTROLS, PETROL MODELS ONLY, 1958-61

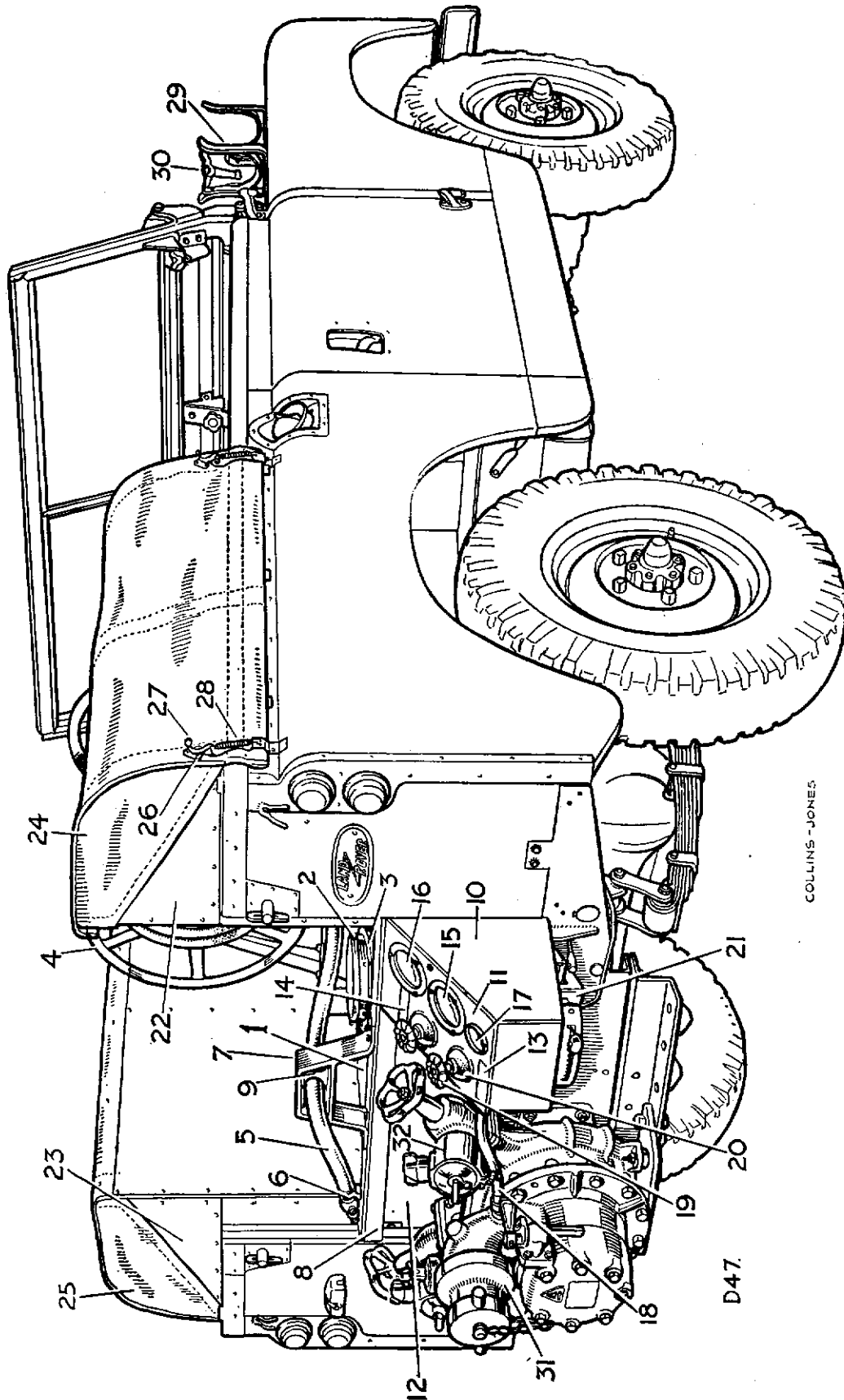


COLLINS-JONES

FIRE TENDER CONTROLS, PETROL MODELS ONLY, 1958-61

PLATE REF.	1	2	3	4	DESCRIPTION	Qty.	Part No.	REMARKS
9					Bobbin for hose, male half	2	268726	} 4 off on 109
					Bobbin for hose, female half	2	268727	
					Special bolt	2	503417	} 4 off on 109
					Castle nut ($\frac{5}{16}$ " U.N.F.)	2	254911	
					Split pin	2	2555	
					Bracket for hose bobbin	1	502997	
					Bolt ($\frac{1}{4}$ " U.N.F. x $\frac{5}{8}$ " long)	8	255006	} Fixing bracket to floor and seat base
					Bolt ($\frac{1}{4}$ " U.N.F. x $\frac{7}{8}$ " long)	8	255008	
					Plain washer	16	2215	
					Spring washer	16	3074	
				Nut ($\frac{1}{4}$ " U.N.F.)	16	254800		
10					Control box at rear of vehicle	1	264798	
					Bolt ($\frac{1}{4}$ " x $\frac{5}{8}$ " long)	4	255206	} Fixing control box to support
					Spring washer	4	3074	
					Nut ($\frac{1}{4}$ ")	4	254800	
11					Panel for control box	1	264802	
					Screw ($\frac{1}{4}$ " x $\frac{3}{4}$ " long)	2	77936	} Fixing panel to control box
					Spring washer	2	3074	
					Plain washer	2	3840	
12					Panel for tailboard aperture	1	243596	88
					Panel for tailboard aperture	1	503004	109
					Drive screw fixing panel	11	72626	
13					Name plate, suction tank to pump	1	240034	
14					Name plate, pressure pump to first aid hose	1	240035	
					Drive screw fixing name plates	4	76833	
15					Pressure gauge, 200 lbs. sq. in.	1	271732	
16					Vacuum and pressure gauge, 30" vacuum, 100 lbs. sq. in. pressure	1	271731	
					Screw (2 B.A. x $\frac{3}{4}$ " long)	6	78139	} Fixing gauges to panel
					Spring washer	6	3073	
					Nut (2 B.A.)	6	2247	
	17					Oil temperature gauge	1	237826
					Oil temperature gauge	1	271506	109
					Union for gauge	1	218512	
					Joint washer for union	1	3055	
					Lockwasher for union	1	217321	
					Washer for gauge	1	218751	
					Clip for oil temperature gauge pipe	8	41379	
					Drive screw fixing clip	8	72626	
					Tee piece for pressure gauge connection	1	265556	
					Joint washer for pressure gauge tee piece	2	232044	
					Elbow at water valves	2	268666	
					Joint washer—elbow to valves	3	231579	
					Distance piece for elbow	2	240109	

FIRE TENDER CONTROLS, PETROL MODELS ONLY, 1958-61



COLLINS-JONES

D47.

FIRE TENDER CONTROLS, PETROL MODELS ONLY, 1958-61

PLATE REF.	1 2 3 4	DESCRIPTION	Qty.	Part No.	REMARKS
		Pipe, outlet valve to hose reel	1	277781†	} 88
		Pipe, outlet valve to hose reel	1	508494* ††	
		Pipe, hose reel to union	1	503010†	} 109
		Pipe, hose reel to union	1	508516* ††	
		Double-ended union for pipe	1	240041	
		Pipe, union to outlet valve	1	503461	
		Pipe, tank to inlet valve	1	264969	88
		Pipe, tank to inlet valve	1	503008	109
		Pipe, outlet valve to pump	1	264963	
18		Pipe, pump to inlet valve	1	264965	
		Pipe complete, tee piece to vacuum gauge	1	264975	
		Pipe complete, pump to pressure gauge	1	264973	
		Double-ended union, for vacuum gauge pipe	1	3057	
		Joint washer for union	1	213959	
19		Water valve complete	2	240037	
20		Rubber grommet for water valves	2	303663	
		Double ended union } For water valves,	4	240041	
		Washer for union } pump and tank	5	243962	
21		Support bracket for governor quadrant	1	237549	
		Bolt (½" U.N.F. x ⅝" long)	2	255006	} Fixing quadrant to support bracket
		Spring washer	2	3074	
		Nut (½" U.N.F.)	2	254800	
		Bolt (2 B.A. x ½" long)	1	234603	} Fixing quadrant to control box
		Spring washer	1	3073	
		Plain washer	2	2630	
		Nut (2 B.A.)	1	2247	
		Governor unloading spring	1	218051	} 2 litre models
		Link plate } For	1	242928	
		Wire link } spring	1	242927	
		Ball joint complete for governor control cable	1	219065	
		Locknut (½" B.S.F.) for ball joint	2	2823	
		Spring washer } Fixing ball joint	1	3074	
		Nut (½" B.S.F.) } to quadrant	1	2823	
		Special screwed adaptor for governor control cable	1	504458	
		Screwed extension rod for governor control cable	1	504459	88
		Screwed extension rod for governor control cable	1	240410	109
		Swivel coupling for control	1	504667	
		Drive screw fixing swivel to frame	2	73892	
		Conduit for control cable, connector to swivel	1	243668	88
		Conduit for control cable, connector to swivel	1	270614	109
		Conduit for control cable, connector to connector	1	233102	
		Conduit for control cable, governor to connector	1	233103	2 litre models
		Conduit for control cable, governor to connector	1	506296	2½ litre models
		Clamp connector for conduit	2	500569	
		Nipple	1	233093	
		Split pin	1	2388	
		Swivel complete	1	233094	
		Bracket for overslider } Fixing conduit to	1	233100	2 litre models
		Bracket for overslider } overslider cable	1	506284	2½ litre models
		Shakeproof washer	1	233017	
		Nut (⅝" B.S.F.)	1	250407	

1 2 3 4

* Asterisk indicates a new part which has not been used on any previous model.

† Up to vehicles numbered:

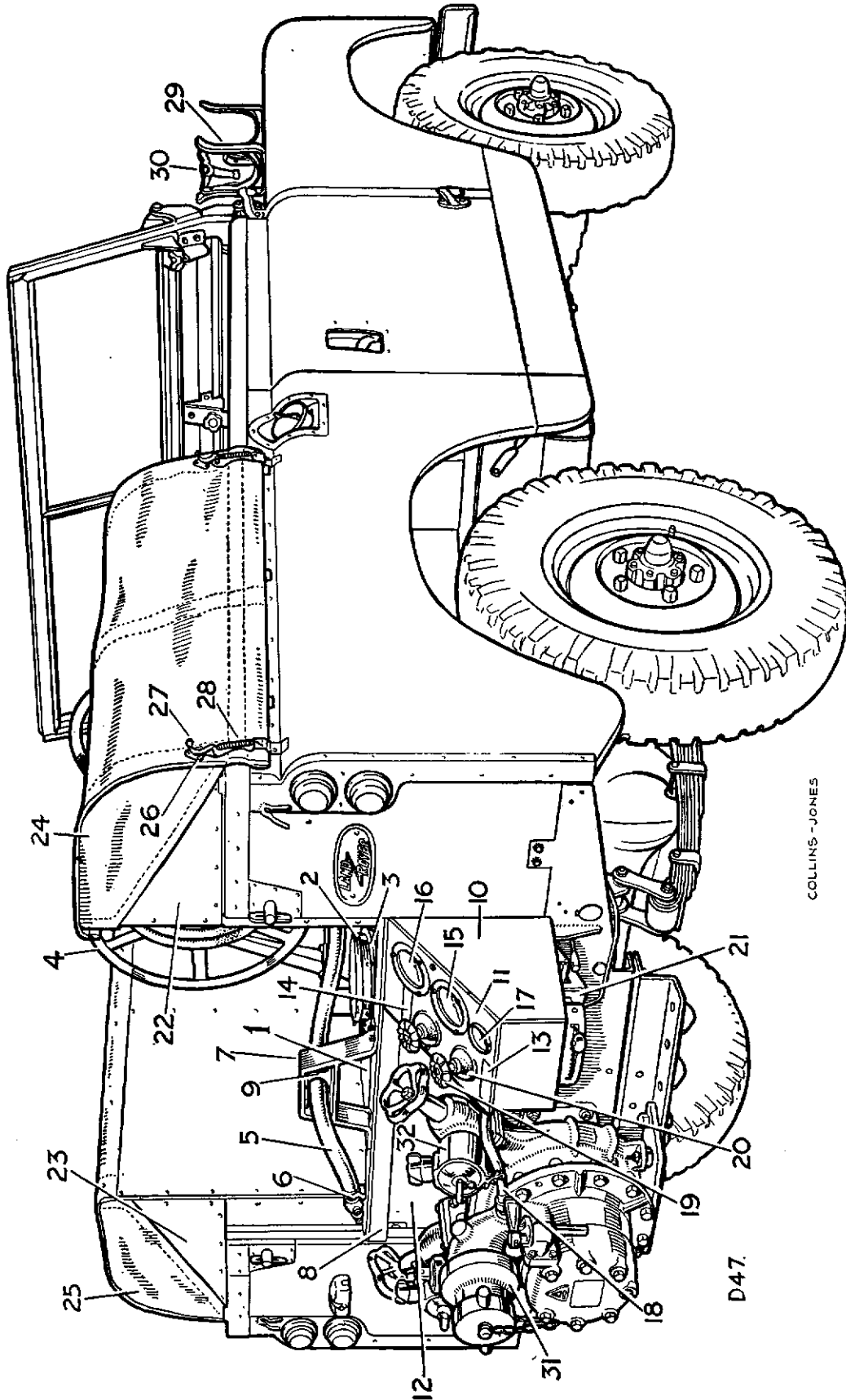
141003103	151001059	} 109
142001855	152003119	
144004783	154002220	

†† From vehicles numbered:

141003104	151001060	} 109
142001856	152003120	
144004784	154002221	

onwards

FIRE TENDER CONTROLS, PETROL MODELS ONLY, 1958-61

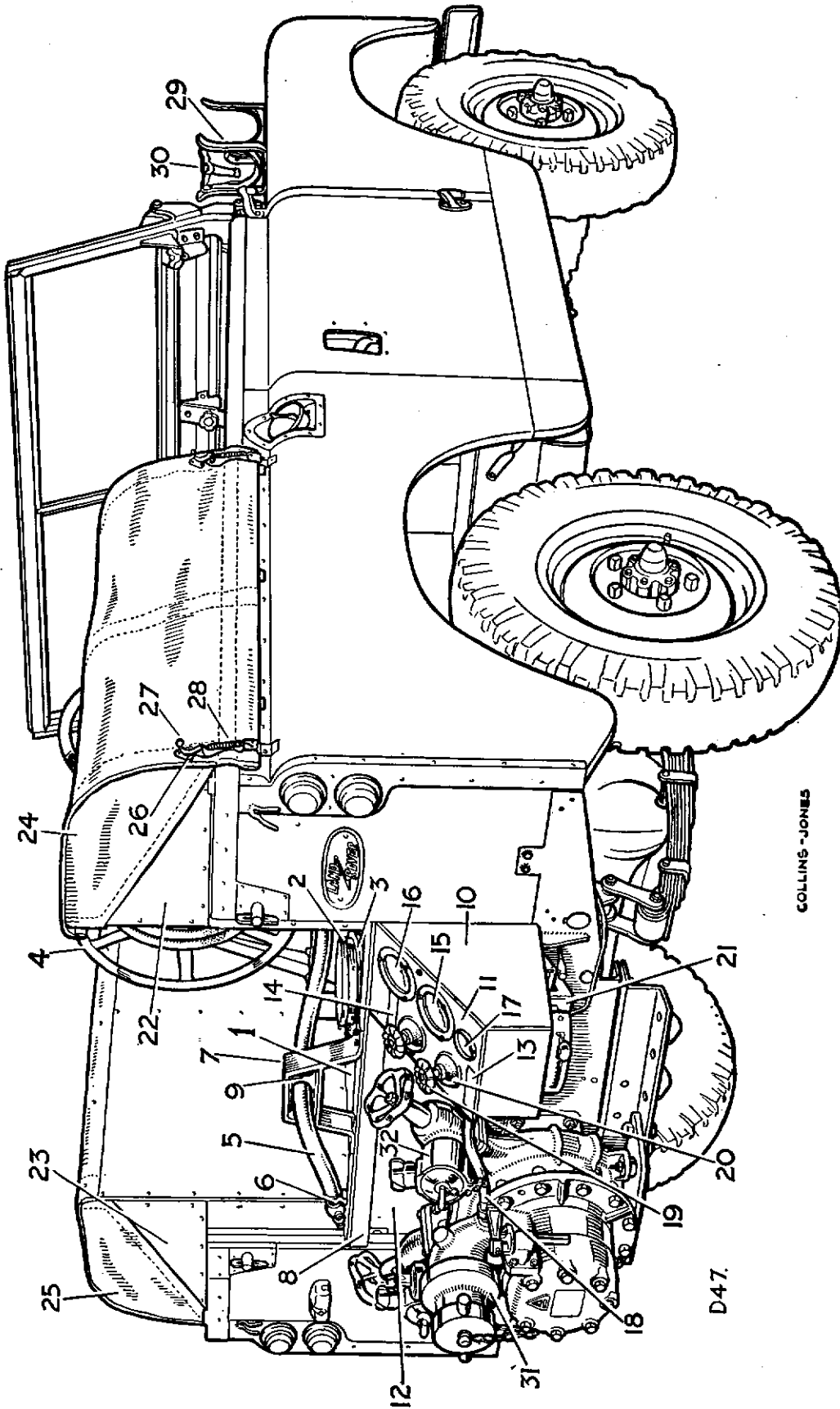


COLLINS-JONES

FIRE TENDER CONTROLS, PETROL MODELS ONLY, 1958-61

PLATE REF.	1	2	3	4	DESCRIPTION	Qty.	Part No.	REMARKS
					Overslider cable	1	244419	
					Bracket for conduit clip at engine	1	237819	2 litre models
					Bolt ($\frac{5}{16}$ " Whit. x $\frac{1\frac{1}{2}}$ " long)	1	215761	} Fixing conduit clip } bracket to inlet } manifold
					Spring washer	1	3075	
					Clip for conduit	5	237813	} 4 off on $2\frac{1}{4}$ litre models
					Drive screw fixing clips	5	72626	
					Nipple, conduit to control cable and swivel	2	233093	
22					Hose box R.H.	1	508227	} 88
23					Hose box L.H.	1	508228	
					Hose box R.H.	1	508283	} 109
					Hose box L.H.	1	508284	
					Distance piece for body side	2	503410	
					Bolt ($\frac{1}{4}$ " x $\frac{5}{8}$ " long)	18	255206	} Fixing } hose boxes
					Spring washer	18	3074	
					Nut ($\frac{1}{4}$ "	18	254800	} to body
					Support bracket R.H.	3	506289	} For } hose box
					Support bracket L.H.	3	506290	
					Pop rivet fixing support bracket to body capping	18	300781	
					Bolt ($\frac{1}{4}$ " U.N.F. x $\frac{7}{8}$ " long)	6	255008	} 109
					Plain washer	6	2760	
					Spring washer	6	3074	} support } bracket to } wheelarch
					Nut ($\frac{1}{4}$ " U.N.F.)	6	254800	
					Reinforcement plate	2	500566	} 88
					Bolt ($\frac{1}{4}$ " x $1\frac{1}{8}$ " long)	4	256000	
					Bolt ($\frac{1}{4}$ " U.N.F. x $\frac{5}{8}$ " long)	4	255206	} 109
					Plain washer	4	3840	
					Spring washer	4	3074	} 10 off on 109
					Nut ($\frac{1}{4}$ " U.N.F.)	4	254800	
					Pop rivet fixing hose box to wheelarch	8	300781	} 109
					Cover plate for spare wheel hole in wheelarch	2	503433	
					Pop rivet fixing cover plate to wheelarch	20	300781	
					Bolt access plate on cover plate	2	503448	
					Drive screw fixing access plate to cover plate	8	72626	
24					Cover for hose box R.H.	1	508239	
25					Cover for hose box L.H.	1	508257	
26					Hook assembly for catch	4	503169	
					Top strip for hose box cover	2	500399	
					Bottom strip for hose box cover	2	500400	
					Rivet fixing cover and strip	10	300784	
27					Hook catch	4	503163	} Retaining hose } box cover
28					Spring	4	243767	
					Rivet fixing hook catch to body	8	300781	
					Bracket for front cradle	1	303662	
					Bolt ($\frac{1}{4}$ " x $\frac{5}{16}$ " long)	4	255206	} Fixing bracket to front } bumper and radiator } top baffle
					Spring washer	4	3074	
					Nut ($\frac{1}{4}$ "	4	254810	

FIRE TENDER CONTROLS, PETROL MODELS ONLY, 1958-61



COLLINS-JONES

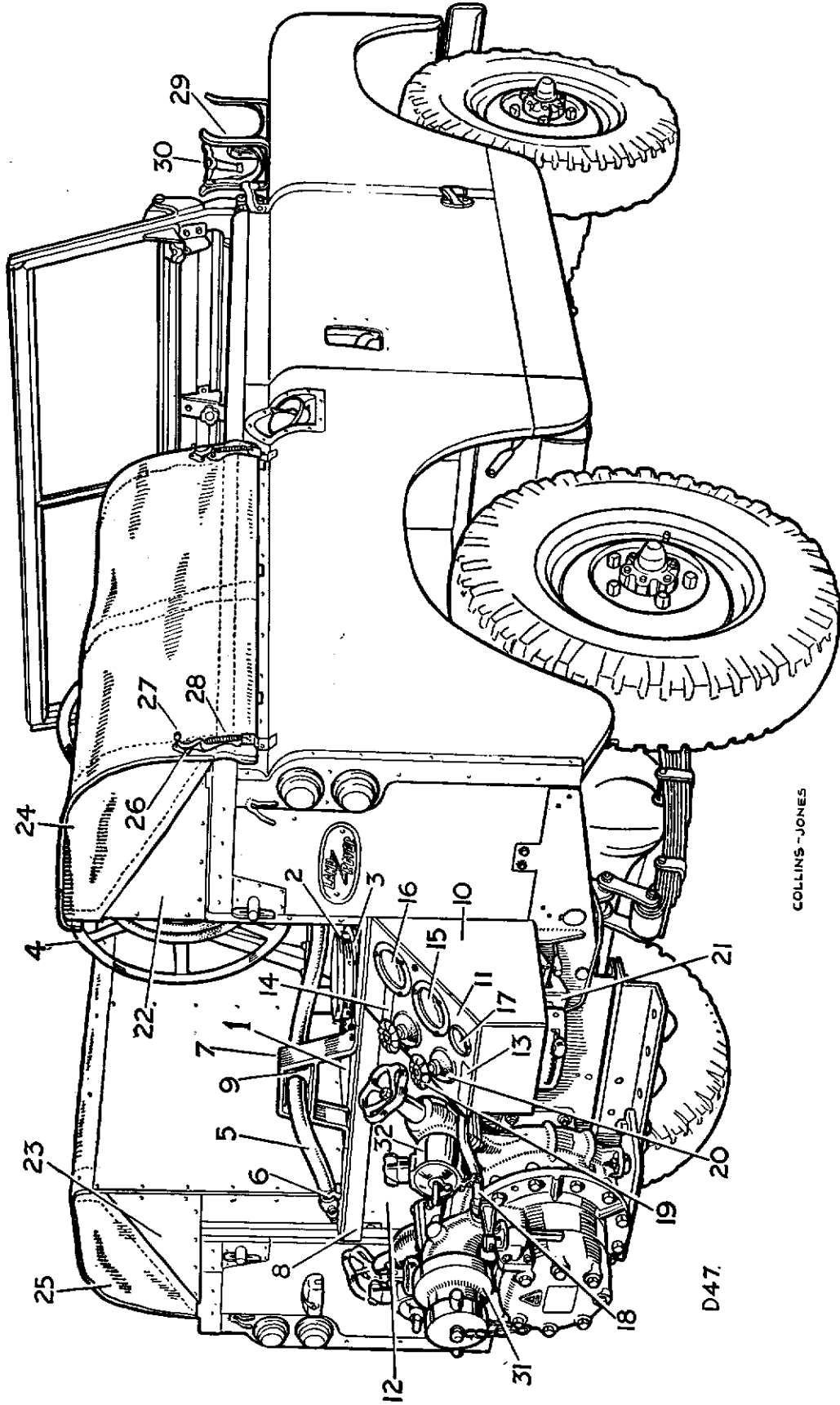
D47.

FIRE TENDER CONTROLS, PETROL MODELS ONLY, 1958-61

PLATE REF.	1	2	3	4	DESCRIPTION	Qty.	Part No.	REMARKS
					Front cradle	1	243851	
					Bolt ($\frac{1}{4}$ " x $\frac{3}{8}$ " long)	2	255207	} Fixing cradle to bracket
					Spring washer	2	3074	
					Nut ($\frac{1}{4}$ ")	2	254810	
					Support strap for front cradle	2	503015	
					Bolt ($\frac{1}{4}$ " x $\frac{3}{8}$ " long)	2	255207	} Fixing straps to cradle bracket
					Spring washer	2	3074	
					Nut ($\frac{1}{4}$ ")	2	254810	
					Support strap for front cradle	2	503015	
29					Side cradle	2	303654	
					Bolt ($\frac{1}{4}$ " x $\frac{5}{8}$ " long)	14	255206	} Fixing side cradle to front wings
					Spring washer	14	3074	
					Nut ($\frac{1}{4}$ ")	14	254800	
					Stiffener for front wing top	2	303658	
					Pop rivet fixing stiffener	6	300919	
					Support strap, for front cradle	1	243853	
					Rivet	2	305665	} Fixing straps to cradle bracket
					Plain washer	2	3816	
30					Strap for hose cradles, side	2	303650	
					Instantaneous buckle	2	303568	
					End cap	2	303954	
					Eyelet	2	300785	
					Rivet	24	302186	} Fixing straps to cradle
					Plain washer	24	3816	
31					Suction hose adaptor, 3" diameter output	1	265190	} 3" type. Alternative to 4". Check before ordering.
					Joint washer for adaptor, 3" diameter	1	265174	
					Suction hose adaptor, 4" diameter output	1	509860	
					Cap for adaptor, 4" diameter	1	509861	
					Joint washer for cap, 4" diameter	1	509866	} 4" type. Alternative to 3". Check before ordering.
32					Delivery hose couplings	2	265185	
					Joint washer for delivery hose couplings	4	266815	
					Suction hose spanner	1	268245	
					Support for foam generator R.H.	1	244687	
					Support for foam generator L.H.	1	244688	
					Bolt (2 B.A. x $\frac{3}{8}$ " long)	6	237119	} Fixing supports
					Plain washer	6	2226	
					Special nut	6	4017	
					Rear step	1	273523	
					Rubber mat for step	1	273529	
					Retainer for mat, rear	1	273530	
					Retainer for mat, front	1	273531	
					Retainer for mat, side	2	273532	
					Rivet fixing mat and retainer	16	78349	
					Bracket for rear seat	2	502998	
					Support bracket for rear seat	2	503002	
					Bolt ($\frac{1}{4}$ " U.N.F. x $\frac{7}{8}$ " long)	6	255008	} Fixing bracket to frame
					Plain washer	6	2760	
					Spring washer	6	3074	
					Nut ($\frac{1}{4}$ " U.N.F.)	6	254800	

} Optional equipment to suit British standard couplings

FIRE TENDER CONTROLS, PETROL MODELS ONLY, 1958-61



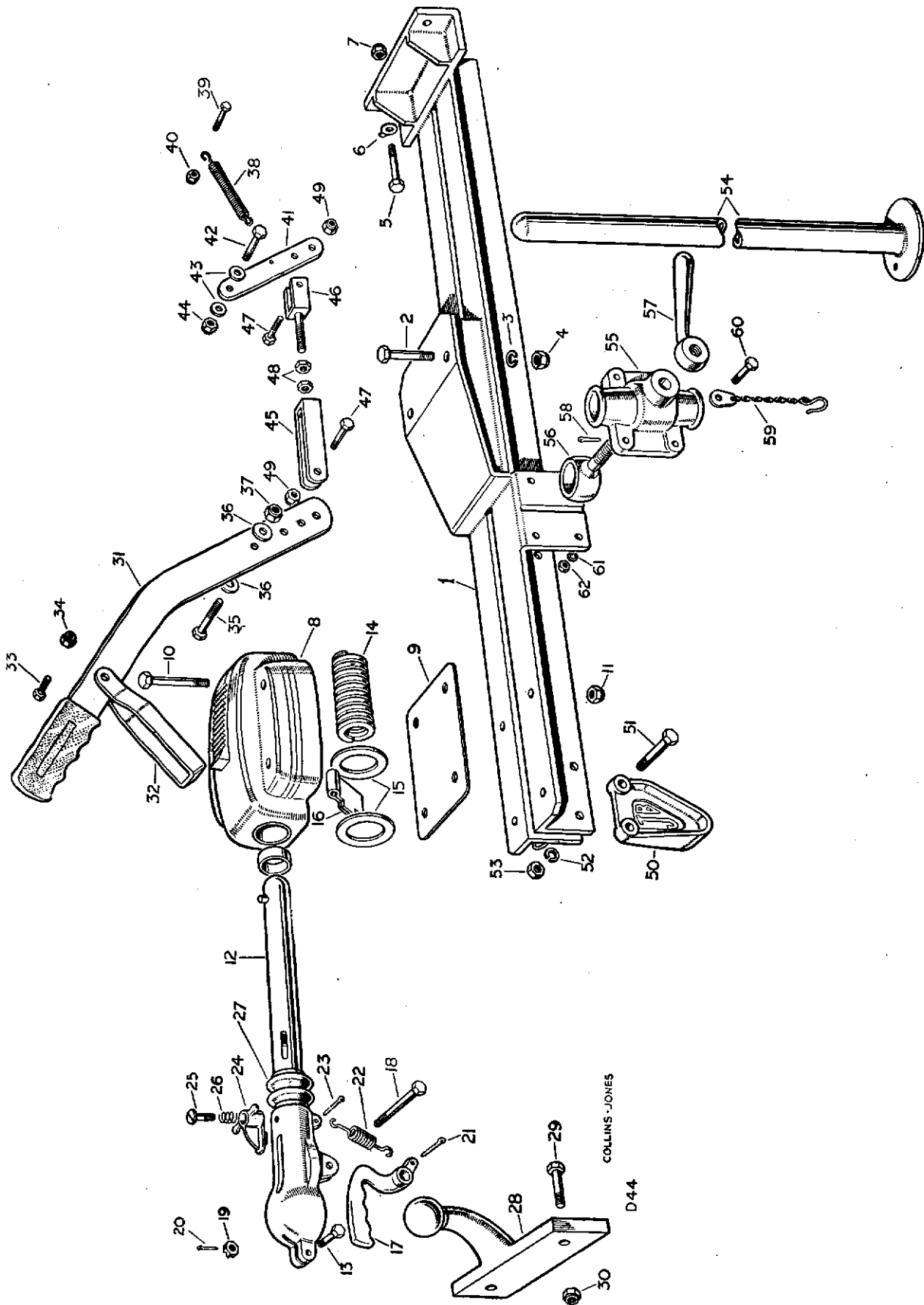
COLLINS-JONES

D47.

FIRE TENDER CONTROLS, PETROL MODELS ONLY, 1958-61

PLATE REF.	1	2	3	4	DESCRIPTION	Qty.	Part No.	REMARKS
					Rear seat base complete	1	273979	
					Plain washer for seat base	2	3898	
					Bolt ($\frac{1}{4}$ " U.N.F. x $\frac{3}{8}$ " long)	4	255008	} Fixing seat base to support bracket
					Plain washer	4	2760	
					Spring washer	4	3074	
					Nut ($\frac{1}{4}$ " U.N.F.)	4	254800	
					Rear spring, driver's side	1	272967	
					Rear spring, passenger's side	1	272968	} 88
					Dowel for rear spring	2	279762	
					'U' bolt for rear spring	4	242926	2 litre models
					Front spring, driver's and passenger's	2	264563	2 litre models
					Front spring, driver's side	1	265627	} 88, 2 $\frac{1}{4}$ litre models
					Front spring, passenger's side	1	264563	
					'U' bolt, long	1	265068	} 88 models
					'U' bolt, short	3	06694	
					Shock absorber, front	2	512102	} 88
					Shock absorber, rear	2	512086	
					Tyre (7.00 x 16")	5	242861	} 88
					Tube (7.00 x 16")	5	233042	
					Tyre (7.50 x 16")	5	502527	} 109
					Tube (7.50 x 16")	5	270324	

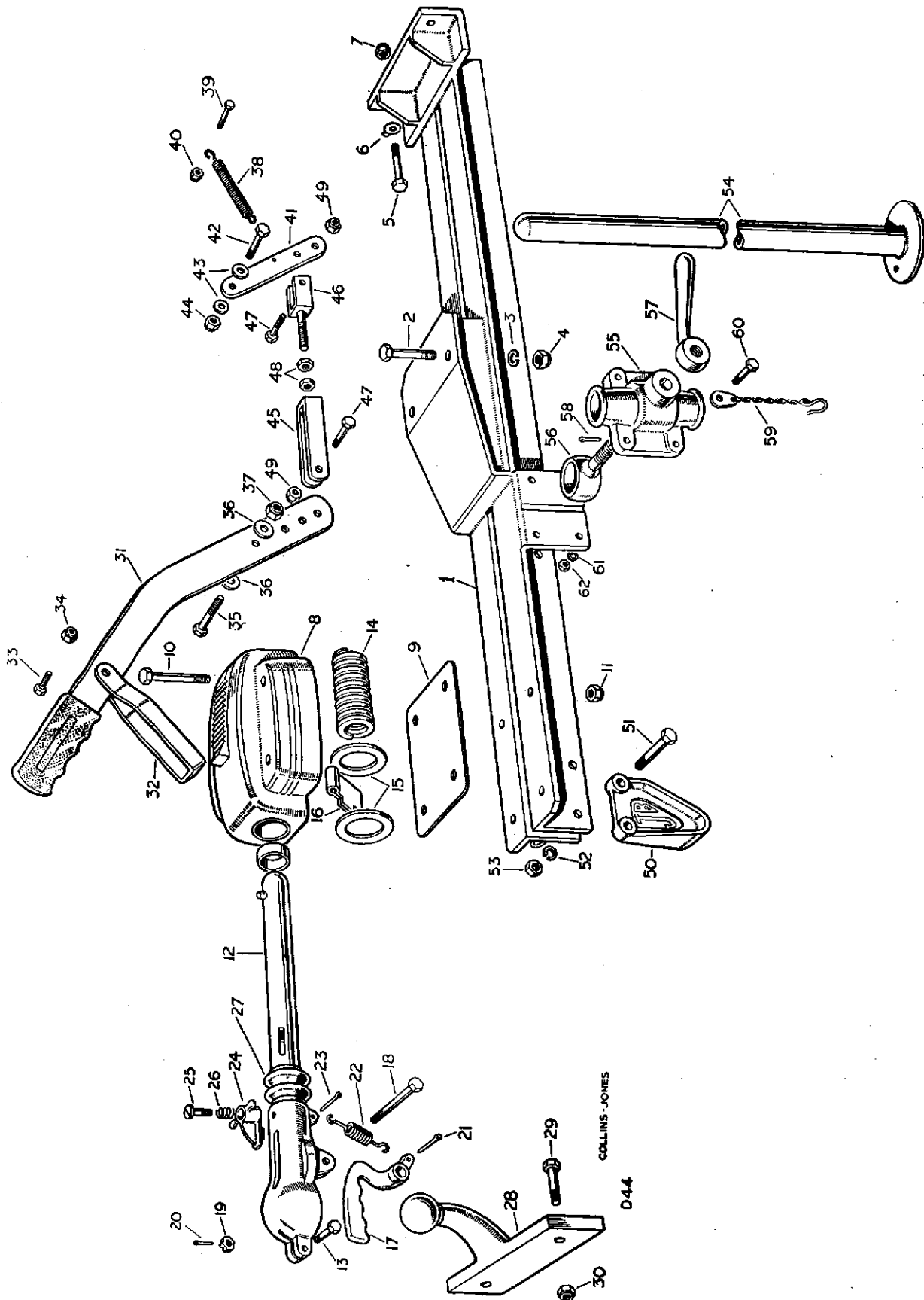
TRAILER, DRAWBAR AND HAND BRAKE



TRAILER, DRAWBAR AND HAND BRAKE

PLATE REF.	1 2 3 4	DESCRIPTION	Qty.	Part No.	REMARKS
		TRAILER COMPLETE ASSEMBLY 1	502953	
1		Drawbar frame 1	279419	
2		Bolt ($\frac{1}{2}$ " B.S.F. x $1\frac{3}{4}$ " long)	} Fixing drawbar to body	2	250572
3		Spring washer		2	3078
4		Nut ($\frac{1}{2}$ " B.S.F.)		2	2269
5		Bolt ($\frac{1}{2}$ " B.S.F. x $1\frac{3}{4}$ " long)	} Fixing drawbar to body	2	250572
6		Lock washer		4	279420
7		Nut ($\frac{1}{2}$ " B.S.F.)	} at rear	4	251324
8		Housing for pull pin 1	279421	
9		Bottom plate for housing 1	279422	
10		Bolt ($\frac{1}{2}$ " B.S.F. x $3\frac{1}{2}$ " long)	} Fixing housing and plate to drawbar frame	4	250579
11		Nut ($\frac{1}{2}$ " B.S.F.)		4	251324
12		Pull pin 1	279423	
13		Pinch bolt ($\frac{3}{8}$ " B.S.F. x 1" long) 1	250539	
14		Over-run spring 1	232253	
15		Thrust washer for spring 2	232254	
16		Special split cotter, pull pin to housing 1	232255	
17		Locking handle for tow ball 1	232256	
18		Bolt ($\frac{1}{2}$ " B.S.F. x $2\frac{5}{8}$ " long) 1	250576	
19		Castle nut ($\frac{1}{2}$ " B.S.F.)	} Fixing locking handle to pull pin	1	2451
20		Split pin		1	2425
21		Split pin		1	279424
22		Spring, locking handle 1	232257	
23		Split pin fixing spring 2	3179	
24		Safety catch for locking handle 1	279426	
25		Special screw	} Fixing safety catch to pull pin	1	232259
26		Spring		1	279427
27		Gaiter for pull pin 1	279425	
28		Towing ball 1	232264	
29		Bolt ($\frac{5}{8}$ " B.S.F. x $2\frac{1}{2}$ " long)	} Fixing towing ball to chassis frame	2	273879
30		Nut ($\frac{5}{8}$ " B.S.F.)		4	219668
31		Hand brake lever 1	279428	
32		Pawl for hand brake 1	279429	
33		Bolt ($\frac{5}{16}$ " B.S.F. x $1\frac{1}{4}$ " long)	} Fixing pawl to handbrake lever	1	237163
34		Nut ($\frac{5}{16}$ " B.S.F.)		1	251321
35		Bolt ($\frac{7}{16}$ " B.S.F. x $1\frac{3}{4}$ " long)	} Fixing hand brake lever to drawbar	1	250559
36		Plain washer		2	2257
37		Nut ($\frac{7}{16}$ " B.S.F.)		1	251323
38		Pull off spring for hand brake 1	232270	
39		Bolt ($\frac{1}{4}$ " B.S.F. x $1\frac{1}{2}$ " long)	} Fixing spring to drawbar	1	250517
40		Nut ($\frac{1}{4}$ " B.S.F.)		1	251320
41		Swinging link for hand brake 1	232271	
42		Bolt ($\frac{3}{8}$ " B.S.F. x $1\frac{3}{4}$ " long)	} Fixing link to drawbar	2	250544
43		Distance piece		2	279450
44		Self-locking nut ($\frac{3}{8}$ " B.S.F.)		2	251322
45		Link connector 1	279430	
46		End jaw	} Fixing link to handbrake	1	279431
47		Bolt ($\frac{5}{16}$ " B.S.F. x $1\frac{1}{4}$ " long)		2	237163
48		Nut ($\frac{5}{16}$ " B.S.F.)		2	2827
49		Nut ($\frac{5}{16}$ " B.S.F.)	1	251321	

TRAILER, DRAWBAR AND HAND BRAKE



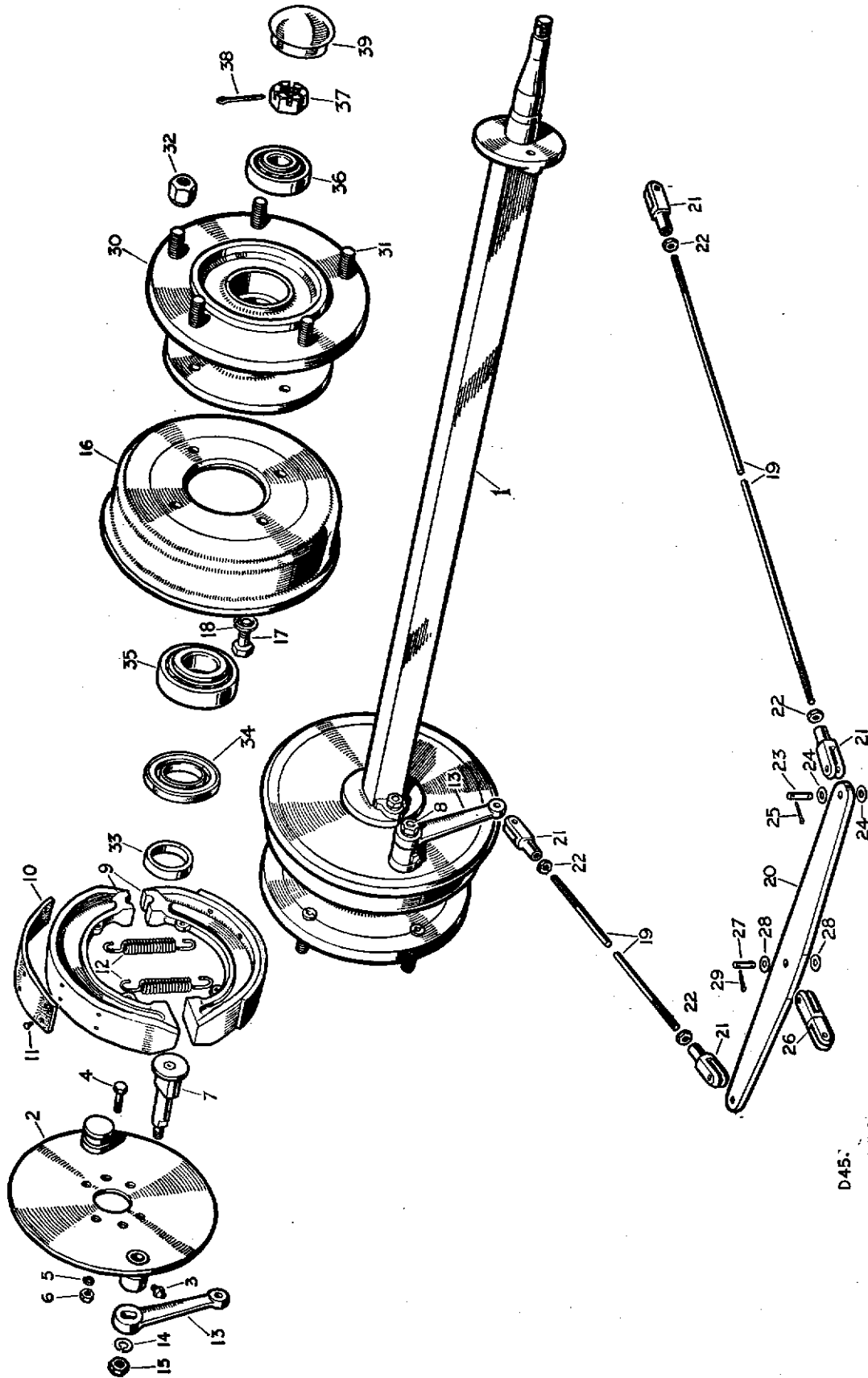
COLLINS-JONES

D44

TRAILER, DRAWBAR AND HAND BRAKE

PLATE REF.	1 2 3 4	DESCRIPTION	Qty.	Part No.	REMARKS
50		Front protecting foot	1	232279	
51		Bolt ($\frac{1}{2}$ " B.S.F. x $1\frac{3}{4}$ " long)	2	250572	} Fixing foot to
52		Spring washer	2	3078	
53		Nut ($\frac{1}{2}$ " B.S.F.)	2	2269	} drawbar
54		Supporting leg	1	279432	
55		Bracket for leg	1	232281	
56		Locking ring for leg	1	232282	
57		Handle, locking leg in bracket	1	232283	
58		Split pin, retaining handle	1	2397	
59		Retaining chain for leg	1	232284	
60		Bolt ($\frac{3}{8}$ " B.S.F. x $1\frac{1}{4}$ " long)	3	250541	} Fixing bracket and retaining
		Bolt ($\frac{3}{8}$ " B.S.F. x $1\frac{3}{8}$ " long)	1	250542	
61		Spring washer	4	3076	} chain to
62		Nut ($\frac{3}{8}$ " B.S.F.)	4	2827	} drawbar

TRAILER, AXLES, BRAKES AND HUBS

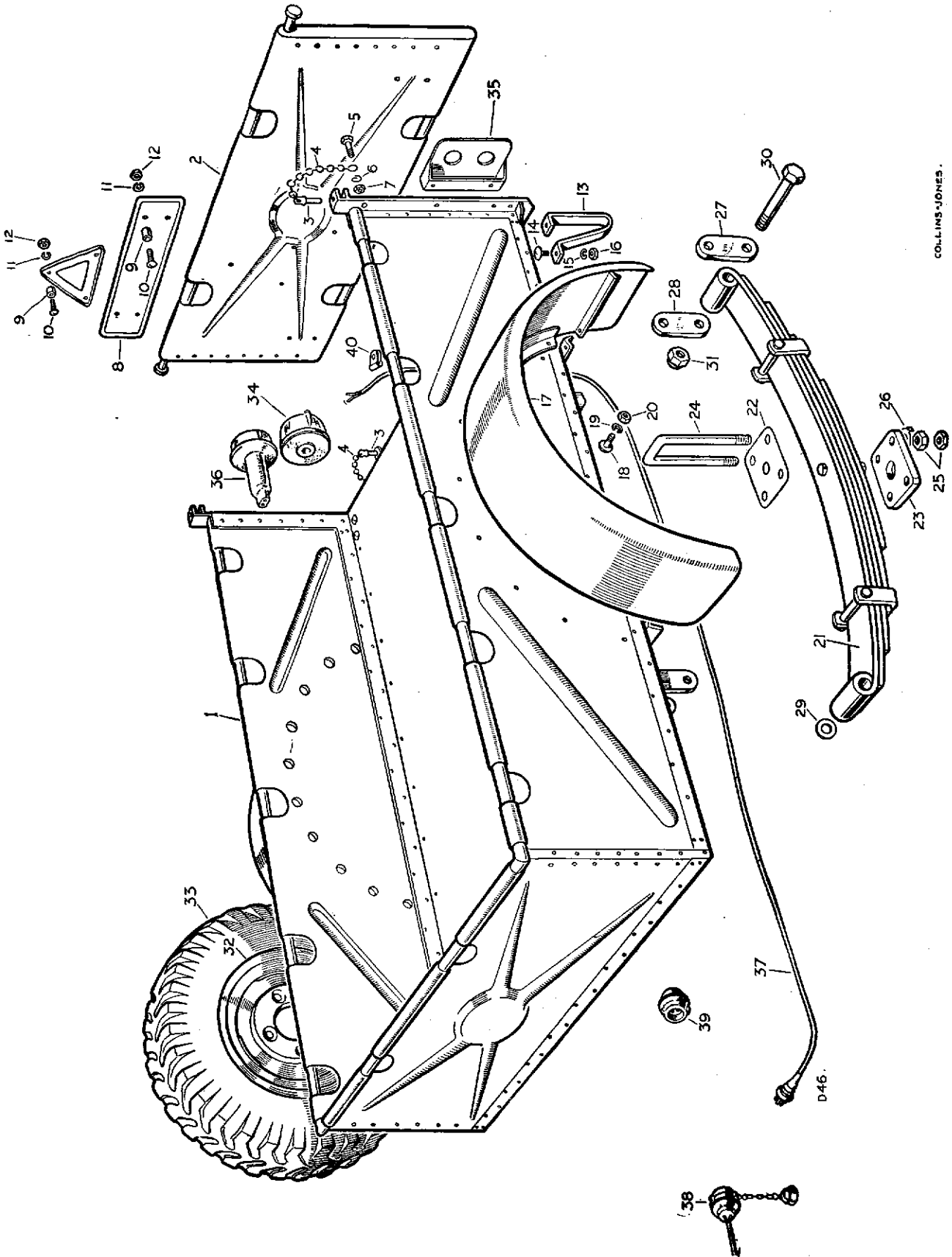


D45.
COLLINS-JONES

TRAILER, AXLES, BRAKES AND HUBS

PLATE REF.	1 2 3 4	DESCRIPTION	Qty.	Part No.	REMARKS
1		Axle complete	1	279433	
2		Anchor plate complete	2	262973	
3		Grease nipple for brake cam	2	232287	
4		Bolt ($\frac{3}{8}$ " B.S.F. x $1\frac{1}{8}$ " long)	4	237179	} Fixing anchor plate to axle fitting
5		Spring washer	4	3076	
6		Nut ($\frac{3}{8}$ " B.S.F.)	4	2827	
7		Operating cam for brake shoe L.H.	1	262974	
8		Operating cam for brake shoe R.H.	1	262975	
9		BRAKE SHOE ASSEMBLY	4	500115	
10		Lining for brake shoe	4	500116	
11		Rivet for lining	32	500117	
12		Pull off spring for brake shoe	4	262977	
13		Operating lever for brake shoe	2	262978	
14		Spring washer	2	2299	} Fixing lever to cam
15		Locknut ($\frac{3}{8}$ " B.S.F.)	2	2827	
16		Brake drum	2	279434	
17		Bolt ($\frac{3}{8}$ " B.S.F. x $1\frac{1}{8}$ " long)	8	250731	} Fixing brake drum to hub flange
18		Spring washer	8	3076	
19		Brake rod	2	279435	
20		Compensating bar for brake linkage	1	232298	
21		Jaw for brake rod	4	232299	
22		Locknut ($\frac{1}{8}$ " B.S.F.) for jaw	4	2828	} Fixing brake rods to operating levers and com- pensating bar
23		Pin	4	232300	
24		Plain washer	8	2550	
25		Split pin	8	2393	
26		Double ended jaw	1	279436	
27		Pin	2	232300	} Fixing double ended jaw to compensate bar and swinging link
28		Plain washer	4	2550	
29		Split pin	4	2393	
30		HUB ASSEMBLY FOR ROAD WHEEL	2	279437	
31		Stud for road wheel	10	217360	
32		Nut for road wheel	10	217361	
33		Distance piece for hub	2	279438	
34		Oil seal for nut	2	279439	
35		Roller bearing, inner	2	279440	
36		Roller bearing, outer	2	279441	
37		Castle nut ($\frac{3}{8}$ " B.S.F.)	2	251606	} Fixing hub to axle
38		Split pin	2	2428	
39		Hub cap	2	279442	

TRAILER BODY, SPRINGS AND ROAD WHEELS



COLLINS-JONES.

TRAILER BODY, SPRINGS AND ROAD WHEELS

PLATE REF.	1 2 3 4	DESCRIPTION	Qty.	Part No.	REMARKS
		BODY ASSEMBLY	1	232309	
1		Body complete	1	232310	
2		Tailboard complete	1	232311	
3		Pin securing tailboard	4	279443	
4		Chain for hinge pin	4	232313	
5		Bolt ($\frac{1}{4}$ " B.S.F. x $\frac{3}{4}$ " long)	4	237141	} Fixing chassis
6		Spring washer	4	3074	
7		Nut ($\frac{1}{4}$ " B.S.F.)	4	2823	} to body
8		Registration plate	1	232316	
9		Distance piece for plate	4	232315	
10		Screw ($\frac{1}{4}$ " B.S.F. x 1" long)	4	69215	} For redundant holes in tailboard
11		Spring washer	4	3074	
12		Nut ($\frac{1}{4}$ " B.S.F.)	4	2823	
13		Rear stand	2	232317	
14		Special bolt	4	232318	} Fixing stand to
15		Spring washer	4	3076	
16		Nut ($\frac{3}{8}$ " Whit.)	4	232319	} body
17		Wing complete	2	232320	
18		Special bolt	20	232321	} Fixing wing to body panel
19		Spring washer	20	3074	
20		Nut ($\frac{1}{4}$ " Whit.)	20	2267	
21		Road spring complete	2	279444	
22		Top plate for spring	2	279445	
23		Bottom plate for spring	2	232326	
24		'U' bolt for spring	4	232327	
25		Nut ($\frac{1}{2}$ " B.S.F.)	8	251324	} For 'U' bolt
26		Locking plate	4	279446	
27		Spring shackle, shouldered	2	279447	
28		Spring shackle, plain	2	279448	
29		Spacing washer for front shackle	4	279449	
30		Shackle pin	6	250606	
		Grease nipple for shackle pin	6	512420	
31		Self-locking nut ($\frac{1}{2}$ " B.S.F.) for shackle pin	6	251326	
32		Road wheel	2	231601	
33		Tyre, 6.00" x 16"	2	239742	
		Inner tube, 6.00" x 16"	2	232122	
34		Stop, tail lamp	2	503054	
		Bracket for lamp and reflector R.H.	1	502968	
35		Bracket for lamp and reflector L.H.	1	502969	
		Bolt ($\frac{1}{4}$ " B.S.F. x $\frac{3}{4}$ " long)	4	237141	} Fixing bracket to body
		Spring washer	4	3074	
		Nut ($\frac{1}{4}$ " B.S.F.)	4	2823	
36		Flasher lamp	2	502952	
37		Plug and cable for tail lamp	1	503174	
		Connector angle	2	3549	
38		Socket and cable for tail lamp on chassis	1	510081	
39		Dummy socket	1	501270	
		Rubber grommet, small, for cable	1	232335	
40		Spring clip for cable	2	232336	
		Earth bridge lead...	1	500696	
		Cover complete for trailer	1	261827	

TRIMMING RAW MATERIALS

PLATE REF.	1 2 3 4	DESCRIPTION	Qty.	Part No.	REMARKS
		Cotton duck, 72" wide, khaki-green	As required	91957	
		Cotton duck, 72" wide, blue	As required	91899	
		Sheet wadding, 36" wide open	As required	91341	
		Cotton webbing, $\frac{1}{2}$ " x 1", khaki-green	As required	91878	
		Cotton webbing, $\frac{1}{8}$ " x 1", khaki-green	As required	91880	
		Cotton webbing, $\frac{5}{8}$ " x $\frac{1}{2}$ ", khaki-green....	As required	91879	
		Cotton webbing, $\frac{3}{4}$ " x $\frac{1}{2}$ ", blue	As required	91901	
		Cotton webbing, $\frac{1}{8}$ " x 1", blue	As required	91902	
		Cotton webbing, $\frac{1}{32}$ " x 1", blue	As required	91900	
		Seaming cord	As required	91171	
		Thin plain cloth, 38" wide	As required	91829	
		Black canvas, 54" wide	As required	91291	
		Grey felt	As required	91414	
		Black felt, 50" wide	As required	91819	
		Leather cloth, grey, 50" wide	As required	91979	
		Leather cloth, red	As required	91832	
		Special leather cloth, white, 36" wide	As required	91911	
		White leather cloth, 50" wide	As required	91950	
		Piping, green	As required	91857	
		Thread, green, No. 18	As required	91814	
		Thread, blue, No. 18	As required	91896	
		Thread, blue, No. 25	As required	91894	
		Thread, grey, No. 25	As required	91960	
		Thread, green, No. 25	As required	91813	
		Adhesive tape, 1" wide	As required	91928	
		Thread, grey, 250 denier	As required	92042	
		Thread, black, No. 50	As required	91256	
		Thread, red, No. 25	As required	92046	
		Plastic cloth, blue check, 54" wide	As required	91912	
		Natural felt, 54" wide	As required	91890	
		Felted leather cloth, white, 52" wide	As required	91970	
		Felted plastic, blue, 52" wide	As required	91909	
		Felted plastic, 52" wide, green	As required	91962	
		Felted plastic, black	As required	91965	
		Black cloth, 72" wide	As required	91913	
		Cotton webbing, $\frac{1}{32}$ " x 1", blue	As required	91900	
		Fine fluted rubber matting, 36" wide	As required	261577	
		Special paint, bronze green, 1 pint tin....	As required	262069	
		Special paint, bronze green, 1 gallon tin	As required	262072	
		Special paint, ivory, 1 pint tin	As required	262643	
		Special paint, ivory, 1 gallon tin	As required	262646	
		Special paint, blue, 1 pint tin	As required	244272	
		Special paint, blue, 1 gallon tin	As required	244275	
		Special paint, poppy red, 1 pint tin	As required	244276	
		Special paint, poppy red, 1 gallon tin	As required	244279	

TRIMMING RAW MATERIALS

PLATE REF.	1	2	3	4	DESCRIPTION	Qty.	Part No.	REMARKS
					Special paint, light green, 1 pint tin 1	503927	
					Special paint, light green, 1 gallon tin 1	503928	
					Special paint, sand, 1 pint tin 1	503929	
					Special paint, sand, 1 gallon tin 1	503930	
					Special paint, dark grey, 1 pint tin 1	503931	
					Special paint, dark grey, 1 gallon tin 1	503932	
					Special paint, mid-grey, 1 pint tin 1	503933	
					Special paint, mid-grey, 1 gallon tin 1	503934	
					Special paint, marine blue, 1 pint tin 1	503935	
					Special paint, marine blue, 1 gallon tin 1	503936	
					Special paint, off white, 1 pint tin 1	503937	
					Special paint, off white, 1 gallon tin 1	503938	
					Special paint, limestone, 1 pint tin 1	510032	
					Special paint, limestone, 1 gallon tin 1	510033	
					Aerosol paint spray, bronze green 1	507821	
					Aerosol paint spray, sand 1	507822	
					Aerosol paint spray, limestone 1	507823	
					Aerosol paint spray, light green 1	507824	
					Aerosol paint spray, marine blue 1	507825	
					Aerosol paint spray, mid-grey 1	507826	
					Aerosol paint spray, dark grey 1	507827	
					Aerosol paint spray, poppy red 1	507828	
					Thinners, 1 pint tin	As required 261906	
					Thinners, 1 gallon tin	As required 261909	
					Brake fluid, 1 pint tin	As required 260681	
					Brake fluid, 1 quart tin	As required 262079	
					$\frac{3}{8}$ " Welding rod (1 lb.)	As required 98018	

TOOLS

PLATE REF.	1	2	3	4	DESCRIPTION	Qty.	Part No.	REMARKS
					Wheel brace	1	274433	
					Lifting jack	1	514623	} Alternatives. Check before ordering
				Handle for jack	1	514624		
				Lifting jack	1	513071		
				Handle for jack	1	513072		
				Extension for jack	1	261512		
				Wooden handle for extension	1	261513		
				Tyre pump	1	523638*		
				Connection for tyre pump	1	524959		
				Grease gun	1	503424		
				Starting handle	1	218508		
				Tool roll	1	219704		
				Combination pliers	1	2703		
				Screwdriver	1	234619		
				Spanner $\frac{3}{8}$ " x $\frac{1}{4}$ " Whitworth	1	2705		
				Spanner $\frac{5}{16}$ " x $\frac{7}{16}$ " Whitworth	1	230736		
				Spanner, single end $\frac{3}{8}$ " Whitworth	1	277320		
				Spanner $\frac{7}{16}$ " x $\frac{1}{2}$ " A.F.	1	276396		
				Spanner $\frac{11}{16}$ " x $\frac{3}{4}$ " A.F.	1	277217		
				Spanner $\frac{5}{8}$ " x $\frac{9}{16}$ " A.F.	1	276397		
				Spanner, single end, $\frac{5}{16}$ " A.F.	1	503125	For distributor pump bleed screw	
				Adjustable spanner	1	2707		
				Distributor screwdriver	1	240836		
				Sparking plug spanner	1	276322		
				Extension for plug spanner	1	276323		
				Box spanner	1	52485		
				Tommy bar	1	1403		
				Tyre pressure gauge	1	277372		
				Tyre lever....	2	233261	Optional equipment	

NUMERICAL INDEX

This list, in part number numerical order, gives the page on which the item will be found.

Part No.	Page No.	Part No.	Page No.	Part No.	Page No.	Part No.	Page No.	Part No.	Page No.
1403	568	2705	568	3485	453	3939	439	04799	215
1481	33	2707	568	3490	19	3946	137	04800	215
1510	193	2728	247	3549	476	3947	357	04965	197
1643	161	2729	247	3557	427	3958	233		
1645	157	2760	351			3960	289	05366	177
1659	223	2765	76	3604	15	3966	187	05843	151
1664	75	2766	177	3619	265	3968	279	05852	161
				3621	459	3972	245	05853	161
2102	13	2822	189	3622	267	3974	289	05854	161
2204	393	2823	27	3626	459	3976	287		
2208	203	2827	25	3632	474	3982	273	06009	177
2210	33	2828	21	3650	41			06395	157
2213	67	2836	155	3651	41	4011	185	06397	157
2215	293	2842	19	3662	187	4013	547	06402	157
2217	155	2851	215	3665	261	4020	269	06405	157
2218	201	2869	371	3668	287	4022	529	06417	151
2219	41	2876	169	3674	41	4023	273	06419	151
2220	57			3680	189	4030	245	06421	161
2223	219	2910	475	3685	233	4032	289	06422	161
2224	225	2920	95	3697	161	4042	273	06424	153
2226	199	2974	201			4047	351	06694	557
2228	251	2980	157	3739	51	4063	211	06735	177
2247	23	2981	215	3746	17	4067	377	06800	269
2249	95	2983	341	3748	55	4071	295	06846	151
2250	403	2995	9	3764	169	4075	357	06860	199
2251	213			3771	33	4082	265		
2257	225	3005	21	3783	33	4094	453	07014	389
2258	223	3040	455	3787	33	4095	25	07015	389
2260	493	3050	393					07091	215
2266	147	3052	189	3803	9	4115	183	07118	151
2267	565	3055	15	3815	467	4132	453	07164	201
2284	197	3057	545	3816	267	4148	75	07289	151
2285	351	3072	433	3817	357	4171	281	07316	177
2289	299	3073	15	3821	299	4200	267	07884	13
2290	201	3074	9	3823	185	4203	291	07902	177
2299	563	3075	15	3828	455	4233	453	07904	177
		3076	25	3829	359	5667	265		
2310	203	3077	15	3830	67	6316	15	08185	157
2323	371	3078	391	3831	273	6395	11	08188	157
2337	419	3088	19	3833	291	7853	281	08250	157
2338	419			3840	187	8060	391	08566	41
2347	403	3101	245	3841	285	8885	103		
2388	201	3136	247	3842	273	9499	15	09004	19
2389	169	3179	559	3850	215			09005	19
2392	13	3200	41	3851	185	01017	157	09013	51
2393	189	3236	151	3852	337	01035	21	09017	11
2396	177	3238	151	3864	335	01291	9	09023	17
2397	561	3259	159	3867	347	01384	201	09025	21
		3279	185	3868	39	01564	173	09034	9
2422	21	3280	263	3885	253	01565	173	09038	421
2423	231	3289	153	3886	289	01645	27	09049	21
2425	559	3290	41	3895	299			09050	21
2428	159	3291	151	3896	299	03017	11	09052	21
2451	559	3292	181	3898	187	03018	11	09065	9
2499	167	3294	175	3899	271	03020	11	09075	17
		3299	205			03040	411	09091	17
2500	17			3900	241	03092	11	09093	17
2504	21	3300	159	3901	289	03093	11		
2529	159	3319	151	3902	293	03129	9	09102	23
2550	23	3359	31	3905	167	03188	11	09118	27
2555	17	3413	411	3911	35	03649	161	09122	19
2556	421	3421	167	3912	287	03748	113	09126	17
		3425	415	3925	363	03971	263	09128	17
2678	199	3446	289	3933	373			09129	17
2703	568	3466	75	3936	23	04788	215	09156	17

Part No.	Page No.	Part No.	Page No.	Part No.	Page No.	Part No.	Page No.	Part No.	Page No.
09159	19	50235	201	69310	263	78167	419	91901	566
09161	33	50302	245			78171	339	91902	566
09162	33	50304	435	70742	433	78177	267	91909	566
09170	27	50306	433	70822	199	78193	399	91911	566
09179	33	50310	415	70884	49	78205	313	91912	566
09184	33	50314	415	71082	87	78208	241	91913	566
09191	9	50315	243	71164	257			91928	566
09197	27	50318	59	72085	547	78210	287	91950	566
09203	205	50320	27	72614	237	78212	287	91957	566
09205	17	50328	245	72626	199	78214	219	91960	566
09207	9	50343	245	72628	261	78215	285	91962	566
09208	17	50421	247			78216	301	91965	566
09210	17	50446	217	73198	269	78223	359	91970	566
09225	21	50453	179	73350	49	78225	327	91979	566
09561	157	50472	203	73352	169	78226	241		
09906	19	50499	97	73353	381	78227	219	92042	566
09917	157	50525	381	73892	551	78233	357	92046	566
09927	157	50526	155	73962	501	78237	241	97188	483
09931	157	50552	265	73979	271	78240	261	98018	567
09932	157	50637	247	74236	185	78248	279	99710	483
09960	157	50639	267	75454	265	78255	243		
09961	157	50640	265	75805	257	78256	243		
09962	157	50642	267	75940	199	78257	341	210203	161
		50647	547	76653	167			210204	161
10211	257	50689	259	76833	549	78260	359	210211	41
10713	143	50690	419			78262	243	210419	27
10882	221	50693	479	77626	87	78274	343	210447	33
		50702	157	77630	91	78296	501	210517	23
11378	177	50703	157	77700	493	78303	313	210566	39
11379	177			77704	277	78313	319	210572	39
11820	199	52015	11	77707	271	78319	365	210679	17
		52124	9	77758	273	78321	515		
12028	21	52246	151	77784	279	78325	185	211064	27
12455	19	52278	21	77789	335	78331	293	211382	393
12738	263	52485	568	77816	267	78358	291	211502	159
12743	265	52710	21	77840	305	78382	343		
				77846	267	78389	357	212042	27
13604	483	55636	151	77861	183	78392	293	212098	15
13605	483	55638	161	77869	185	78393	293	212103	379
13606	483	55697	161	77887	279	78399	305	212104	27
13607	483	55705	159	77892	363	78401	337	212137	19
13608	483	55714	157	77899	273	78402	337	212160	19
13609	483	55715	157	77903	301	78417	285	212161	19
		55742	393	77918	476	78429	476	212232	33
20034	501	55775	161	77925	361	78434	291	212233	33
20138	501	55778	151	77926	449	78436	307	212308	21
20147	501	55779	375	77932	273	78443	261	212309	21
23326	89			77936	549	78869	339	212328	19
25996	480	56102	161	77941	187			212329	19
29979	253	56140	41	77949	363	80603	35	212330	19
		56398	245	77992	261	91171	566	212332	9
40441	35	56666	199	77993	291	91256	566	212333	15
40742	177	56667	267			91291	566	212334	15
40756	177	56854	159	78001	15	91341	566	212339	17
40758	177			78006	103	91414	566	212340	17
40760	177	57126	9	78114	185	91813	566	212341	17
41045	177	58702	201	78116	363	91814	566	212363	17
41049	177	59053	11	78120	291	91819	566	212364	17
41050	369	59054	11	78121	365	91829	566	212365	17
41131	369	59059	15	78126	289	91832	566	212375	21
41379	199	59155	23	78135	259	91857	566	212406	385
42318	197	59663	207	78137	285	91878	566	212430	9
42431	375	59720	151	78139	549	91879	566	212556	251
43023	173	59895	253	78140	273	91880	566	212557	251
				78142	499	91890	566	212558	251
50052	215	66299	476	78149	433	91894	566	212702	15
50139	177	67184	185	78152	263	91896	566	212835	193
50183	249	68087	241	78153	241	91899	566	212919	193
50216	41	69215	565	78155	503	91900	566	212943	193

Part No.	Page No.	Part No.	Page No.	Part No.	Page No.	Part No.	Page No.	Part No.	Page No.
213172	35	215180	27	217521	169	218259	153	219117	391
213245	15	215191	27	217522	369	218270	153	219118	391
213251	17	215285	373	217523	153	218382	201	219119	391
213275	433	215328	369	217525	153	218386	205	219125	391
213276	433	215331	173	217526	159	218391	205	219161	391
213340	189	215485	9	217546	159	218402	203	219179	391
213358	33	215593	165	217553	375	218407	203	219214	395
213416	157	215594	153	217554	375	218408	203	219237	395
213417	157	215647	23	217555	375	218409	203	219241	395
213419	157	215703	37			218410	203	219463	383
213472	9	215758	35	217560	379	218468	247	219468	159
213513	433	215767	391	217562	373	218469	247	219469	159
213574	15	215769	151	217564	159	218470	247	219489	17
213600	17	215791	415	217565	159	218471	247	219499	461
213601	17	215808	169	217566	373	218508	568		
213602	17	215809	207	217567	379	218512	421	219501	461
213636	161	215935	11	217568	159	218549	393	219504	17
213637	161	215936	11	217584	169	218563	383	219508	381
213646	35			217588	209	218576	27	219511	381
		216380	255	217589	209	218584	393	219512	233
213660	165	216421	171	217620	153	218605	393	219521	169
213661	165	216708	249	217622	153	218653	393	219544	177
213662	165	216909	219	217623	153	218751	421	219547	177
213663	165	216914	219	217636	219	218841	379	219548	177
213666	157	216933	9	217647	379	218842	379	219549	177
213695	27	216986	369	217650	379	218843	379	219550	177
213698	27			217651	379	218844	379	219558	395
213700	43	217267	215	217652	379	218846	379	219559	393
213724	27	217268	179	217653	379	218954	33	219560	381
213744	23	217269	173	217657	379	218955	247	219561	393
213810	15	217270	173	217658	379	218970	193	219562	393
213811	15	217279	185	217659	375	218971	193	219564	391
213959	9	217321	421			218983	193	219574	211
213960	371	217325	163	217660	375			219576	395
213961	433	217351	181	217661	375	219002	205	219577	395
		217352	173	217662	375	219007	205	219582	231
214019	33	217353	173	217663	375	219010	205	219620	193
214047	21	217354	181	217664	375	219011	205	219624	391
214054	33	217355	173	217667	375	219012	205	219635	177
214058	23	217360	173	217680	153	219013	205	219644	381
214090	157	217361	215	217694	189	219017	205	219649	265
214131	17	217388	157	217735	167	219018	205	219659	381
214223	255	217389	159	217763	369	219019	205	219668	559
214228	33	217391	161	217767	39	219020	205	219673	233
214229	33	217398	179	217771	371	219021	205	219675	383
214231	33			217773	369	219022	205	219676	247
214262	35	217400	175	217774	371	219023	205		
214264	433	217421	179	217778	153	219024	205	219680	269
214278	35	217422	181	217780	39	219025	193	219684	453
214279	35	217423	173	217781	39	219027	205	219687	245
214290	369	217437	241	217811	157	219028	207	219691	391
214348	19	217445	169	217843	153	219062	391	219696	391
214350	19	217448	153	217844	153	219065	383	219704	568
214351	19	217453	181	217970	153	219074	393	219709	171
214649	189	217454	181	217972	369	219078	263	219714	167
214662	191	217455	181	217973	153			219721	167
214684	189	217476	159	217976	153	219080	393	219722	167
214685	189	217477	159	217978	153	219083	391	219723	167
214787	165	217478	153	217979	221	219087	391	219742	391
214792	157	217484	159	217983	203	219088	397	219744	369
214793	165	217488	159	217984	203	219089	391	219793	393
214794	165	217489	159	217985	203	219093	393	219797	167
214795	409	217490	159			219098	173	219860	369
214797	165	217504	373	218050	369	219101	393	219913	17
214994	421	217505	379	218051	551	219103	393	219914	17
214995	55	217506	379	218149	193	219104	393	219995	153
214996	421	217507	177	218171	369	219113	391		
		217508	375	218243	159	219115	391	230007	181
215170	155	217512	159	218244	159	219116	391	230021	153

Part No.	Page No.	Part No.	Page No.	Part No.	Page No.	Part No.	Page No.	Part No.	Page No.
230062	85	231299	189	232270	559	233093	551	234297	421
230086	169	231308	379	232271	559	233094	551	234307	421
230098	375	231309	379	232279	561	233100	551	234309	251
		231310	379	232281	561	233102	551	234370	391
230122	377	231318	201	232282	561	233103	551		
230123	453	231341	151	232283	561	233122	195	234402	395
230140	153	231356	381	232284	561			234525	163
230176	373	231393	229	232287	563	233211	195	234532	173
230177	379			232298	563	233220	199	234534	163
230184	189	231432	373	232299	563	233241	163	234603	23
		231478	23			233243	255	234612	155
230250	49	231479	23	232300	563	233244	269	234619	568
230255	467	231480	23	232309	565	233247	267	234641	155
230279	371	231498	377	232310	565	233261	568	234643	155
230288	373	231505	173	232311	565	233305	199	234734	211
230294	189	231507	369	232313	565	233324	391	234789	179
230295	189	231575	25	232315	565	233326	51		
230313	17	231577	25	232316	565	233328	51	234807	391
230328	241	231579	549	232317	565	233377	379	234817	13
230329	241			232318	565	233397	169	234828	377
230438	177	231601	215	232319	565	233398	169	234835	159
230439	177	231625	383	232320	565			234838	421
230440	177	231636	371	232321	565	233406	169	234888	195
230492	27	231737	157	232326	565	233407	169	234889	195
230507	23	231759	115	232327	565	233408	169	234901	197
230508	21	231853	369	232335	565	233409	169	234902	197
230509	173	231879	41	232336	565	233410	169	234903	197
230511	179	231880	41	232339	419	233416	169	234908	197
230655	9	231881	41	232349	419	233419	15	234928	199
230693	369	231883	41	232351	419	233427	19	234960	197
230696	153	231884	41	232361	205	233430	15	234962	197
		231885	41	232413	179	233436	169	234963	197
230736	568	231888	41	232415	159	233437	169		
230741	205	231896	437	232416	193	233438	169	235083	21
230757	189	231943	165	232425	99	233441	169	235097	381
230758	189			232464	169	233442	169	235098	381
230759	189	232026	185	232474	453	233448	163	235100	13
230760	189	232037	49	232484	453	233449	169	235208	199
230762	189	232038	49	232493	453	233473	177	235222	197
230855	369	232039	25	232497	153	233480	449	235237	369
230858	179	232042	419	232512	453	233531	265	235239	369
230996	15	232044	549	232557	173	233533	478	235240	369
		232053	215	232559	215	233566	265	235241	369
231033	161	232074	193	232560	215	233568	147	235253	369
231057	19	232095	461	232565	159	233607	9	235268	453
231071	165	232097	461	232566	255	233608	9	235416	169
231074	165	232104	197	232590	253	233573	209	235438	159
231075	165	232107	193			233419	49	235455	153
231144	15	232121	215	232604	151	233520	25		
231155	13	232122	215	232606	151	233568	75	235553	261
231183	189	232123	215	232608	167	233573	209	235592	173
231184	189	232141	419	232610	381			235646	391
231189	411	232142	419	232647	151	233625	211	235647	391
231190	245	232143	419	232684	373	233677	177	235648	391
		232144	419	232693	189	233678	177	235682	247
231213	453	232145	419	232813	169	233770	265	235726	45
231214	453	232180	419	232846	153	233771	459	235726	45
231218	9	232181	419	232955	383	233803	383	235730	455
231219	9			232960	379	233879	195	235731	455
231220	9	232212	419	232990	479			235770	45
231221	9	232244	421	232991	479	234041	261	235860	387
231242	177	232245	421			234059	449	235861	387
231251	179	232253	559	233017	255	234176	193	235919	373
231261	33	232254	559	233041	215	234191	195	235968	181
231267	33	232255	559	233042	215	234192	195	235985	159
231289	461	232256	559	233068	449	234213	259		
231290	461	232257	559	233071	449	234252	169	236003	23
231291	461	232259	559	233072	17	234291	21	236011	23
231292	461	232264	559	233073	449	234296	21	236017	245
								236018	23

Part No.	Page No.	Part No.	Page No.	Part No.	Page No.	Part No.	Page No.	Part No.	Page No.
236022	49	237143	27	239547	19	240386	11	242399	241
236060	23	237150	27	239558	265			242463	195
236067	51	237159	23	239559	265	240404	41	242491	257
236070	179	237160	161	239564	255	240406	261	242520	179
236072	177	237161	15	239565	255	240407	255	242521	179
236074	159	237163	559	239566	253	240408	71	242522	173
236137	263	237170	21	239567	253	240410	383		
236151	19	237178	203	239568	253	240417	255	242570	9
236173	13	237179	41	239569	253	240418	215	242648	21
236174	13	237183	411	239570	253	240426	478	242669	39
236175	13	237187	17			240427	478	242672	39
236176	13			239600	255	240429	267	242673	39
236183	13	237247	159	239673	231	240430	267	242674	39
236184	13	237251	153	239687	265	240431	185	242675	39
236185	13	237255	395	239688	265	240490	381	242676	39
236186	13	237279	265	239706	157	240497	478	242742	179
		237324	41	239710	237	240555	55	242830	9
236281	151	237325	39	239711	237			242861	215
236287	35	237329	39	239712	237	240628	381	242863	209
236289	81	237333	39	239715	237	240649	433	242889	21
236301	375	237339	181	239716	237	240651	21	242905	197
236305	159	237340	179	239742	215	240689	31	242926	557
236360	39	237341	373	239772	275	240708	207	242927	551
236365	267	237342	177			240714	253	242928	551
236366	265	237343	179	239820	41	240829	205	242958	35
236389	185	237344	371	239824	11	240836	568	242993	41
236393	23	237345	15	239825	11	240908	253	242996	41
236398	173	237348	545	239826	11				
		237421	476	239827	11	241090	193	243022	211
236406	23			239828	11	241103	9	243038	211
236407	23	237540	253	239829	11	241110	151	243039	211
236408	23	237544	177	239830	11	241166	25	243057	211
236417	159	237549	551	239831	11	241224	247	243071	547
236435	23	237563	23	239832	11	241225	97	243095	37
236510	393	237711	197	239833	11	241226	247	243121	209
236511	393	237774	31	239834	13	241267	21	243122	209
236534	179	237813	553	239835	13	241275	9	243123	209
236535	179	237819	553	239836	13	241283	209	243124	209
236541	163	237826	549	239837	13	241285	475	243125	209
236543	369	237884	55	239838	13			243126	209
236546	177	237912	163	239839	11	241380	211	243127	475
236547	177	237978	33	239840	11	241387	255	243128	475
236548	163	237982	159	239841	11	241388	189	243129	209
				239842	11	241445	209	243130	209
236632	177	238018	253	239842	11	241446	209	243131	209
236658	223	238019	255	239855	27	241598	161	243132	475
236665	223	238020	253	240034	549	241649	157	243185	9
236891	97	238180	265	240035	549	241650	157	243196	373
236894	247	238207	209	240037	551	241651	157	243217	547
236895	247	238208	209	240041	543	241676	199	243229	547
236896	247	238329	169	240065	383	241695	199	243237	9
236922	23	238542	193	240066	381	241696	199	243255	11
236941	373	238553	179	240087	239	241706	367	243256	11
236969	211	238707	476	240102	261	241708	381	243257	11
236986	213	238723	253	240109	549	241713	449	243258	11
236993	193			240138	35	241715	461	243294	193
236995	193	239016	461	240180	33	241839	155	243296	193
236998	223	239017	179	240181	33	241893	11	243297	193
		239089	19			241999	467		
237006	391	239160	157	240207	247			243301	193
237100	211	239192	151	240234	247	242055	27	243302	193
237110	197	239272	157	240235	247	242056	27	243303	193
237119	15	239282	263	240236	247	242108	201	243380	443
237121	185	239422	181	240270	39	242109	201	243394	29
237138	167	239449	9	240271	39	242117	193	243395	103
237139	379	239531	461	240303	33	242130	77	243419	9
237140	9	239544	19	240306	33	242139	455	243471	215
237141	565	239545	19	240308	25	242329	27	243531	15
237142	11	239546	19	240326	25	242358	435	243593	77

Part No.	Page No.	Part No.	Page No.	Part No.	Page No.	Part No.	Page No.	Part No.	Page No.
243596	549	245013	35	247208	43	247815	69	250978	25
243611	163	245014	35	247209	75	247818	69		
243618	501	245015	35	247212	71	247819	69	251320	165
243668	551	245131	529	247213	99	247824	69	251321	21
243677	547	245134	497	247512	47	247861	43	251322	215
243682	547	245135	497	247520	59	247869	43	251323	559
		245136	497	247522	57	247872	243	251324	151
243714	169	245137	497	247523	75	247874	59	251326	565
243743	195	245156	195	247526	77	247877	85	251335	163
243744	195	245296	239	247530	49	247883	85	251355	241
243767	553	245386	363	247535	47	247912	51	251600	21
243851	555	245599	455	247537	57	247916	59	251601	169
243853	555	245654	421			247919	59	251602	421
243873	163	245766	157	247540	51	247920	59	251606	563
243920	29	245767	157	247554	57	247929	97		
243957	49	245815	253	247555	57	247951	87	252084	476
243958	23	245926	237	247558	85	247952	87	252120	393
243959	43	245940	21	247563	57	247953	87	252161	75
243960	143			247564	57	247991	77	252162	205
243962	551	246109	455	247566	51			252163	211
243967	97	246115	77	247568	91	248240	197	252164	213
243968	43	246169	77	247583	83	248247	197	252180	221
243970	55	246201	23	247595	57	248248	197	252210	211
243972	87	246232	199	247606	85	248361	151	252211	67
		246233	199	247607	91	248719	151	252212	455
244009	237	246241	269	247614	53	248720	151	252220	237
244150	179	246261	25	247622	55	248806	215	252500	57
244151	179	246262	25	247624	49	248822	437	252511	399
244162	209	246330	41	247631	49	248826	437	252529	67
244163	209	246338	41	247634	49	248831	437	252611	117
244207	59	246340	15	247647	81	248863	49	252621	43
244272	566	246464	11	247651	109	248909	195	252622	43
244275	566	246543	476	247653	55	248930	83	252623	49
244276	566	246560	35	247658	55			252624	79
244279	566	246565	195	247659	55	250000	313		
244298	215	246566	195	247662	93	250004	307	253005	71
244316	239	246569	195	247663	21	250046	377	253025	75
244317	27	246762	474	247664	55	250331	393	253026	57
244339	381	246778	437	247665	55	250362	391	253027	39
244380	373			247671	85	250407	551	253029	235
244419	553	247040	53	247672	71	250431	213	253046	187
244449	237	247051	49	247674	81	250517	191	253068	111
244458	59	247069	51	247676	45	250518	27	253254	377
244487	55	247070	51	247683	85	250523	203	253809	237
244488	55	247078	59			250530	23	253817	211
244687	555	247085	75	247709	51	250531	23	253824	377
244688	555	247088	57	247714	49	250539	559	253826	211
		247094	81	247715	85	250541	561	253887	299
244700	257	247101	109	247723	85	250542	41	253888	299
244705	37	247115	83	247726	99	250543	37	253905	123
244706	35	247121	49	247730	53	250544	155	253921	423
244708	37	247127	43	247737	91	250551	209		
244709	35	247135	115	247738	91	250559	559	254800	59
244710	35	247143	85	247739	55	250572	561	254801	95
244711	35	247144	51	247742	55	250576	559	254802	151
244712	35	247145	77	247746	79	250579	559	254803	145
244713	35	247146	77	247753	423	250606	565	254804	85
244714	35	247153	91	247755	43	250693	161	254806	405
244715	35	247154	81	247758	43	250696	181	254810	187
244716	35	247159	57	247766	57	250704	393	254811	51
244717	37	247166	115	247771	45	250731	563	254812	67
244718	37	247167	115	247774	97	250830	85	254813	303
				247778	97	250840	43	254814	355
245003	35	247170	83	247796	79	250957	255	254816	209
245004	35	247171	69			250958	49	254823	189
245005	35	247172	83	247802	97	250959	383	254850	287
245008	35	247179	99	247806	71	250960	391	254851	99
245009	35	247186	49	247808	97	250961	101	254852	199
245012	35	247199	51	247811	69	250962	231	254860	319

Part No.	Page No.	Part No.	Page No.	Part No.	Page No.	Part No.	Page No.	Part No.	Page No.
254861	53	256220	51	260702	29	261865	183	262796	35
254877	183	256221	113	260704	29	261868	183	262798	331
254911	57	256222	99	260707	29	261869	183	262859	261
		256223	361	260708	29	261873	183	262860	39
255003	235	256226	57	260714	31	261874	183	262973	563
255004	225	256228	521	260719	31	261850	183	262974	563
255005	187	256230	521	260721	31	261857	183	262975	563
255006	81	256233	59	260732	29	261858	183	262977	563
255007	107	256253	205	260734	29	261880	183	262978	563
255008	51	256255	455	260737	29	261906	567		
255009	187	256256	453	260739	29	261909	567	263059	381
255021	467	256280	307	260743	31	261919	259	263142	215
255025	113	256323	209	260745	31	261921	41	263148	249
255026	49	256333	453	260747	31	261924	373	263149	249
255027	113	256335	453	260749	31	261925	373	263158	269
255028	55	256421	75	260752	31	261940	257	263332	421
255029	57	256422	465	260753	31	261941	257	263354	209
255038	223	256426	69	260754	29	261943	257	263356	393
255045	97	256429	69	260765	63	261974	29	263394	113
255046	51	256432	189	260767	29			263395	113
255047	213	256448	377	260771	31	262068	249	263455	155
255048	77	256465	189	260823	183	262069	566	263456	155
255068	49	256812	377			262072	566	263607	27
255085	43			261238	39	262079	567	263630	27
255202	217	257005	185	261239	111	262100	257	263670	27
255204	51	257011	185	261252	259	262101	257	263695	433
255206	213	257015	505	261253	259	262247	476	263732	261
255207	51	257017	469	261256	113	262269	257	263807	189
255208	45			261287	474	262278	247	263878	157
255209	237	260026	113	261410	29	262286	251		
255210	237	260055	37	261419	247	262287	251	264020	211
255211	225	260138	29	261428	173	262288	251	264021	211
255223	225	260139	29	261470	129	262289	251	264022	211
255225	75	260140	29	261483	39	262290	251	264023	211
255226	187	260141	29	261502	263	262292	251	264024	211
255227	55	260142	29	261503	261	262293	251	264137	19
255228	93	260143	29	261508	29	262294	251	264195	237
255229	297	260146	29	261512	568	262295	251	264250	157
255230	353	260155	29	261513	568	262296	251	264362	225
255238	547	260156	29	261515	381	262297	251	264374	205
255245	211	260157	65	261517	381	262299	251	264429	457
255246	89	260159	29	261518	381	262298	251	264431	113
255249	455	260163	29	261561	381	262300	251	264433	113
255251	357	260164	31	261562	29	262301	251	264435	113
255425	465	260165	31	261563	31	262303	251	264436	39
255426	465	260166	31	261564	31	262304	251	264437	113
255427	77	260167	31	261570	29	262305	251	264438	113
255428	465	260168	31	261573	381	262306	251	264466	211
		260169	31	261574	381	262307	251	264467	211
256000	223	260170	31	261575	381	262308	251	264569	13
256001	199	260173	29	261577	566	262309	251	264527	419
256002	419	260178	65					264528	419
256008	403	260179	31	261580	29	262310	251	264529	419
256009	107	260180	31	261581	29	262312	31		
256020	95	260181	31	261582	29	262313	29	264560	209
256021	147	260216	63	261584	29	262342	257	264563	209
256026	133	260266	31	261594	29	262343	257	264575	433
256027	95	260268	63	261774	373	262448	29	264590	259
256029	69	260269	31	261775	373	262468	173	264591	363
256030	57	260274	31	261776	373	262469	173	264629	433
256031	57	260275	31	261794	257	262643	566	264631	433
256033	467	260345	474	261827	565	262646	566	264643	215
256043	77	260494	65	261829	449	262647	31	264644	215
256046	405			261835	367	262658	295	264664	29
256050	389	260550	251	261844	474	262659	29	264767	219
256064	145	260583	251	261851	183	262703	35	264777	249
		260585	251	261857	183	262708	35	264778	249
256203	279	260681	567	261858	153	262728	381	264782	259
256209	59	260700	29	261862	183	262729	381	264798	549

Part No.	Page No.	Part No.	Page No.	Part No.	Page No.	Part No.	Page No.	Part No.	Page No.
264802	549	267257	13	269216	9	270702	189	271784	543
264806	165	267258	13	269240	35	270716	255	271787	545
264807	165	267392	263	269265	179	270717	255	271789	545
264837	437	267412	207	269266	179	270718	255	271790	545
264865	239	267431	377	269267	189	270741	211	271791	545
264886	239	267451	51	269268	191	270938	449	271793	545
264889	239	267572	157	269269	189	270961	185	271794	545
264963	551	267573	157	269270	191			271796	545
264965	551	267574	157	269274	477	271108	457	271797	545
264969	551	267575	157	269335	9	271151	213	271798	545
264973	551	267601	219	269365	9	271155	213	271799	545
264975	551	267615	543	269413	151	271163	213	271800	545
		267616	545	269461	399	271220	87	271801	545
265019	85	267618	543	269476	15	271225	265	271802	545
265051	545	267619	543	269562	435	271230	245	271803	545
265055	21	267620	543	269565	435	271364	183	271804	545
265068	557	267621	543	269567	435	271367	183	271805	545
265086	9	267622	543	269598	453	271368	183	271863	305
265169	47	267623	543	269611	425	271372	183	271870	249
265170	47	267779	23	269783	217	271377	183	271872	245
265174	555	267780	23	269784	217	271378	183	271881	85
265175	47	267781	15	269829	175	271379	183	271881	85
265185	555	267782	159	269829	175	271379	183	271915	457
265190	555	267795	155	269889	25	271380	183	271915	457
265200	543	267828	23	269911	83	271382	183	271975	43
265255	484	267829	21	269952	421	271384	183	272069	97
265260	41	267837	245	269953	241	271386	173	272181	183
265295	363	267950	455	269960	151	271459	457	272184	155
265331	17	267981	25	269974	27	271465	237	272185	155
265459	209			269987	35	271479	97	272191	215
265461	209	268037	243	269988	35	271496	185	272206	85
265481	363	268038	243	269989	35	271500	261	272206	85
265482	363	268245	555	269910	79	271502	79	272224	99
265495	29	268284	185	269911	79	271506	549	272303	113
265623	93	268292	53	269912	45	271568	27	272305	175
265624	93	268293	53	269913	45	271572	27	272306	261
265627	417	268341	199	269914	45	271614	39	272309	215
265495	63	268374	251	269915	45	271615	39	272310	215
265556	549	268472	25	269990	35			272376	109
265623	55	268493	219	270074	423	271731	549	272396	97
265624	55	268543	23	270095	39	271732	549	272474	99
265627	209	268568	29	270104	101	271751	543	272487	221
265642	211	268635	43	270105	97	271752	543	272498	213
265683	523	268666	549	270115	97	271754	543	272501	213
265737	13	268674	251	270133	249	271755	543	272506	213
265779	45	268698	391	270141	249	271756	543	272512	99
265989	475	268703	393	270141	249	271757	543	272539	49
		268726	549	270225	111	271758	543	272546	261
266509	467	268727	549	270235	111	271759	543	272563	79
266510	467	268763	197	270238	111	271760	543	272564	79
266683	484	268791	159	270239	111	271761	543	272577	257
266684	484	268797	97	270240	111	271762	543	272580	257
266687	484	268847	169	270241	111	271763	543	272581	257
266693	484	268848	169	270243	111	271764	543	272592	257
266694	221	268849	163	270245	111	271766	543	272594	257
266752	484	268887	49	270251	111	271765	543	272595	257
266815	555	268900	399	270274	185	271766	543	272596	161
266900	21	268903	399	270287	181	271768	543	272597	161
266924	15	268905	399	270297	249	271770	543	272599	161
266945	83	268907	399	270323	215	271771	543	272632	217
266955	171	268910	399	270324	215	271772	543	272653	484
266956	163	268910	399	270420	213	271773	543	272661	41
266966	547	268963	199	270520	209	271775	543	272704	113
266985	27			270521	209	271776	543	272712	217
266992	169	269132	223	270568	9	271777	543	272713	219
		269132	229	270598	261	271778	543	272714	217
		269162	393	270604	405	271779	543	272729	219
267016	183	269163	391	270605	419	271780	543	272730	219
267022	213	269178	419	270614	551	271781	543	272737	217
267193	205	269197	401	270656	45	271782	543	272738	217
						271783	543	272743	253
								272784	77

Part No.	Page No.	Part No.	Page No.	Part No.	Page No.	Part No.	Page No.	Part No.	Page No.
272804	223	274500	87	276397	568	277615	253	278386	233
272819	219	274645	91	276407	97	277619	97	278420	479
272820	219	274683	91	276426	249	277627	175	278434	215
272839	25	274711	89	276484	175	277633	67	278471	219
272845	217	274715	233	276501	49	277686	425	278474	175
272846	217	274772	91	276511	77	277687	425	278489	267
272850	253	274773	91	276609	53	277742	79	278490	267
272855	177	274774	91	276627	97	277765	245	278500	439
272920	221	274775	91	276719	179	277766	99	278517	97
272922	177	274783	257	276720	179	277767	99	278539	243
272934	177	274841	217	276762	59	277768	99	278540	385
272967	475	274847	97	276784	191	277769	99	278542	387
272968	475	274870	237	276785	191	277774	97	278543	387
		274880	247	276937	211	277778	229	278545	387
		274881	247	276954	474	277779	229	278546	387
273061	221	274895	484			277781	551	278547	387
273069	97	274897	449	277063	17	277815	99	278552	387
273070	97	274996	215	277103	223	277816	99	278553	385
273077	221	274997	215	277105	223	277838	99	278554	387
273163	13			277106	227	277839	99	278598	67
273166	43	275016	245	277120	67	277840	219	278664	209
273257	19	275024	49	277139	373	277843	547	278665	538
273271	75	275143	85	277140	373	277894	249	278666	209
273276	476	275199	205	277144	475	277898	247	278690	221
273341	177	275233	89	277153	223	277914	151	278698	211
273356	49	275234	51	277154	223	277918	249	278699	211
273370	249	275238	159	277217	568	277921	205	278702	439
273452	99	275239	207	277259	245	277922	199	278703	439
273483	453	275250	249	277260	245	277923	199	278766	419
273484	455	275265	99	277261	245	277929	219	278769	51
273521	97	275266	99	277262	245	277930	219	278891	435
273523	555	275371	265	277263	245	277931	261	278964	476
273529	555	275377	449	277264	245	277949	547	278967	476
273530	555	275385	543	277289	181	277956	53	278968	476
273531	555	275552	85	277294	187	277961	151		
273532	555	275565	101	277295	187	277983	223	279005	111
273585	209	275573	91	277303	219	277996	85	279006	111
273598	211	275629	159	277311	181	277999	75	279007	111
273677	83	275679	49	277320	568			279008	111
273707	261	275706	233	277368	71	278000	75	279009	111
273711	55	275709	233	277372	568	278001	113	279010	111
273714	421	275713	233	277388	51	278002	99	279011	111
273788	31	275714	233	277390	47	278010	255	279012	111
273789	59	275715	463	277446	111	278018	175	279013	111
273879	559	275742	305	277450	231	278020	205	279014	111
273881	455	275744	484	277453	231	278021	99	279015	111
273886	173	275772	151	277454	231	278025	153	279016	111
273936	253	275807	11	277455	223	278054	401	279017	111
273937	253			277472	229	278056	399	279018	111
273964	229			277478	231	278059	393	279019	111
273979	557	276013	233	277490	373	278061	393	279020	111
		276014	233	277491	373	278079	223	279021	111
274068	53	276015	233	277496	43	278109	55	279022	111
274069	53	276034	209	277502	229	278161	67	279068	399
274125	53	276039	173	277508	27	278162	67	279074	263
274145	179	276053	269	277509	433	278163	67	279100	387
274146	179	276054	269	277513	213	278164	87	279114	253
274147	179	276133	51	277531	115	278165	451	279115	253
274148	179	276134	237	277532	115	278166	477	279116	253
274154	57	276135	237	277543	113	278282	97	279168	69
274172	49	276141	237	277544	113	278283	261	279169	69
274173	49	276176	484	277553	97	278286	47	279188	459
274174	49	276201	173	277556	99	278359	243	279330	15
274323	247	276267	97	277560	185	278372	13	279331	441
274377	257	276317	259	277565	229	278373	13	279340	255
274378	257	276320	173	277592	229	278374	13	279341	255
274379	257	276322	568	277593	53	278375	13	279342	478
274423	207	276323	568	277611	25	278376	13	279343	478
274433	568	276382	97	277612	229	278383	263	279400	253
274469	211	276396	568						

Part No.	Page No.	Part No.	Page No.	Part No.	Page No.	Part No.	Page No.	Part No.	Page No.
279412	199	279969	209	303661	547	307199	311	320085	447
279418	199	279970	209	303662	553	307220	291	320174	439
279419	559			303663	551	307234	479	320175	439
279420	559	300715	187	303701	187	307235	479	320197	439
279421	559	300716	187	303729	215	307279	547	320198	439
279422	559	300781	271	303750	289	307280	547	320245	531
279423	559	300782	281	303809	501	307289	355	320251	439
279424	559	300783	271	303817	287	307339	509	320273	439
279425	559	300785	311	303821	287	307418	501	320276	243
279426	559	300789	271	303824	287	307419	501	320333	243
279427	559	300816	213	303828	287	307420	501	320345	291
279428	559	300824	241	303829	287	307838	435	320500	307
279429	559	300851	279	303847	271	307909	305	320502	437
279430	559	300919	271	303871	279	307977	301	320521	535
279431	559	300924	273	303875	279	307978	301	320532	482
279432	561	300953	311	303907	305	307992	305		
279433	563	300954	311	303954	555			330000	305
279434	563			303975	299	308070	489	330060	305
279435	563	301005	315	303990	305	308136	531	330061	305
279436	563	301074	287	303995	183	308137	531	330067	295
279437	563	301139	371	303996	183	308144	531	330068	295
279438	563	301332	311	303997	183	308155	531	330069	289
279439	563	301343	311			308156	531	330076	299
279440	563	301437	287	304054	501	308173	531	330077	299
279441	563	301470	447	304098	433	308206	281	330111	301
279442	563	301476	447	304099	433	308310	531	330112	301
279443	565	301489	447	304111	305	308461	539	330113	301
279444	565	301879	271	304125	291	308517	315	330114	301
279445	565	301957	371	304234	329	308713	531	330115	299
279446	565			304235	329	308714	531	330116	299
279447	565	302164	331	304236	329			330117	299
279448	565	302165	333	304301	313	310599	363	330118	299
279449	565	302174	347	304326	433	311200	421	330122	299
279450	559	302177	331	304327	433	311373	263	330123	299
279452	199	302178	331	304331	437			330126	295
		302186	271	304345	433	312027	289	330132	295
279517	263	302207	331	304346	433	312028	501	330138	295
279518	263	302222	273	304348	433	312856	503	330139	295
279519	249	302262	331	304401	279			330143	305
279551	425	302371	335	304434	480	313385	245	330144	293
279554	55	302372	335	304797	311	313484	501	330145	277
279573	49	302373	335	304871	281	313493	331	330146	301
279605	53	302532	283	304874	299	313858	301	330147	293
279629	173	302533	287			313860	519	330149	243
279630	439	302581	283	305192	347	313959	243	330157	301
279633	173	302648	447	305232	357	313998	483	330158	301
279651	249	302655	447	305665	555	313999	483	330159	301
279652	249	302672	433					330160	301
279653	249	302677	435	306036	355	314000	483	330162	303
279678	209	302811	271	306039	495	314001	483	330163	303
279679	209	302818	273	306199	501	314002	483	330198	301
279697	387	302825	273	306200	501	314003	483	330202	303
279698	387	302828	273	306287	329	314004	483	330203	519
279702	97	302854	301	306289	329	314005	483	330204	271
279724	67	302859	301	306295	357	314006	483	330205	271
279762	557	302933	271	306316	501	314007	483	330208	271
279783	451	302934	273	306326	501	314008	483	330212	273
279785	451	302954	281	306340	311	314009	483	330214	271
279786	385	302958	253	306375	311	314203	519	330215	271
279800	213	302986	187	306407	509	314394	505	330224	271
279810	97			306408	493			330225	271
279811	429	303203	303	305421	305	315264	531	330233	271
279846	241	303568	555	306426	437			330234	271
279847	421	303610	547	306460	365	320009	433	330243	277
279848	241	303612	547	306461	331	320045	283	330245	271
279861	451	303618	547	306465	241	320046	331	330265	271
279863	241	303650	555	306471	309	320047	331	330267	271
279880	295	303654	555	306474	309	320055	283	330271	271
279957	241	303658	555	306564	309	320084	447	330279	271

Part No.	Page No.	Part No.	Page No.	Part No.	Page No.	Part No.	Page No.	Part No.	Page No.
330301	271	330562	315	330951	271	331166	365	331493	482
330303	273	330567	313	330952	299	331168	482	331497	505
330304	273	330568	313	330953	299	331170	289	331498	505
330315	271	330575	311	330954	299	331179	537	331508	505
330316	271	330578	313	330956	299	331180	505	331526	365
330326	287	330579	317	330957	299	331186	505	331527	365
330327	287	330585	287	330958	277	331187	505	331530	363
330333	287	330586	287	330959	359	331192	505	331532	533
330336	287	330599	297	330961	359	331193	505	331547	537
330337	287			330963	329	331196	505	331549	363
330342	283	330600	479	330964	329	331203	505	331550	363
330347	285	330602	279	330966	335	331213	537	331553	363
330348	285	330615	281	330969	447	331214	537	331554	363
330349	285	330616	279	330971	479	331216	537	331556	363
330351	283	330617	277	330972	479	331220	311	331557	363
330352	283	330621	307	330974	480	331221	311	331560	363
330359	285	330622	313	330976	433	331222	311	331561	363
330366	273	330623	313	330978	311	331228	447	331564	363
330367	273	330648	295	330979	311	331229	447	331565	363
330380	285	330660	301	330980	321	331233	291	331567	363
330381	285	330661	301	330981	311	331249	321	331568	363
330387	285	330663	277	330982	311	331259	321	331570	363
330389	285	330664	277	330983	311	331260	321	331571	363
330393	309	330665	307	330984	321	331262	281	331574	363
330394	309	330666	307	330985	321	331272	291	331576	363
330399	273	330667	307	330986	317	331273	289	331578	363
		330668	307	330987	317	331275	319	331579	363
330409	299	330669	307	330988	435	331276	319	331581	363
330411	299	330670	307	330990	315	331281	319	331589	537
330412	299	330699	323	330991	315	331291	501	331590	537
330416	299	330717	281	330992	483	331292	501	331599	537
330419	273	330718	277	330993	483				
330422	273	330750	361	330994	483	331307	325	331600	537
330424	293	330762	359	330995	299	331308	325	331605	537
330425	293	330767	361	330997	325	331314	447	331607	537
330426	293	330768	359	330998	325	331315	447	331610	537
330427	293	330769	359	330999	311	331316	317	331616	533
330436	293	330780	359			331317	321	331638	505
330437	293	330782	361	331006	291	331318	325	331646	535
330442	277	330788	331	331007	291	331346	319	331647	535
330443	293	330789	331	331008	291	331347	319	331648	482
330444	293	330790	359	331022	287	331349	319	331652	482
330445	293	330791	359	331023	289	331356	365	331655	482
330447	293	330792	359	331028	289	331361	319	331658	482
330448	293	330793	359	331029	289	331362	319	331669	537
330457	241	330798	359	331030	289	331371	317	331670	537
330459	295	330799	359	331031	289	331372	317	331673	319
330460	295	330812	295	331042	289	331390	482	331674	319
330468	277	330824	277	331049	289	331391	482	331675	319
330480	307	330830	323	331071	289	331392	365	331676	319
330487	307	330832	271	331074	291	331393	365	331689	289
330507	323	330833	271	331083	291	331400	365	331699	535
330529	261	330840	277	331086	311	331401	503	331702	365
330530	293	330841	277	331102	291	331402	365	331703	365
330531	293	330848	339	331103	291	331403	365	331707	531
330534	293	330850	307	331104	291	331408	289	331708	531
330535	315	330875	307	331105	311	331411	365	331713	289
330536	301	330876	307	331106	311	331415	365	331716	289
330539	301	330877	307	331110	311	331437	365	331717	289
330540	301	330878	331	331113	311	331438	365	331718	291
330541	315	330881	283	331114	291	331452	365	331719	291
330542	301	330894	361	331122	501	331456	365	331720	291
330543	295	330896	323	331126	289	331457	365	331721	289
330548	295	330897	327	331127	289	331458	365	331724	289
330551	313	330898	301	331138	289	331471	289	331726	291
330553	313	330899	301	331148	501	331480	537	331727	289
330557	313	330908	187	331149	501	331481	537	331728	289
330559	313	330914	307	331150	363	331491	482	331730	289
330561	315	330950	241	331163	365	331492	482	331744	289

Part No.	Page No.	Part No.	Page No.	Part No.	Page No.	Part No.	Page No.	Part No.	Page No.
331745	289	332324	337	332603	285	332999	480	333349	345
331776	365	332325	337	332605	313			333350	345
331780	365	332326	307	332611	480	333031	355	333355	345
331781	365	332327	307	332614	480	333032	355	333356	345
331784	533	332329	337	332625	295	333033	355	333357	345
331807	365	332340	533	332627	519	333034	355	333358	345
331810	365	332341	329	332631	307	333035	355	333395	533
331811	365	332355	533	332632	307	333036	355	333399	533
331812	365	332357	533	332640	241	333037	355		
331813	365	332372	355	332642	482	333039	355	333400	533
331818	291	332376	533	332647	305	333040	355	333401	347
		332377	281	332656	241	333041	357	333402	347
332000	329	332385	333	332658	521	333044	519	333403	347
332005	331	332386	333	332660	481	333045	519	333404	347
332025	335	332391	333	332661	481	333080	301	333410	521
332028	335	332392	333	332670	243	333081	519	333411	521
332040	333	332393	333	332672	279	333082	519	333415	355
332041	333	332397	333	332674	279	333083	519	333416	355
332047	333	332398	333	332683	359	333089	519	333435	355
332052	329					333093	519	333438	495
332065	339	332400	297	332700	479	333095	521	333439	357
332080	329	332401	297	332715	309	333096	521	333440	497
332081	329	332402	482	332725	305	333097	511	333444	497
332083	333	332403	482	332729	187			333445	357
332084	333	332411	299	332732	301	333100	523	333446	355
332089	331	332432	355	332733	519	333101	523	333447	355
332097	331	332434	355	332736	281	333137	521	333452	509
332098	307	332435	480	332744	337	333140	301	333458	479
		332440	477	332745	337	333159	509	333459	479
332112	331	332445	299	332746	303	333160	511	333467	331
332113	331	332446	299	332747	519	333161	511	333468	333
332115	349	332453	281	332749	303	333176	509	333473	435
332121	331	332454	281	332750	303	333183	511	333479	435
332122	331	332459	319	332751	359	333184	511	333486	359
332143	331	332465	317	332752	491	333189	509	333487	331
332146	329	332466	253	332756	509			333490	347
332147	357	332467	253	332783	337	333201	509		
332149	329	332484	301			333202	509	333507	531
332150	329	332485	301	332937	489	333203	527	333510	533
332151	329	332487	283	332942	495	333204	521	333526	531
332152	331	332492	357	332943	357	333211	513	333527	531
332154	331	332493	497	332945	359	333228	521	333528	531
332157	333			332950	317	333229	523	333562	509
332181	331			332951	321	333233	523	333607	283
332182	333	332505	283	332952	325	333234	509	333693	285
332183	333	332509	283	332956	363	333235	509	333698	283
332194	489	332510	285	332958	365	333243	511		
332199	185	332518	283	332960	476	333244	511	333702	283
		332521	273	332961	476	333252	353	333710	299
332200	339	332522	283	332962	476	333253	493	333714	511
332201	335	332531	439	332963	476	333254	493	333717	299
332215	331	332540	439	332965	439	333257	517	333718	299
332216	337	332545	439	332968	287	333259	523	333720	521
332217	337	332550	307	332969	480	333260	523	333745	511
332223	337	332551	439	332970	480	333261	523		
332230	337	332552	441	332971	479	333262	523	333819	345
332240	505	332553	441	332972	479	333263	511	333835	489
332280	339	332555	441	332973	443	333266	509	333836	489
332281	339	332556	441	332974	455	333267	509	333837	353
332282	339	332557	441	332977	345	333268	517	333972	273
332283	339	332558	433	332978	345	333271	480	333983	347
332284	339	332563	357	332983	509	333272	480		
332293	343	332564	357	332985	363	333277	531	334000	335
		332565	503	332986	365	333280	531	334001	329
332306	337	332566	357	332987	353	333293	535	334002	329
332307	337	332581	295	332991	479	333294	535	334033	329
332308	339	332582	271	332992	479	333295	535	334004	329
332313	413	332588	309	332995	482	333347	345	334005	345
332317	480	332589	293	332997	480	333348	345	334006	345

Part No.	Page No.	Part No.	Page No.	Part No.	Page No.	Part No.	Page No.	Part No.	Page No.
334007	345	500249	201	500880	435	502026	215	503005	547
334008	345	500250	203			502029	121	503008	551
334044	283	500252	201	500907	467	502032	221	503010	551
334073	341	500253	201	500961	109	502037	377	503015	555
334074	413	500254	203	500978	173	502039	377	503033	463
334075	411	500257	223	500999	213	502044	377	503039	387
334111	501	500289	539			502087	185	503041	431
334114	307	500290	539	501006	213	502096	457	503054	565
334115	307			501018	231	502097	199	503125	568
334121	307	500359	547	501019	431	502116	41	503147	419
334174	531	500388	467	501025	482	502125	455	503160	474
334176	531	500399	553	501030	97	502201	161	503163	553
334177	531			501031	59	502202	167	503169	553
334179	281	500400	553	501032	263	502205	167	503174	565
334189	287	500411	259	501033	263	502209	55	503204	199
334190	337	500412	259	501034	263	502248	177	503266	55
334245	319	500413	259	501039	59	502280	177	503269	173
334246	319	500414	459	501041	59	502281	71	503307	235
334617	285	500427	425	501053	497	502282	71	503309	235
334707	329	500429	538	501070	538	502283	71	503310	235
334708	329	500432	538	501081	443	502285	71	503410	553
334713	329	500435	539	501129	261	502286	71	503417	549
334714	329	500436	539	501175	69	502287	71	503424	568
334719	345	500437	539	501198	75	502333	484	503428	185
334720	345	500438	538	501224	99	502335	484	503430	67
334725	345	500445	539	501245	183	502406	181	503433	553
334726	345	500446	538	501246	183	502482	159	503434	227
334727	329	500447	538	501251	99			503448	553
334729	329	500457	25	501253	21	502501	476	503461	551
334731	345	500461	203	501270	476	502516	173	503467	201
334733	345			501355	265	502521	423	503468	201
334873	480	500513	257	501389	209	502523	419	503469	203
334874	480	500514	257	501390	209	502526	215	503471	203
		500515	257	501391	209	502527	557	503492	245
340390	359	500527	261	501412	173	502532	211	503587	49
340391	359	500555	419	501422	69	502559	173	503665	11
340704	363	500556	423	501428	247	502560	173	503746	53
		500559	263	501444	211	502583	99	503747	79
355847	365	500566	553	501445	211	502615	85	503748	79
357072	474	500569	551	501451	391	502617	265	503754	484
357081	474	500571	255	501453	397	502653	451	503887	61
		500588	499	501471	175	502655	451	503888	61
500115	563	500597	115	501472	175	502656	53	503889	61
500116	563			501473	175	502710	179	503890	61
500117	563	500610	19	501474	175	502711	179	503891	61
500129	43	500625	427	501475	175	502712	179	503893	61
500132	47	500638	47	501501	159	502713	179	503895	61
500133	47	500639	47	501563	253	502714	179	503896	61
500134	47	500640	47	501568	27	502715	189	503897	61
500135	47	500641	47	501569	263	502723	425	503898	61
500136	47	500642	47	501570	263	502729	425	503899	63
500137	47	500645	151	501593	9	502776	97		
500138	47	500669	476	501617	157	502830	478	503900	63
500139	47	500695	476	501620	538	502832	59	503901	63
500140	47	500696	565	501621	538	502898	67	503902	63
500141	47			501676	43	502899	67	503903	63
500142	47	500710	245	501677	43	502900	67	503904	63
500143	47	500746	213	501679	257	502951	273	503905	63
500144	49	500764	85	501680	367	502952	565	503906	63
500145	49	500792	57	501683	455	502953	559	503907	63
500199	425			501684	457	502961	451	503908	63
		500817	538	501690	265	502968	565	503909	63
500201	219	500818	538	501691	265	502969	565	503910	63
500209	467	500821	538	501692	263	502982	67	503911	63
500212	467	500823	538	501693	263	502997	549	503912	65
500213	467	500833	539	501694	263	502998	555	503913	65
500225	249	500837	457	501735	251			503914	65
500227	457	500838	459			503002	555	503915	65
500229	457	500839	538	502006	19	503004	549	503916	65

Part No.	Page No.	Part No.	Page No.	Part No.	Page No.	Part No.	Page No.	Part No.	Page No.
503917	65	504659	169	507681	173	509141	411	511681	77
503918	65	504667	551	507682	173	509217	241	511682	41
503919	65	504673	245	507687	484	509233	167	511833	9
503920	65	504683	61	507693	484	509407	225	511871	473
503921	65	504684	539	507821	567	509412	249	511878	215
503922	65	504685	539	507822	567	509413	539	511879	215
503923	65	504697	477	507823	567	509414	539	511956	59
503924	65	504699	229	507824	567	509446	405	511957	59
503925	65	504736	59	507825	567	509448	183	511958	59
503927	567	504766	423	507826	567	509449	183	511963	107
503928	567	504840	49	507828	567	509463	223		
503929	567	504844	45	507829	53	509476	477	512086	475
503930	567	504869	177	507845	387	509481	477	512102	475
503931	567	504922	427			509482	477	512105	63
503932	567			508033	475	509483	477	512106	63
503933	567	505144	257	508034	475	509510	477	512107	63
503934	567	505145	457	508035	273	509513	99	512205	53
503935	567	505150	257	508060	243	509536	403	512206	53
503936	567	505196	257	508148	199	509556	223	512207	53
503937	567	505197	257	508152	179	509558	225	512208	53
503938	567	505198	257	508153	179	509582	235	512237	151
503939	63	505244	245	509175	181	509730	249	512238	151
503940	65	505361	79	508227	553	509751	173	512249	113
503979	482	505675	193	508228	553	509754	435	512251	261
503981	193	505676	193	508239	553	509765	241	512305	87
503982	265	505701	63	508257	553	509766	241	512322	185
		505798	253	508283	553	509767	241	512338	263
504006	43	505805	101	508284	553	509769	241	512352	185
504007	43	505826	235	508339	389	509856	221	512359	185
504032	57	505828	235	508390	453	509860	555	512385	467
504048	457	505853	235	508392	476	509861	555	512401	31
504062	545	505855	235	508393	476	509866	555	512402	61
504080	419	505898	61	508394	476	509867	213	512412	43
504104	219			508412	453	509871	241	512415	195
504105	219	506003	59	508493	469	509884	167	512416	195
504106	219	506069	49	508494	551	509909	101	512417	197
504130	257	506203	371	508499	469	509910	538	512420	565
504135	219	506204	371	508516	551	509912	538	512501	425
504136	219	506205	371	508544	538	509925	249	512701	159
504233	245	506206	371	508545	538	509926	538	512706	41
504246	393	506207	371	508565	199	509939	167	512797	113
504248	399	506210	67	508566	199	509950	481	512798	113
504250	399	506276	241	508571	371	509970	217	512799	113
504252	399	506284	551	508581	201			512800	113
504253	399	506287	391	508582	203	510127	476	512806	35
504272	187	506289	553	508591	173	510119	435	512828	123
504275	187	506290	553	508690	385	510081	476	512838	199
504276	187	506296	551	508691	385	510078	87	512839	219
504279	187	506679	261	508692	385	510032	567	512887	173
504282	387	506706	151	508863	475	510033	567	512889	111
504283	387	506794	49	508895	213	510170	213	512891	477
504287	385	506796	97	508896	213	510176	259	512896	477
504299	419	506814	53	508947	481	510177	459	512897	477
504433	177	506818	19	508950	481	510178	457		
504458	551	506863	385	508952	481	510179	257	513071	568
504459	551			508953	481	510315	69	513072	568
504485	61	507026	53	508957	481	510469	257	513174	29
504577	193	507129	253	508958	481	510489	115	513193	469
504588	85	507147	465	508959	481	510573	195	513223	265
504605	389	507172	469	508962	225	510575	197	513282	265
504606	389	507198	257			510697	474	513314	257
504607	389	507199	257	509009	97	510730	57	513428	385
504616	476	507300	465	509011	97	510805	57	513429	385
504619	67	507308	465	509045	173			513454	177
504621	67	507311	465	509046	175	511036	17	513465	59
504625	547	507312	465	509076	371	511302	474	513481	91
504655	245	507315	153	509085	387	511303	474	513506	61
504656	245	507447	167	509120	481	511350	9	513507	63
504657	245	507526	247	509140	411	511680	55	513617	97

Part No.	Page No.	Part No.	Page No.	Part No.	Page No.	Part No.	Page No.	Part No.	Page No.
513639	55	515086	149	515729	141	517706	101	519671	457
513640	55	515090	141	515734	175	517707	101	519672	457
513641	55	515133	403	515835	481	517711	101	519705	457
513649	27	515291	49	515845	173	517773	453	519725	433
513694	71	515313	65	515848	183	517836	417	519726	433
513926	137	515314	65	515849	183	517837	417	519740	253
513927	137	515321	51	515923	207	517838	417	519742	253
513928	137	515323	51	515924	205	517839	417	519743	255
513929	137	515331	235	515925	205	517855	105	519744	253
513937	261	515332	235	515926	207	517860	105	519746	253
513940	199	515405	193	515927	207	517868	477	519753	185
513989	467	515406	193	515980	101	517869	477	519755	185
		515437	97	515986	467	517877	187	519775	253
514142	459	515455	205	515987	467	517878	187	519782	263
514143	459	515463	205			517907	219	519783	263
514144	457	515464	205	516031	205	517976	97	519784	263
514145	259	515465	205	516057	225	518281	143	519806	263
514146	259	515466	207	516059	59	518362	453	519814	263
514147	259	515467	207	516082	149	518363	453	519827	253
514148	257	515468	207	516092	135	518437	191	519838	245
514149	257	515470	207	516133	43	518466	123	519840	253
514150	257			516136	43	518468	47	519841	253
514151	457	515505	235	516318	437	518473	157	519857	538
514152	257	515506	235	516399	477	518674	453	519863	25
514153	259	515508	183	516410	217	518676	183	519864	49
514189	147	515509	183	516473	355	518677	183	519865	457
514190	147	515510	403	516475	465	518682	219	519866	457
514191	147	515511	403	516476	465	518712	465	519873	539
514192	147	515512	403	516477	465	518719	123	519874	539
514193	147	515513	403	516478	465	518725	43	519875	538
514194	147	515514	403	516479	465	518748	45	519876	363
514195	147	515515	403	516480	465	518750	45	519899	265
514224	85	515516	403	516481	465	518751	45	519900	261
514296	465	515517	403	516482	465	518752	45	519979	469
514304	465	515518	403	516483	465	518753	45	520039	49
514315	123	515519	409	516484	465	518754	45	520041	117
514416	479	515520	409	516485	465	518755	45	520098	469
514423	57	515521	409	516486	465	518756	45	520237	121
514450	59	515522	409	516487	465	518757	45	520240	121
514451	57	515523	409	516488	465	518758	45	520242	121
514472	75	515524	409	516489	465	518759	45	520244	121
		515525	409	516490	465	518760	45	520246	121
514526	45	515526	409	516495	480	518761	45	520248	121
514527	43	515527	411	516496	235	518762	45	520849	217
514560	543	515528	411	516853	474	518808	83	520850	217
514561	543	515529	411	516914	241	518818	59	520936	121
514562	545	515530	411	516945	235	519004	111	520937	121
514563	543	515531	411			519005	111	520938	121
514564	545	515532	411	517026	77	519006	111	520939	121
514574	543	515534	411	517055	477	519007	111	520940	121
514575	543	515535	411	517057	477	519008	111	520941	121
514577	484	515536	411	517469	235	519009	111	520942	121
514578	484	515537	411	517489	453	519010	111	520943	121
514623	568	515538	411	517502	249	519011	111	520952	121
514624	568	515539	411	517507	183	519054	51	520953	121
514650	167	515540	411	517567	239	519055	51	520954	121
514651	453	515541	411	517577	413	519064	11	520955	121
514721	269	515542	411	517585	249	519206	179	520977	121
514734	261	515543	411	517613	243	519248	175	520978	121
514790	185	515548	411	517632	235	519249	175	521027	478
514827	185	515549	403	517682	101	519250	175	521488	467
514840	185	515550	403	517683	101	519251	175	521543	197
514887	261	515552	137	517684	103	519252	175	521544	197
514893	75	515572	123	517685	103	519253	175	521584	101
514895	263	515573	123	517686	103	519254	175	521600	85
514900	363	515597	235	517687	101	519255	175	521771	221
514929	261	515598	235	517689	101	519440	47	522297	153
514934	467	515599	151	517690	101	519602	478	522318	153
514935	263	515677	121	517692	105	519638	185	522319	153

Part No.	Page No.	Part No.	Page No.	Part No.	Page No.	Part No.	Page No.	Part No.	Page No.
522607	47	524684	97	527271	474	531501	185	580036	405
522646	457	524769	131	527272	63	531518	261	580038	403
522651	474	524806	91	527273	61	531530	253	580039	405
522756	105	524838	53	527275	65	531539	479	580041	403
522870	474	524839	53	527280	474	531636	469	580042	403
522872	474	524841	129	527281	474	531637	469	580043	403
522882	457	524846	49	527328	474	531642	469	580044	403
522913	75	524848	43	527442	423	531643	469	580045	405
522923	474	524860	123	528037	61	531875	423	580046	403
522937	101	524865	123	528038	63	531877	473	580047	403
522938	101	524874	179	528039	61	531879	427	580048	403
522939	101	524875	179	528041	63	531881	471	580063	403
522940	101	524959	568	528053	61	531888	197	580064	403
523084	217	525131	49	528108	97	531889	197	580067	403
523143	123	525168	101	528114	117	531892	197	580070	413
523164	484	525182	49	528162	475	531893	197	580071	413
523181	129	525205	471	528163	475	531894	173	580084	413
523208	123	525327	53	528443	181	531905	199	580085	413
523240	45	525389	53	528900	539	531906	199	580086	413
523321	45	525390	53	528919	265	531945	457	580087	413
523322	45	525428	9	528931	263	531947	478	580088	413
523323	45	525481	117	528950	253	531949	479	580089	413
523324	45	525500	53	528953	469	531951	479	580090	413
523325	45	525520	117	528955	469	532044	197	580091	413
523326	45	525521	117	528956	469	532156	469	580092	413
523327	45	525588	474	528957	469	532267	181	580093	413
523328	45	525590	451	528958	469	532268	181	580094	411
523329	45	525852	45	528963	265	532566	147	580095	411
523330	45	525853	45	528968	469	532567	147	580096	415
523331	45	525854	45	528987	469	532568	145	580098	413
523332	45	525855	45	529089	61	532569	145	580099	415
523335	45	525856	43	529303	75	532570	145	580100	413
523336	47	525857	43	529365	45	532571	145	590101	413
523338	47	525927	45	529443	478	532572	145	580102	415
523339	47	525975	129	529963	263	532573	145	580103	415
523340	47	526151	59	529965	263	532574	145	580104	413
523354	59	526225	75	529966	265	532575	145	580105	415
523385	257	526258	111	529968	263	532576	145	580106	415
523410	425	526353	478	529969	245	532577	145	580107	415
523500	427	526354	478	529970	538	532578	145	580108	413
523637	255	526355	478	529971	145	532579	145	580110	415
523638	568	526357	478	529972	123	532580	145	580111	415
523655	417	526358	478	530012	469	533822	474	580112	415
523683	451	526360	263	530034	253	580001	403	580113	413
523693	241	526426	478	530047	263	580003	403	580114	413
523695	217	526427	478	530051	261	580004	403	580117	415
523696	217	526428	478	530071	253	580007	403	580118	415
523707	415	526429	478	530073	261	580008	405	580119	415
523708	415	526430	478	530083	263	580009	405	580120	415
523905	87	526432	478	530084	265	580010	405	580121	415
523916	217	526440	263	530085	265	580011	405	580122	411
524134	453	526528	145	530086	265	580012	405	580123	411
524135	403	526756	211	530130	429	580015	405	580124	407
524136	403	526768	405	530132	425	580016	405	580125	415
524138	43	526769	213	530135	387	580017	405	580126	415
524151	47	526777	215	530303	425	580018	405	580127	415
524152	47	526810	211	530304	425	580019	405	580128	415
524153	47	526811	211	530305	425	580020	405	580132	407
524154	47	526812	211	530476	59	580021	405	580133	403
524155	47	526991	241	530477	59	580022	405	580134	405
524200	59	526992	241	530478	59	580026	409	580135	405
524203	119	526993	189	530511	429	580027	409	580136	405
524206	45	526994	189	530556	243	580028	409	580137	403
524207	147	527010	247	530590	59	580029	409	580138	403
524210	147	527164	47	530621	405	580030	409	580139	403
524497	457	527167	45	530756	71	580031	403	580140	405
524498	459	527169	121	531080	211	580032	405	580141	405
524587	61	527240	129	531081	475	580033	405	580142	413
524637	43	527270	474	531082	211	580035	403	580152	407