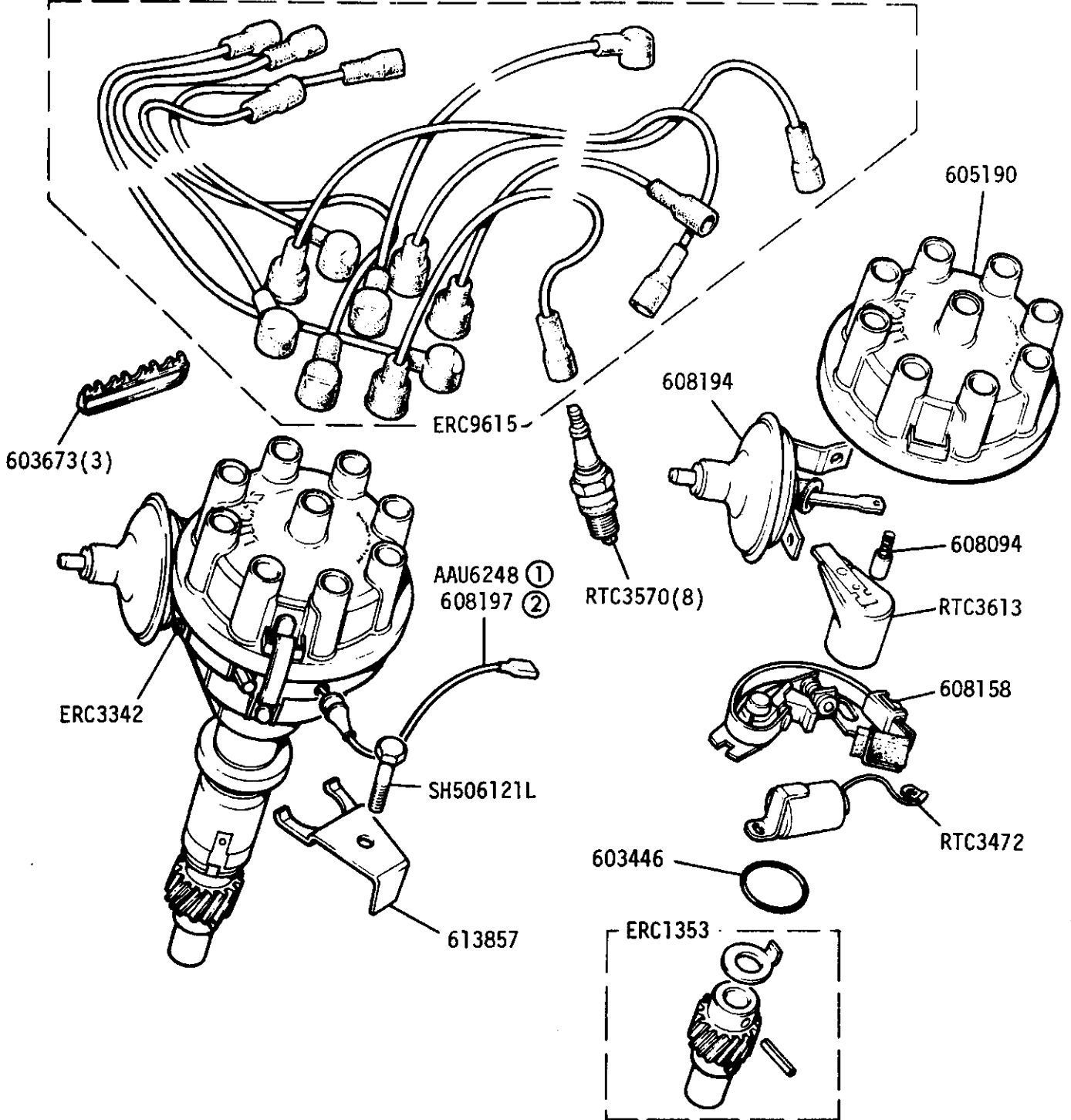


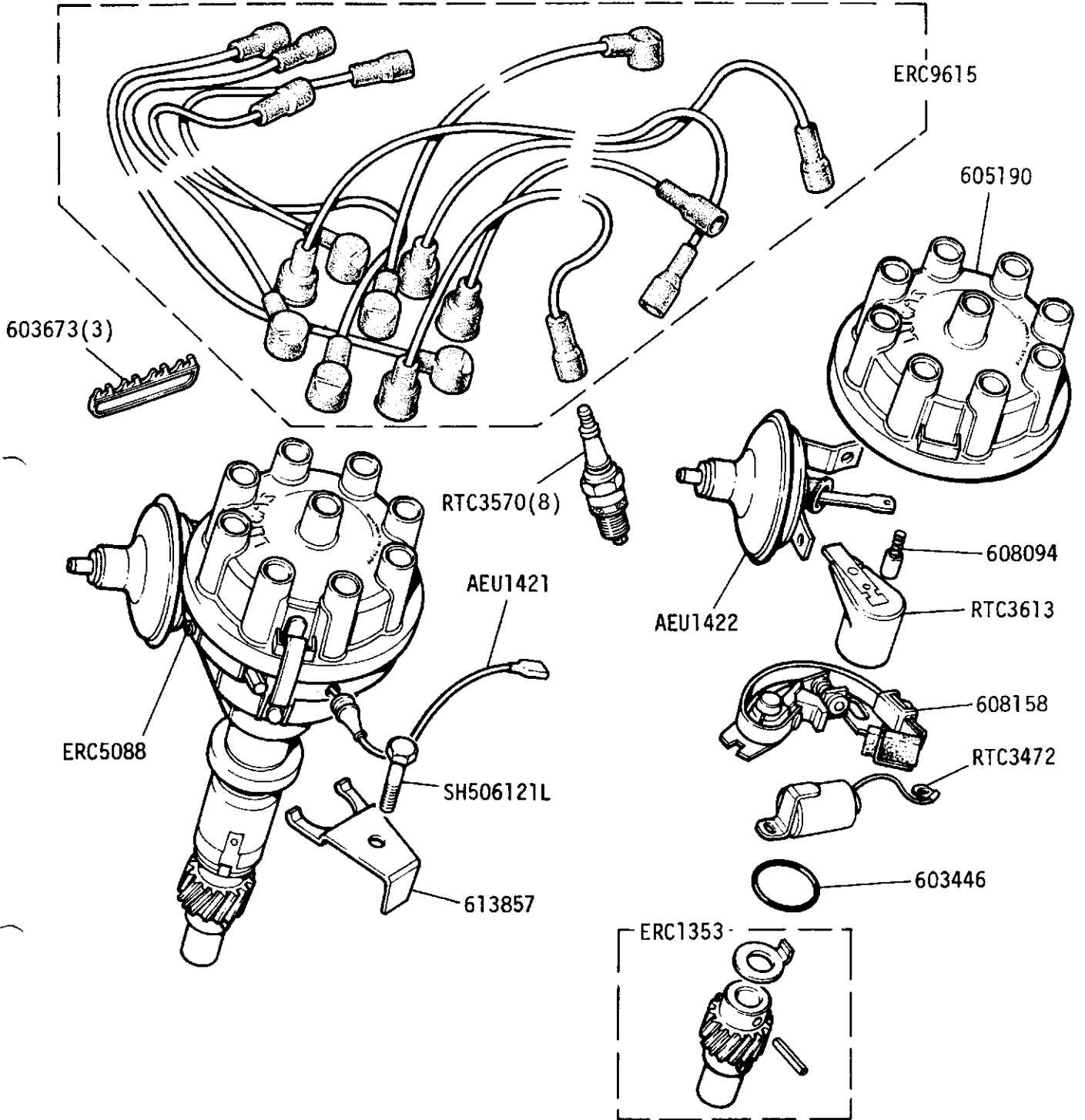
GROUP K  
 ENGINE - Distributor and Ignition Harness (Non-Detoxed Engine) 109 V8



- |   |                                  |
|---|----------------------------------|
| ① 3 <sup>3</sup> / <sub>16</sub> " long | Use with Lucas 41680 A and B     |
| ② 4" long                               | Use with Lucas 41680 D, E and F. |

GROUP K

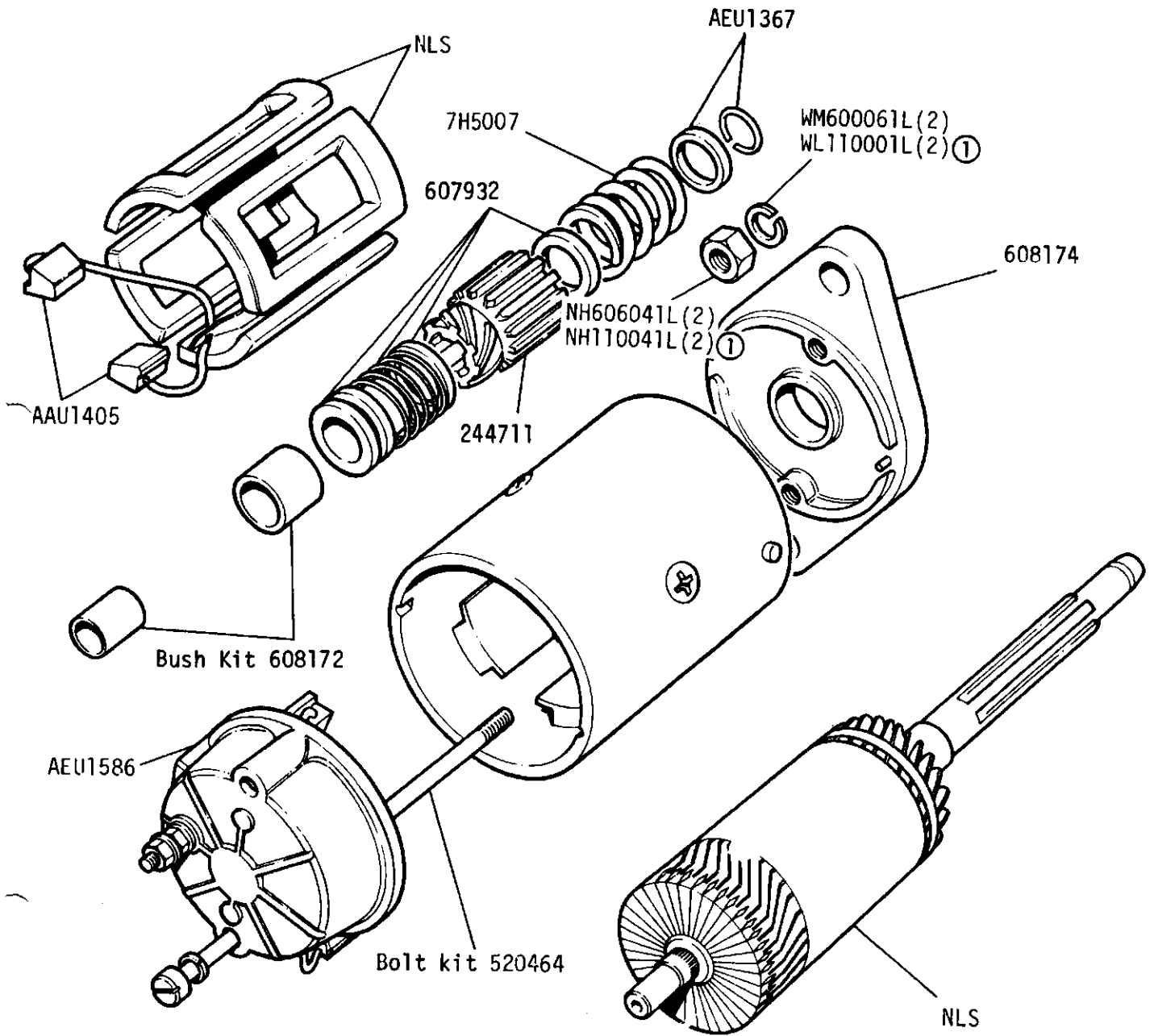
ENGINE - Distributor and Ignition Harness (Detoxed Engine) 109 V8





GROUP K

ENGINE - Starter Motor 2½ Litre Petrol Type 2M100



Starter Motor Assembly RTC3854

Sundry Parts Kit 90608178

① From engine numbers 36123672B, 36407286B

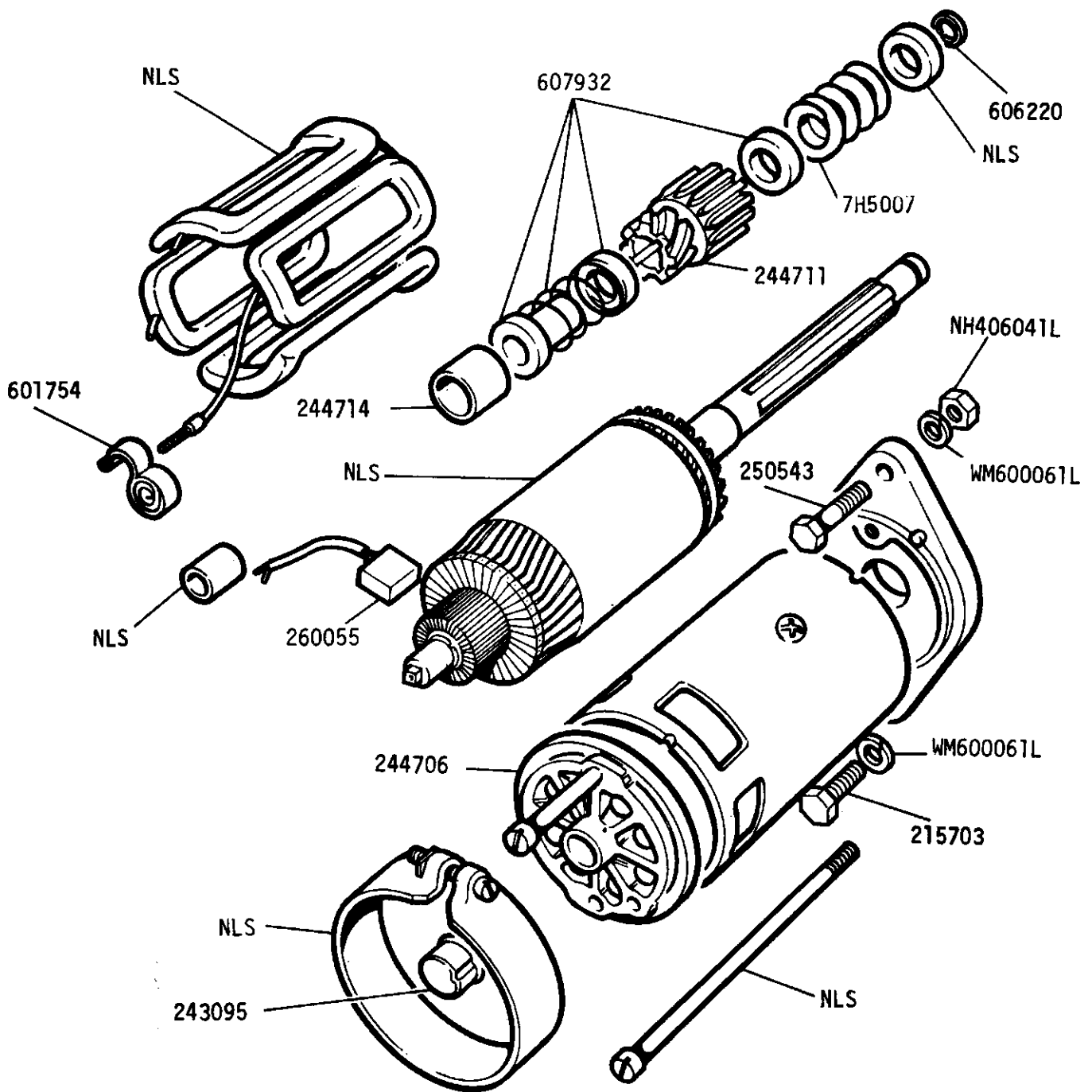


LAND ROVER

2E 07

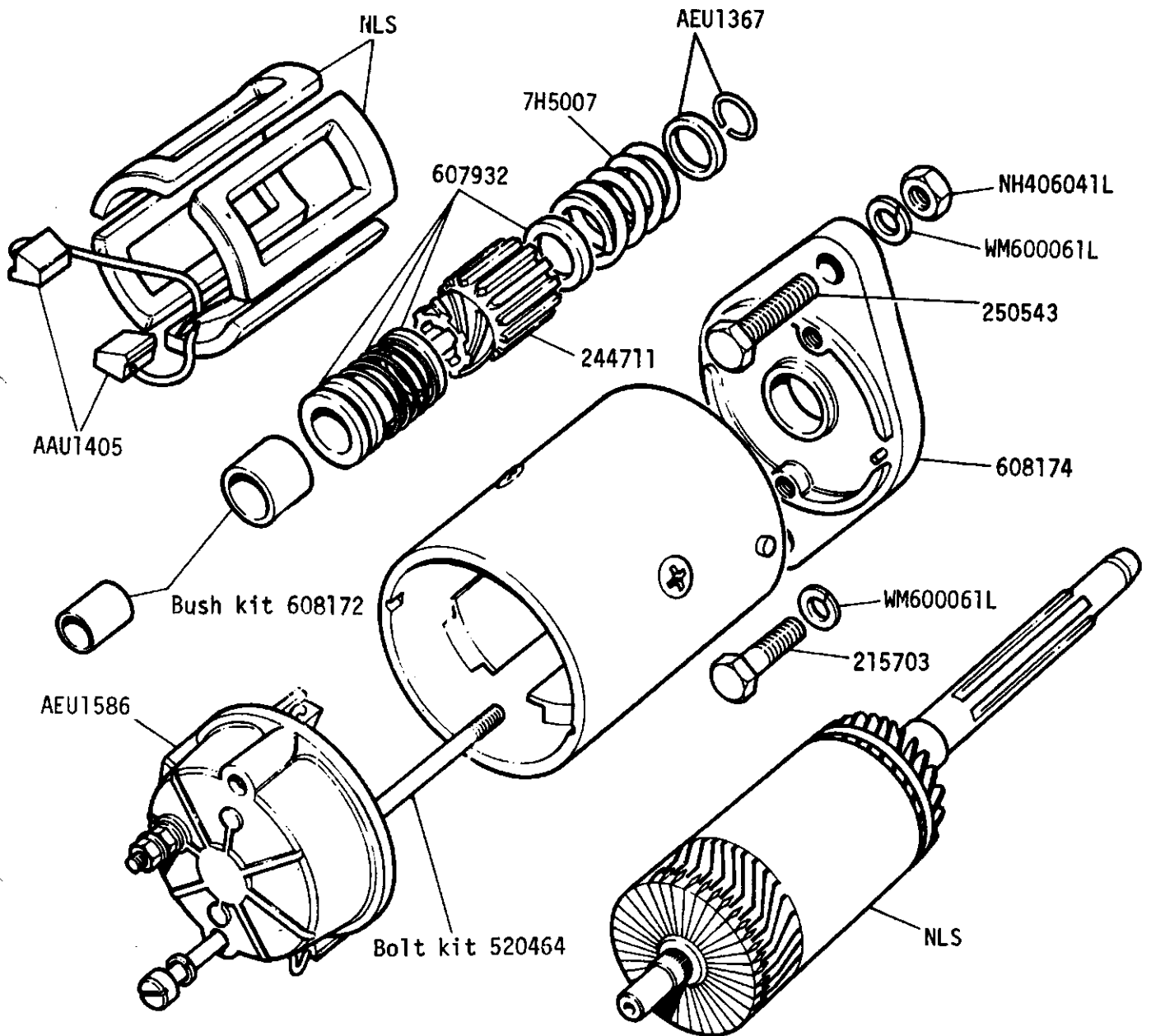
2RE 55

GROUP K  
ENGINE - Starter Motor 2.6 Litre Petrol Type M418G



This Starter Motor Assembly is no longer available, now use RTC3854.  
Sundry parts kit 244718

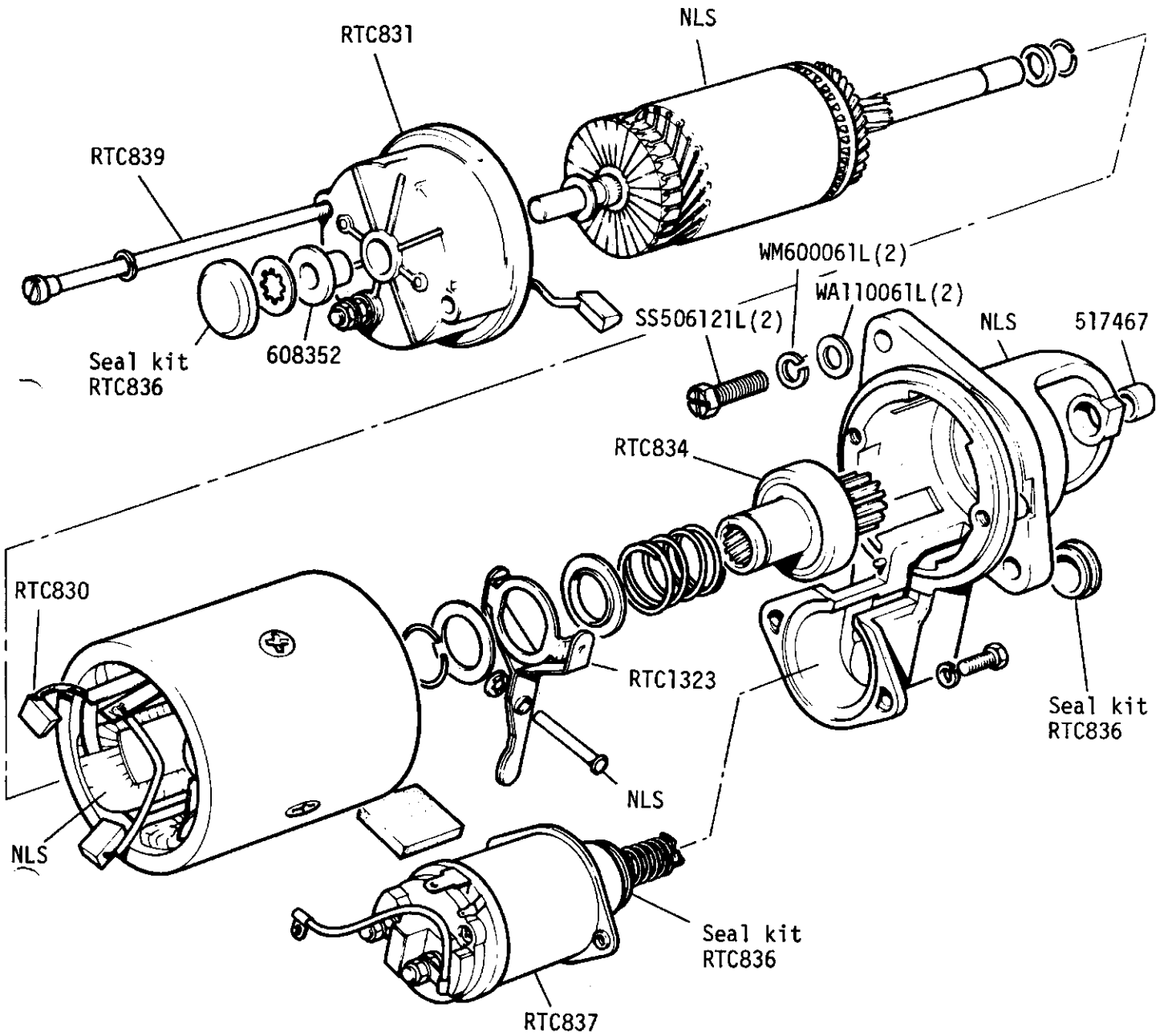
GROUP K  
 ENGINE - Starter Motor 2.6 Litre Petrol Type 2M100



Starter Motor Assembly RTC3854  
 Sundry Parts Kit 90608178



GROUP K  
 STARTER MOTOR - Type 3M100, sealed 109 V8

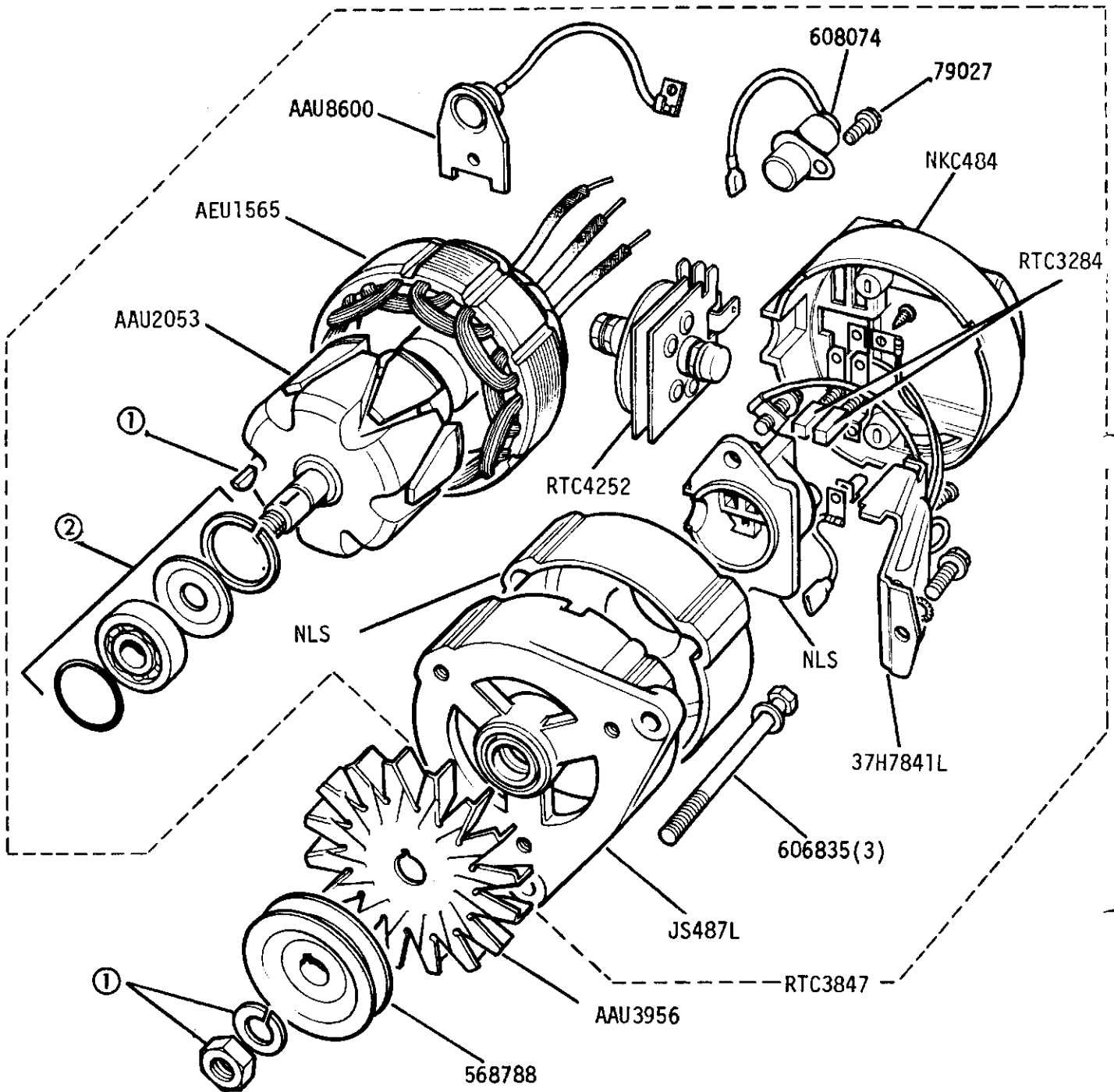


Starter Motor Complete RTC3860  
 Sundry Parts Kit 90608178



GROUP K

ENGINE - Alternator - 16ACR 12 Volt 34 Amp Machine Sensed  
2½ Litre Petrol Engine Suffix 'A'



① Sundry Parts Kit JS495L

Bearing Kits

② Slip Ring End 18G8620L  
Drive End 18G8619L 35mm Alternatives  
Drive End 518848 42mm



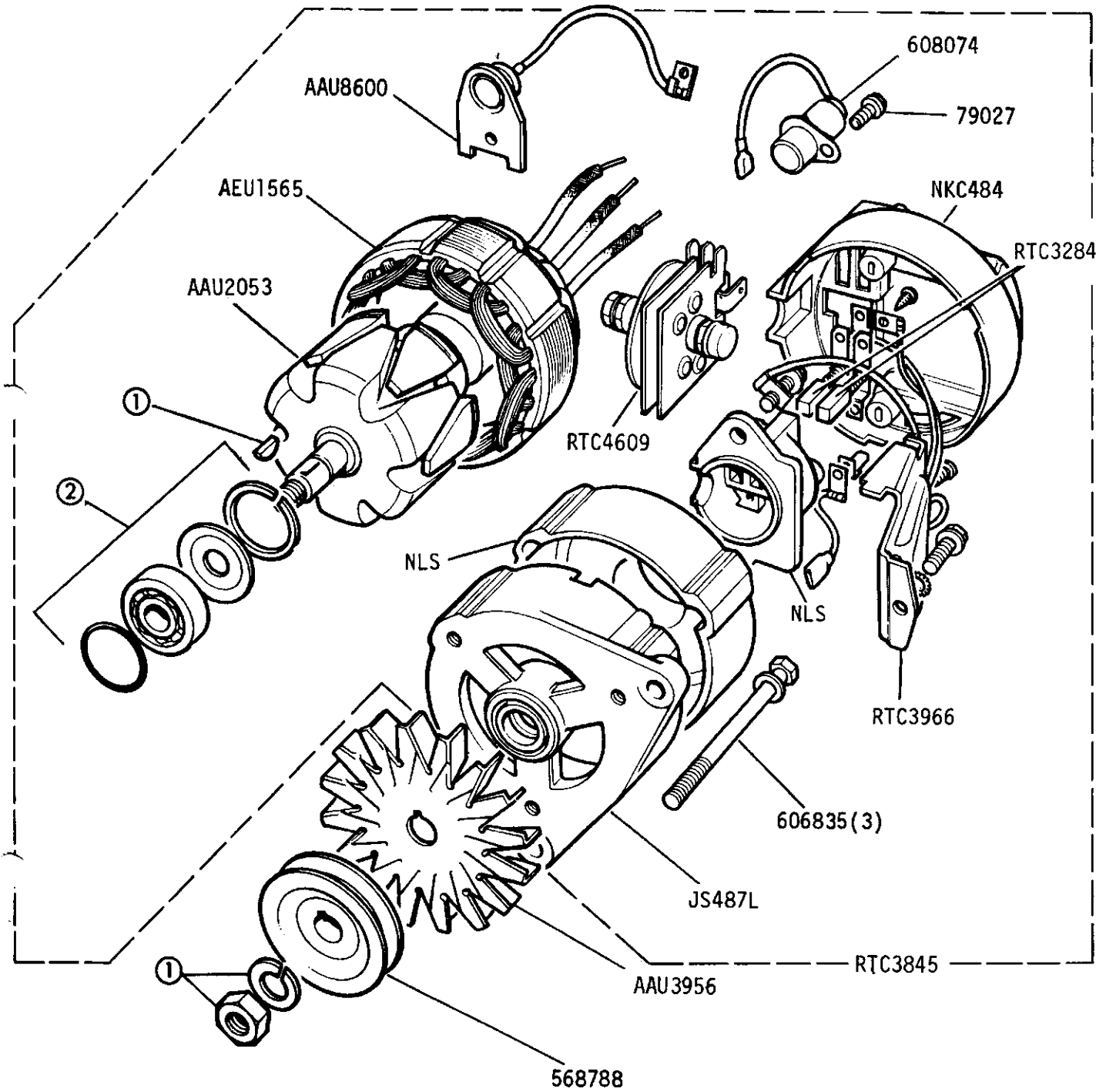
LAND ROVER

2E 10

1RE138

GROUP K

ENGINE - Alternator - 16 ACR 12 Volt 34 Amp Battery Sensed 2½ Litre Petrol  
from Engine Suffix 'B' onwards



① Sundry Parts Kit JS495L

Bearing Kits:-

② Slip Ring End 18G8620L

Drive End 18G8619L

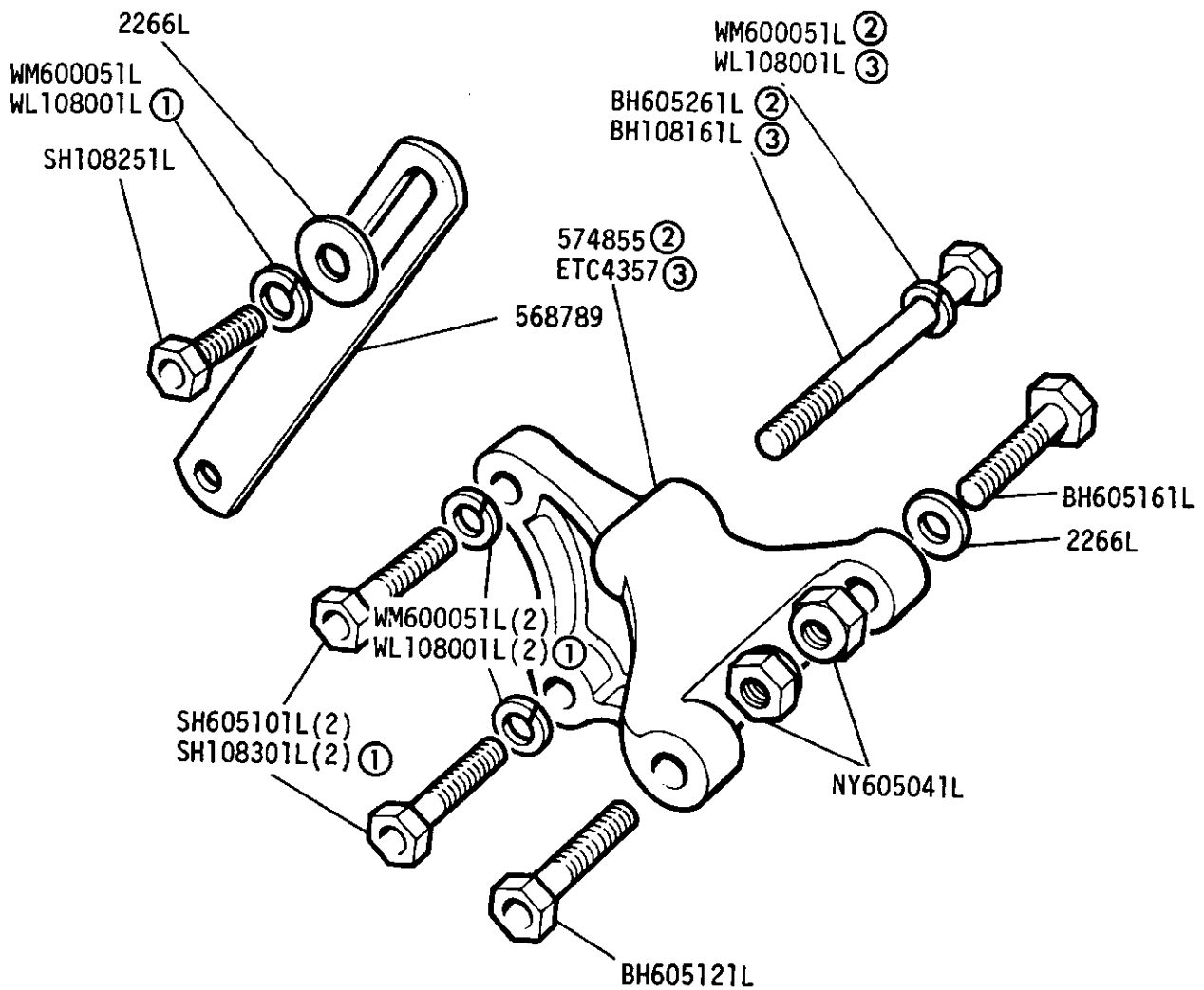


LAND ROVER

2E 10

3RE414

GROUP K  
 ENGINE - Alternator Fixings 2½ Litre Petrol

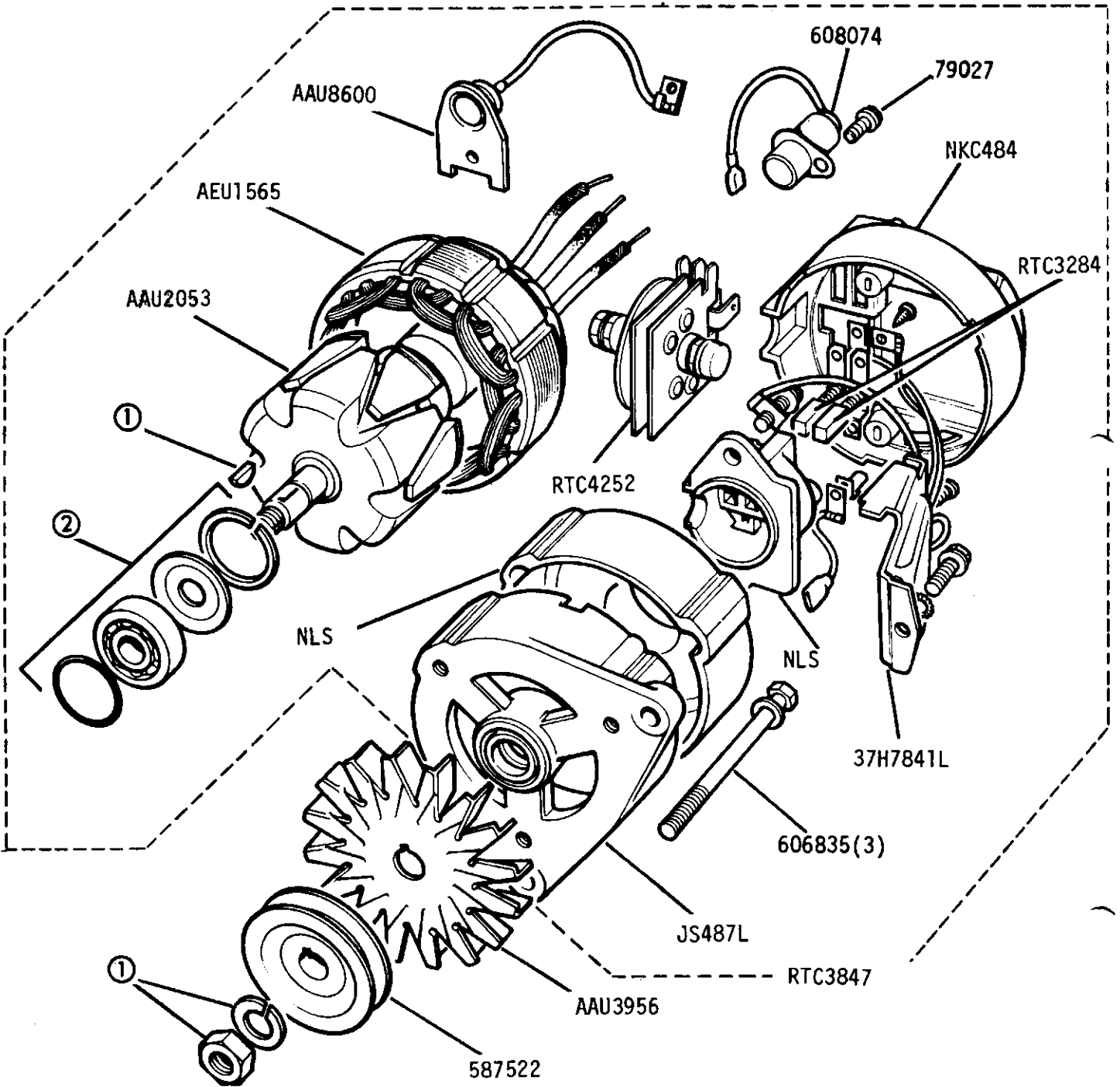


- ① From engine numbers 36123672B, 36407286B
- ② Engine prefix 901 and 904 and engines prefix 361 and 364 suffix A and B
- ③ Engines prefix 361 and 364 suffix 'C' onward



**GROUP K**

**ENGINE - Alternator - 16 ACR 12 Volt 34 Amp Machine Sensed  
2.6 Litre Petrol Engine Suffix 'A'**



① Sundry Parts Kit JS495L

Bearing Kits

② Slip Ring End 18G8620L  
Drive End 18G8619L 35mm  
Drive End 518848 42mm

Alternatives



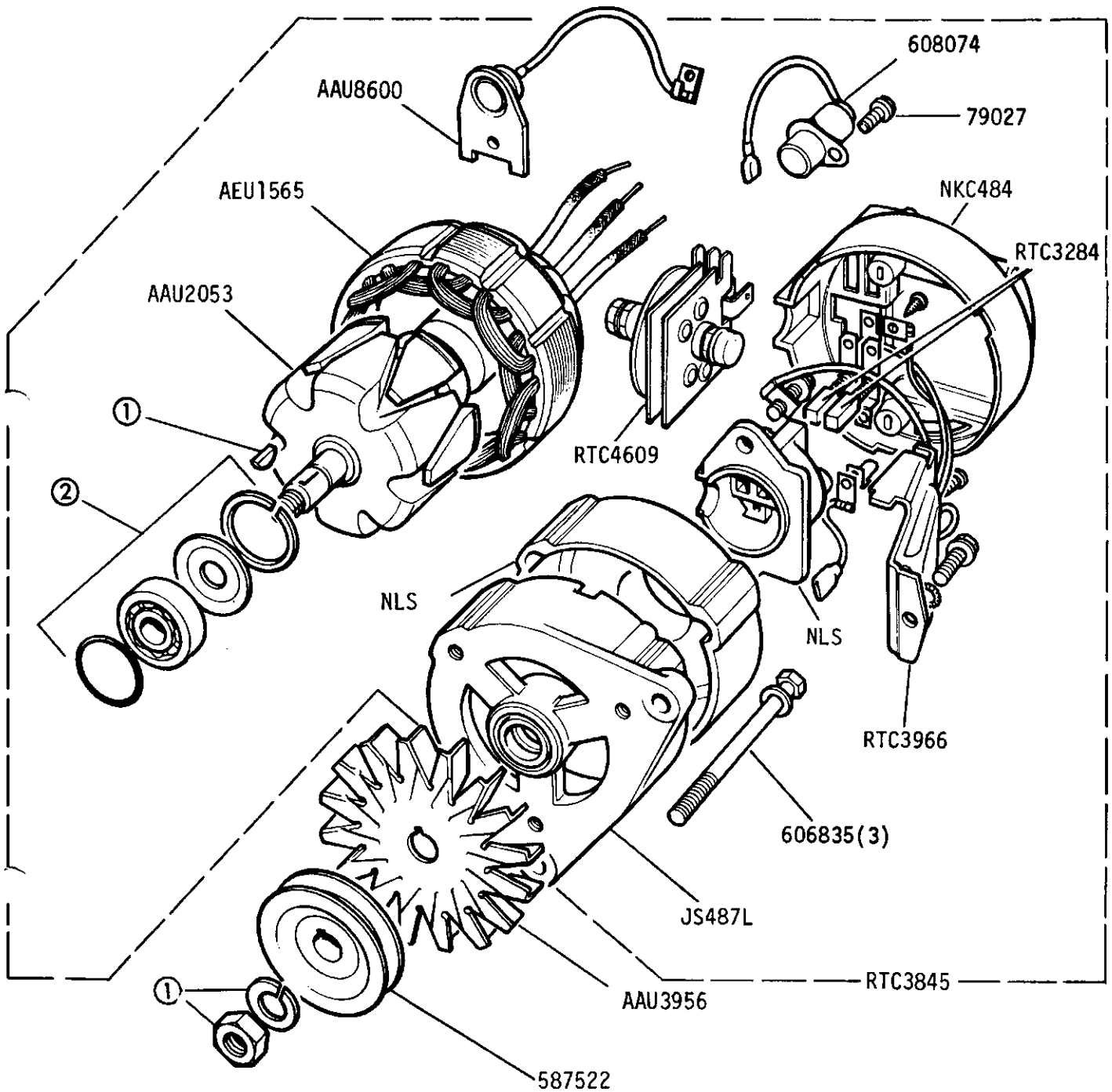
LAND ROVER

2E 12

1RE13

GROUP K

ENGINE - Alternator - 16 ACR 12 Volt 34 Amp Battery Sensed  
2.6 Litre Petrol from Engine Suffix 'B' onwards



① Sundry Parts Kit JS495L

Bearing Kits:-

② Slip Ring End 18G8620L

Drive End 18G8619L

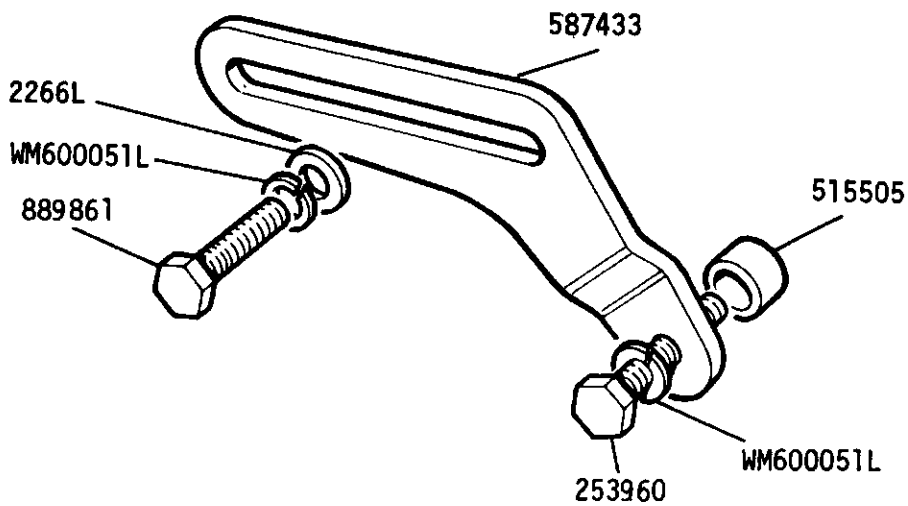
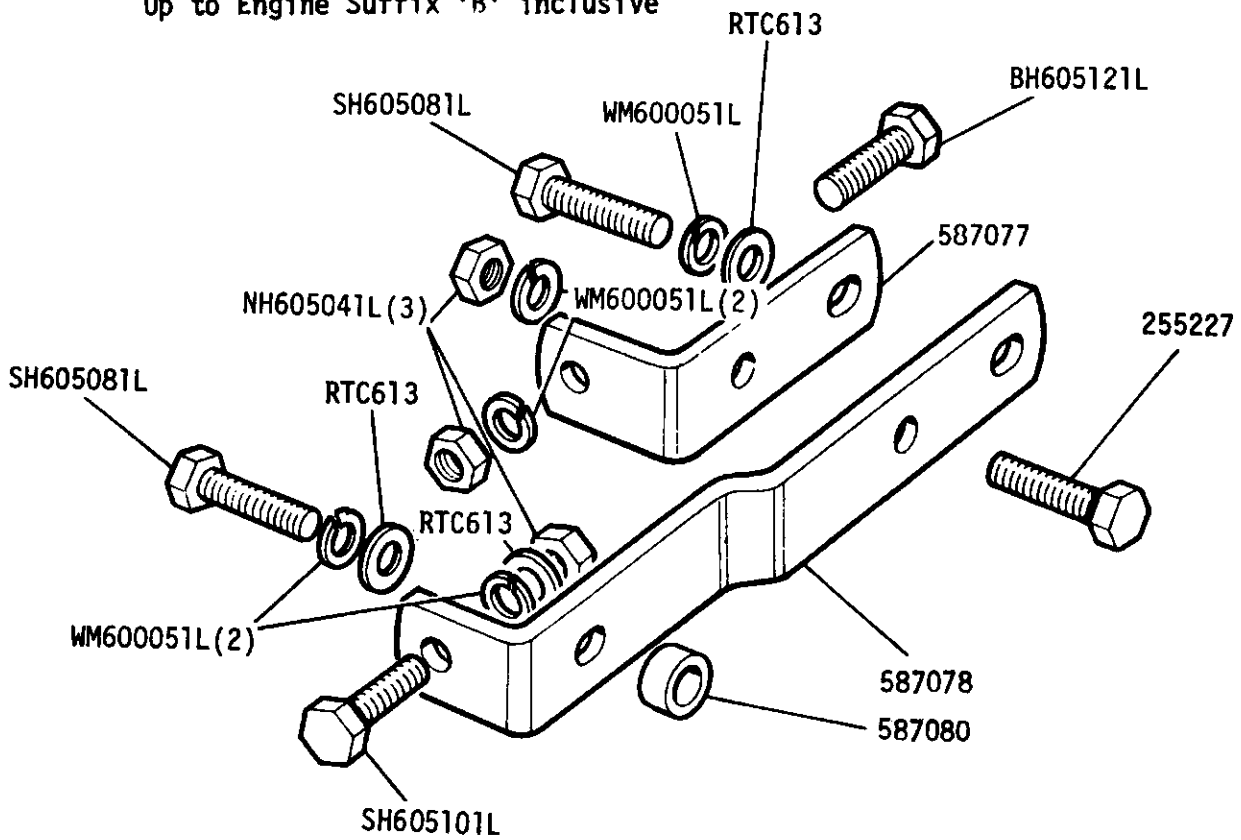


LAND ROVER

2E 12

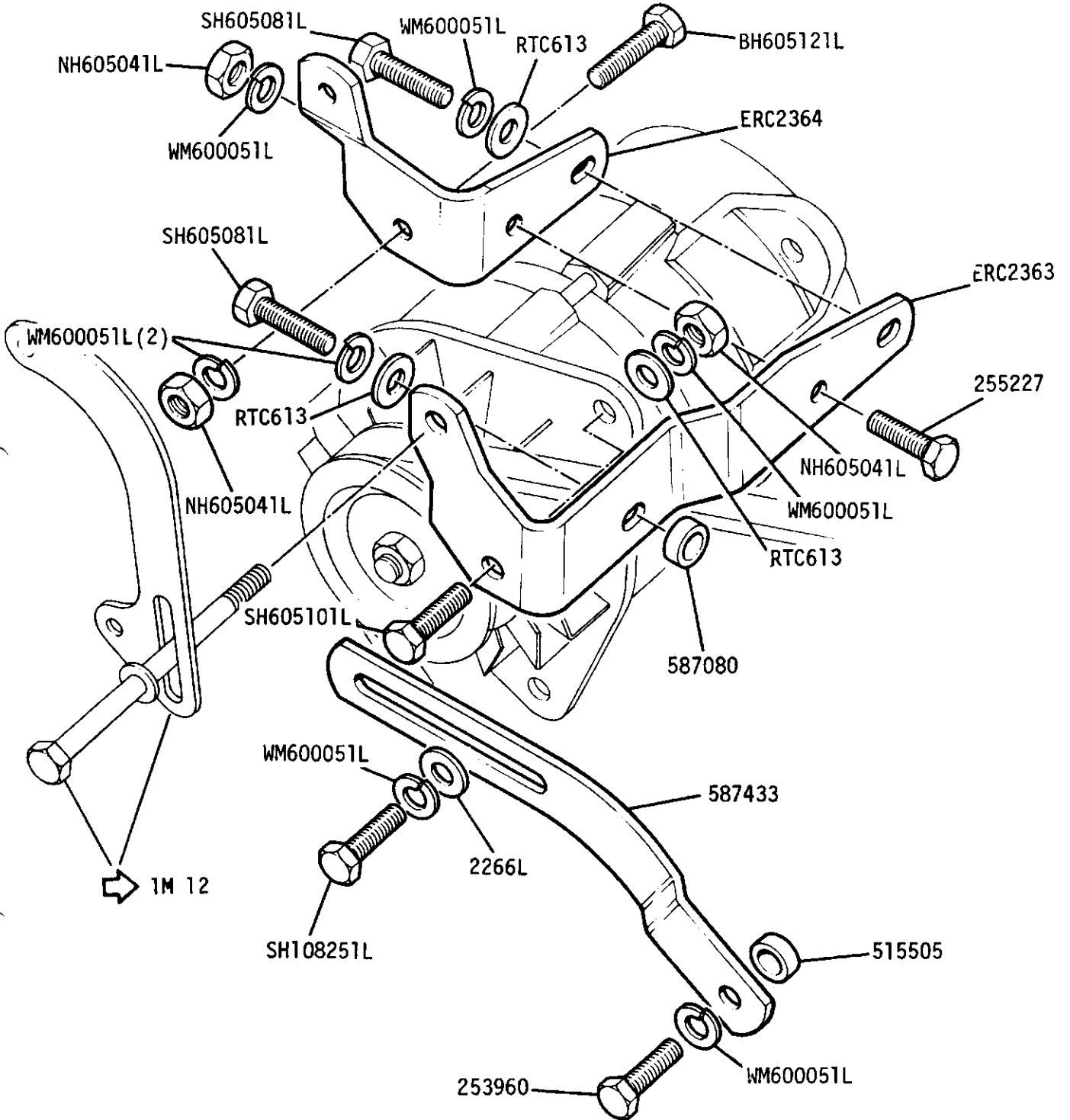
3RE414

GROUP K  
 ENGINE - Alternator Mountings 2.6 Litre Petrol  
 Up to Engine Suffix 'B' inclusive

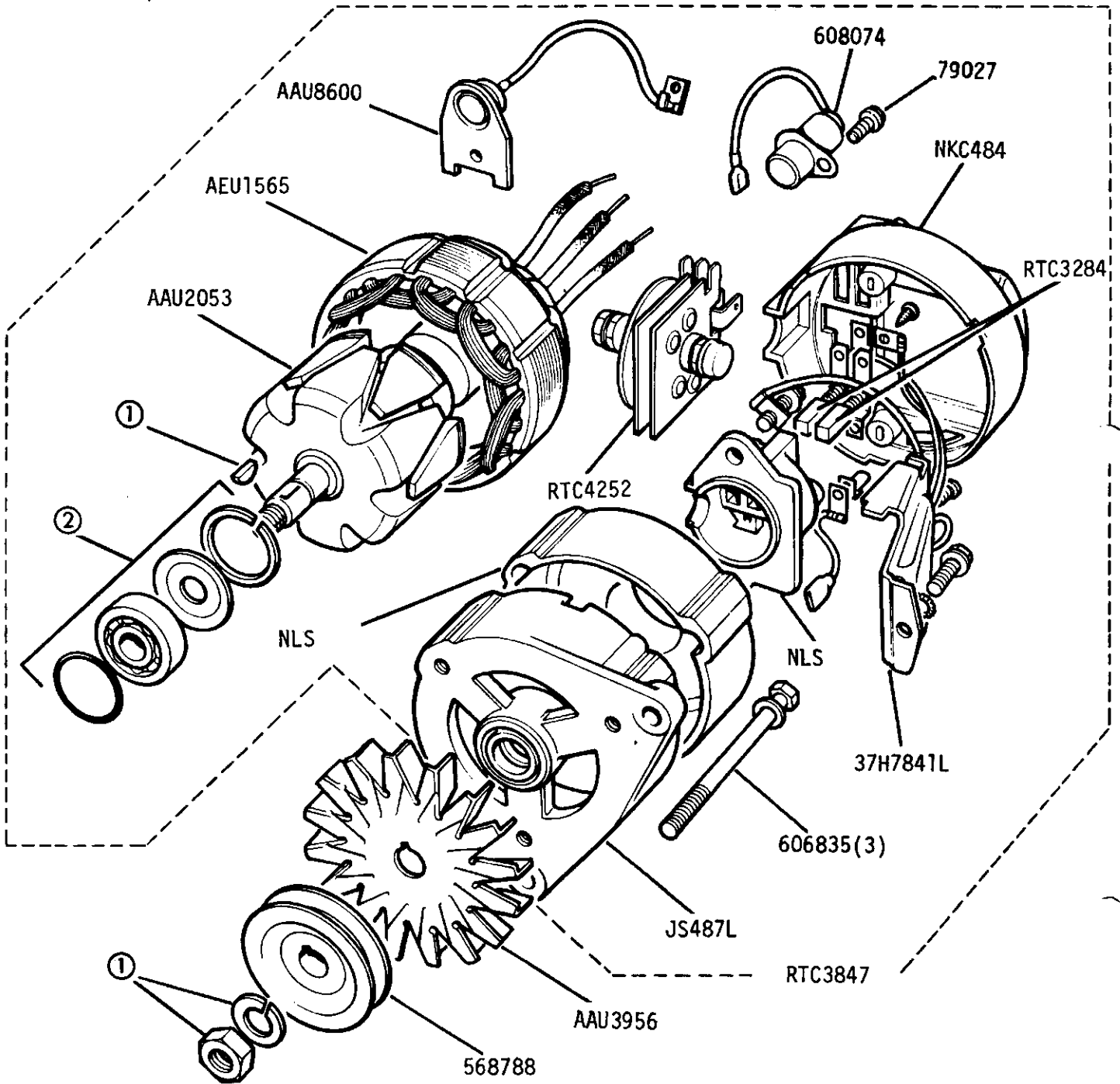


GROUP K

TOXED ENGINE - Alternator Mountings 2.6 Litre Petrol From Engine Suffix 'C' onwards



GROUP K  
 ENGINE - Alternator - 16 ACR 12 Volt 34 Amp Machine Sensed  
 2½ Litre Diesel Engine Suffix 'A'



- ① Sundry Parts Kit JS495L
- Bearing Kits
- ② Slip Ring End 18G8620L
- Drive End 18G8619L 35mm
- Drive End 518848 42mm

Alternatives

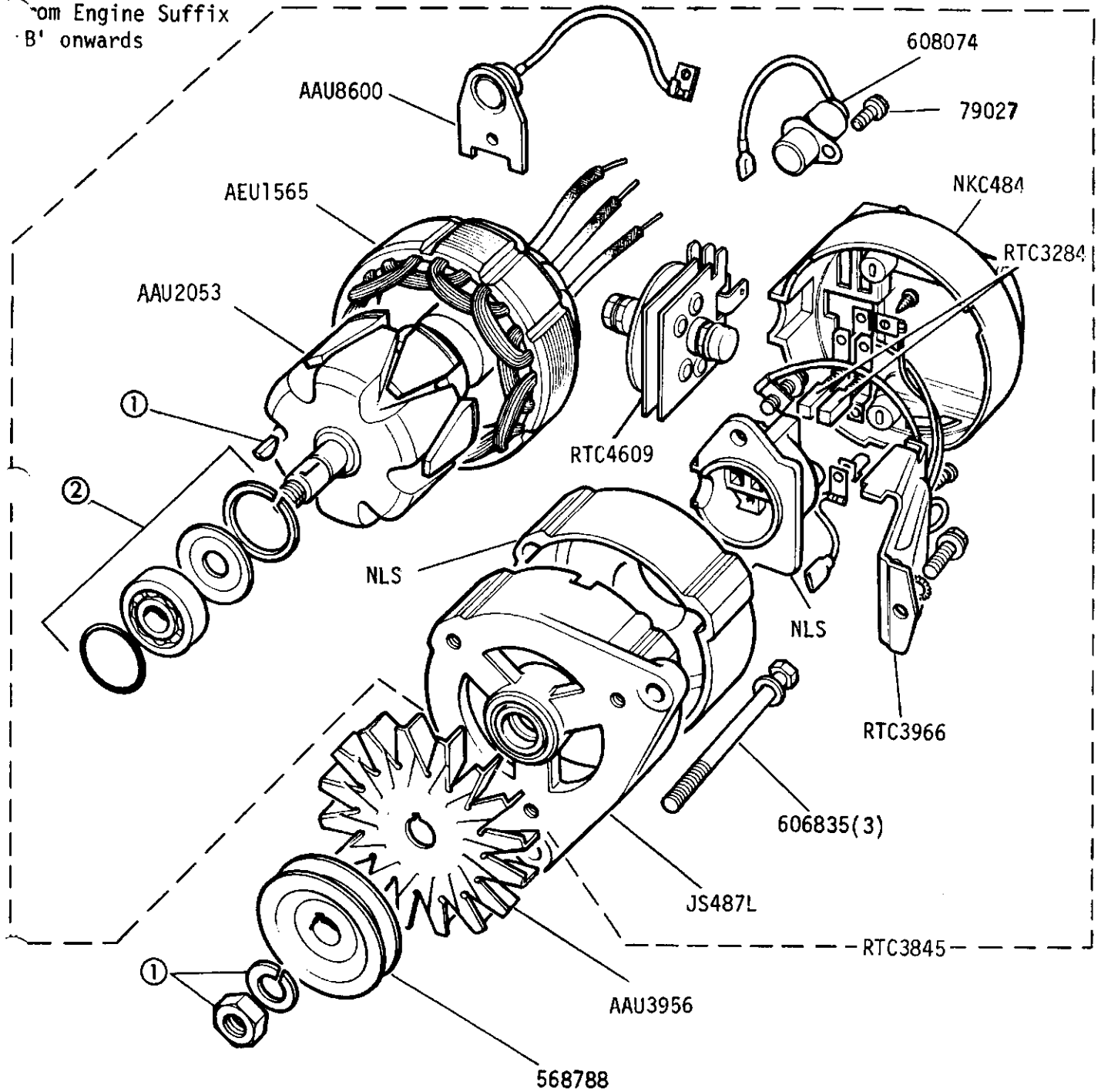




GROUP K

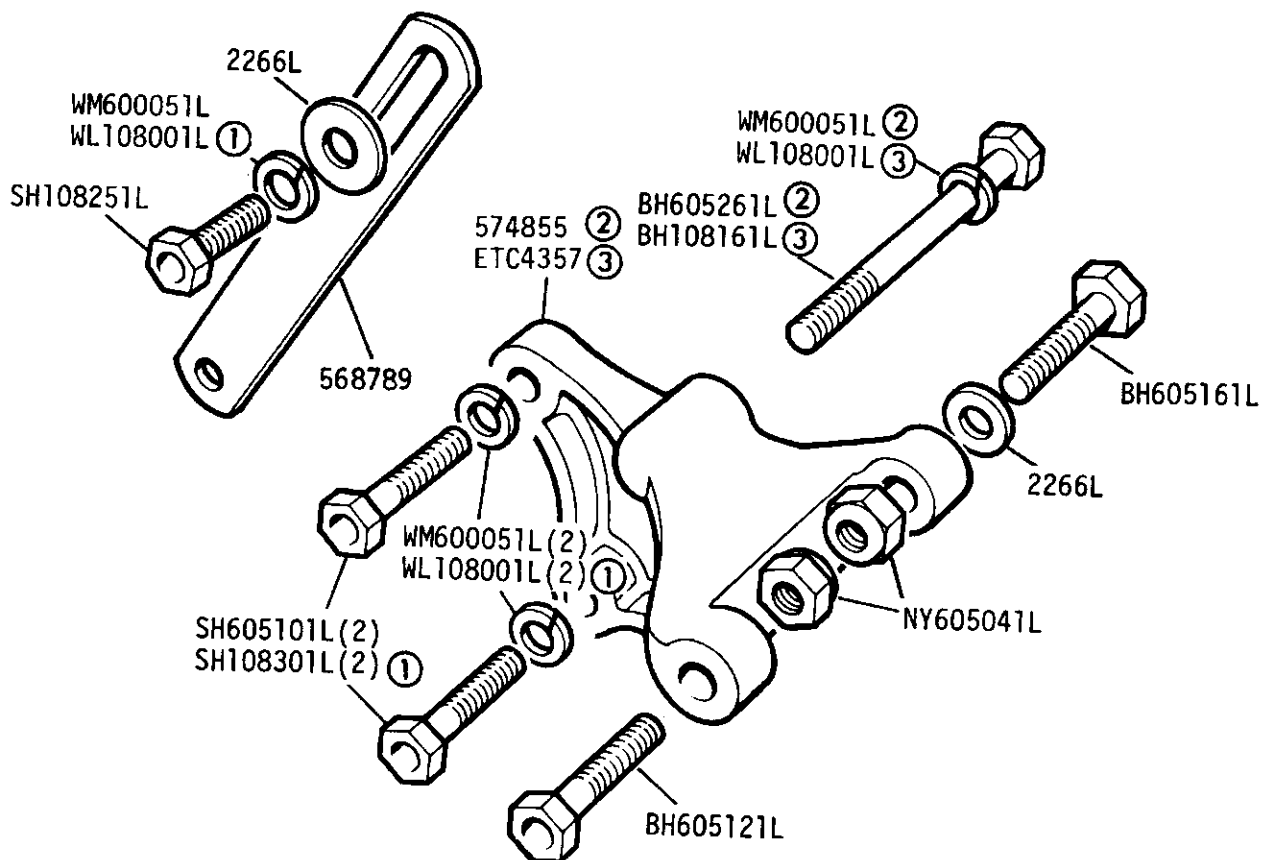
ENGINE - Alternator - 16ACR 12 Volt 34 Amp Battery Sensed 2½ Litre Diesel

From Engine Suffix  
'B' onwards



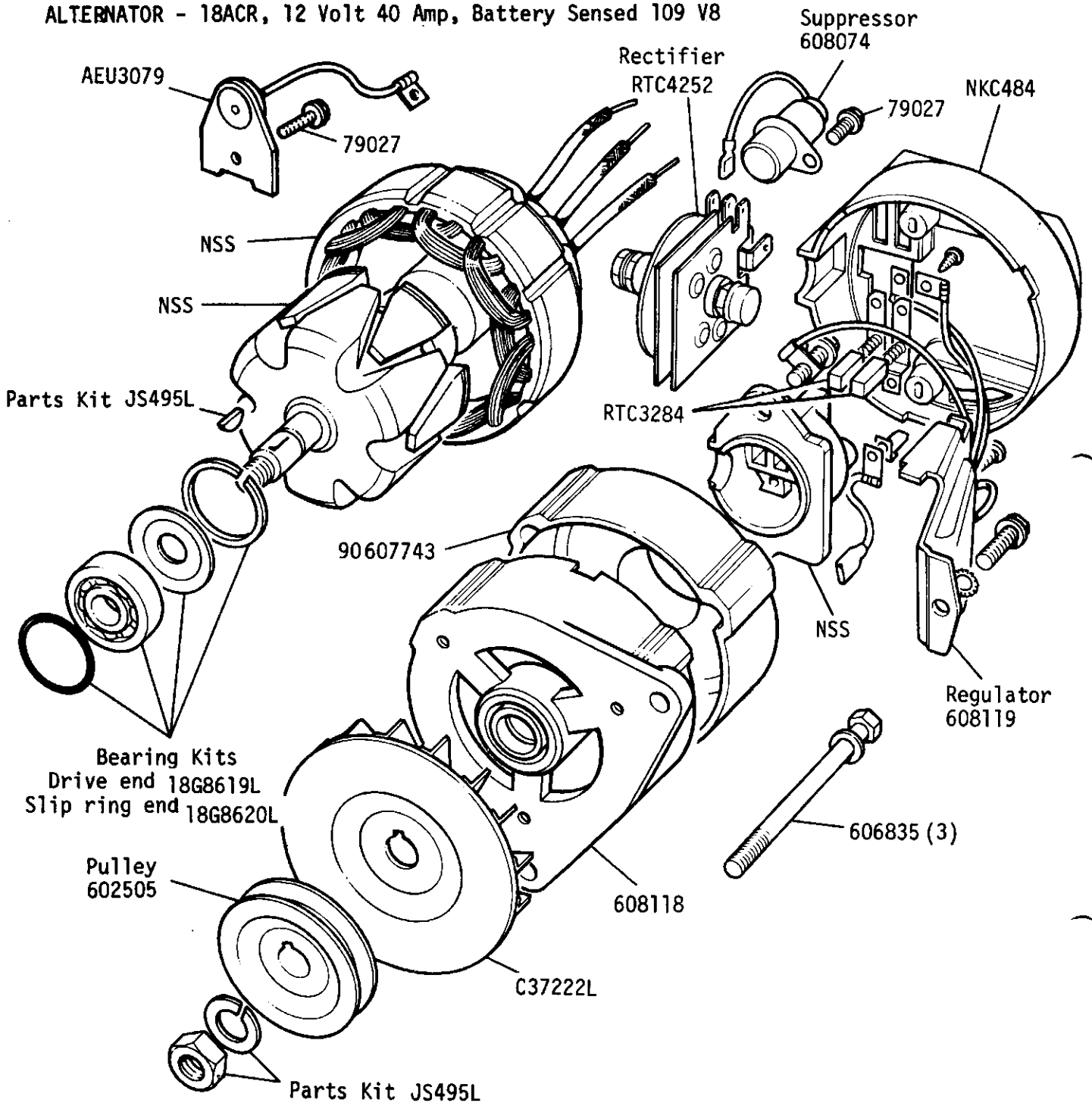
- ① Sundry Parts Kit JS495L
- Bearing Kits:-
- ② Slip Ring End 18G8620L
- Drive End 18G8619L

GROUP K  
ENGINE - Alternator Fixings 2½ Litre Diesel



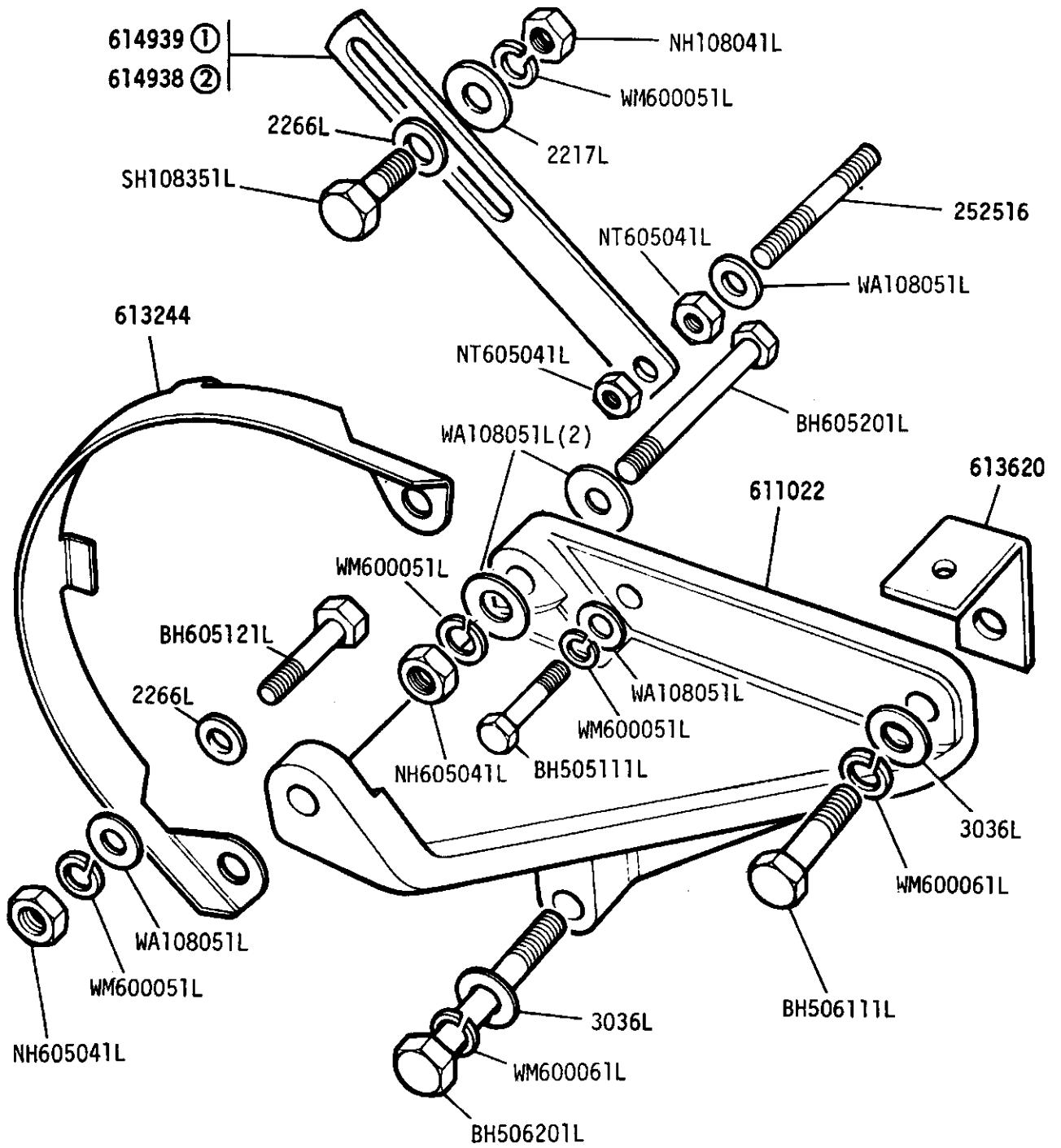
- ① From engine No.36619420B
- ② Engine prefix 906 and engine prefix 366 suffix A and B only
- ③ Engine prefix 366 suffix C only

**GROUP K  
ALTERNATOR - 18ACR, 12 Volt 40 Amp, Battery Sensed 109 V8**



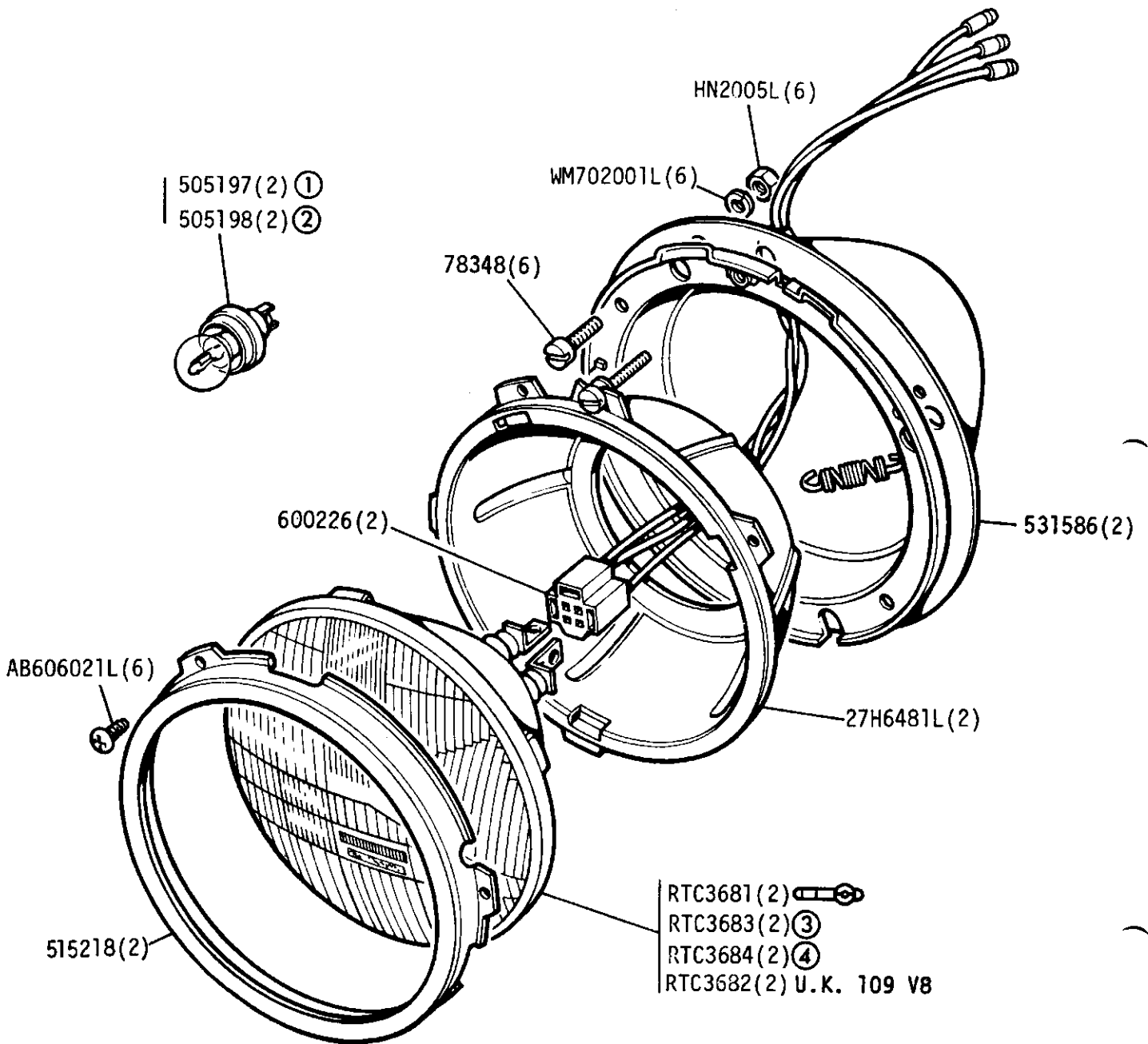
Alternator assembly RTC3851  
Pulley and fan are not part of alternator assembly


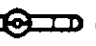

**GROUP K**  
**ALTERNATOR - Brackets and Fixings 109 V8**


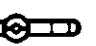


- ① Detoxed engine
- ② Non-detoxed engine

GROUP K  
ELECTRICAL - Headlamp



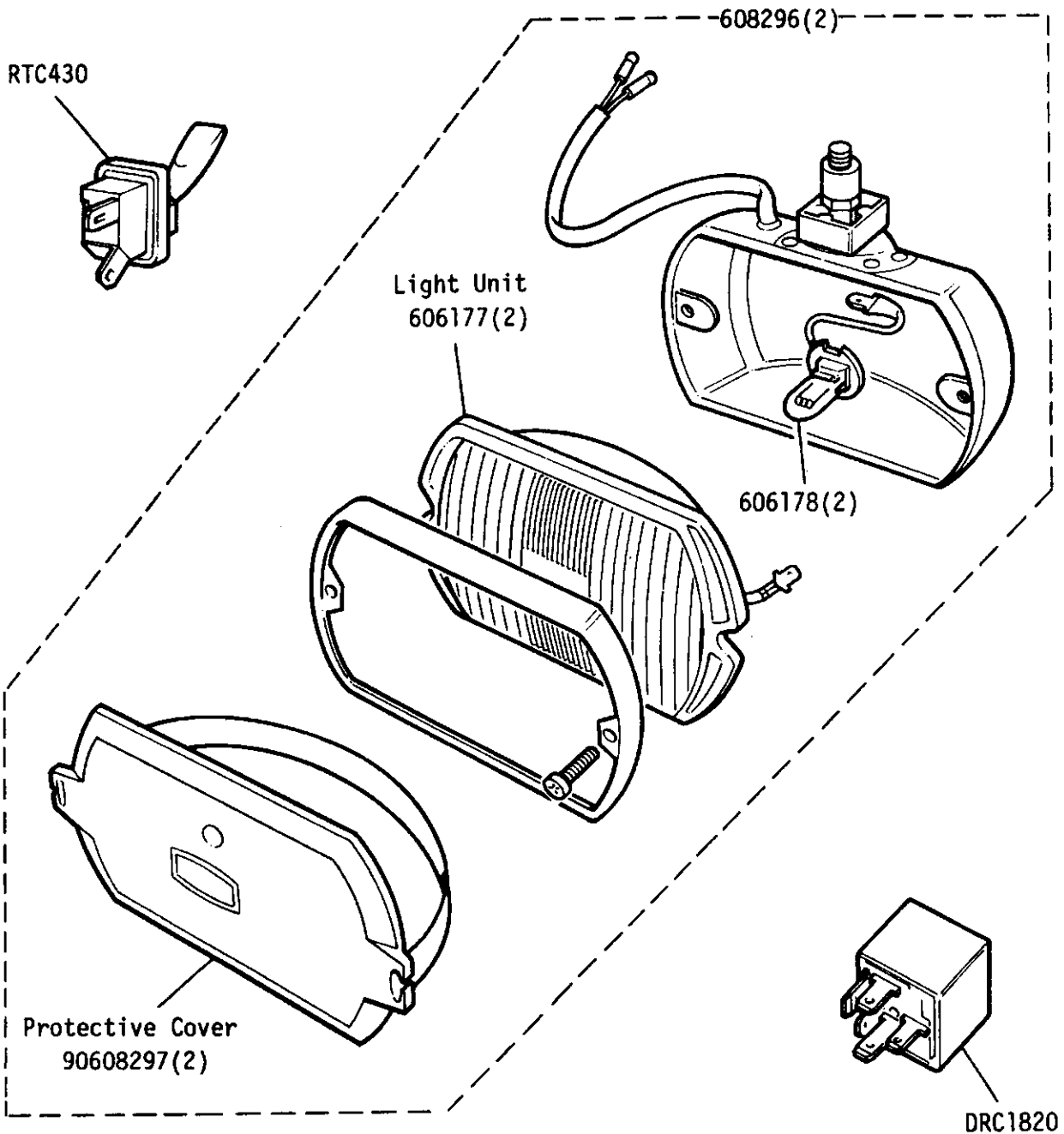
Headlamp Complete BHM7196L(2)  27H8207L(2)  except Europe  
 AEU1061(2)  Europe AEU1355(2) U.K. 109 V8 AEU1061(2) LH Stg 109 V8

① Italy      ③  except Europe  
 ② France    ④  Europe

LAND ROVER      2F 02      4RE 109

GROUP K

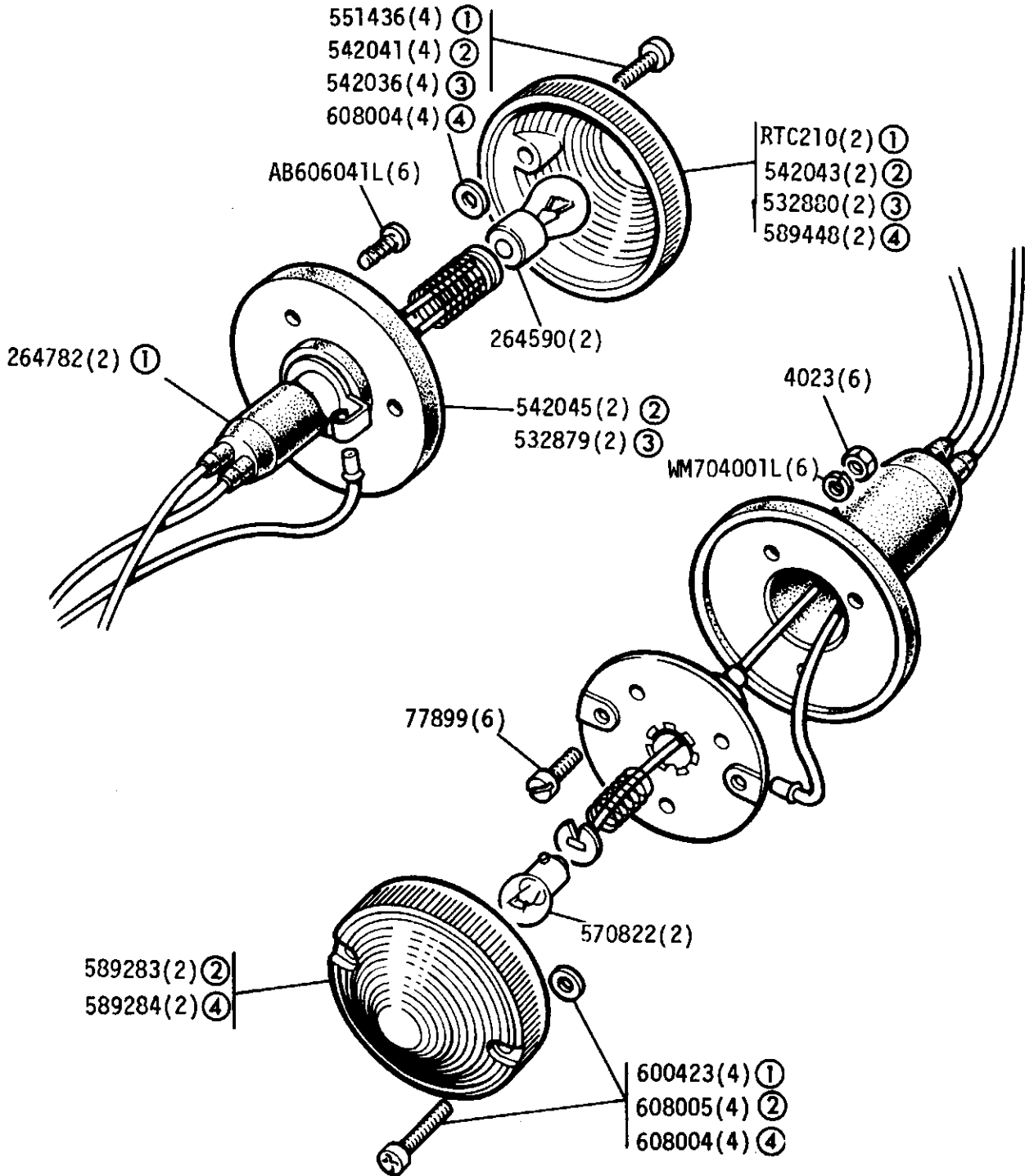
ELECTRICAL - Auxiliary Driving Lamps - 'County'



- ① 4 Cylinder
- ② 109V8

- Nameplate, "Auxiliary Main Beam" - PRC3760 ① ②
- Harness Assembly, Auxiliary Lamps - PRC3753 ① ②
- Cable Assembly, LH Lamp - PRC3755 ①
- Cable Assembly, RH Lamp - PRC3754 ①
- Cable Assembly, Auxiliary Lamps - PRC3754(2) ②
- Lead, Junction to LH Lamp - PRC3727 ②
- Bullet Connector - 536937 ① ②

GROUP K  
ELECTRICAL - Stop/Tail and Side Lamps



Stop tail lamp complete 531684(2) ② ⑥ 532881(2) ③ ⑤ 589446(2) ④ ⑥ 589812(2) ① ⑦  
Side lamp complete 589403(2) ② 589404(2) ④

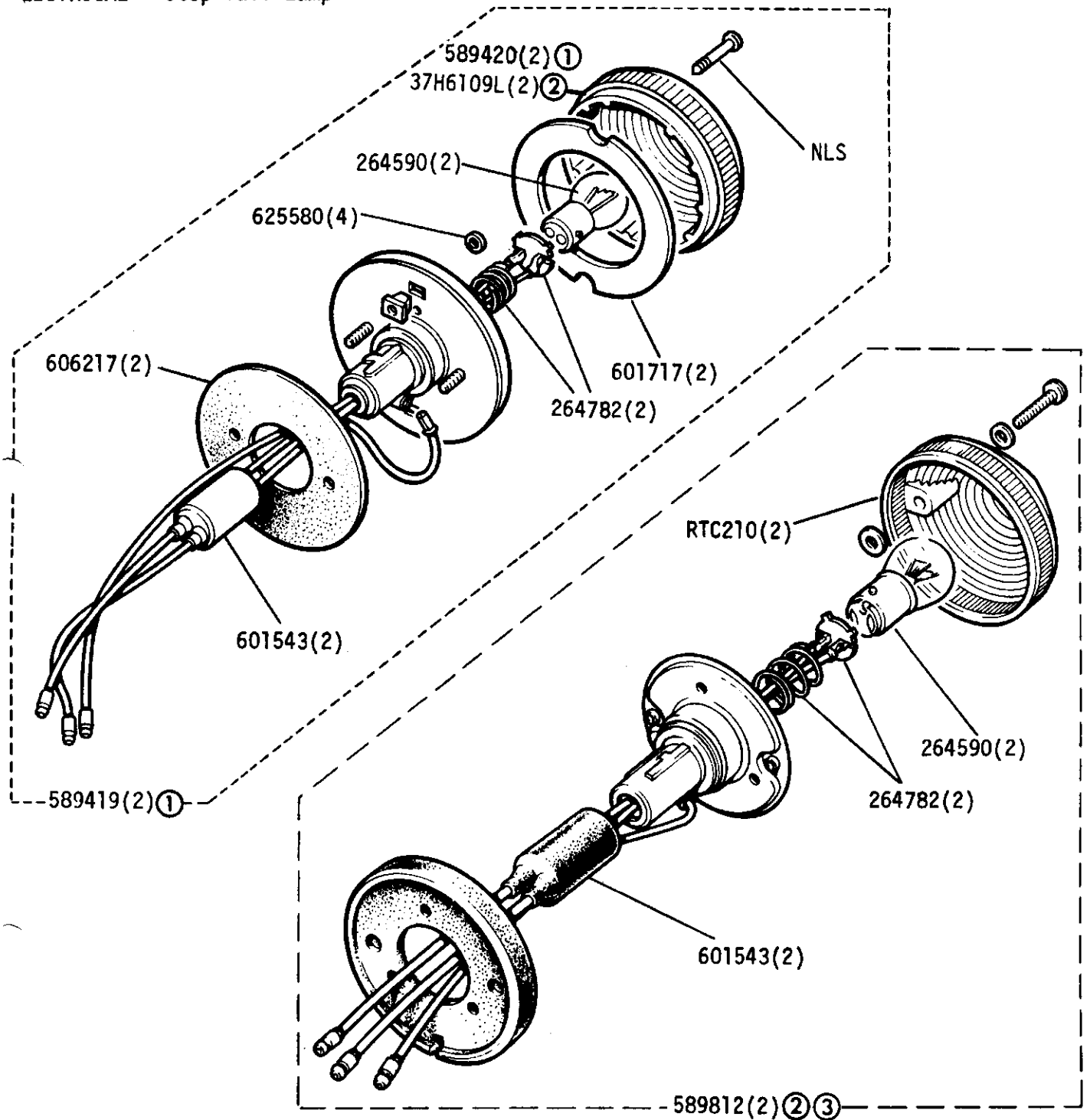
- ① Lucas
- ② Wipac
- ③ Sparto

Alternatives

- ④ L.E Perei
- ⑤ Up to December 1972
- ⑥ Up to August 1973 Home Market Only
- ⑦ France only

GROUP K

ELECTRICAL - Stop Tail Lamp



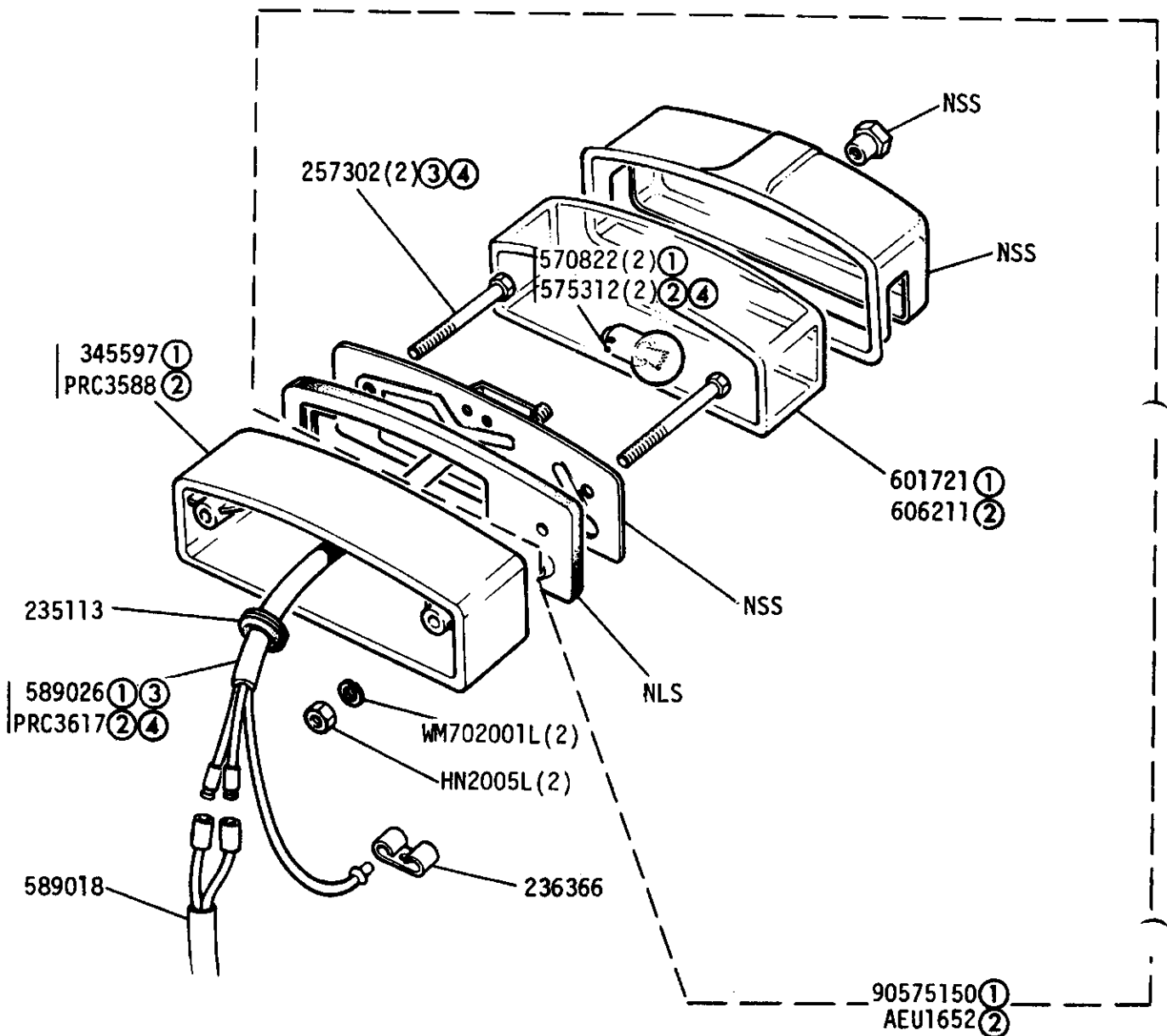
From September 1973 onwards

- ① L.E.Perei
- ② Lucas
- ③ H.C.P.U.

Alternatives

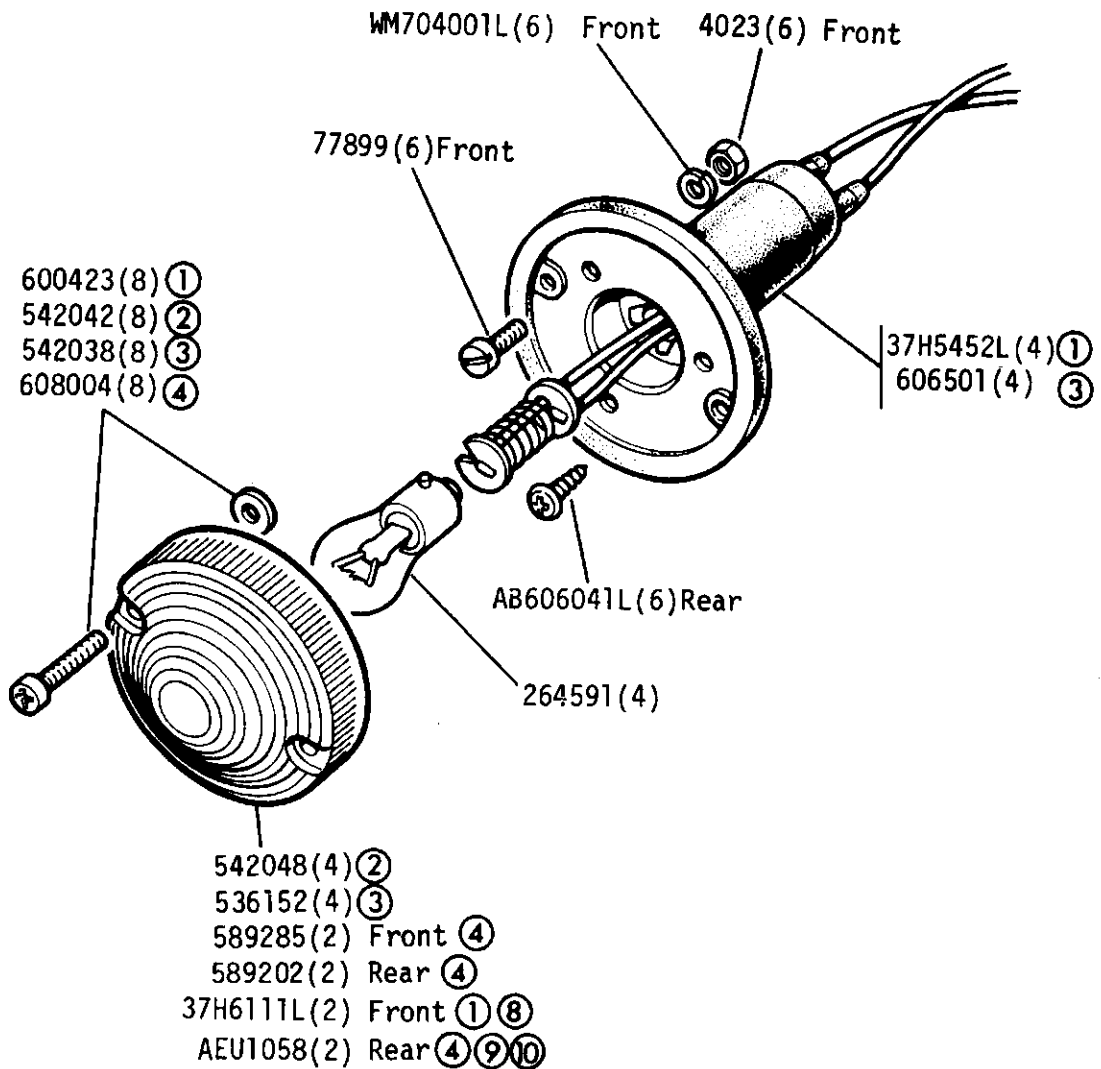


GROUP K  
ELECTRICAL - Number plate lamp



- ① Except H.C.P.U.
- ② H.C.P.U.
- ③ Not Part Of 90575150
- ④ Not Part Of AEU1652

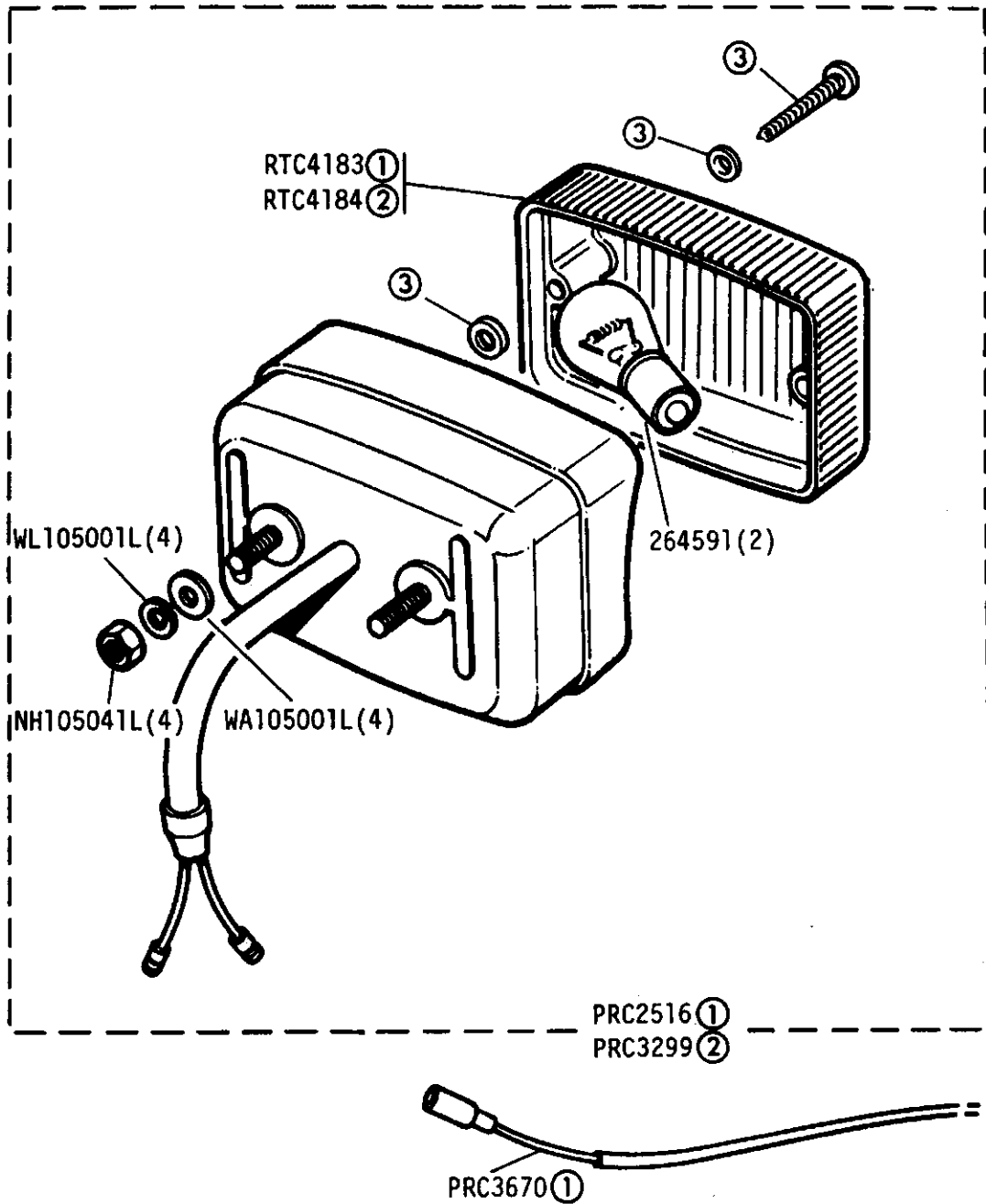
GROUP K  
ELECTRICAL - Flasher Lamps



Flasher lamp complete 575123(4) ② ⑤ 575125(4) ③ ⑤ 589409(2) Front ④ ⑥  
589414(2) Rear ④ ⑥ PRC39(2) Rear ④ ⑦ 575457(2) Front ① ⑧ PRC2774(2) Rear ④ ⑨ ⑩

- ① Lucas
- ② Wipac
- ③ Sparto
- ④ L.E. Perei
- ⑤ Up to December 1972
- ⑥ From January 1973 To Jan 1981
- ⑦ Australia only from January 1974 onwards
- ⑧ Optional
- ⑨ From February 1981 Onwards
- ⑩ H.C.P.U.

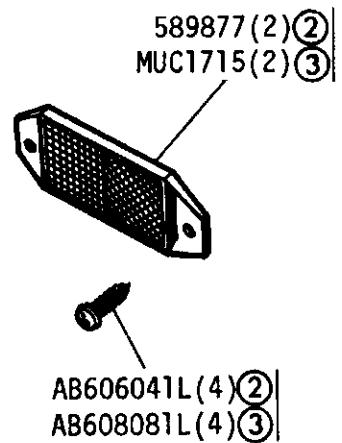
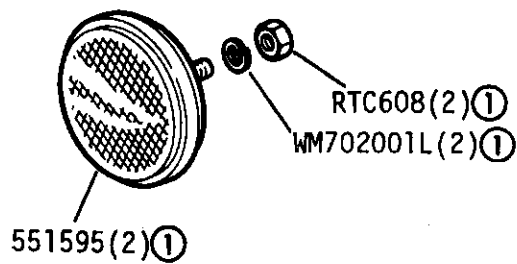
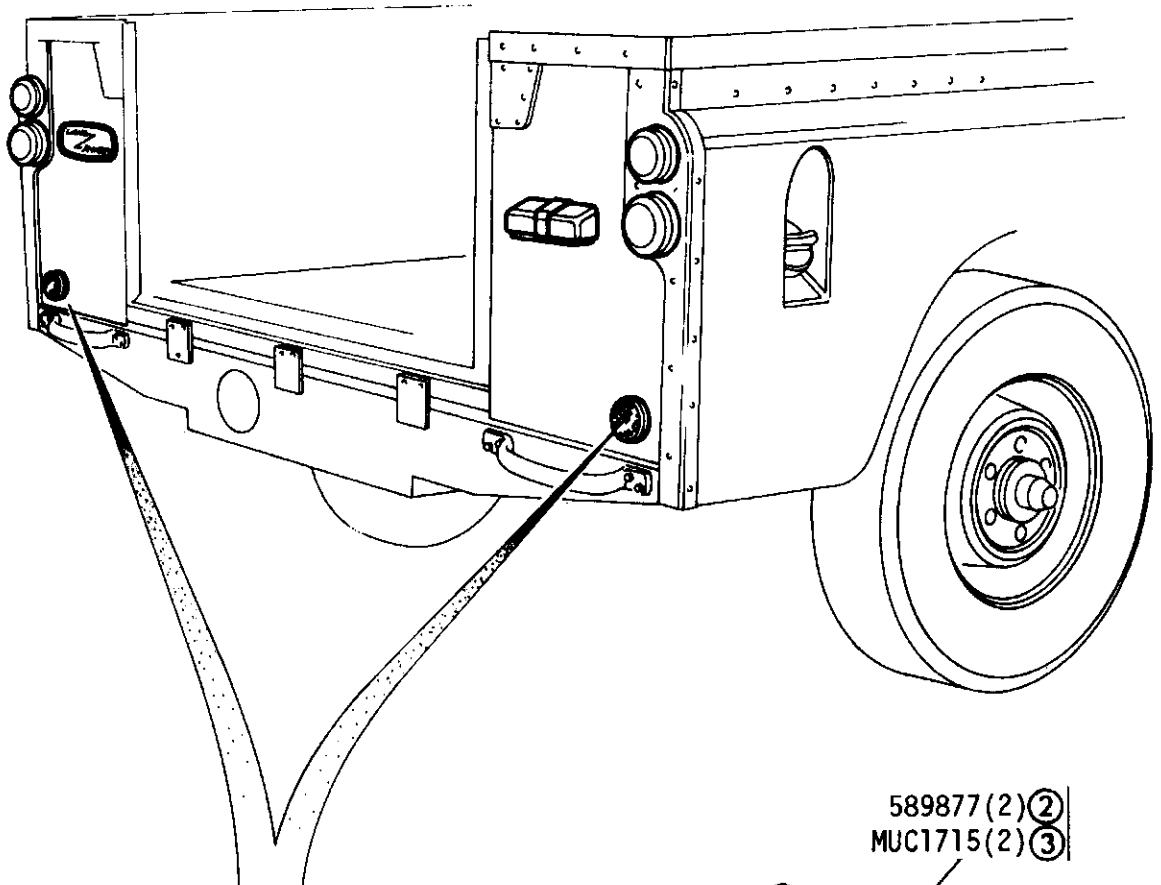
GROUP K  
ELECTRICAL - Rear Fog and Reverse Lamps.



- ① Fog Lamp
- ② Reverse Lamp
- ③ Part of Screw kit RTC4185

Switch, rear Fog Lamp - PRC2627

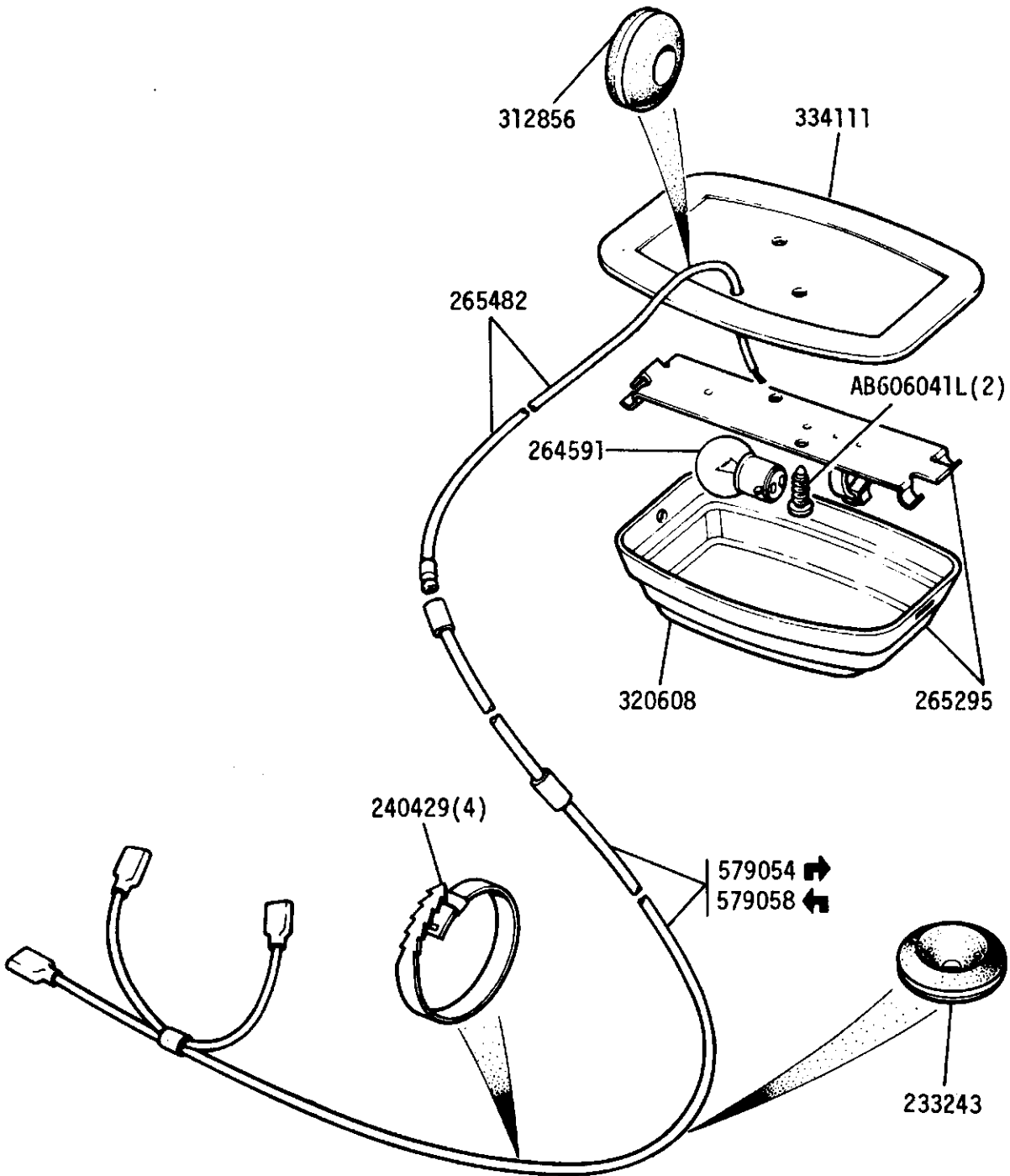
GROUP K  
ELECTRICAL - Rear Reflectors



① Except H.C.P.U. upto August 1984  
 ② H.C.P.U. only, upto August 1984  
 ③ All vehicles from September 1984

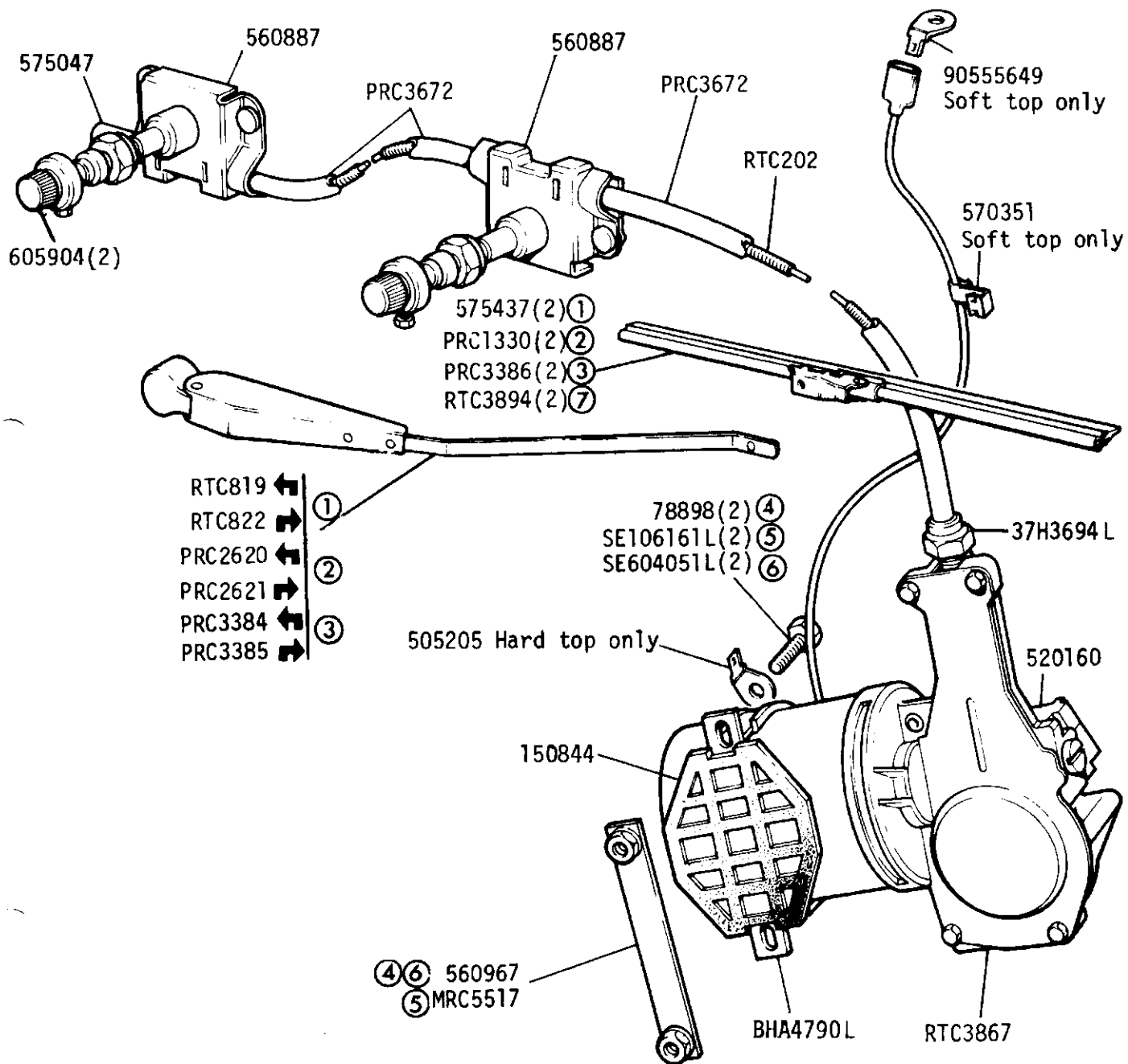
LAND ROVER 2F 05 TS5674

GROUP K  
ELECTRICAL - Roof Lamp - Station Wagon.



See frame 2I 03 for Interior Mirror.

GROUP K  
ELECTRICAL - Windscreen Wiper



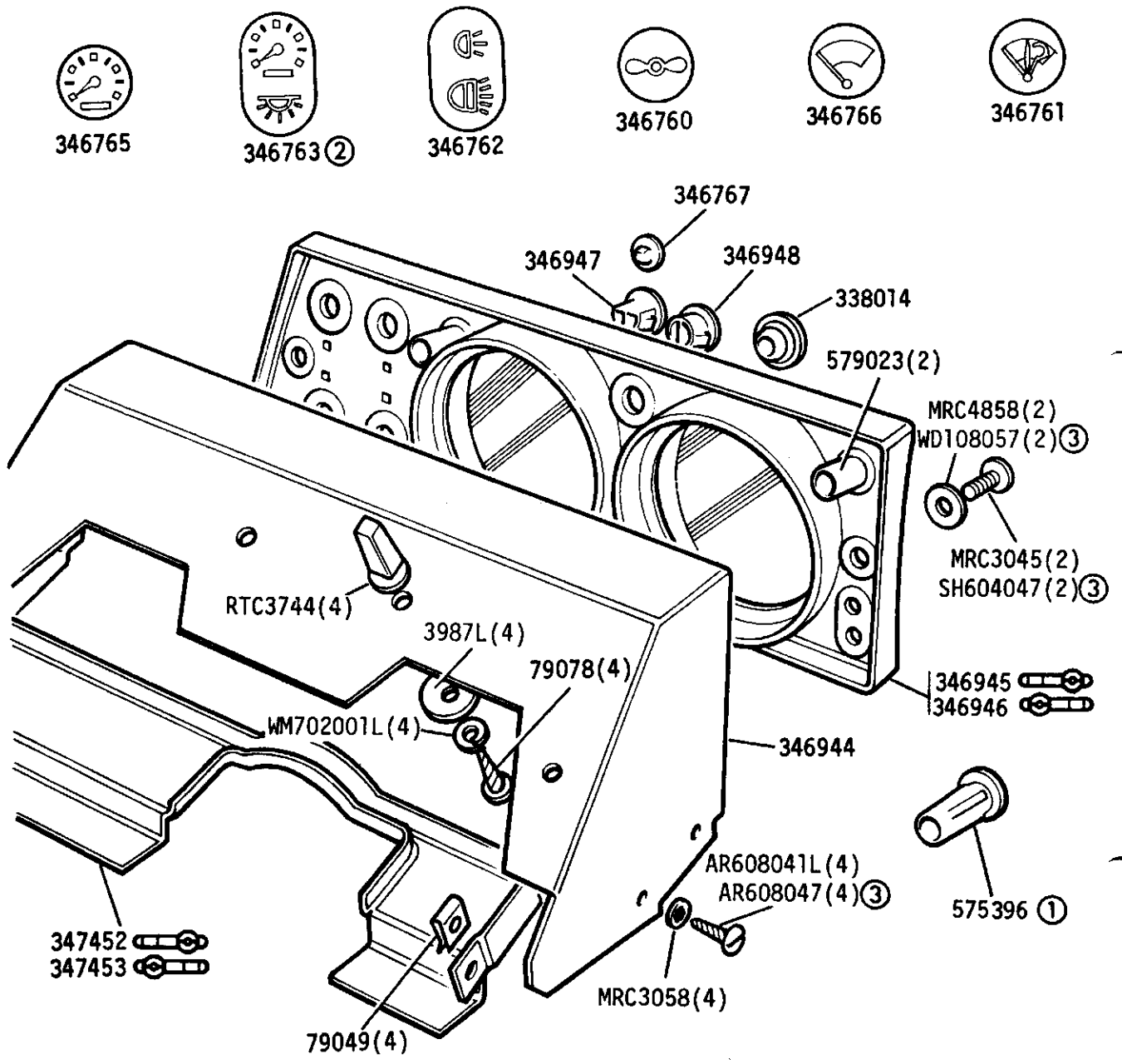
Shaft and gear for wiper motor 37H2736L

- |                     |                       |
|---------------------|-----------------------|
| ① Natural finish    | Alternatives          |
| ② Matt black finish | Check before ordering |
| ③ With 20° crank    |                       |
| ④ Except 109 V8     |                       |

- ⑤ 109 V8 Regular
- ⑥ 109 V8 Station Wagon
- ⑦ 10" Black - (Spring type)

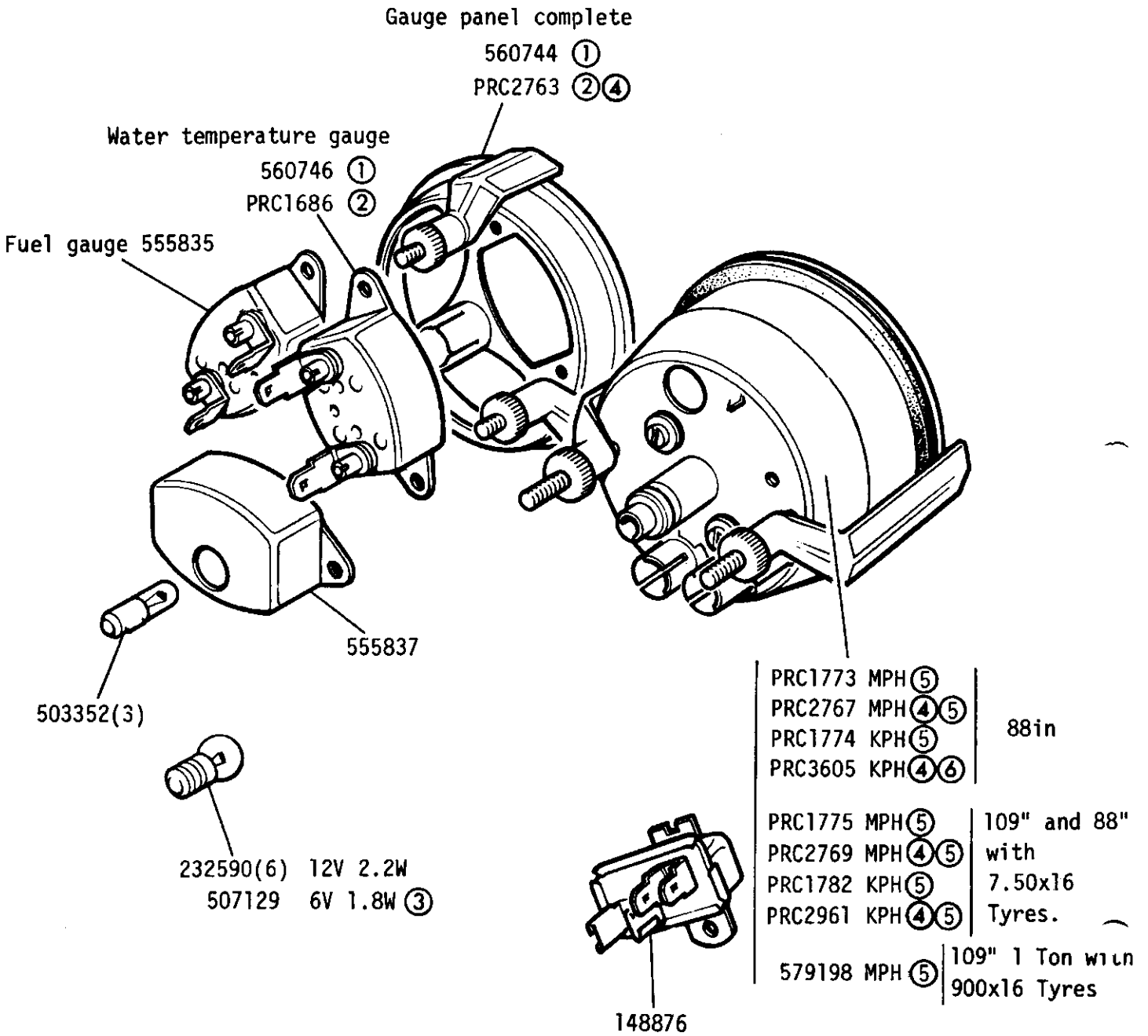
Brush kit for Wiper Motor - RTC198

GROUP K  
ELECTRICAL - Instrument Panel



- ① Blue warning light Diesel
  - ② Station Wagon only
  - ③ Alternative fixings.
- LAND ROVER 2F 07 1RE 174

GROUP K  
ELECTRICAL - Instruments

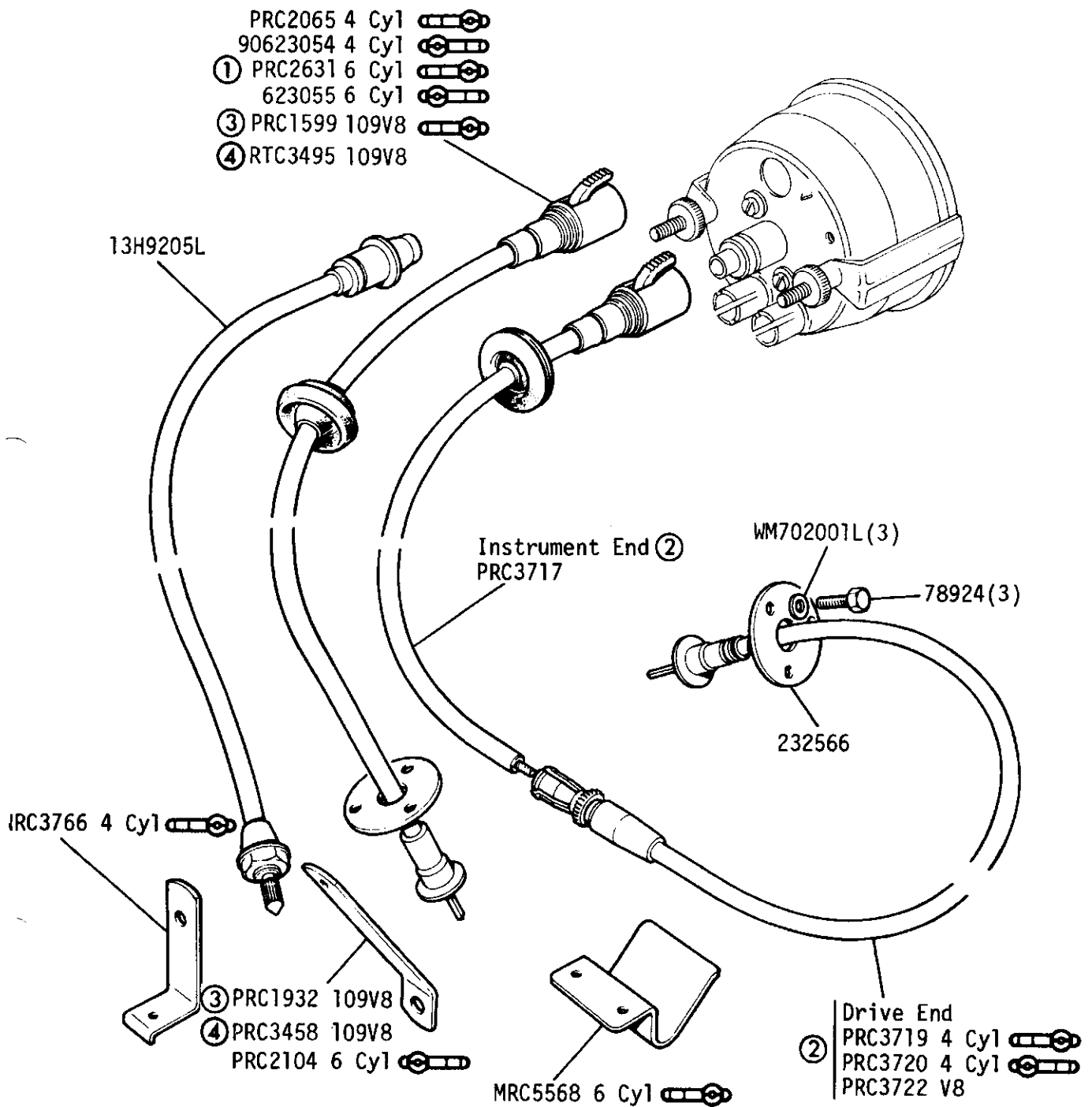


- ① Except 109 V8
- ② 109 V8
- ③ Diesel models - for heater plug warning light
- ④ Green Illumination
- ⑤ With Trip
- ⑥ Without Trip

Plug, redundant hole :- 338014  
(For use with PRC3605)

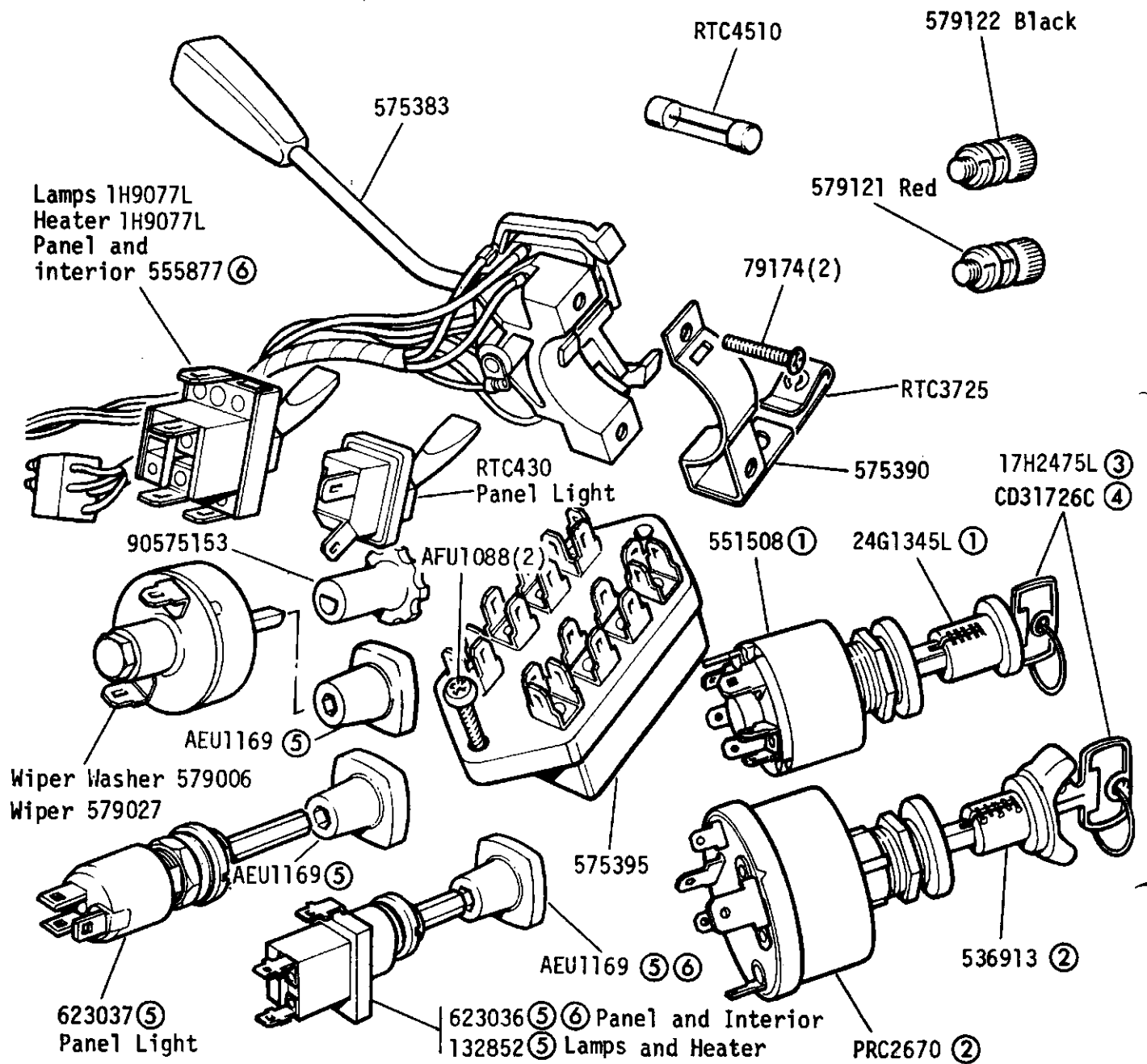


GROUP K  
ELECTRICAL - Instruments



- |   |  |
|---|--|
| ① One piece speedometer drive cable                 | Double Clip, Speedometer Cable and Fuel Spill Pipe :- PRC3595(2) |
| ② Two piece speedometer drive cable                 |  |
| ③ 109V8  Detoxed upto vehicle 158451 (January 1982) |  |
| ④ All 109V8 from vehicle 158452                     |  |

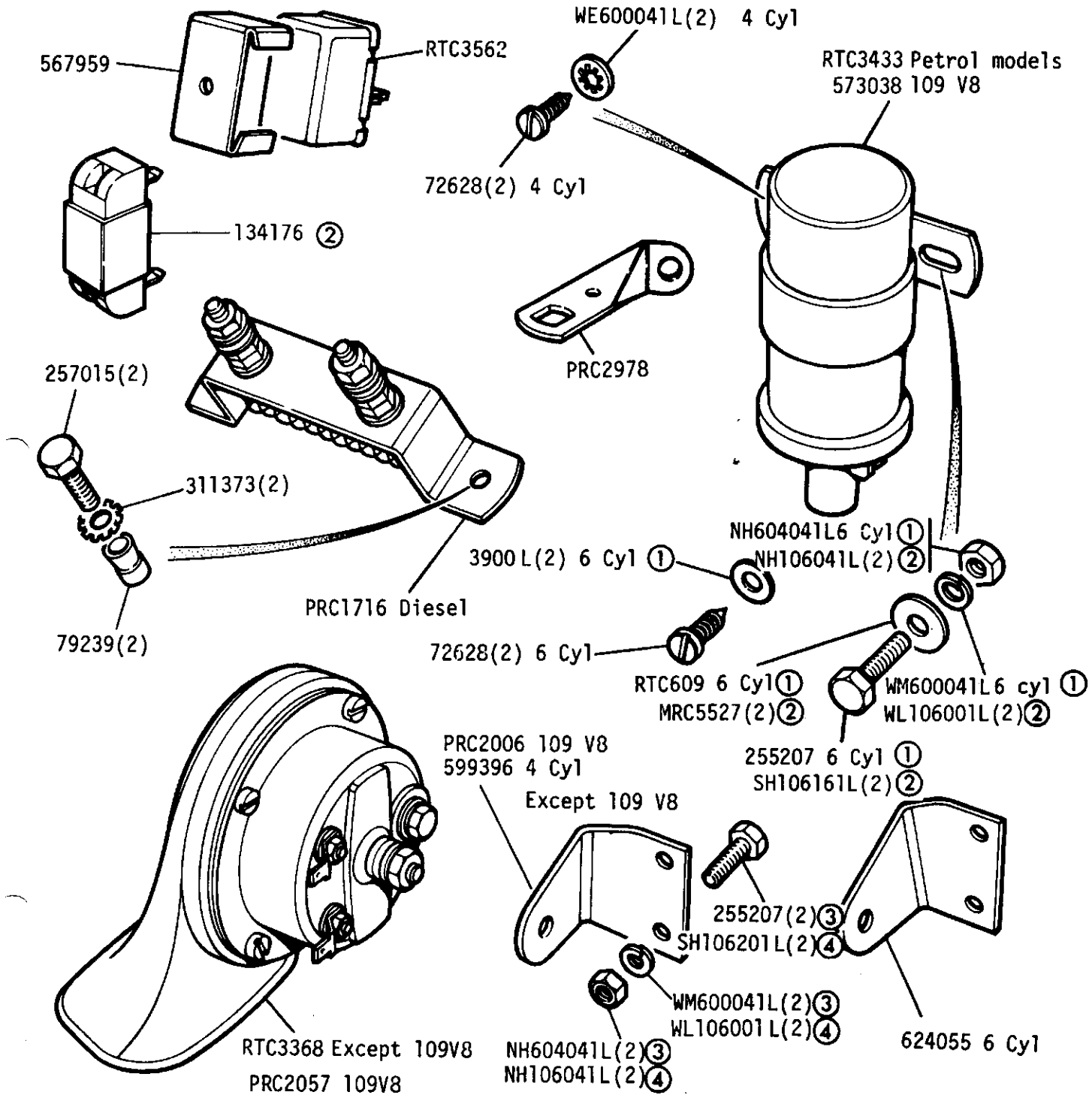
**GROUP K**  
**ELECTRICAL - Switches**



- ① Petrol models
- ② Diesel models
- ③ Blank
- ④ Cut
- ⑤ Germany
- ⑥ Station Wagon

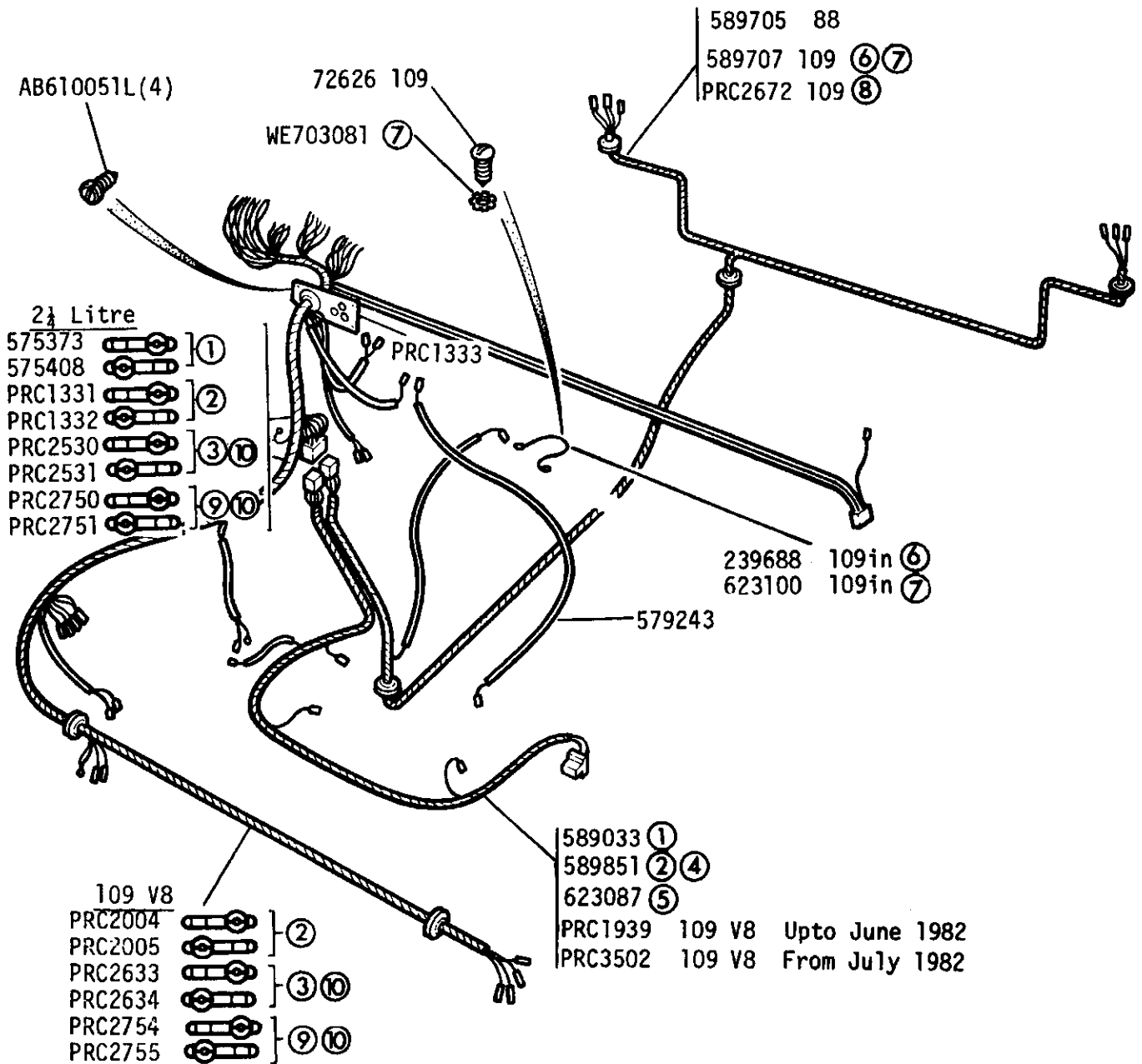
Ballast resistor 109 V8 134176  
 Relay for starter motor 109 V8 589665  
 Ignition switch cover 109 V8 PRC2966  
 Label Interior Lamp Switch - MRC8172  
 Switch, rear Fog Lamp - PRC2627

GROUP K  
ELECTRICAL - General



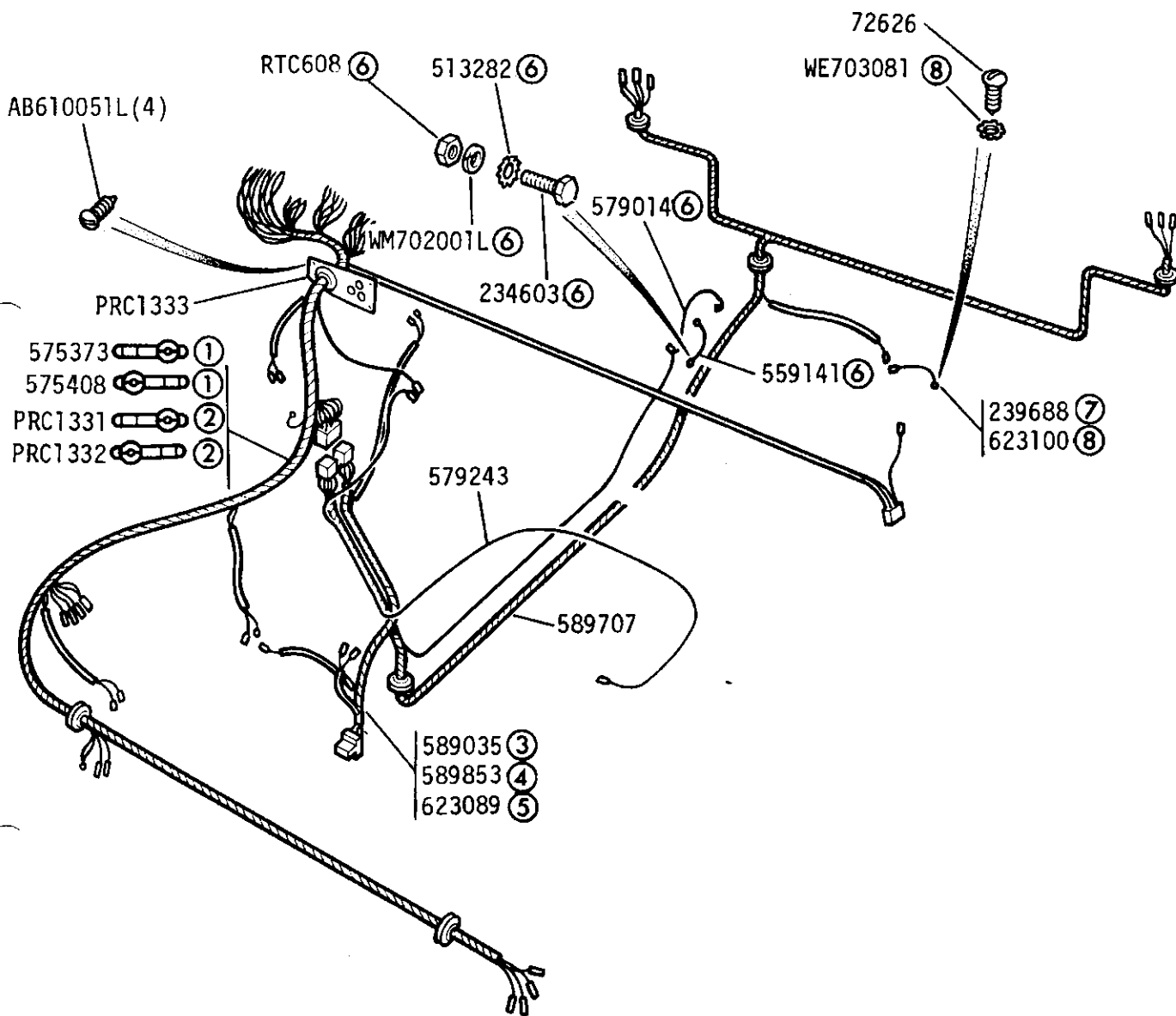
- ① Alternative fixings check before ordering
- ② 109 V8
- ③ UNF
- ④ METRIC

GROUP K  
ELECTRICAL - Harnesses 2½ Litre Petrol and 109 V8



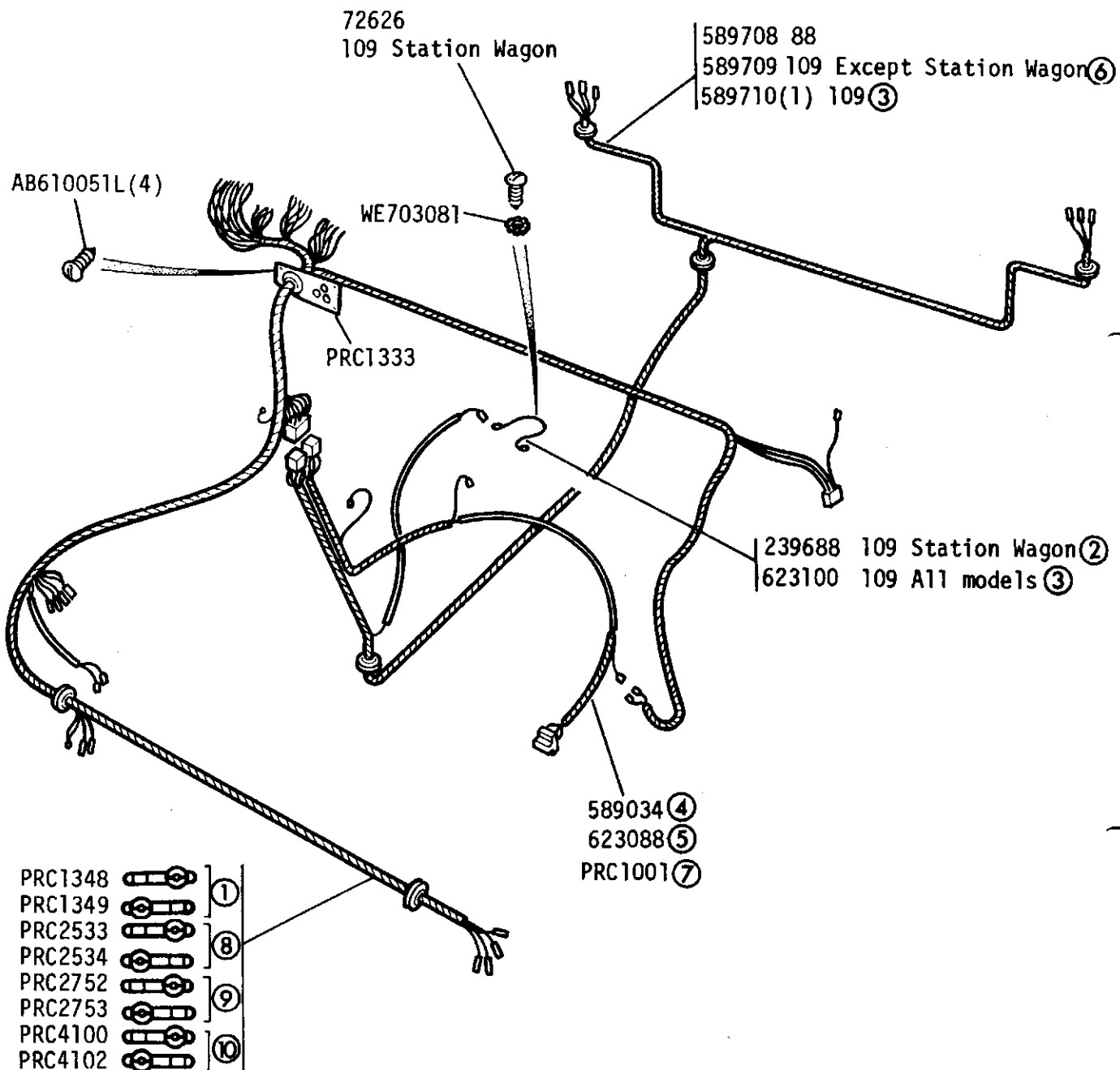
- ① Vehicles with choke thermostat warning switch
- ② Vehicles without choke thermostat warning switch - Up to Aug 1980
- ③ Vehicles without choke thermostat warning switch - From Sept 1980 to Jan.1983
- ④ All models up to engine suffix 'A'
- ⑤ All models from engine suffix 'B' onwards
- ⑥ 109 Station Wagon up to vehicle suffix 'B' inclusive
- ⑦ All 109 models from vehicle suffix 'C' onwards
- ⑧ 109 except Station Wagon up to vehicle suffix 'B' inclusive
- ⑨ From Feb. 1983
- ⑩ For vehicles with Rear Fog and Reverse Lamps

GROUP K  
ELECTRICAL - Harnesses 2.6 Litre Petrol



- ① Vehicles with choke thermostat warning switch
- ② Vehicles without choke thermostat warning switch
- ③ Up to April 1973
- ④ Engine suffix 'A'
- ⑤ From engine suffix 'B' onwards
- ⑥ Vehicle suffix 'A'
- ⑦ Vehicle suffix 'A' and 'B'
- ⑧ From vehicle suffix 'C' onwards

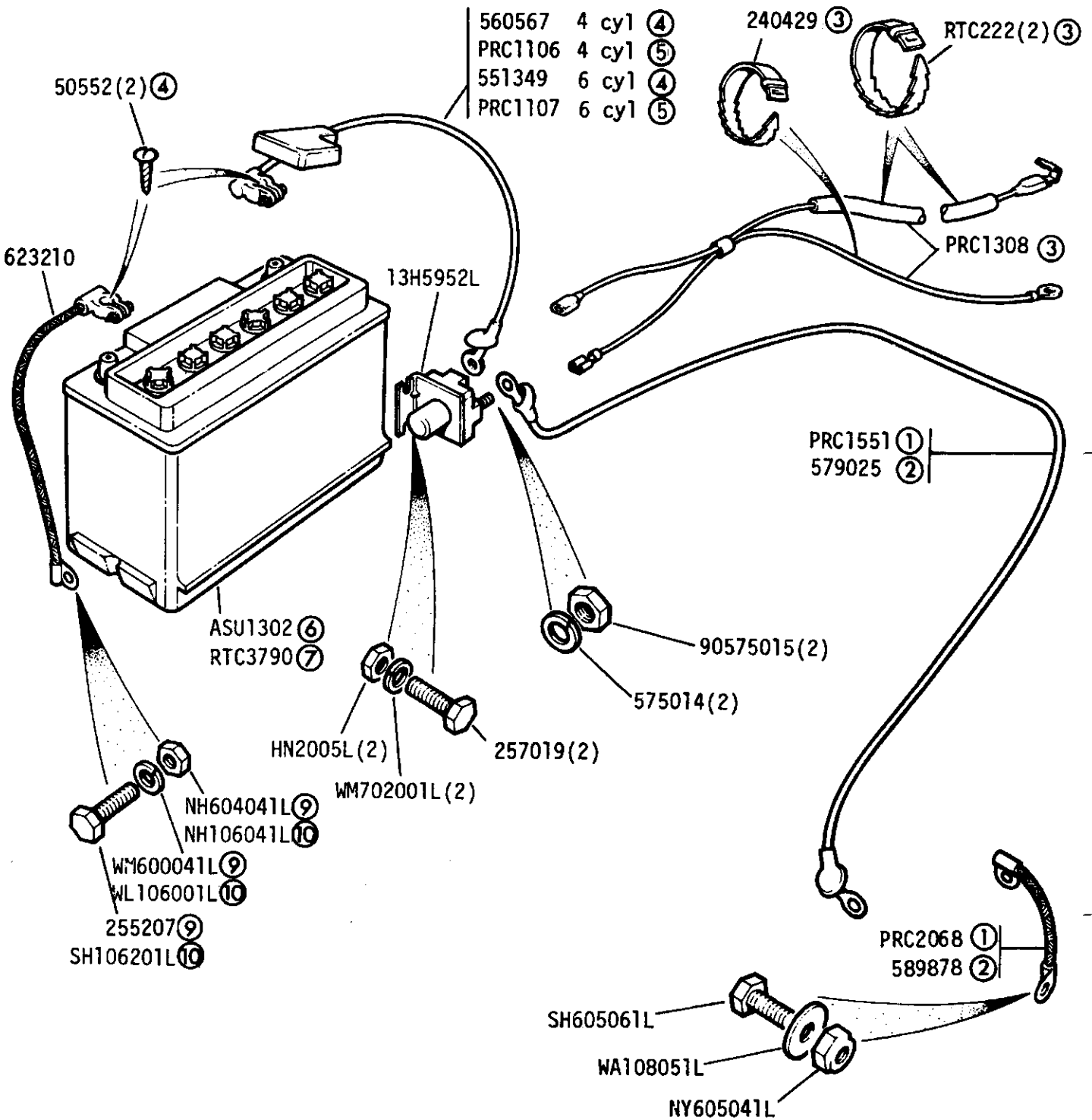
GROUP K  
ELECTRICAL - Harnesses 2½ Litre Diesel



- |   |   |
|---|---|
| ① Vehicles with 3 hole grommet plate - Up to June 1980        | ⑩ December 1983 onwards<br>(Ballast Resistor deleted) |
| ② 109 Station Wagon up to vehicle suffix 'B' inclusive        |   |
| ③ All 109 models from vehicle suffix 'C' onwards              |   |
| ④ All models engine suffix 'A'                                |   |
| ⑤ All models engine suffix 'B'                                |   |
| ⑥ 109 except Station Wagon up to vehicle suffix 'B' inclusive |   |
| ⑦ All models from engine suffix 'C' onwards                   |   |
| ⑧ July 1980 to January 1983                                   |   |
| ⑨ February 1983 to November 1983                              |   |
- LAND ROVER 2F 11 1RE 293J

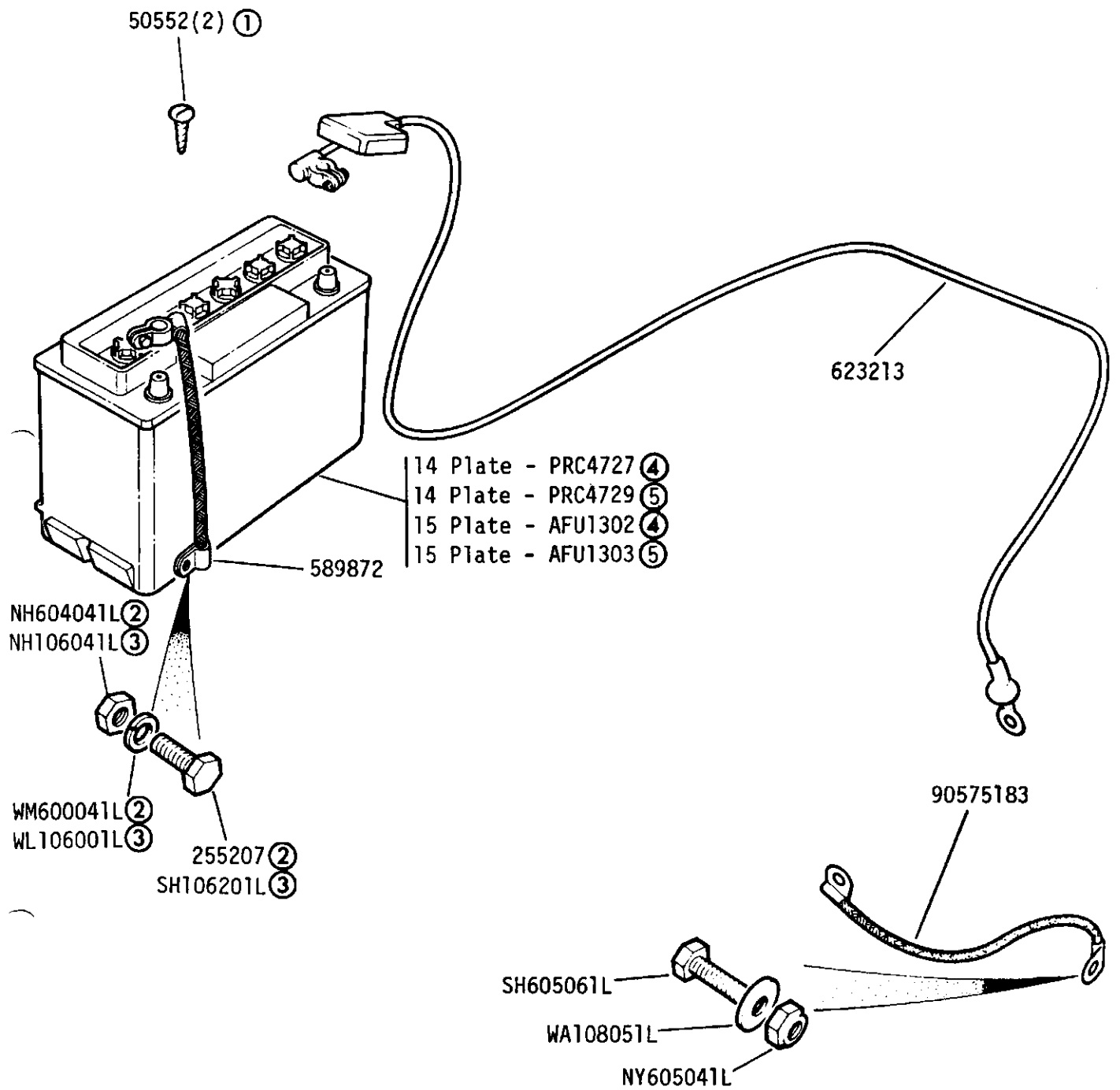
GROUP K

ELECTRICAL - Battery, Starter Solenoid and Cables - Petrol Models



- |  |                           |                  |
|--|---------------------------|------------------|
| (1) 2½ Petrol                                | (9) UNF                   |                  |
| (2) 2.6 Petrol                               | (10) METRIC               |                  |
| (3) 2.6 Petrol when Detoxed Engine is fitted |                           |                  |
| (4) Drive screw type                         | Lead, battery earth       | PRCI598 )        |
| (5) Clamp type                               | Lead, battery to solenoid | PRCI597 ) 109 V8 |
| (6) Wet charged Battery                      | Lead, engine to earth     | PRC3625 )        |
| (7) Dry charged Battery                      |                           |                  |

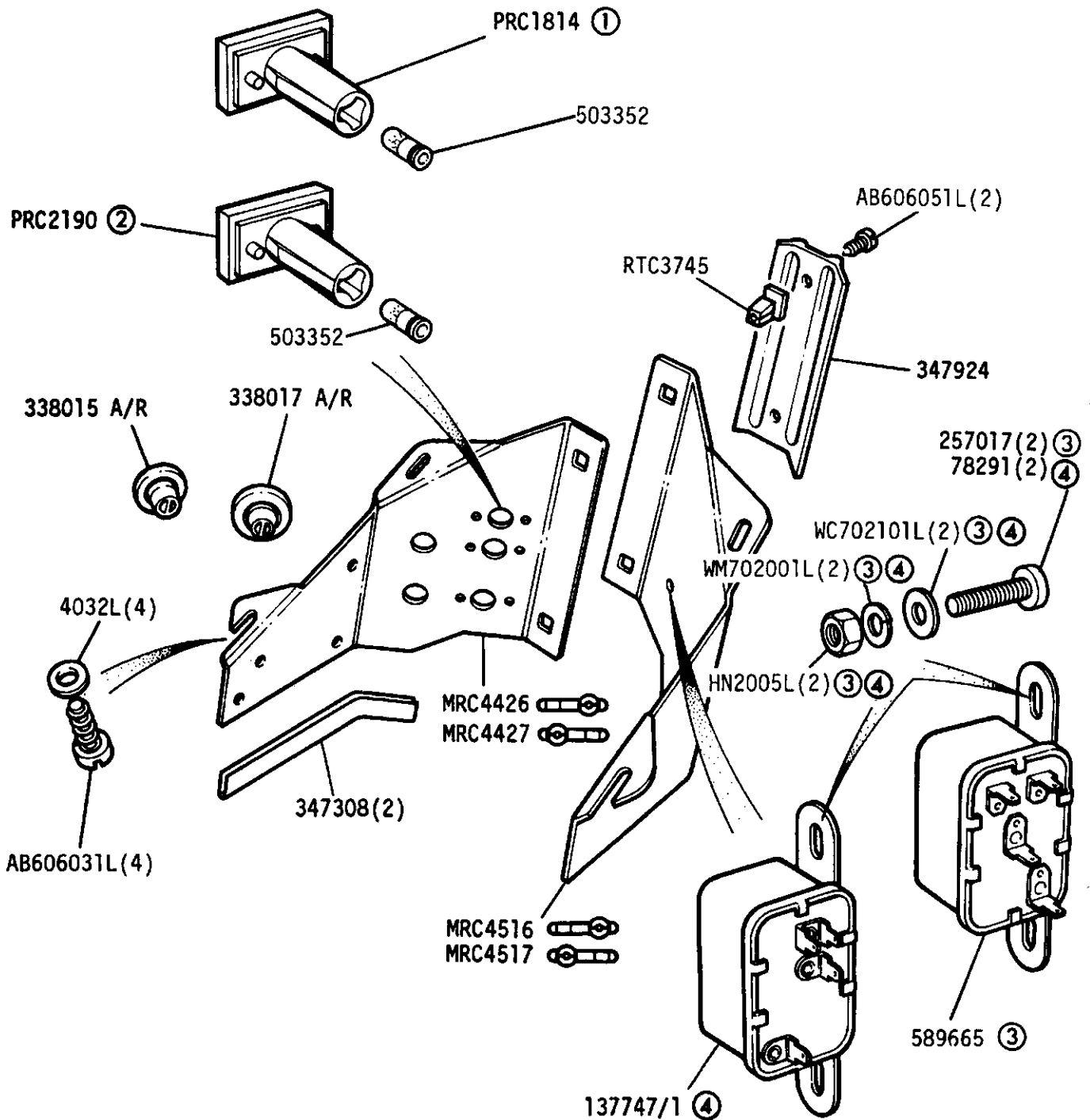
GROUP K  
ELECTRICAL - Battery and Cables, Diesel Models



- ① For early type cable with drive screw connections
- ② UNF
- ③ METRIC
- ④ Wet charged Battery
- ⑤ Dry charged Battery

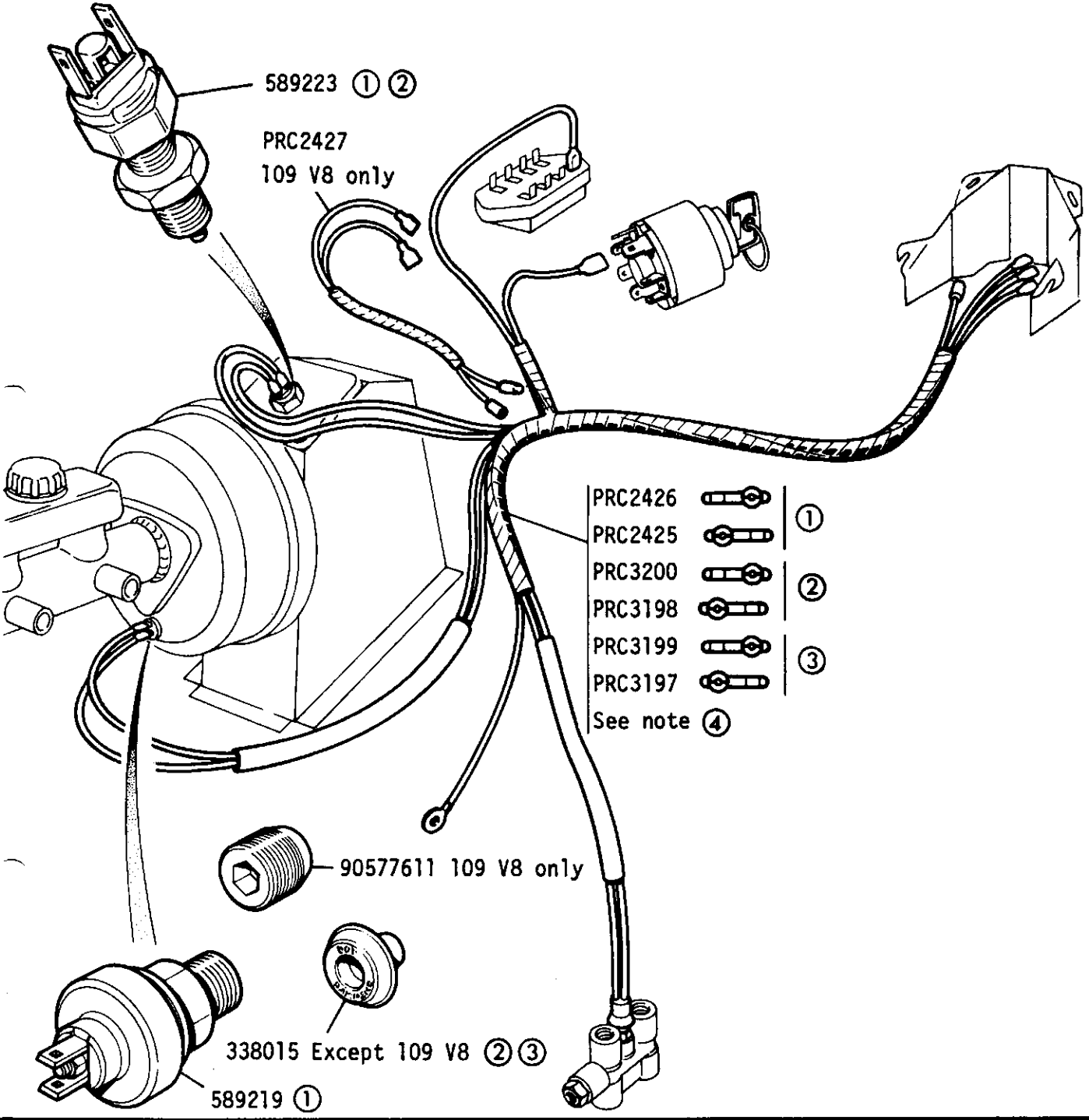


**GROUP K**  
**ELECTRICAL - Auxiliary instrument panel**



- ① Lens - brake warning light (dual brakes system)
- ② Lens - differential warning light - 109V8 only
- ③ Relay - ignition switch - 109V8 only
- ④ Relay - brake warning (dual brakes system)

GROUP K  
ELECTRICAL - Brake failure warning - dual brakes system



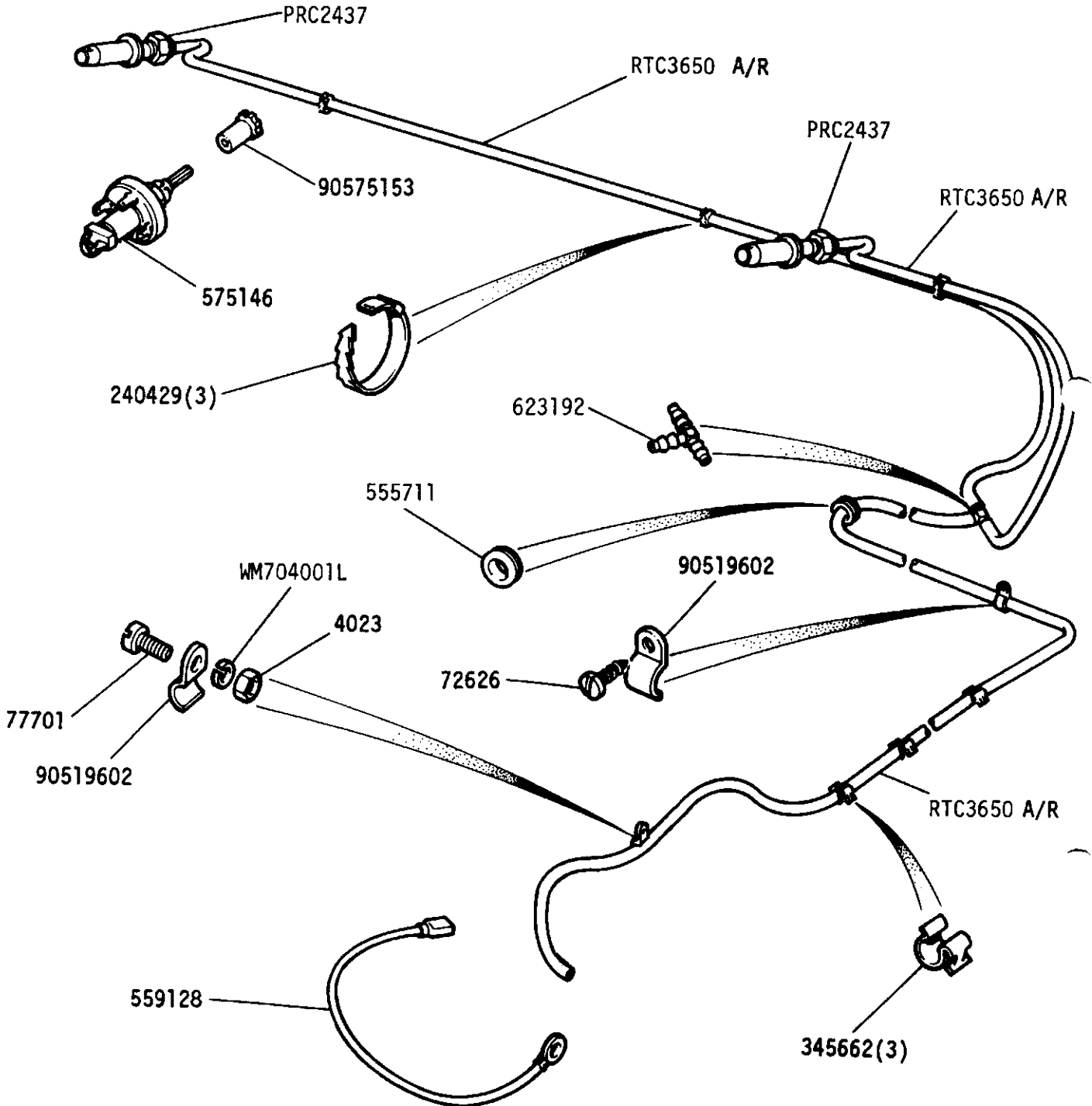
- ① Vehicles with pedal travel and vacuum loss switch
- ② Vehicles with pedal travel switch only
- ③ Vehicles without pedal travel or vacuum loss switches
- ④ Not applicable to 109 V8 (part of Main Harness)

R.184 GROUP K

## AUDIBLE WARNING SAFETY HARNESS. 88" - SAUDI ARABIA ONLY.

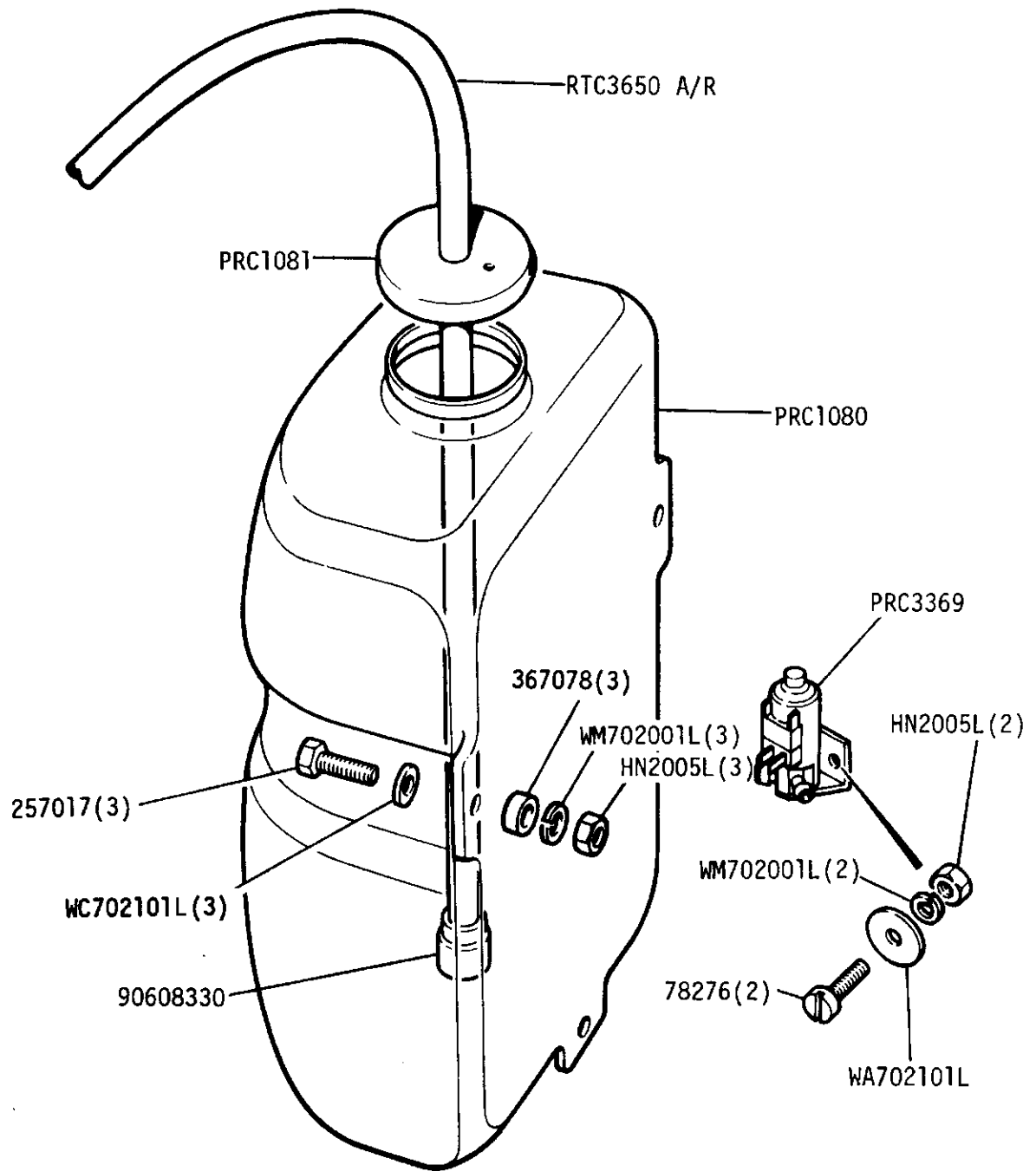
PLATE					DESCRIPTION	QTY.	PART No.	REMARKS
REF.	1	2	3	4				
					Cable Assembly - Seat Belt Warning	1	PRC4302	
					Buzzer	1	PRC4299	
					Mounting Clip - Buzzer	1	PRC4304	
					Screw ) Fixing	1	257017	
					Spring Washer ) Mounting	1	WM702001L	
					Nut ) Clip	1	HN2005L	
					Clip - Seat Buckle Leads to Locker Base			
					Panel	3	AFU2879	
					Cable Tie - Seat Buckle Leads to Speedometer			
					Cable	5	C43640	

GROUP K  
ELECTRICAL - Windscreen washer - tubing, jets and fixings

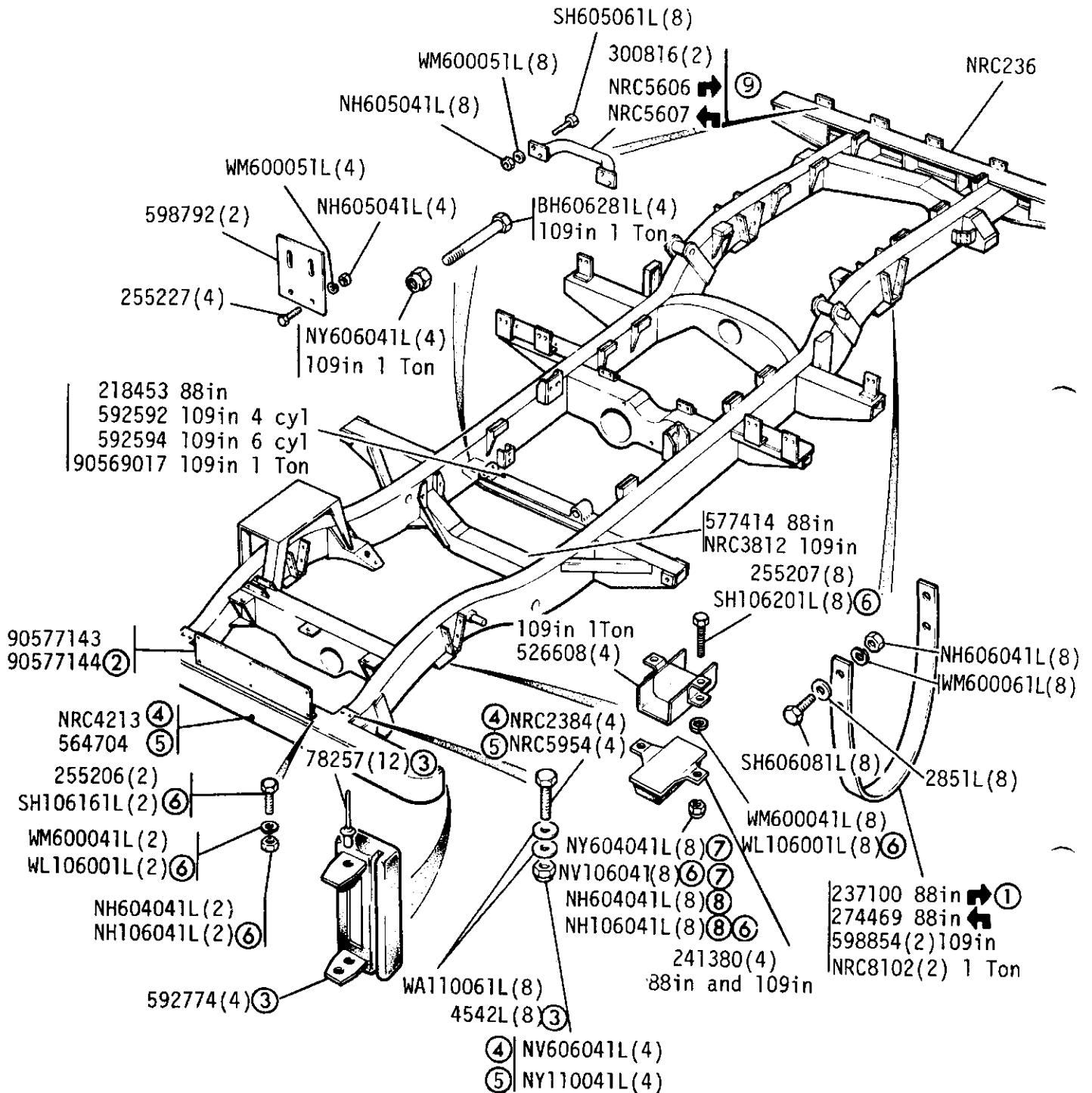


GROUP K

ELECTRICAL - Windscreen Washer Bottle and Tubing



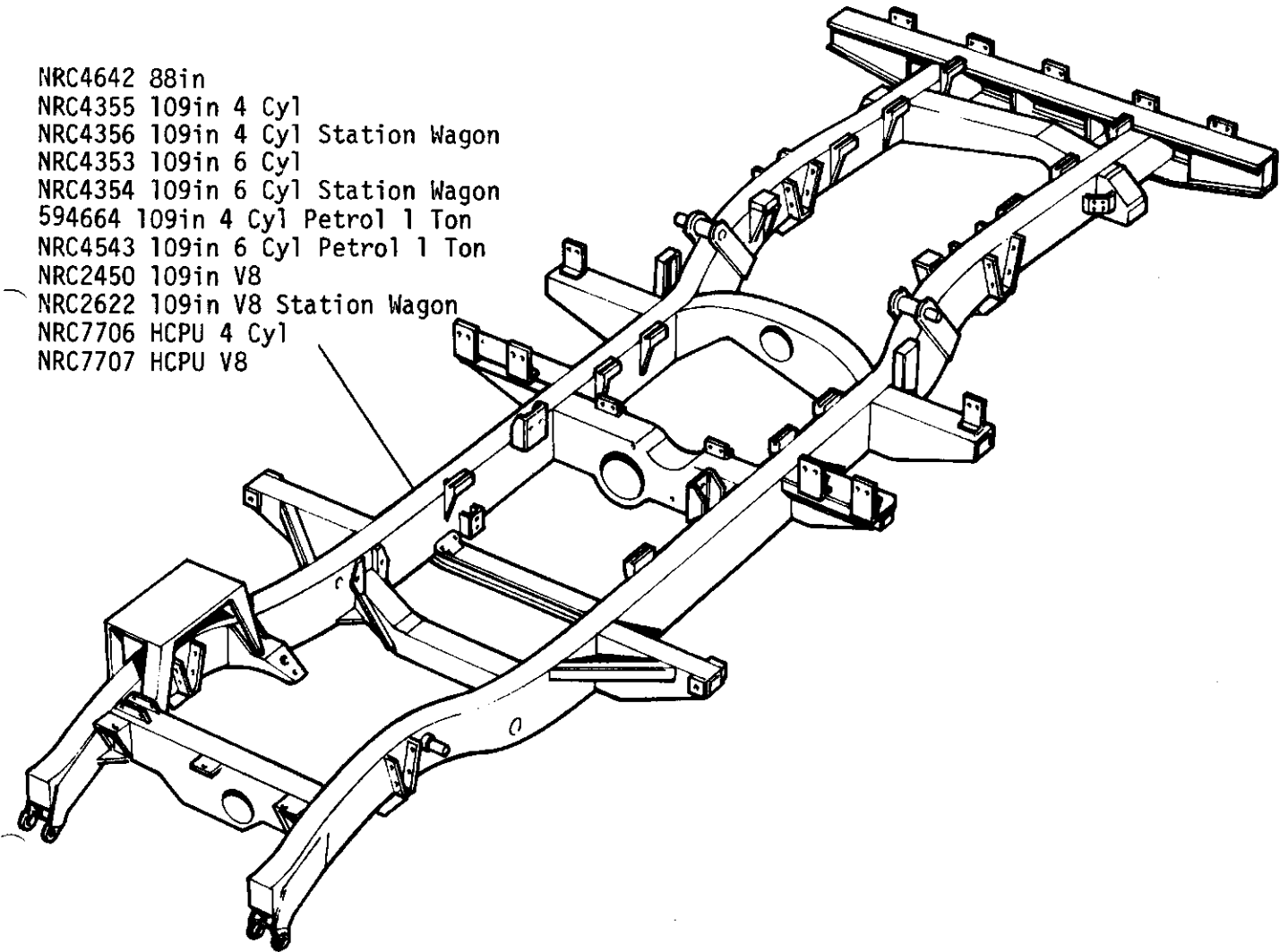
GROUP L  
CHASSIS FRAME



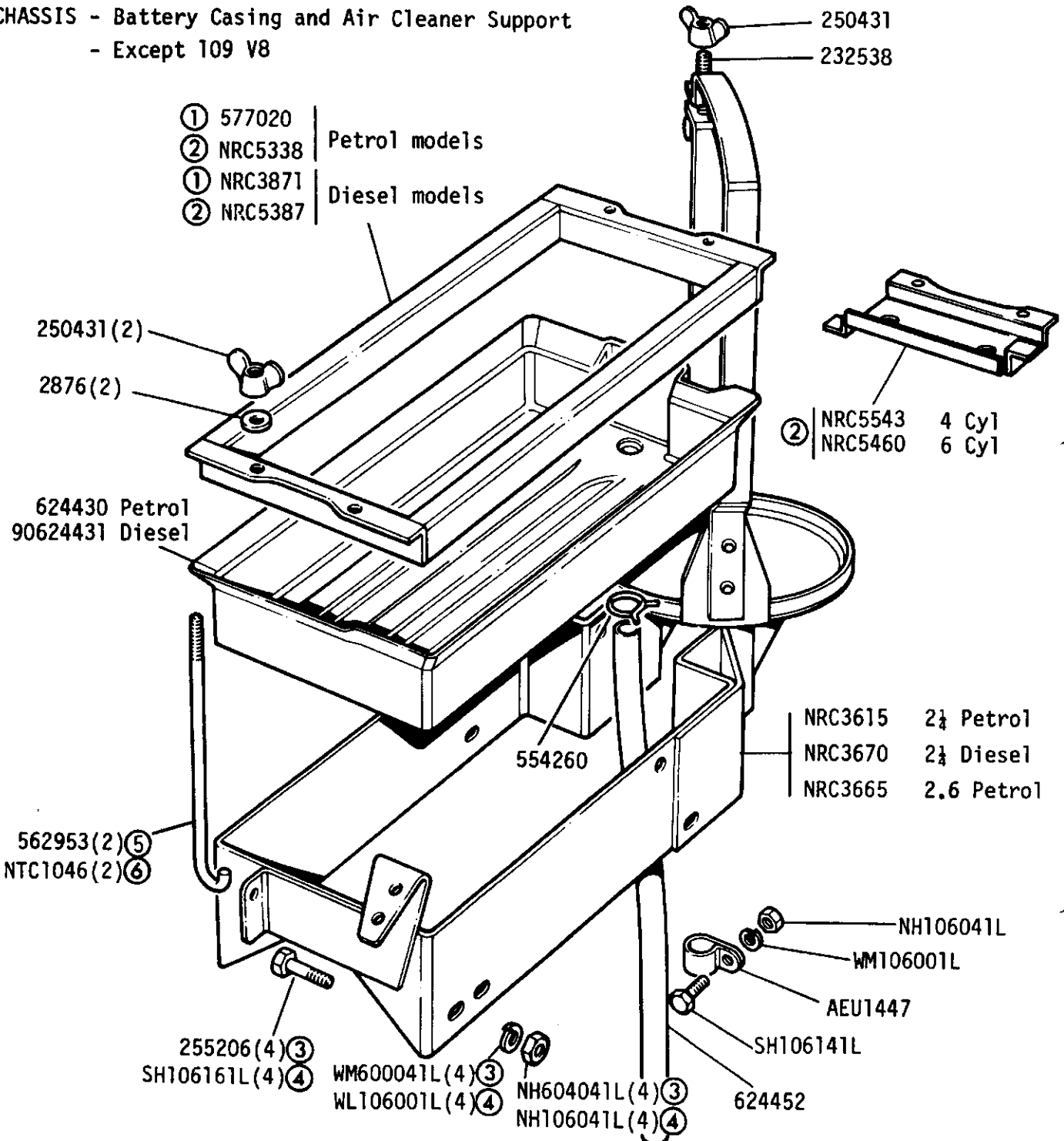
- |  |   |
|--|---|
| ① 2 required with two-piece axle casing        | ⑦ 88in and 109in                            |
| ② Optional                                     | ⑧ 109in 1 Ton                               |
| ③ Germany                                      | Protection Pad, Front Bumper - NRC7439(2) ③ |
| ④ Up to May 1980                               | Rivet, Pad to Bumper - 78248(8) ③           |
| ⑤ From June 1980 onwards                       | Cover, Bumper Bolt - NRC7571(8) ③           |
| ⑥ Metric                                       | ⑨ Alternatives                              |
| Bracket, upper, front bumper mounting NRC4184) | 109 V8 Up to May 1980                       |
| Bracket, lower, front bumper mounting NRC4336) |   |
| LAND ROVER                                     |   |

GROUP L  
CHASSIS FRAME

- NRC4642 88in
- NRC4355 109in 4 Cyl
- NRC4356 109in 4 Cyl Station Wagon
- NRC4353 109in 6 Cyl
- NRC4354 109in 6 Cyl Station Wagon
- 594664 109in 4 Cyl Petrol 1 Ton
- NRC4543 109in 6 Cyl Petrol 1 Ton
- NRC2450 109in V8
- NRC2622 109in V8 Station Wagon
- NRC7706 HCPU 4 Cyl
- NRC7707 HCPU V8



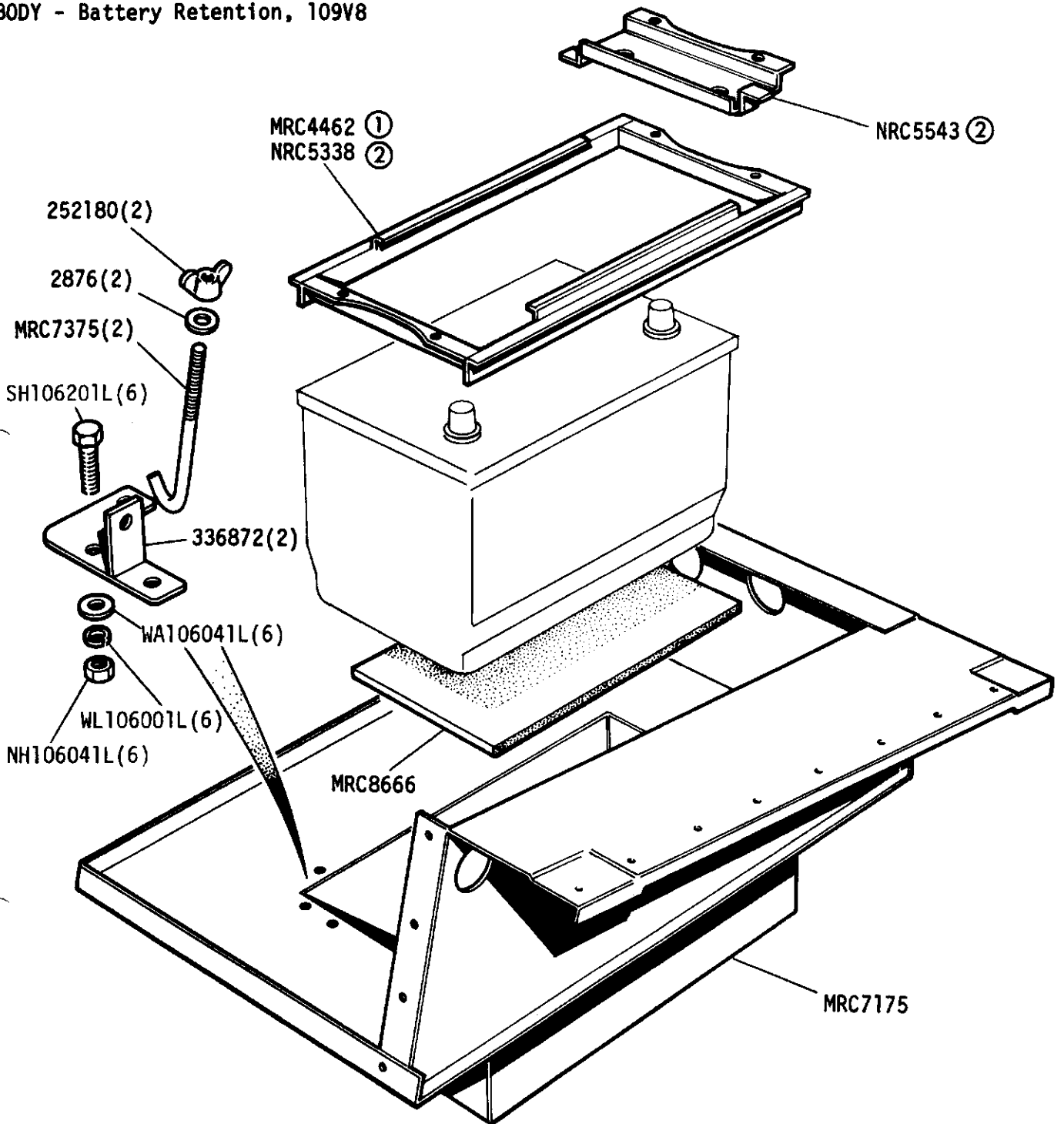
GROUP L  
 CHASSIS - Battery Casing and Air Cleaner Support  
 - Except 109 V8



- ① Up to November 1980
- ② From December 1980
- ③ UNF
- ④ METRIC
- ⑤ Upto September 1984
- ⑥ From October 1984

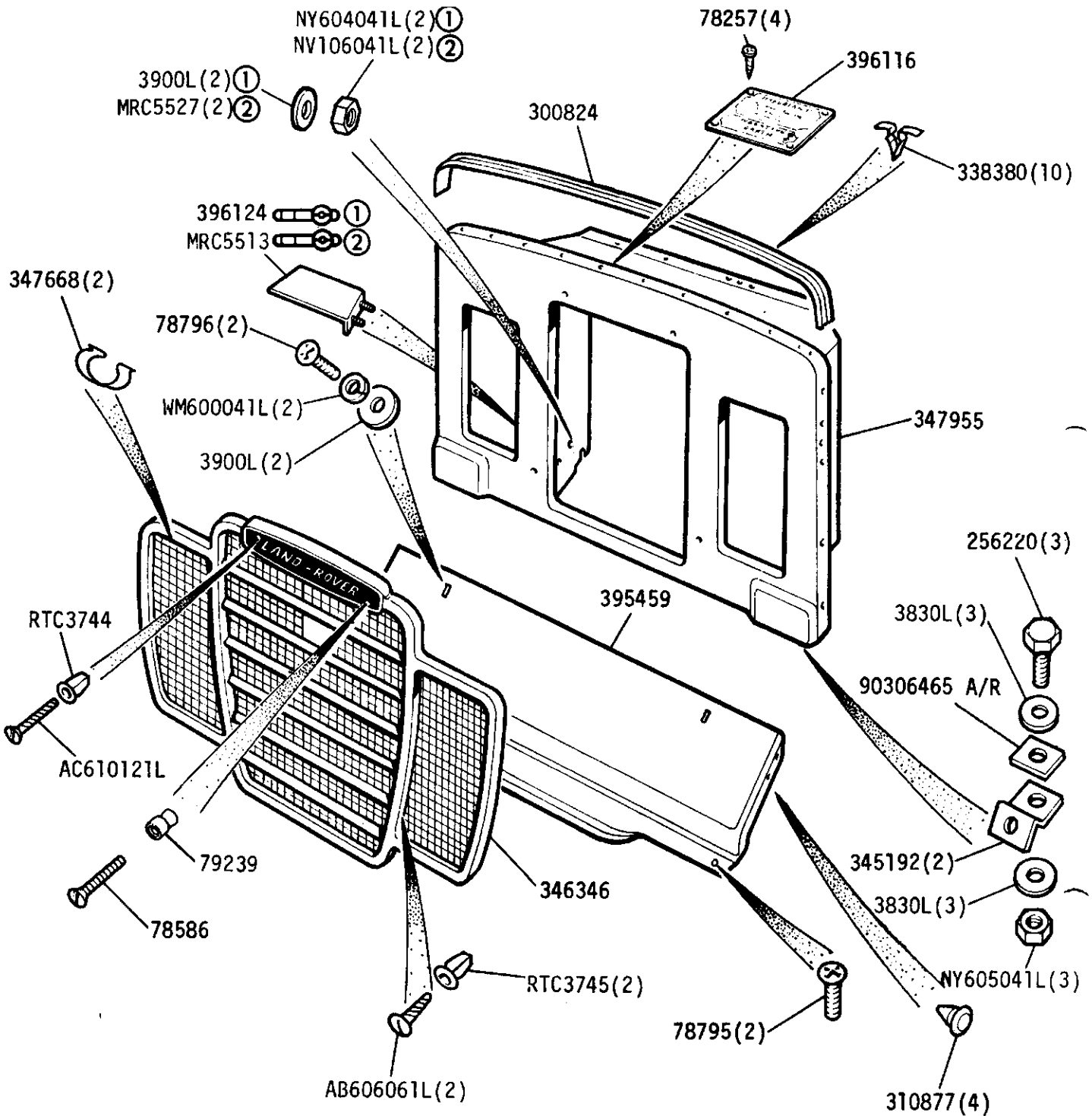


GROUP L  
 BODY - Battery Retention, 109V8



- ① Up to November 1980
- ② From December 1980

GROUP L  
 BODY - Radiator Grille Except 109 V8



① UNF  
 ② METRIC