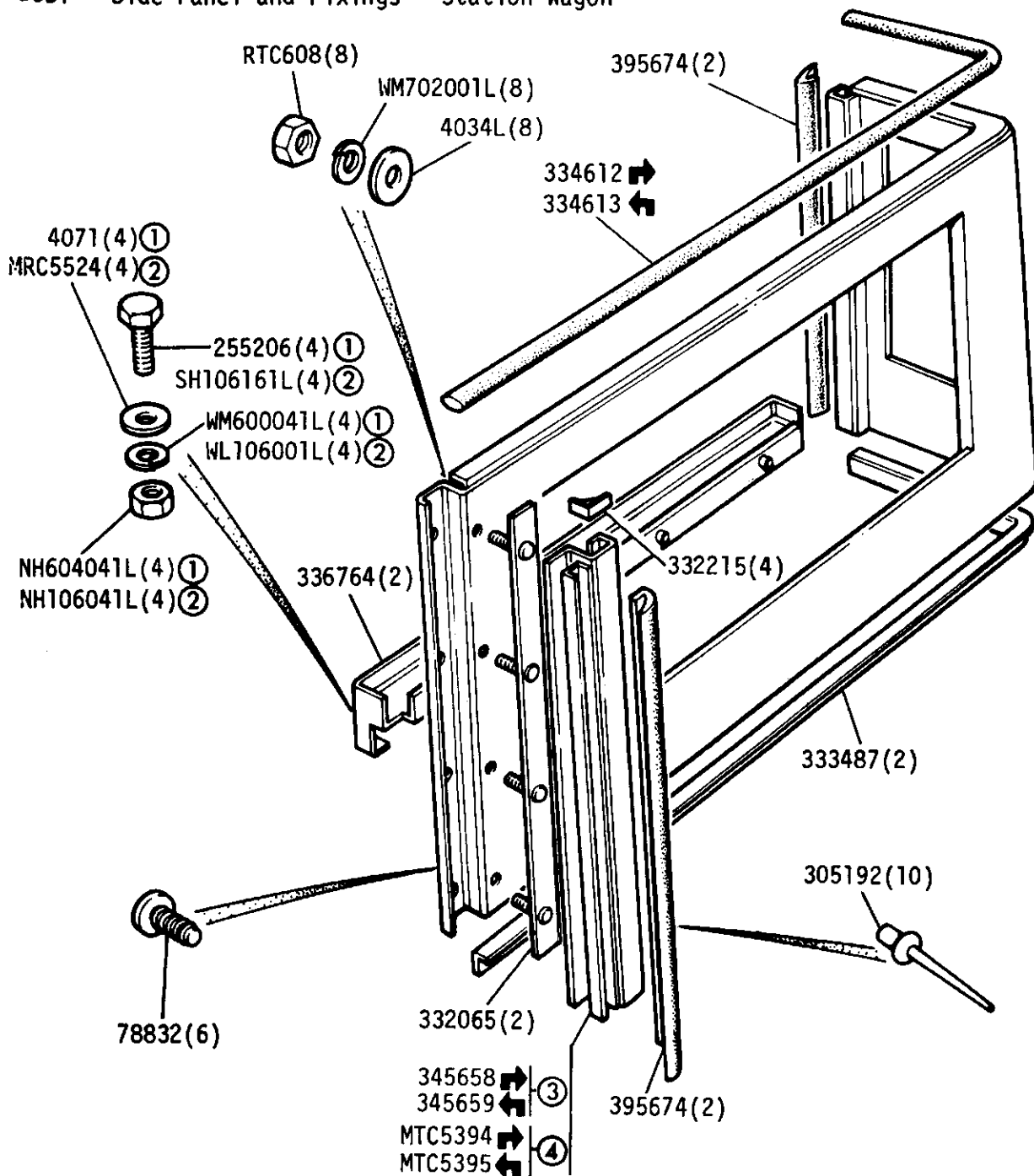
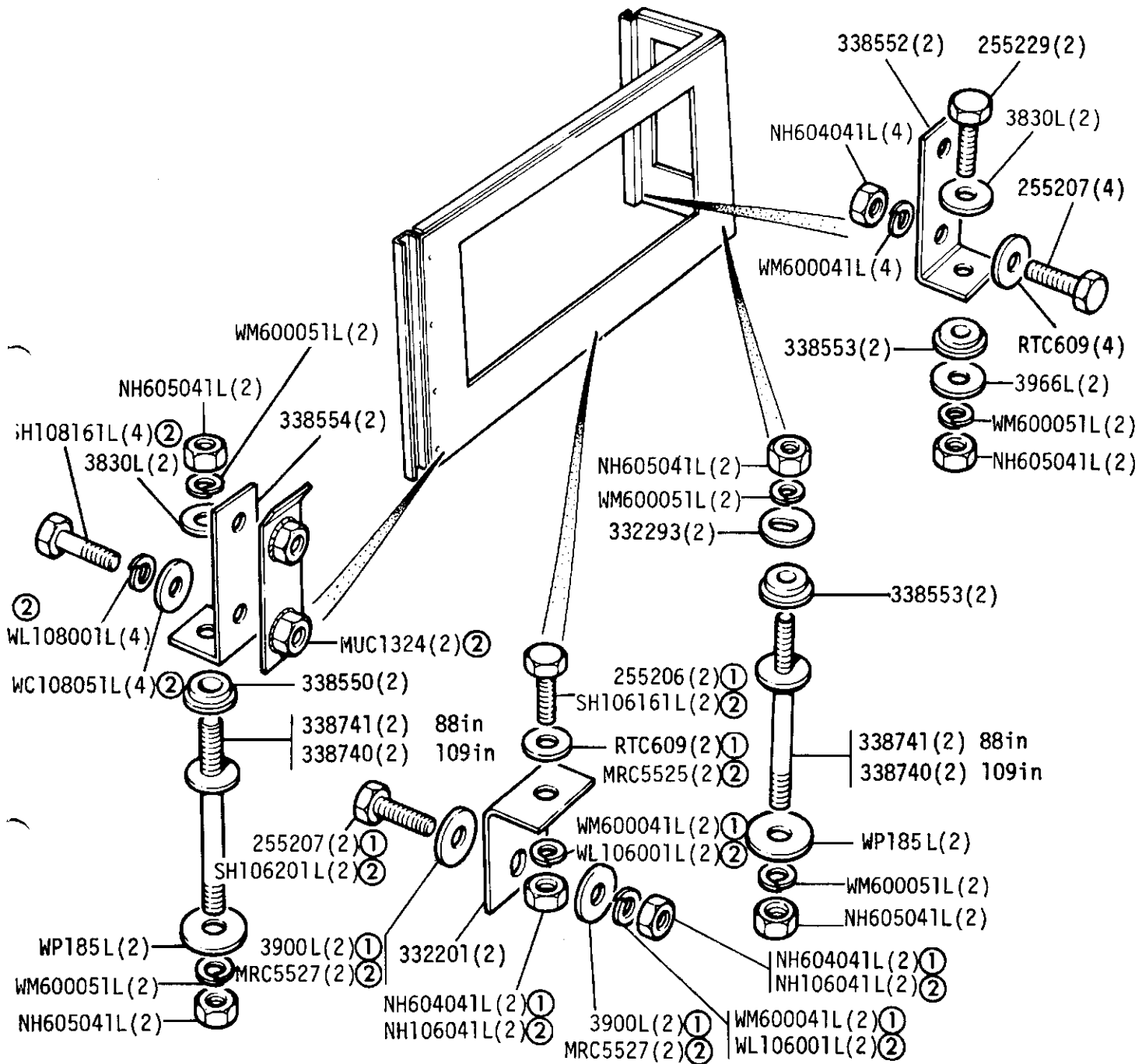


GROUP L
 BODY - Side Panel and Fixings - Station Wagon



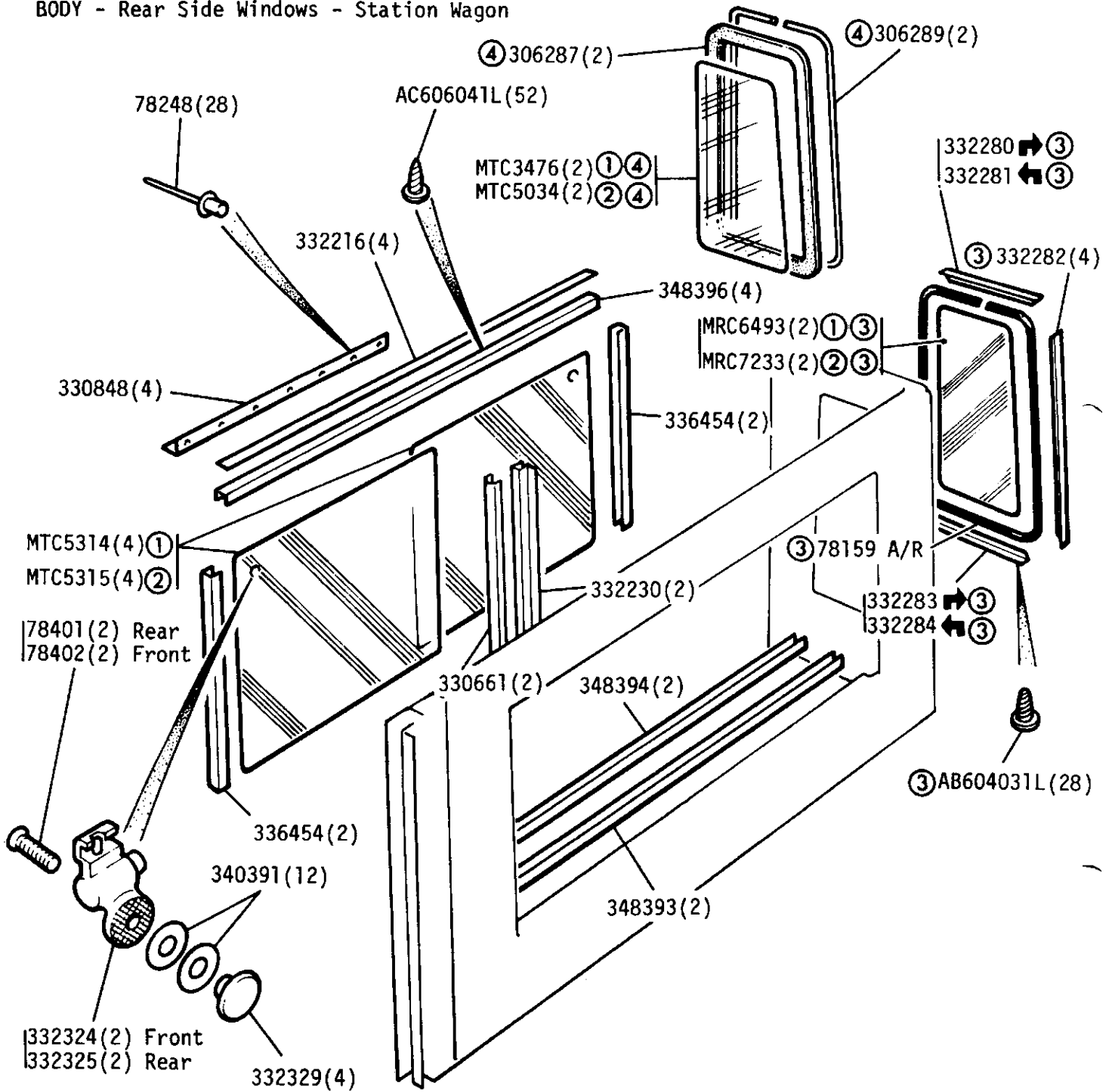
Side panel assembly	MRC4612	➔] Except 109 V8
Side panel assembly	MRC4613	➜	
Side panel assembly	MTC5422	➔] 109 V8
Side panel assembly	MTC5423	➜	
①	UNF		
②	METRIC		
③	Except One Piece Door Seals.		
④	Required for One Piece Door Seals.		
LAND ROVER			
2H 15			
2RE 307			

GROUP L
 BODY - Side Panel Mounting - Station Wagon



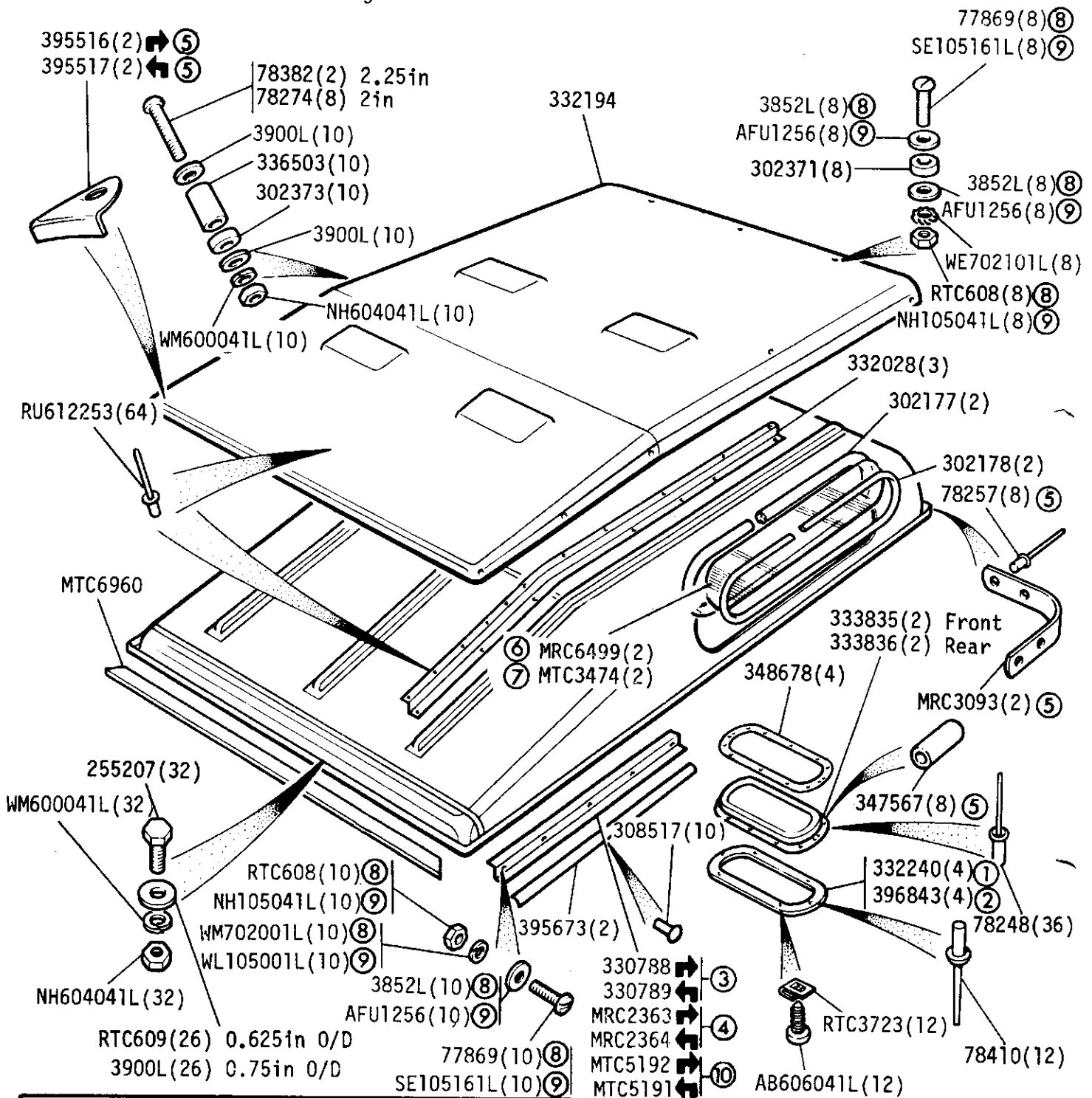
① UNF
 ② METRIC

GROUP L
 BODY - Rear Side Windows - Station Wagon



- ① Except 109 V8
- ② 109 V8
- ③ Early Condition
- ④ Later Condition

GROUP L
BODY - Roof - 88in Station Wagon



Roof and tropical roof assembly MRC7376

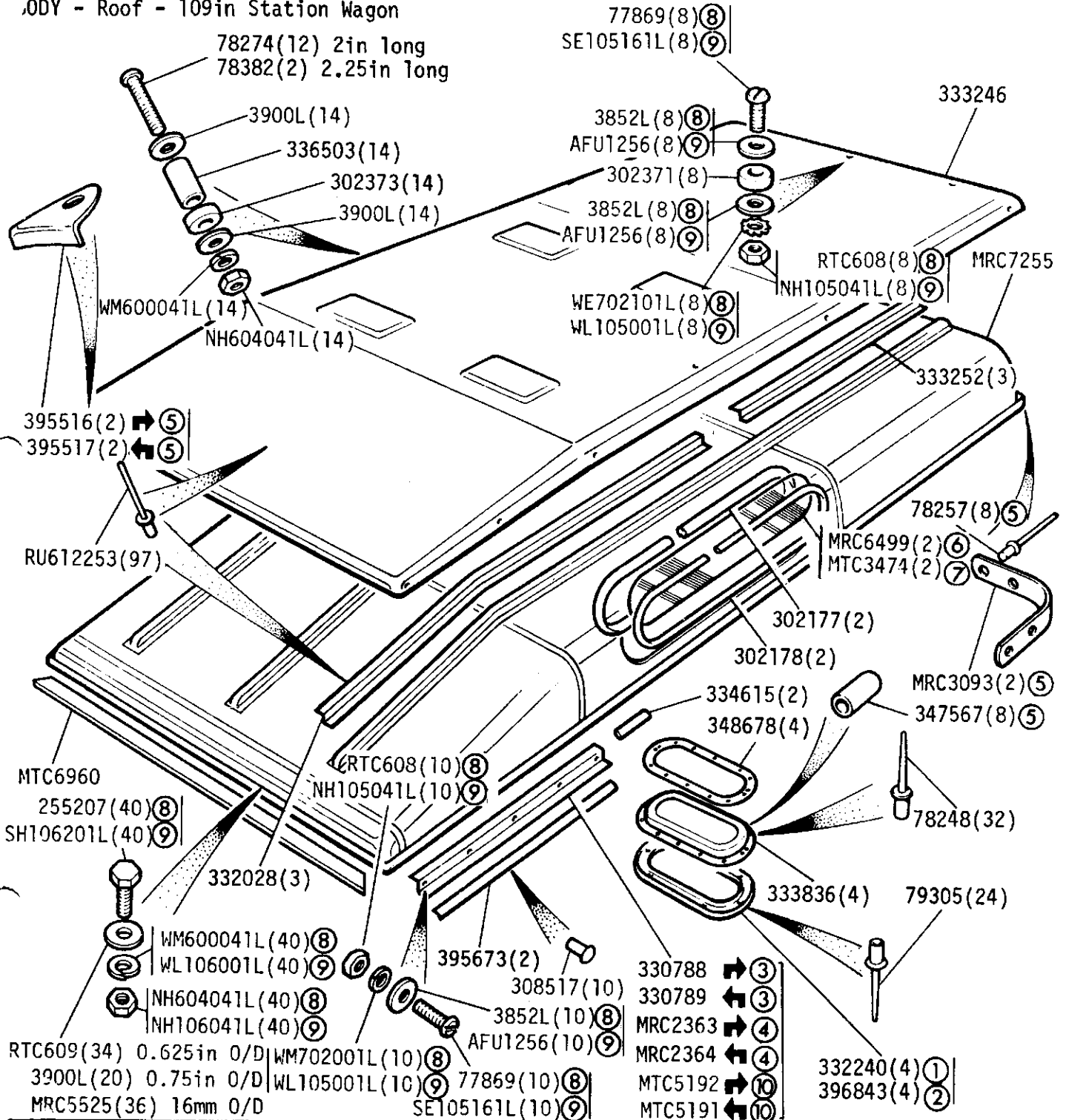
- | | |
|---------------------------|-------------------------------------|
| ① White | ⑧ UNF |
| ② Limestone | ⑨ METRIC |
| ③ Up to March 1973 | ⑩ Required for One piece door seals |
| ④ From April 1973 onwards | |

- ⑤ Germany Only
- ⑥ Clear
- ⑦ Sundym

LAND ROVER

GROUP L

BODY - Roof - 109in Station Wagon

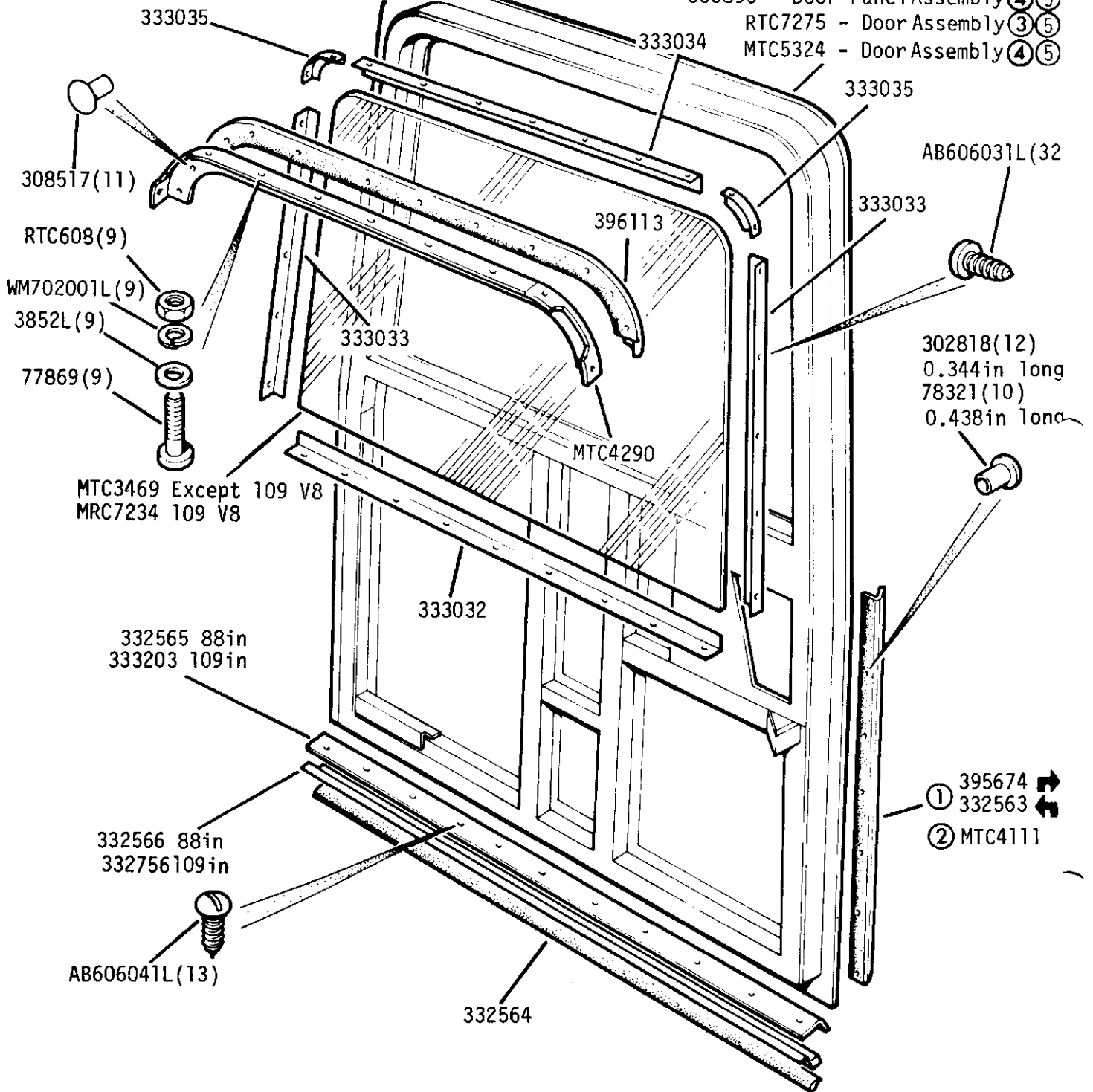


- | | |
|---------------------------|--------------------------------------|
| ① White | ⑧ UNF |
| ② Limestone | ⑨ METRIC |
| ③ Up to March 1973 | ⑩ Required for one piece door seals. |
| ④ From April 1973 onwards | |
| ⑤ Germany only | |
| ⑥ Clear | |
| ⑦ Sundym | |

GROUP L

BODY - Rear Door - Station Wagon

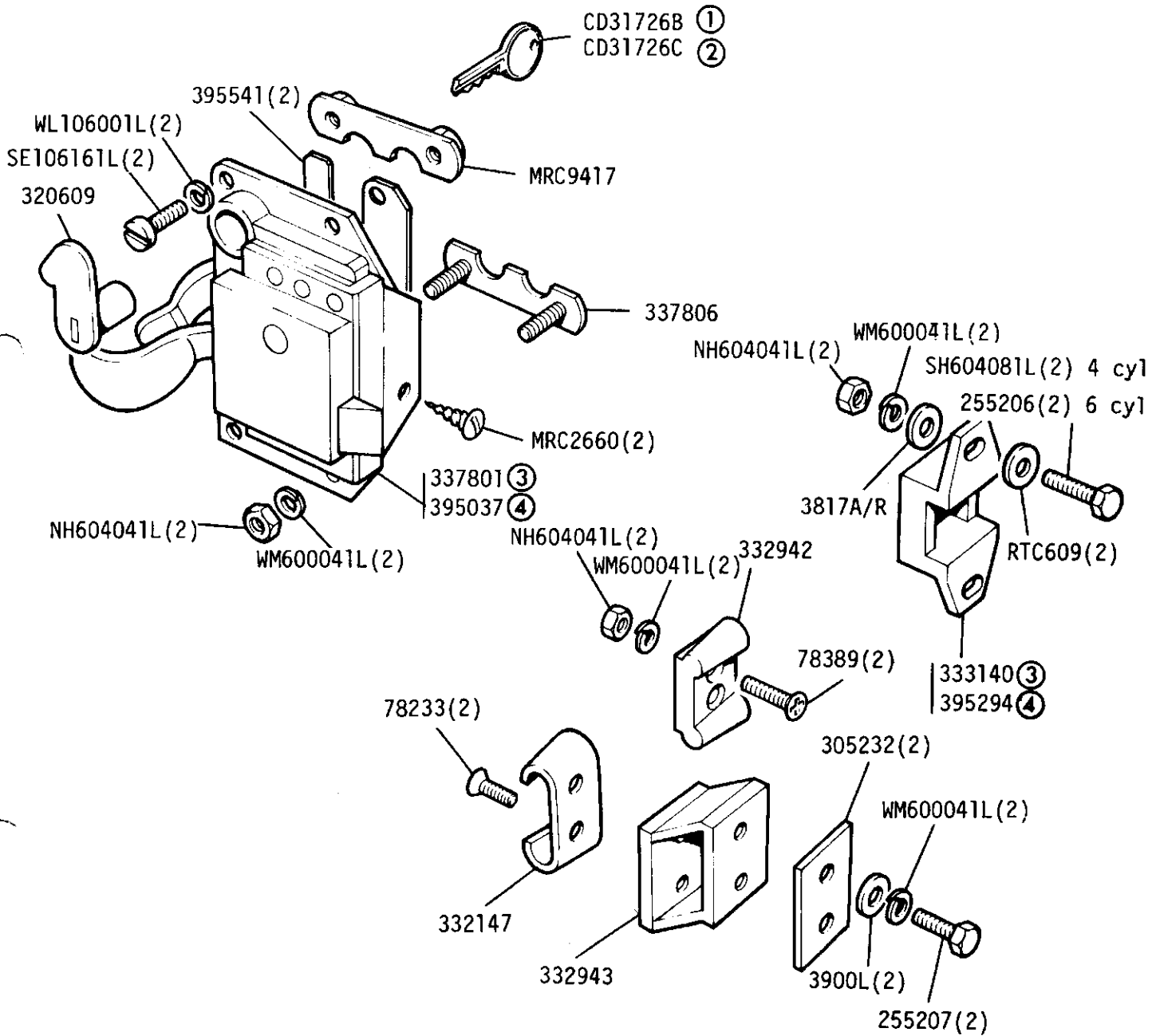
- MTC6902 - Frame and Panel Assembly (3)(6)
- 336890 - Door Panel Assembly (4)(5)
- RTC7275 - Door Assembly (3)(5)
- MTC5324 - Door Assembly (4)(5)



- ① Two Piece Seals
 - ② One Piece Seal
 - ③ Except 109V8
 - ④ All Vehicles including 109V8
 - ⑤ Without provision for Spare Wheel Carrier
 - ⑥ With provision for Spare Wheel Carrier
- Clinched Door Assembly, with provision for Spare Wheel Carrier:- MTC9908 (4)
- Clinched Door Assembly, without provision for Spare Wheel Carrier:- MTC9917 (4)

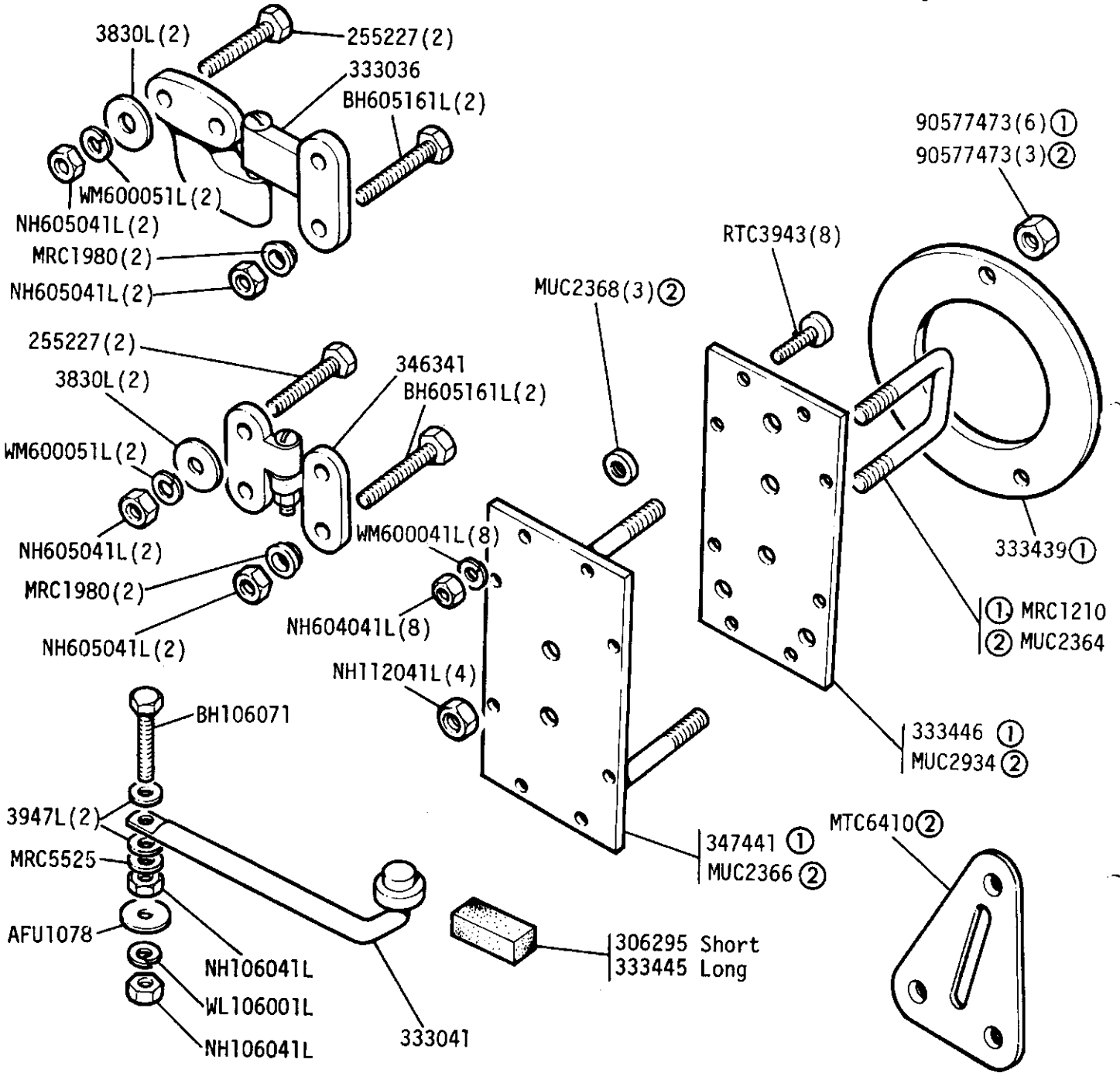
See frame 21 02 for Spare Wheel Fixings

GROUP L
 BODY - Locks - Rear Door - Station Wagon



- ① Blank
- ② Cut
- ③ Except 109V8
- ④ 109V8

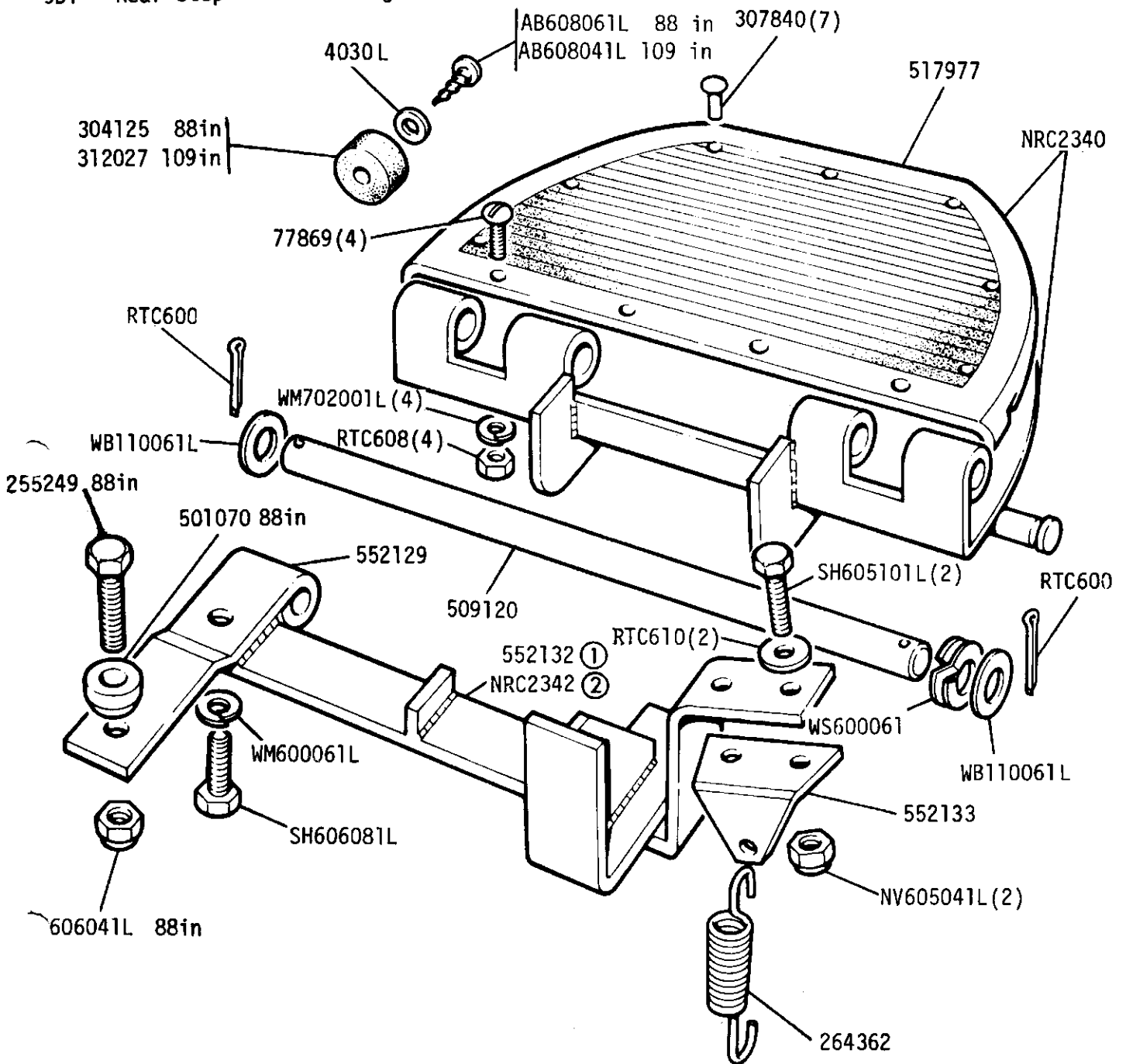
GROUP L
 BODY - Rear Door Hinges, Check Straps and Spare Wheel Carrier - Station Wagon



① Upto Chassis No. SALLBCAV2AA210568
 ② From Chassis No. SALLBCAV2AA210569
 Cover, Spare Wheel - MRC7365 (109V8 Station Wagon)
 Cover, Spare Wheel - MTC7793 (88in County Station Wagon)
 Ring for Eyelet - 301321(5)

GROUP L

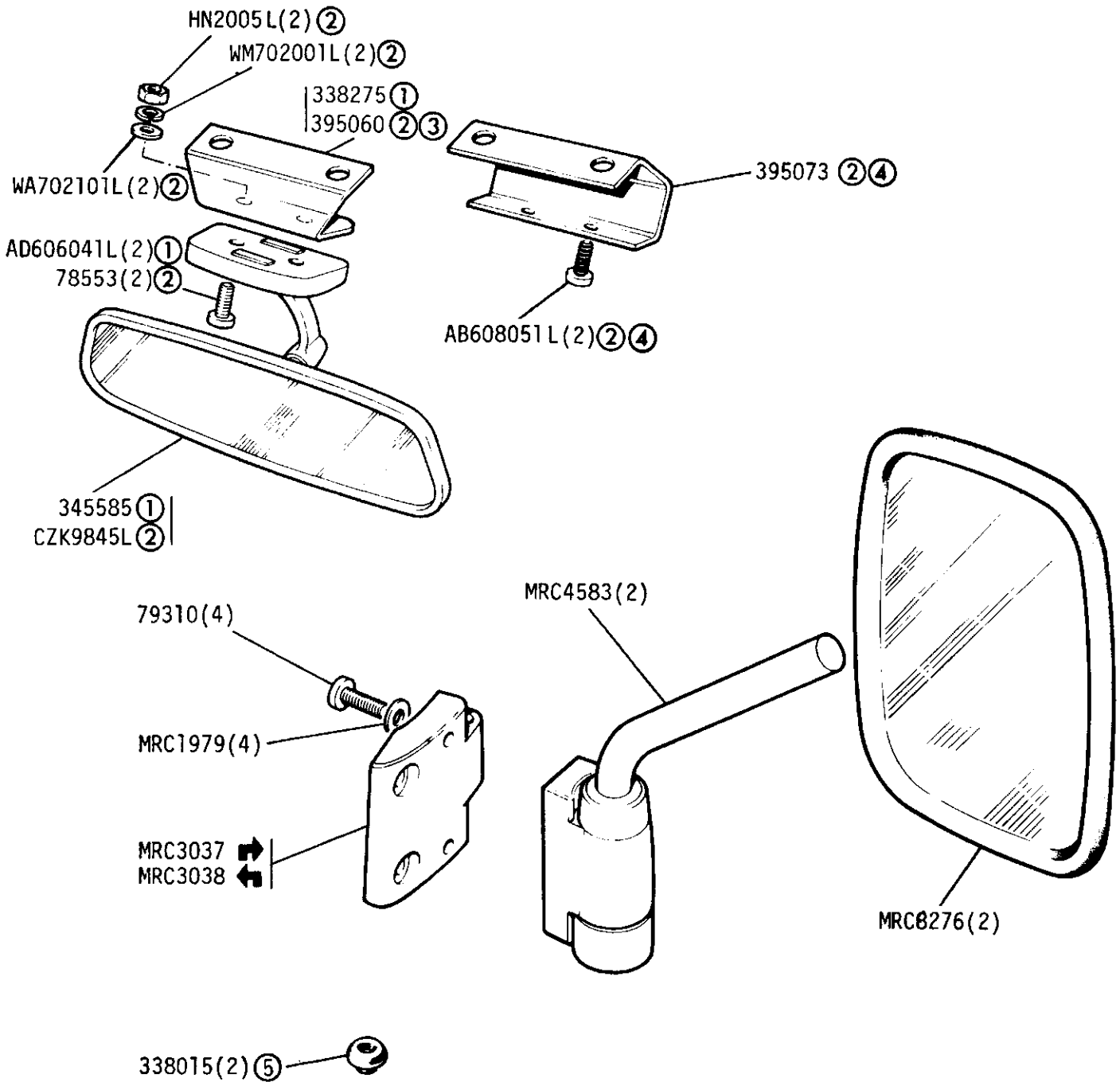
JDY - Rear Step - Station Wagon



- ① For use with step 523589
- ② For use with step NRC2340

GROUP L

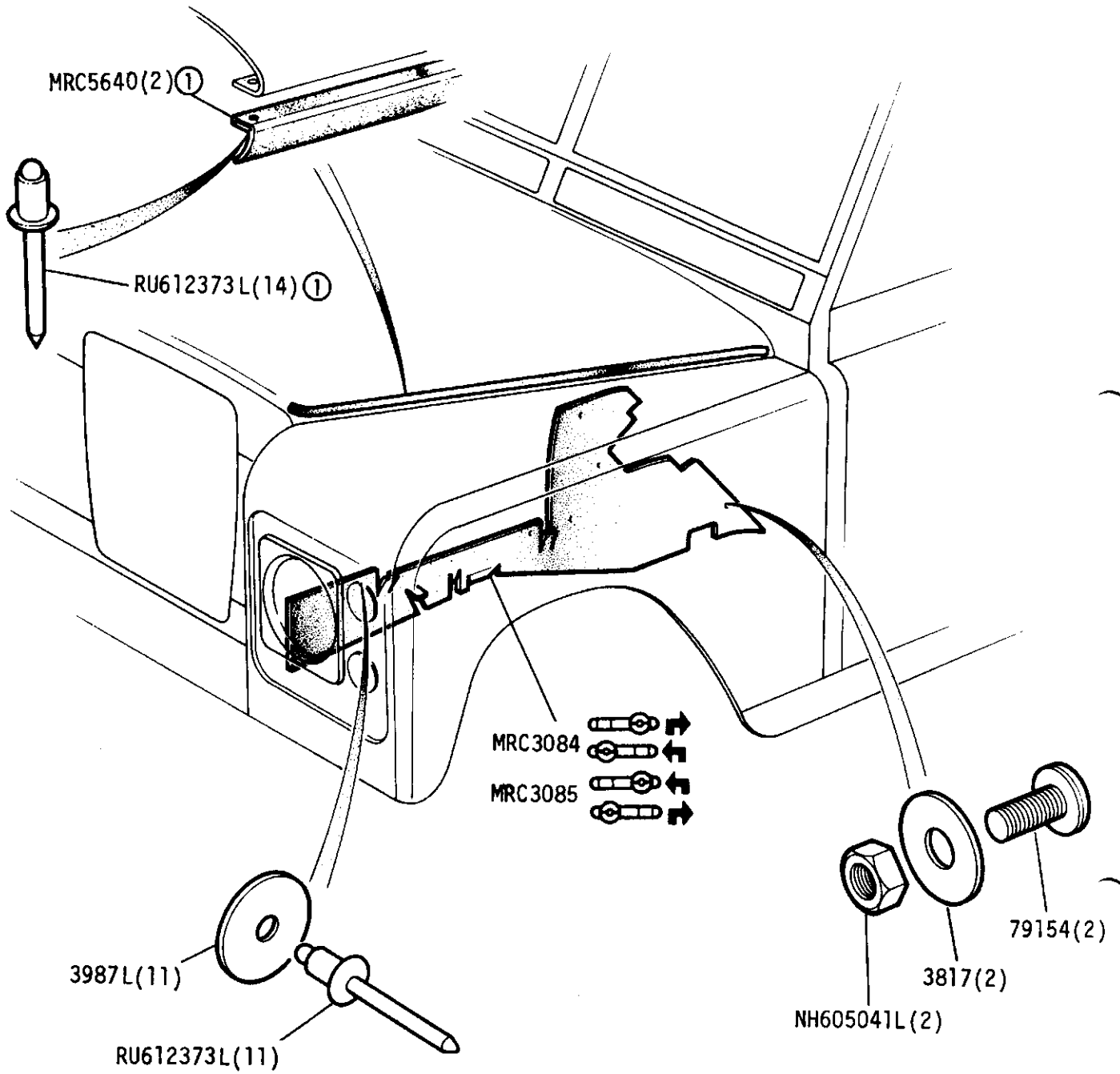
BODY - Interior and door mounted mirrors



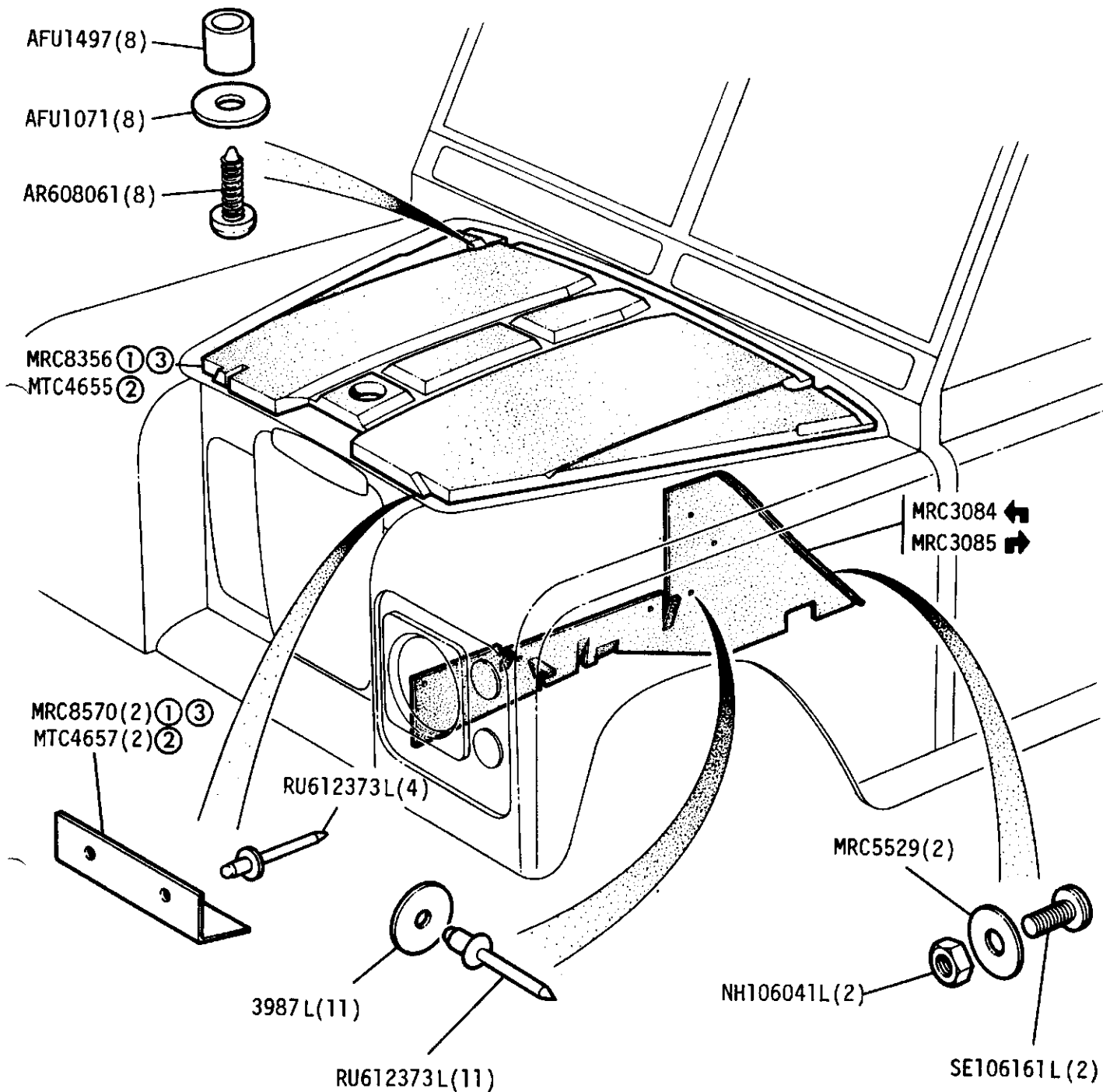
See frame 2G 07 for Wing Mirror.

- ① Upto November 1977
- ② From December 1977
- ③ Untrimmed vehicles
- ④ Trimmed vehicles
- ⑤ Fitted to front Wing Mirror mounting hole

GROUP L
BODY - Anti-Noise Rubbers 2½ Litre Diesel from Engine No 90654451C onwards

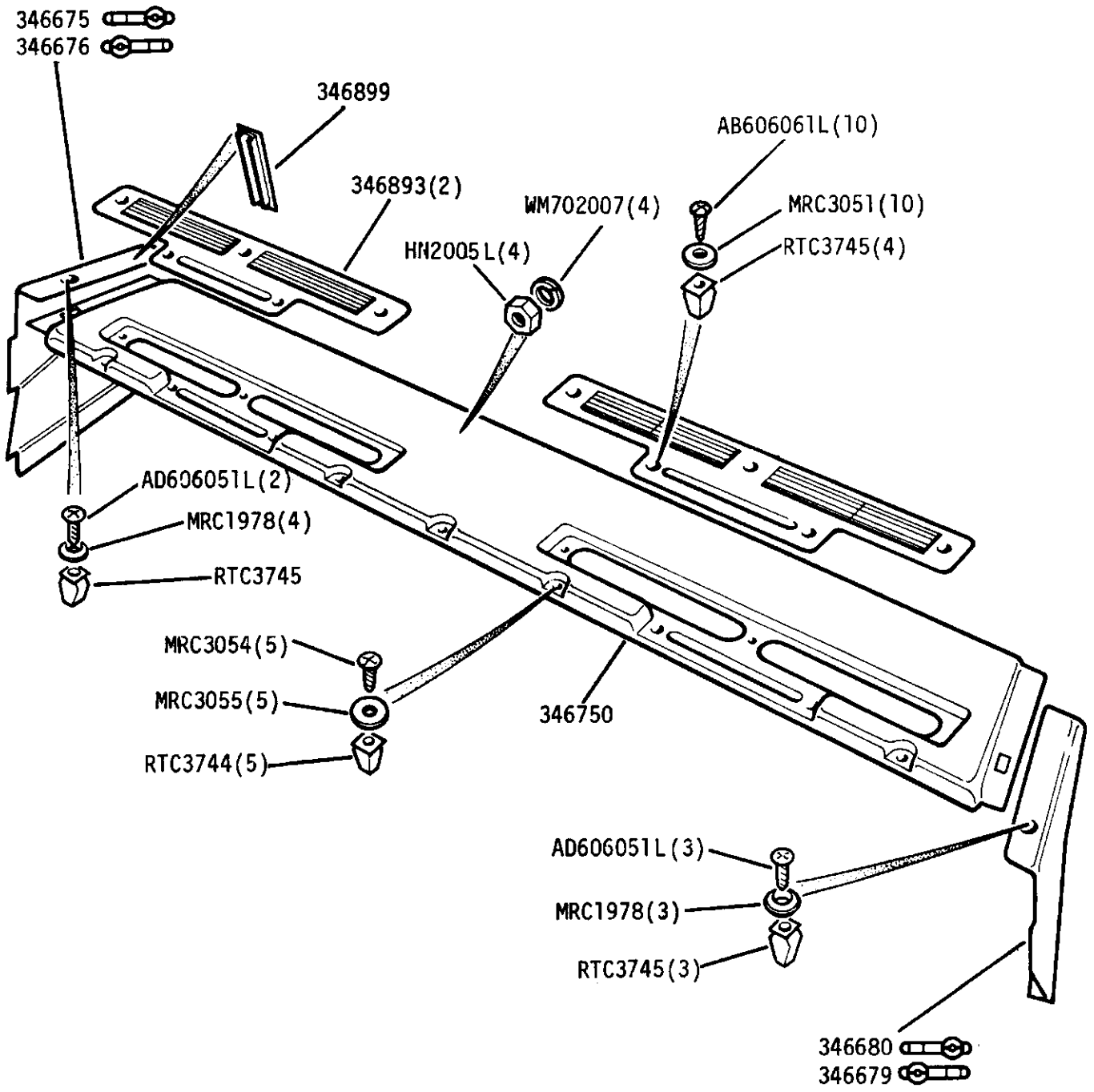


GROUP L
 BODY - Anti-Noise Rubbers and Bonnet Pad

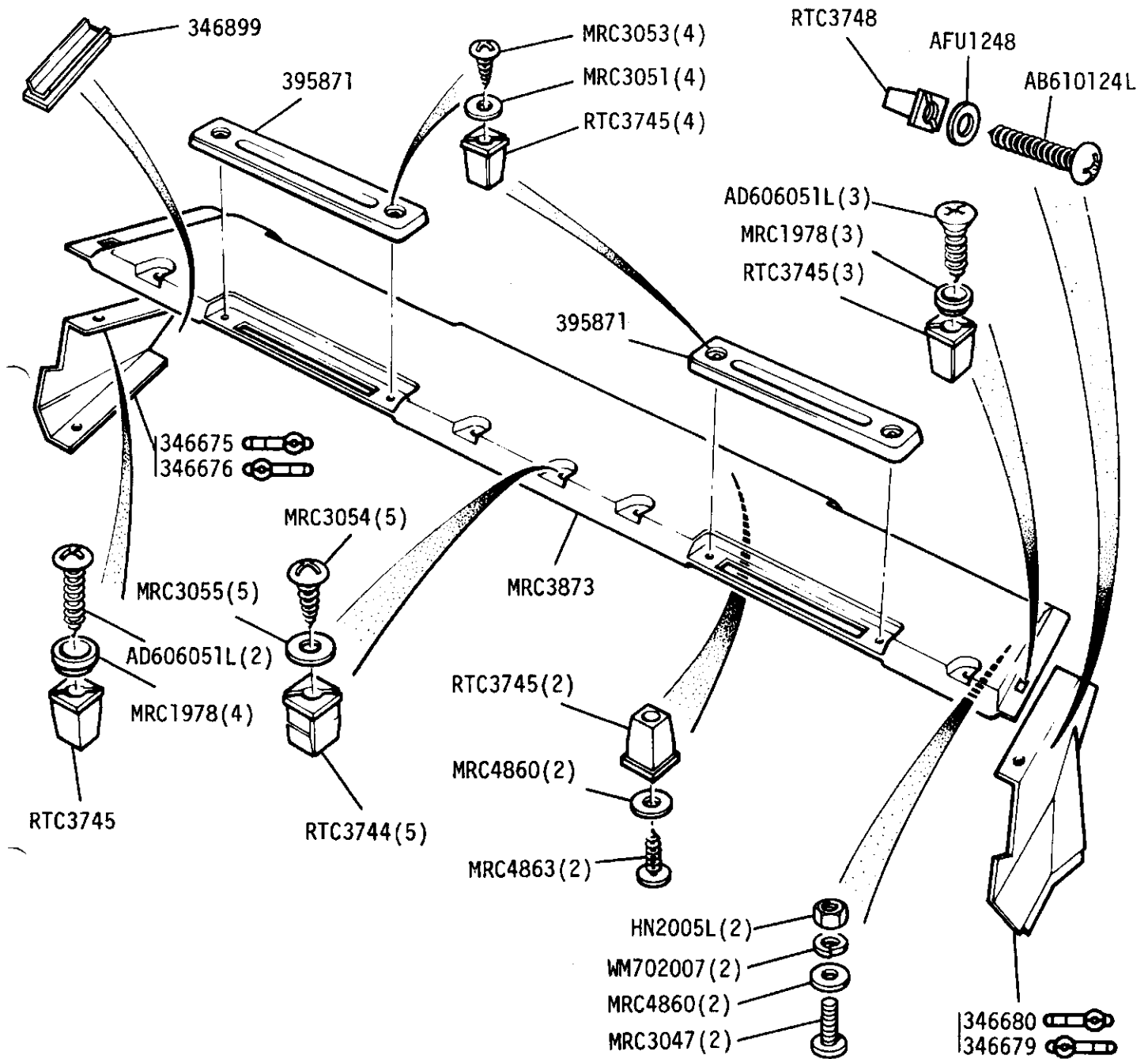


- ① Except Switzerland
- ② 109V8, Switzerland only, from Chassis No.SALLBCM2AA175925
- ③ Also specified for 88", 2.25L Petrol, Switzerland.

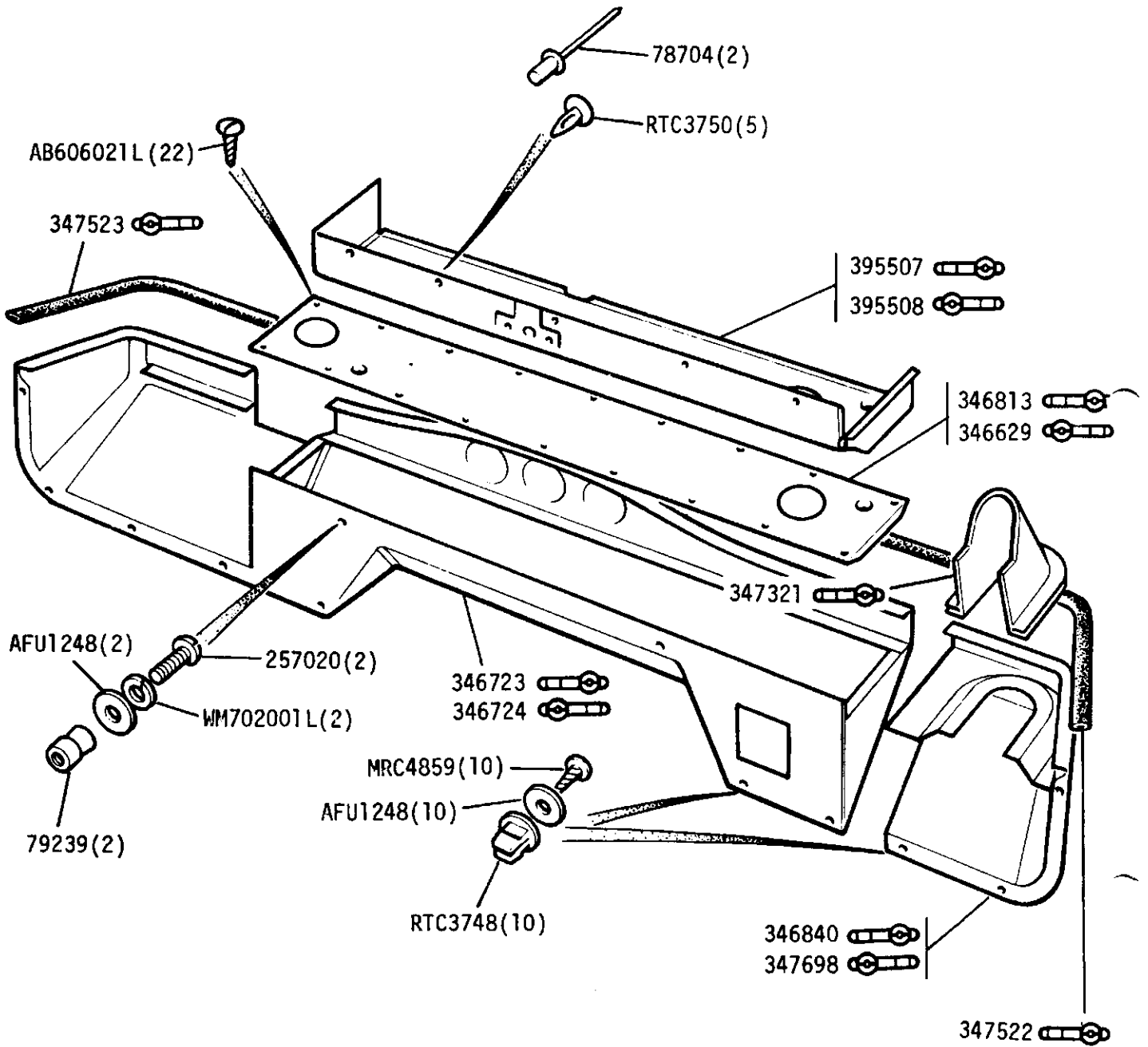
GROUP M
BODY - Upper Dash Crash Padding up to October 1975



GROUP M
 BODY - Upper Dash Crash Padding. From November 1975 onwards

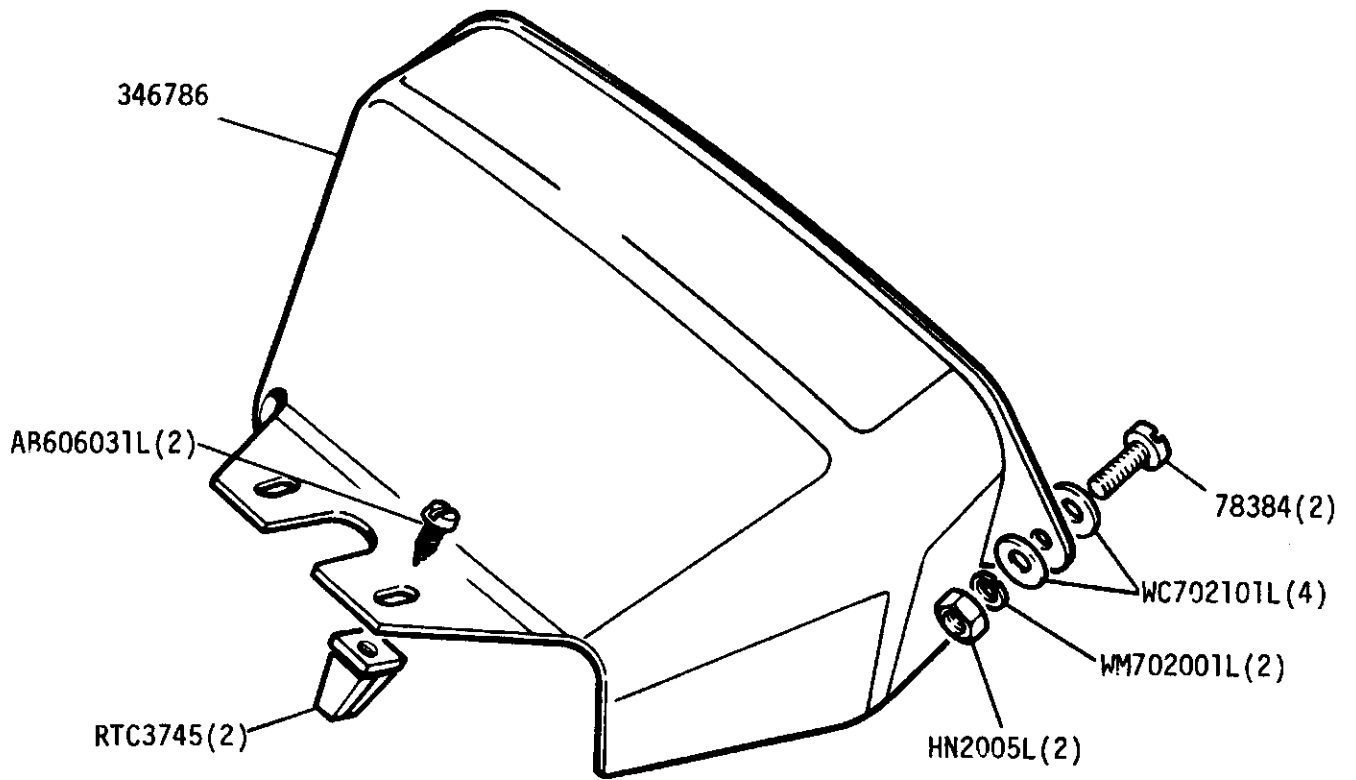


GROUP M
 BODY - Parcel Tray and Lower Crash Padding

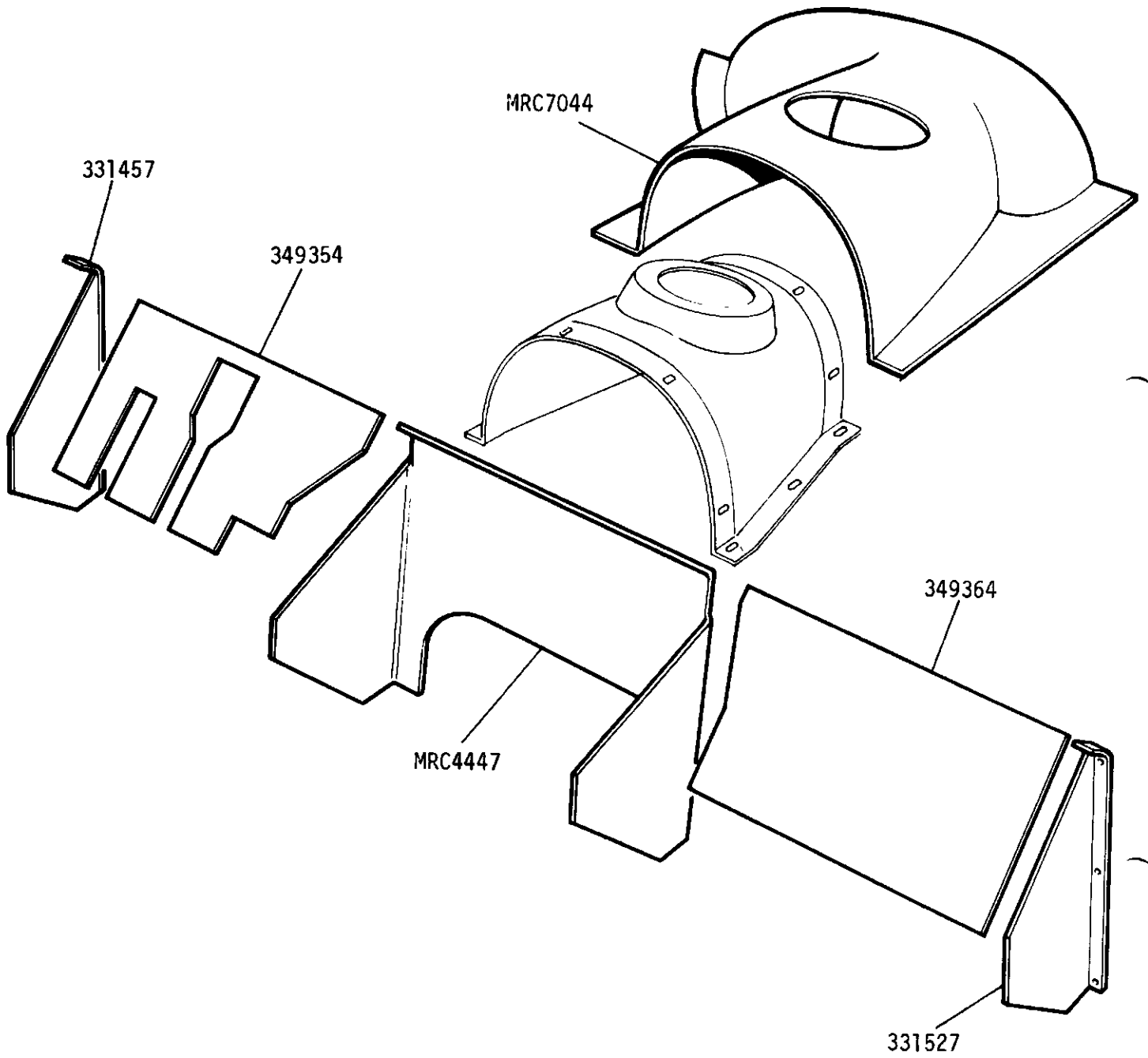


Trim strip - dash inner vent panel 92527 A/R

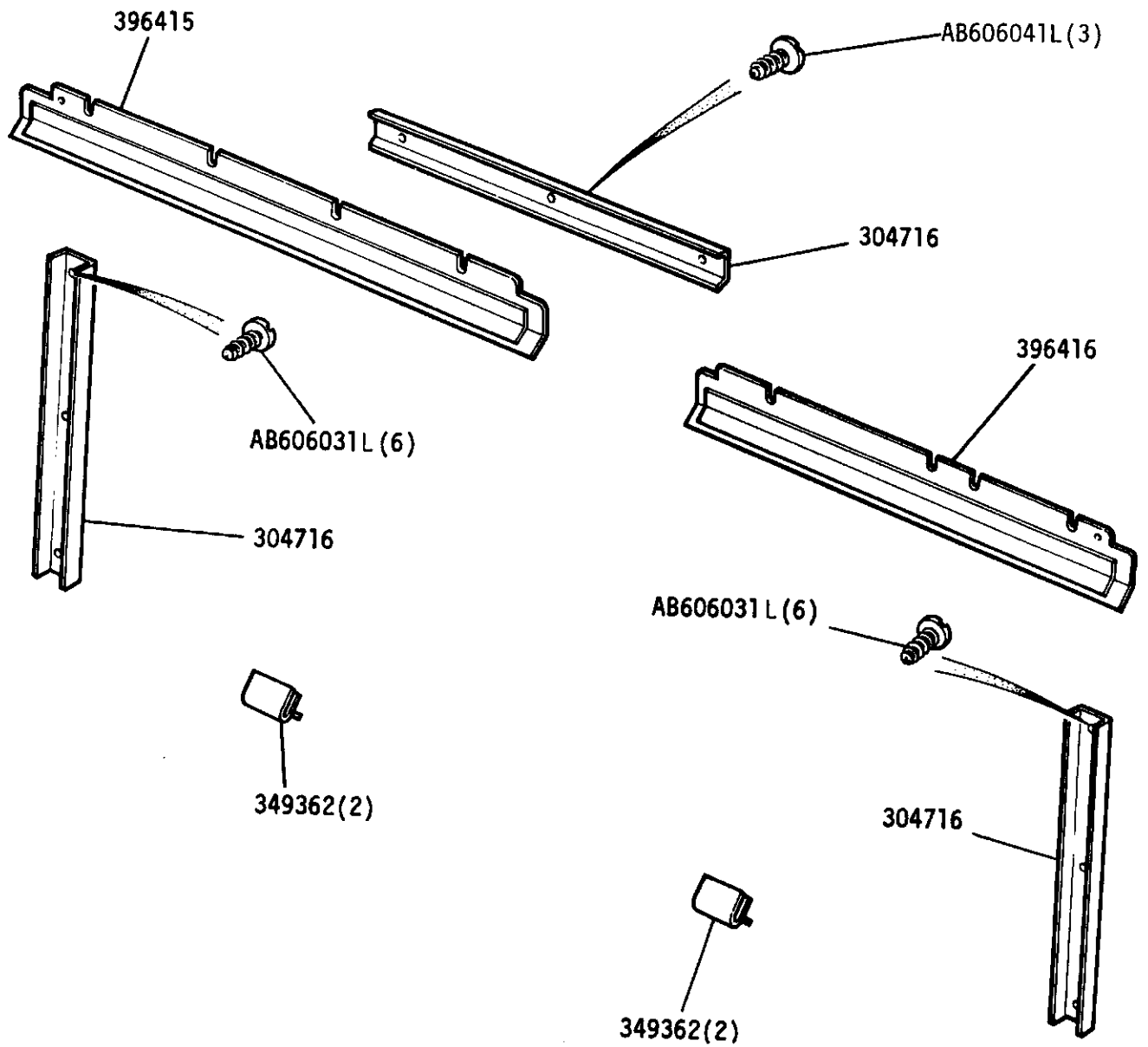
GROUP M
BODY - Auxiliary instrument cover 109 V8



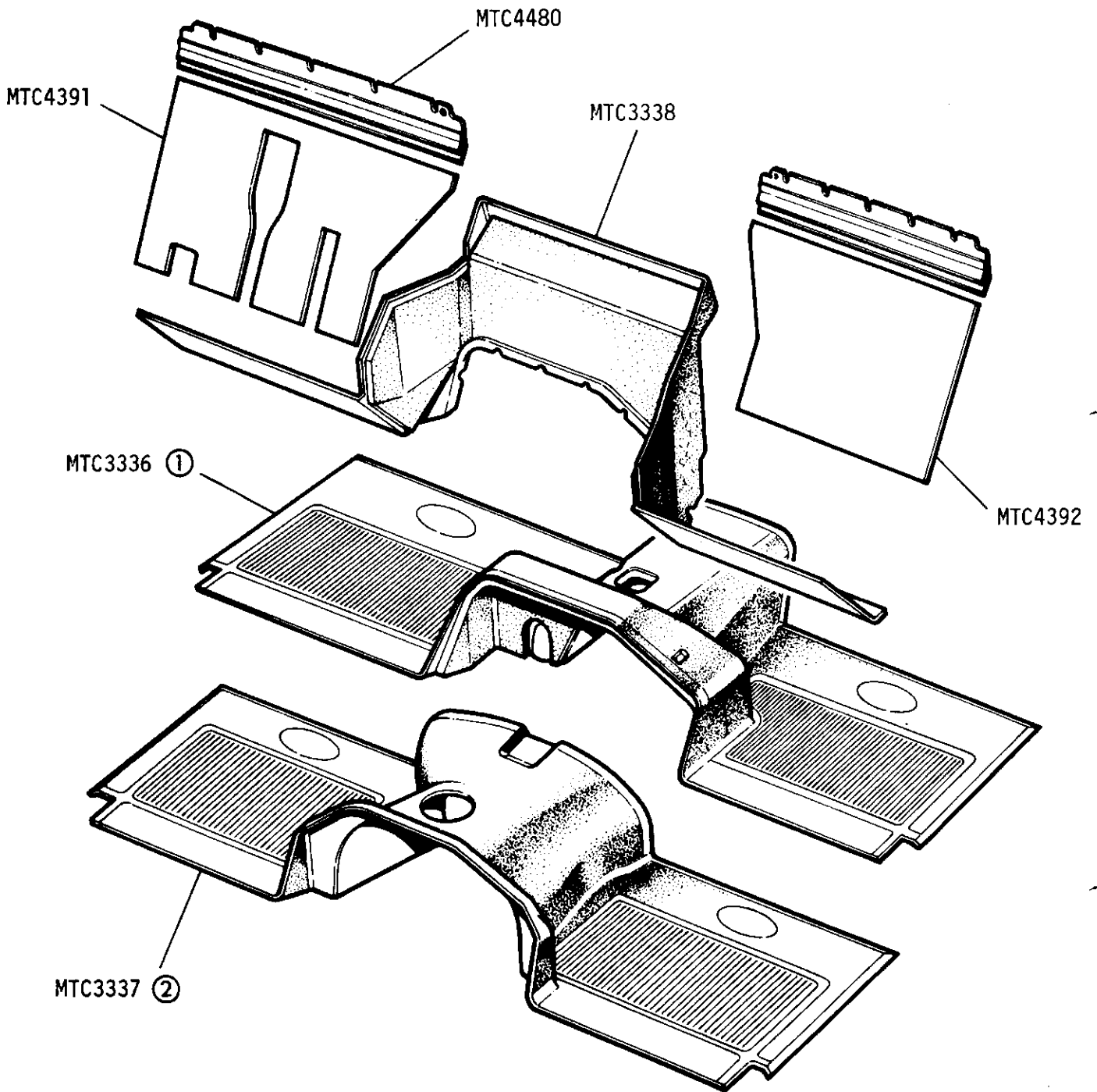
GROUP M
BODY - Dash and tunnel covering - 109 V8



GROUP M
BODY - Dash covering retainers - 109V8



GROUP M
BODY - Floor Insulation

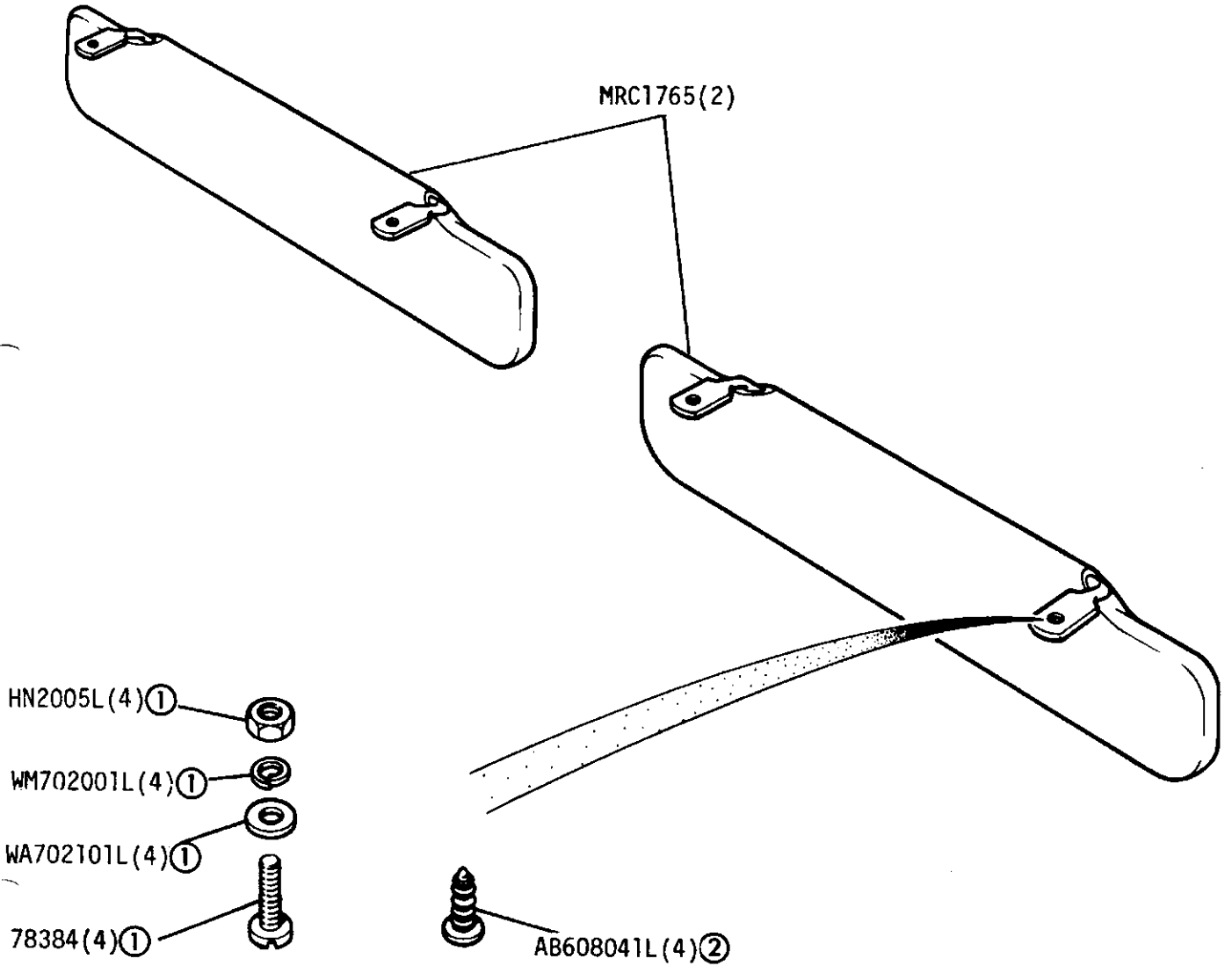


- ① County
- ② Truck Cab

LAND ROVER 'County'
LAND ROVER H.C.P.U.

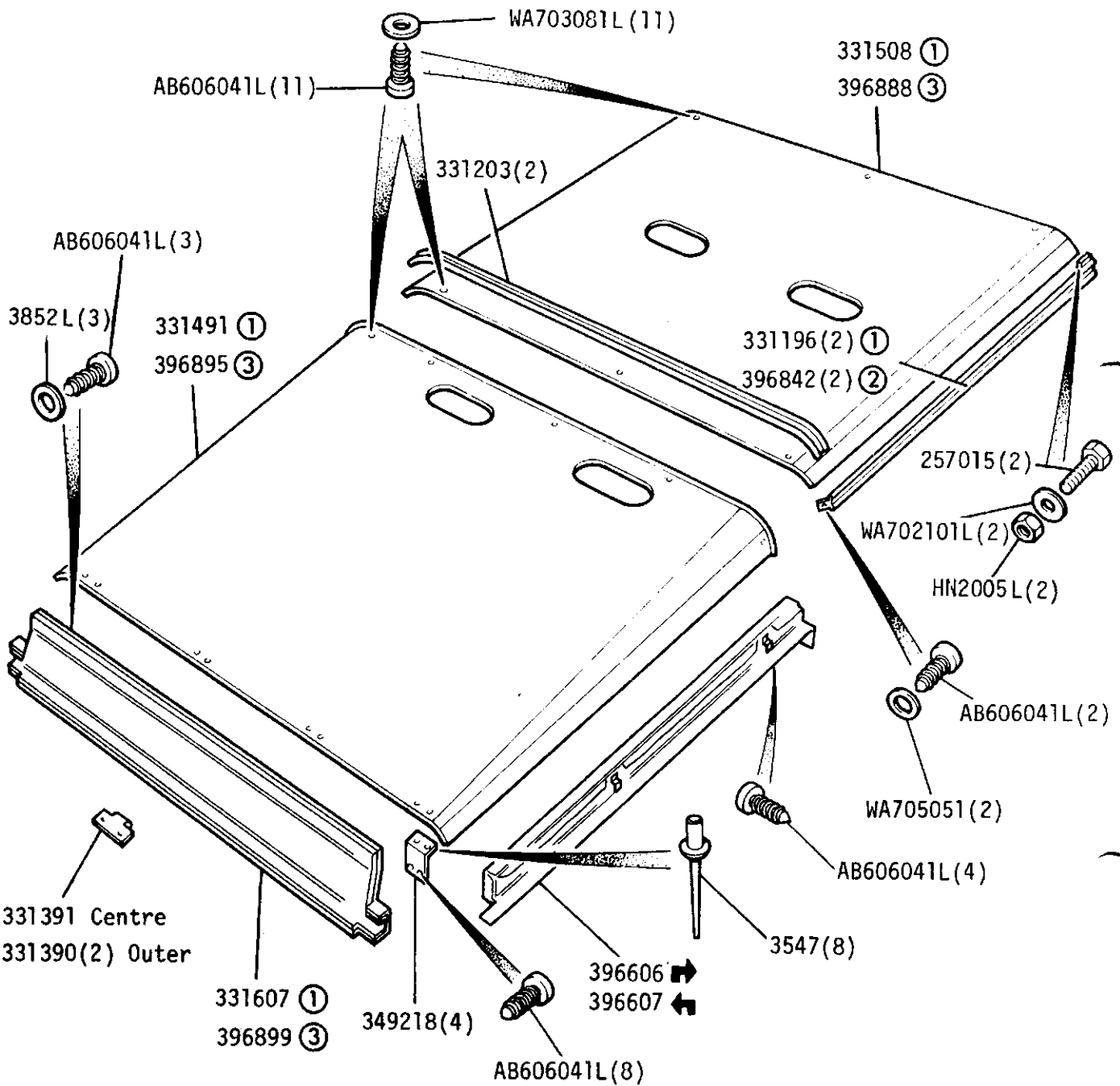
GROUP M

BODY - Interior Sun Visor - Station Wagon



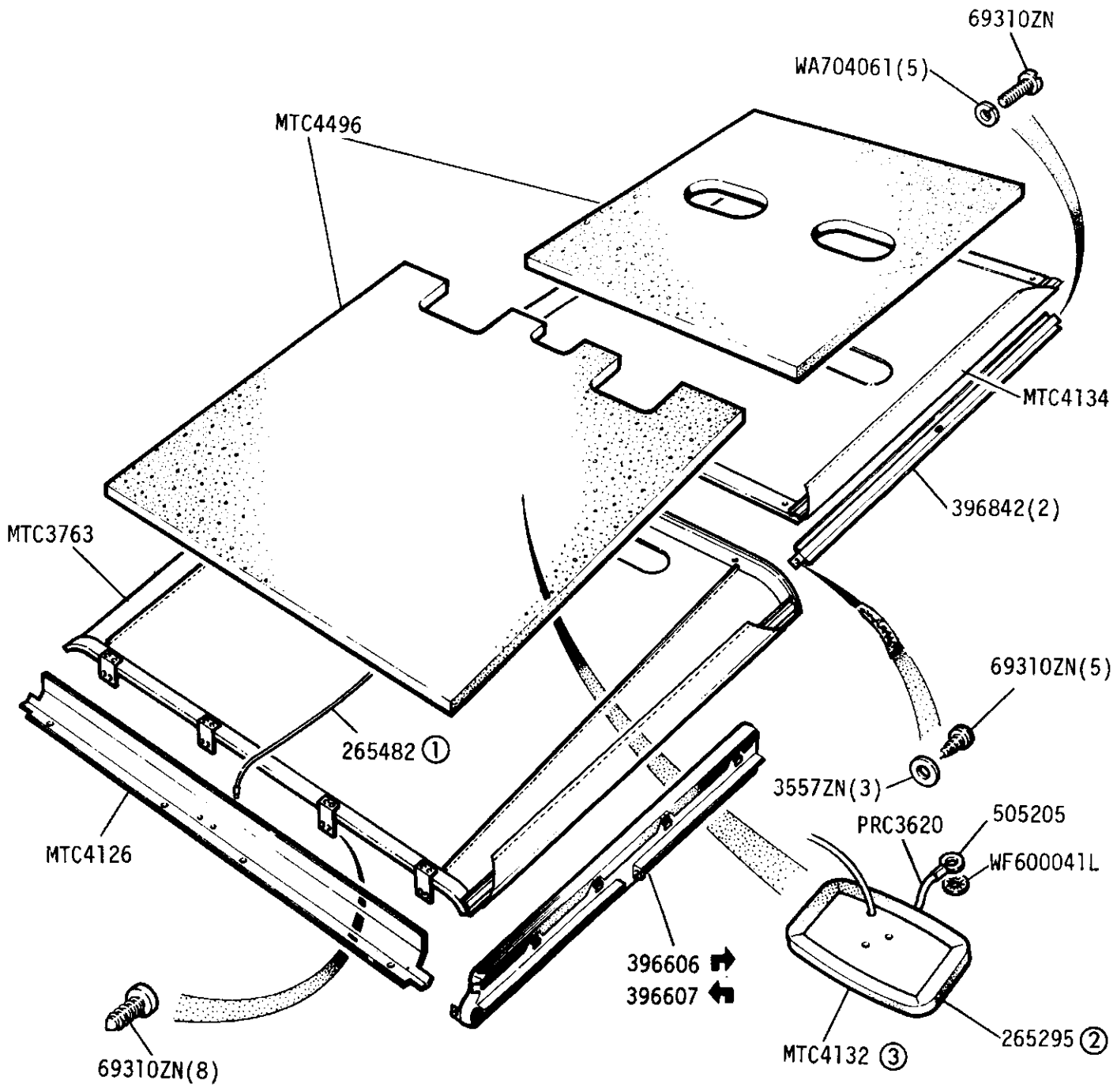
- ① Untrimmed vehicles
- ② De-Luxe trimmed vehicles

GROUP M
 BODY - Roof Trim - 88in Station Wagon



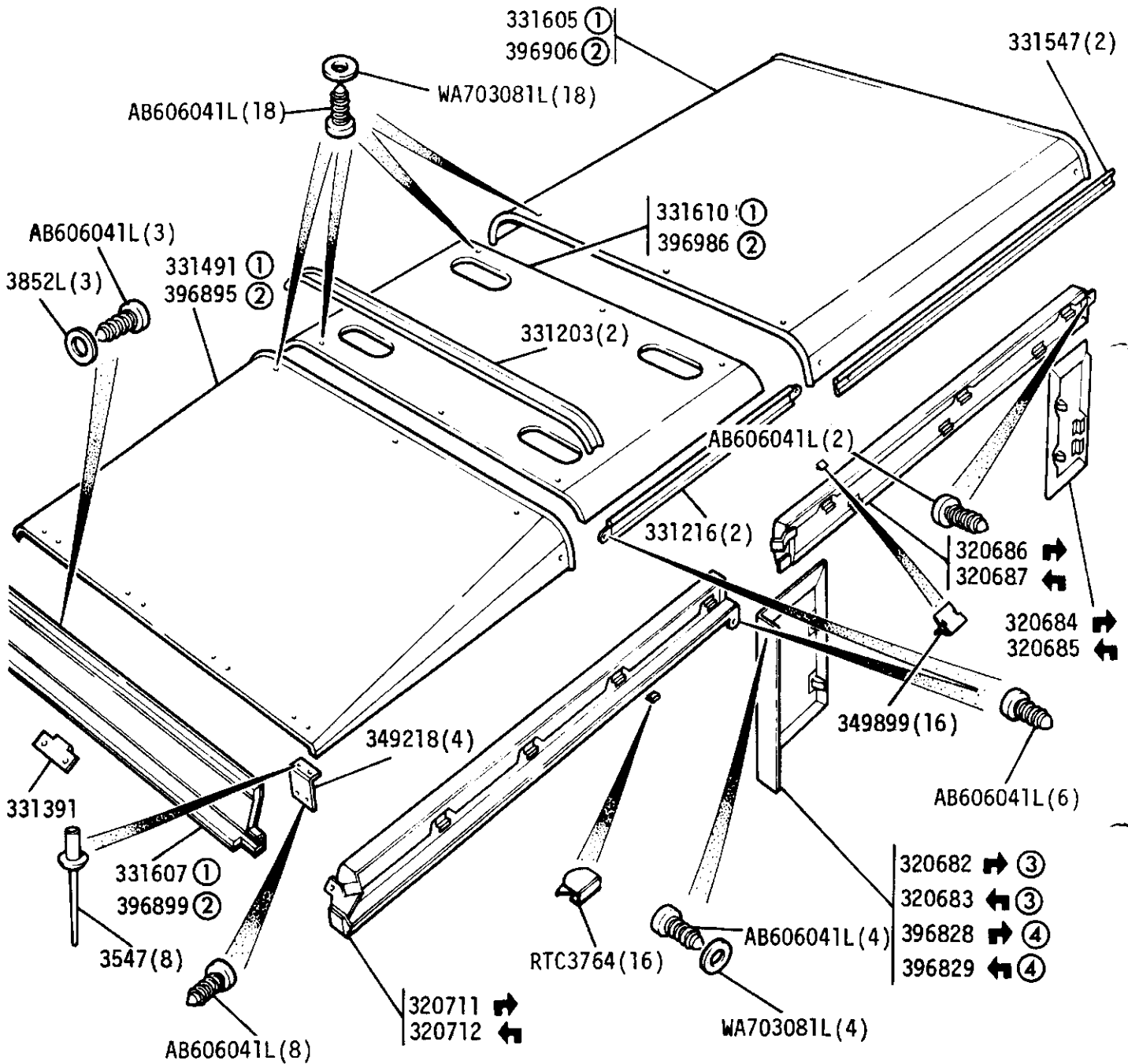
- | | |
|-------------|-----------------------------|
| ① White | Roof Lamp Complete - 265295 |
| ② Limestone | Roof Lamp Pad Assy - 334111 |
| ③ Oatmeal | |

GROUP M
 BODY - Roof Trim - 88in Station Wagon "County"



- ① Roof lamp lead
- ② Roof lamp complete
- ③ Roof lamp pad assy

GROUP M
 BODY - Roof Trim - 109in Station Wagon

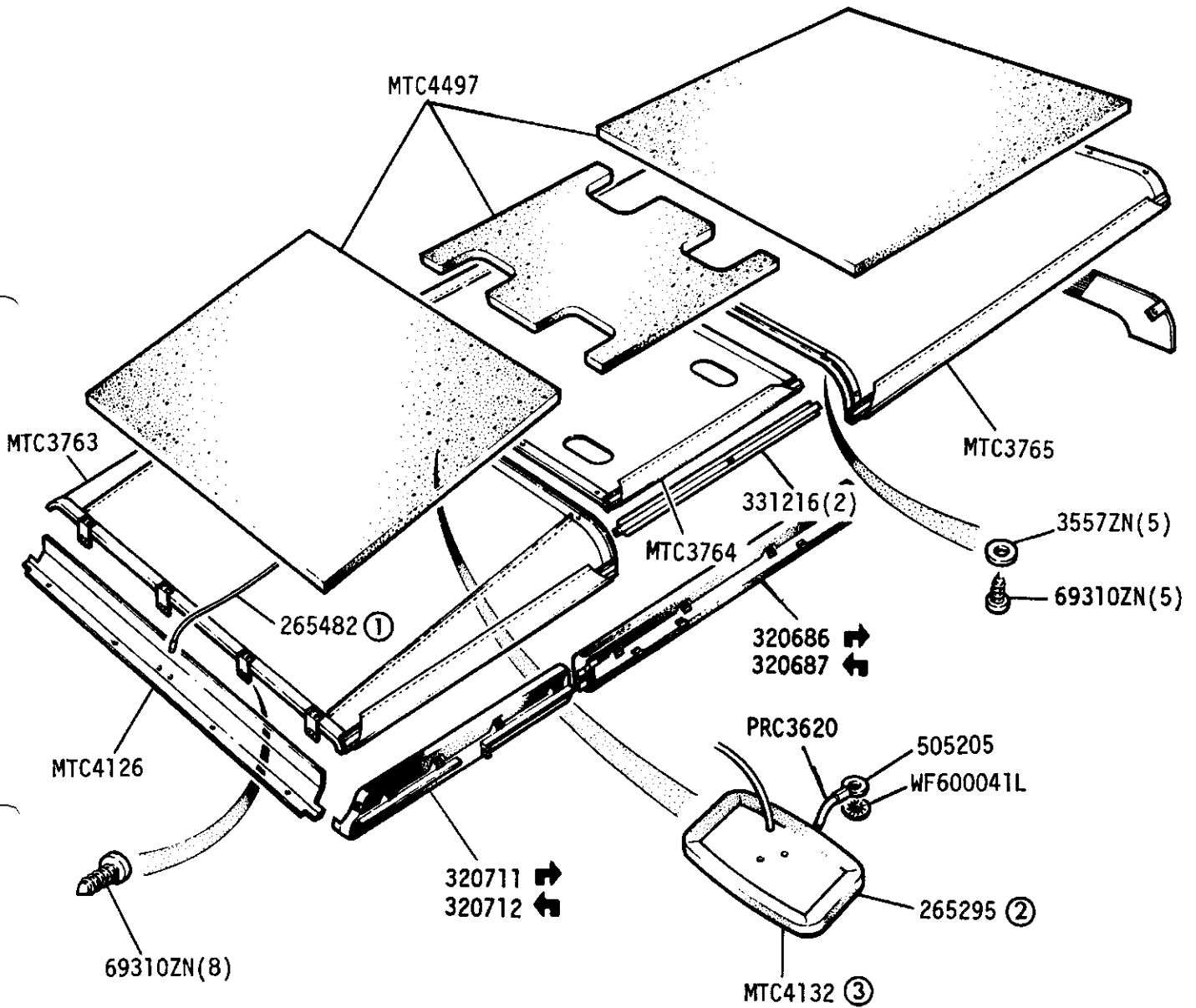


- ① White
- ② Oatmeal
- ③ Up to September 1973
- ④ From October 1973 onwards

Roof Lamp Complete - 265295
 Roof Lamp Pad Assy - 334111

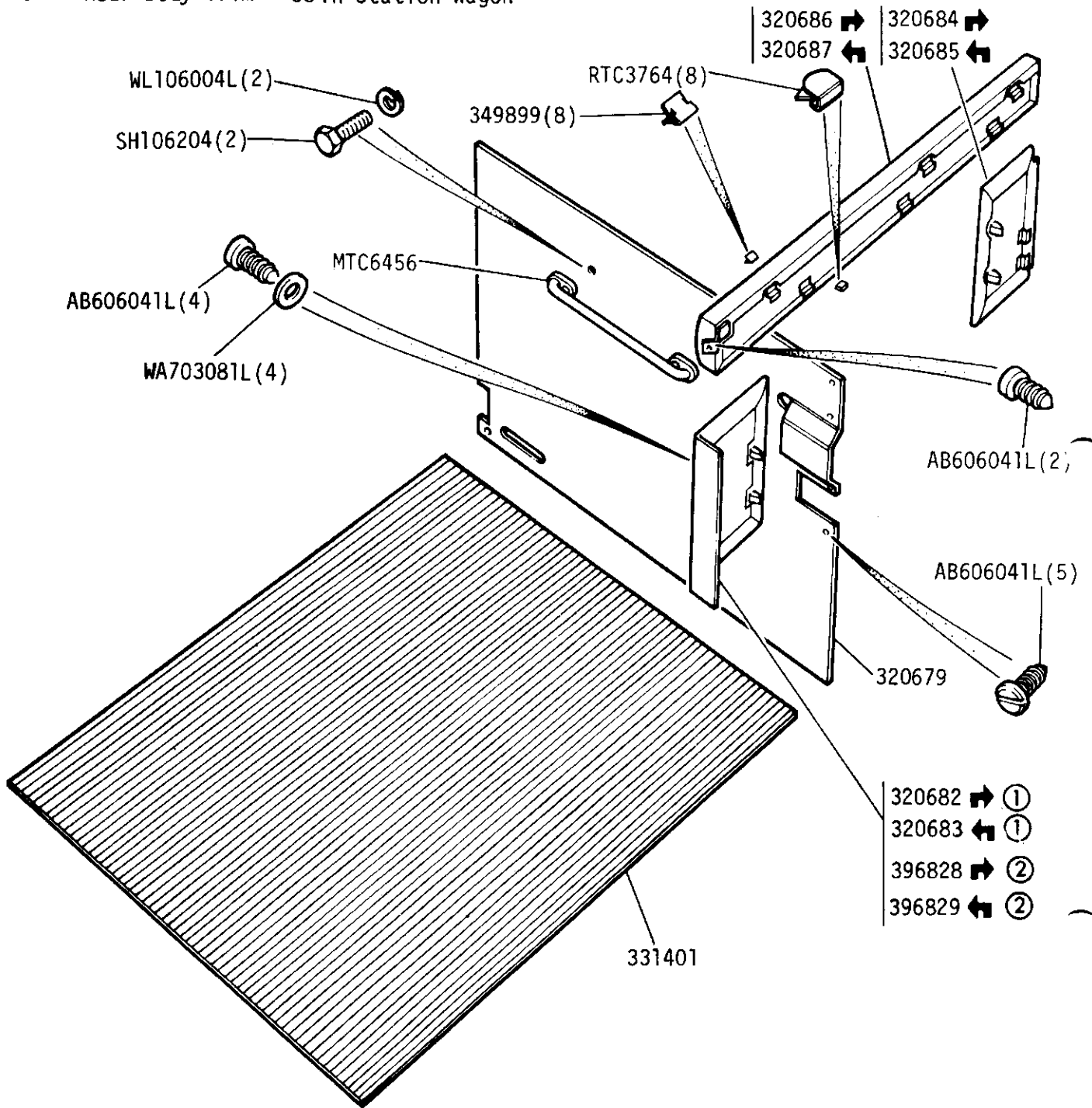
GROUP M

BODY - Roof Trim - 109in Station Wagon "County"



- ① Roof lamp lead
- ② Roof lamp complete
- ③ Roof lamp pad assy

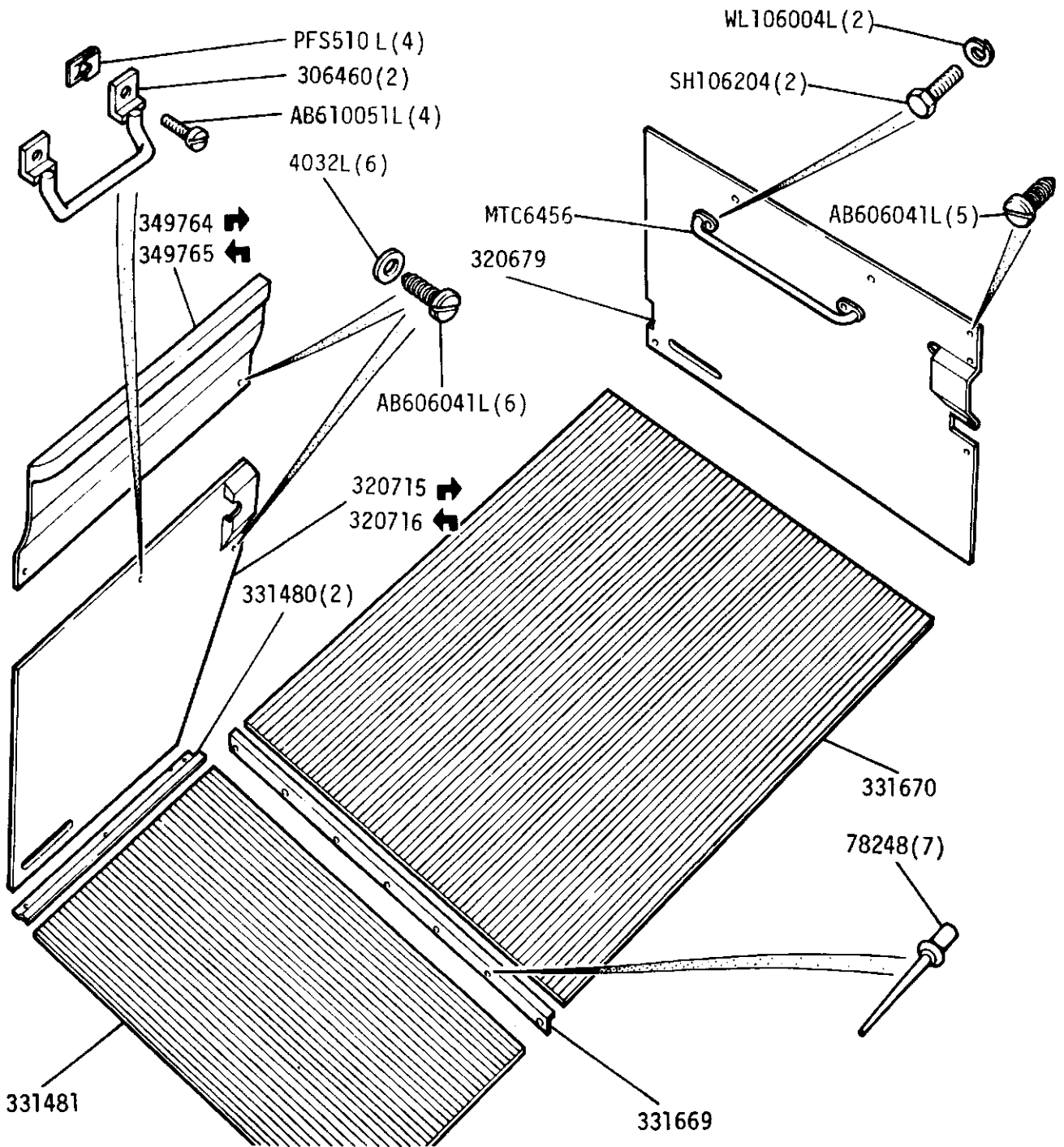
GROUP M
 BODY - Rear Body Trim - 88in Station Wagon



- ① Up to September 1973
- ② From October 1973 onwards

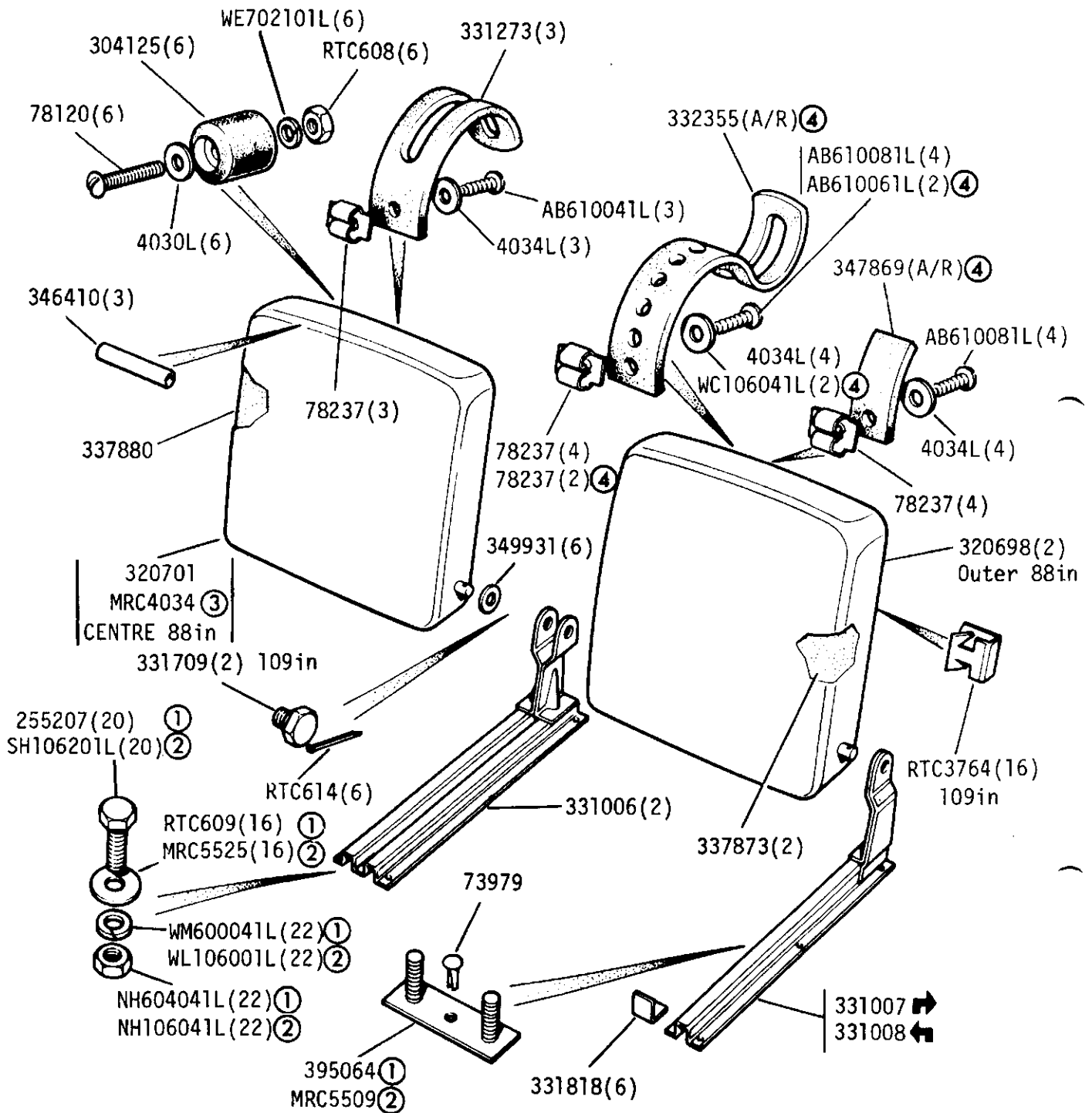
GROUP M

BODY - Floor and Door Trim - 109 in Station Wagon



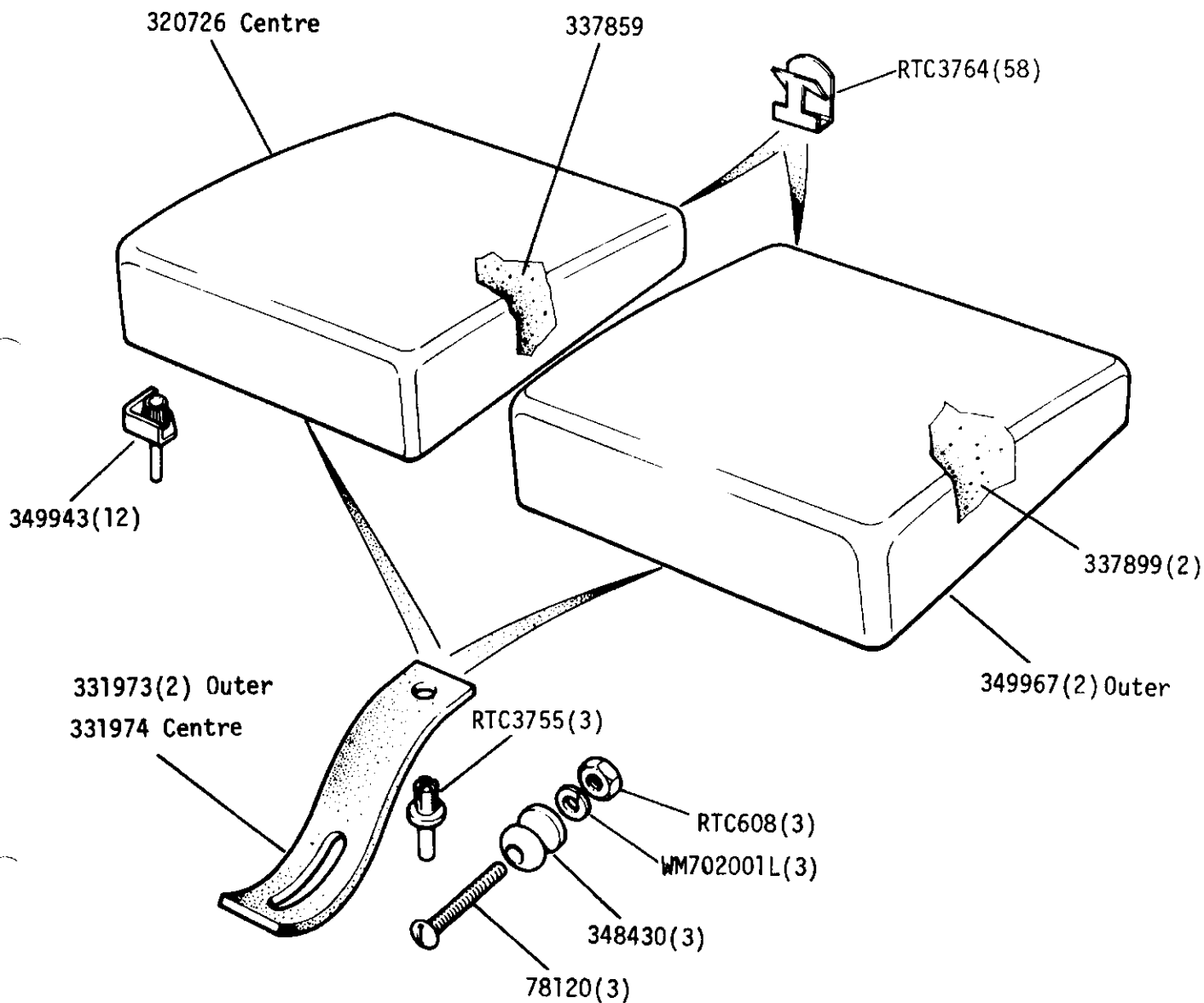
MRC3592 Front mat - RH
MRC3593 Front mat - LH 109V8

GROUP M
BODY - Seat Squabs

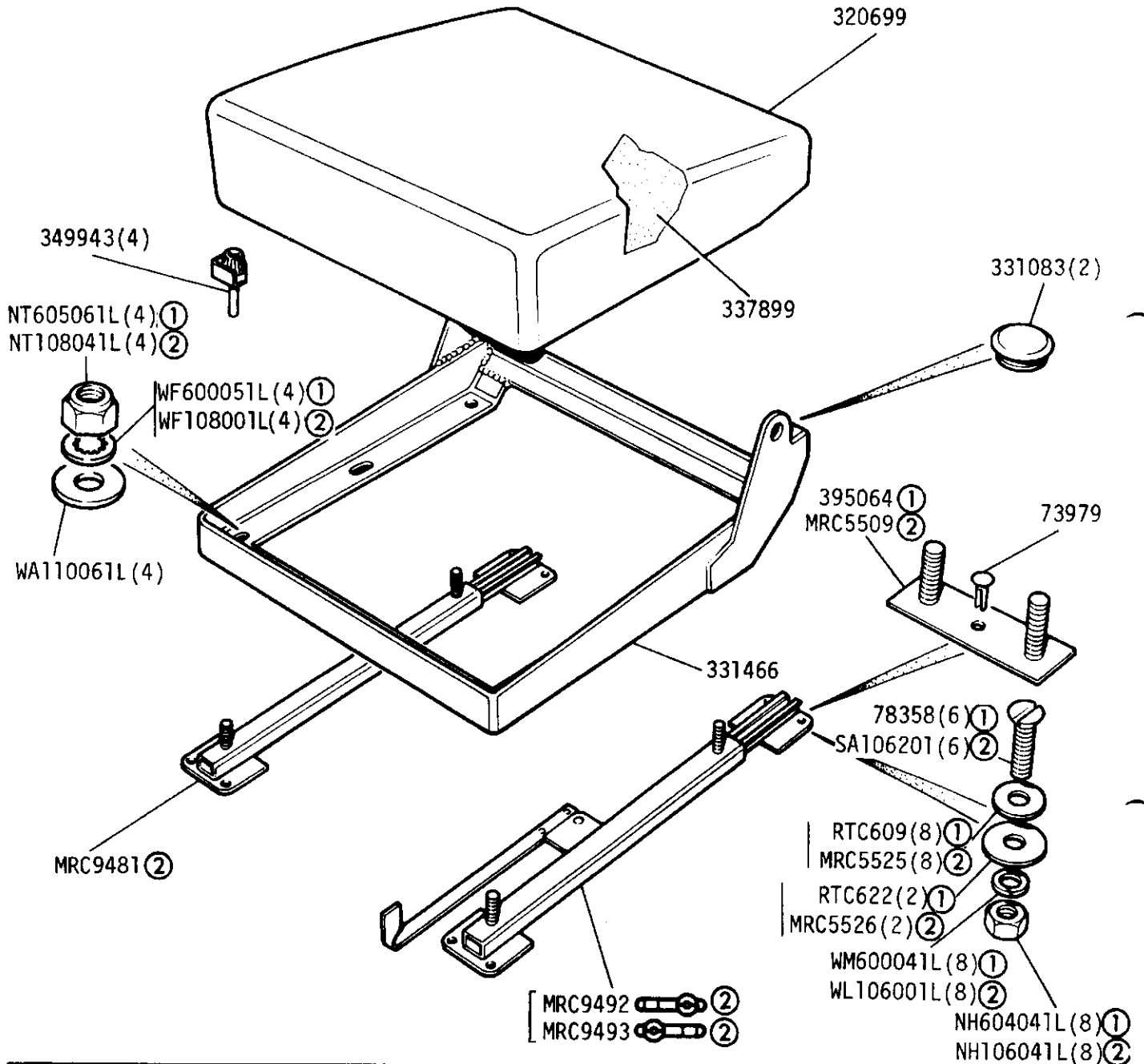


Seat Squab - Drivers	320702	109in except Station Wagon	① UNF
Seat Squab - Passengers	320698		② METRIC
Seat Squab - Centre	320701		③ To ECE 17
Seat Squab - Centre	MRC4034③		④ 109in St.Wagon
Seat Squab - Drivers	320708	109in Station Wagon	
Seat Squab - Passengers	320709		
Seat Squab - Centre	320710		
Seat Squab - Centre	MTC3183③		
LAND ROVER			
2J 09			
2RE 84			

GROUP M
BODY - Seat Cushion - Non adjustable

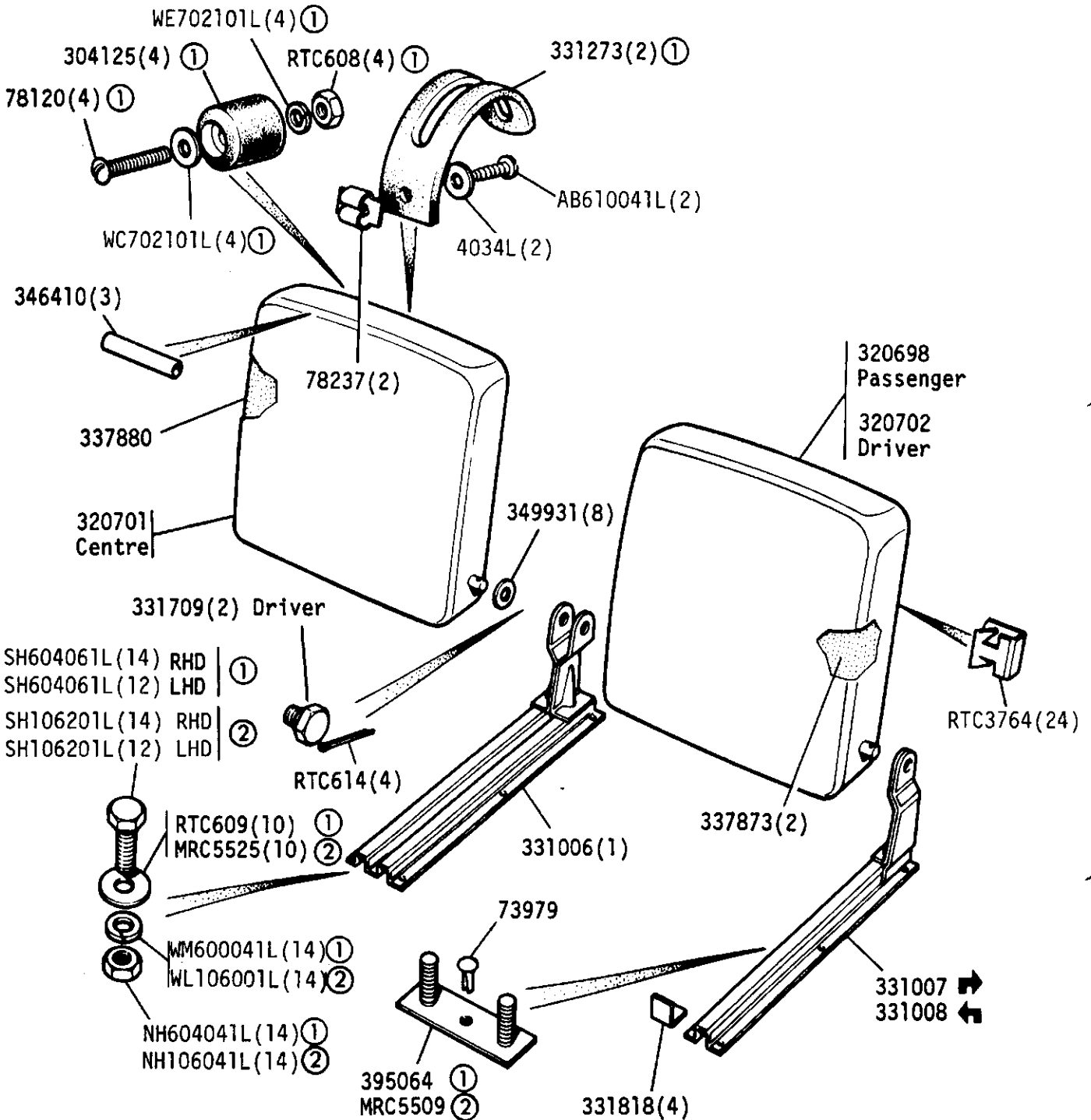


GROUP M
 BODY - Seat Cushion Adjustable 109in only



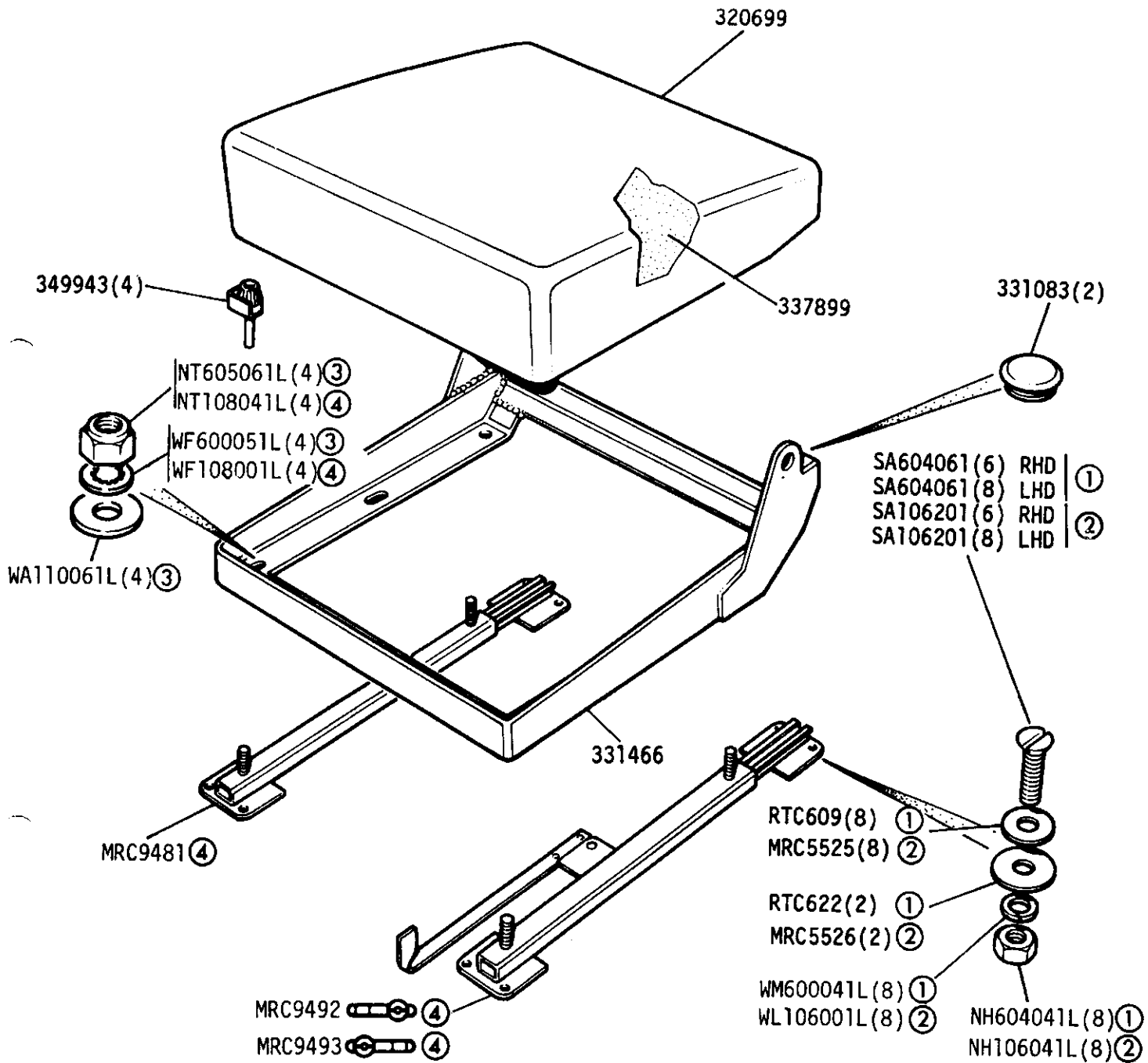
- ① UNF
- ② Metric

GROUP M
 BODY - Front Seat Squabs 109 V8 - Up to February 1980



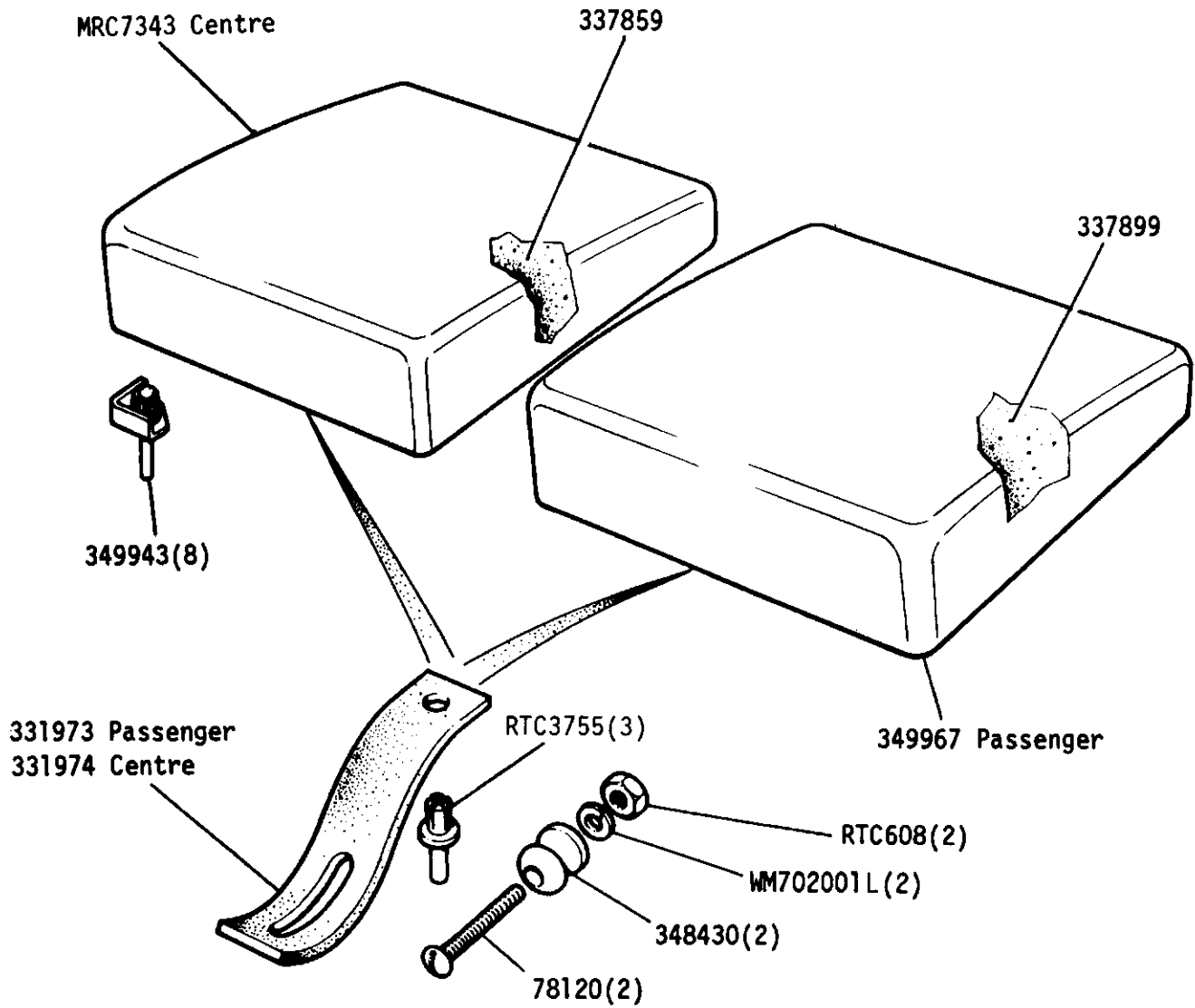
- ① Except Station Wagon
- ② Station Wagon

GROUP M
 BODY - Front Seat Cushion Driver 109 V8

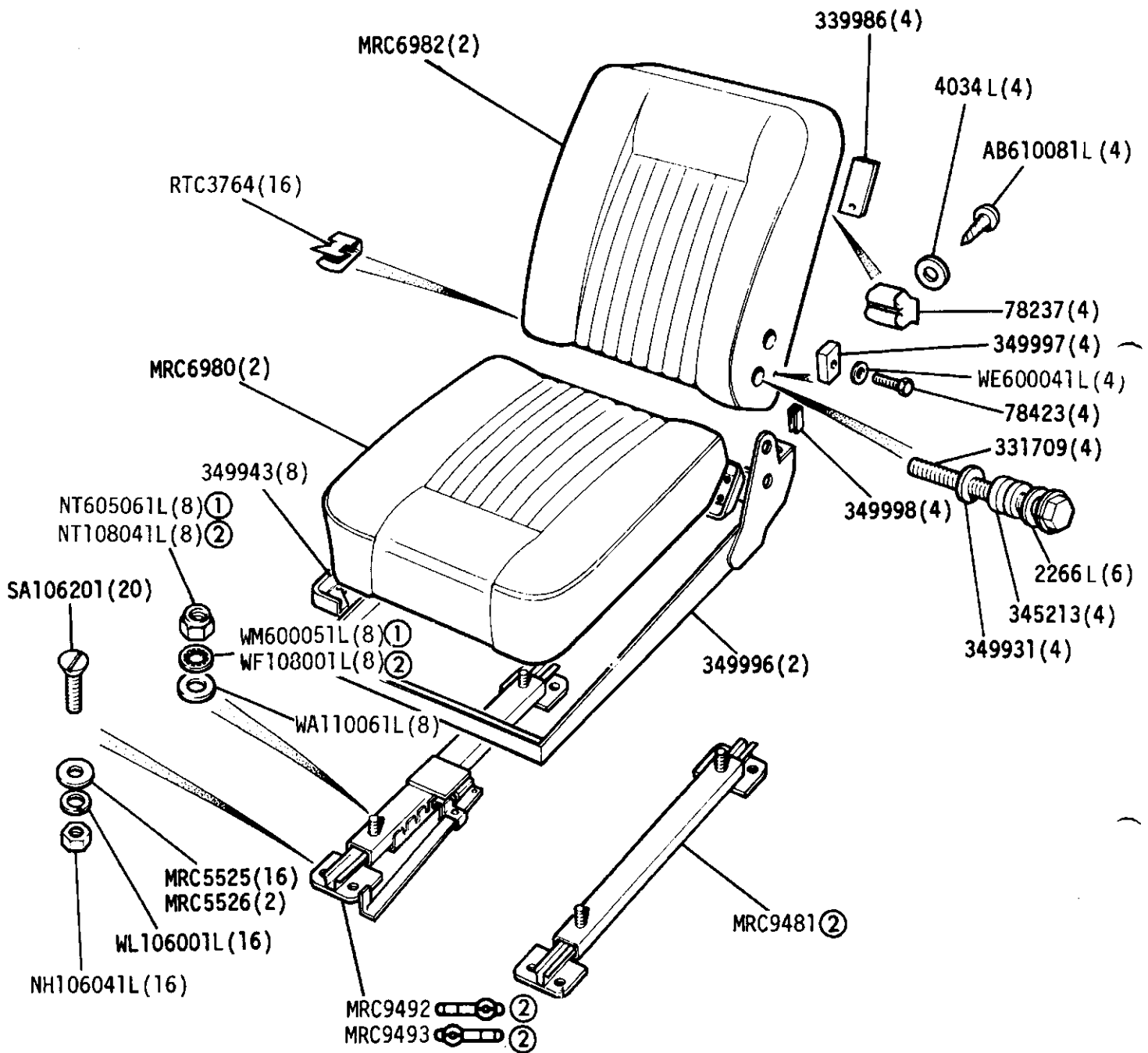


- ① Except Station Wagon
- ② Station Wagon
- ③ UNF
- ④ Metric

GROUP M
BODY - Front Seat Cushion, Centre and Passenger, 109 V8 - Up to February 1980

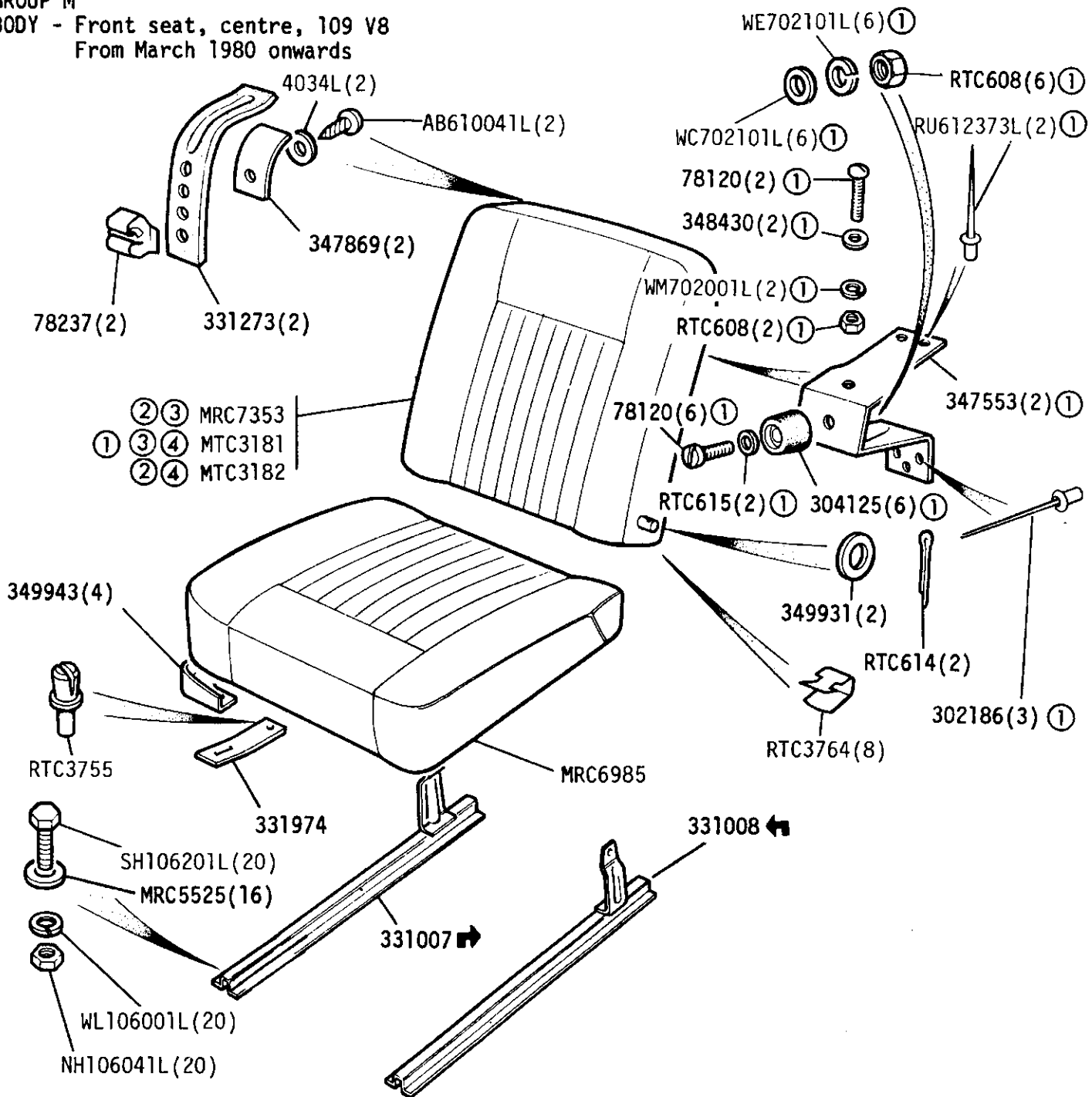


GROUP M
 BODY - Front seats, drivers and passengers, 109 V8
 From March 1980 onwards



- ① UNF
- ② Metric

GROUP M
 BODY - Front seat, centre, 109 V8
 From March 1980 onwards



- ① Except Station Wagon
- ② Station Wagon
- ③ Up to Dec 1981
- ④ Jan 1982 onwards

GROUP M

BODY - Front Outer Seats - 'County'

Squab Assembly:

- MTC1930RE → ①
- MTC1931RE ← ①
- MTC1930RD → ②
- MTC1931RD ← ②
- MTC1920 → ③
- MTC1921 ← ③

- MTC1929RE(2) ①
- MTC1929RD(2) ②
- MTC1919(2) ③

Cover only:

- MTC1933RE(2) ①
- MTC1933RD(2) ②
- MTC1923(2) ③

- MTC1940AV(2) ④
- MTC1940PB(2) ⑥

Cushion Assembly:

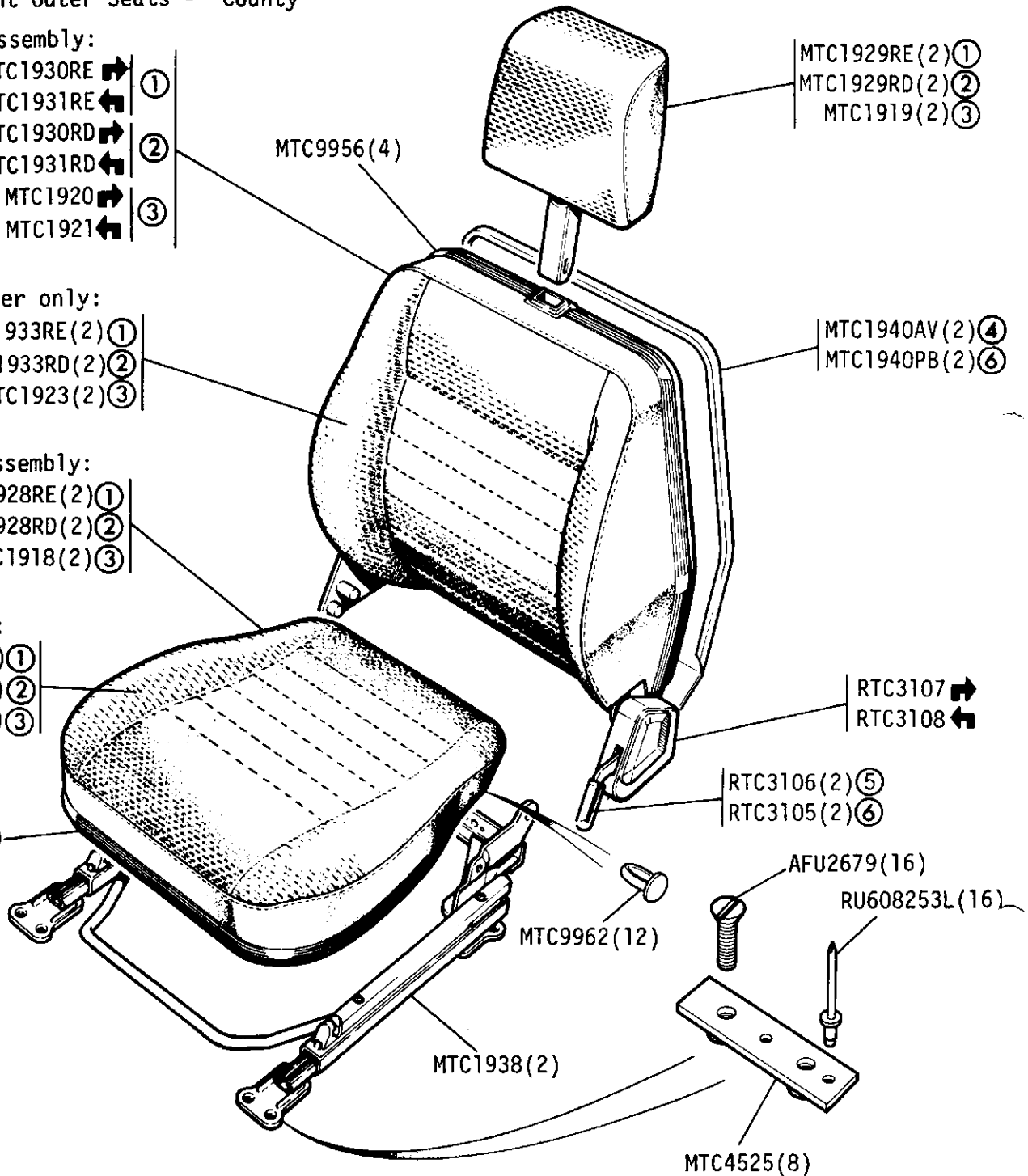
- MTC1928RE(2) ①
- MTC1928RD(2) ②
- MTC1918(2) ③

Cover only:

- MTC1932RE(2) ①
- MTC1932RD(2) ②
- MTC1922(2) ③

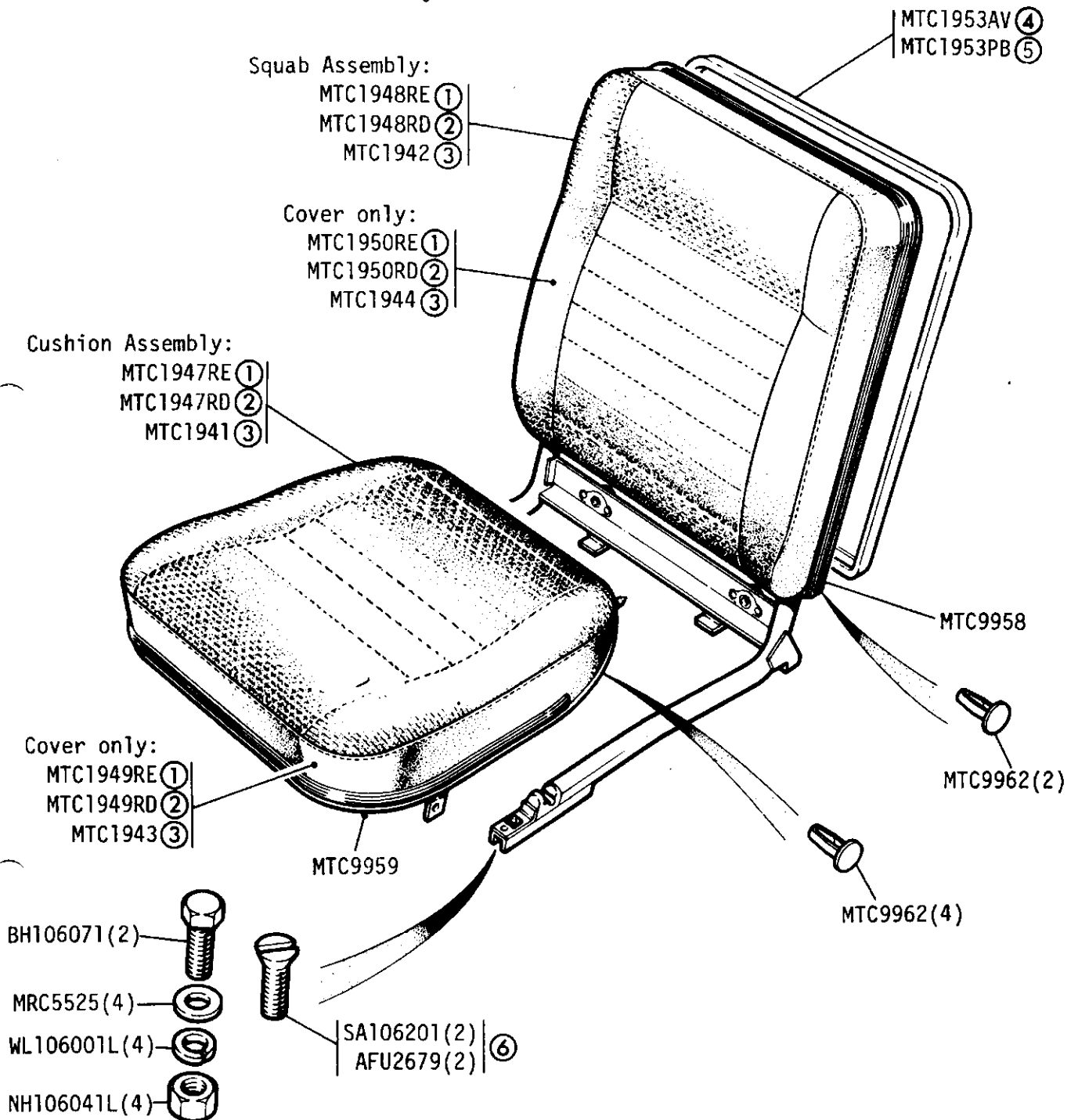
- RTC3107 →
- RTC3108 ←

- RTC3106(2) ⑤
- RTC3105(2) ⑥



- | | |
|---|--|
| <ul style="list-style-type: none"> ① Grey/Black Cloth ② Brushwood/Berber Cloth ③ Black Ambla ④ Brushwood ⑤ Grey ⑥ Black ⑦ Fitted on Cab Rear Panel, (Cab Vehicles Only.) | <p>Retaining Rod Assembly (under Cushion):- RTC4102(2)</p> <p>Rubber Buffer - MRC5016(2) ⑦</p> <p>Plain Washer - WA106041L(4) ⑦</p> <p>Self Tapping Screw - AB614061L(4) ⑦</p> |
|---|--|

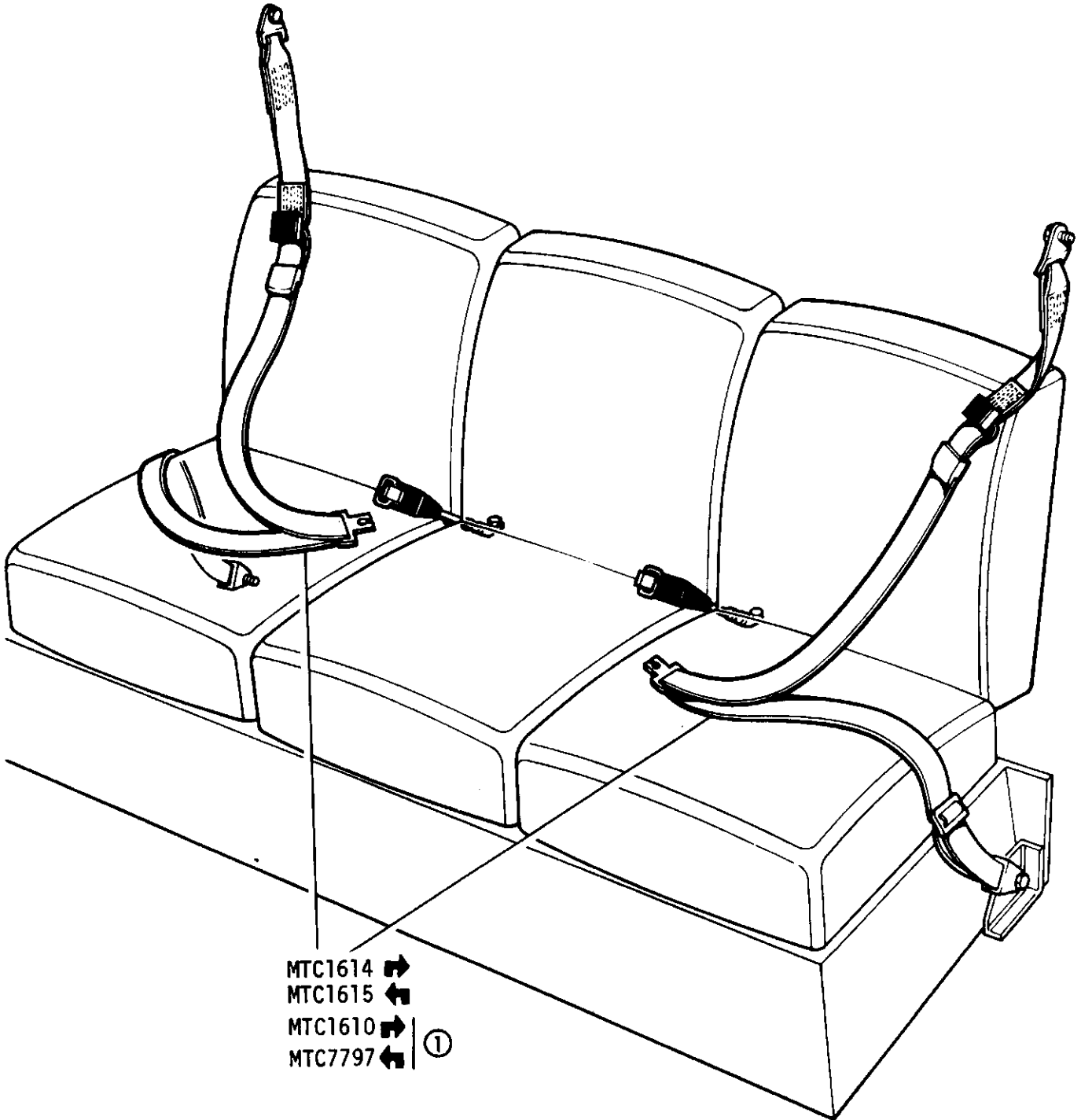
GROUP M
 BODY - Front Centre Seat - 'County'



- ① Grey/Black Cloth
- ② Brushwood/Berber Cloth
- ③ Black Ambla
- ④ Brushwood
- ⑤ Black
- ⑥ Alternatives

GROUP M

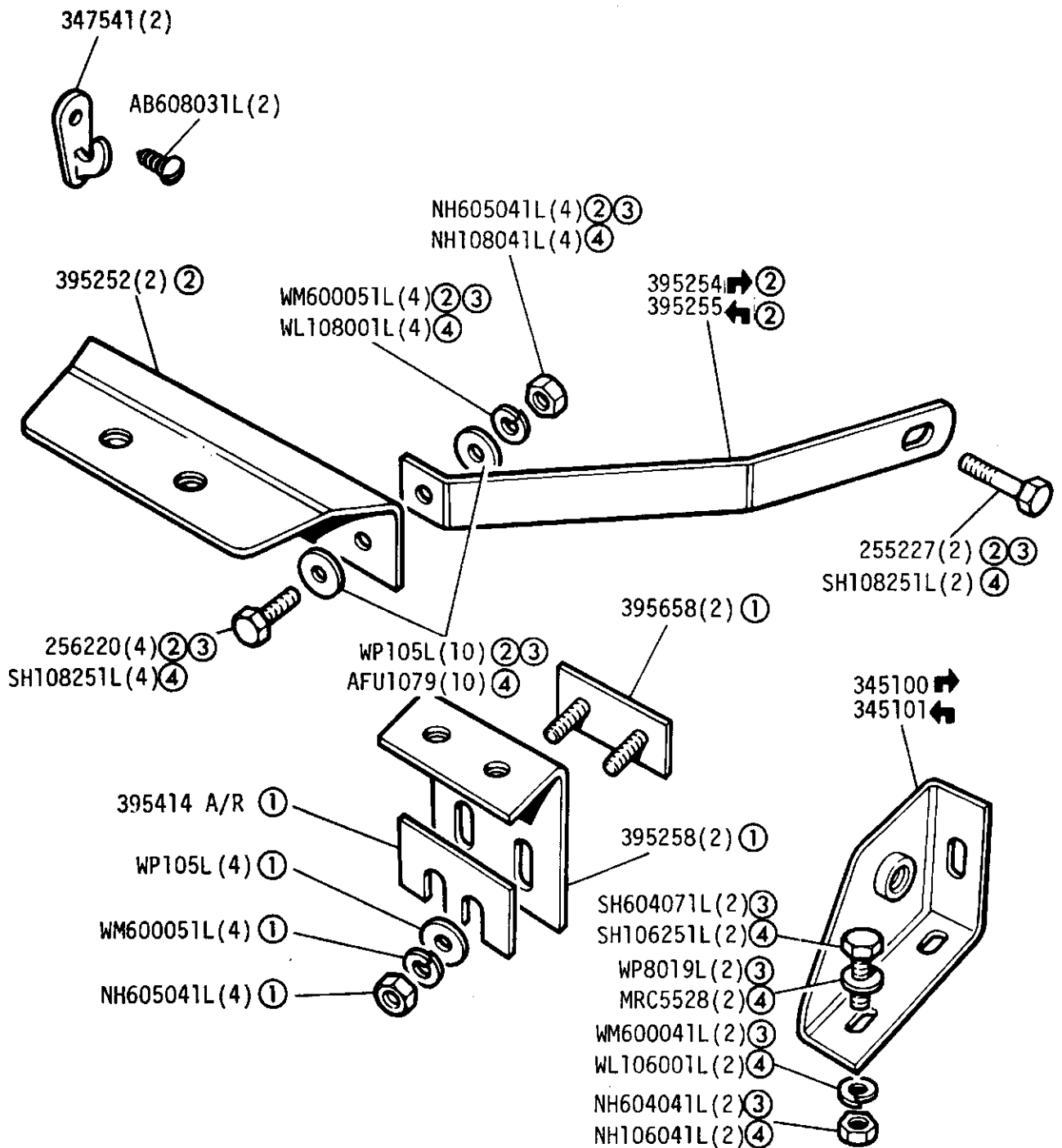
BODY - Seat Belts Driver and Passenger-single handed action



① Audible Warning Seat Belts (88in Saudi Arabia only)

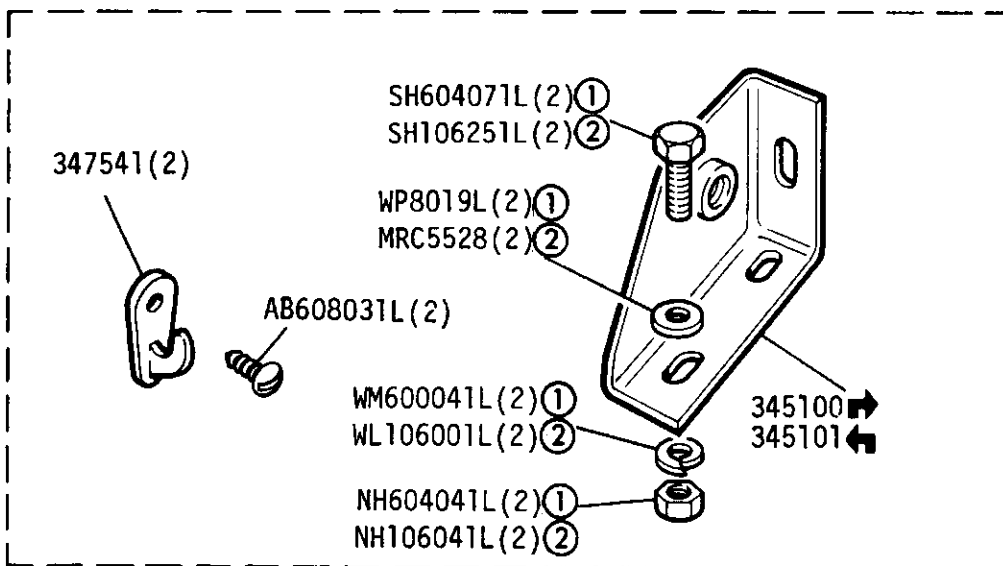
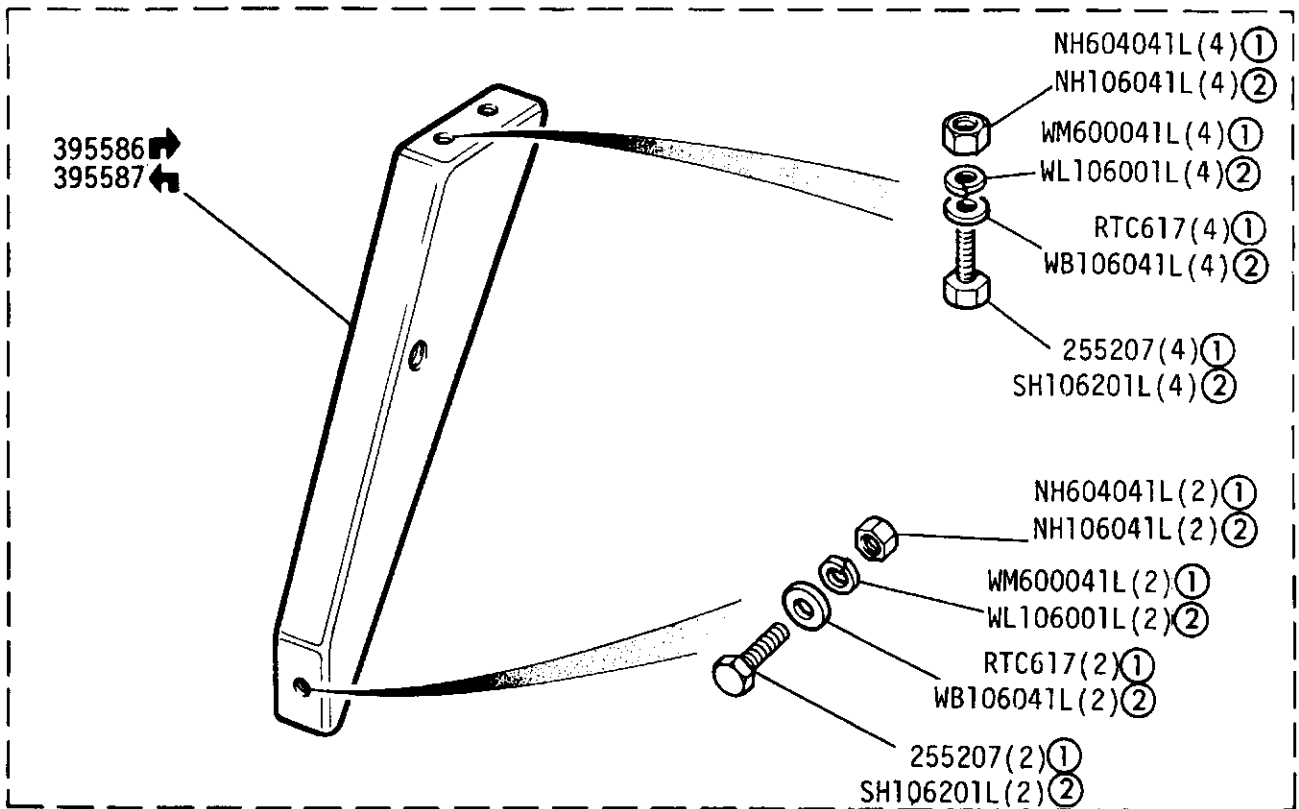
GROUP M

BODY - Front seat driver and passengers harness anchorages



- ① 88in Petrol and Diesel
- ② 109 2½ Petrol and Diesel and 109 2.6 Petrol except Station Wagon
- ③ UNF
- ④ METRIC

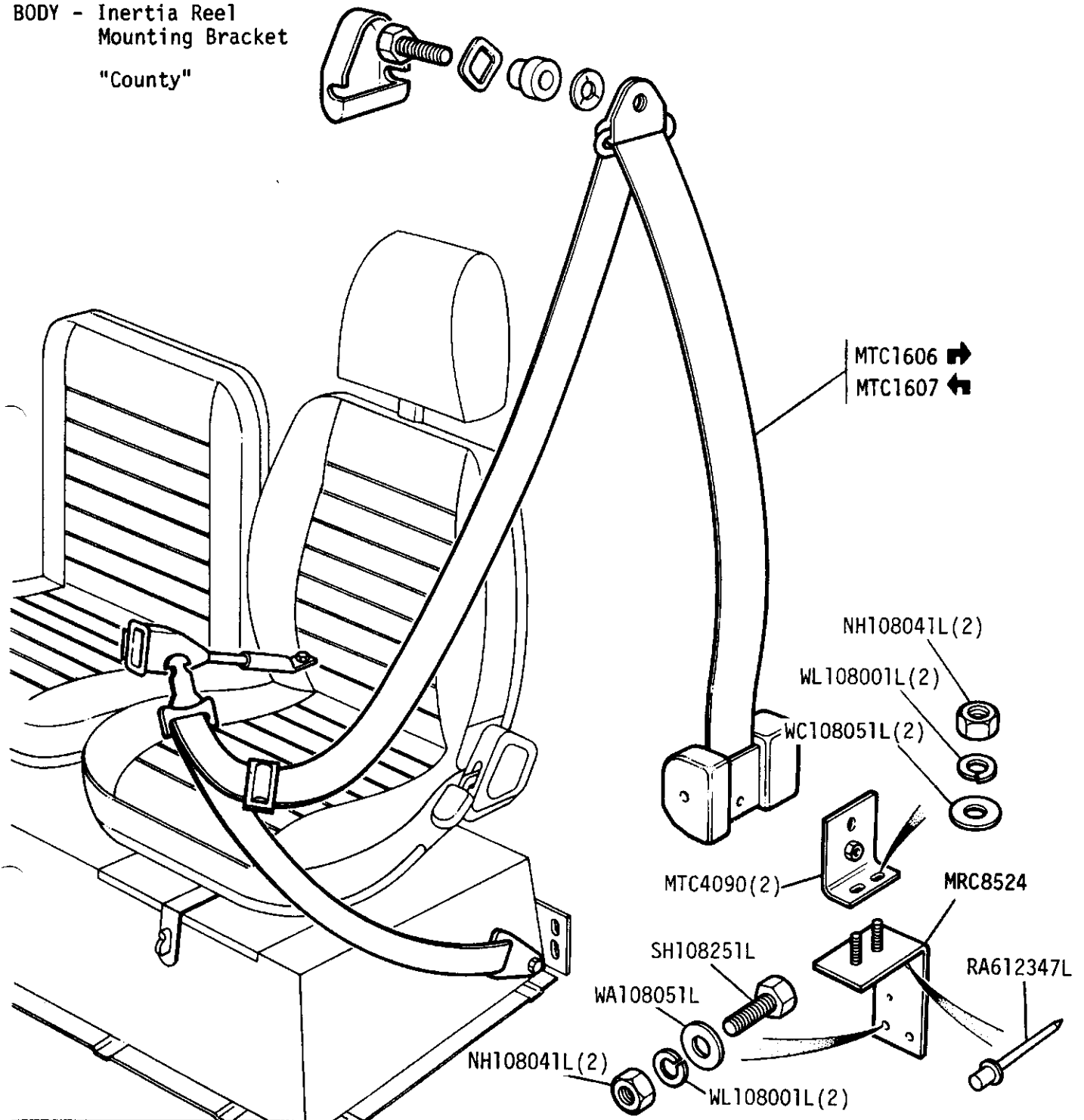
GROUP M
 BODY - Raised shoulder seat harness anchorages



① UNF
 ② METRIC

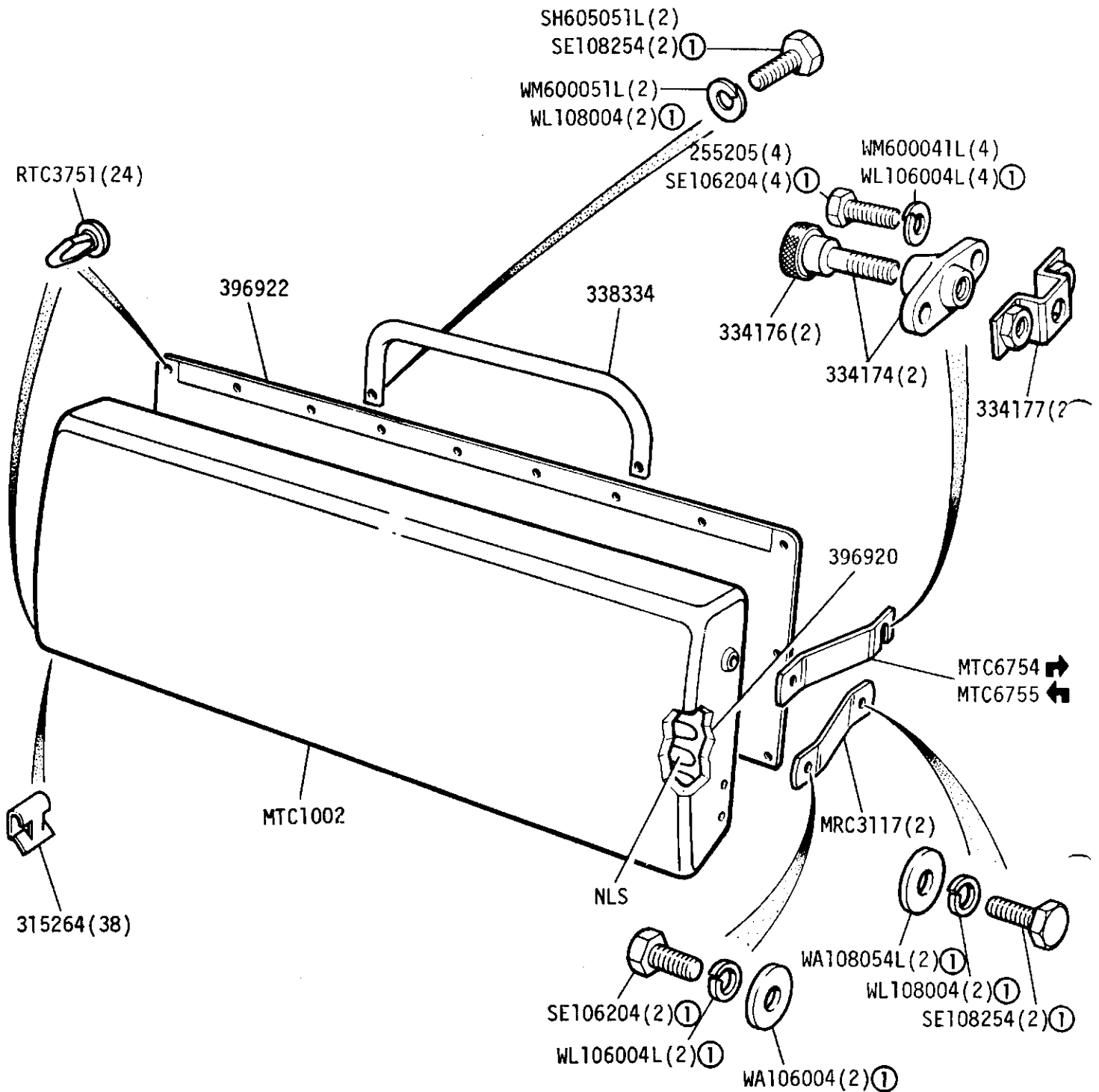
GROUP M

BODY - Inertia Reel
Mounting Bracket
"County"



GROUP M

BODY - Squab - Centre Seat - 109 Station Wagon

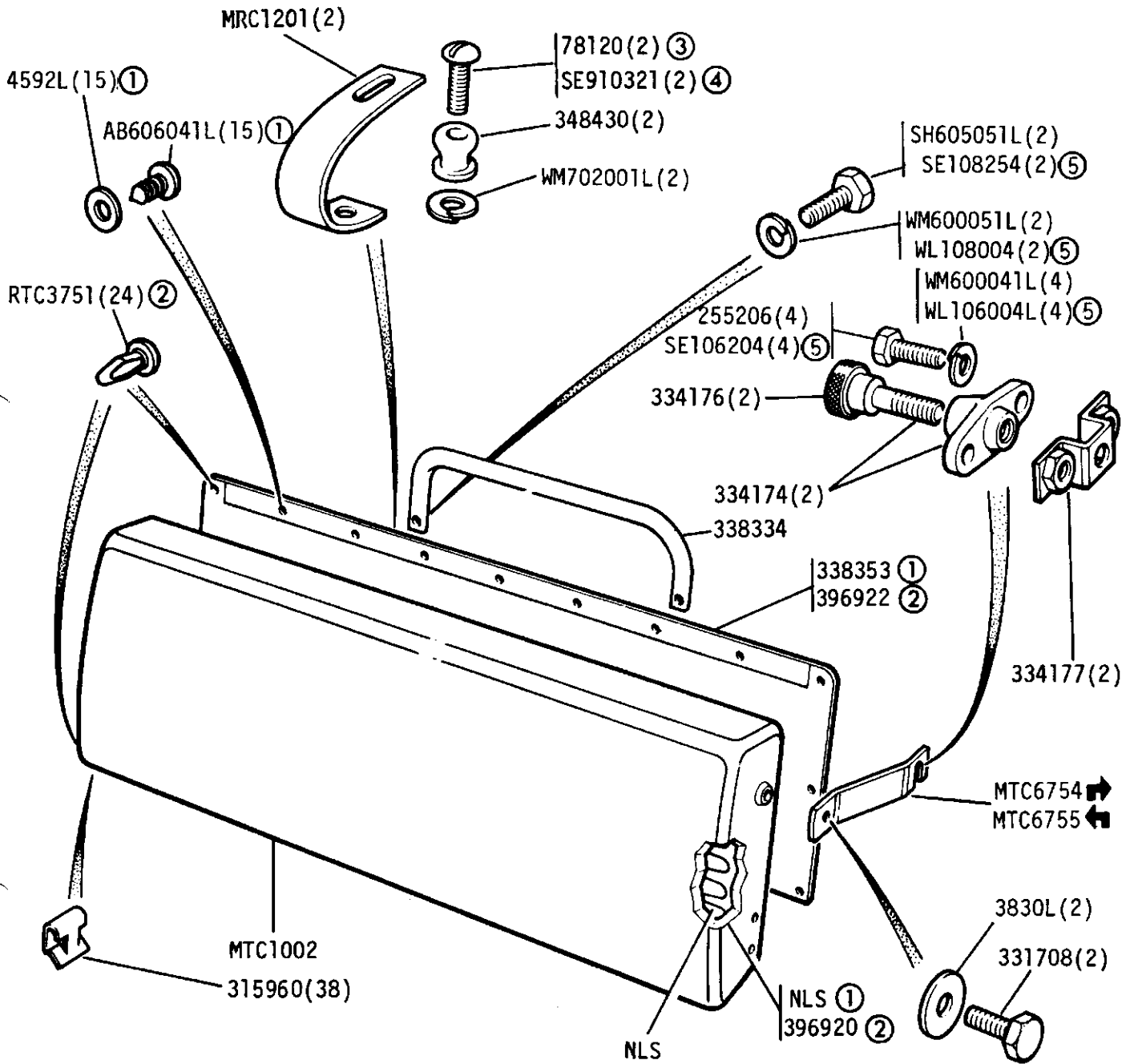


Centre seat complete assembly MRC3179

For United Kingdom, Germany and Italy From August 1977 onwards

① Black Finish

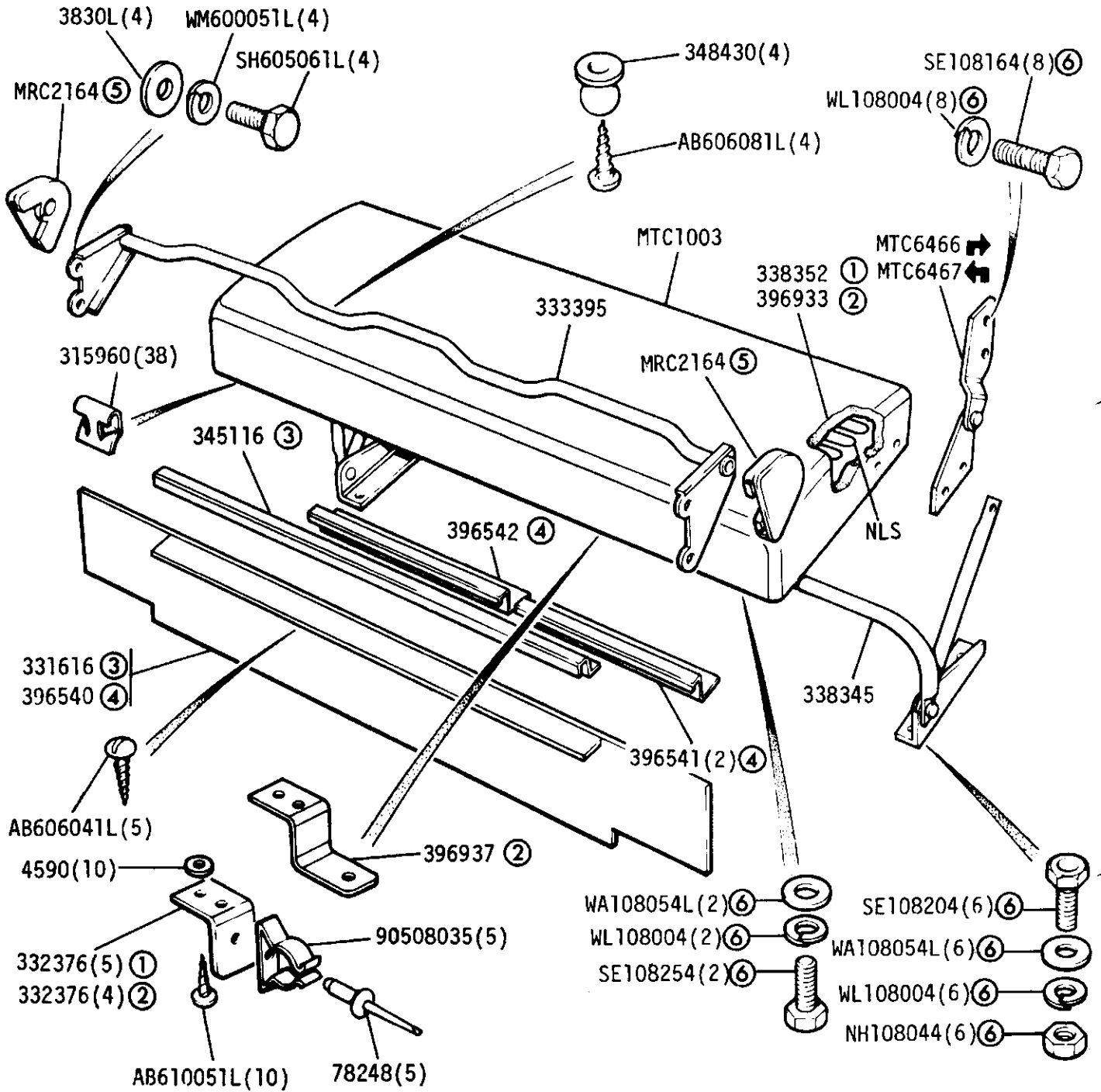
GROUP M
 BODY - Squab - Centre Seat - 109 in Station Wagon



Centre seat complete assembly 396916

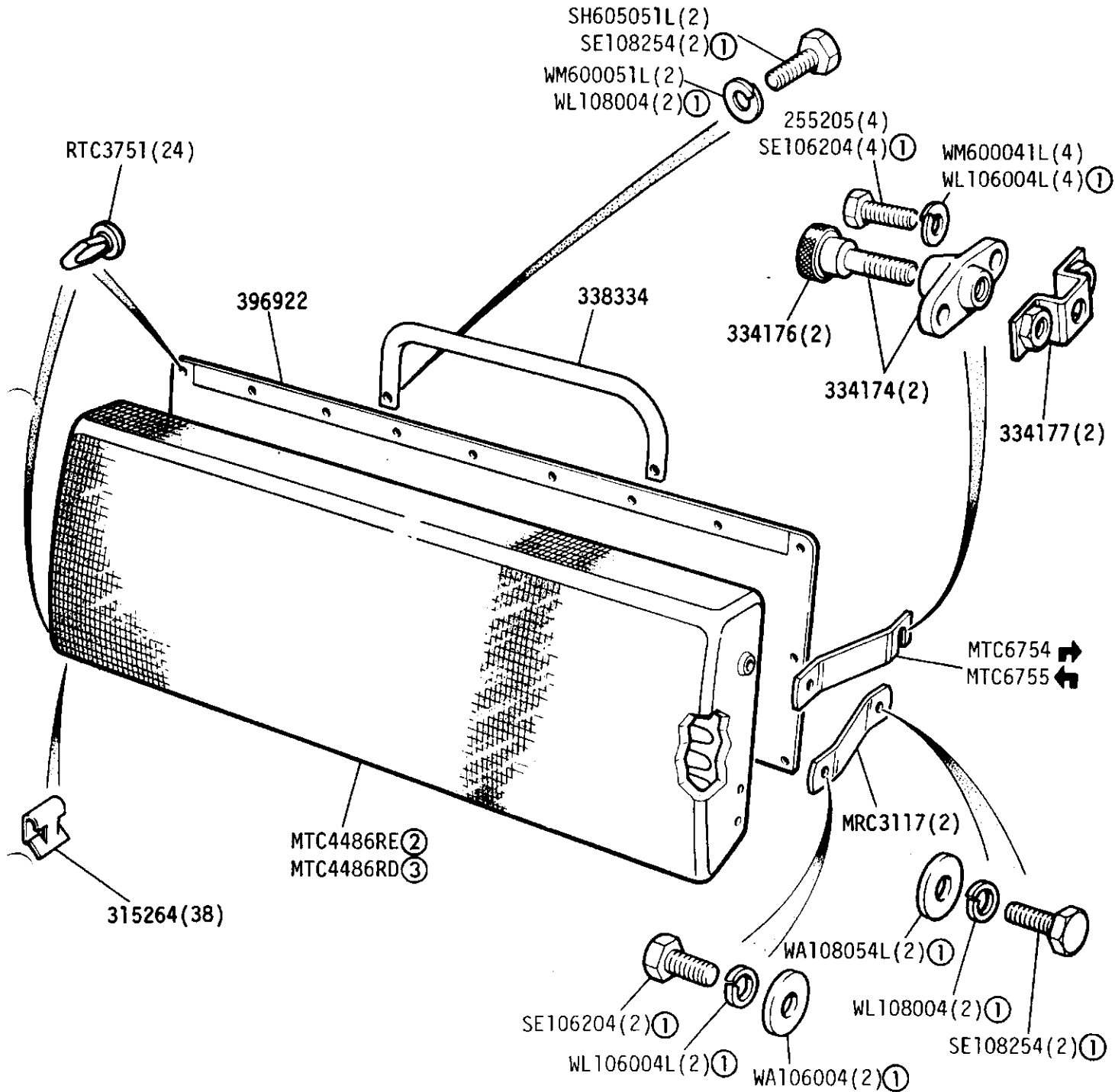
- ① Up to vehicle suffix 'B' inclusive
 - ② From vehicle suffix 'C' onwards Up to July 1977
 - ③ 2BA Fixing
 - ④ 10UNF Fixing
 - ⑤ Black Finish
- Alternative Fixings

GROUP M
 BODY - Cushion - Centre Seat - 109in Station Wagon



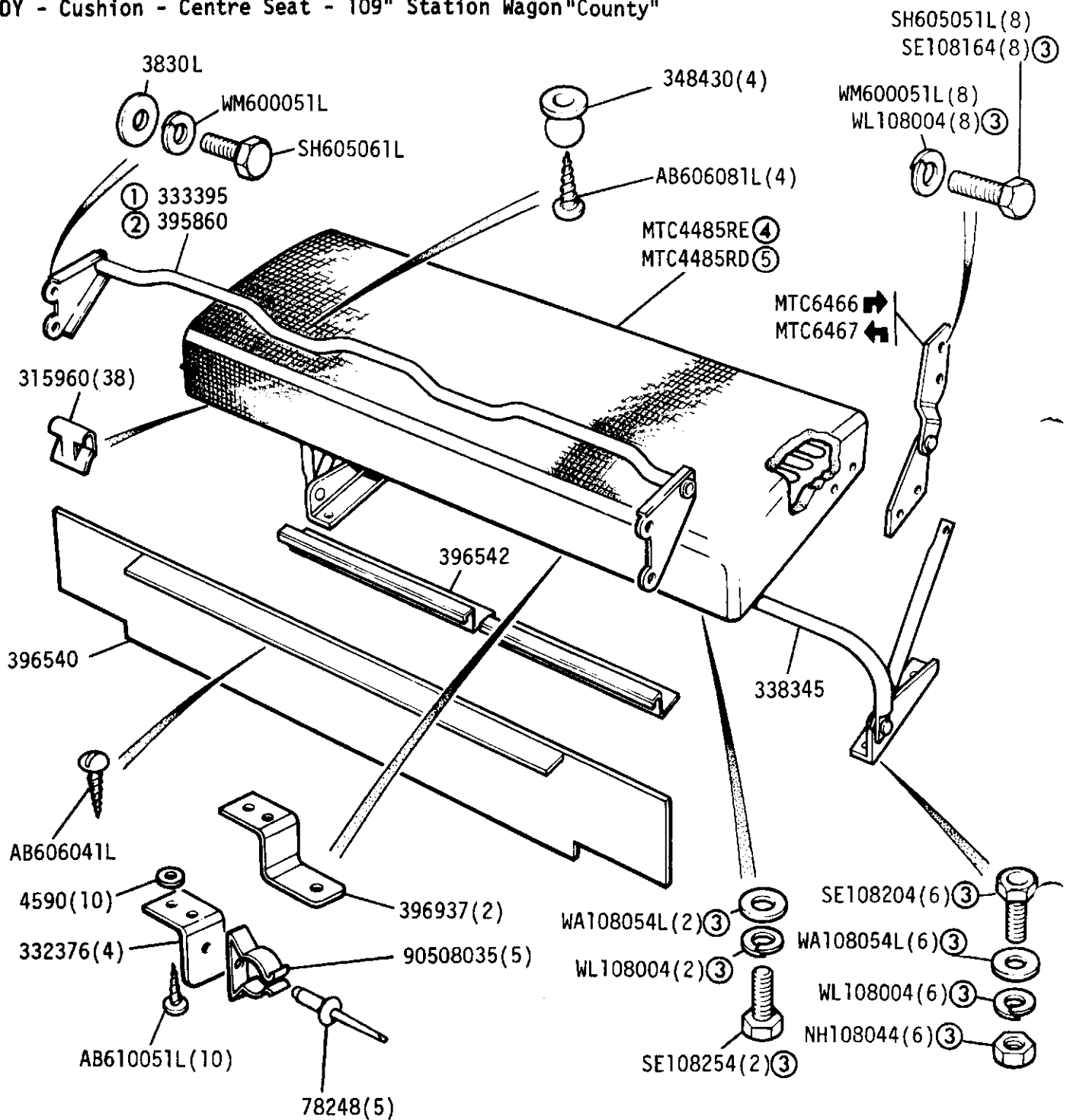
- ① Up to vehicle suffix 'B' inclusive
- ② From vehicle suffix 'C' onwards
- ③ Single piece trim retainer
- ④ Three piece trim retainer
- ⑤ France and Sweden
- ⑥ Black Finish

GROUP M
 BODY - Squab - Centre Seat - 109 Station Wagon "County"



- ① Black Finish
- ② Black/Grey Cloth
- ③ Brushwood/Berber Cloth

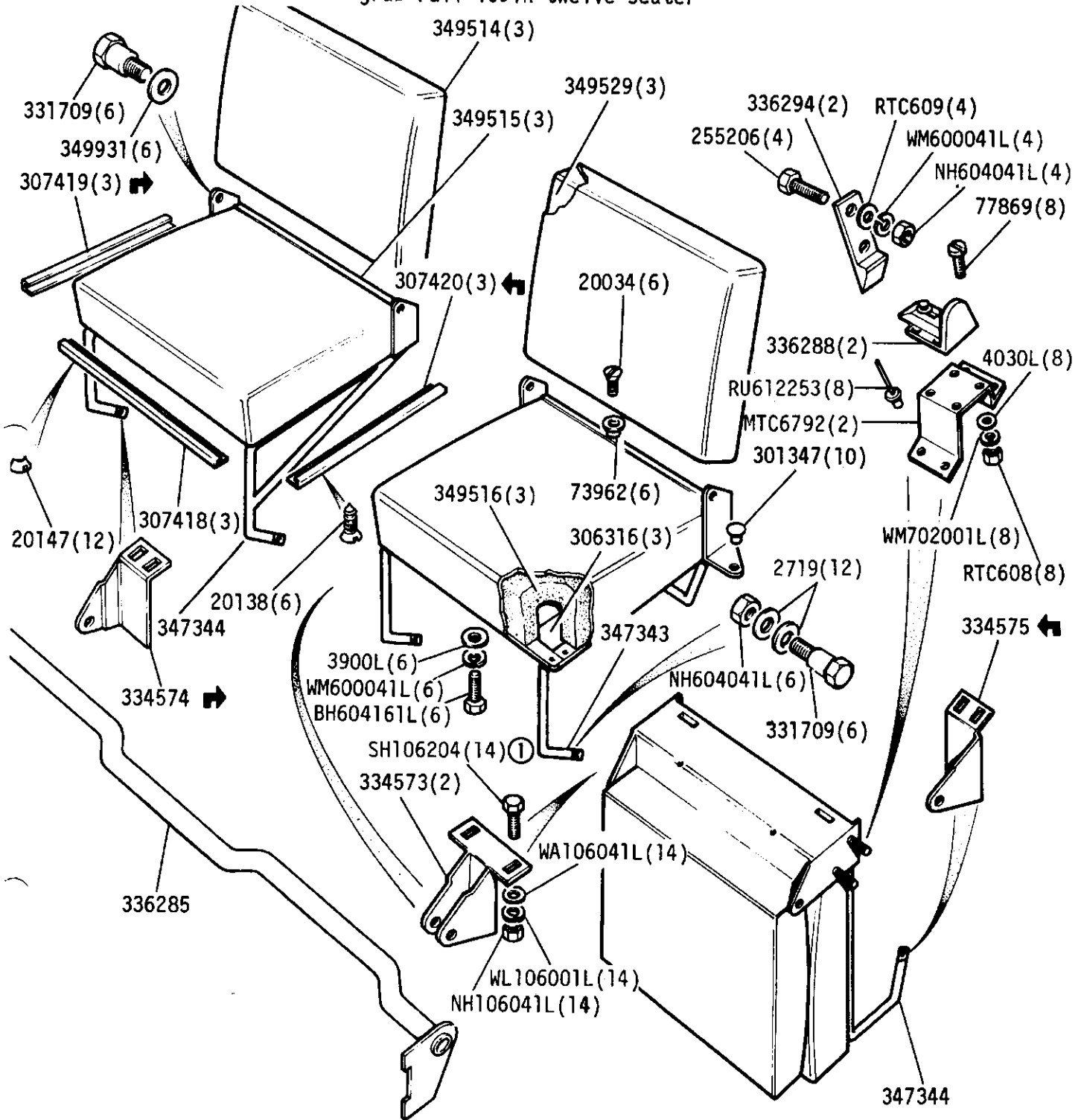
GROUP M
 BODY - Cushion - Centre Seat - 109" Station Wagon "County"



- ① Grab rail - Shaped
- ② Grab rail - Straight
Sleeve for Straight Rail 396423
- ③ Black Finish
- ④ Black/Grey Cloth
- ⑤ Brushwood/Berber Cloth

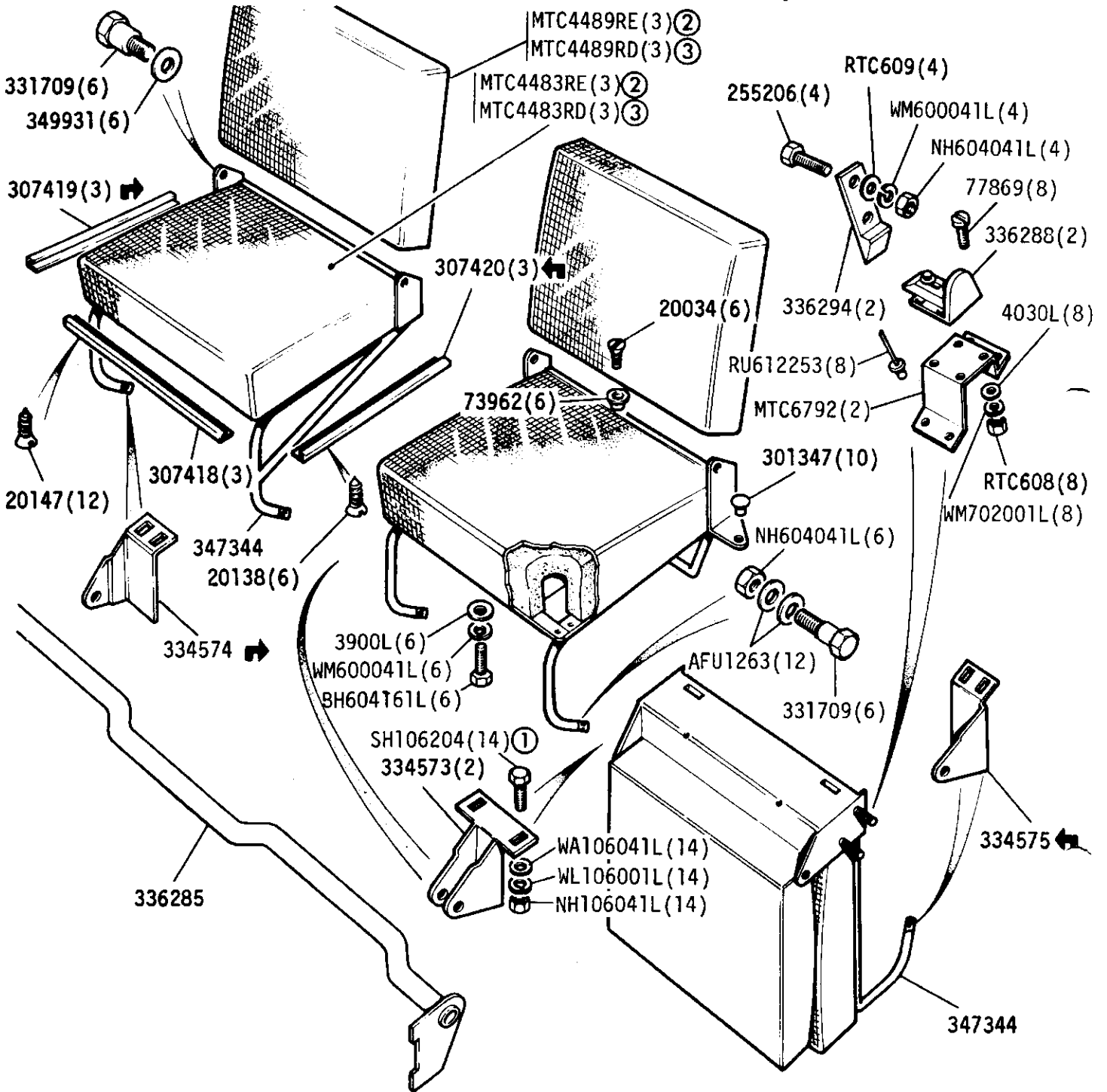
GROUP M

ODY - Centre front seat and grab rail 109in twelve seater



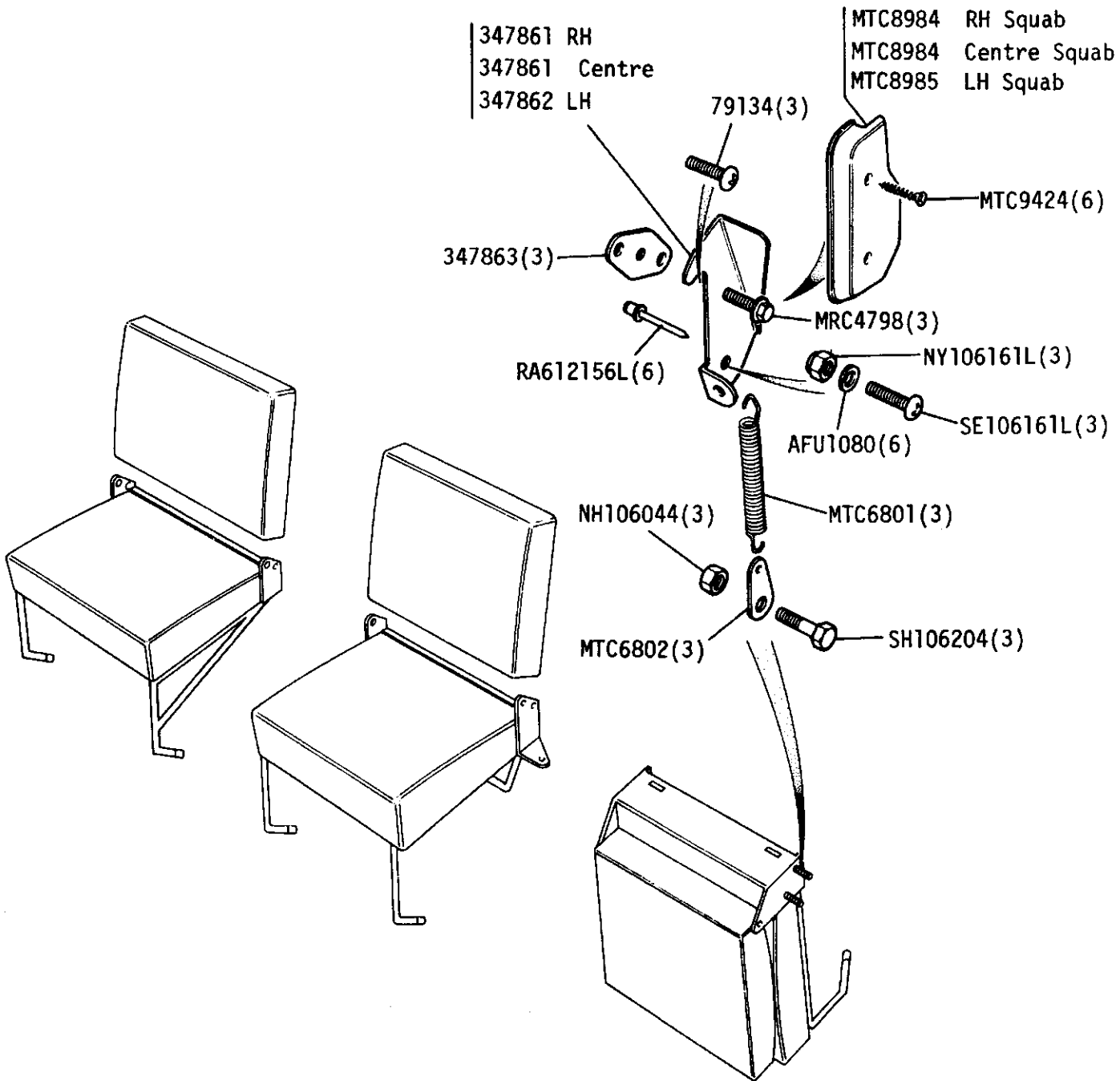
① Black Finish

GROUP M
 BODY - Centre front seat and grab rail 109in twelve seater "County"



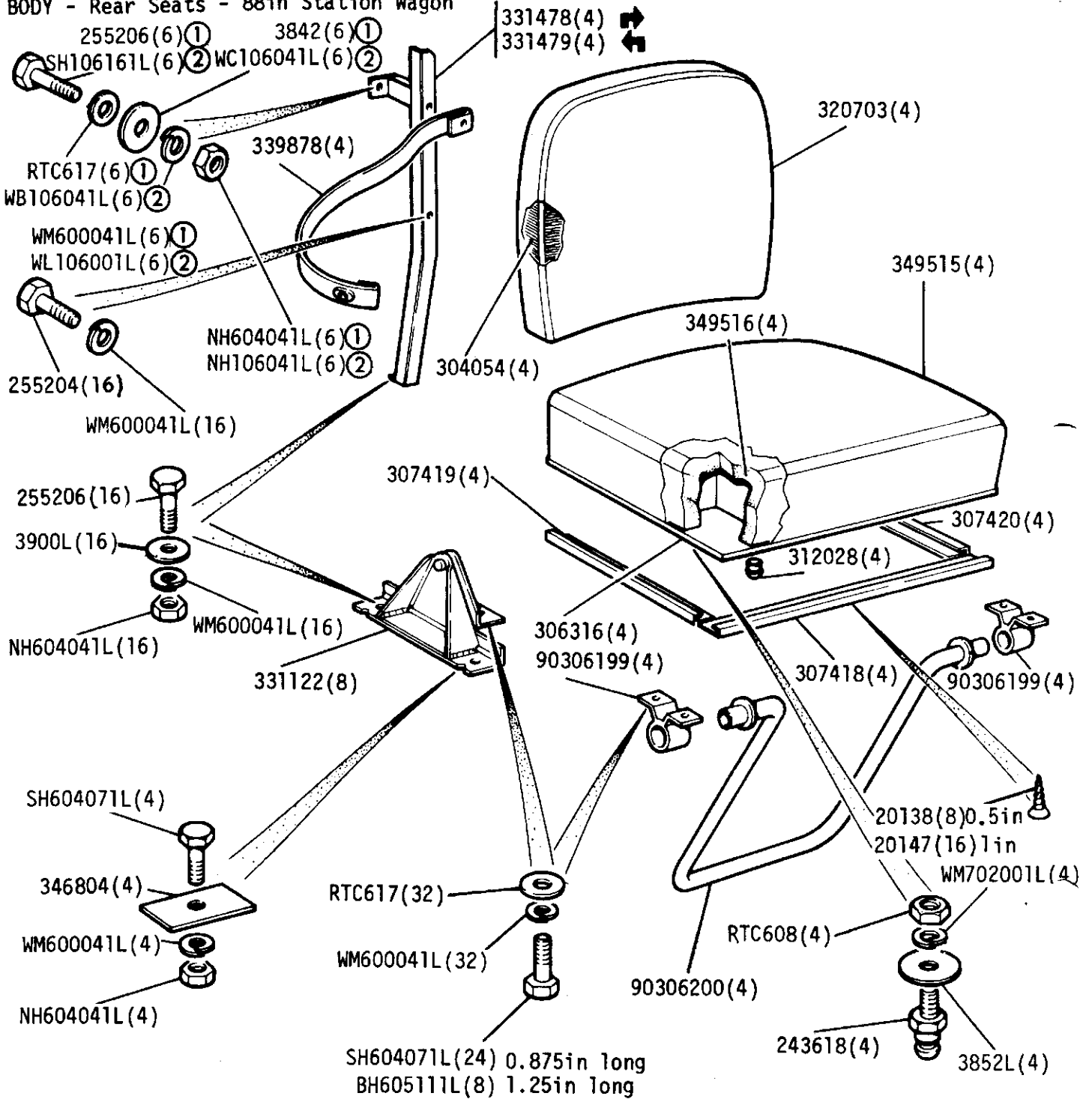
- ① Black Finish
- ② Black/Grey Cloth
- ③ Brushwood/Berber Cloth

GROUP M
 BODY - Seat Locking - ECE17 type



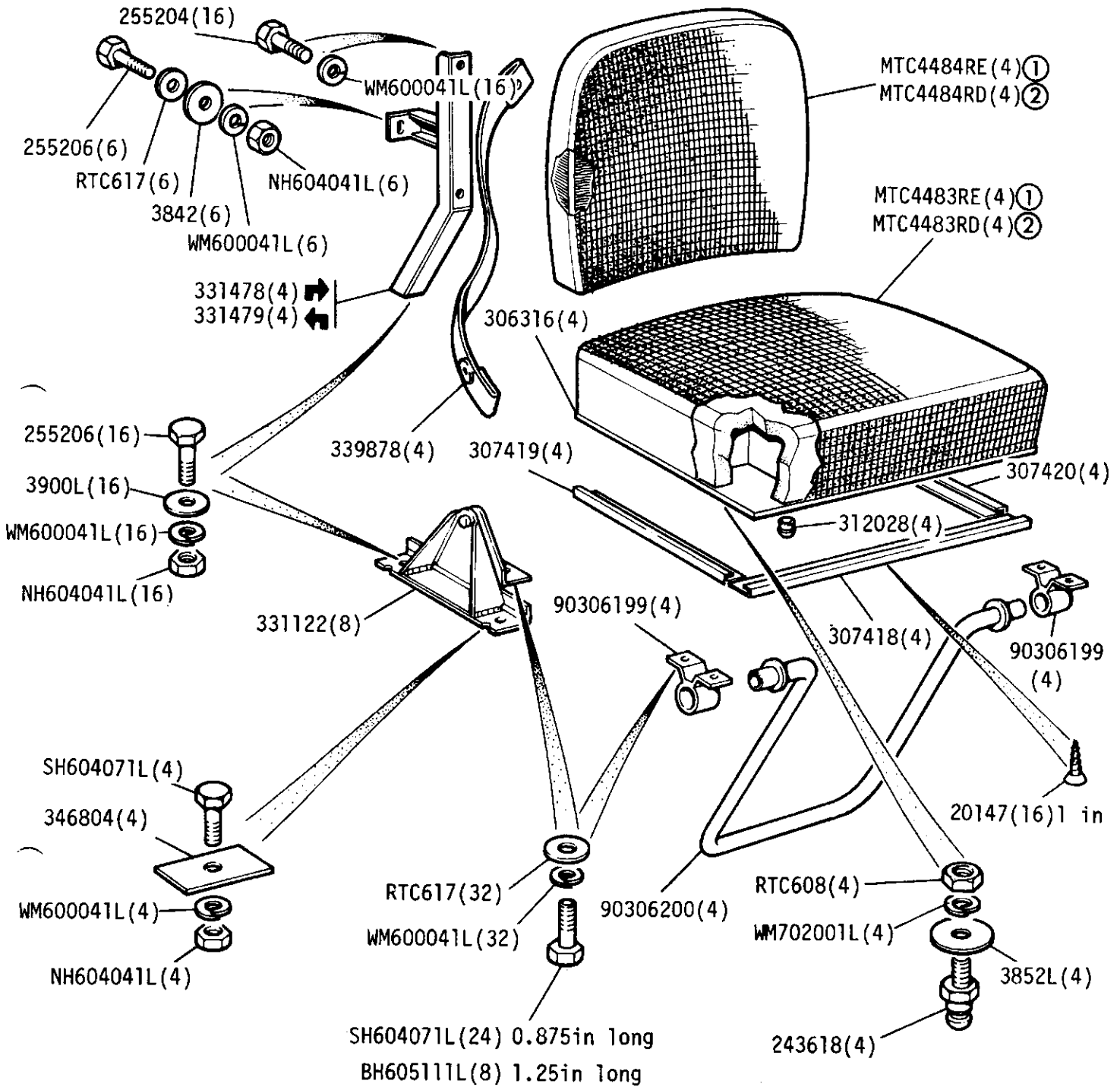
GROUP M

BODY - Rear Seats - 88in Station Wagon



- ① UNF
- ② METRIC

GROUP M
 BODY - Rear Seats - 88in Station Wagon "County"



- ① Black/Grey Cloth
- ② Brushwood/Berber Cloth