



MASTER INDEX

	PAGES
INTRODUCTION PAGES	1 - 5
ALPHABETICAL INDEX	6 - 14
ENGINE	15 - 65
ENGINE	66 - 117
ENGINE	118 - 171
ENGINE	172 - 217
ENGINE	218 - 261
ENGINE	262 - 297
ENGINE	298 - 367
GEARBOX	368 - 394
GEARBOX	395 - 411
GEARBOX	412 - 425
TRANSFER BOX	426 - 456
TRANSFER BOX	457 - 474
AXLES AND SUSPENSION	475 - 531
STEERING	532 - 564
VEHICLE AND ENGINE CONTROLS	565 - 580
BRAKES	581 - 603
FUEL SYSTEM AND AIR CLEANER	604 - 645
EXHAUST SYSTEM	646 - 660
COOLING/HEATING	661 - 709
COOLING/HEATING	710 - 718
BODY ELECTRICAL	719 - 793
BODY AND CHASSIS	794 - 923
INTERIOR TRIM	924 - 965
SEATS	966 - 1009
STOWAGE	1010 - 1017
ACCESSORIES - PAINTS	1018 - 1042
NUMERICAL INDEX	1044 - 1122

GROUP N

BODY AND CHASSIS

BODY AND CHASSIS	
CHASSIS FRAME	796 - 797
FRONT BUMPER AND BUMPERETTES	798
RECOVERY RING AND LIFTING HANDLE	799
DASH ASSEMBLY	800 - 801
DASH VENTILATOR - NON AIR CON	802
DASH VENTILATOR - AIR CONDITIONING	803
DIAPHRAGM AND TUNNEL PANELS	804 - 805
FLOOR PLATES	806
SEAT BASE	807 - 808
SEATBASE FITTINGS	809 - 811
SILL PANELS	812 - 814
RADIATOR GRILLE	815 - 817
HAND GUARD, CHAFF GUARD	818
RADIATOR BAFFLE PLATE	819
GRILLE TOP PANEL AND BRACES	820 - 821
BONNET RELEASE	822
BONNET	823 - 824
BONNET PROP	825
FRONT WINGS	826 - 830
FRONT WINGS - WHEELARCH AND EYEBROW	831 - 834
WINDSCREEN	835 - 836
FRONT DOOR CLINCHED ASSEMBLY UPTO 1987MY	837 - 838
FRONT DOOR CLINCHED ASSEMBLY FROM 1987MY	839 - 840
FRONT DOORS - HINGES & DOOR CHECK FROM 1987MY	841 - 842
FRONT DOOR - SEALS	843
REAR END DOOR	844 - 846
REAR END DOOR - CHECK MECHANISM	847
REAR END DOOR	848
SEALS - REAR END DOOR	849
FRONT DOOR - GLASS AND WINDOW REGULATOR	850 - 853
FRONT DOORS - LOCK MECHANISM	854 - 855
FRONT DOOR - LOCK MECHANISM	856 - 857
FRONT DOORS - LOCK MECHANISM	858
REAR END DOOR	859 - 860
BARREL LOCK AND KEYS	861
TAILBOARD - LOWER HINGED	862
TAILBOARD - SIDE HINGED	863 - 865
CAB BASE ASSEMBLY	866





DEFENDER 90

795

BODY AND CHASSIS

CAB REAR PANEL	867 - 869
REAR BODY LOWER	870 - 878
REAR BODY UPPER	879 - 880
REAR BODY UPPER - STATION WAGON	881 - 884
REAR BODY UPPER	885
REAR BODY UPPER - HARD TOP	886
REAR BODY UPPER	887
ROOF - HARD TOP AND STATION WAGON	888
ROOF - HARD TOP AND STATION WAGON CONTINUED	889
ROOF - TRUCK CAB	890
SUNROOF	891 - 892
REAR EYEBROWS	893 - 894
REAR LAMPS PROTECTION	895
ROLL CAGE UPPER - 90SV	896
ROLL CAGE LOWER - 90SV	897
STIRRUP STEP - SIDE DOORS	898
FOLDING STEP - SIDE DOORS - NOT GERMANY	899
FOLDING STEP - REAR END DOOR	900
DECALS - UP TO 1991 MODEL YEAR	901
DECALS - FROM 1991 MODEL YEAR	902
BODY TAPES	903 - 908
MIRRORS - INTERIOR AND EXTERIOR	909
SPARE WHEEL CARRIER ON BONNET - TYPE A	910
SPARE WHEEL MOUNTING ON BONNET - TYPE B	911
SPARE WHEEL CARRIER - REAR END DOOR	912
SPARE WHEEL CARRIER - TAILBOARD - 90SV	913 - 914
HOOD - FULL LENGTH	915
HOOD - THREE QUARTER LENGTH	916 - 917
DRAIN CHANNELS - FULL LENGTH HOOD	918 - 919
HOODSTICKS - FULL LENGTH HOOD	920
HOODSTICKS - THREE QUARTER LENGTH HOOD	921 - 923





Model DEFENDER 90
Page ADNAAA1A

CHASSIS - CHASSIS FRAME

III. Part No.

Description

Qty Remarks

4 Cylinder Petrol & Diesel

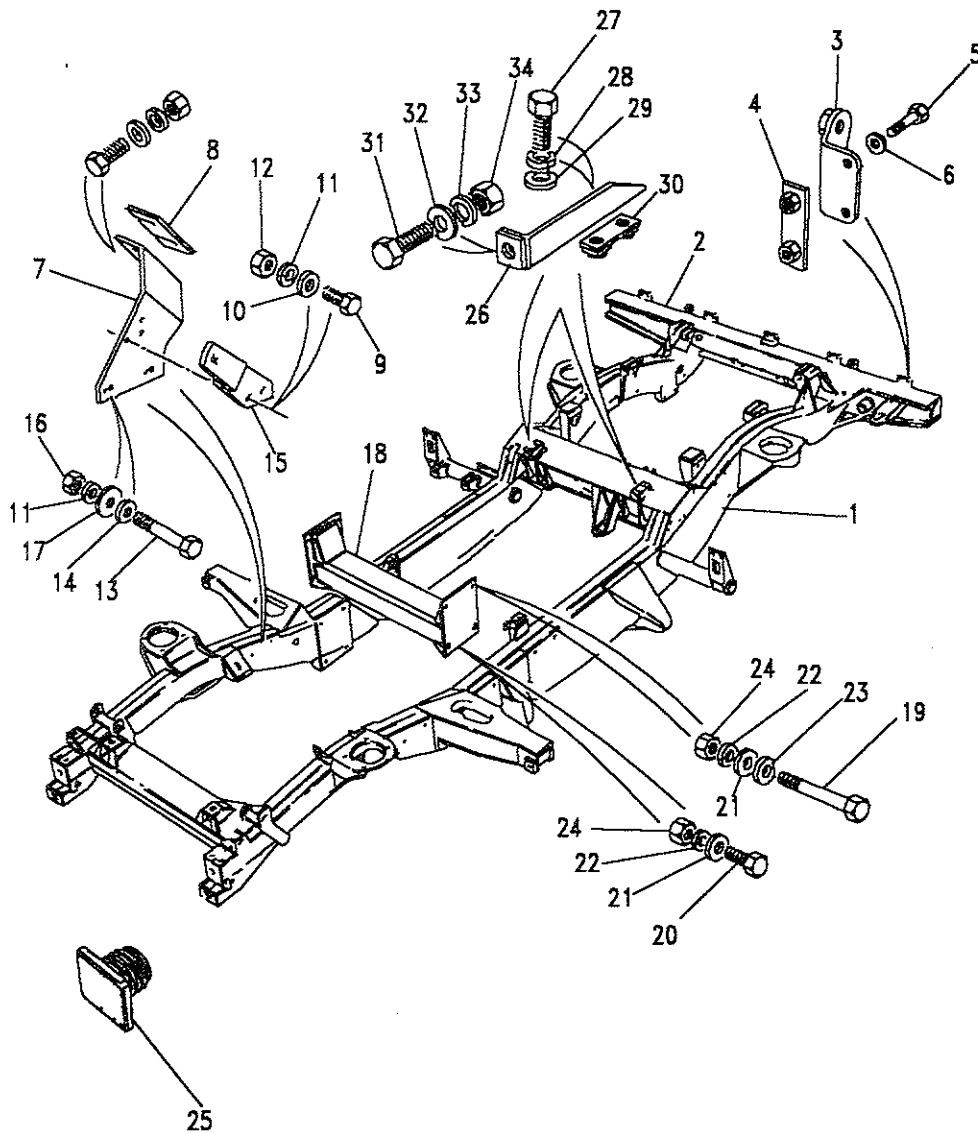
1	NTC7989	Chassis frame	1	Up to LA939975
	NTC9473	Chassis frame	1	From MA939976
2	ANR2054	Crossmember rear	1	

V8

1	NTC1057	Chassis frame	1)Up to
2	ANR2056	Crossmember rear	1)AA244026
1	NTC7807	Chassis frame	1	From AA244027
				Up to LA939975
	NTC9476	Chassis frame	1	From LA939976
2	ANR2054	Crossmember rear	1	

All variants

	RTC3355	Kit crossmember fitting	1	
	STC8354	Outrigger front RH	1	
	STC8355	Outrigger front LH	1	
	STC8356	Outrigger rear	1	
3	NRC9749	Support bracket tailboard	2)
4	MRC5757	Nut plate	2)From
5	FS108207L	Screw	4)AA278114
6	WC108051L	Washer plain	4)
7	NRC7436	Support toolbox RH	1	
	NRC7435	Support toolbox LH	1	
8	NRC7131	Packing piece	6	
9	AFU1499	Screw	4	
10	WA108051L	Washer plain	16	
11	WL108001L	Washer spring	8	
12	FN108041L	Nut	8	



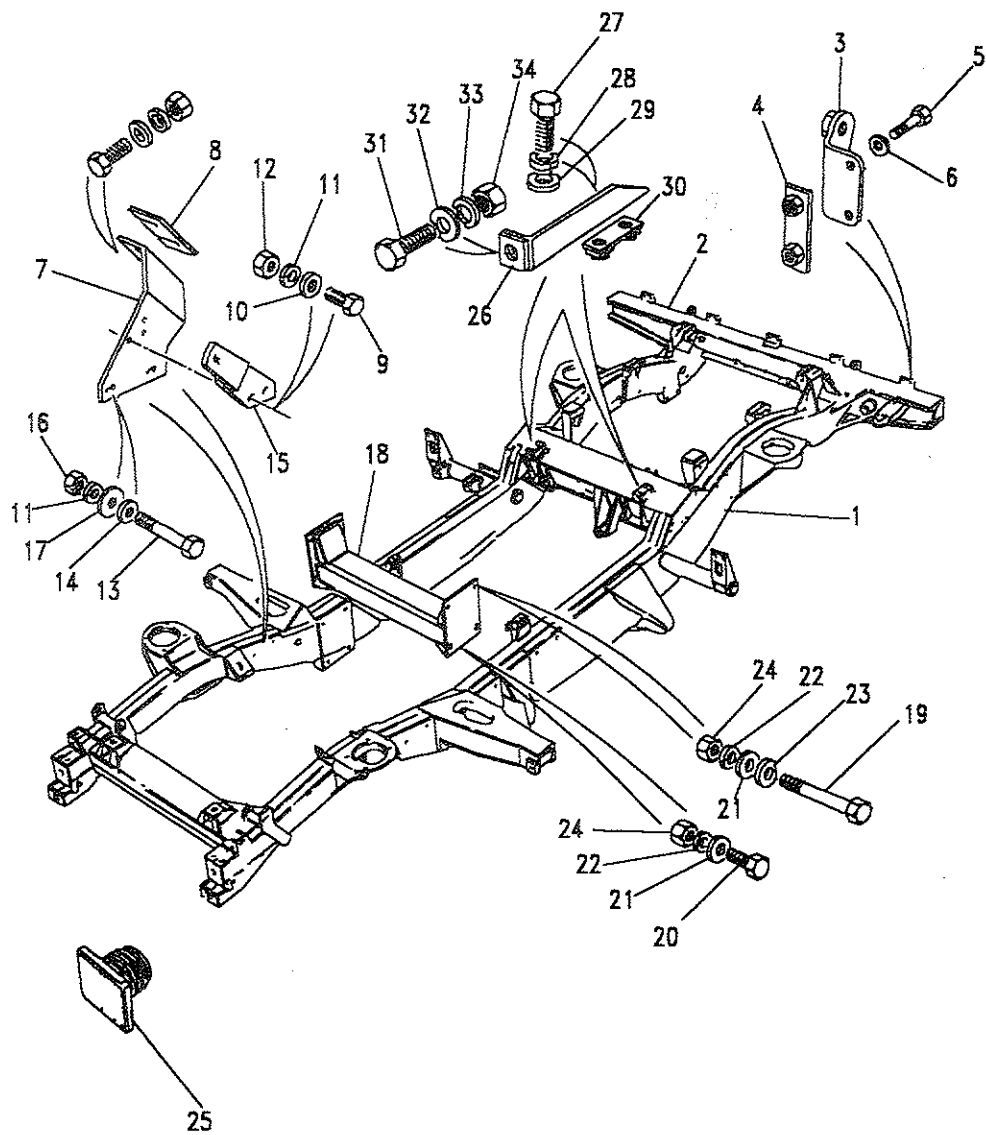


Model DEFENDER 90
Page ADNAA1A

CHASSIS - CHASSIS FRAME

Ill. Part No.	Description	Qty	Remarks
13	BH108201L Bolt	4	
14	WC108051L Washer plain	4	
15	NRC7164 Plate bridge LH	1	
	NRC7165 Plate bridge RH	1	
16	FN108041L Nut	4	
17	3898 Washer plain	4	
18	NRC7768 Crossmember detachable	1	Note(1)
	NTC1963 Crossmember detachable	1	Note(2)
	NTC9262 Crossmember detachable	1	Note(3)
19	BH110201L Bolt	4	
20	SH110251L Screw	4	
21	WC110061L Washer plain	12	
22	WL110001L Washer spring	8	
23	NRC5485 D washer	4	
24	NH110041L Nut	8	
25	NRC6935 Plug jacking bracket	2	
26	NRC9695 Bracket support RH	1	
	NRC9696 Bracket support LH	1	
27	FS108207L Screw	4	
28	WL108001L Washer spring	4	
29	WA108051L Washer plain	4	
30	NRC9698 Nut plate	2	
31	FS108207L Screw	2	
32	WL108001L Washer spring	2	
33	WA108051L Washer plain	2	
34	FN108041L Nut	2	

Note(1) Up to AA270878
Note(2) From AA270879 up to HA906308
Note(3) From HA906308

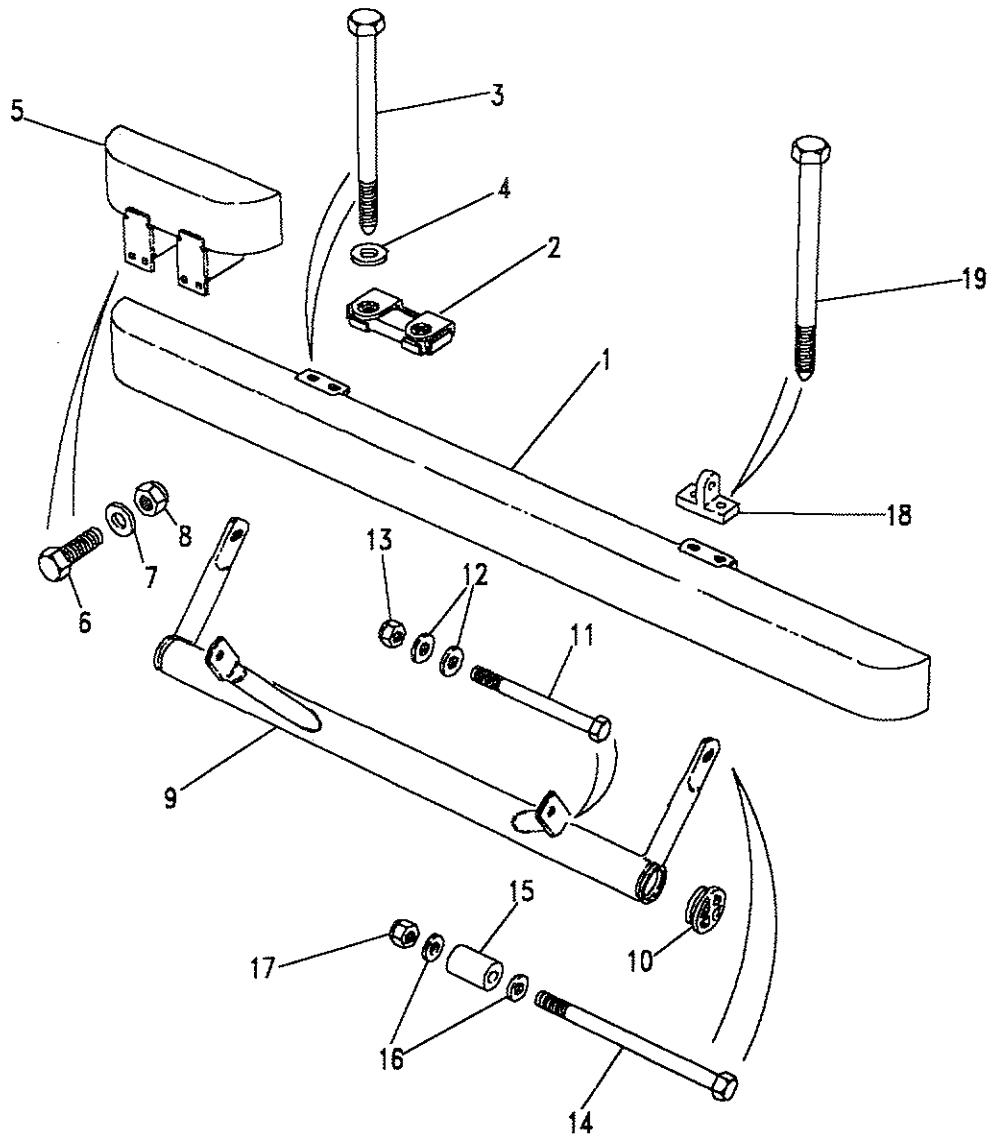


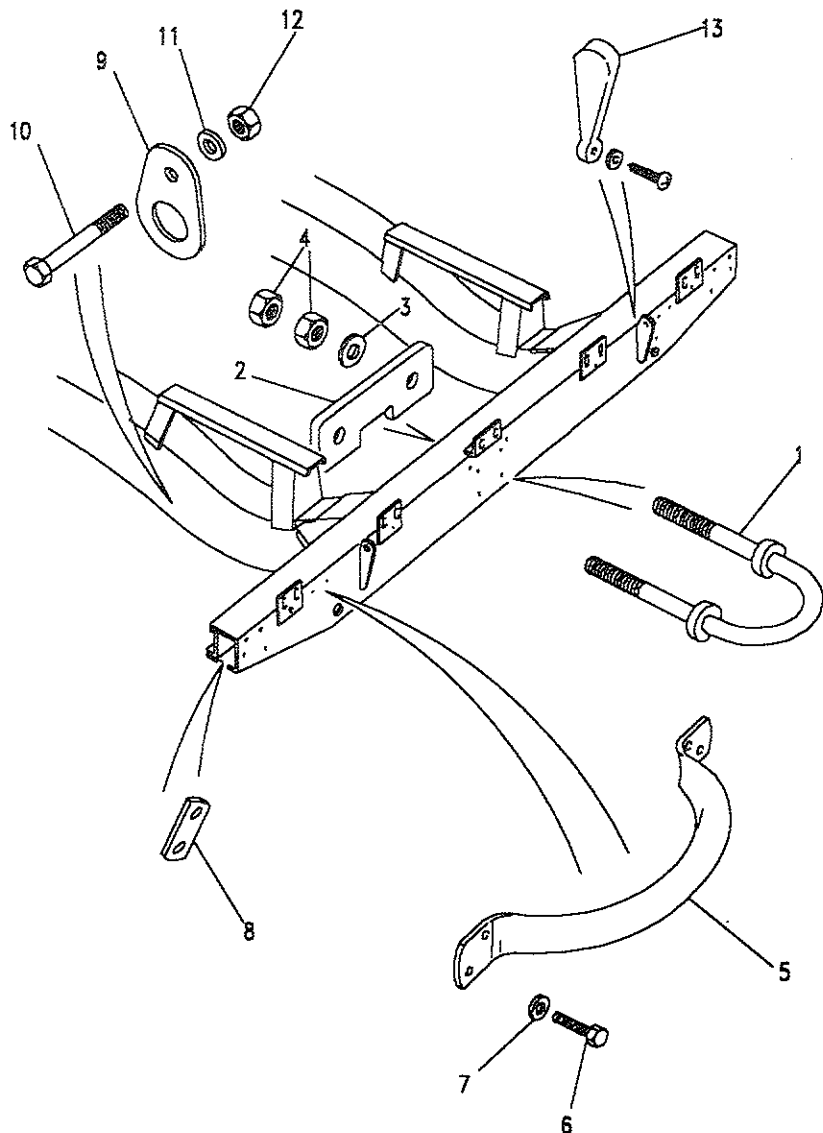
Model DEFENDER 90
Page ADNXC1A

CHASSIS - FRONT BUMPER AND BUMPERETTES

III. Part No.	Description	Qty	Remarks
1	NRC9211	1	Upto 314291
	NTC4657	1	From 314292)
2	NRC6994	2	
3	AFU1386	4	Upto 340878
	NTC5401	4	From 340879
4	WA110061L	4	
5	NRC4733	2	Option
6	SH110251L	16	
7	WA110061L	16	
8	NY110041L	16	
9	NRC7009	1	Option
10	NRC5886	2	
11	BH110241L	2	
12	WA110061L	4	
13	NY110041L	2	
14	253952	2	
15	NRC5627	1	
16	WC112081	2	
	2222	2	
17	252164	2	
18	559882	2	Option
19	AFU1387	4	Upto 340878
	NTC5401	1	From 340879

Germany			
NRC7571	Cover bumper protection	4	
NRC7439	Pad bumper protection	2	
78248	Rivet	8	





Model DEFENDER 90
Page ADNAG1A

CHASSIS - RECOVERY RING AND LIFTING HANDLE

III. Part No.	Description	Qty	Remarks
1	NRC5396 Ring recovery	1	
2	562756 Distance piece	1	
3	4233 Washer	2	
4	NH116041L Nut	4	
5	300816 Handle lifting	2	Note(1)
	NTC5116 Handle lifting black	2	Note(2)
6	SH108161L Screw	8	
	SE108161L Screw	8	Germany
7	WA108051L Washer plain	8	
8	NRC5804 Nut plate	4	
9	90577509 Ring recovery lashing	4	Front & Rear
10	BH110241L Bolt (front)	2	
	BH110221L Bolt (rear)	2	
11	217245 Washer plain	4	
12	NY110041L Nut	4	
13	NRC7425 Cover tailboard hinge	2	Germany
	RRC5409 Bumperette rear LH	1	90SV
	RRC5410 Bumperette rear RH	1	90SV

Note(1) Up to 314058
Note(2) From 314059

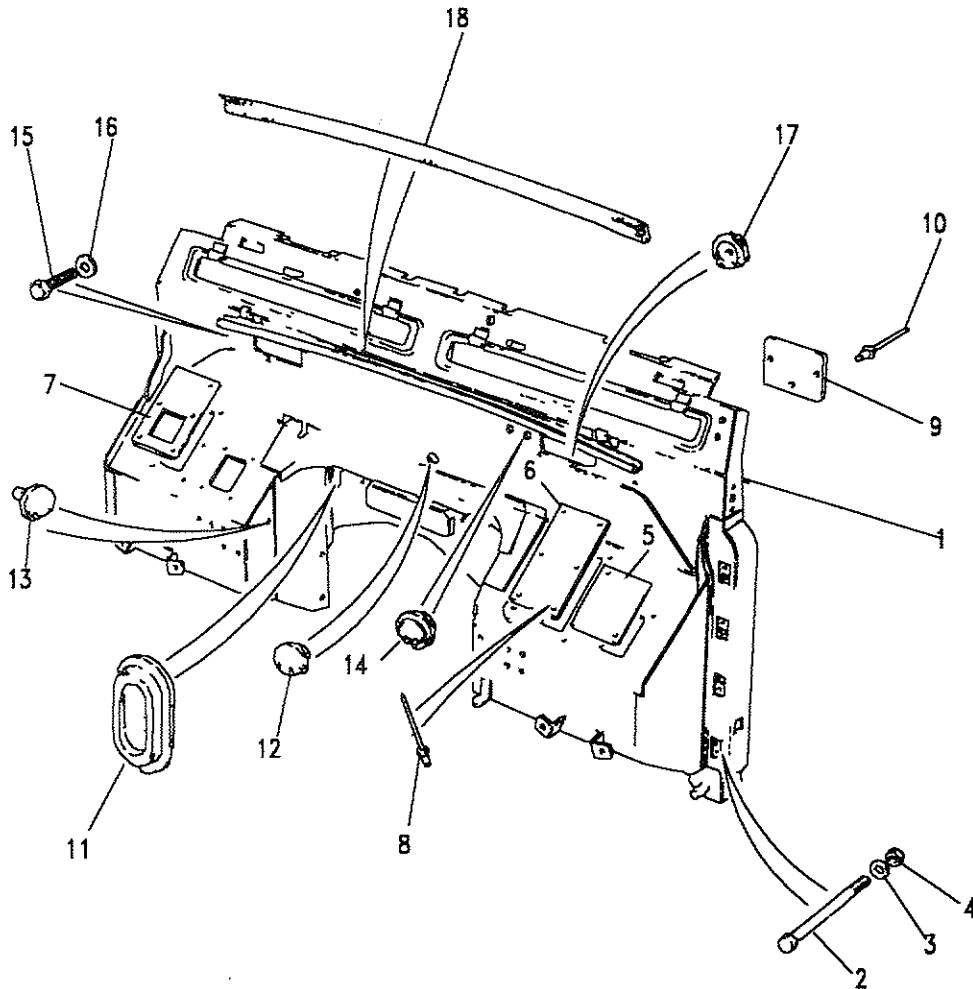


Model DEFENDER 90
Page ADNXC1A

BODY - DASH ASSEMBLY

III. Part No.	Description	Qty	Remarks
Non Air Con			
1 ALR6374	Dash assembly RHD	1)Up to
ALR6375	Dash assembly LHD	1)LA939975
ALR2136	Dash assembly RHD	1)From
ALR2138	Dash assembly LHD	1)MA939976
Air Con			
1 MUC6686	Dash assembly RHD	1	Note(1)
MXC9012	Dash assembly RHD	1	Note(2 & 3)
MXC9013	Dash assembly LHD	1	Note(3)
ALR5117	Dash assembly RHD	1)From
ALR5118	Dash assembly LHD	1)MA939976
Germany			
1 MXC9015	Dash assembly LHD	1	
All variants			
2 MRC9420	Bolt tie	2	M12 x 180mm
3 WA112081L	Washer plain	5	
4 NH112041L	Nut	2	
5 346981	Plate cover	1)
6 346599	Plate cover	1)Note(1)
7 346598	Plate cover	1)
8 78248	Rivet	12	
9 395617	Plate blanking	1	Note(1)
10 RA608123L	Rivet	3	

Note(1) Up to AA271213
 Note(2) From AA271214
 Note(3) From AA271214 up to LA939975



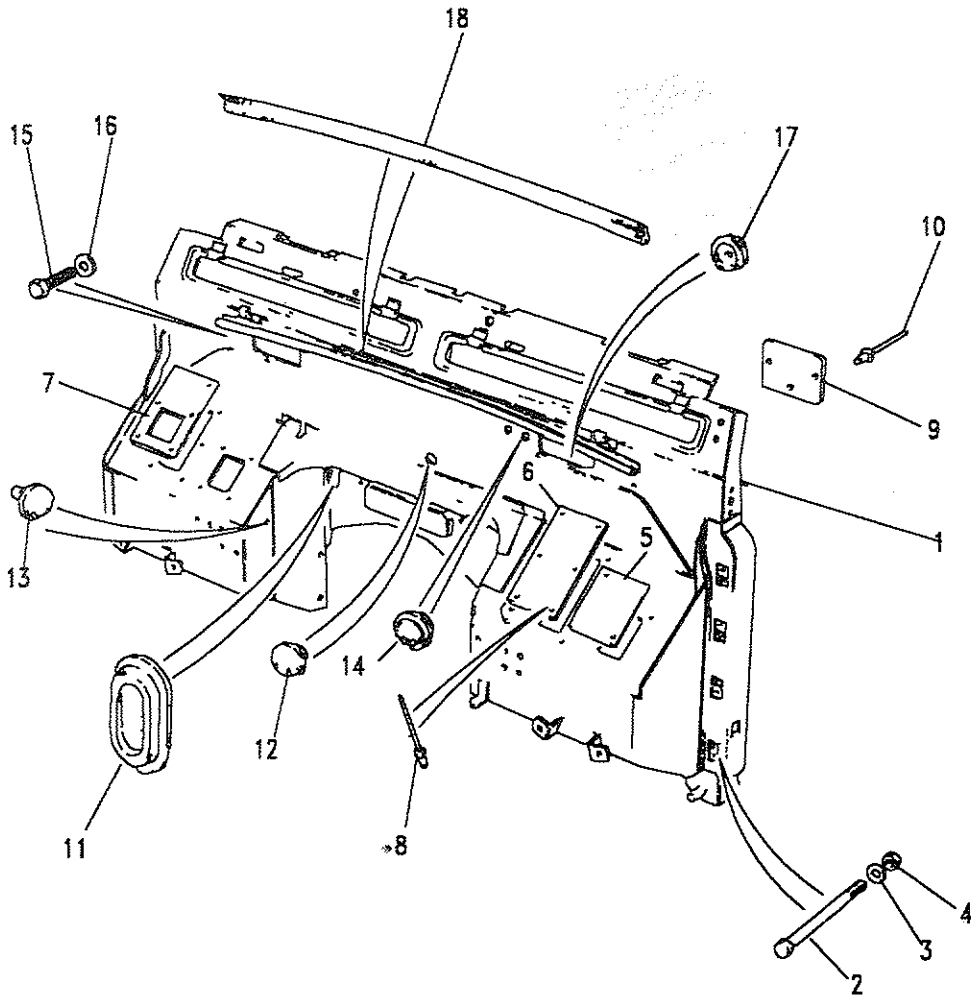


Model DEFENDER 90
Page ADNXC1A

BODY - DASH ASSEMBLY

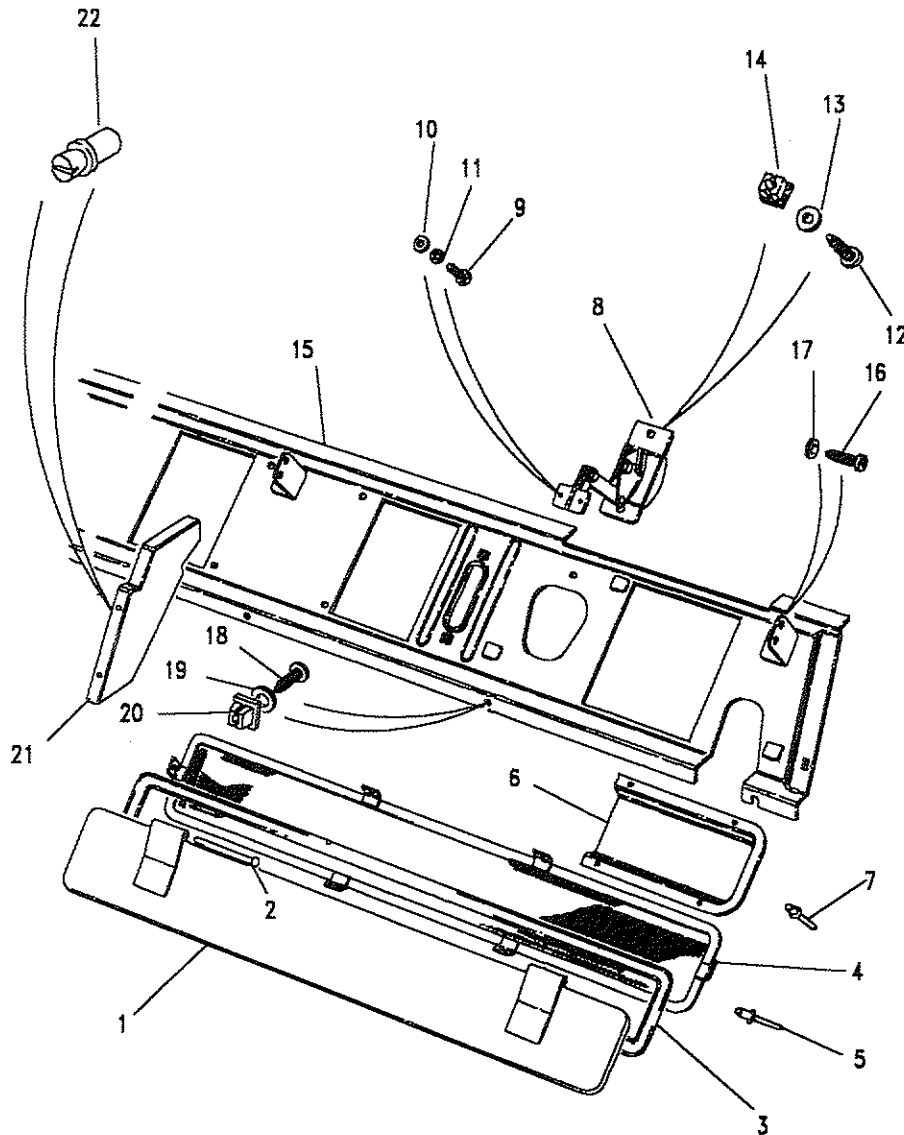
Ill. Part No.	Description	Qty	Remarks
11	MTC1650	2	
12	MRC1300	2)
	DRC1666	1)Note(1)
13	338015	1	
14	332647	2	
15	SX108251	4	
16	WA108051L	10	
	ATU1005L	2	Note(1)
	NN108021	2	Note(2)
17	BD155888L	1	
18	MWC2567	1	Drain channel
	MUC6905	1	Strg col aperture
	RU608123L	3	
	MWC2309	2	Note(1)
	RTC5519	2	Note(2)

Note(1) Up to AA271213
Note(2) From AA271214



Model DEFENDER 90
Page ADNXC2A

BODY - DASH VENTILATOR - NON AIR CON



III. Part No.	Description	Qty	Remarks
Not applicable to Germany - Note(1)			
1	ALR1618	1	Lid ventilator RH
	ALR1619	1	Lid ventilator LH
2	334121	4	Hinge pin
3	MUC4299	2	Sealing rubber
	ALR2220	2	Sealing rubber
4	395185	2	Flyscreen
5	RA610123	12	Rivet
6	MTC2799	1	Panel splash
7	RA610123	4	Rivet
8	346576	2	Control ventilator
9	SH105121L	4	Screw
10	WC105001L	4	Washer plain
11	WL105001L	4	Washer spring
12	AB608047L	4	Screw
13	AFU1257	4	Washer plain
14	RTC3745	4	Nut lokut
15	MXC8574	1	Front Plate RHD
	MXC8573	1	Front Plate LHD
16	AB608047L	6	Screw
17	WA105001L	6	Washer plain
18	AB608054L	5	Screw
19	WA104004L	5	Washer plain
20	RTC3745	5	Nut lokut
21	346941	1	Panel air flow divider
22	79106	2	Rivet

Note(1) Germany - see page 803



Model DEFENDER 90

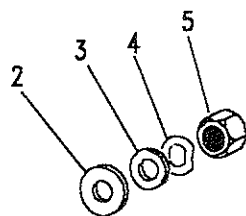
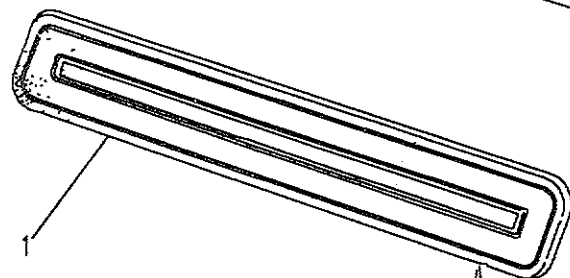
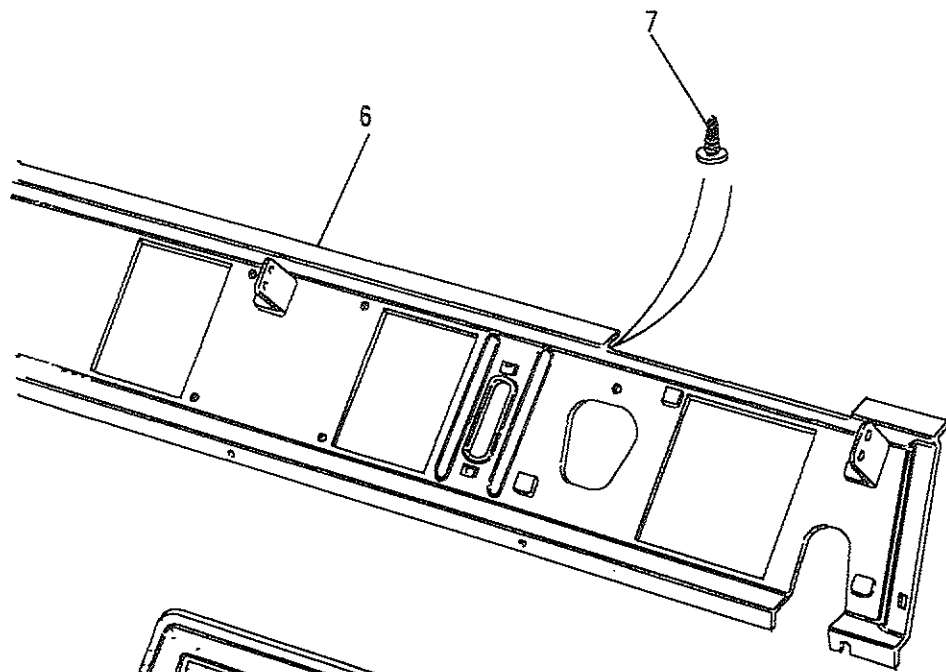
Page ADNXCC3A

BODY - DASH VENTILATOR - AIR CONDITIONING

III. Part No.	Description	Qty	Remarks
1	MTC6109	2	Finisher dash ventilator
2	MTC6015	6	Washer sealing
3	WA104001L	6	Washer plain
4	WW104001	6	Washer wave
5	NH104041L	6	Nut
6	MUC3498	1	Front Plate-RHD
	MXC8575	1	Front Plate-LHD

Fixing - Front Plate to Crash Rail

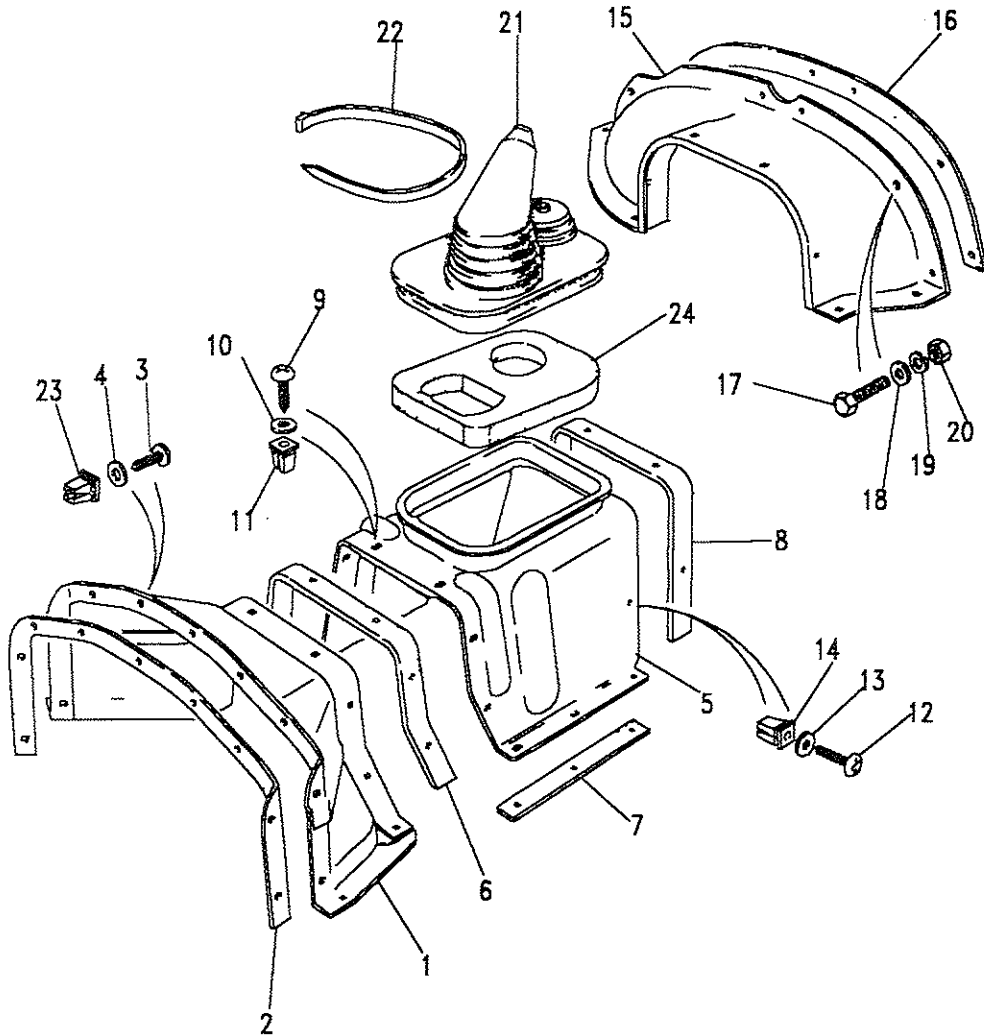
7	AFU2636	2	LHD
---	---------	---	-----



Model DEFENDER 90

Page ADNXCE1A

BODY - DIAPHRAGM AND TUNNEL PANELS



III. Part No.	Description	Qty	Remarks
1	MTC2252	1	4 Cylinder
	RTC6826	1	V8
2	MRC8626	1	
3	AB614061L	9	
4	MRC5527	9	
4 Cylinder			
5	MTC4095	1	
V8 LT85			
	MUC4319	1	
V8 LT77/R380			
	ALR1757	1	Up to MA943800
	ALR7005	1	From MA943801
All variants			
6	MTC6798	1	4 Cylinder
	MUC1237	1	V8
7	MTC6798	2	4 Cylinder
	MUC1237	2	V8
8	MTC6798	1	4 Cylinder
	MUC1237	1	V8
9	AB614061L	6	4 Cylinder
10	MRC5527	6	4 Cylinder



Model DEFENDER 90
Page ADNXC1A

BODY - DIAPHRAGM AND TUNNEL PANELS

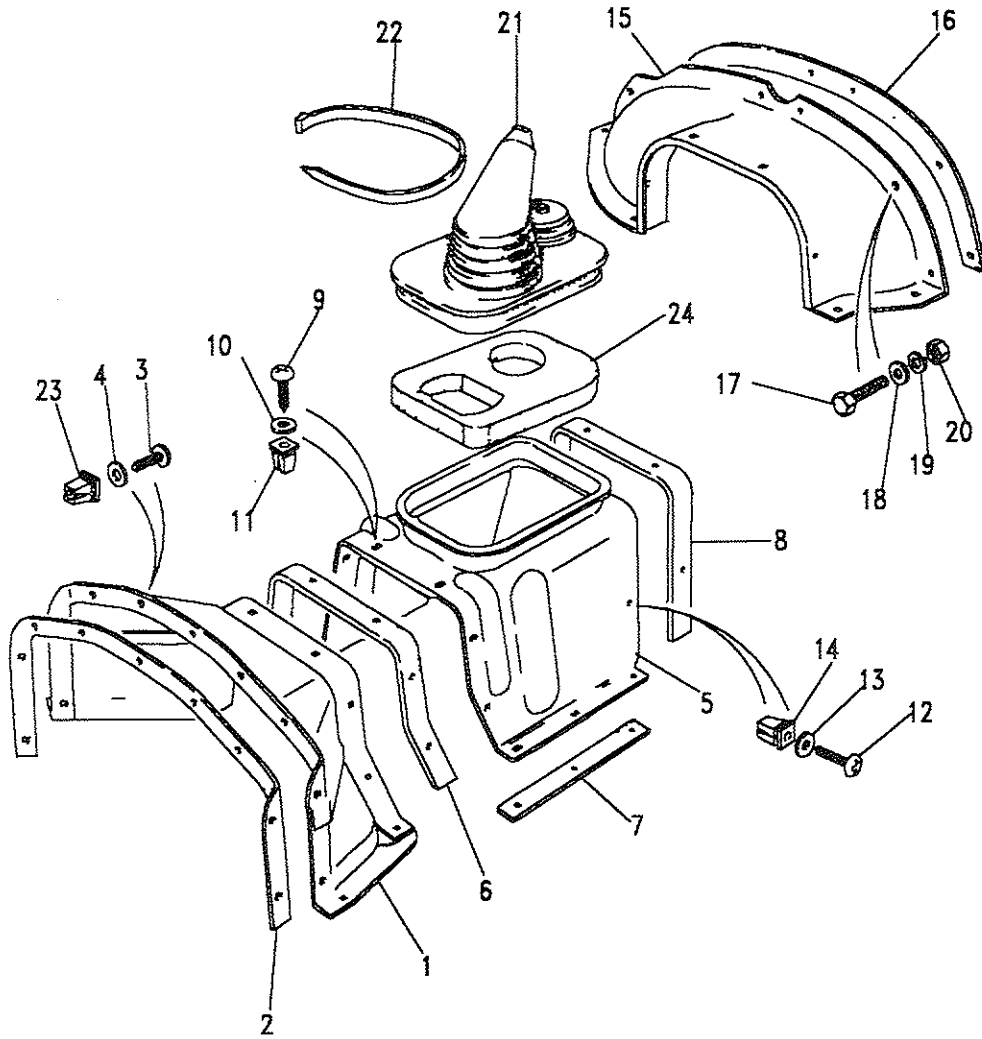
III. Part No.	Description	Qty	Remarks
11	RTC3744	6	4 Cylinder
	AB614061L	4	V8
	MRC5527	4	V8
	RTC3744	4	V8
12	AB614061L	6	4 Cylinder
13	MRC5527	6	4 Cylinder
14	RTC3744	6	4 Cylinder
15	MRC7411	1	V8
16	MRC8626	1	V8

Fixings - Cover to Heelboard - V8

17	FS106201L	2	
18	WA106041L	4	
19	WL106001L	2	
20	NH106041L	2	
	FS108207L	1	RHD
	WL108001L	1	RHD
	FN108041L	1	RHD
	FS108207L	2	LHD
	WL108001L	2	LHD
	FN108041L	2	LHD

Gaiter - Gear Lever/Transfer Lever

21	BTR1698	1	
22	AFU4173	1	
23	RTC3744	9	
24	MTC6872	1	4 Cylinder
	MUC4027	1	V8

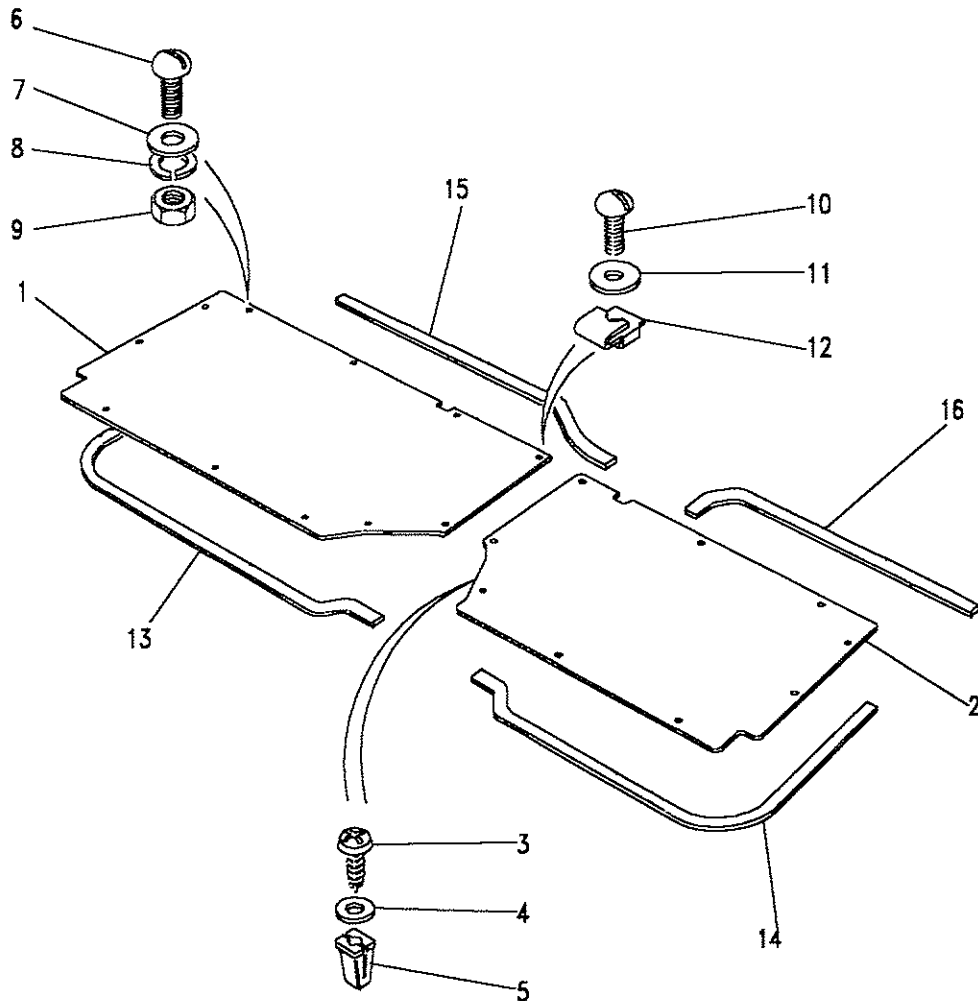


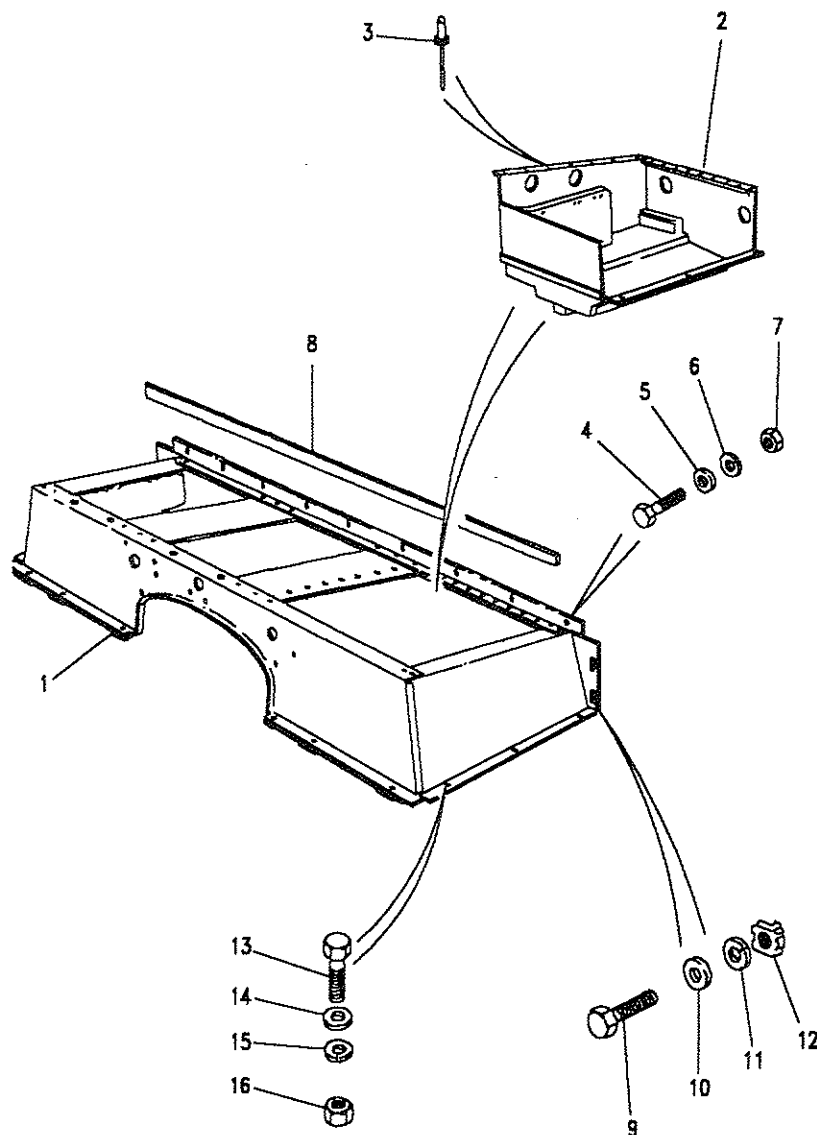


Model DEFENDER 90
Page ADNXC1A

BODY - FLOOR PLATES

III. Part No.	Description	Qty	Remarks
1	MRC9720	1	4 Cylinder
	MUC1228	1	V8-LT85
	ALR1742	1	V8-LT77
2	MTC2248	1	4 Cylinder
	MUC1227	1	V8-LT85
	ALR1743	1	V8-LT77
	MUC8835	1	Diesel Turbo
3	AB614061L	5	
	Screw		
	-plate to toebox		
4	MRC5527	5	
	Washer plain		
5	RTC3744	5	
	Nut lokut		
6	SE106201L	4	
	Screw		
	-plate to sill channel		
7	WC106041L	4	
	Washer plain		
8	WL106001L	4	
	Washer spring		
9	NH106041L	4	
	Nut		
10	320045	5	
	Bolt		
	-plate to heelboard		} 4 Cylinder
11	WC106041L	5	
	Washer plain		
12	AL614011	5	
	Nut spire		
	320045	6	
	Bolt		
	-plate to heelboard		} V8
	WC106041L	6	
	Washer plate		
	AL604011	6	
	Nut spire		
13	MRC8626	1	
	Seal RH		
14	MRC8626	1	
	Seal LH		
15	MRC8626	1	
	Seal RH		
16	MRC8626	1	
	Seal LH		





Model DEFENDER 90
Page ADNXC11A

BODY - SEAT BASE

III. Part No.	Description	Qty	Remarks
4 Cylinder			
1 RTC6218	Seat base	1	Up to 455945
MXC8551	Seat base	1	From 455946
V8			
MUC6167	Seat base	1	Up to 455945
V8 - LT85			
MXC8555	Seat base	1	From 455946
V8 - LT77/R380 & 300 TDI/R380			
ALR6366	Seat base	1	No Locker
ALR6365	Seat base	1	With Locker
All variants			
2 MRC9664	Battery tray	1	Upto 455945
MXC8556	Battery tray	1	From 455946
3 78248	Rivet	28	
4 FS106201L	Flange screw	9	
5 MRC5525	Washer plain	18	
WA108051L	Washer plain	9	
6 WL106001L	Washer spring	9	
7 NH106041L	Nut	9	
8 MRC8626	Seal	1	
9 FS106201L	Flange screw	2	
SH106251L	Screw	2	

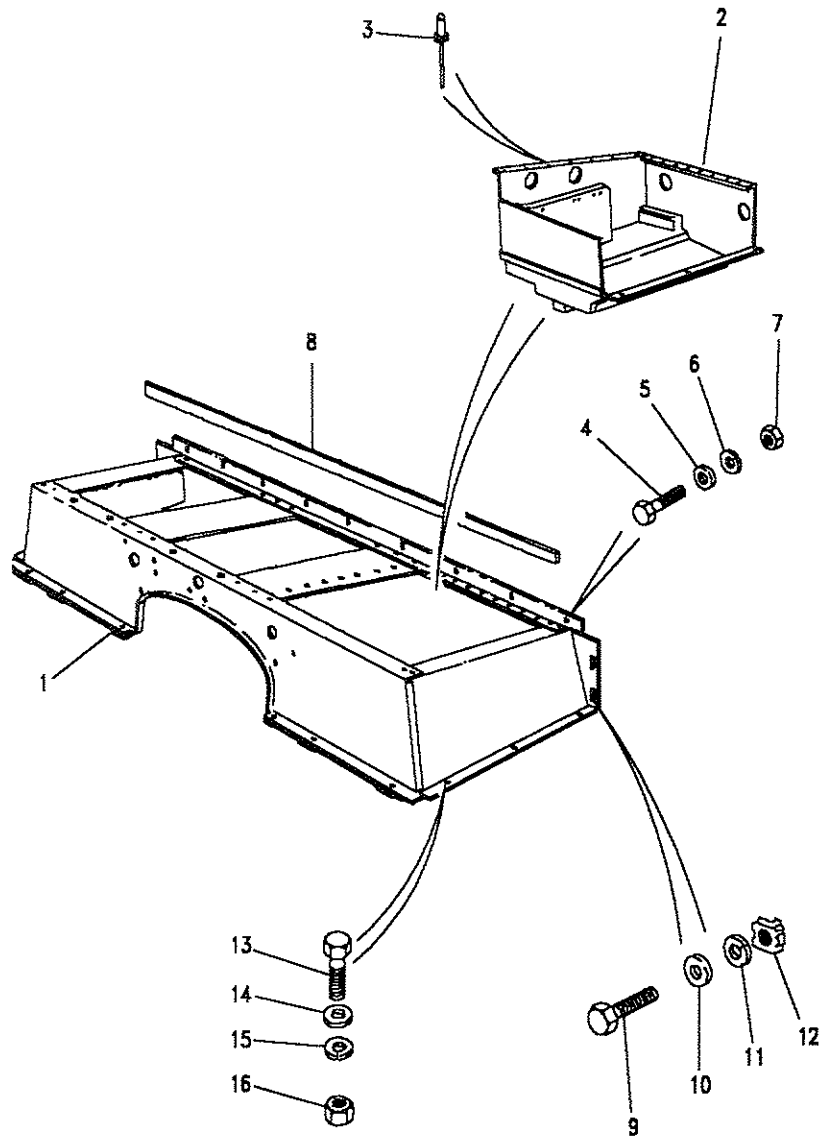




Model DEFENDER 90
Page ADNXC1A

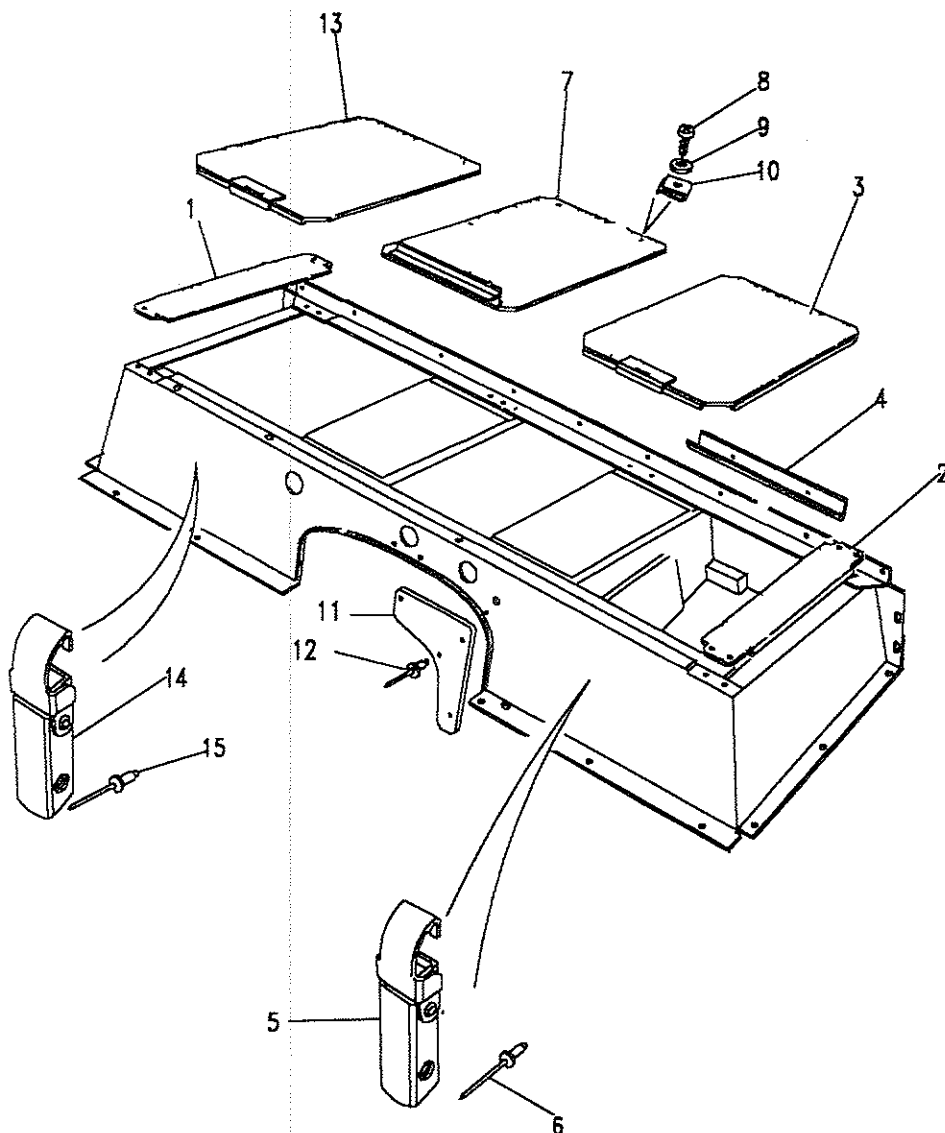
BODY - SEAT BASE

III. Part No.	Description	Qty	Remarks
10	MRC5528	4	Washer plain
11	WL106001L	4	Washer spring
12	NK106081	4	Nut grip
13	FS106201L	6	Flange screw
14	MRC5525	12	Washer plain
15	WL106001L	6	Washer spring
16	NH106041L	6	Nut



Model DEFENDER 90
Page ADNXC12A

BODY - SEATBASE FITTINGS



III. Part No.	Description	Qty	Remarks
1	MUC1412 334966	1	Upto 277963
	Panel extension RH	1	From 277964
			Upto 455945
			Note(1)
2	MUC1412	1	Upto 455945
	Panel extension LH		Note(1)
3	ALR5110	1	
	Cover battery access		
4	MRC8136	1	Upto 455945
	Angle locating		From 455946
	MXC6338	1	
	Angle locating		
	FS106201L	2	
	Flange screw		
	NH106041L	2	
	Nut		
5	MRC8388	1	
	Catch overcentre		
6	RU608123L	2	
	Rivet		
4 Cylinder			
7	MXC6315	1	Up to 456186
	Cover centre		From 456186
	MTC4196	1	Note(2)
	MXC9116	1	From HA456187
V8			
	MTC4215	1	Up to FA413377
	Cover centre		From FA413378
	MXC6132	1	
	Cover centre		From HA456187
	MXC9117	1	
	Cover centre		

Note(1) From HA455946-extension panels are part of seat base
 Note(2) When Cubby Box fitted

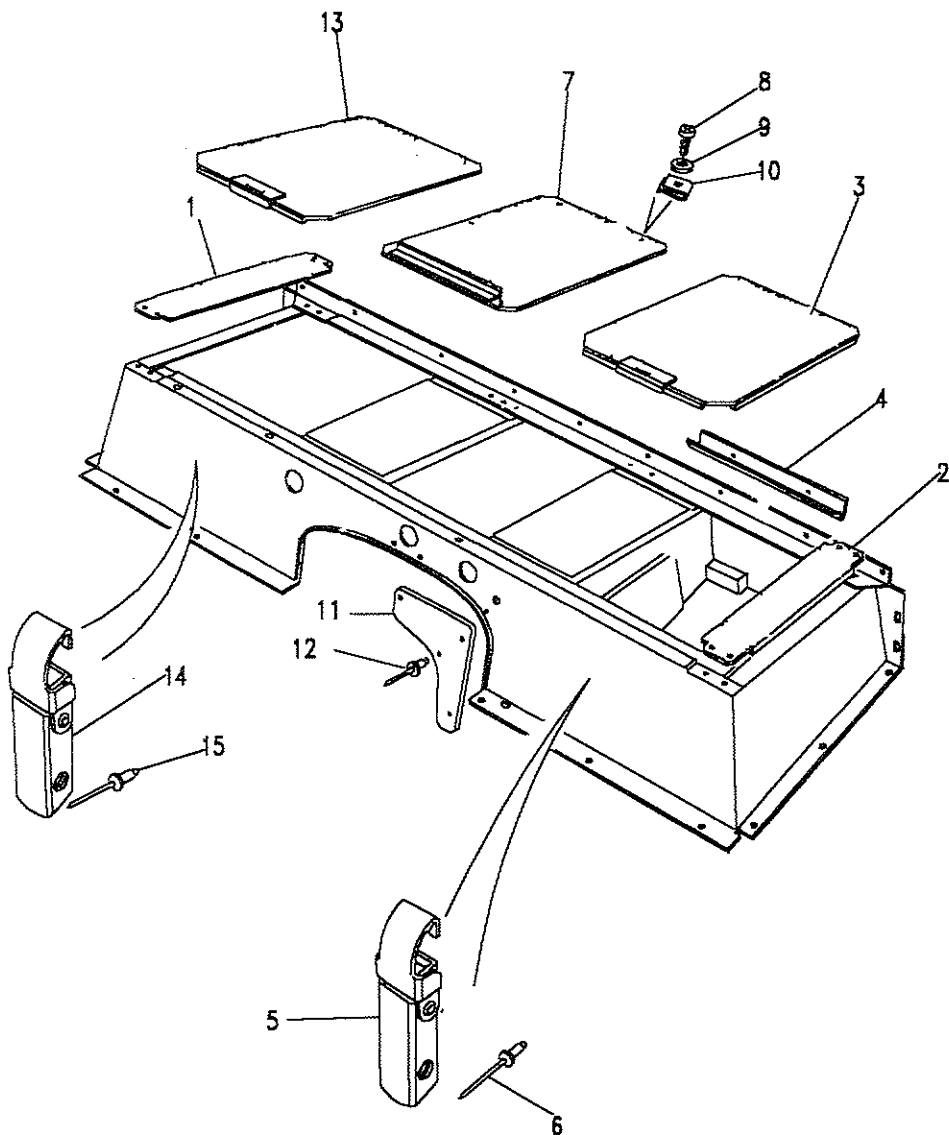


Model DEFENDER 90

Page ADNXC12A

BODY - SEATBASE FITTINGS

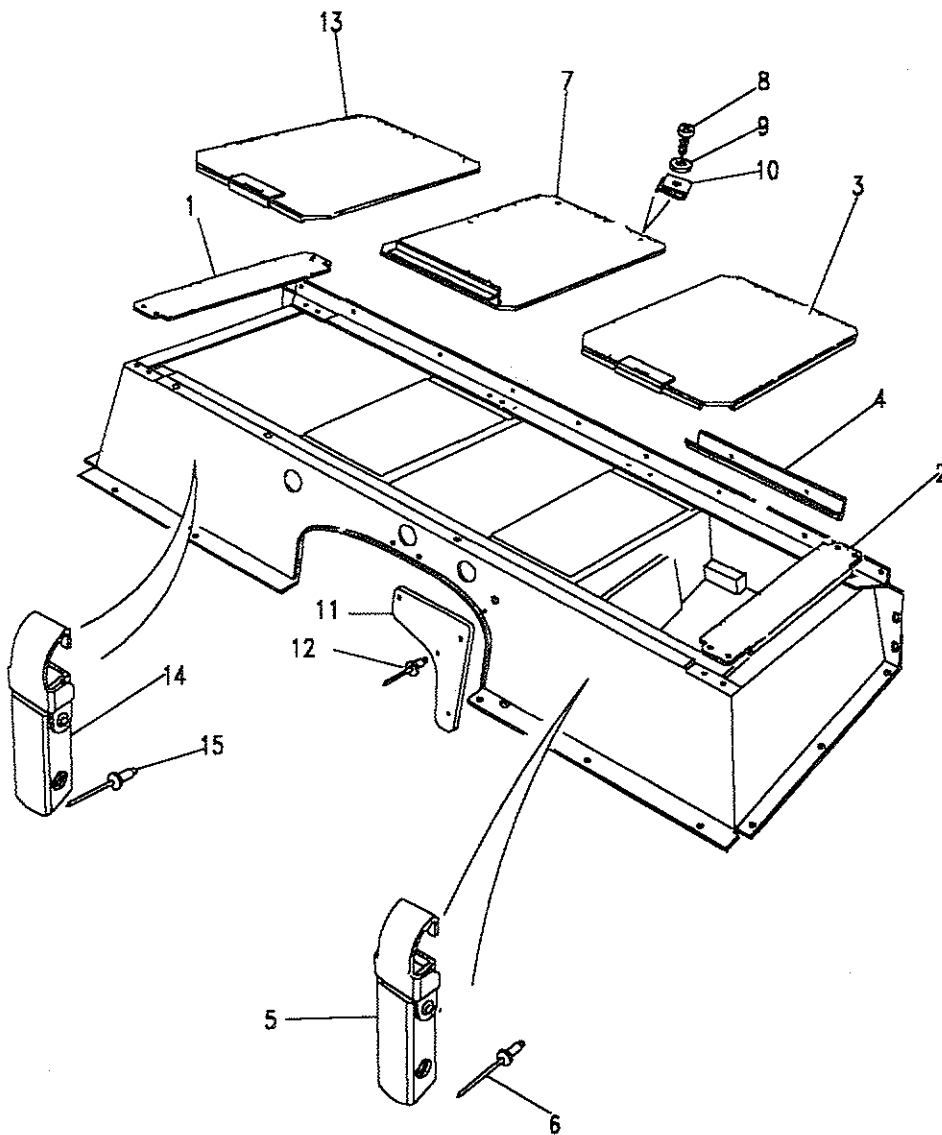
Ill. Part No.	Description	Qty	Remarks
8	AB610051L Screw	4	
9	WC106041L Plain Washer	4	
10	53K3039L Spire Nut	4	
4 Cylinder			
11	MTC2203 Plate cover	1	RHD
	MTC2202 Plate cover	1	LHD
V8			
	MUC1234 Plate cover	1	RHD
	MUC1233 Plate cover	1	LHD
12	78248 Rivet	4	
Detachable type			
13	MUC4499 Cover fuel tank access	1	Up to 455945
	MXC7373 Cover fuel tank access	1	From 455946
All variants			
	MRC8136 Angle locating	1	Upto 455945
	MXC6338 Angle locating	1	From 455946
	FS106201L Flange screw	2	
	MRC5525 Washer plain	2	
	NH106041L Nut	2	
14	MRC8388 Catch overcentre	1	
15	RU608123L Rivet	2	





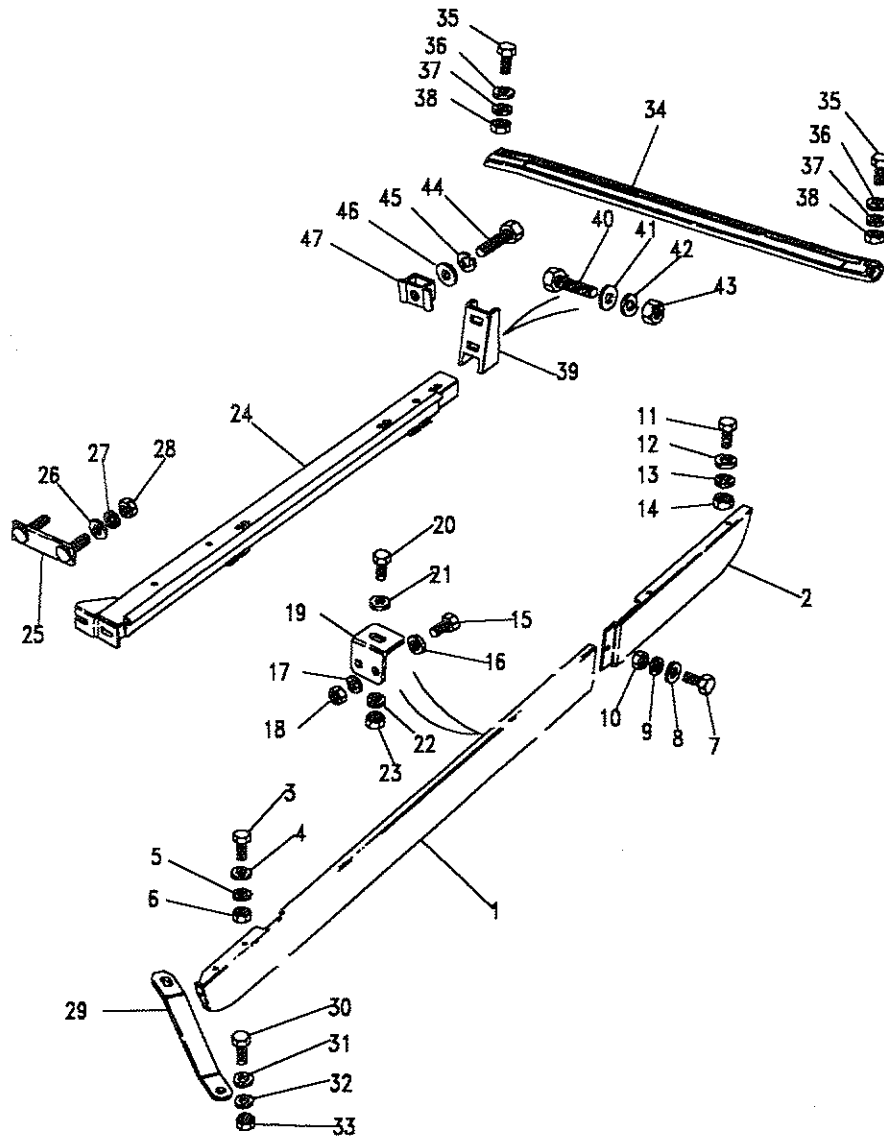
Model DEFENDER 90
Page ADNXC12A

BODY - SEATBASE FITTINGS



III. Part No.	Description	Qty	Remarks
348859	Cover fuel tank access	1	Screwdown type
AB610051L	Screw	6	RHD
WC106041L	Washer plain	6	RHD
78237	Nut spire	6	RHD
MRC8136	Angle locating	1	LHD
			Upto 455945
MXC6338	Angle locating	1	LHD
			From 455946
FS106201L	Flange screw	2	
MRC5525	Washer plain	2)
NH106041L	Nut	2)
338017	Plug blanking	2)LHD
AB610051L	Screw	4)
	-cover to seatbase)
WC106041L	Washer plain	4)
78237	Nut spire	4)
MRC5509	Stud plate	1	Seat fixing
RB613102	Rivet	1	
MUC5376	Pad sound deadening	3	Seatbase covers
338015	Plug blanking-1/2" dia	4	Seatbase
338028	Plug blanking-2" dia	1	Seatbase
338017	Plug blanking-9/16" dia	6	Seatbase





Model DEFENDER 90
Page ADNXC1A

BODY - SILL PANELS

Ill. Part No.	Description	Qty	Remarks
1	RTC6205	1	Sill panel front RH
	RTC6206	1	Sill panel front LH
	ALR3362	1	Sill panel front RH 90SV
	ALR3363	1	Sill panel front LH 90SV
2	MTC8292	1	Panel sill
	MTC8293	1	Sill panel rear LH
	337812	1	Sill panel rear RH Chassis cab
	337813	1	Sill panel rear LH Chassis cab

Front sill panel to outer wing panel

3	FS106167L	4	Screw
4	MRC5525	8	Washer plain
5	WL106001L	4	Washer spring
6	NH106041L	4	Nut

Front to rear sill panel

7	FS106167L	2	Screw
8	RTC609	4	Washer plain
9	WM106001L	2	Washer spring
10	NH106041L	2	Nut

Fixing - Rear sill panel - Station Wagon

11	FS106167L	4	Screw
12	RTC609	4	Washer plain
13	WM106001L	4	Washer spring
14	NH106041L	4	Nut

Fixing - Rear sill panel - Non Station Wagon

	FS106167L	14	Screw
	RTC609	12	Washer plain
	WM106001L	6	Washer spring
	NH106041L	14	Nut

Sill panel to channel bracket

15	FS106167L	4	Screw
16	RTC609	8	Washer plain



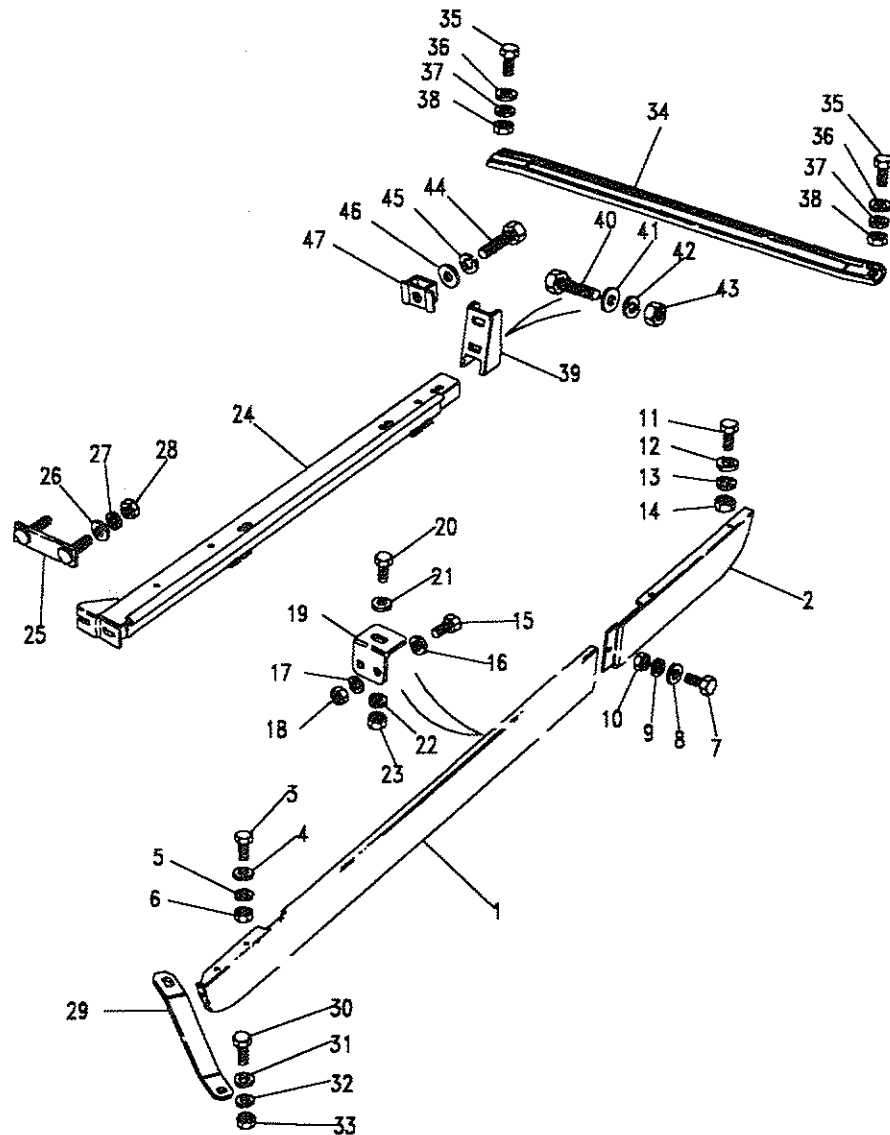


Model DEFENDER 90

Page ADNXC1A

BODY - SILL PANELS

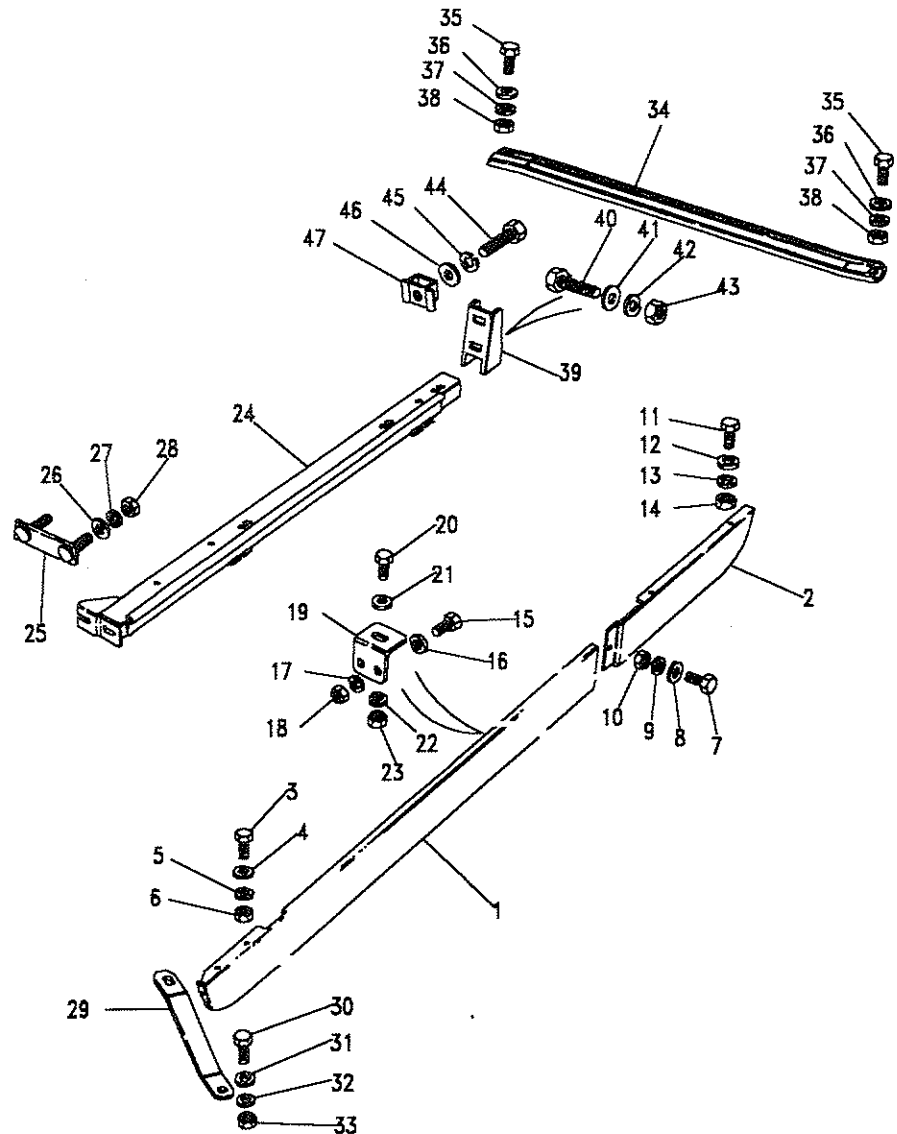
III. Part No.	Description	Qty	Remarks
17	WM106001L Washer spring	4	
18	NH106041L Nut	4	
19	MRC9438 Bracket	4	
Bracket to sill channel			
20	FS106201L Flange screw	4	
21	AFU1069 Washer plain	8	
22	WL106001L Washer spring	4	
23	NH106041L Nut	4	
24	MWC1086 Sill channel RH	1)Up to
	MWC1087 Sill channel LH	1)LA924784
	ALR5294 Sill channel RH	1)From
	ALR5295 Sill channel LH	1)LA924785
Sill channel to dash			
25	MRC5765 Stud plate	2	
26	RTC610 Washer plain	4	
27	WM600051L Washer spring	4	
28	FN108041L Nut	4	





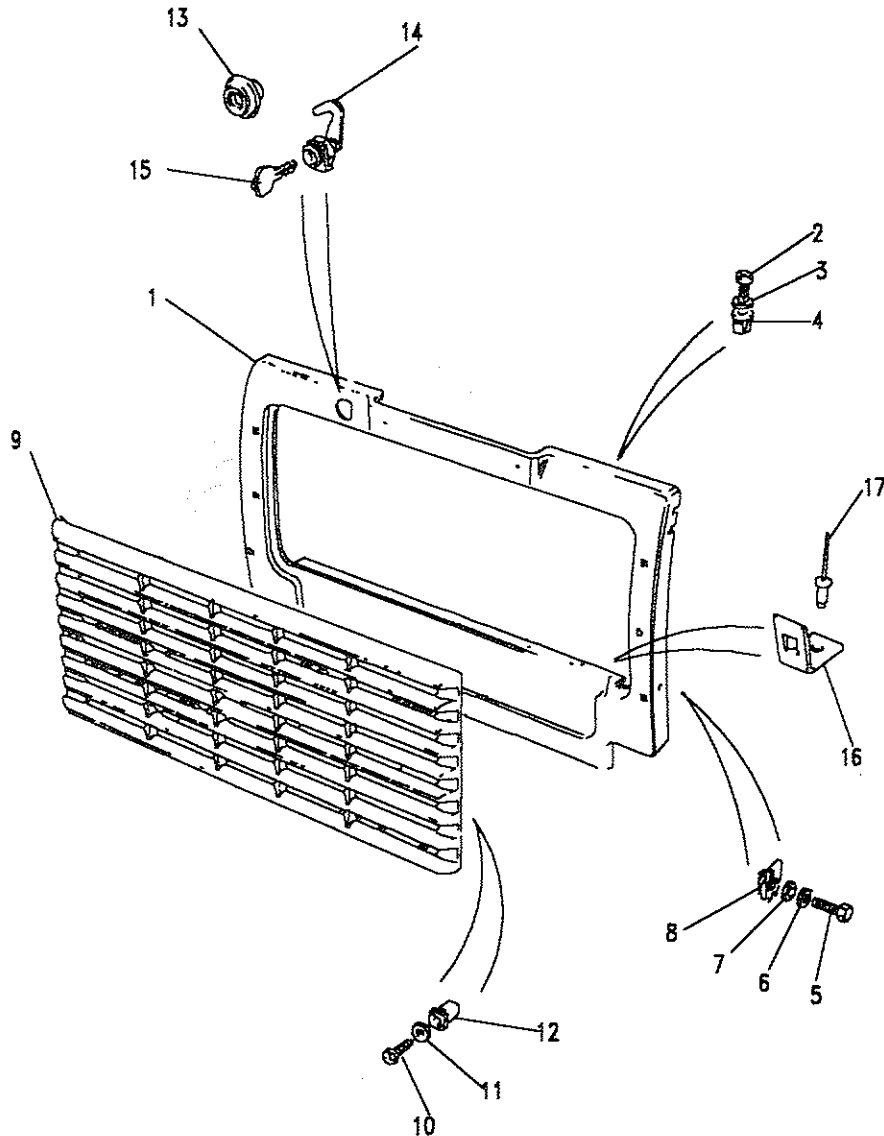
Model DEFENDER 90
Page ADNXC1A

BODY - SILL PANELS



III. Part No.	Description	Qty	Remarks
29	MRC5153	2	Front Stay
30	FS106167L	4	Screw
31	WA106041L	4	Washer plain
32	WL106001L	4	Washer spring
33	NH106041L	4	Nut
34	MRC6019	2	Centre Stay
35	FS106167L	4	Screw
36	WA106041L	4	Washer plain
37	WL106001L	4	Washer spring
38	NH106041L	4	Nut
39	347436	2	Bracket mounting
40	FS108207L	4	Screw
41	RTC610	8	Washer plain
42	WL108001L	4	Washer spring
43	FN108041L	4	Nut
44	FS106201L	4	Flange screw
45	WL106001L	4	Washer spring
46	MRC5528	4	Washer plain
47	NK106081	4	Nut grip





Model DEFENDER 90

Page ADNDA1A

BODY - RADIATOR GRILLE

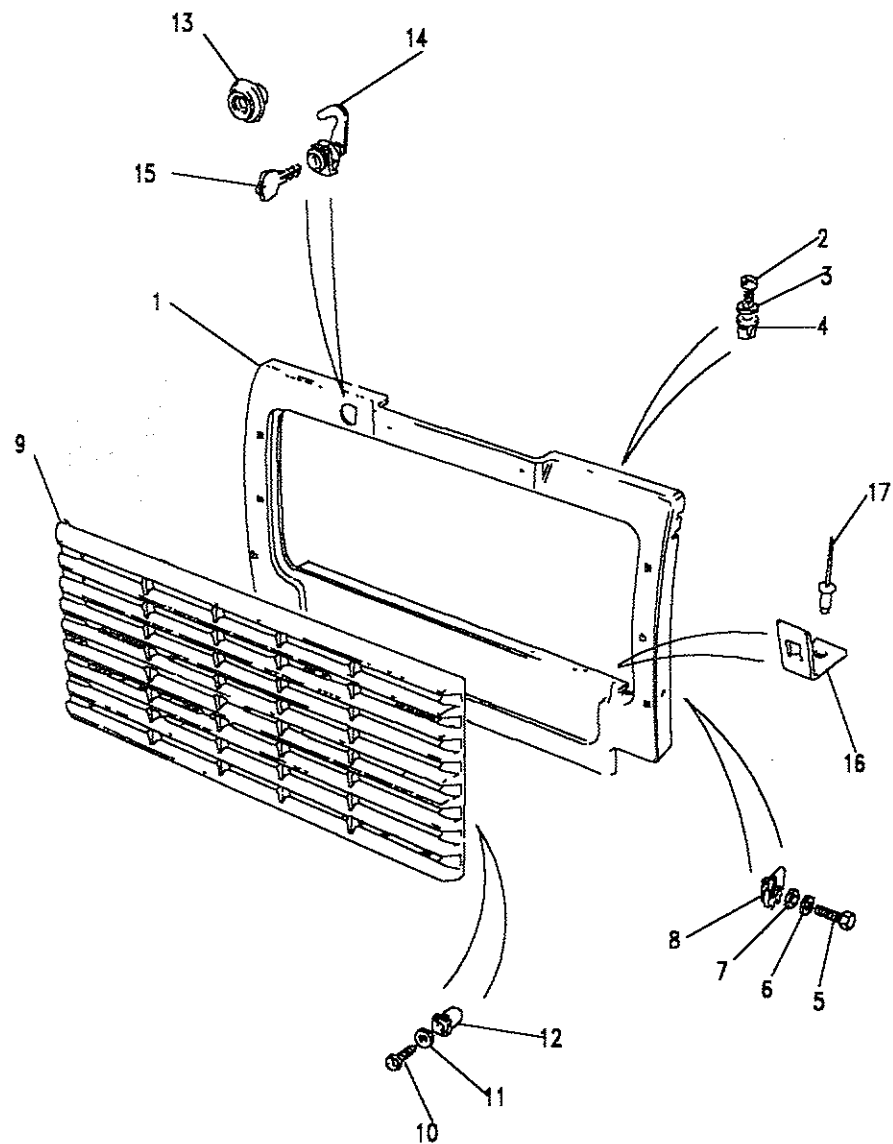
III. Part No.	Description	Qty	Remarks
Hand operated bonnet release			
1 MTC4837	Panel grille	1	
Hand operated bonnet release			
MWC2926	Panel grille	1	Up to HA906578
ALR1339	Panel grille	1	From JA906579
Hand operated bonnet release - oil cooler not part of radiator			
MTC1810	Panel grille	1	
Air Con			
MUC6112	Panel grille	1	Up to HA906578
ALR1522	Panel grille	1	From JA906579
MRC9544	Seal	1	
2 AB606057	Screw	4	
3 WC105007	Washer plain	4	
4 RTC3745	Nut lokut	4	
5 FS108207L	Screw	2	
6 WL108001L	Washer spring	2	
7 WA108051L	Washer plain	2	
8 NJ108061L	Nut retainer	2	
MTC6332	Bracket mounting	1	Air Con
AB614065L	Screw	2	Air Con
WL106005L	Washer spring	2	Air Con
WA106045L	Washer plain	2	Air Con
AK612011L	Nut spring	2	Air Con





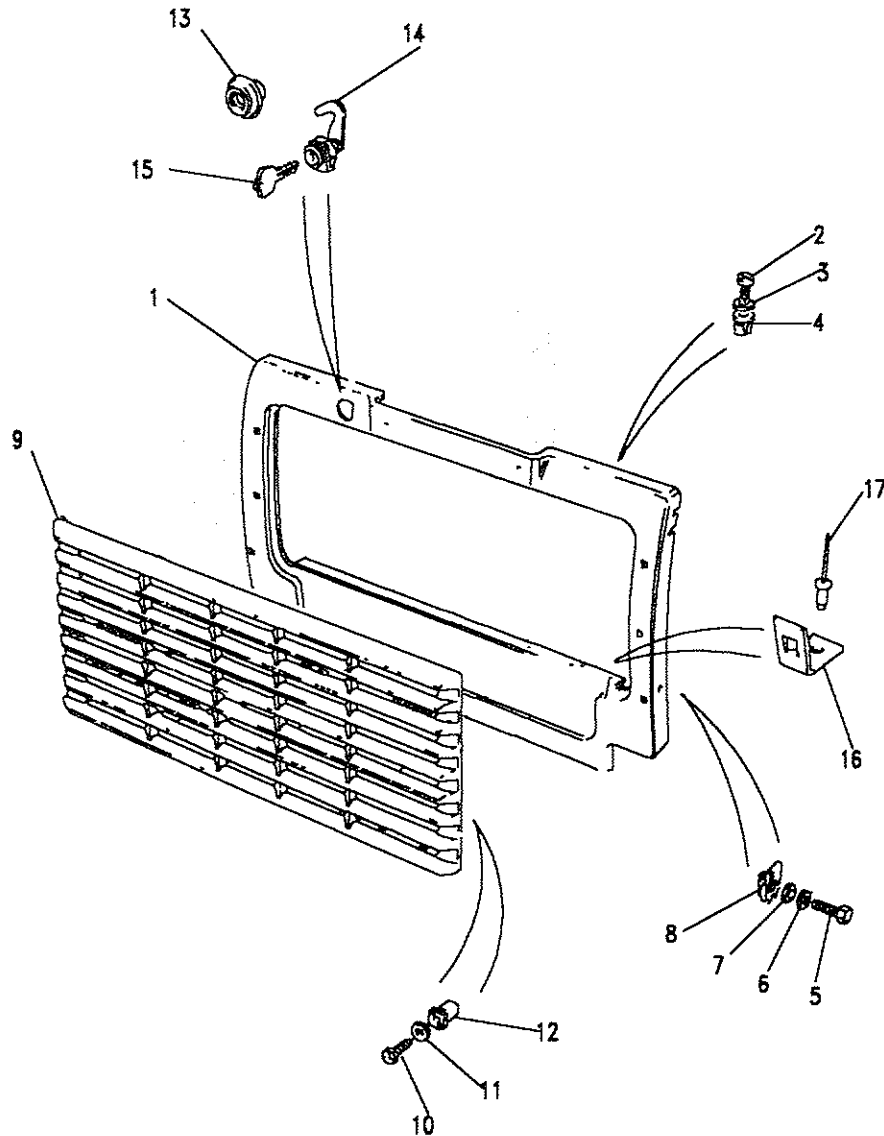
Model DEFENDER 90
Page ADNXDA1A

BODY - RADIATOR GRILLE



iii. Part No.	Description	Qty	Remarks
9	MTC3862	1	Grille
	MWC8466CUF	1	Grille-Arrow Red
	MWC8466HCC	1	Grille-Bronze Green
	MWC8466HCN	1	Grille-Trident Green
	MWC8466JUG	1	Grille-Shire Blue
	MWC8466LCN	1	Grille-State Grey
	MWC8466NCM	1	Grille-Ivory
	MWC8466PUC	1	Grille-Black
	MWC8466HUJ	1	Grille-Eastnor Green
	MWC8466SUB	1	Grille-Arran Beige
	MWC8466JUH	1	Grille-Pacific Blue
	MWC8466NUC	1	Grille-White
	MWC8466LUS	1	Grille-Grey
Non Air Con			
10	AB614088	8	Screw
11	WA106045L	8	Washer plain
	WL106005L	2	Washer spring
12	RTC3744	8	Nut lokut
Air Con			
	SE105161L	4	Screw
	WC105001L	4	Washer plain
	WF105001L	4	Washer shakeproof





Model DEFENDER 90
Page ADNDA1A

BODY - RADIATOR GRILLE

III. Part No.	Description	Qty	Remarks
13 338023	Plug	1	
Non air con 14 RTC3023	Kit bonnet lock	1	
Air con RTC3036	Kit bonnet lock	1	
15	Barrel lock and keys)
16 MTC6827	Key blank	2)Note(1)
17 RA610183	Bracket mounting	2)
MTC5603	Rivet	2)Note(2)
AFU1350	Catch lever and hook	1	Air Con
	Monobolt	2	Air Con

Note(1) For locks see page 861
 Note(2) Not required when Chaff Guard fitted



Model DEFENDER 90
Page ADNDA2A

BODY - HAND GUARD, CHAFF GUARD

III. Part No. Description Qty Remarks

Hand operated bonnet release

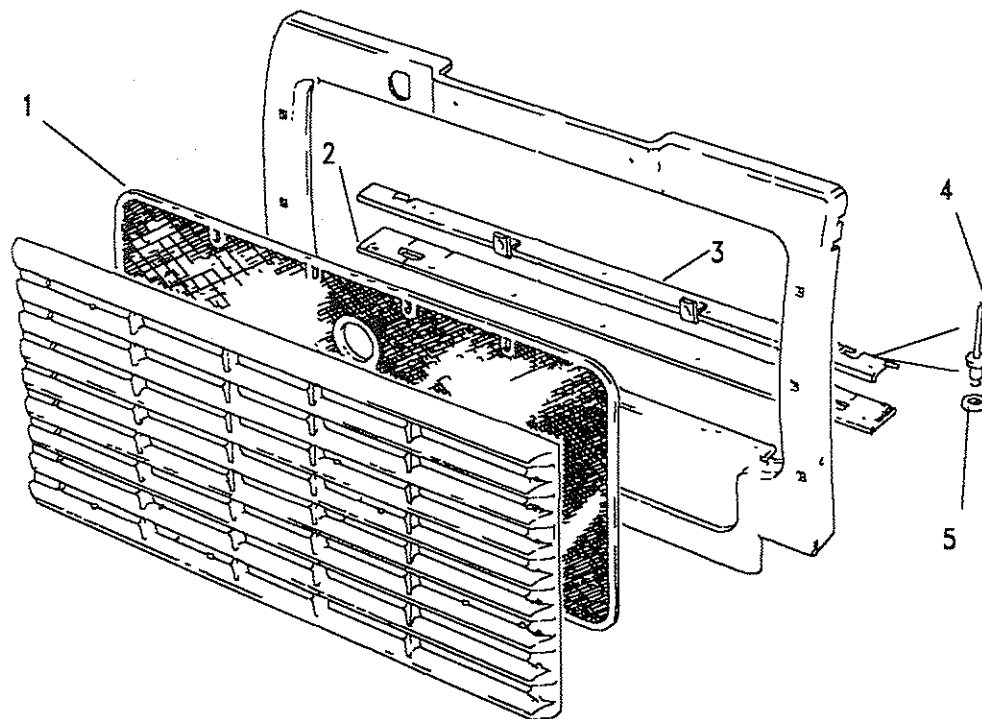
1	MTC4007	Guard chaff	1	Non Air Con
	MTC4220	Guard hand	1	Air Con

Cable operated bonnet release

	MTC4220	Guard hand	1	
--	---------	------------	---	--

All variants

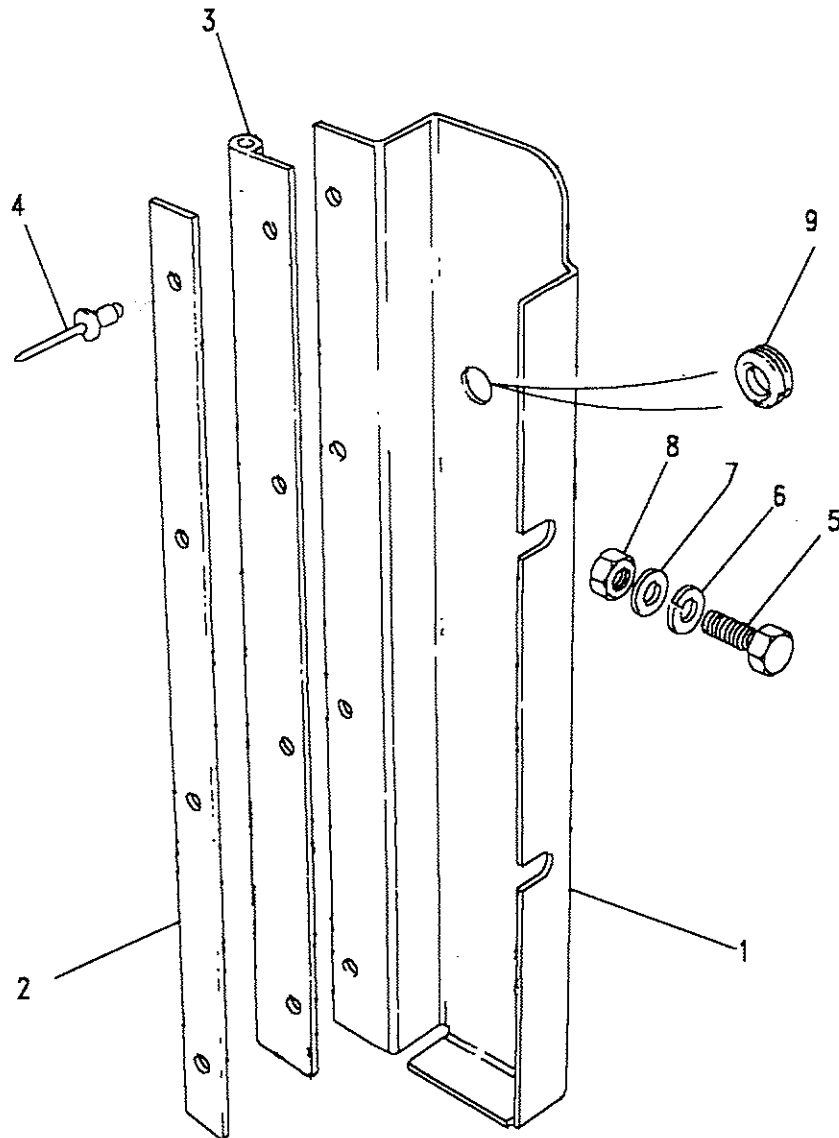
2	MTC4829	Seal	1	
3	MTC4826	Clamp strip	1	
4	78248	Rivet	7	
5	WA105001L	Washer plain	2	





Model DEFENDER 90
Page ADNDA3A

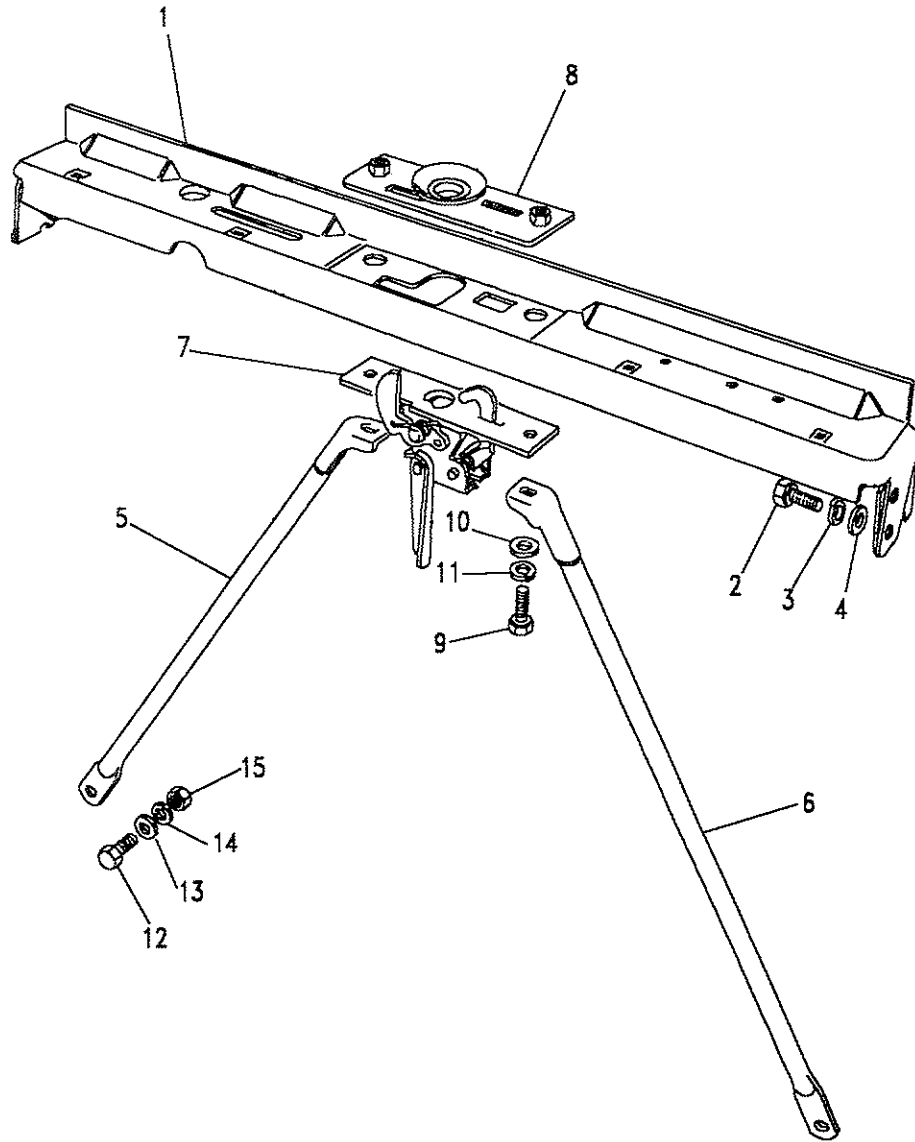
BODY - RADIATOR BAFFLE PLATE



III. Part No.	Description	Qty	Remarks
1	MRC9393	1	Plate baffle RH
	MRC9394	1	Plate baffle LH
2	MRC8269	2	Plate backing
3	MRC8047	2	Seal
4	RA612183	8	Rivet
5	SH106161	4	Screw
6	WM106001	4	Washer spring
7	WA106041L	4	Washer plain
8	NH106041L	4	Nut
9	235113	1	Grommet

Note(1) Not applicable to Diesel and V8





Model DEFENDER 90

Page ADNXC1A

BODY - GRILLE TOP PANEL AND BRACES

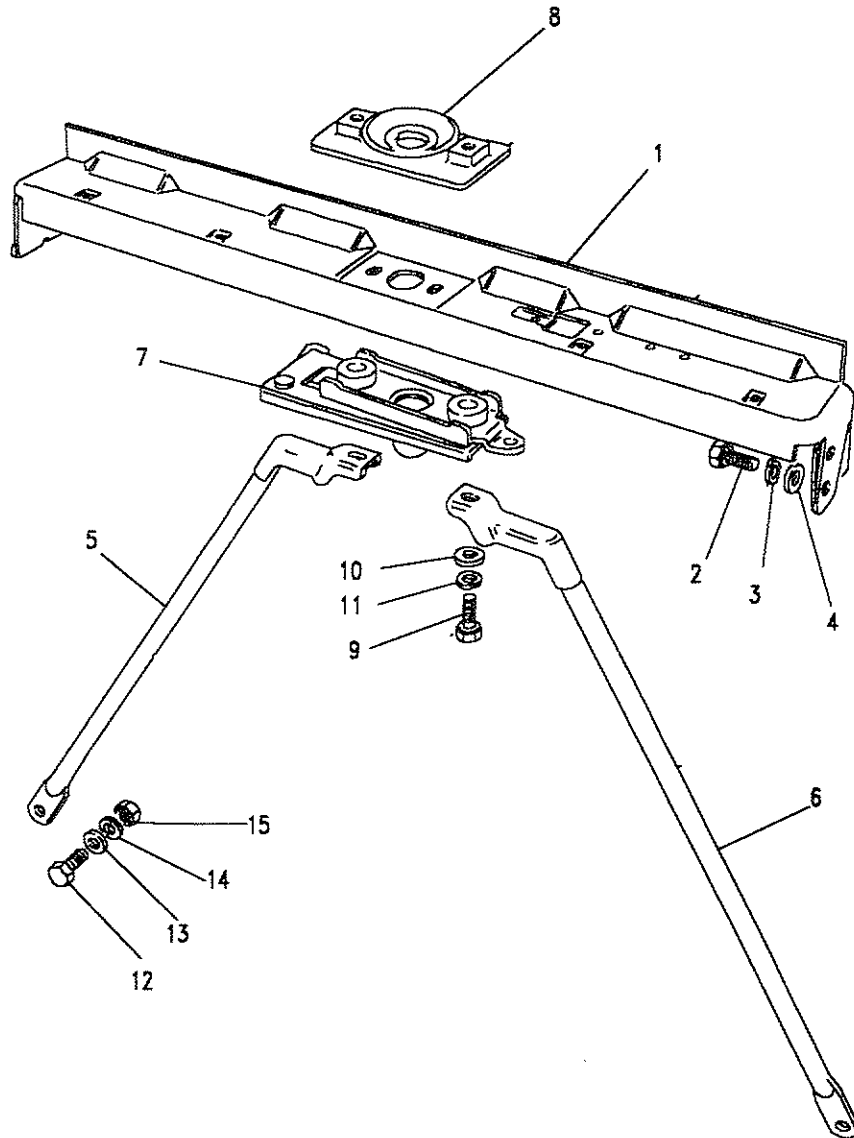
III. Part No.	Description	Qty	Remarks
Hand Operated Bonnet Release			
1 MTC7170	Panel grille top	1	
2 FS108201L	Screw	4	
3 WL108001L	Washer spring	4	
4 WA108051L	Washer plain	4	
5 MTC3982	Cross brace RH	1	
6 MTC3983	Cross brace LH	1	
Non Air con			
7 MRC6977	Catch bonnet	1	
8 MRC6978	Washer plate	1	
Non Air con			
7 MTC4932	Catch bonnet	1	
8 MTC7140	Washer plate	1	
NH106045	Nut	2	
All variants			
9 AFU1203	Screw	2	
10 AFU1080	Washer plain	2	
11 WL106001L	Washer spring	2	
12 FS108207L	Screw	2	
13 WA108051L	Washer plain	2	
14 WL108001L	Washer spring	2	
15 FN108041L	Nut	2	Non Air Con
NY108041L	Nut	2	Air Con





Model DEFENDER 90
Page ADNXC2A

BODY - GRILLE TOP PANEL AND BRACES



III. Part No.	Description	Qty	Remarks
Cable Operated Bonnet Release			
1	MUC4806	1	Upto FA436551
	MXC7732	1	From FA436552
			Upto KA923603
	ALR4564	1	From KA923604
2	FS108201L	4	Upto FA436551
	FS108251L	4	Non Air Con
			From FA436552
	SH108351L	4	Air Con
			From FA436552
3	WL108001L	4	
4	WA108051L	4	
5	MUC6658	1	
6	MUC6659	1	
7	ALR2385	1	Upto KA929745
	STC925	1	From KA929746
8	MUC4804	1	
9	SH106301L	2	
10	WA106041L	2	
11	WL106001L	2	
12	FS108207L	2	
13	WA108051L	2	
14	WL108001L	2	
15	FN108041L	2	Non Air Con
	NY108041L	2	Air Con



Model DEFENDER 90

Page ADNXC3A

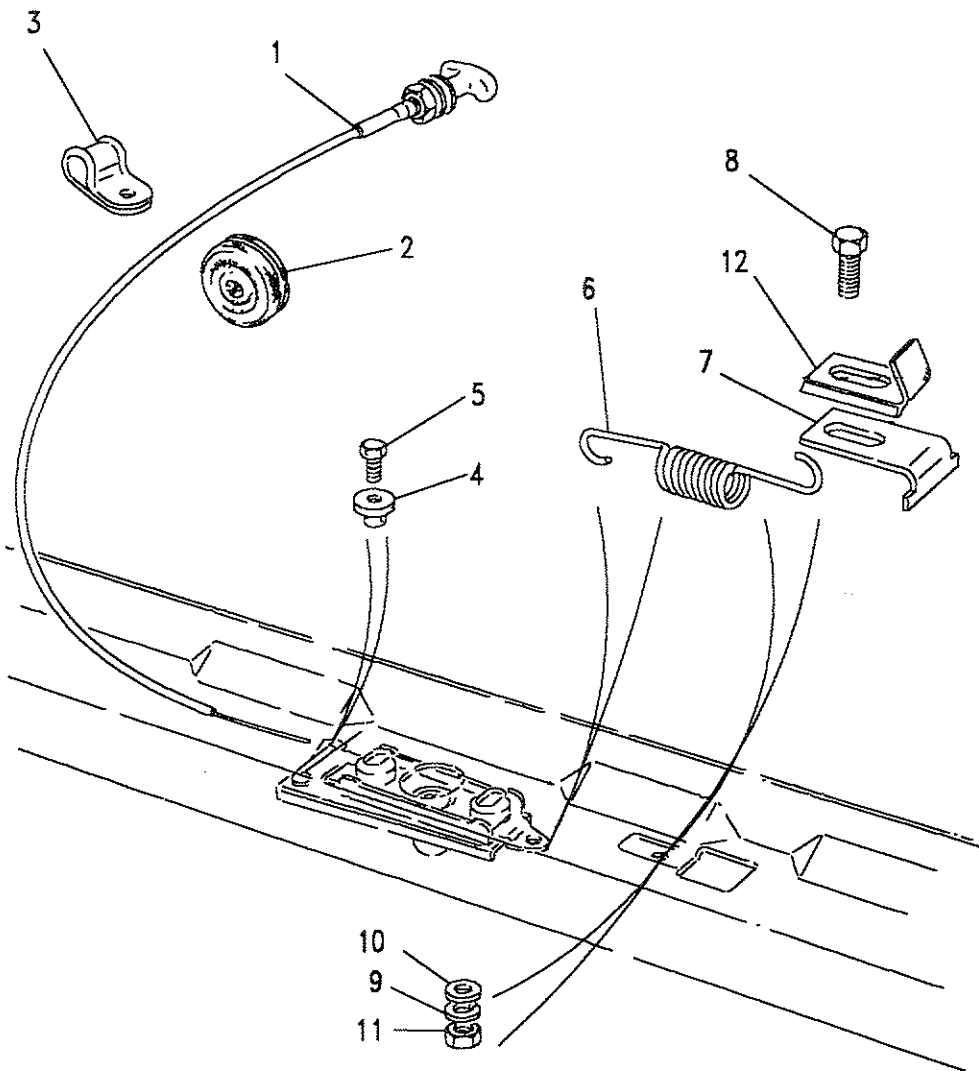
BODY - BONNET RELEASE

III. Part No.

Description

Qty Remarks

1	MXC7354	Cable bonnet release	1	
2	235113	Grommet	2	
3	3887	Clip cable	1	Upto 344387
	MWC9380	Clip cable	1	From 344388
	13H489L	Clip cable	1	
4	STC926	Kit bonnet catch retainer	1	
	STC925	Kit bonnet catch plate	1	
5	STC926	Kit bonnet catch retainer	1	
	STC925	Kit bonnet catch plate	1	
6	351991	Spring	1	
7	393218	Plate adjusting	1	
8	FS106167L	Screw	1	
9	WL106001L	Washer spring	1	
10	WA106041L	Washer plain	1	
11	NH106041L	Nut	1	
12	MWC3339	Plate catch	1	From 321774



Model DEFENDER 90
 Page ADNXDE1A

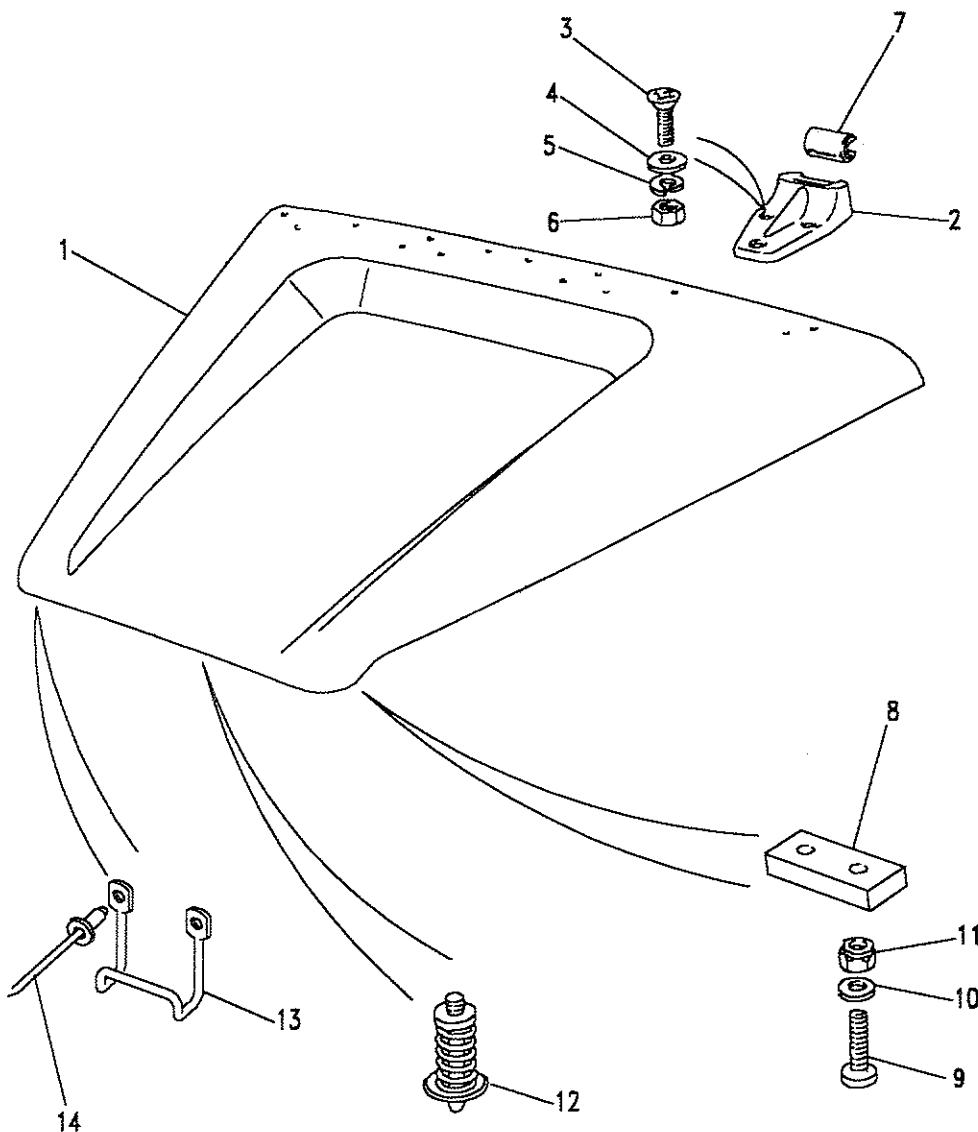
BODY - BONNET

III. Part No. Description Qty Remarks

Hand operated bonnet release

Part No.	Description	Qty	Remarks
1	RTC6213 Bonnet	1	
2	MRC9244 Hinge	2	
3	SF106161 Screw	6	
4	WB106041 Washer plain	6	
5	WL106001L Washer spring	6	
6	NH106041L Nut	6	
7	346849 Bush	2	
8	MRC5016 Buffer rubber	4	
9	SE105141 Screw	8	
10	WA105001 Washer plain	16	
11	NY105041 Nut nyloc	8	
12	MRC9995 Striker bonnet	1	
13	MRC4501 Staple bonnet lock	1	Note(1)
14	78248 Rivet	2	Note(1)

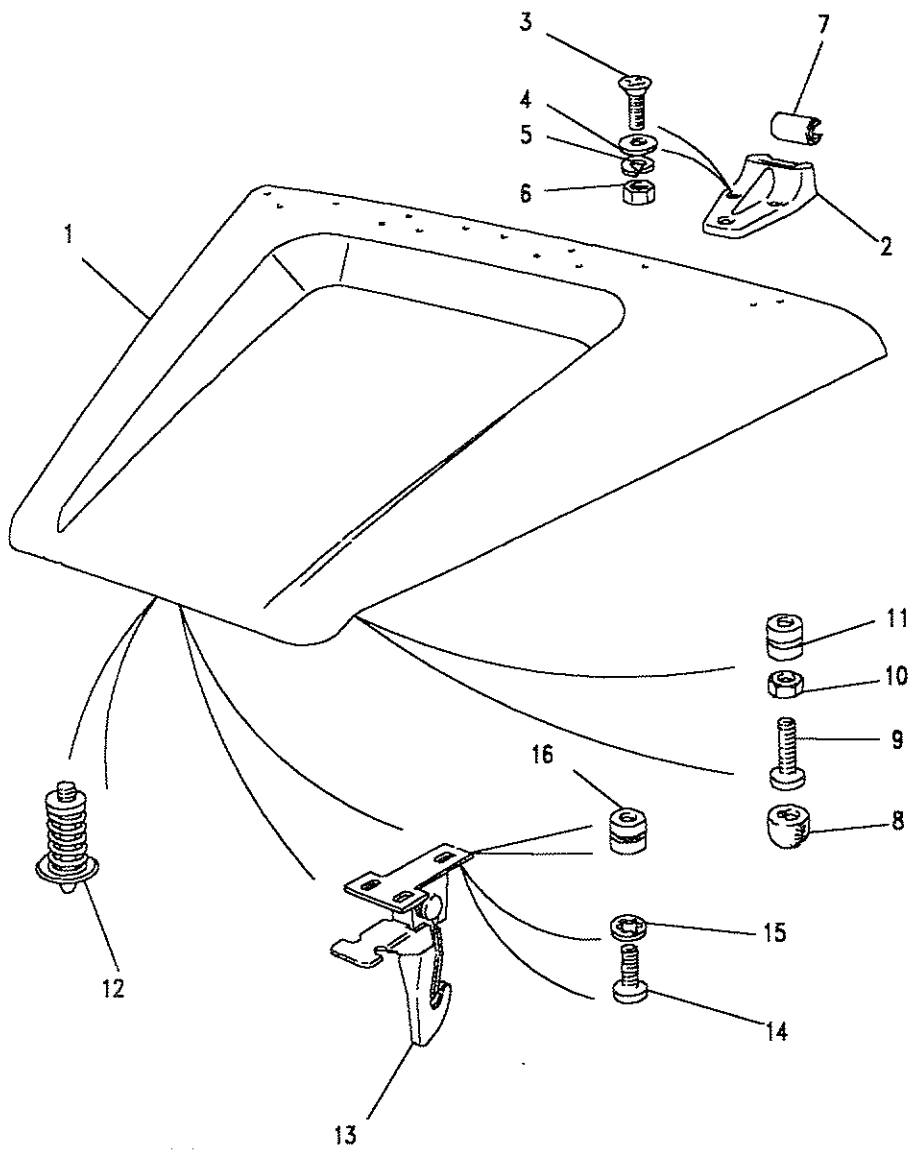
Note(1) Required when bonnet lock fitted

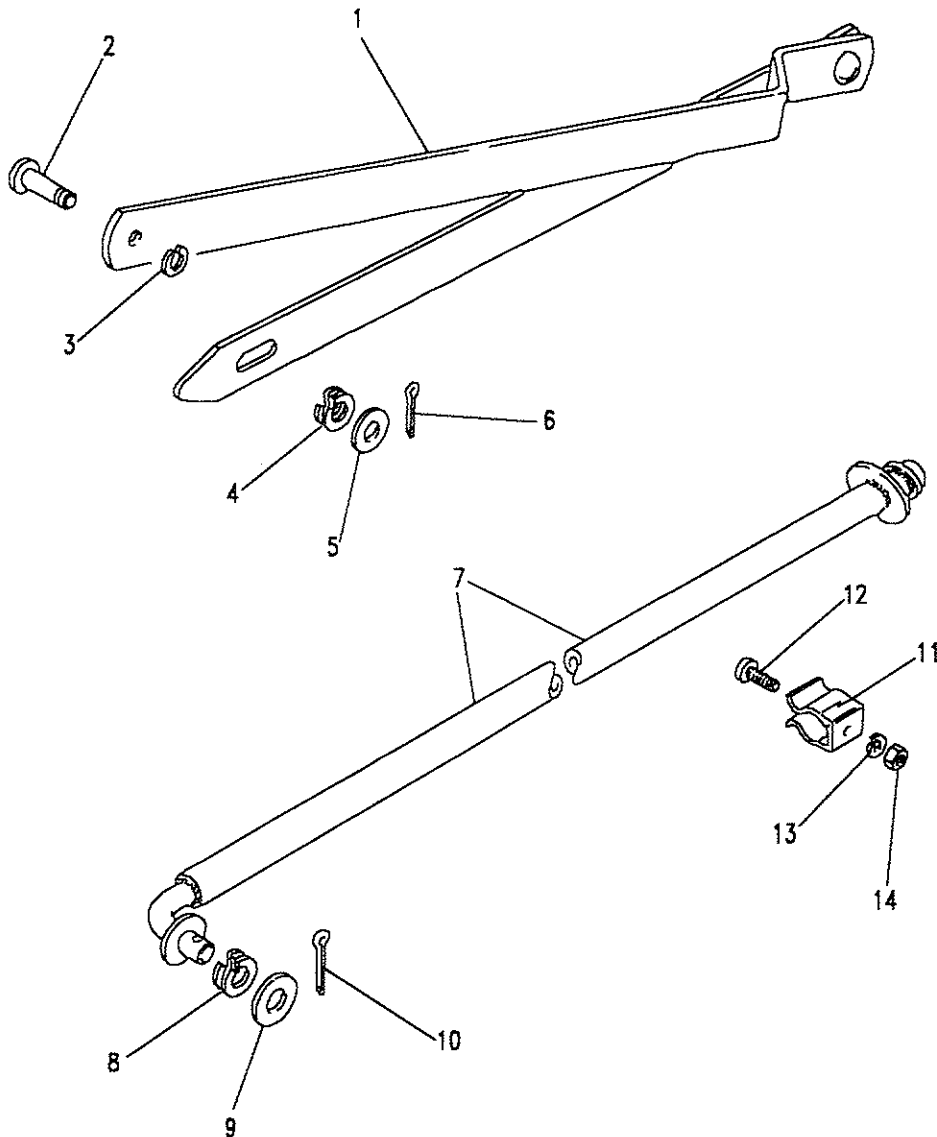


Model DEFENDER 90
 Page ADNXDE2A

BODY - BONNET

III. Part No.	Description	Qty	Remarks
Cable operated bonnet lock			
1	RTC6213 Bonnet	1	
2	MRC9244 Hinge	2	
3	SF106161 Screw	6	
4	WB106041 Washer plain	6	
5	WL106001L Washer spring	6	
6	NH106041L Nut	6	
7	346849 Bush	2	
8	391287 Buffer rubber	4	
9	SE108404L Screw	4	
10	NH108044 Nut	4	
11	NN108021 Nutsert	4	
12	MWC9361 Striker bonnet	1	
13	MUC6457 Hook safety	1	
14	SE106161L Screw	3	
15	WF106001L Washer shakeproof	3	
16	NN106021 Nutsert	3	





Model DEFENDER 90
Page ADNDE3A

BODY - BONNET PROP

III. Part No.	Description	Qty	Remarks
---------------	-------------	-----	---------

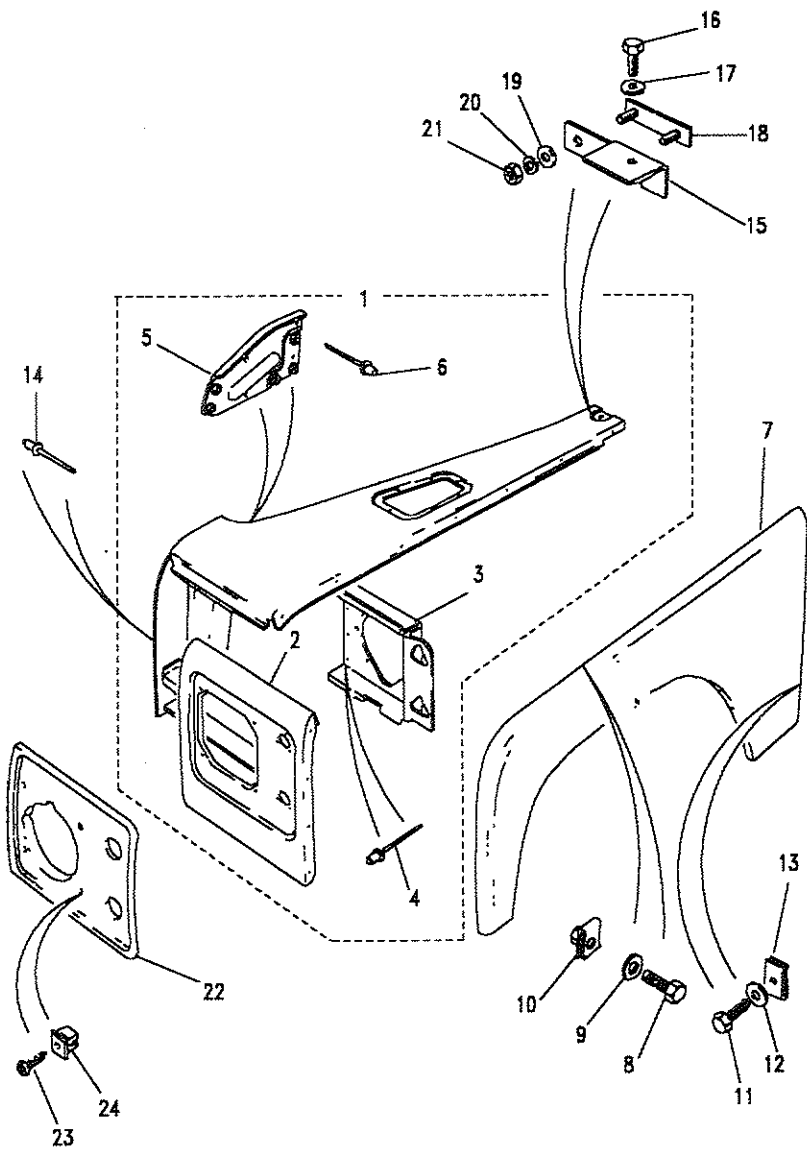
Scissor prop - Not suitable for bonnet mounted spare wheel

1	MUC4208	1	Prop bonnet
2	336535	1	Pin pivot
3	DU3430	1	Clip retaining
4	WS108001L	1	Washer spring
5	AFU1104	1	Washer plain
6	PS104127	1	Pin split

Solid prop - Suitable for bonnet mounted spare wheel

7	MTC2220	1	Prop bonnet	Up to LA939975
	ALR6225	1	Prop bonnet	From MA939976
8	WS600061	1	Washer spring	
9	WA110061L	1	Washer plain	
10	PS106161	1	Pin split	
11	MRC7623	1	Clip prop stowage	
12	SP104101	1	Screw	
13	WL104001L	1	Washer spring	
14	NH104041L	1	Nut	





Model DEFENDER 90

Page ADNXE1A

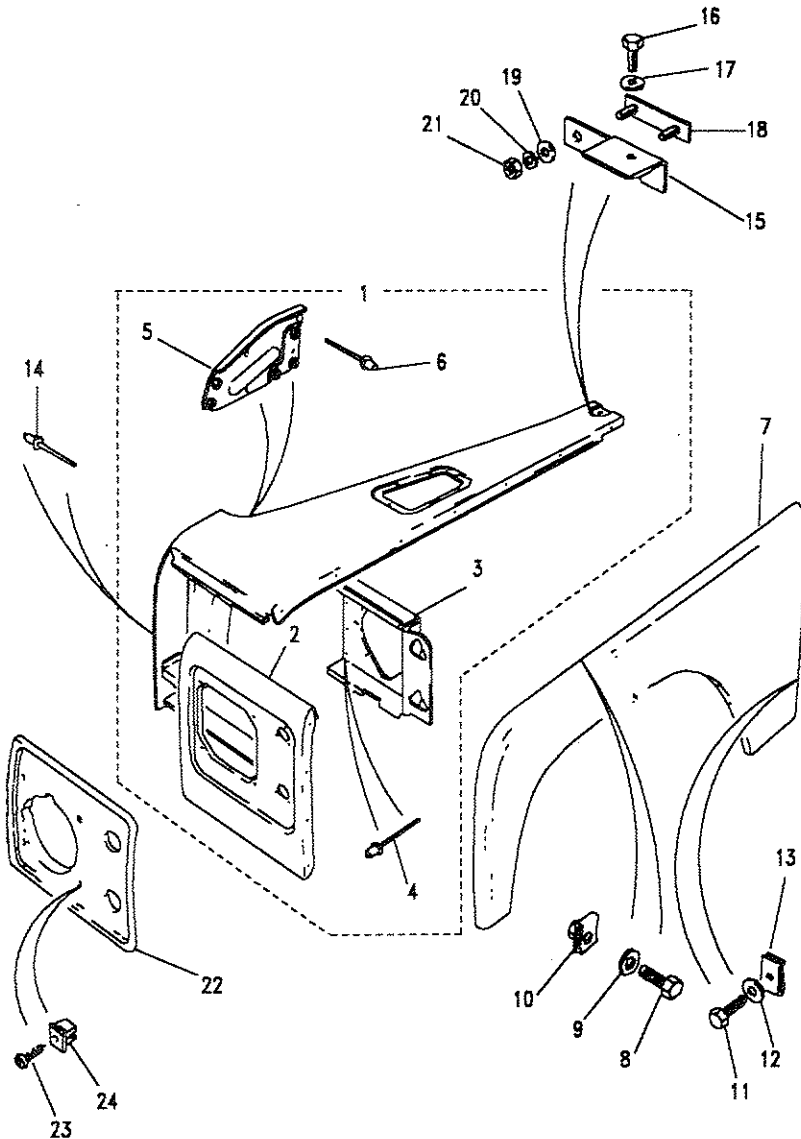
BODY - FRONT WINGS

III. Part No.	Description	Qty	Remarks
1	MXC9343	1	Up to LA939975
	ALR6842	1	From MA939976
	MXC9400	1	Up to LA939975
	ALR6843	1	From MA939976
Air Con Only			
	MXC9402	1	Up to LA939975
	ALR6840	1	From MA939976
90SV Only			
	STC914	1	90SV
	STC915	1	90SV
All variants			
2	RTC6353	1)Up to
	RTC6354	1)LA939975
	ALR5990	1)From
	ALR5989	1)MA939976
	MXC2932	6	Screw
	3900L	6	Washer plain
	302532	6	Nut spire



Model DEFENDER 90
Page ADNXEA1A

BODY - FRONT WINGS



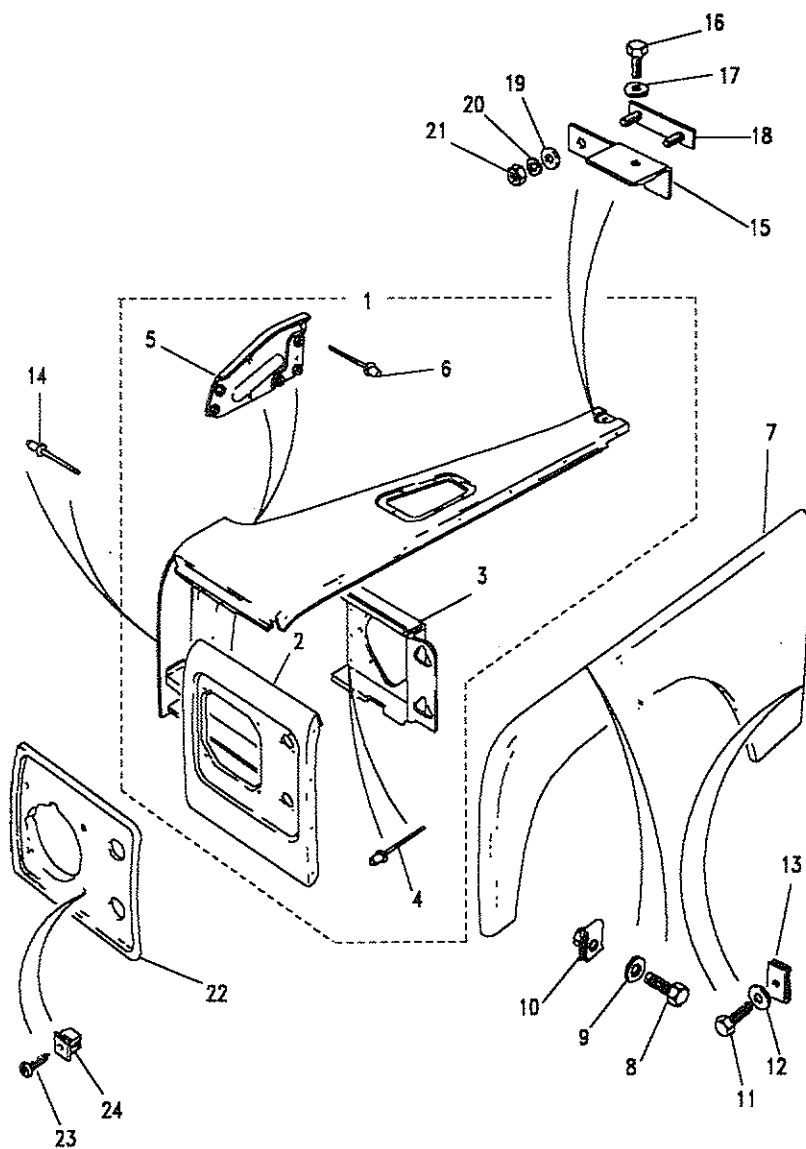
III. Part No.	Description	Qty	Remarks
3	MTC2062	1	Panel mounting RH
	MTC2063	1	Panel mounting LH
4	78248	8	Rivet
5	MRC6051	1	Tie plate RH
	MRC6052	1	Tie plate LH
6	78248	8	Rivet
V8 & 4 Cyl only			
7	RTC6351	1)Panel outer RH
	RTC6350	1)Panel outer LH
	ALR6678	1)From
	ALR6121	1)MA939976
Naturally Aspirated Diesel only			
7	RTC6351	1)Panel outer RH
	RTC6352	1)Panel outer LH
	ALR6678	1)From
	ALR6121	1)MA939976
200/300 TDi only			
7	RTC6351	1)Panel outer RH
	RTC6350	1)Panel outer LH
	ALR6121	1)From
	ALR6122	1)MA939976
90 SV only			
	ALR5928	1	Panel outer RH
	ALR5927	1	Panel outer LH



Model DEFENDER 90

Page ADNXE1A

BODY - FRONT WINGS

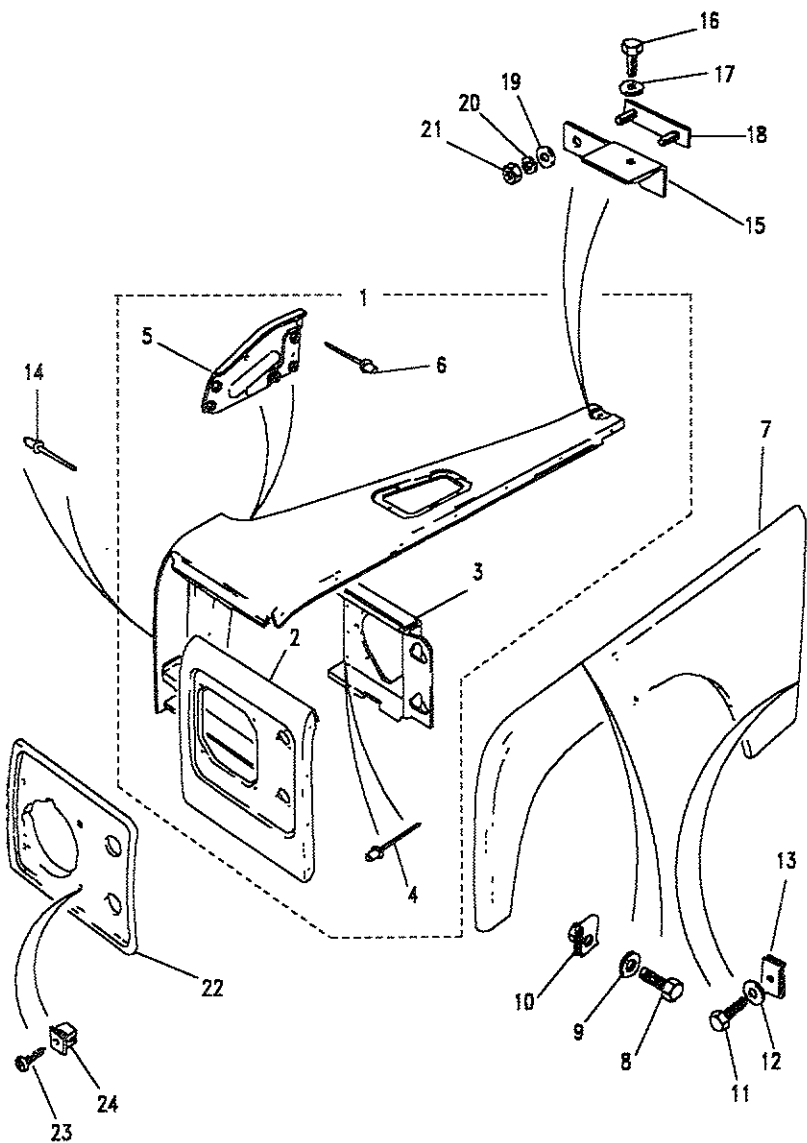


III. Part No.	Description	Qty	Remarks
All variants			
8	MXC2932	22	Screw
9	3900L	22	Washer plain
10	302532	20	Nut spire
	AH614011L	2	Nut spring
	MUC9339	4	Washer fibre
) Diesel only
11	AM605061	8	Bolt
12	WC108051L	8	Washer plain
13	AK616011	8	Nut spire
14	RU612373L	8	Rivet
15	MTC2136	1	Bracket fixing RH
	MRC8926	1	Bracket fixing LH
)
16	SH106167L	2	Screw
17	AAU9036	2	Washer plain
18	MTC2704	2	Studplate
19	RTC609	4	Washer plain
20	WM106001	4	Washer spring
21	NH106041L	4	Nut
	FS106201L	2	Flange screw
	WL106001L	2	Washer spring
	WM106001L	2	Washer spring
	NN106021	2	Nut anchor
) Upto 320821
) From 320822



Model DEFENDER 90
Page ADNXE1A

BODY - FRONT WINGS

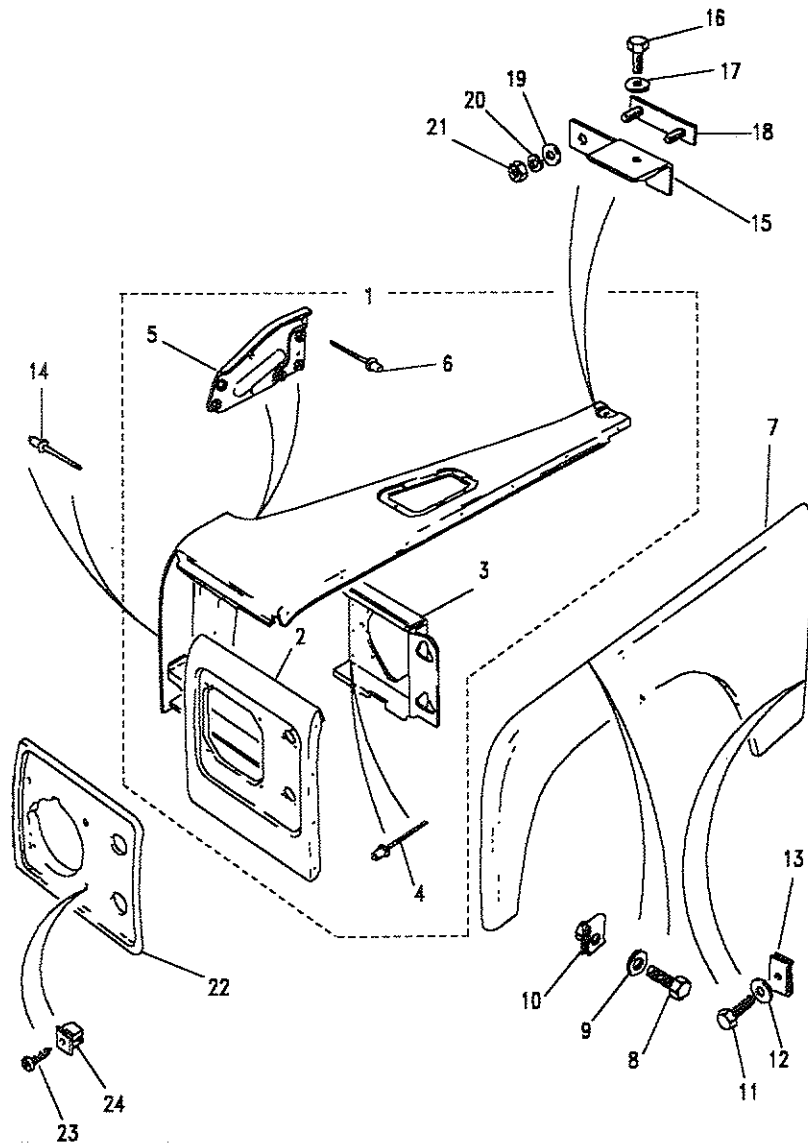


III. Part No.	Description	Qty	Remarks
22	BTR7850PUC	1	Black
	BTR7849PUC	1	Black
	MWC8464CUF	1	Arrow red
	MWC8465CUF	1	Arrow red
	MWC8464HCC	1	Bronze green
	MWC8465HCC	1	Bronze green
	MWC8464HCN	1	Trident green
	MWC8465HCN	1	Trident green
	MWC8464JUG	1	Shire blue
	MWC8465JUG	1	Shire blue
	MWC8464LCN	1	Slate grey
	MWC8465LCN	1	Slate grey
	MWC8464NCM	1	Ivory
	MWC8465NCM	1	Ivory
	MWC8464HUJ	1	Eastnor green
	MWC8465HUJ	1	Eastnor green
	MWC8464SUB	1	Arran beige
	MWC8465SUB	1	Arran beige
	MWC8464JUH	1	Pacific blue
	MWC8465JUH	1	Pacific blue
	MWC8464NUC	1	White
	MWC8465NUC	1	White
	MWC8464LUS	1	Grey
	MWC8465LUS	1	Grey

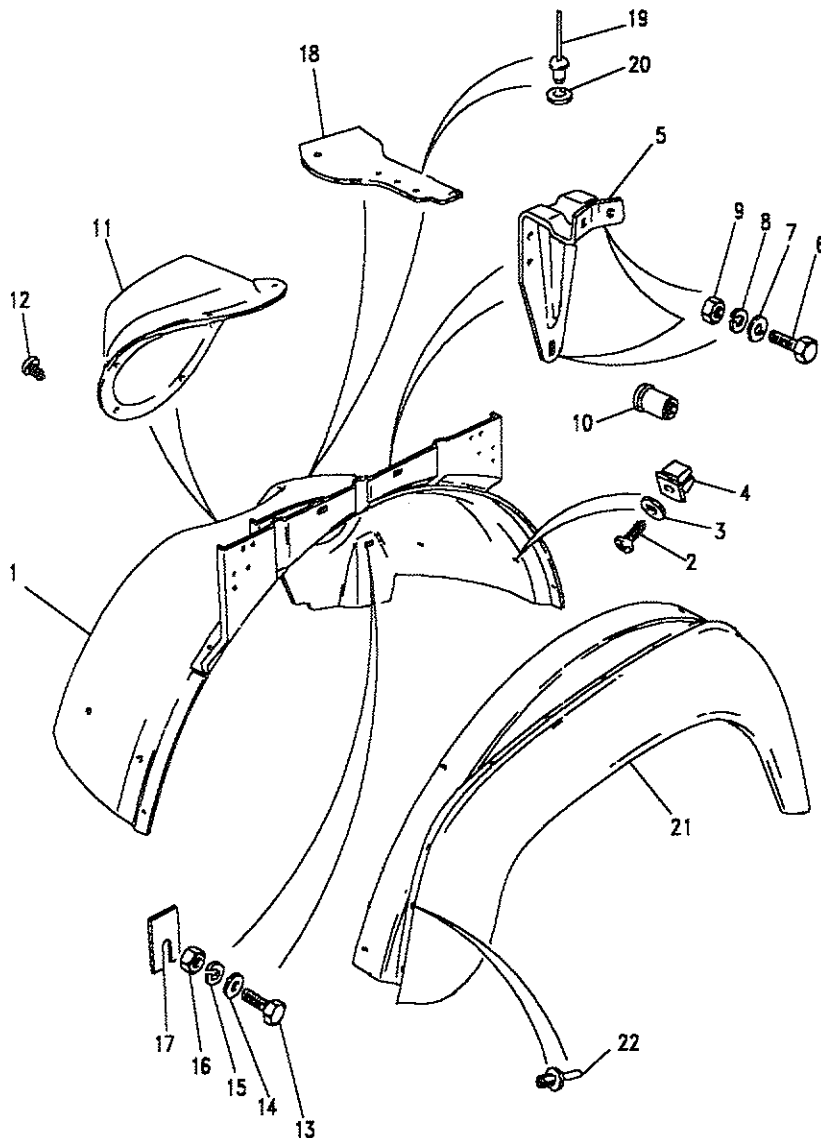


Model DEFENDER 90
 Page ADNxEA1A

BODY - FRONT WINGS



III. Part No.	Description	Qty	Remarks
23 AB608044L	Screw	12)Up to
AW606084	Screw	4)EA314174
AB608044L	Screw (black finisher)	4)From
MWC8567	Screw (Coloured finisher)	4)FA314175
MXC1684	Washer plain stainless	4	From EA350876
24 79051	Nut expansion	12	Upto EA314174
79051	Nut expansion	4	From FA314175
Air Con			
MUC3590	Wing support	1	RHD
MUC3601	Cleat wing support	1	RHD



Model DEFENDER 90

Page ADNXC1A

BODY - FRONT WINGS - WHEELARCH AND EYEBROW

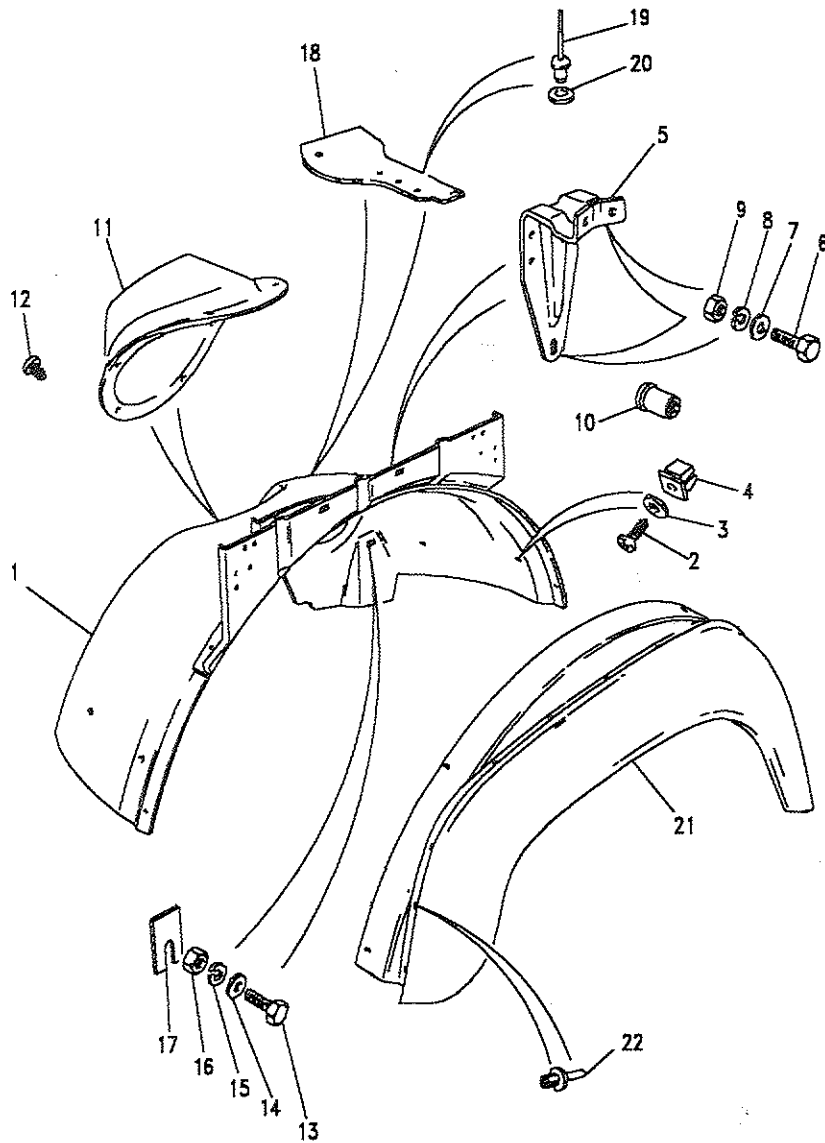
III. Part No.	Description	Qty	Remarks
Non Air Conditioning			
1 ALR2261	Wheelarch RH	1	
ALR2414	Wheelarch RH	1	200Tdi
ALR4057	Wheelarch RH	1	300Tdi
ALR2262	Wheelarch LH	1	Up to LA939975
ALR3970	Wheelarch LH	1	From MA939976
ALR2265	Wheelarch LH	1	Diesel Turbo
ALR2265	Wheelarch LH	1	200Tdi
Air Conditioning - LHS			
1 MXC4630	Wheelarch RH	1	
ALR2415	Wheelarch RH	1	200Tdi
ALR2262	Wheelarch LH	1	Up to LA939975
ALR3970	Wheelarch LH	1	From MA939976
ALR2265	Wheelarch LH	1	Diesel Turbo
ALR2265	Wheelarch LH	1	200Tdi
Air Conditioning - RHS			
1 ALR2261	Wheelarch RH	1	
ALR2414	Wheelarch RH	1	200Tdi
ALR4057	Wheelarch RH	1	300Tdi
MXC4631	Wheelarch LH	1	Up to HA906454
ALR2264	Wheelarch LH	1	From HA906455





Model DEFENDER 90
Page ADNXC1A

BODY - FRONT WINGS - WHEELARCH AND EYEBROW



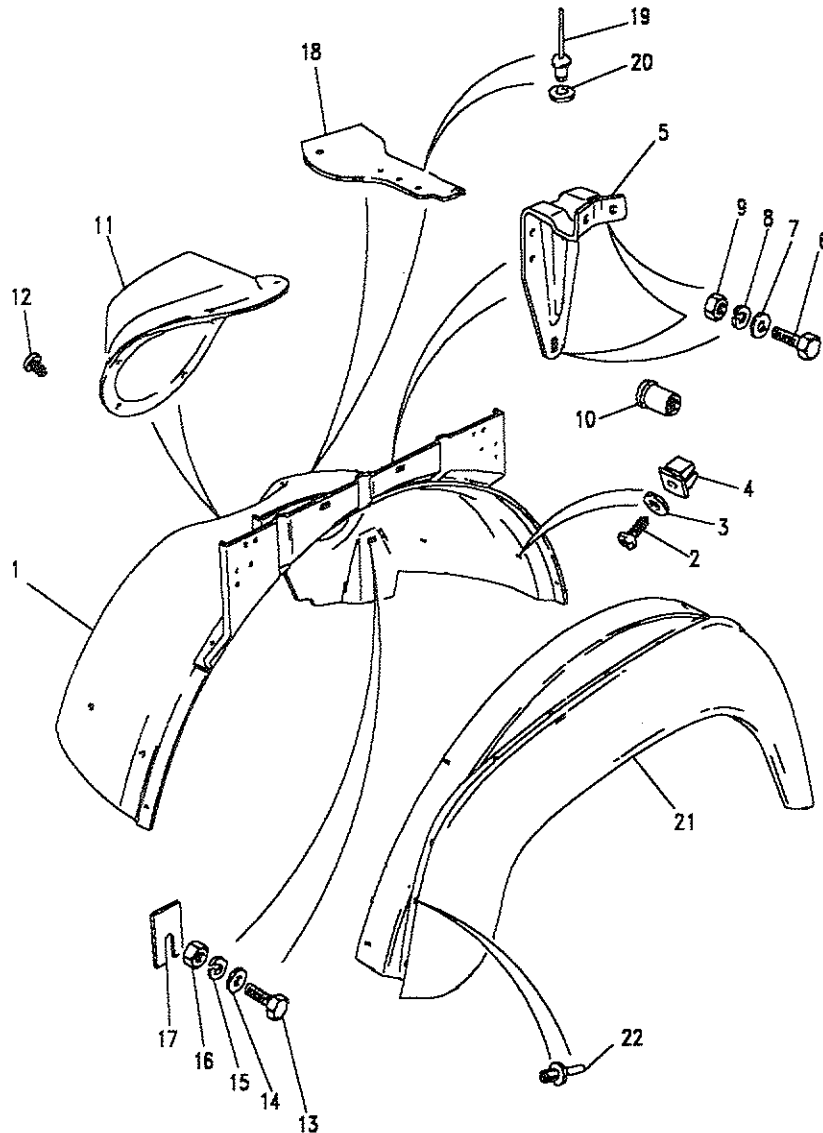
III. Part No.	Description	Qty	Remarks
2	AB614061L Screw	8	
3	AFU1069 Washer plain	8	
4	RTC3744 Nut lokut	8	
5	MRC9735 Stay RH	1	RHD
	MRC9734 Stay LH	1	LHD
6	FS106167L Screw	4	
7	WA106041L Washer plain	4	
8	WL106001L Washer spring	4	
9	NH106041L Nut	2	
10	NN106021 Nut anchor	2	
11	MRC9520 Cover suspension	2	
	AAU3686 Cable tie	1	From HA906232
12	AR608021L Screw	12	Upto 344387
	AR608021L Screw	11	From 344388
	AR608031L Screw	1	From 344388
13	FS108251L Screw	8	
	SH108501L Screw	4	
14	AFU1079 Washer plain	8	
15	WM600051L Washer spring	12	
16	FB108041 Nut	12	
17	MRC4037 Shim	24	
18	MUC9704 Closer inner wing	2	Diesel Turbo
19	78248 Rivet	6	Diesel Turbo
20	WA105001L Washer plain	6	Diesel Turbo





Model DEFENDER 90
Page ADNXC1A

BODY - FRONT WINGS - WHEELARCH AND EYEBROW



III. Part No.

Description

Qty Remarks

Eyebrow moulding front wing

Part No.	Description	Qty	Remarks
21 MRC9378	Eyebrow RH	1)Black
MRC9377	Moulding	1)Gloss
RRC3043	Eyebrow RH	1)Black
RRC3044	Eyebrow LH	1)Matt
MTC6874AA	Eyebrow RH	1	Arizona tan
MTC6875AA	Eyebrow LH	1	Arizona tan
MTC6874AV	Eyebrow RH	1	Roan brown
MTC6875AV	Eyebrow LH	1	Roan brown
MTC6874CC	Eyebrow RH	1	Masai red
MTC6875CC	Eyebrow LH	1	Masai red
MTC6874CL	Eyebrow RH	1	Venetian red
MTC6875CL	Eyebrow LH	1	Venetian red
MTC6874HC	Eyebrow RH	1	Bronze green
MTC6875HC	Eyebrow LH	1	Bronze green
MTC6874HN	Eyebrow RH	1	Trident green
MTC6875HN	Eyebrow LH	1	Trident green
MTC6874JC	Eyebrow RH	1	Marine blue
MTC6875JC	Eyebrow LH	1	Marine blue
MTC6874JP	Eyebrow RH	1	Stratos blue
MTC6875JP	Eyebrow LH	1	Stratos blue
MTC6874LN	Eyebrow RH	1	Slate grey
MTC6875LN	Eyebrow LH	1	Slate grey
MTC6874NM	Eyebrow RH	1	Ivory
MTC6875NM	Eyebrow LH	1	Ivory
MTC6874CUF	Eyebrow RH	1	Arrow red
MTC6875CUF	Eyebrow LH	1	Arrow red

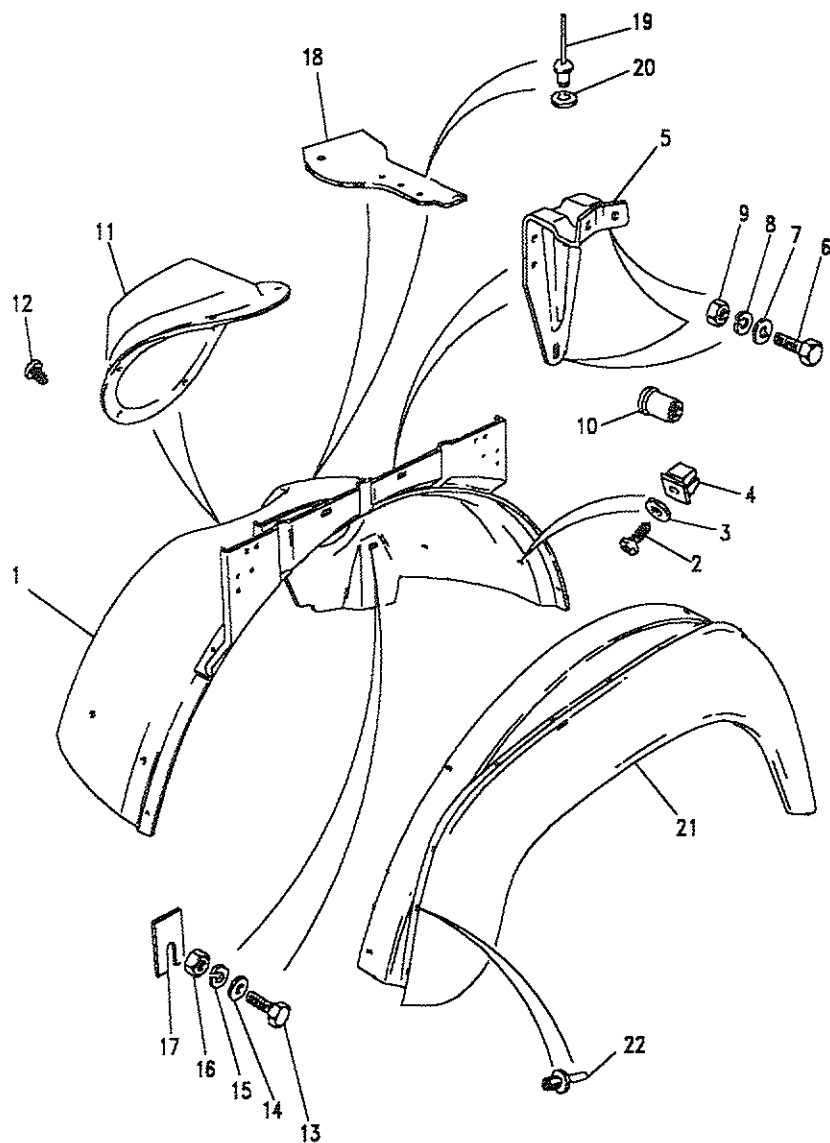
Note(1)

Rear eyebrows refer to page 893 - 894



Model DEFENDER 90
 Page ADNXC1A

BODY - FRONT WINGS - WHEELARCH AND EYEBROW



III. Part No.	Description	Qty	Remarks
21 MTC6874JUG	Eyebrow RH	1	Shire blue
MTC6875JUG	Eyebrow LH	1	Shire blue
MTC6874HUJ	Eyebrow RH	1	Eastnor green
MTC6875HUJ	Eyebrow LH	1	Eastnor green
MTC6874SUB	Eyebrow RH	1	Arran beige
MTC6875SUB	Eyebrow LH	1	Arran beige
MTC6874JUH	Eyebrow RH	1	Pacific blue
MTC6875JUH	Eyebrow LH	1	Pacific blue
MTC6874NUC	Eyebrow RH	1	White
MTC6875NUC	Eyebrow LH	1	White
MTC6874LUS	Eyebrow RH	1	Grey
MTC6875LUS	Eyebrow LH	1	Grey
MTC6874CUH	Eyebrow RH	1	County red
MTC6875CUH	Eyebrow LH	1	County red
MTC6874HUL	Eyebrow RH	1	County green
MTC6875HUL	Eyebrow LH	1	County green
MTC6874PUE	Eyebrow RH	1	County black
MTC6875PUE	Eyebrow LH	1	County black
MTC6874CUY	Eyebrow RH	1	Montpelier red
MTC6875CUY	Eyebrow LH	1	Montpelier red
MTC6874HYE	Eyebrow RH	1	Coniston green
MTC6875HYE	Eyebrow LH	1	Coniston green
22 AFU1075	Rivet plastic	32	

Note(1) Rear eyebrows refer to page 893 - 894

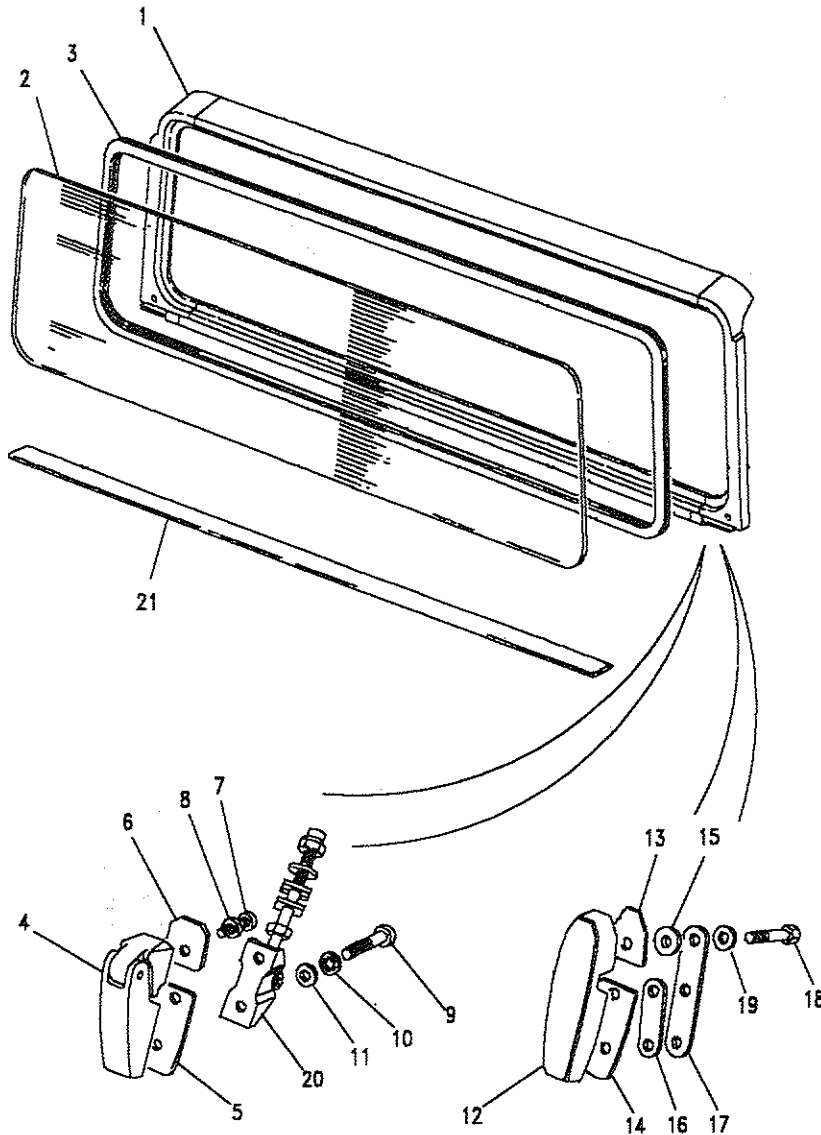


Model DEFENDER 90

Page ADNFA1A

BODY - WINDSCREEN

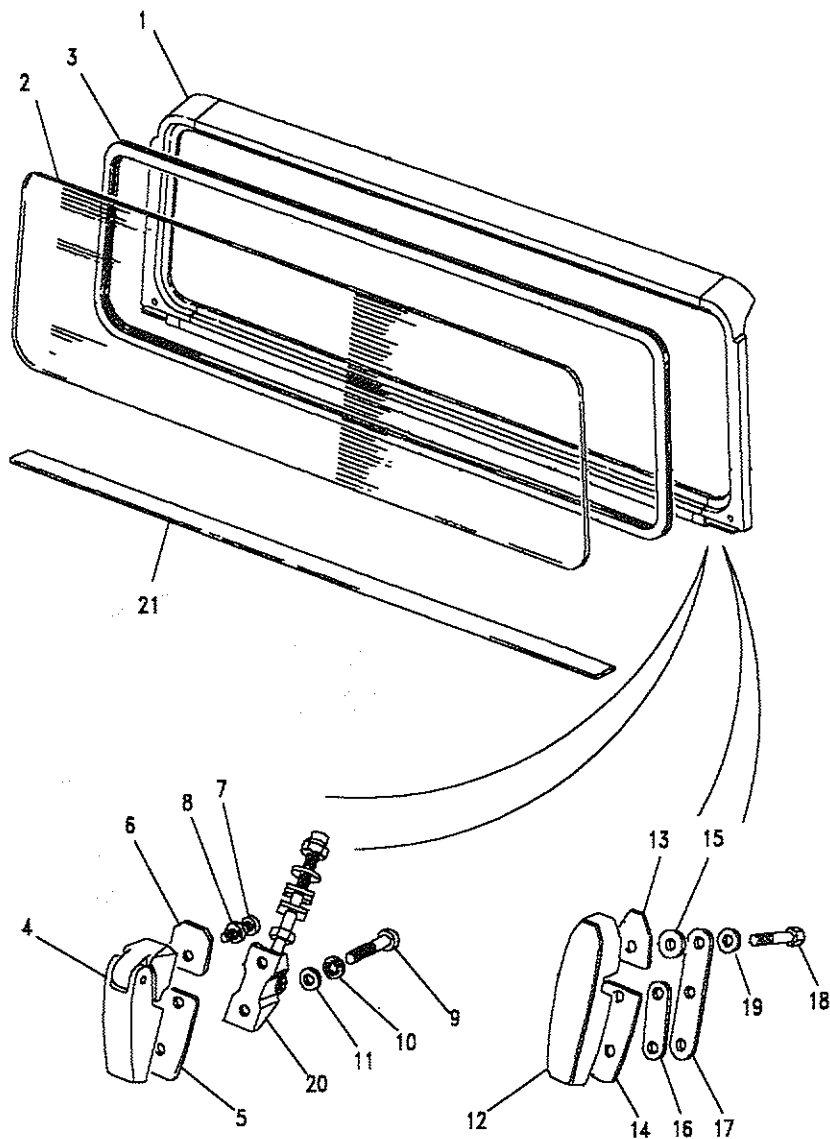
III. Part No.	Description	Qty	Remarks
1 MUC2594	Frame windscreen	1	
ALR5705	Frame windscreen	1	90SV
2 MTC3452	Glass laminated tint	1	
MTC2864	Glass laminated clear	1	
MTC2863	Glass toughened clear	1	
3 MUC3733	Glazing rubber	1	
Upto JA912345			
4 MXC7847	Hinge LH	1	
MXC7846	Hinge RH	1	
5 MXC9982	Gasket	2	
6 MUC7904	Gasket	2	Upto 466894
MXC9983	Gasket	2	From HA466895
7 SE110401	Screw	2	
8 MUC3906	Washer nylon	2	
9 SS108404	Screw	4	
10 WF108004L	Washer shakeproof	4	
11 WA108054L	Washer plain	4	



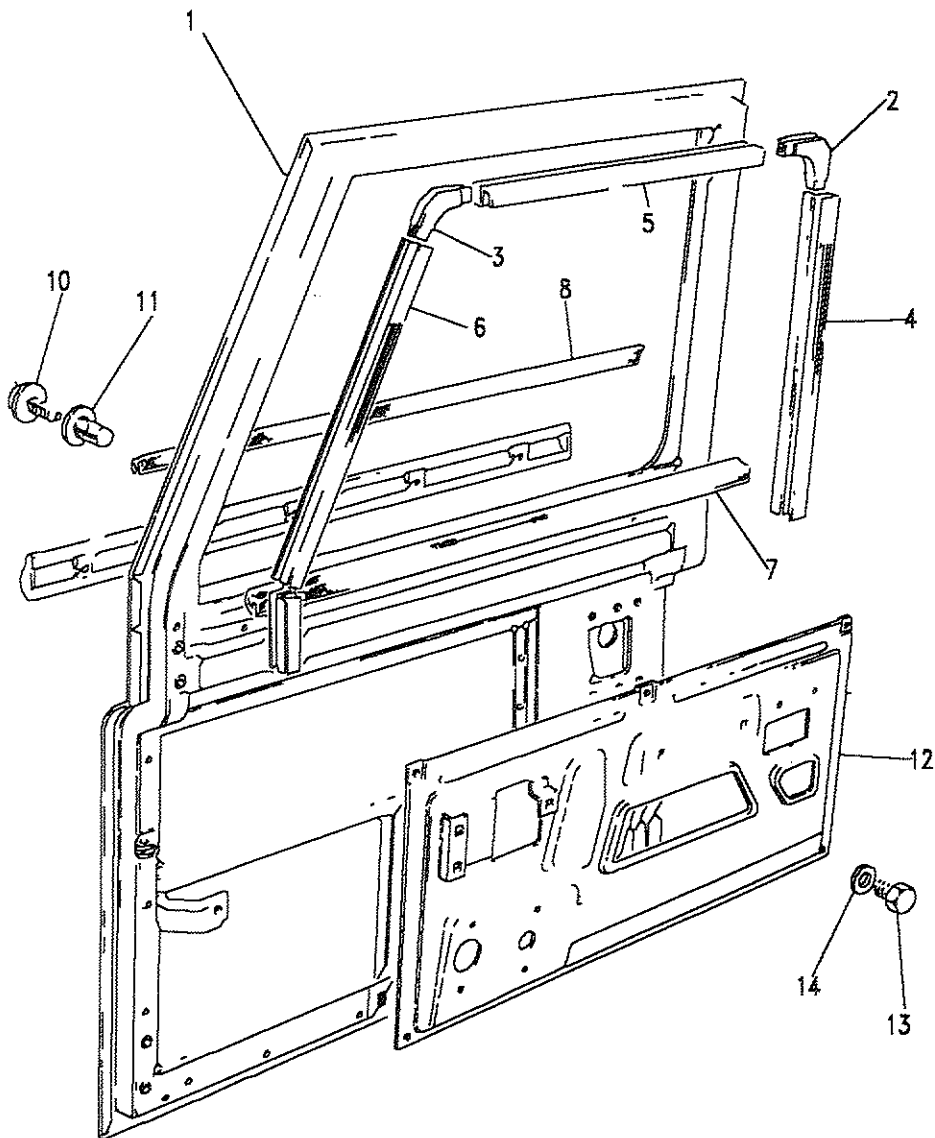
Model DEFENDER 90

Page ADNXFA1A

BODY - WINDSCREEN



III. Part No.	Description	Qty	Remarks
From JA912346			
12 MUC7911	Bracket windscreen RH	1	
MUC7912	Bracket windscreen LH	1	
13 MXC9982	Gasket lower	2	
14 MXC9983	Gasket upper	2	
15 MUC7907	Washer packing	2	
16 MUC4289	Packing piece	2	
17 MUC4290	Strap	2	
18 FB108101	Bolt	6	
19 WA108051L	Washer plain	6	
20 RTC6159	Clamp	2	
21 ALR1737	Seal	1	Upto KA925389
ALR5058	Seal windscreen	1	From KA925390

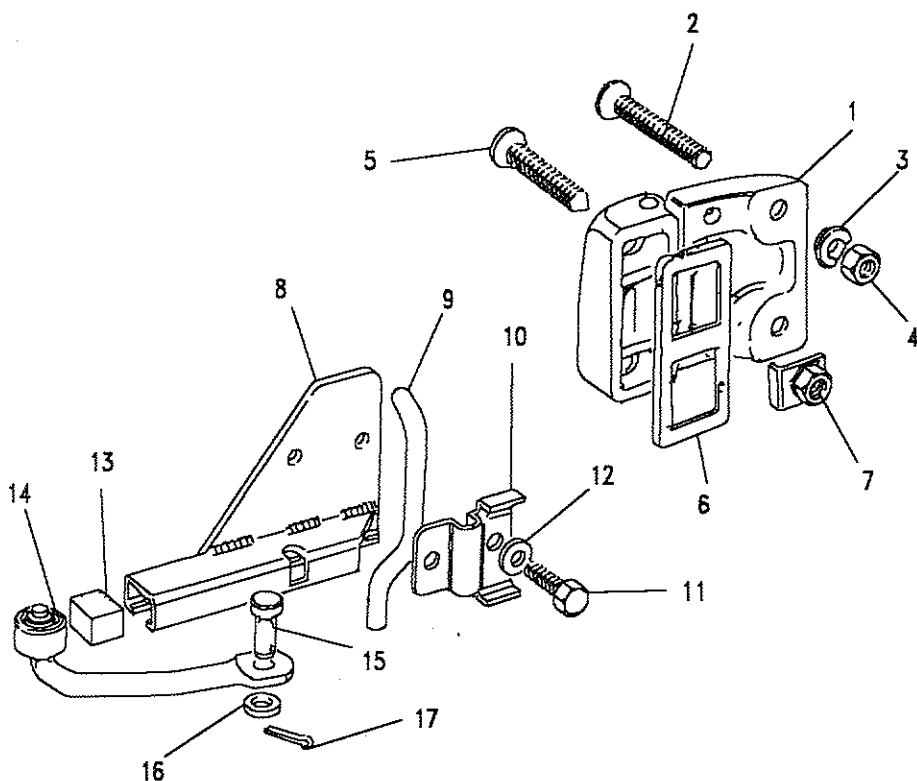


Model DEFENDER 90
Page ADNXA1A

BODY - FRONT DOOR CLINCHED ASSEMBLY UPTO 1987MY

III. Part No.	Description	Qty	Remarks
Upto AA270227, AA270484, AA271214			
1	STC542	1	Door RH
	STC543	1	Door LH
	STC569	1	Panel door RH
	STC570	1	Panel door LH
2	201235	2	Filler rear corner
3	201647	2	Filler front corner
4	MUC1651	2	Filler vertical
5	MUC1652	2	Filler top
6	MUC1730	1	Filler sloping RH
	MUC1731	1	Filler sloping LH
7	MTC8473	2	Seal waist inner
8	ALR5980	2	Seal waist outer
9	MUC3928	1	Capping waist RH
	MUC3929	1	Capping waist LH
10	MUC3186	10	Clip retaining
11	AJU1136L	10	Snapsac
12	MUC2074	1	Panel inner RH
	MUC2075	1	Panel inner LH
13	SH106101L	10	Screw
14	WA106041L	10	Washer plain
	MWC3293	2	Curtain water
	MTC5463	2	Pad sound deadening
	307220	4	Plug rubber
	MUC3848	2	Plug
			Door bottom
			Door lock pocket

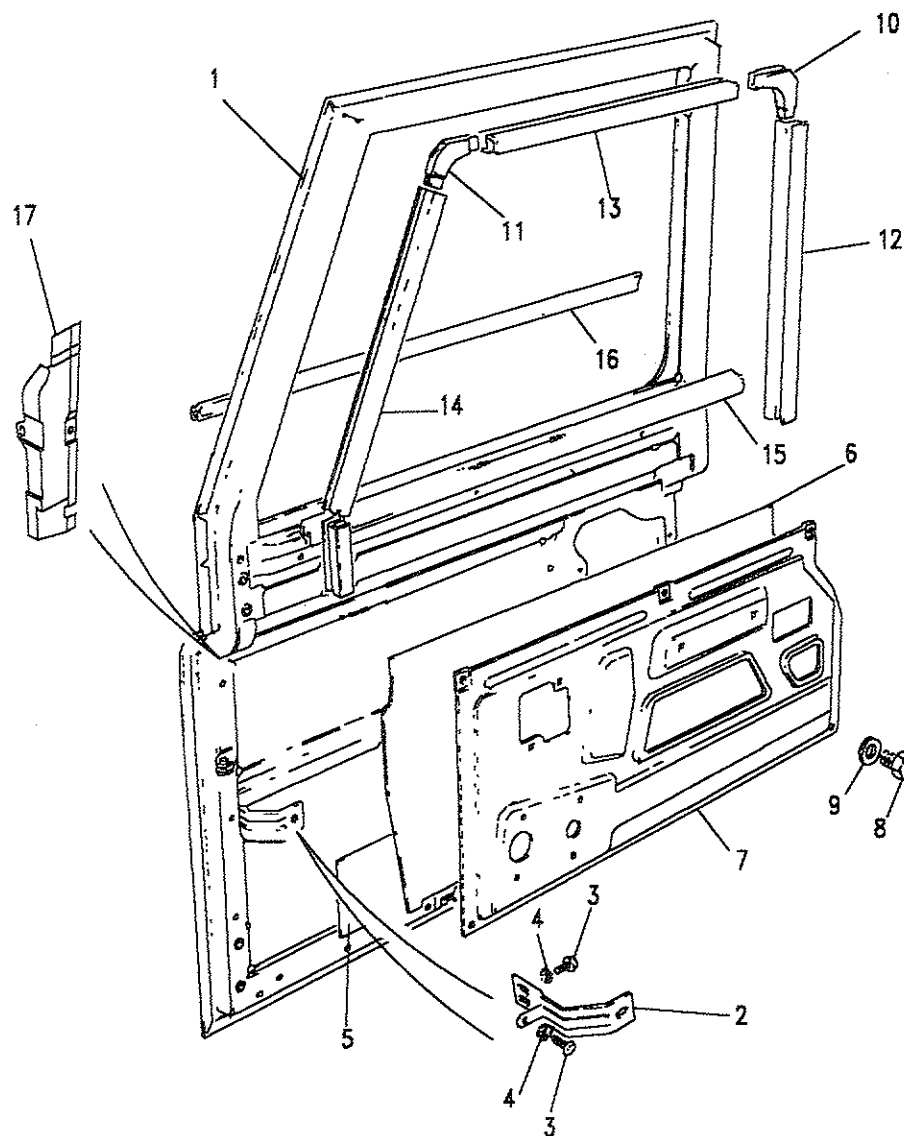




Model DEFENDER 90
Page ADN XGA2A

BODY - FRONT DOOR CLINCHED ASSEMBLY UPTO 1987MY

Ill. Part No.	Description	Qty	Remarks
Upto AA270227, AA270484, AA271214			
1	MXC8284	1	Hinge door upper RH
	MXC8285	1	Hinge door upper LH
	MXC8282	1	Hinge door lower RH
	MXC8283	1	Hinge door lower LH
Fixings - Hinge to door			
2	MRC2762	8	Screw
	MWC1899	8	Screw
	MWC1898	4	Packing piece
3	MRC1980	8	Washer nylon
4	NH605041L	8	Nut
Fixings - Hinge to body			
5	79221	8	Screw
6	347369	4	Washer seating
7	MRC2178	8	J nut
8	MUC6164	1	Channel checkstrap RH
	MUC6163	1	Channel checkstrap LH
9	ALR2318	1	Torsion bar RH
	MUC6159	1	Torsion bar LH
10	MUC6157	2	Bracket pivot
11	SH106301	4	Screw
12	WA106041L	4	Washer plain
13	MWC5759	2	Buffer rubber
14	MUC1888	1	Checklink RH
	MUC1889	1	Checklink LH
15	306564	2	Pin clevis
16	WA108051L	2	Washer plain
17	2393	2	Pin split



Model DEFENDER 90
Page ADN XGA3A

BODY - FRONT DOOR CLINCHED ASSEMBLY FROM 1987MY

III. Part No.	Description	Qty	Remarks
From AA270227, AA270484, AA271214			
1	MXC7958	1)Up to
	MXC7959	1)LA933876
	ALR6256	1)From
	ALR6257	1)LA933877
	ALR1800	1	Bracket pivot RH
	ALR1801	1	Bracket pivot LH
2	MWC8223	2	Bracket support
3	SE106161L	4	Screw
4	WE106001L	4	Washer shakeproof
5	MTC5463	2	Pad sound deadening
6	MWC3293	2	Curtain water
7	MWC8270	1)Panel inner RH
	MWC8271	1)Note(1)
	ALR4541	1)Panel inner RH
	ALR4540	1)Note(2)
8	SH106101L	10	Screw
9	WA106041L	10	Washer plain
10	201235	2	Filler rear corner
11	201647	2	Filler front corner
12	MUC1651	2	Filler vertical

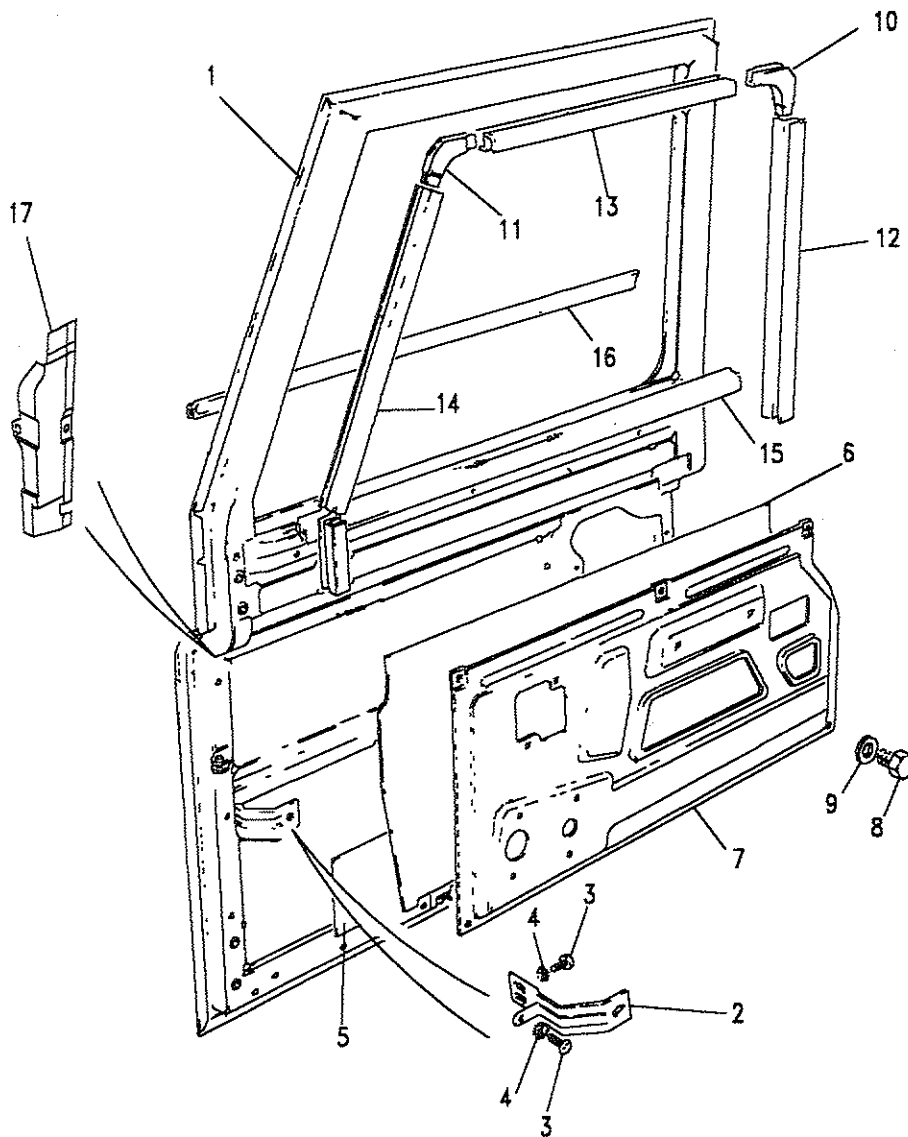
Note(1) Up to LA932528
 Note(2) From LA932529





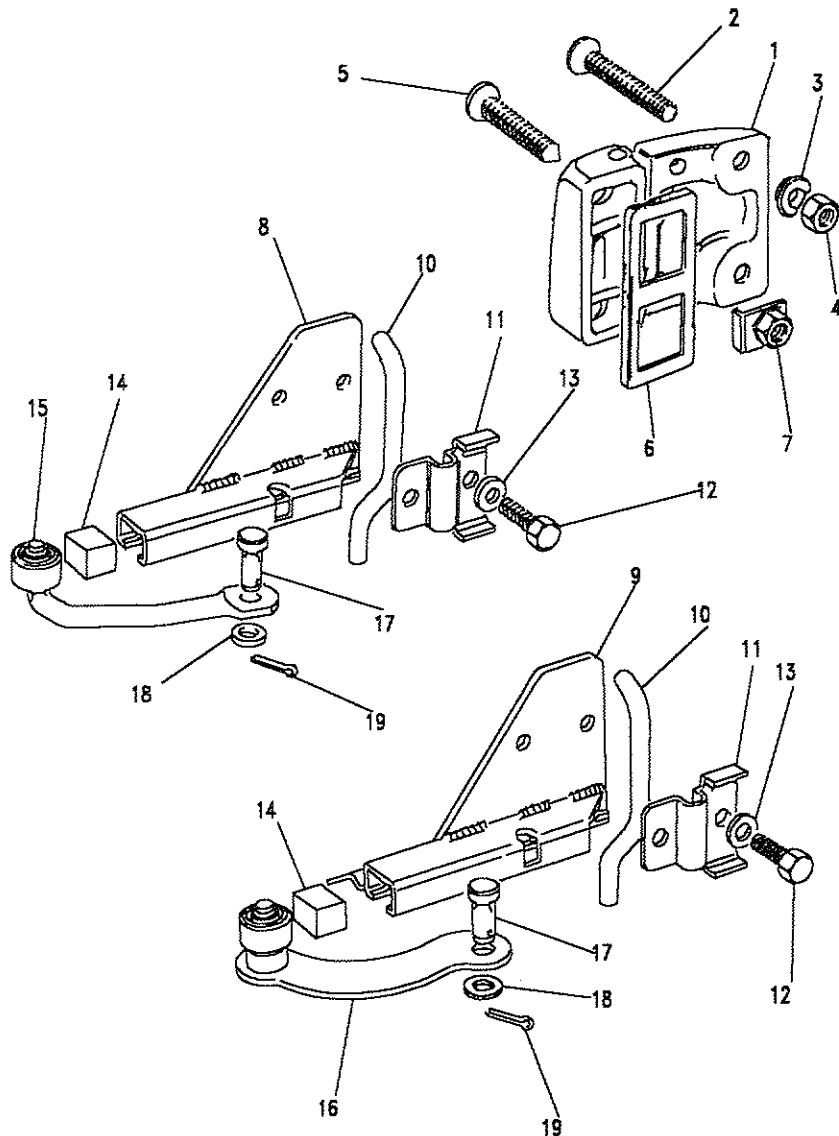
Model DEFENDER 90
Page ADNXGA3A

BODY - FRONT DOOR CLINCHED ASSEMBLY FROM 1987MY



III. Part No.	Description	Qty	Remarks
From AA270227, AA270484, AA271214			
13	MUC1652	2	Filler top
14	MUC1730	1	Filler sloping RH
	MUC1731	1	Filler sloping LH
15	MTC8473	2	Seal waist inner
16	MTC8474	2	Seal waist outer
	ALR5980	2	Seal waist outer
17	MXC7570	1	Deflector RH
	MXC7571	1	Deflector LH
			Up to LA937709
			From LA937710
			From FA429664
			From FA429664



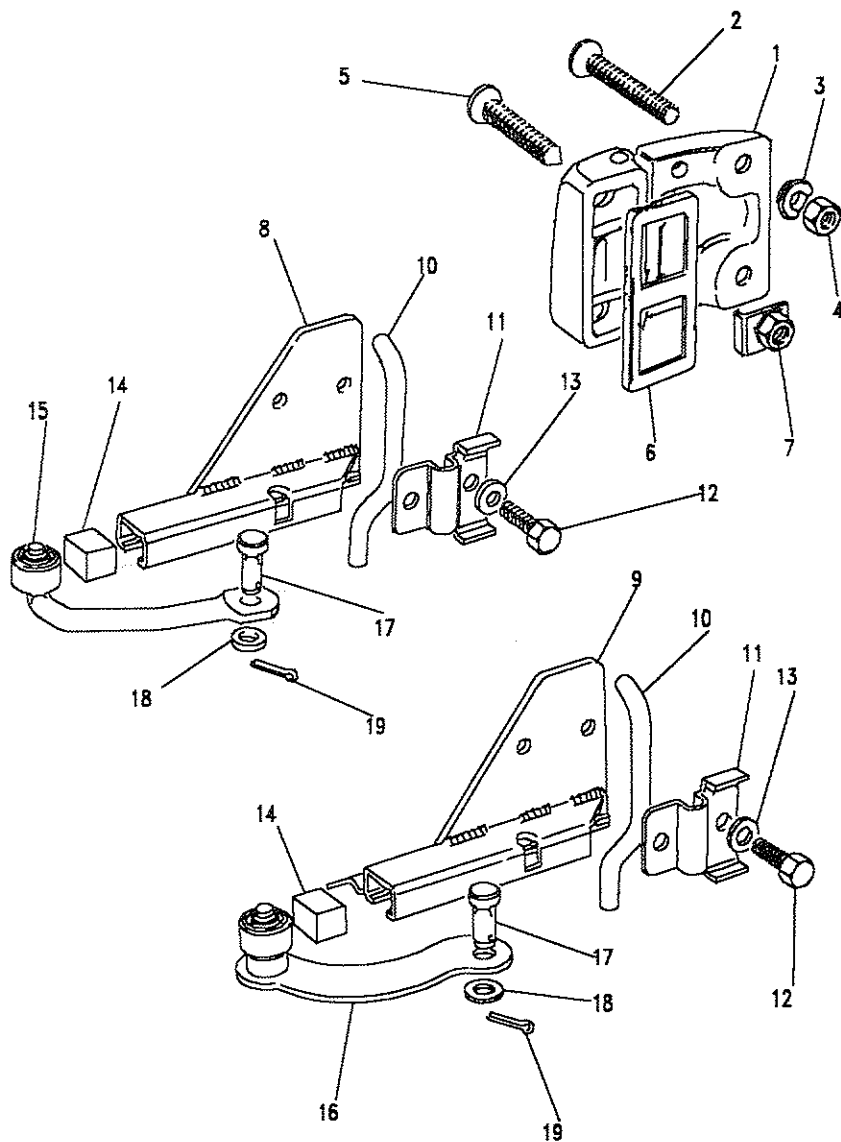


Model DEFENDER 90
Page ADN XGA4A

BODY - FRONT DOORS - HINGES & DOOR CHECK FROM 1987MY

III. Part No.	Description	Qty	Remarks
From AA270227, AA270484, AA271214			
1	MXC8284	1	Hinge door upper RH
	MXC8285	1	Hinge door upper LH
	MXC8282	1	Hinge door Lower RH
	MXC8283	1	Hinge door lower LH
Fixings - Hinge to door			
2	MRC2762	8	Screw <i>3/8 inch</i>
	MWC1899	8	Screw
	MWC1898	4	Packing piece)Alternative
3	MRC1980	8	Washer nylon)Fixings
4	NH605041L	8	Nut <i>3/8 inch</i>
Fixings Hinge to body			
5	79221	8	Screw <i>3/8 inch</i>
6	347369	4	Washer seating
7	MRC2178	8	J nut
Two hole fixing			
8	MUC6164	1	Channel checkstrap RH)Up to
	MUC6163	1	Channel checkstrap LH)303555
Two hole fixing			
9	MWC5018	1	Channel checkstrap RH)From
	MWC5019	1	Channel checkstrap LH)303556
Two hole fixing			
10	ALR2318	1	Torsion Bar RH
	MUC6159	1	Torsion Bar LH Upto HA906553
	ALR2319	1	Torsion Bar LH From HA906553





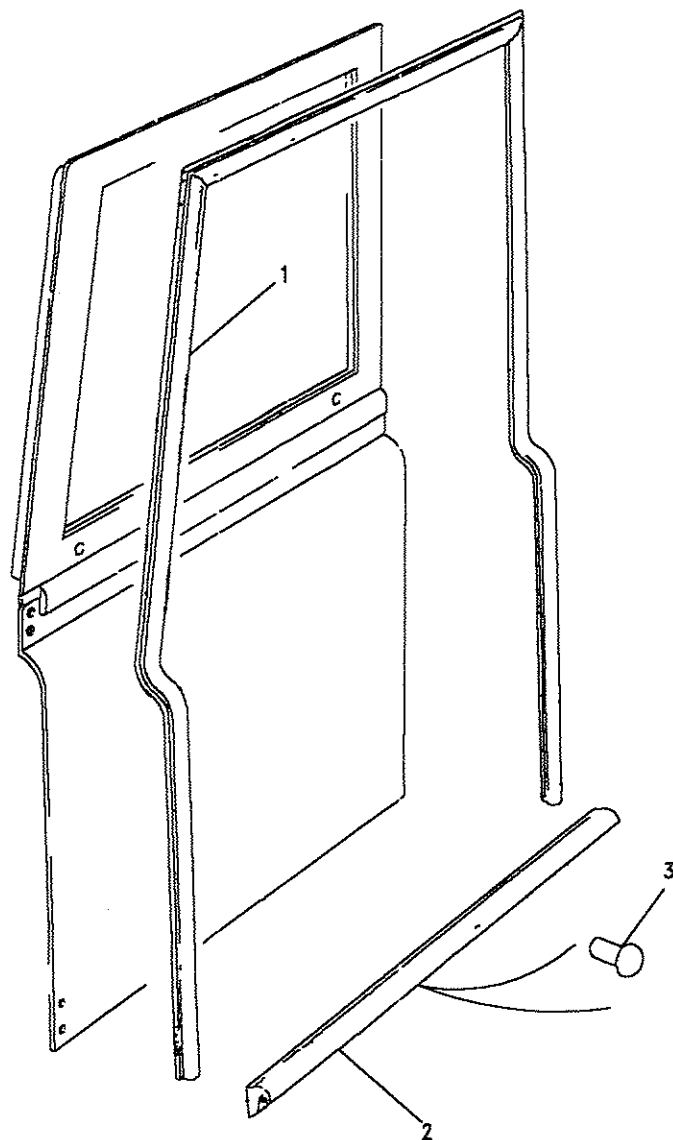
Model DEFENDER 90

Page ADN XGA4A

BODY - FRONT DOORS - HINGES & DOOR CHECK FROM 1987MY

III. Part No.	Description	Qty	Remarks
From AA270227, AA270484, AA271214			
11	MUC6157	2	Bracket pivot
12	SH106301	4	Screw
13	WA106041L	4	Washer plain
14	MWC5759	2	Buffer rubber
Rod type			
15	MUC1888	1)Up to
	MUC1889	1)303555
Plate type			
16	ALR2321	1)From
	ALR2322	1)303556
17	306564	2	Pin clevis
	PC108321L	2	Upto 303555
18	WA108051L	2	From 303556
	302373	2	Washer plain
19	2393	2	Washer rubber
	NTC6195	2	Pin split
		2	Upto 455945
		2	From HA455946
			R clip





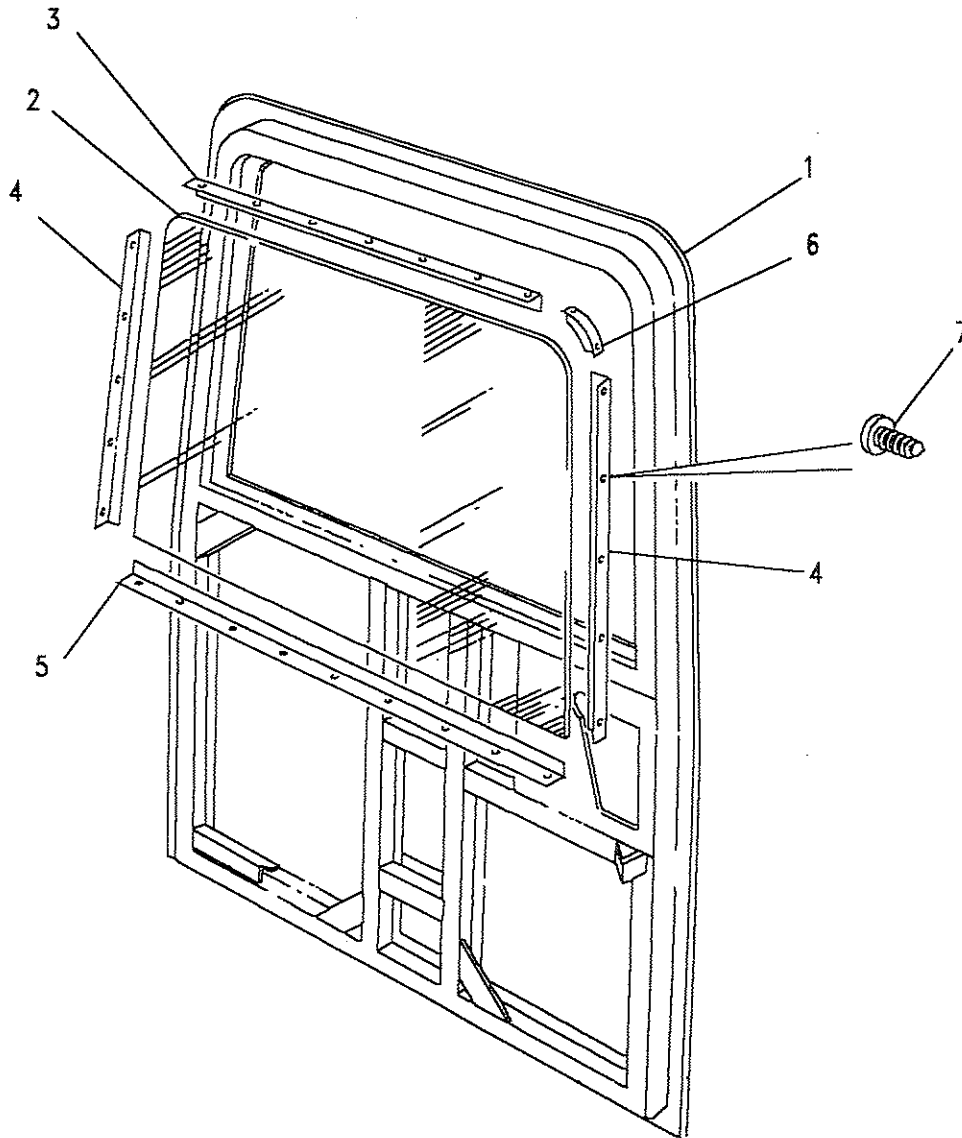
Model DEFENDER 90
Page ADN XGA5A

BODY - FRONT DOOR - SEALS

III. Part No.	Description	Qty	Remarks
1 MWC1080	Door seal front RH	1)
MWC1081	Door seal front LH	1)Note(4)
ALR4936	Seal front door RH	1)
ALR4937	Seal front door LH	1)Note(5)
90SV Only			
ALR6133	Seal front door LH	1	Hinge side
ALR6134	Seal front door RH	1	Hinge side
ALR6135	Seal front door LH	1	Lock side
ALR6136	Seal front door RH	1	Lock side
All Variants			
MUC9204	Retainer seal RH	1)
MUC9205	Retainer seal LH	1)
SE105161L	Screw	10)Note(1)
AFU1256	Washer plain	10)
WL105001L	Washer spring	10)
NH105041L	Nut	10)
2 MWC6130	Sill seal	2	Note(2)
ALR6250	Sill seal	2	Note(3)
3 78248	Rivet	18	Note(2)
ALR6280	Rivet	20	Note(3)

Note(1) Up to AA270227, AA270484, AA271214.
 Note(2) Up to LA933876
 Note(3) From LA933877
 Note(4) Up to LA935726
 Note(5) From LA935727





Model DEFENDER 90
Page ADN XGM1A

BODY - REAR END DOOR

III. Part No.	Description	Qty	Remarks
With pierced panel - for spare wheel carrier			
1 RTC6247	Door rear end	1	Upto 241999
RTC6266	Door rear end	1	From 242000
STC1423	Door rear end	1	Up to EA358392
STC1470	Door rear end	1	From FA358393
ALR6851	Door rear end	1	Upto KA929577
			From KA929578
			Up to LA939975
			From MA939976
With plain panel			
1 RTC6248	Door rear end	1	Upto 241999
STC1424	Door rear end	1	From 242000
STC1471	Door rear end	1	Upto KA929577
ALR6852	Door rear end	1	From KA929578
			Up to LA939975
			From MA939976
All variants			
2 MTC3469	Glass clear	1	Note(1)
MWC4712	Glass clear	1	Note(2)
MTC3470	Glass sundym	1	Note(1)
MTC8951	Glass sundym heated	1	Note(1)
MWC4713	Glass sundym heated	1	Note(2)
78159	Glazing strip	A/R	
3 333034	Retainer top	1	

Note(1) 5mm glass - Upto 340456 Hard Top, 344187 Station Wagon
Note(2) 4mm glass - From 340457 Hard Top, 344188 Station Wagon

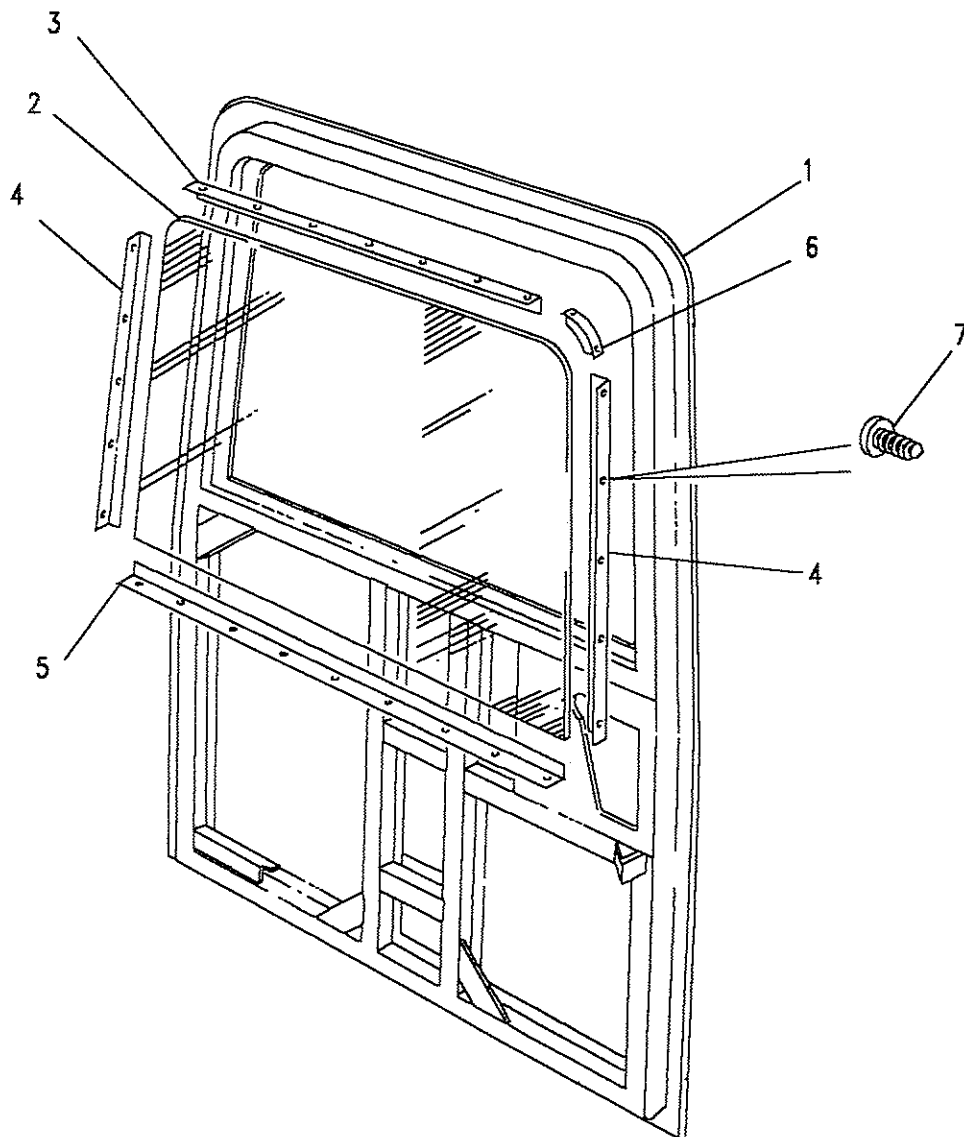




Model DEFENDER 90
Page ADN XGM1A

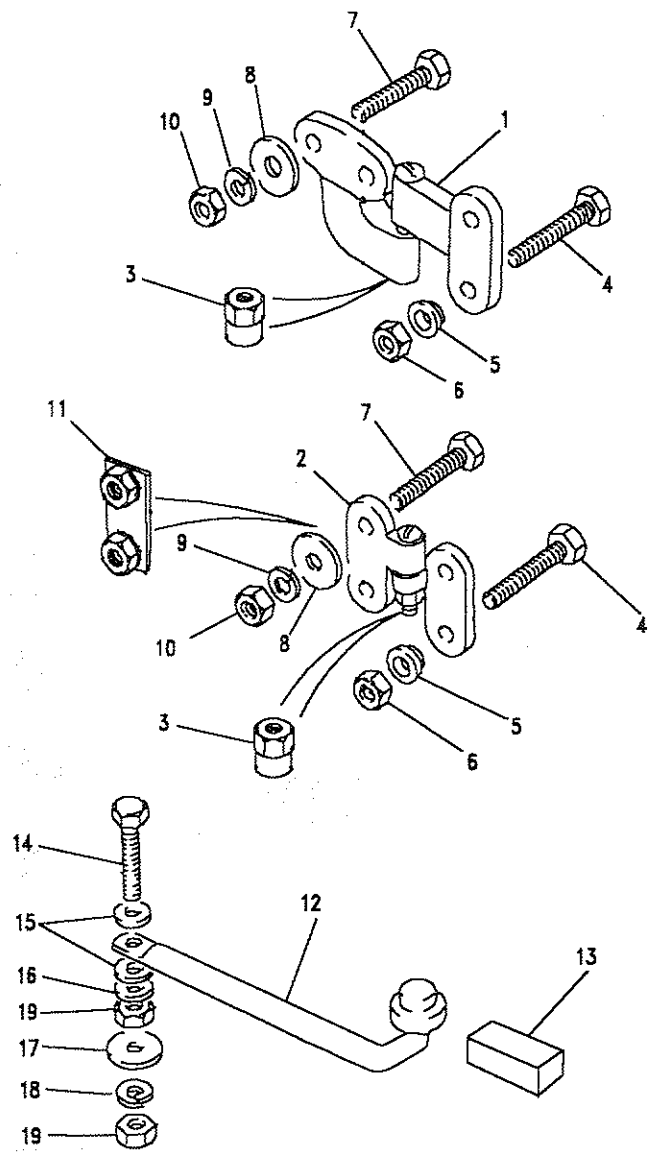
BODY - REAR END DOOR

Ill. Part No.	Description	Qty	Remarks
4	333033 Retainer side	2	
5	333032 Retainer bottom	1	
6	333035 Retainer corner	2	
7	AB606031L Screw	30	
	MTC9807 Retainer LH	1	
	MTC9981 Retainer RH	1	
	RA612157L Rivet	4	



Model DEFENDER 90
Page ADNXGM2A

BODY - REAR END DOOR



Ill. Part No.	Description	Qty	Remarks
1	333036	1	Hinge upper
2	346341	1	Hinge centre
	346341	1	Hinge lower
3	257450	3	Nut capped
4	SE108501	6	Screw
5	MRC1980	6	Washer nylon
6	FN108041L	6	Nut
7	SE108251	6	Screw
8	WC108051L	6	Washer plain <i>MB</i>
9	WL108001L	6	Washer spring
10	FN108041L	4	Nut
11	MTC1042	1	Nut plate

Upto VIN 241999 only

12	333041	1	Checklink
13	306295	1	Buffer rubber short
	333445	1	Buffer rubber long
14	BH106071	1	Bolt
15	AFU1262	2	Washer plain
16	AFU1078	1	Washer plain
17	MRC5525	1	Washer plain
18	WL106001L	1	Washer spring
19	NH106041L	2	Nut

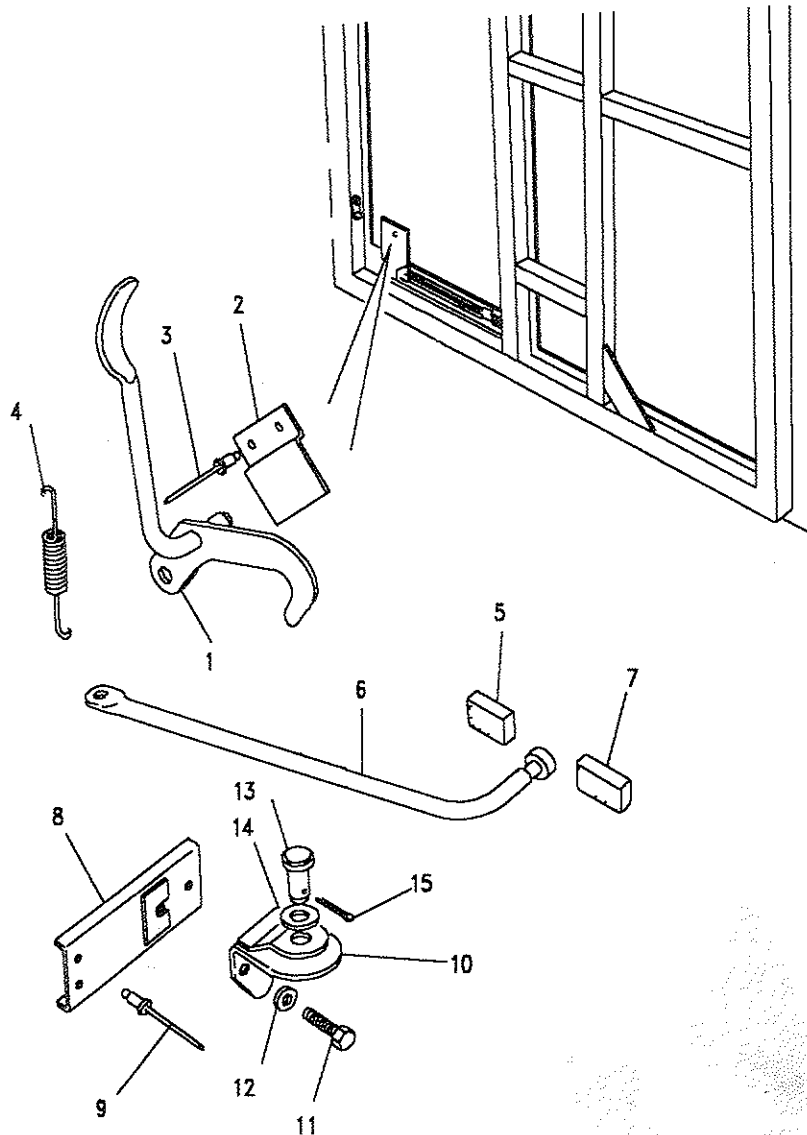
Germany

MTC6630	Cover nut	12	Hinge fixings
---------	-----------	----	---------------



Model DEFENDER 90
Page ADN XGM3A

BODY - REAR END DOOR - CHECK MECHANISM



III. Part No.	Description	Qty	Remarks
From FA358392 (Reg) & FA358406 (S/W)			
1	MUC4474	1	Lever release
2	MUC4486	1	Retainer
3	RA608177L	2	Rivet
4	MUC4481	1	Spring
5	MUC4545	1	Buffer rubber
6	MUC4471	1	Checklink
7	MUC4544	1	Buffer rubber
8	MUC4477	1	Bracket mounting
9	78248	2	Rivet
10	346878	1	Bracket retaining
11	FS106201L	2	Flange screw
12	WL106001L	2	Washer spring
13	306564	1	Pin clevis
14	349931	1	Washer plain
15	2393	1	Pin split



Model DEFENDER 90

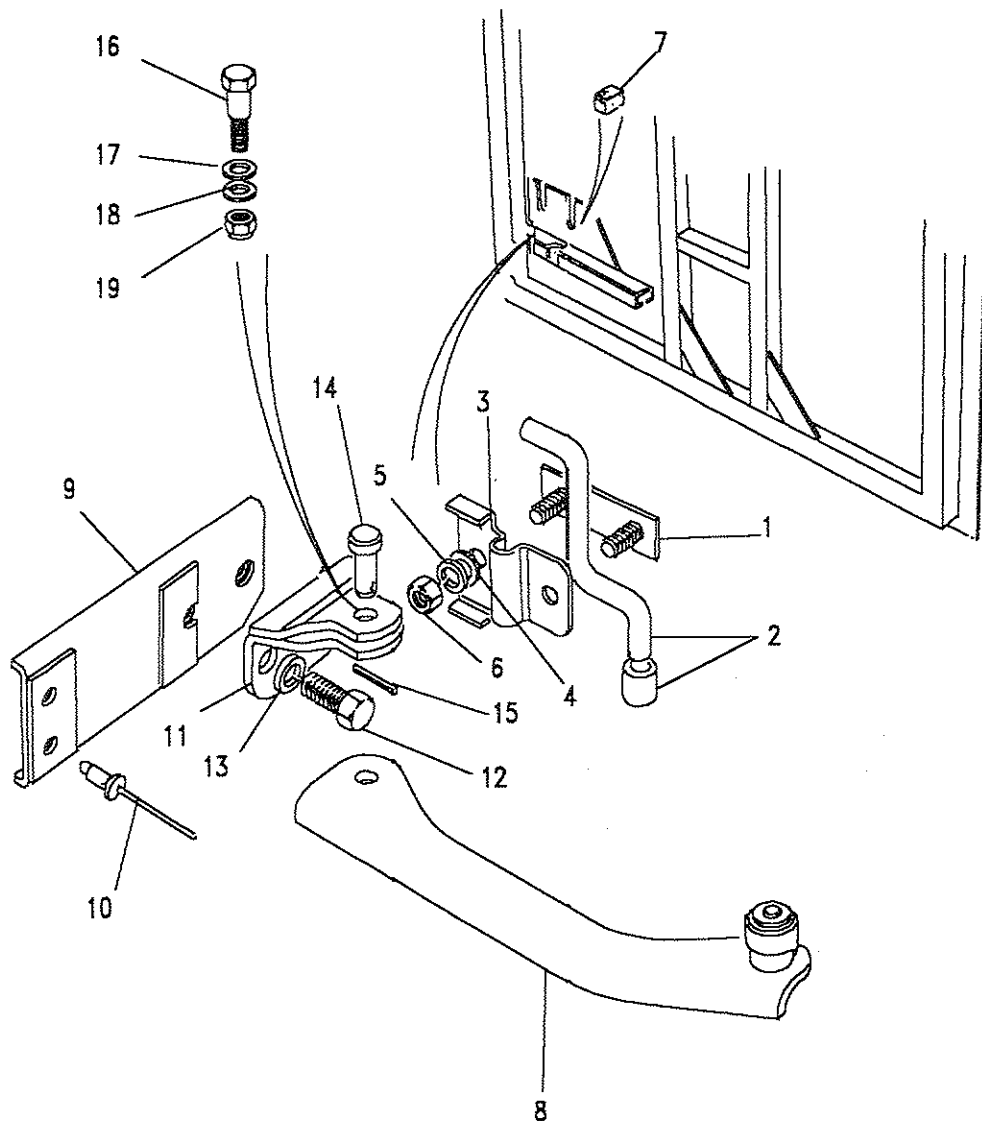
Page ADN XGM4A

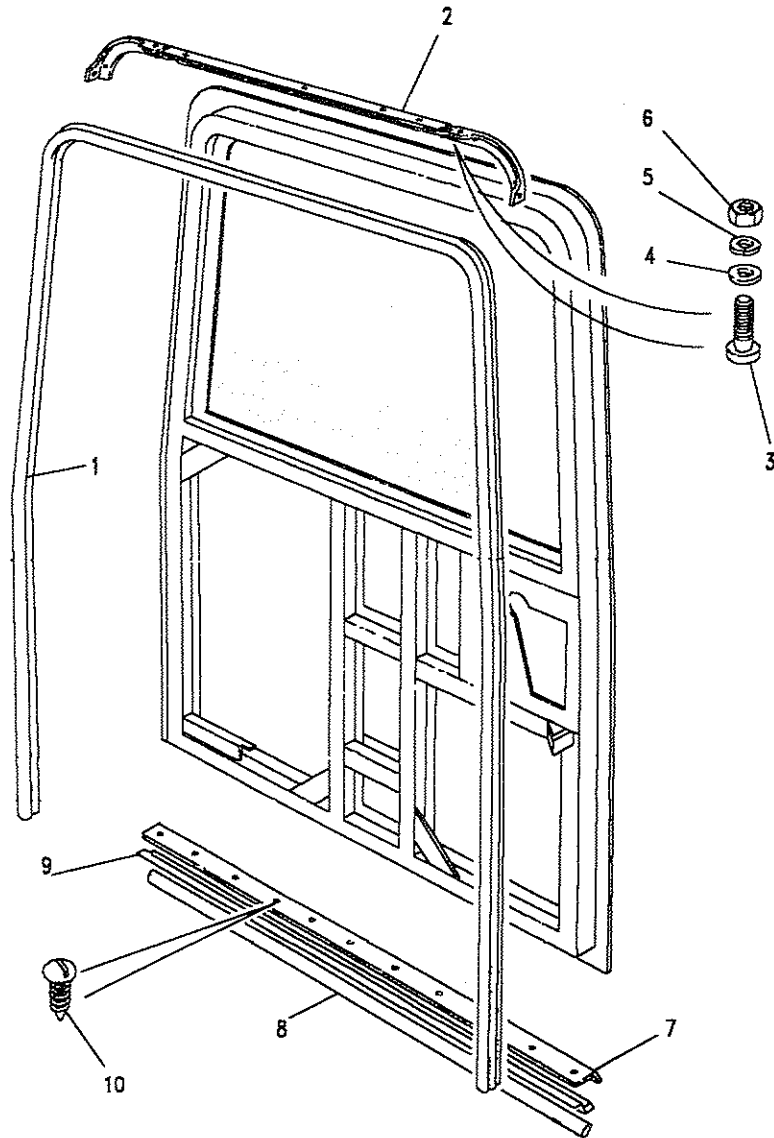
BODY - REAR END DOOR

III. Part No.	Description	Qty	Remarks
1	MUC1961	1	Stud plate
2	MXC1790	1	Torsion bar and collar
3	MWC6450	1	Bracket pivot
4	AFU1080	2	Washer plain
5	WL106001L	2	Washer spring
6	NH106041L	2	Nut
7	MWC5759	1	Buffer rubber
8	MXC5575	1	Checklink
9	MXC2044	1	Bracket mounting
10	78248	2	Rivet
11	MXC2047	1	Bracket pivot
12	FS108207L	2	Screw
13	WL108001L	2	Washer spring
14	306564	1	Pin clevis
15	2393	1	Pin split

Fixings for MXC5575

16	MXC5549	1	Bolt shouldered
17	WA108051L	1	Washer plain
18	WA106041L	1	Washer plain
19	NY106041L	1	Nut





Model DEFENDER 90
Page ADNMG5A

BODY - SEALS - REAR END DOOR

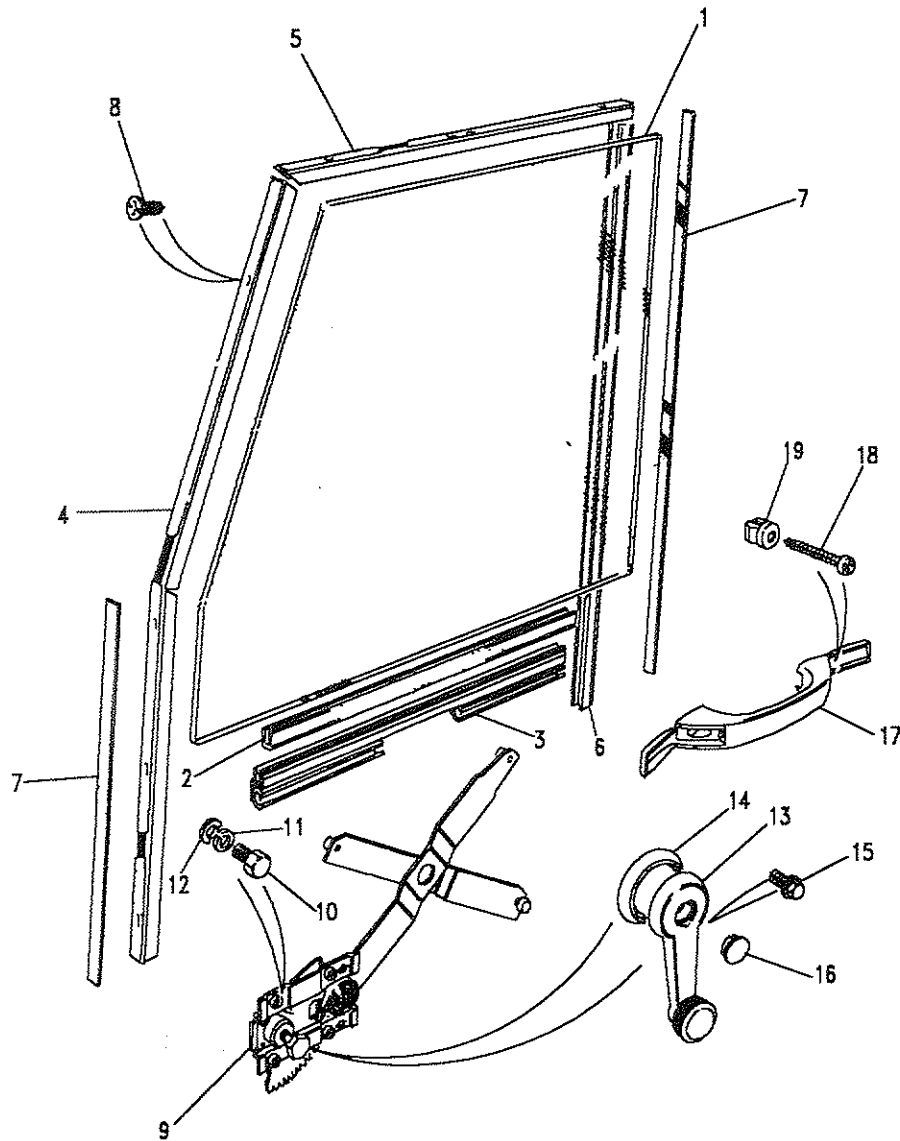
III. Part No.	Description	Qty	Remarks
1 MTC4111	Seal rear end door	1	Up to LA935726
ALR4929	Seal rear end door	1	From LA935727
2 MTC4290	Retainer seal	1	
3 SE105161L	Screw	9	
4 AFU1256	Washer plain	9	
5 WL105001L	Washer spring	9	
6 NH105041L	Nut	9	
RU612373L	Rivet	9)Alternative
AFU1256	Washer plain	9)Fixings
7 333203	Protector	1	
8 ALR4770	Seal	1	
9 ALR4769	Retainer seal	1	
10 AB606057	Screw	7	



Model DEFENDER 90

Page ADNXHA1A

BODY - FRONT DOOR - GLASS AND WINDOW REGULATOR



III. Part No. Description Qty Remarks

Up to AA270227, AA270484, & AA271214

Part No.	Description	Qty	Remarks
1	MTC7825 Glass clear	2	
	MTC7826 Glass tinted	2	
2	MUC1713 Glazing rubber-lift chnrl	2	
3	MTC8477 Channel window lift	2	
4	MUC4071 Channel vertical front	2	
5	MTC8468 Channel top	2	
6	MUC4072 Channel vertical rear	2	
7	MUC4073 Shim channel adjustment	A/R	
8	AC606031L Screw	22	
	AC606041L Screw	4	
9	MUC3024 Regulator front RH	1	
	STC1460 Kit conversion RH	1	Note(1)
	MUC3025 Regulator front LH	1	
	STC1461 Kit conversion LH	1	Note(1)
10	SH106101L Screw	8	
11	WL106001L Washer spring	12	
12	WA106001L Washer plain	12	
	NH106041L Nut	4	

Note(1) Contains all parts required to convert to new style regulators



Model DEFENDER 90

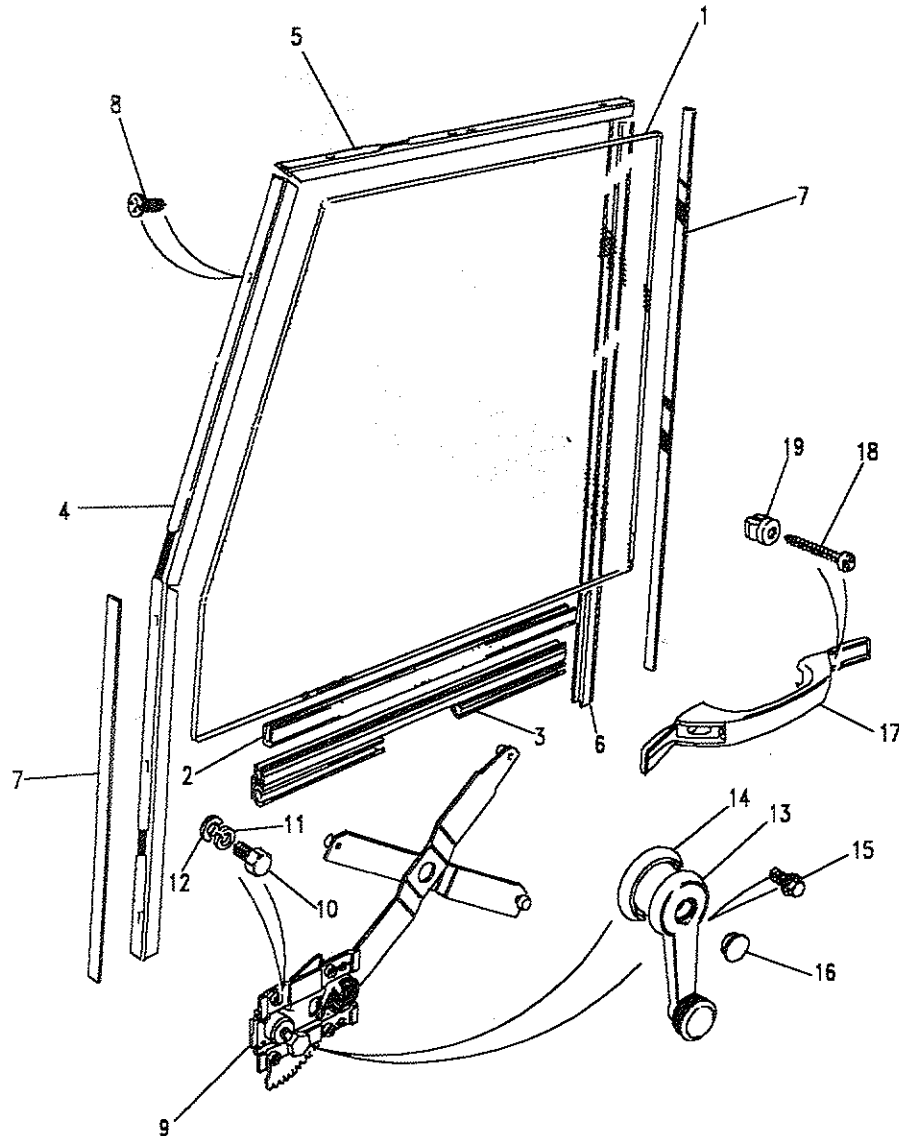
Page ADNXA1A

BODY - FRONT DOOR - GLASS AND WINDOW REGULATOR

III. Part No. Description Qty Remarks

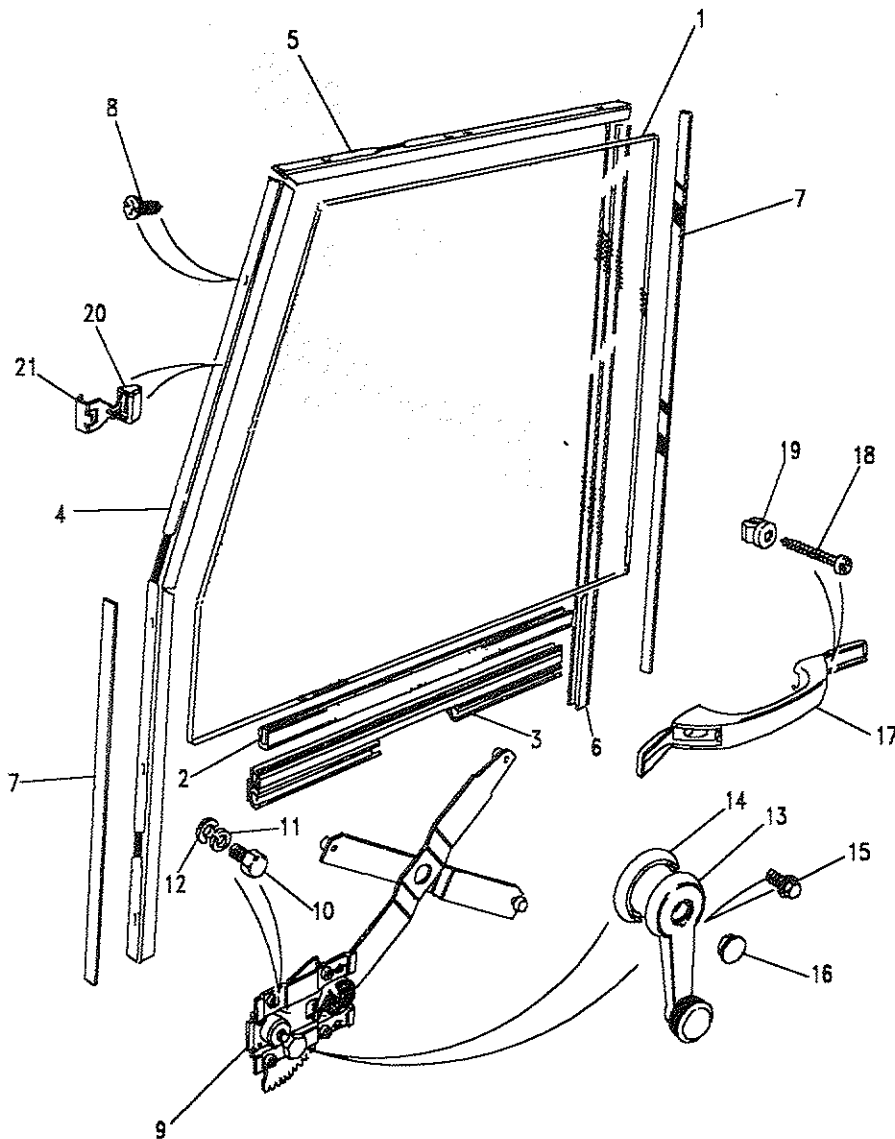
Up to AA270227, AA270484, & AA271214

13	RTC3939PA	Handle window regulator	2
14	JPC9023PMA	Escutcheon	2
15	ADU5727L	Screw	2
16	RTC3940PA	Cover handle	2
17	YGA451L	Door pull	2
18	AB610081L	Screw	4
19	CZK3264L	Nut lokut	4



Model DEFENDER 90
 Page ADNXHA2A

BODY - FRONT DOOR - GLASS AND WINDOW REGULATOR

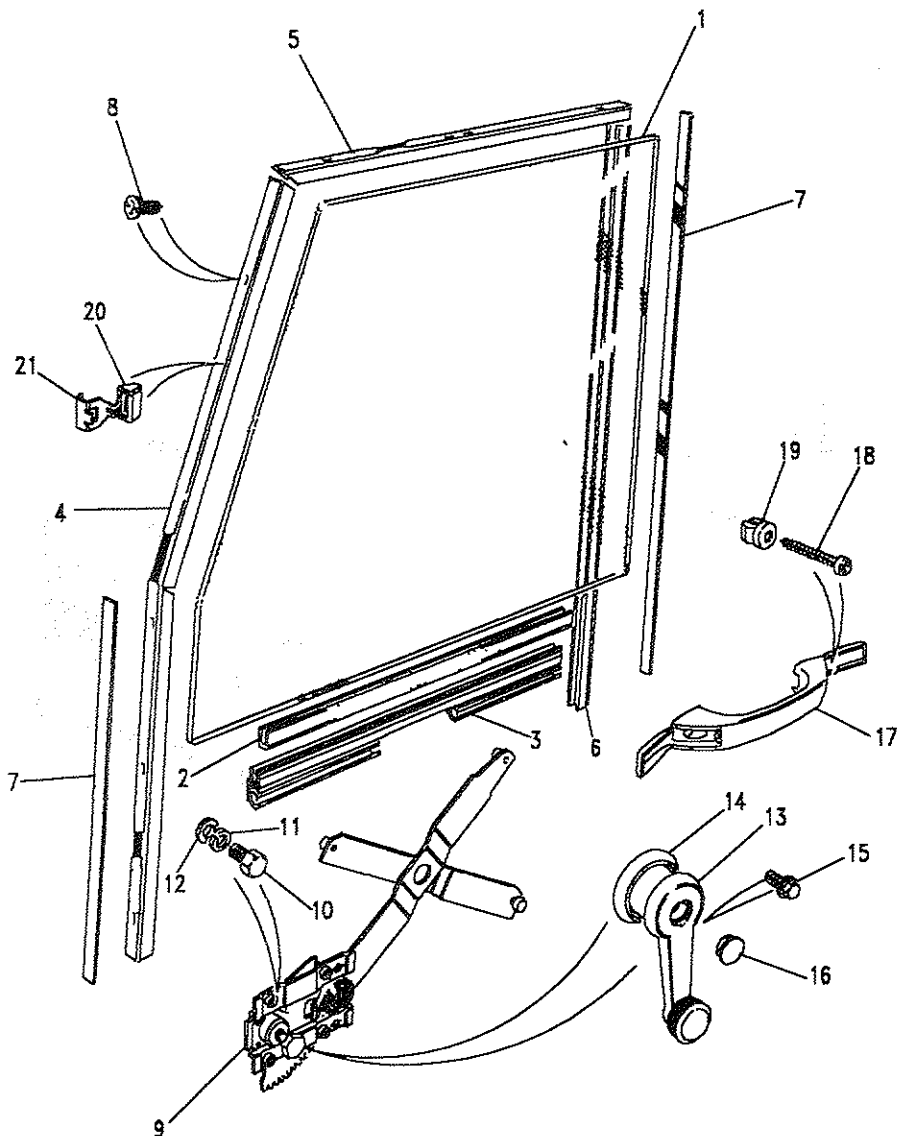


III. Part No. Description Qty Remarks

From AA270227, AA270484, & AA271214

Part No.	Description	Qty	Remarks
1	MTC7825 Glass clear	2	Note(1)
	MTC7826 Glass tinted	2	Note(1)
	MWC4720 Glass clear	2	Note(2 & 3)
	ALR4773 Glass clear RH	1)
	ALR4771 Glass clear LH	1)Note(4)
	MWC4721 Glass tinted	2	Note(2 & 3)
	ALR4774 Glass tinted RH	1)
	ALR4772 Glass tinted LH	1)Note(4)
2	MUC1713 Glazing rubber-lift chnnl	2	Note(1)
	MWC4763 Glazing rubber-lift chnnl	2	Note(2)
3	MTC8477 Channel window lift	2	
4	MUC4071 Channel vertical front	2	Note(1)
	MXC5829 Channel vertical front	2	Note(2)
5	MTC8468 Channel top	2	Note(1)
	MXC5832 Channel top	2	Note(2)
6	MUC4072 Channel vertical rear	2	Note(1)
	MXC5836 Channel vertical rear	2	Note(2)
7	MUC4073 Shim channel adjustment	A/R	
8	AC606031L Screw	22	
	AC606041L Screw	4	

Note(1) 5mm Glass-Upto VIN 340456 Regular, VIN 344187 Station Wagon
 Note(2) 4mm Glass-From VIN 340457 Regular, VIN 344188 Station Wagon
 Note(3) Up to LA932528
 Note(4) From LA932529



Model DEFENDER 90
Page ADNXHA2A

BODY - FRONT DOOR - GLASS AND WINDOW REGULATOR

iii. Part No.	Description	Qty	Remarks
From AA270227, AA270484, & AA271214			
9	MUC3024	1	Note(1)
	ALR4533	1	Note(2)
	STC1460	1	Note(3)
	MUC3025	1	Note(1)
	ALR4532	1	Note(2)
	STC1461	1	Note(3)
10	SH106101L	8	Screw
11	WL106001L	8	Washer spring <i>MC</i>
12	WA106001L	8	Washer plain
13	RTC3939PA	2	Note(1)
	DBP6287PMA	2	Note(2)
	BNP4556L	2	Clip retaining
	ALR5821	2	Note(1)
14	JPC9023PMA	2	Note(1)
	BTR6620PMA	2	Note(2)
15	ADU5727L	2	Screw
16	RTC3940PA	2	Cover handle
17	YGA451L	2	Door pull
18	AB610081L	4	Screw
19	RTC3748	4	Nut lokut
20	MWC4370	2	From 305304
21	MWC4371	2	From 305304
	ALR6219	4	Clip window guide

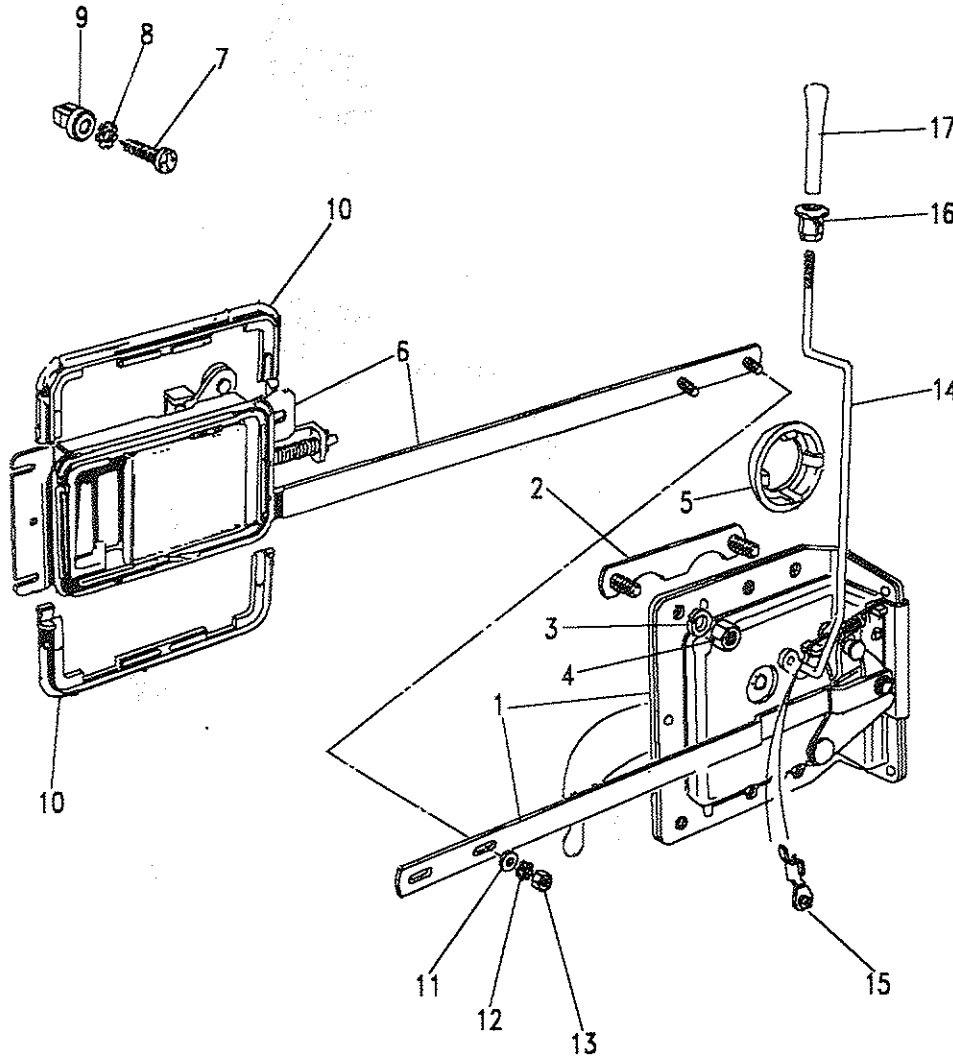
Note(1) Up to LA932528
Note(2) From LA932529
Note(3) Contains all parts required to convert to new style regulators



Model DEFENDER 90

Page ADNHE1A

BODY - FRONT DOORS - LOCK MECHANISM



Ill. Part No.	Description	Qty	Remarks
Up To DVAD7AA270227, DVAC7AA270484, & DVAV7AA271214.			
1	MUC2290	1	Latch door RH Upto 242961
	MUC2291	1	Latch door LH Upto 242961
	MUC6979	1	Latch door RH From 242962
	MUC6980	1	Latch door LH From 242962
	MUC4146	2	Barrel lock and keys
	MUC4145	A/R	Key Blank
2	MTC5536	4	Stud plate
3	WL106001L	8	Washer spring
4	NH106041L	8	Nut
5	MUC3360	2	Escutcheon
6	MUC3656	1	Remote control RH
	MUC3657	1	Remote control LH
7	AB608061L	6	Screw
8	WE105001L	6	Washer shakeproof
9	CZK3264L	6	Nut lokut
	AB606031L	2	Screw
10	CZA2259L	4	Bezel
11	WA104001L	4	Washer plain
12	WE104001L	4	Washer shakeproof
13	NH104041L	4	Nut
14	MUC4214	1	Link sill button RH
	MUC4215	1	Link sill button LH
15	BHA4705L	2	Clip linkage
16	ADU3307L	2	Grommet
17	RTC3934AV	2	Button sill-Brushwood
	EAM5563PMA	2	Button sill-Black No longer serviced



Model DEFENDER 90
Page ADNXHE2A

BODY - FRONT DOORS - LOCK MECHANISM

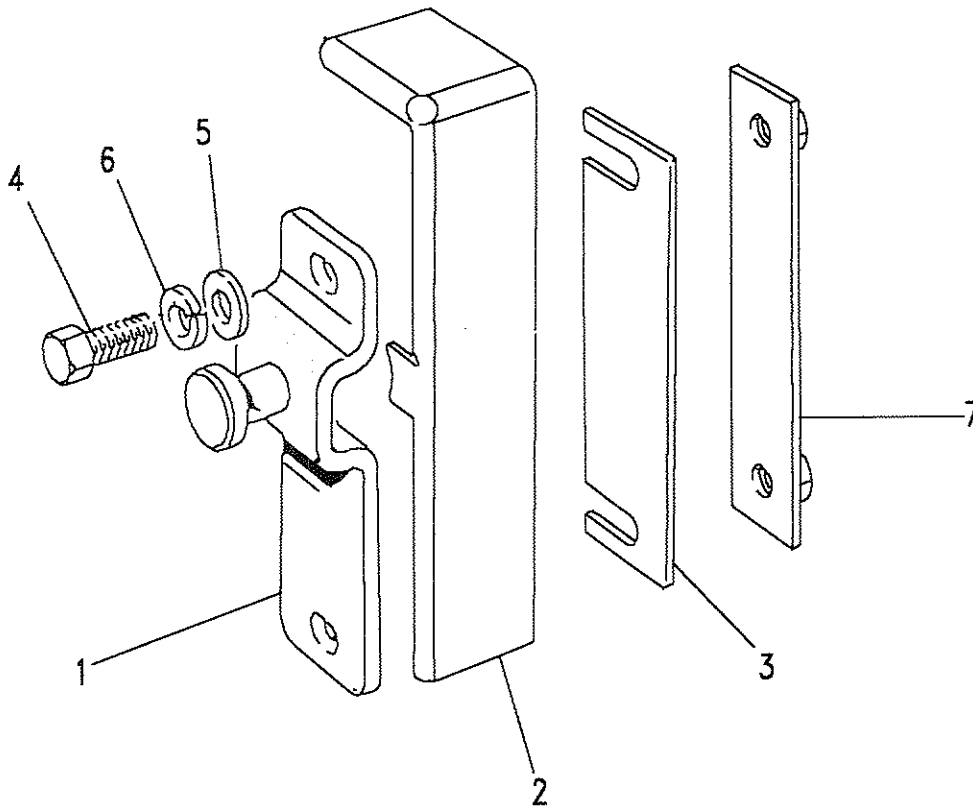
III. Part No. Description Qty Remarks

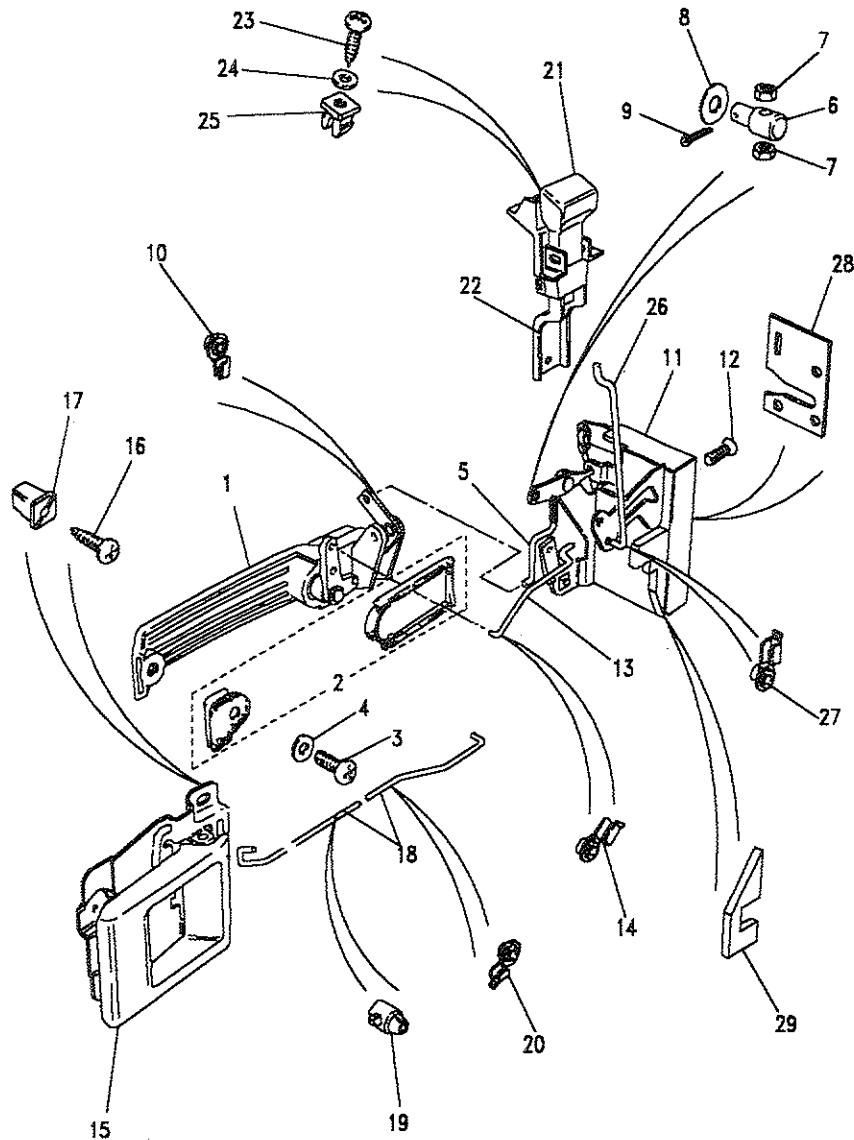
From DVAD7AA270227, DVAC7AA270484, & DVAV7AA271214

1	MUC2959	Striker lock	2
2	MUC4202	Shroud RH	1
	MUC4203	Shroud LH	1
3	MUC3038	Shim 0.7mm	A/R
	MUC3039	Shim 1.2mm	A/R
4	FS108207L	Screw	4
5	WA108051L	Washer plain	4
6	WL108001L	Washer spring	4
7	MUC2961	Nut plate	2

Non Station Wagon

	MWC1736	Bracket support RH	1
	MWC1737	Bracket support LH	1
	FS106167L	Screw	4
	WL106001L	Washer spring	4
	AFU1259	Washer plain	4
	MUC2965	Nut plate	2
	MUC1049	Stud plate	2
	AFU1257	Washer plain	4
	WL106001L	Washer spring	4
	NH106041L	Nut	4





Model DEFENDER 90
Page ADNXHE3A

BODY - FRONT DOOR - LOCK MECHANISM

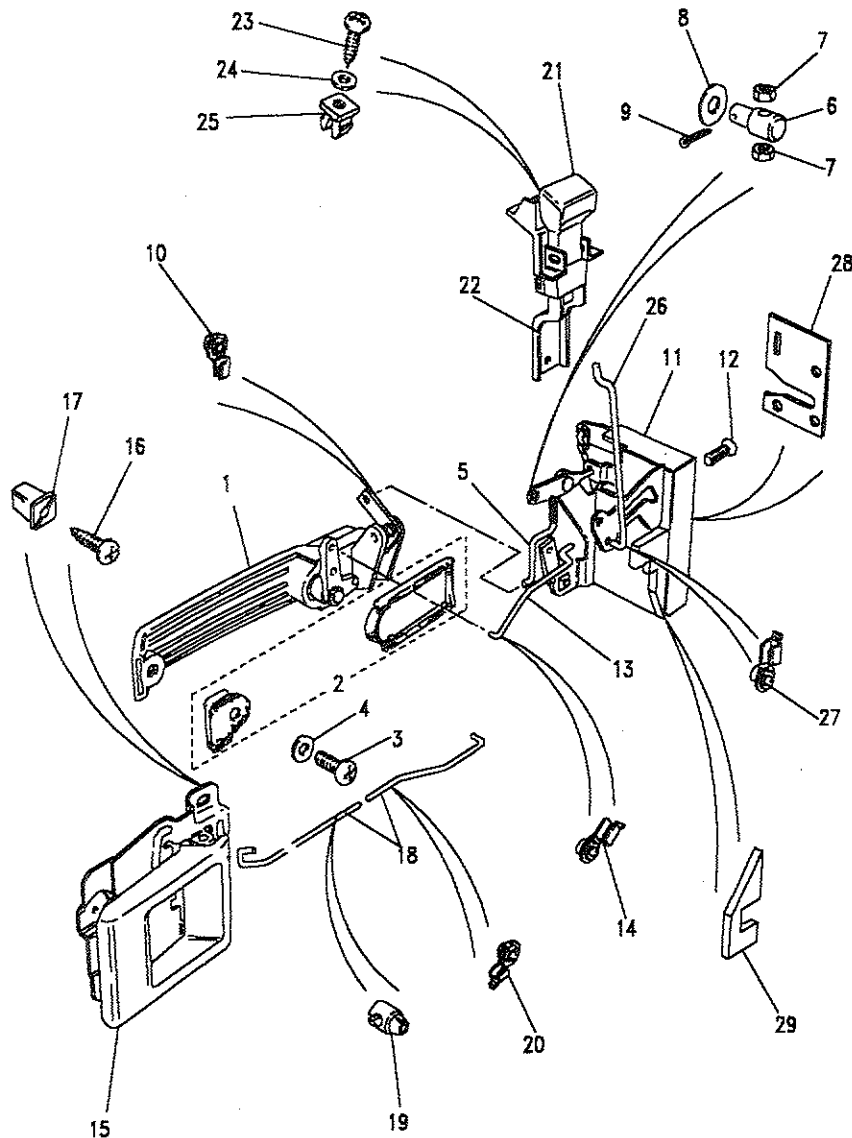
III. Part No.	Description	Qty	Remarks
From DVAD7AA270227, DVAC7AA270484, & DVAV7AA271214			
1	MXC7652	1	Handle door outer RH
	MXC7651	1	Handle door outer LH
			Barrel lock and keys
			Key blank
2	STC617	2	Gasket kit
3	SE105101L	4	Screw
4	WA105001L	4	Washer plain
	WC105001L	4	Washer plain
5	MWC4846	1	Link RH
	MWC4847	1	Link LH
6	MWC4850	2	Adjuster
	ALR4065	2	Adjuster threaded
7	NH104041L	4	Nut
8	MRC5525	2	Washer plain
9	PS603041L	2	Pin split
	PS103101L	2	Pin split
10	634604	4	Clip linkage
	BRC1393	4	Clip linkage
11	MWC1476	1	Latch door RH
	MWC1477	1	Latch door LH
12	SF106161L	6	Screw
13	MWC1480	1	Link RH
	MWC1481	1	Link LH
14	634604	2	Clip linkage
	BRC1393	2	Clip linkage
15	DBP5840PMA	1	Handle door inner rh
	DBP5841PMA	1	Handle door inner LH

Note(1) Refer to page 861



Model DEFENDER 90
Page ADNHE3A

BODY - FRONT DOOR - LOCK MECHANISM



III. Part No.	Description	Qty	Remarks
16	MUC3394	4	Screw sems
17	MWC1950	4	Nut lokut
18	MWC1486	1	Link RH
	MWC1487	1	Link LH
19	CRC1250L	2	Clip support
20	BFP1265L	2	Clip linkage
21	JRC1775PMA	2	Button sill
22	BRC8965	2	Housing
23	AB606041L	4	Screw
24	WA104001L	4	Washer plain
25	MWC1950	4	Nut lokut
26	MWC1484	2	Link sill button
	ALR6224	2	Link sill button
27	BFP1265L	2	Clip linkage
28	MXC8222	1	Gasket-door lockface RH
	MXC8223	1	Gasket-door lockface LH
29	MXC8224	1	Seal-lock aperture RH
	MXC8225	1	Seal-lock aperture LH





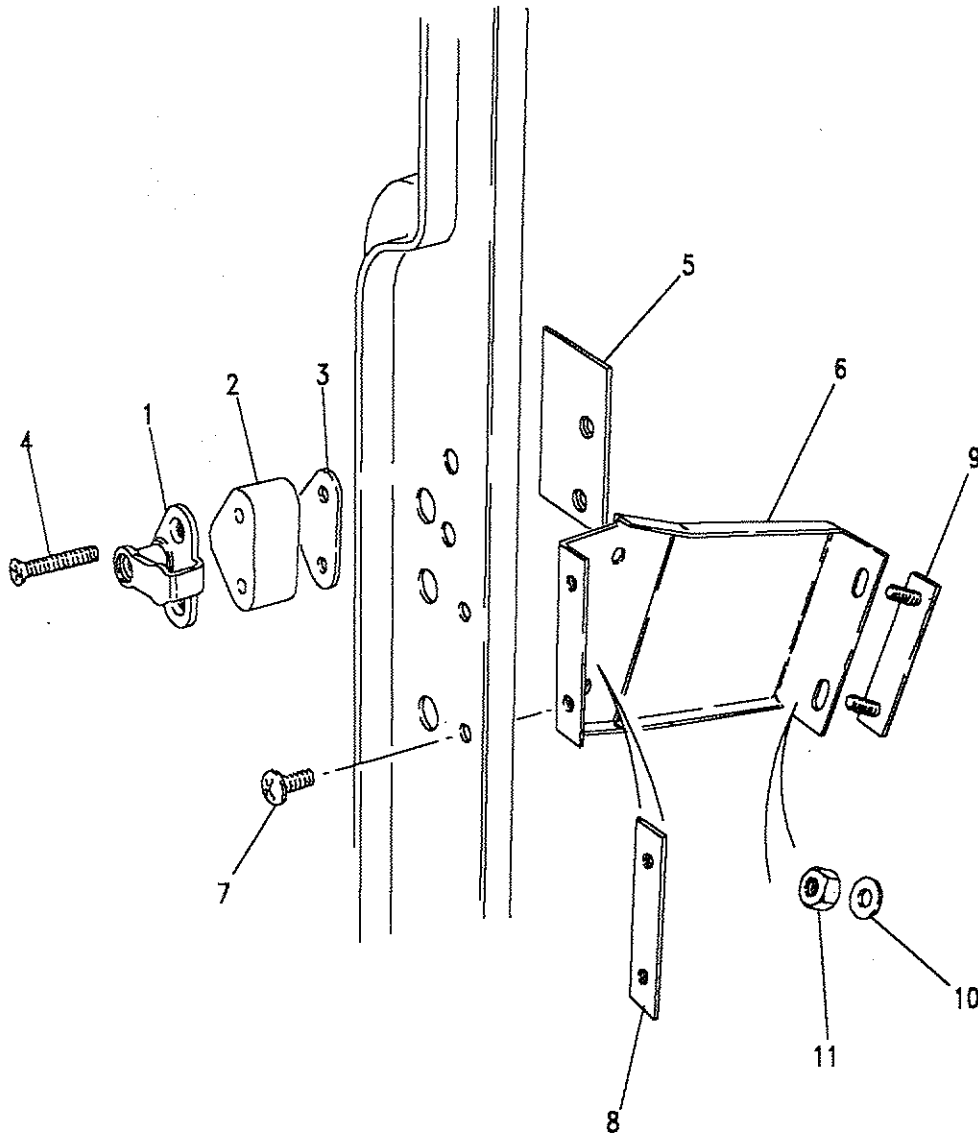
Model DEFENDER 90
Page ADNHE4A

BODY - FRONT DOORS - LOCK MECHANISM

III. Part No. Description Qty Remarks

From DVAD7AA270227, DVAC7AA270484, & DVAV7AA271214

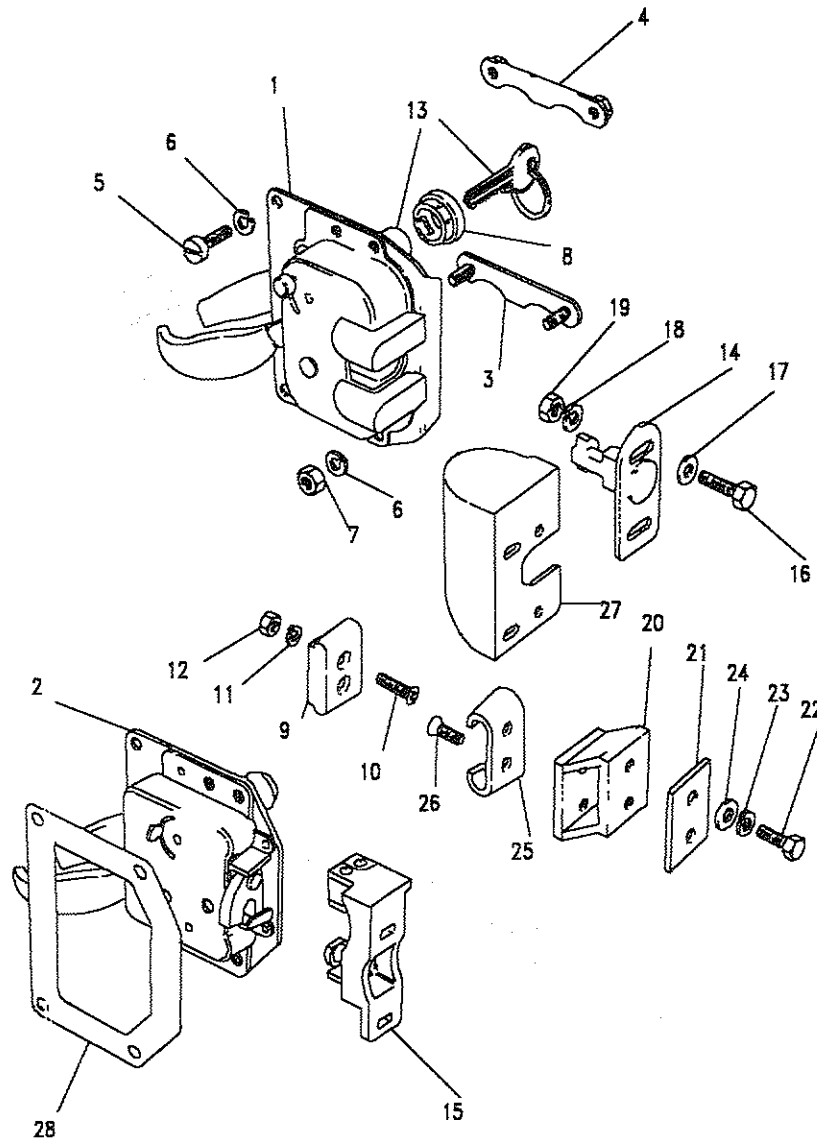
Part No.	Description	Qty	Remarks
1	MUC8526 Striker lock	2	
2	MUC7809 Spacer	2	
3	MWC3148 Packing piece	A/R	
4	SF106401 Screw	4	Upto HA482027
	MXC9689 Screw torx M6x40	4	From HA482028
5	MWC1812 Reinforcement RH	1	
	MWC1813 Plate reinforcing	1	
6	MWC1736 Bracket support RH	1	
	MWC1737 Bracket support LH	1	
7	SE106161L Screw	4	
8	MRC9431 Nut plate	2	
9	MUC1049 Stud plate	2	
10	WA106041L Washer plain	4	
11	NH106041L Nut	4	





Model DEFENDER 90
Page ADNXH11A

BODY - REAR END DOOR



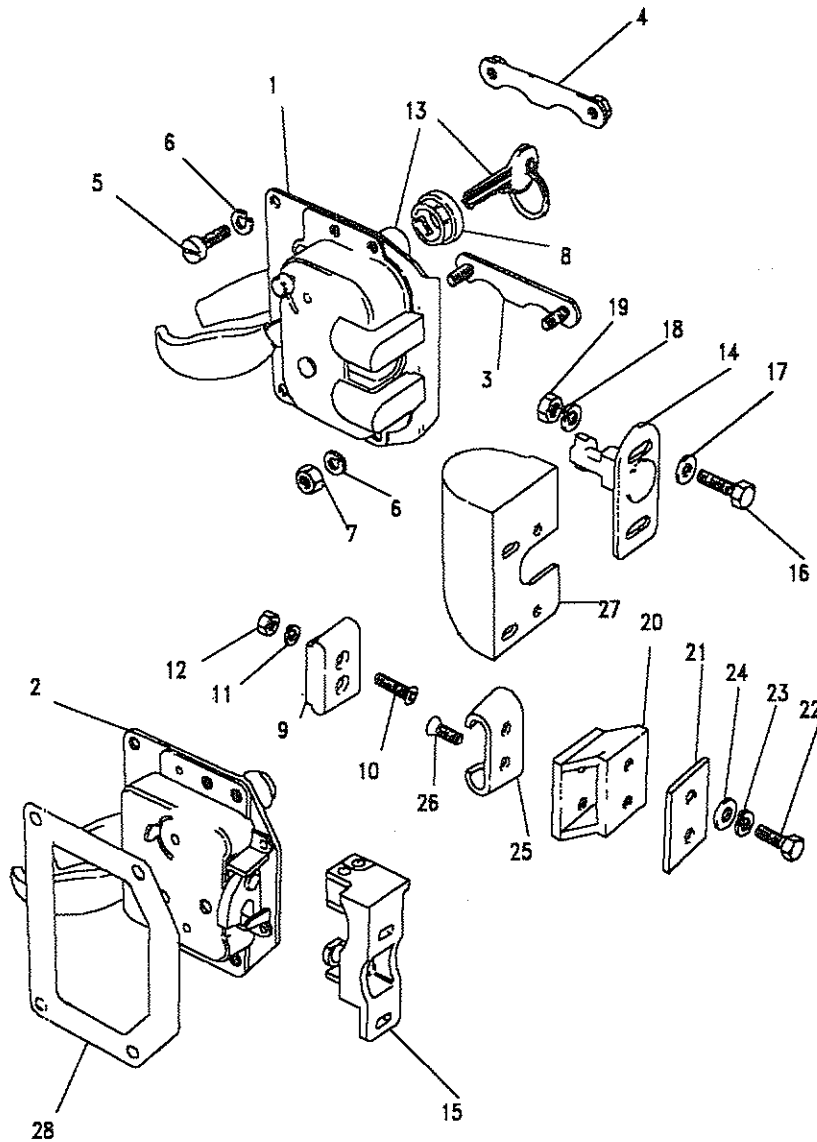
III. Part No.	Description	Qty	Remarks
1	MUC1030	1	Upto 314173
2	395037	1	From 314174
3	MRC9416	1	
4	MRC9417	1	
5	SE106161L	2	
6	WL106001L	4	
7	NH106041L	2	
8	347151	1	
9	332942	1	Upto KA929577
10	SA106251	2	Upto KA929577
11	WL106001L	2	Upto KA929577
12	NH106041L	2	Upto KA929577
13			Barrel lock and keys
			Key Blank
14	MRC8444	1	Upto 314173
15	395294	1	From 314174
			Upto KA929577
			From KA929578
	ALR4652	1	Striker lock
	395078	A/R	Shim
	MWC3312	1	Bracket reinforcement
			From 289409
16	SH106351L	2	Screw
17	AFU1259	2	Washer plain
18	WL106001L	2	Washer spring
19	NH106041L	2	Nut
20	MRC9619	1	Spacer
21	305232	2	Shim
22	FS106201L	2	Flange screw
23	WL106001L	2	Washer spring
24	AFU1080	2	Washer plain
			Upto KA929577





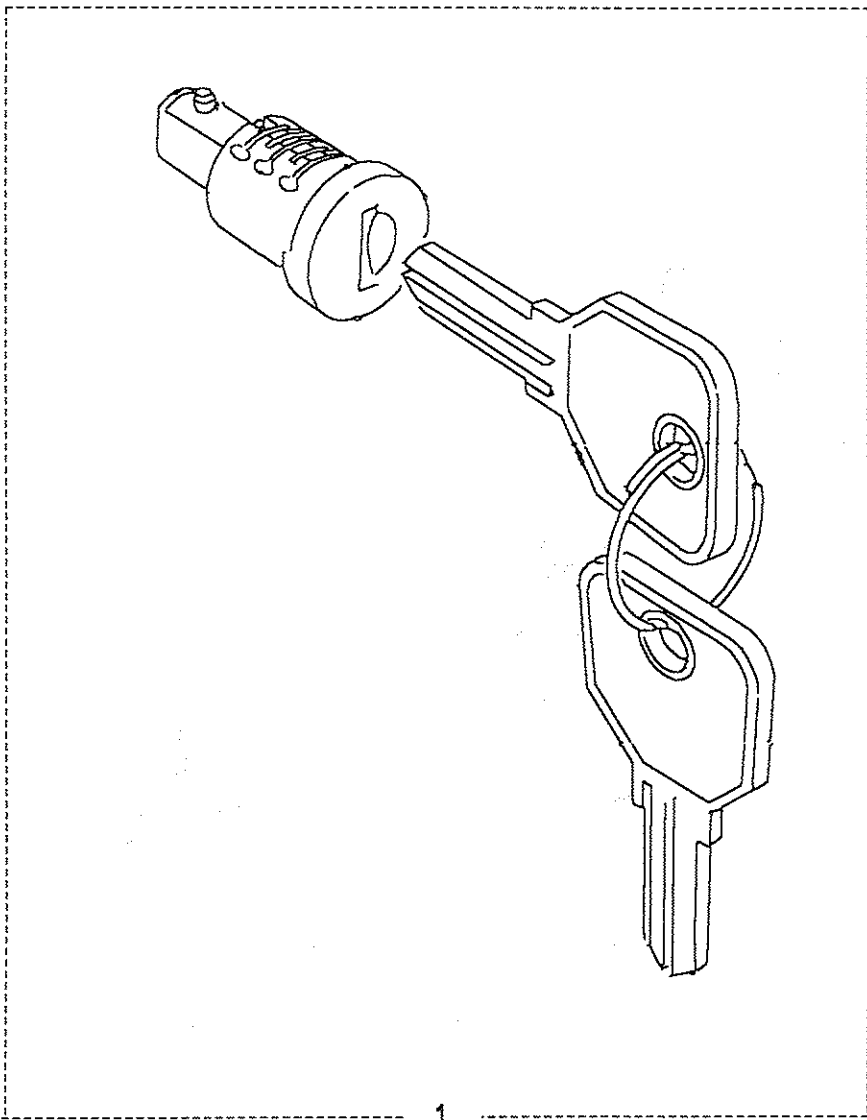
Model DEFENDER 90
Page ADNXH11A

BODY - REAR END DOOR



III. Part No.	Description	Qty	Remarks
25 332147	Dovetail female	1	Upto KA929577
26 SA106161	Screw	2	Upto KA929577
27 MRC9006	Shroud	1	
28 MXC9455	Seal	1	
MTC7155	Cover lock/dovetail	1	Germany





Model DEFENDER 90
Page ADNXXHK1A

BODY - BARREL LOCK AND KEYS

III. Part No. Description Qty Remarks

Spanish Locks-'Faica/Santana'-Front doors-Upto Note(1)

1 MUC4146 Barrel lock and keys 2
MUC4145 Key blank A/R

Basic Locks

1 RTC3022 Barrel lock and keys 1
MTC6503 Barrel locks and keys 1 2 barrels/2 keys
MTC6504 Barrel locks and keys 1 3 barrels/2 keys
MTC6505 Barrel locks and keys 1 4 barrels/2 keys
MTC6506 Barrel locks and keys 1 5 barrels/2 keys
MTC6507 Barrel locks and keys 1 6 barrels/2 keys
CZK3438L Key blank A/R FT series

Rear end door - From 314174

1 395141 Barrel lock and keys 1
17H2475L Key blank A/R FS series

Tailboard side hinged with lock 395041

1 395141 Barrel lock and keys 1
17H2475L Key blank A/R FS series

Note(1) SALLDVAD7AA270227, SALLDVAC7AA270484, & SALLDVAV7AA271214

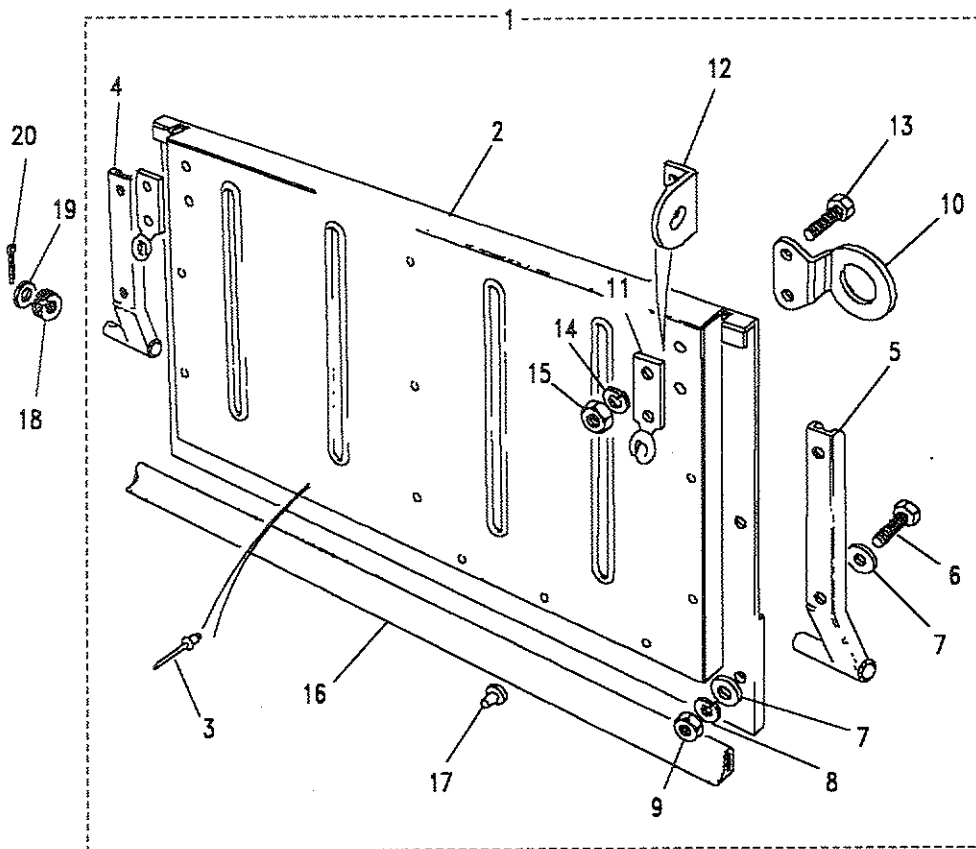
Note(2) Rear end door prior to 314174 fitted with basic lock



Model DEFENDER 90

Page ADNIA1A

BODY - TAILBOARD - LOWER HINGED



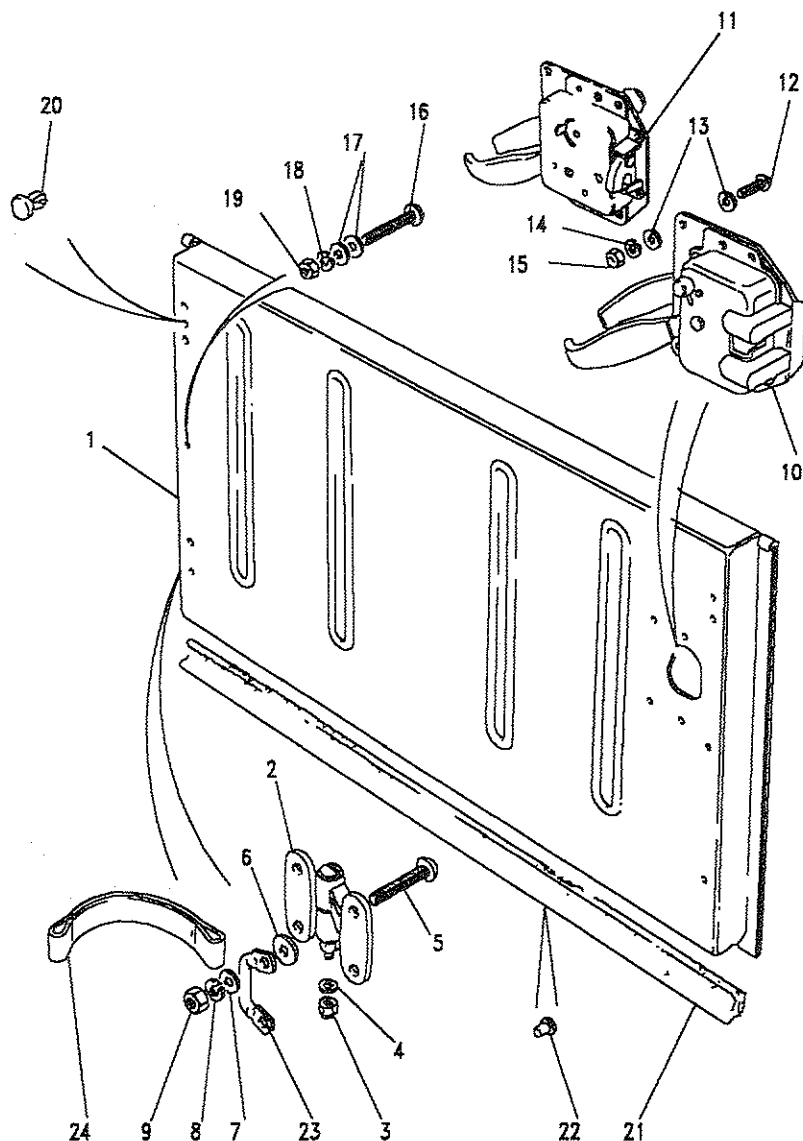
III. Part No.	Description	Qty	Remarks
1	320604	1	Note(1)
2	345915	1	Note(1)
1	MUC8736	1	Note(2)
2	MUC8737	1	Note(2)
3	78248	17	
	RR612063	8	
4	MUC8740	1	
5	MUC8741	1	
6	BH106111L	4	
7	MRC5528	10	
8	WL106001L	4	
9	NH106041L	4	
10	MUC8746	2	
11	332445	1	Note(1)
	332446	1	Note(1)
12	MUC8738	1	Note(2)
	MUC8739	1	Note(2)
13	BH106111L	4	
14	WL106001L	4	
15	NH106041L	4	
16	303975	1	
17	78321	8	
18	WS600091	1	
19	WA600091L	1	
20	PS612080	1	

Note(1) Chain retained tailboard
 Note(2) Cable retained tailboard



Model DEFENDER 90
Page ADNIA2A

BODY - TAILBOARD - SIDE HINGED



III. Part No.	Description	Qty	Remarks
1	MUC8707 Tailboard	1	
2	346341 Hinge	2	
3	257450 Nut capped	2	
4	WA106041L Washer plain	2	
5	SE108601 Screw	4	
6	WC108051L Washer plain	1	
7	WA108051L Washer plain	2	
8	WL108001L Washer spring	4	
9	NY108041L Nut	4	
10	MUC1028 Lock	1	Note(1)
11	395041 Lock	1	Note(1)
	Barrel lock and keys		Note(2)
	Key blank		Note(2)
12	SE106201L Screw	4	
13	WA106041L Washer plain	10	
14	WL106001L Washer spring	4	
15	NY106041L Nut	4	
16	SE106501 Screw	5	Redundant holes
17	WA106041L Washer plain	10	
18	WL106001L Washer spring	5	
19	NY106041L Nut	5	
20	79086 Rivet	1	Redundant holes
21	303975 Seal	1	
22	RT612283 Rivet	8	
23	MTC7523 Cleat	1	
24	398776 Check strap	1	

Note(1) Alternatives - check before ordering
Note(2) Refer to page 861

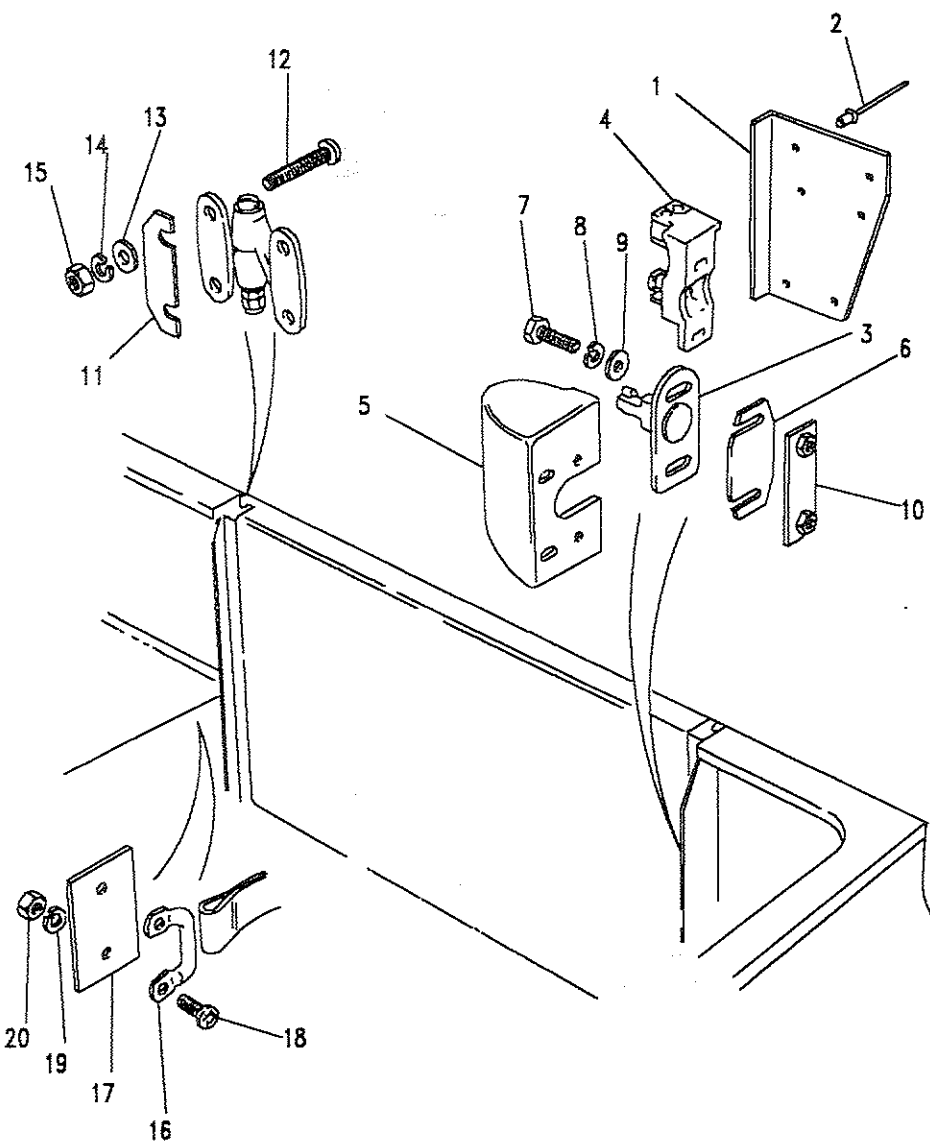


Model DEFENDER 90
 Page ADNIA3A

BODY - TAILBOARD - SIDE HINGED

III. Part No.	Description	Qty	Remarks
1	MUC9154	1	Corner bracket RH
	MUC9155	1	Corner bracket LH
2	78248	5	Rivet
3	MRC8444	1	Striker lock
4	395294	1	Striker lock
	ALR4652	1	Striker lock
5	MRC9006	1	Shroud
6	347594	A/R	Shim
7	SH106351L	2	Screw
	FS106201L	2	Flange screw
8	WL106001L	2	Washer spring
9	WA106041L	2	Washer plain
	AFU1259	2	Washer plain
10	MRC9431	1	Nut plate
11	395463	1	Plate cover
12	SE108251	4	Screw
13	WA108051L	4	Washer plain
14	WL108001L	4	Washer spring
15	FN108041L	4	Nut

Note(1) Use with Lock MUC1028
 Note(2) Use with Lock 395041
 Note(3) Use with Striker MRC8444
 Note(4) Use with Striker 395294

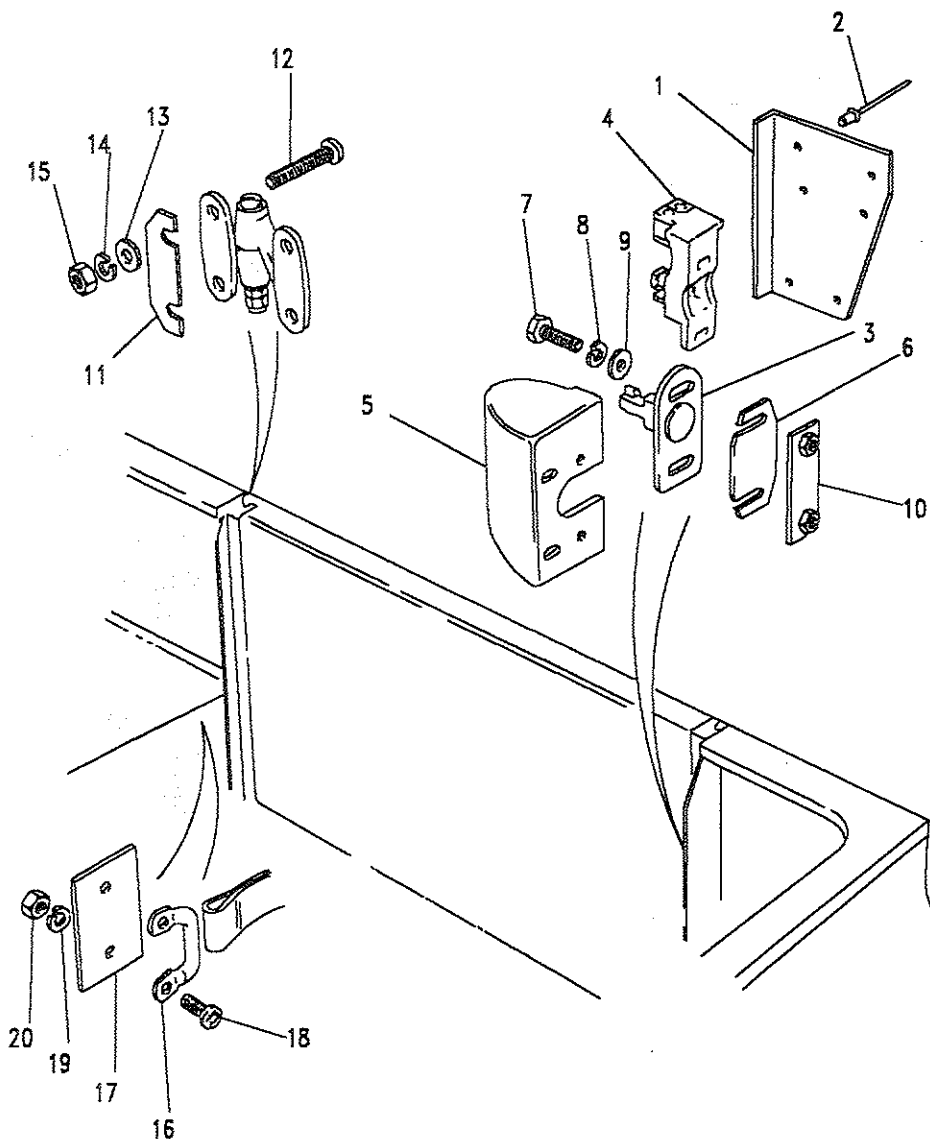




Model DEFENDER 90
Page ADNIA3A

BODY - TAILBOARD - SIDE HINGED

III. Part No.	Description	Qty	Remarks
16	MTC7523	1	Cleat
17	MTC7525	1	Plate spreader
18	SE108201L	2	Screw
19	WL108001L	2	Washer spring
20	FN108041L	2	Nut



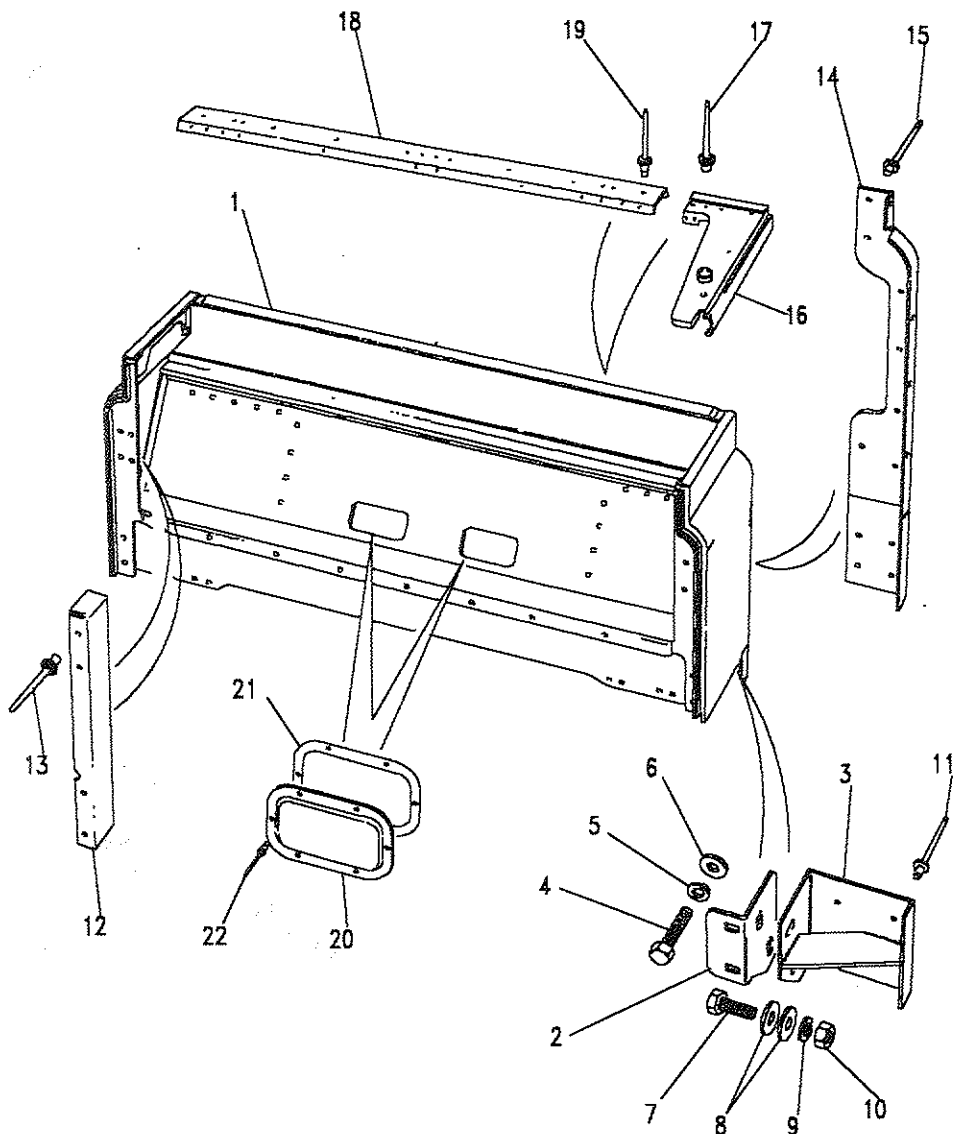


Model DEFENDER 90
Page ADNJA1A

BODY - CAB BASE ASSEMBLY

III. Part No. Description Qty Remarks

III. Part No.	Description	Qty	Remarks
1	MWC9340 Cab base assembly	1	
2	MTC2106 Angle mounting RH	1	
	MTC2107 Angle mounting LH	1	
3	MTC2224 Angle reinforcing RH	1	
	MTC2225 Angle reinforcing LH	1	
4	FS106167L Screw	4	
5	WL106001L Washer spring	4	
6	WA106041L Washer plain	4	
7	FS106167L Screw	4	
8	MRC5527 Washer plain	8	
9	WL106001L Washer spring	4	
10	NH106041L Nut	4	
11	78248 Rivet	8	
12	MWC1820 Stiffener door pillar RH	1	
	MWC1821 Stiffener door pillar LH	1	
13	AFU1350 Monobolt	4	
14	MUC8756 Angle corner protectn LH	1	Up to Jan 1994
	MUC8755 Angle corner protectn RH	1	Up to Jan 1994
	ALR1466 Angle corner protectn LH	1	From Jan 1994
	ALR1467 Angle corner protectn RH	1	From Jan 1994
15	78248 Rivet	26	
16	MWC3321 Capping corner LH	1	
	MWC3320 Capping corner RH	1	
17	78248 Rivet	8	
18	MWC2938 Capping bulkhead	1	
19	RU612373L Rivet	39	
20	MUC6519 Plate cover cab base	2	
21	MWC2129 Gasket	2	
22	78248 Rivet	12	





Model DEFENDER 90

Page ADNXC1A

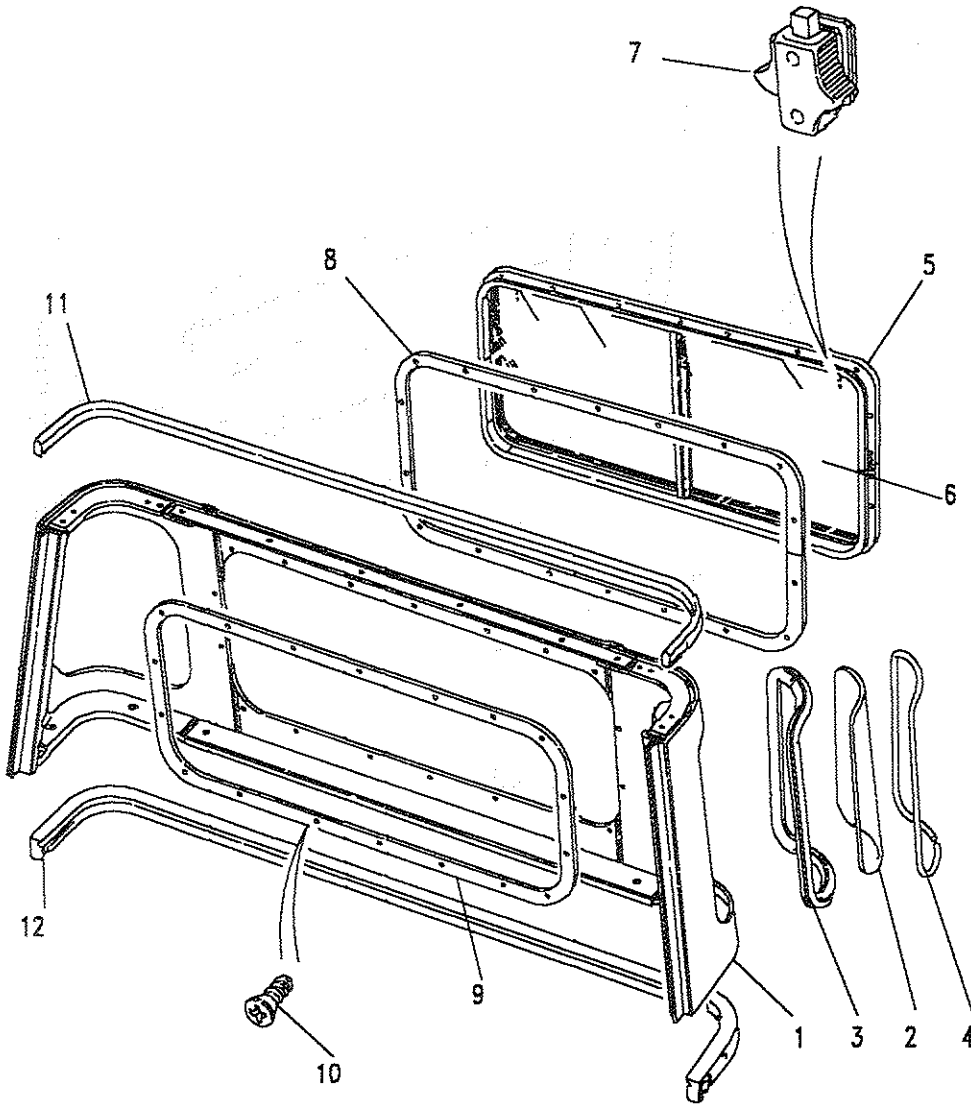
BODY - CAB REAR PANEL

III. Part No.

Description

Qty Remarks

1	RTC6222	Panel rear cab	1	
2	MTC3461	Glass rear quarter RH	1	Note(1)
	MTC3462	Glass rear quarter LH	1	Note(1)
	MWC4710	Glass rear quarter RH	1	Note(2)
	MWC4711	Glass rear quarter LH	1	Note(2)
3	330790	Weatherstrip	2	Note(1)
	MWC4773	Weatherstrip	1	Note(2)
	ALR3966	Glazing strip	1	Upto KA926006
	330791	Fillerstrip	2	From KA926007
4	MTC5197	Window assembly	1	Note(1)
5	MTC6544	Glass sliding	2	
6	MTC6544	Glass sliding	2	
7	AEU2805	Catch LH	1	
	AEU2806	Catch RH	1	
5	ALR5080	Window assembly	1	
6	MWC4726	Glass sliding	2	
7	MWC7625	Catch LH	1	
	MWC7648	Catch RH	1	
	MWC7620	Felt sliding glass	2	
	MWC7652	Seal draught rail	1	



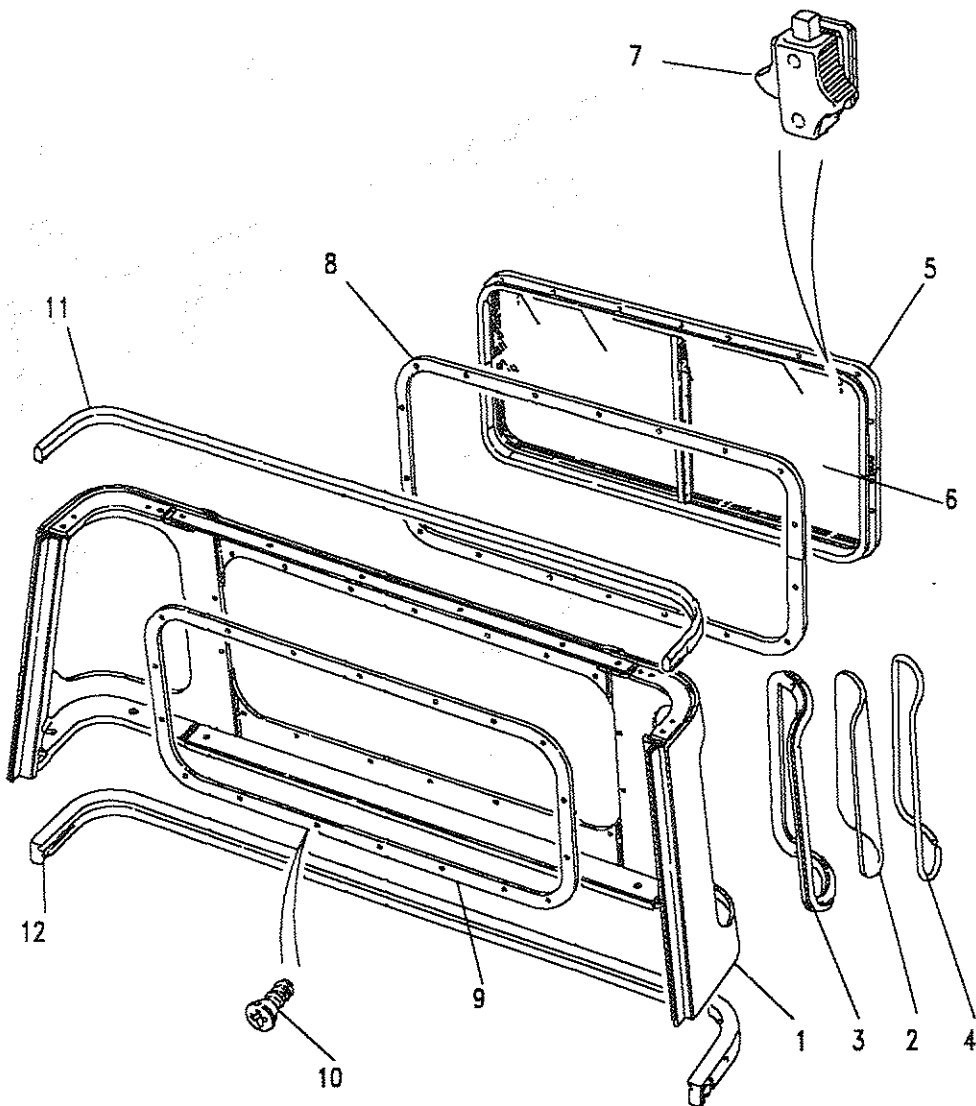
Model DEFENDER 90
Page ADNXC1A

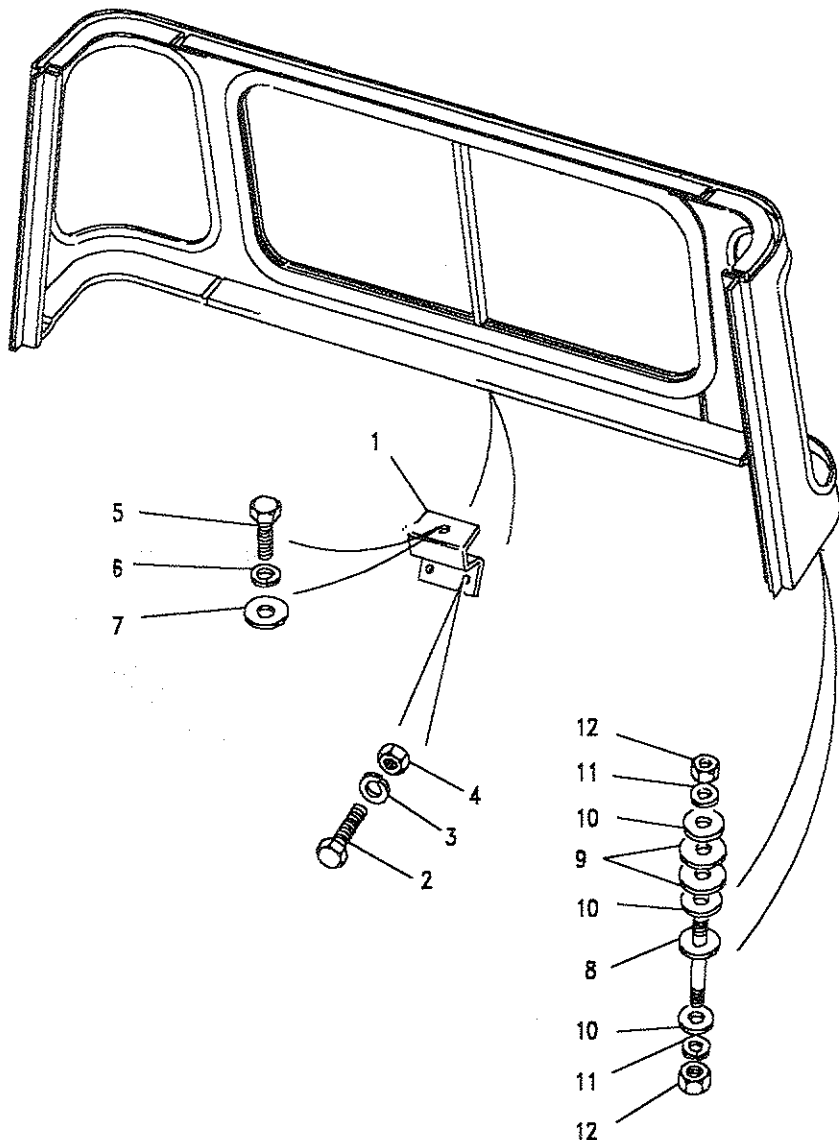
BODY - CAB REAR PANEL

III. Part No.	Description	Qty	Remarks
8	MTC6233	1	Upto 308446
	MWC7641	1	From 308447
9	MTC6232	1	Upto KA930143
10	AS604044	18	Upto KA930143
	RU610253	18	From KA930144
11	334614	1	Seal upper
12	333486	1	Upto HA479307
	ALR1161	1	From HA479308
			Upto KA925389
			From KA925390
	ALR5057	1	Seal waist

Finisher - Top corner flanges of panel rear cab
MTC7513 Strip edging A/R

Note(1) 5mm Glass - Upto 340456
Note(2) 4mm Glass - From 340457





Model DEFENDER 90
 Page ADNXC2A

BODY - CAB REAR PANEL

III. Part No.	Description	Qty	Remarks
1 336577	Bracket	4	
2 SH106251L	Screw	8	
3 WL106001L	Washer spring	8	
4 NH106041L	Nut	8	
5 SH607091L	Screw	4	
6 WM600071L	Washer spring	4	
7 4580	Washer plain	4	
8 330762	Stud mounting	2	5/16" UNF
9 WP185L	Washer plain	4	
10 3829	Washer plain	6	
11 WM600051L	Washer spring	4	
12 NH605041L	Nut	4	
MUC8928	Stud mounting M8	2)
WP185L	Washer plain	4)
WC112081L	Washer plain	6) Alternative
WL108001L	Washer spring	4)
FN108041L	Nut	4)





Model DEFENDER 90

Page ADNXC1A

BODY - REAR BODY LOWER

III. Part No.

Description

Qty Remarks

1	RTC6280	Body rear lower assembly	1	Up to LA939975
	ALR5985	Body rear lower assembly	1	From MA939976
	ALR5921	Body rear lower assembly	1	90SV
2	RTC6246	Panel front	1	
	ALR5937	Panel front	1	90SV
3	RTC6281	Bodyside & wheelarch RH	1	
	RTC6282	Bodyside & wheelarch LH	1	

90SV Only

ALR5922	Bodyside & wheelarch RH	1
ALR5923	Bodyside & wheelarch LH	1

Without rope cleats

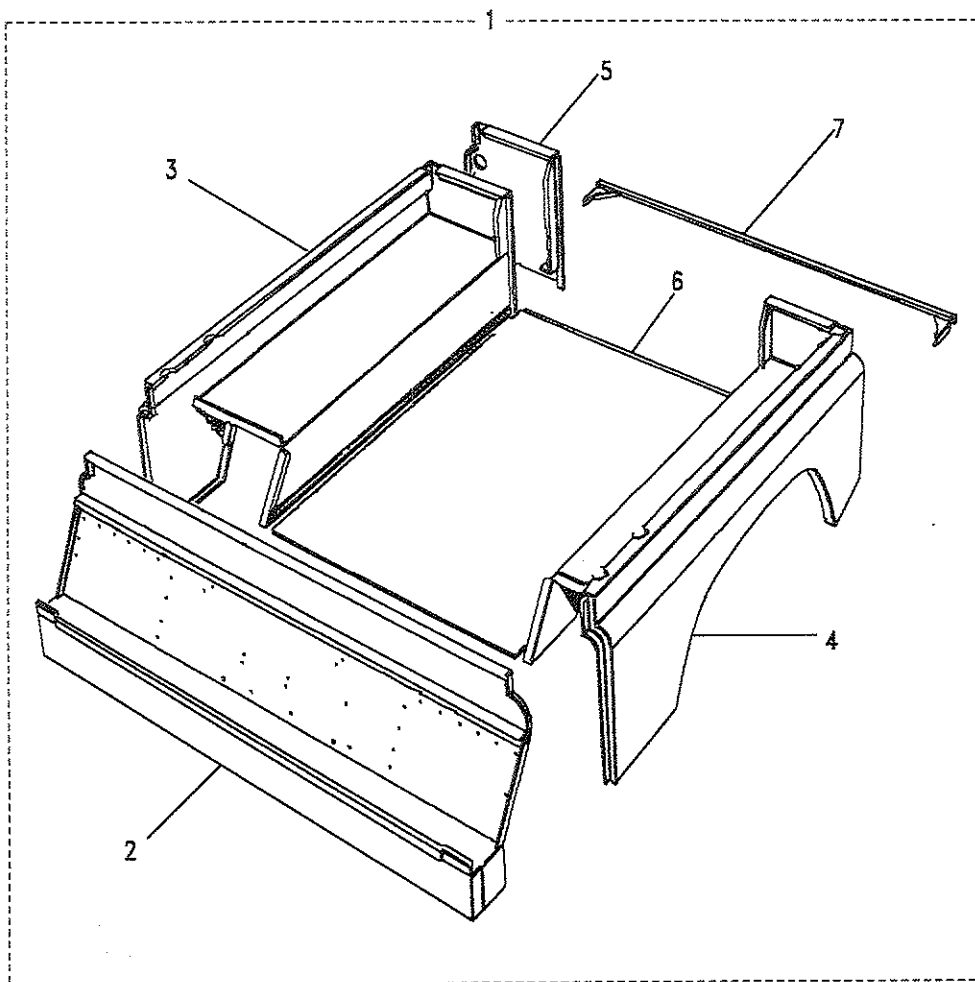
4	RTC6283	Panel bodyside RH	1
	RTC6284	Panel bodyside LH	1

With rope cleats

RTC6258	Bodyside assy	1	
RTC6284	Panel bodyside LH	1	Use 301328 (x6) als

90SV Only

STC1617	Panel bodyside RH	1
STC1616	Panel bodyside LH	1





Model DEFENDER 90
Page ADNKKC1A

BODY - REAR BODY LOWER

III. Part No.

Description

Qty Remarks

All variants except 90SV

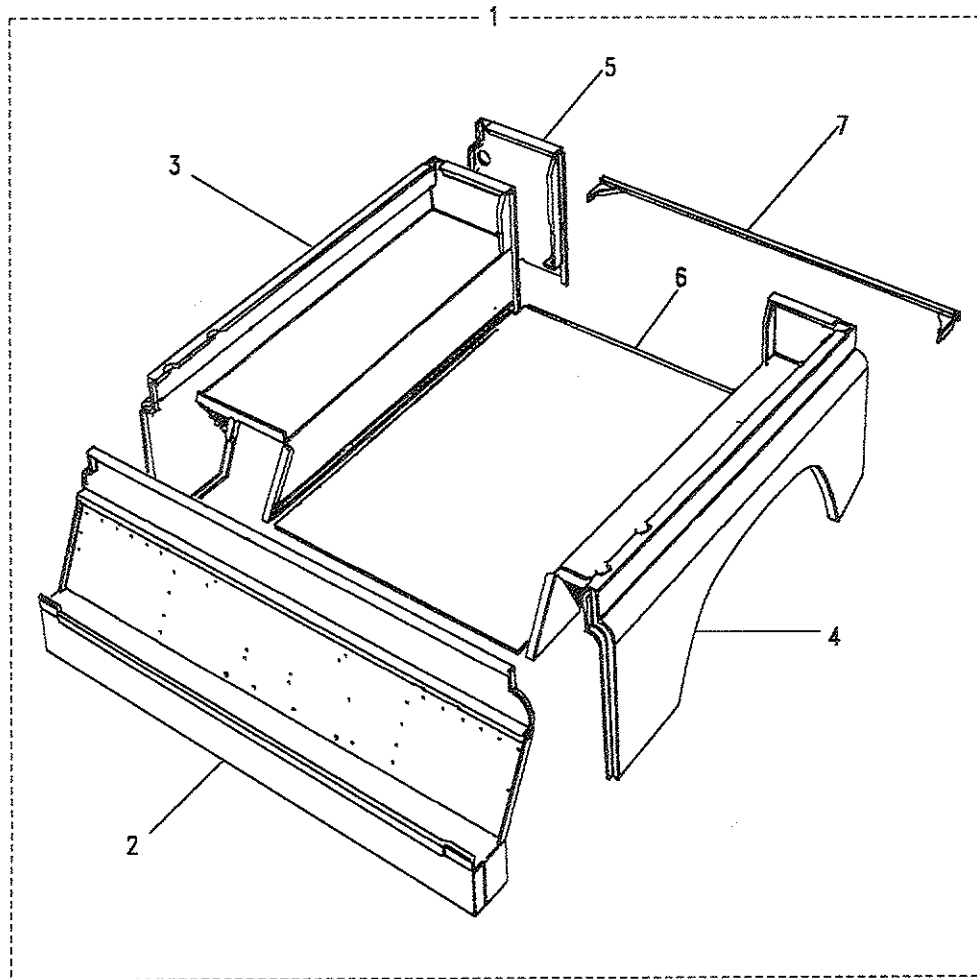
5	MTC7980	Panel rear end RH	1)Up to
	MTC7981	Panel rear end LH	1)LA939975
	STC1854	Panel rear end RH	1)From
	STC1855	Panel rear end LH	1)MA939976

90SV Only

	STC922	Panel rear end RH	1	
	STC923	Panel rear end LH	1	

All variants

6	MTC8184	Plate floor	1	
7	330271	Angle mounting rear	1	
	ALR5685	Angle mounting rear	1	90SV
	78248	Rivet	A/R	
	RU612373L	Rivet	A/R	





Model DEFENDER 90

Page ADNKK2A

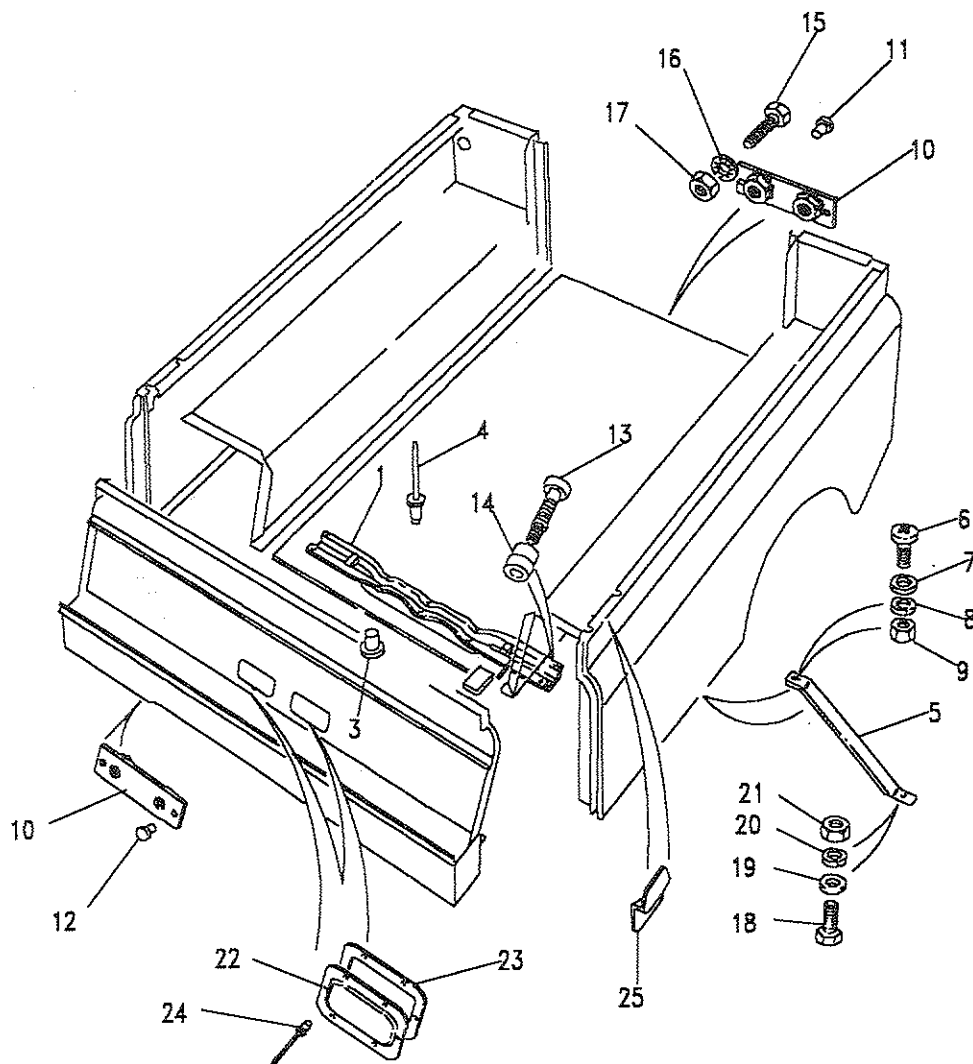
BODY - REAR BODY LOWER

III. Part No.

Description

Qty Remarks

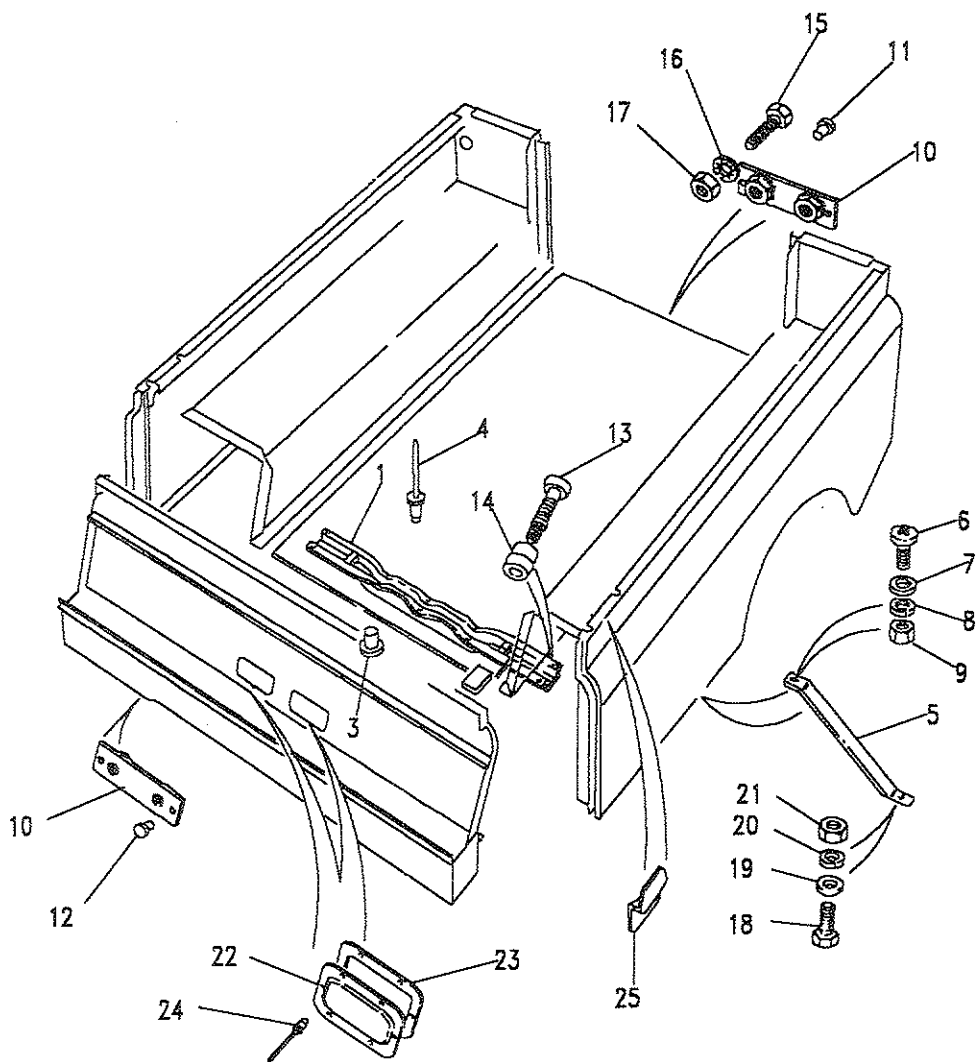
1	MUC8949	Crossmember	3	
2	332582	Pad mounting	6	
3	RU612373L	Rivet	12	
4	78248	Rivet	12	
5	MUC9220	Stay	2	
6	FS106201L	Flange screw	2	
7	WA106041L	Washer plain	4	
8	WL106001L	Washer spring	2	
9	NH106041L	Nut	2	
10	MRC8736	Nut plate	5	
11	RB610082	Rivet	6	
12	78248	Rivet	4	
13	79281	Pin	A/R	
	79283	Pin	A/R	
	79293	Pin	A/R	
14	79289	Collar	A/R	
	AAU6774	Collar	A/R	Alternative





Model DEFENDER 90
Page ADNXC2A

BODY - REAR BODY LOWER



III. Part No.	Description	Qty	Remarks
FS108201L	Screw	8	
SH108301L	Screw	4	
WA108051L	Washer plain	8	
WL108001L	Washer spring	8	
FN108041L	Nut	8	
15 SX108251	Screw	10	
SE108251	Screw	12	Germany
16 WF600051L	Washer shakeproof	14	
17 FN108041L	Nut	10	
FS108201L	Screw	6	
FN108041L	Nut	6	
FS108201L	Screw	6	
FN108041L	Nut	6	
18 FS106201L	Flange screw	2	
19 WA106041L	Washer plain	4	
20 WL106001L	Washer spring	2	
21 NH106041L	Nut	2	
22 MUC6519	Plate cover	2	
23 MWC2129	Gasket	2	
24 78248	Rivet	12	
25 301328	Rope cleat	6	Note(1)
MUC3932	Cover rope cleat	6	Germany

Note(1) Vehicles with Hood Assembly

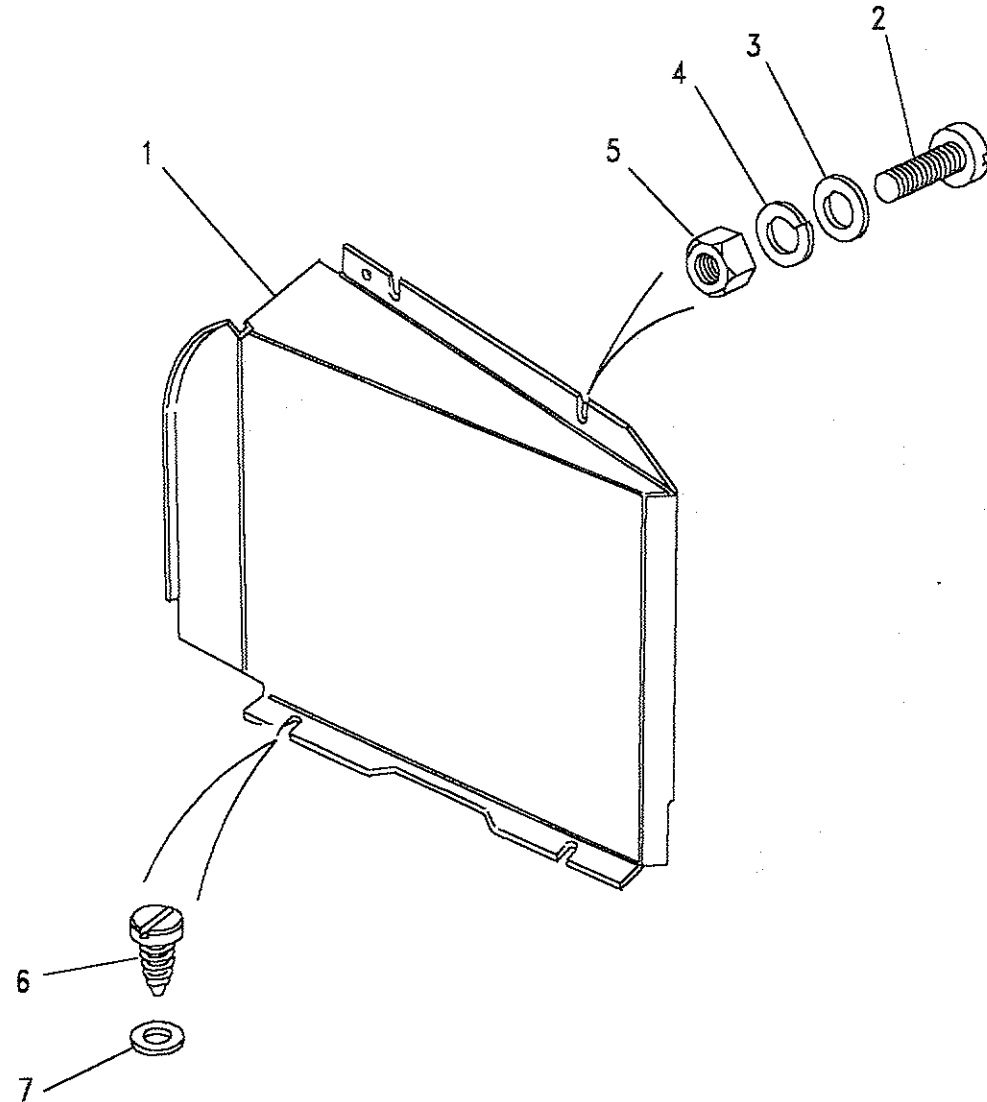




Model DEFENDER 90
Page ADNKK3A

BODY - REAR BODY LOWER

III. Part No.	Description	Qty	Remarks
Cover Panels - Rear Lamps			
1	MTC7878	1	Panel cover RH
	MTC7879	1	Panel lh
2	SP105121	4	Screw
3	WC105001L	4	Washer plain
4	WL105001L	4	Washer spring
5	NM105011	4	Nut
6	AB608031L	4	Screw
7	WC105001L	4	Washer plain AS





Model DEFENDER 90

Page ADNXXC4A

BODY - REAR BODY LOWER

III. Part No. Description Qty Remarks

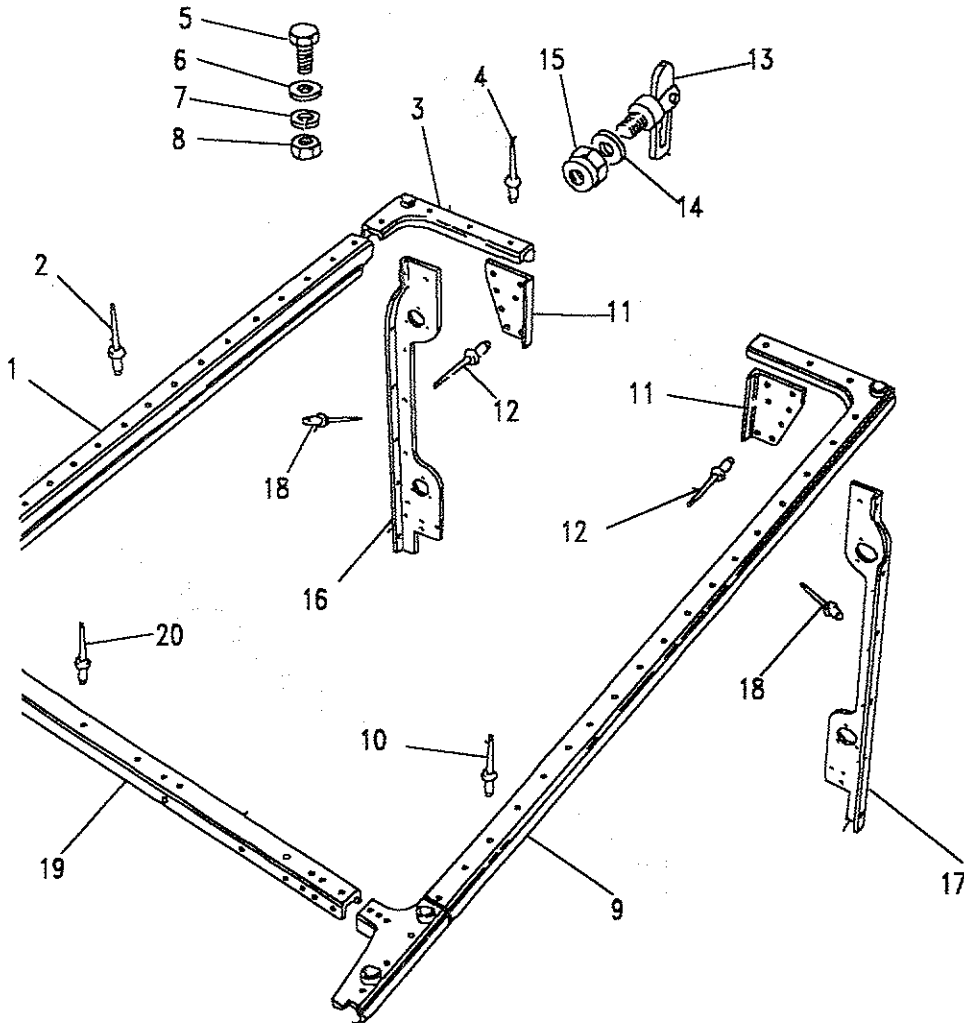
1	MWC4686	Top capping RH	1	
	MWC4687	Top capping LH	1	
2	78248	Rivet	30	
3	MWC3316	Corner capping RH	1	
	MWC3317	Capping bodyside	1	
4	78248	Rivet	8	
	RU612373L	Rivet	4	
5	FS106201L	Flange screw	2	
6	WA106001L	Washer plain	4	
7	WL106001L	Washer spring	2	
8	NH106041L	Nut	2	
9	MXC5978	Capping RH	1	
	MXC5979	Capping bodyside	1	
	ALR5513	Capping bodyside RH	1	90SV
	ALR5514	Capping bodyside LH	1	90SV
10	78248	Rivet	30	
	RU612373L	Rivet	10	

Vehicles with tailboard

11	MUC8730	Corner bracket RH	1	
	MUC8731	Corner bracket LH	1	

Vehicles with rear end door

	MUC9154	Corner bracket RH	1	
	MUC9155	Corner bracket LH	1	
12	78248	Rivet	8	

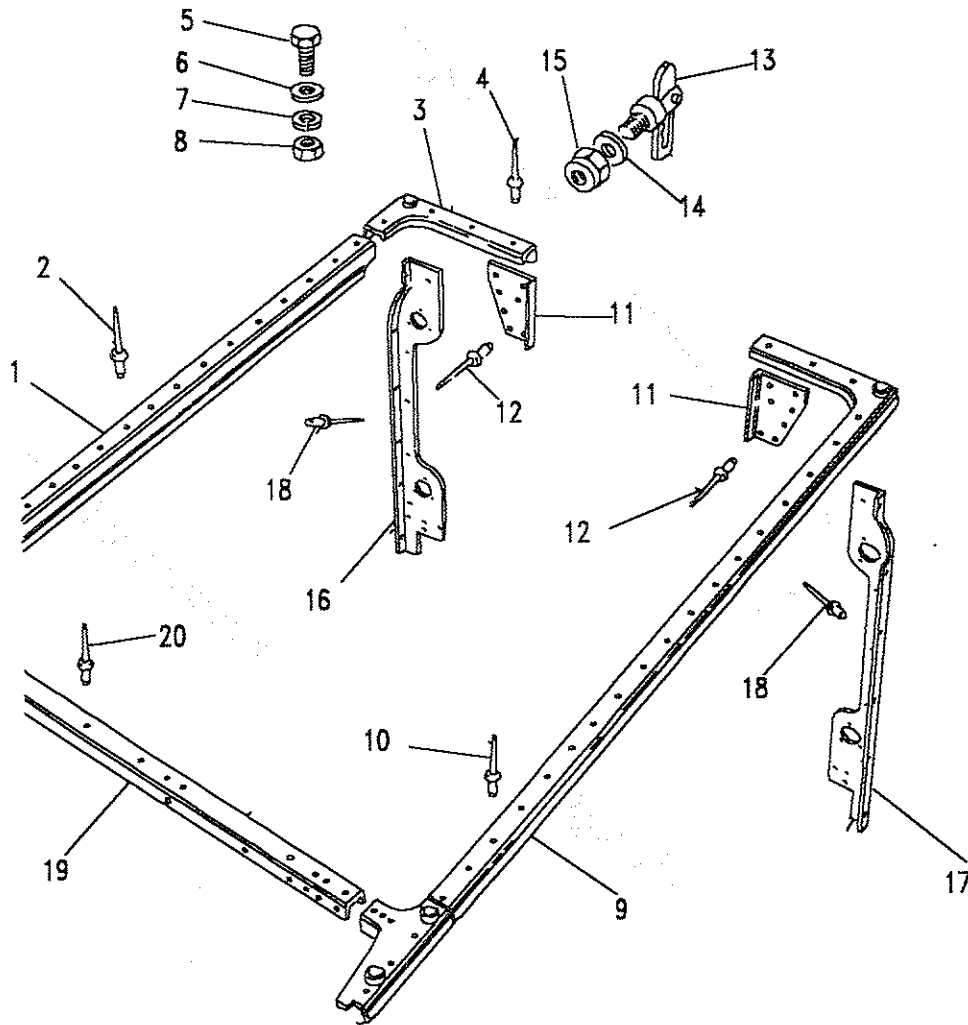




Model DEFENDER 90
Page ADNKKC4A

BODY - REAR BODY LOWER

III. Part No.	Description	Qty	Remarks
13 MUC8748	Antiluce Cotter	2	
14 WA112081L	Washer plain	2	
15 NY112041L	Nut	2	
16 MUC8716	Angle protection RH	1)Up to
17 MUC8717	Angle protection LH	1)March 1990
16 MXC8934	Angle protection RH	1)From
17 MXC8935	Angle protection LH	1)March 1990
)Up to LA939975
ALR7128	Angle protection RH	1)From
ALR7129	Angle protection LH	1)MA939976
18 78248	Rivet	30	
19 MWC2938	Capping front panel	1	
20 RU612373L	Rivet	39	
Germany			
MTC7513	Strip edging	A/R	
MTC8334	Cover lower end	2	
RU608313L	Rivet	2	





Model DEFENDER 90

Page ADNXXC5A

BODY - REAR BODY LOWER

III. Part No.

Description

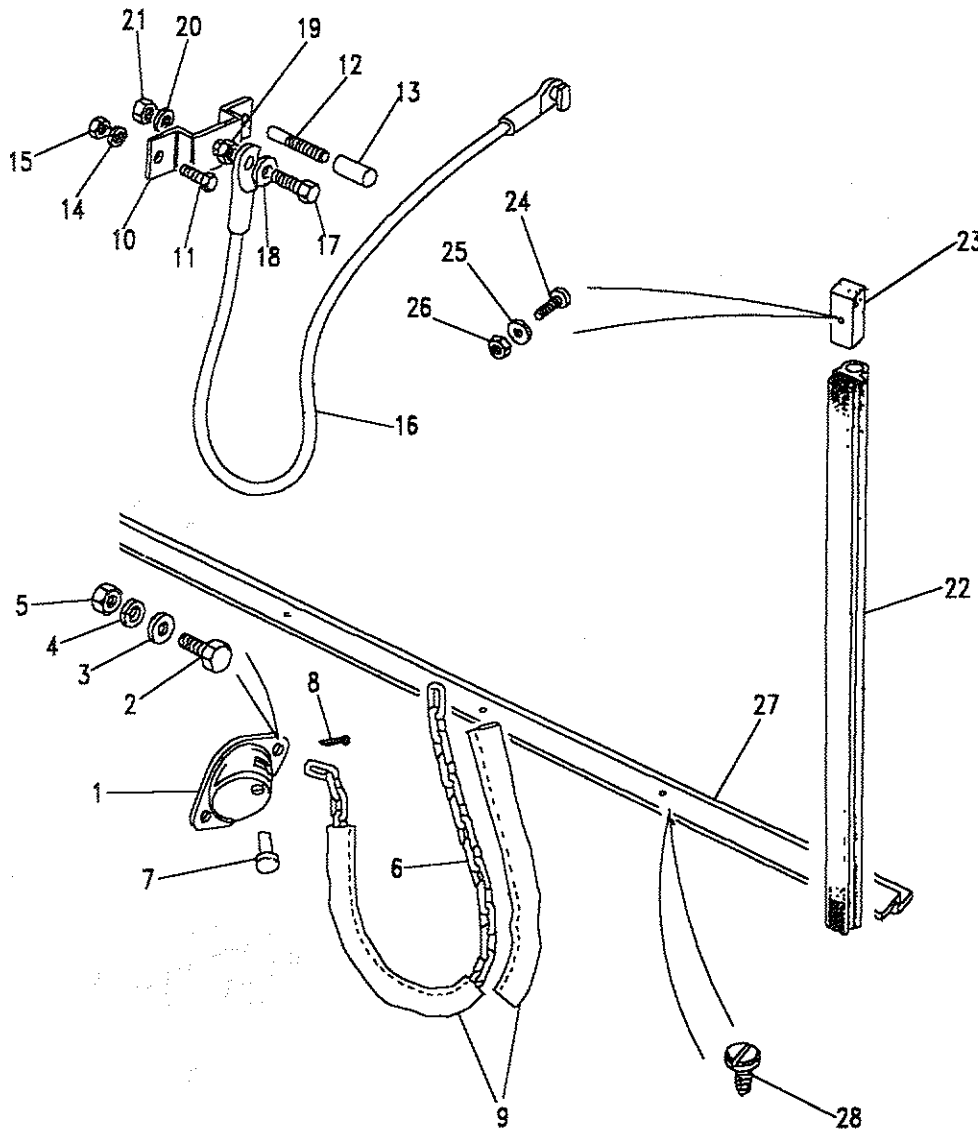
Qty Remarks

Chain retained tailboard

1	302825	Bracket chain	2
2	FS106167L	Screw	4
3	AFU1259	Washer plain	4
4	WL106001L	Washer spring	4
5	NH106041L	Nut	4
6	MTC1827	Chain tailboard	2
7	302828	Pin clevis	2
8	3958L	Pin split	2
9	330422	Sleeve	4

Cable retained tailboard

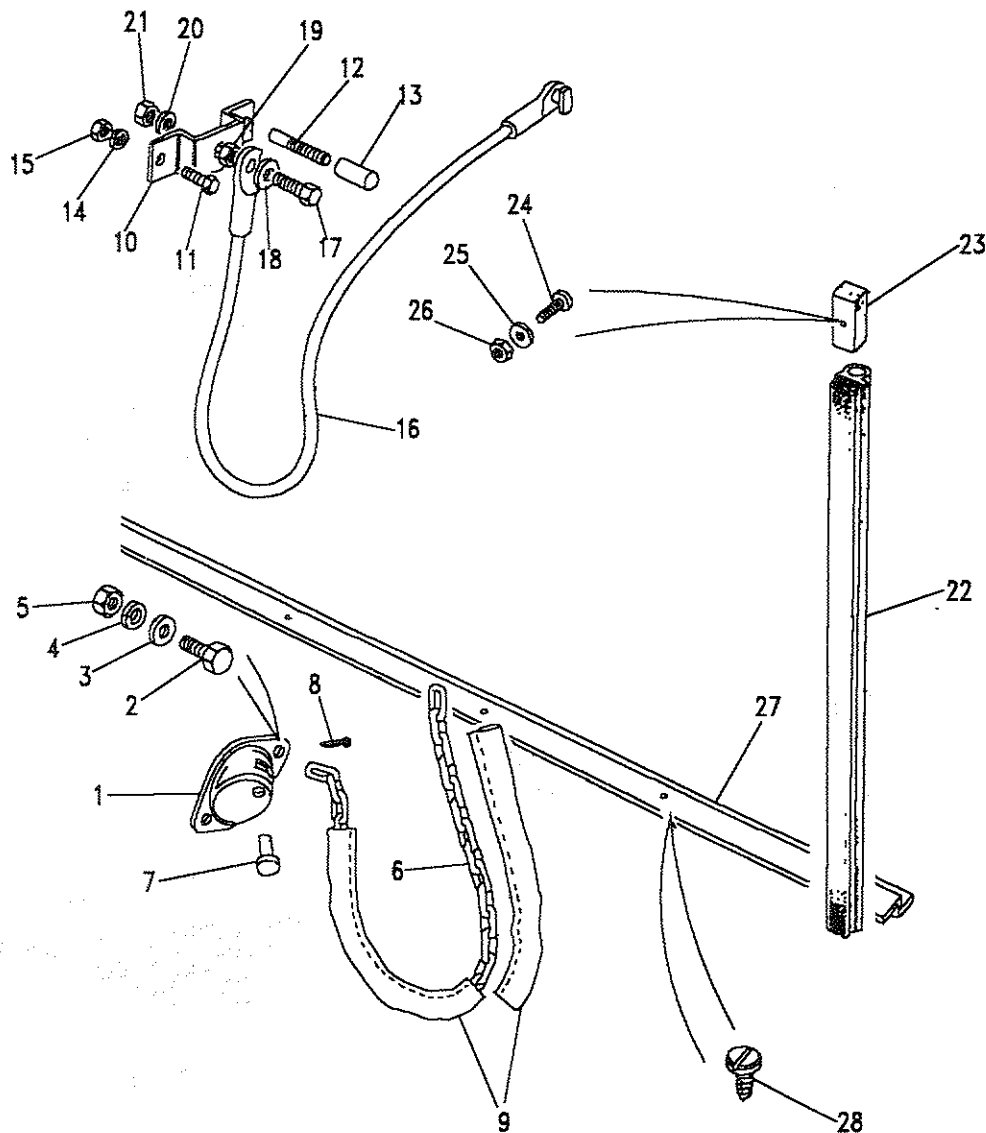
10	MUC8759	Bracket cable	2	
11	FS106167L	Screw	4	Upto EA351222
	FS106167L	Screw	2	From EA351223
12	RRC5533	Stud	2	From EA351223
13	RRC5677	Cap	2	From EA351223

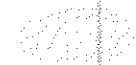


Model DEFENDER 90
 Page ADNKK5A

BODY - REAR BODY LOWER

III. Part No.	Description	Qty	Remarks
14	WL106001L Washer spring	4	
15	NH106041L Nut	4	
16	RRC5539 Cable tailboard	2	
17	FS108251L Screw	2	
18	WC108051L Washer plain	2	From EA351223
19	NT108041L Nut	2	From EA351223
20	WA108051L Washer plain	2	Upto EA351222
21	FN108041L Nut	2	Upto EA351222
	WC108051L Washer plain	2	From EA351223
	NT108041L Nut	2	From EA351223
22	MTC4164 Seal RH	1	
	MTC4165 Seal LH	1	
23	332146 Buffer rubber	2	
24	SP104121 Screw	2	
25	WC104001L Washer plain	2	
26	NH104041L Nut	2	
27	330145 Protector	1	
28	AB606041L Screw	7	

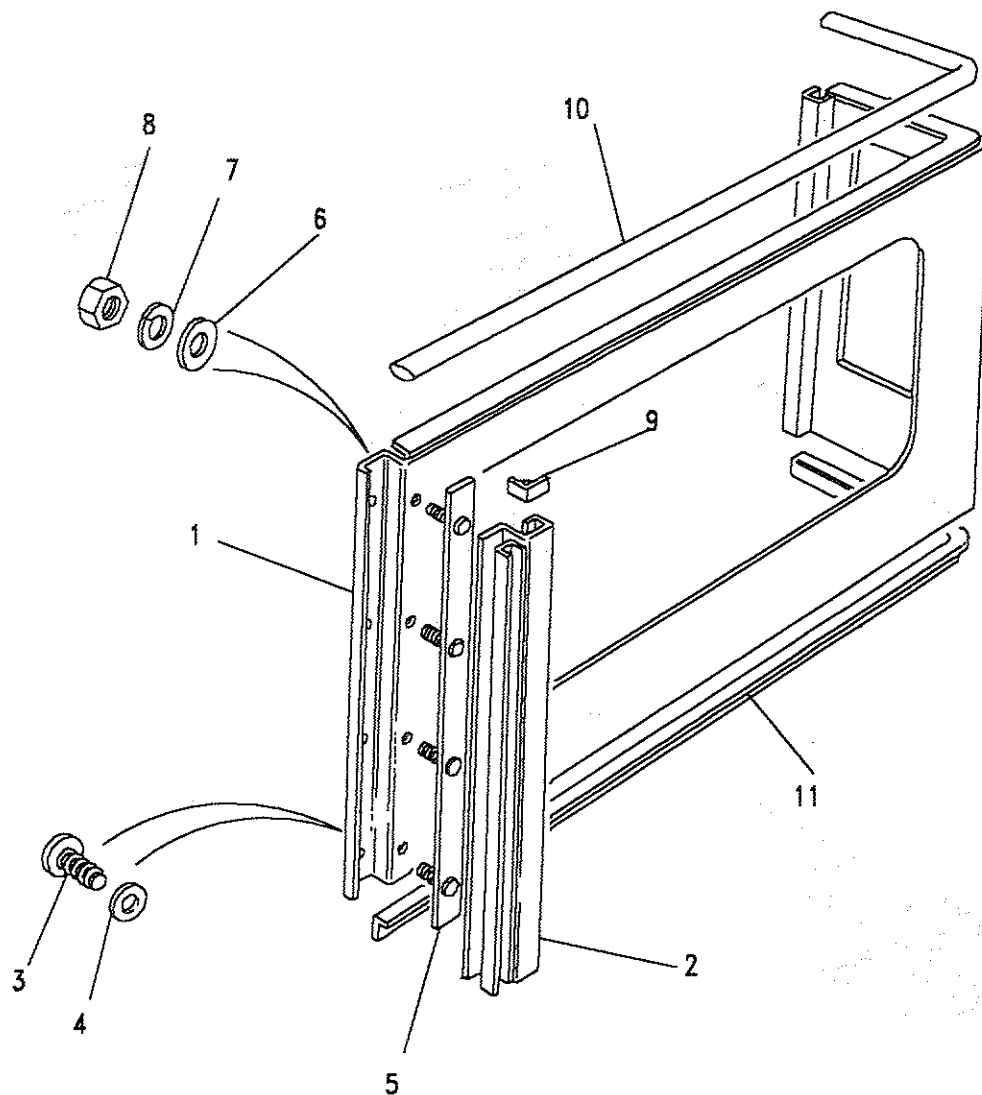




Model DEFENDER 90
Page ADNXL1A

BODY - REAR BODY UPPER

III. Part No.	Description	Qty	Remarks
With aperature for end & side windows			
1	MWC9450	1	Panel bodyside upper RH
	MWC9451	1	Panel bodyside upper LH
With aperature for end window only			
	MWC9452	1	Panel bodyside upper RH
	MWC9453	1	Panel bodyside upper LH
No window aperatures			
	STC537	1)Up to
	STC538	1)FA
All variants			
2	MTC5394	1	Finisher/retainer RH
	MTC5395	1	Finisher/retainer LH
3	78832	6	Screw
4	AFU1080	6	Washer plain
5	332065	2	Stud plate 2BA
6	4034L	8	Washer plain
7	WM702001L	8	Washer spring
8	RTC608	8	Nut
	MUC3566	2) Stud plate M5
	WA105001L	8) Washer plain
	WL105001L	8) Washer spring
	NM105001	8) Nut
9	332215	4)Up to

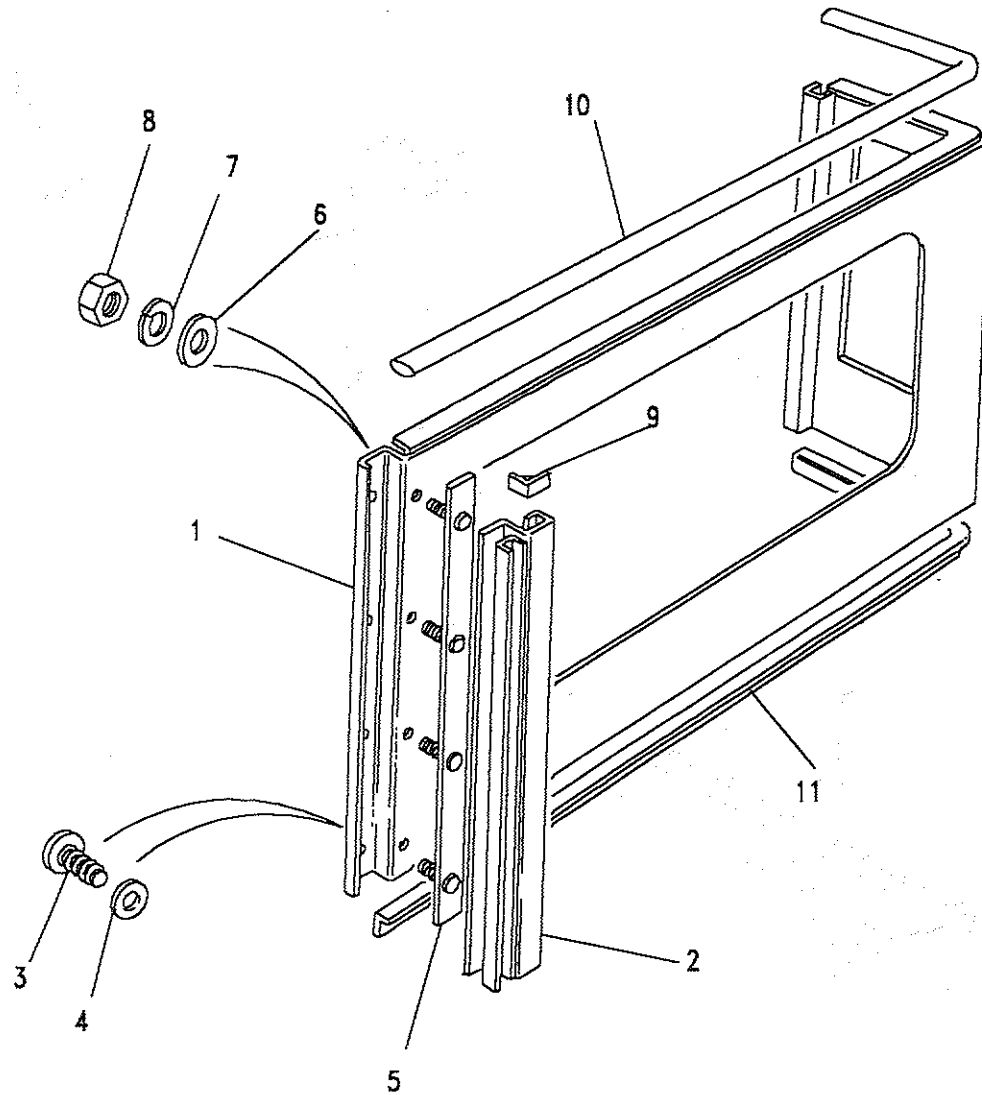


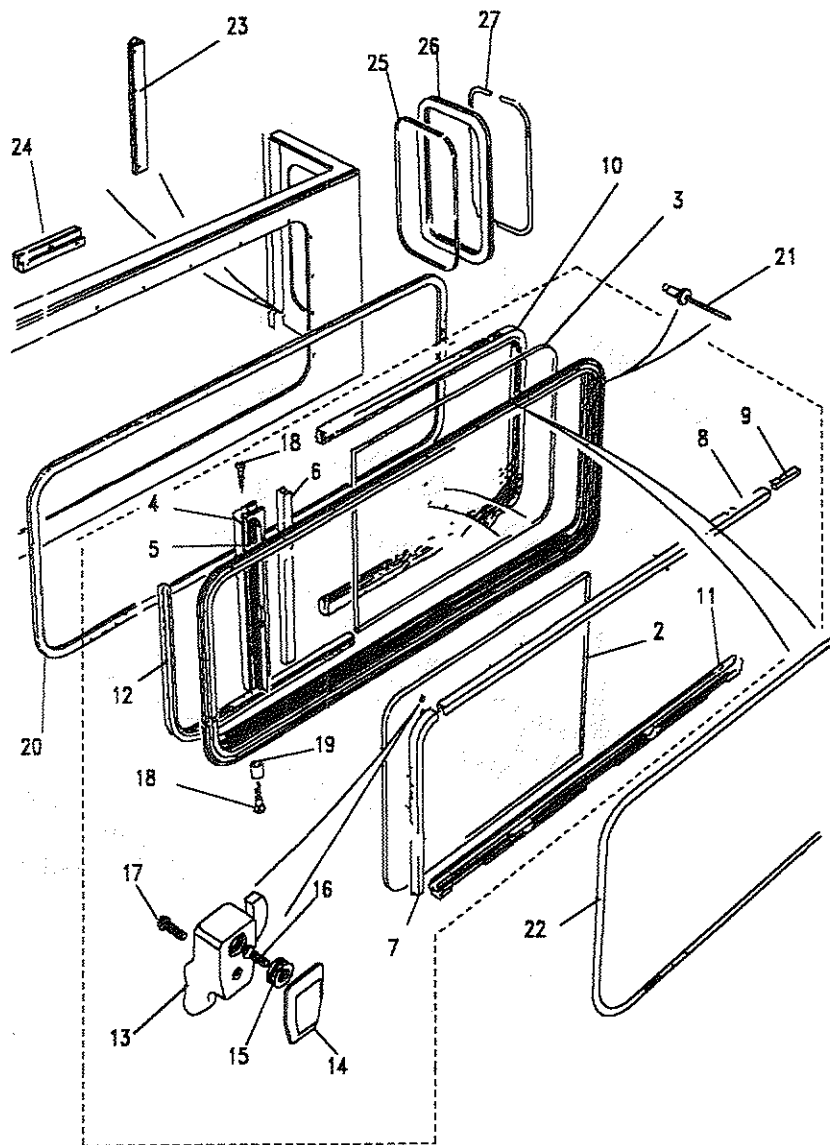


Model DEFENDER 90
Page ADNXL1A

BODY - REAR BODY UPPER

III. Part No.	Description	Qty	Remarks
10 MUC1006	Seal upper RH	1)FA
MUC1007	Seal upper LH	1)
MXC3684	Seal upper front RH	1)
MXC3685	Seal upper front LH	1)From
MXC3676	Seal upper RH	1)FA
MXC3677	Seal upper LH	1)
Hard Top			
11 MUC1333	Seal lower	2	Upto FA
MXC2031	Seal lower	2)From FA
ALR1159	Seal lower	2)Up to HA479307
ALR5056	Seal waist	2)From HA479308
)Up to KA925388
Station Wagon			
MXC2031	Seal lower	2)From FA
ALR1159	Seal lower	2)Upto HA479393
ALR5056	Seal waist	2)From HA479394
)Upto KA925389
			From KA925390
Germany			
MTC7513	Strip edging	A/R	
MTC8333	Finisher D post	2	
RU608313L	Rivet	2	





Model DEFENDER 90
Page ADNXL2A

BODY - REAR BODY UPPER - STATION WAGON

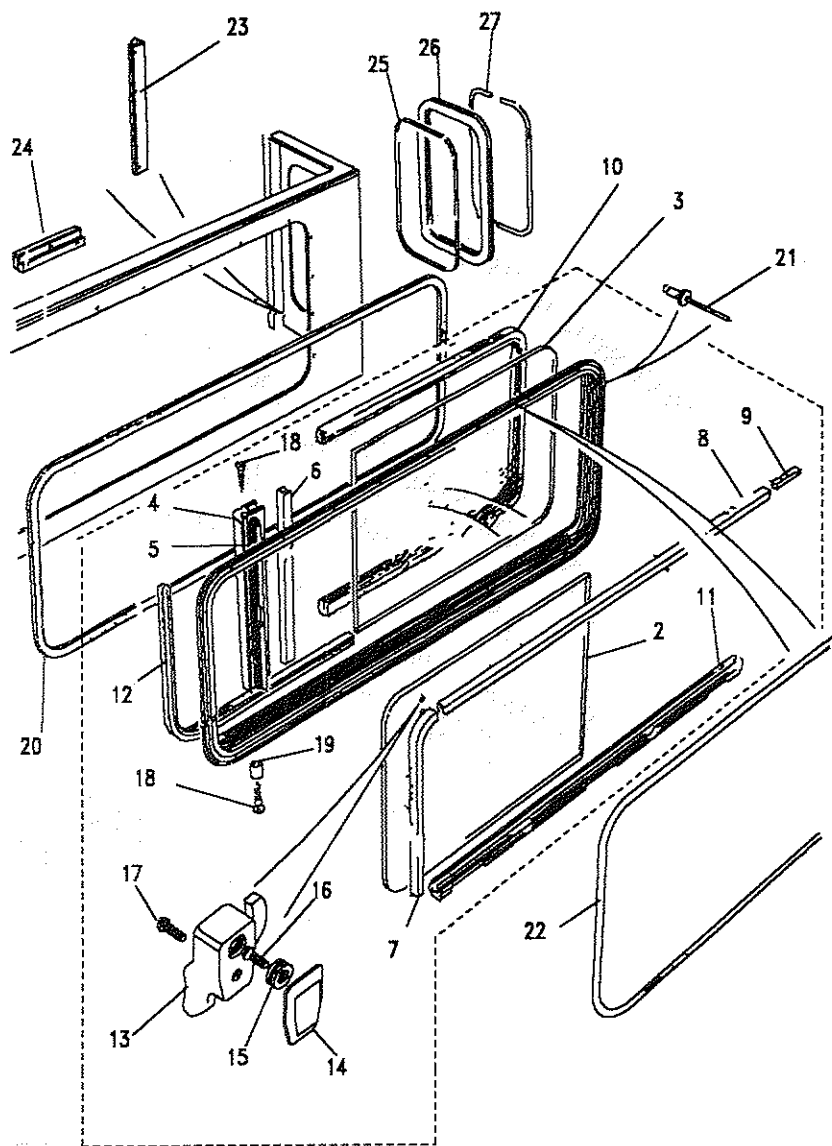
III. Part No.	Description	Qty	Remarks
Sliding window assy - 5mm glass - Upto VIN 344187			
1	MUC3766	1	Window assembly side
	MUC3767	1	Window assembly LH
	MUC3764	1	Window assembly RH
	MUC3765	1	Window assembly LH
2	MUC3791	2	Glass front
	MUC3794	2	Glass front
3	MUC3792	2	Glass rear
	MUC3795	2	Glass rear
4	MUC3770	2	Draught rail
5	MUC3769	2	Seal draught rail
6	MUC1098	2	Glazing strip drght rail
7	MUC3097	2	Felt front
8	MUC3096	2	Felt top
9	MUC4025	2	Rubber stop
10	MUC1484	2	Glazing rubber
11	MTC8947	2	Bottom runner
12	MUC3768	2	Filler strip
13	MTC8270	1	Catch RH
	MTC8271	1	Catch LH
14	MUC1704	2	Fixing Block
15	MUC1705	2	Button
16	MUC1706	2	Screw
17	MUC1707	2	Screw
18	AC606081L	4	Screw
19	MUC3771	2	Spacer
20	MUC1008	2	Seal
21	RU610313L	48	Rivet
22	MUC1005	2	Filler strip
23	MUC4542	4	Finisher
24	MUC1501	12	Finisher

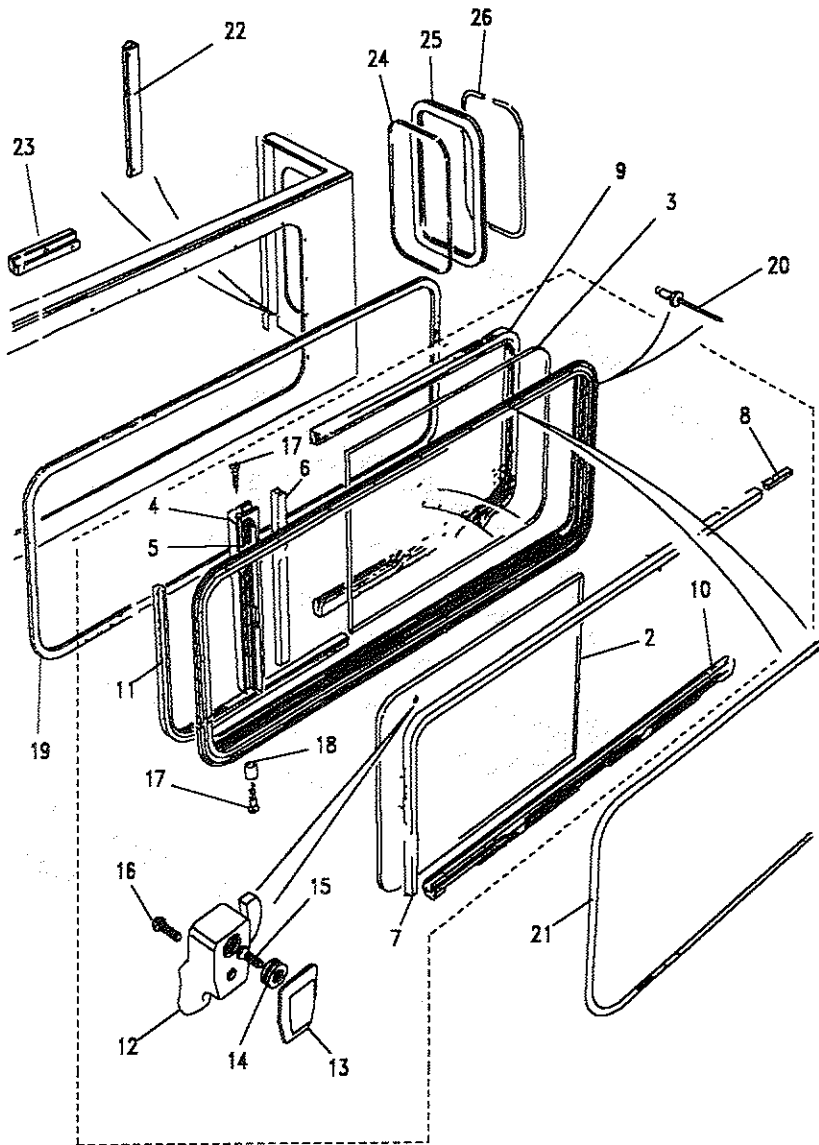


Model DEFENDER 90
Page ADNXL2A

BODY - REAR BODY UPPER - STATION WAGON

III. Part No.	Description	Qty	Remarks
Rear end window			
25	MTC3476	2	Clear
	MTC5034	2	Tinted
26	306287	2	Glazing strip
27	306289	2	Filler strip





Model DEFENDER 90

Page ADNXL3A

BODY - REAR BODY UPPER - STATION WAGON

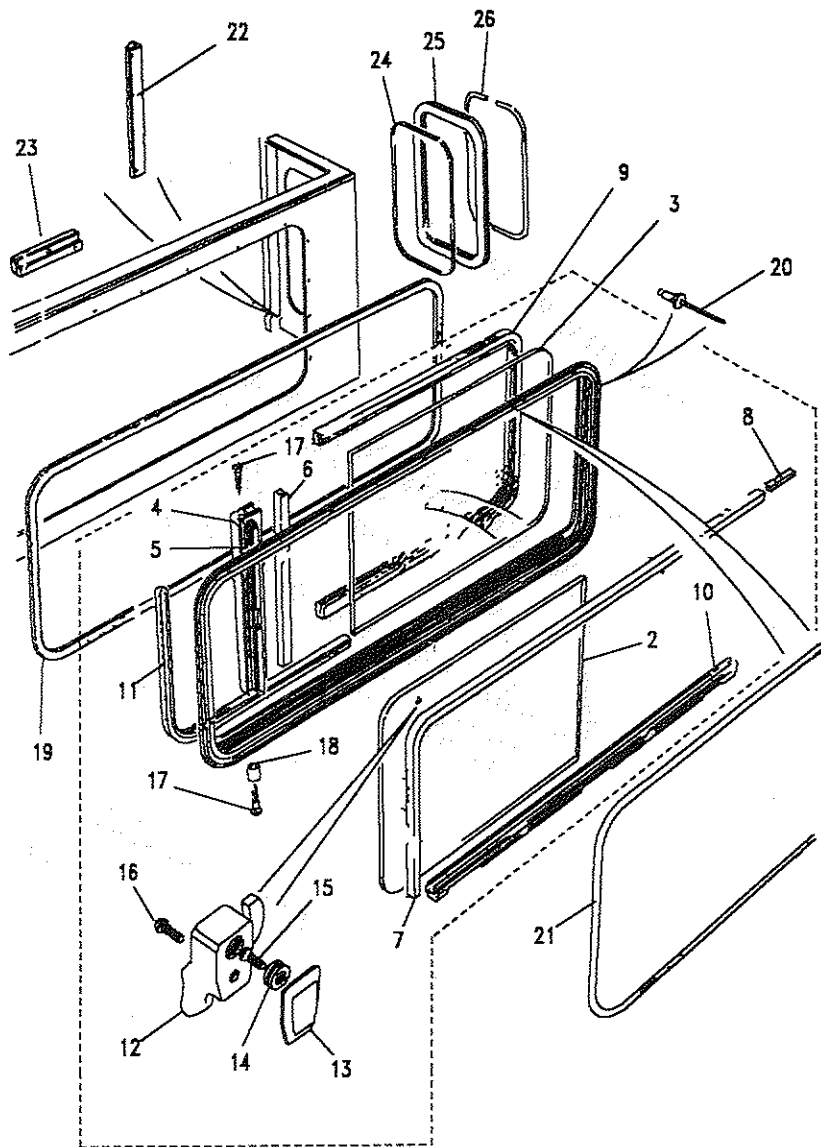
III. Part No.	Description	Qty	Remarks
Sliding window assy - 4mm glass - From VIN 344188			
1	MWC4734	1	Window assembly RH
	MWC4735	1	Window assembly LH
	MWC4736	1	Window assembly RH
	MWC4737	1	Window assembly LH
2	MWC4728	2	Glass front
	MWC4729	2	Glass front
3	MWC4730	2	Glass rear
	MWC4731	2	Glass rear
4	MUC3770	2	Draught rail
5	MWC7614	2	Seal draught rail
6	MWC7615	2	Glazing strip drght rail
7	RTC6462	2	Felt front and top
8	MUC4025	2	Rubber stop
9	MWC7617	2	Glazing rubber
10	MWC7612	2	Bottom runner
11	MUC3768	2	Filler strip
12	MTC8270	1	Catch RH
	MTC8271	1	Catch LH
13	MUC1704	2	Fixing block
14	MUC1705	2	Button
15	MUC1706	2	Screw
16	MUC1707	2	Screw
17	AC606081L	4	Screw
18	MUC3771	2	Spacer
19	MUC1008	2	Seal
20	RU610313L	48	Rivet
21	MUC1005	2	Filler strip
22	MUC4542	4	Finisher
23	MUC1501	12	Finisher



Model DEFENDER 90
 Page ADNXL3A

BODY - REAR BODY UPPER - STATION WAGON

III. Part No.	Description	Qty	Remarks
Rear end window			
24	MWC4715	2	Clear
	MWC4716	2	Tinted
25	MWC4772	2	
26	306289	2	





Model DEFENDER 90

Page ADNXLE4A

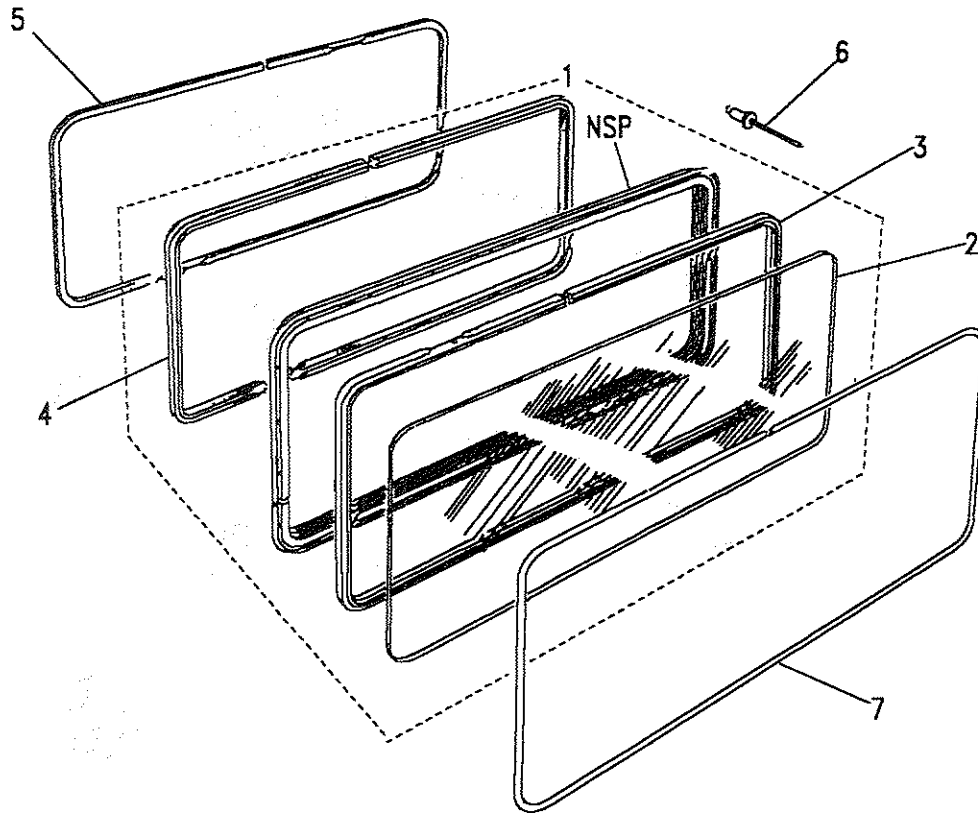
BODY - REAR BODY UPPER

III. Part No.	Description	Qty	Remarks
---------------	-------------	-----	---------

Fixed side window assembly

1	MTC8251	Window assembly	2) Note(1)
2	MTC8256	Glass clear	2	
3	MTC8269	Glazing rubber	2	
4	MTC8948	Filler strip	2) Note(2)
	MWC4733	Window assembly	2	
	MWC4727	Glass Clear	2	
	MWC7686	Glazing rubber	2	
	MWC7685	Filler strip	2)
5	MUC1008	Seal	2	
6	RU610313L	Rivet	48	
7	MUC1005	Filler strip	2	

Note(1) 5mm glass - Upto 340456
 Note(2) 4mm glass - From 340457



Model DEFENDER 90

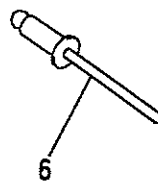
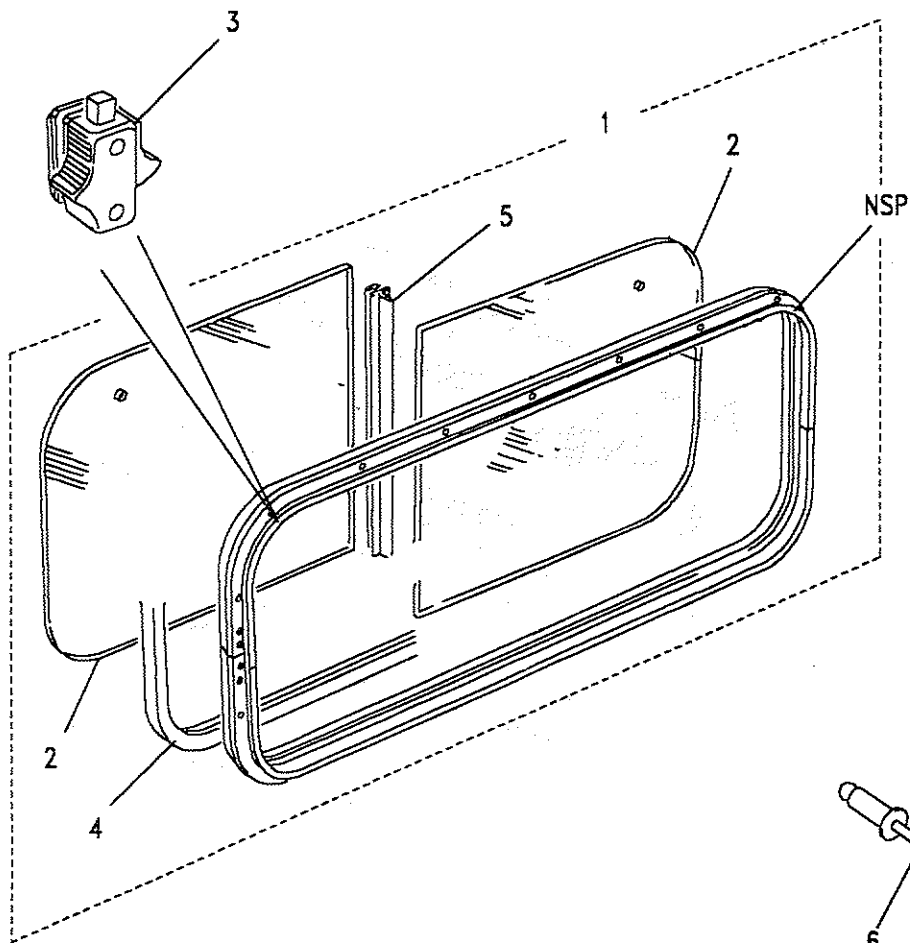
Page ADNXLE6A

BODY - REAR BODY UPPER - HARD TOP

III. Part No. Description Qty Remarks

Sliding side window assembly

III. Part No.	Description	Qty	Remarks
1	ALR5080 Window assembly RH	1	From KA930144
	ALR5081 Window assembly LH	1	From KA930144
2	MWC4726 Glass	4	
3	MWC7625 Catch LH	2	
	MWC7648 Catch RH	2	
4	MWC7620 Felt	4	
5	MWC7652 Seal draught rail	2	
6	RU610253 Rivet	36	





Model DEFENDER 90

Page ADNXL5A

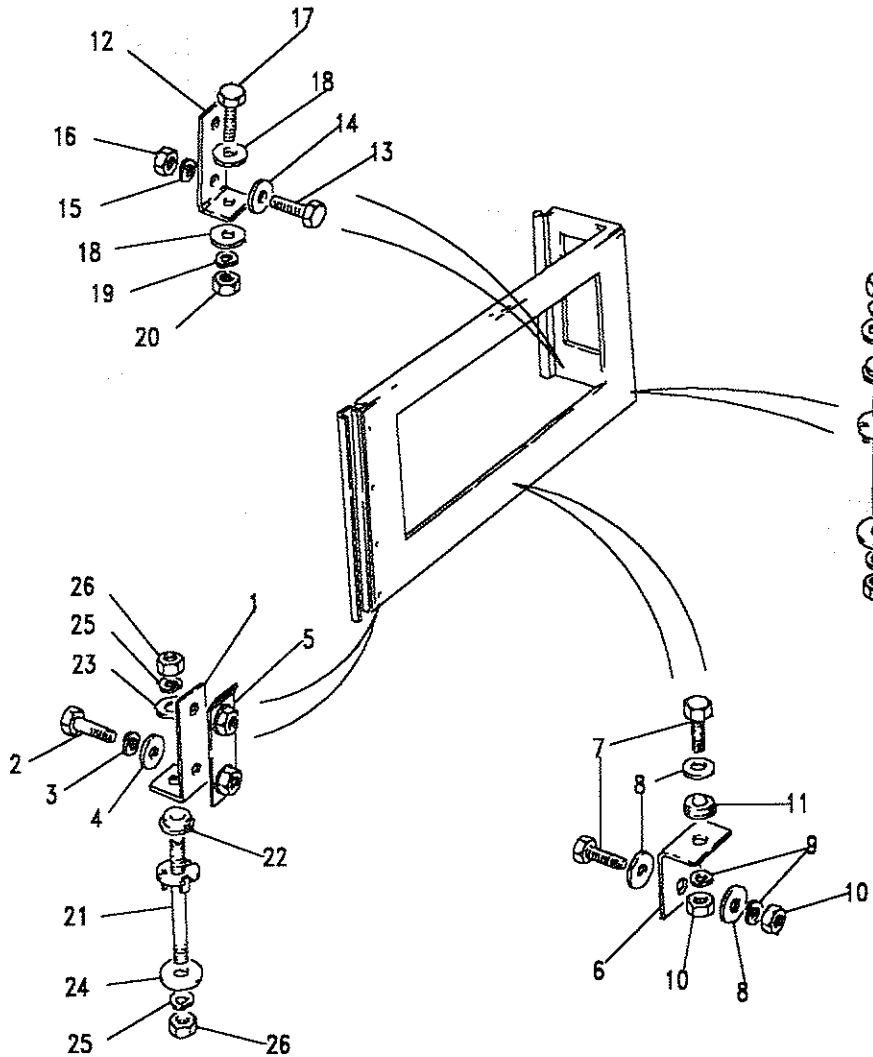
BODY - REAR BODY UPPER

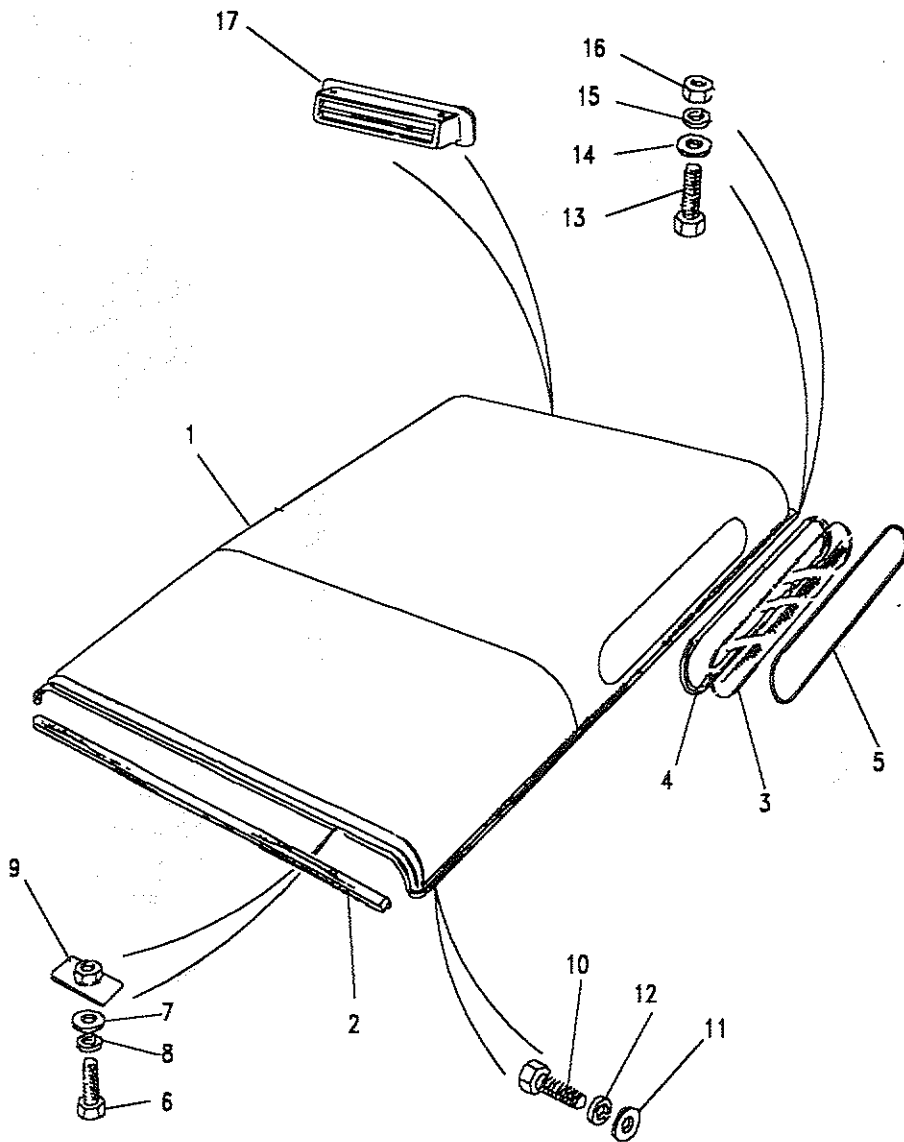
III. Part No.

Description

Qty Remarks

1	338554	Angle mounting	2	
2	SH108161L	Screw	4	
3	WL108001L	Washer spring	4	
4	WC108051L	Washer plain	4	
5	MUC1324	Nut plate	2	
6	332201	Bracket support	2	
7	FS106201L	Flange screw	4) Hard Top
8	MRC5527	Washer plain	8	
9	WL106001L	Washer spring	4) Station Wagon
10	NH106041L	Nut	4	
	FS106201L	Flange screw	8	
	AFU1080	Washer plain	12	
	WL106001L	Washer spring	8	
	NH106041L	Nut	8	
11	338550	Buffer rubber	4	
12	338552	Bracket support	2	
13	FS106167L	Screw	4	
14	MRC5525	Washer plain	4	
15	WL106001L	Washer spring	4	
16	NH106041L	Nut	4	
17	SH108301L	Screw	2	
18	WC108051L	Washer plain	4	
19	WL108001L	Washer spring	2	
20	FN108041L	Nut	2	
21	MRC9833	Stud mounting	4	
22	338553	Buffer rubber	4	
23	332293	Washer special	4	
24	WC108051L	Washer plain	4	
25	WL108001L	Washer spring	8	
26	FN108041L	Nut	8	



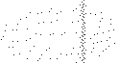


Model DEFENDER 90
Page ADNMA1A

BODY - ROOF - HARD TOP AND STATION WAGON

III. Part No.	Description	Qty	Remarks
Station wagon - External stiffeners - Sunroof aperature			
1 MWC6273	Roof assembly	1	From EA Upto FA
Station wagon - Internal stiffeners - Sunroof aperature			
1 MWC6907	Roof assembly	1	From FA
Station wagon - Internal stiffeners - No Sunroof			
1 MWC6696	Roof assembly	1	From FA358393
Hard Top - Internal stiffeners			
1 MWC6697	Roof assembly	1	
All variants			
2 MTC4994	Seal	1	
3 MTC3474	Glass tinted	2	5mm Glass
MWC4714	Glass tinted	2	4mm Glass
4 302177	Weatherstrip	2	5mm Glass
MWC4771	Weatherstrip	2	4mm Glass
5 302178	Fillerstrip	2	
MUC6400	Seal	2	





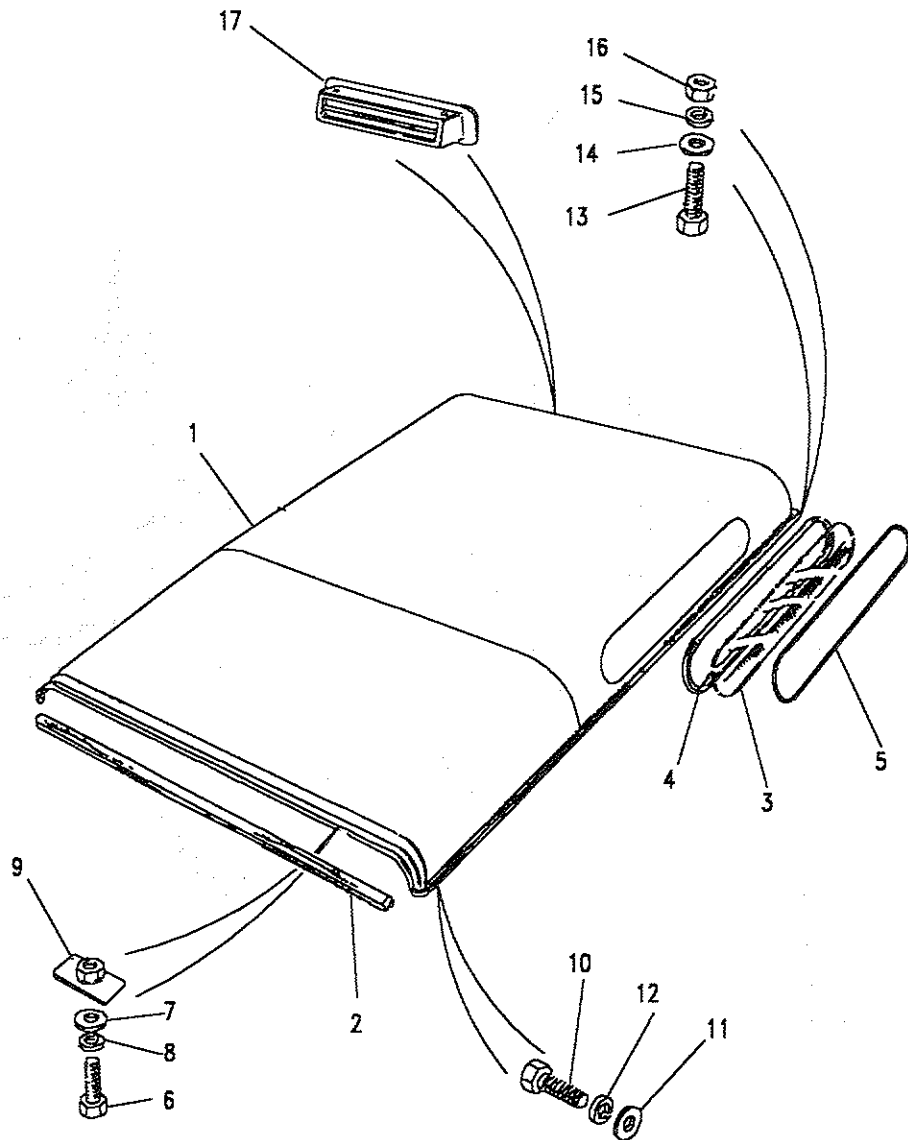
Model DEFENDER 90
Page ADNMA1A

BODY - ROOF - HARD TOP AND STATION WAGON CONTINUED

III. Part No.	Description	Qty	Remarks
6	FS106167L Screw	6	
7	WA106041L Washer plain	6	
8	WL106001L Washer spring	6	
9	MTC3203 Nut plate	6	
10	SH106251L Screw	2	Upto HA702447
	AB614081L Screw	2	From HA702448
11	WA106041L Washer plain	2	
12	WL106001L Washer spring	2	
	302532 Nut spire	2	
13	FS106201L Flange screw	14	
14	AFU1259 Washer plain	18	
15	WL106001L Washer spring	14	
16	NH106041L Nut	14	
	STC1346 Ventilator	2	

Applicable to Germany only

MTC7513	Strip edging cantrail	A/R
MTC8332	Capping front corner RH	1
MTC8331	Capping front corner LH	1
RU608313L	Rivet	2



DEFENDER 90 BODY AND CHASSIS



Model DEFENDER 90
Page ADNMG1A

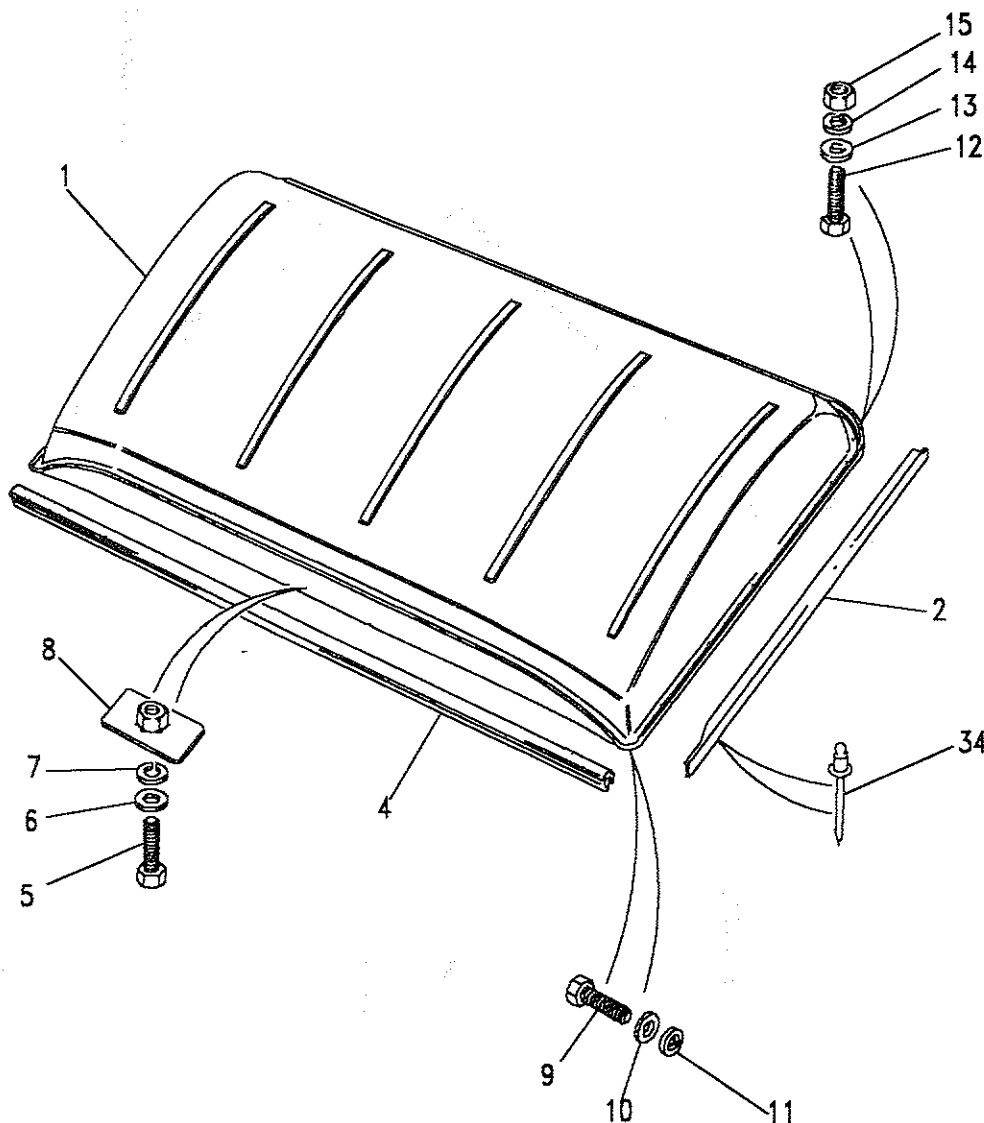
BODY - ROOF - TRUCK CAB

III. Part No.

Description

Qty Remarks

1	MWC6055	Roof assembly	1	
2	MUC9204	Retainer seal RH	1	
	MUC9205	Retainer seal LH	1	
3	78248	Rivet	10	
4	MTC4994	Seal inner	1	
	MUC6400	Seal	2	
5	FS106167L	Screw	6	
6	WA106041L	Washer plain	6	
7	WL106001L	Washer spring	6	
8	MTC3203	Nut plate	6	
9	SH106251L	Screw	2	Upto HA702447
	AB614081L	Screw	2	From HA702448
10	WA106041L	Washer plate	2	
11	WL106001L	Washer spring	2	
	302532	Nut spire	2	
12	SE105161L	Screw	10	
13	AEU1256	Washer plain	10	
14	WL105001L	Washer spring	10	
15	NH105041L	Nut	10	





Model DEFENDER 90

Page ADNNA1A

BODY - SUNROOF

III. Part No.

Description

Qty Remarks

From 314174

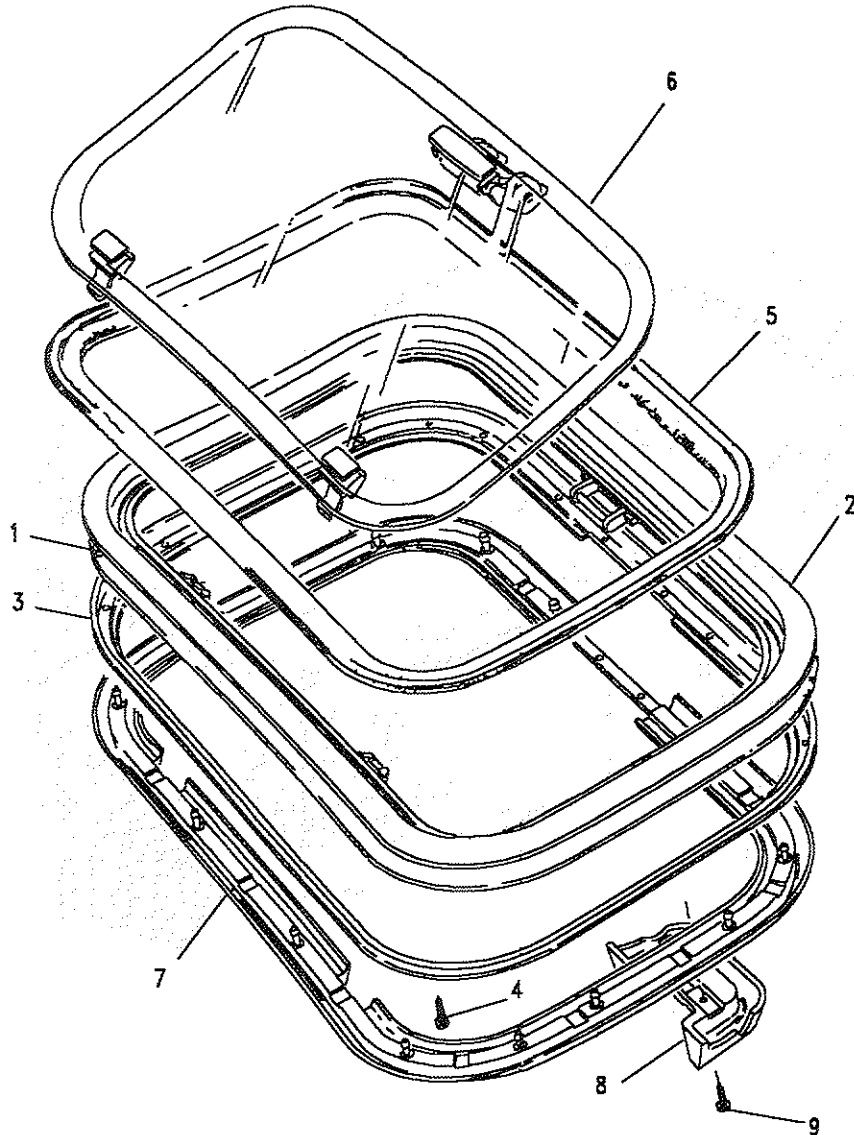
1	MWC9500	Seal -sunroof to roof	1	
2	RTC5941	Frame assembly sunroof	1	
3	RTC6790	Frame clamping	1	
4	AA610031	Screw	14	
5	RTC5942	Seal sunroof frame	1	
6	RTC5943	Panel glass sunroof	1	
7	MXC5202	Trim ring sunroof	1	NLA use MXC5011
	MXC5011	Trim ring sunroof	1	Note(1)
8	MWC5201	Shroud handle sunroof	1	To fit MWC5202
	MXC5010	Shroud handle sunroof	1	To fit MXC5011
9	AB610041L	Screw	2	

Note(1)

When replacing MWC5202 with MXC5011 fit also MXC5010

Note(2)

These parts are to service factory fit sun roof only, sun roof cannot be retrospectively fitted

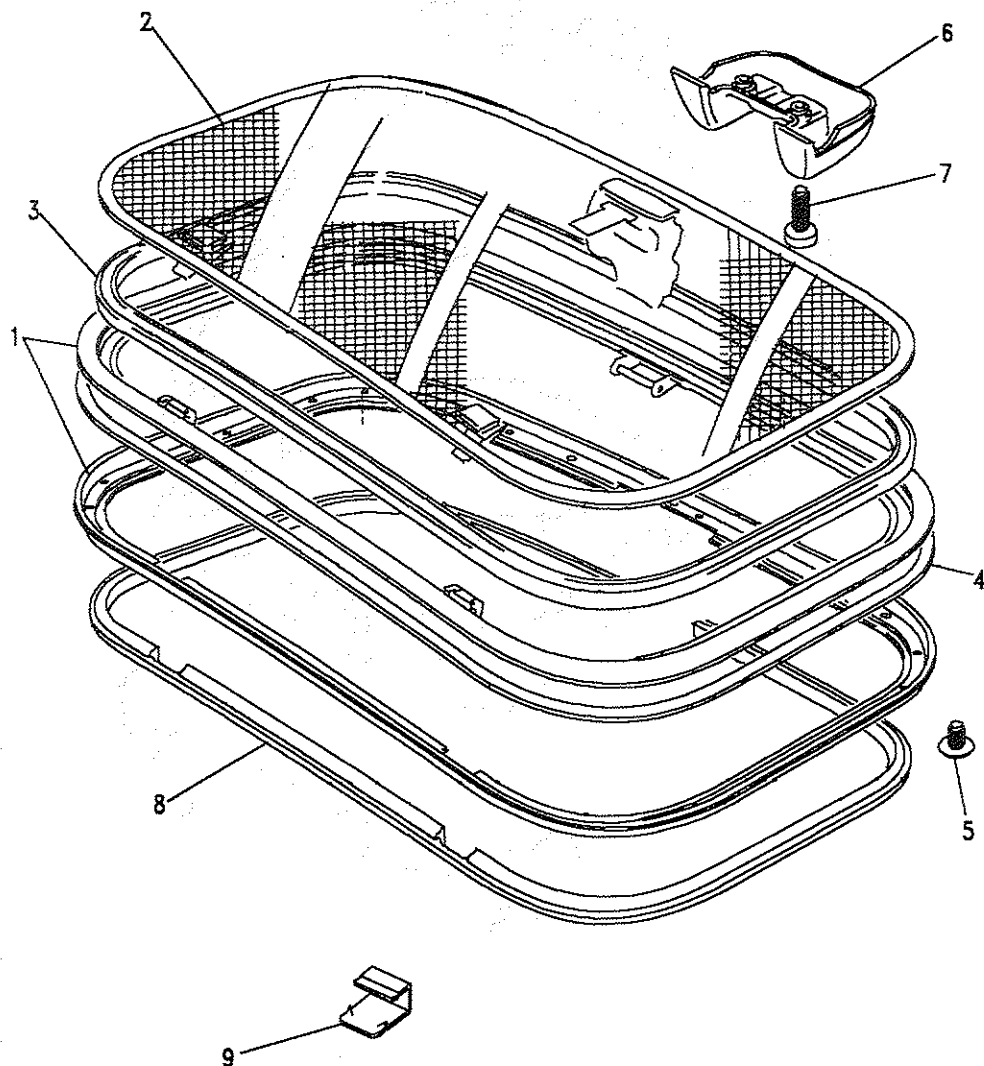


Model DEFENDER 90
Page ADNXA2A

BODY - SUNROOF

III. Part No.	Description	Qty	Remarks
From 1992 Model Year			
1 STC746	Frame and clamp assy	1	
2 STC747	Glass panel assy	1	
3 RTC5942	Seal	1	Glass to frame
4 MWC9500	Seal	1	Sunroof to roof
5 AA610031	Screw	14	
6 ALR1460	Shroud handle	1	
7 STC749	Screw	2	
8 STC748	Seal	1	Sunroof to heading
9 ALR2386	Clip retaining	8	

Note(1) These parts are to service factory fit sun roof only, sun roof cannot be retrospectively fitted





Model DEFENDER 90

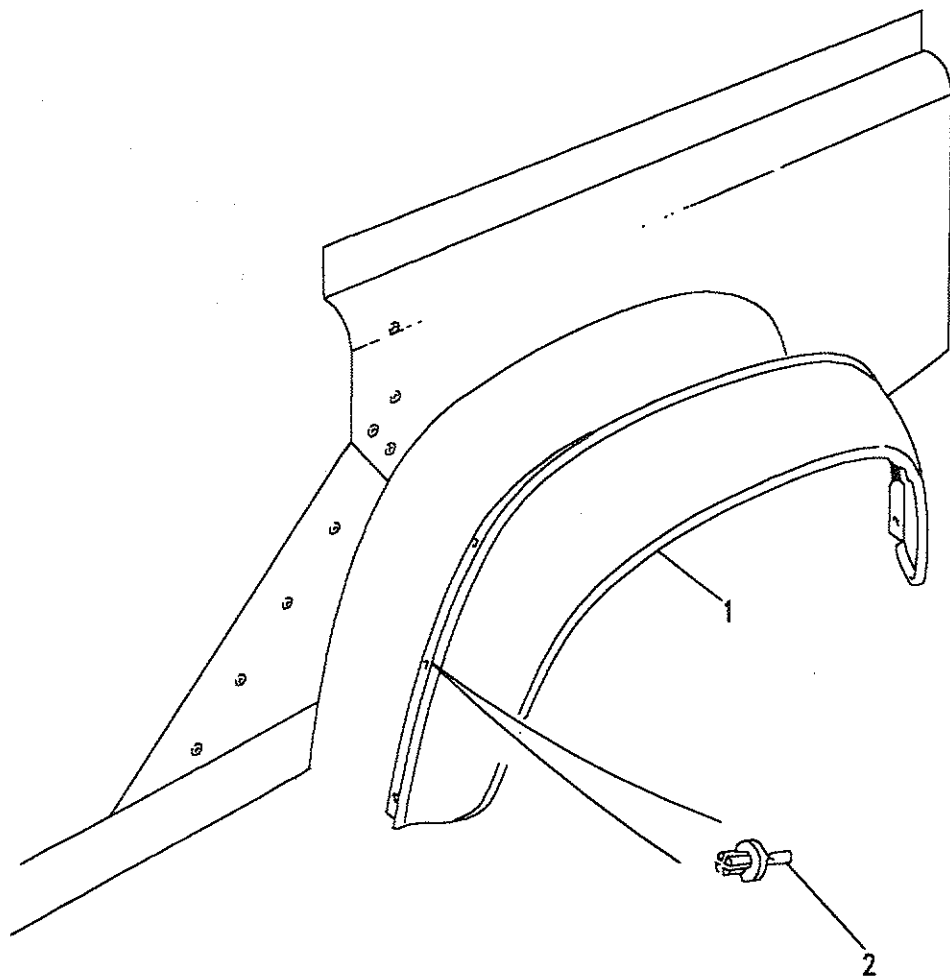
Page ADN XO A1A

BODY - REAR EYEBROWS

III. Part No.	Description	Qty	Remarks
---------------	-------------	-----	---------

Eyebrow moulding rear wing

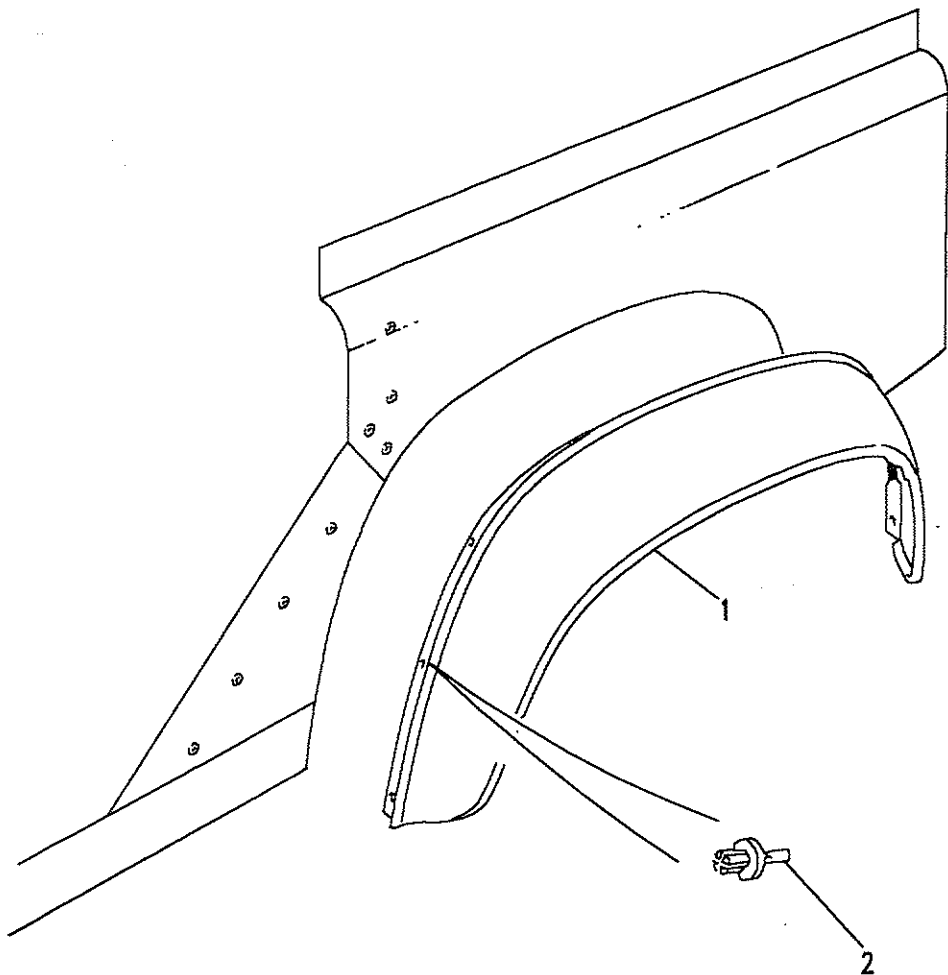
1	MRC8420	Eyebrow Black	2	Gloss
	RRC3045	Eyebrow Black	2	Matt
	MTC6873AA	Eyebrow	2	Arizona tan
	MTC6873AV	Eyebrow	2	Roan brown
	MTC6873CC	Eyebrow	2	Masai red
	MTC6873CL	Eyebrow	2	Venetian red
	MTC6873HC	Eyebrow	2	Bronze green
	MTC6873HN	Eyebrow	2	Trident green
	MTC6873JC	Eyebrow	2	Marine blue
	MTC6873JP	Eyebrow	2	Stratos blue
	MTC6873LN	Eyebrow	2	Slate grey
	MTC6873NM	Eyebrow	2	Ivory
	MTC6873CUF	Eyebrow	2	Arrow red
	MTC6873JUG	Eyebrow	2	Shire blue
	MTC6873HUJ	Eyebrow	2	Eastnor green
	MTC6873SUB	Eyebrow	2	Arran beige
	MTC6873JUH	Eyebrow	2	Pacific blue
	MTC6873NUC	Eyebrow	2	White



Model DEFENDER 90
Page ADN XO A1A

BODY - REAR EYEBROWS

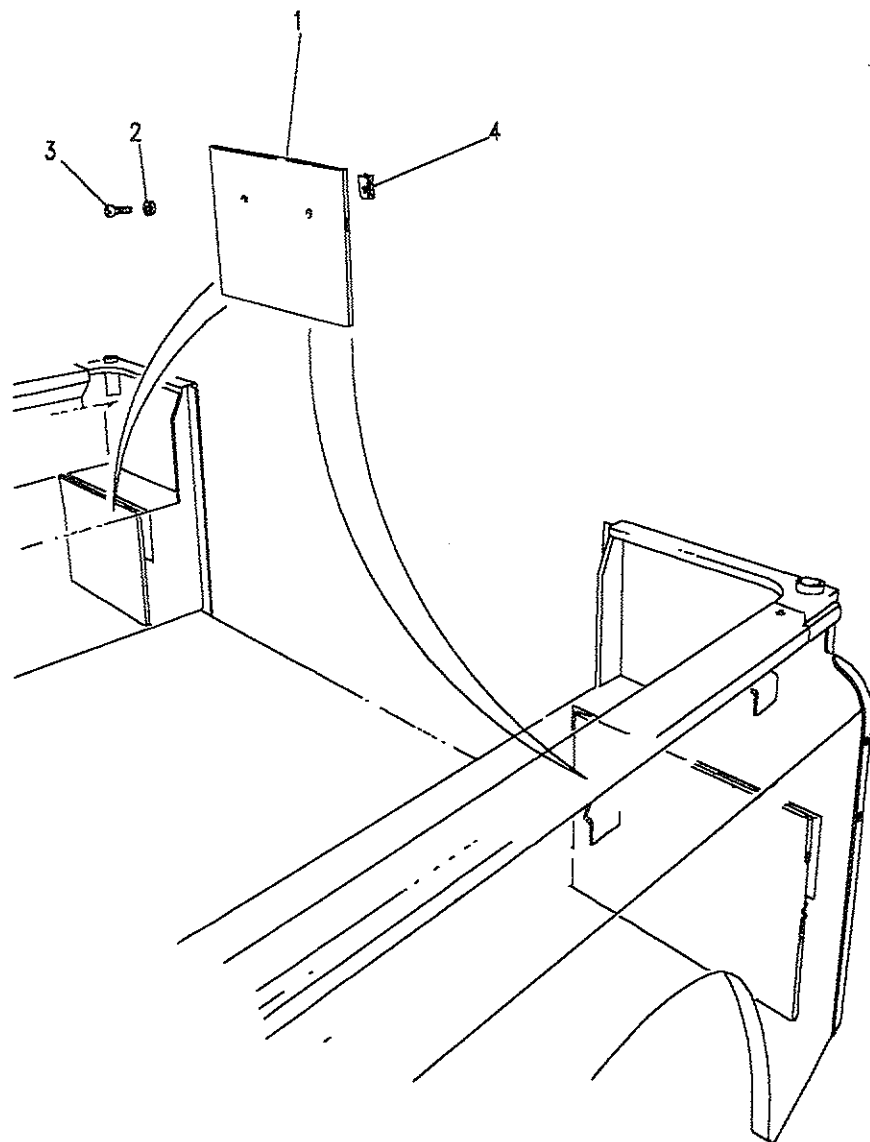
III. Part No.	Description	Qty	Remarks
Eyebrow moulding rear wing			
MTC6873LUS	Eyebrow	2	Grey
MTC6873CUH	Eyebrow	2	County red
MTC6873HUL	Eyebrow	2	County green
MTC6873PUE	Eyebrow	2	County black
MTC6873CUY	Eyebrow	2	Montpellier red
MTC6873HYE	Eyebrow	2	Coniston green
2 AFU1075	Rivet plastic	24	





Model DEFENDER 90
Page ADNXOB1A

BODY - REAR LAMPS PROTECTION



III. Part No.	Description	Qty	Remarks
1 MTC7861	Mud shield	2	Upto HA704532
BTR1790	Mud shield	2	From HA704533
2 AFU1218L	Washer plain	4	
3 AR610051L	Screw	4	
4 AK610021L	Nut spire	4	





DEFENDER 90

896

BODY AND CHASSIS

Model DEFENDER 90

Page ADNXOB2A

BODY - ROLL CAGE UPPER - 90SV

III. Part No.	Description	Qty	Remarks
ALR6777	Header rail assembly	1	
1 ALR5539	Roll cage	1	
2 ALR5540	Roll cage	1	
3 ALR5541	Roll cage	1	
4 ALR5543	Roll cage	1	
5 ALR5544	Tie bar	1	
6 ALR5545	Bracket roll cage	1	
ALR5546	Bracket roll cage	1	
ALR5548	Seal front wing	2	
7 STC1379	Rear roll cage	1	Longitudinal
8 STC1378	Rear roll cage hoop	1	
STC1378	Poppers for body (Hood)	A/R	





DEFENDER 90

897

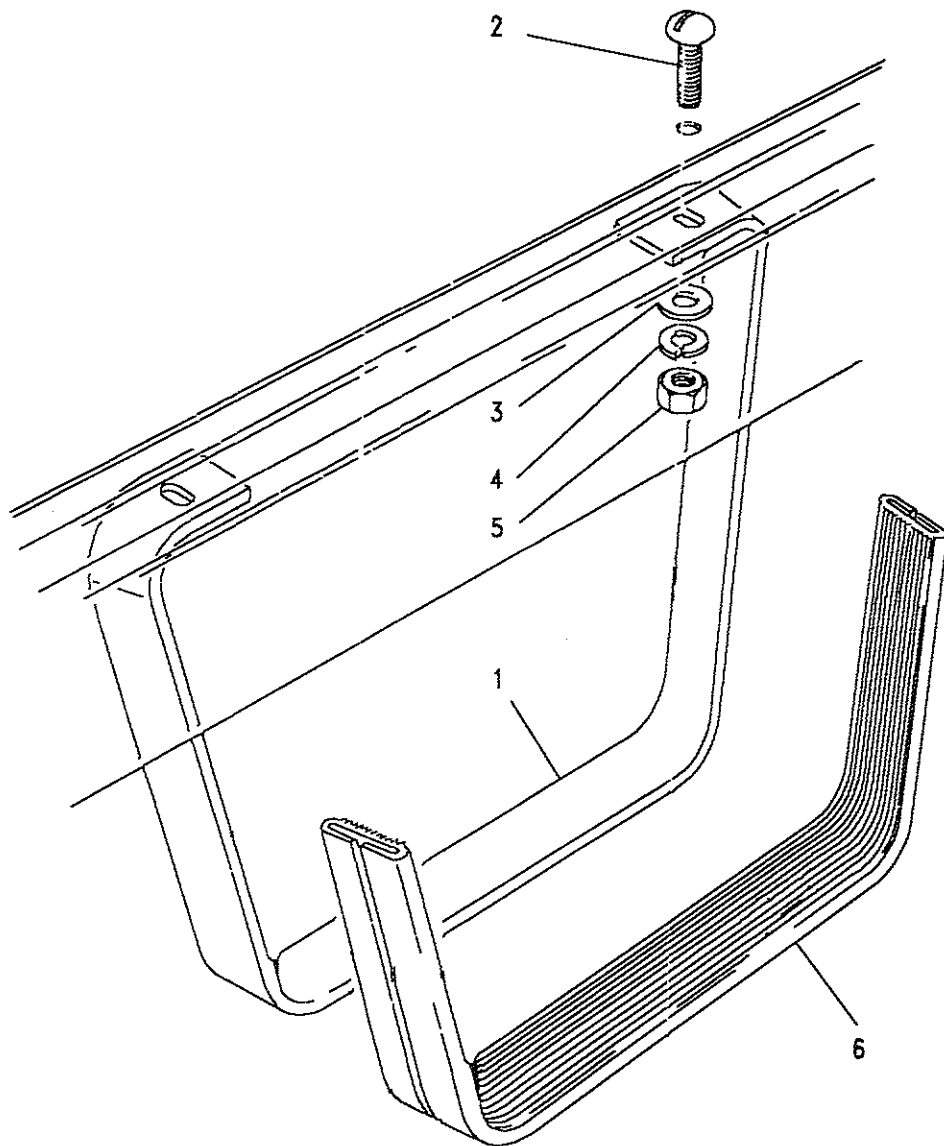
BODY AND CHASSIS

Model DEFENDER 90
Page ADN30B3A

BODY - ROLL CAGE LOWER - 90SV

Ill. Part No.	Description	Qty	Remarks
1 ALR3219	Bracket saddle LH	1	
ALR3220	Bracket saddle RH	1	
2 SH110251L	Screw	2	
3 WA110061L	Washer plain	4	
4 FN110041L	Nut	2	
5 ALR3221	Bracket front wing LH	1	
ALR3222	Bracket front wing RH	1	
6 MXC6676	Bolt	8	
7 4594L	Spacer	8	
8 ALR6109	Support bracket LH	1	
ALR6110	Support bracket RH	1	
9 ALR5549	Screw torx M10 x 25	10	
10 ALR5550	Washer fibre	10	
11 ALR5556	Crosstube inner	1	
12 SH110251L	Screw-crosstube to hoop	4	
13 WA110061L	Washer plain	4	
14 SH607091L	Screw-crosstube to floor	2	
15 WA600071L	Washer plain	2	
16 ALR5557	Crosstube underbody	1	
17 ALR5558	Seal	2	
18 ALR5560	Bracket crosstube LH	1	
19 ALR5561	Bracket crosstube RH	1	
20 SH110251L	Screw	10	
13 WA110061L	Washer plain	10	





Model DEFENDER 90
Page ADNXP1A

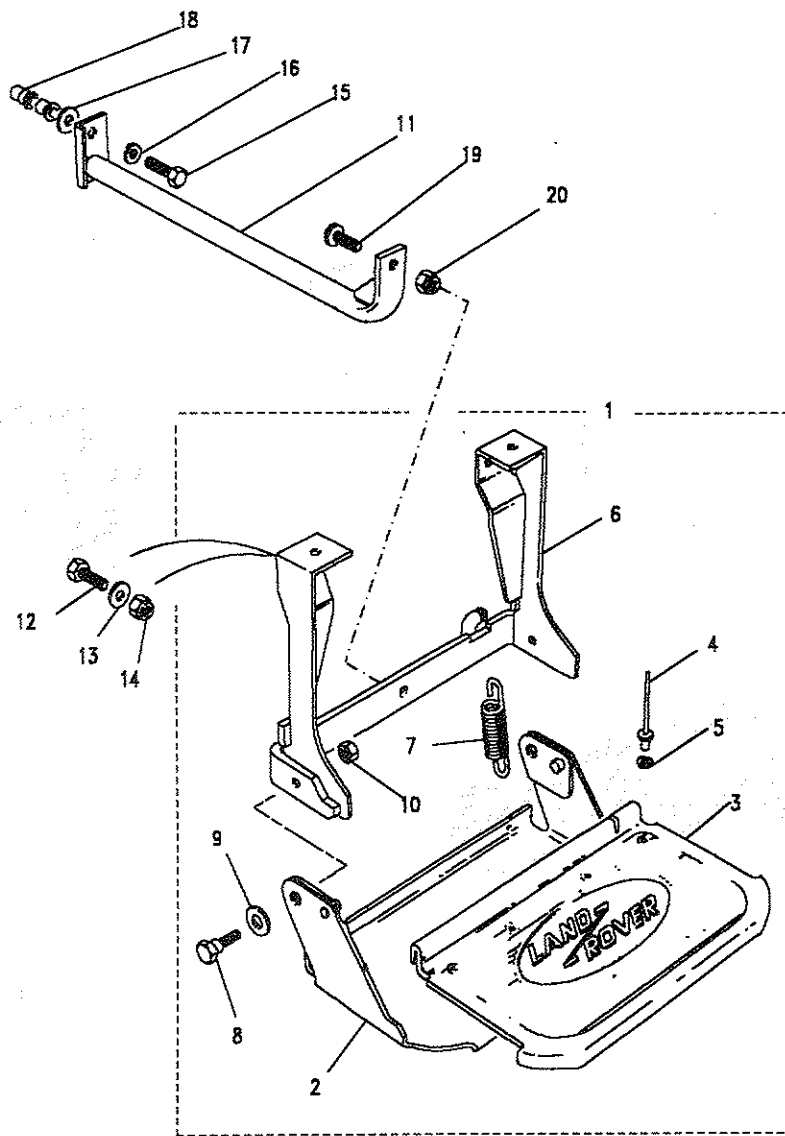
BODY - STIRRUP STEP - SIDE DOORS

III. Part No.	Description	Qty	Remarks
1 MTC2138	Step side	1	
2 SE108251	Screw	2	
3 WC108051L	Washer plain	2	
4 WL108001L	Washer spring	2	
5 FN108041L	Nut	2	
6 MTC2548	Finisher step	1	Germany

Note(1) Quantities shown are for one step only



Handwritten mark



Model DEFENDER 90
Page ADNXP2A

BODY - FOLDING STEP - SIDE DOORS - NOT GERMANY

III. Part No.	Description	Qty	Remarks
1	MTC7466	1	Folding type
2	MTC3021	1	
3	MTC3076	1	
4	RT612253	4	
5	WA105001L	4	
6	MTC7465	1	
7	MTC1233	1	
8	MTC7464	2	
9	WB114001L	2	
10	NY108041L	2	
11	MXC1624	1	

Fixings - Step to sill

12	FS108251L	2	Screw
13	WA108051L	2	Washer plain
14	NY108041L	2	Nut

Fixings - Brace to chassis

15	FS108251L	1	Screw
16	WL108001L	1	Washer spring
17	WC108051L	A/R	Washer packing
18	NN108021	1	Nut anchor

Fixings - Brace to step

19	SE108201	1	Screw
20	NY108041L	1	Nut

Note(1) Quantities shown are for one step only

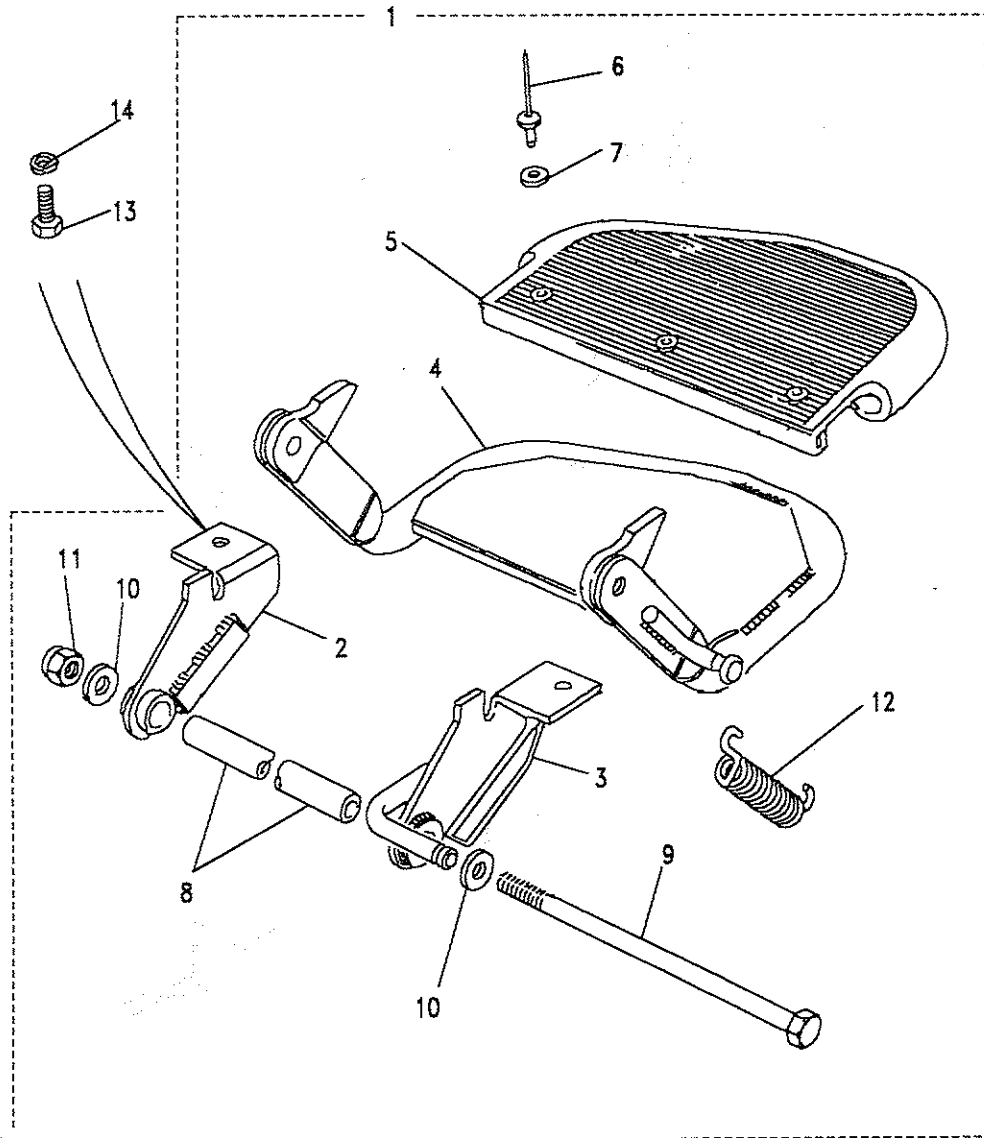




Model DEFENDER 90
Page ADNXP3A

BODY - FOLDING STEP - REAR END DOOR

III. Part No.	Description	Qty	Remarks
1	MTC3084 Step assembly rear	1	Folding type
2	MTC3086 Retainer RH	1	
3	MTC3087 Retainer LH	1	
4	MTC3085 Step	1	
5	MTC3091 Mat	1	
6	RA612373L Rivet	7	
7	WA105001 Washer plate	7	
8	MTC3099 Tube spacer	1	
9	BH110521 Bolt	1	
10	WC110061 Washer plain	2	
11	NY110041L Nut	1	
12	MTC1233 Spring	1	
13	SH110201 Screw	2	
14	WL110001L Washer spring	2	

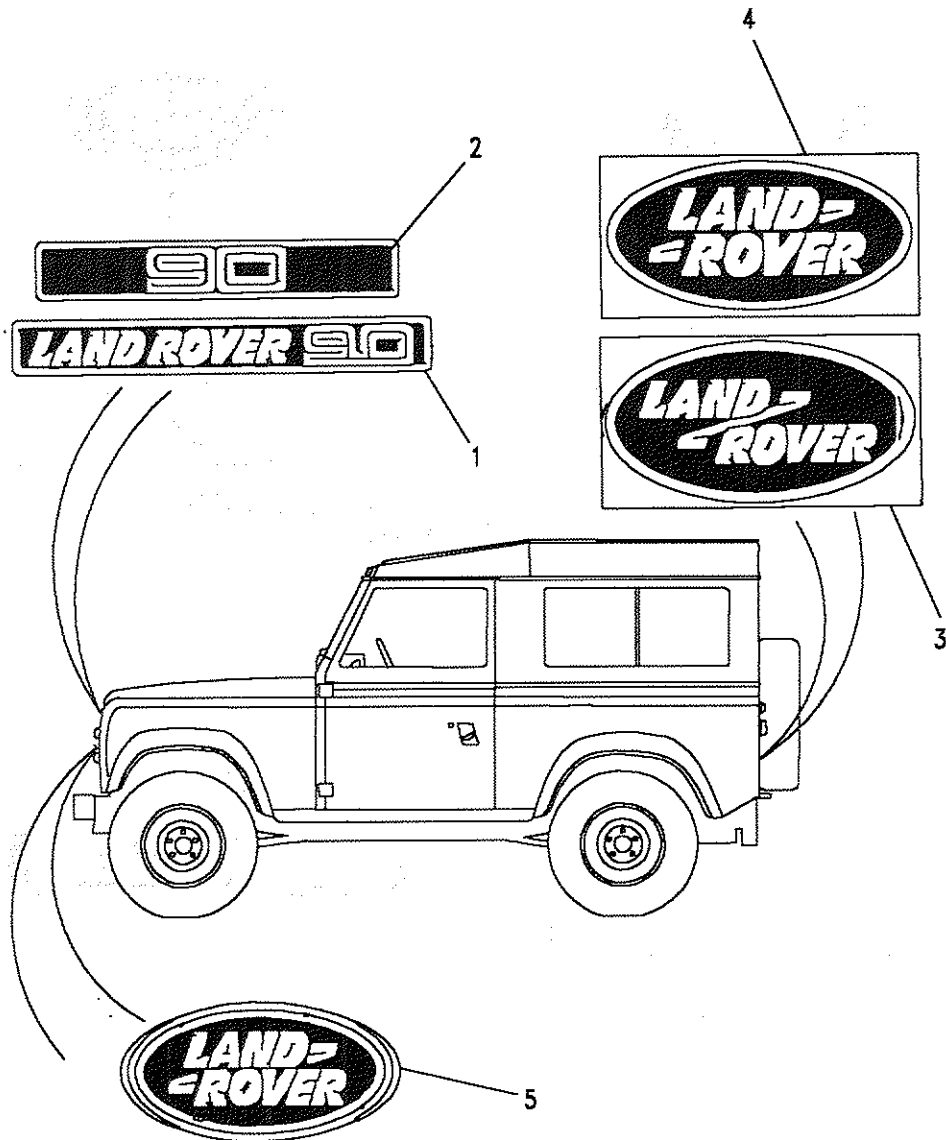




Model DEFENDER 90
Page ADNXQA1A

BODY - DECALS - UP TO 1991 MODEL YEAR

III. Part No.	Description	Qty	Remarks
Silver on black			
1 MTC8305	Nametape front	1	Up to FA414686
2 MXC6396	Nametape front	1	From FA414687
3 MUC2002	Nametape rear	1	NLA use MXC6401
4 MXC6401	Nametape rear	1	
Gold on green			
5 MXC6402	Badge grille	1	



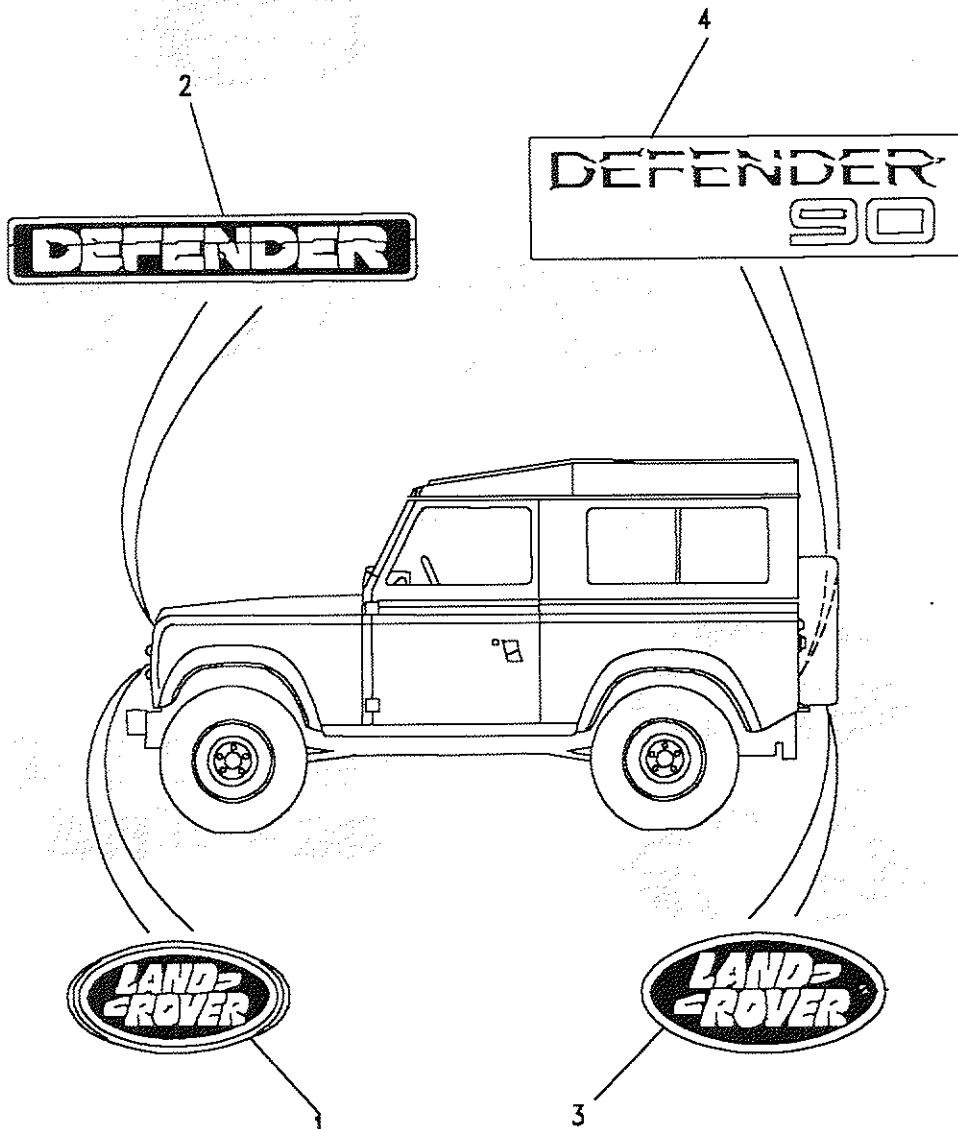


Model DEFENDER 90
Page ADNXQA2A

BODY - DECALS - FROM 1991 MODEL YEAR

III. Part No.	Description	Qty	Remarks
1 MXC6402	Badge grille	1	Note(1)
2 BTR1045	Tape front 'Defender'	1	Note(2)
3 BTR1047	Badge rear 'Land Rover'	1	Note(1)
1991 Model Year			
4 BTR1048	Tape rear 'Defender 90'	1	Note(3)
1992 Model Year			
4 BTR2981LVA	Tape rear 'Defender 90'	1	Note(4)

Note(1) Gold on Green background
 Note(2) Silver on Black background
 Note(3) Silver on clear background
 Note(4) Light Grey on clear background





Model DEFENDER 90

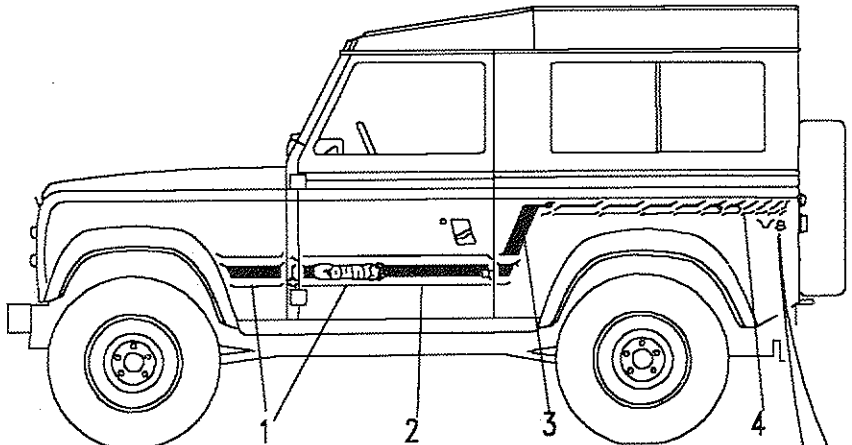
Page ADNXQA3A

BODY - BODY TAPES

III. Part No.	Description	Qty	Remarks
---------------	-------------	-----	---------

Upto DVAD7AA270227, DVAC7AA270484, DVAV7AA271214.

1	RTC6474	Tape front door/wing RH	1	Beige
	RTC6476	Tape front door/wing LH	1	Beige
	RTC6475	Tape front door/wing RH	1	Blue
	RTC6477	Tape front door/wing LH	1	Blue
2	MUC3172AF	Tape front door RH	1	Beige
3	MUC3174AF	Tape bodyside front RH	1	Beige
	MUC3175AF	Tape bodyside front LH	1	Beige
	MUC3174JU	Tape bodyside front RH	1	Blue
	MUC3175JU	Tape bodyside front LH	1	Blue
4	MUC3532AF	Tape bodyside rear RH	1	Beige
	MUC3533AF	Tape bodyside rear LH	1	Beige
	MUC3532JU	Tape bodyside rear RH	1	Blue
	MUC3533JU	Tape bodyside rear LH	1	Blue
5	MUC3373AF	Tape 'V8'	2	Beige
	MUC3373JU	Tape 'V8'	2	Blue





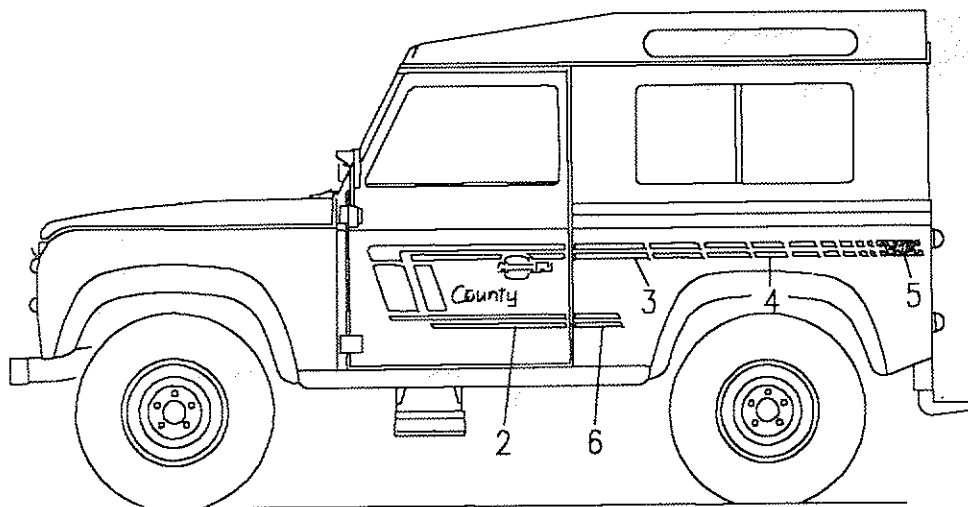
Model DEFENDER 90
Page ADNQA4A

BODY - BODY TAPES

III. Part No. Description Qty Remarks

From DVAD7AA270227, DVAC270484, & DVAV7AA271214

III. Part No.	Description	Qty	Remarks
1	MUC6932	1	Badge rear 'Turbo'
2	MWC2238HA	1	Tape front door RH
	MWC2237HA	1	Tape front door LH
	MWC2238LB	1	Tape front door RH
	MWC2237LB	1	Tape front door LH
3	MWC2248HA	1	Tape body front upper RH
	MWC2247HA	1	Tape body front upper LH
	MWC2248LB	1	Tape body front upper RH
	MWC2247LB	1	Tape body front upper LH
4	MWC2244HA	1	Tape body strobe RH
	MWC2243HA	1	Tape body strobe LH
	MWC2244LB	1	Tape body strobe RH
	MWC2243LB	1	Tape body strobe LH
5	MWC2246HA	1	Tape 'V8' RH
	MWC2245HA	1	Tape 'V8' LH
	MWC2246LB	1	Tape 'V8' RH
	MWC2245LB	1	Tape 'V8' LH
6	MWC2250HA	1	Tape body front lower RH
	MWC2249HA	1	Tape body front lower LH
	MWC2250LB	1	Tape body front lower RH
	MWC2249LB	1	Tape body front lower LH





Model DEFENDER 90

Page ADNQA5A

BODY - BODY TAPES

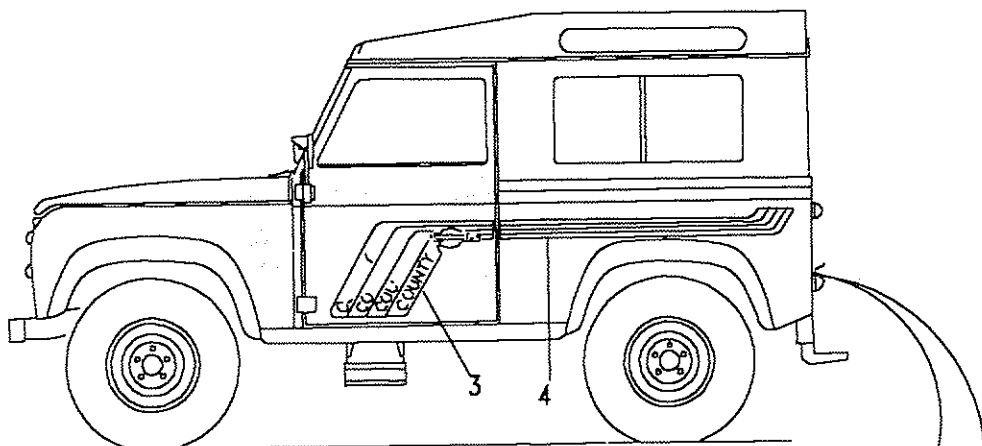
III. Part No.	Description	Qty	Remarks
---------------	-------------	-----	---------

1988 Model Year - Non Station Wagon

1988 Model Year upto 1991 Model Year - Station Wagon

1	MWC8256LUJ	Badge rear 'Turbo'	1	Upto FA414686
	MWC8256MUB	Badge rear 'Turbo'	1	From FA414687
2	MWC8257LUJ	Badge rear 'V8'	1	Upto FA414686
	MWC8257MUB	Badge rear 'V8'	1	From FA414687
3	MWC7188RUM	Tape front door RH	1	
	MWC7189RUM	Tape front door LH	1	
4	MWC7194RUM	Tape rear quarterRH	1	
	MWC7195RUM	Tape rear quarterLH	1	

Note(1) LUJ - Grey
 Note(2) RUM - Dark Grey/Silver Strobe
 Note(3) MUB - Silver on Black background



1

2





Model DEFENDER 90
Page ADNQA6A

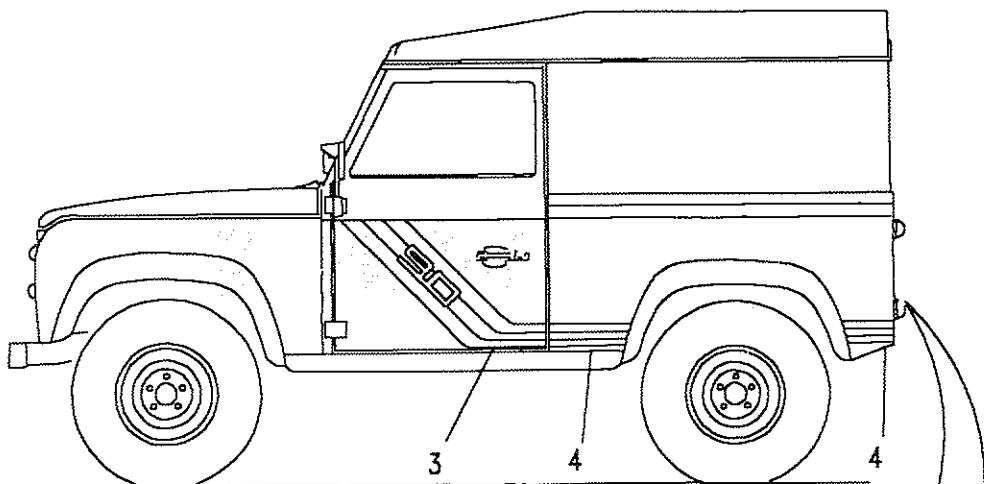
BODY - BODY TAPES

III. Part No. Description Qty Remarks

1989 Model Year upto 1991 Model Year - Non Station Wagon

1	MWC8256LUJ	Badge rear 'Turbo'	1	Upto FA414686
	MWC8256MUB	Badge rear 'Turbo'	1	From FA414687
2	MWC8257LUJ	Badge rear 'V8'	1	Upto FA414686
	MWC8257MUB	Badge rear 'V8'	1	From FA414687
3	MXC1872RUP	Tape front door RH	1	
	MXC1873RUP	Tape front door lh	1	
4	MXC5015RUP	Tape bodyside (1300mm)	A/R	Note(2)

- Note(1) Station Wagon refer to page 905
- Note(2) Chassis Cab 500mm, Hard Top/Soft Top 1200mm
- Note(3) LUJ - Grey
- Note(4) RUP - Silver/Mid Grey/Dark Grey on Ivory background
- Note(5) MUB - Silver on Black background

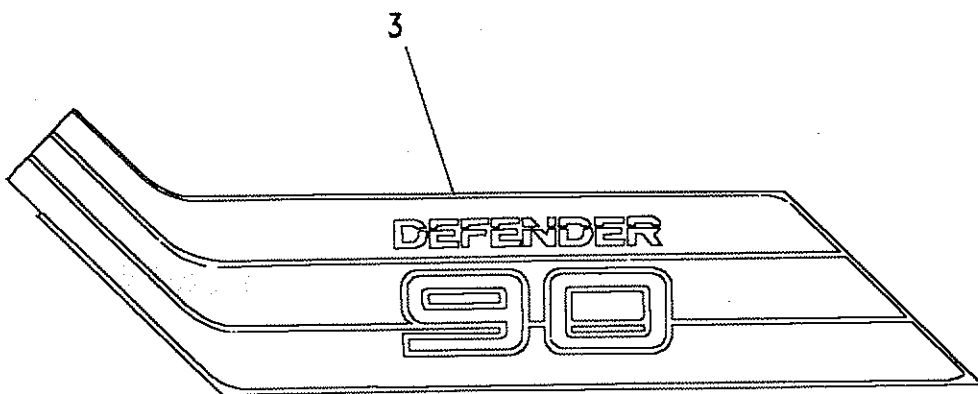


1



2

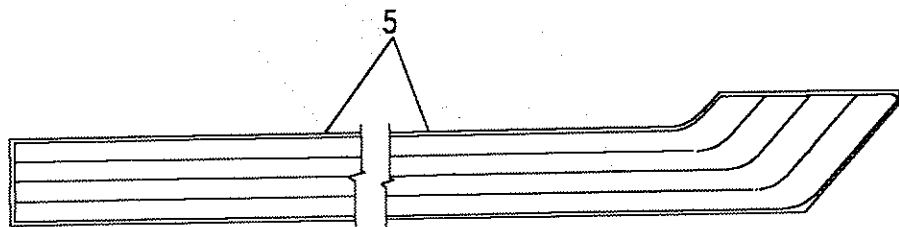
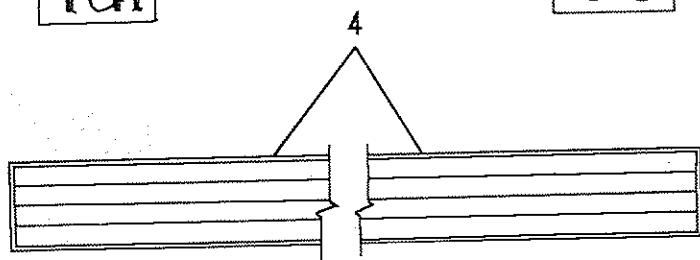
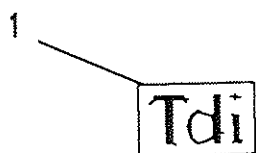




Model DEFENDER 90
Page ADNQA7A

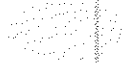
BODY - BODY TAPES

III. Part No.	Description	Qty	Remarks
1991 Model Year - From HA456061			
1 BTR516MUB	Badge front wing 'Tdi'	2	
2 BTR514MUB	Badge front wing 'V8'	2	
3 BTR1052RUK	Tape front door RH	1	
BTR1053RUK	Tape front door LH	1	
Non Station Wagon			
4 BTR98RUK	Tape bodyside (1300mm)	A/R	Note(1)
Station Wagon			
5 BTR166RUV	Tape bodyside RH	1	
BTR167RUV	Tape bodyside LH	1	



Note(1) Chassis Cab 500mm,Hard Top/Soft Top 1200mm
 Note(2) MUB - Silver on Black background
 Note(3) RUK - Multi Green - Light Red on Dark Green/Greenish White/Turquoise
 Note(4) RUV - Strobe Blue - Greenish White/Pale Blue/Bright Blue/Mid Blue





Model DEFENDER 90.
Page ADNXXQA8A

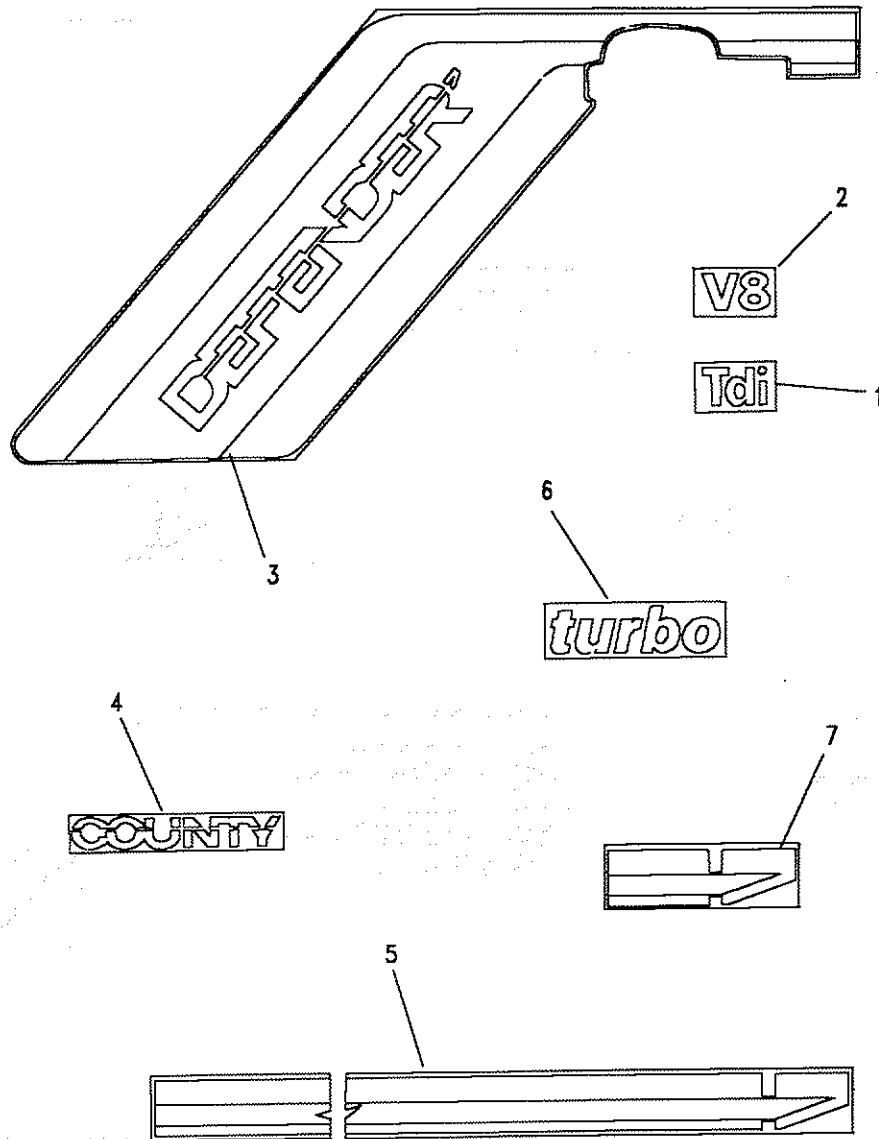
BODY - BODY TAPES

III. Part No. Description Qty Remarks

From 1992 Model Year

Part No.	Description	Qty	Remarks
1	BTR516LVA	2	Badge front wing 'Tdi'
2	BTR514LVA	2	Badge front wing 'V8'
3	BTR2408RWF	1	Tape front door RH
	BTR2407RWF	1	Tape front door LH
4	BTR2413SUJ	2	Tape bodyside 'County'
5	BTR2416RWF	1	Tape bodyside RH
	BTR2417RWF	1	Tape bodyside LH
6	MWC8256LVA	1	Badge rear 'Turbo'
7	BTR2414RWF	1	Tape bodyside RH
	BTR2415RWF	1	Tape bodyside LH
			Chassis Cab
			Chassis Cab

Note(1) LVA - Light Grey
 Note(2) RWF - Light Grey and Dark Grey
 Note(3) SUJ - Beige

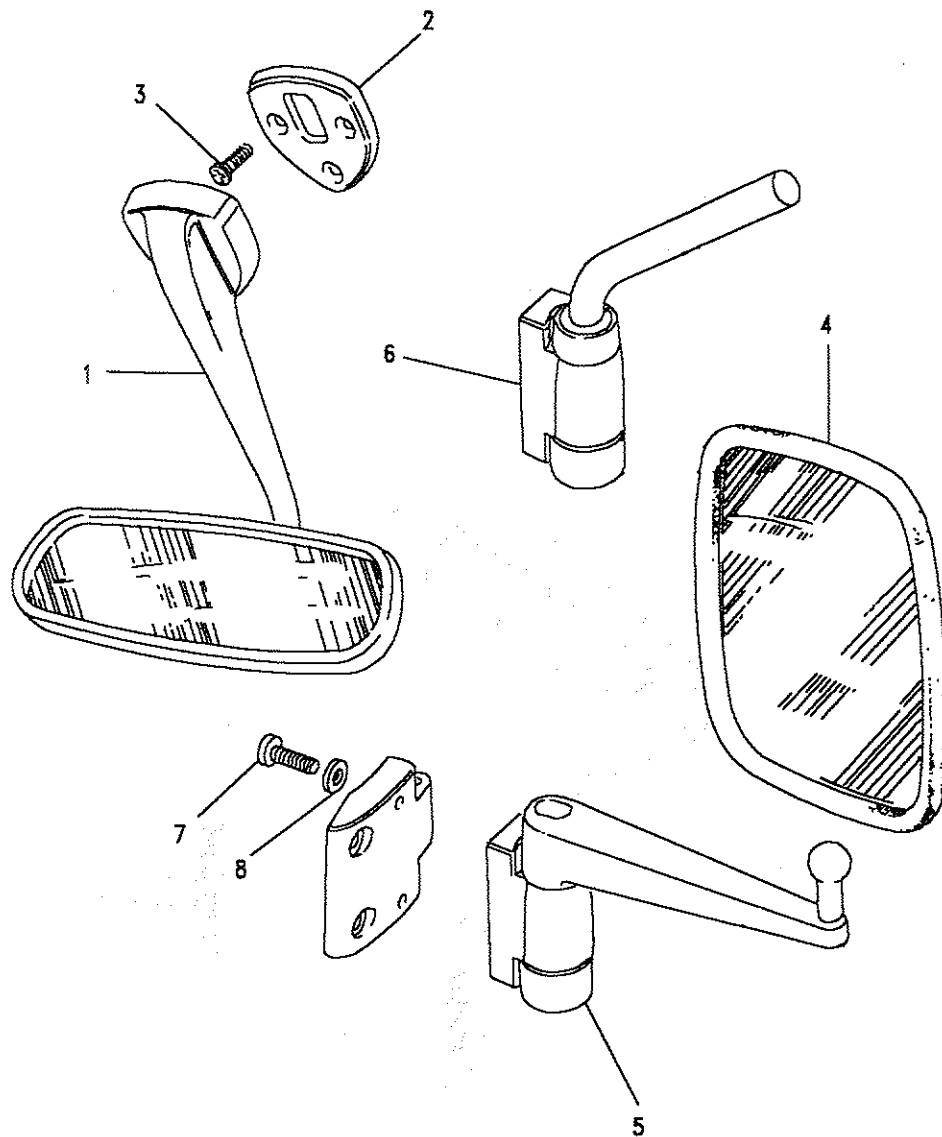


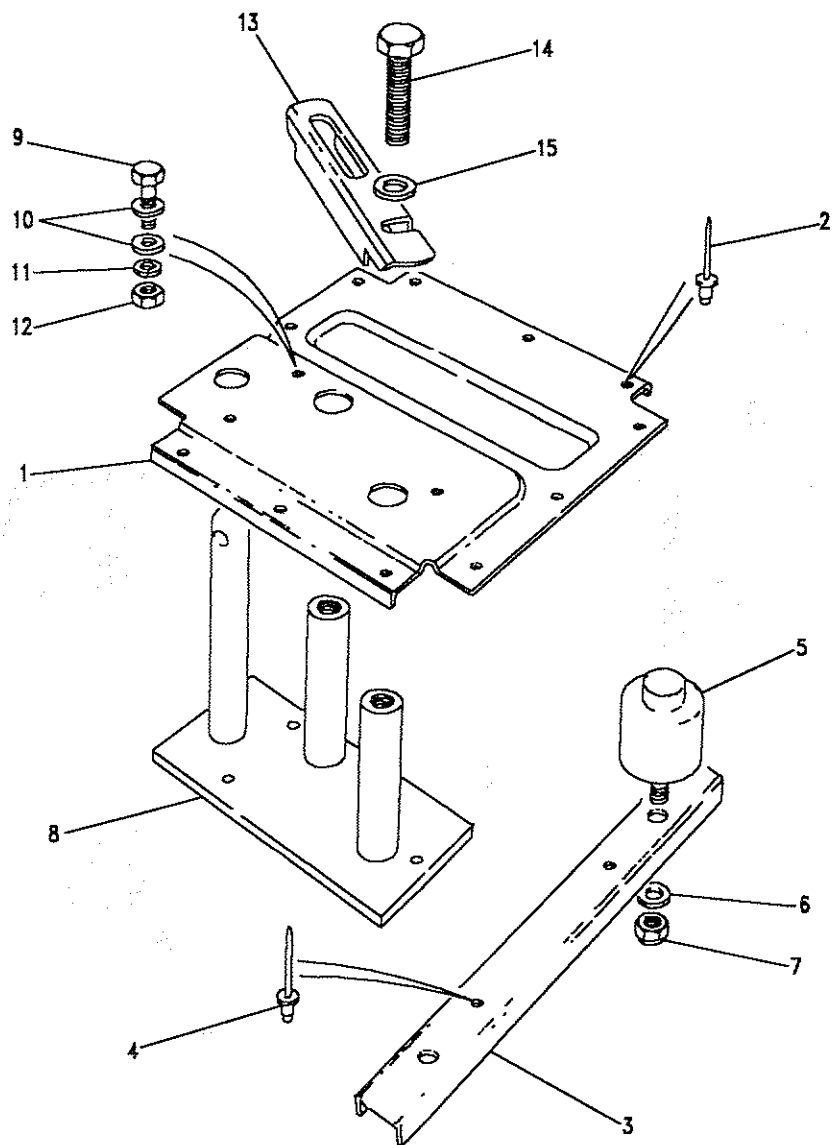


Model DEFENDER 90
Page ADNARA1A

BODY - MIRRORS - INTERIOR AND EXTERIOR

III. Part No.	Description	Qty	Remarks
1	MTC6376	1	
	MXC3340	1	90SV Only
2	372336	1	
3	SF104204L	3	Vehicles with trim
	SF104164	3	Vehicles less trim
4	MTC5084	2	Convex
	RTC4341	2	
5	MTC5083	2	
6	SE604071L	4	
7	MRC1979	4	





Model DEFENDER 90
 Page ADNXTA1A

BODY - SPARE WHEEL CARRIER ON BONNET - TYPE A

III. Part No.	Description	Qty	Remarks
1	MTC3594 Plate	1	
2	RA612183 Rivet	11	
3	MTC4570 Channel	2	
4	RA612183 Rivet	4	
5	MRC4619 Buffer rubber	4	
6	WB108051L Washer plain	4	
7	NY108041L Nut	4	
8	MTC3598 Plate clamping	1	
9	SH105161L Screw	3	
10	WA105001L Washer plain	6	
11	WL105001L Washer spring	3	
12	NH105041L Nut	3	
13	MRC5063 Retainer spare wheel	1	
14	MRC4473 Bolt	2	
15	WD112081L Washer plain	2	

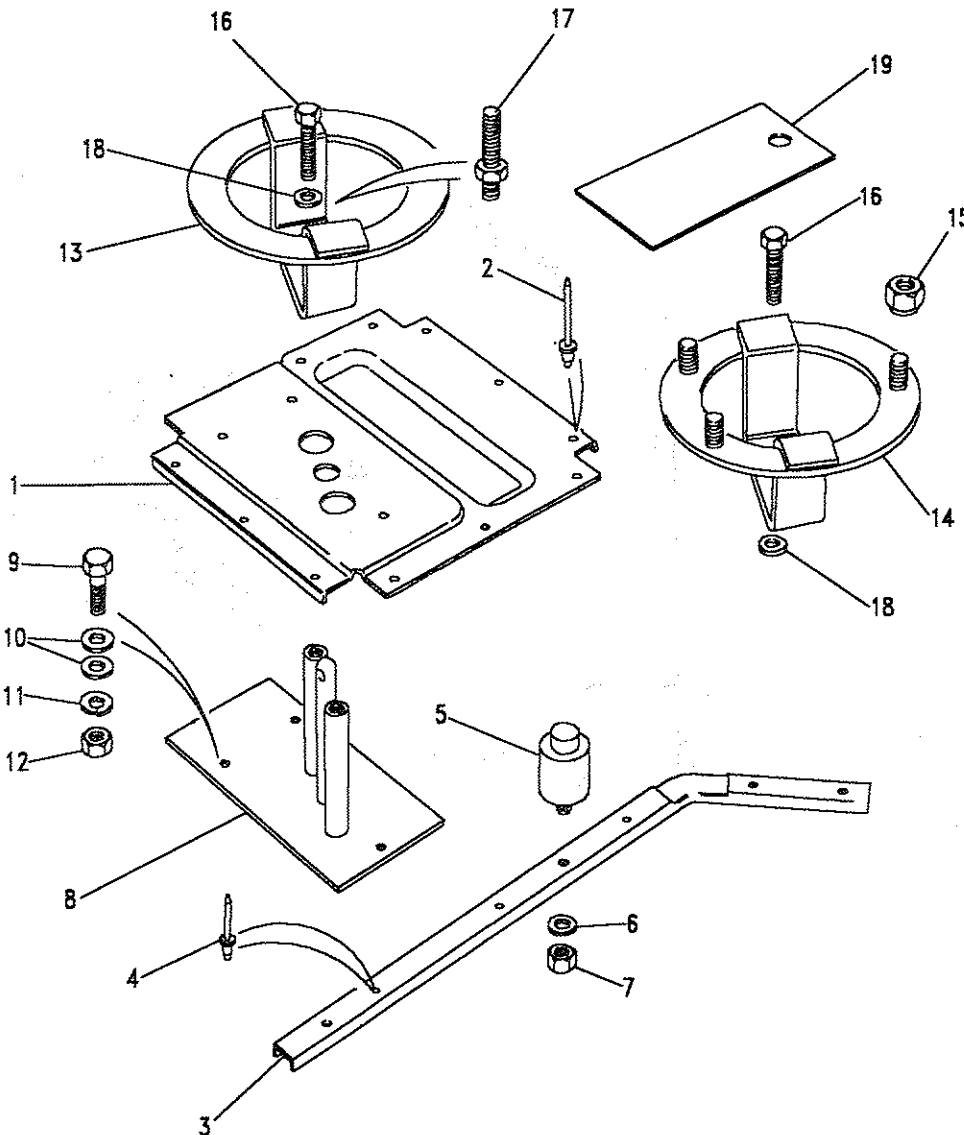


Model DEFENDER 90
Page ADNXTA2A

BODY - SPARE WHEEL MOUNTING ON BONNET - TYPE B

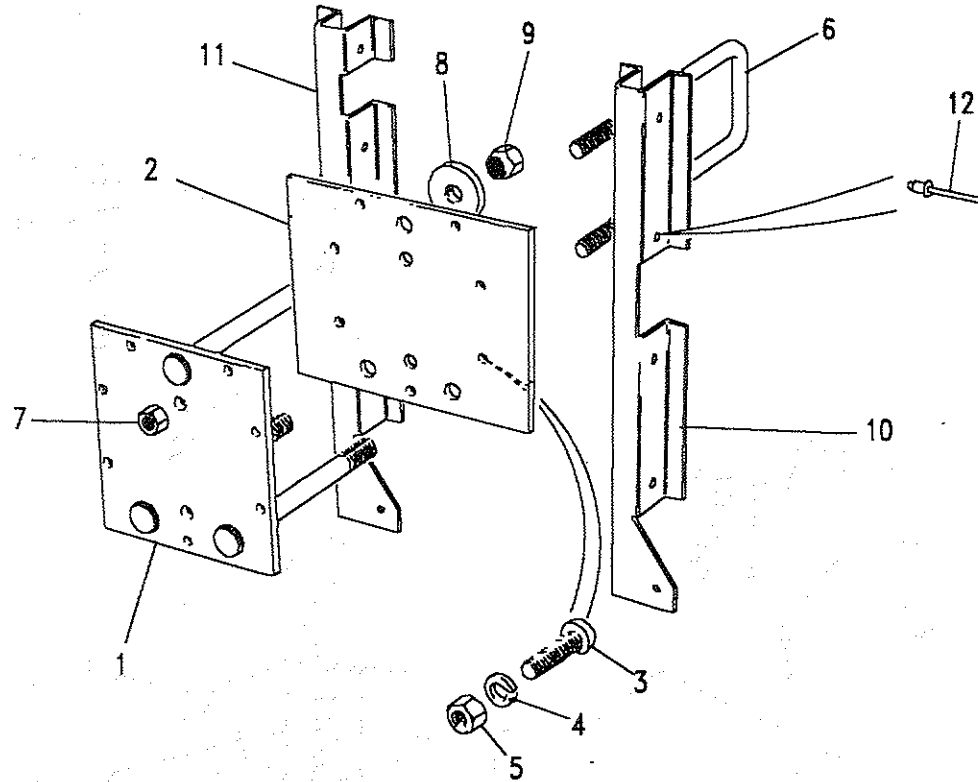
Ill. Part No.	Description	Qty	Remarks
1	MUC2443	1	
2	RA612183	11	
3	MUC6418	1	
	MUC6419	1	
4	RA612183	10	
5	MRC4619	4	
6	WB108051L	4	
7	NY108041L	4	
8	MUC2442	1	
9	SH105161L	3	
10	WA105001L	6	
11	WL105001L	3	
12	NH105041L	3	
13	MUC2440	1	Note(1)
14	MWC4309	1	Note(2) Upto HA906597
	ALR2380	1	Note(2) From JA906598
15	90577473	3	Note(2)
16	MRC4473	2	Note(1)
17	BTR549	1	Note(1) From 1991MY
18	WD112081L	2	
19	BTR550	1	Note(2) From 1991MY

Note(1) When Defender wheels fitted
Note(2) When Range Rover wheels fitted

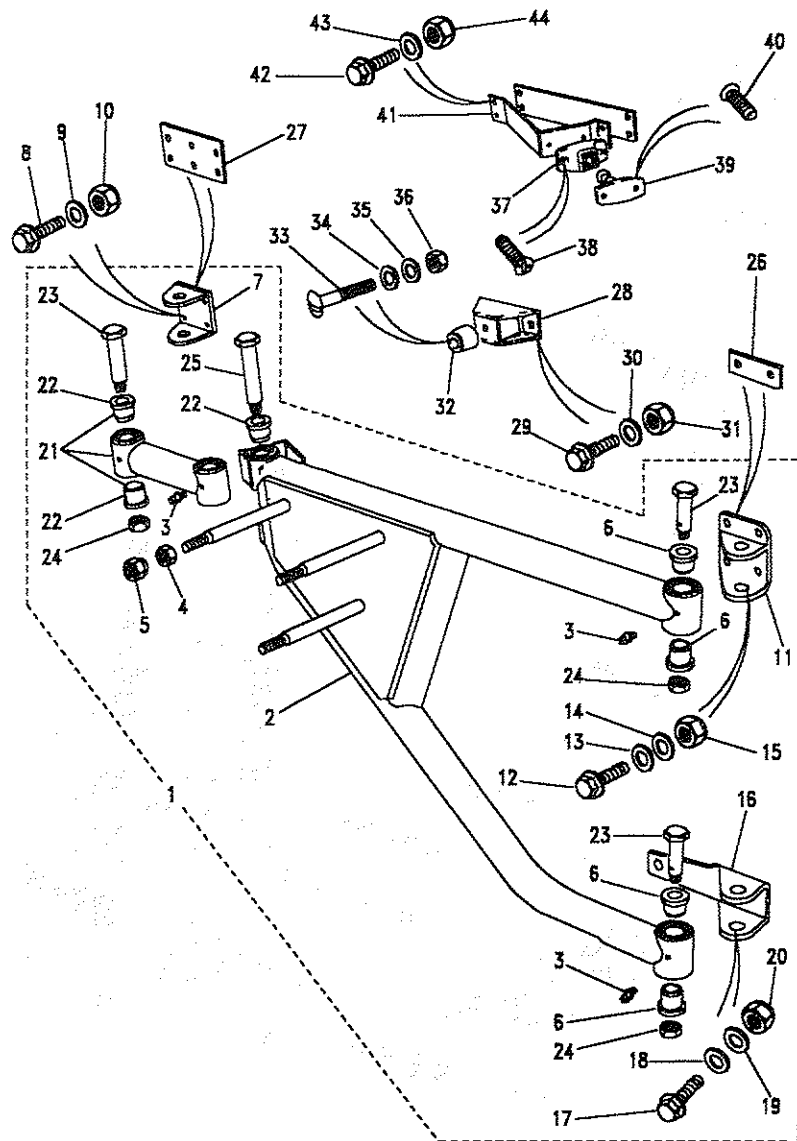


Model DEFENDER 90
Page ADNXTA3A

BODY - SPARE WHEEL CARRIER - REAR END DOOR



III. Part No.	Description	Qty	Remarks
1	ALR2377 Carrier spare wheel	1	
	MUC2934 Plate clamp	1	Upto FA423116
2	MXC7228 Plate clamp	1	From FA423116 Upto HA906580
	ALR2378 Plate clamp	1	From JA906581
3	SE106251L Screw	7	Upto FA423116
4	WL106001L Washer spring	7	Upto FA423116
5	NH106041L Nut	7	Upto FA423116
	SE106251L Screw	11	From FA423116
	WL106001L Washer spring	11	From FA423116
	NH106041L Nut	11	From FA423116
6	MUC2364 U bolt	1	Upto HA906580
7	NH112041L Nut	4	Upto HA906580
8	MUC2368 Washer threaded	3)Alternatives
	MUC4546 Nut M16	3	
9	90577473 Wheel Nut	3)
10	MXC7226 Stiffener RH	1	
11	MXC7227 Stiffener LH	1	From FA423116
12	78248 Rivet	22	From FA423116

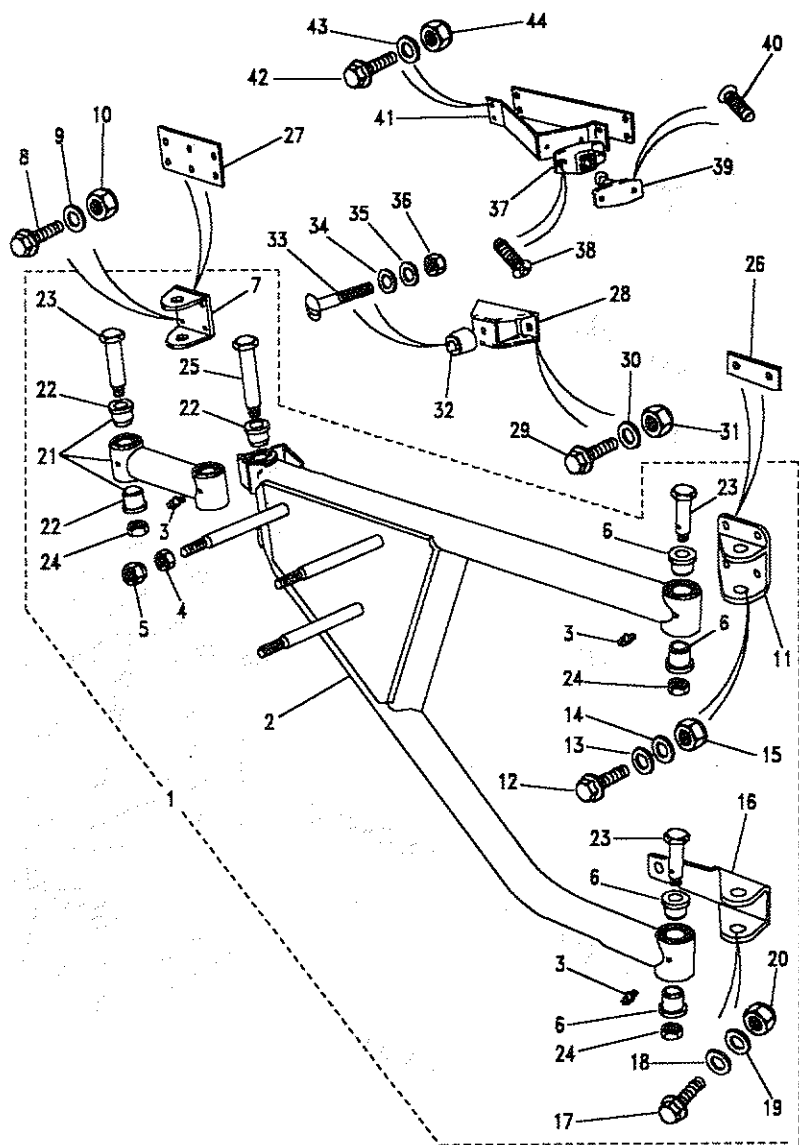


Model DEFENDER 90
 Page ADNXTA4A

BODY - SPARE WHEEL CARRIER - TAILBOARD - 90SV

III. Part No.	Description	Qty	Remarks
1	BTR8714	1	Carrier spare wheel assy
2	BTR8720	1	Frame spare wheel carrier
3	RRC2898	4	Grease nipple
4	MUC4546	3	Nut M16
5	90577473	3	Wheelnut
6	RRC5266	4	Bush
7	ANR3145	1	Bracket pivot
8	FS106201	6	Screw
9	WA106041L	8	Washer plain
10	NY106041L	2	Nut
11	RRC5739	1	Pivot bracket upper
12	FS108251L	4	Screw
13	WA108051L	4	Washer plain
14	WC108051L	1	Washer plain
15	NY108041L	2	Nut
16	RRC5115	1	Pivot bracket lower
17	FS108301	2	Screw
18	WA108051L	2	Washer plain
19	WC108051L	2	Washer plain
20	NY108041L	2	Nut
21	RRC5262	1	Pivot tube assy
22	RRC5266	4	Bush
23	RRC5264	3	Pivot bolt short
24	NT112041L	3	Nut thin M12
25	RRC5761	1	Pivot bolt long
26	ANR3099	1	Reinfrmnt upper mntng brkt
27	RRC5277	1	Reinforcement plate





Model DEFENDER 90
Page ADNXTA4A

BODY - SPARE WHEEL CARRIER - TAILBOARD - 90SV

III. Part No.	Description	Qty	Remarks
28	RRC2241	1	Bracket buffer
29	FS106201	2	Screw
30	WA106041L	2	Washer plain
31	NY106041L	2	Nut
32	304125	1	Buffer
33	SP105251	1	Screw
34	WA105001L	2	Washer plain
35	WJ600041L	2	Washer plain
36	NY105041L	1	Nut
37	ANR3118	1	Catch female
39	ANR3117	1	Catch male
40	SF105121	2	Screw
41	RRC5278	1	Bracket female catch
42	FS106201	4	Screw
43	WA106041L	8	Washer plain
44	NY106041L	4	Nut

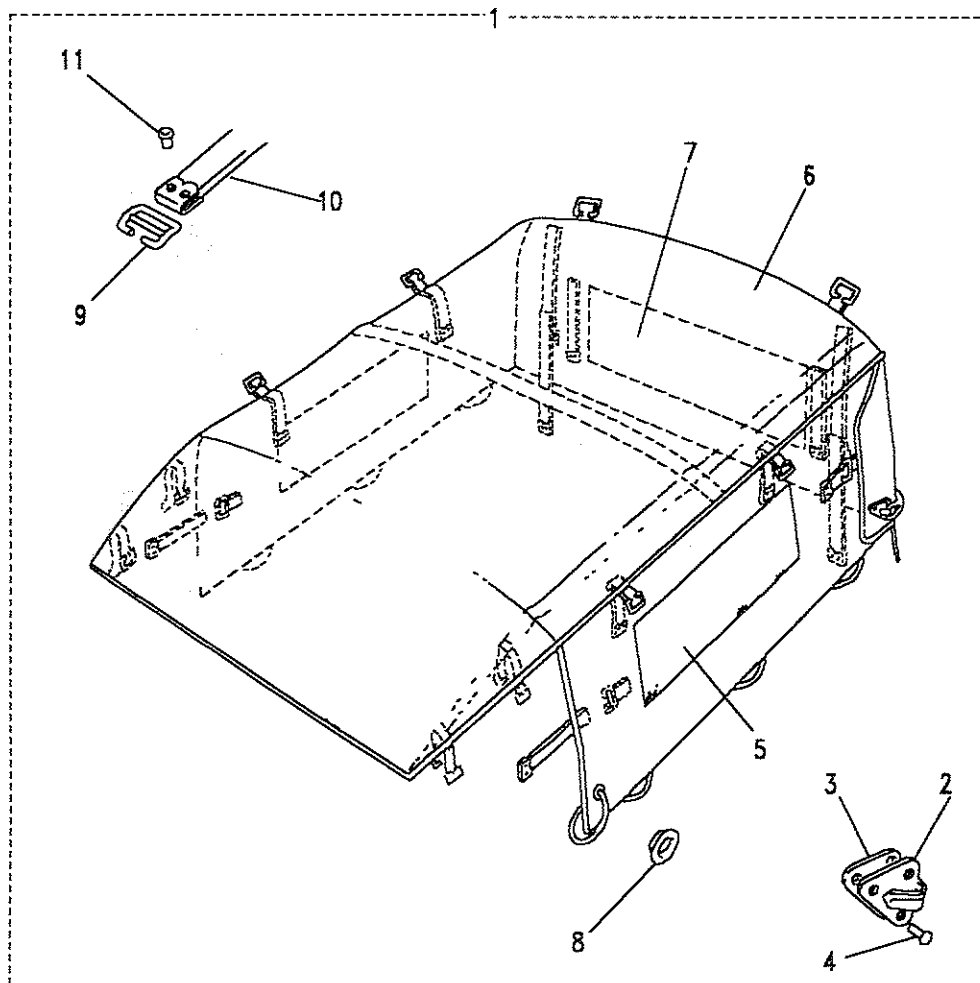


Model DEFENDER 90

Page ADNXA1A

BODY - HOOD - FULL LENGTH

III. Part No.	Description	Qty	Remarks
With side windows			
1 MTC8195AE	Hood	1	Matt Sand Upto VIN 224093
MUC4122AG	Hood	1	Khaki Green From VIN 224094
MUC4122ABE	Hood	1	Matt Sand From VIN 224094
With plain sides			
1 MTC8194AE	Hood	1	Matt Sand Upto VIN 224093
MUC4121AG	Hood	1	Khaki Green From VIN 224094
MUC4121ABE	Hood	1	Matt Sand From VIN 224094
2 304797	Rope hook	2	
3 301343	Washer plate	2	
4 RF608041	Rivet	6	Upto VIN 224093
3547	Rivet	6	From VIN 224094
5 MTC4313	Sidelight	2	
6 MWC1092AG	Rear curtain	1	Khaki Green No longer available
MTC7193AE	Rear curtain	1	Matt Sand
7 MTC4313	Backlight	1	
331221	Rope rear curtain	1	
331222	Rope hood top and sides	1	
8 301321	Eyelet	A/R	
301320	Eyelet	A/R	No longer serviced
9 300953	Buckle	A/R	
10 300954	End cap	A/R	
11 396800	Eyelet	A/R	





Model DEFENDER 90
Page ADN XUA2A

BODY - HOOD - THREE QUARTER LENGTH

III. Part No.

Description

Qty Remarks

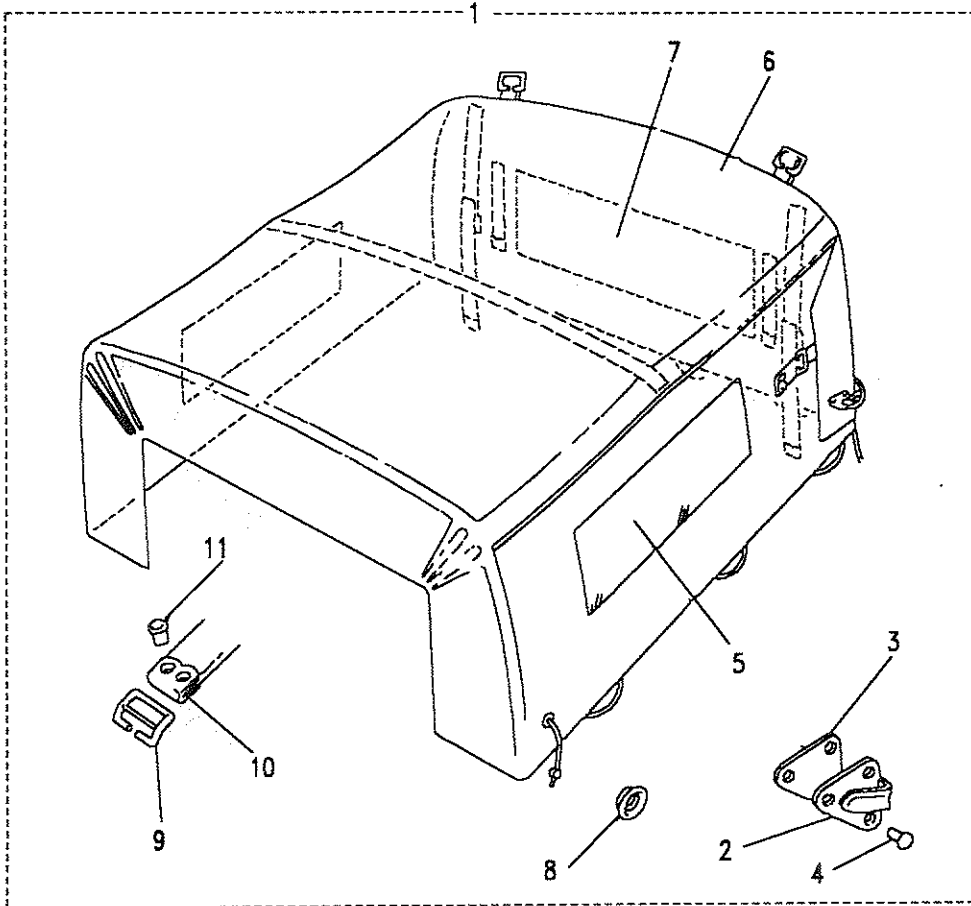
Cab fixing - Upto VIN 281949

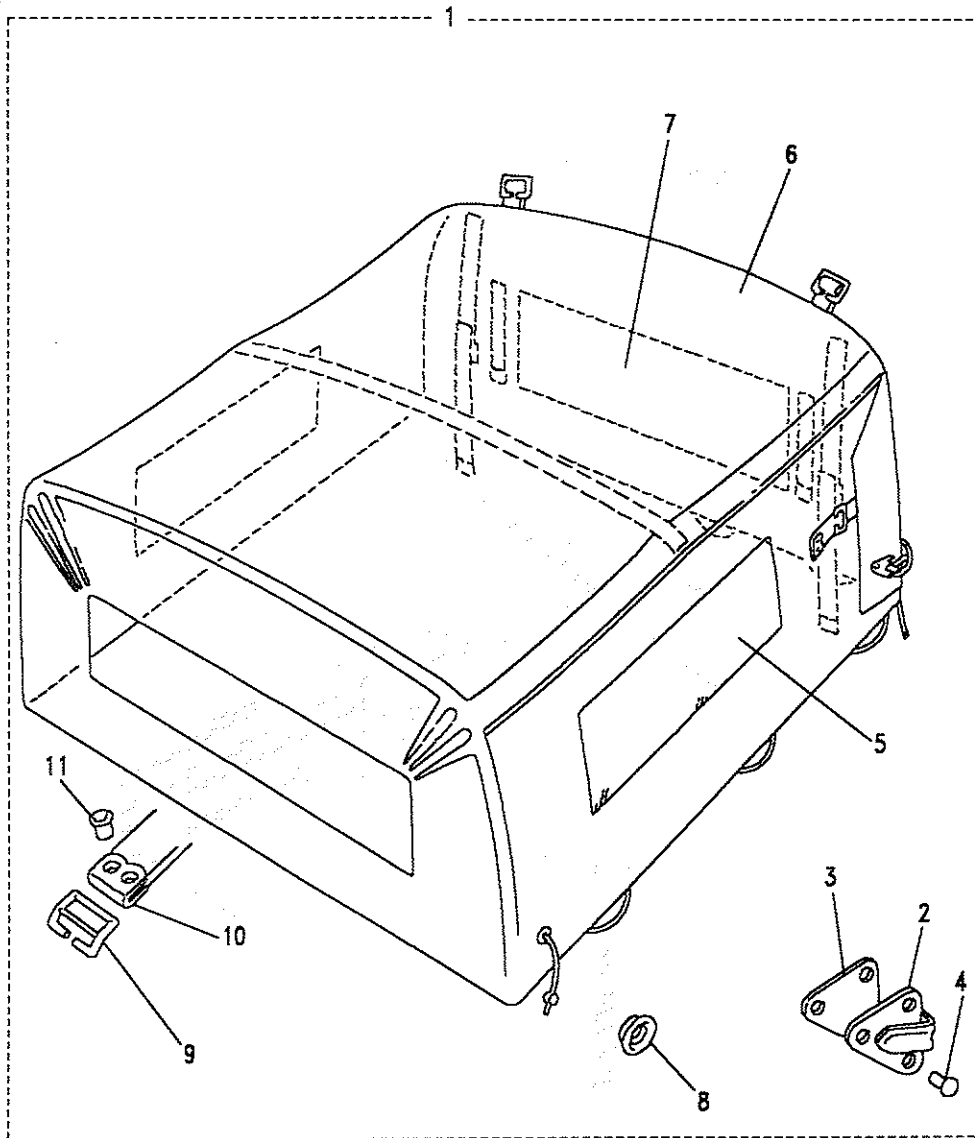
With side windows

1	MTC8197AG	Hood	1	Khaki Green
1	MTC8197AE	Hood	1	Matt Sand

With plain sides

1	MTC8196AG	Hood	1	Khaki Green
1	MTC8196AE	Hood	1	Matt Sand
2	304797	Rope hook	2	
3	301343	Washer plate	2	
4	RF608041	Rivet	6	
5	MTC4314	Sidelight	2	
6	MWC1092AG	Rear Curtain	1	Khaki Green No longer available
	MTC7193AE	Rear curtain	1	Matt Sand
7	MTC4313	Backlight	1	
	331221	Rope rear curtain	1	
	331222	Rope hood top and sides	1	
8	301321	Eyelet	A/R	
	301320	Eyelet	A/R	No longer serviced
9	300953	Buckle	A/R	
10	300954	End cap	A/R	
11	396800	Eyelet	A/R	



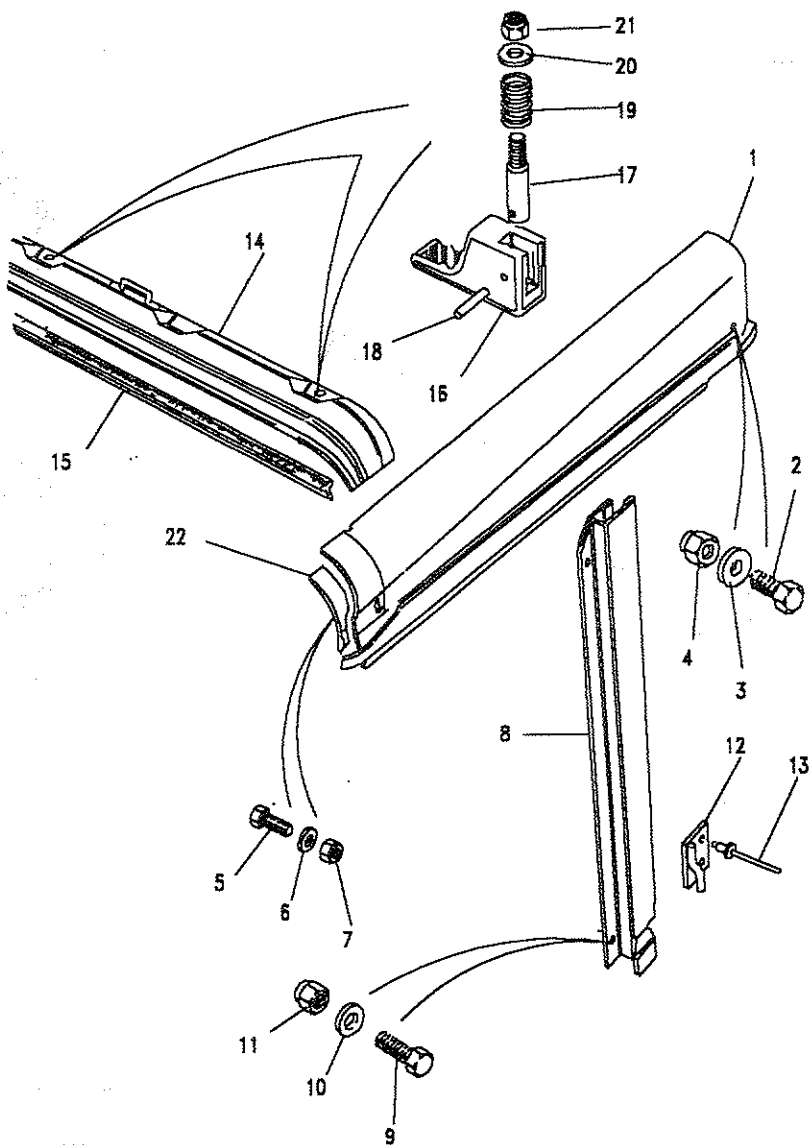


Model DEFENDER 90
 Page ADN3UA3A

BODY - HOOD - THREE QUARTER LENGTH

III. Part No.	Description	Qty	Remarks
Bulkhead fixing - From VIN 281950			
With side windows			
1	MUC7914AG	1	Khaki Green
	MUC7914AE	1	Matt Sand
With plain sides			
1	MUC7913AG	1	Khaki Green
	MUC7913AE	1	Matt Sand
2	304797	2	
3	301343	2	
4	RF608041	6	
5	MTC4314	2	
6	MWC1092AG	1	Khaki Green No longer available
	MTC7193AE	1	Matt Sand
7	MTC4313	1	
	331221	1	
	331222	1	
8	301321	A/R	
	301320	A/R	No longer serviced
9	300953	A/R	
10	300954	A/R	
11	396800	A/R	

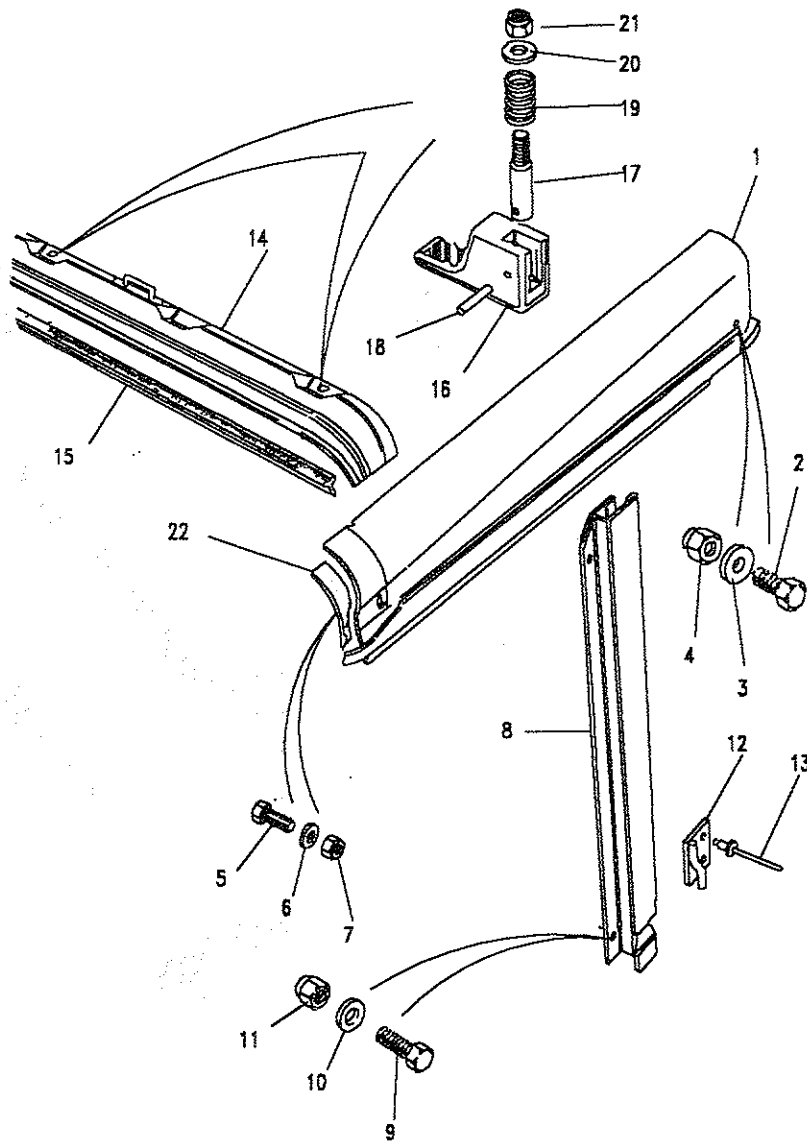




Model DEFENDER 90
Page ADNXC1A

BODY - DRAIN CHANNELS - FULL LENGTH HOOD

III. Part No.	Description	Qty	Remarks
1	MTC6992	1	Upto 224093
	MTC6993	1	Upto 224093
	RRC3972	1	From 224094
	RRC3973	1	From 224094
2	FS106201L	2	
3	AFU1080	2	
4	NY106041L	2	
5	FS106167L	2	
6	AFU1080	2	
7	NY106041L	2	
8	MTC5428	1	
	MTC5429	1	
9	FS106167L	4	
10	AFU1080	8	
11	NY106041L	4	
12	330578	1	Front
	330579	1	Front
13	78248	4	
14	MTC6626	1	Upto 224093
	MTC9773	1	From 224094
15	MTC7252	1	



Model DEFENDER 90
 Page ADNXC1A

BODY - DRAIN CHANNELS - FULL LENGTH HOOD

III. Part No.	Description	Qty	Remarks
16 MTC4581	Handle	4	
17 MTC4583	Spindle	4	
18 PA106201	Pin spring	4	
19 MTC4584	Spring	4	
20 WC106041L	Washer plain	4	
21 NY106041L	Nut	4	
22 MTC7431	Seal	2	
From VIN 224094			
AFU4162	Hook	6	
MUC4538	-top drain channel		
	Seal		
	-top drn chnrl to hdstck	2	
MUC4061ACG	Strap	2	Khaki Green
	-hood to header rail		
MUC4061ABE	Strap	2	Matt Sand
	-hood to header rail		

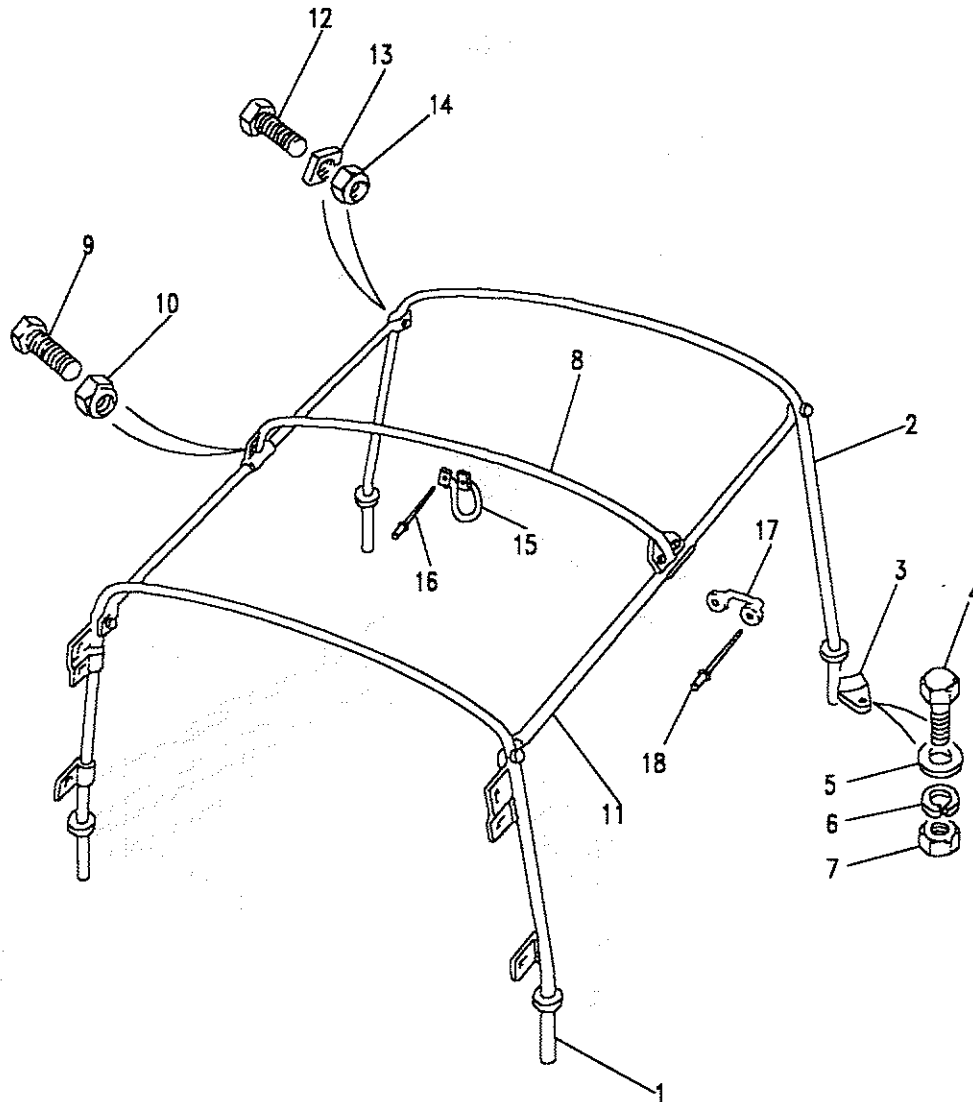


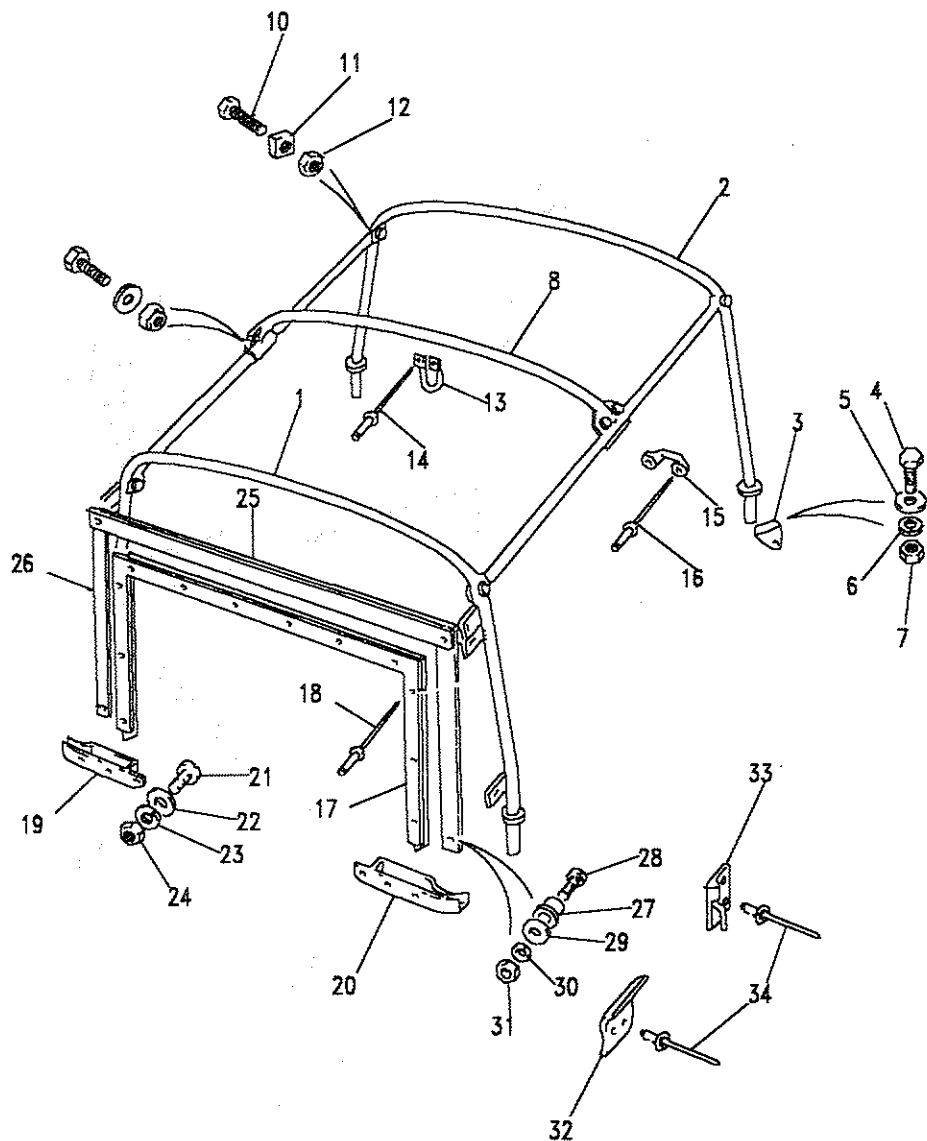


Model DEFENDER 90
Page ADNXC2A

BODY - HOODSTICKS - FULL LENGTH HOOD

III. Part No.	Description	Qty	Remarks
1 330551	Hoodstick front	1	Upto 224093
MUC4524	Hoodstick front	1	From 224094
2 330553	Hoodstick rear	1	
3 304301	Clamp	4	
4 FS108251L	Screw	4	
5 WA108051L	Washer plain	4	
6 WL108001L	Washer spring	4	
7 FN108041L	Nut	4	
8 330557	Hoodstick intermediate	1	
9 FS106167L	Screw	4	
10 NY106041L	Nut	4	
11 MUC1081	Tie tube	2	
12 SA106351	Screw	4	
13 NS106011	Nut	4	
14 NY106041L	Nut	4	
15 345699	Rope hook	2	
16 RR612103	Rivet	4	
17 395143	Staple	2	
18 RA612373L	Rivet	4	





Model DEFENDER 90
 Page ADNXC3A

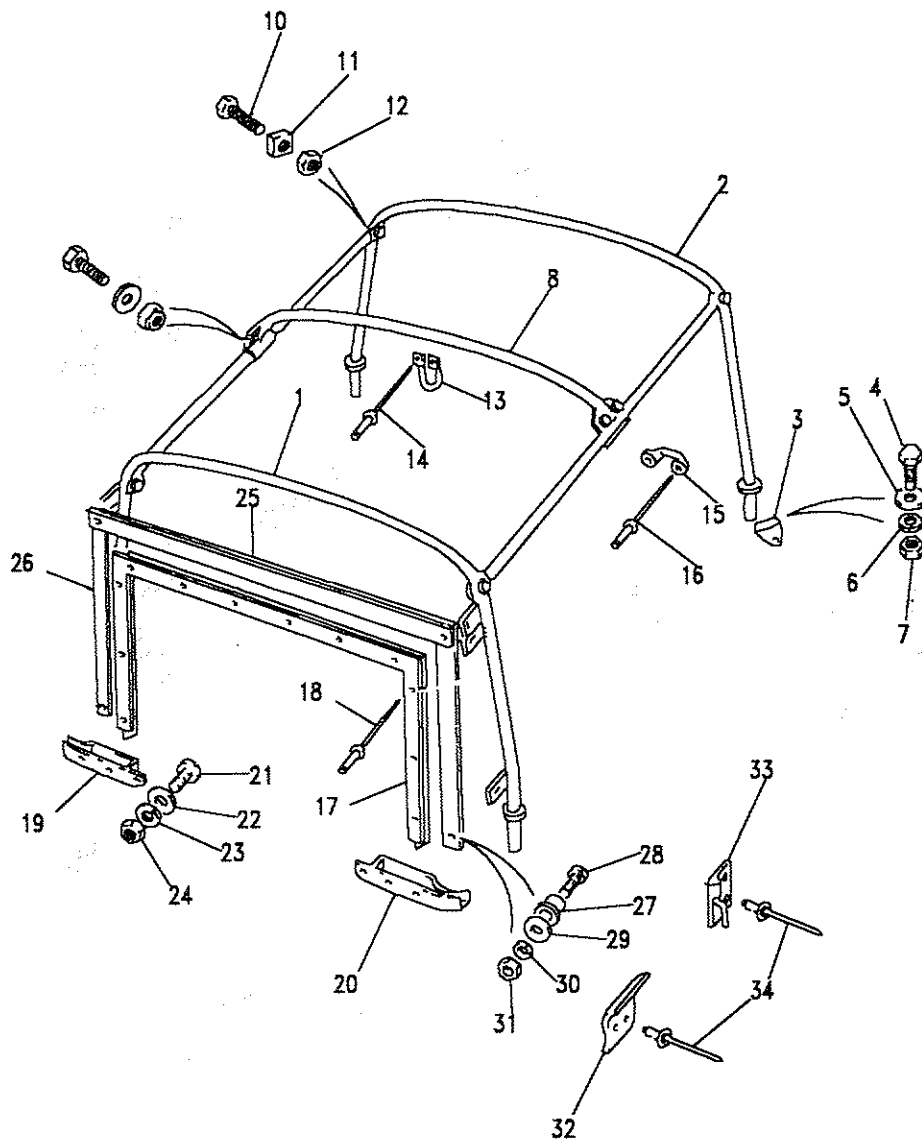
BODY - HOODSTICKS - THREE QUARTER LENGTH HOOD

III. Part No.	Description	Qty	Remarks
Cab fixing - Upto 281949			
1	330553	1	Hoodstick front
2	330553	1	Hoodstick rear
3	304301	4	Clamp
4	FS108251L	4	Screw
5	WA108051L	4	Washer plain
6	WL108001L	4	Washer spring
7	FN108041L	4	Nut
8	330557	1	Hoodstick intermediate
9	MUC1082	2	Tie tube
10	SA106351	4	Screw
11	NS106011	4	Nut
12	NY106041L	4	Nut
13	345699	2	Rope hook
14	RR612103	4	Rivet
15	395143	2	Staple
16	RA612373L	4	Rivet
17	MTC7384	1	Frame
18	RU612183	12	Rivet
19	331673	1	Channel drain RH
20	331674	1	Channel drain LH
21	SE106201L	4	Screw
22	AFU1080	4	Washer plain
23	WL106001L	4	Washer spring
24	NH106041L	4	Nut
25	331675	1	Strip retaining Hood top
26	331676	2	Strip retaining Hood sides



Model DEFENDER 90
 Page ADNXC3A

BODY - HOODSTICKS - THREE QUARTER LENGTH HOOD



III. Part No.	Description	Qty	Remarks
27 348430	Stud	2	
28 SE105351L	Screw	2	
29 WA105001L	Washer plain	2	
30 WL105001L	Washer spring	2	
31 NM105011	Nut	2	
32 334245	Hook RH	1	
334246	Hook LH	1	
33 330578	Hook RH	1	Front
330579	Hook LH	1	Front
34 78248	Rivet	4	



Model DEFENDER 90
Page ADNXC4A

BODY - HOODSTICKS - THREE QUARTER LENGTH HOOD

III. Part No. Description Qty Remarks

Bulkhead fixing - From 281950

1	330553	Hoodstick front	1	
2	330553	Hoodstick rear	1	
3	304301	Clamp	4	
4	FS108251L	Screw	4	
5	WA108051L	Washer plain	4	
6	WL108001L	Washer spring	4	
7	FN108041L	Nut	4	
8	330557	Hoodstick intermediate	1	
9	MUC1082	Tie tube	2	
10	SA106351	Screw	4	
11	NS106011	Nut	4	
12	NY106041L	Nut	4	
13	345699	Rope hook	2	
14	RR612103	Rivet	4	
15	395143	Staple	2	
16	RA612373L	Rivet	4	
17	334245	Hook RH	1	
	334246	Hook LH	1	
18	330578	Hook RH	1	Front
	330579	Hook LH	1	Front
19	78248	Rivet	4	
20	MTC4054	Angle retaining	1	
21	AAU2367	Retainer	4	
22	AFU2503	Stud ring head	4	
23	MUC7923	Channel drain	1	
24	RU612373L	Rivet	7	
	AFU2504	Spring plate	4	
	RA610183	Rivet	8	

