



MASTER INDEX

GROUP M

BODY ELECTRICAL

INTRODUCTION PAGES	PAGES
ALPHABETICAL INDEX	1 - 5
ENGINE	6 - 14
ENGINE	15 - 65
ENGINE	66 - 117
ENGINE	118 - 171
ENGINE	172 - 217
ENGINE	218 - 261
ENGINE	262 - 297
ENGINE	298 - 367
GEARBOX	368 - 394
GEARBOX	395 - 411
GEARBOX	412 - 425
TRANSFER BOX	426 - 456
TRANSFER BOX	457 - 474
AXLES AND SUSPENSION	475 - 531
STEERING	532 - 564
VEHICLE AND ENGINE CONTROLS	565 - 580
BRAKES	581 - 603
FUEL SYSTEM AND AIR CLEANER	604 - 645
EXHAUST SYSTEM	646 - 660
COOLING/HEATING	661 - 709
COOLING/HEATING	710 - 718
BODY ELECTRICAL	719 - 793
BODY AND CHASSIS	794 - 923
INTERIOR TRIM	924 - 965
SEATS	966 - 1009
STOWAGE	1010 - 1017
ACCESSORIES - PAINTS	1018 - 1042
NUMERICAL INDEX	1044 - 1122

BODY ELECTRICAL	
HEADLAMPS - LUCAS - UP TO KA922614	721
HEADLAMPS - WIPAC - FROM KA922615	722
HEADLAMPS WITH LEVELLING - LHS ONLY	723
FRONT LAMPS - SIDE AND INDICATOR	724
SIDE REPEATER LAMPS	725
REAR LAMPS - STOP/TAIL, INDICATOR, NUMBER PLATE	726 - 727
REFLECTORS, FOG LAMP, REVERSE LAMP	728 - 729
INTERIOR ROOF LAMP	730 - 732
BATTERY	733
BATTERY CABLES	734 - 735
MAIN HARNESS - NOTE(1)	736 - 739
UNDER BONNET FUSE BOX - FROM MA939976	740
CHASSIS HARNESS	741 - 742
HARNESS - FUEL SYSTEM	743 - 744
AIR CONDITIONING ELECTRICS	745 - 746
ELECTRICAL PARTS - RHS	747
ENGINE HARNESS - 2.25 PETROL	748
ENGINE HARNESS - 2.5 PETROL	749
ENGINE HARNESS - V8	750 - 751
ENGINE HARNESS - DIESEL	752
ENGINE HARNESS - DIESEL TURBO AND 200TDI	753
ENGINE HARNESS - 300TDI	754
SPLIT CHARGE FACILITY	755 - 757
HARNESS	758
REAR WASH WIPE AND HEATED REAR WINDOW	759
SWITCHES	760 - 761
CIGAR LIGHTER, DASH HARNESS	762
CENTRE FACIA PLATE - UP TO LA939975	763
CENTRE FACIA PLATE - FROM MA939976	764
DIM DIP UNIT, GLOW PLUG TIMER	765
FLASHER UNIT, RELAYS, DELAY UNIT	766
300TDI	767
HORN	768 - 770
INSTRUMENT PANEL AND COWL	771
INSTRUMENTS	772 - 773
CLOCK AND OIL GAUGES	774
RADIO CASSETTE & LOUDSPEAKERS - UP TO LA939975	775
RADIO CASSETTE & LOUDSPEAKERS - FROM MA939976	776





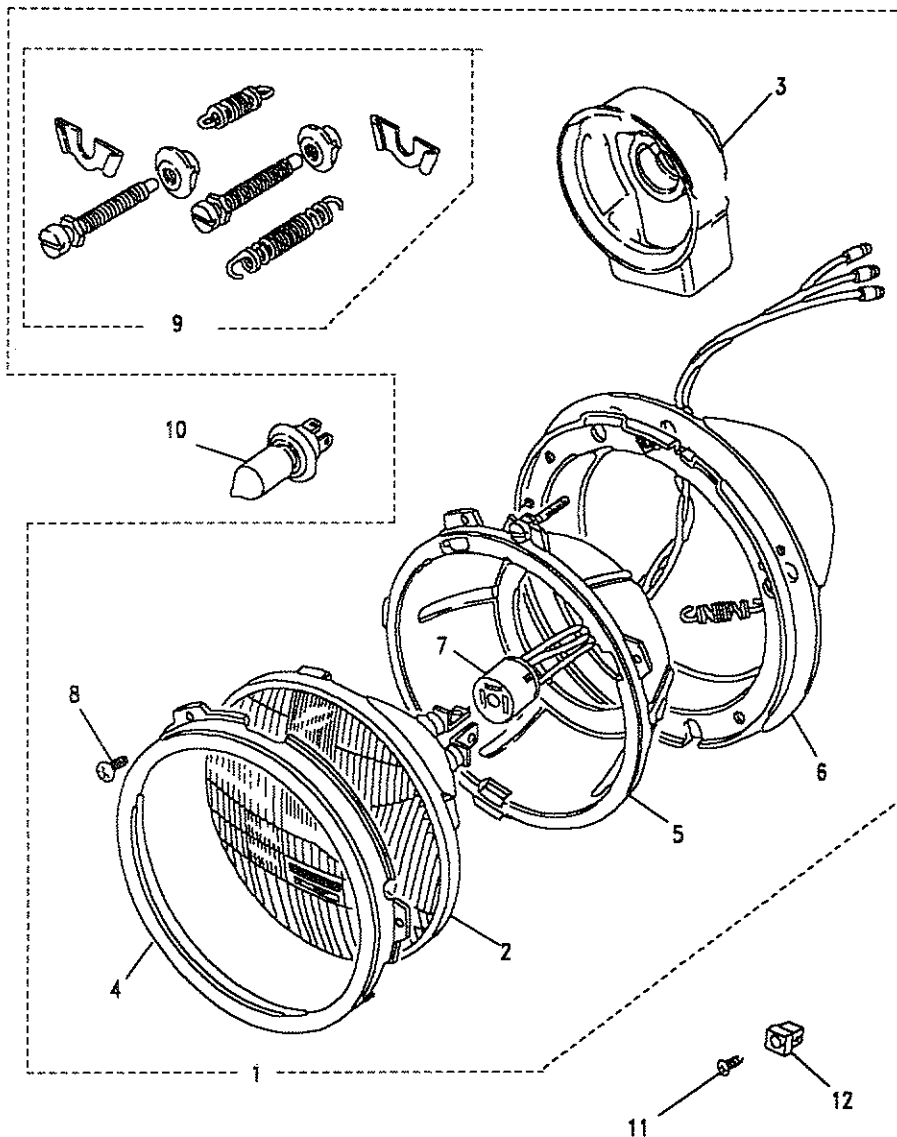
DEFENDER 90

720

BODY ELECTRICAL

WINDSCREEN WIPERS	777
WINDSCREEN WASH	778 - 781
FRONT/REAR SCREEN WASH	782 - 783
HEADLAMP WASH	784
HEADLAMP/SCREEN WASH	785
HEADLAMP/FRONT/REAR SCREEN WASH	786 - 787
HEADLAMP/SCREEN WASH	788
HEADLAMP/FRONT/REAR SCREEN WASH	789 - 790
REAR WASH WIPE	791 - 792
SEAT BELT AND OVERSPEED WARNING SYSTEM	793





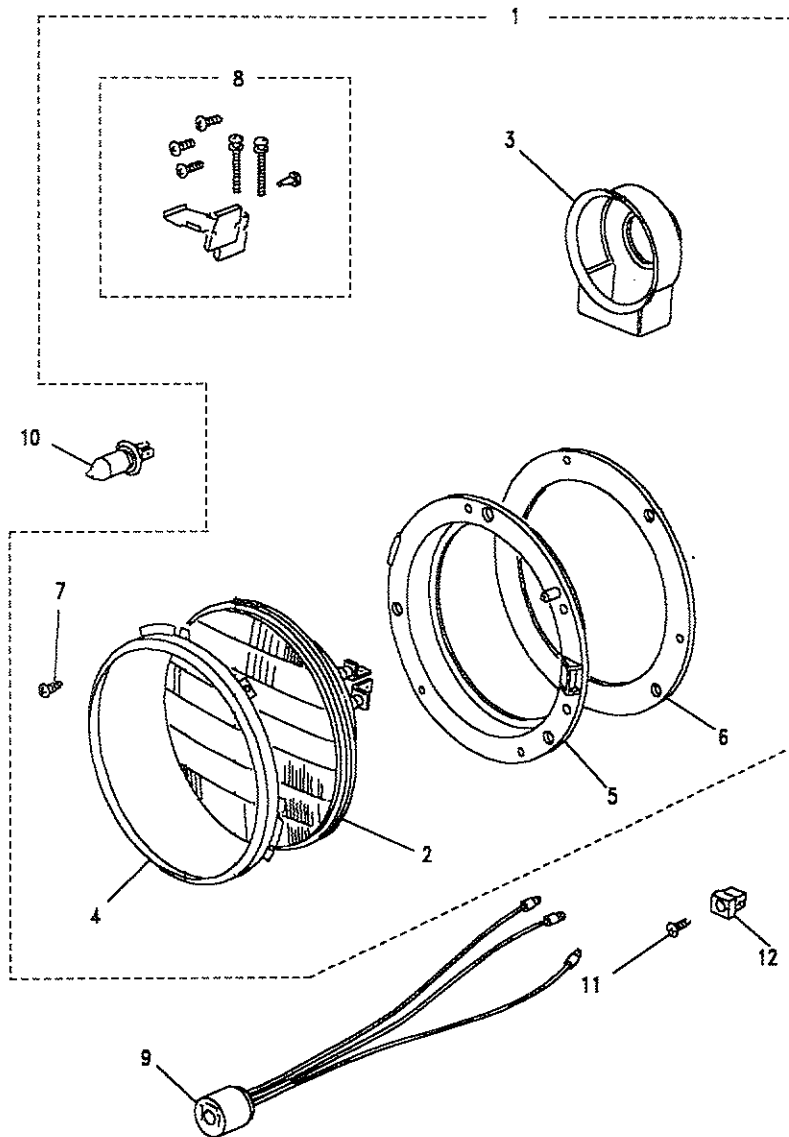
Model DEFENDER 90

Page ADMXAA1A

ELECTRICAL - HEADLAMPS - LUCAS - UP TO KA922614

III. Part No.	Description	Qty	Remarks
Sealed Beam			
1	AEU1355 27H8207L	2	RHS Headlamp assembly
2	RTC3682 RTC3683	2 2	LHS RHS Light unit Light unit
Quartz Halogen			
1	BAU2144 AEU1742	2	RHS Headlamp assembly
2	RTC4615 PRC7994	2 2	RHS RHS Light Unit Light Unit
3	156206	2	LHS Cover bulb
Sealed Beam and Quartz Halogen			
4	PRC7992	2	Bezel
5	STC643	2	Rim seating
6	531586	2	Gasket headlamp
7	600226L	2	Adaptor
8	AB606022L	6	Screw
9	BHM7058L	2	Kit trimmer screw
Quartz Halogen only			
10	589783 PRC2167	2	Bulb Bulb yellow
Fixings - Headlamp to body			
11	AB608047	8	Screw
12	79051	8	Nut - Lokut



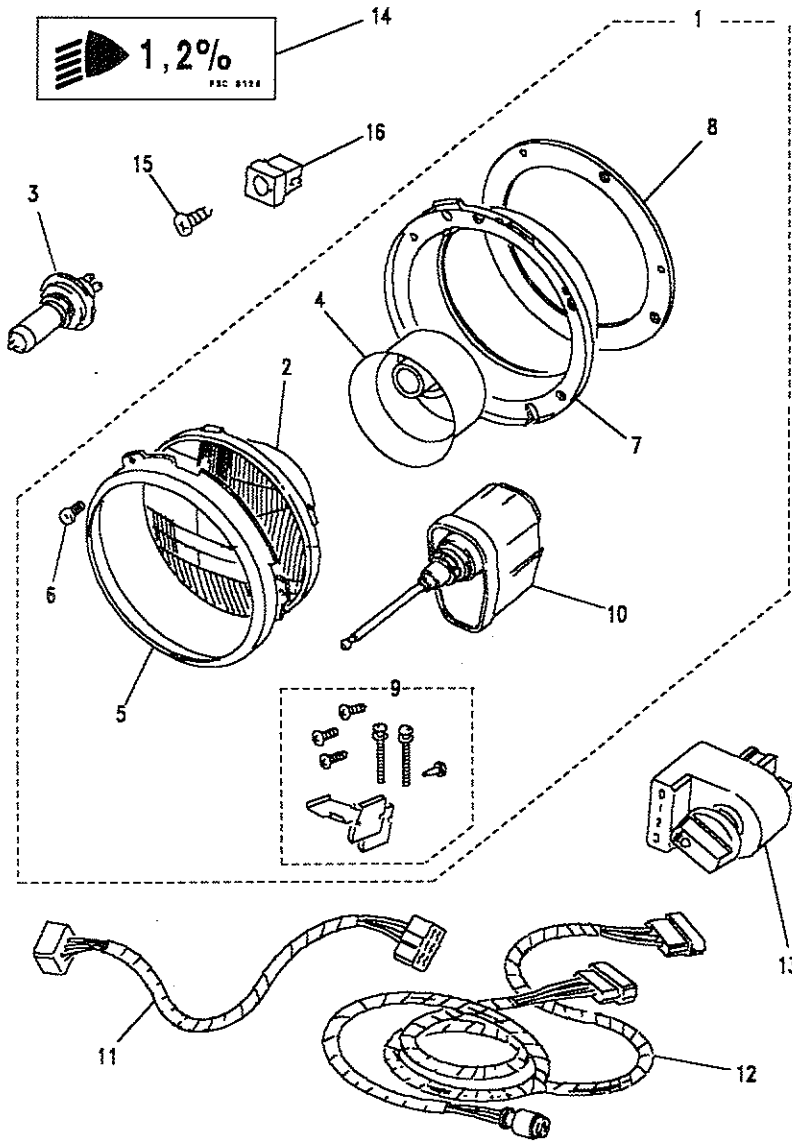


Model DEFENDER 90
Page ADMXAA2A

ELECTRICAL - HEADLAMPS - WIPAC - FROM KA922615

III. Part No.	Description	Qty	Remarks
Sealed Beam - Wagner markings			
1 AMR2342	Headlamp assembly	2	RHS
AMR2343	Headlamp assembly	2	LHS
2 STC949	Light unit	2	RHS
STC950	Light unit	2	LHS
Quartz Halogen - Wipac markings			
1 AMR2344	Headlamp assembly	2	RHS
AMR2345	Headlamp assembly	2	LHS
AMR2346	Headlamp assembly	2	LHS Yellow
2 STC1209	Light unit	2	RHS
STC1210	Light unit	2	LHS
STC1851	Clip bulb retaining	2	
3 STC951	Cover bulb	2	
Sealed Beam and Quartz Halogen			
4 STC1485	Bezel black	2	
5 STC1613	Body headlamp	2	
6 STC1612	Gasket headlamp	2	
7 STC1486	Screw black	2	
8 STC1614	Kit headlamp fittings	2	
9 AMR2357	Link lead headlamp	2	Note(1)
Quartz Halogen only			
10 589783	Bulb	2	
PRC2167	Bulb yellow	2	
Fixings - Headlamp to body			
11 AB608047	Screw	8	
12 79051	Nut lokut	8	

Note(1) For fitting Wipac lamps in place of Lucas.



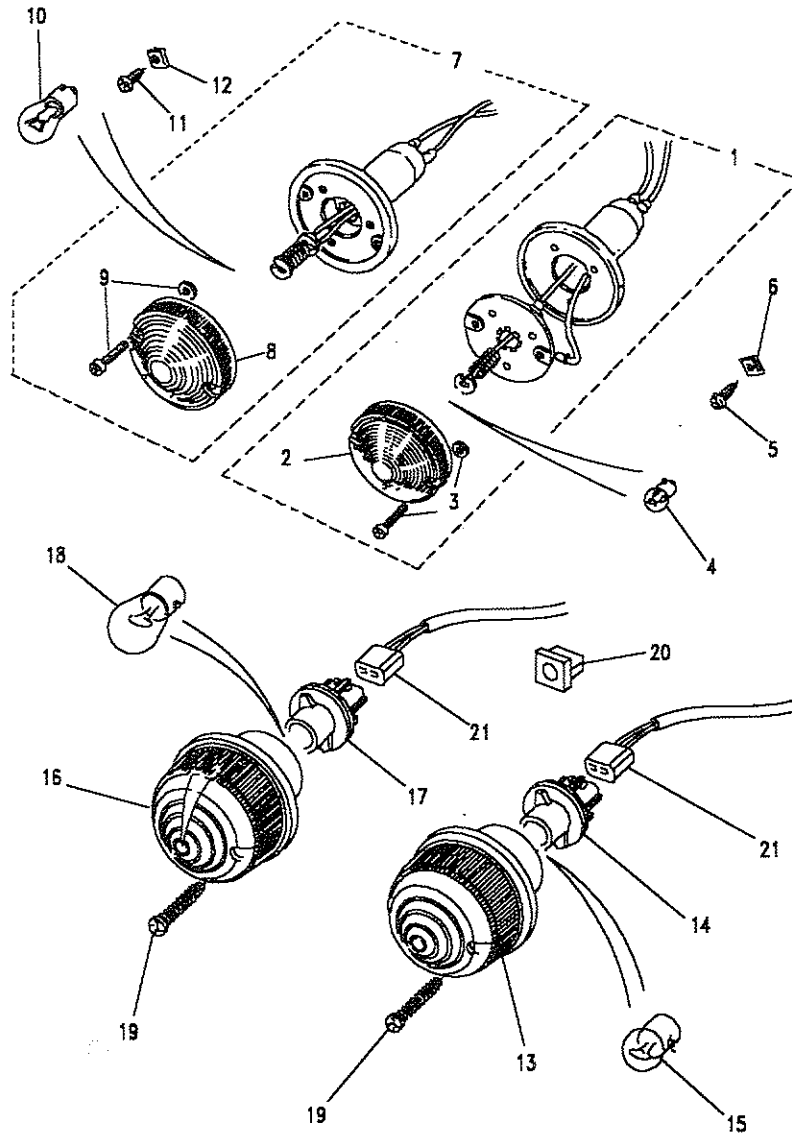
Model DEFENDER 90
Page ADMXAA2B

BODY ELECTRICS - HEADLAMPS WITH LEVELLING - LHS ONLY

III. Part No.	Description	Qty	Remarks
1	AMR3247	2	Headlamp assembly
2	STC1210	2	Light Unit
	STC1851	2	Clip bulb retaining
3	589783	2	Bulb
4	STC951	2	Cover bulb
5	STC1485	2	Rim (Black)
6	STC1486	2	Screw(Black)
7	STC1613	2	Body headlamp
8	STC1612	2	Gasket headlamp
9	STC1614	2	Kit headlamp fittings
10	AMR2090	2	Actuator
11	PRC9993	1	Cable assembly
12	PRC8816	1	Link lead
13	AMR3465	1	Switch headlamp levelling
14	PRC8125	1	Label warning

Fixings - Headlamp to body

15	AB608047	8	Screw
16	79051	8	Nut lokut

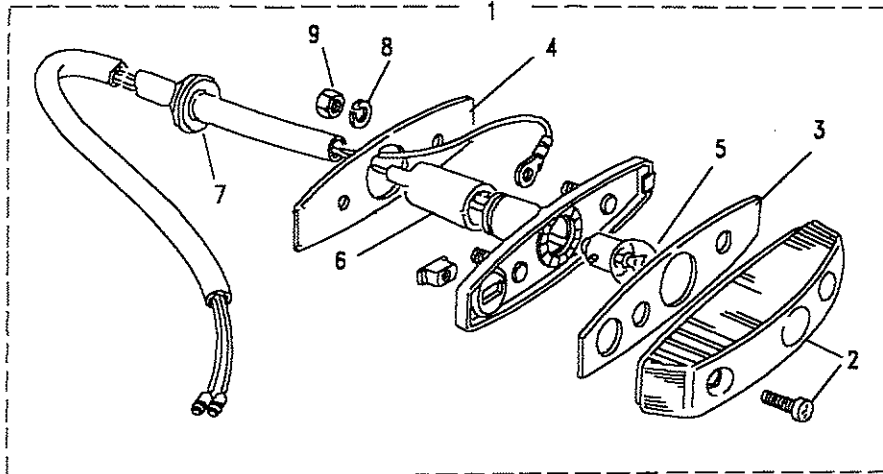


Model DEFENDER 90
Page ADMXAC1A

ELECTRICAL - FRONT LAMPS - SIDE AND INDICATOR

III. Part No.	Description	Qty	Remarks
Up to LA940004			
1	RTC5012	2	Lamp side
2	589284	2	Lens
3	608004	4	Screw and Washer
4	570822	2	Bulb
	10211	2	Bulb
		2	Lucas lamps
		2	LEP lamps
5	AB606041L	6	Screw
6	AK606021L	6	Nut spring
7	RTC5013	2	Lamp indicator
8	589285	2	Lens
9	608004	4	Screw and Washer
10	264591	2	Bulb
11	AB606041L	6	Screw
12	AK606021L	6	Nut spring
Sealed light units - From MA940005			
13	STC1227	2	Lamp - front sidelight
14	AMR1421	2	Bulb holder
15	10211	2	Bulb - sidelight
16	STC1228	2	Lamp - front indicator
17	AMR1421	2	Bulb holder
18	264591	2	Bulb - indicator
19		4	Screw
		4	NSP Note(1)
20	CZH619	4	Lokut nut
21	STC1188	4	Cable assembly
		4	Note(2)

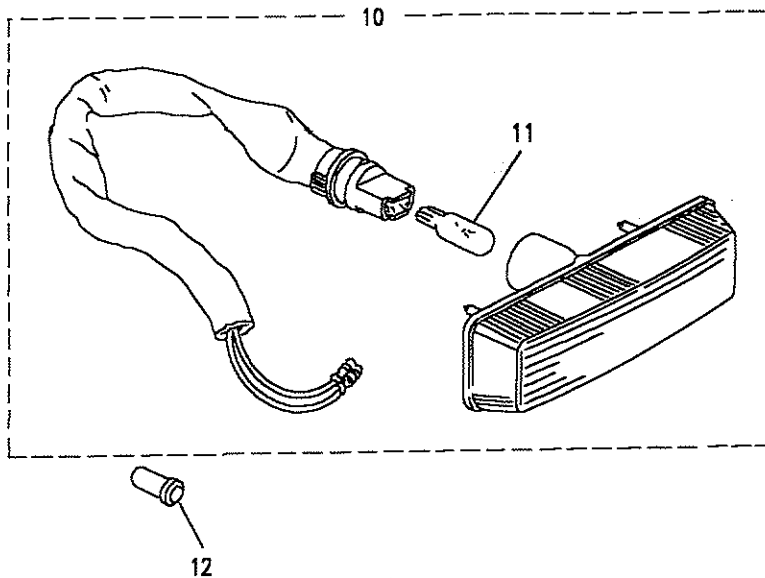
Note(1) Screws supplied with lens assembly.
 Note(2) For connection of 95MY lamps to pre 95MY harness.



Model DEFENDER 90
Page ADMXAC2A

ELECTRICAL - SIDE REPEATER LAMPS

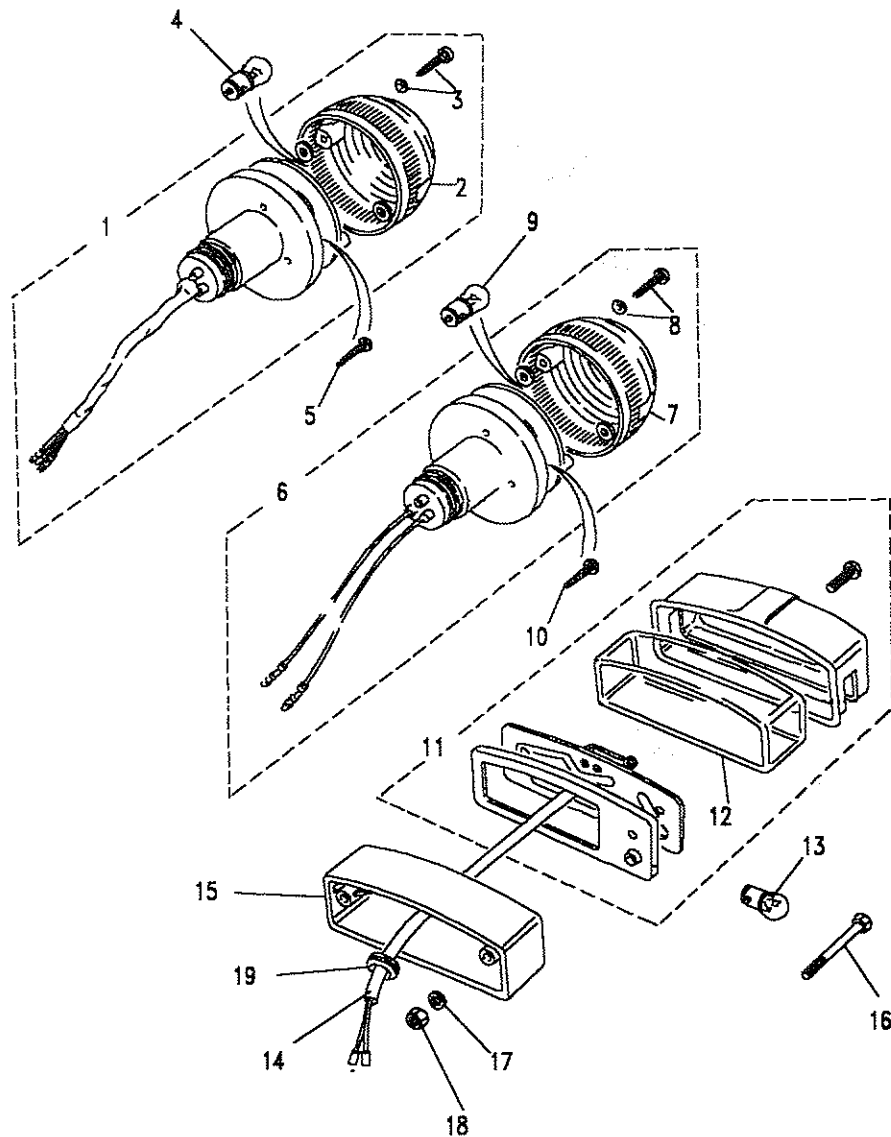
III. Part No.	Description	Qty	Remarks
1 589143	Lamp side repeater	2	Upto VIN 331793
2 27H2403L	Lens and screw	2	NLS
3 608311	Gasket	2	
4 608312	Gasket	2	
5 570822	Bulb	2	
6 515060	Grommet	2	NLS
7 233243	Grommet	2	
8 WM704001L	Washer spring	4	
9 257203	Nut	4	
10 PRC7044	Lamp side repeater	2	From VIN 331794 up to LA939975
PRC9916	Lamp side repeater	2	From MA939976
11 570829	Bulb	2	
12 MWC9606	Bush	4	
AFU1926L	Nut captive	4	





Model DEFENDER 90
Page ADMXAC3A

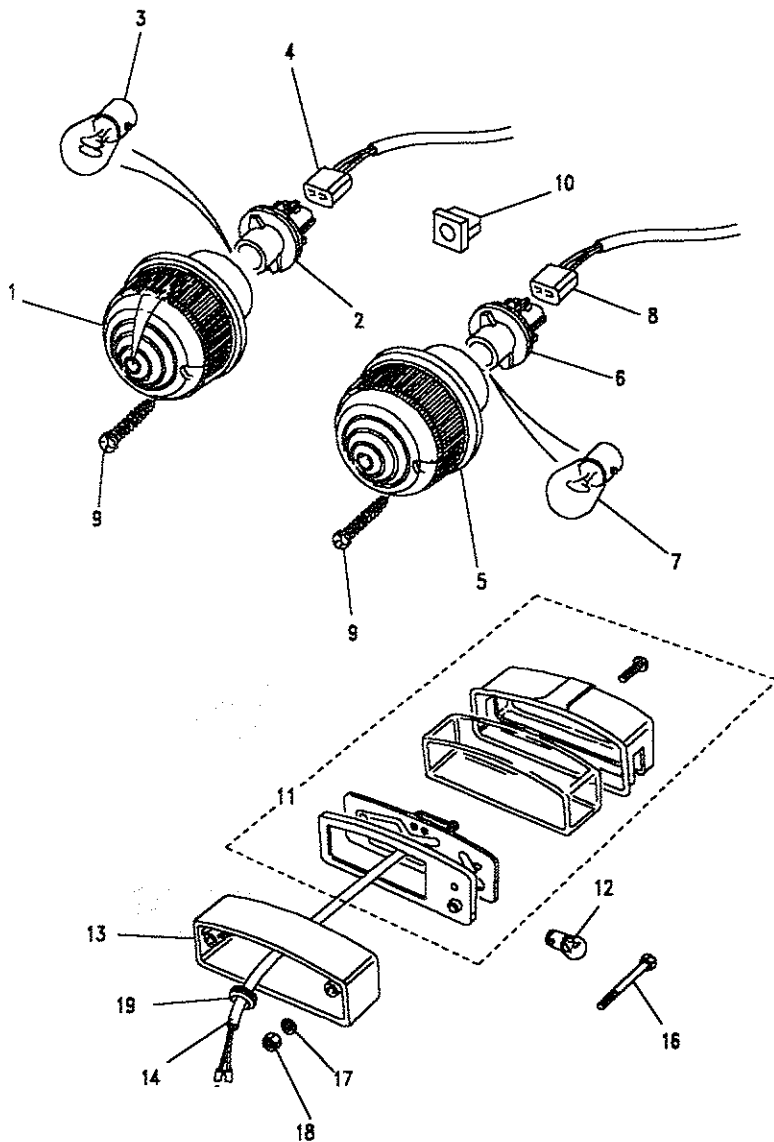
ELECTRICAL - REAR LAMPS - STOP/TAIL, INDICATOR, NUMBER PLATE



III. Part No.	Description	Qty	Remarks
Up to LA939975			
1	RTC5523	2	Lamp stop/tail
2	RTC210	2	Lens
3	608004	4	Screw & Washer
4	264590	2	Bulb
5	77932	6	Screw
6	RTC5524	2	Lamp indicator
7	589202	2	Lens
8	608004	4	Screw & Washer
9	264591	2	Bulb
10	77932	6	Screw
11	AEU1652	1	Lamp number plate
12	606211	1	Lens
13	570822	2	Bulb
14	589026	1	Cable
15	345597	1	Plinth
16	257302	2	Screw
17	WL105001L	2	Washer spring
18	HN2005L	2	Nut
19	235113	1	Grommet

NLS





Model DEFENDER 90

Page ADMXAC3B

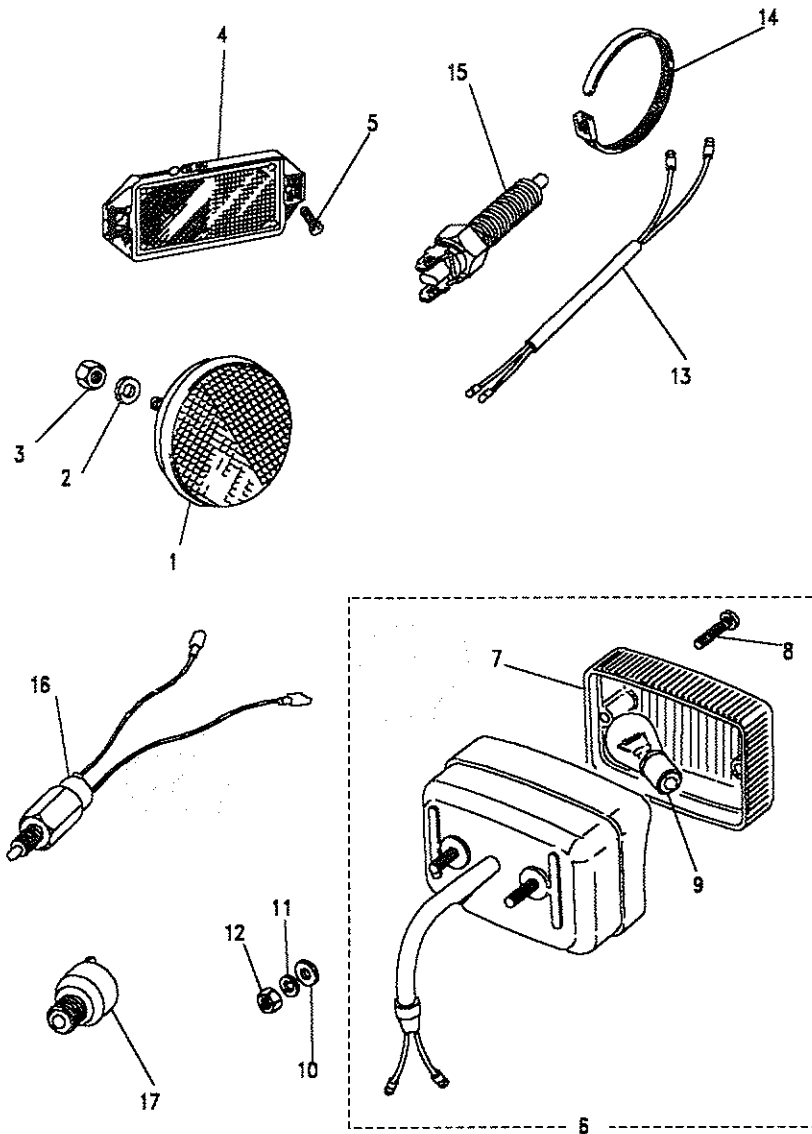
ELECTRICAL - REAR LAMPS - STOP/TAIL, INDICATOR, NUMBER PLATE

III. Part No.	Description	Qty	Remarks
Sealed light units - From MA939976			
1	STC1230	2	Lamp - stop/tail
2	AMR1422	2	Bulb holder 5/21W
3	264590	2	Bulb - stop/tail
4	STC1189	2	Cable assembly
5	STC1229	2	Lamp - rear indicator
6	AMR1421	2	Bulb holder
7	264591	2	Bulb - indicator
8	STC1188	2	Cable assembly
9		4	Screw
10	CZH619	4	Lokut nut
11	PRC7255	1	Lamp number plate
12	570822	2	Bulb
13	345597	1	Plinth
14	589026	1	Cable
15	233244	1	Grommet
16	SH105551	2	Screw M5
17	WM702001	2	Washer spring
18	NH105041	2	Nut M5

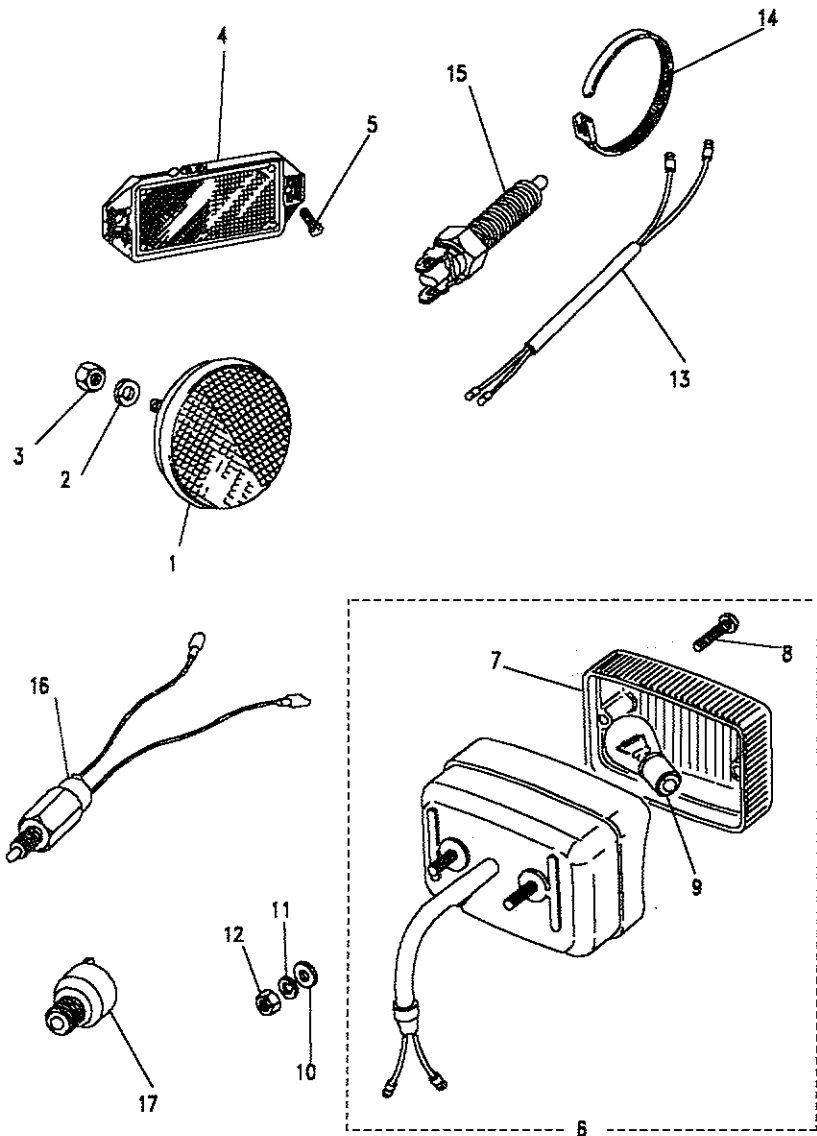
Note(1) For connection of 95MY lamps to pre 95MY harness.
 Note(2) Screws supplied with lens assembly.

Model DEFENDER 90
 Page ADMXAC4A

ELECTRICAL - REFLECTORS, FOG LAMP, REVERSE LAMP



III. Part No.	Description	Qty	Remarks
1	551595	2	Round
2	WM702001L	2	
3	RTC608	2	
4	MWC1722	2	Rectangular
5	AB608047L	2	
6	PRC2516	1	Up to LA939975
	AMR3506	1	From MA939976
7	RTC4183	1	Lens red
8	RTC4185	2	Screw
9	264591	1	Bulb
10	WA105001L	2	Washer plain
11	WL105001L	2	Washer spring
12	NH105041L	2	Nut
6	PRC3299	1	Lamp reverse
	AMR3507	1	Lamp reverse - sealed
7	RTC4184	1	Lens clear
8	RTC4185	2	Screw
9	264591	1	Bulb
10	WA105001L	2	Washer plain
11	WL105001L	2	Washer spring
12	NH105041L	2	Nut



Model DEFENDER 90
Page ADMXAC4A

ELECTRICAL - REFLECTORS, FOG LAMP, REVERSE LAMP

III. Part No.	Description	Qty	Remarks
Vehicles with LT77 gearbox - Note(1)			
13 PRC2876	Cable-reverse lamp	1	4 Cylinder
PRC4473	Cable-reverse lamp	1	V8
14 573246	Cable tie	2	
4 Cylinder			
15 PRC2911	Switch-reverse lamp	1	Upto FA410277
PRC3085	Link lead	1	Note(2)
16 PRC8204	Switch-reverse lamp	1	From FA410278
NT110041L	Lock nut	1	Reverse lamp switch
V8			
17 PRC1039	Switch-reverse lamp	1	

Note(1) For R380 gearbox switches see transmission section.
 Note(2) Connects chassis harness to PRC2911 reverse lamp switch.

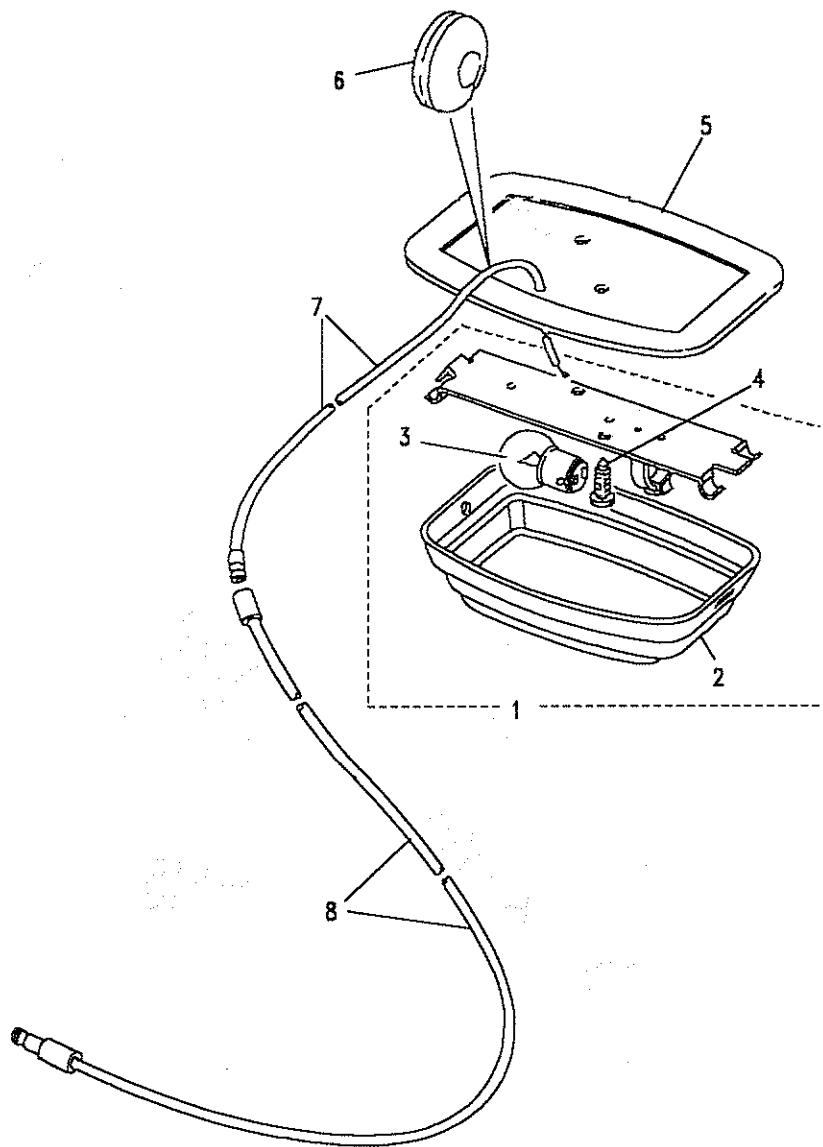


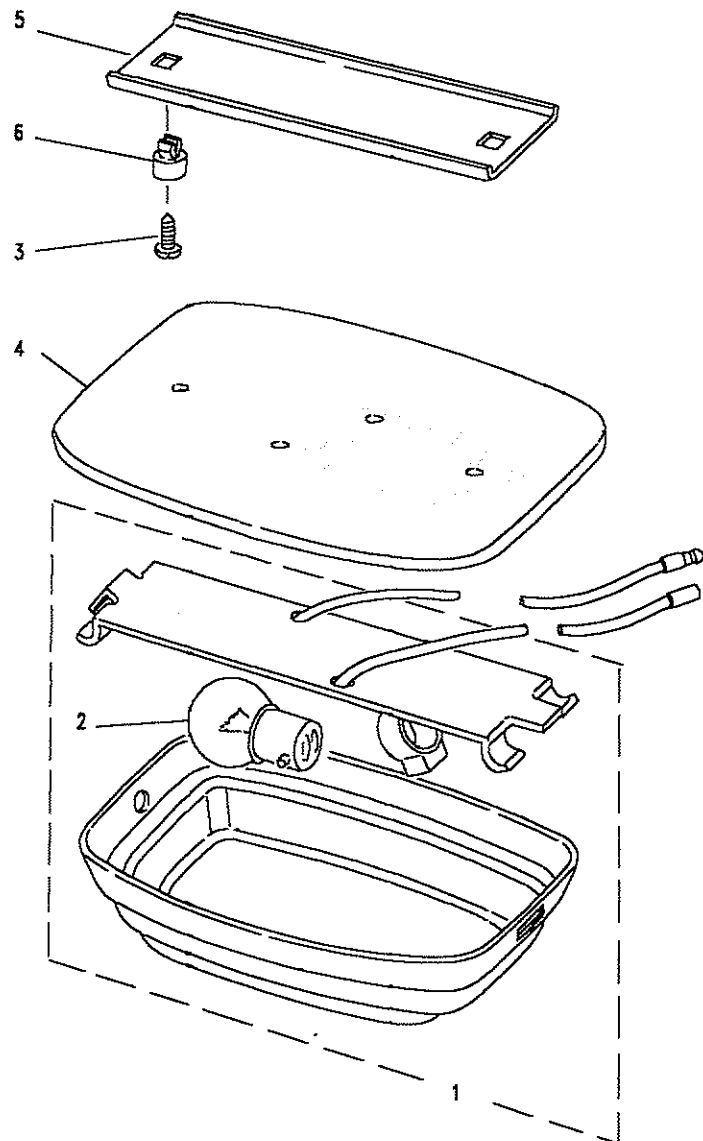
Model DEFENDER 90
Page ADMXAE1A

ELECTRICAL - INTERIOR ROOF LAMP

Ill. Part No.	Description	Qty	Remarks
Upto VIN 455945			
1 265295	Lamp interior	1	No longer available use STC251
2 320608	Lens	1	
3 264591	Bulb	1	
4 AB606041L	Screw	2	
5 334111	Pad	1	
MWC9601	Gasket-roof lamp	1	Sunroof vehicles From Note(1)
6 312856	Grommet	1	
7 PRC2964	Lead -light to roof connection	1	
8 PRC3813	Lead -roof connector to switch	1	

Note(1) EA314059 (Regular), EA314174 (Station Wagon) - Intro. of 1988MY.





Model DEFENDER 90

Page ADMXAE2A

ELECTRICAL - INTERIOR ROOF LAMP

III. Part No.	Description	Qty	Remarks
From HA455946 up to LA939975			
1	STC251	1	Lamp interior
	AFU4092L	2	Lamp interior
2	264591	1	Bulb
3	AB606041L	2	Screw
4	MWC9601	1	Gasket
5	MXC2342	1	Plate backing
6	MXC2341	2	Nut lokut
7	PRC8231	2	Switch interior light
8	AFU4241L	2	Switch interior light
			Up to HA702829
			From HA702830

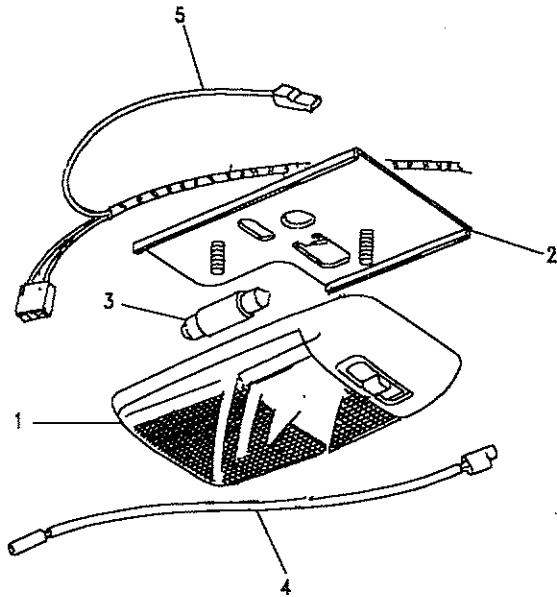


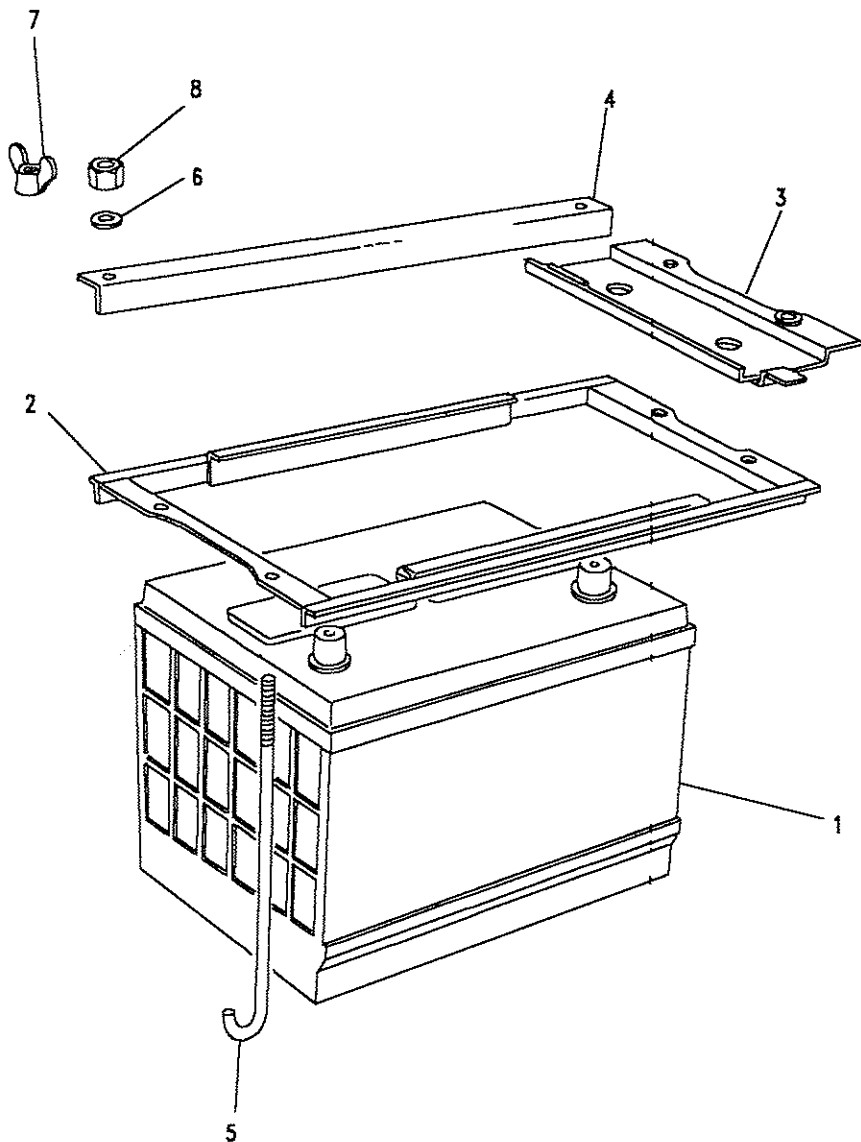


Model DEFENDER 90
Page ADMXAE2B

ELECTRICAL - INTERIOR ROOF LAMP

III. Part No.	Description	Qty	Remarks
From MA939976			
1	AMR3155	Lamp interior	2
2	586438	Bulb festoon 12V 10W	2
3	AMR3142	Bracket mounting	2
4	AMR3158	Harness front light	1
5	AMR3322	Harness rear light	1
6	AMR3727	Cable rear door switch	1
7	AFU4241L	Switch front light	2
8	PRC8548	Switch rear light	1





Model DEFENDER 90
Page ADMXCA1A

ELECTRICAL - BATTERY

III. Part No.	Description	Qty	Remarks
Petrol			
1 STC8268	Battery wet	1	
STC8270	Battery dry	1	
Diesel - Upto October 1984			
1 STC8271	Battery wet	1	NSP
	Battery dry	1	
Diesel - From October 1984			
1 STC8267	Battery wet	1	
STC8269	Battery dry	1	
2 NRC5338	Cover battery	1	Petrol up to VIN 270511
NRC5387	Cover battery	1	Diesel up to VIN 270511
3 MTC6302	Spacer	1	Petrol up to VIN 270511
4 MUC7513	Clamp battery	1	From VIN 270512
5 MRC7132	J bolt	2	Up to VIN 270511
MRC7132	J bolt	1	From VIN 270512 up to VIN 455945
MUC7514	J bolt	1	From VIN 270512 up to VIN 455945
STC307	J bolt	2	From HA455946
6 AFU1271	Washer	2)Alternatives
WA106041L	Washer plain	2)up to VIN 270511
WC106041L	Washer plain	2	From VIN 270512
7 AFU1272	Wing Nut	2)Alternatives
8 NH106041L	Nut	4)up to VIN 270511
NH106041L	Nut	4	From VIN 270512

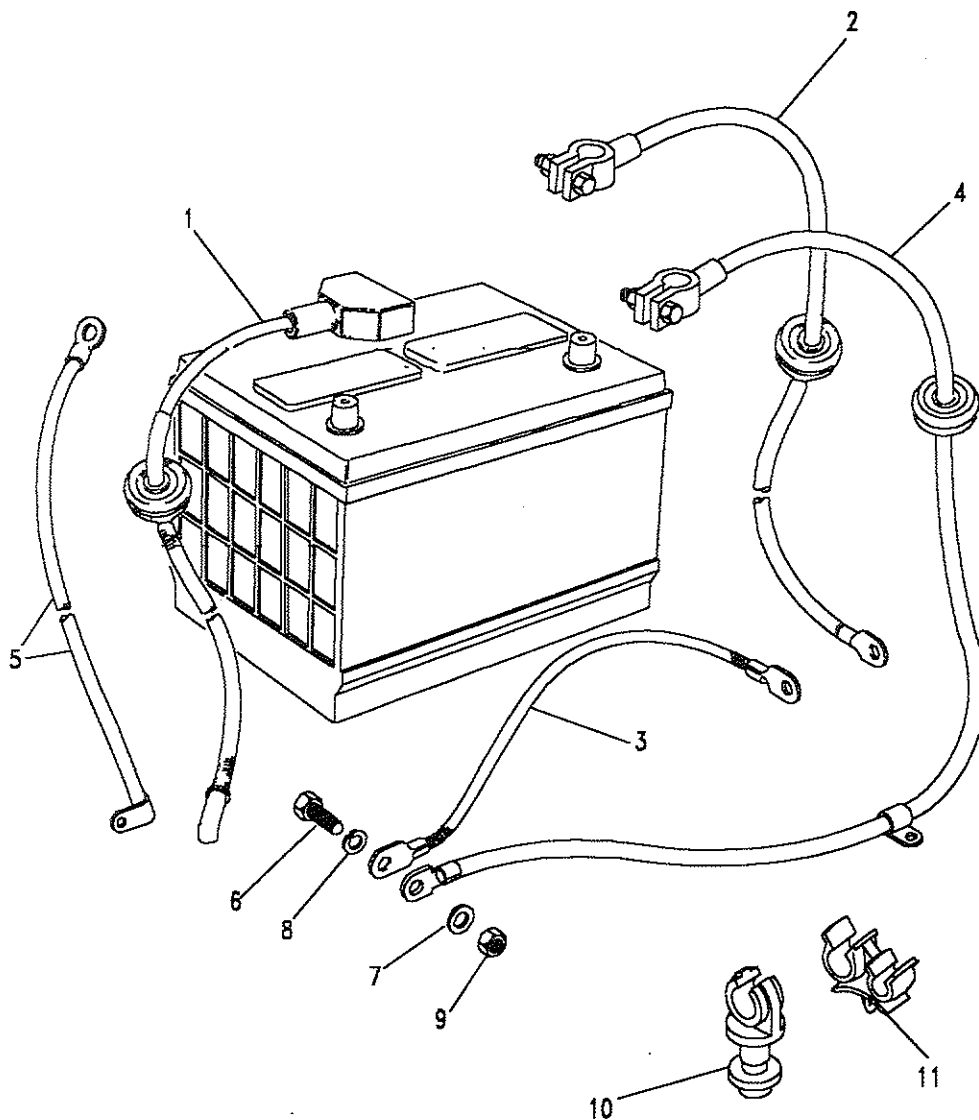


Model DEFENDER 90
Page ADMXCA2A

ELECTRICAL - BATTERY CABLES

III. Part No.	Description	Qty	Remarks
1	PRC1860	1	4 cyl petrol
	PRC2230	1	V8
	PRC4616	1	Diesel & 200TDI
	AMR3104	1	300TDI
2	PRC1859	1	Petrol
		1	up to VIN 270511
2	PRC7175	1	Petrol
		1	from VIN 270512
4	PRC9226	1	Petrol
		1	from HA704971
2	PRC4333	1	Diesel
		1	up to VIN 270511
2	PRC5524	1	Diesel
		1	from VIN 270512
		1	up to HA704970
4	PRC9224	1	Diesel
		1	from HA704971
2	PRC6785	1	Petrol/Diesel
		1	Note(1)
3	PRC3625	1	Up to VIN 270511
3	PRC5499	1	From VIN 270512
		1	up to HA704970
5	PRC2015	1	Diesel

Note(1) Re-routed cable - From VIN 293222





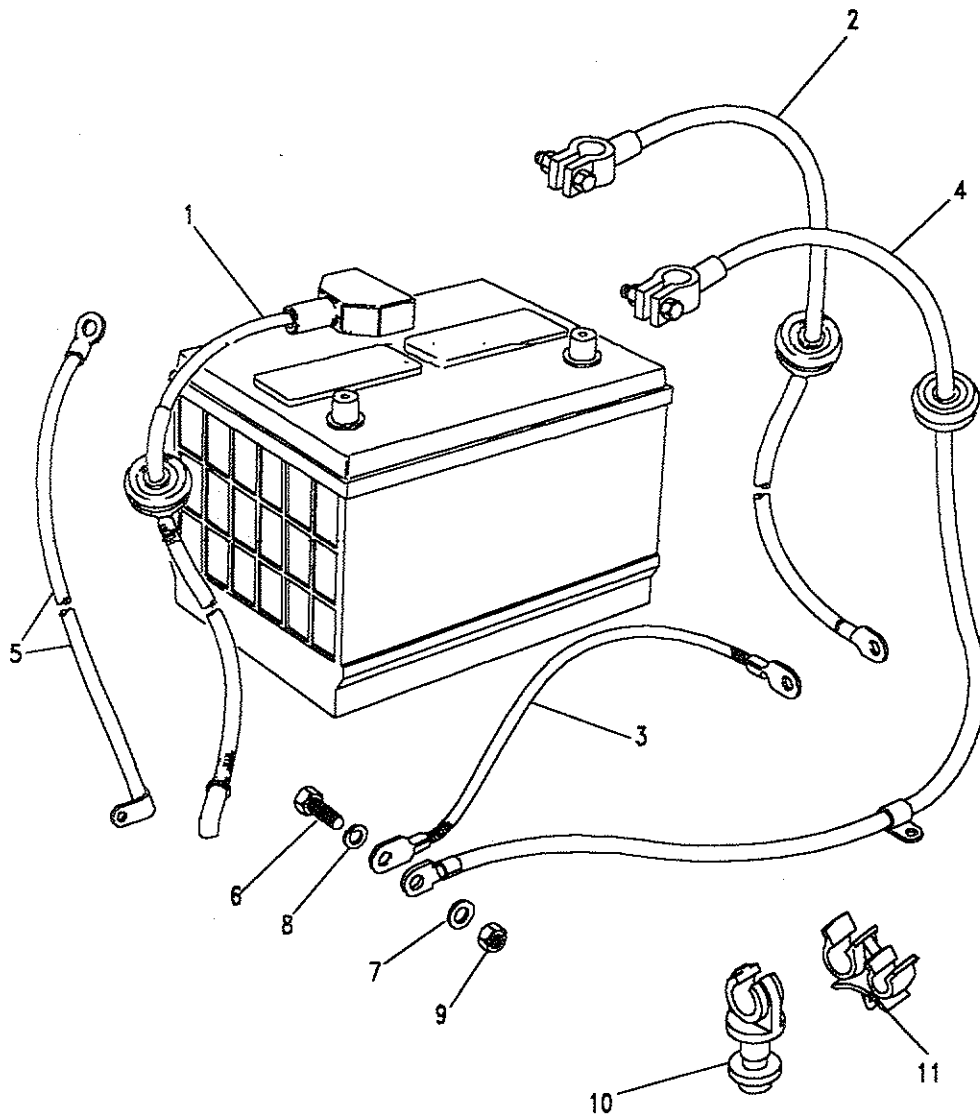
Model DEFENDER 90
Page ADMXCA2A

ELECTRICAL - BATTERY CABLES

III. Part No.	Description	Qty	Remarks
6	FS108207L	2	Up to VIN 270511
6	FS108251L	2	From VIN 270512
7	WA108051L	2	
8	WL108001L	2	
9	FN108041L	2	
10	PRC3180	1	Single
11	PRC3025	2	Double

Split charge vehicles only - from EA VIN prefix onwards

1	AMR3843	1	Additional battery
2	AMR3844	1	Additional battery

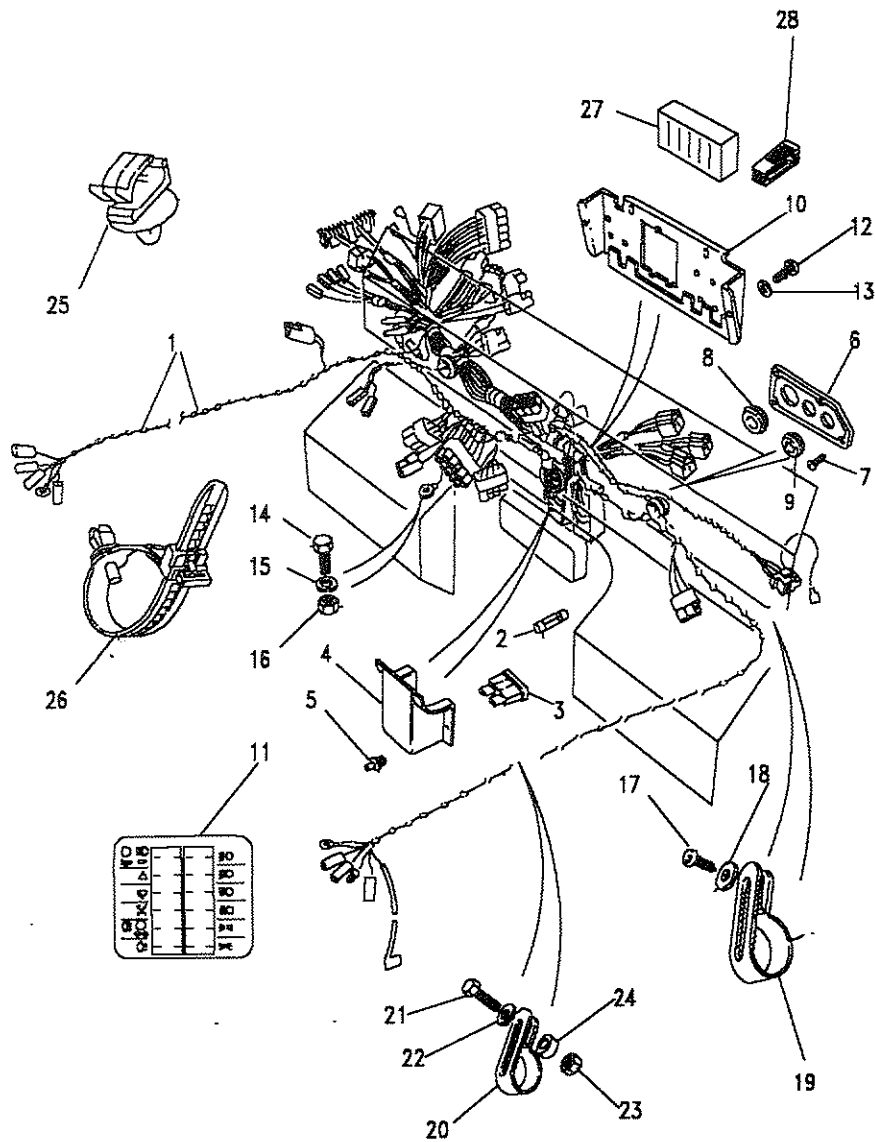


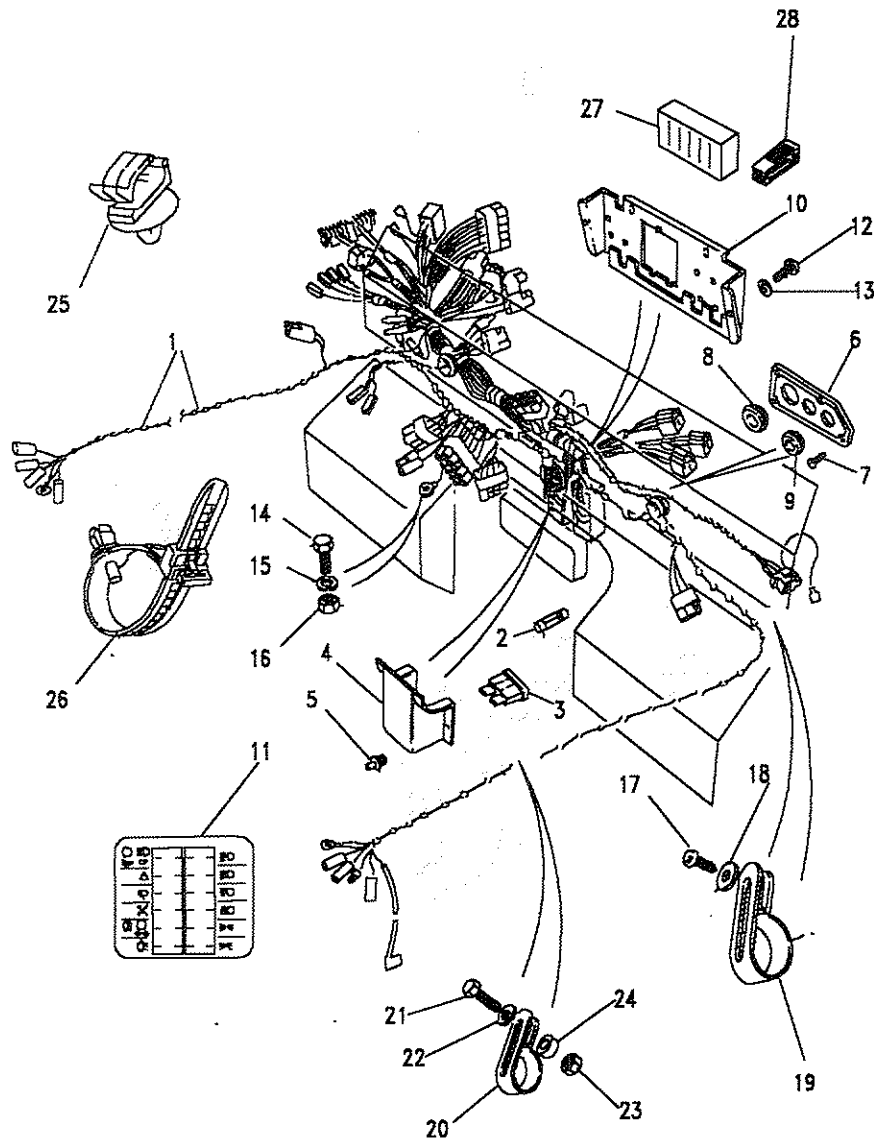
Model DEFENDER 90
Page ADMXCC1A

ELECTRICAL - MAIN HARNESS - NOTE(1)

Ill. Part No.	Description	Qty	Remarks
2.25 Petrol only			
1 PRC3363	Harness main	1	
Petrol - up to FA404682			
1 PRC5319	Harness main	1	Up to VIN 270226
1 PRC6311	Harness main	1	From VIN 270227
Diesel - up to FA404682			
1 PRC3969	Harness main	1	Up to VIN 270483
1 PRC5336	Harness main	1	Finland, Norway, Germany up to VIN 270483
1 PRC6311	Harness main	1	From VIN 270484
All Derivatives - from FA404683 up to HA705856			
1 PRC6779	Harness main	1	Up to FA424037
1 PRC8243	Harness main	1	From FA424038 up to VIN 455945
1 PRC8385	Harness main	1	From HA455946 up to HA702829
1 PRC8868	Harness main	1	From HA702830

Note(1) Fusebox is part of main harness and is not serviced separately.





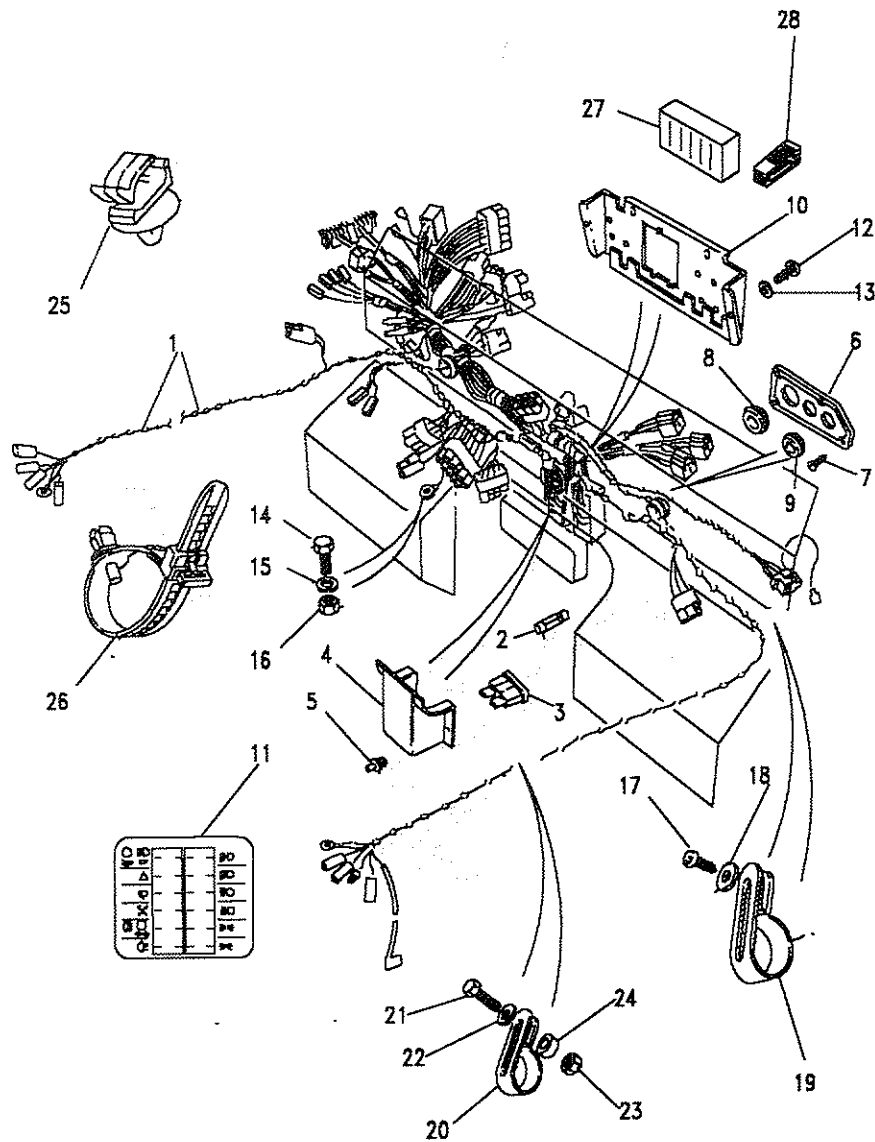
Model DEFENDER 90
Page ADMXCC1A

ELECTRICAL - MAIN HARNESS - NOTE(1)

III. Part No.	Description	Qty	Remarks
Petrol - From HA705857			
1 PRC9810	Harness main	1	Up to JA915797
AMR1487	Harness main	1	From JA915798 up to KA922208
AMR2347	Harness main	1	From KA922209 up to LA939975
AMR3481	Harness main - lowline	1	From MA939976
AMR3480	Harness main - highline	1	From MA939976
Diesel - From HA705857			
1 PRC9809	Harness main	1	Up to LA939975
AMR3482	Harness main	1	From MA939976
200Tdi - From HA705857			
1 PRC9810	Harness main	1	Up to JA915323
1 AMR1488	Harness main	1	From JA915324 up to KA922208
1 AMR2348	Harness main	1	From KA922209
300Tdi - From MA939976			
AMR3483	Harness main - lowline	1	
AMR3484	Harness main - highline	1	
All Derivatives			
C46082	Resistor	1	Up to JA912940
PRC9096	Resistor	1	From JA912941
AAU5034	Diode	1	From HA455946 up to HA702829
AAU5034	Diode	3	From HA702830

Note(1) Fusebox is part of main harness and is not serviced separately.





Model DEFENDER 90
Page ADMXCC1A

ELECTRICAL - MAIN HARNESS - NOTE(1)

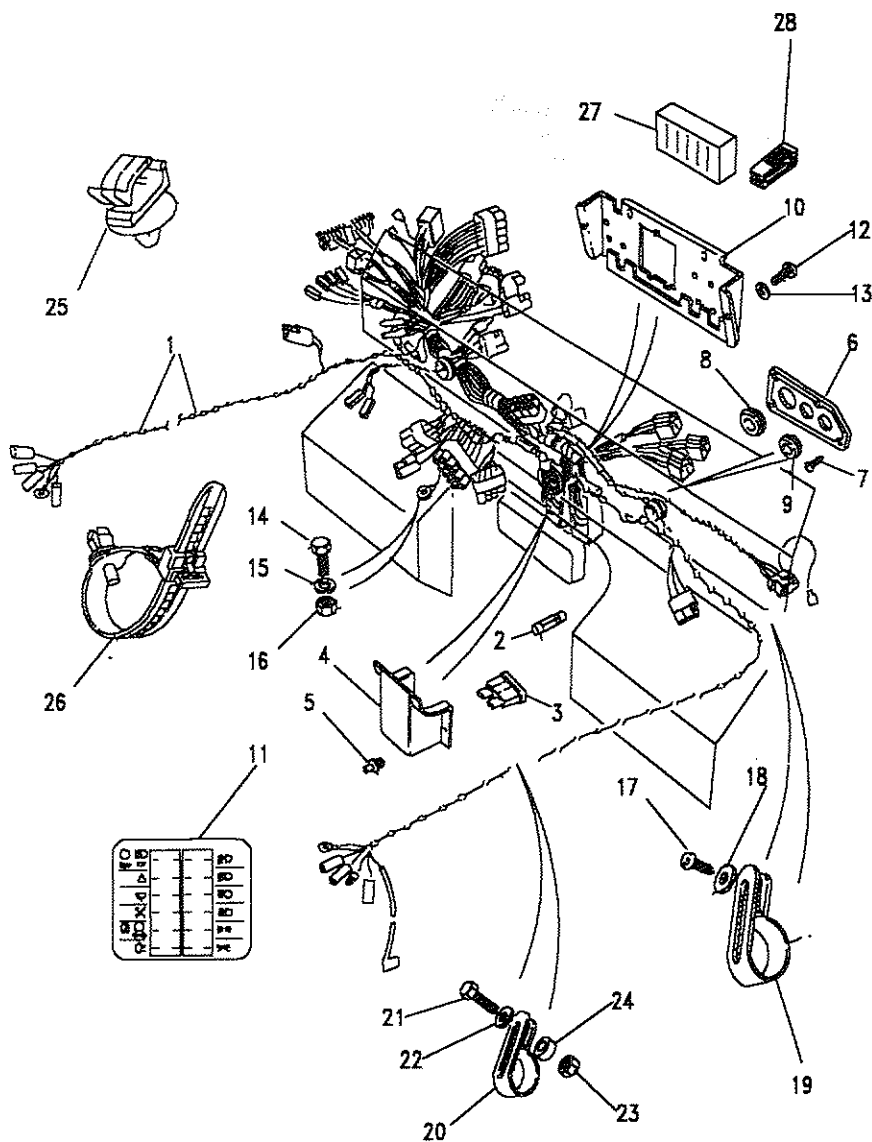
III. Part No.	Description	Qty	Remarks
Fuse - Cartridge type - up to FA424037			
2	RTC4482	Fuse 5 amp	A/R
	RTC4500	Fuse 10 amp	A/R
	RTC4502	Fuse 15 amp	A/R
	RTC4785	Fuse 20 amp	A/R
	RTC4505	Fuse 25 amp	A/R
	RTC4510	Fuse 35 amp	A/R Air Con
Fuse - Blade type - from FA424038			
3	RTC4497	Fuse 5 amp	A/R
	RTC4498	Fuse 7.5 amp	A/R
	RTC4501	Fuse 10 amp	A/R
	RTC4503	Fuse 15 amp	A/R
	RTC4504	Fuse 20 amp	A/R
4	PRC3037	Cover	1
5	BRC8089L	Rivet	4
6	PRC1333	Plate grommet bulkhead	1 Up to LA932798
	AMR3098	Plate grommet bulkhead	1 From LA932798
7	AB610051L	Screw	8
8	BD155888	Plug sealing	1 Up to LA932798
9	338023	Plug sealing	2 Up to LA932798
10	PRC2443	Panel mounting	1 Up to FA424037
	PRC8072	Panel mounting	1 From FA424037
	AMR3138	Panel mounting	1 up to LA933817 1 From LA933818

Note(1) Fusebox is part of main harness and is not serviced separately.



Model DEFENDER 90
Page ADMXCC1A

ELECTRICAL - MAIN HARNESS - NOTE(1)



III. Part No.	Description	Qty	Remarks
11 PRC3389	Label fuse	1	Up to VIN 270226
PRC5670	Label fuse	1	From VIN 270227 up to FA424037
PRC8245	Label fuse	1	From FA424038 up to HA705856
PRC9902	Label fuse	1	From HA705857 up to LA939975 From MA939976
AMR3771	Label fuse	1	
12 SE106121L	Screw	2	
13 WF600041L	Washer shakeproof	2	
14 SH106121L	Screw	1	
15 WL106001L	Washer spring	1	
16 NH106041L	Nut	1	
17 AB608047	Screw	1	
18 4034L	Washer plain	1	
19 C39377L	Strap cable	1	
20 C39377L	Strap cable	2	
21 SH106121L	Screw	1	
FS106201L	Flange screw	2	
22 WL106001L	Washer spring	3	
23 NH106041L	Nut	3	
24 390939	Spacer	2	From HA455946
25 AFU1090L	Clip retaining	A/R	
26 AAU3686	Strap cable	A/R	
27 HAM4301L	Holder fuse	1)From FA424038
28 PRC4412	Extractor fuse	1)Note(2)

Note(1)
Note(2)

Fusebox is part of main harness and is not serviced separately.
Attached to underside of fuse box cover.

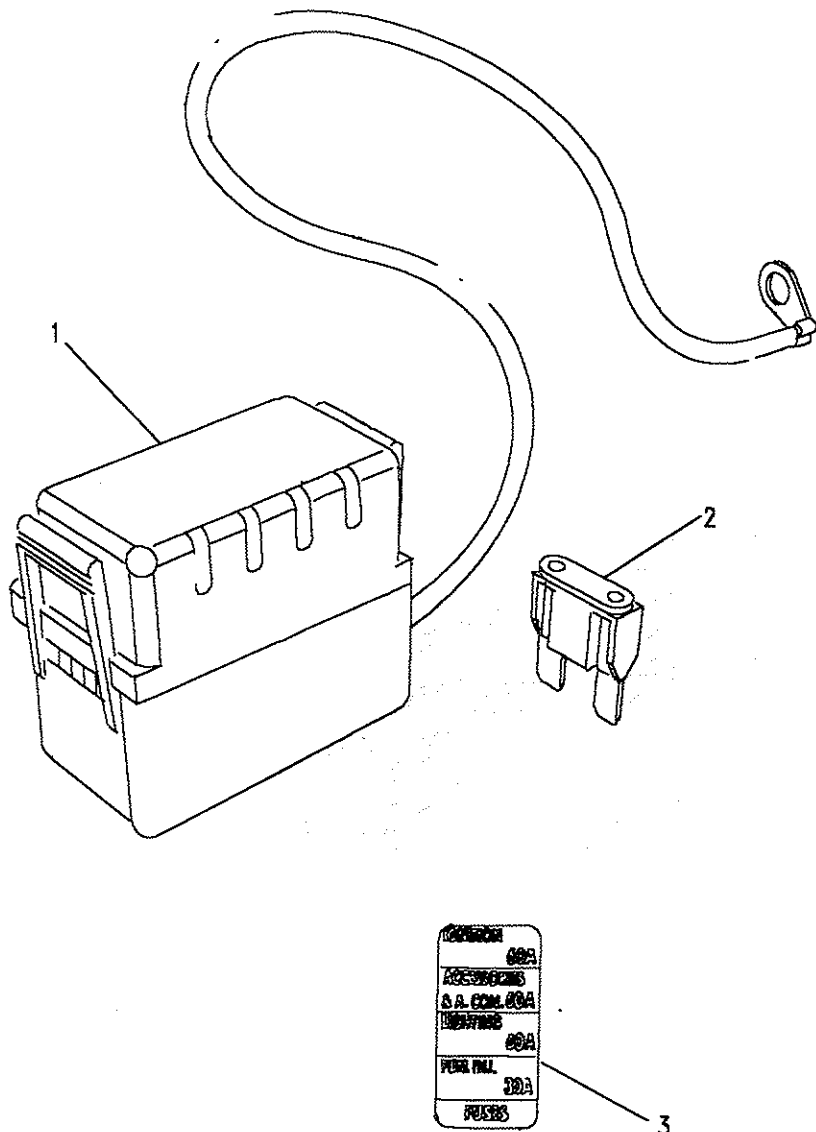


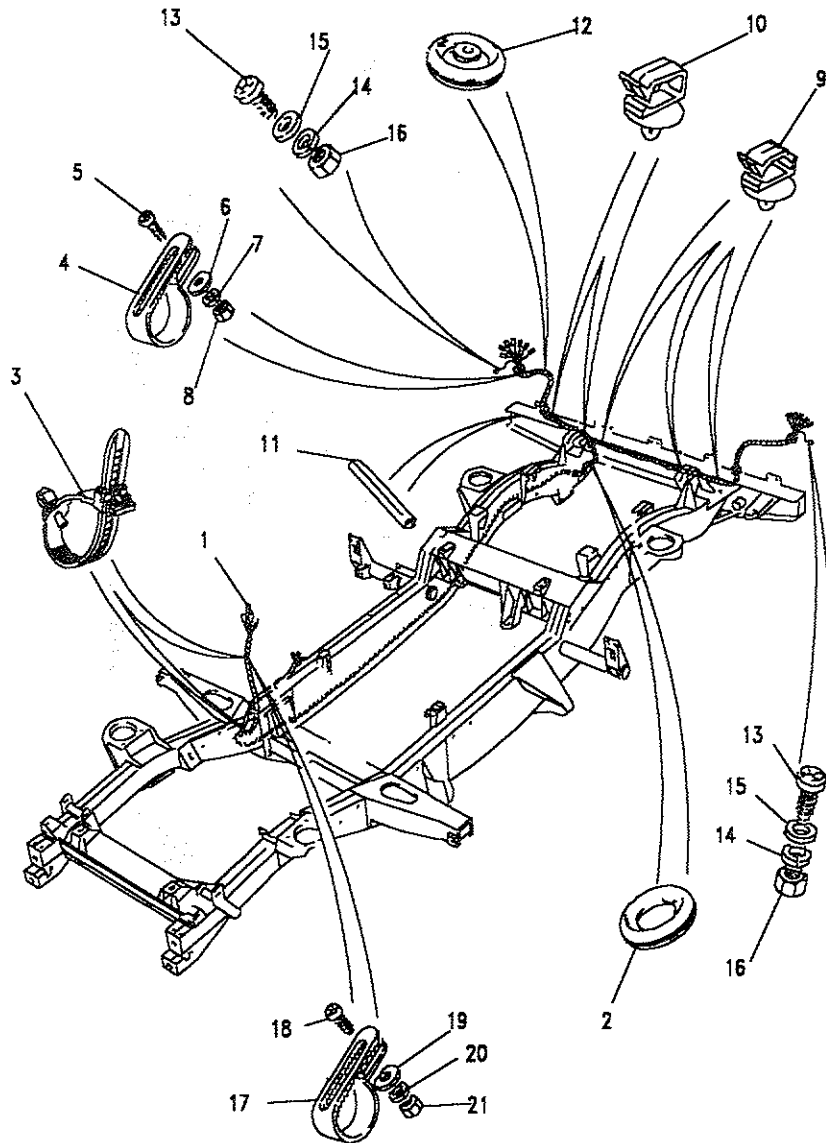


Model DEFENDER 90
Page ADMXCC2A

ELECTRICAL - UNDER BONNET FUSE BOX - FROM MA939976

III. Part No.	Description	Qty	Remarks
1 AMR1637	Fuse box underbonnet	1	V8
AMR2983	Fuse box underbonnet	1	4cyl.
Fuse options			
2 YQG10007	Fuse 20A - yellow	A/R	HRW
YQG10008	Fuse 30A - green	A/R	Pl/lighting
YQG10011L	Fuse 60A - blue	A/R	Ign/gl.pl./air con.
3	Label fuse	1	NSP





Model DEFENDER 90
Page ADMXCE1A

ELECTRICAL - CHASSIS HARNESS

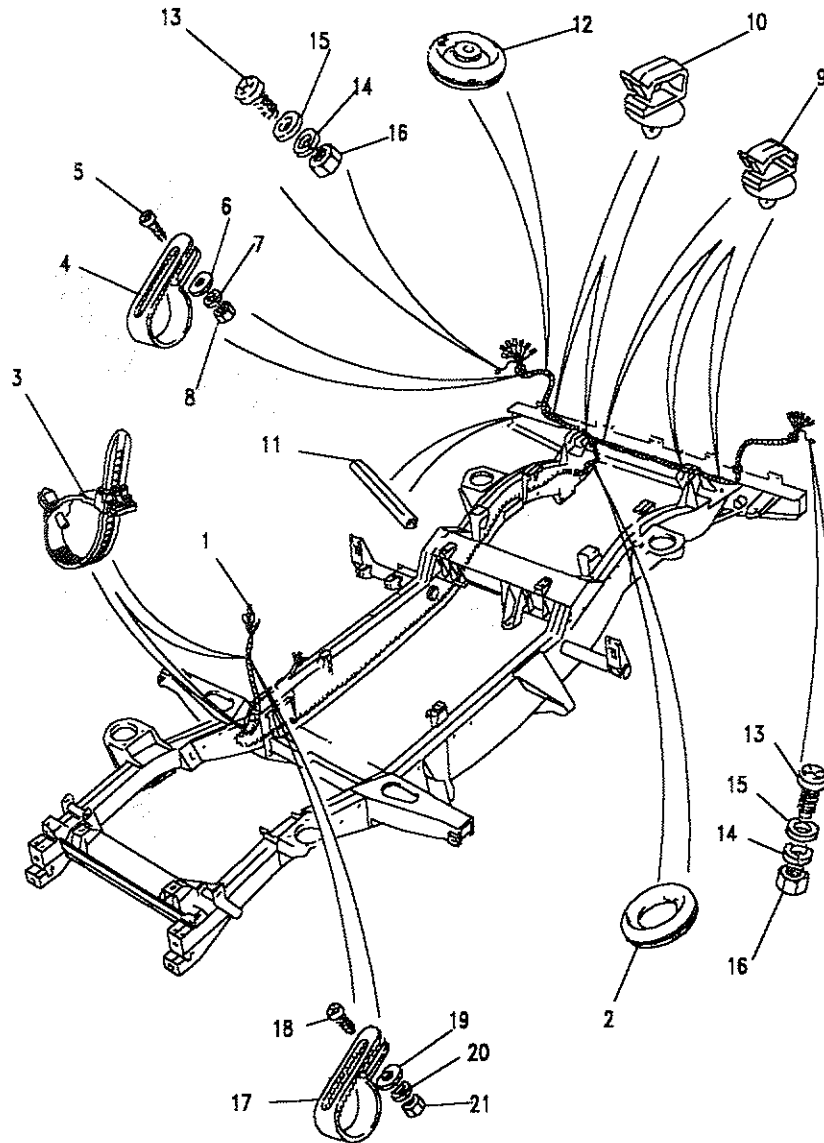
III. Part No.	Description	Qty	Remarks
With chassis mounted fuel pump - up to VIN 243342			
1 PRC3209	Harness chassis	1	
PRC4590	Harness chassis	1	With HRW/RWW
With in-tank fuel pump - from VIN 243343 - without heated rear window			
PRC4970	Harness chassis	1	Up to VIN 344778
PRC7003	Harness chassis	1	From VIN 344779 up to HA903278
PRC8870	Harness chassis	1	From HA903279 (up to JA915357 diesel only)
AMR1491	Harness chassis - diesel	1	From JA915358 up to LA939975
AMR3448	Harness chassis - pet/die	1	From MA939976
With in-tank fuel pump - from VIN 243343 - with heated rear window			
PRC4993	Harness chassis	1	Up to VIN 343944
PRC7004	Harness chassis	1	Up to VIN 343945
PRC8869	Harness chassis	1	From VIN 343945 up to HA702830
AMR1492	Harness chassis - diesel	1	From HA702831 (up to JA915357 diesel only)
AMR3449	Harness chassis - pet/die	1	From JA915354 up to LA939975
		1	From MA939976





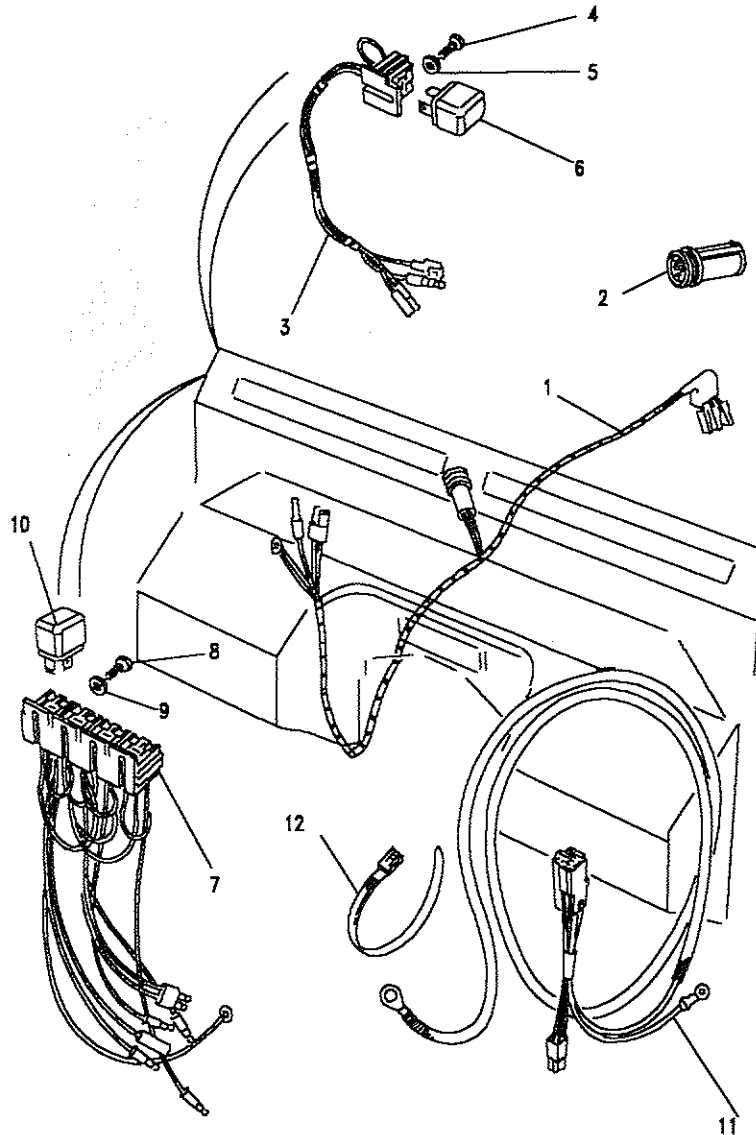
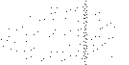
Model DEFENDER 90
Page ADMXCE1A

ELECTRICAL - CHASSIS HARNESS



III. Part No.	Description	Qty	Remarks
2	589452 Grommet	1	
3	AAU3686 Strap cable	2	
4	C39377L lip retaining	1	
5	SE105121L Screw	1	
6	WJ105001L Washer plain	1	
7	WL105001L Washer spring	1	
8	NH105041L Nut	1	
9	AFU1090L Clip cable	3	
10	PRC3537 Clip	1	NLS
11	570753 Finisher edge	2	
12	269257 Grommet	1	
13	SE105121L Screw	2	
14	WM702001L Washer spring	2	
15	WA105001L Washer plain	2	
16	NH105041L Nut	2	
17	C393771L Strap cable	1	
18	SE105121L Screw	1	
19	WJ105001L Washer plain	1	
20	WL105001L Washer spring	1	
21	NH105041L Nut	1	
	PRC8928 Lead link	1	From HA703223
			-overtemp sw to ch harness





Model DEFENDER 90

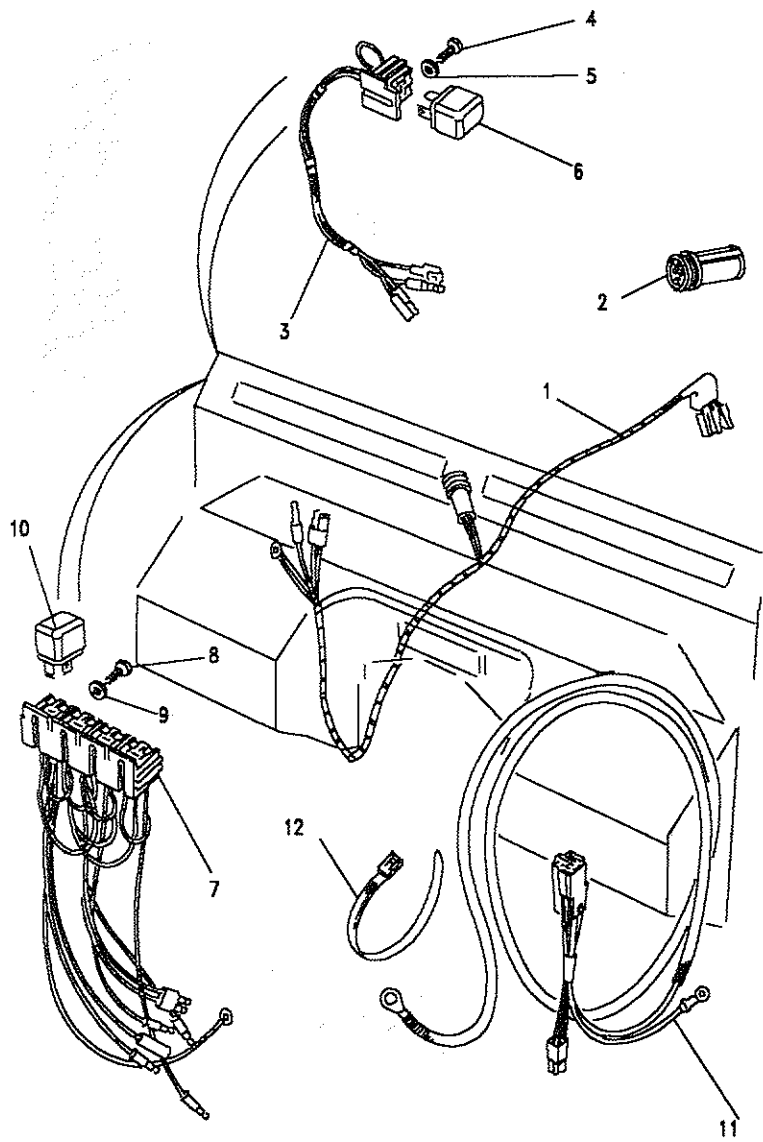
Page ADMXCE2A

ELECTRICAL - HARNESS - FUEL SYSTEM

III. Part No.	Description	Qty	Remarks
Petrol - with in-tank fuel pump from VIN 243343			
1 PRC5604	Harness-fuel tank	1	Up to VIN 345761
PRC7001	Harness-fuel tank	1	From VIN 345762 up to HA703459
PRC9330	Harness-fuel tank	1	From HA703460 up to LA939975
AMR3042	Harness fuel tank	1	From MA939976
Diesel - with in-tank fuel pump from VIN 243343			
PRC5601	Harness-fuel tank	1	Up to VIN 343944
PRC7009	Harness-fuel tank	1	From VIN 343945 up to HA702795
PRC9333	Harness-fuel tank	1	From HA702796 up to LA939975
AMR3041	Harness fuel tank	1	From MA939976
2 RTC6545	Connector	1	Note(1)

Note(1) To convert PRC5604 where necessary.





Model DEFENDER 90
Page ADMXCE2A

ELECTRICAL - HARNESS - FUEL SYSTEM

III. Part No.	Description	Qty	Remarks
3	PRC7851 Harness -fuel pump isolation	1	From FA392009 up to FA404682
4	AB608031L Screw	1	
5	WA105001L Washer plain	1	
6	YWB10032L Relay	1	
7	PRC5123 Harness -daylight running lights	1	Norway up to VIN 270226
	PRC5680 Harness -daylight running lights	1	Norway from VIN 270227
8	AB608031L Screw	2	
9	WA105001L Washer plain	2	
10	YWB10032L Relay	4	
Cable - glow plug timer			
11	PRC6083 Cable-glow plug timer	1	From HA455946 up to note(1)
12	568680 Cable tie	5	From HA455946
Cable - volt sensitive switch			
	AMR2351 Cable - volt sens. sw.	1	From KA922209

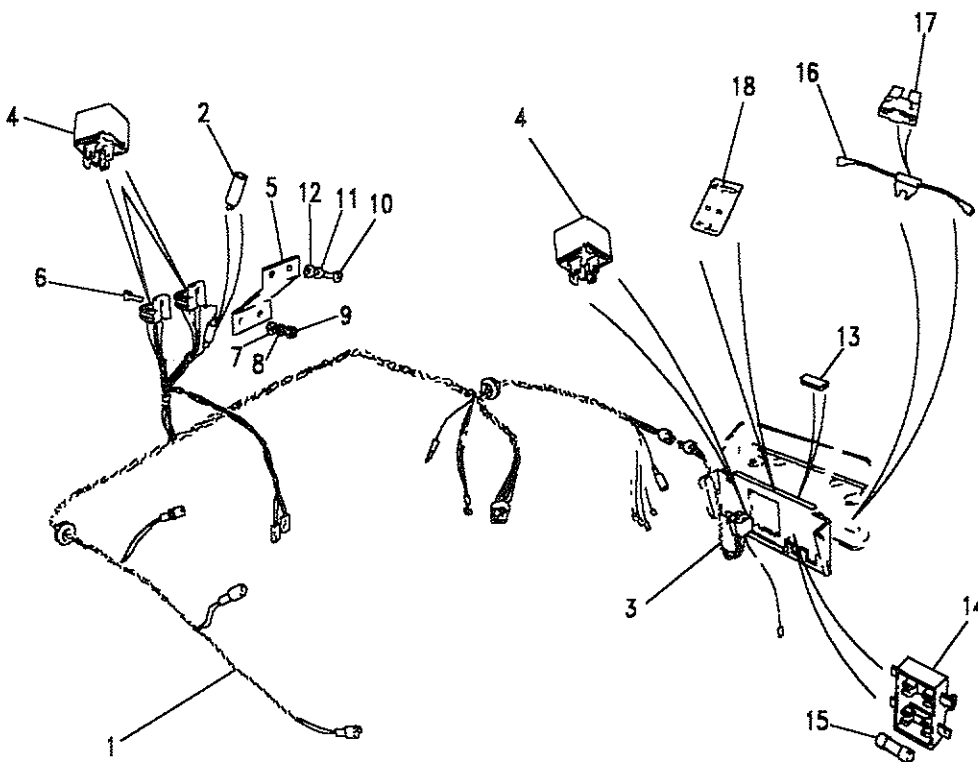
Note(1) Glow plug timer cable incorporated into main harness.



Model DEFENDER 90

Page ADMXCE3A

ELECTRICAL - AIR CONDITIONING ELECTRICS



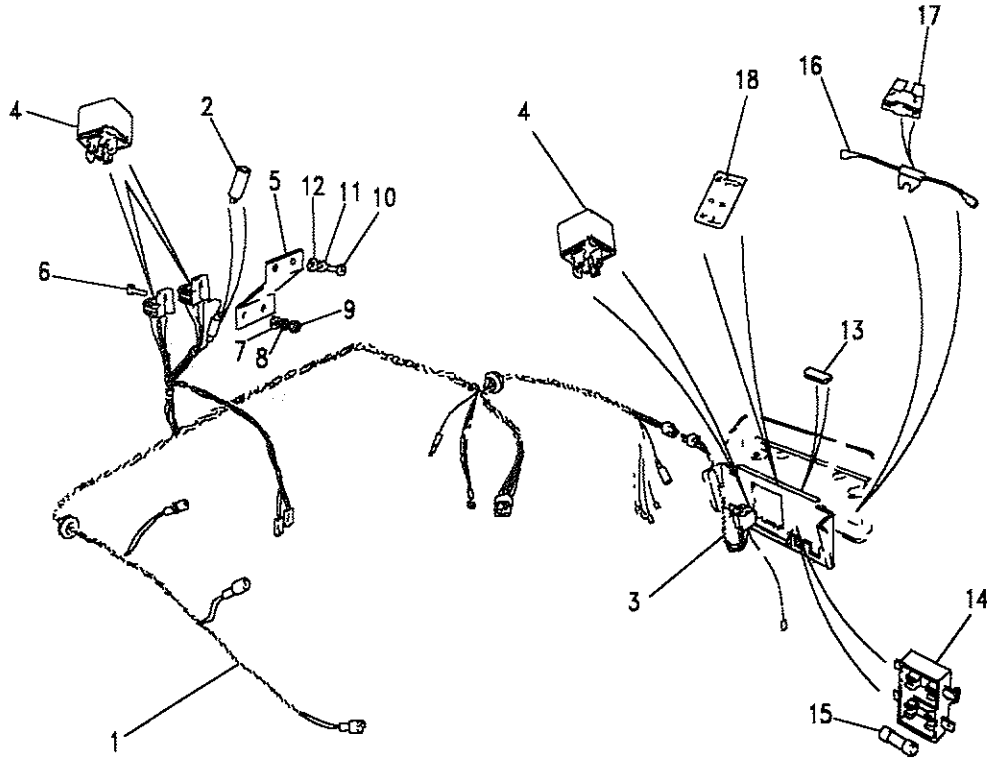
III. Part No.	Description	Qty	Remarks
1 PRC4208	Cable main fans	1	Up to FA424037
PRC7277	Cable main fans	1	From FA424038 up to HA903558
PRC9324	Cable main fans	1	From HA903559 up to LA939975
AMR2976	Cable main fans	1	From MA939976
2 AAU5034	Diode	1	
3 PRC3905	Cable relay extension	1	Up to VIN 455945
PRC9325	Cable relay extension	1	From HA455946 up to LA939975
AMR2977	Cable relay extension	1	From MA939976
Upto VIN HA703459			
4 YWB10032L	Relay	1	Blower fan
YWB10032L	Relay	1	Condenser fan
YWB10032L	Relay	1	Comp clutch
From VIN HA703460			
4 YWB10027L	Relay	1	Blower fan
YWB10027L	Relay	1	Condenser fan
YWB10027L	Relay	1	Comp clutch
5 PRC3738	Bracket support	1	NLS
6 SE105121L	Screw	2	
7 WA105001L	Washer plain	2	
8 WL105001L	Washer spring	2	
9 NM105011	Nut	2	
10 SE105121L	Screw	2	
11 WA105001L	Washer plain	2	
12 WL105001L	Washer spring	2	
13 DRC1530	Finisher edge	A/R	



Model DEFENDER 90
Page ADMXCE3A

ELECTRICAL - AIR CONDITIONING ELECTRICS

III. Part No.	Description	Qty	Remarks
14 PRC3737	Fusebox	1	Up to FA424037
15 RTC4510	Fuse 35 amp	1	Condenser fans up to FA424037
RTC4500	Fuse 10 amp	1	Clutch up to FA424037
16 PRC4311	Inline fuse	1	
17 RTC4507	Fuse 30 amp	1	
18 PRC4306	Label fuse	1	Up to FA424037

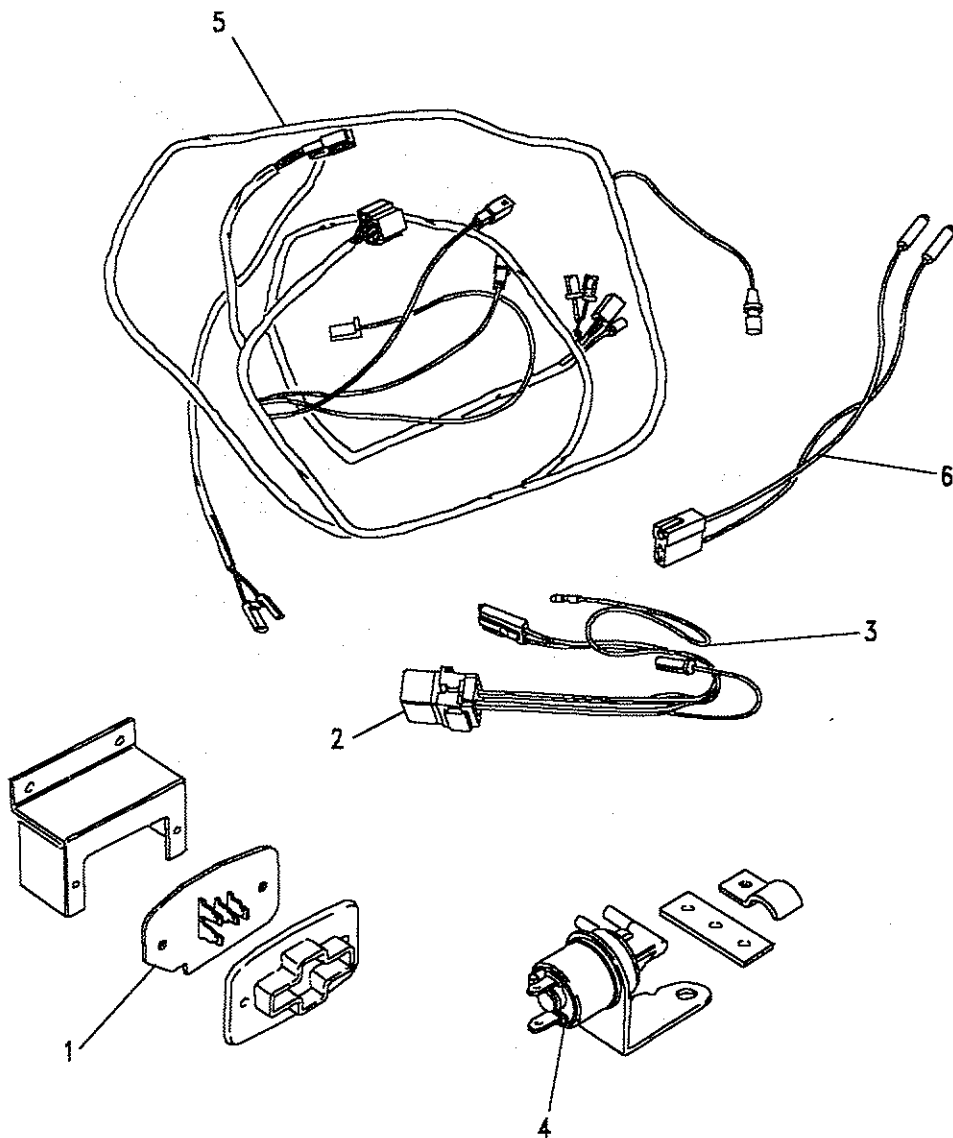




Model DEFENDER 90
Page ADMXCE4A

AIR CONDITIONING - ELECTRICAL PARTS - DHS

III. Part No.	Description	Qty	Remarks
1 AEU1747	Resistor	1	
2 RTC7454	Relay	1	
3 MUC1676	Harness relay	1	
4 MUC1678	Solenoid vacuum	1	
5 MUC1672	Harness air con	1	
6 MUC1677	Harness lighting	1	



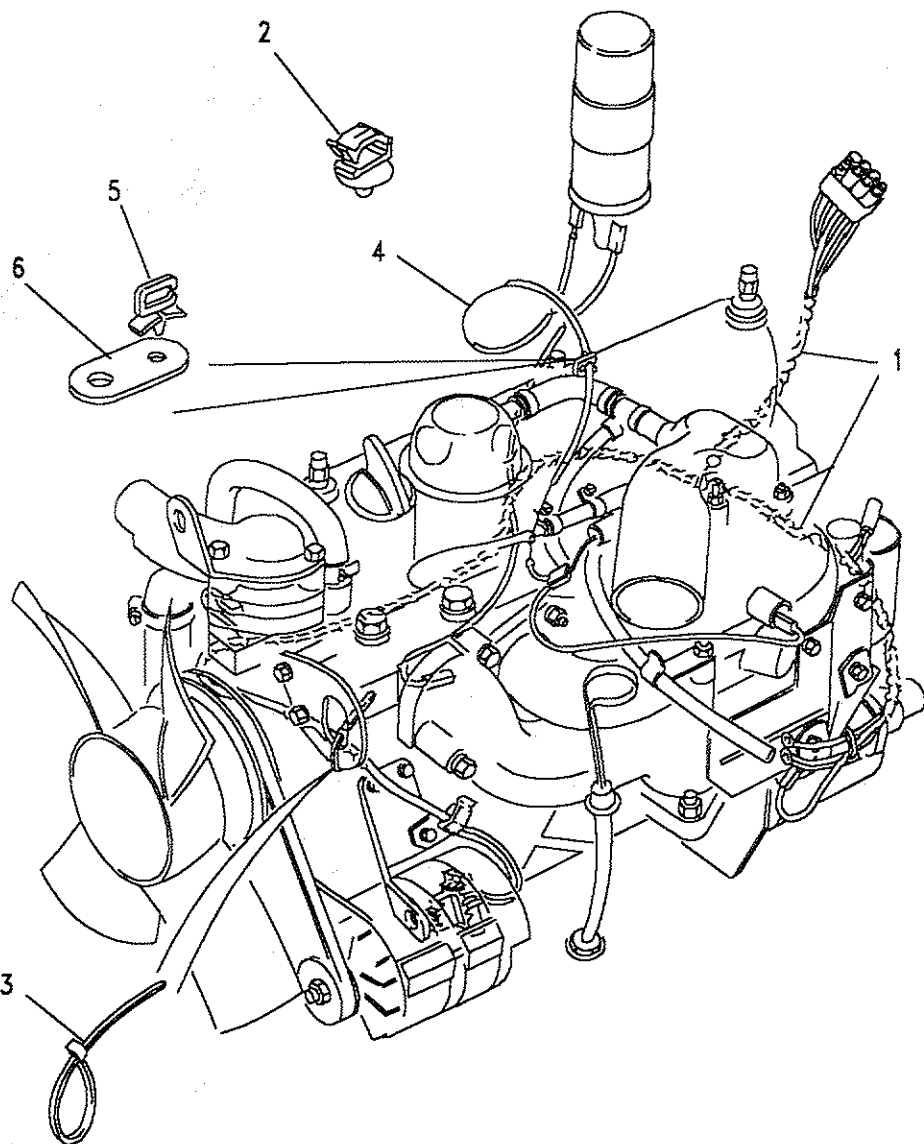
Model DEFENDER 90

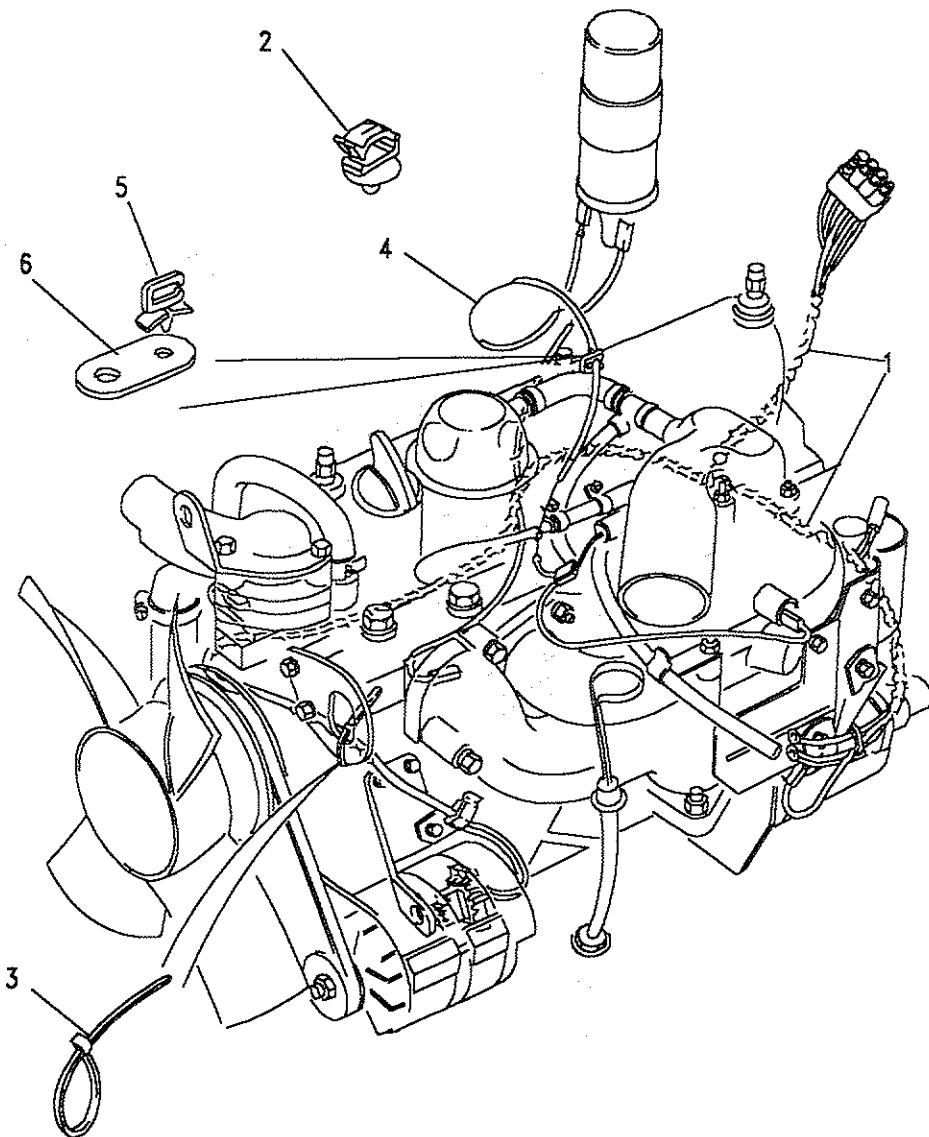
Page ADMXCF1A

ELECTRICAL - ENGINE HARNESS - 2.25 PETROL

III. Part No.	Description	Qty	Remarks
Up to engine number 11H05638C			
1 PRC4019	Harness engine - 34A	1	Standard
PRC4020	Harness engine - 45A	1	Optional
PRC4021	Harness engine - 65A	1	Optional
PRC4096	Harness engine - 65A	1	Air Con.
From engine number 11H05639C			
PRC4785	Harness engine - 45A	1	Standard
PRC4021	Harness engine - 65A	1	Optional
PRC4096	Harness engine - 65A	1	Air Con.
2 568680	Cable Clip	1	
AFU1090L	Cable Clip	4	
3 RTC3772	Cable Cleat	2	
4 PRC4376	Lead-Coil to Fuel Shutoff Solenoid	1	
5 PRC3702	Clip	1	
6 PRC3494	Mounting Plate-Clip	1	

Note(1) For split charge engine harness see split charge components.





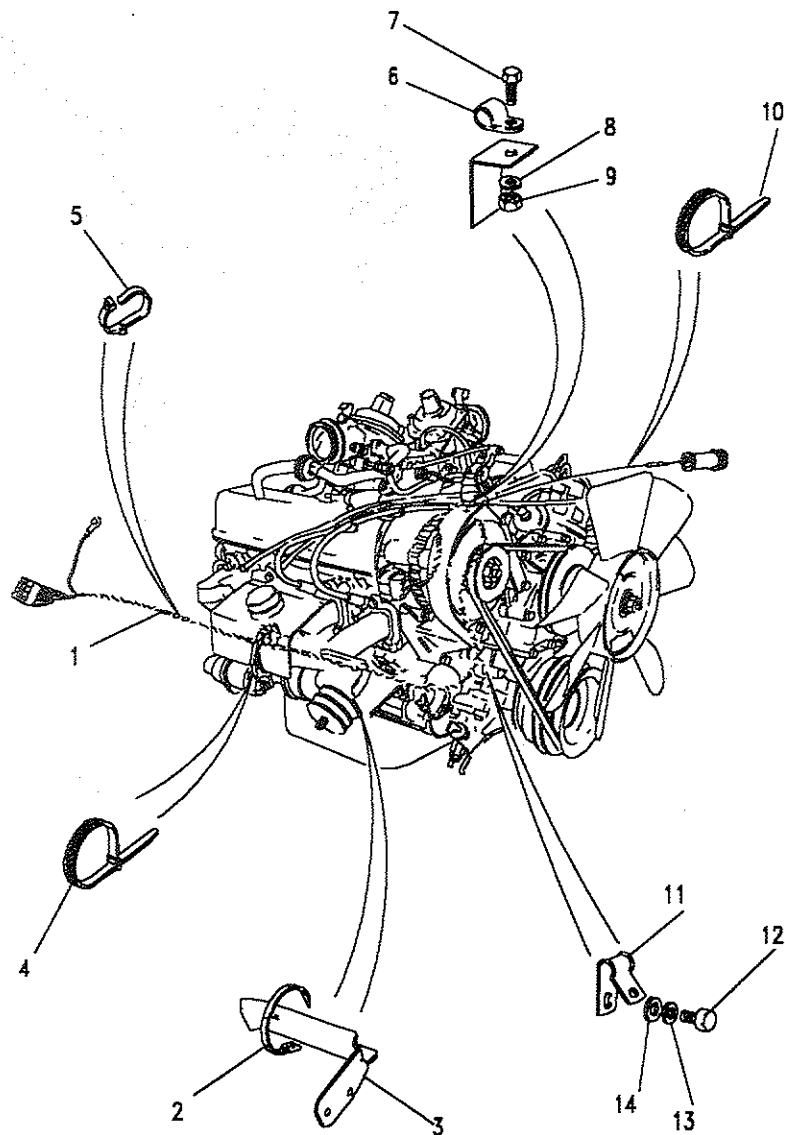
Model DEFENDER 90

Page ADMXCF2A

ELECTRICAL - ENGINE HARNESS - 2.5 PETROL

III. Part No.	Description	Qty	Remarks
Up to November 1989			
1 PRC4785	Harness engine - 45A	1	Standard
PRC4021	Harness engine - 65A	1	Optional
PRC4096	Harness engine - 65A	1	Air Con.
From November 1989 up to November 1992			
PRC6080	Harness engine - 45A	1	Standard
PRC6082	Harness engine - 65A	1	Optional
PRC6081	Harness engine - 65A	1	Air Con.
From November 1992 up to LA939975			
PRC6082	Harness engine - 65A	1	Standard
PRC6081	Harness engine - 65A	1	Air Con.
From MA939976 up to MA949874			
AMR2962	Harness engine - 65A	1	Standard
AMR2982	Harness engine - 65A	1	Air Con.
From MA949875			
AMR4027	Harness engine - 65A	1	Standard
AMR4029	Harness engine - 65A	1	Air Con.
2 568680	Cable Clip	1	
AFU1090L	Cable Clip	4	
3 RTC3772	Cable Cleat	2	
4 PRC4376	Lead-Coil to Fuel Shutoff Solenoid	1	
5 PRC3702	Clip	1	
6 PRC3494	Mounting Plate-Clip	1	

Note(1) For split charge engine harness see split charge components.



Model DEFENDER 90

Page ADMXCF5A

ELECTRICAL - ENGINE HARNESS - V8

III. Part No. Description Qty Remarks

Vehicles with fuel pump attached to the chassis

1	PRC4952	Harness engine	1	Standard
	PRC4954	Harness engine	1	Air Con.

Vehicles with in tank fuel pump - up to VIN 276551

	PRC4994	Harness engine - 45A	1	Standard
	PRC4996	Harness engine - 65A	1	Optional
	PRC4996	Harness engine - 65A	1	Air Con.

Vehicles from VIN 276552 up to November 1992

	PRC4994	Harness engine - 45A	1	Standard
	PRC5877	Harness engine - 65A	1	Optional
	PRC5878	Harness engine - 65A	1	Air Con.

From November 1992 (engine number 24G10808A) up to LA939975

	PRC5877	Harness engine - 65A	1	Standard
	PRC5878	Harness engine - 65A	1	Air Con.

From MA939976 up to MA949974

	AMR2959	Harness engine - 65A	1	Standard
	AMR2981	Harness engine - 65A	1	Air Con.

From MA949975

	AMR4023	Harness engine - 65A	1	Standard
	AMR4025	Harness engine - 65A	1	Air Con.

Note(1) For split charge engine harness see split charge components.

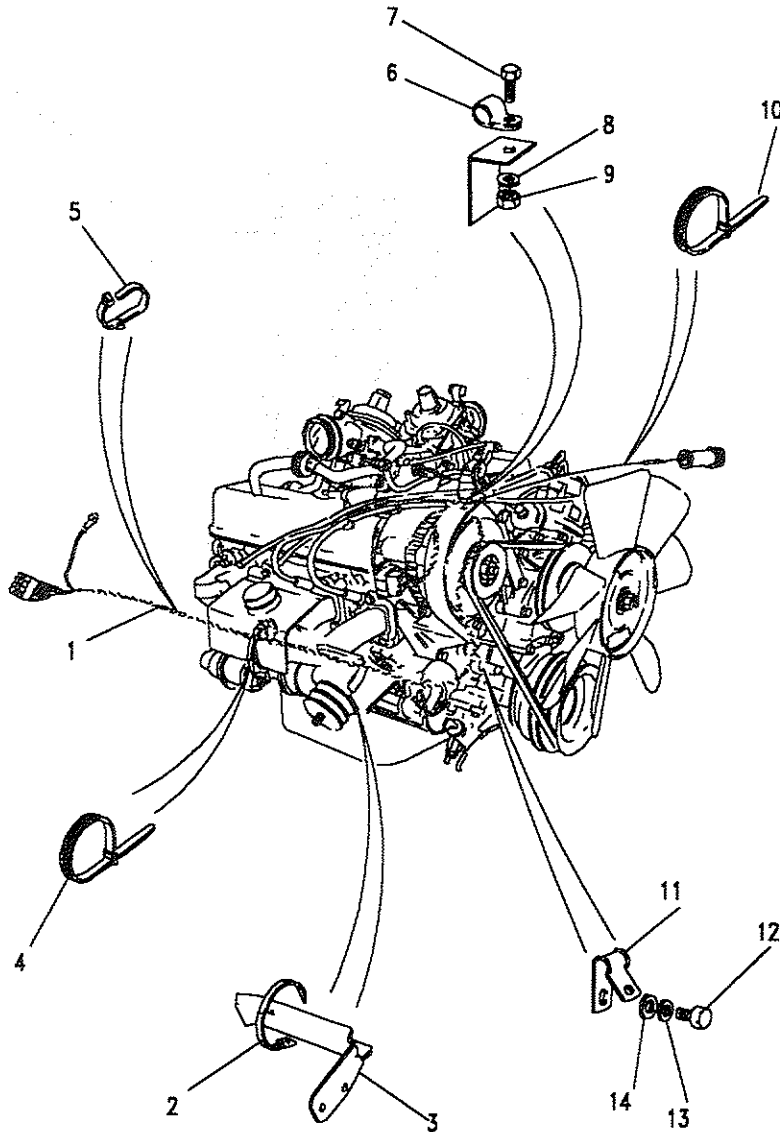


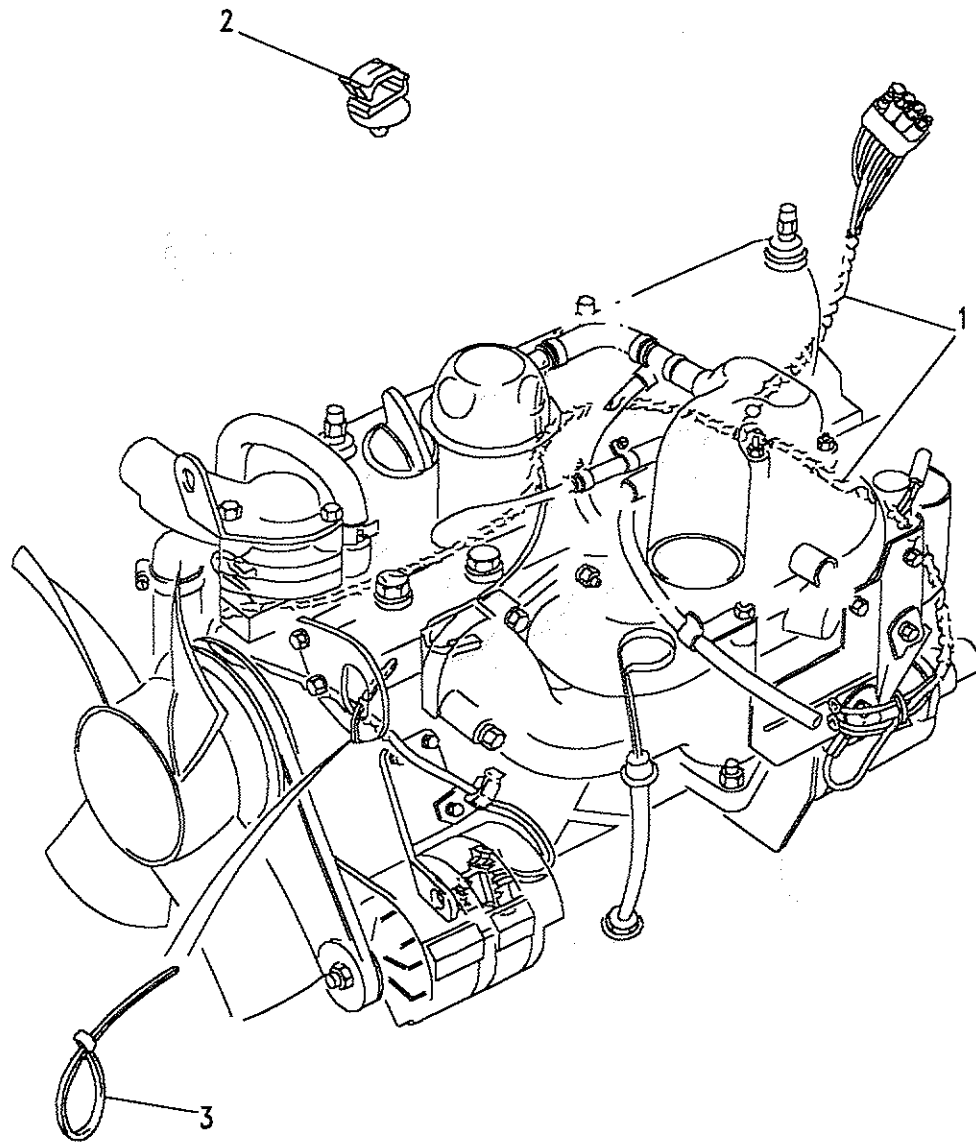


Model DEFENDER 90
Page ADMXCF5A

ELECTRICAL - ENGINE HARNESS - V8

III. Part No.	Description	Qty	Remarks
2	RTC3772	2	Cable Cleat
3	PRC1794	1	Support Bracket-Cable
4	568680	1	Cable Cleat
5	AAU3686	1	Cable Cleat
6	CP105061	1	P Clip
7	SH105161L	1	Screw
8	WL105001L	1	Spring Washer
9	NH105041L	1	Nut
10	573246	2	Cable Tie
11	CP108081L	1	P Clip
12	SH505051L	1	Screw
13	WM600051L	1	Spring Washer
14	WA108051L	1	Plain Washer





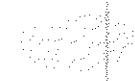
Model DEFENDER 90
Page ADMXCF3A

ELECTRICAL - ENGINE HARNESS - DIESEL

III. Part No.	Description	Qty	Remarks
Up to November 1989			
1 PRC4785	Harness engine - 45A	1	Standard
PRC4021	Harness engine - 65A	1	Optional
PRC4096	Harness engine - 65A	1	Air Con.
From November 1989 up to November 1992			
PRC6080	Harness engine - 45A	1	Standard
PRC6082	Harness engine - 65A	1	Optional
PRC6081	Harness engine - 65A	1	Air Con.
From November 1992 up to LA939975			
PRC6082	Harness engine - 65A	1	Standard
PRC6081	Harness engine - 65A	1	Air Con.
From MA939976 up to MA949874			
AMR2962	Harness engine - 65A	1	Standard
AMR2982	Harness engine - 65A	1	Air Con.
From MA949875			
AMR4027	Harness engine - 65A	1	Standard
AMR4029	Harness engine - 65A	1	Air Con.
2 568680	Cable Clip	1	
AFU1090L	Cable Clip	4	Upto Nov 1989
AFU1090L	Cable Clip	5	From Nov 1989
3 RTC3772	Cable Cleat	2	
ERC9404	Mounting Bracket	4	From Nov 1989
ERC9480	Mounting Bracket	1	From Nov 1989

Note(1) For split charge engine harness see split charge components.



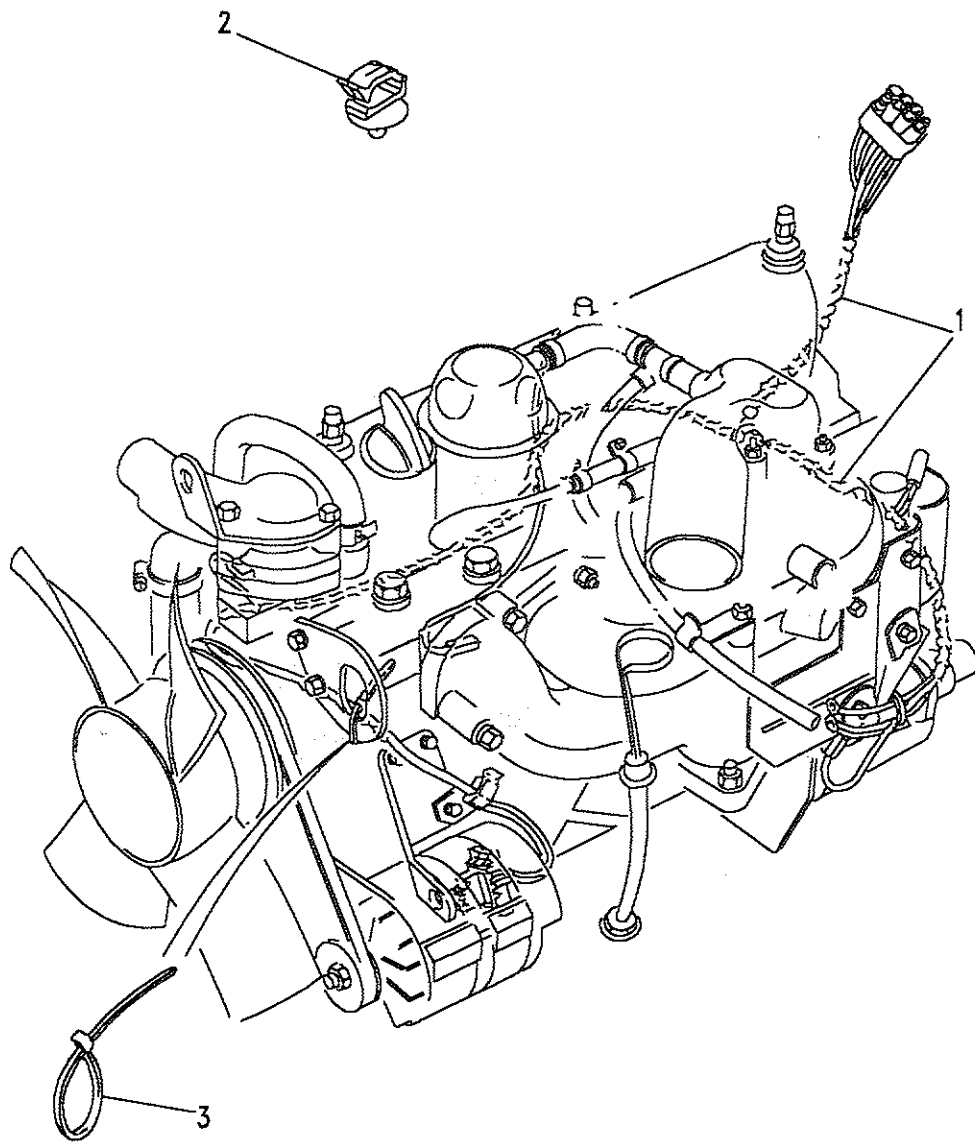


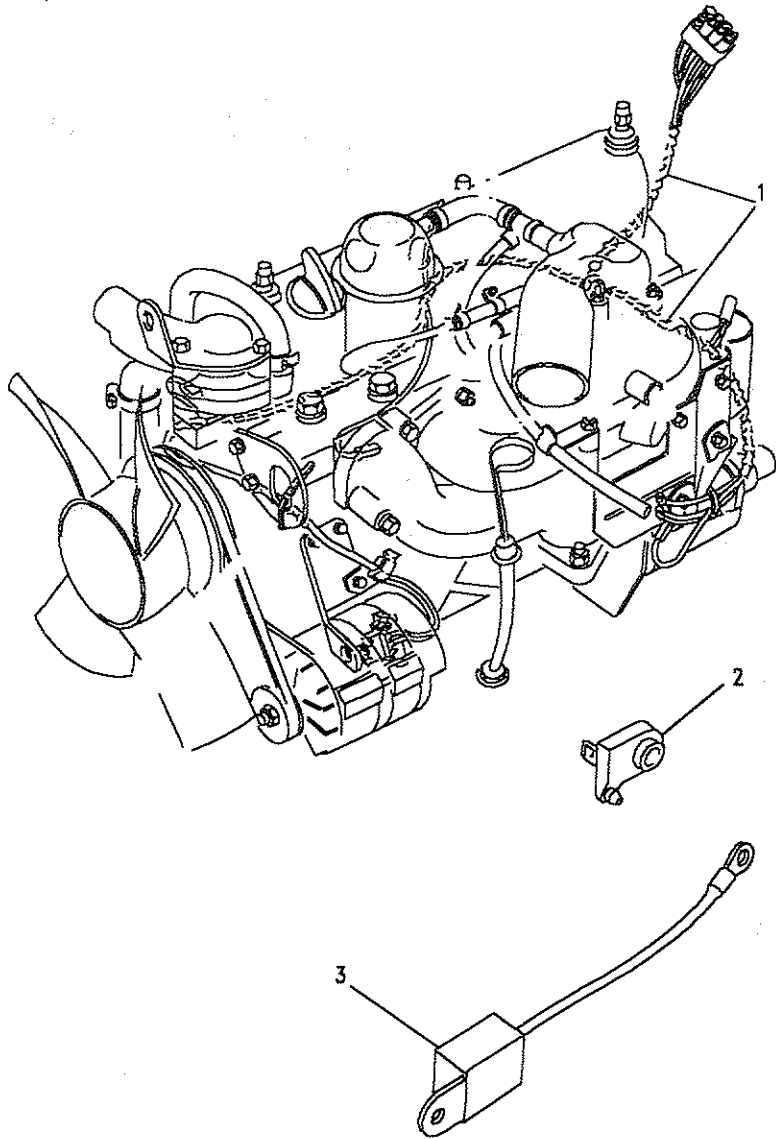
Model DEFENDER 90
Page ADMXCF4A

ELECTRICAL - ENGINE HARNESS - DIESEL TURBO AND 200TDI

III. Part No.	Description	Qty	Remarks
Up to November 1989			
1 PRC4785	Harness engine - 45A	1	Standard
PRC4021	Harness engine - 65A	1	Optional
PRC4096	Harness engine - 65A	1	Air Con.
From November 1989 up to November 1992			
PRC6080	Harness engine - 45A	1	Standard
PRC6082	Harness engine - 65A	1	Optional
PRC6081	Harness engine - 65A	1	Air Con.
From November 1992 (engine number 11L26192A)			
PRC6082	Harness engine - 65A	1	Standard
PRC6081	Harness engine - 65A	1	Air Con.
2 568680	Cable Clip	1	
3 AFU1090L	Cable Clip	4	Upto Nov 1989
AFU1090L	Cable Clip	5	From Nov 1989
4 RTC3772	Cable Cleat	2	
ERC9404	Mounting Bracket	4	From Nov 1989
ERC9480	Mounting Bracket	1	From Nov 1989

Note(1) For split charge engine harness see split charge components.





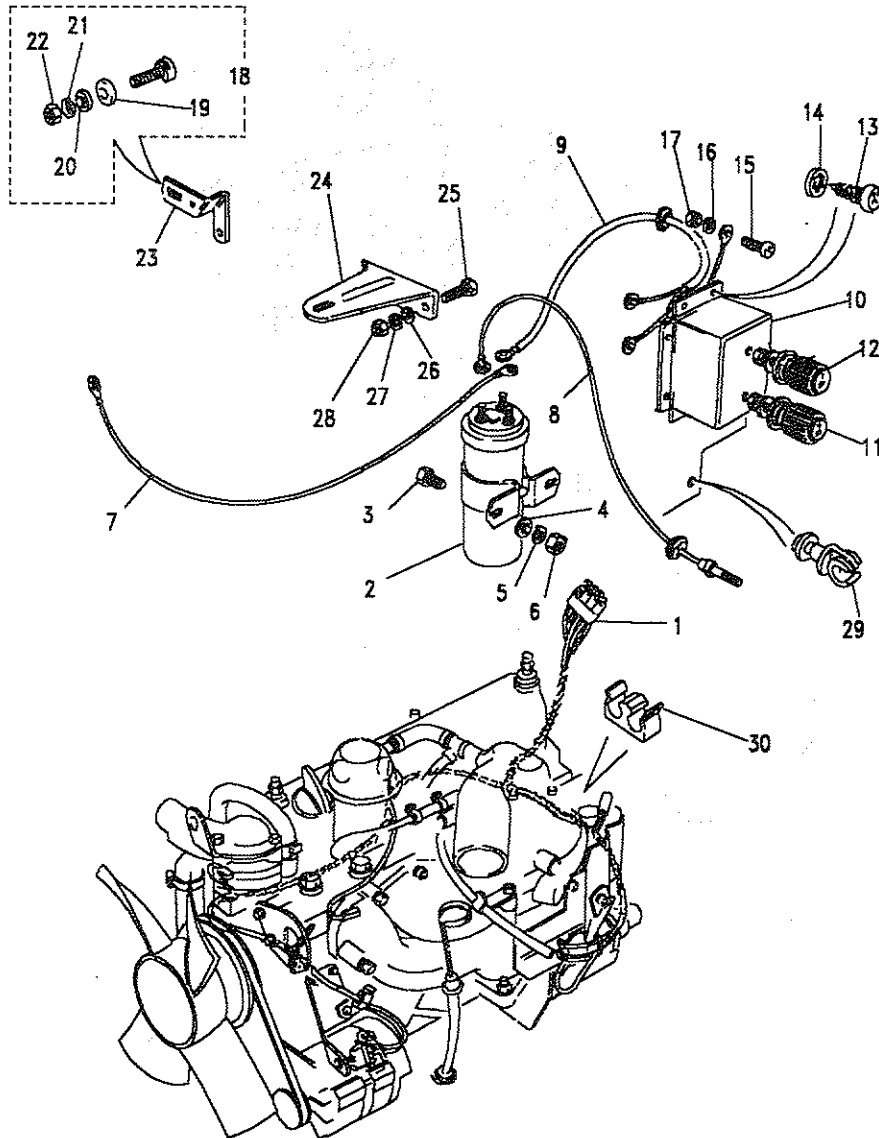
Model DEFENDER 90
Page ADMXCF4B

ELECTRICAL - ENGINE HARNESS - 300TDI

III. Part No.	Description	Qty	Remarks
Up to MA949874			
1 AMR2956	Harness engine - 65A	1	Standard
AMR2980	Harness engine - 65A	1	Air Con.
AMR3988	Harness engine - 65A	1	EGR
AMR3987	Harness engine - 65A	1	EGR Air Con.
From MA949875			
AMR4019	Harness engine - 65A	1	Standard
AMR4021	Harness engine - 65A	1	Air Con.
AMR3988	Harness engine - 65A	1	EGR
AMR3987	Harness engine - 65A	1	EGR Air Con.
Phase tap protection unit - EGR vehicles only			
2 AMR4042	Phase tap protection unit	1	
3 AMR4043	Suppressor	1	

Note(1) For split charge engine harness see split charge components.





Model DEFENDER 90
Page ADMXC12A

ELECTRICAL - SPLIT CHARGE FACILITY

III. Part No.

Description

Qty Remarks

Upto VIN 310168

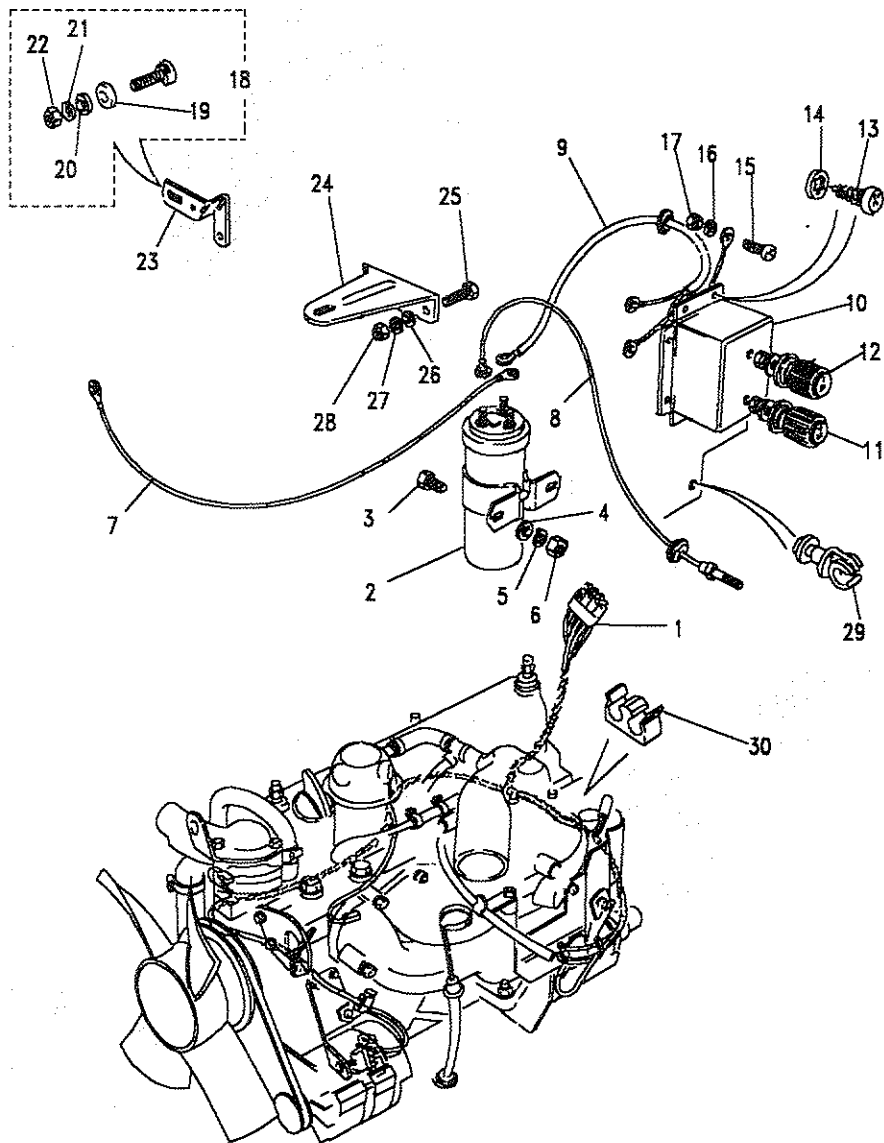
1	PRC4021	Harness engine	1	4 cylinder
	PRC4953	Harness engine	1	V8-Upto Note(1) No longer available
	PRC4995	Harness engine	1	V8-From Note(1)
2	PRC4092	Diode	1	
3	SH108201	Screw	2	
4	WA108001	Washer plain	2	
5	WL108001L	Washer spring	2	
6	FN108041L	Nut	2	
7	PRC4083	Lead termnl post to diode	1	
8	PRC4084	Lead diode to battery	1	
9	PRC4085	Lead diode to termnl box	1	
10	531604	Bracket mounting	1	
11	532736	Terminal	1	B plus
12	525569	Terminal	1	B minus
13	AR608031L	Screw	6	
14	WE703081	Washer shakeproof	6	
15	SE106201	Screw	1	Earth
16	WL106001	Washer spring	1	
17	NH106041L	Nut	1	
18	C22257	Terminal post	1	
19	565847	Bush insulation	1	
20	3830	Washer plain	2	
21	575014	Washer spring	2	
22	90575015	Nut	2	

Note(1)

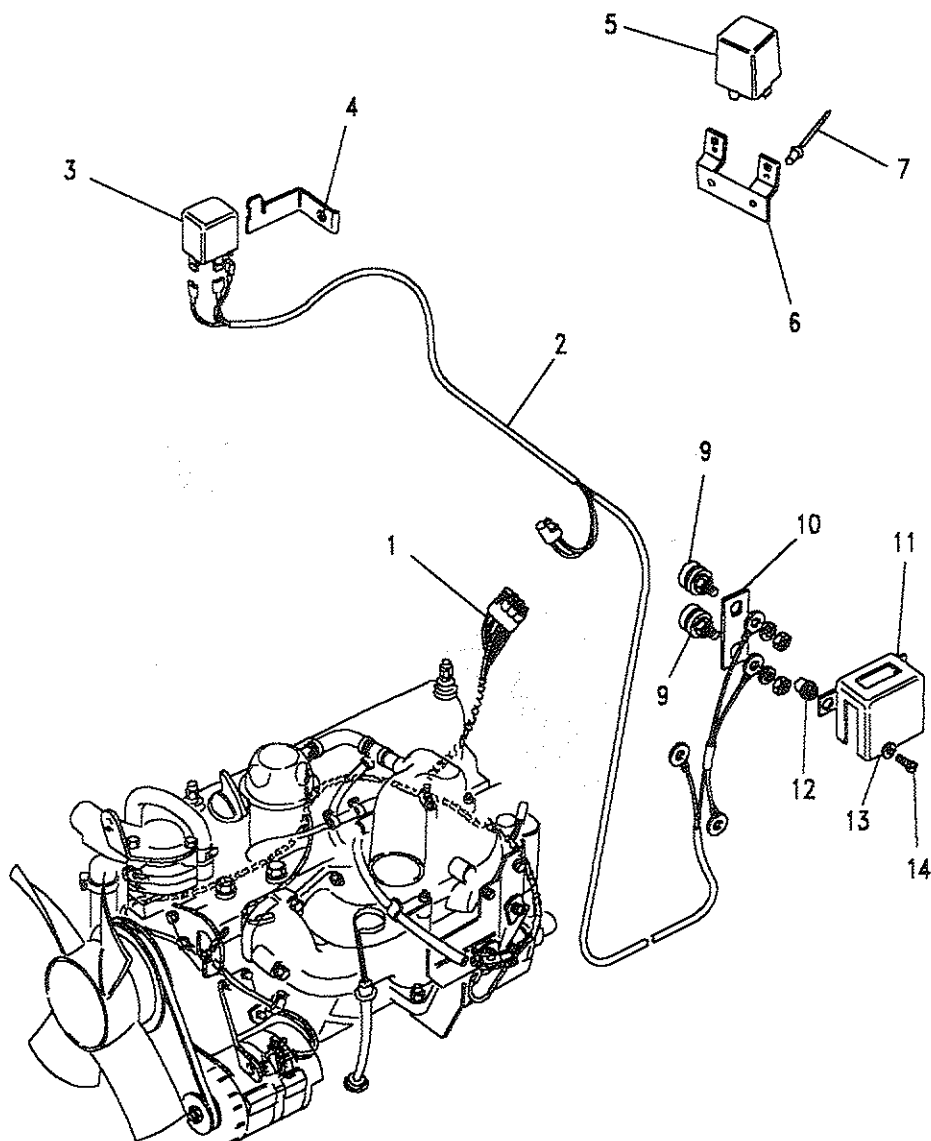
VIN 243343 - Introduction of "in tank" fuel pump

Model DEFENDER 90
 Page ADMXC12A

ELECTRICAL - SPLIT CHARGE FACILITY



Ill. Part No.	Description	Qty	Remarks
23	PRC2978	1	V8
24	PRC3247	1	4 cylinder
25	SH106161	2)
26	WA106041L	2)4 cylinder
27	WL106001	2)RHS
28	NH106041L	2)
29	PRC3180	1	
30	13H9157	5	V8
	13H9157	3	4 cylinder



Model DEFENDER 90
Page ADMXC13A

ELECTRICAL - SPLIT CHARGE FACILITY

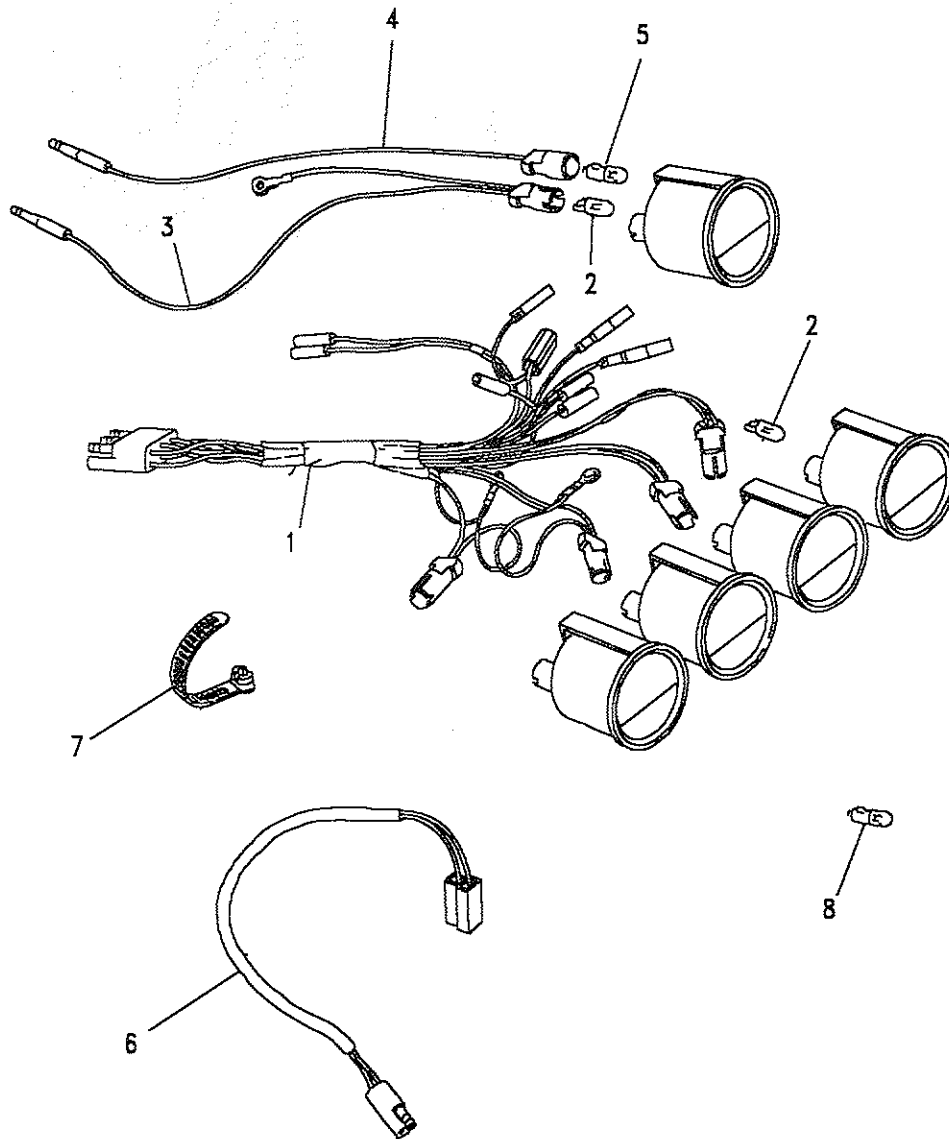
Ill. Part No.	Description	Qty	Remarks
From VIN 310169 up to November 1989			
1	PRC5879 PRC5880 PRC5877 PRC5878	1 1 1 1	4 cyl pet/die 4 cyl-Air Con V8 V8-Air Con
From November 1989			
	PRC6082 PRC5877 PRC5878	1 1 1	4 cyl pet/die V8 V8-Air Con
2	PRC5724 AMR2350	1 1	Cable split charge Cable split charge Up to KA922208 From KA922209 up to LA939975 MA939976
	AMR3135	1	Cable split charge
3	ASU1151 AMR3324	1 1	Relay Relay Up to LA939975 From MA939976
4	PRC5723	1	Bracket mounting
5	PRC4427	1	Switch volt sensitive From VIN 270227 up to LA939975 From MA939976
	AMR3325	1	Switch volt sensitive
6	PRC4795	1	Bracket mounting
7	RA610123	1	Rivet
8	AMR2532	2	Cable volt sensitive sw. From VIN 270227 From MA939976
9	PRC7100	2	Terminal Post
10	PRC7173	1	Plate keeper
11	PRC5003	1	Cover
12	NH104041L	2	Nut
13	WA704061	2	Washer plain
14	SE104161L	2	Screw





Model DEFENDER 90
Page ADMXC11A

ELECTRICAL - HARNESS



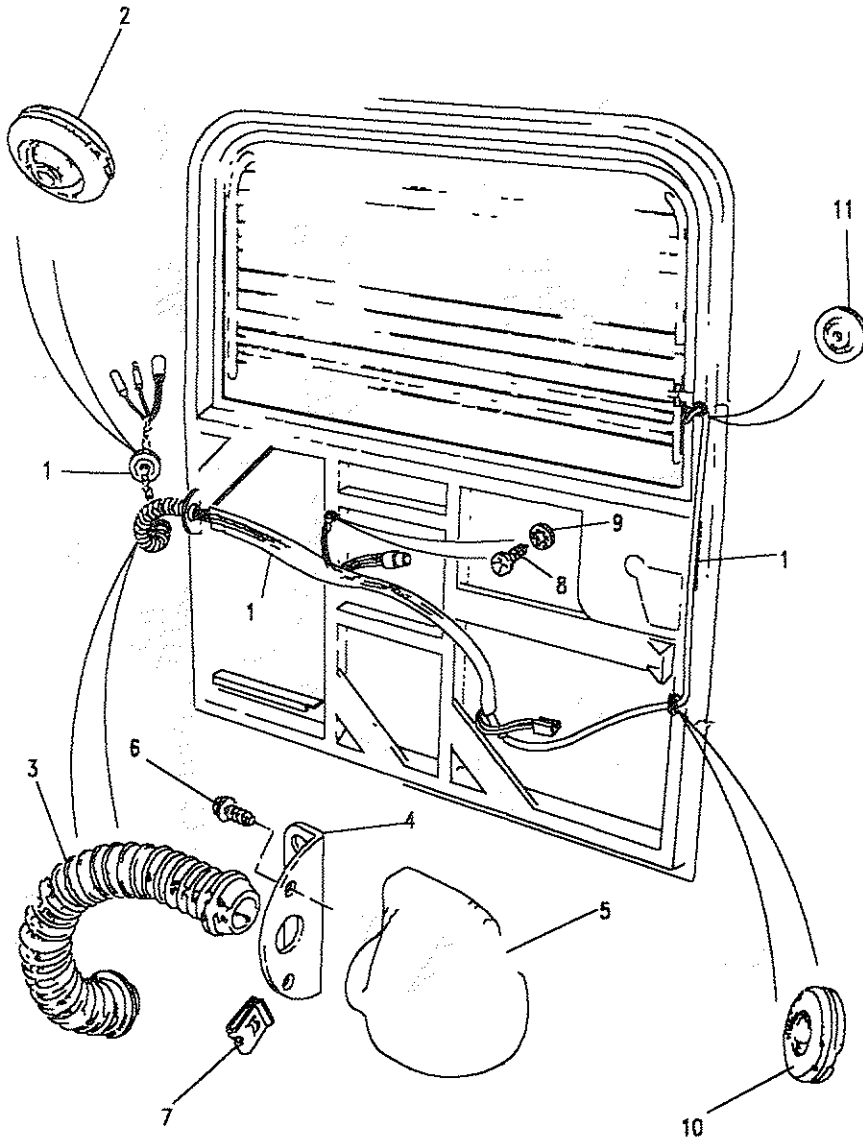
Ill. Part No.	Description	Qty	Remarks
1	PRC7326 PRC8410	1	Up to FA450332
		1	From FA450333 up to KA929567
	AMR2625	1	From KA929568 up to LA939975
	AMR3101	1	From MA939976
2	RTC6164	4	
3	PRC7329 AMR2475	1	Additional
	RTC6164	1	Volt meter
4	PRC7060	1	From VIN 319167 Up to LA936689
	AMR3444	1	From LA936689 up to LA939975
	AMR1647	1	From MA939976
5	503352	1	
6	PRC4318	1	
7	C45099L	A/R	
8	573289	A/R	
Germany			
	PRC5316	1	Up to VIN 270226
	PRC5685	1	From VIN 270227
	PRC7894	1	Note(1) No longer available
	YWB10032L	1	
	AB608031L	1	
	WA105001L	1	
	Note(1)		





Model DEFENDER 90
Page ADMXC14A

ELECTRICAL - REAR WASH WIPE AND HEATED REAR WINDOW



III. Part No.	Description	Qty	Remarks
1	PRC4591	1	Up to VIN 270226
	PRC6290	1	From VIN 270227
	AMR3124	1	up to LA939975
2	BMK1714	1	From MA939976
3	PRC4471	1	
4	MTC9914	1	
5	MTC9915	1	Up to Note(1)
	MTC9915LCS	1	From Note(1)
6	AA606044L	2	
7	AK606011L	2	
8	AB610041L	1	
9	WA105001L	1	
10	3H822L	1	Up to VIN 270226
	BHA5131L	1	From VIN 270227
11	27H5311	1	

Note(1) VIN 314174 - Introduction of 1988 Model Year.



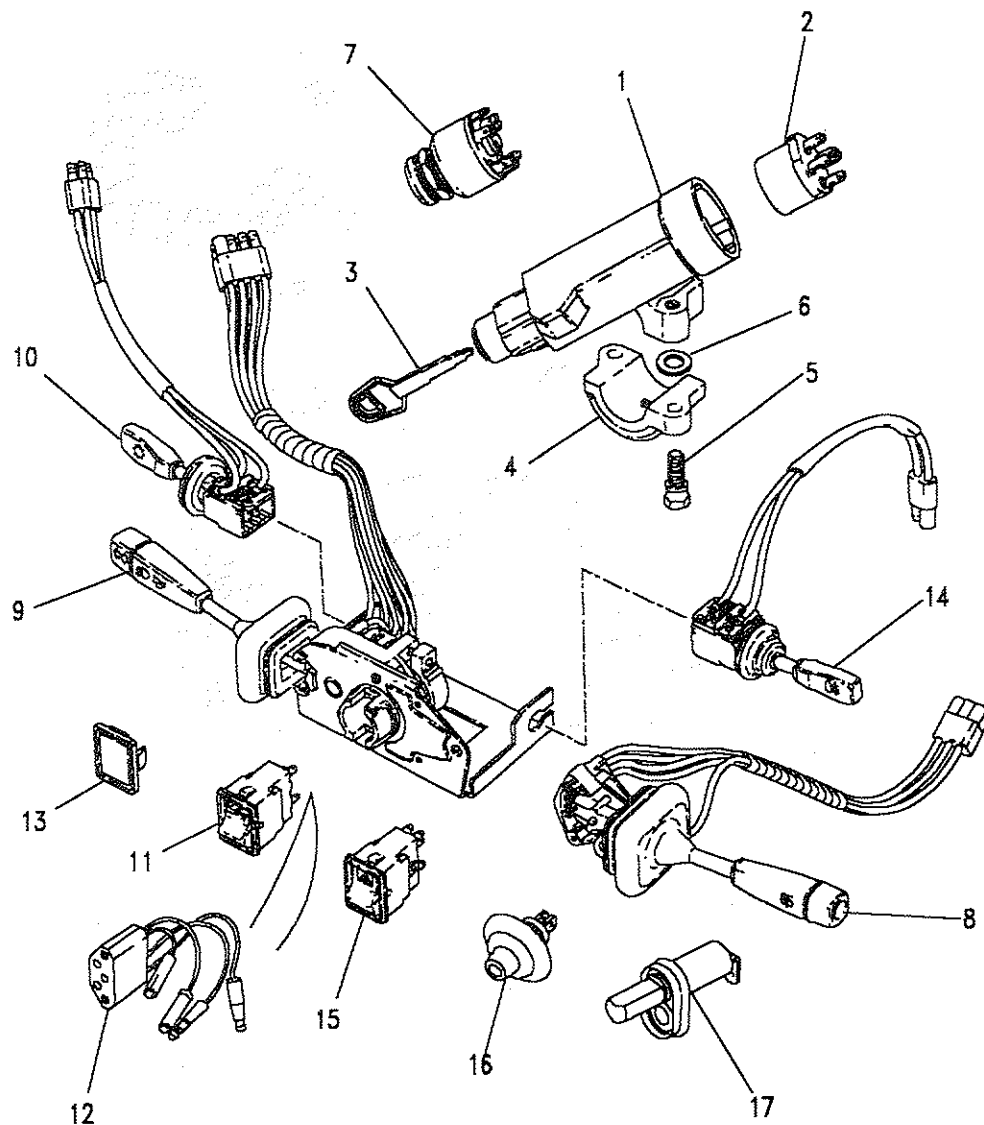
Model DEFENDER 90

Page ADMXE1A

ELECTRICAL - SWITCHES

iii. Part No.	Description	Qty	Remarks
Petrol			
1	NTC7855	1	Up to LA932973
	ANR2848	1	From LA932974
2	579085	1	Up to FA415402
	PRC8230	1	From FA415403
Diesel			
1	NRC3908	1	Up to LA932971
	ANR2847	1	From LA932972
2	PRC2735	1	
200TDI and 300TDI			
1	NTC7855	1	Up to LA932973
	ANR2848	1	From LA932974
2	PRC8230	1	
3	AAU8276	1	RO 1001-2000
4	NRC7422	1	
5	51K400IL	2	
6	WB108051L	2	Note(1)

Note(1) Fitted between the lock body and the clamp.

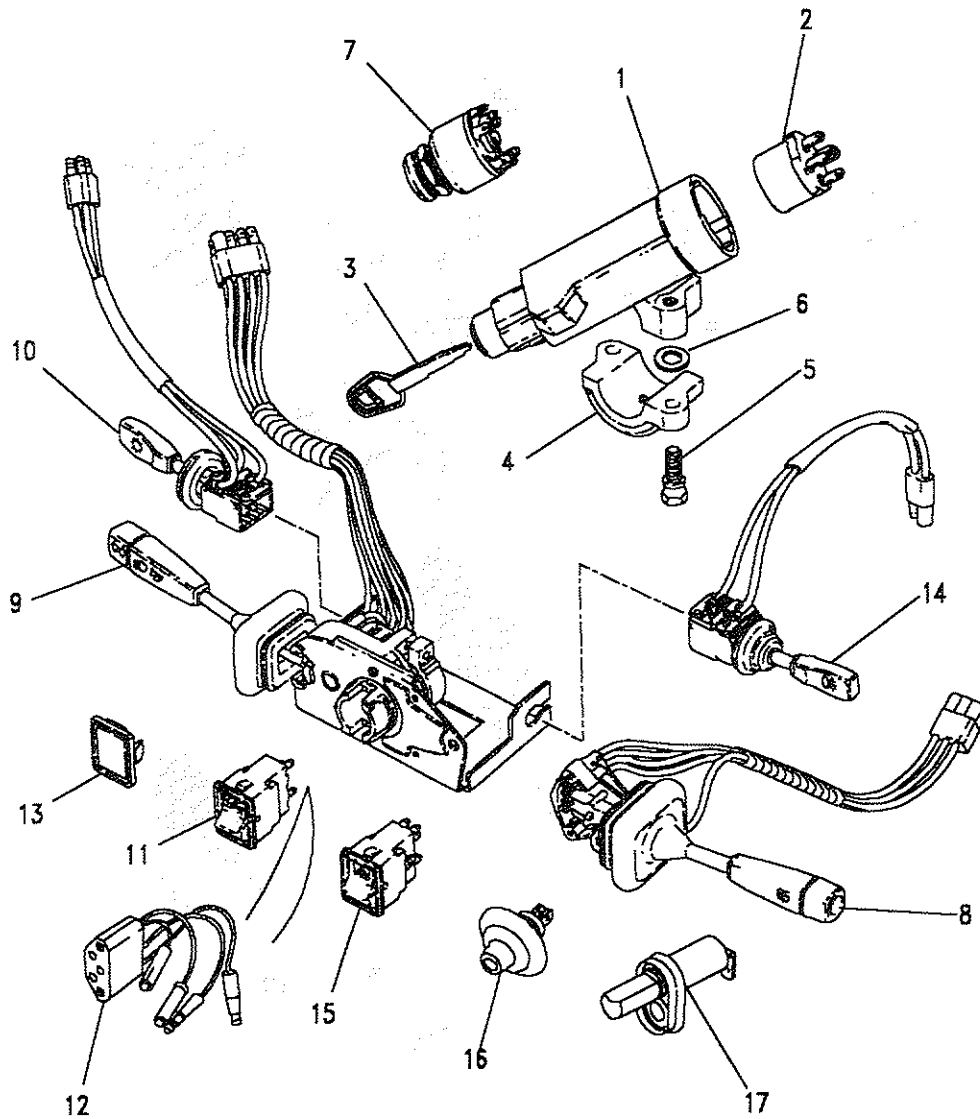


Model DEFENDER 90
Page ADMXE1A

ELECTRICAL - SWITCHES

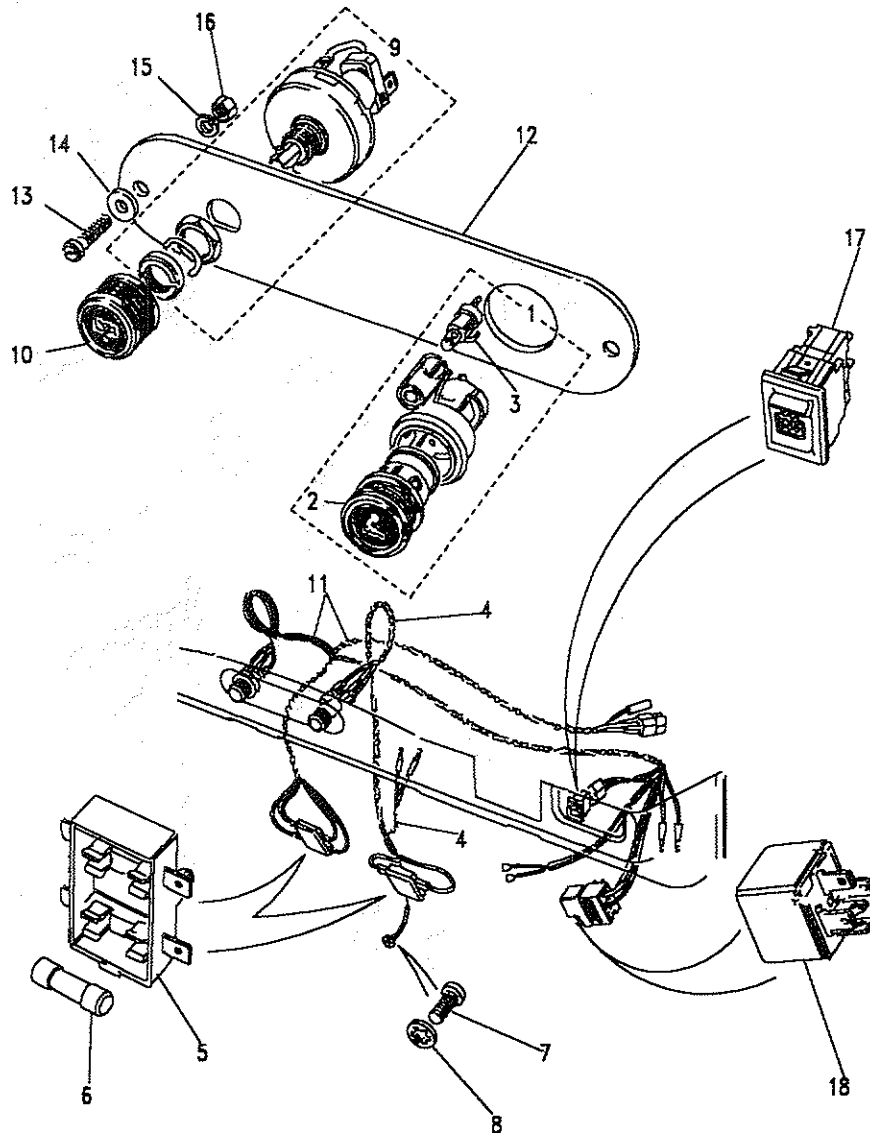
III. Part No.	Description	Qty	Remarks
7 551508	Switch ignition	1	Note(1)
395141	Barrel lock and keys	1	Note(1)
7 PRC2734	Switch heater/starter	1	Note(2)
RTC3022	Barrel lock and keys	1	Note(2)
8 PRC3900	Switch wash wipe	1	Up to VIN 455945
PRC7370	Switch wash wipe delay	1	From HA455946
9 PRC3875	Switch indicator horn dip	1	Up to VIN 455945
STC439	Switch indicator horn dip	1	From HA455946
10 PRC3430	Switch master light	1	
11 PRC7371	Switch interior light	1	From HA455946
12 PRC5679	Cable interior light	1	up to Note(3)
PRC8470	Cable interior light	1	From Note(4)
AMR2449	Cable interior light	1	Up to VIN 455945
13 CZH3827L	Plug blanking	3	Up to KA925761
AAM222L	Plug blanking	3	up to Note(3)
14 PRC3432	Switch rear fog lamp	1	Up to FA414356
15 ASU1009	Switch hazard warning	1	
STC873	Bulb hazard switch	1	From FA414357

Note(1) Petrol vehicles without steering column lock
 Note(2) Diesel vehicles without steering column lock
 Note(3) Up to LA939975. From MA939976 switch incorporated into light.
 Note(4) 1987 Model Year - VIN 270227 4 cyl Petrol, VIN 270484 Diesel, VIN 271214 V8



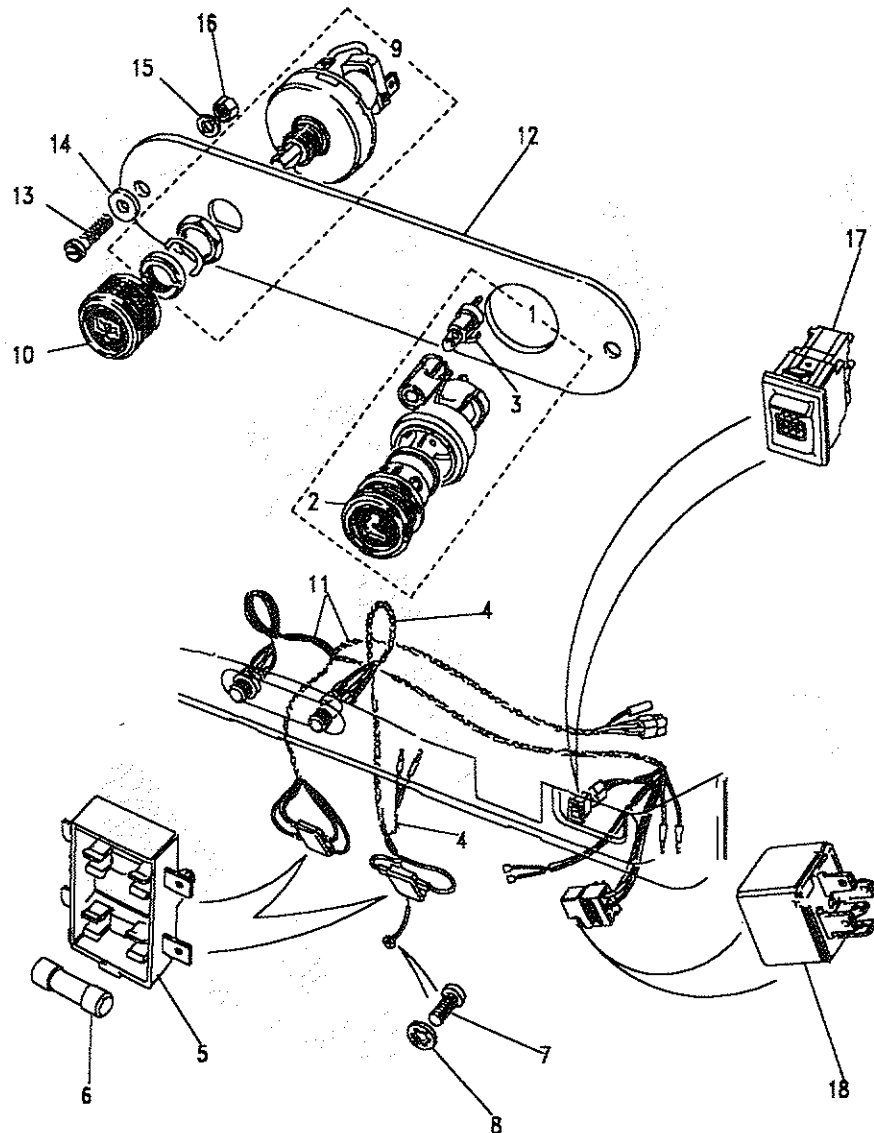
Model DEFENDER 90
 Page ADMXEC1A

ELECTRICAL - CIGAR LIGHTER, DASH HARNESS



III. Part No.	Description	Qty	Remarks
1	PRC9410 YUJ10037L	1	Up to JA915407 From JA915408
2	DRC8398	1	Part of PRC4524
	STC733	1	Up to JA913077 Part of PRC9410 From JA913078 Up to JA915407
3	RTC3635	1	Bulb
4	PRC4576	1	Harness cigar lighter
5	PRC3737	1	Fuse box
6	RTC4502	1	Fuse 15 Amp
7	SE105121L	1	Screw
8	WF105121	1	Washer shakeproof
9	PRC4449	1	Switch rear wash wipe
10	PRC4454	1	Knob
11	PRC4438	1	Harness dash RWW/HRW
	PRC4720	1	Harness dash RWW/HRW
	PRC8246	1	Harness dash RWW/HRW
	PRC8452	1	Harness dash RWW/HRW
	PRC9334	1	Harness dash RWW/HRW
	AAU5034	1	Diode RWW/HRW

Note(1) RWW/HRW = Rear wash wipe/heated rear window.
 Note(2) Incorporated into main harness from VIN 270227.



Model DEFENDER 90

Page ADMXEC1A

ELECTRICAL - CENTRE FACIA PLATE - UP TO LA939975

III. Part No.	Description	Qty	Remarks
For Cigar Lighter			
12 MUC2165	Facia plate	1	
For Rear Wash Wipe Switch			
12 MUC1368	Facia plate RHS	1	
MUC1367	Facia plate LHS	1	
For Cigar Lighter, RWW Switch, Round Clock			
12 MUC1583	Facia plate RHS	1	Up to VIN 319166
MUC1584	Facia plate LHS	1	Up to VIN 319166
For Cigar Lighter, RWW Switch, Rectangular Clock			
12 MWC9304	Facia plate RHS	1	From VIN 319167
MWC9303	Facia plate LHS	1	From VIN 319167
For Cigar Lighter, Gauge, Rectangular Clock			
12 MWC9301	Facia plate	1	From VIN 319167
For Three Gauges			
12 MWC9306	Facia plate	1	From VIN 319167
Fixings for facia plate			
13 SP105204	Screw	2	
14 WC105007	Washer plain	2	
15 WL105004	Washer spring	2	
16 NH105041L	Nut	2	
17 PRC4433	Switch heated rear window	1	
18 YWB10032L	Relay dash harness HRW	1	Up to HA703459
YWB10027L	Relay dash harness HRW	1	From HA703460
PRC4427	Volt sens. switch HRW	1	Note(1)

Note(1) Required for vehicles with 45A alternator only.

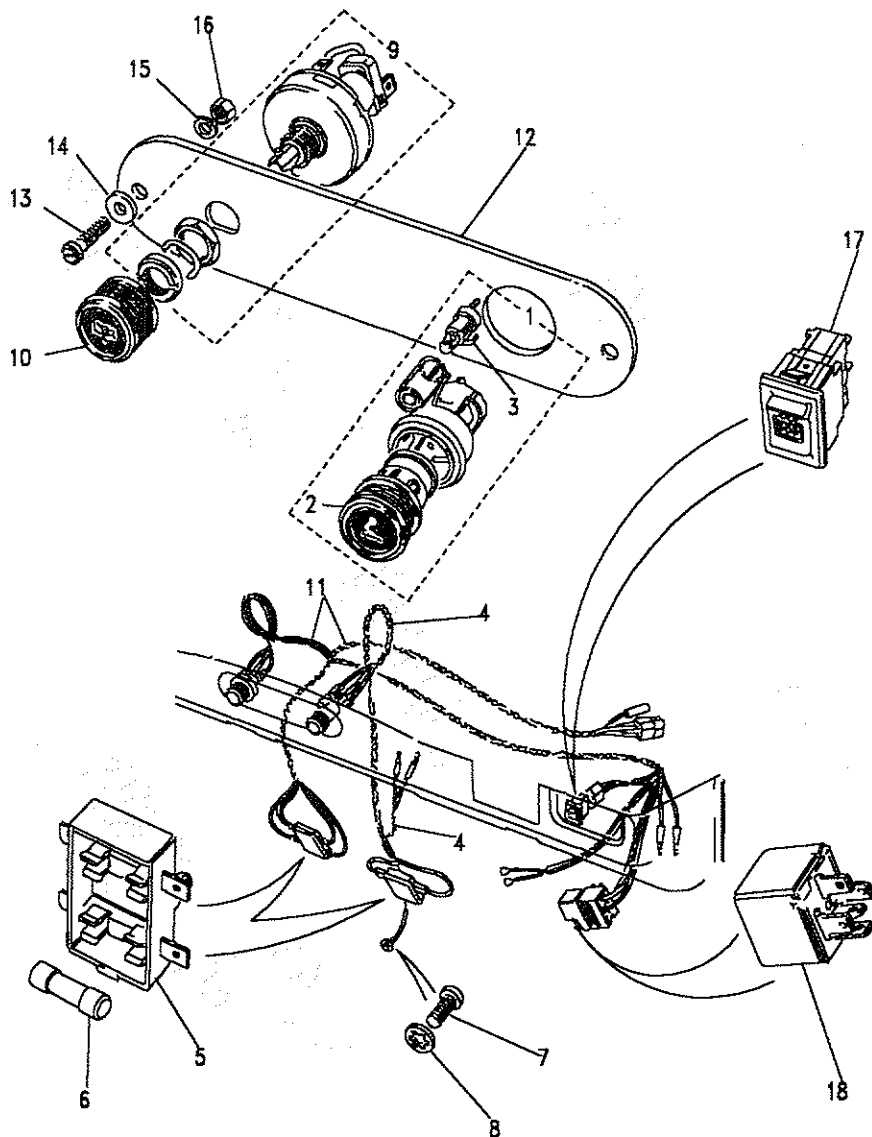


Model DEFENDER 90
 Page ADMXEC1A

ELECTRICAL - CENTRE FACIA PLATE - FROM MA939976

III. Part No.	Description	Qty	Remarks
12 BTR9614	Facia plate centre	1	
BTR9615	Plug blanking	1	Note(1)
Fixings for facia plate			
13 SP105204	Screw	2	
14 AFU1248	Washer plastic	2	
15 WC105001	Washer plain	2	
16 NH105041L	Nut	2	
17 PRC4433	Switch heated rear window	1	
18 YWB10027L	Relay dash harness HRW	1	

Note(1) For rear wash/wipe switch aperture.



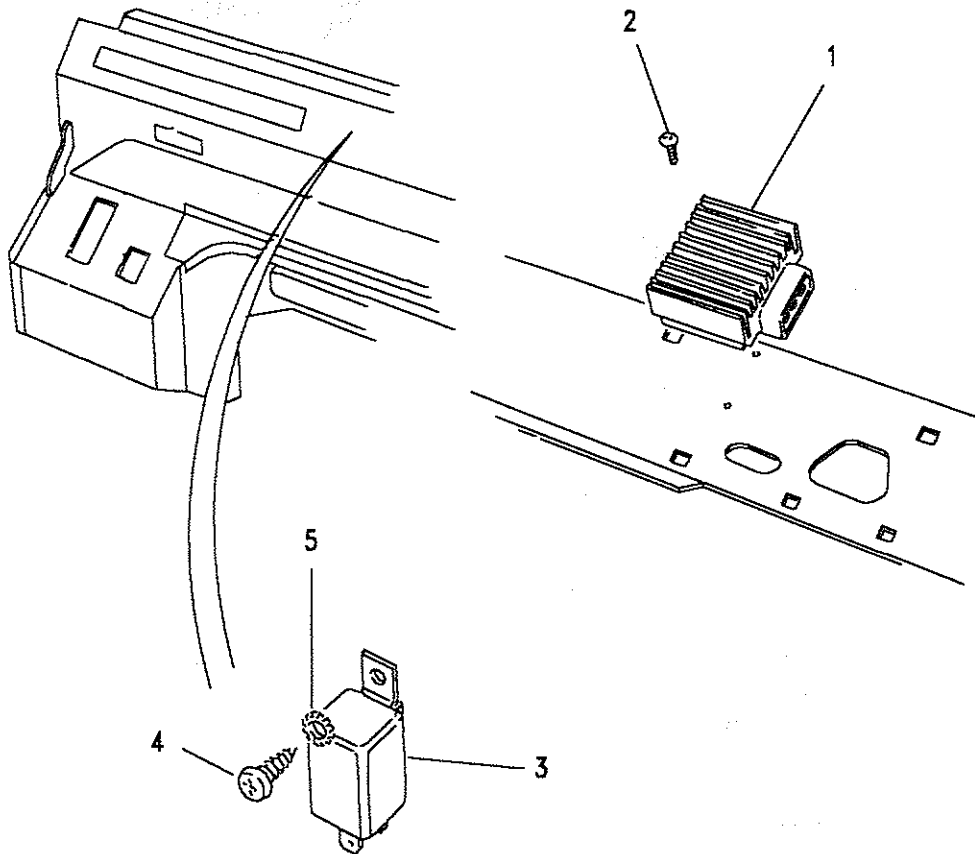
Model DEFENDER 90

Page ADMXGA1A

ELECTRICAL - DIM DIP UNIT, GLOW PLUG TIMER

Ill. Part No.	Description	Qty	Remarks
1 PRC8123	Dim dip unit	1	Quartz halogen headlamps from VIN 274311 up to HA705856
PRC6336	Dim dip unit	1	Tungsten headlamps from VIN 274311 up to HA705856
YWC10050L	Controller dim dip	1	UK only from HA705857
YWZ10003L	Control unit	1	Non UK from HA705857
AB608031L	Screw	1	From HA705857
DRC1245	Bracket mounting	1	From HA705857
XBL10003L	Resistor dim dip	1	From HA705857
FN106047L	Nut flanged	1	From HA705857
2 DA610051L	Screw	2	From VIN 274311
3 PRC6913	Timer glow plug	1)200TDI Note(1)
4 AB612051L	Screw	1)
5 WE600041L	Washer shakeproof	1)

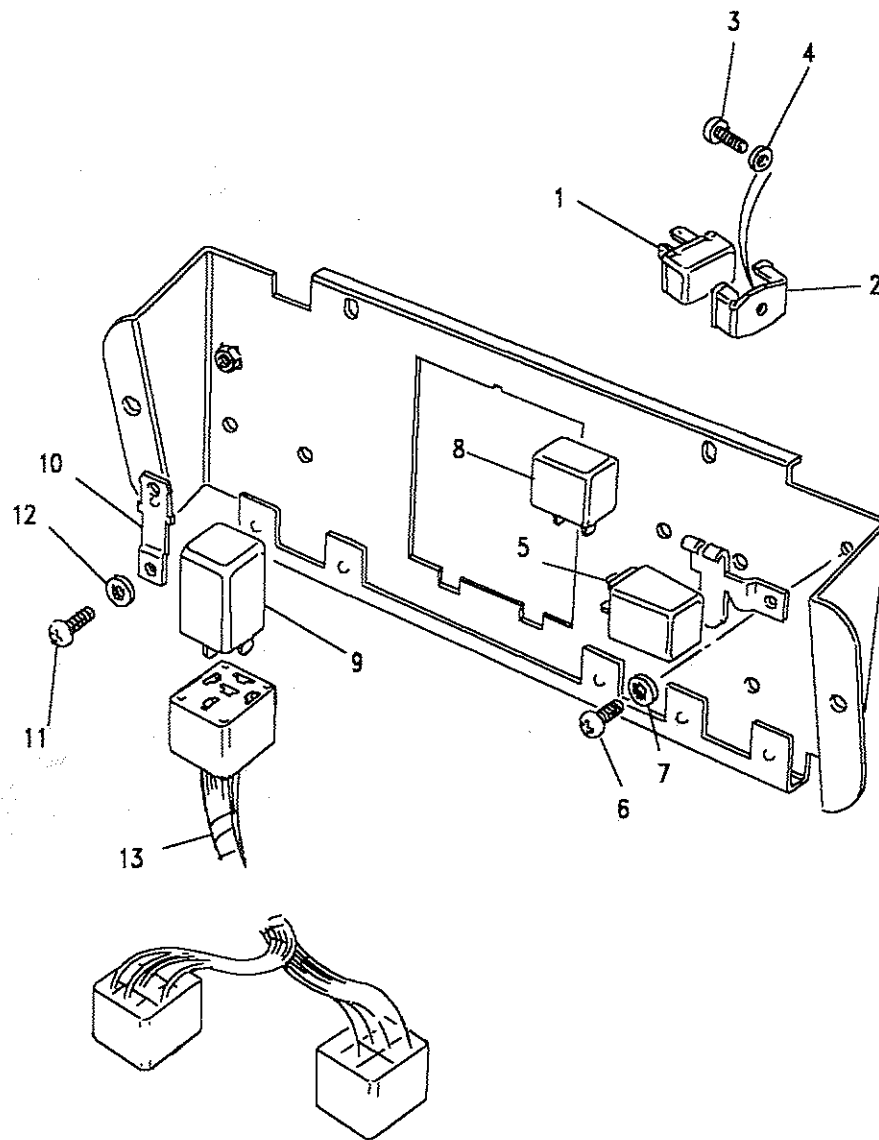
Note(1) Glow plug timer cable shown in harness section.





Model DEFENDER 90
Page ADMXGA2A

ELECTRICAL - FLASHER UNIT, RELAYS, DELAY UNIT



III. Part No.	Description	Qty	Remarks
1	RTC3562	1	Note(1)
	YWT10003	1	up to LA939975
		1	From MA939976
		1	Note(2)
2	567959	1	
3	SE105101L	1	
4	WF105001L	1	
5	PRC2239	1	NLA use PRC8876
	PRC8876	1	Note(3)
6	SE106121L	1	
7	WF106001L	1	
8	YWB10032L	1	Brake system check
	YWB10032L	1	Starter
	YWB10032	2	Fuel changeover
		1	Option
	YWB10032L	1	Headlamp override
	YWB10032	1	Norway
		1	From January 1985
	SE105101L	2	
	WA105001L	4	
	WL105001L	2	
	NH105041L	2	
9	PRC6864	1	Up to KA927700
	AMR2341	1	From KA927701
10	DRC1245	1	From HA455946
11	SE105121L	1	
12	WF600041L	1	
13	PRC8295	1	

Note(1) Two pin unit for vehicles without trailer socket.
 Note(2) Replace with PRC8876 heavy duty unit.
 Note(3) Three pin unit for vehicles with trailer wiring.

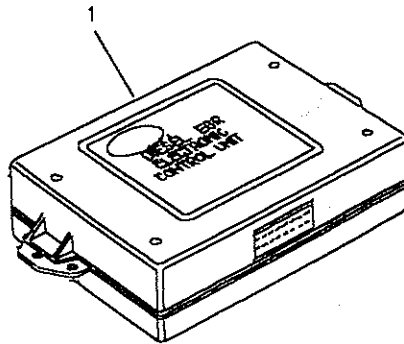




Model DEFENDER 90
Page ADMXGC1A

ELECTRONIC CONTROL UNIT - 300TDI

III. Part No.	Description	Qty	Remarks
1 ERR5033	ECU for EGR - located under front centre seat Electronic unit EGR	1	





Model DEFENDER 90
Page ADMXGE1A

ELECTRICAL - HORN

III. Part No. Description Qty Remarks

Upto VIN KA923603

Single Horn - Non Air Con

1	PRC2057	Horn	1
2	PRC1984	Bracket mounting	1
3	SH106141L	Screw	2
4	WL106001L	Washer spring	2
5	235113	Grommet	1

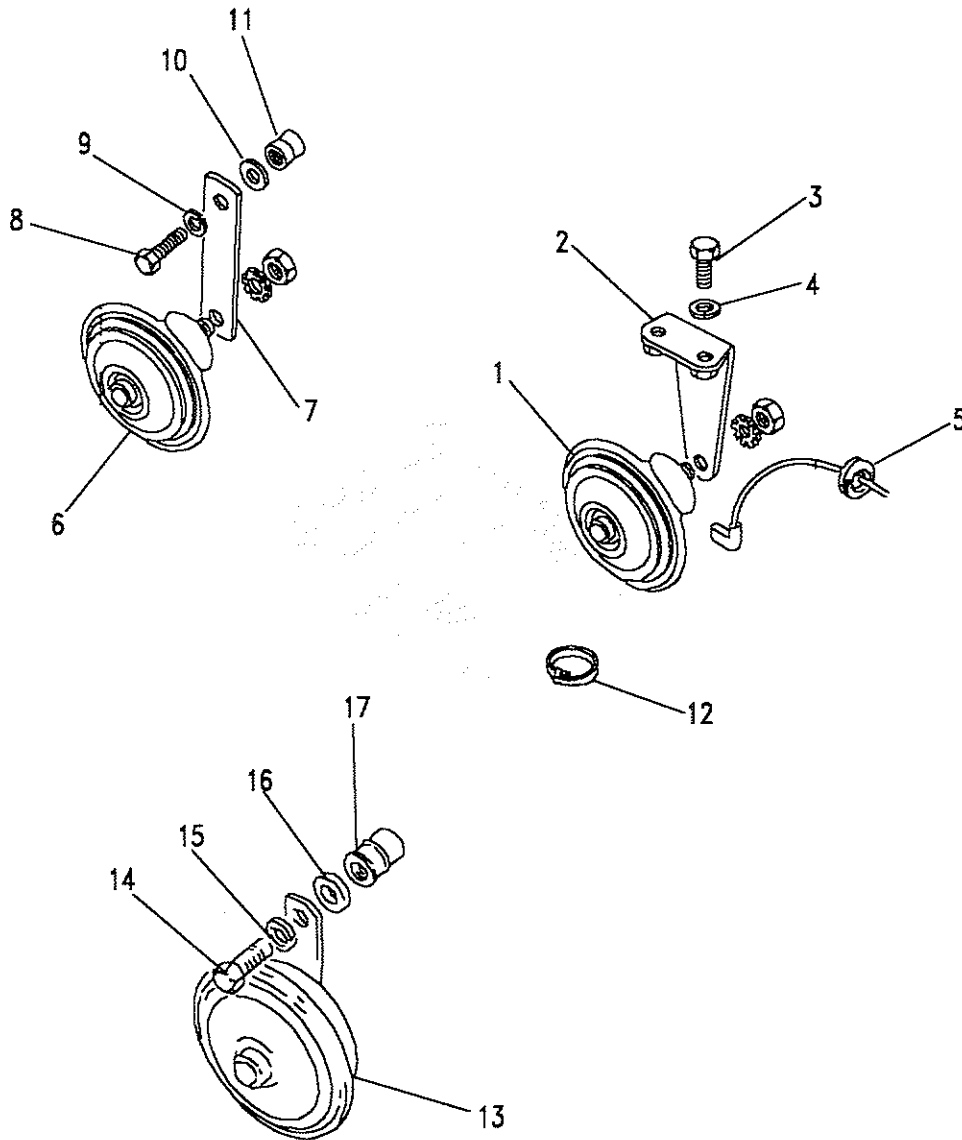
Additional Horn - Non Air Con - Note(1)

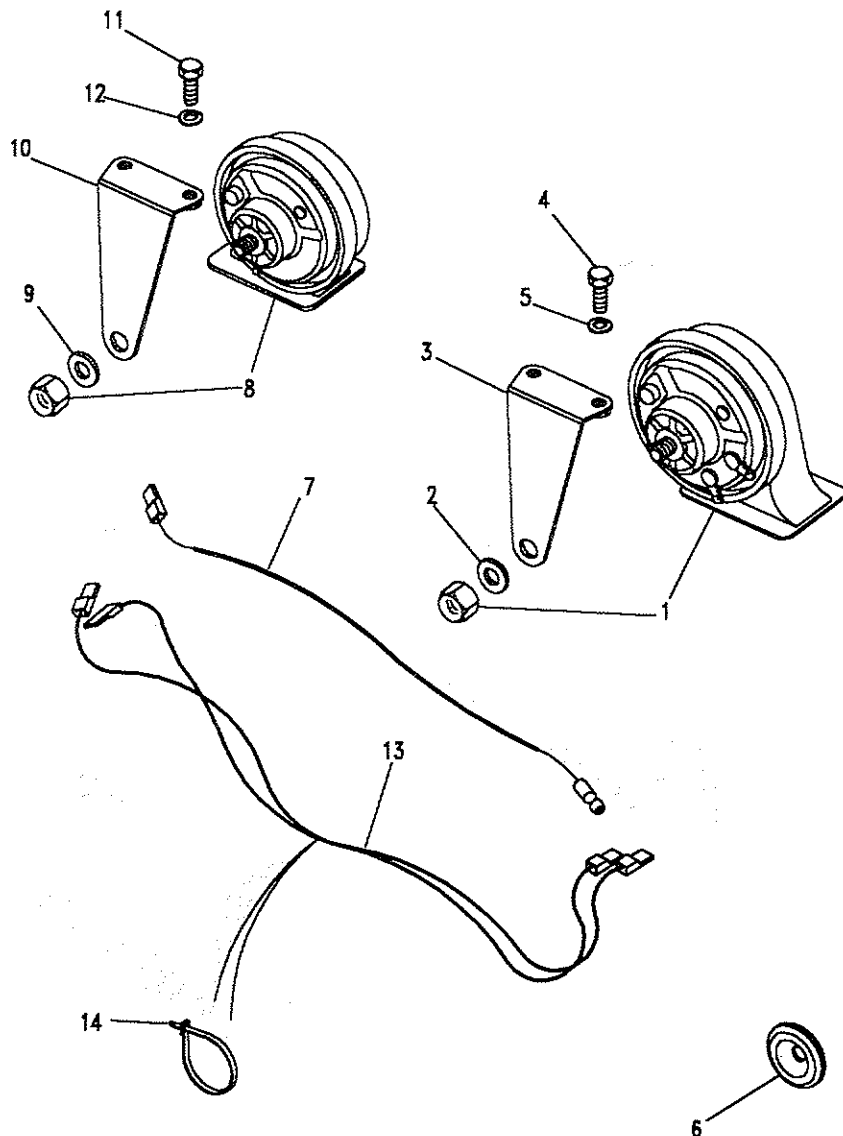
6	PRC2057	Horn	1
7	PRC4456	Bracket mounting	1
8	FS108251L	Flange screw	1
9	WL108001L	Washer spring	1
10	4868L	Washer plain	1
11	NN108021	Nutsert	1
12	C43640	Cable tie	3

Single Horn - Air Con

13	PRC5912	Horn	1
14	FS108251L	Flange screw	1
15	WL108001L	Washer spring	1
16	4868L	Washer plain	1
17	NN108021	Nutsert	1

Note(1) Middle East Countries





Model DEFENDER 90

Page ADMXGE2A

ELECTRICAL - HORN

Ill. Part No.	Description	Qty	Remarks
---------------	-------------	-----	---------

Non Air Con - From VIN KA923604

Single Horn

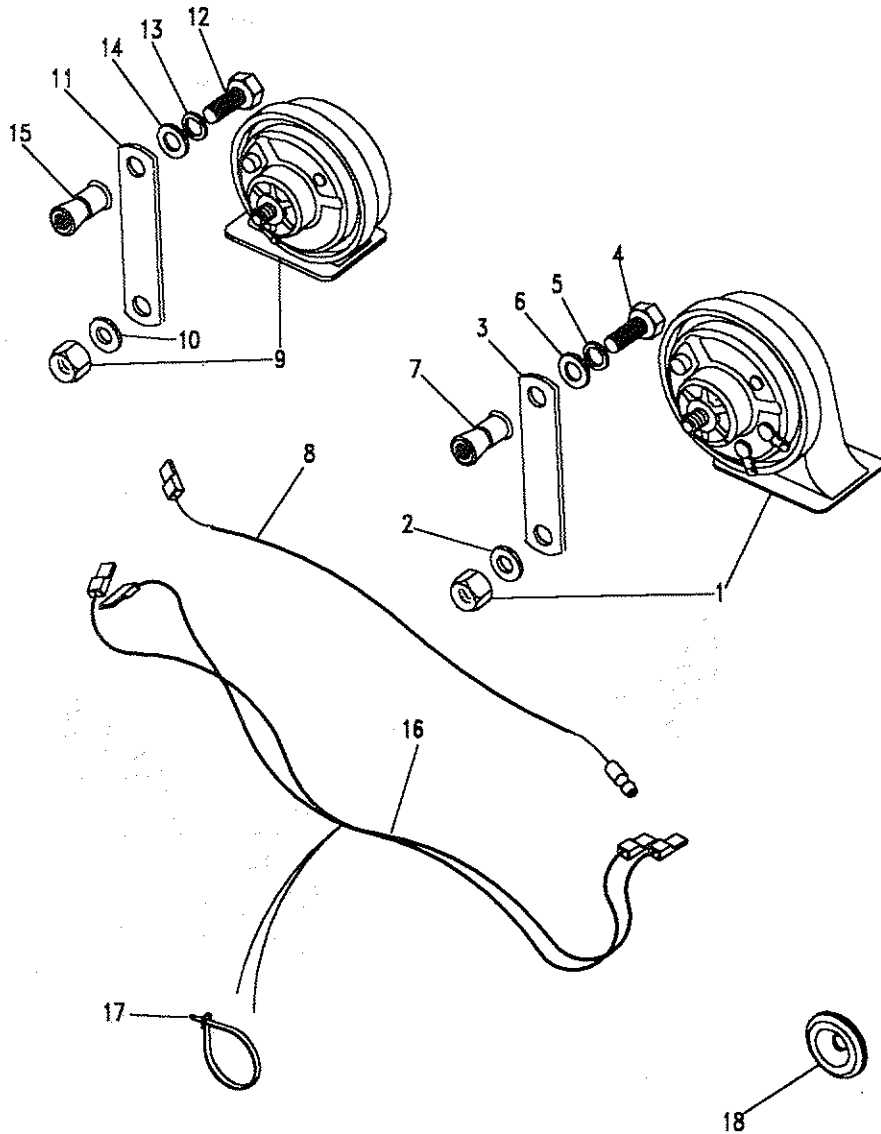
1	YEB10027	1	Horn low note
2	WA108051L	1	Washer plain
3	AMR2393	1	Bracket mounting
4	SH106141L	2	Screw
5	WL106001L	2	Washer spring
6	235113	1	Grommet
7	AMR2416	1	Lead horn Nat Asp Diesel

Additional Horn

8	YEB10026	1	Horn
9	WA108051L	1	Washer plain
10	AMR2393	1	Bracket mounting
11	SH106141L	2	Screw
12	WL106001L	2	Washer spring
13	AMR2358	1	Extension lead horn
14	573246	2	Cable tie

STC1182	Horn kit secondary	1	
---------	--------------------	---	--





Model DEFENDER 90
Page ADMXGE3A

ELECTRICAL - HORN

III. Part No. Description Qty Remarks

Air Con - From VIN KA923604

Single Horn

1	YEB10027	Horn	1	
2	WA108051L	Washer plain	1	
3	AMR2411	Bracket mounting	1	
4	FS108251L	Flange screw	1	
5	WL108001L	Washer spring	1	
6	4868L	Washer plain	1	
7	NN108021	Nutsert	1	
8	AMR2416	Lead horn	1	Nat Asp Diesel

Additional Horn

9	YEB10026	Horn	1	
10	WA108051L	Washer plain	1	
11	AMR2411	Bracket mounting	1	
12	FS108251L	Flange screw	1	
13	WL108001L	Washer spring	1	
14	4868L	Washer plain	1	
15	NN108021	Nutsert	1	
16	AMR2358	Extension lead horn	1	
17	573246	Cable tie	2	
18	235113	Grommet	1	

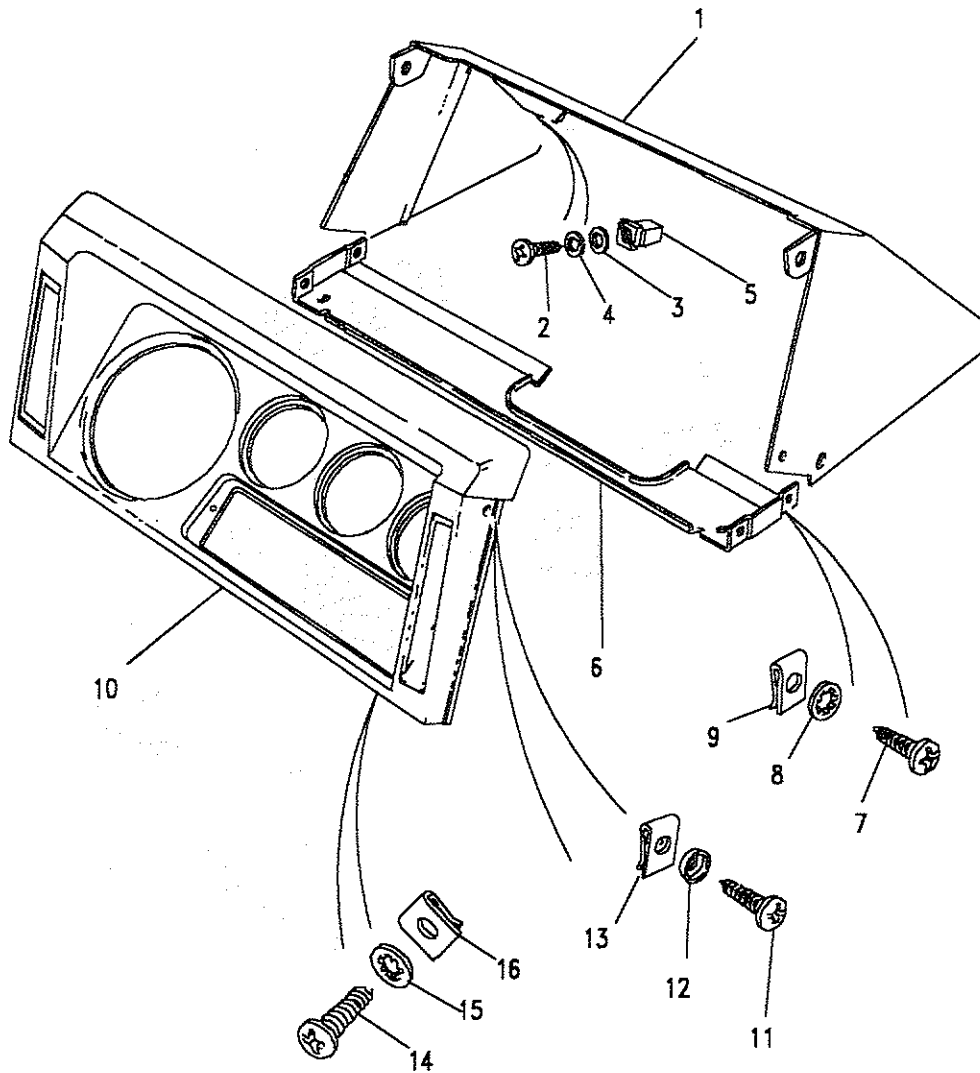


Model DEFENDER 90

Page ADMXIA1A

ELECTRICAL - INSTRUMENT PANEL AND COWL

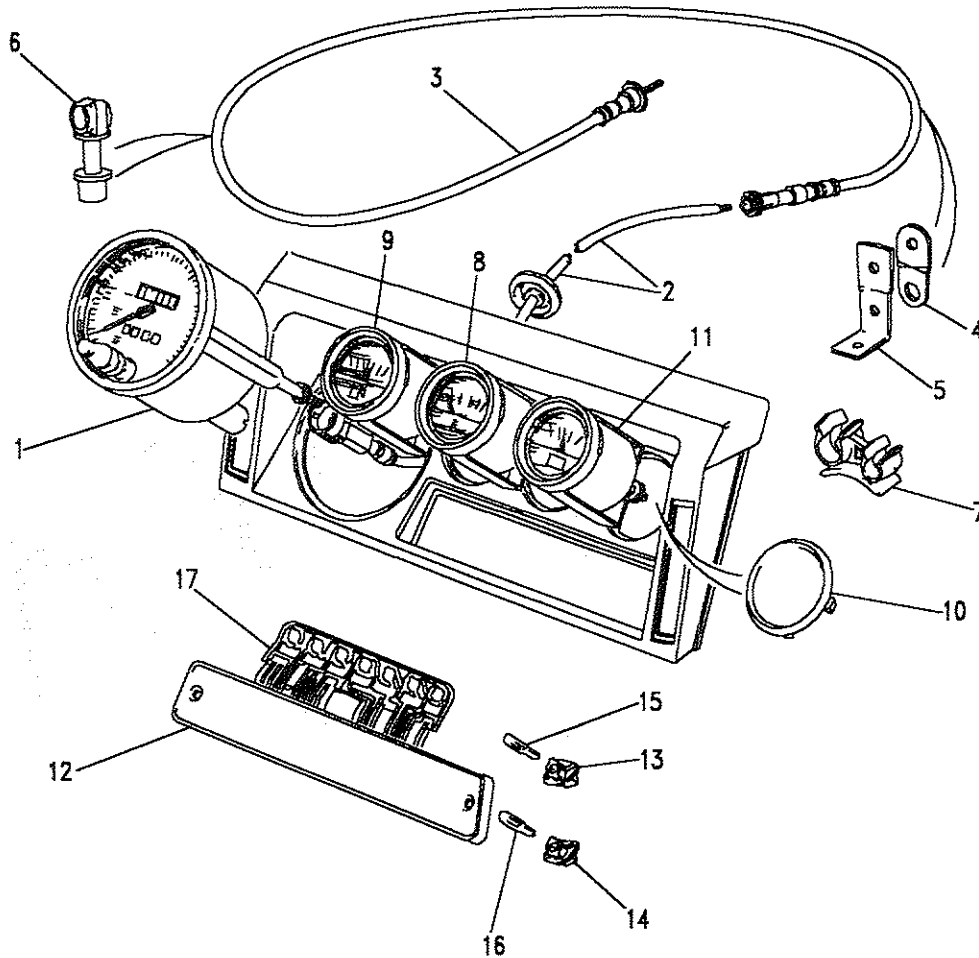
Ill. Part No.	Description	Qty	Remarks
1	MTC2808 Cowl	1	
	MUC3023 Cowl	1	Air Con LHS
2	AZ610081 Screw	5	
3	AFU1218L Washer plain	5	
4	WL105001L Washer spring	5	
	WF702108 Washer shakeproof	5	
5	CZA4705L Nul lokut	5	
6	MUC7598 Stiffener rh	1	RHS
	MUC7599 Stiffener base	1	LHS
7	AB608044L Screw	4) Air Con
	AFU2636 Screw(LHS)	4	
8	WF703084 Washer shakeproof	4)
9	AJ608031 Nut spring	4	
10	MTC5458 Panel instrument	1	RHS
	MTC5459 Panel instrument	1	LHS
11	D606044L Screw	2	
12	WK606214L Washer cup	2	
13	AJ606041 Nut spring	2	Up to VIN 330644
	MWC9322 U nut	2	From VIN 330645
14	AB606044L Screw	2	
15	WF704064 Washer shakeproof	2	
16	AJ606041 Nut spring	2	Up to VIN 330644
	MWC9322 U nut	2	From VIN 330645



Model DEFENDER 90
Page ADMXIA2A

ELECTRICAL - INSTRUMENTS

Ill. Part No.	Description	Qty	Remarks
1	PRC7373 Speedometer MPH	1	
	PRC7374 Speedometer KPH	1	
Speedometer Cable - Two Piece			
2	PRC3718 Cable speedometer upper	1	4 cyl RHS up to VIN 268134
3	PRC3724 Cable speedometer lower	1	4 cyl RHS up to VIN 268134
	PRC3718 Cable speedometer upper	1	V8 RHS up to VIN 268016
	PRC3725 Cable speedometer lower	1	V8 RHS up to VIN 268016
	PRC3718 Cable speedometer upper	1	LHS up to VIN 268016
	PRC3723 Cable speedometer lower	1	LHS up to VIN 268016
Speedometer Cable - One Piece			
	PRC6022 Cable speedometer	1	4 cyl RHS from VIN 268135
	PRC6023 Cable speedometer	1	V8 RHS from VIN 268017
	PRC6021 Cable speedometer	1	LHS from VIN 268017
4	PRC2979 Bracket support	1	RHS
5	PRC2980 Bracket support	1	LHS
	PRC3833 Bracket toe box	1	LHS
6	PRC3180 Clip cable	2	
7	PRC3025 Clip cable	2	LHS



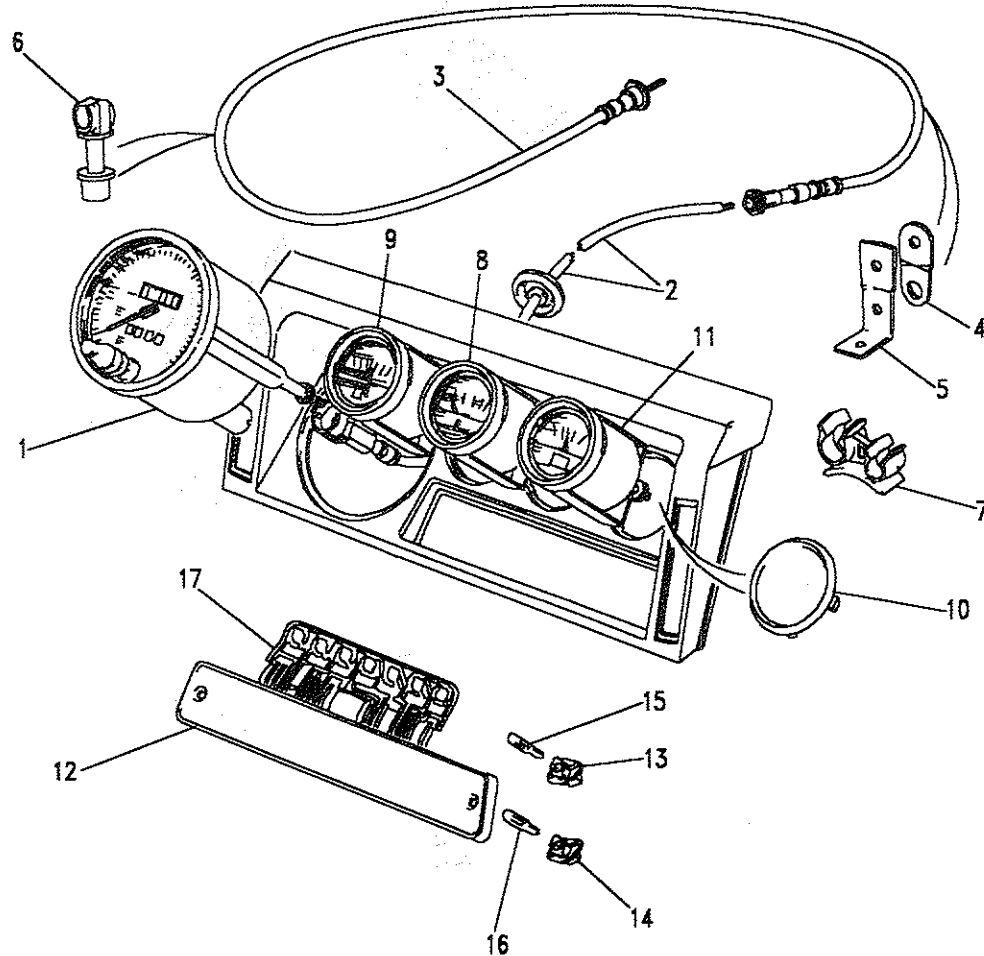
Model DEFENDER 90

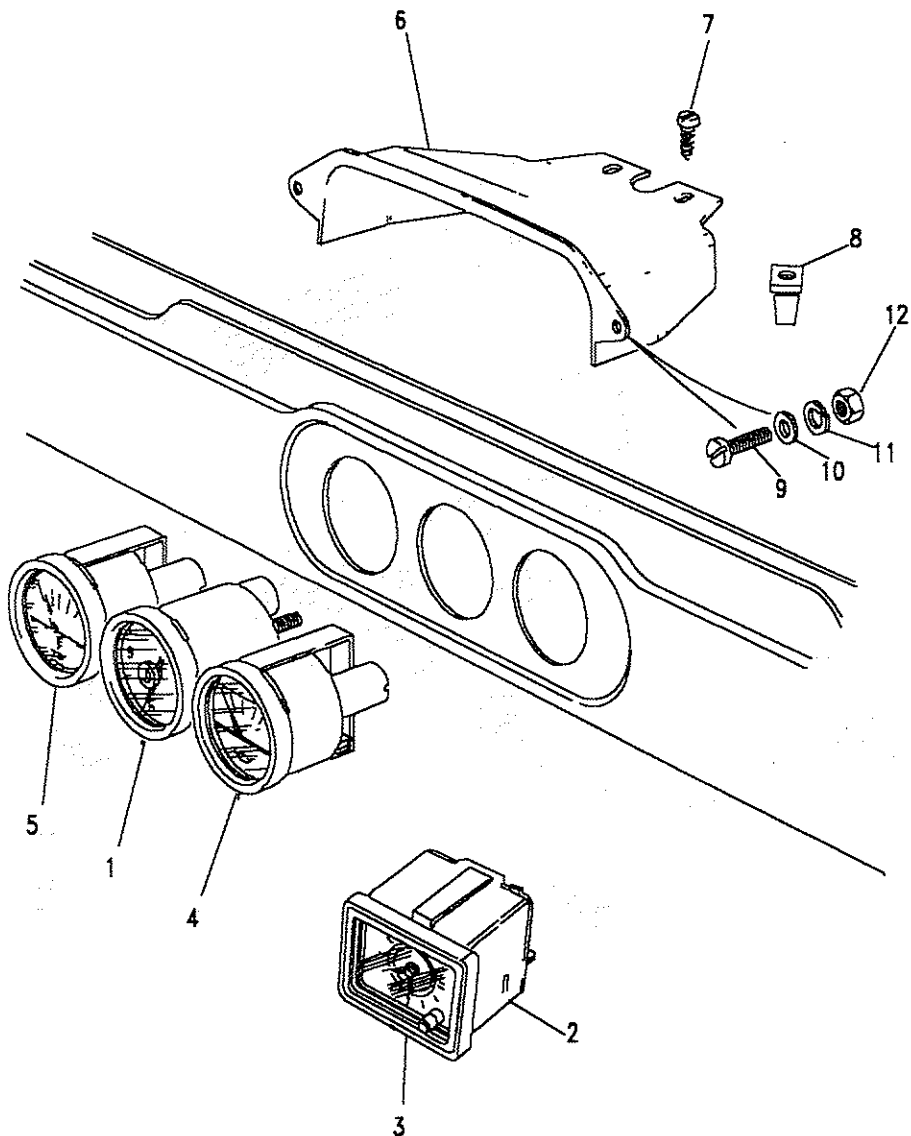
Page ADMXIA2A

ELECTRICAL - INSTRUMENTS

III. Part No.	Description	Qty	Remarks
8 PRC7311	Gauge water temperature	1	Up to JA916603
AMR2070	Gauge water temperature	1	From JA916604 up to KA928139
AMR2631	Gauge water temperature	1	From KA928140
9 PRC7313	Gauge fuel	1	
10 MRC8225	Plug blanking	1	Clock aperture
11 PRC7315	Gauge battery condition	1	
12 PRC8879	Module warning lamp	1	Up to KA929567
AMR2628	Module warning light	1	From KA929568
13 AEU2722	Bulb holder	13	
14 AEU2723	Bulb holder	1	NLA - use RTC3878
15 RTC3635	Bulb	13	12V 1.2W
16 AEU2724	Bulb	1	6V 1.2W
17 AEU2721	Printed circuit	1	
WE104001L	Washer shakeproof	2	
NH104041L	Nut	2	
Police Vehicles			
ZXC9121	Speedometer	1	No longer available
ZXC9120	Cable speedometer 70" -gearbox to junction	1	4 Cylinder
ZXC9119	Cable speedometer 80" -gearbox to junction	1	V8
ZXC9117	Cable speedometer 26" -jnctn to main speedo	1	
ZXC9118	Cable speedometer 18.5" -jnctn to calibr speedo	1	
ZXC9328	Junction unit	1	

Note(1) For round binnacle mounted clock see page 774





Model DEFENDER 90
Page ADMXIA3A

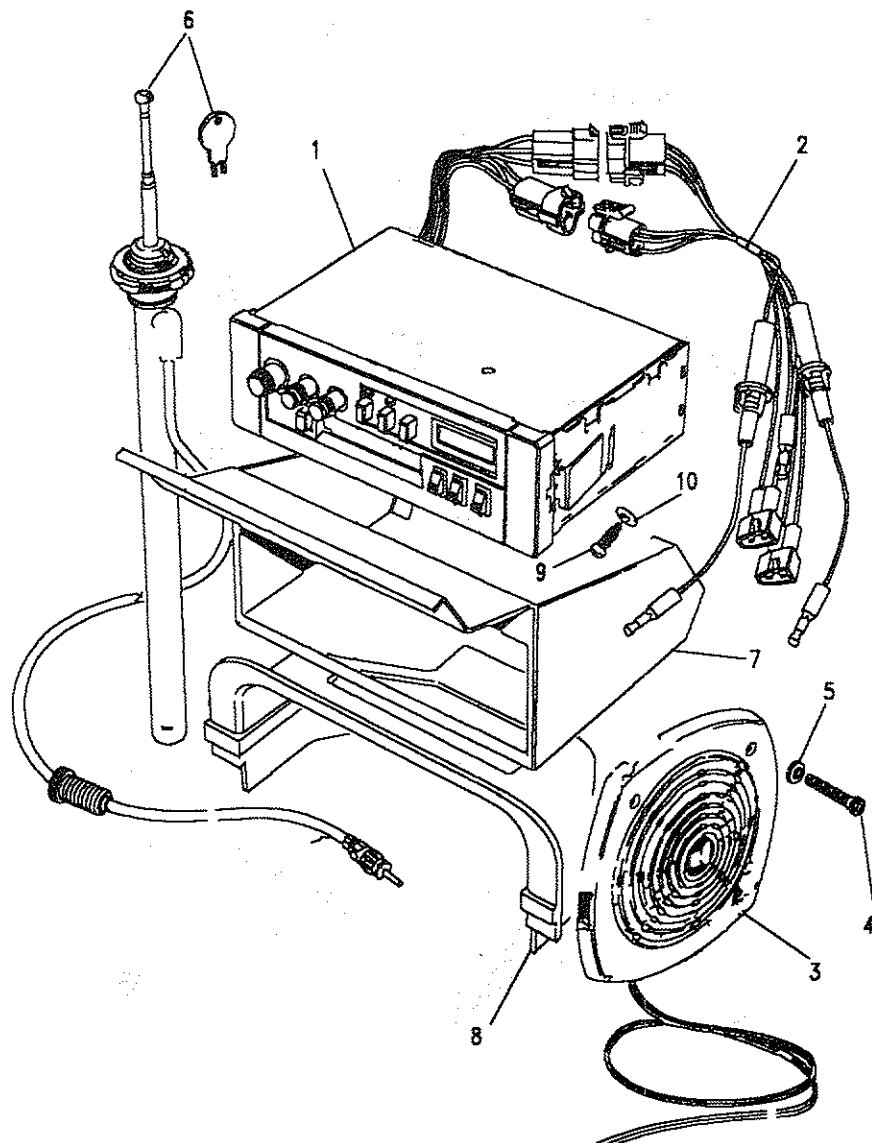
ELECTRICAL - CLOCK AND OIL GAUGES

III. Part No.	Description	Qty	Remarks
Clock in centre dash panel			
1	RTC6324	1	Up to VIN 319166
2	PRC4370	1	From VIN 319167 Up to LA936688
Clock in main instrument binnacle			
AMR3443	Clock round	1	From LA936689
3	PRC4324	1	From VIN 319167
4	PRC7319	1	Gauge oil pressure Note(1)
	PRC7320	1	Gauge oil pressure V8
5	PRC7318	1	Gauge oil temperature Note(1)
	PRC7318	1	Gauge oil temperature V8
6	346786	1	Cover instruments
7	AB606034	2	Screw
8	RTC3745	2	Nut lokut
9	SP105204	2	Screw
10	WC105007	2	Washer plain
11	WL105004	2	Washer spring
12	NH105041L	2	Nut

Note(1) 4 cyl. Petrol, nat. asp. Diesel and Diesel turbo only.

Model DEFENDER 90

Page ADMXKA1A

ELECTRICAL - RADIO CASSETTE & LOUDSPEAKERS - UP TO LA939975


III. Part No.	Description	Qty	Remarks
1	PRC9188	1	Up to JA910822
	PRC9937	1	From JA910823
	PRC9941	1	From JA910823
2	PRC6228	1	Up to JA910822
	PRC9938	1	From JA910823
3	PRC6348	2	Up to JA910822
	PRC9939	2	From JA910823
4	AD606074L	8	Screw
5	WA104001L	8	Washer plain
6	PRC4327	1	Aerial
7	MWC2526	1	Housing radio
8	MWC2530	1	Cover aux instruments
9	AW608081	2	Screw - radio housing
10	WA105001L	2	Washer plain - housing
	STC737	1	Fitting kit audio

Note(1)

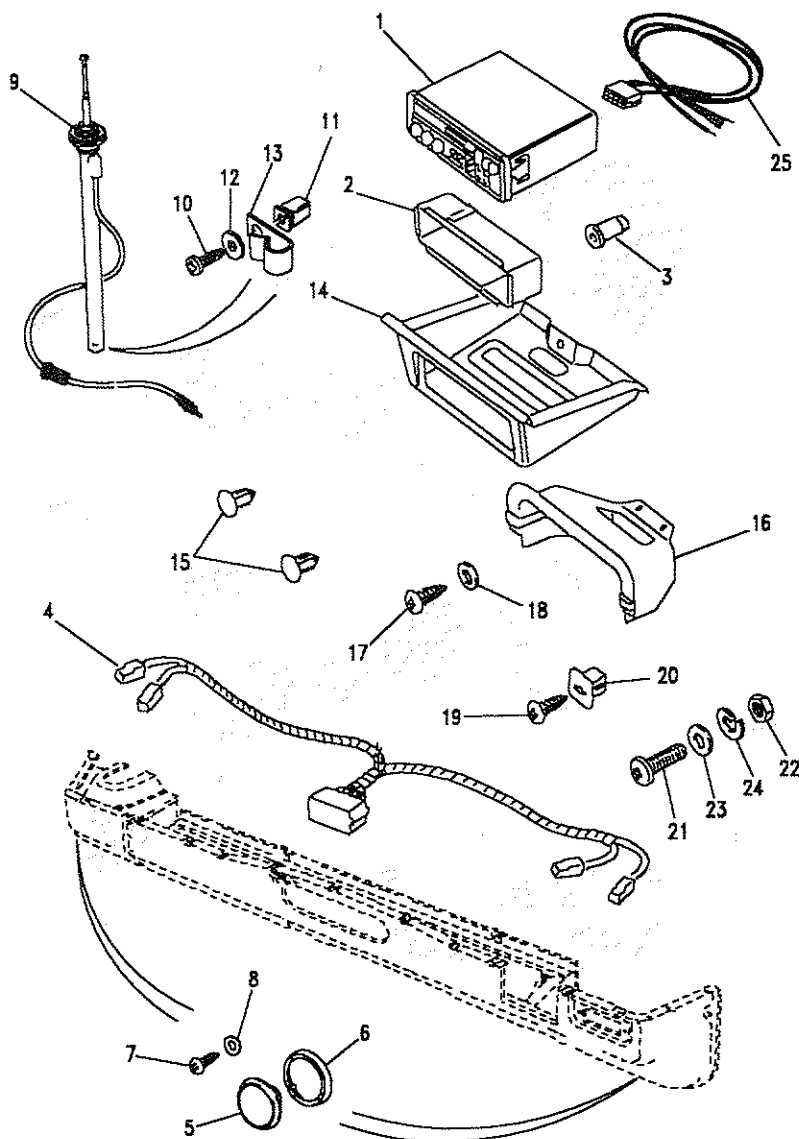
For 90SV use 95MY radio fixings as replacements.

Note(2)

Required when fitting PRC9937 in place of PRC9188.

Note(3)

Required when fitting radio to vehicles which are not pre-wired.



Model DEFENDER 90

Page ADMXKA2A

ELECTRICAL - RADIO CASSETTE & LOUDSPEAKERS - FROM MA939976

Ill. Part No.	Description	Qty	Remarks	
1	AMR3414	1	Radio cassette	
2	PRC9941	1	Cage radio mounting	
3	XQJ10002	1	Radio location bung	
4	AMR3294	1	Harness speaker	
5	AMR3417	2	Speaker assy	
6	AMR3840	2	Spacer - speaker	From MA943790
7	AD606074L	8	Screw - speaker	Up to MA943789
	AD606124	8	Screw - speaker	From MA943790
8	WA104001L	8	Washer plain - speaker	Up to MA943789
	WA104004	8	Washer plain - speaker	From MA943790
9	AMR3418	1	Aerial	
10	AB614061	1	Screw - aerial	
11	CZK3164	1	Nut - aerial	
12	MRC5527	1	Washer - aerial	
13	NRC2383	1	Clip - aerial	
14	BTR8593LDQ	1	Housing radio	
15	AFU1897	2	Fastener - radio housing	
16	BTR9552	1	Cover aux instruments	
17	AW608081	2	Screw - radio housing	
18	WA105001L	2	Washer plain - housing	
19	AB606034	2	Screw - inst. cover	
20	CZH0619	2	Nut lokut - inst. cover	
21	SE105204	2	Screw M5 - inst. cover	
22	NH105041	2	Nut M5 - inst. cover	
23	WC105004	4	Washer M5 - inst. cover	
24	WL105004	2	Washer spring M5	
25	STC1747	1	Radio power lead	Note(1)

Note(1) Required when fitting radio to vehicles which are not pre-wired.

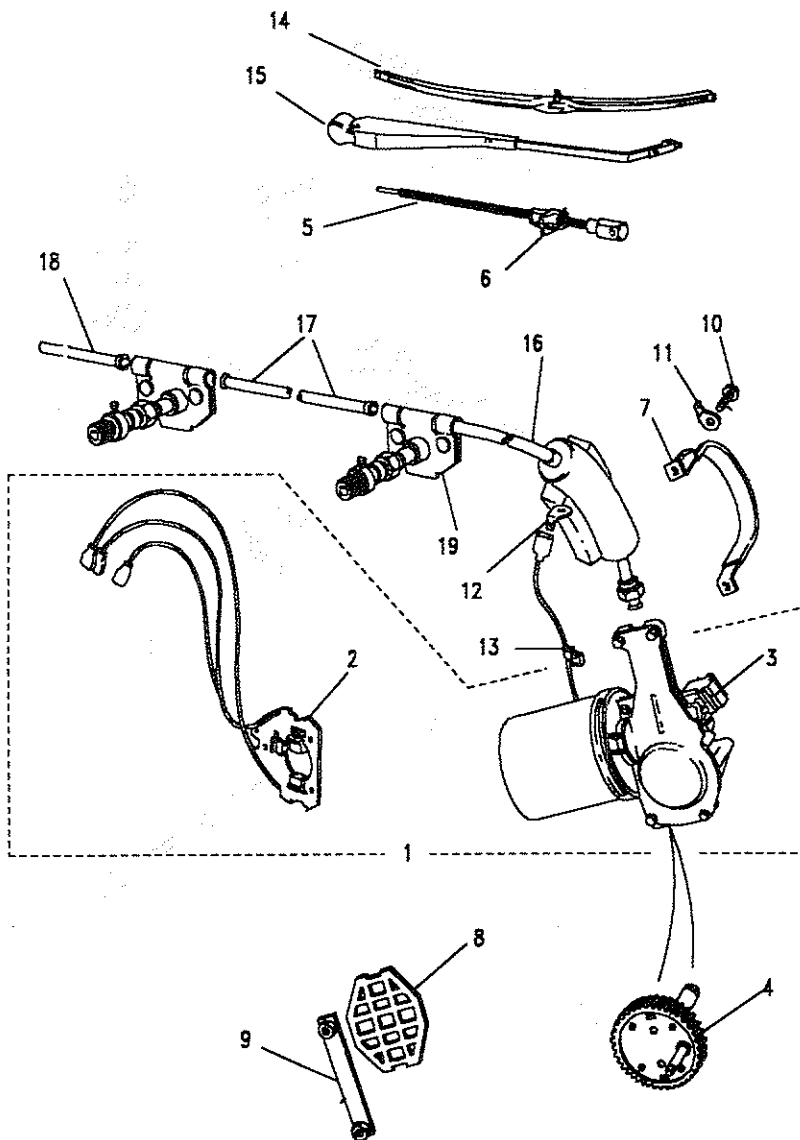




Model DEFENDER 90

Page ADMXMA1A

ELECTRICAL - WINDSCREEN WIPERS



III. Part No.	Description	Qty	Remarks
1	RTC3867	1	Motor wiper front
2	RTC198	1	Brush set
3	520160	1	Switch park
4	517646	1	Gear
5	37H5208L	1	Rack
6	37H3694L	1	Ferrule
7	BHA4790L	1	Strap
8	150844	1	Pad
9	MTC2607	1	Nut plate
10	SE106161L	2	Screw
11	505205	1	Lucar Blade
12	STC712	1	Lucar Blade
13	570351	1	Cable clip
14	PRC8559	2	Blade wiper
15	PRC4276	2	Arm wiper
	PRC4277	2	Arm wiper
16	PRC3671	1	Tube
	PRC3672	1	Tube
17	PRC2471	1	Tube
18	575047	1	Tube
19	PRC8495	2	Wheelbox
20	RTC4480	2	Drum splined
	STC987	2	-pinch bolt type Drum splined
	MUC3933	2	-grub screw type Cover wiper pinch bolt





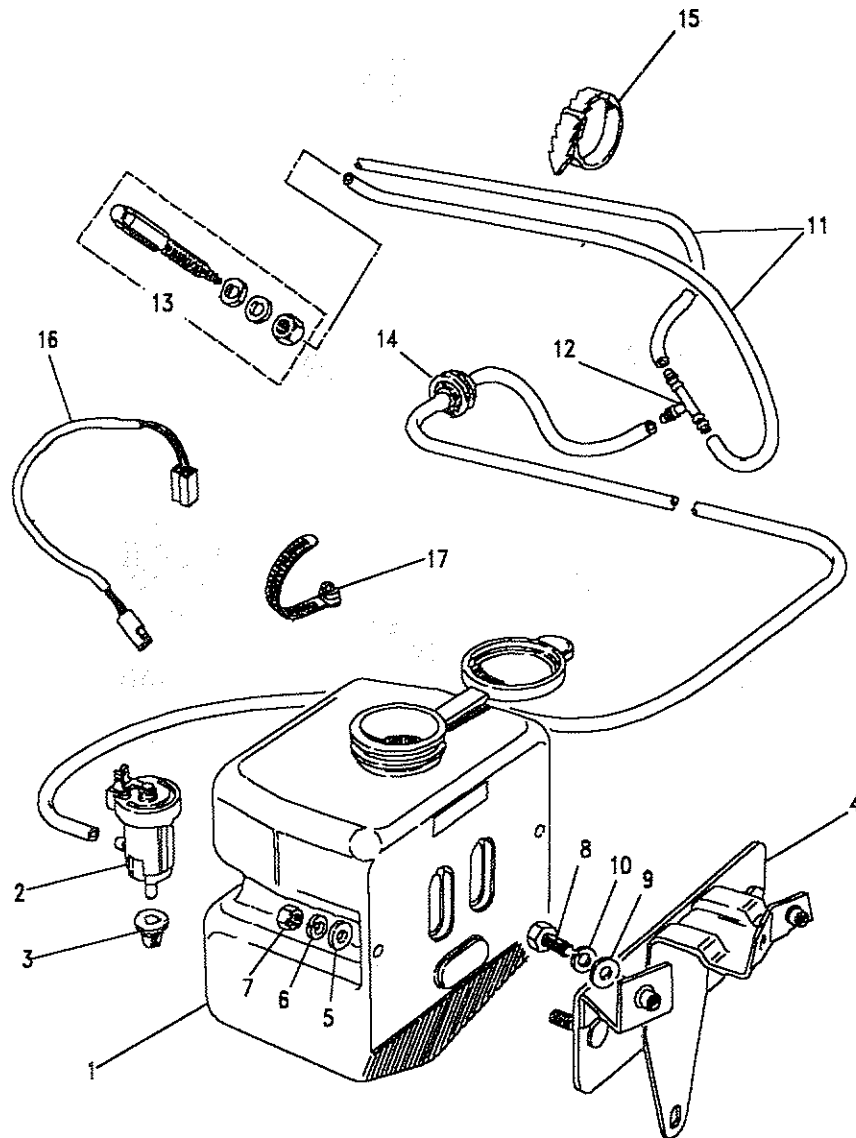
Model DEFENDER 90
Page ADMXMC1A

ELECTRICAL - WINDSCREEN WASH

III. Part No. Description Qty Remarks

Vehicles fitted with standard heater unit - up to VIN 270226

Part No.	Description	Qty	Remarks
1	PRC3340 Reservoir	1	
	PRC8664 Cap reservoir	1	
2	ADU3905 Pump	1	
3	RTC3959 Grommet	1	
4	PRC3978 Bracket mounting RH	1	
	PRC3977 Bracket mounting LH	1	
5	WC106041L Washer plain	2	
6	WL106001L Washer spring	2	
7	NH106041L Nut	3	
8	SE106121L Screw	1	
9	WA106041L Washer plain	1	
10	WL106001L Washer spring	1	
11	RTC3650 Tube	A/R	
12	C15644L Tee piece	1	
13	PRC2437 Jet	2	
14	555711 Grommet	1	
15	RTC222 Strap	3	
16	PRC3101 Harness washer pump	1	
17	C45099L Cable tie	4	





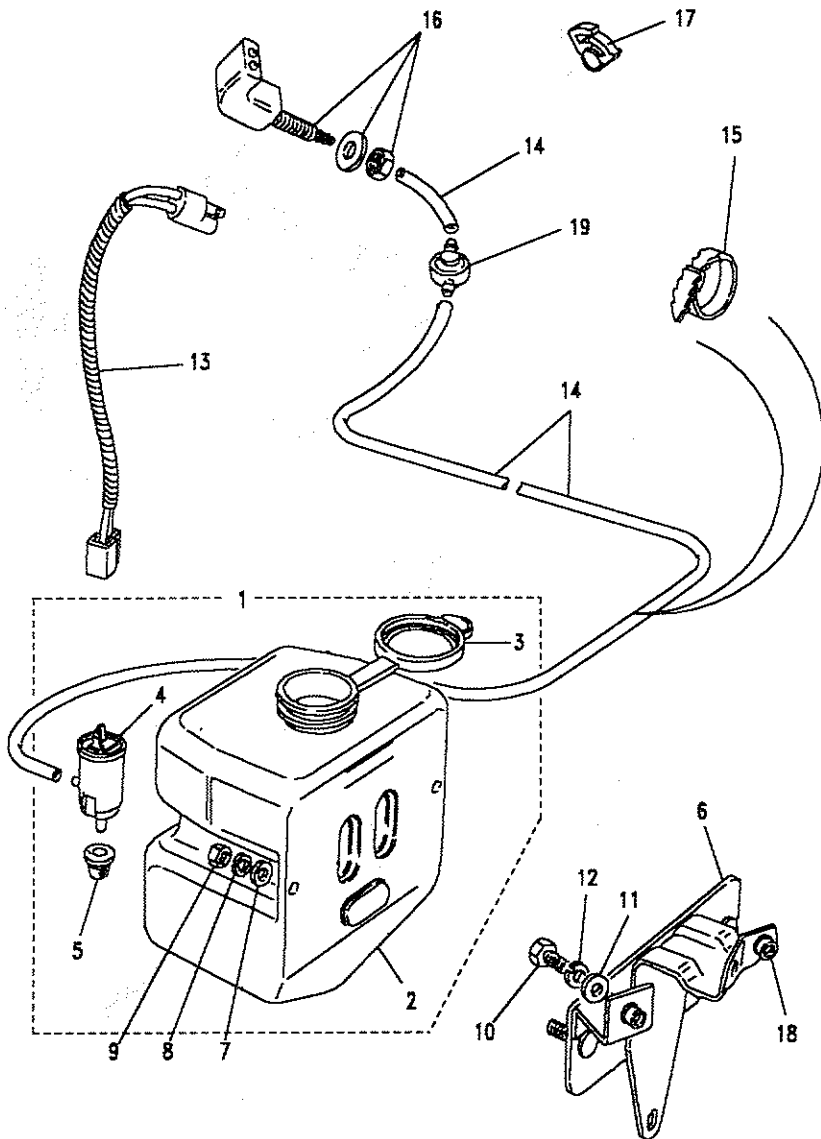
Model DEFENDER 90
Page ADMXMC2A

ELECTRICAL - WINDSCREEN WASH

III. Part No. Description Qty Remarks

Vehicles fitted with standard heater unit - from VIN 270227

Part No.	Description	Qty	Remarks
1	AMR3756	1	Reservoir assembly
2	PRC5744	1	Reservoir
3	PRC8664	1	Cap reservoir
4	ADU3905	1	Pump
5	RTC3959	1	Grommet
6	PRC5742	1	Bracket mounting RH
	PRC5741	1	Bracket mounting LH
7	WC106041L	2	Washer plain
8	WL106001L	2	Washer spring
9	NH106041L	2	Nut
10	SH106121L	1	Screw
11	WA106041L	1	Washer plain
12	WL106001L	1	Washer spring
13	PRC5738	1	Cable assembly
	AMR2474	1	Cable assembly
14	RTC3650	A/R	Tubing
15	RTC222	3	Strap
16	PRC5736	1	Jet windscreen
	AMR3025	1	Jet windscreen
17	AMR3012	1	Clip retaining
18	NN106021	2	Nut anchor
19	ACU5037	1	Valve non return



Handwritten notes:
1. AMR3756
2. PRC5744
3. PRC8664
4. ADU3905
5. RTC3959
6. PRC5742
7. WC106041L
8. WL106001L
9. NH106041L
10. SH106121L
11. WA106041L
12. WL106001L
13. PRC5738
14. AMR2474
15. RTC3650
16. PRC5736
17. AMR3025
18. NN106021
19. ACU5037





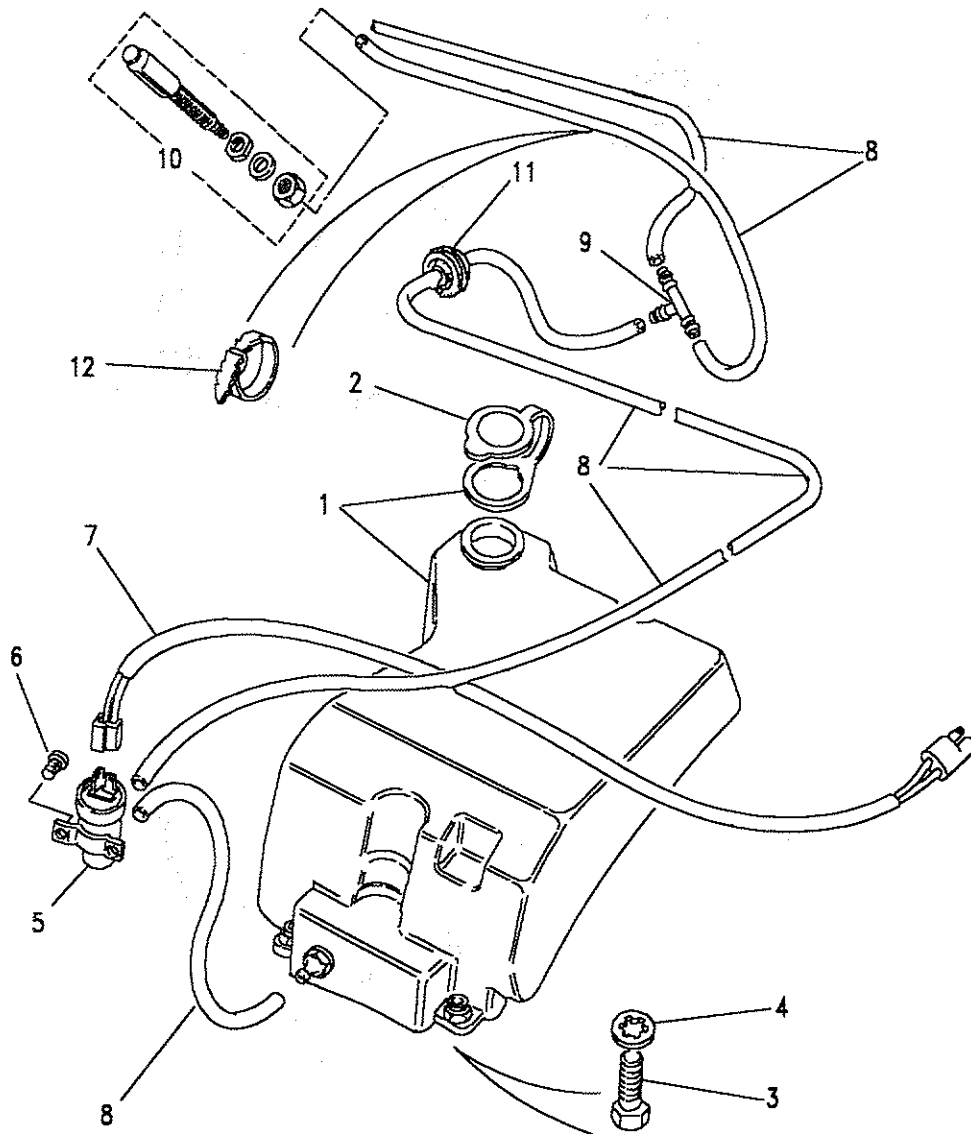
Model DEFENDER 90
Page ADMXMC3A

ELECTRICAL - WINDSCREEN WASH

III. Part No. Description Qty Remarks

Vehicles fitted with air-conditioning - up to VIN 270226

Part No.	Description	Qty	Remarks
1	PRC3786 Reservoir	1	
2	PRC2854 Cap reservoir	1	
3	78210 Screw	3	
4	WF600041L Washer shakeproof	3	
5	PRC3369 Pump	1	
6	AB606051L Screw	2	
7	PRC3794 Cable assembly	1	
8	RTC3650 Tubing	A/R	
9	C15644 Tee piece	1	
10	PRC2437 Jet	2	
11	555711 Grommet	1	
12	RTC222 Strap	3	



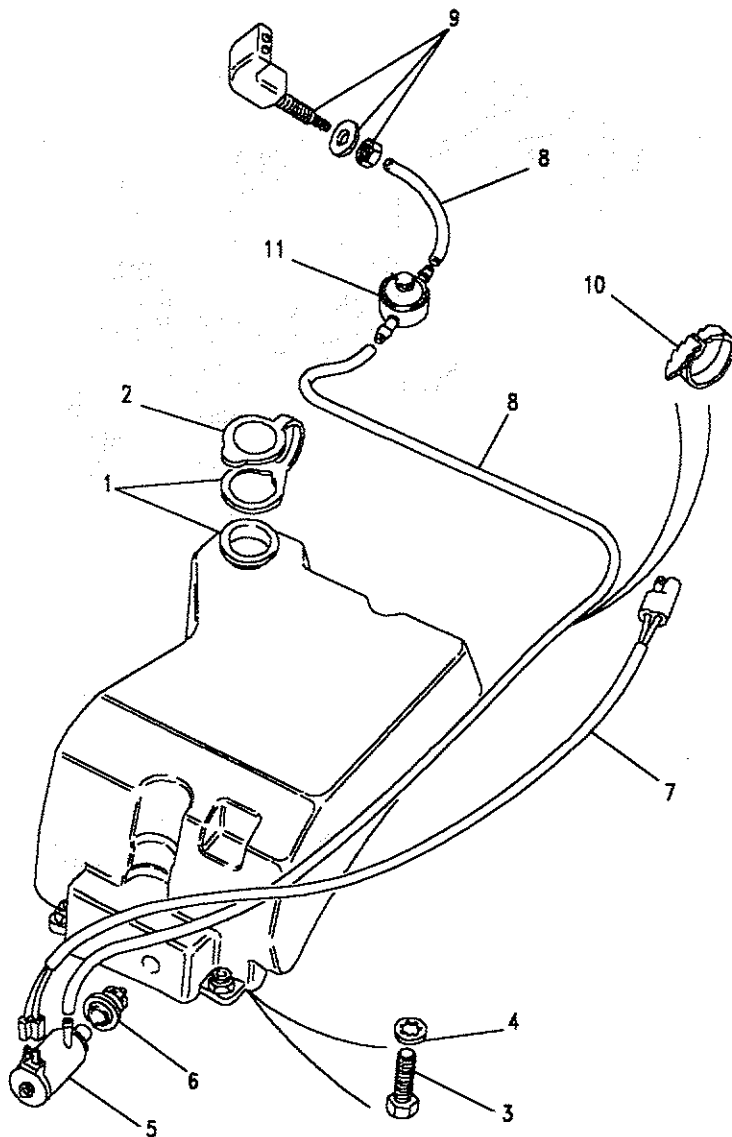


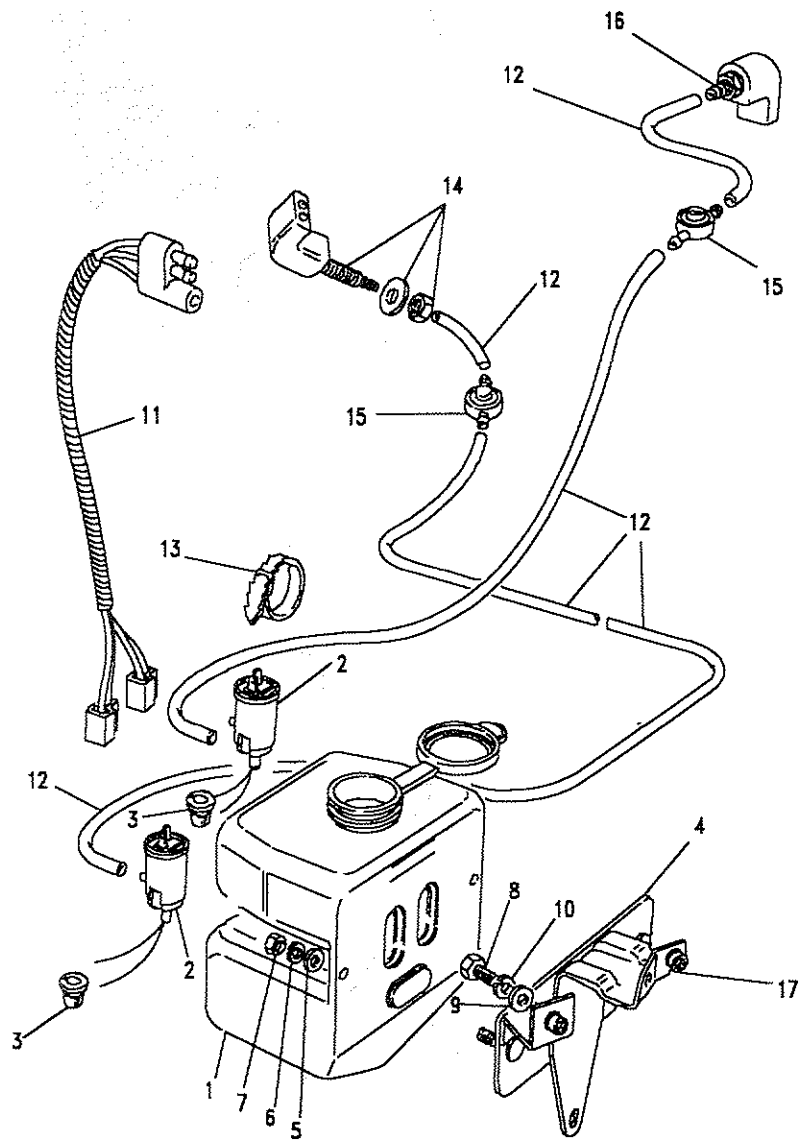
Model DEFENDER 90

Page ADMXMC4A

ELECTRICAL - WINDSCREEN WASH

III. Part No.	Description	Qty	Remarks
Vehicles fitted with air-conditioning - from VIN 270227			
1	PRC5756 Reservoir	1	
2	PRC2854 Cap reservoir	1	
3	78210 Screw	3	
4	WF600041L Washer shakeproof	3	
5	DRC2713L Pump	1	
6	RTC5827 Grommet	1	
7	PRC3794 Cable assembly	1	Up to LA939975
	AMR2978 Cable assembly	1	From MA939976
8	RTC3650 Tubing	A/R	
9	PRC5736 Jet Windscreen	1	Up to LA930671
	AMR3025 Jet windscreen	1	From LA930672
	AMR3012 Clip retaining	1	From LA930672
10	RTC222 Strap	3	
11	ACU5037 Valve non return	1	From HA455946





Model DEFENDER 90
Page ADMXMC5A

ELECTRICAL - FRONT/REAR SCREEN WASH

III. Part No.	Description	Qty	Remarks
Vehicles fitted with standard heater unit - from VIN 270227			
1	PRC5747	1	Reservoir
	PRC8664	1	Cap reservoir
2	ADU3905	1	Pump windscreen wash
	ADU3905	1	Pump rear screen wash
3	RTC3959	2	Grommet
4	PRC5742	1	Bracket mounting RH
	PRC5741	1	Bracket mounting LH
5	WC106041L	2	Washer plain
6	WL106001L	2	Washer spring
7	NH106041L	2	Nut
8	SH106121L	1	Screw
9	WA106041L	1	Washer plain
10	WL106001L	1	Washer spring
11	PRC5738	1	Cable assembly
	AMR2474	1	Cable assembly
12	RTC3650	A/R	Tubing
13	RTC222	3	Strap
14	PRC5736	1	Jet windscreen
	AMR3025	1	Jet windscreen
	AMR3012	1	Clip retaining
15	ACU5037	1	Valve non return
	ACU5037	1	Valve non return
	ACU5037	1	Valve non return
16	PRC5802	1	Jet rear screen
	AMR3026	1	Jet rear screen
	AMR3012	1	Clip retaining
17	NN106021	2	Nut anchor



Model DEFENDER 90

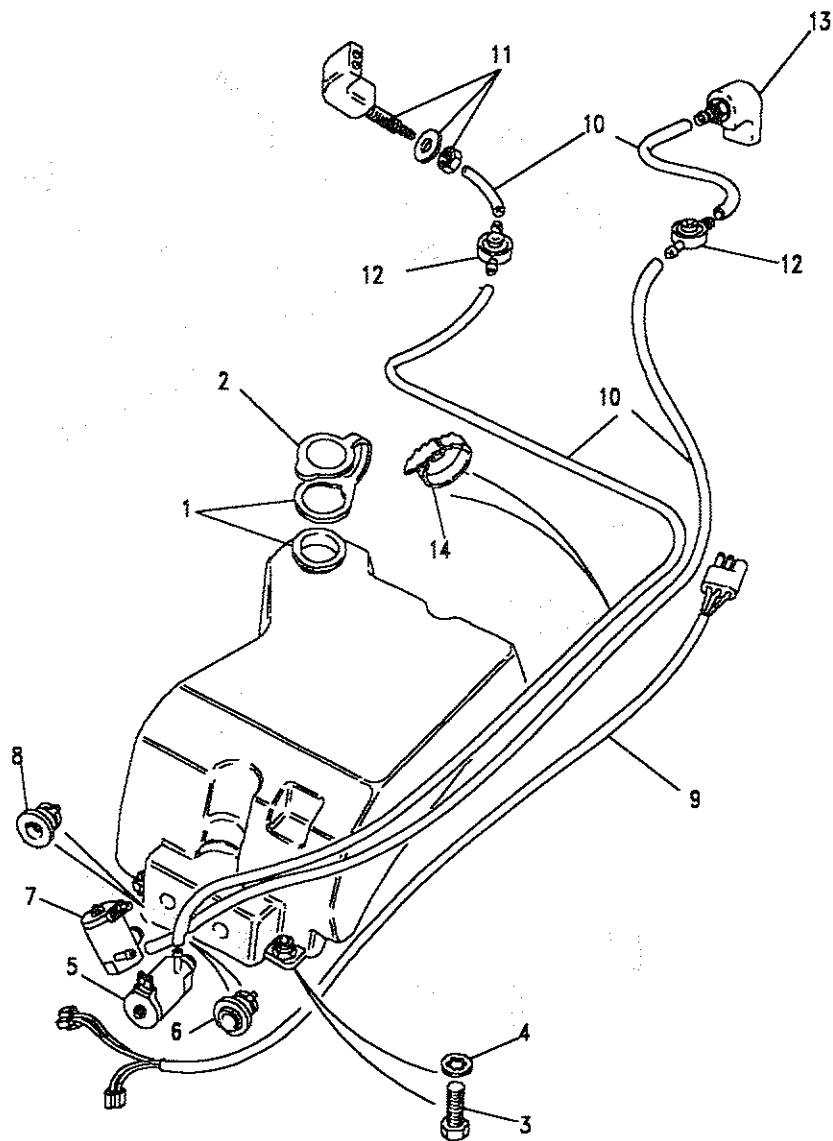
Page ADMXMC6A

ELECTRICAL - FRONT/REAR SCREEN WASH

III. Part No. Description Qty Remarks

Vehicles fitted with air-conditioning - from VIN 270227

Part No.	Description	Qty	Remarks
1	PRC5765 Reservoir	1	
2	PRC2854 Cap reservoir	1	
3	78210 Screw	3	
4	WF600041L Washer shakeproof	3	
5	DRC2713L Pump windscreen wash	1	
6	RTC5827 Grommet	1	
7	ADU6693L Pump rear screen wash	1	
8	RTC5828 Grommet	1	
9	PRC5739 Cable assembly	1	Up to LA939975
	AMR2979 Cable assembly	1	From MA939976
10	RTC3650 Tubing	A/R	
11	PRC5736 Jet windscreen	1	Up to LA930671
	AMR3025 Jet windscreen	1	From LA930672
	AMR3012 Clip retaining	1	From LA930672
12	ACU5037 Valve non return	1	From HA455946
	-windscreen wash		
	ACU5037 Valve non return	1	
	-rear screen wash		
13	PRC5802 Jet rear screen	1	Up to LA930671
	AMR3026 Jet rear screen	1	From LA930672
	AMR3012 Clip retaining	1	From LA930672
14	RTC222 Strap	3	



Model DEFENDER 90

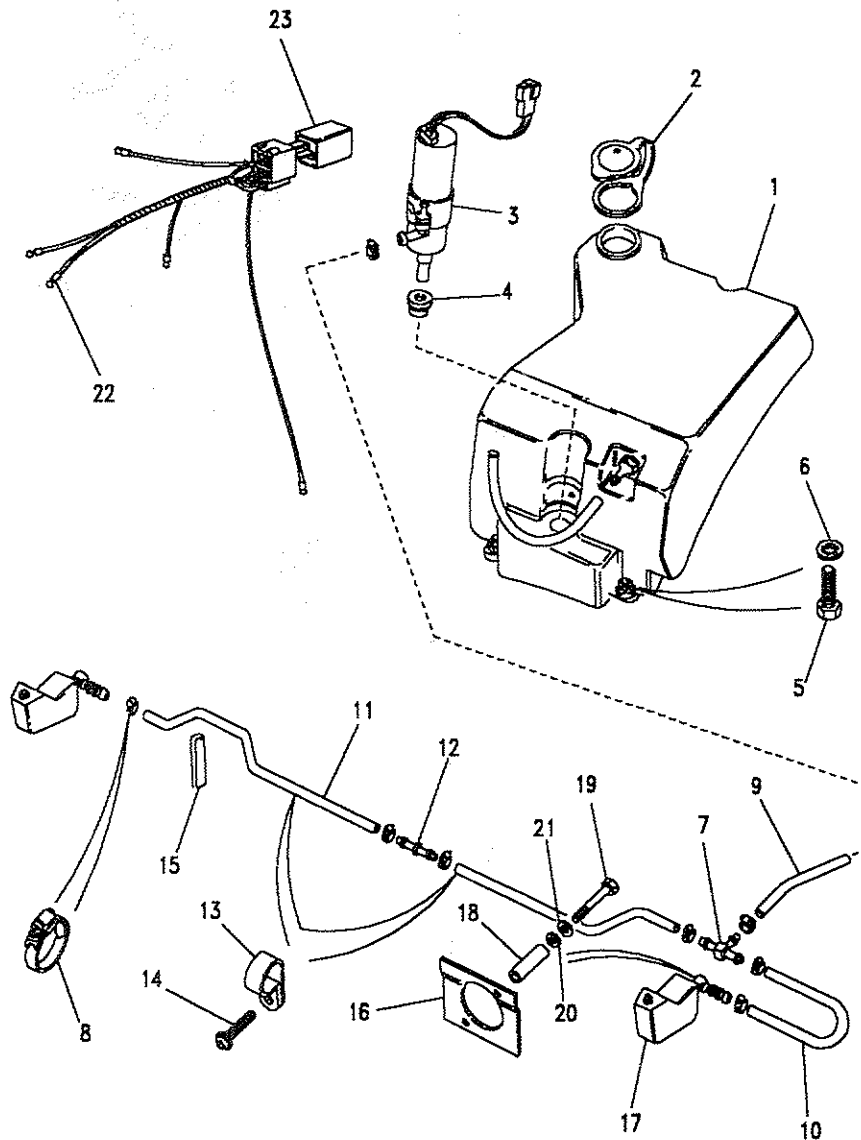
Page ADMXME1A

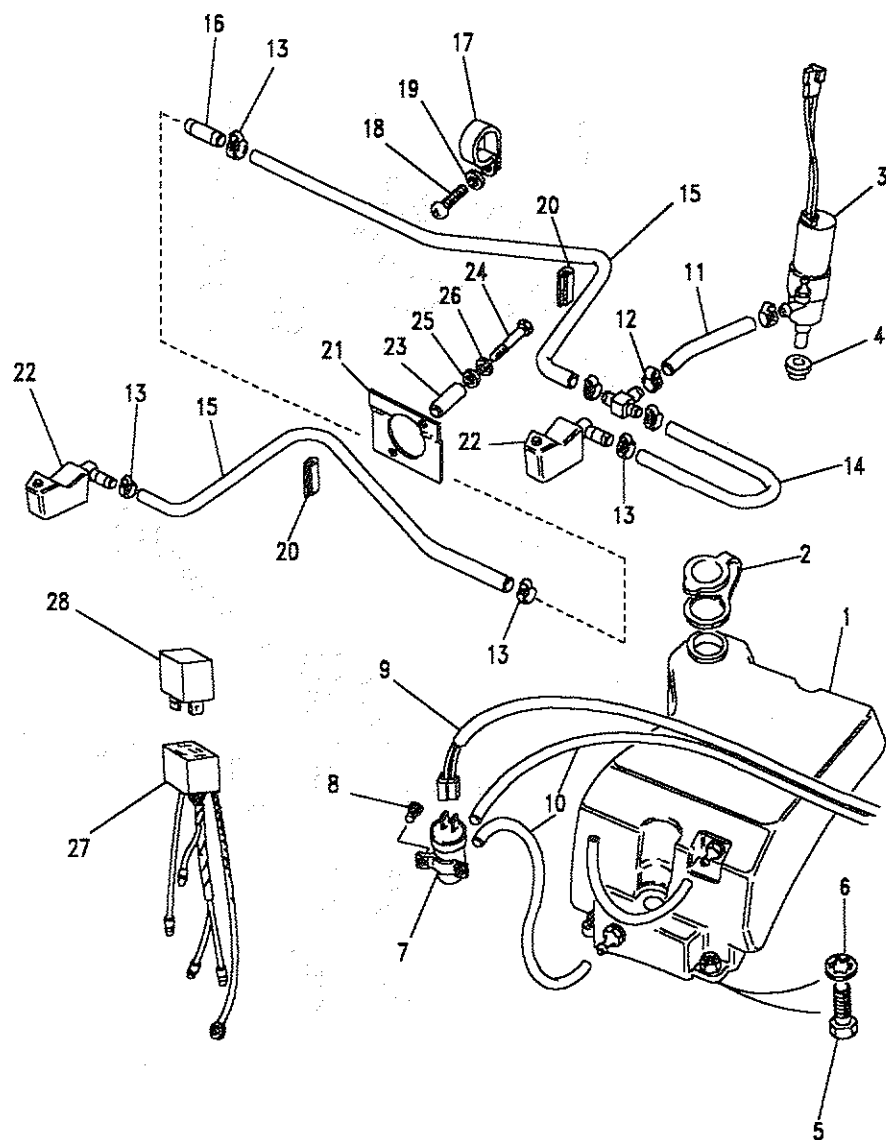
ELECTRICAL - HEADLAMP WASH

III. Part No. Description Qty Remarks

Vehicles with standard heater unit - up to VIN 270226

1	PRC3300	Reservoir	1	
2	PRC2854	Cap reservoir	1	
3	ADU6409L	Pump headlamp wash	1	
4	ADU6418L	Grommet	1	
5	78210	Screw	3	
6	WF600041L	Washer shakeproof	3	
7	EAM5549L	Tee piece	1	
8	CJ600144L	Clip hose	8	
9	PRC3231	Tubing	1	
10	PRC3232	Tubing-to LH jet	1	
11	PRC5127	Tubing-to connector	1	
12	PRC5127	Tubing-to RH jet	1	
13	PRC3030	Connector	1	
14	C34950L	Clip retaining	2	
15	AB606051L	Screw	2	
16	WA104001L	Washer plain	2	
17	DRC1530	Finisher edge	2	
18	MRC8564	Stiffener	2	
19	PRC2291	Jet headlamp wash	2	
20	PRC3250	Spacer	4	
21	BH106141L	Bolt	4	
22	WA106041L	Washer plain	4	
23	WL106001L	Washer spring	4	
24	PRC5141	Cable assy headlamp wash	1	
25	ADU1784L	Delay unit	1	





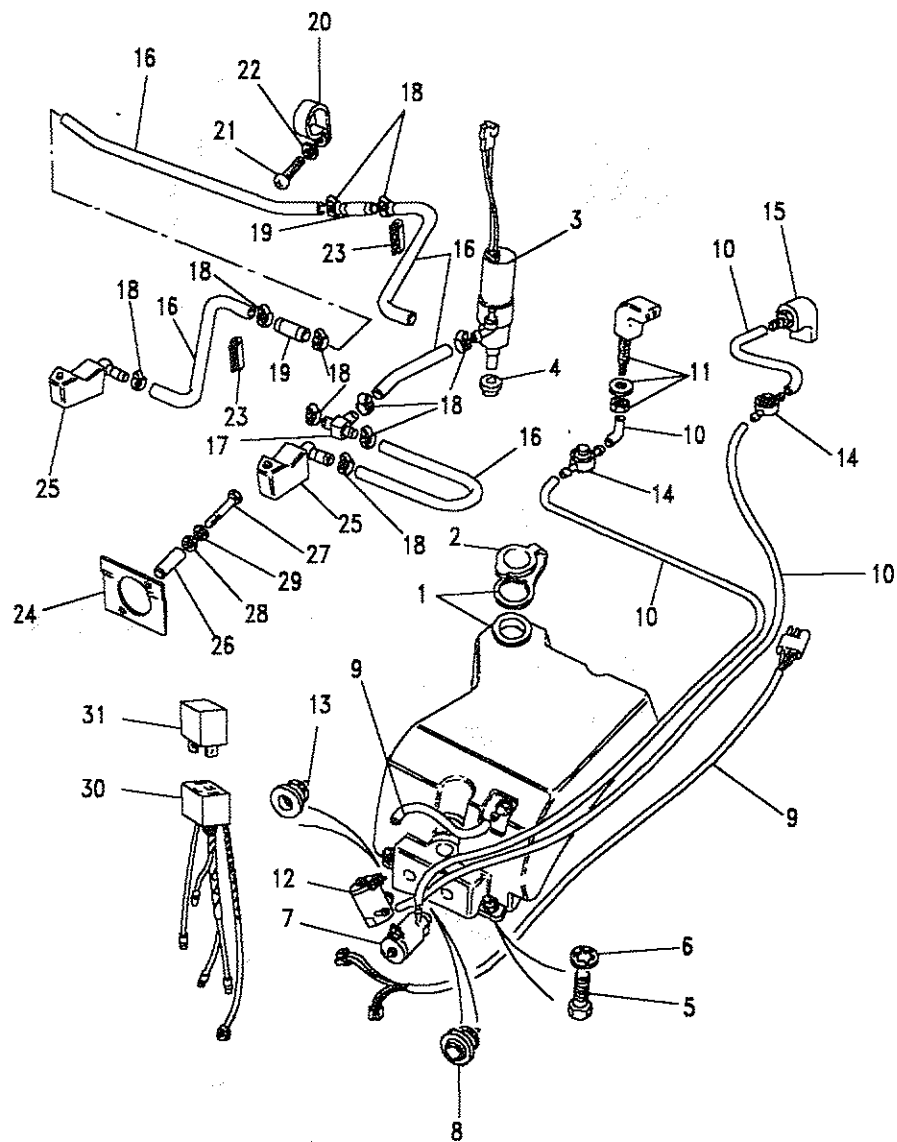
Model DEFENDER 90

Page ADMXME2A

ELECTRICAL - HEADLAMP/SCREEN WASH

III. Part No.	Description	Qty	Remarks
Vehicles with air-conditioning - up to VIN 270226			
1	PRC3780	1	Reservoir
2	PRC2854	1	Cap reservoir
3	ADU6409L	1	Pump headlamp wash
4	ADU6418L	1	Grommet
5	78210	3	Screw
6	WF600041L	3	Washer shakeproof
7	PRC3369	1	Pump windscreen wash
8	AB606051L	2	Screw
9	PRC3794	1	Cable assembly
	AMR2978	1	Cable assembly
10	RTC3650	A/R	Tubing
11	PRC3231	1	Tubing
12	EAM5549L	1	Tee piece
13	CJ600041L	8	Clip hose
14	PRC3232	1	Tubing-to LH jet
15	PRC1527	1	Tubing-to connector
	PRC1527	1	Tubing-to RH jet
16	PRC3030	1	Connector
17	C34950L	2	Clip retaining
18	AB606051L	2	Screw
19	WA104001L	2	Washer plain
20	DRC1530	2	Finisher edge
21	MRC8564	2	Stiffener
22	PRC2291	2	Jet headlamp wash
23	PRC3250	4	Spacer
24	BH106141L	4	Bolt
25	WA106041L	4	Washer plain
26	WL106001L	4	Washer spring
27	PRC5141	1	Cable assembly
28	DU1784L	1	Delay unit

Up to LA939975
From MA939976



Model DEFENDER 90
Page ADMXME3A

ELECTRICAL - HEADLAMP/FRONT/REAR SCREEN WASH

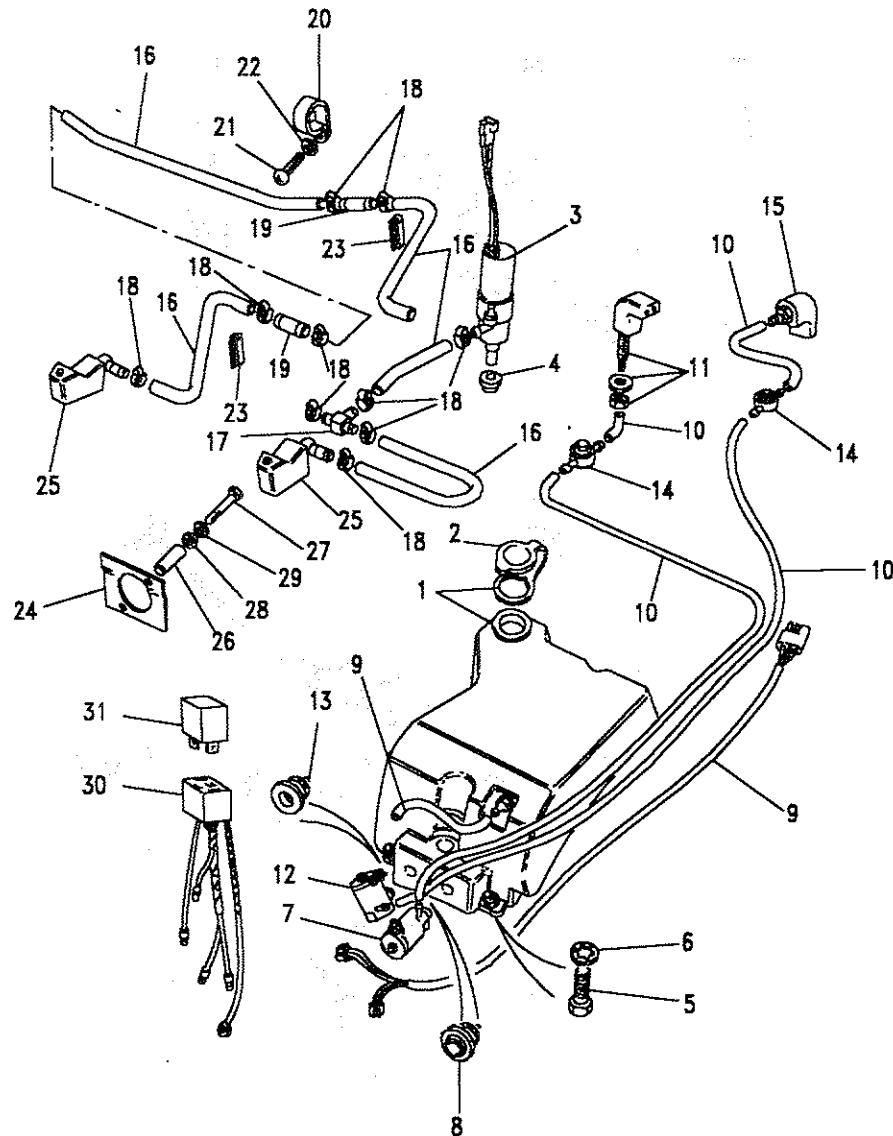
Ill. Part No.	Description	Qty	Remarks
Vehicles with standard heater unit - from VIN 270227			
1	PRC5777 Reservoir	1	
2	PRC2854 Cap reservoir	1	
3	ADU6409L Pump headlamp wash	1	
4	ADU6418L Grommet	1	
5	78210 Screw	3	
6	WF600041L Washer shakeproof	3	
7	DRC2713L Pump windscreen wash	1	
8	RTC5827 Grommet	1	
9	PRC5739 Cable assembly	1	Up to LA939975
	AMR2979 Cable assembly	1	From MA939976
10	RTC3650 Tubing	A/R	
11	PRC5736 Jet windscreen	1	Up to LA930671
	AMR3025 Jet windscreen	1	From LA930672
	AMR3012 Clip retaining	1	From LA930672
12	ADU6693L Pump rear screen wash	1	
13	RTC5828 Grommet	1	
14	ACU5037 Valve non return -windscreen wash	1	From HA455946
	ACU5037 Valve non return -rear screen wash	1	
15	PRC5802 Jet rear screen	1	Up to LA930671
	AMR3026 Jet rear screen	1	From LA930672
	AMR3012 Clip retaining	1	From LA930672
16	RTC4848 Tubing	A/R	
17	EAM5549L T Piece	1	
18	CJ600041L Clip hose	8	
19	PRC3030 Connector	2	
20	C34950L Clip retaining	3	
21	AB606051L Screw	3	
22	WA104001L Washer plain	3	
23	DRC1530 Finisher edge	2	
24	MRC8564 Stiffener	2	
25	PRC2291 Jet headlamp wash	2	





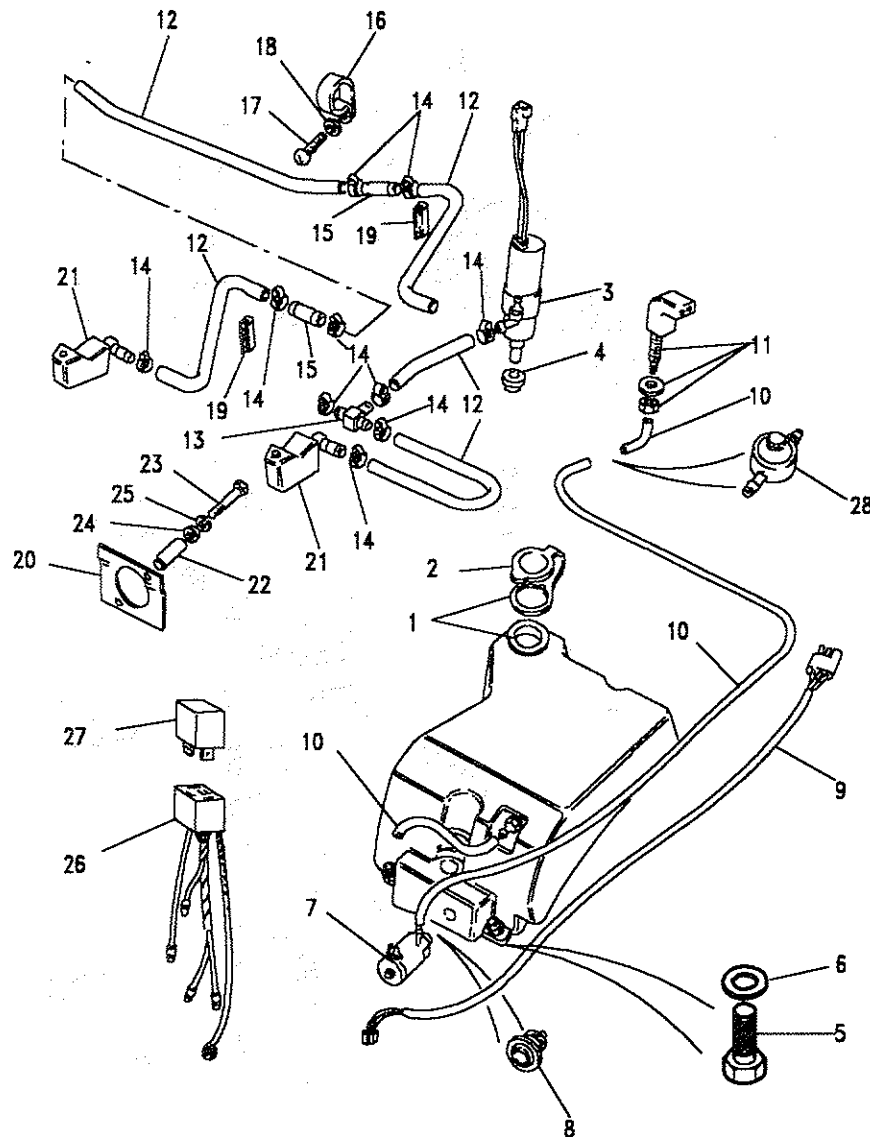
Model DEFENDER 90
Page ADMXME3A

ELECTRICAL - HEADLAMP/FRONT/REAR SCREEN WASH



III. Part No.	Description	Qty	Remarks
26	PRC3250	4	Spacer
27	BH106141L	4	Bolt
28	WA106041L	4	Washer plain
29	WL106001L	4	Washer spring
30	PRC5141	1	Cable assembly
31	DU1784L	1	Delay unit



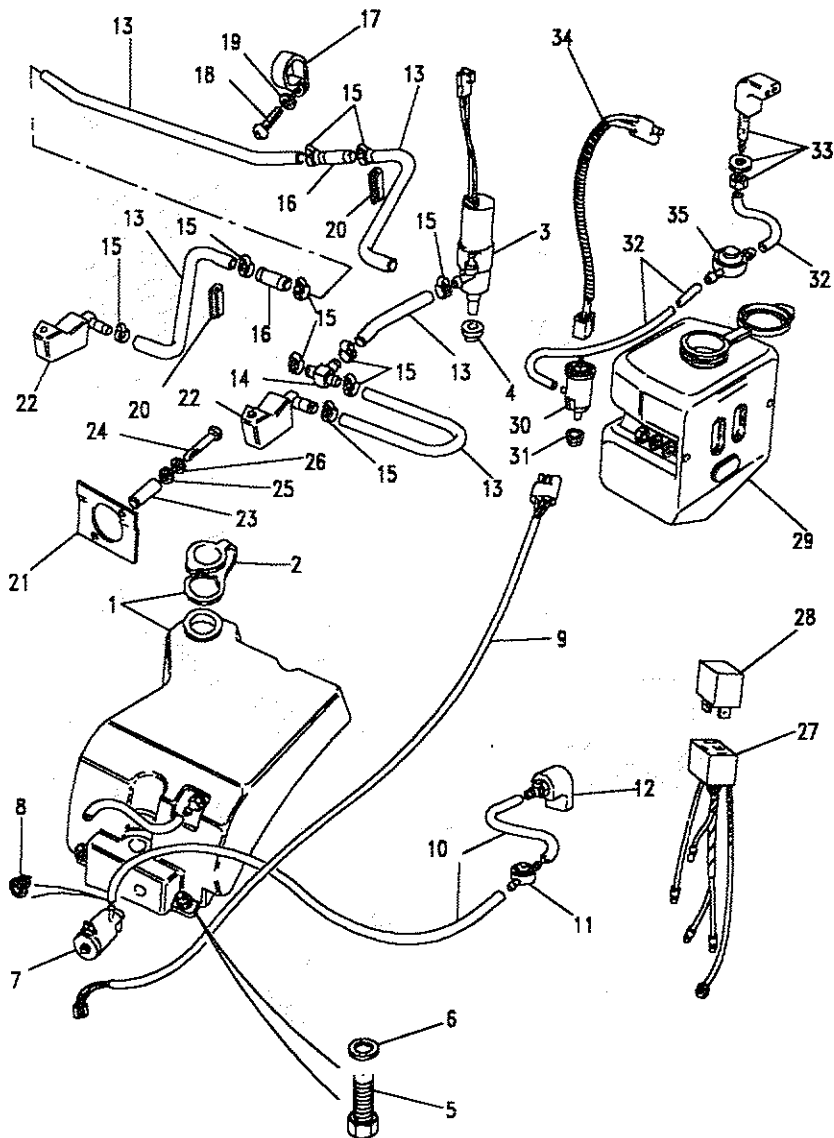


Model DEFENDER 90
Page ADMXME5A

ELECTRICAL - HEADLAMP/SCREEN WASH

III. Part No.	Description	Qty	Remarks
Vehicles with air-conditioning - from VIN 270227			
1	PRC5773	1	Reservoir
2	PRC2854	1	Cap reservoir
3	ADU6409L	1	Pump headlamp wash
4	ADU6418L	1	Grommet
5	78210	3	Screw
6	WF600041L	3	Washer shakeproof
7	DRC2713L	1	Pump windscreen wash
8	RTC5827	1	Grommet
9	PRC3794	1	Cable assembly
	AMR2978	1	Cable assembly
10	RTC3650	A/R	Tubing
11	PRC5736	1	Jet windscreen
	AMR3025	1	Jet windscreen
	AMR3012	1	Clip retaining
12	RTC4848	A/R	Tubing
13	EAM5549L	1	Tee piece
14	CJ600041L	8	Clip hose
15	PRC3030	2	Connector
16	C34950L	3	Clip retaining
17	AB606051L	3	Screw
18	WA104001L	3	Washer plain
19	DRC1530	2	Finisher edge
20	MRC8564	2	Stiffener
21	PRC2291	2	Jet headlamp
22	PRC3250	4	Spacer
23	BH106141L	4	Bolt
24	WA106041L	4	Washer plain
25	WL106001L	4	Washer spring
26	PRC5141	1	Cable assembly
27	DU1784L	1	Delay unit
28	ACU5037	1	Valve non return -windscreen wash
			Up to LA939975
			From MA939976
			Up to LA930671
			From LA930672
			From LA930672
			From HA455946





Model DEFENDER 90

Page ADMXME4A

ELECTRICAL - HEADLAMP/FRONT/REAR SCREEN WASH

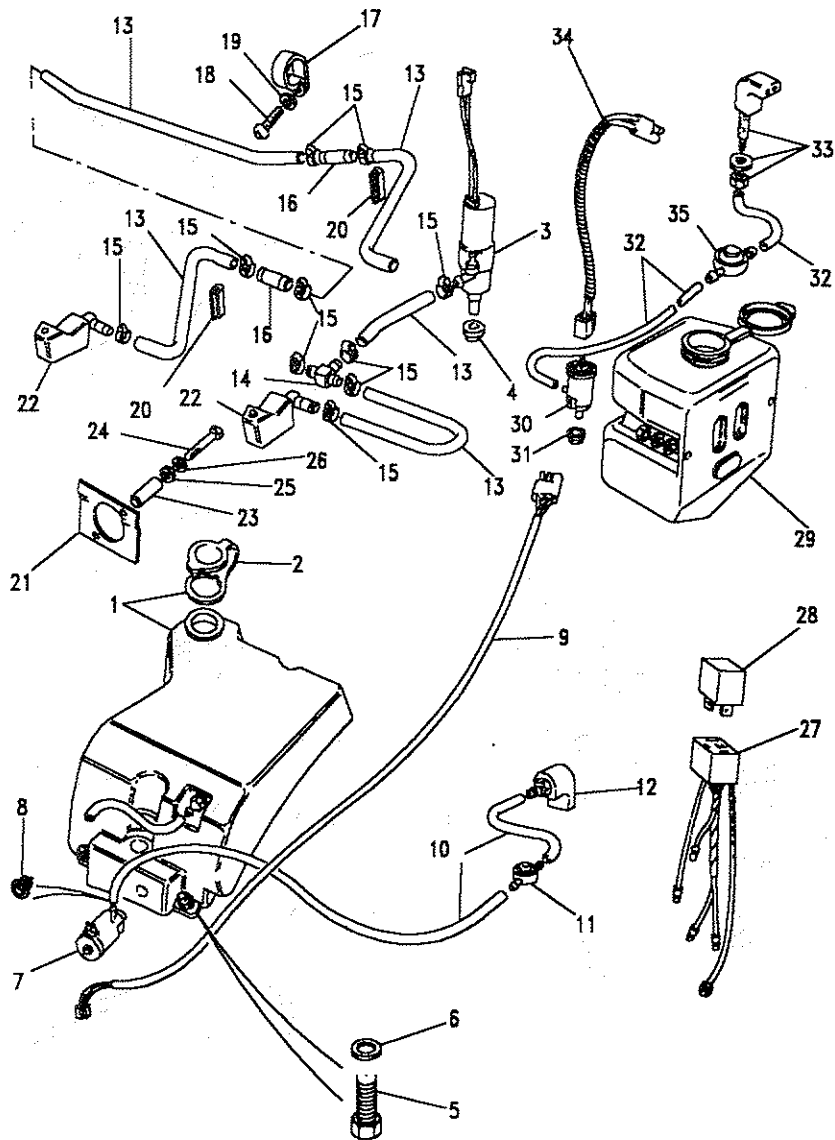
III. Part No.	Description	Qty	Remarks
Finland and Sweden only - from VIN 270227			
1	PRC5773 Reservoir	1	
2	PRC2854 Cap reservoir	1	
3	ADU6409L Pump headlamp wash	1	
4	ADU6418L Grommet	1	
5	78210 Screw	3	
6	WF600041L Washer shakeproof	3	
7	DRC2713L Pump rear screenwash	1	
8	RTC5827 Grommet	1	
9	PRC3974 Cable assembly	1	Up to LA939975
	AMR2978 Cable assembly	1	From MA939976
10	RTC3650 Tubing	A/R	
11	ACU5037 Valve non return	1	
12	PRC5802 Jet rear screen	1	Up to LA930671
	AMR3026 Jet rear screen	1	From LA930672
	AMR3012 Clip retaining	1	From LA930672
13	RTC4848 Tubing	A/R	
14	EAM5549L Tee piece	1	
15	CJ600041L Clip hose	8	
16	PRC3030 Connector	2	
17	C34950L Clip retaining	3	
18	AB605051L Screw	3	
19	WA104001L Washer plain	3	
20	DRC1530 Finisher edge	2	
21	MRC8564 Stiffener	2	
22	PRC2291 Jet headlamp wash	2	
23	PRC3250 Spacer	4	
24	BH106141L Bolt	4	
25	WA106041L Washer plain	4	
26	WL106001L Washer spring	4	
27	PRC5141 Cable assembly	1	
28	ADU1784L Delay unit	1	
29	PRC5744 Reservoir windscreen wash	1	
	PRC8664 Cap reservoir	1	





Model DEFENDER 90
Page ADMXME4A

ELECTRICAL - HEADLAMP/FRONT/REAR SCREEN WASH



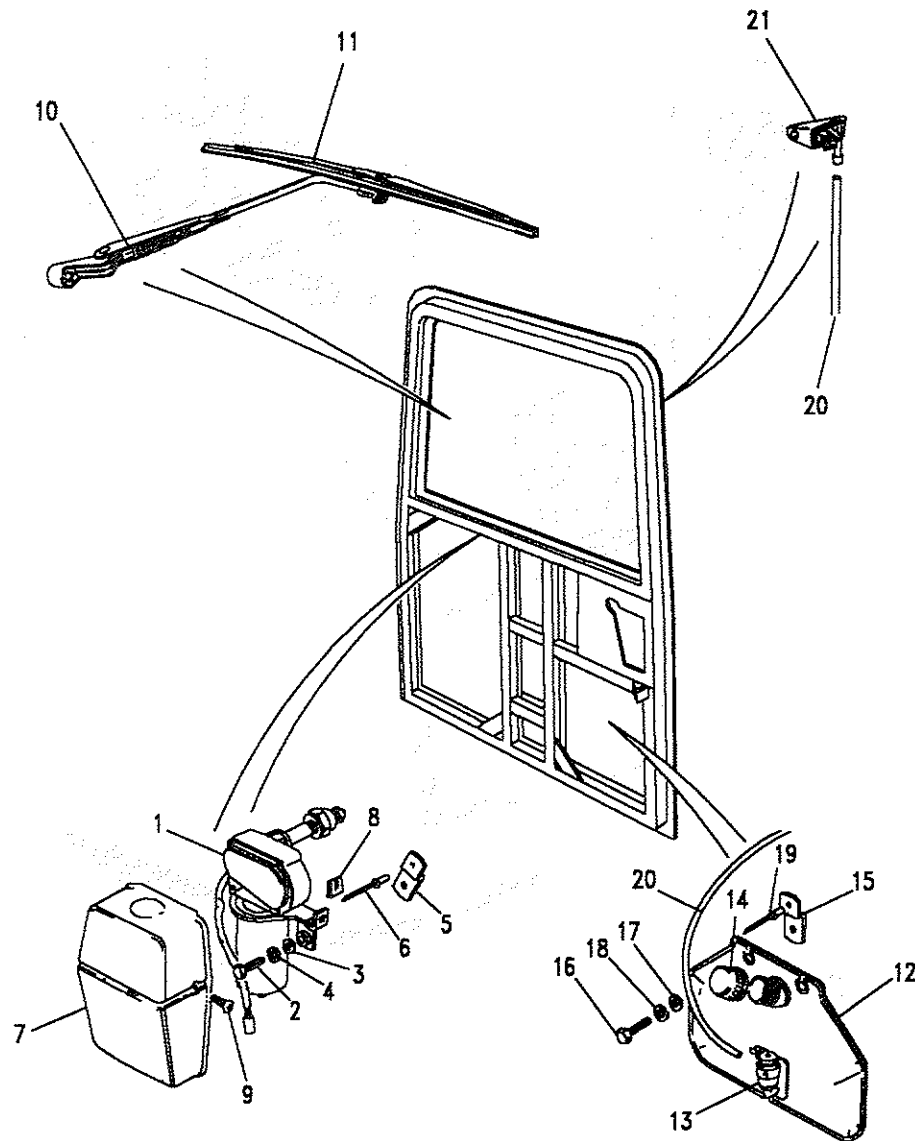
III. Part No.	Description	Qty	Remarks
30	ADU3905 Pump windscreen wash	1	
31	RTC3959 Grommet	1	
32	RTC3650 Tubing	A/R	
33	PRC5736 Jet windscreen	1	Up to LA930671
	AMR3025 Jet windscreen	1	From LA930671
	AMR3012 Clip retaining	1	From LA930671
34	PRC3974 Cable assembly	1	Up to LA939975
	AMR2978 Cable assembly	1	From MA939976
35	ACU5037 Valve non return -windscreen wash	1	From HA455946





Model DEFENDER 90
Page ADMXMI1A

ELECTRICAL - REAR WASH WIPE



III. Part No.	Description	Qty	Remarks
1	PRC4612	1	Motor wiper rear - Imos
	AMR1054	1	Motor wiper rear - Delco
2	SR106251L	1	Screw
3	WA106041L	1	Washer plain
4	WL106001	1	Washer spring
5	MUC1286	1	Bracket mounting
	ALR2622	1	Bracket mounting
6	RA610167	1	Rivet
	RA612207L	1	Rivet
7	PRC4613	1	Cover
	PRC4613LCS	1	Cover
	BTR3792LCS	1	Cover
8	AK608141	2	Nut spire
9	DA608044L	2	Screw
	STC443	1	Arm wiper and blade
10	PRC8558	1	Arm wiper
11	RTC6856	1	Blade wiper
	PRC8559	1	Blade wiper
12	PRC4436	1	Washer bag and pump
13	ADU3905	1	Pump
14	RTC3175	1	Cap

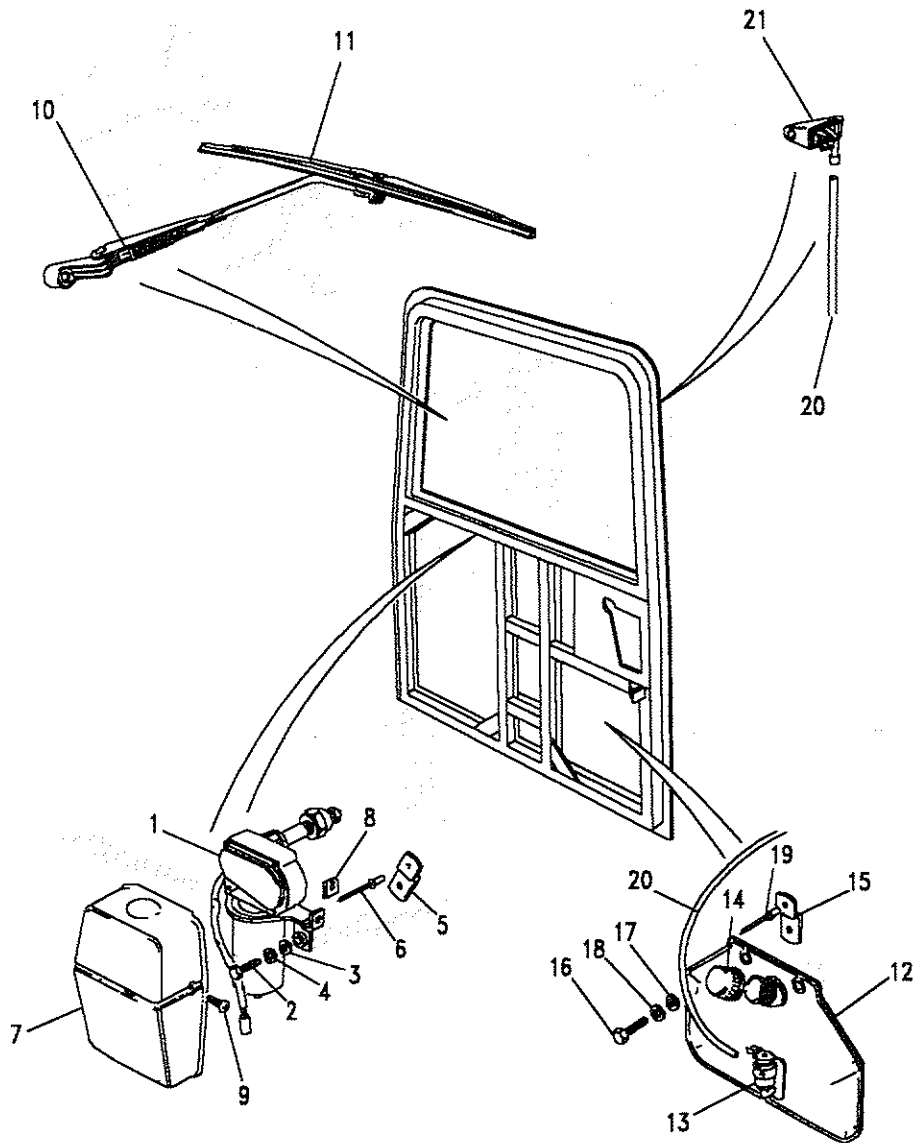
Note(1) VIN 314174 - Introduction of 1988 Model Year.





Model DEFENDER 90
Page ADMXMI1A

ELECTRICAL - REAR WASH WIPE



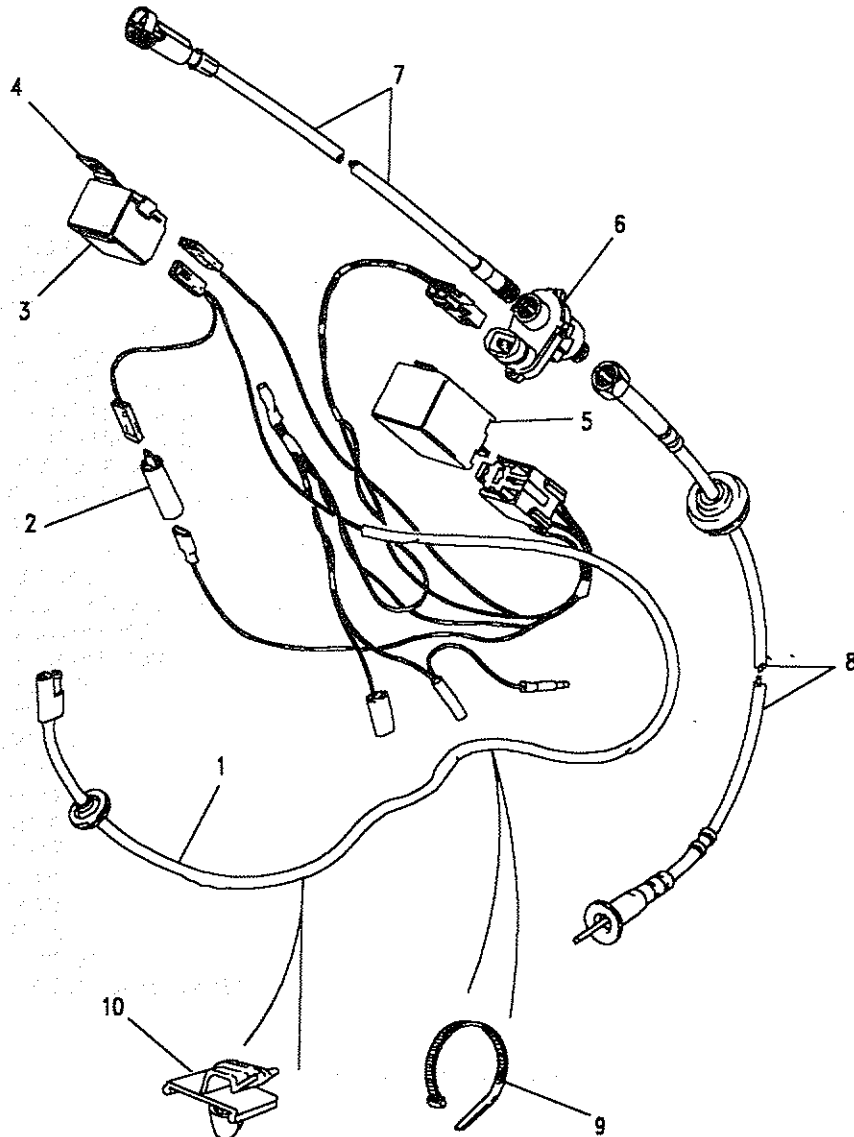
III. Part No.	Description	Qty	Remarks
15 MUC1287	Bracket mounting	2)Up to VIN 270227
16 SH106201	Screw	2)
17 WJ106001L	Washer plain	2)
18 WL106001	Washer spring	2)
19 RA610167	Rivet	2)
20 RTC3650	Tubing	A/R)
21 EAM9332	Jet	1)





Model DEFENDER 90
Page ADMXVA1A

ELECTRICAL - SEAT BELT AND OVERSPEED WARNING SYSTEM



III. Part No.	Description	Qty	Remarks
1 PRC4301	Cable assembly	1	Note(1)
AMR3039	Cable assembly	1	Note(2)
2 AAU5034	Diode	1	
3 PRC4299	Buzzer	1	
4 PRC4304	Clip buzzer mounting	1	
SE105121	Screw M5	1	
WA105041	Washer plain	1	
NH105041	Nut M5	1	
5 PRC4268	Overspeed monitor unit	1	
AFU2879	Clip monitor unit	2	
DRC1245	Bracket mounting	1	
AR606021	Screw	1	
6 PRC4497	Sensor vehicle speed	1	
7 PRC4298	Cable speedometer upper	1	Upto VIN 299084
8 PRC4282	Cable speedometer lower	1	Upto VIN 299084
PRC6037	Cable speedometer upper	1	From VIN 299085
PRC6036	Cable speedometer lower	1	From VIN 299085
9 C43640	Cable tie	5	
10 AFU2879	Cable clip	2	

Note(1) Seat belt and overspeed warning.
Note(2) Fitted from MA939976.

