

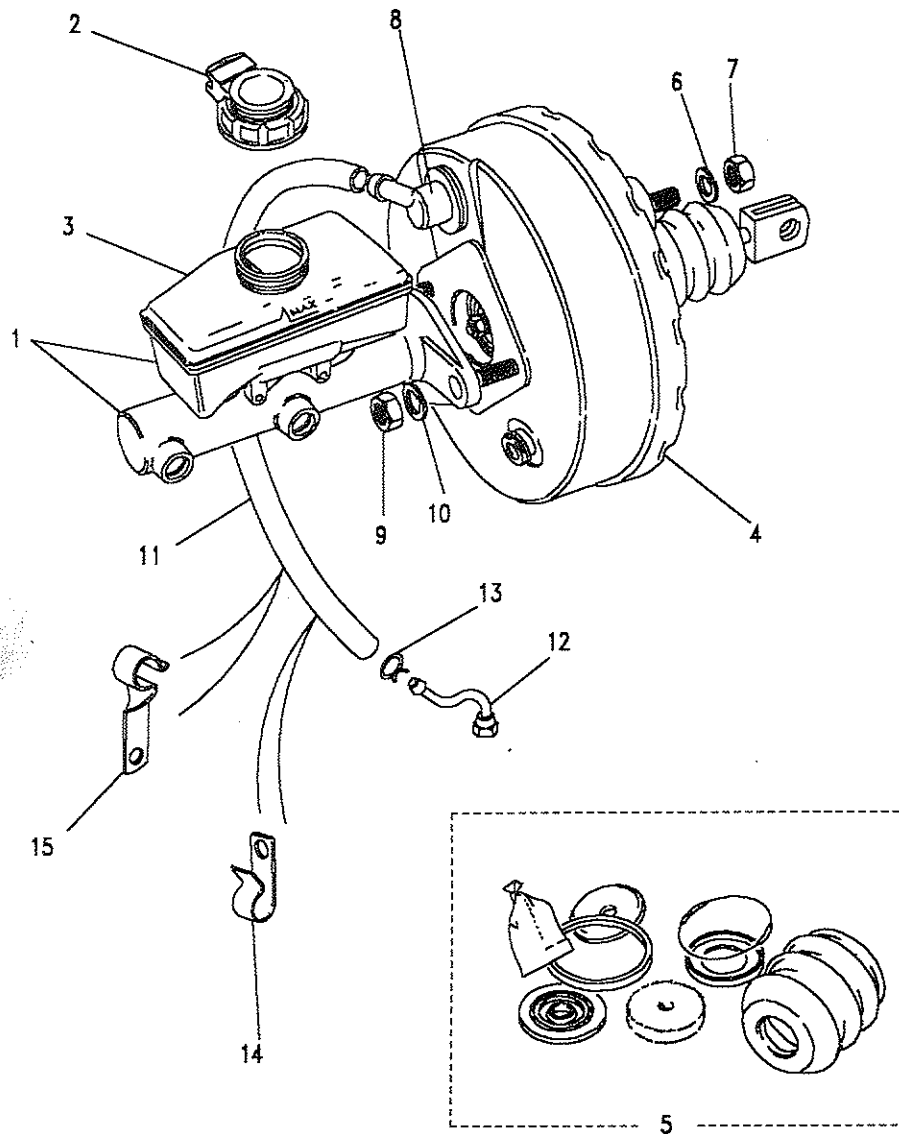


MASTER INDEX

GROUP H

INTRODUCTION PAGES	PAGES		
ALPHABETICAL INDEX	1 - 5		
ENGINE	6 - 14		
ENGINE	15 - 65		
ENGINE	66 - 117		
ENGINE	118 - 171		
ENGINE	172 - 217		
ENGINE	218 - 261		
ENGINE	262 - 297		
ENGINE	298 - 367		
GEARBOX	368 - 394		
GEARBOX	395 - 411		
GEARBOX	412 - 425		
TRANSFER BOX	426 - 456		
TRANSFER BOX	457 - 474		
AXLES AND SUSPENSION	475 - 531		
STEERING	532 - 564		
VEHICLE AND ENGINE CONTROLS	565 - 580		
BRAKES	581 - 603		
FUEL SYSTEM AND AIR CLEANER	604 - 645		
EXHAUST SYSTEM	646 - 660		
COOLING/HEATING	661 - 709		
COOLING/HEATING	710 - 718		
BODY ELECTRICAL	719 - 793		
BODY AND CHASSIS	794 - 923		
INTERIOR TRIM	924 - 965		
SEATS	966 - 1009		
STOWAGE	1010 - 1017		
ACCESSORIES - PAINTS	1018 - 1042		
NUMERICAL INDEX	1044 - 1122		
		GROUP H	
		BRAKES	
		BRAKES	
		BRAKE MASTER CYLINDER AND SERVO	582 - 584
		VACUUM HOSES - AIR CONDITIONING	585
		VACUUM HOSE - AIR CONDITIONING	586
		FRONT BRAKE PIPES	587
		FRONT BRAKE PIPES - RHS	588
		FRONT BRAKE PIPES - LHS	589
		FRONT BRAKE PIPES - FROM VIN LA930456	590 - 591
		REAR BRAKE PIPES	592 - 593
		REAR BRAKE PIPES - FROM VIN MA930457	594
		FRONT BRAKES - UPTO VIN 930455	595 - 596
		FRONT BRAKES - FROM VIN LA930456	597
		REAR DRUM BRAKES - UPTO VIN 930455	598
		REAR DISC BRAKES - FROM VIN LA930456	599
		HANDBRAKE LEVER	600 - 601
		HANDBRAKE CABLE	602 - 603





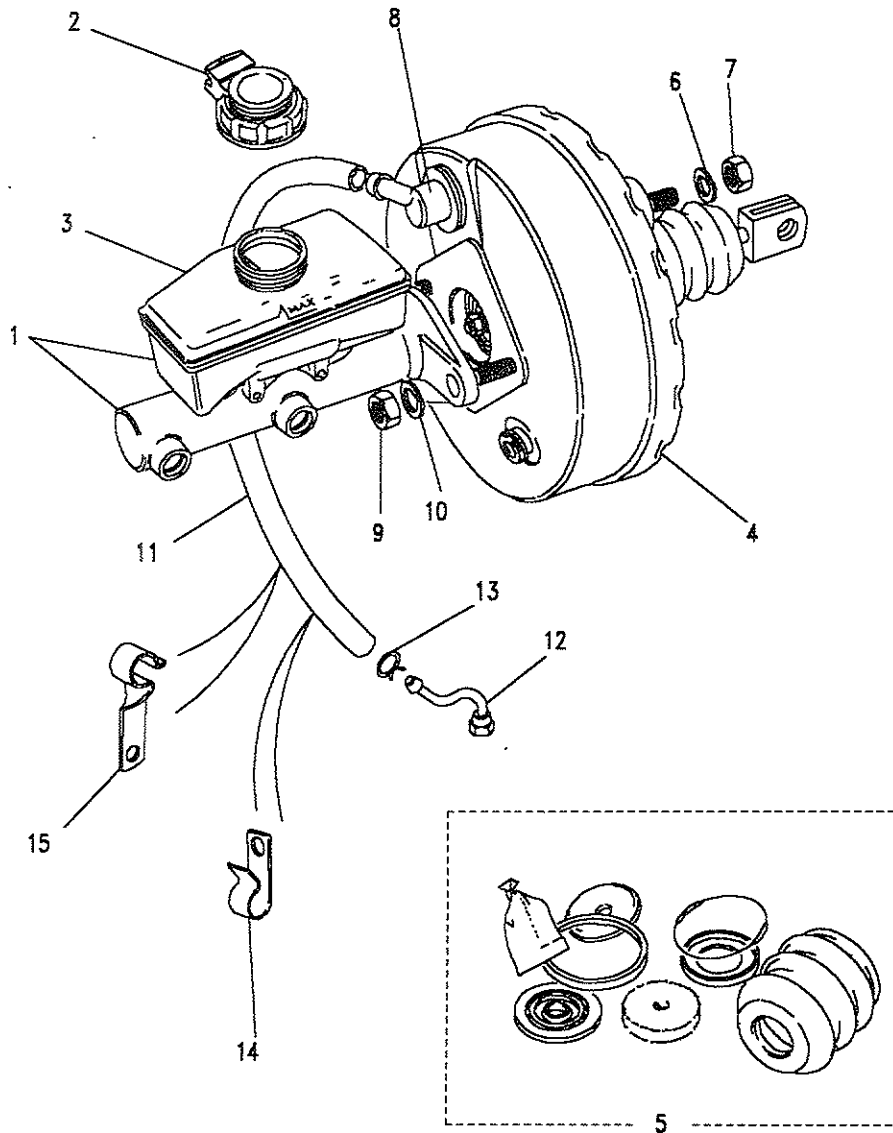
Model DEFENDER 90
Page ADHXAA1A

BRAKES - BRAKE MASTER CYLINDER AND SERVO

III. Part No.	Description	Qty	Remarks
Upto VIN HA701009			
1	NRC9529	1	Master cylinder brake
2	NTC4414	1	Cap master cylinder
3	RTC3388	1	Kit fluid reservoir
	AEU1044	2	Pin
	RTC3387	1	Kit master cylinder
	NRC9233	1	Seal-servo to pedal box
4	NRC4775	1	Servo assembly
	NRC4772	1	Servo assembly
5	18G8951L	1	Kit servo repair
	AEU2741	1	Kit servo repair
6	WL108001L	4	Washer spring
7	FN108041L	4	Nut
8	18G8953L	1	Valve non return
9	NH110041L	2	Nut
10	WL110001L	2	Washer spring
11	CRC2131	1	Vacuum hose 930mm
	NTC3372	1	Vacuum hose 1560mm
	NTC3372	1	Vacuum hose 1560mm
	CRC2135	1	Vacuum Hose 1092mm
12	569714	1	Adaptor pipe

Note(1) Type 50 - 227mm diameter, non return valve aperture at bottom, right of centre

Note(2) Type 80 - 276mm diameter, non return valve aperture at top, left of centre



Model DEFENDER 90
 Page ADHXAA1A

BRAKES - BRAKE MASTER CYLINDER AND SERVO

III. Part No.	Description	Qty	Remarks
13 572548	Clamp hose	2	
CS600244L	Clamp hose	2	Diesel Turbo-LHS
568680	Cable tie	3	Diesel Turbo-LHS
CS600244L	Clamp hose	2	200Tdi-LHS
568680	Cable tie	3	200Tdi-LHS
14 240407	Clip hose	1	4 Cyl Petrol
15 614617	Clip hose	1	V8
NRC9338	Clip hose	1	Diesel Turbo LHS
NRC9338	Clip hose	1	200Tdi-LHS
345662	Clip-low fluid hose	1	



Model DEFENDER 90
Page ADHXAA2A

BRAKES - BRAKE MASTER CYLINDER AND SERVO

Ill. Part No. **Description** **Qty** **Remarks**

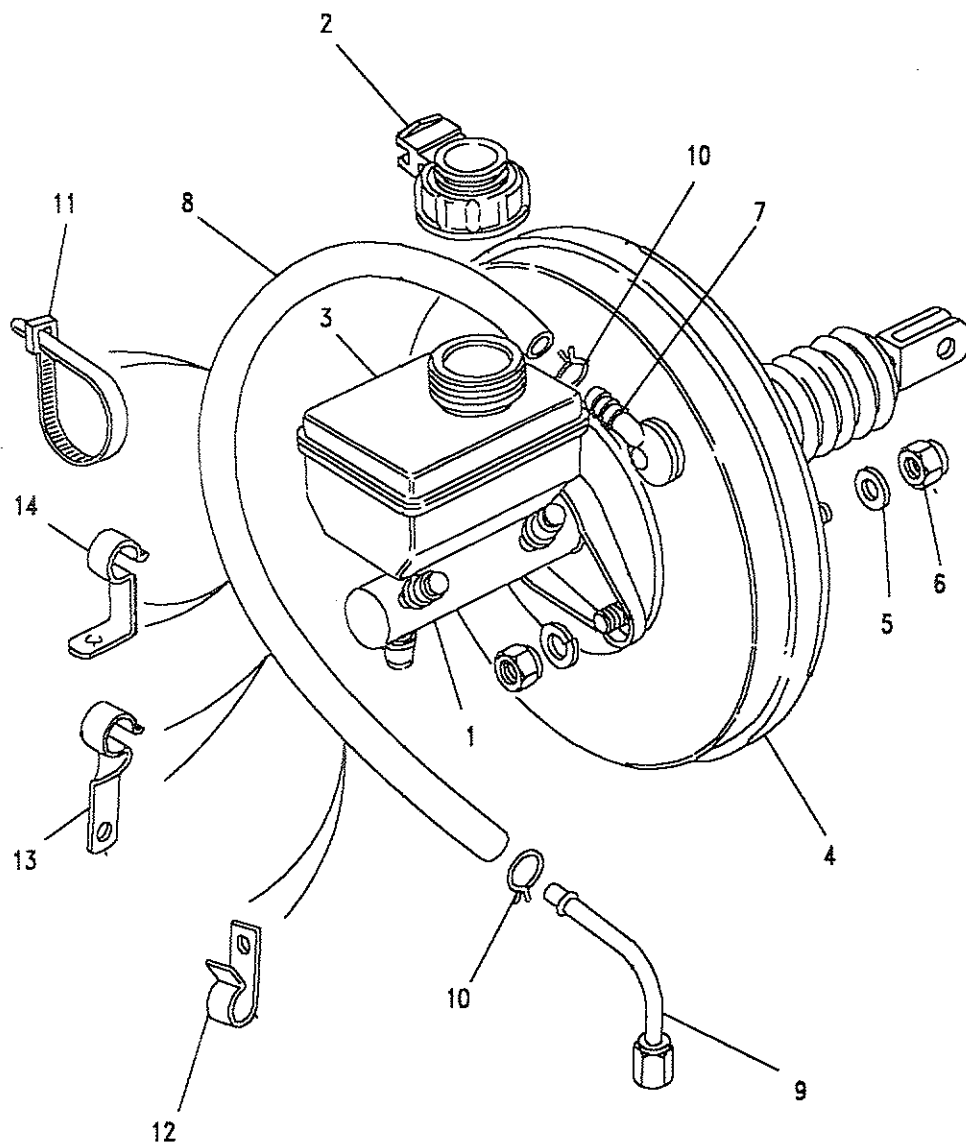
From VIN HA701010

1	STC441	Master cylinder brake	1	
2	NTC4414	Cap Master cylinder	1	
3	STC492	Kit fluid reservoir	1	
	STC491	Kit master cylinder	1	
4	STC442	Servo assembly	1	Note(1)
5	WA108051L	Washer plain	4	
6	NY108041L	Nut	4	
7	STC493	Valve non return	1	
8	ANR2783	Vacuum hose RHS	1	300Tdi Note(2)
	ANR2784	Vacuum hose LHS	1	300Tdi Note(2)
	CRC2131	Vacuum Hose 930mm	1	
	NTC3372	Vacuum Hose LHS 1560mm	1	200TdiNote(1)
	CRC2135	Vacuum Hose 1092mm	1	V8-RHS
9	569714	Adaptor pipe	1	4 Cyl Petrol
10	572548	Clamp hose	2	
	CS600244L	Clamp hose	2	200Tdi-LHS
11	568680	Cable tie	3	200Tdi-LHS
12	240407	Clip hose	1	4 Cyl Petrol
13	614617	Clip hose	1	V8
14	NRC9338	Clip hose	1	200Tdi-LHS

Note(1) From HA701011, up to LA939975

Note(2) From MA939976

Note(3) There is no repair kit for the Servo Assembly



Model DEFENDER 90

Page ADHXAA3A

BRAKES - VACUUM HOSES - AIR CONDITIONING

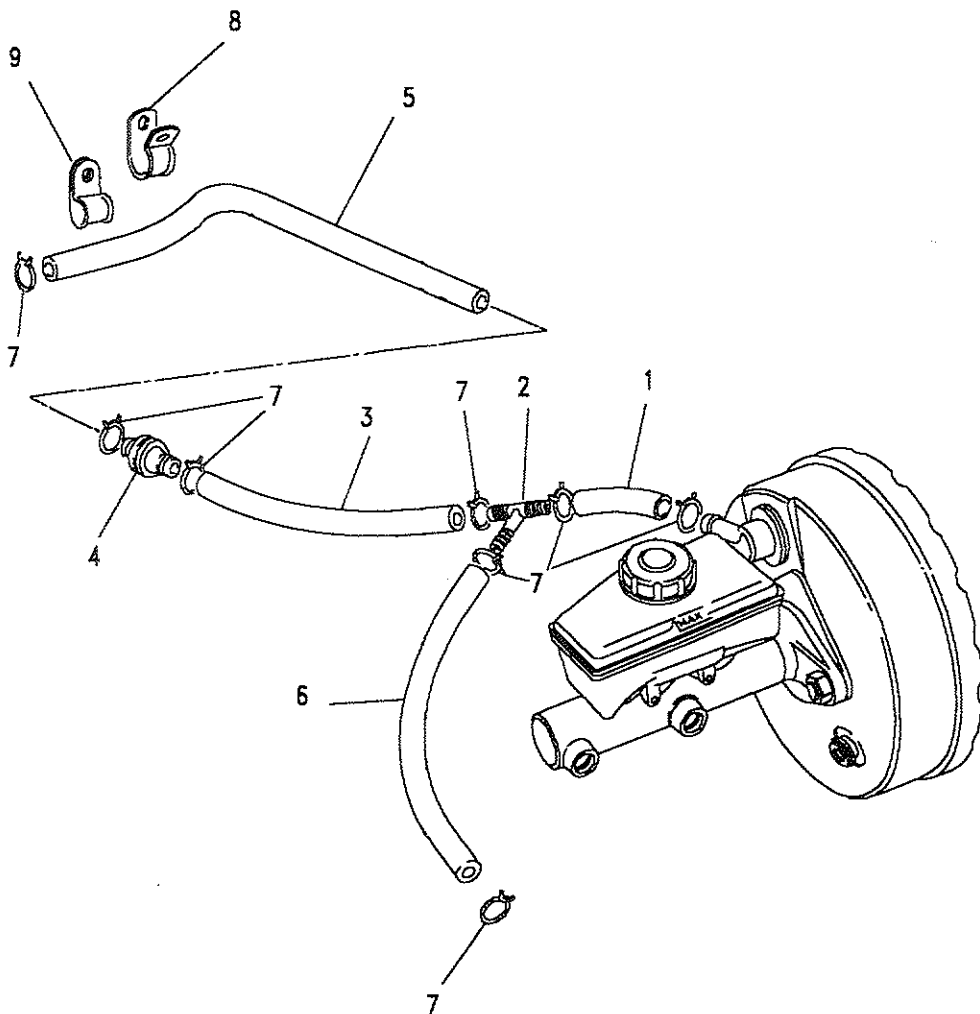
III. Part No.

Description

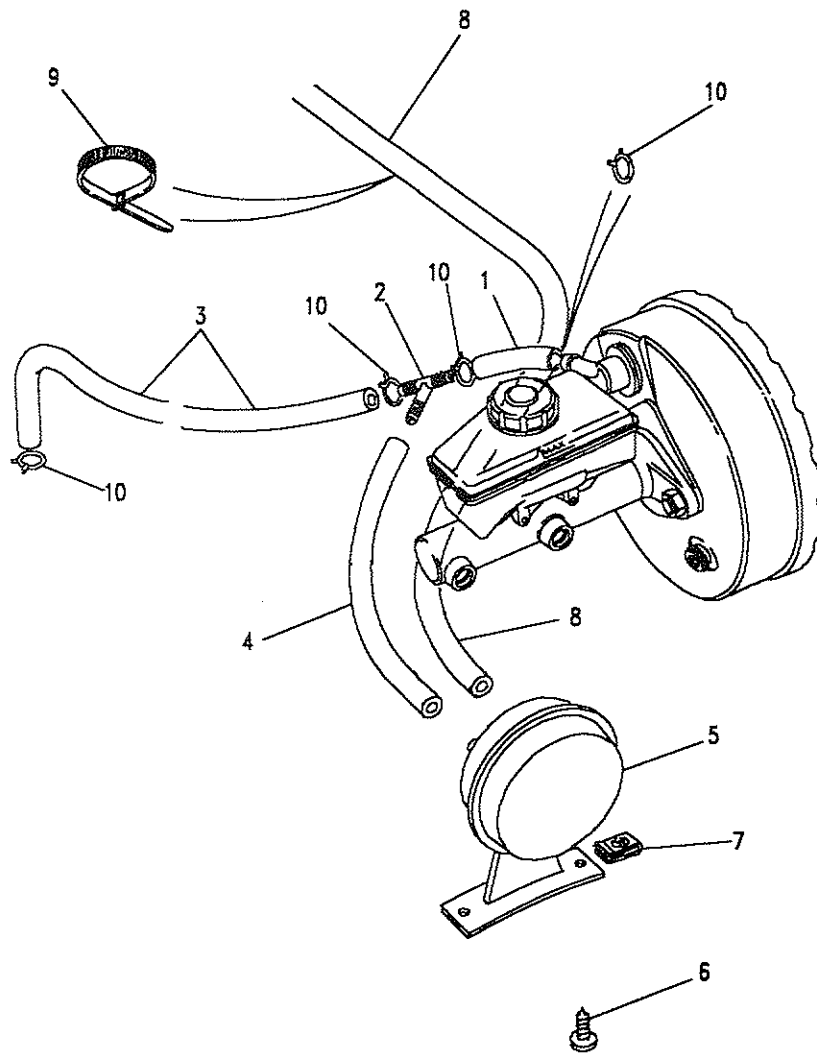
Qty Remarks

Upto VIN 273531

1	NRC8349	Vacuum hose	1	Petrol
	CRC2131	Vacuum hose	1	Diesel
	CRC2135	Vacuum hose	1	Diesel Turbo
2	592443	Tee piece	1	
3	NRC8629	Vacuum hose	1	Petrol
	CRC2134	Vacuum hose	1	Diesel
	CRC2131	Vacuum hose	1	Diesel Turbo
4	NRC8593	Valve one way	1	
5	NRC8352	Vacuum hose-heater/cooler	1	Petrol
	CRC2131	Vacuum hose-heater/cooler	1	Diesel
	CRC2131	Vacuum hose-heater/cooler	1	Diesel Turbo
6	CRC2133	Vacuum hose-engine	1	4 Cyl Petrol
	NRC8352	Vacuum hose-engine	1	V8
	CRC2144	Vacuum hose-pump	1	Diesel
	CRC2131	Vacuum hose-pump	1	Diesel Turbo
7	CS600244L	Clamp hose	8	
8	CP105121L	Clip	1	Petrol
9	56667	Clip	1	Diesel



Model DEFENDER 90
Page ADHXAA4A

BRAKES - VACUUM HOSE - AIR CONDITIONING


III. Part No.	Description	Qty	Remarks
From VIN 273532			
1 NRC8349	Vacuum hose	1	LHS
CRC2131	Vacuum hose	1	RHS
2 MUC4865	Tee piece	1	
3 CRC2131	Vacuum hose-engine	1	4 Cyl Petrol
NRC8352	Vacuum hose-engine	1	V8-LHS
CRC2131	Vacuum hose-engine	1	V8-RHS
CRC2131	Vacuum hose-pump	1	Diesel
NTC3372	Vacuum hose-pump	1	Diesel Turbo LHD
NTC3372	Vacuum hose 1395mm	1	200Tdi LHS
			Upto VIN HA701009
NTC8592	Vacuum hose LHS 1395mm	1	200Tdi
			From HA701010
4 MUC4866	Vacuum hose	1	
5 MUC1679	Vacuum tank	1	
6 AB606041L	Screw	2	
7 AK612011L	Nut spire	2	
8 MWC4854	Vacuum hose	1	
9 568680	Cable tie	3	
10 CS600244L	Clamp hose	4	



Model DEFENDER 90

Page ADHXCA1A

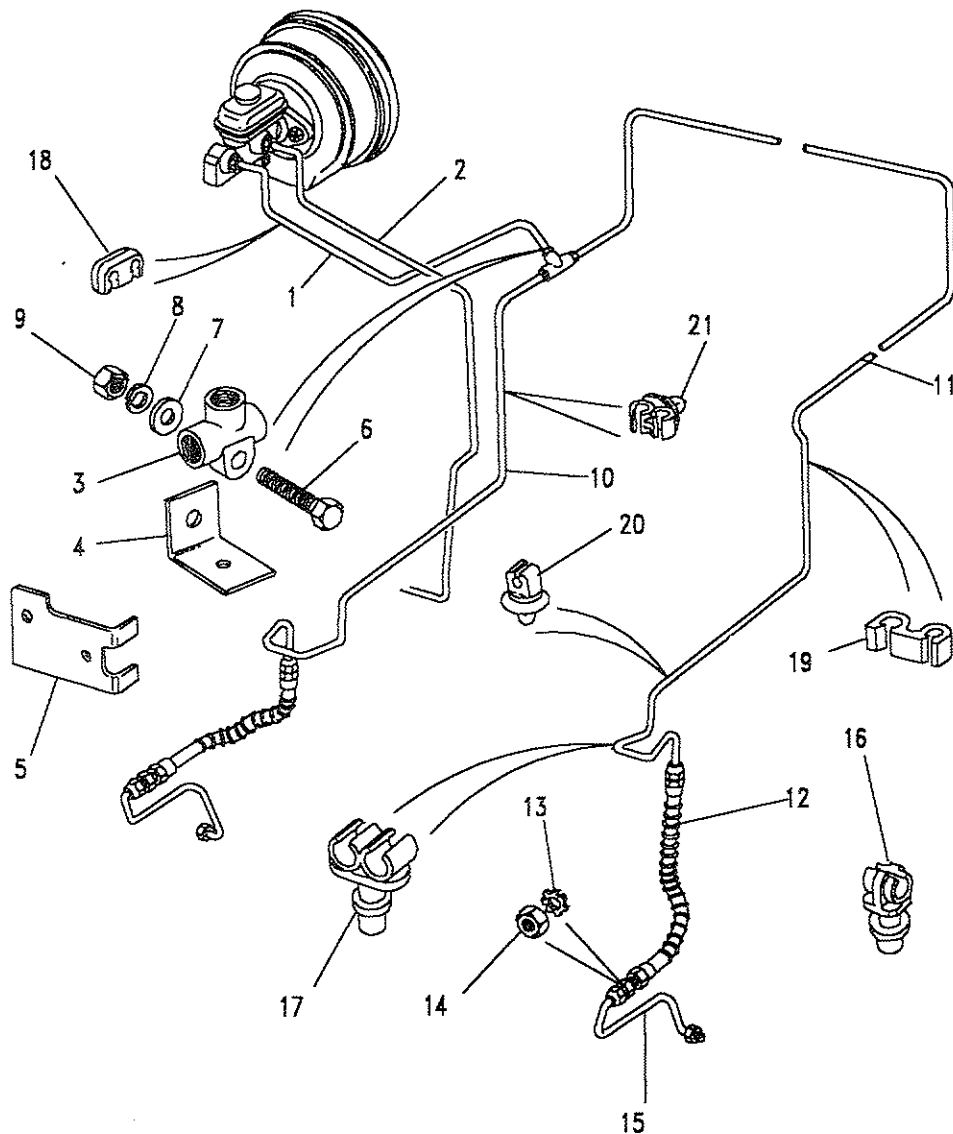
BRAKES - FRONT BRAKE PIPES

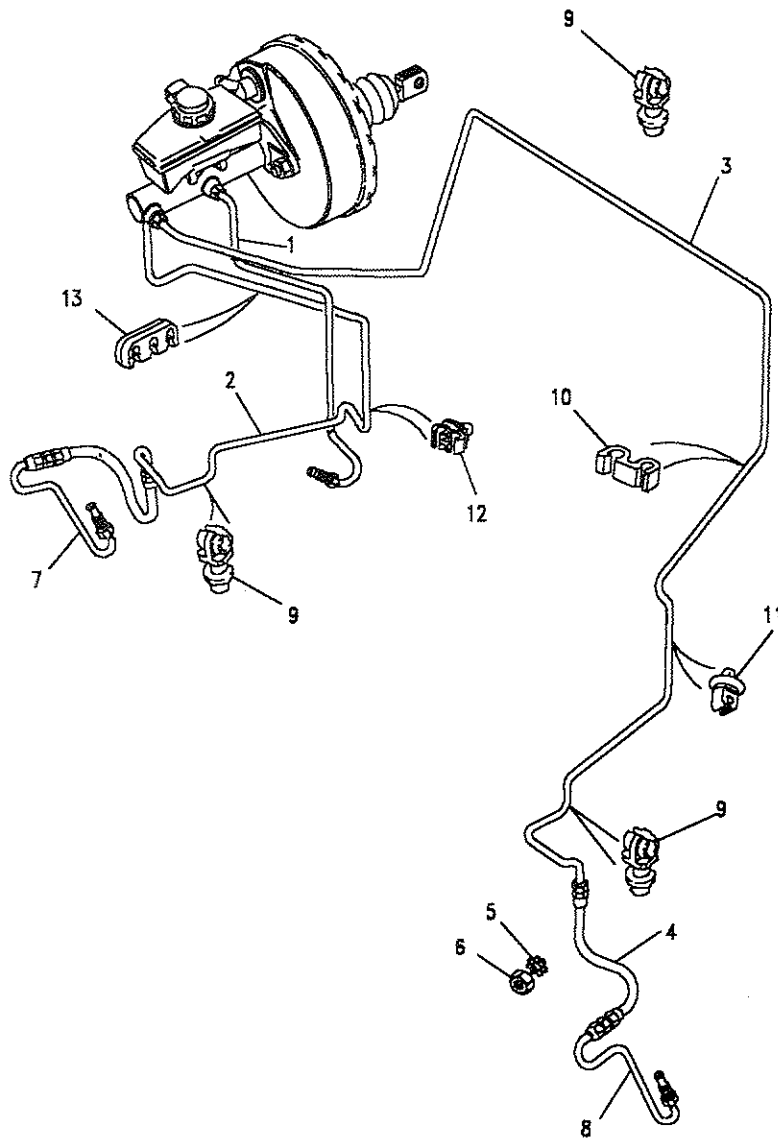
Ill. Part No.	Description	Qty	Remarks
---------------	-------------	-----	---------

Vehicles with front disc and rear drum brakes

Upto VIN HA701009

1	NRC9434	1	RHS	Pipe brake-tee piece
	NRC9435	1	LHS	Pipe brake-tee piece
2	NRC9432	1	RHS	Pipe brake-G valve
	NRC9431	1	LHS	Pipe brake-G valve
3	NRC4251	1		Tee piece
4	NRC9690	1	RHS	Bracket support
5	NRC9683	1	LHS	Bracket support
6	BH106061L	1		Bolt
7	WC106041L	1	RHS	Washer plain
8	WL106001L	1		Washer spring
9	NH106041L	1		Nut
10	NRC9438	1	RHS	Pipe brake-front RH
	NRC9437	1	LHS	Pipe brake-front RH
11	NRC9436	1	RHS	Pipe brake-front LH
	NRC9435	1	LHS	Pipe brake-front LH
12	NRC7874	2		Hose brake
13	WF110001L	4		Washer shakeproof
14	CRC1487	4		Nut
15	NRC9304	1		Pipe brake-caliper
	NRC9305	1		Pipe brake-caliper
16	CRC1250	A/R		Pipe Clip
17	79125	A/R		Pipe Clip
18	AAU7803	2		Pipe Clip
19	NTC1175	1		Pipe Clip
20	NTC1176	1		Pipe Clip
21	ADU2003L	1		Pipe Clip



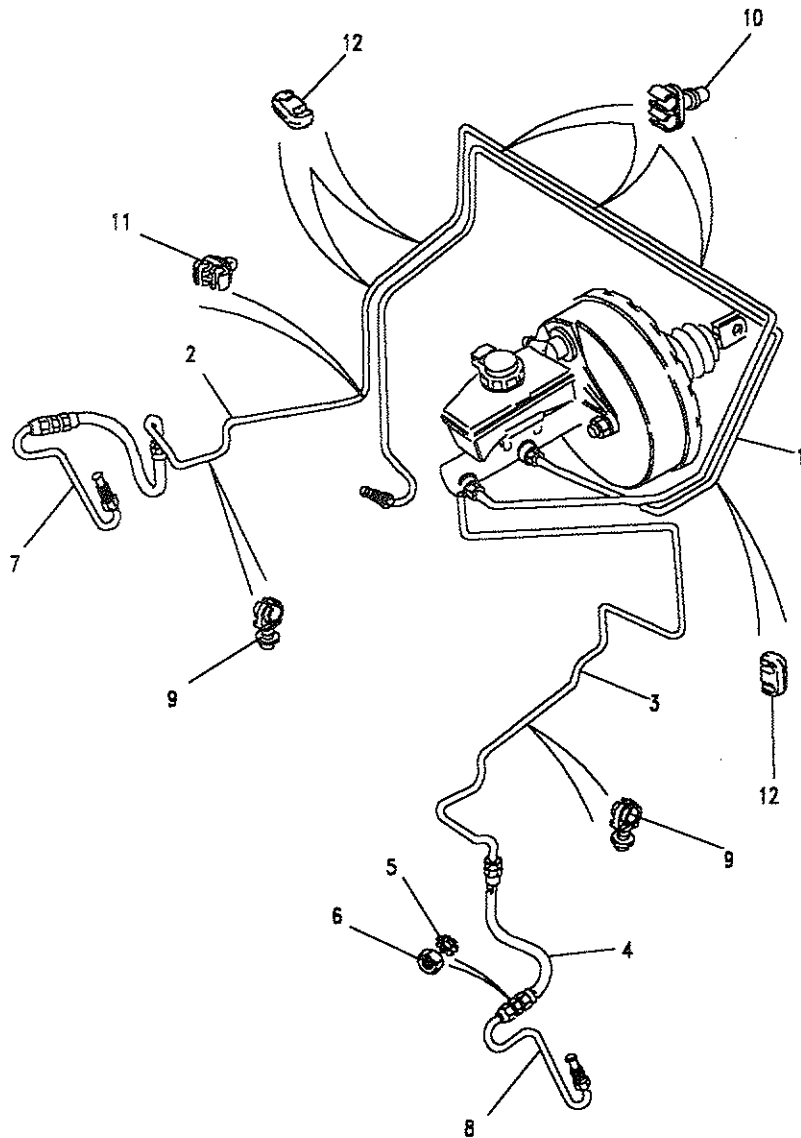


Model DEFENDER 90
Page ADHXCA2A

BRAKES - FRONT BRAKE PIPES - RHS

III. Part No.	Description	Qty	Remarks
Vehicles with front disc and rear drum brakes			
From VIN HA701010 - Upto VIN 930455			
1	NTC8452	1	Pipe brake-G valve
2	NTC5711	1	Pipe brake-front RH
3	NTC5709	1	Pipe brake-front LH
4	NRC7874	2	Hose brake
5	WF110001L	4	Washer shakeproof
6	CRC1487	4	Nut
7	NRC9575	1	Pipe brake-caliper RH
8	NRC7799	1	Pipe brake-caliper LH
9	CRC1250L	4	Pipe Clip
10	NTC1175	1	Pipe Clip
11	NTC1176	1	Pipe Clip
12	NTC1177	1	Pipe Clip
13	ADU8846L	1	Pipe Clip





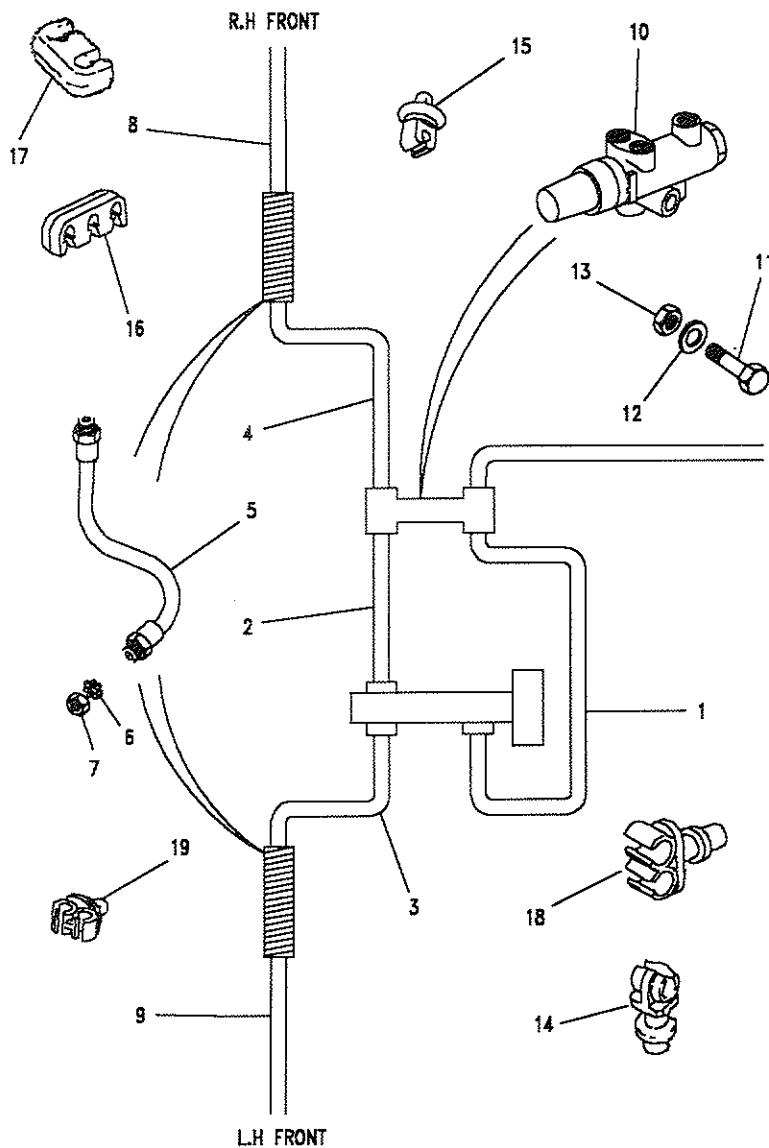
Model DEFENDER 90
 Page ADHXCA3A

BRAKES - FRONT BRAKE PIPES - LHS

III. Part No. Description Qty Remarks
 vehicles with front disc and rear drum brakes

From VIN HA701010 - Upto VIN 930455			
Part No.	Description	Qty	Remarks
1	NTC8451	1	Pipe brake-G valve
2	NTC8450	1	Pipe brake-front RH
3	NTC5708	1	Pipe brake-front LH
4	NRC7874	2	Hose brake
5	WF110001L	4	Washer shakeproof
6	CRC1487	4	Nut
7	NRC9575	1	Pipe brake-caliper RH
8	NRC7799	1	Pipe brake-caliper LH
9	CRC1250L	2	Pipe Clip
10	79127	3	Pipe Clip
11	NTC1177	1	Pipe Clip
12	AAU7803	3	Pipe Clip





Model DEFENDER 90
Page ADHXCA4A

BRAKES - FRONT BRAKE PIPES - FROM VIN LA930456

III. Part No.	Description	Qty	Remarks
Vehicles with front and rear disc brakes			
1 NTC7961	Pipe brake -m/cyl to valve rear	1	RHS
NTC7962	Pipe brake -m/cyl to valve rear	1	LHS Note(3)
ANR3770	Pipe brake -m/cyl to valve rear	1	LHS Note(4)
2 NTC7968	Pipe brake -m/cyl to valve front	1	RHS
NTC7970	Pipe brake -m/cyl to valve front	1	LHS
3 ANR2503	Pipe brake -valve to front RH	1	
4 NTC9726	Pipe brake -m/cyl to front LH	1	RHS
NTC5708	Pipe brake -m/cyl to front LH	1	LHS
5 NRC7874	Hose brake	2	
6 WF110001L	Washer shakeproof	4	
7 CRC1487	Nut	4	
8 NRC9575	Pipe brake-caliper RH	1	Note(1)
ANR2946	Pipe brake-caliper RH	1	Note(2)
9 NRC7799	Pipe brake-caliper LH	1	Note(1)
ANR2947	Pipe brake-caliper LH	1	Note(2)

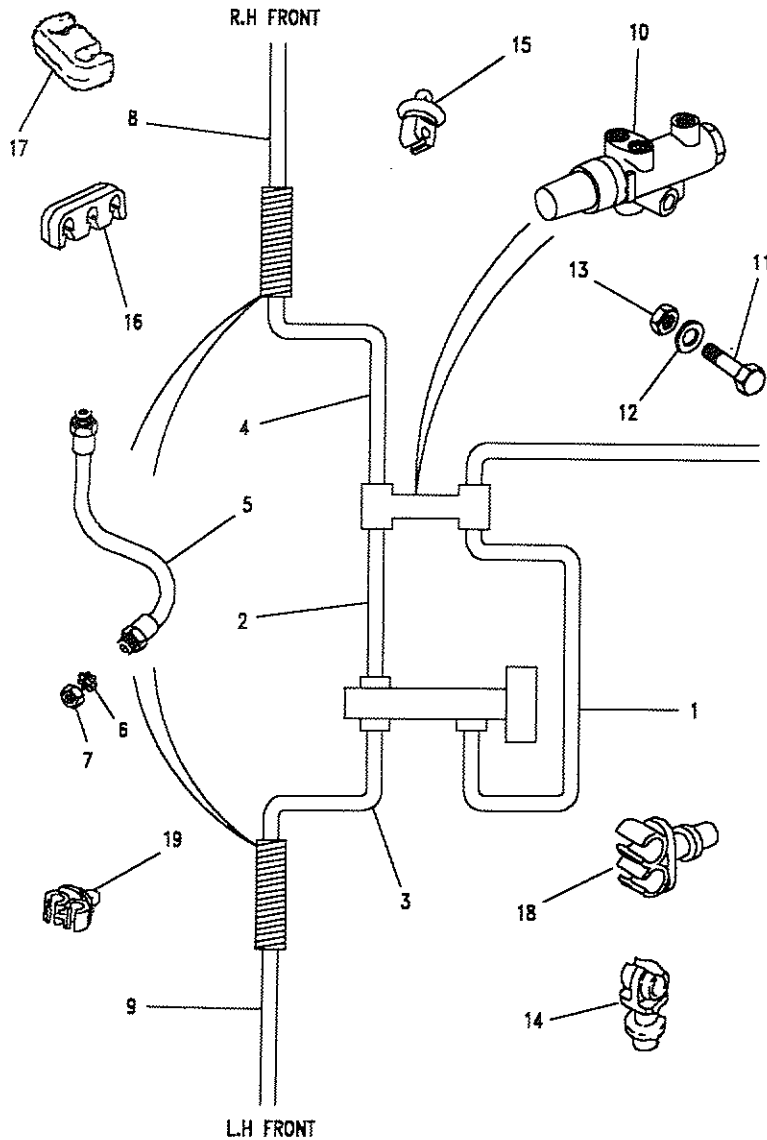
Note(1) Up to LA939975
 Note(2) From MA939976
 Note(3) Up to MA948860
 Note(4) From MA948861



Model DEFENDER 90

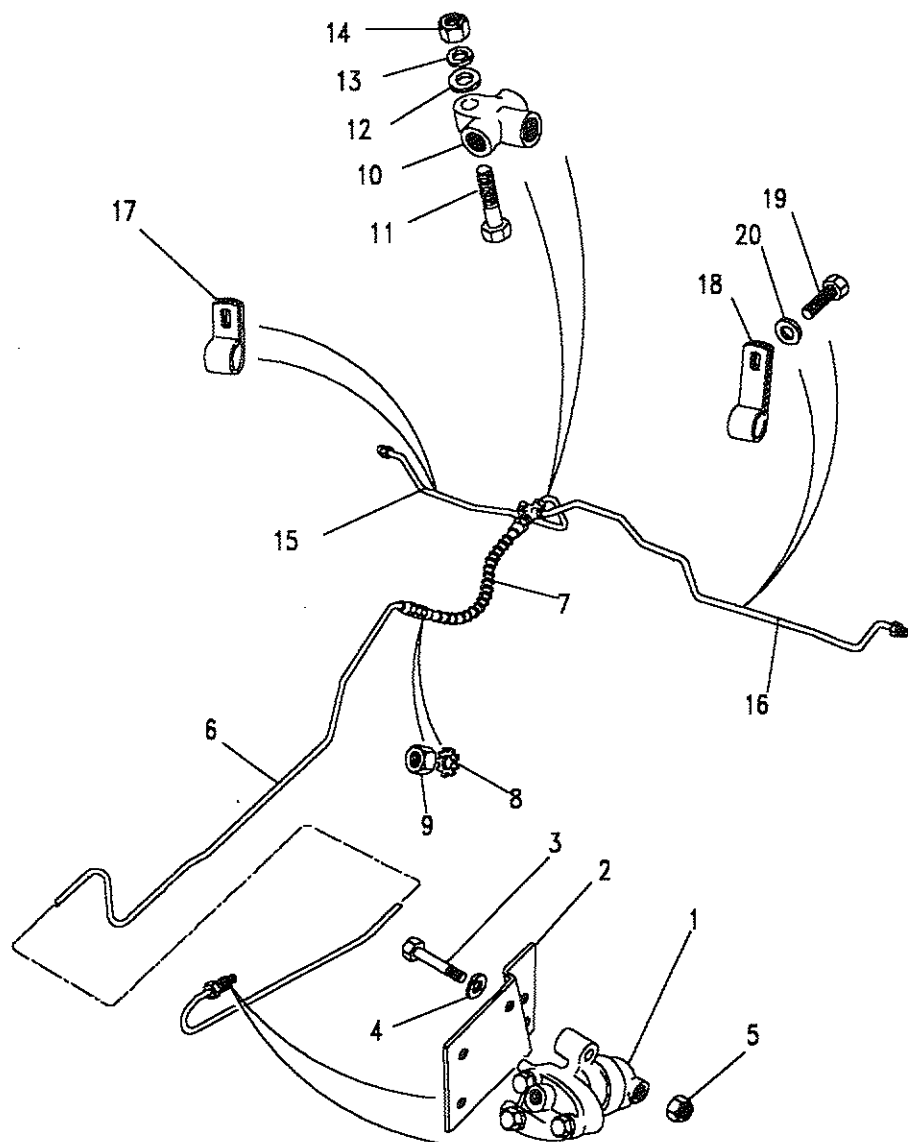
Page ADHXCA4A

BRAKES - FRONT BRAKE PIPES - FROM VIN LA930456



III. Part No.	Description	Qty	Remarks
10	NTC8836	1	Valve brake 40PRF24
11	BH106091L	1	Bolt
12	WL106001L	1	Washer spring
13	NH106041L	1	Nut
14	CRC1250L	1	Pipe clip single
14	CRC1250L	2	Pipe clip single
15	NTC1176	1	Pipe clip single
16	ADU8846L	1	Pipe clip triple
17	AAU7803	2	Pipe clip double
17	AAU7803	3	Pipe clip double
18	79127	3	Pipe clip double
18	79127	3	Pipe clip double
19	NTC1177	1	Pipe clip double





Model DEFENDER 90

Page ADHXEA1A

BRAKES - REAR BRAKE PIPES

III. Part No. Description Qty Remarks

Vehicles with front disc and rear drum brakes

Upto VIN HA701009

1	NRC8215	G Valve	1	
2	NRC8897	Bracket support	1	
3	BH108091L	Bolt	1	
4	WA108051L	Washer plain	1	
5	NY108041L	Nut	1	
6	NTC1636	Pipe brake rear	1	
7	NRC9455	Hose brake	1	
8	WF110001L	Washer shakeproof	1	
9	CRC1487	Nut	1	
10	NRC4251	Tee piece	1	
11	BH106061L	Bolt	1	
12	WC106041L	Washer plain	1	
13	WL106001L	Washer spring	1	
14	NH106041L	Nut	1	
15	NRC8902	Pipe brake rear RH	1	
16	NRC9757	Pipe brake rear LH	1	
17	577873	Pipe Clip	2	
18	11820L	Pipe Clip	1	
19	79004	Screw	3	Upto VIN 341764
	SL510031	Screw	3	From VIN 341765
20	WC702101L	Washer plain	3	



Model DEFENDER 90

Page ADHXEA2A

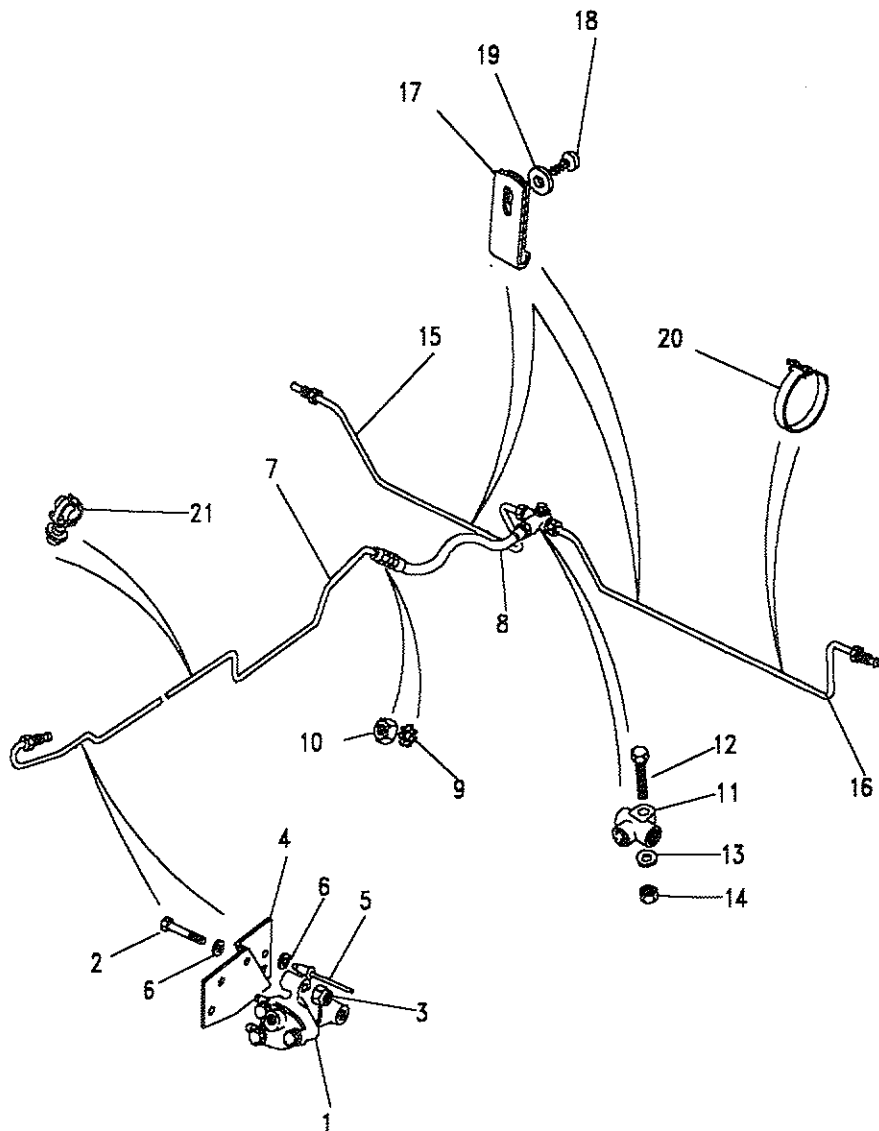
BRAKES - REAR BRAKE PIPES

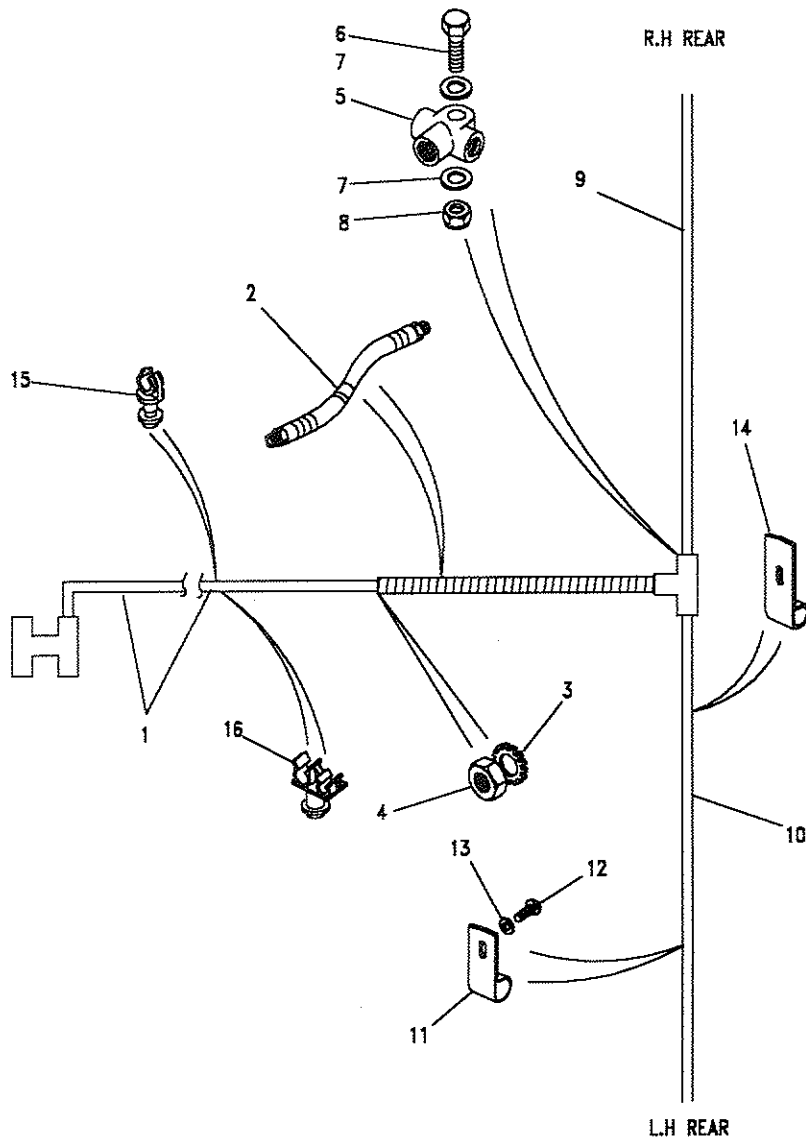
III. Part No.	Description	Qty	Remarks
---------------	-------------	-----	---------

Vehicles with front disc and rear drum brakes

From VIN HA701010 - Upto VIN 930455

1	NRC8215	G Valve	1
2	BH108091L	Bolt	1
3	NY108041L	Nut	1
4	NRC8897	Bracket support	1
5	RA612207L	Rivet	2
6	2266L	Washer plain	2
7	NTC1636	Pipe brake rear	1
8	NRC9455	Hose brake	1
9	WF110001L	Washer shakeproof	1
10	CRC1487	Nut	1
11	NRC4251	Tee piece	1
12	BH106061L	Bolt	1
13	WA106041L	Washer plain	2
14	NH106041L	Nut	1
15	NRC8902	Pipe brake-rear RH	1
16	NRC9757	Pipe brake-rear LH	1
17	577873	Clip	2
18	SL510031	Screw	2
19	WC702101L	Washer plain	2
20	11820L	Clip	1
21	CRC1250L	Pipe Clip	5





Model DEFENDER 90

Page ADHXEA3A

BRAKES - REAR BRAKE PIPES - FROM VIN MA930457

III. Part No.	Description	Qty	Remarks
Vehicles with front and rear disc brakes			
1	ANR2775	1	Pipe brake-valve to rear
2	NRC9455	1	Hose brake
3	WF110001L	1	Washer shakeproof
4	CRC1487	1	Nut
5	NRC4251	1	Tee piece
6	BH106061L	1	Bolt
7	WA106041L	2	Washer plain
8	NH106041L	1	Nut
9	NTC7676	1	Pipe brake-rear RH
10	NTC7689	1	Pipe brake-rear LH
11	NTC8242	3	Pipe clip double
12	AB610041L	2	Screw
13	WC702101L	2	Washer plain
14	NTC8243	3	Clip double
15	CRC1250L	2	Pipe clip single
16	79127	2	Pipe clip double



Model DEFENDER 90
Page ADHXGA1A

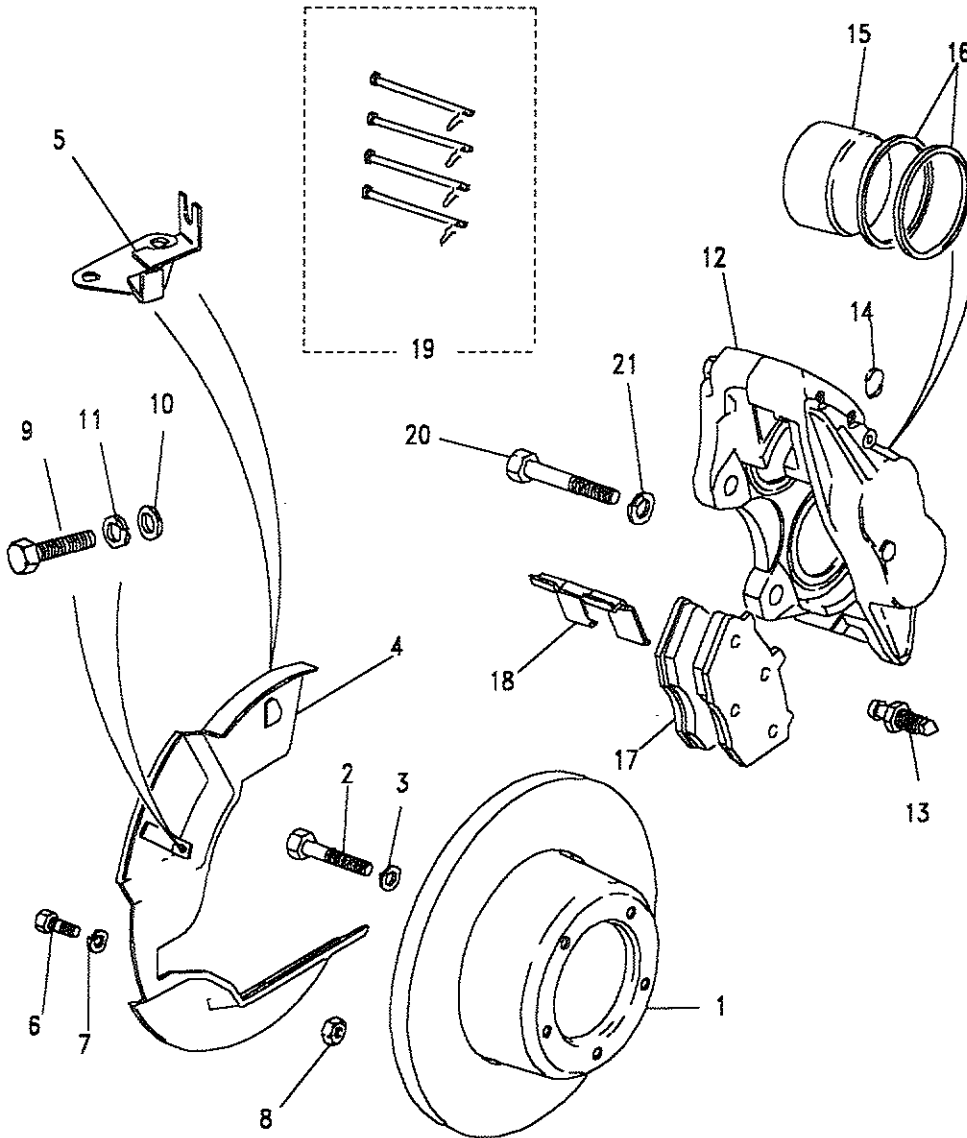
BRAKES - FRONT BRAKES - UPTO VIN 930455

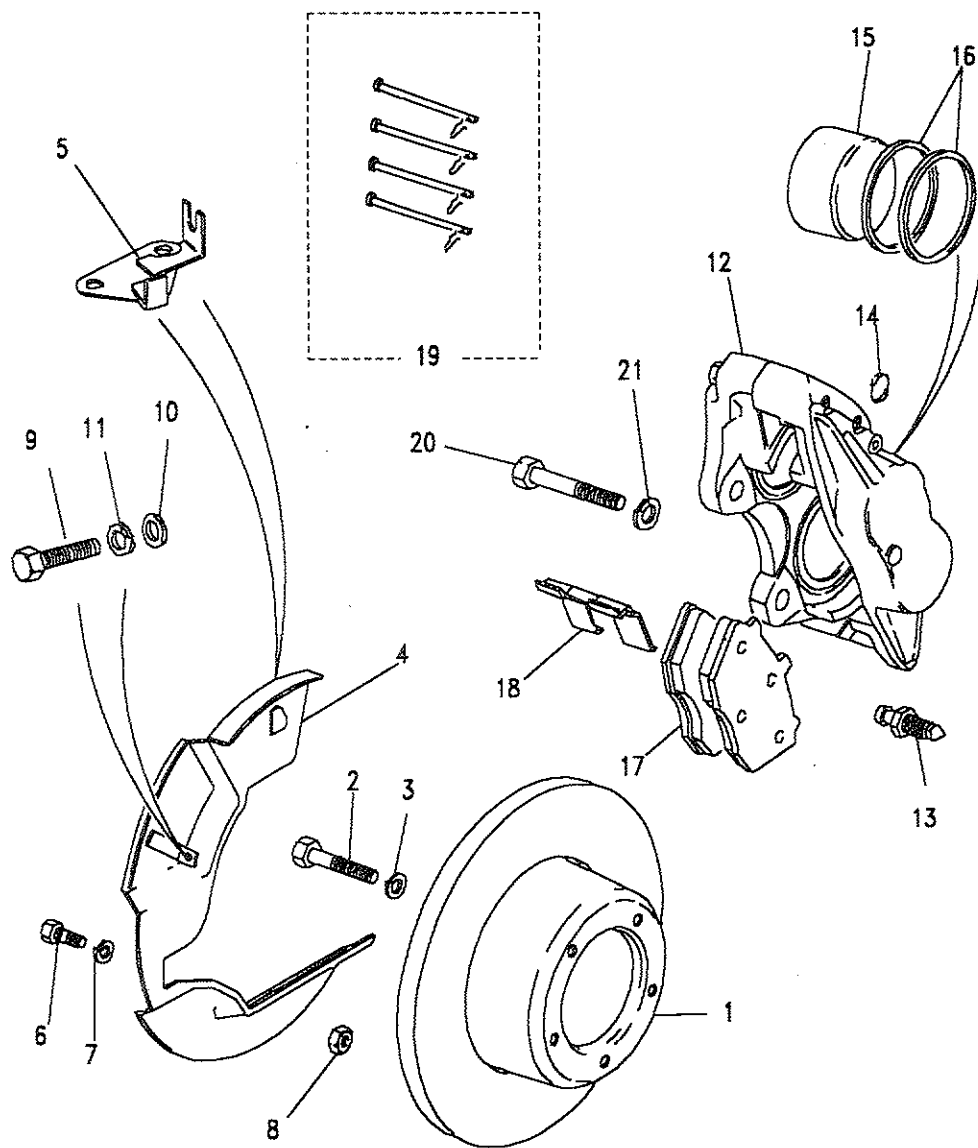
III. Part No. Description Qty Remarks

vehicles with front disc and rear drum brakes

Part No.	Description	Qty	Remarks
1	FRC7329 Disc brake	1	
2	AFU1180 Bolt	10	
3	WL110001L Washer spring	10	
4	FRC6402 Mudshield brake RH	1) Note(1)
	FRC6403 Mudshield brake LH	1	
	FTC3278 Mudshield brake RH	1) Note(2)
	FTC3279 Mudshield brake LH	1	
5	FRC7202 Bracket retaining RH	1	
	FRC7201 Bracket retaining LH	1	
6	SH106121L Screw	2	
7	WL106001L Washer spring	2	
8	NH106041L Nut	2	
9	SH106121L Screw	2	
10	WL106001L Washer spring	2	
11	WA106041L Washer plain	2	

Note(1) Up to 22L12545C - RHS, 23L16310C - LHS
Note(2) From 22L12546C - RHS, 23L16311C - LHS





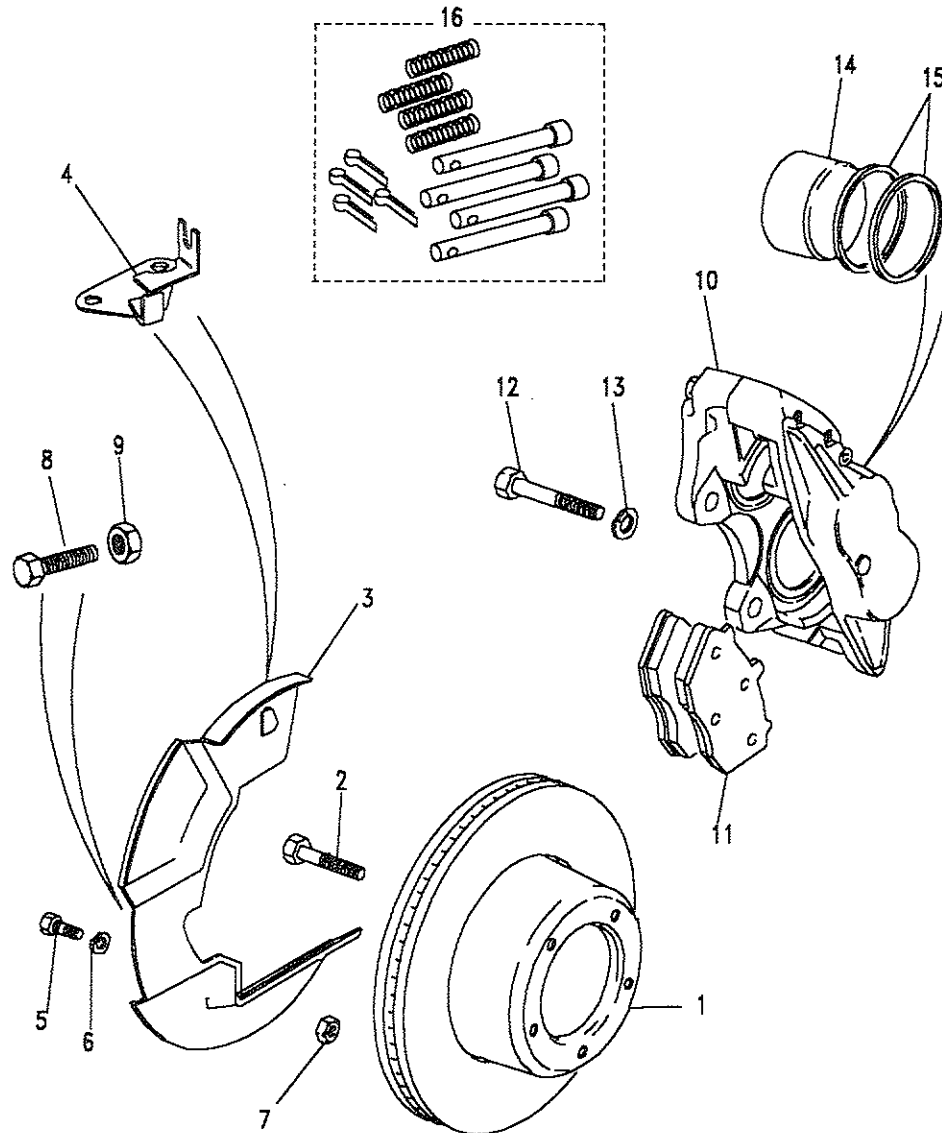
Model DEFENDER 90
Page ADHXGA1A

BRAKES - FRONT BRAKES - UPTO VIN 930455

III. Part No.	Description	Qty	Remarks
12	RTC3380	1	Note(1) (3)
	RTC4998	1	Note(2) (4)
	RTC5572	1	From VIN HA701010
	RTC3381	1	Note(1) (3)
	RTC4999	1	Note(2) (4)
	RTC5573	1	From VIN HA701010
13	RTC1526	2	Screw bleed
14	17H8764L	4	Seal fluid channel
15	606683	4	Piston caliper
	STC201	4	Piston caliper
16	AEU1547	2	Kit caliper repair
	AEU2539	2	Kit caliper repair
17	RTC3163	1	Brake pad-axle set
	RTC5756	1	Brake pad-axle set
	RTC5574	1	Brake pad-axle set
18	606688	4	Spring anti rattle
19	RTC5001	1	Retention kit
20	AFU1031	2	Bolt
21	WL112001L	4	Washer spring

Note(1) Axle No Upto 22L09654 RHS, 23L05987 LHS
 Note(2) Axle No From 22L09655 to 10191 RHS, 23L05988 to 06059 LHS
 Note(3) Axle No From 22L10192 to 10271 RHS, 23L06060 to 06078 LHS
 Note(4) Axle No From 22L10272 RHS, 23L06079 LHS - Upto VIN HA701009





Model DEFENDER 90

Page ADHXGA2A

BRAKES - FRONT BRAKES - FROM VIN LA930456

Ill. Part No.	Description	Qty	Remarks
Vehicles with front and rear disc brakes			
1	FRC7329	Disc brake	2 Note(1)
	FTC902	Disc brake vented	2 Note(2)
2	FTC1368	Special bolt	10
3	FTC3278	Mudshield brake RH	1
	FTC3279	Mudshield brake LH	1
4	FRC7202	Bracket retaining RH	1
	FRC7201	Bracket retaining LH	1
5	SH106121L	Flange screw	2
6	WA106041L	Washer plain	2
7	NH106045	Nut	2
8	SH112505	Screw	2
9	NT112041L	Nut	2
10	STC1262	Caliper brake RH	1 Note(1)
	STC1263	Caliper brake LH	1 Note(1)
	STC1266	Caliper brake RH	1 Note(2)
	STC1267	Caliper brake LH	1 Note(2)
11	STC1275	Brake pad axle set	1
12	FTC3375	Bolt caliper M12 x 35	4
13	WL112001L	Washer spring	4
14	STC1280	Kit caliper piston	1
15	AEU2539	Kit caliper repair	1
16	RTC6799	Kit pad retention	1

Note(1)

4 Cylinder

Note(2)

4 Cylinder Heavy Duty and V8



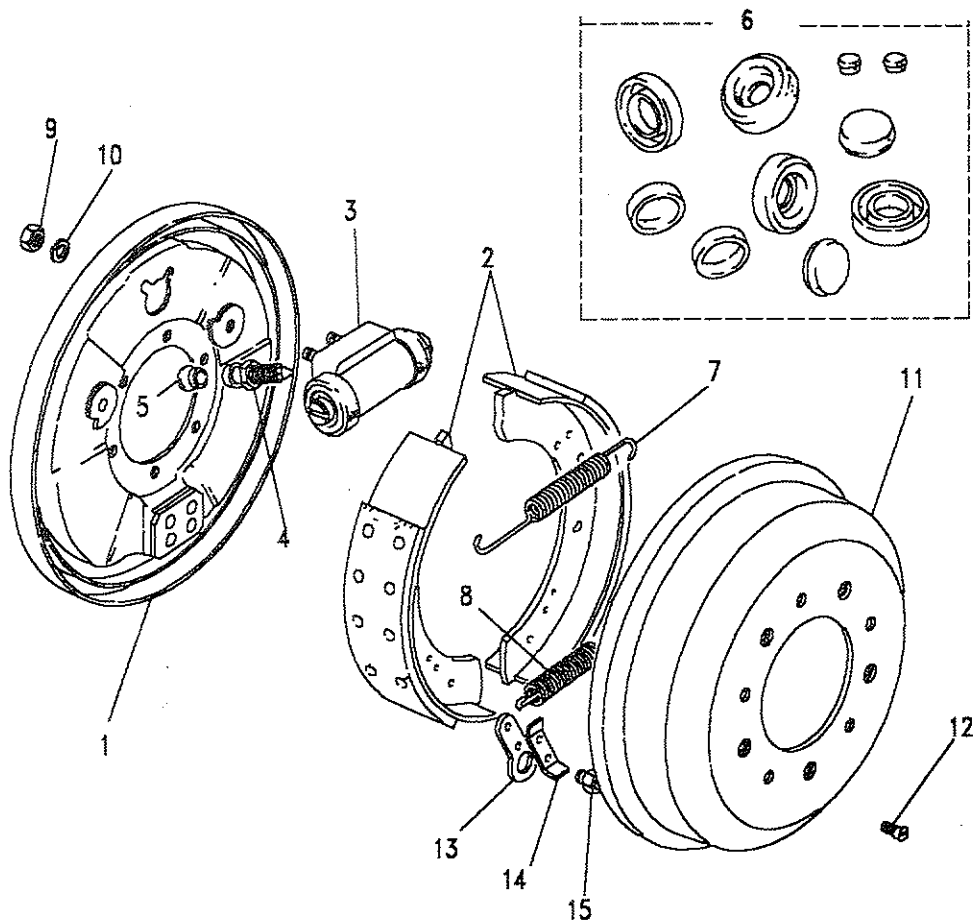


Model DEFENDER 90
Page ADHXIA1A

BRAKES - REAR DRUM BRAKES - UPTO VIN 930455

III. Part No.	Description	Qty	Remarks
1	RTC3166	1	
	RTC3167	1	
2	RTC3171	1	
3	RTC3168	1	Upto Note(1)
	RTC3169	1	Upto Note(1)
	STC468	1	From Note(2)
	STC467	1	From Note(2)
4	RTC1115	2	Upto Note(1)
5	234957	2	
6	RTC3170	2	Upto Note(1)
	STC469	2	From Note(2)
7	503981	2	
8	218983	2	
9	NH605041L	4	
10	WM600051L	4	
11	591039	2	
12	SA108161	2	
13	236993	2	
14	236995	2	
15	238542	4	Upto Note(1)
	RTC207	4	From Note(2)

Note(1) Axle Number 22S/23S 07618C, VIN HA701009
Note(2) Axle Number 22S/23S 07619D, VIN HA701010



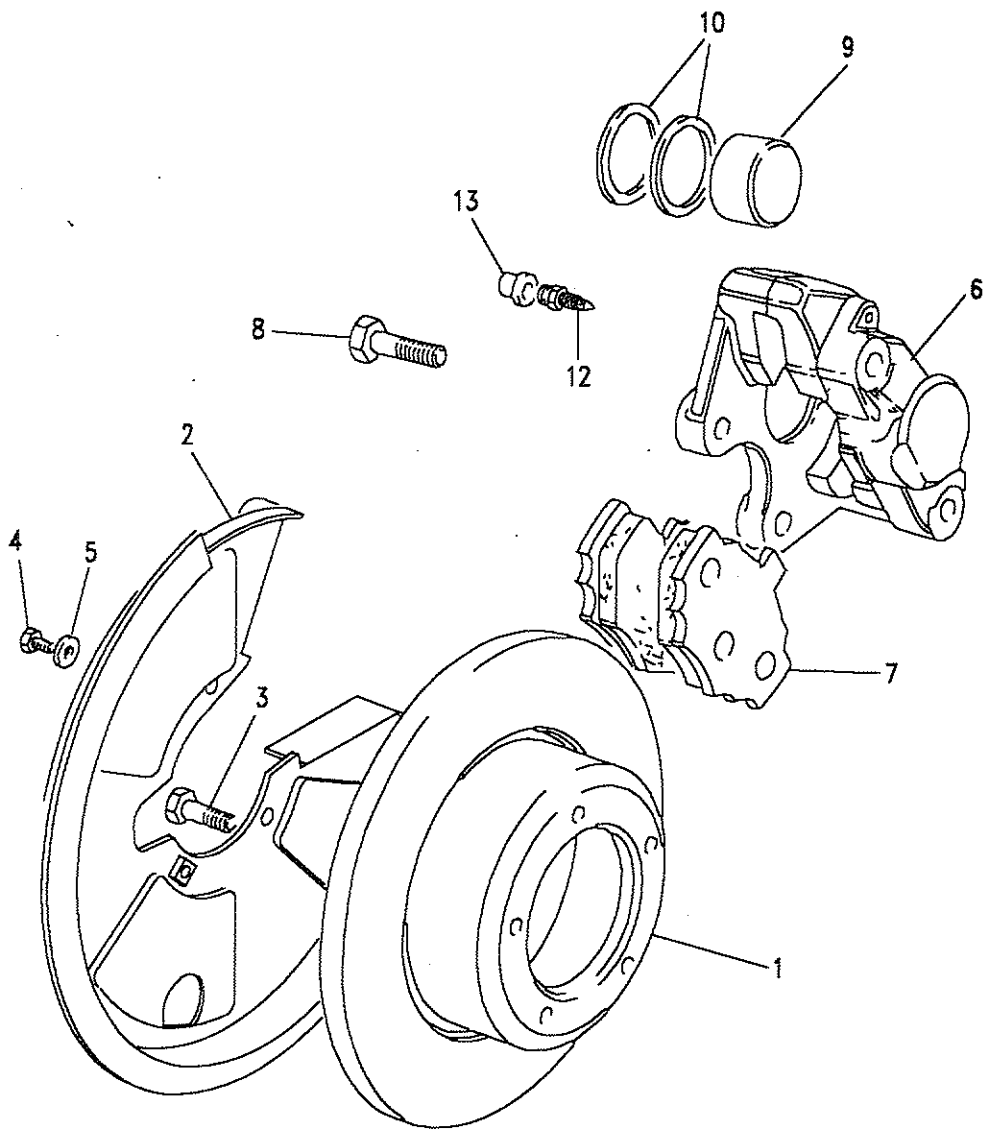


Model DEFENDER 90

Page ADHXIA2A

BRAKES - REAR DISC BRAKES - FROM VIN LA930456

III. Part No.	Description	Qty	Remarks
1	FTC1381	2	Disc brake
2	FTC3320	1	Mudshield RH
	FTC3321	1	Mudshield LH
3	FTC1368	10	Bolt
4	FS106201L	6	Screw
5	2215L	6	Washer plain
6	STC1264	1	Caliper brake RH
	STC1265	1	Caliper brake LH
7	STC1276	1	Brake pad axle set
8	FTC3375	4	Bolt
9	STC1279	1	Kit caliper piston
10	8G8587L	1	Kit caliper repair
	AEU1861	4	Anti-rattle springs
11	FTC3299	2	Bracket mounting
12	RTC1526	2	Bleed nipple
13	594091	2	Dust cover

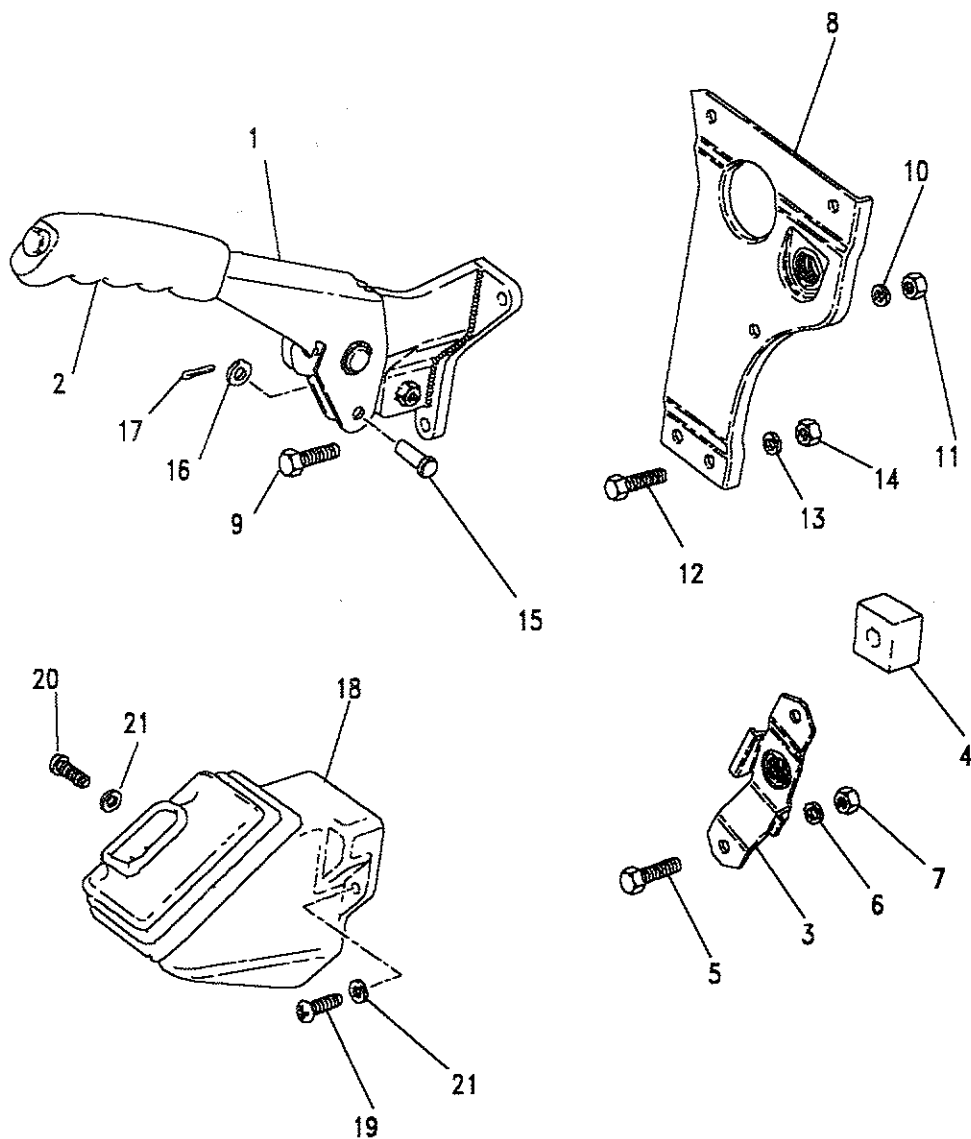




Model DEFENDER 90
Page ADHXMA1A

BRAKES - HANDBRAKE LEVER

III. Part No.	Description	Qty	Remarks
1	NRC9123	1	Upto VIN 232762
	NTC1557	1	From VIN 232763
	ANR3692	1	Upto LA935629
	NRC9115	1	From LA935630
	ANR3693	1	Up to LA935629
2	NRC2744	1	From LA935630
	Grip handbrake		
4	Cylinder also V8 from VIN HA456187		
3	NRC7984	1	Plate abutment
4	NRC6795	1	Seal
5	FS108251L	2	Screw
6	WL108001L	2	Washer spring
7	FN108041L	2	Nut



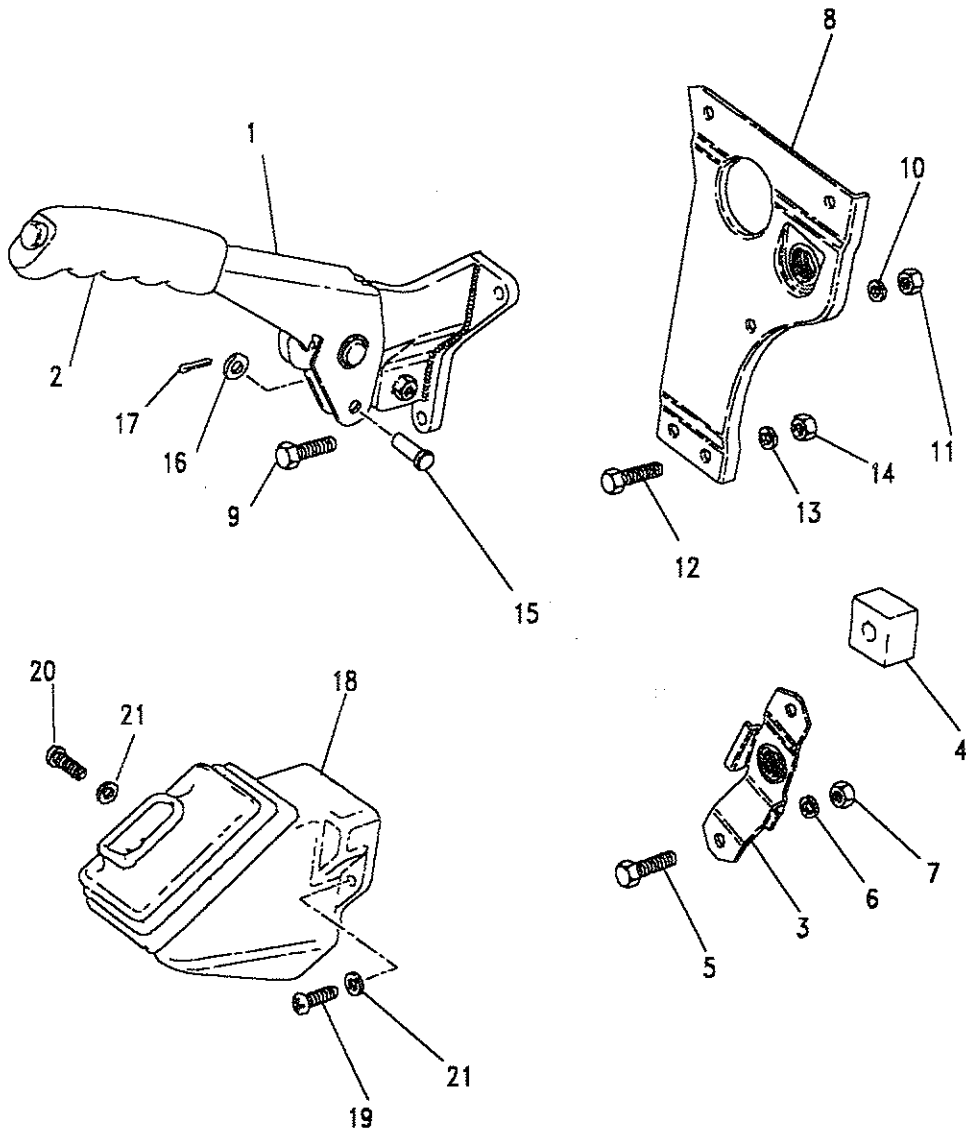


Model DEFENDER 90
Page ADHXMA1A

BRAKES - HANDBRAKE LEVER

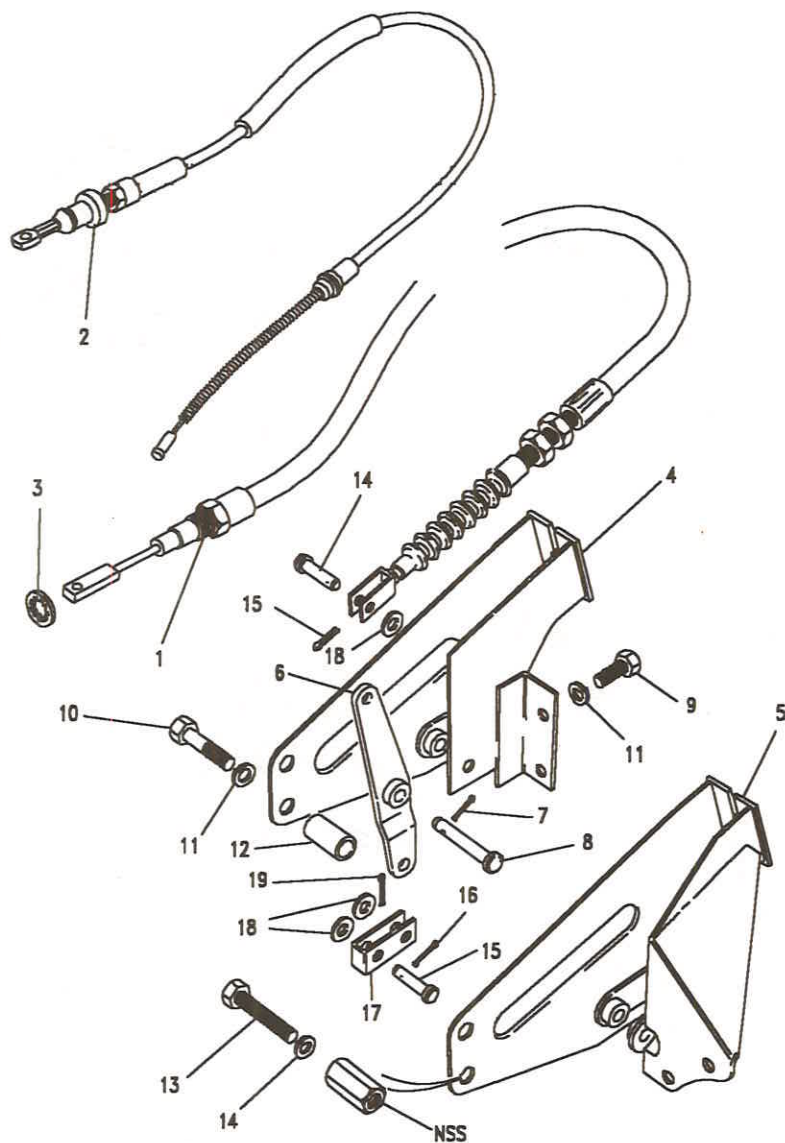
III. Part No.	Description	Qty	Remarks
V8 upto VIN456186			
8	NTC1224	1	Stiffener heelboard-RHS
	NRC6653	1	Stiffener heelboard-LHS
9	FS108251L	2	Screw
10	WL108001L	2	Washer spring
11	FN108041L	2	Nut
12	FS108251L	3	Screw
13	WL108001L	3	Washer spring
14	FN108041L	3	Nut
All Variants			
15	PC108291L	1	Pin clevis
16	WA108051L	1	Washer plain
17	PS104127L	1	Pin split
18	MRC9570	1	Cover handbrake
	MRC9571	1	Cover handbrake
19	AR608041	2	Screw
20	SE105201L	1	Screw
21	WA105001L	3	Washer plain
19	AFU1897LDE	2	Drive fastener
20	MWC3136	1	Snapsac

Note(1) Up to LA935629
Note(2) From LA935630



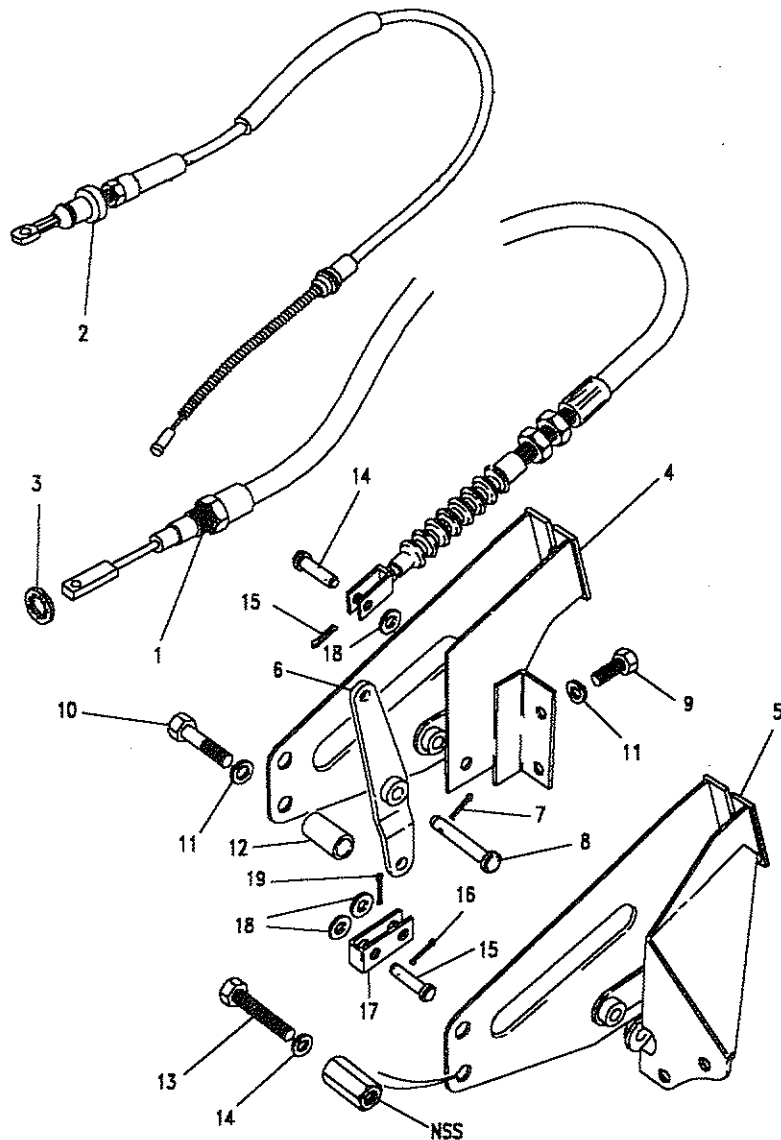
Model DEFENDER 90
Page ADHXMA2A

BRAKES - HANDBRAKE CABLE



III. Part No.	Description	Qty	Remarks
1	NRC5088	1	RHS)
	NRC5089	1	LHS)Note(1)
2	STC1530	1	Note(2)
3	WF116001L	1	
4	NRC8059	1	4 cylinder
	NTC1643	1	Upto VIN HA701009
		1	4 cylinder
		1	From VIN HA701010
5	NTC1643	1	V8
6	NRC7044	1	
7	PS104161	1	
8	NRC5104	1	
9	FS108251L	2)4 Cylinder
10	BH108091L	2)Upto VIN
11	WL108001L	4)HA701009
12	NRC7124	2)
13	SH606061L	2)V8 & 4 Cyl
14	WM600061L	2)From VIN
)HA701010

Note(1) Up to LA935629
 Note(2) From LA935630



Model DEFENDER 90
Page ADHXMA2A

BRAKES - HANDBRAKE CABLE

Ill. Part No.	Description	Qty	Remarks
15	PC108291L Pin clevis	1	
16	PS104127L Pin split	1	
17	NRC7648 Clevis	1	
18	WA108051L Washer plain	2	
19	PS104127L Pin split	2	
	NRC9492 Clip-anti rattle-RHS	1	}
	78248 Rivet-RHS	1	
	AEU1446 Clip-anti rattle-LHS	1	} Upto 1991MY
	SE105161 Screw	1	
	WL105001L Washer spring	1	}
	NH105041 Nut	1	
	AUE1446 Clip	1	} From 1991MY
	78248 Rivet	1	





MASTER INDEX

GROUP J

FUEL SYSTEM AND AIR CLEANER

	PAGES		
INTRODUCTION PAGES	1 - 5		
ALPHABETICAL INDEX	6 - 14		
ENGINE	15 - 65	FUEL SYSTEM AND AIR CLEANER	
ENGINE	66 - 117	FUEL TANK	605 - 607
ENGINE	118 - 171	FUEL FILLER	608 - 609
ENGINE	172 - 217	SEPARATOR AND PIPES - 4 CYL PETROL	610
ENGINE	218 - 261	SEPARATOR, FILTER, PIPES - 4 CYL PETROL	611 - 612
ENGINE	262 - 297	FUEL PIPES - V8	613
ENGINE	298 - 367	FILTER AND PIPES - V8	614
GEARBOX	368 - 394	FUEL PIPES - DIESEL	615 - 616
GEARBOX	395 - 411	FUEL PIPES - DIESEL AND DIESEL TURBO	617
GEARBOX	412 - 425	FUEL PIPES - 200 TDI	618
TRANSFER BOX	426 - 456	FUEL PIPES - 300 TDI	619
TRANSFER BOX	457 - 474	PUMP AND FILTER - PETROL	620
AXLES AND SUSPENSION	475 - 531	MOUNTINGS PUMP AND FILTER - PETROL	621
STEERING	532 - 564	FUEL FILTER - DIESEL AND DIESEL TURBO	622
VEHICLE AND ENGINE CONTROLS	565 - 580	FUEL FILTER - 200 TDI	623
BRAKES	581 - 603	FUEL FILTER - 300 TDI	624
FUEL SYSTEM AND AIR CLEANER	604 - 645	SEDIMENTORS - 2.5 DIESEL - OPTIONAL	625
EXHAUST SYSTEM	646 - 660	ROLL OVER ANTI-SPILL SYSTEM	626
COOLING/HEATING	661 - 709	AIR CLEANER - 4 CYLINDER - PETROL	627
COOLING/HEATING	710 - 718	AIR CLEANER - V8	628
BODY ELECTRICAL	719 - 793	AIR-INLET ELBOWS - V8	629
BODY AND CHASSIS	794 - 923	AIR INLETS - V8	630
INTERIOR TRIM	924 - 965	AIR TEMPERATER CONTROL	631
SEATS	966 - 1009	AIR CLEANER - DIESEL - NATURALLY ASPIRATED	632
STOWAGE	1010 - 1017	AIR CLEANER - DIESEL TURBO	633 - 634
ACCESSORIES - PAINTS	1018 - 1042	AIR CLEANER - 200TDI	635
NUMERICAL INDEX	1044 - 1122	AIR CLEANER - 300TDI	636 - 637
		AIR INTAKE - DIESEL TURBO & 200TDI	638
		AIR INTAKE - 300TDI	639
		RAISED AIR CLEANER - 4 CYLINDER	640
		RAISED AIR CLEANER - 200TDI	641
		EVAPORATIVE LOSS - 4 CYLINDER PETROL	642
		EVAPORATIVE LOSS - V8 SU CARBURETTERS	643
		EVAPORATIVE LOSS	644 - 645



Model DEFENDER 90

Page ADJXAA2A

FUEL SYSTEM - FUEL TANK

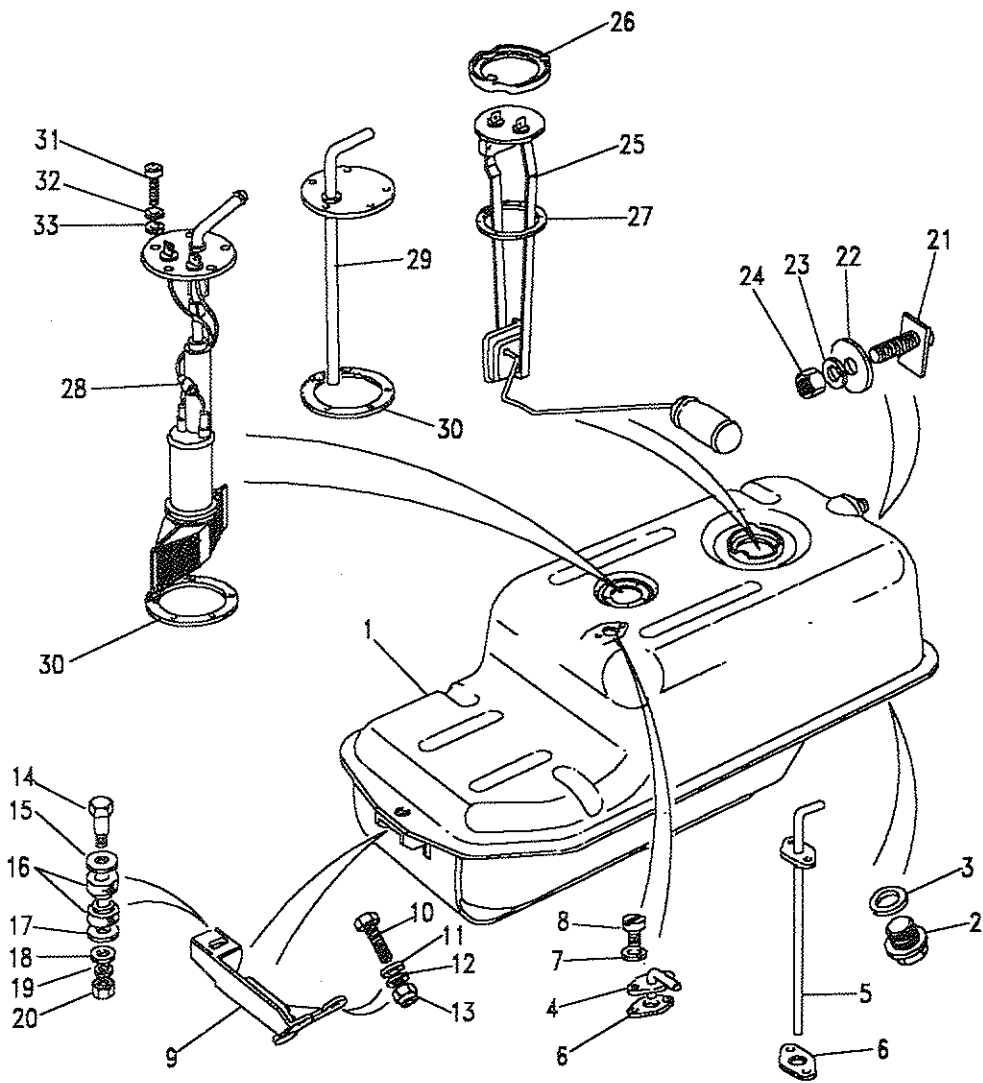
III. Part No.

Description

Qty Remarks

From VIN 243343

1	NTC2088	Tank fuel	1	12 gallon
2	NRC62	Plug drain	1	
3	243958	Washer	1	
4	NRC9543	Pipe fuel return	1	Petrol
5	NRC9678	Pipe fuel return	1	Diesel
6	267837	Washer joint	1	
7	3101	Washer spring	2	
8	3972	Screw	2	
9	NRC9474	Bracket mounting	1	
10	SH108401L	Screw	3	
11	WA108051L	Washer plain	3	
12	WL108001L	Washer spring	3	
13	NY108041L	Nut	3	
14	NRC4765	Bolt	1	
15	2265L	Washer plain	1	
16	90508545	Washer rubber	2	
17	WP185L	Washer plain	1	
18	WA108051L	Washer plain	1	
19	WL108001L	Washer spring	1	
20	FN108041L	Nut	1	
21	NRC9682	Boltplate	2	
22	WC108051L	Washer plain	4	
23	WL108001L	Washer spring	2	
24	FN108041L	Nut	2	
25	STC1139	Fuel level unit	1	
26	ARA1501L	Ring locking	1	
27	ARA1502L	Ring sealing	1	
28	PRC7019	Pump fuel	1	Petrol
	RTC6545	Connector	1	Petrol
				Upto VIN 345761
29	NTC2159	Pipe fuel feed	1	Diesel
30	PRC5852	Ring sealing	1	Upto MA946570
	ESR3278	Ring sealing	1	From MA946571
31	SE105121L	Screw	5	
32	WL105001L	Washer spring	5	

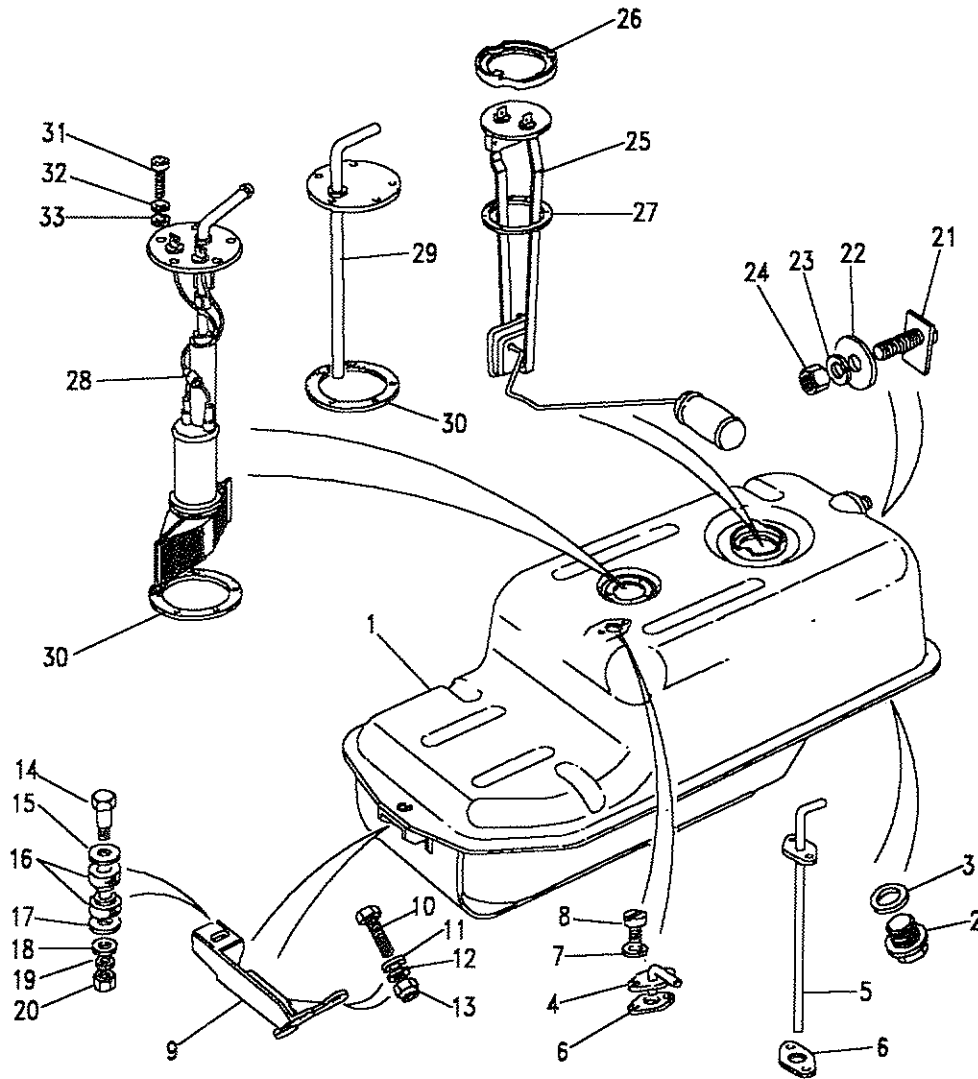




Model DEFENDER 90
Page ADJXAA2A

FUEL SYSTEM - FUEL TANK

Ill. Part No.	Description	Qty	Remarks
33	WA105001L Washer plain	5	



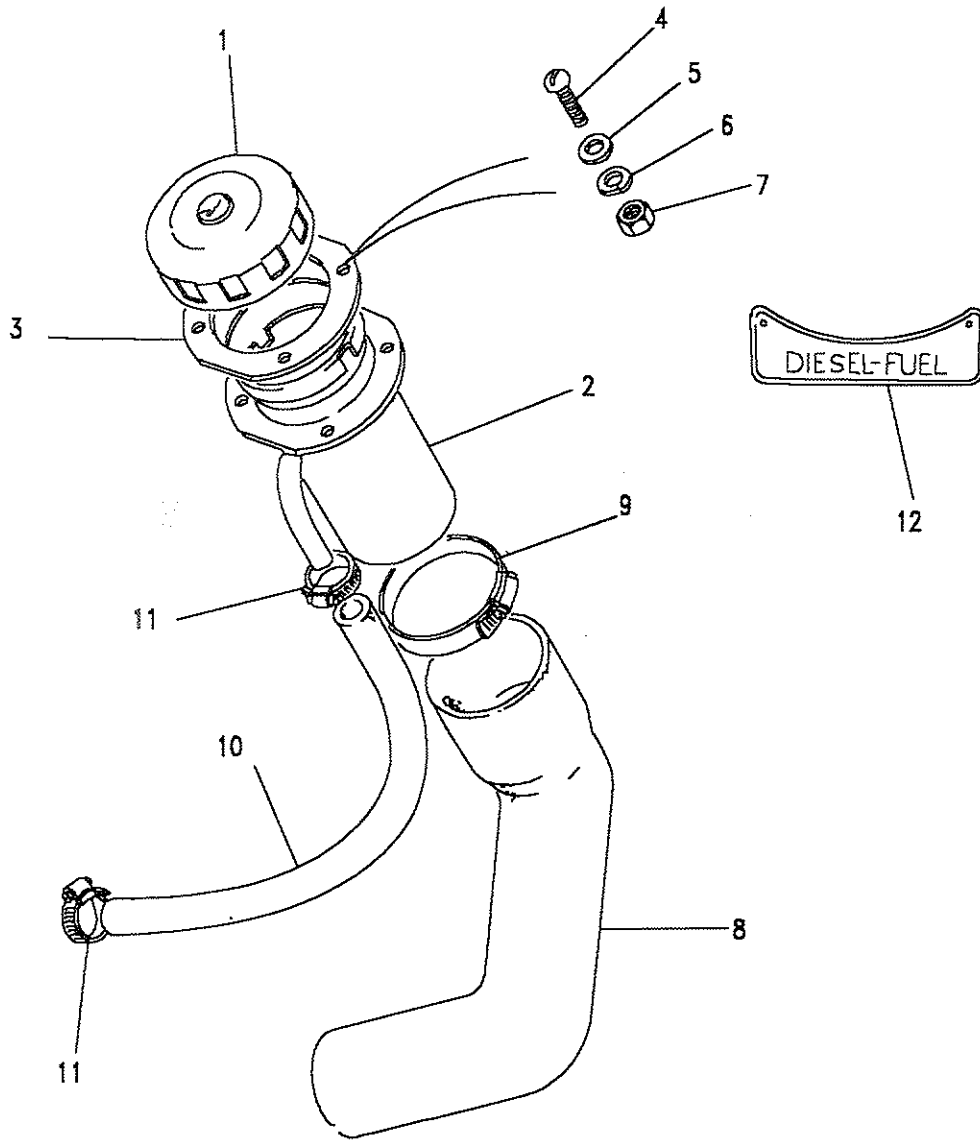


Model DEFENDER 90
Page ADJXCA1A

FUEL SYSTEM - FUEL FILLER

Ill. Part No.	Description	Qty	Remarks
Upto VIN 259678			
1 NRC9572	Cap fuel filler	1	Nonlock/Vented Two Lug
NRC9429	Cap fuel filler	1	Nonlock/Nonvented Three Lug
2 NRC9424	Filler fuel	1)Note(1)
NRC9423	Filler fuel - antispill	1	
3 500710	Seal	1)
4 77941	Screw	4	
5 WC702101L	Washer plain	4	
6 WL700101L	Washer spring	4	
7 RTC608	Nut	4	
8 NRC9291	Hose fuel filler	1	
9 594753	Clip hose	2	
10 NTC1049	Hose breather	1	
11 572548	Clip hose	2	
12 502951	Label	1	

Note(1) The cork seal built into filler cannot be serviced.

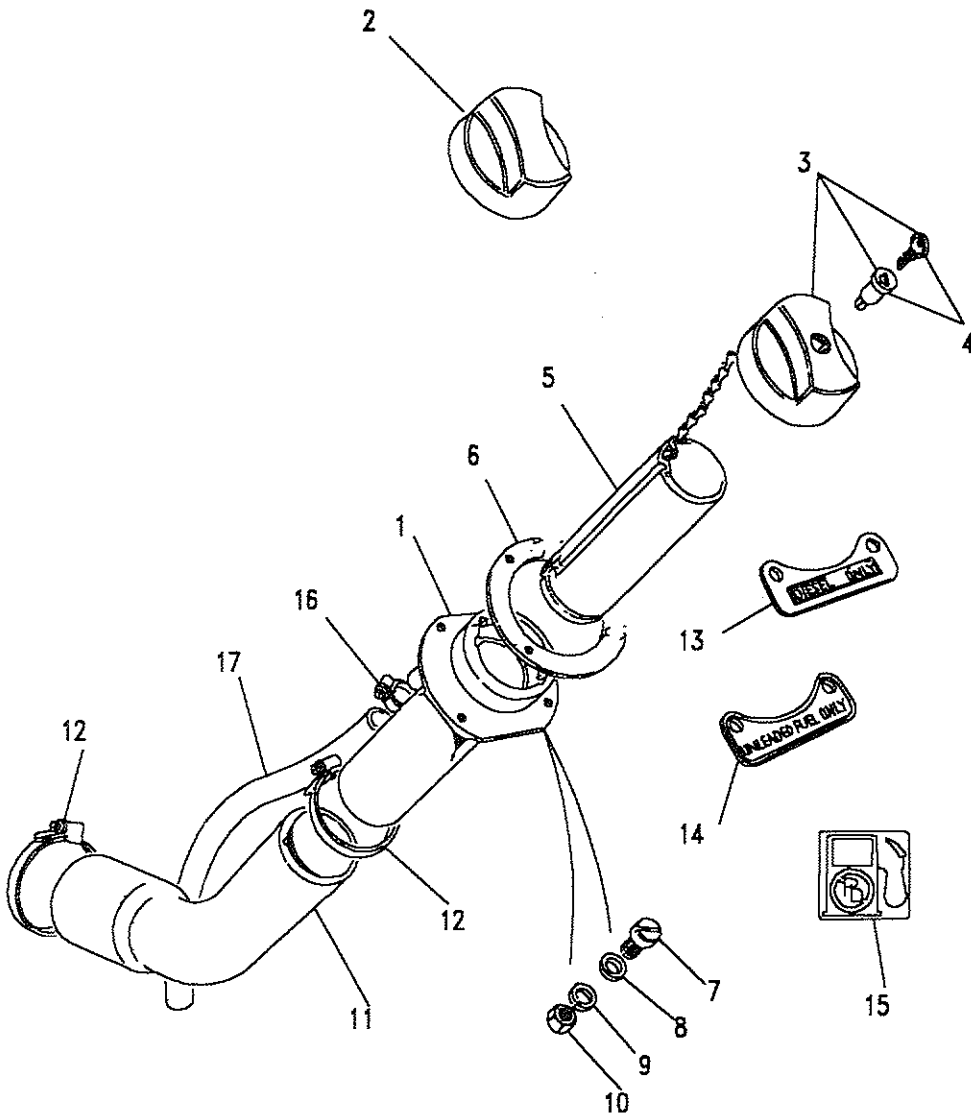




Model DEFENDER 90
Page ADJXCA2A

FUEL SYSTEM - FUEL FILLER

III. Part No.	Description	Qty	Remarks
From VIN 259679			
1	NTC2676	1	Filler fuel
	NTC2690	1	Filler fuel
2	NTC2757	1	Cap fuel filler Nonlock/Vented 2 Lug Black
3	RTC4740	1	Cap fuel filler Locking/Vented 2 Lug Black
	RTC4741	1	Cap fuel filler Locking/Nonvented 2 Lug Grey
4	RTC3022	1	Barrel lock and keys
5	NTC2655	1	Extension tube
6	NTC2229	1	Seal
	ESR1650	1	Seal
7	77941	4	Screw
8	WC702101L	4	Washer plain
9	WL700101L	4	Washer spring
10	RTC608	4	Nut
11	NTC2338	1	Hose fuel filler
12	594753	2	Clip hose
13	502951	1	Label
14	NTC2914	1	Label 4 cylinder Upto VIN FA441452 V8
14	NTC2914	1	Label Upto VIN FA441373 4 cylinder From VIN FA441453 V8
15	NTC7503	1	Label From VIN FA441453 V8
15	NTC7503	1	Label From VIN FA441374 V8
16	572548	2	Clip hose
17	NTC1049	1	Hose breather



Model DEFENDER 90

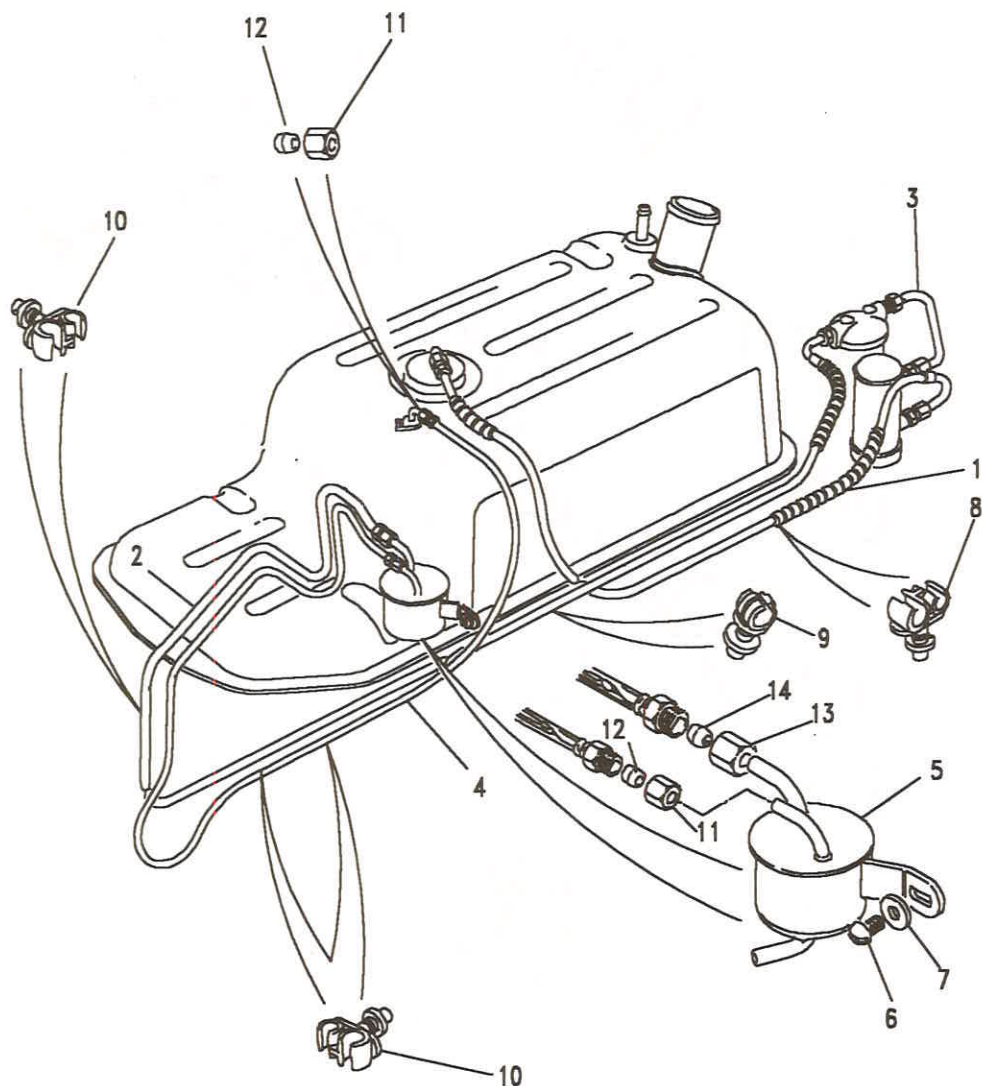
Page ADJXE1A

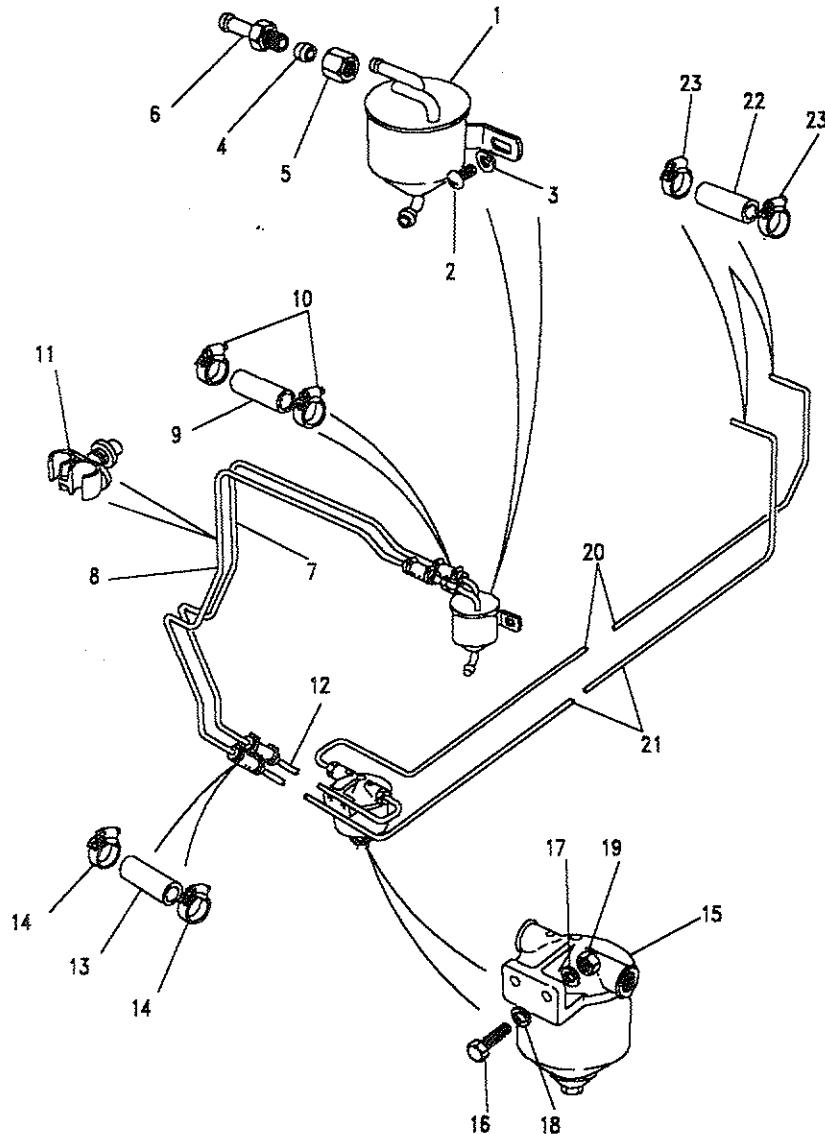
FUEL SYSTEM - SEPARATOR AND PIPES - 4 CYL PETROL

Ill. Part No. Description Qty Remarks

Upto introduction of 'in tank' fuel pump

1	NRC8919	Pipe fuel-feed -tank to pump	1	
2	NRC9536	Pipe fuel -filter to separator	1	
3	NRC7930	Pipe fuel -pump to filter	1	
4	NRC8918	Pipe fuel-spill -spill return to tank	1	
5	NRC9772	Separator vapour	1	
6	72628	Screw	2	
7	WJ106001L	Washer	2	
8	AFU1077L	Clip swivel	1	
9	79121	Clip	7	
	79122	Clip	2	
10	NRC5415	Clip	10	
11	603431	Nut union	A/R	
12	542846	Olive	A/R	
13	534790	Nut union	1	
14	534797	Olive	1	



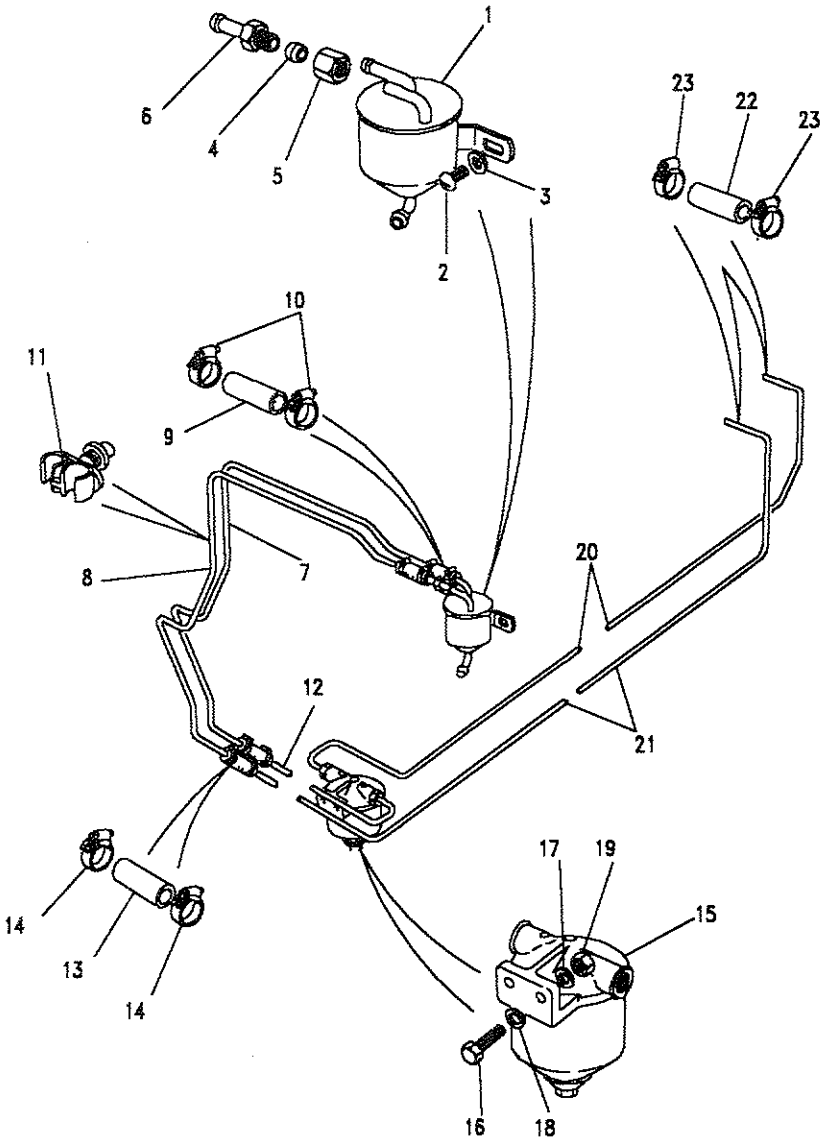


Model DEFENDER 90
Page ADJXEA2A

FUEL SYSTEM - SEPARATOR, FILTER, PIPES - 4 CYL PETROL

Ill. Part No.	Description	Qty	Remarks
From introduction of 'in tank' fuel pump			
1	NRC9772 Separator vapour	1	
2	AB614061L Screw	2	
3	WJ106001L Washer	2	
4	NRC9771 Olive	1	Upto VIN 295565
5	NRC9770 Nut union	1	Upto VIN 295565
	NRC9771 Olive	2	From VIN 295566
	NRC9770 Nut union	2	From VIN 295566
6	NTC2223 Restrictor	1	Upto VIN 295565
7	NTC2224 Pipe fuel-feed (metal)	1	Upto VIN 295565
	NTC3866 -to vapour separator		
	NTC3866 Pipe fuel-feed (plastic)	1	From VIN 295566
	NTC3866 -to vapour separator		
8	NTC2073 Pipe fuel-spill (metal)	1	Upto VIN 295565
	NTC3867 -from vapour separator		
	NTC3867 Pipe fuel-spill (plastic)	1	From VIN 295566
	NTC3867 -from vapour separator		
9	NTC2876 Hose	2	Upto VIN 295565
	NTC2876 Hose	1	From VIN 295566
10	CN100168L Clip hose	4	Upto VIN 295565
	CN100168L Clip hose	2	From VIN 295566
11	79158 Pipe Clip	2	
	NRC5415 Pipe Clip	4	
12	NTC2069 Pipe fuel-feed	1	Upto VIN 295565
	NTC2069 -from filter		
13	NTC2876 Hose	2	Upto VIN 295565
14	CN100168L Clip hose	4	Upto VIN 295565
15	NRC9786 Filter fuel	1	
	JS660L Element	1	
16	FS106201L Flange screw	2	
17	WA106001L Washer plain	2	
18	WL106001L Washer spring	2	
19	NH106041L Nut	2	
20	NTC2077 Pipe fuel-feed	1	Upto VIN 295565
	NTC2077 -from tank		
21	NTC2078 Pipe fuel-spill	1	





Model DEFENDER 90
Page ADJXEA2A

FUEL SYSTEM - SEPARATOR, FILTER, PIPES - 4 CYL PETROL

III. Part No.	Description	Qty	Remarks
22 NTC2876	-to tank Hose	2	
23 CN100168L	Clip hose	4	

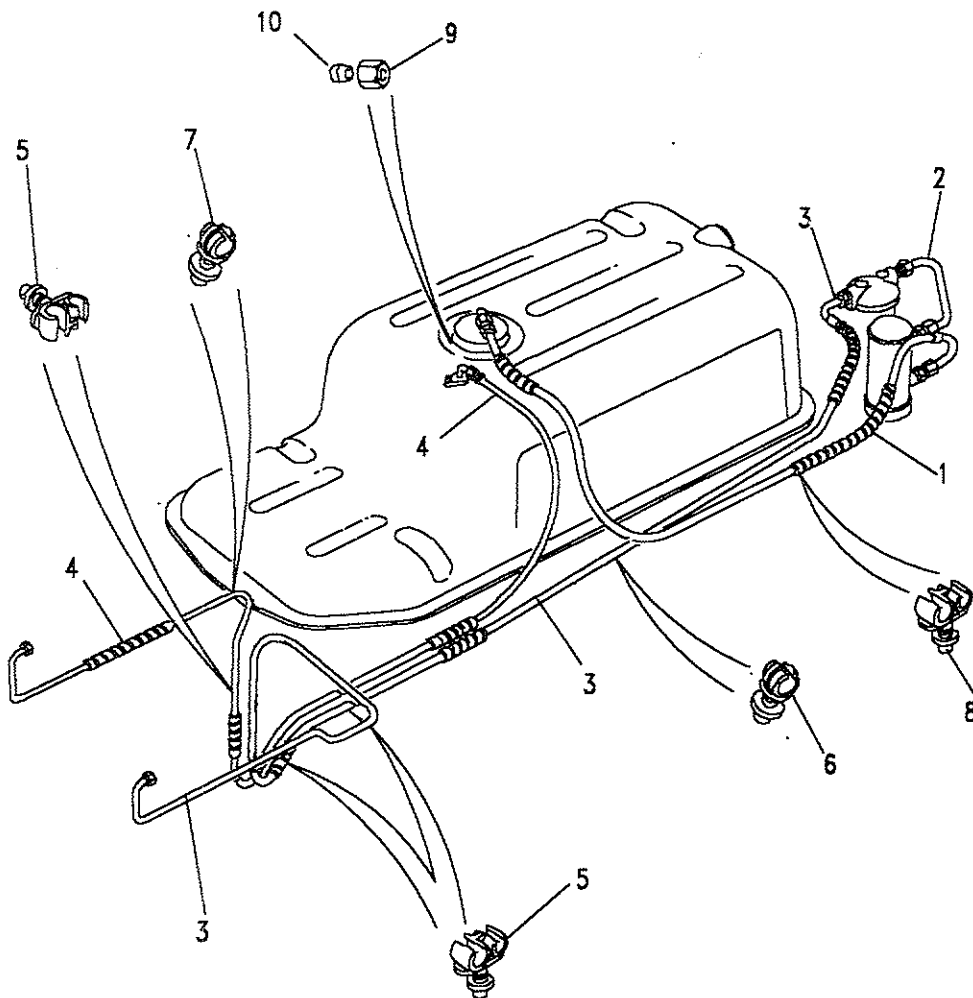




Model DEFENDER 90
Page ADJXE3A

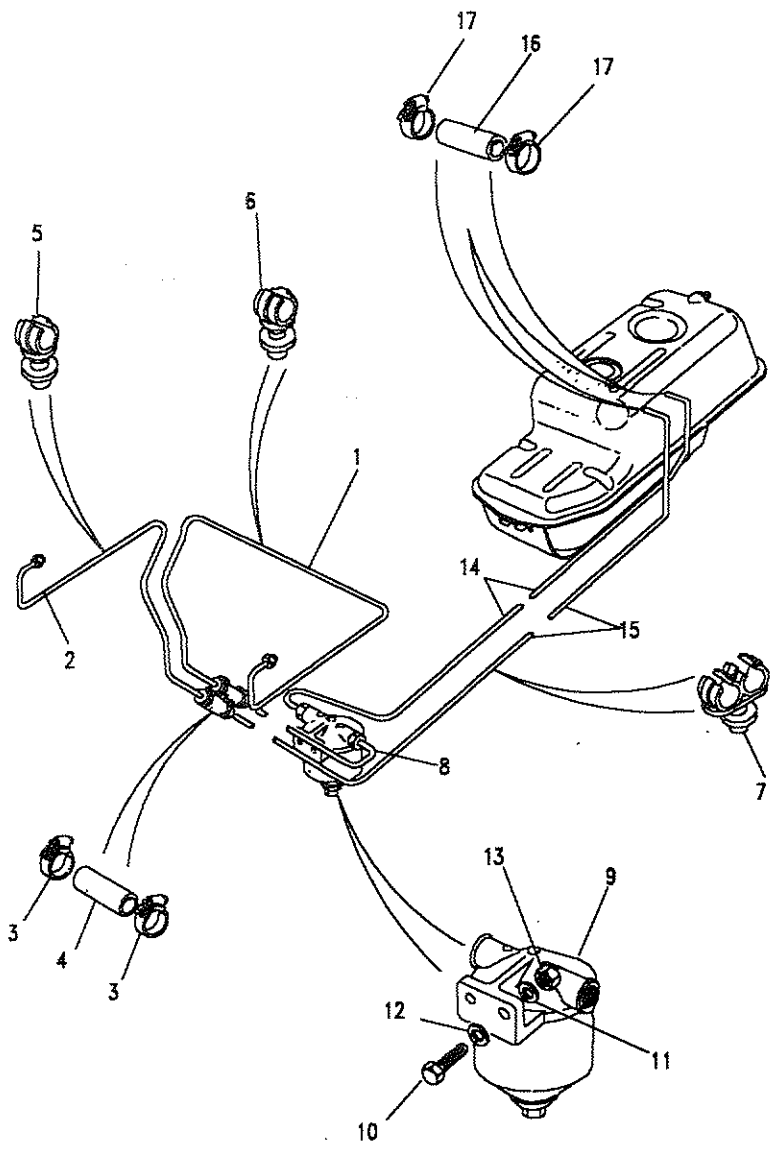
FUEL SYSTEM - FUEL PIPES - V8

III. Part No.	Description	Qty	Remarks
Upto introduction of 'in tank' fuel pump			
1	NRC8919 Pipe fuel -tank to pump-feed	1	
2	NRC7930 Pipe fuel -pump to filter	1	
3	NRC8921 Pipe fuel -filter to carburetter	1	
4	NRC8917 Pipe fuel -spill return to tank	1	
5	NRC4514 Clip	3	
6	79121 Clip	4	
7	79122 Clip	1	
8	AFU1107 Clip swivel	1	
9	603431 Nut union	A/R	
10	542846 Olive	A/R	



Model DEFENDER 90
Page ADJXEA4A

FUEL SYSTEM - FILTER AND PIPES - V8



III. Part No.	Description	Qty	Remarks
From introduction of 'in tank' fuel pump			
1 NTC2120	Pipe fuel-feed -to carburetter	1	
NTC3692	Pipe fuel-feed -filter to carburetter	1	SU Carb
2 NTC2122	Pipe fuel-spill -carburetter to hose	1	
3 CN100168L	Clip hose	2	
4 NTC2876	Hose	2	
5 79122	Pipe Clip	1	
6 79121	Pipe Clip	3	
7 79158	Pipe Clip	5	
8 NTC2069	Pipe fuel-feed	1	
9 NRC9786	Filter fuel	1	
JS660L	Element	1	
10 FS106201L	Flange screw	2	
11 WA106001L	Washer plain	2	
12 WL106001L	Washer spring	2	
13 NH106041L	Nut	2	
14 NTC2077	Pipe fuel-feed -tank to filter	1	
15 NTC2078	Pipe fuel-spill -hose to tank	1	
16 NTC2876	Hose	2	
17 CN100168L	Clip hose	4	

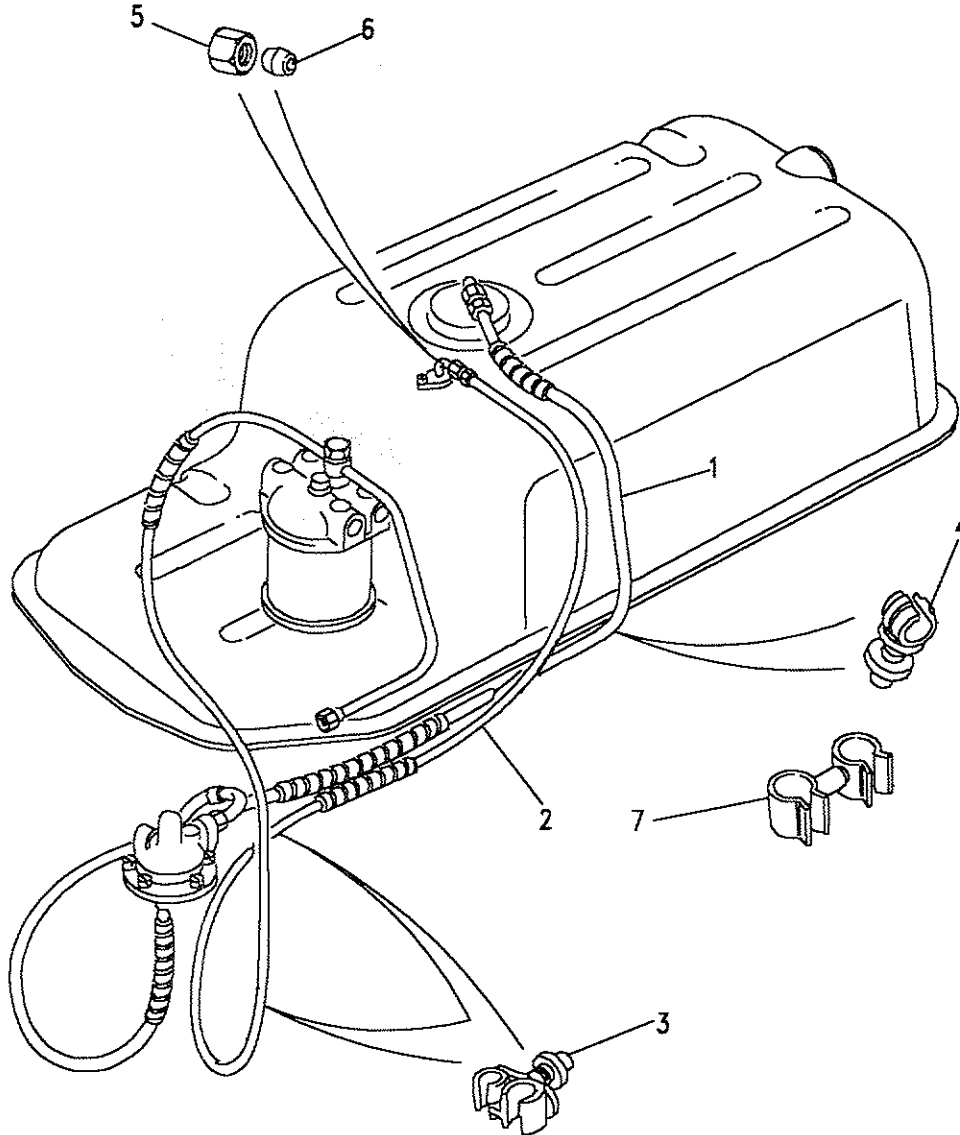


Model DEFENDER 90
Page ADJXEC1A

FUEL SYSTEM - FUEL PIPES - DIESEL

III. Part No.	Description	Qty	Remarks
Without Sedimentor			
1 NRC8920	Pipe fuel -tank to lift pump	1	Upto VIN 327014
NTC4600	Pipe fuel -tank to lift pump	1	From VIN 327015
2 NRC8916	Pipe fuel -spillrail/filter/tank	1	Note(1)
NTC3492	Pipe fuel -spill rail to filter	1	Note(2)
NTC3490	Pipe fuel -filter to tank	1	Note(2)
NTC4604	Pipe fuel -spill rail to filter	1	From VIN 327015
NTC4598	Pipe fuel -filter to tank	1	From VIN 327015
NTC5728	Pipe fuel -spill rail to tank	1	200Tdi
3 NRC5415	Pipe Clip	3	
4 79121	Pipe Clip	1	
5 603431	Nut union-UNF	2	Upto VIN 327014
NRC9770	Nut union-metric	2	From VIN 327015
6 542846	Olive	2	Upto VIN 327014
NRC9771	Olive	2	From VIN 327015
7 ESR301	Clip swivel	1	200Tdi

Note(1) Upto Engine nos 12J35306C, 19J07163C
Note(2) From Engine nos 12J35307C, 19J07164C upto VIN 327014

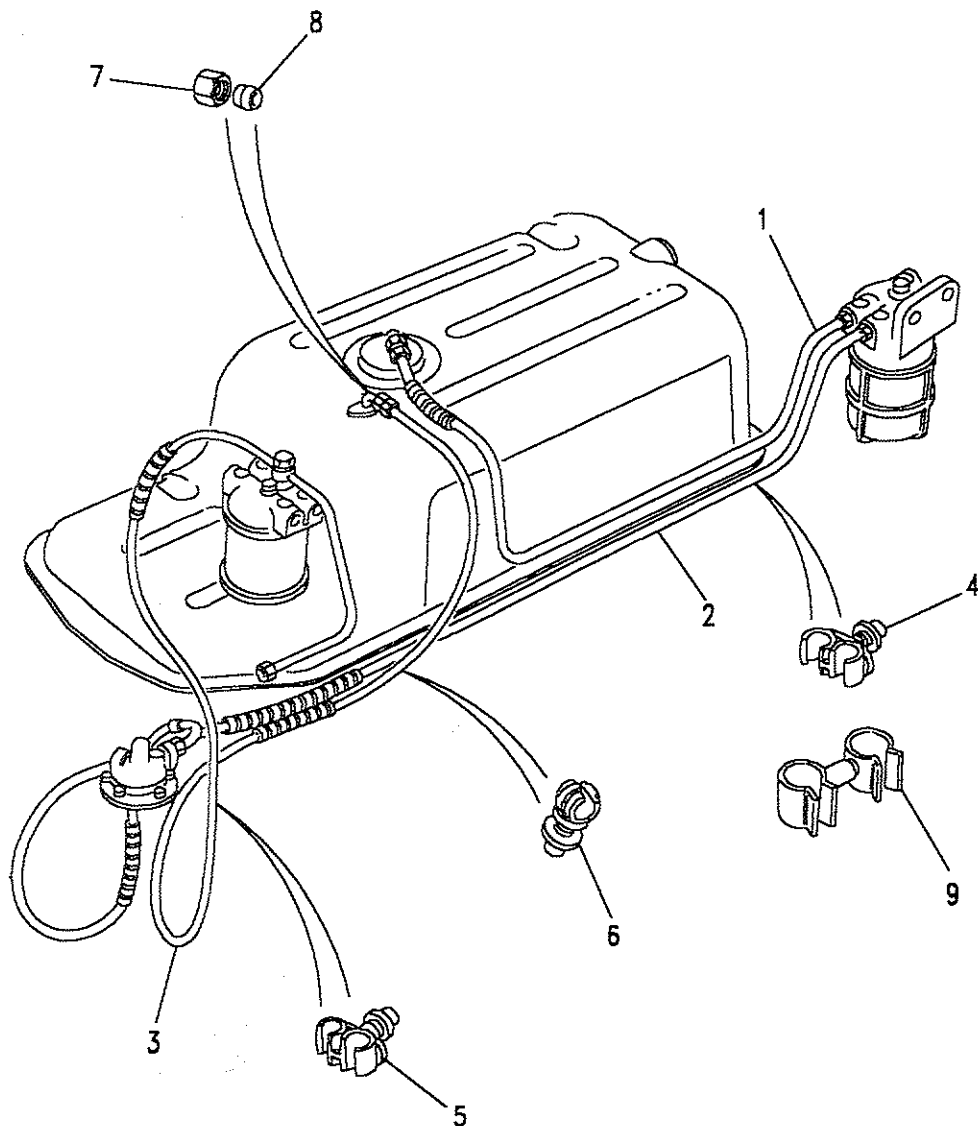


Model DEFENDER 90
Page ADJXEC2A

FUEL SYSTEM - FUEL PIPES - DIESEL

III. Part No.	Description	Qty	Remarks
With Seducmentor			
1 NRC8922	Pipe fuel -tank to seducmentor	1	Upto VIN 327014
NTC4601	Pipe fuel -tank to seducmentor	1	From VIN 327015
2 NRC8923	Pipe fuel -seducmentor to pump	1	
3 NRC8916	Pipe fuel -spillrail/filter/tank	1	Note(1)
NTC3492	Pipe fuel -spill rail to filter	1	Note(2)
NTC3490	Pipe fuel -filter to tank	1	Note(2)
NTC4604	Pipe fuel -spill rail to filter	1	From VIN 327015
NTC4598	Pipe fuel -filter to tank	1	From VIN 327015
NTC5728	Pipe fuel -spill rail to tank	1	200Tdi
4 AFU1107	Pipe Clip	1	
5 NRC5415	Pipe Clip	3	
6 79121	Pipe Clip	1	
7 603431	Nut union-UNF	1	Upto VIN 327014
NRC9770	Nut union-metric	1	From VIN 327015
8 542846	Olive	1	Upto VIN 327014
NRC9771	Olive	1	From VIN 327015
9 ESR301	Clip swivel	1	200Tdi

Note(1) Upto Engine nos 12J35306C, 19J07163C
 Note(2) From Engine nos 12J35307C, 19J07164C upto VIN 327014





Model DEFENDER 90

Page ADJXEC3A

FUEL SYSTEM - FUEL PIPES - DIESEL AND DIESEL TURBO

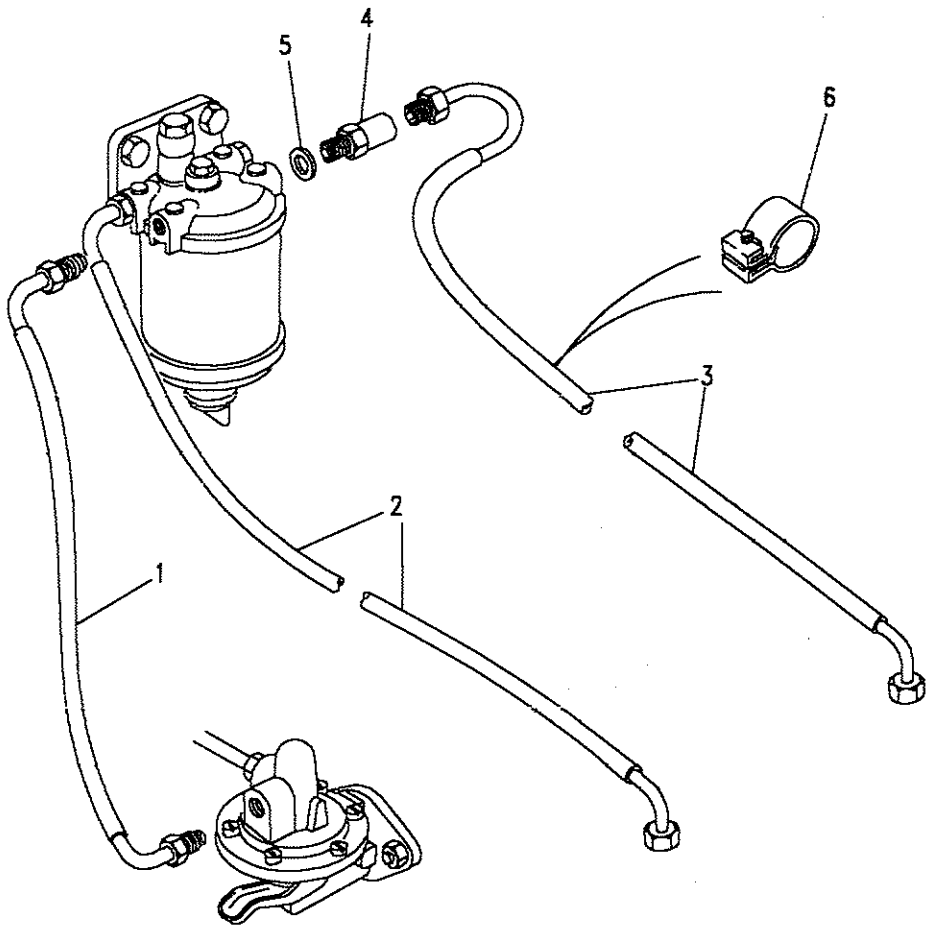
III. Part No.	Description	Qty	Remarks
1 ETC6903	Pipe fuel -lift pump to filter	1	Note(1)
ERR244	Pipe fuel -lift pump to filter	1	Note(2)
2 ETC6901	Pipe fuel -filter to dps pump-feed	1	
3 ETC6902	Pipe fuel -dps pump to filter-spill	1	
4 AAU3509	Valve non return	1	
5 517706	Joint Washer	1	
6 578293	Clip hose	6	Sweden

Note(1)

Upto Engine nos 12J41642C, 19J20835C

Note(2)

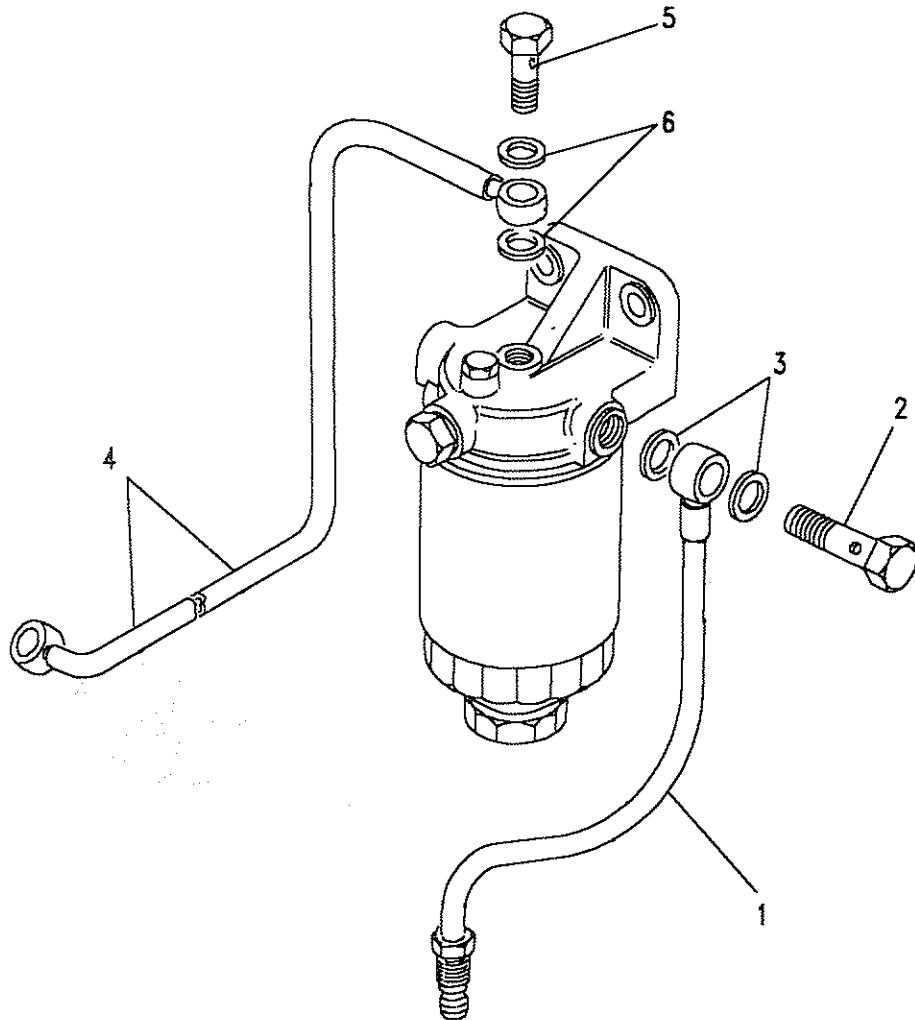
From Engine nos 12J41643C, 19J20836C



Model DEFENDER 90
Page ADJXEC4A

FUEL SYSTEM - FUEL PIPES - 200 TDI

III. Part No.	Description	Qty	Remarks
1 ESR394	Pipe fuel -lift pump to filter	1	
2 NTC3346	Bolt banjo	2	
3 ESR354	Washer copper	4	
4 ESR395	Pipe fuel -filter to injection pump	1	
5 NTC3346	Bolt banjo	1	
6 ESR354	Washer copper	2	

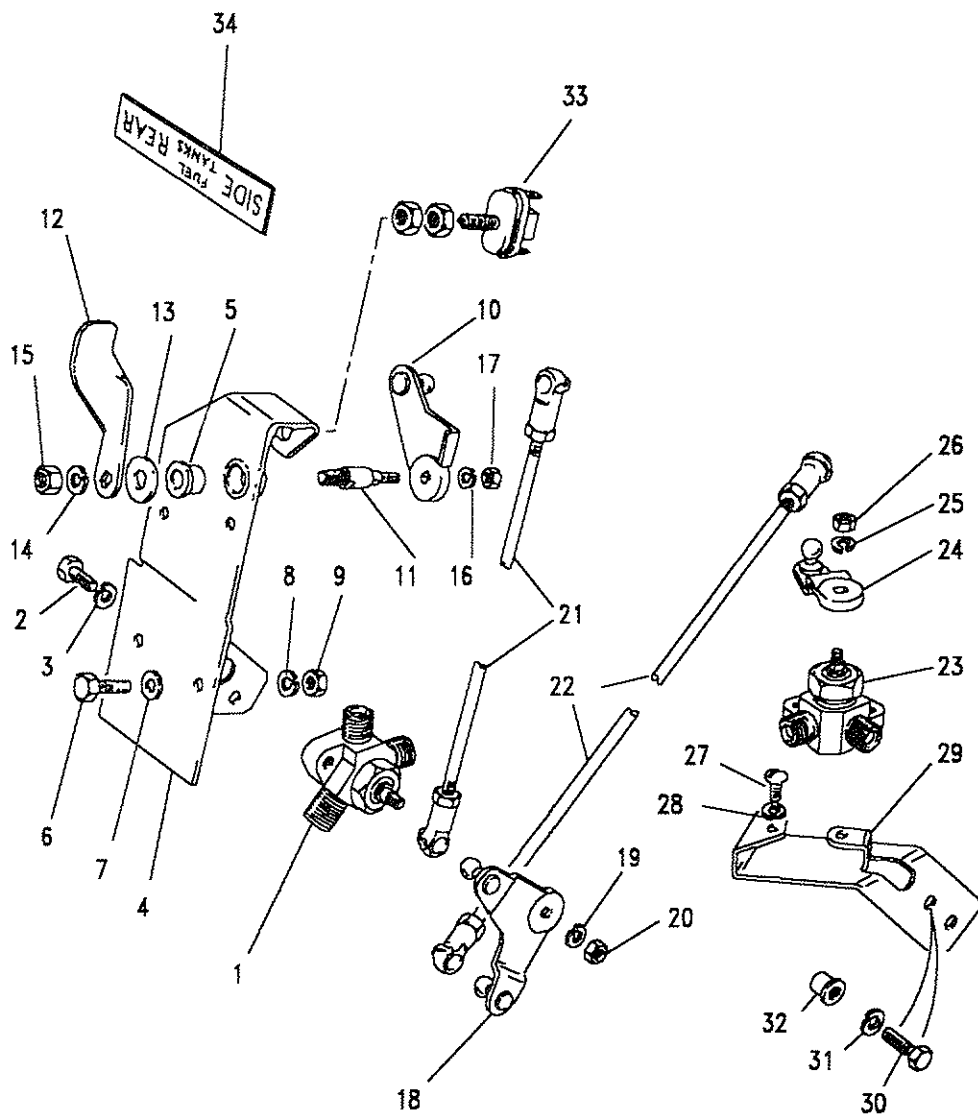




Model DEFENDER 90
Page ADJXEC5A

FUEL SYSTEM - FUEL PIPES - 300 TDI

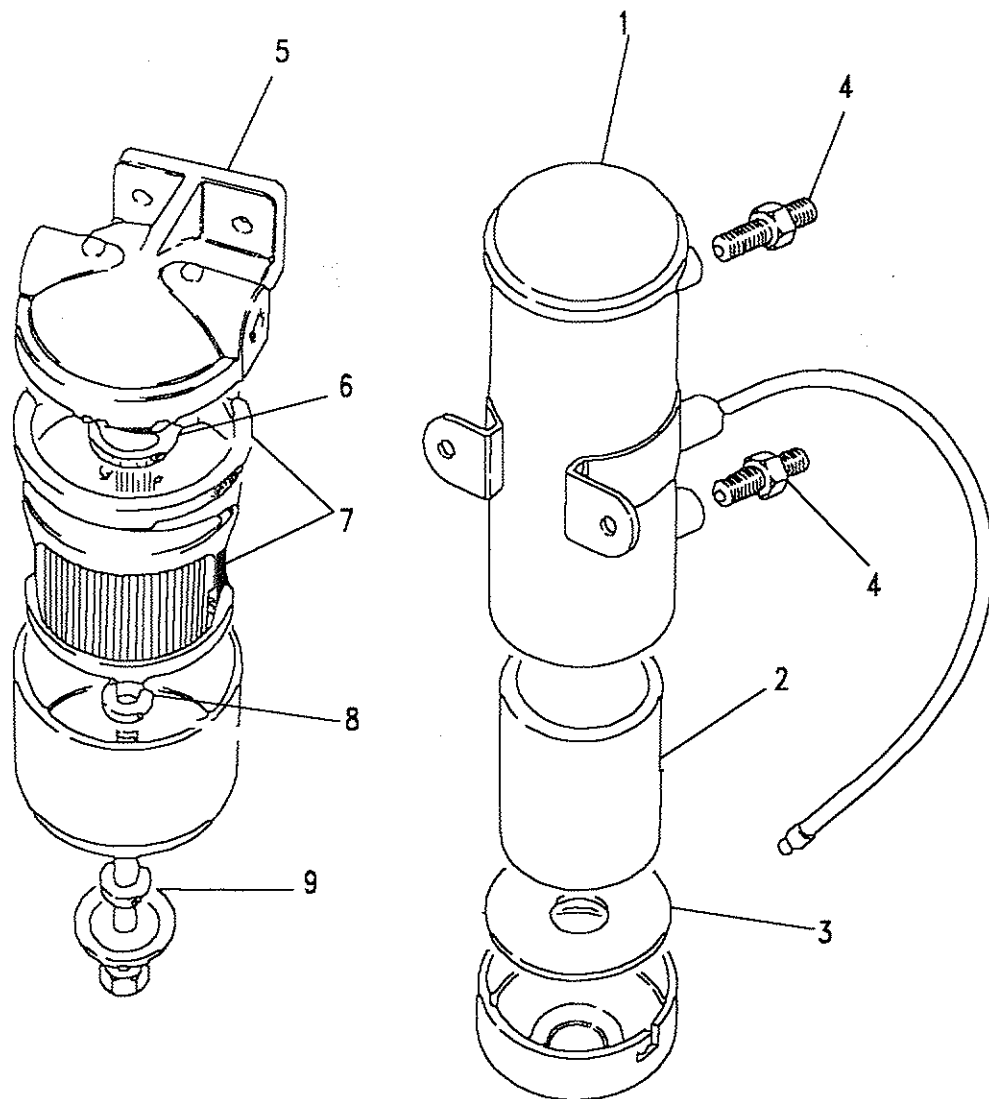
III. Part No.	Description	Qty	Remarks
1 ESR3132	Pipe fuel - tank/LP	1	
2 ESR3118	Pipe fuel twin - LP/filter & filter/HP	1	
3 ESR3129	Pipe fuel - sedimentor/LP	1	
4 ESR3125	Pipe fuel - spill/tank	1	
5 ESR3135	Bracket pipe clip	1	
6 ESR1373	Clip pipe	A/R	

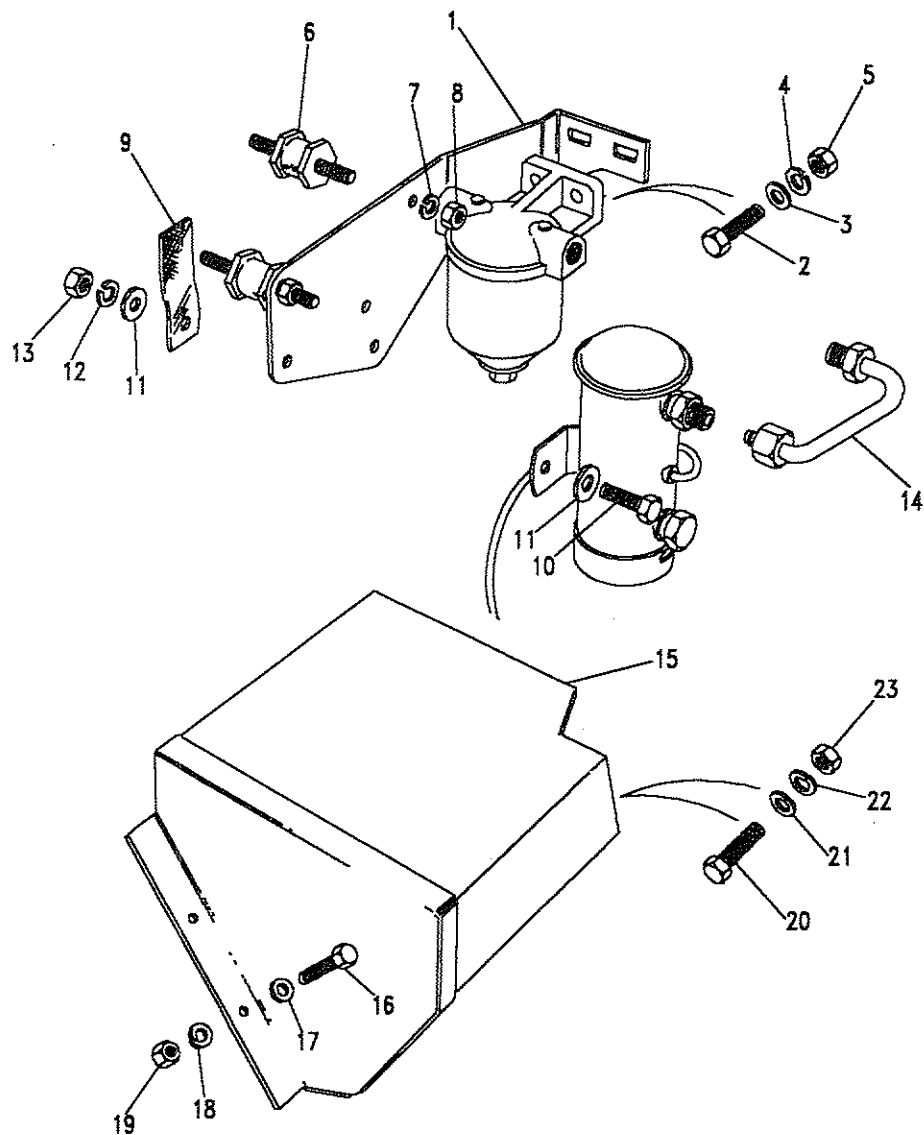


Model DEFENDER 90
Page ADJXGA1A

FUEL SYSTEM - PUMP AND FILTER - PETROL

iii. Part No.	Description	Qty	Remarks
Upto introduction of 'in tank' fuel pump			
1	PRC3901	1	Pump fuel-electric
2	90606262	1	Filter
3	90606261	1	Gasket
4	572535	2	Adaptor
5	90577064	1	Filter fuel
6	JS657L	1	Gasket
7	JS660L	1	Element
8	AEU1147	1	Seal
9	606207	1	Seal





Model DEFENDER 90
Page ADJXGA2A

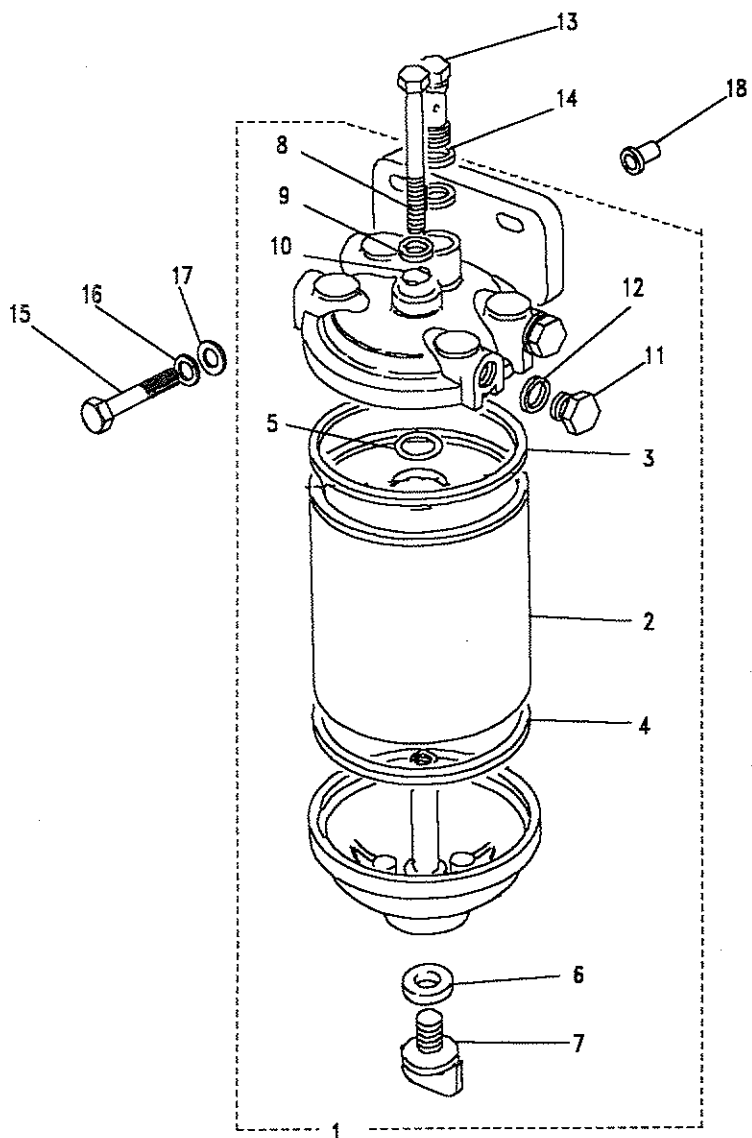
FUEL SYSTEM - MOUNTINGS PUMP AND FILTER - PETROL

III. Part No.	Description	Qty	Remarks
1	NRC7284	1	Plate mounting
2	FS106201L	2	Flange screw
3	WA106041L	2	Washer plain
4	WL106001L	2	Washer spring
5	NH106041L	2	Nut
6	NRC7135	3	Mounting rubber
7	WM600041L	3	Washer spring
8	NH604041L	3	Nut
9	568244	1	Earth braid
10	FS106201L	2	Flange screw
11	WA106041L	3	Washer plain
12	WL106001L	2	Washer spring
13	NH106041L	2	Nut
14	NRC7930	1	Pipe fuel -pump to filter
15	NRC7454	1	Cover
16	SH106121L	2	Screw
17	WA106041L	2	Washer plain
18	WL106001L	2	Washer spring
19	NH106041L	2	Nut
20	SH106121L	1	Screw
21	WA106041L	1	Washer plain
22	WL106001L	1	Washer spring
23	NH106041L	1	Nut

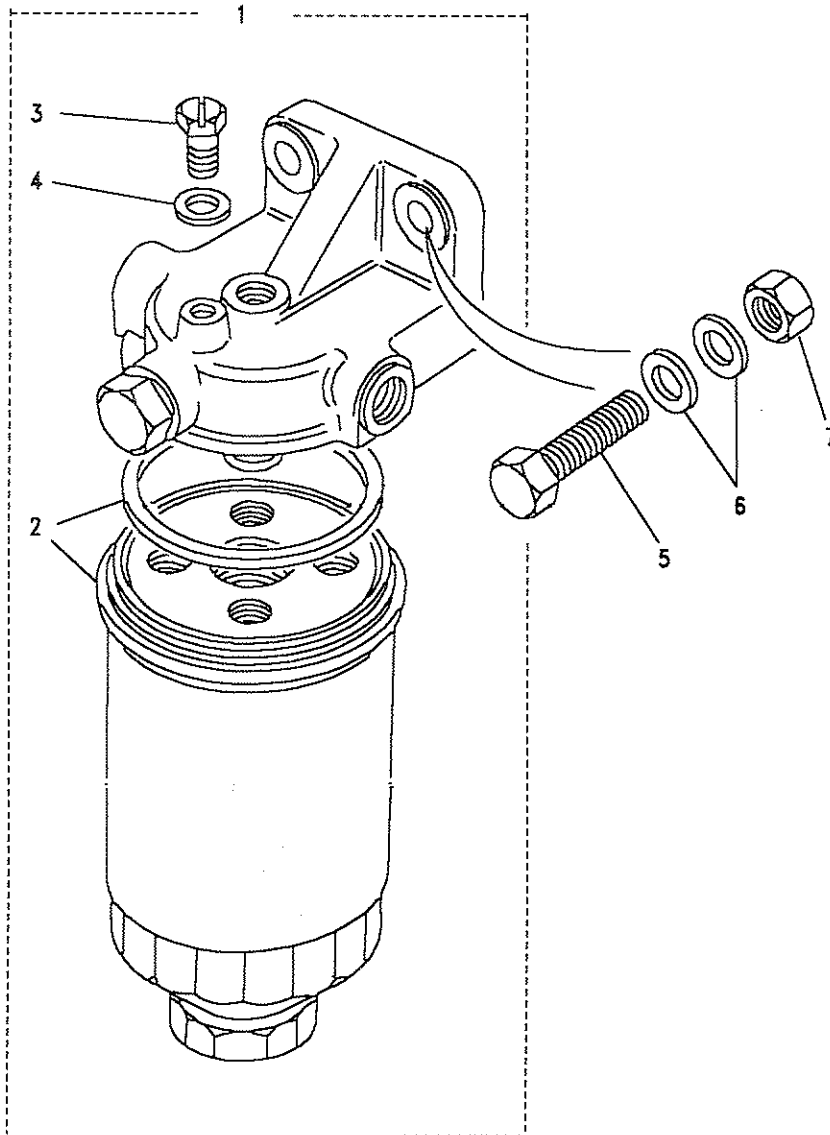


Model DEFENDER 90
Page ADJXGC1A

FUEL SYSTEM - FUEL FILTER - DIESEL AND DIESEL TURBO



III. Part No.	Description	Qty	Remarks
1	563190	1	Filter fuel
2	90517711	1	Element
3	AAU9903	1	Seal top
4	AAU9902	1	Seal bottom
5	37H575L	1	Seal small
6	605011	1	Seal drain plug
7	37H7920	1	Drain plug and seal
8	37H8119L	1	Bolt
9	522940	1	Washer
10	37H770L	1	O ring
11	517689	1	Plug blanking
12	517706	1	Washer
13	13H1515L	1	Bolt banjo
14	517976	2	Joint washer
15	SH108301L	2	Screw
16	WL108001L	2	Washer spring
17	WA108051L	2	Washer plain
18	NN108021L	2	Rivnut



Model DEFENDER 90
Page ADJXGC2A

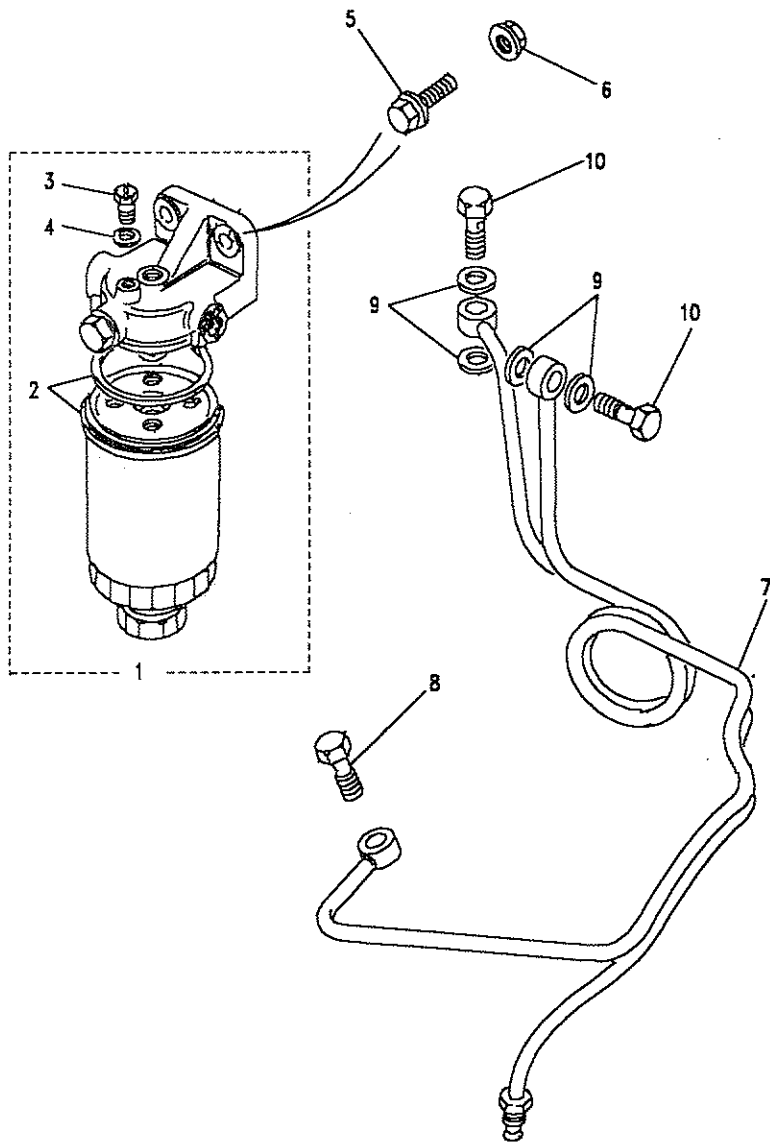
FUEL SYSTEM - FUEL FILTER - 200 TDI

III. Part No.	Description	Qty	Remarks
1 NTC1518	Filter fuel	1	
2 AEU2147L	Element and seal	1	
3 AEU2148L	Screw bleed	1	
4 AEU2149L	Washer sealing	1	
5 FS110301L	Screw	2	
6 WA110061L	Washer plain	4	
7 NY110041L	Nut	2	



Model DEFENDER 90
Page ADJXGC2B

FUEL SYSTEM - FUEL FILTER - 300 TDI



III. Part No.	Description	Qty	Remarks
1	NTC1518	1	Filter fuel
2	AEU2147L	1	Element and seal
3	AEU2148L	1	Screw bleed
4	AEU2149L	1	Washer sealing
5	FS110301L	2	Screw flange
6	FX110041	2	Nut flange
7		1	Fuel pipe
8	ERR1125	1	Banjo bolt
9	ESR354	4	Washer copper
10	NTC3346	2	Banjo bolt
11	ESR3206	1	Bracket fuel filter
12	FS108201L	1	Screw filter bracket
13	FS108301L	2	Bolt

Note(1) For fuel pipes see page 619



DEFENDER 90

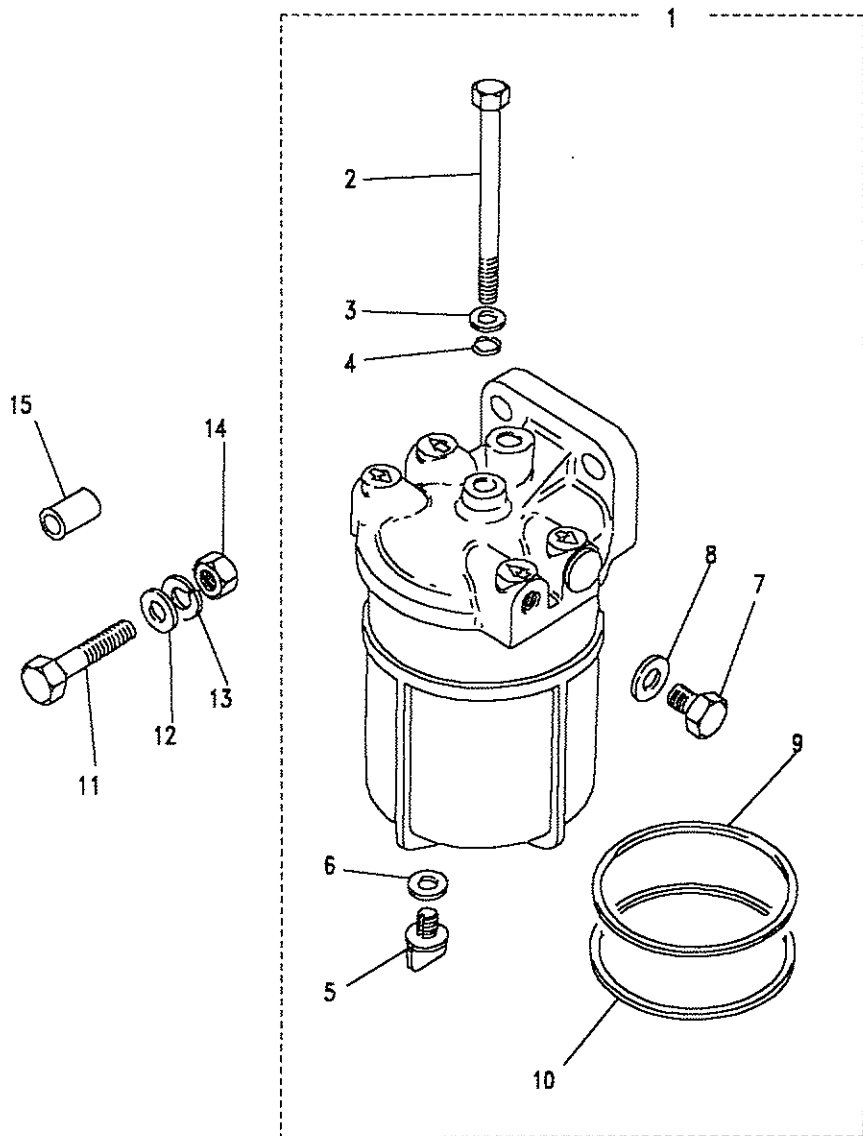
625

FUEL SYSTEM AND AIR CLEANER

Model DEFENDER 90
Page ADJXGC3A

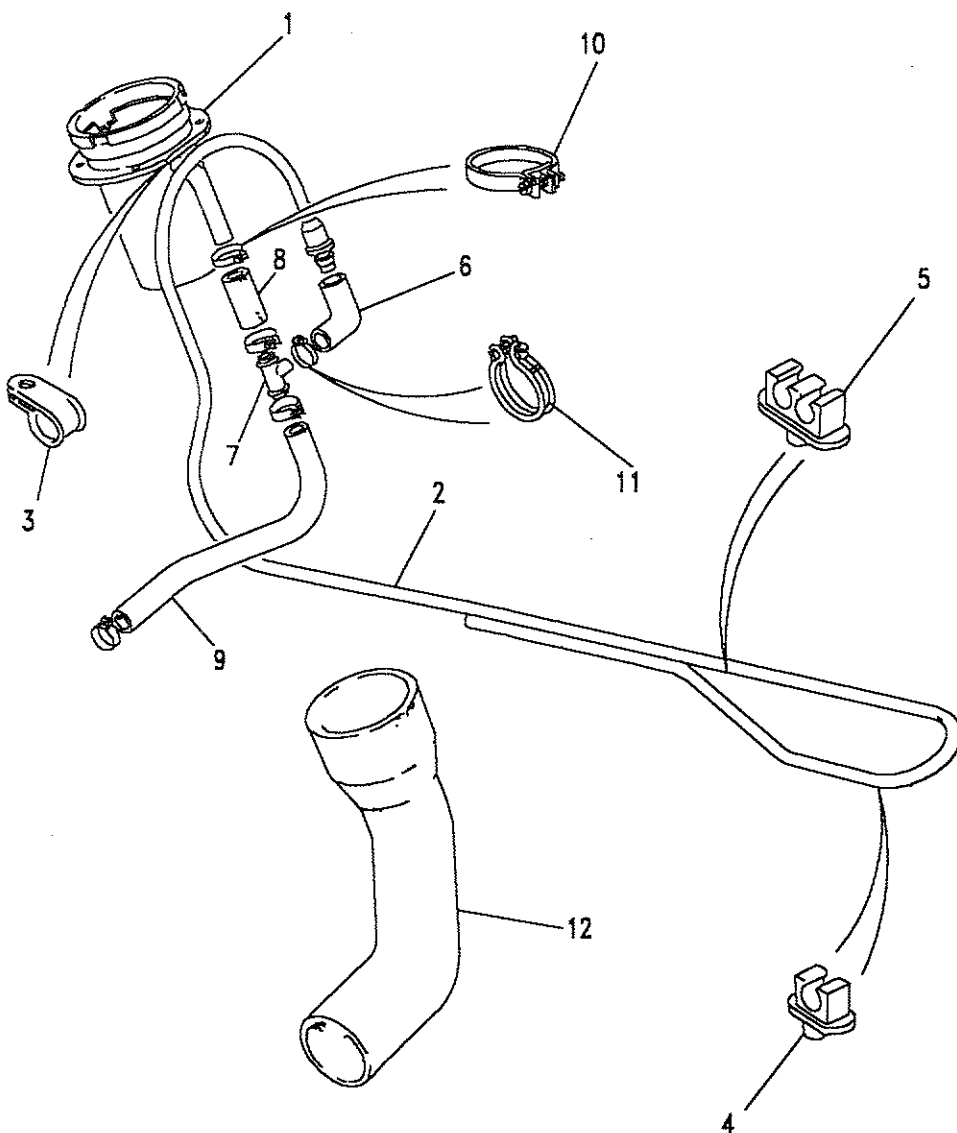
FUEL SYSTEM - SEDIMENTORS - 2.5 DIESEL - OPTIONAL

III. Part No.	Description	Qty	Remarks
1	Sedimentor	1	
2	Bolt	1	
3	Washer	1	
4	O ring	1	
5	Plug drain	1	
6	Seal	1	
7	Plug blanking	1	
8	Joint Washer	1	
9	Seal top	1	
10	Seal bottom	1	
11	Bolt	2	
12	Washer plain	2	
13	Washer spring	2	
14	Nut	4	
15	Nutsert	1	



Model DEFENDER 90
 Page ADJXMA1A

FUEL SYSTEM - ROLL OVER ANTI-SPILL SYSTEM

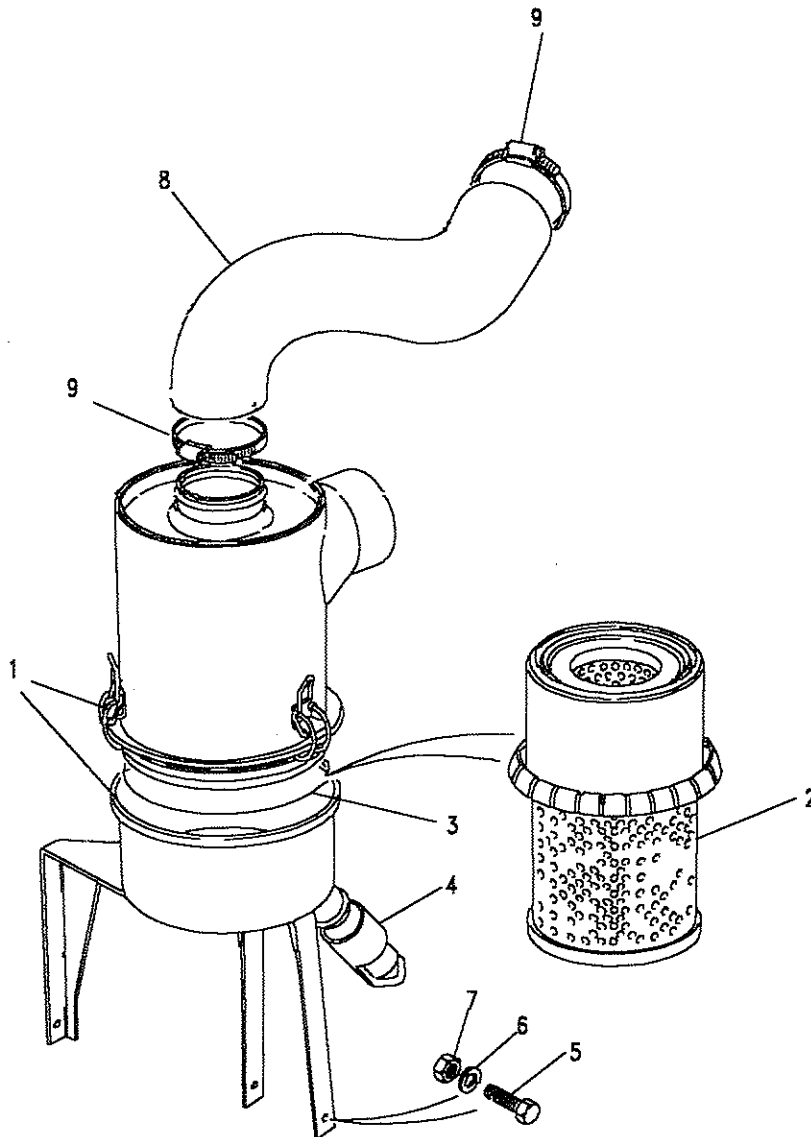


III. Part No.	Description	Qty	Remarks
1	NRC9423	2	Filler fuel
2	NRC2572	1	Pipe fuel
3	AEU1448	1	Clip
4	79123	2	Clip
5	AFU1008	2	Clip
6	577458	1	Elbow rubber
7	NRC2652	1	Tee piece
8	NRC2159	1	Connection hose
9	ESR1287	1	Hose breather
10	572839	4	Clip hose
11	565656	1	Clip hose
12	NRC9291	1	Hose filler



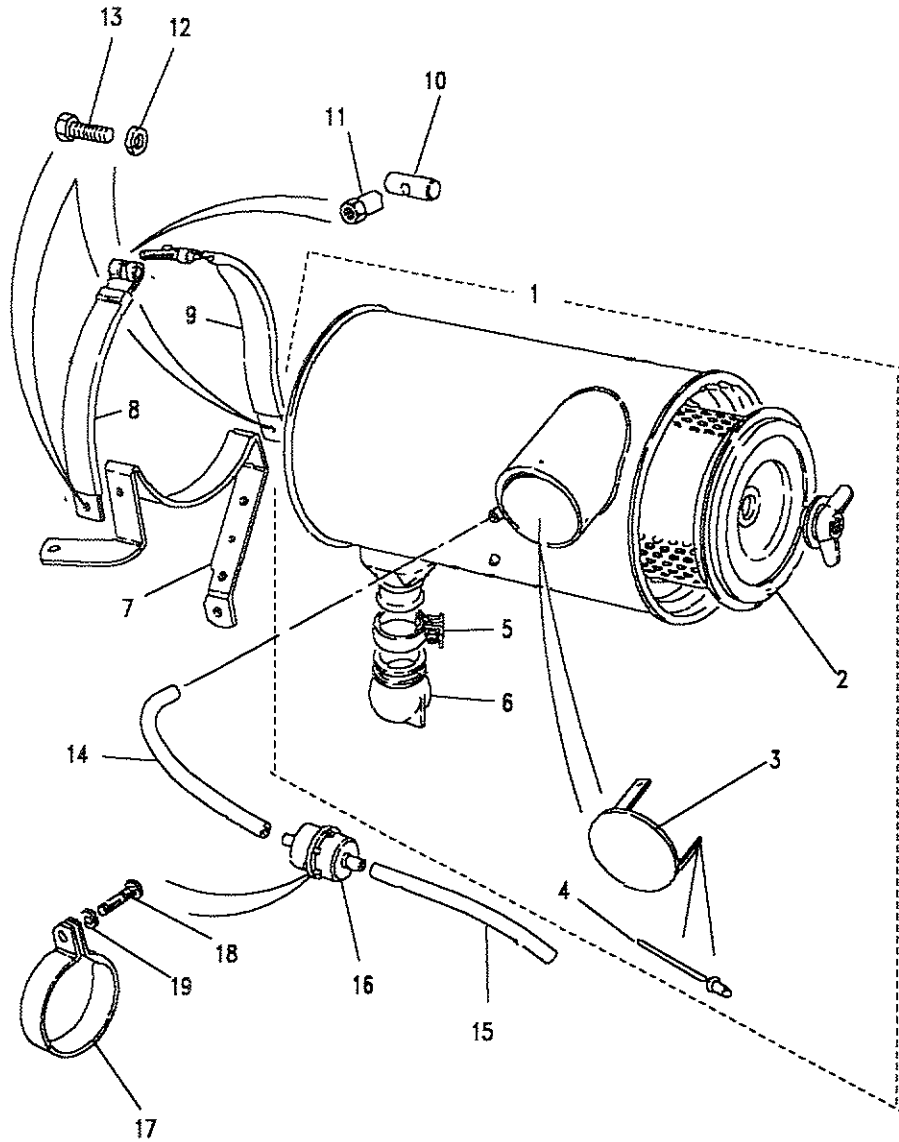
Model DEFENDER 90
Page ADJXPA1A

FUEL SYSTEM - AIR CLEANER - 4 CYLINDER - PETROL



III. Part No.	Description	Qty	Remarks
1 RRC4002	Air cleaner assembly	1	Upto VIN FA375497
NTC4183	Air cleaner assembly	1	From VIN FA375498
2 NRC9238	Element	1	
NRC9239	Nut wing and gasket	1	
3 RRC3746	O ring	1	
4 NRC8955	Valve dump	1	Upto VIN FA375497
NTC3751	Valve dump	1	From VIN FA375498
5 SH106121L	Screw	3	
6 WL106001L	Washer spring	3	
7 NH106041L	Nut	3	
8 NTC1650	Hose-to carburetter	1	
9 CJ600504L	Clip hose	2	





Model DEFENDER 90
Page ADJXPA2A

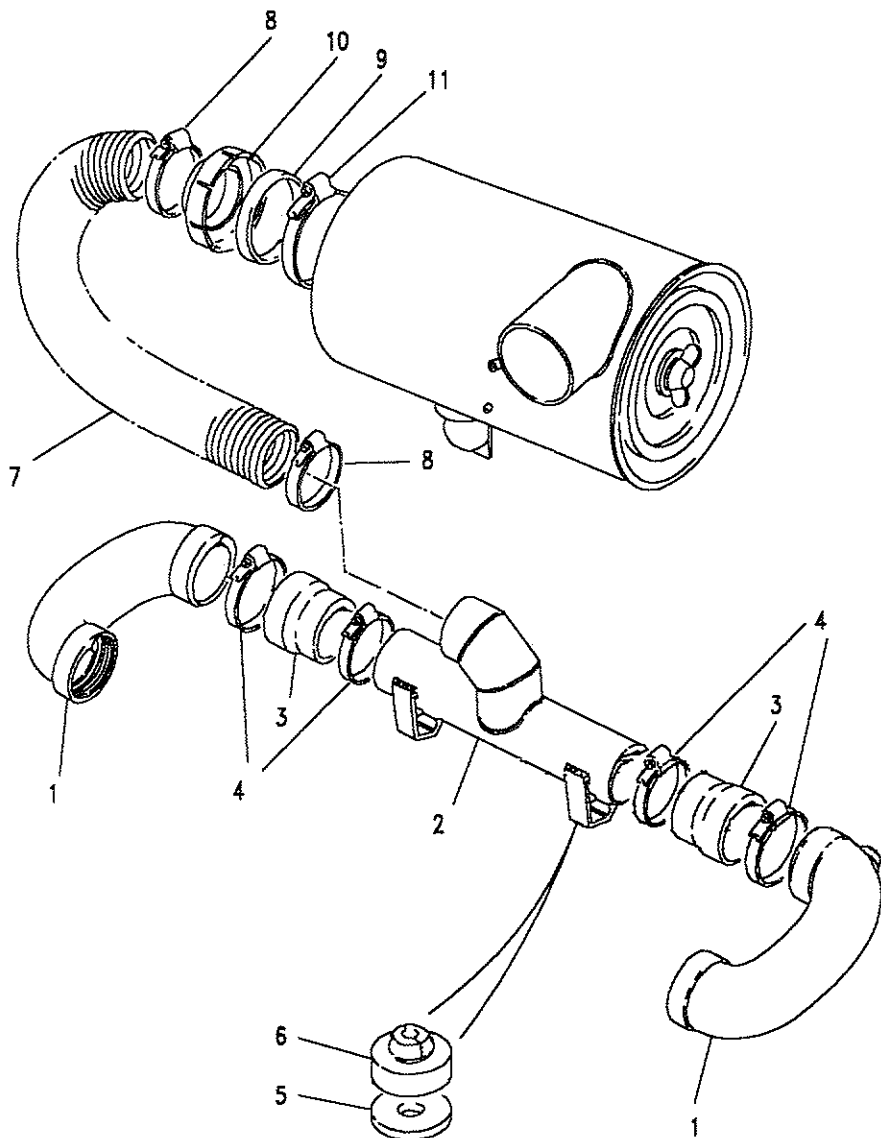
FUEL SYSTEM - AIR CLEANER - V8

III. Part No.	Description	Qty	Remarks
1	ERC8505	1	Air cleaner assembly
2	RTC3479	1	Element
3	ERC3896	1	Baffle
4	RA607076	3	Rivet
5	606247	1	Clamp air cleaner
6	STC1120	1	Valve assembly air
7	ERC3892	1	Bracket
	ERC3893	1	Bracket
8	ERC3946	2	Strap air cleaner
9	ERC3897	2	Strap retaining
			Rear
10	572994	2	Trunnion
11	578023	2	Nut tension
12	SH505051	4	Screw
13	WL600051L	4	Washer spring
14	ERC3955	1	Hose
15	ERC3954	1	Hose
			To filter
16	606168	1	Filter
17	603962	1	Clip retaining
18	79134	1	Screw
19	WL700101	1	Washer spring
			To block

Model DEFENDER 90
Page ADJXPA3A

FUEL SYSTEM - AIR-INLET ELBOWS - V8

III. Part No.	Description	Qty	Remarks
Stromberg Carburettors - Non-detoxed			
1	ERC5247	2	Elbow air inlet
2	ERC5453	1	Duct air
3	ERC5052	2	Hose
4	RTC3518	4	Clip hose
5	4594	2	Spacer
6	603851	2	Grommet
7	ERC5401	1	Hose air intake
8	CA600424	2	Clip hose
9	ERC3899	1	Seal air intake
10	ERC5400	1	Adaptor
11	RTC3502	1	Clip hose





Model DEFENDER 90

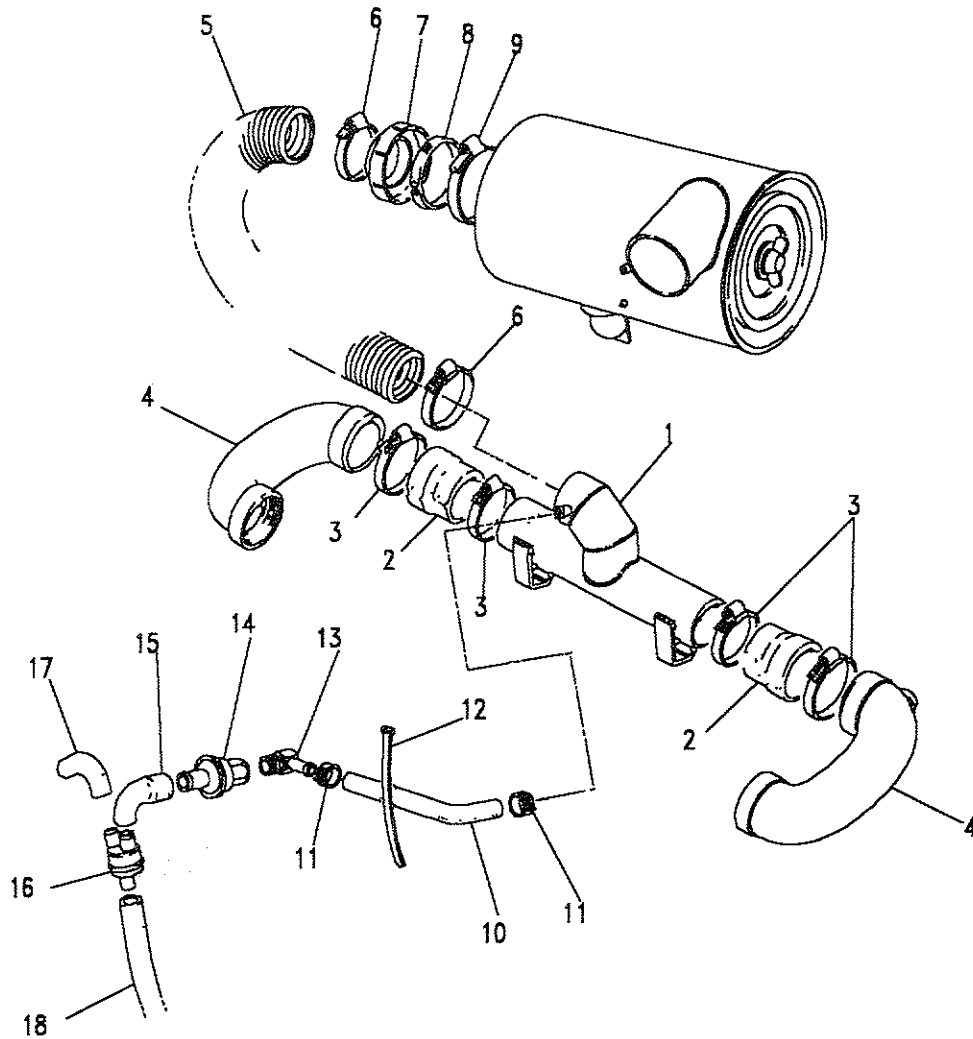
Page ADJXPA4A

FUEL SYSTEM - AIR INLETS - V8

Ill. Part No.	Description	Qty	Remarks
---------------	-------------	-----	---------

SU Carburettors - Non-detoxed

1	ETC7193	Duct air inlet	1	
2	ERC3915	Hose	2	
3	RTC3519	Clip hose	4	
4	ERC5247	Elbow	2	
5	ERC3956	Hose	1	
6	ETC5847	Clip hose	2	
7	ERC3894	Adaptor	1	
8	ERC3899	Seal	1	
9	RTC3519	Clip hose	1	
10	ETC7199	Hose breather	1	
11	CN100308L	Clamp hose	2	
12	594594	Cable tie	1	
13	ETC7201	Adaptor assembly	1	
14	ERC6878	Valve check	1	
15	ETC7189	Hose breather	1	
16	ETC7188	Flame trap	1	
17	611092	Hose	1	To rocker cover
18	611097	Hose	1	To carburetter





Model DEFENDER 90

Page ADJXPA5A

FUEL SYSTEM - AIR TEMPERATURE CONTROL

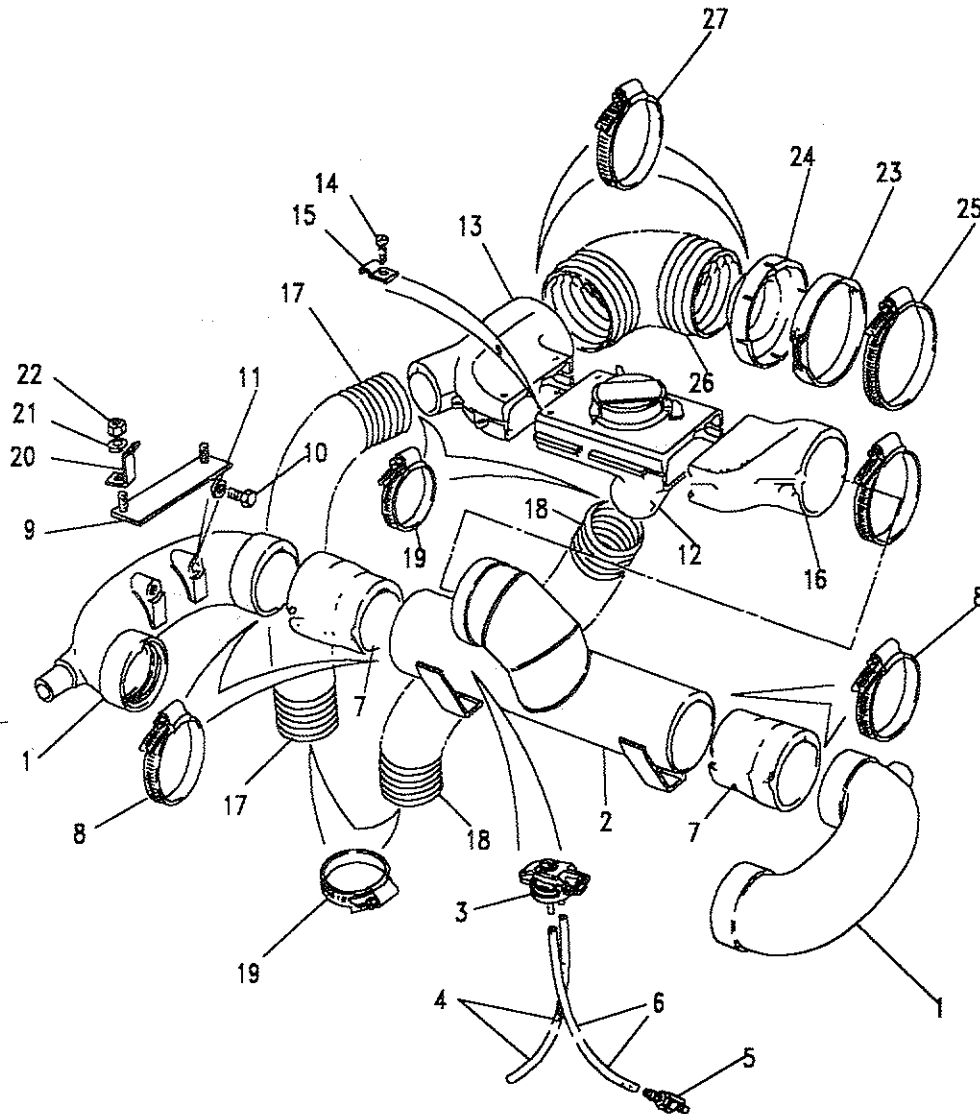
III. Part No.

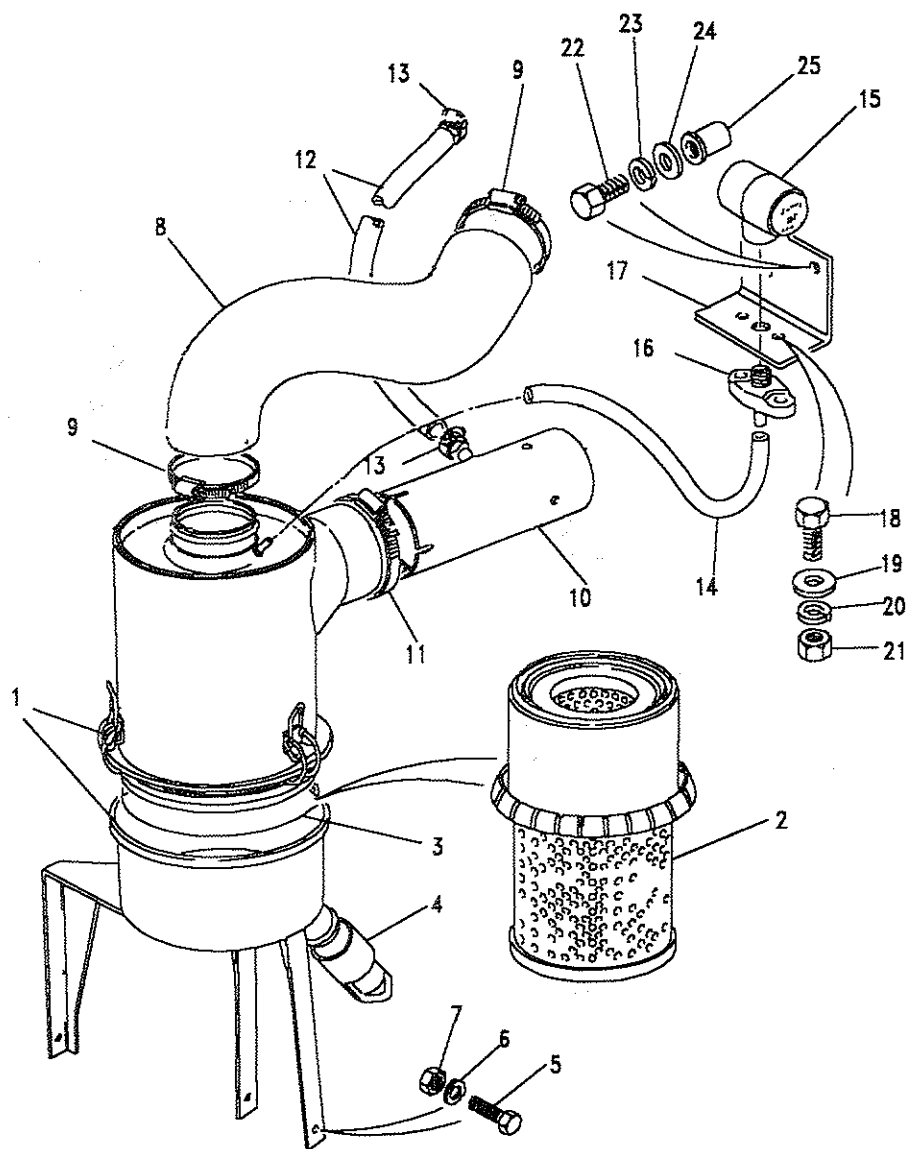
Description

Qty Remarks

V8 Detoxed

1	ERC9037	Elbow air inlet	2	
2	ERC7144	Duct air	1	
3	ERC6399	Sensor	1	
4	614892	Hose	2	
5	614866	Valve non return	1	
6	614891	Hose	1	Sensor to valve
7	ERC5052	Hose	2	Duct to elbow
8	RTC3518	Clip hose	4	
9	ERC3890	Bracket mounting	1	
10	SH108121L	Screw	2	
11	WL108001L	Washer spring	1	
12	ERC4591	Valve air temp control	1	
13	ETC4639	Adaptor	1	
	ETC5147	Adaptor	1	Air Con
14	AB600031	Screw	4	
15	216708	Clip-choke cable	1	
16	ERC3884	Adaptor	1	
17	ERC4293	Hose	1	
18	ERC4294	Hose	1	
19	CN100508	Clip hose	4	
20	ERC3891	Clip-ATC valve	2	
21	WL600041L	Washer spring	2	
22	NH604041L	Nut	2	
23	ERC3899	Seal air intake	1	
24	ERC5400	Adaptor	1	
25	RTC3502	Clip hose	1	
26	ERC4074	Hose	1	
27	CA600424	Clip hose	2	





Model DEFENDER 90
Page ADJXPC1A

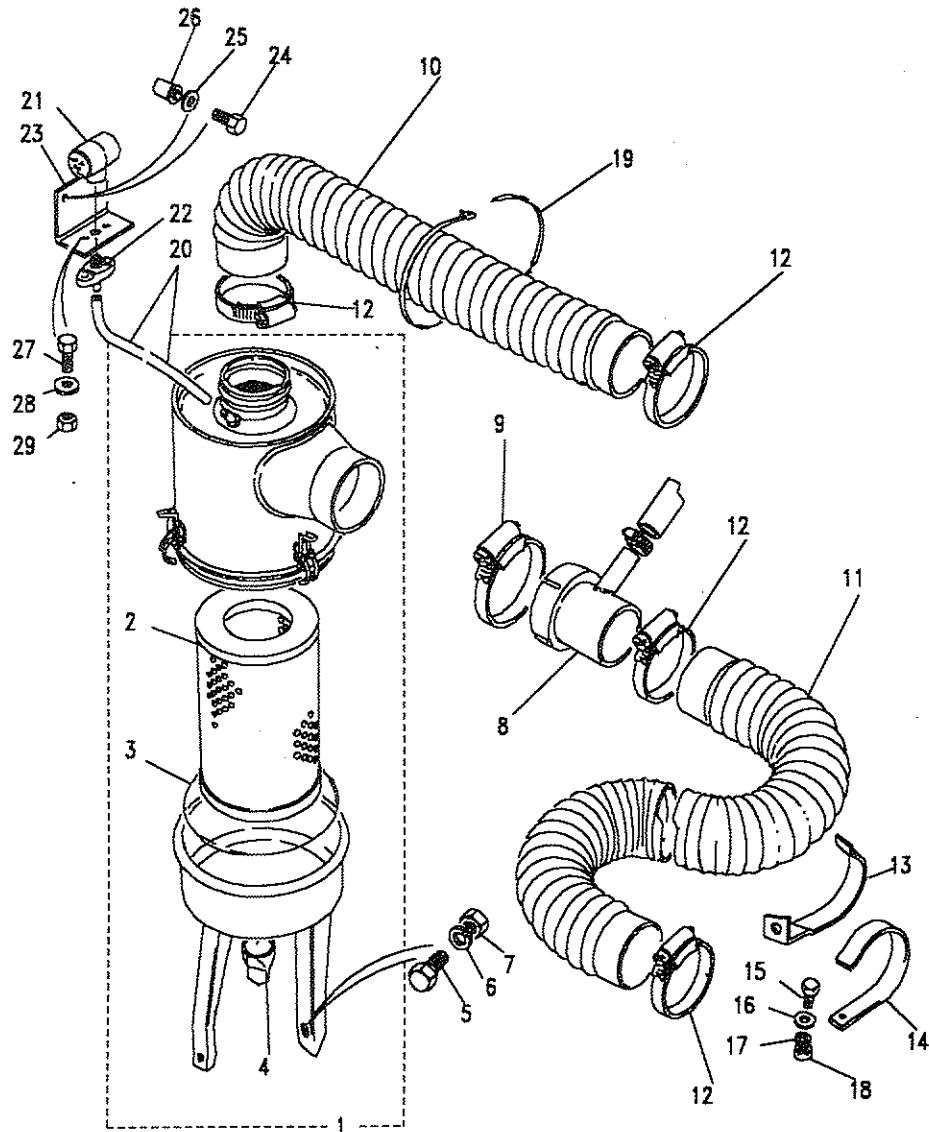
FUEL SYSTEM - AIR CLEANER - DIESEL - NATURALLY ASPIRATED

III. Part No.	Description	Qty	Remarks
1	RRC4002 NTC4183	1	Upto VIN FA375497
2	NRC9238 NRC9239	1	From VIN FA375498
3	RRC3746	1	
4	NRC8955	1	Upto VIN FA375497
5	NTC3751	1	From VIN FA375498
6	SH106121L	3	
7	WL106001L	3	
8	NH106041L	3	
9	NRC8962	1	
10	CJ600504L	2	
11	NRC8987	1	Upto VIN FA375497
12	NTC4612	1	From VIN FA375498
13	CJ600504L	1	
14	ETC7969	1	
15	CJ600164L	2	
16	NTC4187	1	
17	NTC4611	1	From VIN FA375498
18	NTC4224	1	
19	RRC3011	1	
20	FS106167L	2	
21	WA106041L	2	
22	WL106001L	2	
23	NH106041L	2	
24	SH106121L	2	
25	WL106001L	2	
	WA106041L	2	
	NN106011L	2	



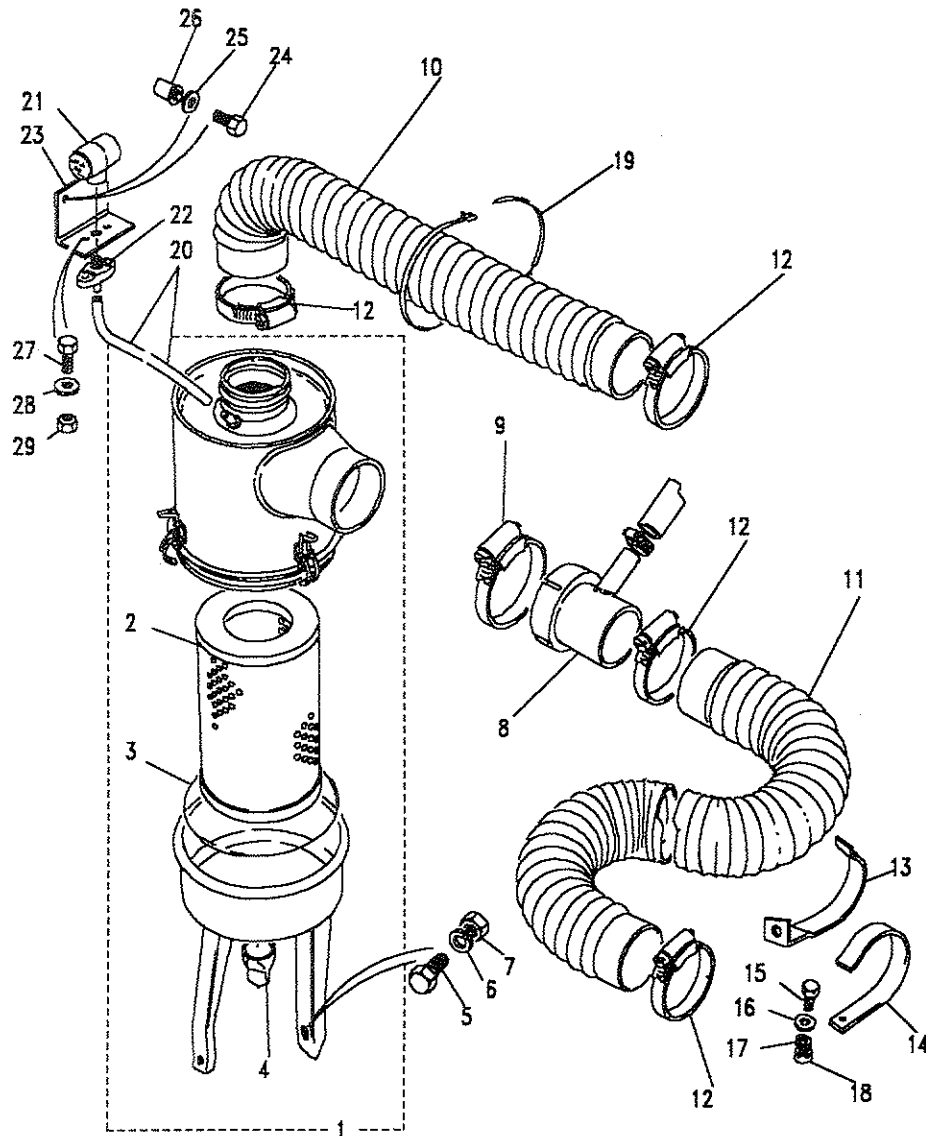
Model DEFENDER 90
Page ADJXPC2A

FUEL SYSTEM - AIR CLEANER - DIESEL TURBO



III. Part No.	Description	Qty	Remarks
1	NTC4183 Air cleaner assembly	1	
2	NRC9238 Element	1	
3	RRC3746 O ring	1	
4	NTC3751 Valve dump	1	
5	SH106121L Screw	3	
6	WL106001L Washer spring	3	
7	NH106041L Nut	3	
8	NTC4655 Adaptor-air cleaner	1	
	RRC5528 Adaptor-air cleaner	1	Note(1)
9	CJ600564 Clip hose	1	
10	NTC2660 Hose-air cleaner to turbo	1	
11	NTC2830 Hose-wing to air cleaner	1	
12	CJ600504 Clip hose	4	
13	NTC3778 Bracket retaining-LHD	1	
	NTC3778 Bracket retaining-RHD	1	Upto VIN 372172
14	ESR1004 Bracket retaining-RHD	1	From VIN 372173
15	SH106207 Screw	1	



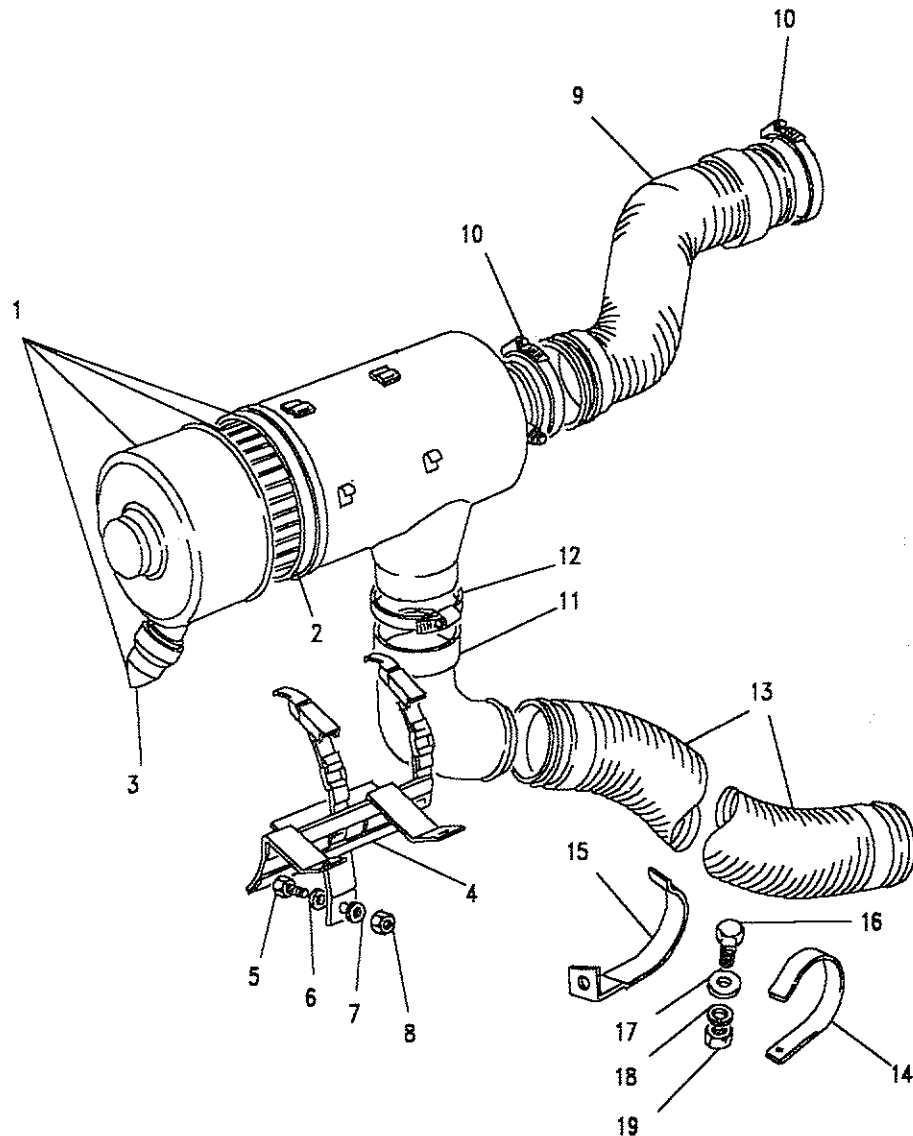


Model DEFENDER 90
Page ADJXPC2A

FUEL SYSTEM - AIR CLEANER - DIESEL TURBO

III. Part No.	Description	Qty	Remarks
16 WA106047L	Washer plain	2	
17 WL106007L	Washer spring	2	
18 NH106047L	Nut	1	
19 594594	Cable tie	1	
20 NTC4187	Hose-to indicator	1	Note(1)
RRC5727	Hose-to indicator	1	Upto VIN 329985
21 RRC2800	Indicator restriction	1	From VIN 329986
NTC4611	Indicator restriction	1	
22 NTC4224	Flange adaptor	1	
23 RRC3011	Bracket support	1	
24 SH106121L	Screw	2	
25 WA106041L	Washer plain	2	
26 NN106011L	Nutsert	2	
27 FS106167L	Screw	2	
28 WA106041L	Washer plain	2	
29 NH106041L	Nut	2	

Note(1) For vehicles with raised air intake



Model DEFENDER 90
Page ADJXPC3A

FUEL SYSTEM - AIR CLEANER - 200TDI

III. Part No.	Description	Qty	Remarks
1	ESR370	1	Air cleaner assembly
2	NTC6660	1	Element
	NRC9239	1	Nut wing and gasket
3	NRC8955	1	Valve dump
4	ESR276	1	Cradle
5	FS106167L	3	Screw
6	WA106041L	3	Washer plain
7	WL106001L	3	Washer spring
8	NH106041L	3	Nut
9	ESR415	1	Hose-to turbo
10	STC128	2	Clip hose
11	ESR228	1	Elbow
12	CN100908L	1	Clip hose
13	ESR184	1	Hose-intake
14	ESR1004	1	Bracket retaining-RHD
15	NTC3778	1	Bracket retaining-LHD
16	SH106207	1	Screw
17	WA106047L	2	Washer plain
18	WL106007L	2	Washer spring
19	NH106047L	1	Nut



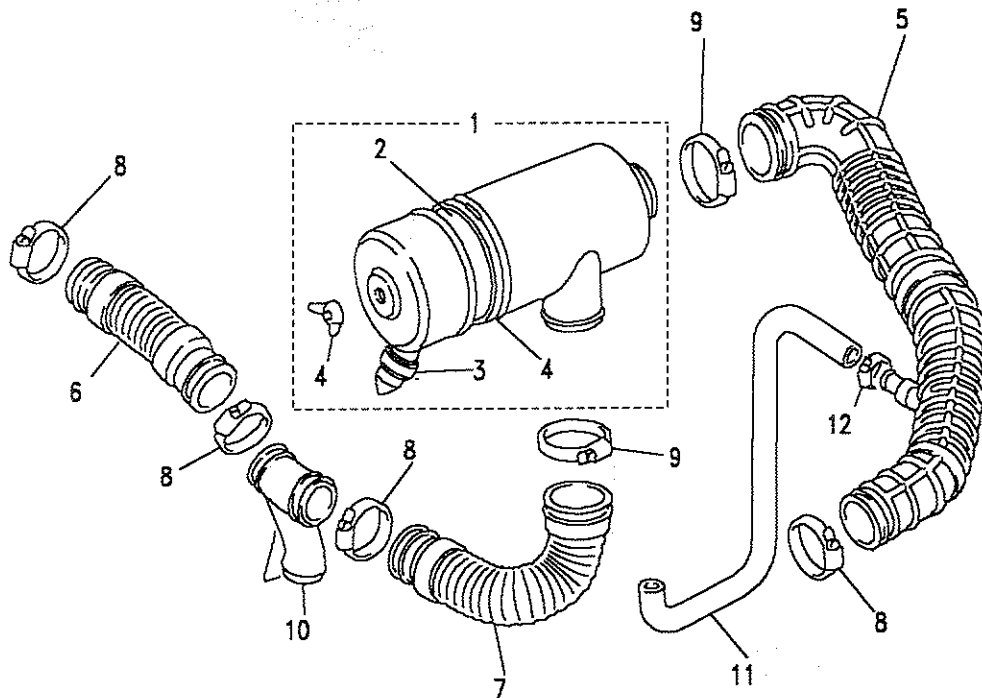
Model DEFENDER 90
Page ADJXPC3B

FUEL SYSTEM - AIR CLEANER - 300TDI

III. Part No. Description Qty Remarks

Air cleaner assembly

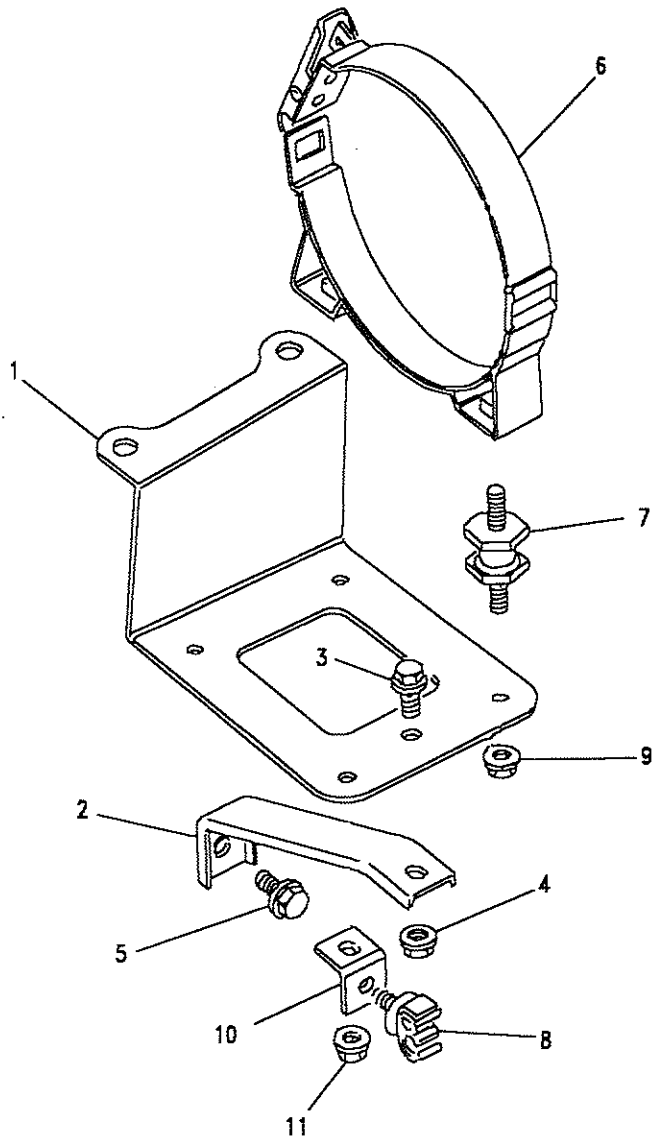
1	ESR2102	Air cleaner assembly	1
2	ESR2623	Filter element	1
3	NRC8955	Valve dump	1
4	NRC9239	Nut & gasket	1
5	ESR2731	Hose air cleaner to turbo	1
6	ESR3028	Hose intake to dump valve	1
7	ESR3032	Hose dump to air cleaner	1
8	CN100708	Clip hose	4
9	CN100908	Clip hose	2
10	ESR3162	Dump valve & bracket assy	1
11	ERR4926	Hose cyclone to a/cleaner	1
12	CN100258	Clip hose	1





Model DEFENDER 90
Page ADJXPC3C

FUEL SYSTEM - AIR CLEANER - 300TDI



III. Part No.	Description	Qty	Remarks
Air cleaner mountings			
1 ERR2850	Bracket mounting	1	
2 ERR2851	Strut air cleaner bracket	1	
3 FS108161	Screw flanged	1	
4 FN108041	Nut flanged	1	
5 FS108201L	Screw flanged	1	
6 ERR4688	Strap air cleaner	2	
7 ERR2337	Mounting rubber	4	
8 ESR1373	Clip pipe	1	
9 FN106047L	Nut flanged	2	
10 NRC2089	Rear mounting bracket	1	
11 FN106047L	Nut flanged	2	

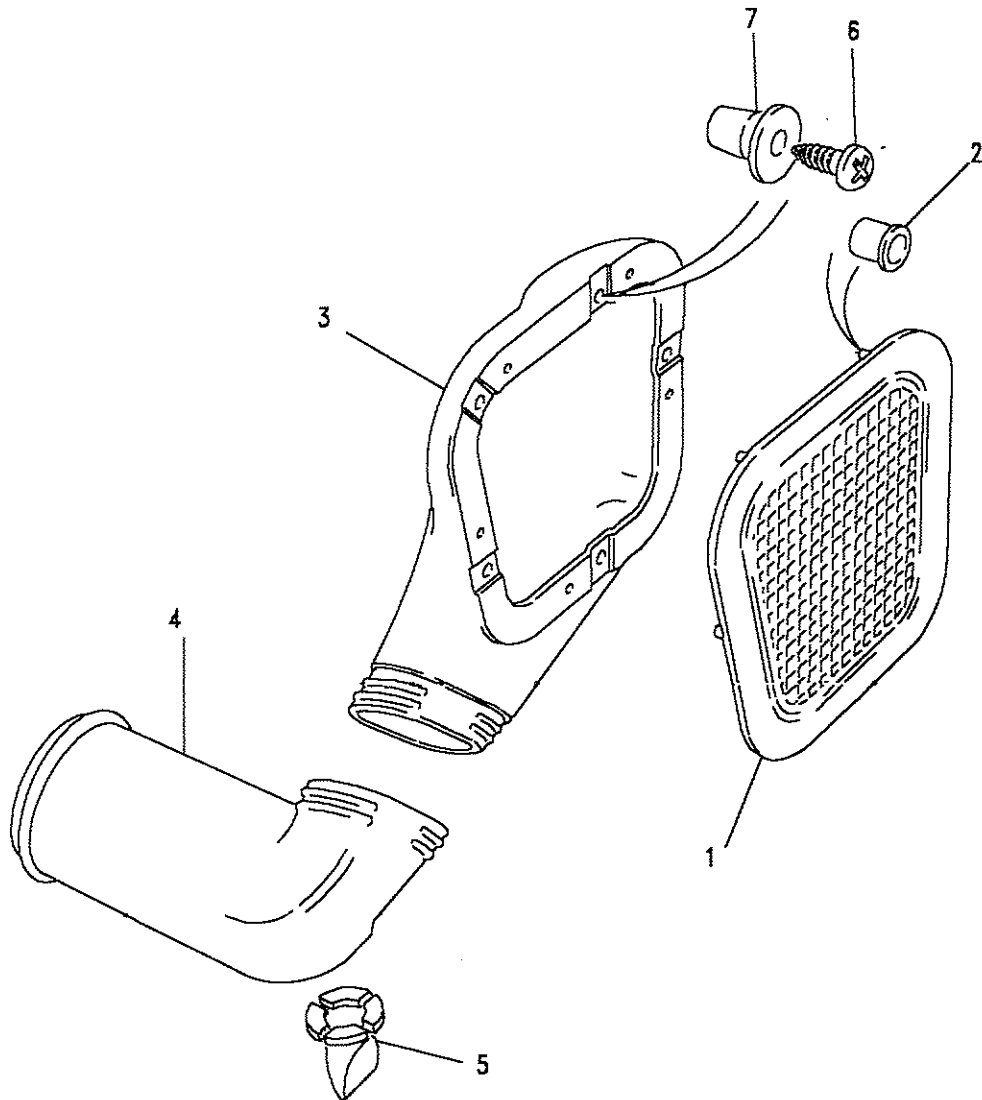




Model DEFENDER 90
Page ADJXPC5A

FUEL SYSTEM - AIR INTAKE - DIESEL TURBO & 200TDI

Ill. Part No.	Description	Qty	Remarks
1	MWC2501	1	Grille air intake
2	359526	5	Bush badge fixing
3	MWC1826	1	Duct air
4	MWC1827	1	Duct air
5	MUC2417	1	Valve dump
6	AB608047L	5	Screw
7	AFU1926	5	Nut captive





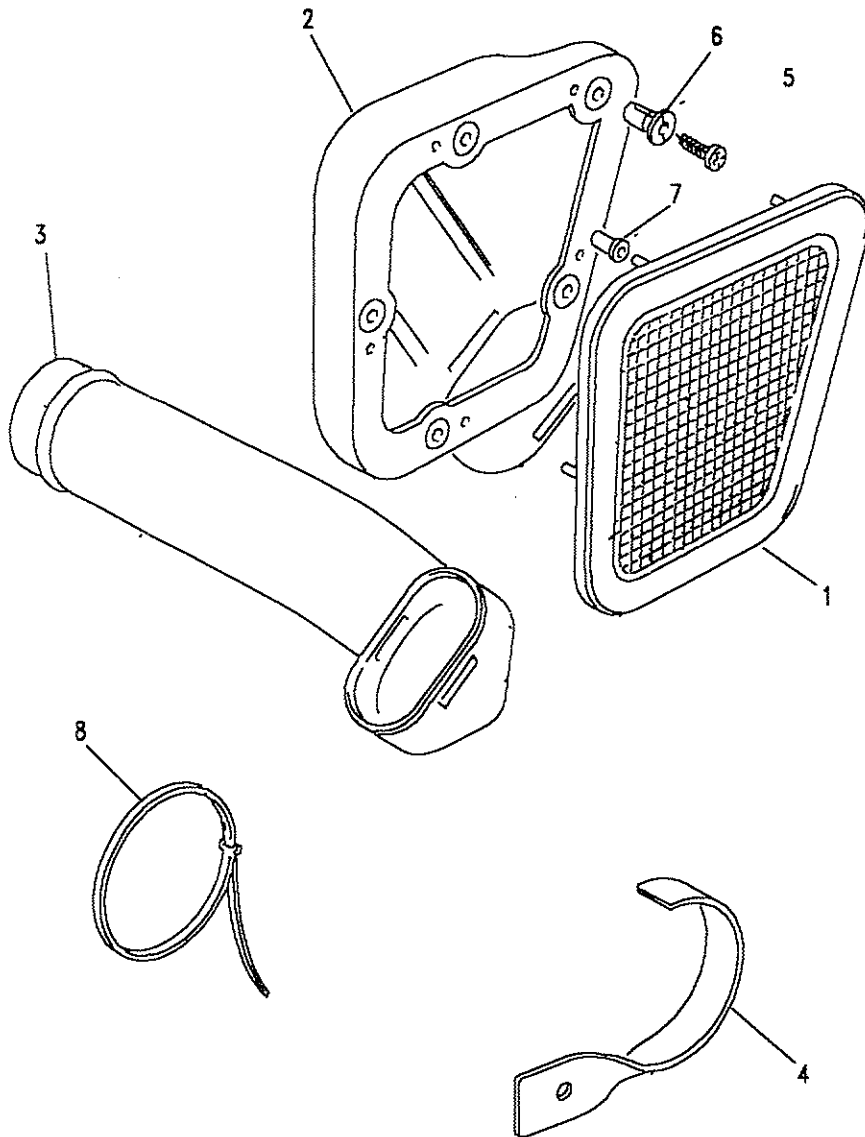
Model DEFENDER 90
Page ADJXPC5B

FUEL SYSTEM - AIR INTAKE - 300TDI

III. Part No.	Description	Qty	Remarks
---------------	-------------	-----	---------

Air intake

1	BTR6188	1	Grille air intake
2	ESR3173	1	Duct air upper RH
3	ESR3175	1	Duct air lower RH
4	ESR2315	1	Bracket intake support
5	AB608041	5	Screw - air duct
6	AFU1926	5	Nut captive
7	AJU1136	5	Stud anchor
8	359526	5	Bush friction
9	594594	1	Tyrap strap



Model DEFENDER 90
Page ADJXPC4A

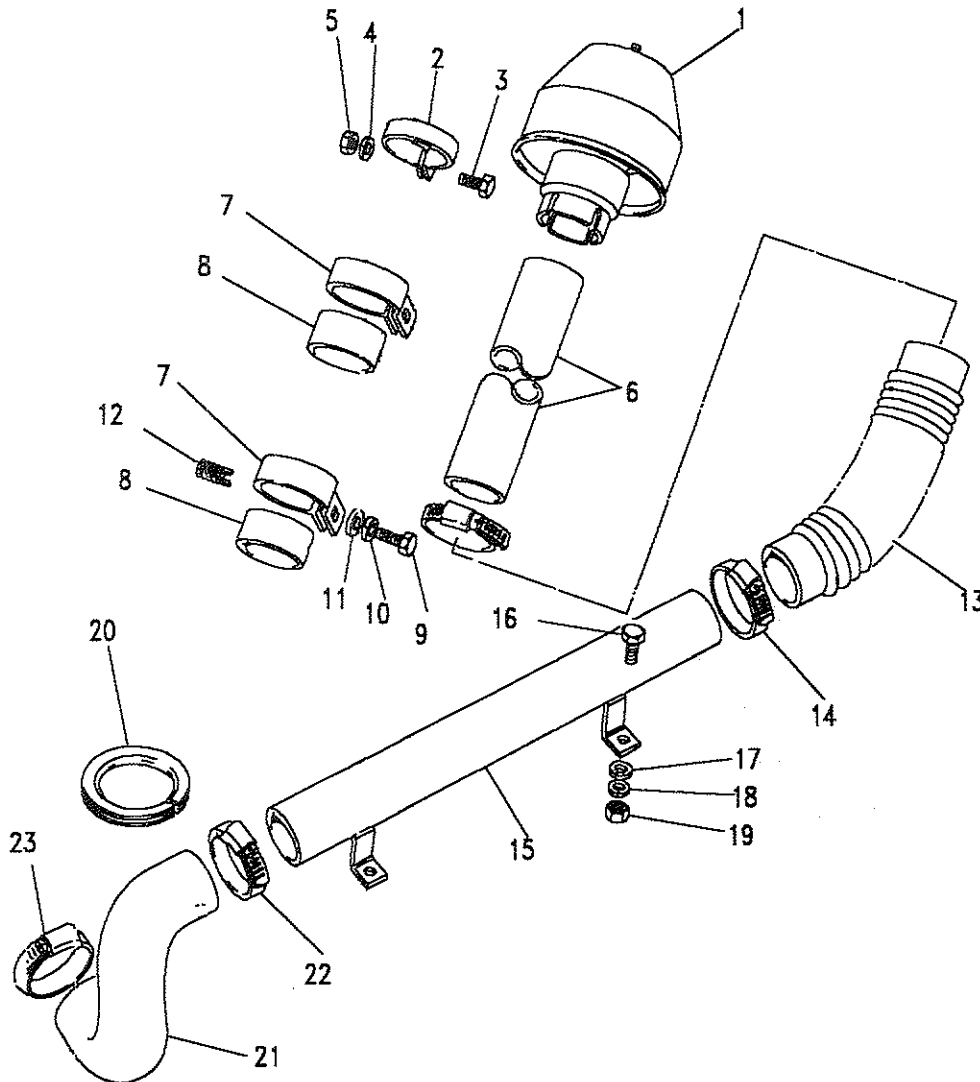
FUEL SYSTEM - RAISED AIR CLEANER - 4 CYLINDER

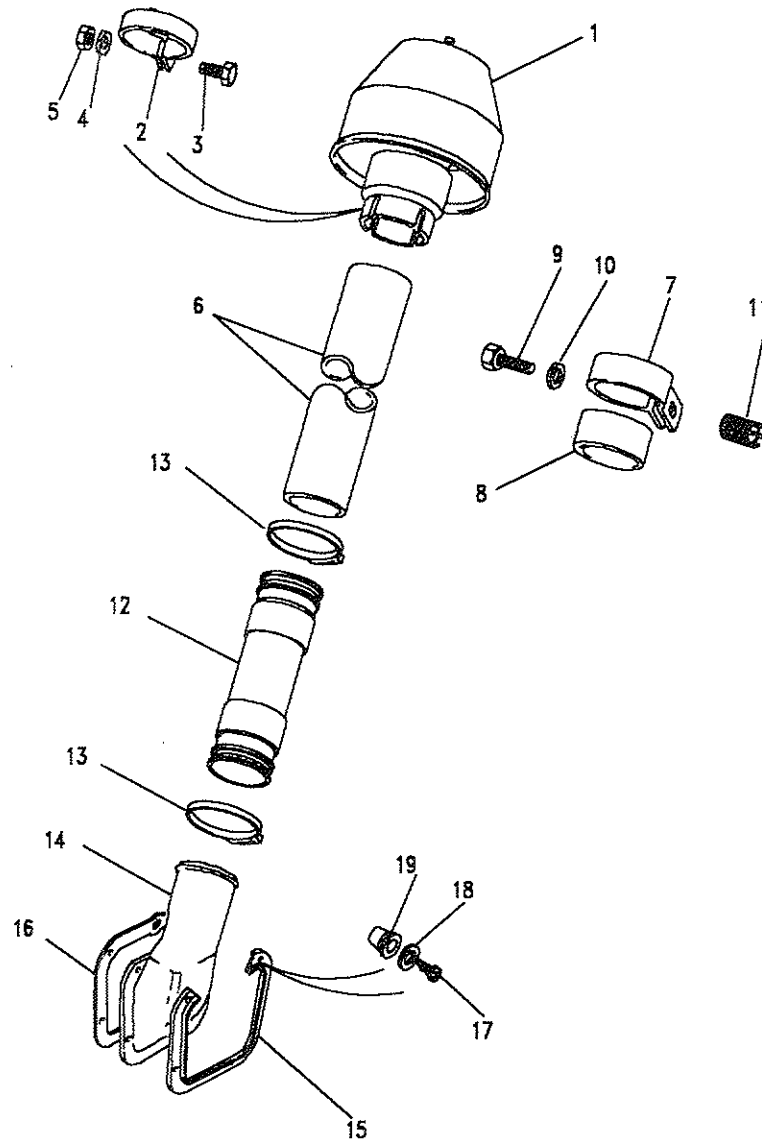
III. Part No. Description Qty Remarks

Not suitable for 200Tdi - Note(1)

Part No.	Description	Qty	Remarks
1	NRC6920 Air cleaner assembly	1	Raised
2	NRC6919 Clamp	1	
3	SH106201 Screw	1	
4	WL106001 Washer spring	1	
5	NH106041L Nut	1	
6	NRC7457 Pipe air cleaner	1	
7	NRC7154 Clamp	2	Upto VIN 323866
	NTC4257 Clamp	2	From VIN 323867
8	276426 Seal	2	
9	FS106201L Flange screw	2	
10	WA106041L Washer plain	2	
11	WL106001L Washer spring	2	
12	ML106015 Insert helicoil	2	
13	NRC6254 Hose	1	
14	CJ600504 Clip hose	2	
15	NRC9107 Pipe assembly	1	
16	SH106121L Screw	4	
17	WA106041L Washer plain	4	
18	WL106001 Washer spring	4	
19	NH106041L Nut	4	
20	MTC7513 Strip seal	A/R	
21	NRC8984 Hose	1	
22	CJ600504L Clip hose	1	
23	RTC3518 Clip hose	1	

Note(1) 200Tdi see page 641





Model DEFENDER 90
Page ADJXPC6A

FUEL SYSTEM - RAISED AIR CLEANER - 200TDI

III. Part No.	Description	Qty	Remarks
1	NRC6920	1	Air cleaner assembly
2	NRC6919	1	Clamp
3	SH106207L	1	Screw
4	WA106047L	1	Washer plain
5	NH106047L	1	Nut
6	NRC7457	1	Pipe air cleaner
7	NTC4257	2	Clamp
8	276426	2	Seal
9	SH106207	2	Screw
10	WA106047L	2	Washer plain
11	ML106015	2	Insert helicoil
12	ESR1128	1	Hose
13	ESR1269	2	Clip hose
14	ESR1127	1	Duct air
15	ESR1225	1	Clamp
16	ESR1265	1	Gasket
17	AB608067	6	Screw
18	WA105001L	6	Washer plain
19	AJU1136L	5	Snapsac

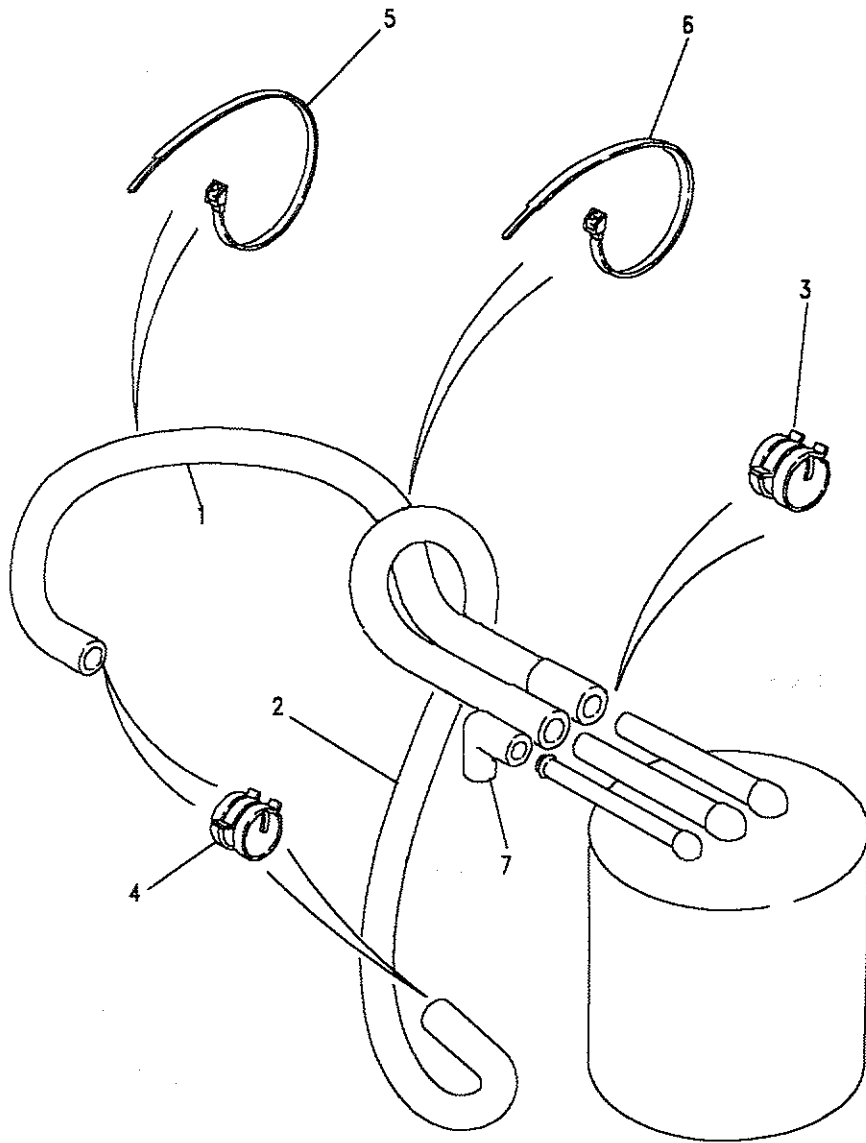




Model DEFENDER 90
Page ADJXTA1A

FUEL SYSTEM - EVAPORATIVE LOSS - 4 CYLINDER PETROL

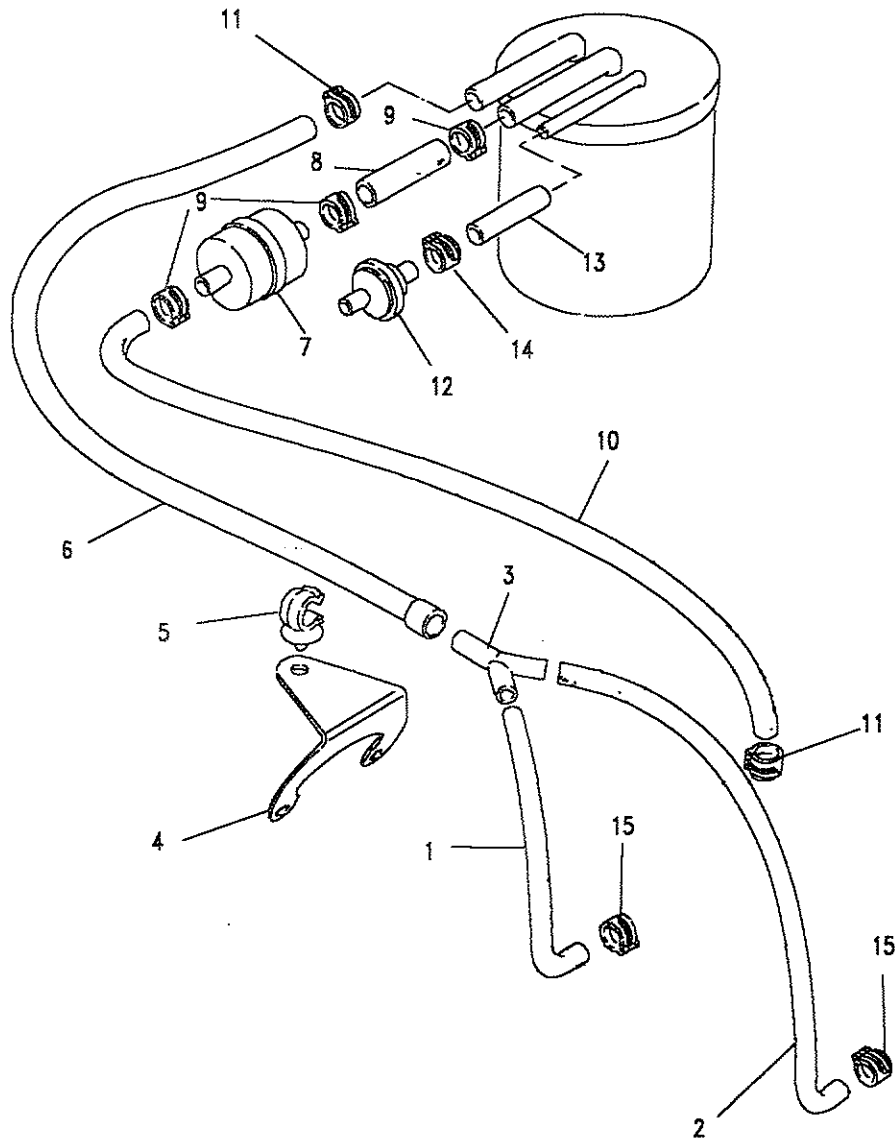
III. Part No.	Description	Qty	Remarks
1 ETC6932	Hose-to carburetter	1	
2 ETC5397	Hose-to engine	1	
3 UKC3798L	Clamp hose	2	
4 UKC3803L	Clamp hose	2	
5 UKC6683L	Strap	1	
6 C45099	Strap	1	
7 577458	Elbow rubber	1	





Model DEFENDER 90
Page ADJXTA2A

FUEL SYSTEM - EVAPORATIVE LOSS - V8 SU CARBURETTORS



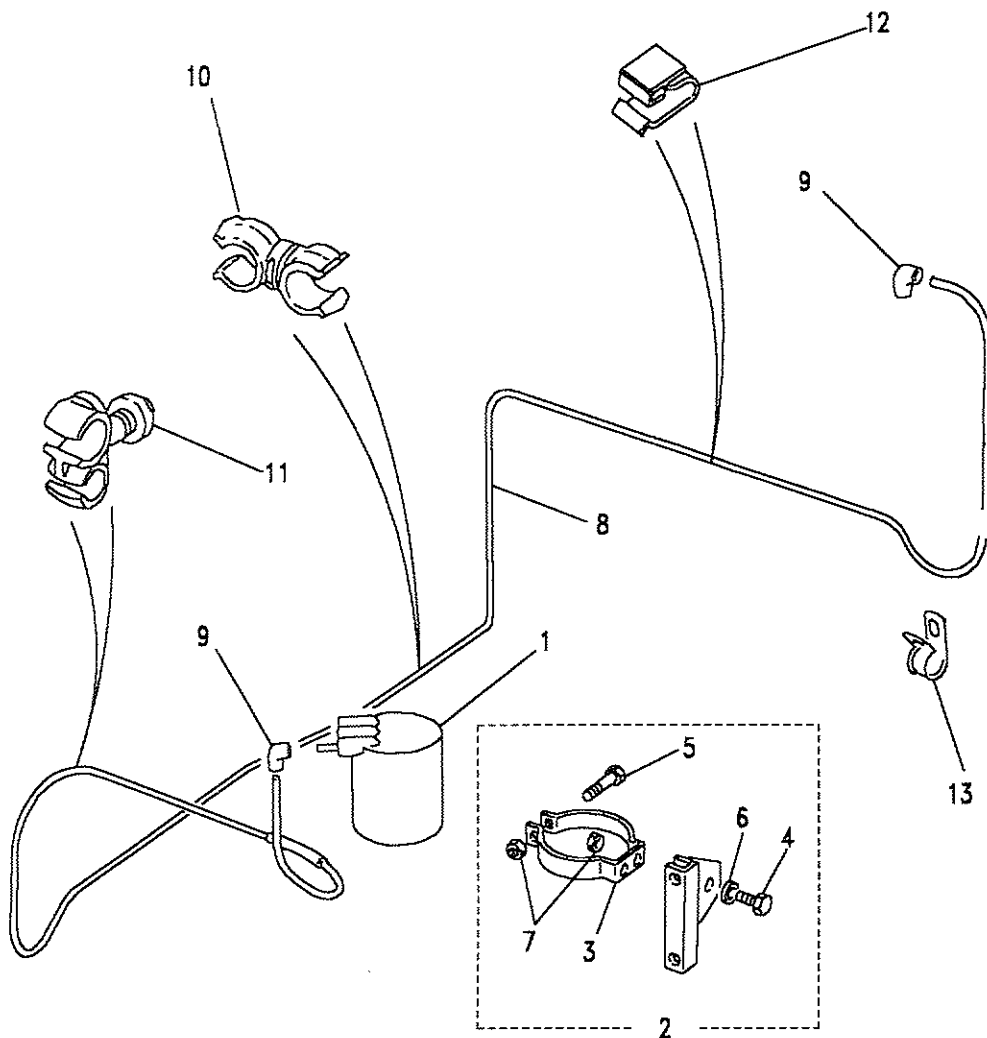
III. Part No.	Description	Qty	Remarks
1	NTC3763	1	110mm
2	NTC3764	1	293mm
3	566724L	1	Y piece
4	NTC3862	1	Bracket support
5	NTC3863	1	Pipe Clip
6	NTC3766	1	Hose
7	606168	1	Filter
8	ERC4176	1	RHS
	ETC5397	1	LHS
9	UKC3794L	3	Clamp hose
10	ETC5398	1	RHS
	ERC3955	1	LHS
11	UKC3798L	2	Clamp hose
12	NTC3891	1	Valve pressure/vacuum
13	ERC4176	1	Hose
14	UKC3795L	1	Clamp hose
15	UKC3803L	2	Clamp hose



Model DEFENDER 90
Page ADJXTA3A

FUEL SYSTEM - EVAPORATIVE LOSS

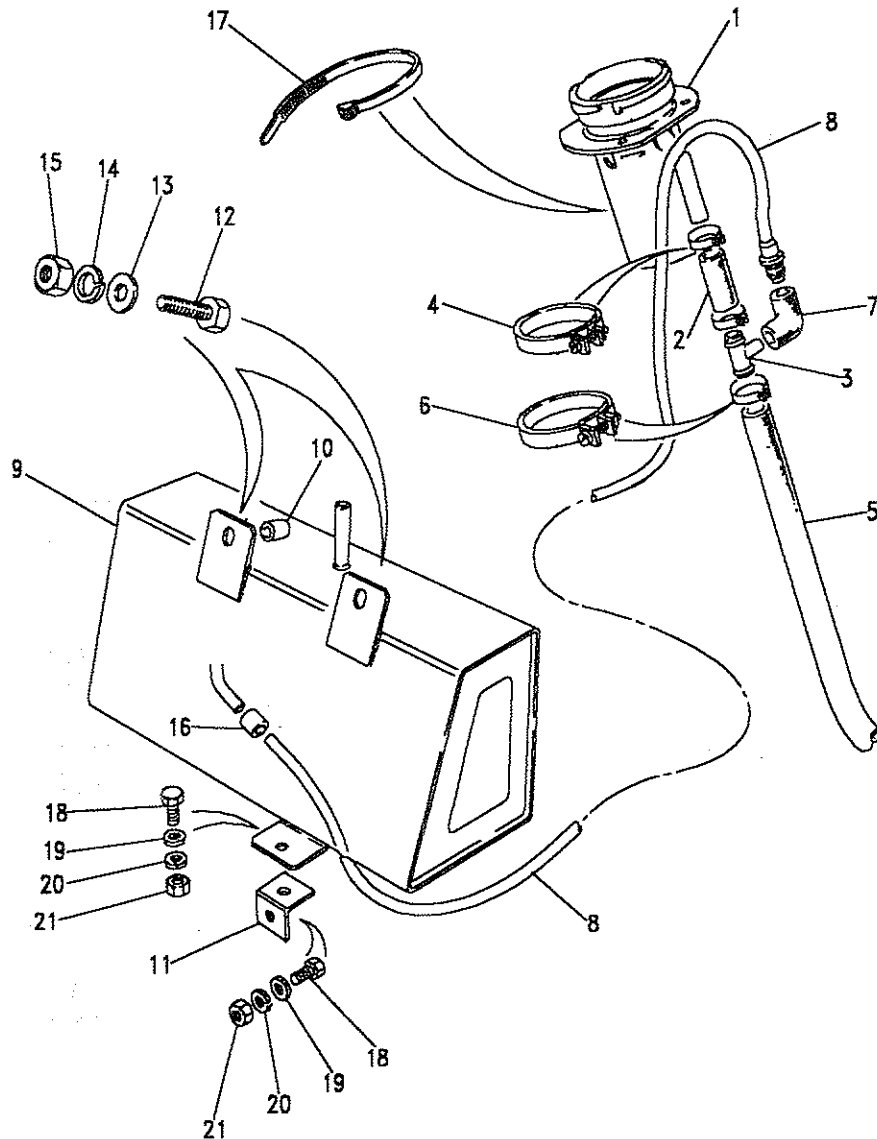
III. Part No.	Description	Qty	Remarks
1	AFU1085L	1	
2	ESR1278	1	
3	NRC4776	1	
4	SH106141L	2	
5	SH106351L	1	
6	WL106001L	2	
7	NY106041L	3	
8	NTC1304	1	
9	577458	2	
10	NTC3333	5	
11	NRC5415	2	V8
12	NTC1310	3	
13	CP108081L	1	





Model DEFENDER 90
Page ADJXTA4A

FUEL SYSTEM - EVAPORATIVE LOSS



III. Part No.	Description	Qty	Remarks
1	NRC9423 Fuel filler	1	
2	NRC2159 Connection hose	1	
3	NRC2652 Tee piece	1	
4	CN100168L Clip hose	3	
5	NRC2214 Hose breather	1	
6	603887 Clip hose	1	
7	577458 Elbow rubber	1	
8	NTC1305 Pipe	1	
9	NRC9472 Catch tank	1	
10	NTC1306 Spacer	1	
11	NTC1307 Bracket support	1	
12	SH108301L Screw	2	
13	WA108051L Washer plain	2	
	AFU1079 Washer plain	2	
14	WL108001L Washer spring	2	
15	FN108041L Nut	2	
16	577459 Connector	1	
17	C45099 Cable tie	1	
18	SH108161L Screw	2	
19	WA108051L Washer plain	2	
20	WL108001L Washer spring	2	
21	FN108041L Nut	2	





MASTER INDEX

INTRODUCTION PAGES	PAGES
ALPHABETICAL INDEX	1 - 5
ENGINE	6 - 14
ENGINE	15 - 65
ENGINE	66 - 117
ENGINE	118 - 171
ENGINE	172 - 217
ENGINE	218 - 261
ENGINE	262 - 297
ENGINE	298 - 367
GEARBOX	368 - 394
GEARBOX	395 - 411
GEARBOX	412 - 425
TRANSFER BOX	426 - 456
TRANSFER BOX	457 - 474
AXLES AND SUSPENSION	475 - 531
STEERING	532 - 564
VEHICLE AND ENGINE CONTROLS	565 - 580
BRAKES	581 - 603
FUEL SYSTEM AND AIR CLEANER	604 - 645
EXHAUST SYSTEM	646 - 660
COOLING/HEATING	661 - 709
COOLING/HEATING	710 - 718
BODY ELECTRICAL	719 - 793
BODY AND CHASSIS	794 - 923
INTERIOR TRIM	924 - 965
SEATS	966 - 1009
STOWAGE	1010 - 1017
ACCESSORIES - PAINTS	1018 - 1042
NUMERICAL INDEX	1044 - 1122

GROUP K

EXHAUST SYSTEM

EXHAUST SYSTEM

FRONT - 4 CYL PETROL AND NAT ASP DIESEL	647 - 649
FRONT - V8	650 - 652
REAR - SEE NOTES	653 - 654
REAR	655
FRONT - DIESEL TURBO	656 - 657
REAR - DIESEL TURBO	658
FRONT - TDI	659
REAR - TDI	660





Model DEFENDER 90

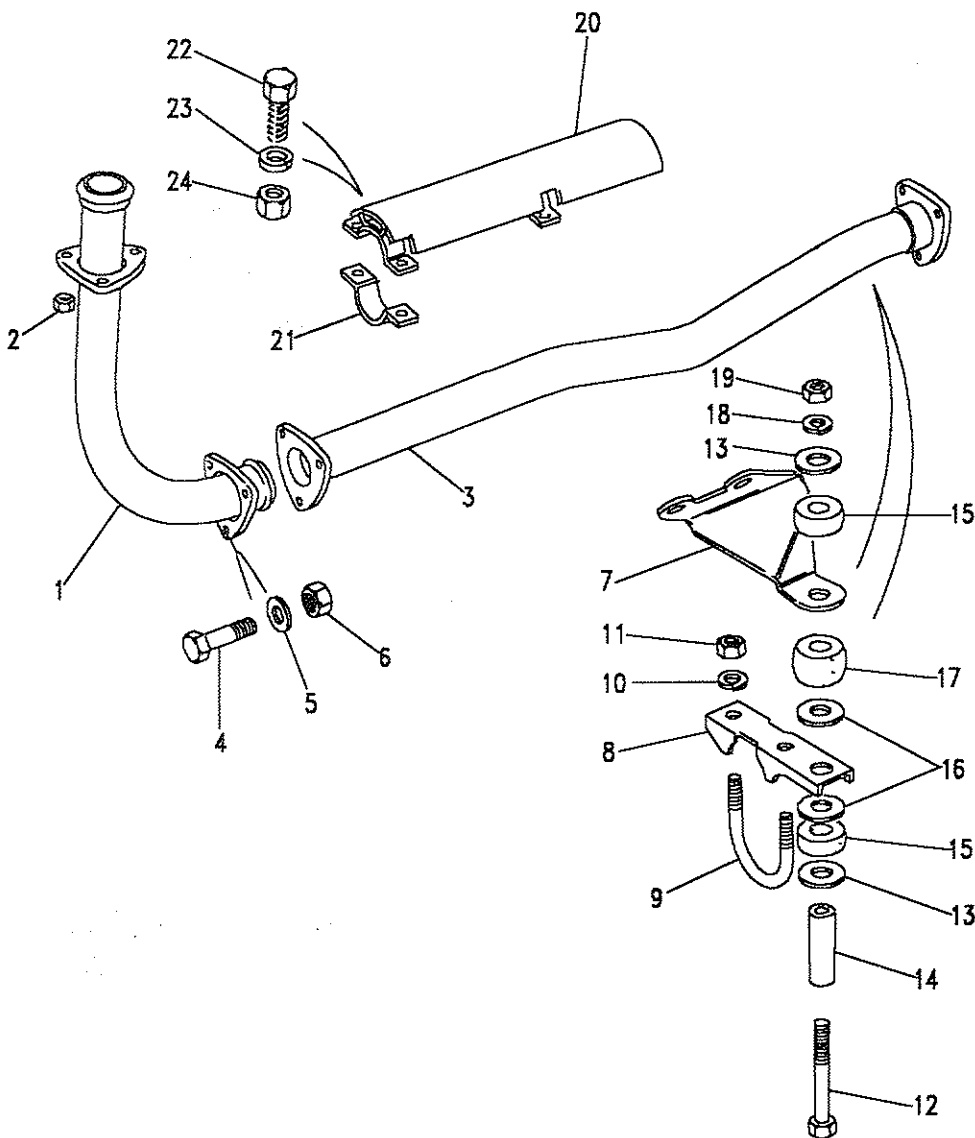
Page ADKXAA1A

EXHAUST SYSTEM - FRONT - 4 CYL PETROL AND NAT ASP DIESEL

Ill. Part No.	Description	Qty	Remarks
---------------	-------------	-----	---------

Upto VIN 267063

1	NRC8911	1	2.25 petrol
	NTC2036	1	2.5 petrol
	NRC9137	1	Diesel
2	AFU2778	3	
3	NRC6436	1	
	NTC1664	1	2.5 petrol
4	FB108081L	3	
5	WL108001L	3	
6	FN108041L	3	
7	NRC7778	1	
8	NRC6467	1	
9	NRC6466	1	
10	WL108001L	2	
11	FN108041L	2	
12	SH108701L	1	
13	WP105L	2	
14	NRC5403	1	
15	572166	2	
16	572168	2	
17	572167	1	
18	WL108001L	1	
19	FN108041L	1	
20	NRC9733	1	
	NTC5205	1	2.5 petrol
21	NRC9722	2	
	NTC2278	1	2.5 petrol
22	FS108201L	4	
23	WL108001L	4	
24	FN108041L	4	





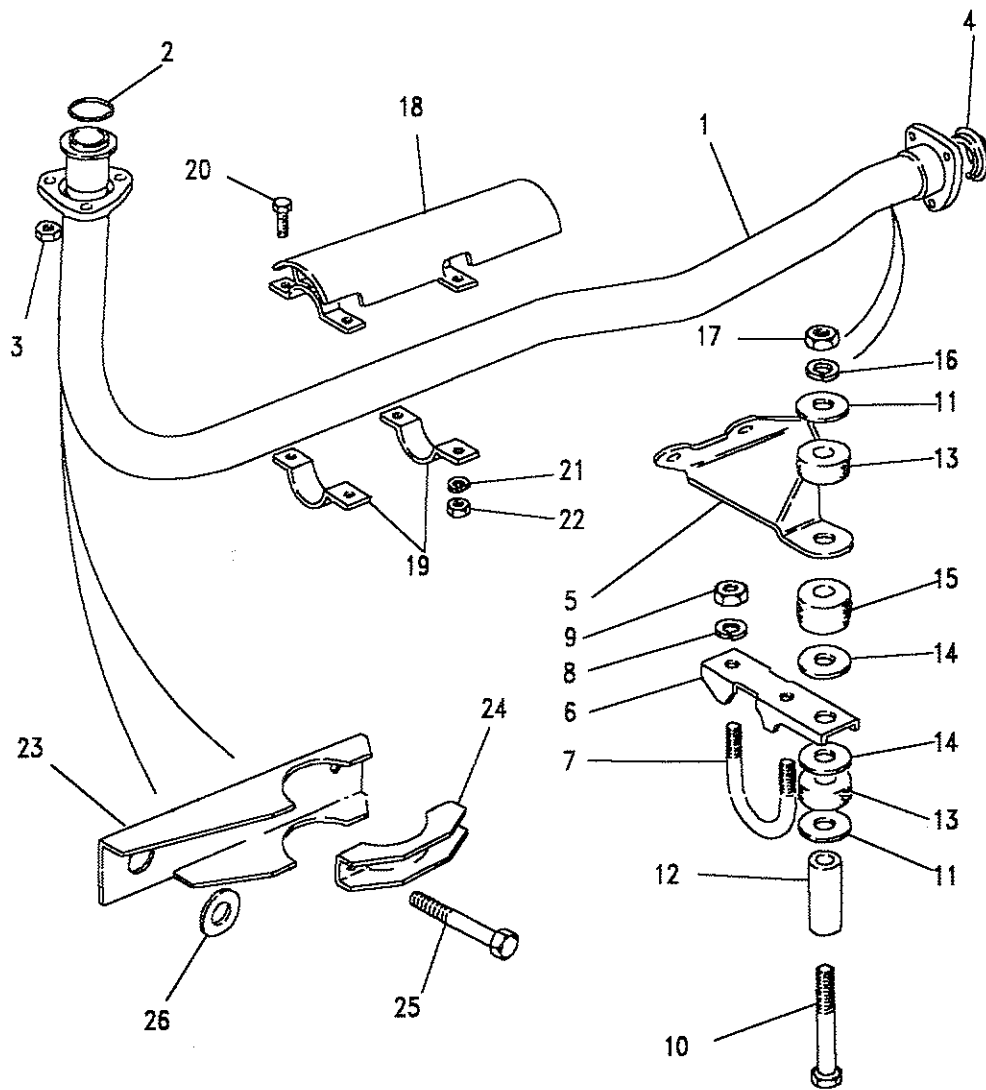
Model DEFENDER 90
Page ADKXAA2A

EXHAUST SYSTEM - FRONT - 4 CYL PETROL AND NAT ASP DIESEL

III. Part No. Description Qty Remarks

From VIN 267064

III. Part No.	Description	Qty	Remarks
1 NTC1794K	Downpipe	1	Petrol
ESR1617	Downpipe	1	Diesel
2 ETC5337	Gasket	1	
3 AFU2778	Nut	3	
4 NTC1030	Olive	1	
5 NRC7778	Bracket mounting	1	
6 NRC6467	Clamp exhaust	1	Upto 290508
90575748	Clamp exhaust	1	From 290509
7 NRC6466	U bolt	1	Upto 290508
NRC6374	U bolt	1	From 290509
8 WL108001L	Washer spring	2	
9 FN108041L	Nut	2	
10 SH108701L	Screw	1	
11 WP105L	Washer plain	2	
12 NRC5403	Spacer	1	
13 572166	Bush rubber	2	
14 572168	Washer	1	
15 572167	Bush rubber	1	
16 WL108001L	Washer spring	1	
17 FN108041L	Nut	1	

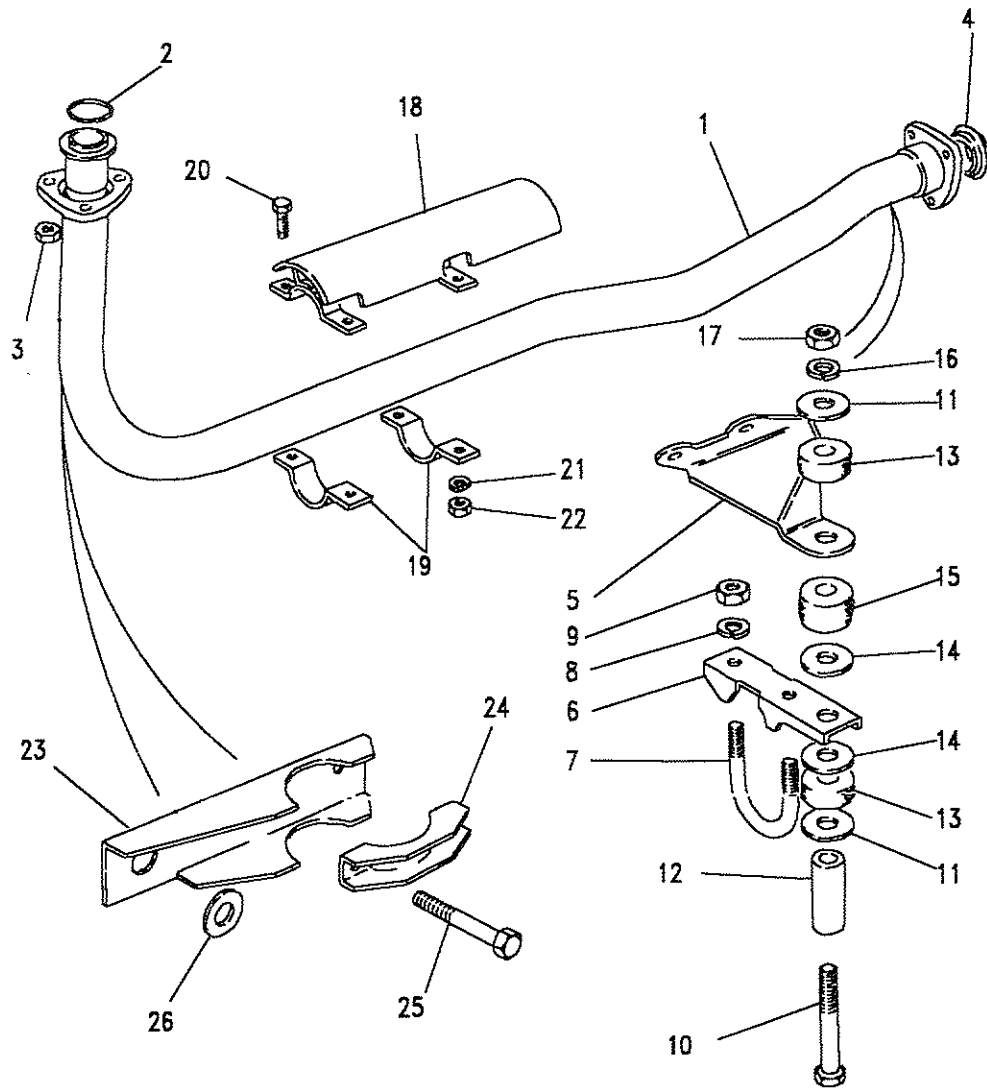


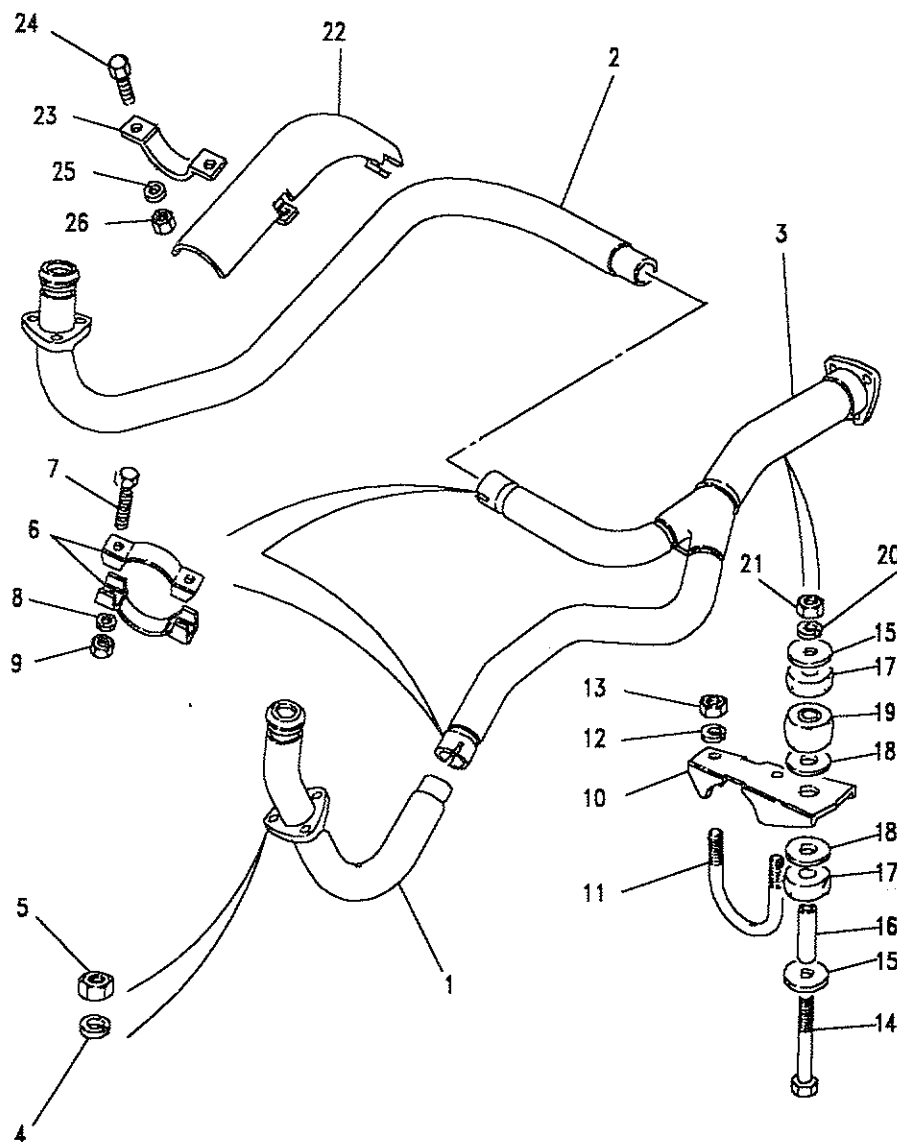


Model DEFENDER 90
Page ADKXAA2A

EXHAUST SYSTEM - FRONT - 4 CYL PETROL AND NAT ASP DIESEL

III. Part No.	Description	Qty	Remarks
18	NTC5205	1	
19	NTC2278	2	
20	FS108201L	4	
21	WL108001L	4	
22	FN108041L	4	
23	NTC4580	1)From 290509
24	NTC4586	1)Upto EA338105
25	BH108131L	2)and
26	WC112081L	1)From FA405285)onwards





Model DEFENDER 90

Page ADKXAA3A

EXHAUST SYSTEM - FRONT - V8

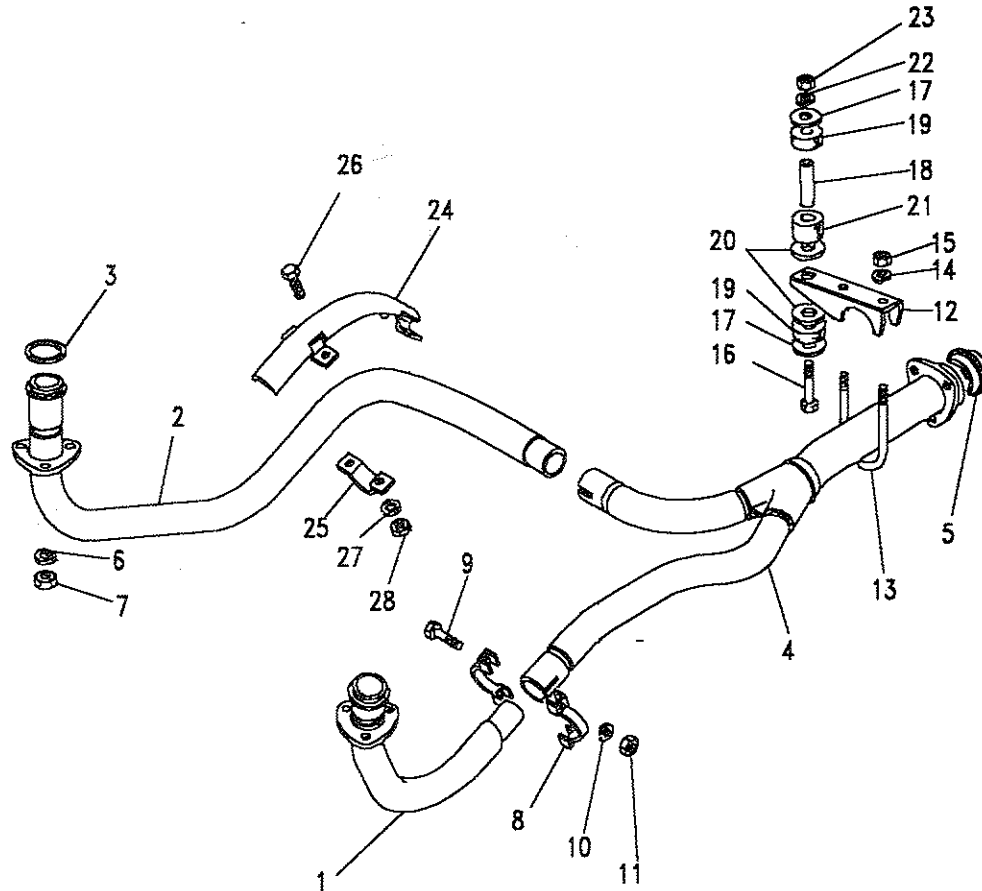
III. Part No.	Description	Qty	Remarks
Upto VIN 267907			
1	NRC4219	1	Downpipe LH
2	NRC6432	1	Downpipe RH
3	NRC4218	1	Y piece
4	WM600051L	6	Washer spring
5	NH605041L	6	Nut
6	90575511	4	Clamp exhaust
7	BH108091L	4	Bolt
8	WL108001L	4	Washer spring
9	FN108041L	4	Nut
10	90575748	1	Clamp exhaust
11	NRC6374	1	U bolt
12	WL108001L	2	Washer spring
13	FN108041L	2	Nut
14	SH108701L	1	Screw
15	WP105L	2	Washer plain
16	NRC5403	1	Spacer
17	572166	2	Bush rubber
18	572168	2	Washer
19	572167	1	Bush rubber
20	WL108001L	1	Washer spring
21	FN108041L	1	Nut
22	NRC9724	2	Heatshield exhaust
23	NRC9722	4	Clamp exhaust
24	FS108201L	8	Screw
25	WL108001L	8	Washer spring
26	FN108041L	8	Nut





Model DEFENDER 90
Page ADKXAA4A

EXHAUST SYSTEM - FRONT - V8



III. Part No.

Description

Qty Remarks

From VIN 267908

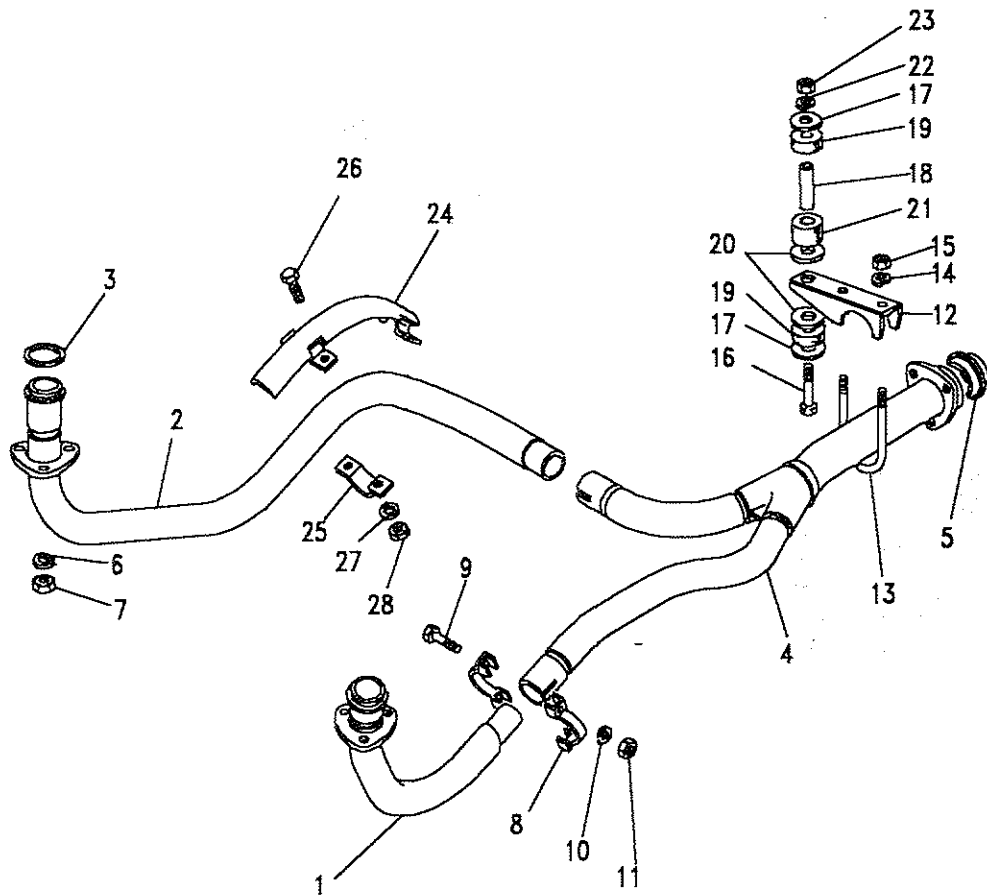
1	NTC1133K	Downpipe LH	1	Upto VIN FA404321
2	NTC1136K	Downpipe assembly	1	Upto FA404321 15/
	NRC4219	Downpipe LH	1	From FA404322
	NRC6432	Downpipe RH	1	From FA404322
3	ERC2734	Gasket	2	Upto FA404321
4	NTC2726	Y piece	1	
5	NTC1030	Olive	1	
6	WM600051L	Washer spring	6	Upto FA404321
7	NH605041L	Nut	6	Upto FA404321
	NV605041L	Nut	6	From FA404322
8	90575511	Clamp exhaust	4	
9	BH108091L	Bolt	4	
10	WL108001L	Washer spring	4	
11	FN108041L	Nut	4	
12	90575748	Clamp exhaust	1	
13	NRC6374	U bolt	1	
14	WL108001L	Washer spring	2	
15	FN108041L	Nut	2	
16	SH108701L	Screw	1	
17	WP105L	Washer plain	2	
18	NRC5403	Spacer	1	
19	572166	Bush rubber	2	
20	572168	Washer	2	
21	572167	Bush rubber	1	
22	WL108001L	Washer spring	1	
23	FN108041L	Nut	1	



Model DEFENDER 90

Page ADKXAA4A

EXHAUST SYSTEM - FRONT - V8



III. Part No.	Description	Qty	Remarks
24	NRC9724 Heatshield exhaust	2	
25	NRC9722 Clamp exhaust	4	
26	SH108201 Screw	8	
27	WL108001L Washer spring	8	
28	FN108041L Nut	8	



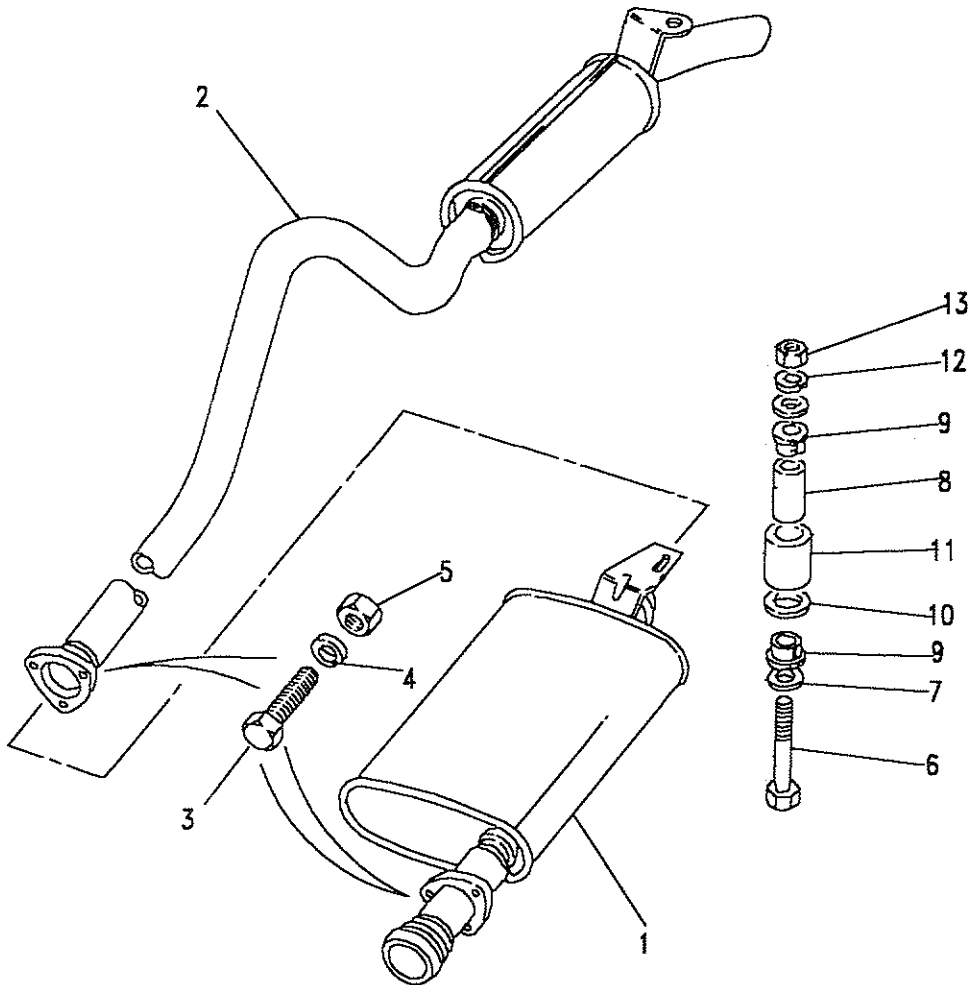


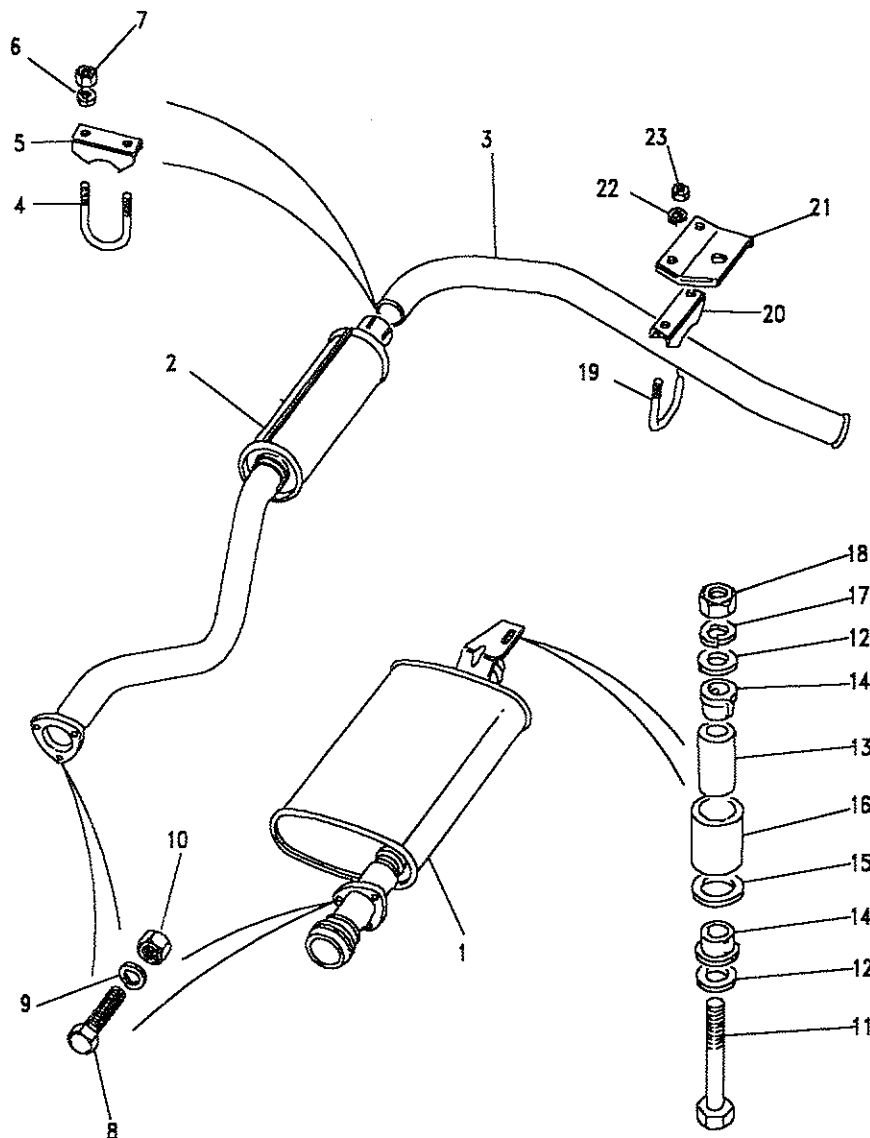
Model DEFENDER 90
Page ADKXAA5A

EXHAUST SYSTEM - REAR - SEE NOTES

III. Part No.	Description	Qty	Remarks
1	NRC8888	1	Silencer front
2	NRC8889	1	Silencer rear
	NRC8238	1	Finisher tailpipe
3	FB108081L	6	Bolt flanged
4	WL108001L	6	Washer spring
5	FN108041L	6	Nut
6	SH108701L	2	Screw
7	WP105L	4	Washer plain
8	NRC5403	2	Spacer
9	572166	4	Bush rubber
10	572168	4	Washer
11	572167	2	Bush rubber
12	WL108001L	2	Washer spring
13	FN108041L	2	Nut

Note(1) Vehicles with Hoods - Upto VIN 232010
Note(2) Hard Top and Station Wagon - Upto VIN 253495





Model DEFENDER 90
Page ADKXAA6A

EXHAUST SYSTEM - REAR - SEE NOTES

III. Part No.	Description	Qty	Remarks	
1	NRC8888	1	Silencer front	
2	NTC1150	1	Silencer rear	
3	NTC1149	1	Tailpipe	
4	NTC1311	1	U bolt	
5	NTC1312	1	Clamp exhaust	
6	WL108001L	2	Washer spring	
7	FN108041L	2	Nut	
8	FB108081L	6	Bolt flanged	
9	WL108001L	6	Washer spring	
10	FN108041L	6	Nut	
11	SH108701L	2	Screw	
12	WP105	4	Washer plain	
13	NRC5403	2	Spacer	
14	572166	4	Bush rubber	Thin
15	572168	4	Washer	
16	572167	2	Bush rubber	Thick
17	WL108001L	2	Washer spring	
18	FN108041L	2	Nut	
19	NTC1311	1	U bolt	
20	NTC1312	1	Clamp exhaust	
21	NTC1313	1	Bracket support	
22	WL108001L	2	Washer spring	
23	FN108041L	2	Nut	

Note(1) Vehicles with Hoods - From VIN 232011 to 267063
 Note(2) Hard Top and Station Wagon - From VIN 253495 to 267063





Model DEFENDER 90
Page ADKXAA7A

EXHAUST SYSTEM - REAR

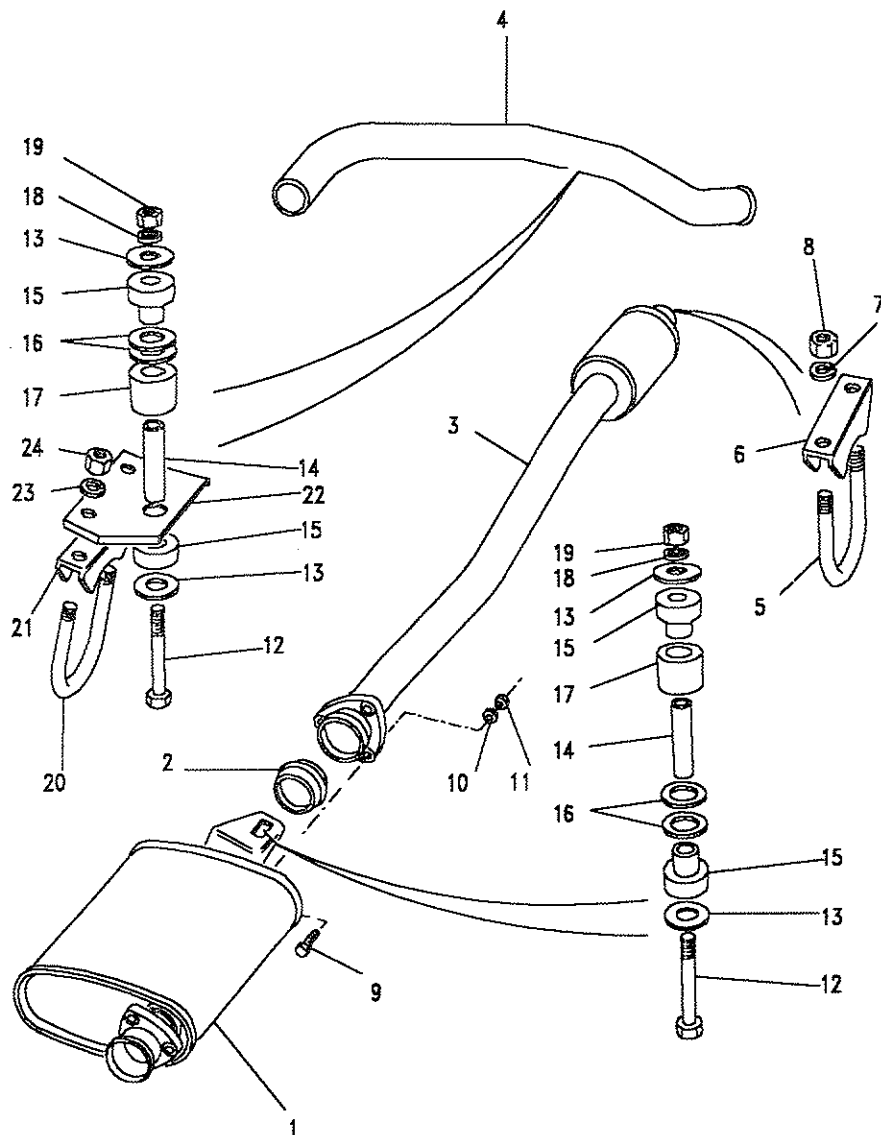
III. Part No.

Description

Qty Remarks

From VIN 267064

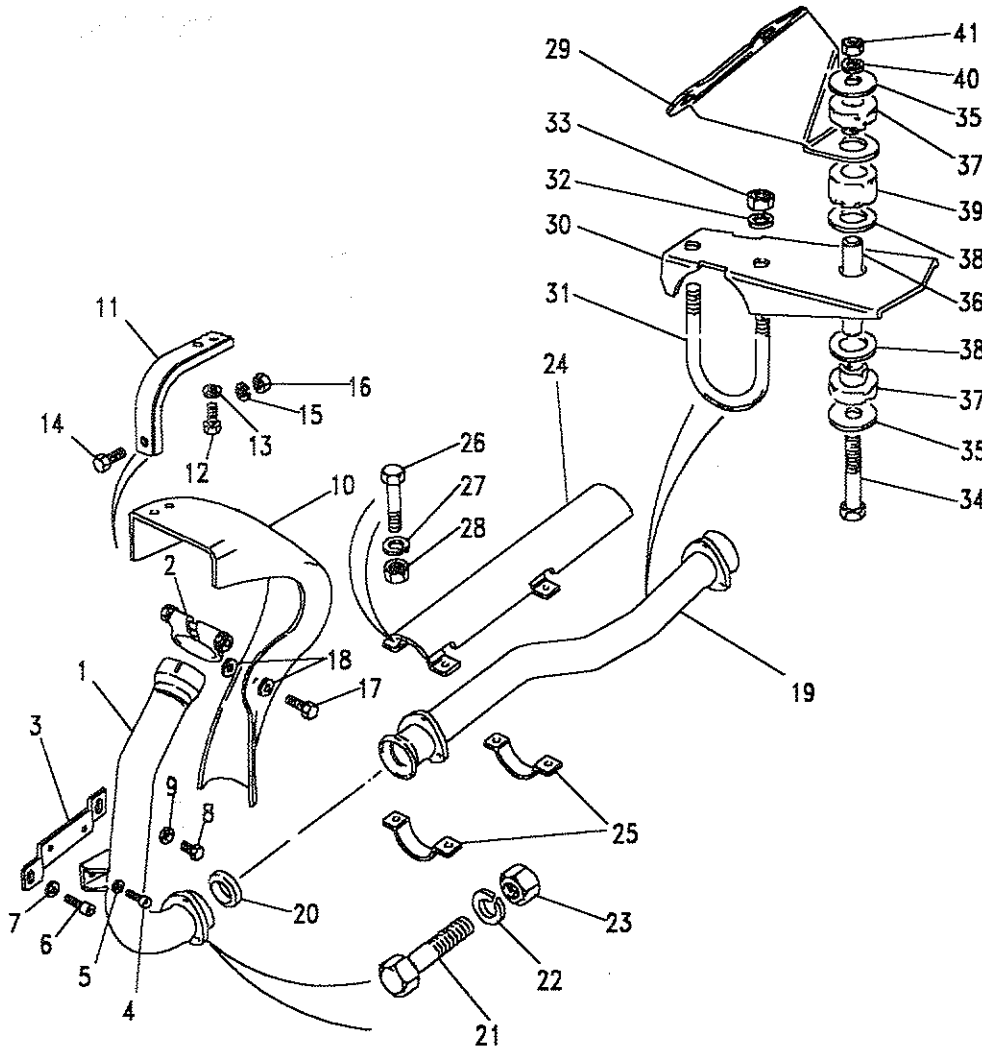
1	NTC4615	Silencer front	1
2	NTC2731	Olive	1
3	NTC1799	Silencer rear	1
4	NTC1149	Tailpipe	1
5	NTC1311	U bolt	1
6	NTC1312	Clamp exhaust	1
7	WL108001L	Washer spring	2
8	FN108041L	Nut	2
9	FB108081L	Bolt flanged	6
10	WL108001L	Washer spring	6
11	FN108041L	Nut	6
12	SH108701L	Screw	2
13	WP105L	Washer plain	4
14	NRC5403	Spacer	2
15	572166	Bush rubber	4
16	572168	Washer	4
17	572167	Bush rubber	2
18	WL108001L	Washer spring	2
19	FN108041L	Nut	2
20	NTC1311	U bolt	1
21	NTC1312	Clamp exhaust	1
22	NTC1313	Bracket support	1
23	WL108001L	Washer spring	2
24	FN108041L	Nut	2



Model DEFENDER 90
Page ADKXDC1A

EXHAUST SYSTEM - FRONT - DIESEL TURBO

Ill. Part No.	Description	Qty	Remarks
1	NTC4426	1	Upto VIN FA450140
	ESR159	1	From VIN FA450141
2	NTC3608	1	Clamp
	SH110161	1	Upto VIN FA450140
	WA110061	1	Upto VIN FA450140
3	ESR266	1	Bracket mounting
4	SS106161L	2	From VIN FA450141
5	WJ106001L	2	From VIN FA450141
6	SS108161L	1	From VIN FA450141
7	WA108051L	1	From VIN FA450141
8	SH110141L	1	From VIN FA450141
9	WA110061L	1	From VIN FA450141
10	NTC4833	1	Heatshield
11	NTC4548	1	Upto VIN FA418962
	ESR219	1	From VIN FA418963
12	FS106167L	2	Note(1)
13	WA106041L	2	Upto VIN FA418962
	WA106041L	1	From VIN FA418963
14	FS106167L	1	Note(1)
15	WL106001	1	
16	NH106041L	1	
17	SH108141L	1	Note(1)
18	WJ108001	2	
19	NTC4221	1	
20	NTC1030	1	
21	BH108091L	3	
22	WL108001L	3	
23	FN108041L	3	



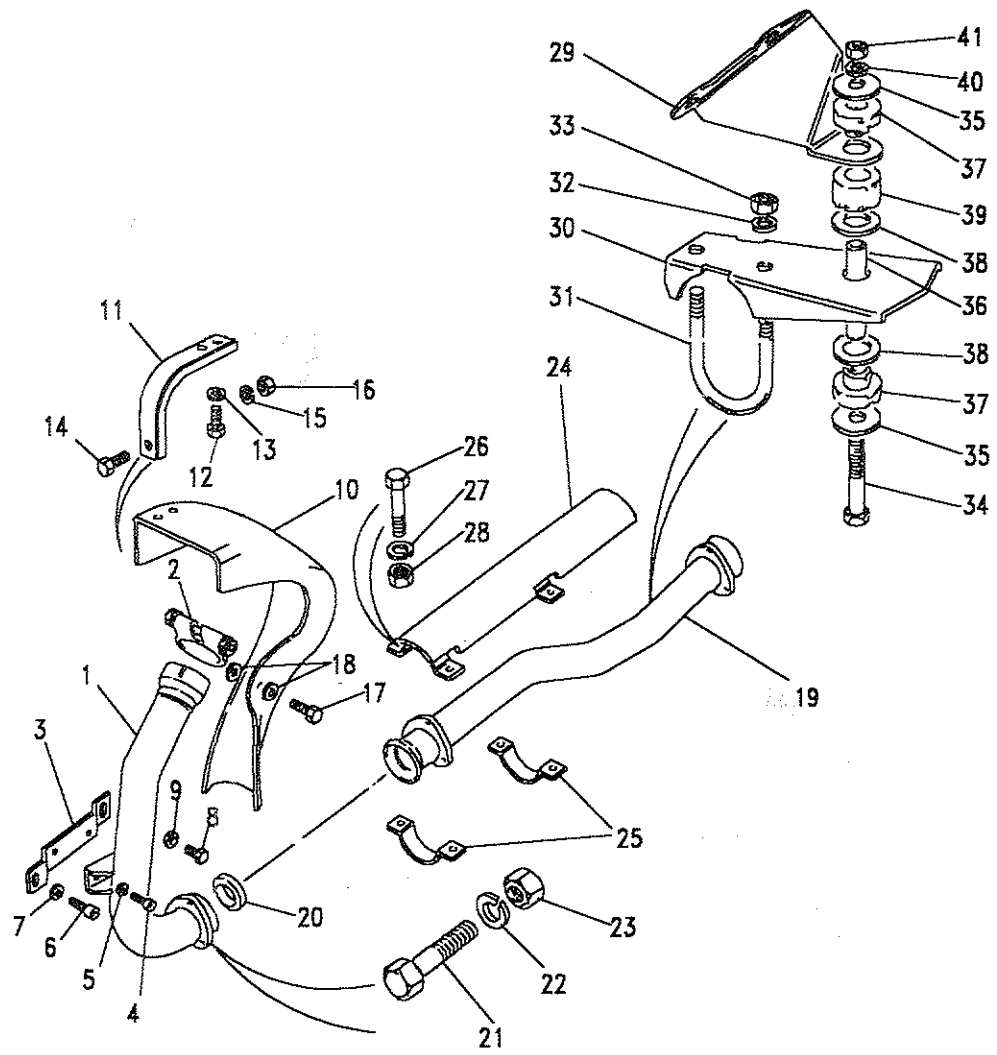


Model DEFENDER 90
Page ADKXDC1A

EXHAUST SYSTEM - FRONT - DIESEL TURBO

Ill. Part No.	Description	Qty	Remarks
24	NTC5205	1	CI slave cyl
25	NTC2278	2	
26	FS108207L	4	
27	WL108001L	4	
28	FN108041L	4	
29	ESR169	1	
30	90575748	1	
31	NRC6374	1	
32	WL108001L	2	
33	FN108041L	2	
34	BH108141L	1	
35	WP105L	2	
36	NRC5403	1	
37	572166	2	
38	572168	2	
39	572167	1	
40	WL108001L	1	
41	FN108041L	1	

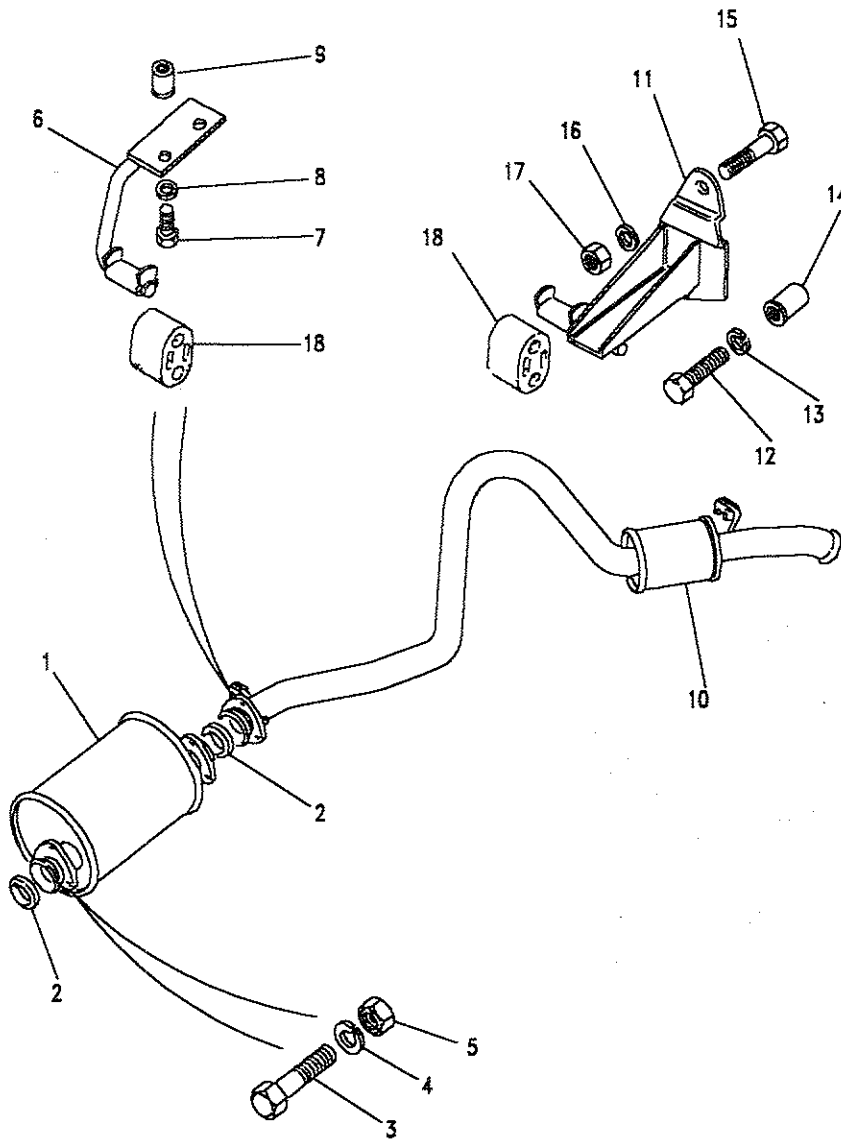
Note(1) Use Loctite 242 or similar





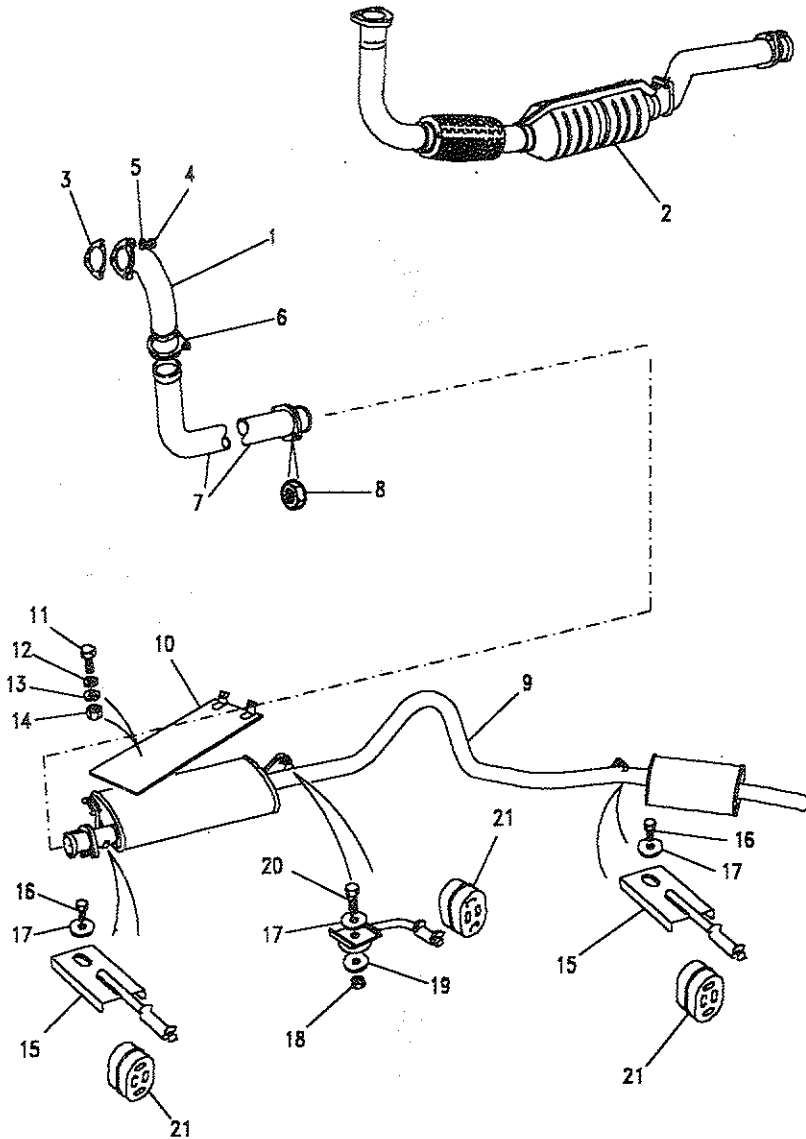
Model DEFENDER 90
Page ADKXDC2A

EXHAUST SYSTEM - REAR - DIESEL TURBO



III. Part No.	Description	Qty	Remarks
1	NTC1665	1	Silencer exhaust
2	NTC1030	2	Olive
3	BH108091L	6	Bolt
4	WL108001L	6	Washer spring
5	FN108041L	6	Nut
6	NTC3618	1	Bracket support
7	FS108207L	2	Screw
8	WL108001L	2	Washer spring
9	NN108021	2	Nutsert
10	NTC1802	1	Silencer rear
11	NTC4252	1	Bracket support
12	FS108207L	1	Screw
13	WL108001L	1	Washer spring
14	NN108021	1	Nutsert
15	FB108121L	1	Flange bolt
16	WL108001L	1	Washer spring
17	FN108041L	1	Nut
18	NTC3650	2	Mounting rubber



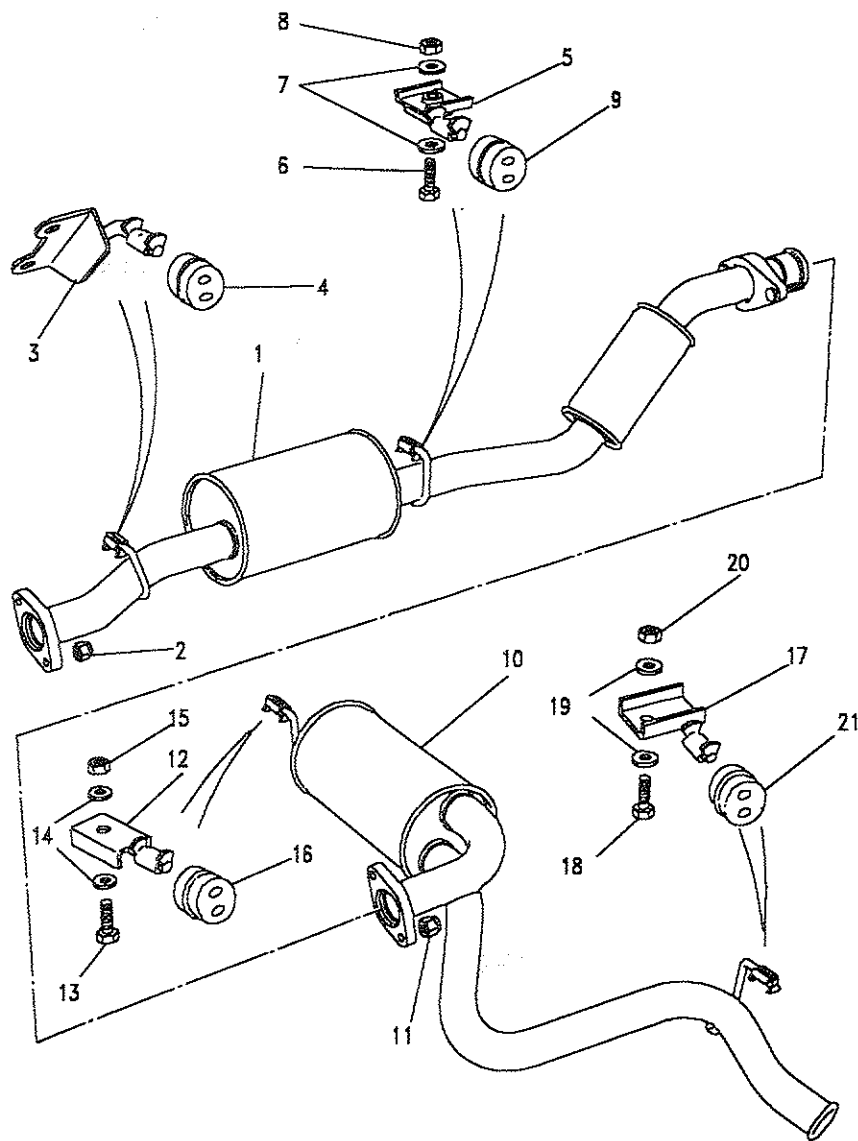


Model DEFENDER 90
 Page ADKXDE1A

EXHAUST SYSTEM - FRONT - TDI

iii. Part No.	Description	Qty	Remarks
1	ESR158	1	Downpipe
	ESR2297	1	Downpipe exhaust
2	ESR2739	1	Downpipe exhaust - CAT
	ESR3495	1	Downpipe exhaust - CAT
3	NTC3608	1	Clamp exhaust
4	ESR266	1	Bracket mounting
	ESR3260	1	Gasket exhaust
5	SS106161L	2	Screw
6	WJ106001L	2	Washer plain
7	SS108161L	1	Screw
8	WA108051L	1	Washer plain
9	SH110141L	1	Screw
10	WA110061L	1	Washer plain
11	NTC4833	1	Heatshield
12	SH108141L	1	Screw
13	WJ108001	2	Washer plain
14	ESR219	1	Bracket support
15	FS106167L	1	Screw
16	WA106041L	1	Washer plain
17	FS106167L	1	Screw
18	WL106001	1	Washer spring
19	NH106041L	1	Nut
20	ESR361	1	Heatshield
21	ESR208	2	Clamp exhaust
22	FS108207L	4	Screw
23	WL108001L	4	Washer spring
24	FN108041L	4	Nut





Model DEFENDER 90
Page ADKXDE2A

EXHAUST SYSTEM - REAR - TDI

Ill. Part No.	Description	Qty	Remarks
1	ESR358	1	Upto LA939975
	ESR2381	1	From MA939976
2	NV110041L	2	
3	ESR414	1	Upto LA939975
	ESR2087	1	From MA939976
4	NTC5582	1	
5	ESR360	1	
6	FS108251L	1	
7	WP185L	2	
8	NV108041L	1	
9	NTC5582	1	
10	ESR254	1	Upto LA939975
	ESR2382	1	From MA939976
	ESR3463	1	From MA939976
	ESR1696	1	Australia
	ESR3152	1	Australia 95MY
11	NV110041L	2	
12	NTC7348	1	Upto LA939975
	ESR2421	1	From MA939976
13	FS108251L	1	
14	WP185L	2	
15	NV108041L	1	
16	NTC5582	1	
17	ESR95	1	
18	FS108251L	1	
19	WP185L	2	
20	NV108041L	1	
21	NTC5582	1	
	NTC2022	1	HCPU not shown

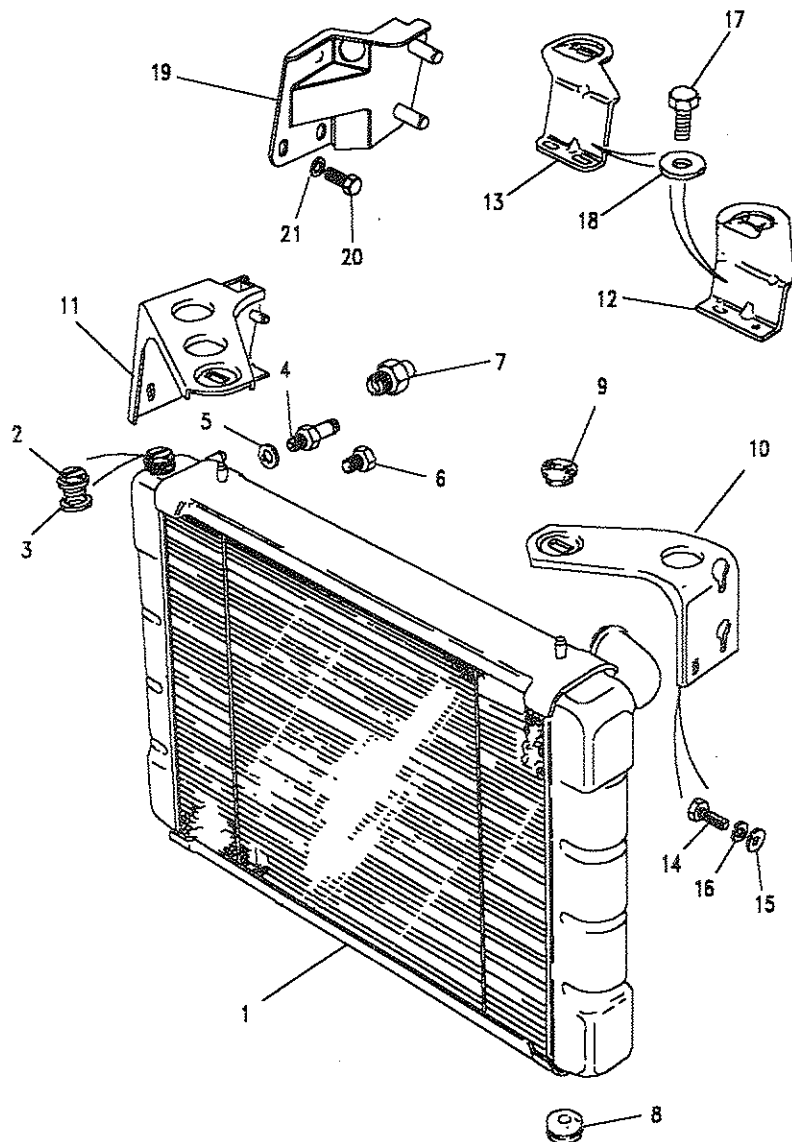


MASTER INDEX

GROUP L

COOLING/HEATING

	PAGES		
INTRODUCTION PAGES	1 - 5		
ALPHABETICAL INDEX	6 - 14		
ENGINE	15 - 65	COOLING/HEATING	
ENGINE	66 - 117	RADIATOR	662 - 664
ENGINE	118 - 171	RADIATOR, INTERCOOLER & OIL COOLER - 300TDI	665 - 688
ENGINE	172 - 217	FAN COWL	669 - 670
ENGINE	218 - 261	RADIATOR HOSES - 2.25 PETROL	671
ENGINE	262 - 297	RADIATOR HOSES - 2.5 LITRE	672
ENGINE	298 - 367	RADIATOR HOSES - 200 TDI	673
GEARBOX	368 - 394	RADIATOR HOSES - V8	674
GEARBOX	395 - 411	OIL COOLER AND MOUNTING FRAME	675 - 676
GEARBOX	412 - 425	COOLER AND FRAME - V8 LT77 GEARBOX	677
TRANSFER BOX	426 - 456	ADAPTOR & PIPES - 4 CYLINDER - NOTE(1)	678
TRANSFER BOX	457 - 474	PIPES - 4 CYLINDER - NOTE(1)	679
AXLES AND SUSPENSION	475 - 531	ADAPTOR AND PIPES - V8	680
STEERING	532 - 564	PIPES - V8	681
VEHICLE AND ENGINE CONTROLS	565 - 580	PIPES - V8 LT77 GEARBOX	682
BRAKES	581 - 603	EXPANSION TANK	683 - 686
FUEL SYSTEM AND AIR CLEANER	604 - 645	HEATER	687 - 689
EXHAUST SYSTEM	646 - 660	HEATER COMPONENTS	690
COOLING/HEATING	661 - 709	HEATER CONTROLS	691 - 692
COOLING/HEATING	710 - 718	DEMISTERS AND OUTLET FLAPS	693
BODY ELECTRICAL	719 - 793	HEATER PIPES - 4 CYL PETROL & DIESEL	694
BODY AND CHASSIS	794 - 923	HEATER PIPES - V8	695
INTERIOR TRIM	924 - 965	HEATER PIPES - 200TDI	696
SEATS	966 - 1009	HEATER PIPES - 300TDI	697
STOWAGE	1010 - 1017	CONDENSER - RHD/LHD	698
ACCESSORIES - PAINTS	1018 - 1042	EVAPORATOR ASSEMBLY - RHS	699
NUMERICAL INDEX	1044 - 1122	HEATER/COOLER ASSEMBLY - LHS	700 - 701
		FLUID SYSTEM - RHD	702
		VACUUM PIPES & RESERVOIR - RHD/LHD	703
		HEATER PIPES - 4 CYLINDER - RHS	704
		HEATER PIPES - 4 CYLINDER - LHS	705
		HEATER PIPES - TDI - LHS	706
		HEATER PIPES - V8 - RHS	707
		HEATER PIPES - V8 - LHS	708
		FRESH AIR DUCT - RHD	709

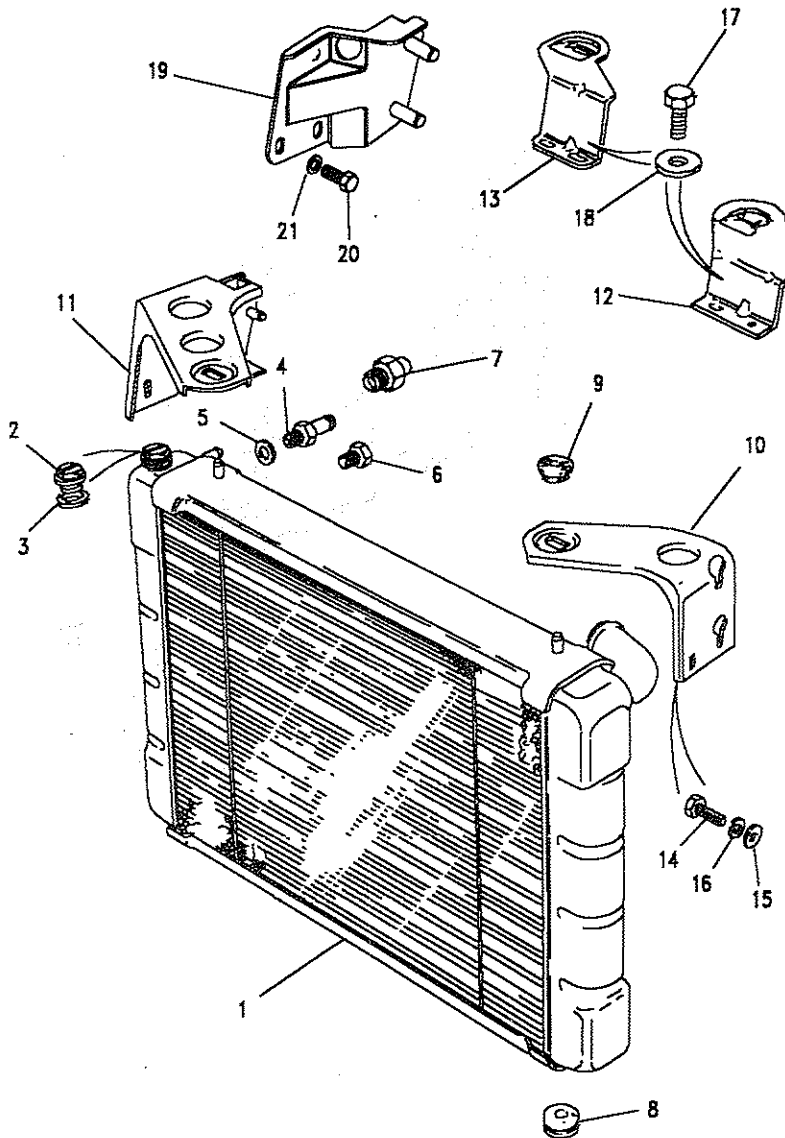


Model DEFENDER 90
Page ADLXAA1A

COOLING SYSTEM - RADIATOR

III. Part No.	Description	Qty	Remarks
2.25 Petrol			
1 NRC6888	Radiator	1	
ESR79	Radiator	1	Heavy duty option
2.5 Petrol			
1 ESR79	Radiator	1	Upto VIN FA389980
ESR77	Radiator	1	From VIN FA389981
ESR78	Radiator	1	Note(1) From VIN FA389799 Upto VIN JA918061
ESR1677	Radiator	1	Note(1) From VIN JA918062
Diesel			
1 ESR79	Radiator	1	Upto VIN FA389980
ESR77	Radiator	1	From VIN FA389981
ESR78	Radiator	1	Note(1) From VIN FA389799 Upto VIN JA918061
ESR1677	Radiator	1	Note(1) From VIN JA918062
Diesel Turbo			
1 NTC6168	Radiator	1	Note(1)
200Tdi			
1 NTC4893	Radiator	1	Note(2) Upto VIN JA918061
ESR1676	Radiator	1	Note(2) From VIN JA918062

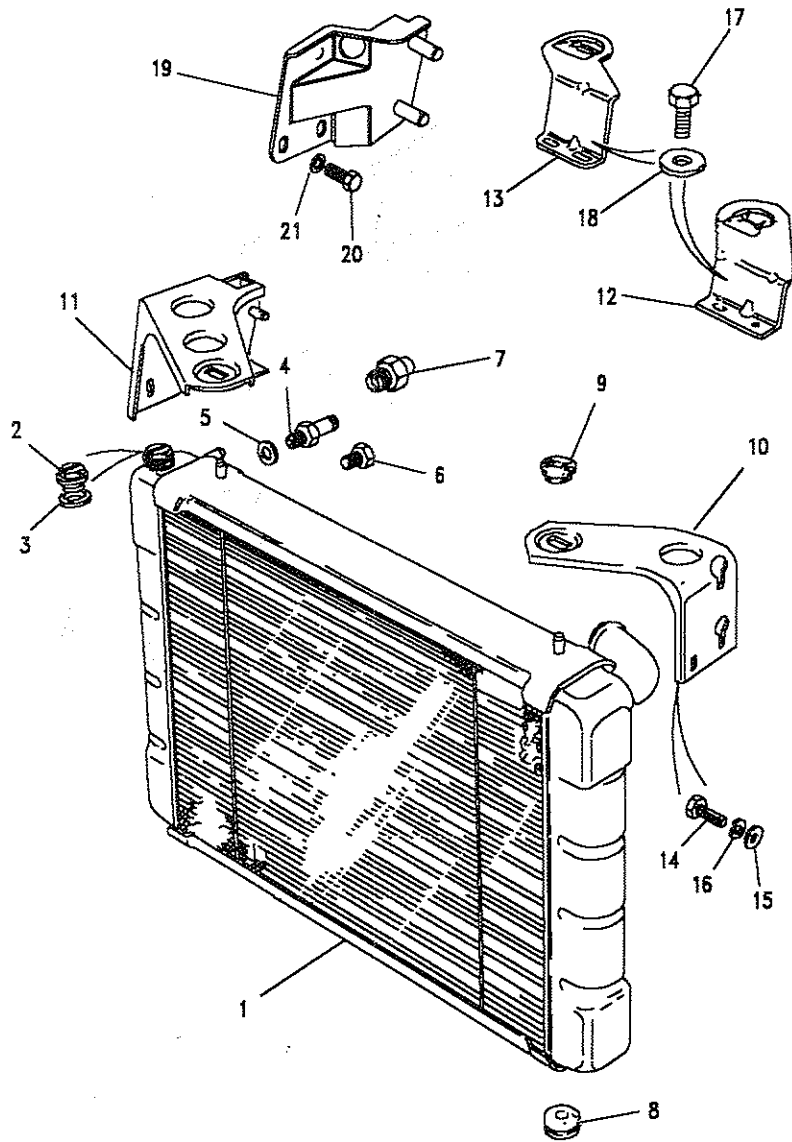




Model DEFENDER 90
Page ADLXAA1A

COOLING SYSTEM - RADIATOR

III. Part No.	Description	Qty	Remarks
V8			
1 ESR76	Radiator	1	Upto VIN FA428918
ESR203	Radiator	1	From VIN FA428919
ESR204	Radiator	1	Note(1) From VIN FA429128 Upto VIM JA918061
ESR1678	Radiator	1	Note(1) From VIN JA918062
2 NTC4609	Filler plug	1	
3 NTC5171	Washer sealing	1	
4 KTP9024	Vent penthouse	1	V8
5 RRO2125L	Washer	1	
6 RRO2126L	Plug	1	Except V8
7 NTC3858	Adaptor	2	Diesel Turbo
8 572312	Bush radiator mounting	2	Lower
9 NRC5544	Bush radiator mounting	2	Upper
10 NRC4839	Bracket radiator LH	1	Upto 4/3/92
11 NRC8609	Bracket radiator RH	1	Upto 4/3/92
12 ESR69	Bracket radiator LH	1	From 5/3/92
ESR68	Bracket radiator RH	1	From 5/3/92
13 ESR283	Bracket radiator LH	1	200Tdi
ESR282	Bracket radiator RH	1	200Tdi
14 FS106201L	Flange screw	6	Upto 4/3/92
15 WC106041L	Washer plain	6	Upto 4/3/92
16 WL106001L	Washer spring	6	Upto 4/3/92
17 SH106207L	Screw	4	From 5/3/92
18 WC106047	Washer plain	4	From 5/3/92
SH106207L	Screw	4	200Tdi
WC106047	Washer plain	4	200Tdi



Model DEFENDER 90
Page ADLXAA1A

COOLING SYSTEM - RADIATOR

III. Part No.	Description	Qty	Remarks
19 ALR1982	Bracket support	1	From VIN JA910943
20 SH106207L	Screw	3	From VIN JA910943
21 WC106047	Washer plain	3	From VIN JA910943
BTR328	Label antifreeze	1	

Note(1) Includes oil cooler for engine
 Note(2) Includes oil cooler for engine and intercooler for turbo charger



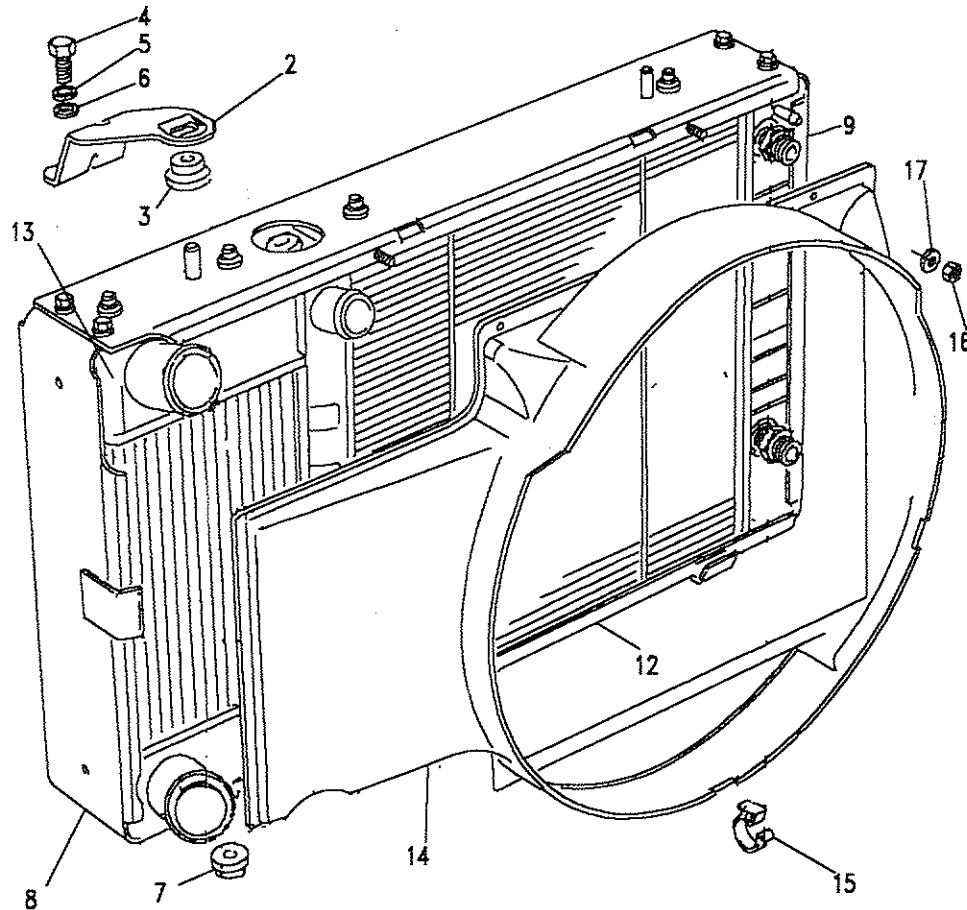
Model DEFENDER 90
Page ADLXAA1B

COOLING SYSTEM - RADIATOR, INTERCOOLER & OIL COOLER - 300TDI

III. Part No. Description Qty Remarks

Radiator and intercooler

Part No.	Description	Qty	Remarks
1	ESR2727	1	Radiator/intercooler assy
2	ESR282	1	Bracket mounting upper LH
	ESR283	1	Bracket mounting upper RH
3	NRC5544	2	Grommet pad
4	SH106205	4	Screw M6
5	WM600041L	4	Washer spring
6	WC106045	4	Washer plain
7	572312	2	Bush radiator/chassis
8	BTP1826	1	Frame side LH
9	BTP1827	1	Frame side RH
10	BTP2275	1	Radiator block
11	BTP2282	1	Frame top radiator
12	BTP2284	1	Frame bottom radiator
13	FTP8030	1	Intercooler
14	ESR2308	1	Cowl fan
15	ESR1800	2	Clip edge
16	NH105041	2	Nut M5
17	WA105001	2	Washer plain





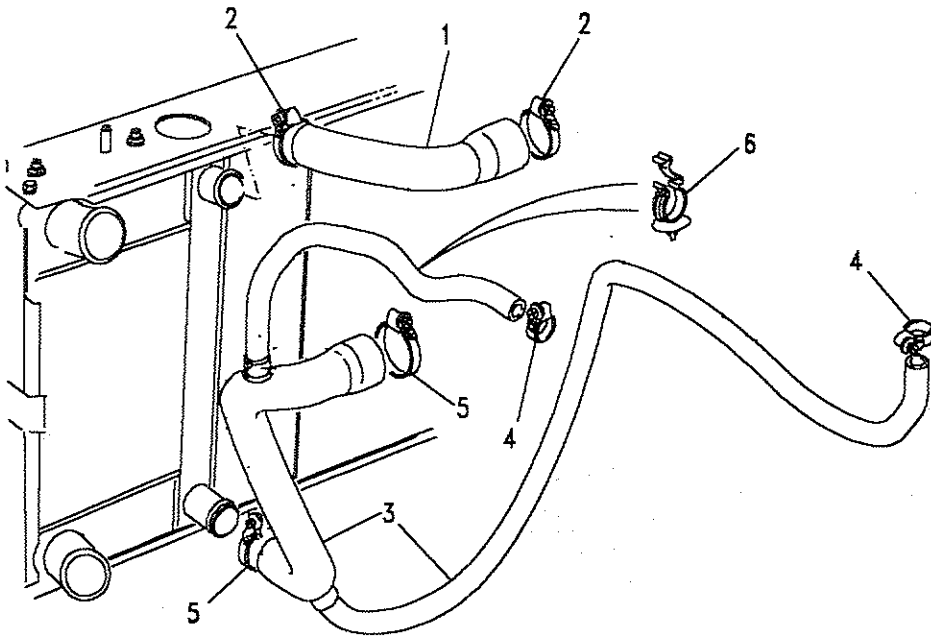
Model DEFENDER 90
Page ADLXAA1C

COOLING SYSTEM - RADIATOR, INTERCOOLER & OIL COOLER - 300TDI

III. Part No. Description Qty Remarks

Radiator hoses

1	ESR2298	Hose top	1
2	CN100508	Clip hose	2
3	ESR3121	Hose assembly bottom	1
4	CN100308	Clip hose	2
5	CN100508	Clip hose	2
6	ESR2662	Clip hose	2





Model DEFENDER 90

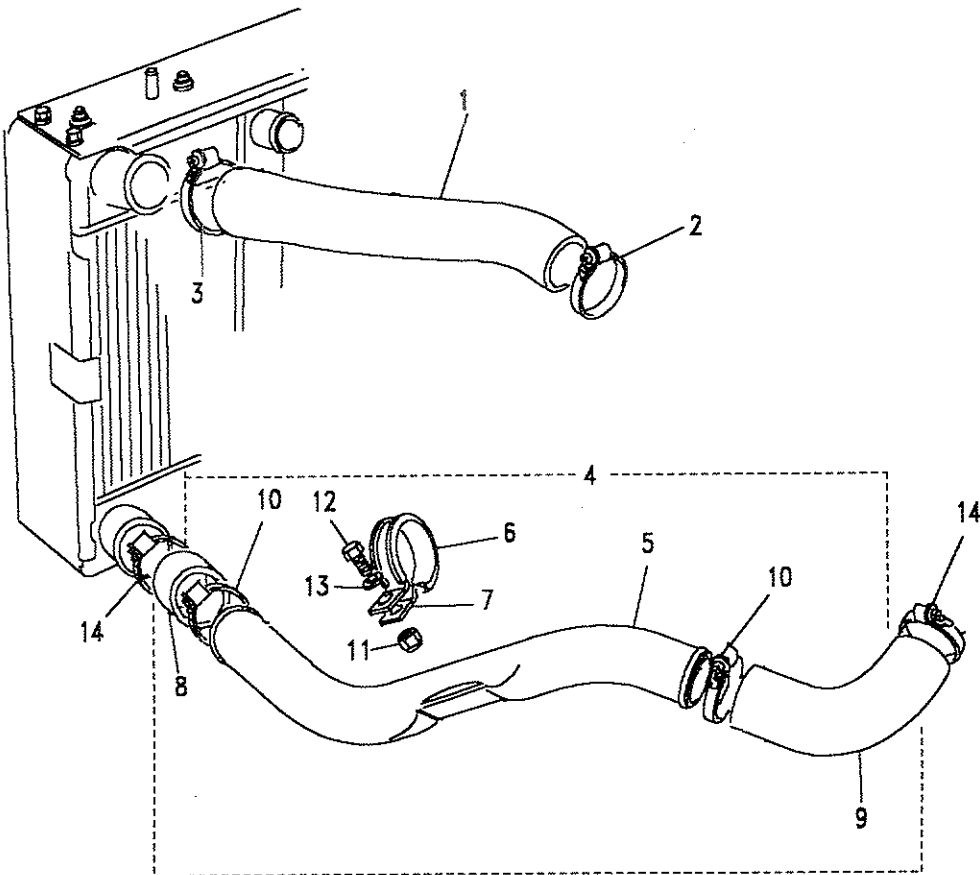
Page ADLXAA1D

COOLING SYSTEM - RADIATOR, INTERCOOLER & OIL COOLER - 300TDI

III. Part No.	Description	Qty	Remarks
---------------	-------------	-----	---------

Intercooler hoses

1	ESR2309	Hose intercooler/manifold	1
2	CN100608	Clip	1
3	CN100708	Clip hose	1
4	ESR2728	Pipe assy i'cooler/turbo	1
5	ESR2055	Pipe intercooler/turbo	1
6	ESR2119	Mounting rubber	1
7	ESR2120	Bracket mounting	1
8	ESR2729	Hose pipe/intercooler	1
9	ESR2730	Hose turbo/pipe	1
10	CN100608	Clip	2
11	NY108041	Nut nyloc M8	1
12	SH108161L	Screw M8	1
13	WA108041	Washer plain	1
14	CN100608	Clip	2





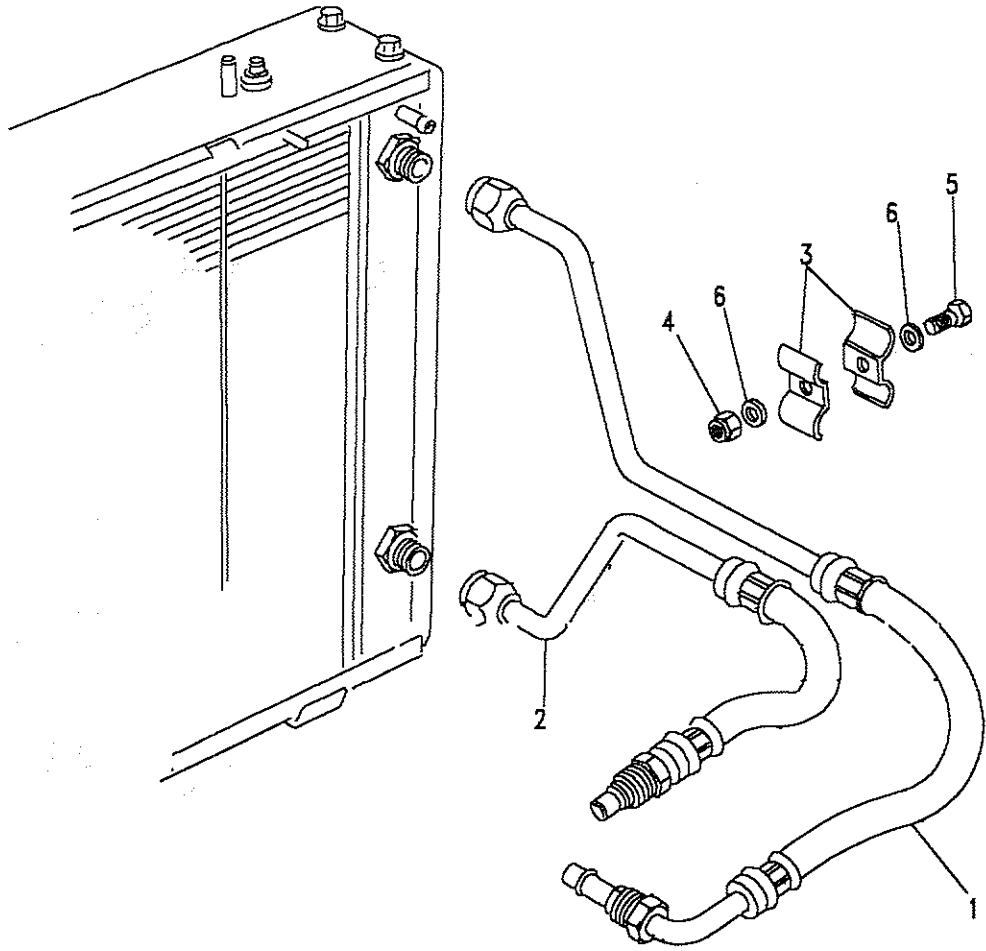
Model DEFENDER 90
Page ADLXAA1E

COOLING SYSTEM - RADIATOR, INTERCOOLER & OIL COOLER - 300TDI

III. Part No. Description Qty Remarks

Oil cooler hoses

1	ESR1931	Pipe cooler to engine	1
2	ESR2629	Pipe engine to cooler	1
	ESR1594	O Ring	4
3	NTC6847	Clamp saddle	2
4	NY106041	Nut nyloc M6	1
5	SH106161	Screw M6	1
6	WA106041	Washer plain	2



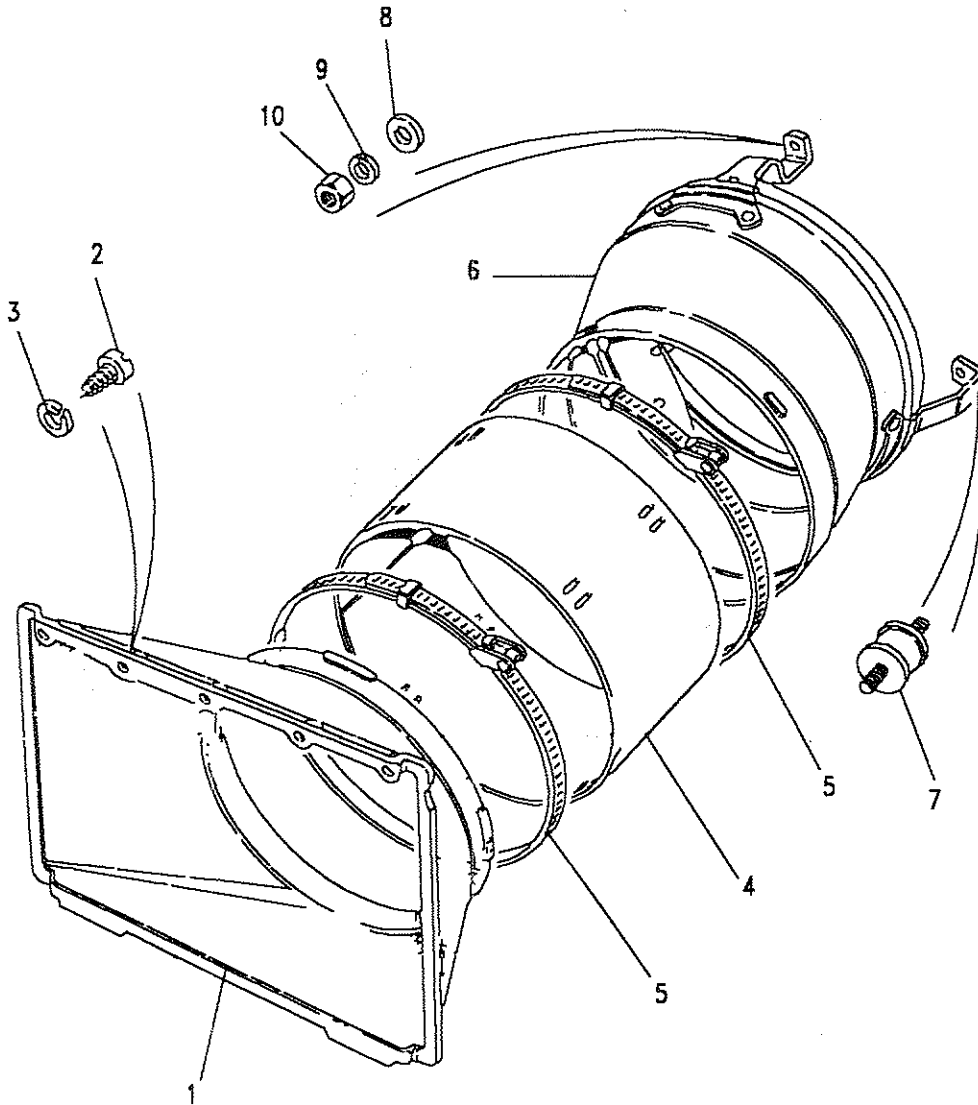


15/87

Model DEFENDER 90
Page ADLXAA2A

COOLING SYSTEM - FAN COWL

III. Part No.	Description	Qty	Remarks
4 Cylinder Petrol			
1 NRC3662	Cowl fan-radiator	1	Upto VIN FA389798
NTC3937	Cowl fan-radiator	1	From VIN FA389799
V8			
1 NRC3406	Cowl fan-radiator	1	Upto VIN FA428918
NTC5685	Cowl fan-radiator	1	From VIN FA428919
Diesel			
1 NRC3977	Cowl fan-radiator	1	Upto VIN FA389798
NTC3937	Cowl fan-radiator	1	From VIN FA389799
Diesel Turbo			
1 NTC3937	Cowl fan-radiator	1	
200Tdi			
1 ESR335	Cowl fan-radiator	1	



15/87

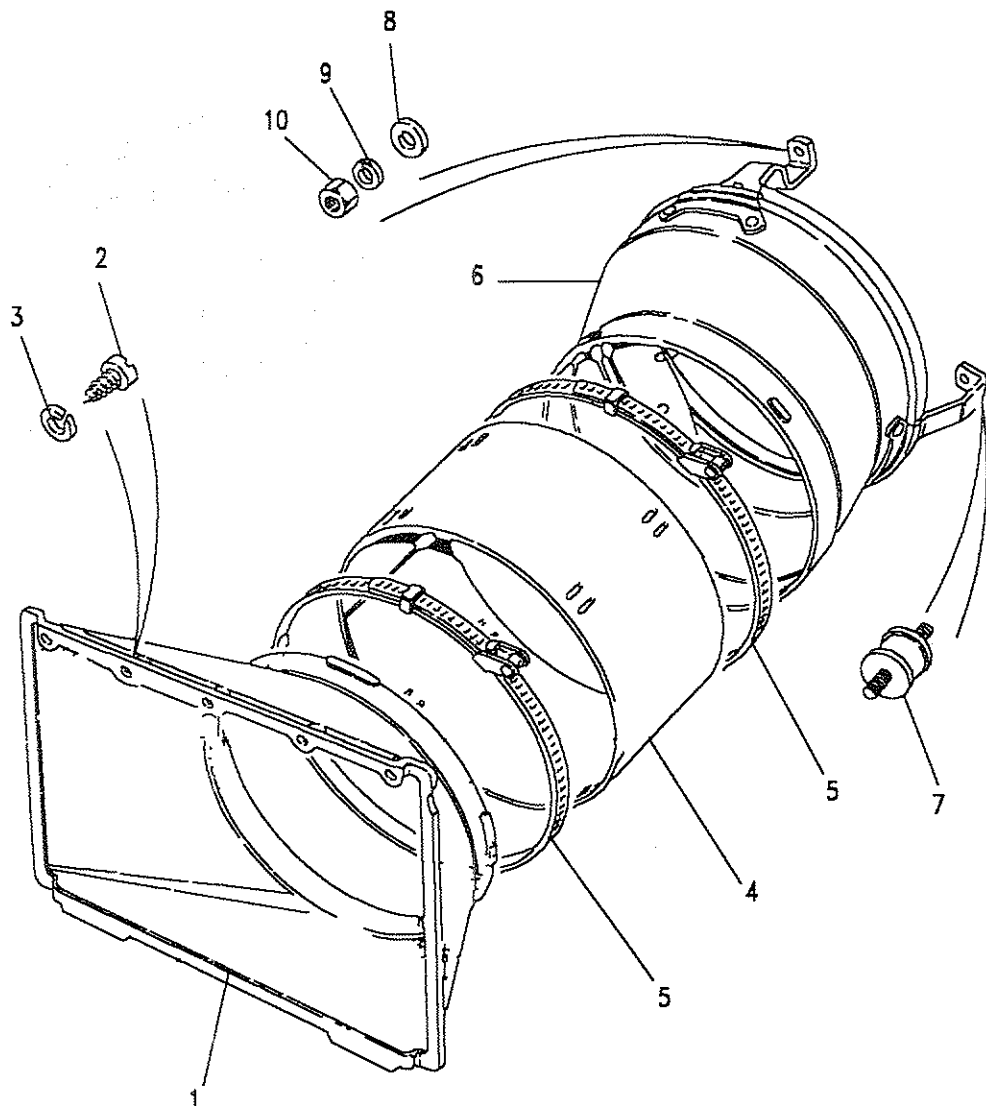


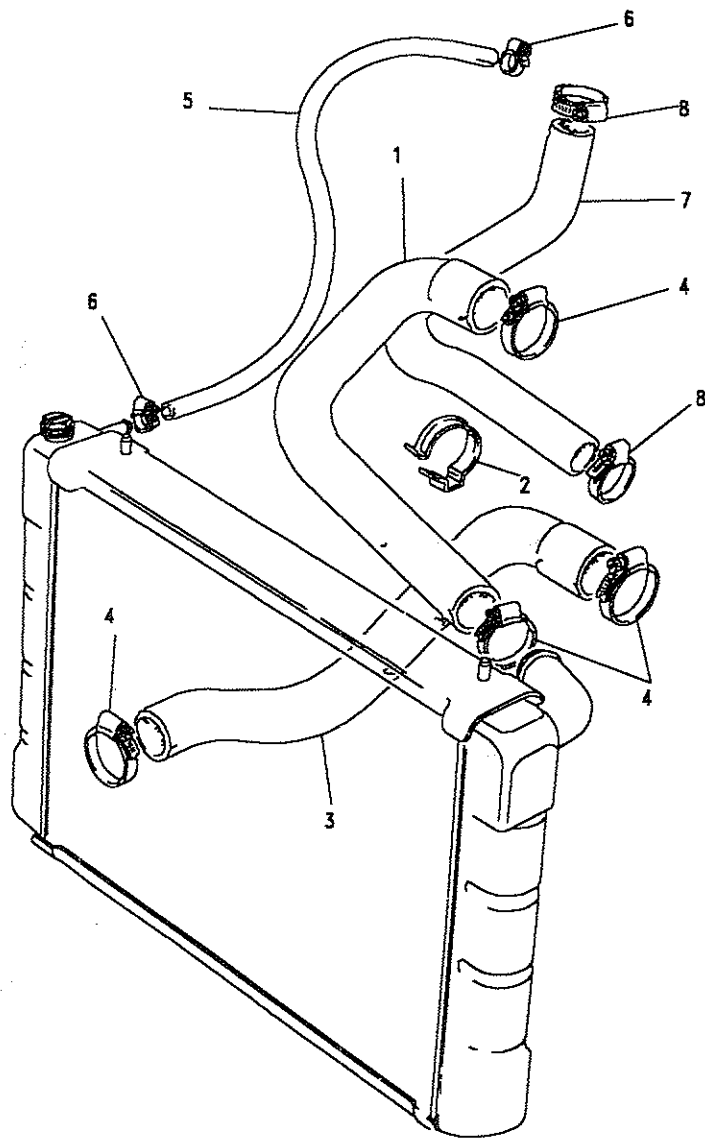


Model DEFENDER 90
Page ADLXAA2A

COOLING SYSTEM - FAN COWL

Ill. Part No.	Description	Qty	Remarks
2 562979	Screw	5	Upto VIN FA389798
562979	Screw	4	From VIN FA389799
3 WS600041	Washer spring	5	Upto VIN FA389798
WS600047L	Washer spring	4	From VIN FA389799
595199	Washer plain	2	Diesel
			From VIN FA389799
WS105001	Washer spring	2	200Tdi
NH105041L	Nut	2	200Tdi
4 NRC7227	Ducting	1	4 cylinder
5 NRC6430	Clip retaining	2	4 cylinder
6 ETC4989	Cowl fan-engine	1	4 cylinder
7 ETC4993	Mounting flexible	3	
8 WA108051L	Washer plain	2	
9 WL108001L	Washer spring	6	
10 FN108041L	Nut	5	



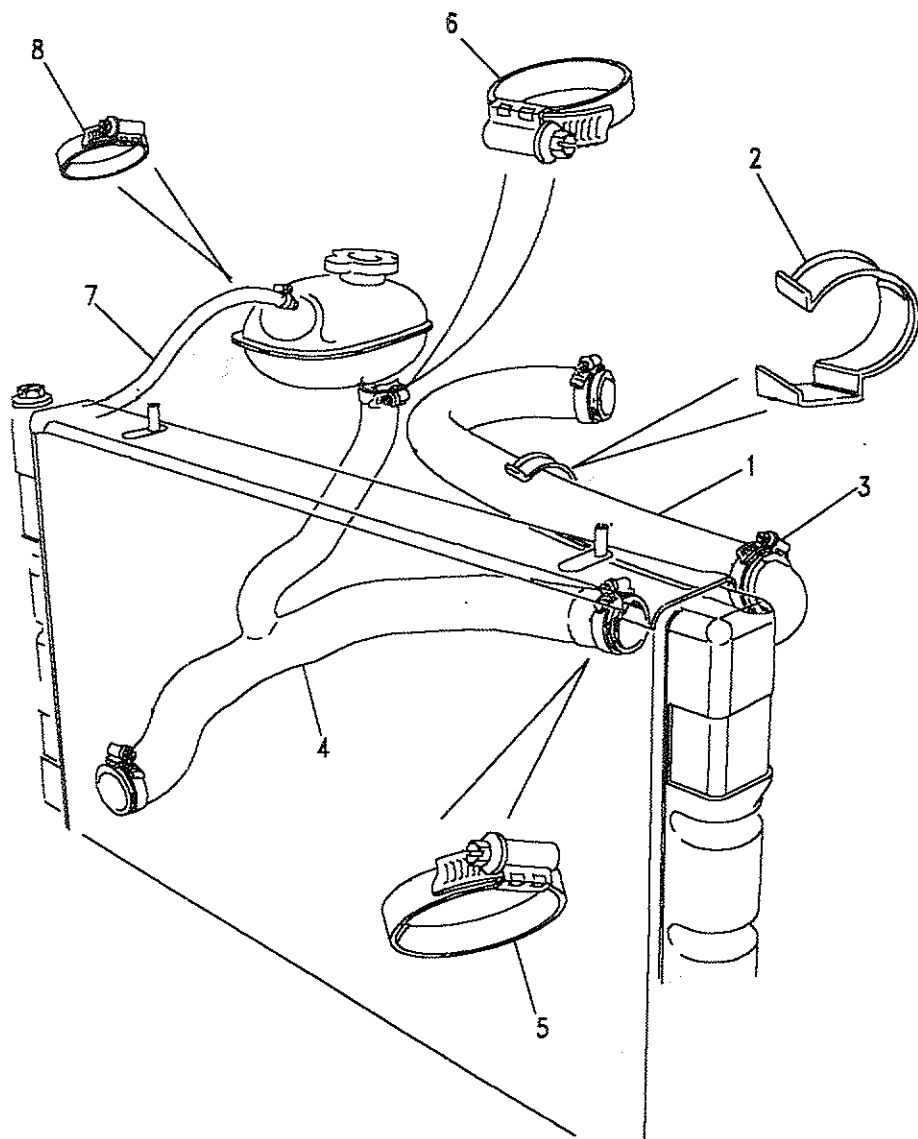


Model DEFENDER 90
Page ADLXAA3A

COOLING SYSTEM - RADIATOR HOSES - 2.25 PETROL

III. Part No.	Description	Qty	Remarks
1 NRC6403	Hose top	1	
NRC6404	Hose top	1	Heavy Duty
2 NRC7448	Clip hose	1	
3 NRC3664	Hose bottom	1	
NRC3976	Hose bottom	1	Heavy Duty
4 CN100508	Clip hose	4	
5 NRC4852	Hose bleed	1	
6 AAU1979	Clip hose	2	
7 NRC4850	Hose-exp tank to pump	1	
8 CN100408	Clip hose	2	





Model DEFENDER 90

Page ADLXAA4A

COOLING SYSTEM - RADIATOR HOSES - 2.5 LITRE

III. Part No.	Description	Qty	Remarks
4 Cylinder - Petrol, Diesel, Diesel Turbo			
1 NRC6404	Hose top	1	Petrol/Diesel Upto VIN 261252
NTC2029	Hose top	1	Petrol/Diesel From VIN 261253
ESR2125	Hose top	1	Upto VIN FA389798 Petrol/Diesel From VIN FA389799
ESR2125	Hose top	1	Diesel Turbo
2 NRC7448	Clip retaining	1	
3 CN100508	Clip hose	2	
NRC4842	Hose bottom	1	Note(1)
NRC4843	Tee piece	1	Note(1)
NRC4844	Hose bottom	1	Note(1)
CN100508	Clip hose	4	Note(1)
NRC4837	Hose	1	Diesel Note(1)
NRC5503	-connector to exp tank	1	Petrol Note(1)
CN100408	-connector to exp tank	1	Note(1)
4 NTC3453	Clip hose	2	Note(1)
5 CN100508	Hose bottom	1	From VIN 261253
6 CN100308L	Clip hose	2	
7 NRC9726	Clip hose	1	
NTC2736	Hose bleed	1	
8 AAU1979	Hose bleed	1	Diesel Turbo
	Clip hose	2	

Note(1) upto VIN 261252, also used on air con vehicles upto engine number 17H07705C



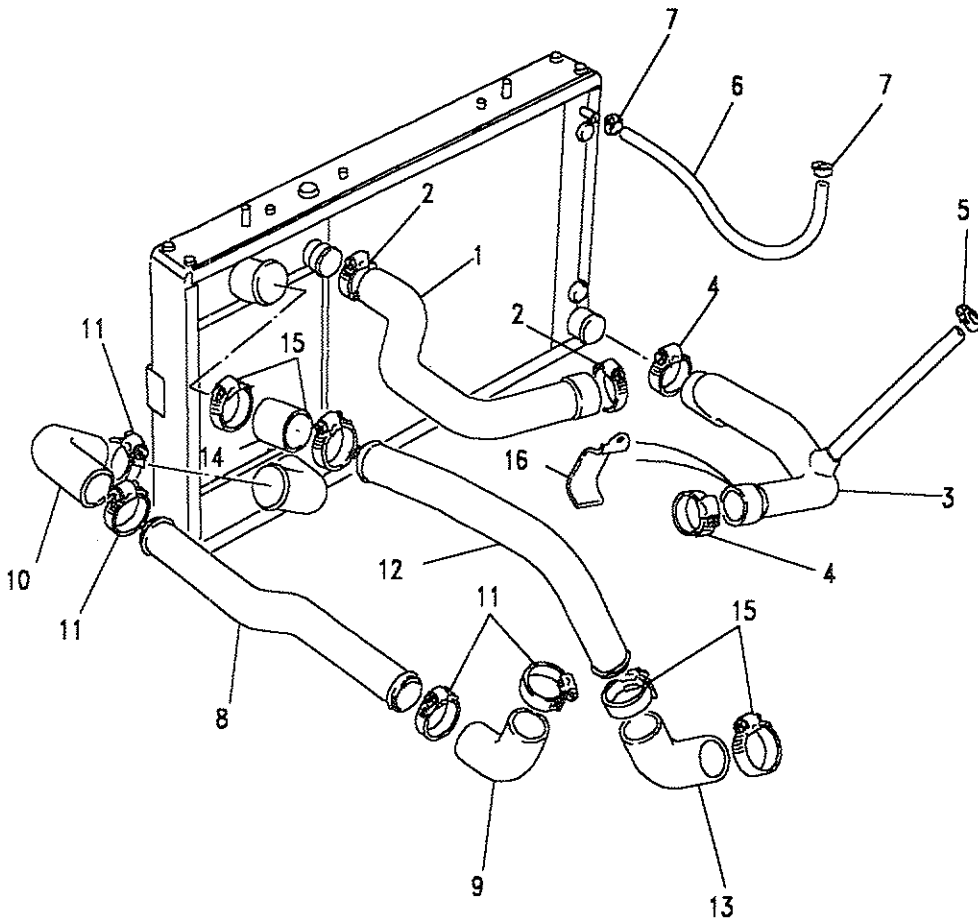
100000

Model DEFENDER 90

Page ADLXAA5A

COOLING SYSTEM - RADIATOR HOSES - 200 TDI

Ill. Part No.	Description	Qty	Remarks
1	NTC4895	1	
2	CN100508	2	
Non Air Con			
3	ESR536	1	
Air Con			
3	ESR536	1	Upto VIN JA915821
3	ESR1686	1	From VIN JA915822
4	CN100508	2	
5	CN100308L	1	
6	NTC4898	1	
7	CN100208L	2	
8	NTC5628	1	
	-turbo to intercooler		
9	ESR299	1	Upto VIN JA915341
	ESR1906	1	From VIN JA915342
10	ESR298	1	
11	CN100608L	4	
12	NTC5627	1	
	-intercooler to manifold		
13	ESR299	1	Upto VIN JA915341
	ESR1906	1	From VIN JA915342
14	ESR289	1	
15	CN100608L	4	
16	ESR400	1	Air Con



100000



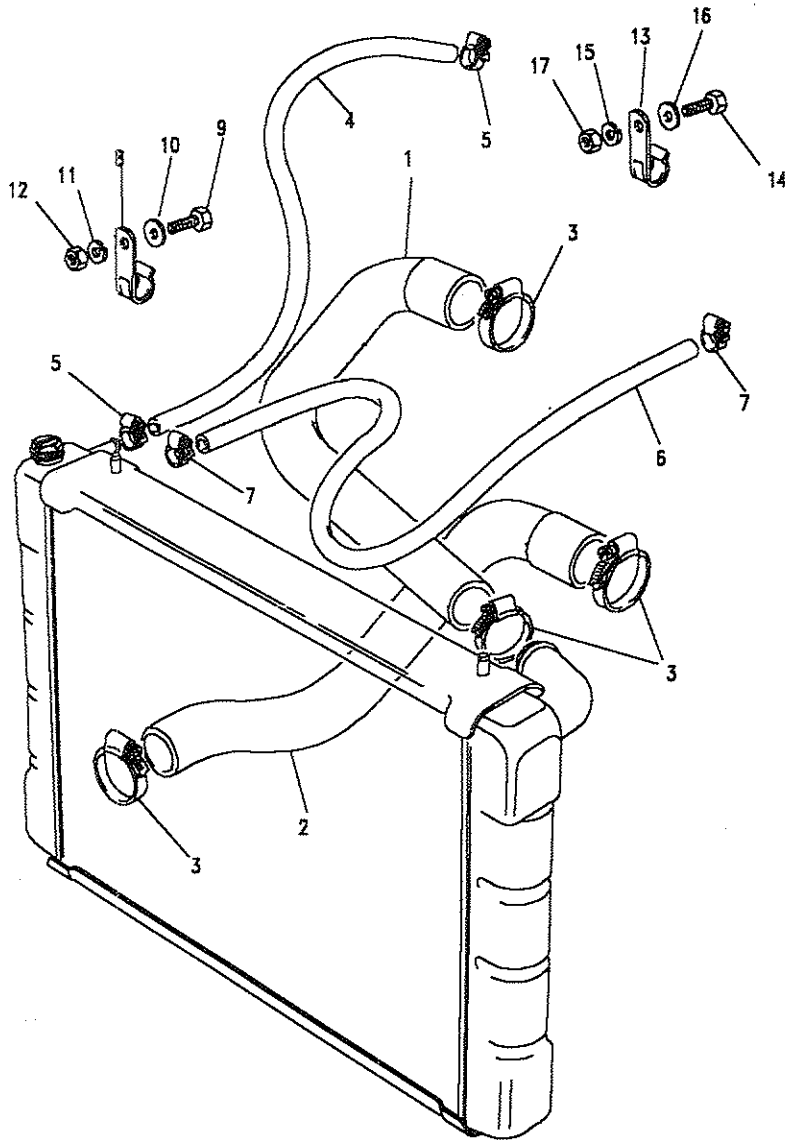


10/87

Model DEFENDER 90

Page ADLXAA6A

COOLING SYSTEM - RADIATOR HOSES - V8



III. Part No.	Description	Qty	Remarks
1	NRC5985	1	Upto VIN FA428918
	NTC5686	1	From VIN FA428919
	NRC9710	1	Air Con
			Upto VIN FA429127
	NTC5687	1	Air Con
			From VIN FA429128
2	NRC3405	1	Upto VIN 257176
	NTC3543	1	From VIN 257177
3	CN100508	4	
4	NRC9726	1	
	NTC2736	1	When oil cooler fitted
5	AAU1979	2	
6	90575977	1	Penthouse
7	AAU1979	2	
8	NRC2383	1	
9	FS106201L	1	
10	WA106041L	1	
11	WM106001L	1	
12	NH106041L	1	
Non Air Con			
13	239600	1	Penthouse bleed
14	FS108201L	1	
15	WA108051L	1	
16	WL108001L	1	
17	FN108041L	1	

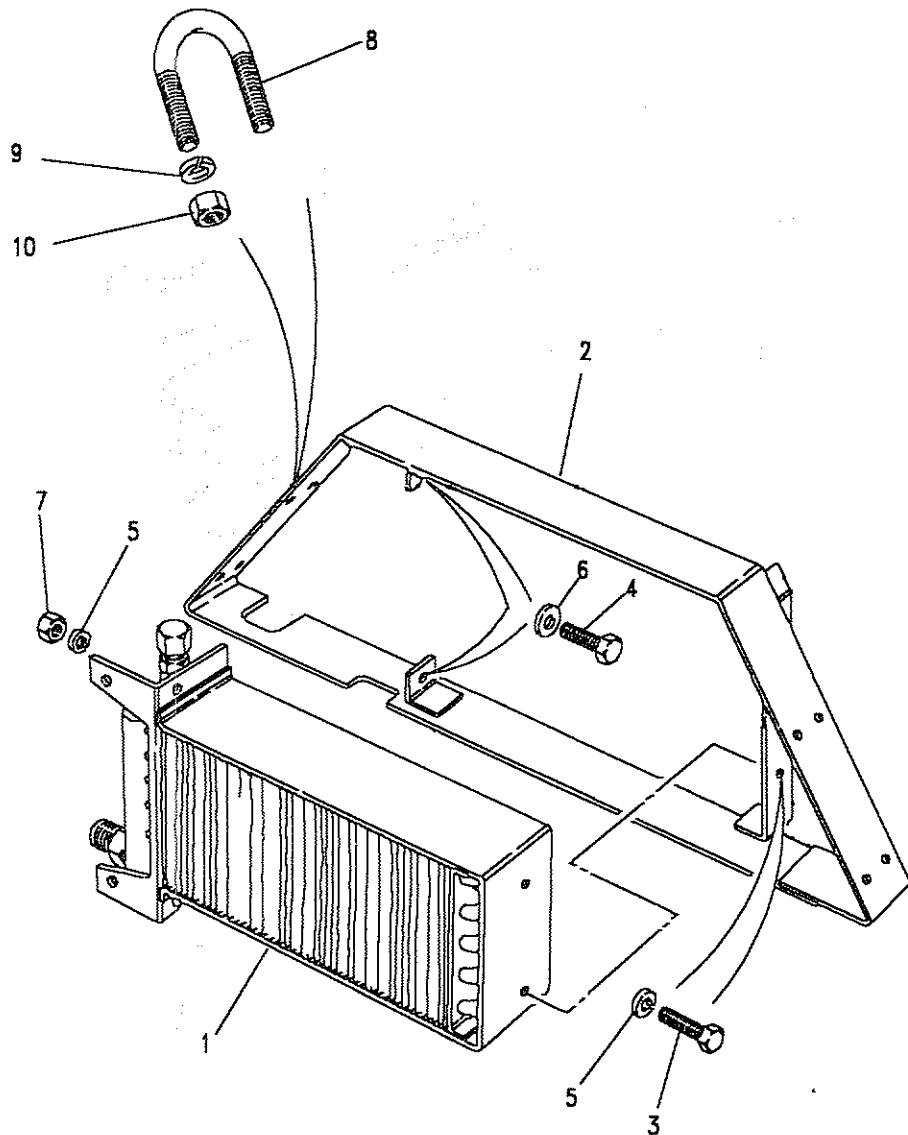




DEFENDER 90

675

COOLING/HEATING



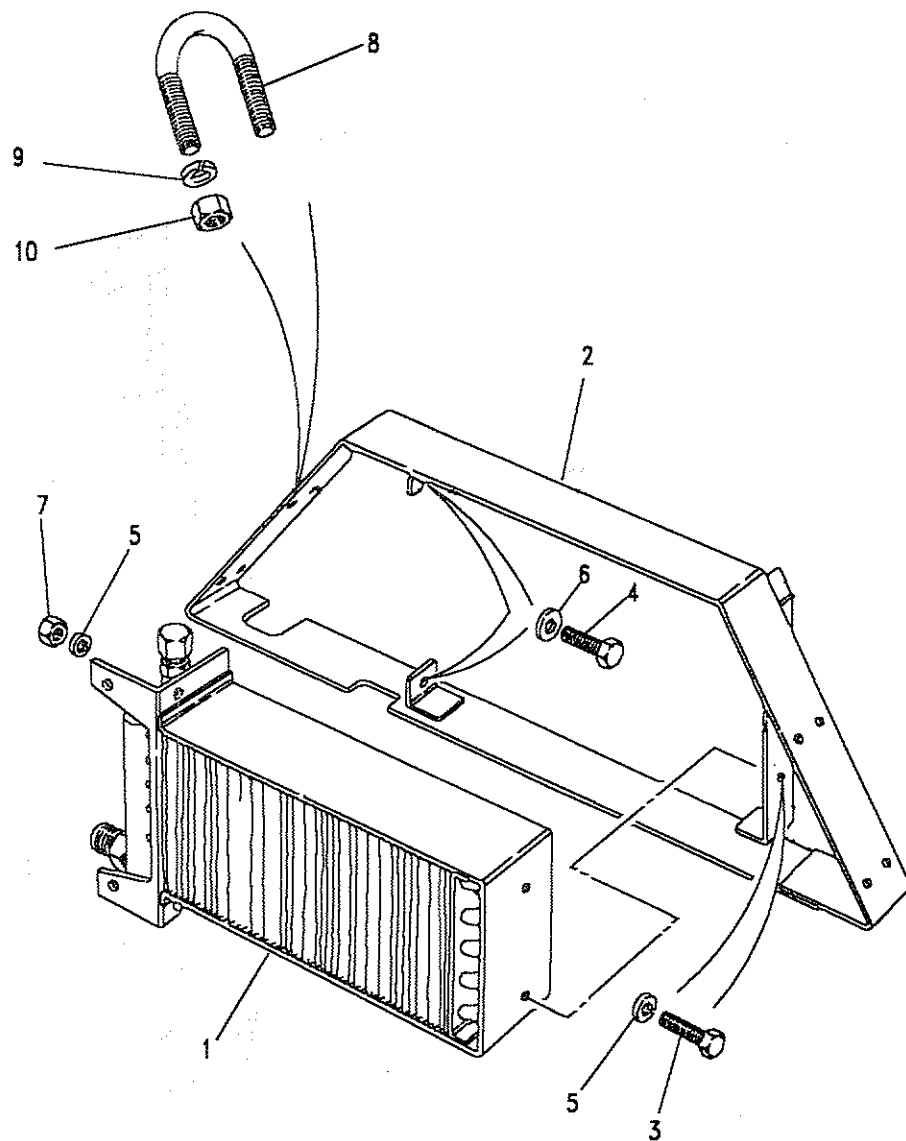
Model DEFENDER 90

Page ADLXAG1A

ENGINE OIL COOLER - OIL COOLER AND MOUNTING FRAME

III. Part No.	Description	Qty	Remarks
4 Cylinder Petrol - Upto VIN FA389798			
1 NRC7741	Oil cooler	1	Note(1)
Naturally Aspirated Diesel - Upto VIN FA389798			
1 NRC7741	Oil cooler	1	Note(1)
V8 - Upto VIN FA429127			
1 NRC7741	Oil cooler	1	Note(2)
V8 Air Con - Upto VIN FA429127			
1 NRC8201	Oil cooler	1	Note(2)





Model DEFENDER 90
Page ADLXAG1A

ENGINE OIL COOLER - OIL COOLER AND MOUNTING FRAME

III. Part No.	Description	Qty	Remarks
Upto VIN FA429127 - Non Air Con			
2	NRC7458	1	Frame mounting
3	SH106121L	2	Screw
4	SH106167L	2	Screw
5	WL106001L	4	Washer spring
6	WA106041L	2	Washer plain
7	NH106041L	2	Nut
8	NRC7459	4	U bolt
9	WL106001L	8	Washer spring
10	NH106041L	8	Nut
Upto VIN FA429127 - Air Con			
	SH106121L	2	Screw
	WL106001L	4	Washer spring
	NH106041L	2	Nut

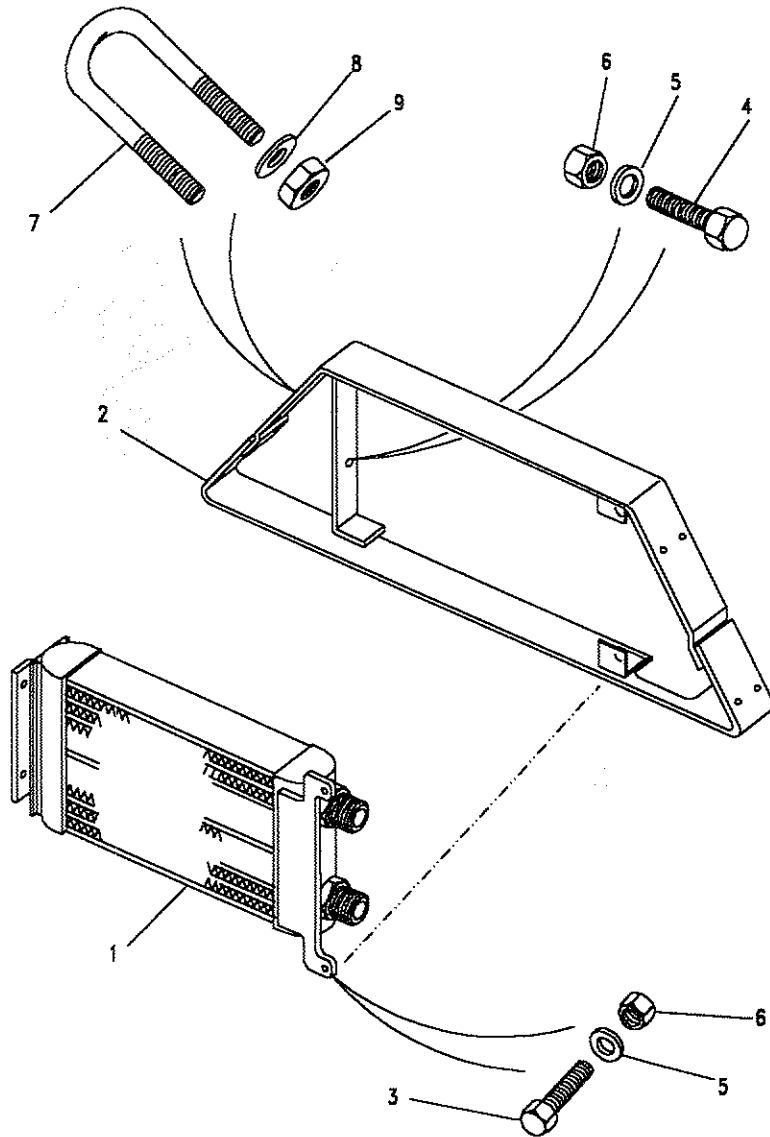
Note(1) From VIN FA389799-Engine oil cooler is part of radiator
 Note(2) From VIN FA429128-Engine oil cooler is part of radiator





Model DEFENDER 90
Page ADLXAG2A

GEARBOX OIL COOLER - COOLER AND FRAME - V8 LT77 GEARBOX

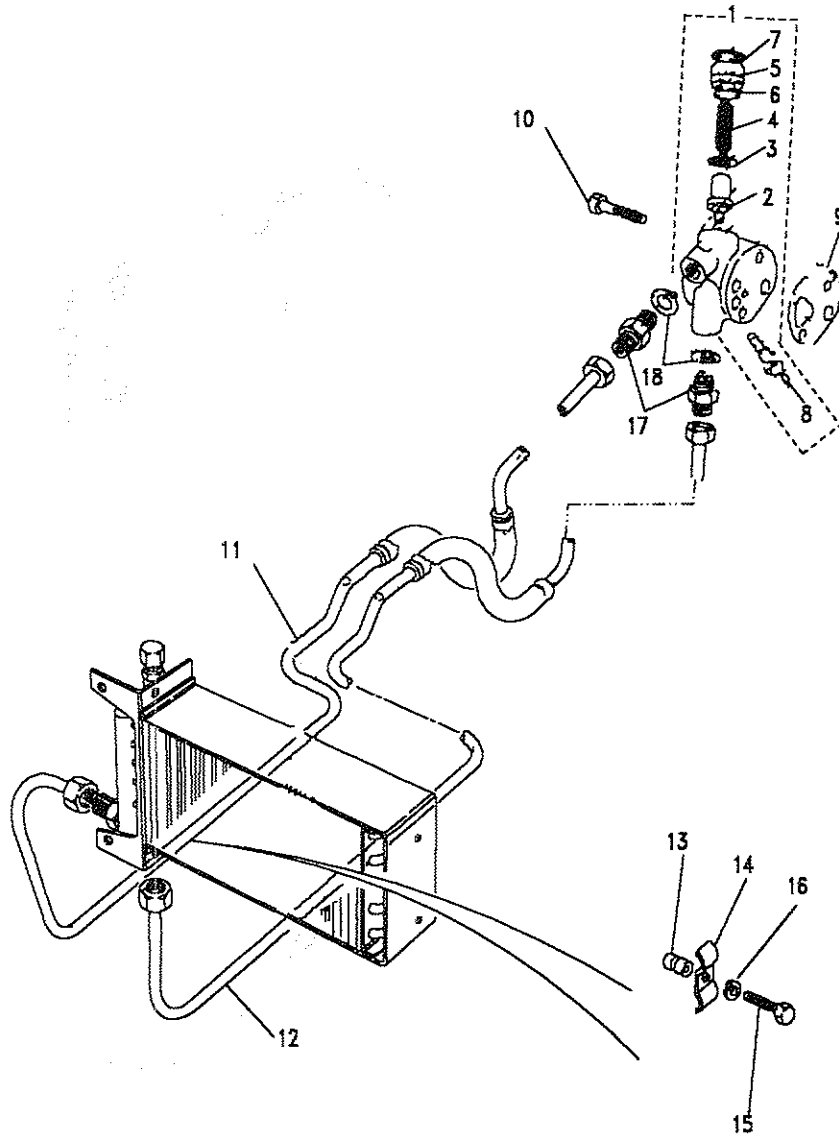


III. Part No.	Description	Qty	Remarks
1	ESR488	1	Upto JA918061
	ESR1554	1	From JA918062
2	ESR489	1	
3	FS106167L	2	
4	SH106121L	2	
5	WA106041L	4	
6	NH106041L	4	
Non Air Con			
7	NRC7459	4	
8	WA106041L	8	
9	NH106041L	8	



Model DEFENDER 90
Page ADLXA1A

ENGINE OIL COOLER -ADAPTOR & PIPES - 4 CYLINDER - NOTE(1)



III. Part No.	Description	Qty	Remarks
1	ERC7755	1	Adaptor assembly
2	ERC6923	1	Thermostat
3	ERC7756	1	Joint Washer
4	ERC7757	1	Spring
5	ERC5756	1	Plug
6	ERC5757	1	O ring
7	CR110301	1	Circlip
8	PRC2505	1	Transmitter-oil temp
9	ERC7773	1	Joint Washer
10	ERC9499	1	Bolt-to cyl block
11	NRC5820	1	Pipe assembly feed
	NRC8196	1	Pipe assembly feed
	NRC8507	1	Pipe assembly feed
	NRC8509	1	Pipe assembly feed
12	NRC5819	1	Pipe assembly return
	NRC8197	1	Pipe assembly return
	NRC8508	1	Pipe assembly return
	NRC8510	1	Pipe assembly return
13	NN106011	1	Nutsert
14	594637	1	Clamp pipe
15	FS106167L	1	Screw
16	WL106001L	1	Washer spring
17	NRC8618	2	Coupling
18	ETC7398	2	Washer copper

Note(1) 2.25 Petrol; 2.5 petrol upto VIN FA389798; Diesel naturally aspirated upto VIN FA389798
 Note(2) For 2.5 Adaptor - refer to Engine

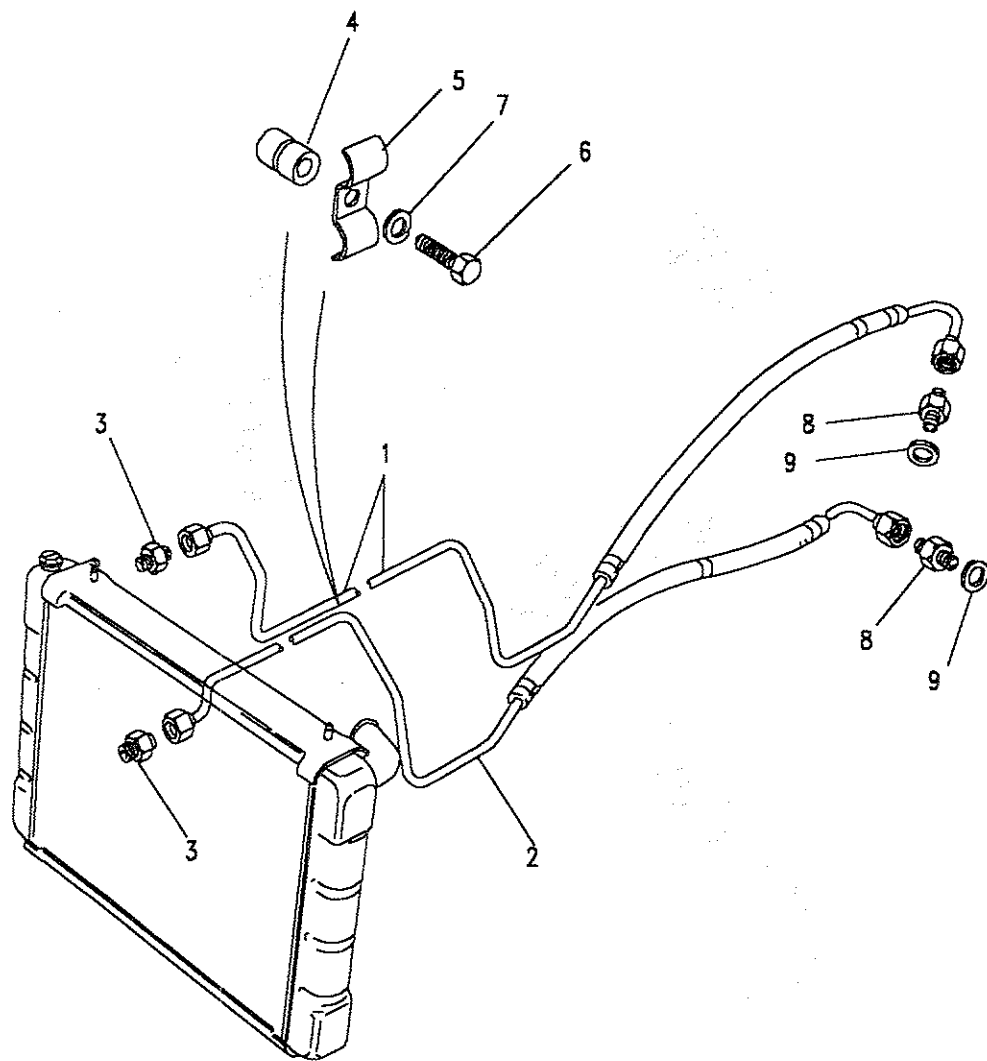


Model DEFENDER 90
Page ADLXAI2A

ENGINE OIL COOLER - PIPES - 4 CYLINDER - NOTE(1)

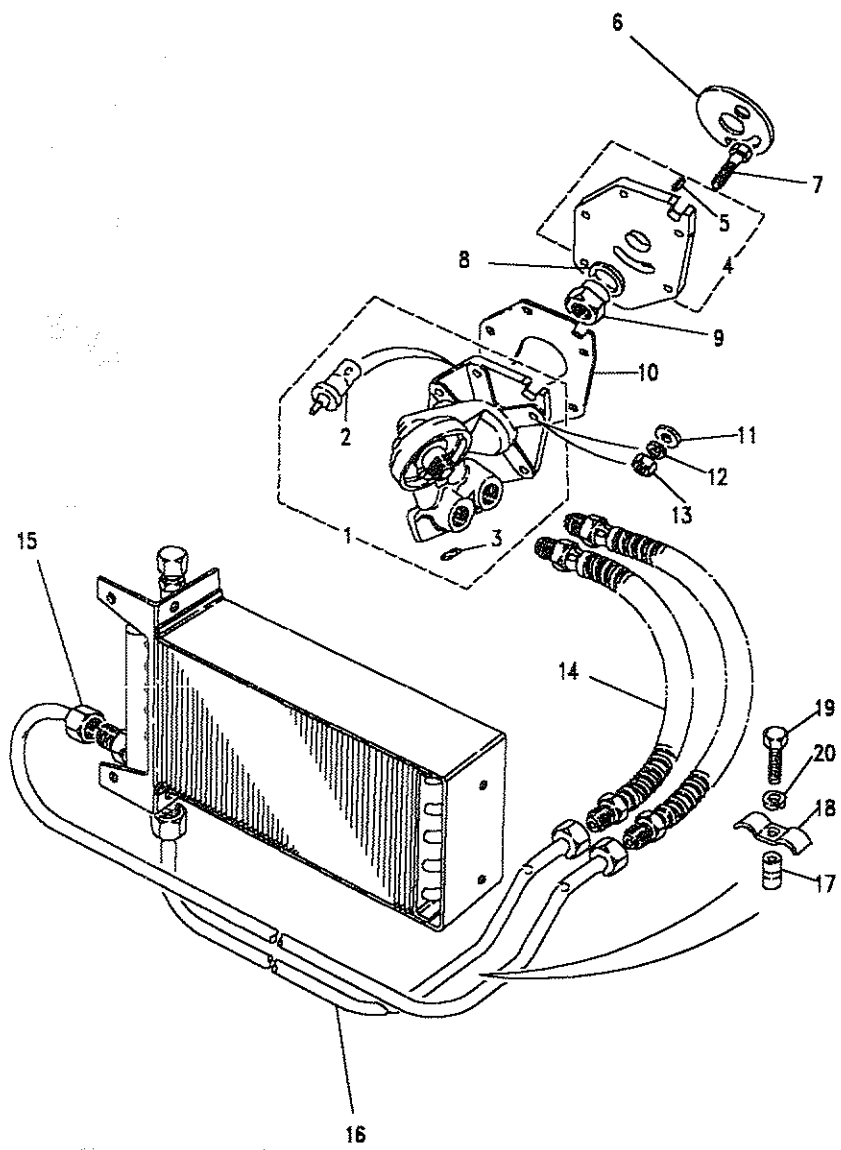
III. Part No.	Description	Qty	Remarks
1	NTC2927 ESR71 ESR280	1	Upto VIN FA430160
		1	From VIN FA430161
		1	200Tdi
			Upto VIN JA918061
	ESR1912	1	From VIN JA918062
2	NTC2928 ESR281	1	Upto VIN FA430160
		1	From VIN FA430161
			Upto
			200Tdi
			Upto VIN JA918061
	ESR1913	1	From VIN JA918062
3	NTC3858 ESR1262	2	Upto VIN JA918061
			From VIN JA918062
4	NN106011	1	
5	594637	1	
6	FS106167L	1	
7	WL106001L NTC6847	1	
		2	200Tdi
	FS106167L	1	200Tdi
	WA106041L	2	200Tdi
	NY106041L	1	200Tdi
	568680	1	200Tdi
8	NRC8618	2	
9	ETC7398	2	

Note(1) Diesel Turbo; 2.5 Petrol from VIN FA389799; Diesel naturally aspirated from VIN FA389799



Model DEFENDER 90
Page ADLXA13A

ENGINE OIL COOLER -ADAPTOR AND PIPES - V8



III. Part No.	Description	Qty	Remarks
Upto VIN FA429127			
1	ERC6720	1	Adaptor assembly
2	ERC5923	1	Thermostat
3	TRS1114L	2	O ring
4	ERC6722	1	Baseplate
	ETC6812	1	Baseplate
5	PA105101	1	Pin spring
6	SH108301L	5	Screw
7	ERC6890	1	Joint Washer
	ERR852	1	Joint Washer
	ERC3724	1	Washer
9	ERC3500	1	Nut tube
10	ERC6723	1	Joint Washer
11	WA108051L	5	Plain Washer
12	WL108001L	5	Washer spring
13	FN108041L	5	Nut
14	NRC4162	2	Pipe flexible
15	NRC5824	1	Pipe assembly feed
	NRC8198	1	Pipe assembly feed
16	NRC5823	1	Pipe assembly
	NRC8199	1	Pipe assembly return
17	NN106011	1	Nutsert
18	594637	1	Clamp pipe
19	FS106167L	1	Screw
20	WL106001L	1	Washer spring

Model DEFENDER 90
Page ADLXAI4A

ENGINE OIL COOLER - PIPES - V8

III. Part No.

Description

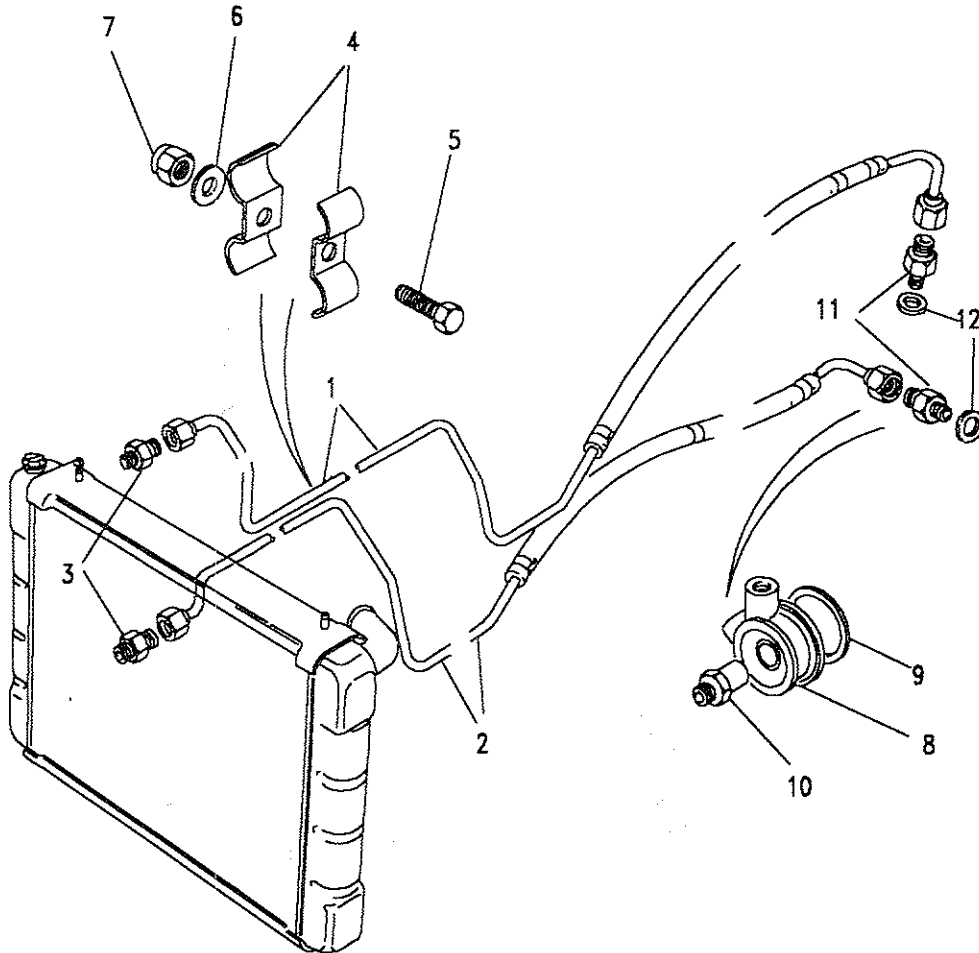
Qty Remarks

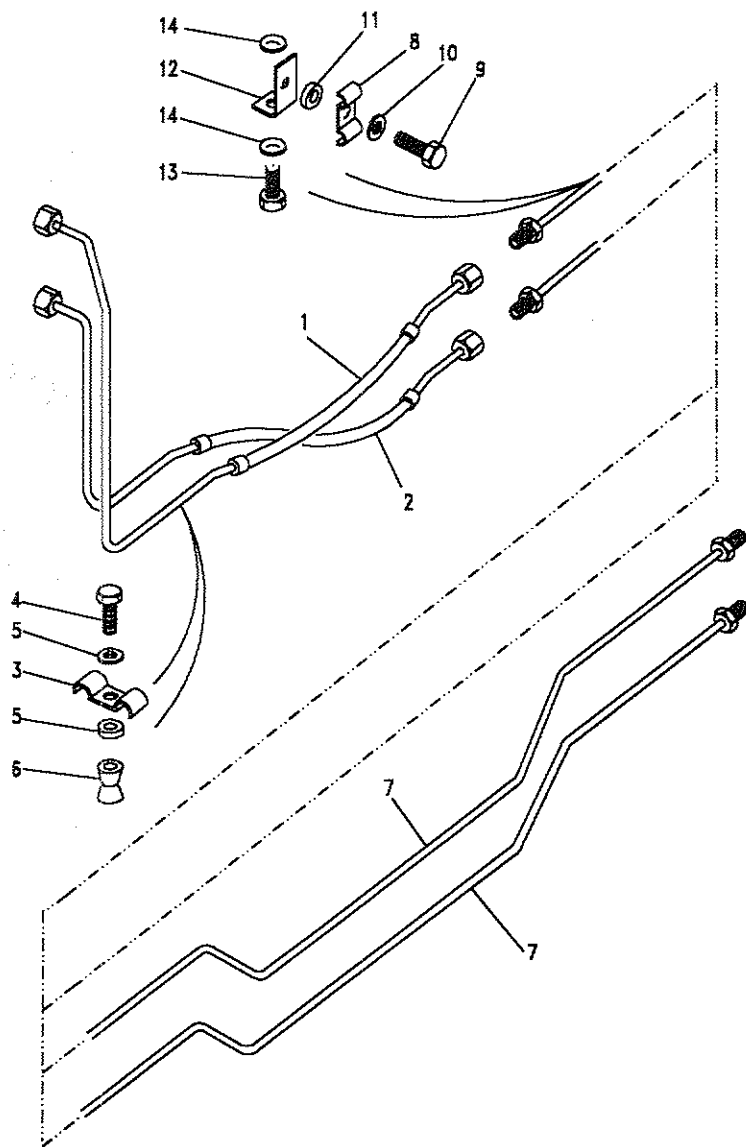
From VIN FA429128

1	ESR399	Pipe assembly feed	1	Upto VIN HA906108
	ESR583	Pipe assembly feed	1	From VIN HA906109
				Upto VIN JA918061
				From VIN JA918062
2	ESR1915	Pipe assembly feed	1	From VIN JA918062
	NTC5624	Pipe assembly return	1	Except Note(1)
				Upto VIN JA918061
				Note(1)
				Upto VIN JA918061
				From VIN JA918062
3	ESR398	Pipe assembly return	1	From VIN JA918061
	ESR1914	Pipe assembly return	1	From VIN JA918062
	NTC3858	Adaptor radiator	2	Upto VIN JA918061
	ESR1262	Adaptor radiator	2	From VIN JA918062
	NTC6847	Clamp pipe	2	
	FS106167L	Screw	1	
	WA106041L	Washer plain	1	
	NY106041L	Nut	1	
	ERC8501	Adaptor assembly filter	1	
	ERR852	Gasket	1	
	ERC2226L	Adaptor screw	1	
	ETC9064	Adaptor	2	
	ETC9065	Washer copper	2	

Note(1)

RHD vehicles with Gemmer power steering box from VIN HA469818

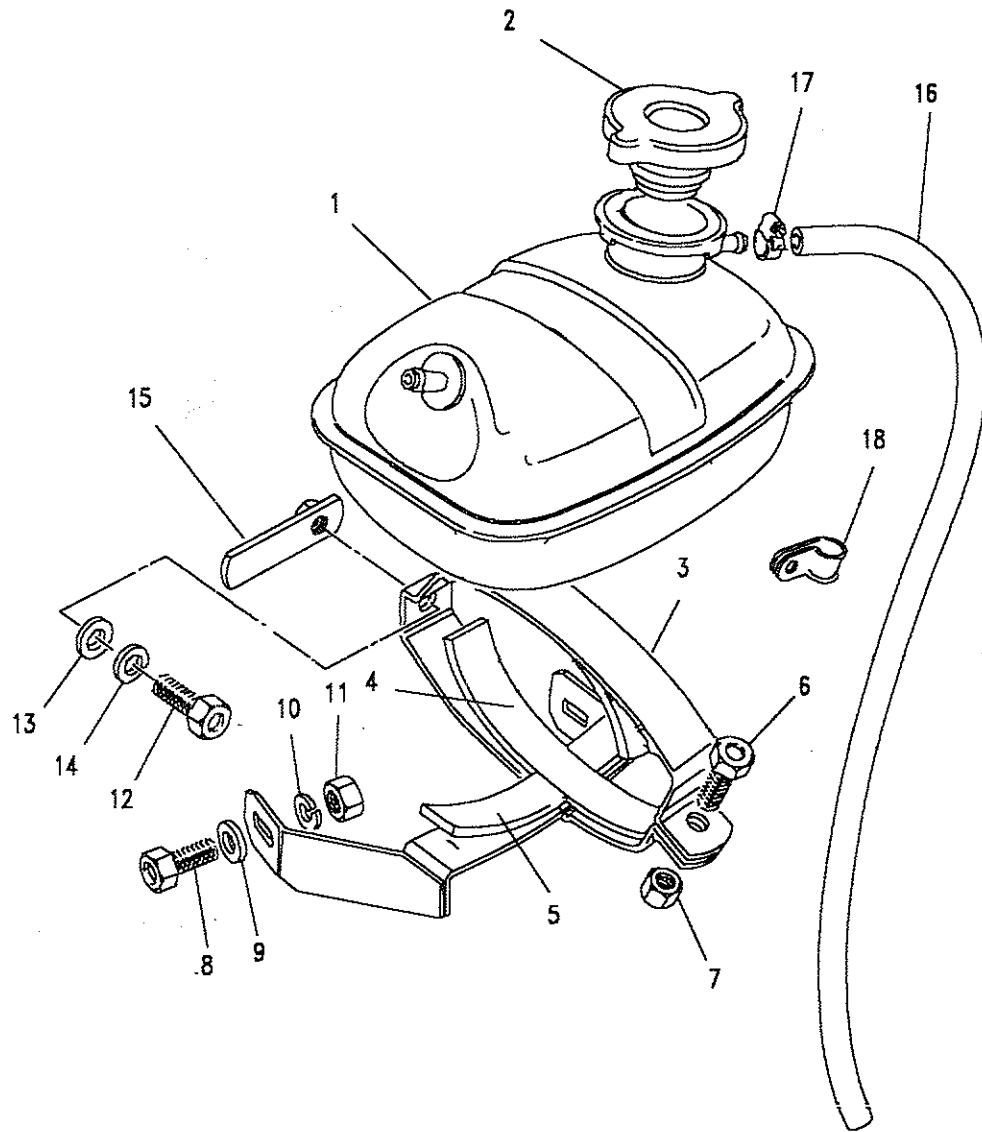




Model DEFENDER 90
Page ADLXAI5A

GEARBOX OIL COOLER - PIPES - V8 LT77 GEARBOX

III. Part No.	Description	Qty	Remarks
Non Air Con			
1 ESR570	Pipe oil cooler RH front	1	Upto VIN JA918061
ESR1919	Pipe oil cooler RH front	1	From VIN JA918062
2 ESR571	Pipe oil cooler LH front	1	Upto VIN JA918061
ESR1920	Pipe oil cooler LH front	1	From VIN JA918062
Air Con			
1 ESR530	Pipe oil cooler RH front	1	Upto VIN JA918061
ESR1918	Pipe oil cooler RH front	1	From VIN JA918062
2 ESR531	Pipe oil cooler LH front	1	Upto VIN JA918061
ESR1917	Pipe oil cooler LH front	1	From VIN JA918062
3 594637	Clip retaining	1	
4 FS106167L	Screw	1	
5 WA106041L	Washer plain	2	
6 NN106011	Nut anchor	1	
7 ESR527	Pipe oil cooler rear	2	Upto VIN JA918061
ESR1916	Pipe oil cooler rear	2	From VIN JA918062
8 594637	Clip retaining	1	
9 FS106201L	Screw	1	
10 WA108051L	Washer plain	1	
11 WA106041L	Washer plain	1	
12 NTC5897	Bracket mounting	1	
13 SH505081L	Screw	1	
14 WA106001I	Washer plain	2	



Model DEFENDER 90
Page ADLXCA1A

COOLING SYSTEM - EXPANSION TANK

III. Part No. Description Qty Remarks

Petrol, Nat Asp Diesel, Diesel Turbo

4 Cylinder, All Variants

1	ESR2733	Tank expansion	1	
2	RTC3610	Cap expansion tank-9psi	1	Upto LA932798
	PCD100150	Cap expansion tank-15psi	1	From LA932799
	565540	Cap expansion tank-15psi	1	Diesel Turbo

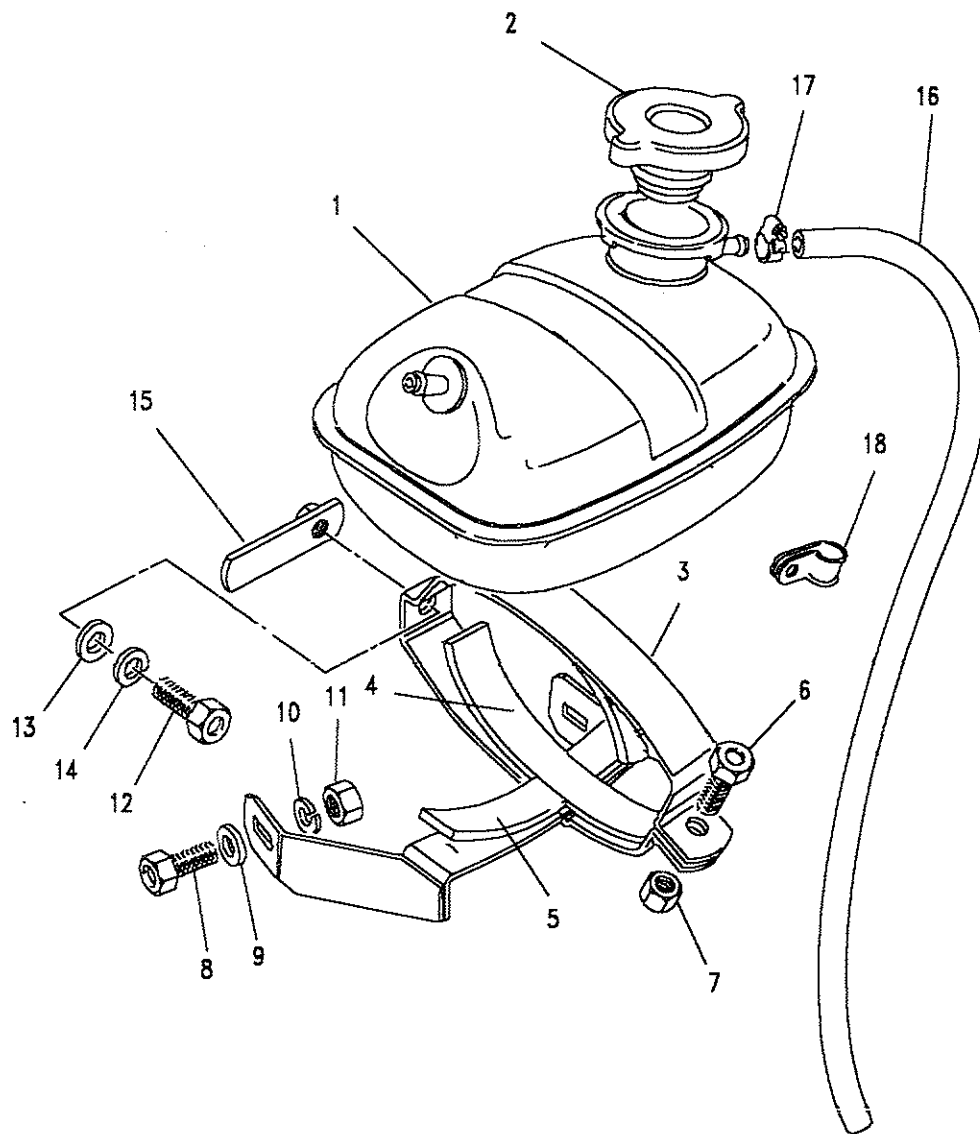
V8

1	ESR2734	Tank expansion	1	
2	PCD100150	Cap expansion tank-15psi	1	
3	NRC6692	Carrier	1	
4	NRC5294	Strip polyurethane	2	
5	NRC5295	Strip polyurethane	2	
6	SH106207L	Screw	1	Upto FA389798
	FS106201L	Flange screw	1	From FA389799
7	NY106041L	Nut	1	
8	SH106207L	Screw-to wheelarch	2)
9	WC106047	Washer plain	4)Upto
10	WL106007L	Washer spring	2)FA389798
11	NH106047	Nut	2)

Model DEFENDER 90
 Page ADLXCA1A

COOLING SYSTEM - EXPANSION TANK

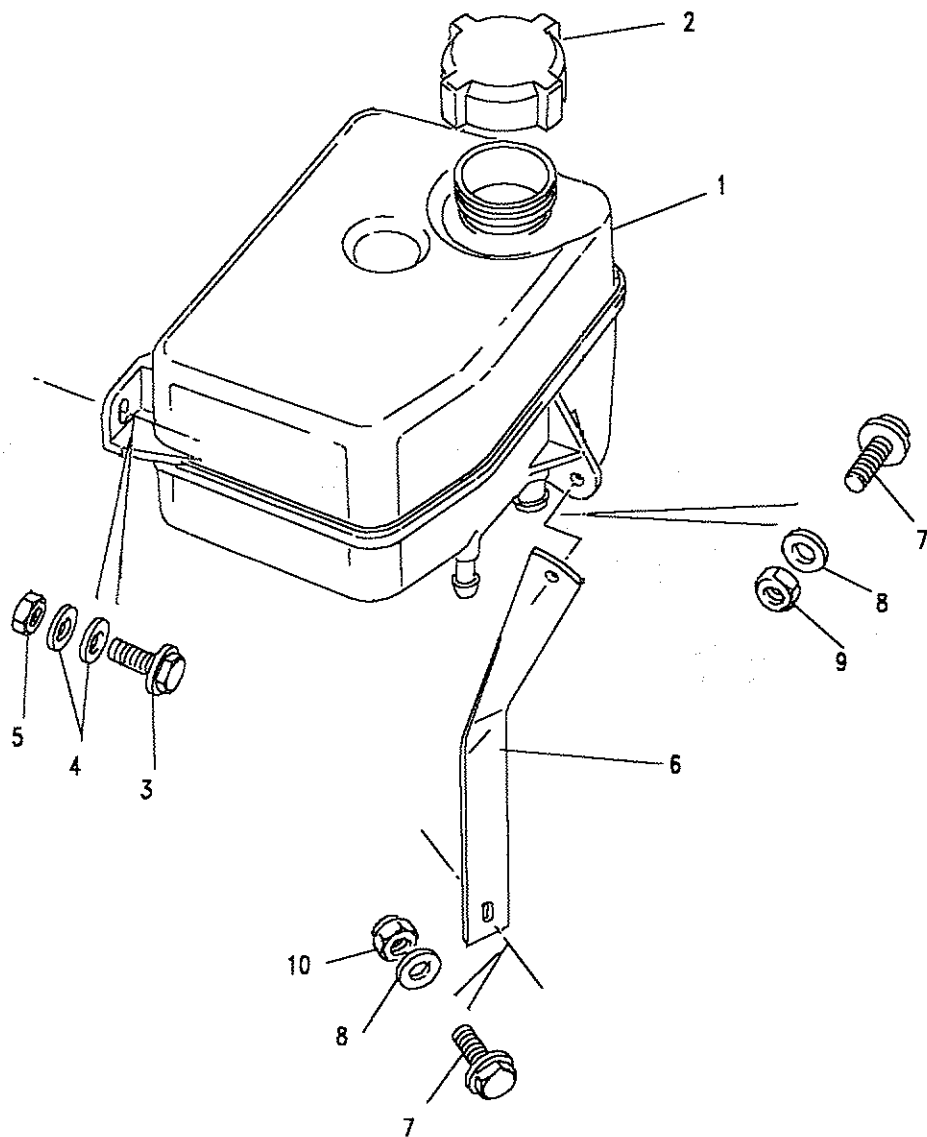
III. Part No.	Description	Qty	Remarks
8	FS106201L	2)
9	WC106041L	4)From
10	WL106001L	2)FA389799
11	NH106041L	2)
12	SH106207L	1)
13	WC106047	1)Upto
14	WL106007L	1)FA389798
	FS106201L	1)
	WC106041L	1)From
	WL106001L	1)FA389799
15	NRC7133	1	
16	564724	1	
17	NRC1360	1	
18	CP106121	1	





Model DEFENDER 90
Page ADLXCC1A

COOLING SYSTEM - EXPANSION TANK



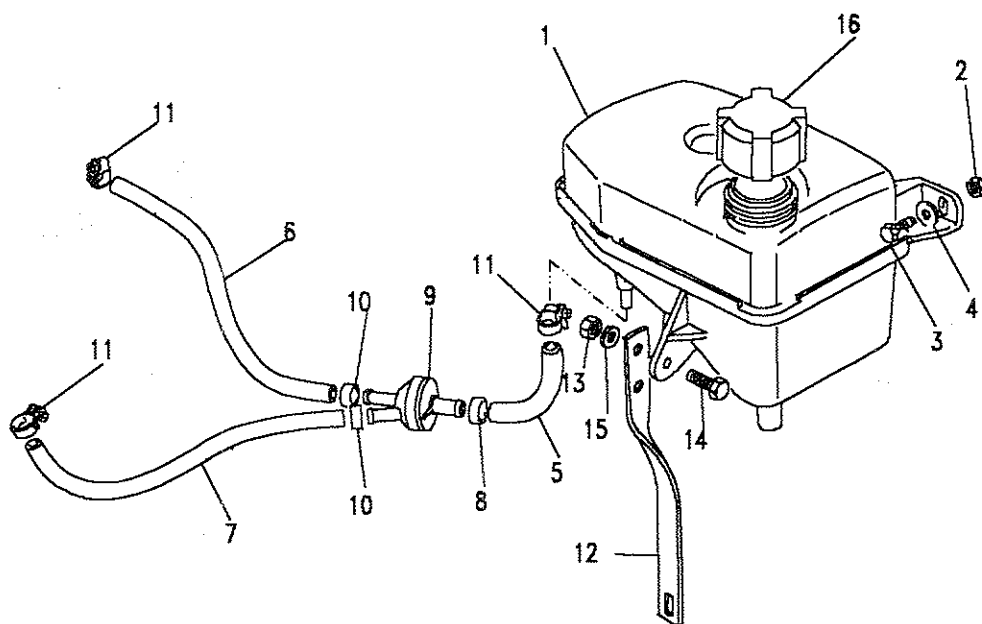
III. Part No.	Description	Qty	Remarks
200TDI			
1	ESR63 Tank expansion	1	
2	NTC7161 Cap	1	15 psi
3	FS106167L Screw	2	
4	WA106041L Washer plain	4	
5	NH106041L Nut	2	
6	ESR584 Bracket mounting	1	
7	FS106167L Screw	2	
8	WA106041L Washer plain	2	
9	NH106041L Nut	1	
10	NY106041L Nut	1	

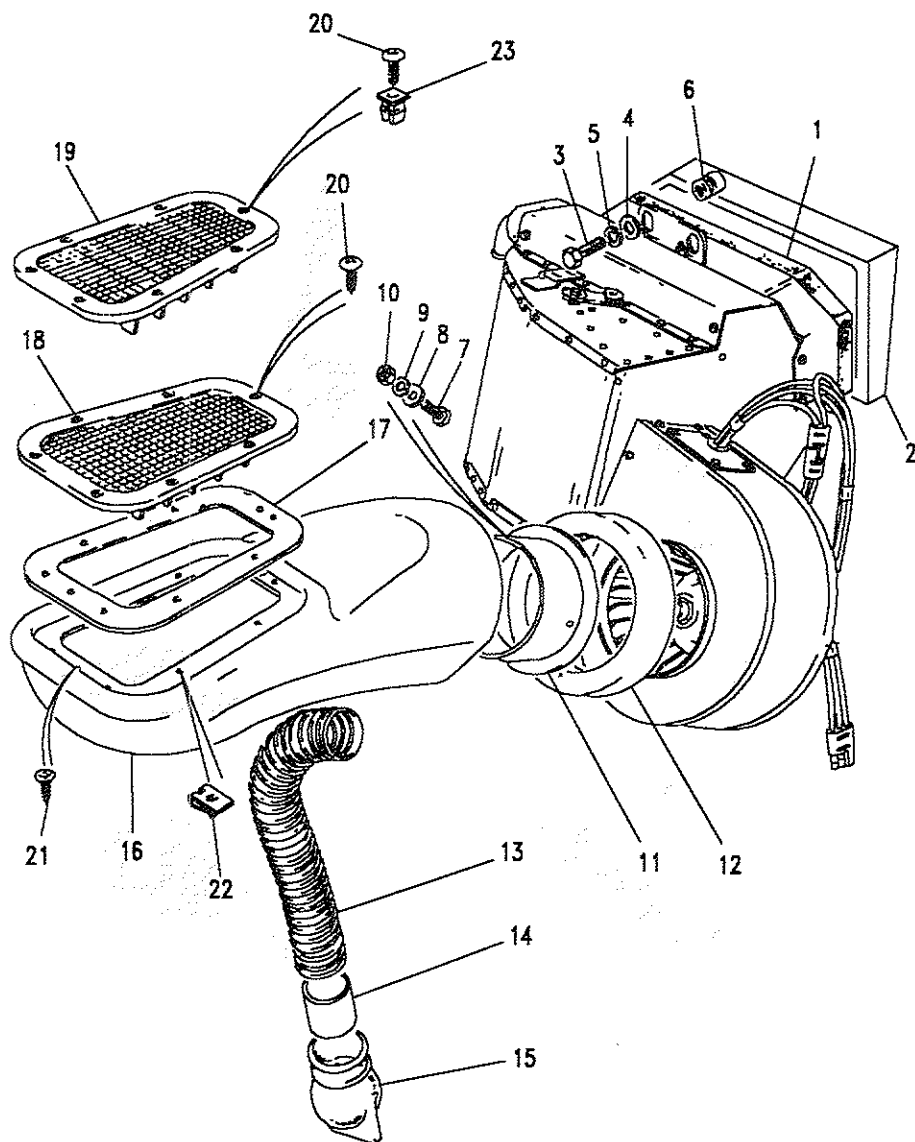


Model DEFENDER 90
Page ADLXCC1B

COOLING SYSTEM - EXPANSION TANK

III. Part No.	Description	Qty	Remarks
300TDI			
1	ESR0063	1	Expansion tank
2	NH106041	3	Nut M6
3	SH106161	3	Screw M6
4	WA106041	5	Washer plain
5	ESR2343	1	Hose ejector/exp.tank
6	ESR2344	1	Hose radiator/ejector
7	ESR2345	1	Hose engine/ejector
8	ESR2346	1	Clip oetiker hose type
9	ESR2348	1	Pump ejector
10	ESR2349	2	Clip oetiker hose type
11	CN100208	3	Clip hose
12	ESR2313	1	Bracket mounting
13	NH106041	1	Nut M6
14	SH106161	1	Screw M6
15	WA106041	1	Washer plain
16	NTC7161	1	Cap expansion tank-15psi

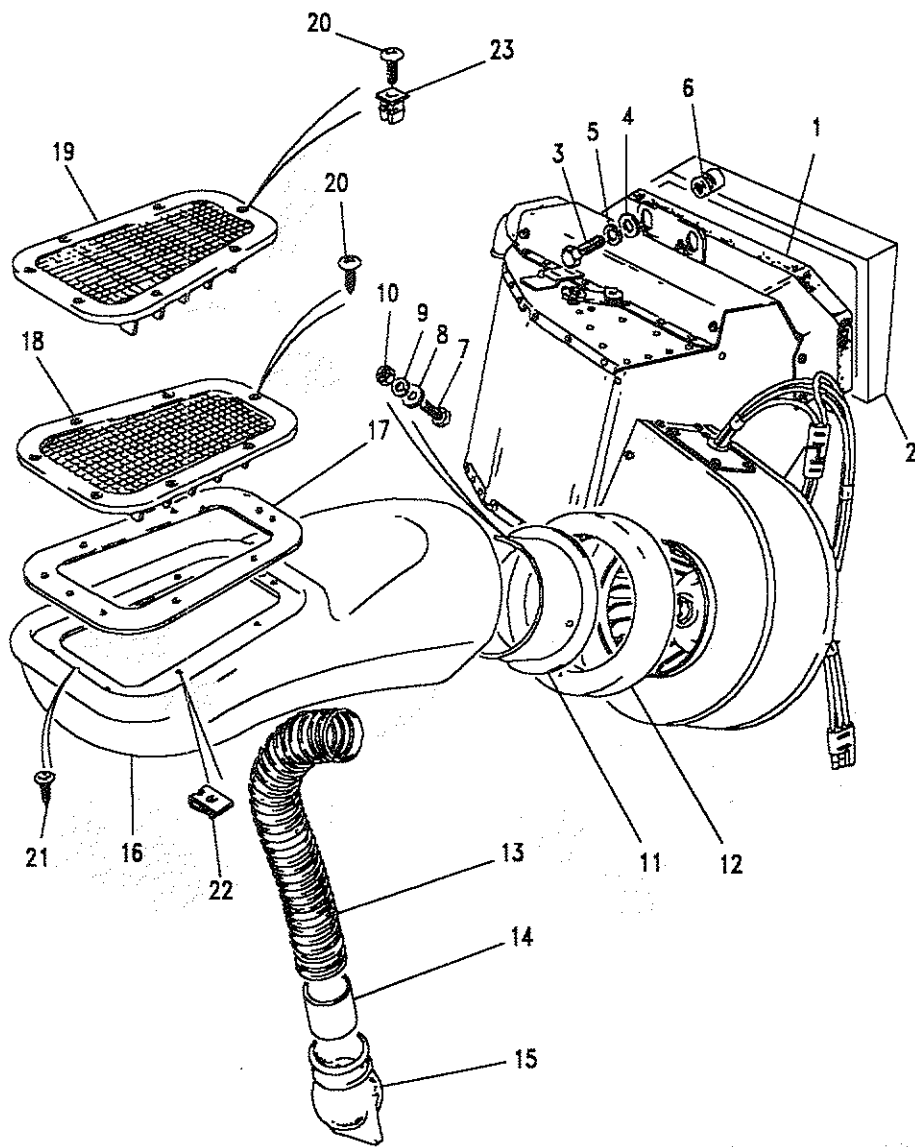




Model DEFENDER 90
Page ADLXGA1A

HEATING SYSTEM - HEATER

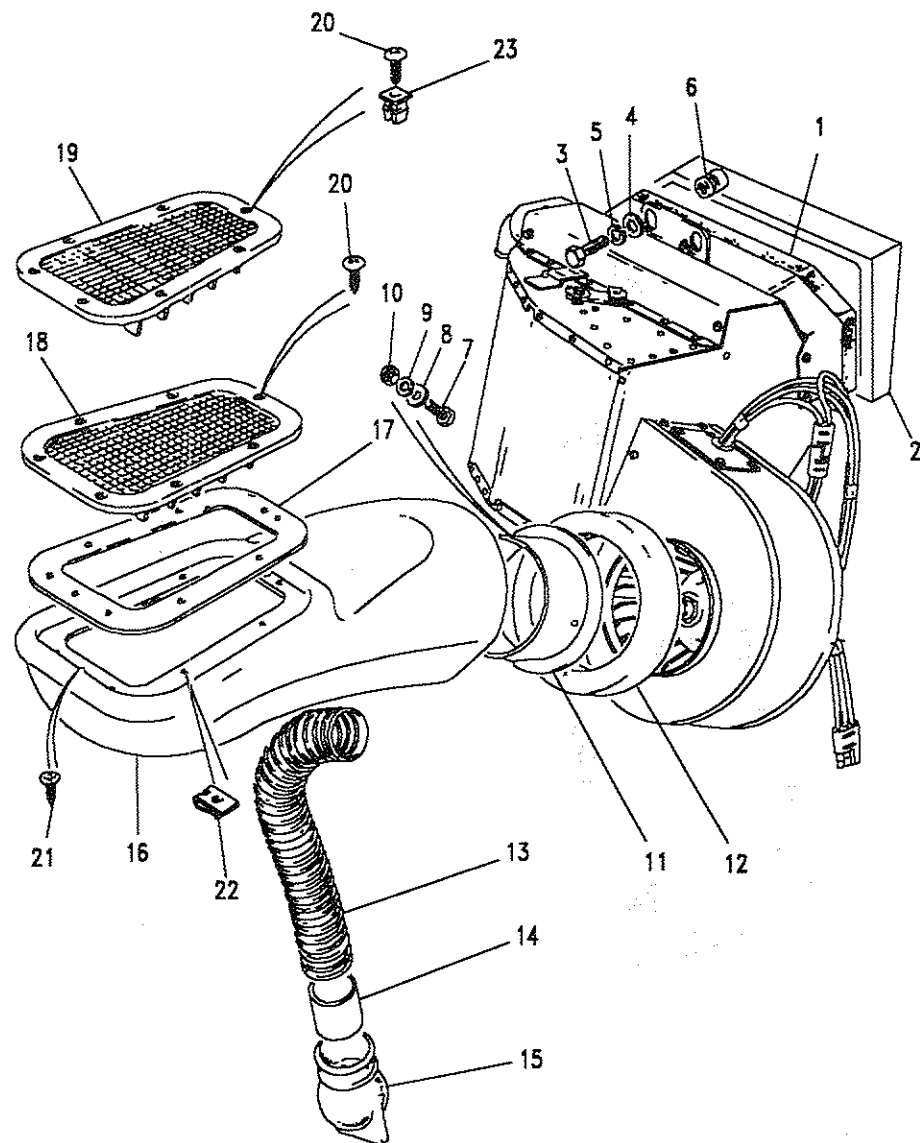
III. Part No.	Description	Qty	Remarks
4 Cylinder Petrol and Diesel			
1	STC456 Heater kit-RHS	1	Upto VIN HA700727
	BTR1116 Heater assembly-RHS	1	From VIN HA700728
	BTR4318 Heater assembly - RHS	1	up to LA939975
	BTR1109 Heater assembly-LHS	1	From MA939976
	BTR1117 Heater assembly-LHS	1	Upto VIN HA700710
	BTR4317 Heater assembly - LHS	1	From HA700711
	BTR4317 Heater assembly - LHS	1	up to LA939975
	BTR4317 Heater assembly - LHS	1	From MA939976
V8			
1	STC456 Heater kit-RHS	1	Up to HA700729
	BTR1116 Heater assembly-RHS	1	From HA700730
	BTR4318 Heater assembly - RHS	1	up to LA939975
	BTR1109 Heater assembly-LHS	1	From MA939976
	BTR1117 Heater assembly-LHS	1	Up to HA700729
	BTR4317 Heater assembly - LHS	1	From HA700730
	BTR4317 Heater assembly - LHS	1	up to LA939975
	BTR4317 Heater assembly - LHS	1	From MA939976
200TDI			
1	STC456 Heater kit-RHS	1	Up to HA700655
	BTR1116 Heater assembly-RHS	1	From HA700656
	BTR4318 Heater assembly - RHS	1	up to LA939975
	BTR1109 Heater assembly-LHS	1	From MA939976
	BTR1117 Heater assembly-LHS	1	Up to HA700725
	BTR4317 Heater assembly - LHS	1	From HA700726
	BTR4317 Heater assembly - LHS	1	up to LA939975
	BTR4317 Heater assembly - LHS	1	From MA939976



Model DEFENDER 90
Page ADLXGA1A

HEATING SYSTEM - HEATER

III. Part No.	Description	Qty	Remarks
300TDI			
BTR4318	Heater assembly - RHS	1	
BTR4317	Heater assembly - LHS	1	
All variants			
2 STC952	Seal-heater to dash	1	RHS
STC953	Seal-heater to dash	1	LHS
3 SH108161L	Screw-to dash	2	
4 RTC610	Washer plain	2	
5 WL108001L	Washer spring	2	
6 NN108021	Nutsert	2	
7 FS106167L	Screw	2	
8 WA106041L	Washer plain	2	
9 WL106001L	Washer spring	2	
10 NH106041L	Nut	2	



Model DEFENDER 90
Page ADLXGA1A

HEATING SYSTEM - HEATER

III. Part No.	Description	Qty	Remarks
11	MRC8642	1	
12	MRC8378	1	
13	MRC8377	1	Upto Note(1)
14	MRC8717	1	Upto Note(1)
15	STC1120	1	Upto Note(1)
	MUC2417	1	From Note(2)
16	MTC2391	1	Upto Note(1)
	MTC2390	1	Upto Note(1)
	MUC2419	1	From Note(2)
	MUC2418	1	From Note(2)
17	MRC9998	1	Seal duct
18	MRC9939	1	Finisher-grille-LH-RHS
	MRC9938	1	Finisher-grille-RH-LHS
19	MRC9940	1	Finisher-blanking-RH-RHS
	MRC9941	1	Finisher-blanking-LH-LHS
20	AB608065L	14	Screw
21	AC608041L	4	Screw
22	AJ608041	9	Clip spire
23	CZK619	9	Nut lokut

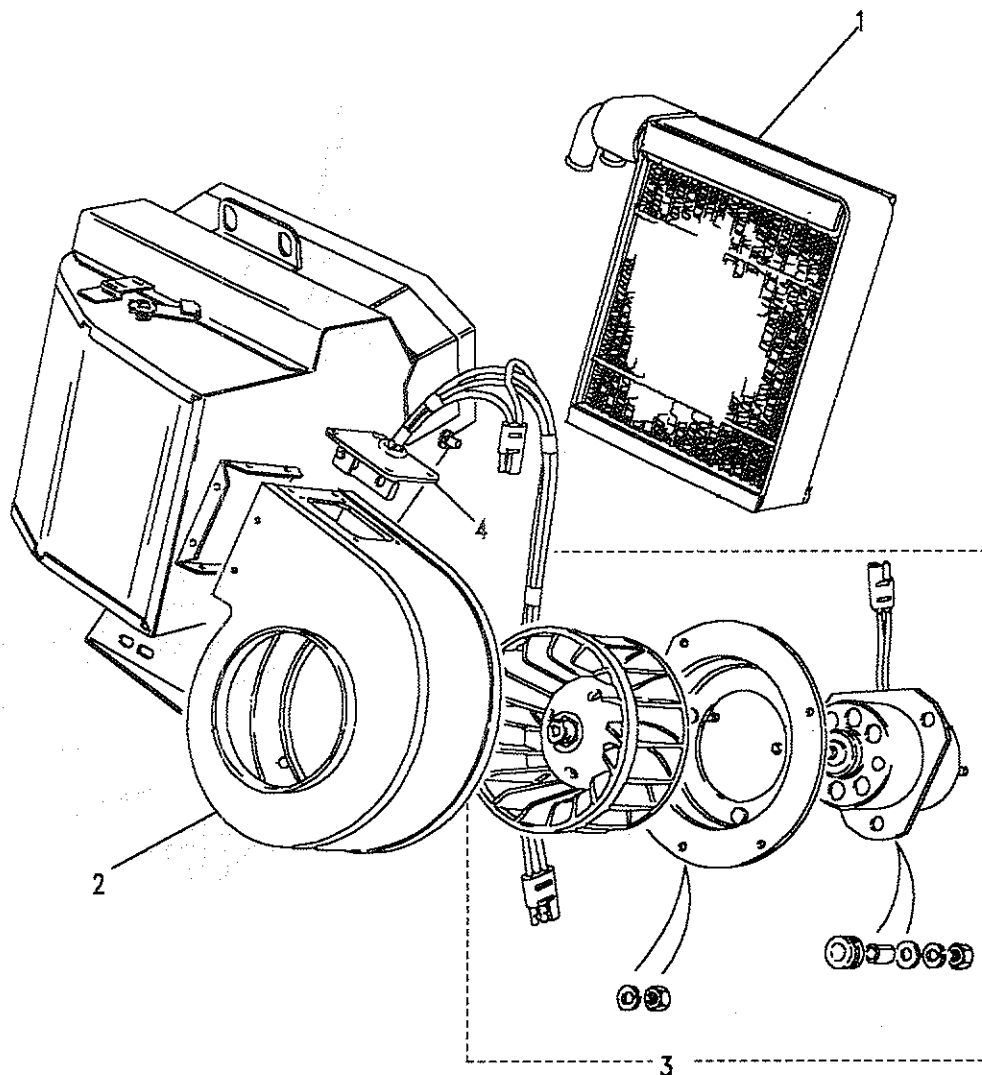
Note(1) VIN 219960-Petrol, VIN 220101 Diesel
Note(2) VIN 219961-Petrol, VIN 220102 Diesel

Model DEFENDER 90
Page ADLXGA2A

HEATING SYSTEM - HEATER COMPONENTS

III. Part No.	Description	Qty	Remarks
1 AAP817	Matrix	1	Note(1)
UTP1725	Matrix	1	Note(2)
2 AAP810	Volute assembly - RHS	1	Up to LA939975
UTP1259	Volute & motor assy - RHS	1	From MA939976
AAP811	Volute assembly - LHS	1	Up to LA939975
UTP1258	Volute & motor assy - LHS	1	From MA939976
3 RTC4200	Motor and rotor - RHS	1	Up to LA939975
RTC4201	Motor and rotor - LHS	1	Up to LA939975
STC1207	Motor and rotor assembly	1	From MA939976
4 UTP1281	Harness and resistor	1	RHS
UTP1282	Harness and resistor	1	LHS

Note(1) For Heater assy with downward facing inlet/outlet pipes BTR1109
 Note(2) For Heater Assy with horizontal inlet/outlet pipes STC456 BTR1116
 BTR1117





Model DEFENDER 90

Page ADLXGA3A

HEATING SYSTEM - HEATER CONTROLS

III. Part No.

Description

Qty Remarks

Up to LA939975

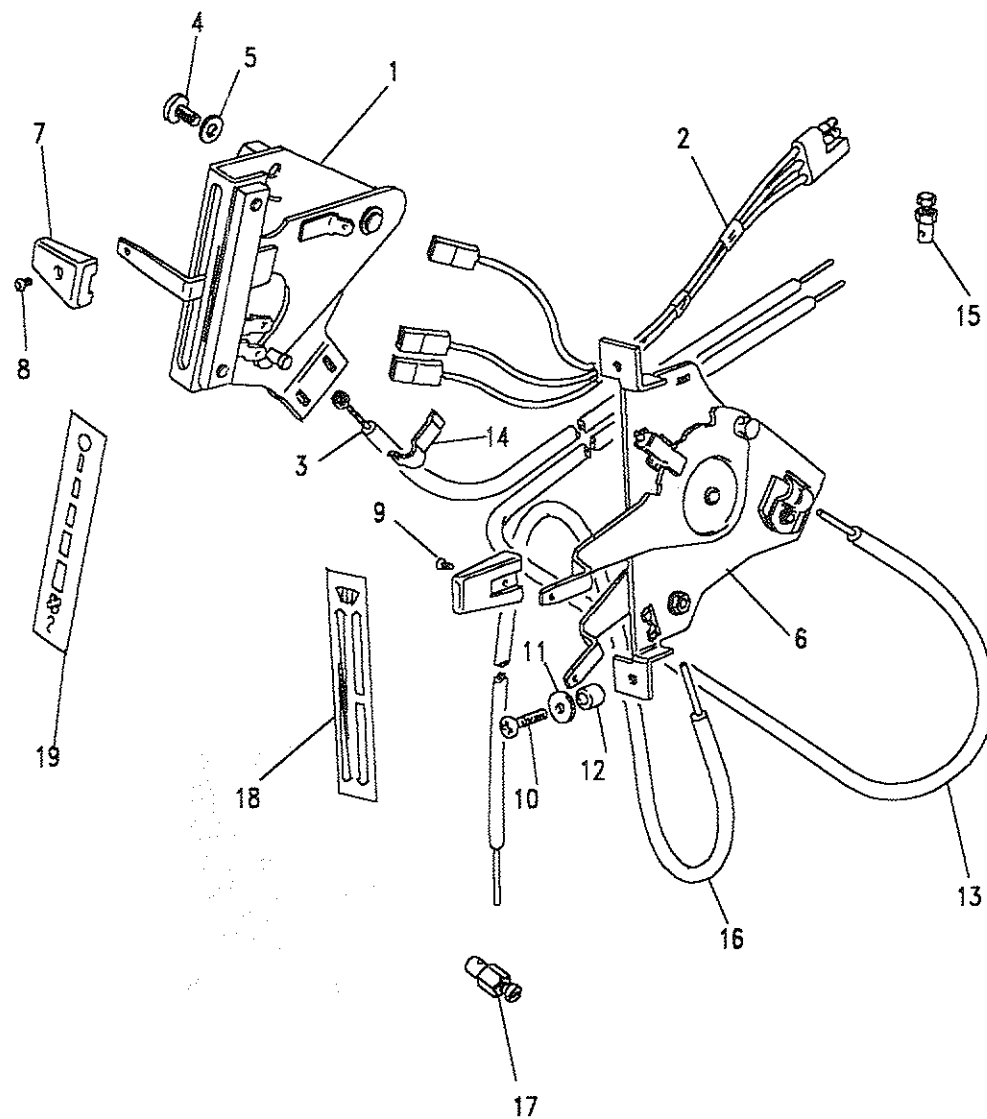
1	UTP1126	Control heater - RHS	1	
	UTP1125	Control heater - LHS	1	
2	AAP890	Harness heater control	1	
3	AAP876	Cable control	1	Outlet

From MA939976

1	BTR4433	Control assembly - RHS	1	
	AAP938	Control heater - RHS	1	
2	UTP1883	Harness heater control	1	
3	AAP876	Cable control	1	Outlet
14	13H7343L	Clip retaining	1	

1	BTR4434	Control assembly - LHS	1	
	AAP939	Control heater - RHS	1	
2	UTP1883	Harness heater control	1	
3	AAP876	Cable control	1	Outlet
14	13H7343L	Clip retaining	1	

4	SE105161L	Screw	2	
5	WA105001L	Washer plain	2	
6	346924	Plate mounting and levers	1	RHS
	347586	Plate mounting and levers	1	LHS
7	MTC2805	Knob	3	
8	SG103084	Screw	1	
9	MTC7737	Screw	2	
10	SE808244	Screw	2	
11	WA105004L	Washer plain	2	
12	MRC9922	Spacer	2	
13	MTC6194	Cable control - blend	1	
14	13H7343L	Clip retaining	2	
15	RTC5978	Trunnion	2	
16	347939	Cable control - distrib'n	1	Up to LA939975
	BTR8736	Cable control - distrib'n	1	From MA939976
17	566902	Trunnion	1	
18	MTC6006	Label	1	

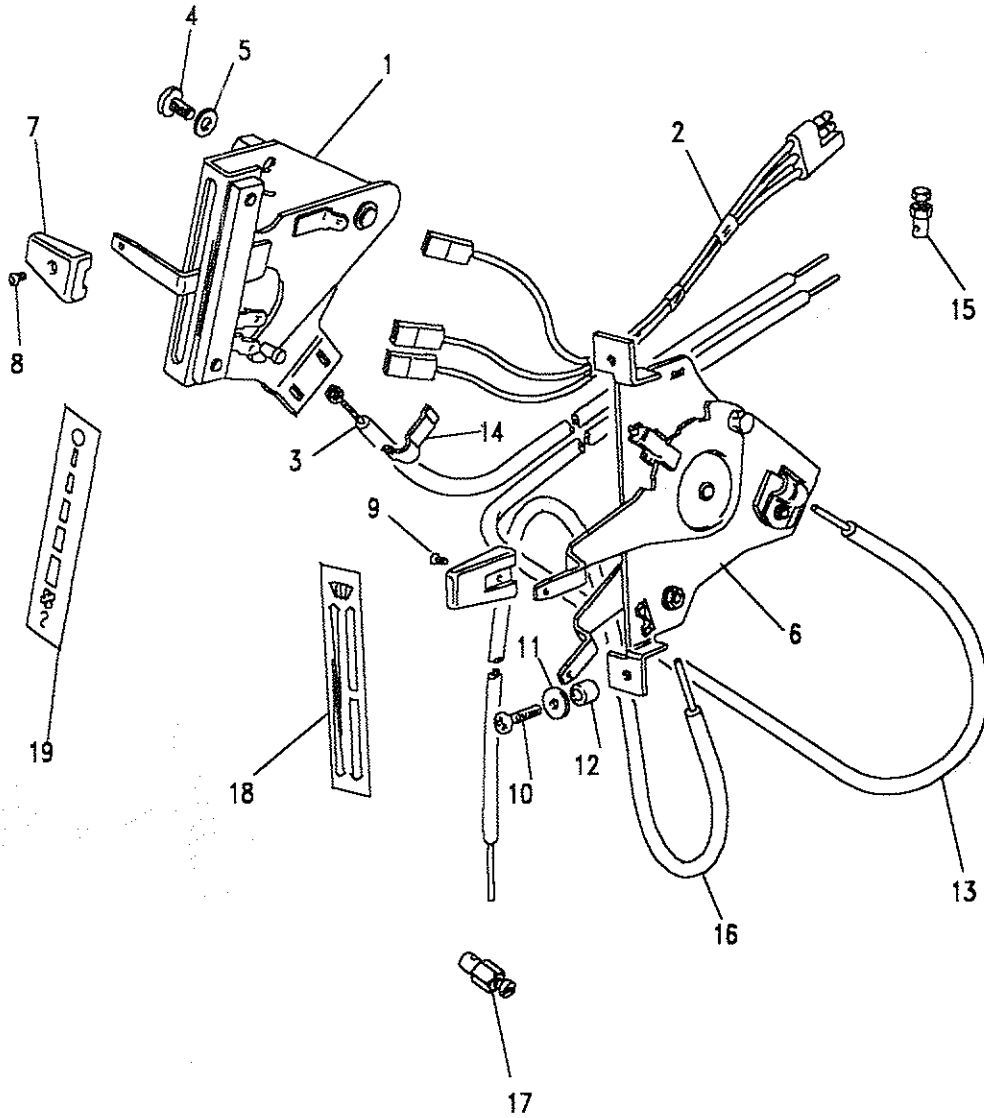




Model DEFENDER 90
Page ADLXGA3A

HEATING SYSTEM - HEATER CONTROLS

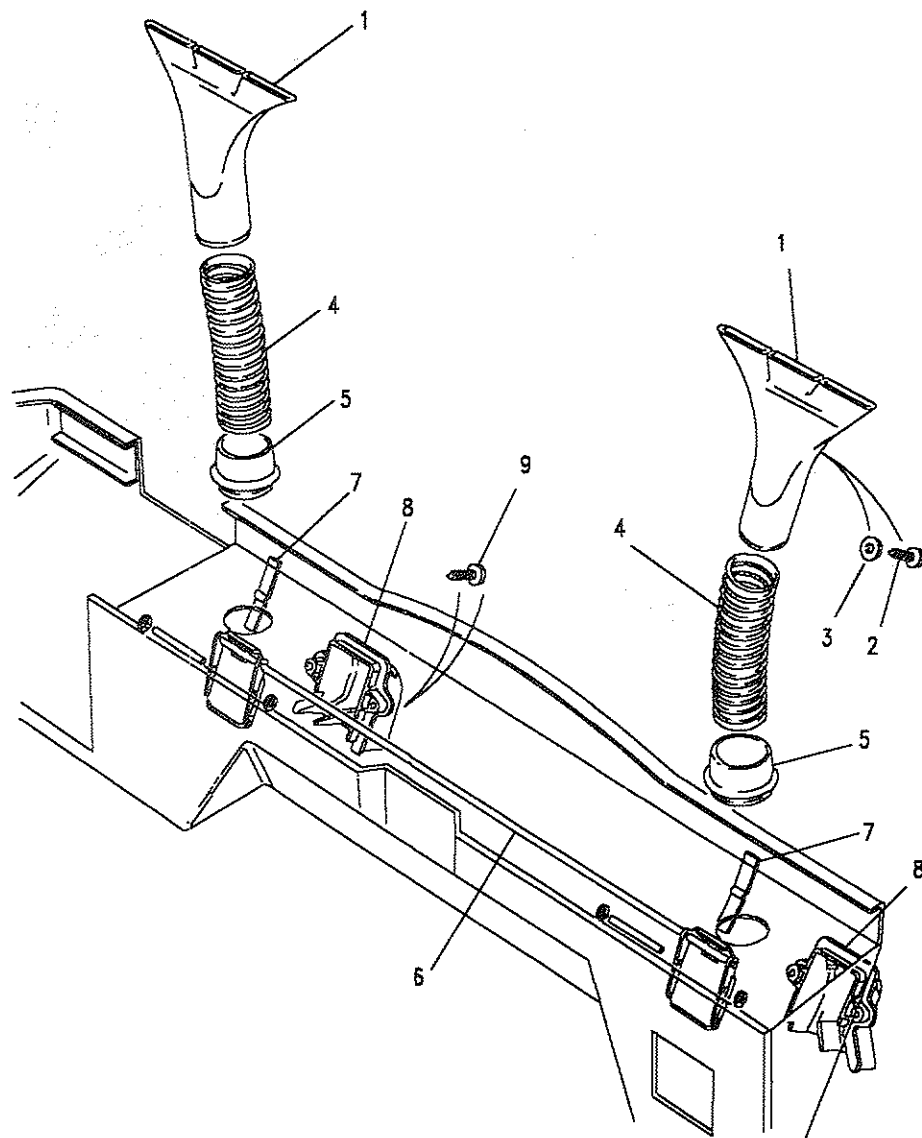
III. Part No.	Description	Qty	Remarks
19 MTC6007	Label	1	
UKC6684	Cable tie	2	





Model DEFENDER 90
Page ADLXIA1A

HEATER SYSTEM - DEMISTERS AND OUTLET FLAPS



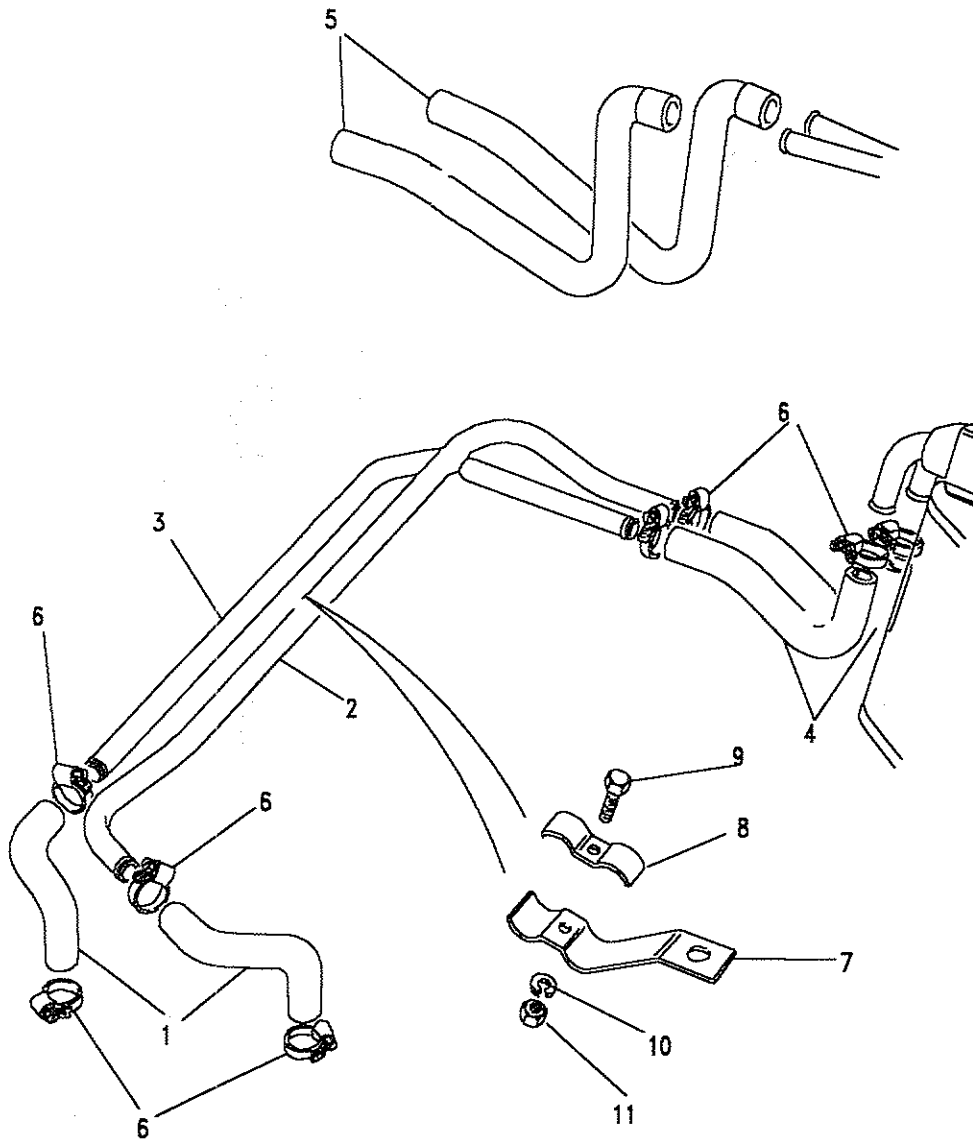
III. Part No.	Description	Qty	Remarks
1 MRC9668	Nozzle-RH	1	
MXC3188	Nozzle-RH	1	200Tdi
BTR1600	Nozzle-RH	1	Upto VIN JA906640 From VIN JA906641
1 MRC9669	Nozzle demist outlet	1	
MXC3189	Nozzle-LH	1	200Tdi
BTR1599	Nozzle-LH	1	Upto VIN JA906640 From VIN JA906641
2 AB608047L	Screw	2	
3 WA105001	Washer plain	2	
AB608054L	Screw	4	200Tdi
AK608021	Nut spring	4	200Tdi
4 MTC6382	Tube flexible	2	
5 MRC7281	Grommet	2	
6 BTR1349	Flaps heater outlet	1	
7 346976	Spring	2	
8 395829	Grille outlet RH	1	
395830	Grille outlet LH	1	
9 MRC1525	Screw	4	

Model DEFENDER 90

Page ADLXIA2A

HEATING SYSTEM - HEATER PIPES - 4 CYL PETROL & DIESEL

III. Part No.	Description	Qty	Remarks
1	NRC6306 Hose heater	2	
2	NRC6307 Pipe heater-feed	1	RHS
	NRC6422 Pipe heater-feed	1	LHS
3	NRC6420 Pipe heater-return	1	RHS
	NRC6421 Pipe heater-return	1	LHS
4	NRC6308 Hose heater	2	RHS
	NRC6309 Hose heater	2	LHS
5	BTR1134 Hose heater	2	Upto VIN HA700727 RHS
	BTR1135 Hose heater	2	Upto VIN HA700710 LHS
6	CN100258L Clip hose	8	From VIN HA700728
7	NRC6417 Clamp pipe	1	
	NRC6418 Clamp pipe	1	
8	NRC6419 Clamp pipe	3	
9	SH106251L Screw	2	
10	WL106001L Washer spring	2	
11	NH106041L Nut	2	

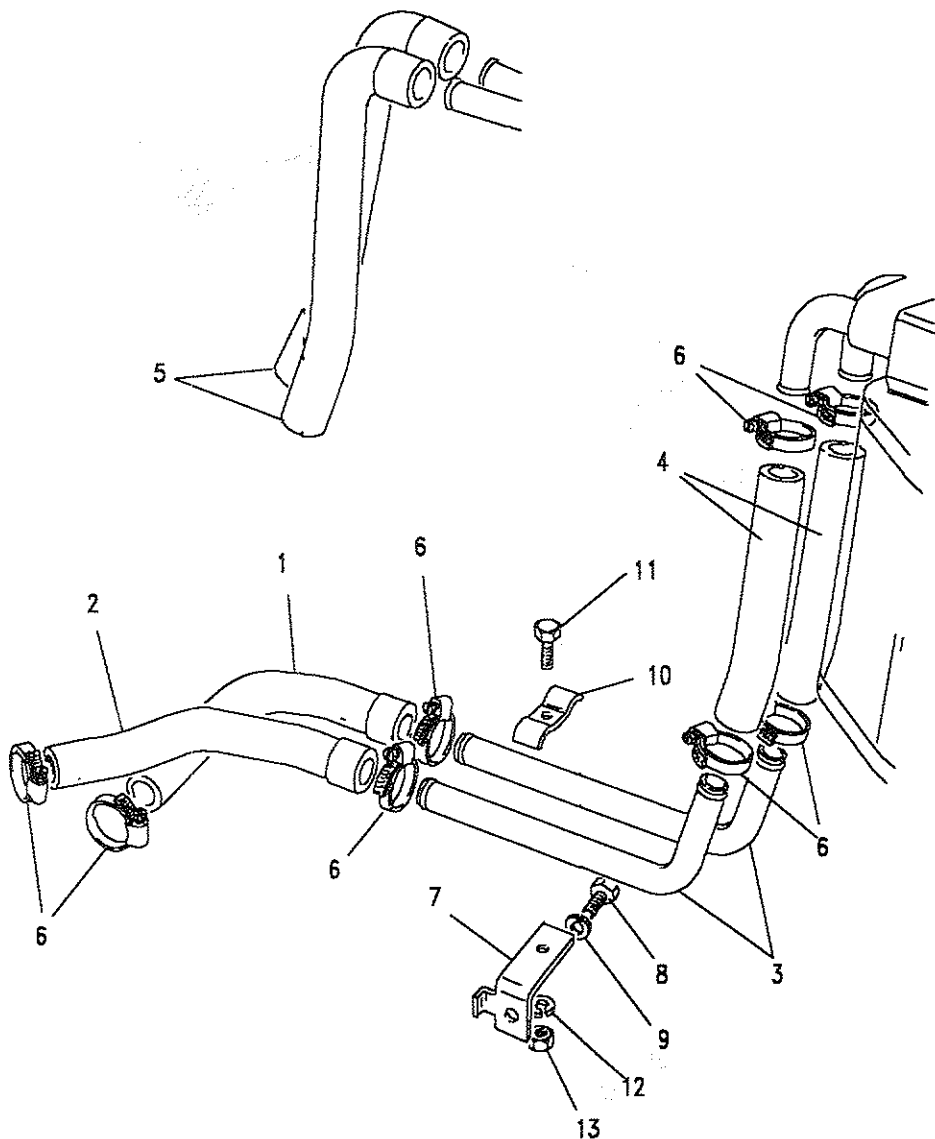




Model DEFENDER 90
Page ADLXIA4A

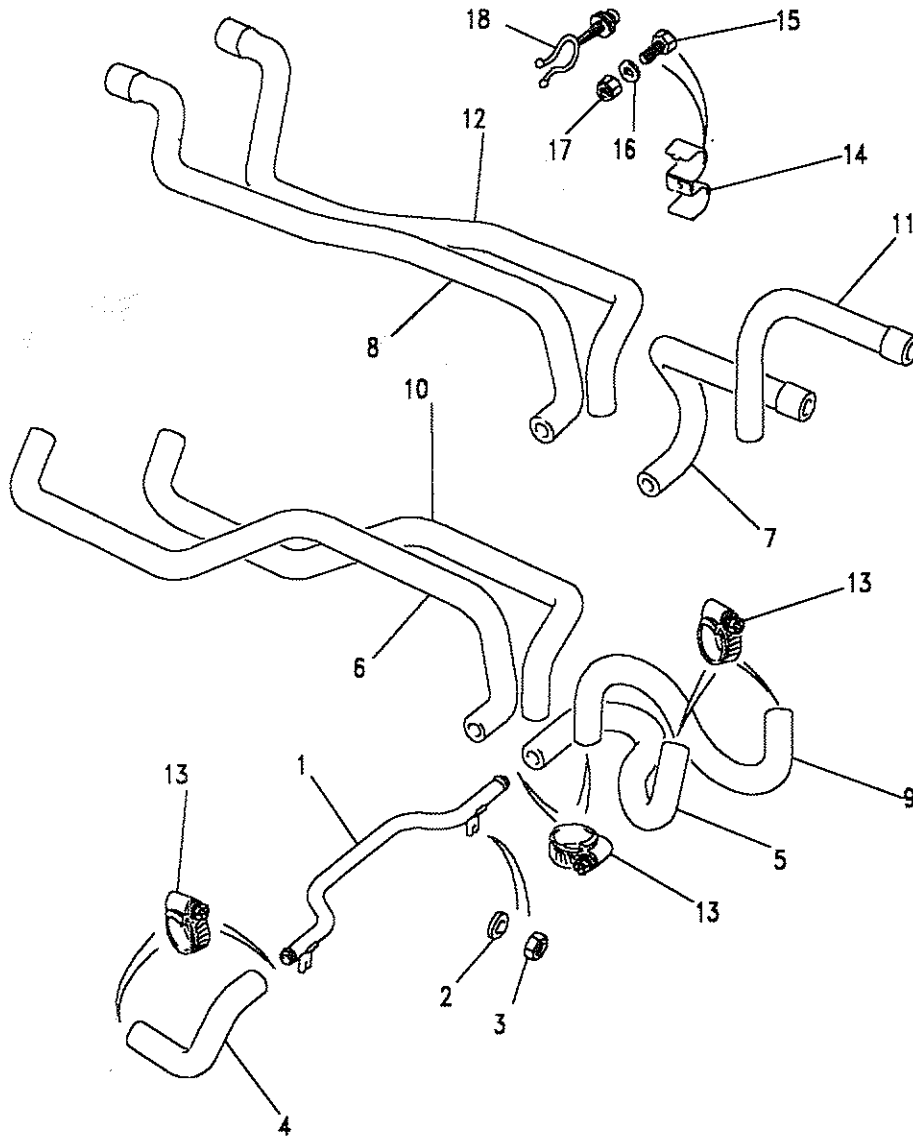
HEATING SYSTEM - HEATER PIPES - V8

III. Part No.	Description	Qty	Remarks
Engine feed			
1 NRC6311	Hose heater-feed	1	RHS
NRC6352	Hose heater-feed	1	LHS
Engine return			
2 NRC6314	Hose heater-return	1	RHS
NRC6353	Hose heater-return	1	LHS
3 NRC6902	Pipe heater	2	RHS
NRC6312	Pipe Heater	2	LHS
4 NRC6313	Hose heater	2	Up to HA700729
5 BTR1136	Hose heater	2	RHS
BTR1137	Hose heater	2	From HA700730
6 CN100308L	Clip hose	8	LHS
7 NRC8707	Bracket support	1	From HA700730
Fixings - bracket to engine			
8 SH605071	Screw	1	
9 WM600051L	Washer spring	1	
10 NRC6419	Clamp pipe	1	RHS
11 SH106301	Screw	1	
12 WL106001	Washer spring	1	
13 NH106041L	Nut	1	



Model DEFENDER 90
Page ADLXIA3A

HEATING SYSTEM - HEATER PIPES - 200TDI



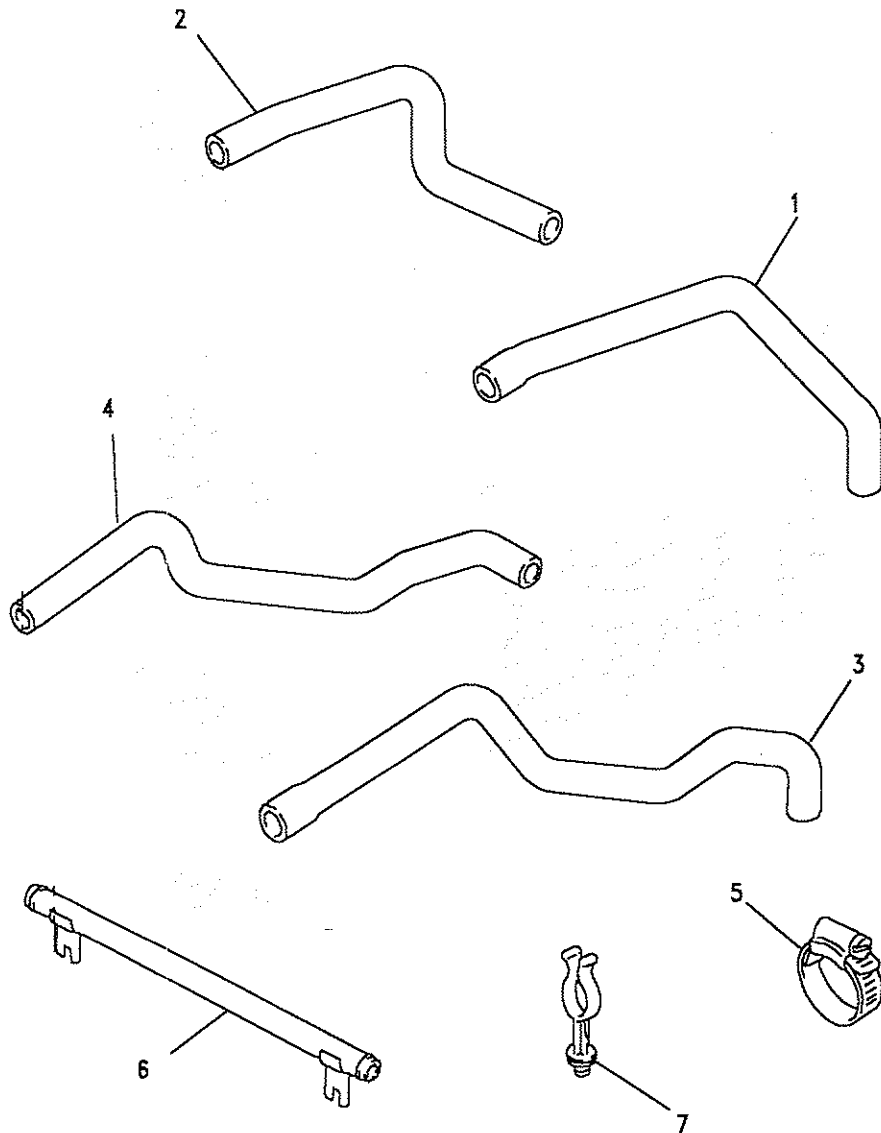
Ill. Part No.	Description	Qty	Remarks
1	ERR371	1	Pipe heater-return
2	WA110065	2	Washer plain
3	NT110041L	2	Nut
4	ERR1436	1	Hose heater-return
5	BTR445	1	Hose heater-return
6	BTR982	1	Hose heater-return
7	BTR1130	1	Hose heater-return
8	BTR1131	1	Hose heater-return
9	BTR447	1	Hose heater-feed
10	BTR983	1	Hose heater-feed
11	BTR1132	1	Hose heater-feed
12	BTR1133	1	Hose heater-feed
13	CN100258L	6	Clip hose
14	BTR988	1	Clamp hose
15	SH105121L	1	Screw
16	WA105001L	1	Washer plain
17	NY105041L	1	Nut
18	NRC8332	1	Clip cable

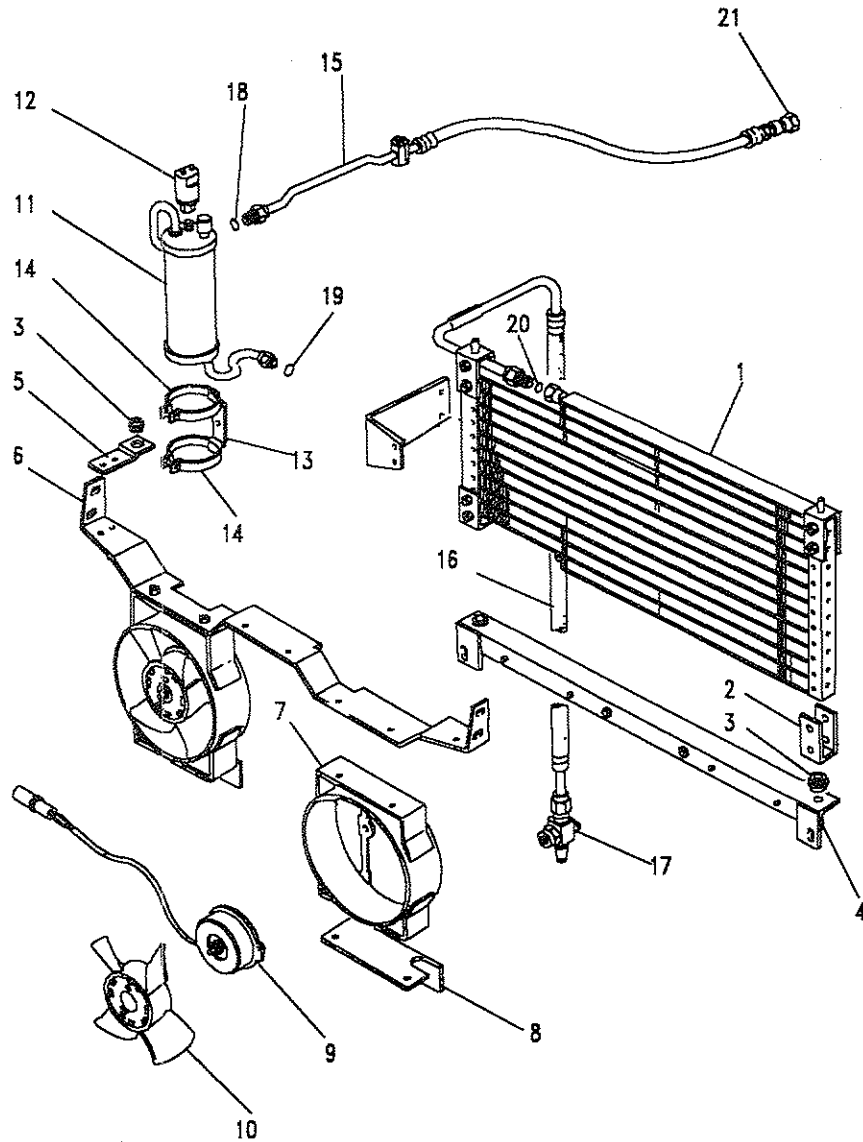


Model DEFENDER 90
Page ADLXIA3B

HEATING SYSTEM - HEATER PIPES - 300TDI

Ill. Part No.	Description	Qty	Remarks
RHS			
1	BTR6165	1	Hose heater inlet
2	BTR6164	1	Hose heater return
LHS			
3	BTR8396	1	Hose heater inlet
4	BTR8395	1	Hose heater return
All variants			
5	CN100258L	4	Clip hose
6	ERR4531	1	Pipe assembly return
7	NRC8332	1	Cable clip





Model DEFENDER 90
Page ADLXA1A

AIR CONDITIONING - CONDENSER - RHD/LHD

III. Part No.	Description	Qty	Remarks
TDI CFC free			
1 AWR2335	Condenser		
Petrol & None Turbo diesel CFC free			
AWR1178	Condenser	1	
Petrol & None Turbo diesel			
1 RTC7416	Condenser	1	
2 RTC7417	Bracket support	4	
3 RTC7418	Grommet	4	
4 RTC7419	Bracket mounting	1	Lower
5 RTC7420	Bracket pilot	2	
6 RTC7421	Bracket mounting	1	Upper
7 RTC7422	Shroud fan	2	
8 RTC7423	Bracket support	2	
9 RTC7424	Motor fan	2	
10 RTC7425	Fan blade	2	
11 RTC7426	Receiver drier	1	
12 AEU3068	Switch high pressure	1	
13 RTC7427	Bracket support	1	
14 RTC7428	Clamp	2	
15 RTC7429	Hose assembly	1	
16 RTC7430	Hose discharge	1	
17 AEU3067	Valve discharge	1	
18 AEU3056	O ring	1	
19 AEU1626	O ring	2	0.3125 dia
20 AEU1627	O ring	2	0.4060 dia
21 MTC8500	Coupling	1	

Model DEFENDER 90
 Page ADLXMA1A

AIR CONDITIONING - EVAPORATOR ASSEMBLY - RHS

III. Part No. Description Qty Remarks

Petrol & Non Turbo Diesel RHS (CFC free)

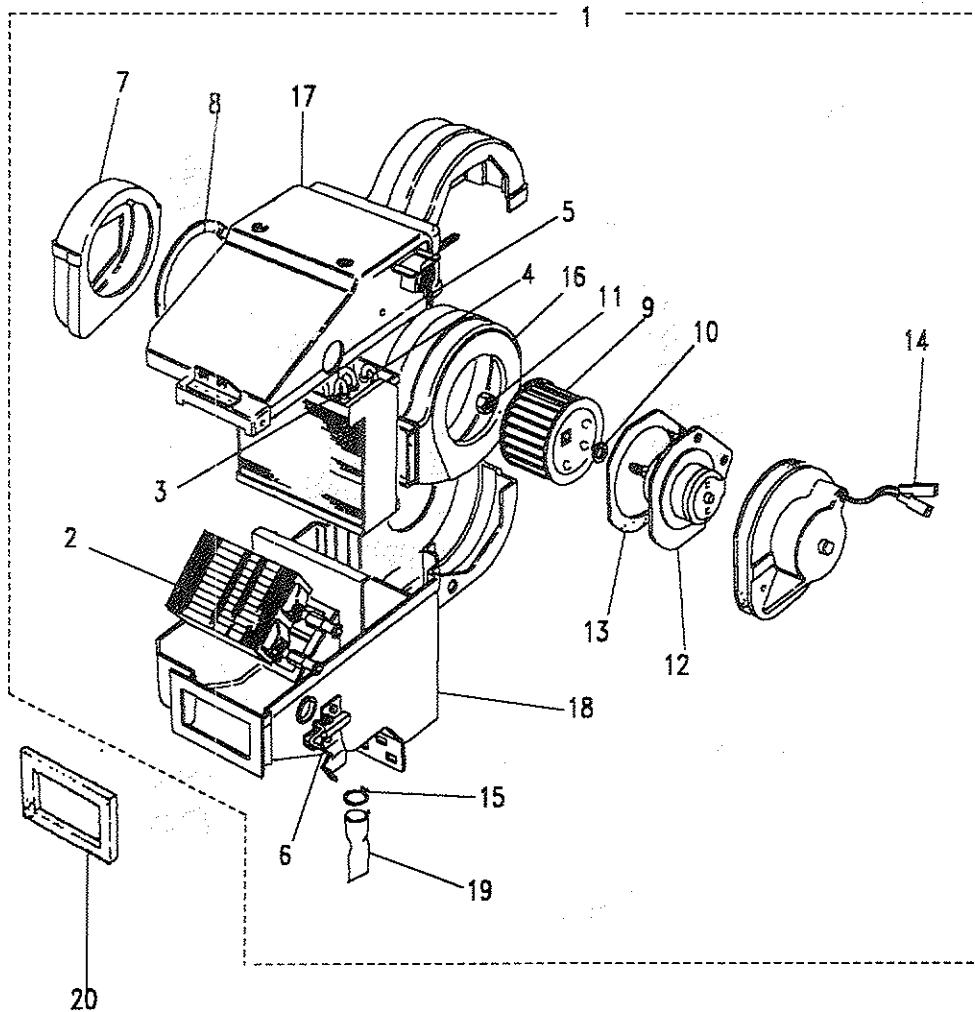
1 AWR1168 Evaporator 1

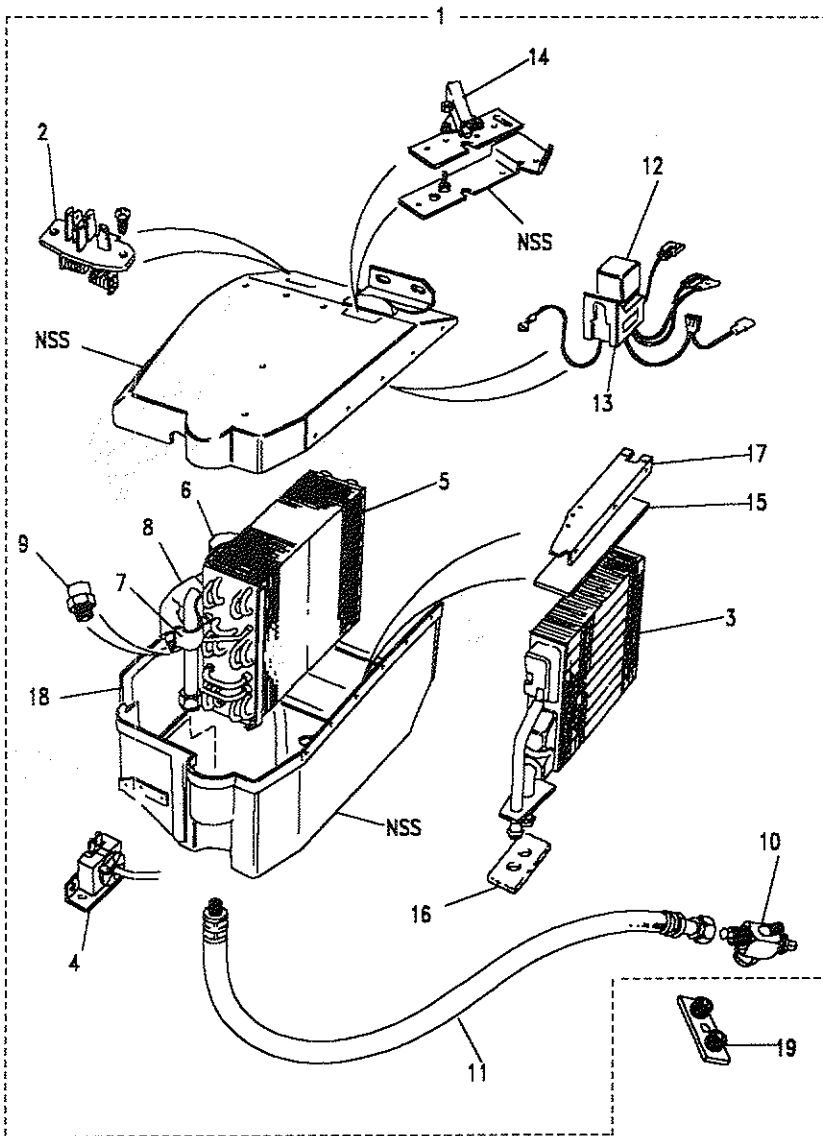
TDI RHS (CFC free) 134a gas

AWR1249 Evaporator 1

All variants CFC R12gas

- 2 MUC1663 Evaporator assembly 1
- 3 MUC6050 Core heater 1
- 4 MUC6037 Valve expansion 1
- 5 MUC6038 Tube extension 1
- 6 MUC6042 Thermostat 1
- 7 MUC4375 Switch vacuum 1
- 8 MUC1682 Adaptor 1
- 9 MUC6040 Seal 1
- 10 MUC6053 Wheel blower motor 1
- 11 MUC6054 Spacer 1
- 12 MUC6055 Lock nut 1
- 13 MUC1675 Motor blower 1
- 14 MUC6052 Seal 1
- 15 MUC6056 Harness blower 1
- 16 RTC7470 Clamp 1
- 17 STC760 Housing blower motor 1
- 18 STC761 Cover top evaporator 1
- 19 STC762 Cover rotor evaporator 1
- 20 STC948 Evaporator tube 1
- MUC4860 Seal 1





Model DEFENDER 90
Page ADLXMA2A

AIR CONDITIONING - HEATER/COOLER ASSEMBLY - LHS

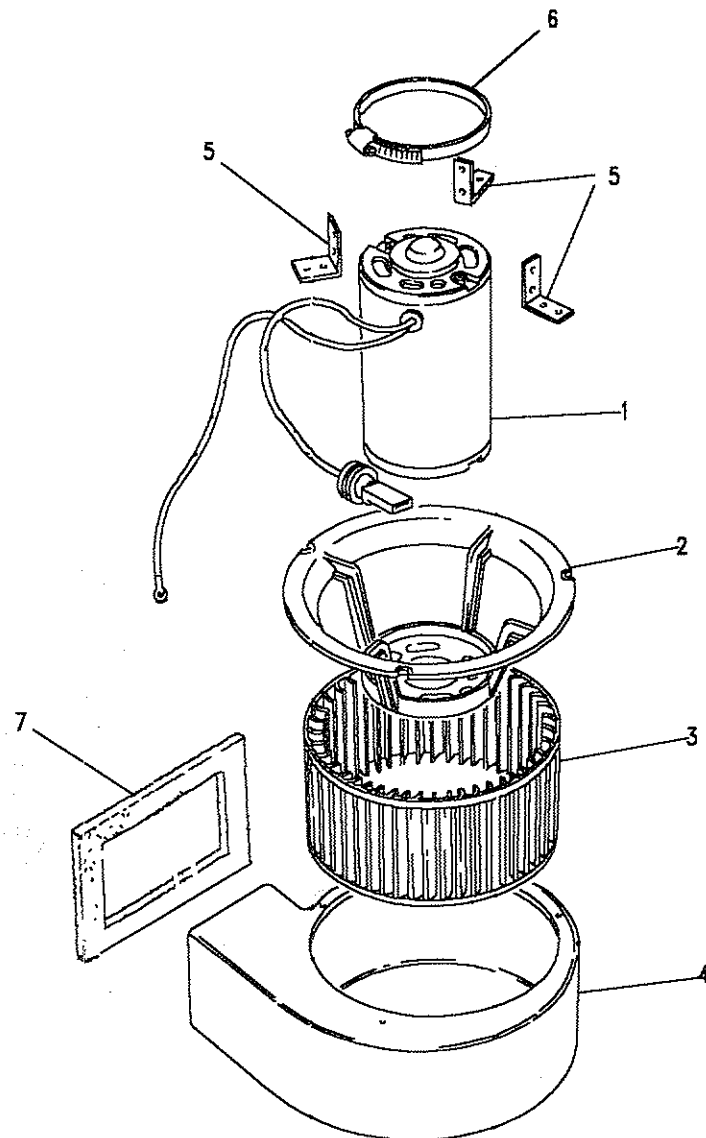
III. Part No.	Description	Qty	Remarks
1	RTC7588 Heater/Cooler Assembly	1	
2	RTC7456 Resistor	1	
3	RTC7433 Core heater	1	
4	RTC7434 Thermostat	1	
5	RTC7436 Evaporator	1	
	AWR1177 Evaporator(cfc free)	1	
	AWR1242 Evaporator(cfc free)	1	TDI
6	AEU1213 Valve expansion	1	
7	AEU1214 Clamp	1	
8	RTC7458 Pipe assembly	1	
9	RTC7457 Coupling	1	
10	AEU3055 Valve service	1	
11	RTC7439 Hose assembly	1	
12	RTC7454 Relay	1	
13	RTC7455 Harness blower	1	
14	RTC7414 Switch vacuum	1	
15	RTC7471 Seal	2	
16	RTC7472 Seal	1	
17	RTC7473 Cover	1	
18	RTC7453 Seal-to duct	1	
19	MUC4358 Adaptor R4 comp/rotolock	1	
	RTC7452 Ring rotolock	2	
	MUC1661 Seal-to dash	1	



Model DEFENDER 90
Page ADLXMA3A

AIR CONDITIONING - HEATER/COOLER ASSEMBLY - LHS

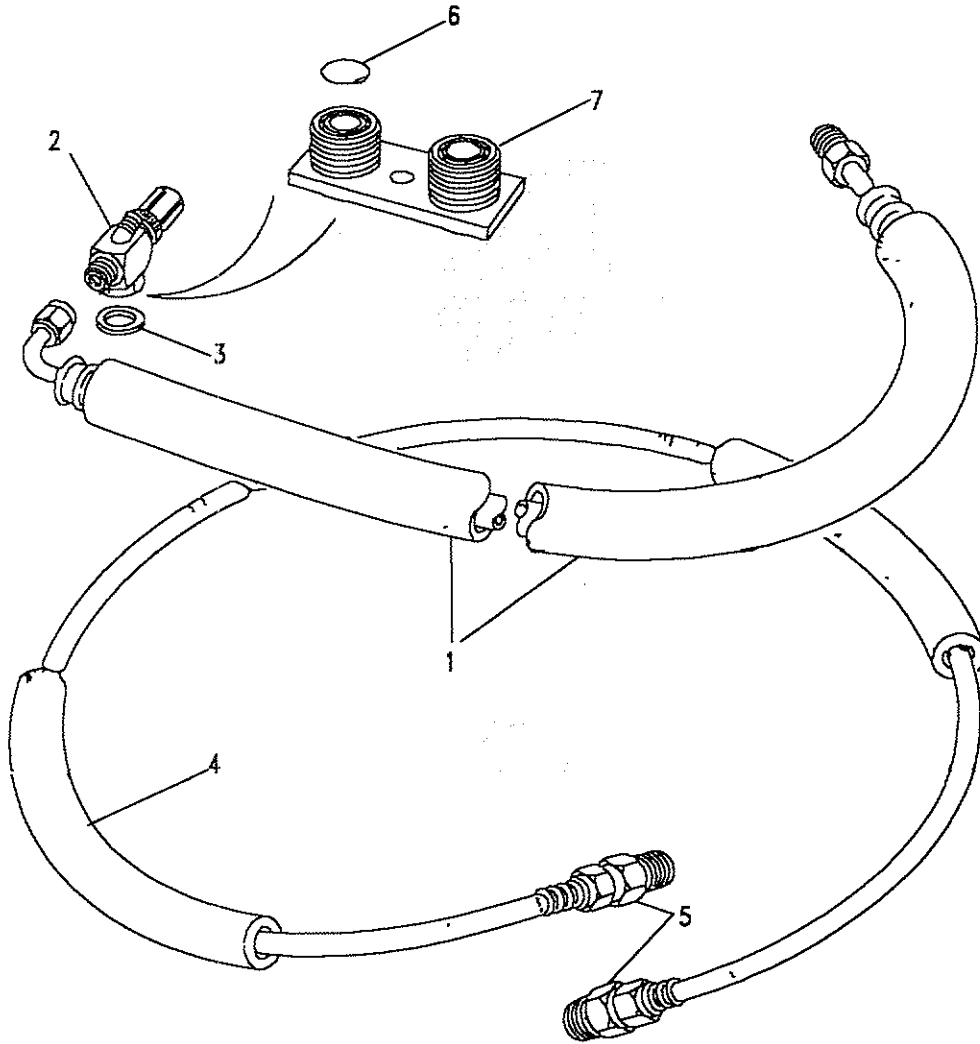
III. Part No.	Description	Qty	Remarks
1	RTC7440	1	Motor blower
2	RTC7468	1	Mounting motor
3	RTC7441	1	Wheel blower motor
4	RTC7442	1	Housing blower motor
5	RTC7469	3	Bracket support
6	RTC7470	1	Clamp
7	RTC7446	1	Seal-bulkhead
	RTC7474	1	Seal-firewall



Model DEFENDER 90
Page ADLXPA1A

AIR CONDITIONING - FLUID SYSTEM - RHD

III. Part No.	Description	Qty	Remarks
AWR2473	Hose vacuum	1	
1 MUC4875	Hose suction	1	
2 AEU3055	Valve service	1	
3 MUC4874	Seal	1	
4 MUC4872	Hose liquid	1	
5 RTC7457	Fitting aeroquip	2	
6 RTC7452	Ring-Rotolock	2	
7 MUC4358	Adaptor-R4 comp/rotolock	1	
AEU1628	O ring	2	
AEU1626	O ring	1	
AEU1627	O ring	1	
AEU3056	O ring	3	



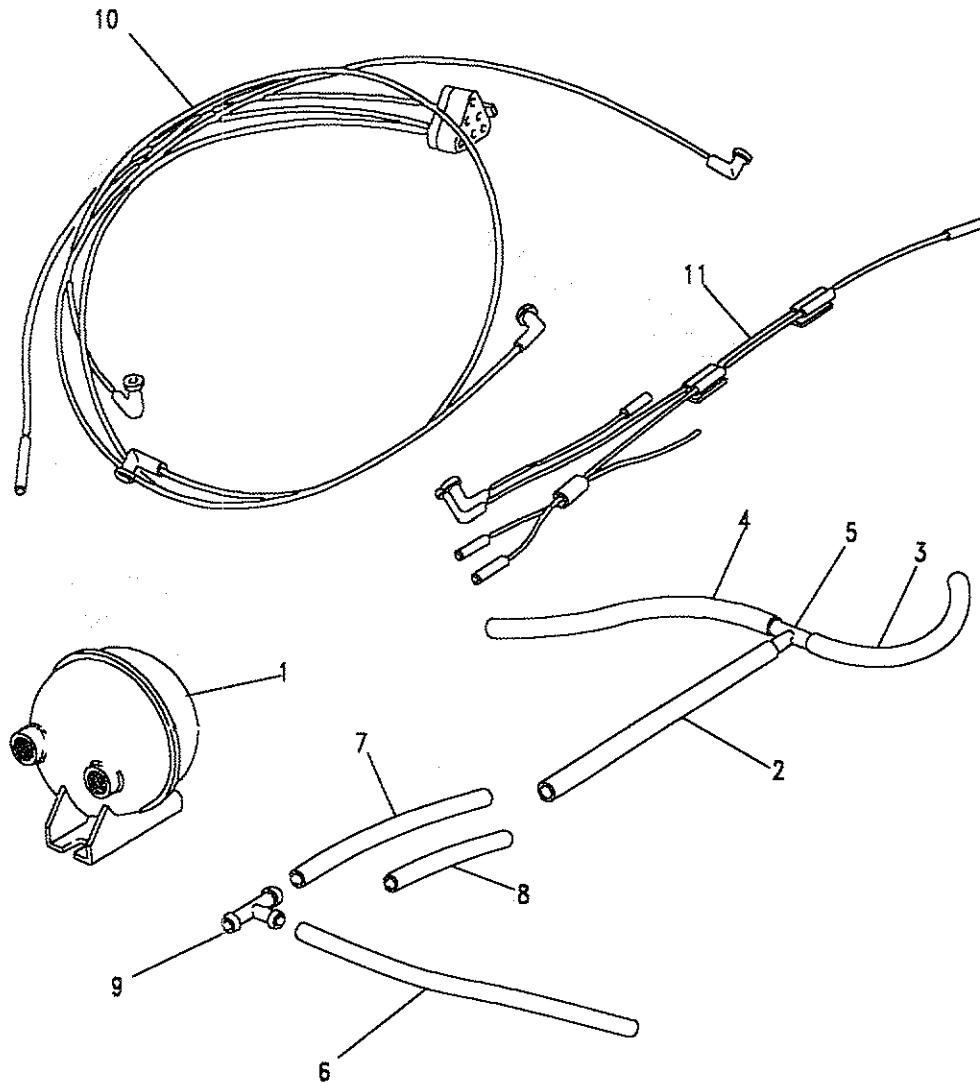


Model DEFENDER 90
Page ADLXPA2A

AIR CONDITIONING - VACUUM PIPES & RESERVOIR - RHD/LHD

III. Part No.	Description	Qty	Remarks
1 MUC1679	Tank vacuum	1	
2 MUC4878	Hose vacuum	1	30" x 0.109375"
3	Hose vacuum	1	5" - Note(1)
4	Hose vacuum	1	20" - Note(1)
5 MUC4455	Tee piece	2	
6 MUC4866	Hose vacuum	1	10" x 0.21875"
7	Hose vacuum	1	10" - Note(1)
8	Hose vacuum	1	1" - Note(1)
9 MUC4865	Tee piece	1	
10 MUC1671	Harness vacuum	1	
STC1569	Pipe vacuum	1	
11 MUC4871	Harness vacuum	1	
STC1569	Pipe vacuum	1	
ATU1041	Clamp hose	8	

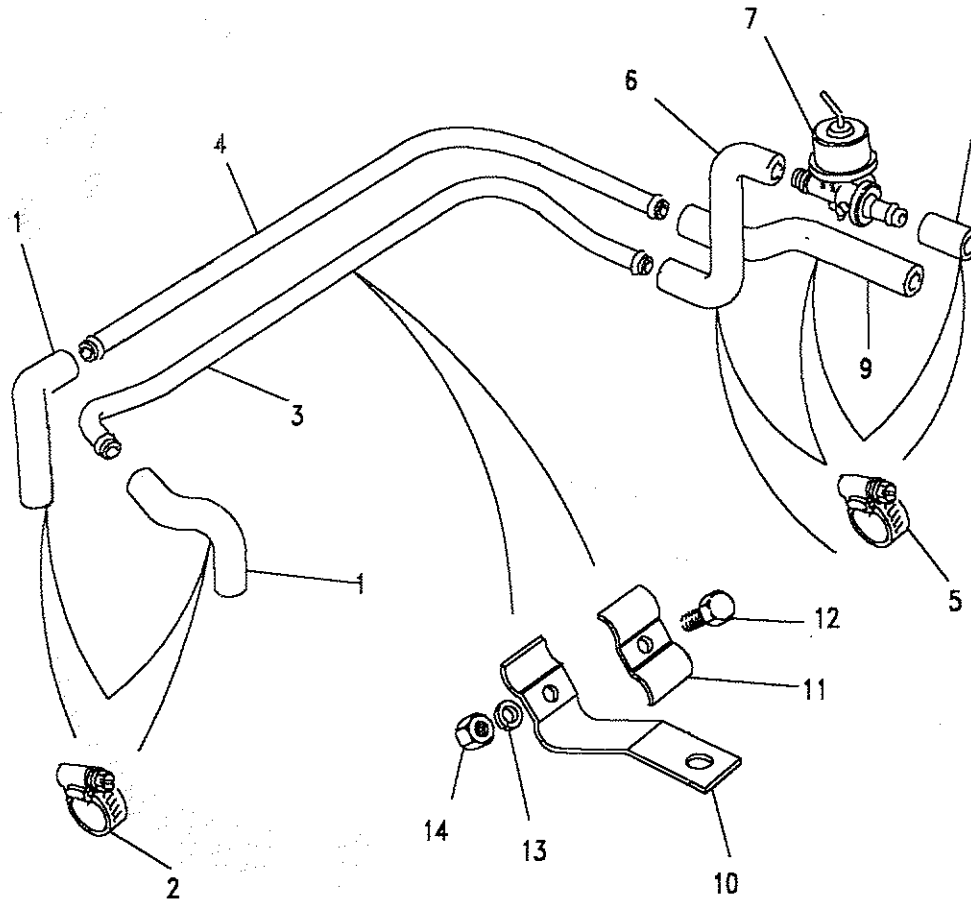
Note(1) Use MUC4878 = 30" x 0.109375"



Model DEFENDER 90
Page ADLXPC1A

AIR CONDITIONING - HEATER PIPES - 4 CYLINDER - RHS

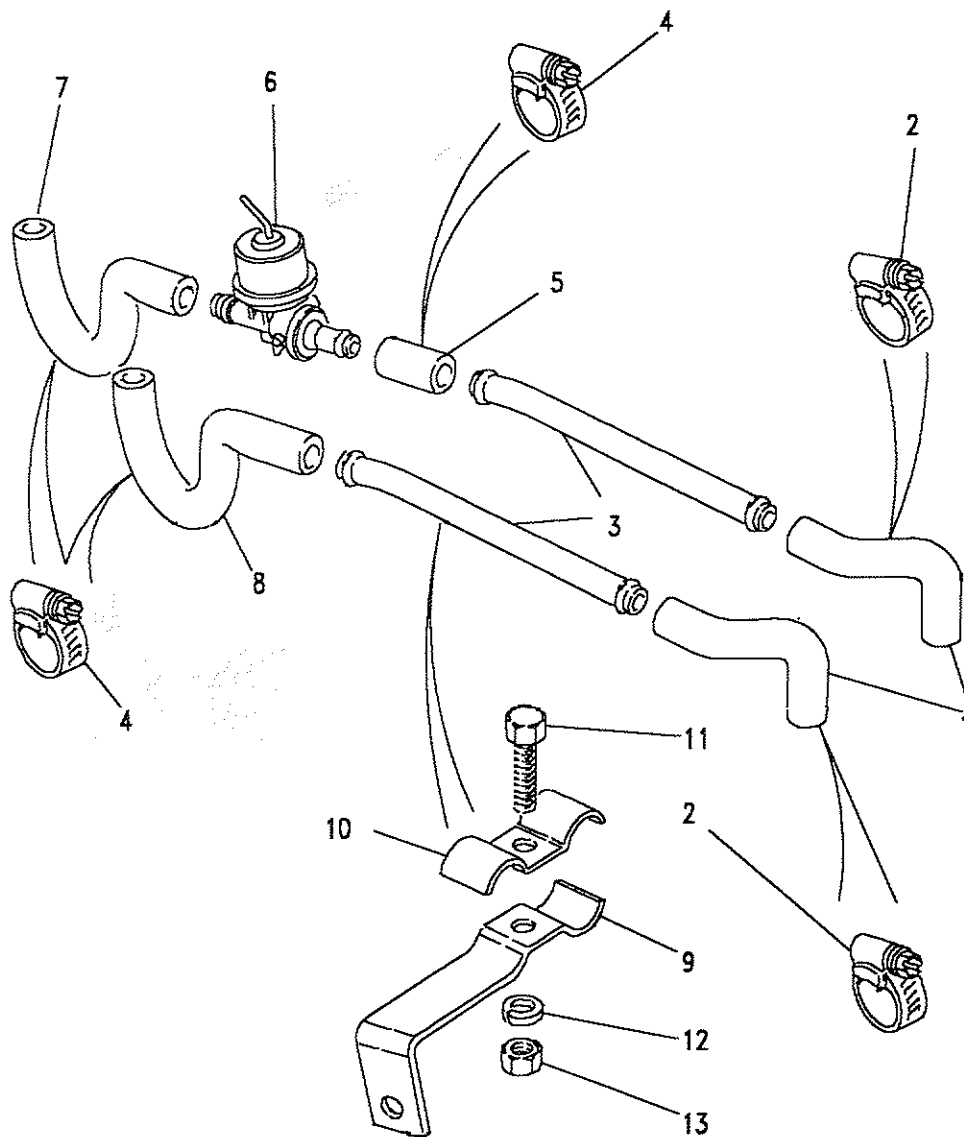
III. Part No.	Description	Qty	Remarks
1	NRC6306	2	
2	CN100308L	2	
3	NRC6307	1	
4	NRC6420	1	
5	CN100258L	8	
6	BTR213	1	UptoMA939975
	BTR9400	1	FromMA939976
7	NRC8346	1	
8	ERC3964	1	UptoMA939975
	BTR9401	1	FromMA939976
9	BTR214	1	UptoMA939975
	BTR9402	1	FromMA939976
10	NRC6417	1	Petrol
	NRC6418	1	Diesel
11	NRC6419	1	
12	SH106251L	1	
13	WL106001L	1	
14	NH106041L	1	
15	ESR3301	1	



Model DEFENDER 90
 Page ADLXPC2A

AIR CONDITIONING - HEATER PIPES - 4 CYLINDER - LHS

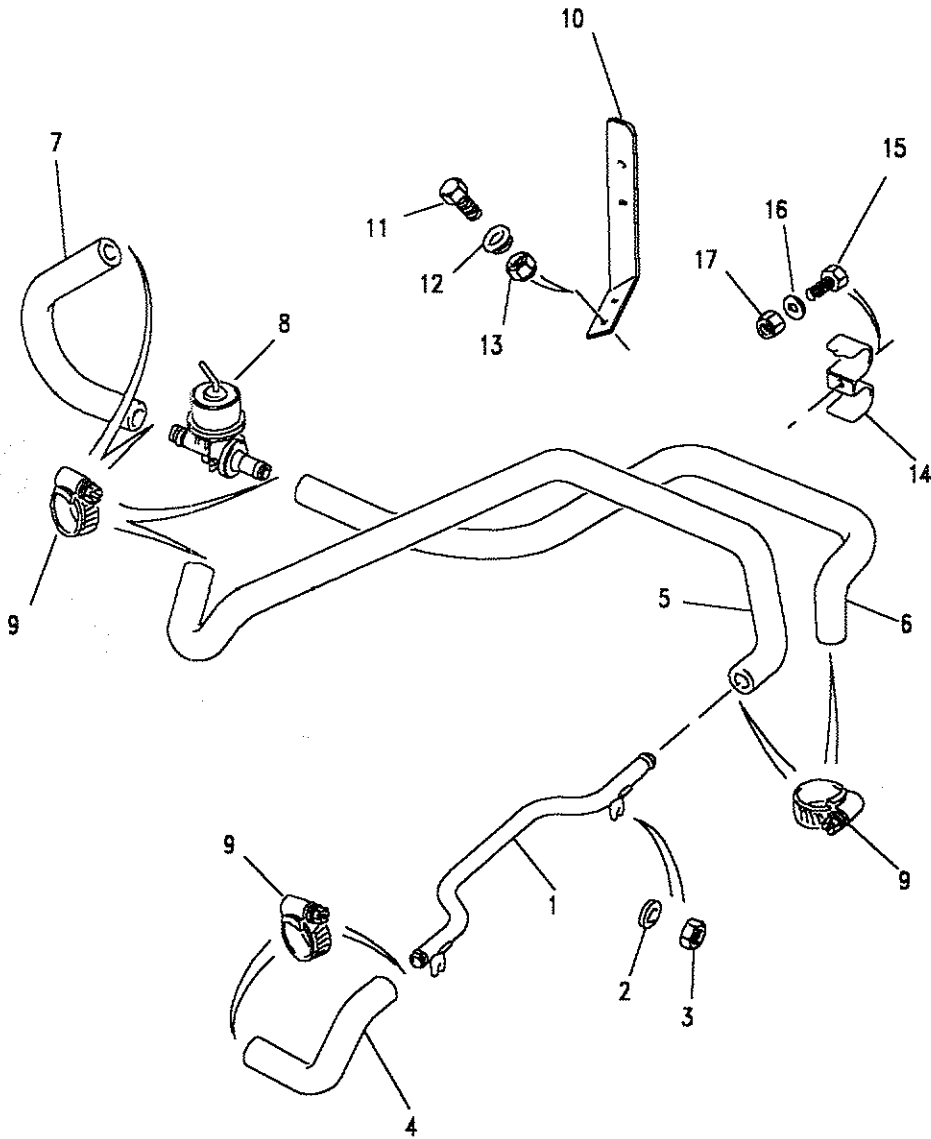
Ill. Part No.	Description	Qty	Remarks
1	NRC6306	2	Hose heater
2	CN100258L	4	Clip hose
3	NRC8245	2	Pipe heater
4	CN100258L	6	Clip hose
5	ERC3964	1	Hose heater-feed
6	NRC8346	1	Valve water control
7	NRC8347	1	Hose heater-feed
8	NRC8247	1	Hose heater-return
9	NRC8248	1	Bracket mounting
10	594637	1	Clamp pipe
11	FS106201L	1	Flange screw
12	WL106001L	1	Washer spring
13	NH106041L	1	Nut
14	ESR3301	1	Strap retaining





Model DEFENDER 90
Page ADLXPC3A

AIR CONDITIONING - HEATER PIPES - TDI - LHS



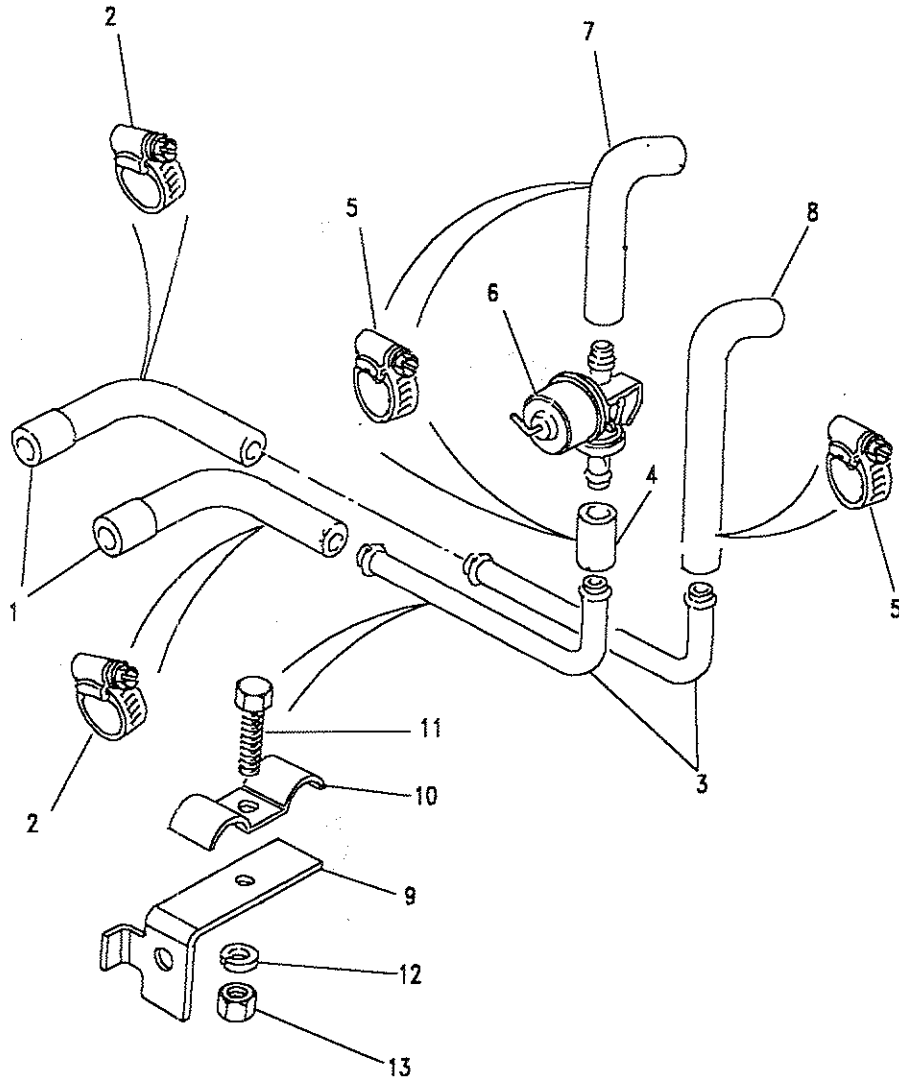
III. Part No.	Description	Qty	Remarks
1	ERR371	1	Pipe heater
2	WA110065	2	Washer plain
3	NT110041L	2	Nut
4	ERR1436	1	Hose heater-return
5	BTR984	1	Hose heater return
6	AWR2334	1	Hose heater return
7	BTR985	1	Hose - valve to heater
8	AWR2333	1	Hose - valve to heater
9	BTR986	1	Hose - engine to valve
10	AWR2332	1	Hose - engine to valve
11	NRC8346	1	Valve water control
12	CN100258L	8	Clip hose
13	BTR987	1	Bracket support
14	SH105121L	2	Screw
15	MRC9851	2	Washer nylon
16	NY105041L	2	Nut
17	BTR988	2	Clamp pipe
18	SH105121L	2	Screw
19	WA105001L	2	Washer plain
20	NY105041L	2	Nut
21	ESR3301	1	Strap retaining



DEFENDER 90

707

COOLING/HEATING



Model DEFENDER 90
 Page ADLXPC4A

AIR CONDITIONING - HEATER PIPES - V8 - RHS

III. Part No.	Description	Qty	Remarks
1	NRC6314	2	Hose heater
2	CN100308L	4	Clip hose
3	NRC6902	2	Pipe heater
4	ERC3964	1	Hose heater-feed
5	CN100258L	10	Clip hose
6	NRC8346	1	Valve water control
7	NTC1212	1	Hose heater-feed
8	NRC6308	1	Hose heater-return
9	NRC6903	1	Bracket support
10	NRC6419	1	Clamp pipe
11	SH106301L	1	Screw
12	WL106001L	1	Washer spring
13	NH106041L	1	Nut
14	ESR3301	1	Strap retaining

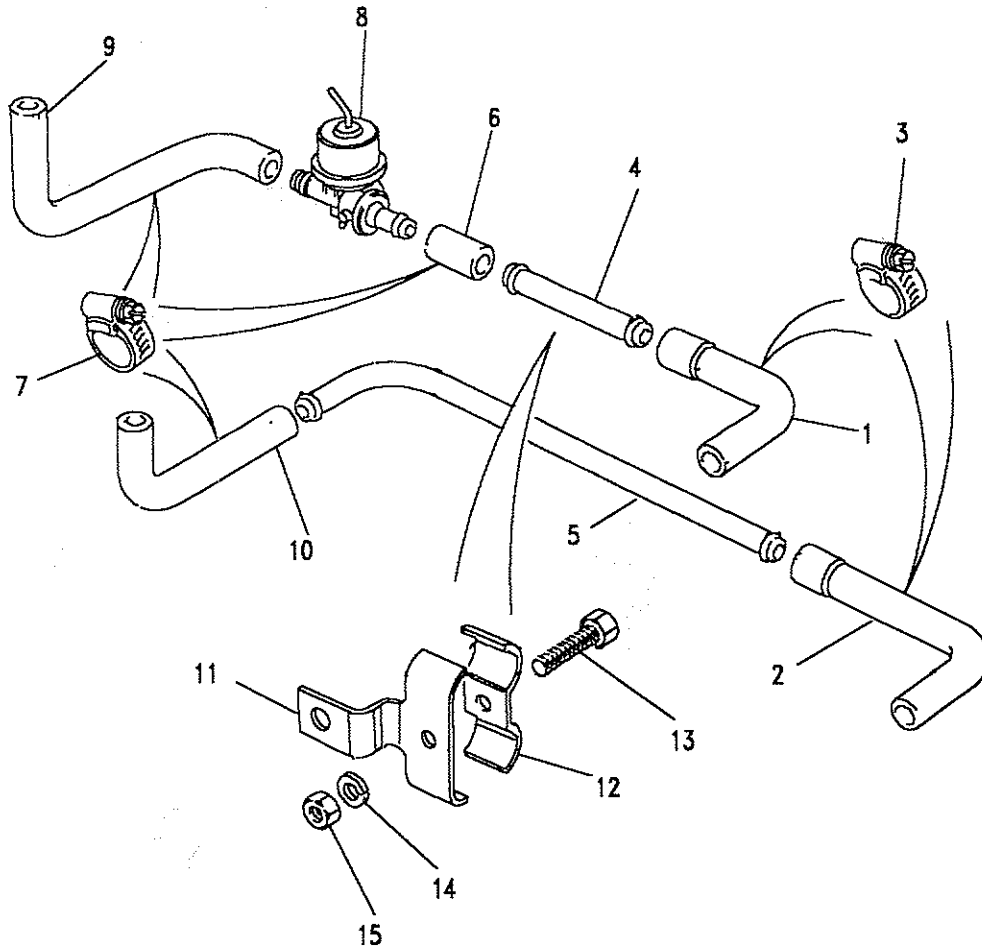




Model DEFENDER 90
Page ADLXPC5A

AIR CONDITIONING - HEATER PIPES - V8 - LHS

III. Part No.	Description	Qty	Remarks
1	NRC9098	1	Hose heater-feed
2	NRC6353	1	Hose heater-return
3	CN100308L	4	Clip hose
4	NRC9091	1	Pipe heater-feed
5	NTC1090	1	Pipe heater-return
6	ERC3964	1	Hose heater-feed
7	CN100258L	7	Clip hose
8	NRC8346	1	Valve water control
9	NTC1089	1	Hose heater-feed
10	NTC1088	1	Hose heater-return
11	NRC8620	1	Bracket support
12	594637	1	Clamp pipe
13	SH106301L	1	Screw
14	WL106001L	1	Washer spring
15	NH106041L	1	Nut
16	ESR3301	1	Strap retaining





DEFENDER 90

709

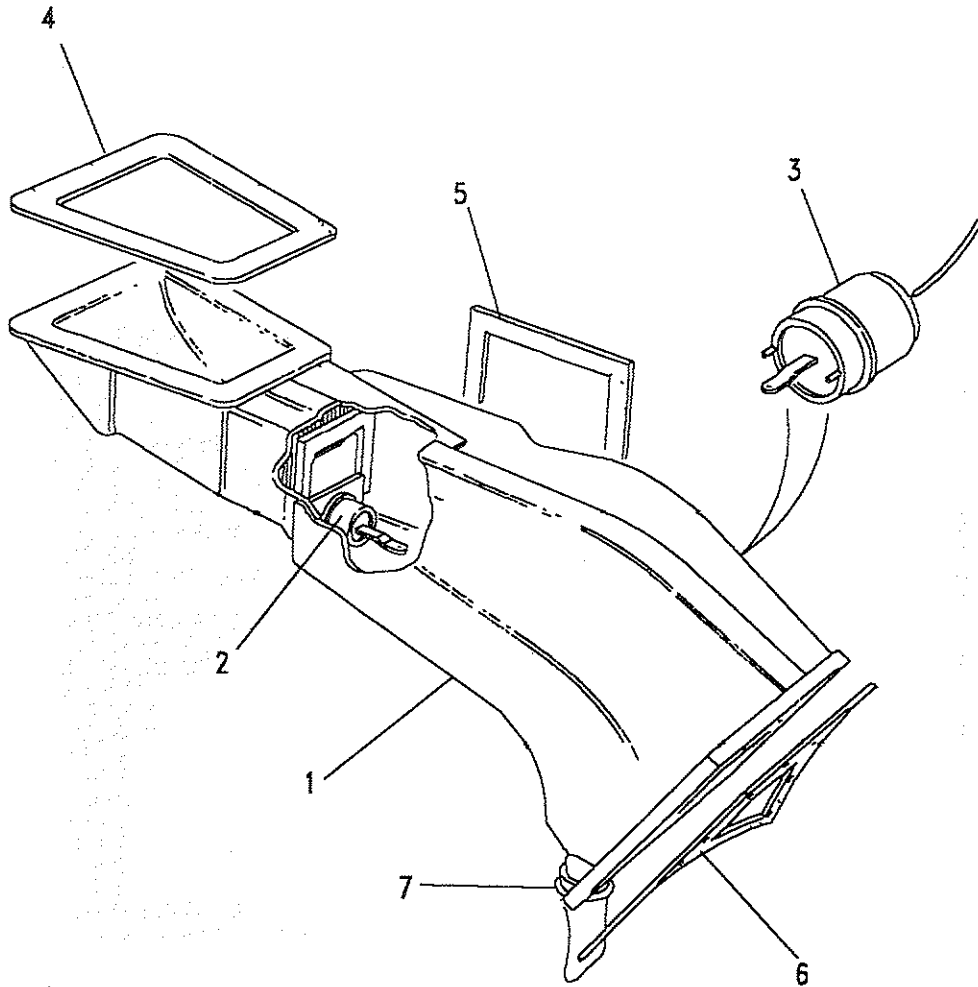
COOLING/HEATING

Model DEFENDER 90

Page ADLXRA1A

AIR CONDITIONING - FRESH AIR DUCT - RHD

III. Part No.	Description	Qty	Remarks
1	MUC1668	1	Duct air
2	MUC4884	1	Motor vacuum
3	RTC7467	1	Motor vacuum
4	MUC4883	1	Seal - duct to wing top
5	MUC4886	1	Seal - duct to evaporator
6	MUC4888	1	Seal - air duct to dash
	MWC4860	1	Seal - air duct to dash
7	RTC7470	1	Clamp





MASTER INDEX

GROUP L

COOLING/HEATING

	PAGES
INTRODUCTION PAGES	1 - 5
ALPHABETICAL INDEX	6 - 14
ENGINE	15 - 65
ENGINE	66 - 117
ENGINE	118 - 171
ENGINE	172 - 217
ENGINE	218 - 261
ENGINE	262 - 297
ENGINE	298 - 367
GEARBOX	368 - 394
GEARBOX	395 - 411
GEARBOX	412 - 425
TRANSFER BOX	426 - 456
TRANSFER BOX	457 - 474
AXLES AND SUSPENSION	475 - 531
STEERING	532 - 564
VEHICLE AND ENGINE CONTROLS	565 - 580
BRAKES	581 - 603
FUEL SYSTEM AND AIR CLEANER	604 - 645
EXHAUST SYSTEM	646 - 660
COOLING/HEATING	661 - 709
COOLING/HEATING	710 - 718
BODY ELECTRICAL	719 - 793
BODY AND CHASSIS	794 - 923
INTERIOR TRIM	924 - 965
SEATS	966 - 1009
STOWAGE	1010 - 1017
ACCESSORIES - PAINTS	1018 - 1042
NUMERICAL INDEX	1044 - 1122

COOLING/HEATING

PLENUM 711 DEFROSTERS - RHS	711
FACIA PANEL ASSEMBLY - RHS	712
FRESH AIR DUCT - LHS	713
AIR DUCT INSULATION - LHS	714
HEATER CONTROLS - LHS	715
PLENUM CHAMBER - LHS	716
FACIA PANEL - LHS	717
DEMISTER AND FLAPS	718

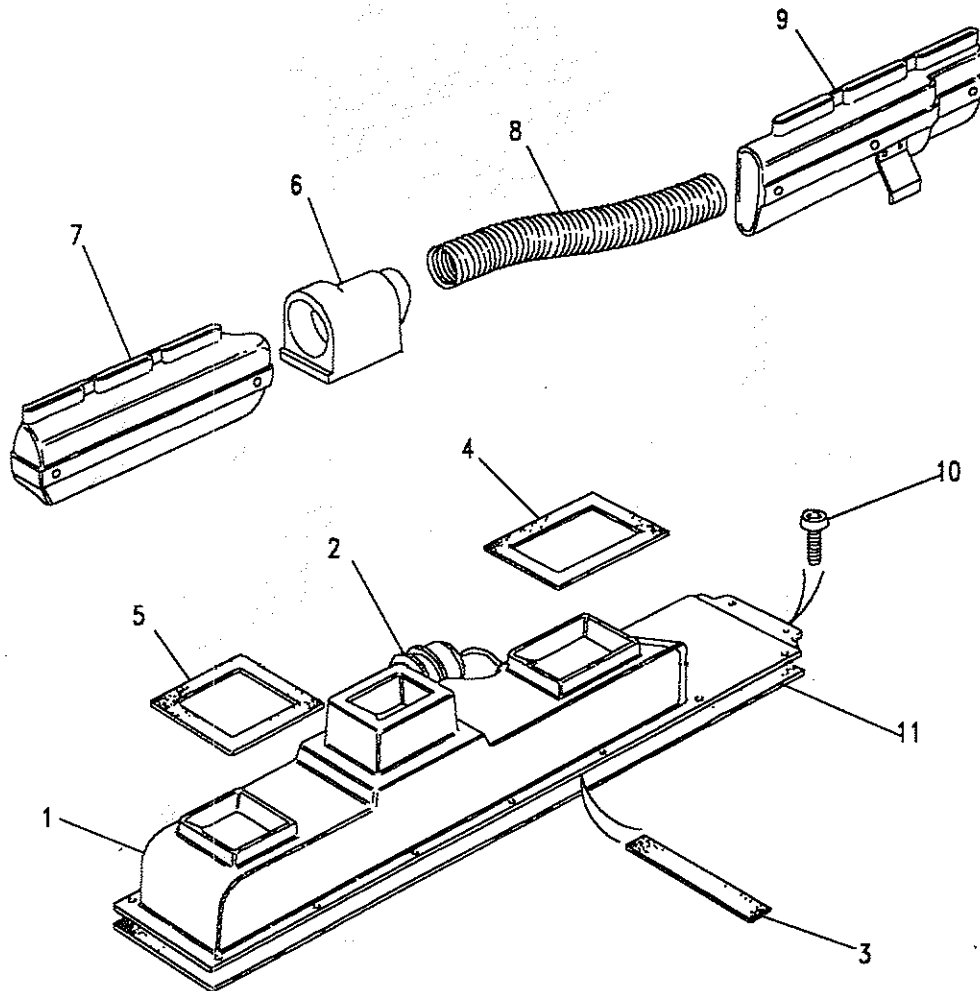


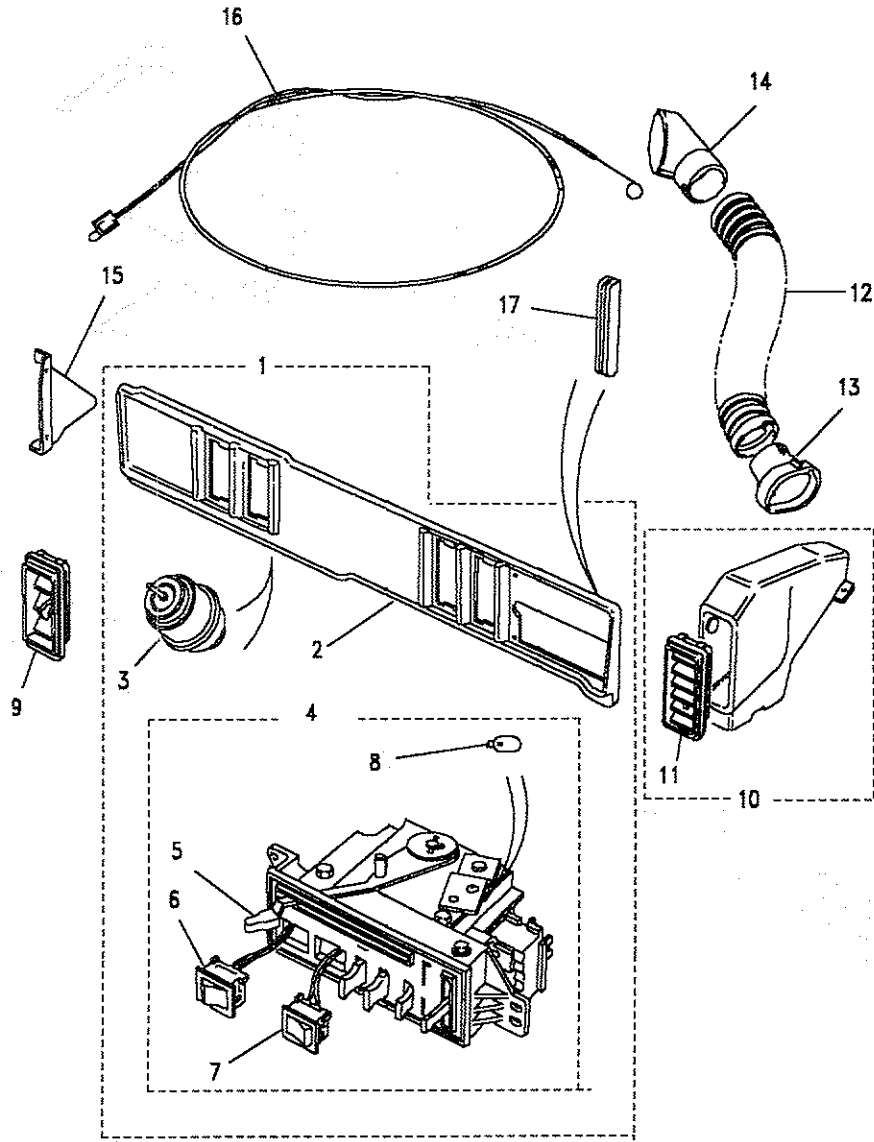


Model DEFENDER 90
Page AFLXRA2A

AIR CONDITIONING - PLENUM & DEFROSTERS - RHS

Ill. Part No.	Description	Qty	Remarks
1	MUC1665 Plenum chamber assembly	1	
2	AEU4002 Motor vacuum	2	
3	MUC6021 Seal	1	NLS
4	MUC4882 Seal RH	1	
5	MUC4881 Seal LH	1	
6	MUC4891 Adaptor	1	
7	MUC1673 Duct LH	1	
8	MUC4892 Hose	1	
9	MUC1674 Duct RH	1	UptoMA939975
	AWR1247 Duct RH	1	FromMA939976
10	AB606021L Screw	22	
11	MUC3695 Pad insulation	1	





Model DEFENDER 90
Page AFLXRA3A

AIR CONDITIONING - FACIA PANEL ASSEMBLY - RHS

III. Part No.	Description	Qty	Remarks
1	MUC1667	1	Facia assembly
2	MUC6001	1	Panel
	AWR1245	1	Panel
3	AEU4002	2	Motor vacuum
4	MUC1666	1	Control assembly
	AWR1666	1	Control assembly
5	MUC6011	1	Knob
6	MUC6012	1	Switch clutch
7	MUC6013	1	Switch fresh air
8	573289	1	Bulb
9	MUC4880	4	Louvre
10	MUC1669	1	Duct assembly
11	RTC7411	1	Louvre
12	MUC4895	1	Hose - duct to plenum
	MXC3418	1	Hose - duct to plenum
13	MXC3357	1	Adaptor duct
14	MXC3358	1	Adaptor plenum
15	MUC1670	1	Finisher
16	MUC1680	1	Cable control
17	RTC7465	1	Finisher

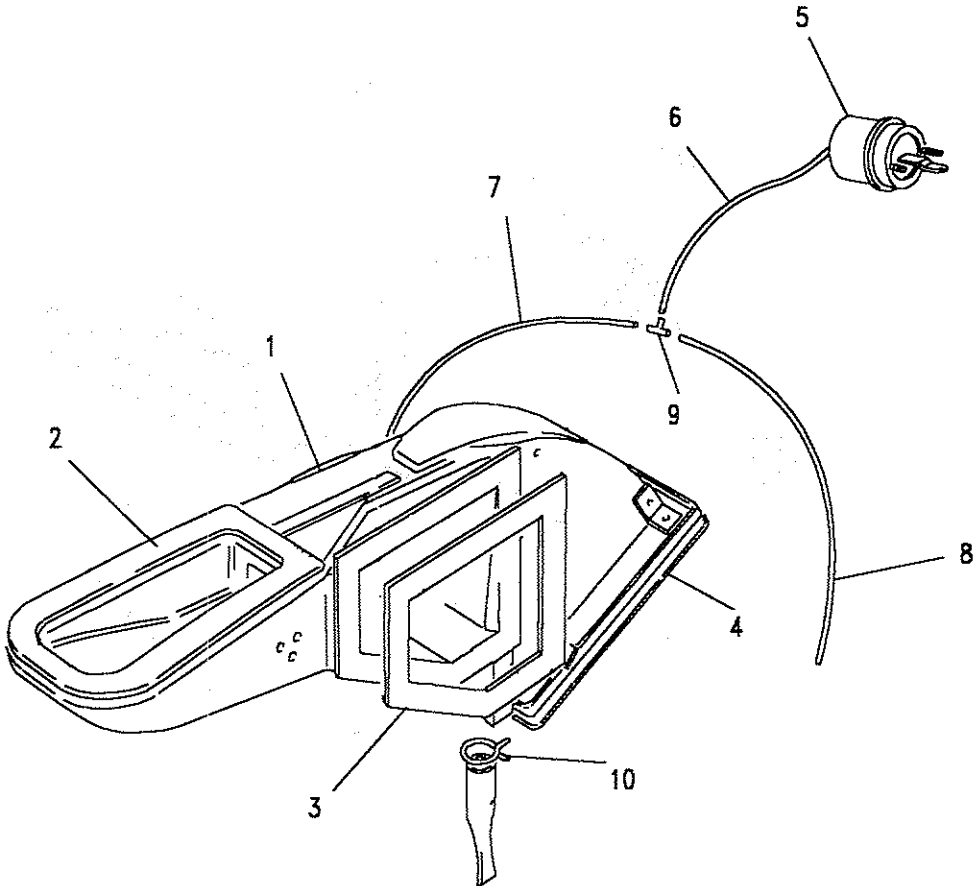


Model DEFENDER 90
Page AFLXRA4A

AIR CONDITIONING - FRESH AIR DUCT - LHS

III. Part No.	Description	Qty	Remarks
1	MTC5571	1	Duct air
2	RTC7461	1	Seal - duct to wing top
3	RTC7460	1	Seal - duct to evaporator
4	RTC7459	1	Seal - air duct to dash
5	AEU4002	1	Motor vacuum
6		1	Hose vacuum 5" Note(1)
7		1	Hose vacuum 12" Note(1)
8		1	Hose vacuum 9" Note(1)
9	MUC4455	1	Tee piece
10	RTC7470	1	Clamp
	ATU1041	8	Clamp hose

Note(1) Use MUC4878 = 30" x 0.109375"



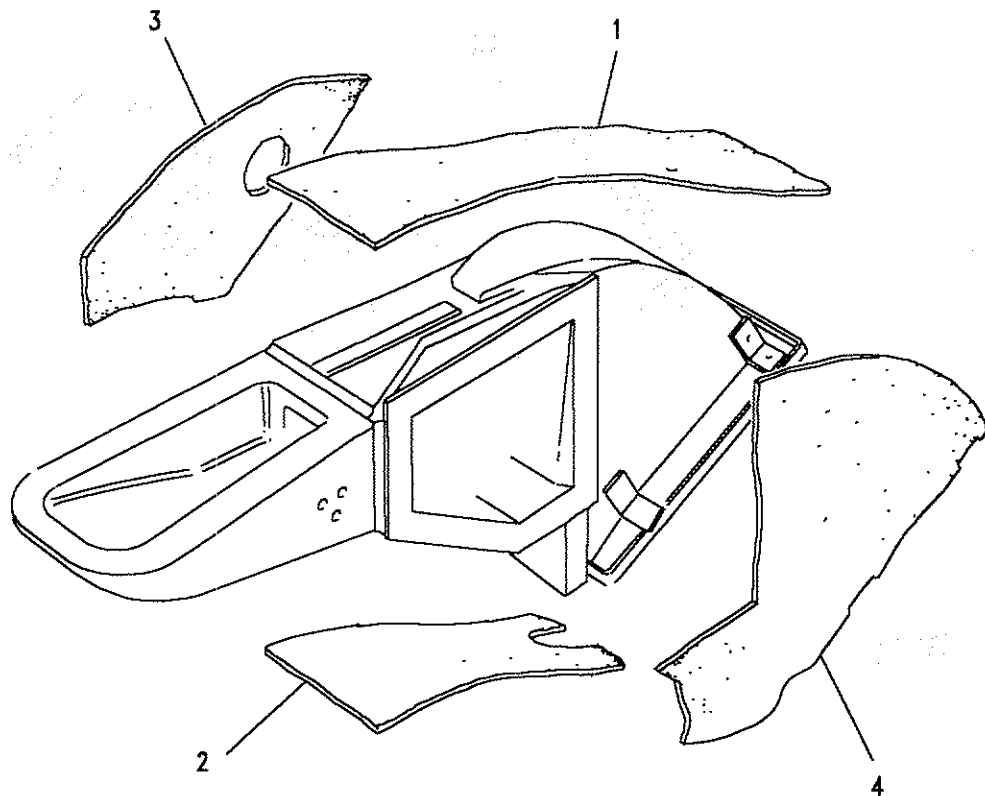


Model DEFENDER 90

Page AFLXRA5A

AIR CONDITIONING - AIR DUCT INSULATION - LHS

III. Part No.	Description	Qty	Remarks
1 MUC1657	Insulation top	1	
2 MUC1658	Insulation bottom	1	
3 MUC1659	Insulation outer	1	
4 MUC1660	Insulation inner	1	

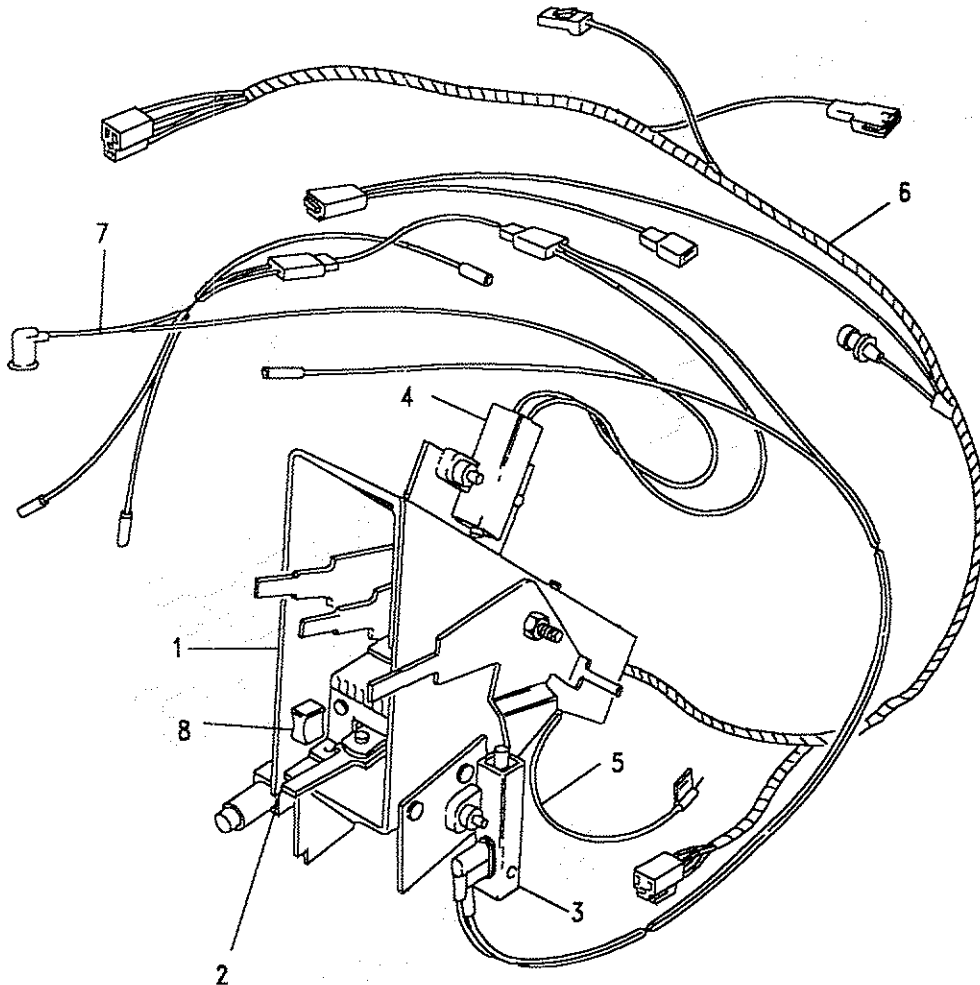




Model DEFENDER 90
Page AFLXRA6A

AIR CONDITIONING - HEATER CONTROLS - LHS

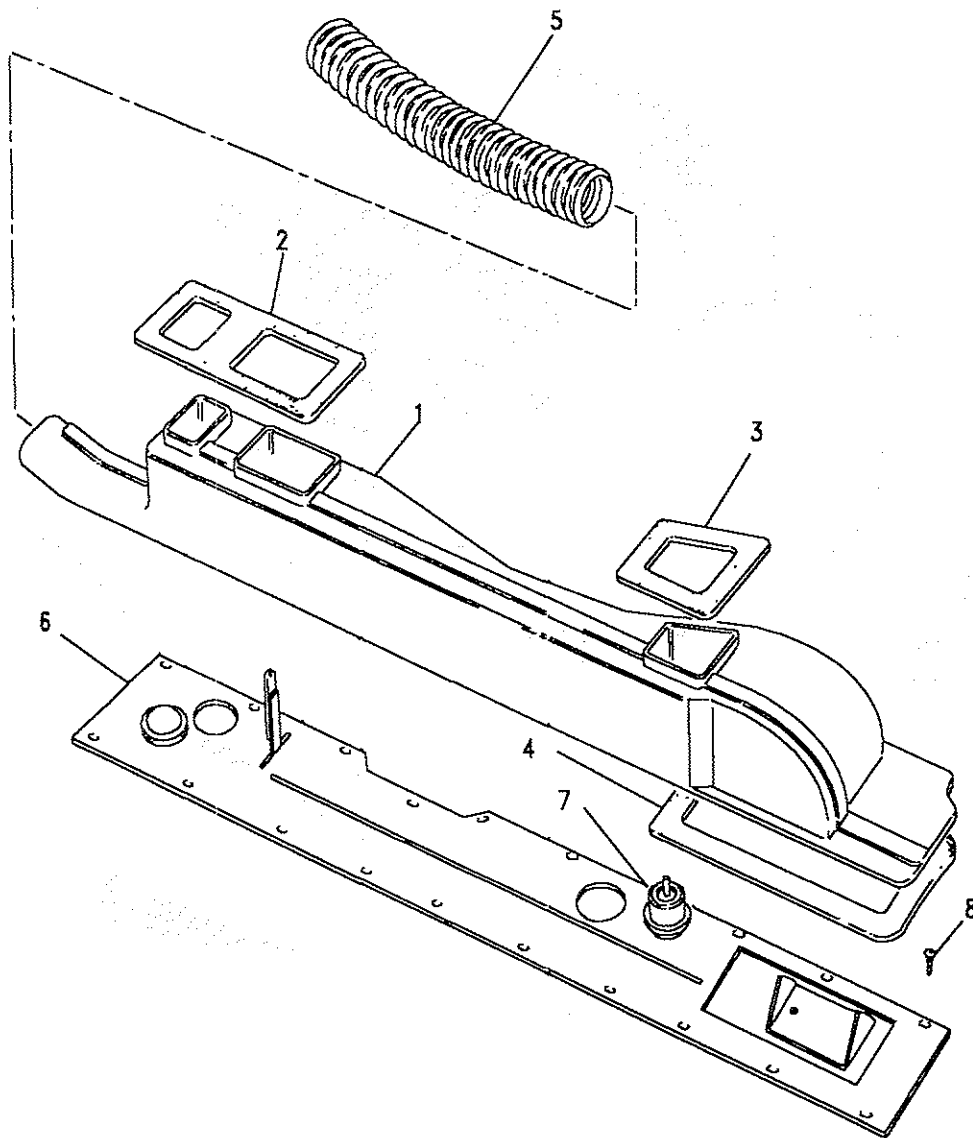
III. Part No.	Description	Qty	Remarks
1 MTC5573	Control heater	1	UptoMA939976
AWR1179	Control heater	1	FromMA939976
2 AEU1205	Switch fan speed	1	
3 RTC7443	Switch vacuum	1	
4 RTC7451	Switch vacuum	1	
5 RTC7445	Cable control	1	Short
6 RTC7448	Harness electric	1	
7 RTC7466	Harness vacuum	1	
8 AEU1198	Knob	4	



Model DEFENDER 90
Page AFLXRA7A

AIR CONDITIONING - PLENUM CHAMBER - LHS

III. Part No.	Description	Qty	Remarks
1 RTC7408	Plenum chamber assembly	1	
AWR1174	Plenum extension	1	FromMA939976
2 RTC7462	Seal outlet	1	
3 RTC7463	Seal outlet	1	
4 RTC7464	Seal inlet	1	
5 RTC7409	Hose	1	
6 RTC7415	Panel closing	1	UptoMA939975
AWR1448	Panel closing	1	FromMA939976
7 AEU4002	Motor vacuum	1	
8 AB606021	Screw	22	
Plenum chamber to toe box			
367078	Spacer	A/R	





Model DEFENDER 90

Page AFLXRA8A

AIR CONDITIONING - FACIA PANEL - LHS

III. Part No.	Description	Qty	Remarks
1	RTC7450	1	
2	AEU4000	1	Plate instruction
3	AEU4001	5	Louvre
	AWR1169	5	Louvre

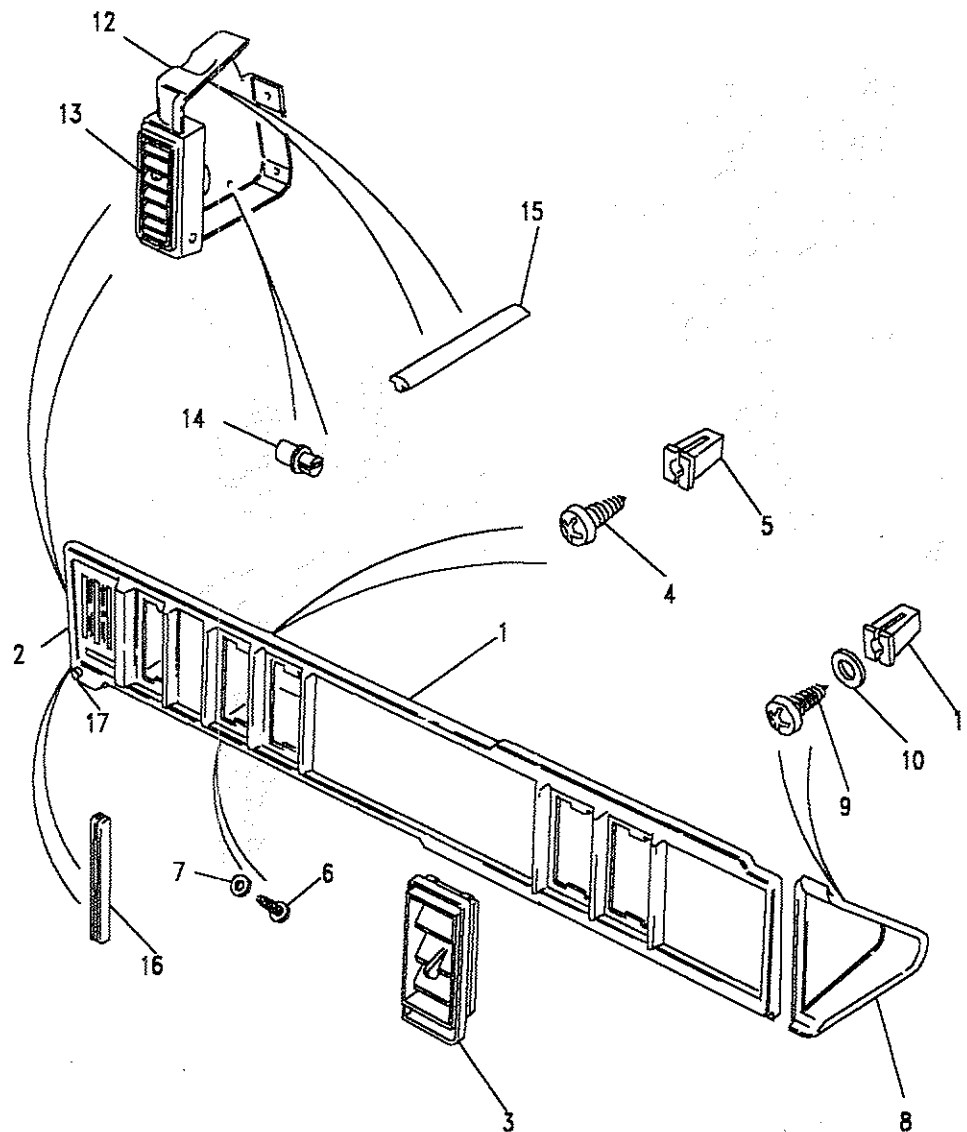
Facia to front plate

4	AC608065	2	Screw
5	ACU5431	2	Nut lokut
6	AB608051	2	Screw
7	WC105001	2	Washer plain

Facia panel end finishers

8	MTC5581	1	Finisher
9	AW606124	1	Screw
10	WA104004	1	Washer plain
11	ACU5431	1	Nut lokut
12	RTC7410	1	Finisher assembly
	AWR1170	1	Finisher assembly
13	RTC7411	1	Louvre
14	79086	1	Rivet rokut
15	MTC7516	1	Finisher
16	RTC7465	1	Finisher
17	RTC7412	1	Switch illuminated
	RTC7413	1	Bulb

UptoMA939975
FromMA939976



Model DEFENDER 90
 Page AFLXRA9A

AIR CONDITIONING - DEMISTER AND FLAPS

III. Part No.	Description	Qty	Remarks
1 NRC9668	Nozzle RH	1	LHS
MXC3188	Nozzle RH	1	200Tdi LHS Upto JA906639
BTR1600	Nozzle RH	1	200Tdi LHS From JA906640
1 NRC9669	Nozzle LH	1	LHS
MXC3189	Nozzle LH	1	200Tdi LHS Upto JA906639
BTR1599	Nozzle LH	1	200Tdi LHS From JA906640
2 AB608047L	Screw	2	LHS
3 WA105001	Washer plain	2	LHS
Fixings - 200Tdi LHS			
AB608054L	Screw	4	
RTC3745	Nut lokut	1	RH nozzle
AK608021	Nut spring	1	RH nozzle
4 MRC7279	Flexible Tube	2	LHS
5 MRC7281	Grommet	2	LHS
6 MUC1139	Outlet flaps assy LHS	1	Upto HA905497 NLA use BTR1347
BTR1347	Outlet flaps assy LHS	1	From HA905498
MUC3278	Outlet flaps assy RHS	1	Upto JA908189 NLA use BTR1348
BTR1348	Outlet flaps assy RHS	1	From JA908190
7 MTC5578	Actuating bar	1	
8 346796	Spring	2	
9 395829	Grille outlet RH	1	
395830	Grille outlet LH	1	
10 MRC1525	Screw	4	

