



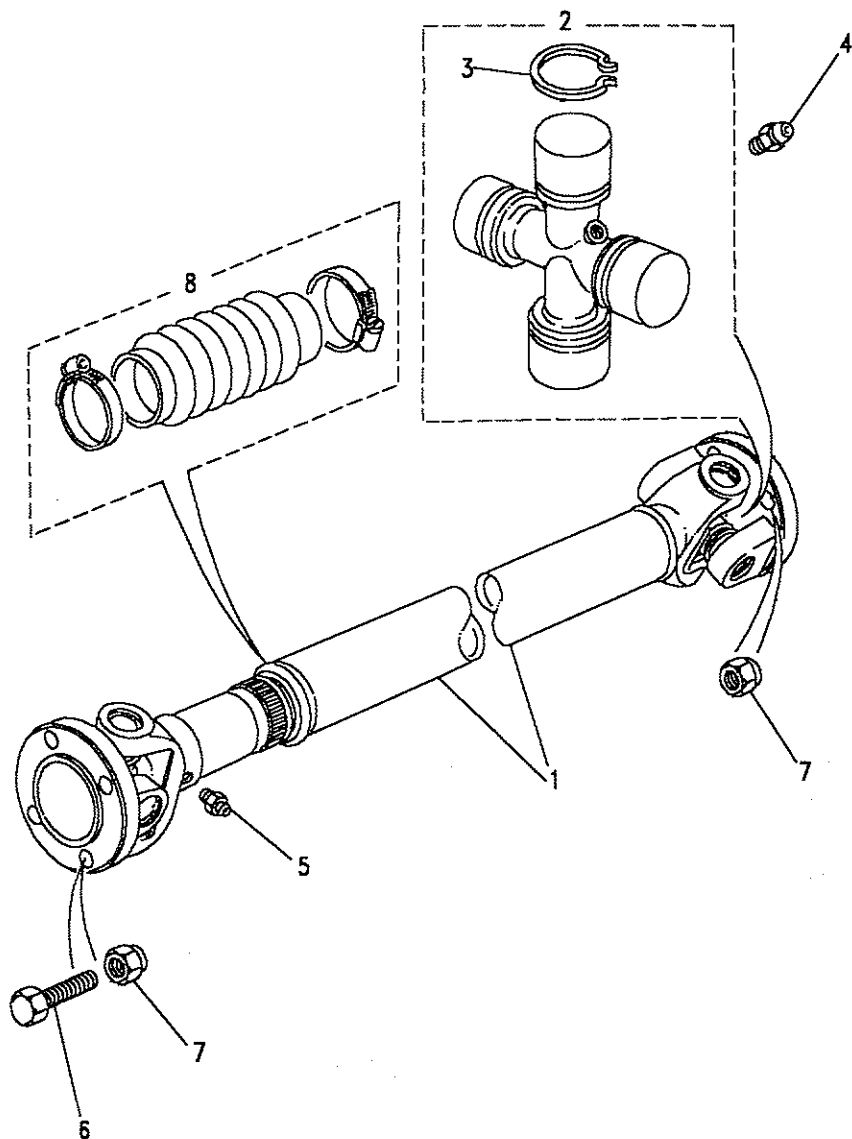
MASTER INDEX

GROUP E

AXLES AND SUSPENSION

	PAGES		
INTRODUCTION PAGES	1 - 5		
ALPHABETICAL INDEX	6 - 14		
ENGINE	15 - 65	AXLES AND SUSPENSION	
ENGINE	66 - 117	FRONT PROPSHAFT	476
ENGINE	118 - 171	REAR PROPSHAFT	477 - 478
ENGINE	172 - 217	FRONT AXLE ASSEMBLY - UPTO VIN 930455	479
ENGINE	218 - 261	FRONT AXLE ASSEMBLY - FROM VIN LA930456	480
ENGINE	262 - 297	FRONT AXLE CASE - UPTO VIN 930455	481
ENGINE	298 - 367	FRONT AXLE CASE - FROM VIN LA930456	482
GEARBOX	368 - 394	FRONT DIFFERENTIAL - UPTO VIN LA930455	483
GEARBOX	395 - 411	FRONT DIFFERENTIAL - UPTO VIN 930455	484
GEARBOX	412 - 425	FRONT DIFFERENTIAL - FROM VIN LA930456	485 - 486
TRANSFER BOX	426 - 456	FRONT DIFFERENTIAL - UPTO VIN 930455	487 - 488
TRANSFER BOX	457 - 474	FRONT DIFFERENTIAL - FROM VIN LA930456	489 - 490
AXLES AND SUSPENSION	475 - 531	FRONT DIFFERENTIAL - FROM VIN LA930456	491 - 492
STEERING	532 - 564	DRIVE SHAFTS - UPTO VIN 930455	493
VEHICLE AND ENGINE CONTROLS	565 - 580	DRIVE SHAFTS - FROM VIN LA930456	494
BRAKES	581 - 603	SWIVEL PIN HOUSING - UPTO VIN 930455	495 - 496
FUEL SYSTEM AND AIR CLEANER	604 - 645	SWIVEL PIN HOUSING - FROM VIN LA930456	497 - 498
EXHAUST SYSTEM	646 - 660	FRONT HUB - UPTO VIN 930455	499
COOLING/HEATING	661 - 709	FRONT HUBS - FROM VIN LA930456	500
COOLING/HEATING	710 - 718	REAR AXLE ASSEMBLY - UPTO VIN 930455	501
BODY ELECTRICAL	719 - 793	REAR AXLE ASSEMBLY - FROM VIN LA930456	502
BODY AND CHASSIS	794 - 923	AXLE CASE REAR - Upto VIN 930455	503
INTERIOR TRIM	924 - 965	AXLE CASE REAR - From VIN LA930456	504 - 505
SEATS	966 - 1009	DIFFERENTIAL - UPTO VIN 930455	506 - 508
STOWAGE	1010 - 1017	DIFFERENTIAL - FROM VIN LA930456	509 - 512
ACCESSORIES - PAINTS	1018 - 1042	DIFFERENTIAL - UPTO VIN 930455	513 - 516
NUMERICAL INDEX	1044 - 1122	DIFFERENTIAL - FROM VIN LA930456	517 - 518
		DRIVE SHAFTS AND HUBS	519 - 520
		DRIVE SHAFTS AND HUBS - UPTO VIN 930455	521
		DRIVE SHAFTS AND HUBS - FROM VIN LA930456	522
		REMOTE BREATHERS - UPTO VIN 930455	523
		REMOTE BREATHERS - FROM VIN LA930456	524
		GAITER KIT	525
		ROAD WHEEL	526
		RADIUS ARM AND LINKS	527
		SHOCK ABSORBER & ROAD SPRING	528
		BOTTOM LINK	529 - 530
		TOP LINK, FULCRUM, BALL JOINT	531
		SHOCK ABSORBER & ROAD SPRING	





Model DEFENDER 90
Page ADEXAA1A

AXLES - FRONT PROPSHAFT

III. Part No.	Description	Qty	Remarks
1 FRC5566	Propellor shaft front	1	Note(1)
FRC8390	Propellor shaft front	1	Note(2)
FRC6243	Propellor shaft front	1	Note(3)
FRC8386	Propellor shaft front	1	Note(4)(5)
All Variants			
2 RTC3346	Universal Joint	2	Note(6)
RTC3458	Universal Joint	2	Note(7)
3 242522	Circlip	8	
4 549229	Nipple grease	2	
5 234532	Nipple grease	1	
6 509045P	Bolt	4	Note(8)
7 NZ606041L	Nut	8	
8 276484	Grommet assembly	1	

Note(1) 4 cyl Up to 252578
 Note(2) 4 cyl From 252579 see Note 5
 Note(3) V8 Up to 254406
 Note(4) V8 From 254407
 Note(5) TDI From MA939976
 Note(6) For Propshafts: FRC5566 & FRC6243
 Note(7) For Propshafts: FRC8390 & FRC8386
 Note(8) For fixing bolts at transfer box - see page 439



Model DEFENDER 90
Page ADEXAC1A

AXLES - REAR PROPSHAFT

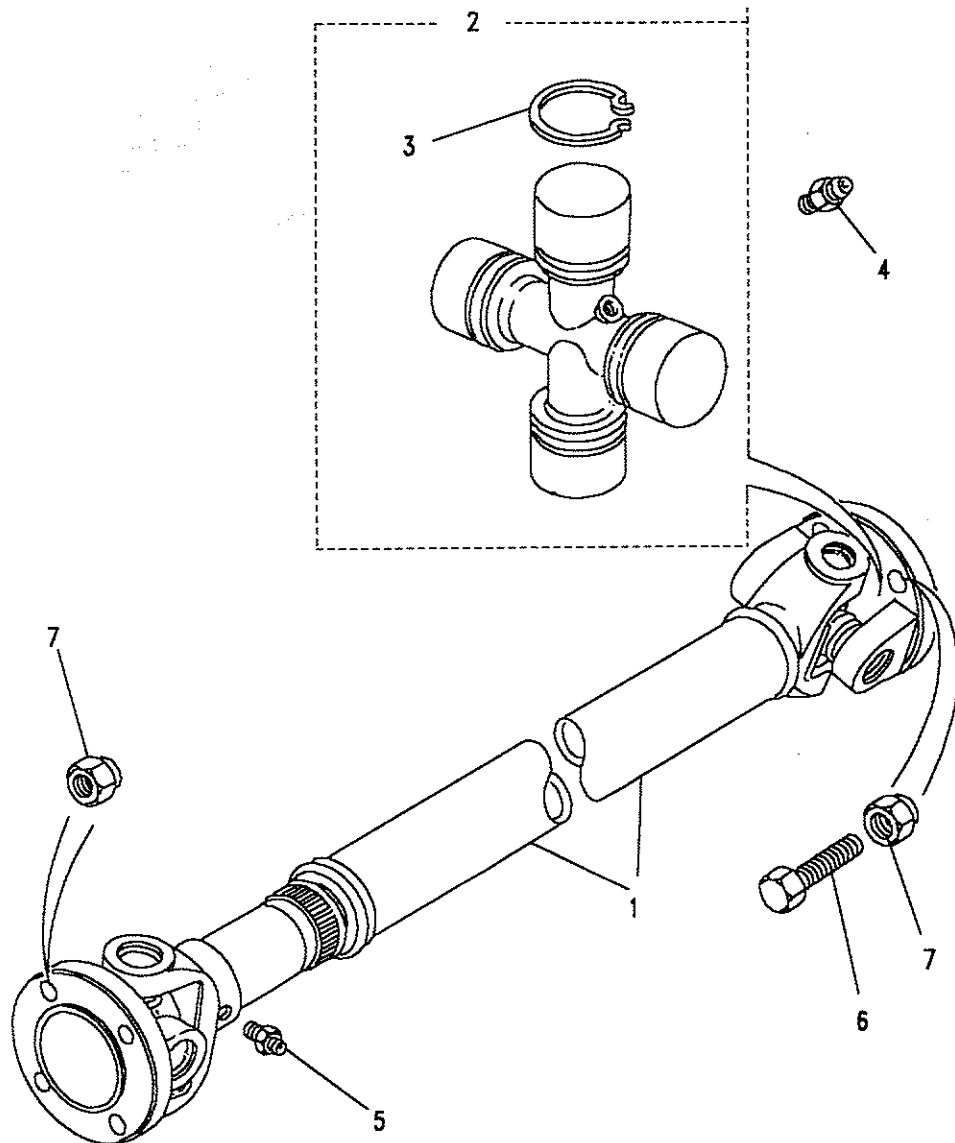
III. Part No. Description Qty Remarks

Vehicles with front disc and rear drum brakes

1	FRC7732	Propellor shaft rear	1	4 cylinder Upto VIN 252578
	FRC8392	Propellor shaft rear	1	4 cylinder From VIN 252579
	FRC8385	Propellor shaft rear	1	V8 Upto VIN 254406
	FRC8393	Propellor shaft rear	1	V8 From VIN 254407

Vehicles with front and rear disc brakes

1	FRC8392	Propellor shaft rear	1	4 cylinder
	FRC8393	Propeller shaft rear	1	4 Cylinder Axles with remote breathers
	FRC8392	Propellor shaft rear	1	4 cylinder Heavy Duty
	FRC8393	Propellor shaft rear	1	V8

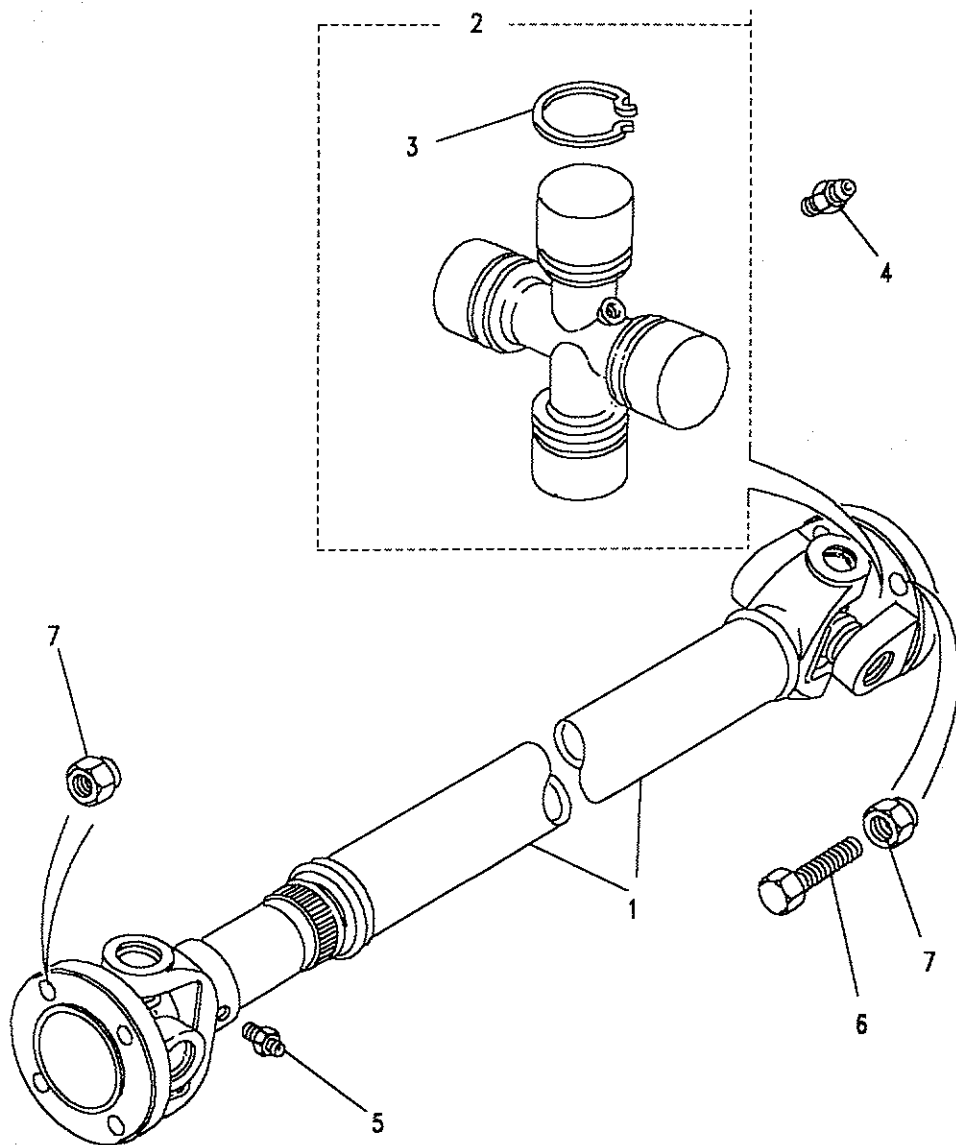


Model DEFENDER 90
Page ADEXAC1A

AXLES - REAR PROPSHAFT

Ill. Part No.	Description	Qty	Remarks
All Derivatives			
2	RTC3346	2	Note(1)
	RTC3458	2	Note(2)
3	242522	8	
4	549229	2	
5	234532	1	
6	509045P	4	Note(3)
7	NZ606041L	8	

Note(1) For Propshafts: FRC7732 & FRC8385
 Note(2) For Propshafts: FRC8392 & FRC8393
 Note(3) For fixing bolt at transfer box - see page 440





Model DEFENDER 90
Page ADEXCA1A

FRONT AXLE - FRONT AXLE ASSEMBLY - UPTO VIN 930455

III. Part No.	Description	Qty	Remarks
---------------	-------------	-----	---------

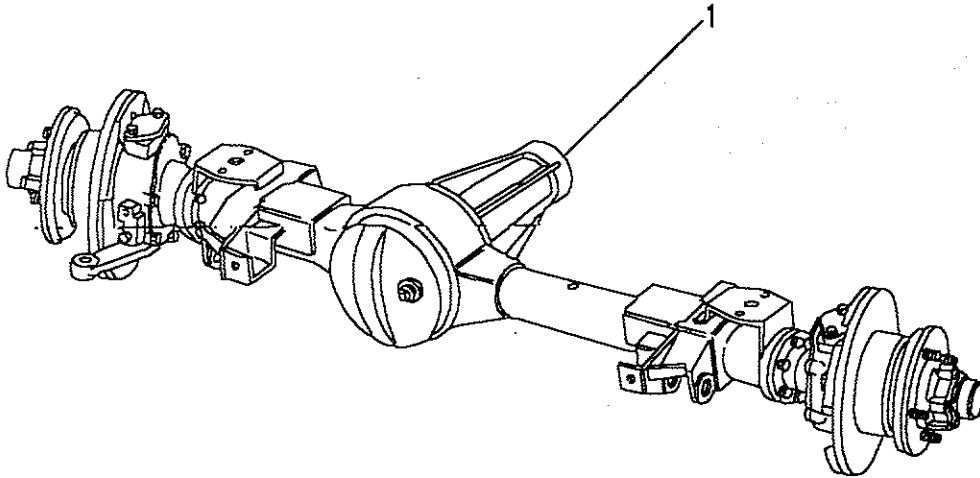
Vehicles with front disc and rear drum brakes

Upto VIN HA701009

1	FRC9454	Axle assembly front-RHS	1 22L NLA use FRC8782
1	FRC9455	Axle assembly front-LHS	1 23L

From VIN HA701010

1	FRC8782	Axle assembly front-RHS	1 Upto 22L12545C
1	FTC3280	Axle assembly front-RHS	1 From 22L12546C
1	FRC8783	Axle assembly front-LHS	1 Upto 23L16310C
1	FTC3281	Axle assembly front-LHS	1 From 23L16311C





Model DEFENDER 90
Page ADEXCA1A

FRONT AXLE - FRONT AXLE ASSEMBLY - FROM VIN LA930456

III. Part No. Description Qty Remarks

Vehicles with front and rear disc brakes

4 Cylinder

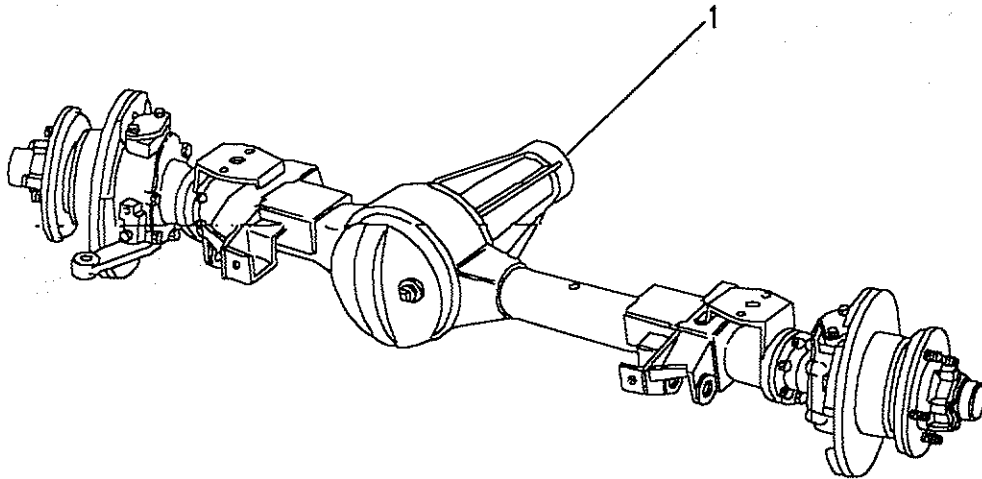
1	FTC3302	Axle assembly front-RHS	1	61L
	FTC3303	Axle assembly front-LHS	1	62L

4 Cylinder Heavy Duty

1	FTC3300	Axle assembly front-RHS	1	63L
	FTC3301	Axle assembly front-LHS	1	64L

V8

1	FTC3300	Axle assembly front-RHS	1	63L
1	FTC3301	Axle assembly front-LHS	1	64L





DEFENDER 90

481

AXLES AND SUSPENSION

Model DEFENDER 90

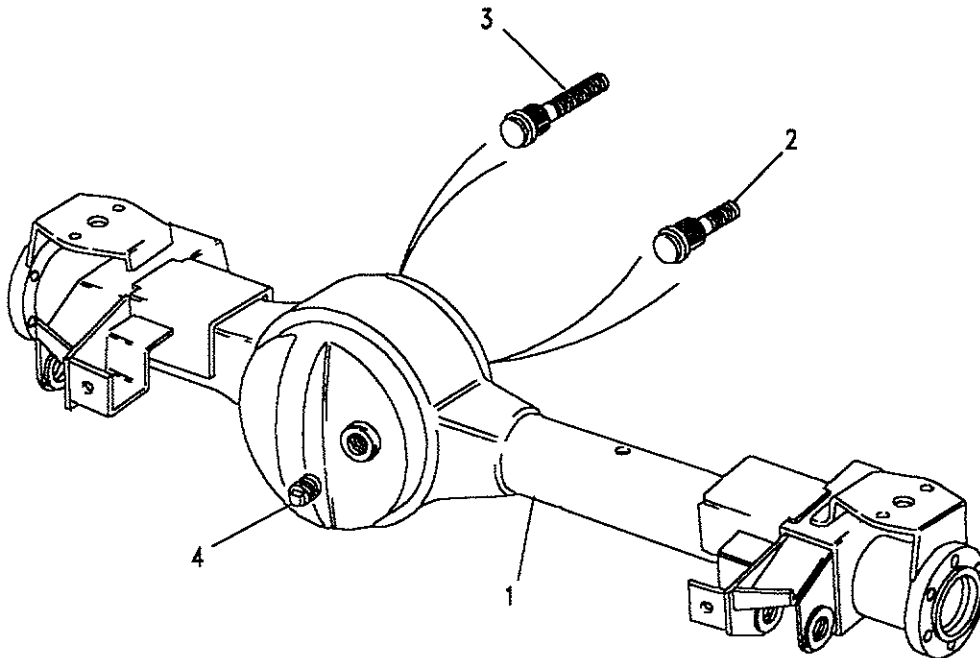
Page ADEXCC1A

FRONT AXLE - FRONT AXLE CASE - UPTO VIN 930455

III. Part No.	Description	Qty	Remarks
---------------	-------------	-----	---------

Vehicles with front disc and rear drum brakes

1	FRC4307	1	Axle case front
2	561195	4	Stud 3/8unf x 11/4
3	561196	6	Stud 3/8unf x 13/4
4	608246	2	Plug





DEFENDER 90

482

AXLES AND SUSPENSION

Model DEFENDER 90

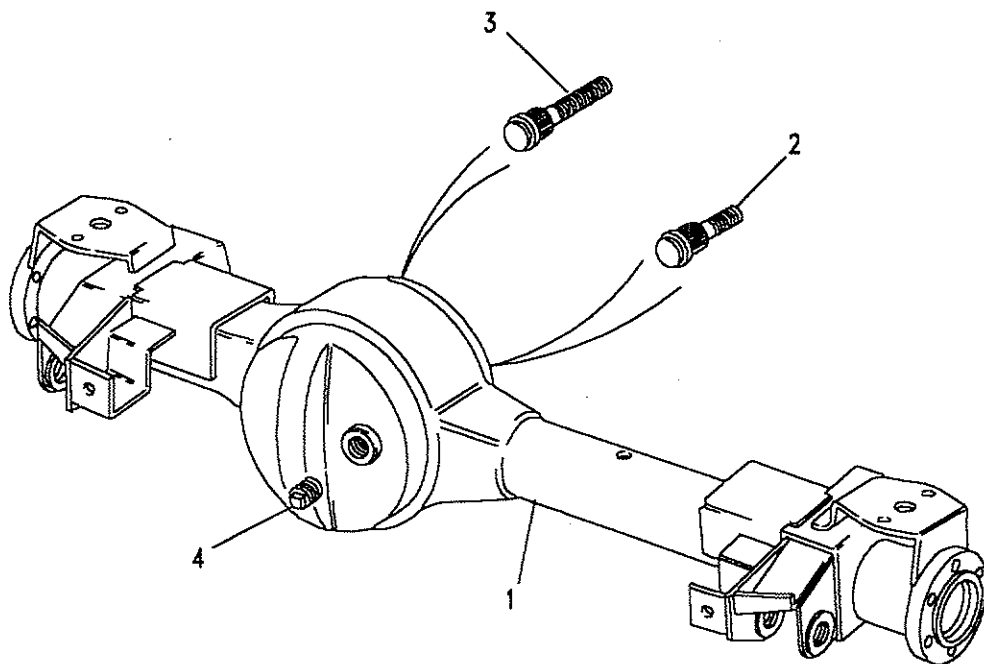
Page ADEXCC2A

FRONT AXLE - FRONT AXLE CASE - FROM VIN LA930456

Ill. Part No.	Description	Qty	Remarks
---------------	-------------	-----	---------

Vehicles with front and rear disc brakes

1	FTC2223	1	Case axle front
2	561195	4	Stud 3/8unf x 11/4
	561196	4	Stud 3/8unf x 13/4
3	561196	6	Stud 3/8unf x 13/4
4	608246	2	Plug





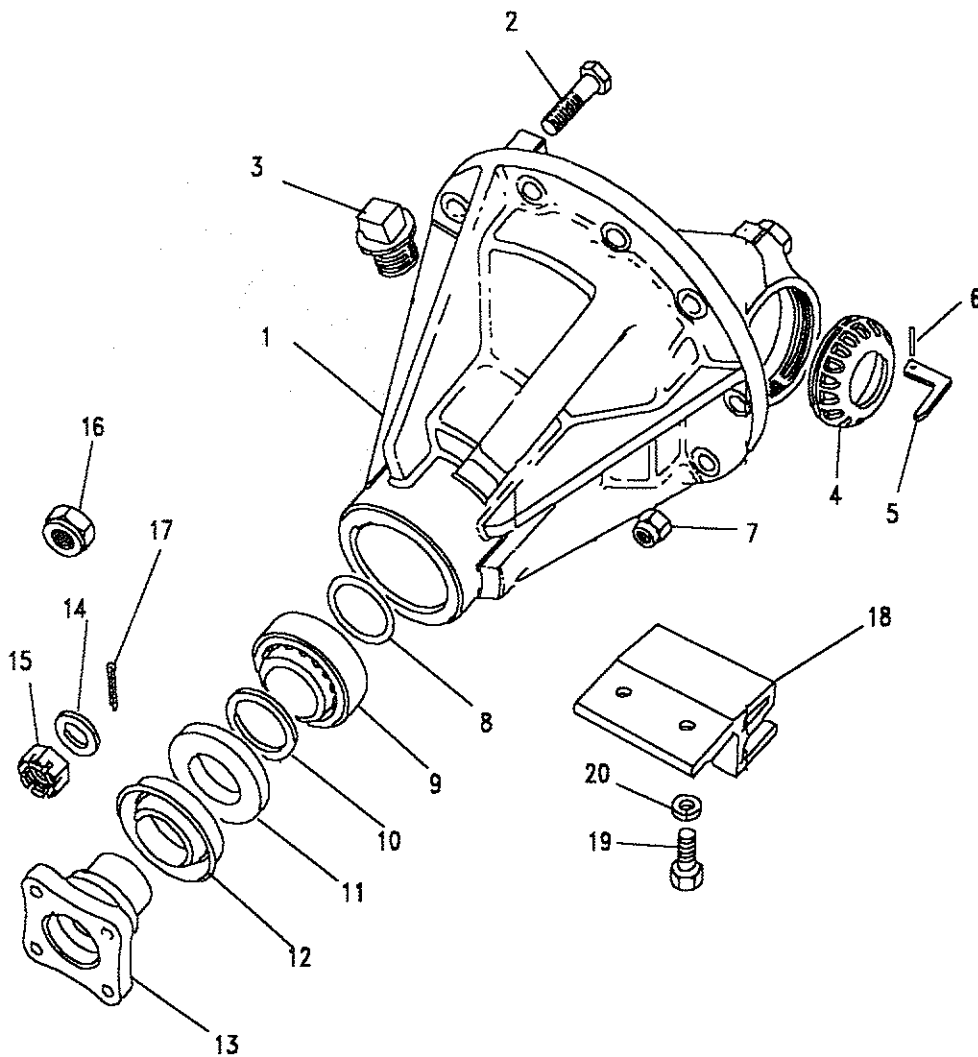
Model DEFENDER 90
Page ADEXCE1A

FRONT AXLE - FRONT DIFFERENTIAL - UPTO VIN LA930455

III. Part No. Description Qty Remarks

Vehicles with front disc and rear drum brakes

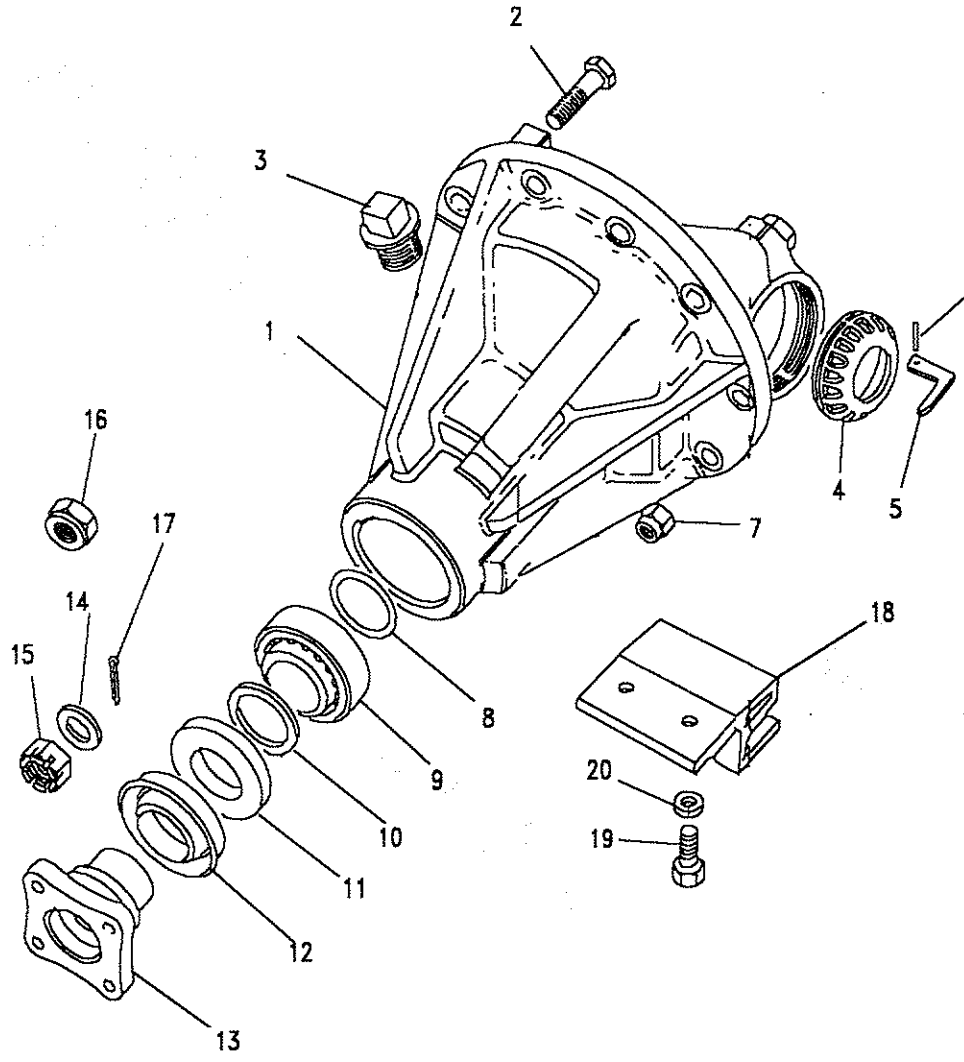
	FTC2750	Differential assy 3.54:1	1	
	FTC2750R	Differential assembly	1	Rebuilt
1	FRC5690	Housing pinion	1	
2	BH112101L	Bolt	4	
3	608246	Plug	1	
4	FRC5204	Lock ring	2	
5	FRC5661	Locking tab	2	
6	576159	Pin spring	2	
7	NY606041L	Nut	10	<i>3 (2) of nyloc</i>
8	FRC1193	Shim 0.060"	2	
	FRC1195	Shim 0.062"	2	
	FRC1197	Shim 0.064"	2	
	FRC1199	Shim 0.066"	2	
	FRC1201	Shim 0.068"	2	
	FRC1203	Shim 0.070"	2	
	539718	Shim 0.072"	2	
	539720	Shim 0.074"	2	
	539722	Shim 0.076"	2	
	539724	Shim 0.078"	2	



Model DEFENDER 90
Page ADEXCE1A

FRONT AXLE - FRONT DIFFERENTIAL - UPTO VIN 930455

Ill. Part No.	Description	Qty	Remarks
9	539707 Bearing pinion	1	
10	539745 Spacer	1	
11	FRC8220 Oil seal	1	
12	FRC8154 Shield mud	1	
13	FRC3002 Flange	1	
14	90513454 Washer plain	1	
15	3259 Nut castle	1	
16	NY116041 Nut nyloc	1	
17	PS608101L Pin split	1	
18	NRC9713 Bracket-Track Rod Protect	1	
19	SH406061L Bolt	2	
20	WM600061 Washer spring	2	





Model DEFENDER 90
Page ADEXCE2A

FRONT AXLE - FRONT DIFFERENTIAL - FROM VIN LA930456

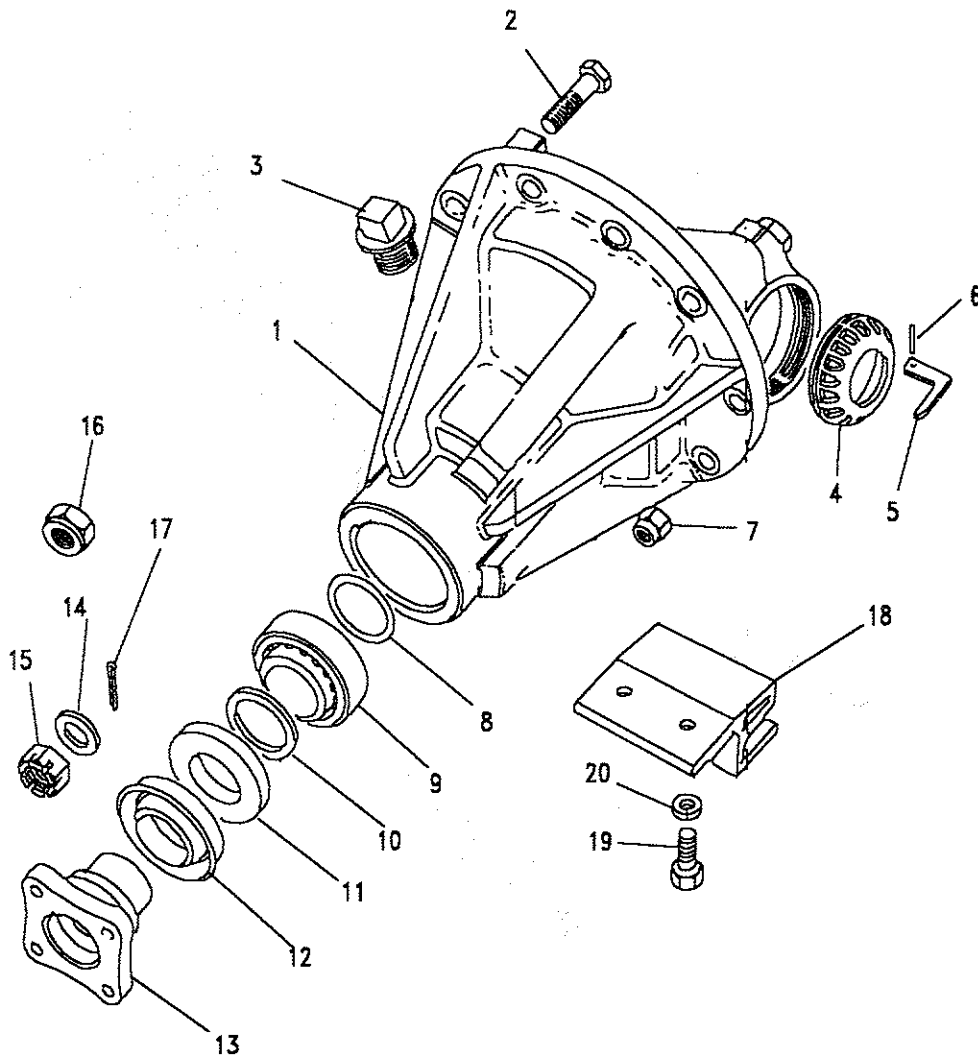
III. Part No. Description Qty Remarks

Vehicles with front and rear disc brakes

1	FTC3272	Differential assembly	1	
1	FTC3272R	Differential assembly	1	Rebuilt
1	FRC4112	Housing pinion	1	
2	BH112101L	Bolt	4	
3	608246	Plug	1	
4	FRC5204	Lock ring	2	
5	FRC5661	Locking tab	2	
6	576159	Pin spring	2	
7	NY606041L	Nut <i>3/8 UNF 2x60</i>	10	

Selective Shim - tail pinion bearing - A/R

8	FTC3869	2.155mm
	FTC3871	2.105mm
	FTC3873	2.080mm
	FTC3875	2.005mm
	FTC3877	1.955mm
	FTC3879	1.905mm
	FTC3881	1.855mm
	FTC3883	1.805mm
	FTC3885	1.755mm
	FTC3887	1.705mm
	FTC3889	1.655mm
	FTC3891	1.605mm
	FTC3893	1.555mm
	FTC3895	1.505mm

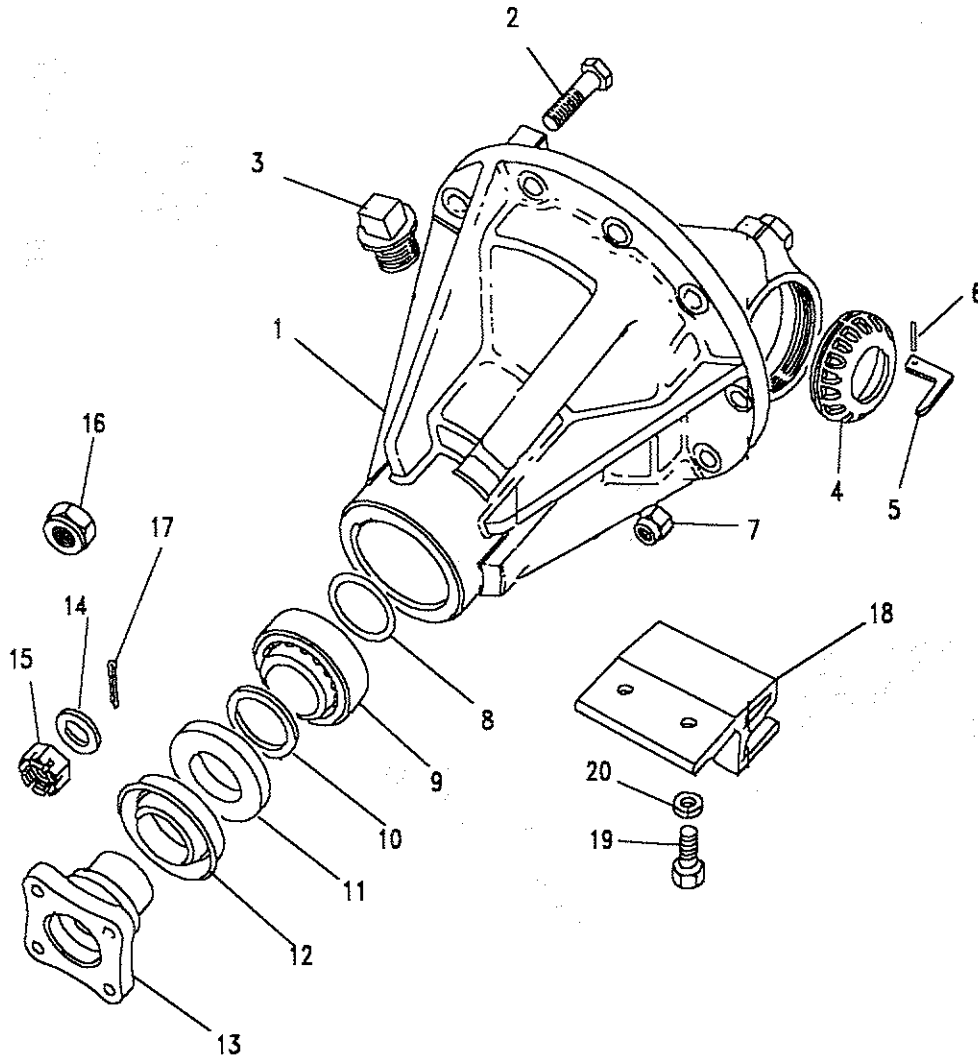




Model DEFENDER 90
Page ADEXCE2A

FRONT AXLE - FRONT DIFFERENTIAL - FROM VIN LA930456

III. Part No.	Description	Qty	Remarks
9	539707	1	Bearing pinion
10	539745	1	Spacer
11	FRC8220	1	Oil seal
12	FRC8154	1	Shield mud
13	FRC3002	1	Flange
14	90513454	1	Washer plain
15	3259	1	Nut castle
16	NY116041	1	Nut nyloc
17	PS608101L	1	Pin split
18	NRC9713	1	Bracket-Track Rod Protect
19	SH406061L	2	Bolt
20	WM600061	2	Washer spring





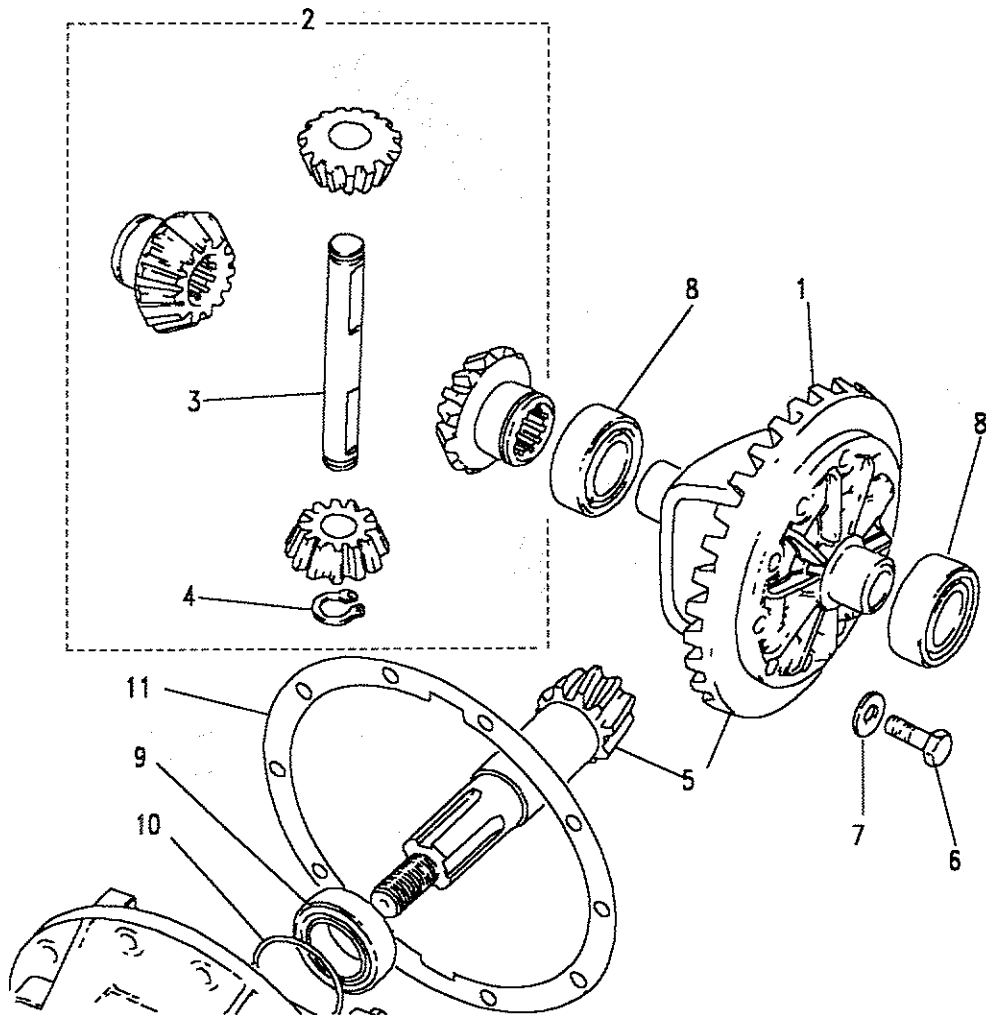
Model DEFENDER 90

Page ADEXCG1A

FRONT AXLE - FRONT DIFFERENTIAL - UPTO VIN 930455

III. Part No.	Description	Qty	Remarks
Vehicles with front disc and rear drum brakes			
1	FRC2933	1	Case differential
2	STC851	1	Kit gear differential
3	599945	1	Cross Shaft
4	CCN110L	2	Circlip
5	FTC781	1	Crownwheel and pinion
6	593692	10	Bolt
7	593693	10	Washer plain
8	RTC2726	2	Bearing differential
	STC1602	2	Bearing differential
9	539706	1	Bearing pinion

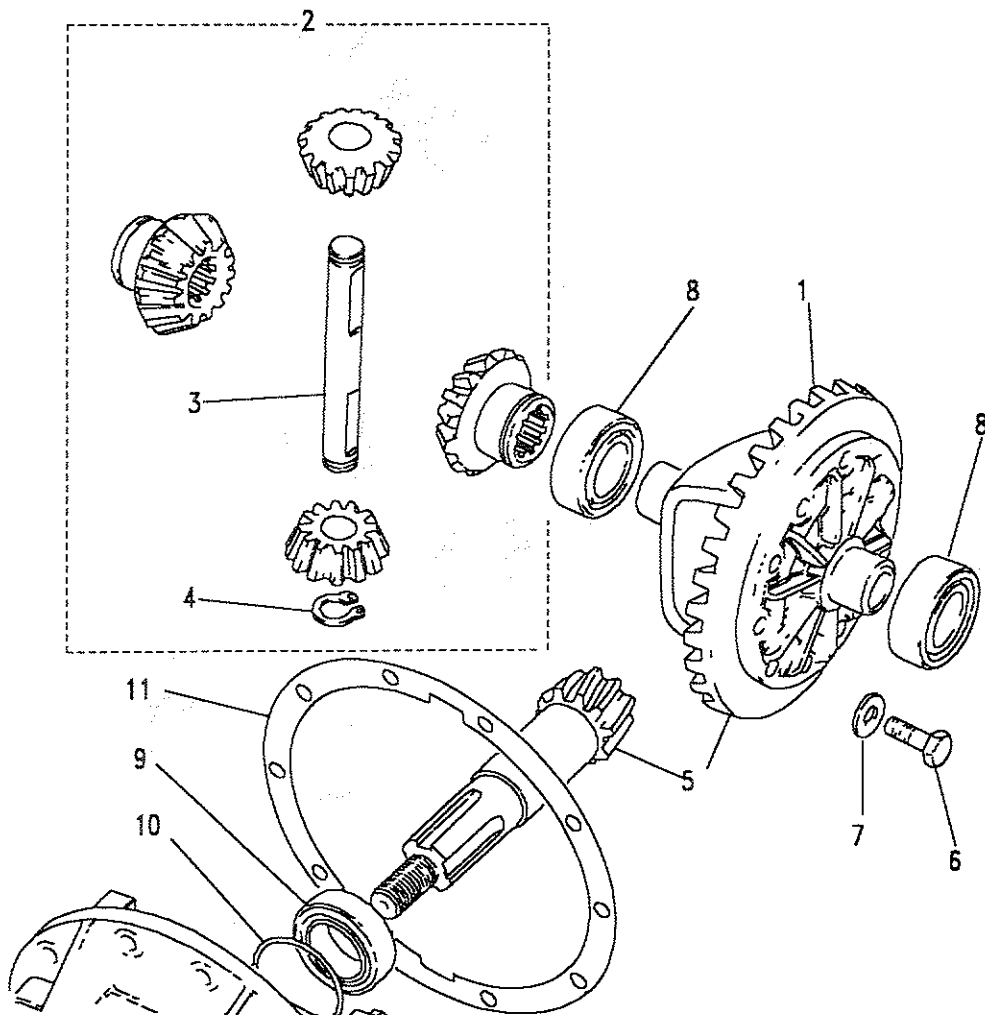
Note(1) Flange FRC3002 may be required on early models



Model DEFENDER 90
Page ADEXCG1A

FRONT AXLE - FRONT DIFFERENTIAL - UPTO VIN 930455

III. Part No.	Description	Qty	Remarks
10 549230	Shim 0.038"	1	
549232	Shim 0.040"	1	
549234	Shim 0.042"	1	
549236	Shim 0.044"	1	
549238	Shim 0.046"	1	
549240	Shim 0.048"	1	
549242	Shim 0.050"	1	
549244	Shim 0.052"	1	
549246	Shim 0.054"	1	
549248	Shim 0.056"	1	
549250	Shim 0.058"	1	
549252	Shim 0.060"	1	
576236	Shim 0.062"	1	
576237	Shim 0.063"	1	
576238	Shim 0.064"	1	
576239	Shim 0.065"	1	
11 7316	Joint Washer	1	





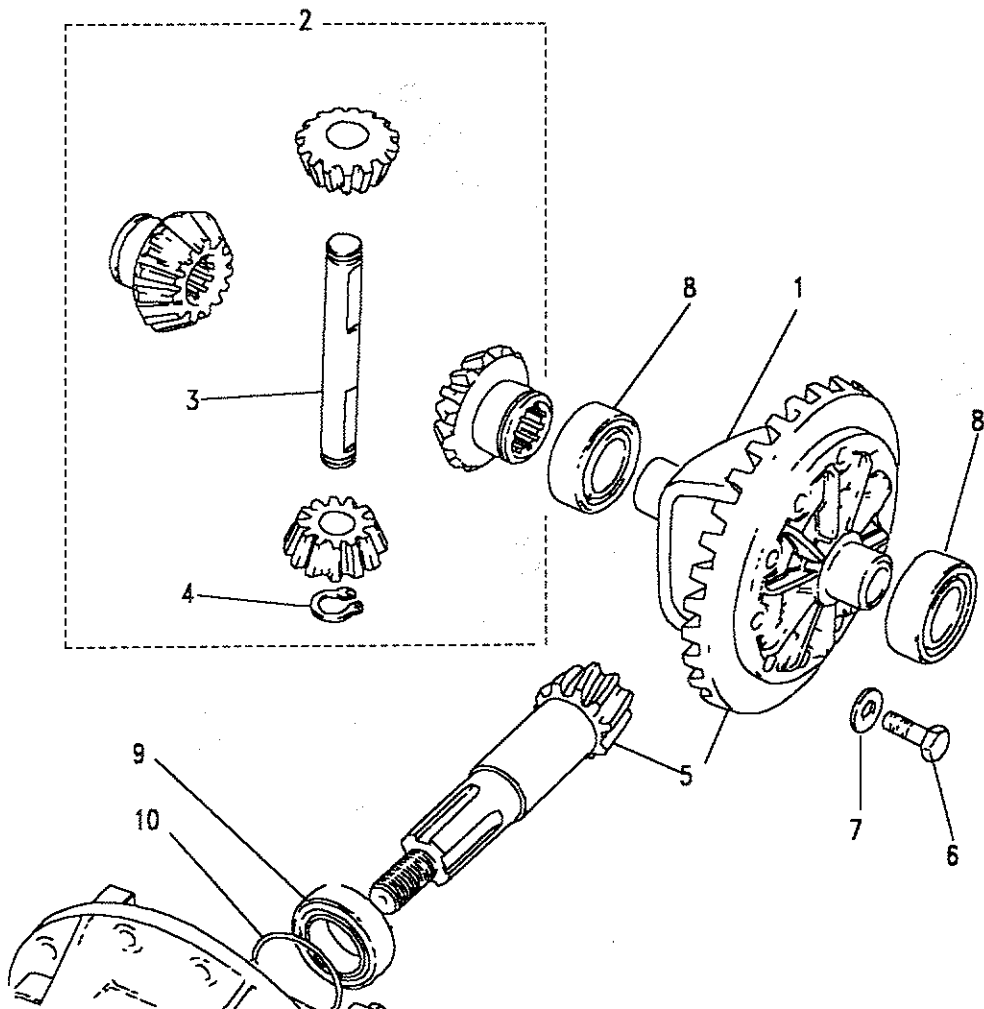
Model DEFENDER 90
Page ADEXCG2A

FRONT AXLE - FRONT DIFFERENTIAL - FROM VIN LA930456

III. Part No. Description Qty Remarks

Vehicles with front and rear disc brakes

Part No.	Description	Qty	Remarks
1	FRC2933	1	Suffix A/B
	FTC3269	1	Suffix C
2	STC851	1	Suffix A/B
	FTC3267	2	Suffix C
	FTC3268	2	Suffix C
3	599945	1	
4	CCN110L	2	
5	FTC3620	1	
6	593692	10	Suffix A/B
	FTC3586	10	Suffix C
7	593693	10	
8	RTC2726	2	
	STC1602	2	Suffix C
9	539706	1	



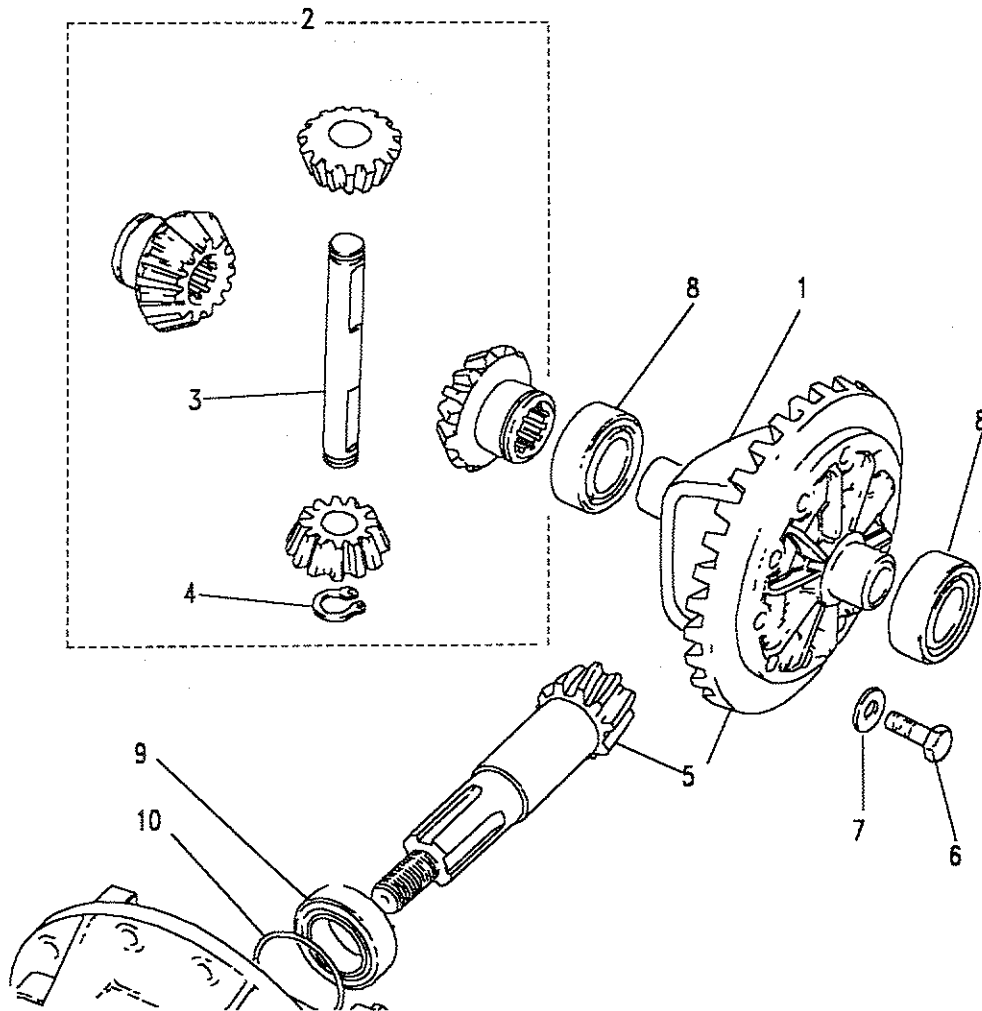
Model DEFENDER 90
 Page ADEXCG2A

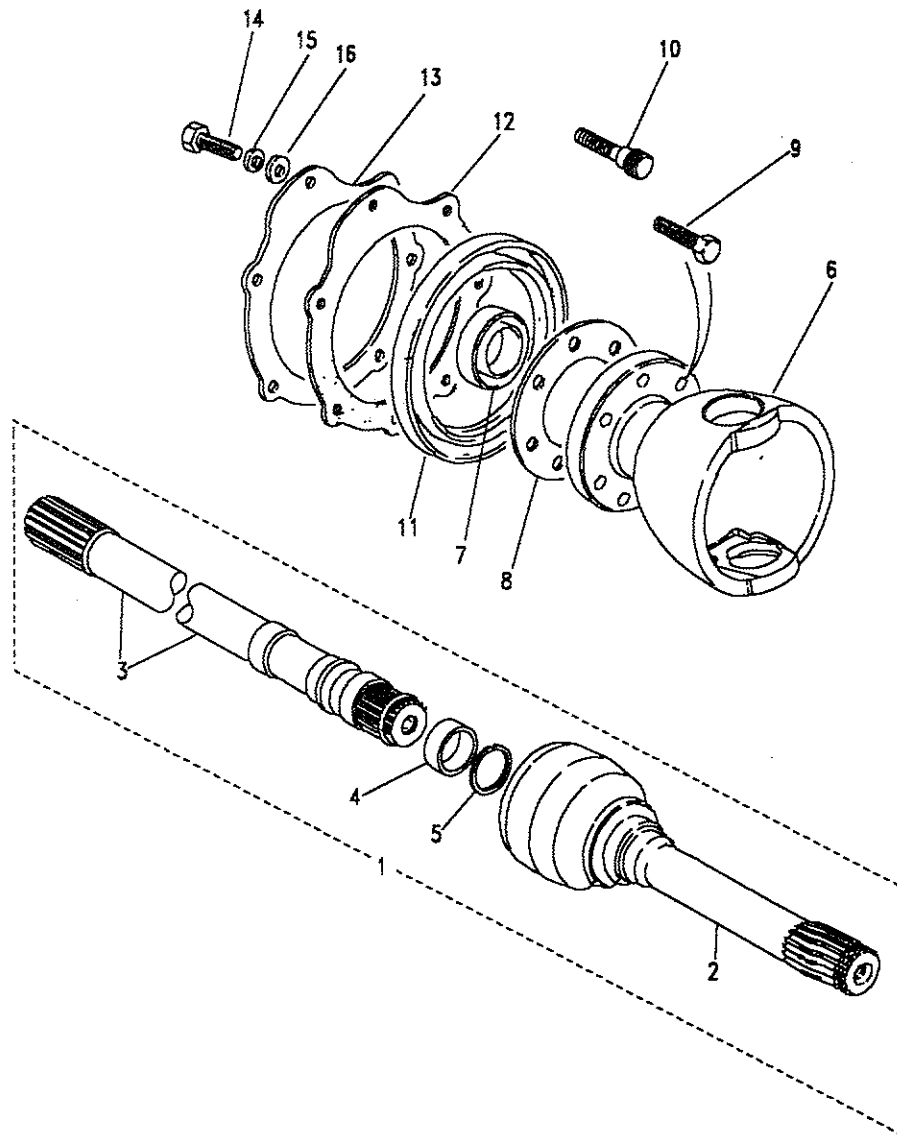
FRONT AXLE - FRONT DIFFERENTIAL - FROM VIN LA930456

III. Part No. Description Qty Remarks

Selective Shim - pinion bearing head - A/R

10	FTC3853	1.548mm
	FTC3855	1.498mm
	FTC3857	1.448mm
	FTC3859	1.398mm
	FTC3861	1.348mm
	FTC3863	1.298mm
	FTC3865	1.248mm
	FTC3867	1.198mm





Model DEFENDER 90

Page ADEXC11A

FRONT AXLE - DRIVE SHAFTS - UPTO VIN 930455

III. Part No.	Description	Qty	Remarks
Vehicles with front disc and rear drum brakes			
1	FRC3890	1	Halfshaft assembly-RH Note(1)
	FRC3891	1	Halfshaft assembly-LH Note(1)
	FTC1332	1	Halfshaft assembly-RH Note(2)
	FTC1333	1	Halfshaft assembly-LH Note(2)
2	AEU2522	2	Constant velocity joint Note(1)
	RTC8862	2	Constant velocity joint Note(2)
3	AEU2520	1	Shaft RH Note(1)
	AEU2521	1	Shaft LH Note(1)
	RTC6754	1	Shaft RH Note(2)
	RTC6755	1	Shaft LH Note(2)
4	FTC254	2	Spacer Note(1)
	RTC5841	2	Spacer Note(2)
5	RTC4820	2	Circlip Note(1)
	STC579	2	Circlip Note(2)
6	FRC2644	2	Housing bearing
7	571718	2	Oil seal
8	FTC3646	2	Joint washer
9	FTC3456	12	Bolt swivel housing
10	FTC3454	2	Dowel Bolt
	FRC8530	14	Washer
11	FRC2889	2	Oil seal Note(3)
	FTC3401	2	Oil seal Note(4)

Note(1) Upto 22L27847 RHS 23L12092 LHS
 Note(2) From 22L27848 RHS 23L12093 LHS also 20L RHS and 21L LHS
 Note(3) Upto 20L74081C RHS 21L55147C LHS
 Note(4) Upto 20L74082C RHS 21L55148C LHS



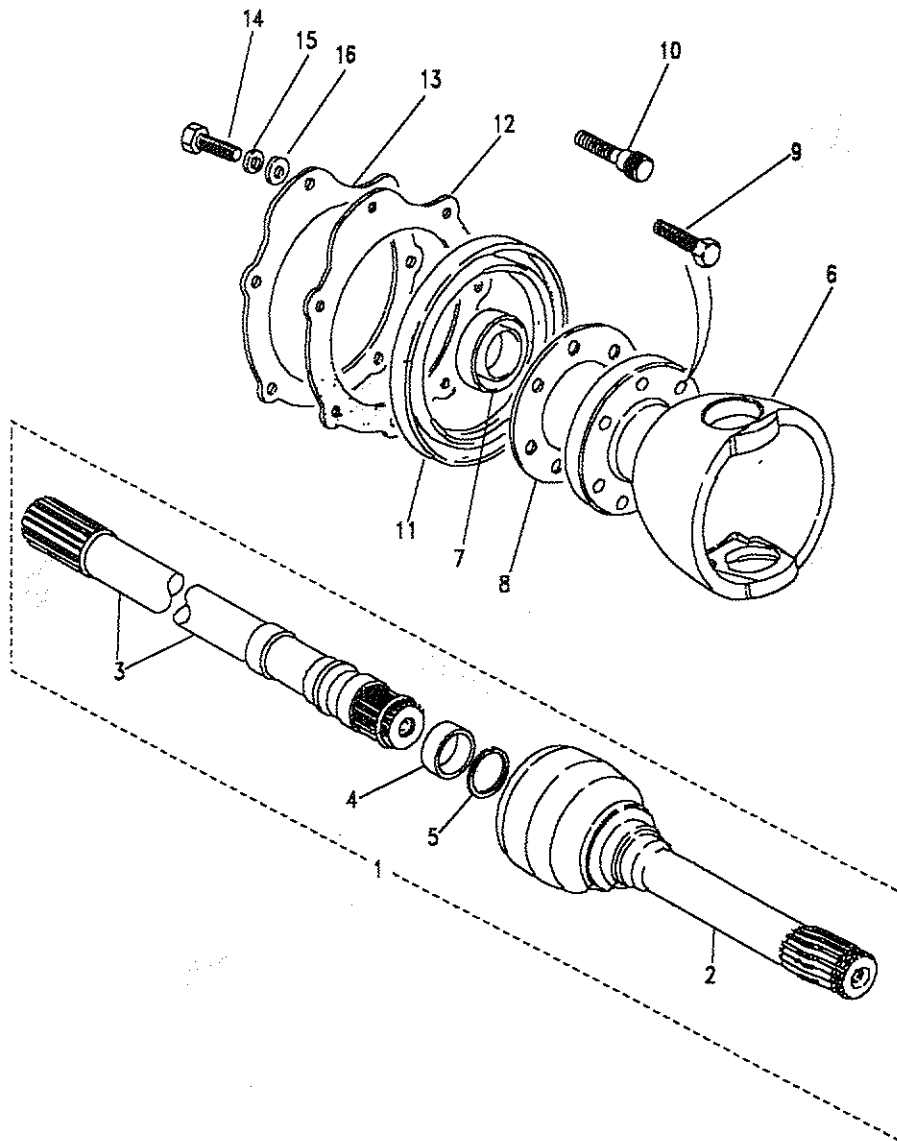


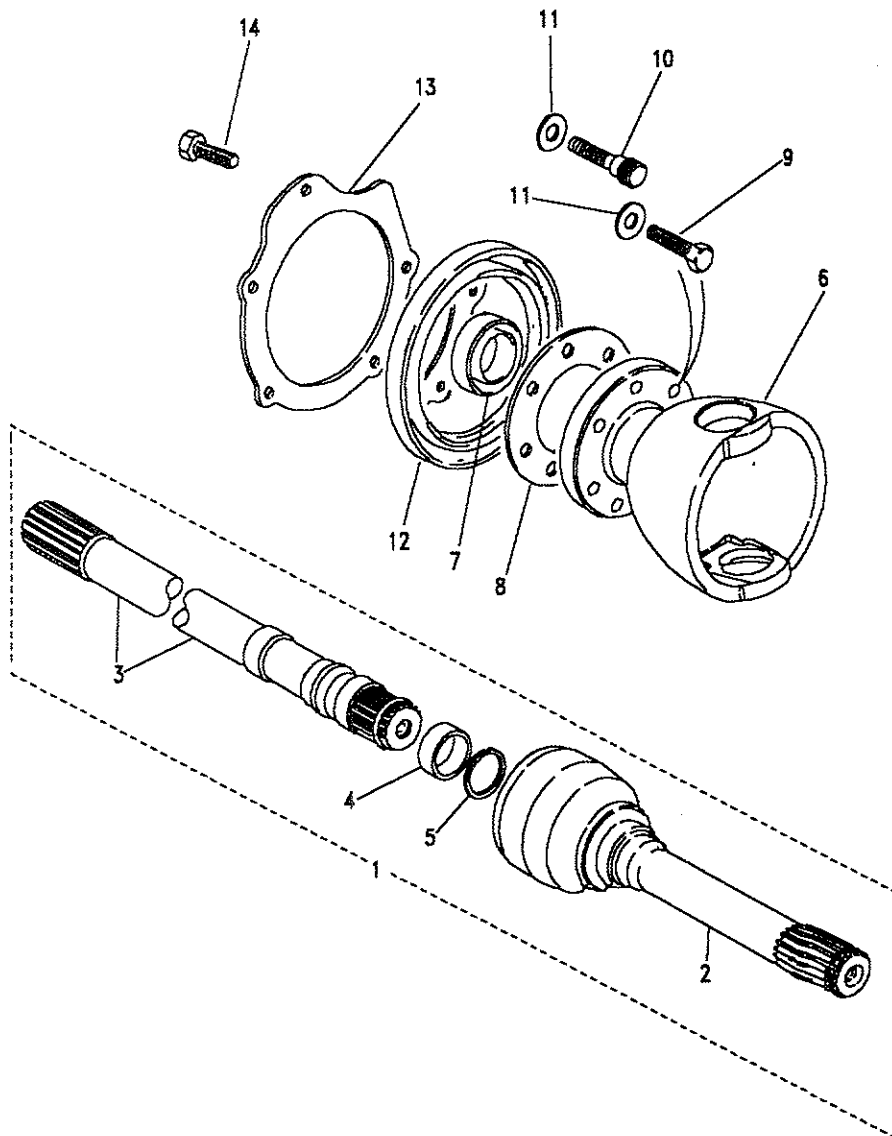
257

Model DEFENDER 90
Page ADEXC11A

FRONT AXLE - DRIVE SHAFTS - UPTO VIN 930455

III. Part No.	Description	Qty	Remarks
12 FRC4206	Joint washer	2	
13 FRC4142	Plate retaining	2	
14 SH106121	Screw	14	
15 WL106001	Washer spring	14	
16 WA106001L	Washer plain	14	





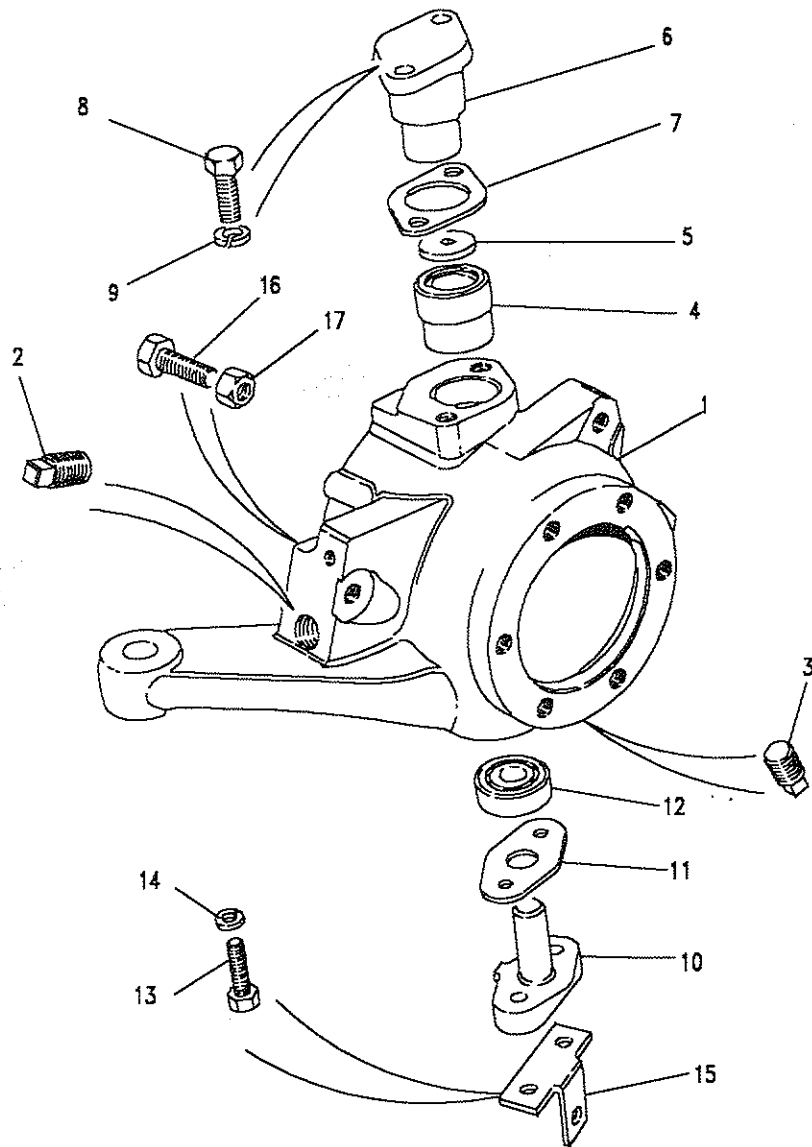
Model DEFENDER 90

Page ADEXCI2A

FRONT AXLE - DRIVE SHAFTS - FROM VIN LA930456

Ill. Part No.	Description	Qty	Remarks
Vehicles with front and rear disc brakes			
1	FTC3148	1	Halfshaft assembly RH
	FTC3149	1	Halfshaft assembly LH
2		2	Constant velocity joint
3		1	Shaft RH
		1	Shaft LH
4		2	Spacer
5	STC579	2	Circlip
6	FRC7065	2	Housing bearing
7	FTC3276	2	Oil seal
8	FTC3646	2	Joint washer
9	FTC3456	6	Bolt swivel housing
10	FTC3454	2	Dowel Bolt
11	FRC8530	14	Washer
12	FTC3401	2	Oil seal
13	571755	2	Plate retaining
14	SH106121L	14	Screw



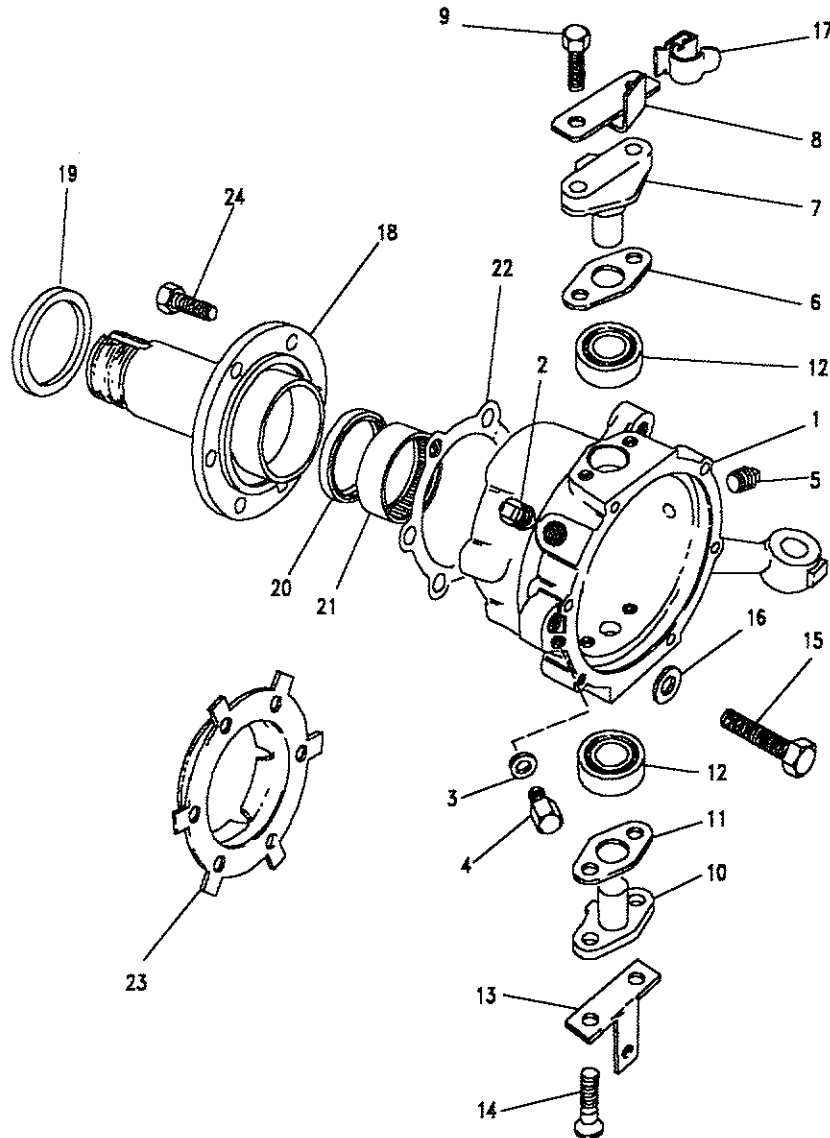


Model DEFENDER 90
Page ADEXCK1A

FRONT AXLE - SWIVEL PIN HOUSING - UPTO VIN 930455

III. Part No.	Description	Qty	Remarks
Vehicles with front disc and rear drum brakes			
1	FRC4838	1) Note(1)
	FRC4839	1	
	FRC4840	1	
	FRC4841	1	
1	FTC2528	1) Note(2)
	FTC2529	1	
	FTC2530	1	
	FTC2531	1	
2	3291	2	
3	3290	2	
4	FRC2916	2	
5	FRC2906	2	
6	FRC3511	2	
7	FRC2883	2	
	FRC2884	2	
	FRC2885	2	
	FRC2886	2	
8	BX110071M	4	
9	WL110001	4	
10	FRC2894	2	
11	FTC3647	2	
12	606666	2	
13	BH108161M	4	
14	WL108001L	2	
15	FRC3725	1	
16	AFU1234	2	
17	NT112041	2	

Note(1) Up to JA909205
 Note(2) From JA909206



Model DEFENDER 90
Page ADEXCK2A

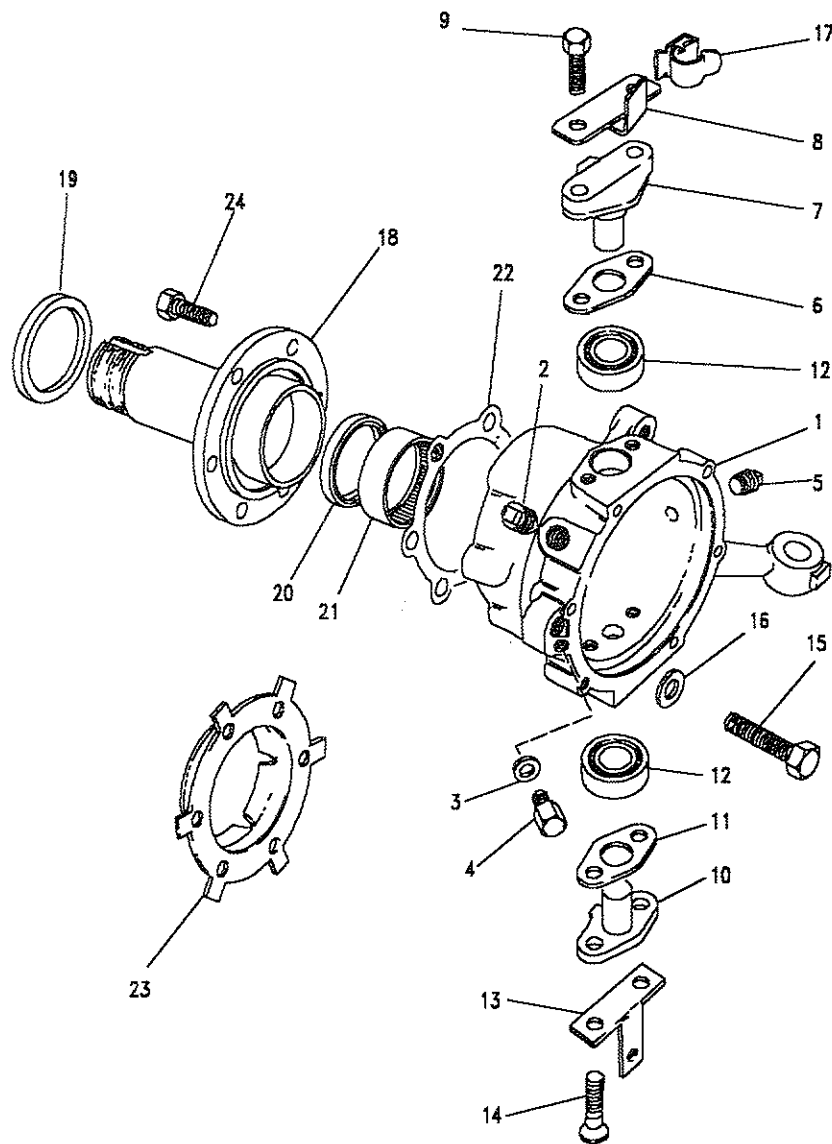
FRONT AXLE - SWIVEL PIN HOUSING - FROM VIN LA930456

iii. Part No. Description Qty Remarks

Vehicles with front and rear disc brakes

1	FTC3308	Housing swivel pin RH	1	RHS
	FTC3309	Housing swivel pin LH	1	RHS
	FTC3310	Housing swivel pin RH	1	LHS
	FTC3311	Housing swivel pin LH	1	LHS
2	3292	Plug oil filler	1	
3	230511	Joint washer	1	
4	236070	Plug oil drain	1	
5	FTC3670	Plug oil level	1	
6	FRC2883	Shim 0.075mm	2	
	FRC2884	Shim 0.130mm	2	
	FRC2885	Shim 0.250mm	2	
	FRC2886	Shim 0.750mm	2	
7	FTC2882	Swivel pin upper	2	
8	90576928	Washer locking	2	
9	BX110071M	Bolt patchlock	4	
10	FRC2894	Swivel pin lower	2	





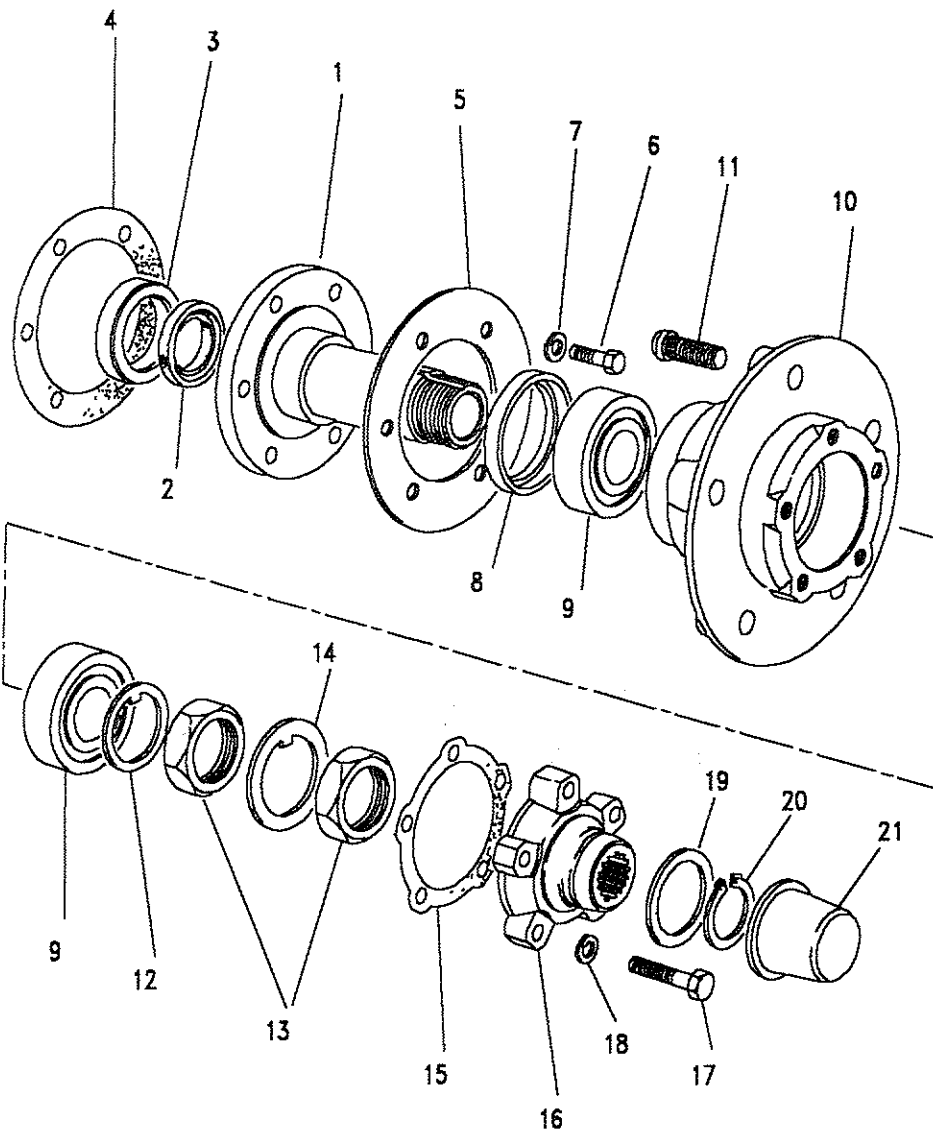
Model DEFENDER 90
Page ADEXCK2A

FRONT AXLE - SWIVEL PIN HOUSING - FROM VIN LA930456

III. Part No.	Description	Qty	Remarks
Vehicles with front and rear disc brakes			
11	FTC3647	2	Joint washer
12	606666	4	Bearing
13	FRC3725	2	Bracket retaining
14	FTC3455	4	Screw
15	BH108061M	4	Bolt patchlock
16	WL108001L	4	Washer spring
17	NTC6994	2	Clip retaining
18	FTC3183	2	Axle stub
19	FTC56	2	Thrust ring
20	FTC840	2	Oil seal
	FTC3145	2	Oil seal
21	FTC861	2	Bearing
22	FTC3648	2	Washer joint
23	FRC2310	2	Plate locking
24	SX110251M	12	Bolt patchlock

Note(1) Up to 22L12545C - RHS & 23L16310C - LHS
Note(2) From 22L12546C - RHS & 23L16311C - LHS





Model DEFENDER 90

Page ADEXCM1A

FRONT AXLE - FRONT HUB - UPTO VIN 930455

III. Part No.	Description	Qty	Remarks
Vehicles with front disc and rear drum brakes			
1 FRC4320	Axle stub	2	
2 FRC3099	Oil seal	2	
3 FRC4319	Bush	2	
4 FTC3648	Joint washer	2	
5 FRC2310	Plate locking	2	
6 SX110251M	Bolt patchlock	12	
7 WL110001L	Washer spring	12	
8 RTC3511	Oil seal	2	Upto Note(1)
9 RTC3429	Bearing	2	From Note(2)
10 FRC6139	Hub assembly	2	
11 FRC6137	Stud	10	
12 217352	Key washer	2	
13 FRC8700	Lock nut	4	
14 217353	Locker	2	
15 FRC3988	Joint washer	2	

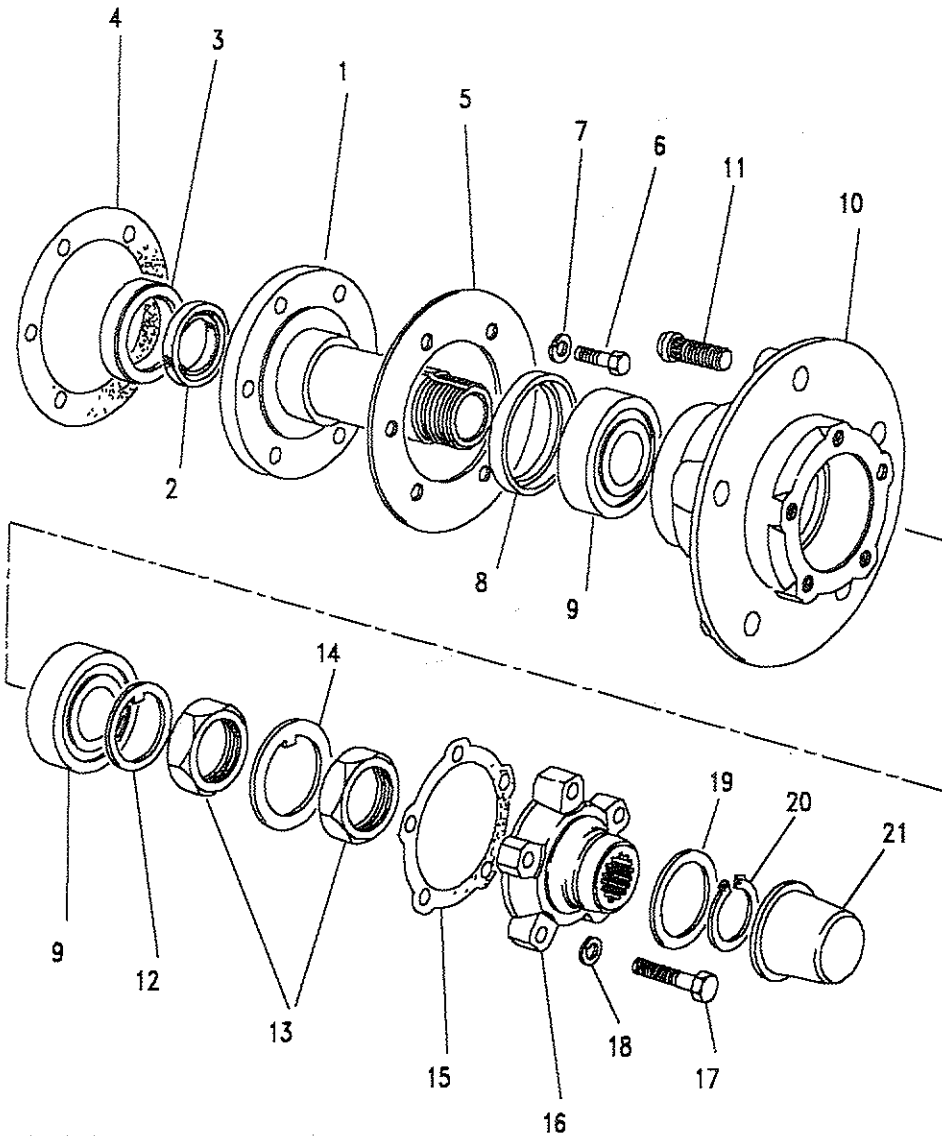
Note(1)
Note(2)

Up to axle No 22L06071B RHS, 23L03666B LHS
From axle No 22L06072B RHS, 23L03667B LHS also 20L RHS, 21L LHS

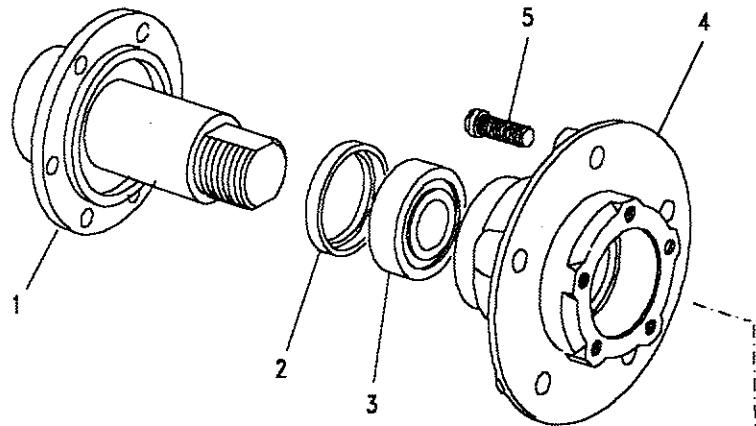


Model DEFENDER 90
 Page ADEXCM1A

FRONT AXLE - FRONT HUB - UPTO VIN 930455



III. Part No.	Description	Qty	Remarks
16	FRC5806 Driving member	2	
17	AFU1181 Bolt <i>M10</i>	10	
18	WL110001L Washer spring <i>M10</i>	10	
19	SHIM		
	FRC6782 Shim 0.45mm	4	
	FRC6783 Shim 0.60mm	4	
	FRC6784 Shim 0.75mm	4	
	FRC6785 Shim 0.90mm	4	
	FRC6786 Shim 1.05mm	4	
	FRC6787 Shim 1.20mm	4	
	FRC6788 Shim 1.35mm	4	
	FRC6789 Shim 1.50mm	4	
	FRC6790 Shim 1.65mm	4	
20	549473 Circlip	2	
21	FRC4377 Hub cap	2	



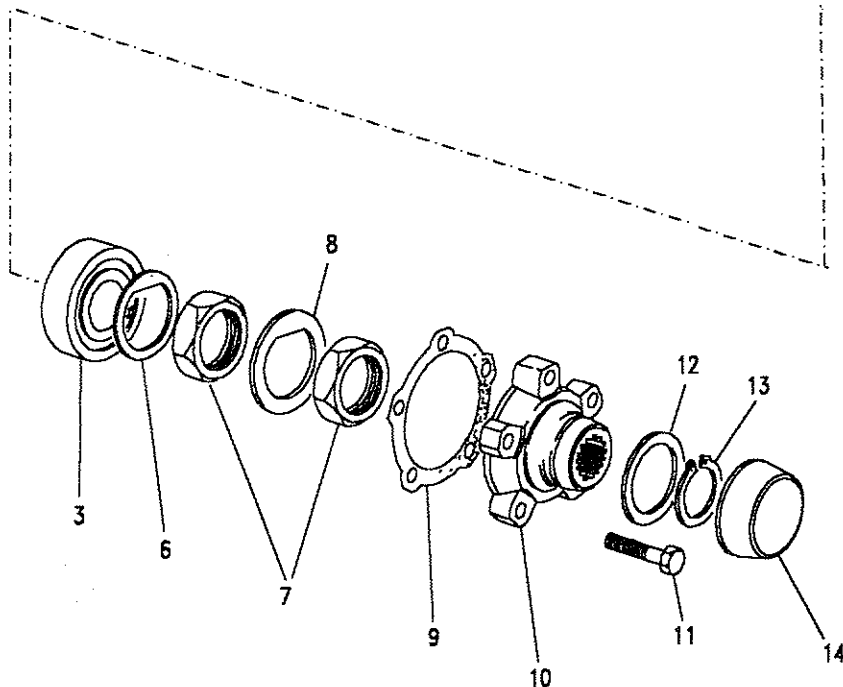
Model DEFENDER 90
Page ADEXCM2A

FRONT AXLE - FRONT HUBS - FROM VIN LA930456

Ill. Part No. Description Qty Remarks

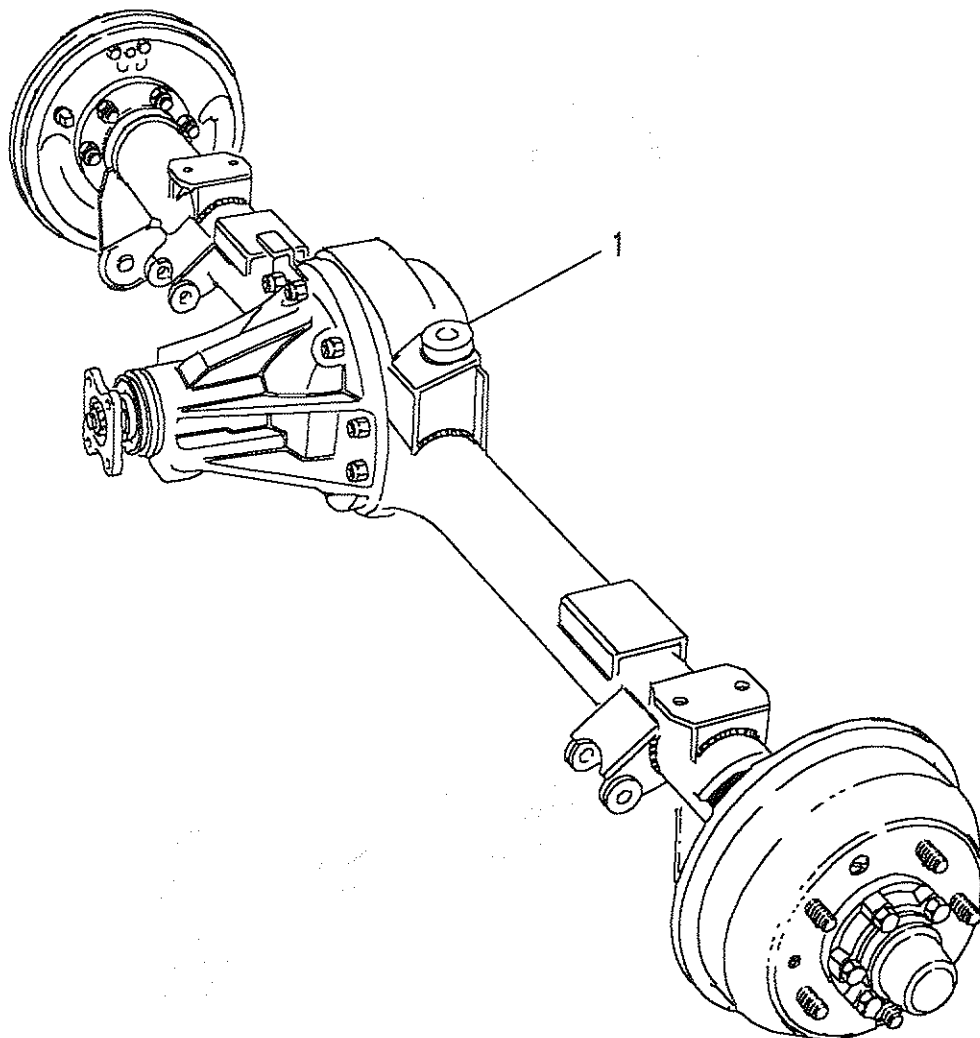
Vehicles with front and rear disc brakes

1	FTC3183	Axle stub	2	Note(1)
2	FTC2783	Seal hub inner	2	
3	RTC3429	Bearing hub	4	
4	FTC942	Hub assembly	2	
5	FRC5926	Stud	10	
6	FTC3185	Washer stub axle	2	
7	FRC8700	Nut stub axle	4	
8	FTC3179	Washer lock	2	
9	571752	Washer joint	2	
10	FTC859	Hub driving member	2	
11	BX110095M	Bolt patchlock	2	
12	FRC6782	Shim 0.45mm	2	
	FRC6783	Shim 0.60mm	2	
	FRC6784	Shim 0.75mm	2	
	FRC6785	Shim 0.90mm	2	
	FRC6786	Shim 1.05mm	2	
	FRC6787	Shim 1.20mm	2	
	FRC6788	Shim 1.35mm	2	
	FRC6789	Shim 1.50mm	2	
	FRC6790	Shim 1.65mm	2	
13	549473	Circlip	2	
14	FTC943	Cap hub	2	



Note(1) See also page 495 - 496





Model DEFENDER 90
Page ADEXEA1A

REAR AXLE - REAR AXLE ASSEMBLY - UPTO VIN 930455

III. Part No.	Description	Qty	Remarks
Vehicles with front disc and rear drum brakes			
4 Cylinder			
1 FRC8786	Axle assembly rear	1	Upto 22S07618C
FTC1633	Axle assembly rear	1	From 22S07619C
4 Cylinder - Heavy Duty			
1 FRC8097	Axle assembly rear	1	Upto 23S08283B No longer available
FRC8787	Axle assembly rear	1	From 23S08284B Upto 23S07618C
FTC3688	Axle assembly rear	1	From 23S07619C
V8			
1 FRC8097	Axle assembly rear	1	Upto 23S08283B No longer available
FRC8787	Axle assembly rear	1	From 23S08284B Upto 23S07618C
FTC3688	Axle assembly rear	1	From 23S07619C

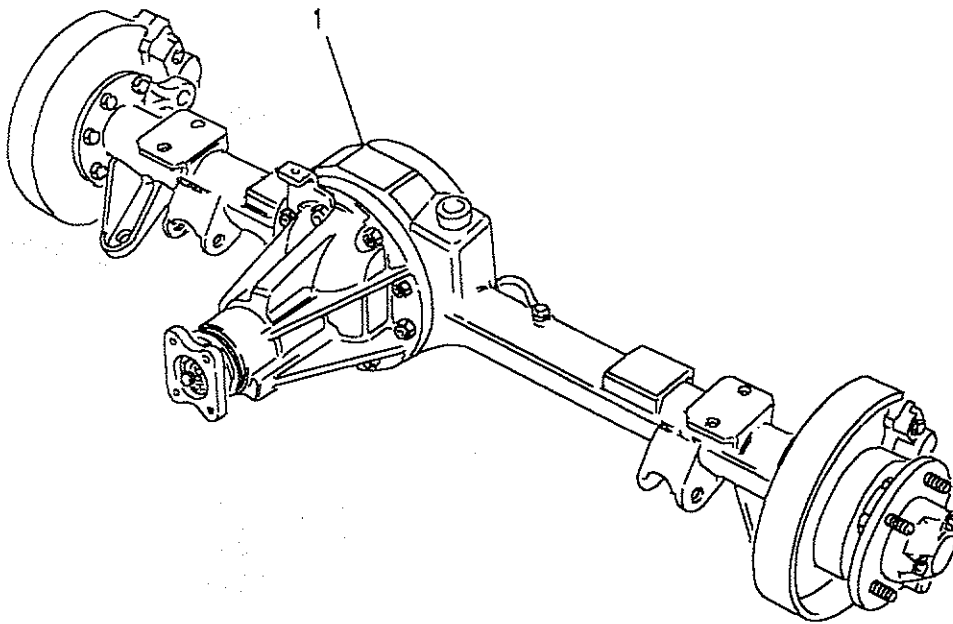




Model DEFENDER 90
Page ADEXEA2A

REAR AXLE - REAR AXLE ASSEMBLY - FROM VIN LA930456

III. Part No.	Description	Qty	Remarks
Vehicles with front and rear disc brakes			
1 FTC3688	Axle assembly rear	1	42S
4 Cylinder Heavy Duty			
1 FTC3974	Axle assembly rear	1	44S
4 Cylinder			
V8			
1 FTC3974	Axle assembly rear	1	44S



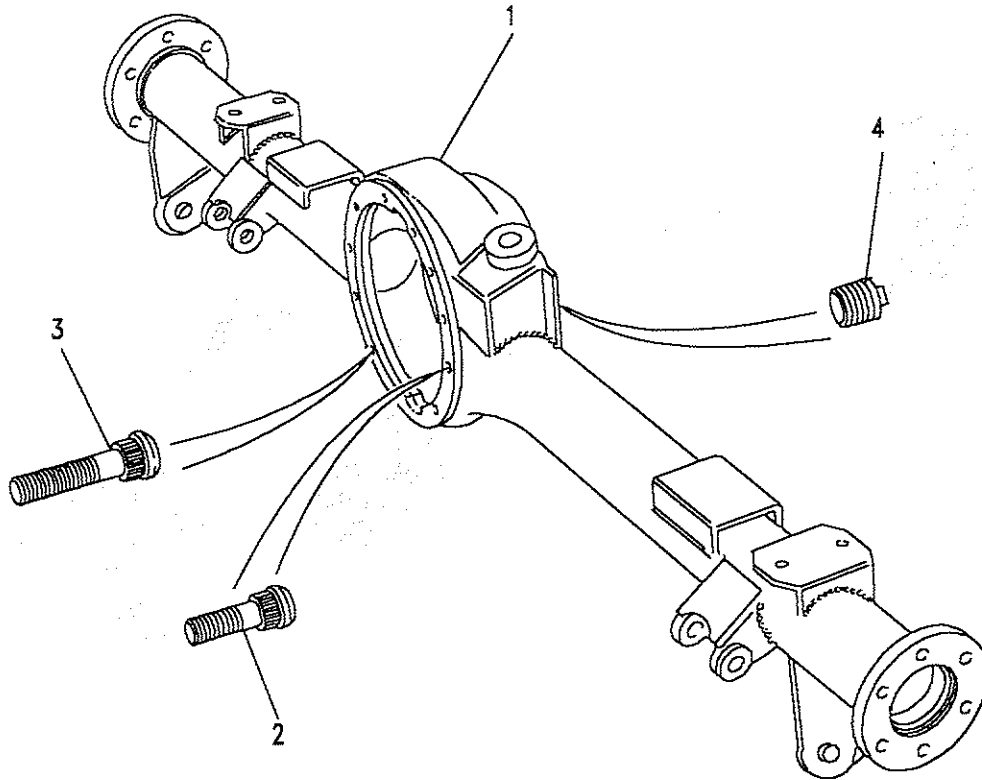


Model DEFENDER 90
Page ADEXEC1A

REAR AXLE - AXLE CASE REAR - Upto VIN 930455

III. Part No. Description Qty Remarks

Vehicles with front disc and rear drum brakes			
1	FRC7231	Axle case rear	1
2	561195	Stud 3/8unf x 1 1/4	4
3	561196	Stud 3/8unf x 1 3/4	6
4	608246	Plug	2





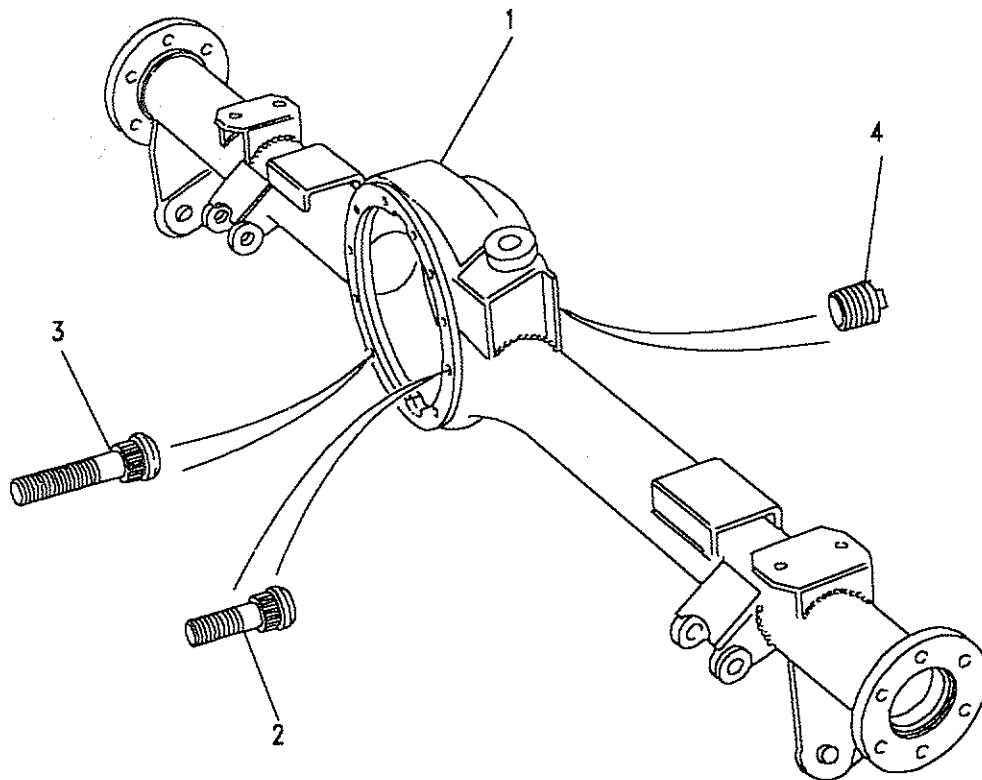
Model DEFENDER 90
Page ADEXEC2A

REAR AXLE - AXLE CASE REAR - From VIN LA930456

III. Part No. Description Qty Remarks

Vehicles with front and rear disc brakes

Part No.	Description	Qty	Remarks
1	FTC3434	1	
2	561195	4	Up to 42S04615A
	561196	4	From 42S04616A
3	561196	4	
4	608246	2	

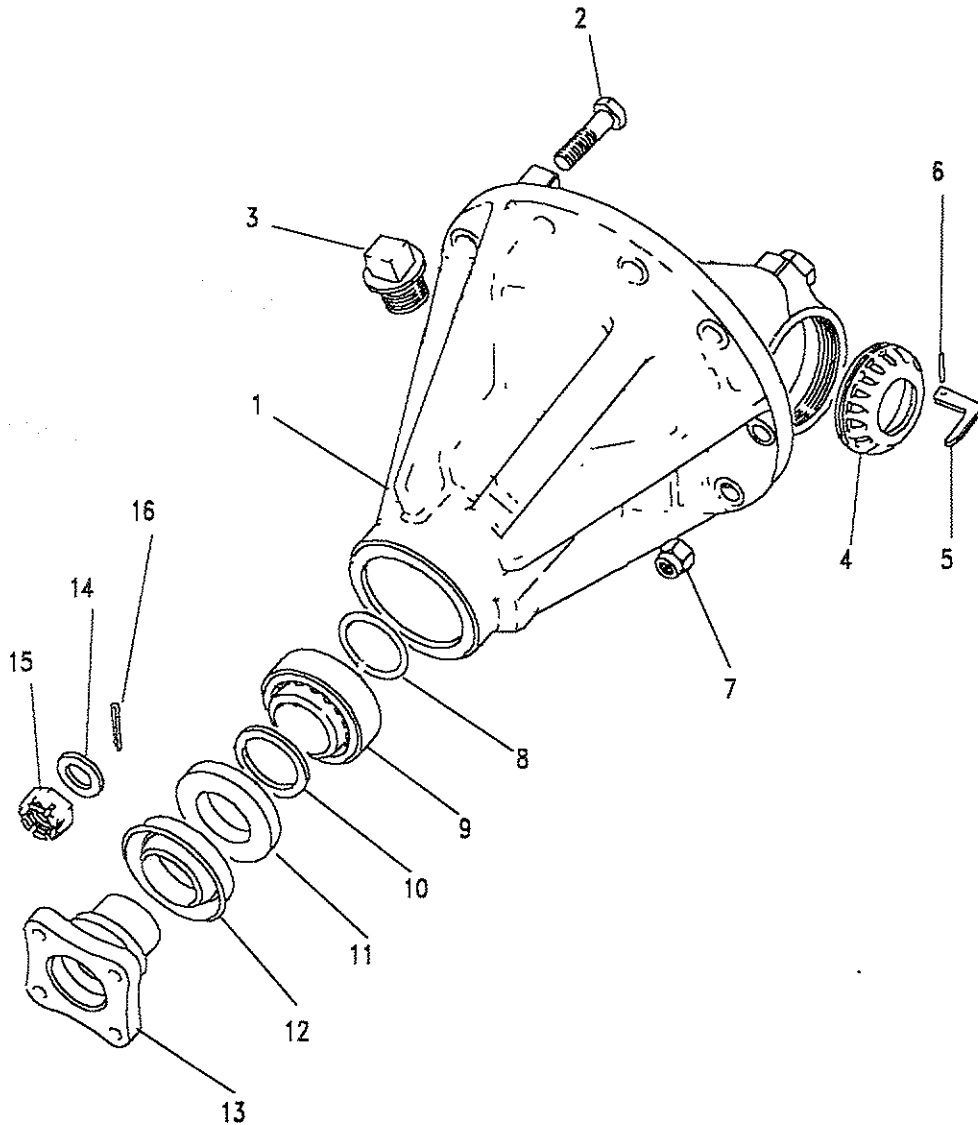




Model DEFENDER 90
Page ADEXEE1A

REAR AXLE - DIFFERENTIAL - UPTO VIN 930455

Ill. Part No.	Description	Qty	Remarks
Vehicles with front disc and rear drum brakes			
4 Cylinder			
FRC5688	Differential assembly	1	Upto 22S08283B NLA use FTC782N
FRC8521	Differential assembly	1	From 22S08284B NLA use FTC782N
FTC782N	Differential assembly	1	From 22S08284B Upto VIN JA917433
FTC2750	Differential assy 3.54:1	1	From VIN JA917434
FTC2750R	Differential assembly		Rebuild
4 Cylinder - Heavy Duty			
FRC8611	Differential assembly	1	23S NLA use FTC785
FTC785	Differential assembly	1	23S
FTC785R	Differential assembly	1	Rebuild
V8			
FRC8611	Differential assembly	1	23S NLA use FTC785
FTC785	Differential assembly	1	23S
FTC785R	Differential assembly	1	Rebuild
1 FRC5690	Housing pinion	1	
2 BH112101L	Bolt	4	
3 608246	Plug	1	
4 FRC5204	Lock ring	2	
5 FRC5661	Locking tab	2	
6 576159	Pin spring	2	
7 NY606041L	Nut	10	<i>3/8 DZF NYLOC</i>



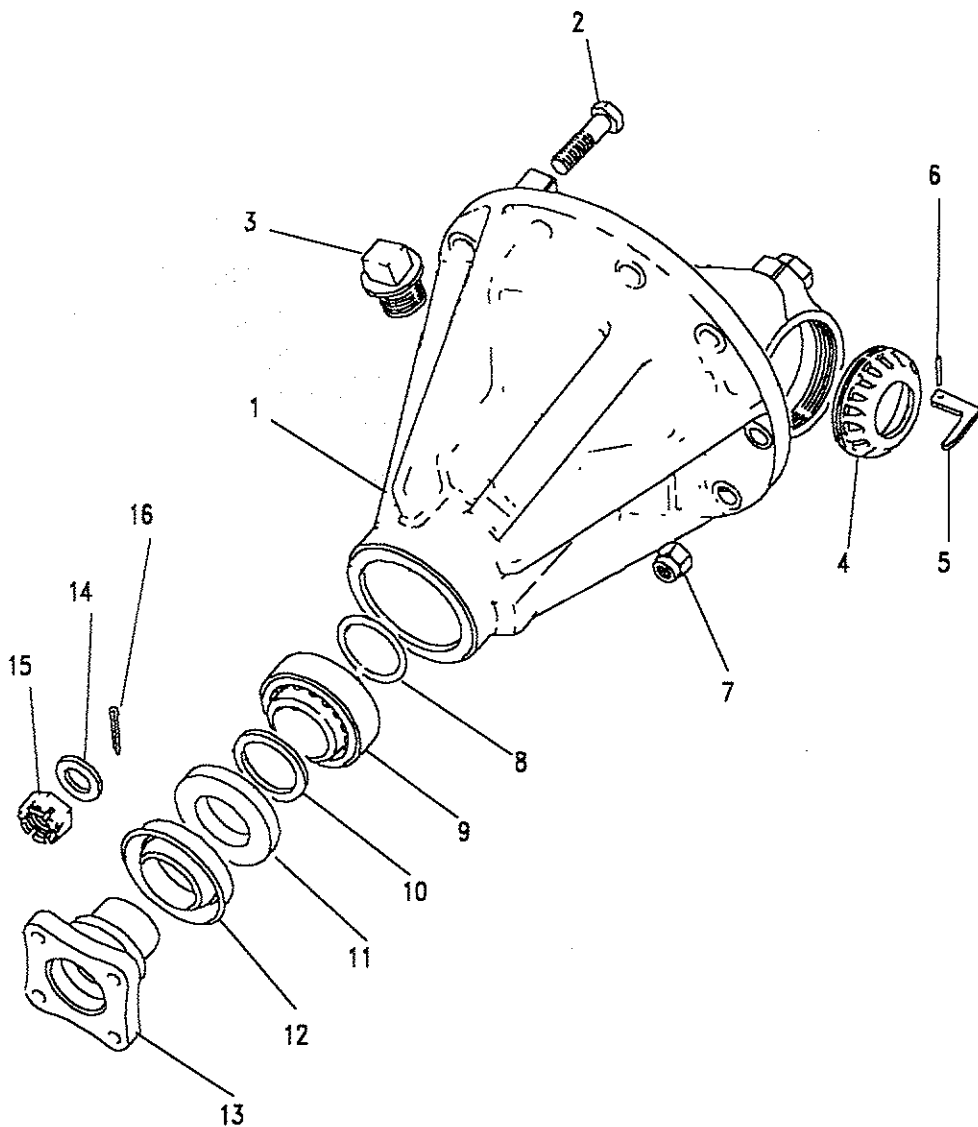


Model DEFENDER 90
Page ADEXEE1A

REAR AXLE - DIFFERENTIAL - UPTO VIN 930455

III. Part No.	Description	Qty	Remarks
8	FRC1193 Shim 0.060"	A/R	
	FRC1195 Shim 0.062"	A/R	
	FRC1197 Shim 0.064"	A/R	
	FRC1199 Shim 0.066"	A/R	
	FRC1201 Shim 0.068"	A/R	
	FRC1203 Shim 0.070"	A/R	
	539718 Shim 0.072"	A/R	
	539720 Shim 0.074"	A/R	
	539722 Shim 0.076"	A/R	
	539724 Shim 0.078"	A/R	
9	539707 Bearing pinion	1	
10	539745 Spacer	1	
11	FRC4586 Oil seal	1	Upto Axle 08283B
	FRC8220 Oil seal	1	From Axle 08284B
12	236072 Mudshield	1	Upto Axle 08283B
	FRC8154 Mudshield	1	From Axle 08284B
13	236632 Flange	1	Note (1)
	FRC3002 Flange	1	Note (2)
14	90513454 Washer plain	1	
15	3259 Nut	1	
16	PS608101L Pin split	1	

Note(1) Use on Differential assys - FRC5688/FRC8521/FRC8611
Note(2) Use on Differential assys - FTC785/FTC782N





Model DEFENDER 90
Page ADEXEE2A

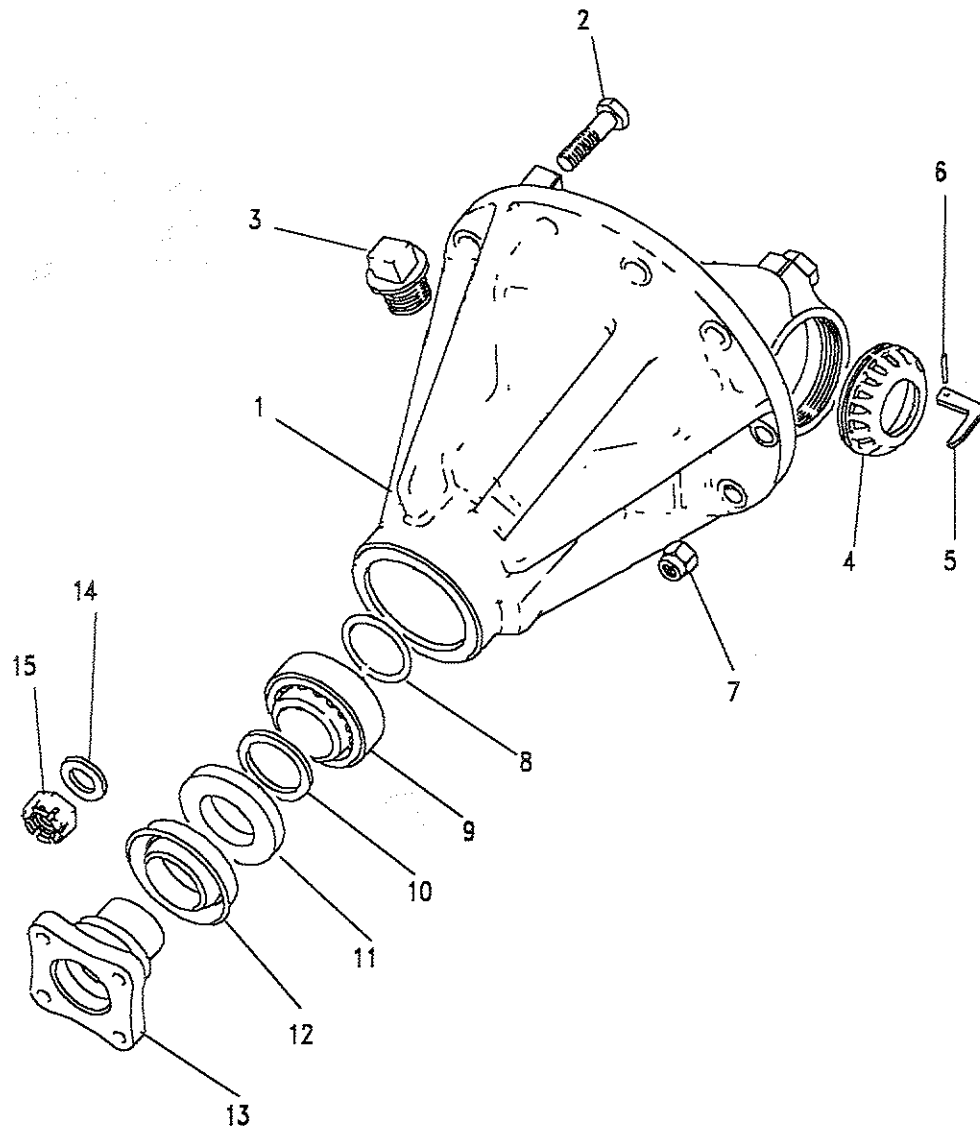
REAR AXLE - DIFFERENTIAL - FROM VIN LA930456

III. Part No. Description Qty Remarks

III. Part No.	Description	Qty	Remarks
Vehicles with front and rear disc brakes			
FTC3272	Differential assembly	1	Note(1)
FTC3272R	Differential assembly	1	Rebuild
FTC785	Differential assembly	1	Note(2)
FTC785R	Differential assembly	1	Rebuild
1 FRC5690	Housing pinion	1	
2 BH112101L	Bolt	4	
3 608246	Plug	1	
4 FRC5204	Lock ring	2	
5 FRC5661	Locking tab	2	
6 576159	Pin spring	2	
7 NY606041L	Nut <i>3/16" x 1/2" NYLOC</i>	10	

Up to 42S04615A			
8 FRC1193	Shim 0.060"	A/R	
FRC1195	Shim 0.062"	A/R	
FRC1197	Shim 0.064"	A/R	
FRC1199	Shim 0.066"	A/R	
FRC1201	Shim 0.068"	A/R	
FRC1203	Shim 0.070"	A/R	
539718	Shim 0.072"	A/R	
539720	Shim 0.074"	A/R	
539722	Shim 0.076"	A/R	
539724	Shim 0.078"	A/R	

Note(1) Axle assembly FTC3688 - 42S
Note(2) Axle assembly FTC3974 - 44S



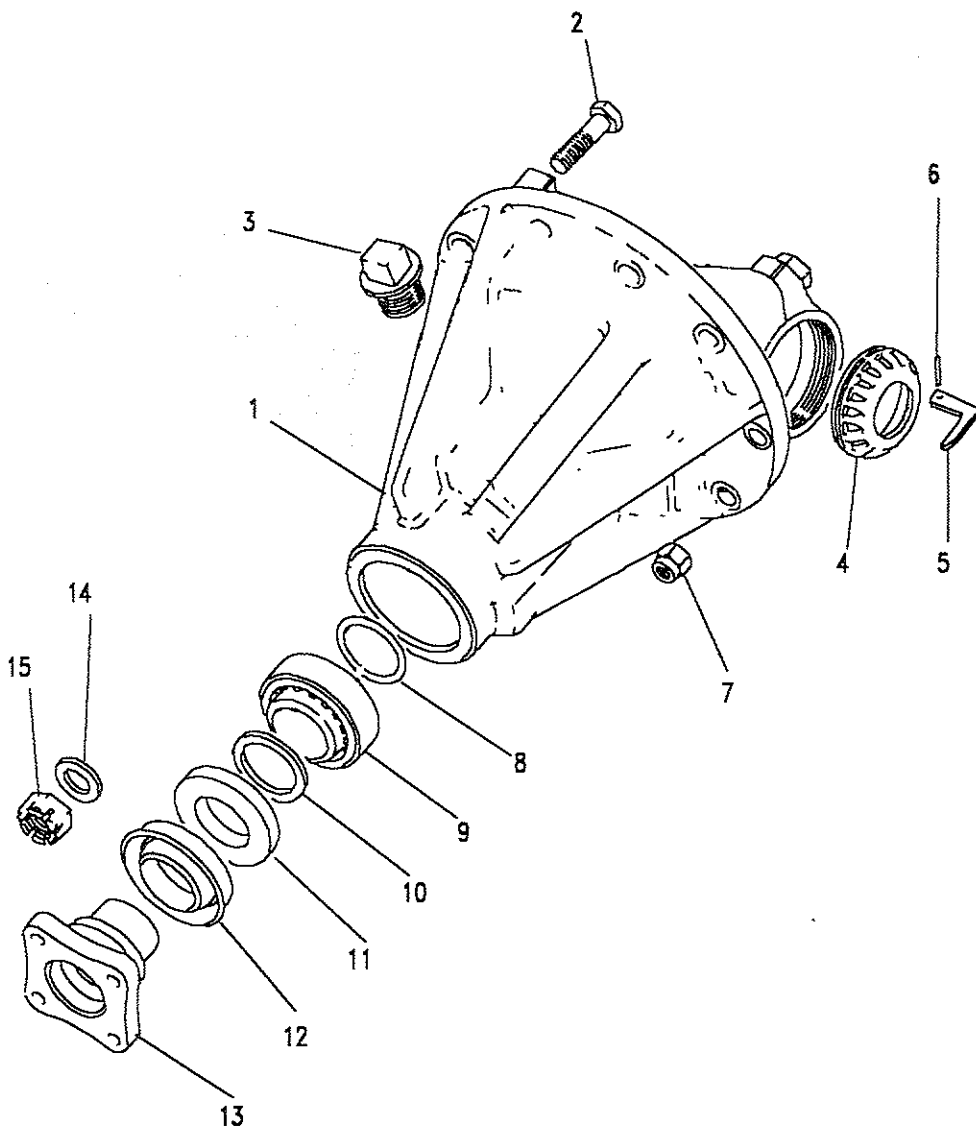


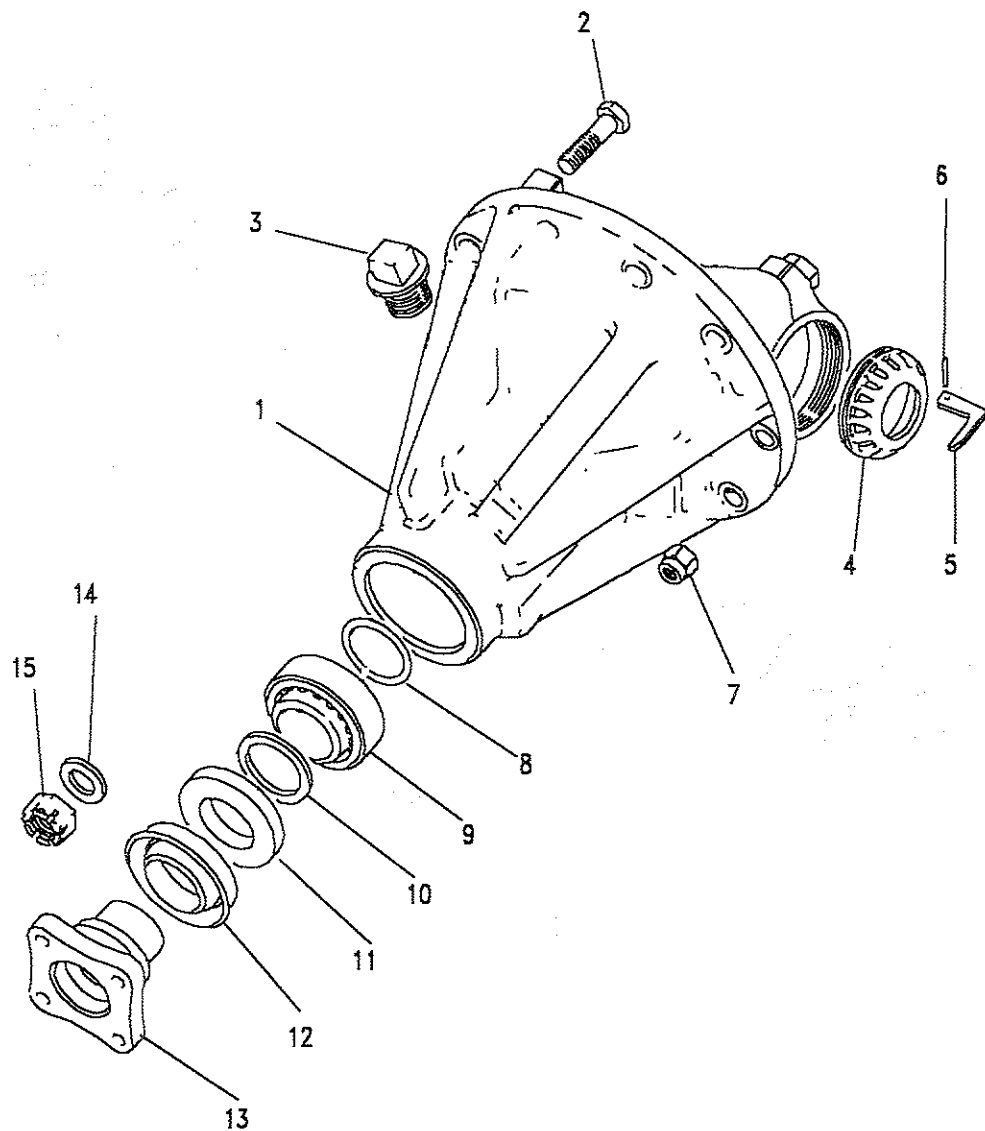
Model DEFENDER 90

Page ADEXEE2A

REAR AXLE - DIFFERENTIAL - FROM VIN LA930456

III. Part No.	Description	Qty	Remarks
From 42S04616A			
8	FTC3869 Shim 2.155mm	A/R	
	FTC3871 Shim 2.105mm	A/R	
	FTC3873 Shim 2.055mm	A/R	
	FTC3875 Shim 2.005mm	A/R	
	FTC3877 Shim 1.955mm	A/R	
	FTC3879 Shim 1.905mm	A/R	
	FTC3881 Shim 1.855mm	A/R	
	FTC3883 Shim 1.805mm	A/R	
	FTC3885 Shim 1.755mm	A/R	
	FTC3887 Shim 1.705mm	A/R	
	FTC3889 Shim 1.655mm	A/R	
	FTC3891 Shim 1.605mm	A/R	
	FTC3893 Shim 1.555mm	A/R	
	FTC3895 Shim 1.505mm	A/R	
9	539707 Bearing pinion	1	
10	539745 Spacer	1	
11	FRC8220 Oil seal	1	
12	FRC8154 Mudshield	1	





Model DEFENDER 90
Page ADEXEE2A

REAR AXLE - DIFFERENTIAL - FROM VIN LA930456

Ill. Part No.	Description	Qty	Remarks
13	FRC3002	1	
14	90513454	1	
15	NY116041L	1	Note(1)
	3259	1	Note(2)
	PS608101L	1	Note(2)

Note(1) Differential assembly FTC3272
Note(2) Differential assembly FTC785





Model DEFENDER 90

Page ADEXEG1A

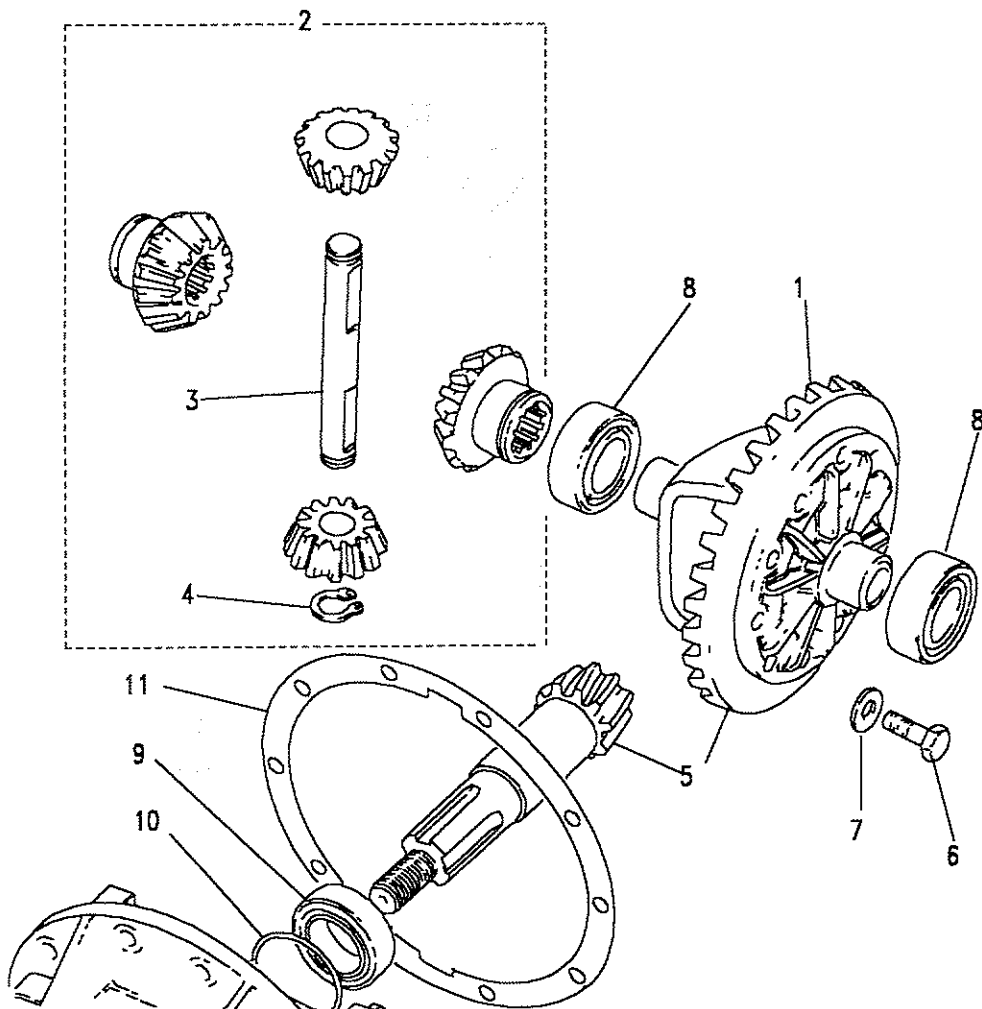
REAR AXLE - DIFFERENTIAL - UPTO VIN 930455

III. Part No.	Description	Qty	Remarks
---------------	-------------	-----	---------

Vehicles with front disc and rear drum brakes

4 Cylinder - Axle 22S

1	FRC2933	Case differential	1
2	STC851	Kit gear differential	2
3	599945	Cross shaft	1
4	CCN110L	Circlip	2
5	FTC3620	Crown wheel and pinion	1
6	593692	Bolt	10
7	593693	Washer plain	10
8	RTC2726	Bearing differential	2
9	539706	Bearing pinion	1



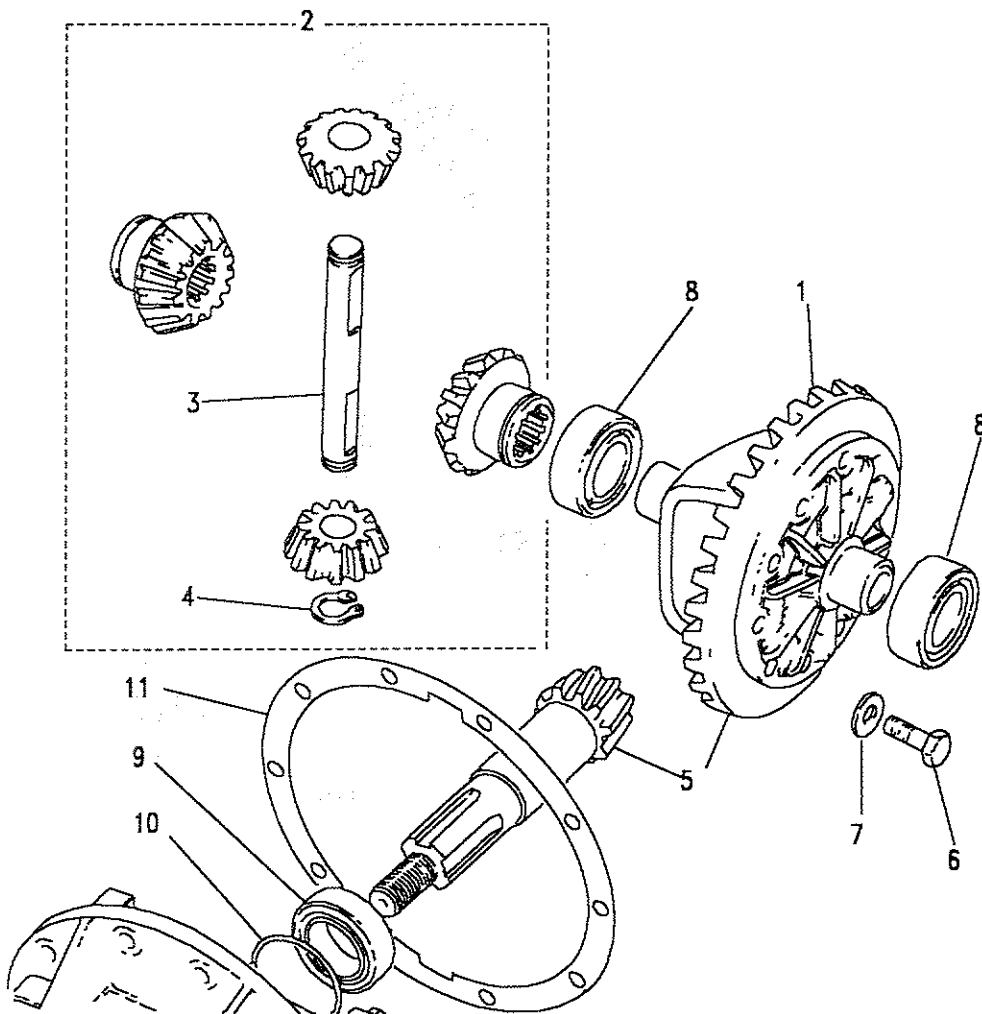


Model DEFENDER 90

Page ADEXEG1A

REAR AXLE - DIFFERENTIAL - UPTO VIN 930455

Ill. Part No.	Description	Qty	Remarks
10 549230	Shim 0.038"	A/R	
549232	Shim 0.040"	A/R	
549234	Shim 0.042"	A/R	
549236	Shim 0.044"	A/R	
549238	Shim 0.046"	A/R	
549240	Shim 0.048"	A/R	
549242	Shim 0.050"	A/R	
549244	Shim 0.052"	A/R	
549246	Shim 0.054"	A/R	
549248	Shim 0.056"	A/R	
549250	Shim 0.058"	A/R	
549252	Shim 0.060"	A/R	
576236	Shim 0.062"	A/R	
576237	Shim 0.063"	A/R	
576238	Shim 0.064"	A/R	
576239	Shim 0.065"	A/R	
11 7316	Joint washer	1	





Model DEFENDER 90

Page ADEXEG2A

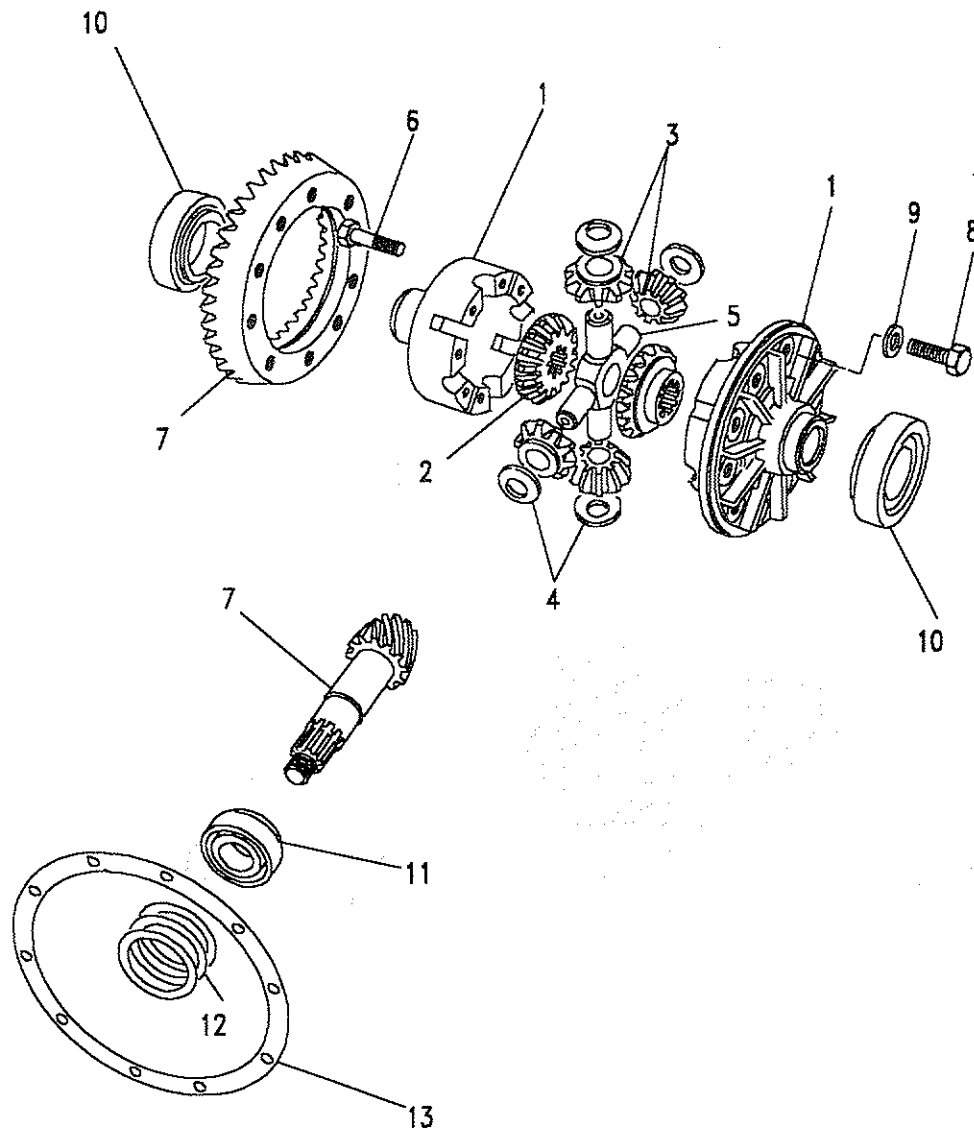
REAR AXLE - DIFFERENTIAL - UPTO VIN 930455

III. Part No.	Description	Qty	Remarks
---------------	-------------	-----	---------

Vehicles with front disc and rear drum brakes

4 Cylinder Heavy Duty and V8 - Axle 23S

1	FRC8187	Case differential	1
2	RTC4487	Kit gear differential	1
2	FRC8190	Differential wheel	2
3	599944	Differential pinion	4
4	FRC8191	Washer thrust	4
	FRC8667	Washer thrust	2
5	FRC8189	Cross shaft	1
6	FRC8188	Bolt	8
7	FTC3620	Crown wheel and pinion	1
8	593692	Bolt	10
9	593693	Washer plain	10
10	RTC3095	Bearing differential	2
11	539706	Bearing pinion	1

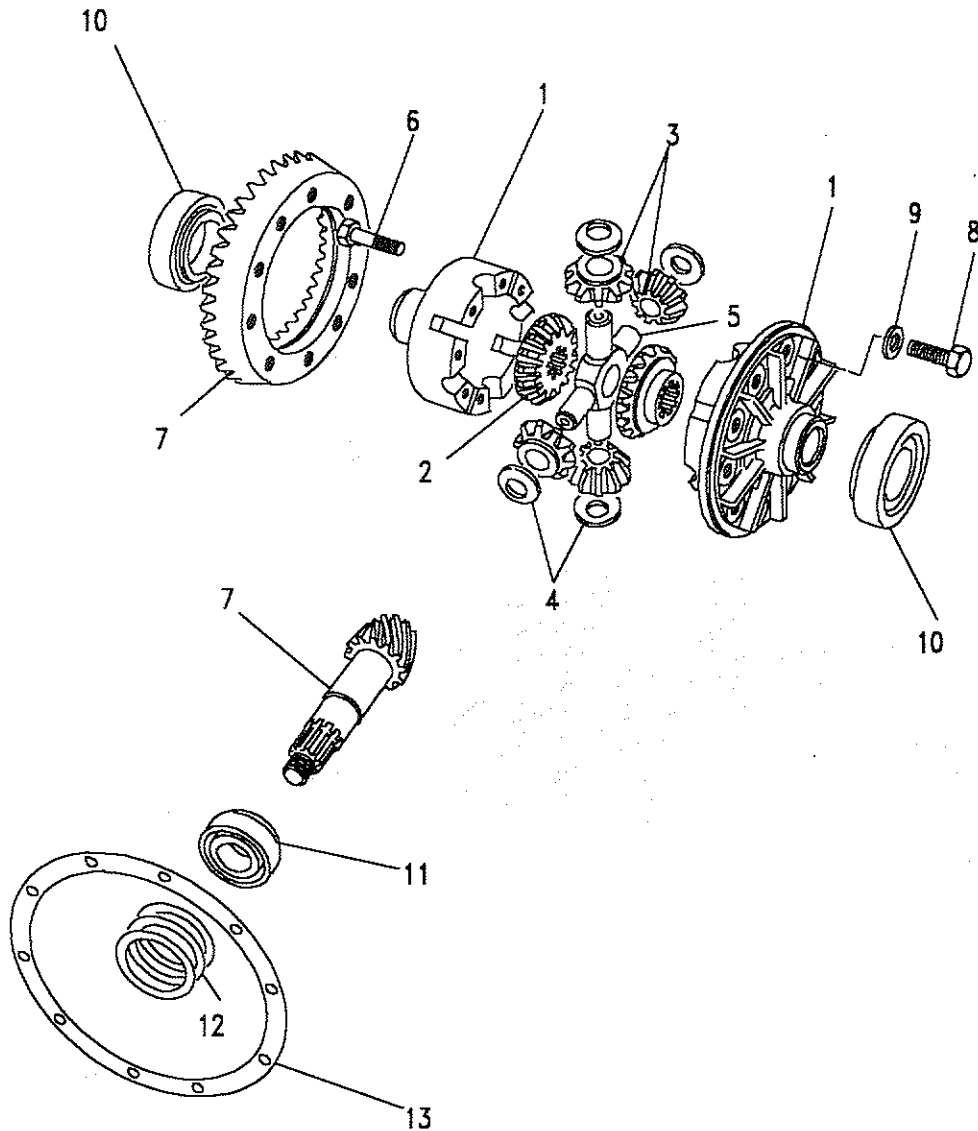




Model DEFENDER 90
Page ADEXEG2A

REAR AXLE - DIFFERENTIAL - UPTO VIN 930455

Ill. Part No.	Description	Qty	Remarks
12 549230	Shim 0.038"	A/R	
549232	Shim 0.040"	A/R	
549234	Shim 0.042"	A/R	
549236	Shim 0.044"	A/R	
549238	Shim 0.046"	A/R	
549240	Shim 0.048"	A/R	
549242	Shim 0.050"	A/R	
549244	Shim 0.052"	A/R	
549246	Shim 0.054"	A/R	
549248	Shim 0.056"	A/R	
549250	Shim 0.058"	A/R	
549252	Shim 0.060"	A/R	
576236	Shim 0.062"	A/R	
576237	Shim 0.063"	A/R	
576238	Shim 0.064"	A/R	
576239	Shim 0.065"	A/R	
13 7316	Joint Washer	1	





Model DEFENDER 90
Page ADEXEG3A

REAR AXLE - DIFFERENTIAL - FROM VIN LA930456

III. Part No. Description Qty Remarks

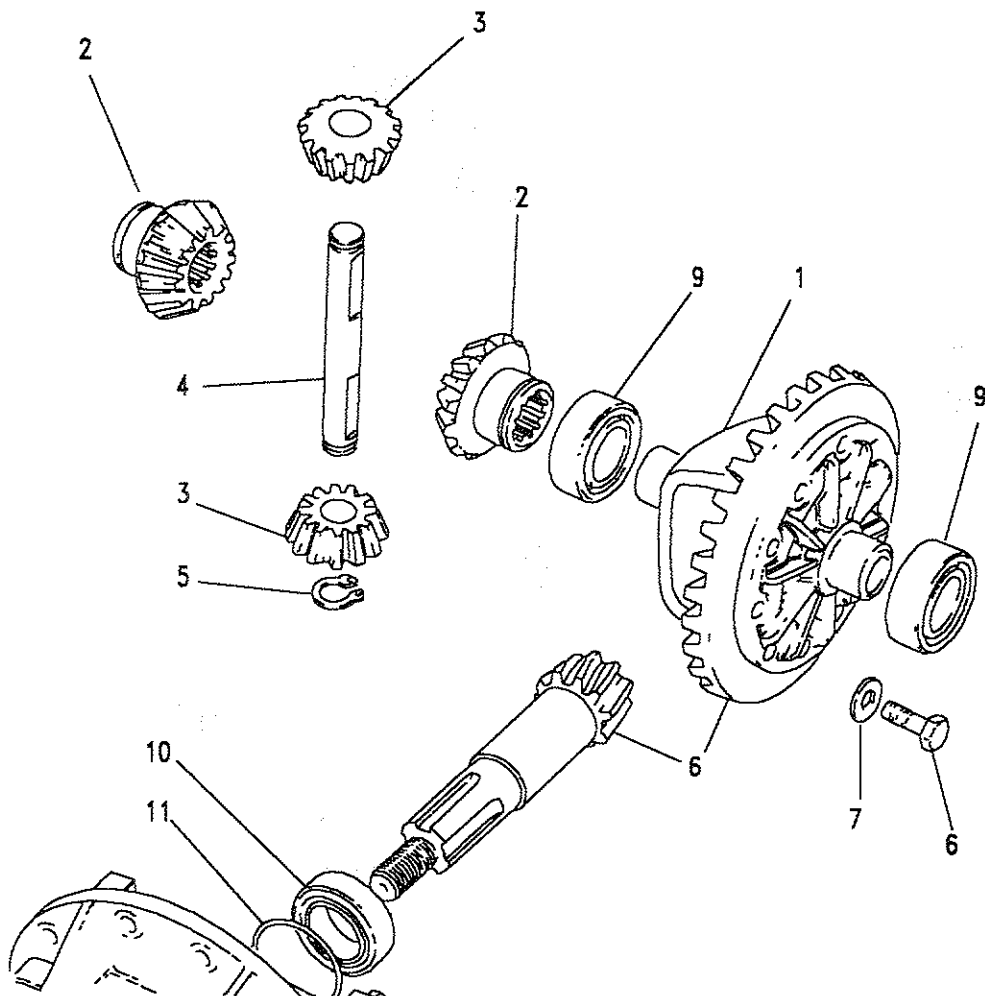
Vehicles with front and rear disc brakes

4 Cylinder - Axle 42S

1	FTC3269	Case differential	1
2	FTC3267	Wheel differential	2
3	FTC3268	Pinion differential	2
4	599945	Cross shaft	1
5	CCN110L	Circlip	2
6	FTC3620	Crownwheel and pinion	1
7	FTC3586	Bolt 3/8 UNF	10
8	593693	Washer plain	10
9	RTC2726	Bearing differential	2
10	539706	Bearing pinion	1

Imperial shims From 42S04615A

11	549230	Shim 0.038"	A/R
	549232	Shim 0.040"	A/R
	549234	Shim 0.042"	A/R
	549236	Shim 0.044"	A/R
	549238	Shim 0.046"	A/R
	549240	Shim 0.048"	A/R
	549242	Shim 0.050"	A/R
	549244	Shim 0.052"	A/R
	549246	Shim 0.054"	A/R
	549248	Shim 0.056"	A/R
	549250	Shim 0.058"	A/R
	549252	Shim 0.060"	A/R
	576236	Shim 0.062"	A/R
	576237	Shim 0.063"	A/R
	576238	Shim 0.064"	A/R
	576239	Shim 0.065"	A/R

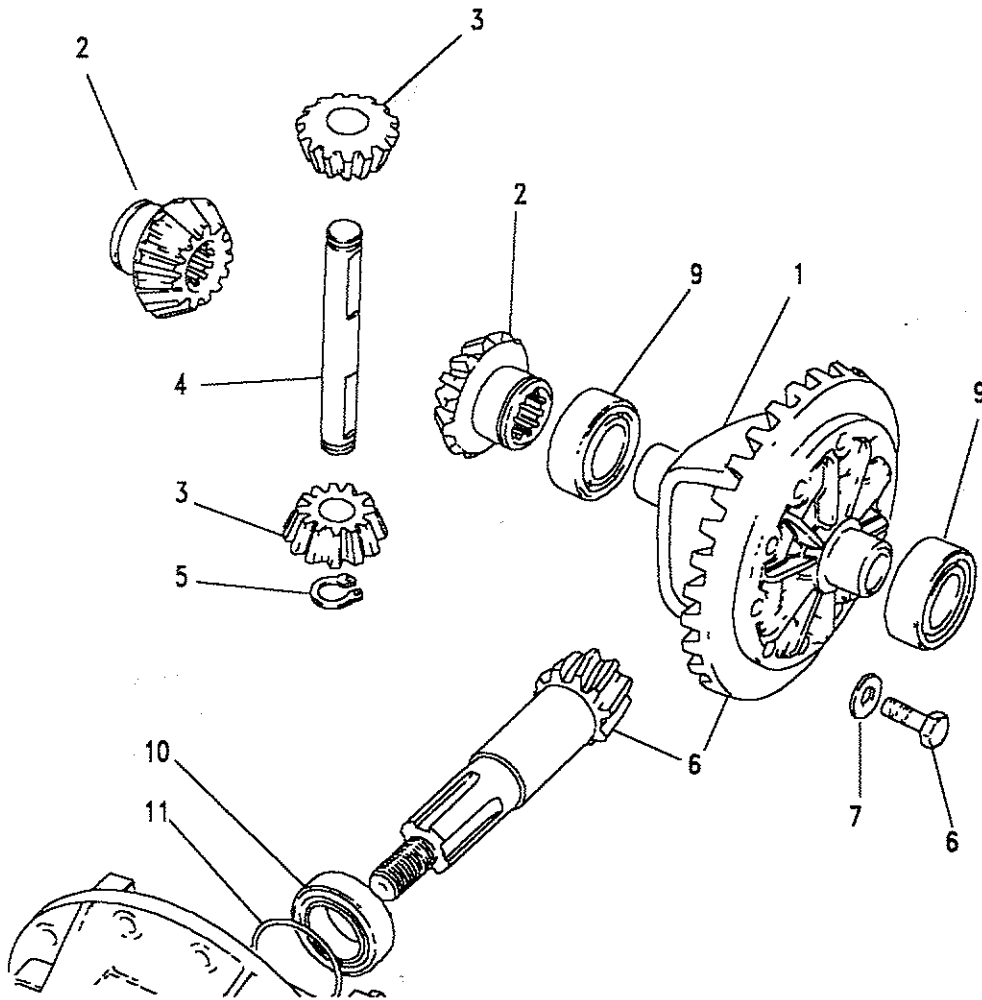




Model DEFENDER 90
Page ADEXEG3A

REAR AXLE - DIFFERENTIAL - FROM VIN LA930456

III. Part No.	Description	Qty	Remarks
Metric shims From 42S04616A			
FTC3853	Shim 1.548mm	A/R	
FTC3855	Shim 1.498mm	A/R	
FTC3857	Shim 1.448mm	A/R	
FTC3859	Shim 1.398mm	A/R	
FTC3861	Shim 1.348mm	A/R	
FTC3863	Shim 1.298mm	A/R	
FTC3865	Shim 1.248mm	A/R	
FTC3867	Shim 1.198mm	A/R	





Model DEFENDER 90
Page ADEXEG4A

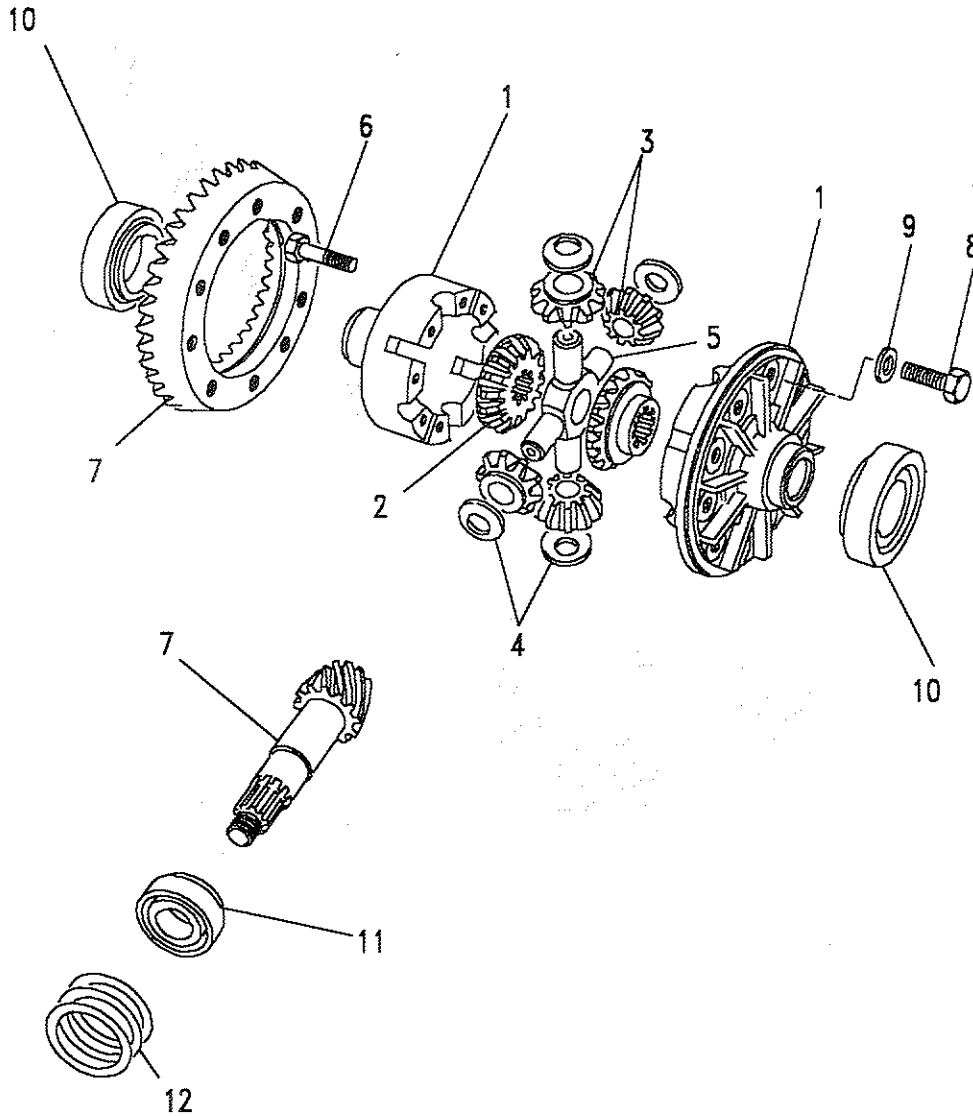
REAR AXLE - DIFFERENTIAL - FROM VIN LA930456

III. Part No. Description Qty Remarks

Vehicles with front and rear disc brakes

4 Cylinder Heavy Duty and V8 - Axle 44S

1	FRC8187	Case differential	1
	RTC4487	Kit gear differential	1
2	FRC8190	Differential wheel	2
3	599944	Differential pinion	4
4	FRC8191	Washer thrust	4
	FRC8667	Washer thrust	4
5	FRC8189	Cross shaft	1
6	FRC8188	Bolt	8
7	FTC3620	Crown wheel and pinion	1
8	593692	Bolt	10
9	593693	Washer plain	10
10	RTC3095	Bearing differential	2
11	539706	Bearing pinion	1





Model DEFENDER 90
Page ADEXEG4A

REAR AXLE - DIFFERENTIAL - FROM VIN LA930456

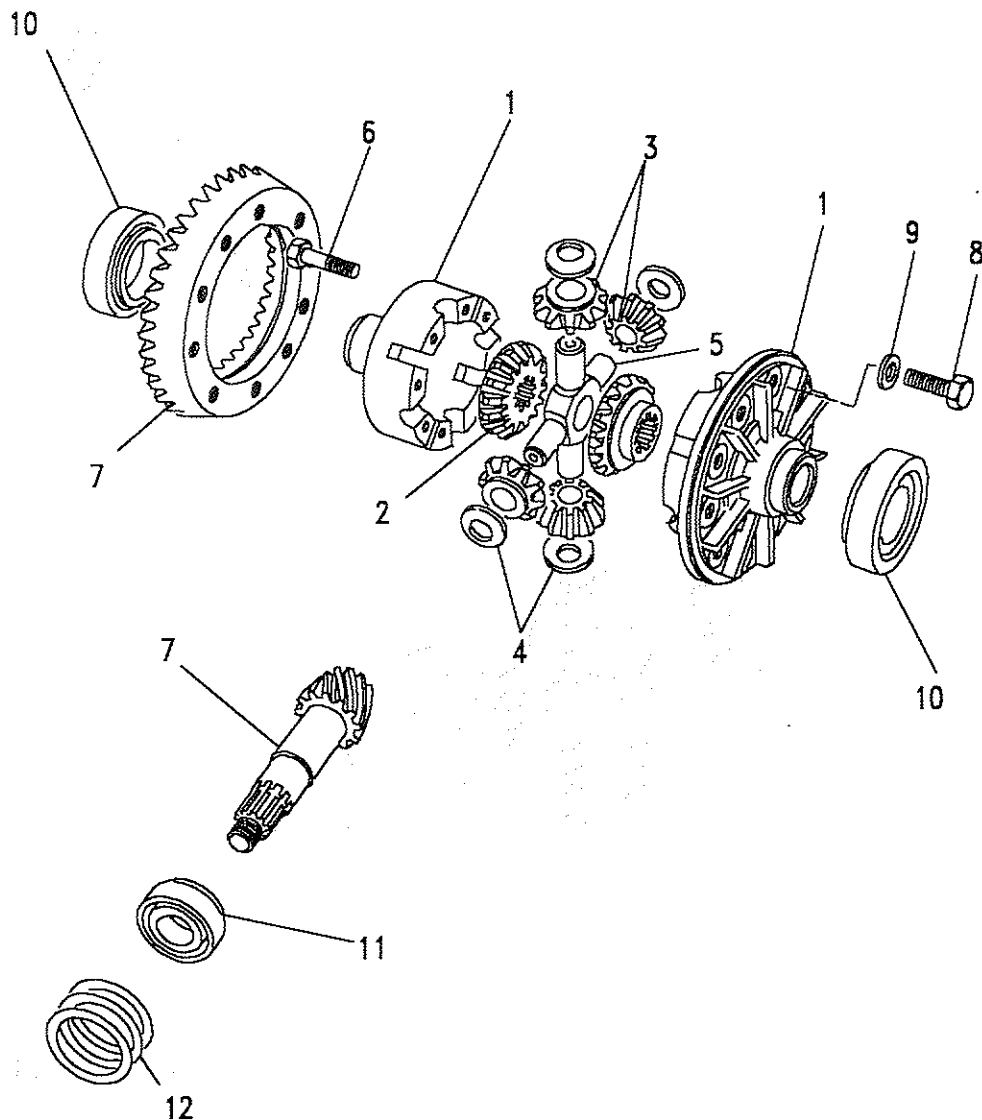
III. Part No. Description Qty Remarks

Imperial shims From 42S04615A

12	549230	Shim 0.038"	A/R
	549232	Shim 0.040"	A/R
	549234	Shim 0.042"	A/R
	549236	Shim 0.044"	A/R
	549238	Shim 0.046"	A/R
	549240	Shim 0.048"	A/R
	549242	Shim 0.050"	A/R
	549244	Shim 0.052"	A/R
	549246	Shim 0.054"	A/R
	549248	Shim 0.056"	A/R
	549250	Shim 0.058"	A/R
	549252	Shim 0.060"	A/R
	576236	Shim 0.062"	A/R
	576237	Shim 0.063"	A/R
	576238	Shim 0.064"	A/R
	576239	Shim 0.065"	A/R

Metric shims From 42S04616A

	FTC3853	Shim 1.548mm	A/R
	FTC3855	Shim 1.498mm	A/R
	FTC3857	Shim 1.448mm	A/R
	FTC3859	Shim 1.398mm	A/R
	FTC3861	Shim 1.348mm	A/R
	FTC3863	Shim 1.298mm	A/R
	FTC3865	Shim 1.248mm	A/R
	FTC3867	Shim 1.198mm	A/R





Model DEFENDER 90
Page ADEXE11A

REAR AXLE - DRIVE SHAFTS AND HUBS

III. Part No. Description Qty Remarks

Vehicles with front disc and rear drum brakes

Upto 22S08283B

4 Cylinder

1	FRC7680	Shaft drive rear RH	1
	FRC7681	Shaft drive rear LH	1

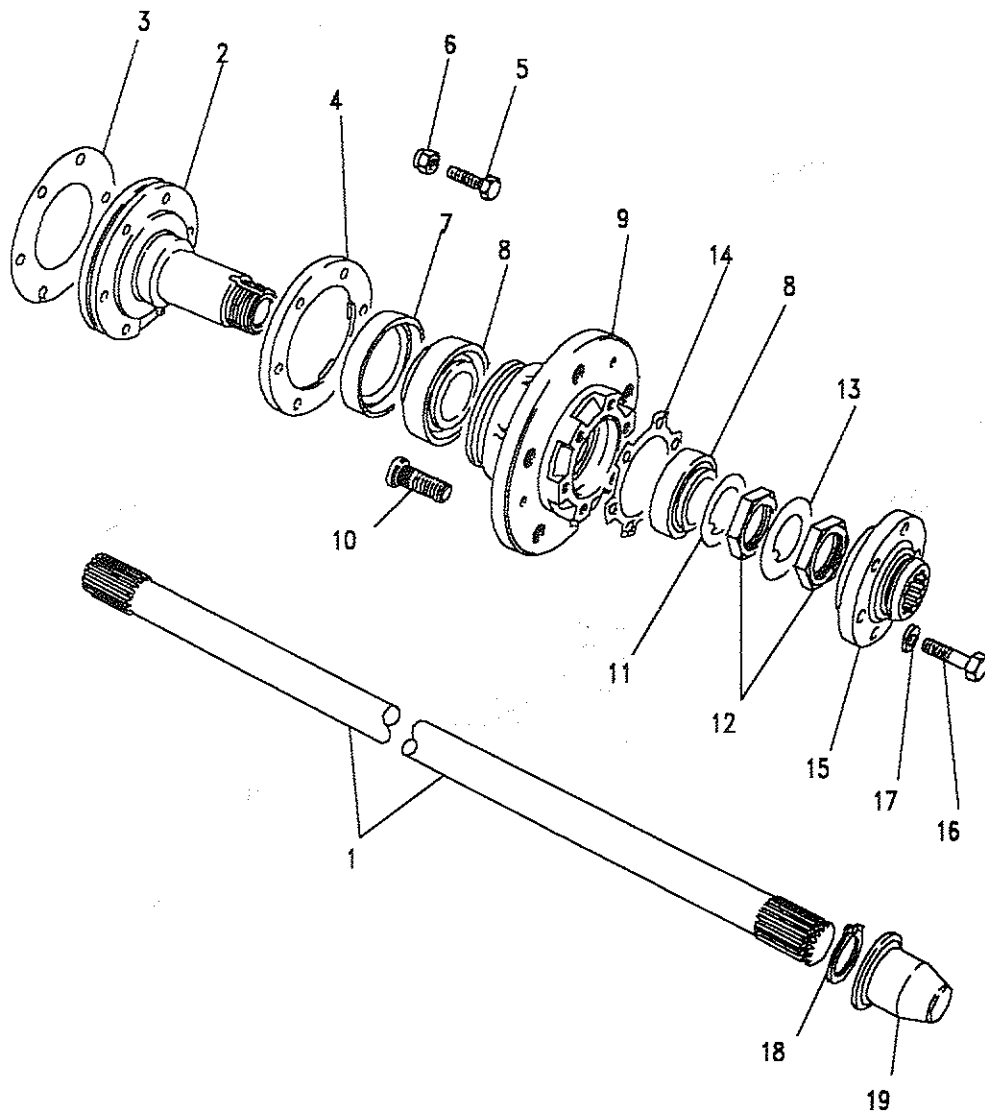
4 Cylinder Heavy Duty Axle Type

1	FRC8094	Shaft drive rear RH	1
	FRC8095	Shaft drive rear LH	1

V8

1	FRC8094	Shaft drive rear RH	1
	FRC8095	Shaft drive rear LH	1

2	FRC3132	Hub bearing sleeve	2
3	FTC3649	Joint washer	2
4	FRC3147	Oil catcher	2
5	FRC7257	Bolt	12
6	NY110041L	Nut	12
7	RTC3511	Oil seal	2
8	RTC3429	Bearing	4
9	FRC6141	Hub assembly	2
10	FRC6137	Stud	10
11	217352	Key washer	2
12	FRC8700	Lock nut	4
13	217353	Locker	2

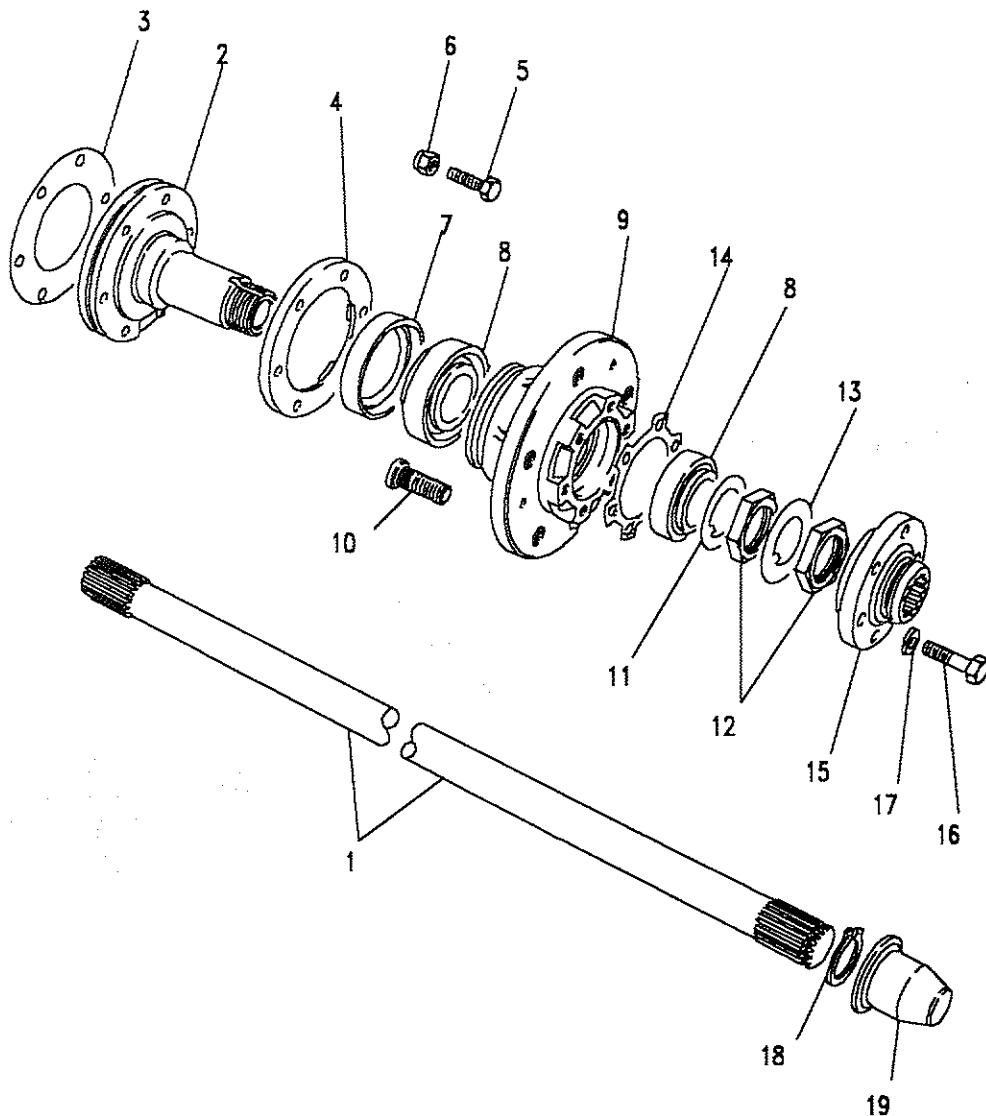




Model DEFENDER 90
Page ADEXE11A

REAR AXLE - DRIVE SHAFTS AND HUBS

III. Part No.	Description	Qty	Remarks
14	FRC3988	2	Joint washer
15	FRC5806	2	Driving member
16	FC110107L	10	Bolt
17	WL110001L	10	Washer spring
18	549473	2	Circlip
19	FRC4377	2	Hub cap polyurethane





Model DEFENDER 90
Page ADEXEI2A

REAR AXLE - DRIVE SHAFTS AND HUBS - UPTO VIN 930455

III. Part No. Description Qty Remarks

Vehicles with front disc and rear drum brakes

From 22S08284B

4 Cylinder

1	FRC7680	Shaft drive rear RH	1	Upto 22S64620E
	FRC7681	Shaft drive rear LH	1	Upto 22S64620E
	FTC3732	Shaft drive rear RH	1	From 22S64621E
	FTC3731	Shaft drive rear LH	1	From 22S64621E

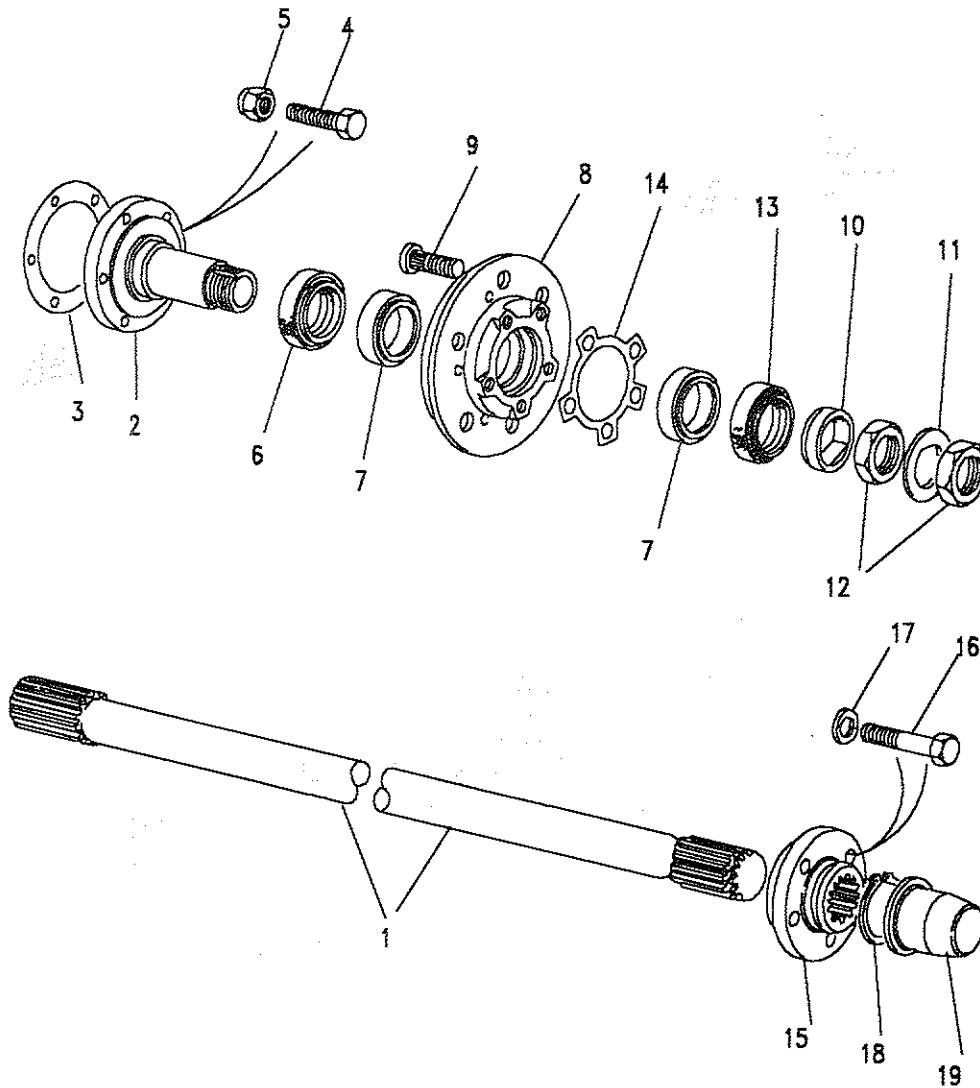
4 Cylinder Heavy Duty Axle Type

1	FRC8094	Shaft drive rear RH	1	
	FRC8095	Shaft drive rear LH	1	

V8

1	FRC8094	Shaft drive rear RH	1	
	FRC8095	Shaft drive rear LH	1	

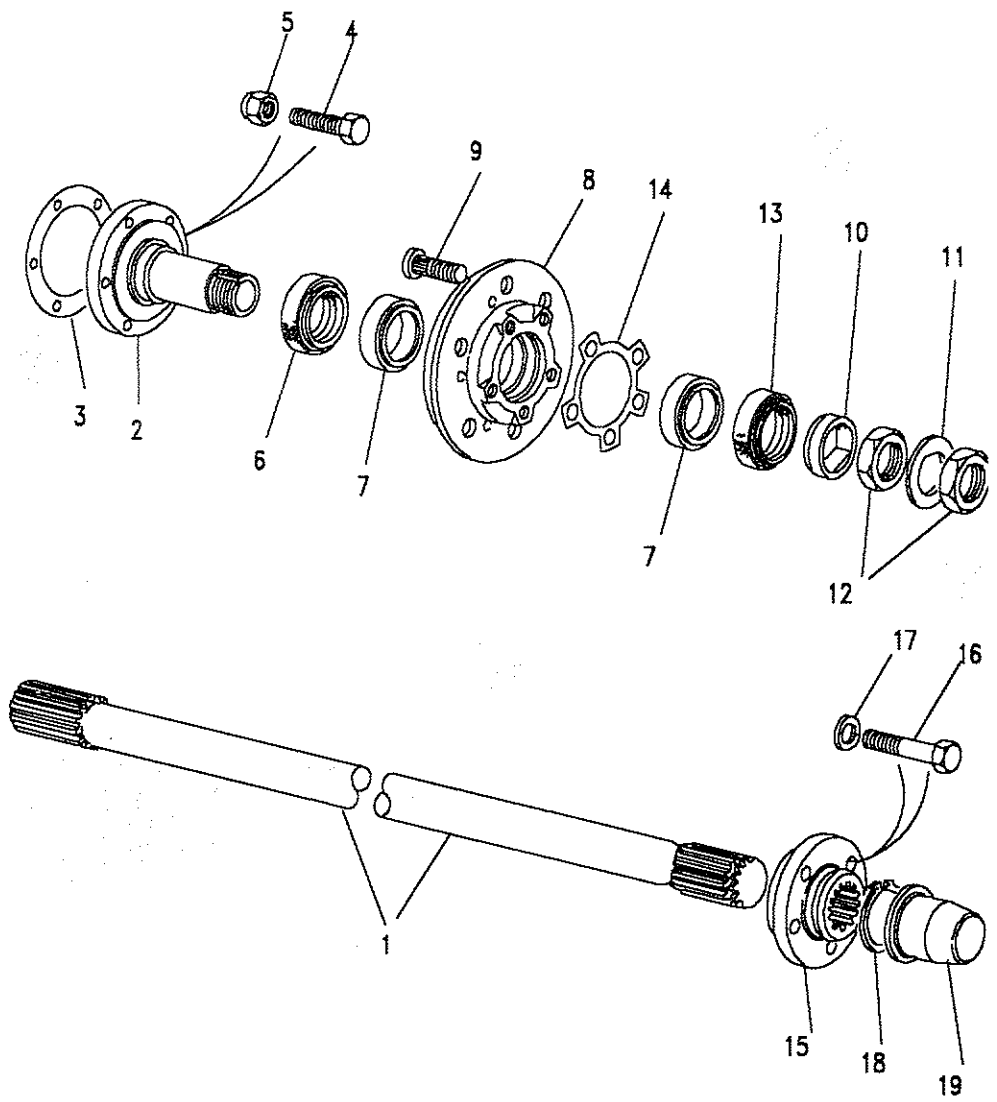
2	FRC8540	Hub bearing sleeve	2	
3	FTC3649	Washer joint	2	
4	FRC7257	Bolt	12	
5	NY110041L	Nut	12	
6	FTC2783	Oil seal hub	2	



Model DEFENDER 90
 Page ADEXE12A

REAR AXLE - DRIVE SHAFTS AND HUBS - UPTO VIN 930455

III. Part No.	Description	Qty	Remarks
7	RTC3429 Bearing	4	
8	FRC8555 Hub assembly	2	
9	FRC6137 Stud	10	
10	FRC8227 Spacer	2	
12	FRC8700 Lock nut	4	
11	FRC8002 Locker	2	
13	FRC8222 Oil seal	2	
14	FRC3988 Joint washer	2	
15	FRC5806 Driving member	2	
16	FC110107L Bolt	10	
17	WL110001L Washer spring	10	
18	549473 Circlip	2	
19	FTC943 Cap hub polyurethane	2	

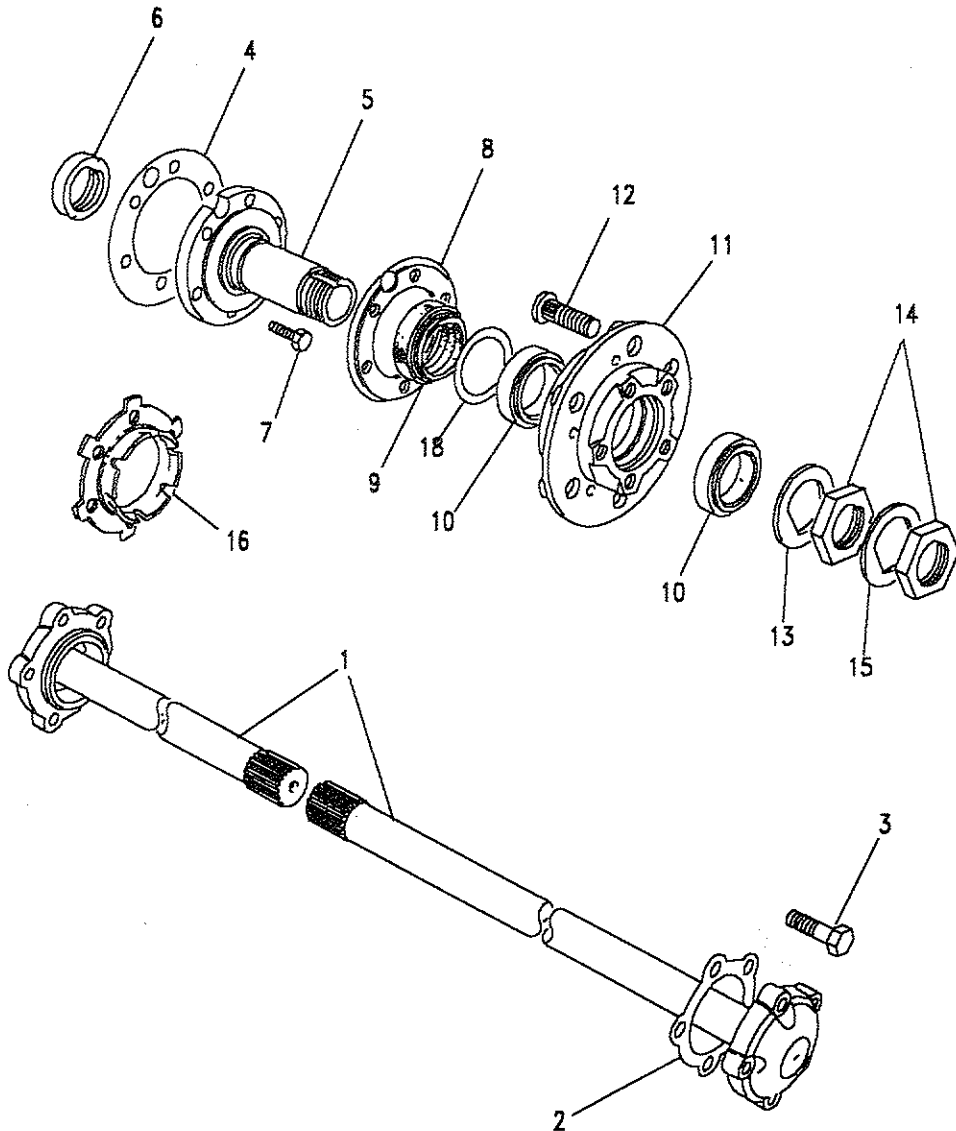




Model DEFENDER 90

Page ADEXE13A

REAR AXLE - DRIVE SHAFTS AND HUBS - FROM VIN LA930456



Ill. Part No.	Description	Qty	Remarks
---------------	-------------	-----	---------

Vehicles with front and rear disc brakes

1	FTC3270	1	24 spline
	FTC3271	1	24 spline
2	571752	2	
3	BX110095M	10	Note(1)
4	FTC3650	2	
5	FTC3188	2	
6	FTC3145	2	
7	SX110251	12	
	BX110071L	4	Note(2)
8	FTC1378	2	
9	FTC2783	2	
10	RTC3429	4	
11	FTC942	2	
12	FRC5926	10	
13	FTC3185	2	
14	FRC8700	4	
15	FTC3179	2	
16	FRC2310	2	

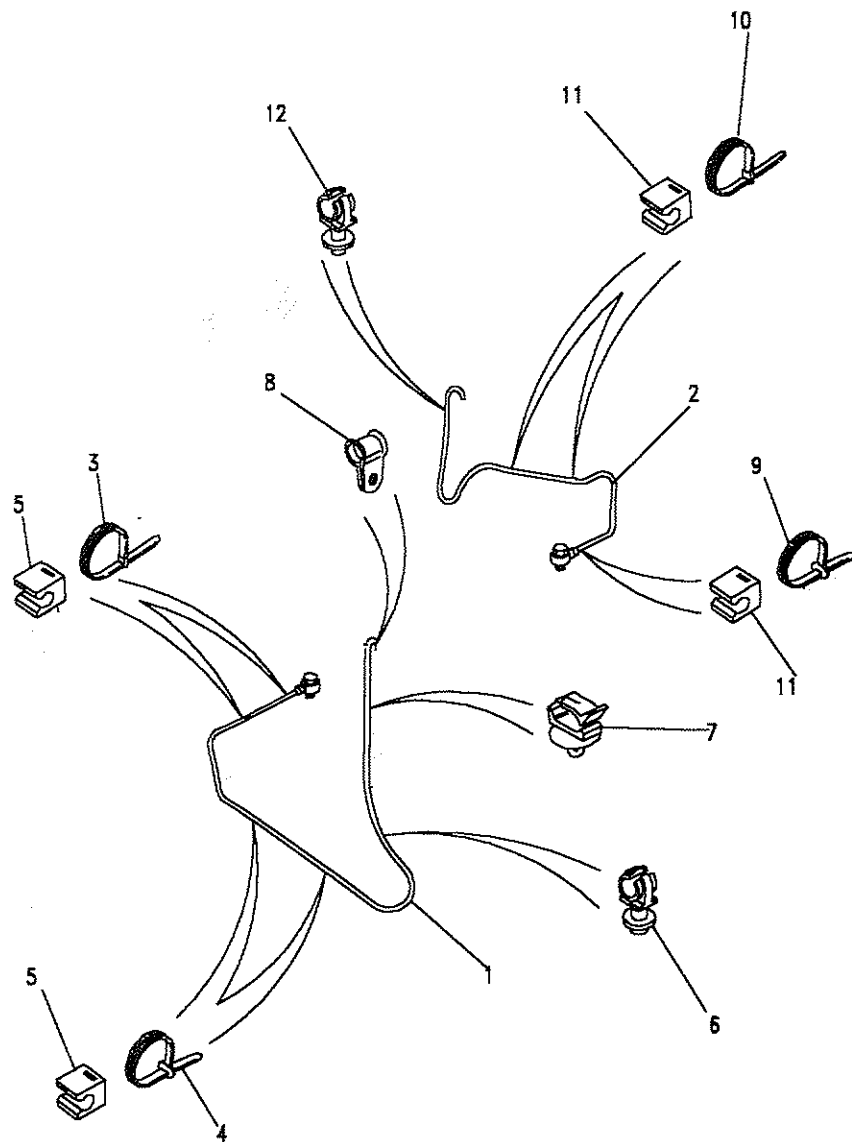
Note(1) Pre-impregnated with adhesive.
 Note(2) Alternative if SX110251 is too short.





Model DEFENDER 90
Page ADEXGA1A

AXLES - REMOTE BREATHERS - UPTO VIN 930455



III. Part No.	Description	Qty	Remarks
Vehicles with front disc and rear drum brakes			
1	FTC2175	1	Breather remote-front
	595478	1	Banjo bolt
	232039	2	Copper washer
2	FTC2176	1	Breather remote-rear
	595478	1	Banjo bolt
	232039	2	Copper Washer
3	594594	2	Tie
4	568680	2	Cleat
5	NRC9246	4	Clip
6	79123	1	Clip
7	AFU1090L	1	Clip
8	BAU1689	1	Clip
9	594594	1	Tie
10	568680	2	Cleat
11	NRC9246	3	Clip
12	79123	1	Clip

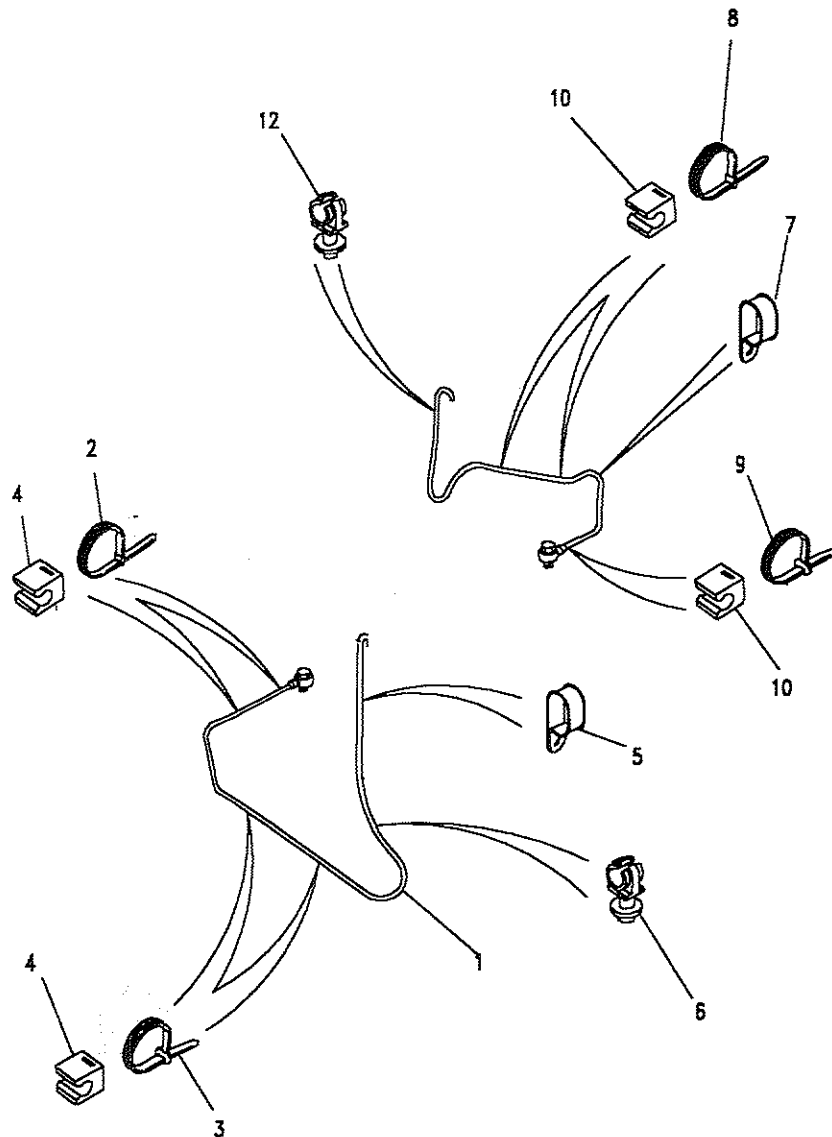
4 Cylinder
V8





Model DEFENDER 90
Page ADEXGA2A

AXLES - REMOTE BREATHERS - FROM VIN LA930456



III. Part No.	Description	Qty	Remarks
Vehicles with front and rear disc brakes			
1	FTC2177	1	Breather remote-front
2	594594	2	Tie
3	568680	2	Cleat
4	NRC9246	4	Clip
5	622324	1	Clip
6	79123	1	Clip single
7	FTC2179	1	Breather remote-rear
8	594594	1	Tie
9	568680	2	Cleat
10	NRC9246	3	Clip
11	622324	1	Clip
12	79123	2	Clip single

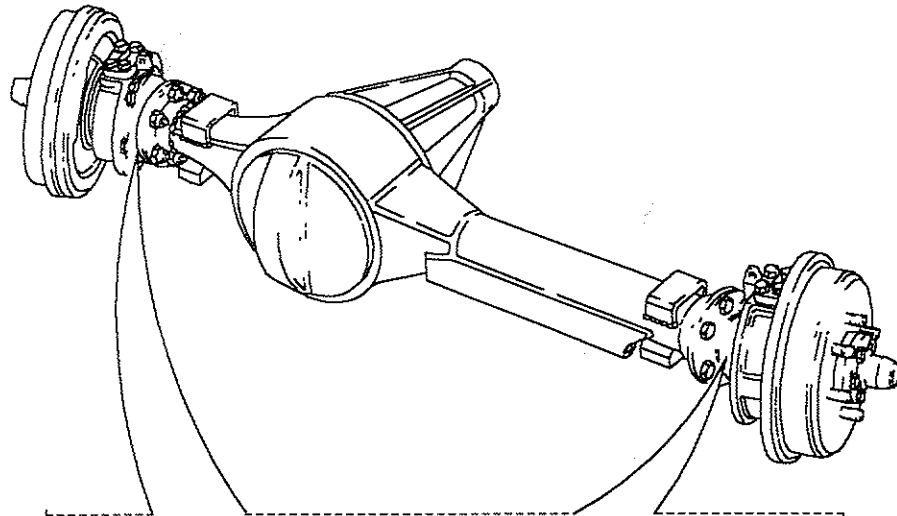




DEFENDER 90

524

AXLES AND SUSPENSION

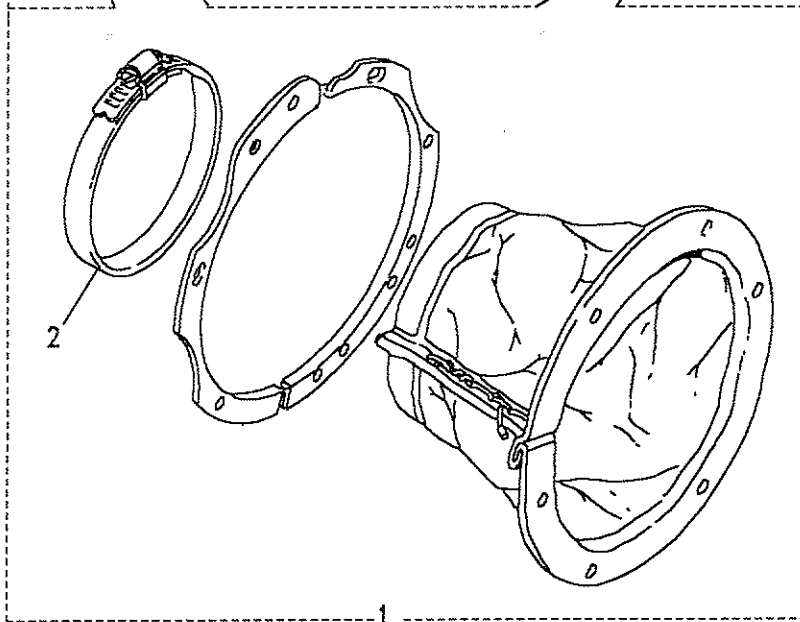


Model DEFENDER 90

Page ADEXGC1A

FRONT AXLE - GAITER KIT

III. Part No.	Description	Qty	Remarks
1 RTC3826	Kit gaiter	1	
2 RTC3519	Clip hose	2	

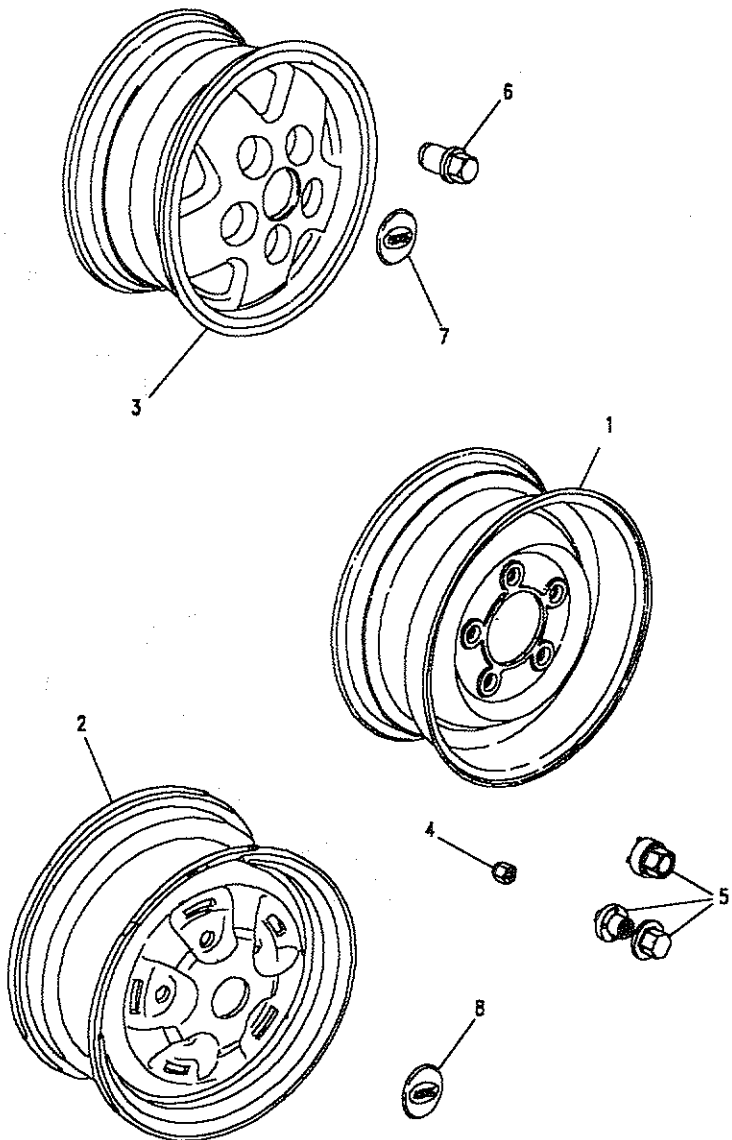




Model DEFENDER 90

Page ADEXGE1A

AXLES - ROAD WHEEL



III. Part No.	Description	Qty	Remarks
1 NRC7578PM	Wheel road	5	Note(1)
2 NTC4135PM	Wheel road	5	Note(2)
3 RTC9526	Wheel road alloy	5	90SV
4 90577473	Wheel Nut-16mm	20	
5 RTC9535	Wheel Nut-Locking	1	Set of 5
ANR2763MMM	Nut locking capped	5	90SV
6 NRC7415	Nut road wheel	20	90SV
7 ANR2391MUE	Wheel cap center silver	5	90SV
8 ANR3861	Wheel cap centre white	5	Note(3)

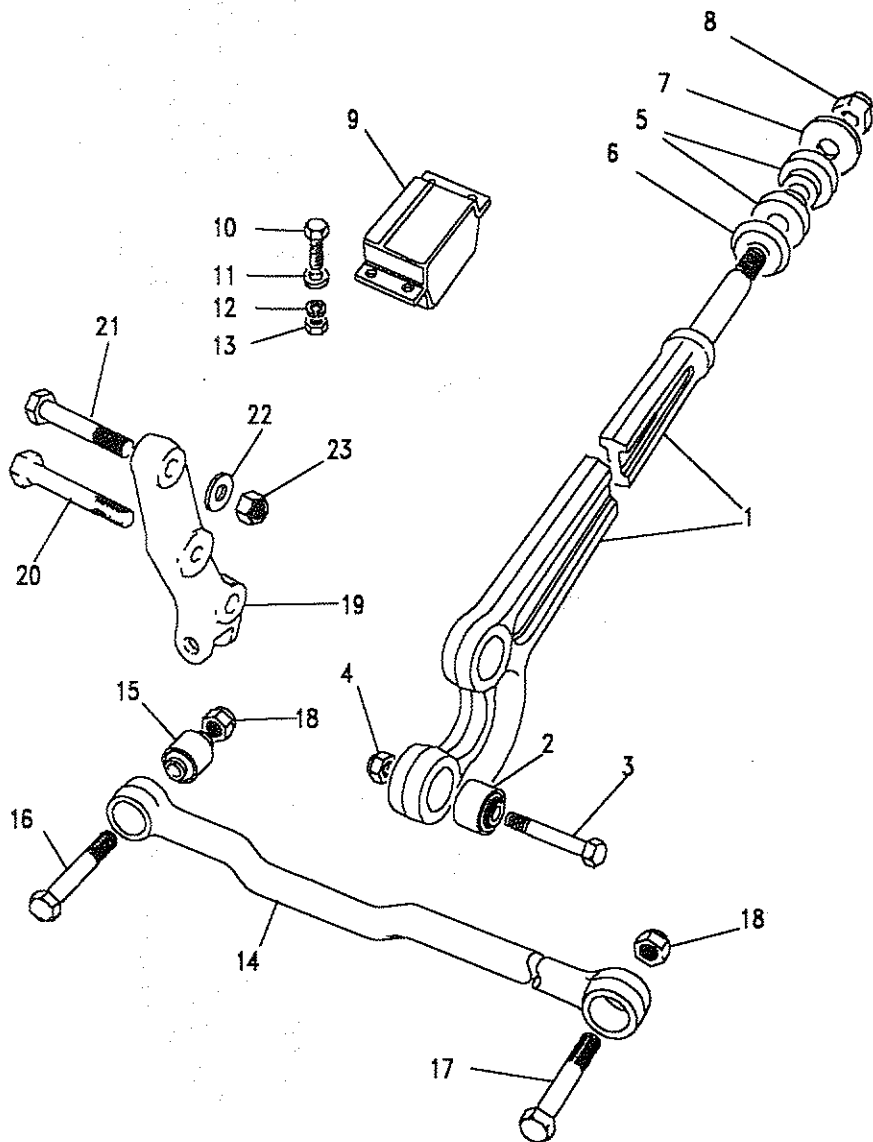
Note(1) 5.5F x 16 x 33mm inset
 Note(2) Range Rover type, Option for Station Wagon, 1987 Model Year onwards, 6JK x 16 x 33mm inset
 Note(3) From MA949206





Model DEFENDER 90
Page ADEXIA1A

FRONT SUSPENSION - RADIUS ARM AND LINKS



III. Part No.	Description	Qty	Remarks
1	NTC2705 NTC7331	2	Upto 930455 From LA930456
2	NTC7307 NTC6781	4	Upto 930455 From LA930456
3	BH610281L BH116207	4	Upto 930455 From LA930456
4	NY610041 NV116047	4	Upto 930455 From LA930456
5	NRC4514	4	
6	NRC4515	2	
7	NRC4516	2	
8	NY120041L	2	
9	575707	2	
10	FS108201	4	
11	WA108051L	4	
12	WL108001L	4	
13	NY108041L	4	
14	NRC9729	1	
15	ANR3410	2	
16	BH114161	1	
17	BH114161	1	
18	NY114041 NV114047	2	From MA939976
19	NTC9462 NTC9461	1	
20	253952	1	
21	BH608461	1	
22	WC112081L	2	
23	NY608041L	2	

5/8 one piece

*n20
n60*

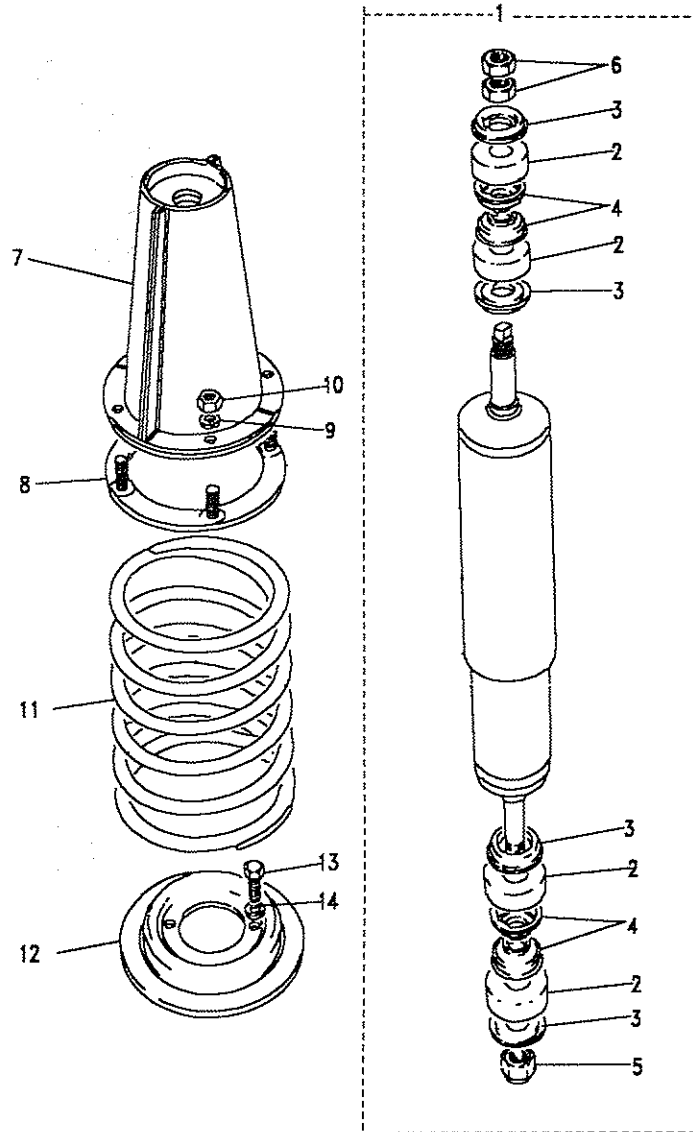
*1/2 one
1/2 one*





Model DEFENDER 90
Page ADEXIC1A

FRONT SUSPENSION - SHOCK ABSORBER & ROAD SPRING



III. Part No.	Description	Qty	Remarks
1	RTC4635	2	Upto VIN HA476189
	STC288	2	From VIN HA476190
2	552818	8	
3	500746	8	
4	NRC4365	8	
5	NY608041L	2)Alternatives
6	NV608041L	2)Upto VIN HA476189
	NT608041L	4	
	NTC4571	8	From VIN HA476190
7	NRC6372	2	
8	572087	2	
9	WM600051L	8	
10	NH605041L	8	
11	NRC9446	1	Driver
	NRC9447	1	Passenger
12	NRC9700	2	
13	SH110251L	4	
14	WM110001L	4	
	WA110061L	8	

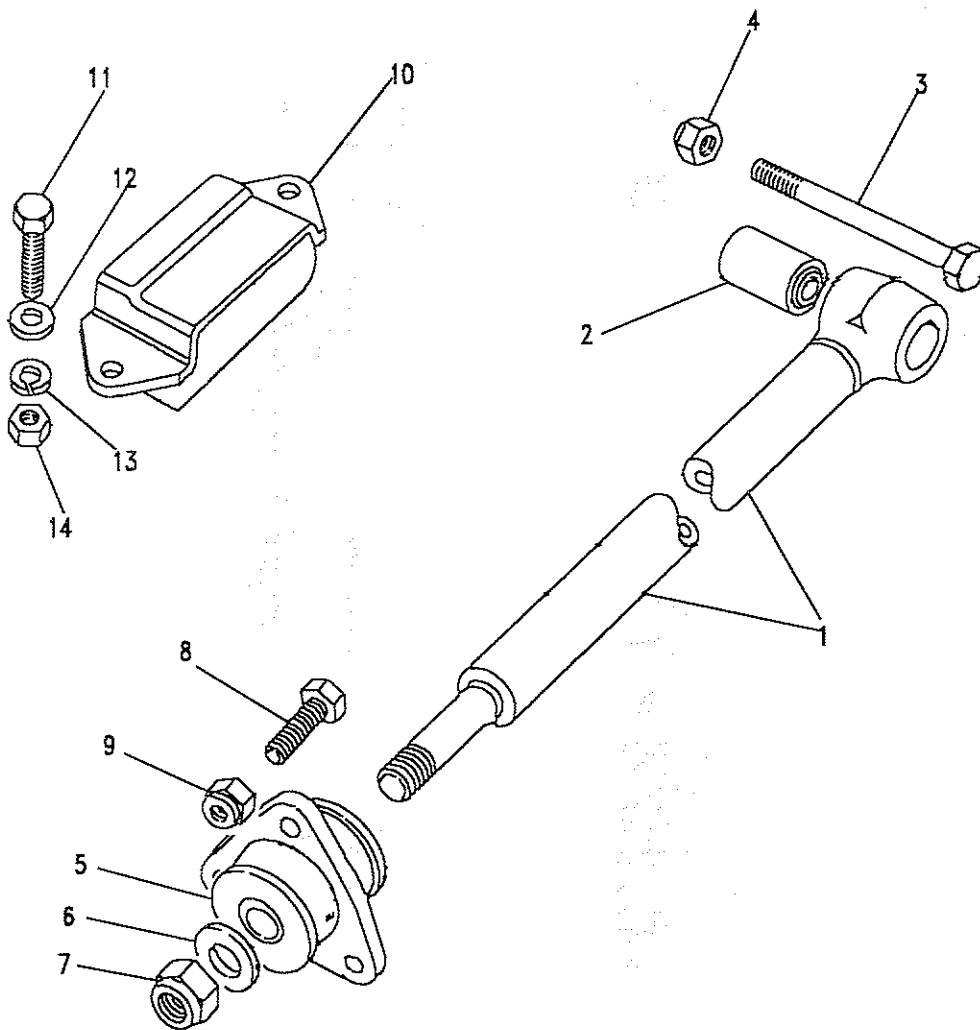


Model DEFENDER 90
 Page ADEXKA1A

REAR SUSPENSION - BOTTOM LINK

Ill. Part No.	Description	Qty	Remarks
1	NTC4720	2	Note(1)
	NTC8328	2	From VIN HA470428
2	NTC1772	2	Bush
3	BH610321L	2	Bolt
4	NY610041L	2	Nut <i>3/8" JAG NUT</i>
5	STC618	1	Kit mounting rubber
	NTC9027	2	Mounting rubber
6	WA120001	2	Washer plain <i>M20</i>
7	NY120041L	2	Nut
8	SH110301	6	Screw
9	NY110041	6	Nut <i>M10</i>
10	90575789	2	Bump stop
11	FS108201	4	Screw
12	WA108051L	4	Washer plain
13	WL108001L	4	Washer spring
14	NY108041L	4	Nut <i>M8 PL.</i>

Note(1) Upto VIN HA470427 - No longer available - use NTC8328 which must be fitted in pairs

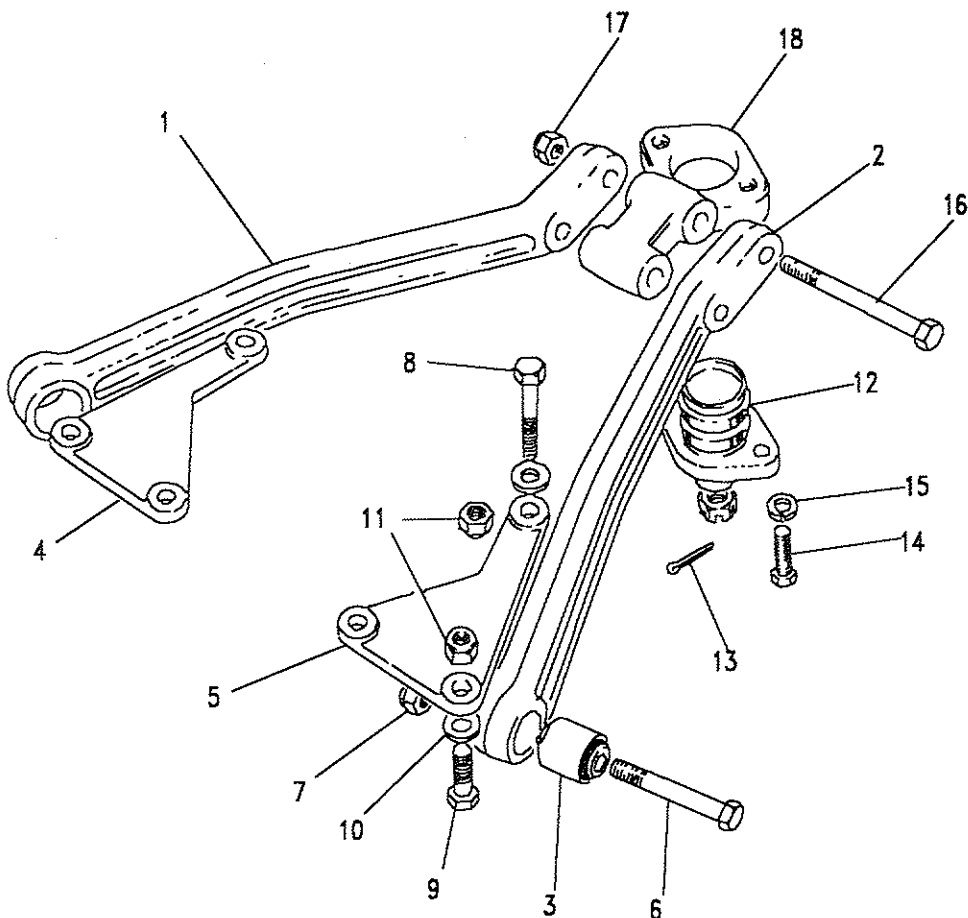




Model DEFENDER 90

Page ADEXKA2A

REAR SUSPENSION - TOP LINK, FULCRUM, BALL JOINT



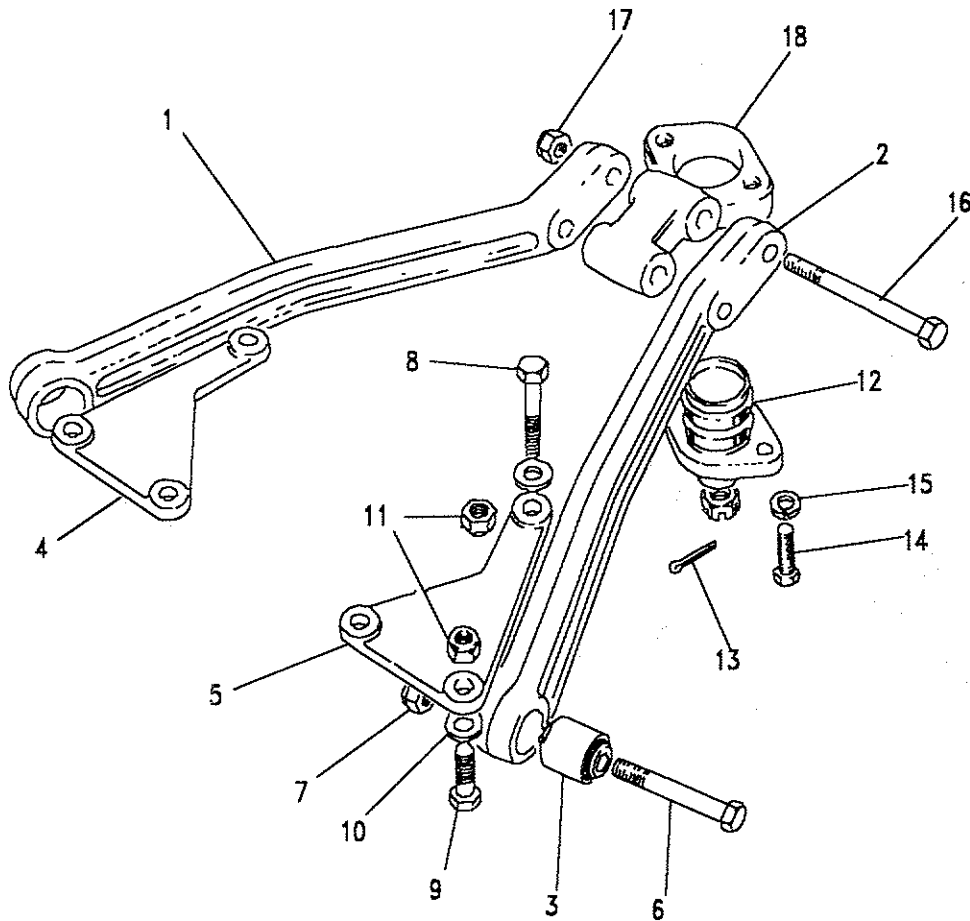
III. Part No.	Description	Qty	Remarks
1	NTC2706	1	Link top-RH
2	NTC2707	1	Link top-LH
3	NTC1773	2	Bush
4	575615	1	Bracket-RH
5	575616	1	Bracket-LH
6	BH612321	2	Bolt
7	NY612041	2	Nut - 3/4 UNF
8	BX110111L	2	Bolt
9	BX110091L	4	Bolt
10	WC110061L	6	Washer plain
11	NY110051L	6	Nut - M10
12	572337	1	Ball joint
	NTC4260	1	Ball joint
	NTC9932	1	Ball joint
	ANR1799	1	Ball joint
	572338	1	Cover dust
	592445	2	Ring spring
	WB120001	1	Washer special
	NTC4618	1	Nut 20mm
		0	Upto VIN 329986 NLA use NTC426
		1	From VIN 329987 Upto JA914424
		2	NLA use NTC993 Upto KA930263
		9	From JA914424 Upto ANR179
		1	From KA930264 Upto VIN 329986
		2	Upto VIN 329986
		1	From VIN KA930264
		1	From VIN 329987

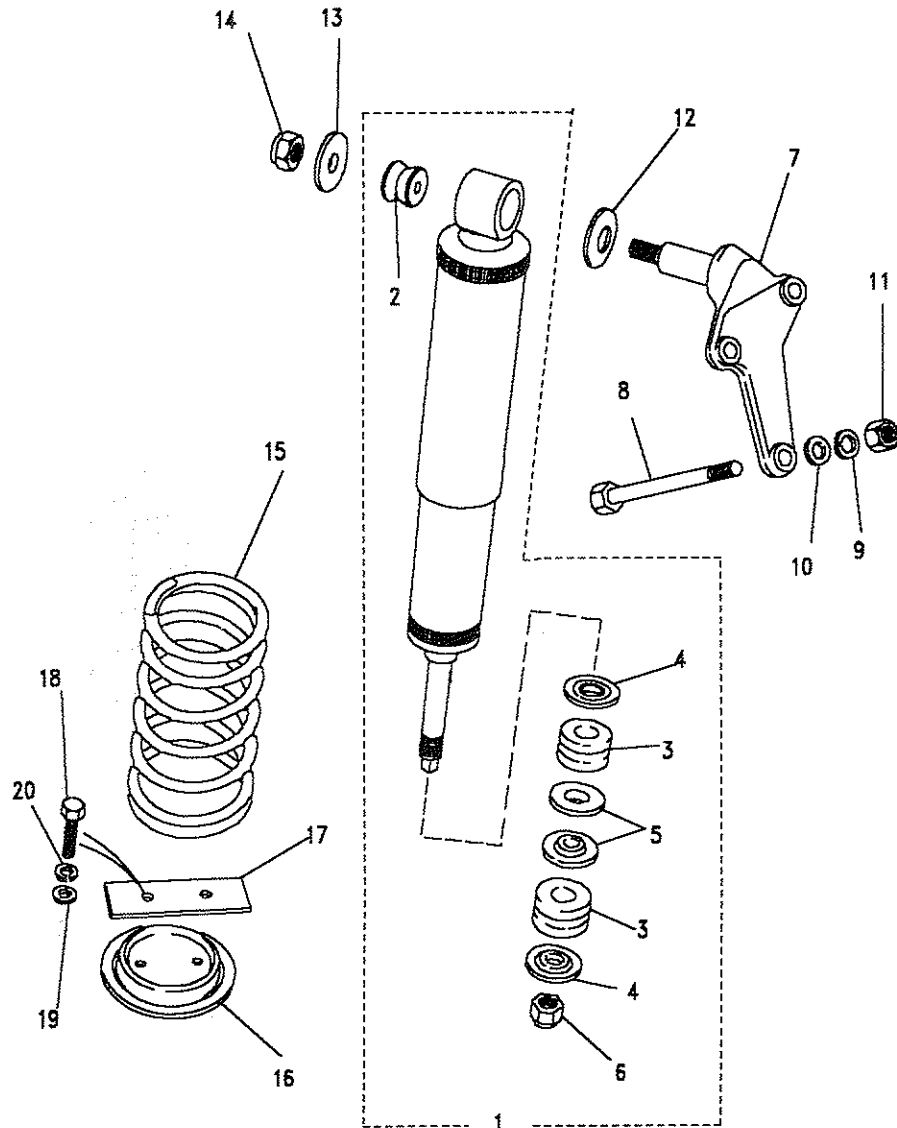


Model DEFENDER 90
Page ADEXKA2A

REAR SUSPENSION - TOP LINK, FULCRUM, BALL JOINT

III. Part No.	Description	Qty	Remarks
13	PS608101L	1	Upto VIN JA914424
	PS106321L	1	From VIN JA914425
14	SH605081L	2	Upto VIN KA930263
	FS108201	2	From VIN KA930264
15	WM600051L	2	Upto VIN KA930263
16	253952	2	6.5" long
17	NY608041L	2	
18	NRC3923	1	Upto VIN KA930263
	ANR3037	1	From VIN KA930264





Model DEFENDER 90
 Page ADEXKC1A

REAR SUSPENSION - SHOCK ABSORBER & ROAD SPRING

Ill. Part No.	Description	Qty	Remarks
1	RTC4636 STC289	2	Upto VIN HA475839
2	NRC5593	2	From VIN HA475840
3	552818	2	
4	500746	4	
5	NRC6235	4	
6	NY608041L NV608041L NTC4571	2)Alternatives
		2)Upto VIN HA475839
		2	From VIN HA475840
7	NRC7981	2	
8	BH110221L	6	
9	WM110001L	6	
10	WC110061L	6	} none
11	NH110041L	6	
12	NRC5602	2	
13	NRC5603	2	
14	NY112041L	2	
15	NRC9448 NRC9449 NRC9462	1	Driver
		1	Passenger
		1	Driver
			Heavy duty
		1	Passenger
			Heavy duty
16	575579	2	Uptp LA939975
17	ANR3578	2	From MA939976
18	SH110251L	4	
19	WA110061L	8	
20	WM110001L	4	





MASTER INDEX

GROUP F

STEERING

INTRODUCTION PAGES	PAGES
ALPHABETICAL INDEX	1 - 5
ENGINE	6 - 14
ENGINE	15 - 65
ENGINE	66 - 117
ENGINE	118 - 171
ENGINE	172 - 217
ENGINE	218 - 261
ENGINE	262 - 297
ENGINE	298 - 367
GEARBOX	368 - 394
GEARBOX	395 - 411
GEARBOX	412 - 425
TRANSFER BOX	426 - 456
TRANSFER BOX	457 - 474
AXLES AND SUSPENSION	475 - 531
STEERING	532 - 564
VEHICLE AND ENGINE CONTROLS	565 - 580
BRAKES	581 - 603
FUEL SYSTEM AND AIR CLEANER	604 - 645
EXHAUST SYSTEM	646 - 660
COOLING/HEATING	661 - 709
COOLING/HEATING	710 - 718
BODY ELECTRICAL	719 - 793
BODY AND CHASSIS	794 - 923
INTERIOR TRIM	924 - 965
SEATS	966 - 1009
STOWAGE	1010 - 1017
ACCESSORIES - PAINTS	1018 - 1042
NUMERICAL INDEX	1044 - 1122

STEERING

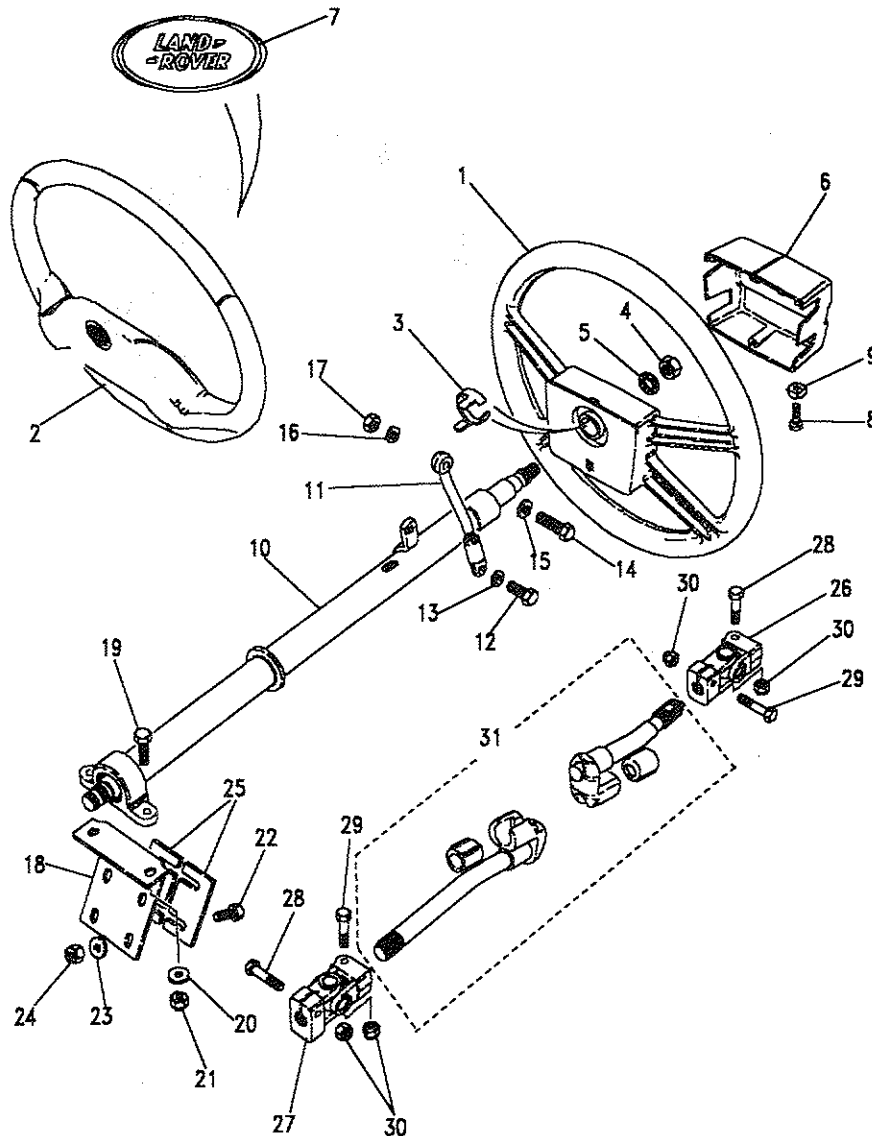
STEERING WHEEL AND COLUMN	533 - 534
STEERING COLUMN SHROUD	535
COLUMN TOP SUPPORT	536
MANUAL STEERING BOX - GEMMER	537 - 539
MANUAL STEERING BOX - ADWEST	540
POWER STEERING BOX - ADWEST HEAVYWEIGHT	541
POWER STEERING BOX- ADWEST HEAVYWEIGHT.	542
POWER STEERING BOX - ADWEST HEAVYWEIGHT	543 - 544
POWER STEERING BOX - ADWEST LIGHTWEIGHT	545 - 548
POWER STEERING BOX - GEMMER	549 - 550
STEERING TRACK RODS	551 - 553
POWER STEERING RESERVOIR	554 - 555
POWER STEERING PIPES - UPTO VIN JA918809	556 - 560
POWER STEERING PIPES - FROM VIN JA918810	561 - 564





Model DEFENDER 90
Page ADFXAA1A

STEERING - STEERING WHEEL AND COLUMN



III. Part No.	Description	Qty	Remarks
1 NRC5281	Wheel steering	1	Upto VIN JA906579
1 NTC4844	Wheel steering	1	Note(1) Upto VIN JA906579
2 NTC8847	Wheel steering	1	Note(3)
ANR3231	Wheel steering	1	Note(4)
3 NRC7636	Ring striker	1	
4 CRC2015	Nut	1	
5 WE600081	Washer shakeproof	1	
6 NRC6747	Moulding	1	Upto VIN HA906579
6 NTC7731	Moulding	1	Note(1) Upto VIN HA906579
7 NTC8848	Cap centre	1	From VIN JA906580
8 SE106121L	Screw	1	Upto VIN HA906579
9 NK106081	Nut grip	1	Upto VIN HA906579
10 NRC7635	Column steering	1	Note(2) Upto VIN HA906579
10 NTC9068	Column steering	1	Note(2) From VIN JA906580
11 NRC9711	Tie rod	1	
12 SH110161L	Screw	1	
13 WL110001L	Washer spring	1	
14 SH110301L	Screw	1	
15 WA110061L	Washer plain	1	

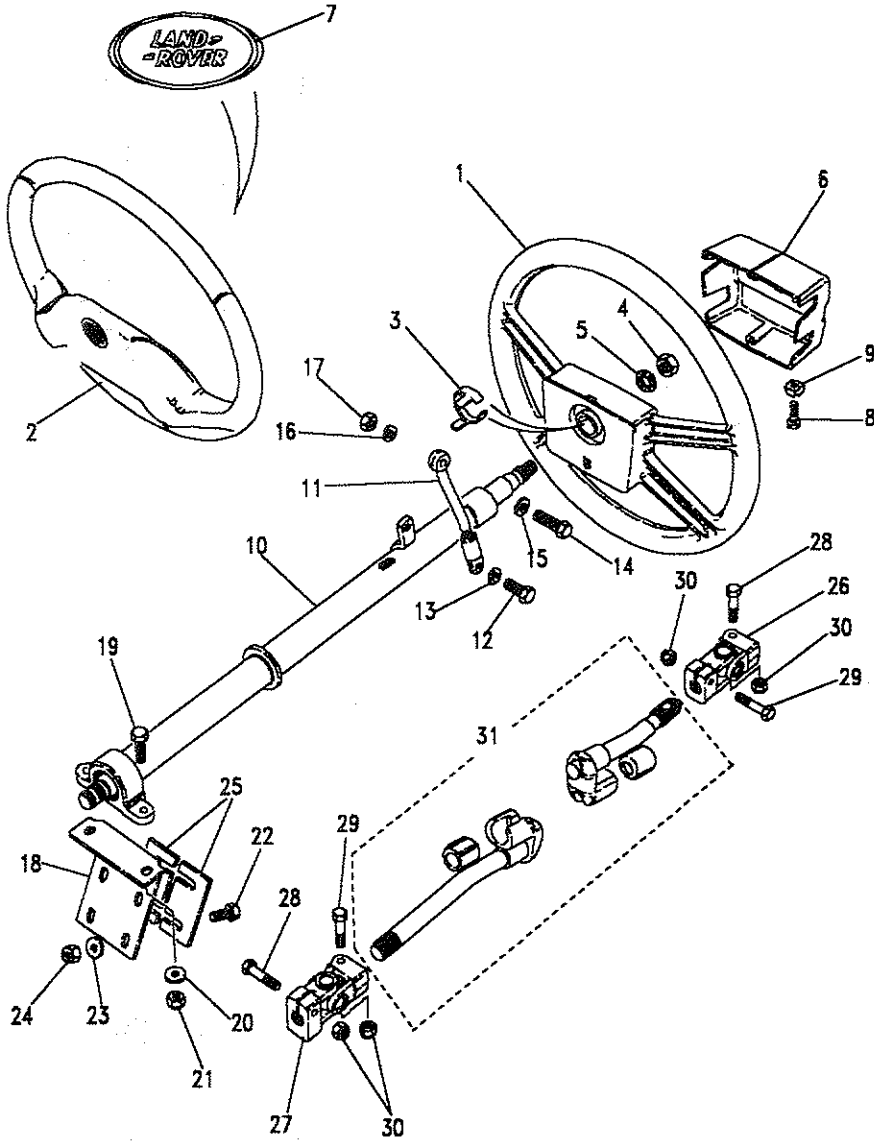
Note(1) Option - County Station Wagon - Leather trimmed
 Note(2) Steering column lock - see page 760 - 761
 Note(3) From JA906580, up to LA936926
 Note(4) From LA936927





Model DEFENDER 90
Page ADFXAA1A

STEERING - STEERING WHEEL AND COLUMN



Ill. Part No.	Description	Qty	Remarks
16	WL110001L Washer spring	1	
17	NH110041L Nut	1	
18	NRC7127 Support	1	
19	BH108251L Bolt	2	
20	WC108051L Washer plain	2	
21	NY108041L Nut	2	
22	BH108251L Bolt	4	
23	WC108051L Washer plain	4	
24	NY108041L Nut	4	
25	569522 Packing piece	4	
26	NRC7387 Universal joint	1	
27	NRC7704 Universal joint	1	
28	BH108091L Bolt	2	
29	BH108091L Bolt	2	
30	NY108041L Nut	4	
31	RTC4738 Shaft steering	1	



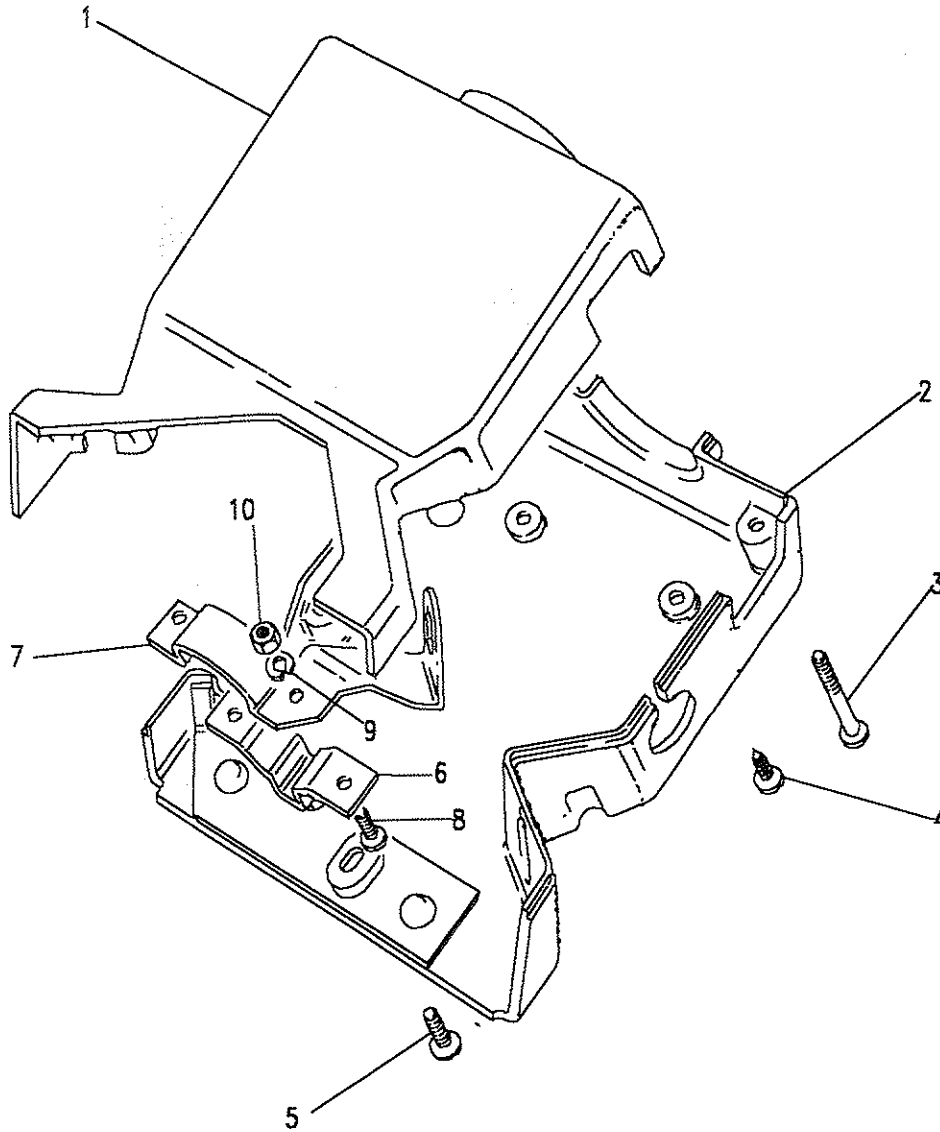
DEFENDER 90

535

STEERING

Model DEFENDER 90
Page ADFXCA1A

STEERING - STEERING COLUMN SHROUD



III. Part No.	Description	Qty	Remarks
1	MTC3499	1	Shroud Upper
2	MTC3801	1	Shroud Lower
3	SE105401	2	Screw
4	AR608031L	2	Screw
5	SE105161	1	Screw
6	NRC7836	1	Clamp
7	NRC7835	1	Bracket
8	SH105121	2	Screw
9	WA105001	2	Washer spring
10	NH105041	2	Nut
	331083	1	Grommet blanking
			Diesel

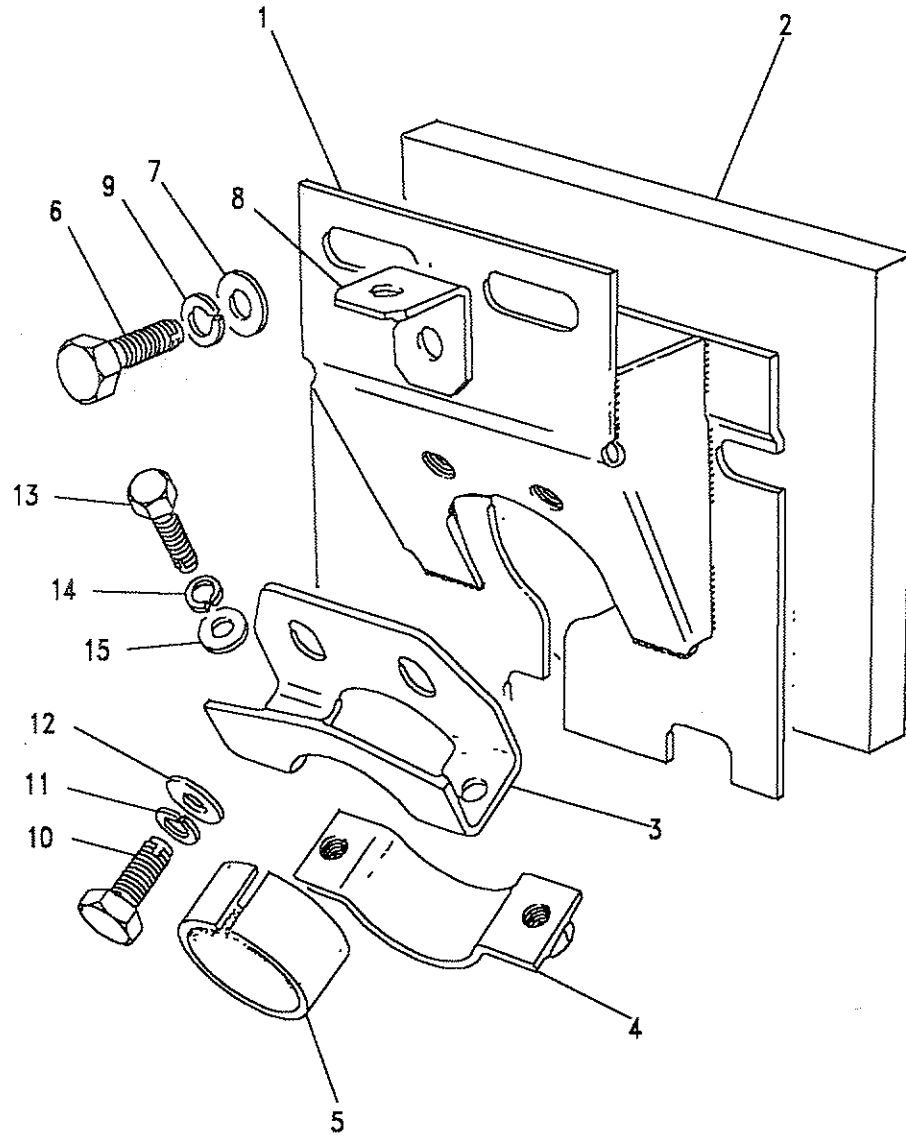




Model DEFENDER 90

Page ADFXE1A

STEERING - COLUMN TOP SUPPORT



III. Part No.	Description	Qty	Remarks
1	MTC1382	1	Bracket support
2	MUC7000	1	Seal
3	346722	1	Clamp top
4	MTC1078	1	Clamp lower
5	348747	1	Strip rubber
6	FS108251L	2	Screw
7	WA108051L	1	Washer plain
8	MTC4771	1	Bracket
9	WL108001L	2	Washer spring
	NN108021	2	Nutsert
10	GG108251L	2	Screw
11	WA108051L	2	Washer plain
12	WL108001L	2	Washer spring
13	GG106251L	2	Screw
14	WL106001L	2	Washer spring
15	WA106041L	2	Washer plain

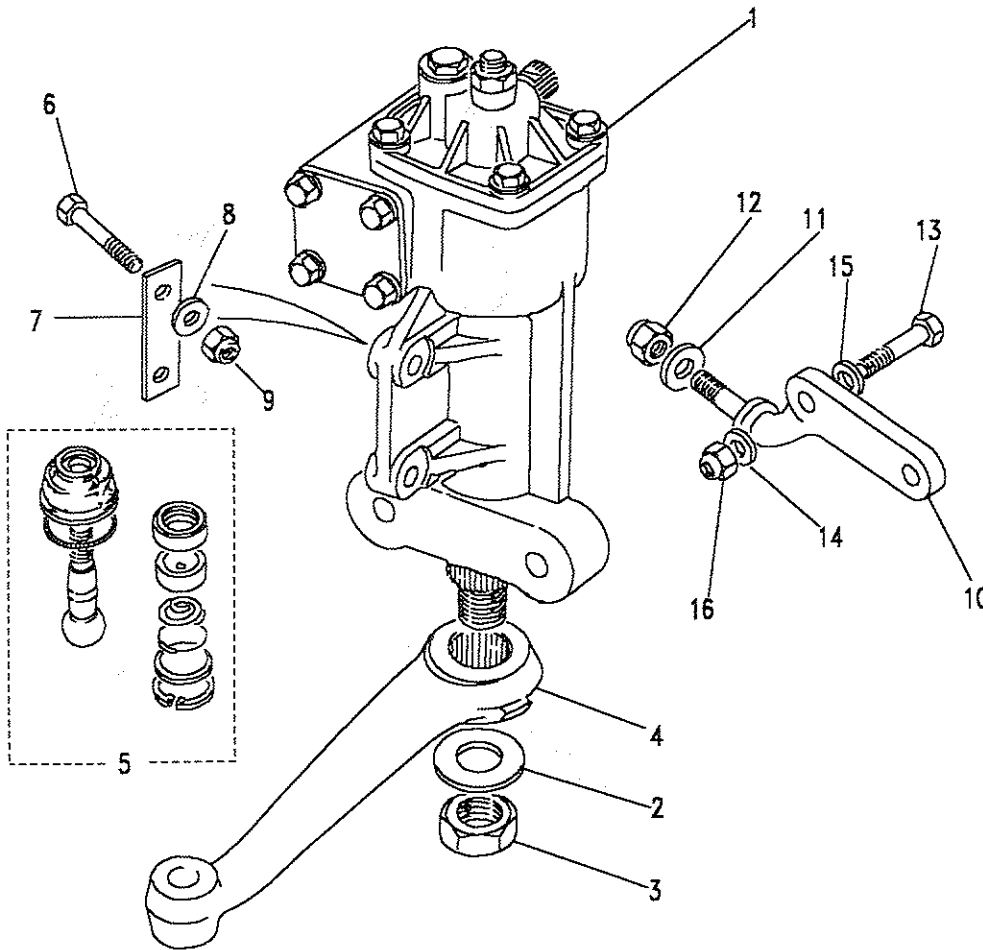


Model DEFENDER 90
Page ADFXGA1A

STEERING - MANUAL STEERING BOX - GEMMER

iii. Part No.	Description	Qty	Remarks
Right Hand Steering			
NTC8224	Steering box	1)
NTC2590E	Steering box exchange	1)Up to JA922154
Left Hand Steering			
NTC8223	Steering box	1)
NTC2591E	Steering box exchange	1)Up to JA920706
2 AEU4025	Washer	1	
3 AEU4026	Nut	1	
4 RTC6398	Drop Arm-RHS	1	Note(3)
RTC6399	Drop Arm-LHS	1	Note(3)
5 AEU2761	Kit ball joint	1	Note(1)
RTC4198	Kit ball joint	1	Note(2)
6 BH607381	Bolt	4	Note(1)
BX112201	Bolt	4	Note(2)
7 572077	Washer tab	2	
8 WA600071	Washer plain	8	Note(1)
WA112081L	Washer plain	4	Note(2)
9 NY607041L	Nut nyloc	4	Note(1)

Note(1) Upto VIN 312179 RHS. VIN 323657 LHS
 Note(2) From VIN 312180 RHS. VIN 323658 LHS
 Note(3) Use RTC4198 Ball Joint Kit When fitting replacement Drop Arm RTC6398/RTC6399.





Model DEFENDER 90

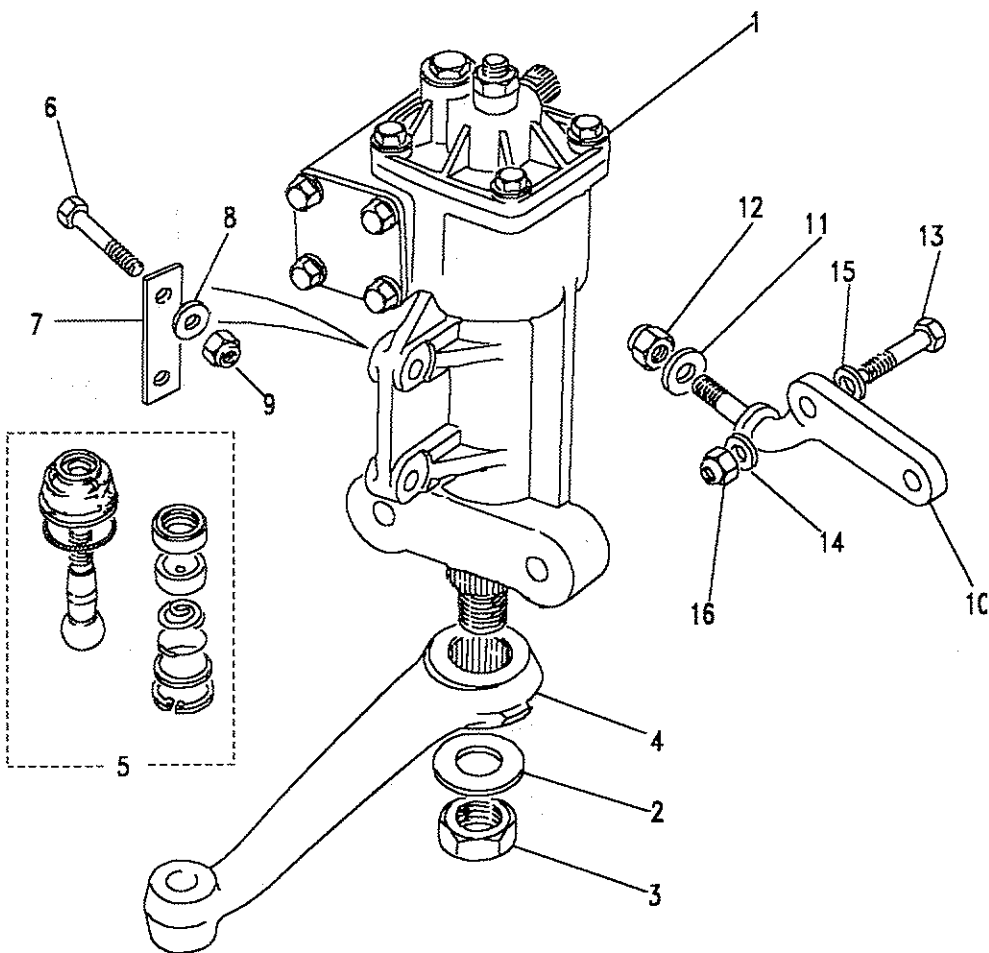
Page ADFXGA1A

STEERING - MANUAL STEERING BOX - GEMMER

III. Part No.	Description	Qty	Remarks
10 594947	Tie Bar-RHS	1)
594946	Tie Bar-LHS	1	
ANR2994	Tie bar LHS & RHS	2	Note(1) Note(2)
11 4905	Washer plain	1	
12 NY608041L	Nut	1	
13 253963	Bolt	2	
14 217245	Washer plain	2	
15 3261	Plain Washer	2	
16 NY607041L	Nut	2	

Note(1) Up to LA939975

Note(2) From MA939976

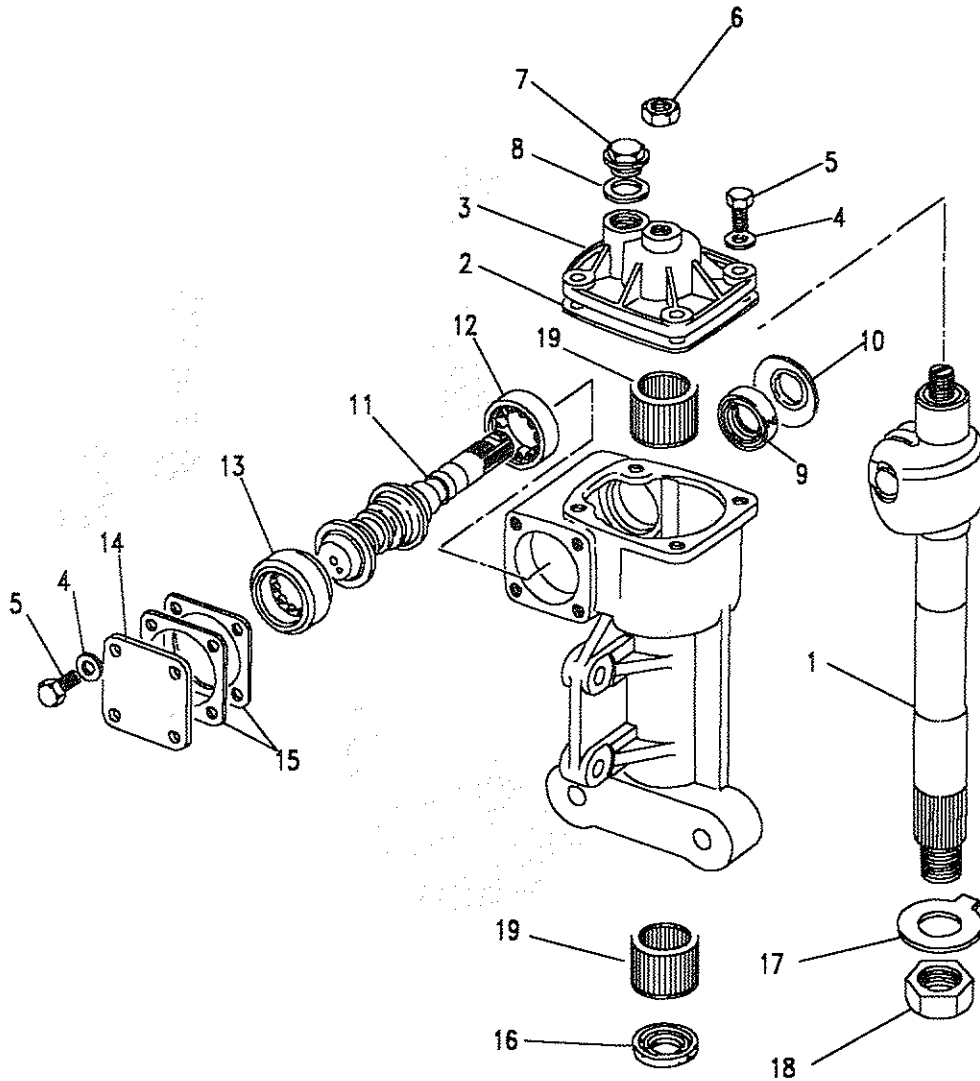




Model DEFENDER 90
Page ADFXGA2A

STEERING - MANUAL STEERING BOX - GEMMER

III. Part No.	Description	Qty	Remarks
1	RTC5909	1	LHS
	RTC5908	1	RHS
2	BAU4865	1	Part of STC603
3	AEU4013	1	Cover plate
4	AEU4014	8	Screw
5	AEU4015	8	Washer
6	AEU4016	1	Nut
7	AEU4017	1	Filler Plug
8	AEU4018	1	Seal
9	BAU4870	1	Seal Wormshaft
10	AEU4019	1	Dust Seal
11	AEU4020	1	Wormshaft LHS
	AEU4021	1	Wormshaft RHS
12	RTC6130	1	Bearing
13	RTC6129	1	Bearing
14	AEU4023	1	Cover Plate
15	BAU4871	A/R	Part of STC603
16	AEU4024	1	Seal
17	AEU4025	1	Washer tab
18	AEU4026	1	Nut
19	STC1055	2	Bearing needle
	STC603	1	Seal Kit

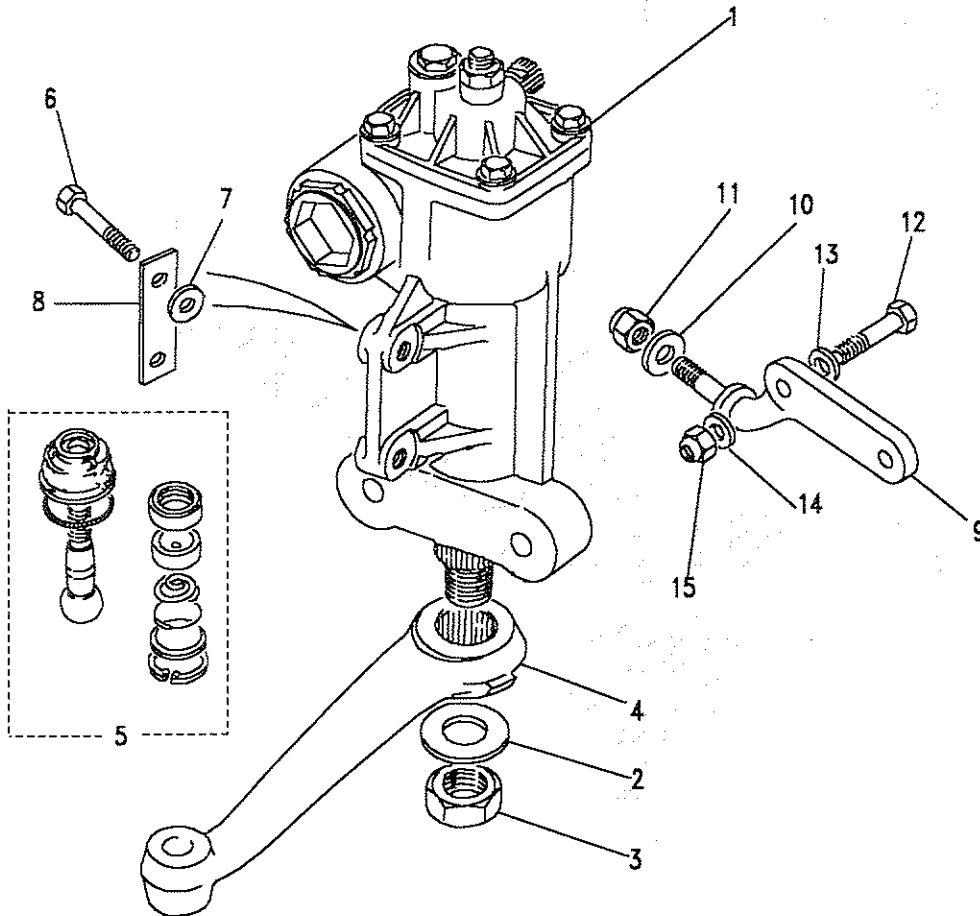


Model DEFENDER 90
Page ADFXGA3A

STEERING - MANUAL STEERING BOX - ADWEST

III. Part No.	Description	Qty	Remarks
1	NTC8224	1	From VIN JA922155
1	NTC8223	1	From VIN JA920707
2	600265	1	Washer tab
3	NH614041	1	Nut
4	STC1044	1	Drop arm-RHS
4	STC1045	1	Drop arm-LHS
5	RTC4198	1	Kit ball joint
6	BX112201	4	Bolt
7	WA112081L	4	Washer plain
8	572077	2	Washer tab
9	594947	1	Tie bar-RHS
9	594946	1	Tie bar-LHS
	ANR2994	2	Tie bar LHS & RHS
10	4905	1	Washer plain
11	NY608041L	1	Nut
12	BH607161L	2	Bolt
13	3261	2	Washer plain
14	217245	2	Washer plain
15	NY607041L	2	Nut
	STC892	1	Kit repair steering box
	STC897	1	Kit filler plug

Note(1) Up to LA939975
Note(2) From MA939976





DEFENDER 90

541

STEERING

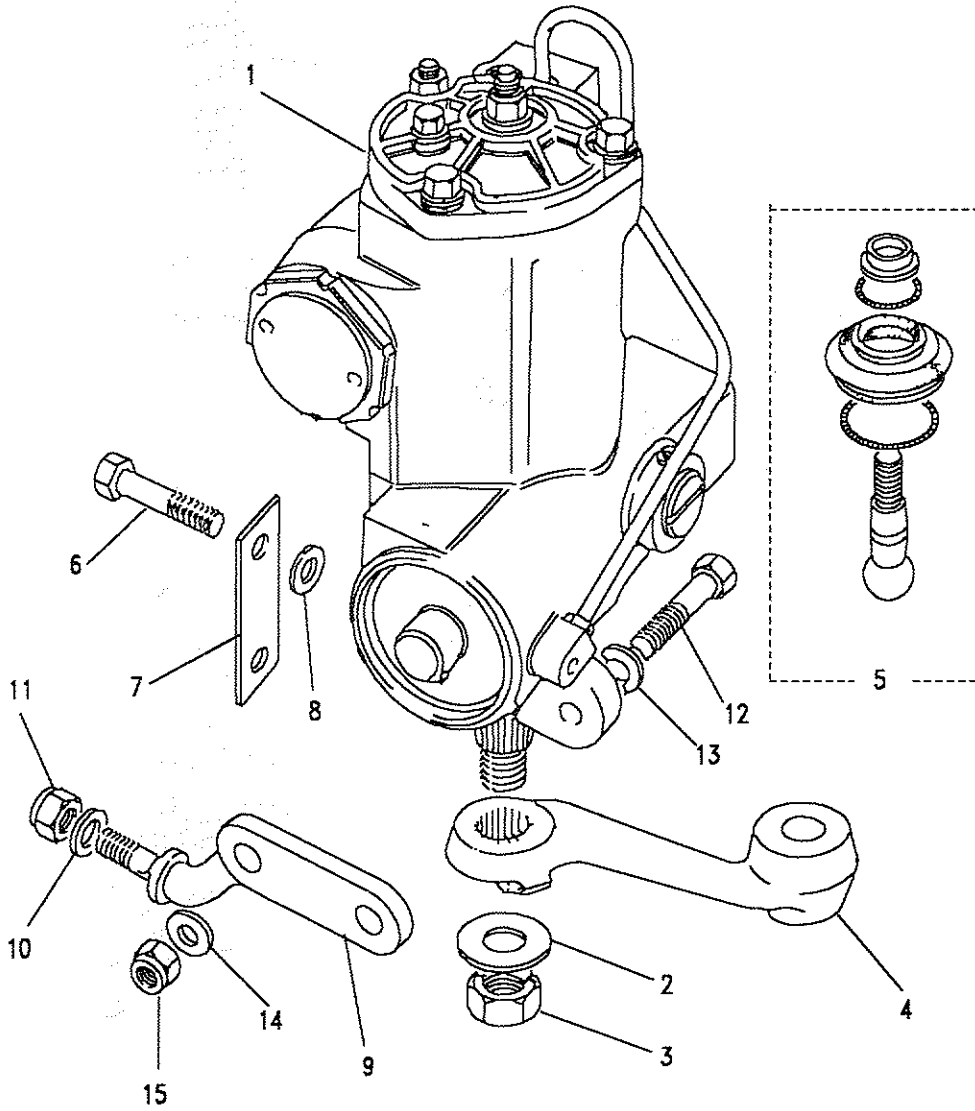
Model DEFENDER 90
Page ADFXGC1A

STEERING - POWER STEERING BOX - ADWEST HEAVYWEIGHT

III. Part No. Description Qty Remarks

Upto VIN 244022

Part No.	Description	Qty	Remarks
1	STC1038	1	Steering box RHS
	STC8382E	1	Steering box RHS Exchange
	STC1138	1	Steering box LHS
	STC8381E	1	Steering box LHS Exchange
2	600265	1	Washer tab
3	NH614041	1	Nut
4	STC1044	1	Drop arm and ball joint RHS
	STC1045	1	Drop arm and ball joint LHS
5	RTC4198	1	Kit ball joint
6	NRC7616	4	Bolt
7	572077	2	Washer tab
8	WA600071L	4	Washer plain
9	594947	1	Tie bar RHS
	594946	1	Tie bar LHS
10	4905	1	Washer plain
11	NY608041L	1	Nut
12	BH607161L	2	Bolt
13	3261L	2	Washer plain
14	217245	2	Washer plain
15	NY607041L	2	Nut



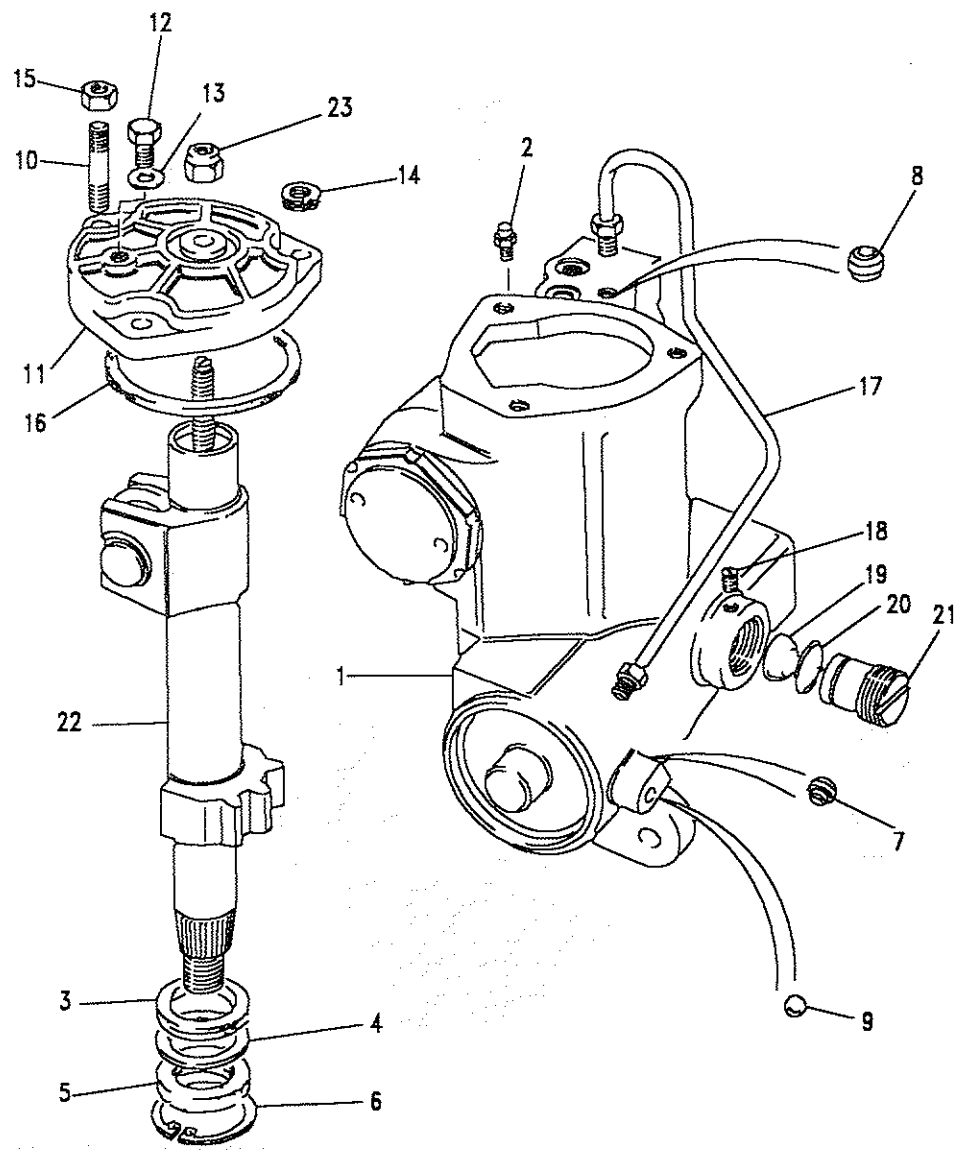


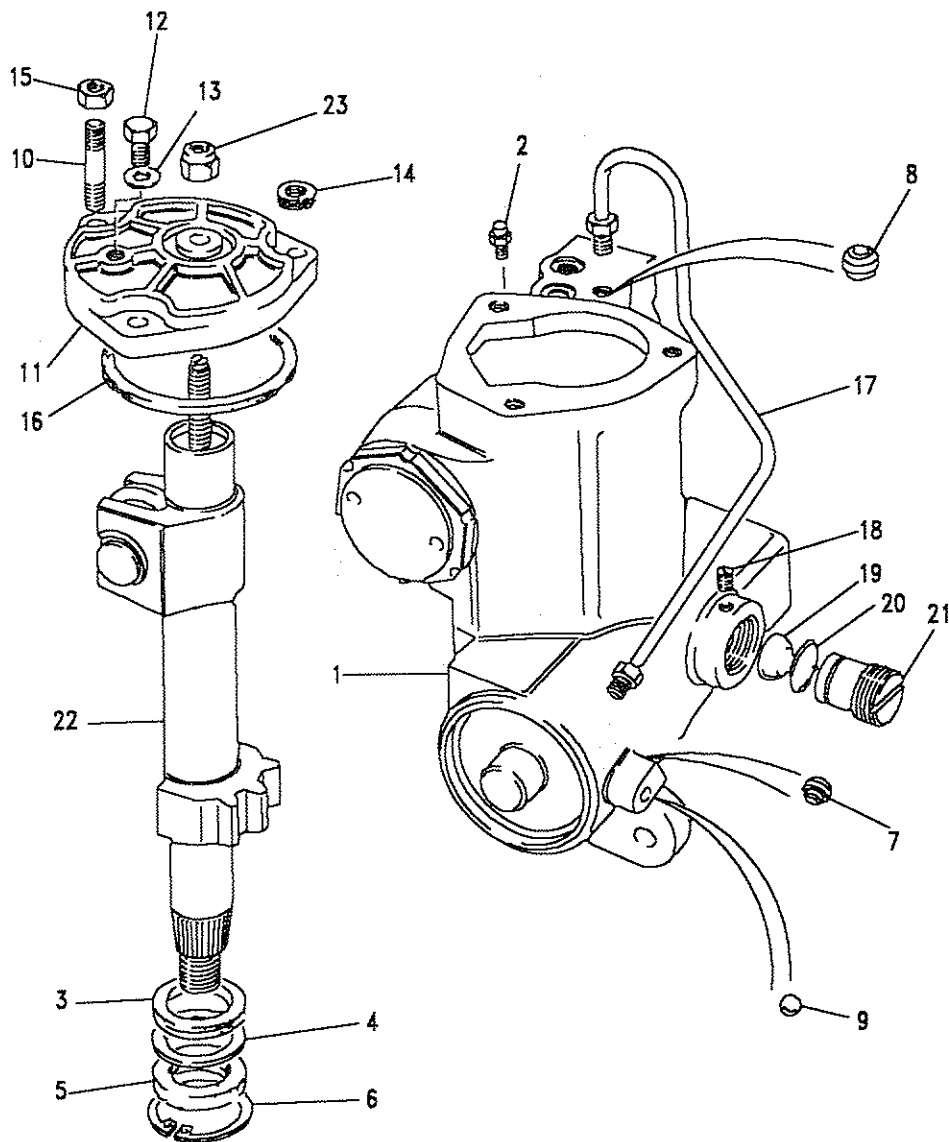
Model DEFENDER 90
Page ADFXGC2A

STEERING - POWER STEERING BOX- ADWEST HEAVYWEIGHT.

Ill. Part No.	Description	Qty	Remarks
Upto VIN 244022			
1	AEU1358 Housing-RHS	1	No longer available
	AEU1359 Housing-LHS	1	No longer available
2	606564 Plug	1	No longer available
3	STC1042 Seal	1	Note(1) (4)
4	Washer	1	Note(1) (4)
5	Seal	1	Note(1) (4)
6	Circlip	1	Note(4)
7	11987L Seat	3	
8	11988L Seat	1	
9	BLS108L Ball	1	
10	RTC297 Stud	3	No longer available
	RTC6110 Dust seal	1	Note(4)
11	RTC294 Cover and Bush	1	
12	11015L Bleed screw	1	No longer available
13	608069 Seal	1	NLA Note(1)
14	RTC298 Washer	3	
15	RTC299 Nut	3	

Note(1) Part of RTC308 kit
 Note(2) Straight at Bottom, as illustrated
 Note(3) Right-Angled at Bottom
 Note(4) Part of STC1042
 Note(5) Part of STC1040





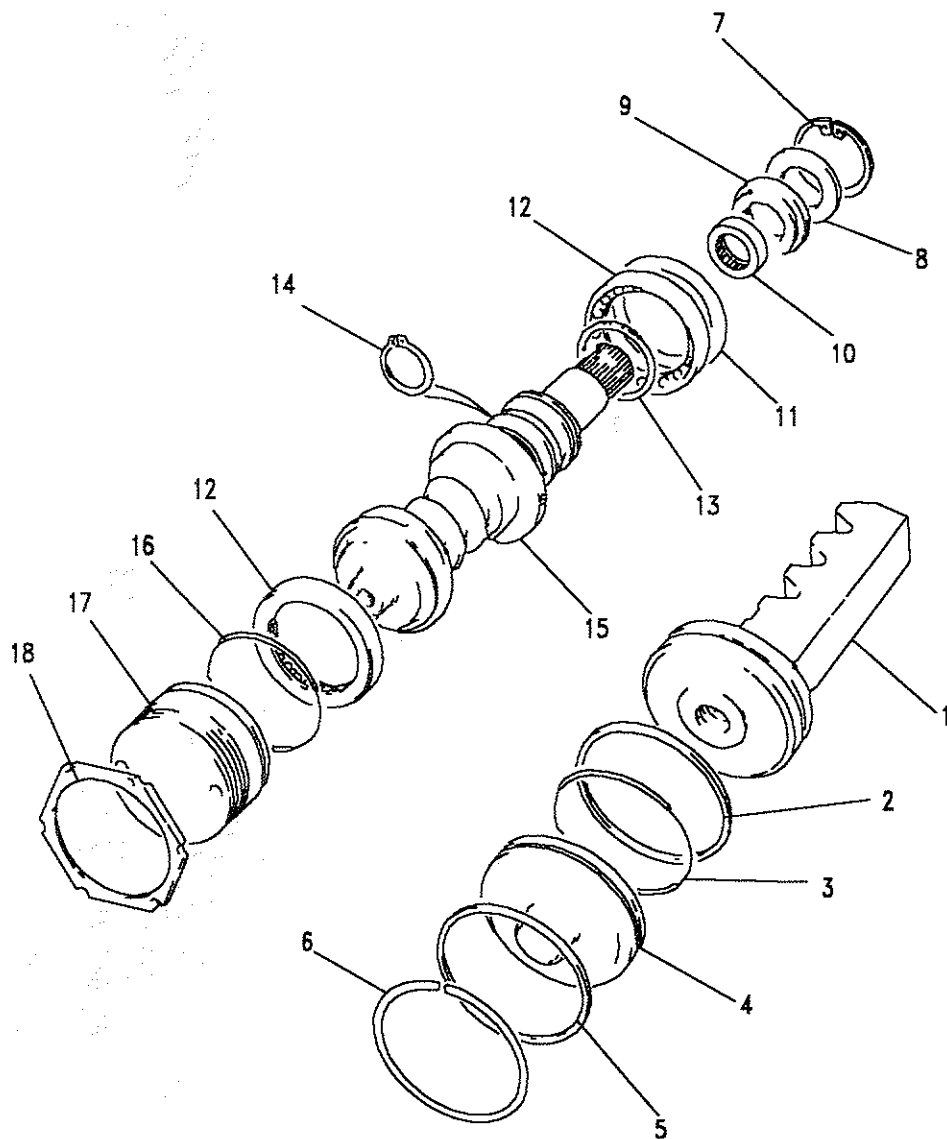
Model DEFENDER 90
Page ADFXGC2A

STEERING - POWER STEERING BOX - ADWEST HEAVYWEIGHT

Ill. Part No.	Description	Qty	Remarks
Upto VIN 244022			
16	RTC295 Seal	1	NLA Note(1)
17	AEU1029 Pipe oil transfer-RHS	1	Note(2)
	RTC307 Pipe oil transfer-LHS	1	Note(2)
	RTC6782 Pipe oil transfer-RHS	1	Note(3)
	RTC6783 Pipe oil transfer-LHS	1	Note(3)
18	11011L Screw	1	Note(5)
19	606544 Pad	1	NLA Note(5)
20	608065 Seal	1	Note(1)
21	606545 Screw adjusting	1	Note(5)
22	RTC300 Sector shaft & nut-RHS	1	
	RTC301 Sector shaft & nut-LHS	1	NLA
23	90606566 Nut	1	
	RTC308 Seal kit-overhaul	1	
	STC1042 Seal kit-output shaft	1	
	STC1040 Seal kit-pad adjuster	1	

Note(1) Part of RTC308
 Note(2) Straight at Bottom, as illustrated
 Note(3) Right-Angled at Bottom
 Note(4) Part of STC1042
 Note(5) Part of STC1040



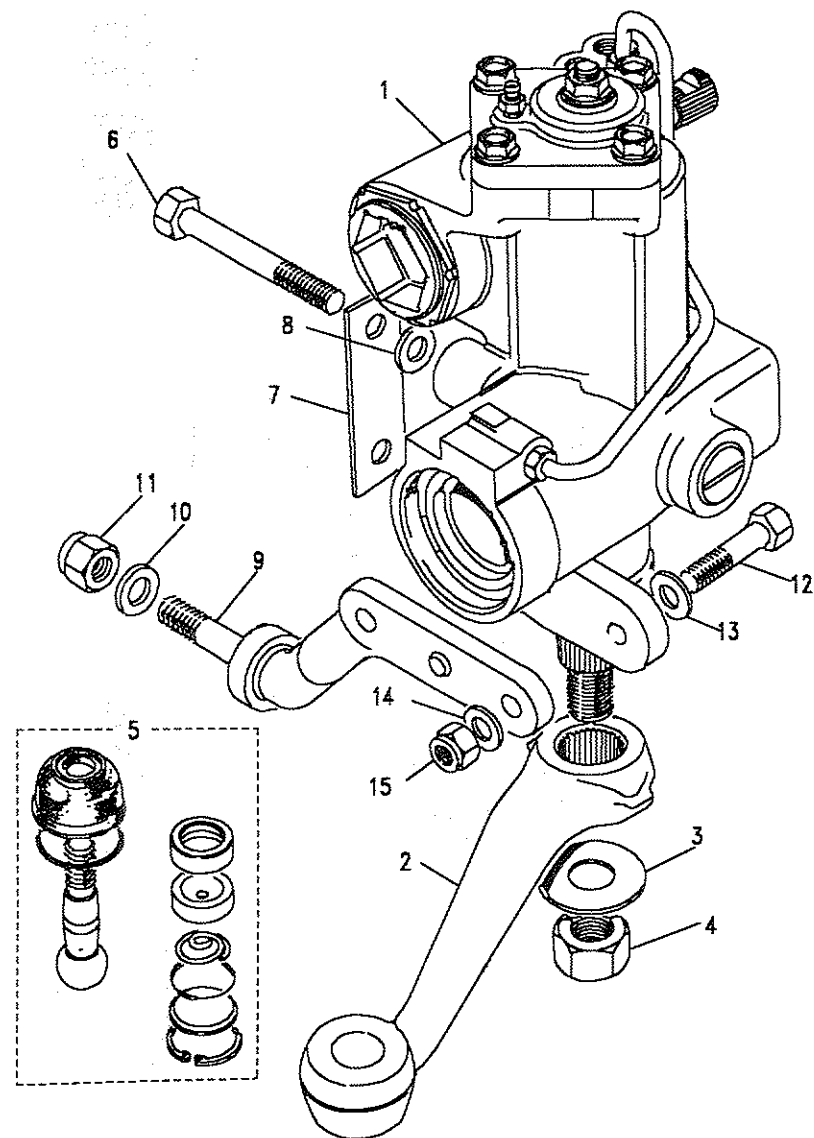


Model DEFENDER 90
Page ADFXGC3A

STEERING - POWER STEERING BOX - ADWEST HEAVYWEIGHT

Ill. Part No.	Description	Qty	Remarks
Upto VIN 244022			
1 606542	Piston	1	No longer available
2	Teflon Ring	1	Note(1)
3	O Ring	1	Note(1)
4 606543	Cover	1	No longer available
5	Seal	1	Note(1)
6 11009L	Retaining Ring	1	
7	Circlip	1	Note(2)
8	Washer	1	Note(1)(2)
9 AEU1248	Seal	1	NLA Note(1)(2)
10 605061	Bearing needle	1	
11 RTC2762	Shim Set	1	
12 606538	Bearing Race	2	
13 608000	Teflon Ring	4	
14 606567	Circlip	1	
15 AEU1356	Worm & Valve-RHS	1	
AEU1357	Worm & Valve-LHS	1	
16 608073	Seal	1	Note(1)
17 RTC306	Screw	1	
18 606553	Lock Nut	1	
RTC308	Kit seal-overhaul	1	
STC875	Kit seal-input shaft	1	

Note(1) Part of RTC308
 Note(2) Part of STC1041



Model DEFENDER 90
Page ADFXGC4A

STEERING - POWER STEERING BOX - ADWEST LIGHTWEIGHT

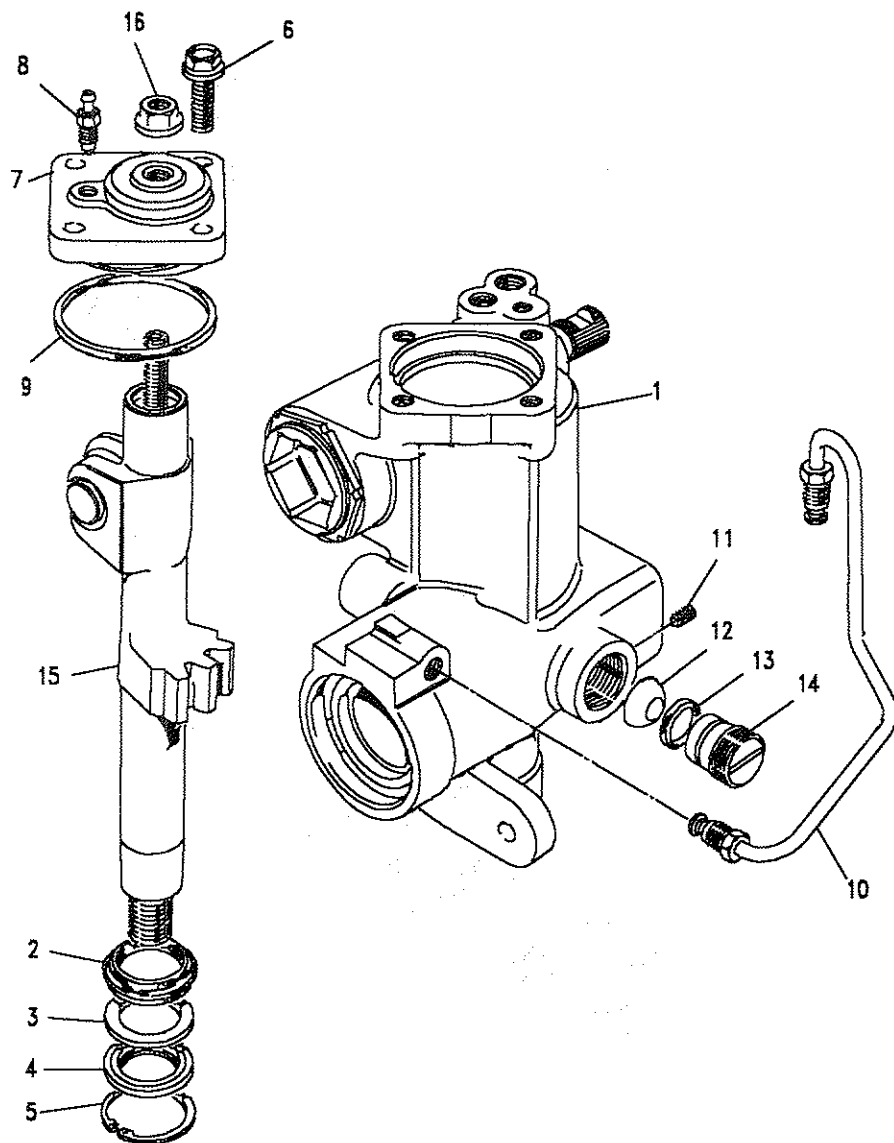
III. Part No. Description Qty Remarks

From VIN 290903 Onwards

Part No.	Description	Qty	Remarks
1	STC887	1	Steering box-RHS
	STC8384E	1	Steering box RHS Exchange
1	STC888	1	Steering box-LHS
	STC8383E	1	Steering box LHS Exchange
2	STC1044	1	Drop arm and ball joint RHS
2	STC1045	1	Drop arm and ball joint LHS
3	600265	1	Washer
4	NT614041L	1	Nut
5	RTC4198	1	Kit ball joint
6	BX112201	4	Bolt
7	572077	2	Washer tab
8	WA112081L	4	Washer plain
9	594947	1	Tie bar-RHS
	594946	1	Tie bar-LHS Note(1)
	ANR2994	2	Tie bar LHS & RHS Note(2)
10	4905	1	Washer plain
11	252164	1	Nut
12	BH607161L	2	Bolt
13	3261L	2	Washer plain
14	217245	2	Washer plain
15	NY607041L	2	Nut

Note(1) Up to LA939975
 Note(2) From MA939976
 Note(3) From Vin 290903 upto VIN JA919038 - Gemmer or Adwest Lightweight may be fitted - Check before ordering

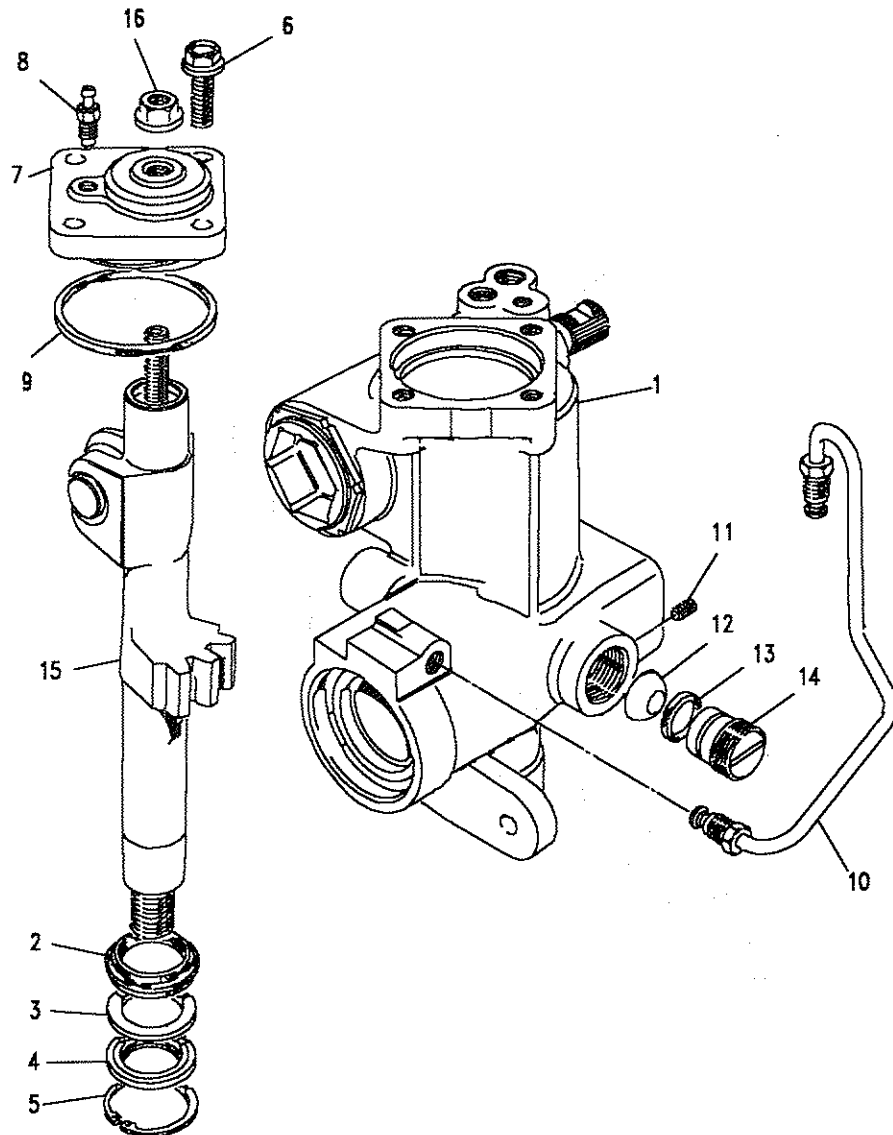




Model DEFENDER 90
Page ADFXGC5A

STEERING - POWER STEERING BOX - ADWEST LIGHTWEIGHT

Ill. Part No.	Description	Qty	Remarks
From VIN 244023 Upto 257176			
From VIN 290903 onwards - See Note(1)			
1	RTC4391	1	Note(2)
			No longer available
	RTC4392	1	Note(2)
			No longer available
	STC416	1	Note(3)
	STC417	1	NLA Note(3)
2	608066	1	Note(4)(5)
3		1	Note(4)(5)
4		1	Note(4)(5)
5		1	Note(5)
	RTC6110	1	Note(5)
6	RTC4393	4	
7	STC418	1	NLA
8	RTC4395	1	
9		1	Note(4)
10	RTC4400	1	
	RTC4401	1	
11	11011	1	Note(6)
12	606544	1	NLA Note(6)
13	608065	1	Note(4)
14	606545	1	Note(6)



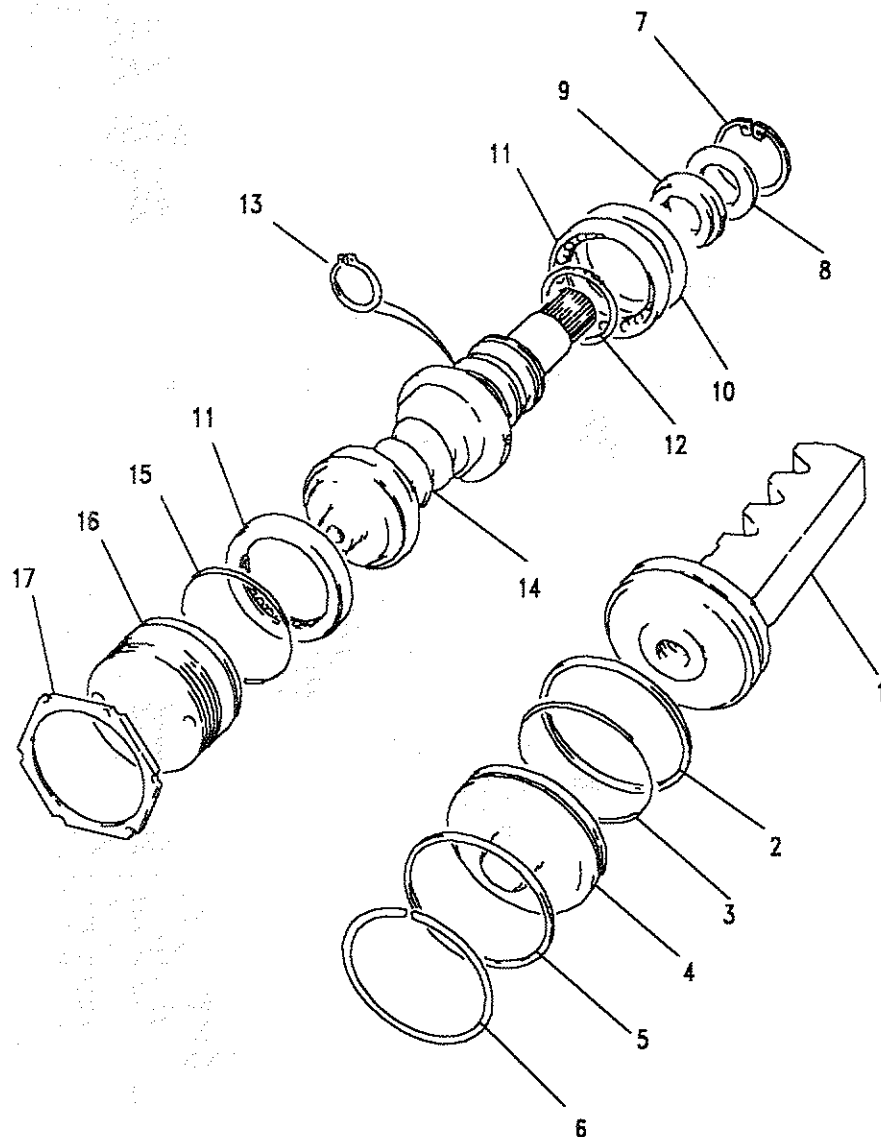
Model DEFENDER 90
Page ADFXGC5A

STEERING - POWER STEERING BOX - ADWEST LIGHTWEIGHT

Ill. Part No.	Description	Qty	Remarks
15	RTC4398	1	Sector shaft & nut-RHS
	RTC4399	1	Sector shaft & nut-LHS
16	RTC4394	1	Nut
	STC890	1	Seal kit-overhaul
	STC1042	1	Seal kit-output shaft
	STC1040	1	Seal kit-pad adjuster

- Note(1) From VIN 290903 upto VIN JA919038 - Gemmer or Adwest Lightweight may be fitted - Check before ordering
- Note(2) For Steering Box NTC1580/1
- Note(3) For Steering Box NTC8416/7
- Note(4) Part of STC876
- Note(5) Part of STC1042
- Note(6) Part of STC1040





Model DEFENDER 90
Page ADFXGC6A

STEERING - POWER STEERING BOX - ADWEST LIGHTWEIGHT

Ill. Part No. Description Qty Remarks

From VIN 244023 Upto 257176

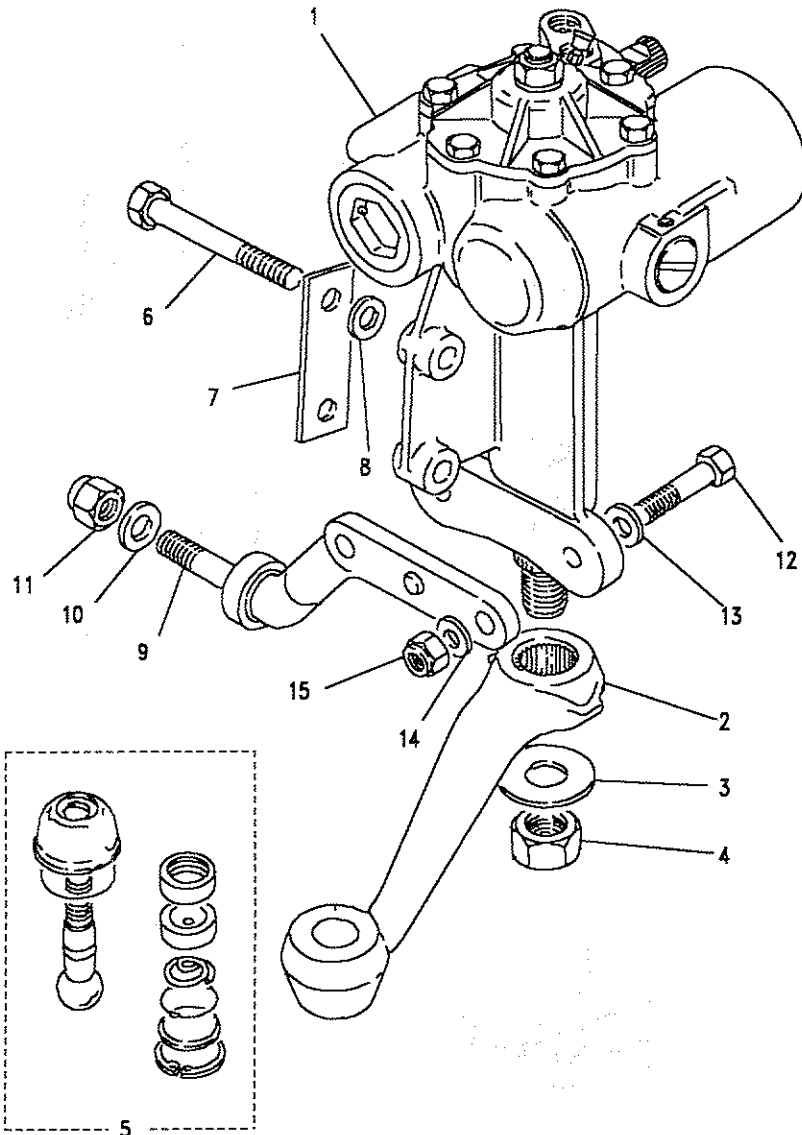
From VIN 290903 onwards - See Note(1)

Ill. Part No.	Description	Qty	Remarks
1	RTC4402	1	Piston
2		1	Teflon Ring
3		1	'O' Ring
4	RTC4403	1	Cover
5		1	Seal
6	RTC4404	1	Ring retaining
7		1	Circlip
8		1	Washer
9	AEU1248	1	Seal
10	RTC4410	1	Shim Set
11	RTC4409	2	Bearing Race
12	608000	3	Teflon Ring
13	607567	1	Circlip
14	RTC4405	1	Worm & Valve-RHS
	RTC4406	1	Worm & Valve-LHS
15		1	Seal
16	RTC4407	1	Screw adjusting
17	RTC4408	1	Nut lock
	STC890	1	Seal kit-overhaul
	STC875	1	Seal kit-input shaft

Note(1) From VIN 290903 upto VIN JA919038 - Gemmer or Adwest Lightweight may be fitted - Check before ordering

Note(2) Part of STC876

Note(3) Part of STC1041



Model DEFENDER 90
Page ADFXGC7A

STEERING - POWER STEERING BOX - GEMMER

III. Part No. Description Qty Remarks

From VIN 257177

From VIN JA919039 - See Adwest Lightweight

III. Part No.	Description	Qty	Remarks
1	NTC1582	1	
	NTC1582E	1	Exchange
	NTC1583	1	
	NTC1583E	1	Exchange
2	RTC6398	1	
	RTC6399	1	
3	AEU4025	1	
4	AEU4026	1	
5	RTC4198	1	
6	BX112201	4	
7	572077	2	
8	WA112081L	4	
9	594947	1) Note(1)
	594946	1	
	ANR2994	2	Note(2)

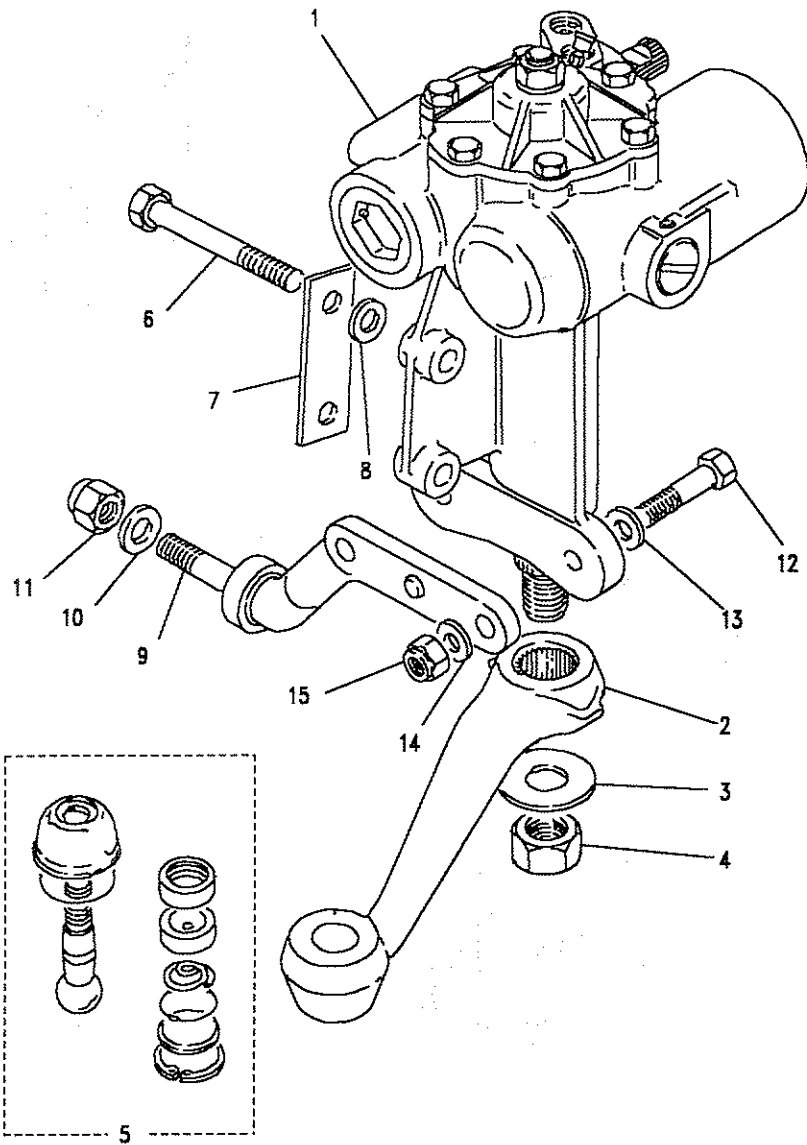
Note(1) Up to LA939975
Note(2) From MA939976
Note(3) From VIN 290903 - Gemmer or Adwest Lightweight may be fitted -
Check before ordering





Model DEFENDER 90
Page ADFXGC7A

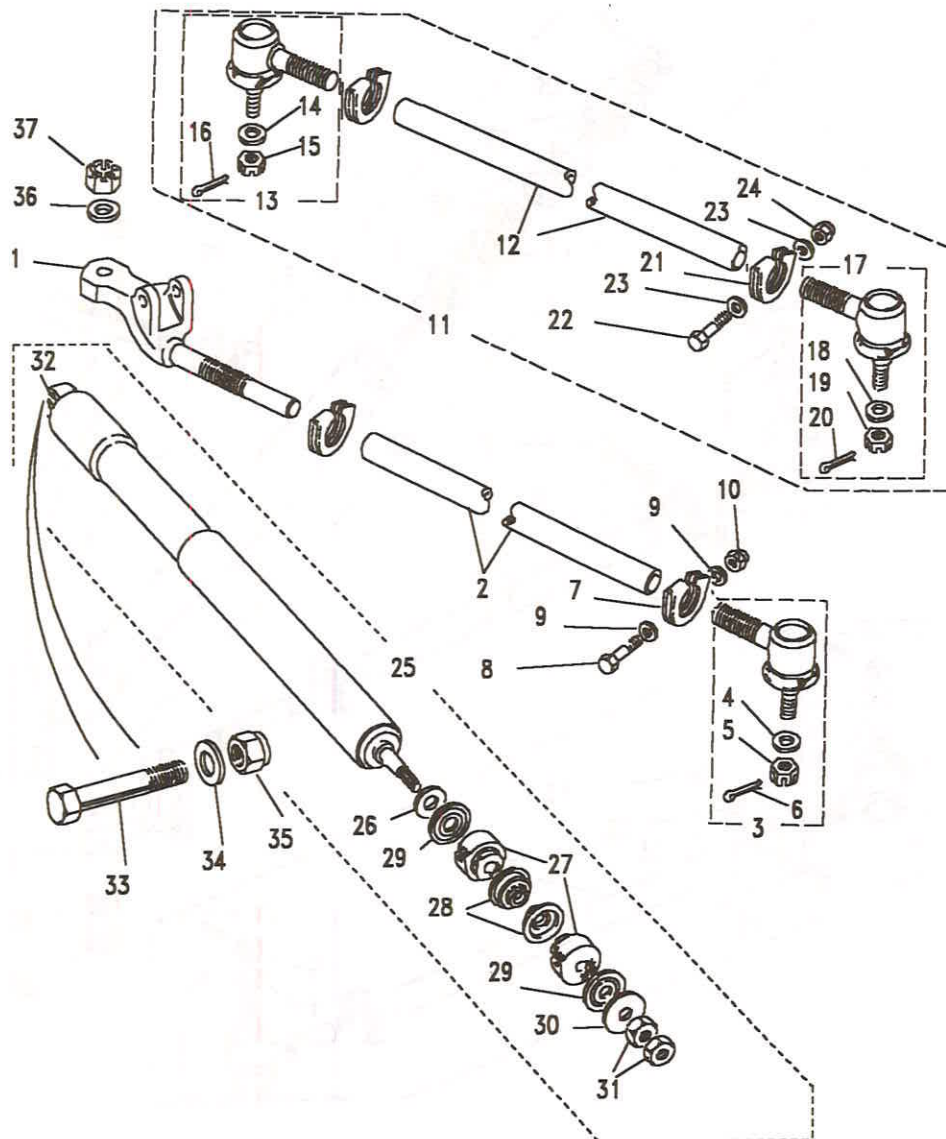
STEERING - POWER STEERING BOX - GEMMER



III. Part No.	Description	Qty	Remarks
10 4905	Washer plain	1	
11 252164	Nut	1	
12 BH607161L	Bolt	2	
13 3261	Washer plain	2	
14 217245	Washer plain	2	
15 NY607041L	Nut	2	
RTC5068	Valve assembly-LHS	1	No longer available
RTC5069	Output shaft-LHS	1	No longer available
RTC5070	Output shaft-RHS	1	
RTC5071	Seal Kit	1	
RTC5072	Piston rack kit	1	No longer available
RTC5073	Cover Assembly	1	No longer available
RTC5074	Kit bearing	1	NLA

Model DEFENDER 90
Page ADFXKA1A

STEERING - STEERING TRACK RODS



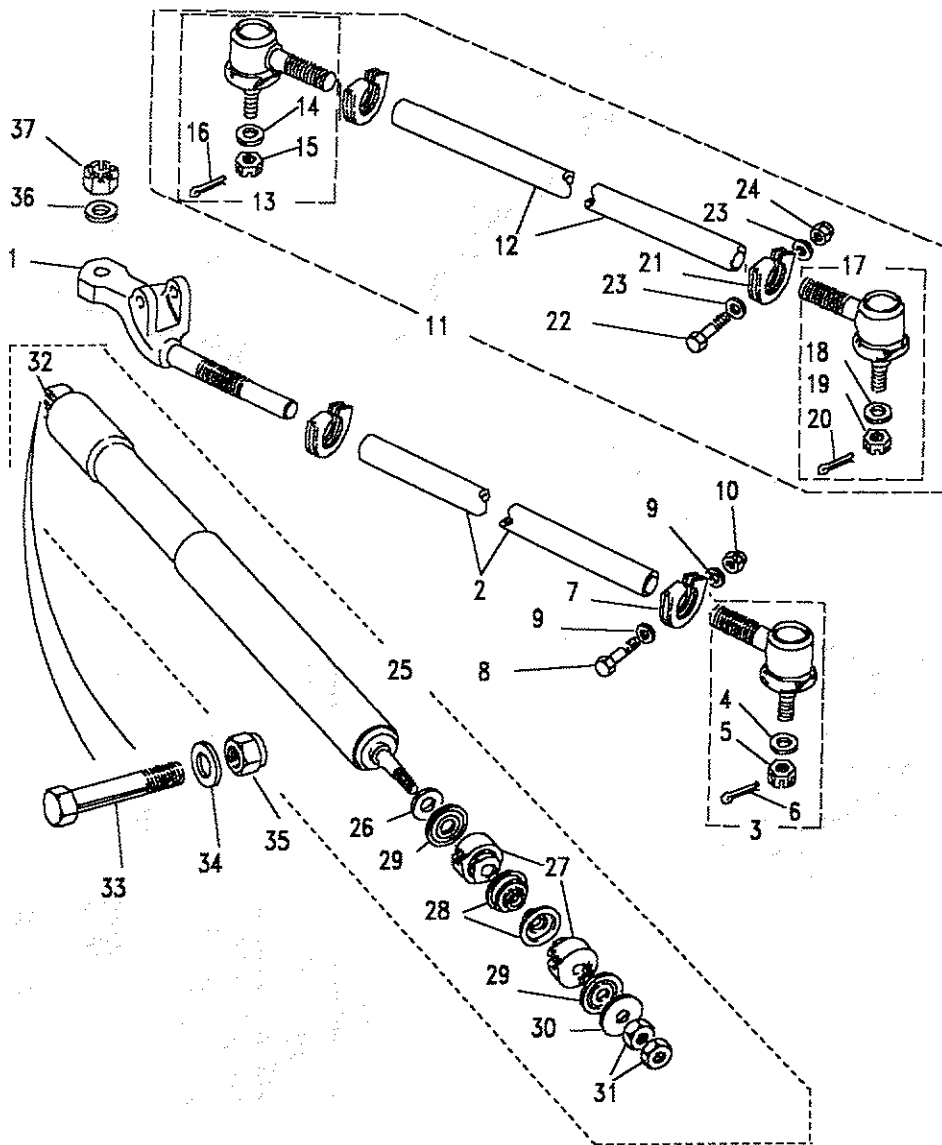
III. Part No.	Description	Qty	Remarks
1	NRC8231	1	Upto LA939975
	ANR2858	1	From MA939976
	NRC8232	1	Upto LA939975
	ANR2859	1	From MA939976
2	NRC5582	1	Upto KA917433
	NRC9741	1	From KA917434
	ANR2860	1	Upto LA939975
	ANR2860	1	From MA939976
3	RTC5869	1	
4	WC112081L	2	
5	NC112041	2	
6	PS105321L	1	
7	577898	2	
8	BH604151L	2	
9	WA106041L	4	
10	NY604041L	2	
11	NRC9743	1	
12	NRC9742	1	

- 1/4 UNF x 1 3/8

Model DEFENDER 90
 Page ADFXKA1A

STEERING - STEERING TRACK RODS

Ill. Part No.	Description	Qty	Remarks
13	RTC5869	1	Ball joint assembly RH
14	WC112081L	1	Washer plain
15	NC112041	1	Nut
16	PS105321L	1	Pin split
17	RTC5870	1	Ball joint assembly LH
18	WC112081L	1	Washer plain
19	NC112041	1	Nut
20	PS105321L	1	Pin split
21	577898	2	Clamp
22	BH604151L	2	Bolt
23	WA106041L	4	Washer plain
24	NY604041L	2	Nut

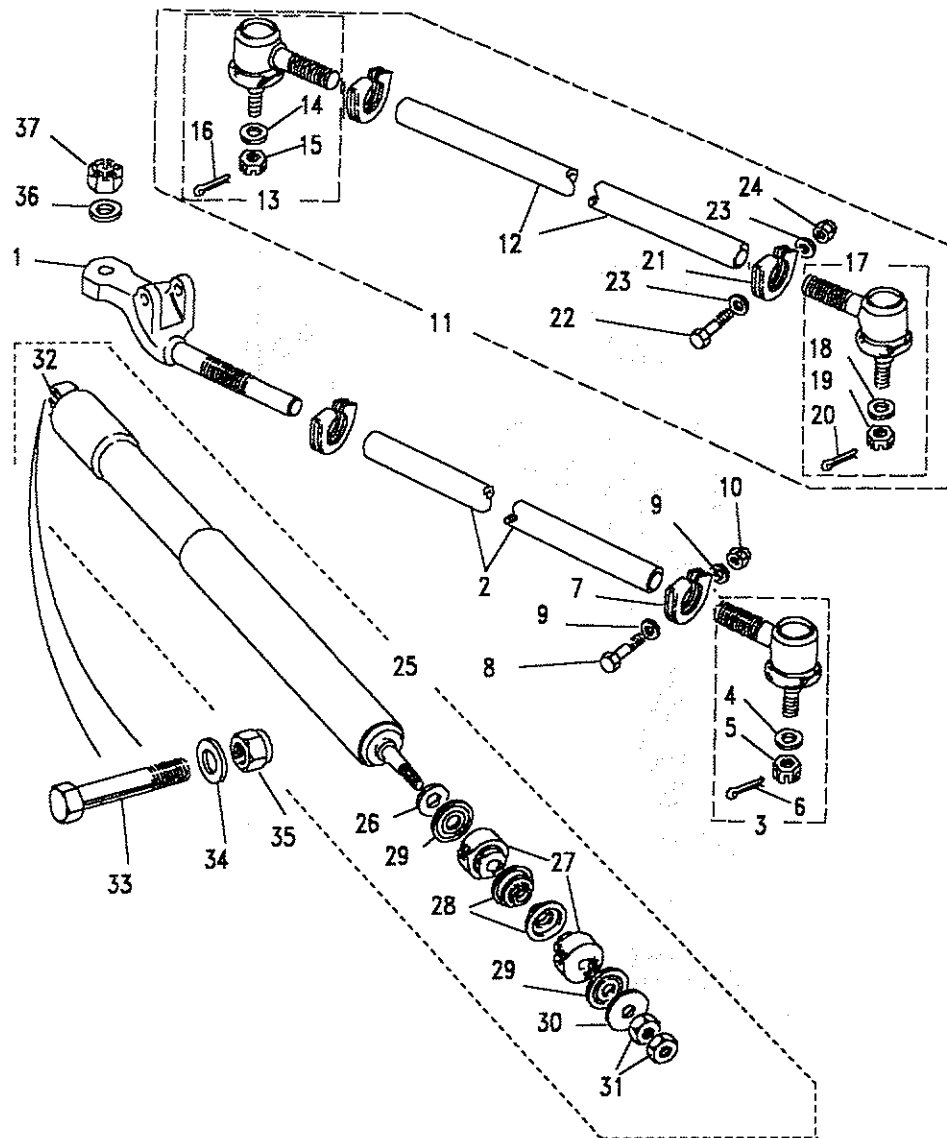




Model DEFENDER 90

Page ADFXKA1A

STEERING - STEERING TRACK RODS



III. Part No.	Description	Qty	Remarks
25	RTC4472	1	Damper steering assembly
26	595199	1	Washer plain
27	568858	2	Bush rubber
28	543819	2	Washer intermediate
29	90575597	2	Washer stem
30	WJ110001L	1	Washer plain
31	AFU4214	2	Nut thin
32	NTC1775	1	Bush rubber
33	BH110121L	1	Bolt
34	WA110061L	1	Washer plain
35	NY110041L	1	Nut
Steering drop arm to crossrod			
36	WC112081L	1	Washer plain
37	NC112041	1	Nut



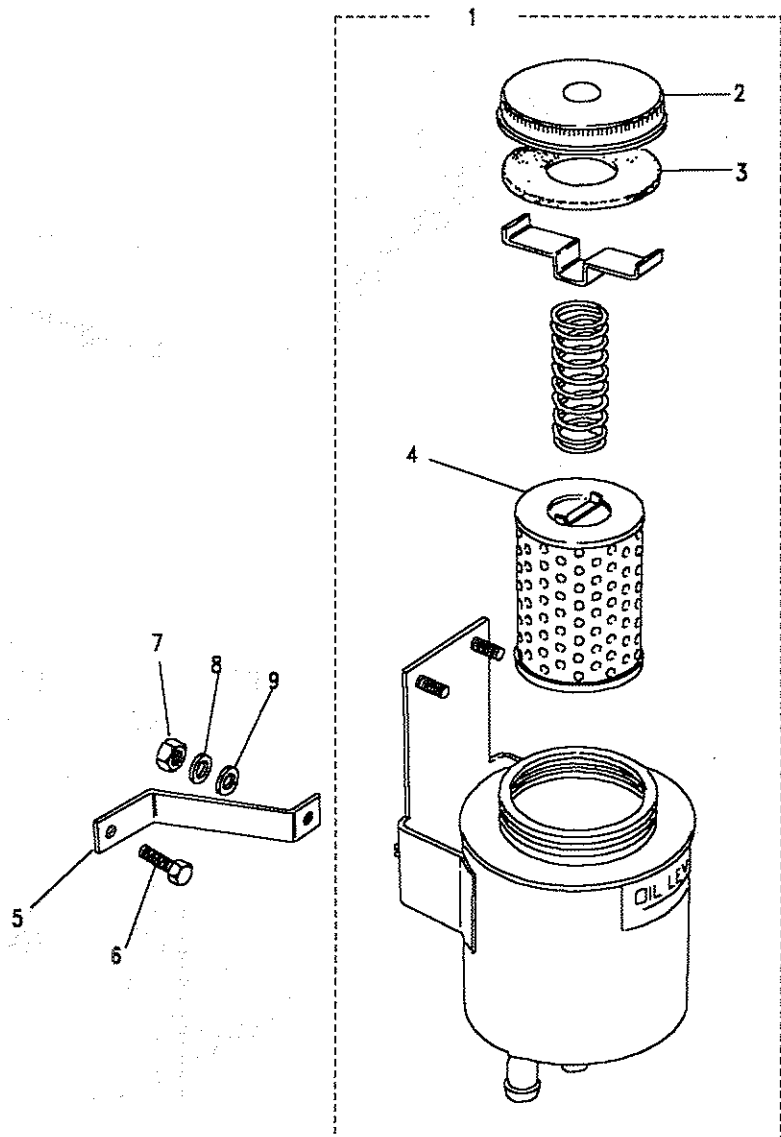


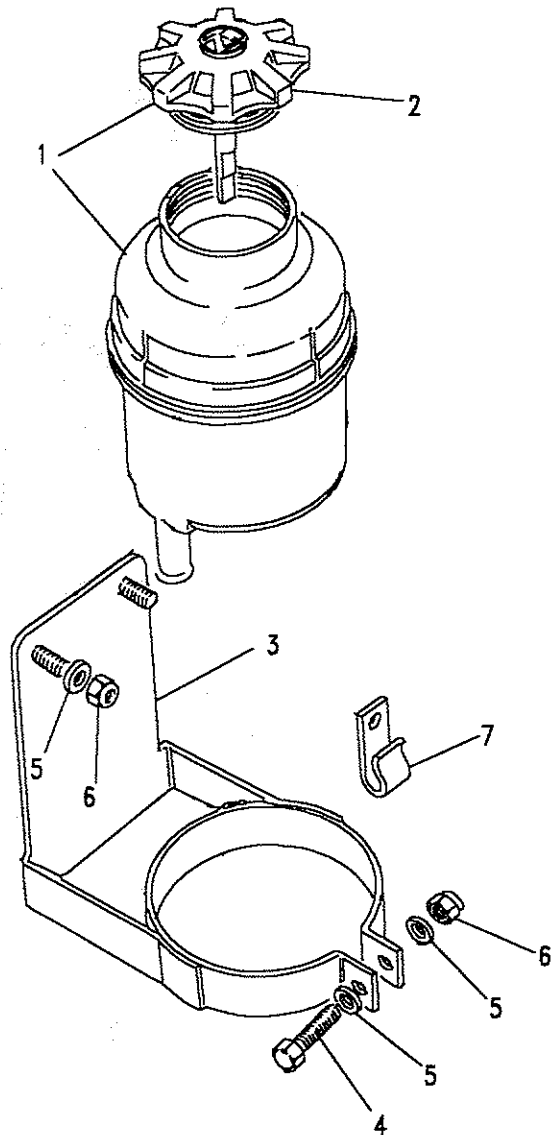
Model DEFENDER 90
Page ADFXPA1A

STEERING - POWER STEERING RESERVOIR

iii. Part No.	Description	Qty	Remarks
Upto VIN 270226			
1 NRC9551	Reservoir	1	Note(1)
NRC9552	Reservoir	1	Note(2)(3)
2 RTC3056	Cap reservoir	1	
3 RTC3962	Seal	1	
4 RTC3058	Filter	1	
5 NRC5982	Bracket	1	
6 SH106167	Screw	1	
7 NH106047	Nut	4	
8 WA106047L	Washer plain	4	
9 WL106007L	Washer spring	4	

Note(1) Upto VIN 244022 - Except Air Con
 Note(2) Air Con. Also Non Air Con from VIN 244023
 Note(3) No longer available-use NTC1791 and NTC2749- see page 555





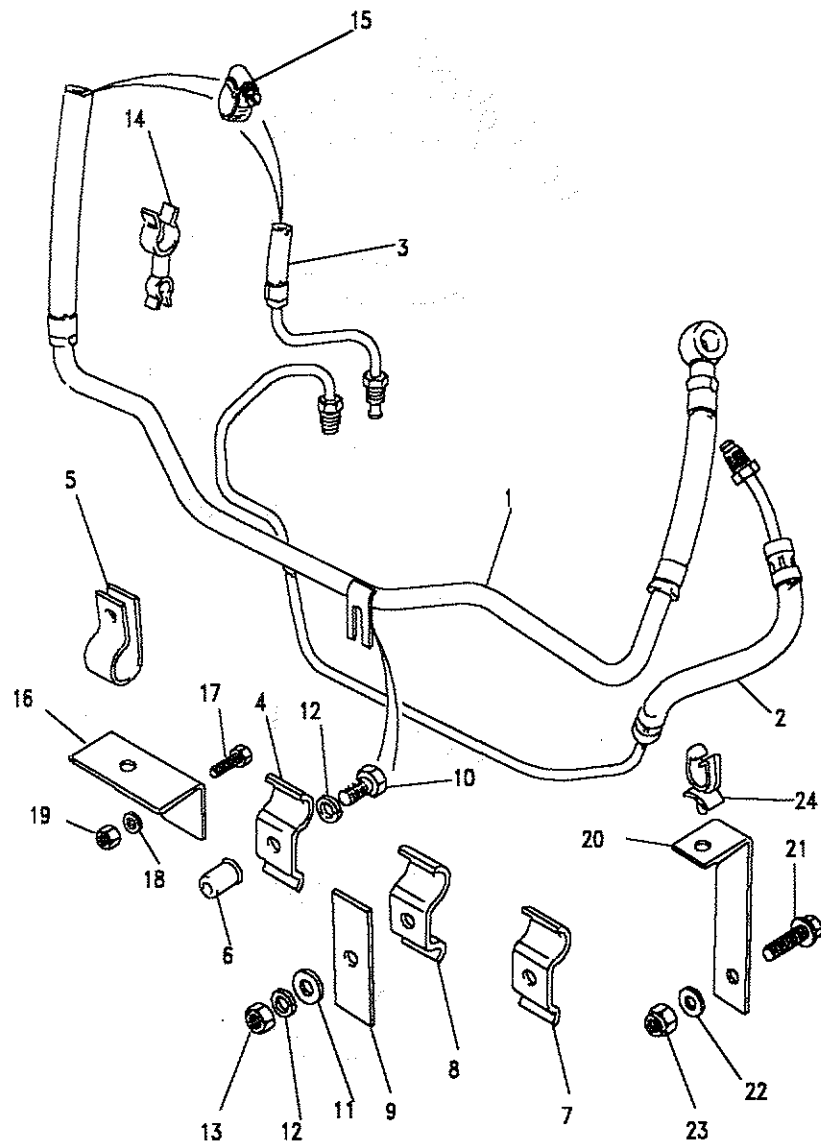
Model DEFENDER 90

Page ADFXPA2A

STEERING - POWER STEERING RESERVOIR

Ill. Part No.	Description	Qty	Remarks
From VIN 270227			
1	ANR1998 Reservoir assembly	1	
2	NTC2723 Cap reservoir	1	
3	ANR3327 Carrier bracket	1	
4	SH106251L Screw	1	
5	WA106041L Washer plain	4	
6	NY106041 Nut	3	
7	NRC2383 Clip retaining	1	

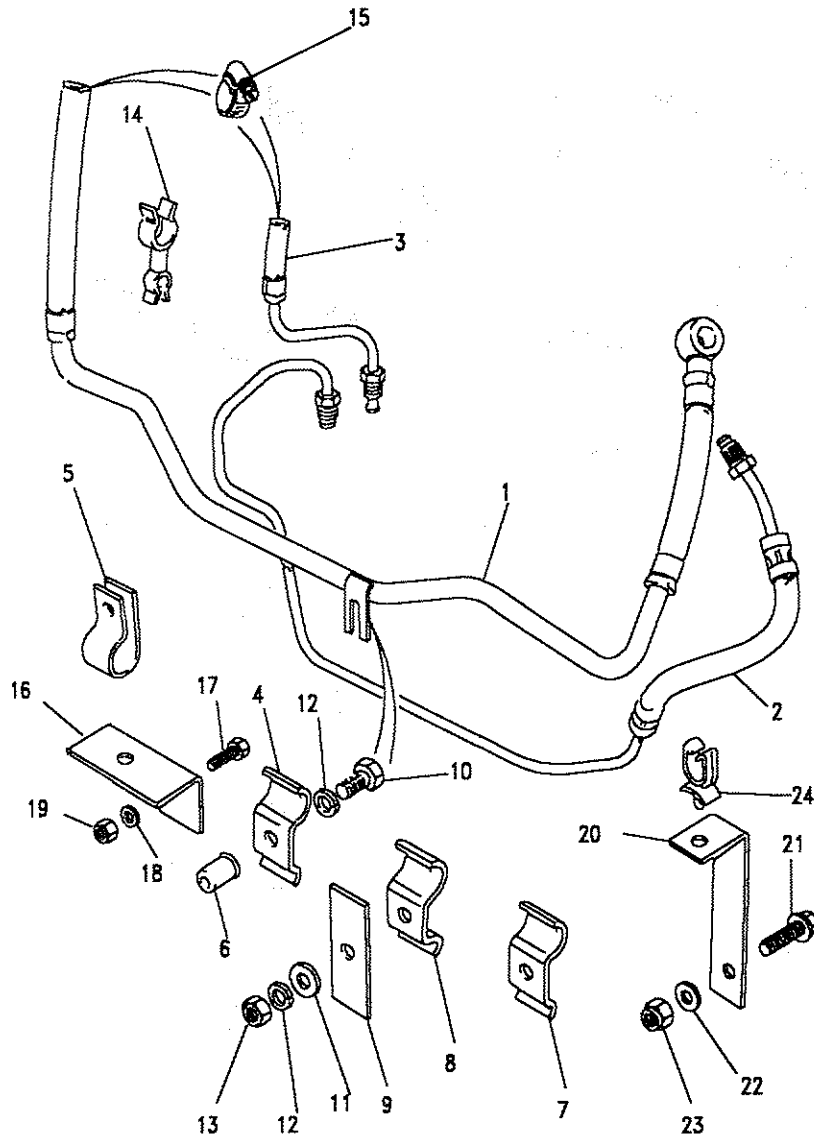




Model DEFENDER 90
Page ADFXRA1A

STEERING - POWER STEERING PIPES - UPTO VIN JA918809

III. Part No.	Description	Qty	Remarks
4 Cylinder Petrol and Nat Asp Diesel			
1 NRC8286	Pipe-reservoir to pump	1	Upto VIN 244022
1 NTC1691	Pipe-reservoir to pump	1	From VIN 244023
			Upto VIN FA388915
1 NTC6863	Pipe-reservoir to pump	1	From VIN FA388916
Diesel Turbo			
1 NTC3066	Pipe-reservoir to pump	1	Upto VIN FA388915
1 NTC6863	Pipe-reservoir to pump	1	From VIN FA388916
			Upto VIN HA455645
200Tdi			
1 NTC8192	Pipe-reservoir to pump	1	From VIN HA455945
V8			
1 NRC5975	Pipe-reservoir to pump	1	Upto VIN 244022
NTC1685	Pipe-reservoir to pump	1	From VIN 244023
			Upto VIN 262024
NTC2595	Pipe-reservoir to pump	1	From VIN 262025

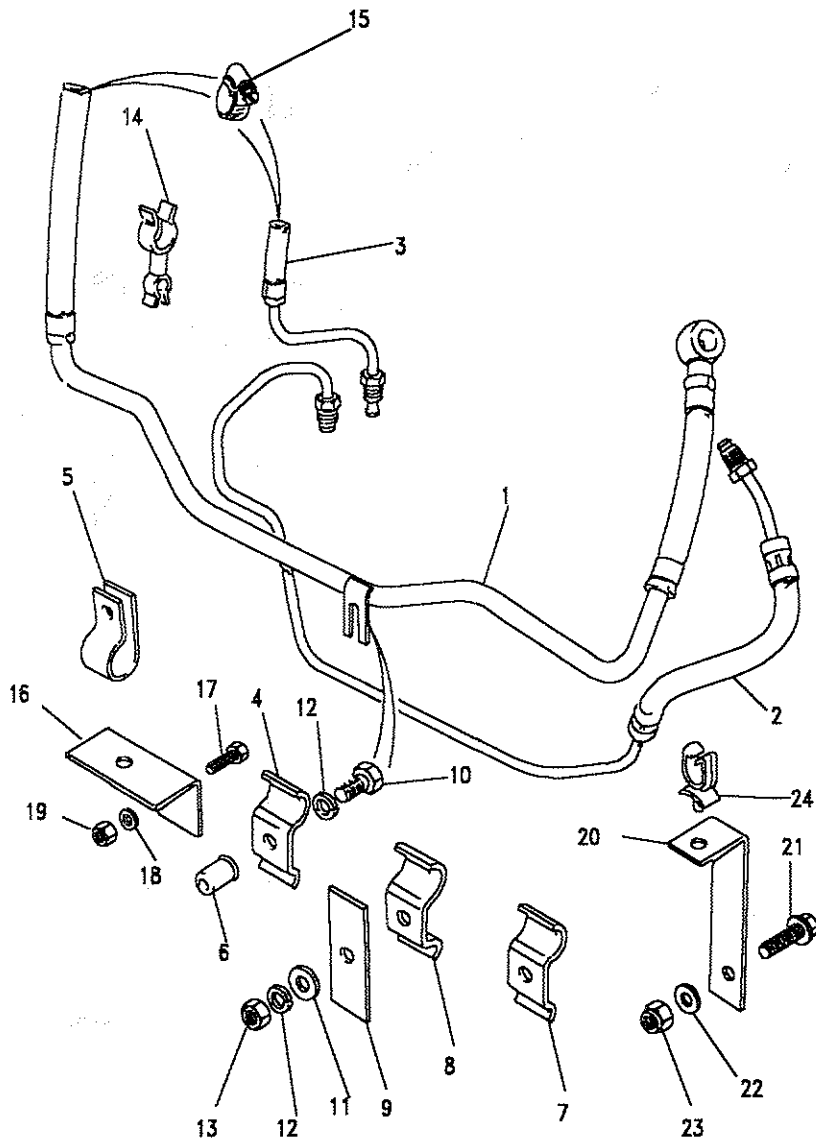


Model DEFENDER 90
Page ADFXRA1A

STEERING - POWER STEERING PIPES - UPTO VIN JA918809

III. Part No.	Description	Qty	Remarks
4 Cyl Petrol and Nat Asp Diesel - Right Hand Steering			
2 NRC8290	Pipe-pump to strg box	1	Upto VIN 244022
NTC5001	Pipe-pump to strg box	1	From VIN 244023
			Upto VIN FA389464
NTC6731	Pipe-pump to strg box	1	From VIN FA389465
Diesel Turbo - Right Hand Steering			
2 NTC5001	Pipe-pump to strg box	1	Upto VIN FA389464
2 NTC6731	Pipe-pump to strg box	1	From VIN FA389465
200Tdi - Right Hand Steering			
2 NTC8193	Pipe-pump to strg box	1	
V8 - Right Hand Steering			
2 NRC7988	Pipe-pump to strg box	1	Upto VIN 244022
NTC1687	Pipe-pump to strg box	1	From VIN 244023
			Upto VIN 262024
NTC2597	Pipe-pump to strg box	1	From VIN 262025
RTC4826	O-ring	1	





Model DEFENDER 90
Page ADFXRA1A

STEERING - POWER STEERING PIPES - UPTO VIN JA918809

III. Part No.	Description	Qty	Remarks
4 Cyl Petrol and Nat Asp Diesel - Left Hand Steering			
2 NRC8291	Pipe-pump to strg box	1	Upto VIN 244022
NTC5000	Pipe-pump to strg box	1	From VIN 244023
			Upto VIN FA389107
NTC6730	Pipe-pump to strg box	1	From VIN FA389108
Turbo Diesel - Left Hand Steering			
2 NTC5000	Pipe-pump to strg box	1	Upto VIN FA389107
2 NTC6730	Pipe-pump to strg box	1	From VIN FA389108
200Tdi - Left Hand Steering			
2 NTC8191	Pipe-pump to strg box	1	
V8 - Left Hand Steering			
2 NRC8291	Pipe-pump to strg box	1	Upto VIN 244022
NTC1686	Pipe-pump to strg box	1	From VIN 244023
			Upto VIN 262024
NTC6790	Pipe-pump to strg box	1	From VIN 262025
RTC4826	O-ring	1	From VIN 244023



DEFENDER 90

559

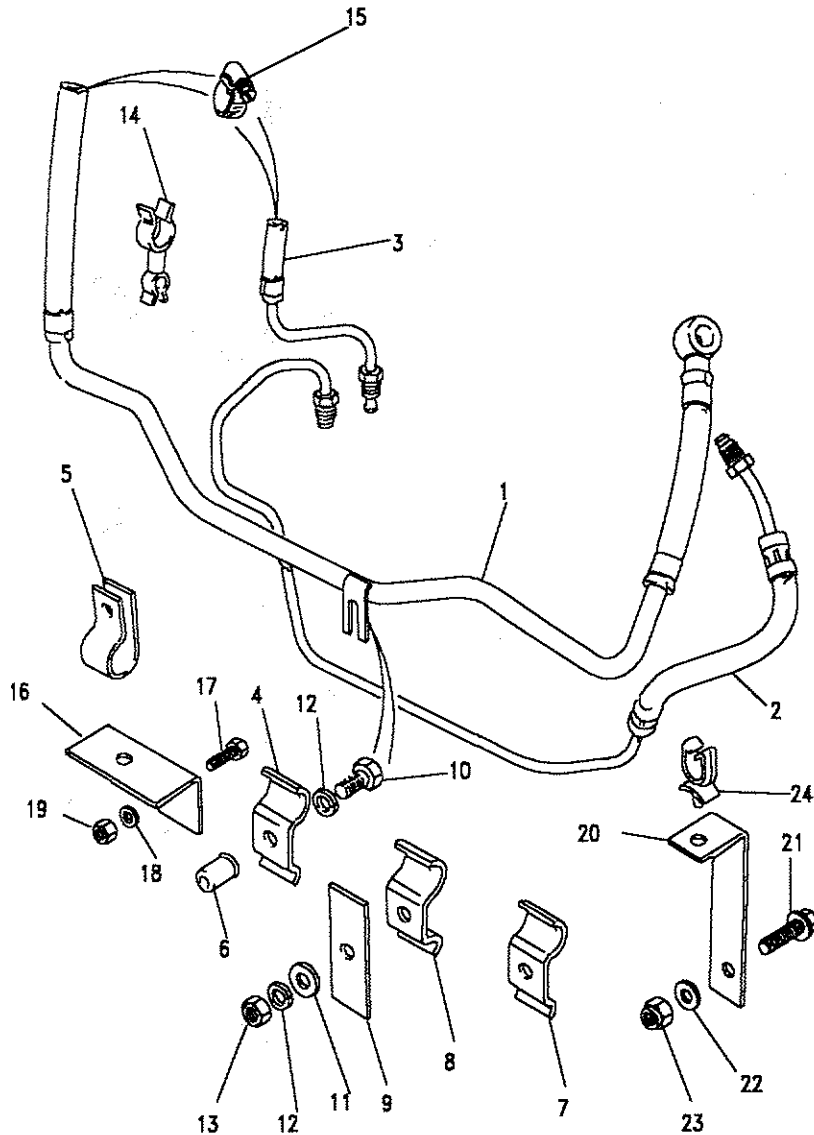
STEERING

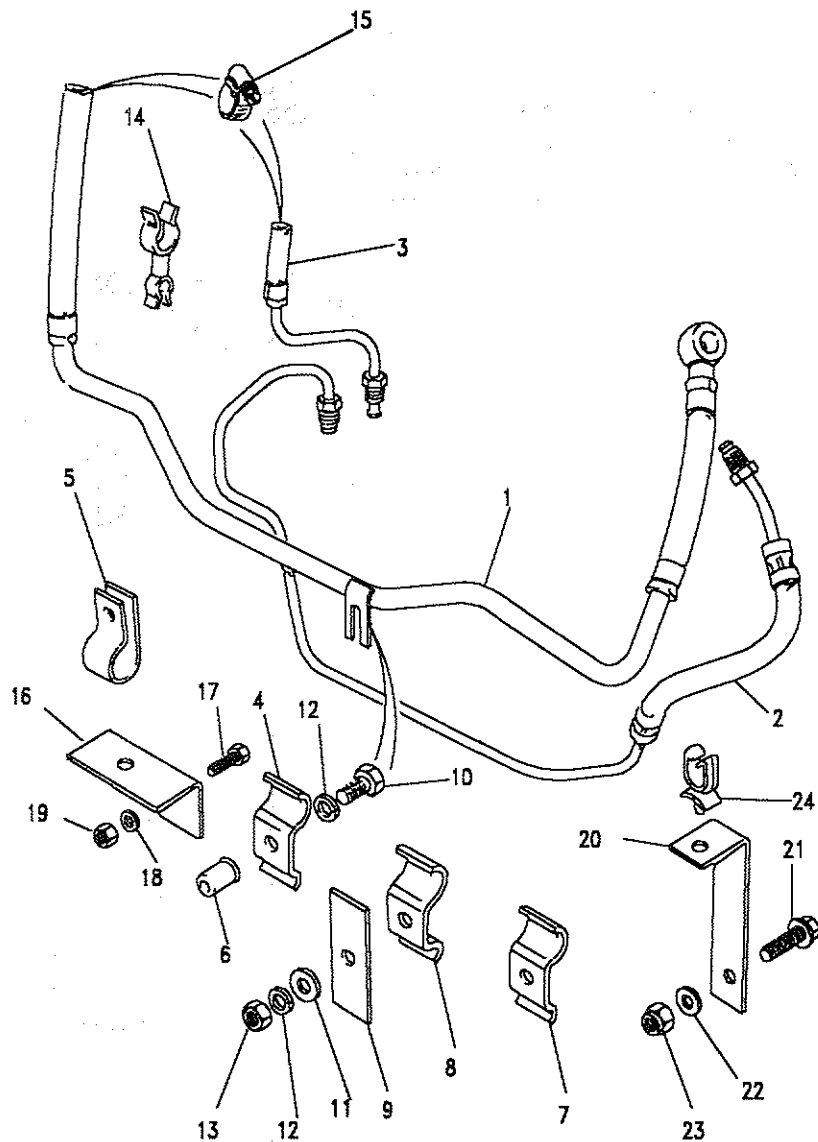


Model DEFENDER 90
Page ADFXRA1A

STEERING - POWER STEERING PIPES - UPTO VIN JA918809

III. Part No.	Description	Qty	Remarks
Right Hand Steering			
3 NRC7987	Pipe-strg box to reserv	1	4 cyl Upto HA703885
NRC5976	Pipe-strg box to reserv	1	V8 Upto HA703885
NTC8861	Pipe-strg box to reserv	1	From HA703886
RTC4825	O-ring	1	From HA703886
Left Hand Steering			
3 NRC8287	Pipe-strg box to reserv	1	4 cyl Upto VIN 244022
NRC5977	Pipe-strg box to reserv	1	V8 Upto VIN 244022
NTC1863	Pipe-strg box to reserv	1	From VIN 244023
RTC4825	O-ring	1	From VIN 244023

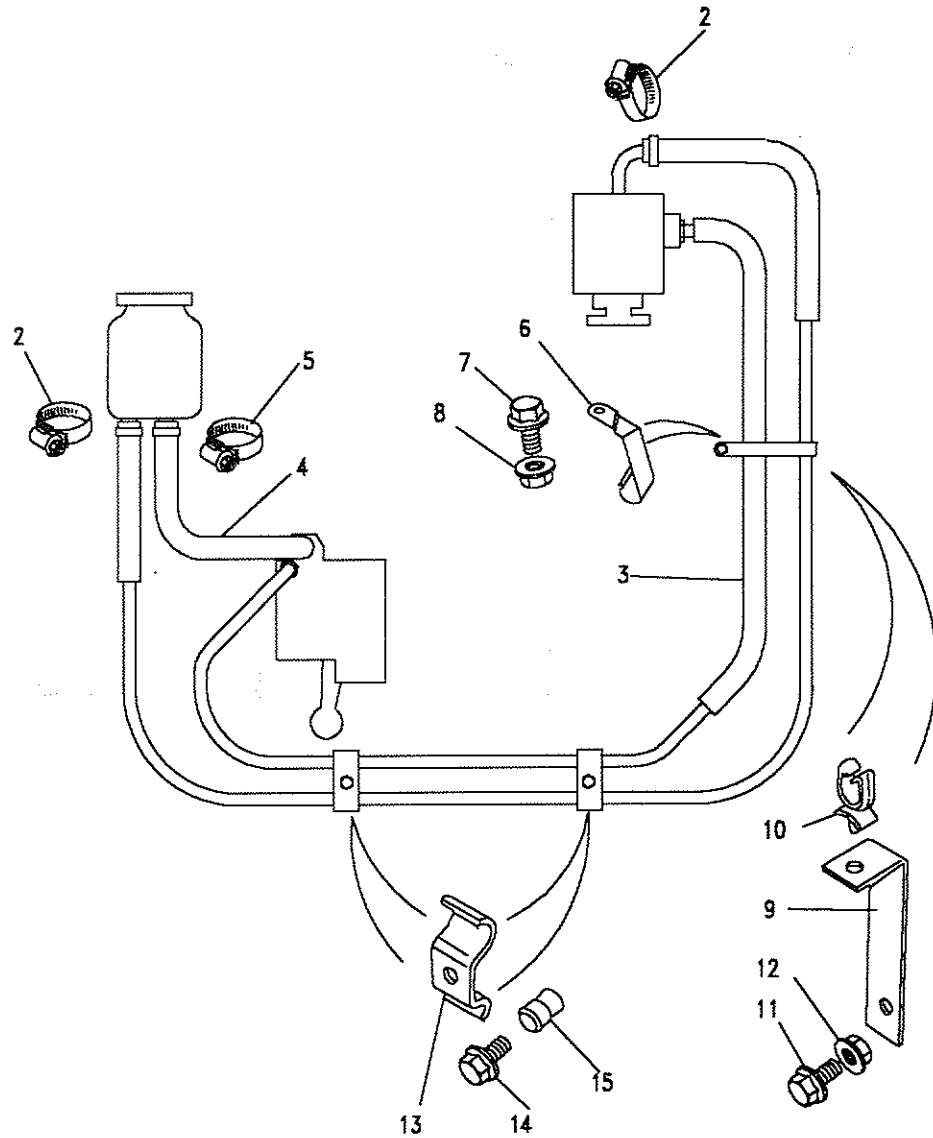




Model DEFENDER 90
Page ADFXRA1A

STEERING - POWER STEERING PIPES - UPTO VIN JA918809

Ill. Part No.	Description	Qty	Remarks
4	NRC6302	1	Pipe clip air cleaner RHS 4 cyl petrol
5	NRC8408	1	Pipe clip air cleaner LHS 4 cyl petrol
	NRC9492	1	Clip support Diesel
	NTC3791	1	Clip support Diesel Turbo
6	NN106011	2	Nutsert
7	NRC6302	2	Pipe clip c/member RHS
	NRC8404	2	Clip
8	NRC8404	1	Clip Upto VIN HA465395
	NRC6302	1	Pipe clip RHS From VIN HA465396
	NRC8404	1	Clip From VIN HA465396
9	NRC8405	1	Plate
10	SH106121L	3	Screw clip to c/member 4 cyl RHS
	SH106161L	2	Screw clip to c/member V8 RHS
	SH106121L	4	Screw clip to c/member 4 cyl LHS
	SH106161L	3	Screw clip to c/member V8 LHS
11	WA106041L	A/R	Washer plain
12	WL106001L	A/R	Washer spring
13	NH106041L	A/R	Nut
14	ADU9081L	1	Clip swivel
15	CN100258L	2	Clamp hose
	CN100208L	1	Clamp hose
16	NTC7224	1	Bracket support 4 cyl
17	SH104081L	2	Screw)
18	WA104001L	2	Washer plain)From VIN FA389460
19	NH104041L	2	Nut)
20	NTC8263	1	Bracket)
21	FS106201L	1	Screw)
22	WA106041L	1	Washer plain)
23	NY106041L	1	Nut nyloc)
24	ADU8363L	1	Clip) 200Tdi LHS



Model DEFENDER 90
Page ADFXRA2A

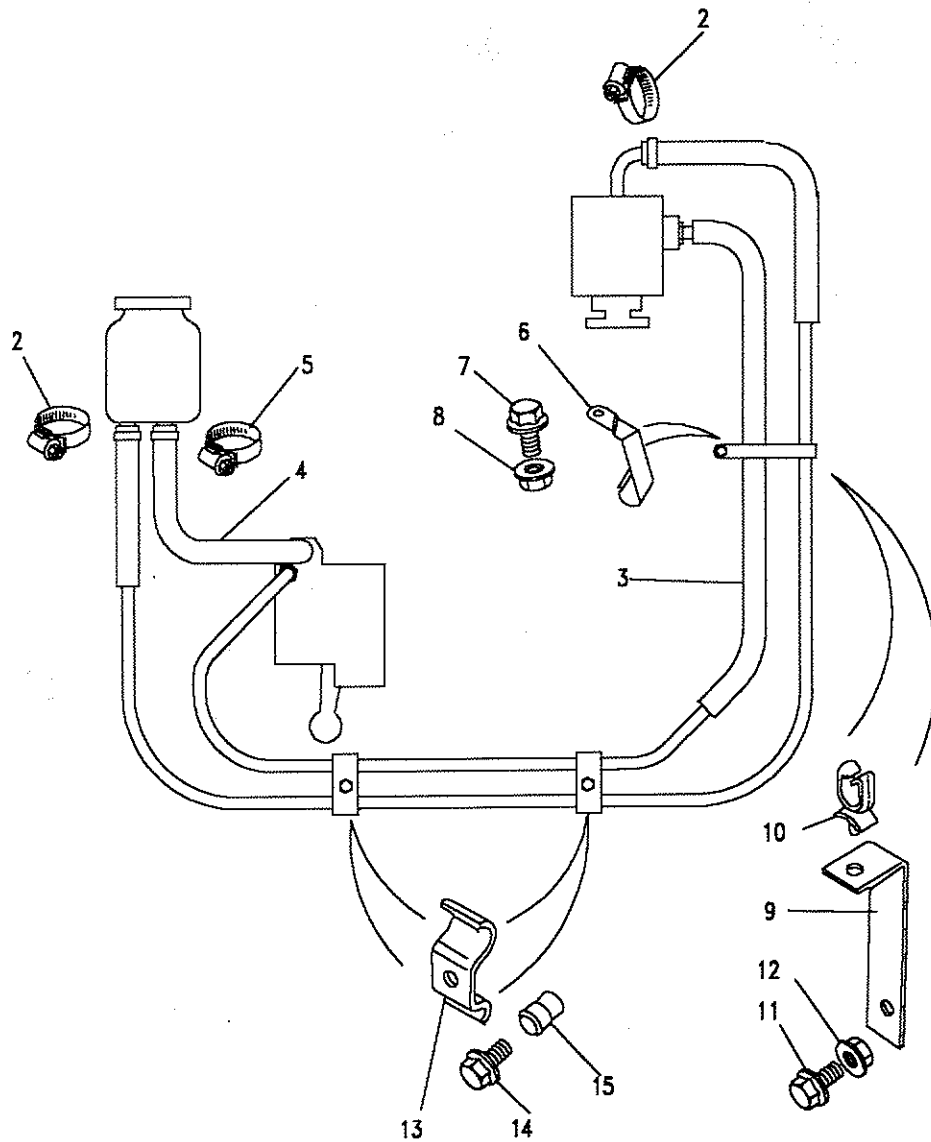
STEERING - POWER STEERING PIPES - FROM VIN JA918810

III. Part No.	Description	Qty	Remarks
Right Hand Steering			
1	NTC9073	1	4 Cyl Petrol
	NTC2595	1	V8
	NTC9073	1	NatAsp Diesel
	NTC9071	1	200Tdi Note(1)
	ANR2485	1	200Tdi Note(2)
2	CN100258L	2	Clip hose
3	NTC2597	1	V8 Note(3)
	ANR1969	1	V8 Note(4)
	NTC9072	1	Tdi Note(1)
	ANR2135	1	Tdi Note(2)
4	NTC8861	1	Note(1)
	ANR3598	1	Note(2)

Note(1) Up to LA939975
 Note(2) From MA939976
 Note(3) Up to JA922879
 Note(4) From JA922880

Model DEFENDER 90
Page ADFXRA2A

STEERING - POWER STEERING PIPES - FROM VIN JA918810

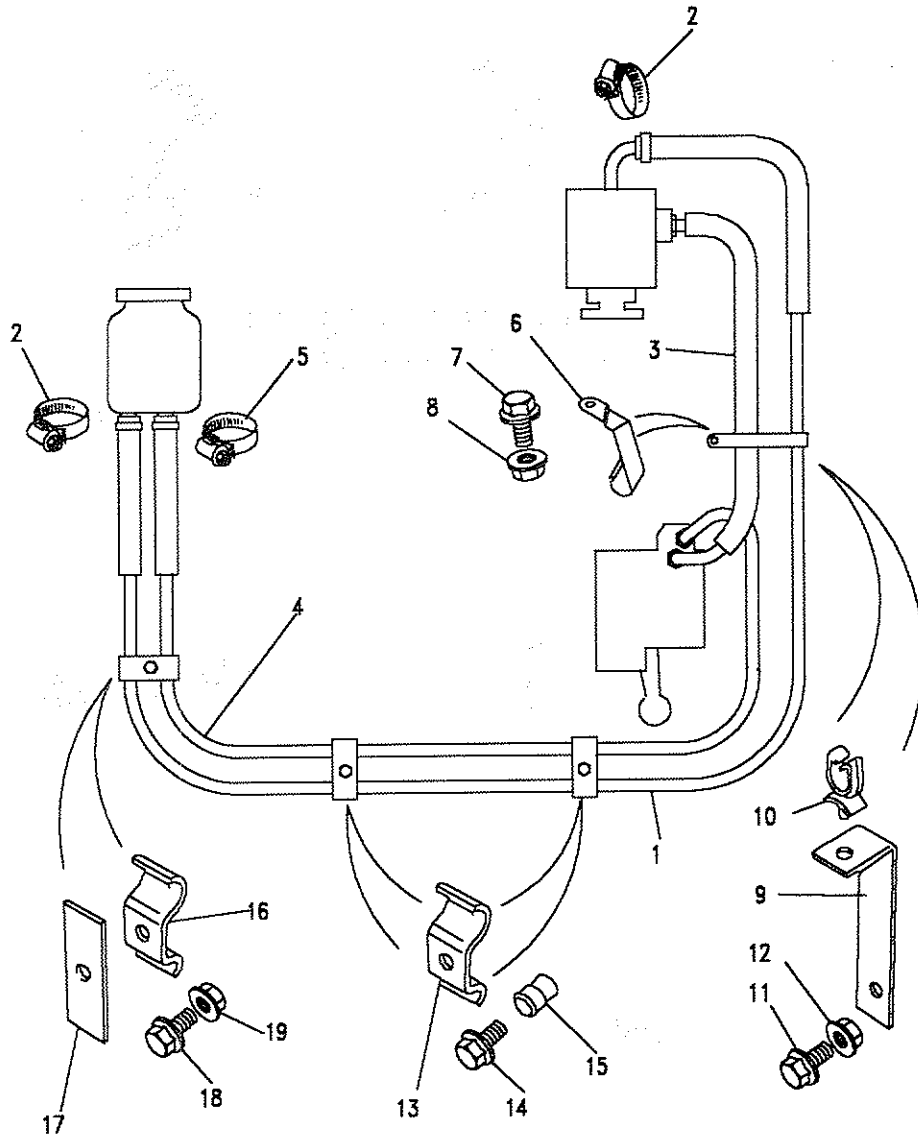


III. Part No.	Description	Qty	Remarks
Right Hand Steering			
5	CN100208L	1	Clip hose
6	NTC3791	1	Clip pipe
7	FS106167L	1)4 Cyl Petrol
8	FN106047L	1)and
9	NTC8263	1)NatAsp Diesel
10	ADU8363L	1)
11	FS106167L	1)200Tdi
12	FN106047L	1)
13	NRC6302	2	
14	FS106167L	2	
15	NN106021	2	
	RTC4825	1	'O' Ring- Low pressure
	RTC4826	1	'O' Ring- High pressure



Model DEFENDER 90
Page ADFXRA3A

STEERING - POWER STEERING PIPES - FROM VIN JA918810



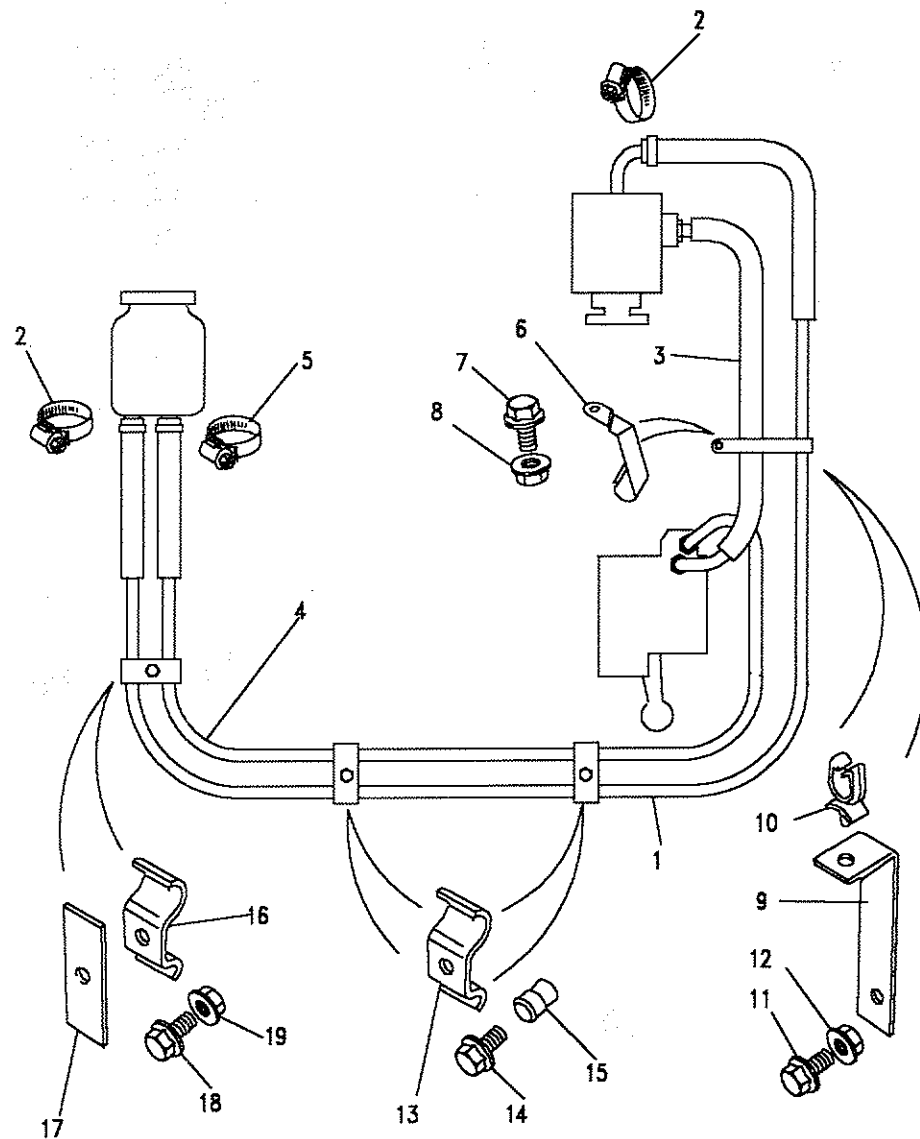
III. Part No.	Description	Qty	Remarks
Left Hand Steering			
1	NTC9073	1	4 Cyl Petrol
	NTC2595	1	V8
	NTC9073	1	NatAsp Diesel
	NTC9071	1	200Tdi Note(1)
	ANR2485	1	200Tdi Note(2)
2	CN100258L	2	Clip hose
3	NTC9704	1	4 Cyl Petrol
	NTC9099	1	V8
	NTC9704	1	NatAsp Diesel
	NTC9074	1	200Tdi Note(1)
	ANR2136	1	300Tdi Note(2)
4	NTC8860	1	Pipe-stg box to reservoir
	ANR2487	1	Note(2)
5	CN100208L	1	Clip hose
6	NTC3791	1	Clip pipe
7	FS106167L	1	Screw
8	FN106047L	1	Nut
9	NTC8263	1	Bracket support
10	ADU8363L	1	Clip
11	FS106167L	1	Screw
12	FN106047L	1	Nut

Note(1) Up to LA939975
Note(2) From MA939976



Model DEFENDER 90
Page ADFXRA3A

STEERING - POWER STEERING PIPES - FROM VIN JA918810



III. Part No. Description Qty Remarks

Left Hand Steering

13	NRC6302	Clip	2	Note(1)
	NTC9208	Clamp	2	Note(2)
14	FS106167L	Screw	2	
15	NN106021	Nut captive	2	
16	NRC6302	Clip	1	
17	NRC8405	Plate	1	
18	FS106167L	Screw	1	
19	FN106047L	Nut	1	
	RTC4825	'O' Ring- Low pressure	1	
	RTC4826	'O' Ring- High pressure	1	

Note(1) Up to LA939975
 Note(2) From MA939976



MASTER INDEX

	PAGES
INTRODUCTION PAGES	1 - 5
ALPHABETICAL INDEX	6 - 14
ENGINE	15 - 65
ENGINE	66 - 117
ENGINE	118 - 171
ENGINE	172 - 217
ENGINE	218 - 261
ENGINE	262 - 297
ENGINE	298 - 367
GEARBOX	368 - 394
GEARBOX	395 - 411
GEARBOX	412 - 425
TRANSFER BOX	426 - 456
TRANSFER BOX	457 - 474
AXLES AND SUSPENSION	475 - 531
STEERING	532 - 564
VEHICLE AND ENGINE CONTROLS	565 - 580
BRAKES	581 - 603
FUEL SYSTEM AND AIR CLEANER	604 - 645
EXHAUST SYSTEM	646 - 660
COOLING/HEATING	661 - 709
COOLING/HEATING	710 - 718
BODY ELECTRICAL	719 - 793
BODY AND CHASSIS	794 - 923
INTERIOR TRIM	924 - 965
SEATS	966 - 1009
STOWAGE	1010 - 1017
ACCESSORIES - PAINTS	1018 - 1042
NUMERICAL INDEX	1044 - 1122

GROUP G

VEHICLE AND ENGINE CONTROLS

VEHICLE AND ENGINE CONTROLS

ACCELERATOR PEDAL	566
ACCELERATOR CABLE	567 - 568
CLUTCH PEDAL	569 - 570
BRAKE PEDAL	571
CLUTCH MASTER CYLINDER AND PIPES	572 - 573
CHOKE CABLE	574
HAND THROTTLE CONTROL	575 - 577
HAND THROTTLE LINKAGE	578 - 580

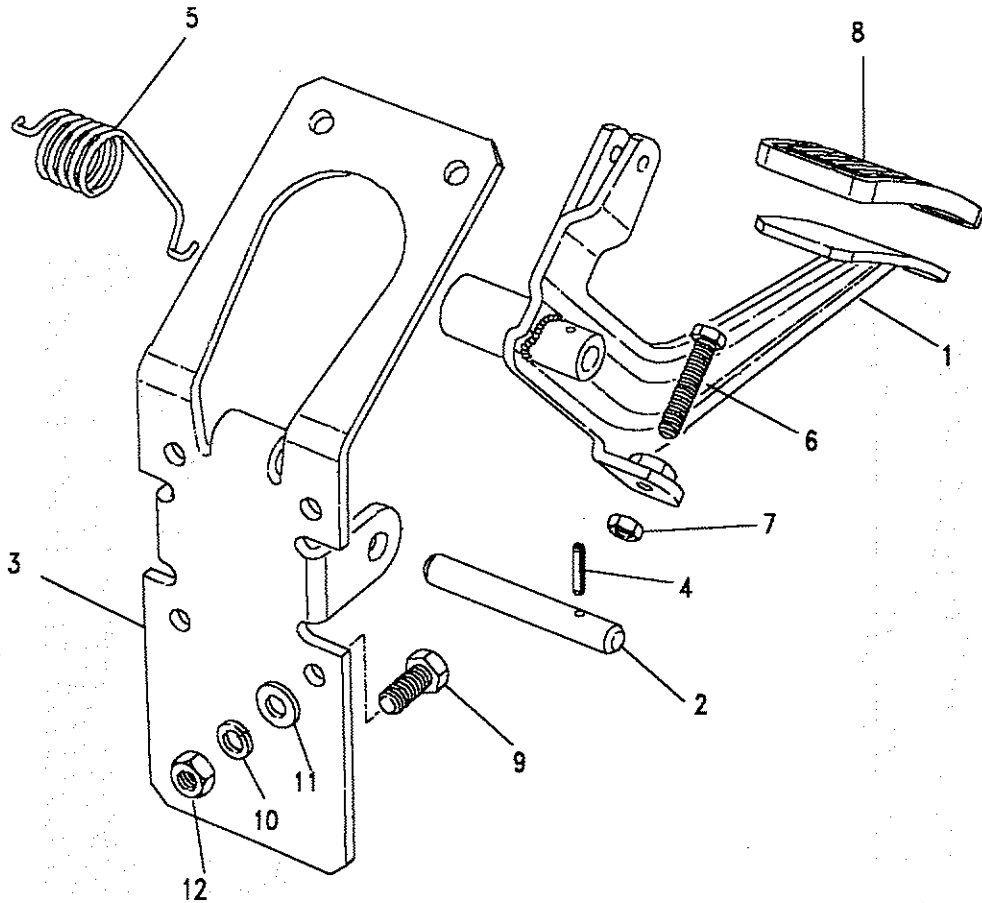


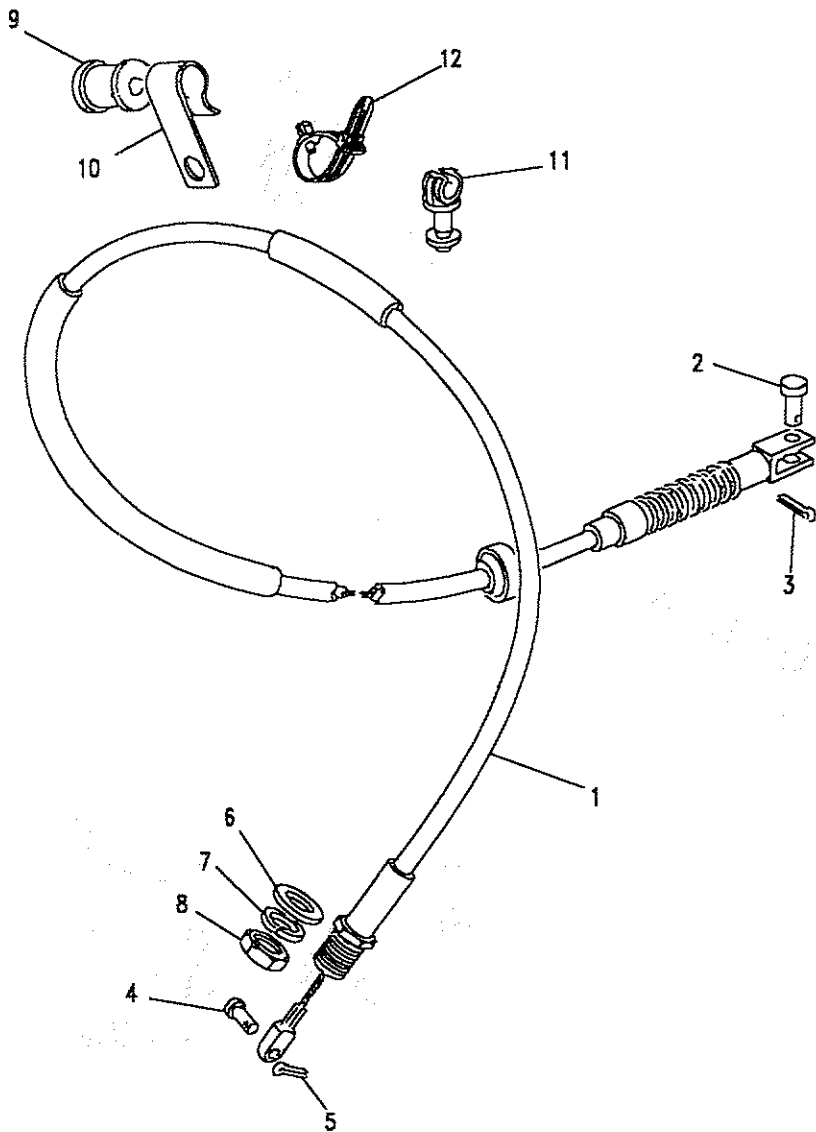


Model DEFENDER 90
Page ADGXAA1A

ENGINE CONTROLS - ACCELERATOR PEDAL

III. Part No.	Description	Qty	Remarks
1	NRC7827	1	Pedal accelerator
2	NRC4475	1	Shaft pedal
3	NRC5220	1	Bracket
4	PA105161L	1	Pin spring
5	NRC9121	1	Spring
6	SH106451	1	Screw-Pedal Stop
7	NH605041L	1	Nut
8	11H1781L	1	Pad rubber
9	FS106167L	6	Screw
10	WL106001L	6	Washer spring
11	WA106041L	6	Washer plain
12	NH106041L	6	Nut





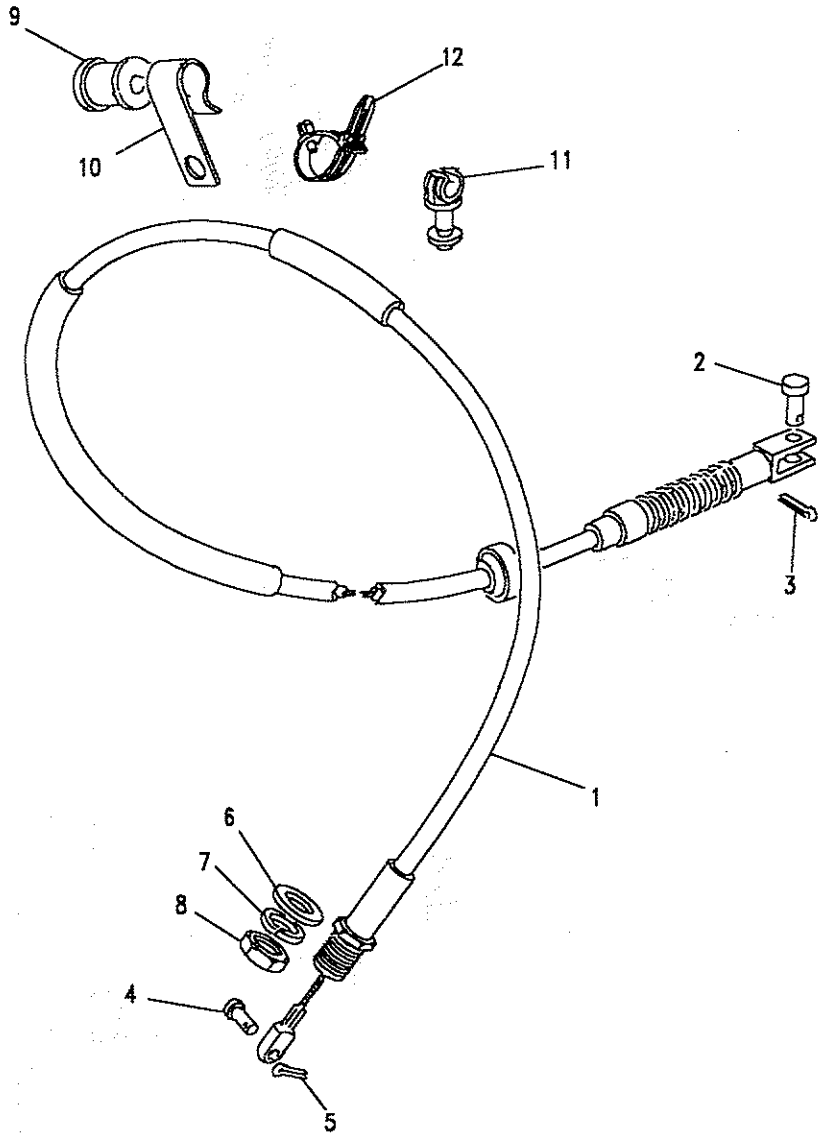
Model DEFENDER 90

Page ADGXAA2A

ENGINE CONTROLS - ACCELERATOR CABLE

III. Part No.	Description	Qty	Remarks
2.25 Petrol			
1 NRC8116	Cable accelerator-RHS	1	
NRC8117	Cable accelerator-LHS	1	
2.5 Petrol			
1 NTC2086	Cable accelerator-RHS	1	Upto VIN 295722
NTC2087	Cable accelerator LHS	1	Upto VIN 295733
NTC3460	Cable accelerator-RHS	1	From VIN 295723
NTC3459	Cable accelerator-LHS	1	From VIN 295734
V8			
1 NRC5494	Cable accelerator-RHS/LHS	1	
Diesel			
1 NRC7605	Cable accelerator-RHS	1	Upto VIN 267061 NLA-Use NTC2743 See Note(1)
NRC7606	Cable accelerator-LHS	1	Upto VIN 267061
NTC2743	Cable accelerator-RHS	1	From VIN 267062
NTC3396	Cable accelerator-LHS	1	From VIN 267062





Model DEFENDER 90
Page ADGXAA2A

ENGINE CONTROLS - ACCELERATOR CABLE

Ill. Part No.	Description	Qty	Remarks
Diesel Turbo			
1 NTC2743	Cable accelerator-RHS	1	
1 NTC3396	Cable accelerator-LHS	1	
200Tdi			
1 ANR1419	Cable accelerator-RHS	1	
1 NTC4945	Cable accelerator-LHS	1	
300Tdi			
1 NTC9360	Cable accelerator-RHS	1	
1 NTC9359	Cable accelerator-LHS	1	
2 562481	Pin clevis	1	
3 PS103081L	Pin split	1	Upto VIN 455945
3 PS603041L	Pin split	1	From VIN HA455946
4 NRC5502	Pin clevis	1	
5 PS102081L	Pin split	1	
6 WA112081L	Washer plain	1	
7 WF112001L	Washer spring	1	
8 NT112041L	Nut	1	
9 6860L	Grommet	1	Upto VIN HA701009
10 240407	Clip-RHS	1	From VIN HA455946
10 AFU1077L	Clip swivel-RHS	1	Upto VIN HA701009 4 Cyl Petrol From VIN HA701010
11 79121	Clip-RHS	1	200Tdi From VIN HA701010
11 79121	Clip-LHS	1	From VIN HA455946
12 AAU3686	Strap cable-LHS	1	From VIN HA455946
12 ESR301	Clip swivel-RHS	1	200Tdi From VIN JA915380

Note(1) When replacing NRC7605 with NTC2743 fit also Abutment Bracket ETC6675, or ETC6630 if Hand Throttle is also fitted

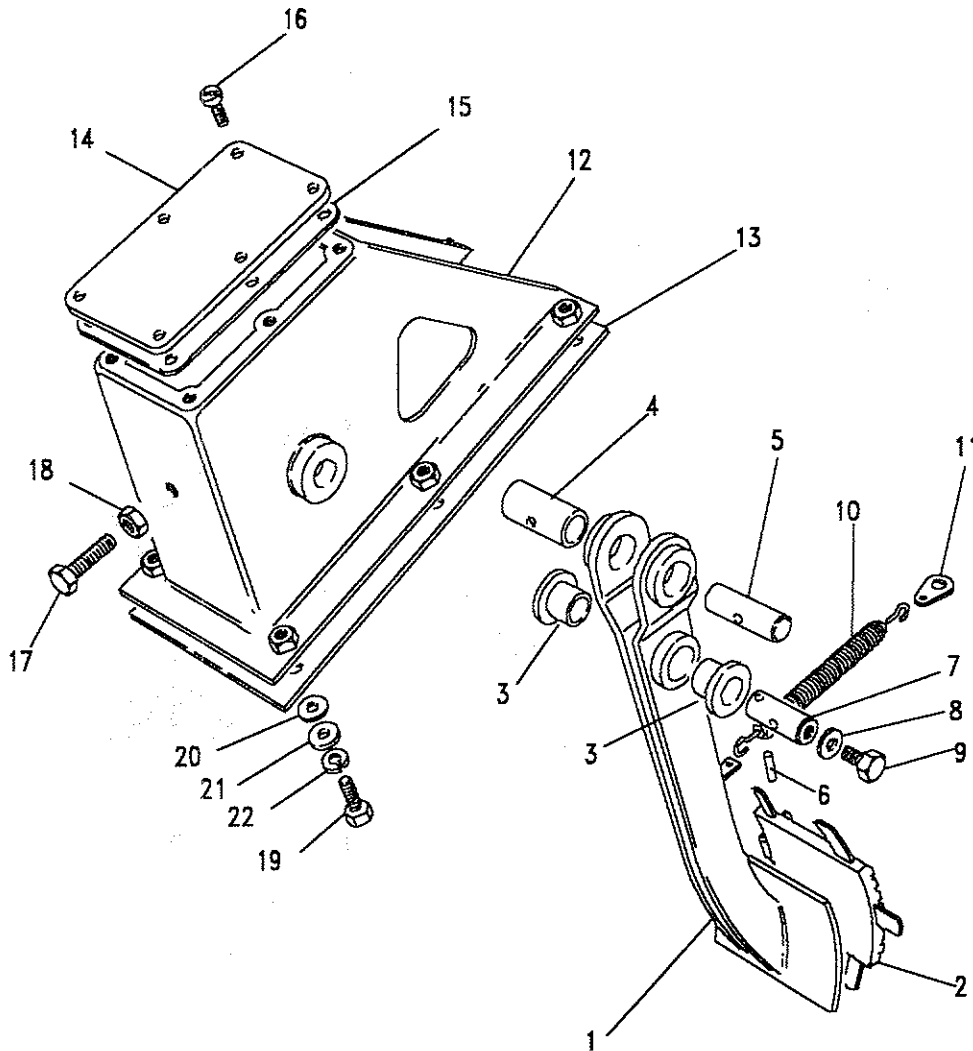




Model DEFENDER 90
Page ADGXCA1A

ENGINE CONTROLS - CLUTCH PEDAL

Ill. Part No.	Description	Qty	Remarks
Up to LA939891			
1	568895 Pedal assembly clutch-RHS	1	Upto VIN 234187
	NRC9217 Pedal assembly clutch-LHS	1	Upto VIN 234187
	NTC1112 Pedal assembly clutch	1	From VIN 234188
2	278166 Pad rubber	1	Optional Upto VIN 234187
	61K738 Pad rubber	1	From VIN 234188
3	272714 Bush	1	
4	269783 Distance piece	1	
5	568883 Trunnion	1	
6	50446 Pin	1	
7	272712 Pin pivot	1	
8	3052 Joint Washer	1	
9	SH604031L Screw	1	
10	569701 Spring	1	
	NRC7869 Sleeve	1	
11	240708 Plate anchor	1	
12	272632 Pedal Box	1	
13	MUC7505 Gasket	1	
14	272713 Top Cover	1	
15	272819 Gasket	1	
16	78227 Screw	6	
17	SH604081L Screw-pedal stop	1	
18	NH604041L Nut	1	
19	GG605081 Bolt	6	
20	RTC610 Washer plain	5	
21	4594L Washer plain	1	
22	WM600051L Washer spring	6	

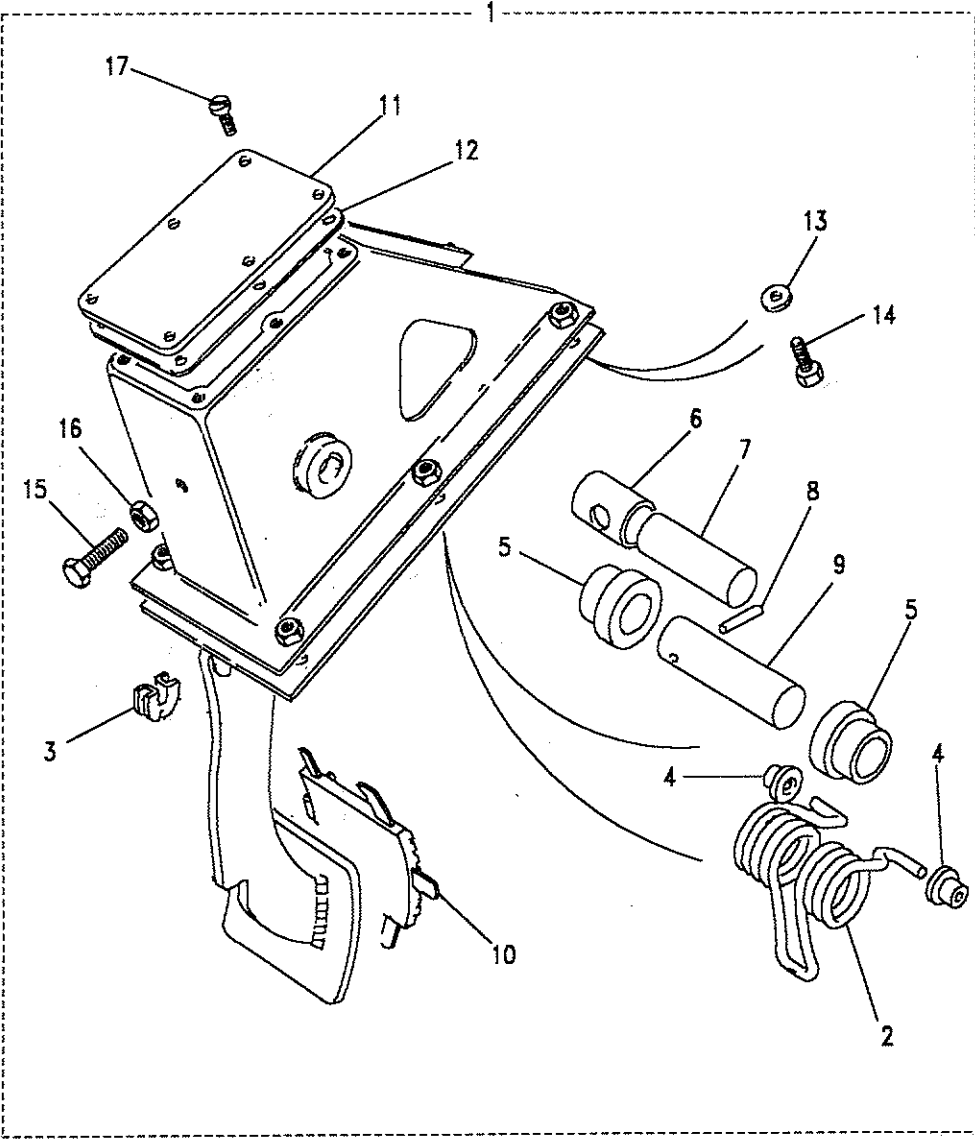


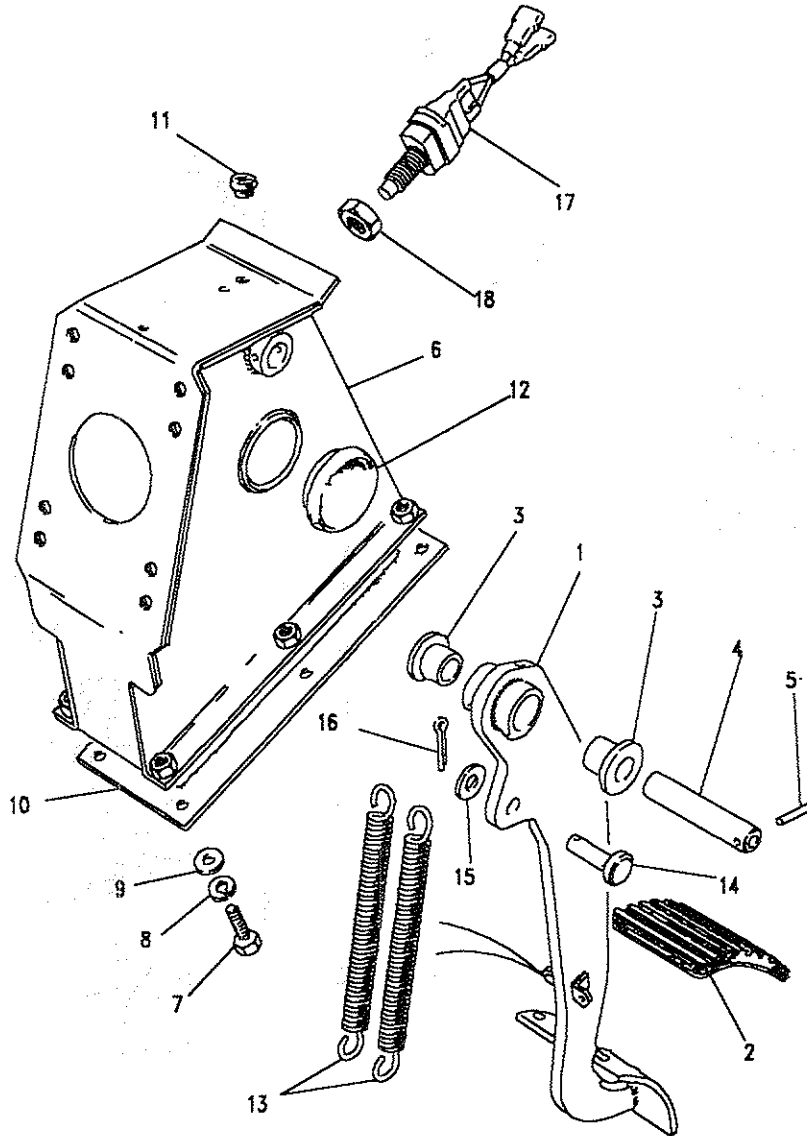


Model DEFENDER 90
Page ADGXCA1B

ENGINE CONTROLS - CLUTCH PEDAL

III. Part No.	Description	Qty	Remarks
From LA939892			
1	ANR3400	1	Pedal box assembly
2	EDP7510L	1	Spring torsion
3	CLP3180	1	Bearing
4	DCP3212L	2	Nylon bush
5	272714	2	Bush
6	269783	1	Distance piece
7	568883	1	Trunnion
8	50446	1	Pin
9	272712	1	Pin pivot
10	61K738	1	Pad rubber
11	272713	1	Top Cover
12	272819	1	Gasket
13	WA108051L	6	Washer
14	SH604081L	6	Screw 1/4 UNF
15	BH108061L	1	Bolt M8 30
16	NH604041L	1	Nut
17	78227	6	Screw





Model DEFENDER 90
Page ADGXCA2A

ENGINE CONTROLS - BRAKE PEDAL

III. Part No.	Description	Qty	Remarks
1	NRC9183	1	Pedal assembly brake
	NTC1210	1	Pedal assembly brake
2	NRC9224	1	Pad rubber
	61K738	1	Pad rubber
3	564816	2	Bush
4	564813	1	Shaft pedal
5	50446	1	Pin
6	NRC6058	1	Pedal Box
	NTC7933	1	Pedal Box
7	GG108251L	6	Screw
8	WL108001L	6	Washer spring
9	WA108051L	6	Washer plain
10	MUC7506	1	Gasket
11	338013	1	Plug sealing
12	AFU2627	2	Plug sealing
13	569291	2	Spring
	NRC7869	1	Sleeve
14	NRC4665	1	Pin clevis
	PC112291	1	Pin clevis
15	WA112081L	1	Washer plain
16	PS106201	1	Pin split
17	PRC4297	1	Switch brake light
18	BMK1903	1	Nut
	NRC9169	1	Strip sealing
	NRC9233	1	Sealing ring
	NTC5017	1	Sealing strip



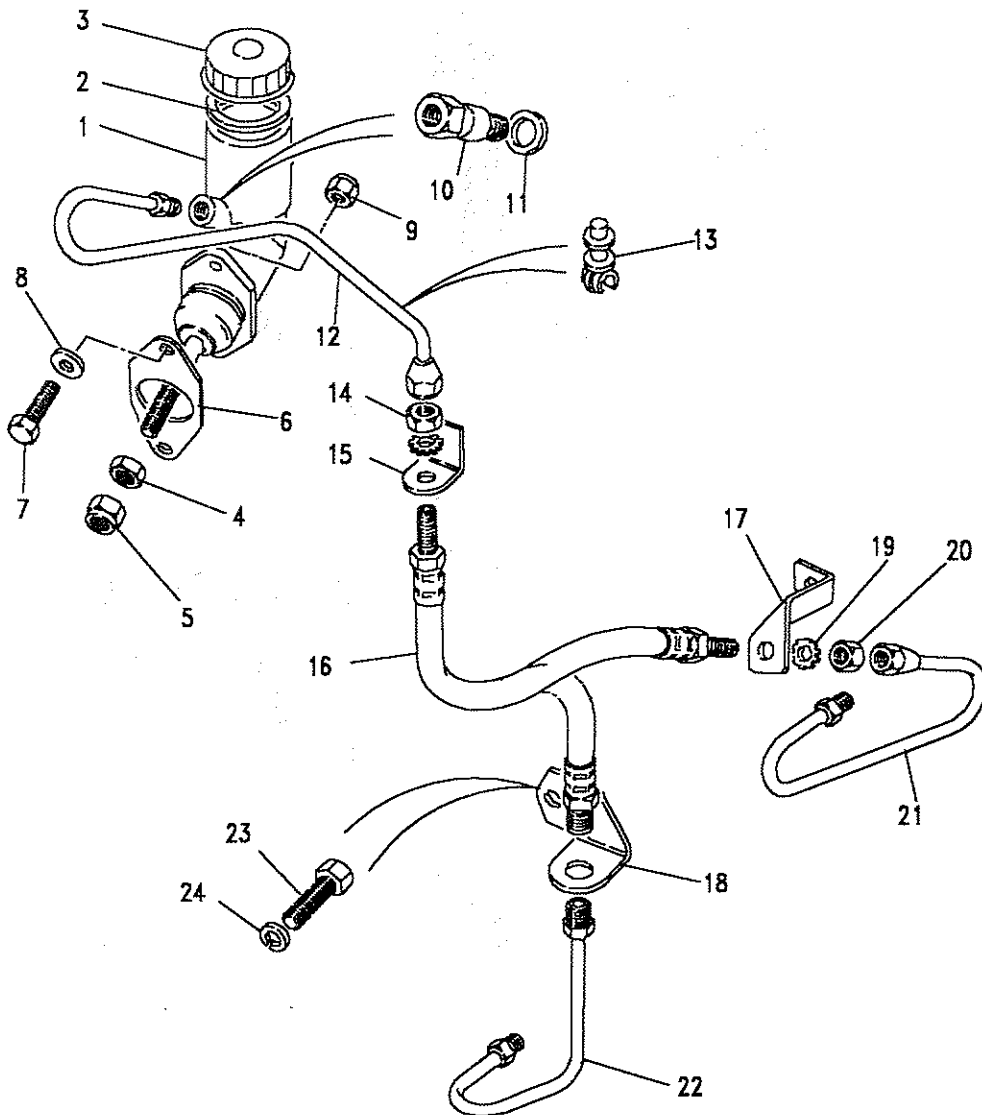
Model DEFENDER 90

Page ADGXEA1A

ENGINE CONTROLS - CLUTCH MASTER CYLINDER AND PIPES

Ill. Part No.	Description	Qty	Remarks
1	550732 Master cylinder clutch	1	
2	264767 Washer sealing	1	
3	500201 Cap aluminium	1	Upto VIN KA926144
	STC976 Cap plastic	1	From VIN KA926145
	8G8837L Kit master cylinder	1	
4	NT605041L Nut	2	
5	NY605041L Nut	1	
6	592358 Gasket	1	
7	FB108061 Flange Bolt	2	
8	WA108051L Washer plain	4	
9	NY108041L Nut	2	
10	139082 Adaptor	1	
11	233220 Gasket	1	
12	NRC8330 Pipe assembly RHS	1	Note(1)
	ANR2162 Pipe assembly RHS	1	Note(2)
	NRC8329 Pipe assembly LHS	1	Note(1)
	ANR2945 Pipe assembly LHS	1	Note(2)

Note(1) Up to LA939975
 Note(2) From MA939976

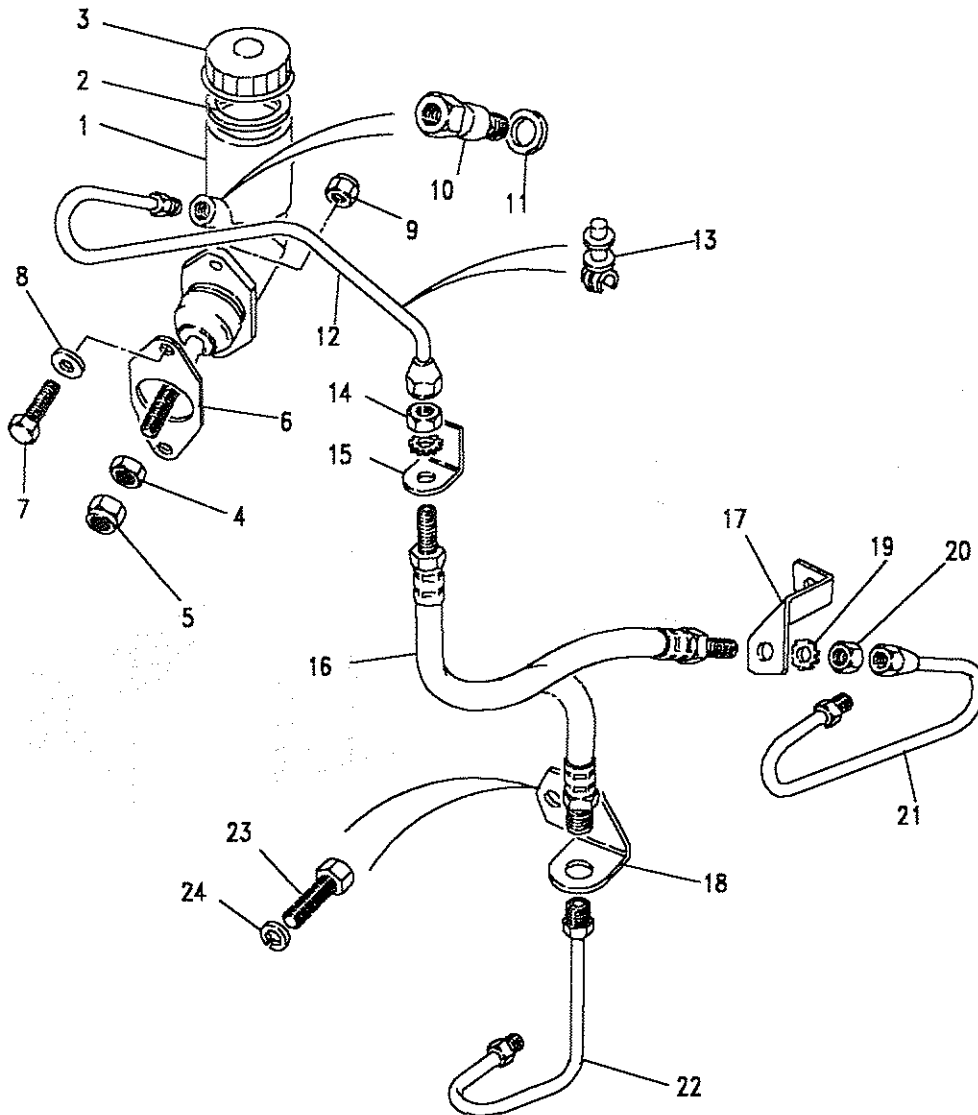


Model DEFENDER 90
Page ADGXEA1A

ENGINE CONTROLS - CLUTCH MASTER CYLINDER AND PIPES

III. Part No.	Description	Qty	Remarks
13 79123	Pipe Clip	2	RHS
14 NT607041L	Nut	2	4 Cylinder
NT604041L	Nut	1	V8
15 WF600071L	Washer shakeproof	2	4 Cylinder
WE600071L	Washer shakeproof	1	V8
16 RTC4425	Hose clutch	1	4 Cylinder
NRC2211	Hose clutch	1	V8
NRC7139	Hose clutch	1	Tdi Note(1)
NTC9055	Hose clutch	1	Tdi Note(2)
17 NRC7441	Bracket support	1	4 Cylinder
18 90577642	Bracket support	1)
19 WE600101L	Washer shakeproof	1)V8
20 2K8686L	Nut	1)
21 NRC9595	Pipe assembly	1	4 Cylinder
22 577643	Pipe assembly	1	V8
23 BH506161L	Bolt	2	
24 WM600061L	Washer spring	2	

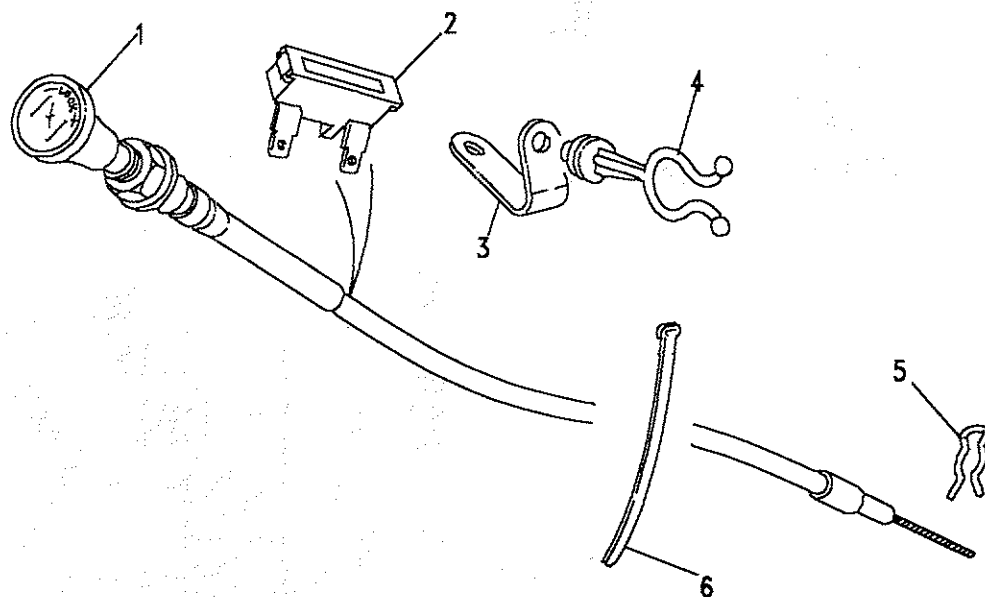
Note(1) Up to LA939975
Note(2) From MA939976

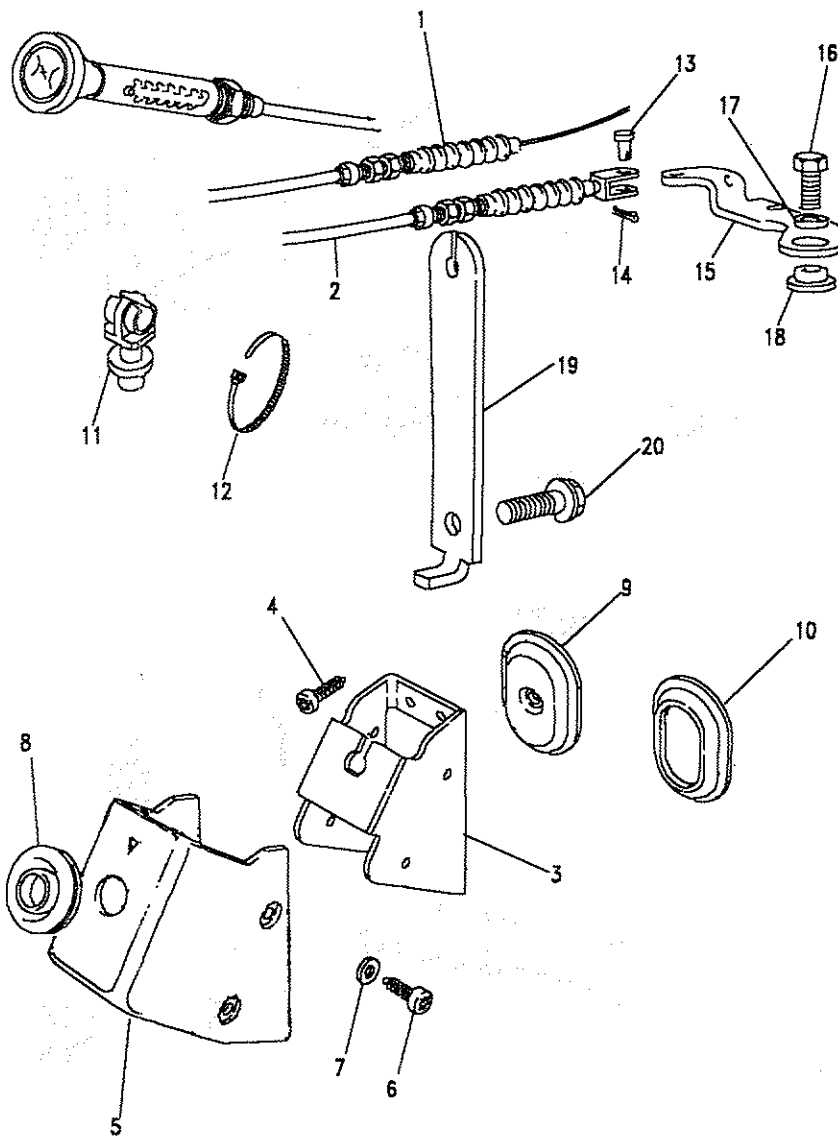


Model DEFENDER 90
Page ADGXGA1A

ENGINE CONTROLS - CHOKE CABLE

III. Part No.	Description	Qty	Remarks
4 Cylinder Petrol			
1 NRC8626	Cable choke-RHS	1	Upto VIN 270139
NRC8627	Cable choke-LHS	1	Upto VIN 270239
NTC1384	Cable choke-RHS	1	From VIN 270140
NTC1385	Cable choke-LHS	1	From VIN 270140
V8			
1 NRC7792	Cable choke-RHS	1	Upto VIN 268051
NRC7791	Cable choke-LHS	1	Upto VIN 268051
NTC3686	Cable choke-RHS	1	With SU Carb From VIN 268052
			Upto VIN 271213
NTC3687	Cable choke-LHS	1	With SU Carb From VIN 268052
			Upto VIN 271213
NTC3932	Cable choke-RHS	1	From VIN 271214
NTC3933	Cable choke-LHS	1	From VIN 271214
2 RTC5816	Switch choke	1	From VIN 270227
3 NRC8333	Bracket	1	
4 NRC8332	Cable clip	1	
5 538890L	Cable clip	1	From VIN 268052
6 594594	Cable tie	1	From VIN 268052





Model DEFENDER 90

Page ADGXIA1A

ENGINE CONTROLS - HAND THROTTLE CONTROL

III. Part No.	Description	Qty	Remarks
4 Cylinder Petrol			
1 NRC8560	Cable hand throttle	1	
V8			
1 NRC9284	Cable hand throttle	1	RHS
NRC9285	Cable hand throttle	1	LHS
Diesel			
2 NRC8502	Cable hand throttle	1	RHS
NRC8503	Cable hand throttle	1	Upto VIN 267061 LHS
NTC3484	Cable hand throttle	1	Upto VIN 267061 RHS
NTC3483	Cable hand throttle	1	From VIN 267062 Upto VIN 456213 LHS
NTC8554	Cable hand throttle	1	From VIN 267062 Upto VIN 456213 RHS Note(1)
ANR1338	Cable hand throttle	1	RHS Note(2)
NTC8553	Cable hand throttle	1	LHS Note(1)
ANR1339	Cable hand throttle	1	LHS Note(2)

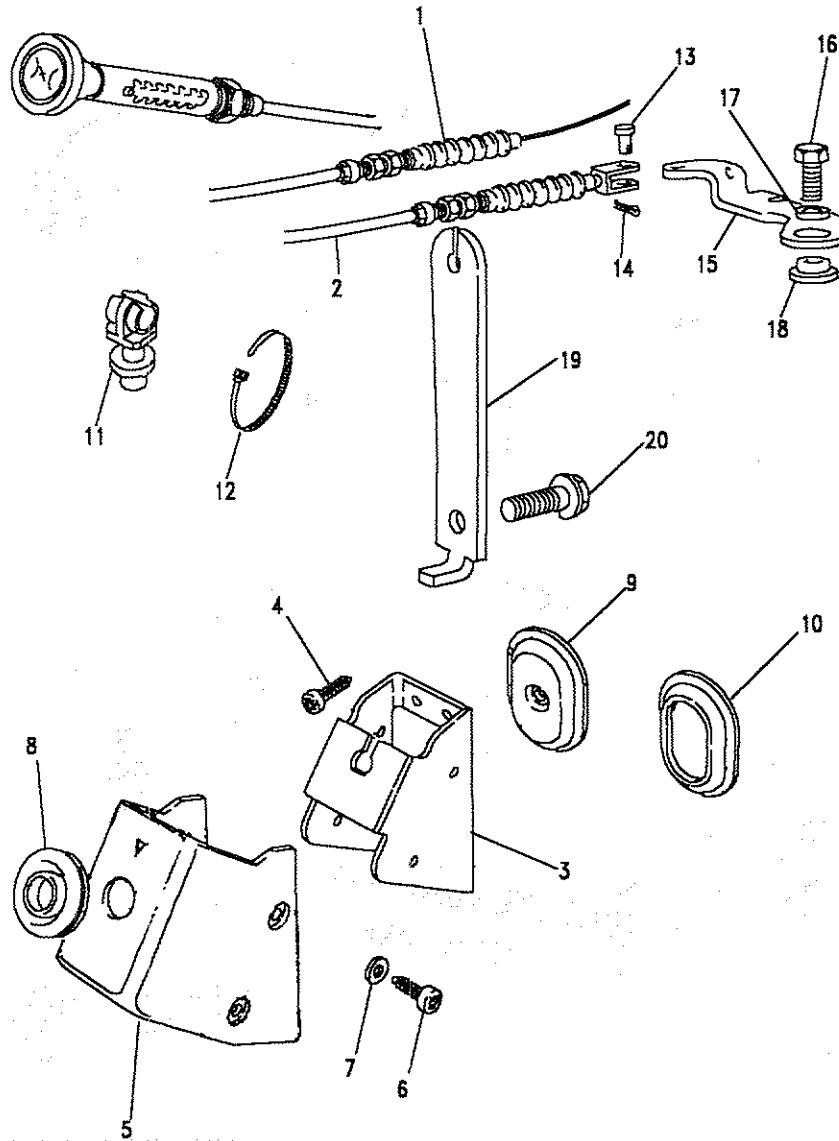
Note(1) From 456214, up to LA939975

Note(2) From MA939976

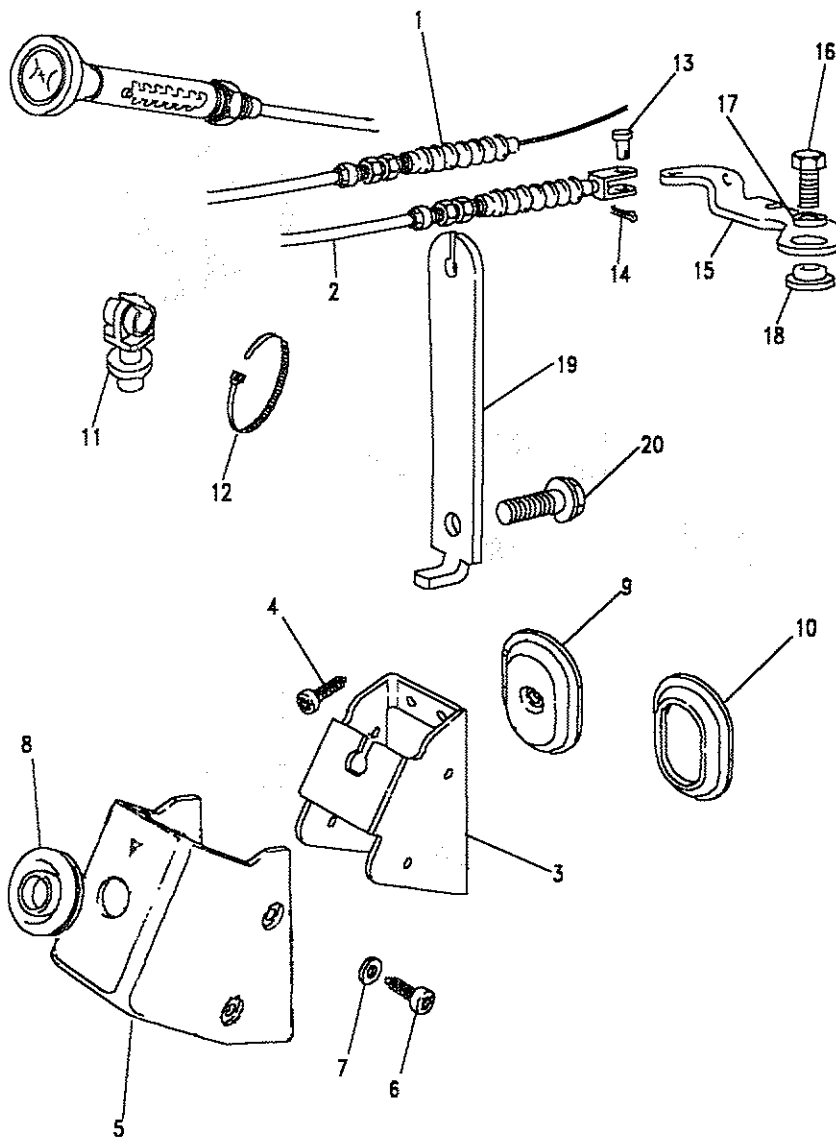


Model DEFENDER 90
Page ADGXIA1A

ENGINE CONTROLS - HAND THROTTLE CONTROL



III. Part No.	Description	Qty	Remarks
3	NRC8734	1	Bracket mounting
4	AB610041L	4	Screw
5	MTC3611	1	Cover
6	AB608031L	2	Screw
7	WC105001L	2	Washer plain
8	531689	1	Grommet
9	NRC6799	1	Grommet
10	MTC1650	1	Plug
11	79121	1	Clip cable
12	UKC6684L	1	Cable tie
13	562481	1	Pin clevis
14	PS102081L	1	Pin split
			V8-LHS
			Diesel
			Diesel
			Upto VIN 456213



Model DEFENDER 90
Page ADGXIA1A

ENGINE CONTROLS - HAND THROTTLE CONTROL

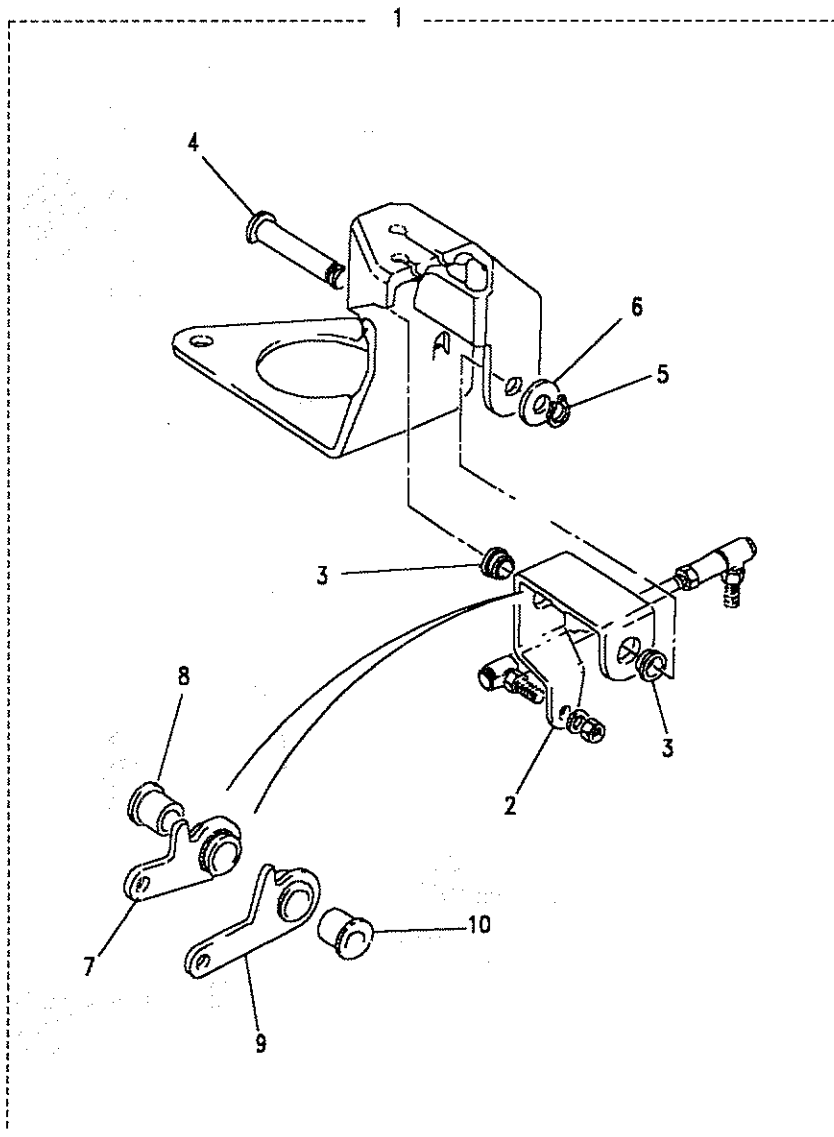
Ill. Part No.	Description	Qty	Remarks
Diesel from VIN HA456214 also 200Tdi			
14	PS603041L Pin split	1	
15	NTC8011 Lever	1	
16	FS106167L Screw	1	
17	WC106041L Washer plain	1	Upto 11L00029A
	3900L Washer plain	1	From 11L00030A
18	NTC7240 Bush	1	Upto 11L00029A
	NTC8544 Bush	1	From 11L00030A
19	NTC7097 Bracket abutment	1	Upto LA939975
	ANR2512 Bracket abutment	1	From MA939976
20	FS108251L Screw	1	



Model DEFENDER 90
 Page ADGXIA2A

ENGINE CONTROLS - HAND THROTTLE LINKAGE

III. Part No.	Description	Qty	Remarks
Diesel and Diesel Turbo - Not 200tdi			
1 ETC6630	Hand throttle control	1	
2 ETC4678	Lever relay	1	No longer available
3 613915	Bush	2	
4 ETC4686	Pin pivot	1	
5 CR120081L	Circlip	1	
6 WA108051L	Washer plain	1	
7 ETC5182	Lever throttle	1	No longer available
8 522932	Bush	1	
9 ETC5183	Lever hand throttle	1	No longer available
10 522932	Bush	1	





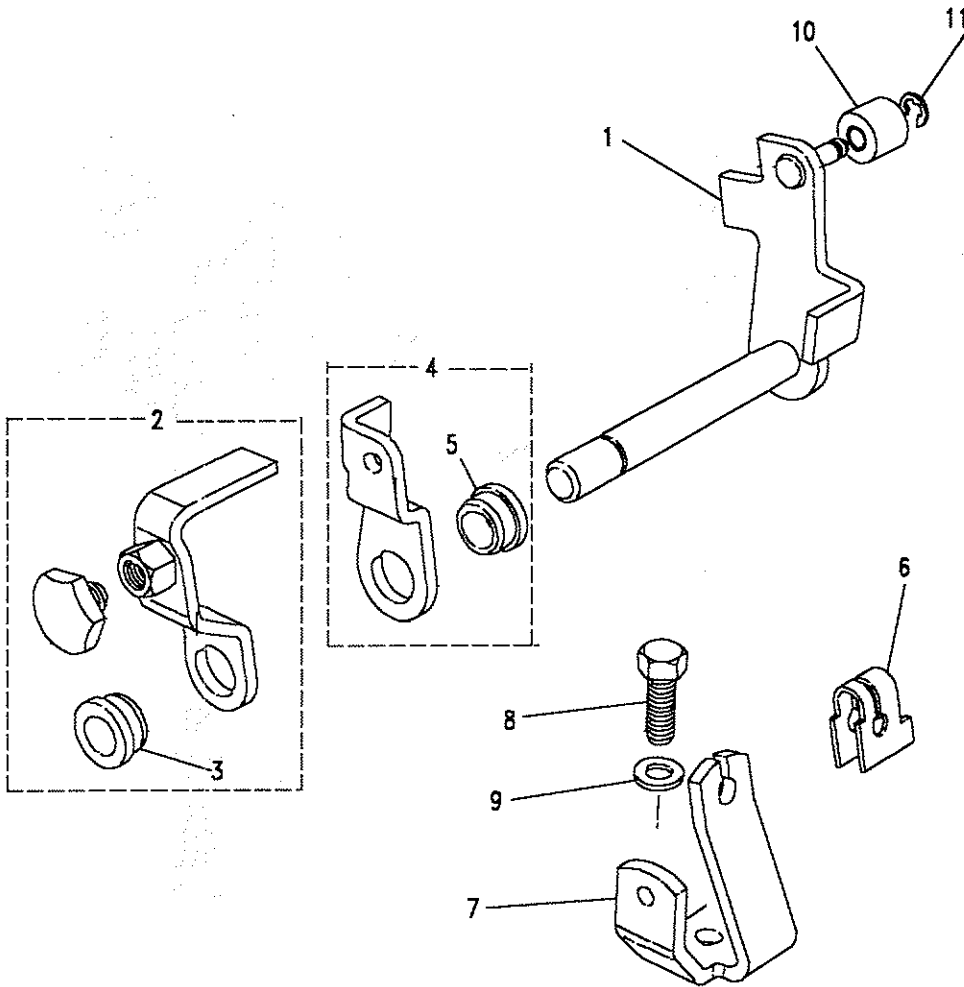
Model DEFENDER 90
Page ADGXIA3A

ENGINE CONTROLS - HAND THROTTLE LINKAGE

III. Part No. Description Qty Remarks

V8 With SU Carburetter

III. Part No.	Description	Qty	Remarks
1	613910	1	Countershaft
2	613916	1	Lever hand throttle
3	613915	1	Bush
4	90613913	1	Lever accelerator
5	613915	1	Bush
6	239673	1	Clip
7	ETC7393	1	Bracket anchor
8	FS504055	1	Bolt
9	WA106041L	1	Washer plain
10	603237	1	Roller
11	521452	1	Circlip





Model DEFENDER 90

Page ADGXIA4A

ENGINE CONTROLS - HAND THROTTLE LINKAGE

III. Part No. Description Qty Remarks

V8 With Stromberg Carburettors

1	613910	Countershaft	1
2	613916	Lever hand throttle	1
3	613915	Bush	1
4	SH105201L	Screw	1
5	WL105001L	Washer spring	1
6	NH105041L	Nut	1
7	90613913	Lever accelerator	1
8	613915	Bush	1
9	239673	Clip	1
10	ETC4006	Bracket anchor	1
11	FS504055	Screw	1
12	WA106041L	Washer plain	1

