



MASTER INDEX

GROUP C

GEARBOX

INTRODUCTION PAGES	PAGES
ALPHABETICAL INDEX	1 - 5
ENGINE	6 - 14
ENGINE	15 - 65
ENGINE	66 - 117
ENGINE	118 - 171
ENGINE	172 - 217
ENGINE	218 - 261
ENGINE	262 - 297
ENGINE	298 - 367
GEARBOX	368 - 394
GEARBOX	395 - 411
GEARBOX	412 - 425
TRANSFER BOX	426 - 456
TRANSFER BOX	457 - 474
AXLES AND SUSPENSION	475 - 531
STEERING	532 - 564
VEHICLE AND ENGINE CONTROLS	565 - 580
BRAKES	581 - 603
FUEL SYSTEM AND AIR CLEANER	604 - 645
EXHAUST SYSTEM	646 - 660
COOLING/HEATING	661 - 709
COOLING/HEATING	710 - 718
BODY ELECTRICAL	719 - 793
BODY AND CHASSIS	794 - 923
INTERIOR TRIM	924 - 965
SEATS	966 - 1009
STOWAGE	1010 - 1017
ACCESSORIES - PAINTS	1018 - 1042
NUMERICAL INDEX	1044 - 1122

GEARBOX

GEARBOX ASSEMBLY - LT77/LT77S	369
CLUTCH RELEASE MECHANISM - 4CYL - LT77/LT77S	370
CLUTCH RELEASE MECHANISM - V8 - LT77S	371
CLUTCH HOUSING - LT77/LT77S	372
GEARCASE - LT77 - UP TO SUFFIX E INCLUSIVE	373
GEARCASE - LT77/LT77S FROM SUFFIX F	374
EXTENSION CASE - LT77 - UP TO SUFFIX F INCLUSIVE	375
EXTENSION CASE - LT77/LT77S FROM SUFFIX G	376 - 377
MAINSHAFT - LT77/LT77S	378
MAINSHAFT - LT77/LT77S - CONTINUED	379
MAINSHAFT GEARS - LT77/LT77S	380 - 383
MAINSHAFT GEARS - LT77/LT77S - CONTINUED	384
LAYSHAFT - LT77 - UP TO SUFFIX E INCLUSIVE	385 - 386
LAYSHAFT - LT77/LT77S - FROM SUFFIX F	387
LAYSHAFT - LT77/LT77S - CONTINUED	388
SELECTORS AND SHAFTS - LT77/LT77S	389
SELECTORS AND SHAFTS - LT77/LT77S - CONTINUED	390
GEAR LEVER - LT77/LT77S	391
GEAR LEVER - LT77/LT77S - CONTINUED	392
MOUNTINGS - LT77/LT77S	393
GASKET KIT - LT77	394

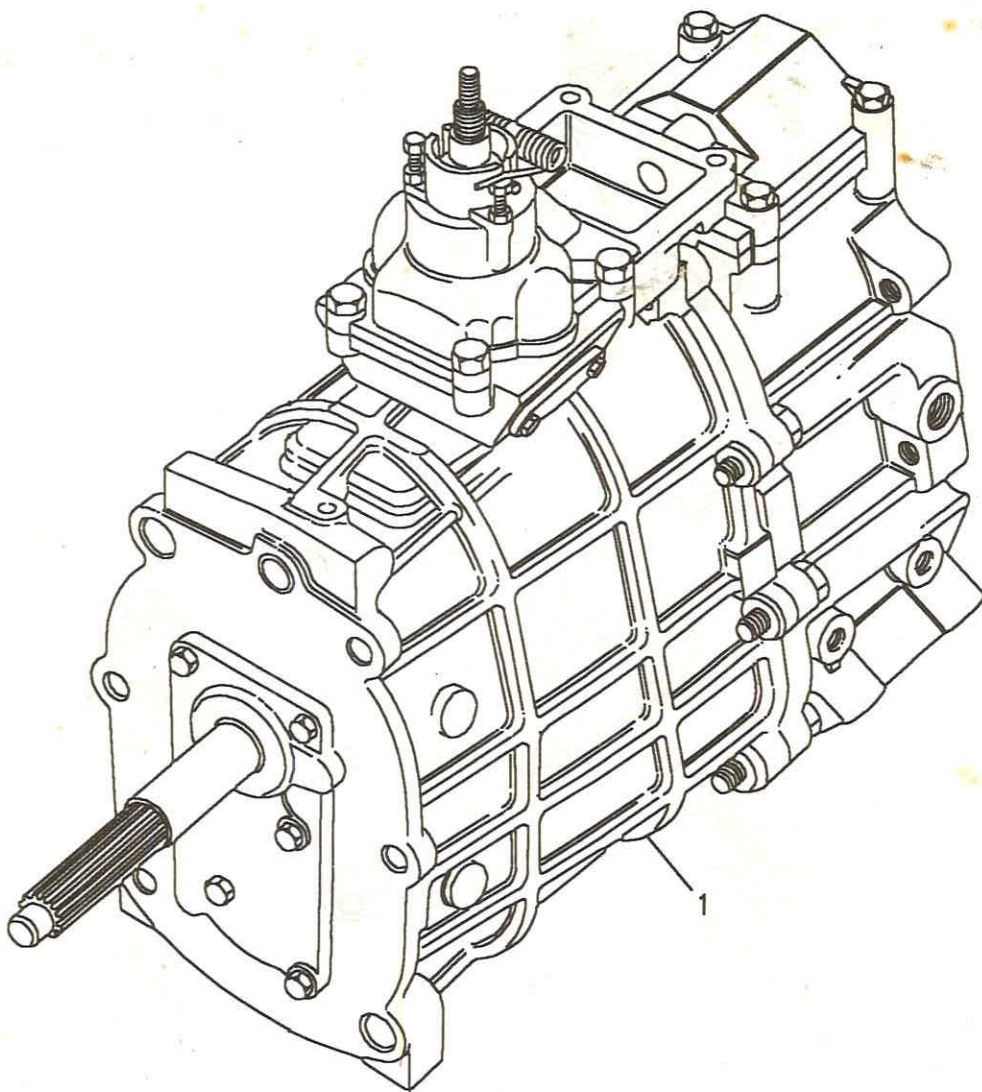


**Model** DEFENDER 90  
**Page** ADCDAA1A

**GEARBOX - GEARBOX ASSEMBLY - LT77/LT77S**

III. Part No.	Description	Qty	Remarks
FRC5928R	Gearbox assy RECON-LT77	1	Note(1)(8)
RTC6999R	Gearbox assy RECON-LT77	1	Note(2)
RTC6868R	Gearbox assy RECON-LT77	1	Note(3)
STC1787N	Gearbox assy NEW-LT77S	1	Note(4)
STC1786N	Gearbox assy NEW-LT77S	1	Note(5)
STC1007R	Gearbox assy RECON-LT77S	1	Note(9)
STC1004N	Gearbox assy NEW-LT77S	1	Note(6)
STC1005N	Gearbox assy NEW-LT77S	1	Note(7)

Note(1) Serial Number 50A up to Suffix E  
 Note(2) Serial Number 50A Suffix F  
 Note(3) Serial Number 50A Suffix G  
 Note(4) Serial Number 50A Suffix E.F.G.H.  
 Note(5) Serial Number 56A Suffix G.H.200 TDI  
 Note(6) Serial Number 60A000001A for V8  
 Note(7) Serial Number 61A000001A for V8 with OIL COOLER  
 Note(8) Has 2 holes in extension case for hi/lo linkage  
 Note(9) Serial Number 56A Suffix H

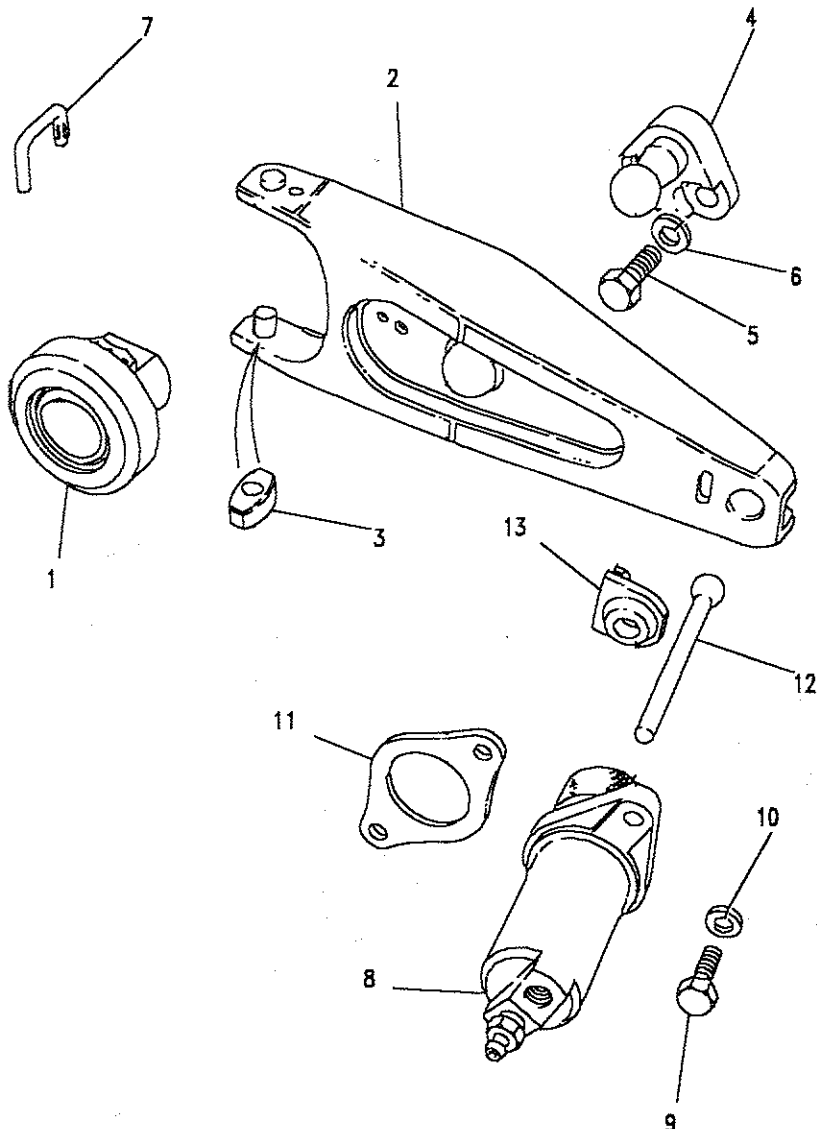




Model DEFENDER 90

Page ADCDCA1A

GEARBOX - CLUTCH RELEASE MECHANISM - 4CYL - LT77/LT77S



III. Part No.	Description	Qty	Remarks
1	FRC9568	1	Bearing clutch release
2	FTC2957	1	Lever
3	FRC5255	2	Slipper pad-clutch lever
4	FRC5180	1	Plate pivot
5	FS108301L	2	Bolt
6	WL108001L	2	Washer spring
7	FRC3416	1	Staple-lever to sleeve
8	591231	1	Slave cylinder
9	SH108251L	2	Screw
10	WL108001L	2	Washer spring
11	591988	1	Plate packing
12	FRC3417	1	Push rod-slave cylinder
13	FRC3327	1	Clip-push rod to lever

Note(1)

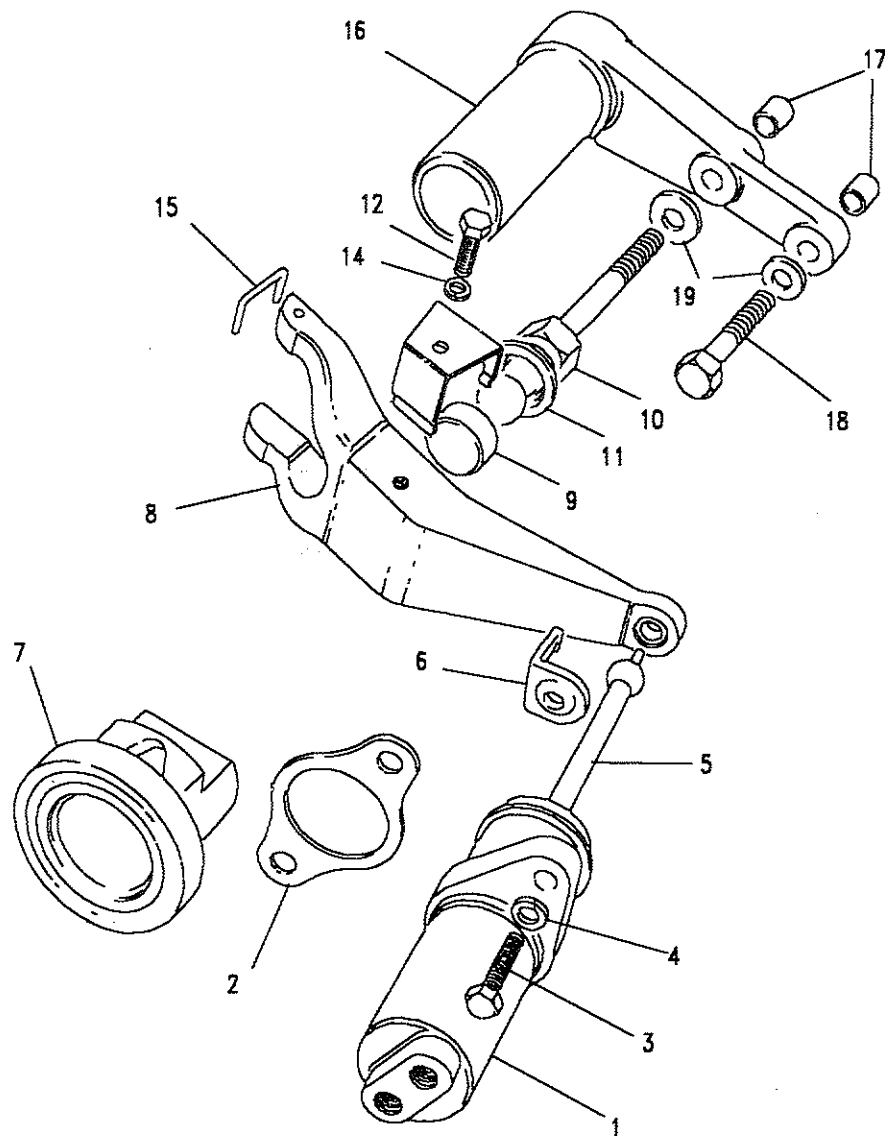
Note(1) Slave cylinder overhaul kit 8G8600L





Model DEFENDER 90  
Page ADCDCA2A

GEARBOX - CLUTCH RELEASE MECHANISM - V8 - LT77S



III. Part No.	Description	Qty	Remarks
1 UKC8677L	Slave cylinder clutch	1	
BHM7063L	Kit repair-slave cylinder	1	
2 FRC2402	Plate backing	1	
3 SH108251L	Screw	2	
4 WL108001L	Washer spring	2	
5 571160	Push rod-slave cylinder	1	
6 576723	Clip push rod	1	
7 FRC9568	Bearing clutch release	1	
8 576137	Lever clutch release	1	
9 FRC2975	Cap pivot lever	1	
10 FRC2528	Pivot release lever	1	
11 571161	Insert	1	
12 SH106101L	Screw	1	
13 WM106001L	Washer spring	1	
14 571163	Clip	1	
15 576203	Staple	1	
16 FRC4803	Guide	1	
17 FRC2481	Dowel	2	
18 SH108401L	Screw	1	
19 WL108001L	Washer spring	2	





Model DEFENDER 90  
Page ADCDEA1A

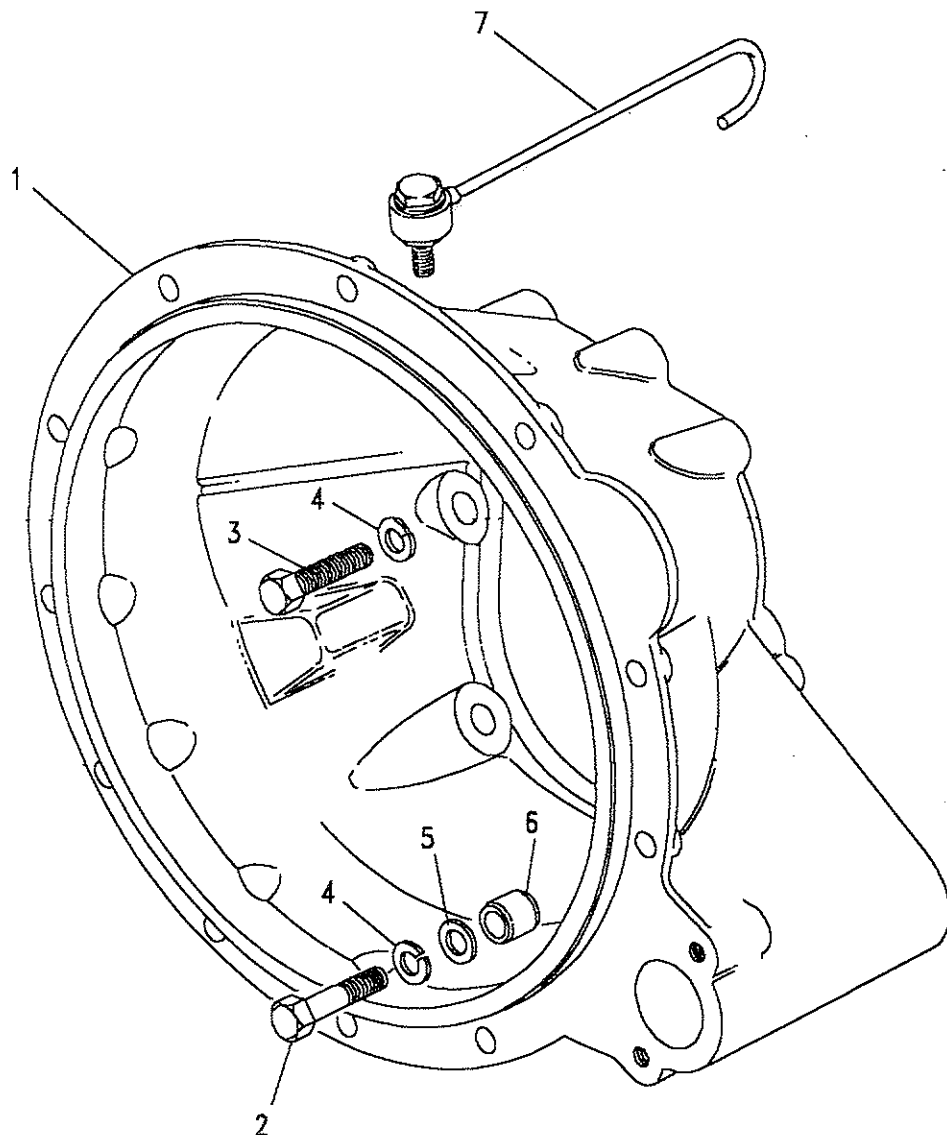
GEARBOX - CLUTCH HOUSING - LT77/LT77S

III. Part No.	Description	Qty	Remarks
1 FRC9865	Bell housing	1	Note(1)
FRC6154	Bell housing	1	Note(2)
2 BH112091L	Bolt-housing to g/box	2	
3 SH112301L	Screw-housing to g/box	4	
4 WL112001L	Washer spring	6	
5 WA112081L	Washer-housing to g/box	2	
6 UKC25L	Dowel-hollow	2	
FRC8758	Dowel-plug	2	
7 FRC6375	Breather assy-ext/case	1	Upto SEPT1987
FRC9428	Breather assy-ext/case	1	From SEPT1987

Fixings Gearbox to Engine

FN110047	Nut m10	11
WA110061L	Washer plain	11

Note(1) For gearbox Serial Number 50A and 56A  
Note(2) For gearbox Serial Number 60A and 61A

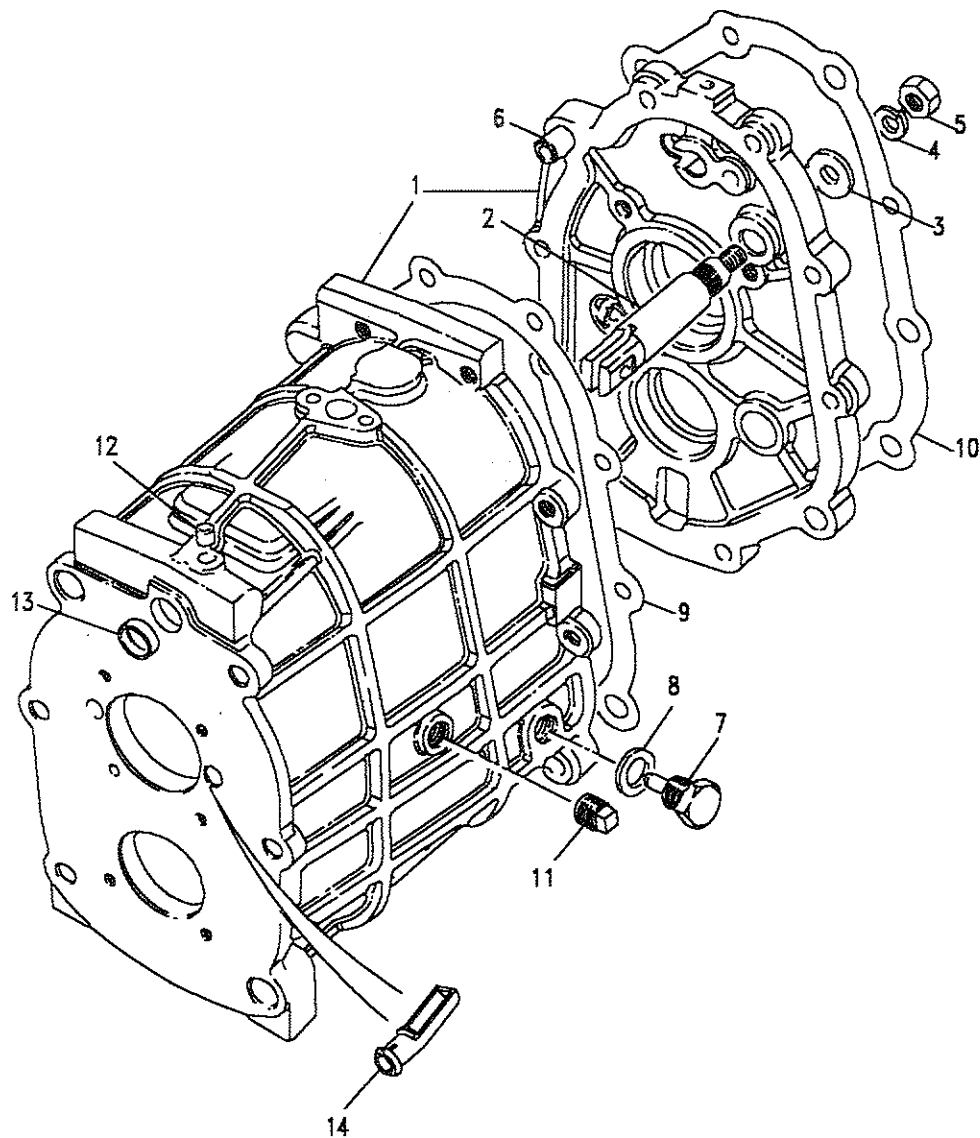




Model DEFENDER 90  
Page ADCDEA2A

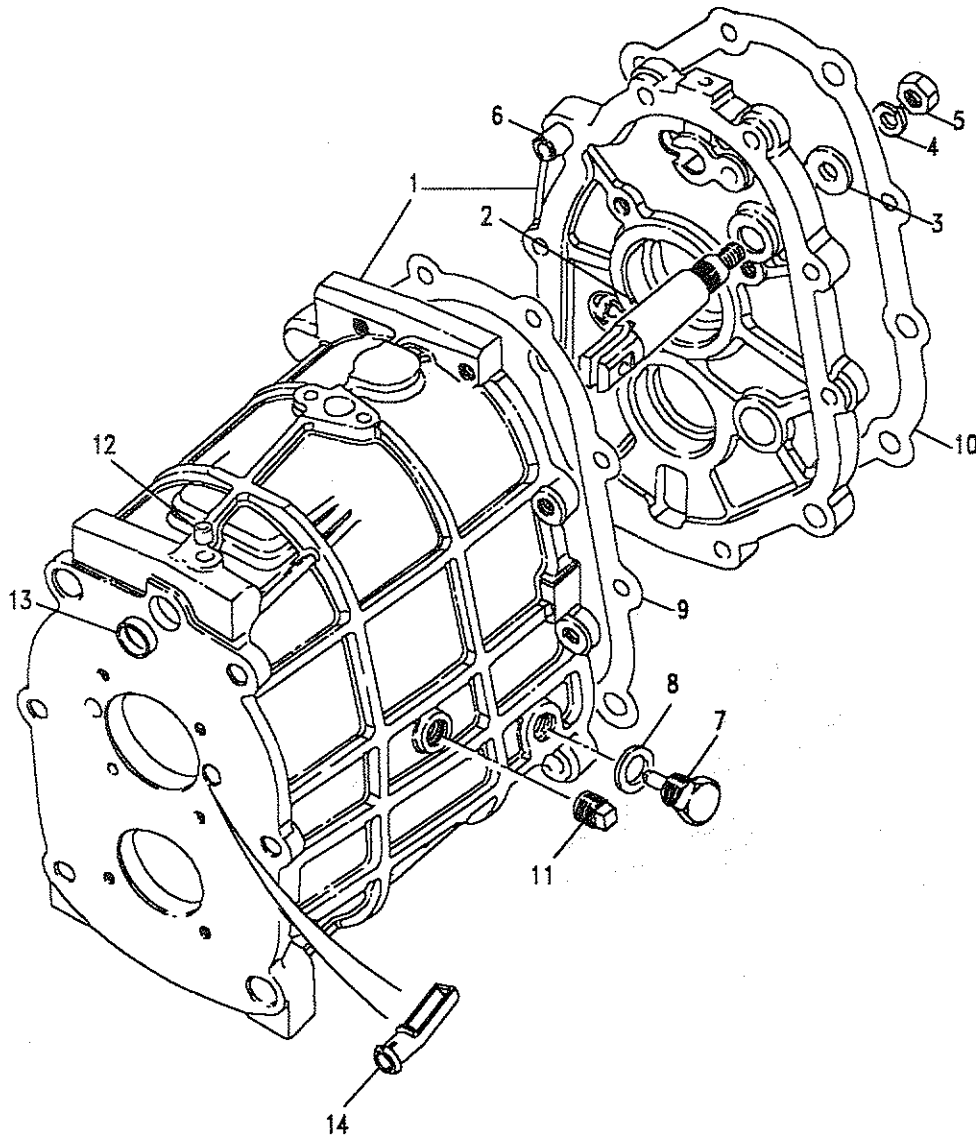
GEARBOX - GEARCASE - LT77 - UP TO SUFFIX E INCLUSIVE

III. Part No.	Description	Qty	Remarks
1	STC471	1	Gearcase/centre plate
2	FRC8383	1	Pin-reverse lever
3	WA110061L	1	Washer
4	WL110001L	1	Washer spring
5	NH110041L	1	Nut
6	UKC170L	2	Dowel hollow
7	FRC6145	1	Plug drain
8	FTC4112	1	Washer copper
9	TKC1229L	1	Gasket-g/case to plate
10	TKC1235L	1	Gasket-plate to ext/hsg
11	3292	1	Plug-oil level
12	UKC24L	1	Plug core
13	UKC30L	1	Plug core
14	TKC5779L	1	Catcher oil
	FRC9803	1	Plug core
	UKC25L	1	Dowel



Model DEFENDER 90  
Page ADCDEA3A

GEARBOX - GEARCASE - LT77/LT77S FROM SUFFIX F



III. Part No.	Description	Qty	Remarks
1	STC1036	1	Note(1)
6	UKC170L	2	
1	FTC918	1	Note(2)
	FTC2192	1	Note(3)
2	FRC8383	1	
3	WA110061L	1	
4	WL110001L	1	
5	NH110041L	1	
6	UKC170L	2	
7	FRC6145	1	
8	FTC4112	1	
9	TKC1229L	1	
10	TKC1235L	1	
11	3292	1	
12	UKC 24L	1	
13	UKC30L	1	
14	TKC5779L	1	

Note(1) For gearbox Serial Number 50A Suffix F  
 Note(2) For gearbox Serial Number 50A 56A Suffix G  
 Note(3) For gearbox Serial Number 50a suffix H and 56A,60A,61A



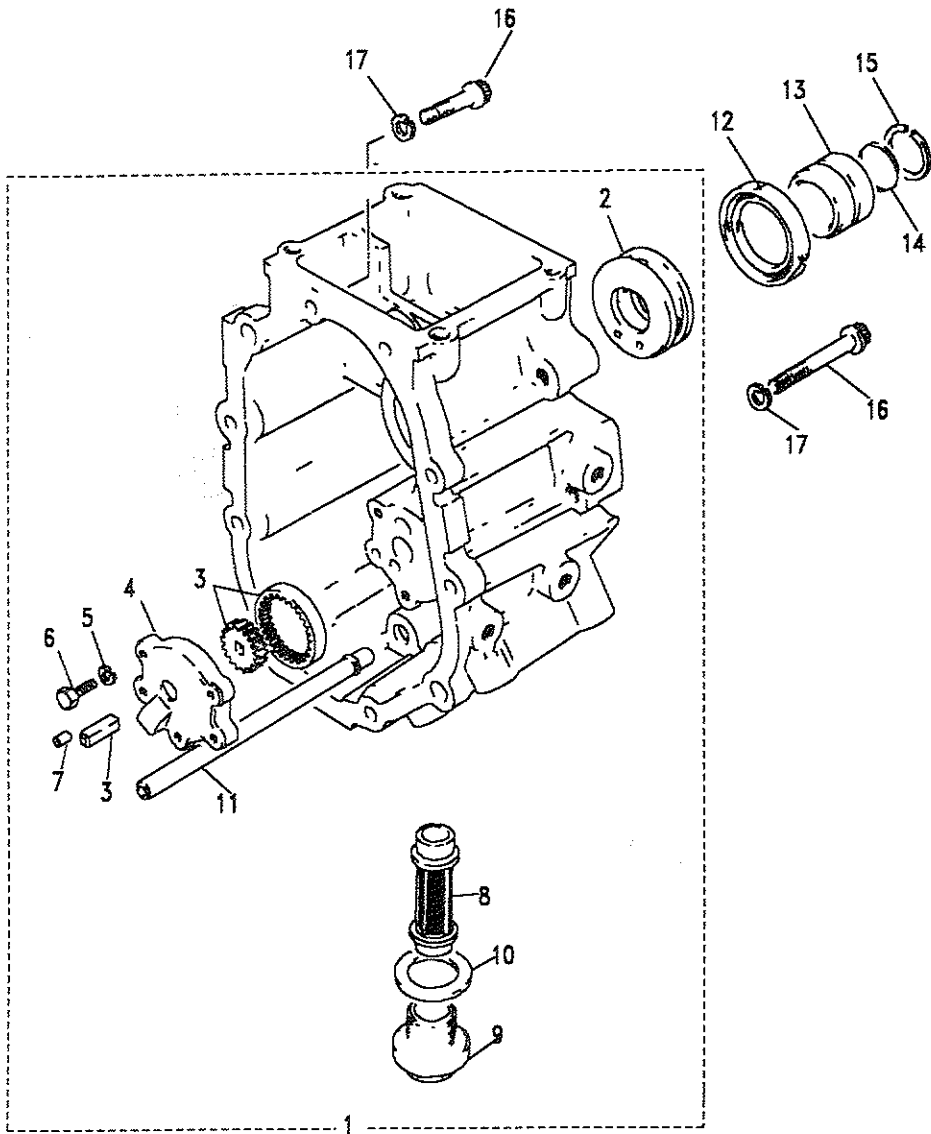
DEFENDER 90

375

GEARBOX

Model DEFENDER 90  
Page ADCDGA1A

GEARBOX - EXTENSION CASE - LT77 - UP TO SUFFIX F INCLUSIVE



III. Part No.	Description	Qty	Remarks
1	STC536	1	Note(1)
	FTC1518	1	Note(2)
2	FRC4449	1	
3	STC820	1	
4	FRC6246	1	
5	WL106001L	3	
6	FS106201L	3	
7	UKC2738L	2	
8	FRC6244	1	
9	90571104	1	
10	FRC4810	1	
11	FRC8104	1	
12	FRC2365	1	
13	FRC4493	1	
14	FRC4501	1	
15	FRC4494	1	
16	FB108101	2	
	FRC4282	8	
17	WL108001L	10	

Note(1) Early type with pivot brkt/cross lever(2 Holes)  
 Note(2) Later type with rod between sel/finger and op/arm(1 Hole)





Model DEFENDER 90  
Page ADCDGA2A

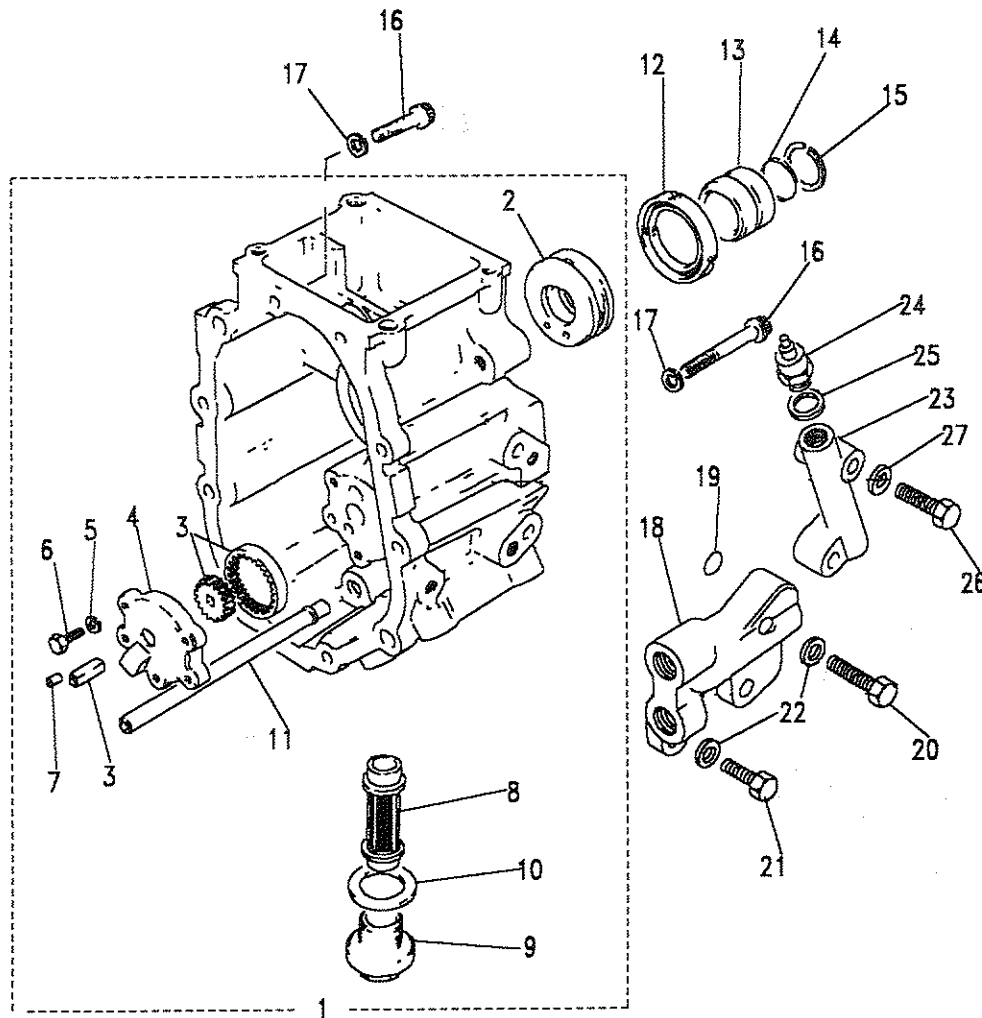
GEARBOX - EXTENSION CASE - LT77/LT77S FROM SUFFIX G

III. Part No.

Description

Qty Remarks

1	FTC1518	Extension case/oil pump	1	Note(1)
	FTC2102	Extension case/oil pump	1	Note(2)
	FTC2190	Extension case/oil pump	1	Note(3)
	FTC890	Stud-lifting bracket	1	
	FTC1533	Screw-plug	1	
2	FRC4449	Ring oil feed	1	
	FTC2210	Ring oil feed	1	Asbestos free
3	STC822	Kit-pump gears and shaft	1	
4	FTC1403	Body-oil pump	1	
	FTC3623	Body-oil pump	1	Note(4)
5	WA106001L	Washer plain	3	
6	BH106061L	Bolt	3	
7	UKC2738L	Dowel	2	
8	FRC6244	Filter	1	
9	90571104	Plug-filter	1	
10	FRC4810	Washer plug	1	
11	FRC8104	Pipe inlet-pump	1	





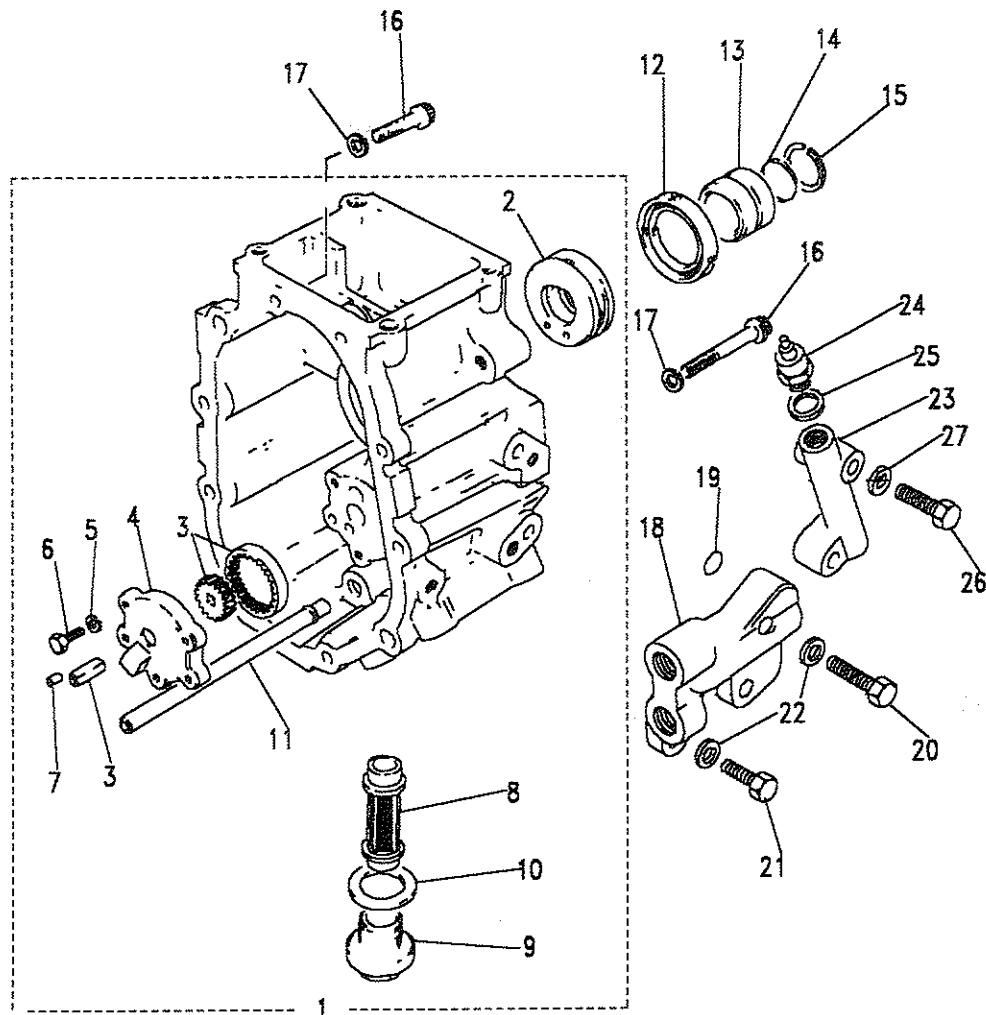
Model DEFENDER 90

Page ADCDGA2A

GEARBOX - EXTENSION CASE - LT77/LT77S FROM SUFFIX G

III. Part No.	Description	Qty	Remarks
12	FRC2365	1	Seal oil-extension case
13	FRC4493	1	Collar-oil seal
14	FRC4501	1	O ring-collar
15	FRC4494	1	Spring ring-collar
16	BH108105L	2	Bolt
	FRC4282	8	Bolt
17	WL108001L	10	Washer spring
18	FTC1404	1	Thermostat
19	FTC1441	2	O ring
20	SH108401L	1	Screw M8x40 long
21	SH108301L	2	Screw M8x30 long
22	WA108051L	3	Washer plain M8
23	FTC2104	1	Block oil extension case
24	PRC8873	1	Transmitter temperature
25	232042	1	Washer joint copper
26	SH108401L	2	Screw M8x40 long
27	WA108051L	2	Washer plain M8

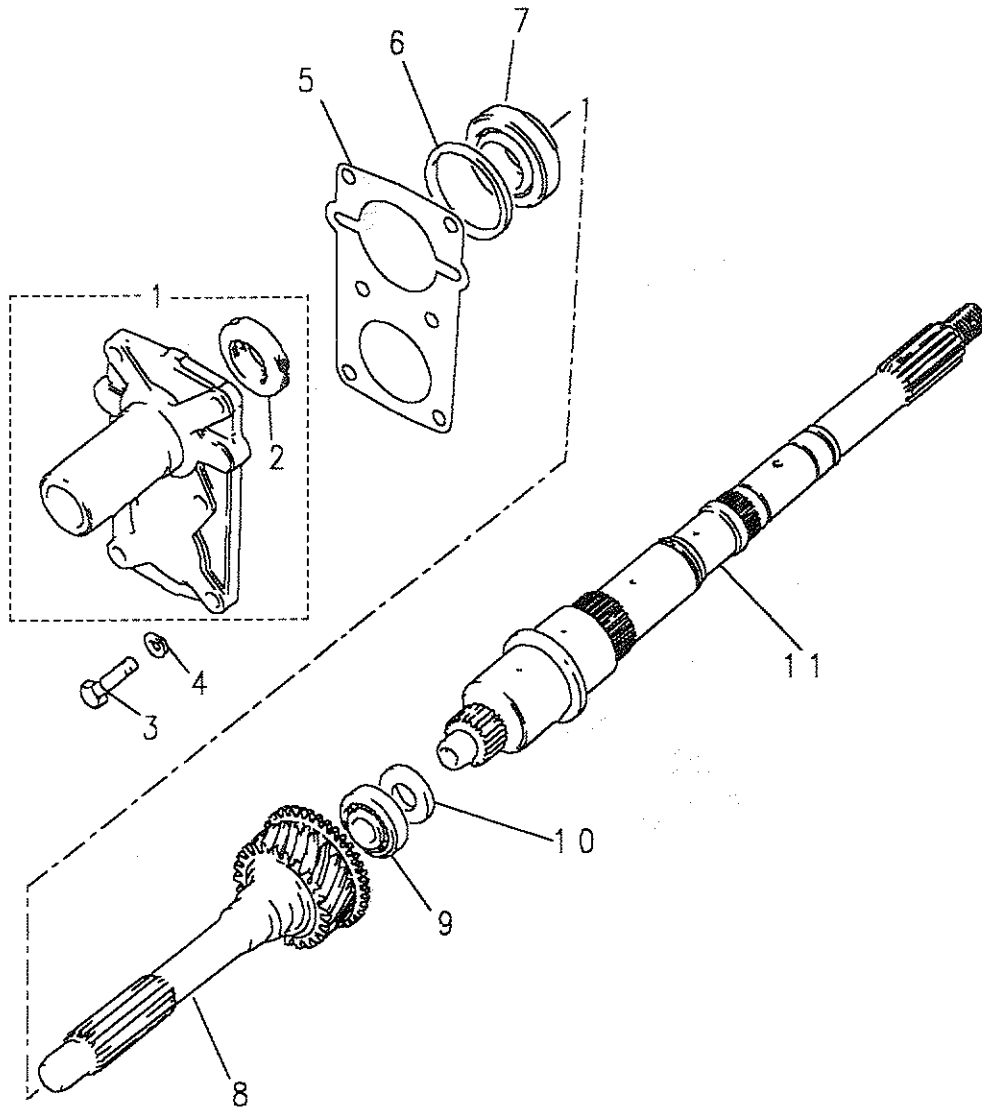
Note(1) For gearbox prefix 50A suffix G & H and all prefix 56A  
 Note(2) For gearbox prefix 60A  
 Note(3) For gearbox prefix 61A  
 Note(4) From gearbox number 0207406H



Model DEFENDER 90  
Page ADCDIA1A

GEARBOX - MAINSHAFT - LT77/LT77S

III. Part No.	Description	Qty	Remarks
1	FRC4856	1	Upto Suffix E incl
	FTC311	1	From Suffix F
	FTC917	1	Note(1)
	FTC2822	1	Note(3)
2	UKC1060L	1	
3	SH108251L	6	
4	WA108051L	6	
5	FRC4873	1	Upto Suffix E incl
	FTC316	1	From Suffix F
6	SELECTIVE WASHER		
	FRC4327	A/R	
	FRC4329	A/R	
	FRC4331	A/R	
	FRC4333	A/R	
	FRC4335	A/R	
	FRC4337	A/R	
	FRC4339	A/R	
	FRC4341	A/R	
	FRC4343	A/R	
	FRC4345	A/R	
	FRC4347	A/R	
	FRC4349	A/R	
	FRC4351	A/R	
	FRC4353	A/R	
	FRC4355	A/R	
	FRC4357	A/R	
	FRC4359	A/R	
	FRC4361	A/R	
	FRC4363	A/R	
	FRC4365	A/R	
	FRC4367	A/R	
	FRC4369	A/R	



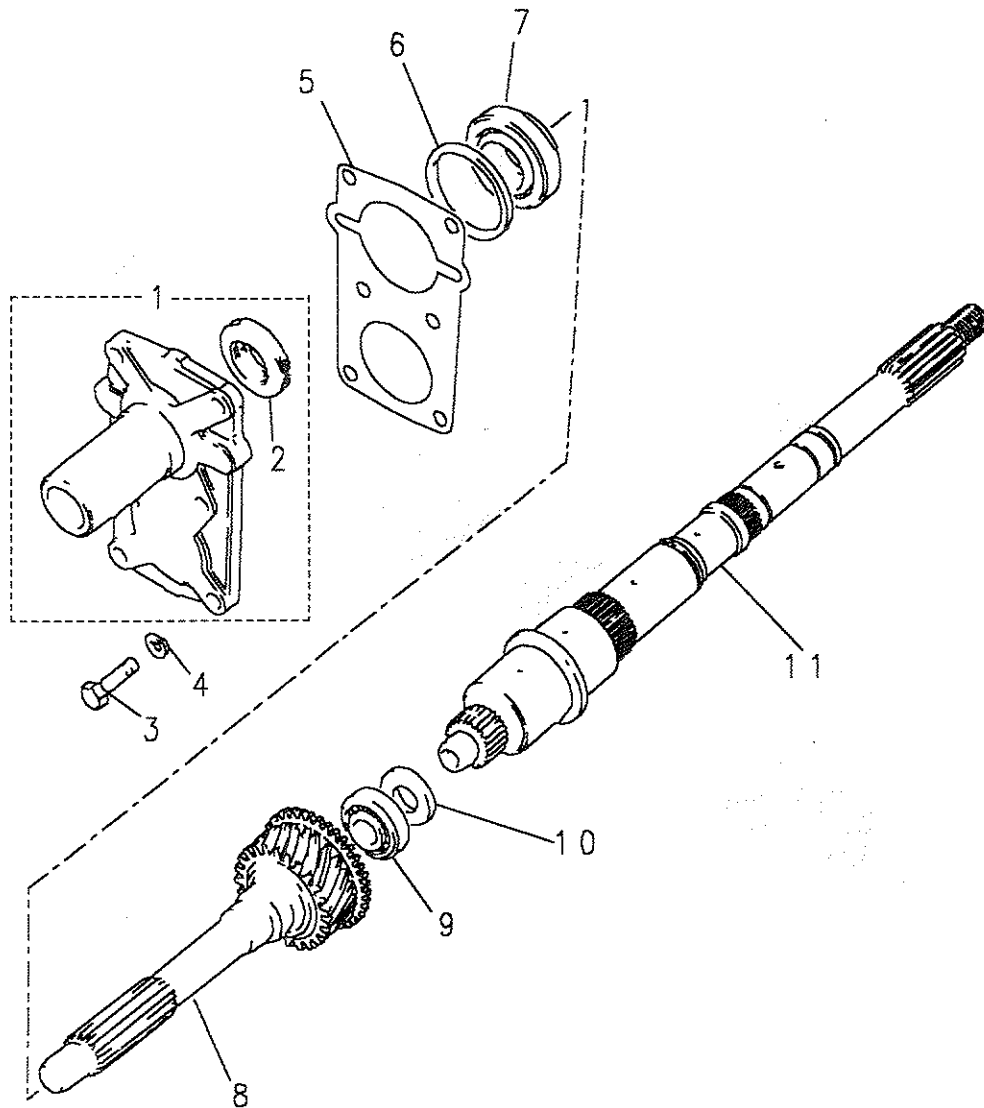


Model DEFENDER 90  
Page ADCDIA1A

GEARBOX - MAINSHAFT - LT77/LT77S - CONTINUED

Ill.	Part No.	Description	Qty	Remarks
7	RTC6751	Bearing	1	Suffix E,F
8	FRC4845	Shaft-constant pinion	1	50A Suffix E,F
	FTC1406	Shaft-constant pinion	1	)50A
	FTC1293	Disc synchro stop	1	)Suffix G,H
	FTC1428	Shaft constant pinion	1	)56A
	FTC1293	Disc Synchro Stop	1	)Suffix G.H
	FTC347	Shaft constant pinion	1	)60A 61A
	FTC1293	Disc synchro stop	1	)Suffix H
	FTC1420	Shaft constant pinion	1	Taxi
9	UKC8L	Bearing	1	
10	UKC37L	Spacer	1	
11	FRC5305	Mainshaft assembly	1	50A Suffix E,F
	FTC1446	Mainshaft assembly	1	Note(2)
	FTC1282	Mainshaft assembly	1	Note(3)

Note(1) For gearbox Serial Number 50A Suffix G&H and 56A,60A,61A  
 Note(2) For gearbox Serial Number 50A,56A Suffix G  
 Note(3) For gearbox Serial Number 50A Suffix H and 56A,60A,61A



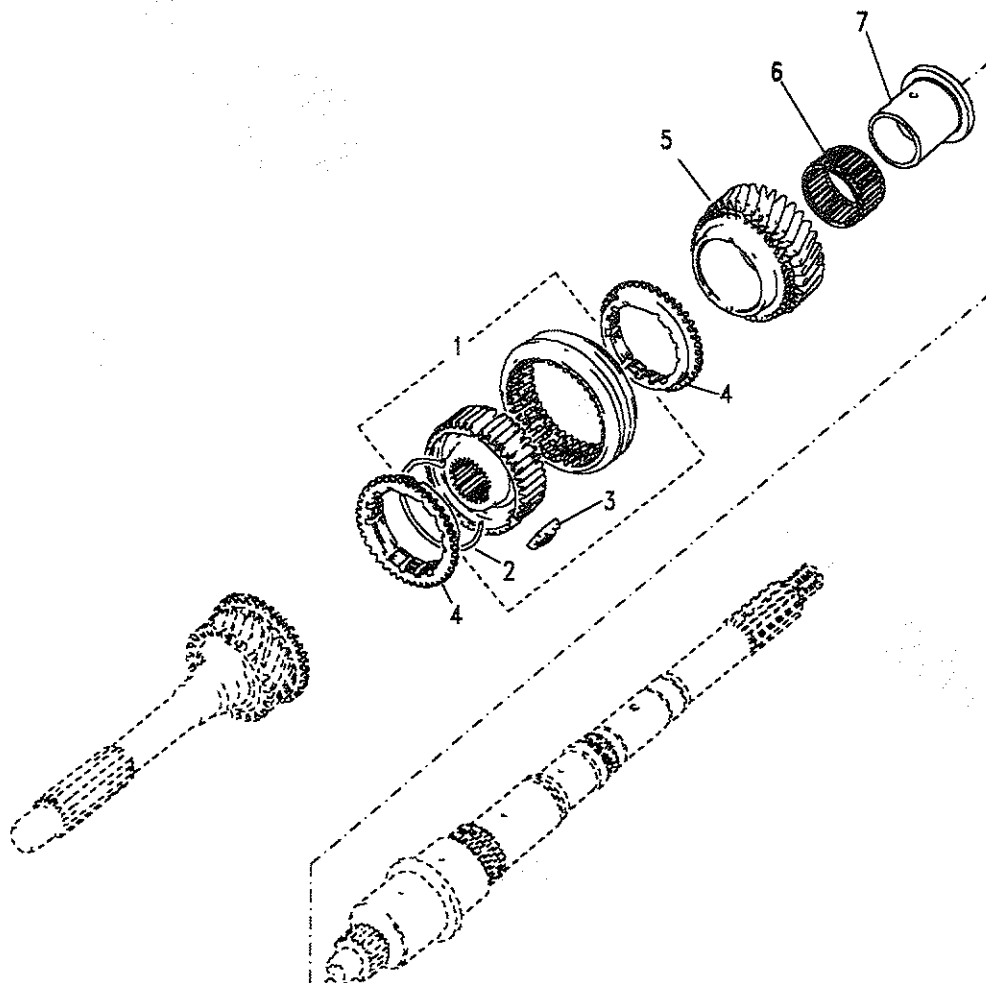
Model DEFENDER 90

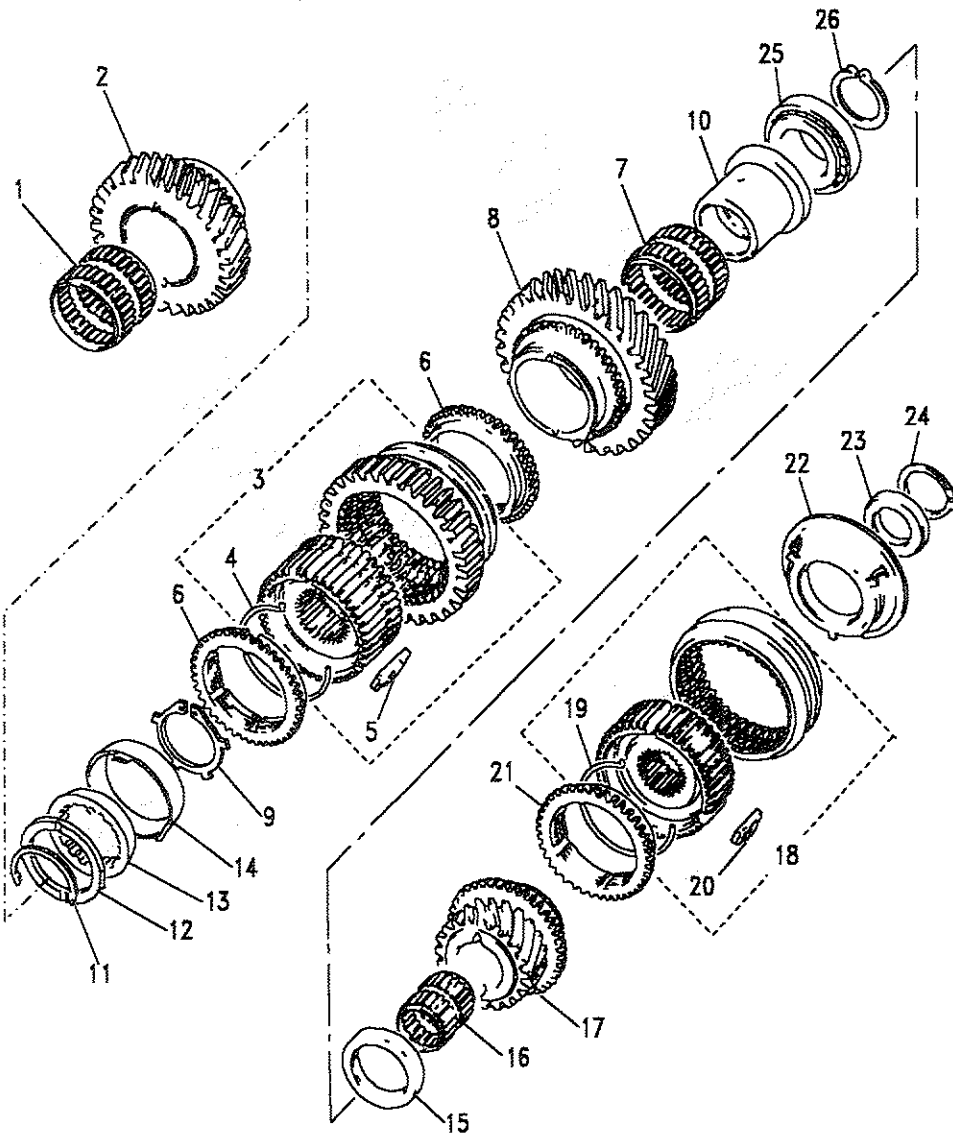
Page ADCDIC1A

GEARBOX - MAINSHAFT GEARS - LT77/LT77S

III. Part No.	Description	Qty	Remarks
<b>3rd and 4th gears</b>			
1 FRC9792L	Synchro assembly	1	) Note(1)
2 UKC31L	Spring synchro	2	
3 UKC3530L	Plate shifting	3	
4 FRC8232	Baulk ring	2	)
5 TKC6962L	Gear-3rd speed	1	
FTC358	Gear-3rd speed	1	Upto 50A Suf F inclusive
FTC2504	Gear-3rd speed	1	50A,56A Suf G
FTC2505	Gear-3rd speed	1	60A,61A
6 FTC1313	Bearing-needle roller	1	50A,56A/Suf-H
7 FTC1310	Bush-mainshaft	1	)50A,56A,60A, )61A/Suf-H

Note(1) For gearbox Serial Number 50A,56A,60A,61A,(up to and inc/Suf-H)





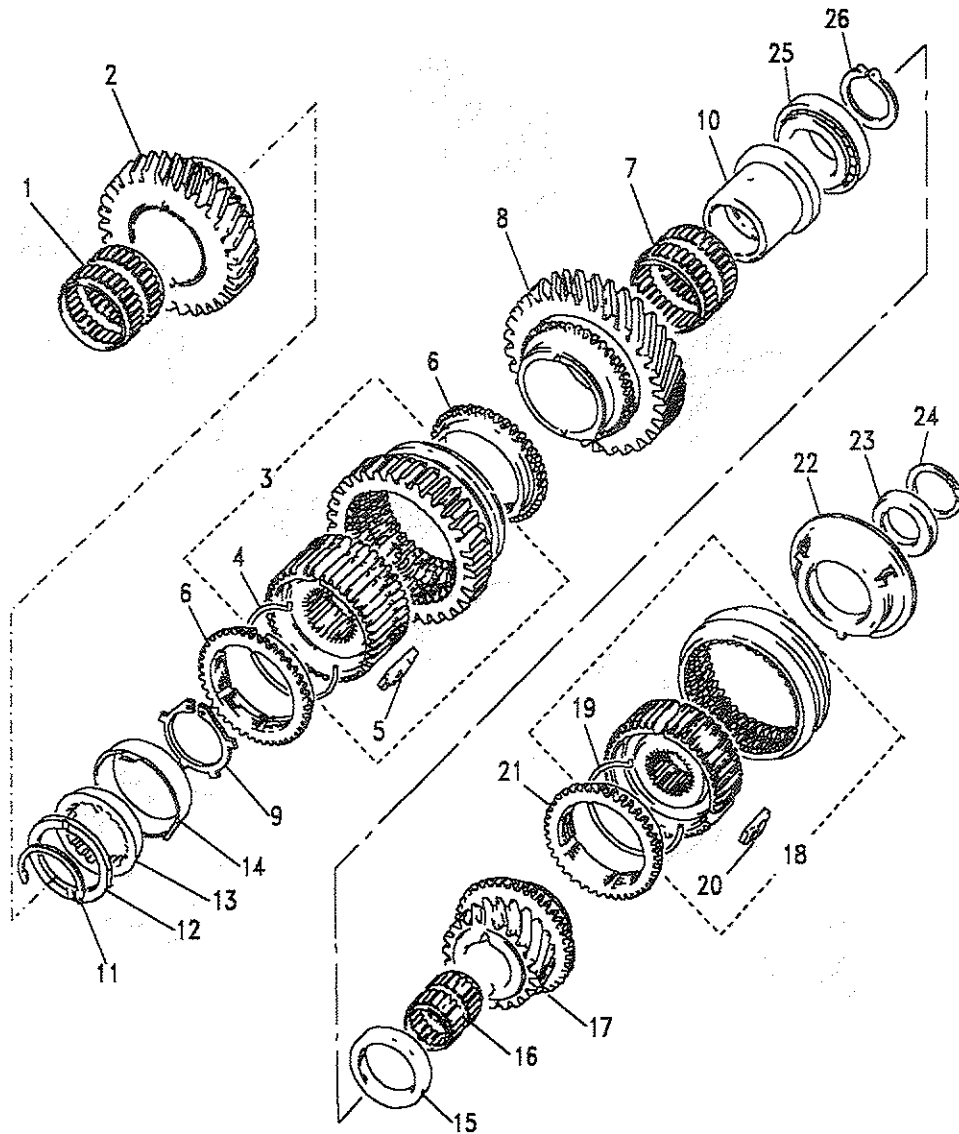
Model DEFENDER 90  
Page ADCDIC2A

GEARBOX - MAINSHAFT GEARS - LT77/LT77S

III. Part No.	Description	Qty	Remarks
<b>1st and 2nd gears</b>			
1	FRC5678 FTC1312	2	Bearing-needle Bearing-needle
		1	)50A,56A,60A, )61A/Suf-H
2	FRC5279 FTC357 FTC2462	1	Upto50A/Suf F incl
		1	50A,56A Suf G
		1	)50A,56A,60A, )61A/Suf-H
3	FRC6670 FRC9386 FTC1327 STC8577	1	Upto 0173664
		1	From 0173665
		1	50A,56A Suf-G
		1	)50A,56A,60A, )61A/Suf-H
4	UKC31L	2	)Upto
5	UKC3531L	3	)50A,56A,
6	FRC8232	2	)Suffix G incl
4	UKC31L	2	)50A,56A,60A,
5	FTC3373	3	)61A/Suf-H
6	FTC2282	2	)
5	FTC4011	3	) Note(1)
6	FTC4007	2	)
7	FRC5679 FTC1311	1	Up to suf G
		1	Suffix H

Note(1) From gearbox 0242820H





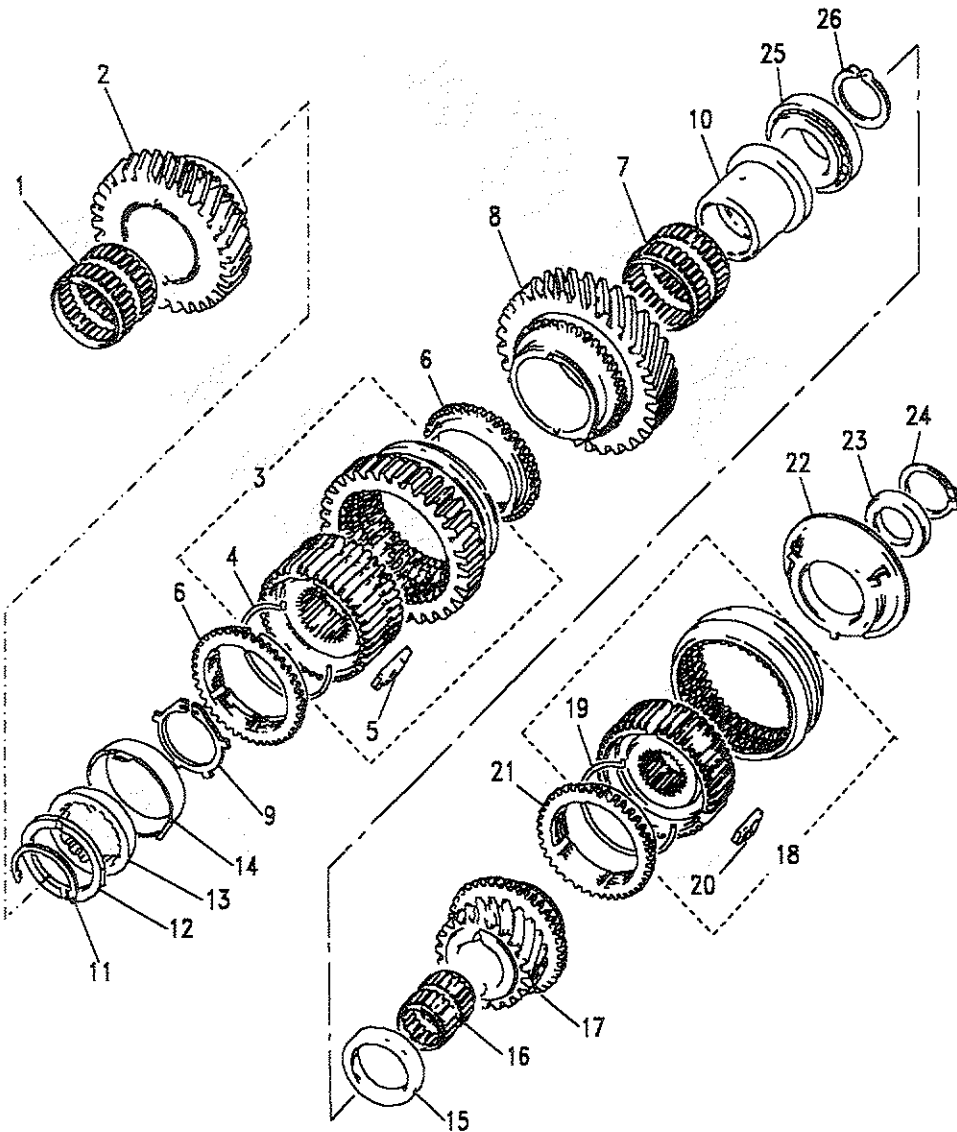
Model DEFENDER 90  
Page ADCDIC2A

GEARBOX - MAINSHAFT GEARS - LT77/LT77S

III. Part No.	Description	Qty	Remarks
8	FRC5253 Gear-1st speed	1	Upto 50A/Suf F incl
	FTC2089 Gear-1st speed	1	50A Suffix G
	FTC2090 Gear-1st speed-200TDI	1	56A Suffix G
	FTC1760 Gear-1st speed	1	50A Suffix H
	FTC1989 Gear-1st speed	1	56A,60A,61A, Suffix-H
	UKC37L Spacer-synchro hub/pilot	1	
9	FTC2084 Circlip-1st & 2nd hub	2	
	FTC4009 Circlip	2	Note(1)
10	BUSH-1ST SPEED		
	FRC5243 40.16 to 40.21mm	A/R	)
	FRC5244 40.21 to 40.26mm	A/R	)50A,56A,
	FRC5245 40.26 to 40.31mm	A/R	)Upto Suf G
	FRC5246 40.31 to 40.36mm	A/R	)inclusive
	FRC5247 40.36 to 40.41mm	A/R	)
10	BUSH-1ST SPEED		
	FTC2005 Bush-1st speed	1	)
	FTC2006 Bush 1st speed	1	)50A,56A,60A,
	FTC2007 Bush 1st speed	1	)61A/Suf-H
	FTC2008 Bush 1st speed	1	)
	FTC2009 Bush 1st speed	1	)
11	FTC1752 Circlip-mainshaft	1	)
12	FTC1301 Spacer 1st & 2nd synchro	1	)50A,56A,60A,
13	FTC2283 Cone synchro inner	1	)61A/Suf-H
14	FTC2284 Ring dual line synchro	1	)
13	FTC4008 Cone synchro inner	1	) Note(1)
14	FTC4010 Ring dual line synchro	1	)

Note(1) From gearbox 0242820H





Model DEFENDER 90  
Page ADCDIC2A

GEARBOX - MAINSHAFT GEARS - LT77/LT77S

III. Part No.	Description	Qty	Remarks
<b>5th gear</b>			
15 FRC4321	Collar-5th gear	1	Upto Suf F incl
FTC916	Collar-5th gear	1	From Suf G
16 FRC5280	Needle bearing	1	
17 RKC5098L	Gear 5th speed	1	Upto 50A/Suf F incl
FTC1791	Gear-5th-speed	1	50A,56A,60A, 61A/Suf-G&H
18 FRC9389	Synchromesh assy	1	Upto 50A/Suf F incl
FTC1455	Synchromesh assy	1	50A,56A,60A, 61A/Suf-G&H
19 UKC31L	Spring	2	
20 UKC3530L	Plate shifting	3	
21 FRC8232	Baulk ring	1	
22 FRC5235	Plate support	1	





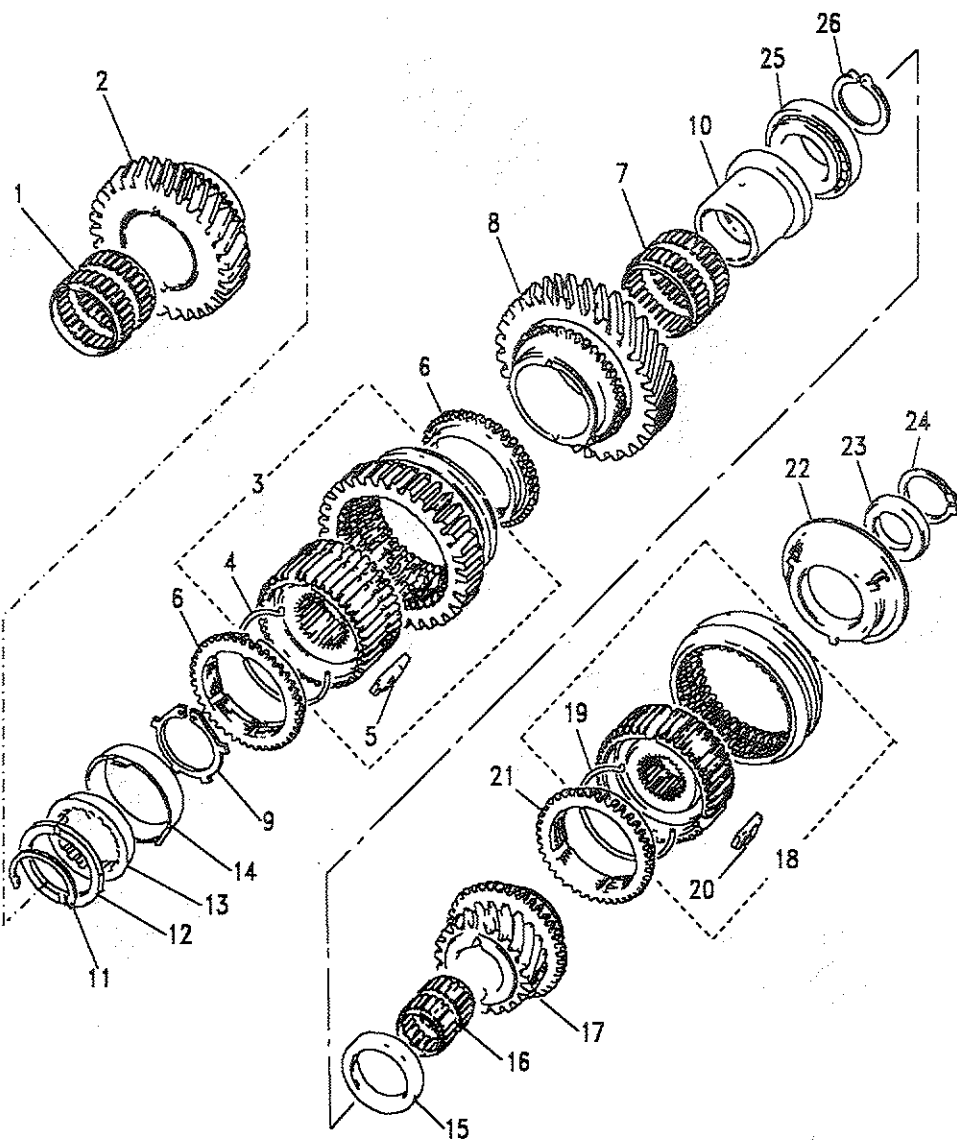


Model DEFENDER 90

Page ADCDIC2A

GEARBOX - MAINSHAFT GEARS - LT77/LT77S - CONTINUED

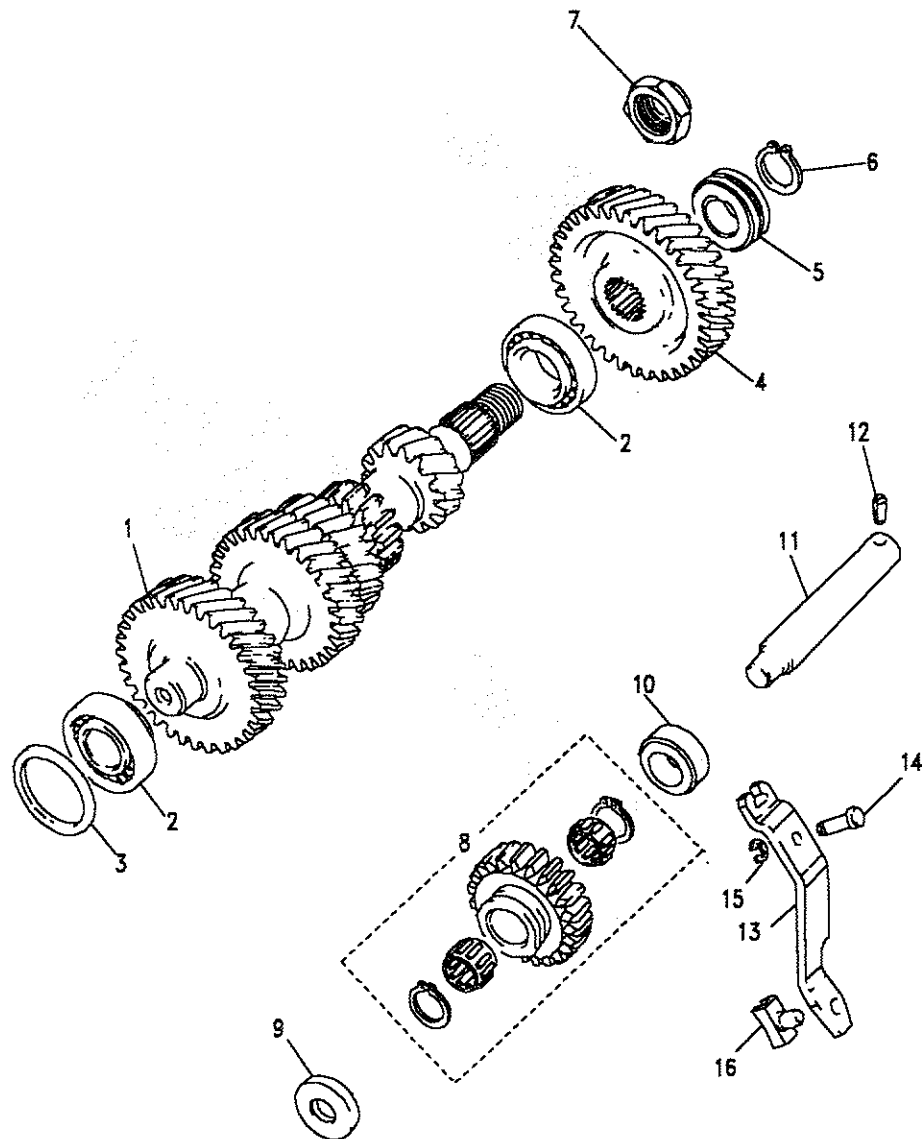
III. Part No.	Description	Qty	Remarks
23	WASHER-SUPPORT PLATE		
FRC5284	5.10mm	A/R	
FRC5286	5.16mm	A/R	
FRC5288	5.22mm	A/R	
FRC5290	5.28mm	A/R	
FRC5292	5.34mm	A/R	
FRC5294	5.40mm	A/R	
FRC5296	5.46mm	A/R	
FRC5298	5.52mm	A/R	
FRC5300	5.58mm	A/R	
FRC5302	5.64mm	A/R	
24	Circlip-mainshaft	1	
25	Bearing	1	
26	Circlip	1	





Model DEFENDER 90  
Page ADCDIE1A

GEARBOX - LAYSHAFT - LT77 - UP TO SUFFIX E INCLUSIVE

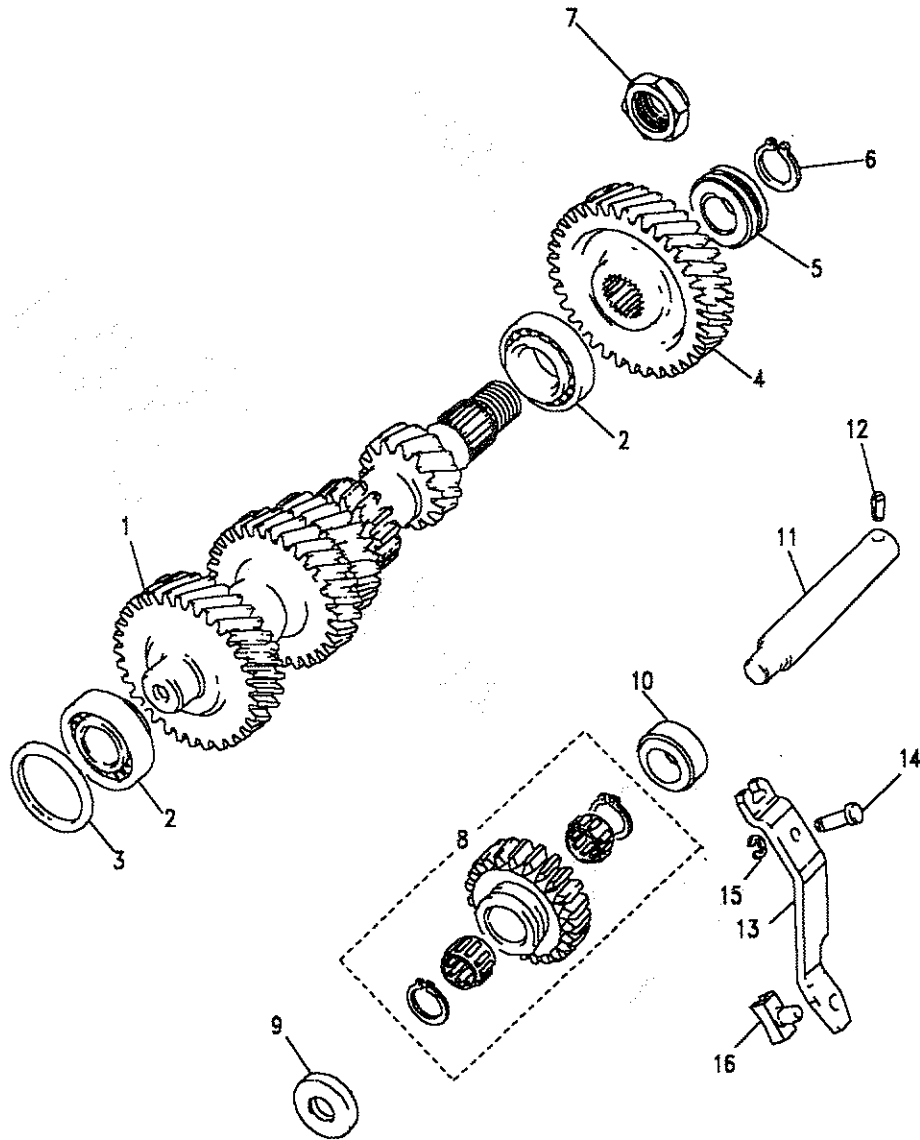


III. Part No.	Description	Qty	Remarks
1	FRC7575	1	Upto 0173664
	FRC8141	1	From 0173665
2	ULC1796L	2	
3	SELECTIVE WASHERS		
	TKC4633		1.69mm A/R
	TKC4635L		1.75mm A/R
	TKC4637		1.81mm A/R
	TKC4639		1.87mm A/R
	TKC4641		1.93mm A/R
	TKC4643L		1.99mm A/R
	TKC4645		2.05mm A/R
	TKC4647L		2.11mm A/R
	TKC4649		2.17mm A/R
	TKC4651L		2.23mm A/R
	TKC4653L		2.29mm A/R
	TKC4655L		2.35mm A/R
	TKC4657L		2.41mm A/R
	TKC4659L		2.47mm A/R
	TKC4661L		2.53mm A/R
	TKC4663L		2.59mm A/R



Model DEFENDER 90  
Page ADCDIE1A

GEARBOX - LAYSHAFT - LT77 - UP TO SUFFIX E INCLUSIVE



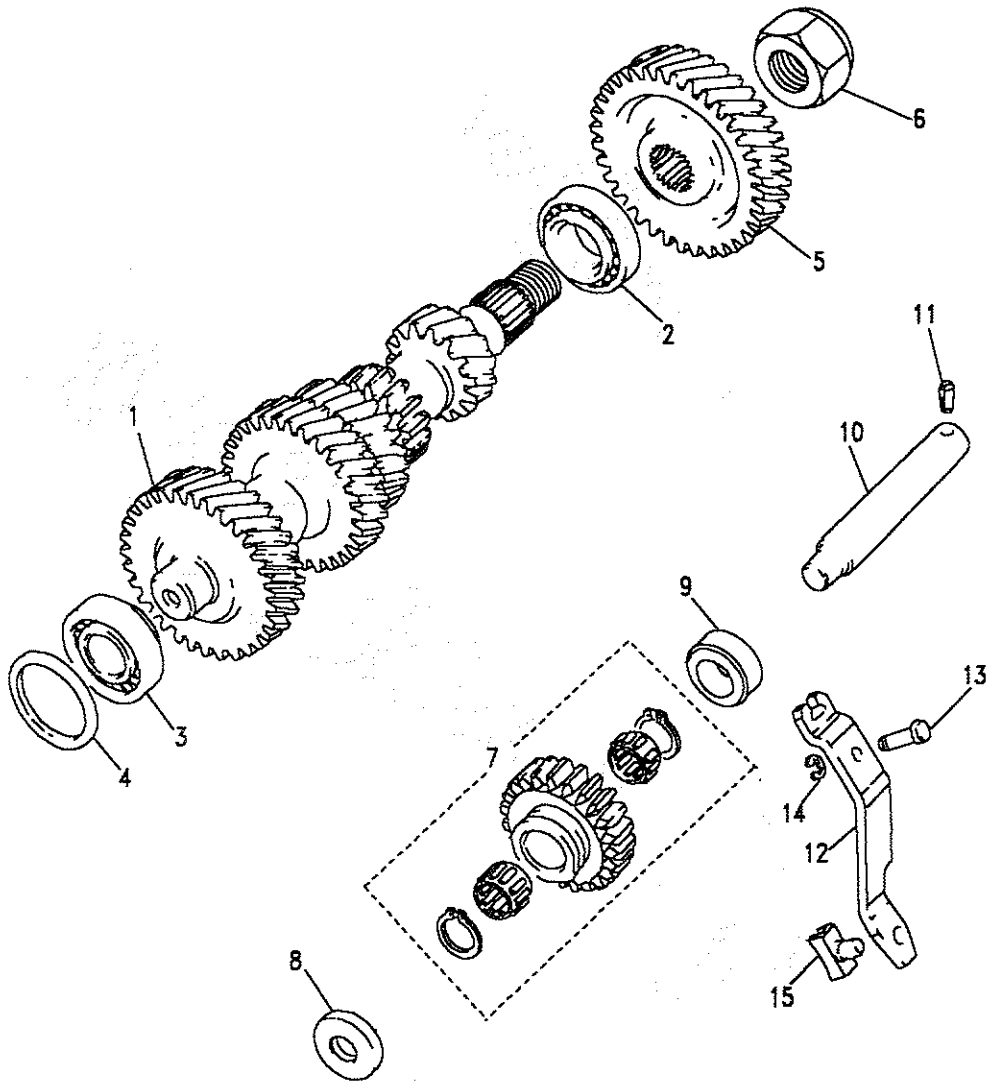
III. Part No.	Description	Qty	Remarks
4	FRC5162	1	Gear 5th speed layshaft
5	UKC1689L	1	Washer-5th speed layshaft
6	UKC1690L	1	Circlip-gear/layshaft
7	FRC7214	1	Nut
8	FRC7602	1	Gear assembly-reverse
	FRC8285	1	Gear assembly-reverse
9	FRC4947	1	Spacer
10	FRC5186	1	Spacer
11	FRC5095	1	Shaft-reverse idler
12	UKC18L	1	Roll pin
13	TKC1428L	1	Lever-reverse operating
	FRC8246	1	Lever-reverse operating
14	UKC2662L	1	Pivot reverse lever
	FRC8382	1	Pivot-reverse lever
15	13H2023L	1	Circlip
16	FRC4946	1	Slipper pad-reverse gear
	FRC8384	1	Slipper pad-reverse gear

Model DEFENDER 90  
 Page ADCDIE2A

GEARBOX - LAYSHAFT - LT77/LT77S - FROM SUFFIX F

III. Part No.	Description	Qty	Remarks
1	FRC9761 Layshaft	1	Note(1)
	FTC1416 Layshaft	1	Note(2)
	FTC1074 Layshaft	1	Note(3)
2	FTC317 Bearing-layshaft rear	1	
3	FTC248 Bearing-layshaft Front	1	
4	SELECTIVE WASHERS		
	FTC263 1.39mm	1	
	FTC265 1.45mm	1	
	FTC267 1.51mm	1	
	FTC269 1.57mm	1	
	FTC271 1.63mm	1	
	FTC273 1.69mm	1	
	FTC275 1.75mm	1	
	FTC277 1.81mm	1	
	FTC279 1.87mm	1	
	FTC281 1.93mm	1	
	FTC283 1.99mm	1	
	FTC285 2.05mm	1	
	FTC287 2.11mm	1	
	FTC289 2.17mm	1	
	FTC291 2.23mm	1	
	FTC293 2.29mm	1	
	FTC295 2.35mm	1	

Note(1) For gearbox Serial Number 50A up to Suffix G  
 Note(2) For gearbox Serial Number 50A Suffix G&H  
 Note(3) For gearbox Serial Number 56A,60A,61A

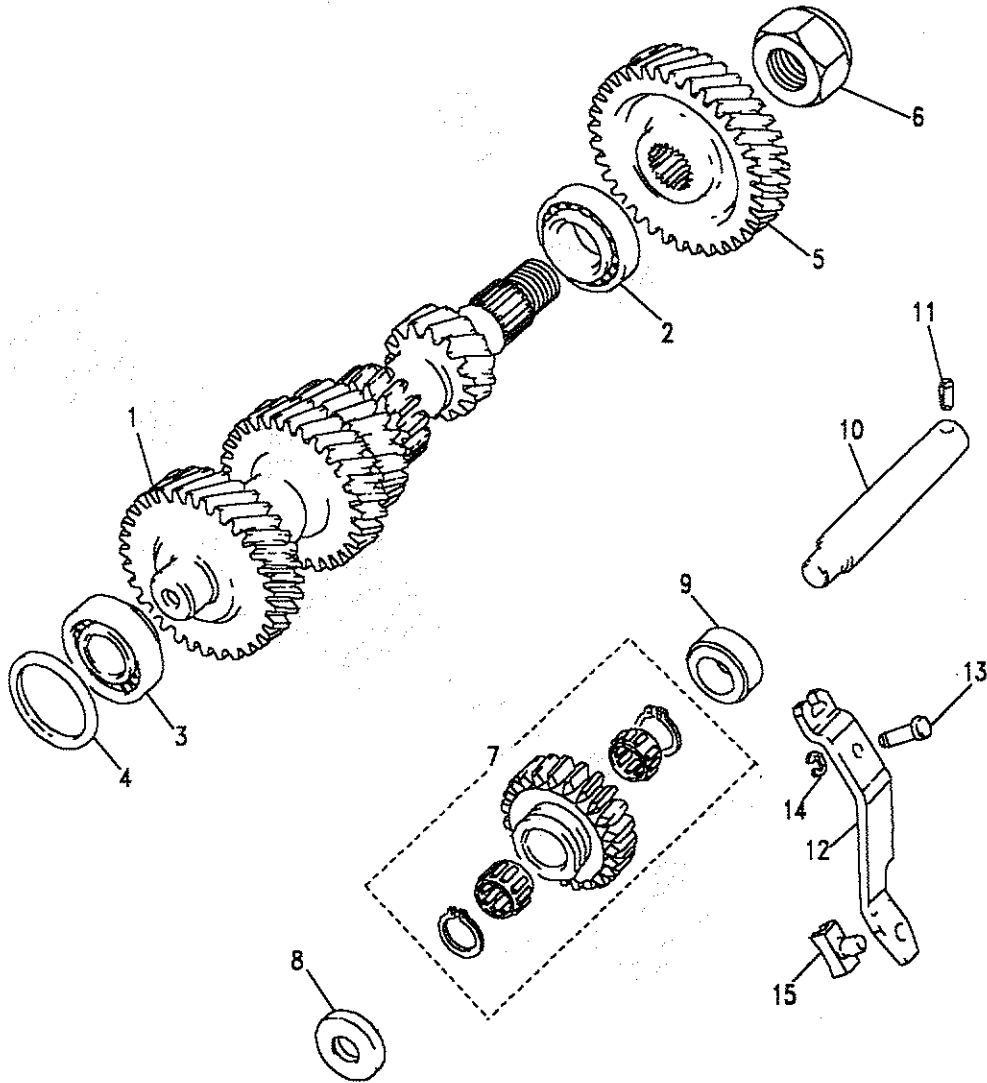


Model DEFENDER 90  
 Page ADCDIE2A

GEARBOX - LAYSHAFT - LT77/LT77S - CONTINUED

III. Part No.	Description	Qty	Remarks
5	FRC9758 Gear 5th speed layshaft	1	Note(1)
	FTC419 Gear 5th speed layshaft	1	Note(2)
6	FRC7214 Nut	1	
7	FRC8285 Gear assembly-reverse	1	
8	FRC4947 Spacer	1	
9	FRC5186 Spacer	1	
10	FRC5095 Shaft-reverse idler	1	
11	UKC18L Roll pin	1	
12	FRC8246 Lever-reverse operating	1	
13	FRC8382 Pivot-reverse lever	1	
14	13H2023L Circlip	1	
15	FTC1435 Slipper pad-reverse gear	1	

Note(1) For gearbox Serial Number 50A up to Suffix G  
 Note(2) For gearbox Serial Number 50A Suffix G&H and 56A,60A,61A

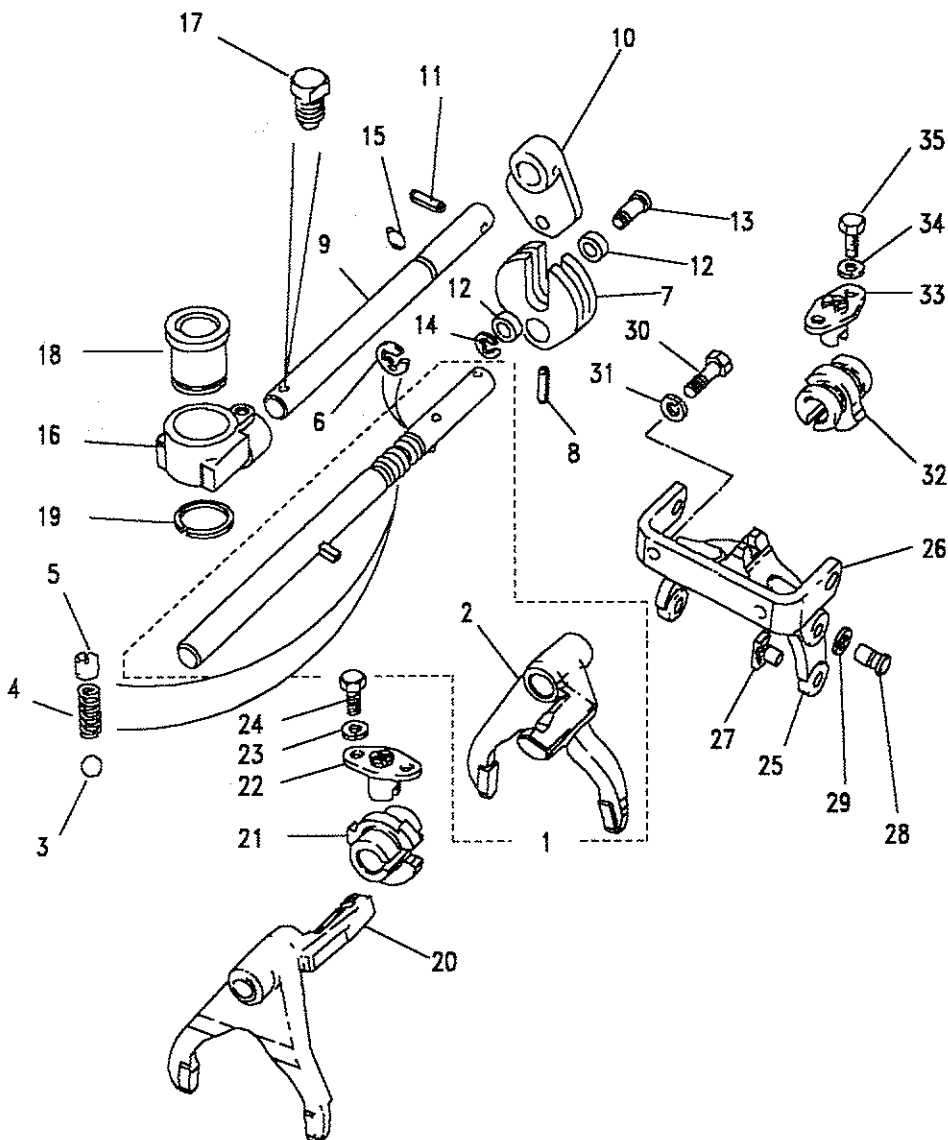


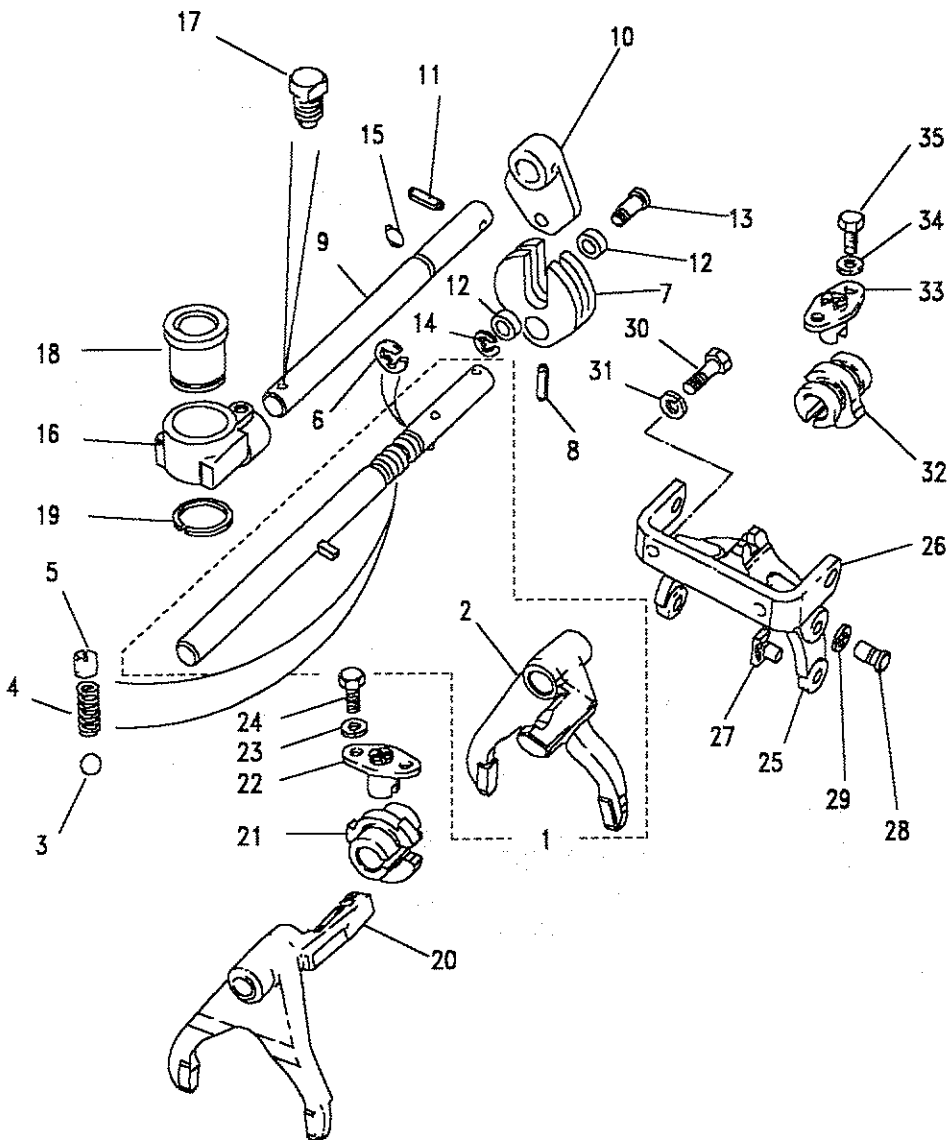


Model DEFENDER 90  
Page ADCDKA1A

GEARBOX - SELECTORS AND SHAFTS - LT77/LT77S

Ill. Part No.	Description	Qty	Remarks
1	FTC1814 Shaft assembly	1	)Note(1)
2	FTC1490 Fork-selector-1st/2nd	1	)
	FTC1765 Shaft assembly	1	)Note(2)
	FTC2450 Fork-selector-1st/2nd	1	)
3	BLS112L Ball-detent	1	)Note(3)
4	FRC7195 Spring-detent	1	)
5	UKC75L Plug-spring retaining	1	)
3	BLS112L Ball detent	1	)Note(4)
4	FTC3382 Spring detent	1	)
5	FTC2193 Plug	1	)
6	UKC73L Circlip-selector shaft	1	
7	FRC7330 Quadrant	1	
8	FRC7332 Spring pin	1	
9	FRC7334 Shaft selector	1	
10	FRC7333 Quadrant	1	
11	FRC7335 Spring pin	1	
12	FRC4435 Roller-quadrant shaft	1	
13	FRC4434 Shaft-quadrant roller	1	
14	CR120105L Circlip-quadrant shaft	1	
15	FRC4951 'O'ring	1	
16	FRC5864 Yoke-shaft	1	
17	FRC7018 Screw	1	
18	FRC5859 Seat-ball end	1	
19	CR120335L Circlip	1	





Model DEFENDER 90  
Page ADCDKA1A

GEARBOX - SELECTORS AND SHAFTS - LT77/LT77S - CONTINUED

III. Part No.	Description	Qty	Remarks
20	FTC1489	1	Fork-selector-3rd/4th
21	TKC290L	1	Spool-interlock-1/2/3/4
	FRC8239	1	Spool-interlock-retainer
	FRC8170	1	O ring-interlock retainer
	FS106167L	2	Screw
22	UKC3660L	1	Plate assembly
	FRC8239	1	Plate assembly
	FRC8170	1	O ring
23	WL106001L	2	Washer-spring
24	FS106167L	2	Screw
25	TKC2596	1	Selector fork-5th gear
26	UKC3115	1	Bracket support
27	532943	2	Pad-selector
28	UKC2089L	2	Pin-pivot 5th gear fork
29	UKC2105L	2	Circlip
30	SH108251L	2	Screw
31	WL108001L	2	Washer-spring
	WA108051L	2	Washer-plain #18
32	FRC7192	1	Spool-interlock-5th gear
33	FRC4905	1	Plate assembly
	FRC8240	1	Plate assembly
34	WL106001L	2	Washer
	WA106001L	2	Washer
35	FS106167L	2	Screw

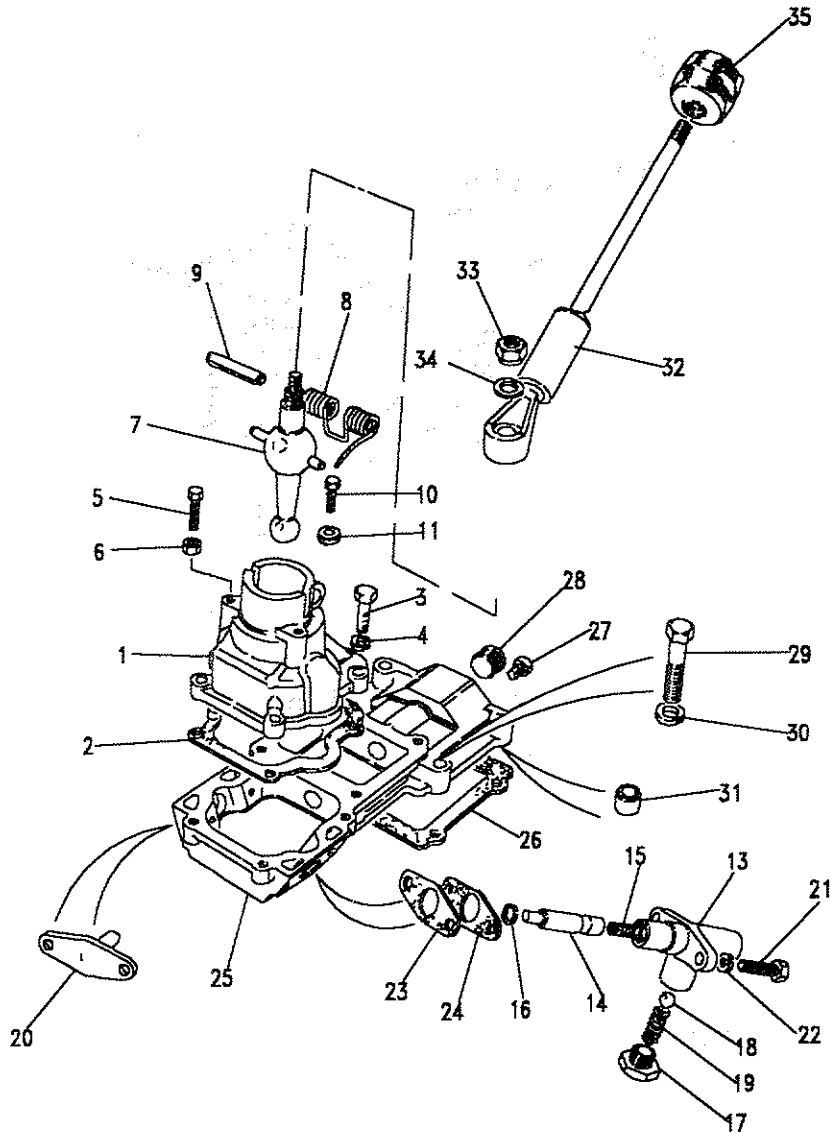
- Note(1) For gearbox Serial Number 50A up to Suffix H
- Note(2) For gearbox Serial Number 50A Suffix H and 56A,60A,61A
- Note(3) For gearbox Serial Number 50A up to Suffix H
- Note(4) For gearbox Serial Number 50A Suffix H and 56A,60A,61A



Model DEFENDER 90  
Page ADCDKC1A

GEARBOX - GEAR LEVER - LT77/LT77S

III. Part No.	Description	Qty	Remarks
1	FRC7155	1	Housing-gear lever
2	FRC4490	1	Washer joint-housing
3	FS108301L	4	Bolt
4	WL108001L	4	Washer spring
5	FS106201L	2	Flange screw
6	NH106041L	2	Nut
7	FRC8724	1	Gear lever lower
	UKC3092	2	Pin-gear lever
	22G1988L	1	Plunger-lower gear lever
	22G1989L	1	Spring-lower gear lever
8	FRC7414	1	Spring
9	PA120801L	1	Spring pin
10	FS106161L	1	Screw set
11	FRC7886	1	Plate clamping
12	FRC7160	1	Grommet
	AFU4173	1	Tie-securing grommet
13	FRC6316	1	Housing plunger unit
14	FRC8119	1	Plunger reverse baulk
15	FRC6318	1	Spring plunger return
16	FRC5596	1	Clip spring
17	FRC8773	1	Locknut
	FRC8120	1	Plug
18	571146	1	Ball detent
19	571439	1	Spring detent

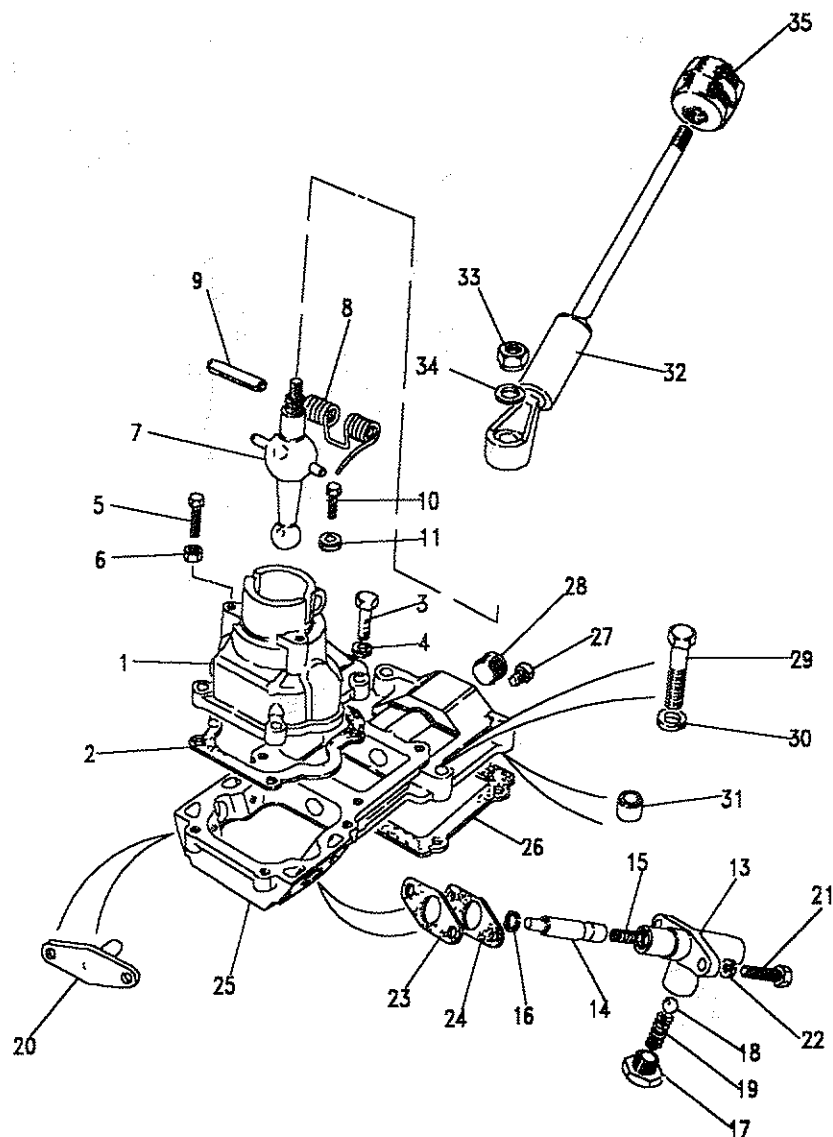




Model DEFENDER 90

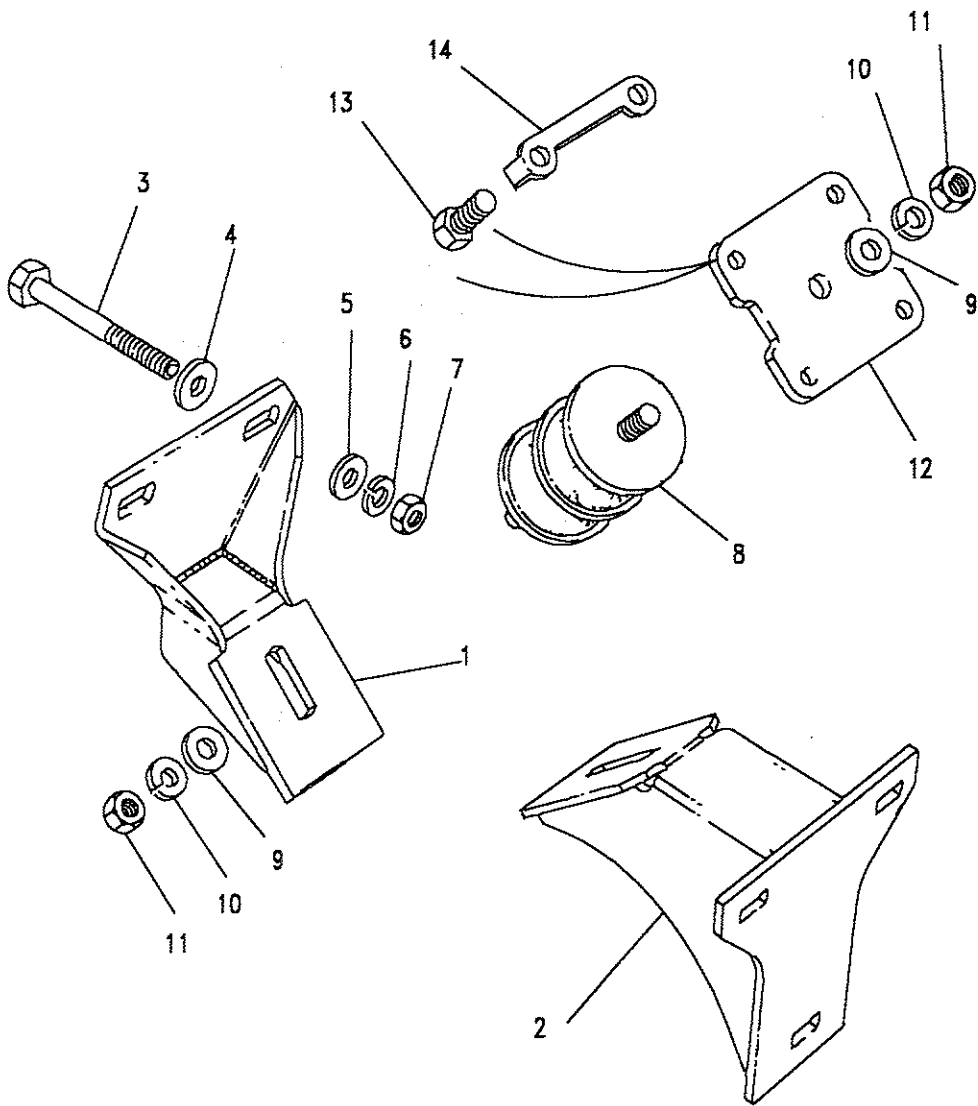
Page ADCDKC1A

GEARBOX - GEAR LEVER - LT77/LT77S - CONTINUED



III. Part No.	Description	Qty	Remarks
20 FRC7313	Stop 5th gear assembly	1	Note(1)
21 SH108251L	Screw	4	
22 WL108001L	Washer spring	4	
23 FRC6317	Spacer-plunger housing	A/R	
24 FRC7362	Spacer-plunger housing	A/R	
25 FTC503	Housing gear change	1	)
597586	Cup plug	1	
GS110501	Screw grub )5th speed	1	)
FN110041L	Nut flanged	1	
26 FRC4489	Washer joint	1	
27 SH506031	Screw-blanking	1	
28 608246	Plug-screw in type	1	Note(1)
29 BH108081L	Bolt-housing to extn	4	
BH108111L	Bolt	1	
30 WL108001L	Washer spring	3	
31 FRC2626	Spring pin	2	
32 FRC7860	Gear lever RH steering	1	
FRC7493	Gear Lever LH steering	1	
33 NY110041L	Nut-gear lever assembly	1	
34 WA110061L	Washer	1	
35 FRC8722	Knob-gear lever	1	

Note(1) When ordering FTC503 you will also require GS110501 and NH110041L these will replace FRC7313 the screw in plug 608246 is Also replaced by cup plug 597586 which comes with FTC 503.



Model DEFENDER 90

Page ADCDMA1A

GEARBOX - MOUNTINGS - LT77/LT77S

Ill. Part No.	Description	Qty	Remarks
1	NRC5742	1	Bracket mounting-RH
2	NRC5743	1	Bracket mounting-LH
3	BH108201L	6	Bolt
4	WP185L	6	Washer
5	WA108051L	6	Washer plain
6	WL108001L	6	Washer spring
7	NH108041L	6	Nut
8	NRC9560	2	Rubber mounting
9	WA110061L	4	Washer plain
10	WL110001L	4	Washer spring
11	NH110041L	4	Nut
12	NRC8204	2	Plate mounting
13	SH112201	8	Screw
14	NRC9561	4	Washer tab

Gearbox - Mountings - V8 with LT77S Gearbox

NTC9224	Bracket mounting LH	1
SH112251L	Screw	4
WL112201L	Washer	4
NTC1201	Bracket mounting rear RH	1
90575585	Bracket mounting rear LH	1
NTC5900	Mounting Circular	2
WA110061L	Washer	4
NY110041L	Nut	4
NRC8204	Plate mounting	1
SH112251L	Screw	4
WL112001L	Washer	4

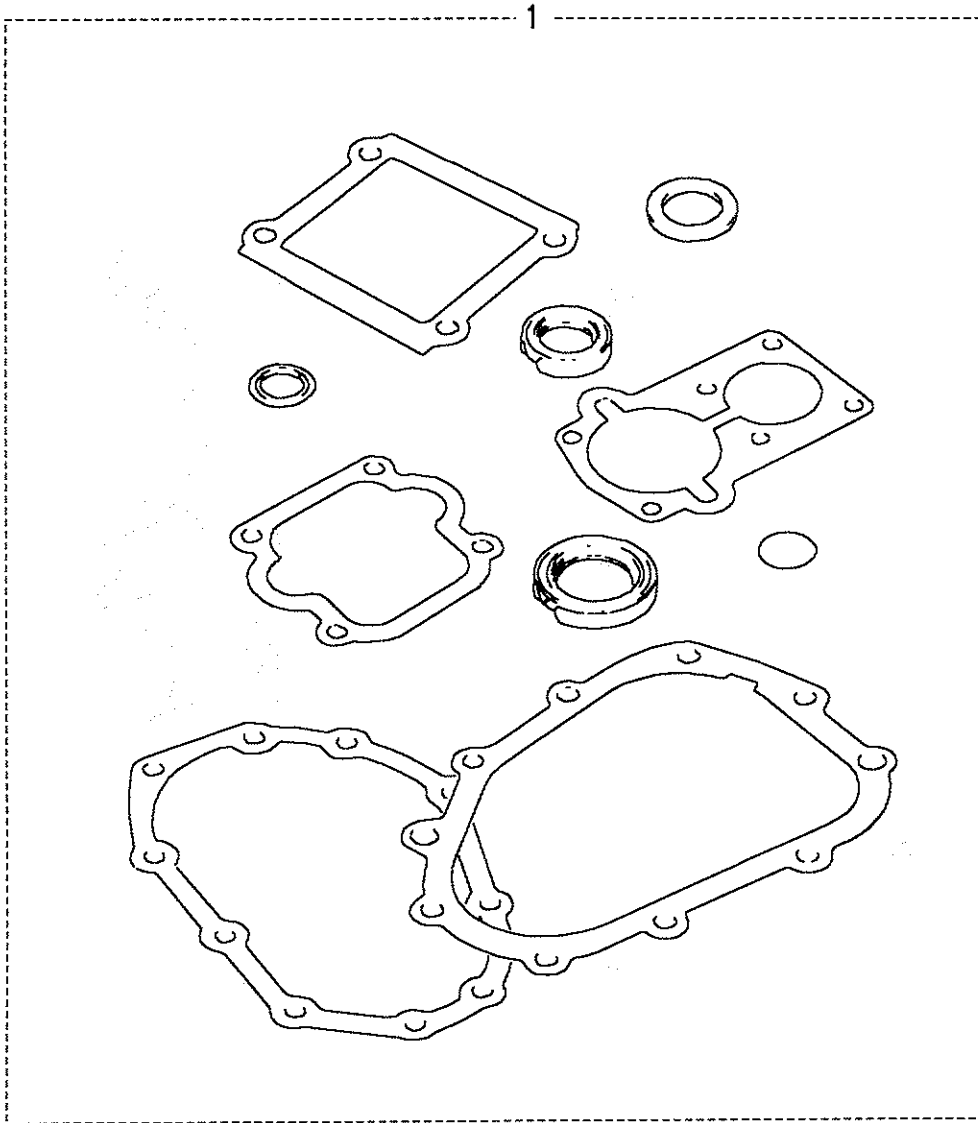




Model DEFENDER 90  
Page ADCDMC1A

GEARBOX - GASKET KIT - LT77

III. Part No.	Description	Qty	Remarks
1 RTC6797	Kit-gasket and seal	1	
FTC4112	Washer copper	1	
TKC1229	Gasket	1	
TKC1235	Gasket	1	
FRC4810	Washer joint	1	
FRC2365	Seal oil	1	
FRC4501	'O'ring-	1	
UKC1060	Seal oil	1	
FRC4873	Gasket	1	Upto Suffix E
FTC316	Gasket	1	From Suffix E
FRC4490	Washer joint	1	
FRC4489	Washer joint	1	





MASTER INDEX

GROUP C

GEARBOX

	PAGES
INTRODUCTION PAGES	1 - 5
ALPHABETICAL INDEX	6 - 14
ENGINE	15 - 65
ENGINE	66 - 117
ENGINE	118 - 171
ENGINE	172 - 217
ENGINE	218 - 261
ENGINE	262 - 297
ENGINE	298 - 367
GEARBOX	368 - 394
GEARBOX	395 - 411
GEARBOX	412 - 425
TRANSFER BOX	426 - 456
TRANSFER BOX	457 - 474
AXLES AND SUSPENSION	475 - 531
STEERING	532 - 564
VEHICLE AND ENGINE CONTROLS	565 - 580
BRAKES	581 - 603
FUEL SYSTEM AND AIR CLEANER	604 - 645
EXHAUST SYSTEM	646 - 660
COOLING/HEATING	661 - 709
COOLING/HEATING	710 - 718
BODY ELECTRICAL	719 - 793
BODY AND CHASSIS	794 - 923
INTERIOR TRIM	924 - 965
SEATS	966 - 1009
STOWAGE	1010 - 1017
ACCESSORIES - PAINTS	1018 - 1042
NUMERICAL INDEX	1044 - 1122

GEARBOX

5 SPEED - MANUAL	396
CLUTCH RELEASE MECHANISM - 4CYL PETROL	397
CLUTCH RELEASE MECHANISM - TDI	398
CLUTCH RELEASE MECHANISM - V8	399
GEARCASE - MANUAL R380	400 - 401
BELL HOUSING - MANUAL R380	402
GEARCASE - MANUAL V8 R380	403
EXTENSION CASE - MANUAL R380	404
MAINSHAFT - MANUAL R380	405
MAINSHAFT GEARS - MANUAL R380	406 - 408
LAYSHAFT - MANUAL R380	409
SELECTORS AND SHAFTS - MANUAL R380	410
GEAR LEVER - MANUAL R380	411



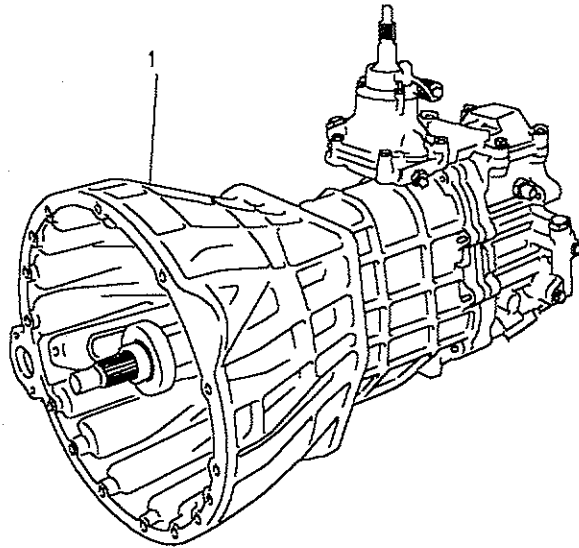


**Model** DEFENDER 90  
**Page** ADCFAA1A

**GEARBOX - 5 SPEED - MANUAL**

III. Part No.	Description	Qty	Remarks
STC1546N	Gearbox assembly TDI	1	Note(1)
STC1547N	Gearbox assembly V8	1	Note(2)
STC1548N	Gearbox assy V8 cooled	1	Note(3)
STC1549N	Gearbox assy 4 cyl pet	1	Note(4)

Note(1) Prefix 56A, suffix J  
Note(2) Prefix 60A, suffix J  
Note(3) Prefix 61A, suffix J  
Note(4) Prefix 50A, suffix J





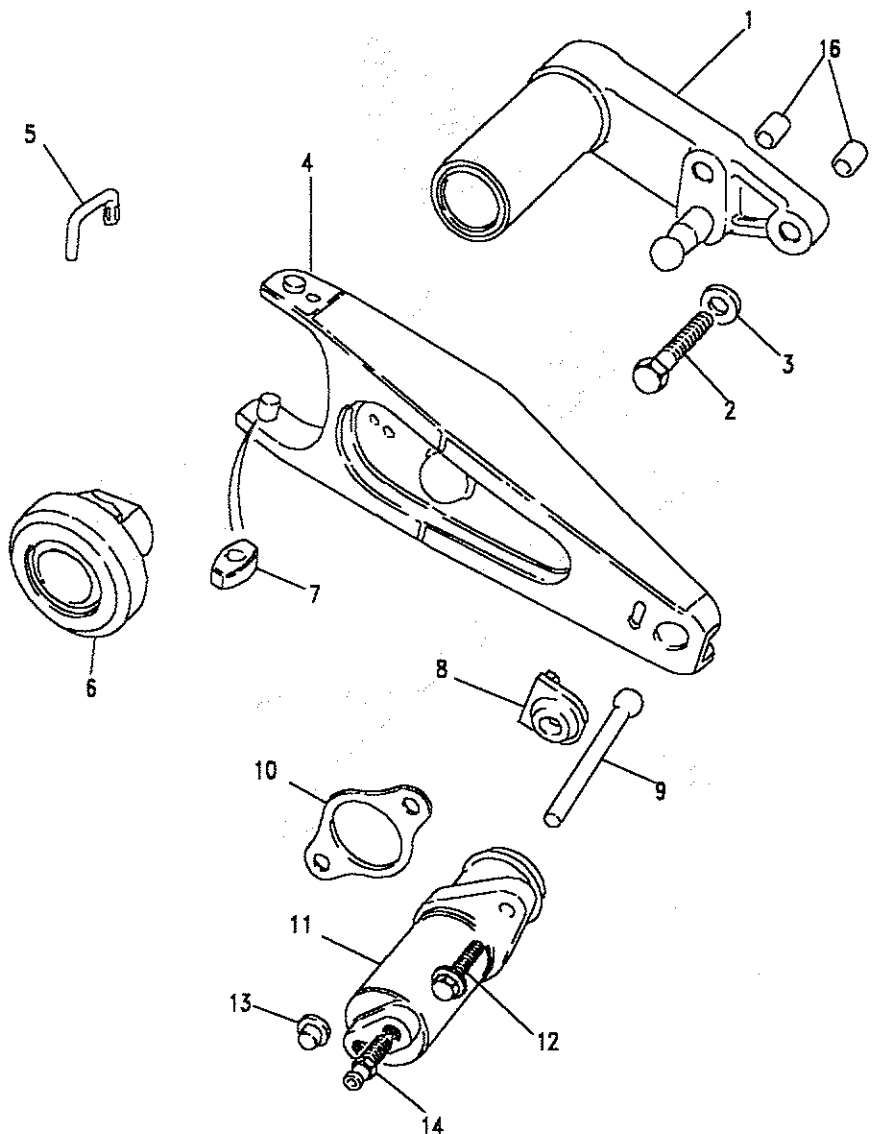
DEFENDER 90

397

GEARBOX

Model DEFENDER 90  
Page ADCFCA1A

GEARBOX - CLUTCH RELEASE MECHANISM - 4CYL PETROL

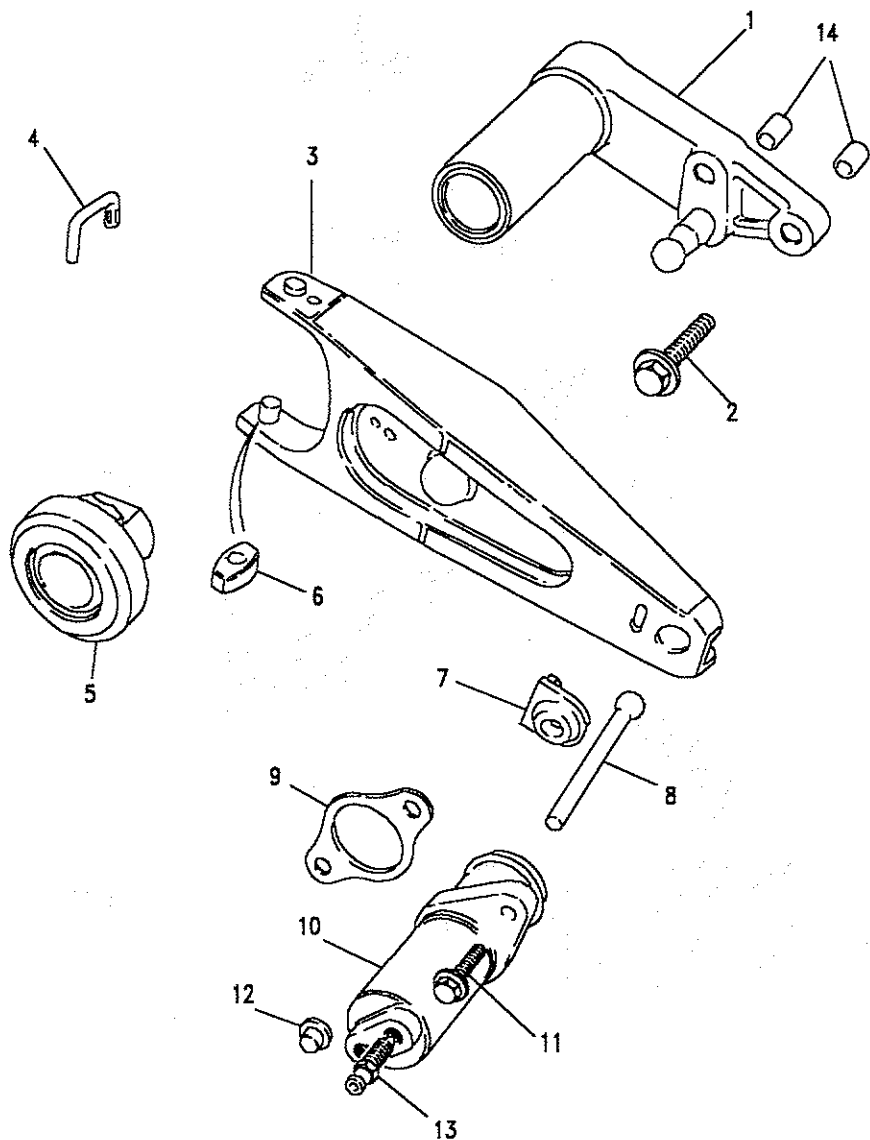


III. Part No.	Description	Qty	Remarks
1	FTC4177	1	Bearing clutch
2	FTC4173	1	Lever clutch release
3	FRC5255	2	Slipper pad clutch
4	FTC4174	1	Pivot plate
5	FB108061	2	Flange bolt
6	FRC3416	1	Staple
7	FRC8531	1	Slave cylinder clutch
8	FS108251L	2	Flange screw M8 x 25
9	FTC4229	1	Push rod clutch
10	FRC3327	1	Clip
11	NRC7441	1	Bracket jump hose



Model DEFENDER 90  
 Page ADCFCA2A

GEARBOX - CLUTCH RELEASE MECHANISM - TDI



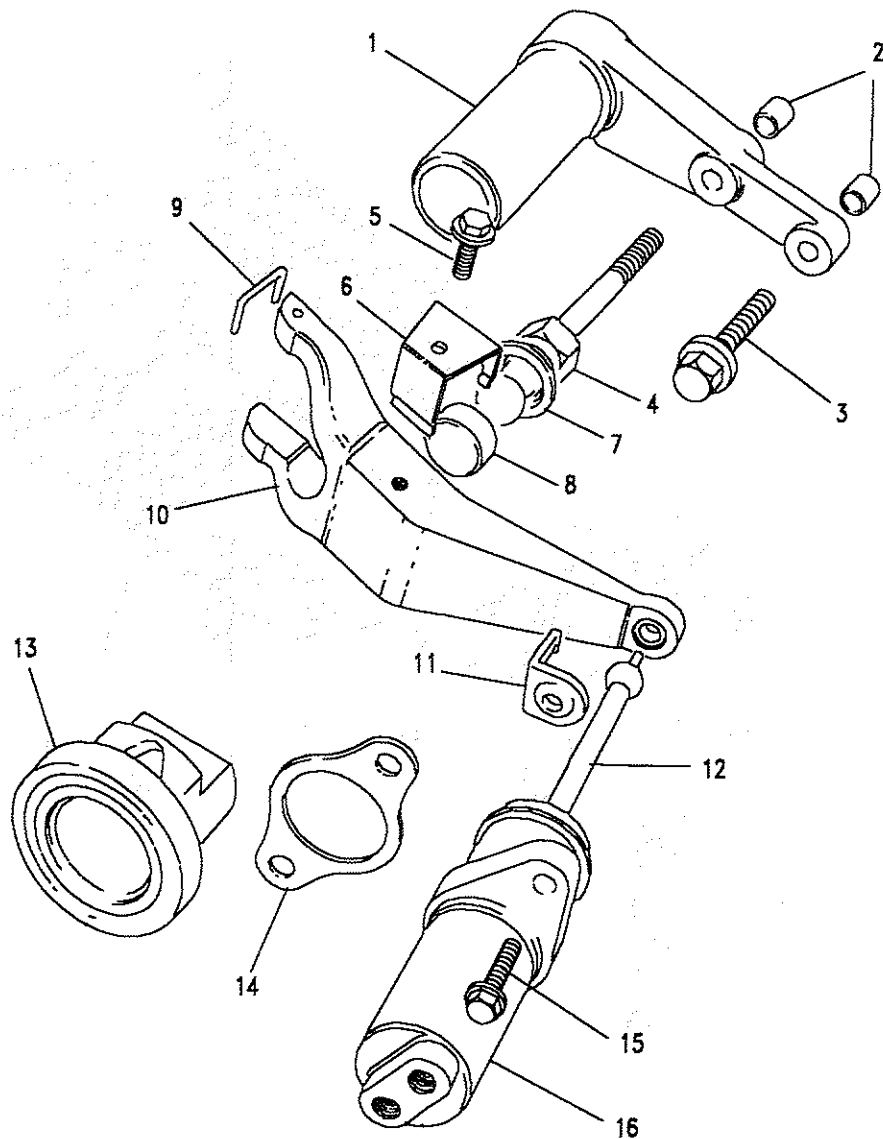
III. Part No.	Description	Qty	Remarks
1	FTC1271 Guide release bearing	1	
2	FB108101 Flange bolt	2	
3	FTC2957 Lever clutch release	1	
4	FRC3416 Staple	1	
5	FRC9568 Bearing clutch	1	
6	FRC5255 Slipper pad clutch	2	
7	FRC3327 Clip	1	
8	FTC3912 Push rod clutch	1	
9	FRC2402 Backing plate	1	
10	FTC3911 Slave cylinder clutch	1	
11	FB108161L Flange bolt	2	
12	594091 Dust cap	1	
13	606733 Bleed screw	1	
14	FRC2481 Dowel guide	2	



Model DEFENDER 90  
Page ADCFCA3A

GEARBOX - CLUTCH RELEASE MECHANISM - V8

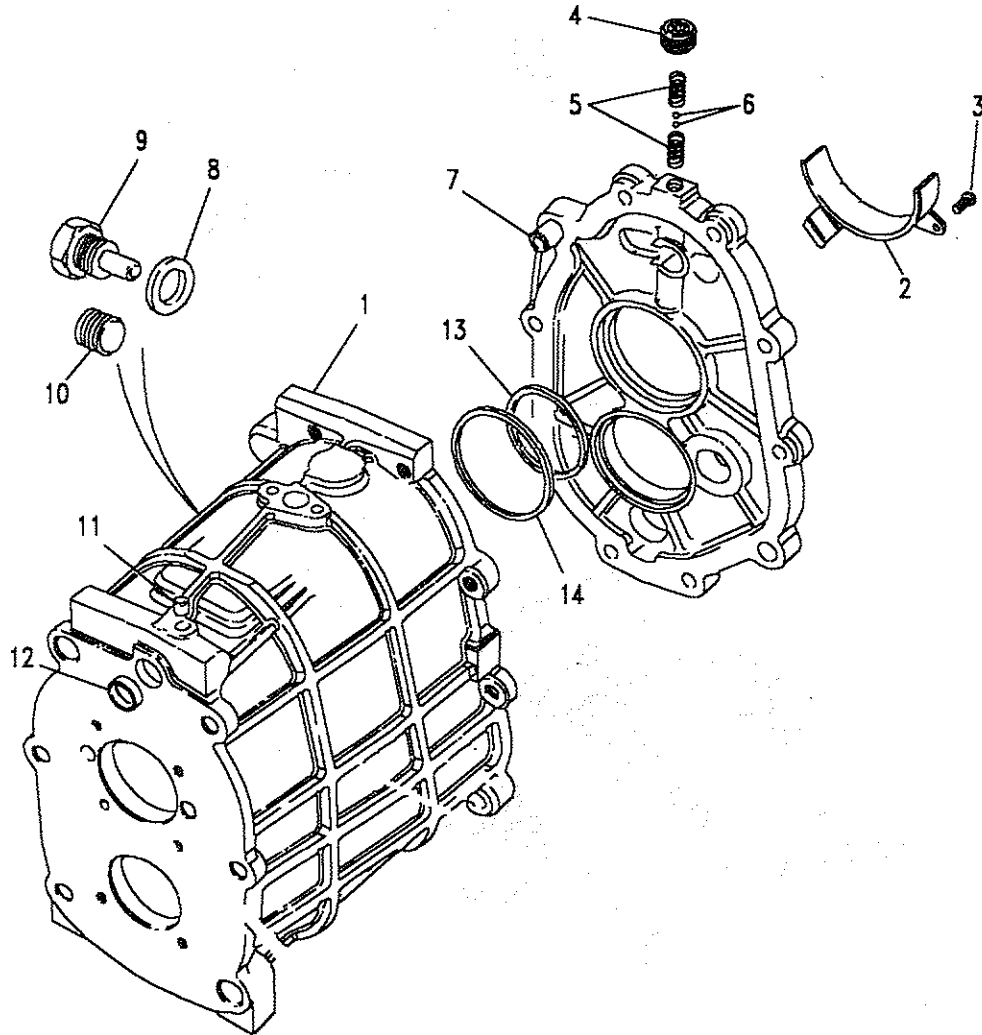
III. Part No.	Description	Qty	Remarks
1 FRC4803	Guide release bearing	1	
2 FRC2481	Dowel guide	2	
3 FB108101	Flange bolt	1	
4 FRC2528	Pivot clutch release	1	
5 FS106101L	Flange screw	1	
6 571163	Clip	1	
7 FRC2975	Cap clutch release lever	1	
8 571161	Insert	1	
9 576203	Staple	1	
10 576137	Lever clutch release	1	
11 576723	Clip	1	
12 571160	Push rod clutch	1	
13 FRC9568	Bearing clutch	1	
14 FRC2402	Backing plate	1	
15 FS108251L	Flange screw M8 x 25	2	
16 UKC8677L BHM7063L	Slave cylinder clutch Repair kit slave cylinder	1	





Model DEFENDER 90  
Page ADCFEA1A

GEARBOX - GEARCASE - MANUAL R380



III. Part No.	Description	Qty	Remarks
1	FTC3848 Gearcase	1	
2	FTC4131 Baffle plate	1	
3	FS106161ML Screw flanged	2	
4	FTC4108 Plug screw	1	
5	FTC3382 Spring detent	2	
6	BLS112L Spring detent	2	
7	UKC170L Dowel	2	
8	FRC6145 Plug magnetic	1	
9	FTC4112 Washer copper	1	
10	FTC4056 Plug drain	1	
11	FRC9803 Core plug	1	
12	UKC30L Core plug	1	

Selective Spacer - Mainshaft in Centre Plate

13	FTC3739	1.740/1.715	A/R
	FTC3741	1.790/1.765	A/R
	FTC3743	1.840/1.815	A/R
	FTC3745	1.890/1.865	A/R
	FTC3747	1.940/1.915	A/R
	FTC3749	1.990/1.965	A/R
	FTC3751	2.040/2.015	A/R
	FTC3753	2.090/2.065	A/R
	FTC3755	2.140/2.115	A/R
	FTC3757	2.190/2.165	A/R
	FTC3759	2.240/2.215	A/R
	FTC3761	2.290/2.265	A/R



DEFENDER 90

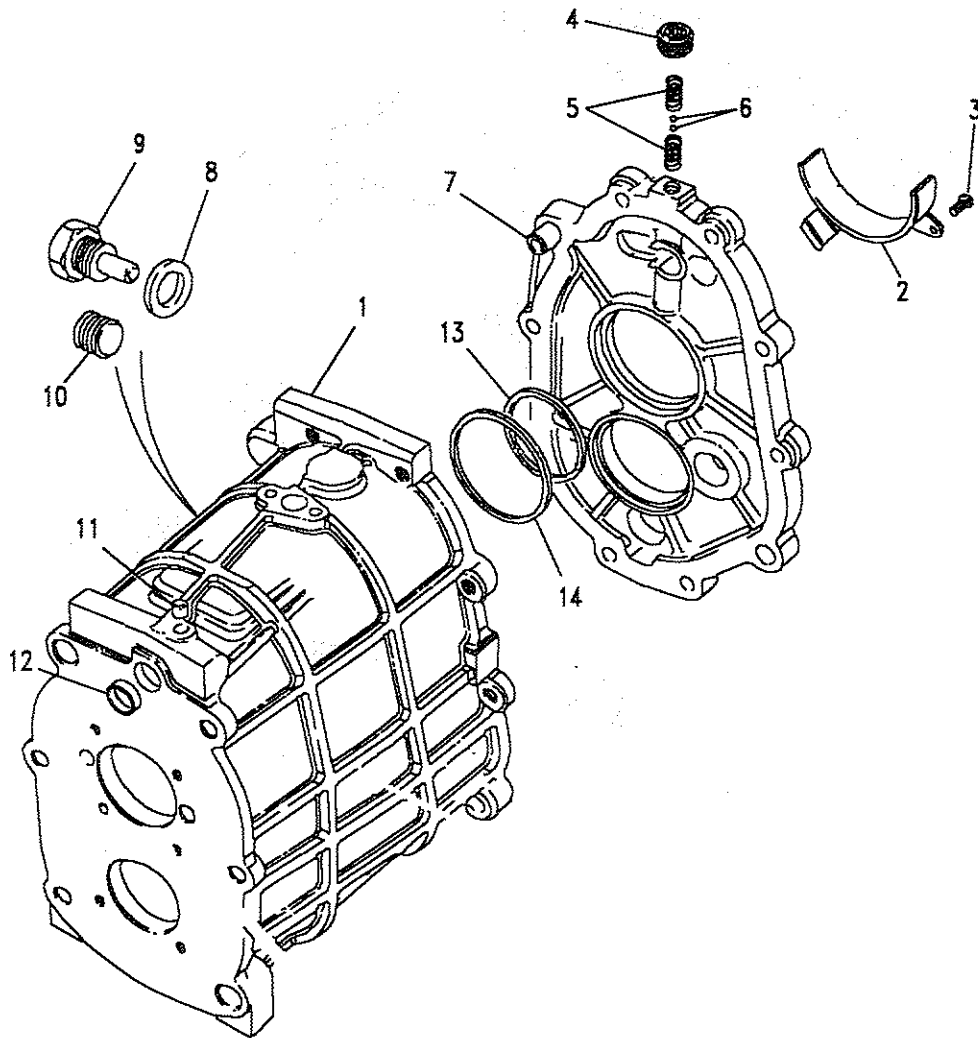
401

GEARBOX

Model DEFENDER 90

Page ADCFEA1A

GEARBOX - GEARCASE - MANUAL R380

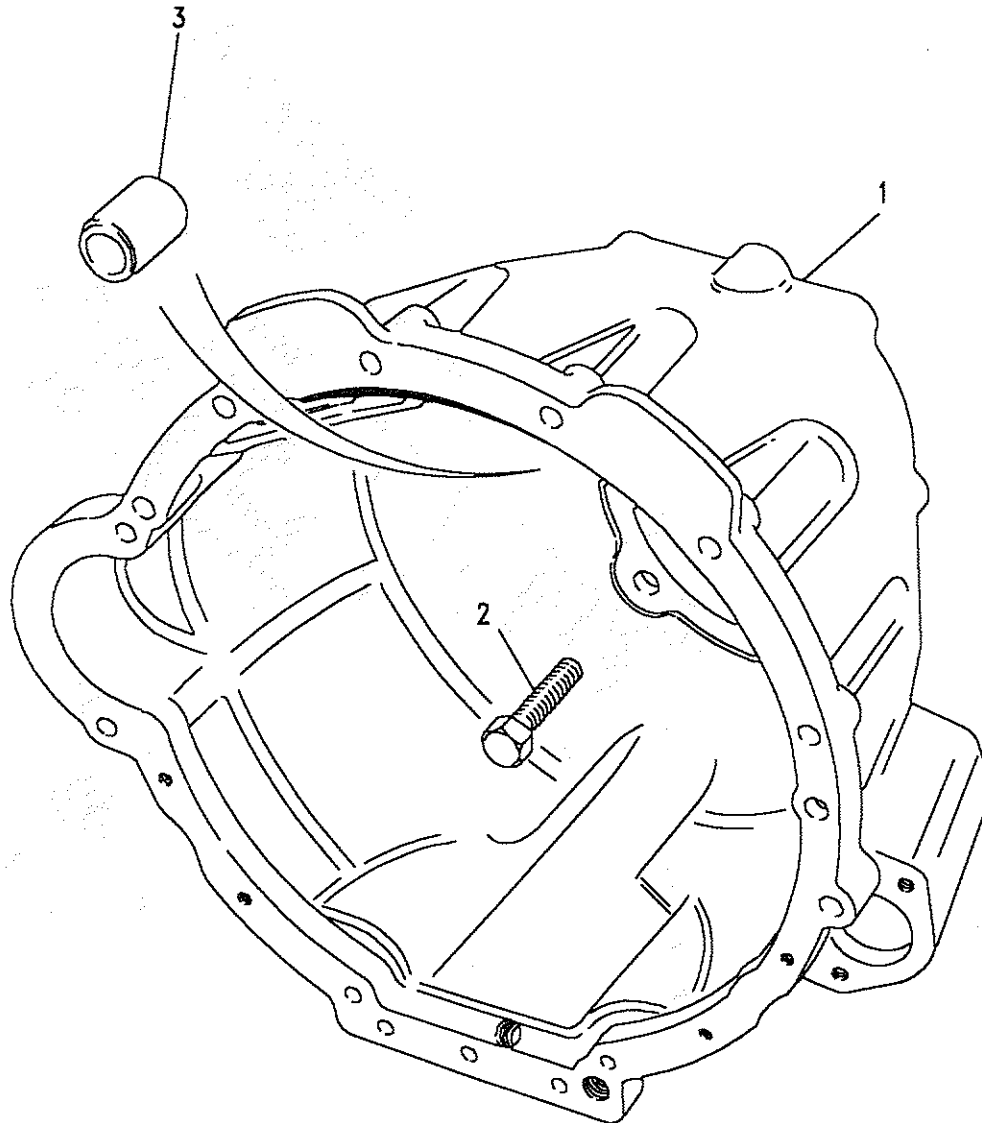


III. Part No.	Description	Qty	Remarks
FTC3763	2.340/2.315	A/R	
FTC3765	2.390/2.365	A/R	
FTC3767	2.440/2.415	A/R	
FTC3769	2.490/2.465	A/R	
FTC3771	2.540/2.515	A/R	
FTC3773	2.590/2.565	A/R	
FTC3775	2.640/2.615	A/R	
FTC3777	2.690/2.665	A/R	
FTC3779	2.740/2.715	A/R	
FTC3781	2.790/2.765	A/R	
FTC3783	2.840/2.815	A/R	
FTC3785	2.890/2.865	A/R	
FTC3787	2.940/2.915	A/R	

Selective Spacer - Layshaft in Centre Plate

14	FTC4296	1.477/1.452	A/R
	FTC4298	1.527/1.502	A/R
	FTC4300	1.577/1.552	A/R
	FTC4302	1.627/1.602	A/R
	FTC4304	1.677/1.652	A/R
	FTC4306	1.727/1.702	A/R
	FTC4308	1.777/1.752	A/R
	FTC4310	1.827/1.802	A/R
	FTC4312	1.877/1.852	A/R
	FTC4314	1.927/1.902	A/R
	FTC4316	1.977/1.952	A/R
	FTC4318	2.027/2.002	A/R
	FTC4320	2.077/2.052	A/R
	FTC4322	2.127/2.102	A/R
	FTC4324	2.177/2.152	A/R
	FTC4326	2.227/2.202	A/R





**Model** DEFENDER 90  
**Page** ADCFEA2A

**GEARBOX - BELL HOUSING - MANUAL R380**

III. Part No.	Description	Qty	Remarks
1	FTC3921	1	TDI
	FTC3922	1	V8
	FTC4018	1	4Cyl petrol
	FRC6110	1	
2	FS112401	6	
3	UKC25L	2	

**Fixings - Gearbox to Engine - TDI**

BH110221L	Bolt	4	
FN110041	Nut flanged	9	
SH108141L	Screw	1	
WA110061	Washer plain	4	
571134	Dowel	2	
622324	Clip breather	1	

**Fixings - Gearbox to Engine - V8**

BH506161L	Bolt	8	
PRC2978	Bracket mounting	1	
586440	Clip cable	1	
NH105041L	Nut	1	
SH105161L	Screw	1	
WA105001L	Washer plain	2	
WL105001L	Washer spring	1	

**Fixings - Gearbox to Engine - 4 Cylinder Petrol**

FN110041	Nut flanged	11	
----------	-------------	----	--



DEFENDER 90

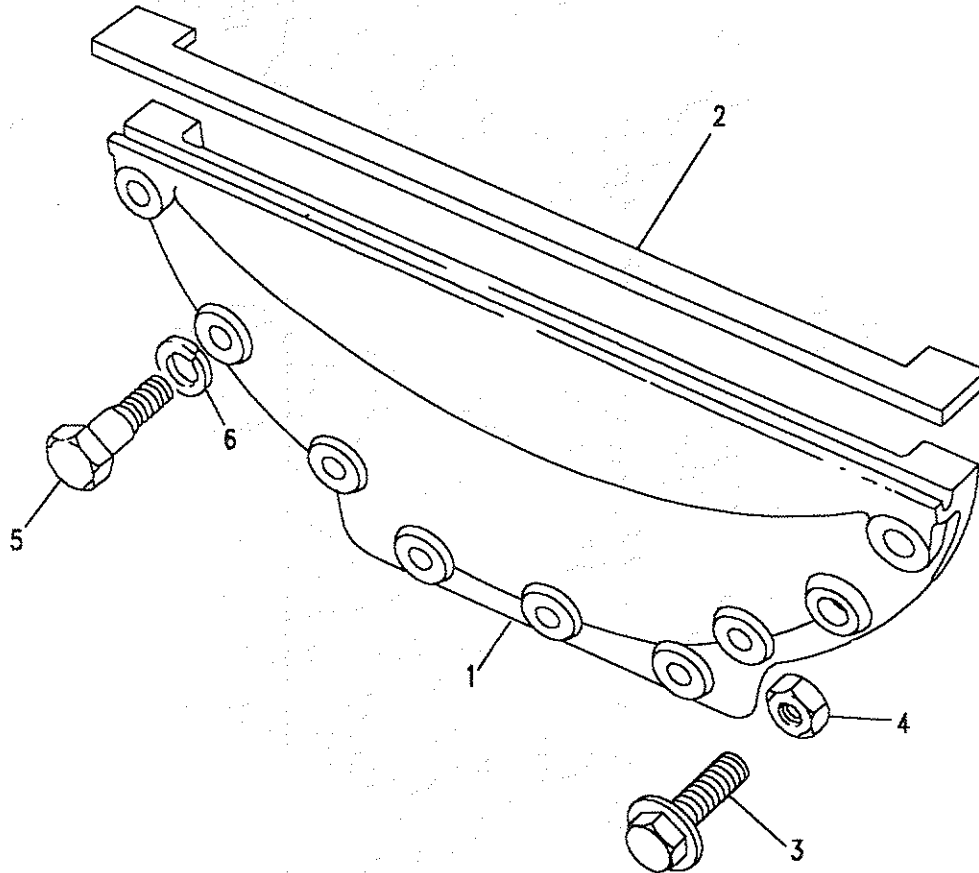
403

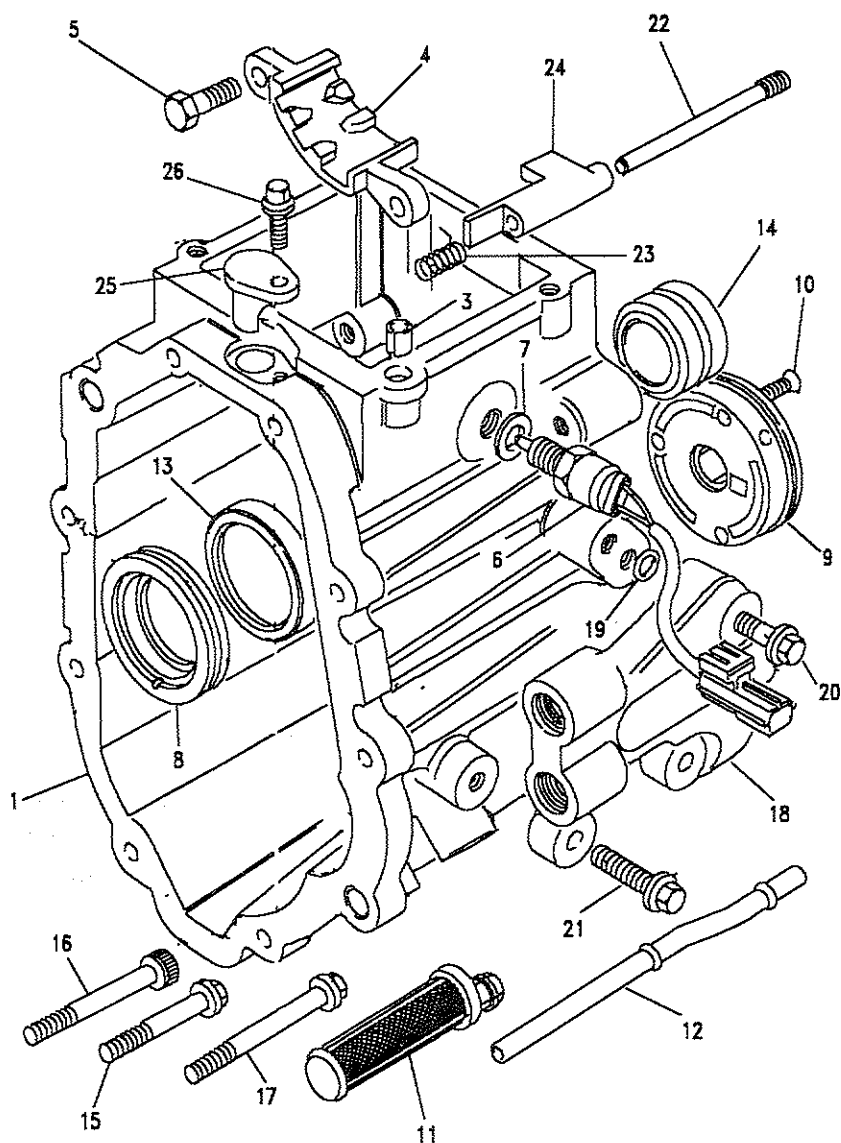
GEARBOX

Model DEFENDER 90  
Page ADCFEA3A

GEARBOX - GEARCASE - MANUAL V8 R380

III. Part No.	Description	Qty	Remarks
1	FRC2859	1	Cover bottom
2	594087	1	Seal bottom cover
3	FS106255	2	Screw flanged
	SH106351L	5	Screw flanged
4	FN106041	5	Nut flanged
5	594134	2	Bolt
6	WL108001L	2	Washer spring





**Model** DEFENDER 90  
**Page** ADCFGA1A

**GEARBOX - EXTENSION CASE - MANUAL R380**

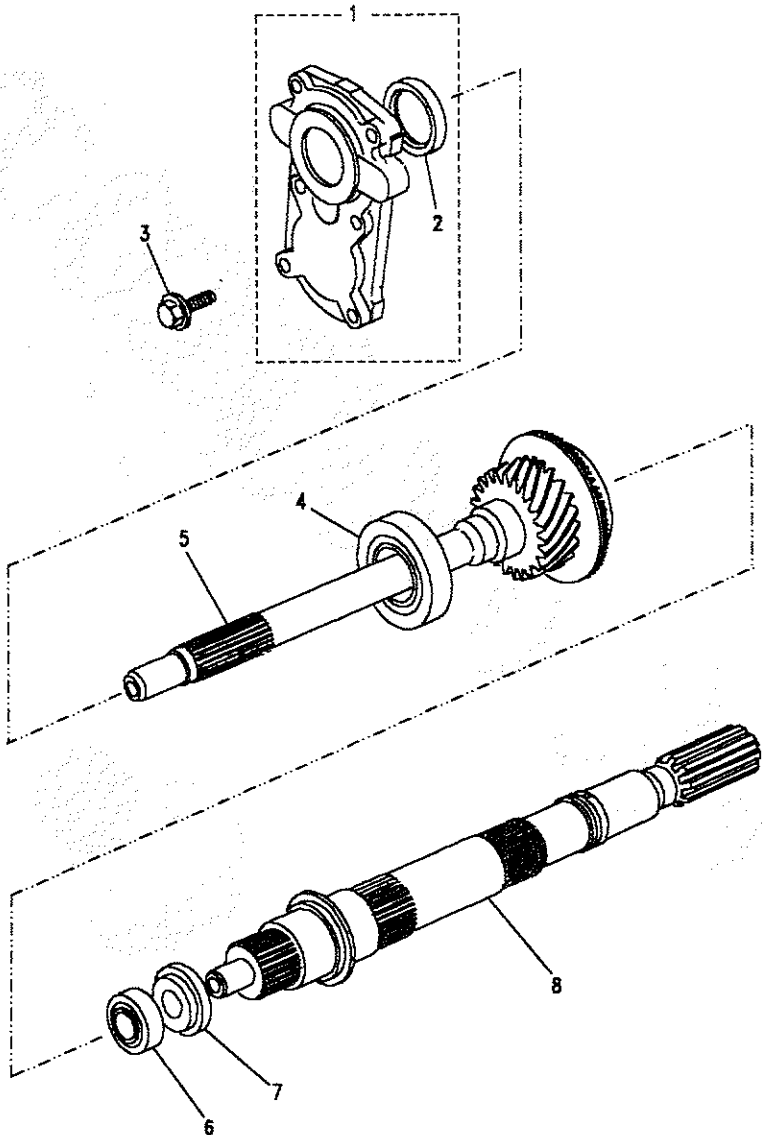
III. Part No.	Description	Qty	Remarks	
1	FTC4241	1	Extension case assembly	
2	LYQ100050	1	Plug blanking	
3	FRC2626	2	Spring pin	
4	FTC2392	1	Gateplate gear selector	
5	FS108251L	2	Screw flanged M8 x 25	
6	CDU51	1	Switch reverse light	
7	232042	1	Washer joint	
	AMR3859	1	Cable rev light switch	
8	FTC3701	1	Ring oil feed	
9	FTC4206	1	Pump oil	
10	FTC4449	3	Screw	
11	FRC7855	1	Oil filter	
12	FTC3387	1	Pipe oil inlet	
13	FTC2383	1	Oil seal gearbox	
14	FTC4021	1	Collar oil seal	
15	FB108111	6	Flange bolt	
16	FB108171	2	Flange bolt	
17	SS108701S	2	Screw	
18	FTC4053	1	Oil block extn case	TDI & 4Cyl P
	FTC2104	1	Oil block extn case	V8 Basic
	FTC2687	1	Oil block extn case	V8 Cooled
19	FTC1441	2	O ring	
20	FB108081	2	Flange bolt	
21	FS108301L	2	Bolt	
22	FTC3711	1	Shaft inhibition	
23	FTC4483	1	Spring torsion	
24	FTC3713	1	Cam inhibition	
25	FTC3587	1	Interlock	
26	FS106161M	1	Screw	
27	PRC8873	1	Transmitter temperature	V8 Basic
28	232042	1	Joint washer	V8 Basic
29	FRC9428	1	Breather assembly	4cyl Petrol
	FRC9430	1	Breather assembly	V8 & TDI



Model DEFENDER 90  
Page ADCFIA1A

GEARBOX - MAINSHAFT - MANUAL R380

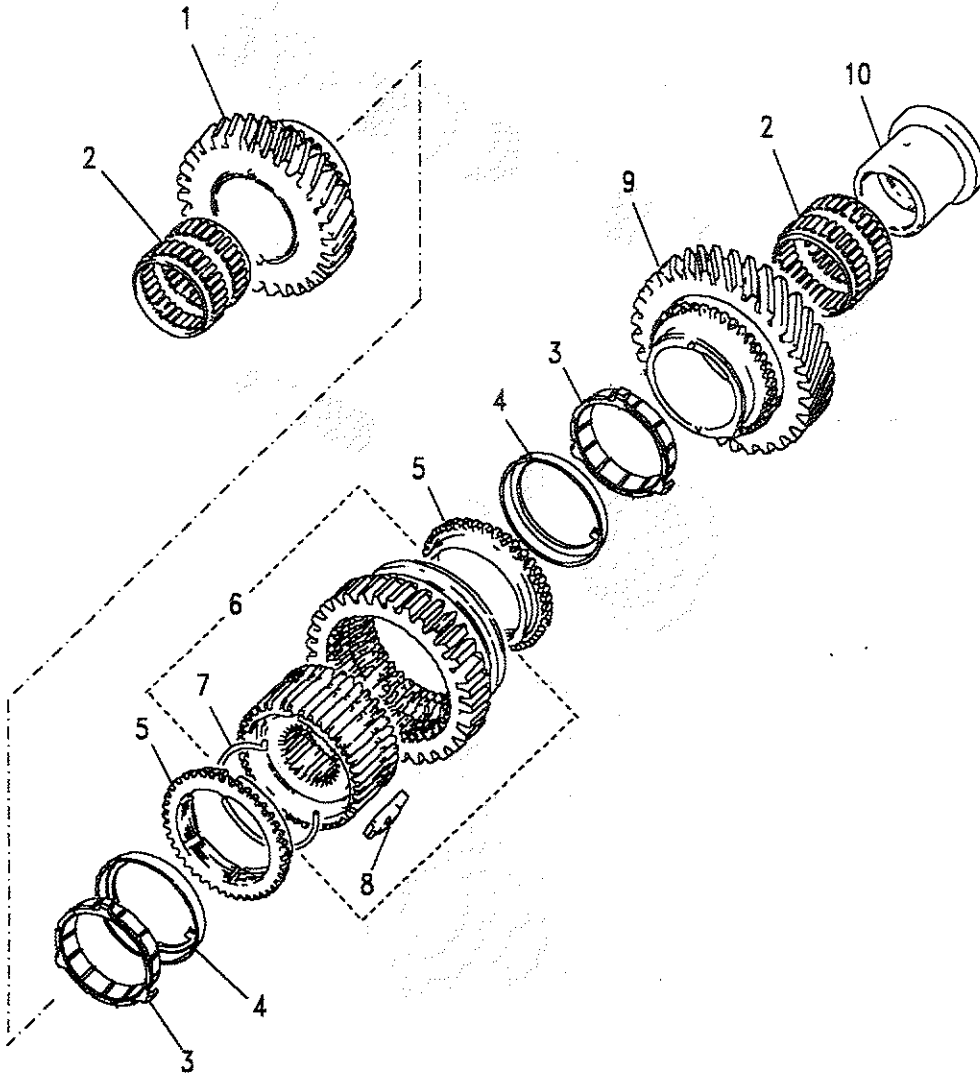
III. Part No.	Description	Qty	Remarks
1	FTC4238	1	4 Cyl Petrol
	FTC3696	1	TDI & V8
2	UKC1060L	1	
3	FS108251M	6	
4	STC1628	1	
5	FTC3366	1	
	FTC3927	1	
	FTC3928	1	
6	UKC8L	1	
7	FTC2737	1	
8	FTC3703	1	



Model DEFENDER 90  
Page ADCFIC1A

GEARBOX - MAINSHAFT GEARS - MANUAL R380

III. Part No.	Description	Qty	Remarks
<b>1st and 2nd gears</b>			
1	FTC2714	1	Gear 2nd speed
2	FTC1311	2	Bearing
3	FTC2397	2	Ring synchro inner
4	FTC2396	2	Ring synchro middle
5	FTC3584	2	Ring baulk gearbox
6	FTC2733	1	Synchro assembly
7	FTC4172	2	Spring synchro
8	FTC4171	3	Plate shifting synchro
9	FTC2948	1	Gear 1st speed
	FTC2716	1	Gear 1st speed
10	FTC2005	1	Bush

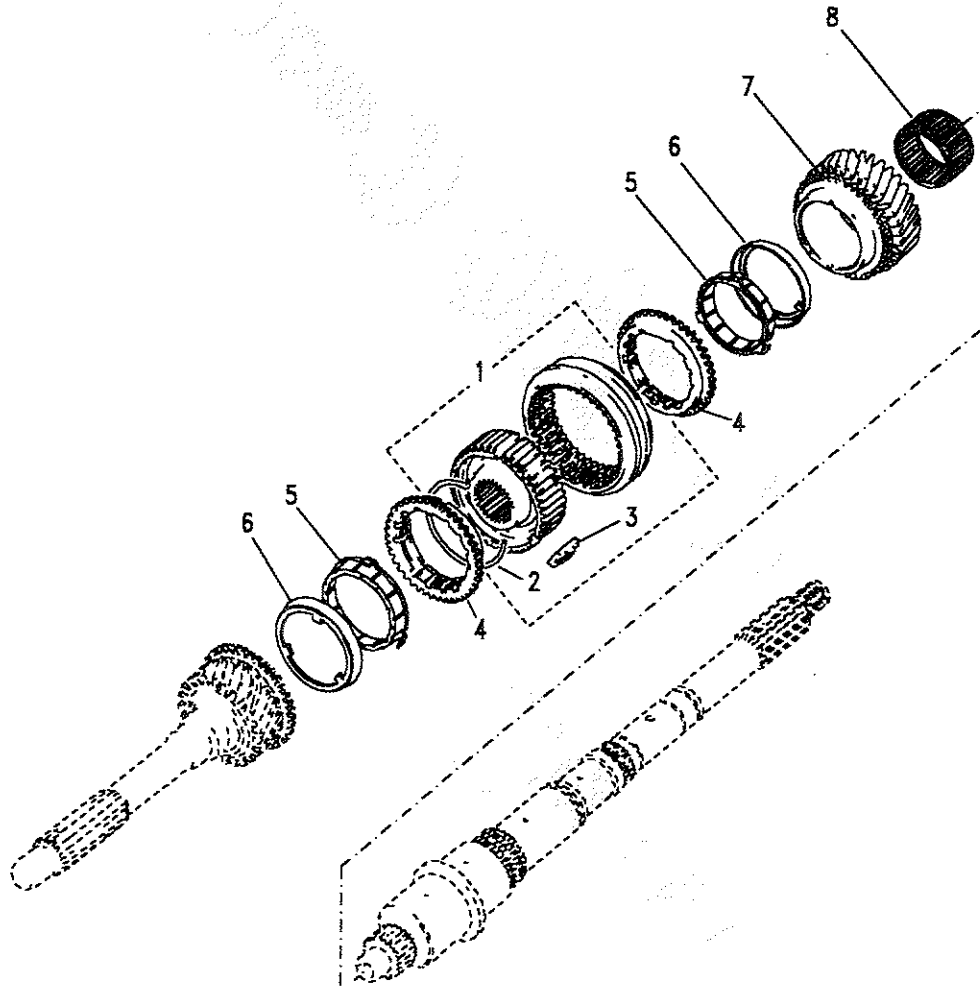




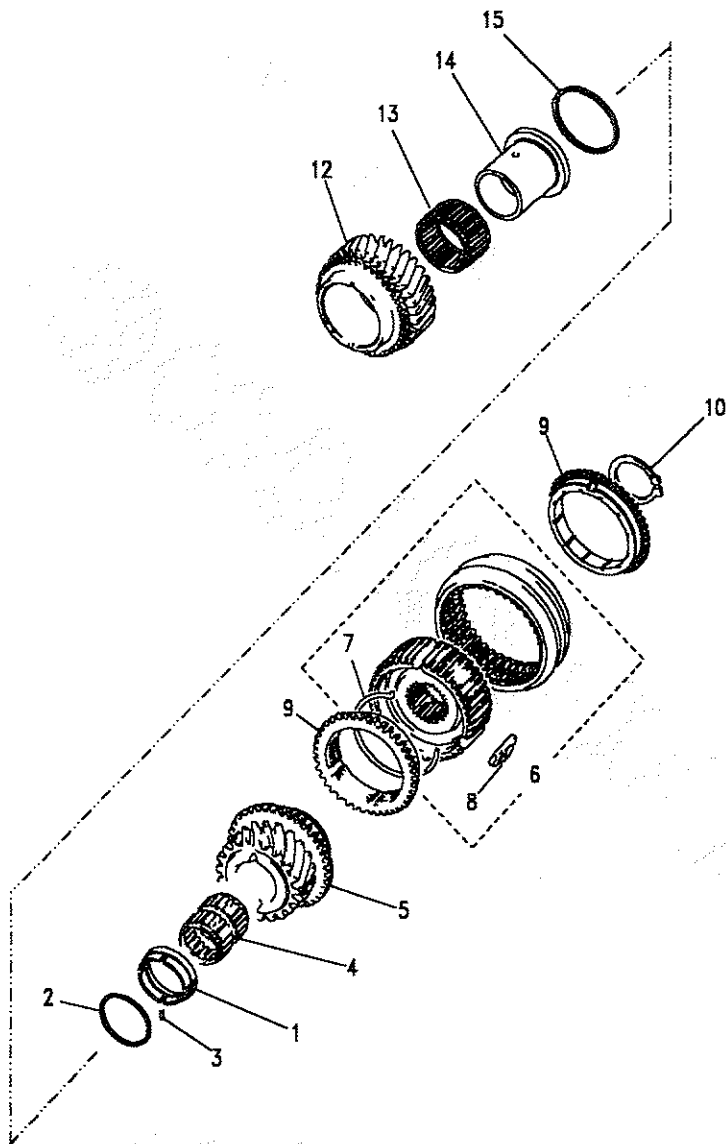
Model DEFENDER 90  
Page ADCFIC2A

GEARBOX - MAINSHAFT GEARS - MANUAL R380

III. Part No.	Description	Qty	Remarks
<b>3rd and 4th gears</b>			
1 FTC2887	Synchro assembly	1	
2 FTC4172	Spring synchro	2	
3 FTC4171	Plate shifting synchro	3	
4 FTC3584	Ring baulk gearbox	2	
5 FTC2396	Ring synchro middle	2	
6 FTC2397	Ring synchro inner	2	
7 FTC2712	Gear 3rd speed	1	
8 FTC1311	Bearing	1	







**Model** DEFENDER 90  
**Page** ADCFIC3A

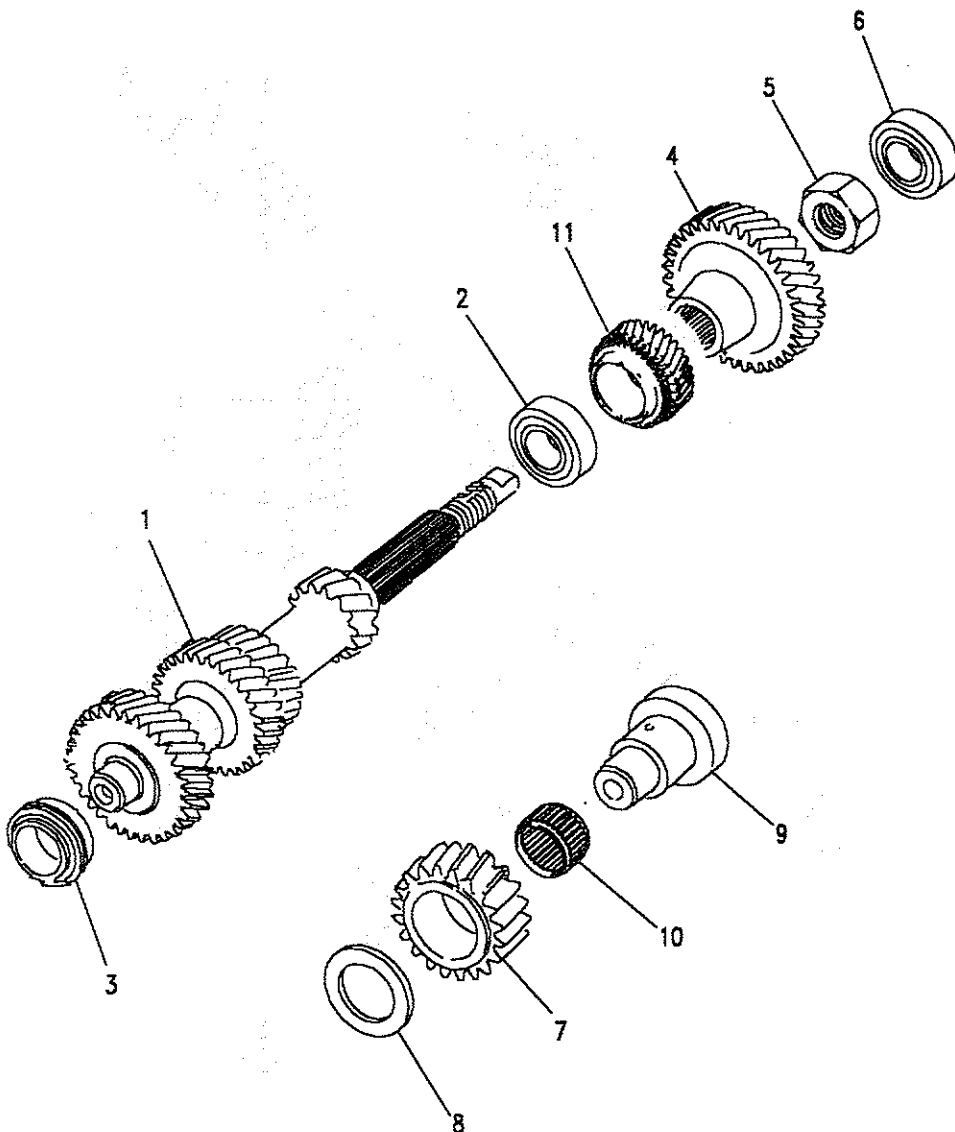
**GEARBOX - MAINSHAFT GEARS - MANUAL R380**

III. Part No.	Description	Qty	Remarks
<b>5th gear</b>			
1	FTC3699	1	Washer thrust
2	FTC3700	1	Ring retaining
3	PA108101L	1	Spring pin
4	FRC5280	1	Bearing needle
5	FTC2946	1	Gear 5th speed
6	FTC2727	1	Synchro assembly
7	FTC4245	2	Spring synchro
8	FTC4171	3	Plate shifting
9	FTC2731	2	Ring baulk
10	FTC3697	1	Circlip
11	FTC3371	1	Bearing
<b>Reverse gear</b>			
12	FTC4242	1	Gear reverse
13	FTC1311	1	Bearing
14	FTC2005	1	Bush
<b>Selective spacer - Reverse bush</b>			
15	FTC3951	A/R	2.475/2.450
	FTC3953	A/R	2.425/2.400
	FTC3955	A/R	2.375/2.350
	FTC3957	A/R	2.325/2.300
	FTC3959	A/R	2.275/2.250
	FTC3961	A/R	2.225/2.200
	FTC3963	A/R	2.175/2.150
	FTC3965	A/R	2.125/2.100
	FTC3967	A/R	2.075/2.050
	FTC3969	A/R	2.025/2.000



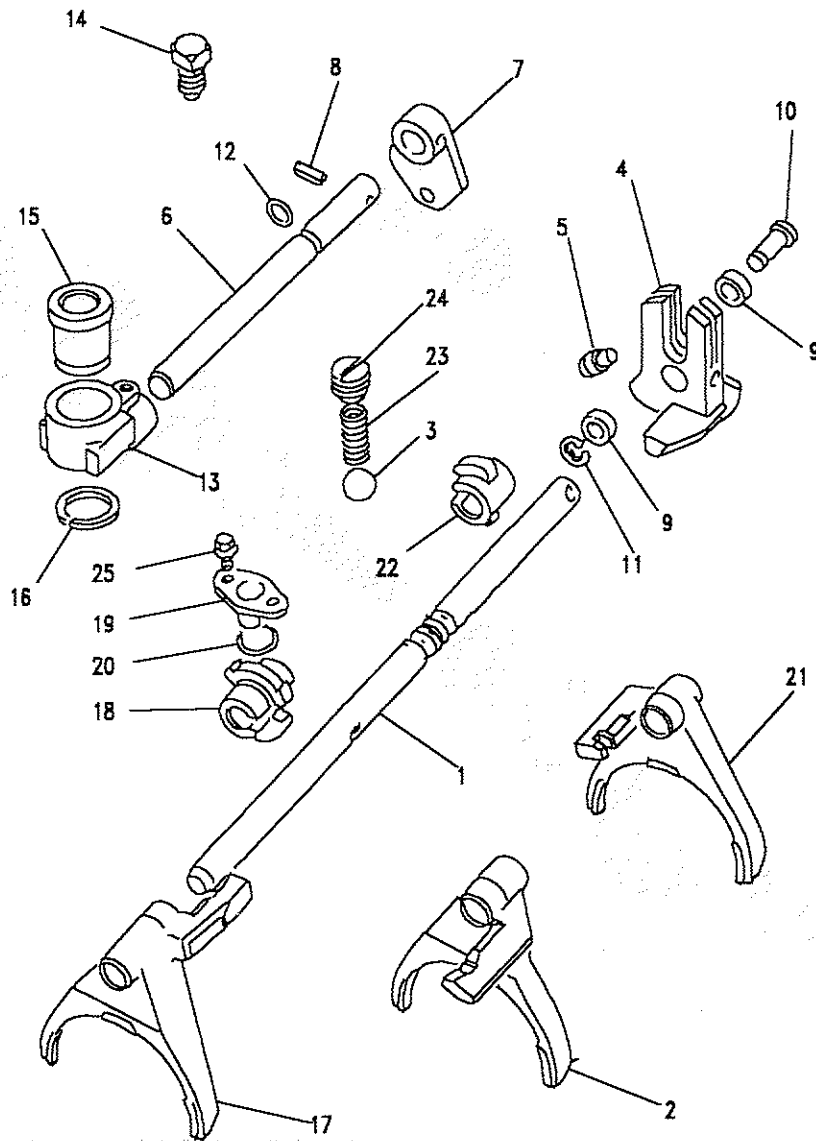
Model DEFENDER 90  
Page ADCFIE1A

GEARBOX - LAYSHAFT - MANUAL R380



III. Part No.	Description	Qty	Remarks
1	FTC2941 Layshaft	1	TDI & V8
	FTC2974 Layshaft	1	4 Cyl Petrol
2	FTC317 Bearing layshaft rear	1	
3	FTC248 Bearing layshaft front	1	
4	FTC2945 Gear 5th speed	1	
5	EJP7738 Nut	1	
6	FTC2385 Bearing	1	
7	FTC2725 Gear reverse idler	1	
8	FTC3847 Spacer rev idler gear	1	
9	FTC3850 Shaft reverse idler	1	
10	FTC2582 Bearing needle	1	
11	FTC3391 Gear assembly reverse	1	





Model DEFENDER 90  
Page ADCFKA1A

GEARBOX - SELECTORS AND SHAFTS - MANUAL R380

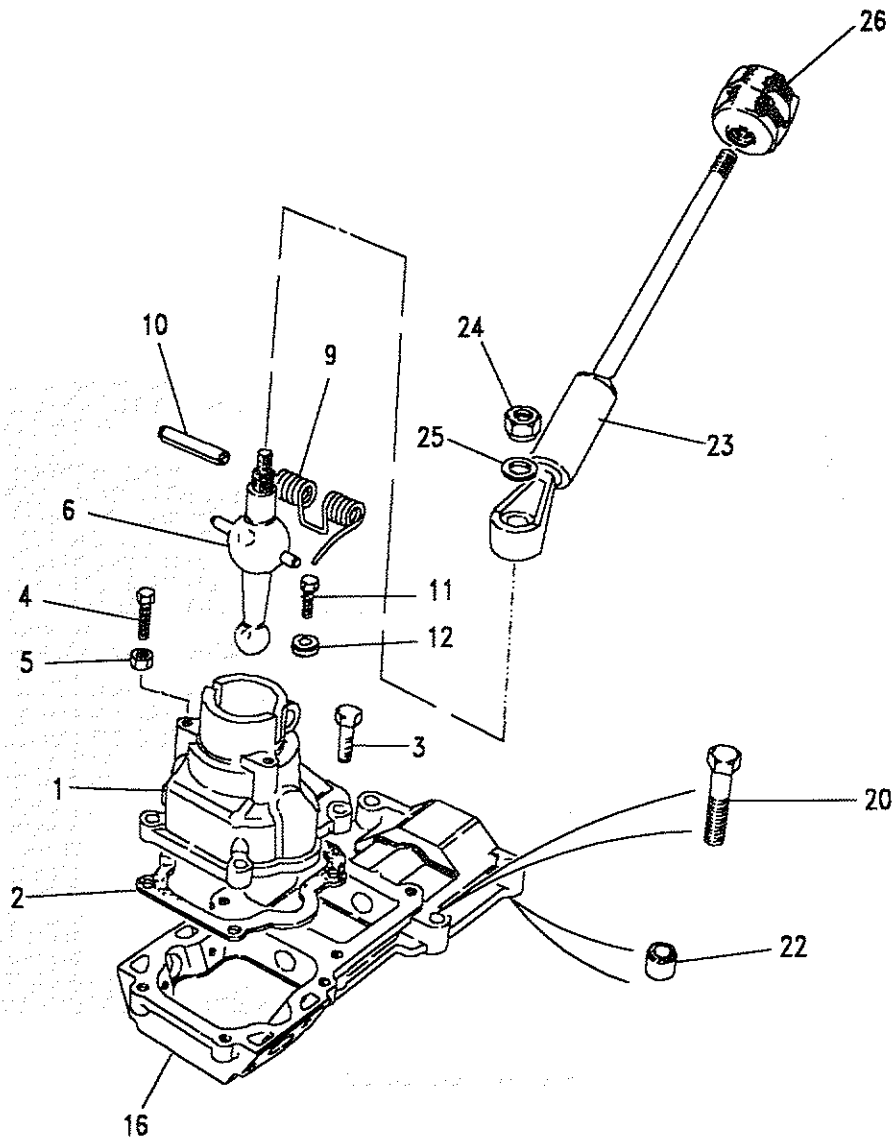
III. Part No.	Description	Qty	Remarks
1	FTC3361	1	Selector shaft
2	FTC3581	1	Fork selector 1st/2nd
3	BLS112L	2	Ball detent 3/8
4	FTC4113	1	Quadrant
5	FTC1488	1	Spring pin
6	FRC7334	1	Select shaft
7	FRC7333	1	Quadrant
8	FRC7335	1	Spring pin
9	FRC4435	1	Roller
10	FRC4434	1	Shaft
11	CR120105L	1	Circlip
12	FRC4951	1	O ring
13	FRC5864	1	Yoke
14	FTC4536	1	Grubscrew
15	FRC5859	1	Yoke
16	CR120335L	1	Circlip
17	FTC3582	1	Fork selector 3rd/4th
18	FTC3370	1	Interlock
19	FRC8239	1	Plate assembly
20	FRC8170	1	O ring
21	FTC3583	1	Fork selector 5th
22	FTC2885	1	Interlock spool
23	FTC3382	2	Spring detent
24	FTC4108	1	Plug screw
25	SH106161M	2	Screw flanged



Model DEFENDER 90

Page ADCFKG1A

GEARBOX - GEAR LEVER - MANUAL R380



III. Part No.	Description	Qty	Remarks
1	FRC7155	1	Housing gear lever
2	FTC4510	1	Washer joint
3	FS108251L	4	Screw
4	SH106201L	2	Screw
5	NH106041L	2	Nut
6	FRC8724	1	Gear lever lower
7	22G1988L	1	Plunger
8	22G1989L	1	Plunger
9	FRC7414	1	Torsion spring
10	PA120801L	1	Roll pin
11	FS106167	1	Flange screw
12	FRC7886	1	Washer retaining
13	FRC7160	1	Grommet
14	AFU4173	1	Tie securing grommet
15	BTR1698	1	Gaiter
16	FTC3915	1	Housing gear change
17	GS110501	1	Grub screw 5th speed stop
18	FN110041L	1	Nut flanged
19	597586	1	Plug
20	FB108081L	3	Bolt flanged
21	FB108111L	1	Bolt flanged
22	FRC2626	2	Pin spring
23	FRC7860	1	Gear lever RH steering
	FRC7493	1	Gear lever LH steering
24	NY110041L	1	Nut nyloc
25	WC110061L	1	Washer plain
26	BTR9270	1	Knob gearchange





MASTER INDEX

GROUP C

GEARBOX

GEARBOX

INTRODUCTION PAGES	PAGES		
ALPHABETICAL INDEX	1 - 5		
ENGINE	6 - 14		
ENGINE	15 - 65		
ENGINE	66 - 117		
ENGINE	118 - 171		
ENGINE	172 - 217		
ENGINE	218 - 261		
ENGINE	262 - 297		
ENGINE	298 - 367		
ENGINE	368 - 394		
GEARBOX	395 - 411		
GEARBOX	412 - 425	GEARBOX ASSEMBLY - LT85	413
TRANSFER BOX	426 - 456	CLUTCH RELEASE - LT85	414
TRANSFER BOX	457 - 474	BELL HOUSING - LT85	415
AXLES AND SUSPENSION	475 - 531	GEARCASE - LT85	416
STEERING	532 - 564	FRONT COVER - LT85	417
VEHICLE AND ENGINE CONTROLS	565 - 580	MAINSHAFT - LT85	418
BRAKES	581 - 603	MAINSHAFT GEARS - LT85	419
FUEL SYSTEM AND AIR CLEANER	604 - 645	MAINSHAFT - V8 CARB	420
EXHAUST SYSTEM	646 - 660	LAYSHAFT - LT85	421
COOLING/HEATING	661 - 709	SELECTOR AND SHAFTS - LT85	422
COOLING/HEATING	710 - 718	SELECTOR AND SHAFTS - LT85 - CONTINUED	423
BODY ELECTRICAL	719 - 793	GEAR LEVER - LT85	424
BODY AND CHASSIS	794 - 923	MOUNTINGS - LT85	425
INTERIOR TRIM	924 - 965		
SEATS	966 - 1009		
STOWAGE	1010 - 1017		
ACCESSORIES - PAINTS	1018 - 1042		
NUMERICAL INDEX	1044 - 1122		





DEFENDER 90

413

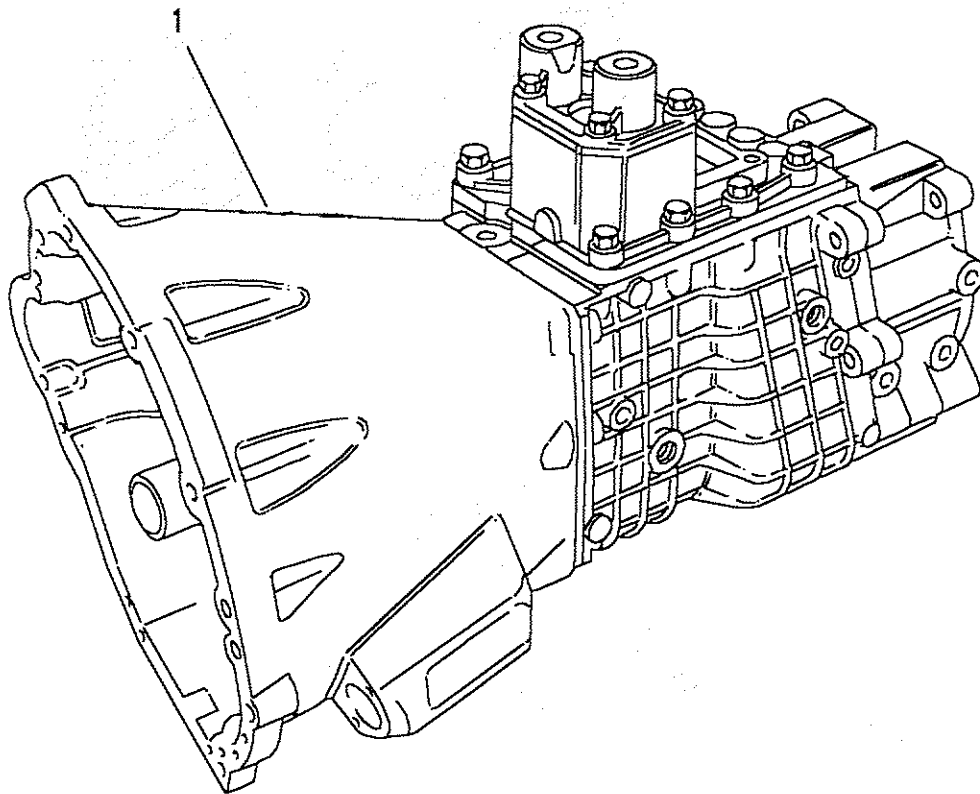
GEARBOX

Model DEFENDER 90  
Page ADGAA1A

GEARBOX - GEARBOX ASSEMBLY - LT85

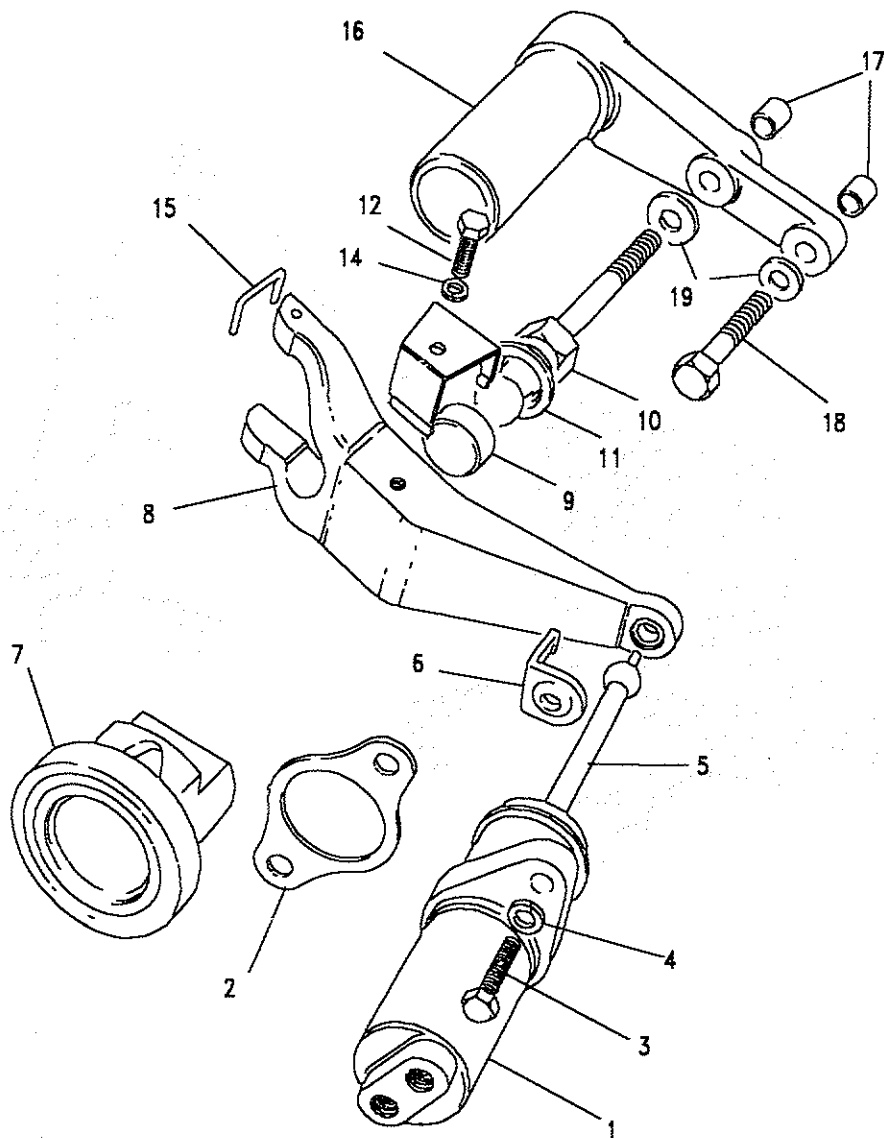
III. Part No.	Description	Qty	Remarks
1 FTC322N	Gearbox assembly	1	Note(1)
FTC322R	Greabox-reconditioned	1	

Note(1) Gearbox Number 20C00001/22C00001



Model DEFENDER 90  
Page ADGCA1A

GEARBOX - CLUTCH RELEASE - LT85

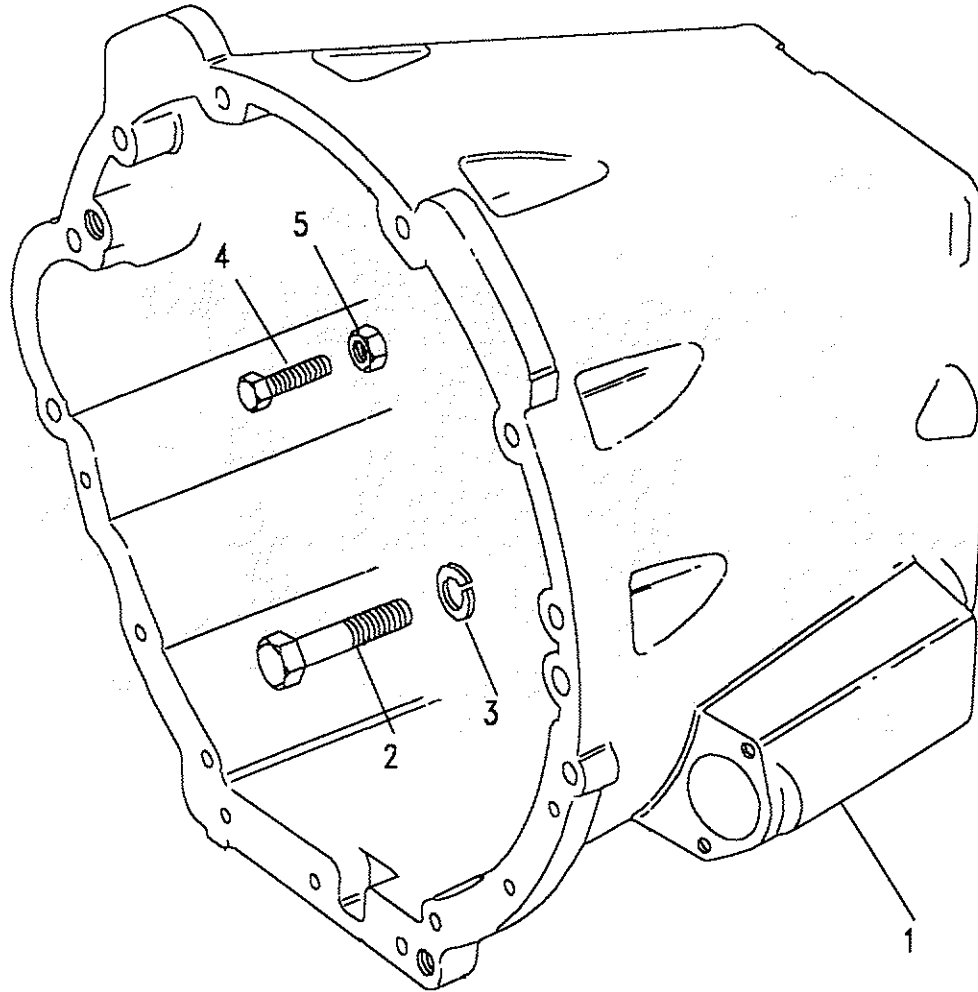


III. Part No.	Description	Qty	Remarks
1	UKC8677L Slave cylinder clutch	1	
	BHM7063L Kit repair	1	
2	FRC2402 Plate backing	1	
3	SH108251L Screw	2	
4	WL108001L Washer spring	2	
5	571160 Push rod	1	
6	576723 Clip	1	
7	FRC9568 Bearing clutch release	1	
8	576137 Lever clutch release	1	
9	FRC2975 Cap pivot lever	1	
10	FRC2528 Pivot release lever	1	
11	571161 Insert	1	
12	SH106101L Screw	1	
13	WM106001L Washer spring	1	
14	571163 Clip release lever	1	
15	576203 Staple clutch lever	1	
16	FRC4803 Guide release bearing	1	
17	FRC2481 Dowel	2	
18	SH108401L Screw	1	
19	WL108001L Washer spring	2	



Model DEFENDER 90  
Page ADCGEA1A

GEARBOX - BELL HOUSING - LT85



III. Part No.	Description	Qty	Remarks
1	FRC8529 Bell housing	1	
2	BH112141L Bolt M12x70	6	
3	WL112001L Washer spring	6	
4	SH106301L Screw M6x30	1	
5	NH106041L Nut 3290	1	
	Plug	1	

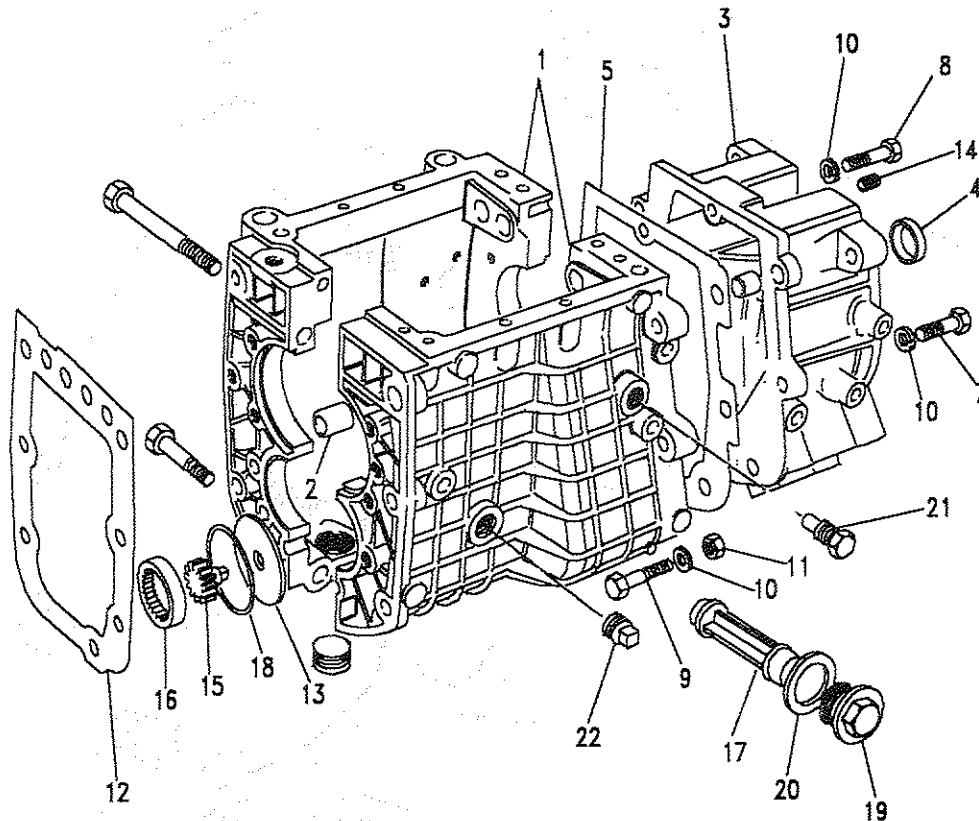






Model DEFENDER 90  
Page ADCGEA2B

GEARBOX - GEARCASE - LT85



III. Part No.	Description	Qty	Remarks
1	FRC3731	1	20C
	FRC8397	1	22C
	FRC9524	1	Note(1)
2	FRC2309	2	Dowel
3	FRC5306	1	Extension case
4	FRC2365	1	Seal oil extension case
5	FRC2465	1	Washer joint
6	FRC2482	2	Dowel
7	BH110091L	3	Bolt M10x45
8	BH110101L	3	Bolt M10x50
9	BH110121L	2	Bolt M10x60
10	WL110001L	8	Washer spring
11	NH110041L	1	Nut
12	FRC3073	2	Washer joint
13	FRC2542	1	Plate blanking
14	FRC3166	1	Grub Screw
15	90571086	1	Gear internal
16	591227	1	Gear external
17	576220	1	Filter
18	FRC2468	1	O Ring
19	90571104	1	Plug
20	FRC4810	1	Washer
	STC820	1	Kit gears
	608246	1	Plug drain
	571944	1	Plug reverse switch hole
	PRC1039	1	Switch reverse light
	FRC5674	1	Washer reverse switch
21	FRC2370	1	Bolt reverse lever
22	3292	1	Plug oil level

Note(1) Prefix 22C but with SPLIT GEARCASE  
Note(2) Use only 1 washer with SPLIT GEARCASE



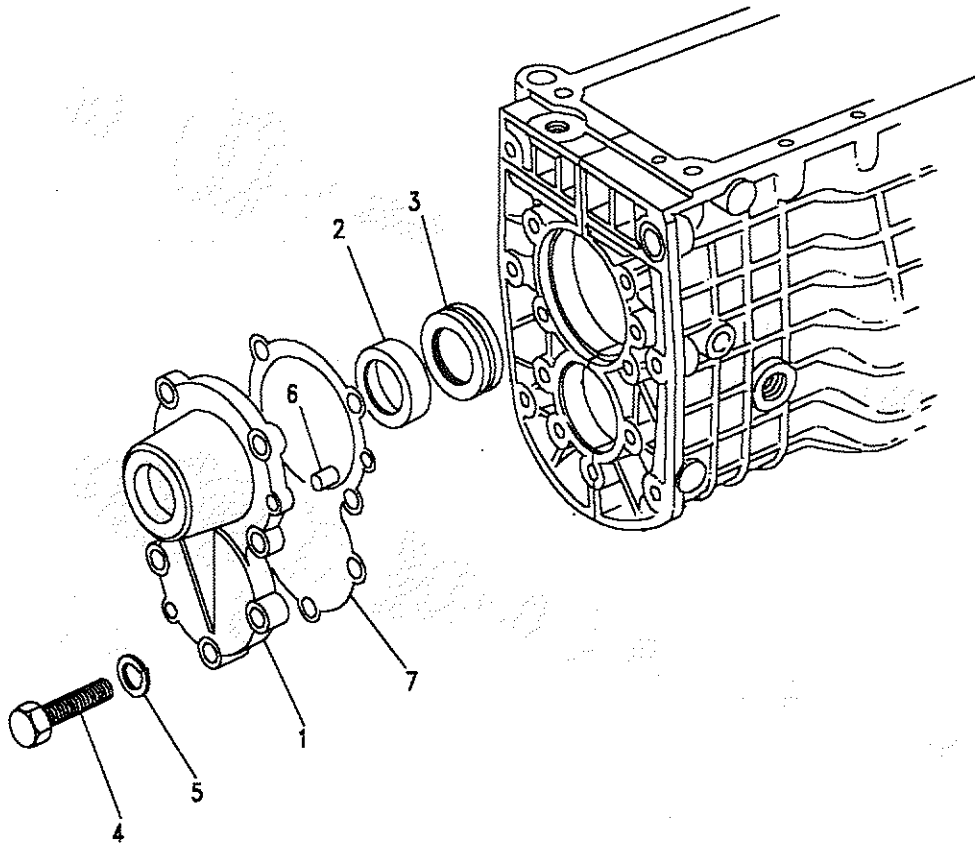


Model DEFENDER 90  
Page ADCGIA1A

GEARBOX - FRONT COVER - LT85

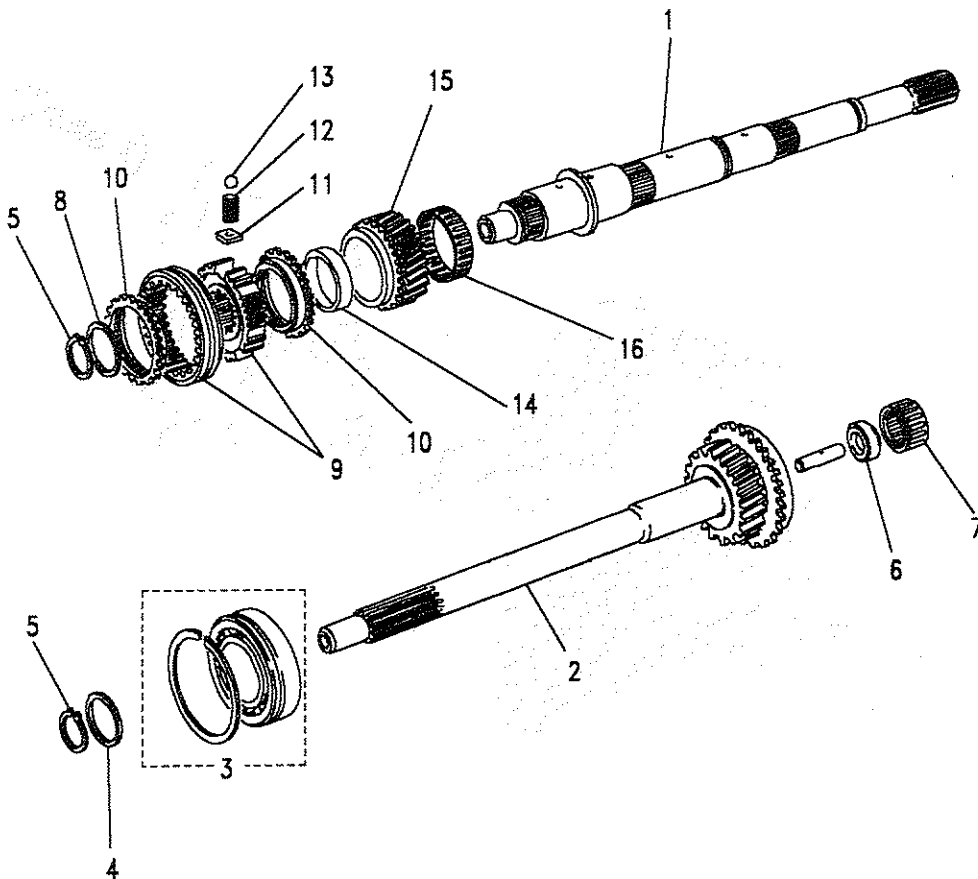
III. Part No.	Description	Qty	Remarks
1	FRC4875	1	20C
	FRC9620	1	22C
	GS108081L	1	20C
2	FRC2361	1	
3	591394	1	
4	SH108401L	8	
5	WL108001L	8	
6	571134	2	
7	FRC3072	1	20C
	FRC8215	1	Note(1)

Note(1) Prefix 22c - Washer has hole at the top only



Model DEFENDER 90  
Page ADCGIA2A

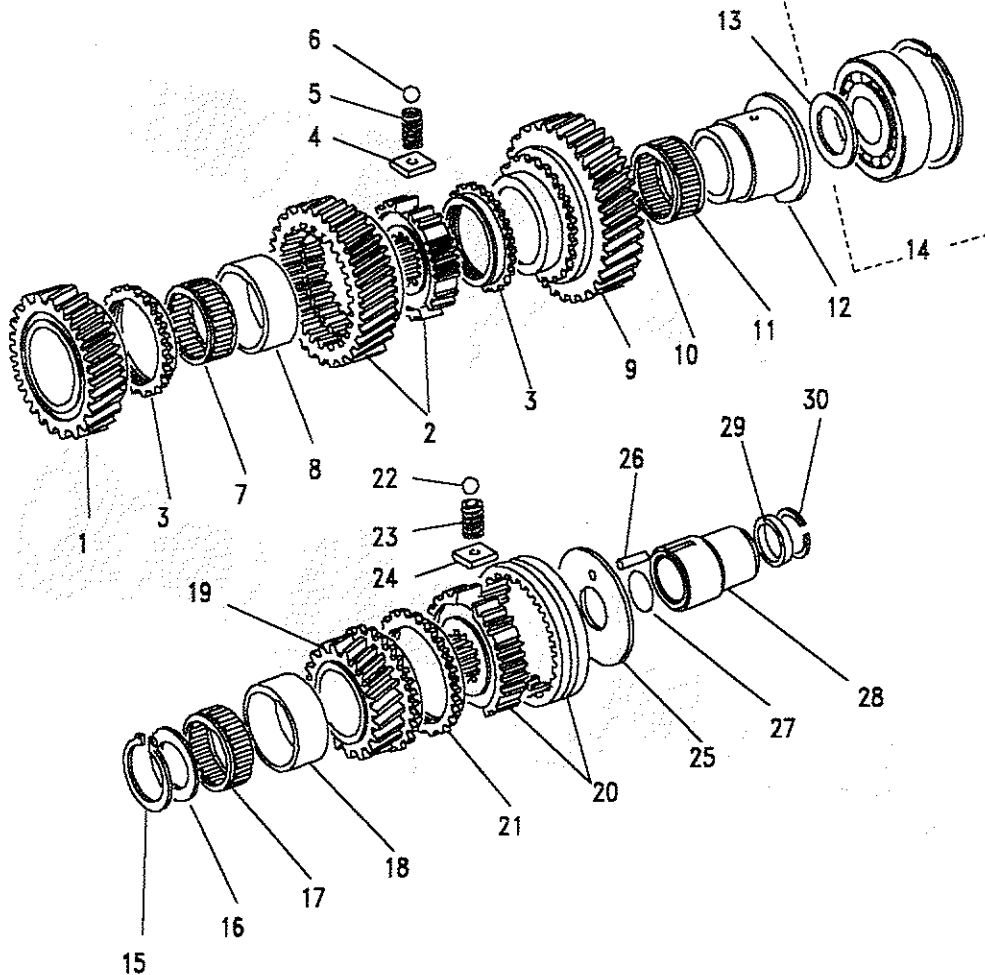
GEARBOX - MAINSHAFT - LT85



III. Part No.	Description	Qty	Remarks
1 FRC4714	Mainshaft	1	)20C
2 FRC7852	Constant pinion assembly	1	)
1 FRC8214	Mainshaft	1	)22C
2 FRC9621	Constant pinion assembly	1	)
3 FRC2301	Ball bearing	1	
4	SHIMS-CONSTANT PINION		
FRC2445	Shim 3.07	A/R	
FRC2446	Shim 3.02	A/R	
FRC2447	Shim 2.97	A/R	
FRC2448	Shim 2.92	A/R	
FRC2449	Shim 2.87	A/R	
5 FRC2488	Circlip	2	
6 571142	Seal oil	1	
7 6397	Bearing	1	
8	SHIMS-3RD AND 4TH HUB		
FRC2554	Shim 3.48	A/R	
FRC2555	Shim 3.43	A/R	
FRC2556	Shim 3.38	A/R	
9 FRC8139	Synchro assembly 3rd/4th	1	
10 FRC8777	Ring baulk	2	
11 FRC7752	Block sliding	3	
12 503805	Spring	3	
13 BLS108L	Ball	3	
14 FRC3898	Spacer	1	
15 FRC7764	Gear 3rd Speed	1	20C
FRC8210	Gear 3rd Speed	1	22C
16 FRC2334	Bearing	1	

Model DEFENDER 90  
Page ADCGIC1A

GEARBOX - MAINSHAFT GEARS - LT85

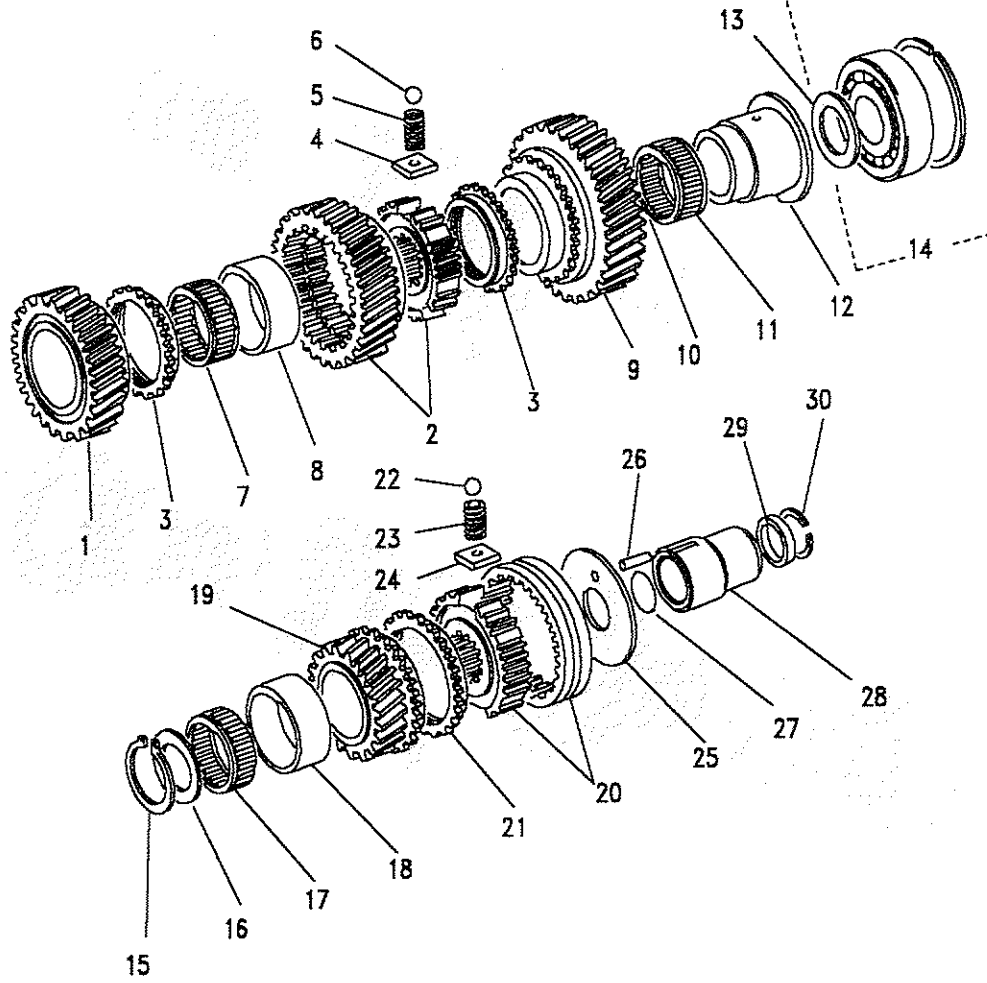


III. Part No.	Description	Qty	Remarks
1	FRC7763	1	20C
	FRC8209	1	22C
2	FRC8129	1	Note(1)
	FRC9556	1	Note(2)
3	FRC2334	1	
4	FRC3898	1	
5	FRC8777	2	
6	FRC7752	3	
7	503805	3	
8	BLS108L	3	
9	FRC7761	1	20C
	FRC8208	1	22C
10	FRC3897	1	
11	FRC2334	1	
12	FRC8422	1	
13	SHIN-1ST SPEED BUSH		
	FRC8400	A/R	
	FRC8401	A/R	
	FRC8402	A/R	
	FRC8403	A/R	
	FRC8404	A/R	
	FRC8405	A/R	
	FRC8406	A/R	
14	FRC2301	1	
15	FRC2488	1	
16	FRC5978	1	
17	FRC2479	1	
18	FRC3896	1	

Note(1) Prefix 20C and up to Prefix 22C00193  
Note(2) Prefix 22C00194 onwards

Model DEFENDER 90  
Page ADCGIC1A

GEARBOX - MAINSHAFT - V8 CARB



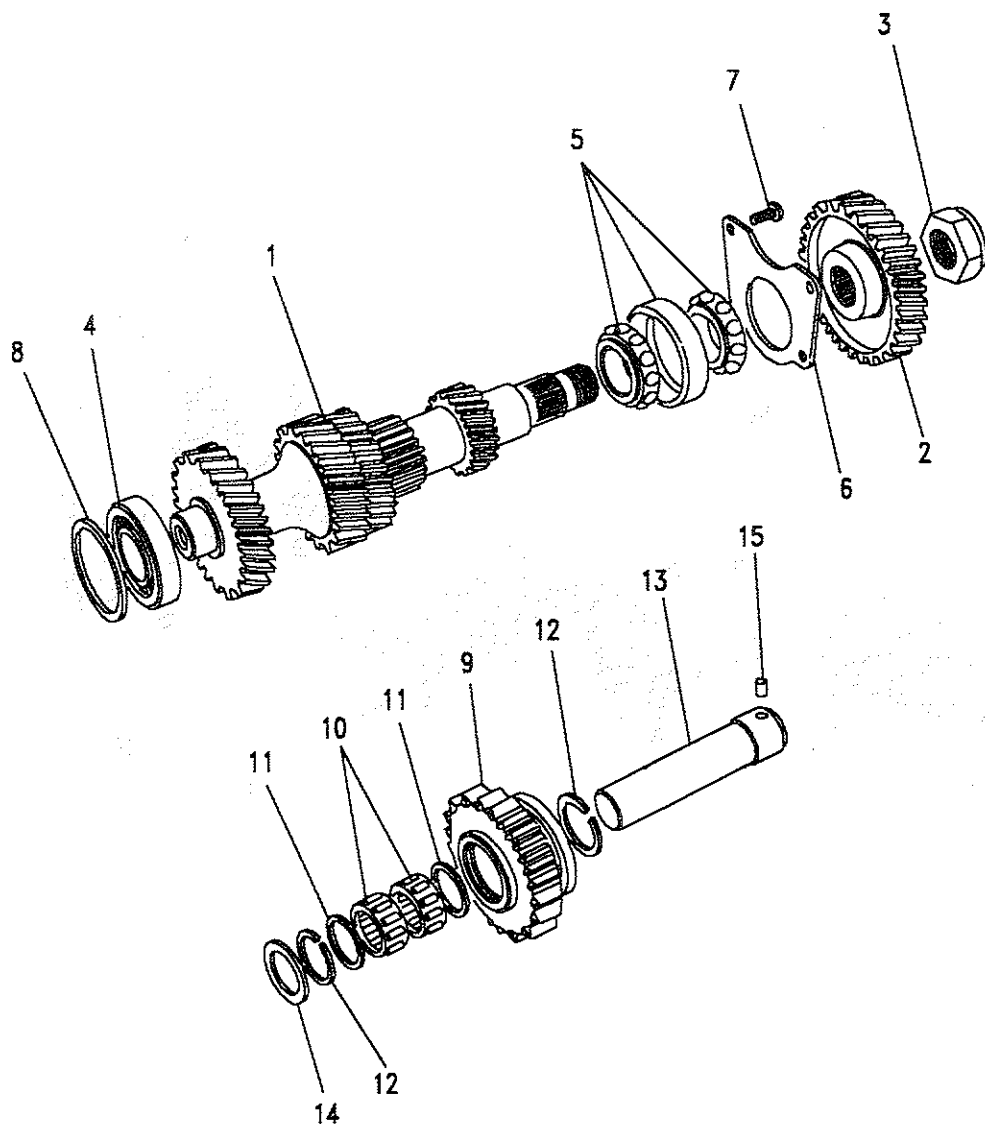
III. Part No.	Description	Qty	Remarks
19	FRC7757	1	20C
	FRC8211	1	22C
20	FRC8176	1	
21	FRC8777	1	
22	BLS108L	3	
23	503805	3	
24	FRC7752	3	
25	FRC7753	1	3mm
	STC700	1	5mm
26	FRC8409	1	3mm
	STC581	1	5mm
27	FRC2457	1	
28	FRC5317	1	3mm
	STC582	1	5mm
29			
	SUPPORT WASHER		
	FRC5602		A/R
	FRC5603		A/R
	FRC5604		A/R
	FRC5605		A/R
	FRC5606		A/R
	FRC5607		A/R
	FRC5608		A/R
	FRC5609		A/R
	FRC5610		A/R
	FRC5611		A/R
	FRC5612		A/R
	FRC5613		A/R
	FRC5614		A/R
	FRC5615		A/R
	FRC5616		A/R
30	FRC4494	1	



Model DEFENDER 90  
Page ADCGIE1A

GEARBOX - LAYSHAFT - LT85

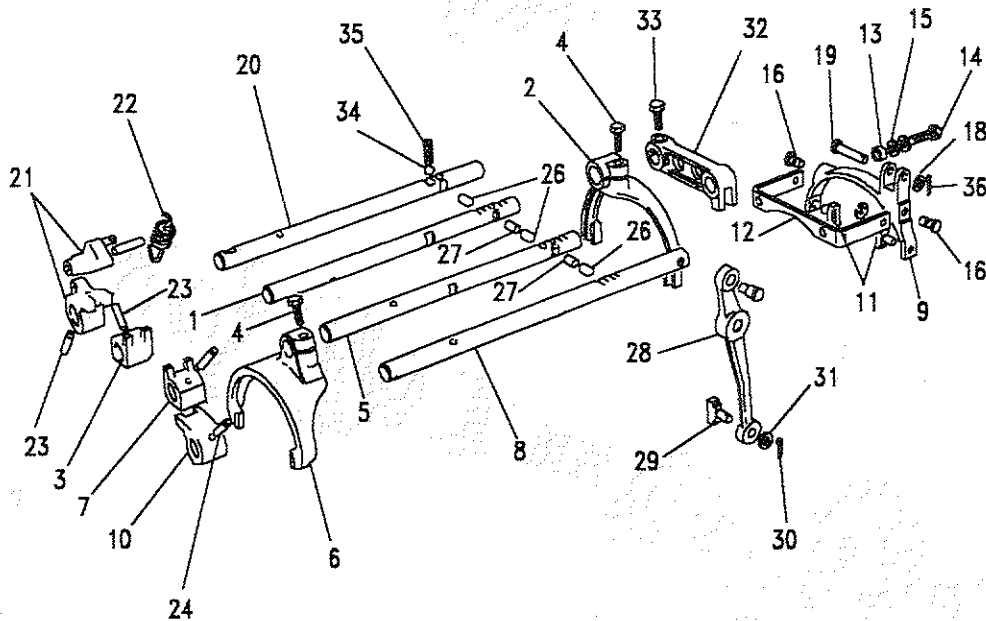
III. Part No.	Description	Qty	Remarks
1	FRC3732	1	20C
	FRC8213	1	22C
2	FRC3795	1	
3	FRC3806	1	
4	FRC2578	1	
5	FRC2470	1	
6	FRC8380	1	
7	SB108201L	2	
	SH108301L	2	
	WL108001L	2	
8	FRC3987	1	
9	FRC3319	1	
10	FRC1032	2	
11	FRC1034	2	
12	FRC1035	2	
13	FRC3112	1	
14	FRC8421	1	
15	591519	1	



Model DEFENDER 90  
Page ADCGKA1A

GEARBOX - SELECTOR AND SHAFTS - LT85

III. Part No.	Description	Qty	Remarks
1	FRC2381	1	Shaft selector 1st/2nd
2	FRC7769	1	Fork selector 1st/2nd
3	FRC8452	1	Jaw selector 1st/2nd
4	SX108351L	1	Bolt
5	FRC3118	1	Shaft selector 3rd/4th
6	FRC7754	1	Fork selector 3rd/4th
7	FRC8452	1	Jaw selector 3rd/4th
8	FRC3282	1	Shaft selector
9	FRC7767	1	Fork selector 5th gear
10	FRC8454	1	Jaw selector 5th gear
11	622388	2	Pad swivel
12	FRC7766	1	Bracket pivot 5th fork
13	FRC2481	2	Dowel
14	SH108301L	2	Screw M8x30
15	WA108051L	2	Washer plain
16	UKC2089L	2	Pin pivot 5th fork
17	UKC2105L	2	Circlip pivot pin

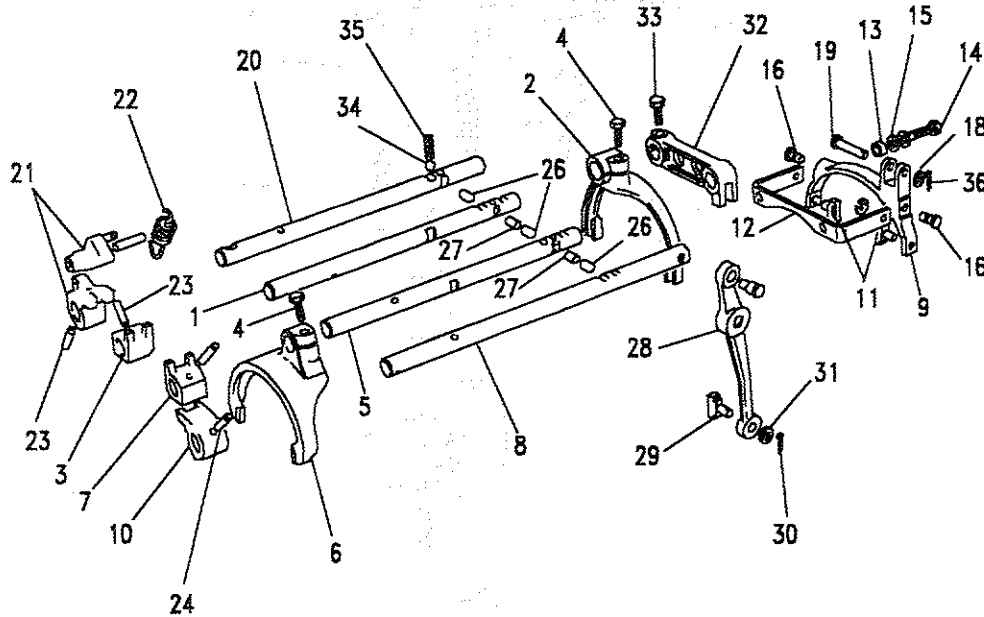




Model DEFENDER 90  
Page ADCGKA1A

GEARBOX - SELECTOR AND SHAFTS - LT85 - CONTINUED

III. Part No.	Description	Qty	Remarks
18	WA106041L	1	Washer plain
19	PC106561L	1	Pin clevis
20	FRC8270	1	Shaft selector reverse
21	FRC8455	1	Hinge and jaw assembly
22	FRC3481	1	Spring reverse Hinge
23	571158	4	Pin spring
24	PS103121L	1	Pin split
25	SH108301L	2	Screw M8 x 30
26	FRC2577	3	Plunger interlock
27	FRC3117	2	Pin interlock
28	FRC2390	1	Lever assembly reverse
29	571043	1	Foot selector
30	PS103121L	1	Pin split
31	WA108051L	1	Washer
32	FRC2368	1	Beam reverse
33	FRC2370	1	Bolt
34	571146	4	Ball detent
35	593802	4	Spring detent
36	PS103121L	1	Pin split

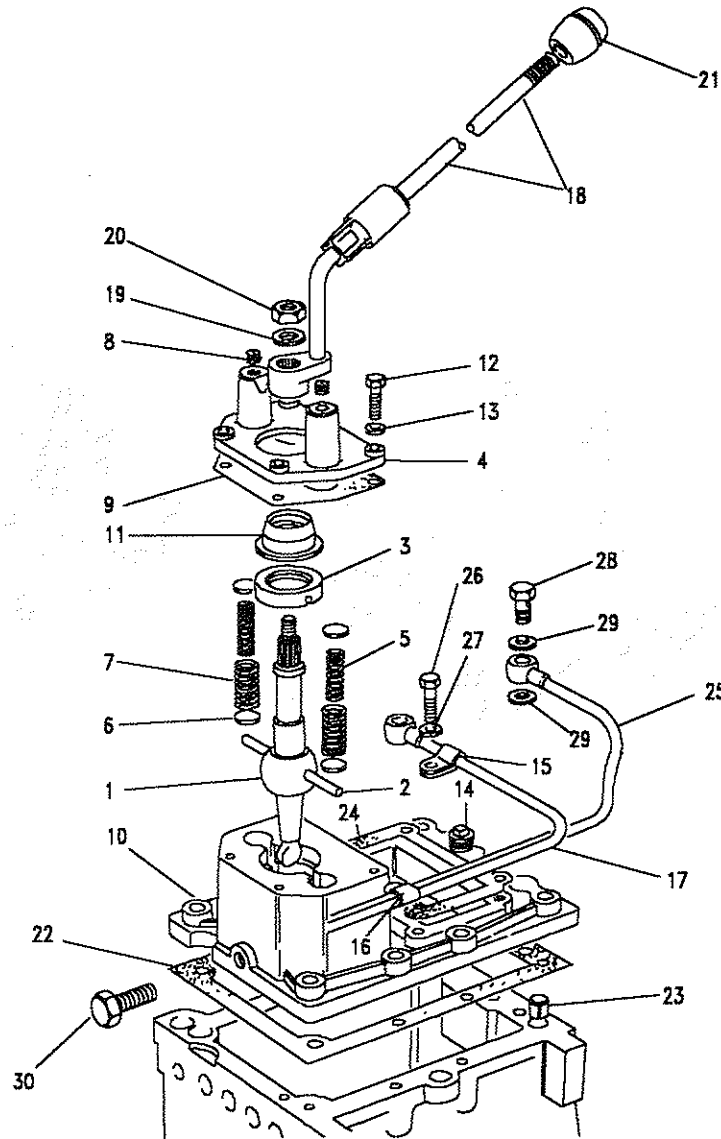






Model DEFENDER 90  
Page ADCGKC1A

GEARBOX - GEAR LEVER - LT85



III. Part No.	Description	Qty	Remarks
1	FRC8250	1	Gear lever-LOWER
2	FRC2622	2	Pin locating
3	FRC2612	1	Seat gear lever lower
4	FRC2583	1	Housing spring
5	FRC2587	2	Spring bias inner
6	FRC2623	4	Disc bias spring
7	FRC3146	2	Spring bias outer
8	GS112141L	2	Grub Screw
9	FRC2648	1	Washer joint
10	FRC5698	1	Cover top
11	FRC8271	1	Grommet gear lever lower
12	SH106251L	4	Screw M6x25
13	WL106001L	4	Washer spring
14	3292	1	Plug filler
15	BAU1689	1	Clip single
16	622324	1	Clip double
17	FRC4062	1	Breather assembly
18	FRC8863	1	Lever gear upper
19	WA110061L	1	Washer
20	NY110041L	1	Nut
21	FRC8722	1	Knob gear lever
22	FRC2487	1	Gasket top cover
23	FRC2626	1	Pin spring top cover
24	FRC6306	1	Gasket
	FTC4036	1	Gasket g/change housing
25	FRC9429	1	Breather to T/BOX
26	SH108401L	8	Screw
27	WL108001L	8	Washer
28	595478	2	Bolt banjo
29	232039	4	Washer sealing
30		1	Plug blanking

Up to 20D299332E  
From 20D299333E





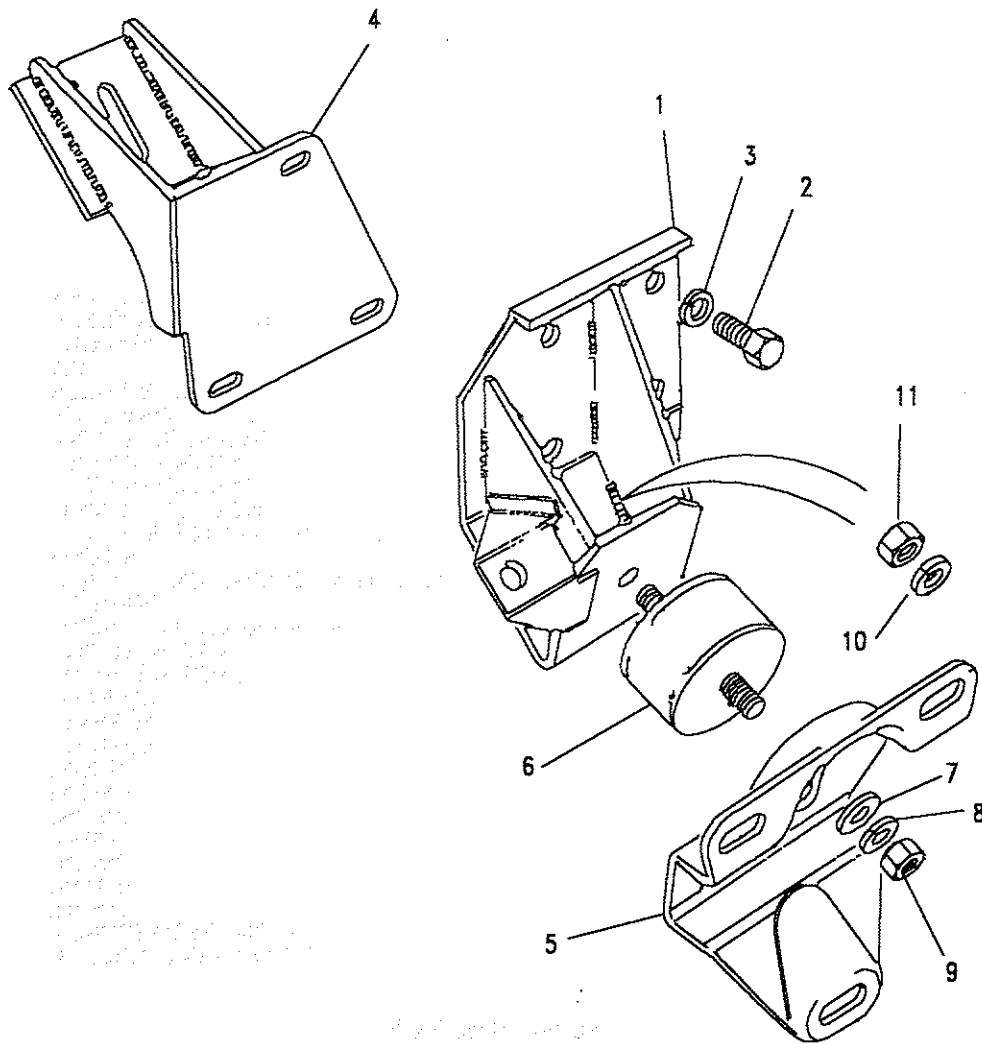
Model DEFENDER 90  
Page ADCGMA1A

GEARBOX - MOUNTINGS - LT85

III. Part No.	Description	Qty	Remarks
1	NRC9501	1	Bracket mounting LH
2	SH112251L	4	Screw
3	WL112001L	4	Washer spring
4	NTC1201	1	Bracket mounting RH
5	90575585	2	Bracket mounting
6	NTC5900	2	Mounting rubber
7	WD110061L	2	Washer
8	WL600061L	2	Washer spring
9	NH606041L	2	Nut
10	WL600061L	2	Washer
11	NH606041L	2	Nut
	RTC6115	2	Kit engine mounting
	NH110041L	4	Nut
	WC110001L	2	Washer
	WL110001L	4	Washer spring

IMPERIAL

)Metric





MASTER INDEX

GROUP D

TRANSFER BOX

	PAGES
INTRODUCTION PAGES	1 - 5
ALPHABETICAL INDEX	6 - 14
ENGINE	15 - 65
ENGINE	66 - 117
ENGINE	118 - 171
ENGINE	172 - 217
ENGINE	218 - 261
ENGINE	262 - 297
ENGINE	298 - 367
GEARBOX	368 - 394
GEARBOX	395 - 411
GEARBOX	412 - 425
TRANSFER BOX	426 - 456
TRANSFER BOX	457 - 474
AXLES AND SUSPENSION	475 - 531
STEERING	532 - 564
VEHICLE AND ENGINE CONTROLS	565 - 580
BRAKES	581 - 603
FUEL SYSTEM AND AIR CLEANER	604 - 645
EXHAUST SYSTEM	646 - 660
COOLING/HEATING	661 - 709
COOLING/HEATING	710 - 718
BODY ELECTRICAL	719 - 793
BODY AND CHASSIS	794 - 923
INTERIOR TRIM	924 - 965
SEATS	966 - 1009
STOWAGE	1010 - 1017
ACCESSORIES - PAINTS	1018 - 1042
NUMERICAL INDEX	1044 - 1122

TRANSFER BOX	
TRANSFER ASSEMBLY- 4CYL/V8 LT77S	427
HOUSING - 4CYL - PREFIX 13D	428
HOUSING - 4CYL/LT77S - PREFIX 22D,32D	429
HOUSING - 4CYL - PREFIX 13D	430 - 431
CASING - 4 CYL/LT77S - PREFIX 22D,32D	432 - 433
DIFFERENTIAL - 4 CYL - PREFIX 13D	434
DIFFERENTIAL - 4 CYL/LT77S - 22D,32D	435
MAINSHAFT - 4CYL/LT77S	436
INTERMEDIATE SHAFT - 4 CYL - PREFIX 13D	437
INTER/SHAFT - 4CYL/LT77S - PREFIX 22D,32D	438
FRONT FLANGE - 4 CYL/LT77S	439
REAR FLANGE - 4 CYL/LT77S	440
FRONT OUTPUT SHAFT - 4 CYL - PREFIX 13D	441 - 442
FRONT OUTPUT SHAFT - 4 CYL/LT77S 22D,32D	443 - 444
HIGH/LOW - 4 CYL - PREFIX 13D	445
HIGH/LOW - 4 CYL/LT77S 22D,32D	446
GEAR CHANGE - 4 CYL - PREFIX 13D	447 - 448
GEAR CHANGE - 4 CYL/LT77S 22D,32D	449 - 450
ROD ASSY - 4CYL - PREFIX 13D	451
ROD ASSY - 4CYL/LT77S 22D,32D	452 - 453
GASKET KIT - 4CYL/LT77S	454
TRANSMISSION BRAKE - 4 CYL/LT77S	455 - 456





DEFENDER 90

427

TRANSFER BOX

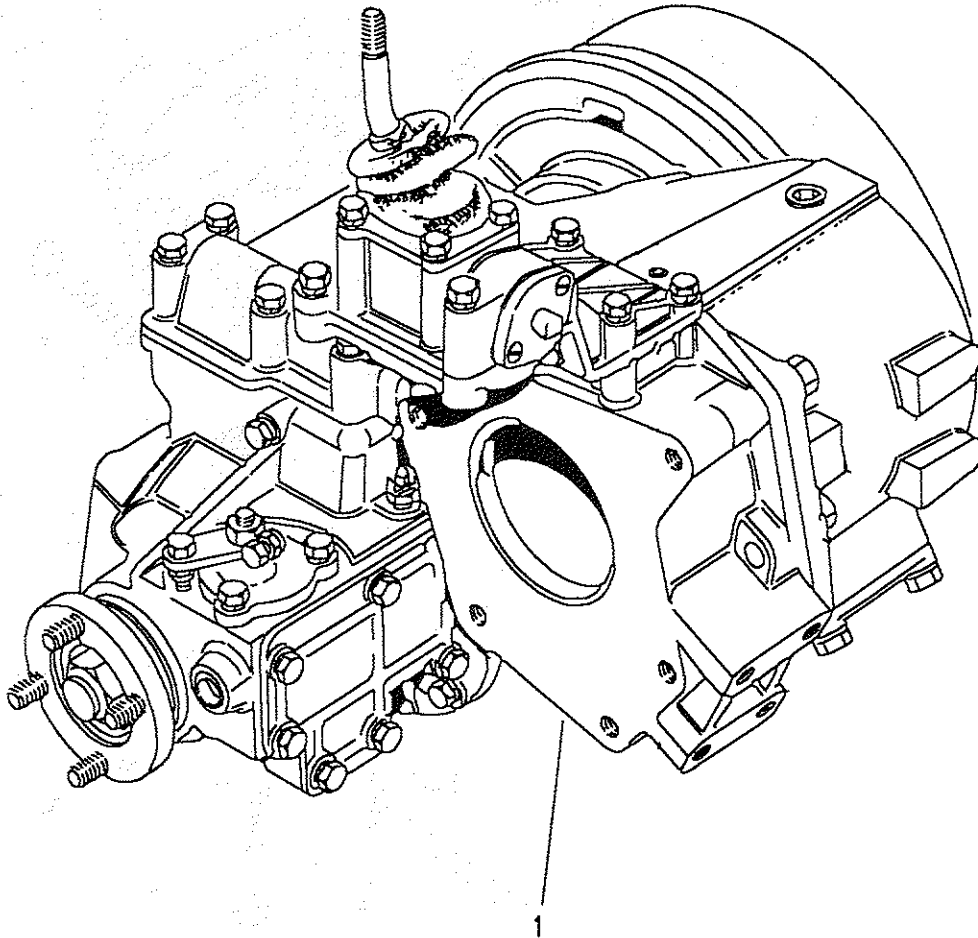
Model DEFENDER 90

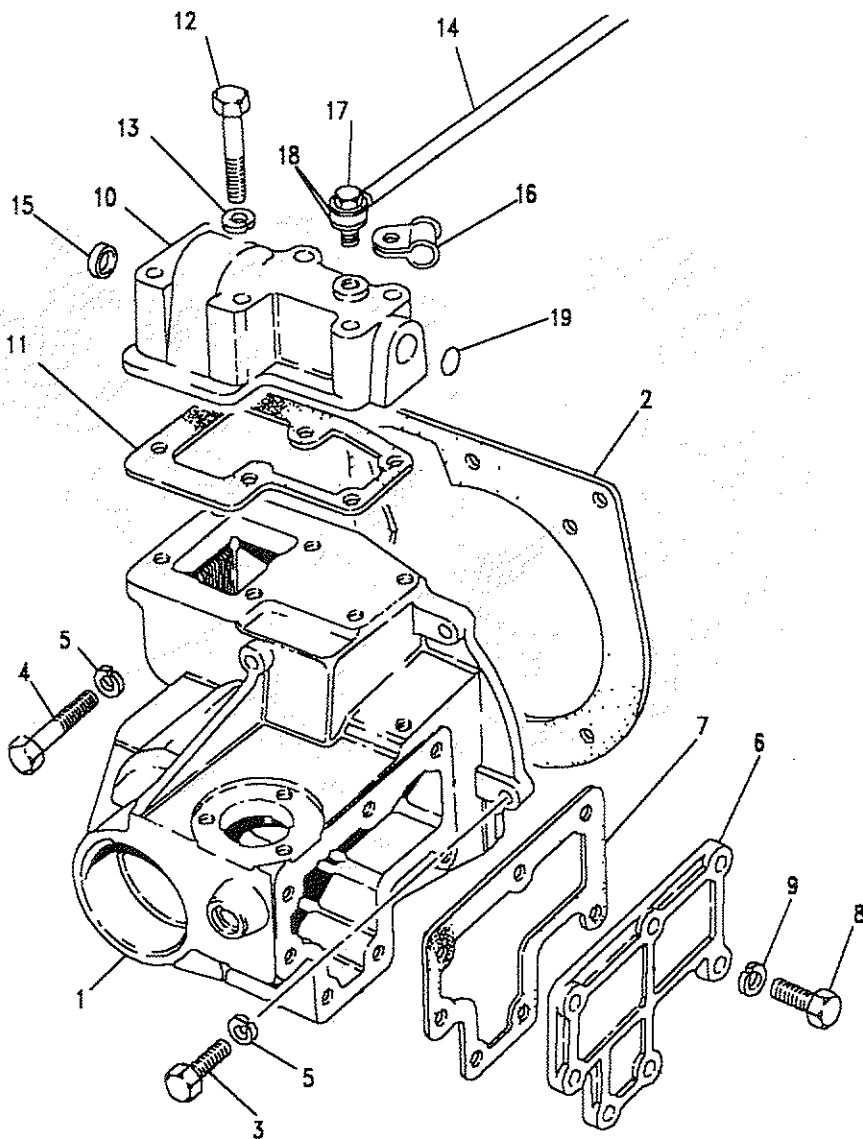
Page ADDBAA1A

TRANSFER GEARBOX - TRANSFER ASSEMBLY- 4CYL/V8 LT77S

III. Part No.	Description	Qty	Remarks
1 FRC9470N	Transfer assy-1.410.1	1	22D Note(1)
STC1017	Transfer assy-1.222.1	1	32D-V8 ENGINE

Note(1) When fitting a new Transfer assembly (LT230T TYPE) to replace Transfer assembly (LT230R TYPE Prefix 13D) use GATE PLATE FRC7944.





Model DEFENDER 90  
Page ADDBCA1A

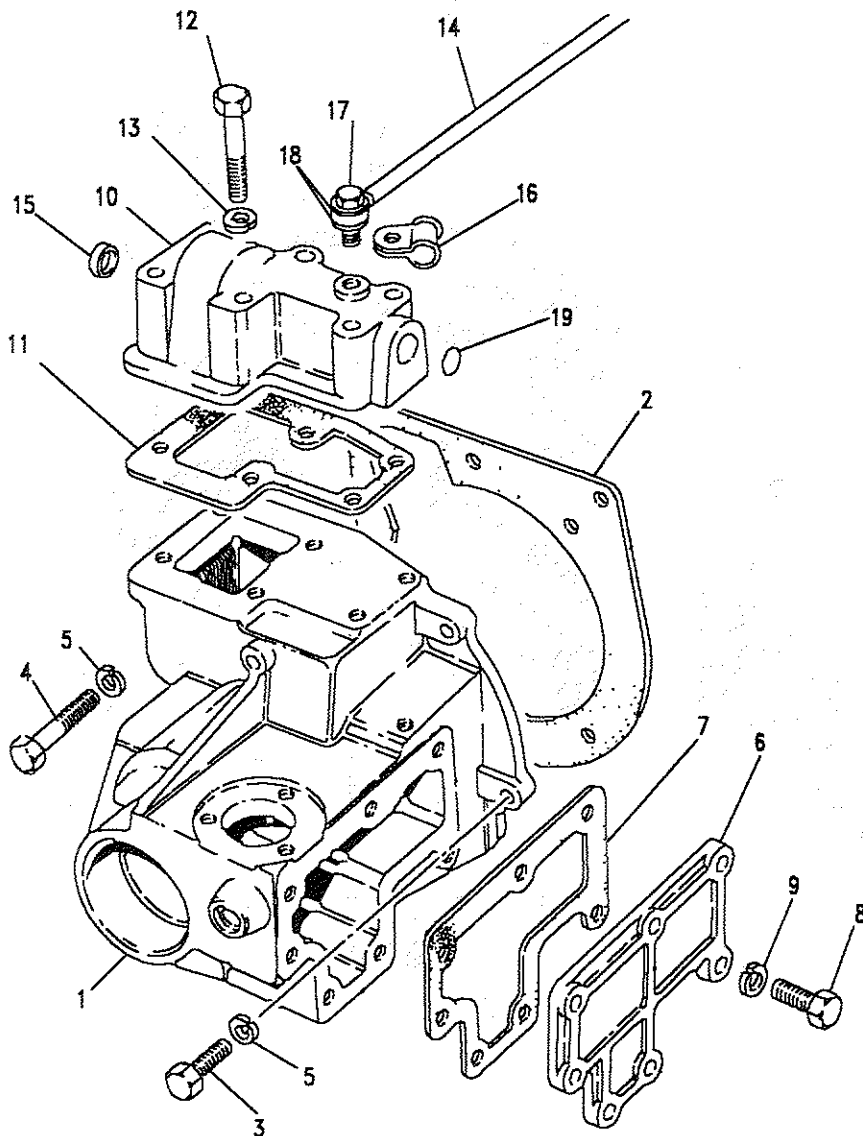
TRANSFER GEARBOX - HOUSING - 4CYL - PREFIX 13D

III. Part No.	Description	Qty	Remarks
1	FRC8299	1	Housing front output
2	FRC6103	1	Gasket
3	FS108301L	7	Bolt
4	BH108181L	1	Bolt
5	WA108051L	8	Washer spring
6	FRC6104	1	Cover
7	FRC6105	1	Gasket
8	SH108251L	7	Screw
9	WA108051L	7	Washer
10	FRC6106	1	Housing cross shaft
11	FRC7998	1	Gasket
12	FB108111L	6	Bolt
13	WA108051L	6	Washer
14	FRC168	1	Pipe breather
15	FRC7930	1	Plug cup
16	BAU1689	1	Clip pipe
17	595478	1	Bolt banjo
18	232039	2	Washer copper
19	FRC5575	2	O ring

Note(1) Part of gasket RTC3890

A





**Model** DEFENDER 90  
**Page** ADDBCA2A

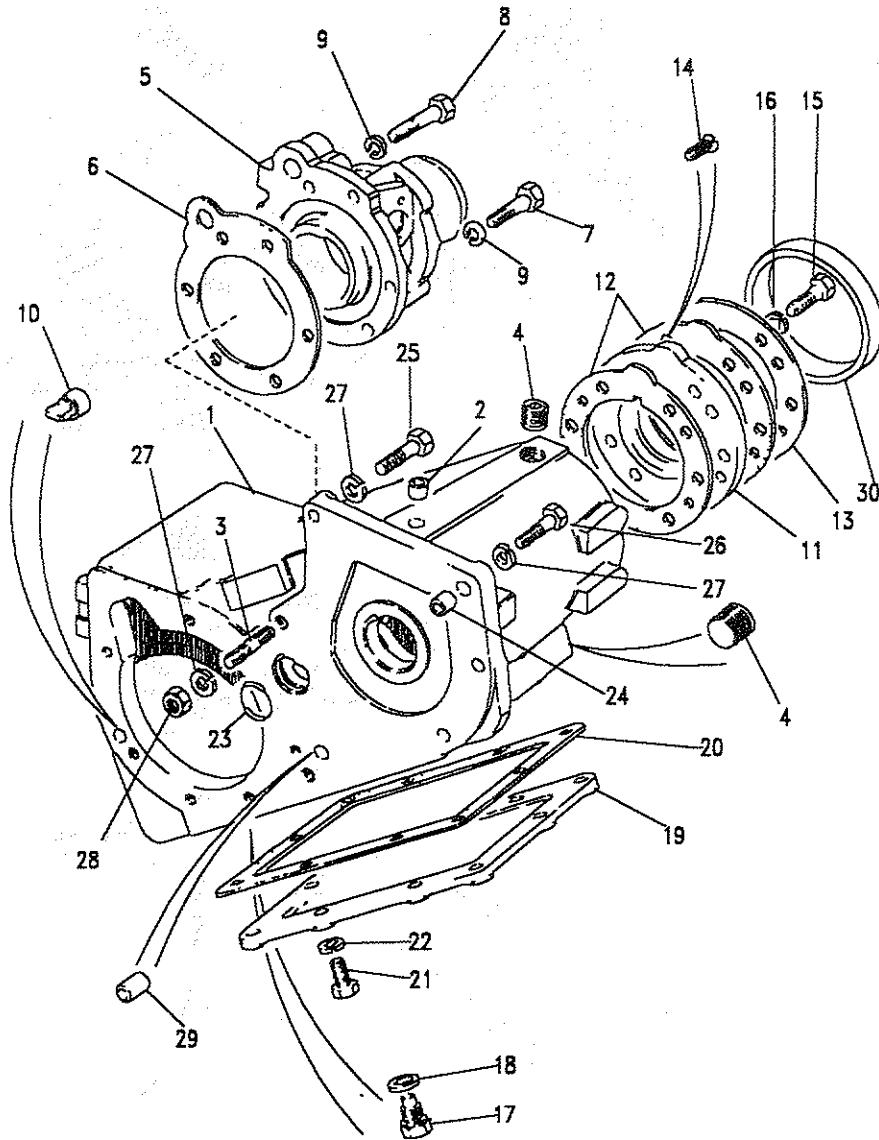
**TRANSFER GEARBOX - HOUSING - 4CYL/LT77S - PREFIX 22D,32D**

III. Part No.	Description	Qty	Remarks
1	FRC8299	1	Housing front output
	FTC4178	1	Housing front output
2	FRC6103	1	Gasket
3	FS108301L	7	Bolt
4	FB108181M	1	Bolt flanged
5	WA108051L	8	Washer
6	FRC6104	1	Cover front
7	FRC6105	1	Gasket
8	SH108251L	7	Screw
9	WA108051L	7	Washer
10	FRC6106	1	Housing cross shaft
11	FRC7998	1	Gasket
12	FB108111L	6	Bolt flanged
13	WA108051L	6	Washer
14	FRC167	1	Pipe breather
15	FRC7930	1	Plug cup
16	BAU1689	1	Clip pipe
17	595478	1	Bolt banjo
18	232039	2	Washer copper
19	FRC5575	1	O ring

Note(1) Housings with gasket joint  
 Note(2) Housings with liquid joint.  
 Note(3) Part of gasket RTC3890

A





Model DEFENDER 90  
 Page ADDBEA1A

TRANSFER GEARBOX - HOUSING - 4CYL - PREFIX 13D

III. Part No.	Description	Qty	Remarks
1	FRC7026	1	Housing transfer assy
2	UKC24L	1	Plug cup
3	FRC5595	2	Stud
4	608246	2	Plug oil filler
5	FRC6578	1	Housing speedo drive
6	FRC5409	1	Gasket
7	SH110301L	5	Screw
8	BH110091L	1	Screw
9	WA110061L	6	Washer
10	FRC5594	1	Dowel
11	FRC6943	1	Housing
12	FRC5413	2	Washer joint
13	FTC2061	1	Cover power take off
14	SF108251L	2	Bolt
15	BX110071L	6	Bolt
16	WA110061L	6	Washer
17	599552	1	Plug drain

Note(1) Part of gasket kit RTC3890

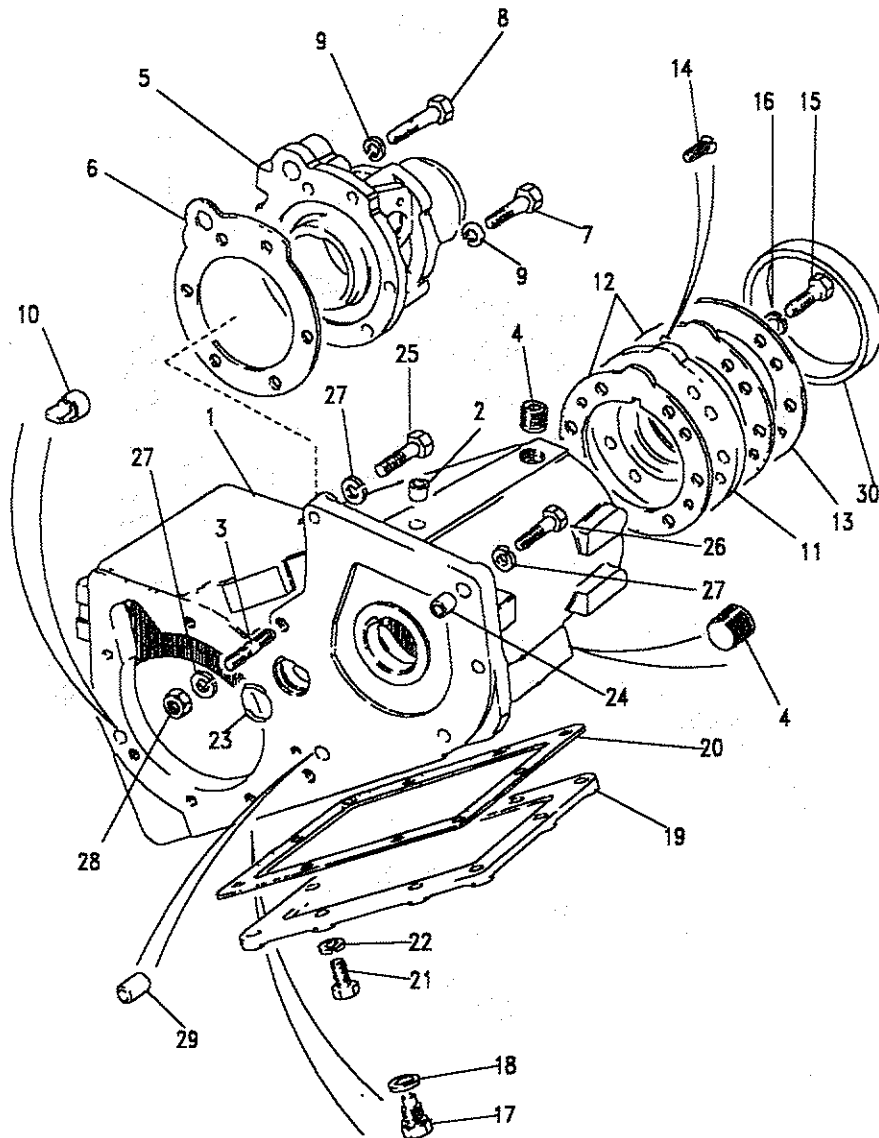




Model DEFENDER 90

Page ADDBEA1A

TRANSFER GEARBOX - HOUSING - 4CYL - PREFIX 13D

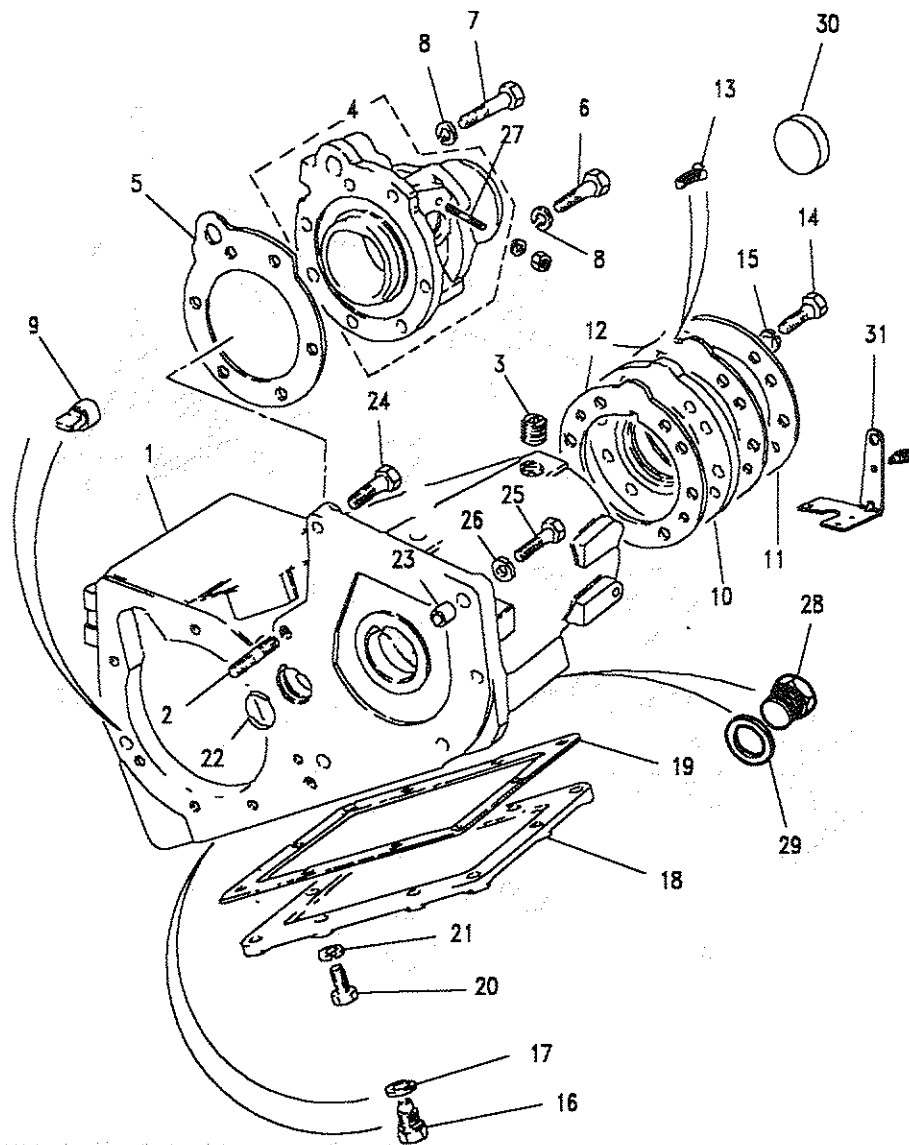


III. Part No.	Description	Qty	Remarks
18	FRC4808	1	Note(1)
19	FRC5415	1	
20	FRC5416	1	Note(1)
21	FS108301L	10	
22	WA108051L	10	
23	FRC5419	1	
24	FRC2482	1	
25	BH110081L	3	
26	BH110091L	1	
27	WL110001L	6	
28	NH110041L	2	
29	571134	1	
30	602146	1	

Note(1) Part of gasket kit RTC3890





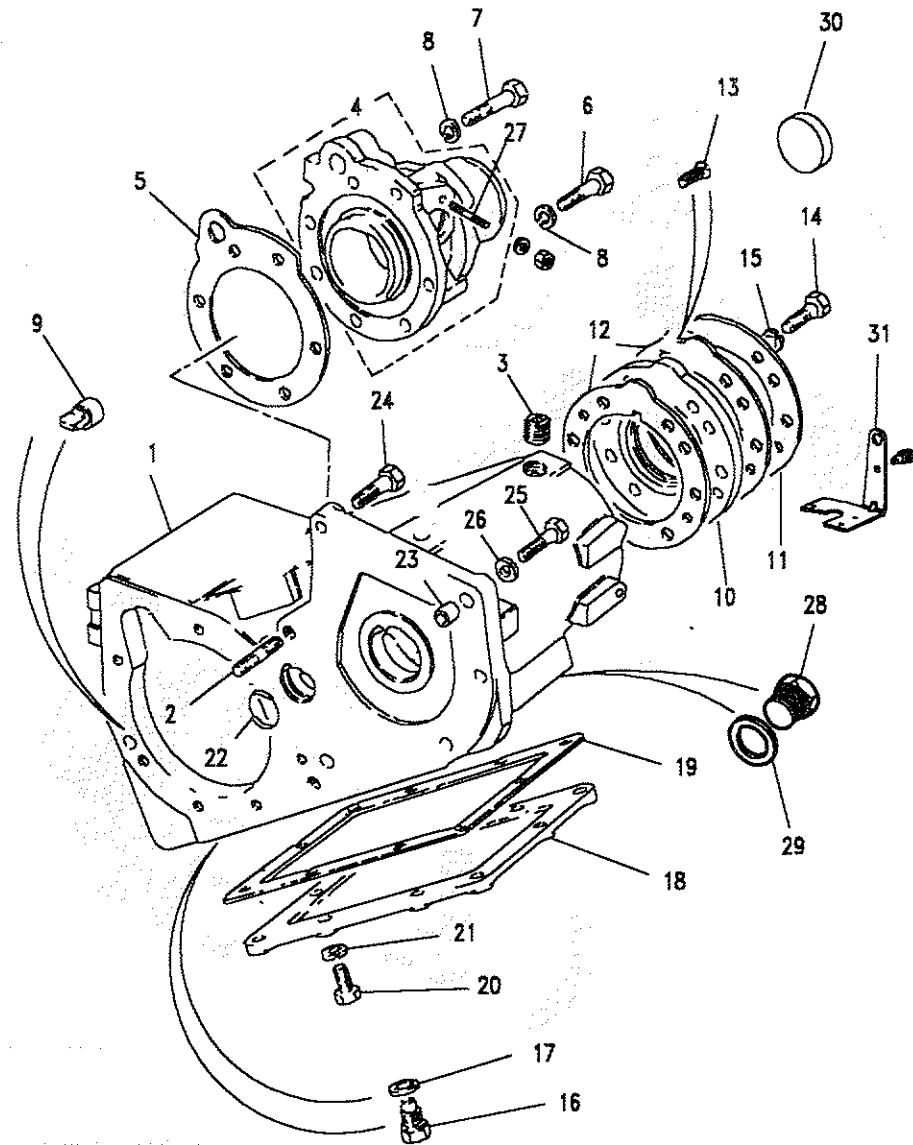


Model DEFENDER 90  
Page ADDBEA2A

TRANSFER GEARBOX - CASING - 4 CYL/LT77S - PREFIX 22D,32D

III. Part No.	Description	Qty	Remarks
1	FTC1748	1	22D,32D
2	FRC5595	2	
3	608246	2	
4	FRC7447	1	Upto LA939975
	FTC4187	1	From MA939976
5	FRC5409	1	Note(1) From MA939976
			(liquid gasket only used)
6	SH110301L	5	
7	BH110091L	1	
8	WA110061L	6	
9	FRC5594	1	
10	FRC6943	1	
11	FTC2061	1	
	FRC9926	1	
	FRC9963	1	
12	FRC5413	2	Note(1)
13	SF108251L	2	
14	BX110071L	6	
15	WA110061L	6	
16	599552	1	
17	FRC4808	1	Note(1)

Note(1) Part of gasket kit RTC3890



Model DEFENDER 90  
 Page ADDBEA2A

TRANSFER GEARBOX - CASING - 4 CYL/LT77S - PREFIX 22D,32D

III. Part No.	Description	Qty	Remarks
18	FRC5415	1	Cover bottom
19	FRC5416	1	Gasket
20	FS108301L	10	Bolt
21	WA108051L	10	Washer
22	FRC8292	1	O Ring
23	FRC2482	1	Dowel hollow
24	BH110081L	3	Bolt
25	BH110091L	1	Bolt
26	WL110001L	6	Washer
27	571536	1	Stud cable retainer
28	SH214141	1	Screw M14
29	232042	1	Joint Washer
30	602146	1	Plug cover power take off
31	ANR3625	1	Bracket harness/trans box

Note(1) Part of gasket kit RTC3890

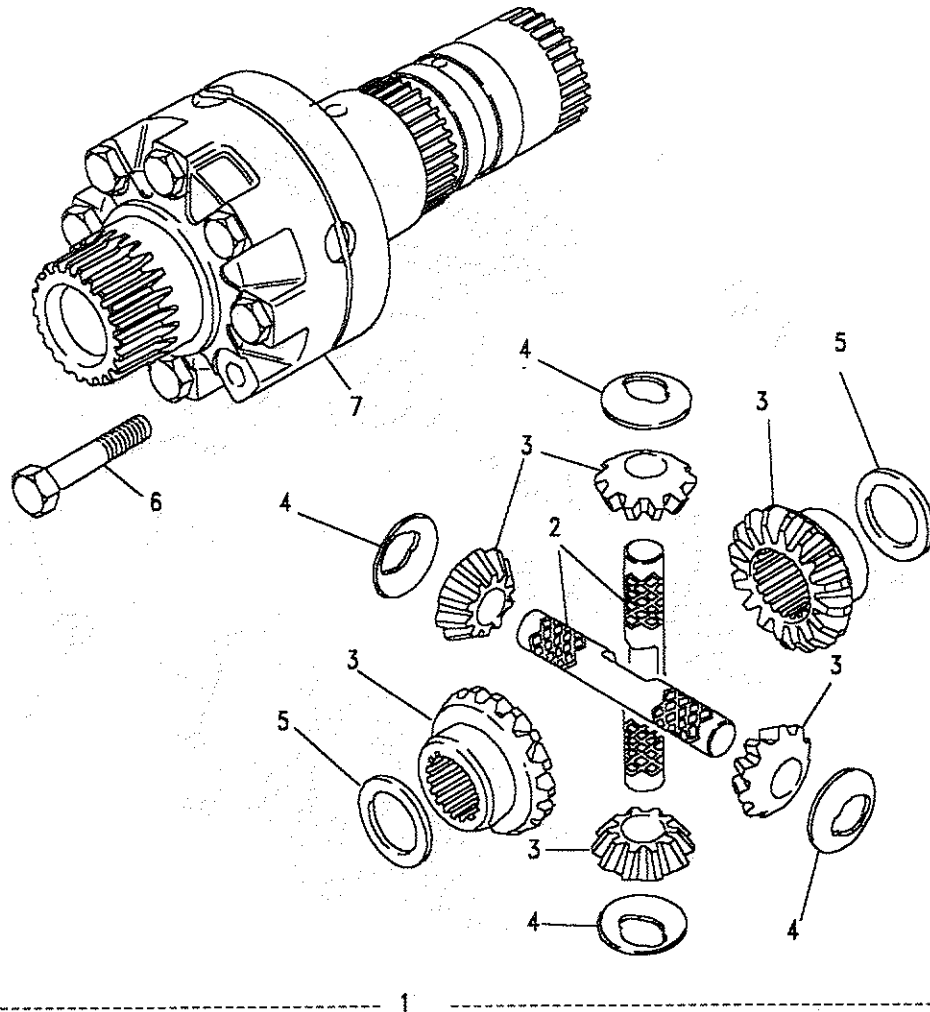




Model DEFENDER 90  
Page ADDBGA1A

TRANSFER GEARBOX - DIFFERENTIAL - 4 CYL - PREFIX 13D

III. Part No.	Description	Qty	Remarks
1	FRC7569	1	Differential assembly
2	RTC3397	1	Kit cross shaft
3	RTC4490	1	Kit differential gears
4	FRC6968	4	Washer thrust
5	FRC6956	A/R	Washer 1.05mm
	FRC6958	A/R	Washer 1.15mm
	FRC6960	A/R	Washer 1.25mm
	FRC9851	A/R	Washer 1.35mm
	FRC9853	A/R	Washer 1.45mm
6	BH110121L	8	Bolt
7	FRC7499	1	Ring retaining

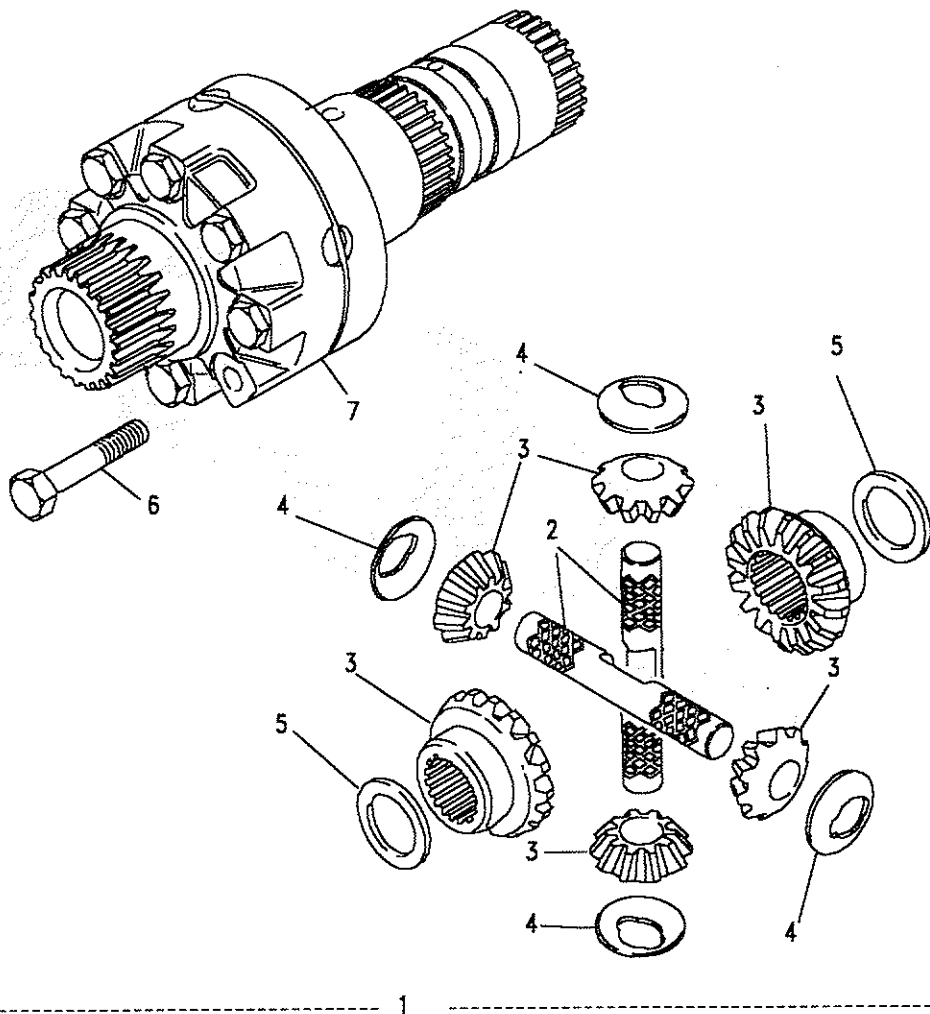




Model DEFENDER 90  
Page ADDBGA2A

TRANSFER GEARBOX - DIFFERENTIAL - 4 CYL/LT77S - 22D,32D

III. Part No.	Description	Qty	Remarks
1	FRC7926	1	Differential assembly
2	RTC3397	1	Kit cross shaft
3	RTC4490	1	Kit differential gears
4	FRC6968	4	Washer thrust
5	FRC9845	A/R	Washer thrust
	FRC9847	A/R	Washer 1.15mm
	FRC9849	A/R	Washer 1.25mm
	FRC9851	A/R	Washer 1.35mm
	FRC9853	A/R	Washer 1.45mm
6	BH110121L	8	Bolt
7	FRC7499	1	Ring retaining



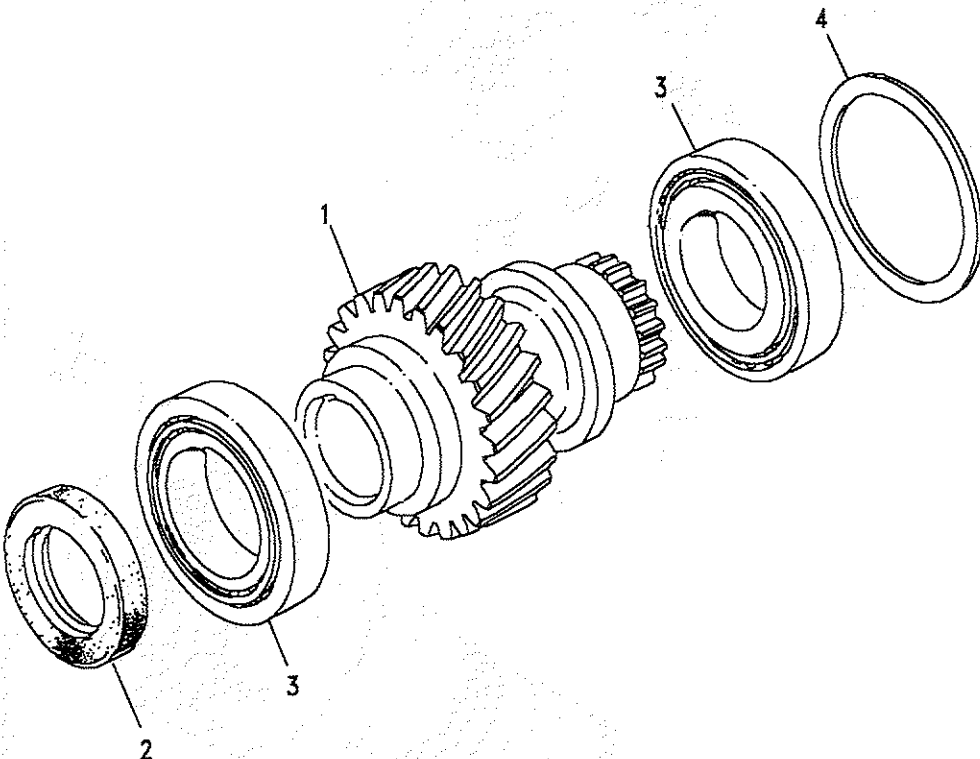


Model DEFENDER 90

Page ADDBIA1A

TRANSFER GEARBOX - MAINSHAFT - 4CYL/LT77S

III. Part No.	Description	Qty	Remarks
1 FRC5428	Gear mainshaft	1	)13D,22D )Suffix B
FRC8917	Gear mainshaft	1	22D Suffix C
FTC4188	Gear mainshaft	1	Note(1)
2 FRC2365	Seal oil	1	Note(2)
3 FRC5564	Bearing	2	
4 FRC9926	Shim 3.15	A/R	
FRC9928	Shim 3.20	A/R	
FRC9930	Shim 3.25	A/R	
FRC9932	Shim 3.30	A/R	
FRC9934	Shim 3.35	A/R	
FRC9936	Shim 3.40	A/R	
FRC9938	Shim 3.45	A/R	
FRC9940	Shim 3.50	A/R	
FRC9942	Shim 3.55	A/R	
FRC9944	Shim 3.60	A/R	
FRC9946	Shim 3.65	A/R	
FRC9948	Shim 3.70	A/R	
FRC9950	Shim 3.75	A/R	
FRC9952	Shim 3.80	A/R	
FRC9954	Shim 3.85	A/R	
FRC9956	Shim 3.90	A/R	
FRC9958	Shim 3.95	A/R	
FRC9960	Shim 4.00	A/R	
FRC9962	Shim 4.05	A/R	



Note(1) From MA939976  
 Note(2) Part of gasket kit RTC3890





DEFENDER 90

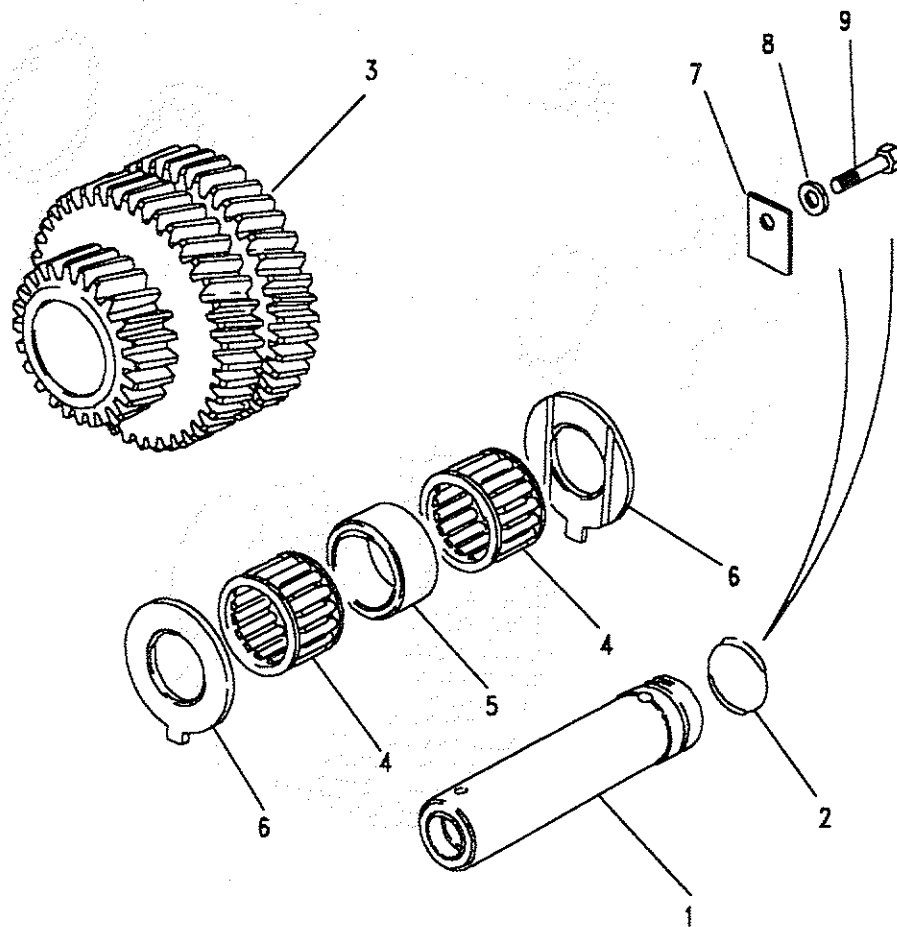
437

TRANSFER BOX

Model DEFENDER 90  
Page ADDBIA2A

TRANSFER GEARBOX - INTERMEDIATE SHAFT - 4 CYL - PREFIX 13D

III. Part No.	Description	Qty	Remarks
1	FRC5454	1	Intermediate shaft
	FRC3196	2	Plug shaft
2	532323	1	O ring
3	FRC5424	1	Gear intermediate
4	594290	2	Bearing needle
5	FRC2317	1	Spacer
6	FRC6861	2	Washer thrust
7	FRC5494	1	Plate retaining
8	WA108051L	1	Washer
9	FS108201L	1	Bolt



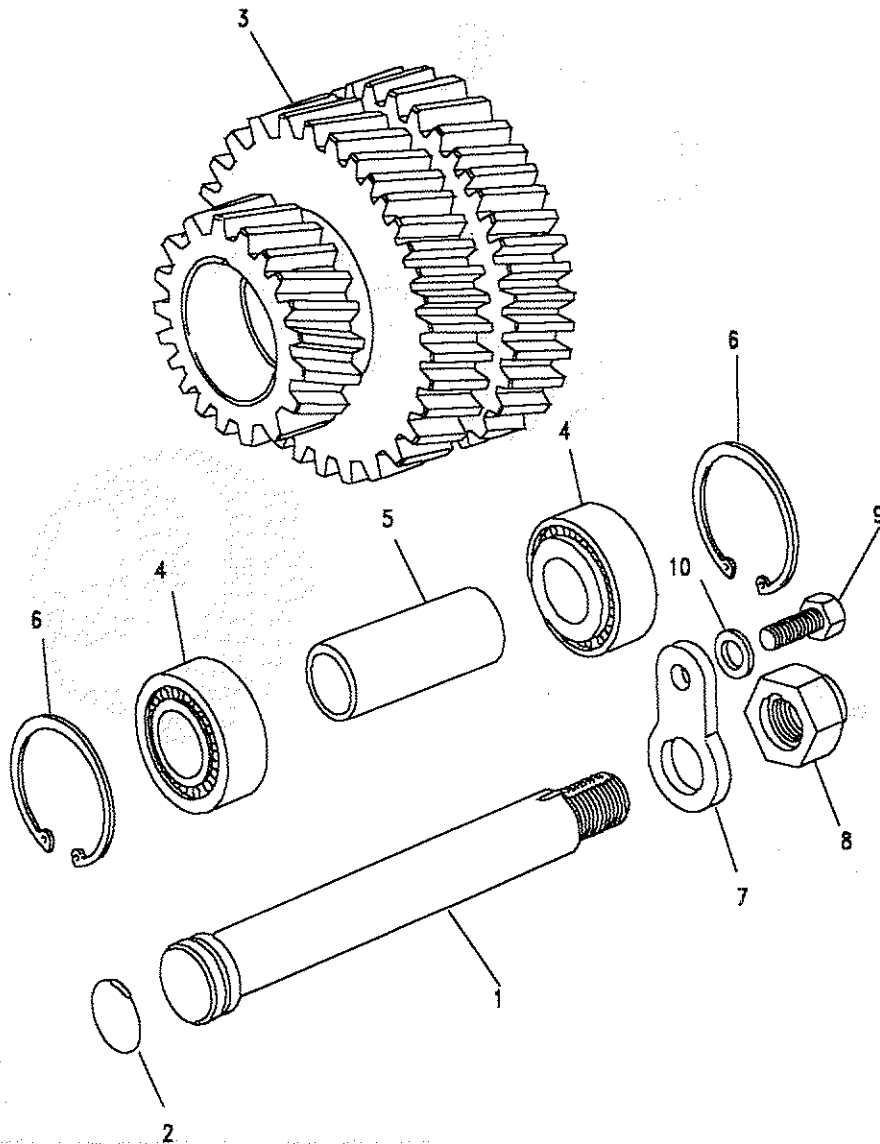


Model DEFENDER 90  
Page ADDBIA3A

TRANSFER GEARBOX - INTER/SHAFT - 4CYL/LT77S - PREFIX 22D,32D

III. Part No.	Description	Qty	Remarks
1	FRC8291 Intermediate shaft	1	
2	FRC7439 O ring	1	Note(1)
3	FRC7884 Gear intermediate	1	22DSuffix B
	FRC9460 Gear intermediate	1	22D Suffix C
	FRC9552 Gear intermediate	1	32D Note(2)
	FTC4190 Gear intermediate	1	Note(3)
	FRC8292 O ring	2	32D
4	FRC7810 Bearing	2	
5	FRC7437 Spacer collapsible	1	
6	FRC7454 Circlip	2	
7	FRC7452 Plate anti rotation	1	
8	FRC7453 Nut	1	
9	FS108201L Screw	1	
10	WA108051L Washer	1	

Note(1) Part of gasket kit RTC3890  
Note(2) Up to LA939975  
Note(3) From MA939976



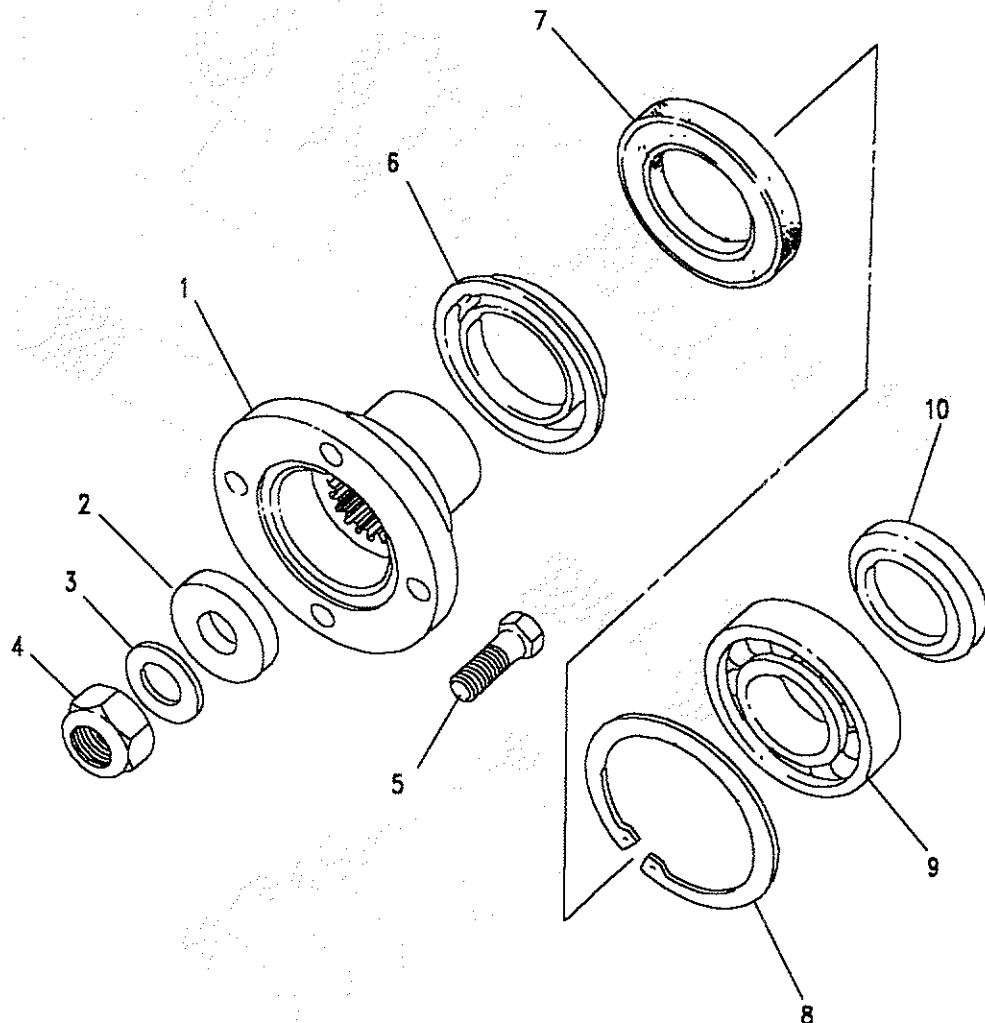


Model DEFENDER 90  
Page ADDBIA4A

TRANSFER GEARBOX - FRONT FLANGE - 4 CYL/LT77S

III. Part No.	Description	Qty	Remarks
1	FRC5442	1	Flange output front
2	FRC2464	2	Washer sealing
3	571468	1	Washer
4	NY120041L	1	Nut
5	BT606101L	4	Bolt
6	FRC6121	1	Mudshield
7	FRC7043	2	Seal oil
8	216962	1	Circlip
9	STC1130	1	Bearing
10	FRC5439	1	Spacer

Note(1) Part of gasket kit RTC3890



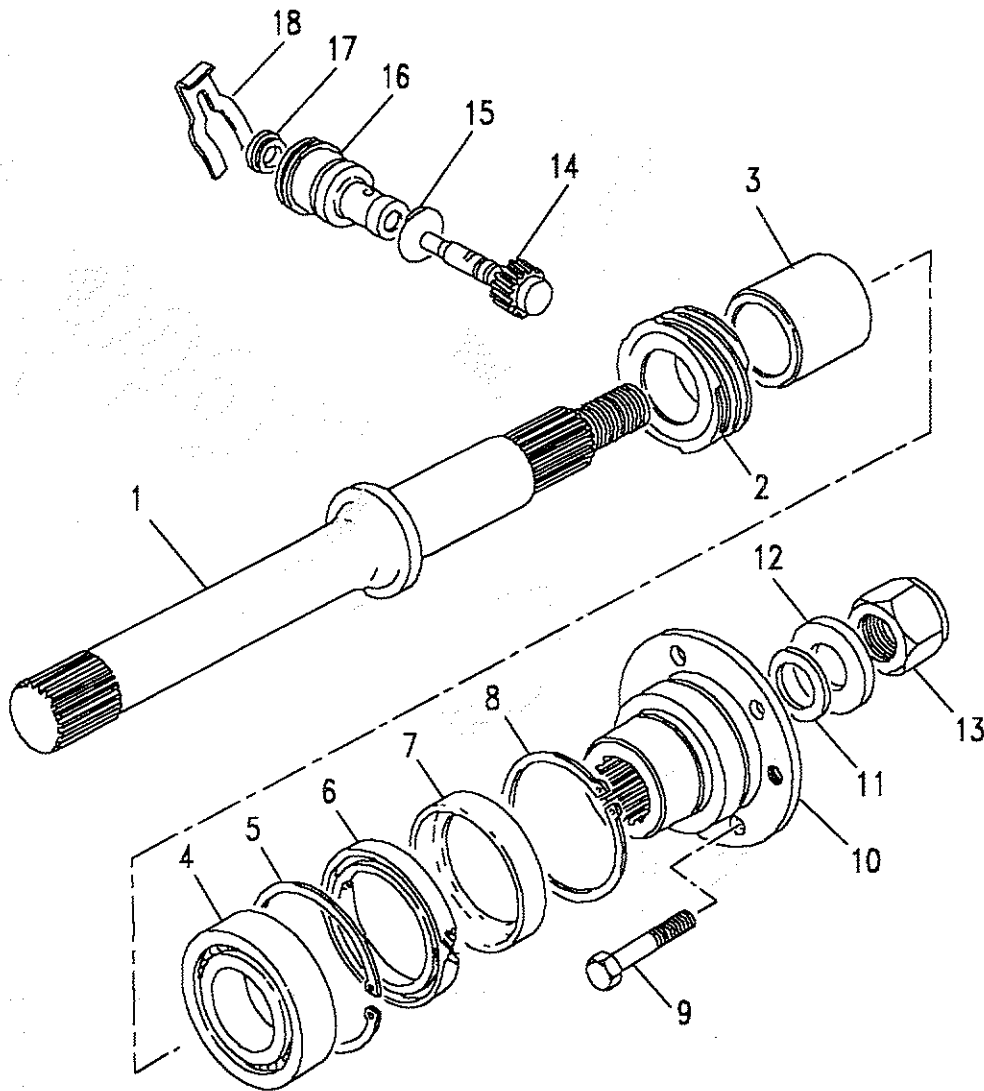


Model DEFENDER 90  
Page ADDBIA5A

TRANSFER GEARBOX - REAR FLANGE - 4 CYL/LT77S

III. Part No.	Description	Qty	Remarks
1	FRC5450	1	Shaft rear output
2	FRC3162	1	Worm speedo
3	FRC5446	1	Spacer
4	STC1130	1	Bearing
5	216962	1	Circlip
6	FRC7043	1	Seal oil
7	571970	1	Oil Shield
8	571682	1	Circlip
9	FRC3602	1	Bolt
10	FRC5438	1	Flange output rear
11	FRC2464	1	Washer sealing
12	571468	1	Washer
13	NY120041L	1	Nut
14	FRC3310	1	Gear speedo drive
	FRC3312	1	Gear driven speedometer
	FRC3313	1	Gear speedo drive
15	571665	1	O ring
16	FRC3286	1	Housing
17	AAU2304	1	Seal oil
18	533765	1	Plate retaining

Note(1) Part of gasket kit RTC3890  
 Note(2) Vehicles fitted with 750x16 tyres (20 teeth BLUE)  
 Note(3) Vehicles fitted with 205x16 tyres (22 teeth YELLOW)

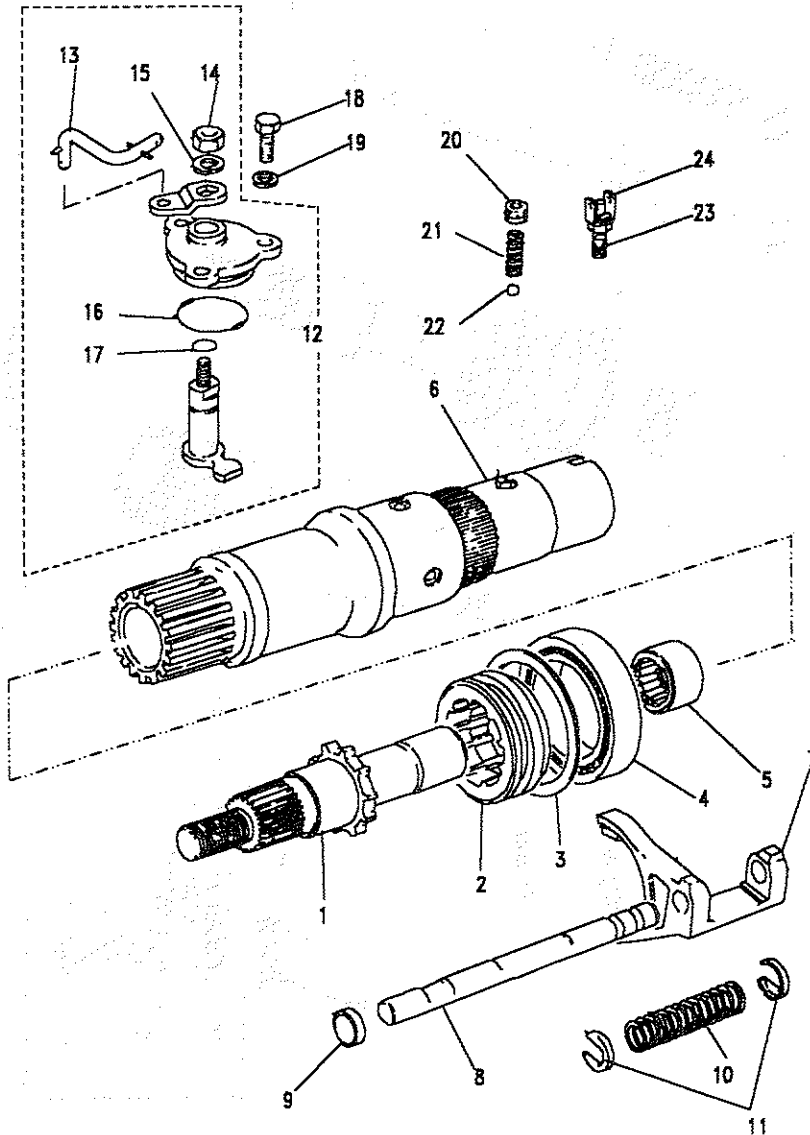




Model DEFENDER 90

Page ADDBIA6A

TRANSFER GEARBOX - FRONT OUTPUT SHAFT - 4 CYL - PREFIX 13D



III. Part No.

Description

Qty Remarks

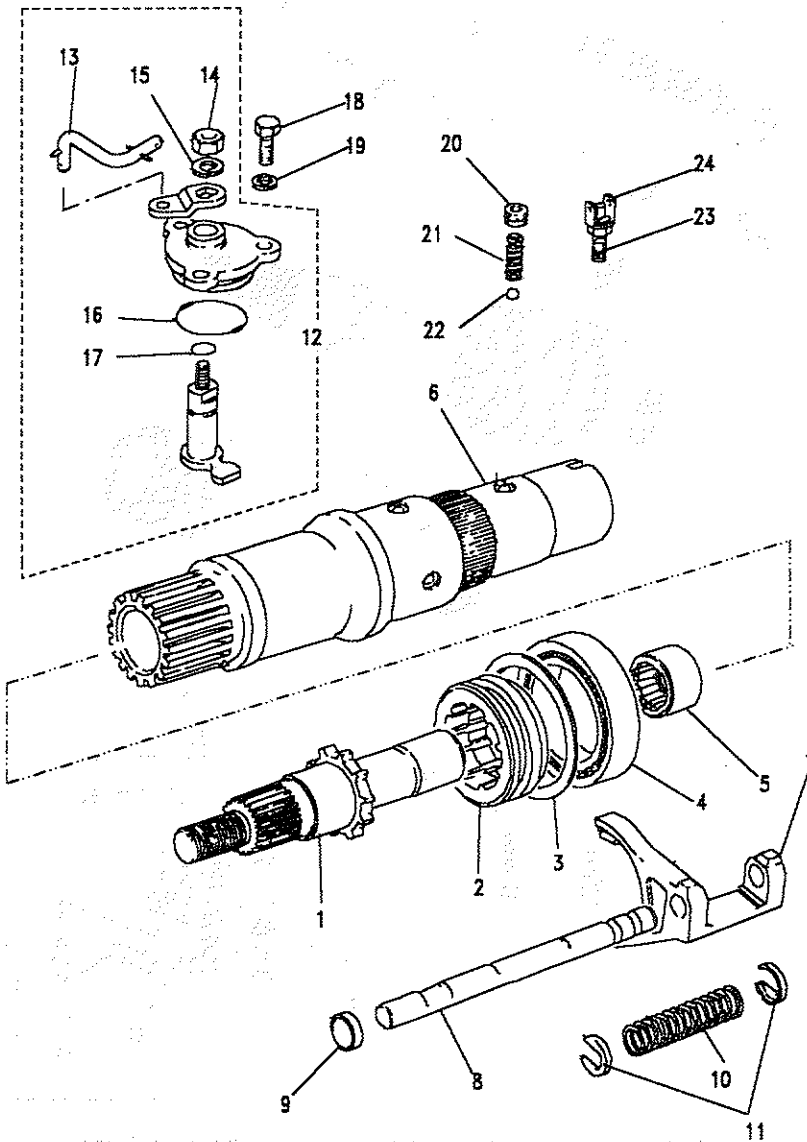
1	FRC5449	Shaft output front	1
2	FRC5440	Dog clutch diff lock	1
3		SELECTIVE SHIMS	
	FTC726	Shim 2.00mm	1
	FTC728	Shim 2.05mm	1
	FTC730	Shim 2.10mm	1
	FTC732	Shim 2.15mm	1
	FTC734	Shim 2.20mm	1
	FTC736	Shim 2.25mm	1
	FTC738	Shim 2.30mm	1
	FTC740	Shim 2.35mm	1
	FTC742	Shim 2.40mm	1
	FTC744	Shim 2.45mm	1
	FTC746	Shim 2.50mm	1
	FTC748	Shim 2.55mm	1
	FTC750	Shim 2.60mm	1
	FTC752	Shim 2.65mm	1
	FTC754	Shim 2.70mm	1
	FTC756	Shim 2.75mm	1
	FTC758	Shim 2.80mm	1
	FTC760	Shim 2.85mm	1
	FTC762	Shim 2.90mm	1
	FTC764	Shim 2.94mm	1
	FTC766	Shim 3.00mm	1
	FTC768	Shim 3.05mm	1
	FTC770	Shim 3.10mm	1
	FTC772	Shim 3.15mm	1
	FTC774	Shim 3.20mm	1
	FTC776	Shim 3.25mm	1





Model DEFENDER 90  
Page ADDBIA6A

TRANSFER GEARBOX - FRONT OUTPUT SHAFT - 4 CYL - PREFIX 13D



III. Part No.	Description	Qty	Remarks
4	FRC7871	1	Bearing taper
5	FRC5498	1	Bearing roller
6	FRC6069	1	Shaft main drive
7	FRC6109	1	Fork selector
8	FRC6030	1	Shaft selector
9	FRC6110	1	Plug
10	FRC5468	1	Spring diff lock
11	FRC5469	2	Clip
12	FRC7686	1	Selector assembly
13	FRC7652	1	Link
14	NY108051L	1	Nut
15	WA108051L	1	Washer spring
16	FRC5473	1	O ring
17	FRC5576	1	O ring
18	SH108251L	3	Bolt M8x25
19	FS108251ML	3	Bolt M8x25 flanged
20	WA108051L	3	Washer spring
21	SU112101L	1	Plug detent
22	FRC5562	1	Spring detent
23	571146	1	Ball detent
24	PRC2911	1	Switch diff lock
	NT110041L	1	Locknut



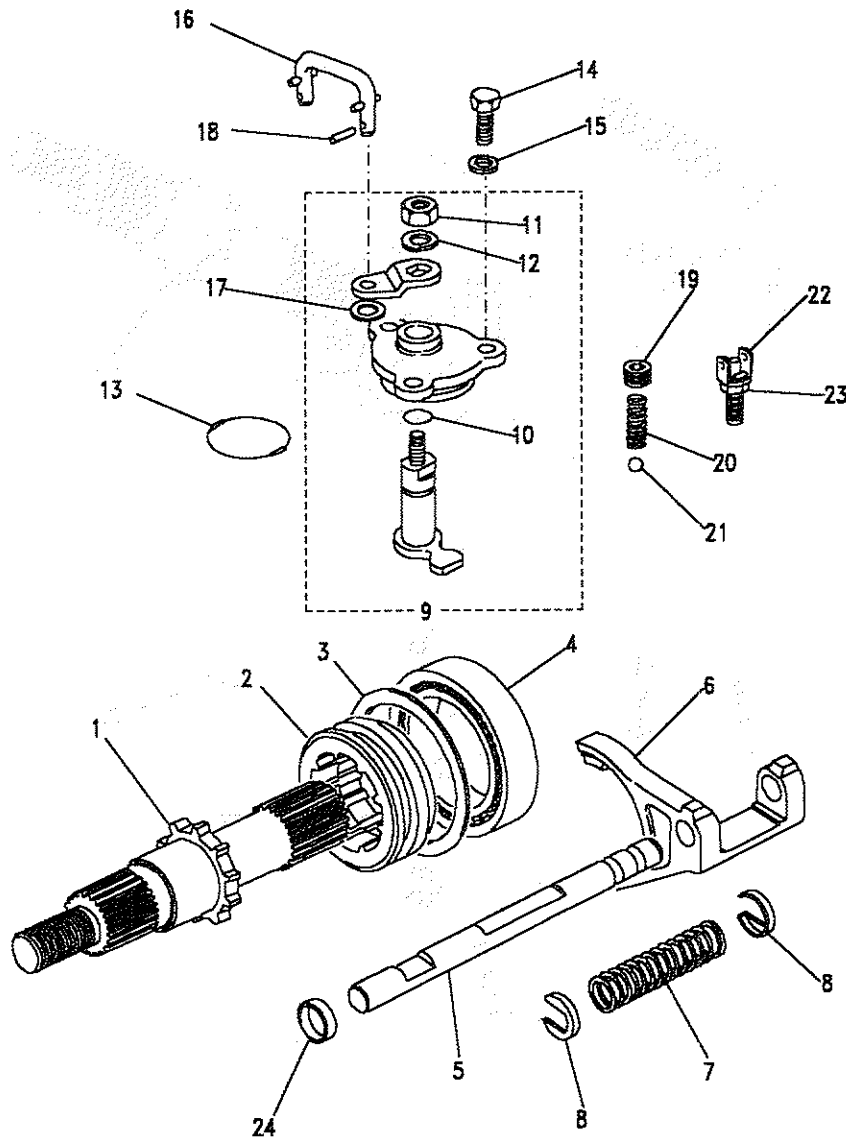


Model DEFENDER 90  
Page ADDBIA7A

TRANSFER GEARBOX - FRONT OUTPUT SHAFT - 4 CYL/LT77S 22D,32D

III. Part No. Description Qty Remarks

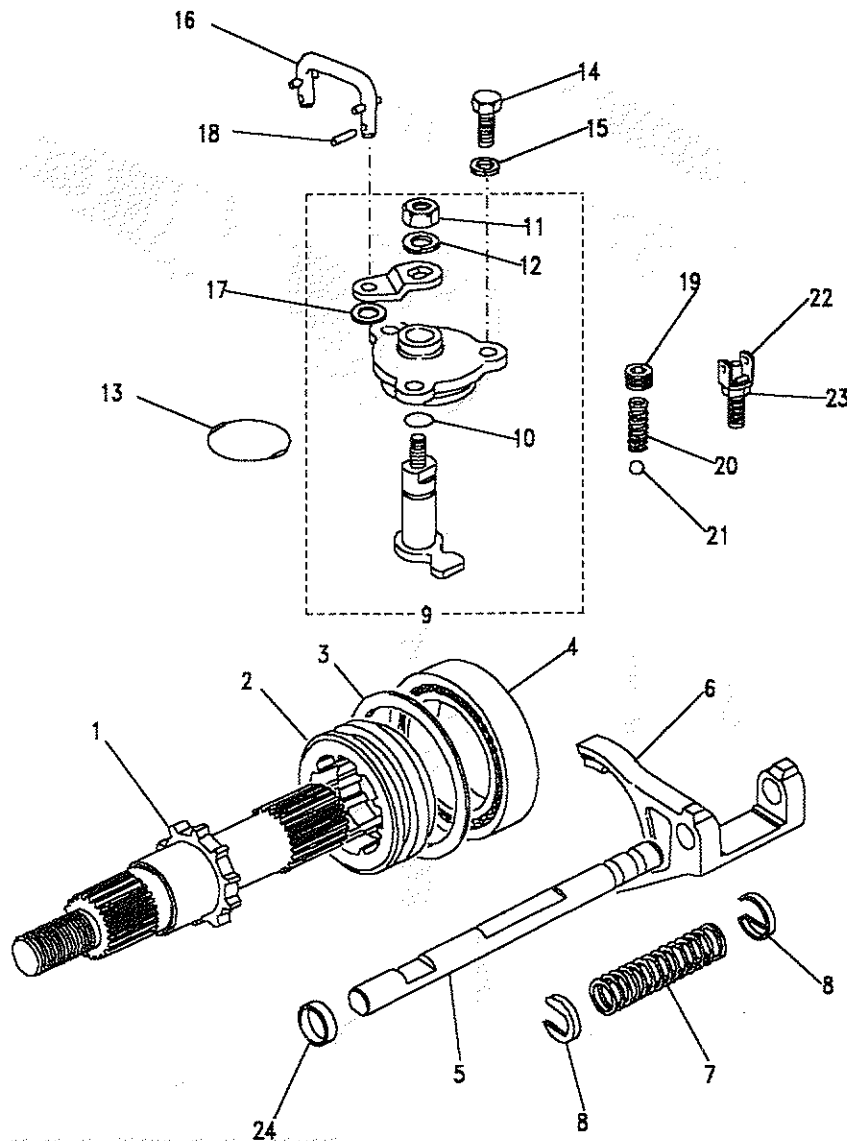
1	FRC5449	Shaft output front	1
2	FRC5440	Dog clutch diff lock	1
3		SELECTIVE SHIMS	
	FTC726	Shim 2.00mm	1
	FTC728	Shim 2.05mm	1
	FTC730	Shim 2.10mm	1
	FTC732	Shim 2.15mm	1
	FTC734	Shim 2.20mm	1
	FTC736	Shim 2.25mm	1
	FTC738	Shim 2.30mm	1
	FTC740	Shim 2.35mm	1
	FTC742	Shim 2.40mm	1
	FTC744	Shim 2.45mm	1
	FTC746	Shim 2.50mm	1
	FTC748	Shim 2.55mm	1
	FTC750	Shim 2.60mm	1
	FTC752	Shim 2.65mm	1
	FTC754	Shim 2.70mm	1
	FTC756	Shim 2.75mm	1
	FTC758	Shim 2.80mm	1
	FTC760	Shim 2.85mm	1
	FTC762	Shim 2.90mm	1
	FTC764	Shim 2.95mm	1
	FTC766	Shim 3.00mm	1
	FTC768	Shim 3.05mm	1
	FTC770	Shim 3.10mm	1
	FTC772	Shim 3.15mm	1
	FTC774	Shim 3.20mm	1
	FTC776	Shim 3.25mm	1





Model DEFENDER 90  
Page ADDBIA7A

TRANSFER GEARBOX - FRONT OUTPUT SHAFT - 4 CYL/LT77S 22D,32D



III. Part No.	Description	Qty	Remarks
4	FRC7871 Bearing taper	1	
5	FRC6030 Shaft selector	1	
6	FRC6109 Fork Selector	1	
7	FRC5468 Spring	1	
8	FRC5469 Clip	2	
9	FRC8041 Housing assembly	1	
10	FRC5576 O ring	1	
11	NY108041L Nut	1	
12	WA108051L Washer	1	
13	FRC5473 O ring	1	
14	SH108251L Screw	3	
15	WA108051L Washer	3	
16	FRC7948 Link assembly	1	Note(1)
	FRC8544 Link assembly	1	Note(3)
	FTC3698 Link connecting	1	Note(2)
17	WA106041L Washer	2	
18	PS103121L Pin split	2	Note(2)
19	SU112101L Plug detent	1	
	SU112101M Plug detent	1	Note(4)
20	FRC5562 Spring detent	1	
21	571146 Ball detent	1	
22	PRC2911 Switch diff lock	1	
23	NT110041L Nut locking	1	
24	FRC6110 Plug	1	

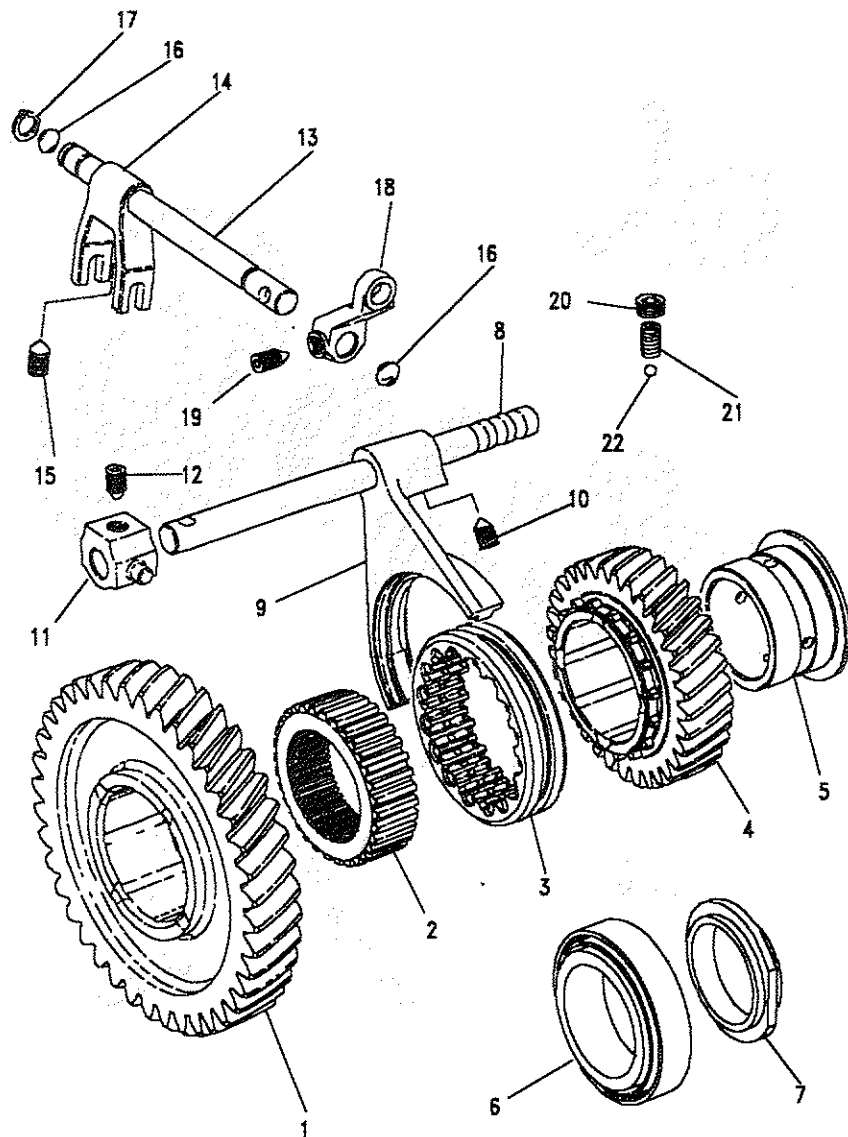
- Note(1) Early type connecting link (Dog Legged Shape)
- Note(2) From 28D274898E (spring clip retainer)
- Note(3) Up to 28D274897E (split pin retainer)
- Note(4) From 28D274402E (patchlock)





Model DEFENDER 90  
Page ADDBKA1A

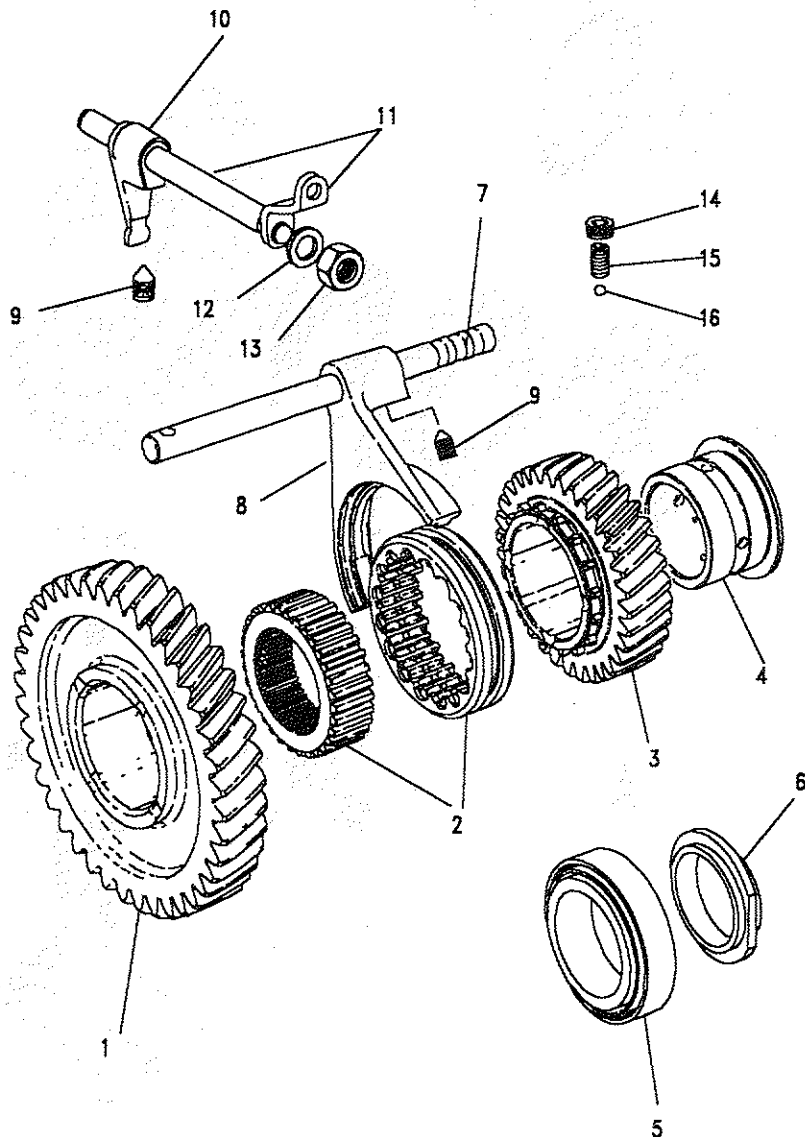
TRANSFER GEARBOX - HIGH/LOW - 4 CYL - PREFIX 13D



III. Part No.	Description	Qty	Remarks
1	FRC5435 Gear output LOW	1	
2	FRC5681 Hub	1	
3	FRC7326 Sleeve	1	
4	FRC5425 Gear output HIGH	1	
5	FRC5436 Bush	1	
6	606474 Bearing	1	
7	FRC6098 Nut	1	
8	FRC5459 Shaft selector	1	
9	FTC2859 Fork selector	1	
10	FRC7018 Screw	1	
11	FRC5460 Yoke	1	
12	FRC7018 Screw	1	
13	FRC7021 Shaft	1	
14	FRC5461 Fork-Selector-Cross Shaft	1	
15	FRC7018 Grub Screw	1	
16	FRC5575 'O' Ring	2	Note(1)
17	CR120125L Circlip	1	
18	FRC5465 Operating Arm	1	
19	FRC7018 Screw-Operating Arm	1	
20	SU112101L Plug-Detent	1	
21	FRC5562 Spring Detent	1	
22	571146 Ball Detent	1	

Note(1) Part of gasket kit RTC3890





Model DEFENDER 90  
 Page ADDBKA2A

TRANSFER GEARBOX - HIGH/LOW - 4 CYL/LT77S 22D,32D

III. Part No.	Description	Qty	Remarks
1	FRC7434	1	22D-to suf D
	FTC1084	1	22D-suf E on
	FTC1084	1	32D
2	RTC4373	1	22D-to suf D
	FTC382	1	22D-suf E on
	FTC382	1	32D
3	FRC7885	1	22D-to suf D
	FTC1741	1	22D-suf E on
	FTC1085	1	32D Note(1)
	FTC4189	1	Note(2)
4	FRC7441	1	
5	606474	1	
6	FRC7970	1	
7	FRC9513	1	
8	FTC2859	1	
9	FRC7018	1	
10	FRC7929	1	
11	FRC8900	1	
12	WA108051L	1	
13	NY108041L	1	
14	SU112101L	1	)Suffix B
	SU112101M	1	From 28D274402E
15	FRC5562	1	)
14	FRC9549	1	)Suffix C
15	FRC9546	1	)
16	571146	1	

Note(1) Up to LA939975  
 Note(2) From MA939976



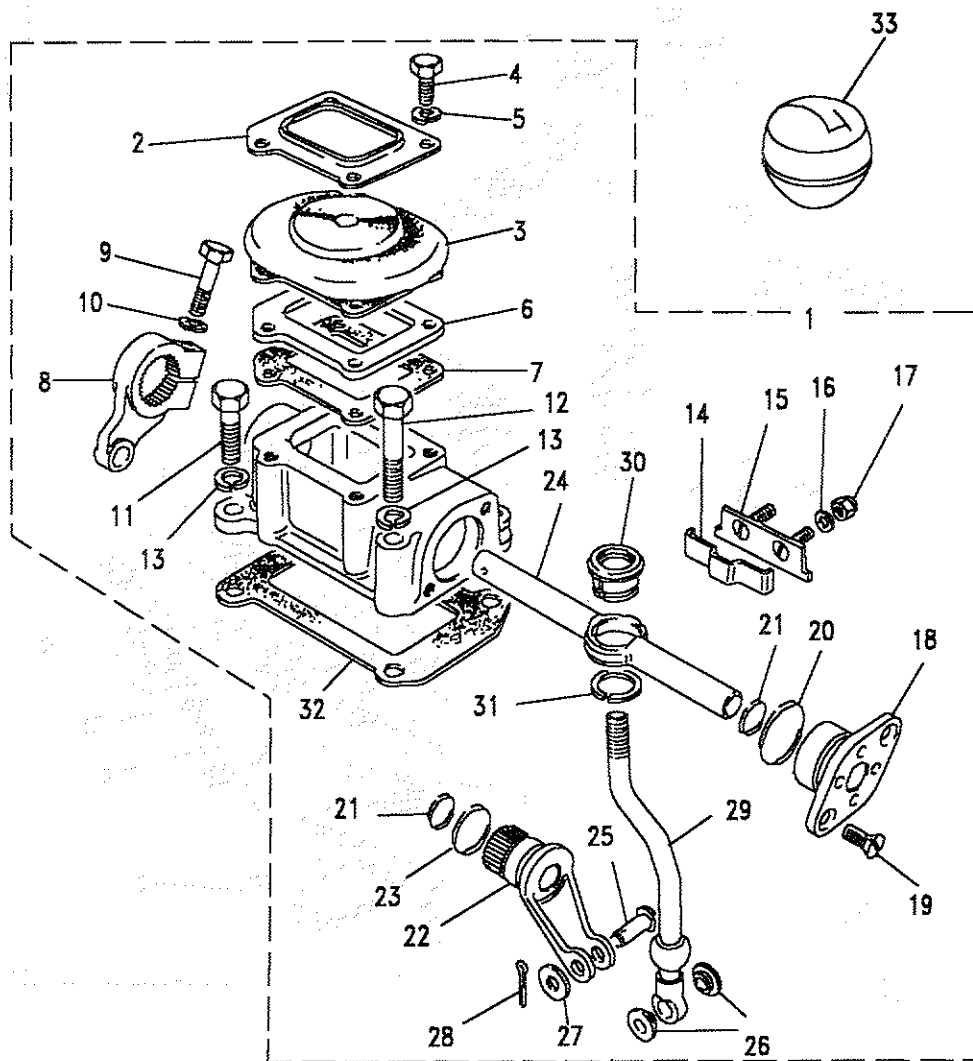


Model DEFENDER 90  
Page ADDBMA1A

TRANSFER GEARBOX - GEAR CHANGE - 4 CYL - PREFIX 13D

III. Part No.	Description	Qty	Remarks
1	FRC7941	1	Gear change assembly
2	FRC6873	1	Plate
3	FRC6872	1	Grommet
4	FS106201L	4	Screw
5	WA108051L	4	Washer
6	FRC5482	1	Gate plate
	FRC7944	1	Gate plate Note(1)
7	FTC4037	1	Gasket asb free
8	FRC5478	1	Arm operating
9	BH106051L	1	Bolt
10	WL106001L	1	Washer
11	SH108251L	2	Bolt
12	BH108111L	2	Bolt
13	WL108001L	4	Washer
14	RTC1956	1	Spring detent
15	FRC6125	1	Retainer spring
16	WA105001L	2	Washer
17	NY105041L	2	Nut
18	FRC5574	1	Cover end

Note(1) FRC7944 gate plate is required when converting LT230R to LT230T

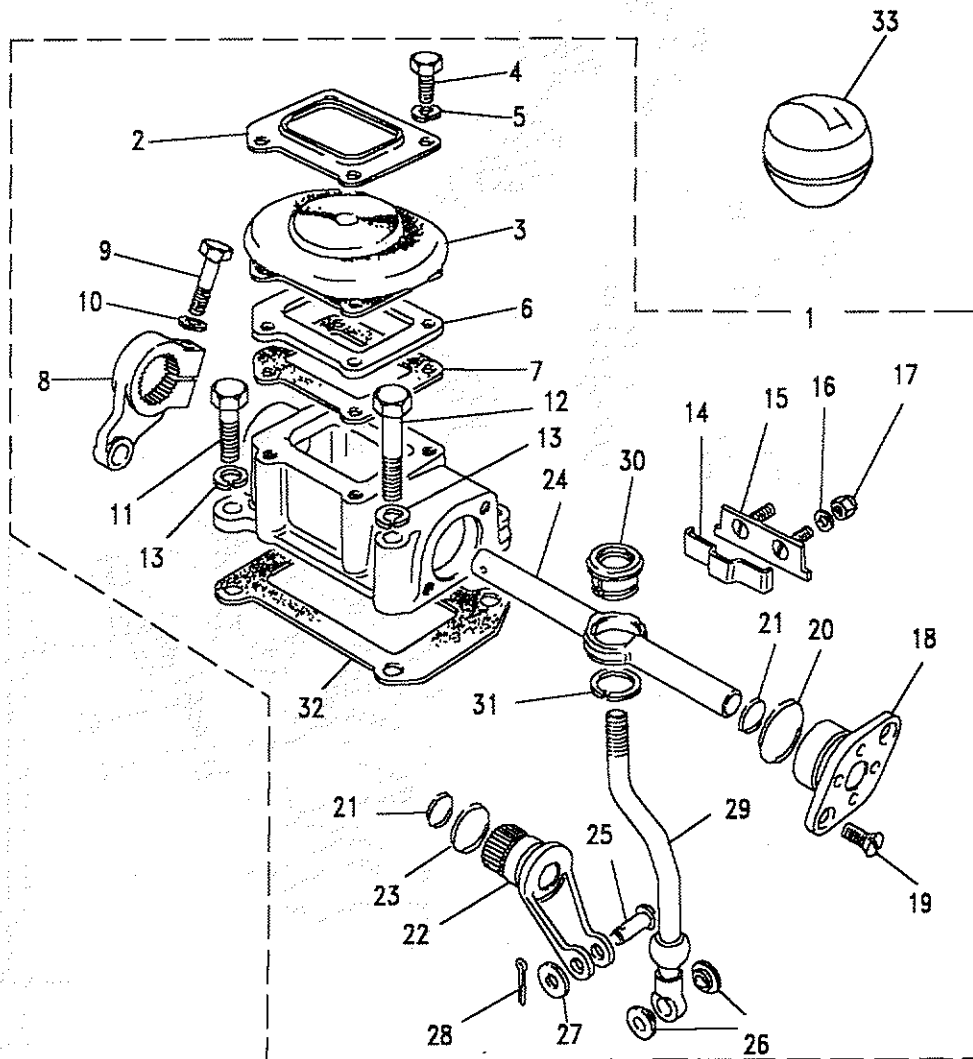




Model DEFENDER 90  
 Page ADDBMA1A

TRANSFER GEARBOX - GEAR CHANGE - 4 CYL - PREFIX 13D

III. Part No.	Description	Qty	Remarks
19	SF106201L Screw	2	
20	FRC4565 O Ring	1	
21	FRC4509 O Ring	2	
22	FRC5480 Arm crank	1	
23	FRC5479 O ring	3	
24	FRC6117 Cross shaft	1	
25	PC108321L Pin clevis	1	
26	FRC4499 Bush	2	
27	WA108051L Washer	1	
28	PS104127L Pin split	1	
29	FRC7487 Lever	1	
30	FRC5076 Seat	1	
31	CR120215L Circlip	1	
32	FRC6306 Gasket	1	Upto 20D299332E
	FTC4036 Gasket	1	From 20D299333E
33	FRC6595 Knob	1	Up to LA935624
	FTC3852 Knob	1	From LA935625

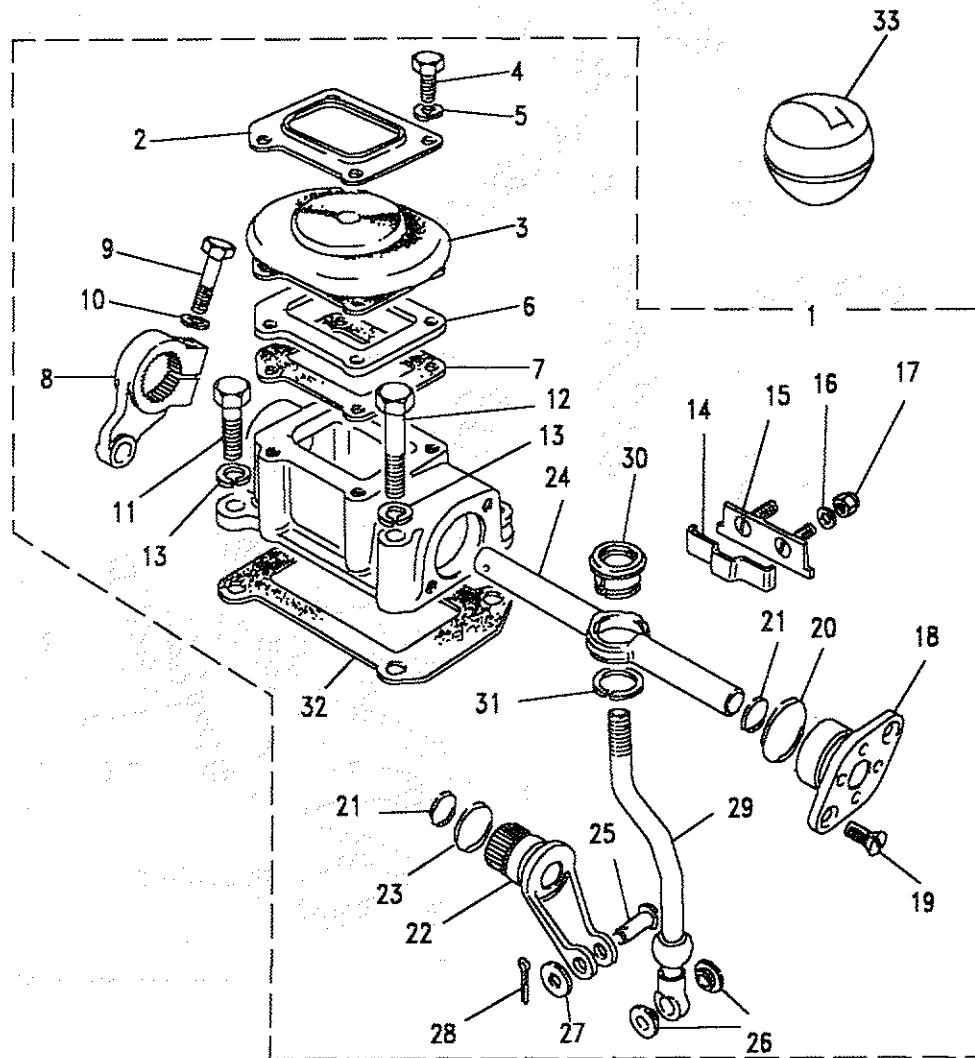




Model DEFENDER 90  
Page ADDBMA1A

TRANSFER GEARBOX - GEAR CHANGE - 4 CYL/LT77S 22D,32D

III. Part No.	Description	Qty	Remarks
1	FRC9555	1	Gear change assembly
2	FRC6873	1	Plate
3	FRC6872	1	Grommet
4	FS106201L	4	Screw
5	WA106041L	4	Washer
6	FRC8561	1	Plate gasket
7	FRC5486	1	Gasket
	FTC4037	1	Gasket
8	FRC5478	1	Arm operating
9	BH106051L	1	Bolt
10	WA106041L	1	Washer
11	FS108251ML	2	Screw flanged patchlock
12	BH108111L	2	Bolt
13	WL108001L	4	Washer spring
14	RTC1956	1	Detent Spring
15	FRC6125	1	Retainer spring
16	WA105001L	2	Washer
17	NY105041L	2	Nut
18	FRC5574	1	Cover end





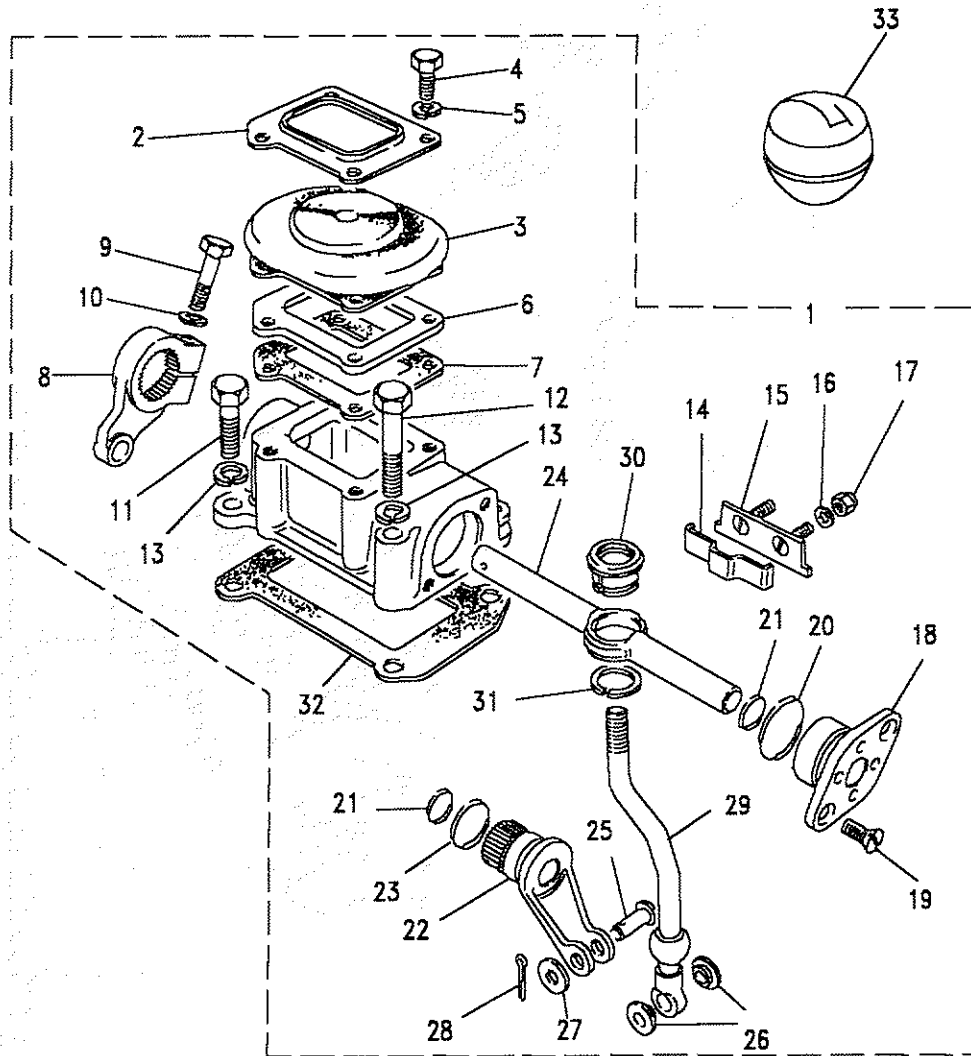
Model DEFENDER 90

Page AADBMA1A

TRANSFER GEARBOX - GEAR CHANGE - 4 CYL/LT77S 22D,32D

III. Part No.	Description	Qty	Remarks
19	SF106201L Screw	2	
20	FRC4565 O ring	1	
21	FRC4509 O ring	2	
22	FRC5480 Crank arm	1	
23	FRC5479 O ring	1	
24	FRC8203 Cross shaft	1	
25	FRC8766 Pin clevis	1	
26	FRC4499 Bush	2	
27	WA108051L Washer	1	
28	PS104127L Pin-split	1	
29	FRC7487 Lever gear change	1	
30	FRC5076 Seat	1	
31	CR120215 Circlip	1	
32	FRC6306 Gasket	1	Upto 20D299332E
	FTC4036 Gasket	1	From 20D299333E
33	FRC6595 Knob	1	Note(1)
	FTC3852 Knob	1	Note(2)

Note(1) Up to LA935624  
Note(2) From LA935625



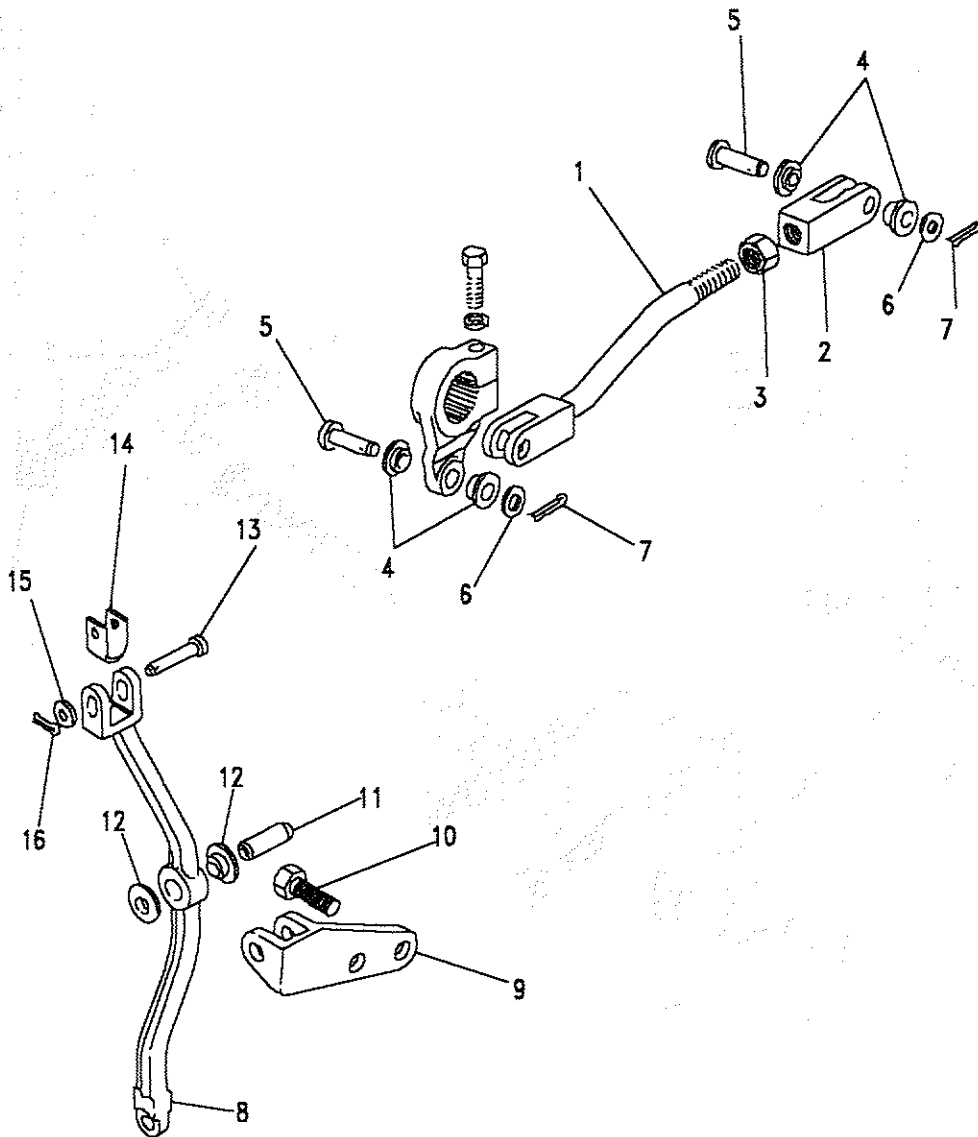


Model DEFENDER 90  
Page ADDBMA3A

TRANSFER GEARBOX - ROD ASSY - 4CYL - PREFIX 13D

Ill. Part No.	Description	Qty	Remarks
1	FRC6000	1	
	FTC3675	1	Note(1)
2	FRC5998	1	
3	NY108041L	1	
4	FRC4499	4	
5	PC108321L	2	
6	WA108051L	2	
7	PS104127L	2	
8	FRC7315	1	
9	FRC6066	1	
10	SH108251L	2	
11	FRC7325	1	
12	FRC4499	2	
13	PC105401L	1	
14	FRC4505	1	
15	WA105001L	1	
16	PS103101L	1	

Note(1) From 28D27489E



Model DEFENDER 90

Page AADBMA2A

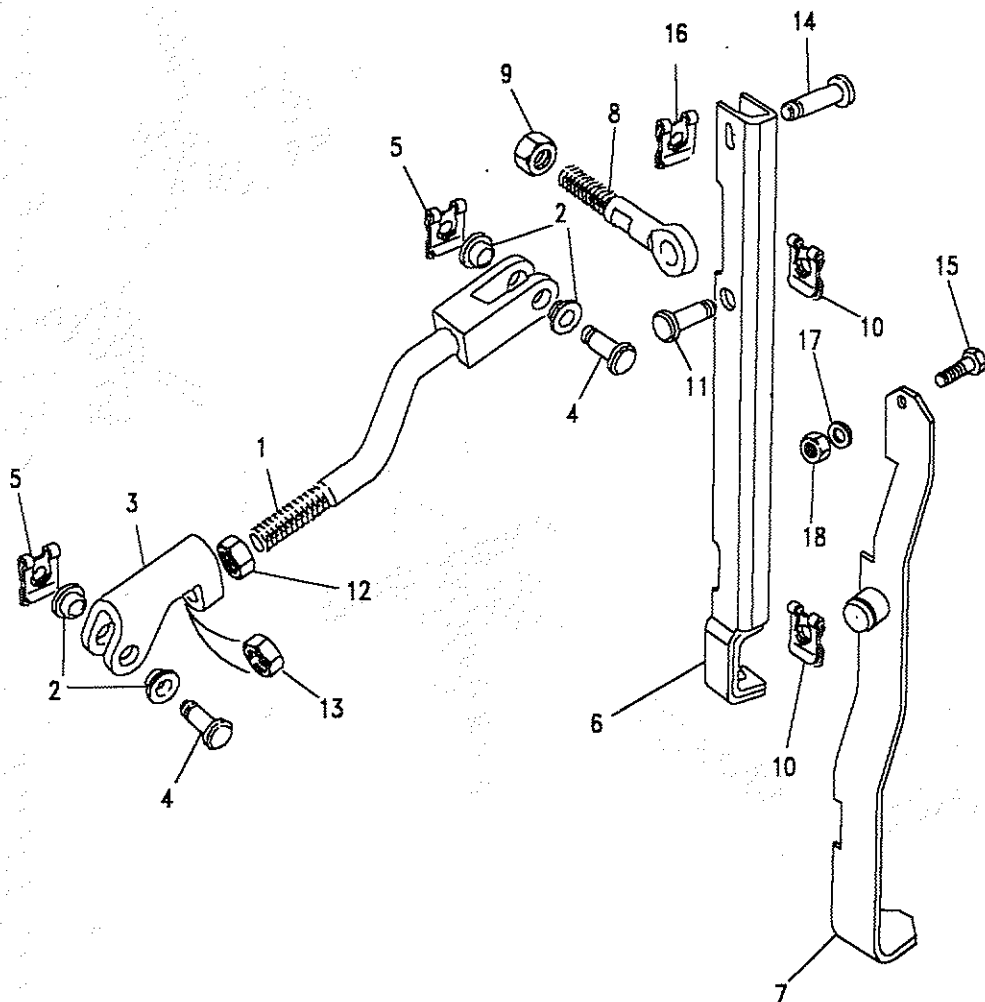
TRANSFER GEARBOX - ROD ASSY - 4CYL/LT77S 22D,32D

III. Part No. Description Qty Remarks

Without Pivot

1	FRC6000	Rod connecting	1	
2	FRC4499	Bush	4	
3	FRC8075	Clevis	1	
4	FRC8767	Pin clevis	2	
5	FRC8548	Clip	2	
6	FRC8204	Arm diff lock	1	Note(1)
7	FTC4095	Arm diff lock	1	Note(2)
8	FRC8202	Pin pivot	1	
9	NH108041L	Nut	1	
10	FRC8548	Clip	2	
11	FRC8547	Pin clevis	1	
12	NY108041L	Nut	1	
13	NT108041L	Nut	1	
14	FRC8768	Pin clevis	1	Note(1)
15	FB105051L	Bolt M5	1	Note(2)
16	FRC8769	Clip	1	Note(1)
17	WA106041L	Washer	1	Note(2)
18	NY105041	Nut	1	Note(2)

Note(1) Up to LA939975  
 Note(2) From MA939976





Model DEFENDER 90

Page ADDBMA4A

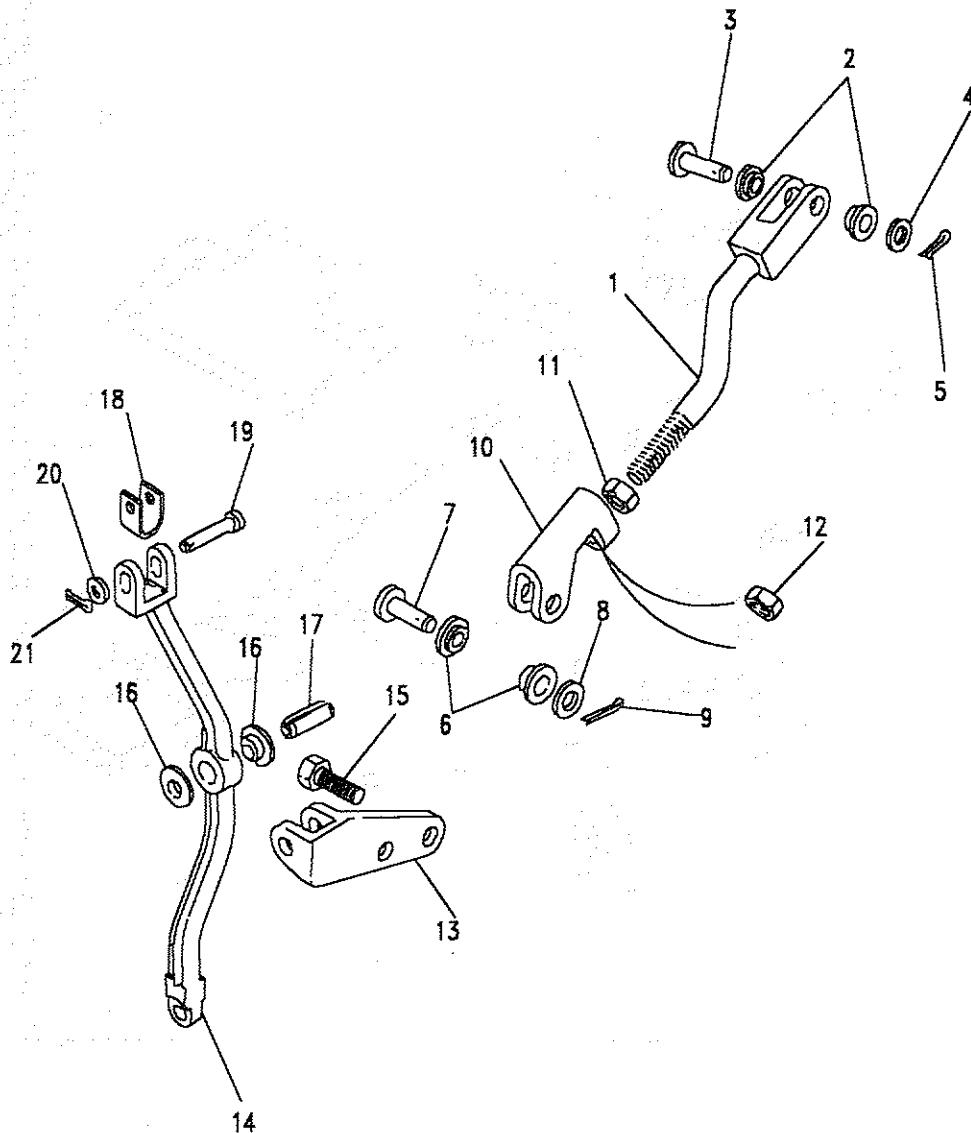
TRANSFER GEARBOX - ROD ASSY - 4CYL/LT77S 22D,32D

III. Part No.	Description	Qty	Remarks
---------------	-------------	-----	---------

With Pivot

1	FRC6000	1	Rod connecting
	FTC3675	1	Rod connecting
2	FRC4499	2	Bush
3	PC108321L	1	Pin clevis
4	WA108051L	1	Washer
5	PS104127L	1	Pin split
6	FRC4499	2	Bush
7	PC108321L	1	Pin clevis
8	WA108051L	1	Washer
9	PS104127L	1	Pin split
10	FRC8075	1	Clevis
11	NY108041L	1	Nut
12	NT108041L	1	Nut
13	FRC6066	1	Bracket pivot
14	FRC7315	1	Lever diff lock
15	SH108251L	2	Screw
16	FRC4499	2	Bush
17	FRC7325	1	Pin
18	FRC4505	1	Nylon Strip
19	PC105401L	1	Pin clevis
20	WA105001L	1	Washer
21	PS103101L	1	Pin split

Note(1) From 28D274489E

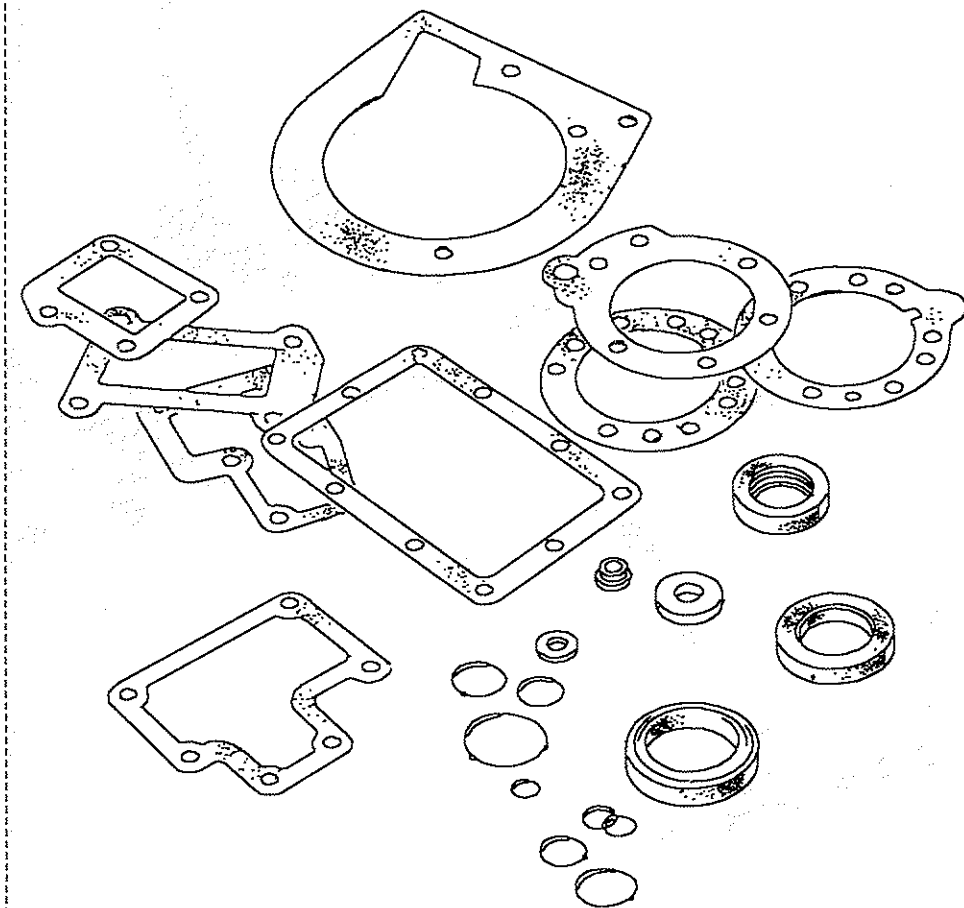




Model DEFENDER 90  
Page ADDBPA1A

TRANSFER GEARBOX - GASKET KIT - 4CYL/LT77S

III. Part No.	Description	Qty	Remarks
1 RTC3890	Kit gasket and seals	1	



1





Model DEFENDER 90  
Page ADDBRA1A

TRANSFER GEARBOX - TRANSMISSION BRAKE - 4 CYL/LT77S

Ill. Part No.

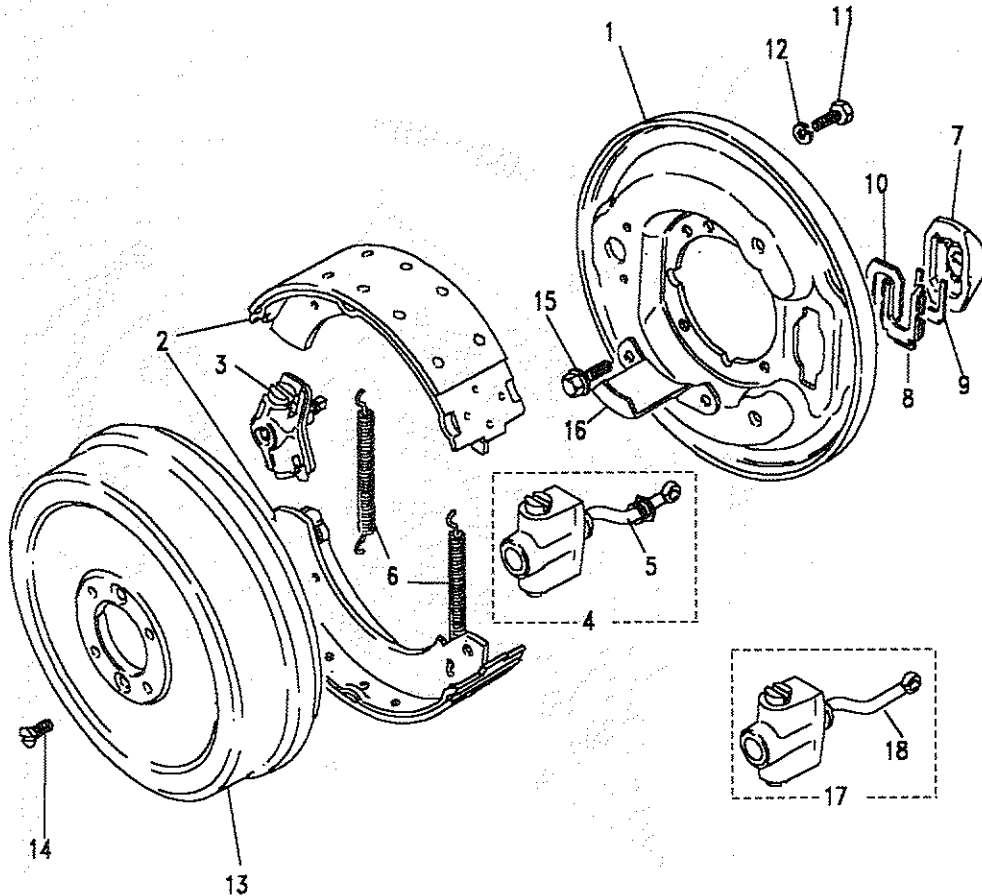
Description

Qty Remarks

Up to LA935629

1	AEU2733	Back plate	1	)
2	RTC3403	Kit brake shoe	1	)RIVETED
3	37H4558L 8G7019L	Adjuster assembly Kit service	1	)Upto )JULY 1989
1	STC963	Back plate	1	)
2	RTC6179	Kit brake shoe	1	)BONDED
3	STC244 STC245	Adjuster assembly Kit service	1	)From )JULY 1989
4	AEU2734	Expander brake	1	Note(1)
5	AEU2735	Kit service	1	)
5	AEU2736	Drawlink-with locknut	1	OLD TYPE
6	FRC8549	Spring shoe return-GREEN	2	UptoJULY1989
	STC246	Spring shoe return-PAIR	1	FromJULY1989
7	515466	Cover dust	1	
8	515467	Plate locking	1	
9	515470	Plate packing	1	
10	515468	Plate spring	1	
11	AEU2737	Bolt	2	
12	AEU2738	Washer	2	
13	FRC3502	Drum brake	1	
14	SA108201L	Screw	2	
15	AFU1400	Bolt transmission brake	4	
16	FRC8093	Oil catcher	1	
17	AEU2734	Expander assembly	1	Note(1)
18	STC964	Drawlink	1	NEW TYPE

Note(1) When ordering AEU2734 the NEW TYPE drawlink will be supplied.







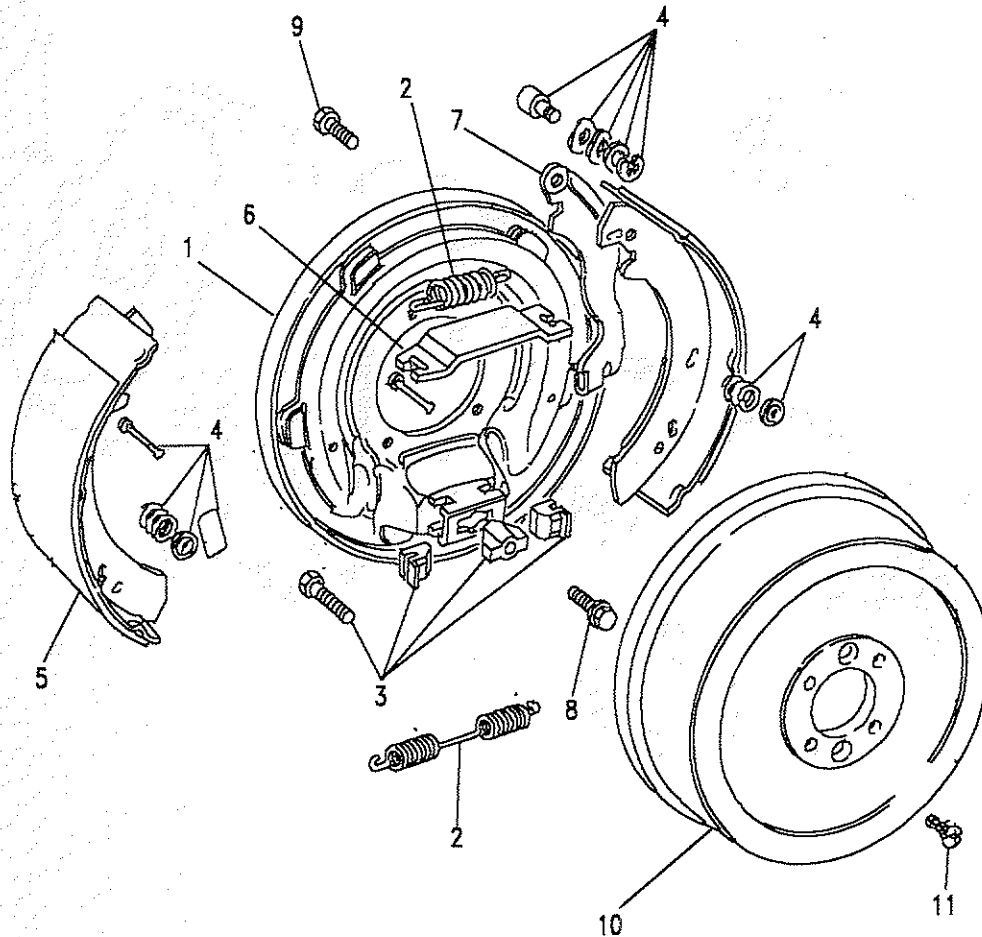
Model DEFENDER 90  
Page ADDBRA2A

TRANSFER GEARBOX - TRANSMISSION BRAKE - 4 CYL/LT77S

III. Part No. Description Qty Remarks

From LA935630

1	STC1533	Backplate	1
2	STC1526	Kit brake springs	1
3	STC1527	Kit adjuster brake	1
4	STC1532	Kit brake shoe retention	1
5	STC1525	Brake shoe kit	1
6	STC1536	Cross shaft	1
7	STC1538	Lever brake shoe	1
8	AFU1400	Bolt	4
9	SF108201	Screw M8 20	1
10	FRC3502	Drum brake	1
11	SA108201	Screw	2





MASTER INDEX

GROUP D

TRANSFER BOX

INTRODUCTION PAGES	PAGES
ALPHABETICAL INDEX	1 - 5
ENGINE	6 - 14
ENGINE	15 - 65
ENGINE	66 - 117
ENGINE	118 - 171
ENGINE	172 - 217
ENGINE	218 - 261
ENGINE	262 - 297
ENGINE	298 - 367
GEARBOX	368 - 394
GEARBOX	395 - 411
GEARBOX	412 - 425
TRANSFER BOX	426 - 456
TRANSFER BOX	457 - 474
AXLES AND SUSPENSION	475 - 531
STEERING	532 - 564
VEHICLE AND ENGINE CONTROLS	565 - 580
BRAKES	581 - 603
FUEL SYSTEM AND AIR CLEANER	604 - 645
EXHAUST SYSTEM	646 - 660
COOLING/HEATING	661 - 709
COOLING/HEATING	710 - 718
BODY ELECTRICAL	719 - 793
BODY AND CHASSIS	794 - 923
INTERIOR TRIM	924 - 965
SEATS	966 - 1009
STOWAGE	1010 - 1017
ACCESSORIES - PAINTS	1018 - 1042
NUMERICAL INDEX	1044 - 1122

TRANSFER BOX

TRANSFER ASSEMBLY - LT85	458
TRANSFER CASING - LT85	459
SPEEDO HOUSING - LT85	460 - 461
DIFFERENTIAL - LT85	462
MAINSHAFT - LT85	463
INTERMEDIATE SHAFT - LT85	464
FRONT FLANGE - LT85	465
FRONT OUTPUT SHAFT - LT85	466 - 467
REAR FLANGE - LT85	468
HIGH/LOW GEARS - LT85	469
GEAR CHANGE - LT85	470 - 471
ROD ASSEMBLY - LT85	472
GASKET KIT - LT85	473
TRANSMISSION BRAKE - LT85	474



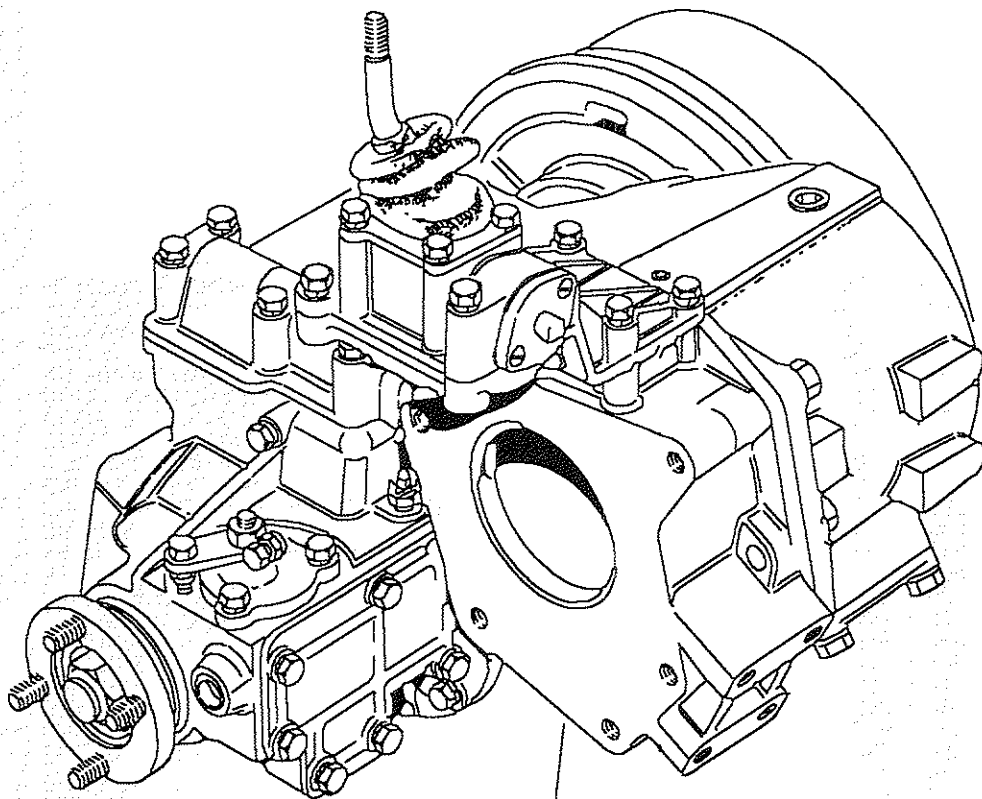


Model DEFENDER 90  
Page ADDCAA1A

TRANSFER GEARBOX - TRANSFER ASSEMBLY - LT85

III. Part No.	Description	Qty	Remarks
1 FRC9471N	Transfer assembly	1	Note(1)

Note(1) Serial number 29D fitted to LT85 gearbox





DEFENDER 90

459

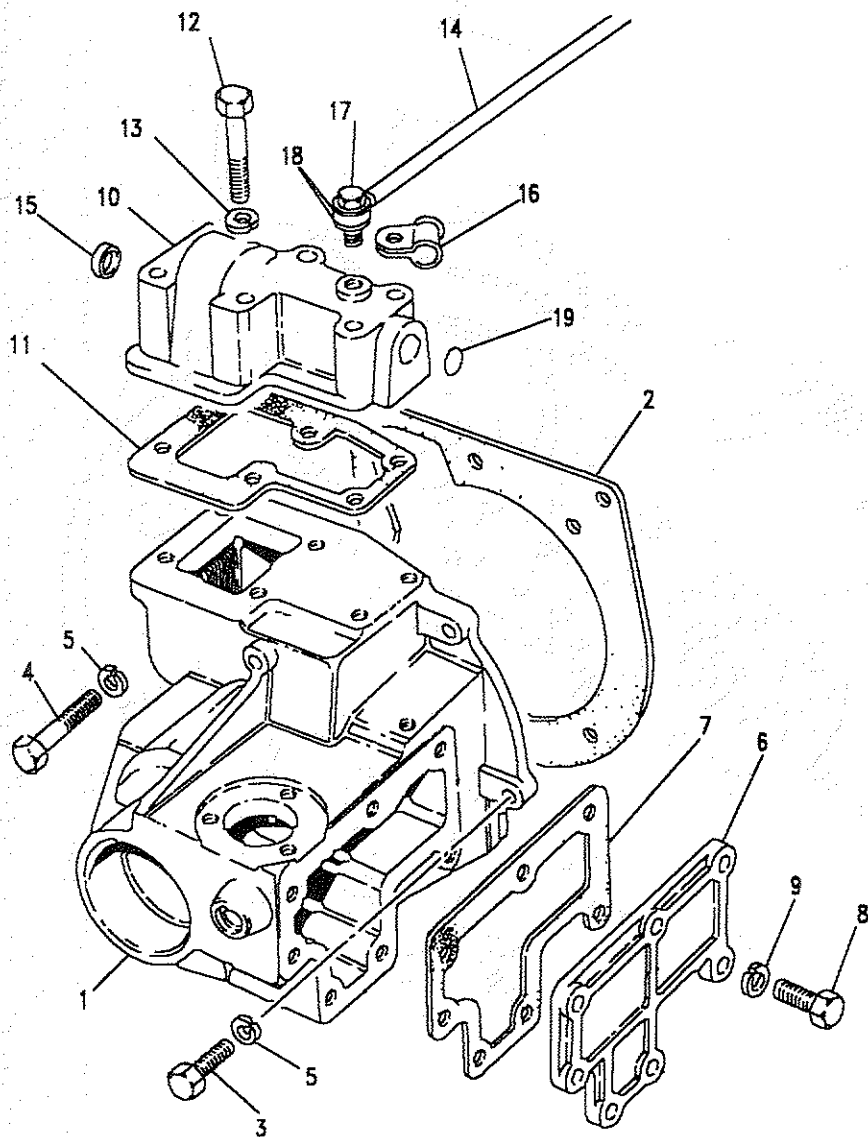
TRANSFER BOX

Model DEFENDER 90  
Page ADDCCA1A

TRANSFER GEARBOX - TRANSFER CASING - LT85

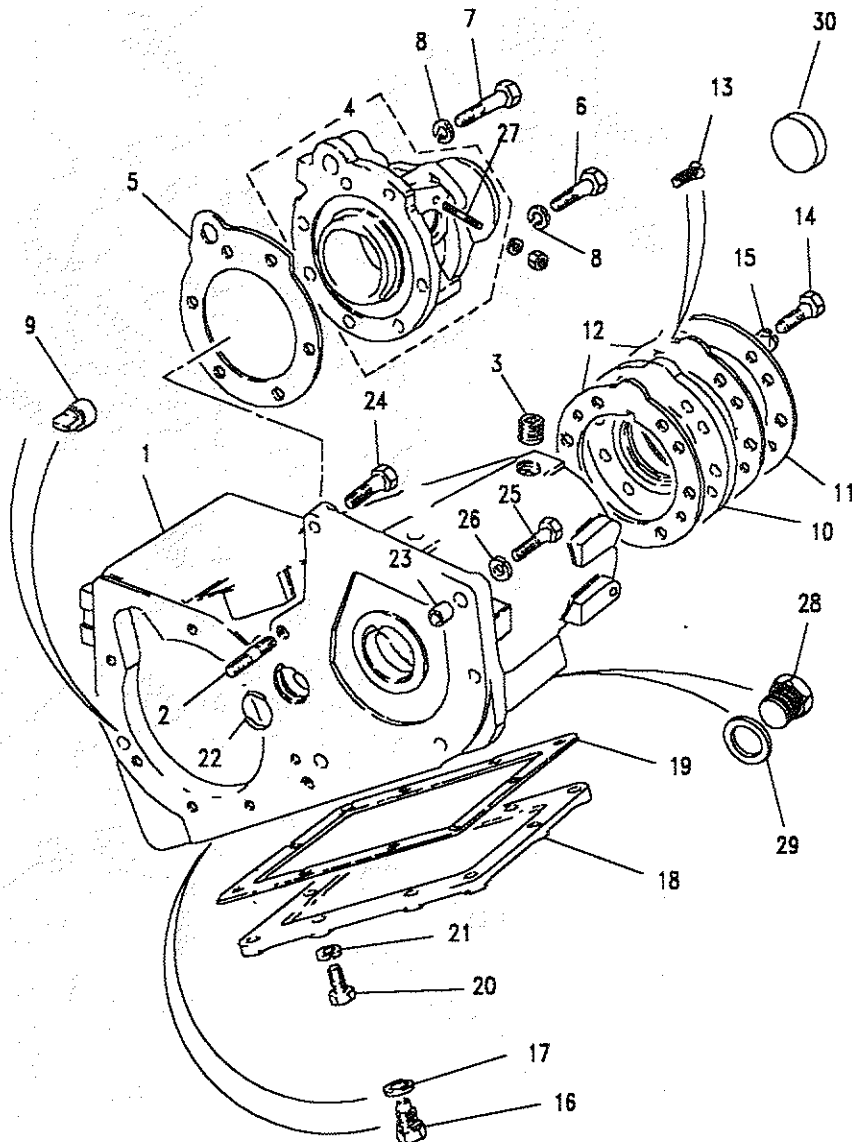
III. Part No.	Description	Qty	Remarks
1	FRC8299 Housing front	1	
2	FRC6103 Gasket housing	1	Note(1)
3	FB108061 Bolt flanged M8 x 30	7	
4	BH108181L Bolt	1	
5	WA108051L Washer	8	
6	FRC6104 Cover	1	
7	FRC6105 Gasket	1	Note(1)
8	SH108251L Screw	7	
9	WA108051L Washer	7	
10	FRC6106 Housing	1	
11	FRC7998 Gasket housing	1	Note(1)
12	FB108111L Bolt flanged	6	
13	WA108051L Washer	6	
14	FRC167 Pipe breather	1	
15	FRC7930 Plug cup	1	
16	BAU1689 Clip pipe	1	
17	595478 Bolt banjo	1	
18	232039 Washer copper	2	
19	FRC5575 O ring	1	

Note(1) Part of gasket kit RTC3890



A





**Model** DEFENDER 90  
**Page** ADDCEA1A

**TRANSFER GEARBOX - SPEEDO HOUSING - LT85**

III. Part No.	Description	Qty	Remarks
1	FTC1748	1	Housing transfer assy
2	FRC5595	2	Stud
3	608246	2	Plug oil filler
4	FRC7447	1	Housing speedo drive
	FTC4186	1	Housing speedo drive
5	FRC5409	1	Gasket
6	SH110301L	5	Screw
7	BH110091L	1	Screw
8	WA110061L	6	Washer
9	FRC5594	1	Dowel
10	FRC6943	1	Housing bearing
11	FTC2061	1	Cover power take off
12	FRC5413	2	Gasket
13	SF108251L	2	Bolt
14	BX110071L	6	Bolt
15	WA110061L	6	Washer
16	599552	1	Plug drain magnetic
17	FRC4808	1	Washer

Note(1) Up to 22D309416E  
 Note(2) After 22D309417E (no gasket used)

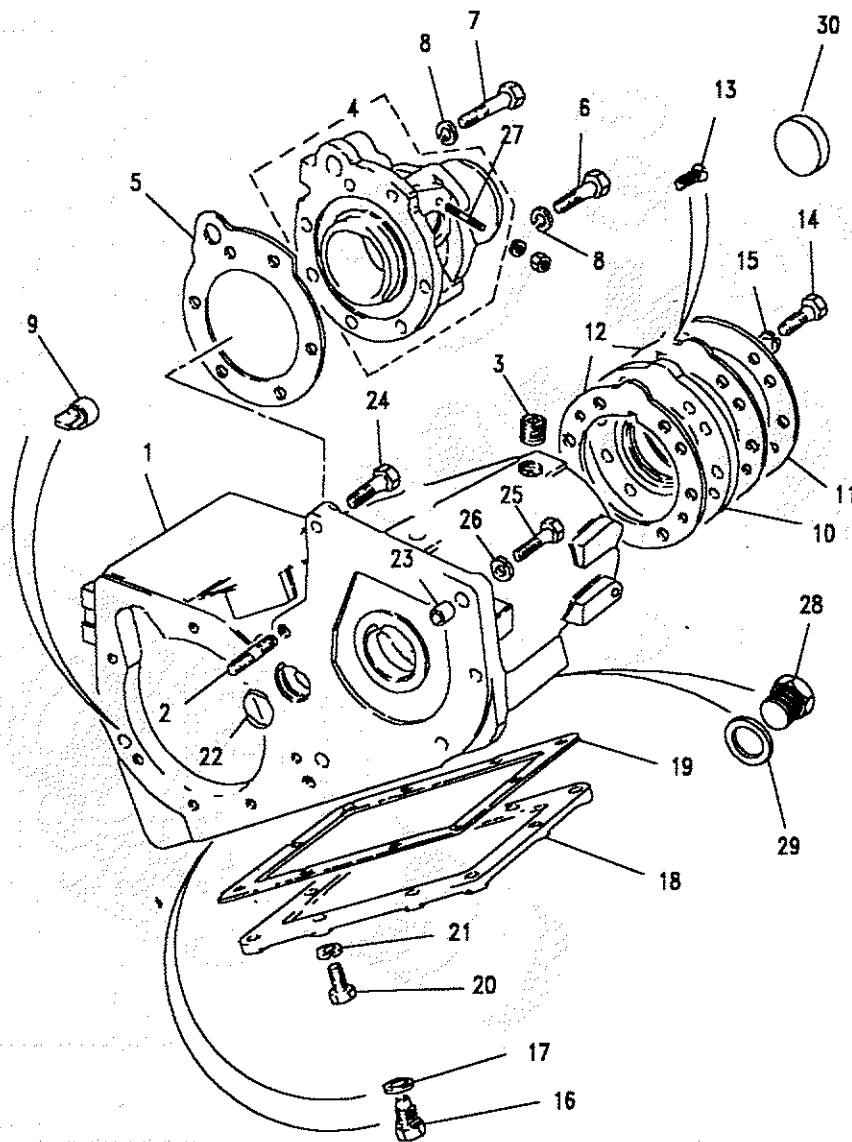




DEFENDER 90

461

TRANSFER BOX



**Model** DEFENDER 90  
**Page** ADDCEA1A

**TRANSFER GEARBOX - SPEEDO HOUSING - LT85**

III. Part No.	Description	Qty	Remarks
18	FRC5415	1	Cover bottom
19	FRC5416	1	Gasket
20	FB108161L	10	Bolt
21	WA108051L	10	Washer
22	FRC8292	1	O ring
23	FRC2482	1	Dowel
24	BH110081L	3	Bolt
25	BH110091L	1	Bolt
26	WL110001L	6	Washer
27	571536	1	Stud cable retainer
28	SH214141	1	Screw M14
29	232042	1	Gasket
30	602146	1	Plug

DEFENDER 90

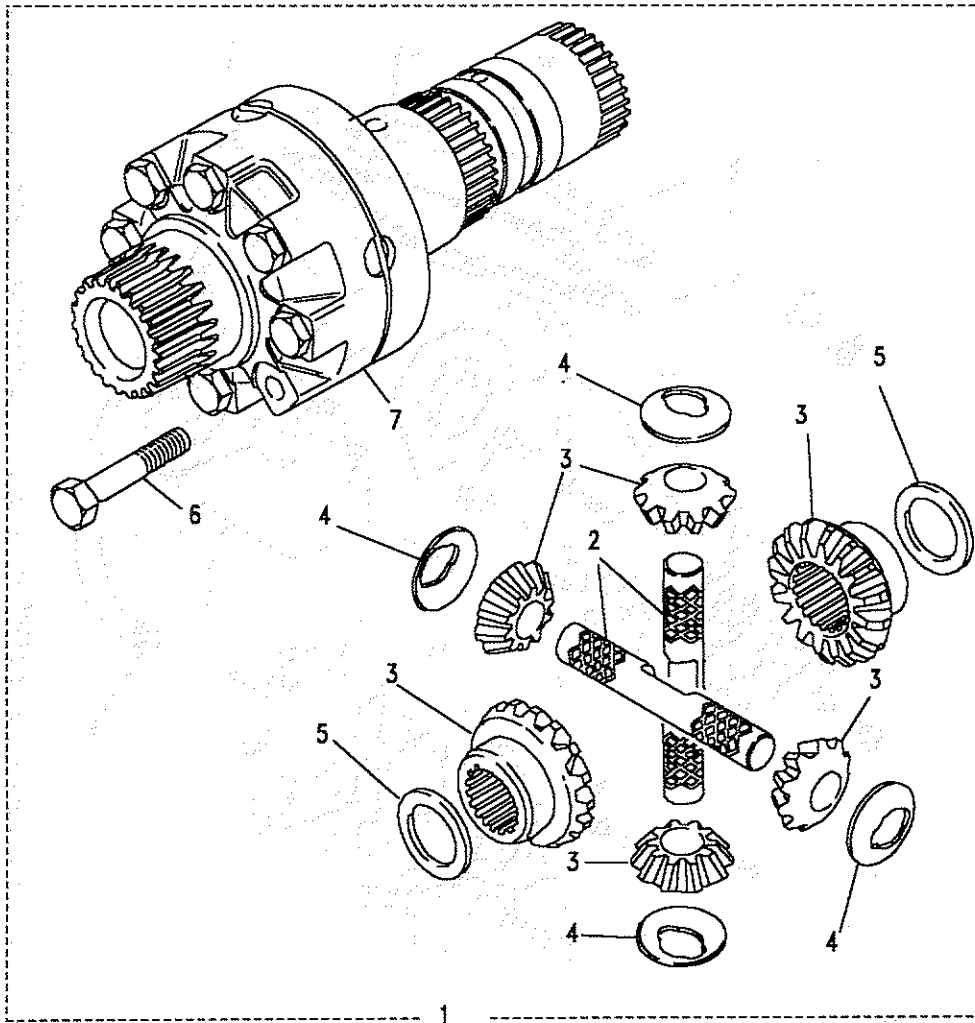
TRANSFER BOX



Model DEFENDER 90  
Page ADDCGA1A

TRANSFER GEARBOX - DIFFERENTIAL - LT85

III. Part No.	Description	Qty	Remarks
1	FRC7926	1	Differential assembly
2	RTC3397	1	Kit cross shaft
3	RTC4490	1	Kit differential gears
4	FRC6968	4	Thrust Washer
5			SELECTIVE WASHERS
	FRC9845		Washer thrust
	FRC9847		Shim 1.15mm
	FRC9849		Shim 1.25mm
	FRC9851		Shim 1.35mm
	FRC9853		Shim 1.45mm
6	BH110121L	8	Bolt
7	FRC7499	1	Ring retaining



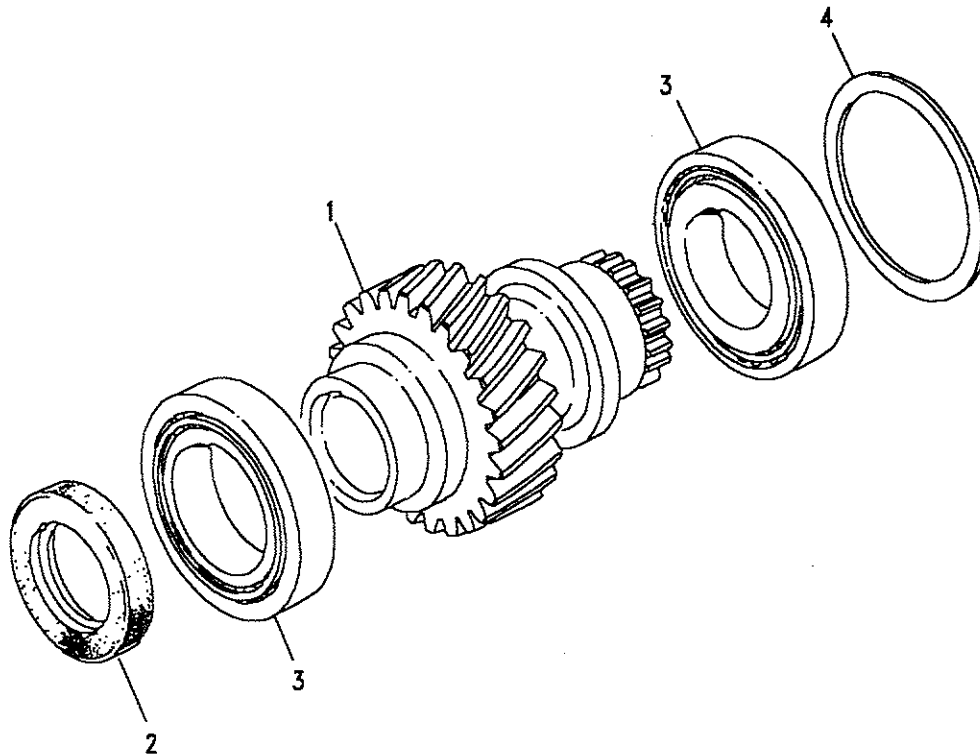


Model DEFENDER 90  
Page ADDCIA1A

TRANSFER GEARBOX - MAINSHAFT - LT85

III. Part No.	Description	Qty	Remarks
1 FRC5428	Gear transfer	1	Suffix B
FRC8917	Gear transfer	1	Suffix C
2 FRC2365	Seal oil	1	Note(1)
3 FRC5564	Bearing	2	
4	SELECTIVE SHIMS		
FRC9928	Shim 3.20	A/R	
FRC9930	Shim 3.25	A/R	
FRC9932	Shim 3.30	A/R	
FRC9934	Shim 3.35	A/R	
FRC9936	Shim 3.40	A/R	
FRC9938	Shim 3.45	A/R	
FRC9940	Shim 3.50	A/R	
FRC9942	Shim 3.55	A/R	
FRC9944	Shim 3.60	A/R	
FRC9946	Shim 3.65	A/R	
FRC9948	Shim 3.70	A/R	
FRC9950	Shim 3.75	A/R	
FRC9952	Shim 3.80	A/R	
FRC9954	Shim 3.85	A/R	
FRC9956	Shim 3.90	A/R	
FRC9958	Shim 3.95	A/R	
FRC9960	Shim 4.00	A/R	

Note(1) Part of gasket kit RTC3890



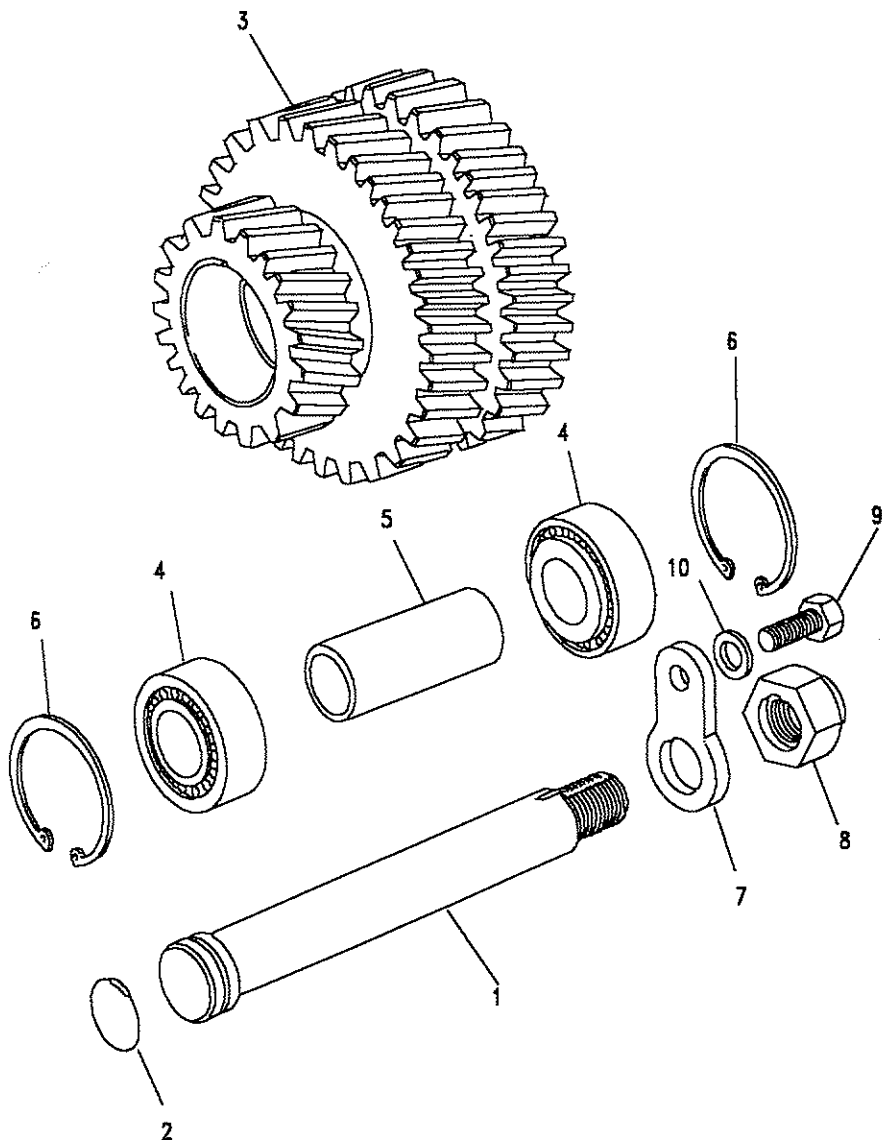


**Model** DEFENDER 90  
**Page** ADDCIA2A

**TRANSFER GEARBOX - INTERMEDIATE SHAFT - LT85**

III. Part No.	Description	Qty	Remarks
1	FRC8291 Intermediate shaft	1	
2	FRC7439 O ring	1	Note(1)
3	FRC7428 Gear intermediate	1	Suffix B
	FRC9552 Gear intermediate	1	Suffix C
4	FRC7810 Bearing	2	
5	FRC7437 Spacer collapsible	1	
6	FRC7454 Circlip	2	
7	FRC7452 Plate anti rotation	1	
8	FRC7453 Nut	1	
9	FS108201L Screw	1	
10	WA108051L Washer	1	

Note(1) Part of gasket kit RTC3890



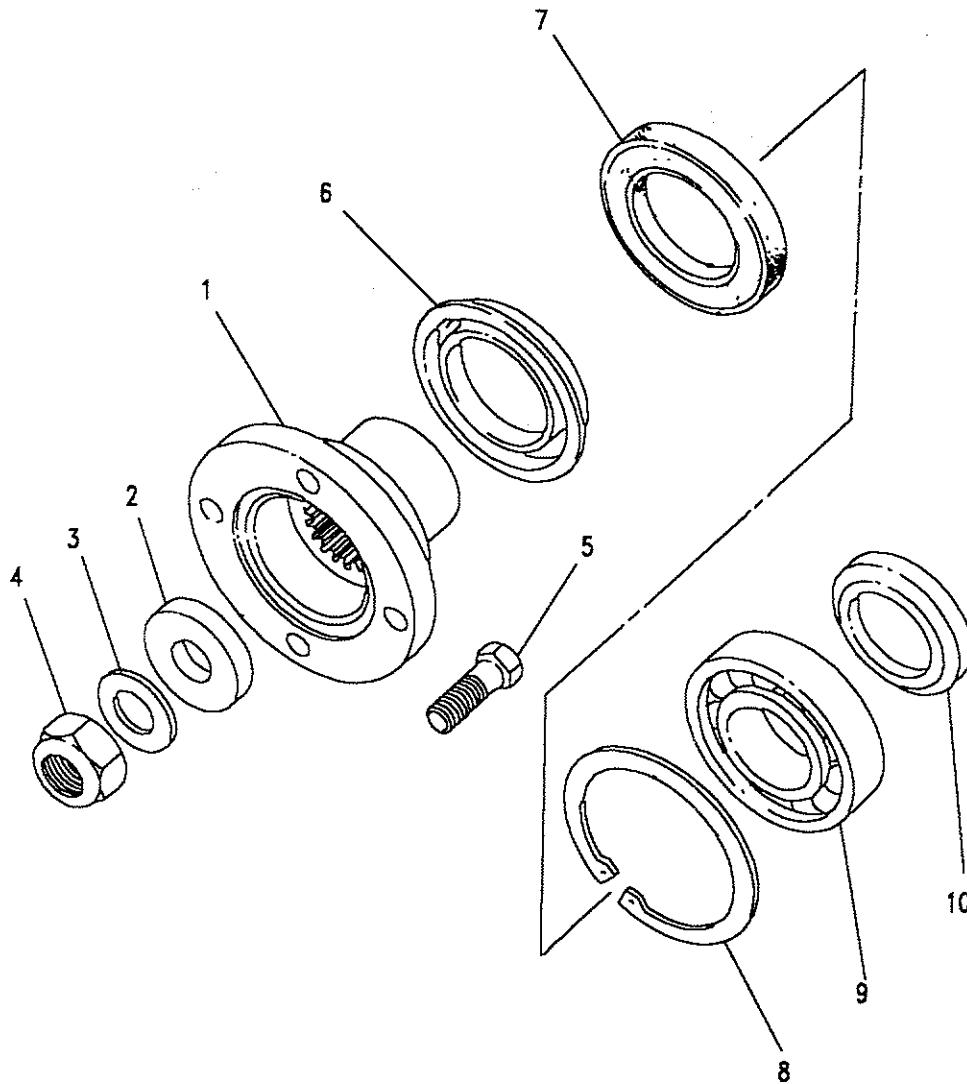


Model DEFENDER 90  
Page ADDCIA3A

TRANSFER GEARBOX - FRONT FLANGE - LT85

III. Part No.	Description	Qty	Remarks
1	FRC5442	1	Flange output front
2	FRC2464	1	Washer sealing
3	571468	1	Washer
4	NY120041L	1	Nut
5	BT606101L	4	Bolt
6	FRC6121	1	Mudshield
7	FRC7043	1	Seal oil
8	216962	1	Circlip
9	STC1130	1	Ball bearing
10	FRC5439	1	Spacer

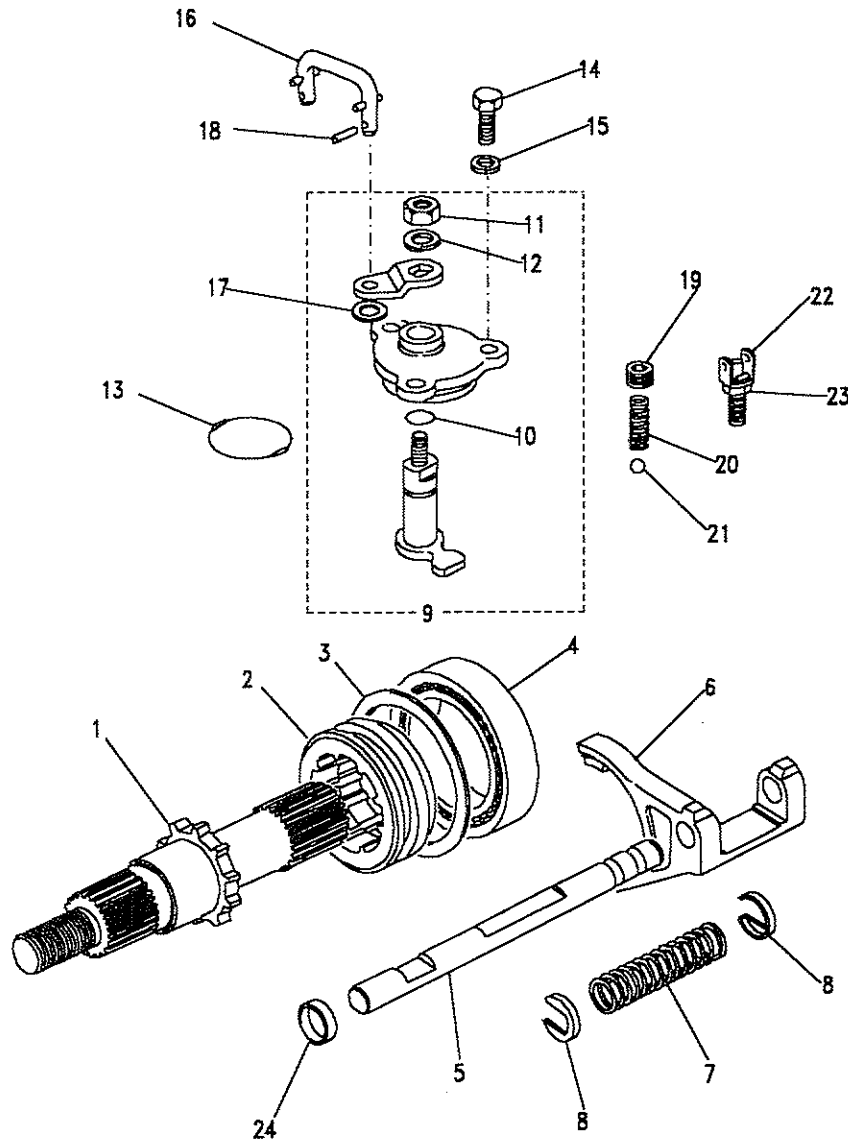
Note(1) Part of gasket kit RTC3890





Model DEFENDER 90  
Page ADDCIA4A

TRANSFER GEARBOX - FRONT OUTPUT SHAFT - LT85



III. Part No.	Description	Qty	Remarks
1	FRC5449 Shaft output front	1	
2	FRC5440 Dog clutch diff lock	1	
3	SELECTIVE SHIMS		
	FTC726 Shim 2.00mm	1	
	FTC728 Shim 2.05mm	1	
	FTC730 Shim 2.10mm	1	
	FTC732 Shim 2.15mm	1	
	FTC734 Shim 2.20mm	1	
	FTC736 Shim 2.25mm	1	
	FTC738 Shim 2.30mm	1	
	FTC740 Shim 2.35mm	1	
	FTC742 Shim 2.40mm	1	
	FTC744 Shim 2.45mm	1	
	FTC746 Shim 2.50mm	1	
	FTC748 Shim 2.55mm	1	
	FTC750 Shim 2.60mm	1	
	FTC752 Shim	1	
	FTC754 Shim 2.70mm	1	
	FTC756 Shim 2.75mm	1	
	FTC758 Shim 2.80mm	1	
	FTC760 Shim 2.85mm	1	
	FTC762 Shim 2.90mm	1	
	FTC764 Shim 2.95mm	1	
	FTC766 Shim 3.00mm	1	
	FTC768 Shim 3.05mm	1	
	FTC770 Shim 3.10mm	1	
	FTC772 Shim 3.15mm	1	
	FTC774 Shim 3.20mm	1	
	FTC776 Shim 3.25mm	1	





DEFENDER 90

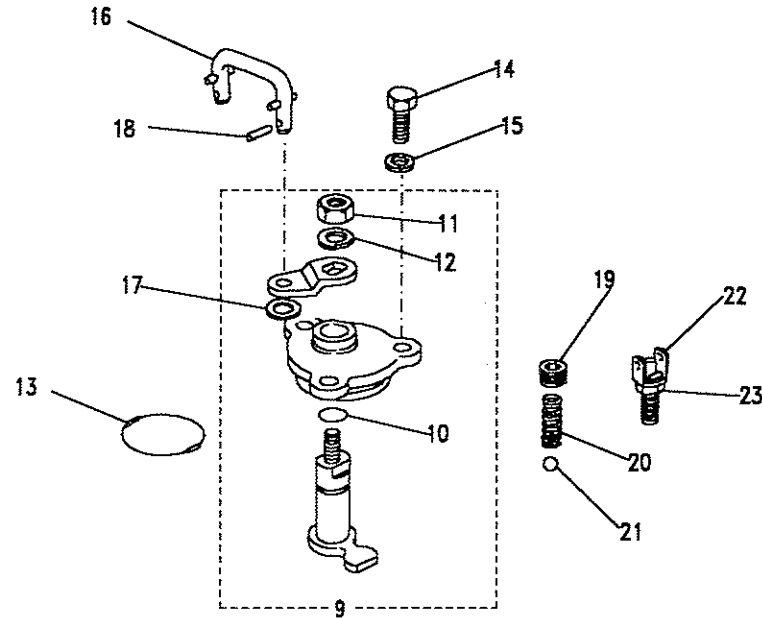
467

TRANSFER BOX

Model DEFENDER 90

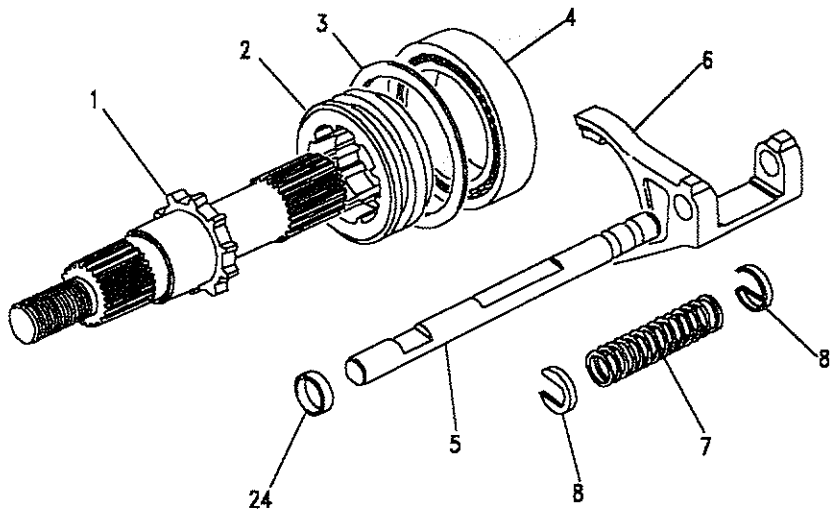
Page ADDCIA4A

TRANSFER GEARBOX - FRONT OUTPUT SHAFT - LT85



III. Part No.	Description	Qty	Remarks
4	FRC7871	1	Bearing taper
5	FRC6030	1	Shaft selector
6	FRC6109	1	Fork selector
7	FRC5468	1	Spring diff lock
8	FRC5469	2	Clip spring
9	FRC8041	1	Housing selector
10	FRC5576	1	O ring
11	NY108041L	1	Nut
12	WA108051L	1	Washer
13	FRC5473	1	O ring
14	SH108251L	3	Screw
15	WA108051L	3	Washer
16	FRC7948	1	Link connecting
	FRC8544	1	Link connecting
17	WA106041L	2	Washer
18	PS103121L	2	Pin split
19	SU112101L	1	Plug detent
20	FRC5562	1	Spring detent
21	571146	1	Ball detent
22	PRC2911	1	Switch diff lock
23	NT110041L	1	Locknut
24	FRC6110	1	Plug

Note(1) Early type-Dog legged shape  
 Note(2) Later type-Horse shoe shape

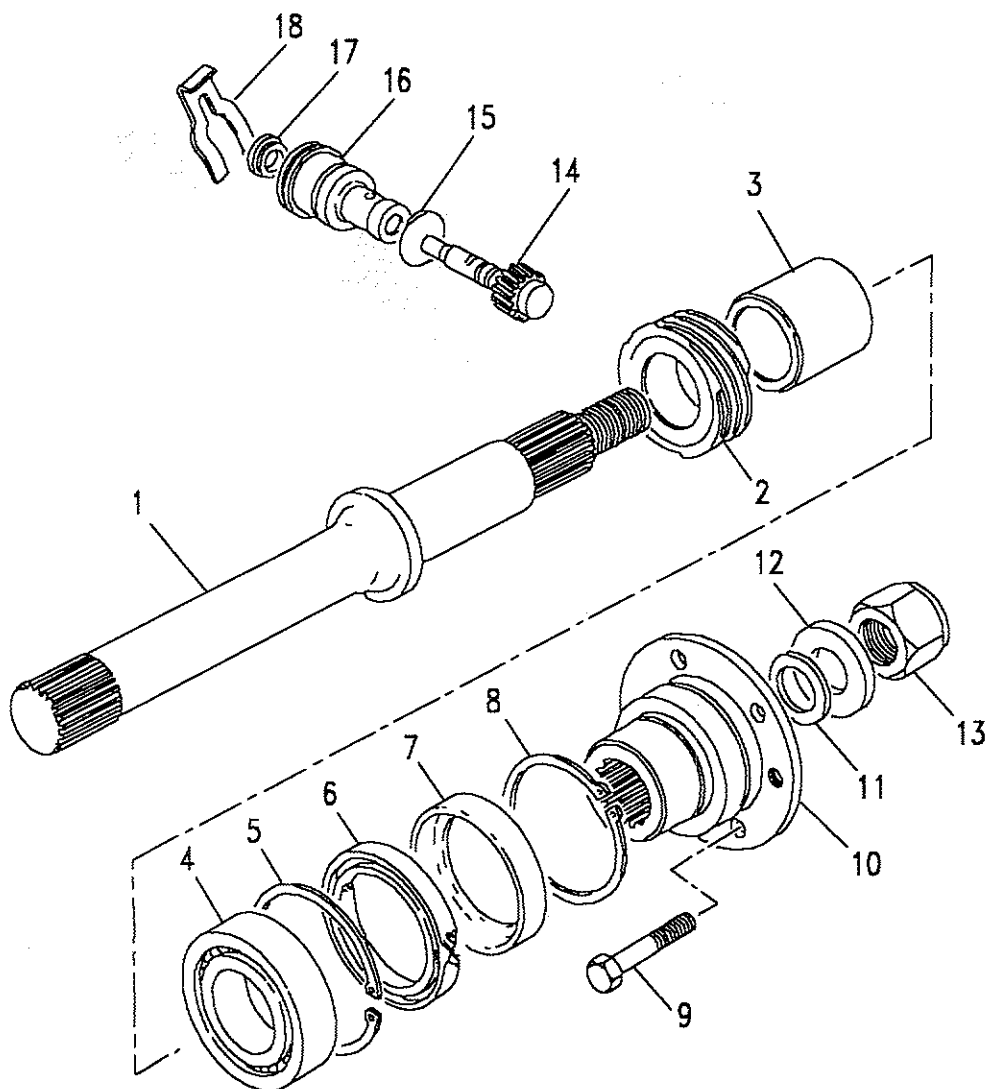


**Model** DEFENDER 90  
**Page** ADDCIA5A

**TRANSFER GEARBOX - REAR FLANGE - LT85**

III. Part No.	Description	Qty	Remarks
1	FRC5450	1	Shaft output rear
2	FRC3162	1	Worm speedo
3	FRC5446	1	Spacer
4	STC1130	1	Ball bearing
5	216962	1	Circlip
6	FRC7043	1	Seal oil
7	571970	1	Oil shield
8	571682	1	Circlip
9	FRC3602	1	Bolt
10	FRC5438	1	Flange output rear
11	FRC2464	1	Washer sealing
12	571468	1	Washer
13	NY120041L	1	Nut
14	FRC3310	1	Gear speedo drive
15	571665	1	O ring
16	FRC3286	1	Housing speedo drive
17	AAU2304	1	Seal oil
18	533765	1	Plate retaining

Note(1) Part of gasket kit RTC3890





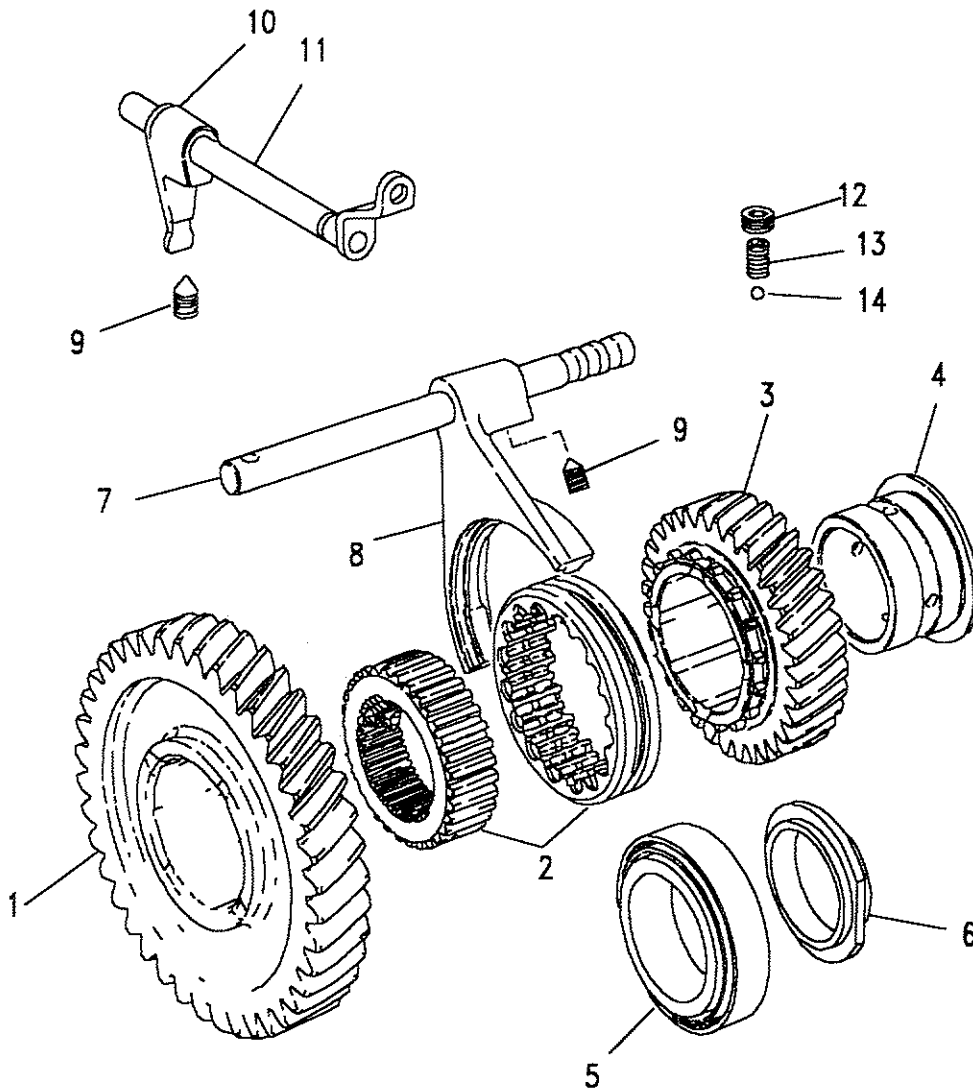
Model DEFENDER 90

Page ADDCKA1A

TRANSFER GEARBOX - HIGH/LOW GEARS - LT85

III. Part No.	Description	Qty	Remarks
1	FRC7434	1	Gear output LOW
2	RTC5064	1	Hub assembly high/low
3	FRC7429	1	Gear output HIGH
	FRC9551	1	Gear output HIGH
4	FRC7441	1	Bush
5	606474	1	Bearing
6	FRC7970	1	Nut bearing retainer
7	FRC9513	1	Shaft selector
8	FRC5458	1	Fork selector
	FTC2859	1	Fork selector
9	FRC7018	2	Screw
10	FRC7929	1	Finger selector
11	FRC8899	1	Arm operating
12	SU112101L	1	Plug detent
13	FRC5562	1	Spring detent
12	FRC9549	1	Plug detent
13	FRC9546	1	Spring detent
14	571146	1	Ball detent

Note(1) From MA939976

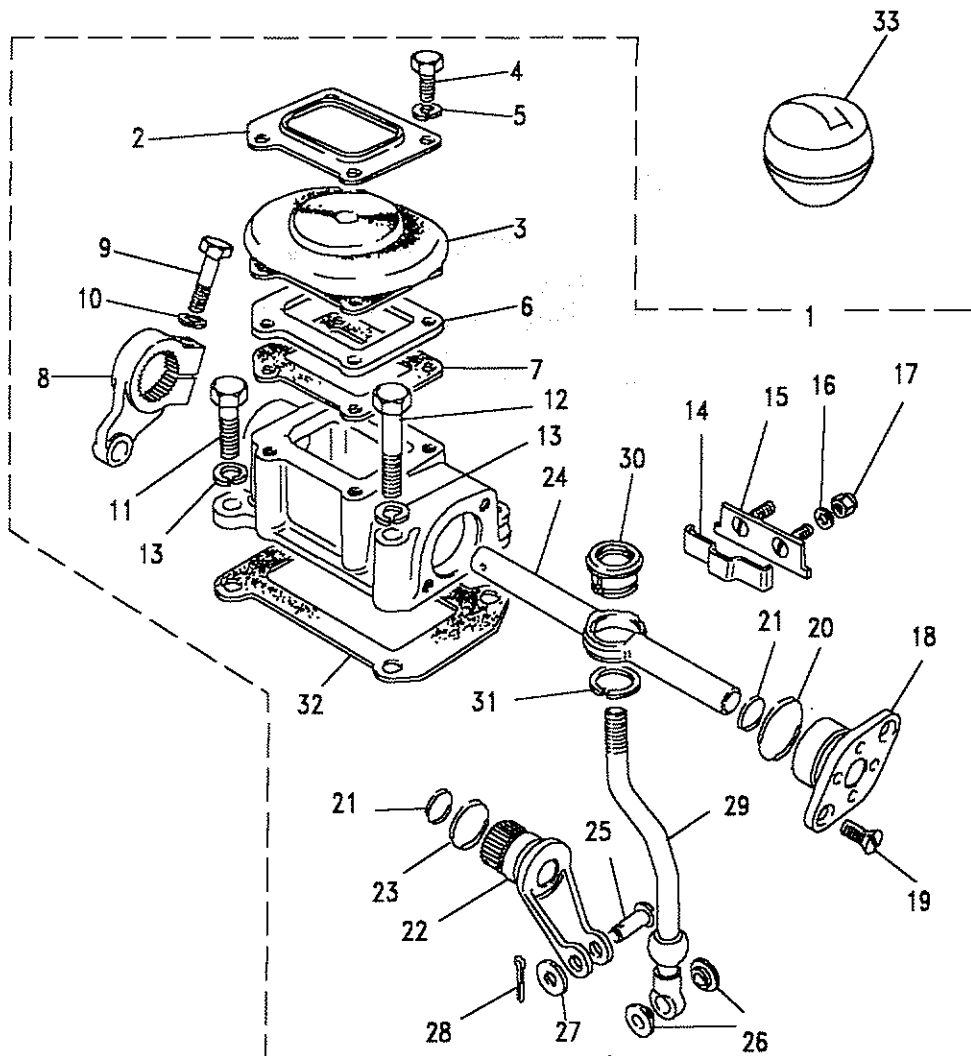


Model DEFENDER 90  
 Page ADDCMA1A

TRANSFER GEARBOX - GEAR CHANGE - LT85

III. Part No.	Description	Qty	Remarks
1	FRC7941	1	Gear change assembly
2	FRC6873	1	Plate
3	FRC6872	1	Grommet
4	FS106201L	4	Flange screw
5	WA106041L	4	Washer
6	FRC7944	1	Gate Plate
7	FTC4037	1	Gasket gate plate
8	FRC5478	1	Arm operating
9	BH106051L	1	Bolt
10	WA106041L	1	Washer
11	SH108251L	2	Screw
12	BH108111L	2	Bolt
13	WL108001L	4	Washer spring
14	RTC1956	1	Spring detent
15	FRC6125	1	Retainer spring
16	WA105001L	2	Washer
17	NY105041L	2	Nut
18	FRC5574	1	Cover end

Note(1) Part of gasket kit RTC3890



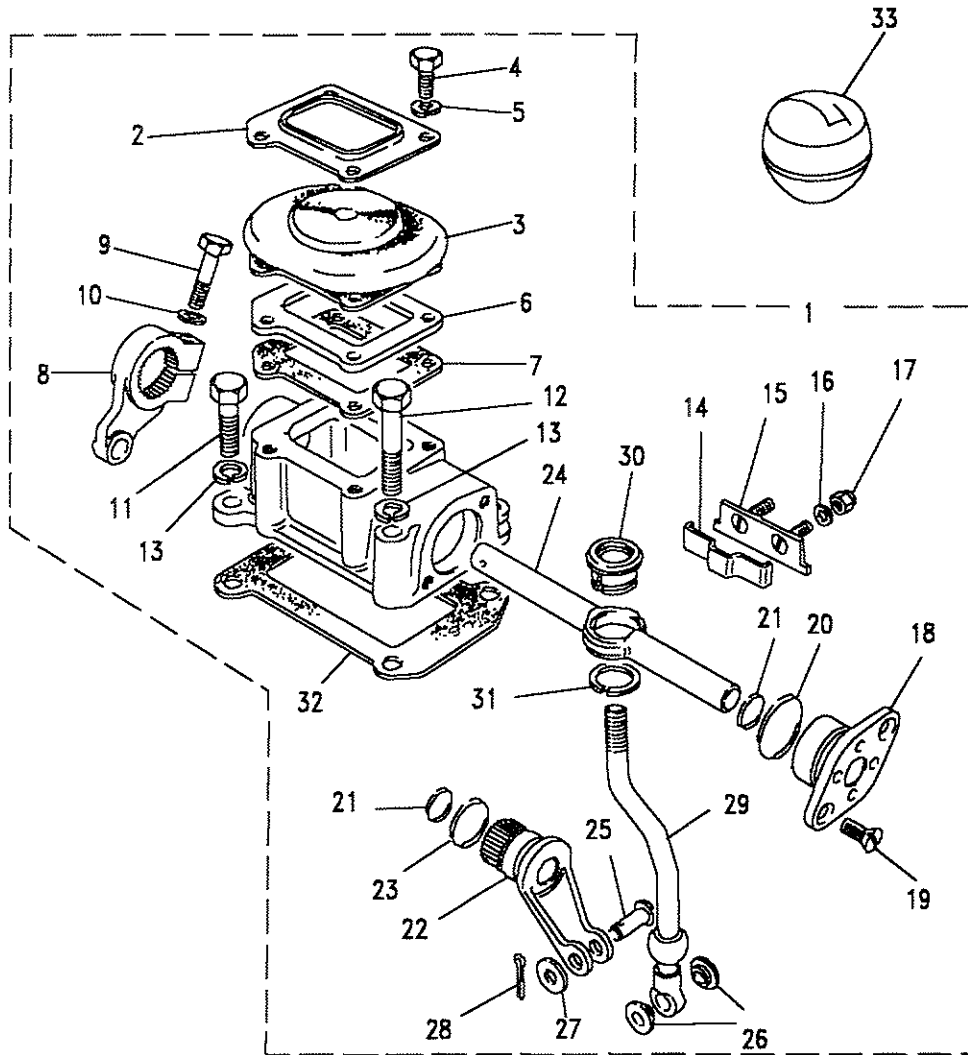


Model DEFENDER 90  
Page ADDCMA1A

TRANSFER GEARBOX - GEAR CHANGE - LT85

Part No.	Description	Qty	Remarks
19	SF106201L Screw	2	
20	FRC4565 O ring	1	
21	FRC4509 O ring	2	Note(1)
22	FRC5480 Arm crank	1	
23	FRC5479 O ring	1	Note(1)
24	FRC6117 Cross Shaft	1	
25	PC108321L Pin clevis	1	
26	FRC4499 Bush	2	
27	WA108051L Washer	1	
28	PS104121L Pin split	1	
29	FRC8560 Lever	1	
30	FRC5076 Seat gear lever	1	
31	CR120215L Circlip	1	
32	FTC4036 Gasket g/change housing	1	
	FRC7930 Plug housing	1	
33	FRC6595 Knob	1	

Note(1) Part of gasket kit RTC3890





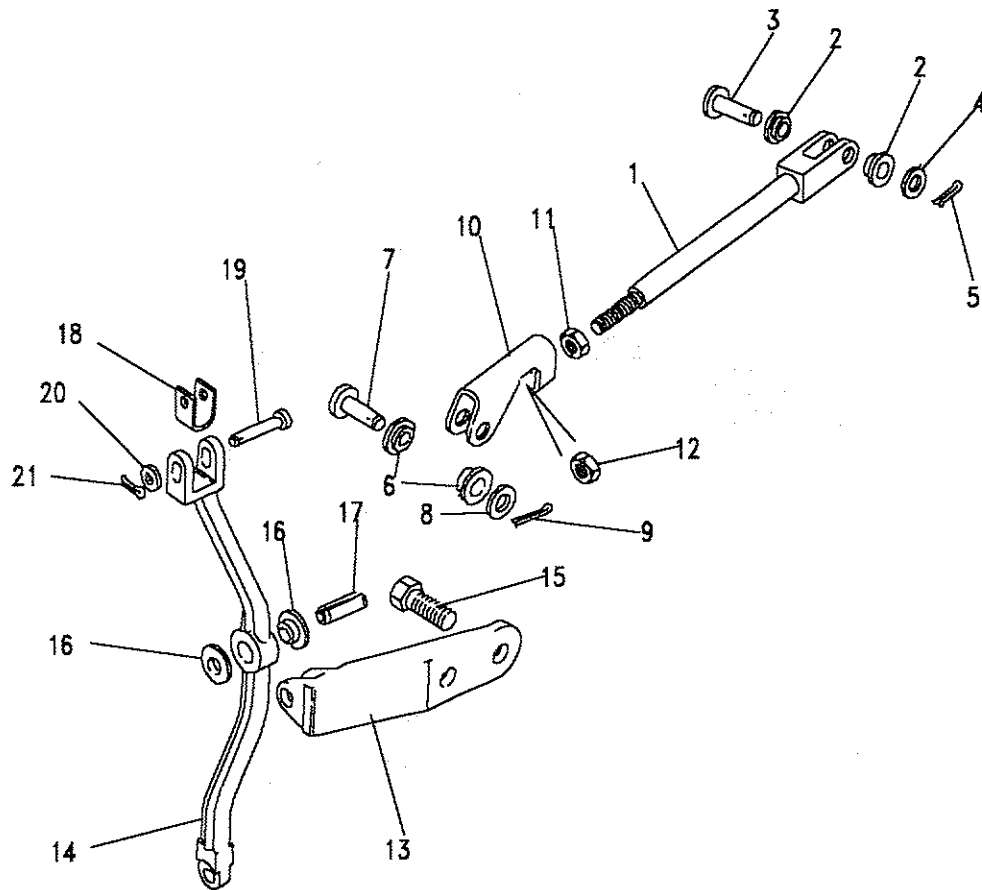


Model DEFENDER 90

Page ADDCMA2A

TRANSFER GEARBOX - ROD ASSEMBLY - LT85

III. Part No.	Description	Qty	Remarks
1	FRC7946 Rod connecting	1	
2	FRC4499 Bush	2	
3	PC108321L Pin clevis	1	
4	WA108051L Washer	1	
5	PS104121L Pin split	1	
6	FRC4499 Bush	2	
7	PC108321L Pin clevis	1	
8	WA108051L Washer	1	
9	PS104121L Pin split	1	
10	FRC8075 Clevis	1	
11	NY108041L Nut	1	
12	NT108041L Nut	1	
13	FRC8033 Bracket pivot	1	
14	FRC8859 Lever diff lock	1	
15	SH108251L Screw	2	
16	FRC4499 Bush	2	
17	FRC7325 Pin	1	
18	FRC4505 Nylon Strip	1	
19	PC105401L Pin clevis	1	
20	WA105001L Washer	1	
21	PS103101L Pin split	1	





DEFENDER 90

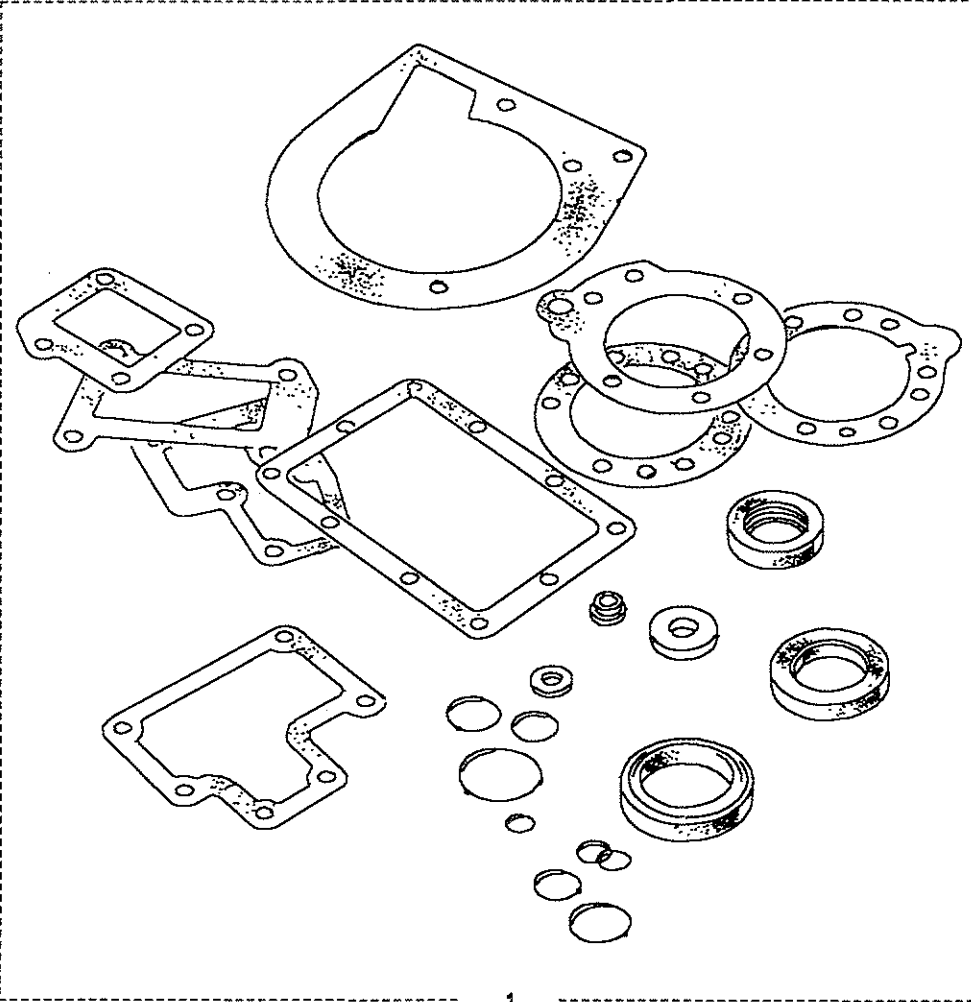
473

TRANSFER BOX

Model DEFENDER 90  
Page ADDCPA1A

**TRANSFER GEARBOX - GASKET KIT - LT85**

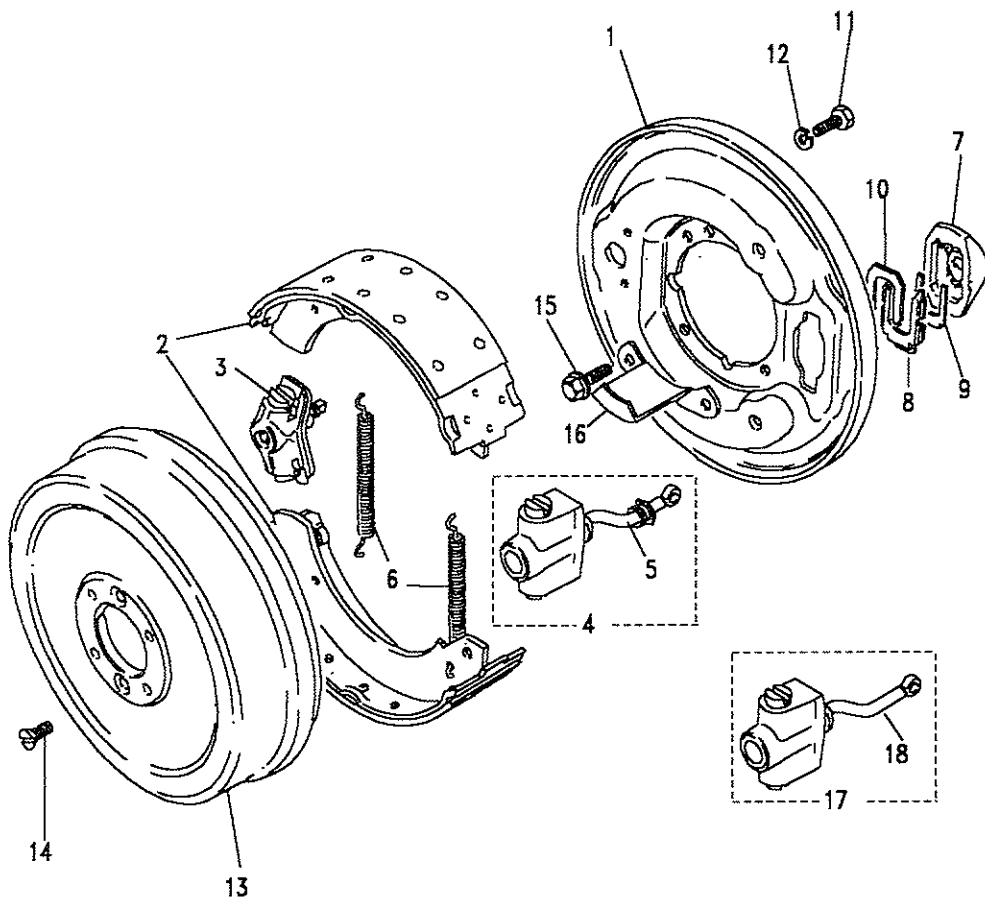
Ill. Part No.	Description	Qty	Remarks
1 RTC3890	Kit gasket and seals	1	



**Model** DEFENDER 90  
**Page** ADDCRA1A

**TRANSFER GEARBOX - TRANSMISSION BRAKE - LT85**

III. Part No.	Description	Qty	Remarks
1 AEU2733	Backplate	1	)
2 RTC3403	Kit brake shoe	1	)UptoJULY1989
3 37H4558L	Adjuster assembly	1	)
8G7019L	Kit service	1	)
1 STC963	Backplate	1	)
2 RTC6179	Kit brake shoe	1	)FromJULY1989
3 STC244	Adjuster assembly	1	)Asbestos free
STC245	Kit service	1	)
4 AEU2734	Expander brake	1	Note(1)
AEU2735	Kit service expander	1	
5 AEU2736	Drawlink-with locknut	1	OLD TYPE
6 FRC8549	Spring shoe return-GREEN	2	
STC246	Kit spring	1	FromJULY1989
7 515466	Cover dust	1	
8 515467	Plate locking	1	
9 515470	Plate packing	1	
10 515468	Plate spring	1	
11 AEU2737	Bolt	2	
12 AEU2738	Washer	2	
13 FRC3502	Drum brake	1	
14 SA108201L	Screw	2	
15 AFU1400	Screw	4	
16 FRC8093	Oil Catcher	1	
17 AEU2734	Expander assembly	1	Note(1)
18 STC964	Drawlink	1	NEW TYPE



Note(1) When ordering AEU2734 the NEW TYPE drawlink will be supplied.