



MASTER INDEX

GROUP B
ENGINE

	PAGES
INTRODUCTION PAGES	1 - 5
ALPHABETICAL INDEX	6 - 14
ENGINE	15 - 65
ENGINE	66 - 117
ENGINE	118 - 171
ENGINE	172 - 217
ENGINE	218 - 261
ENGINE	262 - 297
ENGINE	298 - 367
GEARBOX	368 - 394
GEARBOX	395 - 411
GEARBOX	412 - 425
TRANSFER BOX	426 - 456
TRANSFER BOX	457 - 474
AXLES AND SUSPENSION	475 - 531
STEERING	532 - 564
VEHICLE AND ENGINE CONTROLS	565 - 580
BRAKES	581 - 603
FUEL SYSTEM AND AIR CLEANER	604 - 645
EXHAUST SYSTEM	646 - 660
COOLING/HEATING	661 - 709
COOLING/HEATING	710 - 718
BODY ELECTRICAL	719 - 793
BODY AND CHASSIS	794 - 923
INTERIOR TRIM	924 - 965
SEATS	966 - 1009
STOWAGE	1010 - 1017
ACCESSORIES - PAINTS	1018 - 1042
NUMERICAL INDEX	1044 - 1122

ENGINE

ENGINE STRIPPED - 300 TDI	263
SHORT ENGINE - 300TDI	264
CYLINDER BLOCK - 300TDI	265
JET ADAPTORS - 300TDI	266
CRANKSHAFT - 300TDI	267
PISTON 268 RINGS - 300TDI	268
SUMP - 300TDI	269
MOUNTINGS - DIESEL 300TDI	270
FRONT COVER - 300TDI	271 - 272
TIMING BELT - 300 TDI	273
WATER PUMP - 300TDI	274
COOLING FAN - 300TDI	275
OIL FILTER - 300TDI	276
CYLINDER HEAD - 300TDI	277 - 278
ROCKER SHAFT - 300TDI	279
VALVES AND TAPPETS - 300TDI	280
ROCKER COVER - 300TDI	281
CYCLONE BREATHER - 300TDI	282
CAMSHAFT - 300TDI	283
THERMOSTAT - 300TDI	284
MANIFOLDS - 300 TDI	285
EXHAUST GAS RECIRCULATING - 300TDI	286
FUEL LIFT PUMP - 300TDI	287
INJECTION PUMP - 300TDI	288
INJECTORS AND PIPES - 300 TDI	289
TURBOCHARGER - 300TDI	290
VACUUM PUMP - 300 TDI	291
POWER STEERING PUMP - 300 TDI	292
AIR CONDITIONING COMPRESSOR - 300TDI	293
AIR CONDITIONING IDLERS - 300TDI	294
ALTERNATOR - 300TDI	295
STARTER MOTOR - 300TDI	296
FLYWHEEL 297 CLUTCH - 300 TDI	297





DEFENDER 90

263

ENGINE

Model DEFENDER 90
Page ADBNAC1A

ENGINE - ENGINE STRIPPED - 300 TDI

III. Part No.	Description	Qty	Remarks
1 STC1736N	Engine stripped assembly	1	

Note(1) Engine less ancillary equipment





DEFENDER 90

264

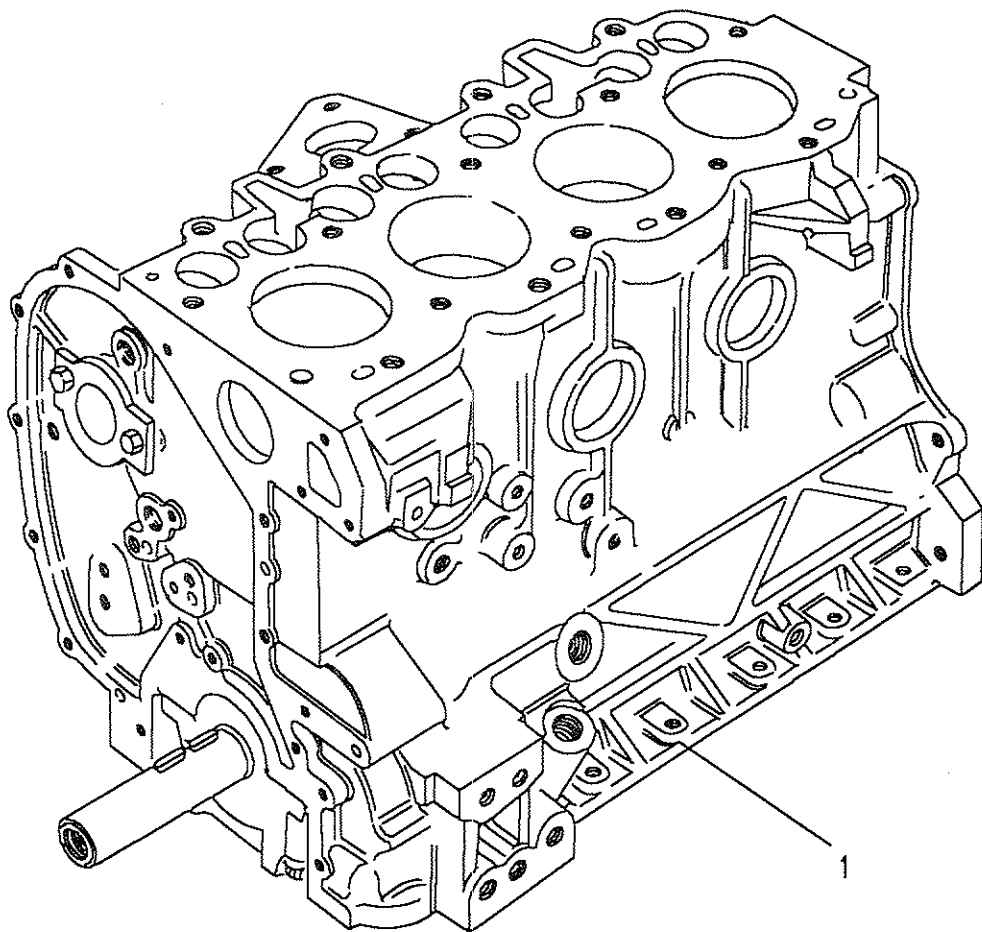
ENGINE

11/85

Model DEFENDER 90
Page ADBNAE1A

ENGINE - SHORT ENGINE - 300TDI

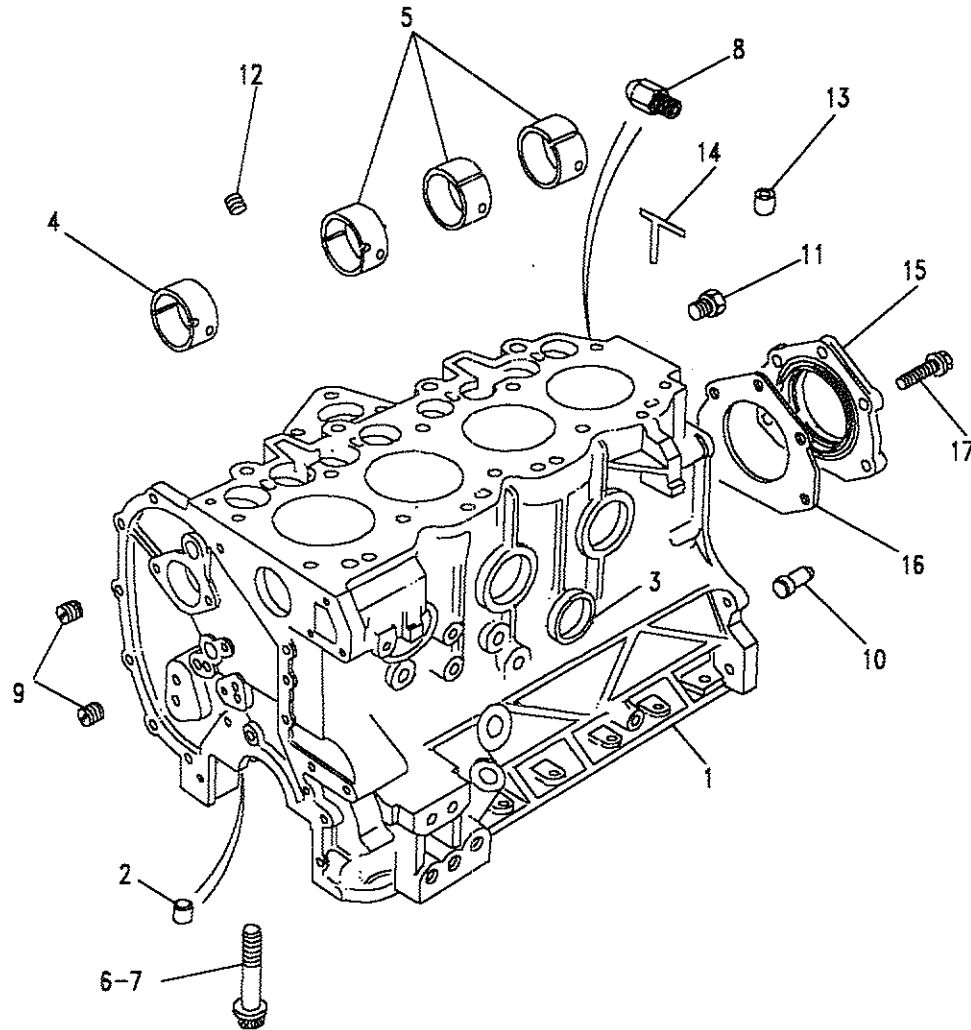
III. Part No.	Description	Qty	Remarks
1 STC1675	Engine short assembly		





Model DEFENDER 90
Page ADBNBA1A

ENGINE - CYLINDER BLOCK - 300TDI



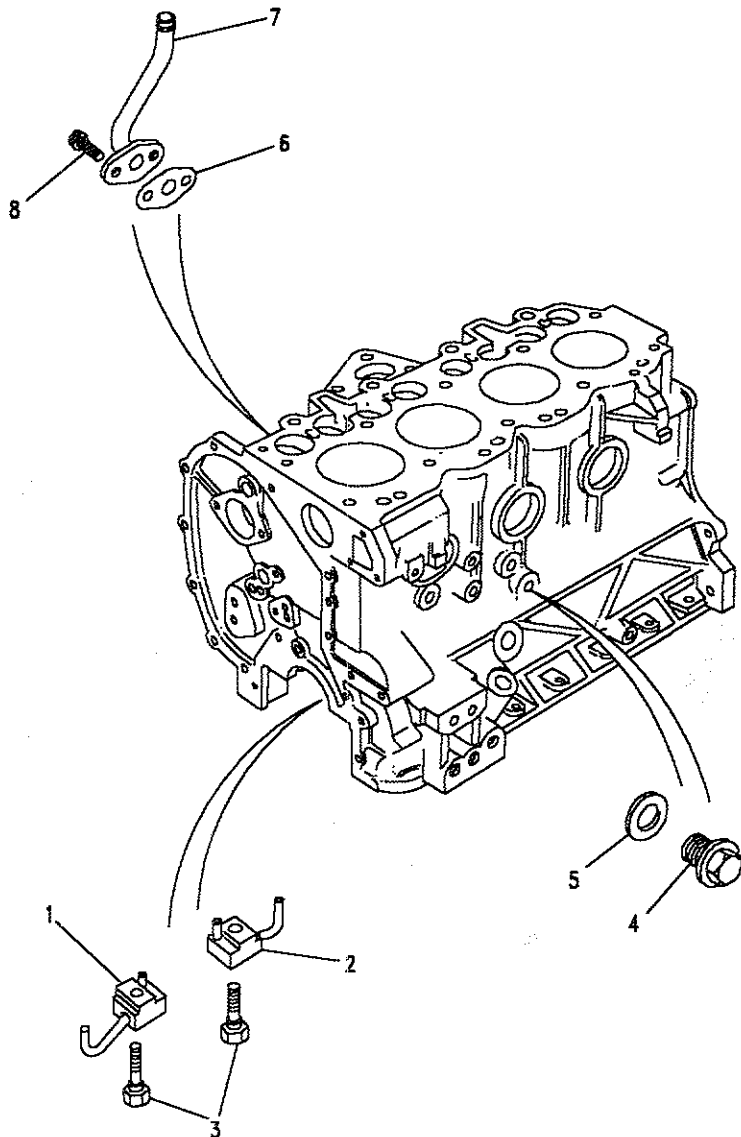
III. Part No.	Description	Qty	Remarks
1	ERR1919	1	Cylinder block assembly
2	501593	10	Dowel bearing caps
3	ERC4996	6	Cup plug
4	ETC8442	1	Bearing cam
5	90519055	3	Bearing cam
6	ETC8074	8	Bolt bearing cap
7	ERR3419	2	Bolt bearing cap
8	ERR2767	1	Jet oil camshaft
9	247127	2	Plug oil gallery
10	FRC2482	2	Dowel flywheel housing
11	ETC4922	2	Plug gallery pipe
12	ERR5034	3	Plug camshaft oil feed
13	ETC8352	2	Ring dowel head/block
14	ERR913	2	Packing strip
15	ERR4179	1	Oil seal rear
16	ERR4861	1	Gasket rear oil seal
17	FS108251L	5	Screw flange M8 x 25

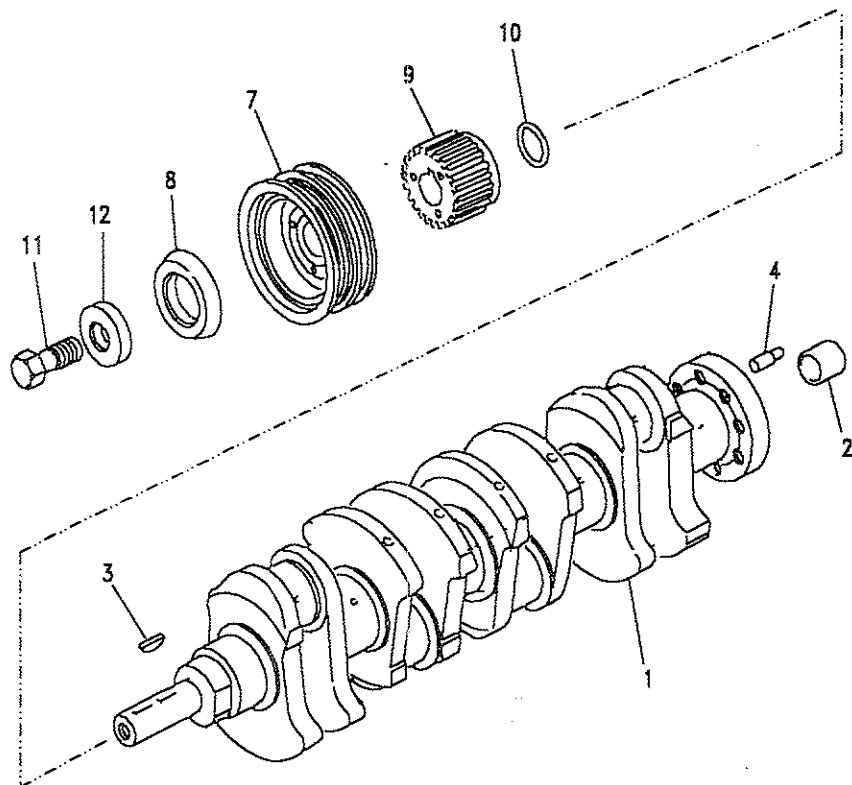


Model DEFENDER 90
 Page ADBNBA2A

ENGINE - JET ADAPTORS - 300TDI

III. Part No.	Description	Qty	Remarks
1	ETC6531	2	Oil jet assy No1 & 3 cyl
2	ETC6532	2	Oil jet assy No2 & 4 cyl
3	ETC5592	4	Valve relief
4	ERC9410	1	Plug drain
5	AFU1882L	1	Washer joint
6	ERR1094	1	Pipe oil drain
7	ERR1653	1	Gasket drain pipe
8	FS108201	2	Screw flange





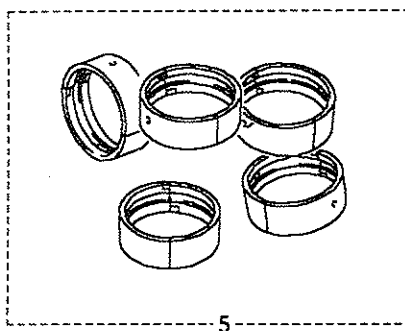
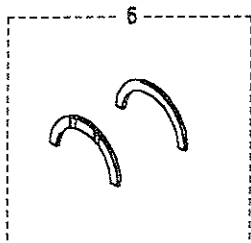
Model DEFENDER 90
Page ADBNCA1A

ENGINE - CRANKSHAFT - 300TDI

III. Part No.	Description	Qty	Remarks
1	ERR2112 Crankshaft	1	
2	8566L Bush	1	
3	ERR3987 Key	2	
4	ERR1630 Dowel	1	
5	RTC4783 Bearing kit main standard	1	
	RTC478310 Bearing kit main .010 u/s	1	

Kit - thrust washer - pairs

6	RTC2825 Standard	A/R	
	538131 0.0025 oversize	A/R	
	538132 0.0050 oversize	A/R	
7	ERR2220 Damper	1	
8	ERR2100 Flinger	1	
9	ERR4707 Pulley crankshaft timing	1	
10	ERR4710 O ring	1	
11	ERR5087 Bolt crankshaft	1	
12	ERR1564 Washer thrust	1	



Model DEFENDER 90

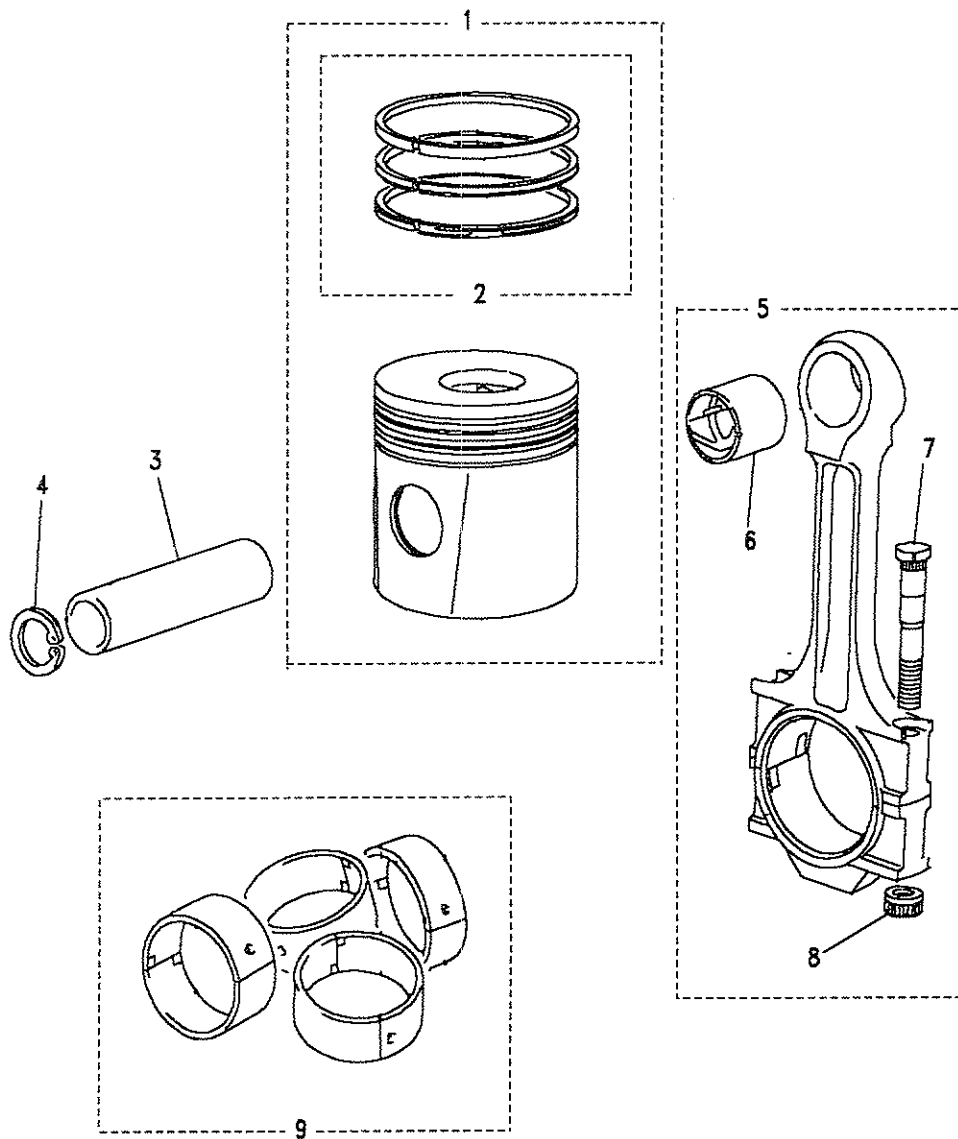
Page ADBNCC1A

ENGINE - PISTON & RINGS - 300TDI

III. Part No.	Description	Qty	Remarks
1	ERR2410	4	Piston assembly standard
2	STC958	4	Kit piston rings
3	ERR703	4	Gudgeon pin
4	266945	8	Circlip
5	ERR2418	4	Connecting rod assembly
6	ERR2419	4	Bush
7	ETC7357	8	Bolt
8	ETC8191	8	Nut

Bearing kit - conn rod - engine set

9	RTC2993	A/R	Standard
	RTC299310	A/R	0.010 oversize

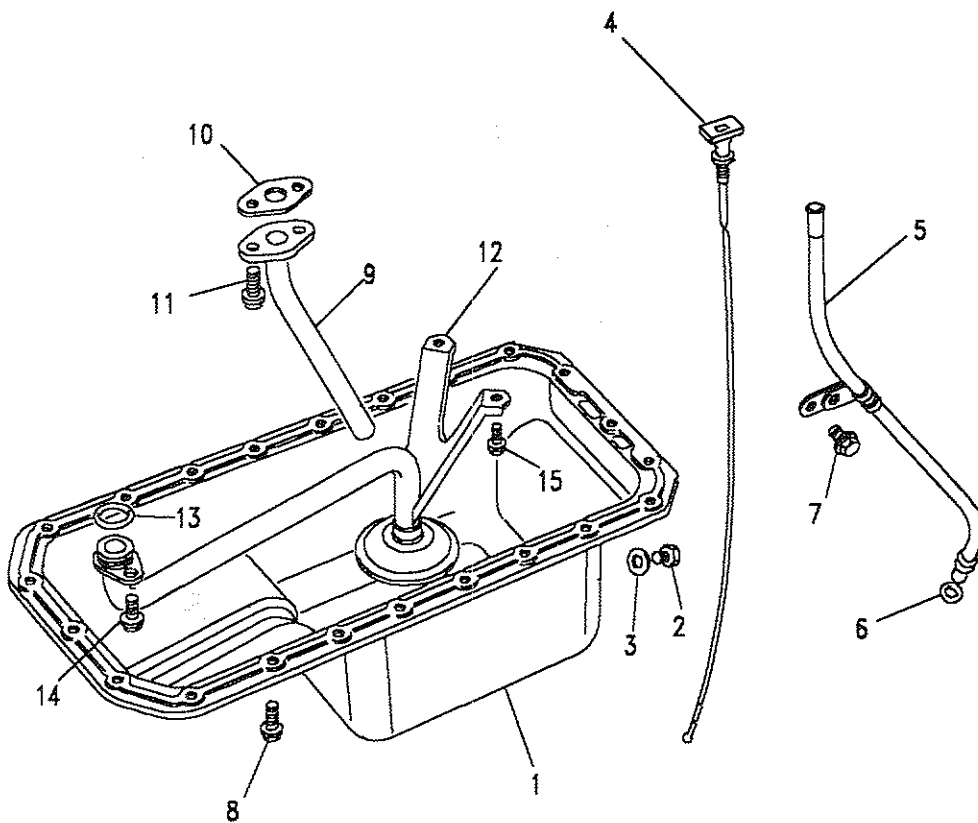


DEFENDER 90
 300TDI
 268

Model DEFENDER 90

Page ADBNDA1A

ENGINE - SUMP - 300TDI



III. Part No.	Description	Qty	Remarks
1	ERR4696	1	Sump
2	UAM2957	1	Plug
3	UAM2857L	1	Washer joint
4	ERR3809	1	Rod oil level
5	ERR4697	1	Tube dipstick
6	ERR3683	1	Ring sealing
7	FS108161L	1	Screw flange
8	FS108161L	22	Screw flange
9	ERR3633	1	Pipe oil drain
10	ERR1653	1	Gasket
11	FS108201	2	Screw flange
12	ERR3299	1	Oil pick up assembly
13	ERR3417	1	O Ring
14	FS108161L	1	Screw flange
15	FS106167	2	Screw flange

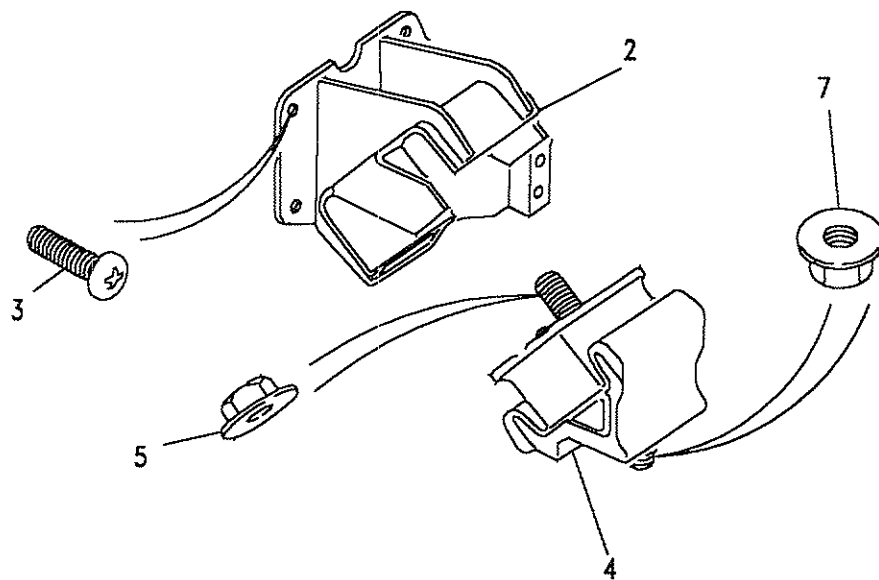
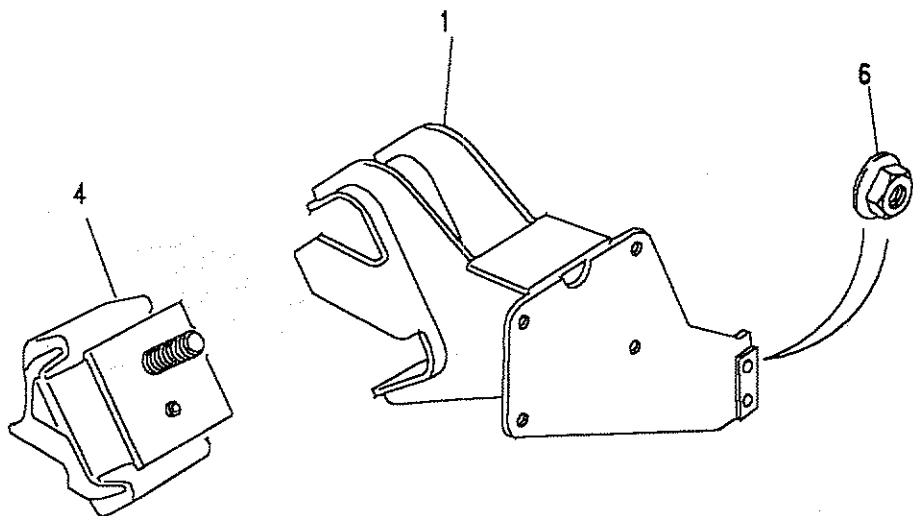


Model DEFENDER 90

Page ADBNDC1A

ENGINE - MOUNTINGS - DIESEL 300TDI

III. Part No.	Description	Qty	Remarks
1	ANR2868	1	Bracket mounting RH
2	NTC9415	1	Bracket mounting LH
3	SH112201	8	Screw M12 x 20
4	NTC9416	2	Mounting rubber
5	FX112041L	2	Nut flanged M12
6	FX110041L	2	Nut flanged M10
7	FX112041L	2	Nut flanged M12

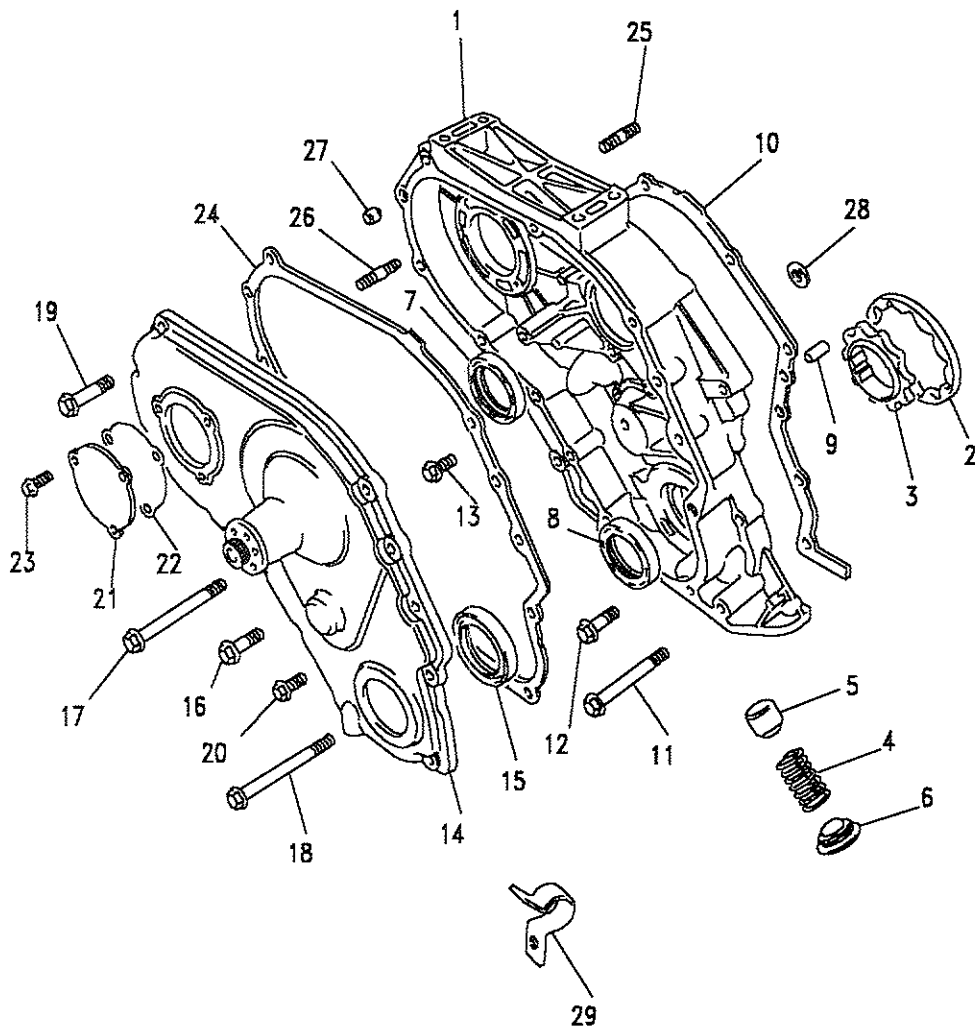




Model DEFENDER 90
Page ADBNEA1A

ENGINE - FRONT COVER - 300TDI

III. Part No.	Description	Qty	Remarks
1	ERR4664	1	Cover front
2	ERR1040	1	Rotor outer
3	ERR1041	1	Rotor inner
4	ERR1084	1	Spring relief valve
5	ERR1085	1	Plunger relief valve
6	ERR1086	1	Plug relief plunger
7	ERR3356	1	Oil seal camshaft
8	ERR4575	1	Oil seal crankshaft
9	6395L	4	Dowel
10	ERR4860	1	Gasket front cover
11	FB108161L	2	Bolt flange M8 x 80
12	FB108071L	3	Bolt flange M8 x 35
13	FS108251L	5	Screw flange M8 x 25



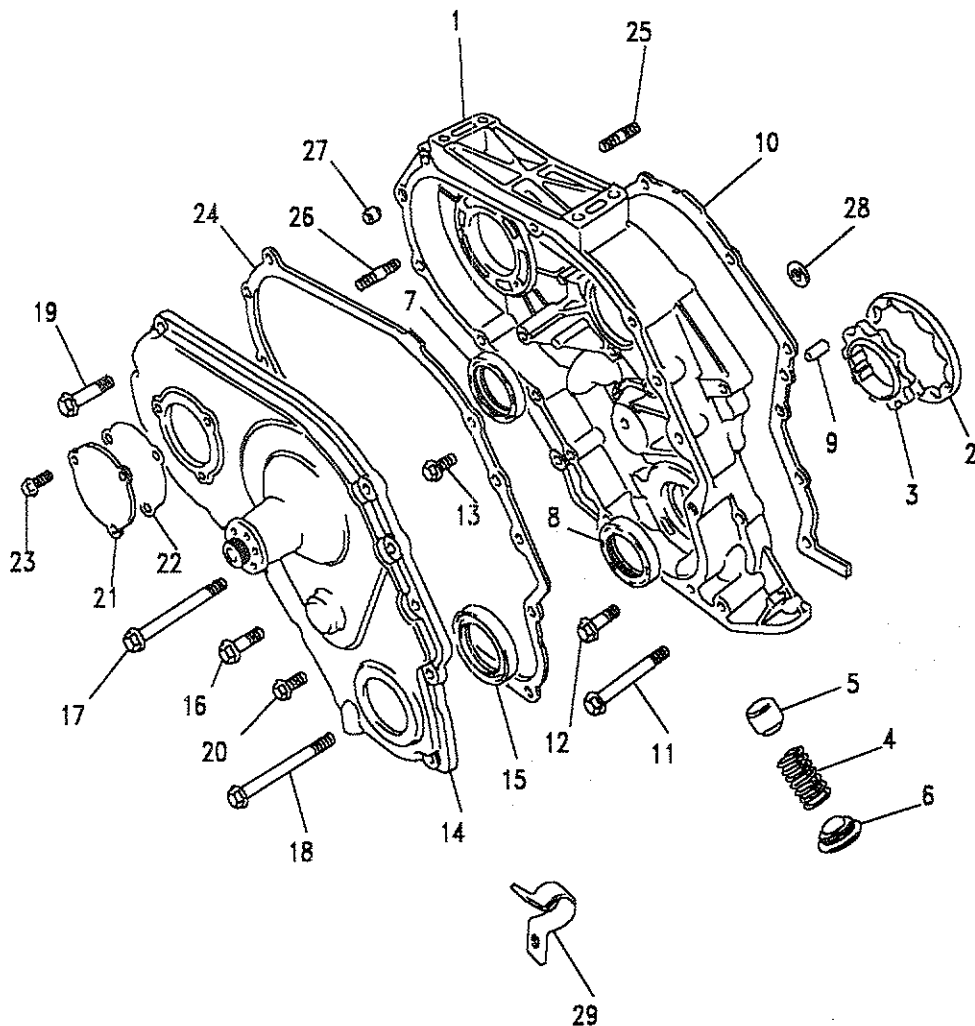


4/80

Model DEFENDER 90
Page ADBNEA1A

ENGINE - FRONT COVER - 300TDI

III. Part No.	Description	Qty	Remarks
14	ERR4578	1	Cover front engine
15	ERR4576	1	Oil seal crankshaft
16	FB108071L	5	Bolt flange M8 x 35
	FB108081L	2	Bolt flange M8 x 40
17	FB108201L	2	Bolt flange M8 x 100
18	FB108221	2	Bolt flange M8 x 110
19	FB108101	2	Bolt flange M8 x 50
20	FS108251L	1	Screw flange M8 x 25
21	ERR1560	1	Cover plate
22	ERR1561	1	Gasket cover plate
23	FS108121	3	Screw flange M8 x 12
24	ERR4120	1	Gasket cover plate
25	TE108061L	3	Stud
26	TE110051L	1	Stud
27	ERR3286	2	Dowel front cover
28	ERR2344	1	Joint washer
29	ERR4824	2	Clip hose

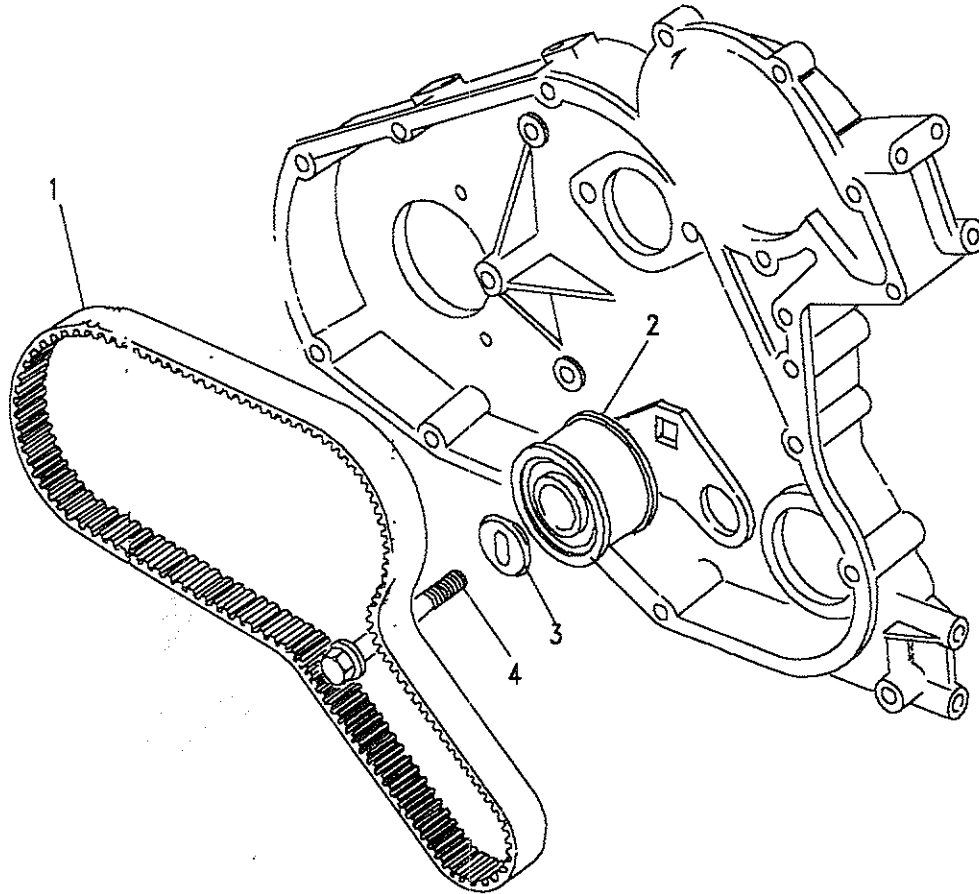




Model DEFENDER 90
Page ADBNEC1A

ENGINE - TIMING BELT - 300 TDI

III. Part No.	Description	Qty	Remarks
1 ERR1092	Belt timing	1	
2 ERR1972	Pulley tensioner	1	
3 ERR900	Washer packing	1	
4 FB110131	Bolt flanged	1	
5 FN110041	Nut flanged	1	
6 ETC8560	Idler static- timing belt	1	
7 ERR1973	Washer spacing	1	

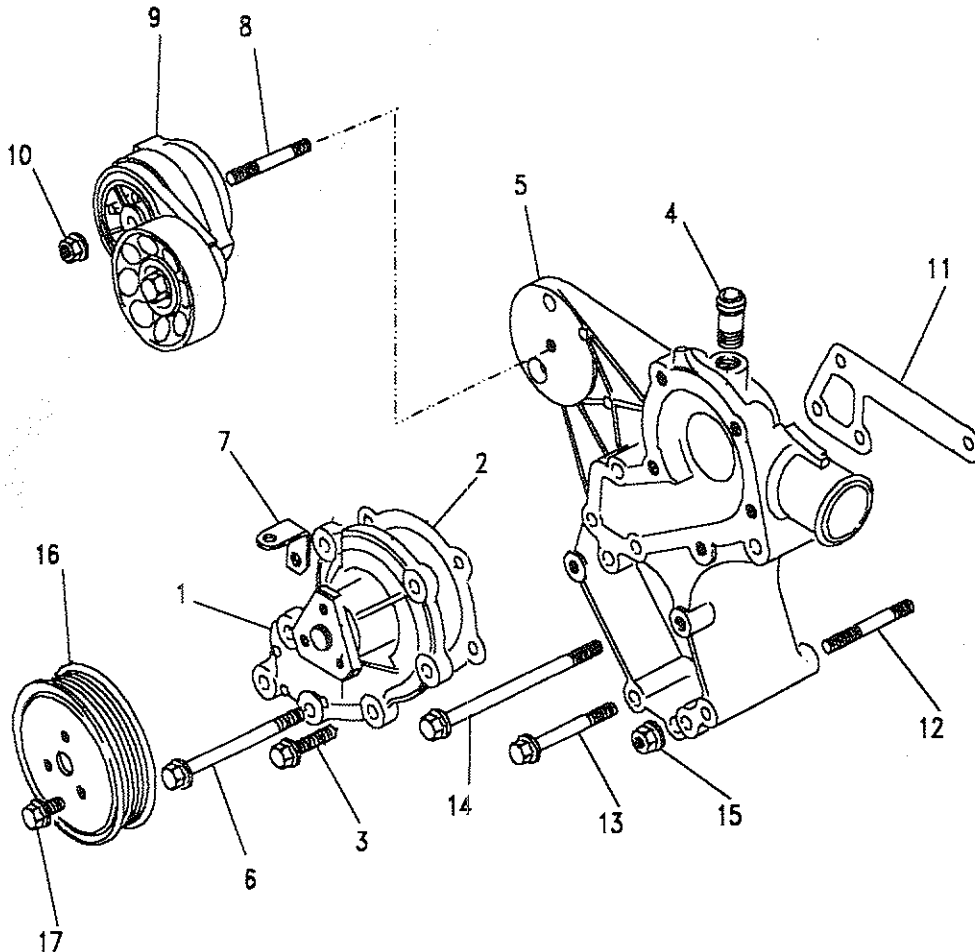




Model DEFENDER 90
Page ADBNEE1A

ENGINE - WATER PUMP - 300TDI

III. Part No.	Description	Qty	Remarks
1	STC1086	1	Pump water
2	ERR3284	1	Gasket
3	FS108301	5	Screw flange
4	ERR3622	1	Pipe stub
5	ERR3736	1	Bracket mounting
6	FB108241	3	Bolt flange pump to brkt
7	ERR5259	1	Bracket bypass hose
	ERR5099	1	Hose by pass
8	TE110151	1	Stud
9	ERR4708	1	Tensioner auxiliary
10	FN110041	1	Nut flange
11	ERR2378	1	Gasket water in to block
12	ERR4404	1	Stud
13	FB108131	1	Bolt flange
14	FB108261	1	Bolt flange
15	FX108041	2	Nut flange
16	ERR3734	1	Pulley water pump
17	FS108121	3	Screw flange





DEFENDER 90

275

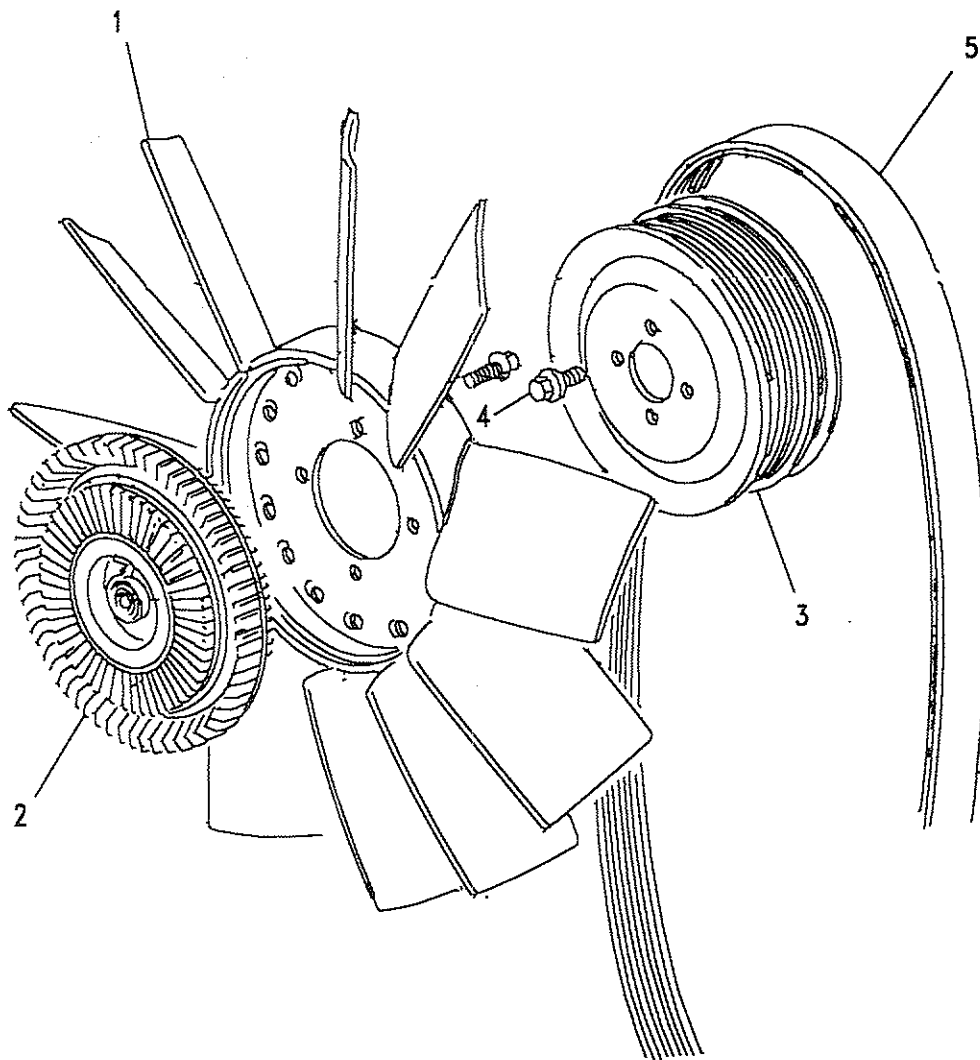
ENGINE

Model DEFENDER 90

Page ADBNEG1A

ENGINE - COOLING FAN - 300TDI

III. Part No.	Description	Qty	Remarks
1	ERR2789	1	Fan blade
2	ERR2266	1	Viscous unit
3	ERR3735	1	Pulley fan
4	FS108121	4	Screw flange
5	ERR3287	1	Belt

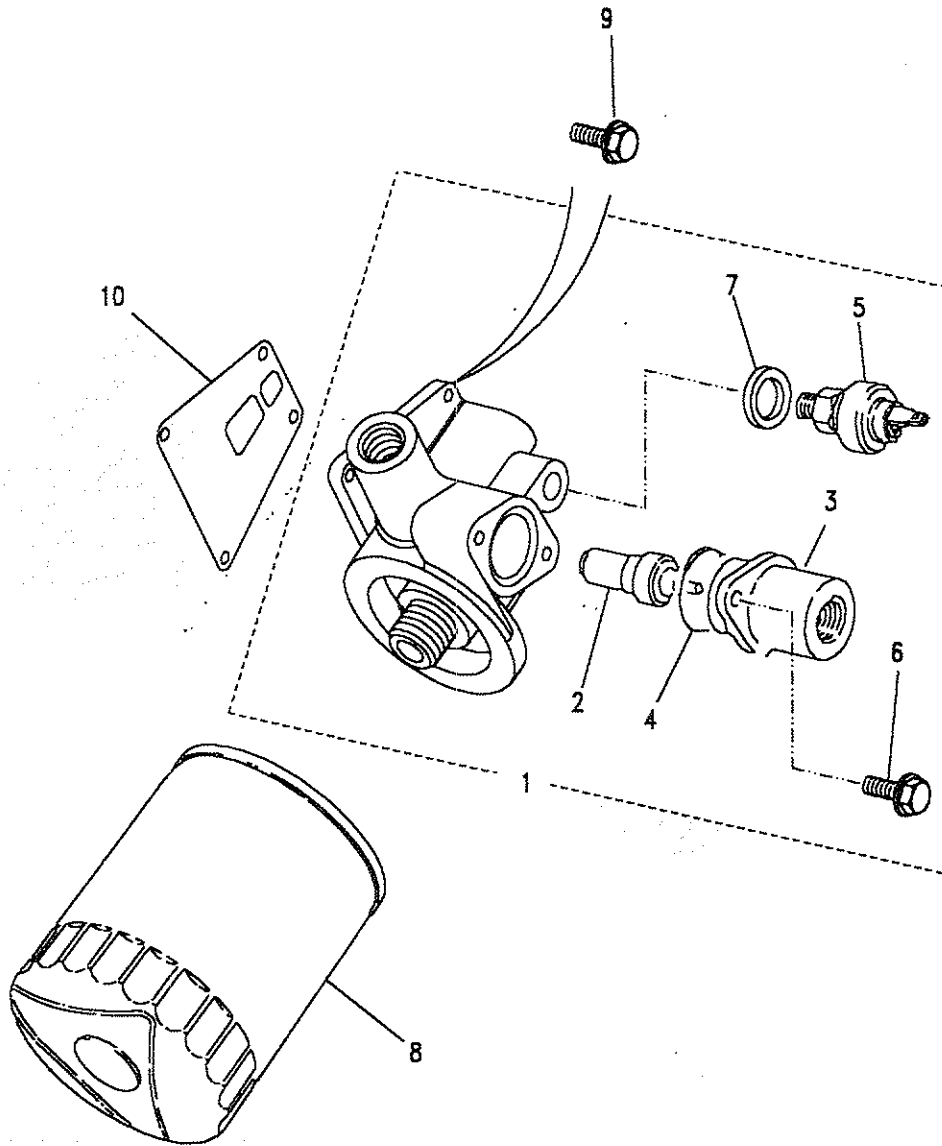


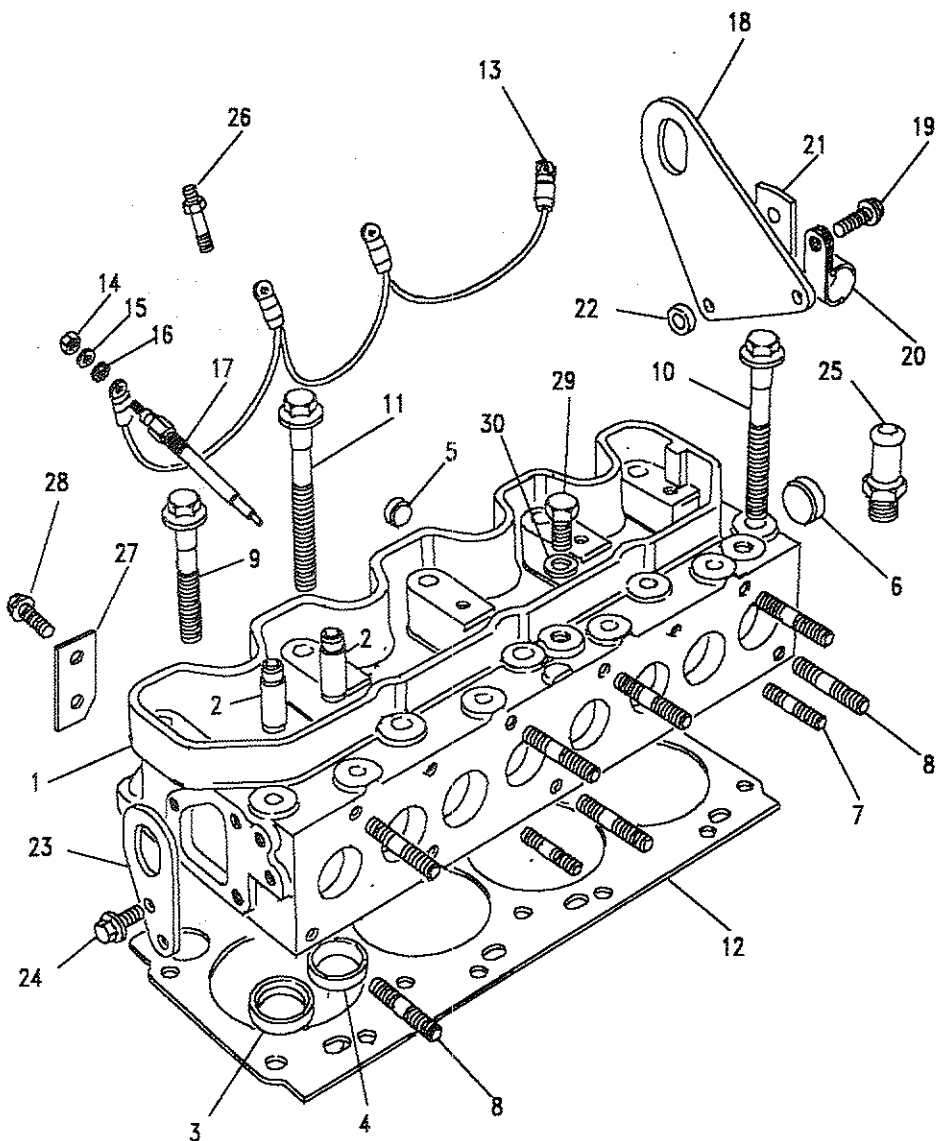


Model DEFENDER 90
Page ADBNFC1A

ENGINE - OIL FILTER - 300TDI

III. Part No.	Description	Qty	Remarks
1	ERR2317	1	Adaptor assy oil filter
2	ERC5923	1	Bulb thermostat
3	ERR2241	1	Adaptor
4	ERC5913	1	O Ring
5	PRC6387	1	Switch oil pressure
6	FS106167	2	Screw flange
7	AFU1887L	1	Washer joint
8	ERR3340	1	Element oil filter
9	FS110301	4	Screw flange
10	ERR3283	1	Gasket





Model DEFENDER 90

Page ADBNGA1A

ENGINE - CYLINDER HEAD - 300TDI

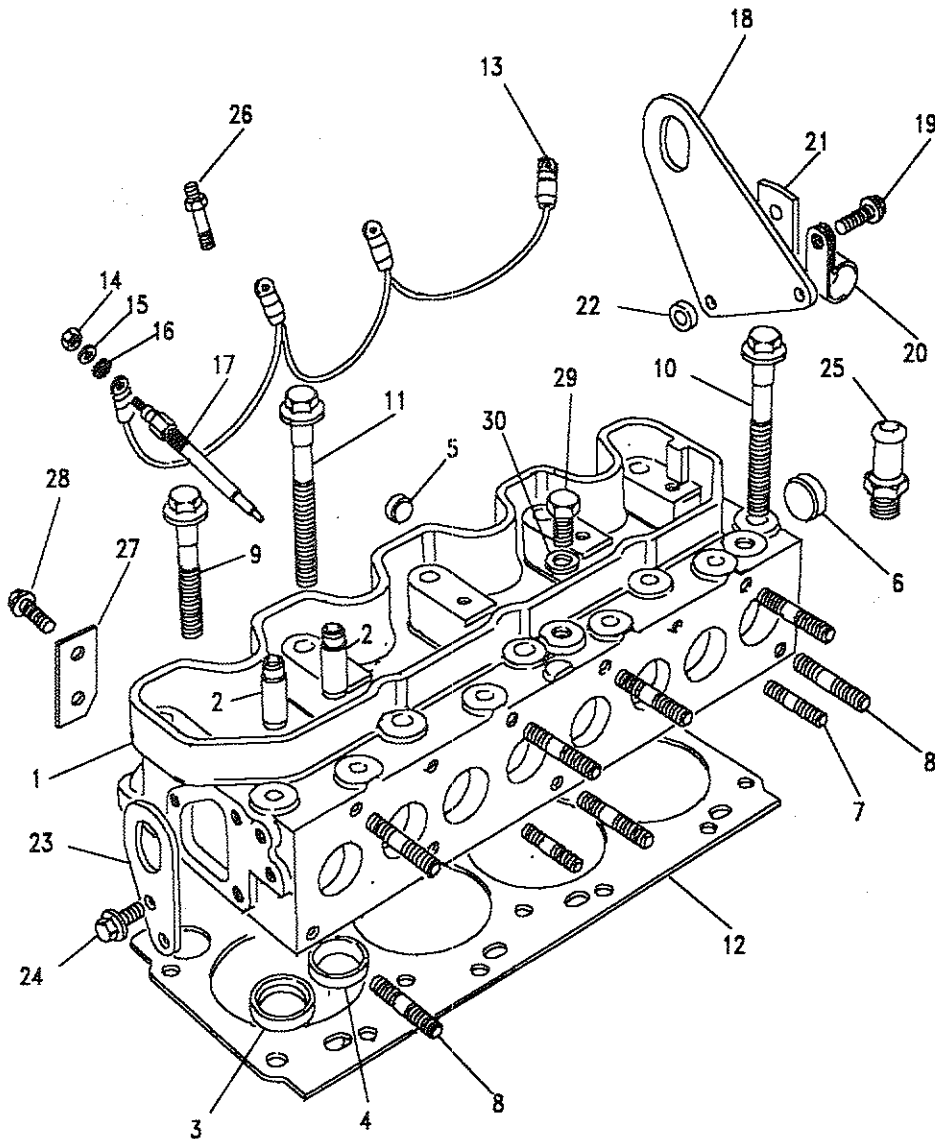
III. Part No.	Description	Qty	Remarks
1	ERR5027	1	Cylinder head assembly
2	ETC8003	8	Guide valve
3	ETC8001	4	Insert valve seat inlet
4	ERR3753	4	Insert valve seat exh
5	525497	1	Plug cup
6	524765	1	Plug cup
7	TE108051L	2	Stud M8 x 25
8	TE110071	10	Stud M10 x 35
9	ETC8808	4	Bolt fixing cyl head
10	ERR1939	10	Bolt fixing cyl head
11	ETC8810	4	Bolt fixing cyl head

Gasket - Cylinder head - Selective

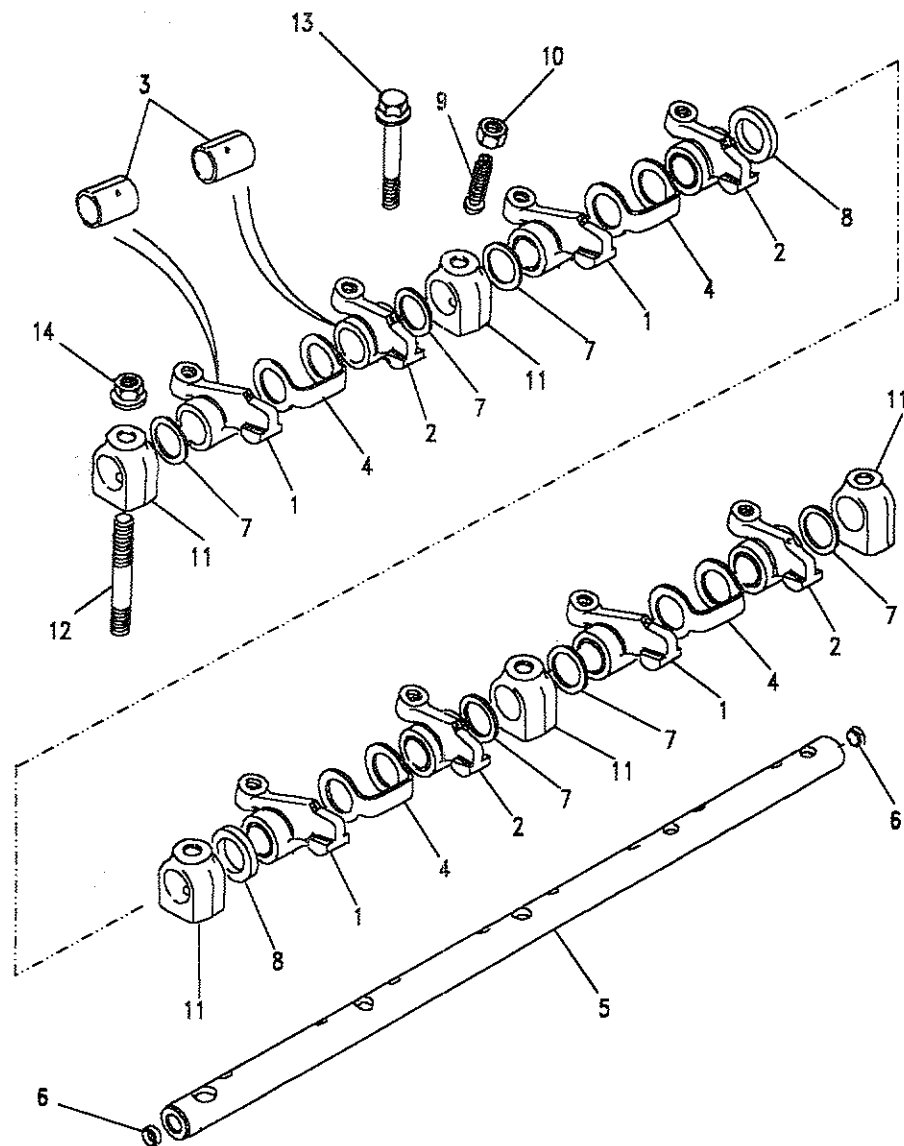
12	ERR4537	1.3mm	A/R
	ERR4538	1.4mm	A/R
	ERR4539	1.5mm	A/R
13	AMR2425	1	Cable assembly glow plugs
14	NH104041L	4	Nut
15	WA104001L	4	Washer
16	WE104001L	4	Washer
17	ETC8847	4	Glow plug

Model DEFENDER 90
Page ADBNGA1A

ENGINE - CYLINDER HEAD - 300TDI



III. Part No.	Description	Qty	Remarks
18	ETC8036	1	Bracket lifting rear
19	FS108251L	2	Screw flange M8 x 25
20	CP108251	1	P Clip
21	PRC2979	1	Bracket harness
22	390939	1	Spacer
23	ETC8031	1	Bracket lifting front
24	FS108201	2	Screw flange
25	624091	1	Adaptor
26	ERR1019	4	Stud injector clamp
27	ERC9404	1	Bracket retaining
28	FS108161L	1	Screw flange
29	ETC5577	1	Plug
30	FRC4808	1	Washer joint



Model DEFENDER 90
Page ADBNGC1A

ENGINE - ROCKER SHAFT - 300TDI

III. Part No.	Description	Qty	Remarks
1	ERR3343	4	Rocker arm assembly RH
2	ERR3342	4	Rocker arm assembly LH
3	ERR1203	8	Bush
4	ERR2405	4	Spring
5	ERR4848	1	Shaft rocker assembly
6	ERR3457	2	Cup plug
7	ERR1209	6	Spacer
8	ERR2732	2	Spacer
9	ERR4883	8	Screw tappet adjusting
10	ERR560	8	Nut locker
11	ERR3779	5	Clamp rocker shaft
12	ERR4687	3	Stud rocker shaft
13	FB108101	2	Bolt flange
14	FN108041	3	Nut flange

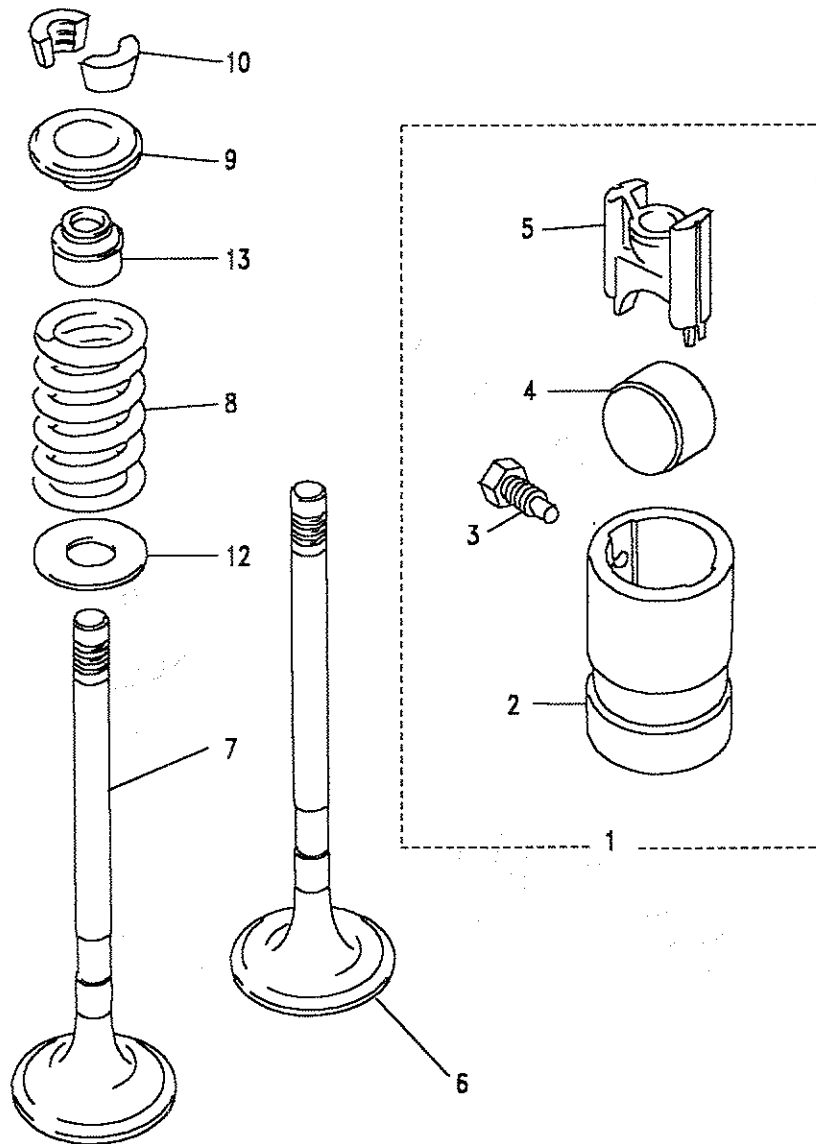




Model DEFENDER 90
Page ADBNGE1A

ENGINE - VALVES AND TAPPETS - 300TDI

III. Part No.	Description	Qty	Remarks
1	RTC6564	8	Tappet assembly
2	502473	8	Guide
3	ETC4246	8	Set bolt
4	ERR561	8	Washer tappet guide
5	ERR607	8	Tappet slide
6	ERR3777	4	Valve inlet
7	ERR1156	4	Valve exhaust
8	ERR4640	8	Spring valve
9	ETC4068	8	Cup valve spring
10	ETC4069	16	Cotter valve spring
11	546799	8	Push rod
12	ETC8193	8	Seat valve spring
13	ETC8663	8	Seal valve stem
14	ERR4175	8	Cap valve stem protection

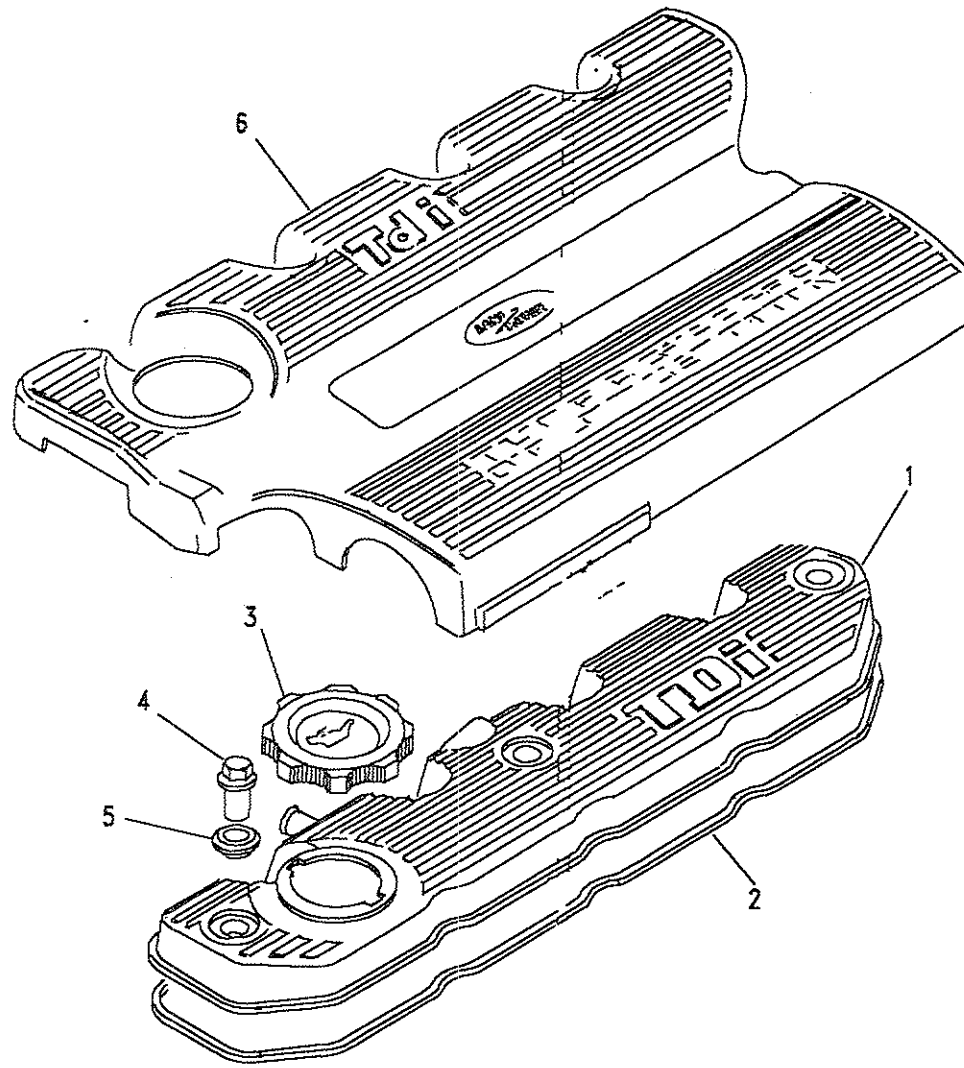




Model DEFENDER 90
Page ADBNGG1A

ENGINE - ROCKER COVER - 300TDI

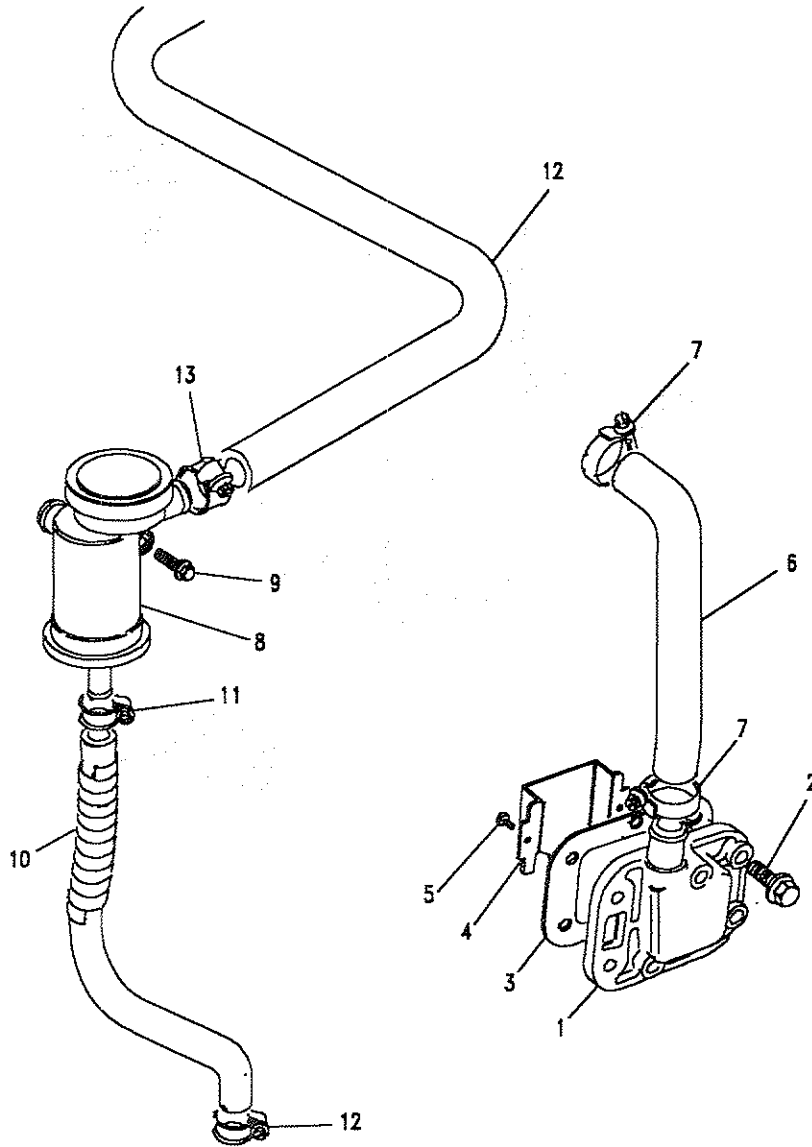
III. Part No.	Description	Qty	Remarks
1	ERR4691	1	Rocker cover
2	ERR2409	1	Gasket rocker cover
3	ERR5041	1	Cap oil filler
4	ERR4834	3	Screw
5	ERR3424	3	Washer sealing
6	ERR4632	1	Cover NVH engine top



Model DEFENDER 90

Page ADBNKG2A

ENGINE - CYCLONE BREATHER - 300TDI



III. Part No.	Description	Qty	Remarks
1	ERR4706	1	Cover side breather
2	FS108251L	3	Screw flange M8 x 25
3	ERR2026	1	Gasket side cover
4	ERR874	1	Baffle plate
5	79027	1	Screw
6	ERR3084	1	Hose side to rocker cover
7	CN100258	2	Clip hose
8	ERR1471	1	Breather cyclone
9	FB106111L	1	Bolt flange
10	ERR1351	1	Hose cyclone oil drain
11	CN100208L	2	Clip hose
12	ERR4926	1	Hose cyclone to a/cleaner
13	CN100258	2	Clip hose

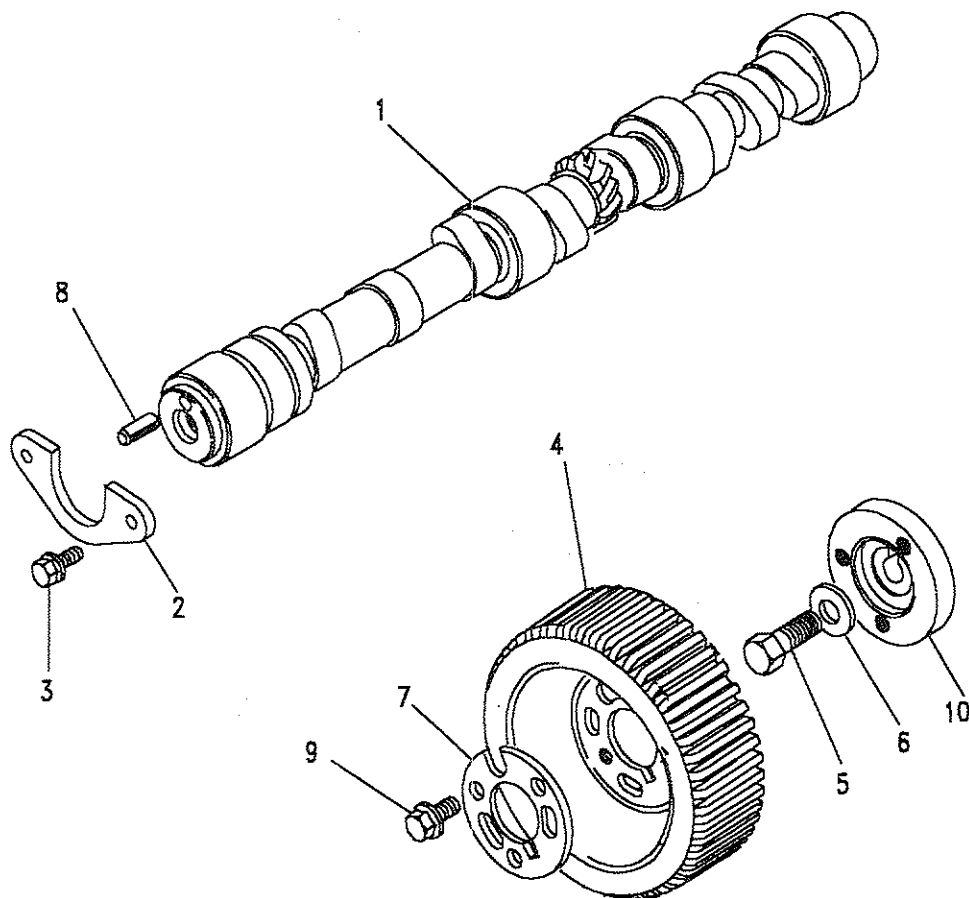


Model DEFENDER 90

Page ADBNGI1A

ENGINE - CAMSHAFT - 300TDI

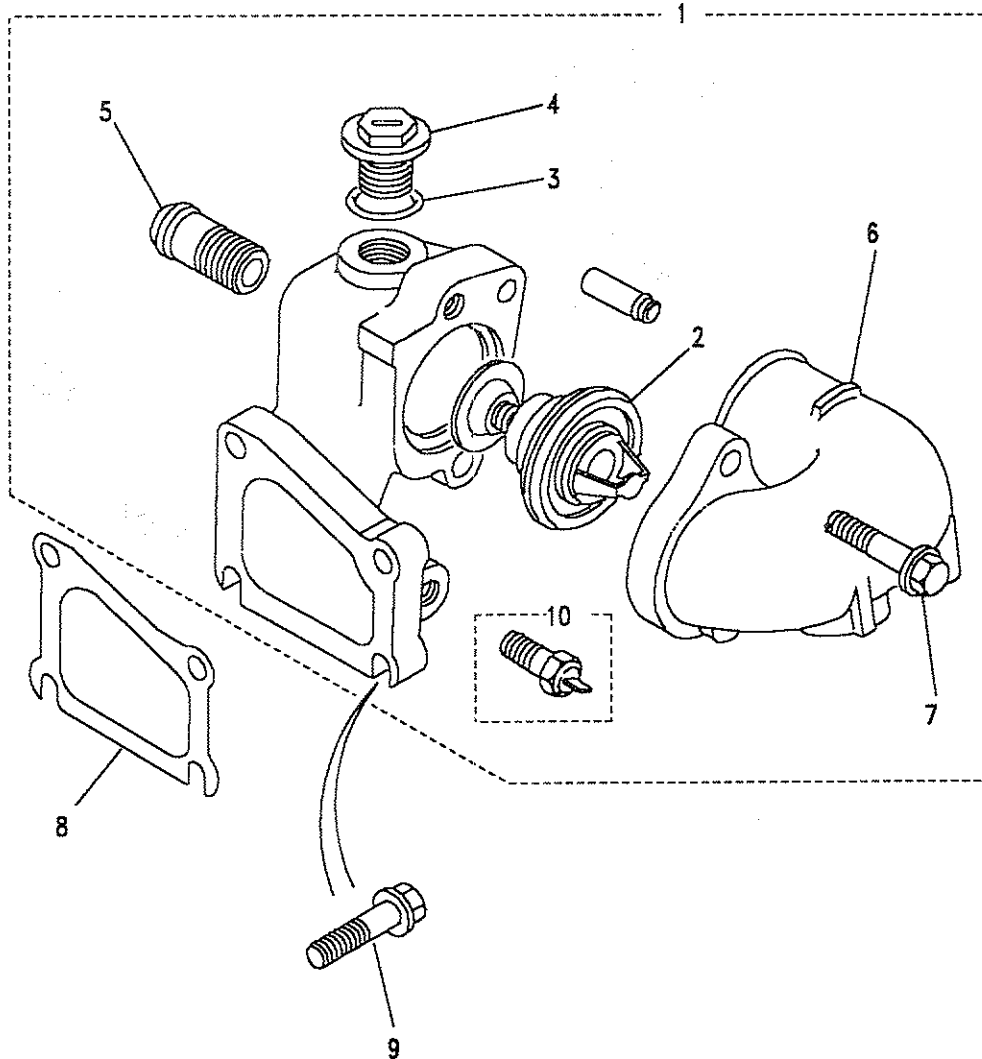
III. Part No.	Description	Qty	Remarks
1	ERR3547	1	Camshaft
2	ERR3754	1	Plate thrust camshaft
3	FS106167	2	Screw flange
4	ERR3545	1	Pulley timing belt
5	BX112091	1	Bolt
6	BDU1496	1	Washer
7	ERR2216	1	Plate retaining
8	ERR4709	1	Dowel camshaft
9	FS108161L	3	Screw flange
10	ERR3756	1	Hub camshaft pulley



Model DEFENDER 90
Page ADBNGK1A

ENGINE - THERMOSTAT - 300TDI

III. Part No.	Description	Qty	Remarks
1	ERR3479	1	
	ERR5098	1	Air con
2	ERR3291	1	
3	ERR4685	1	
4	ERR4686	1	
5	ERR3622	1	
6	ERR3737	1	
	ERR3738	1	Air con
7	FS108251L	2	
8	ERR3490	1	
9	FS108251L	4	
10	AMR3321	1	



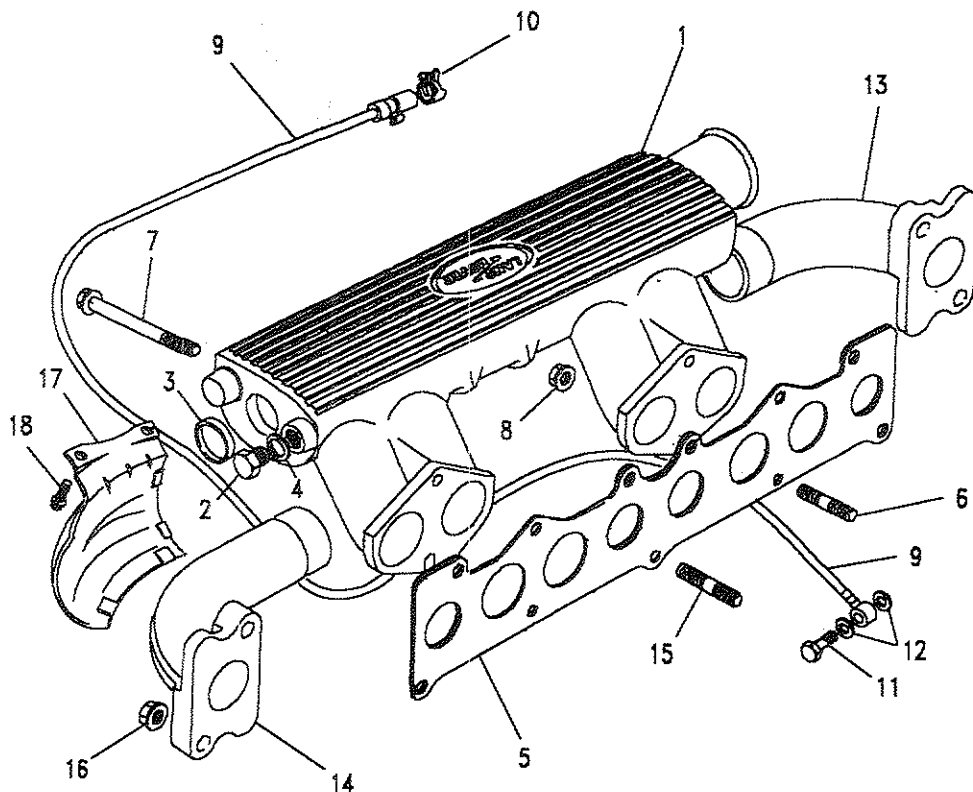


Model DEFENDER 90
Page ADBNHA1A

ENGINE - MANIFOLDS - 300 TDI

III. Part No.	Description	Qty	Remarks
1	ERR3481	1	Manifold inlet
2	ETC5577	1	Drain plug
3	524765	1	Cup plug
4	ERR894	1	Washer joint
5	ERR3785	1	Gasket manifold to head
6	TE108051L	2	Stud
7	FB108171	2	Bolt flange
8	FN108041	2	Nut flange
9	ERR4699	1	Boost pipe assembly
10	UKC3803L	1	Hose clamp
11	ERR886	1	Banjo bolt boost capsule
12	273069	2	Washer joint
13	NSS	1	Manifold exhaust LH Note(1)
14	NSS	1	Manifold exhaust RH Note(1)
15	TE110071	7	Stud M10 x 35
16	FX110041	7	Nut flange
17	ESR2422	1	Heatshield exh manifold
18	FS105107	2	Screw flange

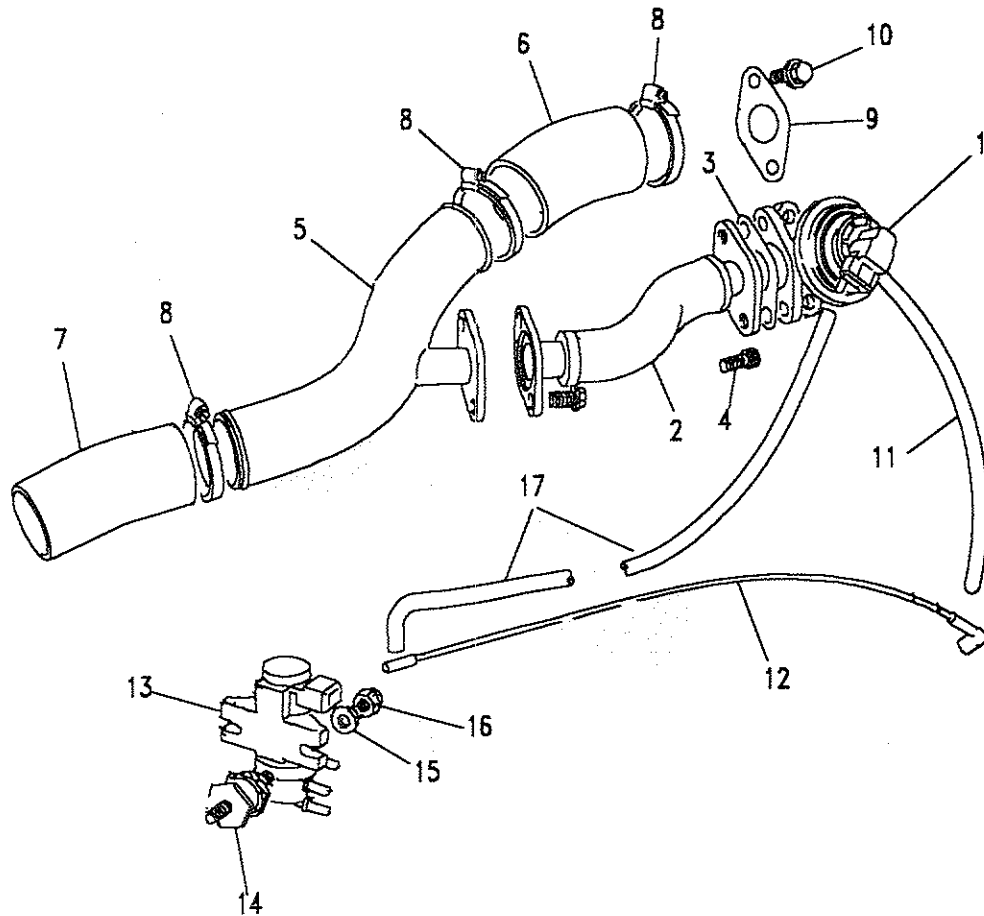
Note(1) Supplied as part of the Turbocharger assembly



Model DEFENDER 90
Page ADBNHE1A

ENGINE - EXHAUST GAS RECIRCULATING - 300TDI

III. Part No.	Description	Qty	Remarks
1	ERR4047	1	Valve egr
2	ERR3583	1	Tube delivery egr
3	ERR3319	1	Gasket EGR pipe to valve
4	SS108201	2	Screw socket
5	ERR3579	1	Tube egr mixing
6	ERR3580	1	Hose intercooler egr tube
7	ERR3581	1	Hose egr tube to in man
8	PYC101120	2	Clip hose
9	ERR3791	1	Gasket egr to inlet man
10	FS108201L	2	Screw flanged
11	ESR3308	1	Pipe sol to EGR valve
12	ERR4862	1	Hose to air cleaner
13	ERR3314	1	Modulator EGR valve
14	ERR2337	2	Mounting flexible
15	NY106041L	2	Nut nyloc
16	WA106001L	2	Washer plain M6
17	ERR5055	1	Pipe EGR vlv to modulator

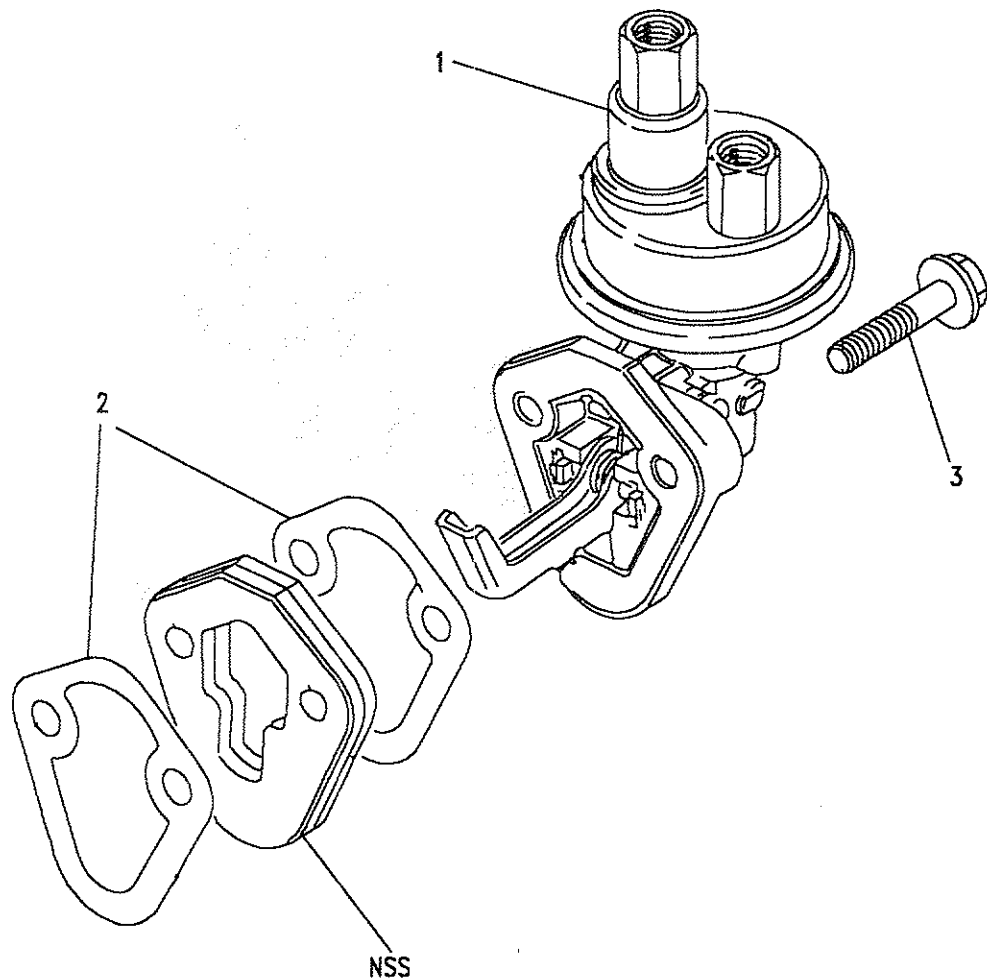




Model DEFENDER 90
Page ADBNKA1A

ENGINE - FUEL LIFT PUMP - 300TDI

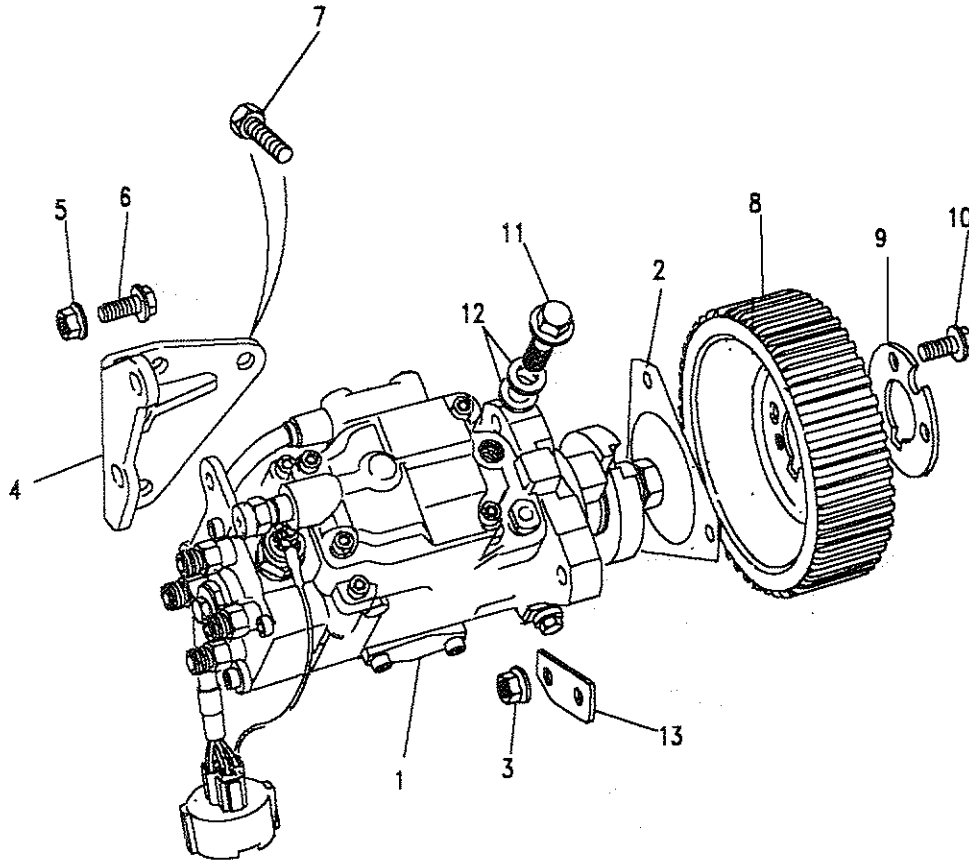
III. Part No.	Description	Qty	Remarks
1 ERR5057	Pump fuel	1	
2 ERR2028	Gasket pump to side cover	1	
3 FS108301	Screw flange	2	



Model DEFENDER 90
Page ADBNKC1A

ENGINE - INJECTION PUMP - 300TDI

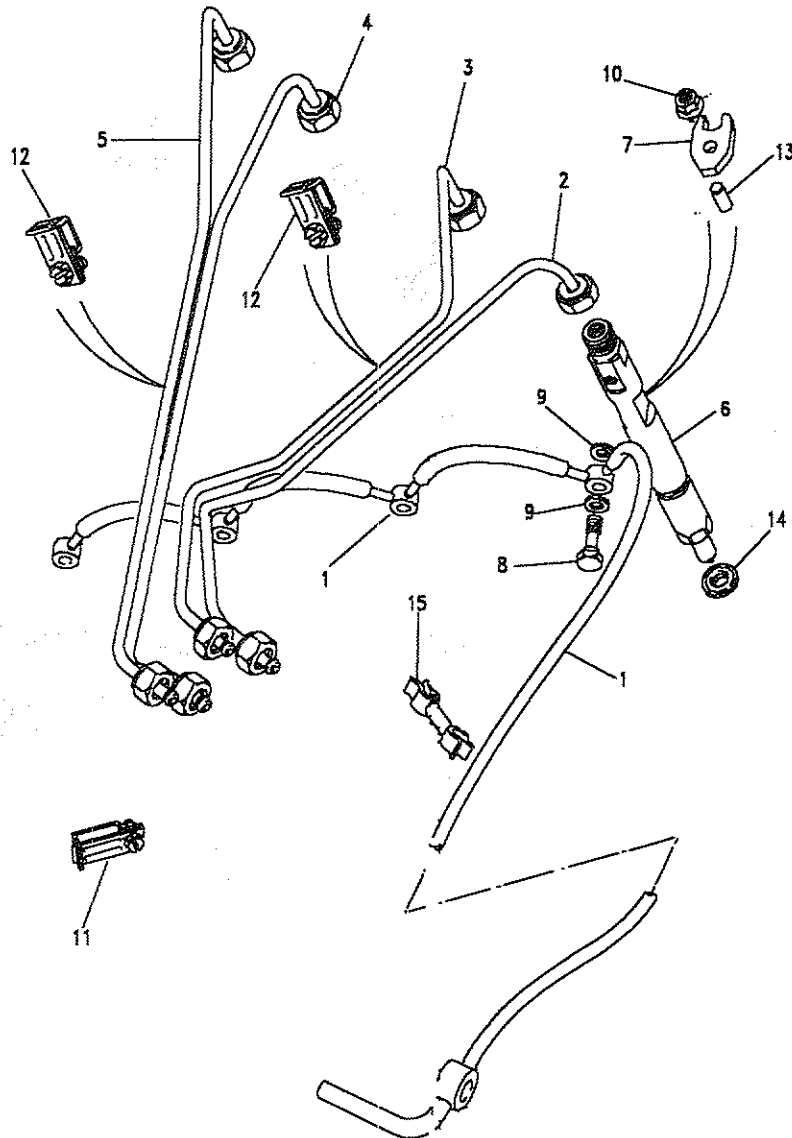
III. Part No.	Description	Qty	Remarks
1	ERR4419	1	Pump fuel injection
	RTC6702	1	Switch fuel cut off
2	ERR2023	1	Gasket
3	FN108041	3	Nut flanged
4	ERR4725	1	Bracket FIE
5	FN108041	2	Nut flanged
6	FS108201	2	Screw flanged
7	FB108101	3	Bolt flanged
8	ERR3545	1	Pulley
9	ERR2216	1	Plate retaining pulley
10	FS108161L	3	Screw flanged
11	ERR886	1	Bolt banjo
12	ERR894	2	Washer copper
13	ERC9404	1	Bracket





Model DEFENDER 90
Page ADBNKE1A

ENGINE - INJECTORS AND PIPES - 300 TDI



III. Part No.	Description	Qty	Remarks
1	ERR3306	1	Spill return assembly
2	STC1694	1	Pipe injectors No.1
3	STC1695	1	Pipe injectors No.2
4	STC1696	1	Pipe injectors No.3
5	STC1697	1	Pipe injectors No.4
6	ERR3339	4	Injectors
7	ERR3780	4	Clamp injectors
8	ERR1200	4	Bolt banjo 6mm
9	232042	8	Washer copper
10	FN108041	4	Nut
11	STC1738	2	Clip 4 pipes
12	STC1739	2	Clip 2 pipes
13	ERR3468	4	Pin injector clamp
14	ERR4621	4	Washer sealing
15	DCP7384L	1	Clip pipe

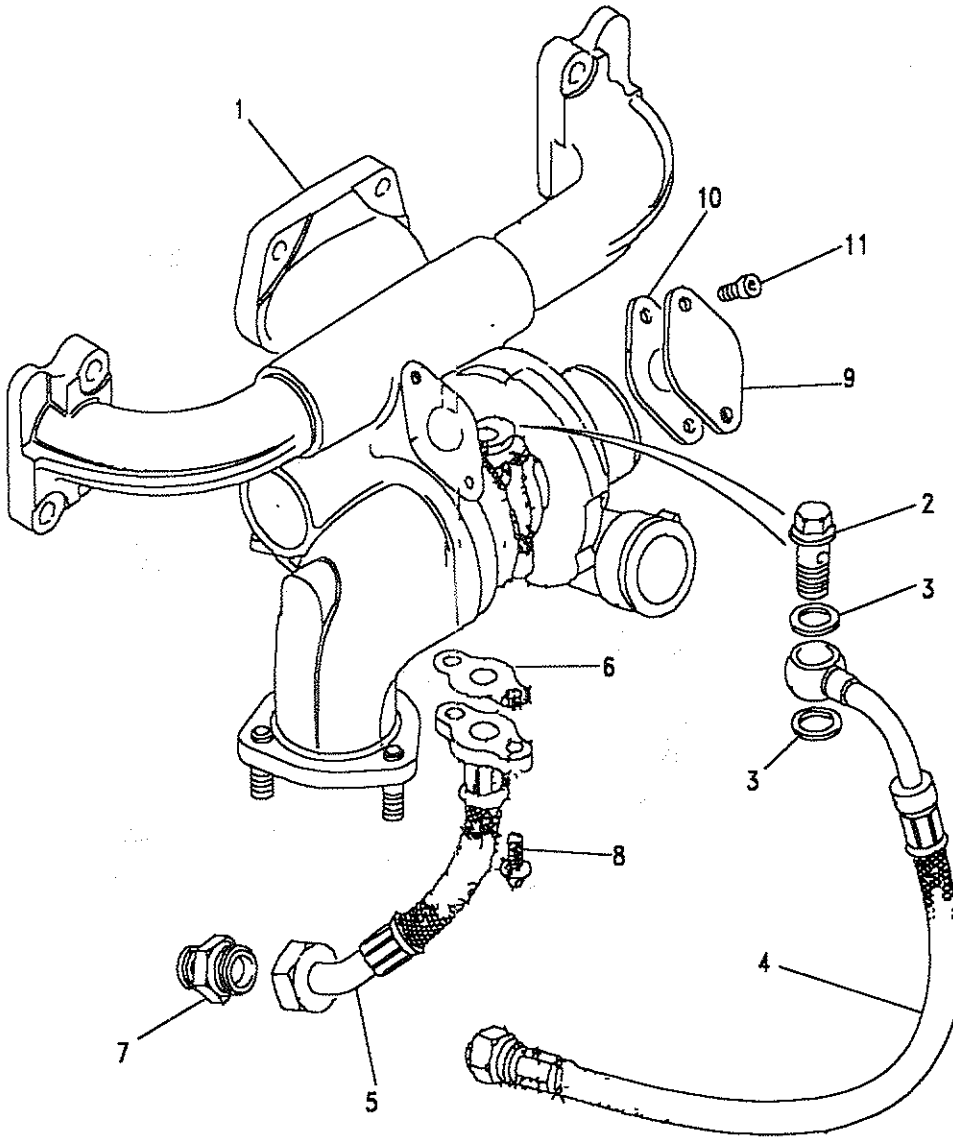




Model DEFENDER 90

Page ADBNLA1A

ENGINE - TURBOCHARGER - 300TDI



Ill. Part No.	Description	Qty	Remarks
1	ERR4802	1	Turbocharger & exh man
2	ERR1125	1	Bolt banjo oil feed
3	FRC4808	2	Washer joint
4	ERR4894	1	Pipe turbo oil feed
5	ERR4895	1	Pipe oil drain
6	ERR2109	1	Gasket oil drain pipe
7	ERR335	1	Adaptor oil drain
8	FS108201L	2	Screw flange
9	ERR4698	1	Plate blanking turbo
10	ERR4852	1	Gasket blanking plate
11	SS108201	2	Screw socket

Note(1) Not required when vehicle is fitted with Exhaust Gas Recirculation system



DEFENDER 90

291

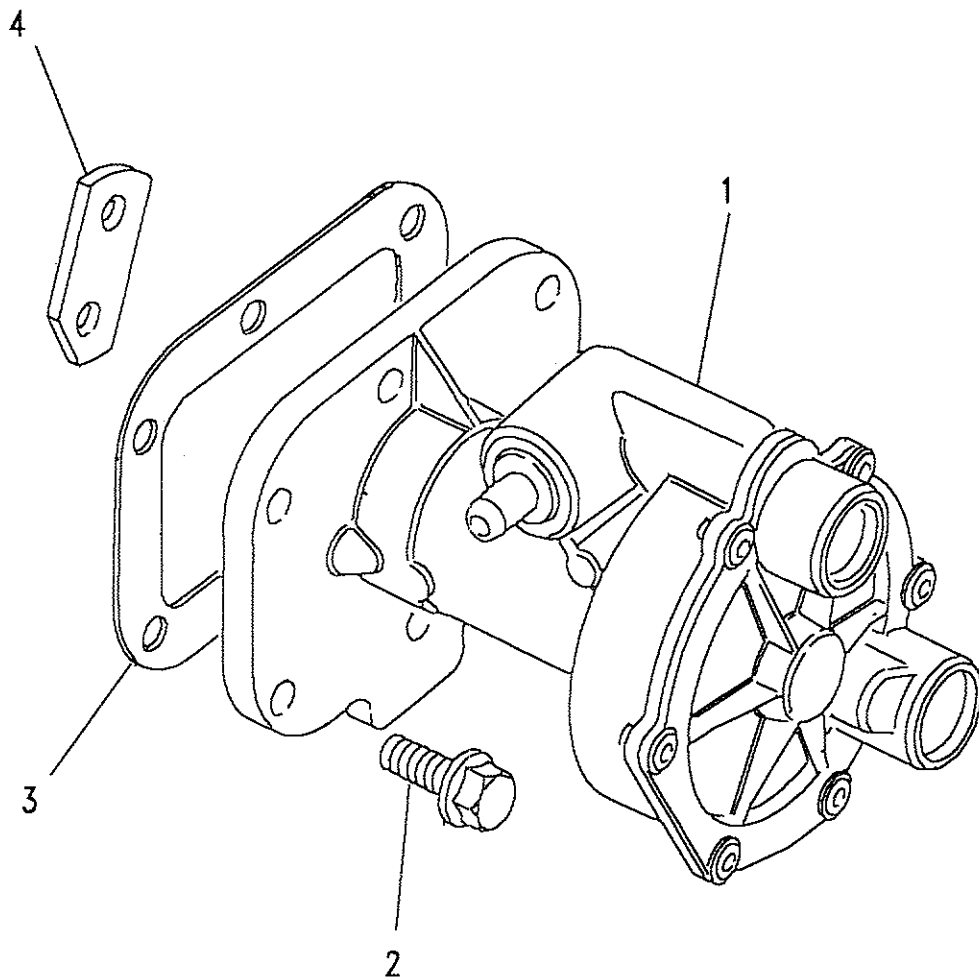
ENGINE



Model DEFENDER 90
Page ADBNNA1A

ENGINE - VACUUM PUMP - 300 TDI

III. Part No.	Description	Qty	Remarks
1	ERR3539	1	Pump vacuum
2	FS108201	5	Screw flange
3	ERR2027	1	Gasket vacuum pump
4	ERC9404	1	Bracket mounting

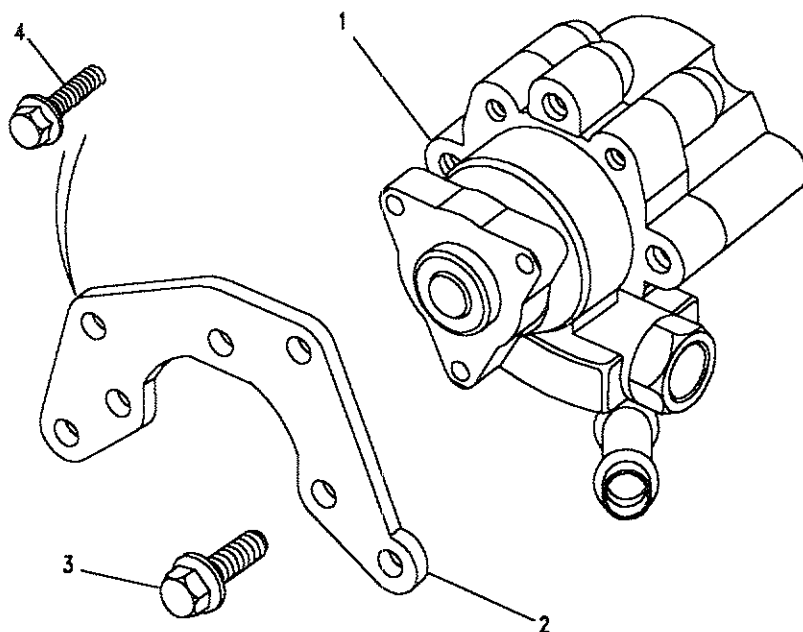
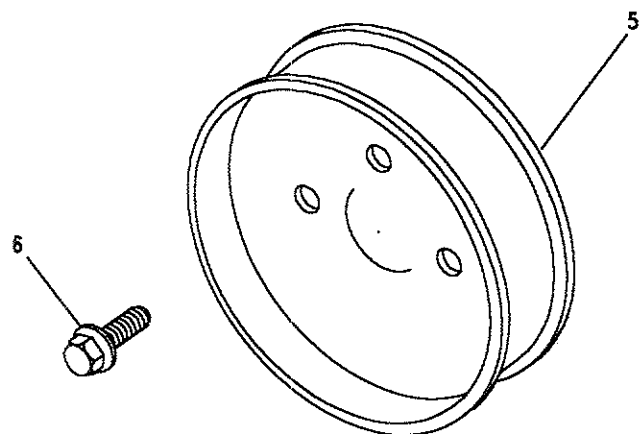


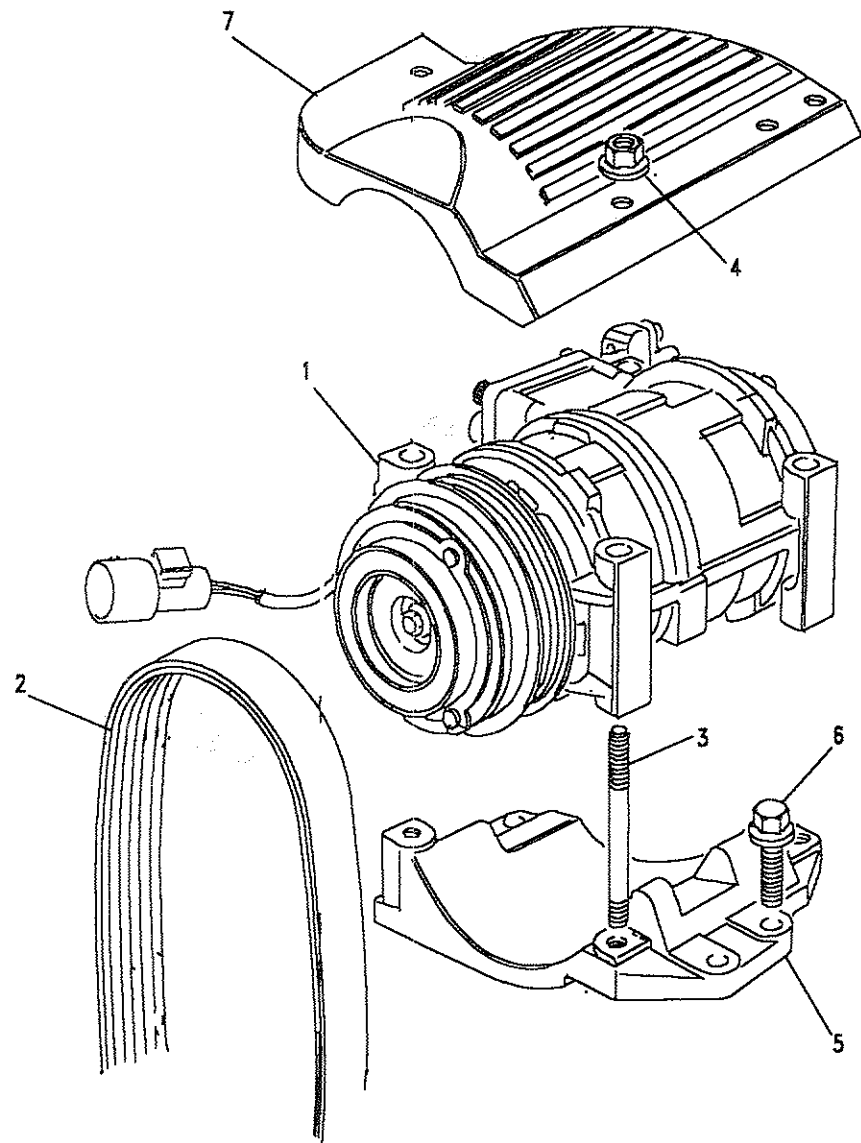


Model DEFENDER 90
Page ADBNNC1A

ENGINE - POWER STEERING PUMP - 300 TDI

III. Part No.	Description	Qty	Remarks
1	ANR2157	1	Pump power steering
2	ERR2228	1	Bracket mounting
3	FS108161L	3	Screw flange
4	FS108201	4	Screw flange
5	ERR3733	1	Pulley pump
6	FS108121	3	Screw flange





Model DEFENDER 90
Page ADBNNE1A

ENGINE - AIR CONDITIONING COMPRESSOR - 300TDI

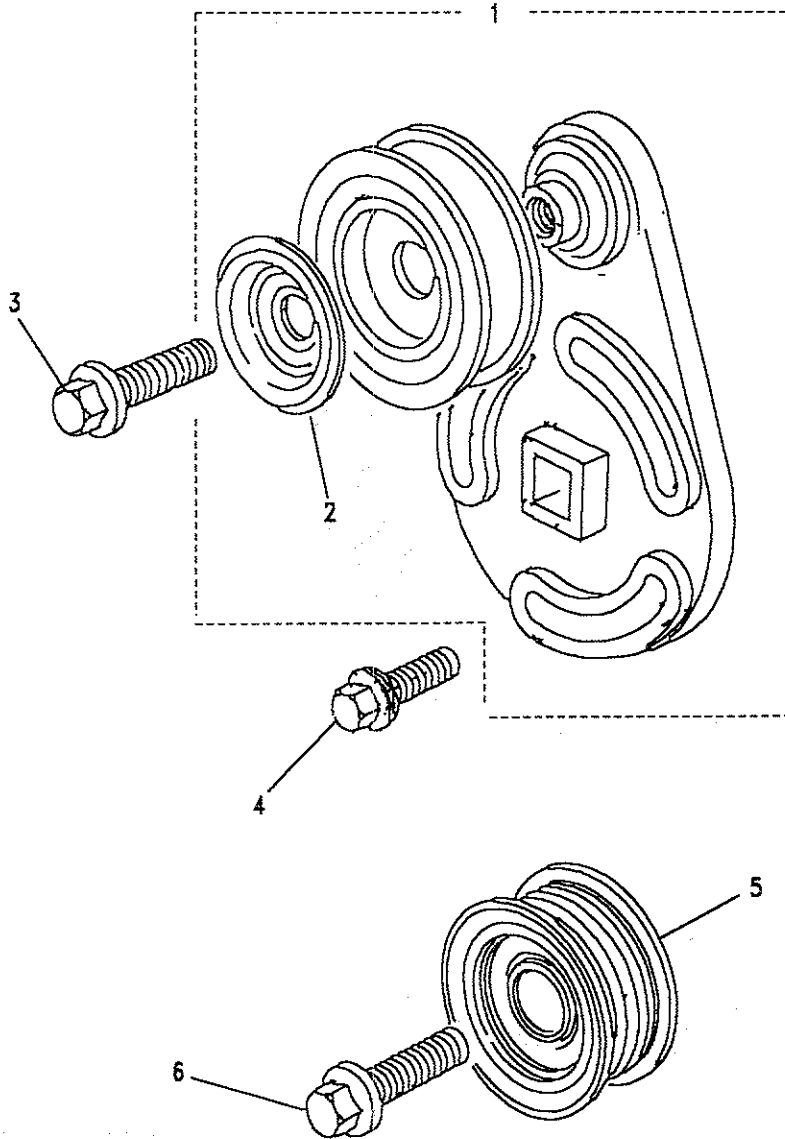
III. Part No.	Description	Qty	Remarks
1 BTR8505	Compressor	1	
2 ERR2215	Belt driving	1	
3 TE108221	Stud	3	
4 FN108041L	Nut flanged	3	
5 ERR4638	Bracket a/con compressor	1	
6 FS110301	Screw flange	4	
7 ERR4639	Guard air con belt	1	
8 FN108041L	Nut flanged	3	



Model DEFENDER 90
Page ADBNNE2A

ENGINE - AIR CONDITIONING IDLERS - 300TDI

III. Part No.	Description	Qty	Remarks
1	ERR4543	1	Tensioner pulley
2	ERR3807	1	Dust cover
3	FS110301	1	Screw flange
4	FS108251L	1	Screw flange M8 x 25
5	ERR2798	1	Pulley idler
6	FS110301	1	Screw flange



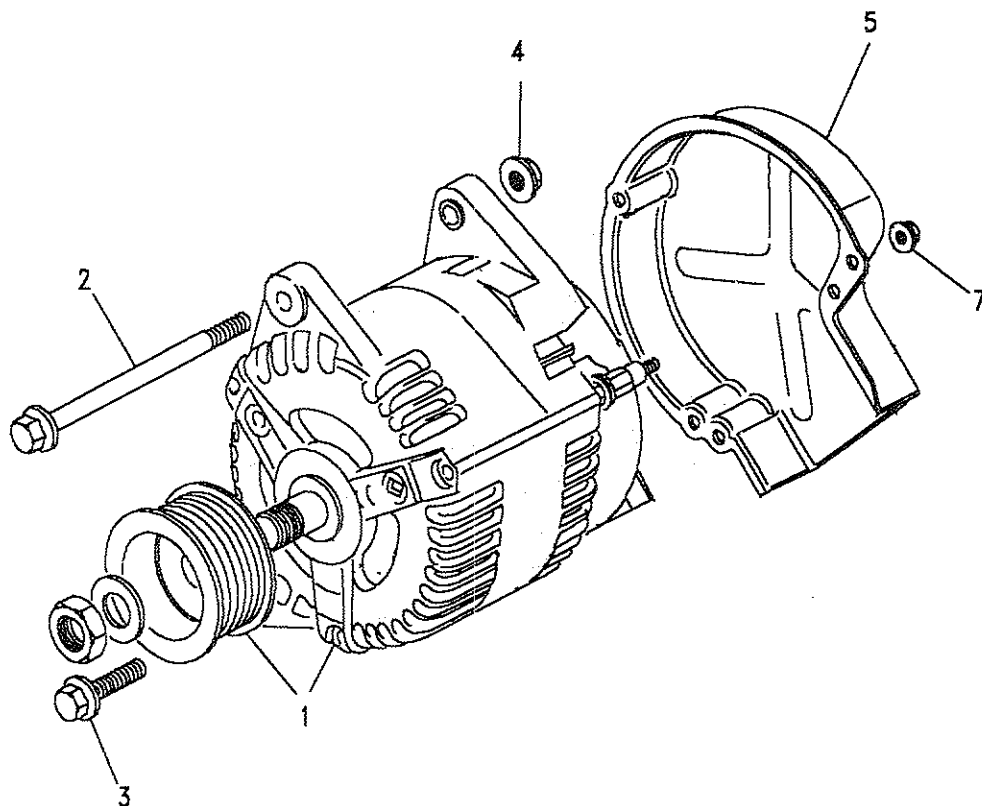


Model DEFENDER 90

Page ADBNPC1A

ENGINE - ALTERNATOR - 300TDI

III. Part No.	Description	Qty	Remarks
1	AMR3412	1	Alternator 65 Amp
2	FB108251	1	Bolt flanged
3	FS108301L	1	Screw flanged
4	FX108047L	1	Nut flanged
5	ERR4859	1	Heatshield alternator
6	AMR2217	3	Nut/washer alternator
7	FN105041L	1	Nut flanged



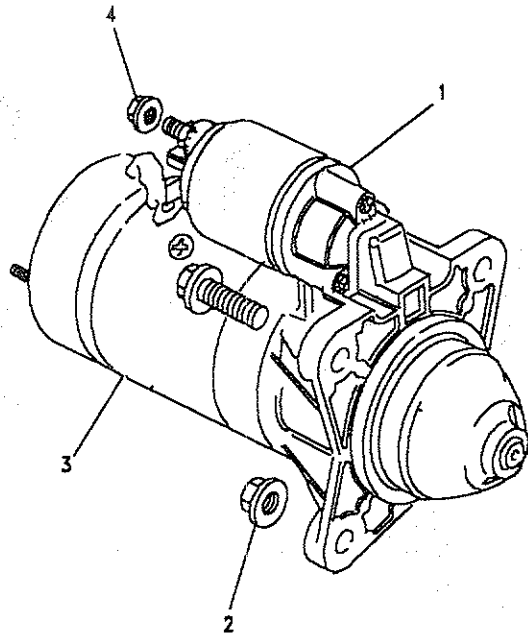


Model DEFENDER 90

Page ADBNPE1A

ENGINE - STARTER MOTOR - 300TDI

III. Part No.	Description	Qty	Remarks
1	ERR5009	1	Starter motor
2	FN110041L	1	Nut flanged
3	FS110301L	2	Screw flanged
4	FN108041L	1	Nut

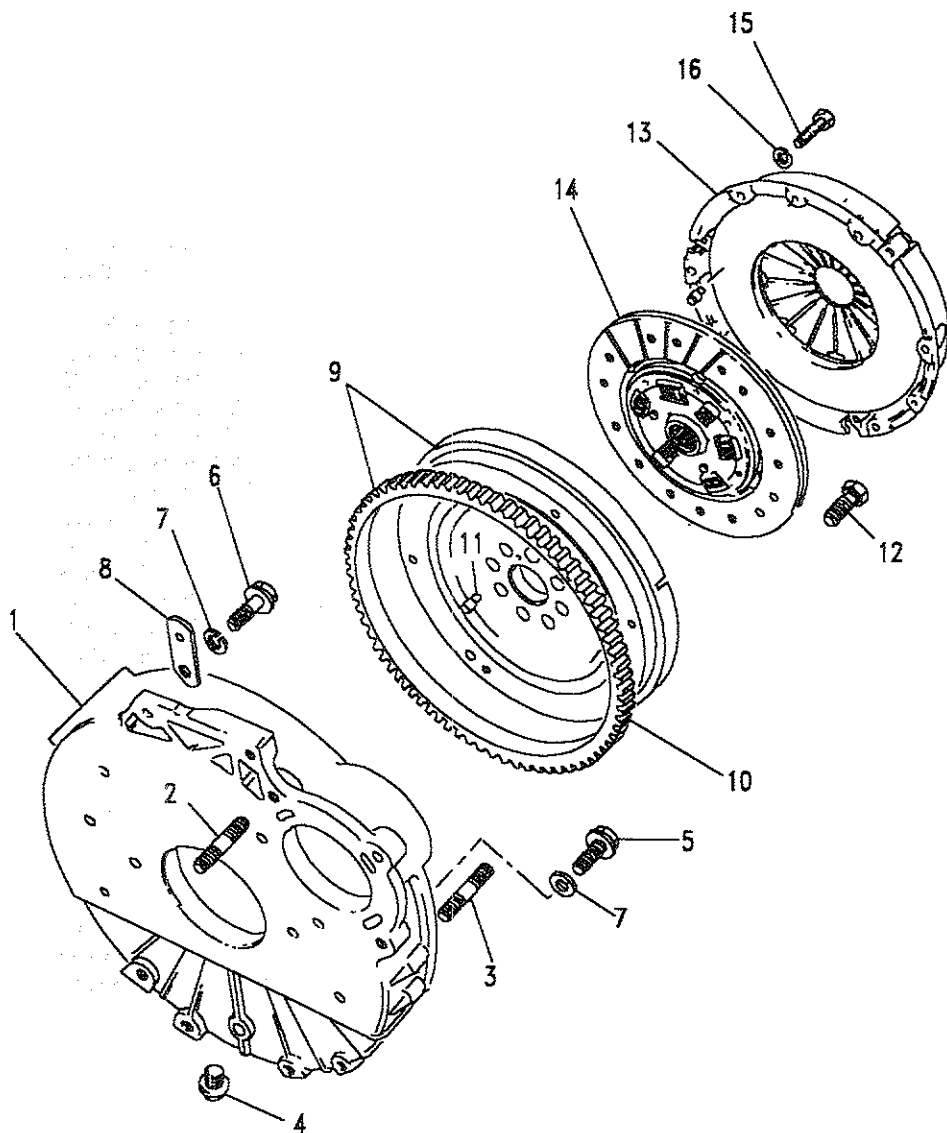




Model DEFENDER 90
Page ADBNRA1A

ENGINE - FLYWHEEL & CLUTCH - 300 TDI

III. Part No.	Description	Qty	Remarks
1	ERR4718	1	Housing flywheel
2	TE110061L	13	Stud bell housing
3	TE110051	1	Stud starter motor
4	ERC7295	1	Plug
5	FS110301	6	Screw flange
6	FB110071	2	Bolt flange
7	WA110061L	2	Washer-housing to block
8	ERC9404	2	Bracket-harness clip
9	ERR719	1	Flywheel assembly
10	568431	1	Ring starter
11	502116	3	Dowel
12	ERR4574	8	Bolt-flywheel to crank
13	FTC575	1	Clutch cover
14	FTC2149	1	Clutch plate
15	SX108201L	6	Screw
16	WL108001L	6	Washer spring





MASTER INDEX

GROUP B

ENGINE

	PAGES
INTRODUCTION PAGES	1 - 5
ALPHABETICAL INDEX	6 - 14
ENGINE	15 - 65
ENGINE	66 - 117
ENGINE	118 - 171
ENGINE	172 - 217
ENGINE	218 - 261
ENGINE	262 - 297
ENGINE	298 - 367
GEARBOX	368 - 394
GEARBOX	395 - 411
GEARBOX	412 - 425
TRANSFER BOX	426 - 456
TRANSFER BOX	457 - 474
AXLES AND SUSPENSION	475 - 531
STEERING	532 - 564
VEHICLE AND ENGINE CONTROLS	565 - 580
BRAKES	581 - 603
FUEL SYSTEM AND AIR CLEANER	604 - 645
EXHAUST SYSTEM	646 - 660
COOLING/HEATING	661 - 709
COOLING/HEATING	710 - 718
BODY ELECTRICAL	719 - 793
BODY AND CHASSIS	794 - 923
INTERIOR TRIM	924 - 965
SEATS	966 - 1009
STOWAGE	1010 - 1017
ACCESSORIES - PAINTS	1018 - 1042
NUMERICAL INDEX	1044 - 1122

ENGINE

ENGINE COMPLETE - V8 CARB	300
ENGINE STRIPPED - V8 CARB	301
ENGINE SHORT - V8 CARB	302
CYLINDER BLOCK - V8 CARB	303 - 304
CRANKSHAFT - V8 CARB	305
PISTON AND RINGS - V8 CARB	306
SUMP - V8 CARB	307
MOUNTING - V8 CARB	308
FRONT COVER - V8 CARB	309
WATER PUMP - NON VISCOUS - V8 CARB	310
WATER PUMP - VISCOUS - V8 CARB	311
COOLING FAN - V8 CARB	312 - 313
DRIVE BELTS - V8 CARB	314 - 315
OIL PUMP - V8 CARB	316
CYLINDER HEAD - V8 CARB	317 - 318
VALVE GEAR - V8 CARB	319
ROCKER COVER - V8 CARB	320
CAMSHAFT - V8 CARB	321
INLET MANIFOLD - V8 CARB	322 - 324
EXHAUST MANIFOLD - DETOXED	325
EXHAUST MANIFOLD - V8 CARB - SEE NOTE	326
HEATSHIELD - V8 CARB	327
CARBURETTER - V8 CARB	328 - 329
CARBURETTER COMPONENTS STROMBERG - V8 CARB	330
CARBURETTER SU - V8 CARB	331
CARBURETTERS ADAPTORS - V8 CARB	332
FUEL TRAP - DETOXED - V8 CARB	333
AIR INLETS - NON DETOXED SU CARBS - V8 CARB	334
AIR INLETS - DETOXED SU CARBS - V8 CARB	335
AIR MANIFOLD - V8 CARB	336
BREATHER HOSE - V8 CARB	337
THROTTLE LINKAGE STROMBERG - V8 CARB	338
THROTTLE LINKAGE SU - V8 CARB	339
GASKET KITS - V8 CARB	340 - 341
POWER STEERING PUMP - V8 CARB	342
POWER STEERING MOUNTINGS - V8 CARB	343 - 344
POWER STEERING PUMP & MOUNTINGS - V8 CARB	345
AIR CONDITIONING - V8 CARB	346 - 347





DEFENDER 90

299

ENGINE

COMPRESSOR FIXINGS - V8 CARB	348
AIR CONDITIONING - V8 CARB	349
DISTRIBUTOR - V8 PETROL	350 - 351
DISTRIBUTOR - V8 PETROL 20G AND 24G WITH SU CARB	352
IGNITION COIL - V8 PETROL	353 - 354
ALTERNATOR - V8 PETROL	355 - 357
ALTERNATOR - HIGH OUTPUT - V8 PETROL	358
ALTERNATOR - HIGH OUTPUT OPTIONS - V8 PETROL	359
ALTERNATOR FIXINGS - V8 PETROL	360 - 363
STARTER MOTOR - V8 PETROL	364 - 366
FLYWHEEL & CLUTCH - V8 CARB	367



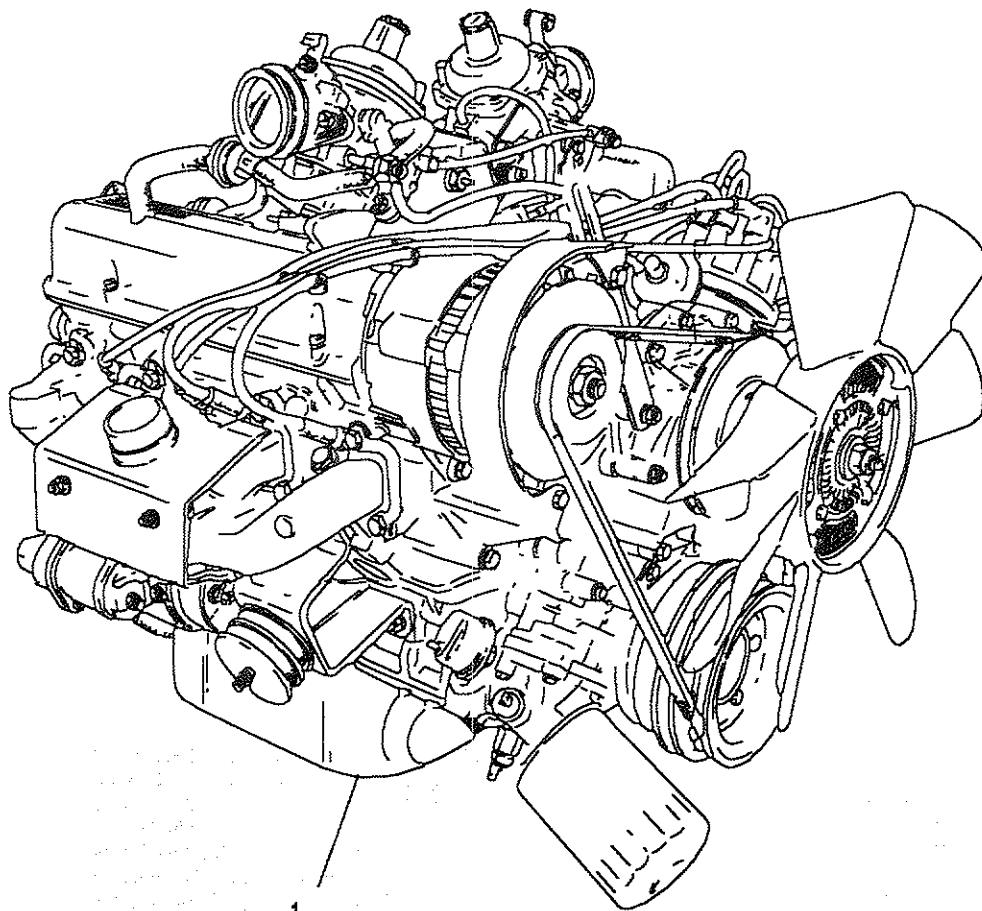


Model DEFENDER 90
Page ADBQAA1A

ENGINE - ENGINE COMPLETE - V8 CARB

III. Part No.	Description	Qty	Remarks
1 ETC8445	Engine complete assembly	1	Note(1)

Note(1) Engine prefix 24G, engine is basic specification and does not include Air Con/Power steering. Engine is without air rails and is detoxed through the carburettors



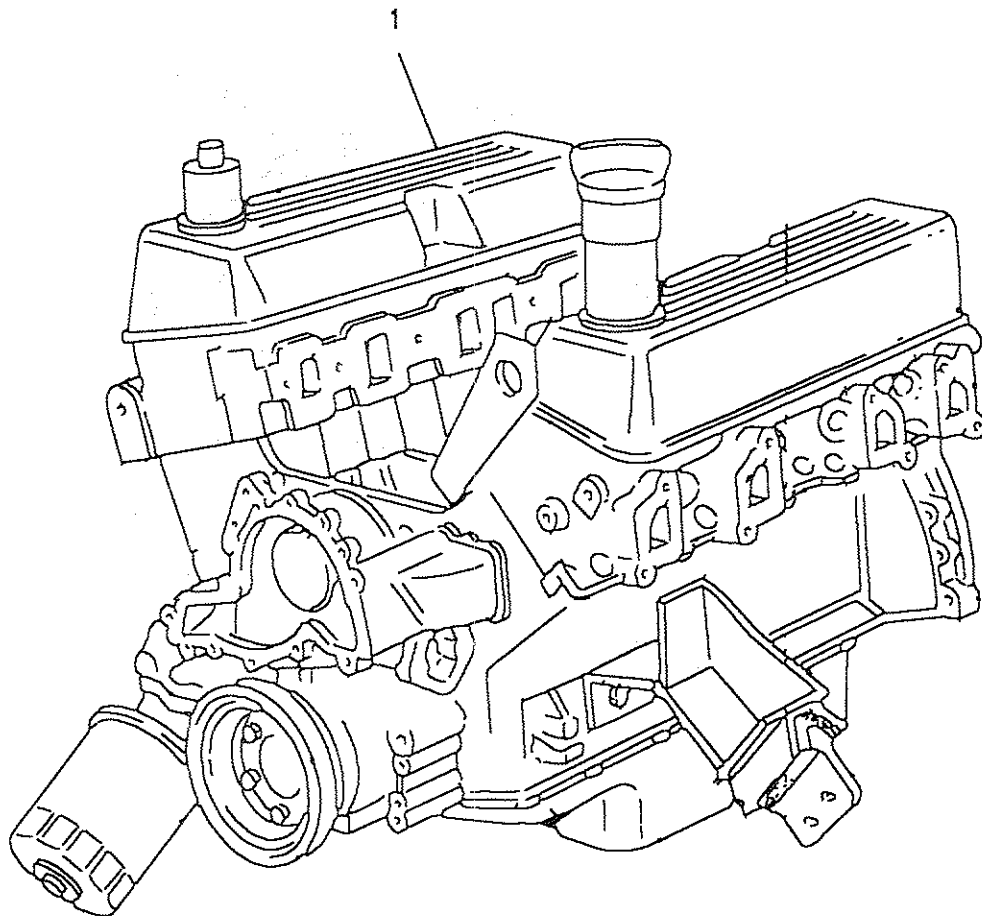


Model DEFENDER 90
Page ADBQAC1A

ENGINE - ENGINE STRIPPED - V8 CARB

III. Part No.	Description	Qty	Remarks
1 RTC2972N	Engine stripped NON DETOX	1	Note(1)
RTC2972R	Engine stripped NON DETOX	1	Note(2)
RTC2973N	Engine stripped DETOXED	1	Note(3)
RTC5856N	Engine stripped DETOXED	1	Note(4)
RTC5856R	Engine stripped-recon	1	Note(4)

Note(1) Prefix 14G,20G,is used if 24G non air rail required.
 Note(2) Prefix 14G,20G
 Note(3) Prefix 15G,21G
 Note(4) Prefix 24G





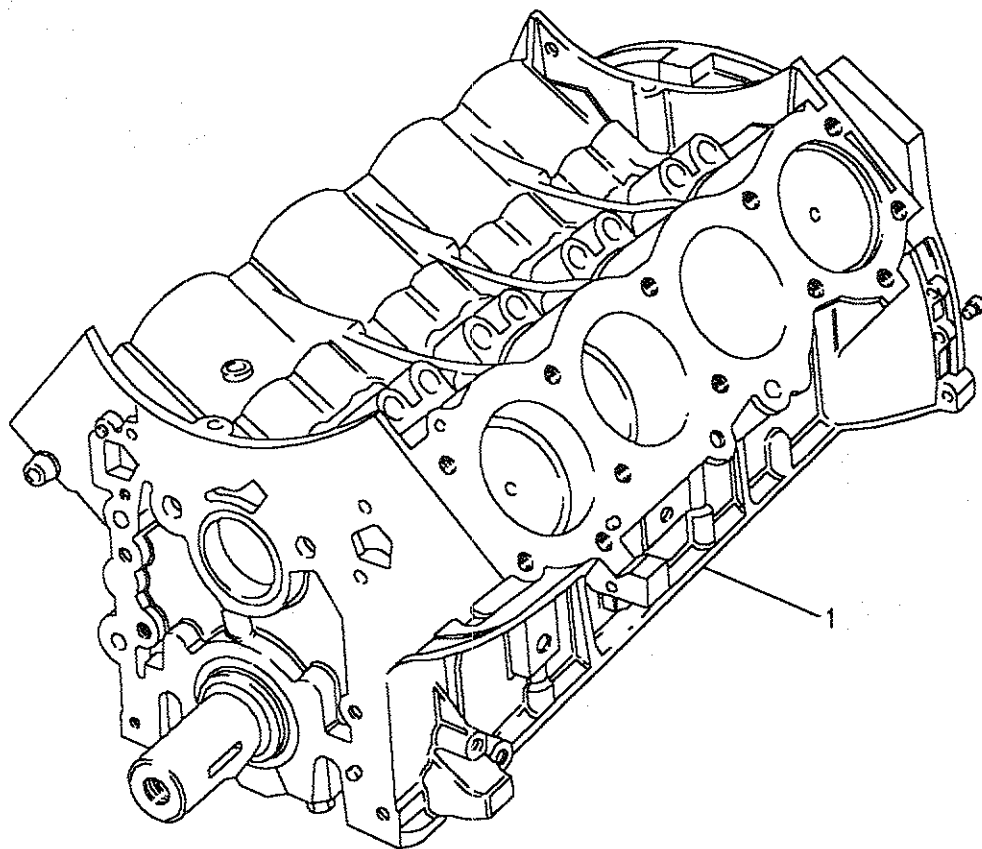
257

Model DEFENDER 90
Page ADBQAE1A

ENGINE - ENGINE SHORT - V8 CARB

III. Part No.	Description	Qty	Remarks
1 ETC7714	Engine short	1	See Note

Note(1) Comprises block, piston and crankshaft



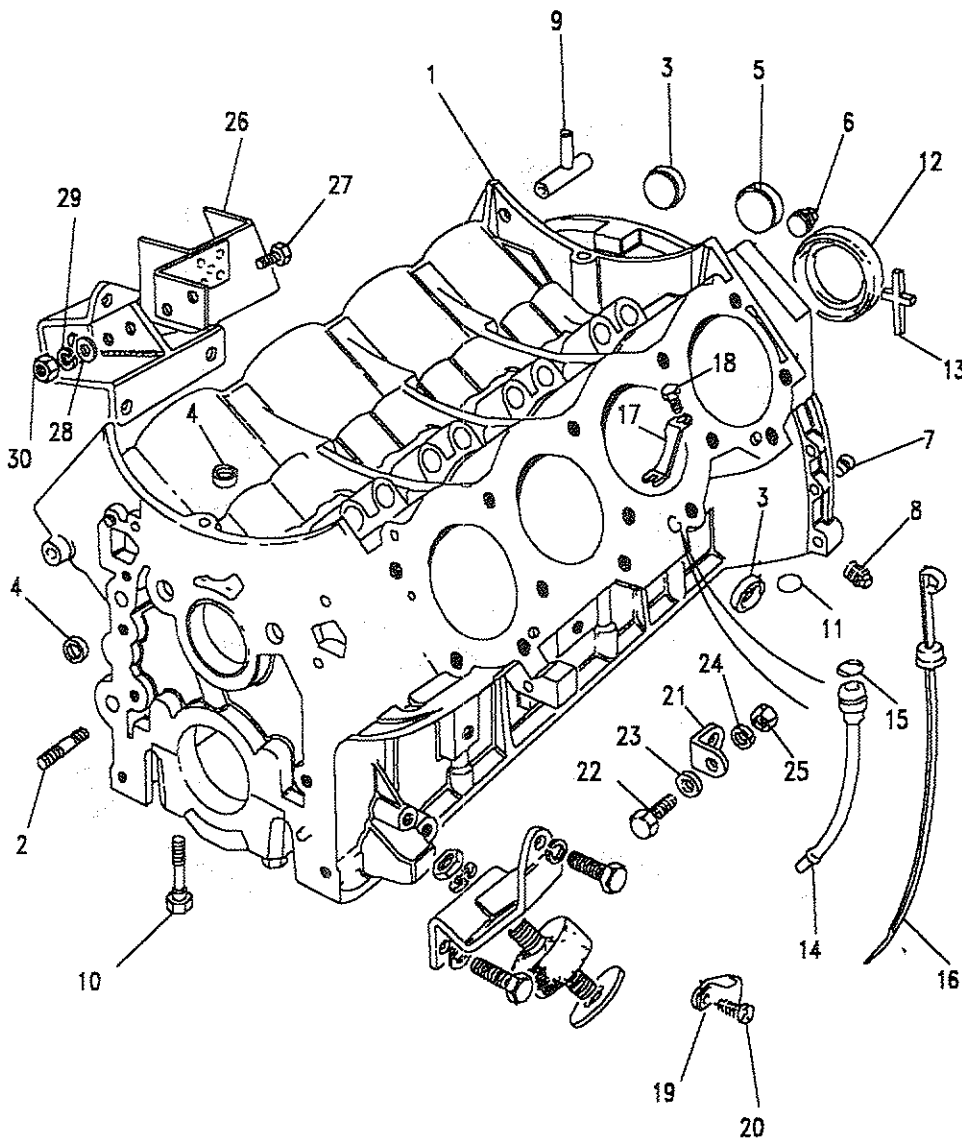


10/80

Model DEFENDER 90

Page ADBQBA1A

ENGINE - CYLINDER BLOCK - V8 CARB



III. Part No.	Description	Qty	Remarks
1	ERC6934	1	Cylinder block assembly
2	252513	1	Stud timing cover
3	602152	8	Plug
4	602147	4	Plug tappet/angular hole
5	602146	1	Plug cam bore
6	602212	2	Plug tappet line rear
7	602141	2	Dowel flywheel housing
8	3290	2	Plug taper
9	ERC5761	1	Pipe assembly
10	602130	10	Bolt main bearing cap
11	612898	2	Plug-rear block
12	ERR2640	1	Oil seal crankshaft
13	611089	2	Packing-oil seal

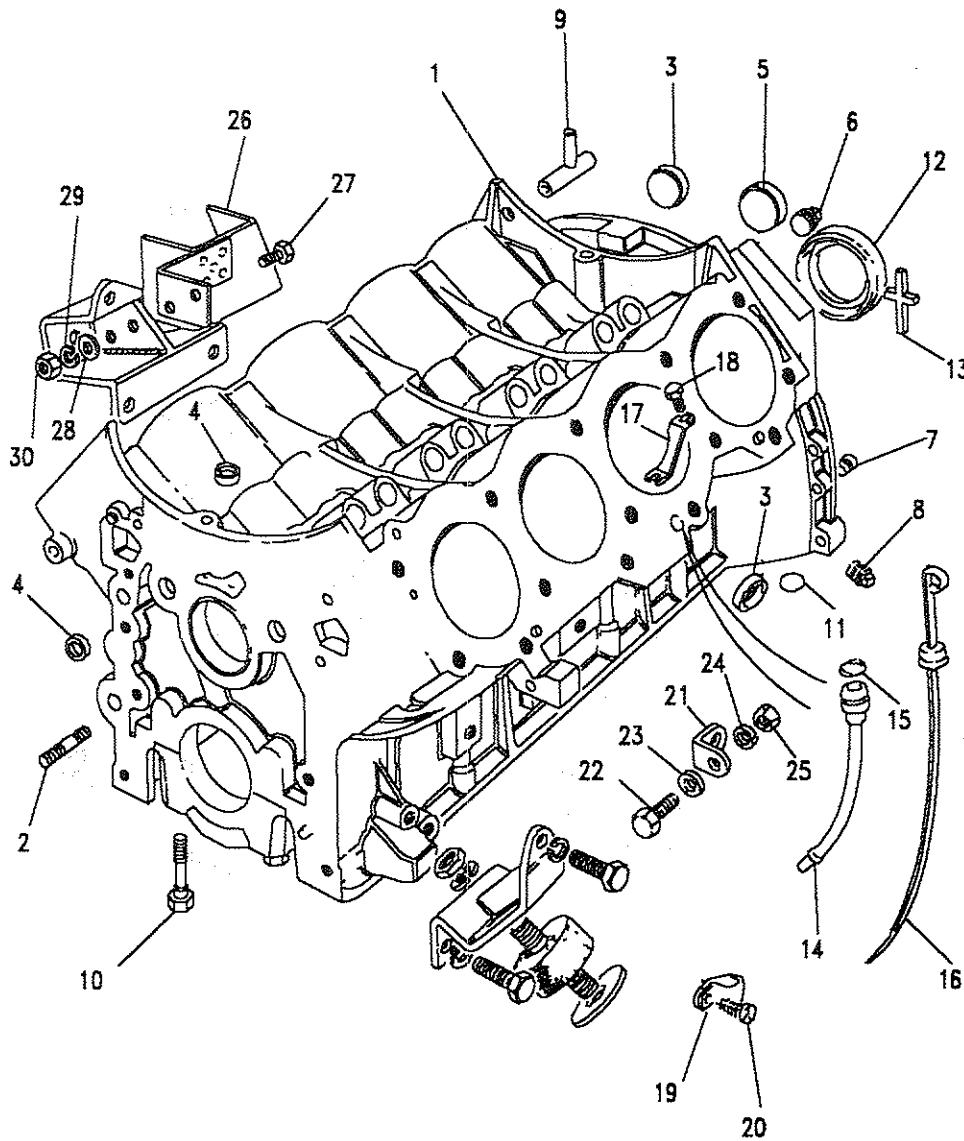


Model DEFENDER 90

Page ADBQA1A

ENGINE - CYLINDER BLOCK - V8 CARB

III. Part No.	Description	Qty	Remarks
14	ERR4556	1	
15	602545	1	
16	ERR1922L	1	
17	614585	1	
18	SH604031L	1	
19	610489	1	
20	78862	1	
21	ERC2973	1	} 21G and 24G
22	257017	1	
23	WA702101L	1	}
24	WM702001L	1	
25	HN2005L	1	}
26	NRC3301	1	
	577846	1	
27	BH106051L	4	
28	WA106041L	4	
29	WL106001L	4	
30	NH106041L	4	



DEFENDER 90
 DEFENDER 90
 DEFENDER 90

Model DEFENDER 90

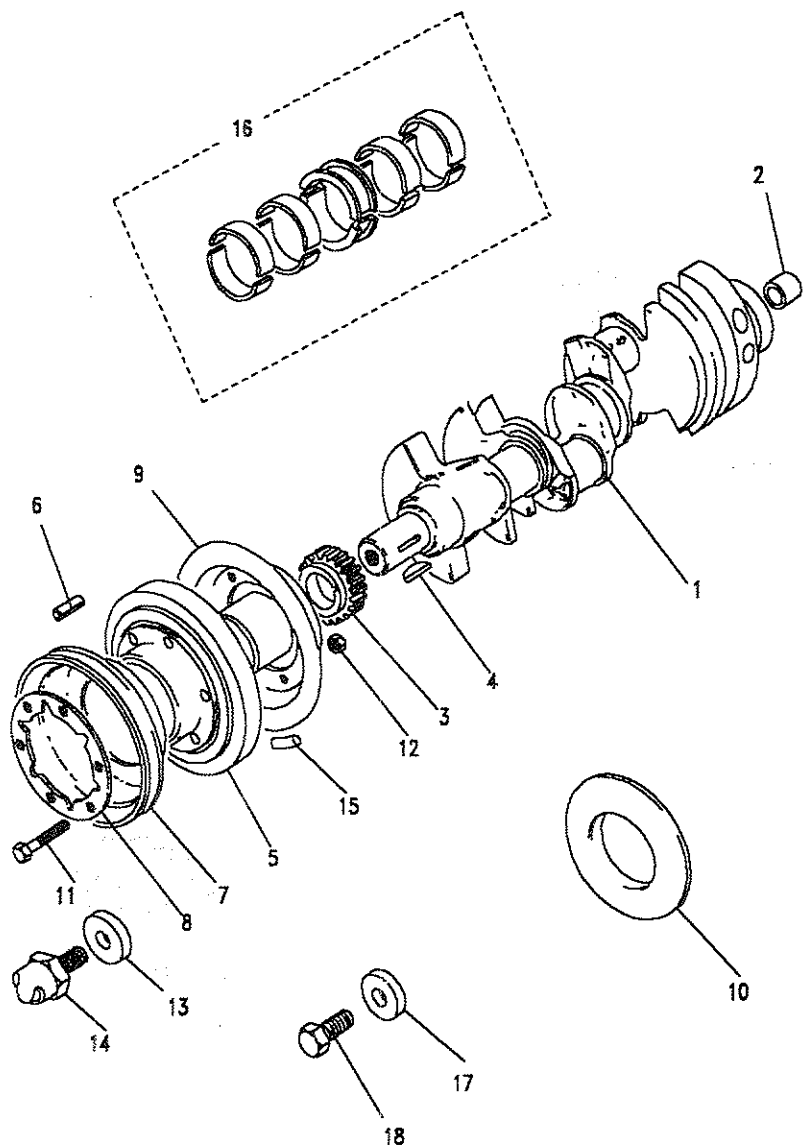
Page ADBQCA1A

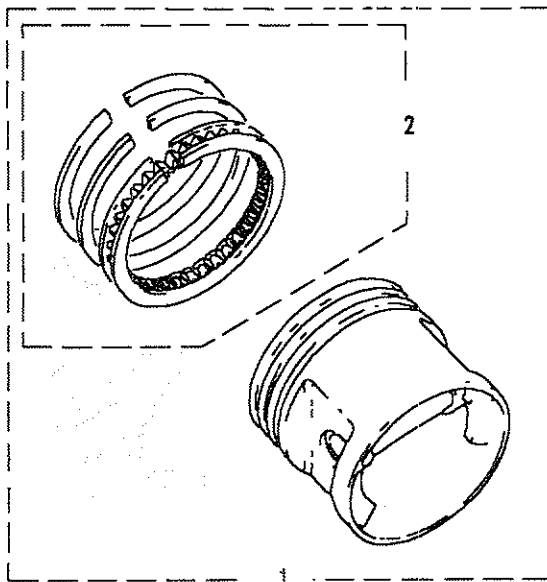
ENGINE - CRANKSHAFT - V8 CARB

III. Part No.	Description	Qty	Remarks
1	612989 Crankshaft	1	
2	549911 Spigot bush	1	
3	90602372 Sprocket	1	
4	90602025 Key sprocket Crankshaft	1	
5	ETC7339 Damper	1	
6	603535 Spring pin	1	
7	611019 Pulley-basic	1	
	ETC4369 Pulley front-p/steering	1	
	ETC4354 Pulley front-air con	1	
	ETC4330 Pulley rear-p/s & air con	1	
8	602587 Plate reinforcement	1	
9	603301 Rim balancing	1	
10	613671 Mud deflector	1	Note(1)
11	BH605121L Bolt-Basic and AIR CON	6	
	BH605131L Bolt-P.A.S.	6	
12	NH605041L Nut	3	
13	602411 Washer	1	
14	610178 Starting dog	1	
15	BALANCE WEIGHTS-DAMPER		
	ERC4877 0.180 oz	2	
	ERC4878 0.360 oz	2	
	ERC4879 0.540 oz	2	
	ERC4880 0.720 oz	2	
16	RTC1718 Bearing set main standard	1)Note(2)
	RTC171810 Bearing set main 0.010"us	1)
	RTC171820 Bearing set main 0.020"us	1)
17	ERC416 Washer	1	
18	ERC417 Bolt-damper to crankshaft	1	

Note(1)
Note(2)

613671 not needed when ERR1632 oil seal fitted (front cover)
Does not have thrust plate on bottom half of centre bearing





Model DEFENDER 90
Page ADBQCC1A

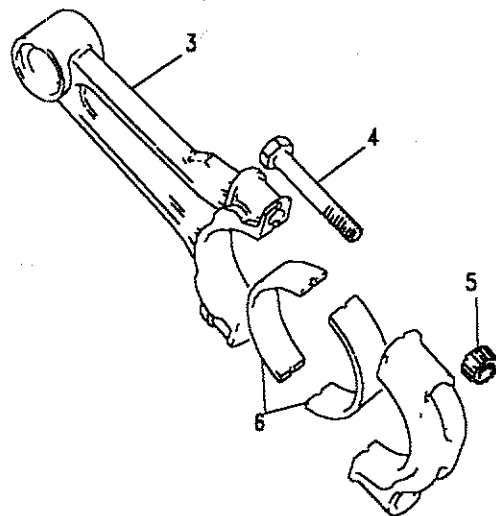
ENGINE - PISTON AND RINGS - V8 CARB

III. Part No.	Description	Qty	Remarks
1	RTC2186S RTC218620	8	Note(1)
2	RTC2408 RTC240820	8	Note(1)
3	602082	8	
4	602609	16	
5	602061	16	

Con Rod Bearing: Engine Set

6	RTC2117	1	Standard
	RTC211710	1	0.010"o/s
	RTC211720	1	0.020"o/s

Note(1) Includes gudgeon pin and piston rings





DEFENDER 90

307

ENGINE



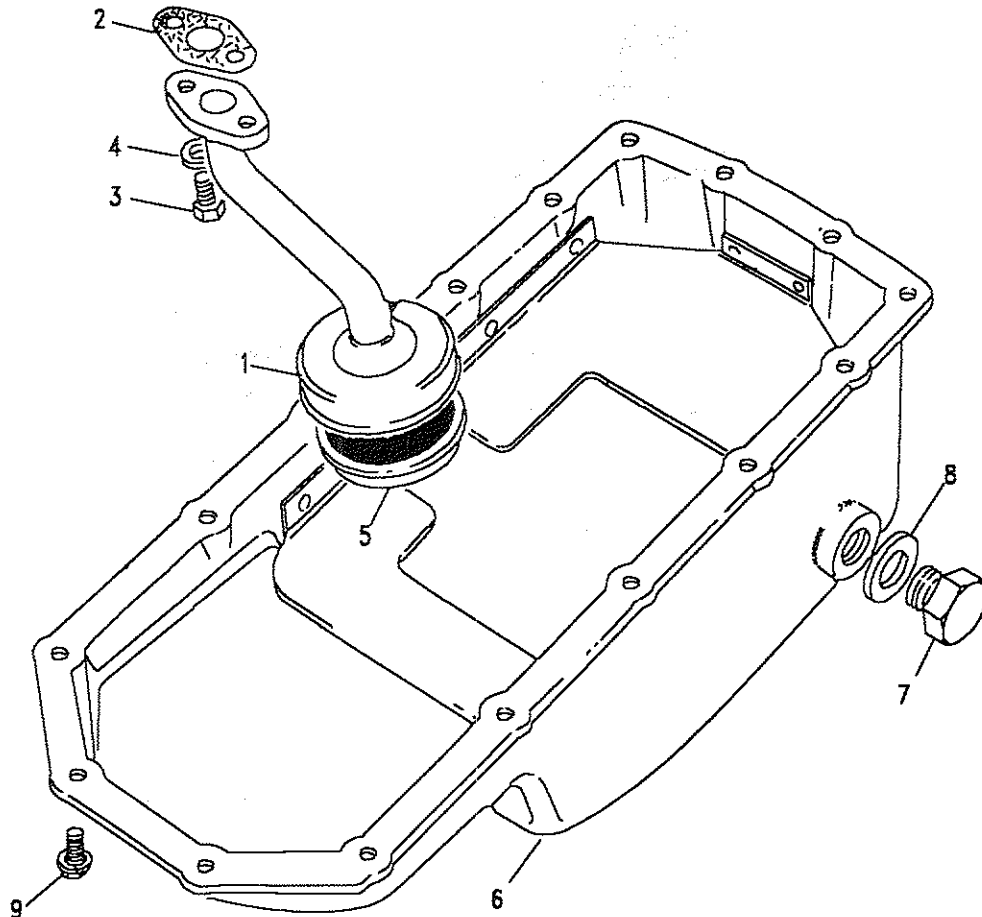
Model DEFENDER 90

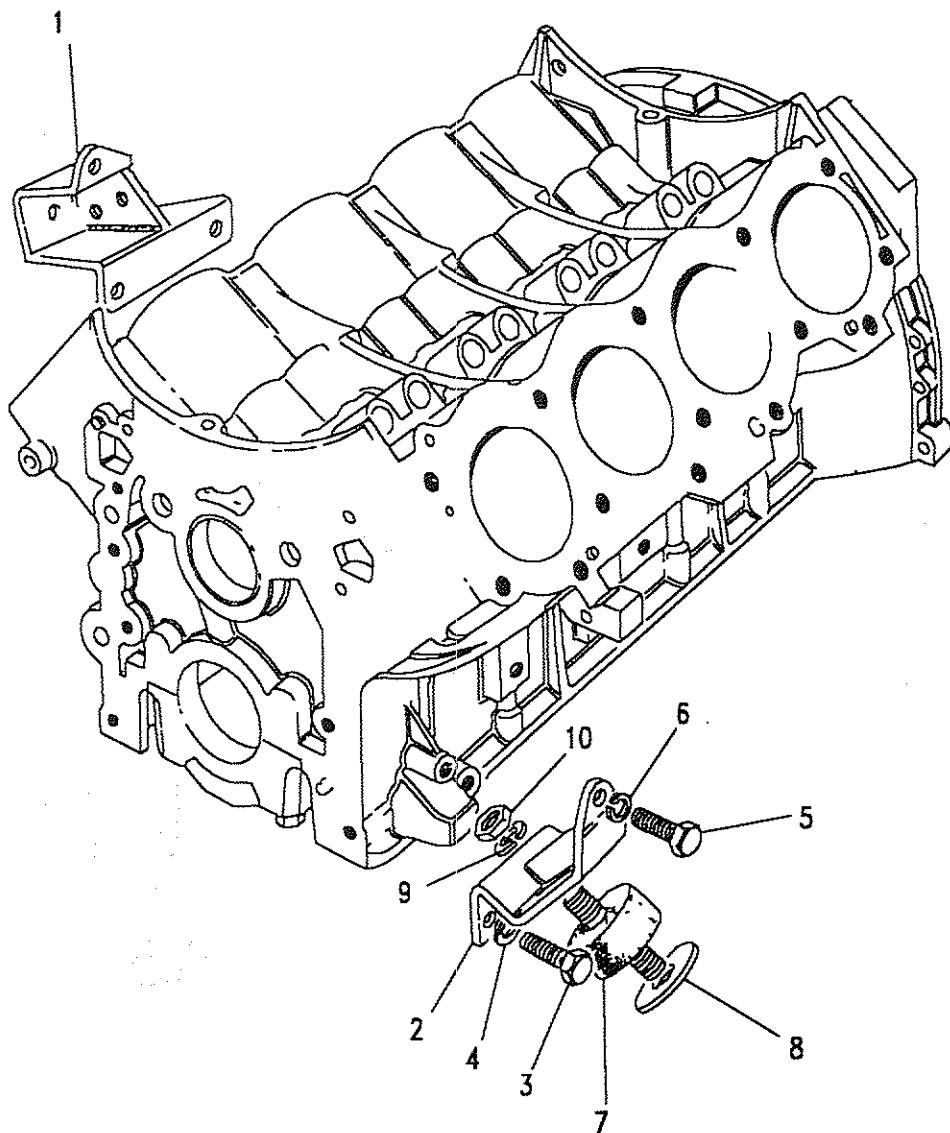
Page ADBQDA1A

ENGINE - SUMP - V8 CARB

III. Part No.	Description	Qty	Remarks
1	612710	1	Oil screen housing
2	90602068	1	Gasket
3	SH506081L	2	Screw housing to block
4	WM600041L	2	Washer spring
5	602070	1	Screen oil
6	ERR4633	1	Sump assembly
7	603659	1	Plug drain
8	213961	1	Washer joint
9	602199	16	Screw
	602087	1	Gasket sump/block

OPTIONAL





Model DEFENDER 90
Page ADBQDC1A

ENGINE - MOUNTING - V8 CARB

III. Part No.	Description	Qty	Remarks
1	NRC1302	1	Mounting foot rh
2	NRC3314	1	Mounting foot lh
3	SH507091L	4	Screw
4	WM600071L	4	Washer spring
5	SH505071L	2	Screw
6	WM600051L	2	Washer spring
7	RTC6115	2	Engine mounting kit
8	WC110061L	2	Washer plain
9	WL110001L	4	Washer spring
10	NH110041L	4	Nut

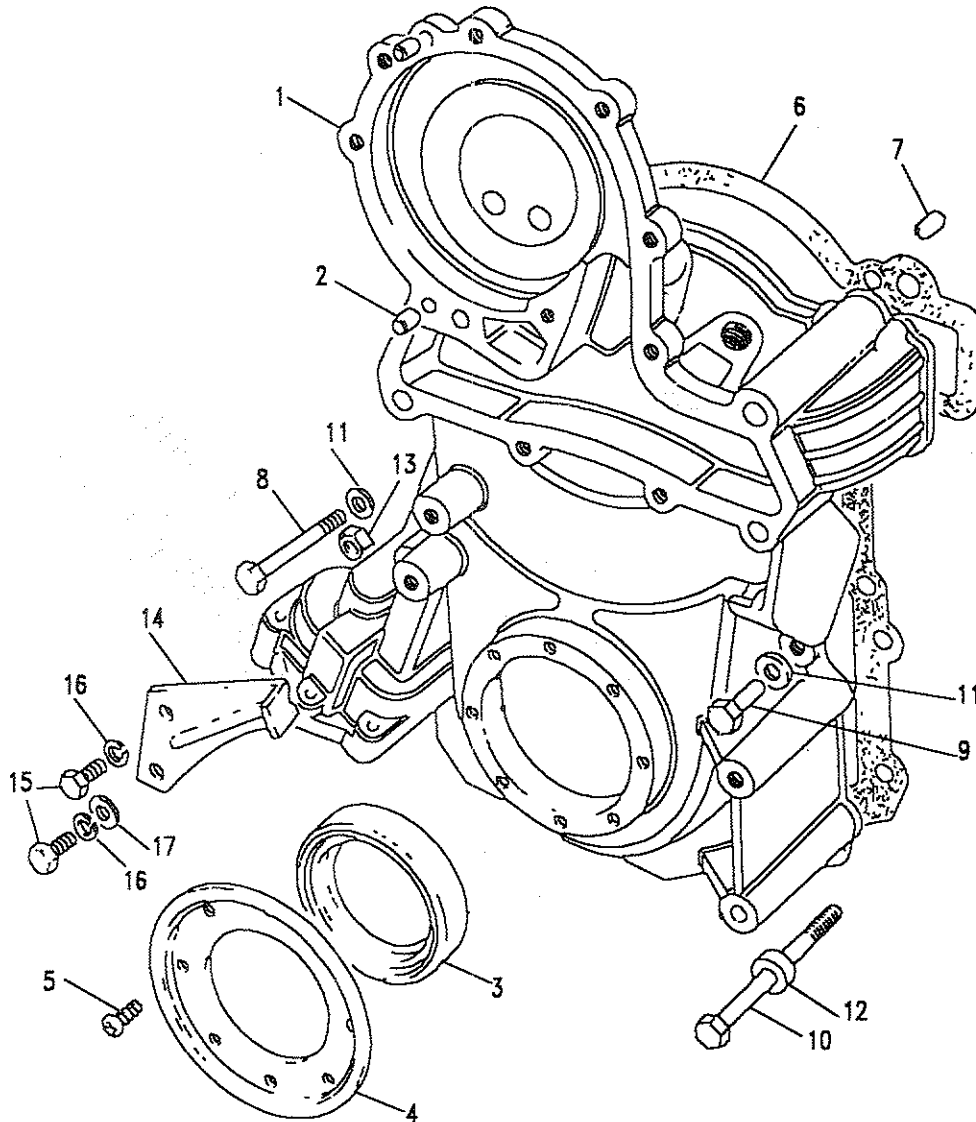


Model DEFENDER 90
Page ADBQE1A

ENGINE - FRONT COVER - V8 CARB

III. Part No.	Description	Qty	Remarks
1	ETC7385	1	Cover assembly front
2	602201	2	Dowel
3	ERR1632	1	Seal oil
4	247766	1	Mud excluder
5	78782	8	Screw
	154545	1	Plug cup
6	ERR4936	1	Gasket cover/block
7	90602202	2	Dowel
8	BH505241L	1	Bolt
9	SH505091L	2	Screw
10	602388	1	Bolt
11	WA108051L	4	Washer plain
12	4075L	1	Washer plain
13	NH605041L	1	Nut
14	ETC7345	1	Pointing timer
15	FS504055	2	Screw pointer/block
16	WM600041L	2	Washer spring
17	RTC609	1	Washer plain

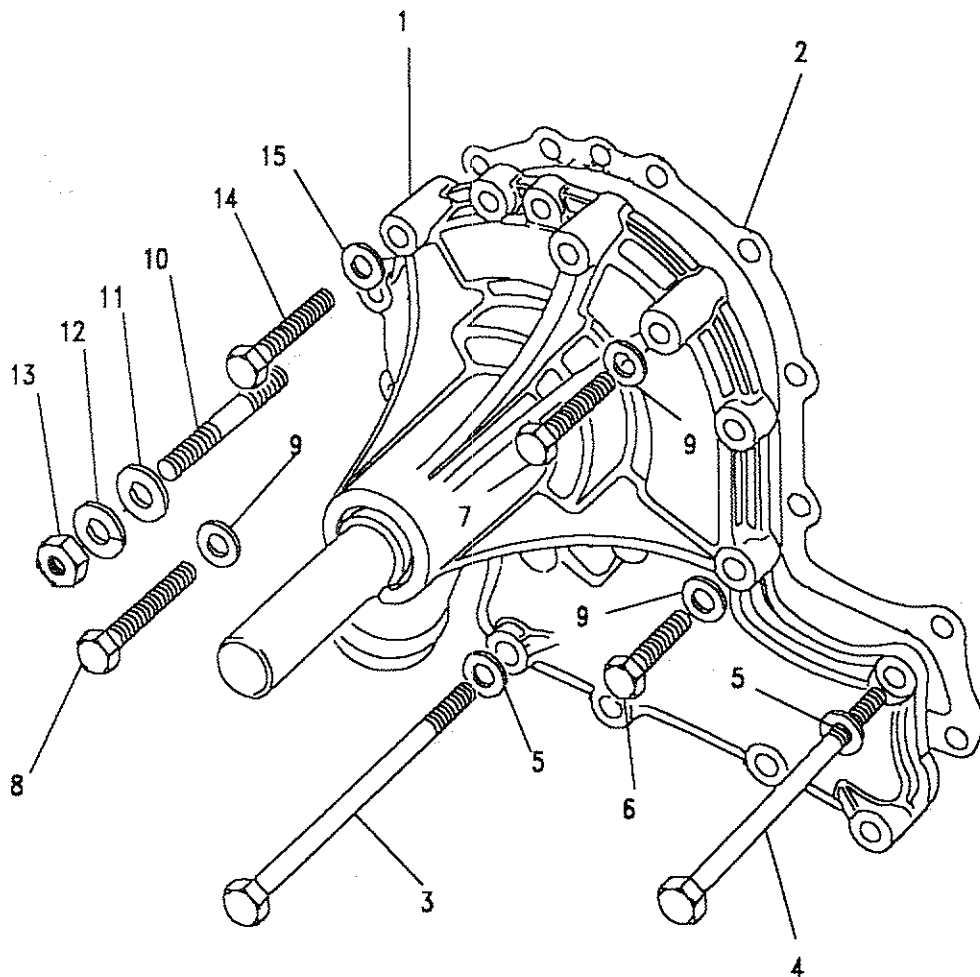
Note(1) Not to be used when new oil seal ERR1632 is fitted



Model DEFENDER 90
Page ADBQEE1A

ENGINE - WATER PUMP - NON VISCOUS - V8 CARB

III. Part No.	Description	Qty	Remarks
1	STC1611	1	Pump water assembly
2	612326	1	Gasket
3	BH505401L	3	Bolt
4	BH505401L	1	Bolt
5	WA108051L	4	Washer plain
6	BH504101L	6	Bolt
7	BH504151L	2	Bolt
8	BH504161L	1	Bolt
9	WC106041L	9	Washer plain
10	252516	1	Stud
11	4421	1	Washer plain
12	WM600051L	1	Washer spring
13	NT605041L	1	Lock nut
14	BH505121L	1	Bolt
15	WM600051L	1	Washer spring



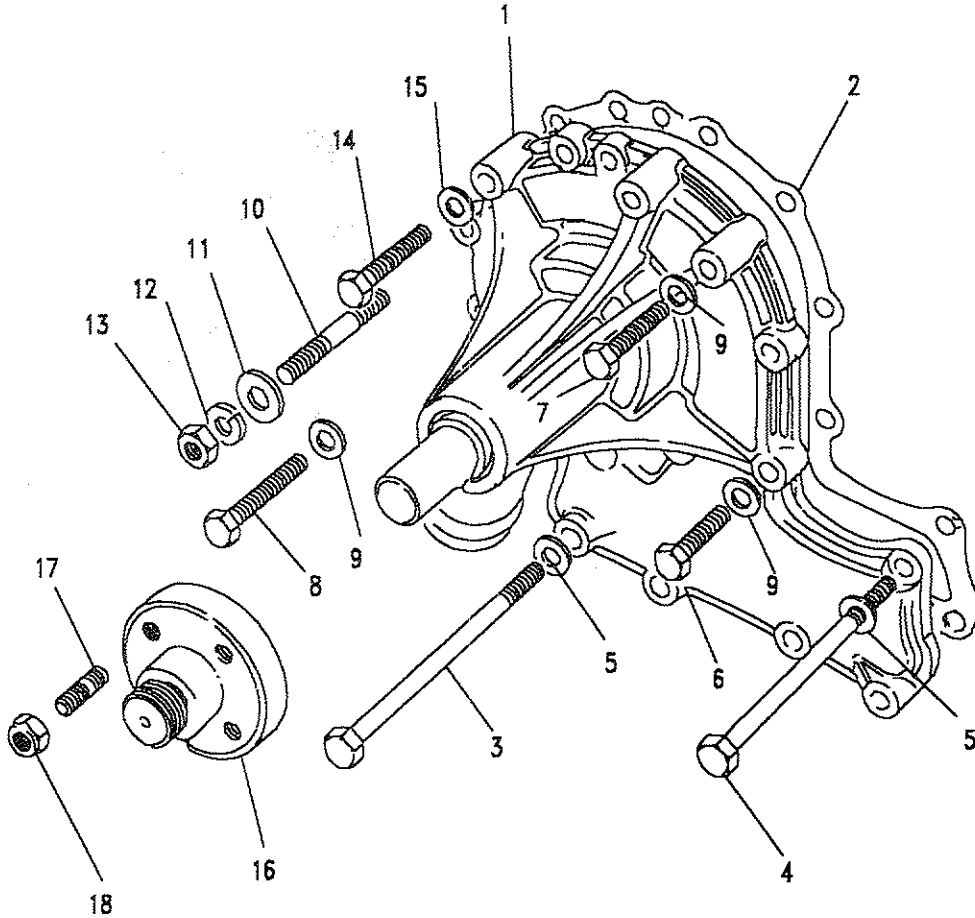


Model DEFENDER 90

Page ADBQEE2A

ENGINE - WATER PUMP - VISCOUS - V8 CARB

Ill. Part No.	Description	Qty	Remarks
1	RTC6337	1	NON AIR CON
	RTC6338	1	AIR CON
2	612326	1	
3	BH505401L	3	
	BH505401L	1	
4	BH505401L	1	
5	WA108051L	4	
6	BH504101L	6	NON AIR CON
7	BH504151L	2	or P.A.S.
8	BH505161L	1	
9	WC106041L	9	
	BH504101L	2	
	BH505121L	2	AIR CON
	WM600051L	2	
	WC106041L	3	
	BH504101L	4	
	BH504151L	2	P.A.S.
	BH504161L	1	
	WC106041L	7	
10	252516	1	NLA
11	4421	1	
12	WM600051L	1	NON AIR CON
13	NT605041L	1	
14	BH505121L	1	
15	WM600051L	1	
16	ERC5705	1	
17	TE108041L	1	
18	NY108041L	4	

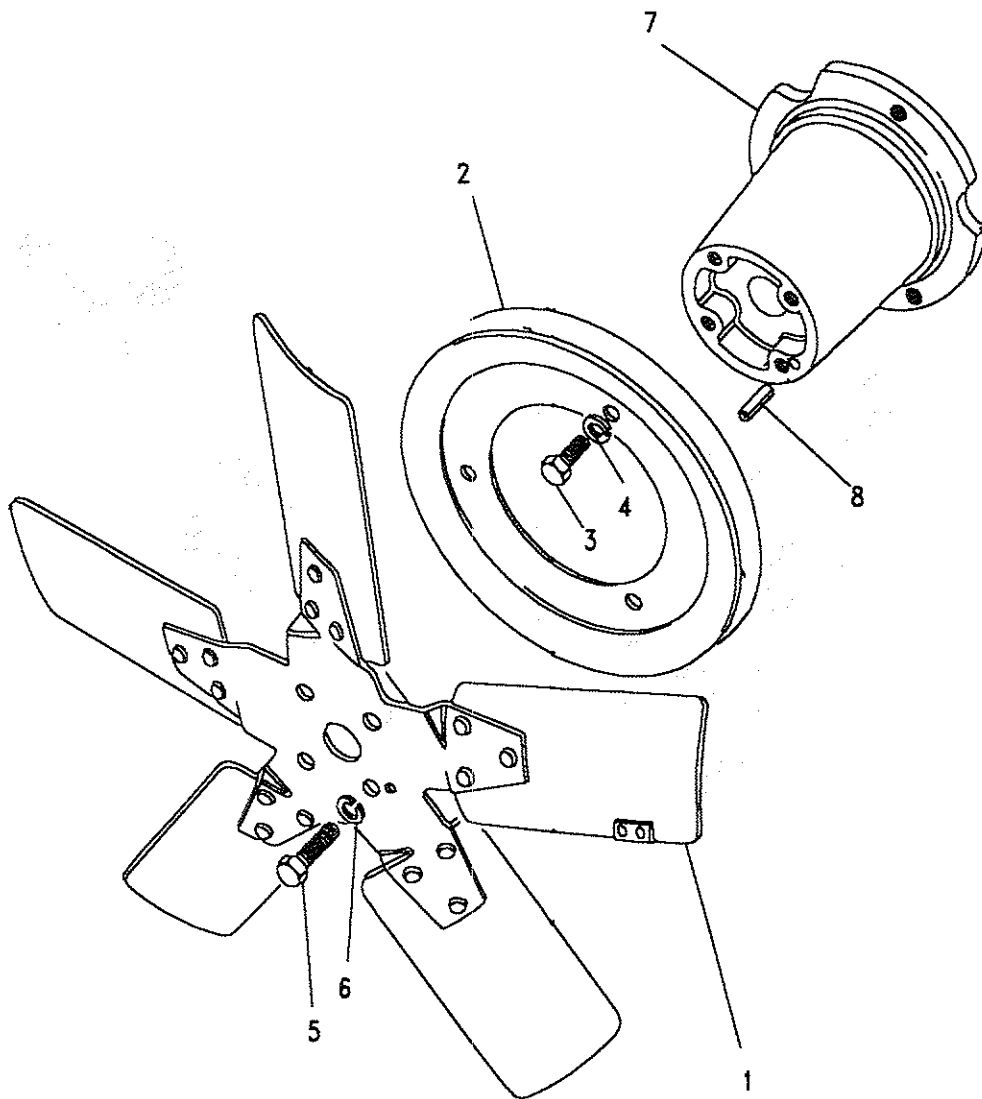




Model DEFENDER 90
Page ADBQEG1A

ENGINE - COOLING FAN - V8 CARB

III. Part No.	Description	Qty	Remarks
1 613087	Fan assembly 5 blade	1	
2 602582	Pulley	1	
3 FS504055	Screw pulley to hub	3	
4 WM600041L	Washer spring	3	
5 SH505061L	Screw fan to pump	4	
6 WM600051L	Washer spring	4	
7 610578	Hub assembly	1	
8 603428	Spring pin	1	



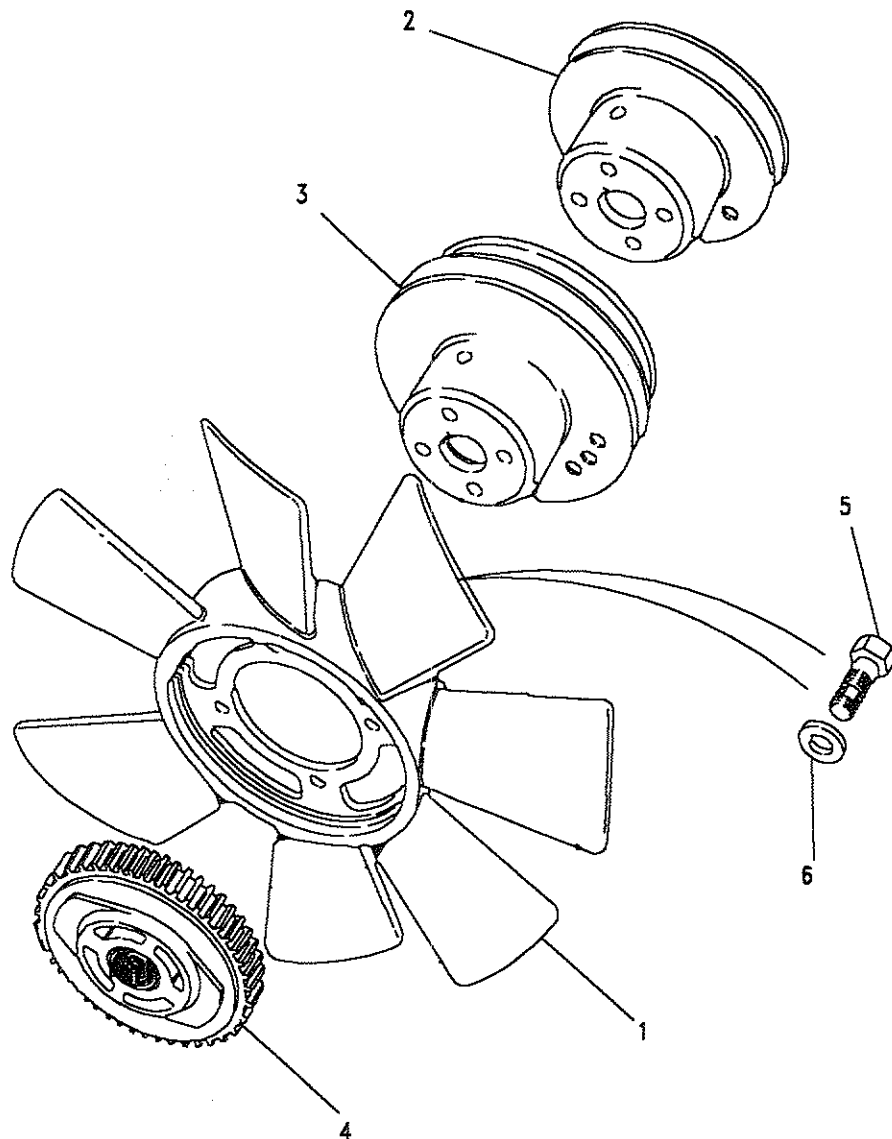


Model DEFENDER 90
Page ADBQEG2A

ENGINE - COOLING FAN - V8 CARB

III. Part No.	Description	Qty	Remarks
1 ETC7553L	Fan 7 blades	1	
ERC8164	Fan 11 blades	1	OPTIONAL
2 ERC5707	Pulley single groove	1	
3 ERC6540	Pulley twin groove	1	Note(1)
4 ERC5708	Viscous unit	1	
5 ERC5709	Bolt fan to viscous drive	4	
6 4589L	Washer fan to viscous	4	

Note(1) Used on AIR CON or POWER STEERING



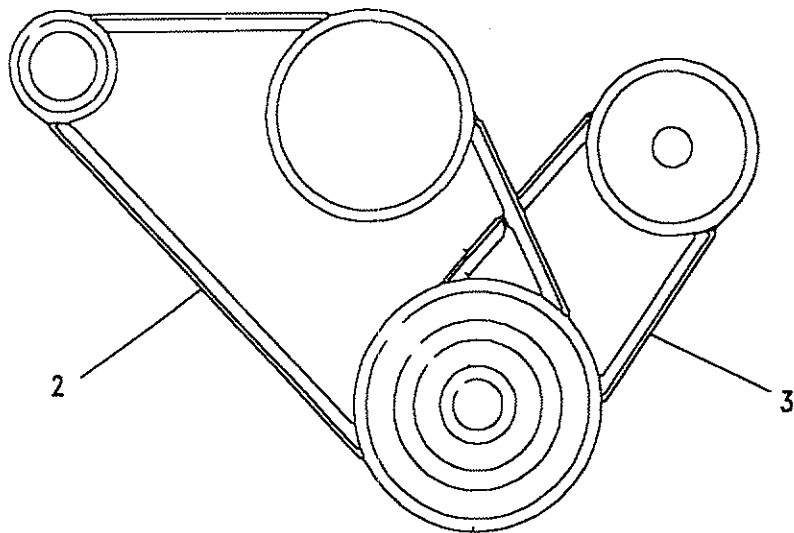
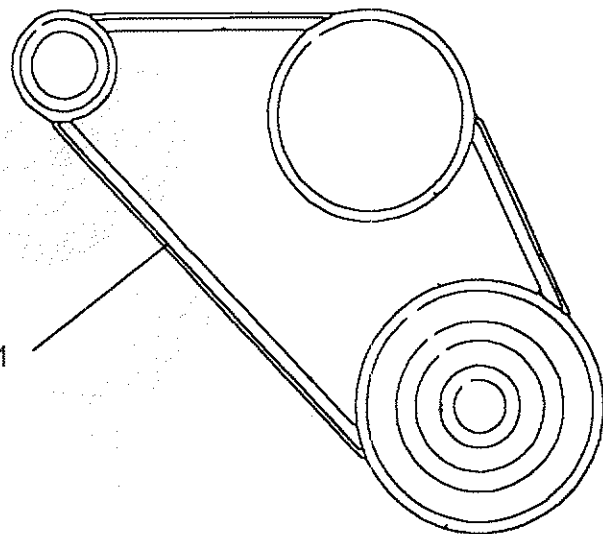


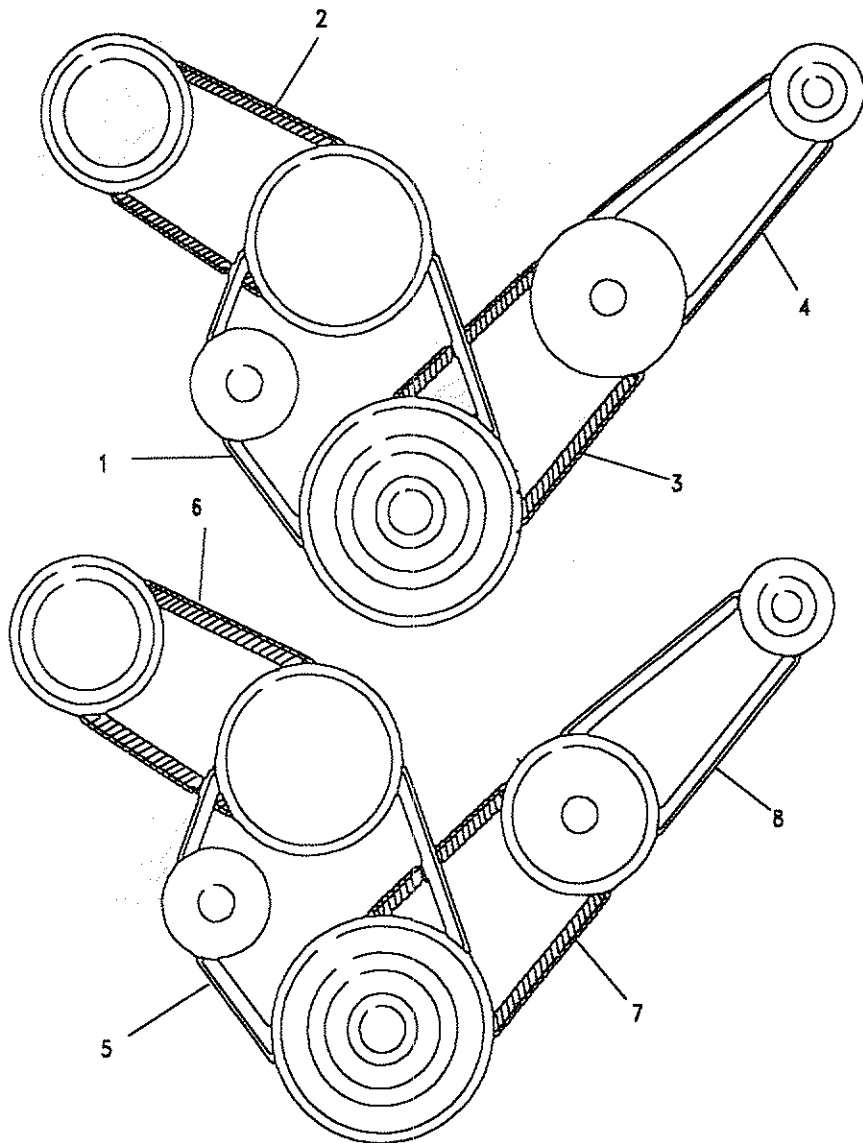
Model DEFENDER 90
Page ADBQEG3A

ENGINE - DRIVE BELTS - V8 CARB

III. Part No.	Description	Qty	Remarks
1 ETC7394	Belt driving fan/alt	1	Note(1)
2 ETC7394	Belt driving fan/alt	1	
3 614106	Belt driving pump, p/s	1	

Note(1) Used on BASIC vehicles-with 45AMP alternator





Model DEFENDER 90
 Page ADBQEG4A

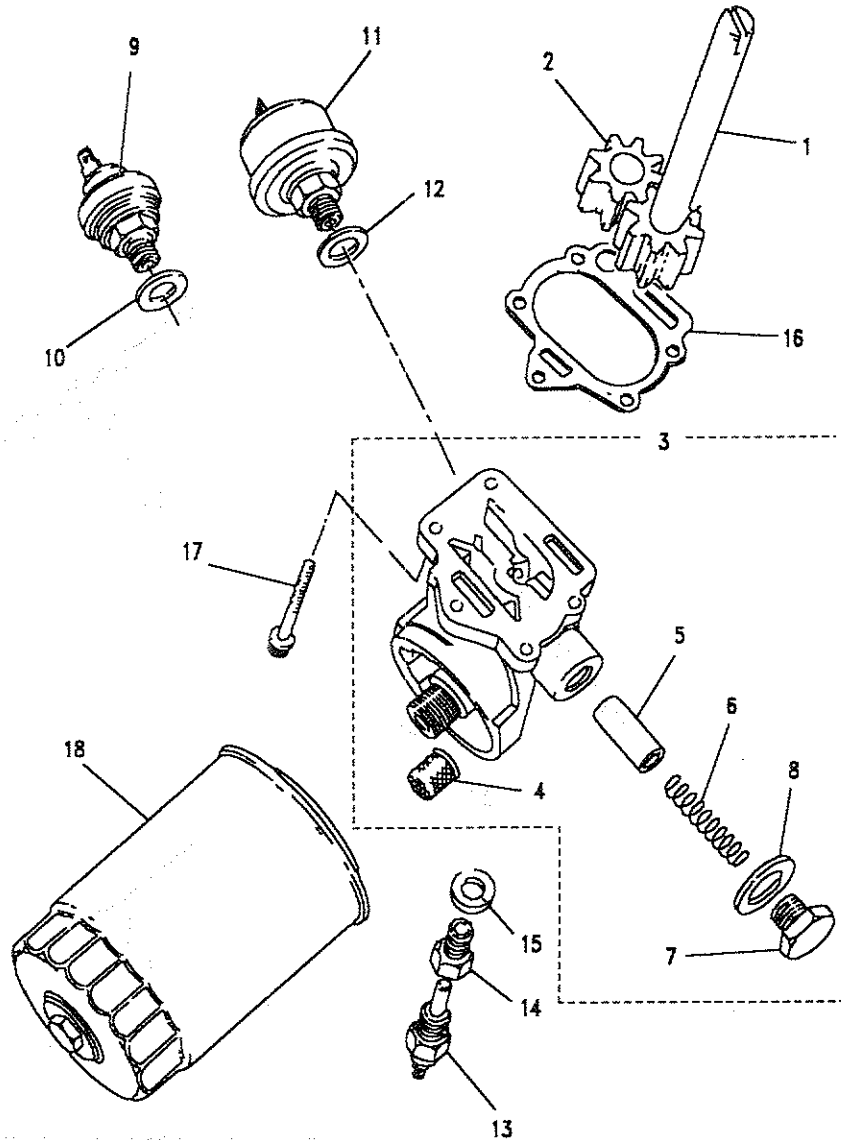
ENGINE - DRIVE BELTS - V8 CARB

III. Part No.	Description	Qty	Remarks
1 614670	Belt driving fan	1)
2 603713	Belt driving air/comp	1)Note(1)
3 614106	Belt driving idler	1)
4 ERR2073	Belt driving alternator	1)
5 614670	Belt driving fan	1)
6 603713	Belt driving air/comp	1)Note(2)
7 614106	Belt driving pump, p/s	1)
8 ERR2073	Belt driving alternator	1)

Note(1)
 Note(2)

Used when AIR CONDITIONING fitted
 Used when AIR CONDITIONING and POWER STEERING fitted





Model DEFENDER 90
Page ADBQFA1A

ENGINE - OIL PUMP - V8 CARB

III. Part No.	Description	Qty	Remarks
1	ERC1351 Pump oil assembly	1	
2	614037 Gear	1	
3	ETC4276 Cover assembly	1	
4	614202 Strainer	1	
5	90602064 Valve relief	1	
6	602067 Spring	1	
7	602071 Cap	1	
8	ETC8833 Washer joint	1	
9	PRC7204 Switch oil pressure	1	Upto JAN1993
	AMR2092 Switch oil pressure	1	From JAN1993
10	243968 Washer joint	1	
11	DRC2479 Transducer oil pressure	1	
12	243967 Washer joint	1	
13	PRC2507 Transmitter oil temp	1	
14	611514 Adaptor transmitter	1	
15	243968 Washer joint	1	
16	90602072 Gasket	1	Upto 13/4/1992
	ERR1990 Gasket	1	From 13/4/1992
17	602912 Bolt	2	
	602910 Bolt	3	
	602913 Bolt	1	
18	ERR3340 Filter oil	1	
	RTC4477 Kit repair-oil pump	1	



Model DEFENDER 90

Page ADBQGA1A

ENGINE - CYLINDER HEAD - V8 CARB

III. Part No.

Description

Qty Remarks

1	ERC215	Cylinder head assembly	2	Note(1)
	ERC676	Cylinder head assembly	2	Note(2)
	ETC6471	Cylinder head assembly	2	Note(3)
	ERC3346	Cylinder head assembly	2	Note(4)
	ERR3650	Cylinder head assembly	2	From Nov 91
	ERR4735	Cylinder head	2	From Jan 94
2	603554	Guide valve	16	
	ERR3648	Guide valve	16	From Nov 91
3	ERC224	Insert inlet standard	8	
	ERC225	Insert inlet 0.010"o/s	8	
4	ERC210	Insert exhaust standard	8	
	ERC211	Insert exhaust 0.010"o/s	8	
5	602123	Core plug	4	
6	602289	Cup plug	4	
7	STC1122	Valve exhaust	8	
	ERR2551	Valve exhaust	8	From Nov 91
8	STC1121	Valve inlet	8	
	ERR1780	Valve inlet	8	From Nov 91
9	ERC7865	Seal inlet valve	8	
	ERR1782	Seal inlet valve	8	From Nov 91
10	ERR4248	Gasket head/block	2	
11	602040	Dowel	4	

Note(1)

14G,20G,NON DETOXED

Note(2)

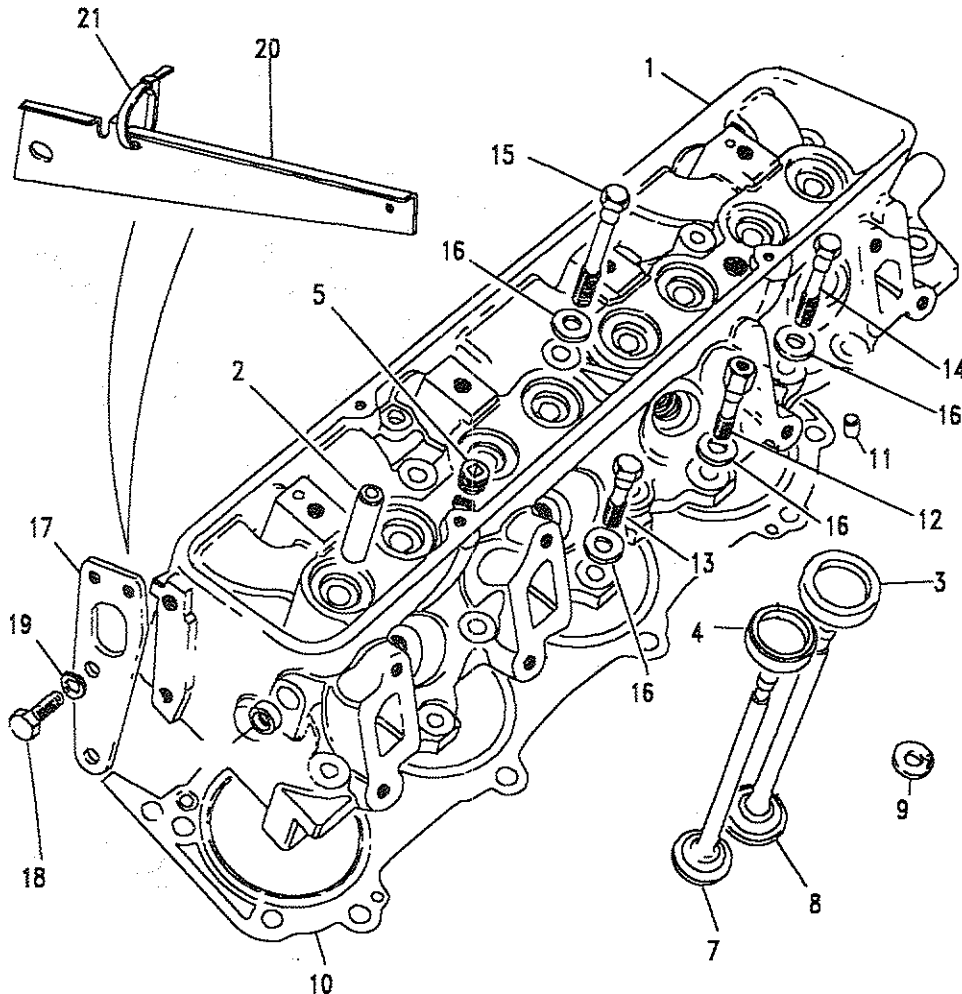
15G,21G,DETOXED

Note(3)

24G DETOXED with air rails

Note(4)

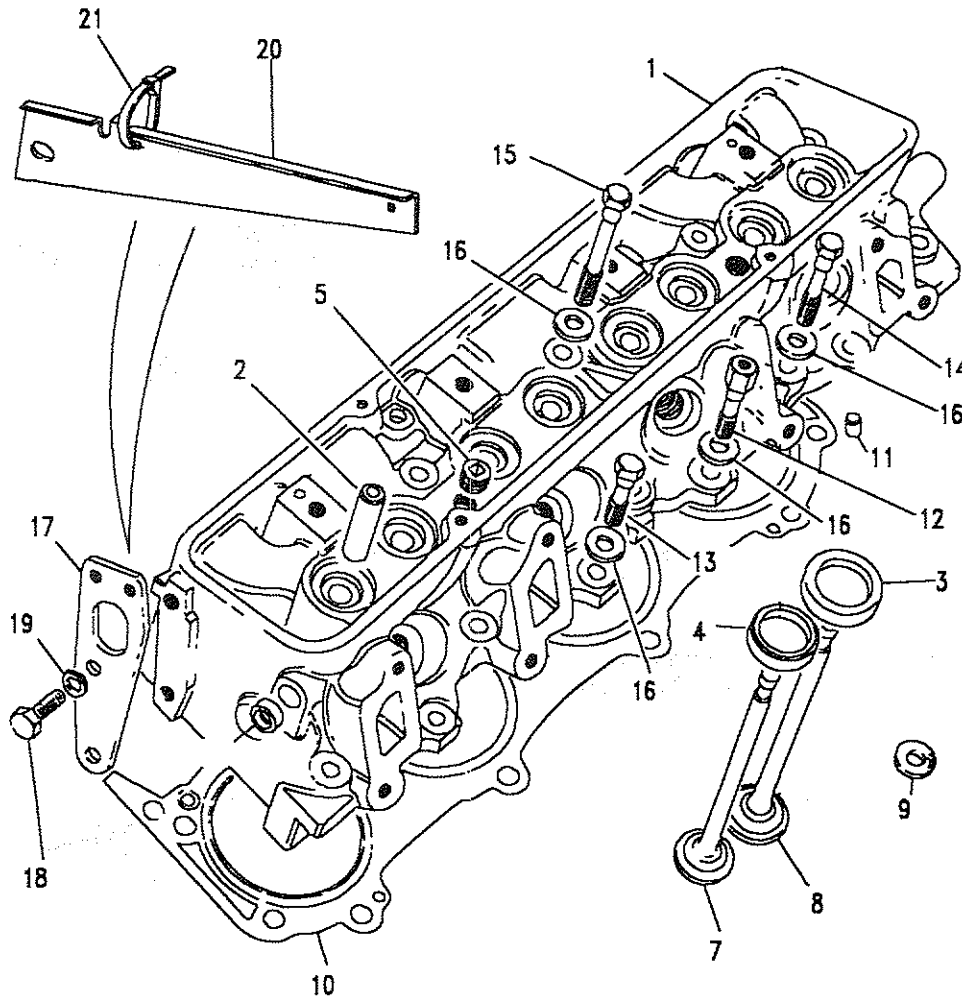
24G DETOXED without air rails

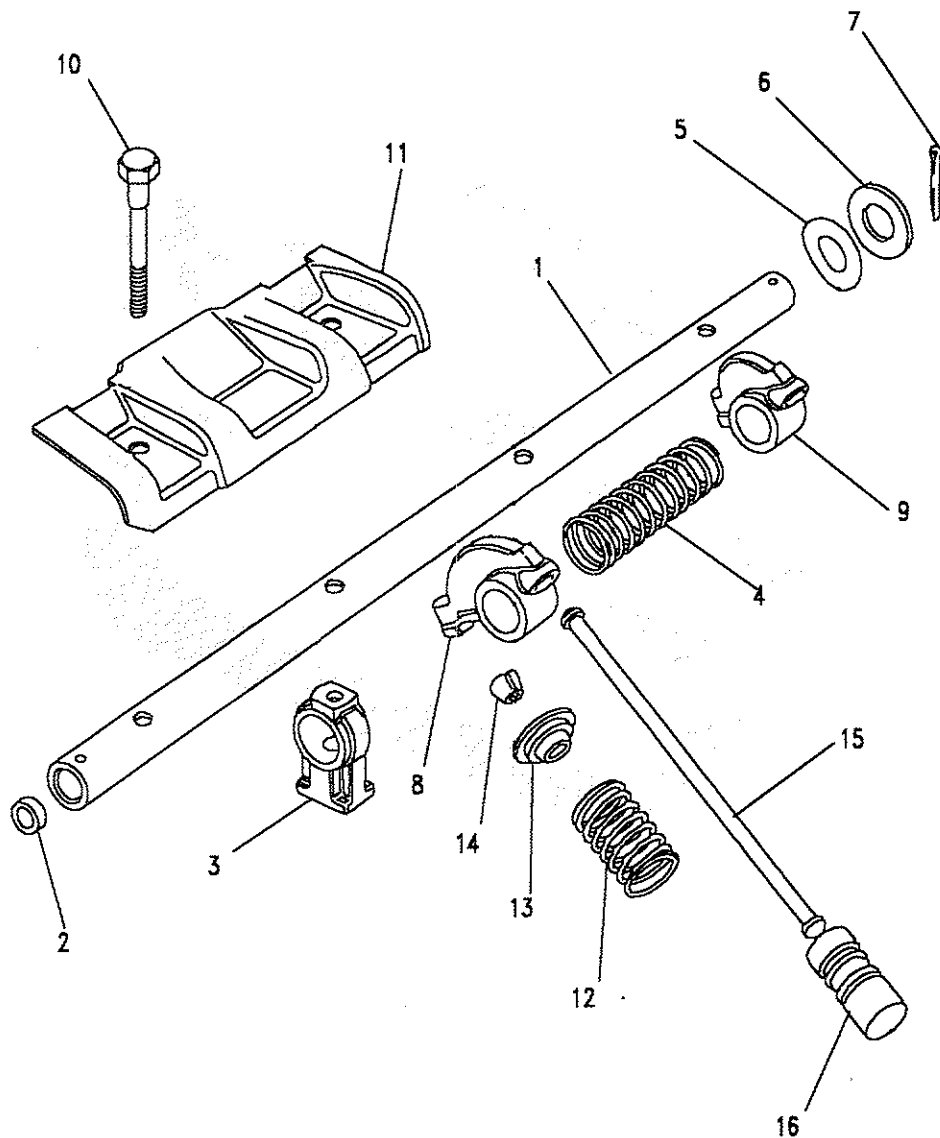


Model DEFENDER 90
Page ADBQGA1A

ENGINE - CYLINDER HEAD - V8 CARB

III. Part No.	Description	Qty	Remarks
12	90614584 Bolt	1	
13	602191 Bolt	7	
14	602192 Bolt	14	NON AIR CON
	602192 Bolt	13	AIR CON
	ERR2943 Bolt flanged 66mm	13	From Jan 94
15	602193 Bolt	6	
	ERR2944 Bolt flanged 96mm	6	From Jan 94
16	602098 Washer plain	28	
	602098 Washer plain	1	From Jan 94
	602200 Stud 7/16unc x 2.71	1	From Jan 94
17	603031 Bracket lifting-front LH	1	BASIC
	90611812 Bracket lifting-front LH	1	P.A.S.
18	SH506071L Screw	2	NON P.A.S.
19	WM600061L Washer spring	2	
	SH506071L Screw	3	AIR CON
	WM600061L Washer spring	3	and P.A.S.
	SA506081L Screw	1	
20	ERC2920 Bracket	1	NON AIR CON
21	DRC1538 Strap	2	
	ETC6474 Plug pulsair	2	





Model DEFENDER 90
Page ADBQGC1A

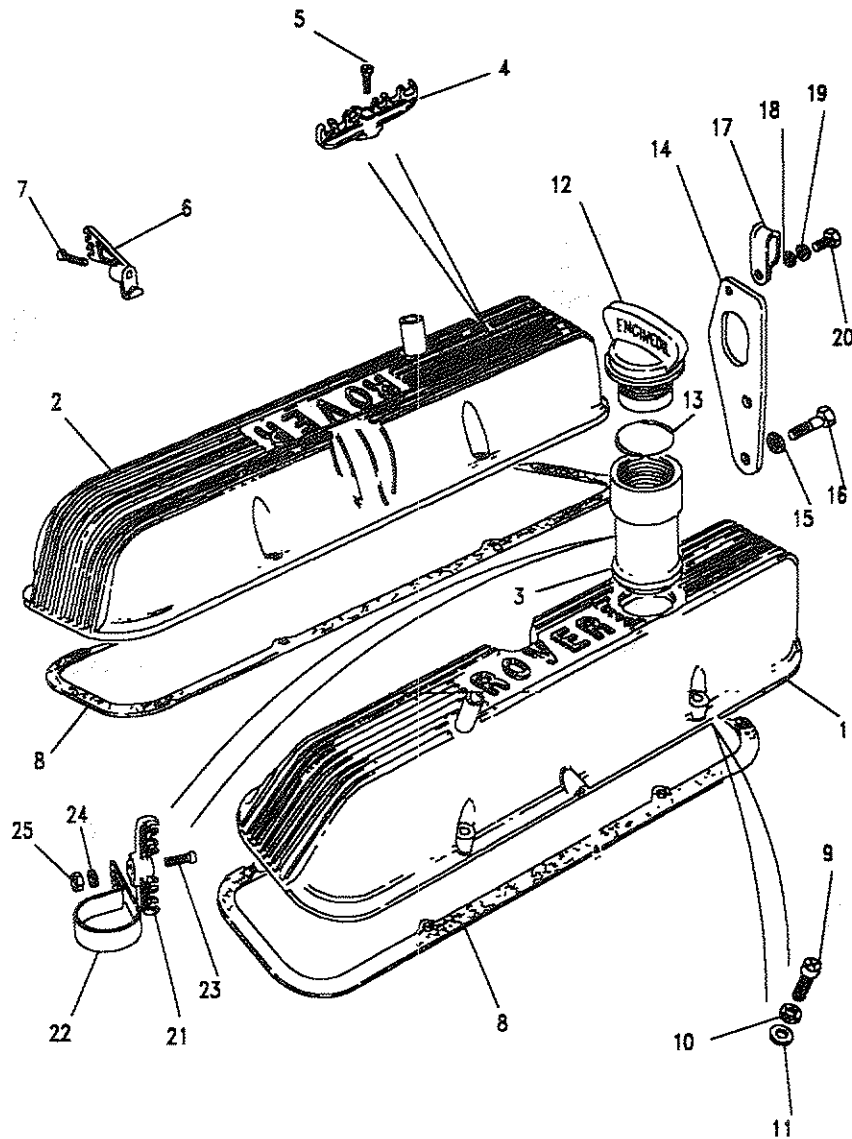
ENGINE - VALVE GEAR - V8 CARB

III. Part No.	Description	Qty	Remarks
1	611659L	2	Shaft rocker assembly
2	154545	4	Plug
3	603734	8	Bracket pedestal
4	602142	6	Spring
5	602148	4	Spring shafts end
6	602186	4	Washer
7	PS606101L	4	Split pin
8	602153	8	Valve rocker assembly RH
9	602154	8	Valve rocker assembly LH
10	602097	8	Bolt UNF
11	602172	2	Baffle oil
12	ERR4628	16	Spring valve
13	ERR1921	16	Cap valve spring
14	ERC1637	32	Cotter split
15	603378	16	Push rod
16	ERC4949	16	Tappet hydraulic



Model DEFENDER 90
Page ADBQGG1A

ENGINE - ROCKER COVER - V8 CARB



III. Part No.	Description	Qty	Remarks
1	RTC2348	1	Rocker cover RH
2	RTC2349	1	Rocker cover LH
3	ERC2989	1	Filler oil
4	ERC5512	1	Retainer HT cables
5	78862	1	Screw 10UNC x 0.562"
6	603675	1	Retainer HT cables
7	78861	1	Screw 10UNC x 0.625"
8	602512	2	Gasket cover/head
9	603127	4	Bolt
	SY504072L	4	Bolt
10	WM600041L	8	Washer spring
11	WB106041L	8	Washer plain
12	625038	1	Cap filler
13	564258	1	O ring
14	ERC614	1	Bracket lifting rear
15	WM600061L	2	Washer spring
16	SH506071L	2	Screw
17	586440	1	Clip cable
18	WM600041L	1	Washer spring
19	WB106041L	1	Washer plain
20	SH604041L	1	Screw
21	ERC2144	1	Spacer HT/LT leads
22	603184	1	Clip leads to filler neck
23	78593	2	Screw 10UNF x 0.5"
24	WA702101L	2	Washer plain
25	HN2005L	2	Nut
	ERC5594	2	Bracket plug leads
	78861	2	Screw bracket

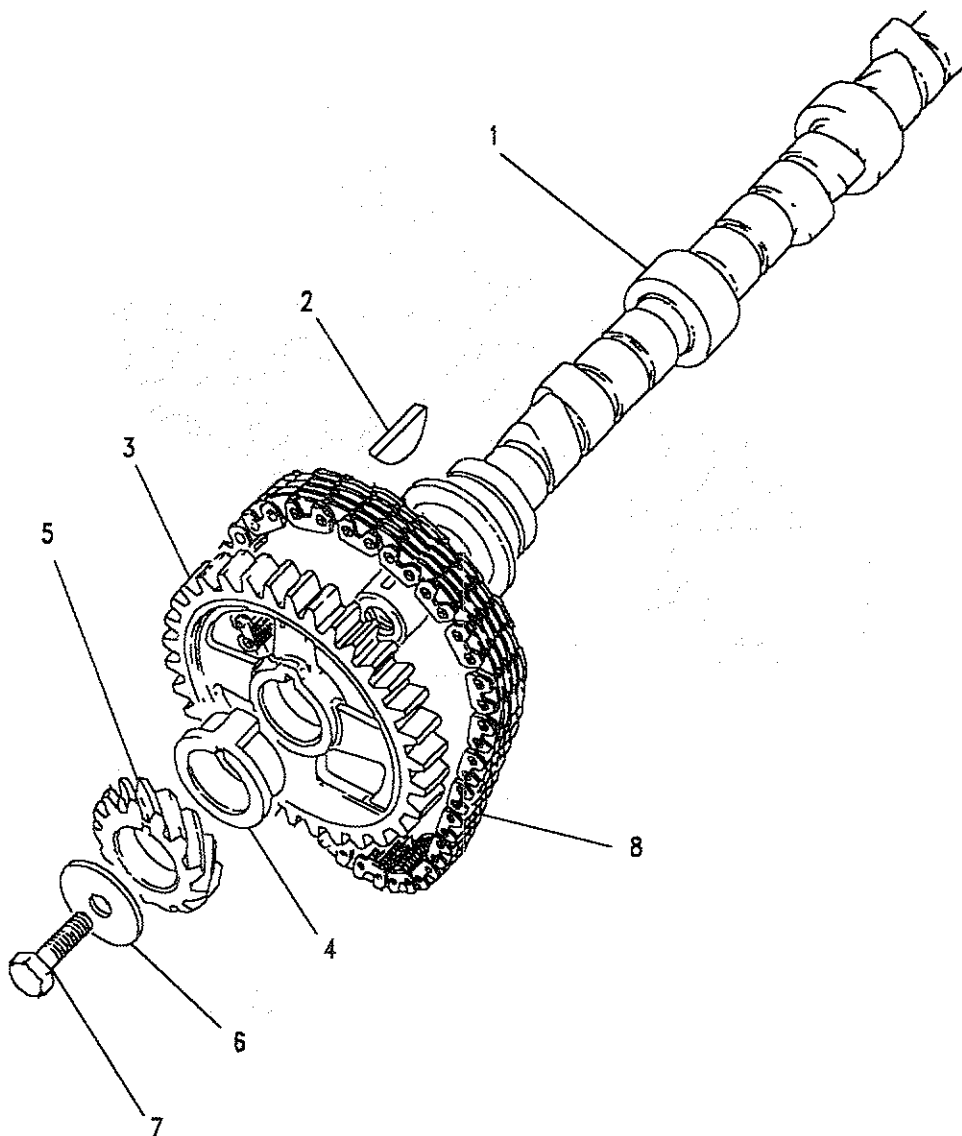


15/21

Model DEFENDER 90
Page ADBQG11A

ENGINE - CAMSHAFT - V8 CARB

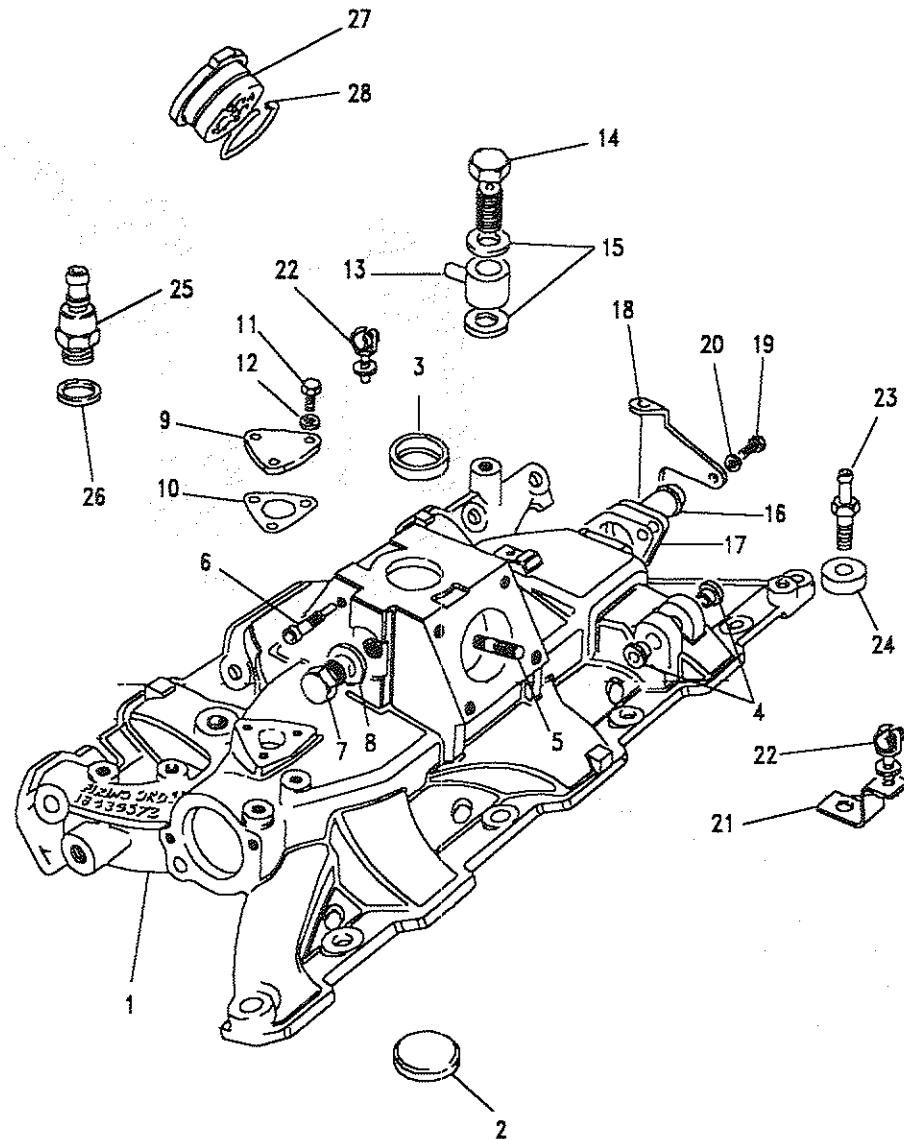
III. Part No.	Description	Qty	Remarks
1 ETC6849	Camshaft	1	14G,20G
ETC6850L	Camshaft	1	15G,21G,24G
2 ERC2838	Key-camshaft	1	
3 610289	Chainwheel	1	
4 ERC2839	Spacer	1	
5 614188	Gear distributor drive	1	
6 ERC6552	Washer	1	
7 ERC5749	Bolt camshaft sprocket	1	14G,20G
602227	Bolt camshaft sprocket	1	15G,21G,24G
8 ERC7929	Chain timing	1	
RTC5918	Bearings camshaft set	1	



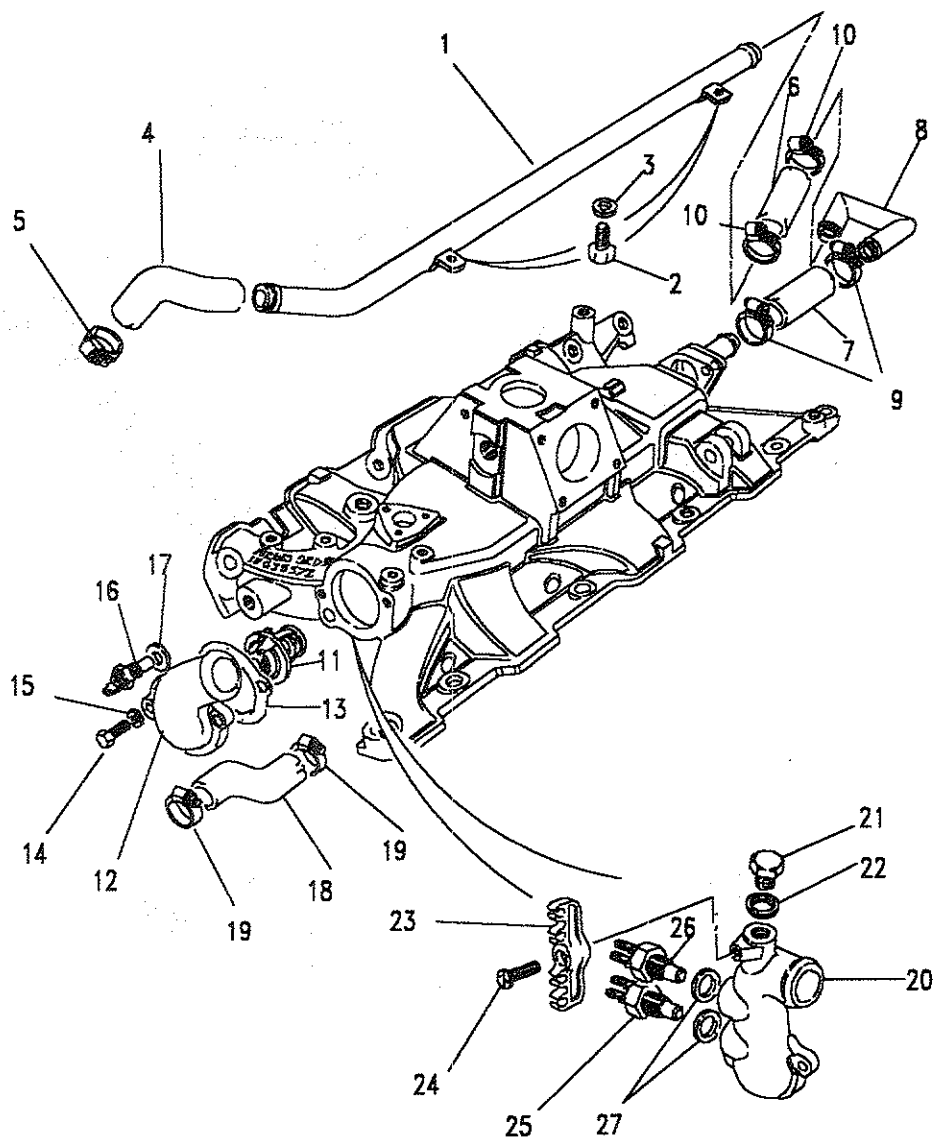


Model DEFENDER 90
Page ADBQHA1A

ENGINE - INLET MANIFOLD - V8 CARB



III. Part No.	Description	Qty	Remarks
1	ERC2135	1	Upto 24G02088A
1	ETC7915	1	From 24G02089A
2	602152	1	Cup Plug
3	ERC256	2	Cup Plug
4	522932	2	Bush
5	252514	8	Stud
6	ERC4820	1	Adaptor air bleed
7	603224	1	Plug blanking
8	232043	1	Washer joint
9	598006	1	Plate blanking
10	236022	1	Gasket
11	257064	3	Screw
12	WM702001L	3	Washer spring
13	603277	1	Banjo vacuum signal
	610246	1	Banjo vacuum signal
14	534897	1	Bolt banjo
15	267604	2	Washer joint
16	ERC3561	1	Pipe water outlet
17	603441	1	Gasket
	ERR4935	1	Gasket
18	603561	1	Bracket
19	SH504061L	2	Screw
20	WM600041L	2	Washer spring
21	NRC2864	2	Bracket pipe clip
22	CRC1226	A/R	Clip fuel pipe
23	ERC2297	2	Peg air cleaner mounting
24	4594L	2	Washer plain
25	578620	1	Valve non return
26	232043	1	Washer joint
27	ERC3493	2	Restrictor
28	ERC3729	2	Ring spring



Model DEFENDER 90

Page ADBQHA2A

ENGINE - INLET MANIFOLD - V8 CARB

III. Part No.	Description	Qty	Remarks
1	ERC2143	1	Pipe water outlet
2	FS504047	2	Screw
3	WM600041L	2	Washer spring
4	ERC2320	1	Hose heater return
5	RTC3497	2	Clip hose
6	ERC3489	1	Hose outlet pipe
7	ERC3562	1	Hose return pipe
8	ERC3563	1	Adaptor outlet
9	CJ600144L	2	Clip hose
10	RTC3497	2	Clip hose
11	602687	1	Thermostat 82o
12	ERC2139	1	Elbow water outlet
13	611786	1	Gasket
	ERR2429	1	Gasket
14	SH505091L	2	Screw
15	WM600051L	2	Washer spring
16	PRC2506	1	Transmitter temperature
	PRC4430	1	Transmitter temperature
17	90568054	1	Washer sealing
18	ERC2319	1	Hose
19	RTC3497	2	Clip hose
20	ERC8639	1	Elbow water outlet
21	603224	1	Plug blanking
22	232043	1	Washer
23	603672	1	Retainer HT lead
24	AB610031L	1	Screw
25	PRC3505	1	Switch temp sensor fan
26	PRC3359	1	Switch cut out-GREEN
27	C457593L	2	Washer

NON AIR CON
Upto FEB1991
From FEB1991

HOT CLIMATE

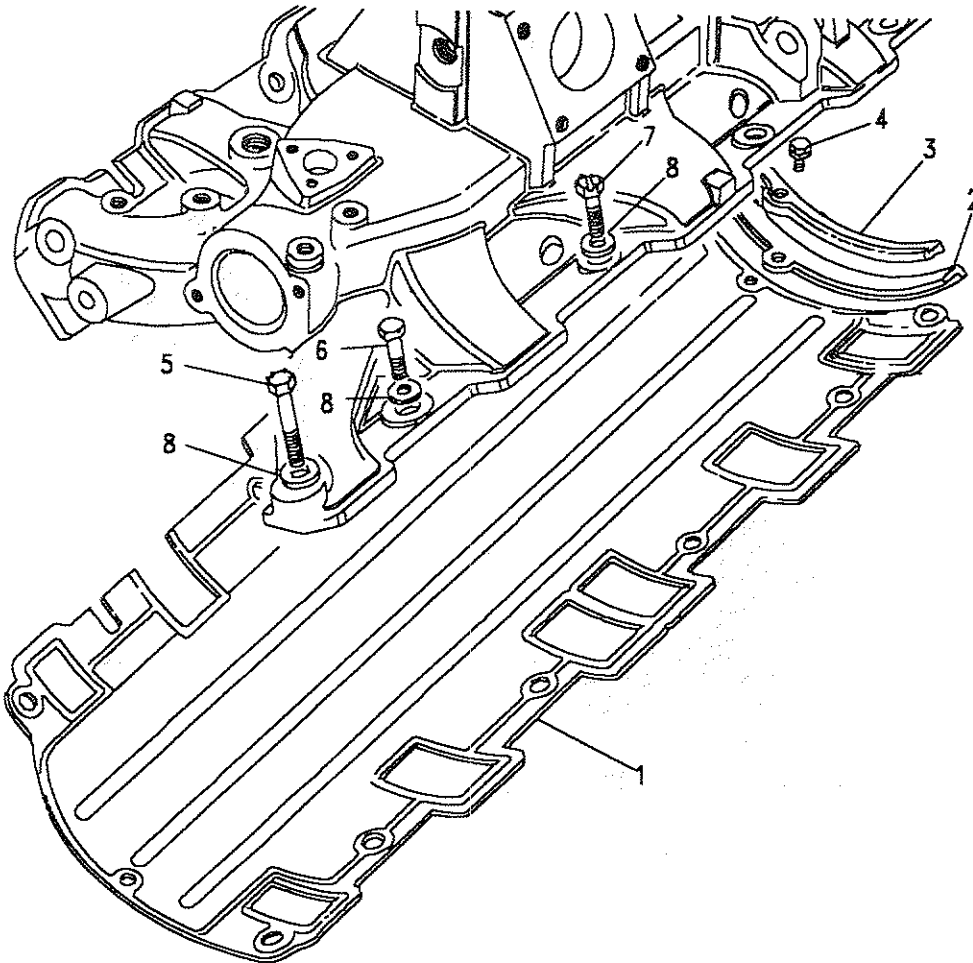
AIR CON



Model DEFENDER 90
Page ADBQHA3A

ENGINE - INLET MANIFOLD - V8 CARB

III. Part No.	Description	Qty	Remarks
1 ERR4923	Gasket inlet manifold	1	
2 602099	Seal gasket ends	2	
3 602076	Clamp	2	
4 602236	Bolt	2	
5 BH506161L	Bolt	2	
6 BH506121L	Bolt	6	
7 90611504	Bolt	4	
8 2204L	Washer	12	



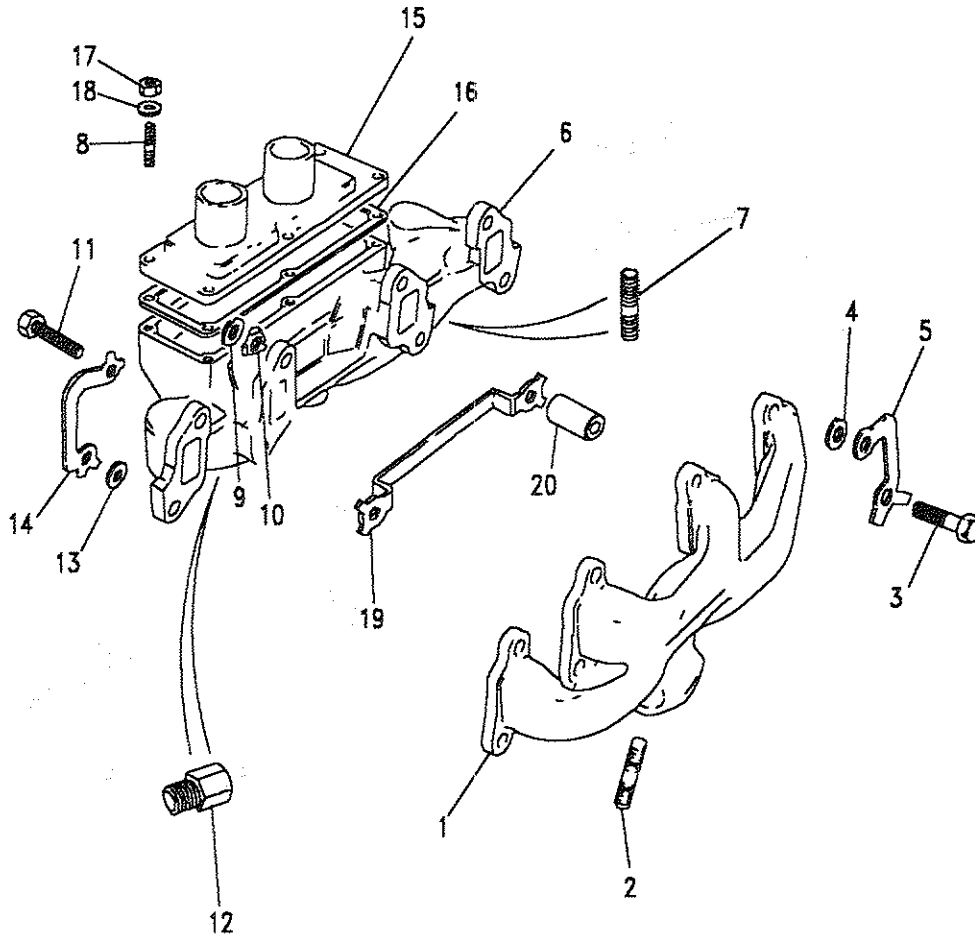


Model DEFENDER 90
Page ADBQHC2A

ENGINE - EXHAUST MANIFOLD - DETOXED

III. Part No.	Description	Qty	Remarks
1	ERC5068	1	Note(1)
2	252623	3	
3	SH506091L	8	
4	3036L	8	
5	ERC7321	4	
6	ERC5925	1	Note(1)
7	252623	3	
8	ERC3690	6	
9	ERC3699	2	
10	612689	2	
11	SH506091L	5	
	BH506441L	2	
12	614443	1	
13	3036L	4	
14	ERC7321	6	
15	ERC7611	1	
16	ERC4989	1	
17	RTC609	6	
18	NR604090L	6	
19	ERC7896	1	
20	ERC7897	2	

Note(1) Use when exhaust manifold has a conical bore to take an exhaust downpipe with welded olive end



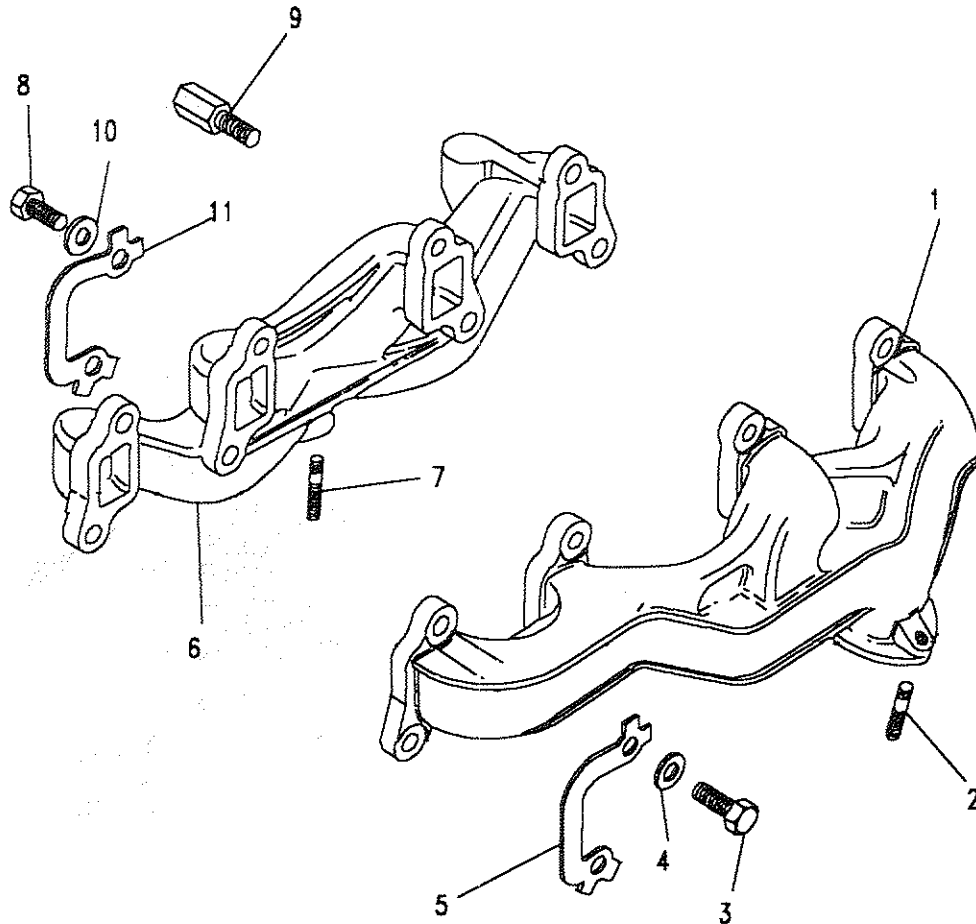


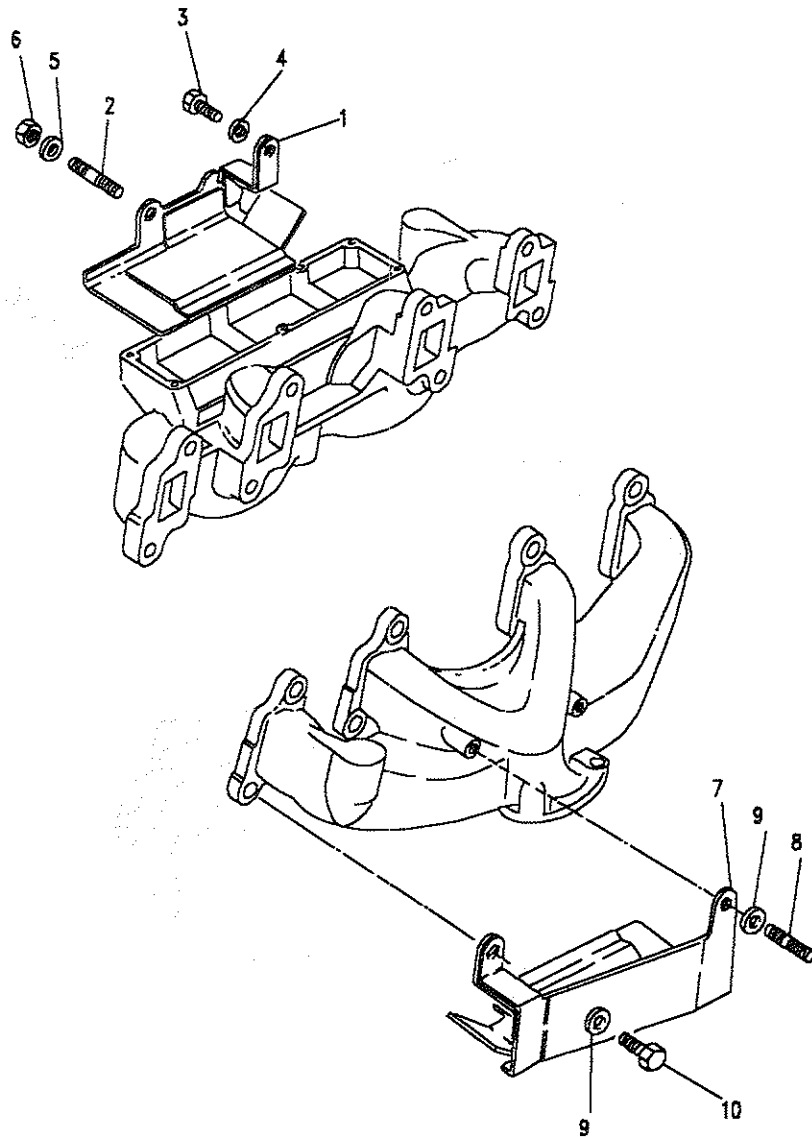
Model DEFENDER 90
Page ADBQHC3A

ENGINE - EXHAUST MANIFOLD - V8 CARB - SEE NOTE

III. Part No.	Description	Qty	Remarks
1	ETC5329	1	Upto 24G06490B
	ERC5068	1	From 24G06491B
	ERR2535	1	Note(1)
2	252623	6	
	TE108051L	6	
3	SH506101L	8	
4	3036L	8	
5	ERC7321	4	
6	ETC6535	1	Upto 24G06490B
	ERC3102	1	From 24G06491B
	ERR2533	1	Note(1)
7	252623	3	
	TE108051L	3	
8	SH506101L	7	
9	614443	1	
10	3036L	8	
11	ERC7321	4	

Note(1) Latest type manifold with METRIC thread





Model DEFENDER 90
Page ADBQHC4A

ENGINE - HEATSHIELD - V8 CARB

III. Part No.	Description	Qty	Remarks
1	ERC5875 Heatshield solenoid	1	Note(1)
2	ERC3690 Stud	1	
3	SH605051L Screw	1	
4	RTC613 Washer	1	
5	RTC609 Washer	1	
6	NR604090L Nut	1	
7	ERC5786 Heatshield solenoid	1	Note(2)
8	ERC3458 Stud	1	
9	RTC613 Washer	2	
10	SH605051L Screw	1	

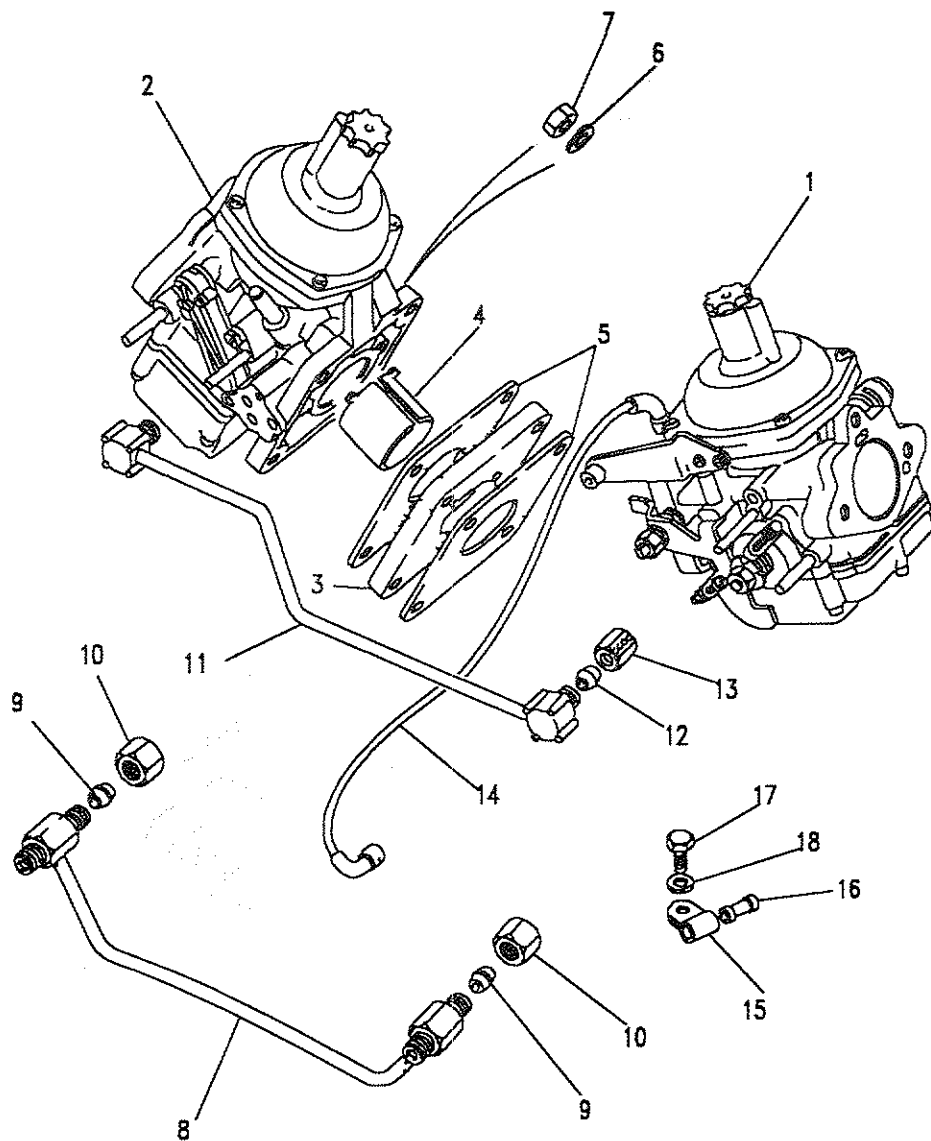
Note(1) For detoxed engine Prefix 24G
Note(2) For non-detoxed engine Prefix 20G



Model DEFENDER 90

Page ADBQIA1A

ENGINE - CARBURETTER - V8 CARB



III. Part No.	Description	Qty	Remarks
20G with STROMBERG carburetters-non detoxed			
1	ERC6364	1	Carburetter LH
2	ERC6365	1	Carburetter RH
3	610849	2	Insulator
4	611026	2	Liner
5	ERC2154	4	Washer joint
	ERR4381	4	Gasket carb to manifold
6	WM600051L	8	Washer spring
7	NH605041L	8	Nut
8	612505	1	Pipe fuel feed
9	614555	2	Olive
10	534790	2	Nut
11	613514	1	Pipe choke
12	611015	2	Olive
13	90611014	2	Nut
14	614891	A/R	Pipe vacuum advance
15	AEU1449	1	Clip
16	541215	1	Grommet
17	FS504055	1	Screw
18	WM600041L	1	Washer spring

Note(1) Supplied as a 31" Length, Cut Off as Required.



Model DEFENDER 90

Page ADBQIA2A

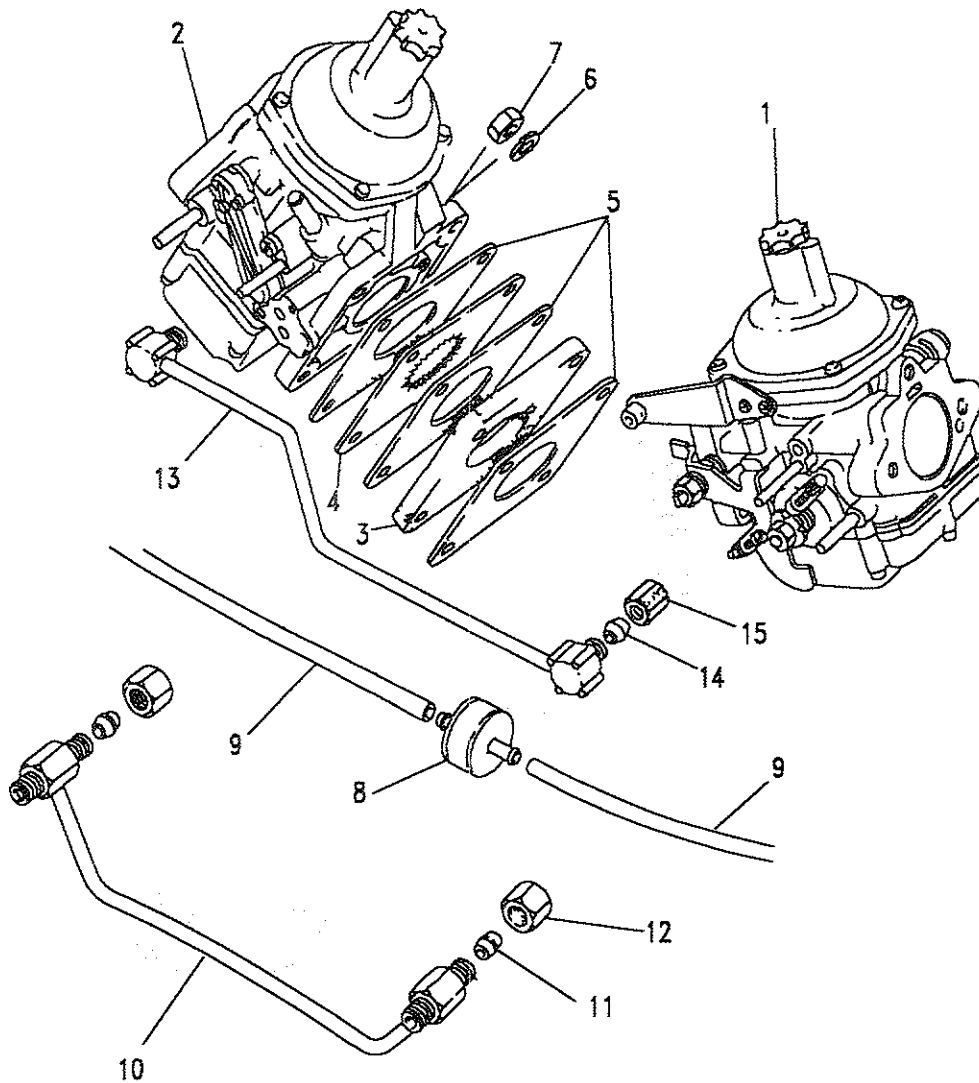
ENGINE - CARBURETTER - V8 CARB

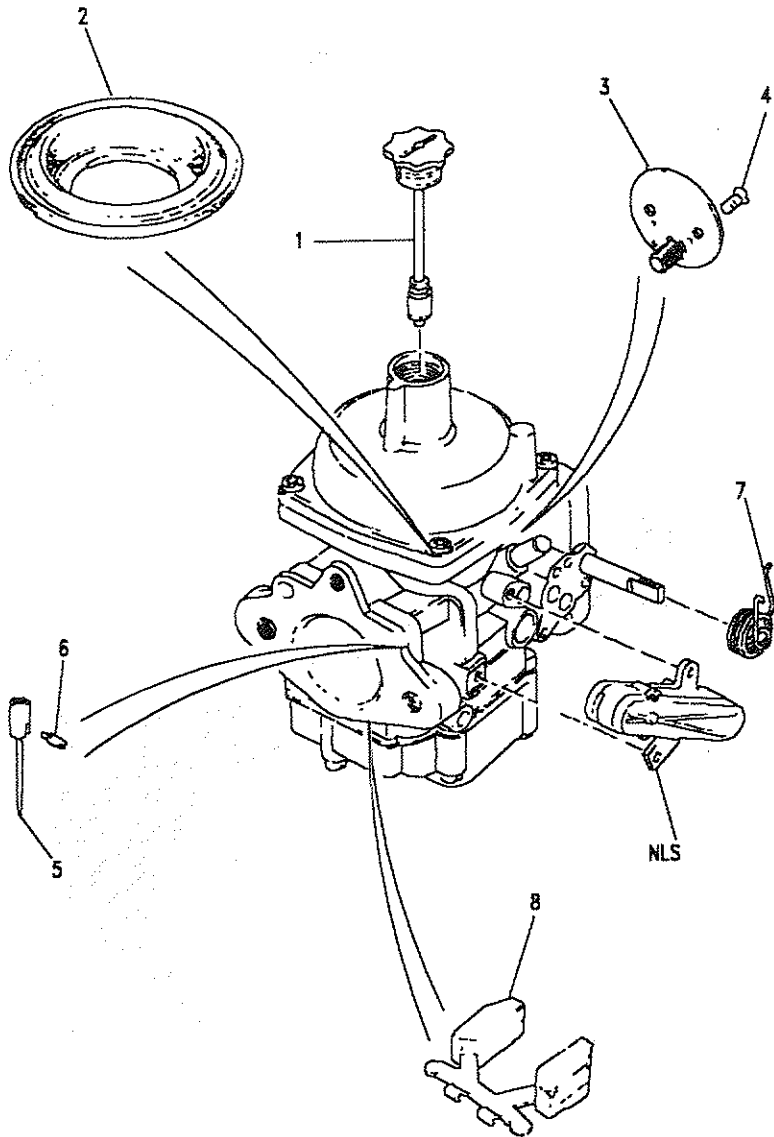
III. Part No. Description Qty Remarks

21G with STROMBERG carburetters-detoxed

III. Part No.	Description	Qty	Remarks
1	ERC6362 Carburetter LH	1	
2	ERC6363 Carburetter RH	1	
3	610833 Insulator	2	From Jan 94
	ERR4383 Insulator	2	
4	566737 Deflector	2	
5	ERC2154 Gasket	6	
	ERR4381 Gasket	6	From Jan 94
6	WM600051L Washer spring	8	
7	NH605041L Nut	8	
8	ERC6997 Delay unit vacuum	1	
9	614891 Pipe vacuum	A/R	Note(1)
10	612505 Pipe fuel feed	1	
11	614555 Olive	2	
12	534790 Nut	2	
13	613514 Pipe choke	1	
14	611015 Olive	2	
15	90611014 Nut	2	

Note(1) Supplied as a 31" Length, Cut Off as Required.

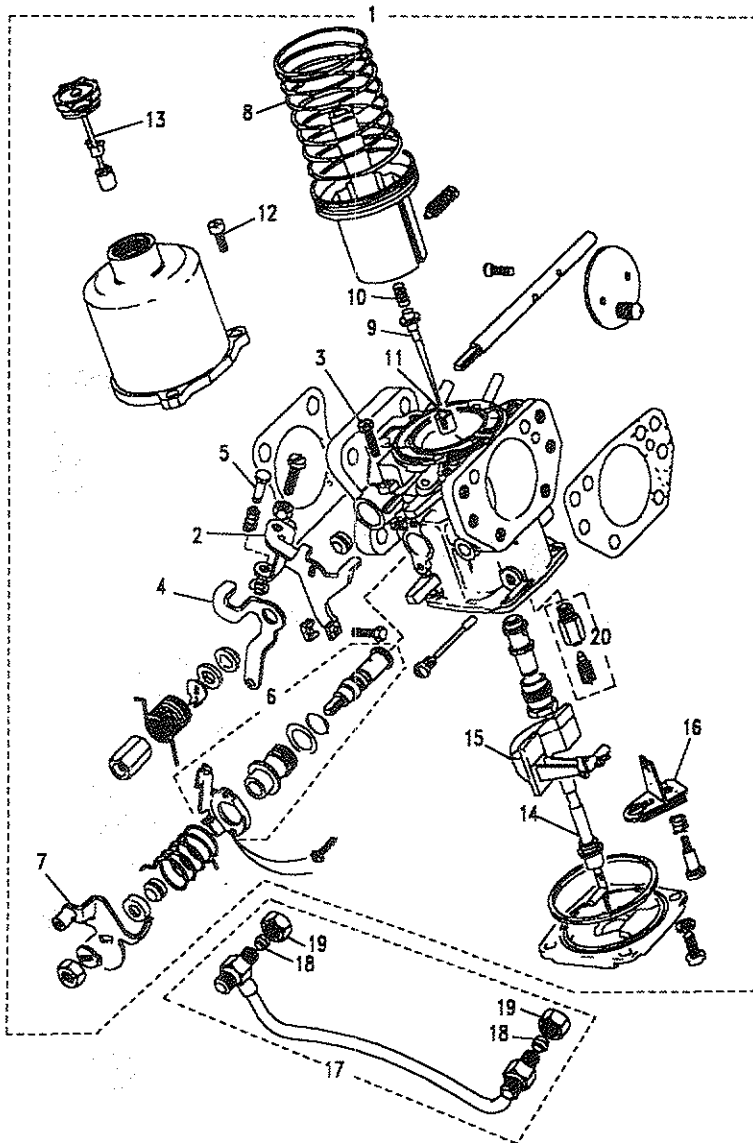




Model DEFENDER 90
Page ADBQIA3A

ENGINE - CARBURETTER COMPONENTS STROMBERG - V8 CARB

Ill. Part No.	Description	Qty	Remarks
1 605848	Damper	2	
2 JS499L	Diaphragm	2	
3 605800	Throttle	2	Engines 20G
AAU7604	Throttle with Valve	2	Engines 21G
4 601845	Screw	2	
5 AEU3077	Needle carburetter	2	Engines 21G
AEU2462	Needle carburetter	2	Engines 20G
6 518653	Screw grub	2	
7 516951	Spring return	2	
8 605833	Float	2	

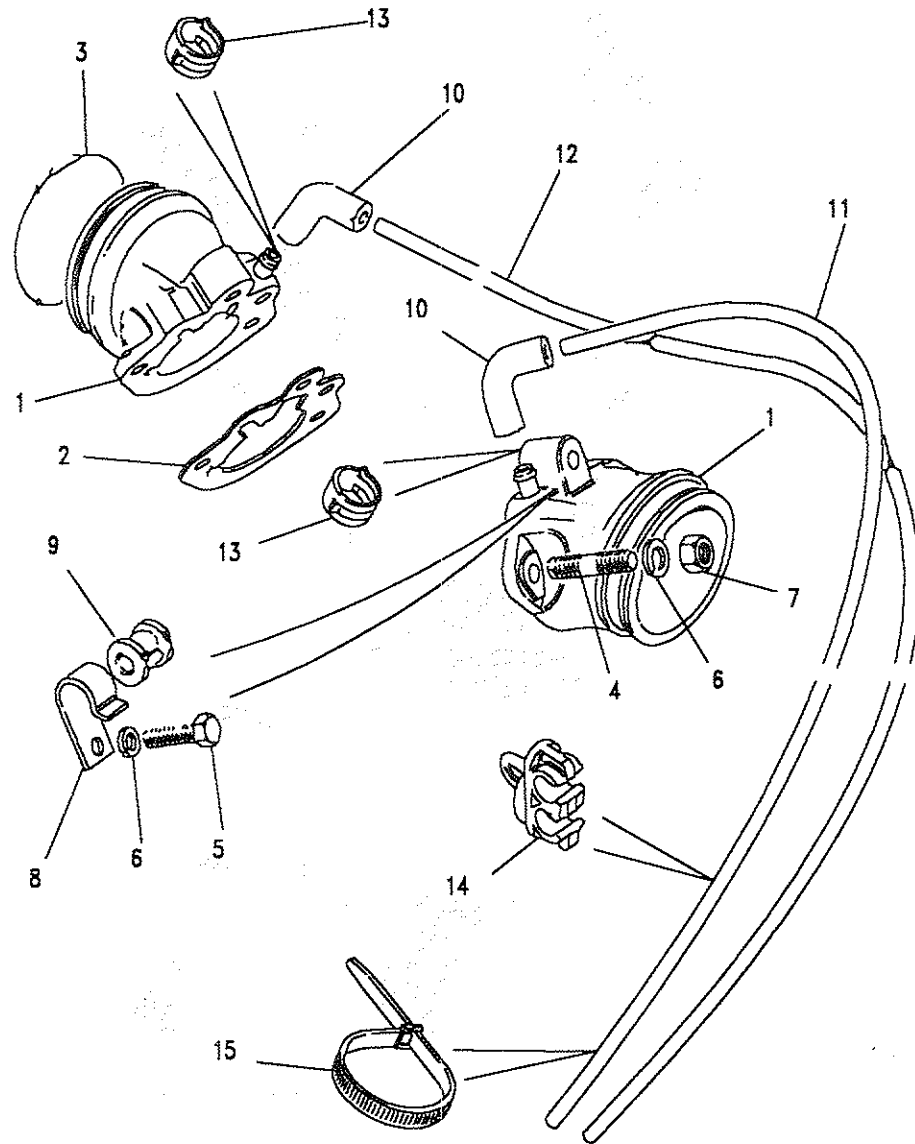


Model DEFENDER 90
Page ADBQIA4A

ENGINE - CARBURETTER SU - V8 CARB

III. Part No.	Description	Qty	Remarks
1 ETC7122	Carburetter LH	1	
ETC7123	Carburetter RH	1	
2 LZX2107L	Lever throttle assembly	1	
3 JZX1303L	Screw fast idle	2	
4 AUD4771L	Clip	2	
5 JZX1181L	Screw slow run	2	
6 STC509	Valve assembly-LH	1	
STC510	Valve assembly-RH	1	
7 LZX1988L	Lever cam-LH	1	
LZX1989L	Lever cam-RH	1	
8 AUD4398L	Spring piston (Yellow)	2	
9 NZX8076L	Needle	2	
10 AUD3306L	Spring	2	
11 JZX1039L	Guide	2	
12 JZX1394L	Screw	6	
13 LZX1505	Damper assembly	2	
14 CUD2788L	Jet assembly-LH	1	
CUD2785L	Jet assembly-RH	1	
15 LZX1600L	Float assembly-LH	1	
RTC3566	Float assembly-RH	1	
16 CUD2399L	Bi metal assembly	2	
17 ETC7127	Pipe fuel feed	1	
18 612064	Olive	2	
19 534790	Nut	2	
20 STC205	Needle and seat	2	
RTC6072	Kit seal SU-CARB	1	
WZX1505	Kit gasket SU-CARB	1	





Model DEFENDER 90
Page ADBQIC1A

ENGINE - CARBURETTERS ADAPTORS - V8 CARB

III. Part No.	Description	Qty	Remarks
1 ERC9213	Adaptor air intake	2)Note(1)
2 610327	Gasket	2)
1 ETC7126	Adaptor air intake	2)Note(2)
2 612435	Gasket	2)
PKX100030	Gasket air duct	2	From Jan 94
3 602634	O ring	2	
4 TE505105L	Stud	4	
5 BH505111L	Bolt	2	
6 WM600051L	Washer spring	6	
7 NH605041L	Nut	4	
8 239600	Clip adaptor-LH	1	LH
523203	Clip adaptor-RH	1	RH
9 273370	Grommet-LH	1	LH
10 NRC223	Elbow	2)
11 ERC8906	Vent pipe LH	1)Note(1)
12 ERC8907	Vent pipe RH	1)
10 577458	Elbow	2)
11 NTC3793	Vent pipe LH	1)Note(2)
12 NTC3794	Vent pipe RH	1)
13 UKC3803L	Clip pipe	2)
14 AFU1342L	Clip	1)
15 573256	Tie cable	1)Note(1)
568680	Tie cable	1)
14 50641	P Clip	1)
589254	Grommet	1)Note(2)
15 NTC2292	Clip pipe	1)
594594	Tie cable	1)

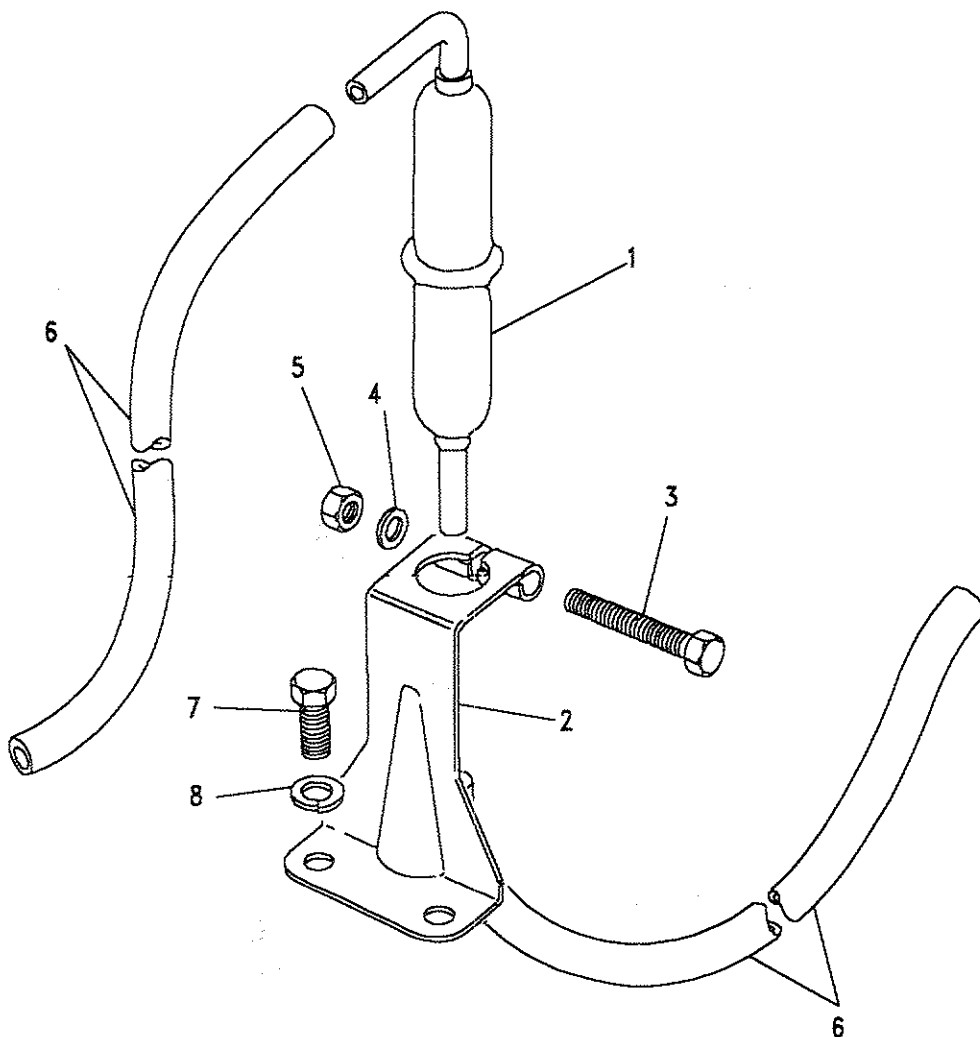
Note(1) Use Only with Stromberg Carburetters
 Note(2) Use Only with S.U. Carburetters

Model DEFENDER 90

Page ADBQIC2A

ENGINE - FUEL TRAP - DETOXED - V8 CARB

III. Part No.	Description	Qty	Remarks
1 ERC2042L	Trap fuel	1	
2 ERC4193	Support	1	
3 253942	Bolt	1	
4 WA702101L	Washer	2	
5 257071	Nut	1	
6 614891	Pipe vacuum	A/R	
7 FS504047	Screw	2	
8 WM600041L	Washer spring	2	

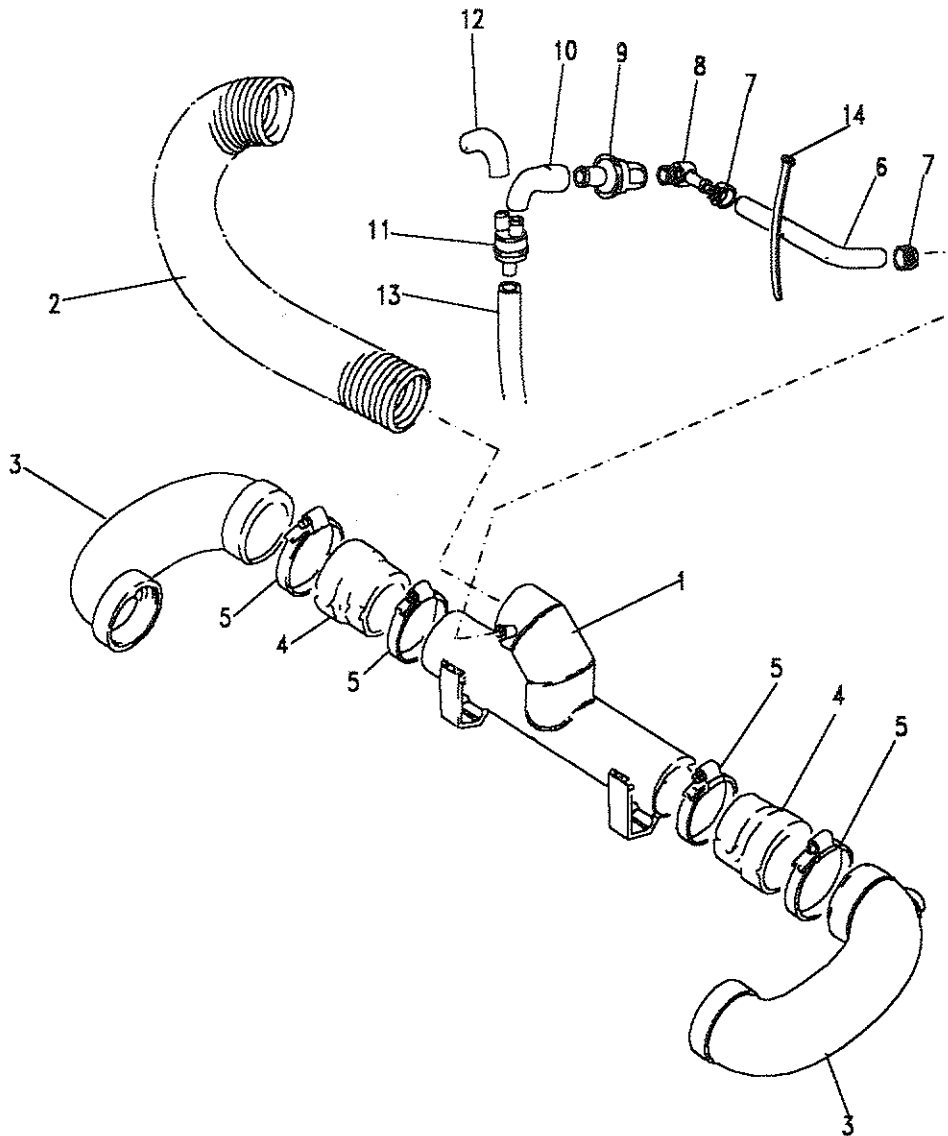




Model DEFENDER 90
Page ADBQIG1A

ENGINE - AIR INLETS - NON DETOXED SU CARBS - V8 CARB

III. Part No.	Description	Qty	Remarks
1	ETC7193	1	Duct air inlet
2	ERC3956	1	Hose
3	ERC5247	2	Elbow carburetter
4	ERC3915	2	Hose
5	RTC3518	4	Clip hose
6	ETC7199	1	Hose breather
7	UKC3799L	2	Clamp hose
8	ETC7201	1	Adaptor
9	ERC6878	1	Valve non return
10	ETC7189	1	Hose breather
11	ETC7188	1	Flame trap
12	611092	1	Hose-to rocker
13	611097	1	Hose-to carb
14	594594	1	Tie cable



[Faint, illegible text, likely bleed-through from the reverse side of the page.]

[Faint, illegible text in the bottom left corner.]

Model DEFENDER 90

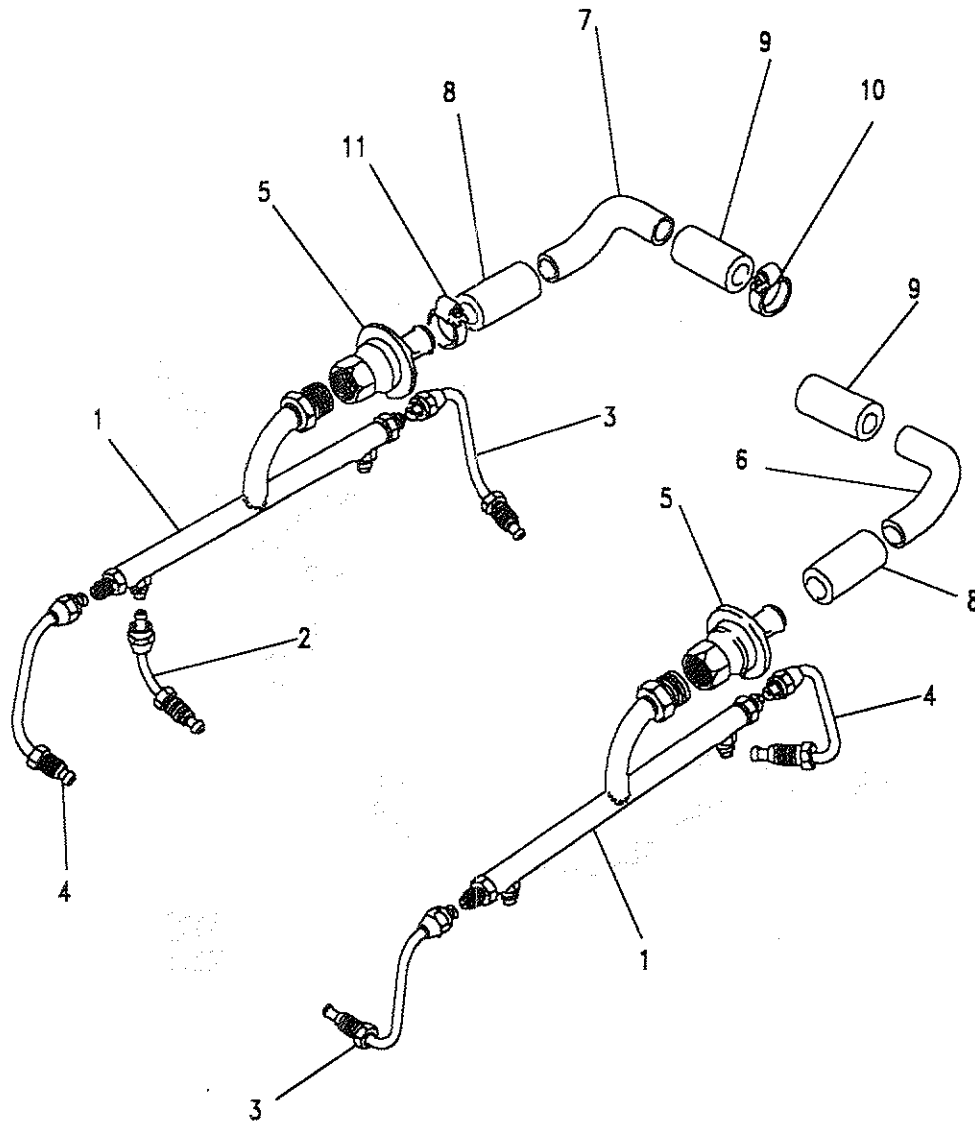
Page ADBQIG3A

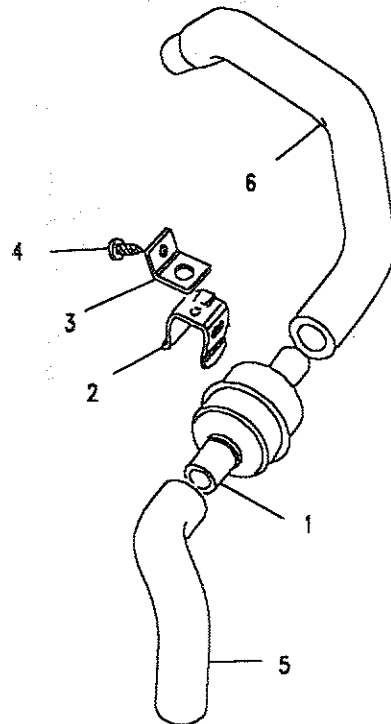
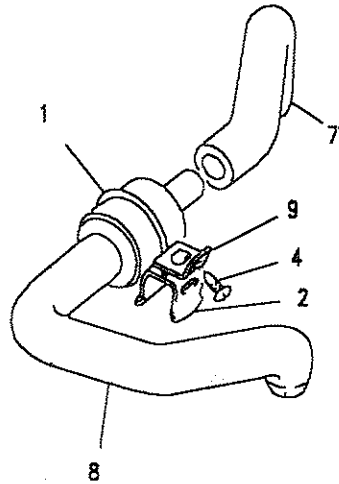
ENGINE - AIR MANIFOLD - V8 CARB

III. Part No. Description Qty Remarks

For Engines 15G,17G,21G

1	ERC9035	Manifold air	2
2	ERC3588	Tube	4
3	ERC4204	Tube LH	2
4	ERC4203	Tube RH	2
5	ERC6878	Valve non return	2
6	ERC7629	Pipe connecting LH	1
7	ERC7630	Pipe connecting RH	1
8	ERC9039	Hose check valve	2
9	ERC7631	Hose intake elbow	2
10	RTC3499	Clip hose	4
11	CN100308L	Clip hose	4





Model DEFENDER 90
Page ADBQIG4A

ENGINE - BREATHER HOSE - V8 CARB

III. Part No.	Description	Qty	Remarks
1 603330	Flame trap	2	
2 603376	Clip	2	Note(1)
90513220	Clip	1	Note(2)
3 611351	Bracket	1	
4 AB610031L	Screw	2	
5 611114	Hose to LH rocker cover	1	Note(1)
6 90611112	Hose to LH carburetter	1	Note(1)
5 613718L	Hose to LH rocker cover	1	Note(2)
6 613402	Hose to LH carburetter	1	Note(2)
7 ERC3930	Hose to RH rocker cover	1	
8 ERC3931	Hose to RH carburetter	1	
9 ERC4670	Bracket	1	

Note(1) Use with STROMBERG carburetters
 Note(2) Use with SU carburetters

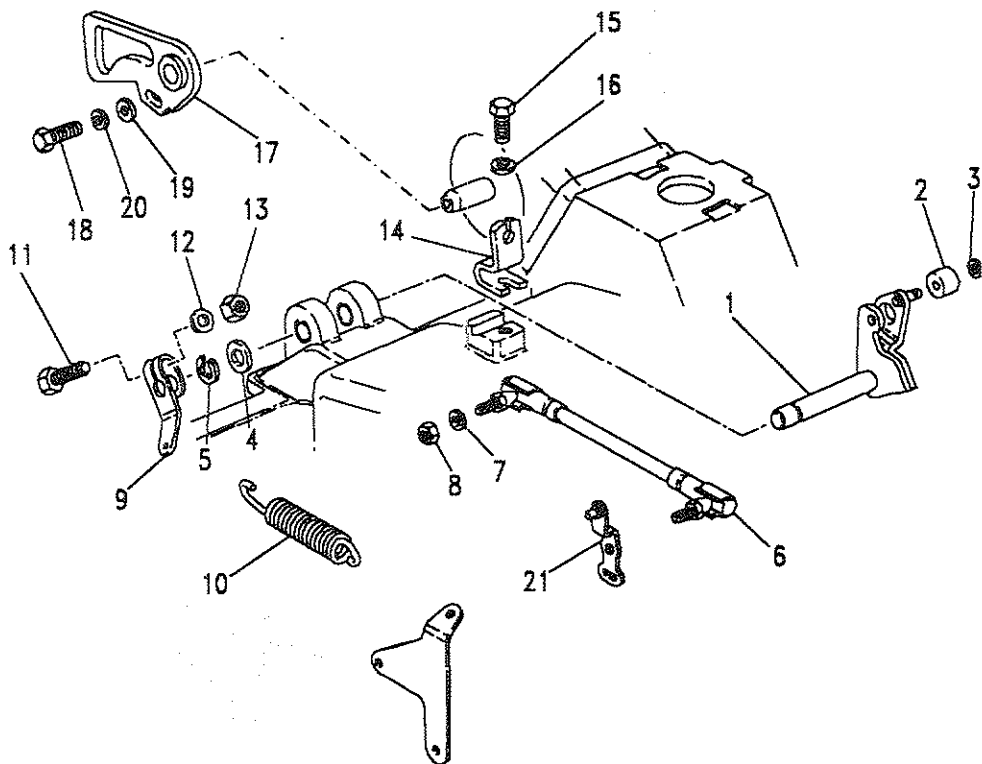


Model DEFENDER 90
Page ADBQII1A

ENGINE - THROTTLE LINKAGE STROMBERG - V8 CARB

III. Part No.	Description	Qty	Remarks
1	ERC2446	1	Note(1)
	ETC8513	1	Note(2)
2	603237	1	Note(1)
	ETC8511	1	Note(2)
3	521452	1	
4	WA108051L	1	
5	521453	1	
6	ERC7744	1	
7	WM702001L	2	
8	257011	2	
9	AUD2437L	1	
10	603622	1	
11	257020	1	
12	WA702101L	1	
13	HN2005L	1	
14	ERC3163	1	Note(3)
15	FS504055	1	
16	WA106041L	1	
17	610333	1	
18	257123	1	
19	WA702101L	1	
20	WM702001L	1	
21	612320	1	

Note(1) Upto 24G02663B except hand throttle
Note(2) From 24G02664B
Note(3) Except hand throttle

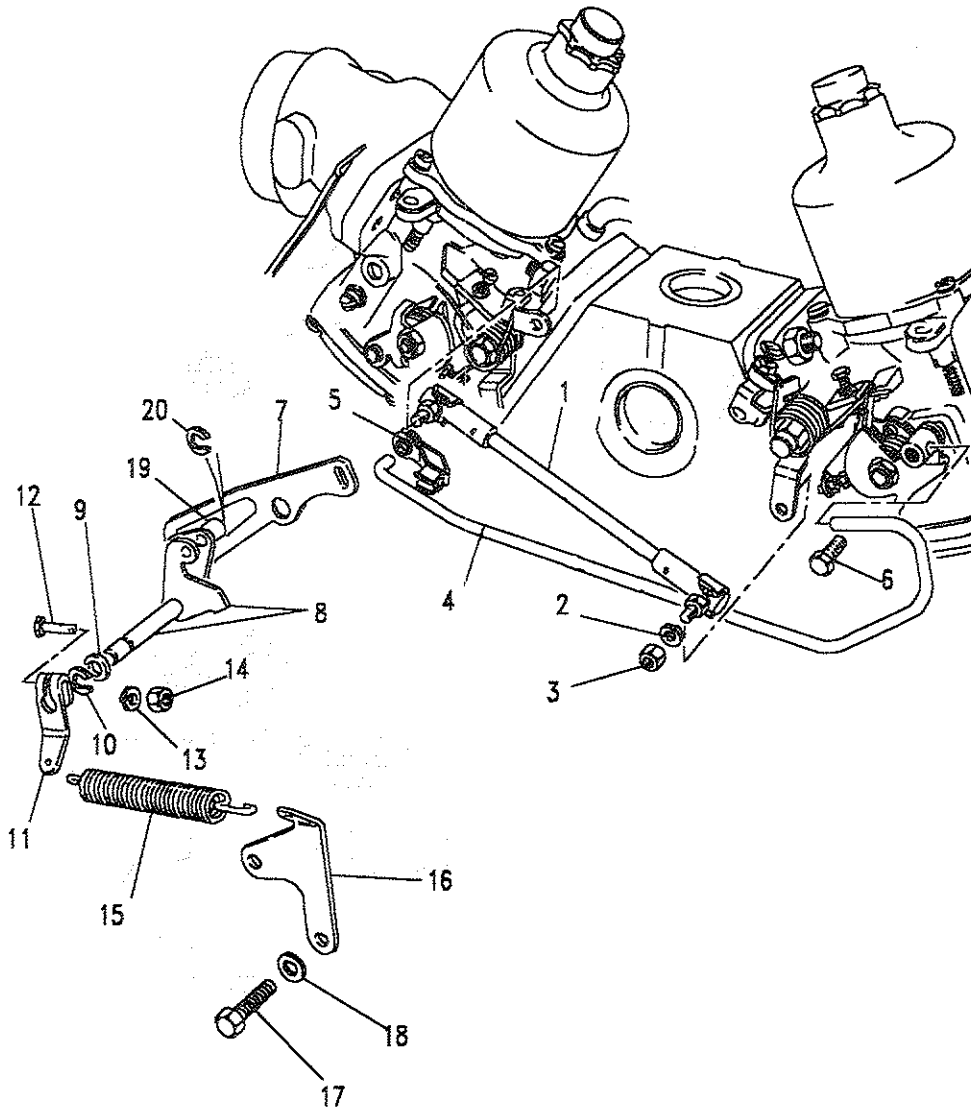




Model DEFENDER 90
Page ADBQI2A

ENGINE - THROTTLE LINKAGE SU - V8 CARB

III. Part No.	Description	Qty	Remarks
1	ETC4728L	1	Link assembly
2	WM702001L	2	Washer spring
3	NH910011L	2	Nut 10UNF
4	ERC1161L	1	Rod choke lever
5	614538L	1	Clip linkage
6	SH910101	1	Screw
7	ETC7061	1	Lever throttle cam
8	ETC8513	1	Lever
9	WA108051L	1	Washer
10	521453	1	Circlip
11	AUD2437L	1	Lever Throttle Spring
12	SH910241L	1	Screw
13	WA702101L	1	Washer
14	NH910241L	1	Nut
15	603622	1	Spring countershaft
16	ERC8626	1	Bracket spring anchor
17	FS504047	3	Screw ixing bracket
18	WA106041L	3	Washer fixing bracket
19	ETC8511	1	Roller countershaft
20	521452	1	Circlip roller

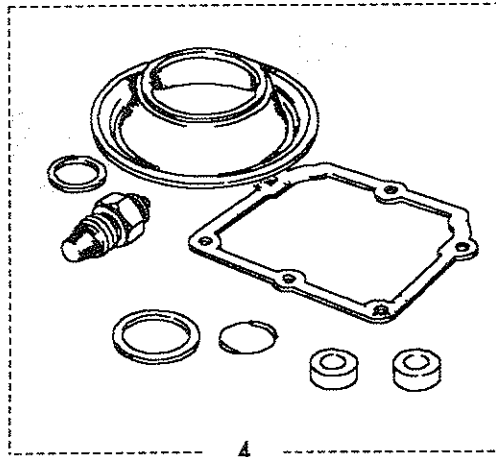
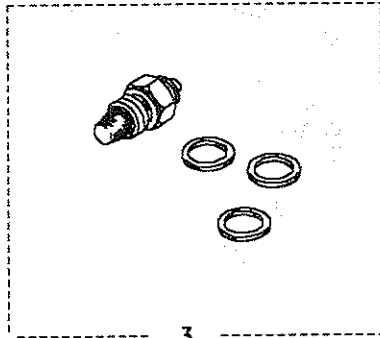
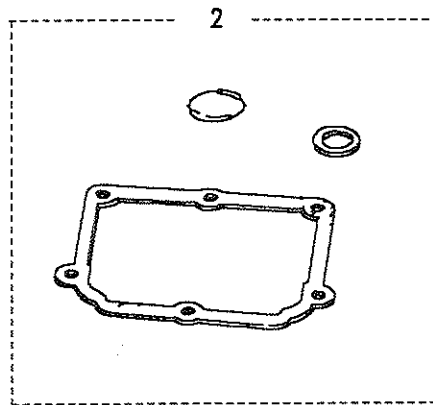
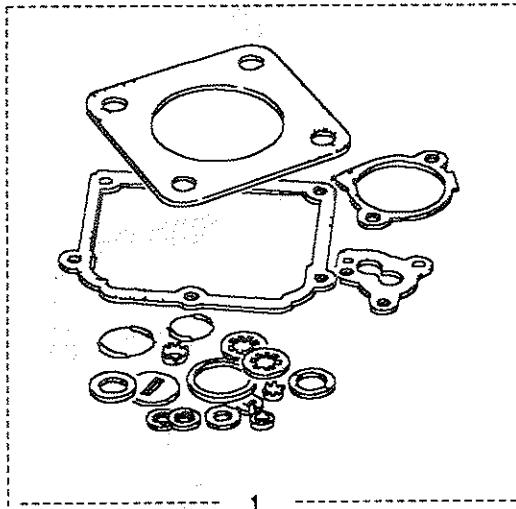




Model DEFENDER 90
Page ADBQMA1A

ENGINE - GASKET KITS - V8 CARB

III. Part No.	Description	Qty	Remarks
1	RTC1481 Kit gasket	1	
2	AAU7219L Emission pack	1	12000-SERVICE
3	BHM1079L Needle valve pack	1	
4	AAU2967 Emission pack	1	24000-SERVICE





DEFENDER 90

341

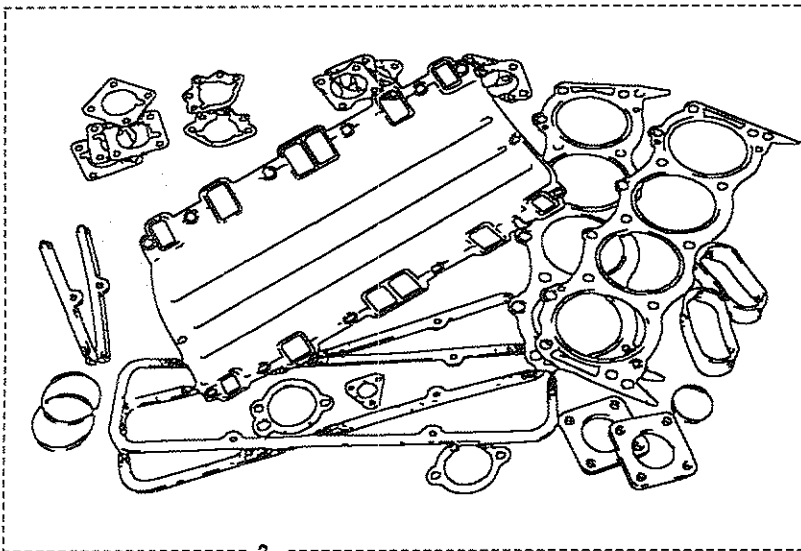
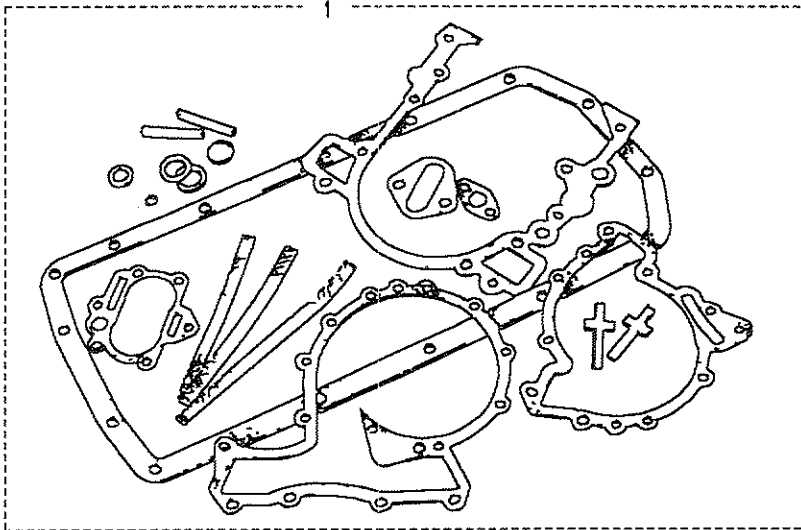
ENGINE

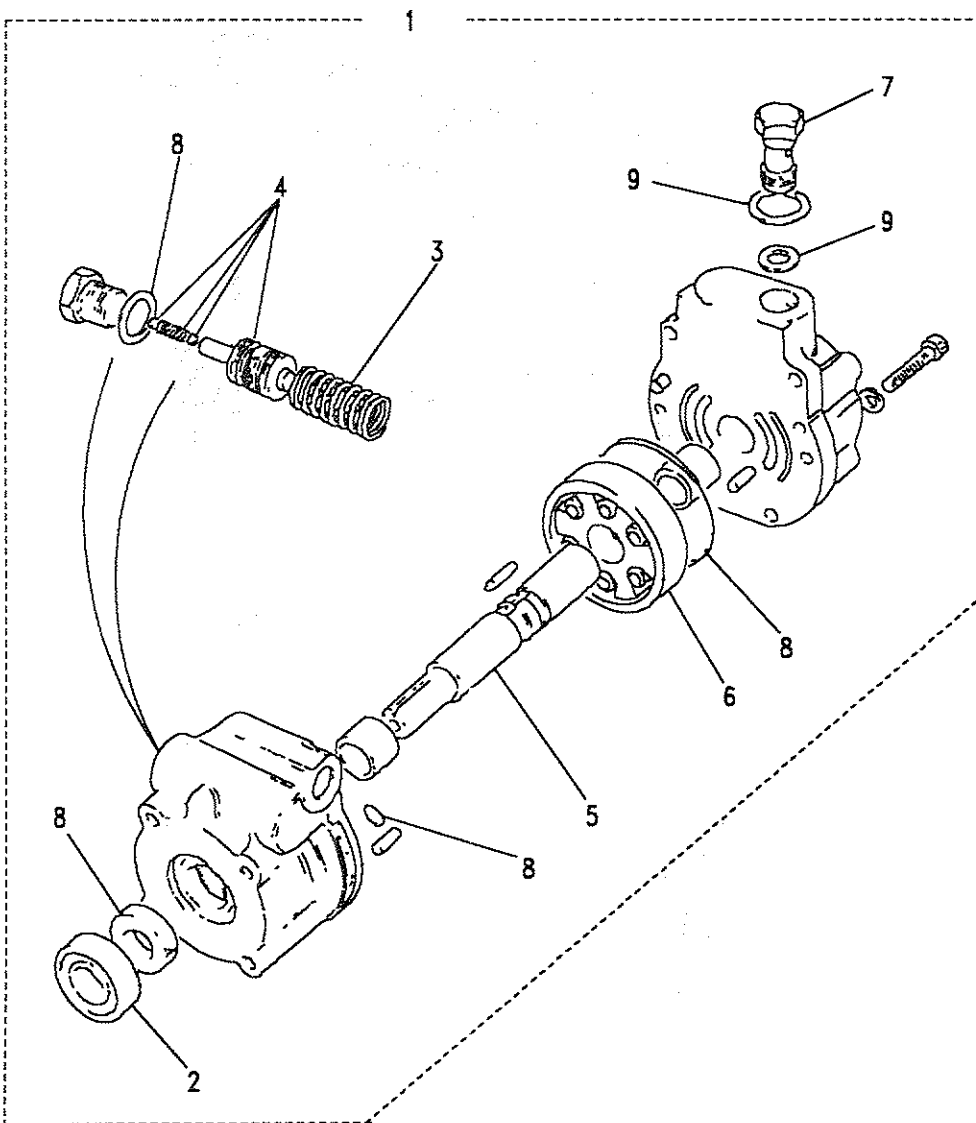


Model DEFENDER 90
Page ADBQMA2A

ENGINE - GASKET KITS - V8 CARB

III. Part No.	Description	Qty	Remarks
1 RTC2104	Kit engine overhaul	1	
STC1639	Kit gasket overhaul	1	Asbestos free
2 RTC2913	Kit engine decarbonising	1	
STC1566	Kit gasket cylinder head	1	Asbestos free



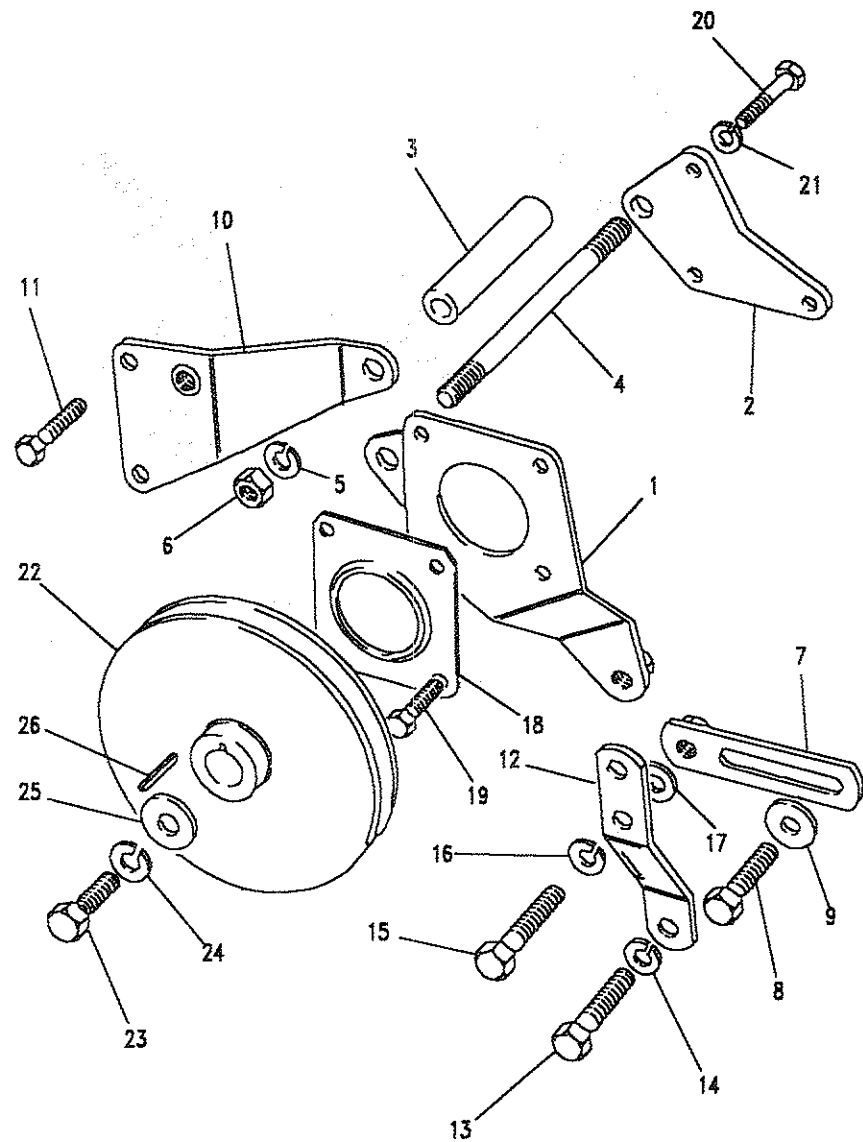


Model DEFENDER 90
Page ADBQNC1A

ENGINE - POWER STEERING PUMP - V8 CARB

III. Part No.	Description	Qty	Remarks
1 610020	Pump power steering	1	Note(1)
2 605181	Bearing	1	
3 536373	Spring	1	
4 RTC327	Valve assembly	1	
5 605180	Shaft	1	
6 605174	Carrier and roller assy	1	
7 536382	Bolt banjo	1	
8 ABU7142	Kit-oil seals	1	
9 ABU7145	Kit-gaskets	1	
1 ETC5689	Pump power steering	1	Note(2)
1 ETC6496	Pump power steering	1	Note(3)
ETC6647	Pulley	1)

Note(1) Pump illustrated
Note(2) Pump 30 SERIES



Model DEFENDER 90
 Page ADBQNC2A

ENGINE - POWER STEERING MOUNTINGS - V8 CARB

III. Part No.	Description	Qty	Remarks
For 30 SERIES pump-NON AIR CON			
1	90611439	1	Bracket mounting front
2	603972	1	Bracket mounting rear
3	611215	1	Tube distance
4	610789	1	Stud
5	WM600061L	1	Washer spring
6	NH606041L	1	Nut
7	611440	1	Link adjusting
8	SH605061L	1	Link screw/bracket
9	4478	1	Washer plain
10	90610796	1	Bracket support pump
11	BH504121L	2	Bolt bracket/water pump
12	611213	1	Link pump/bracket
13	SH506071L	1	Bracket screw/chain cover
14	WM600061L	1	Washer spring
15	SH605081L	1	Support screw
16	WM600051L	1	Washer spring
17	4581	1	Washer plain
18	611212	1	Retainer
19	SH604061L	4	Screw pump/bracket
20	SH604061L	3	Screw pump/rear bracket
21	WM600041L	3	Washer spring
22	611379	1	Pulley single groove
23	SH505071L	1	Screw pulley/pump
24	WM600051L	1	Washer spring
25	2217L	1	Washer plain
26	554880	1	Key

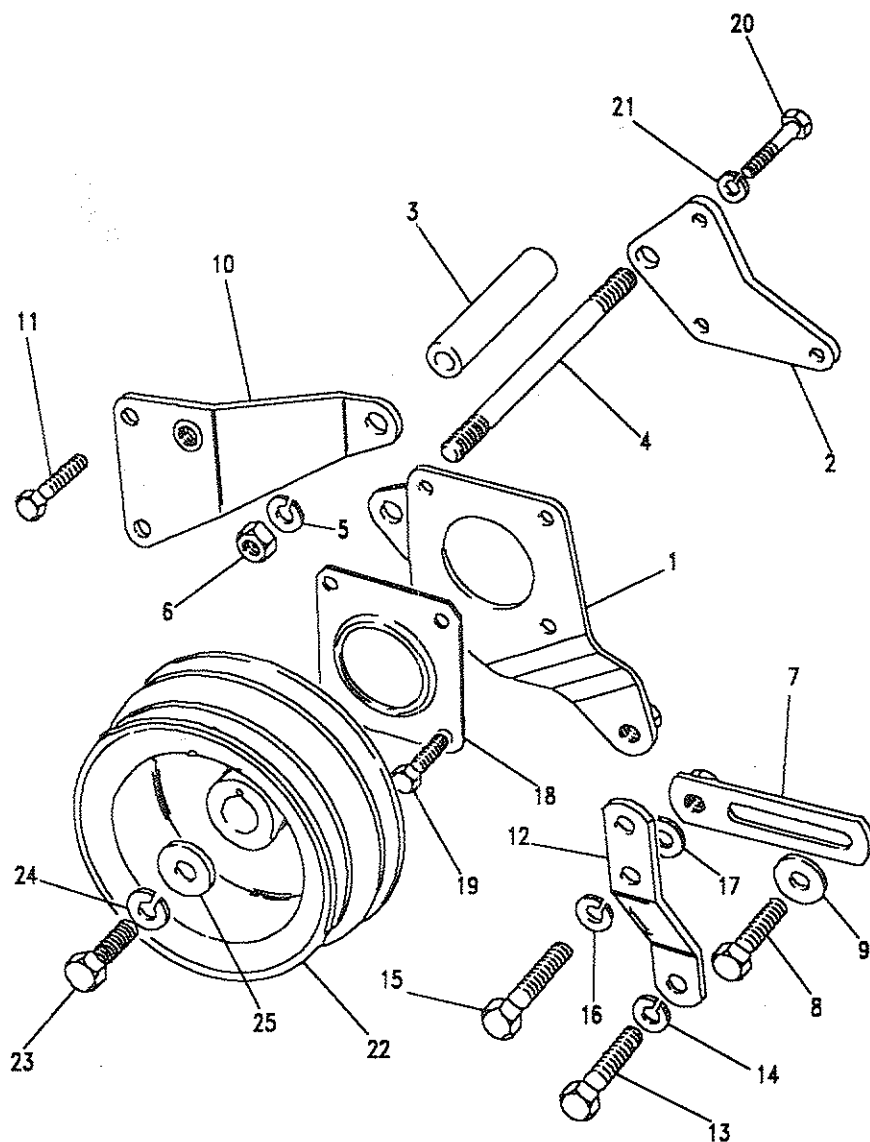
Model DEFENDER 90
Page ADBQNC3A

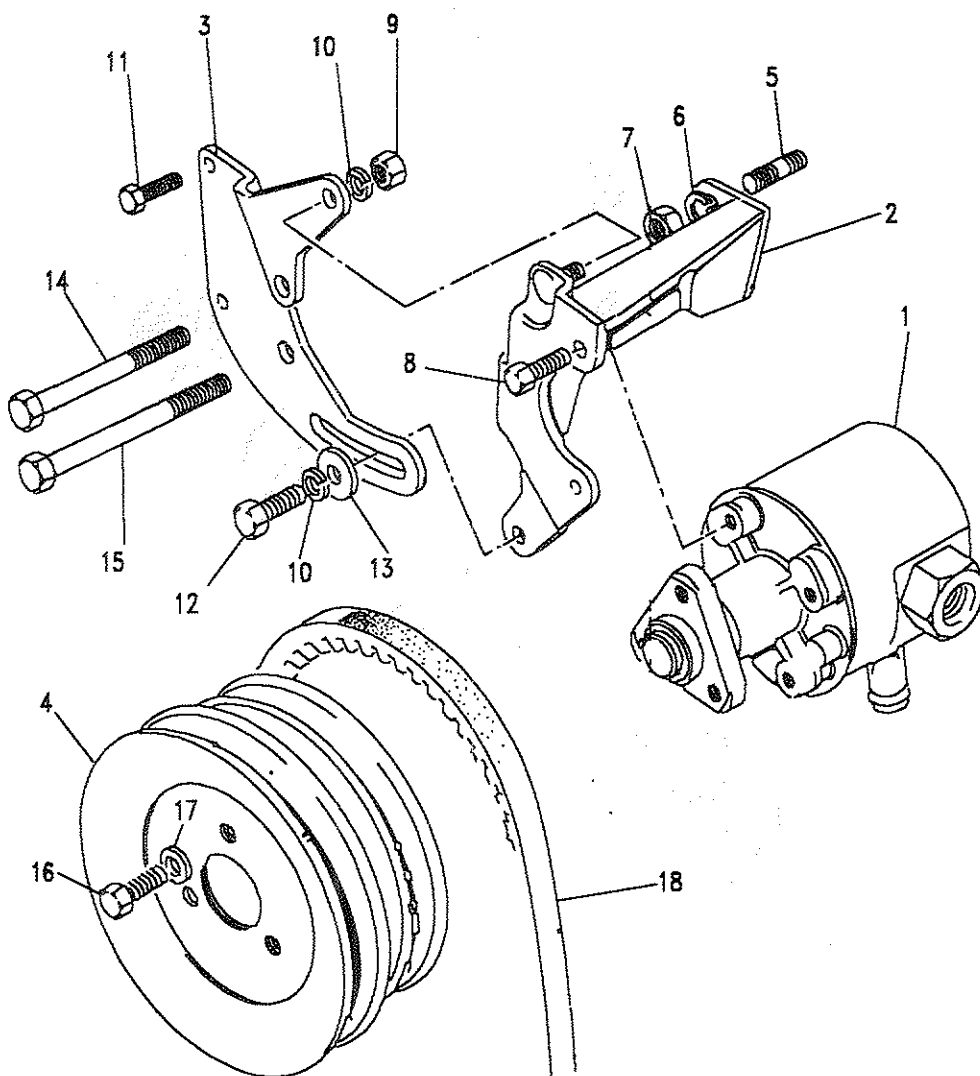
ENGINE - POWER STEERING MOUNTINGS - V8 CARB

III. Part No. Description Qty Remarks

For 30 SERIES pump-AIR CON

1	614743	Bracket mounting front	1
2	603972	Bracket mounting rear	1
3	611215	tube distance	1
4	610789	Stud	1
5	WM600061L	Washer spring	1
6	NH606041L	Nut	1
7	611440	Link adjusting	1
8	SH605061L	Screw link/bracket	1
9	4478	washer plain	1
10	90610796	Bracket support pump	1
11	BH504121L	Bolt bracket/water pump	2
12	611213	Link pump/bracket	1
13	SH506071L	Screw bracket/chain cover	1
14	WM600061L	Washer spring	1
15	SH605081L	Screw support bracket	1
16	WM600051L	Washer spring	1
17	4581	Washer plain	1
18	611212	Retaining bearing	1
19	SH604061L	Screw pump/bracket	4
20	SH604061L	Screw pump/rear bracket	3
21	WM600041L	Washer spring	3
22	610792	Pulley twin groove	1
23	SH505071L	Screw pulley/pump	1
24	WM600051L	Washer spring	1
25	2217L	Washer plain	1





Model DEFENDER 90
Page ADBQNC4A

ENGINE - POWER STEERING PUMP & MOUNTINGS - V8 CARB

III. Part No.	Description	Qty	Remarks
For 200 SERIES pump			
1	ANR2003	1	Pump power steering
	RTC6760	1	Spacer
1	NTC9198	1	Pump power steering
2	ETC6486	1	Bracket mounting front
3	ETC6607	1	Bracket mounting pump
4	ETC6647	1	Pulley single groove
	ETC5665	1	Pulley twin A133 alt
	ETC6408	1	Pulley twin A127 alt
5	TE506101L	1	Stud 3/8" UNF
	SS506060	1	Screw socket
6	WM600061IL	1	Washer spring
7	NH606045L	1	Nut 3/8" UNF
8	FS106167	3	Screw M6x16 long
9	NH108041L	1	Nut M8
10	WM600051L	3	Washer spring
11	BH504121L	3	Bolt
12	SH108251L	1	Screw M8x25 Long
13	4594L	1	Washer plain
14	BH505401L	1	Bolt
15	BH505401L	1	Bolt 5/16"UNCx5"long
16	FS108201	3	Screw
17	WA108051L	3	Washer plain
18	614106	1	Belt
	554880	1	Key
	2217L	1	Washer plain
	SH505071L	1	Screw pulley pump
	RTC5935	1	Seal kit (ETC6496)
	STC1633	1	Kit seal
)Centre Hole
)Pulley
)Fixings
			From Jan 94

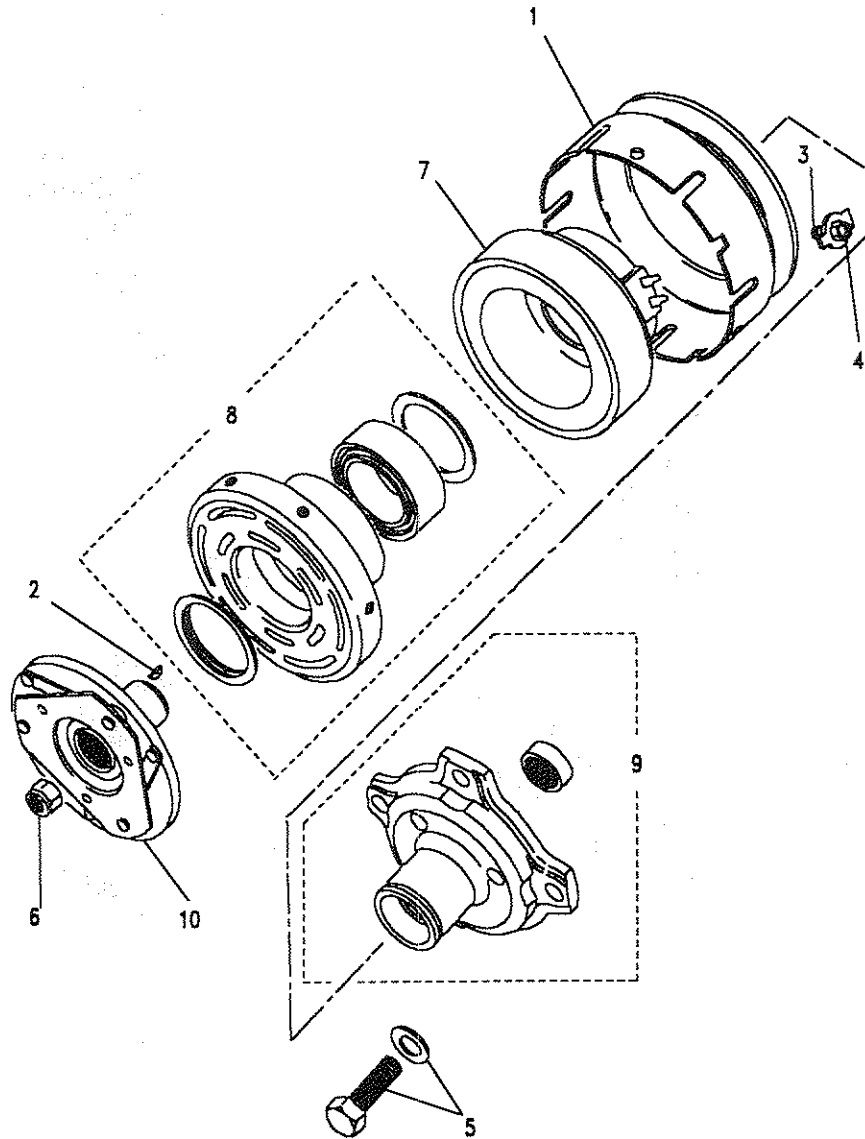


Model DEFENDER 90
Page ADBQNE1A

ENGINE - AIR CONDITIONING - V8 CARB

III. Part No.	Description	Qty	Remarks
BTR9419	Compressor assembly	1	Note(2)
ERC6480	Compressor assembly	1	Note(1)
1 AEU1782	Pulley rim	1	
2 AEU1694	Key-clutch hub	1	
3 AEU1780	Screw-rim mounting	6	
4 AEU1779	Washer-rim mounting	6	
5 AEU1784	Screw and washer assy	4	
6 AEU1775	Nut-shaft	1	
7 AEU1778	Coil and housing assy	1	
8 AEU1777	Rotor and bearing assy	1	
9 AEU1785	Front head and bearing	1	
10 AEU1776	Clutch assembly	1	

Note(1) Up to VIN MA949374
Note(2) From VIN MA949375





Handwritten mark

Model DEFENDER 90

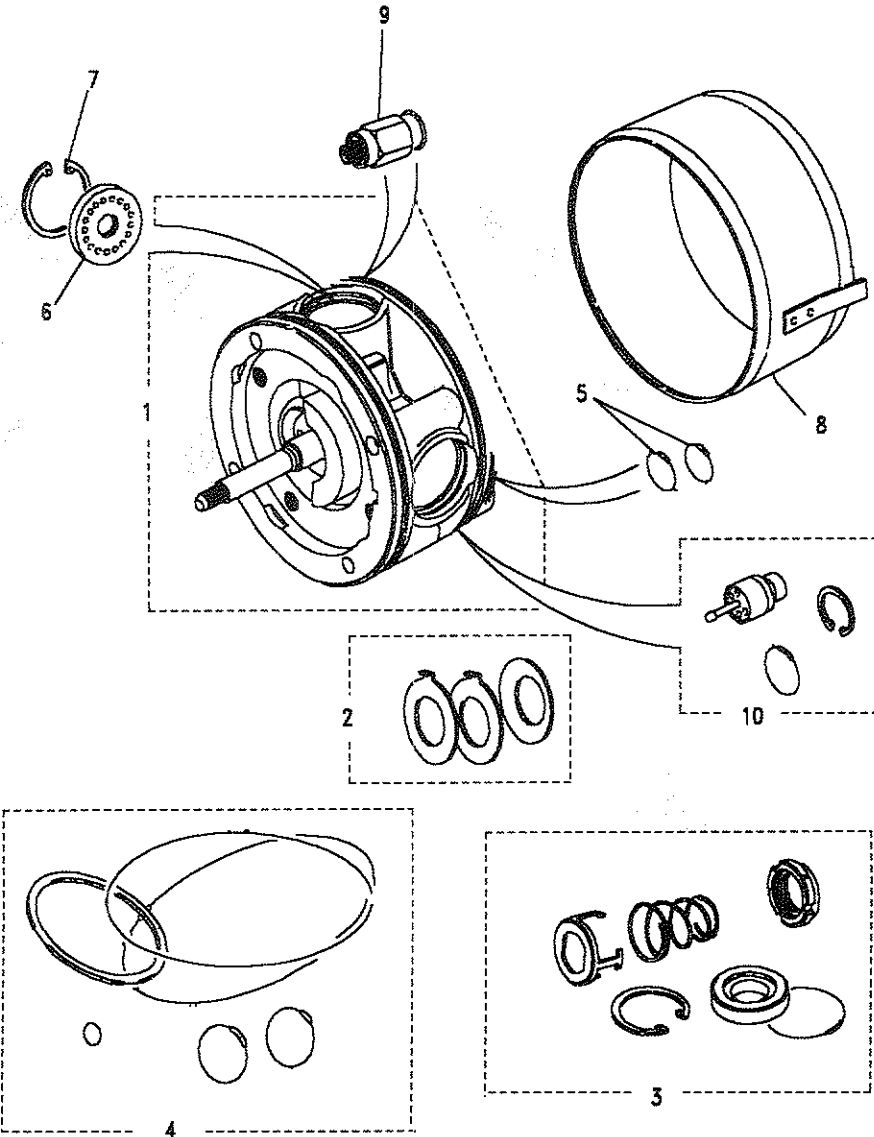
Page ADBQNE2A

ENGINE - AIR CONDITIONING - V8 CARB

III. Part No.	Description	Qty	Remarks
BTR9419	Compressor assembly	1	Note(2)
ERC6480	Compressor assembly	1	Note(1)
1 AEU1792	Kit-cylinder and shaft	1	
2 AEU1791	Kit-thrust washer	1	
3 AEU1790	Kit-shaft seal	1	
4 AEU1192	Kit-'O'rings	1	
5 AEU1690	'O'ring-ports	2	
6 AEU1788	Plate valve assembly	4	
7 AEU1787	Ring retaining	4	
8 AEU1786	Shell assembly	1	
9 AEU1689	Vale pressure releasee	1	
10 AEU1688	Kit-super heat switch	1	
603713	Belt-driving	1	
AEU1691	Oil-525 Visco-2pt(1136ml)	A/R	

Note(1)
Note(2)

Up to VIN MA949374
From VIN MA949375



Handwritten notes

Handwritten notes



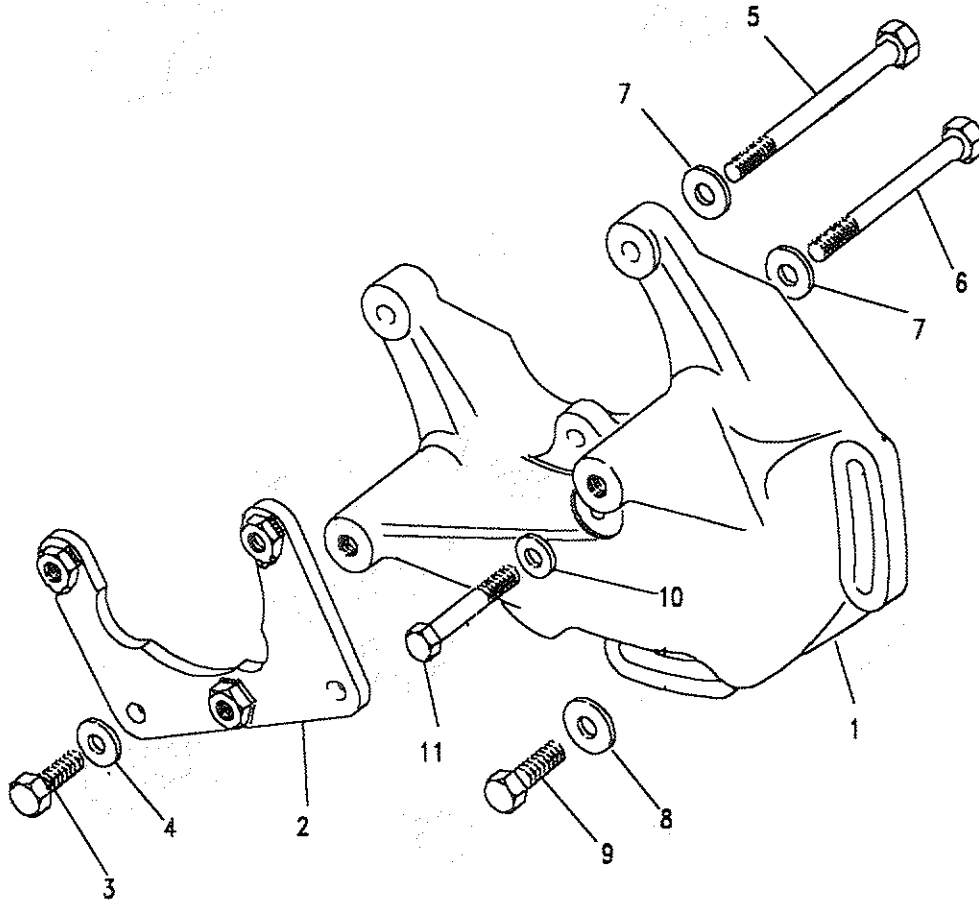


Model DEFENDER 90

Page ADBQNE3A

ENGINE - COMPRESSOR FIXINGS - V8 CARB

III. Part No.	Description	Qty	Remarks
1	ERC7494	1	Up to 24G12353B
	ERR4524	1	From 24G12354B
2	ERC6545	1	
3	SH110301L	2	
4	WA110061L	2	
5	BH110241L	2	
6	BH110221L	2	
7	WA110061L	3	
8	4067	2	
9	BH506111L	2	
10	4866	1	
11	BH505201L	1	



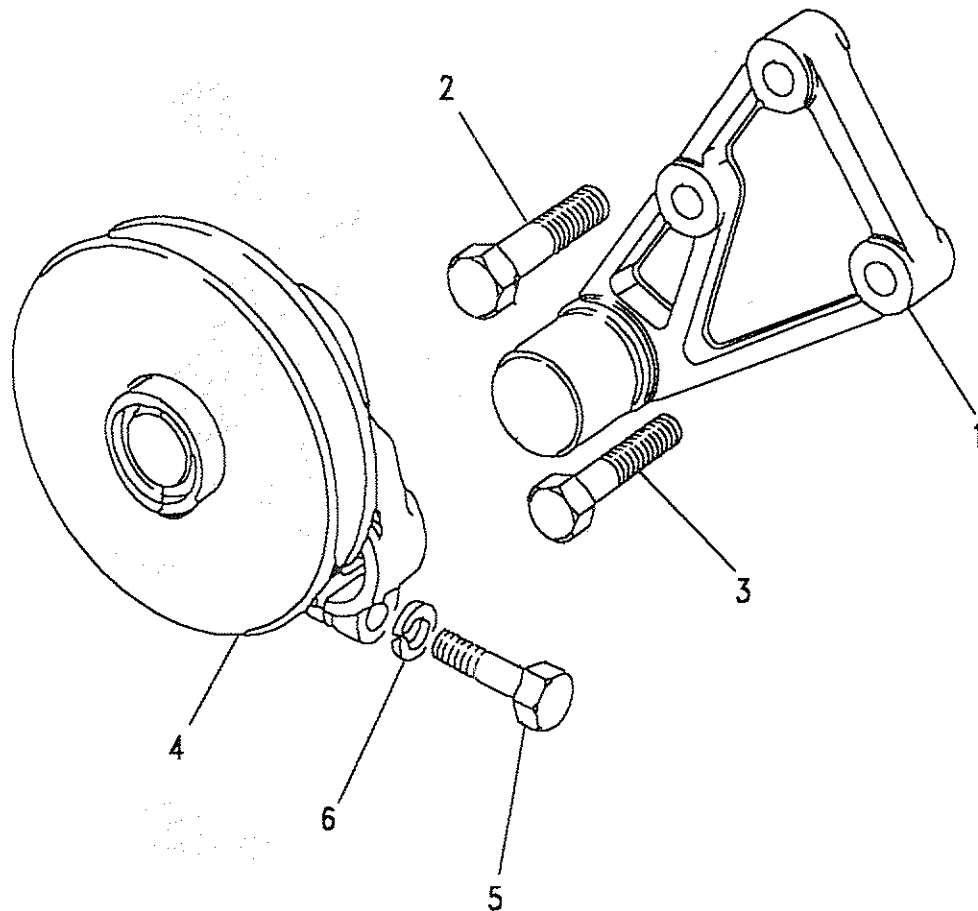


Model DEFENDER 90

Page ADBQNE4A

ENGINE - AIR CONDITIONING - V8 CARB

III. Part No.	Description	Qty	Remarks
1 613540	Bracket mounting pulley	1	
2 BH505441L	Bolt	2	
3 BH504151L	Bolt	1	
4 614718	Pulley and shaft	1	
614154	Bearing - pulley	1	
5 BH605101L	Bolt	1	
6 WM600051L	Washer spring	1	

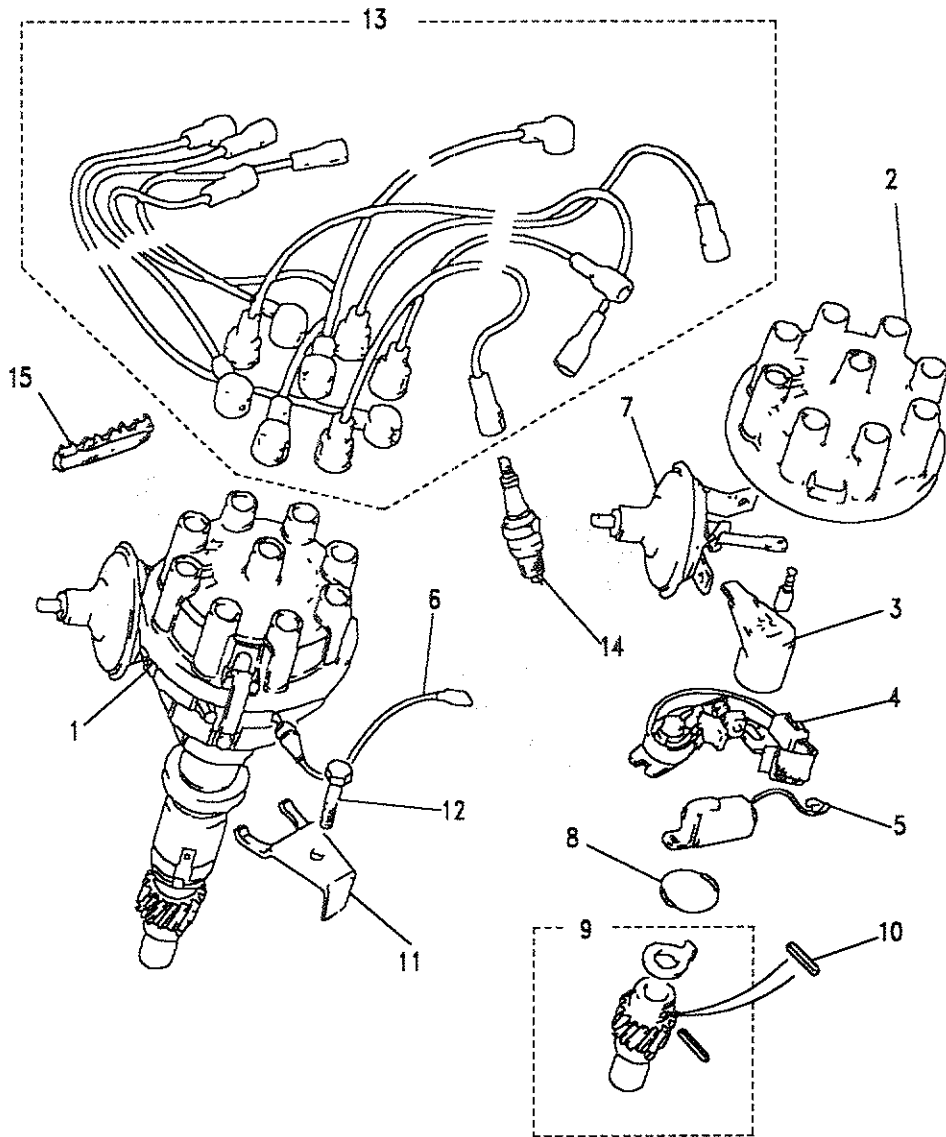




Model DEFENDER 90

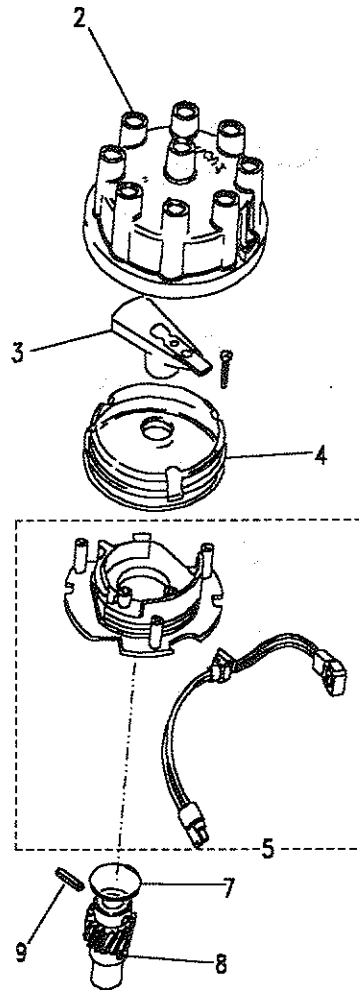
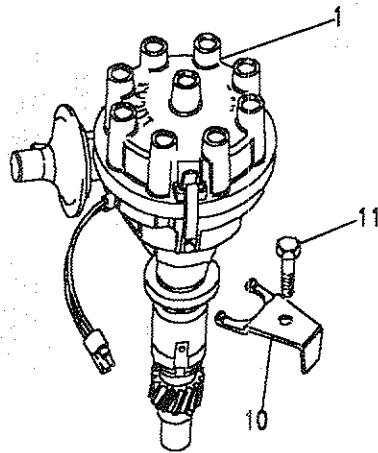
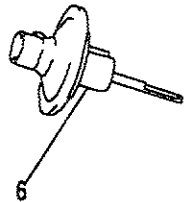
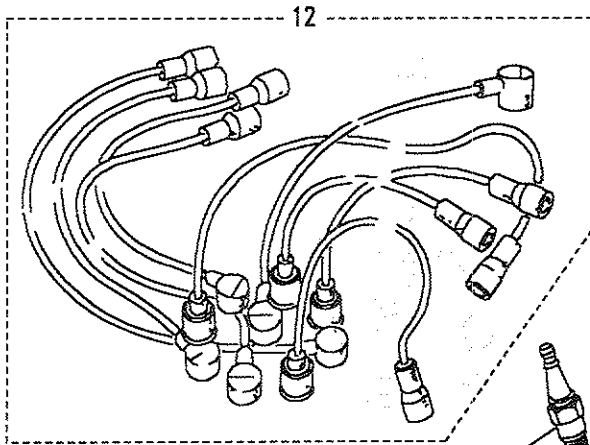
Page ADBQPA1A

ENGINE - DISTRIBUTOR - V8 PETROL



III. Part No.	Description	Qty	Remarks
1	ERC4536	1	Engines 15G
	ERC5745	1	Engines 14G
	ERC7131	1	Engines 17G
2	RTC3197	1	
3	RTC3618	1	
4	RTC3286	1	
5	RTC3472	1	
6	608197	1	
	RTC5014	1	
7	AAU8452	1	Engines 15G
	AEU1422	1	Engines 14G
	608266	1	Engines 17G
8	603446	1	
9	ERC1353	1	
10	602953	1	
11	613857	1	
12	SH506121L	1	
13	ETC5617	1	
14	RTC3570	8)
	ERR3799	8) Alternatives
15	603672	1	
	603673	4	





Model DEFENDER 90
Page ADBQPA2A

ENGINE - DISTRIBUTOR - V8 PETROL

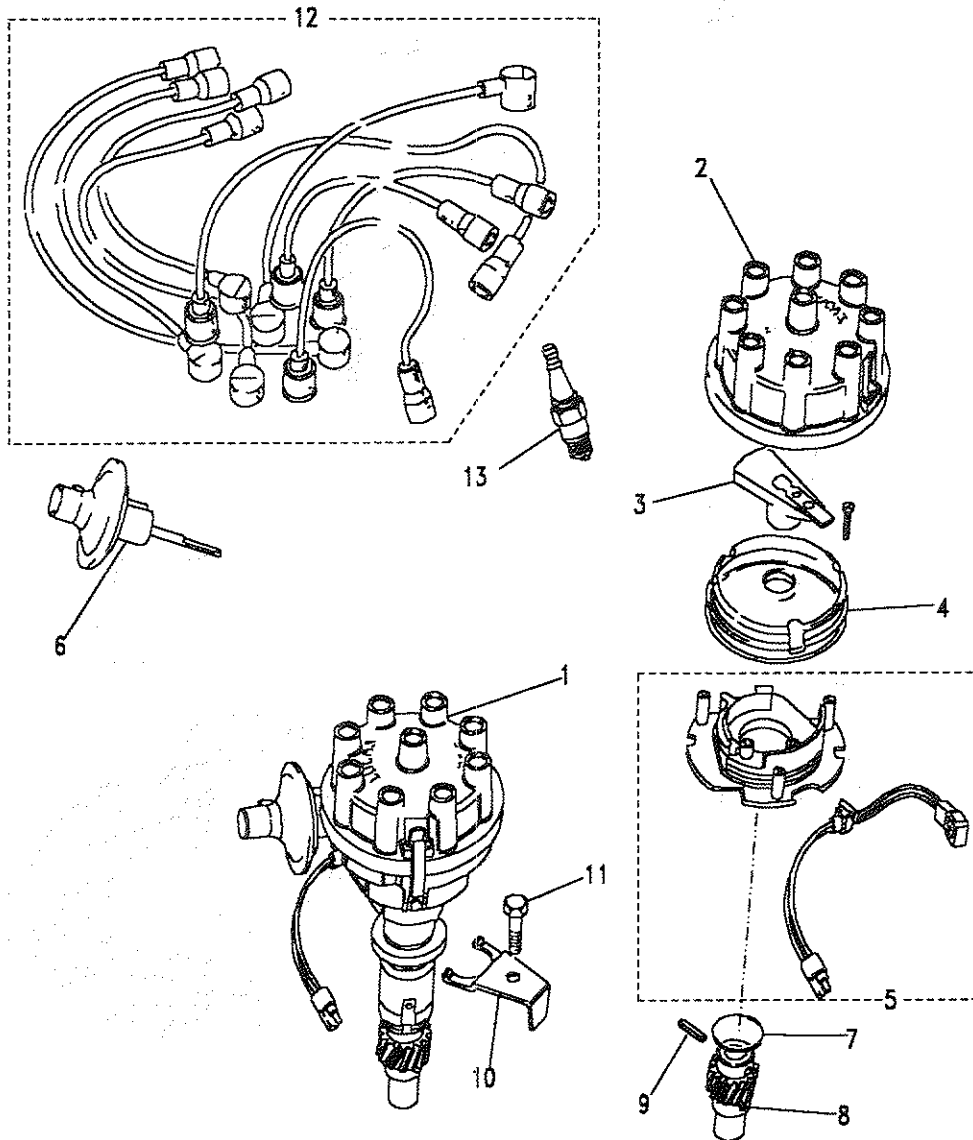
III. Part No.	Description	Qty	Remarks
Engines fitted with STROMBERG carburetters			
1 ETC4715	Distributor assembly	1	Engine 22G
ETC4717	Distributor assembly	1	Engine 20G
ETC5090	Distributor assembly	1	Engine 19G
ETC5354	Distributor assembly	1	Engine 21G
2 RTC3197	Cap distributor	1	
3 STC1857	Rotor arm	1	
4 RTC5971	Insulation cover	1	
5 RTC3198	Pick up and base plate	1	
6 608266	Vacuum unit	1	Engine 22G
RTC3201	Vacuum unit	1	Engine 20G
AAU8452	Vacuum unit	1	Engine 19G,21G
7 608446	O'ring	1	
8 ERC1353	Coupling assembly	1	
9 602953	Spring pin	1	
10 613857	Clamp	1	
11 SH605121L	Screw-clamp	1	
12 ETC5617	Kit-H.T. leads	1	
13 RTC3570	Spark plug	8) Alternatives
ERR3799	Spark plug RN11YCC	8	
602672	Retainer-H.T. leads	1	
602673	Retainer-H.T. leads	4	

Model DEFENDER 90
Page ADBQA3A

ENGINE - DISTRIBUTOR - V8 PETROL 20G AND 24G WITH SU CARB

Ill. Part No.	Description	Qty	Remarks
1	ETC6586	1	Distributor assembly
2	RTC3197	1	Cover
3	STC1857	1	Rotor arm
4	RTC5971	1	Insulating cover
5	RTC3198	1	Pick up and base plate
6	RTC3201	1	Vacuum Unit
7	603446	1	'O' Ring
1	ETC6976	1	Distributor assembly
	RTC5089	1	Module
	STC1184	1	Module
	STC1212	1	Link lead
2	RTC3197	1	Cover
3	STC1857	1	Rotor arm
4	RTC5971	1	Insulation cover
5	RTC5090	1	Pick up and base plate
6	RTC5092	1	Vacuum unit
7	603446	1	'O'ring
8	ERC1353	1	Gear and coupling assy
9	602953	1	Spring pin
10	613857	1	Clamp
11	SH506121L	1	Screw-clamp
12	ETC6484	1	Kit-H.T. leads
13	RTC3812	8	Spark plug (N9YC)
	ERR3799	8	Spark plug (RN11YCC)
	603672	1	Retainer-H.T. leads
	ETC8720	1	Retainer-H.T. leads
	603673	4	Retainer-H.T. leads

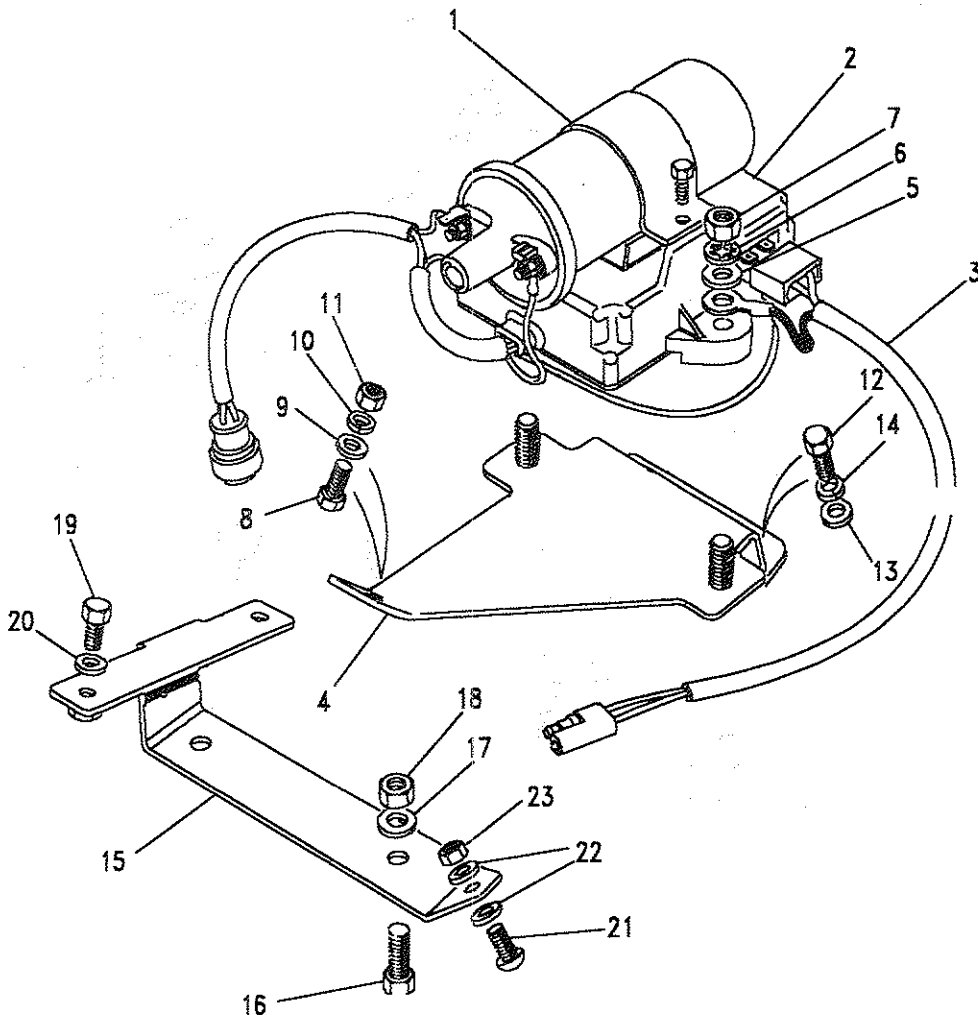
Note(1) When replacing 2 pin module RTC5089 use 3 pin module STC1184 and STC1212 link lead.





Model DEFENDER 90
Page ADBQPA4A

ELECTRICAL - IGNITION COIL - V8 PETROL



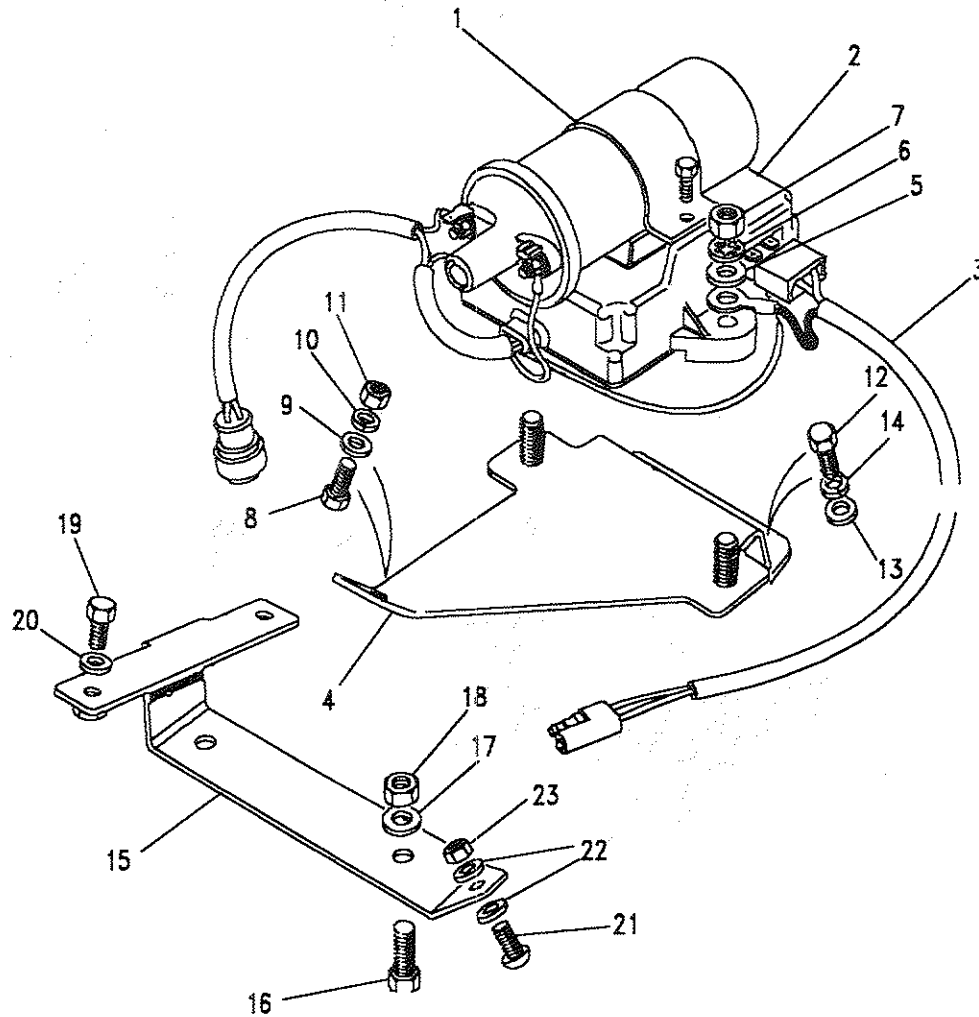
III. Part No.	Description	Qty	Remarks
1	RTC5628 Coil ignition Lucas	1)
	PRC6574 Coil ignition Bosch	1)Alternatives
2	RTC3188 Module	1	Note(1)
3	PRC4503 Lead-dist/module	1	Note(1)
	PRC6141 Link lead-coil/E conn	1	Note(2)
	PRC6144 Link lead-coil/dist	1	Note(2)
	AMR2896 Link lead-coil/dist	1	From 24G11055B
4	PRC4951 Bracket mounting	1	Note(1)
	PRC3131 Bracket mounting	1	Note(2) 2
5	WA108051L Washer plain	2	
6	WF108001L Washer spring	2	
7	FN108041L Nut	2	
8	SH106167 Screw	1	
9	WA106047L Washer plain	1	
10	WL106007L Washer spring	1	
11	NH106047 Nut	1	
12	SE106167 Screw	2	
13	WA106047L Washer plain	2	
14	WL106007 Washer spring	2	

Model DEFENDER 90
Page ADBQPA4A

ELECTRICAL - IGNITION COIL - V8 PETROL

III. Part No.	Description	Qty	Remarks
15 MUC4212	Bracket mounting-air con	1	Note(1)
PRC6133	Bracket mounting-air con	1	Note(2) 2
16 FS108251L	Screw-air con	2	
17 WA108051L	Washer plain-air con	2	
18 FN108041L	Nut-air con	2	
19 FS108167	Screw-air con	2	
20 WA106041L	Washer plain-air con	2	
21 SE106161L	Screw-air con	1	
22 WA106041L	Washer plain-air con	2	
23 NH106041L	Nut-air con	1	

Note(1) Vehicles where module is with the ignition coil
Note(2) Vehicles where module is with the distributor





Model DEFENDER 90

Page ADBQPC1A

ENGINE - ALTERNATOR - V8 PETROL

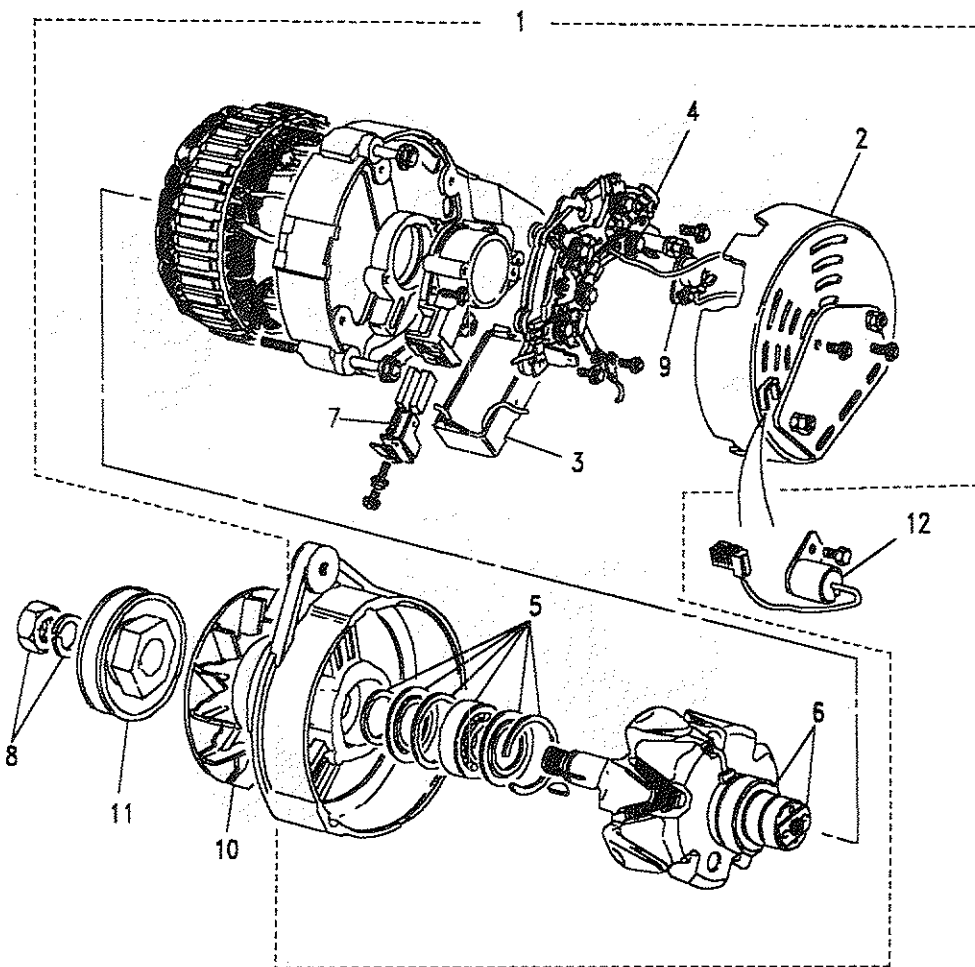
III. Part No. Description Qty Remarks

BATTERY SENSED up to Engines 14G01446,15G02240,17G00182

III. Part No.	Description	Qty	Remarks
1	RTC5086E Alternator A115/45 AMP	1	Note(1)
2	AEU1814 Cover end	1	
3	AEU2464L Regulator	1	
4	BAU1825 Rectifier	1	
5	18G8619L Kit bearing drive end	1	
6	AEU1532 Kit bearing	1	
	BAU2193L Slip ring	1	
	BAU2195L Brush box	1	
7	RTC3215 Brush set	1	
8	AEU1710 Kit sundry parts	1	
	AEU1706 Kit screw	1	
	AEU1942 Kit spacer	1	
9	STC130 Surge protection device	1	
10	C37222L Fan	1	
11	602505 Pulley	1	
12	AEU1616 Capacitor	1	

Note(1)

LUCAS number 24028



Model DEFENDER 90
Page ADBQPC2A

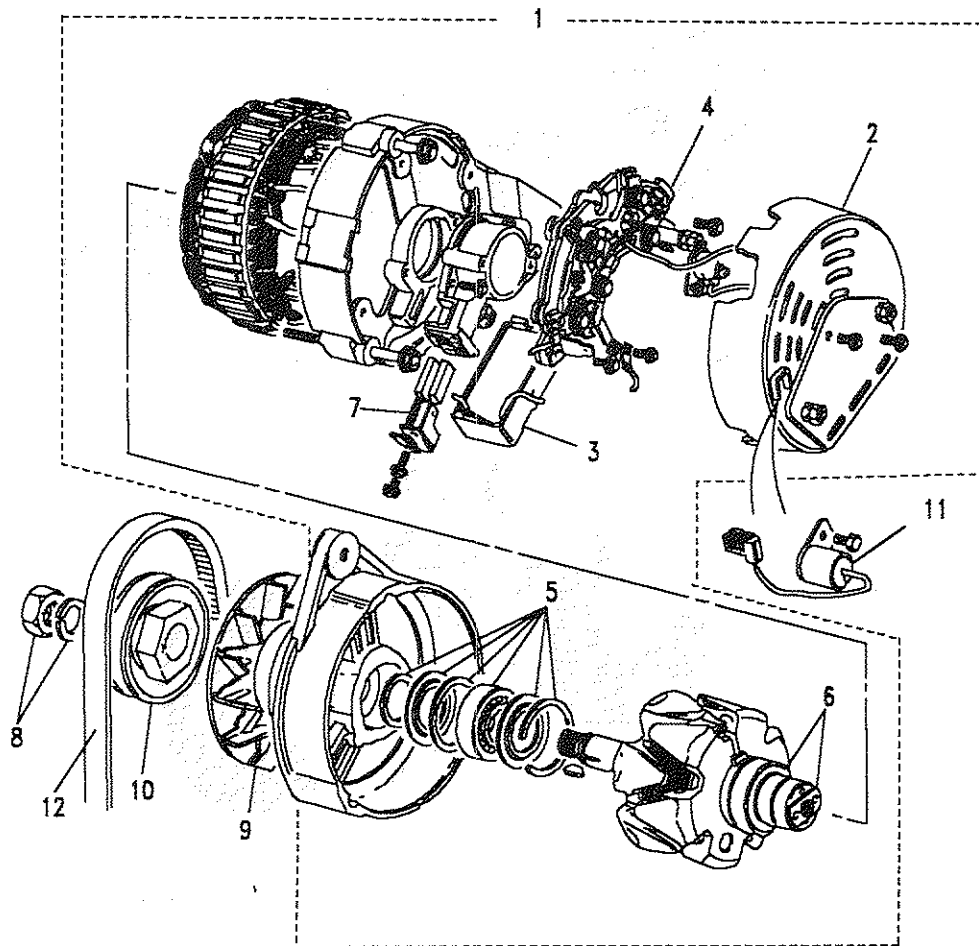
ENGINE - ALTERNATOR - V8 PETROL

III. Part No. Description Qty Remarks

IGNITION SENSED from Engines 14G01447,15G02241,17G00183,20G,21G

III. Part No.	Description	Qty	Remarks
1	RTC5085E Alternator A115/45AMP	1	Note(1)
2	AEU2507 Cover	1	
3	AEU3076 Regulator	1	
4	BAU1825 Rectifier	1	
5	18G8619L Kit bearing drive end	1	
6	AEU1532 Kit bearing slip ring	1	
	BAU2193L Slip ring	1	
	BAU2195L Brush box	1	
7	RTC3215 Brush set	1	
8	AEU1710 Kit sundry parts	1	
	AEU1706 Kit screw	1	
	AEU1942 Kit spacer	1	
9	C37222L Fan	1	
10	602505 Pulley	1	
11	AEU1616 Capacitor	1	
12	ETC7394 Belt	1	

Note(1) LUCAS number 24182



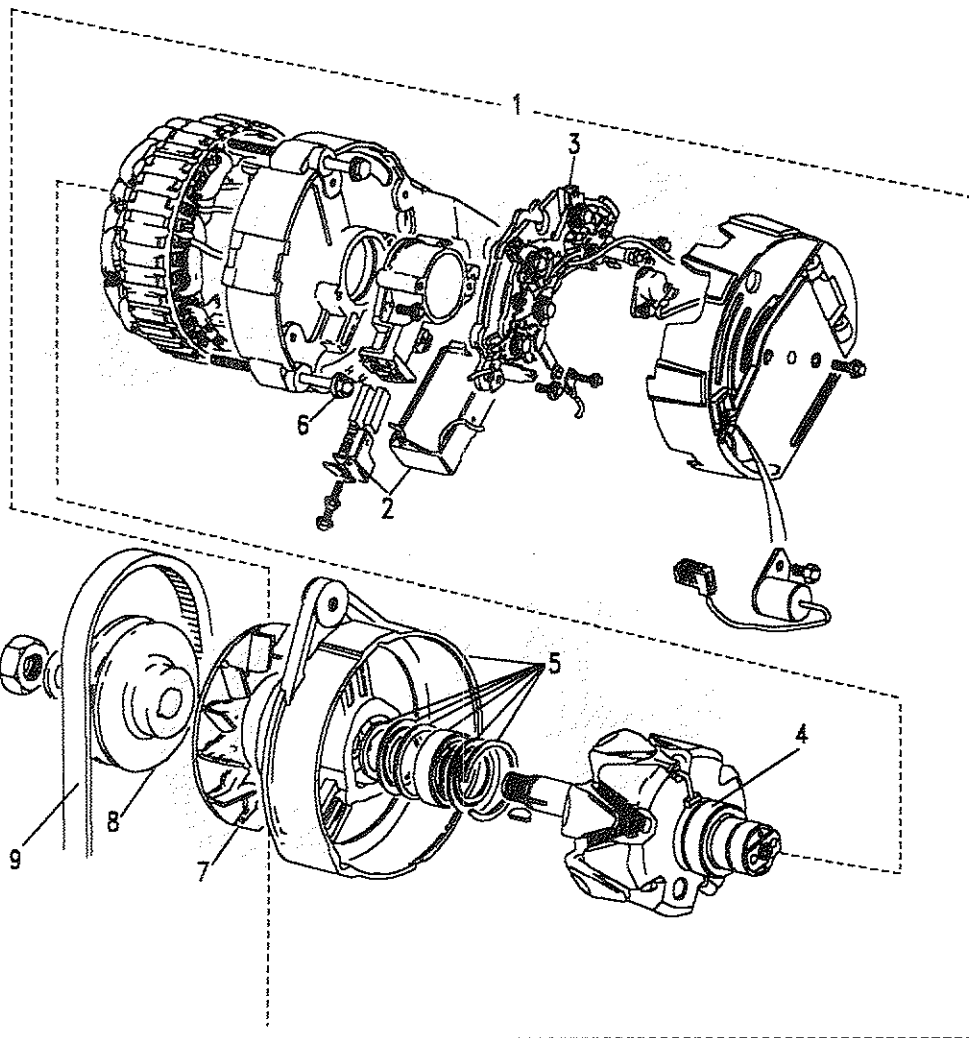
Model DEFENDER 90

Page ADBQPC3A

ENGINE - ALTERNATOR - V8 PETROL

III. Part No.	Description	Qty	Remarks
1	RTC5683N	1	Note(1)
	RTC5683E	1	
2	RTC5044	1	Regulator and brush box
3	RTC5045	1	Rectifier
4	RTC5047	1	Bearing slip ring end
5	RTC5688	1	Bracket & bearing drive
6	RTC5046	1	Kit through bolts
7	RTC5685	1	Fan
8	RTC5686	1	Pulley
9	ETC7394	1	Belt fan
	RTC5689	1	Spacer pulley

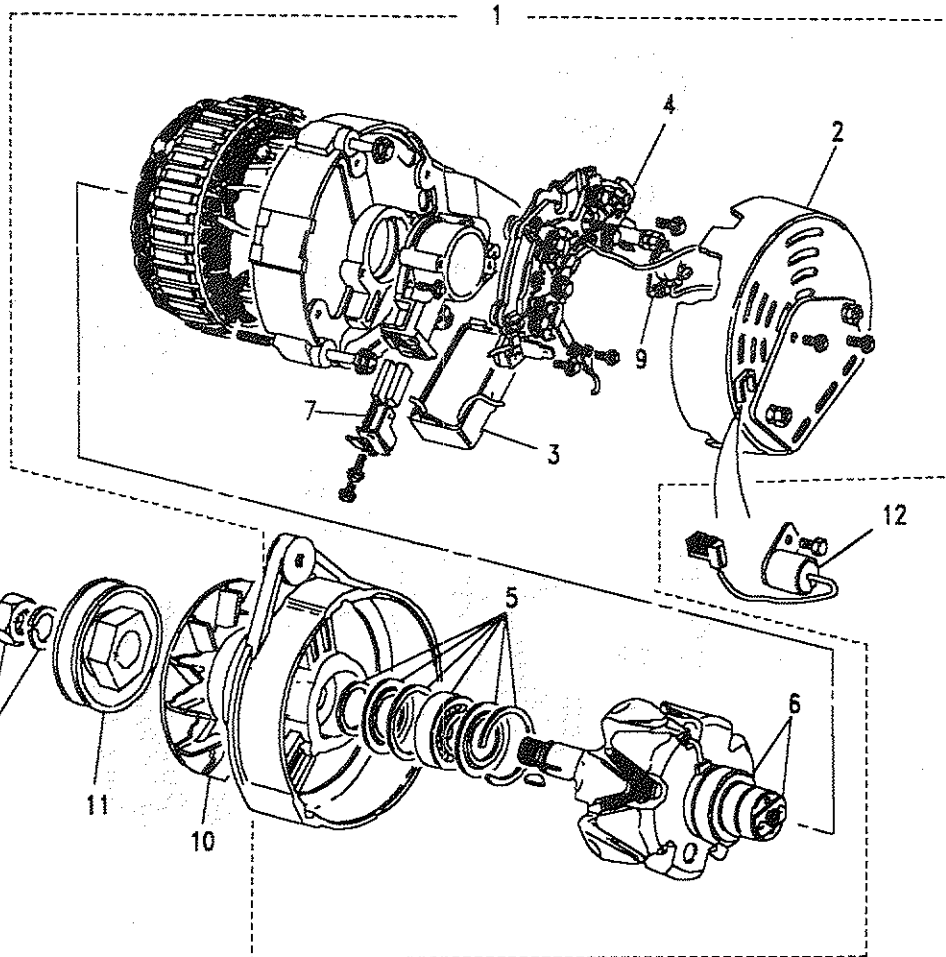
Note(1) LUCAS number 24198





Model DEFENDER 90
Page ADBQPC4A

ENGINE - ALTERNATOR - HIGH OUTPUT - V8 PETROL



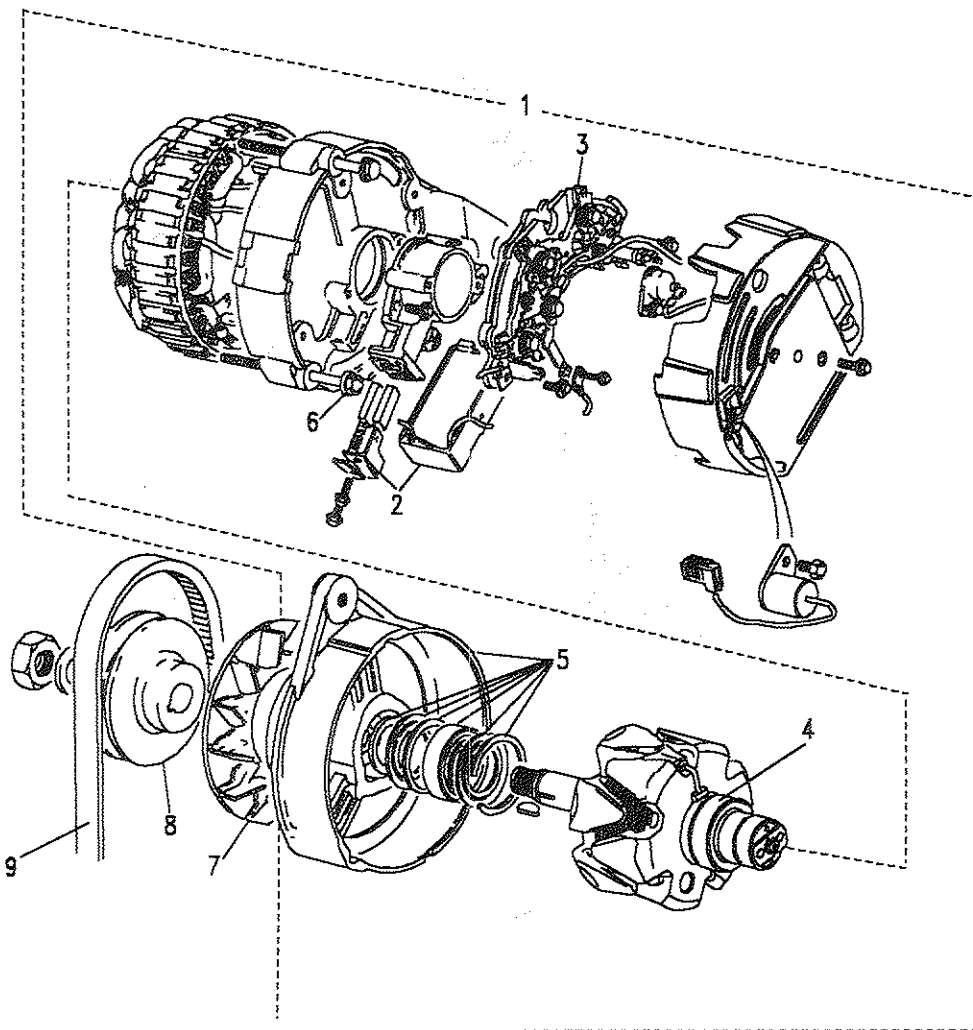
III. Part No.	Description	Qty	Remarks
1	RTC5087E	1	SPLIT CHARGE
	RTC5218E	1	AIR CON,P.A.S.
2	AEU1725	1	Cover end
3	AEU3076	1	Regulator
4	AEU1527	1	Rectifier
5	AEU1726	1	Kit blanking front
6	AEU1532	1	Kit rear bearing & slip
7	RTC3292	1	Brush set
8	AEU1710	1	Kit sundry parts
	AEU1706	1	Kit screws
	AEU1708	1	Kit spacers
	AEU1709	1	Kit terminals
9	STC130	1	Surge protection device
10	DU4928L	1	Fan
11	ERC3345	1	SPLIT CHARGE
	ERC8851	1	AIR CON,P.A.S.
12	AEU1616	1	Capacitor

Model DEFENDER 90
Page ADBQPC5A

ENGINE - ALTERNATOR - HIGH OUTPUT OPTIONS - V8 PETROL

III. Part No.	Description	Qty	Remarks
1	RTC5680N	1	Note(1)
	RTC5680E	1	
	RTC5681N	1	Note(2)
	RTC5681E	1	
2	RTC5670	1	Regulator and brush box
3	RTC5671	1	Rectifier
4	RTC5047	1	Bearing slip ring end
5	RTC5687	1	Bracket RH
	RTC5688	1	Bracket LH
6	RTC5046	1	Kit through bolts
7	AAU2249L	1	Fan
8	RTC5686	1	Pulley
9	ERR2073	1	Belt fan
	RTC5689	1	Spacer Pulley

Note(1) LUCAS number 24220
Note(2) LUCAS number 24221



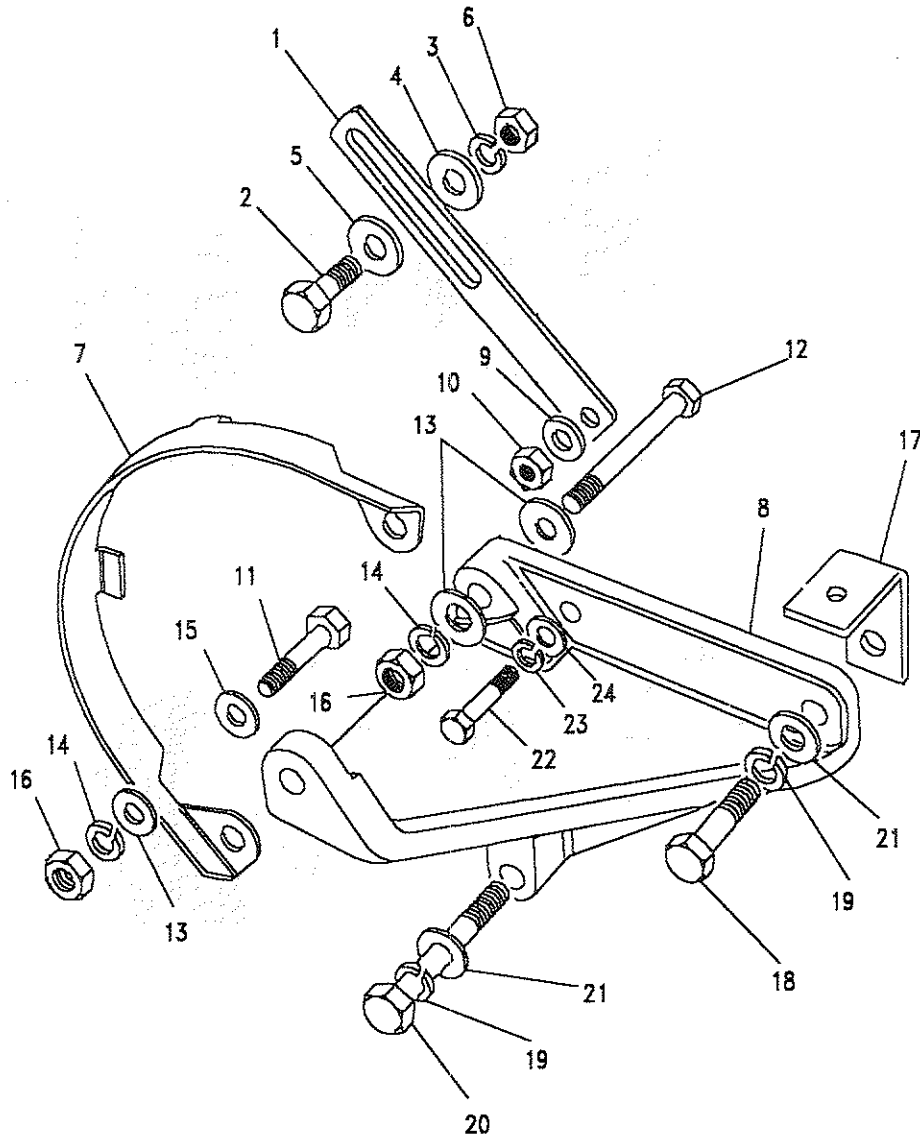
Model DEFENDER 90
Page ADBQPC6A

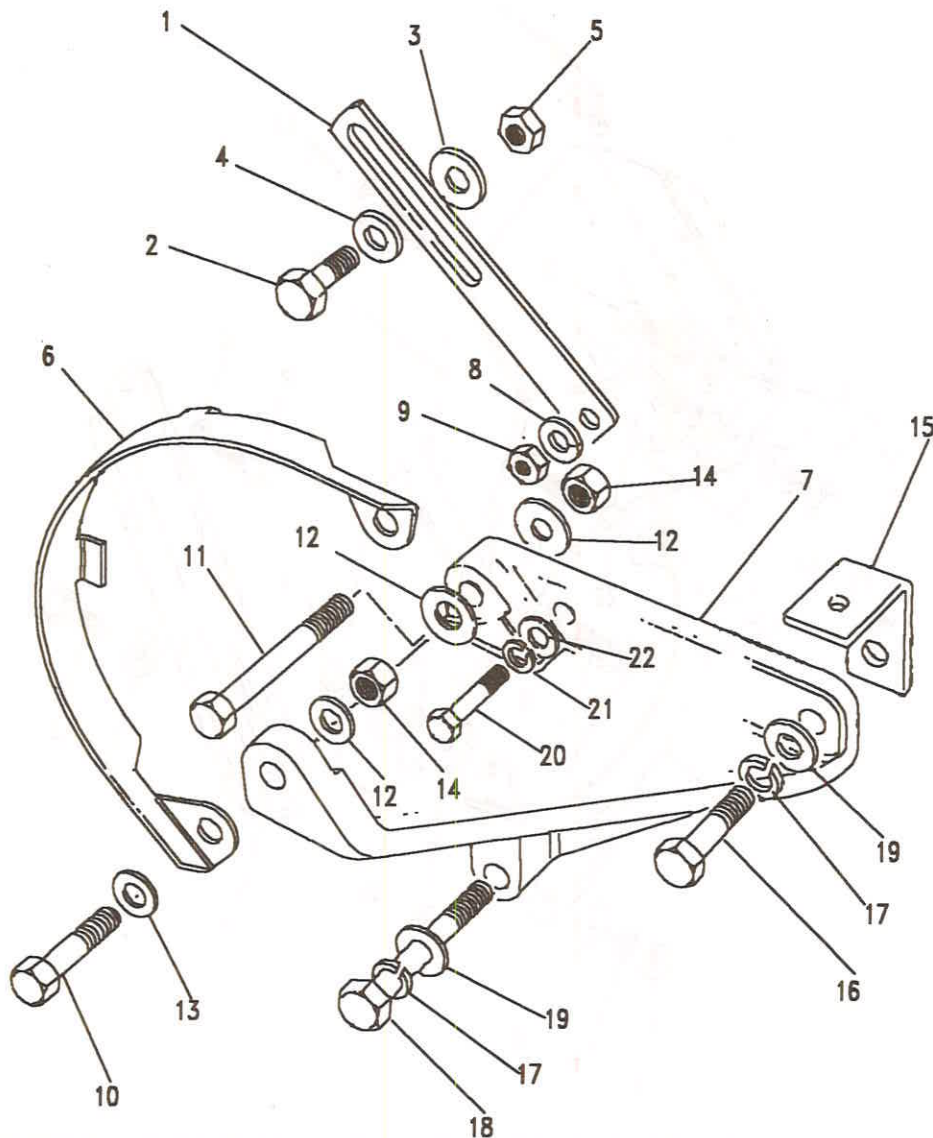
ENGINE - ALTERNATOR FIXINGS - V8 PETROL

III. Part No. Description Qty Remarks

NON AIR CON for A115,A133 type alternators

III. Part No.	Description	Qty	Remarks
1	614939 Link adjusting	1	
2	FS108351L Screw	1	
3	WM600051L Washer spring	1	
4	2217L Washer plain	1	
5	2266L Washer plain	1	
6	NH108041L Nut M8	1	
7	613244 Guard fan	1	
8	611022 Bracket	1	Up to 24G12353B
	ERR4519L Bracket mounting	1	From 24G12354B
9	WM600051L Washer spring	1	
10	NT605041L Locknut	1	
11	BH605121L Bolt alternator/bracket	1	
12	BH605201L Bolt rear	1	
13	WA108051L Washer plain	3	
14	WM600051L Washer spring	2	
15	2266L Washer plain	1	
16	NH605041L Nut	2	
17	613620 Clip-support bracket	1	
18	BH506111L Bolt-bracket/head	2	
19	WM600061L Washer spring	2	
20	BH506201L Bolt	1	
21	3036L Washer plain	3	
22	BH505111L Bolt	1	
23	WM600051L Washer spring	1	
24	WA108051L Washer plain	1	





Model DEFENDER 90

Page ADBQPC7A

ENGINE - ALTERNATOR FIXINGS - V8 PETROL

III. Part No.	Description	Qty	Remarks
NON AIR CON for A127 type alternators-Up To Engine 24G09105B			
1	614939	1	Link adjusting
2	FS108351L	1	Screw
3	4868L	1	Washer plain
4	587405	1	Washer plain
5	NH108041L	1	Nut M8
6	ETC7390	1	Guard fan
	ETC8441	1	Guard fan
	ERC5830	1	Grommet
	ETC8559	1	Bush
7	611022	1	Bracket
	ERR4519L	1	Bracket
8	WM600051L	1	Washer spring
9	NT605041L	1	Lock nut
10	FB108081L	1	Bolt alternator/bracket
11	FB108121L	1	Bolt rear
12	WA108051L	3	Washer plain
13	587405	1	Washer plain
14	NH108041L	2	Nut
15	613620	1	Clip support bracket
16	BH506111L	1	Bolt bracket/head
17	WM600061L	2	Washer spring
18	BH506201L	1	Bolt
19	3036L	2	Washer plain
20	BH505111L	1	Bolt
21	WM600051L	1	Washer spring
22	WA108051L	1	Washer plain

Upto 24G02919B
)From
)24G02920B
)
)
 Up to 24G12353b
 From 24G12354B



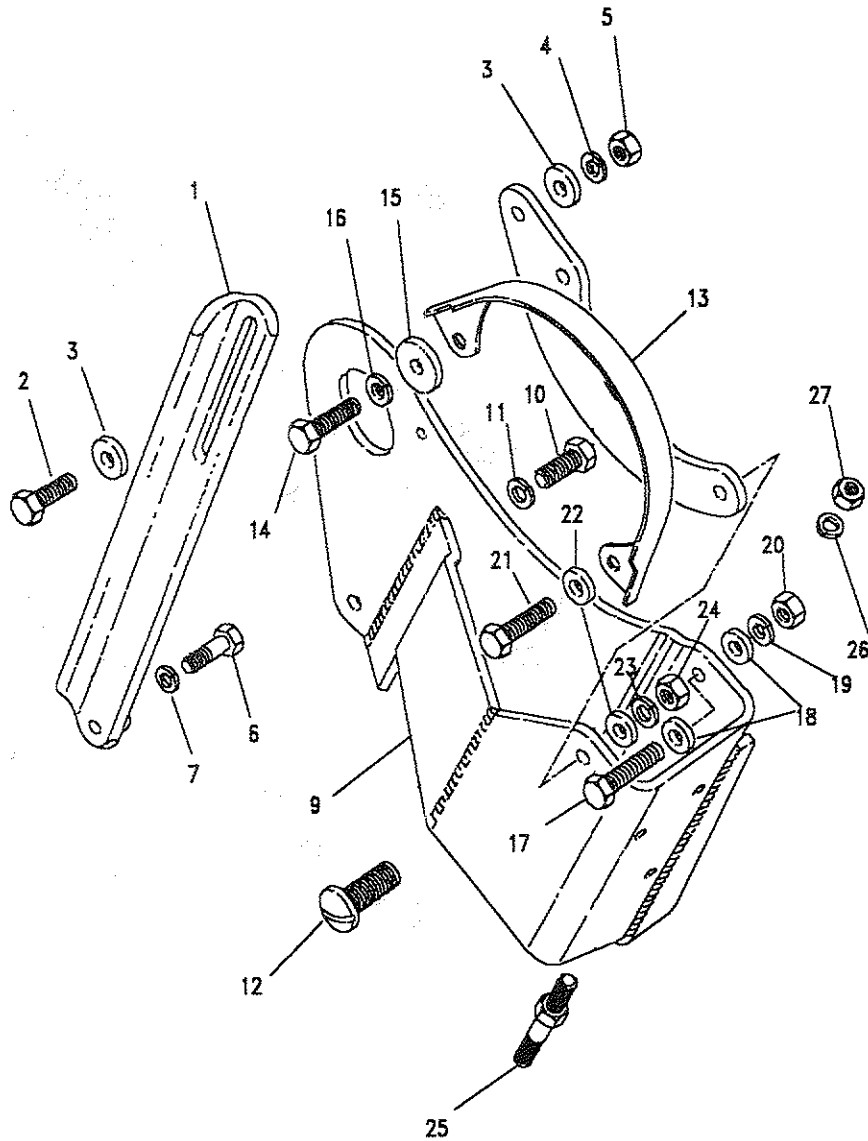
Model DEFENDER 90
Page ADBQPC8A

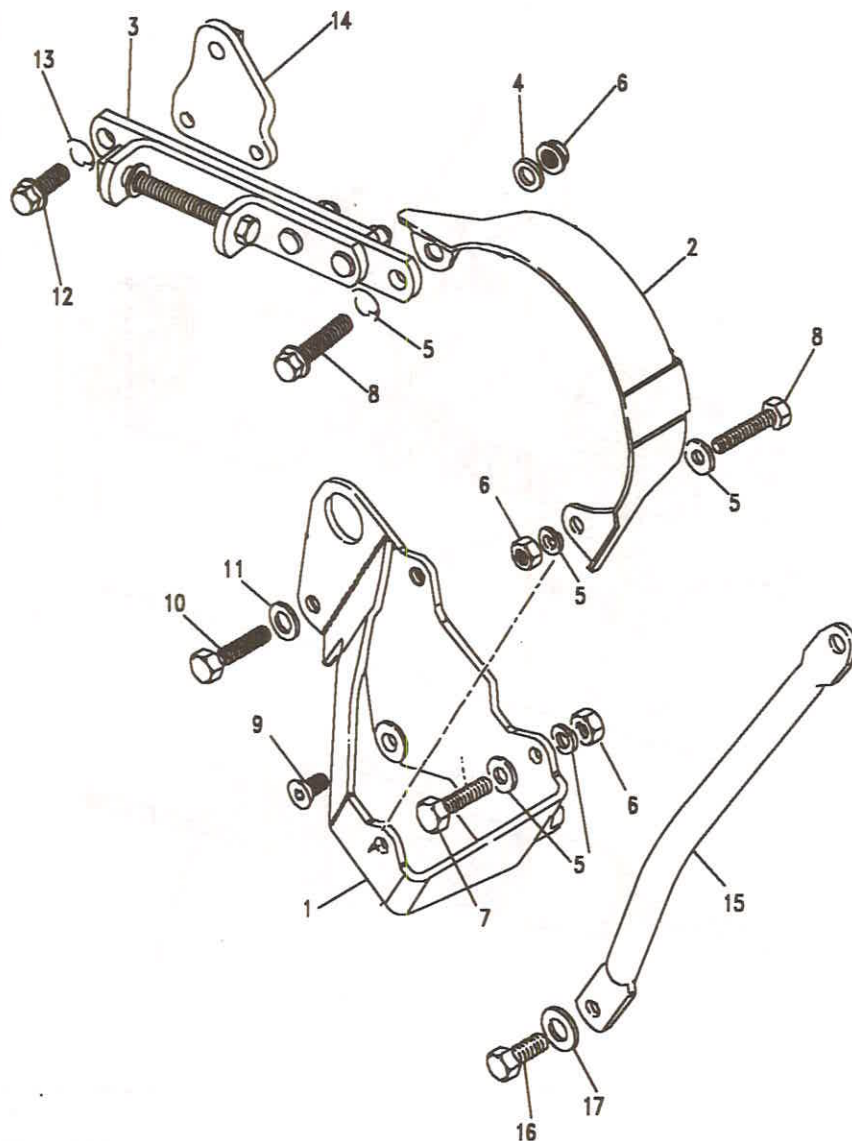
ENGINE - ALTERNATOR FIXINGS - V8 PETROL

III. Part No. Description Qty Remarks

WITH AIR CON-Up To Engine 24G09105B

Part No.	Description	Qty	Remarks
1	ERC7548 Link adjusting	1	
2	FB108351 Bolt	1	
3	4866L Washer plain	1	
4	WM600051L Washer spring	1	
5	NH108041L Nut	1	
6	BH605111L Bolt adjusting link	1	
7	WL108001L Washer spring	1	
8	ERC6547 Bracket	1	
9	ERC6538 Bracket mounting LH	1	
10	SH506071L Screw	1	
11	WM600061L Washer spring	1	
12	SA506081L Screw	1	
13	90613442 Guard fan	1	Upto 24G02919B
	ETC8440 Guard fan	1)From
	ERC5830 Grommet	2)24G02920B
	ETC8559 Bush	2)
14	SH108251L Screw M8x25mm alternator	1	
15	4594L Washer plain	1	
16	WM600051L Washer spring	1	
17	FB108081L Bolt front lug M8x40mm	1	
18	WA108051L Washer plain	2	
19	WM600051L Washer spring	1	
20	NH108041L Nut M8	1	
21	BH108091L Bolt rear lug M8x45mm	1	
22	WA108051L Washer plain	2	
23	WM600051L Washer spring	1	
24	NH108041L Nut M8	1	
25	602200 Bolt	1	
26	WM600061L Washer spring	1	
27	NH604041L Nut	1	





Model DEFENDER 90

Page ADBQPC9A

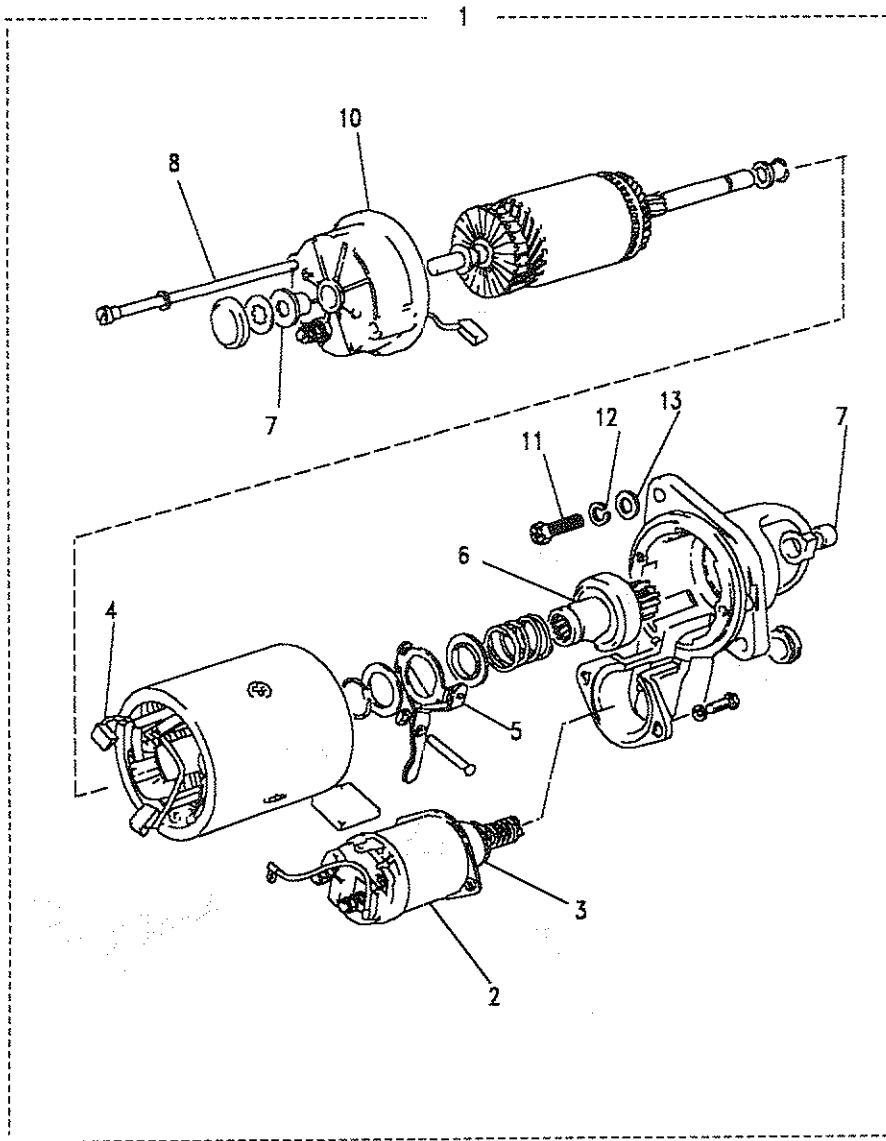
ENGINE - ALTERNATOR FIXINGS - V8 PETROL

III. Part No.	Description	Qty	Remarks
Used From Engine 24G09106B			
1	ETC5576	1	Mounting bracket
2	ETC8441	1	Fan guard (A127/65 Amp)
	ERC5830	2	Grommet
	ETC8559	2	Bush
3	ERR1574	1	Link adjuster
4	4594L	1	Spacer
5	WA108051L	8	Washer plain
6	NH108041L	3	Nut
7	SH108451L	1	Screw
8	SH108401L	2	Screw
9	ETC8765	1	Screw countersunk
10	SH506071L	1	Screw
11	WM600061L	1	Washer spring
12	FS108207L	1	Screw
13	WL108001L	1	Washer spring
14	ERR1885	1	Bracket
15	ETC8579	1	Strut alternator
16	SH506101L	1	Screw
17	WA110061L	1	Washer

Model DEFENDER 90
Page ADBQPE1A

ENGINE - STARTER MOTOR - V8 PETROL

III. Part No.	Description	Qty	Remarks
1	RTC5228E	1	Starter motor 3M100
2	STC943	1	Solenoid
3	RTC836	1	Kit seals
4	RTC830	1	Kit brushes
5	RTC1323	1	Lever solenoid
6	RTC834	1	Pinion
7	608352	1	Kit bush
8	RTC839	1	Kit through bolt
10	RTC831	1	End Cover
11	SS506121L	2	Screw starter/block
12	WM600061L	2	Washer spring
13	WA110061L	2	Washer plain
	90608178	1	Kit sundry parts



Model DEFENDER 90

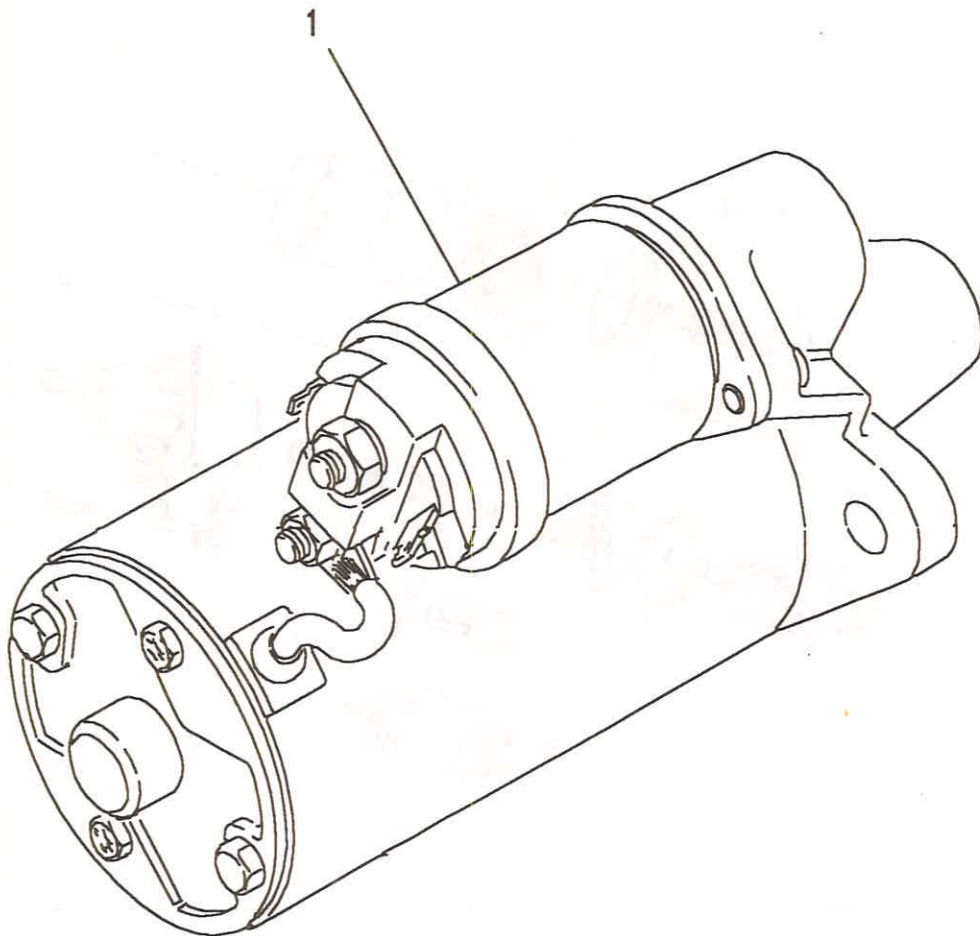
Page ADBQPE2A

ENGINE - STARTER MOTOR - V8 PETROL

III. Part No. Description Qty Remarks

Used up to JAN 1993

III. Part No.	Description	Qty	Remarks
1 RTC6061N	Starter motor M78R	1	ype
RTC5049	Solenoid	1	
RTC5700	Kit drive shaft	1	
RTC5048	Kit brushes	1	
RTC5563	Kit bush	1	
608395	Kit retention	1	
RTC5577	Kit sundry parts	1	
SS506121L	Screw starter/block	2	
WM600061L	Washer spring	2	
WA110061L	Washer plain	2	

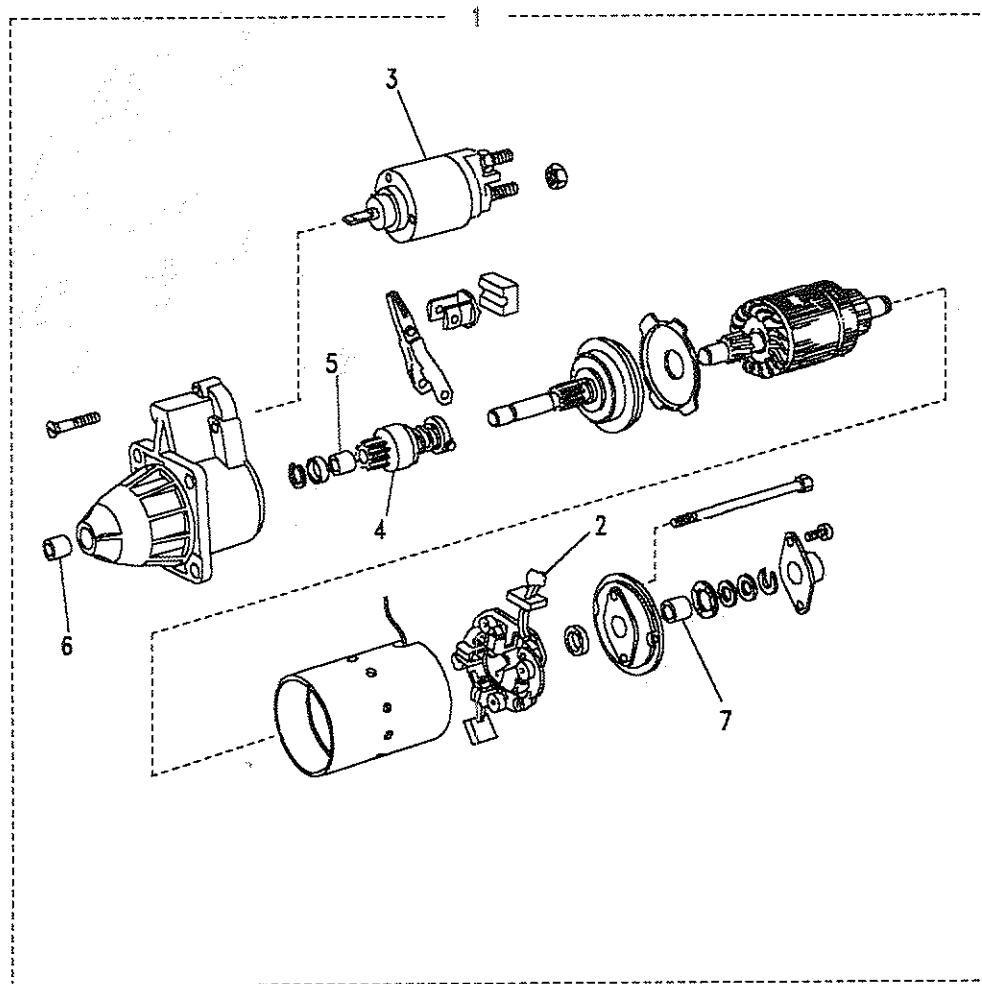


Handwritten mark

Model DEFENDER 90
 Page ADBQPE3A

ENGINE - STARTER MOTOR - V8 PETROL

III. Part No.	Description	Qty	Remarks
Used from JAN 1993			
1	NAD10038	1	Starter motor
2	STC1243	1	Brush holder
3	STC1242	1	Solenoid
4	STC1241	1	Drive assembly
5	STC1250	2	Bush
6	STC1252	1	Bush
7	STC1253	1	Bush



Faint handwritten notes and markings, possibly including part numbers and dates.

Faint handwritten notes at the bottom left of the page.



Model DEFENDER 90
Page ADBQRA1A

ENGINE - FLYWHEEL & CLUTCH - V8 CARB

III. Part No.	Description	Qty	Remarks	
1	ERR5575	1	Flywheel assembly	
2	611323	1	Ring starter	
3	6395L	3	Dowel clutch	
4	SH607081L	6	Screw flywheel/crankshaft	
5	FRC6685	1	Clutch plate	
	FTC160	1	Clutch plate asb/free	Upto24G11300
	FTC3197	1	Clutch plate asb/free	From24G11301
6	576476	1	Clutch cover	
	STC8361	1	Kit clutch)
	FTC160	1	Plate)Asbestos
	576476	1	Cover)Free
	FRC9568	1	bearing)
	STC8362	1	Kit clutch	
	FRC6685	1	Plate	
	576476	1	Cover	
	FRC9568	1	Bearing	
7	SH606061L	6	Screw clutch/flywheel	
8	WM600041L	6	Washer spring	
	AEU1750L	1	Lining package	

