



MASTER INDEX

GROUP B  
ENGINE

	PAGES		
INTRODUCTION PAGES	1 - 5		
ALPHABETICAL INDEX	6 - 14		
ENGINE	15 - 65	ENGINE	
ENGINE	66 - 117	ENGINE COMPLETE - 2.5 DIESEL TURBO	173
ENGINE	118 - 171	ENGINE STRIPPED - 2.5 DIESEL TURBO	174
ENGINE	172 - 217	ENGINE SHORT - 2.5 DIESEL TURBO	175
ENGINE	218 - 261	CYLINDER BLOCK - 2.5 DIESEL TURBO	176 - 178
ENGINE	262 - 297	SIDE COVER - 2.5 DIESEL TURBO	179
ENGINE	298 - 367	CRANKSHAFT - 2.5 DIESEL TURBO	180
GEARBOX	368 - 394	PISTONS - 2.5 DIESEL TURBO	181
GEARBOX	395 - 411	SUMP - 2.5 DIESEL TURBO	182
GEARBOX	412 - 425	MOUNTINGS - 2.5 DIESEL TURBO	183
TRANSFER BOX	426 - 456	FRONT COVER - 2.5 DIESEL TURBO	184 - 185
TRANSFER BOX	457 - 474	TIMING BELT - 2.5 DIESEL TURBO	186
AXLES AND SUSPENSION	475 - 531	WATER PUMP - 2.5 DIESEL TURBO - NON AIR CON	187
STEERING	532 - 564	WATER PUMP - 2.5 DIESEL TURBO - AIR CON	188
VEHICLE AND ENGINE CONTROLS	565 - 580	OIL PUMP - 2.5 DIESEL TURBO	189 - 190
BRAKES	581 - 603	OIL FILTER - 2.5 DIESEL TURBO	191
FUEL SYSTEM AND AIR CLEANER	604 - 645	CYLINDER HEAD - 2.5 DIESEL TURBO	192 - 193
EXHAUST SYSTEM	646 - 660	ROCKER SHAFT - 2.5 DIESEL TURBO	194
COOLING/HEATING	661 - 709	VALVES AND TAPPETS - 2.5 DIESEL TURBO	195
COOLING/HEATING	710 - 718	ROCKER COVER - 2.5 DIESEL TURBO	196
BODY ELECTRICAL	719 - 793	CAMSHAFT - 2.5 DIESEL TURBO	197
BODY AND CHASSIS	794 - 923	THERMOSTAT HOUSING - 2.5 DIESEL TURBO	198
INTERIOR TRIM	924 - 965	MANIFOLD - 2.5 DIESEL TURBO	199
SEATS	966 - 1009	FUEL PUMP - 2.5 DIESEL TURBO	200
STOWAGE	1010 - 1017	INJECTOR PUMP - 2.5 DIESEL TURBO	201
ACCESSORIES - PAINTS	1018 - 1042	INJECTORS AND PIPES - 2.5 DIESEL TURBO	202
NUMERICAL INDEX	1044 - 1122	TURBO CHARGER - 2.5 DIESEL TURBO	203 - 204
		GASKET KIT - 2.5 DIESEL TURBO	205
		VACUUM PUMP - 2.5 DIESEL TURBO	206
		POWER STEERING PUMP - 2.5 DIESEL TURBO	207
		AIR CONDITIONING COMPRESSOR - 2.5 DIESEL TURBO	208 - 209
		COMPRESSOR FIXINGS - 2.5 DIESEL - TURBO	210
		AIR CON IDLER PULLEY - 2.5 DIESEL TURBO	211
		ALTERNATOR - 2.5 DIESEL TURBO	212
		ALTERNATOR - 2.5 DIESEL TURBO - AIR CON	213
		FIXINGS ALTERNATOR - 2.5 DIESEL TURBO	214
		STARTER MOTOR - 2.5 DIESEL TURBO	215 - 216
		FLYWHEEL AND CLUTCH - 2.5 DIESEL TURBO	217





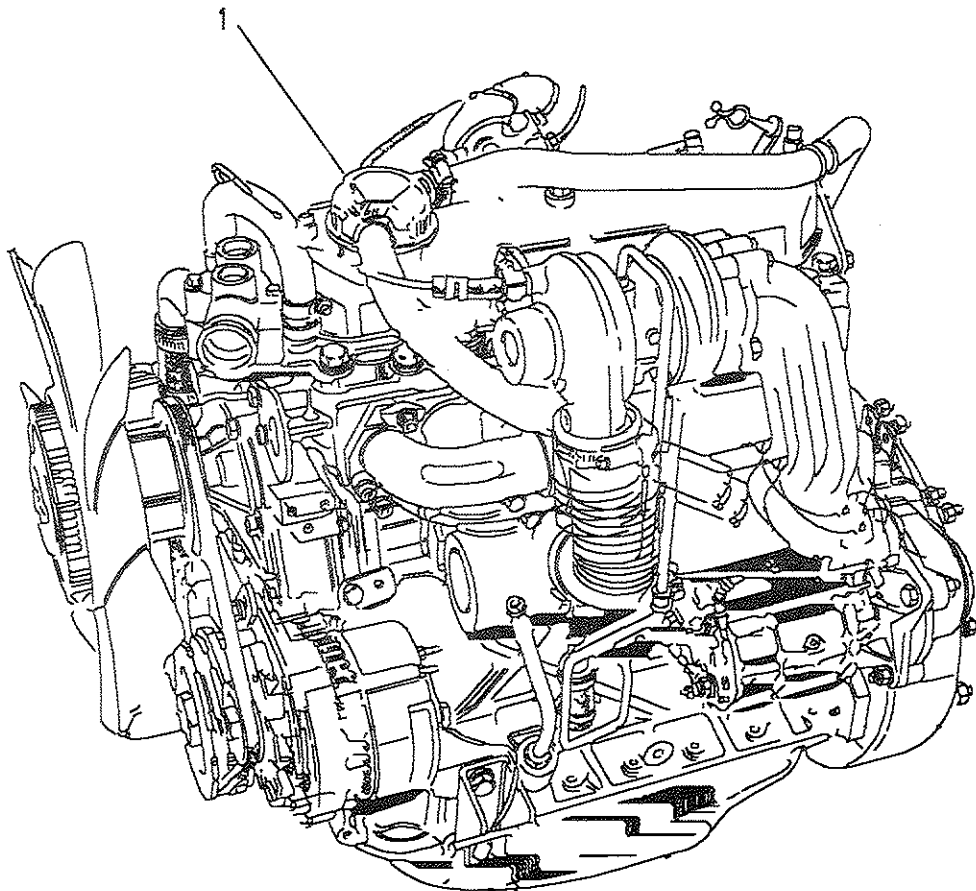
Model DEFENDER 90

Page ADBHAA1A

ENGINE - ENGINE COMPLETE - 2.5 DIESEL TURBO

III. Part No.	Description	Qty	Remarks
1 ETC5700	Engine complete assembly	1	Note(1)
ETC6881	Engine complete assembly	1	Note(2)
ETC6882	Engine complete assembly	1	Note(3)
ETC6883	Engine complete assembly	1	Note(4)
ETC6884	Engine complete assembly	1	Note(5)
ETC6885	Engine complete assembly	1	Note(6)
ETC6886	Engine complete assembly	1	Note(7)
ETC6887	Engine complete assembly	1	Note(8)

- Note(1) Serial Number 19J00001C BASIC UK/EUROPE
- Note(2) Serial Number 19J00001C with P.A.S. UK/EUROPE
- Note(3) Serial Number 19J00001C with AIR CON UK/EUROPE
- Note(4) Serial Number 19J00001C with P.A.S.& AIR CON UK/EUROPE
- Note(5) Serial Number 19J00001C BASIC REST OF WORLD
- Note(6) Serial Number 19J00001C with P.A.S. REST OF WORLD
- Note(7) Serial Number 19J00001C with AIR CON REST OF WORLD
- Note(8) Serial Number 19J00001C with P.A.S.& AIR CON REST OF WORLD

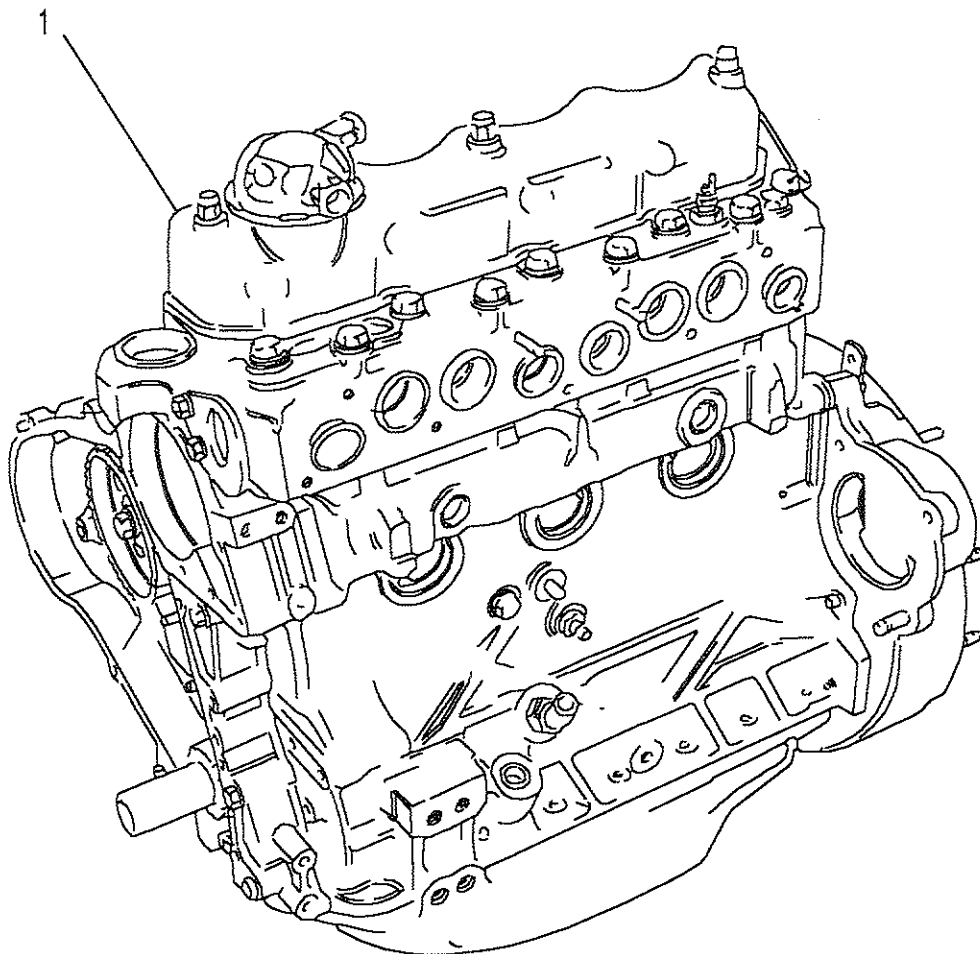


**Model** DEFENDER 90  
**Page** ADBHAC1A

**ENGINE - ENGINE STRIPPED - 2.5 DIESEL TURBO**

III. Part No.	Description	Qty	Remarks
1 RTC6802N	Engine stripped assy	1	
RTC5265R	Engine stripped-recon	1	Note(1)
RTC6802R	Engine stripped-recon	1	Note(2)

Note(1) Reconditioned unit available up to ENGINE No 19J15451C  
 Note(2) Reconditioned unit available from ENGINE No 19J15452C





DEFENDER 90

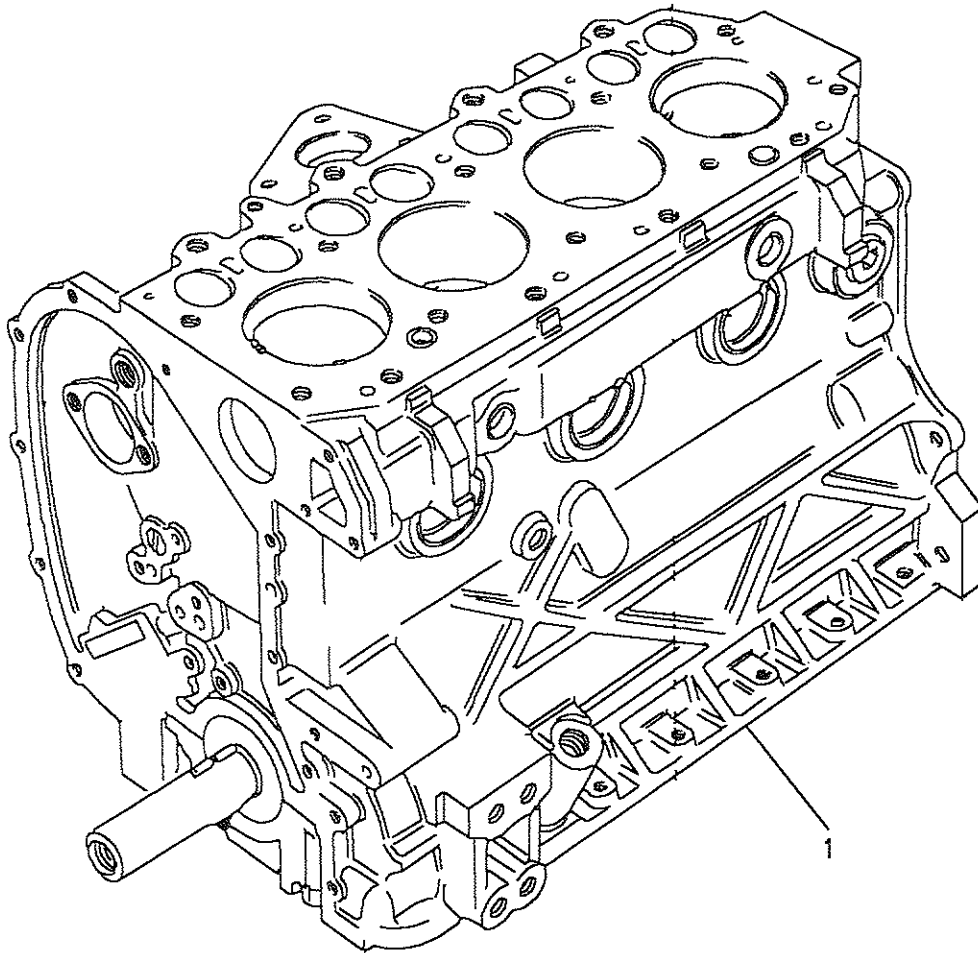
175

ENGINE

**Model** DEFENDER 90  
**Page** ADBHAE1A

**ENGINE - ENGINE SHORT - 2.5 DIESEL TURBO**

III. Part No.	Description	Qty	Remarks
1 RTC6795	Engine short assembly	1	

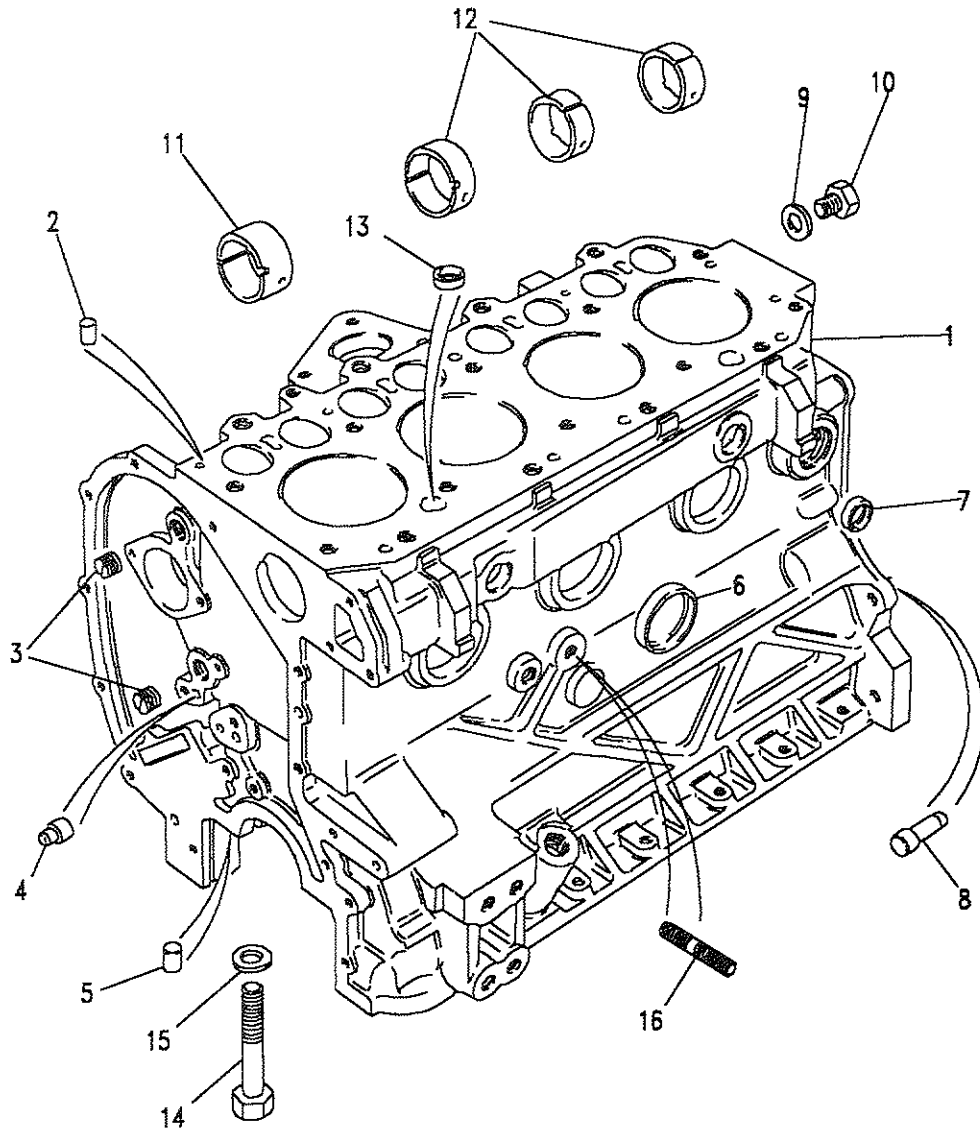


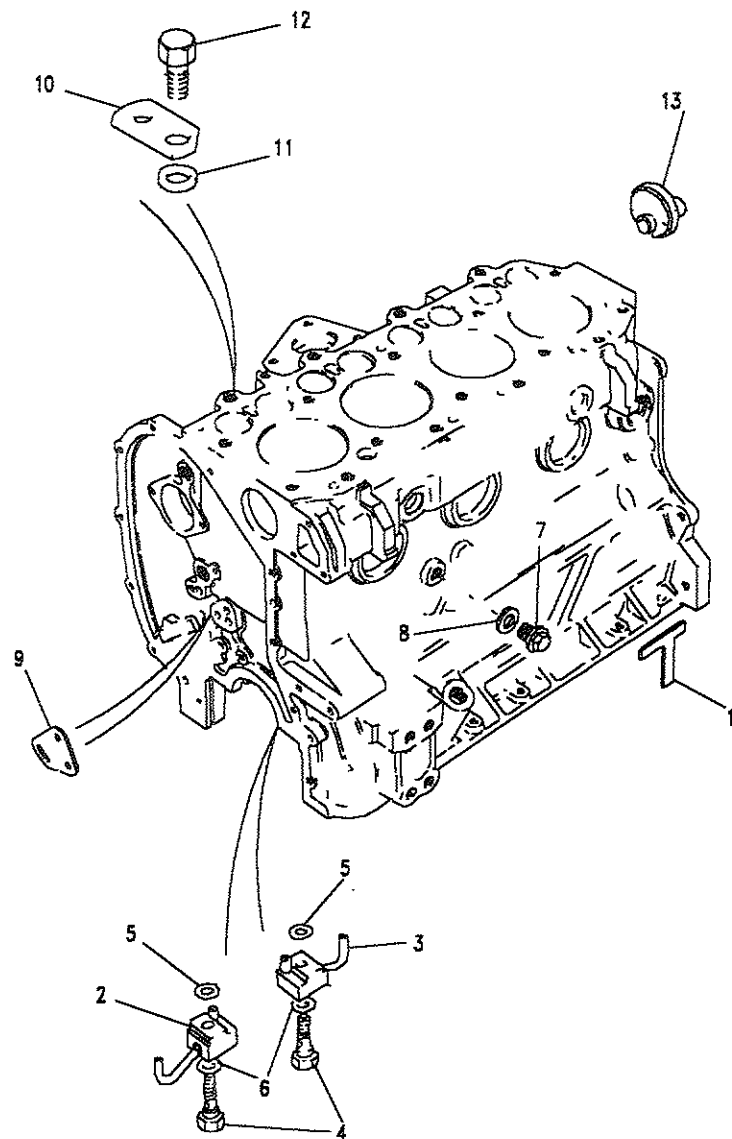
Model DEFENDER 90  
Page ADBHBA1A

ENGINE - CYLINDER BLOCK - 2.5 DIESEL TURBO

III. Part No.	Description	Qty	Remarks
1	ETC8767	1	Note(1)
2	247965	1	
3	247127	2	
4	ETC4529	1	
5	501593	10	
6	ERC4996	5	
7	597586	3	
8	ERC4644	2	
9	243959	2	
10	536577	2	
11	90519054	1	
12	90519055	3	
13	ERC4995	2	
14	ETC7596	10	
15	504006	10	
	ERR5034	3	
16	TE108031L	1	

Note(1) This block used up to 19J27514C page 178



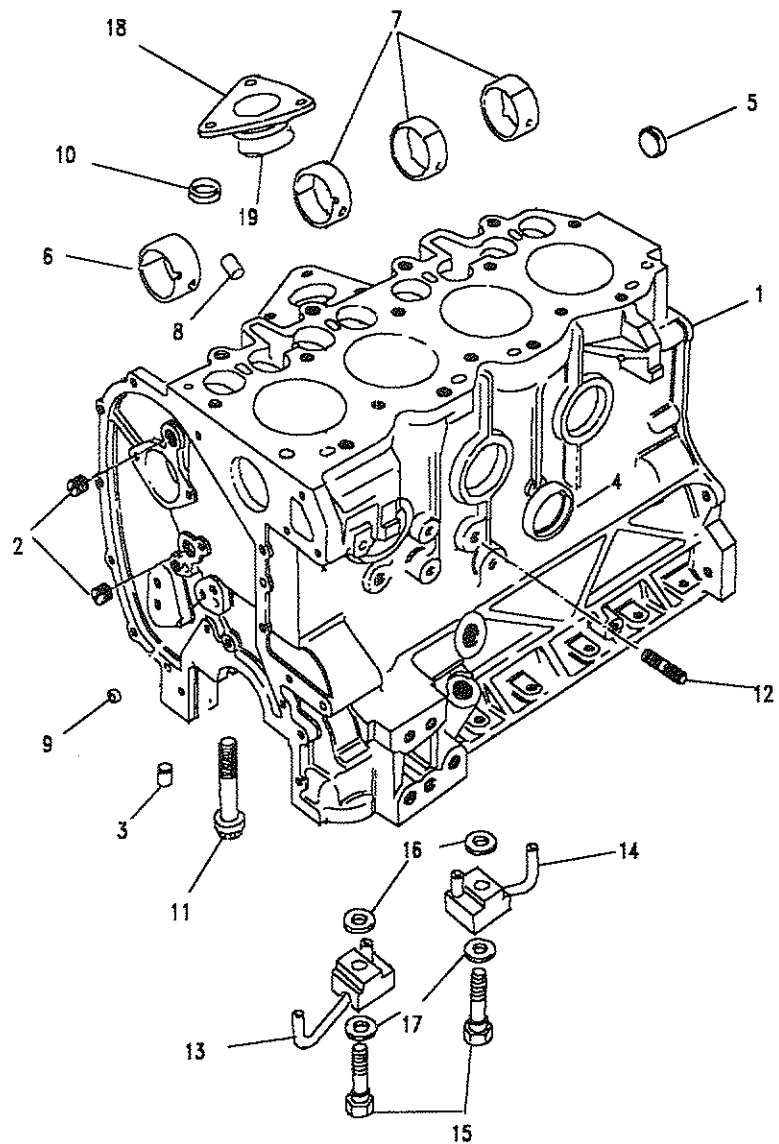


**Model** DEFENDER 90  
**Page** ADBHBA2A

**ENGINE - CYLINDER BLOCK - 2.5 DIESEL TURBO**

III. Part No.	Description	Qty	Remarks
1	ERC5086	2	Strip packing
2	ETC6531	2	Jet assembly No1&No3 cyl
3	ETC6532	2	Jet assembly No2&No4 cyl
4	ETC5592	4	Valve relief
5	AFU1879L	4	Washer joint
6	AFU1887L	4	Washer joint
7	ERC9410	1	Plug drain
8	AFU1882L	1	Washer joint
9	ERC8864	1	Gasket
10	ERC9404	1	Bracket-cable clip
11	WA108051L	1	Washer-bracket to block
12	SH108161L	1	Screw-bracket to block
13	ETC8530	1	Breather assembly
	ETC5755	1	Adaptor-oil feed to turbo





**Model** DEFENDER 90  
**Page** ADBHBA3A

**ENGINE - CYLINDER BLOCK - 2.5 DIESEL TURBO**

III. Part No.	Description	Qty	Remarks
1	ERR479	1	Cylinder block assembly Note(1)
2	247127	1	Plug-oil gallery
3	501593	10	Dowel-bearing caps
4	ERC4996	6	Cup plug-sides/ends
5	597586	3	Cup plug-water rail ends
6	ETC8442	1	Bearing-camshaft
7	90519055	3	Bearing-camshaft
8	ERR5034	3	Plug camshaft oil feed
9	ETC4529	1	Cup plug
10	ERC4995	2	Cup plug
11	ETC8074	10	Bolt-main bearing cap
12	TE108031L	1	Stud-starter motor
13	ETC6531	2	Jet assembly No1&No3 cyl
14	ETC6532	2	Jet assembly No2&No4 cyl
15	ETC5592	4	Valve relief
16	AFU1879L	4	Washer joint
17	AFU1887L	4	Washer joint
18	ERR586	1	Adaptor-cylinder block
19	ERR531	1	O ring-adaptor

Note(1) This block used from 19J27515C page 176



DEFENDER 90

179

ENGINE

Model DEFENDER 90

Page ADBHBC1A

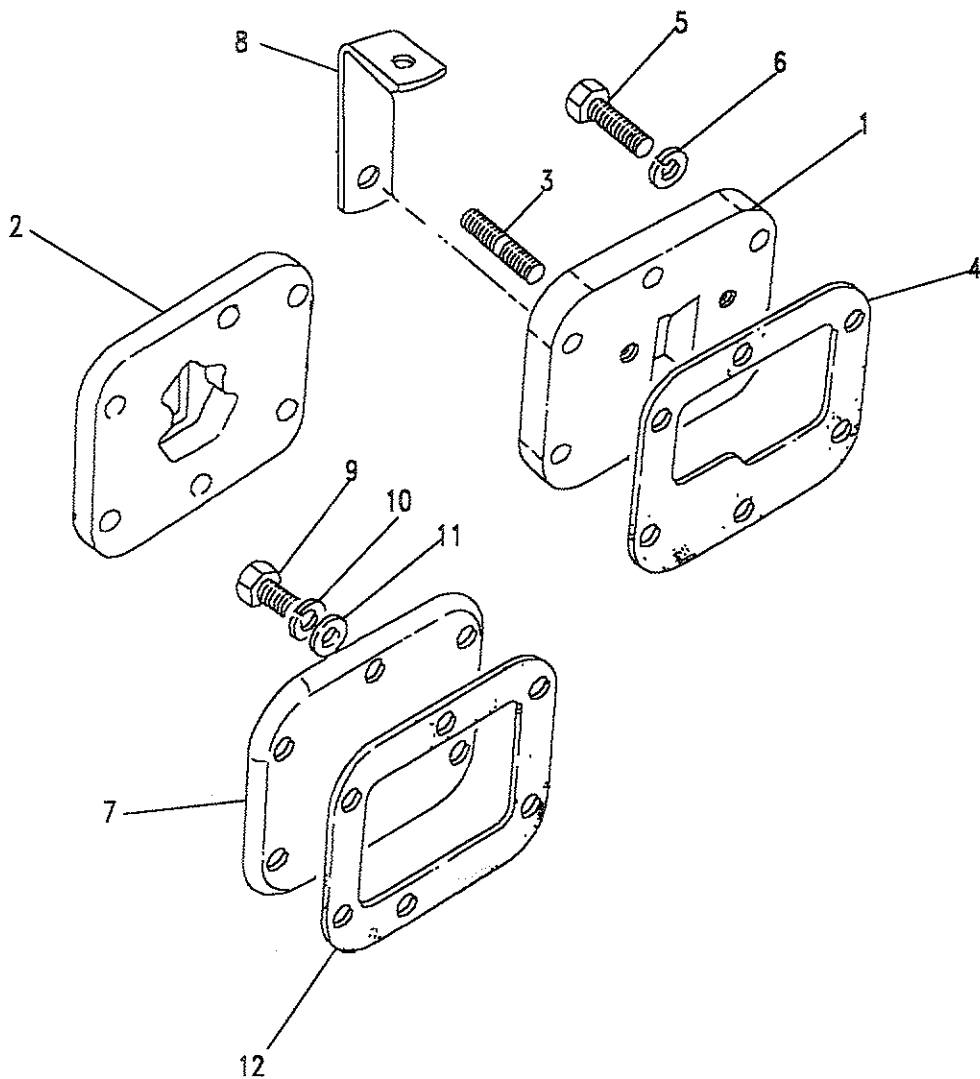
ENGINE - SIDE COVER - 2.5 DIESEL TURBO

III. Part No.

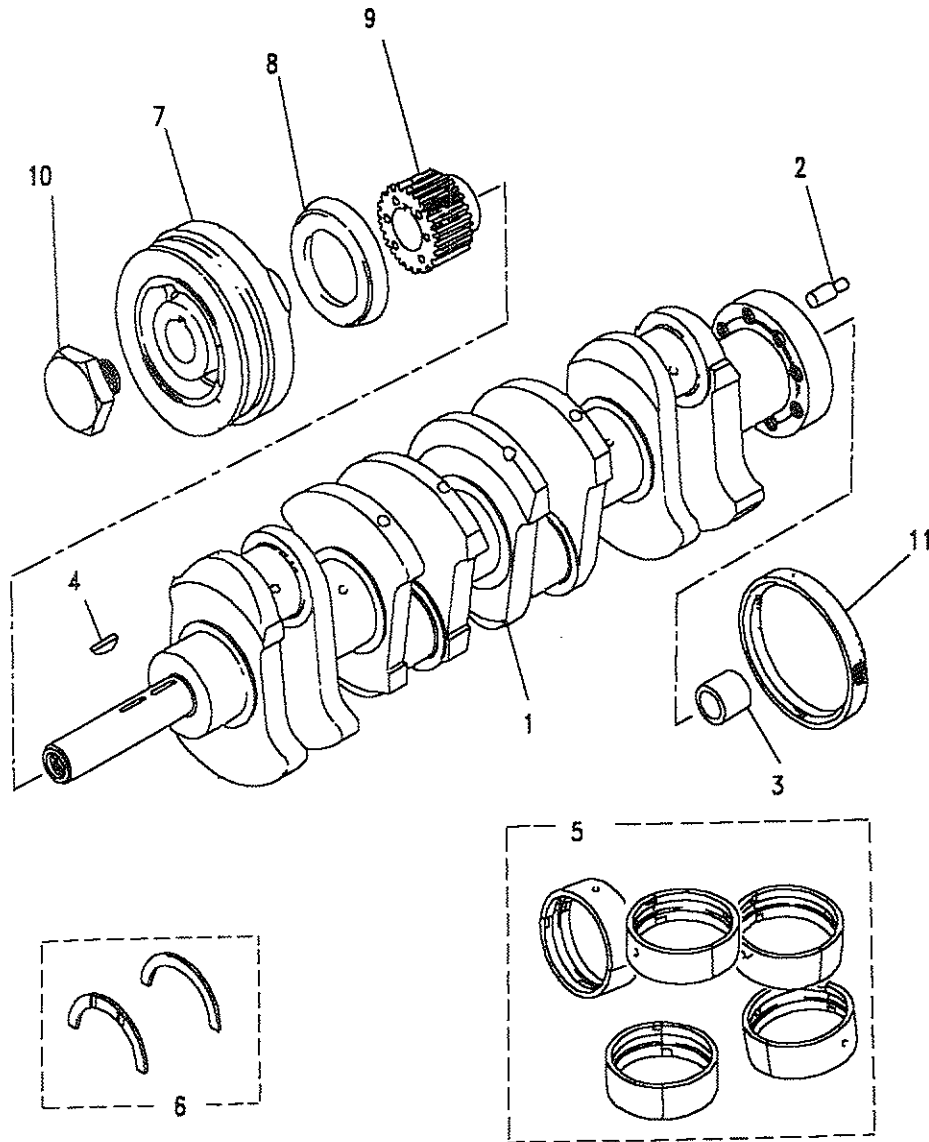
Description

Qty Remarks

1	ERC9073	Plate cover	1	Upto19J14097C
2	ETC7929	Plate cover	1	From19J14098C
3	TE108041L	Stud	2	
4	ERR1475	Washer joint	1	
5	SH108251L	Screw cover to block	6	
6	WL108001L	Washer	6	
7	541010	Cover side	1	
8	ERC9480	Bracket	1	
9	FS108201L	Screw	3	
	SH108251L	Screw	3	
10	WA108051L	Washer plain	3	
11	WL108001L	Washer spring	6	
12	ERR3605	Gasket side cover	1	







Model DEFENDER 90  
 Page ADBHCA1A

ENGINE - CRANKSHAFT - 2.5 DIESEL TURBO

III. Part No.	Description	Qty	Remarks
1	ETC8829 ERR1181	1	Crankshaft
		1	FromAUG1989
2	ERR1630	1	Dowel crankshaft
3	8566L	1	Bush-crankshaft
4	235770	2	Key
5	RTC4783	1	Kit main bearing
	RTC478310	1	Kit main bearing-010"
			KIT-THRUST WASHER-PAIRS
6	RTC2825	A/R	Standard
	538131	A/R	0.0025" oversize
	538132	A/R	0.0050" oversize
	538134	A/R	0.010" oversize
7	ETC4077	1	Damper & pulley assy
	ETC4105	1	Damper vibration
	ERC6860	1	Pulley AIR CON
	ERC6859	1	Pulley AIR CON/P.A.S.
	ERC6861	1	Pulley P.A.S.
	SH108251L	4	Screw
	WL108001L	4	Washer spring
8	ETC4390	1	Fliinger-T.V damper
9	ERC9765	1	Pulley-crankshaft
10	ETC7934	1	Bolt-crankshaft
	ERR605	1	Bolt-crankshaft
	ERR705	1	Washer thrust-crankshaft
11	ERR1535	1	Seal oil-crankshaft rear

Note(1) Use with appropriate pulley when AIR CON or P.A.S. is fitted

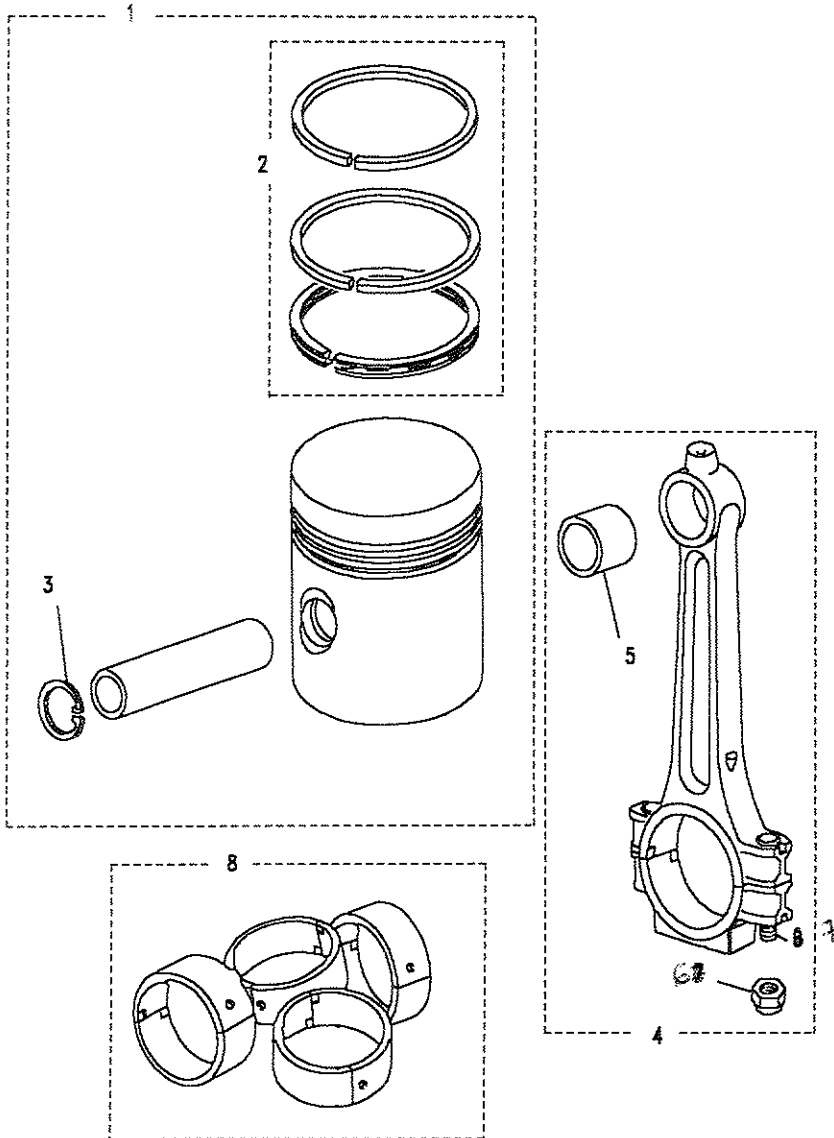




DEFENDER 90

181

ENGINE



**Model** DEFENDER 90  
**Page** ADBHCC1A

**ENGINE - PISTONS - 2.5 DIESEL TURBO**

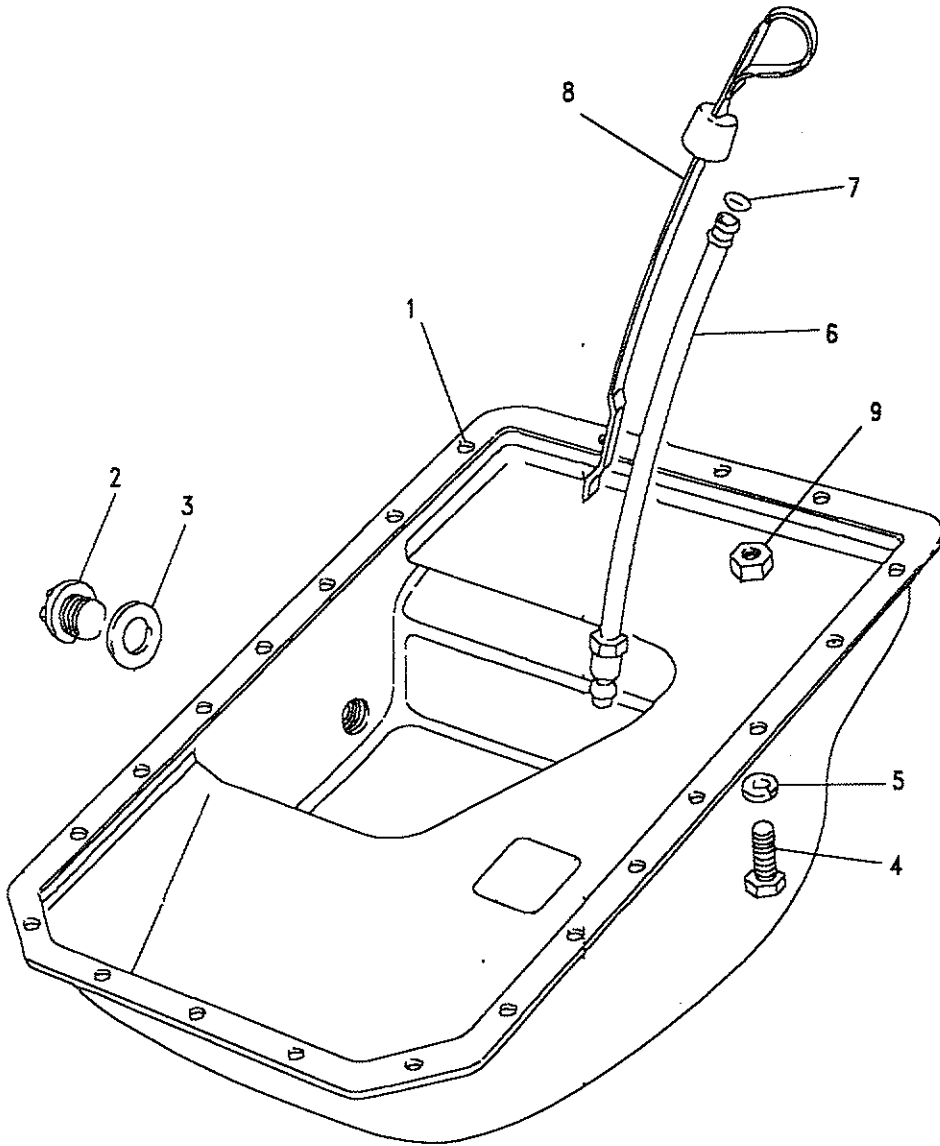
III. Part No.	Description	Qty	Remarks
1	ETC8676	4	Piston assy standard
	RTC599320	4	Piston assy 0.020"o/s
2	RTC6174S	4	Kit piston rings std
	RTC617420	4	Kit piston rings 0.020"
3	266945	8	Circlip
4	ERR593	4	Con rod assembly
5	247583	4	Bush
6	ETC8191	8	Nut conn rod
7	ETC7357	8	Bolt
<b>Con Rod Bearing: Engine Set</b>			
8	RTC2993	1	Bearing set big end
	RTC299310	1	Bearing set big end 0.010 o/s

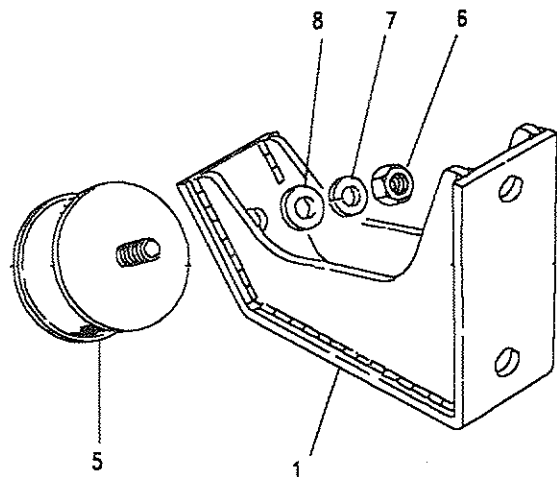


Model DEFENDER 90  
 Page ADBHDA1A

ENGINE - SUMP - 2.5 DIESEL TURBO

III. Part No.	Description	Qty	Remarks
1	ERR4716	1	Sump
2	599552	1	Plug drain
3	FRC4808	1	Washer joint plug
4	SH108161L	22	Screw
5	WL108001L	22	Washer spring
6	ERC8980	1	Tube dipstick
7	532387	1	Ring sealing tube
8	ETC7867	1	Dipstick

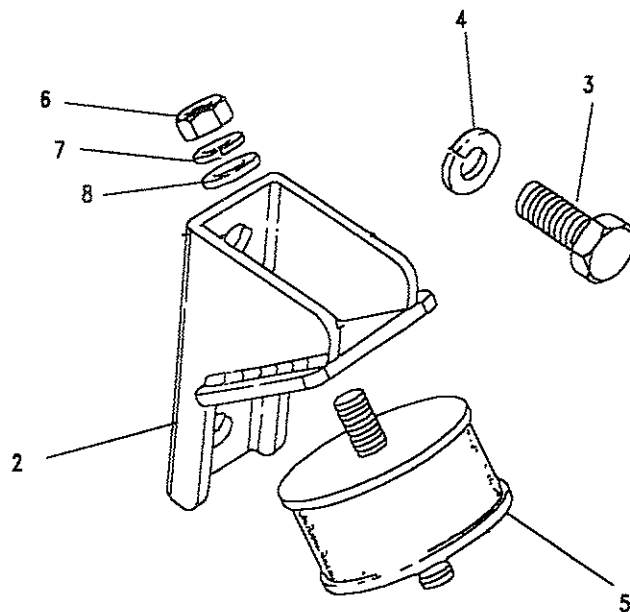




Model DEFENDER 90  
Page ADBHDC1A

ENGINE - MOUNTINGS - 2.5 DIESEL TURBO

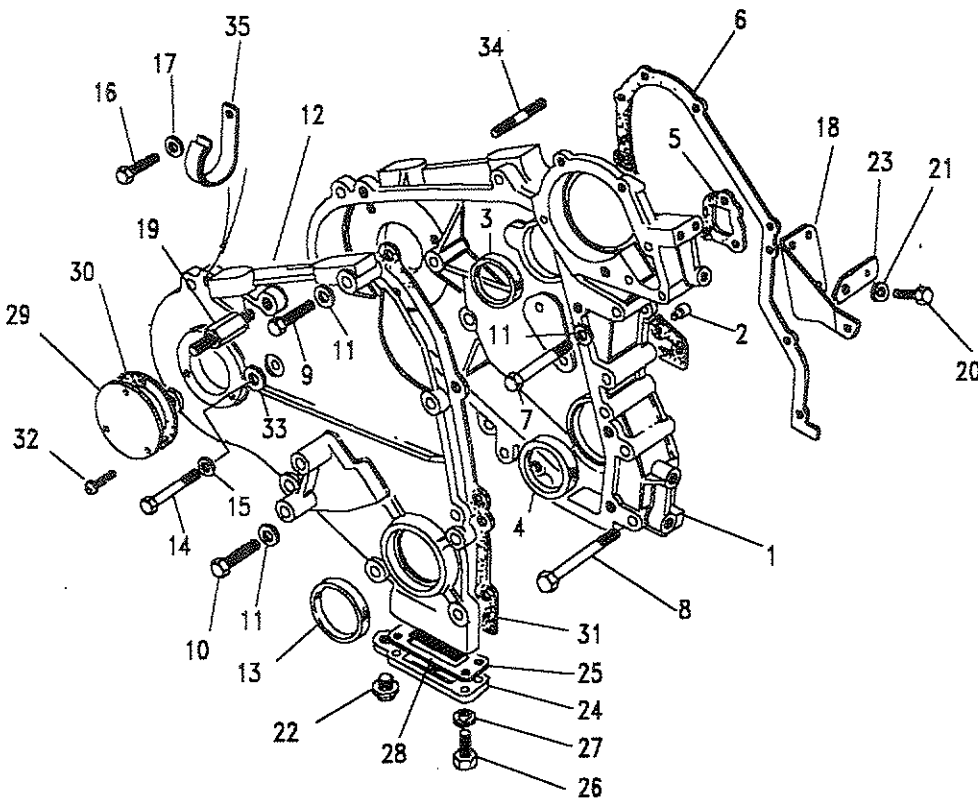
III. Part No.	Description	Qty	Remarks
1	NRC5434	1	Mounting foot-RH
2	NRC9557	1	Mounting foot-LH
3	SH112251L	4	Screw-foot to block
4	WL112001L	4	Washer-foot to block
5	ANR1808	1	Mounting rubber
6	NH110041L	4	Nut-rubber to foot
7	WC110061L	2	Washer-rubber to foot
8	WL110001L	4	Washer-rubber to foot





Model DEFENDER 90  
Page ADBHEA1A

ENGINE - FRONT COVER - 2.5 DIESEL TURBO



III. Part No.	Description	Qty	Remarks
1	ETC4421	1	NON AIR CON
	ETC5672	1	AIR CON
2	6395L	1	
3	ETC5064	1	
4	ETC5065	1	
5	538038	1	
	ERR1607	1	Asbestos free
6	538039	1	
7	FB108111L	1	
8	FB108121L	4	
9	BH108201L	1	
10	BH108251L	2	
11	WA108051L	8	
12	ETC4422	1	NON AIR CON
	ETC5675	1	AIR CON
13	ETC4154	1	
14	BH108131L	1	
15	WA108051L	1	
16	SH108121L	1	
	SH108251L	7	
17	WA108051L	8	
18	ERC6479	1	
19	ETC4996	1	
20	FS108201L	3	
21	WL108001L	3	
22	ERC7295	1	
23	ERC9404	1	

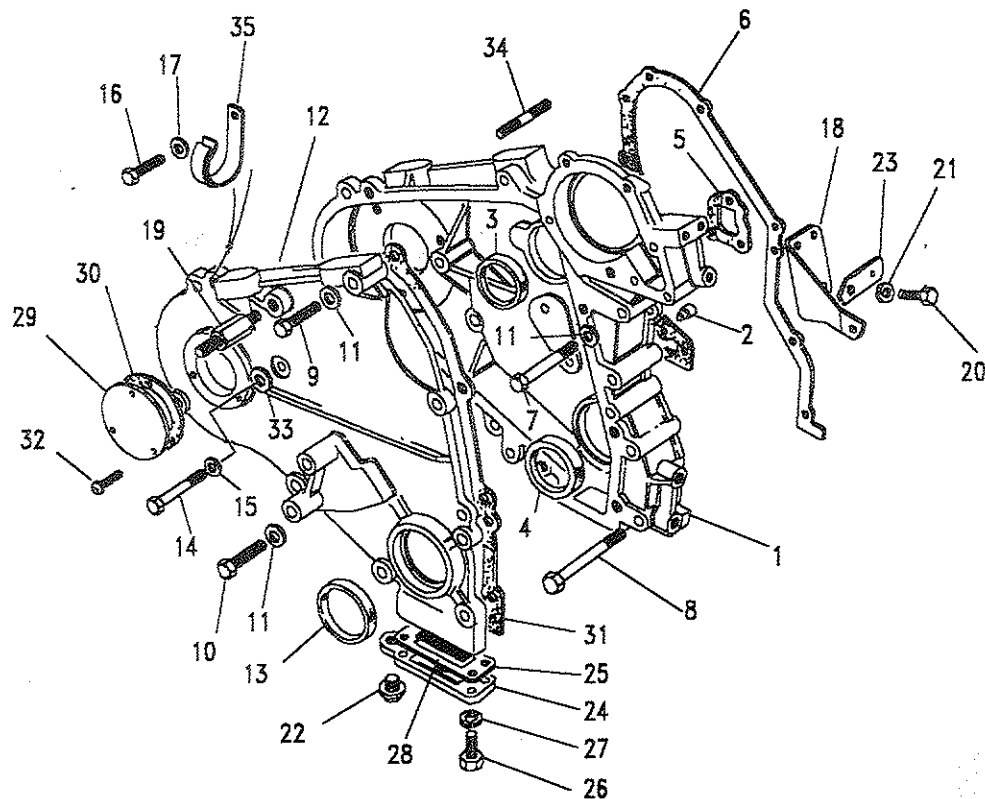




Model DEFENDER 90  
Page ADBHEA1A

ENGINE - FRONT COVER - 2.5 DIESEL TURBO

III. Part No.	Description	Qty	Remarks
24 ETC4058	Drain plate	1	
25 ETC4122	Gasket	1	
ERR3615	Gasket	1	Asbestos free
26 FS106207	Screw m6 x 20	4	
27 WA106041L	Washer plate to cover	4	
28 ETC4063	Strainer	1	
29 ERC9199	Plate cover	1	
30 ERC9201	Gasket	1	Asbestos free
ERR3614	Gasket	1	Asbestos free
31 ETC4420	Gasket	1	Asbestos free
ERR3616	Gasket	1	Asbestos free
32 SE106121L	Screw	3	
33 ETC4124	Gasket	1	
ERR3604	Gasket	1	Asbestos free
34 ETC4873	Stud DPS to front cover	3	
35 ETC4630	Bracket mounting	1	

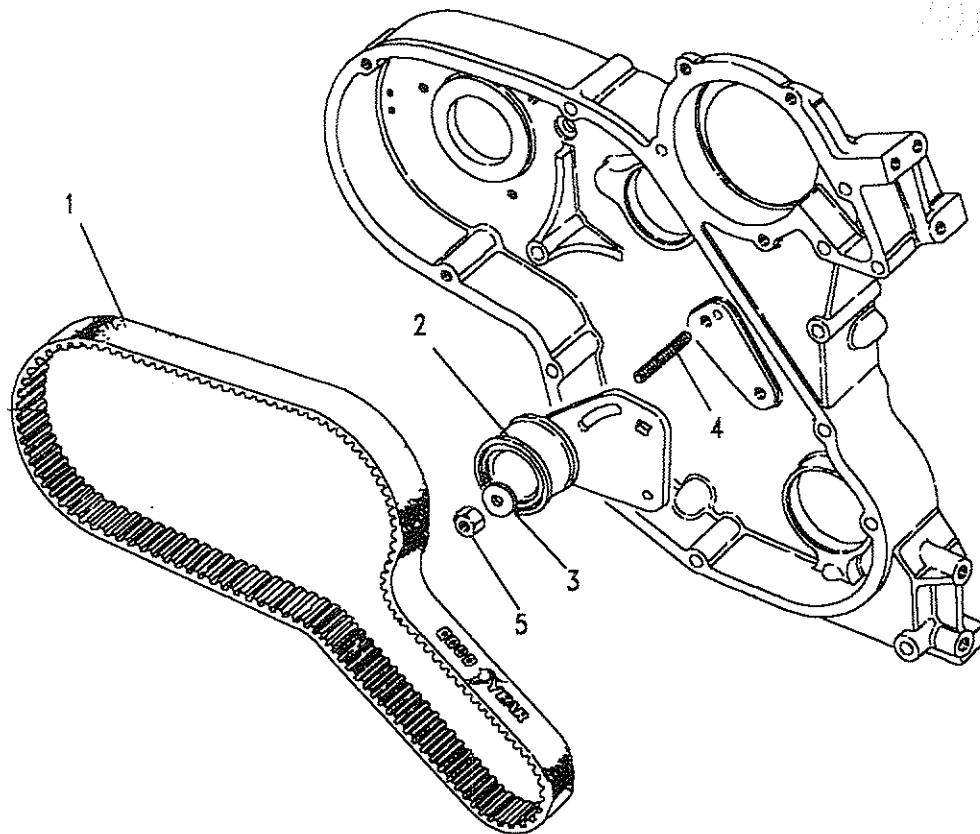




Model DEFENDER 90  
Page ADBHEC1A

ENGINE - TIMING BELT - 2.5 DIESEL TURBO

III. Part No.	Description	Qty	Remarks
1 ETC7333	Belt timing	1	
2 ERC8861	Tensioner assembly	1	
3 4594L	Washer	2	
4 TE108061L	Stud	2	
5 NY108041L	Nut	2	

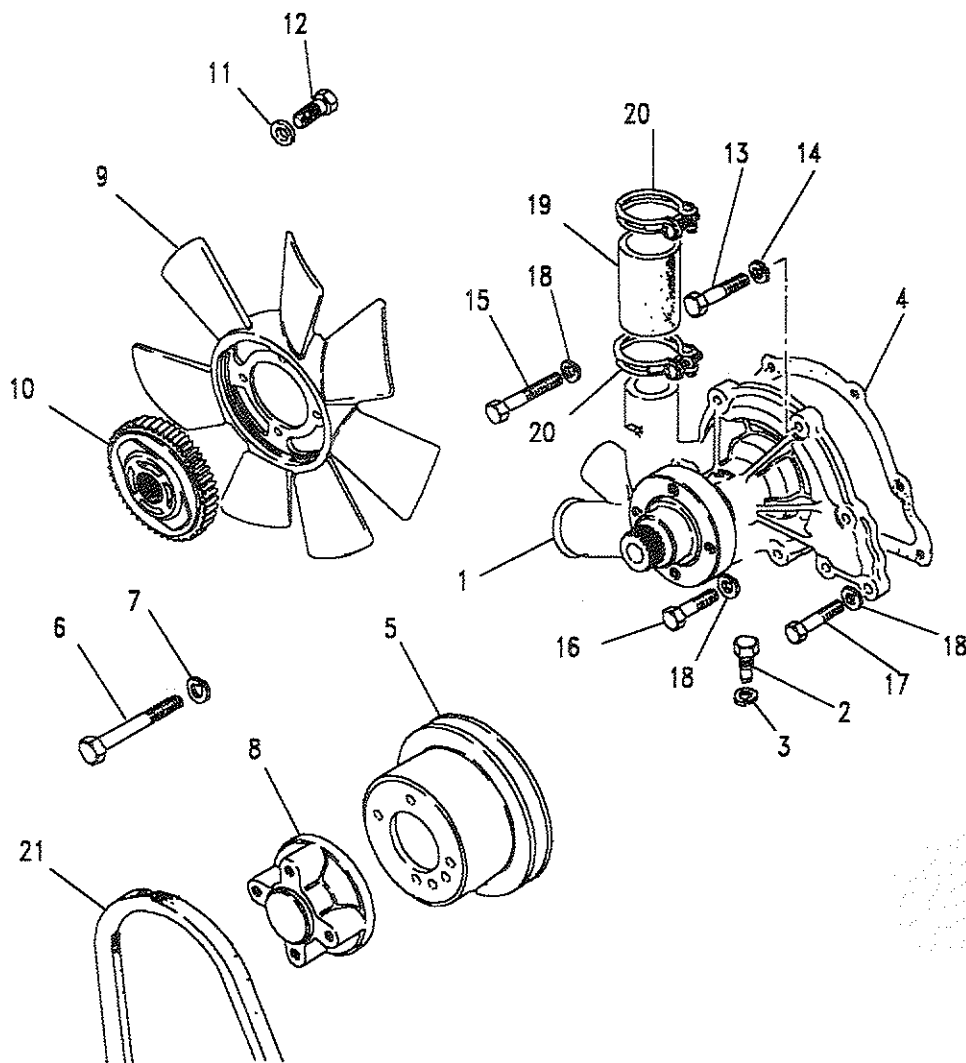




Model DEFENDER 90  
Page ADBHEE1A

ENGINE - WATER PUMP - 2.5 DIESEL TURBO - NON AIR CON

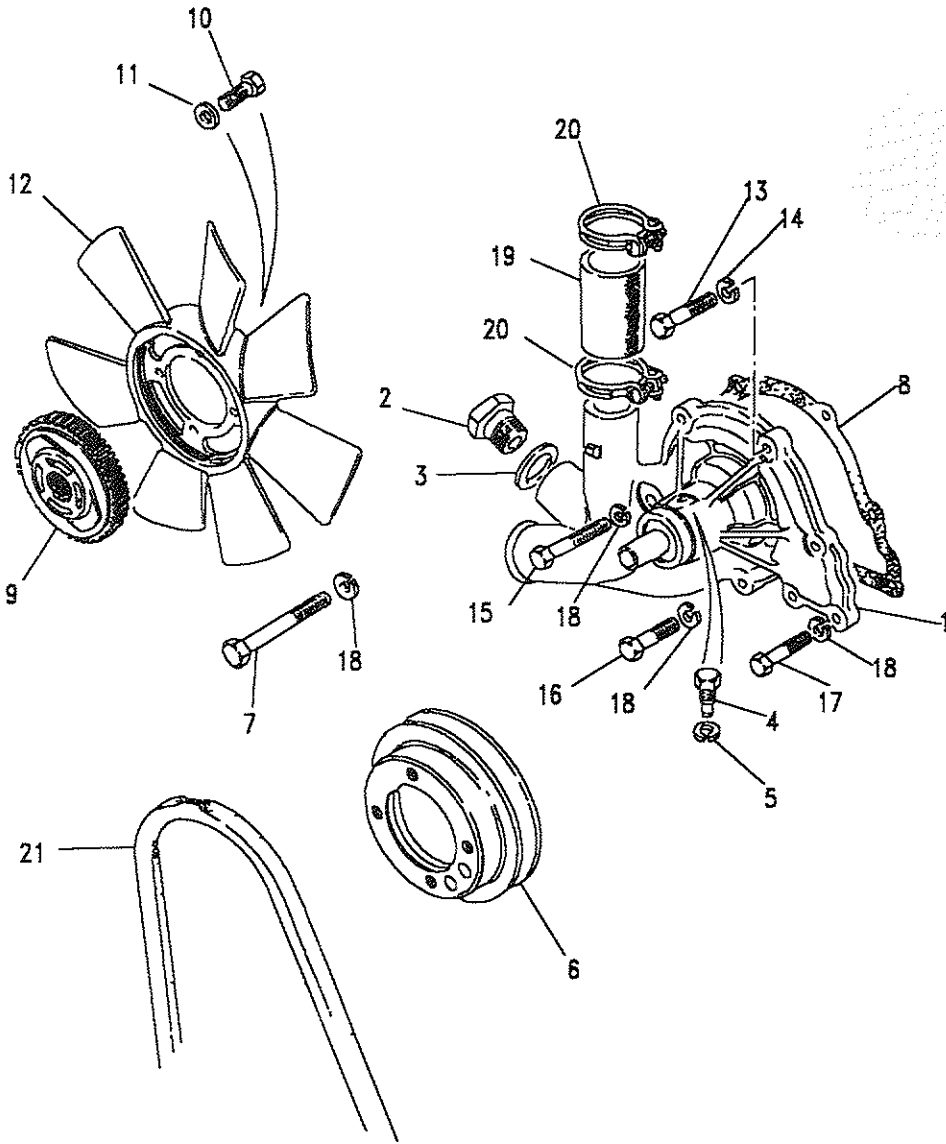
Ill.	Part No.	Description	Qty	Remarks
1	RTC6332	Pump water assembly	1	
2	ERC5600	Bolt	1	
3	WL106001L	Washer spring	1	
4	ERC5655	Gasket	1	
5	ETC4785	Pulley	1	
6	SH108161L	Screw	4	
7	WL108001L	Washer spring	4	
8	ERC7489	Spacer-pump to fan	1	
9	ERR3380	Fan	1	) UK/EUROPE
10	ETC7238	Viscous unit	1	
11	4589L	Washer	4	) R.O.W.
12	ERC5709	Bolt	4	
9	ETC6852	Fan	1	)
10	ETC6841	Viscous unit	1	
11	587405	Washer	4	)
12	SH505051L	Bolt	4	
13	FB108061	Bolt	3	
14	WL108001L	Washer spring	3	
15	BH108151L	Bolt	1	
16	BH108161L	Bolt	2	
17	BH108171L	Bolt	1	
18	WL108001L	Washer spring	4	
19	ERC5654	Hose-by pass outlet	1	
20	CN100408L	Clip-hose	2	
21	ETC7939	Belt fan	1	





Model DEFENDER 90  
Page ADBHEE2A

ENGINE - WATER PUMP - 2.5 DIESEL TURBO - AIR CON

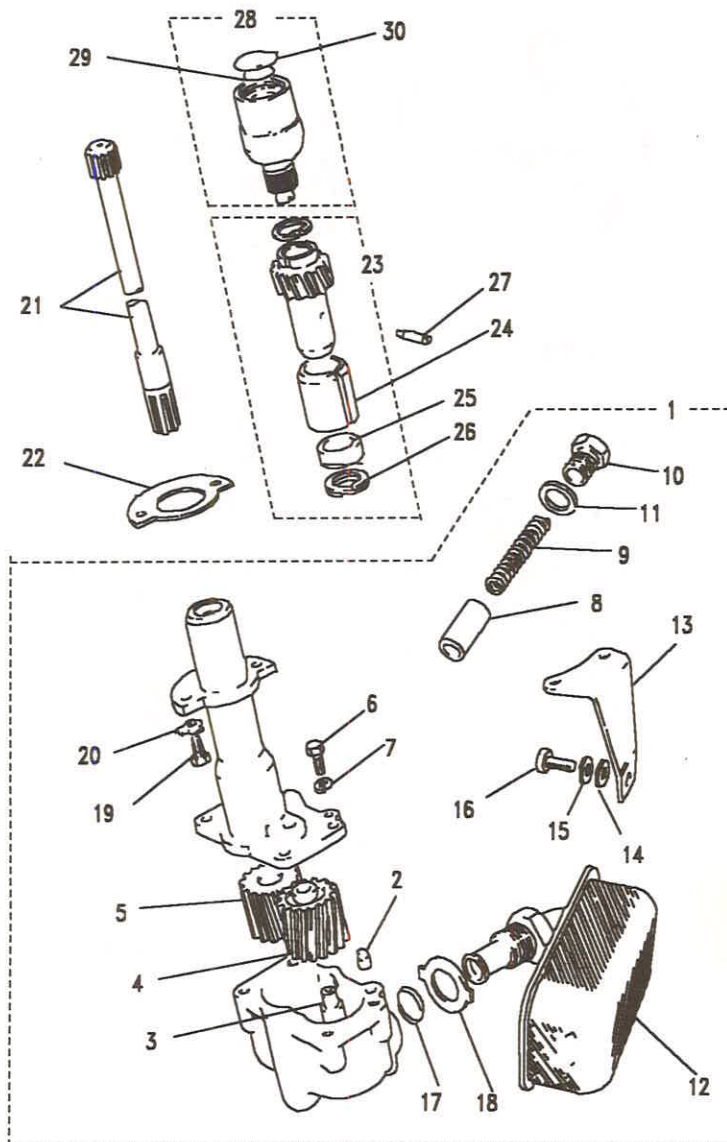


III. Part No.	Description	Qty	Remarks
1	RTC6332	1	Pump water assembly
2	ERC7312	1	Plug
3	232046	1	Washer joint
4	ERC5600	1	Bolt special
5	WL106001L	1	Washer spring
6	ETC4457	1	Pulley
7	BH106051L	4	Bolt-pulley to hub
8	ERC5655	1	Gasket
9	ETC7238	1	Viscous unit
10	ERC5709	4	Bolt
11	4589L	4	Washer
12	ERC7834	1	Fan
9	ETC6841	1	Viscous unit
10	SH505051L	4	Bolt
11	587405	4	Washer
12	ETC6852	1	Fan
13	FB108061	3	Bolt
14	WL108001L	3	Washer spring
15	BH108151L	1	Bolt
16	BH108161L	2	Bolt
17	BH108171L	1	Bolt
18	WL108001L	4	Washer spring
19	ERC5654	1	Hose-by pass water outlet
20	CN100408L	2	Clip-hose
21	ERC6504	1	Belt fan

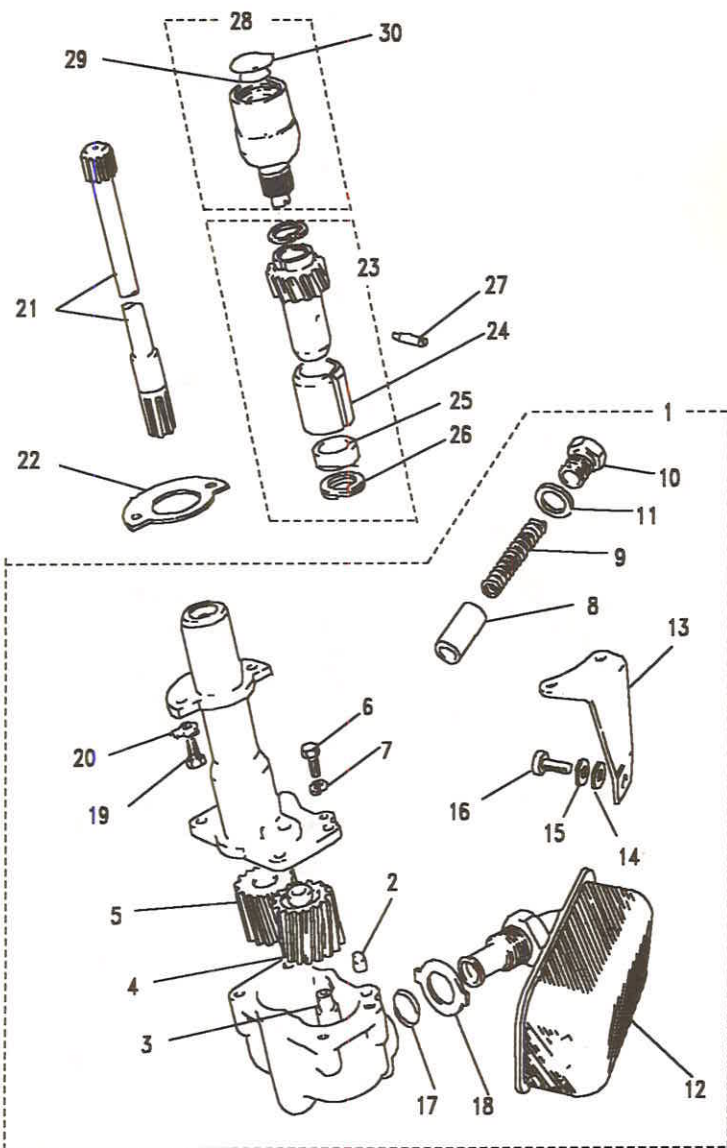
) UK/EUROPE  
)  
) R.O.W.  
)

**Model** DEFENDER 90  
**Page** ADBHFA1A

## ENGINE - OIL PUMP - 2.5 DIESEL TURBO



III. Part No.	Description	Qty	Remarks
1	ERR1117	1	Pump oil assembly
2	236257	2	Dowel
3	ERR1063	1	Spindle idler wheel
4	ERR1088	1	Idler wheel
5	ERC9706	1	Drive wheel
6	FS108201L	4	Screw cover to block
7	WL108001L	4	Washer spring
8	ETC4880	1	Plunger oil relief
9	564456	1	Spring oil relief
10	564455	1	Plug oil relief
11	232044	1	Washer joint
12	ERC7530	1	Filter
13	ERC7940	1	Bracket support filter
14	WA108051L	1	Washer
15	WL108001L	1	Washer spring
16	FS108201L	1	Screw



**Model** DEFENDER 90  
**Page** ADBHFA1A

**ENGINE - OIL PUMP - 2.5 DIESEL TURBO**

III. Part No.	Description	Qty	Remarks
17 244488	'O'ring	1	
18 244487	Washer lock	1	
19 SH108251L	Screw	2	
20 247665	Washer lock	2	
21 ERR850	Shaft	1	
22 ERC8408	Gasket	1	
ERR3606	Gasket	1	Asbestos free
23 ETC6139	Gear bush assembly	1	Note(1)
24 522745	Bush	1	
25 ETC6137	Washer thrust	1	
26 ETC6138	Ring locking	1	
27 ETC6142	Screw locating shaft	1	
28 ETC4706	Coupling	1	
29 RTC6167	O ring inner	1	
30 RTC6168	O ring outer	1	

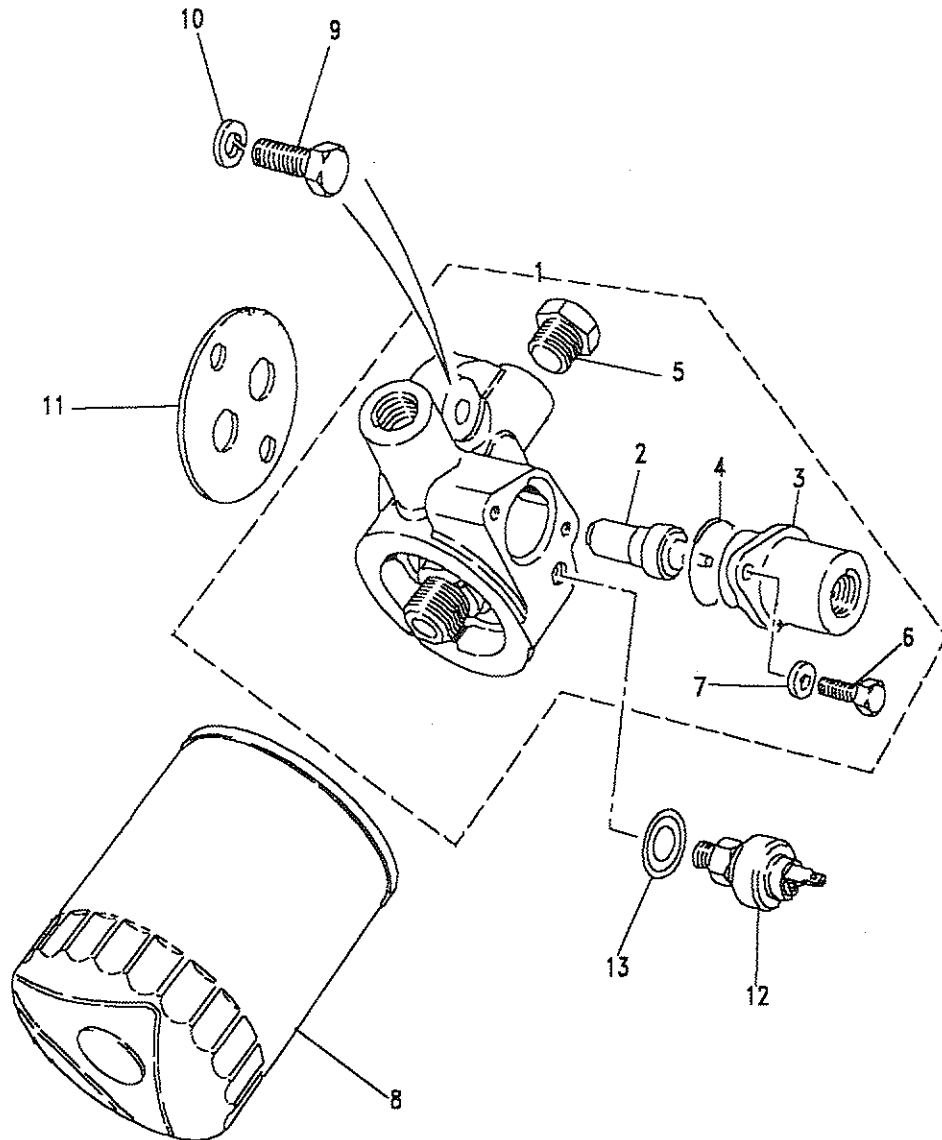


Model DEFENDER 90

Page ADBHFA2A

ENGINE - OIL FILTER - 2.5 DIESEL TURBO

III. Part No.	Description	Qty	Remarks
1	ERR1347	1	Adaptor oil assembly
2	ERC5923	1	Thermostat bulb
3	ETC4022	1	Adaptor
4	ERC5913	1	'O'ring
5	ETC4021	1	Plug
	PRC4372	1	Transmitter
6	SH106141L	2	Screw
7	WA106041L	2	Washer
8	ERR3340	1	Filter oil
9	SH110301L	2	Screw
10	WL110001L	2	Washer spring
11	ETC5276	1	Gasket oil filter
	ERR3607	1	Gasket oil filter
12	PRC6387	1	Switch oil pressure
13	232039	1	Washer joint-switch
	PRC4043	1	Transmitter
	ETC4033	1	Adaptor oil pressure
	ETC4034	1	Banjo oil pressure switch

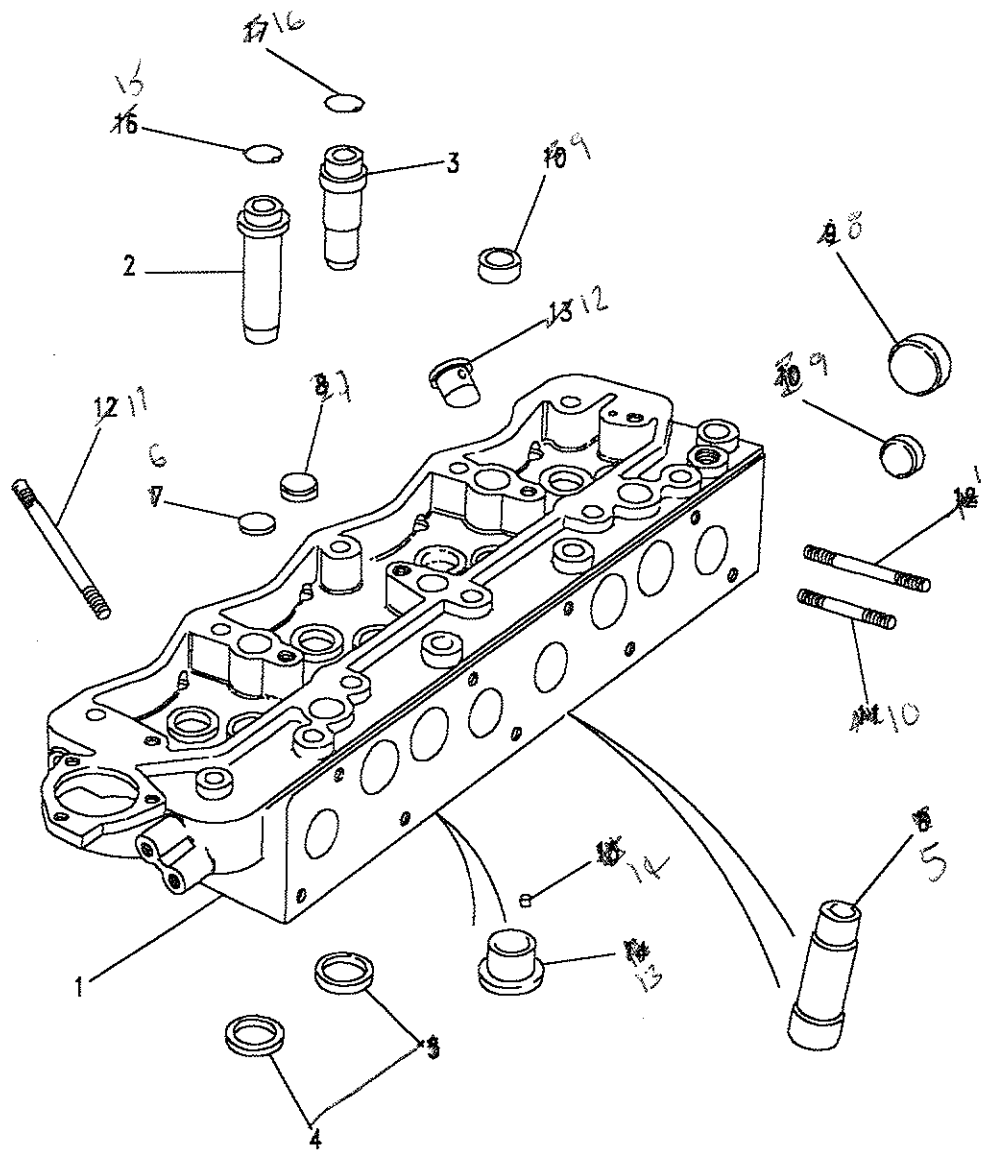


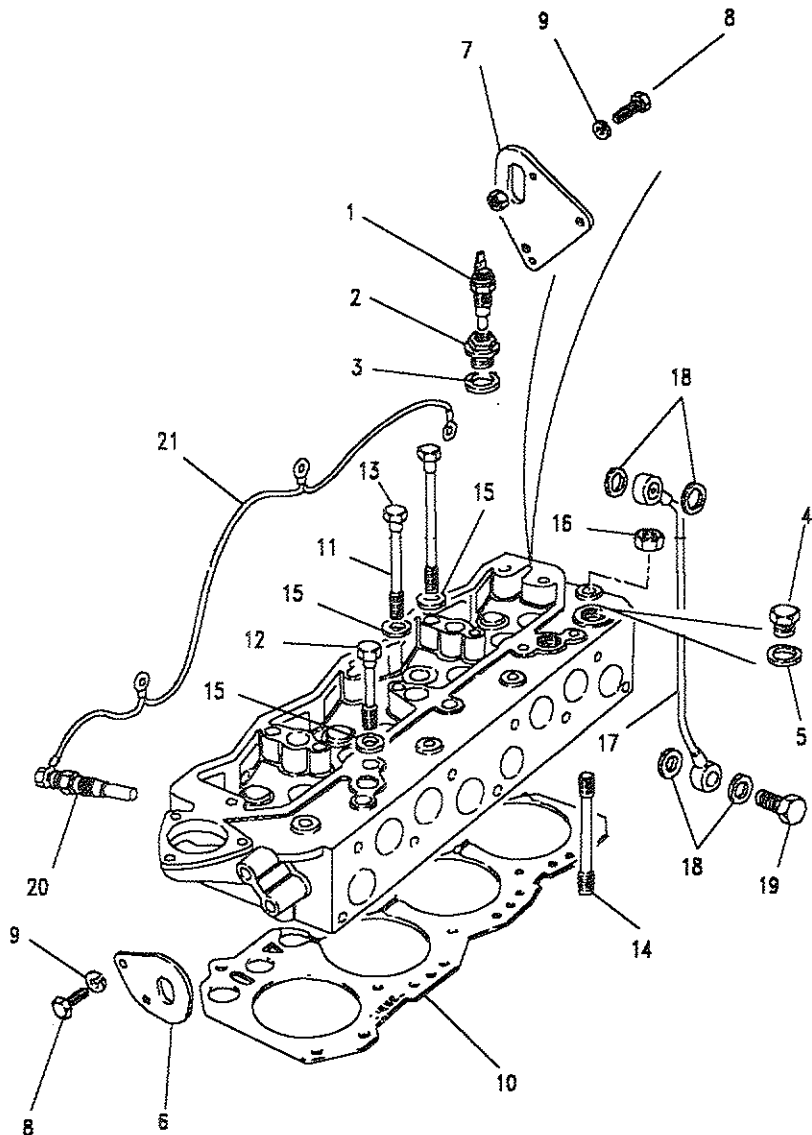
Model DEFENDER 90  
Page ADBHGA1A

ENGINE - CYLINDER HEAD - 2.5 DIESEL TURBO

III. Part No.	Description	Qty	Remarks
1	ETC4649	1	Upto19J25183C
	STC803	1	From19J25184C
2	568688	4	
	ERR2861	4	Note(1)
3	568689	4	
	ERR2860	4	Note(1)
4	ERC9631	4	
	ERR3081	4	Note(1)
	ETC4643	4	
	ERR3082	4	Note(1)
5	ERC8663	8	
6	250830	2	
7	525497	9	
8	524765	1	
9	602289	2	
10	ETC7190	1	
11	TE108071L	8	
12	ERC9501	4	
13	ETC8620	4	
14	PA105101L	4	
15	ERR1510	4	
16	ETC4751	4	

Note(1) Fitted from November 1992





**Model** DEFENDER 90  
**Page** ADBHGA2A

**ENGINE - CYLINDER HEAD - 2.5 DIESEL TURBO**

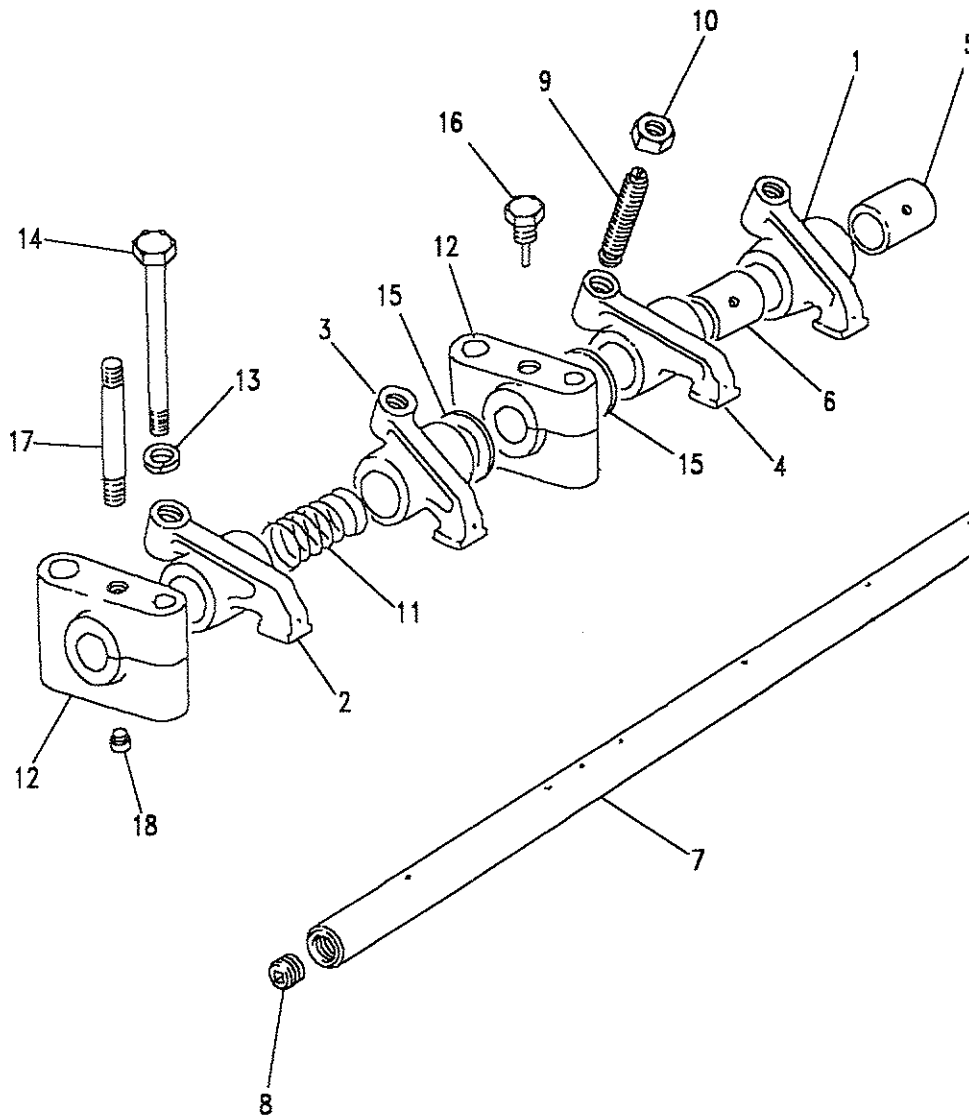
III. Part No.	Description	Qty	Remarks
1	PRC2505	1	Upto19J25183C
	PRC6663	1	From19J25184C
2	ERC9432	1	Upto19J25183C
3	10802070	1	
4	ERC9448	1	
	RTC6851	1	From19J25184C
5	AFU1890L	2	
	243960	1	From19J25184C
6	ERC2254	1	
7	ETC5816	1	
8	FS108201L	4	
9	WL108001L	4	
10	ERR3618	1	
11	247051	9	
12	247683	2	
13	247723	5	
14	90518466	2	
15	ERC6821	18	
16	NH608061L	2	
17	275679	1	
18	ETC6510	4	
19	ETC4498	2	
20	ERC8450	4	
21	PRC6295	1	



Model DEFENDER 90  
Page ADBHGC1A

ENGINE - ROCKER SHAFT - 2.5 DIESEL TURBO

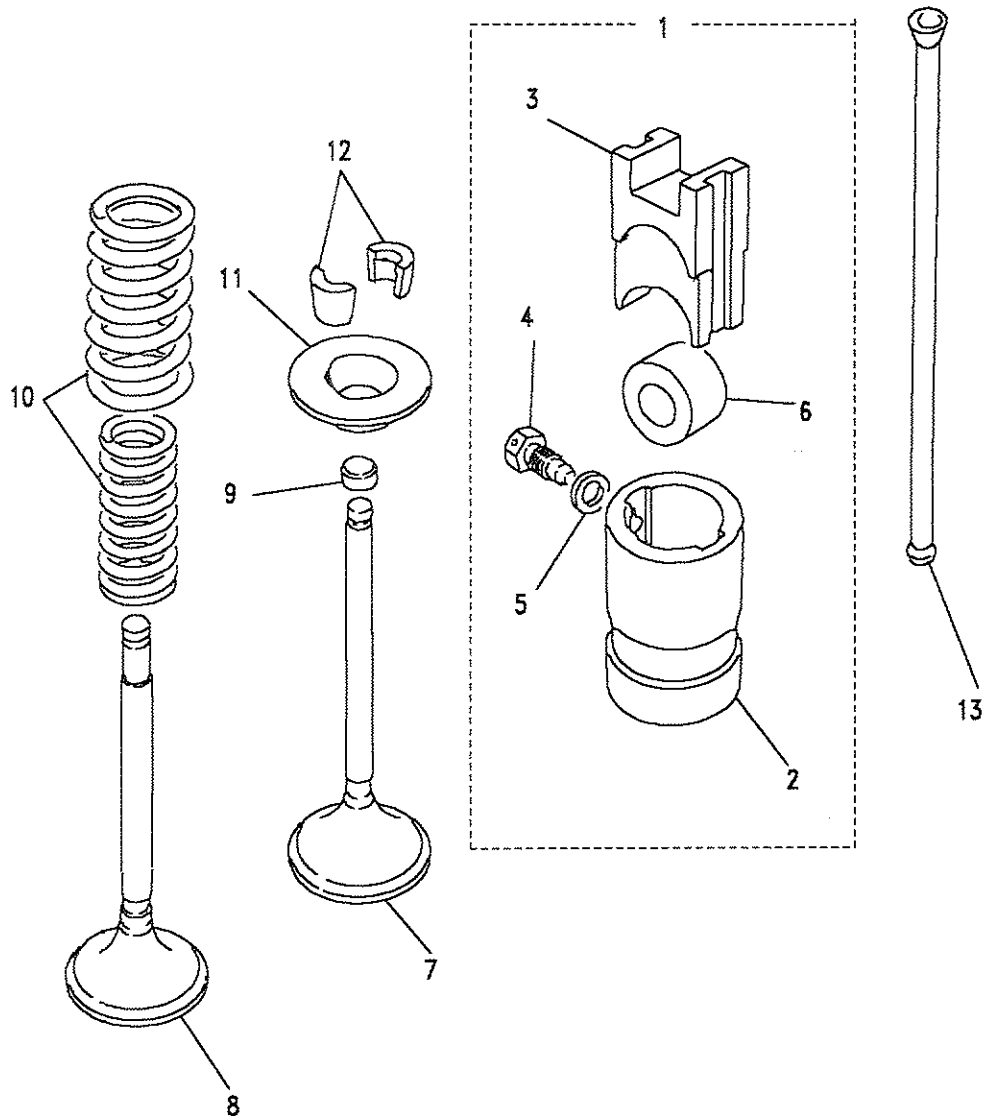
III. Part No.	Description	Qty	Remarks
1	ERC9060	2	Rocker arm exhaust RH
2	ERC9059	2	Rocker arm exhaust LH
3	247738	4	Bush exhaust rockers
4	ERC9056	2	Rocker arm inlet RH
5	ERC9055	2	Rocker arm inlet LH
6	247737	4	Bush inlet rockers
7	ERC6341	1	Shaft
8	ERC6337	2	Plug shaft
9	ERC9054	8	Screw tappet adjuster
10	NT108041L	8	Lock nut M8
11	247040	4	Spring
12	ERC9137	5	Bracket rocker shaft
13	WL108001L	5	Washer spring
14	FB108111L	5	Bolt M8x55mm
15	247153	8	Washer rocker shaft
16	ETC4460	1	Screw shaft location
17	TD108091L	3	Stud M8 rocker cover
18	277956	3	Dowel rocker



**Model** DEFENDER 90  
**Page** ADBHGE1A

**ENGINE - VALVES AND TAPPETS - 2.5 DIESEL TURBO**

III. Part No.	Description	Qty	Remarks
1	507829 Tappet assembly	8	
2	502473 Guide tappet	8	
3	ETC4246 Set bolt	8	
4	273069 Washer-tappet guide	8	
5	ERR561 Roller follower	8	
6	ERR607 Tappet slide	8	
7	ETC5739 Valve inlet	4	
8	ETC5740 Valve exhaust	4	
9	ERR4175 Cap-valve stem	8	
10	ERR4640 Spring valve	8	
11	ETC4068 Cup-valve-spring	8	
12	ETC4069 Cotter split	16	
13	546799 Push rod	8	



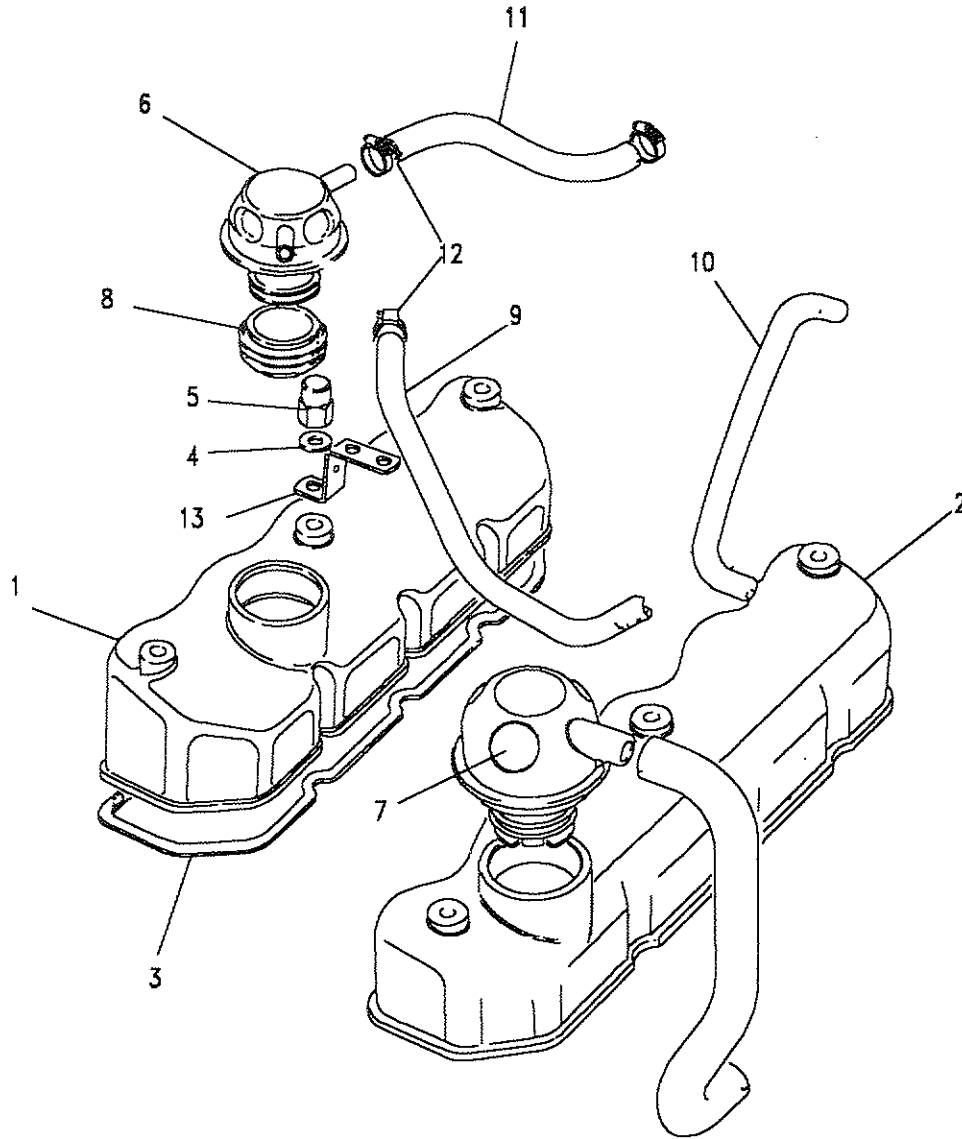


**Model** DEFENDER 90  
**Page** ADBHGG1A

**ENGINE - ROCKER COVER - 2.5 DIESEL TURBO**

III. Part No.	Description	Qty	Remarks
1	ETC6924 Rocker cover assembly	1	Upto 19J15451C
2	ETC8600 Rocker cover assembly	1	From 19J15452C
3	ETC6438 Gasket-cover to head	1	
4	273069 Washer joint	3	
5	ERC9220 Nut dome	3	
6	ETC7774 Filter breather	1	Upto 19J15451C
7	ETC7909 Filter breather	1	From 19J15452C
8	ERC8049 'O'ring	1	Upto 19J15451C
	ERR736 'O'ring	1	From 19J15452C
9	ETC7187 Hose-block to breather	1	Upto 19J15451C
10	ETC8636 Hose-block to cover	1	From 19J15452C
11	ETC7059 Hose-breather to A/C	1	
	RRC5728 Hose-breather to A/C	1	Note(1)
12	CJ600224 Hose-clip	2	
13	ETC5588 Bracket-compressor pipe	1	

Note(1) For vehicles with raised air intake.

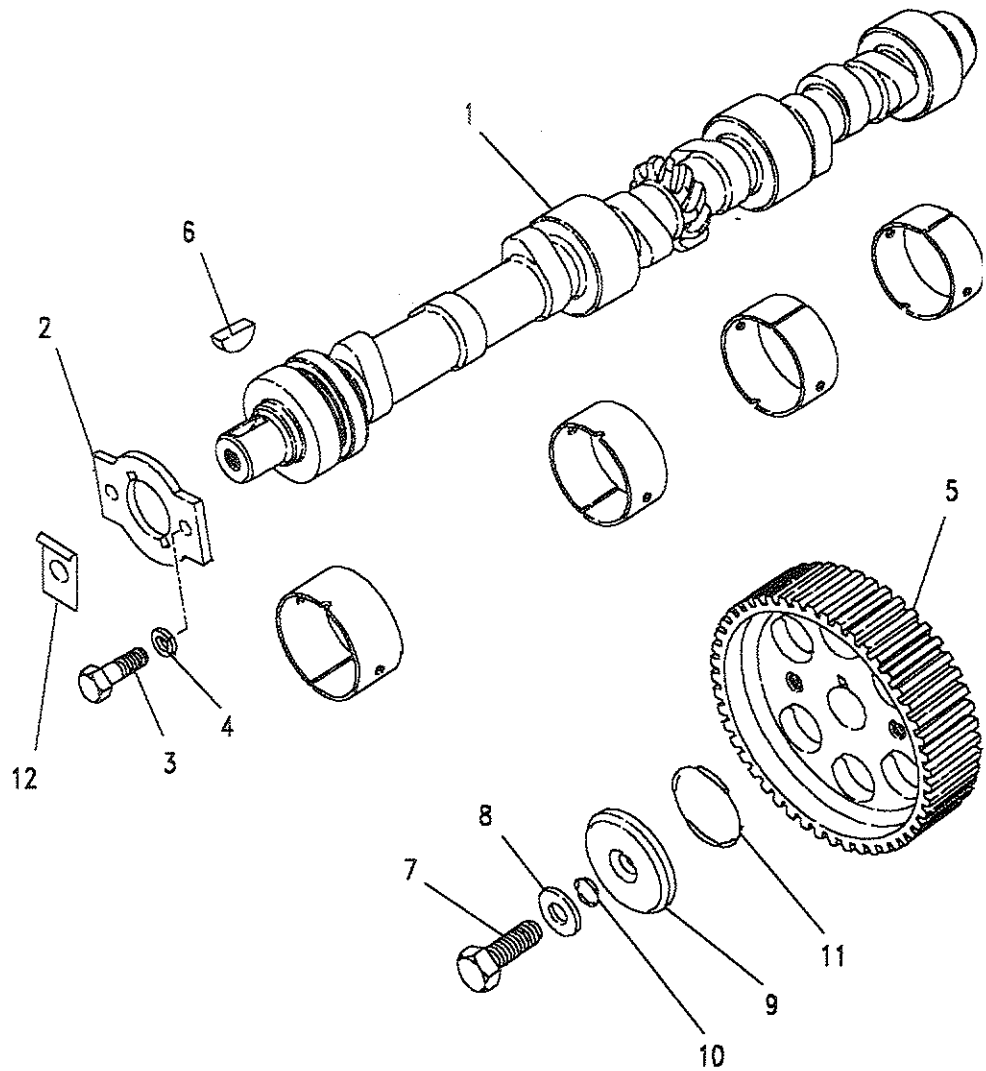


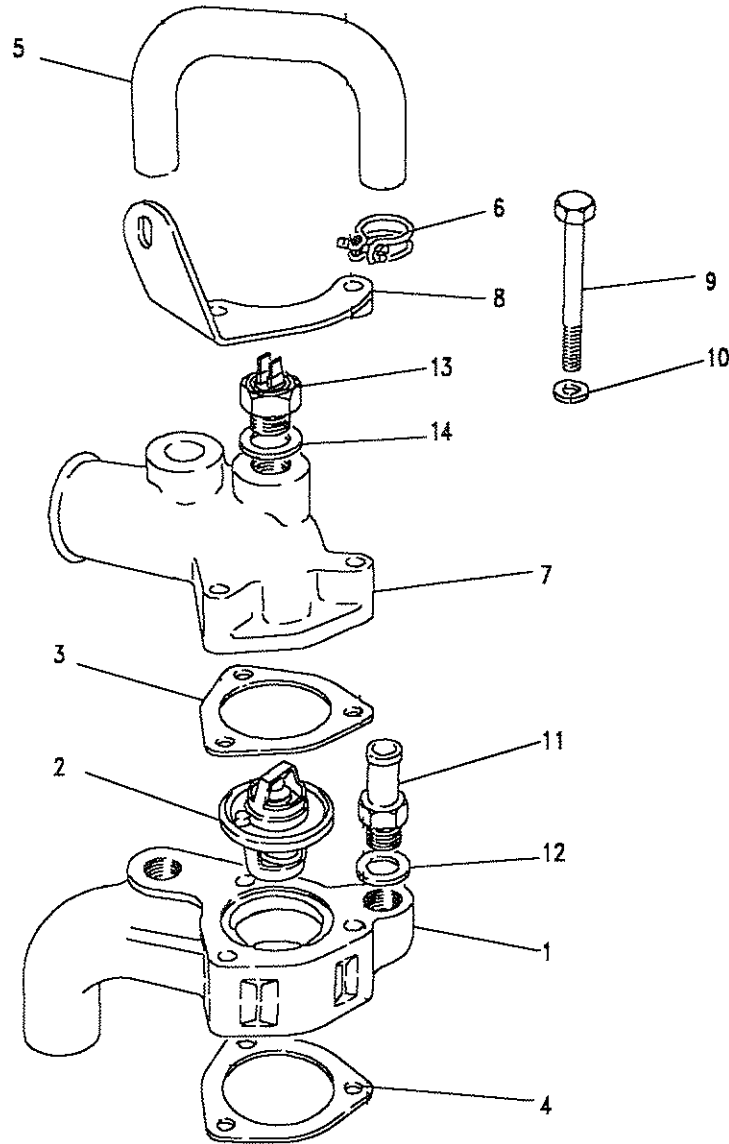


Model DEFENDER 90  
Page ADBHG11A

ENGINE - CAMSHAFT - 2.5 DIESEL TURBO

III. Part No.	Description	Qty	Remarks
1	ETC7128	1	Camshaft
2	ERC1561	1	Thrust Plate camshaft
3	FS106167	2	Screw plate to block
4	WL106001L	2	Washer spring
5	ETC4014	1	Pulley
6	230313	1	Key woodruff
7	BX110071L	1	Bolt
8	ETC4670	1	Washer
9	ERC8847	1	Plate retaining
10	ERC8849	1	'O' ring
11	ETC4076	1	'O' ring
12	2995	2	Locker





**Model** DEFENDER 90  
**Page** ADBHGK1A

**ENGINE - THERMOSTAT HOUSING - 2.5 DIESEL TURBO**

III. Part No.	Description	Qty	Remarks
1 ERC8758	Housing thermostat	1	
2 602687	Thermostat 82o	1	
ETC4761	Thermostat 74o	1	OPTIONAL
3 ERR977	Gasket	1	
4 ERR3682	Gasket	1	Asbestos free
247874	Gasket thermo housing	1	
5 ERC7510	Hose connecting adaptors	1	
6 CN100258L	Clip hose	2	
7 ETC5967	Outlet water connector	1	NON AIR CON
ETC5958	Outlet water connector	1	AIR CON
8 ETC5965	Bracket cowl mounting	1	
9 BH106151L	Bolt cover to head	3	
10 WL106001L	Washer joint	3	
11 624091	Adaptor	2	
12 243959	Washer joint	2	
13 PRC3359	Switch temperature sensor	1	Note(1)
PRC3505	Switch temperature sensor	1	Note(2)
14 C45759L	Washer switches	1	

Note(1) Identified by GREEN paint  
 Note(2) Identified by RED paint



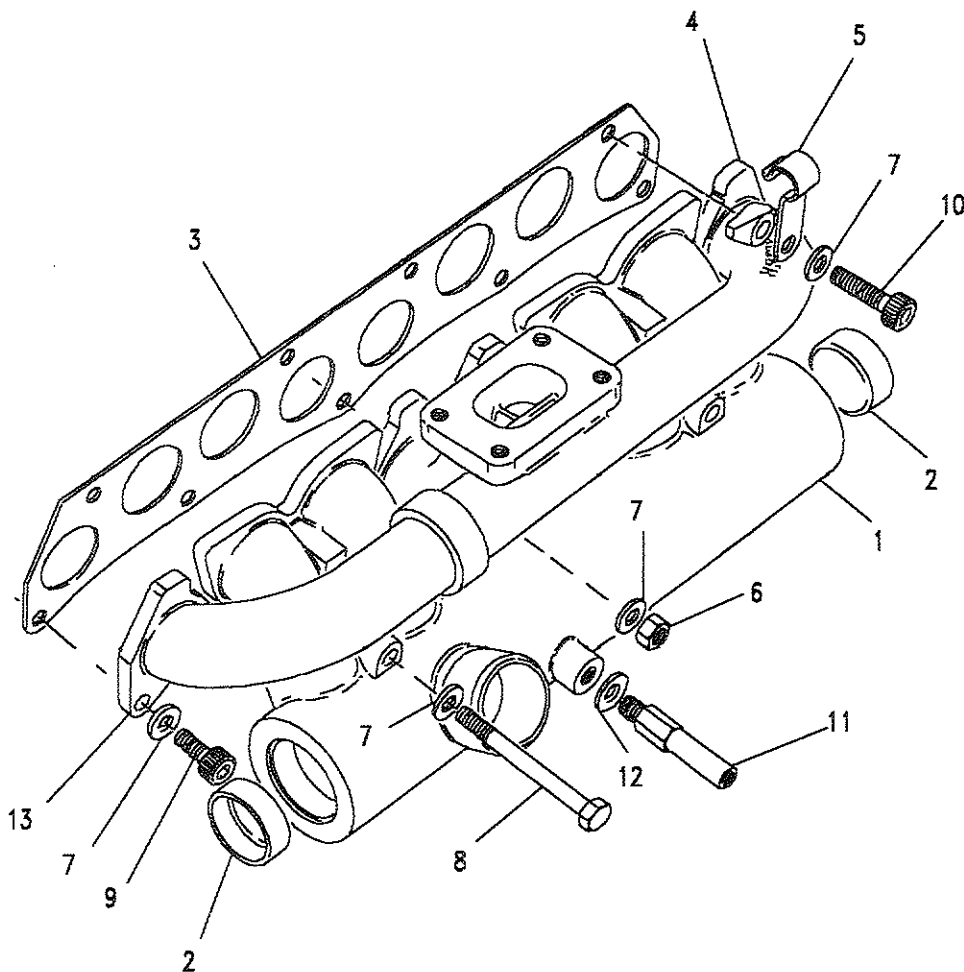
Model DEFENDER 90

Page ADBHHA1A

ENGINE - MANIFOLD - 2.5 DIESEL TURBO

III. Part No.	Description	Qty	Remarks
1	ETC6492	1	
2	525428	2	
3	ETC7750	1	
4	564308	4	
5	574654	1	
6	NH108065L	1	
7	WA108051L	9	
8	ETC6910	2	
9	ETC7917	3	
	ETC7503	3	Note(1)
10	ETC7917	2	
11	ETC7395	1	
12	WJ108001L	2	
13	ETC7633	1	
	ETC6970	2	
	NH108065L	2	

Note(1) Only used on engines up to 19J15397C



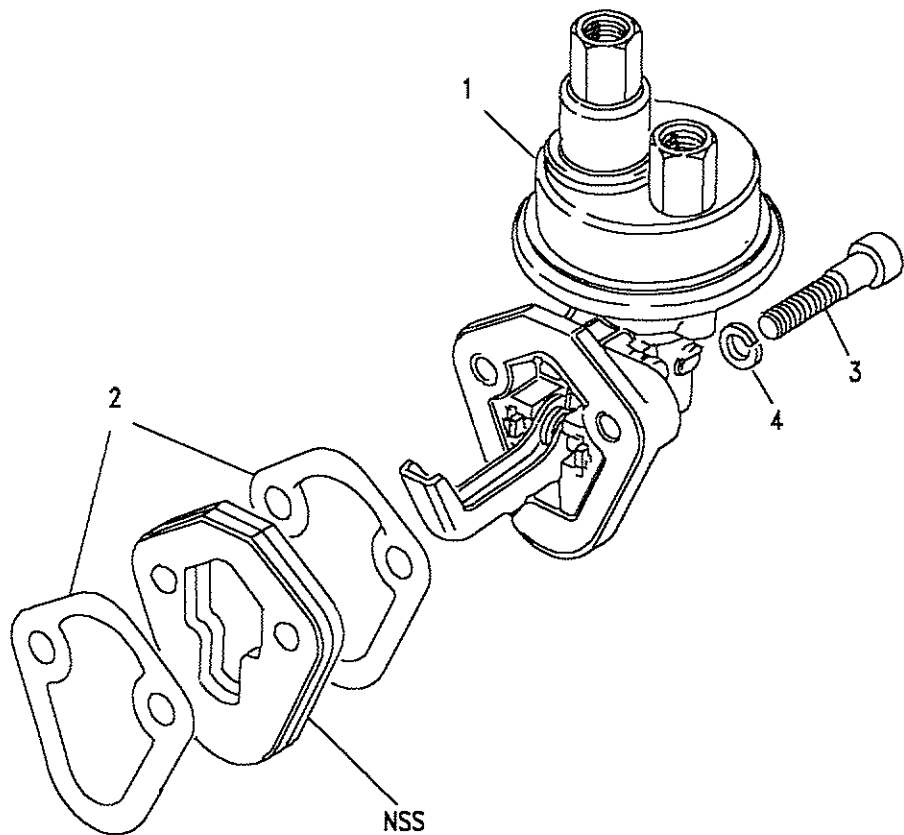


Model DEFENDER 90  
Page ADBHKA1A

ENGINE - FUEL PUMP - 2.5 DIESEL TURBO

III. Part No.	Description	Qty	Remarks
1 ETC7869	Pump fuel	1	Note(1)
2 ETC7970	Gasket-fuel pump/side cov	1	
3 SS108301L	Screw socket	2	
4 WA108051L	Washer	2	

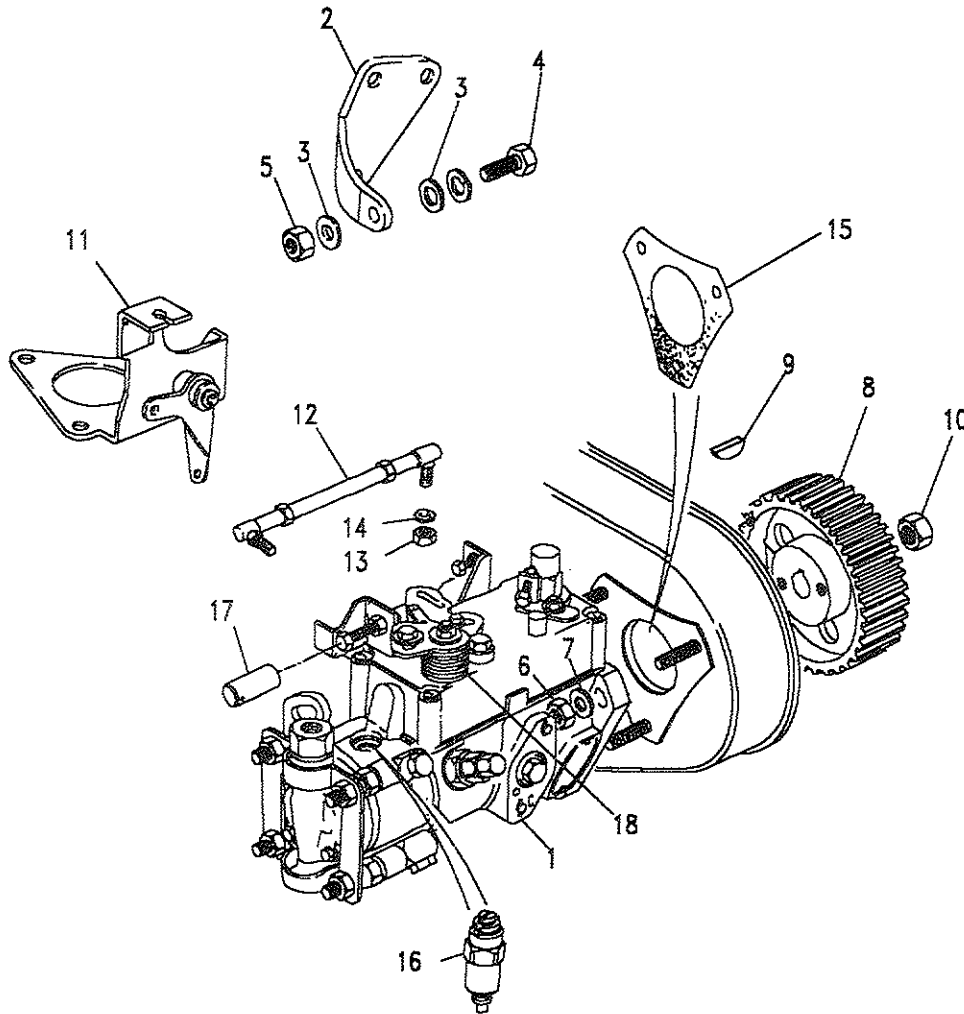
Note(1) Use RTC6180 Fuel Pump Kit up to 19J14097C





Model DEFENDER 90  
Page ADBHKC1A

ENGINE - INJECTOR PUMP - 2.5 DIESEL TURBO

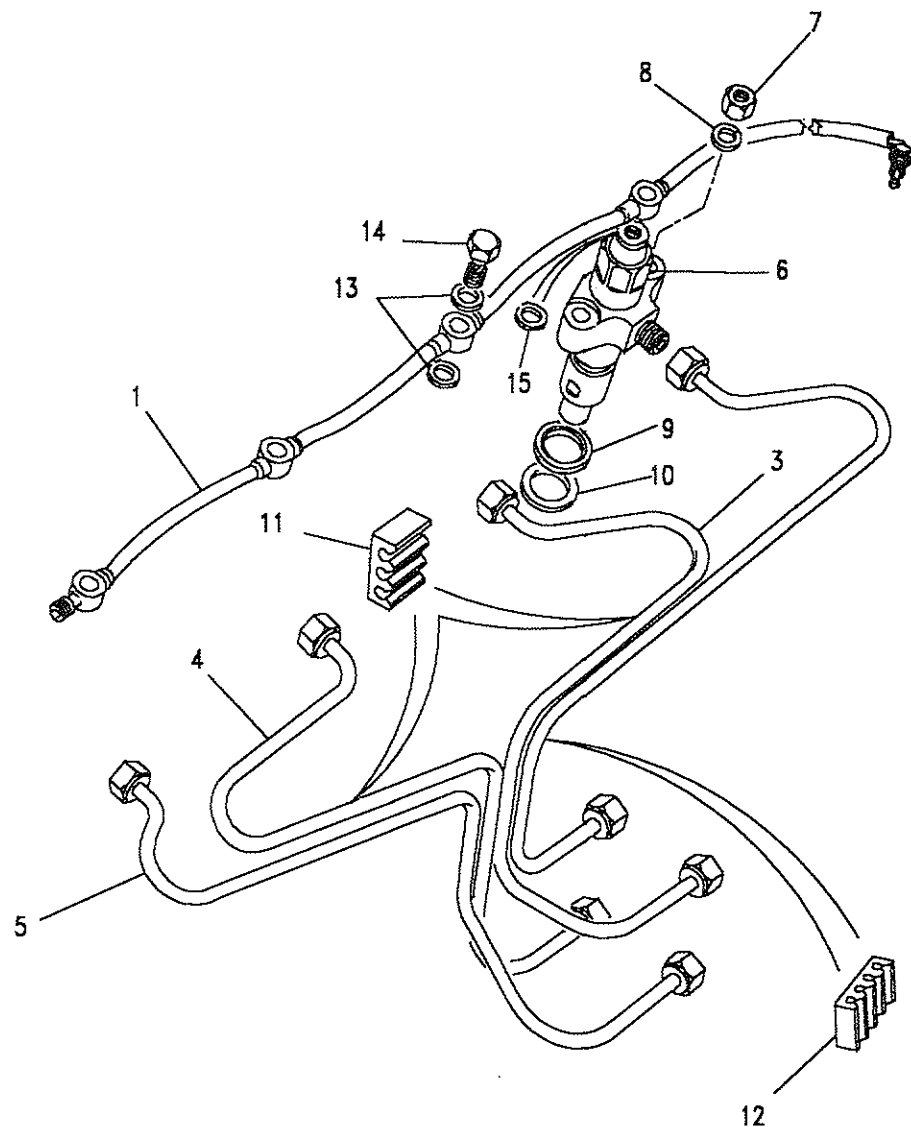


III. Part No.	Description	Qty	Remarks
1	ETC7136	1	Pump distributor
	ETC7136E	1	Pump distributor-exchange
2	ETC4070	1	Bracket support pump
3	WA108051L	2	Washer-pump to bracket
4	SH108251L	1	Screw-pump to bracket
5	NY108041L	1	Nut-pump to bracket
6	NH108041L	3	Nut
7	WA108051L	3	Washer
8	ETC5717	1	Pulley
9	RTC5077	1	Key-pulley
10	NH112041L	1	Nut-fixing pulley
11	ETC6675	1	Lever throttle
12	ETC4417	1	Link throttle assembly
13	NH105041L	2	Nut
14	WA105001L	3	Washer
15	ERR3617	1	Gasket injection pump
16	BAU4611L	1	Switch-fuel cut off
17	ETC4752	1	Sleeve-locking speed stop
	ETC7091	2	Bolt banjo
	517976	2	Washer joint
18	RTC5891	1	Spring-throttle return



**Model** DEFENDER 90  
**Page** ADBHKE1A

**ENGINE - INJECTORS AND PIPES - 2.5 DIESEL TURBO**



III. Part No.	Description	Qty	Remarks
1	ERR1259	1	Note(1)
2	ETC4291	1	
3	ETC4292	1	
4	ETC4293	1	
5	ETC4294	1	
6	564332	4	
	564332E	4	
	247726	4	
7	NH108041L	8	
8	WL108001L	8	
9	12H220L	4	
10	247179	4	
11	ETC4156	2	
12	ETC4308	1	
13	273069	8	
14	273521	4	
15	517976	4	

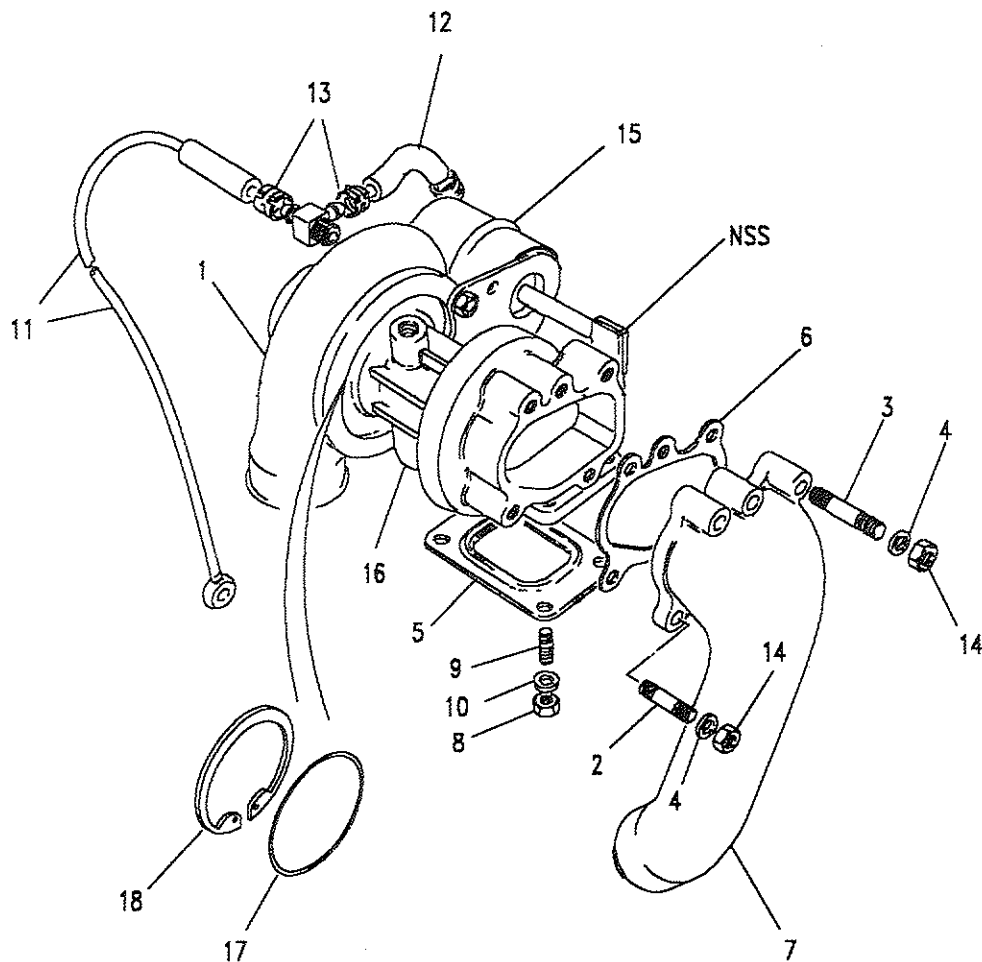
Note(1) ERR1259 screws directly into pump-olive and male nut.

Model DEFENDER 90  
Page ADBHLA1B

ENGINE - TURBO CHARGER - 2.5 DIESEL TURBO

III. Part No.	Description	Qty	Remarks
1	STC99N	1	Turbo charger
	STC99E	1	Turbo charger - exchange
2	RTC6094	1	Stud-M8x32
3	RTC6093	4	Stud-M8x48
	ERR1125	1	Bolt banjo-turbo charger
	FRC4808	2	Washer joint
4	WA108051L	5	Washer-stud
5	ETC5710	1	Gasket-turbo to exhaust
6	ETC5898	1	Gasket
7	ETC7058	1	Elbow-exhaust outlet
8	ETC7184	4	Nut
9	ETC7667	4	Stud
10	WA108051L	4	Washer
	ETC7186	2	Lockplate-fix/exh-man
11	ETC7331	1	Pipe assembly
	ERR1260	1	Pipe assembly
12	RTC5099	1	Hose comp/to actuator
13	UKC3803L	3	Hose band
14	NH108041L	4	Nut-turbo exhaust outlet
15	RTC6543	1	Actuator assembly
16	RTC6540	1	Housing centre
17	RTC6541	1	O ring
18	RTC6542	1	Snap ring

Upto19J35152C  
From19J35153C









DEFENDER 90

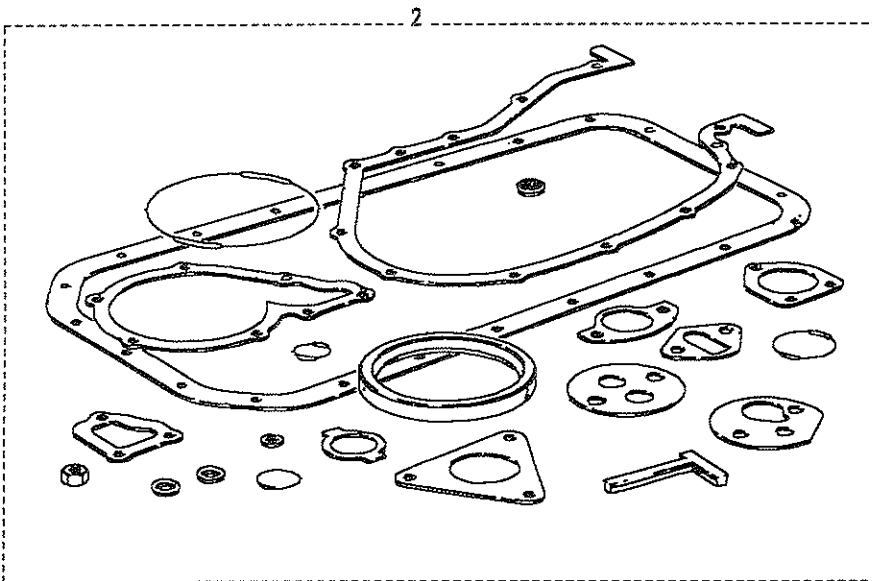
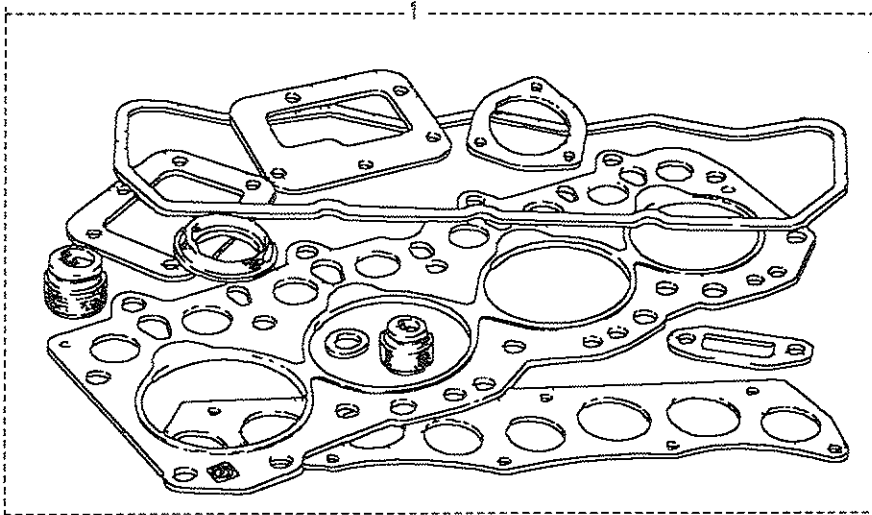
205

ENGINE

Model DEFENDER 90  
Page ADBHMA1A

ENGINE - GASKET KIT - 2.5 DIESEL TURBO

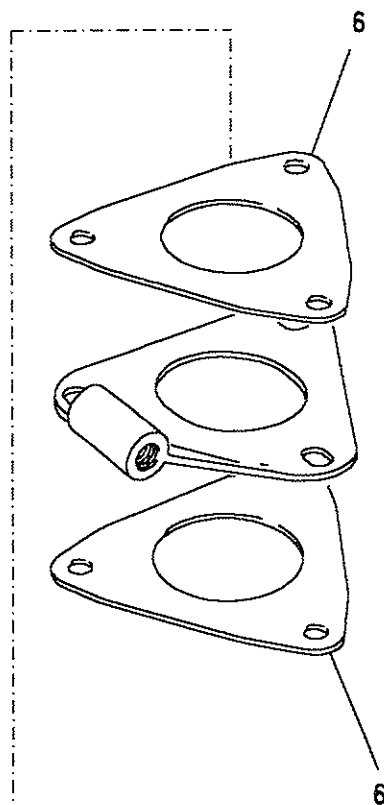
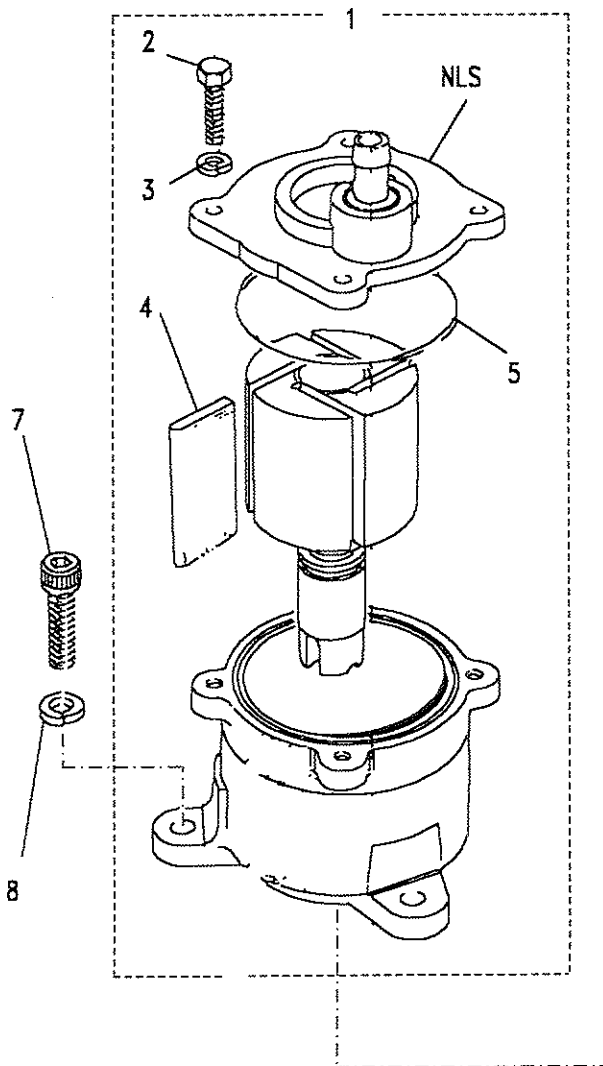
III. Part No.	Description	Qty	Remarks
1 RTC5774	Kit gasket decarbonising	1	
2 STC1558	Kit gasket overhaul	1	



**Model** DEFENDER 90  
**Page** ADBHNA1A

**ENGINE - VACUUM PUMP - 2.5 DIESEL TURBO**

III. Part No.	Description	Qty	Remarks
1	ERR535	1	Pump vacuum assembly
2	AEU2720	4	Bolt
3	WL106001L	4	Washer-spring-end/plate
4	AEU2718	4	Blades rotor
5	AEU2719	1	O ring-end plate to body
6	ETC4616	2	Gasket
7	SS108301L	3	Bolt
8	WM600051L	3	Washer

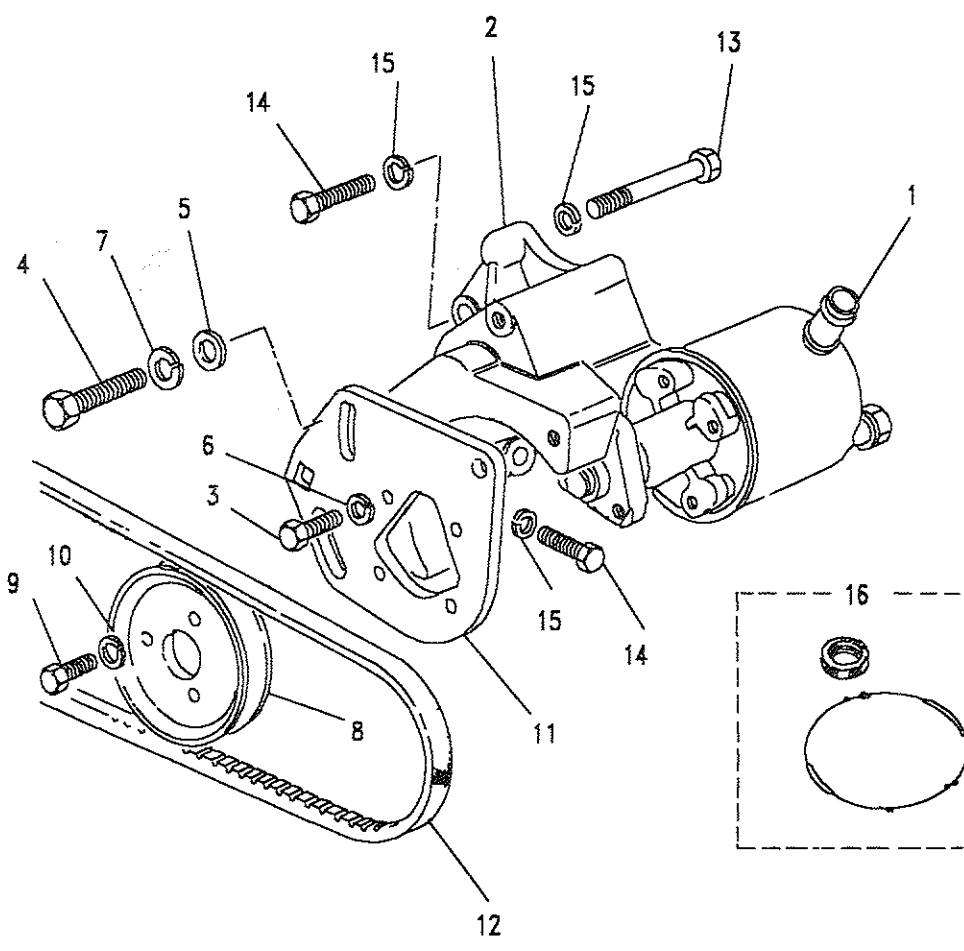




Model DEFENDER 90  
Page ADBHNC1A

ENGINE - POWER STEERING PUMP - 2.5 DIESEL TURBO

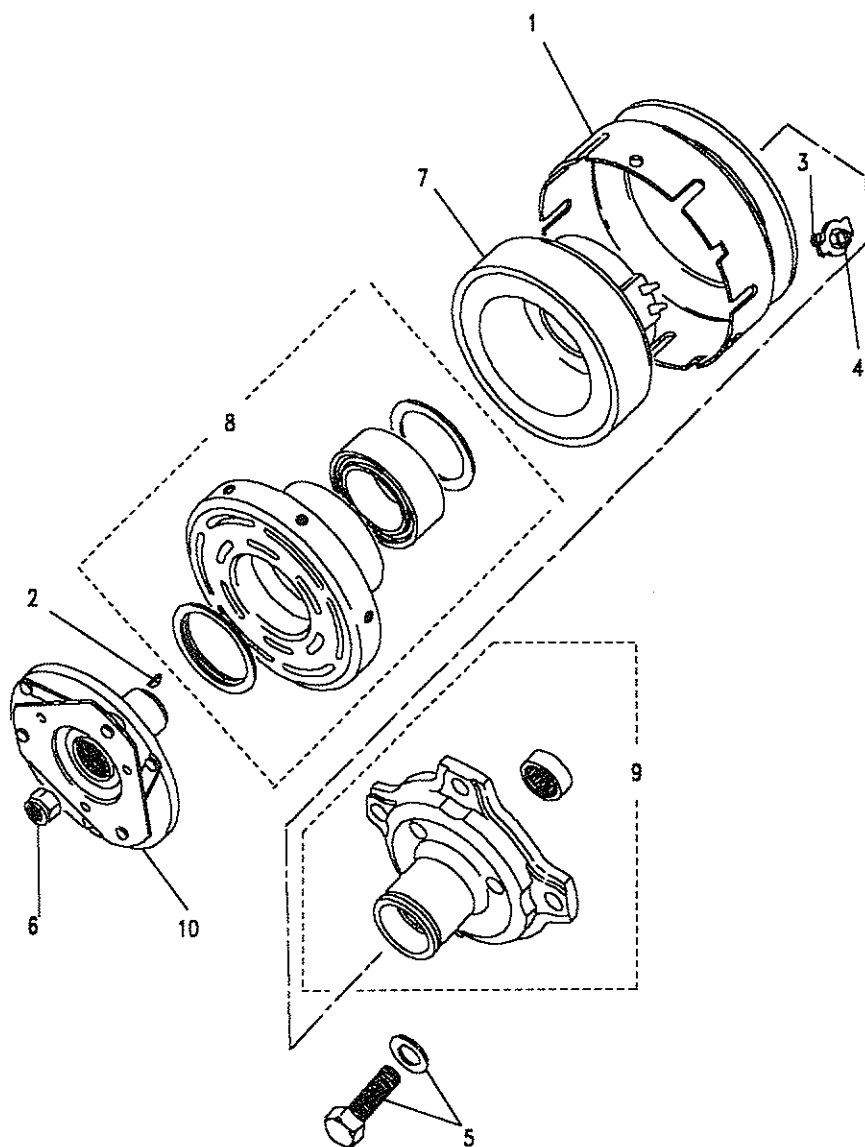
III. Part No.	Description	Qty	Remarks
1	ETC9077	1	)Upto19J27245C ) ) )From )19J27246C )Upto JULY 92
	RTC5674	1	
	RTC5675	1	
1	NTC8287	1	
	NTC9070	1	From JULY 1992
2	ERC6974	1	Upto19J27245C
	ETC8854	1	From19J27246C
3	FS106201L	4	
4	SH108251L	3	
5	WA108051L	2	
6	WL106001L	4	
7	WL108001L	3	
8	ETC5783	1	
9	SH108141L	3	
10	WL108001L	3	
11	ERR1976	1	Upto JULY 1992
	ERR2605	1	From JULY 1992
12	ETC5815	1	
13	BH108181L	1	
14	SH108251L	2	
	SH108301L	1	
15	WL108001L	4	
16	STC1633	1	



Model DEFENDER 90  
Page ADBHNE1A

ENGINE - AIR CONDITIONING COMPRESSOR - 2.5 DIESEL TURBO

III. Part No.	Description	Qty	Remarks
ERC6480	Compressor assembly	1	
1 AEU1782	Pulley Rim	1	
2 AEU1694	Key clutch hub	1	
3 AEU1780	Screw rim mounting	6	
4 AEU1779	Washer rim mounting	6	
5 AEU1784	Screw	4	
6 AEU1775	Nut shaft	1	
7 AEU1778	Coil	1	
8 AEU1777	Rotor	1	
9 AEU1785	Bearing assembly	1	
10 AEU1776	Clutch assembly	1	

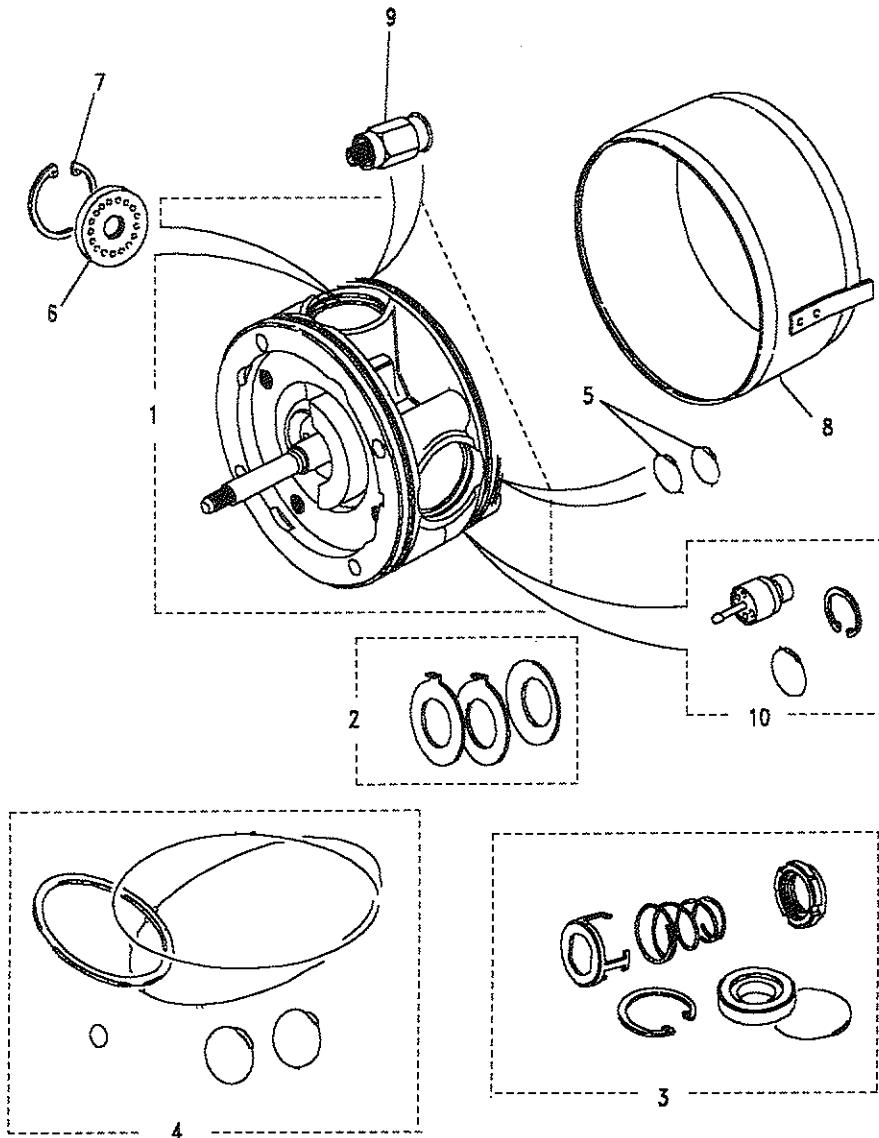




Model DEFENDER 90  
Page ADBHNE2A

ENGINE - AIR CONDITIONING COMPRESSOR - 2.5 DIESEL TURBO

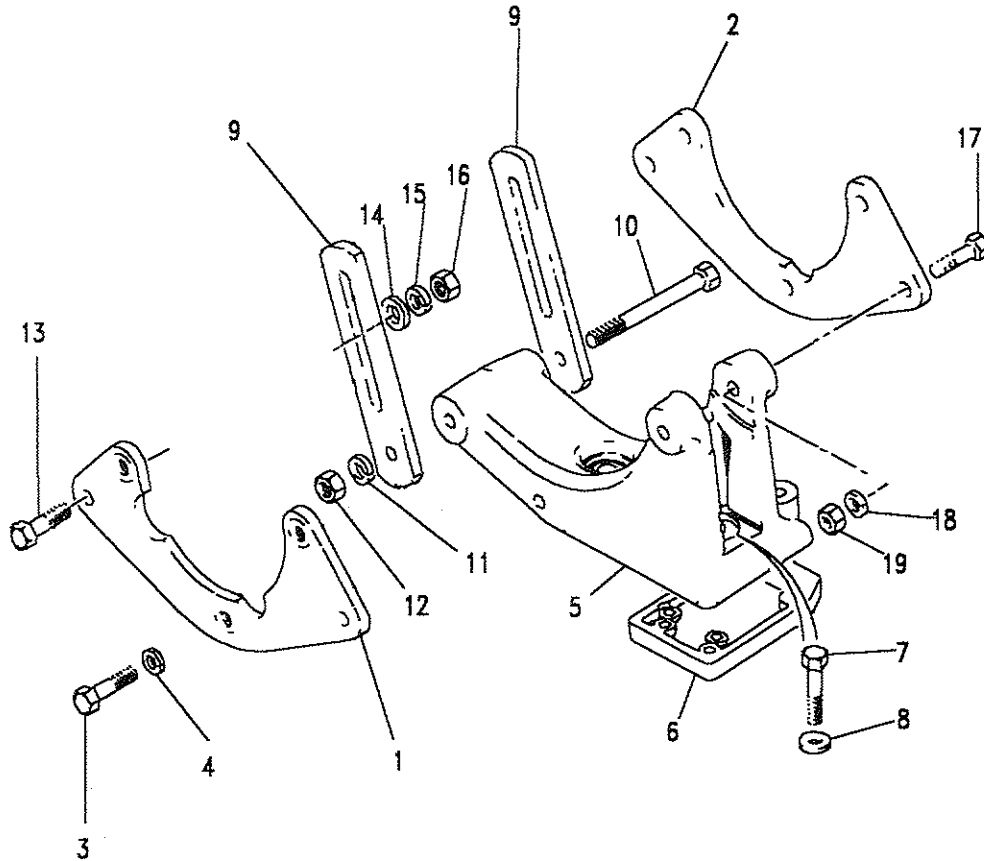
III. Part No.	Description	Qty	Remarks
ERC6480	Compressor assembly	1	
1 AEU1792	Kit cylinder/shaft assy	1	
2 AEU1791	Kit thrust washers	1	
3 AEU1790	Kit shaft seal	1	
4 AEU1192	Kit 'O'rings	1	
5 AEU1690	'O'rings	2	
6 AEU1788	Valve plate assembly	4	
7 AEU1787	Ring retaining	4	
8 AEU1786	Shell assembly	1	
9 AEU1689	Valve pressure	1	
10 AEU1688	Kit superheat switch	1	
ETC4371	Belt driving	1	
AEU1691	Oil 525 Vis/2pt (1136ml)	A/R	



Model DEFENDER 90  
Page ADBHNE3A

ENGINE - COMPRESSOR FIXINGS - 2.5 DIESEL - TURBO

III. Part No.	Description	Qty	Remarks
1	ERC7082	1	Plate mounting front
2	ERC5152	1	Plate mounting rear
3	BH110201L	3	Bolt compressor to plate
4	WL110001L	3	Washer spring
5	ETC4882	1	Bracket
6	ETC4197	1	Plate adaptor bracket
7	BH110101L	4	Bolt bracket to cover
8	WA110061L	4	Washer
9	ERC5155	2	Adjusting link
10	BH108181L	1	Bolt link to bracket
11	WL108001L	1	Washer spring
12	NH108041L	1	Nut
13	SH108251L	2	Screw link to plate
14	WA108051L	2	Washer
15	WL108001L	2	Washer spring
16	NH108041L	2	Nut
17	FB108081L	2	Bolt bracket to plate
18	WL108001L	2	Washer spring
19	NH108041L	2	Nut

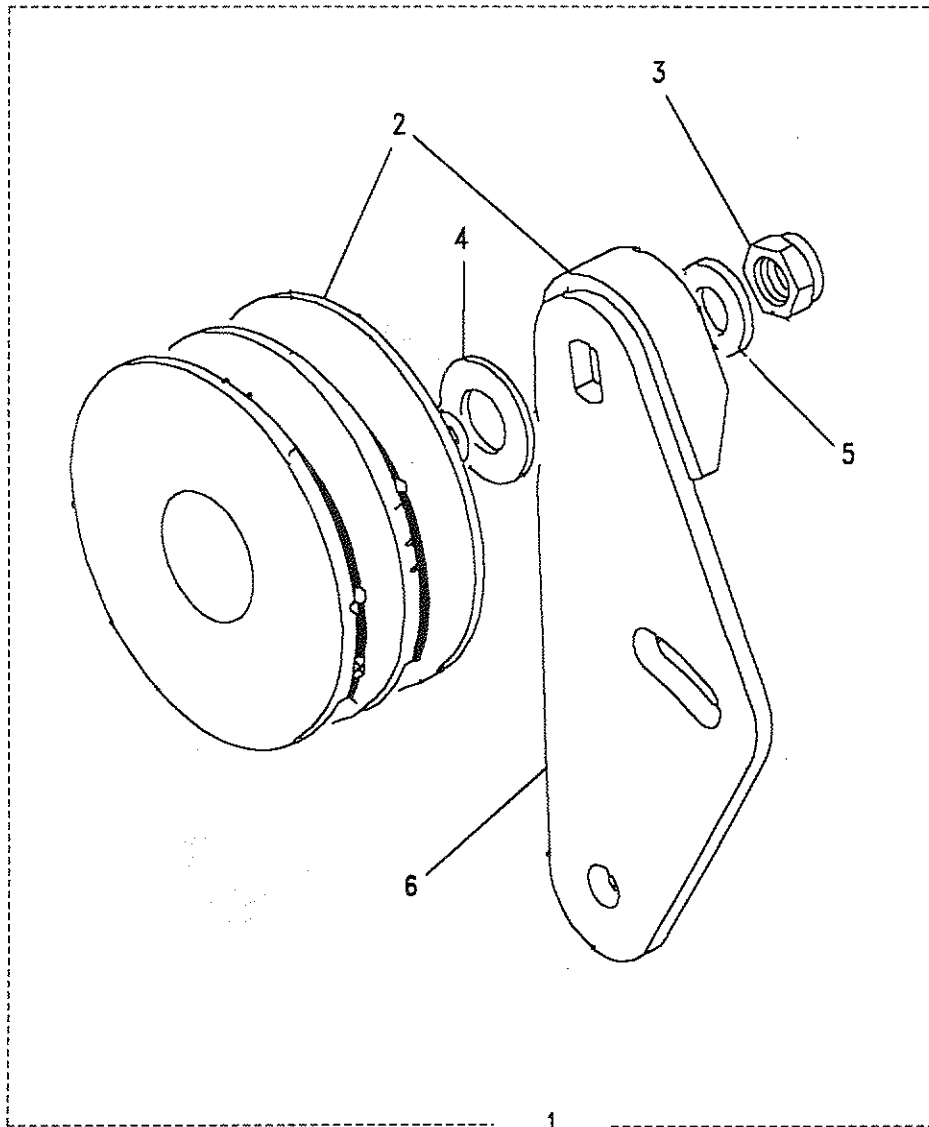




DEFENDER 90

211

ENGINE



Model DEFENDER 90  
Page ADBHNE4A

ENGINE - AIR CON IDLER PULLEY - 2.5 DIESEL TURBO

III. Part No.	Description	Qty	Remarks
1 ETC7756	Pulley damper assembly	1	
2 554971	Pulley	1	
3 RTC6077	Nut	1	
4 4095	Washer plain	1	
5 WB108051L	Washer plain	1	
6 ETC4212	Plate mounting	1	



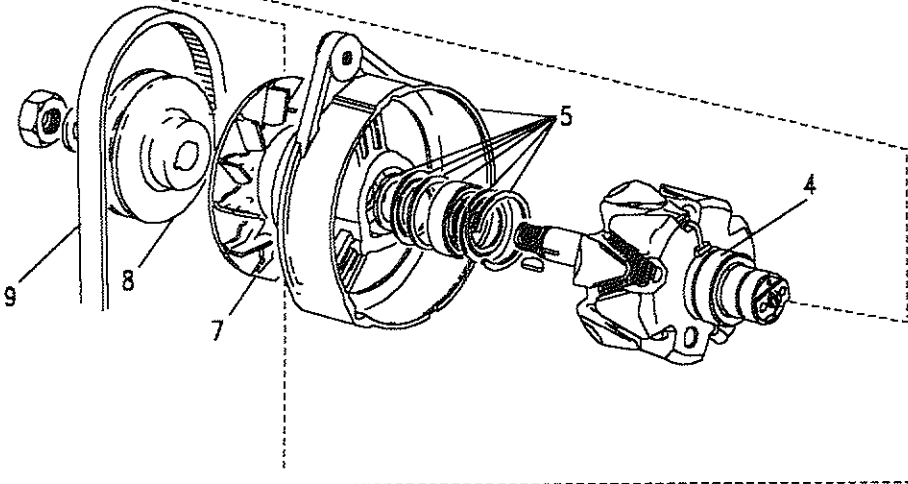
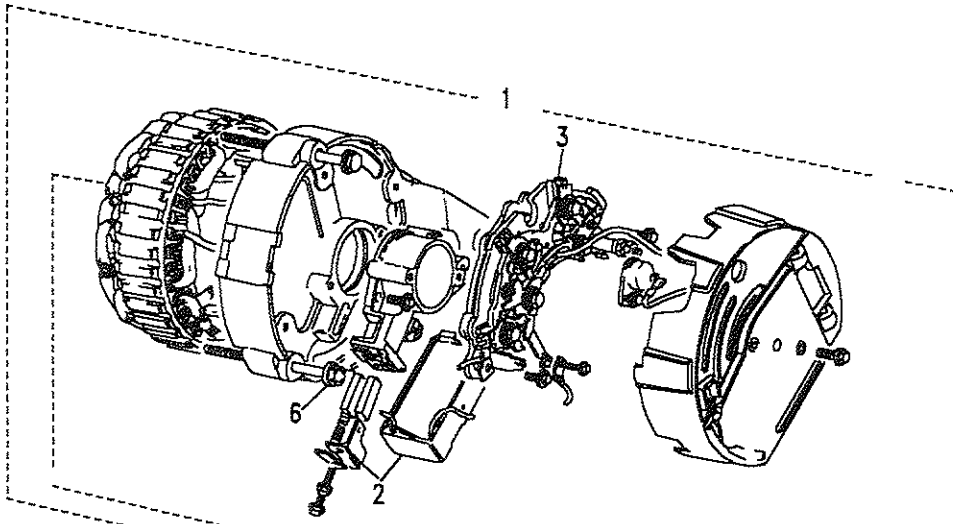


Model DEFENDER 90  
Page ADBHPC1A

ENGINE - ALTERNATOR - 2.5 DIESEL TURBO

III. Part No.	Description	Qty	Remarks
1	RTC5682N	1	Note(1)
	RTC5682E	1	
2	RTC5670	1	Regulator and brush box
3	RTC5684	1	Rectifier
4	RTC5047	1	Bearing slip ring end
5	RTC5687	1	Bracket & bearing drive
6	RTC5046	1	Kit through bolts
7	RTC5685	1	Fan
8	RTC5686	1	Pulley
9	ETC7939	1	Belt fan
	RTC5689	1	Spacer pulley

Note(1) LUCAS number 24199

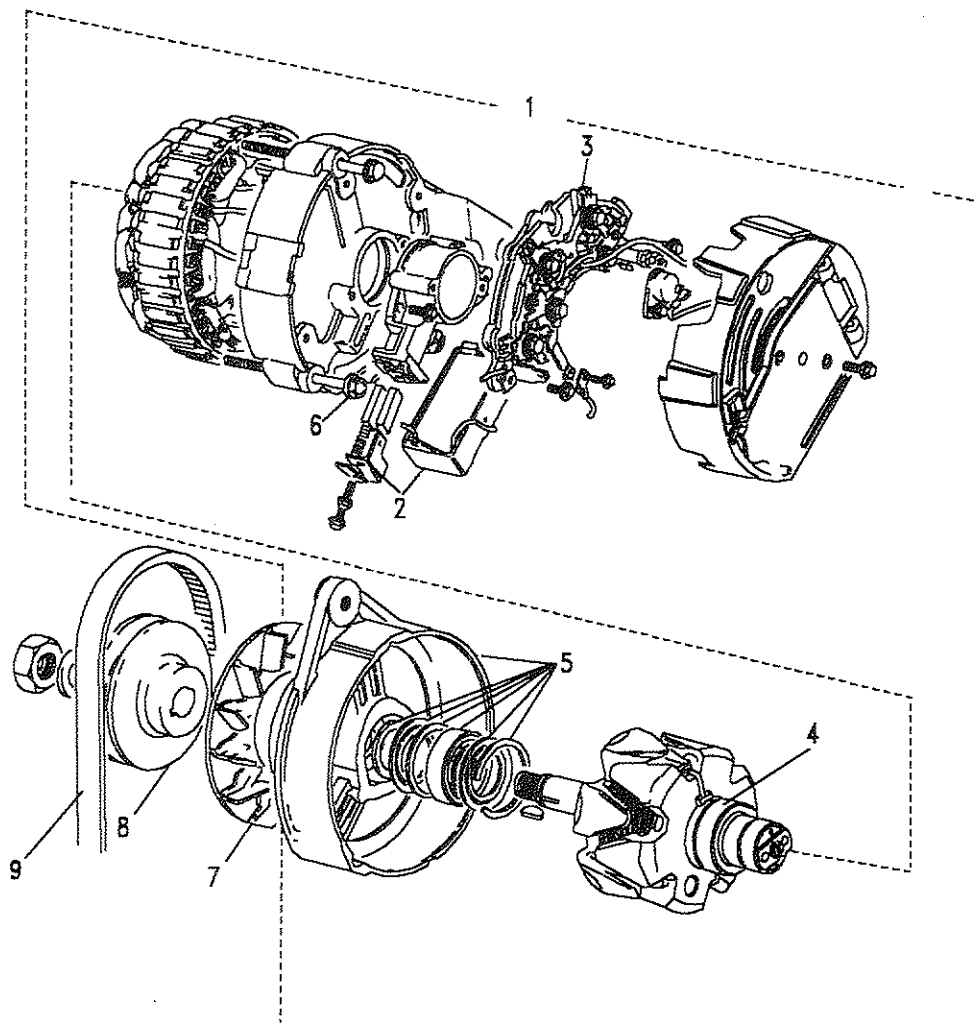


**Model** DEFENDER 90  
**Page** ADBHPC2A

**ENGINE - ALTERNATOR - 2.5 DIESEL TURBO - AIR CON**

III. Part No.	Description	Qty	Remarks
1	RTC5680N	1	Note(1)
	RTC5680E	1	
2	RTC5670	1	
3	RTC5671	1	
4	RTC5047	1	
5	RTC5687	1	
6	RTC5046	1	
7	AAU2249L	1	
8	RTC5686	1	
9	ETC7939	1	
	RTC5689	1	

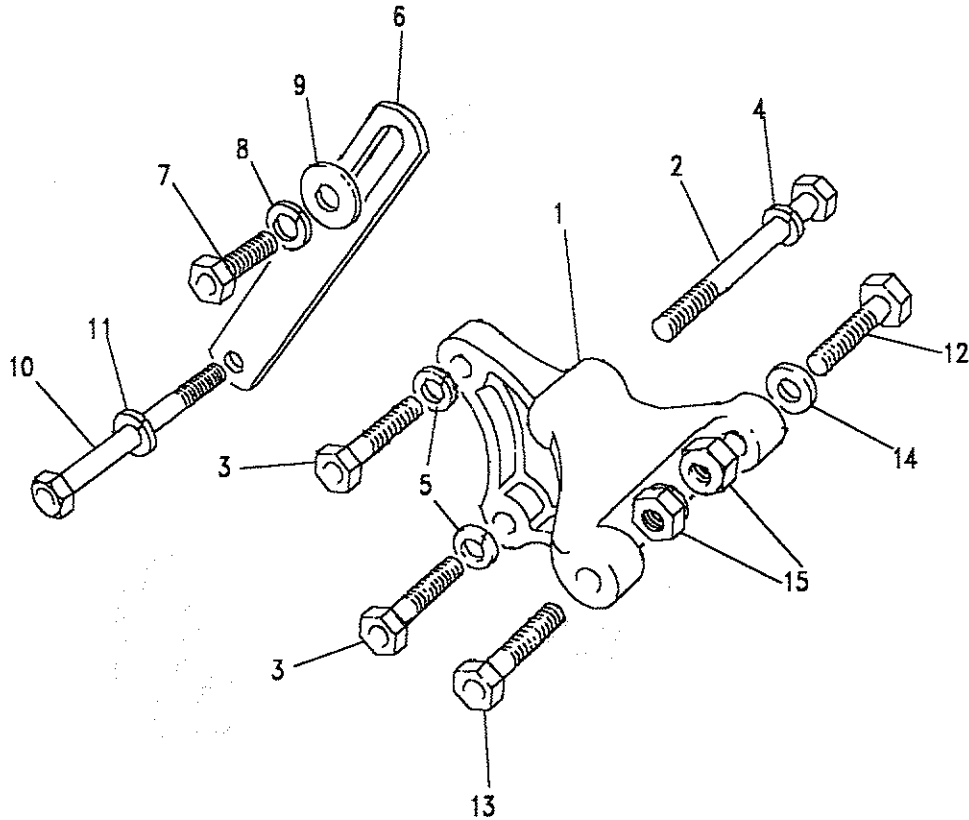
Note(1) LUCAS number 24220



Model DEFENDER 90  
Page ADBHPC3A

ENGINE - FIXINGS ALTERNATOR - 2.5 DIESEL TURBO

III. Part No.	Description	Qty	Remarks
1	ETC4357	1	Bracket Mounting
2	BH108161L	1	Bolt bracket to block
3	SH110301L	2	Bolt bracket to block
4	WL108001L	1	Washer spring
5	WL108001L	2	Washer spring
6	ERC5139	1	Link adjusting
7	FS108201L	1	Screw link to alternator
8	WL108001L	1	Washer spring
9	2266L	1	Washer
10	ERC8964	1	Bolt link to block
11	WL108001L	1	Washer spring
12	FB108081L	1	Bolt bracket to block
13	BH108091L	1	Bolt bracket to block
16	ERC7974	1	Spacer
14	WC108051L	1	Washer
15	NY108041L	2	Nut nyloc





DEFENDER 90

215

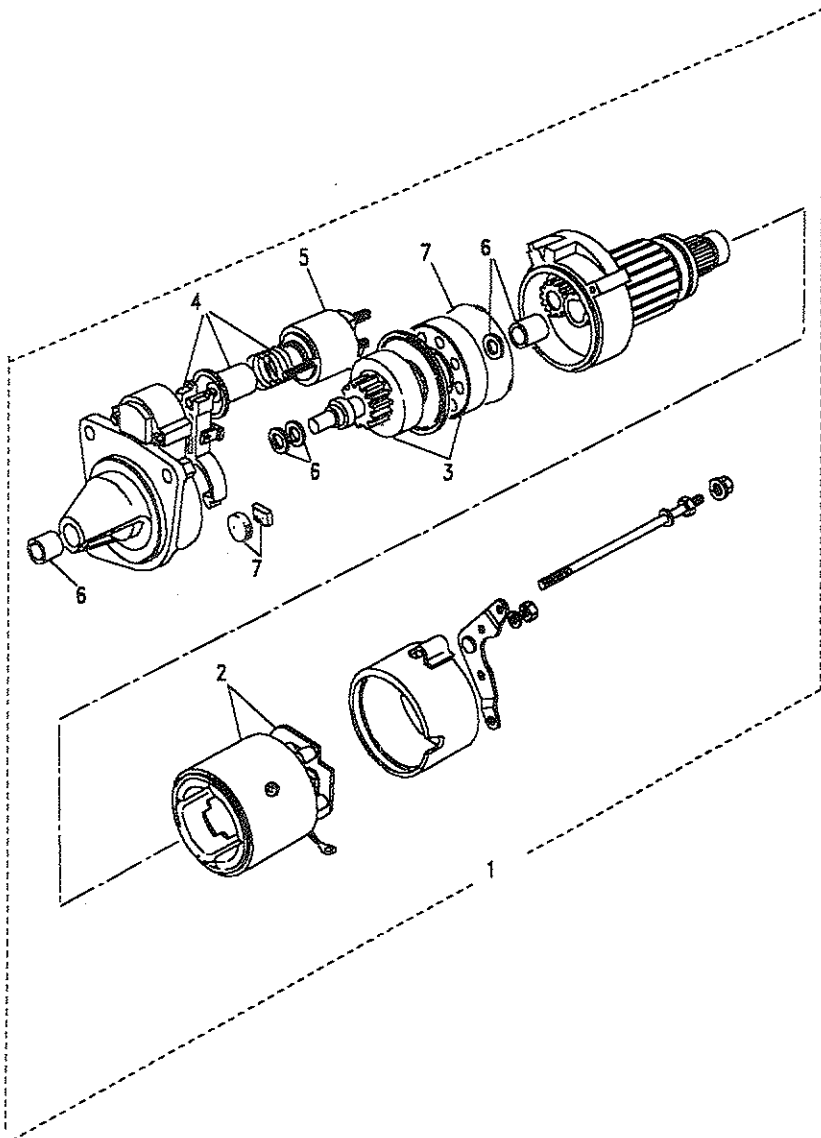
ENGINE

215

Model DEFENDER 90  
Page ADBHPE1A

ENGINE - STARTER MOTOR - 2.5 DIESEL TURBO

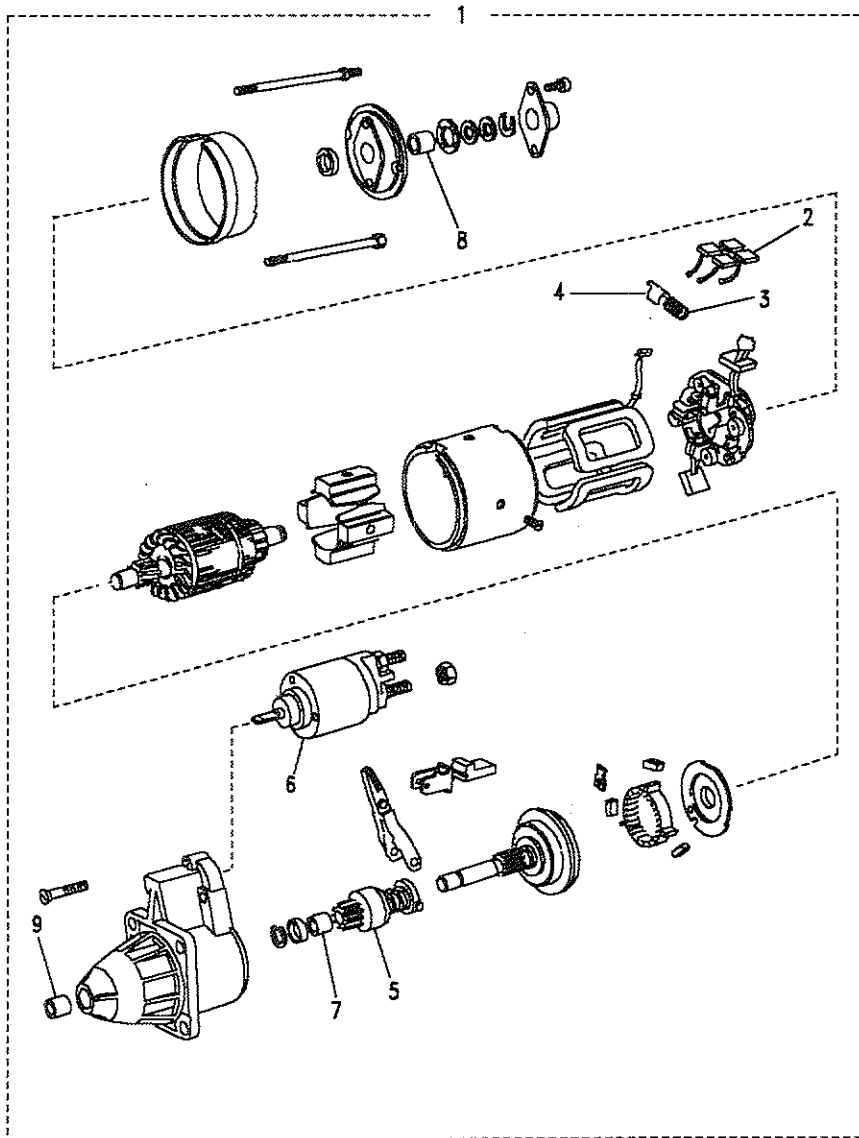
III. Part No.	Description	Qty	Remarks
<b>Used up to JAN 1993</b>			
1	PRC5109N PRC5109E	1	PARIS RHONE
2	RTC4981	1	
3	RTC4982	1	
4	RTC4979	1	
5	RTC4978	1	
6	RTC4980	1	
7	RTC4983	1	
	PRC5538	1	
	SH110301L	1	
	NH110041L	2	
	WL110001L	3	
	BH110091L	4	





Model DEFENDER 90  
Page ADBHPE2A

ENGINE - STARTER MOTOR - 2.5 DIESEL TURBO



III. Part No.	Description	Qty	Remarks
<b>Used from JAN 1993</b>			
1	ERR5009	1	Starter motor
2	STC1246	1	Brush set
3	STC1254	4	Spring compression
4	STC1247	4	Guide brush
5	STC1244	1	Drive assembly
6	STC1245	1	Solenoid
7	STC1250	2	Bush
8	STC1251	1	Bush
9	STC1255	1	Bush

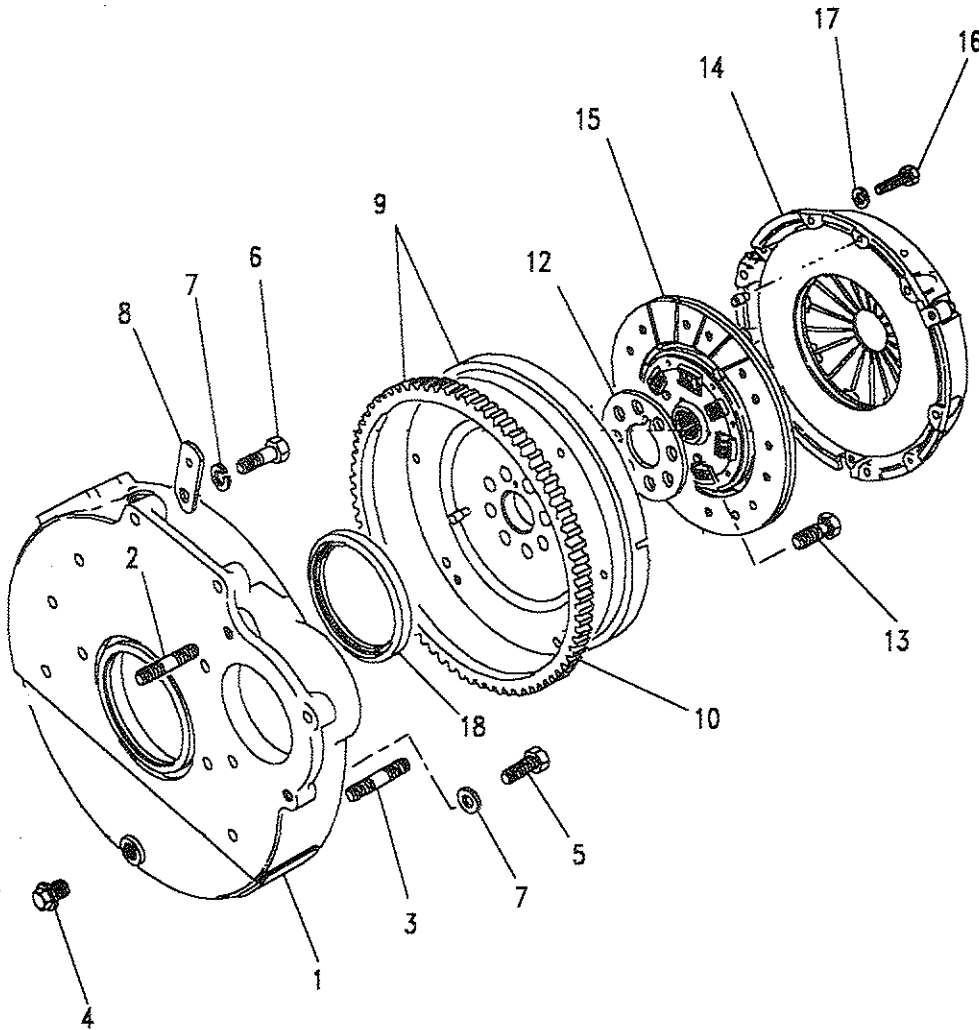




Model DEFENDER 90  
Page ADBHRA1A

## ENGINE - FLYWHEEL AND CLUTCH - 2.5 DIESEL TURBO

III. Part No.	Description	Qty	Remarks
1	ETC7336	1	Housing flywheel assembly
2	TE110061L	11	Stud-bell housing
3	ERC9240	1	Stud-starter motor
4	ERC7295	1	Plug
5	SH110301L	6	Screw-housing to block
6	BH110091L	2	Bolt-housing to block
7	WA110061L	8	Washer-housing to block
8	ERC9404	2	Bracket-harness clip
9	ETC5780	1	Flywheel assembly
10	568431	1	Starter ring
11	502116	3	Dowel
12	ERC4658	1	Plate reinforcement
13	ERC6551	8	Bolt-flywheel to crank
14	FTC575	1	Cover clutch
15	FTC2149	1	Plate clutch
	STC8358	1	Kit clutch
	FTC2149	1	Plate
	FTC575	1	Cover
	FRC9568	1	Bearing
16	SX108201L	6	Screw
17	WL108001L	6	Washer spring
18	ERR1535	1	Seal oil





MASTER INDEX

GROUP B

ENGINE

	PAGES
INTRODUCTION PAGES	1 - 5
ALPHABETICAL INDEX	6 - 14
ENGINE	15 - 65
ENGINE	66 - 117
ENGINE	118 - 171
ENGINE	172 - 217
ENGINE	218 - 261
ENGINE	262 - 297
ENGINE	298 - 367
GEARBOX	368 - 394
GEARBOX	395 - 411
GEARBOX	412 - 425
TRANSFER BOX	426 - 456
TRANSFER BOX	457 - 474
AXLES AND SUSPENSION	475 - 531
STEERING	532 - 564
VEHICLE AND ENGINE CONTROLS	565 - 580
BRAKES	581 - 603
FUEL SYSTEM AND AIR CLEANER	604 - 645
EXHAUST SYSTEM	646 - 660
COOLING/HEATING	661 - 709
COOLING/HEATING	710 - 718
BODY ELECTRICAL	719 - 793
BODY AND CHASSIS	794 - 923
INTERIOR TRIM	924 - 965
SEATS	966 - 1009
STOWAGE	1010 - 1017
ACCESSORIES - PAINTS	1018 - 1042
NUMERICAL INDEX	1044 - 1122

ENGINE

ENGINE COMPLETE - 200 TDI	219
ENGINE STRIPPED - 200 TDI	220
ENGINE SHORT - 200 TDI	221
CYLINDER BLOCK - 200 TDI	222
JET ADAPTORS - 200 TDI	223
SIDE COVER - 200 TDI	224
CRANKSHAFT - 200 TDI	225
PISTONS AND RINGS - 200 TDI	226
SUMP/LADDER FRAME - 200 TDI	227
MOUNTINGS - 200 TDI	228
FRONT COVER - 200 TDI	229 - 230
TIMING BELT - 200 TDI	231
WATER PUMP - 200 TDI	232
OIL PUMP - 200 TDI	233 - 234
OIL FILTER - 200 TDI	235
CYLINDER HEAD - 200 TDI	236 - 237
VALVES AND TAPPETS - 200 TDI	238
ROCKER SHAFT - 200 TDI	239
ROCKER COVER - 200 TDI	240
CYCLONE BREATHER ASSEMBLY - 200 TDI	241
CAMSHAFT - 200 TDI	242
THERMOSTAT HOUSING - 200 TDI	243
MANIFOLDS - 200 TDI	244
FUEL PUMP - 200 TDI	245
INJECTION PUMP - 200 TDI	246
INJECTORS AND PIPES - 200 TDI	247
TURBO CHARGER - 200 TDI	248 - 249
GASKET KITS - 200 TDI	250
VACUUM PUMP - 200 TDI	251
POWER STEERING PUMP - 200 TDI	252
AIR CONDITIONING COMPRESSOR - 200 TDI	253
KITS - COMPRESSOR - 200 TDI	254
COMPRESSOR FIXINGS - 200 TDI	255
AIR CON IDLER PULLEY - 200 TDI	256
ALTERNATOR - 200 TDI	257
FIXINGS ALTERNATOR - 200 TDI	258
STARTER MOTOR - 200 TDI	259 - 260
FLYWHEEL & CLUTCH - 200 TDI	261





DEFENDER 90

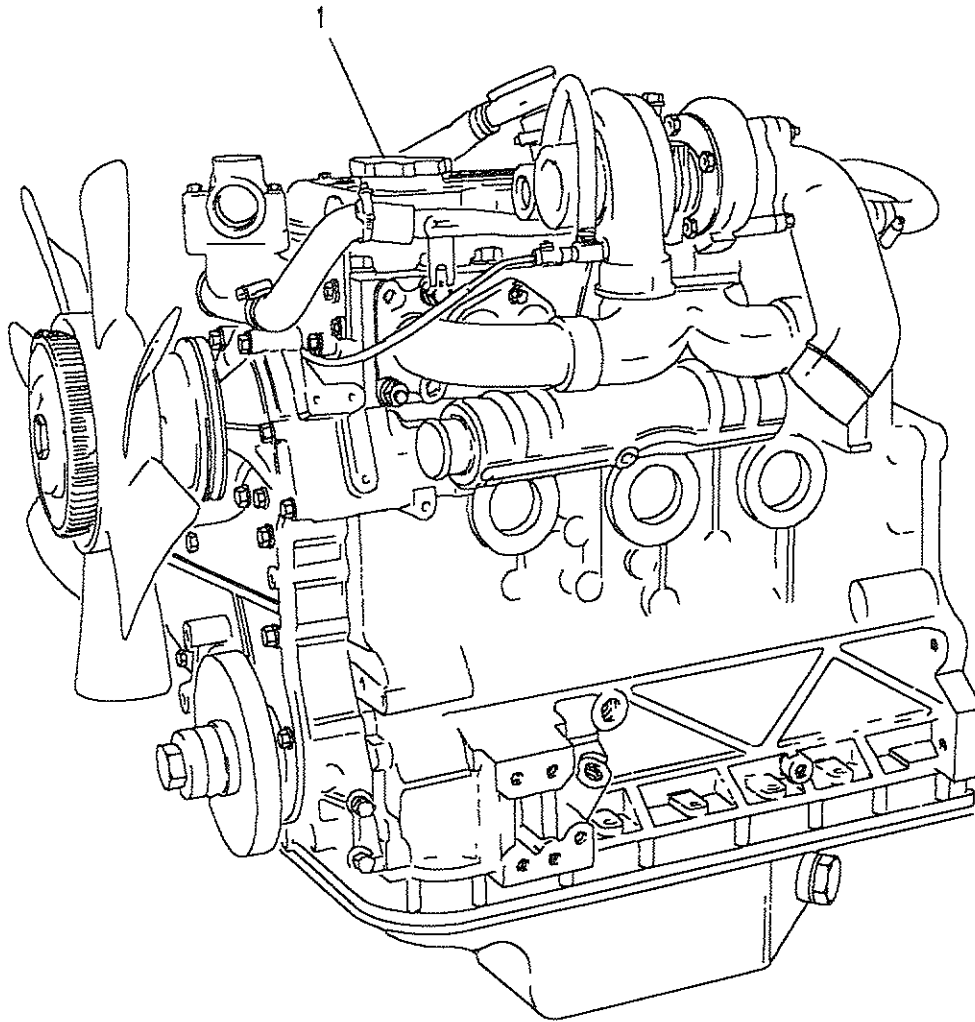
219

ENGINE

**Model** DEFENDER 90  
**Page** ADBMAA1A

**ENGINE - ENGINE COMPLETE - 200 TDI**

III. Part No.	Description	Qty	Remarks
1 STC308	Engine complete assembly	1	11L00001





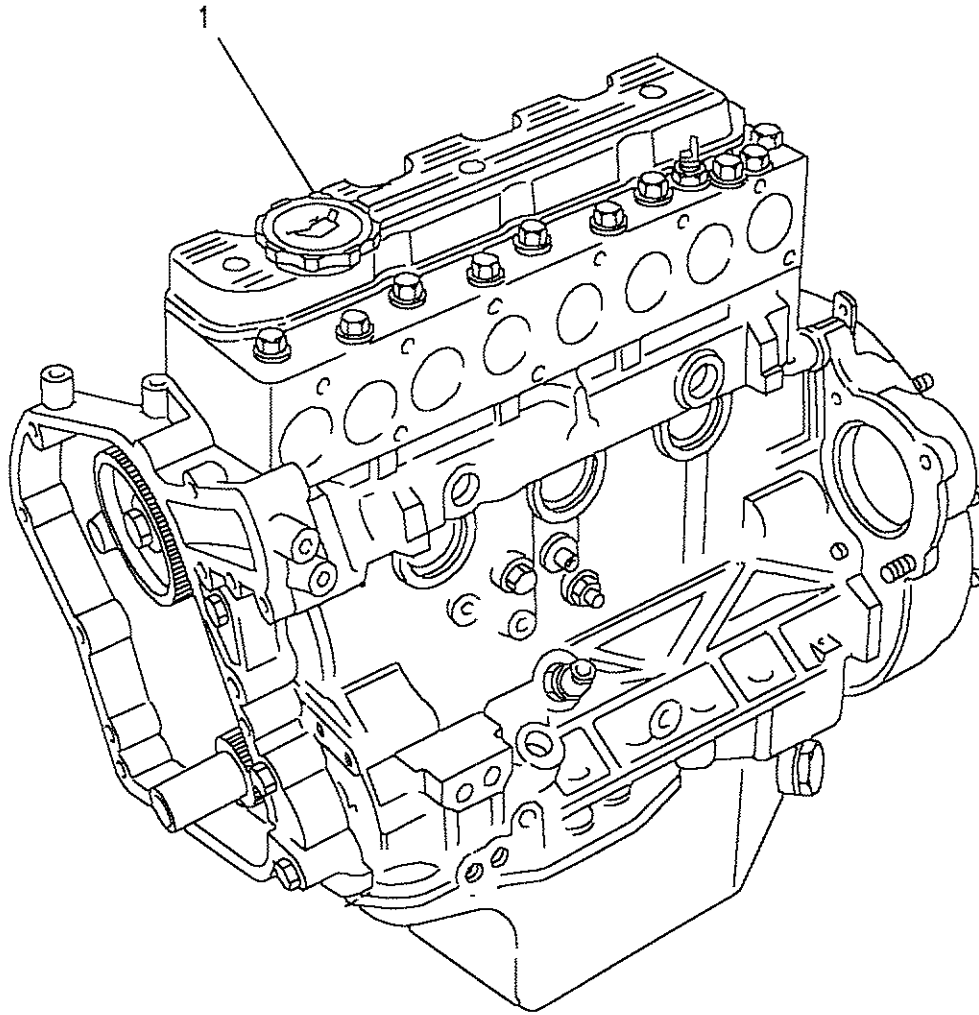
**Model** DEFENDER 90

**Page** ADBMAC1A

**ENGINE - ENGINE STRIPPED - 200 TDI**

Ill. Part No.	Description	Qty	Remarks
1 STC309N	Engine stripped assembly	1	11L00001

Note(1) Engine less ancillary equipment



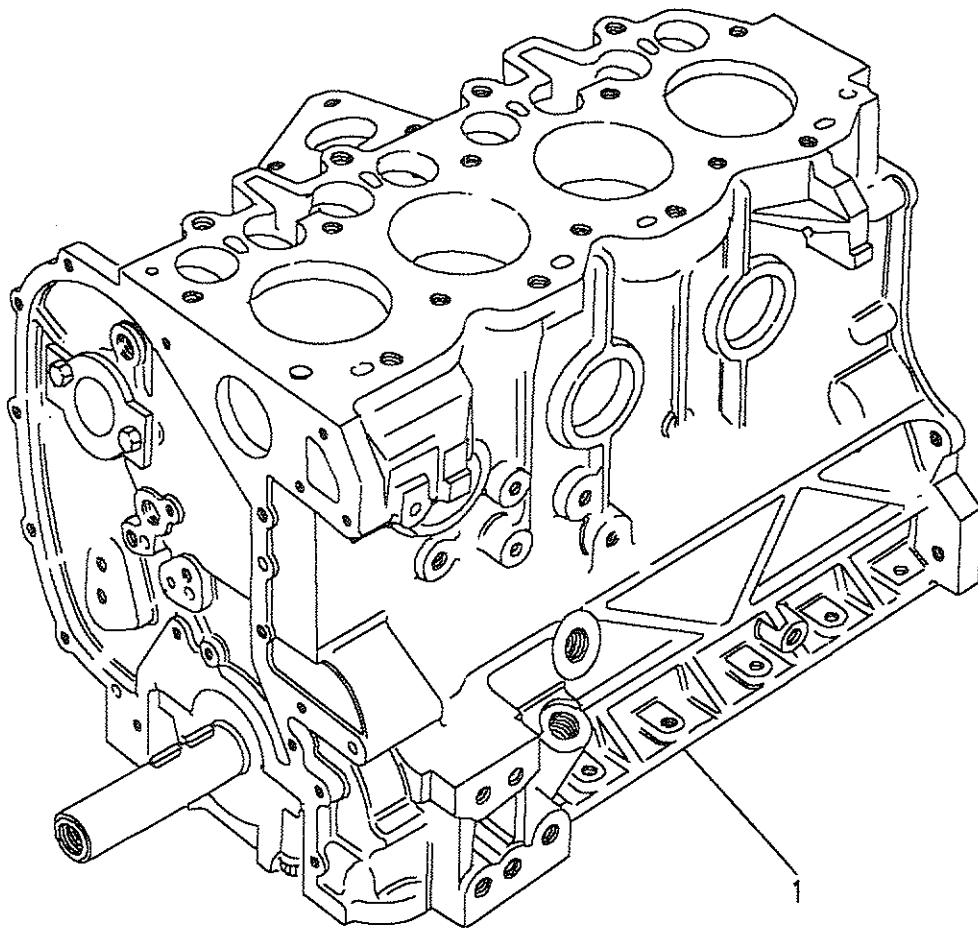


**Model** DEFENDER 90  
**Page** ADBMAE1A

**ENGINE - ENGINE SHORT - 200 TDI**

III. Part No.	Description	Qty	Remarks
1 RTC6635	Engine short assembly	1	11L00001

Note(1) Cyl block/Crank/Main bearings/Con rod/Pistons



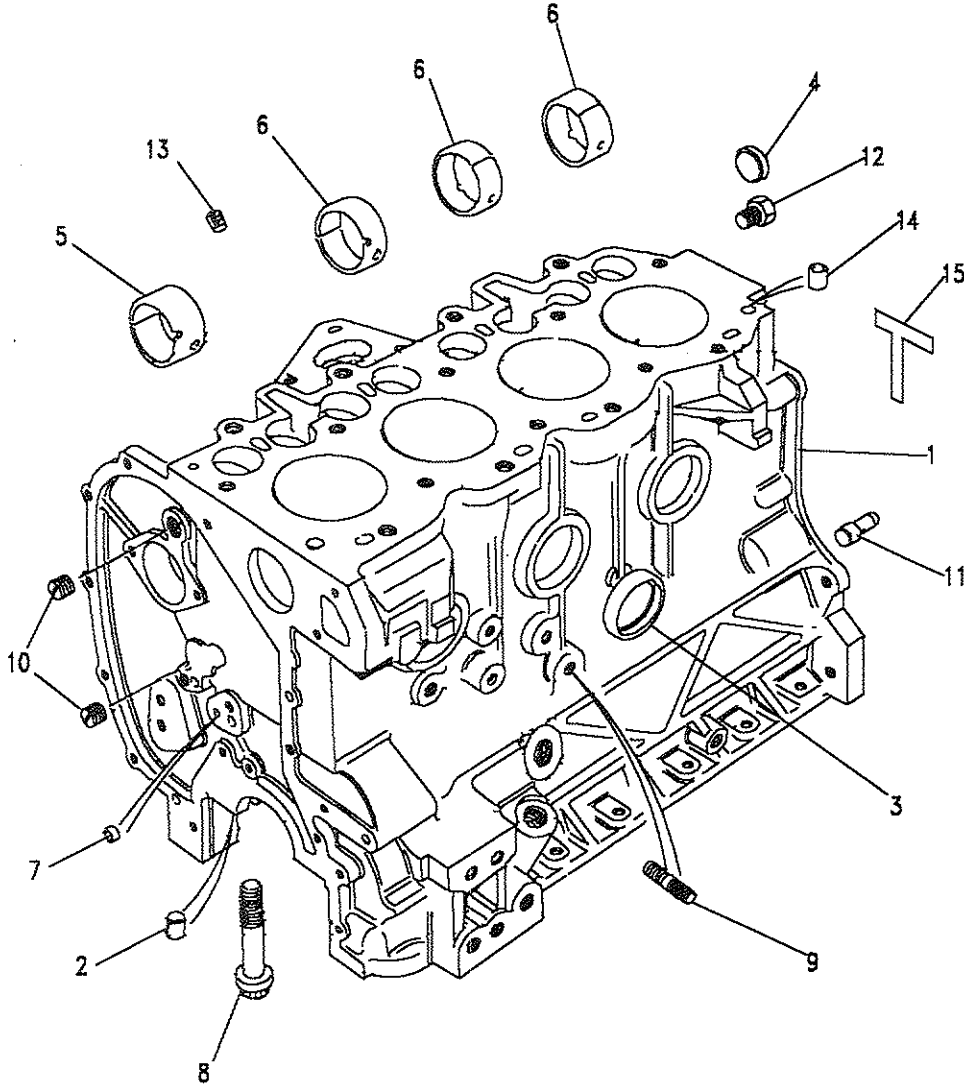
Model DEFENDER 90

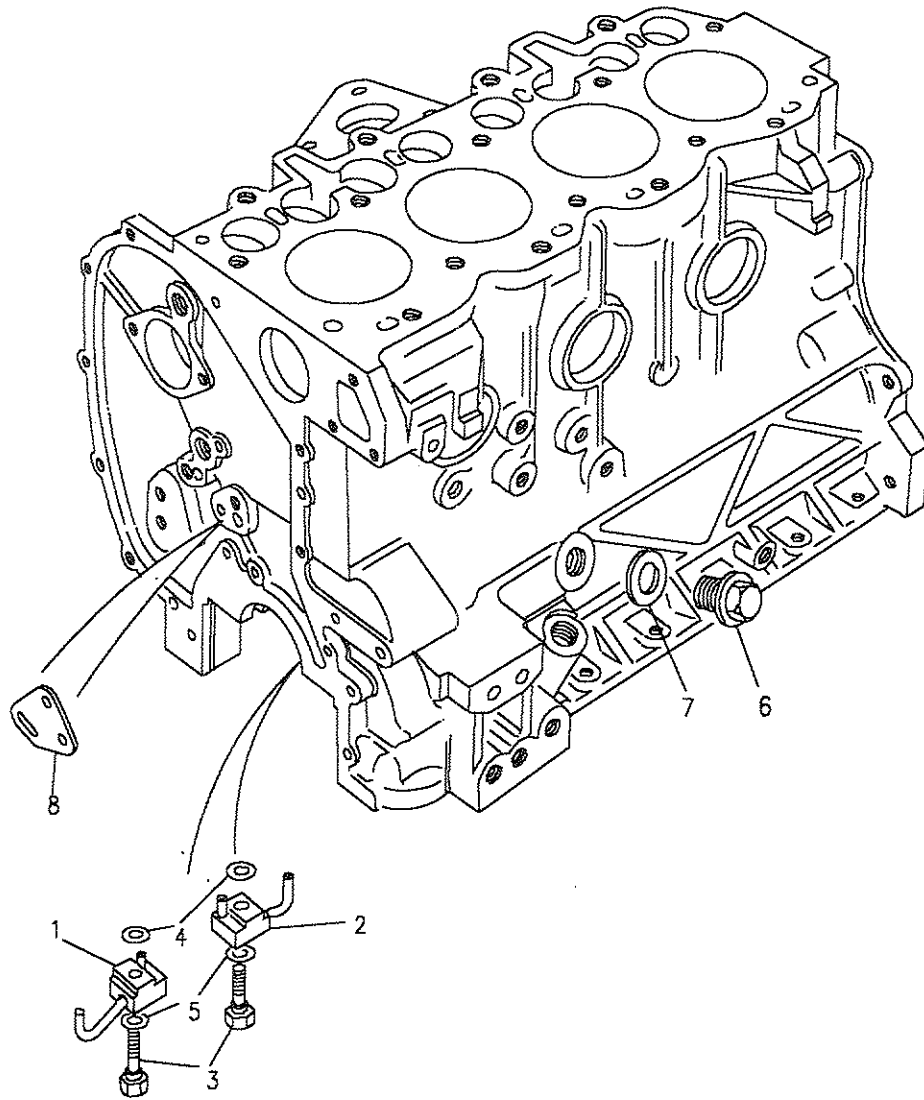
Page ADBMBA1A

ENGINE - CYLINDER BLOCK - 200 TDI

III. Part No.	Description	Qty	Remarks
1	ERR3	1	Cylinder block assembly
2	501593	10	Dowel-bearing caps
3	ERC4996	6	Cup plug
4	597586	1	Cup plug
5	ETC8442	1	Bearing-cam
6	90519055	3	Bearing-cam
7	ETC4529	1	Plug-cup
8	ETC8074	10	Bolt-main bearing cap
9	TE108031L	1	Stud-starter motor
10	247127	1	Plug-oil gallery
11	ERC4644	2	Dowel flywheel housing
12	ETC4922	1	Plug-gallery pipe
13	ERR5034	3	Plug camshaft oil feed
14	ETC8352	2	Ring-dowel head/block
15	ERR913	2	Packing strip

Note(1) Part of gasket kit STC363





**Model** DEFENDER 90  
**Page** ADBMBA2A

**ENGINE - JET ADAPTORS - 200 TDI**

III. Part No.	Description	Qty	Remarks
1 ETC6531	Jet assembly No1&No3 cyl	2	
2 ETC6532	Jet assembly No2&No4 cyl	2	
3 ETC5592	Valve relief	4	
4 AFU1879L	Washer joint	4	Note(1)
5 AFU1887L	Washer joint	4	Note(1)
6 ERC9410	Plug drain	1	
7 AFU1882L	Washer joint	1	Note(1)
8 ERC8864	Gasket	1	Note(1)(2)

Note(1) Part of gasket kit STC363  
 Note(2) No longer fitted

T5669E



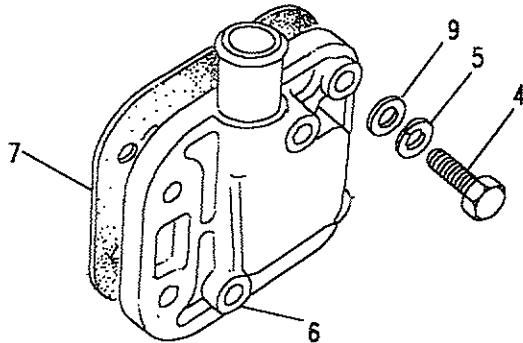
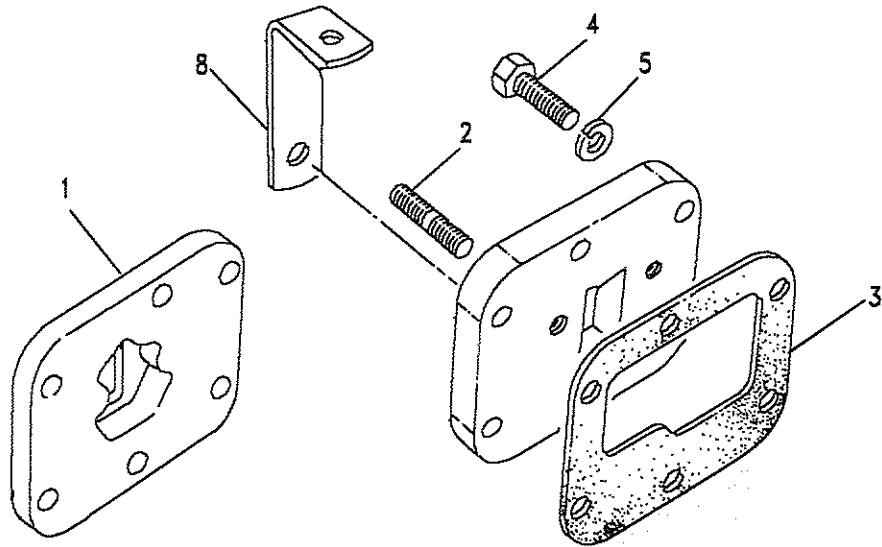
Model DEFENDER 90

Page ADBMBC1A

ENGINE - SIDE COVER - 200 TDI

III. Part No.	Description	Qty	Remarks
1	ETC7929	1	Plate cover
2	TE108041L	2	Stud
3	ERR1475	1	Washer joint
4	FS108251L	9	Screw
5	WL108001L	12	Washer spring
6	ERR506	1	Cover side
7	247555	1	Gasket side cover
	ERR3605	1	Gasket side cover
8	ERC9480	1	Bracket harness clip
9	WA108051L	3	Washer plain

Note(1) Part of gasket kit STC363



TS6825



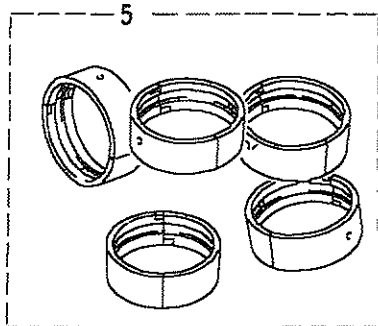
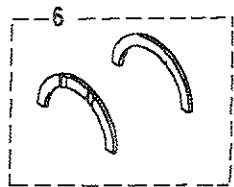
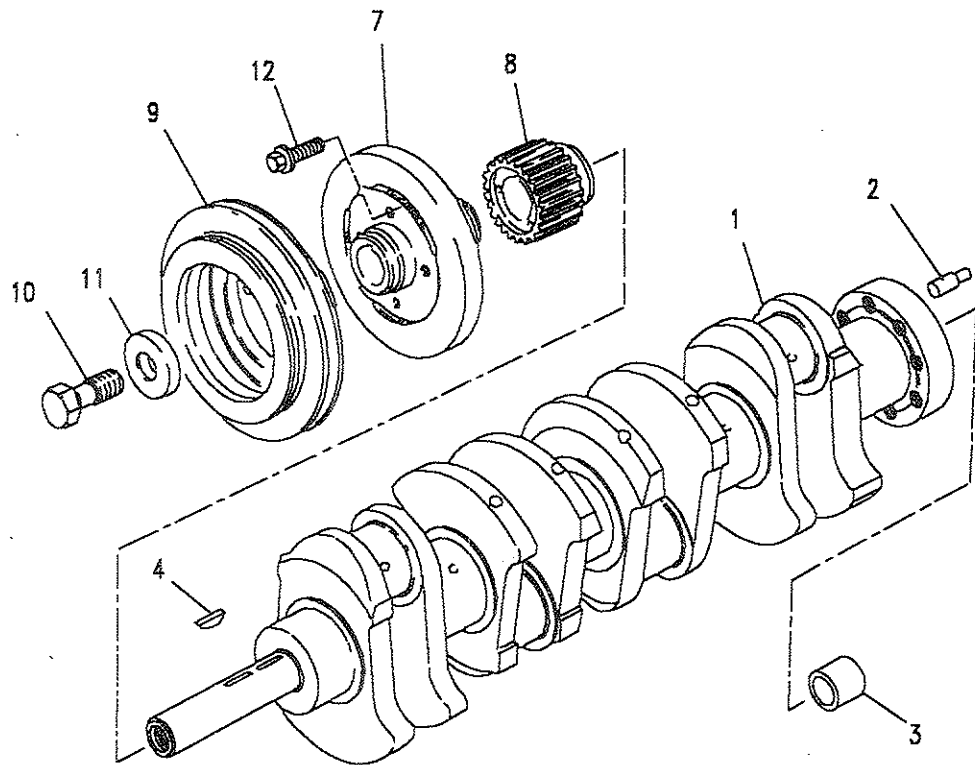


225

Model DEFENDER 90

Page ADBMCA1A

ENGINE - CRANKSHAFT - 200 TDI



III. Part No.	Description	Qty	Remarks
1 ERR1181	Crankshaft	1	
2 ERR1630	Dowel crankshaft	1	
3 8566L	Bush crankshaft	1	
4 235770	Key	2	
5 RTC4783	Bearing kit main	1	
RTC478310	Bearing kit main 010"	1	
	KIT THRUST WASHER PAIRS		
6 RTC2825	Standard	A/R	
538131	0.0025" oversize	A/R	
538132	0.0050" oversize	A/R	
538133	0.0075" oversize	A/R	NLA Use 538134
538134	0.010" oversize	A/R	
7 ETC4077	Damper & pulley assembly	1	BASIC
ERR751	Damper & flinger assy	1	AIR CON & PAS
ETC4390	Flinger t/v damper	1	
8 ERR1642	Pulley crankshaft timing	1	
9 ERC6861	Pulley PAS	1	)Note(1)
ERC6859	Pulley AIR CON & PAS	1	)
10 ERR605	Bolt crankshaft	1	
11 ERR705	Washer thrust	1	
12 FS108201L	Screw flange M8x20	4	

Note(1) When power steering or air conditioned is fitted use ERR751 torsional vibration damper and bolt together with appropriate pulley

Note(2) From DEC1992 ERR3093 replaces ERC6861/ERC6859 this must be used with fan ERR3380.



**Model** DEFENDER 90

**Page** ADBMCC1A

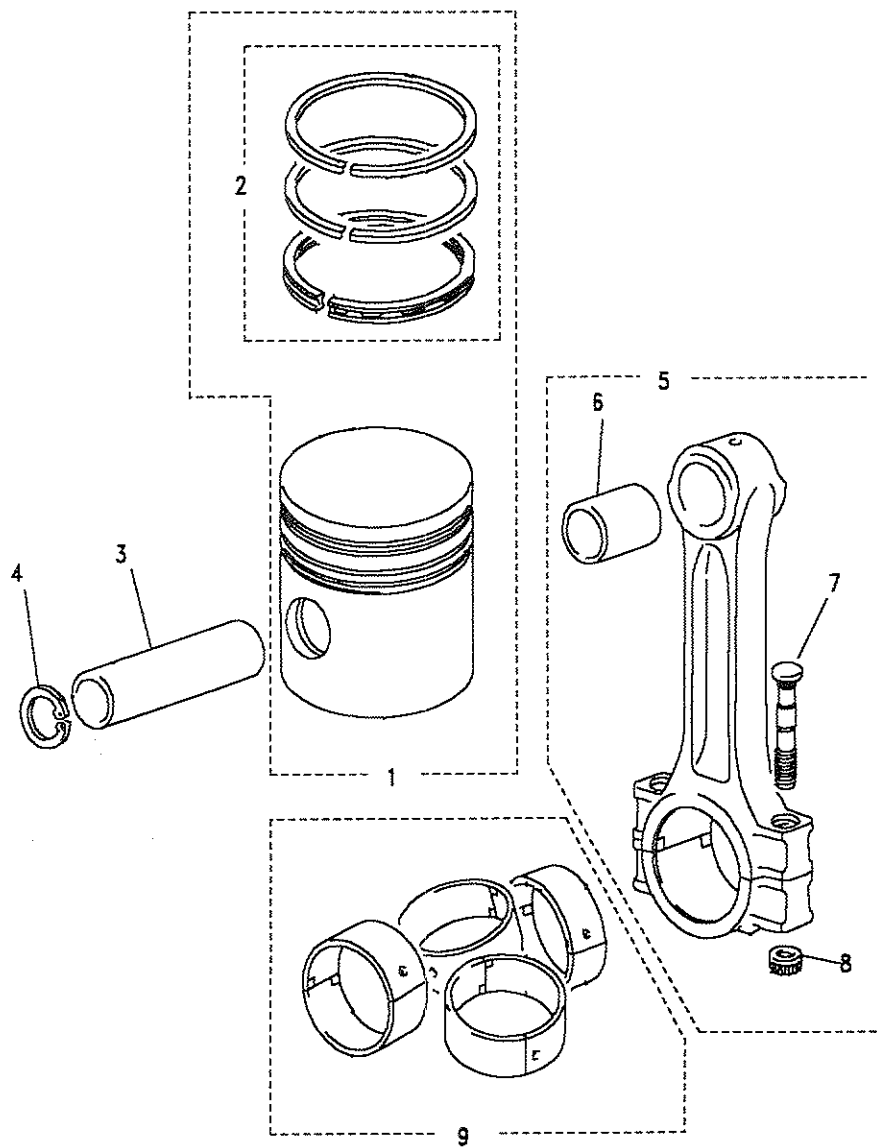
**ENGINE - PISTONS AND RINGS - 200 TDI**

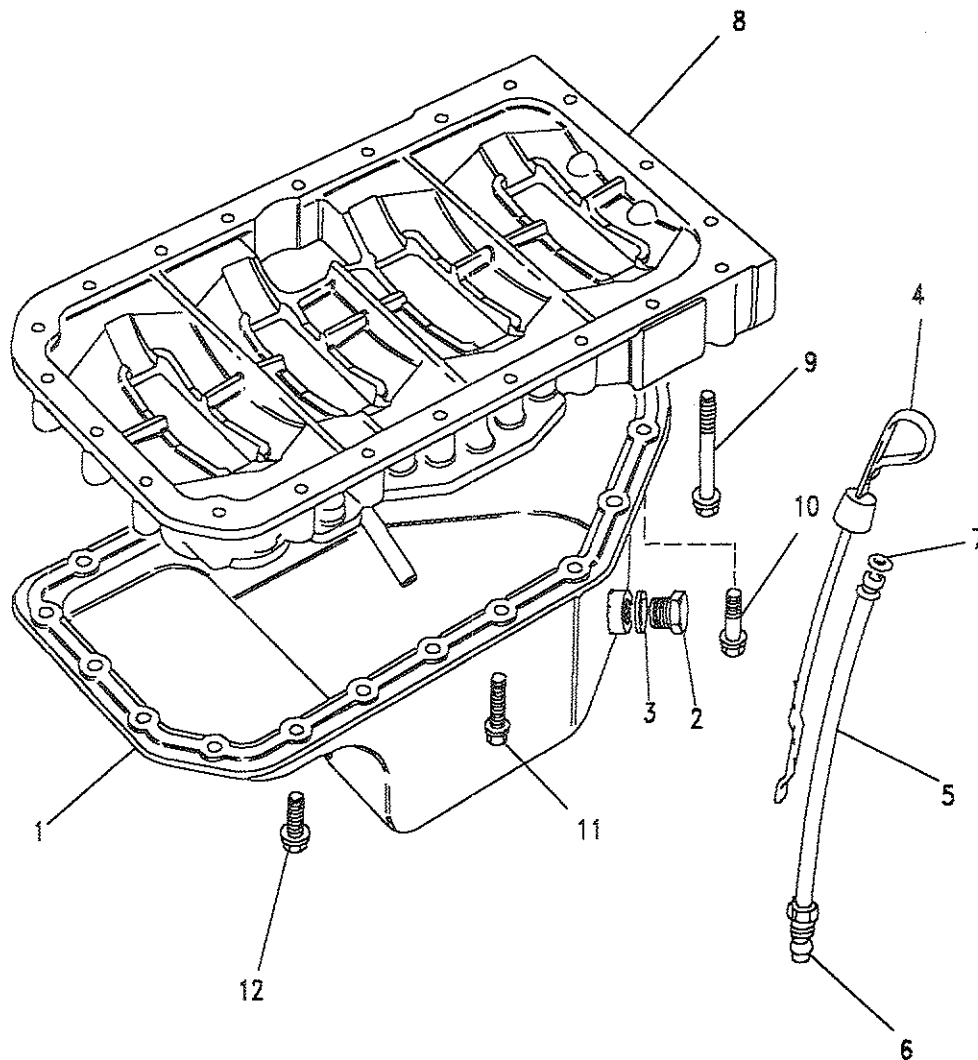
III. Part No.	Description	Qty	Remarks
1 ERR1390	Piston assembly GX	4	Note(1)
1 ERR1391	Piston assembly GY	4	Note(2)
2 RTC6457	Kit piston ring	4	
3 ERR703	Gudgeon pin	4	
4 266945	Circlip	2	
5 ETC8086	Connecting rod assembly	4	
6 ETC7286	Bush	4	
7 ETC7357	Bolt	2	
8 ETC8191	Nut conn rod	2	

**Con Rod Bearing: Engine Set**

9 RTC2993	Bearing set big end	1	Standard
RTC299310	Bearing set big end	1	0.010"o/size

Note(1) Grade X Piston is For Cylinder Bore 90.487-90.475(see Note 3)  
 Note(2) Grade Y Piston is For Cylinder Bore 90.500-90.487(see Note 3)  
 Note(3) PISTONS MUST BE CHANGED AS COMPLETE SETS.





**Model** DEFENDER 90

**Page** ADBMDA1A

**ENGINE - SUMP/LADDER FRAME - 200 TDI**

III. Part No.	Description	Qty	Remarks
1	ERR1790	1	Note(2)
	ERR3277	1	Note(3)
	ETC7398	1	Note(3)
2	603659	1	
3	213961	1	Note(1)
4	ETC7867	1	
5	ERC8980	1	
6	236408	1	
7	532387	1	Note(1)
8	ERR1291	1	Note(4)

**Ladder Frame to Block**

9	FB108251	2	Bolt flange M8x125
10	FB108121L	4	Bolt flange M8x60
11	FS108301L	3	Bolt

**Sump to Ladder Frame/Block**

10	FB108121L	12	Bolt flange M8x60
12	FS108251L	8	Screw flange M8x25
	STC611	1	Sealant Hylomar 2000 Note(4)

- Note(1) Part of gasket kit STC363
- Note(2) Up to 11L38389A
- Note(3) From 11L38390A
- Note(4) Sealant to be used between LADDER FRAME and SUMP

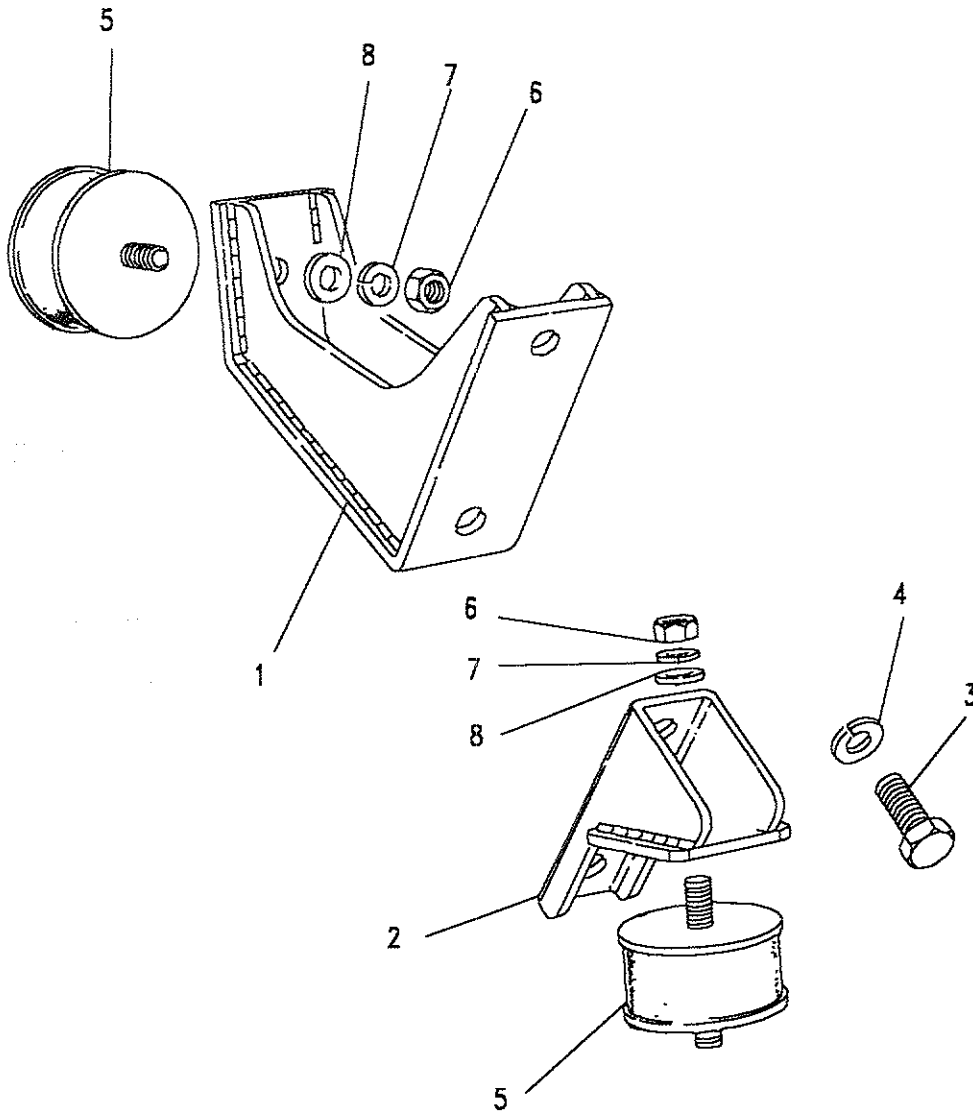


**Model** DEFENDER 90  
**Page** ADBMDC1A

**ENGINE - MOUNTINGS - 200 TDI**

Ill. Part No.	Description	Qty	Remarks
1	NRC5434 Mounting foot-RH	1	
2	NRC9557 Mounting foot-LH	1	
3	SH112251L Screw-foot to block	4	
4	WL112001L Washer-foot to block	4	
5	NRC9560 Rubber mounting	2	Note(1)
	ANR1808 Mounting rubber	2	Note(2)
6	NH110041L Nut-rubber to foot	4	
7	WC110061L Washer-rubber to foot	2	
8	WL110001L Washer-rubber to foot	4	

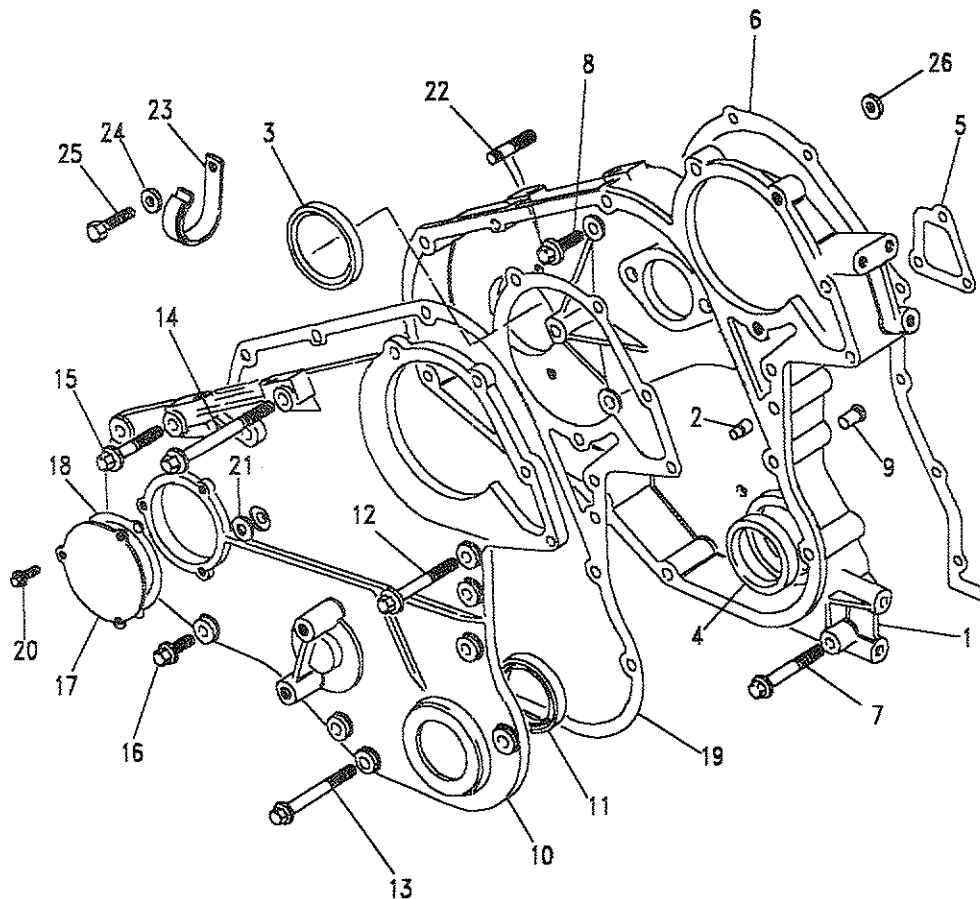
Note(1) Up to JA920702  
 Note(2) From JA920703





Model DEFENDER 90  
Page ADBMEA1A

ENGINE - FRONT COVER - 200 TDI



III. Part No.	Description	Qty	Remarks
1 ERR1273	Cover front	1	NON AIR CON
ERR1274	Cover front	1	AIR CON
2 6395L	Dowel front cover	4	
3 ETC5064	Seal oil camshaft	1	Note(1)
4 ETC5065	Seal oil crankshaft	1	Note(1)
5 538038	Gasket front cover	1	Note(1)
ERR1607	Gasket water pump	1	Asbestos free
6 538039	Gasket front cover	1	Note(1)
7 FB108131L	Bolt cover to block	1	
8 FS108201L	Screw cover to block	2	
9 ERR2375	Pin tensioner pivot	1	
10 ERR1253	Plate front cover	1	NON AIR CON
ERR1256	Plate front cover	1	AIR CON
11 ETC4154	Seal cover plate	1	Note(1)
12 FB108141L	Bolt flange M8x70	2	
13 FB108151L	Bolt flange M8x75	4	
14 FB108201L	Bolt flange M8x100	1	
15 FB108101	Bolt flange M8x50	1	
16 FS108251L	Screw flange M8x25	3	
17 ERR25	Plate cover NON AIR CON	1	
ETC8853	Plate cover AIR CON	1	

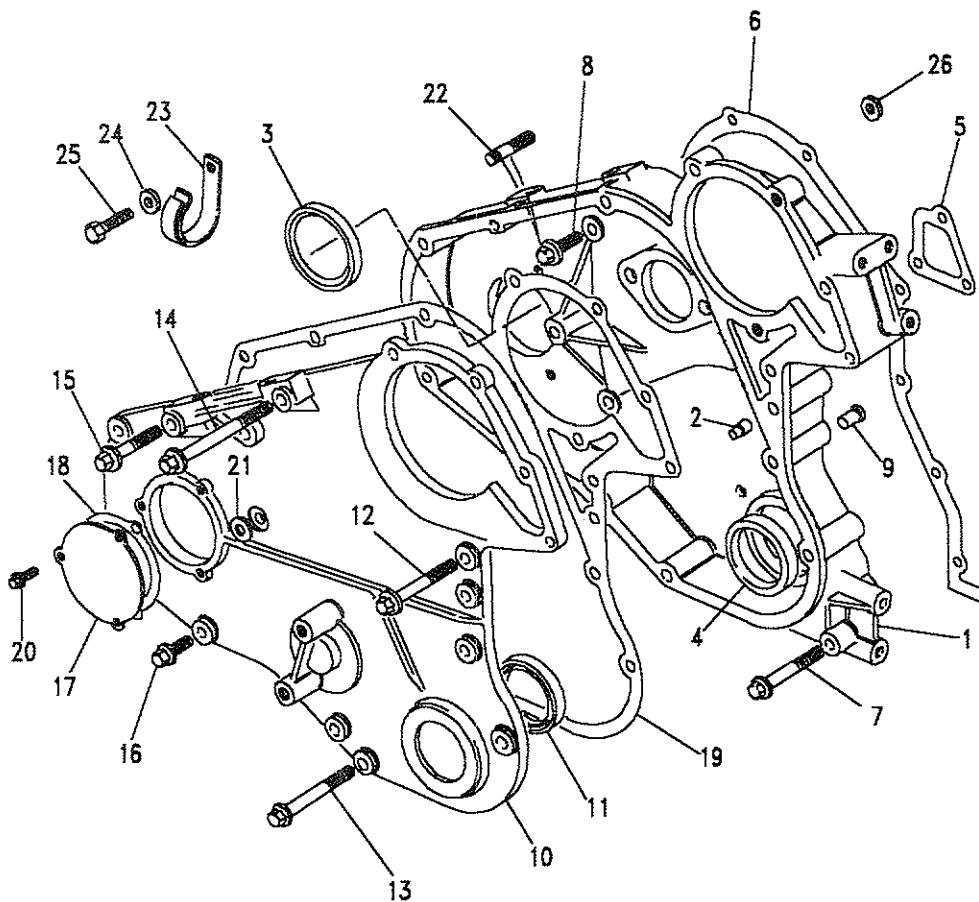


**Model** DEFENDER 90  
**Page** ADBMEA1A

**ENGINE - FRONT COVER - 200 TDI**

III. Part No.	Description	Qty	Remarks
18	ERR635	1	Note(1)
19	ERR1553	1	Note(1)
20	SE106101L	3	
21	ETC4124	1	
	ERR3604	1	Asbestos free
22	TE108061L	3	
23	ETC4630	1	
24	WA108051L	1	
25	SH108121L	1	
26	ERR394	1	Note(1)

Note(1) Part of gasket kit STC363



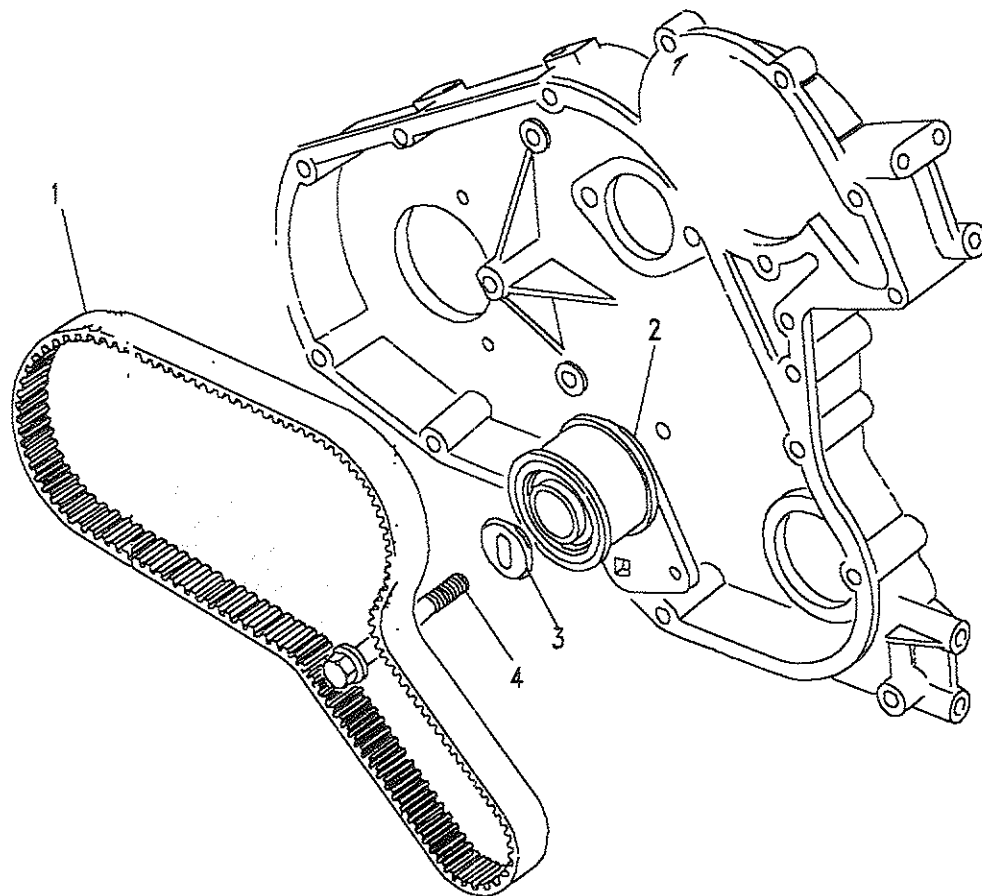


Model DEFENDER 90

Page ADBMEC1A

ENGINE - TIMING BELT - 200 TDI

III. Part No.	Description	Qty	Remarks
1 ETC8550	Belt timing	1	
2 ERR118	Tensioner assembly	1	
3 ERR900	Washer	1	
4 FB110141L	Bolt flange M10x70	1	



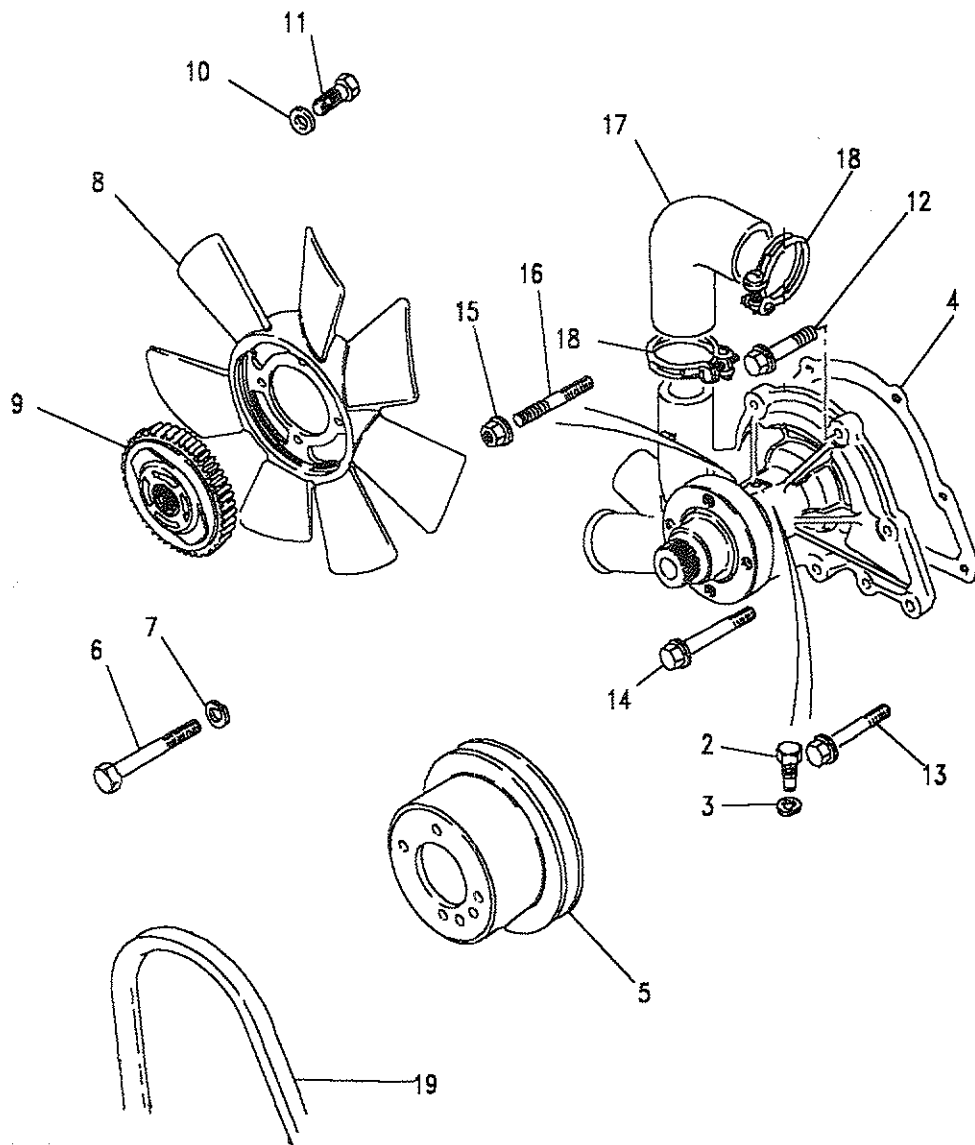
**Model** DEFENDER 90  
**Page** ADBMEE1A

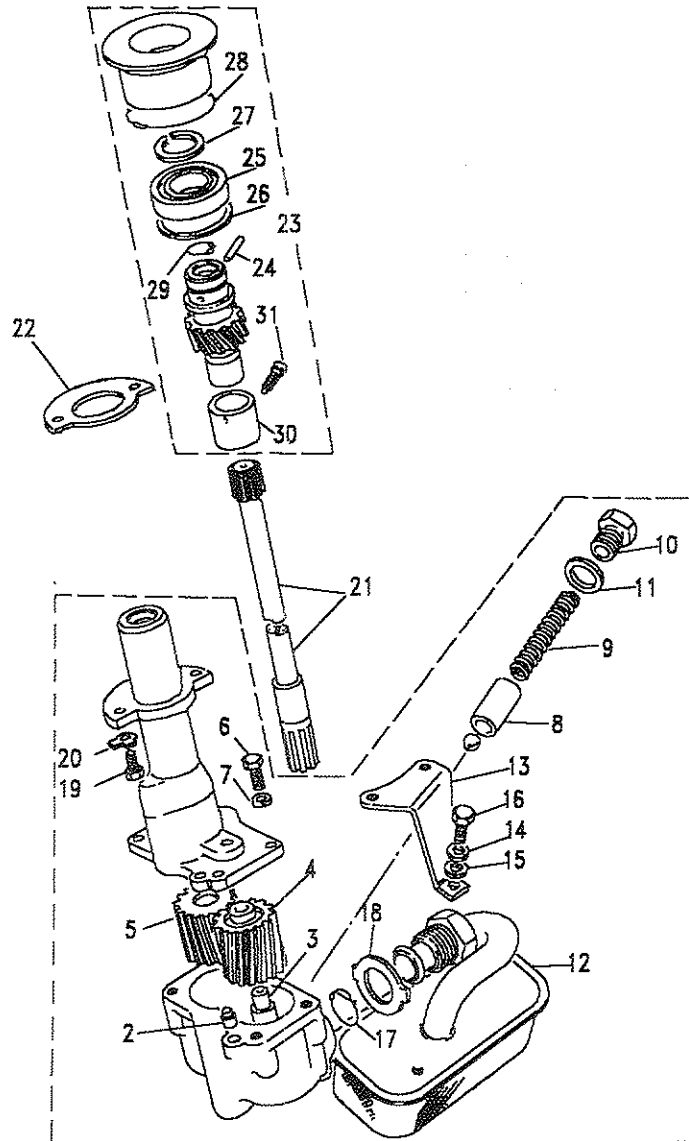
**ENGINE - WATER PUMP - 200 TDI**

III. Part No.	Description	Qty	Remarks
1	STC639	1	Pump water assembly
2	ERC5600	1	Bolt
3	WL108001L	1	Washer spring
4	ERC5655	1	Gasket
5	ETC4785	1	Pulley
6	FS108161L	4	Screw
7	WL108001L	4	Washer spring
8	ETC7554	1	Fan-7 blade
9	ERR3380	1	Fan
9	ETC7238	1	Viscous unit
10	4589L	4	Washer
11	ERC5709	4	Bolt
12	FB108071L	3	Bolt flange M8x35
13	FB108151L	1	Bolt flange M8x75
14	FB108171L	2	Bolt flange M8x85
15	FN108041L	1	Nut flange M8
16	TD108181	1	Stud M8x90
17	ERR1424	1	Hose-by pass outlet
18	CN100408L	2	Clip-hose
19	ETC7939	1	Belt fan

Note(1)  
 Note(2)

Part of gasket kit STC363  
 From DEC1992 use new fan with C/SHAFT pulley ERR3093.





Model DEFENDER 90  
 Page ADBMFA1A

ENGINE - OIL PUMP - 200 TDI

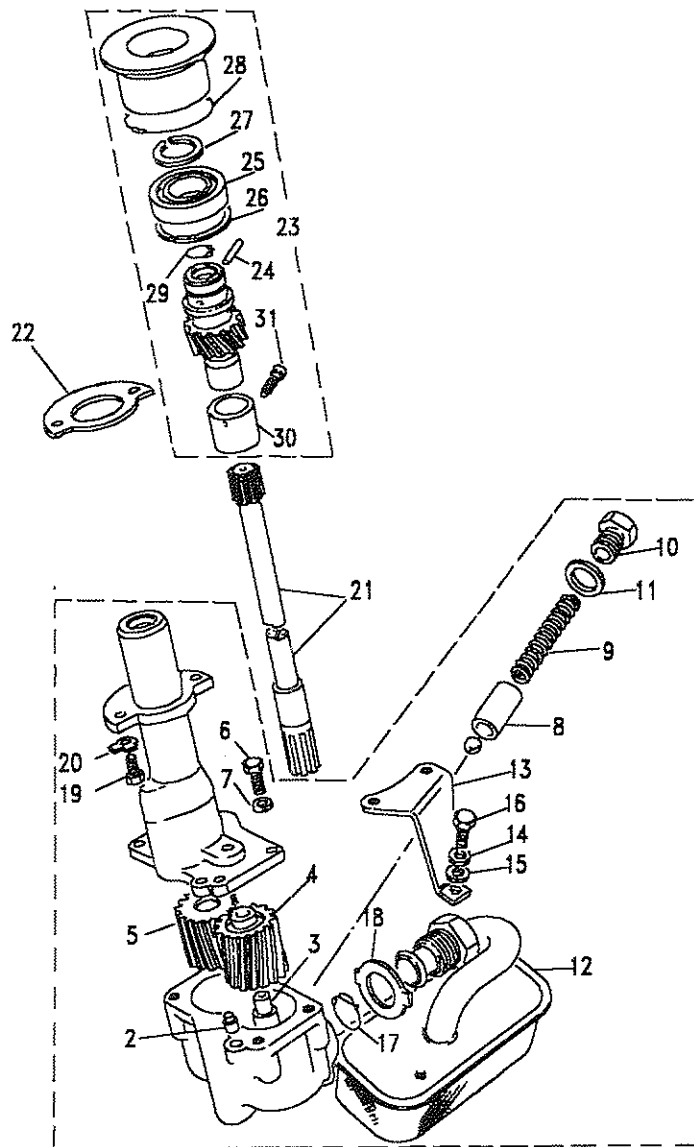
III. Part No.	Description	Qty	Remarks
1 ERR1178	Pump oil assembly	1	
2 236257	Dowel	2	
3 ERR1063	Spindle-idler wheel	1	
4 ERR1088	Wheel idler	1	
5 ERC9706	Wheel drive	1	
6 FS108201L	Screw-cover to block	4	
7 WL108001L	Washer spring	4	
8 ETC4880	Plunger-oil relief	1	
9 564456	Spring-oil relief	1	
10 564455	Plug-oil relief	1	
11 232044	Washer joint	1	Note(1)
12 ERR1521	Filter	1	
13 ERR541	Bracket support	1	
14 WA108051L	Washer	1	
15 WL108001L	Washer spring	1	
16 FS108201L	Screw	1	
17 244488	O ring	1	Note(1)

Note(1) Part of gasket kit STC363



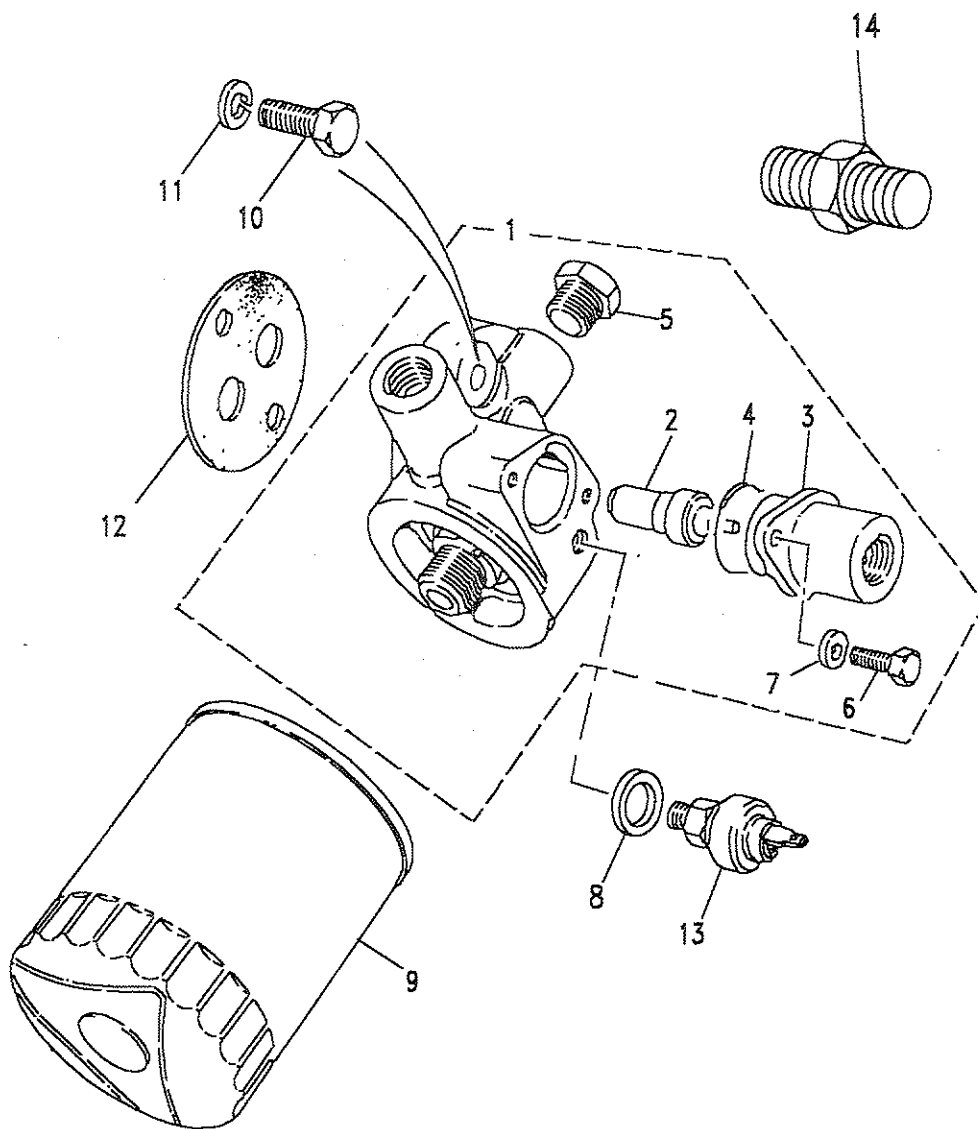
Model DEFENDER 90  
 Page ADBMFA1A

ENGINE - OIL PUMP - 200 TDI



Ill. Part No.	Description	Qty	Remarks
18 244487	Washer locking	1	
19 FS108251L	Screw	2	
20 247665	Washer locking	2	
21 ERR850	Drive shaft	1	
22 ERR3606	Gasket	1	Note(1)
23 ERR928	Drive shaft assembly	1	
24 ERR309	Pin dowel	1	
25 ERR528	Deep Groove Bearing	1	
26 CR120305	Snap Ring-External	1	
27 ERR530	Snap Ring-Internal	1	
28 ERR531	O ring bearing housing	1	Note(1)
29 ERR532	O ring	1	Note(1)
30 ERR500	Bush bottom V/D/S/ gear	1	
31 ERR848	Screw locking	1	

Note(1) Part of gasket kit STC363



**Model** DEFENDER 90  
**Page** ADBMFA2A

**ENGINE - OIL FILTER - 200 TDI**

III. Part No.	Description	Qty	Remarks
1	ERR1299	1	Upto 11L25129A
	ERR3459	1	)From
	ERR2623	1	)11L25130A
2	ERC5923	1	Bulb thermostat
3	ETC4022	1	Adaptor
4	ERC5913	1	O ring
5	ETC4021	1	Plug
	ERR3458	1	From 11L25130A
6	SH106141L	2	Screw
7	WA106041L	2	Washer
8	ETC7398	2	Washer copper
9	ERR3340	1	Element oil filter
10	FS110301L	2	Screw
11	WL110001L	2	Washer spring
12	ERR3607	1	Gasket-oil filter
13	PRC6387	1	Switch-oil pressure
14	NRC8618	2	Coupling

Note(1) Part of gasket kit STC363

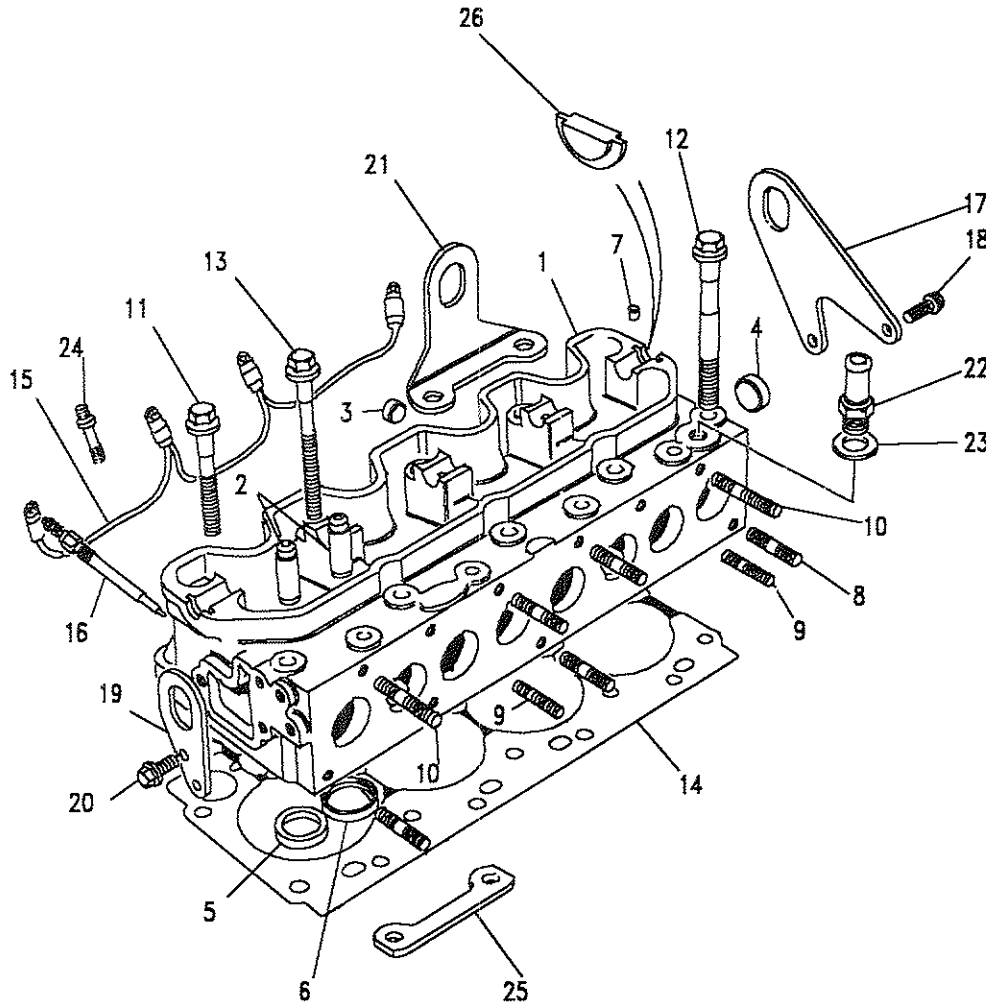


Model DEFENDER 90  
Page ADBMGA1A

ENGINE - CYLINDER HEAD - 200 TDI

III. Part No.	Description	Qty	Remarks	
1	RTC6896	1	Cylinder head assembly	
2	ETC8003	8	Guide valve	
3	525497	1	Plug cup	
4	524765	1	Plug cup	
5	ETC8002	4	Insert valve seat	
6	ETC8001	4	Insert valve seat	
7	ETC8194	1	Dowel ring cyl/head	
8	TE110051L	5	Stud M10x25 long	
9	TE108051L	2	Stud M8x25 long	
10	TE110071L	2	Stud M10x35 long	
11	ETC8808	4	Bolt Short cyl/head	
12	ETC8809	10	Bolt Long cyl/head	
13	ETC8810	4	Bolt M10 cyl/head	
14	ERR5261	1	Gasket cyl head 1.3mm	Note(1)
	ERR5262	1	Gasket cyl head 1.4mm	Note(1)
	ERR5263	1	Gasket cyl head 1.5mm	Note(1)
15	PRC6947	1	Cable assy glow plugs	Upto 11L33656A
	AMR2425	1	Cable assy glow plugs	From 11L33657A
16	ETC8847	4	Glow plug	
17	ETC8036	1	Bracket lifting rear	
18	FS108251L	2	Screw flange M8x25	

Note(1) Part of gasket kit STC362





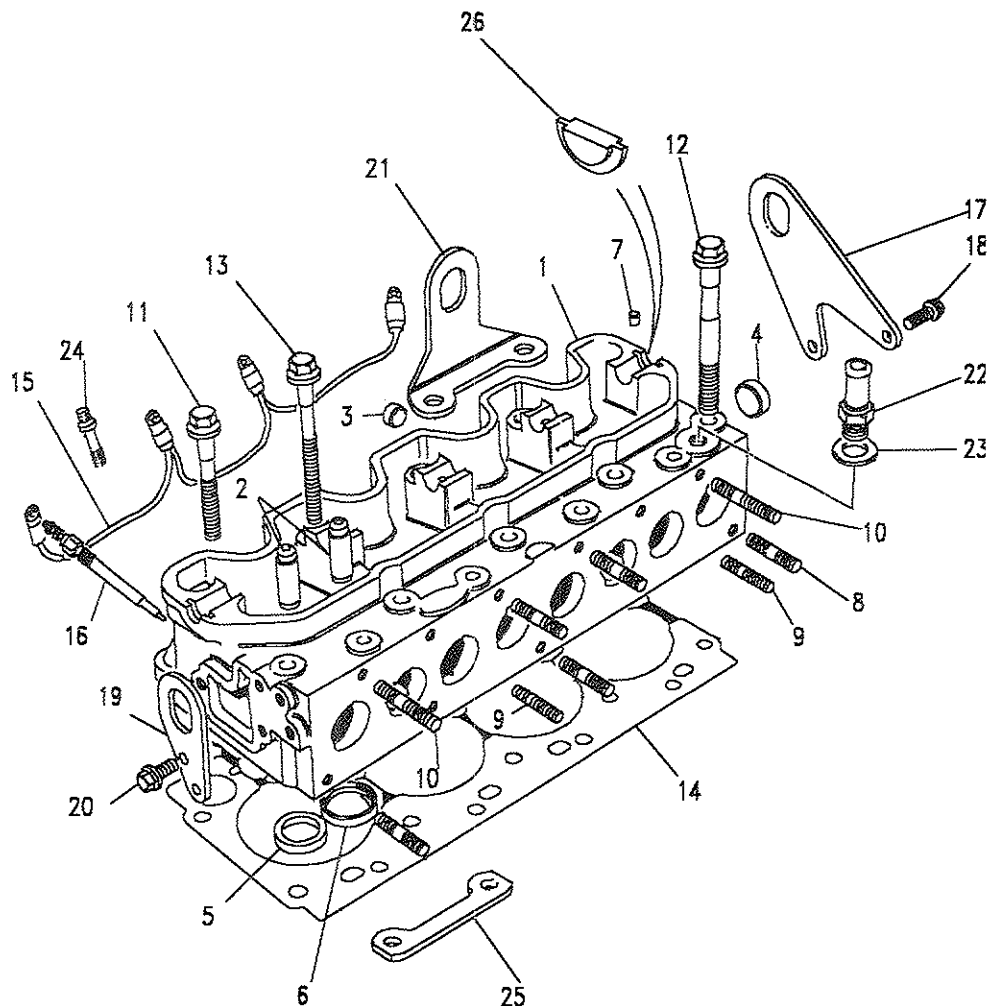
Model DEFENDER 90

Page ADBMGA1A

ENGINE - CYLINDER HEAD - 200 TDI

III. Part No.	Description	Qty	Remarks
19	ETC8031	1	Bracket lifting front
20	FS108251L	2	Screw flange M8x25
21	ERR978	1	Bracket engine lifting
22	624091	1	Adaptor
23	243959	1	Washer joint
24	ERR1019	1	Stud injector clamp
25	ERR1536	1	Spacer bracket
26	ERR765	2	Plug rubber

Note(1) Part of gasket kit STC363





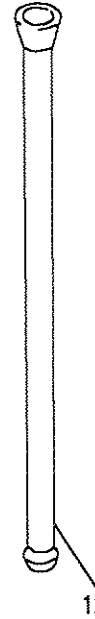
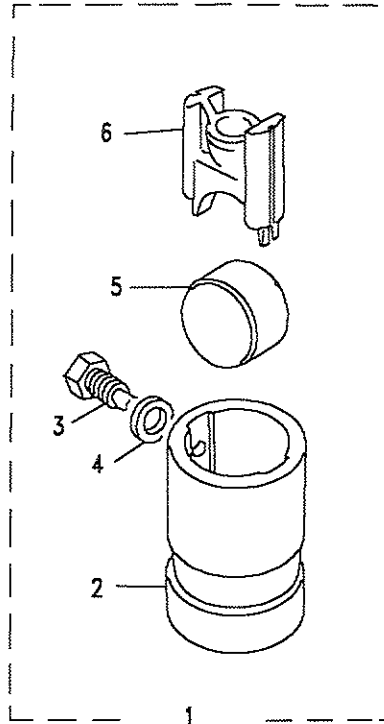
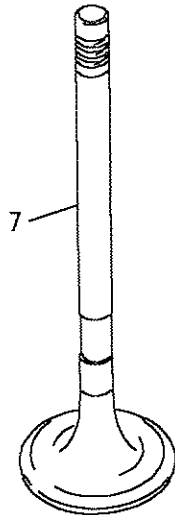
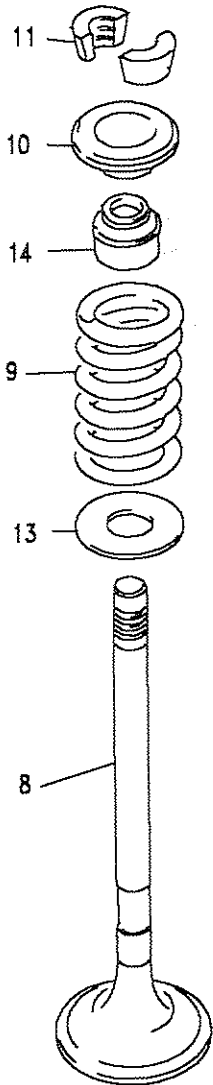
Model DEFENDER 90

Page ADBMGC1A

ENGINE - VALVES AND TAPPETS - 200 TDI

Ill. Part No.	Description	Qty	Remarks
1	RTC6564	8	
2	502473	8	
3	ETC4246	8	
4	273069	8	
5	ERR561	8	
6	ERR607	8	
7	ERR1157	4	
8	ERR1156	4	
9	ERR314	8	Note(2)
	ERR4640	8	Note(3)
10	ETC4068	8	
11	ETC4069	16	
12	546799	8	
13	ETC8193	8	
14	ETC8663	8	Note(1)
	ERR4175	8	

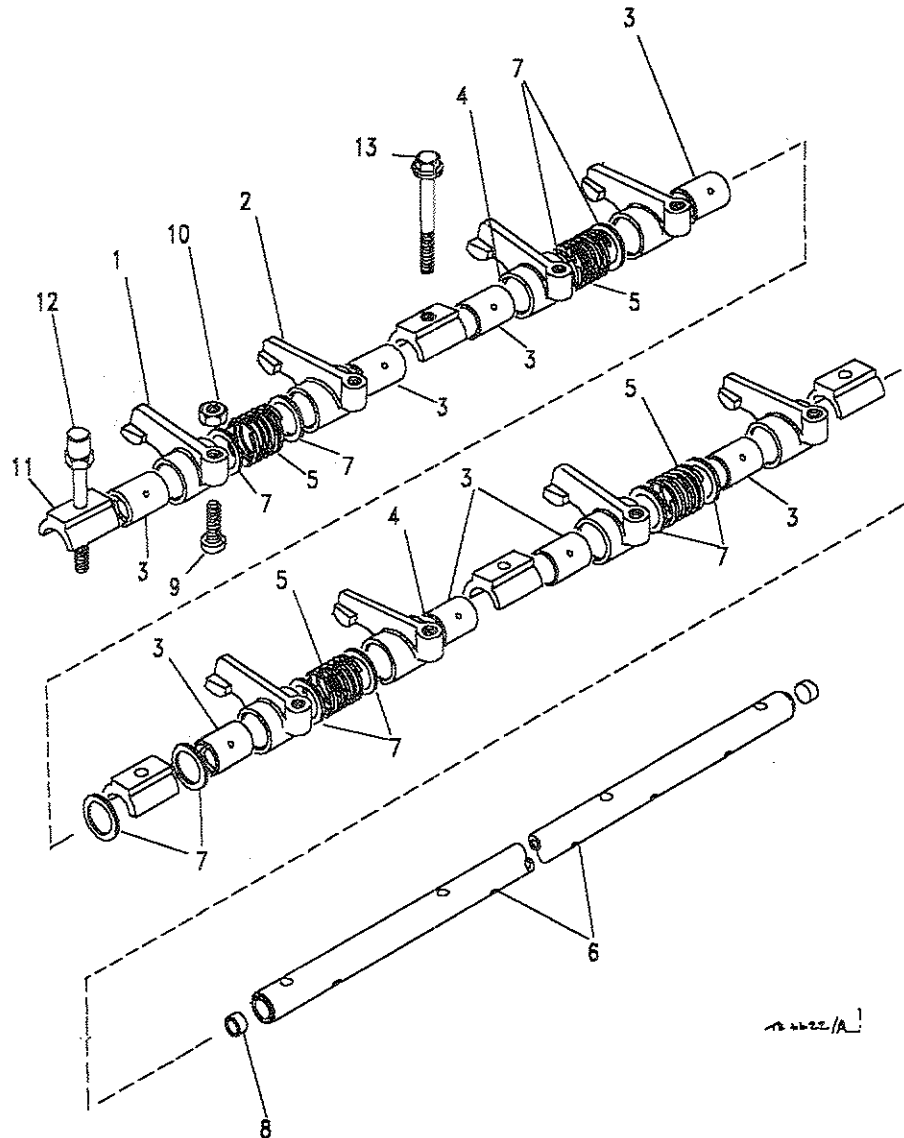
Note(1) Part of gasket kit STC362  
 Note(2) Up to 11L37880A  
 Note(3) From 11L37881A





Model DEFENDER 90  
Page ADBMGC2A

ENGINE - ROCKER SHAFT - 200 TDI



III. Part No.	Description	Qty	Remarks
1	ERR1202	4	Rocker arm assy RH
2	ERR1201	4	Rocker arm assy LH
3	ERR1203	1	Bush rockers
4	ERR1209	6	Washer rocker shaft
5	ETC8095	1	Spring
6	ERR4682	1	Shaft valve rockers
7	ERR1210	10	Spacer rocker shaft
8	ETC8103	2	Plug shaft
9	ERR559	8	Screw tappet adjuster
10	ERR560	8	Nut locker
11	ERR1107	5	Clamp rocker shaft
12	ETC7530	3	Bolt rocker shaft
13	FB108101	2	Bolt flange

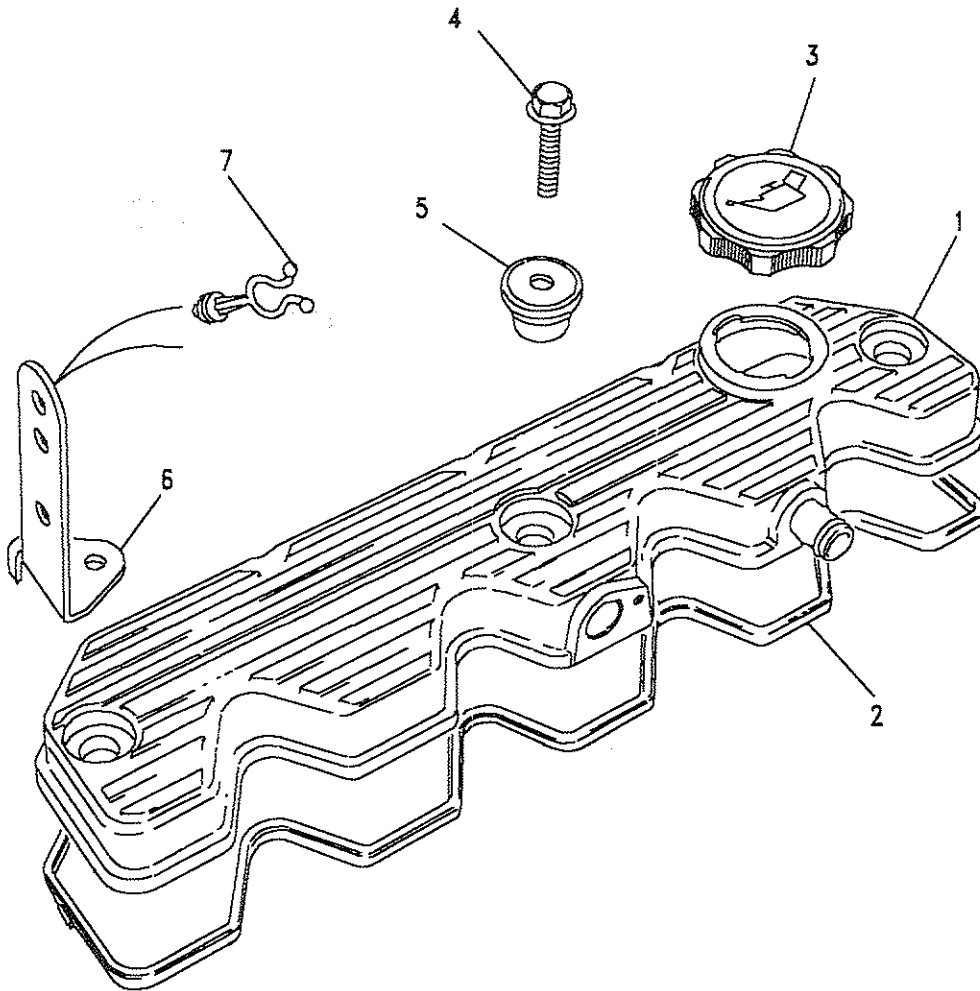


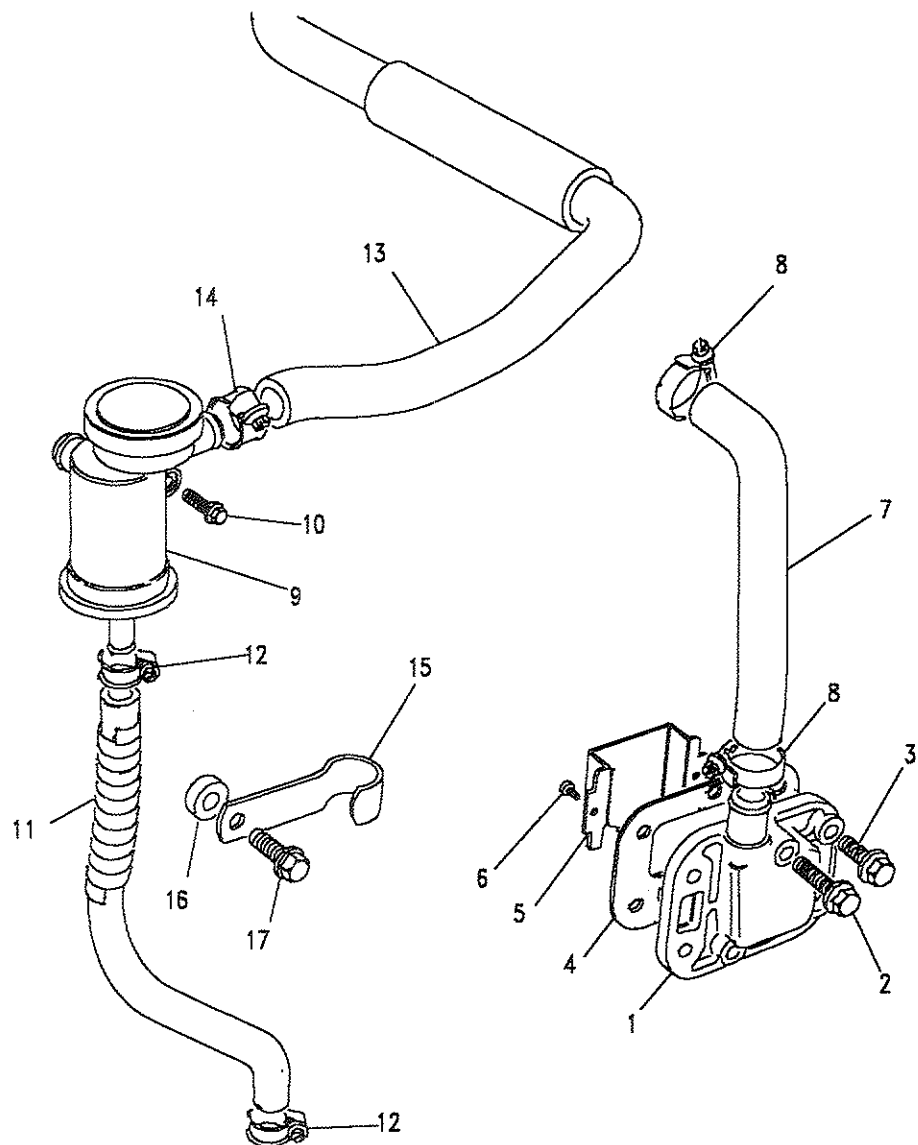
**Model** DEFENDER 90  
**Page** ADBMGG1A

**ENGINE - ROCKER COVER - 200 TDI**

III. Part No.	Description	Qty	Remarks
1	ERR1530	1	UptoAPRIL1992
	ERR3368	1	FromAPRIL1992
2	ERR2393	1	
3	ERR455	1	UptoAPRIL1992
	ERR2529	1	FromAPRIL1992
4	FS106255L	3	
5	ERR663	3	Note(1)
6	ERR1621	1	
7	NRC8332	1	

Note(1) Part of gasket kit STC362





Model DEFENDER 90  
Page ADBMGG2A

ENGINE - CYCLONE BREATHER ASSEMBLY - 200 TDI

III. Part No.	Description	Qty	Remarks
1 ERR506	Cover side breather assy	1	UptoAPRIL1992
541010	Cover side breather assy	1	FromAPRIL1992
2 FB108081L	Bolt flanged	1	
3 FS108251L	Screw flange M8x25	5	
4 ERR3605	Gasket-side cover	1	
5 ERR874	Baffle plate-side cover	1	Note(1)
6 79026	Screw No6	1	Note(1)
7 ERR877	Hose-side to rock/cover	1	Note(1)
8 CN100258L	Clip-worm-hose	2	Note(1)
9 ERR1471	Breather cyclone	1	
10 FB106121L	Screw flange M6x60	2	
11 ERR1605	Hose-cyclone oil drain	1	
12 CN100208L	Clip-worm-hose	2	
13 ERR1729	Hose-cyclone to air/clean	1	
14 CN100258L	Clip-worm-hose	2	
15 ERR878	Clip-oil drain hose	1	
16 ERR879	Spacer-clip-oil drain	1	
17 SH110201L	Screw flange M10x20	1	

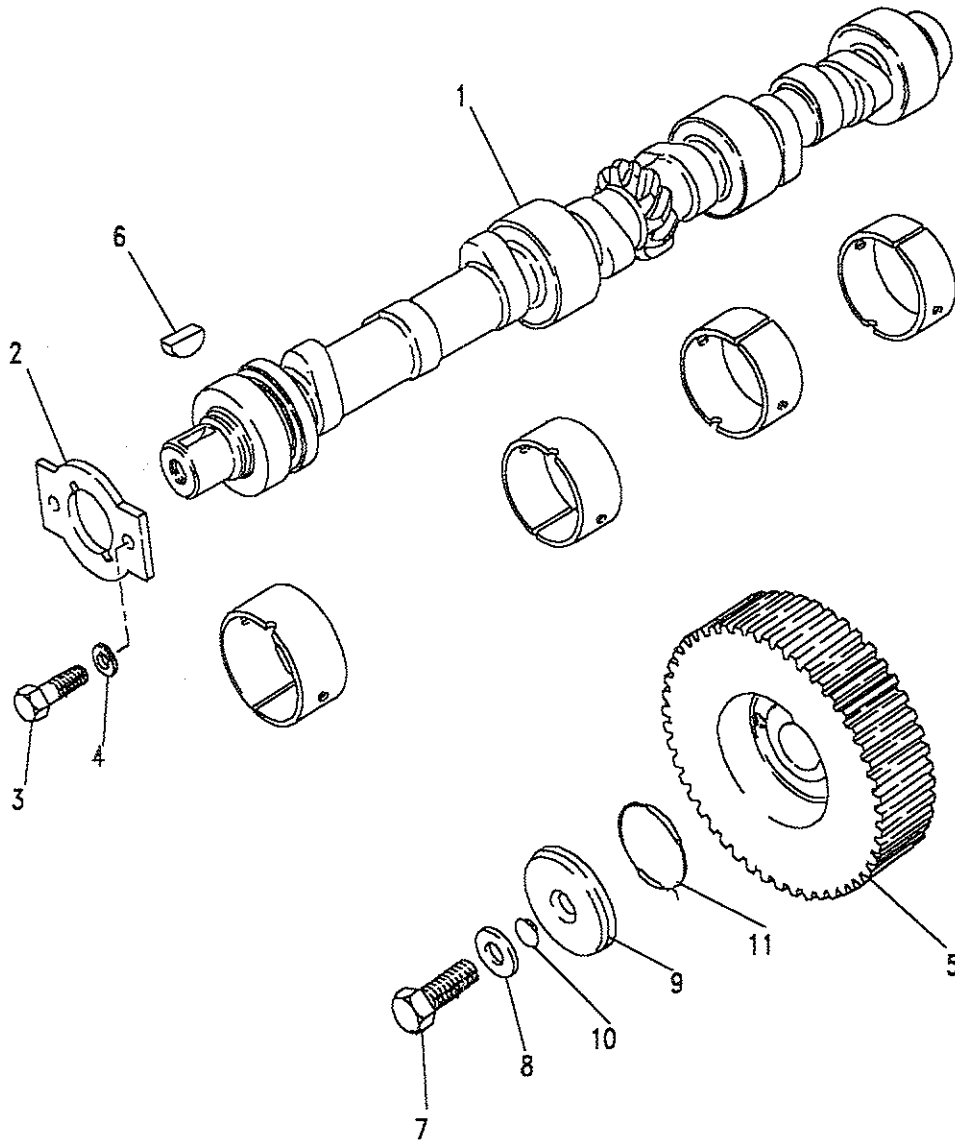
Note(1) Not used on ERR3368 rocker cover without breather side plate

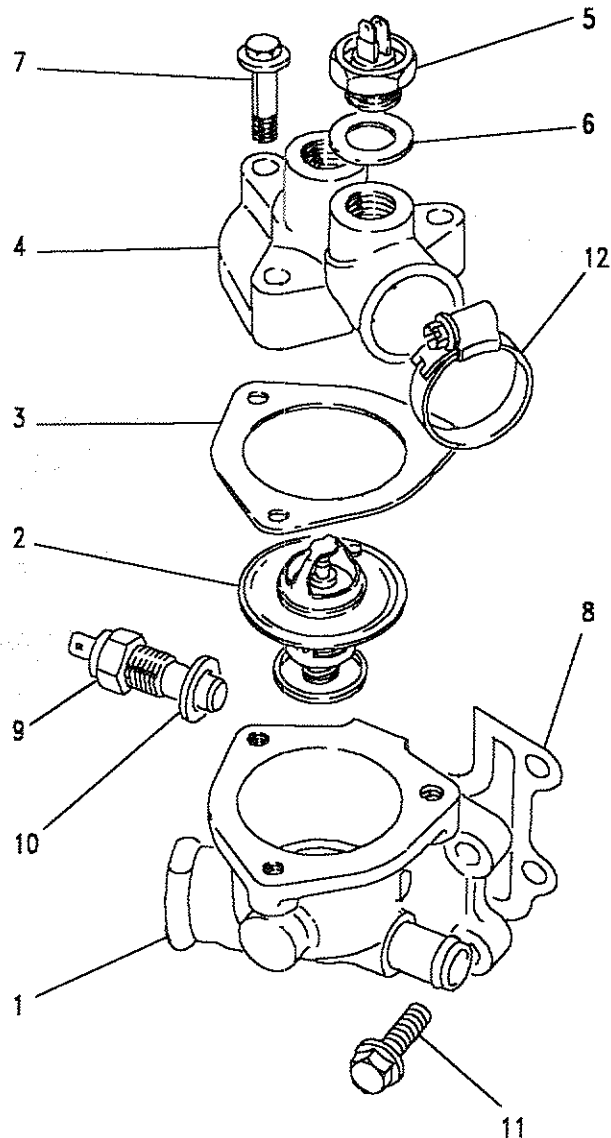
**Model** DEFENDER 90  
**Page** ADBMG11A

**ENGINE - CAMSHAFT - 200 TDI**

III. Part No.	Description	Qty	Remarks
1	ETC7128 Camshaft	1	
2	ERC1561 Thrust Plate-Camshaft	1	
3	FS106167L Screw	2	
4	WL106001L Spring Washer-Plate to BI	2	
5	ERR666 Pulley	1	
6	230313 Woodruff Key-Chainwheel/S	1	
7	BX110071L Bolt	1	
8	ETC4670 Washer	1	
9	ERC8847 Plate-Retaining	1	
10	ERC8849 O Ring	1	Note(1)
11	ETC4076 O Ring	1	Note(1)

Note(1) Part of gasket kit STC363





Model DEFENDER 90  
Page ADBMGK1A

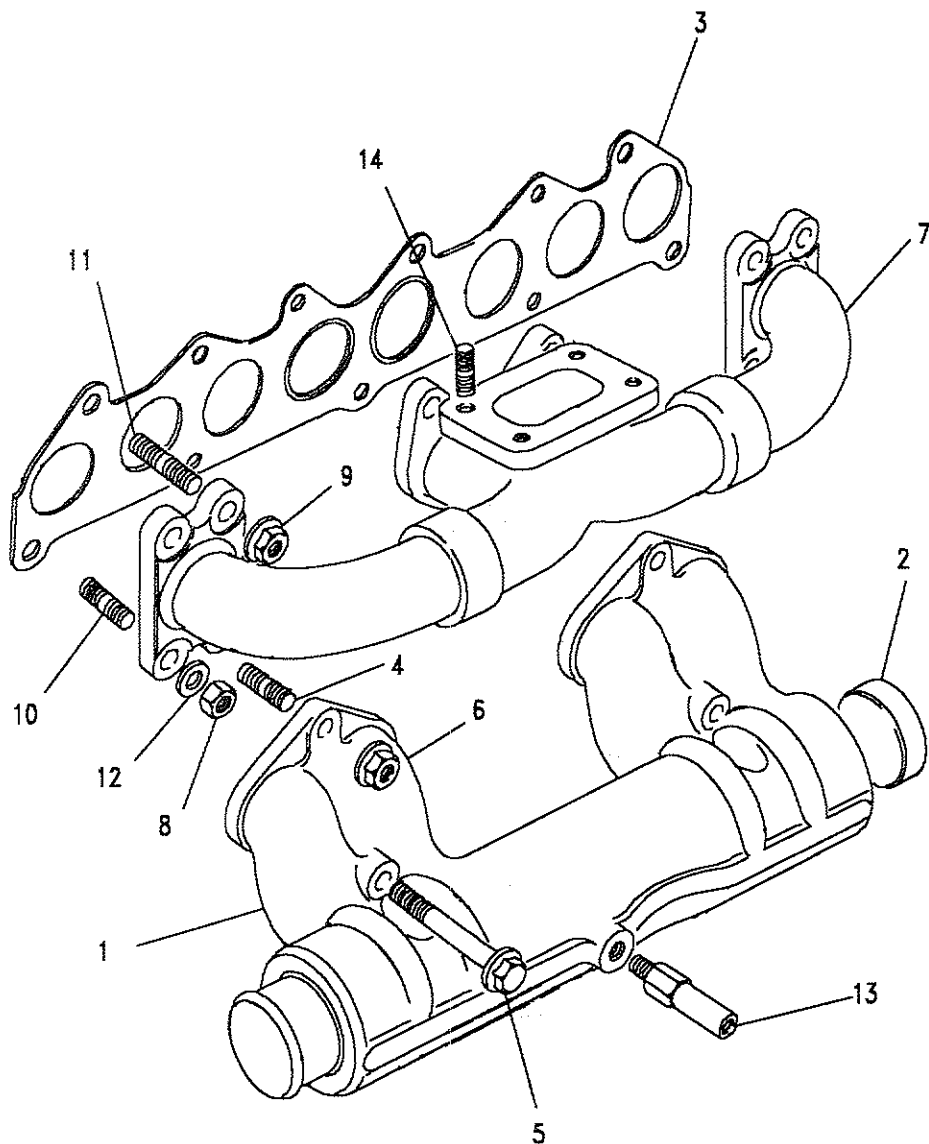
ENGINE - THERMOSTAT HOUSING - 200 TDI

III. Part No.	Description	Qty	Remarks
1	ERR1499	1	Thermostat housing
2	ERR2803	1	Thermostat 88o
3	ERR3682	1	Gasket-outlet-ther/house
4	ETC5967	1	Connection-water outlet
	ETC5958	1	Connection-water outlet
	BTR6141	1	Hose-by pass-no heater
5	PRC3359	1	Switch-temperature sensor
6	ERR696	1	Washer copper M14
7	FB106081L	3	Bolt flange M6x40
8	ETC8007	1	Gasket-thermostat housing
9	PRC8593	1	Transmitter thermal
10	90568054	1	Washer sealing
11	FS108251L	3	Bolt flange-M8x25
12	CJ600304L	1	Clip top hose

Note(1) Part of gasket kit STC362







**Model** DEFENDER 90  
**Page** ADBMHA1A

**ENGINE - MANIFOLDS - 200 TDI**

III. Part No.	Description	Qty	Remarks
1	ERR1435	1	
2	525428	1	
3	ERR1208	1	Note(1)
4	TE108051L	2	
5	FB108161L	2	
6	FN108041L	2	
7	ERR678	1	
8	ERR597	2	
9	NT110041L	2	
10	TE110051L	5	
11	TE110071L	2	
12	WA110061L	7	
13	ETC7395	1	
14	ERR551	4	

Note(1) Part of gasket kit STC362





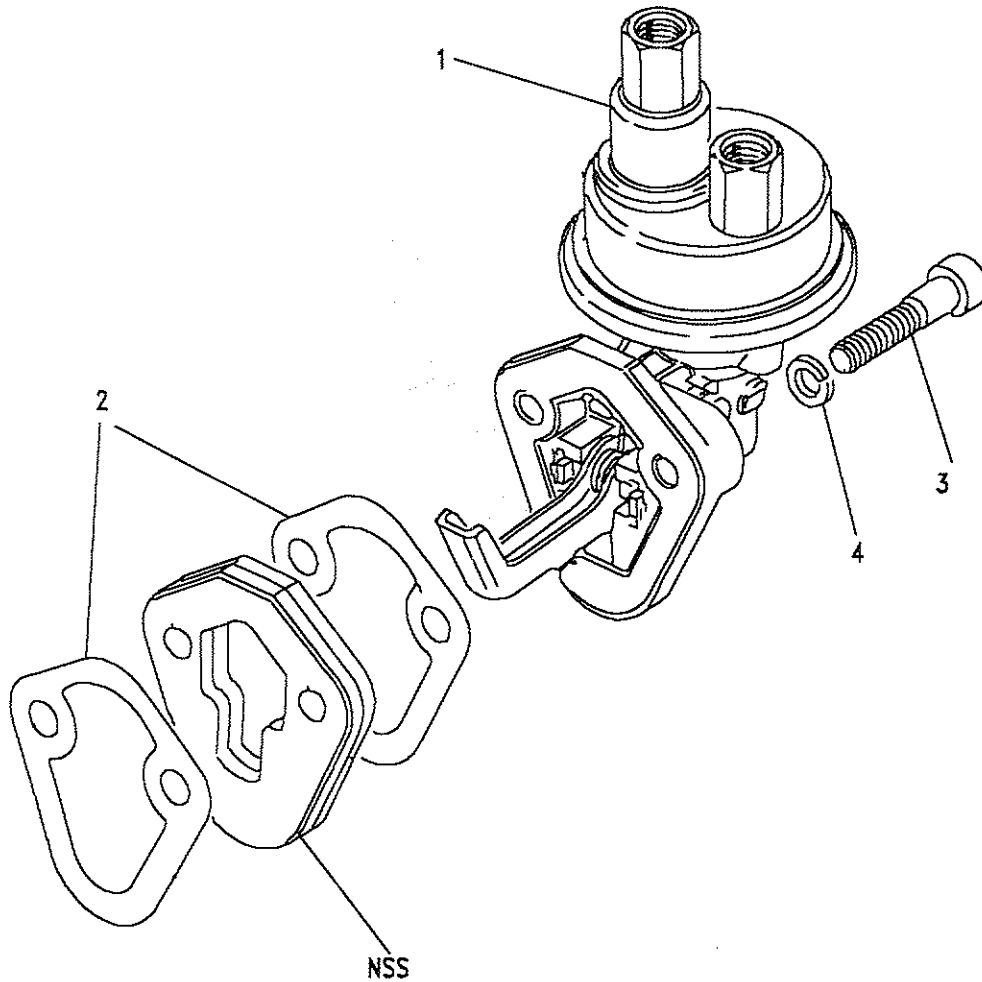
245

Model DEFENDER 90  
Page ADBMKA1A

ENGINE - FUEL PUMP - 200 TDI

III. Part No.	Description	Qty	Remarks
1 ETC7869	Pump fuel	1	
2 ETC7970	Gasket-fuel Pump	2	Note(1)
ERR2028	Gasket-fuel Pump	2	From Jan 94
3 SS108301L	Screw socket	2	
4 WA108051L	Washer	2	

Note(1) Part of gasket kit STC363

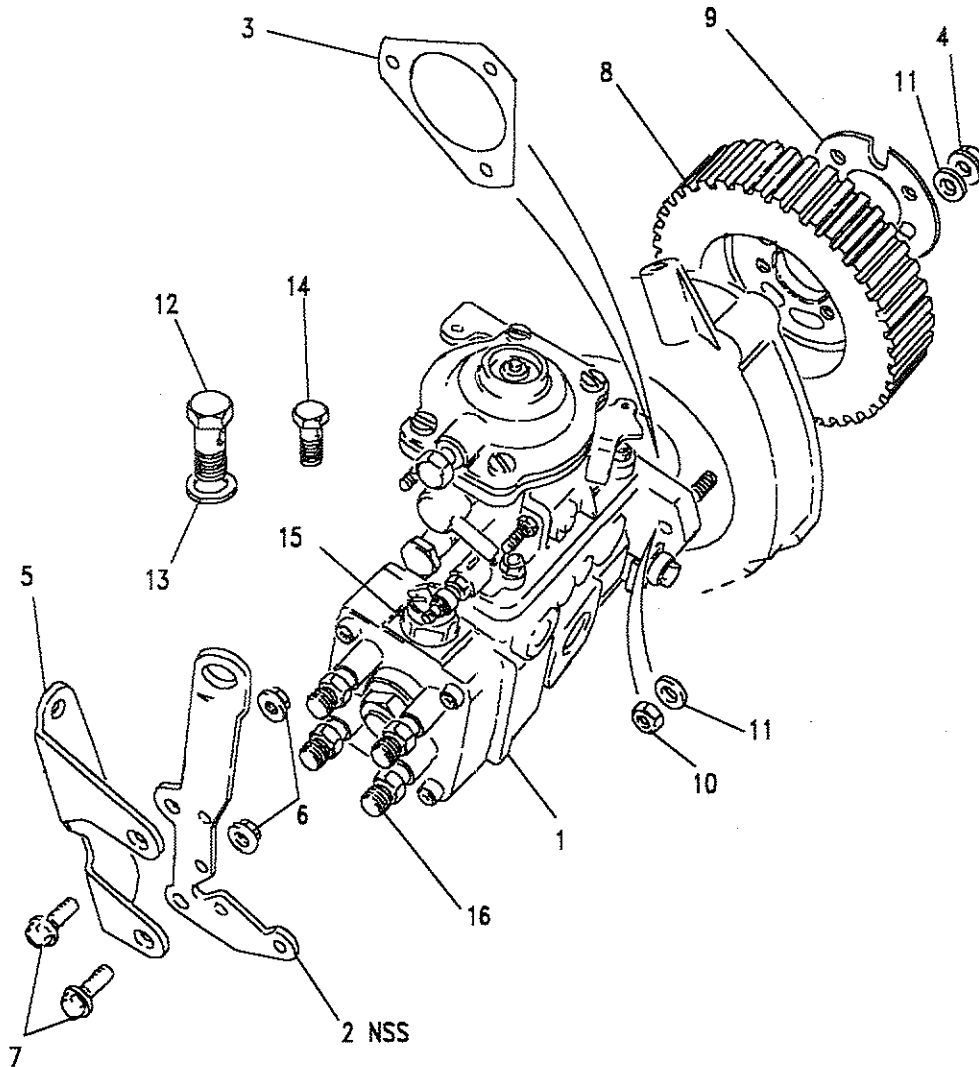


**Model** DEFENDER 90  
**Page** ADBMKC1A

**ENGINE - INJECTION PUMP - 200 TDI**

III. Part No.	Description	Qty	Remarks
1	ERR1333	1	Pump fuel injection
2	FN108041L	1	Bracket-F.I.E. abutment
3	ERR631	1	Gasket-fuel pump
4	FN108041L	3	Nut flange M8
5	ERR1662	1	Bracket-F.I.E.
6	FN108041L	2	Nut flange M8
7	FS108207L	2	Screw flange M8x20
8	ERR667	1	Pulley
9	ERR359	1	Plate retaining-pulley
10	FN108041L	3	Nut
11	WA108051L	6	Washer plain
12	ERR886	1	Bolt banjo
13	ERR894	2	Washer copper
14	ERR1125	1	Bolt banjo-fuel inlet
15	RTC6702	1	Switch fuel cut off
16	STC262	4	Adaptors-F.I.E.pump

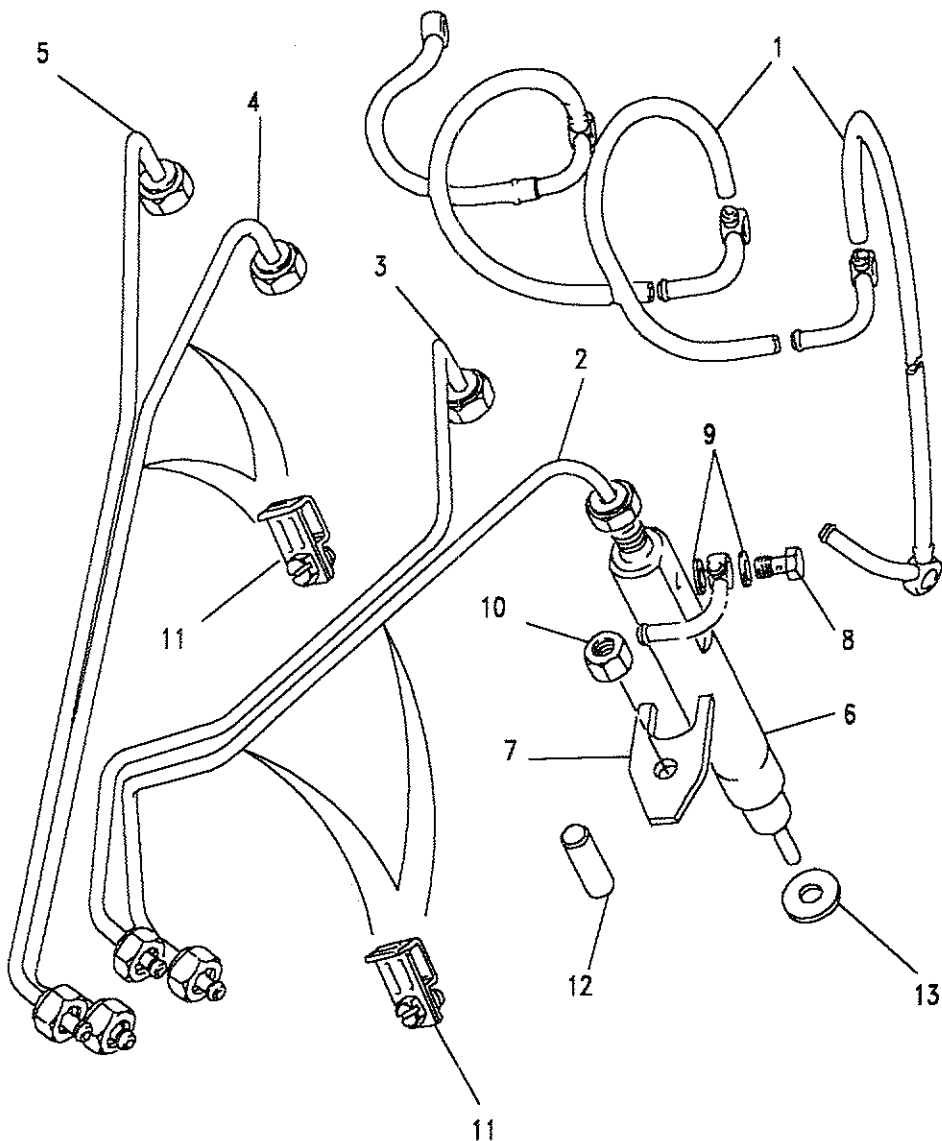
Note(1) Not stocked separately-part of pump assembly  
 Note(2) Part of gasket kit STC363





**Model** DEFENDER 90  
**Page** ADBMKE1A

**ENGINE - INJECTORS AND PIPES - 200 TDI**



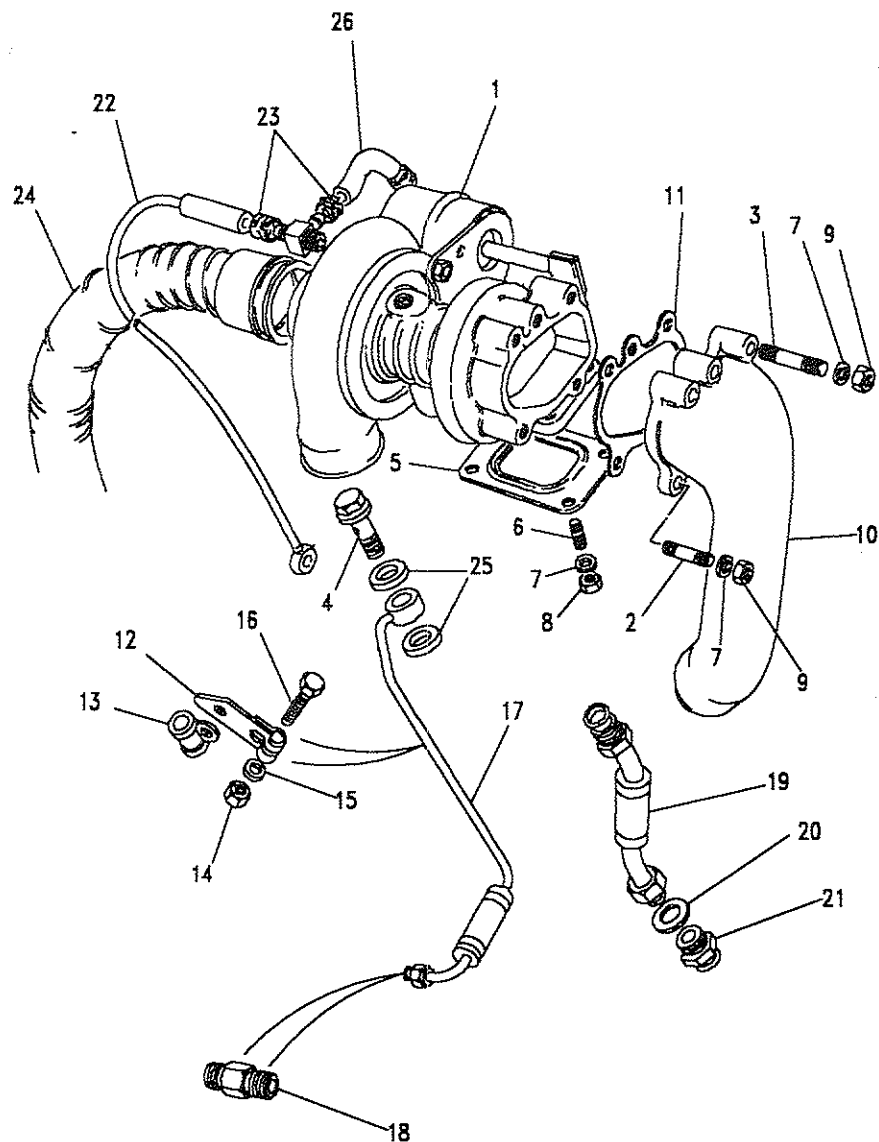
III. Part No.	Description	Qty	Remarks
1	ERR3652	1	Spill return assembly
2	STC793	1	Pipe injectors No.1
3	STC794	1	Pipe injectors No.2
4	STC795	1	Pipe injectors No.3
5	STC796	1	Pipe injectors No.4
6	ETC8412	4	Injectors
7	ERR1509	4	Clamp injectors
8	ERR1200	4	Bolt banjo 6mm
9	ERR1304	8	Washer copper
10	FN108041L	1	Nut
11	AEU2129L	4	Clip 2 pipes
12	ETC8470	4	Dowel injector clamp
13	ETC8042	1	Washer sealing injector
	ERR4621	1	Washer sealing

Note(1) Up to 11L38460A  
 Note(2) From 11L38461A  
 Note(3) Part of gasket kit STC362



Model DEFENDER 90  
Page ADBMLA1A

ENGINE - TURBO CHARGER - 200 TDI

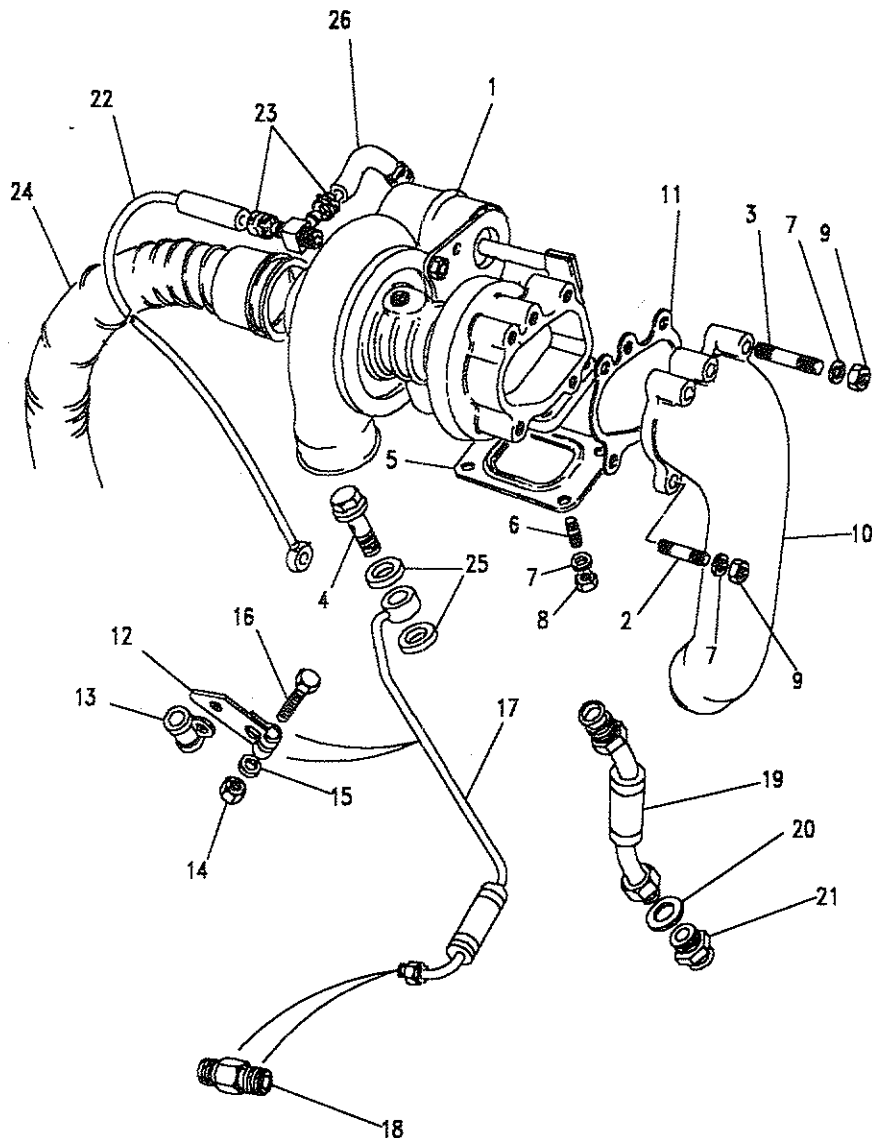


III. Part No.	Description	Qty	Remarks
1	ETC8751	1	
	ETC8751E	1	
	STC960	1	
2	RTC6094	1	
	Stud M8x32	1	
3	RTC6093	4	
	Stud M8x48	4	
4	ERR1125	1	
	Bolt-banjo-oil feed	1	
5	ETC5710	1	Note(1)
	Gasket-turbo to Exh/man	1	
6	ERR551	4	
	Stud	4	
7	WA108051L	9	
	Washer M8	9	
8	ETC7184	4	
	Nut	4	
9	NH108065L	5	
	Nut M8	5	
10	ETC7058	1	
	Elbow-exhaust outlet	1	
11	ETC5898	1	Note(1)
	Gasket-turbo to elbow out	1	
12	ETC7351	1	
	Bracket-oil feed	1	
13	ETC8843	1	
	Clip cable	1	
14	NH105041L	1	
	Nut	1	

14/93

Model DEFENDER 90  
Page ADBMLA1A

ENGINE - TURBO CHARGER - 200 TDI

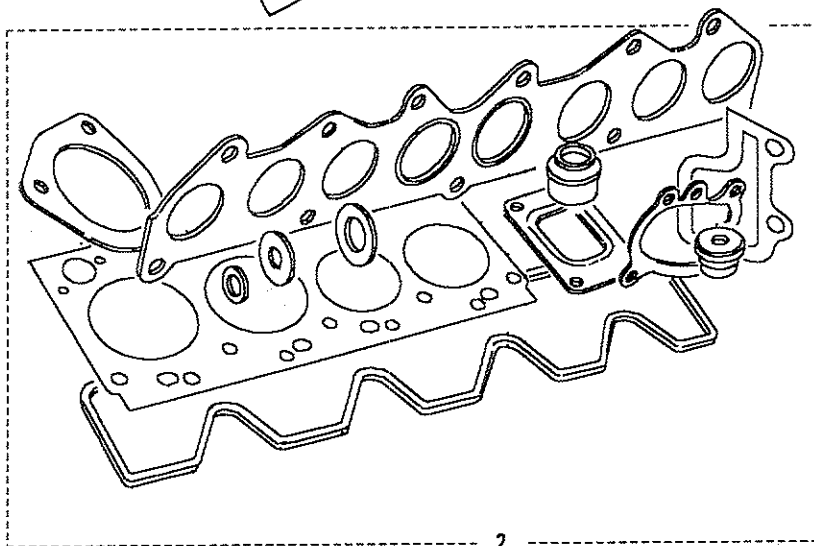
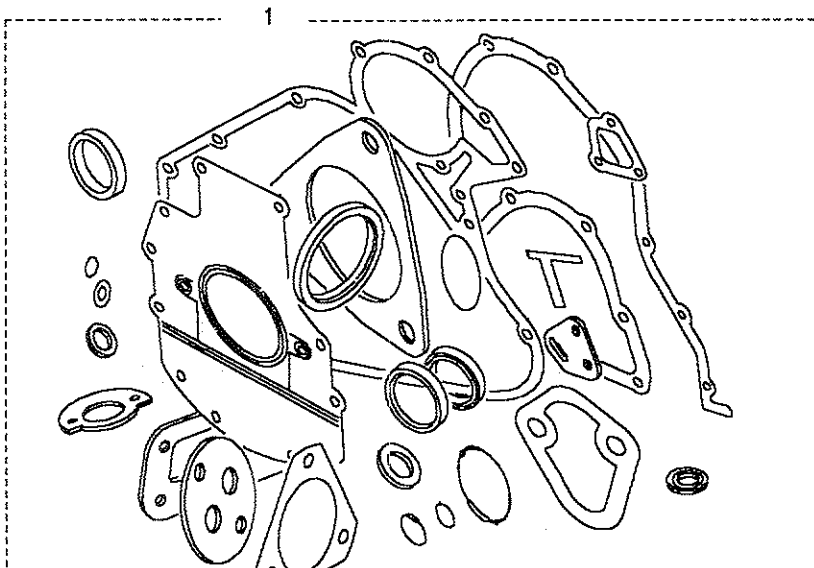


III. Part No.	Description	Qty	Remarks
15 WA105001L	Washer	1	
16 SH105251L	Screw	1	
17 ERR333	Pipe oil feed	1	UptoJAN1993
ERR3495	Pipe oil inlet	1	FromJAN1993
18 ETC8820	Adaptor oil feed	1	
19 ERR334	Pipe oil drain	1	UptoJAN1993
ERR3494	Pipe oil drain	1	FromJAN1993
20 ERR896	Washer-adaptor-oil drain	1	Note(1)
21 ERR335	Adaptor oil drain	1	
22 ERR1458	Pipe-turbo to inj/pump	1	
23 UKC3803L	Clamp-hose	2	
24 ESR415	Hose-turbo to cleaner	1	
25 FRC4808	Washer-sealing	2	
26 RTC5099	Hose-turbo-actuator	1	)Note(2)
STC1896	Hose-turbo-actuator	1	

Note(1)  
Note(2)

Part of gasket kit STC362  
Alternatives, RTC5099 is a 90 degree formed hose 60mm long and STC1896 is a loose hose 233mm long.

14/93



**Model** DEFENDER 90  
**Page** ADBMMA1A

**ENGINE - GASKET KITS - 200 TDI**

III. Part No.	Description	Qty	Remarks
1 STC1557	Gasket kit overhaul	1	
2 STC1172	Gasket kit decarbonising	1	



DEFENDER 90

251

ENGINE

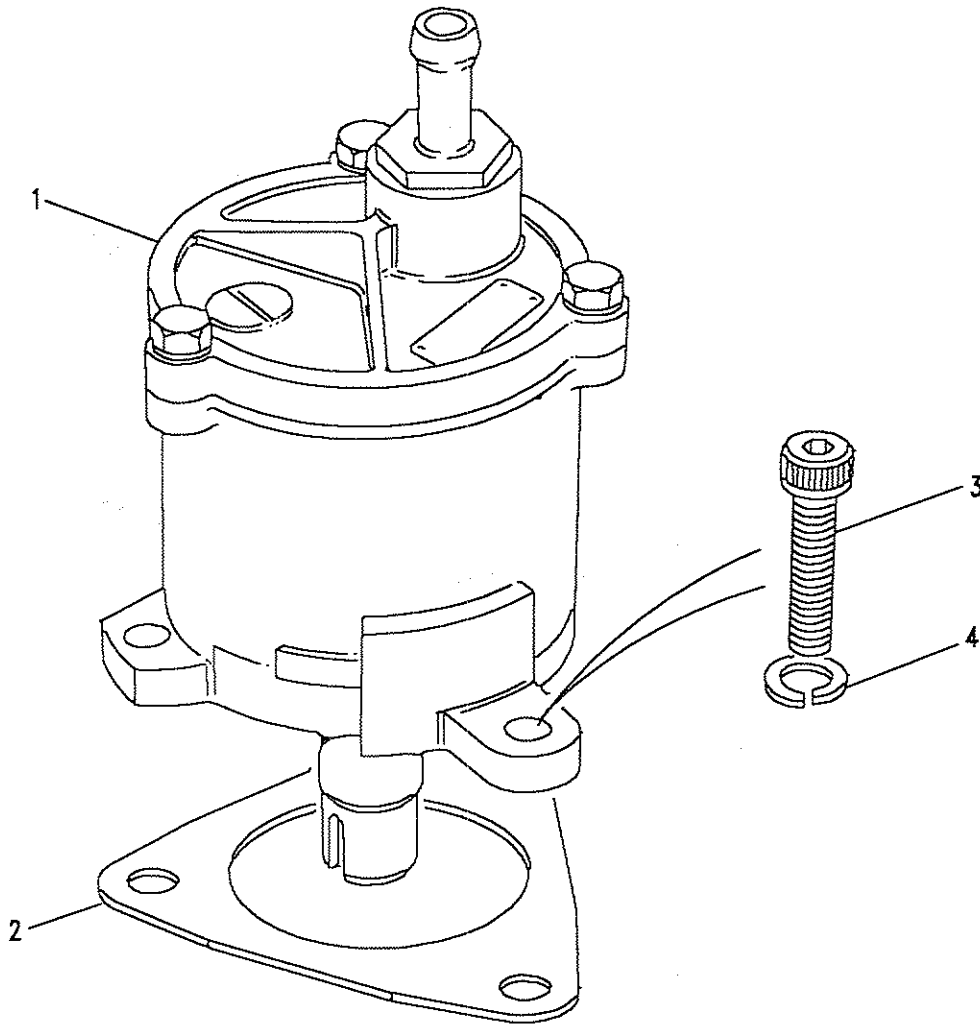
Model DEFENDER 90

Page ADBMNA1A

ENGINE - VACUUM PUMP - 200 TDI

III. Part No.	Description	Qty	Remarks
1 ERR535	Pump vacuum assembly	1	
2 SS108251L	Bolt M8x25	3	
3 WM600051L	Washer spring	3	
4 ETC4616	Gasket	1	Note(1)

Note(1) Part of gasket kit STC363



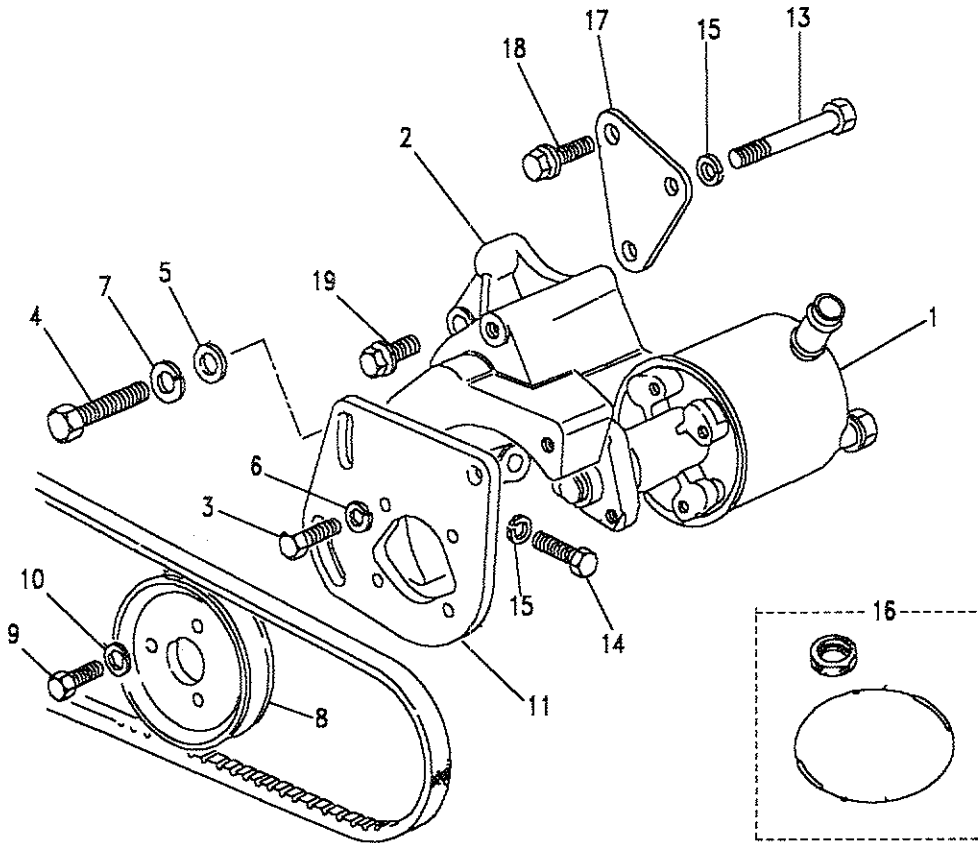


Model DEFENDER 90

Page ADBMNC1A

ENGINE - POWER STEERING PUMP - 200 TDI

III. Part No.	Description	Qty	Remarks
1	NTC8287	1	Upto 11L22454A
	NTC9070	1	From 11L22455A
2	ETC8854	1	Bracket
3	FS106201L	4	Flange screw
4	SH108251L	3	Screw-pump to bracket
5	WA108051L	2	Washer-pump to bracket
6	WL106001L	4	Washer spring
7	WL108001L	3	Washer spring
8	ETC5783	1	Pulley
9	SH108141L	3	Screw-pulley to pump
10	WL108001L	3	Washer spring
11	ERR1976	1	Plate mounting
	ERR2605	1	Plate mounting
12	ETC5815	1	Belt-power steering pump
13	BH108181L	1	Bolt
14	SH108251L	2	Screw
	SH108301L	1	Screw
15	WL108001L	4	Washer spring
16	RTC5935	1	Kit seal (NTC8287)
	STC1633	1	Kit seal (NTC9070)
17	ERR1264	1	Plate spacer
18	FS108161L	1	Screw
19	FS108301L	1	Bolt

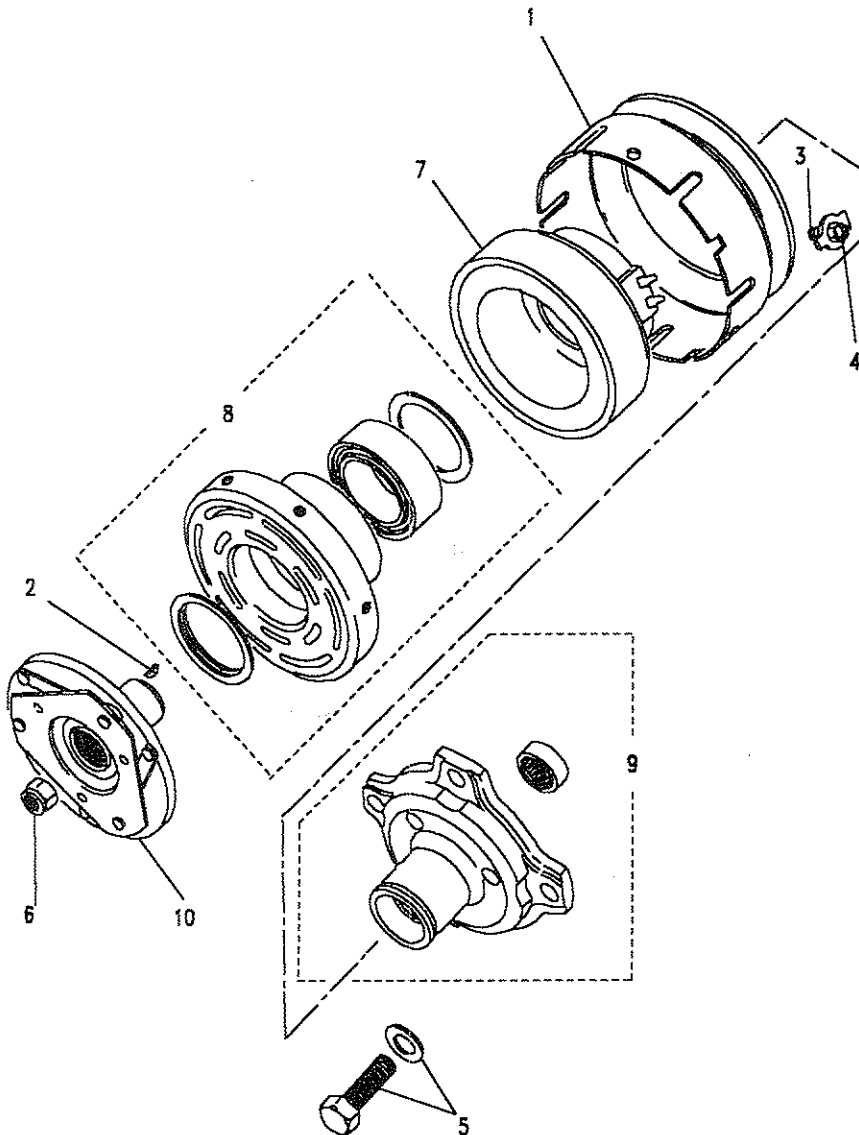




Model DEFENDER 90

Page ADBMNE1A

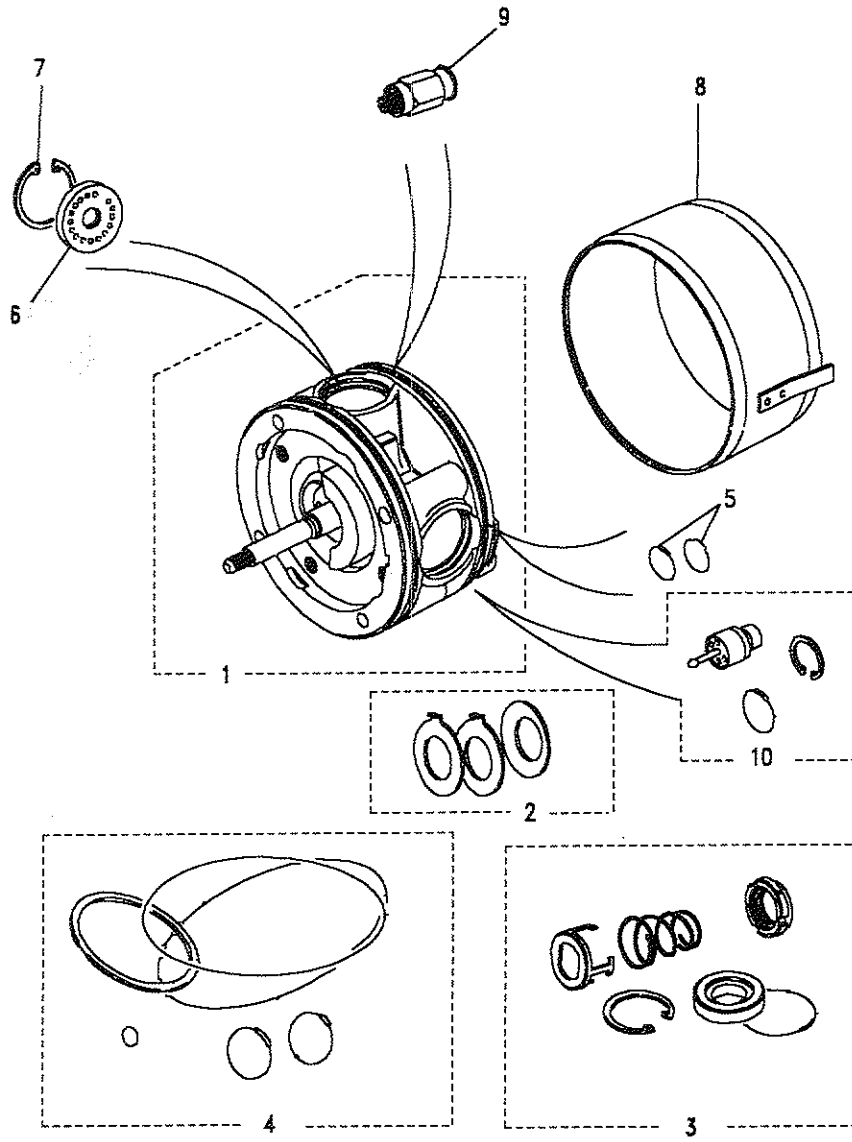
ENGINE - AIR CONDITIONING COMPRESSOR - 200 TDI



III. Part No.	Description	Qty	Remarks
BTR9419	Compressor assembly	1	Note(2)
ERC6480	Compressor assembly	1	Note(1)
1 AEU1782	Pulley rim	1	
2 AEU1694	Key clutch hub	1	
3 AEU1780	Screw rim mounting	6	
4 AEU1779	Washer rim mounting	6	
5 AEU1784	Screw and washer assy	4	
6 AEU1775	Nut shaft	1	
7 AEU1778	Coil and housing assy	1	
8 AEU1777	Rotor and bearing assy	1	
9 AEU1785	Head front/bearing assy	1	
10 AEU1776	Clutch assembly	1	

Note(1) Up to VIN MA949374  
 Note(2) From VIN MA949375





**Model** DEFENDER 90  
**Page** ADBMNE2A

**ENGINE - KITS - COMPRESSOR - 200 TDI**

III. Part No.	Description	Qty	Remarks
BTR9419	Compressor assembly	1	Note(2)
ERC6480	Compressor assembly	1	Note(1)
1 AEU1792	Kit cylinder/shaft assy	1	
2 AEU1791	Kit thrust washers	1	
3 AEU1790	Kit shaft seal	1	
4 AEU1192	Kit 'O' rings	1	
5 AEU1690	'O'ring	2	
6 AEU1788	Plate valve assembly	4	
7 AEU1787	Ring retaining	4	
8 AEU1786	Shell assembly	1	
9 AEU1689	Valve pressure release	1	
10 AEU1688	Kit superheat switch	1	
ETC4371	Belt driving	1	
AEU1691	Oil 525 visco 2pt(1136ml)	A/R	

Note(1) Up to VIN MA949374  
 Note(2) From VIN MA949375



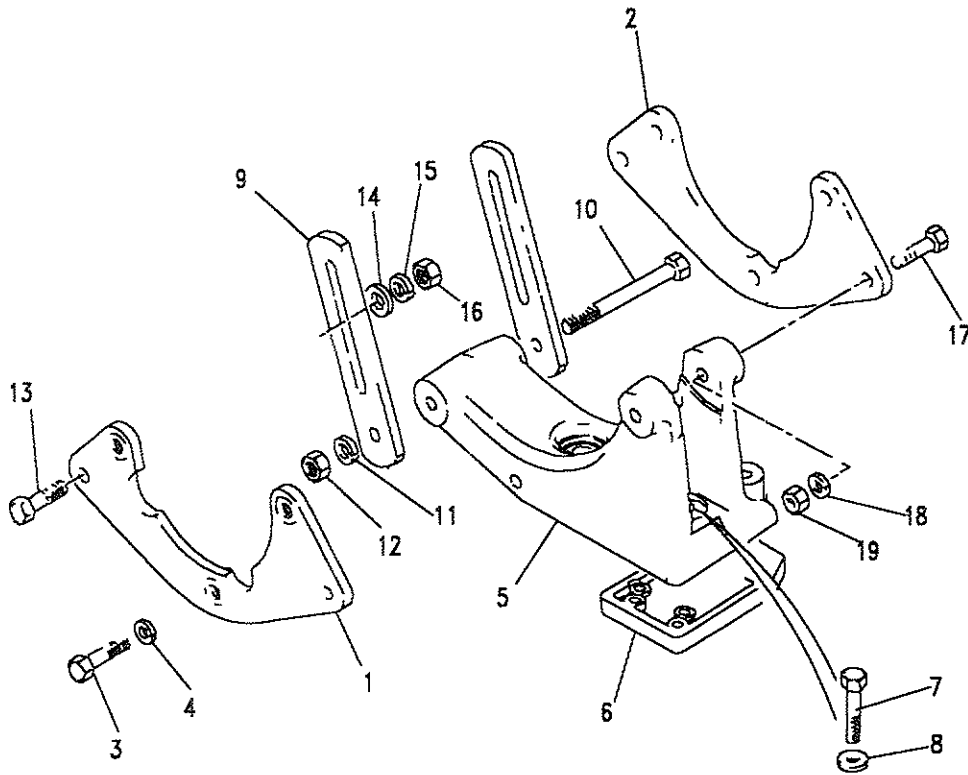
10/10

Model DEFENDER 90

Page ADBMNE3A

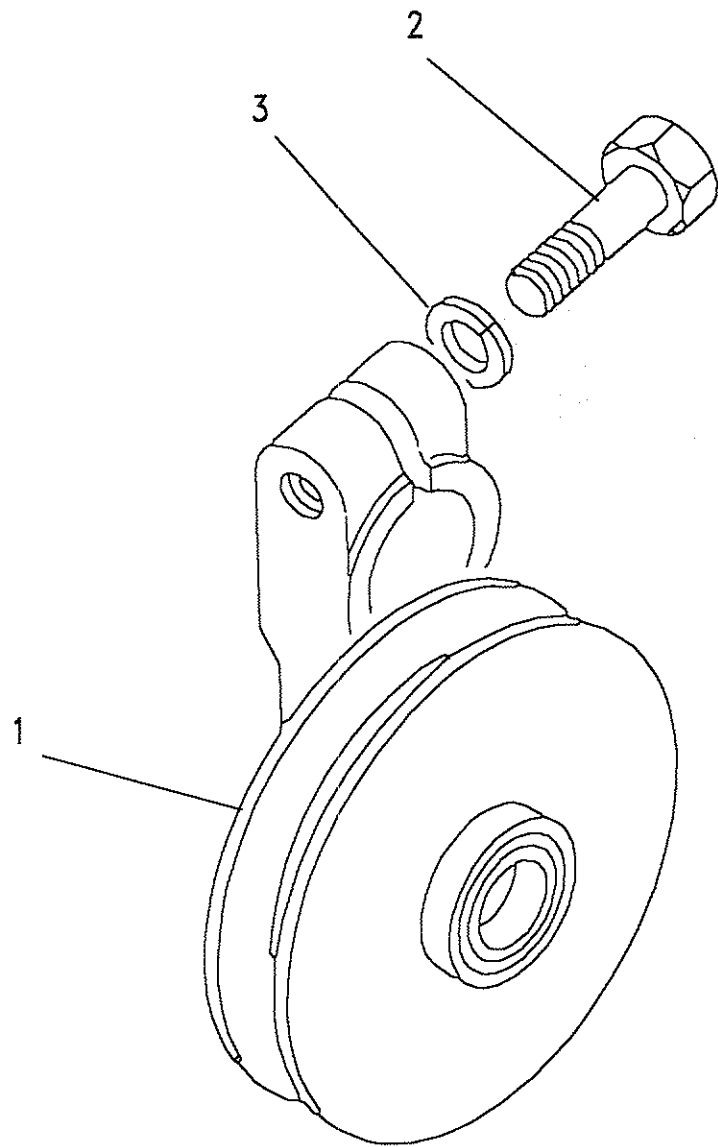
ENGINE - COMPRESSOR FIXINGS - 200 TDI

III. Part No.	Description	Qty	Remarks
1	ERC7082	1	Plate mounting front
2	ERC5152	1	Plate mounting rear
3	BH110201L	3	Bolt compressor to plate
4	WL110001L	3	Washer spring
5	ETC4882	1	Bracket mounting compress
6	ETC4197	1	Adaptor plate bracket
7	BH110101L	4	Bolt bracket to cover
8	WA110061L	4	Washer
9	ERC5155	2	Link adjusting
10	BH108181L	1	Bolt link to bracket
11	WL108001L	1	Washer spring
12	NH108041L	1	Nut
13	SH108251L	2	Screw link to plate
14	WA108051L	2	Washer
15	WL108001L	2	Washer spring
16	NH108041L	2	Nut
17	FB108081L	2	Bolt bracket to plate
18	WL108001L	2	Washer spring
19	NH108041L	2	Nut



10/10





Model DEFENDER 90  
Page ADBMNE4B

ENGINE - AIR CON IDLER PULLEY - 200 TDI

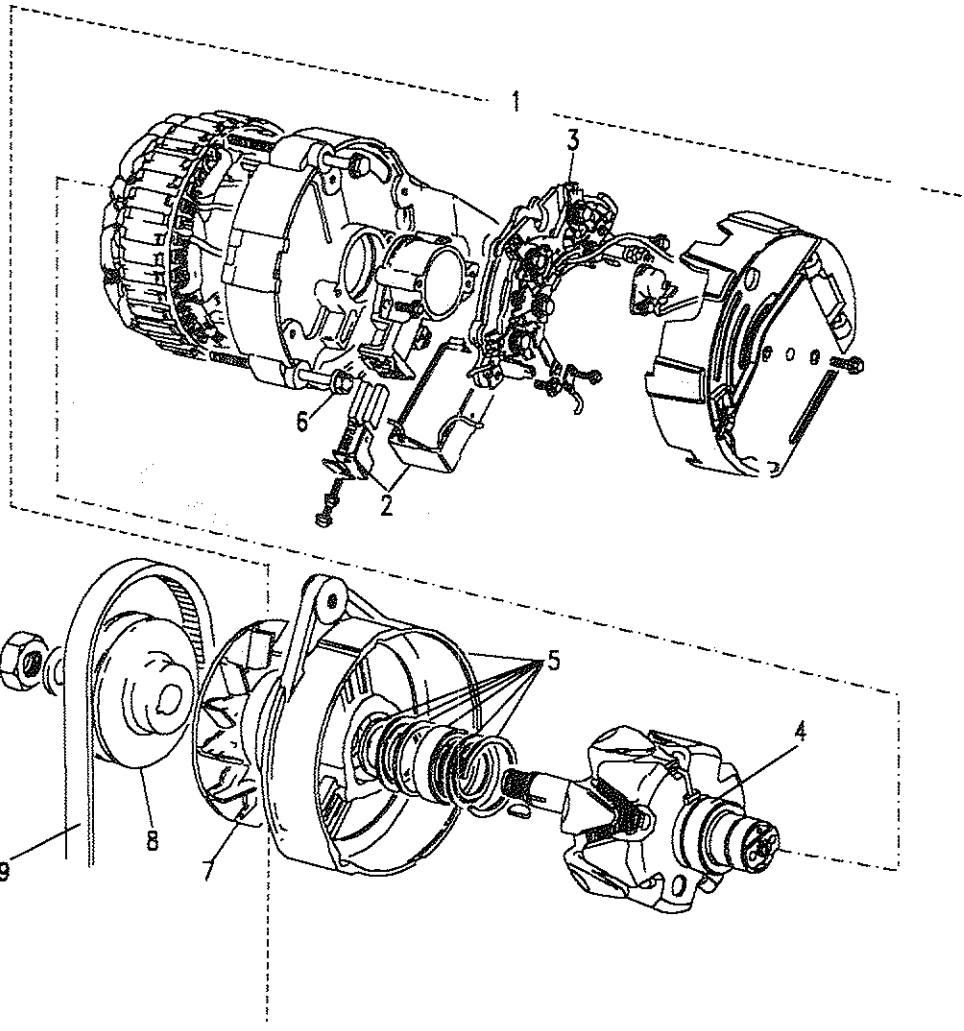
III. Part No.	Description	Qty	Remarks
1 614718	Pulley damper assembly	1	
2 BH605101L	Bolt	1	
3 WM600051L	Washer	1	





Model DEFENDER 90  
Page ADBMPC1A

ENGINE - ALTERNATOR - 200 TDI



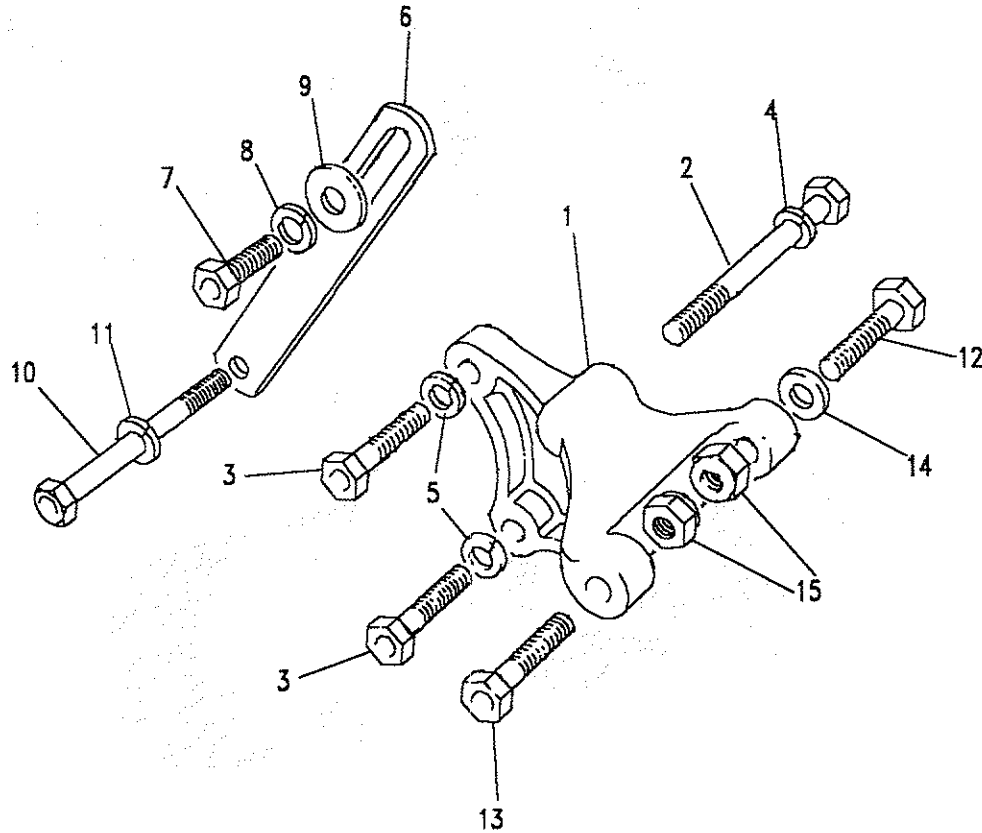
III. Part No.	Description	Qty	Remarks
1	RTC5680N	1	Note(1)
	RTC5680E	1	
	RTC5682N	1	Note(2)
	RTC5682E	1	
2	RTC5670	1	Regulator & brush box
3	RTC5671	1	Rectifier
4	RTC5926	1	Bearing slip ring end
5	RTC5687	1	Bracket & bearing-drive
6	RTC5925	1	Kit through bolts
7	AAU2249L	1	Fan
8	RTC5686	1	Pulley
9	ETC7939	1	Belt fan
	RTC5689	1	Spacer pulley

Note(1) LUCAS NUMBER 24220  
Note(2) LUCAS NUMBER 24199

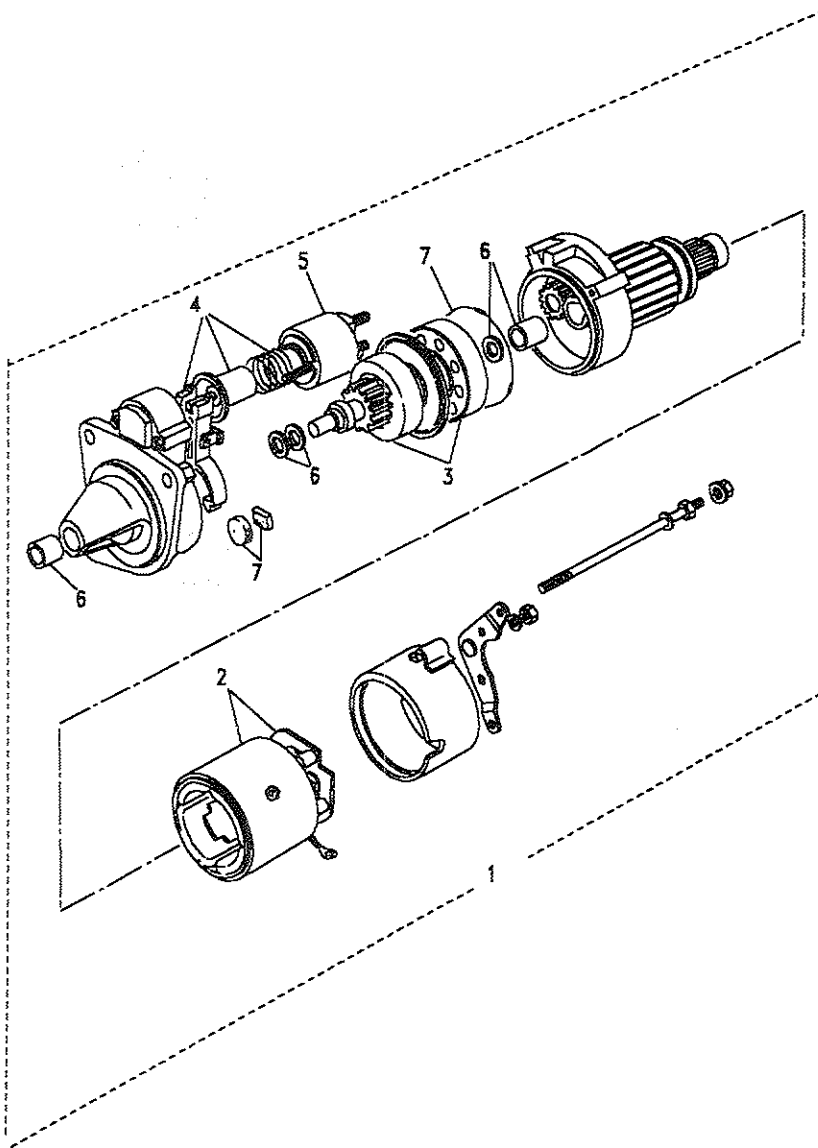


Model DEFENDER 90  
Page ADBMPC2A

ENGINE - FIXINGS ALTERNATOR - 200 TD!



III. Part No.	Description	Qty	Remarks
1	ETC4357	1	Bracket mounting
2	BH108161L	1	Bolt bracket to block
3	SH110301L	2	Bolt bracket to block
4	WL108001L	1	Washer spring
5	WL108001L	2	Washer spring
6	ERC6266	1	Link adjusting
7	FS108201L	1	Screw link to alternator
8	WL108001L	1	Washer spring
9	2266L	1	Washer
10	ERC8964	1	Bolt link to block
11	WL108001L	1	Washer spring
12	FB108081L	1	Bolt bracket to block
13	BH108091L	1	Bolt bracket to block
	ERC7974	1	Spacer
14	WC108051L	1	Washer
15	NY108041L	2	Nut nyloc


**Model** DEFENDER 90

**Page** ADBMPE1A

**ENGINE - STARTER MOTOR - 200 TDI**
**III. Part No. Description Qty Remarks**
**Used up to 11L24823A**

1	PRC5109N	Starter motor	1
	PRC5109E	Starter motor-exchange	1
2	RTC4981	Inductor-brush holder	1
3	RTC4982	Pinion drive assembly	1
4	RTC4979	Lever shift assembly	1
5	RTC4978	Solenoid	1
6	RTC4980	Kit repair	1
7	RTC4983	Kit gasket	1
	PRC5538	Cable earth	1

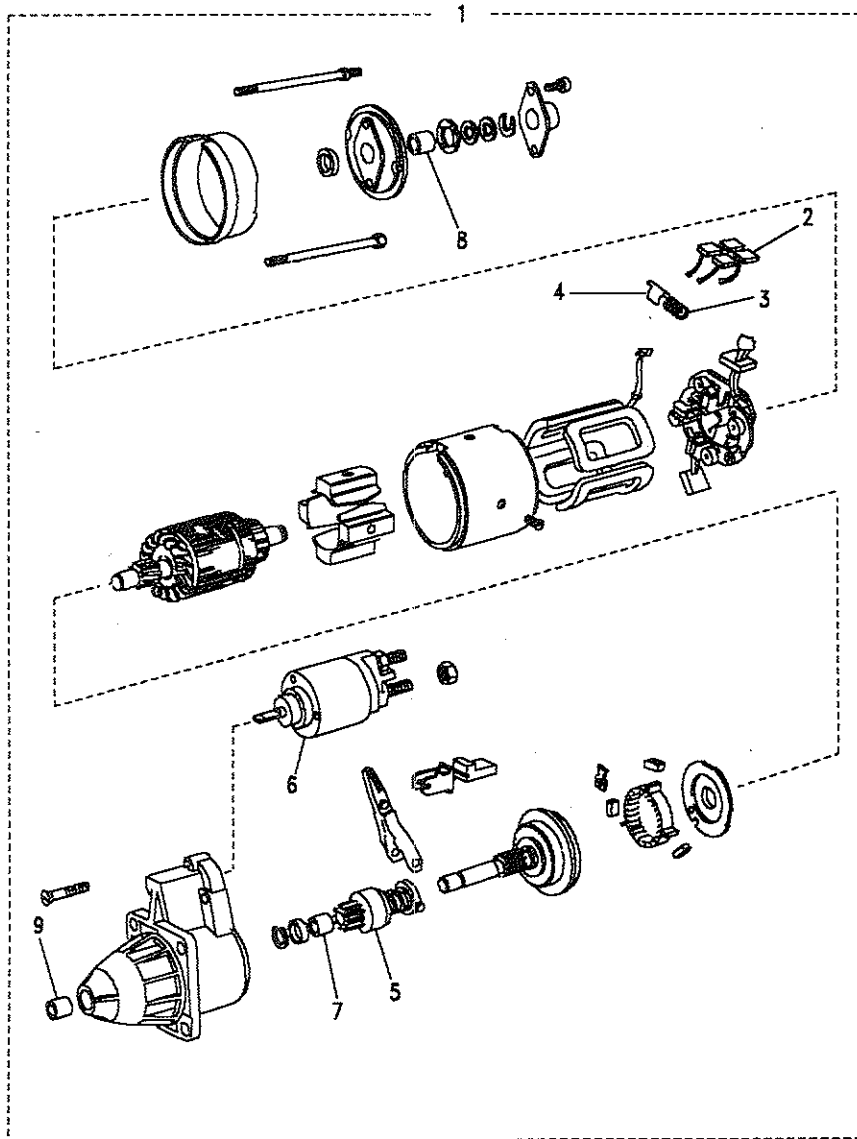
**Starter Heatshield**

8	ERR806	Heatshield starter motor	1
9	ERR807	Bracket	1
10	ERR808	Bracket	1
11	FS105107	Screw flanged	4

**Starter To Flywheel Housing**

	FS110301L	Screw	1
	FN110047	Nut m10	2
	WL110001L	Washer spring	3
	BH110091I	Bolt-starter to flywheel	1

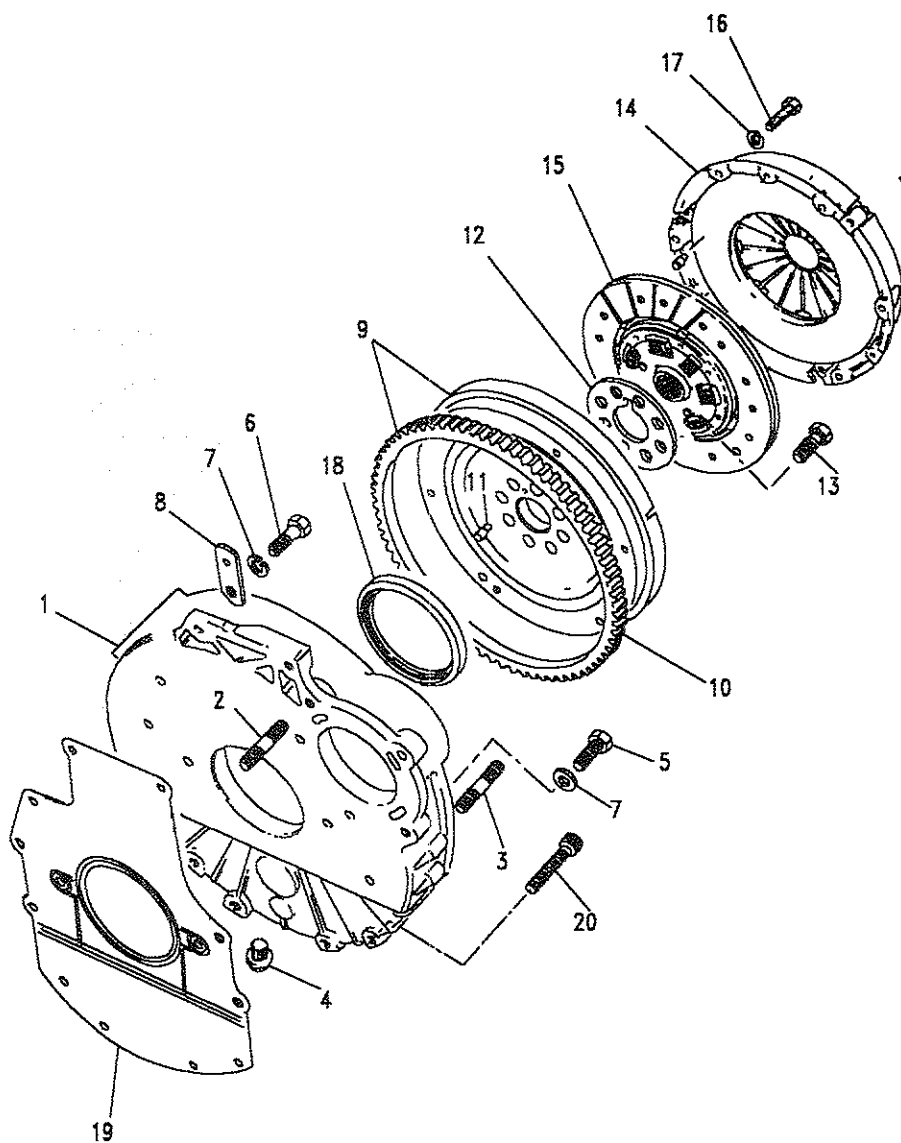




Model DEFENDER 90  
 Page ADBMPE2A

ENGINE - STARTER MOTOR - 200 TDI

III. Part No.	Description	Qty	Remarks
<b>Used from 11L24824A</b>			
1	ERR5009	1	Starter motor
2	STC1246	1	Brush set
3	STC1254	4	Spring compression
4	STC1247	4	Guide brush
5	STC1244	1	Drive assembly
6	STC1245	1	Solenoid
7	STC1250	2	Bush
8	STC1251	1	Bush
9	STC1255	1	Bush



Model DEFENDER 90

Page ADBMRA1A

ENGINE - FLYWHEEL & CLUTCH - 200 TDI

III. Part No.	Description	Qty	Remarks
1	ERR1330	1	Upto 60160A
	ERR3924	1	From 60161A
2	TE110061L	13	
3	ERC9240	1	
4	ERC7295	1	
5	FS110301L	6	
6	BH110091L	2	
7	WA110061L	6	
8	ERC9404	2	
9	ERR719	1	
10	568431	1	
11	502116	3	
12	ERC4658	1	Note(2)
13	ERC6551	8	Note(2)
	ERR4574	8	Note(2)
14	FTC575	1	
15	FTC576	1	
	FTC1994	1	
16	SX108201L	6	
17	WL108001L	6	
18	ERR1535	1	Note(1)
19	ERR1440	1	Note(1)
20	SS110801	4	

Note(1)  
Note(2)

Part of gasket kit STC363  
Plate deleted from June 93. If plate is not fitted use bolts ERR4574