



## MASTER INDEX

## GROUP B

	PAGES	ENGINE	ENGINE
INTRODUCTION PAGES	1 - 5		
ALPHABETICAL INDEX	6 - 14		
ENGINE	15 - 65	ENGINE	
ENGINE	66 - 117	ENGINE COMPLETE - 2.3 PETROL	17
ENGINE	118 - 171	ENGINE STRIPPED - 2.3 PETROL	18
ENGINE	172 - 217	ENGINE SHORT - 2.3 PETROL	19
ENGINE	218 - 261	CYLINDER BLOCK - 2.3 PETROL	20
ENGINE	262 - 297	SIDE COVER - 2.3 PETROL	21
ENGINE	298 - 367	CRANKSHAFT - 2.3 PETROL	22
GEARBOX	368 - 394	PISTON AND RINGS - 2.3 PETROL	23
GEARBOX	395 - 411	SUMP - 2.3 PETROL	24
GEARBOX	412 - 425	ENGINE MOUNTINGS - 2.3 PETROL	25
TRANSFER BOX	426 - 456	FRONT COVER - 2.3 PETROL	26 - 27
TRANSFER BOX	457 - 474	TIMING CHAIN - EARLY TYPE - 2.3 PETROL	28
AXLES AND SUSPENSION	475 - 531	TIMING CHAIN - LATER TYPE - 2.3 PETROL	29
STEERING	532 - 564	WATER PUMP - 2.3 PETROL	30 - 31
VEHICLE AND ENGINE CONTROLS	565 - 580	OIL PUMP - 2.3 PETROL	32 - 33
BRAKES	581 - 603	OIL FILTER - 2.3 PETROL	34
FUEL SYSTEM AND AIR CLEANER	604 - 645	OIL FILTER WITH OIL COOLER - 2.3 PETROL	35
EXHAUST SYSTEM	646 - 660	CYLINDER HEAD - 2.3 PETROL	36 - 37
COOLING/HEATING	661 - 709	ROCKER SHAFT - 2.3 PETROL	38
COOLING/HEATING	710 - 718	VALVES AND TAPPETS - 2.3 PETROL	39
BODY ELECTRICAL	719 - 793	ROCKER COVER - 2.3 PETROL	40
BODY AND CHASSIS	794 - 923	CAMSHAFT - 2.3 PETROL	41
INTERIOR TRIM	924 - 965	THERMOSTAT HOUSING - 2.3 PETROL	42
SEATS	966 - 1009	MANIFOLD - 2.3 PETROL	43 - 44
STOWAGE	1010 - 1017	CARBURETTER - 2.3 PETROL - MECHANICAL PUMP	45 - 46
ACCESSORIES - PAINTS	1018 - 1042	CARBURETTER - 2.3 PETROL - ELECTRICAL PUMP	47 - 48
NUMERICAL INDEX	1044 - 1122	HAND THROTTLE - 2.3 PETROL	49
		VACUUM PIPES - CARBURETTER - 2.3 PETROL	50
		CARBURETTER - 2.3 PETROL - FUEL PIPES	51
		GASKET KITS - 2.3 PETROL	52
		POWER STEERING PUMP (ADWEST) - 2.3 PETROL	53
		POWER STEERING PUMP (GEMMER) - 2.3 PETROL	54
		AIR CONDITIONING COMPRESSOR - 2.3 PETROL	55
		AIR CONDITIONING COMPRESSOR - 2.3 PETROL - KITS	56
		COMPRESSOR FIXINGS - 2.3 PETROL	57
		AIR CON IDLER PULLEY - 2.3 PETROL	58
		DISTRIBUTOR - 2.3 PETROL	59
		IGNITION COIL - 2.3 PETROL	60
		ALTERNATOR - 2.3 PETROL	61





DEFENDER 90

16

ENGINE

ALTERNATOR - AIR CON - 2.3 PETROL	62
ALTERNATOR FIXINGS - 2.3 PETROL	63
STARTER MOTOR - 2.3 PETROL	64
FLYWHEEL AND CLUTCH - 2.3 PETROL	65

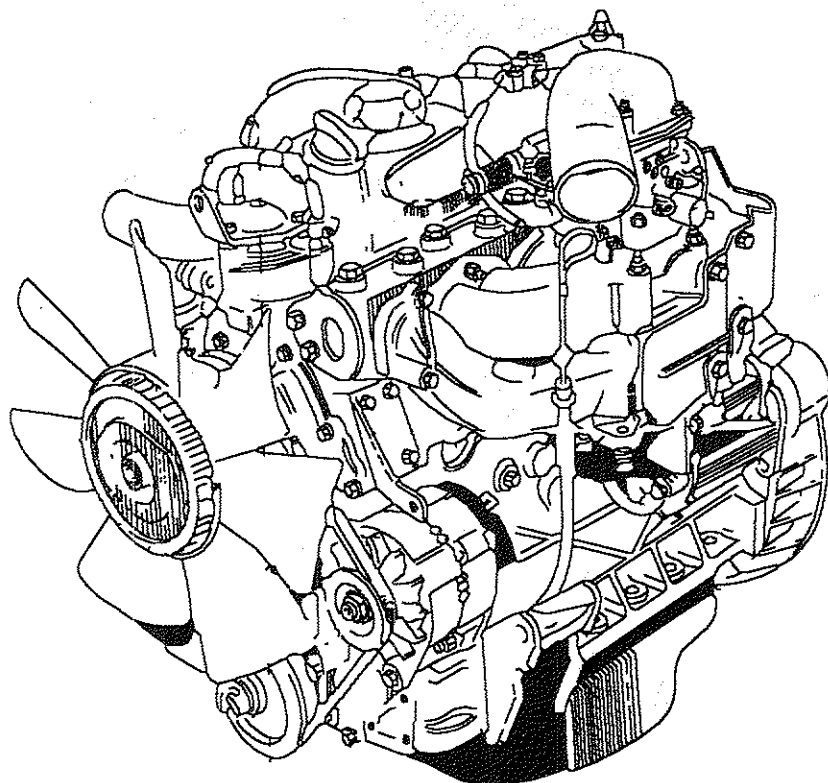




**Model** DEFENDER 90  
**Page** ADBAAA1A

**ENGINE - ENGINE COMPLETE - 2.3 PETROL**

III. Part No.	Description	Qty	Remarks
	Engine complete assy		NOT AVAILABLE





Model DEFENDER 90

Page ADBAAC1A

ENGINE - ENGINE STRIPPED - 2.3 PETROL

III. Part No.

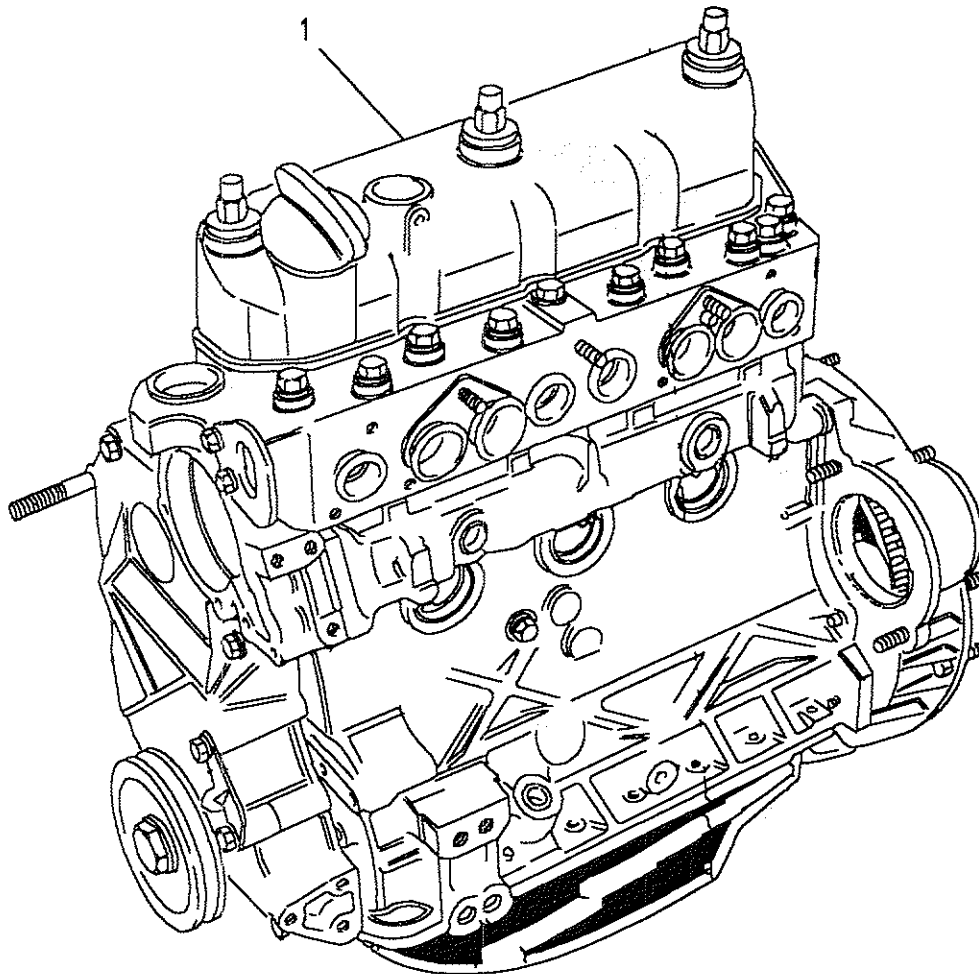
Description

Qty Remarks

1 RTC2918N  
STC8276R

Engine stripped  
Engine stripped-recon/con

1 11H00001C  
1 LEAD FREE





DEFENDER 90

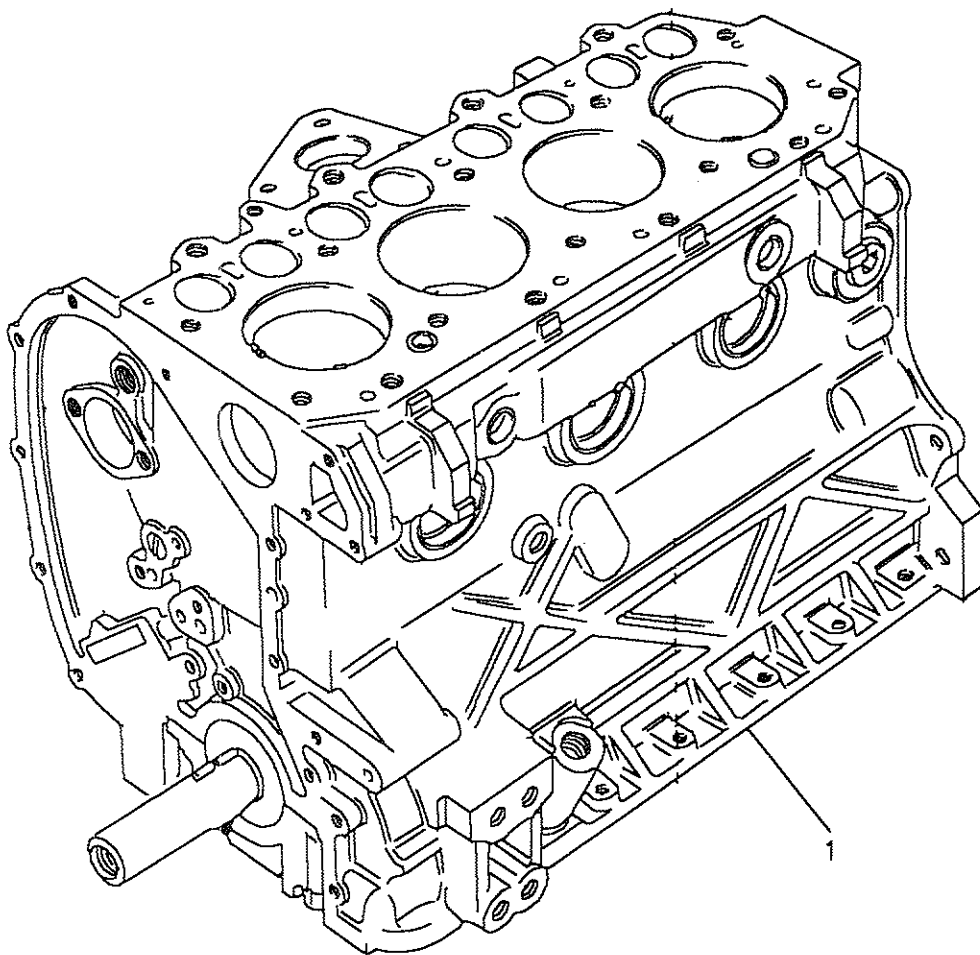
19

ENGINE

**Model** DEFENDER 90  
**Page** ADBAAE1A

**ENGINE - ENGINE SHORT - 2.3 PETROL**

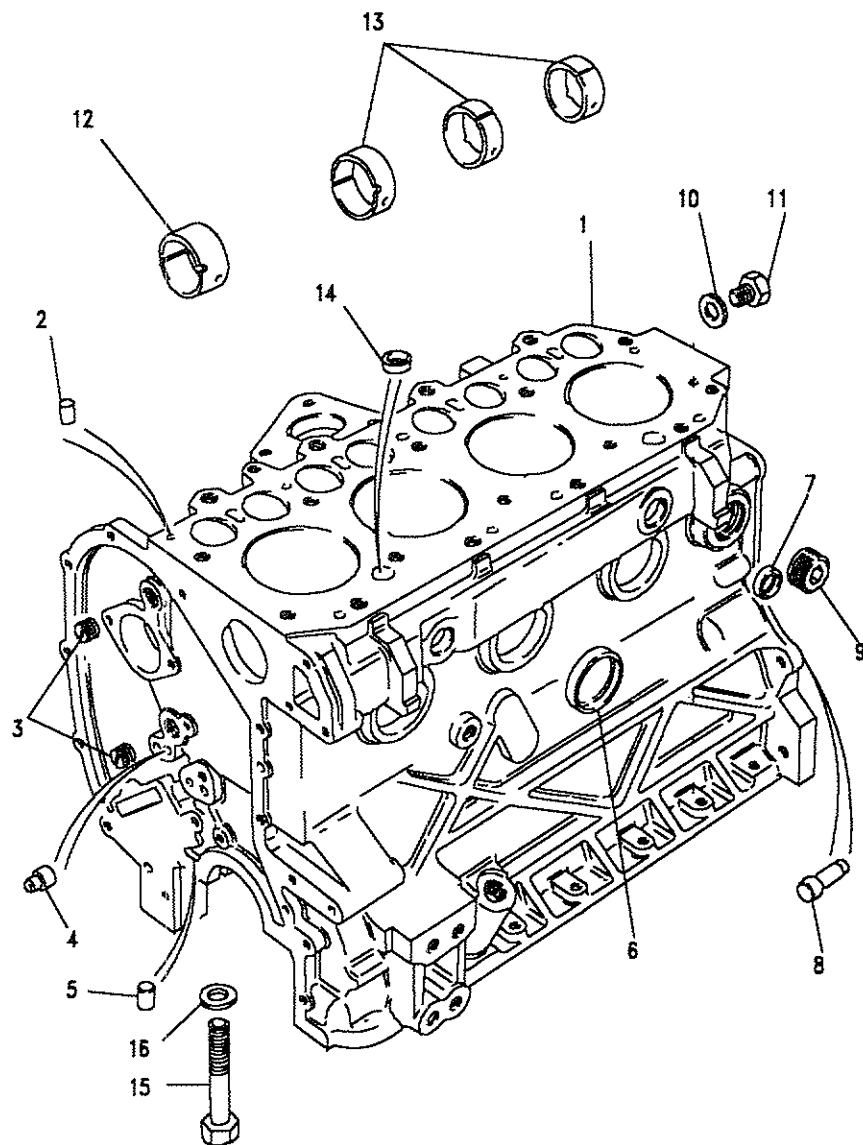
III. Part No.	Description	Qty	Remarks
1 RTC2978	Engine short assembly	1	



**Model** DEFENDER 90

**Page** ADBABA1A

### ENGINE - CYLINDER BLOCK - 2.3 PETROL



III. Part No.	Description	Qty	Remarks
1	ERC9348	1	Cylinder block assembly
2	247965	1	Plug tappet feed hole
3	247127	2	Plug oil gallery
4	213700	2	Dowel chain tensioner
5	501593	10	Dowel bearing caps
6	ERC4996	6	Cup plug side/ends
7	597586	3	Cup plug water rail ends
8	ERC4644	2	Dowel flywheel housing
9	527269	1	Plug immersion heater
10	243959	2	Washer joint
11	536577	2	Plug gallery pipe
12	90519054	1	Bearing camshaft front
13	90519055	3	Bearing camshaft rear
14	ERC4995	2	Cup plug
15	ETC7596	10	Bolt main bearing cap
16	504006	10	Washer

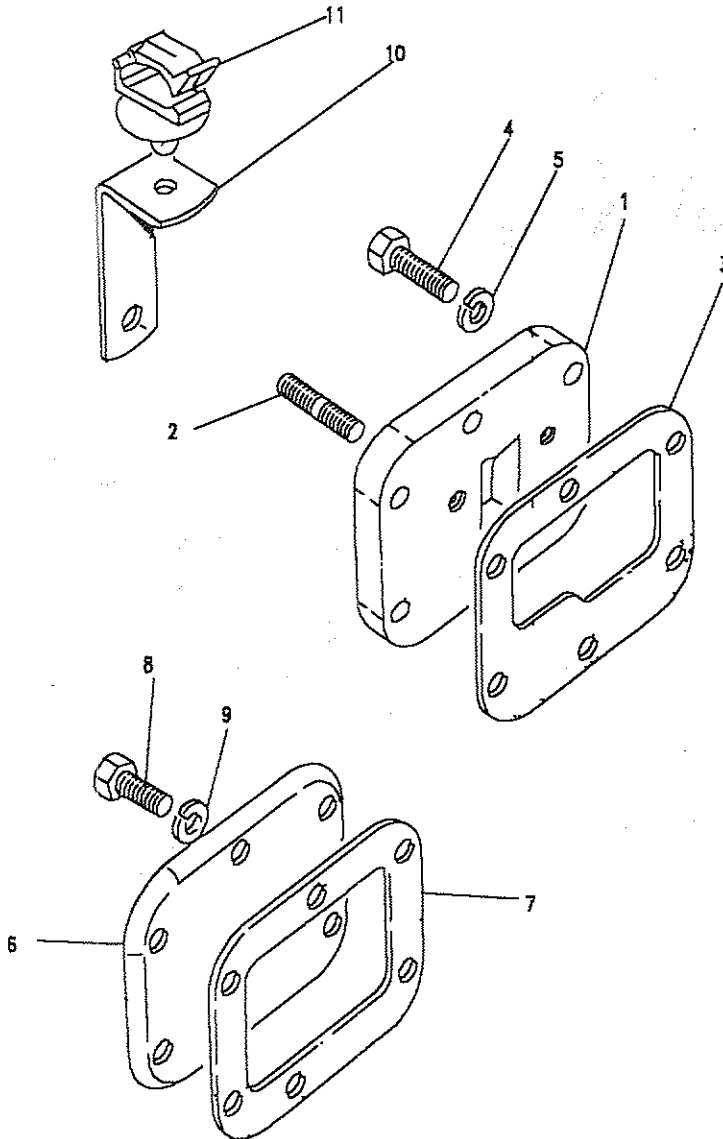


11/88

Model DEFENDER 90

Page ADBABC1A

ENGINE - SIDE COVER - 2.3 PETROL



III. Part No.

Description

Qty Remarks

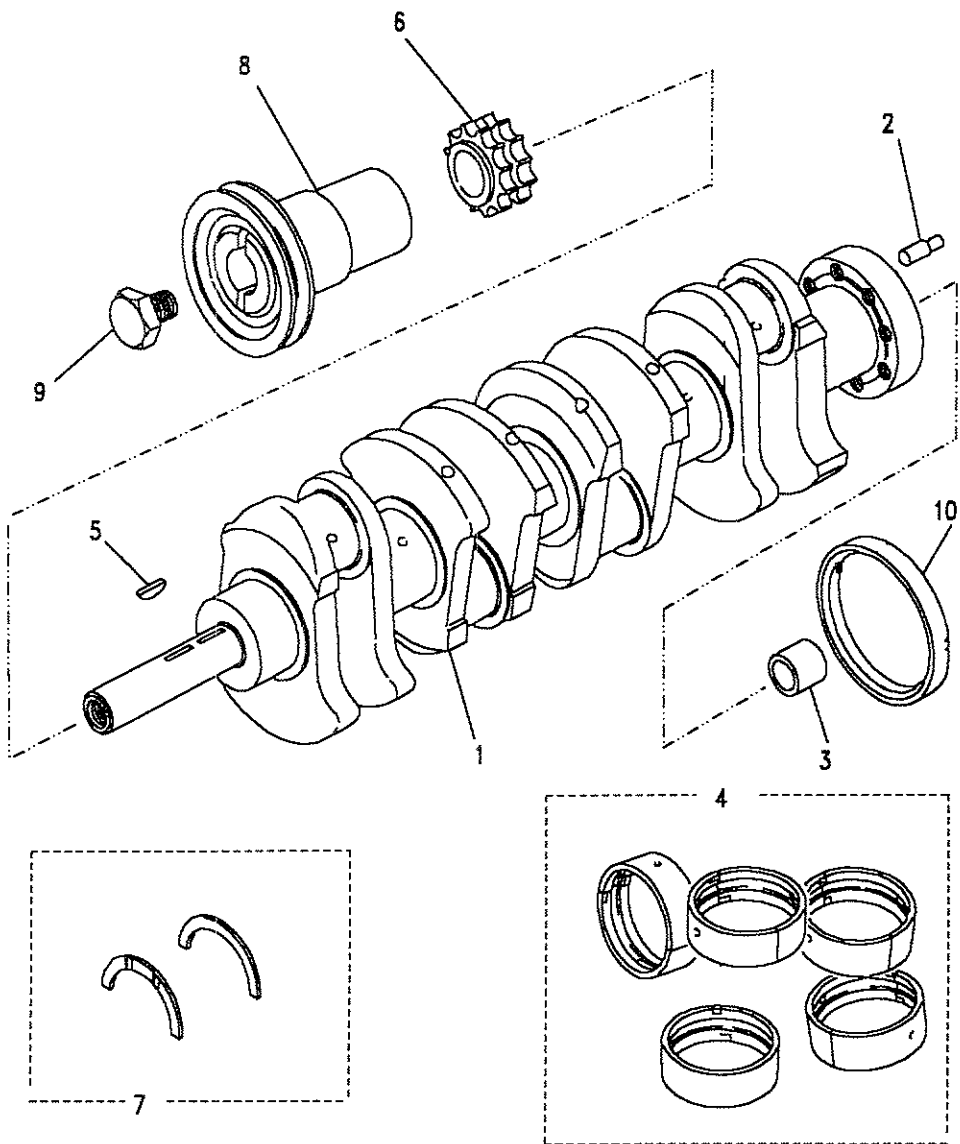
1	ETC4799	Plate cover	1	
2	TE108041L	Stud	2	
3	ERR1475	Washer joint	1	
4	SH108251L	Screw	6	
5	WL108001L	Washer spring	6	
6	ERC2869	Cover side front	1	
7	247555	Gasket side cover	1	
8	ERR3605	Gasket side cover	1	Asbestos free
9	FS108201L	Screw	6	
10	WL108001L	Washer spring	6	
11	ERC9480	Bracket	1	
	AFU1090L	Clip	1	



**Model** DEFENDER 90  
**Page** ADBACA1A

**ENGINE - CRANKSHAFT - 2.3 PETROL**

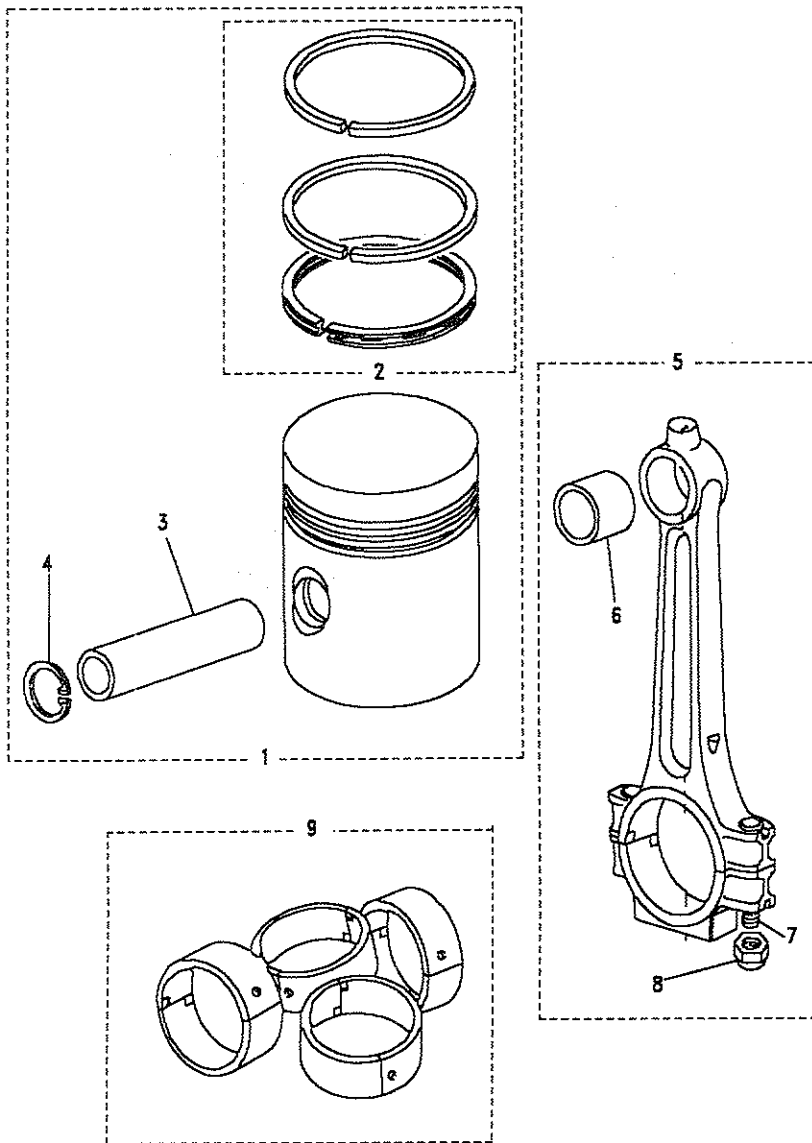
III. Part No.	Description	Qty	Remarks
1	ERC5014 Crankshaft	1	
2	ERR1630 Dowel	1	
3	8566L Bush	1	
4	RTC2626 Bearing set main-standard	A/R	
	RTC262610 Bearing set main-0.010"	A/R	
	RTC262620 Bearing set main-0.020"	A/R	
5	235770 Key-Chainwheel	1	
6	568333 Chainwheel	1	
7	RTC2825 Washer thrust-standard	A/R	
	538131 Washer thrust-0025"	A/R	
	538132 Washer thrust-0050"	A/R	
	538133 Washer thrust-0075"	A/R	
	538134 Washer thrust-010"	A/R	
8	ERC5349 Pulley-BASIC	1	
	ERC5128 Pulley-POWER STEERING	1	
	ERC5127 Pulley-AIR CON	1	
	ERC7089 Pulley-AIR CON/P-STEERING	1	
9	ETC7934 Bolt-crankshaft	1	
10	ERR1535 Seal oil	1	







708



Model DEFENDER 90

Page ADBACC1A

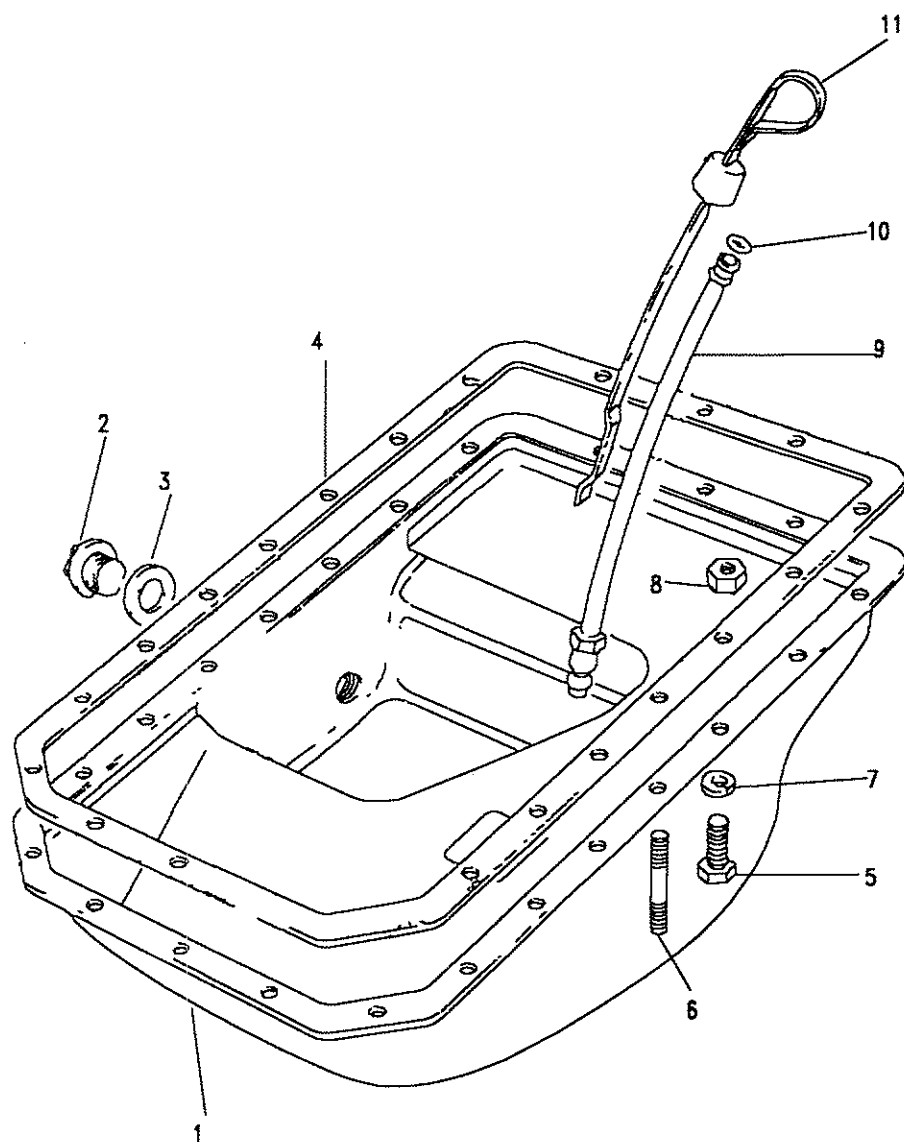
ENGINE - PISTON AND RINGS - 2.3 PETROL

III. Part No.	Description	Qty	Remarks
1	RTC4188S	4	Piston assembly-standard
	RTC418820	4	Piston assembly-020"
	RTC418840	4	Piston assembly-040"
2	RTC4190S	1	Kit piston rings-std
	RTC419020	1	Kit piston rings-020"
	RTC419040	1	Kit piston rings-040"
3	265169	4	Gudgeon pin
4	265175	8	Circlip
5	ETC5157	4	Con rod
6	528004	4	Bush
7	ERC8751	8	Bolt
8	ETC5155	8	Nut

Con Rod Bearing: Engine Set

9	RTC1730	1	Bearing set big end
	RTC173010	1	Bearing set big end-010"
	RTC173020	1	Bearing set big end-020"





**Model** DEFENDER 90  
**Page** ADBADA1A

**ENGINE - SUMP - 2.3 PETROL**

III. Part No.	Description	Qty	Remarks
1	RTC4841	1	Note(1)
2	536577	1	
3	243959	1	
2	ETC5577	1	
3	FRC4808	1	
4	546841	1	Note(2)
5	SH108251L	21	
6	TE108041L	1	
5	SH108161L	21	
6	TE108031L	1	
7	WL108001L	22	
8	NH108041L	1	
9	ERC8980	1	
10	532387	1	
11	ETC7867	1	

Note(1)  
 Note(2)

Kit contains latest sump ETC6132 and fixings  
 Latest sump uses sealant-gasket can be used as an alternative



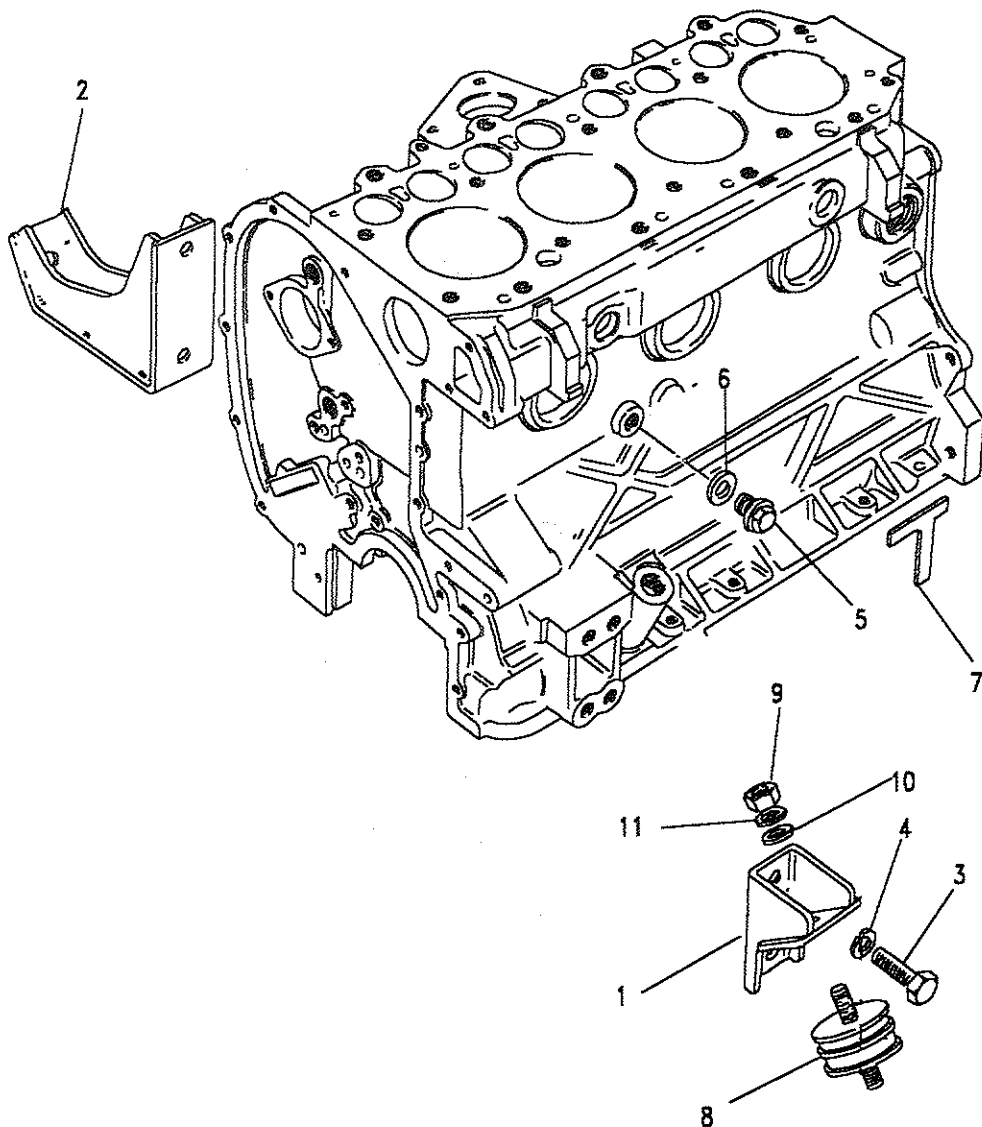
16/88

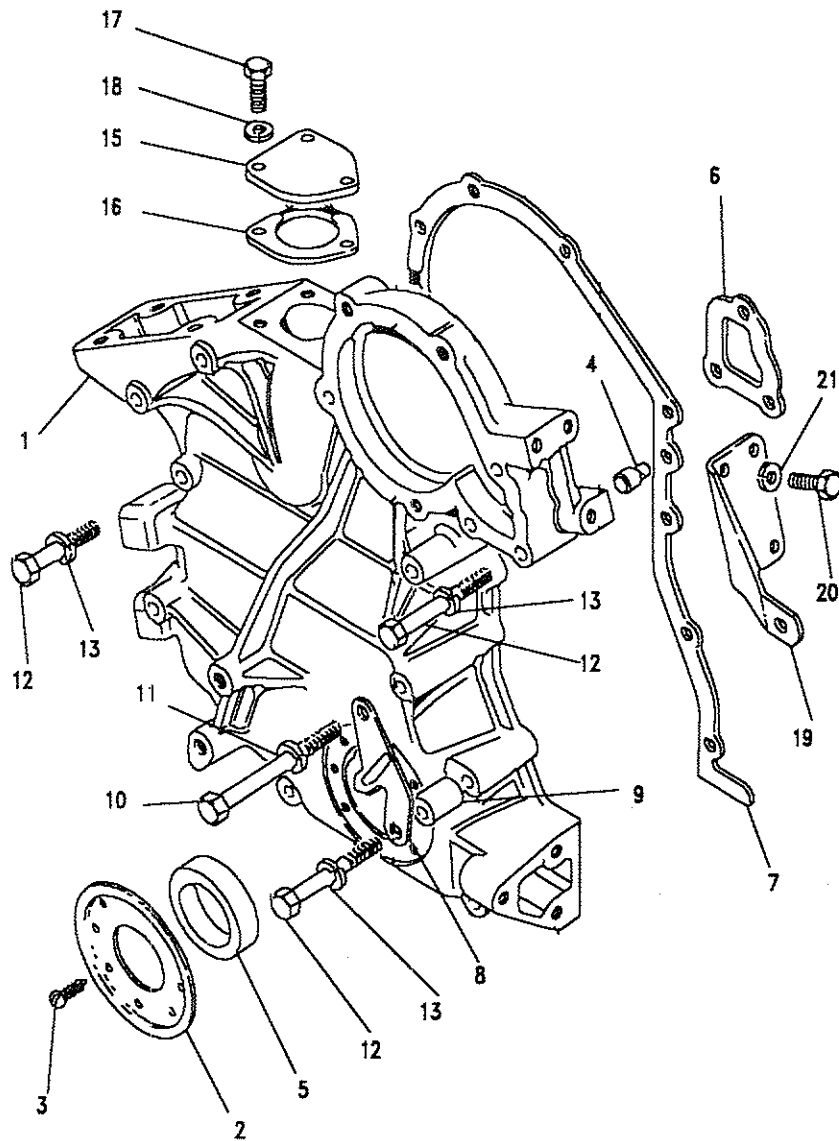
Model DEFENDER 90  
Page ADBADC1A

ENGINE - ENGINE MOUNTINGS - 2.3 PETROL

III. Part No.	Description	Qty	Remarks
1	NRC5434	1	Mounting foot-RH
2	NRC9557	1	Mounting foot-LH
3	SH112251L	4	Screw
4	WL112001L	4	Washer spring
5	ERC9410	1	Plug drain
6	AFU1882L	1	Washer joint-plug
7	ERC5086	2	Packing strip
8	NRC9560	2	Mounting rubber
	ANR1808	2	Mounting rubber
9	NH110041L	4	Nut-rubber to foot
10	WC110061L	2	Washer rubber to foot
11	WL110001L	4	Washer spring

Note(1) Up to JA920702  
Note(2) From JA920703





**Model** DEFENDER 90  
**Page** ADBAE1A

### ENGINE - FRONT COVER - 2.3 PETROL

III. Part No.	Description	Qty	Remarks
1	ERC9519	1	)Note(1)
	ERC9528	1	
	ETC6081	1	
	ETC6082	1	
2	247766	1	)
3	AB606061L	8	
4	6395L	2	
5	ERR1632	1	
	90516028	1	AIR CON
	ETC5187	1	
6	538038	1	
	ERR1607	1	Asbestos free
7	538039	1	
8	ERC5361	1	
9	ERC6869	1	
10	ERC8964	1	
11	WL108001L	1	

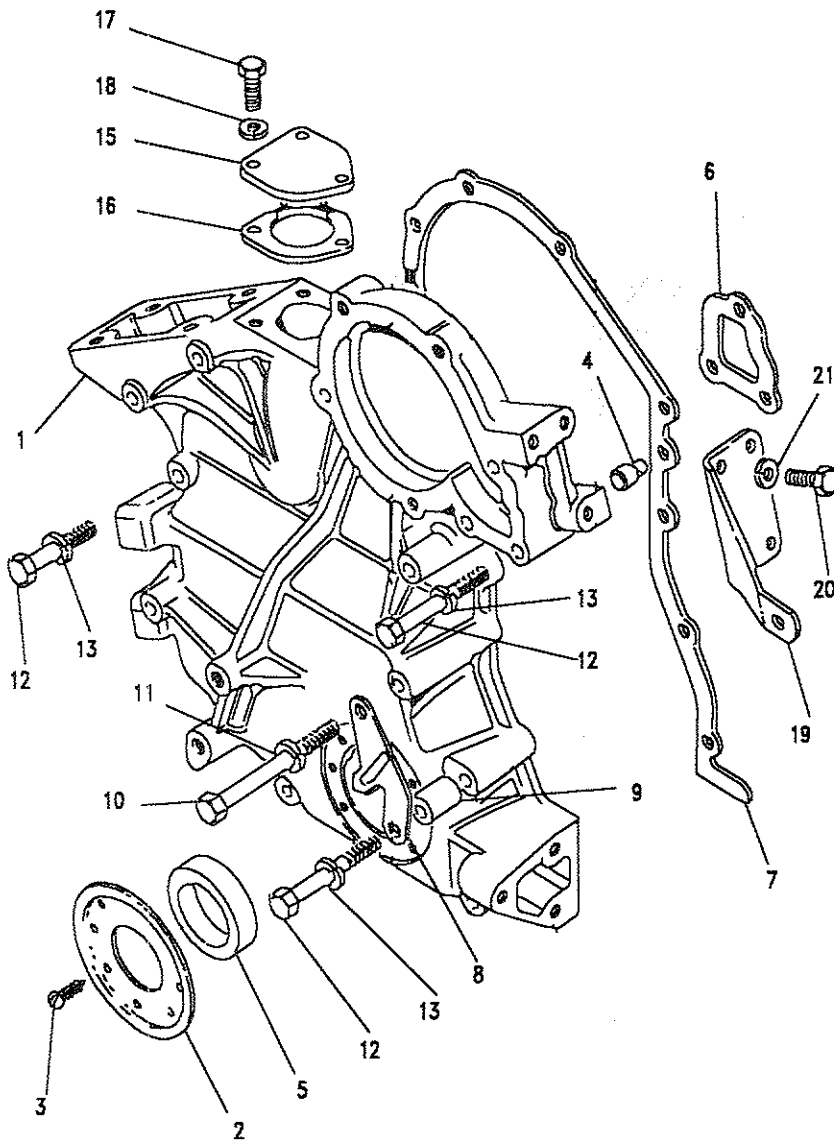
Note(1) For vehicles fitted with single lipped oil seal  
 Note(2) For vehicles fitted with twin lipped oil seal



4018

Model DEFENDER 90  
Page ADBAEA1A

ENGINE - FRONT COVER - 2.3 PETROL



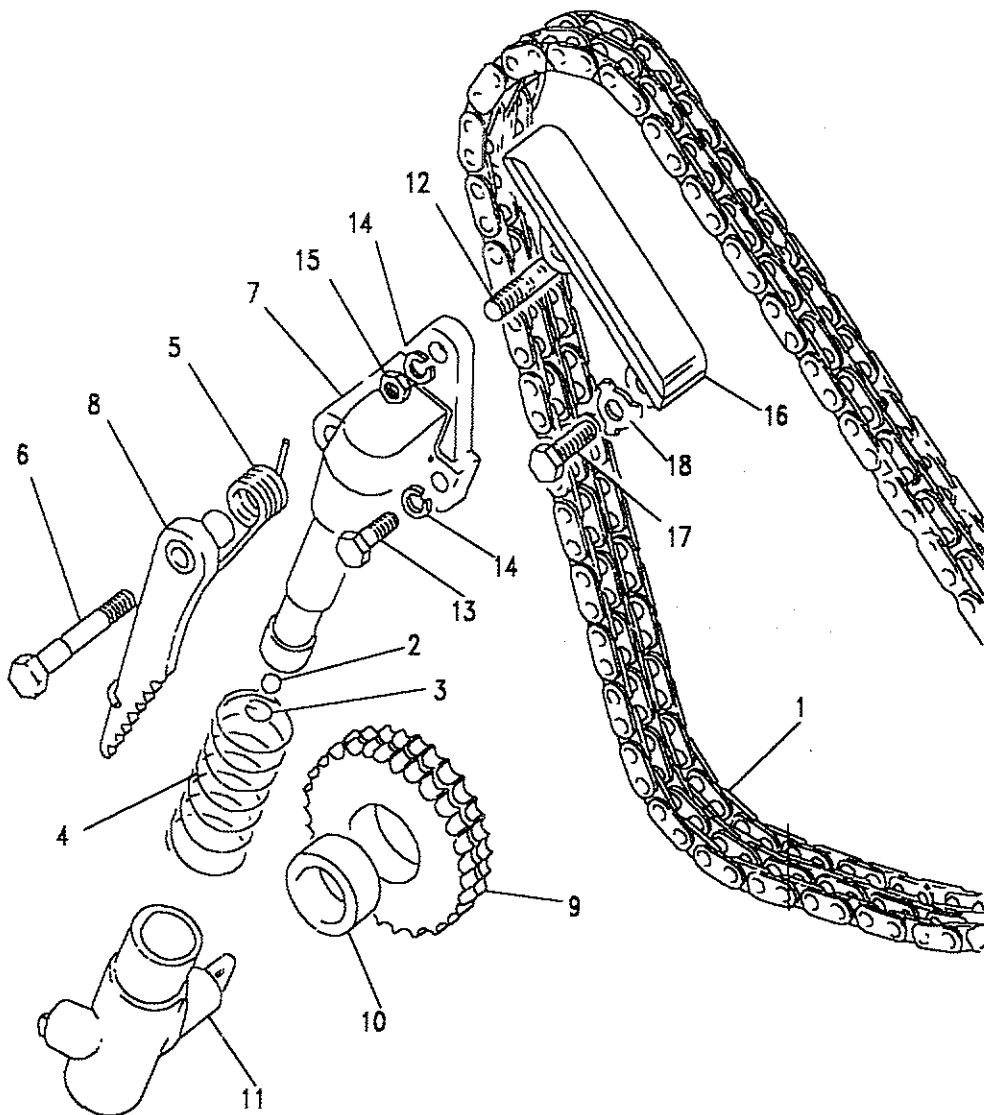
Ill. Part No.	Description	Qty	Remarks
12 ETC4994	Bolt	1	NON AIR CON
12 BH108151L	Bolt	1	
12 BH108105L	Bolt	6	
12 ETC4995	Bolt special	1	AIR CON
12 ERC9468	Stud special	1	
12 BH108131L	Bolt	1	AIR CON
12 BH108151L	Bolt	1	
12 BH108105L	Bolt	2	AIR CON
12 ERC8964	Bolt	2	
12 BH108201L	Bolt	1	AIR CON
13 WL108001L	Washer spring	9	
12 ETC4994	Bolt special	1	SPLIT CHARGE OPTION ONLY
12 BH108105L	Bolt	5	
12 ERC9468	Stud	1	NON AIR CON
14 NH108041L	Nut	1	
13 WL108001L	Washer spring	8	NON AIR CON
14 NH108041L	Nut	1	
15 574469	Plate blanking	1	AIR CON
16 542636	Gasket-blanking plate	1	
17 FS106201L	Screw	3	AIR CON
18 WL106001L	Washer spring	3	
19 ERC6479	Bracket cowl mounting	1	AIR CON
20 FS108201L	Screw	3	
21 WL108001L	Washer spring	3	AIR CON
WA108051L	Washer	1	



Model DEFENDER 90  
Page ADBAEC1A

ENGINE - TIMING CHAIN - EARLY TYPE - 2.3 PETROL

III. Part No.	Description	Qty	Remarks
1	ETC4499	1	Chain timing
2	3739	1	Ball
3	233328	1	Clip retaining-ball
4	233326	1	Spring-tensioner
5	267451	1	Spring-ratchet
6	ERC8975	1	Bolt stepped
7	247912	1	Tensioner
8	546026	1	Ratchet and bush assembly
9	236067	1	Wheel idler
10	234124	1	Bush
11	277388	1	Cylinder assy-tensioner
12	TE108051L	1	Stud
13	FB108061	1	Bolt
14	WL108001L	1	Washer spring
15	NH108041L	1	Nut
16	275234	1	Damper vibration
17	SH106121L	2	Screw
18	557523	2	Washer lock

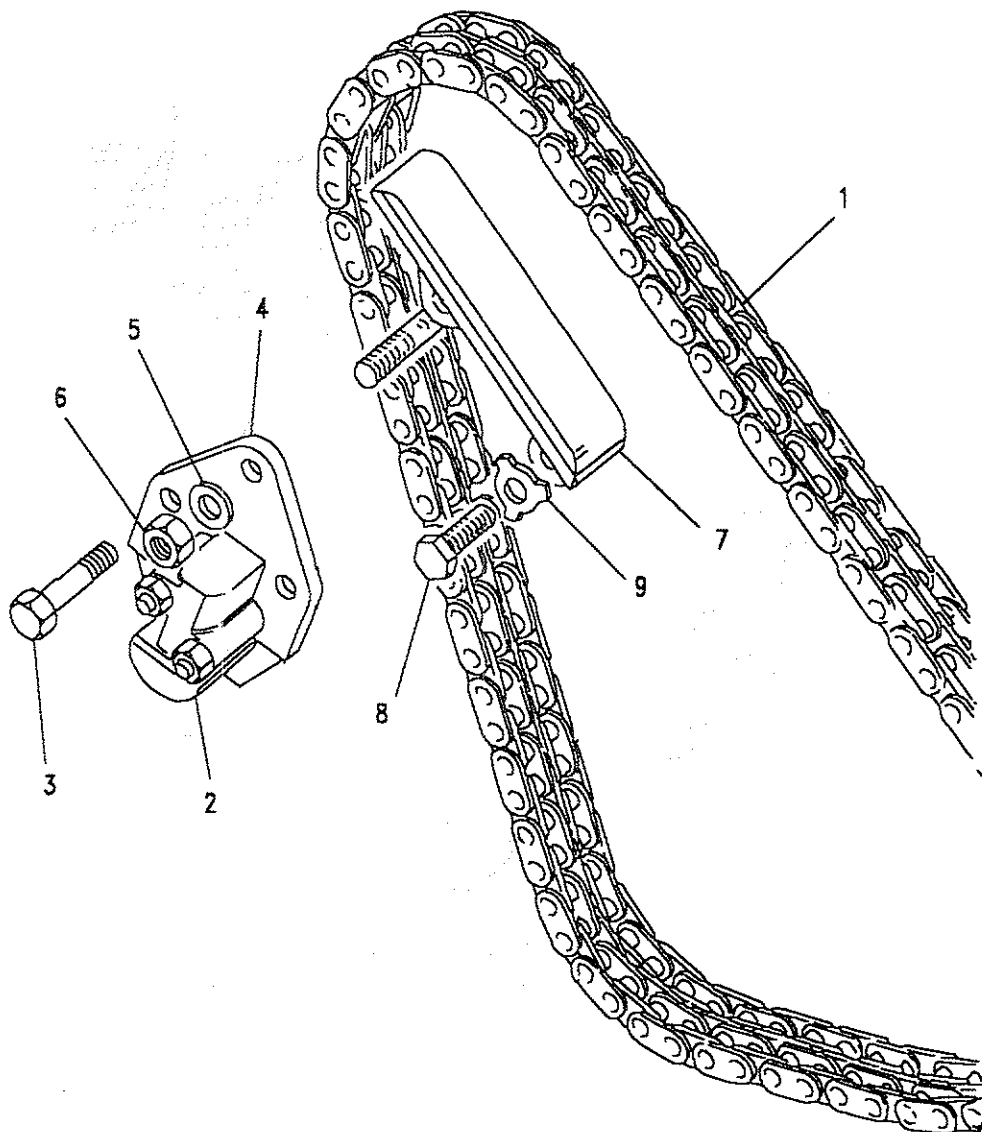




Model DEFENDER 90  
 Page ADBAEC2A

ENGINE - TIMING CHAIN - LATER TYPE - 2.3 PETROL

III. Part No.	Description	Qty	Remarks
1	ETC5191	1	Chain timing
2	ETC5190	1	Tensioner
3	FS108201L	2	Screw
4	TE108051L	1	Stud
5	WA108051L	3	Washer
6	NH108041L	1	Nut
7	275234	1	Damper vibration
8	SH106121L	2	Screw
9	557523	2	Washer lock

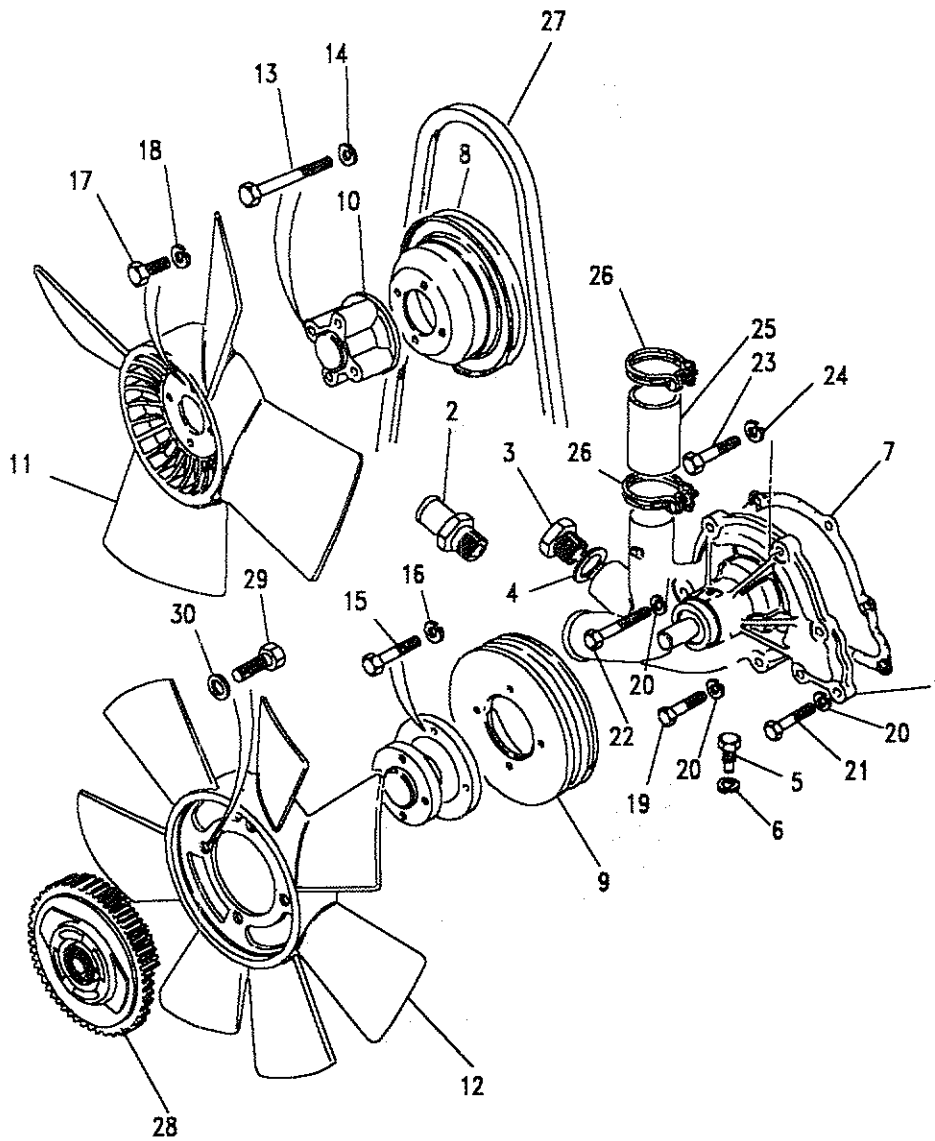


10/87

Model DEFENDER 90

Page ADBAEE1A

ENGINE - WATER PUMP - 2.3 PETROL



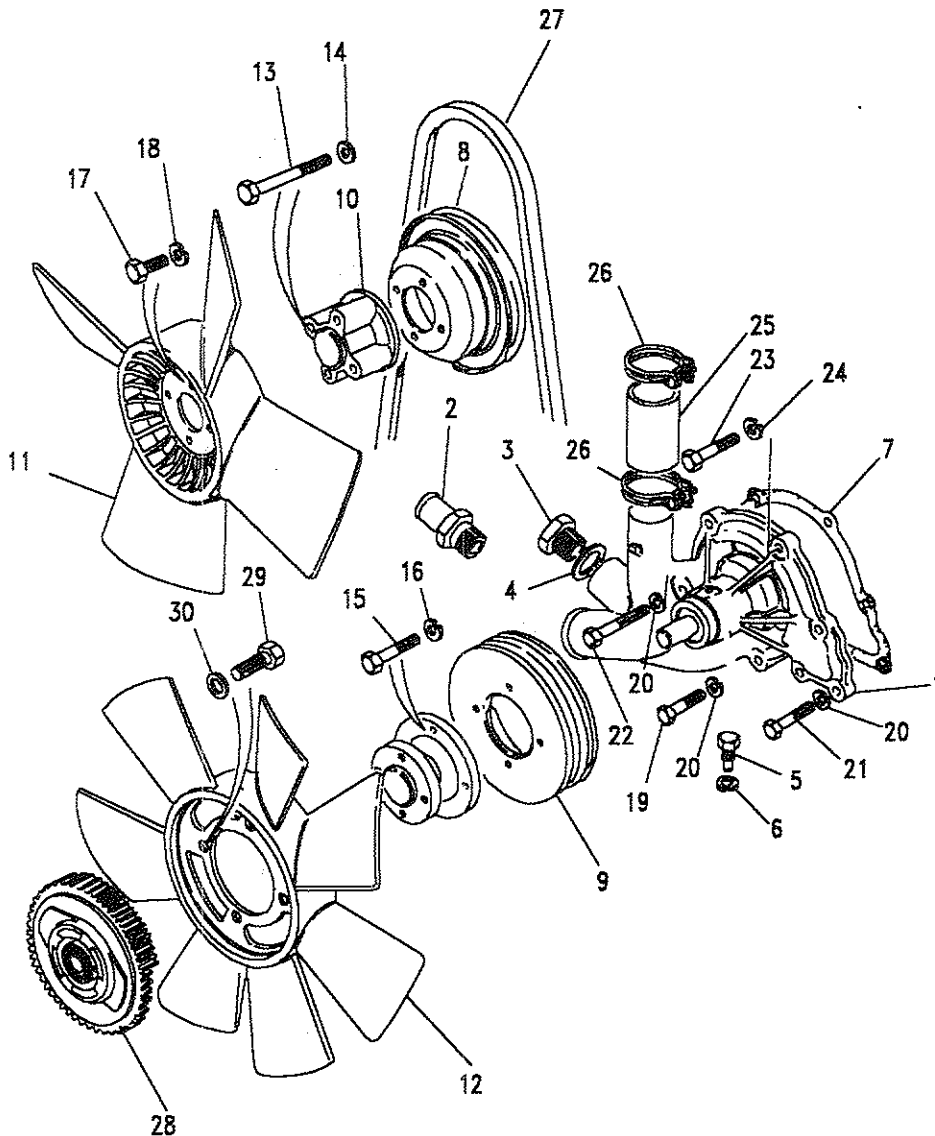
III. Part No.	Description	Qty	Remarks
1	RTC3644	1	Pump water assembly
	RTC6333	1	Pump water assembly
2	ERC7313	1	Stub-de aerator
3	ERC7312	1	Plug-de aerator boss
4	232046	1	Washer joint
5	ERC5600	1	Screw special
6	WL106001L	1	Washer spring
7	ERC5655	1	Gasket
8	ERC5578	1	Pulley-single groove
9	ERC8890	1	Pulley-twin groove
	ERC7871	1	Pulley-twin groove
10	ERC7489	1	Spacer-fan to water pump
11	ERC5545	1	Fan
12	ERR3380	1	Fan - Air Con
13	FB108111L	4	Bolt-pulley to hub
14	WL108001L	4	Washer spring
15	BH108051L	4	Bolt-pulley to hub
16	WL106001L	4	Washer spring
17	SH108161L	4	Screw-fan to hub
18	WL108001L	4	Washer spring





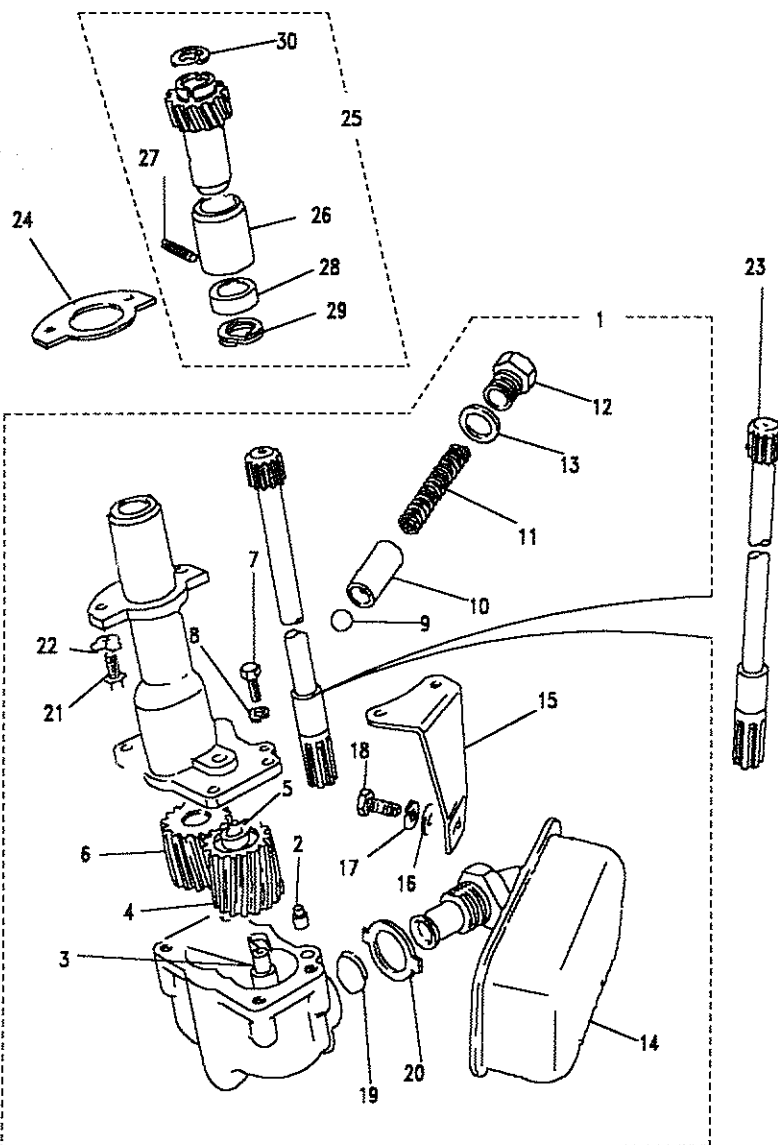
Model DEFENDER 90  
Page ADBAEE1A

ENGINE - WATER PUMP - 2.3 PETROL



III. Part No.	Description	Qty	Remarks
19	BH108161L	2	
20	WL108001L	4	
21	BH108171L	1	
22	BH108151L	1	
23	BH108161L	3	
24	WL108001L	5	
25	ERC5654	1	
26	CN100408L	2	
27	563132	1	
	ERC8938	1	SPLIT CHARGE
28	ERC5708	1	)
29	ERC5709	4	)AIR CON
30	4589L	4	)





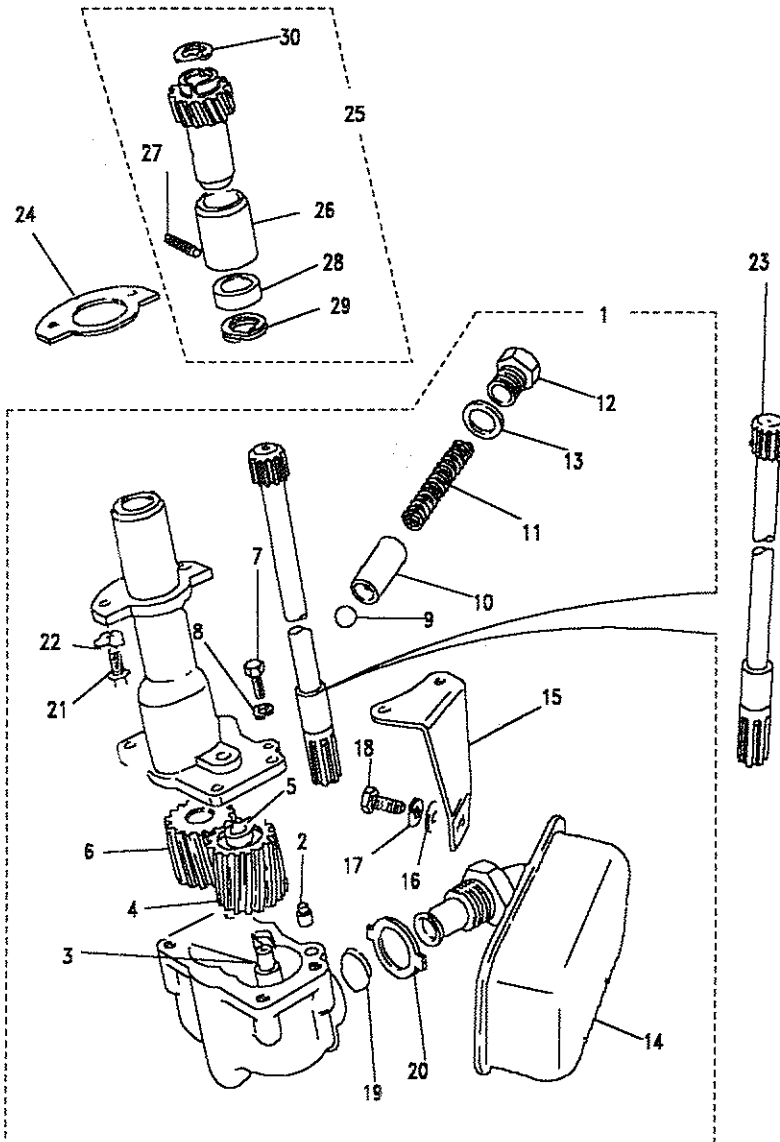
Model DEFENDER 90  
 Page ADBAFA1A

ENGINE - OIL PUMP - 2.3 PETROL

III. Part No.	Description	Qty	Remarks
1	ERR1117	1	Pump oil assembly
2	236257	2	Dowel
3	ERR1063	1	Spindle idler wheel
4	278109	1	Wheel idler
5	214995	1	Bush
6	240555	1	Wheel driver
4	ERR1088	1	Wheel idler
6	ERC9706	1	Wheel driver
7	FS108201L	4	Bolt
8	WL108001L	4	Washer spring
9	3748	1	Ball oil relief
10	273711	1	Plunger oil relief
	ETC4880	1	Plunger oil relief
11	564456	1	Spring oil relief
12	549909	1	Plug end oil relief
	564455	1	Plug end oil relief
13	232044	1	Washer joint oil relief
14	ERC7530	1	Filter
15	ERC7940	1	Bracket support
16	WA108051L	1	Washer
17	WL108001L	1	Washer spring
18	FS108201L	1	Screw
19	244488	1	'O'ring
20	244487	1	Washer lock

Note(1) For pumps with nine tooth gears  
 Note(2) For pumps with ten tooth gears  
 Note(3) Without oil cooler  
 Note(4) With oil cooler

*Handwritten mark*



**Model** DEFENDER 90  
**Page** ADBAFA1A

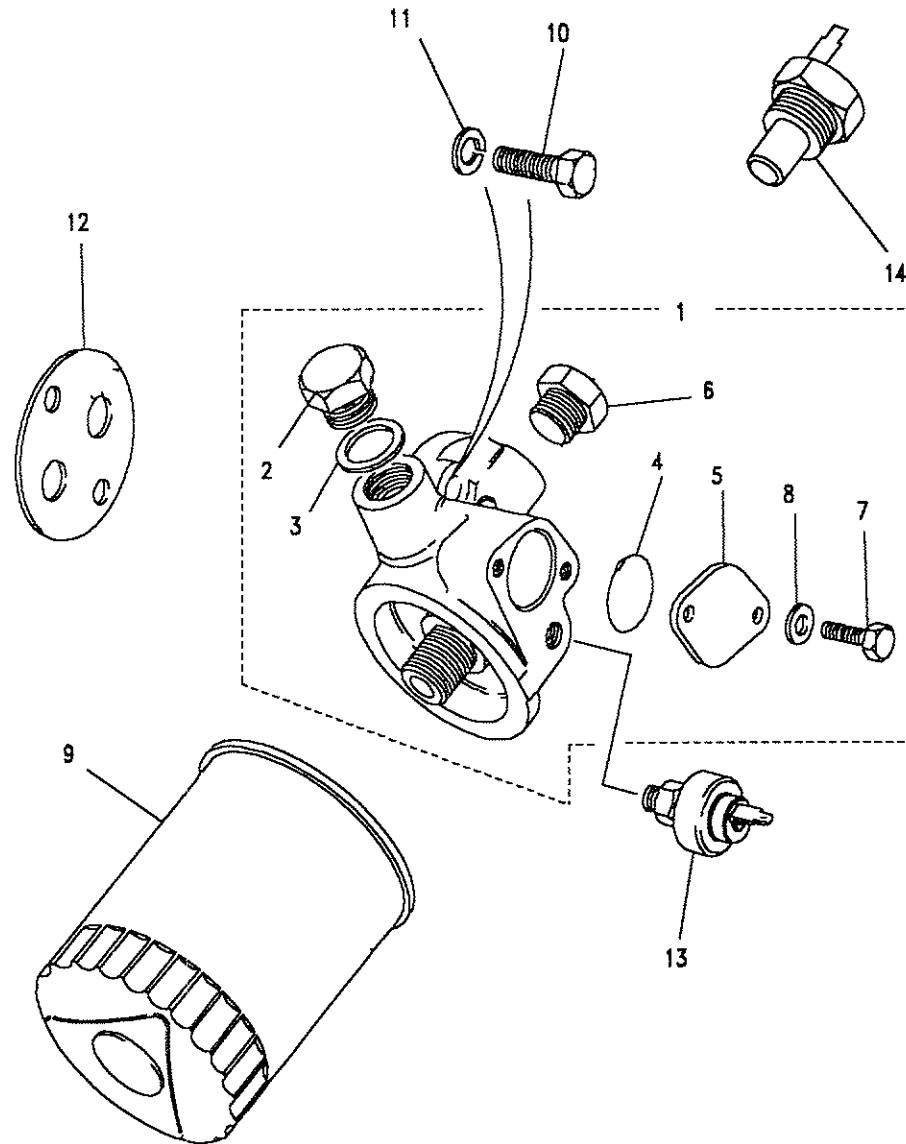
**ENGINE - OIL PUMP - 2.3 PETROL**

III. Part No.	Description	Qty	Remarks
21 SH108251L	Bolt	2	
22 247665	Washer lock	2	
23 ERR850	Shaft	1	
24 ERC8408	Gasket pump cover	1	
ERR3606	Gasket pump cover	1	Asbestos free
25 ETC6139	Drive assembly	1	
26 522745	Bush	1	
27 ERC8976	Screw locating	1	)
28 530178	Washer thrust	1	)Note(1)
29 530179	Ring retaining	1	)
27 ETC6142	Screw locating	1	)
28 ETC6137	Washer thrust	1	)Note(2)
29 ETC6138	Ring locking	1	)
30 247742	Circlip	1	)

Note(1) Earlier type with spring ring retainer  
 Note(2) Later type with locking ring retainer

**Model** DEFENDER 90  
**Page** ADBAFA2A

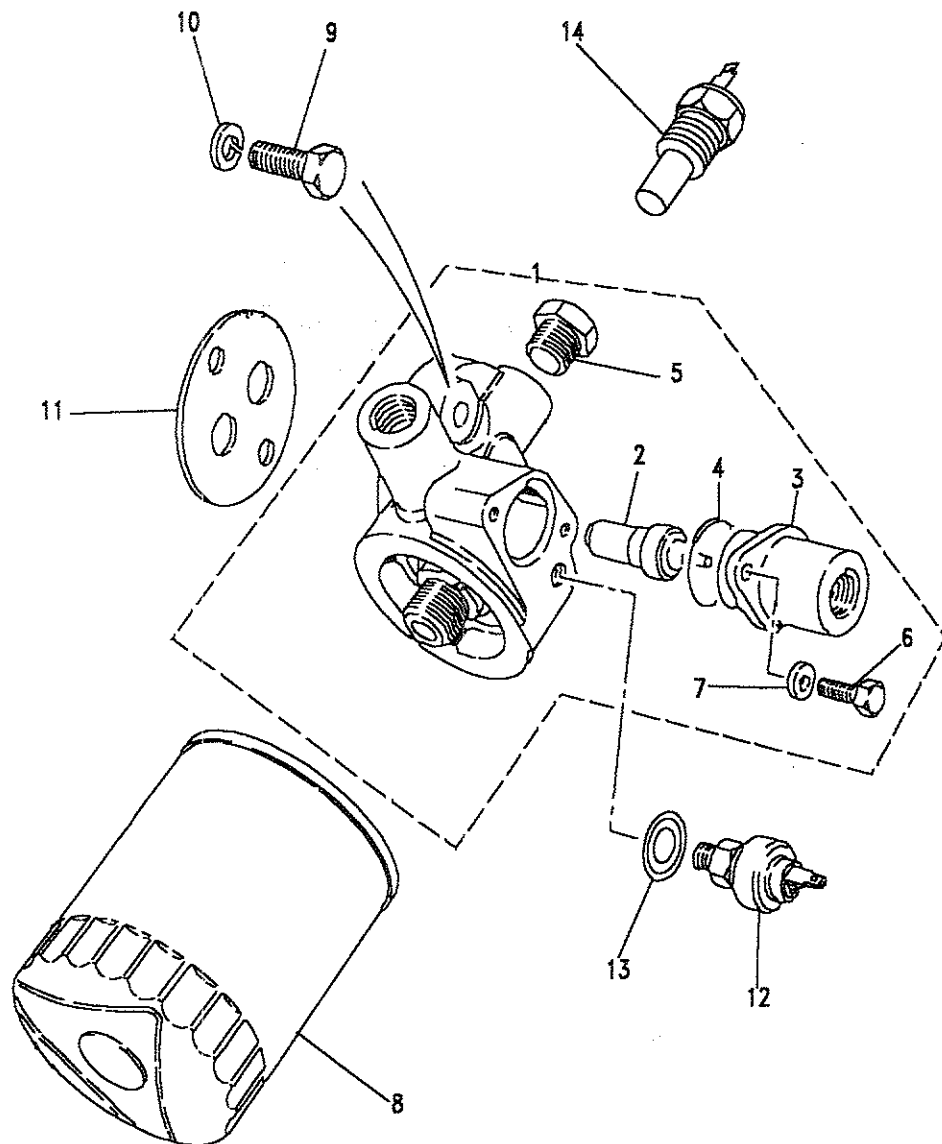
**ENGINE - OIL FILTER - 2.3 PETROL**



III. Part No.	Description	Qty	Remarks
1	ETC5347	1	Note(1)
2	10713	1	
3	213961	1	
4	ERC5913	1	
5	ERC9884	1	
6	ETC4021	1	Note(2)
7	SH106141L	2	
8	WA106041L	2	
9	ERR3340	1	
10	SH110301L	2	
11	WL110001L	2	
12	ETC7582	1	
	ERR4934	1	Non asbestos
13	PRC6387	1	
14	PRC2505	1	Note(2)

Note(1)  
 Note(2)

ETC5347 is interchangeable with ETC6519(includes filter)  
 Remove ETC4021 when fitting PRC2505



**Model** DEFENDER 90

**Page** ADBAFA3A

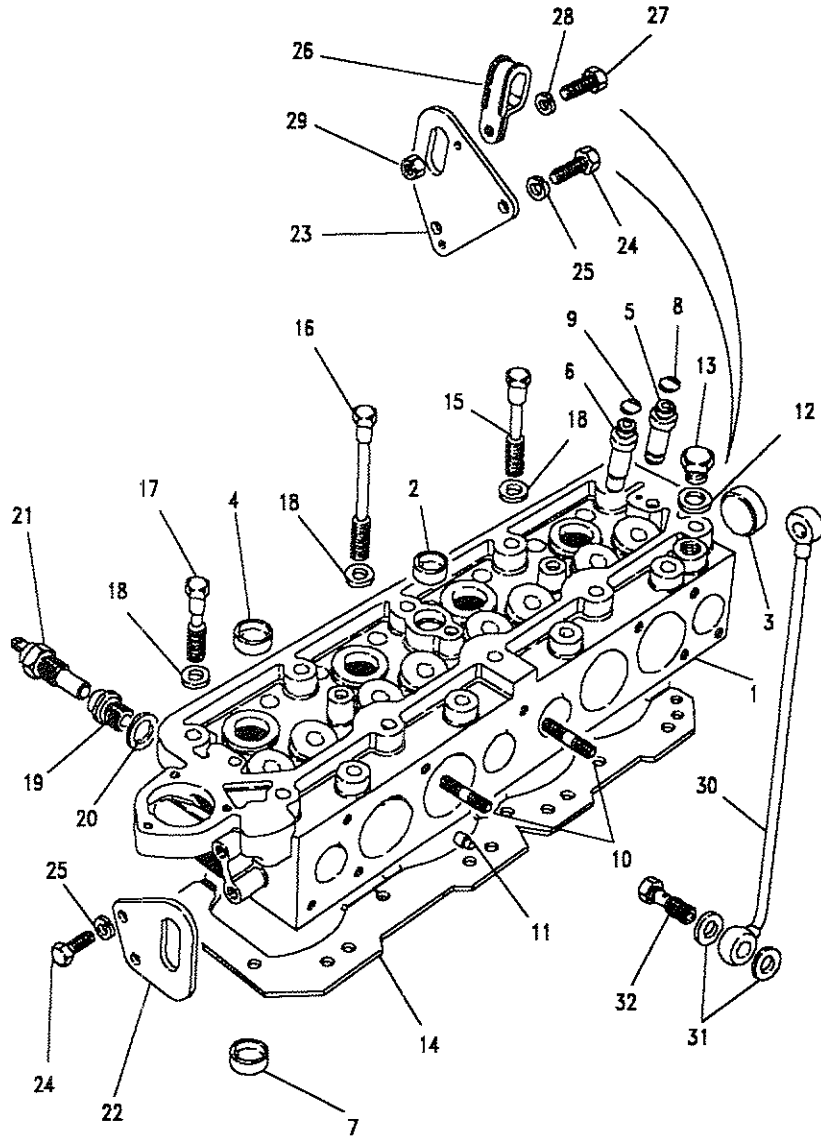
**ENGINE - OIL FILTER WITH OIL COOLER - 2.3 PETROL**

III. Part No.	Description	Qty	Remarks
1 ERR1347	Adaptor assembly filter	1	
2 ERC5923	Bulb thermostat	1	
3 ETC4022	Adaptor	1	
4 ERC5913	O ring	1	
5 ETC4021	Plug	1	Note(1)
6 SH106141L	Screw	2	
7 WA106041L	Washer	2	
8 ERR3340	Element oil filter	1	
9 SH110301L	Screw filter to block	2	
10 WL110301L	Washer filter to block	2	
11 ETC7582	Gasket oil filter	1	
ERR4934	Gasket oil filter	1	Non asbestos
12 PRC6387	Switch oil pressure	1	
13 232039	Washer joint switch	1	
14 PRC2505	Transmitter oil temp	1	Note(1)

Note(1) Remove ETC4021 when fitting PRC2505

Model DEFENDER 90  
Page ADBAGA1A

ENGINE - CYLINDER HEAD - 2.3 PETROL



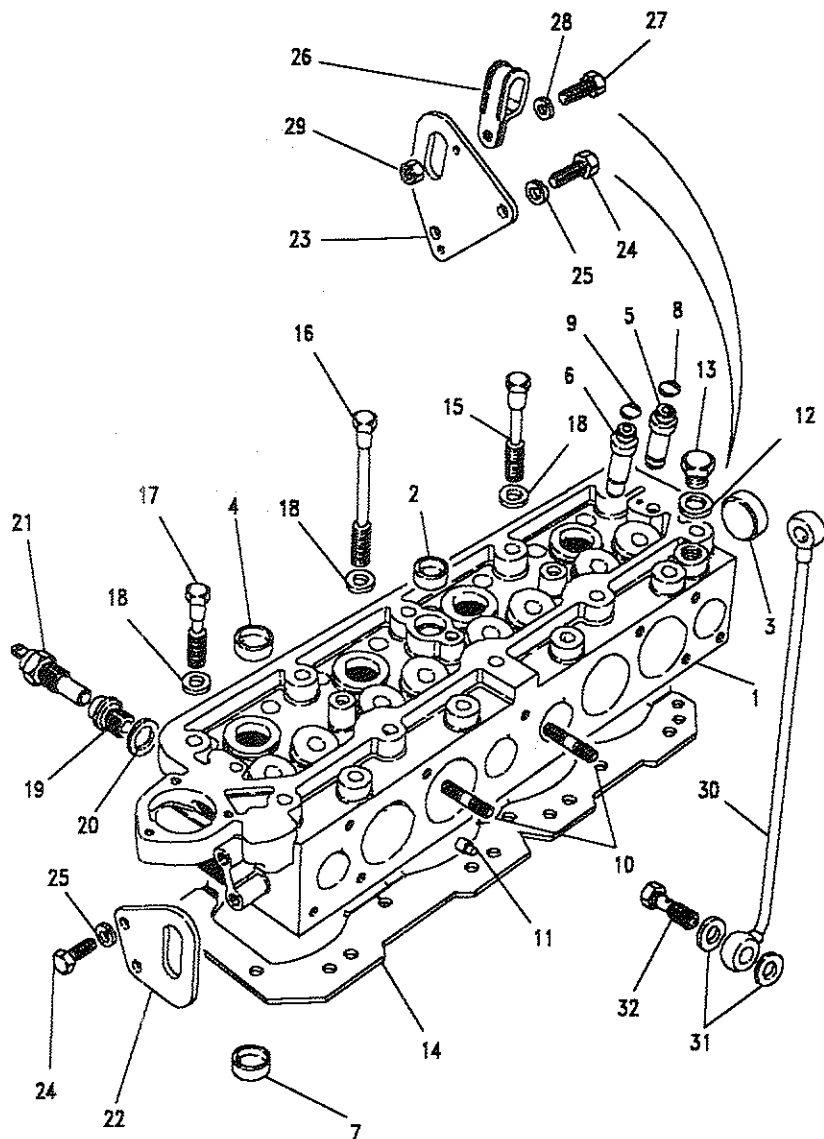
III. Part No.	Description	Qty	Remarks
1	ETC5412	1	Cylinder head assembly
2	525497	1	Cup plug
3	524765	1	Cup plug
4	549702	4	Cup plug
5	568686	4	Guide valve-inlet
6	568687	4	Guide valve-exhaust
7	ETC6278	4	Insert-valve seat-exh
8	ETC4709	4	Seal-inlet valve
9	ETC4751	4	Seal-exhaust valve
10	TE108051L	3	Stud
11	213700	2	Dowel
12	AFU1890L	1	Washer joint
13	ERC9448	1	Plug
14	ERC6380	1	Gasket
15	247051	9	Bolt 4.562"
16	279648	4	Bolt 2.312"
17	554621	5	Bolt 4.125"
18	ERC6821	18	Washer
19	ERC8973	1	Adaptor
20	AFU1890L	1	Washer joint
21	PRC2505	1	Transmitter water temp



Model DEFENDER 90  
Page ADBAGA1A

ENGINE - CYLINDER HEAD - 2.3 PETROL

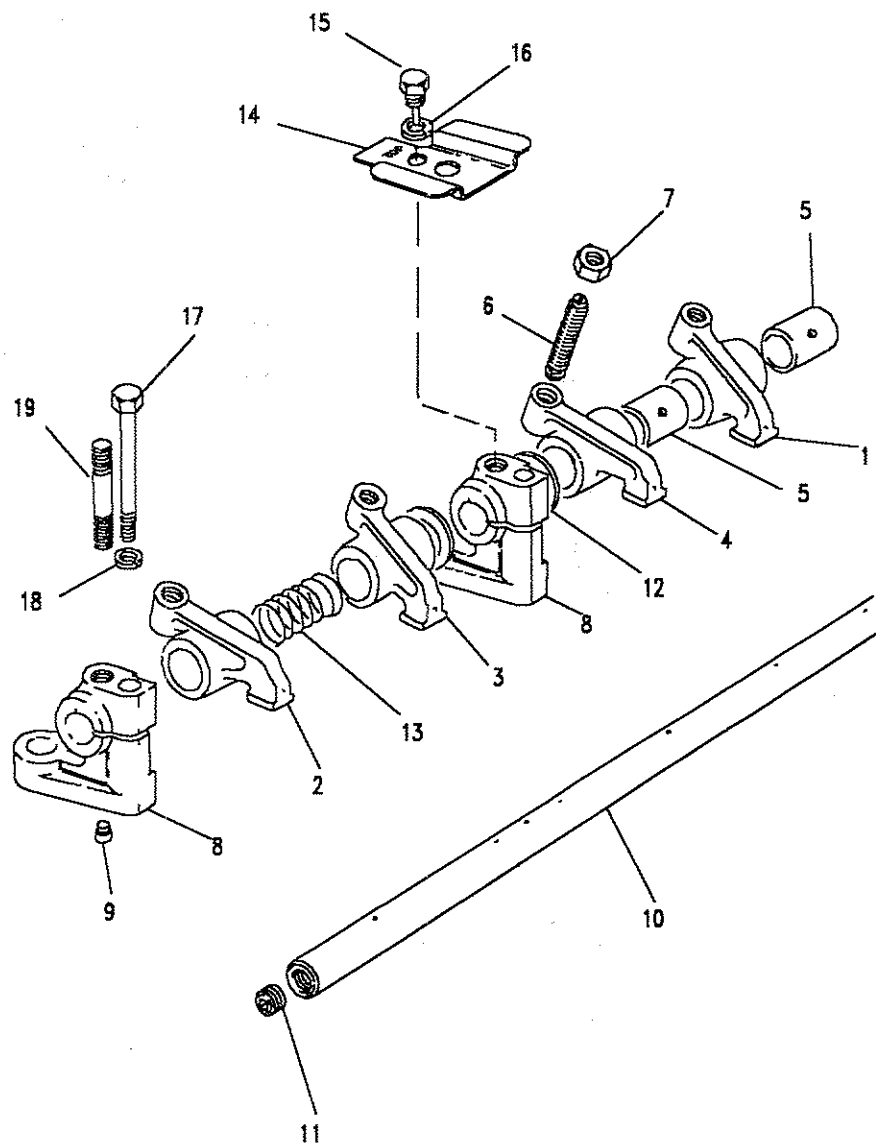
III. Part No.	Description	Qty	Remarks
22	ERC2254	1	Bracket lifting-front
23	ETC7135	1	Bracket lifting-rear
24	FS108201L	4	Screw-brackets to head
25	WL108001L	4	Washer spring
26	543589	1	Clip
27	SH104121L	1	Screw
28	WA104001L	1	Washer
29	NH104041L	1	Nut
30	275679	1	Pipe oil feed-rockers
31	ETC6510	4	Washer joint
32	ETC4498	2	Bolt banjo





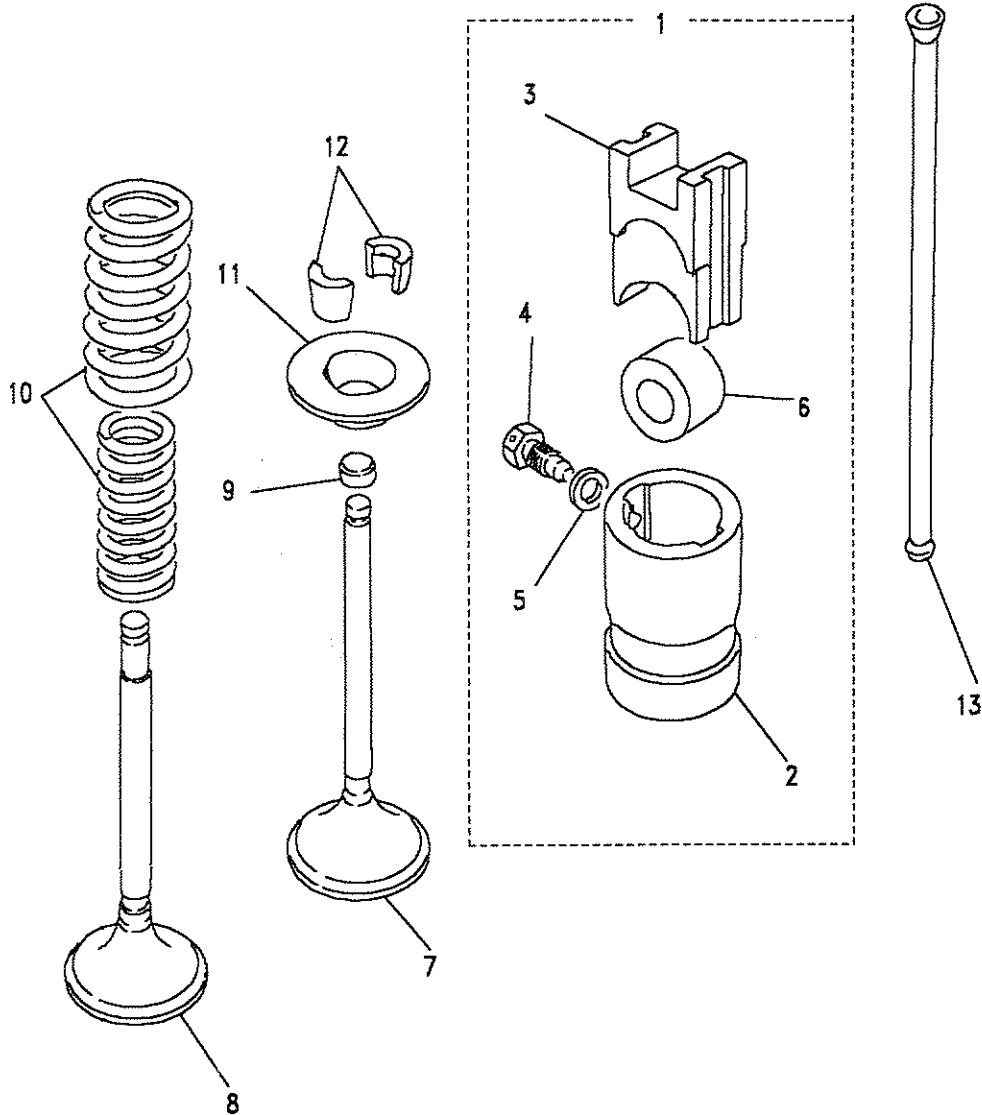
**Model** DEFENDER 90  
**Page** ADBAGC1A

**ENGINE - ROCKER SHAFT - 2.3 PETROL**



III. Part No.	Description	Qty	Remarks
1	ERC9103	2	Rocker arm exhaust RH
2	ERC9102	2	Rocker arm exhaust LH
3	ERC9107	2	Rocker arm inlet RH
4	ERC9106	2	Rocker arm inlet LH
5	247614	8	Bush
6	ERC9054	8	Screw adjusting
7	NT108041L	8	Locknut
8	ERC9138	5	Bracket pedestal
9	277956	3	Ring Dowel
10	ERC6341	1	Shaft
11	ERC6337	2	Plug
12	525389	6	washer plain
13	247040	4	Spring
14	ERC9278	1	Baffle plate-breather
15	ETC4460	1	Screw-locating
16	WL108001L	1	Washer spring
17	BH108151L	5	Bolt
18	WL108001L	5	Washer spring
19	TE108081L	3	Stud





Model DEFENDER 90

Page ADBAGE1A

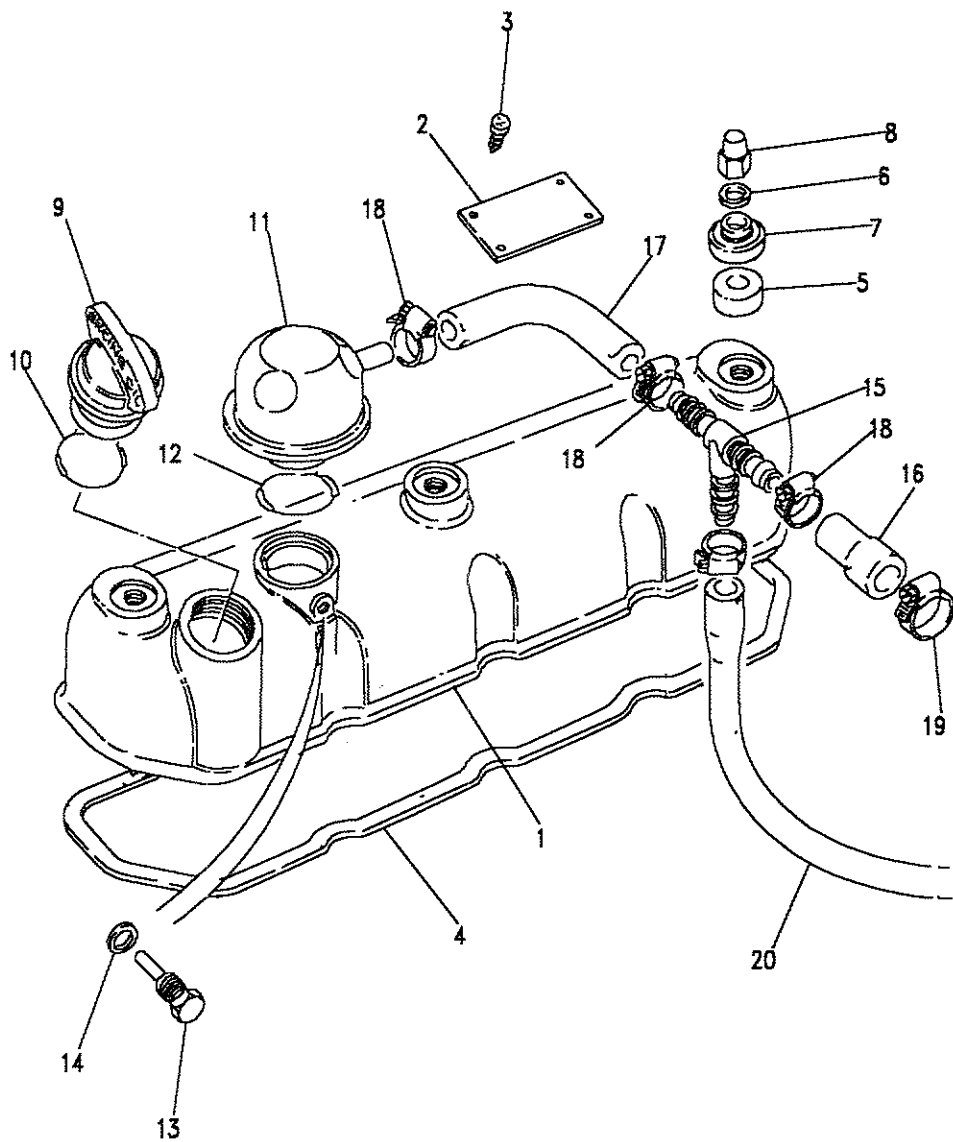
ENGINE - VALVES AND TAPPETS - 2.3 PETROL

III. Part No.	Description	Qty	Remarks
1	507829	8	Tappet assembly
2	502473	8	Guide tappet
3	ERR607	8	Tappet slide
4	ETC4246	8	Bolt
5	273069	8	Washer plain
6	ERR561	8	Follower roller
7	ETC4067	4	Valve inlet
8	ETC5866	4	Valve exhaust
9	ETC7203	8	Cap-protection
10	ERR4640	8	Valve Spring
11	ETC4068	8	Cup-Valve Spring
12	ETC4069	16	Split Cotter Halves
13	546798	8	Push Rod

Note(1) Cap can be fitted if valves show excessive wear

Model DEFENDER 90  
Page ADBAGG1A

ENGINE - ROCKER COVER - 2.3 PETROL



III. Part No.	Description	Qty	Remarks
1	ERC2866	1	)Note(1)
2	247634	1	)
3	AB606021L	4	)
1	ETC5955	1	)Note(2)
11	ERR1454	1	)
12	ERR736	1	)
4	ETC6439	1	)
	ERR4933	1	Asbestos free
5	506069	3	Note(1)
6	273069	3	
7	247624	3	Note(1)
8	ERC9220	3	
9	625038	1	)
10	564258	1	)
11	574658	1	)Note(1)
12	268887	1	)
13	515291	1	)
14	232037	1	
15	ERC6200	1	
16	ERC9032	1	
17	ERC9031	1	
18	CN100208L	4	
19	CN100148L	1	
20	ERC9033	1	

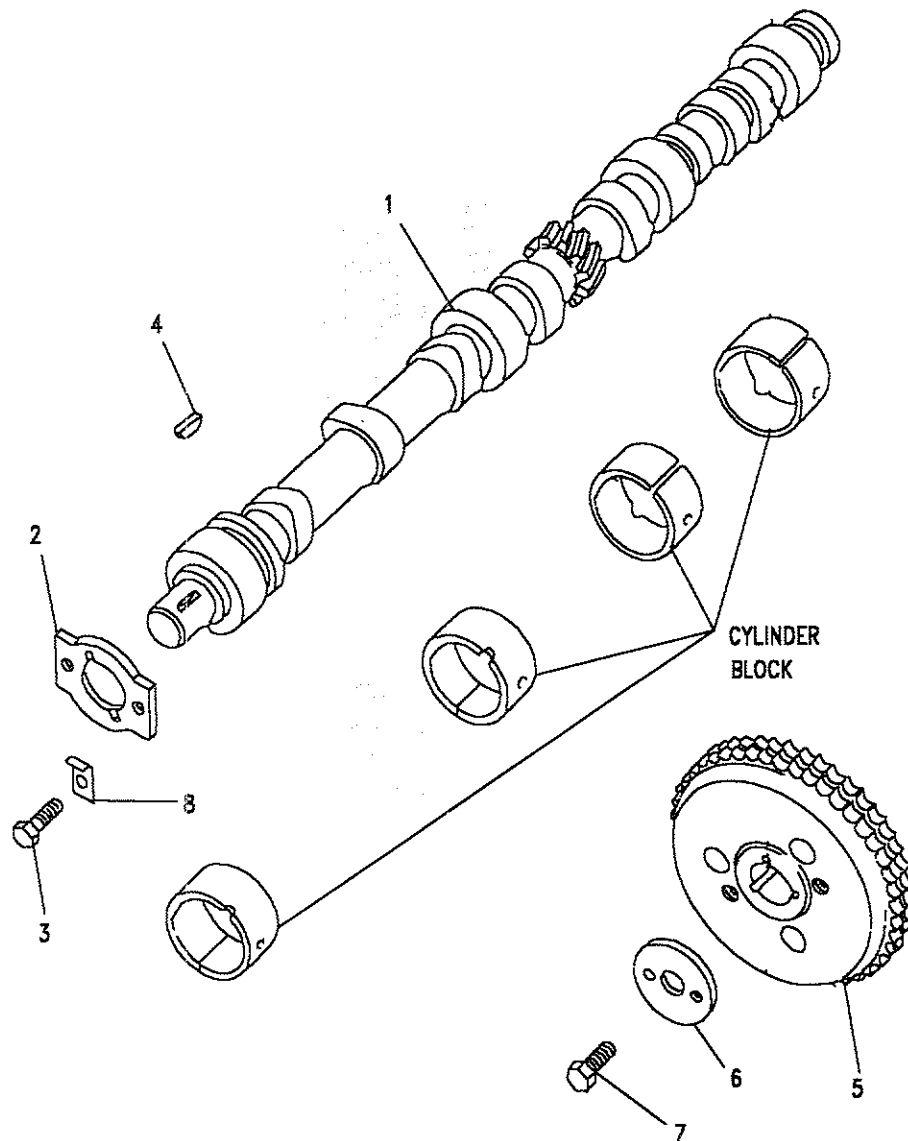
Note(1) Use with ERC2866 which has oil filler and breather separate  
Note(2) Use with ETC5955 which has oil filler and breather together

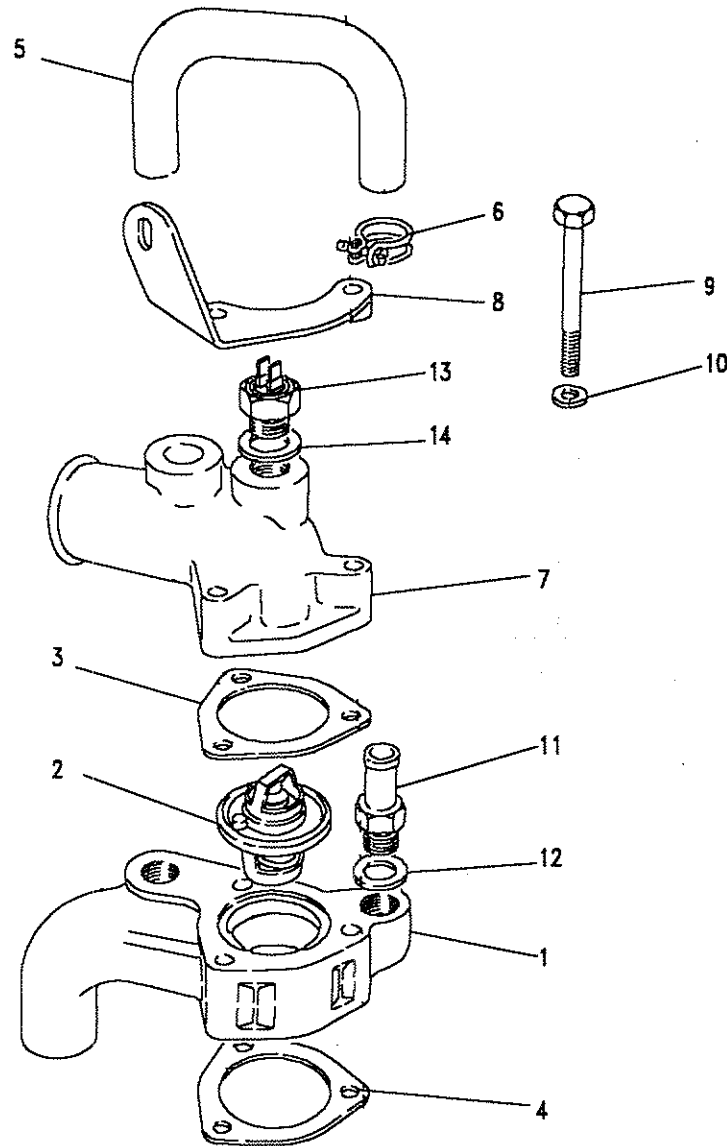


Model DEFENDER 90  
Page ADBAG11A

ENGINE - CAMSHAFT - 2.3 PETROL

III. Part No.	Description	Qty	Remarks
1 ETC7128	Camshaft	1	
2 ERC1561	Thrust plate	1	
3 FS106167	Screw	2	
4 230313	Key woodruff	1	
5 ETC5172	Chainwheel	1	
6 ETC4140	Washer retaining	1	
7 BX110071L	Bolt retaining	1	
8 2995	Locker	2	





**Model** DEFENDER 90  
**Page** ADBAGK1A

**ENGINE - THERMOSTAT HOUSING - 2.3 PETROL**

III. Part No.	Description	Qty	Remarks
1	ERC8758 Thermostat housing	1	Note(3)
2	ETC4763 Thermostat 82o	1	
	ETC4761 Thermostat 74o	1	OPTIONAL
3	ERR977 Gasket thermostat housing	1	
4	ERR3682 Gasket thermostat housing	1	Asbestos free
	247874 Washer joint	1	
5	ERC7510 Hose	1	Note(1)
	BTR6141 Hose	1	Note(2)
6	CN100258L Clip hose	2	
7	ETC5967 Connection water outlet	1	NON AIR CON
	ETC5958 Connection water outlet	1	AIR CON
8	ETC5965 Bracket cowl mounting	1	
9	BH106151L Bolt	3	
10	WL106001L Washer spring	3	
11	624091 Adaptor thermo assembly	2	
12	243959 Washer joint	2	
13	RRC3366 Switch-temp/sensor-BLUE	1	) AIR CON
	PRC3541 Switch-temp/sensor-RED	1	
14	C457593 Washer	2	)

Note(1) Up to JA920214

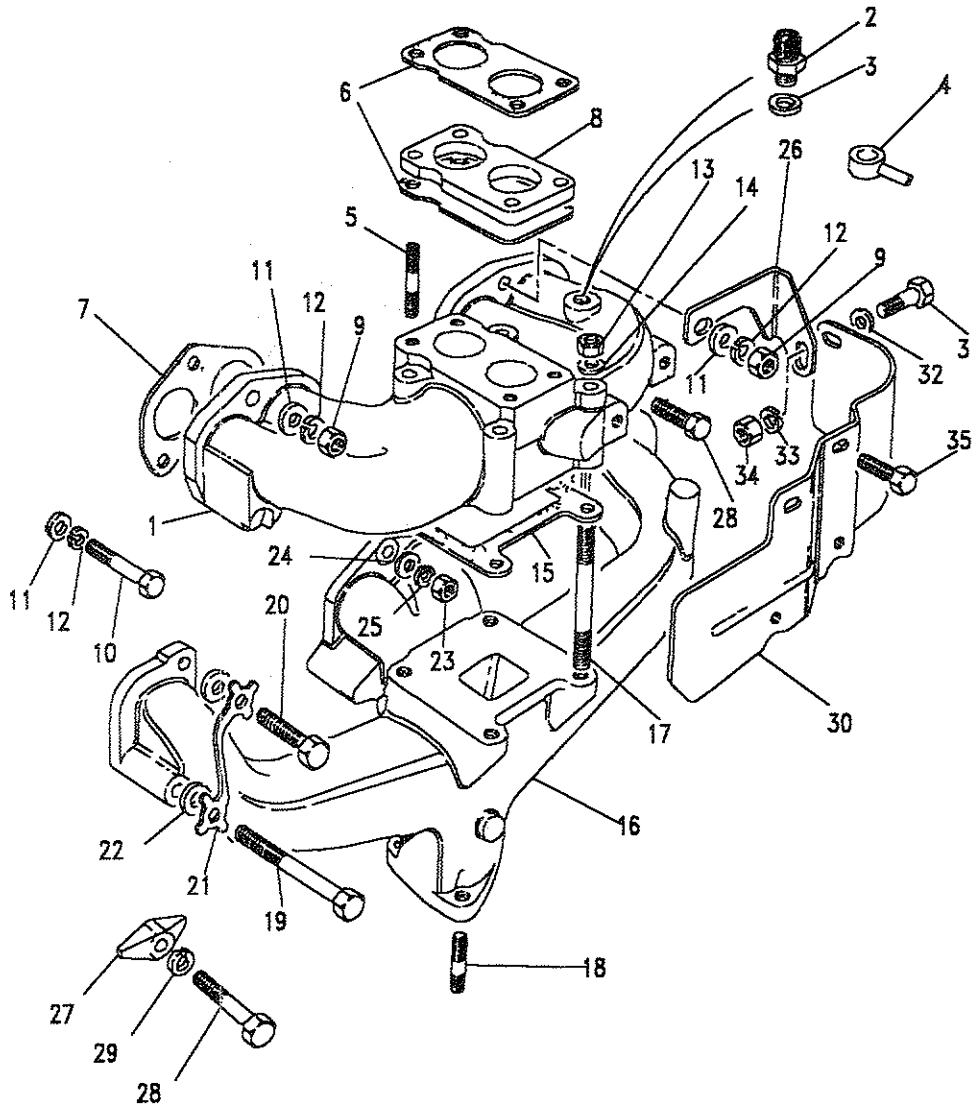
Note(2) From JA920215

Note(3) The separate Thermostat Housing and By-Pass-Pipe are no longer available, use the one piece unit.

Model DEFENDER 90  
Page ADBAHA1A

ENGINE - MANIFOLD - 2.3 PETROL

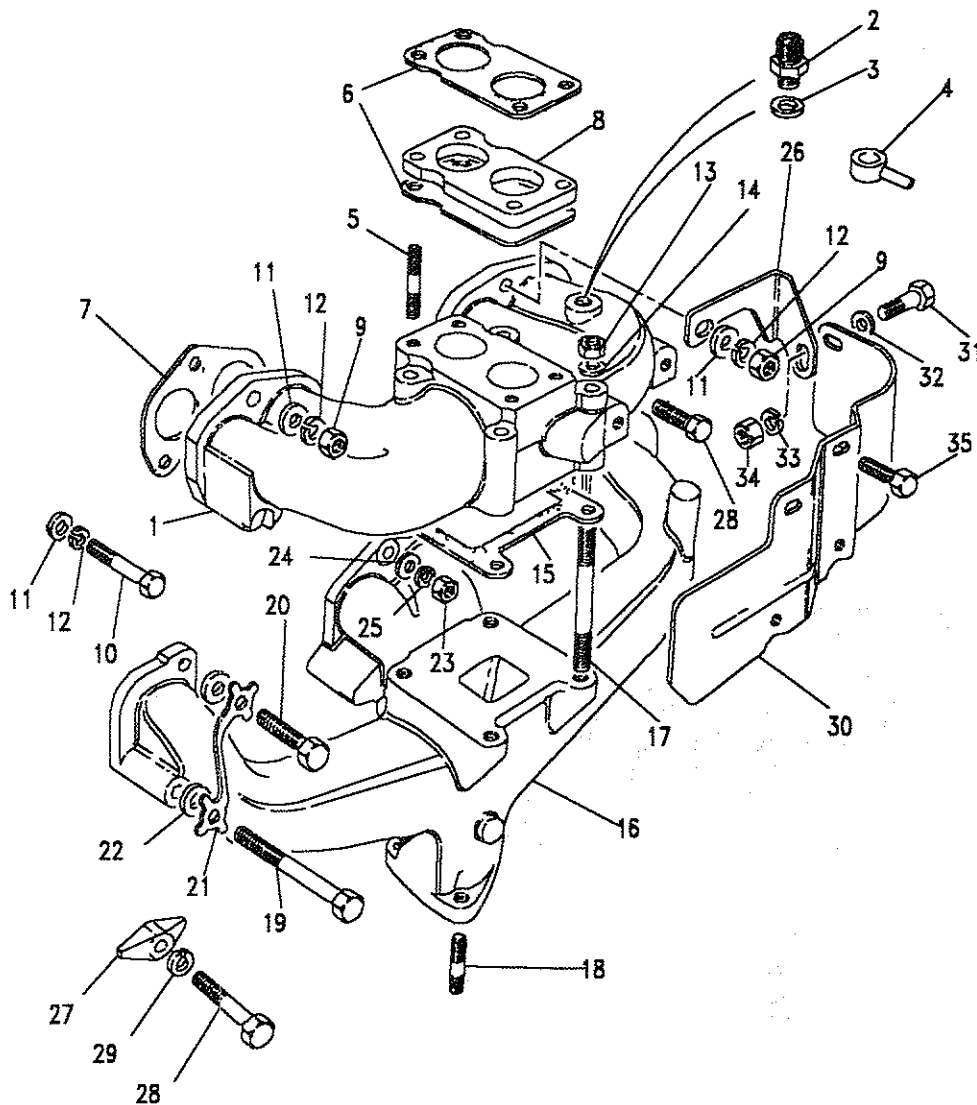
III. Part No.	Description	Qty	Remarks
1	ERC9069	1	Manifold inlet
2	90513171	1	Adaptor servo
	587517	1	Adaptor servo DETOXED
3	243958	1	Washer joint
	243958	2	Washer joint DETOXED
4	ERC6691	1	Banjo DETOXED
5	TE108071L	4	Stud carb to inl/man
	TE108071L	2	Stud carb to inl/man
	TE108081L	2	Stud carb to inl/man
6	ERC8645	2	Washer joint
	ERR4385	2	Washer joint
7	564307	2	Washer joint
8	ERC8460	1	Insulator heat
	ERR4386	1	Insulator heat
9	NH108041L	2	Nut manifold to head
10	BH108105L	2	Bolt manifold to head
11	587405	4	Washer manifold to head
12	WL108001L	4	Washer spring
13	NH108041L	4	Nut manifold to manifold
14	WA108051L	4	Washer
15	ERC8124	1	Gasket manifold
	ERR4387	1	Gasket manifold
16	ERC9071	1	Manifold exhaust
17	TE108131L	4	Stud-manifold to manifold
18	AFU1848L	3	Stud-fixing exhaust pipe

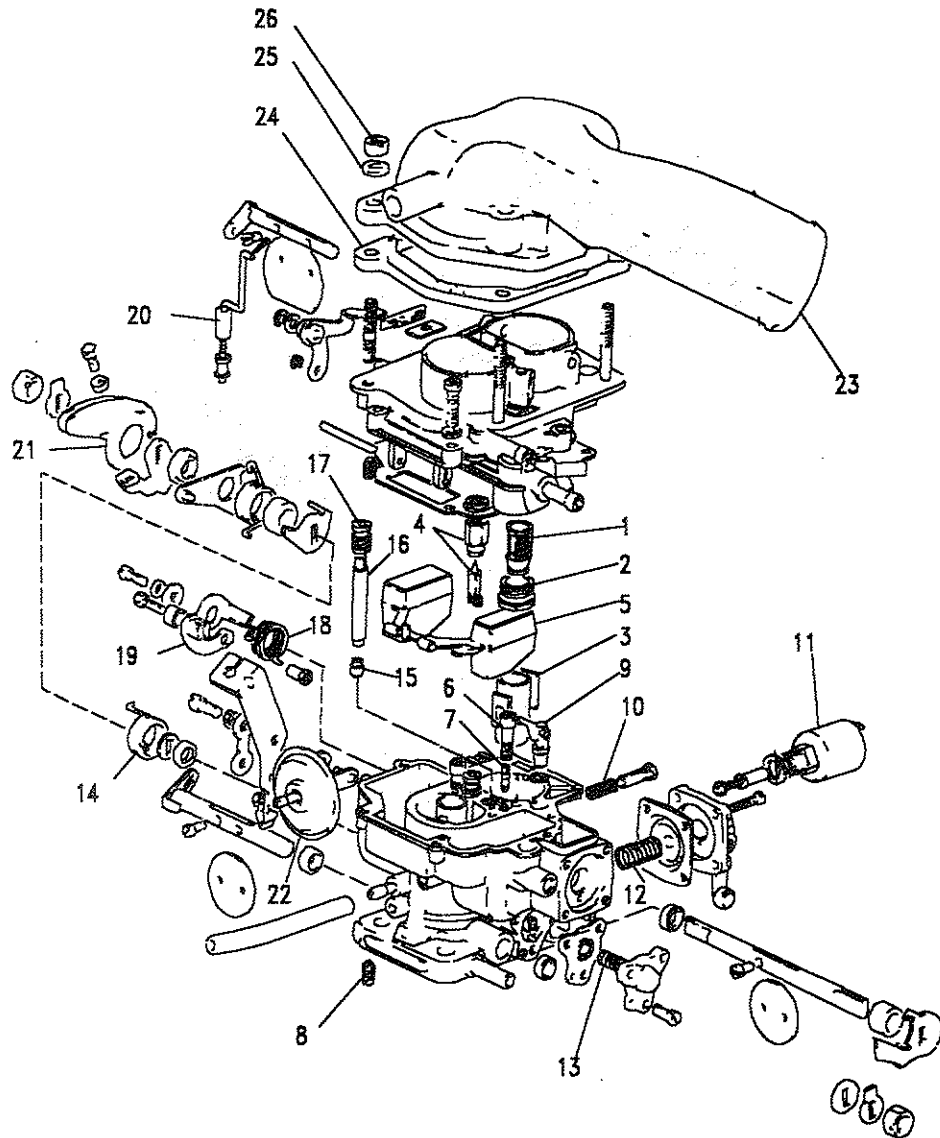


Model DEFENDER 90  
Page ADBAHA1A

ENGINE - MANIFOLD - 2.3 PETROL

III. Part No.	Description	Qty	Remarks
19	BH108141L	2	Bolt-manifold to head
20	SH108301L	2	Screw-manifold to head
21	596490	2	Plate locking
22	587405	4	Washer-manifold to head
23	NH108041L	1	Nut-centre flange to head
24	587405	1	Washer-centre flange/haed
25	WL108001L	1	Washer spring-flange/head
26	ETC5040	1	Bracket-heat shield
27	564308	2	Clamp-manifolds to head
28	BH108141L	2	Bolt-manifolds to head
29	WL108001L	2	Washer spring
30	ERC8712	1	Shield-exhaust manifold
31	BH108201L	1	Bolt-shield to manifold
32	WA108051L	4	Washer-shield to manifold
33	WL108001L	3	washer spring
34	NH108041L	1	Nut-shield to manifold
35	SH108141L	2	Screw-shield to manifold





**Model** DEFENDER 90  
**Page** ADBAIA1A

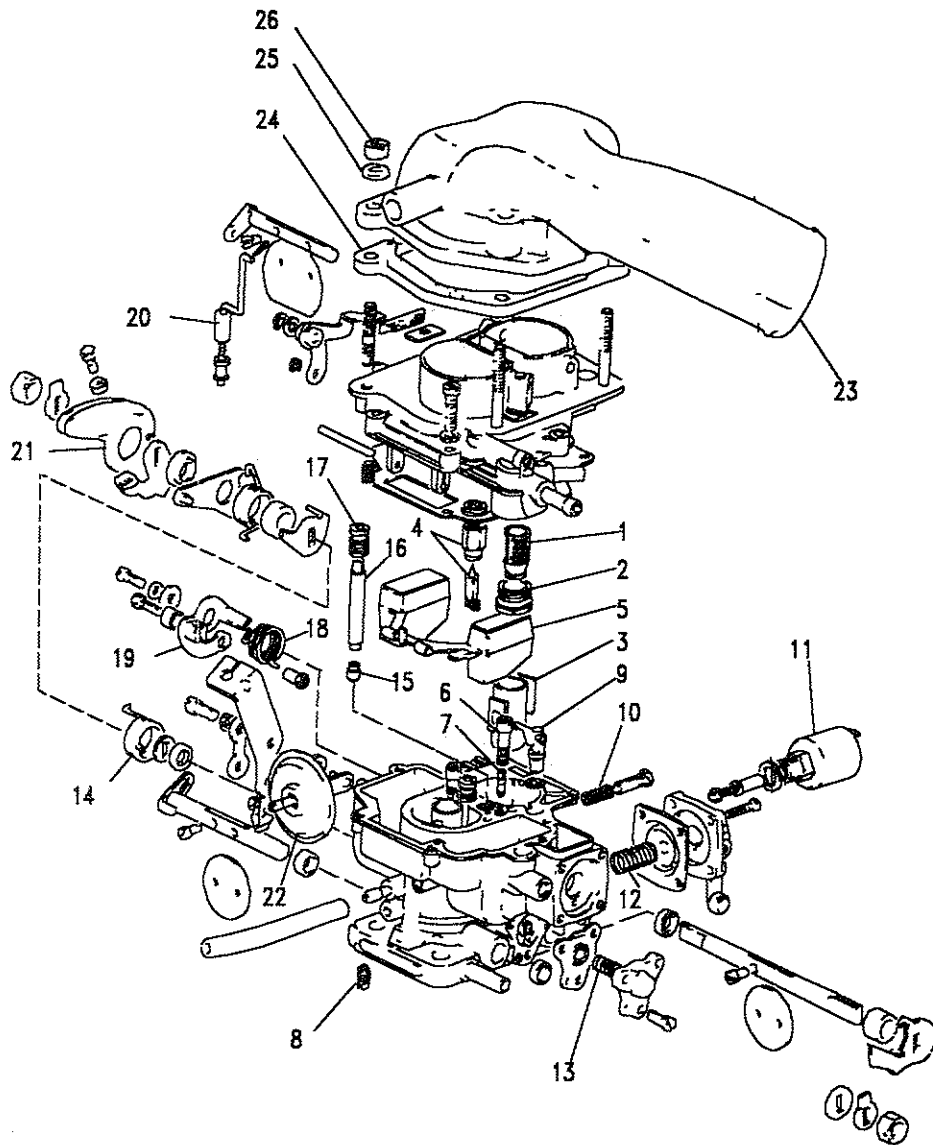
**ENGINE - CARBURETTER - 2.3 PETROL - MECHANICAL PUMP**

III. Part No.	Description	Qty	Remarks
ETC5305	Carburetter	1	
RTC3948	Kit conversation	1	
ETC5306	Carburetter DETOXED	1	
RTC3948	Kit conversation DETOXED	1	
1 AEU2587	Element filter	1	
2 AEU2586	Cap filter element	1	
3 AEU2585	Centring device	2	
4 AEU2584	Needle valve	1	
5 AEU2583	Float	1	
6 AEU2582	Holder idling jet	2	
7 AEU2581	Jet primary idling	1	
8 AEU2580	Jet secondary idling	1	
8 AEU2579	Screw adjusting	2	
9 AEU2578	Jet pump	1	
10 AEU2577	Spring primary butterfly	1	
11 RTC4850	Solenoid idling	1	
12 AEU2575	Spring preload pump	1	
13 AEU2572	Spring full power valve	1	
14 AEU2569	Spring spindle return	1	
15 AEU2568	Jet primary main	1	
15 AEU2567	Jet secondary main	1	
16 AEU2566	Tube mixer primary/secon	2	
17 AEU2565	Jet air brake	2	
18 AEU2564	Spring	1	
19 AEU2563	Lever starting control	1	
20 AEU2562	Rod starting	1	
21 AEU2561	Lever Butterfly valve	1	

**Model** DEFENDER 90

**Page** ADBAIA1A

**ENGINE - CARBURETTER - 2.3 PETROL - MECHANICAL PUMP**



III. Part No.	Description	Qty	Remarks
22	AEU2560	1	Throttle
23	ERC8631	1	Elbow air intake
	ERC9896	1	Elbow air intake DETOXED
24	ERC7922	1	Gasket elbow
	ERR4384	1	Gasket elbow
			Asbestos free
25	WA105001L	4	Washer plain
26	NH105041L	4	Nut
	RTC3663	1	Solenoid
	RTC3664	1	Washer solenoid
	RTC3665	1	Valve rubber solenoid
	ERC7343	1	Valve control DETOXED
	AEU2557	1	Kit overhaul
	RTC5863	1	Kit overhaul
	RTC3948	1	Kit conversion
	ETC5603	1	Pipe fuel
	ETC5605	3	Connector
	C435996L	6	Clip
	RTC3949	1	Tee piece
	ERC298	1	Hose
	ETC4959	1	Clip carb breather
	PRC3702	1	Clip
	PRC3494	1	Plate mounting
	PRC4376	1	Lead coil to solenoids

Note(1) Kit used on single solenoid carburetters

Note(2) Kit used on twin solenoid carburetters

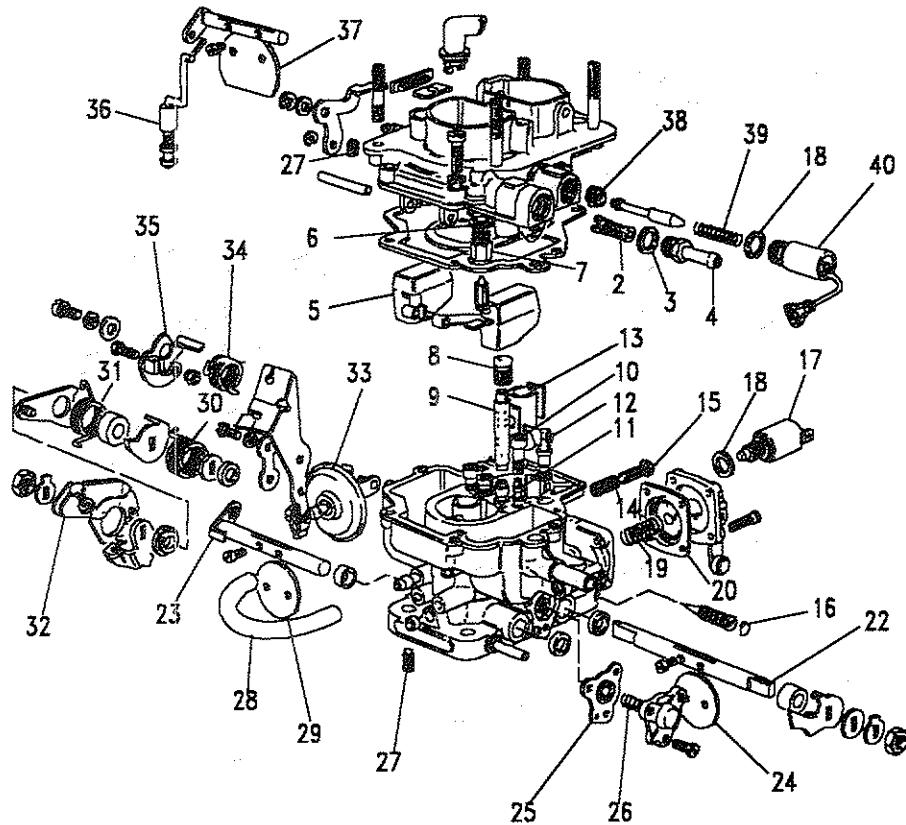


48/49

Model DEFENDER 90  
Page ADBAIA2A

ENGINE - CARBURETTER - 2.3 PETROL - ELECTRICAL PUMP

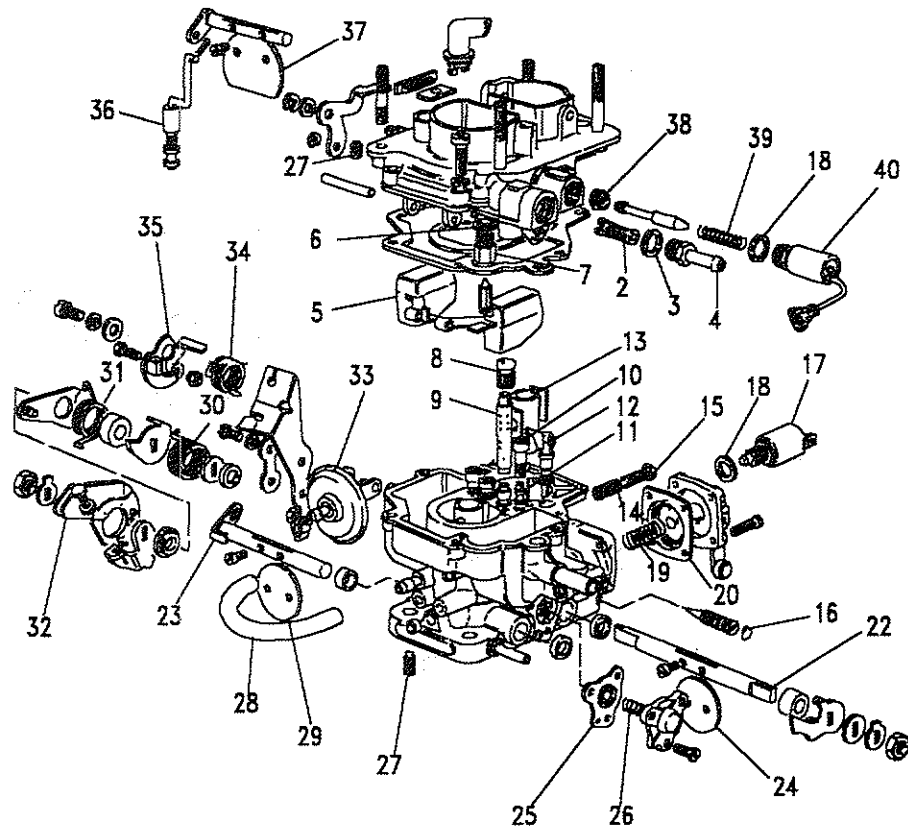
III. Part No.	Description	Qty	Remarks
1	ETC5305	1	
	ETC5306	1	DETOXED
2	RTC4421	1	
3	RTC4420	1	
4	RTC4419	1	
5	AEU2583	1	
6	RTC4896	1	
7	AEU2584	1	
8	AEU2565	2	
9	AEU2566	2	
10	AEU2582	2	
11	AEU2581	1	
	AEU2580	1	
12	AEU2578	1	
13	AEU2585	2	
14	AEU2577	1	
15	RTC4898	1	
16	RTC4900	1	
17	RTC4850	1	
18	RTC3664	2	
19	AEU2575	1	
20	RTC4901	1	
21	RTC4903	1	
22	AEU2573	1	
23	AEU2570	1	



Model DEFENDER 90  
Page AD8AIA2A

ENGINE - CARBURETTER - 2.3 PETROL - ELECTRICAL PUMP

III. Part No.	Description	Qty	Remarks
24	AEU2574	1	Plate throttle
25	RTC4860	1	Diaphragm
26	RTC4851	1	Spring
27	AEU2579	2	Screw adjusting
28	AEU4904	1	Tube
29	AEU2572	1	Plate throttle
30	AEU2569	1	Spring spindle return
31	AEU2564	1	Spring
32	RTC4853	1	Lever throttle
33	AEU2560	1	Throttle
34	AEU2564	1	Spring
35	AEU2563	1	Lever starting control
36	AEU2562	1	Rod starting
37	AEU2558	1	Plate choke
38	RTC3665	1	Seal valve
39	RTC4908	1	Spring
40	RTC3663	1	Solenoid
	RTC5863	1	Kit Overhaul



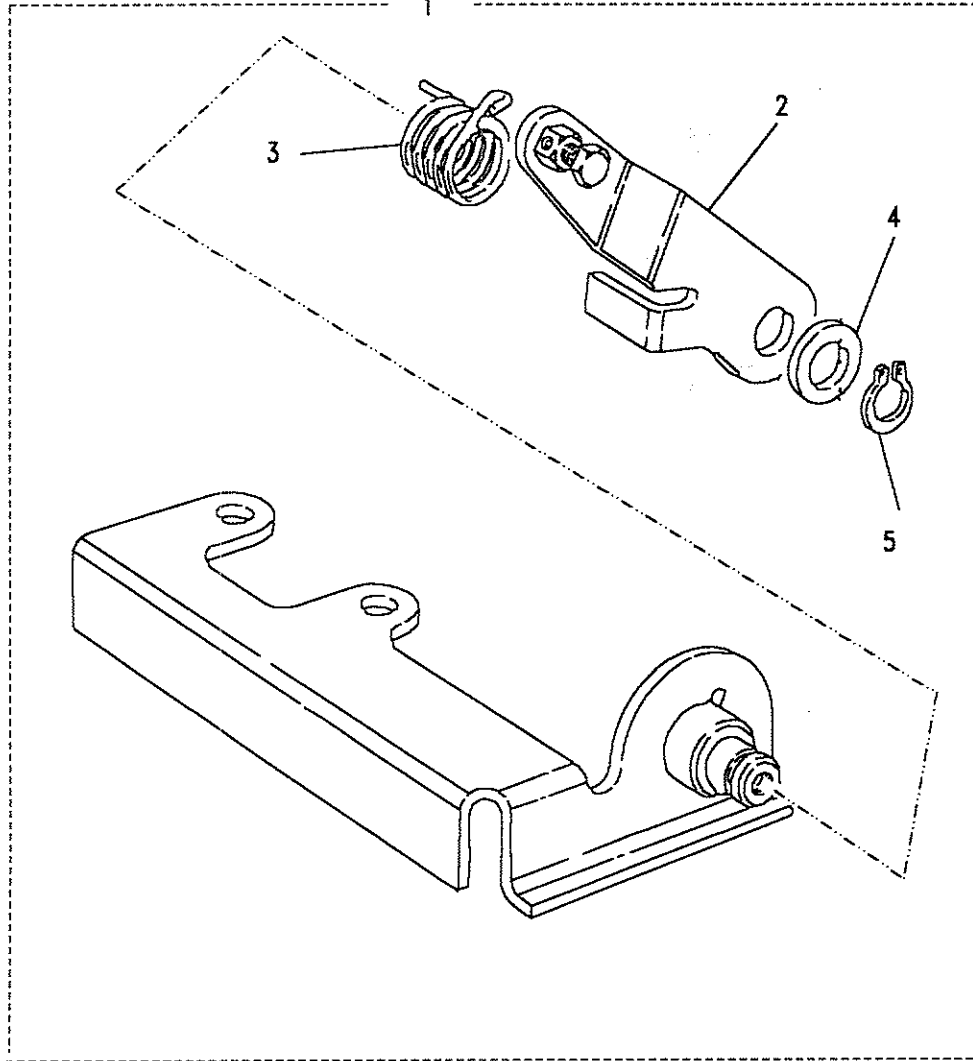


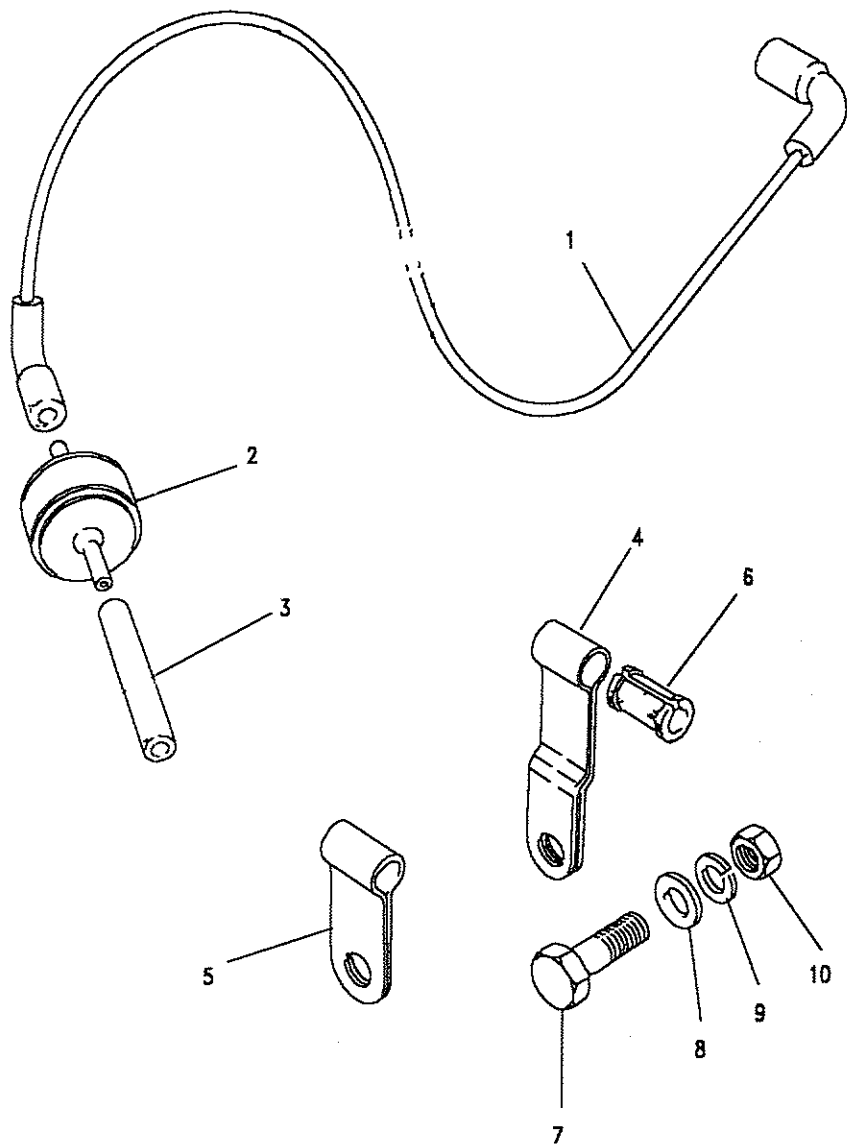
Model DEFENDER 90

Page AD8AIA3A

ENGINE - HAND THROTTLE - 2.3 PETROL

III. Part No.	Description	Qty	Remarks
1	ERC9708	1	Bracket assembly
2	ERC9693	1	Lever assembly
3	ERC9704	1	Spring
4	WB600071L	1	Washer plain
5	CR120115L	1	Circlip





**Model** DEFENDER 90  
**Page** ADBAIC1A

**ENGINE - VACUUM PIPES - CARBURETTER - 2.3 PETROL**

III. Part No.	Description	Qty	Remarks
1	ERC9294	1	Pipe assembly-vac/advance
2	ERC8119	1	Valve-vacuum delay
3	ERC6996	1	Hose-dist/to/relay
4	512646	1	Clip pipe
5	214228	1	Clip pipe
6	214229	2	Grommet-clip
7	SH604051L	1	Screw
8	RTC609	1	Washer
9	WM600041L	1	Washer spring
10	NH604041L	1	Nut



DEFENDER 90

51

ENGINE

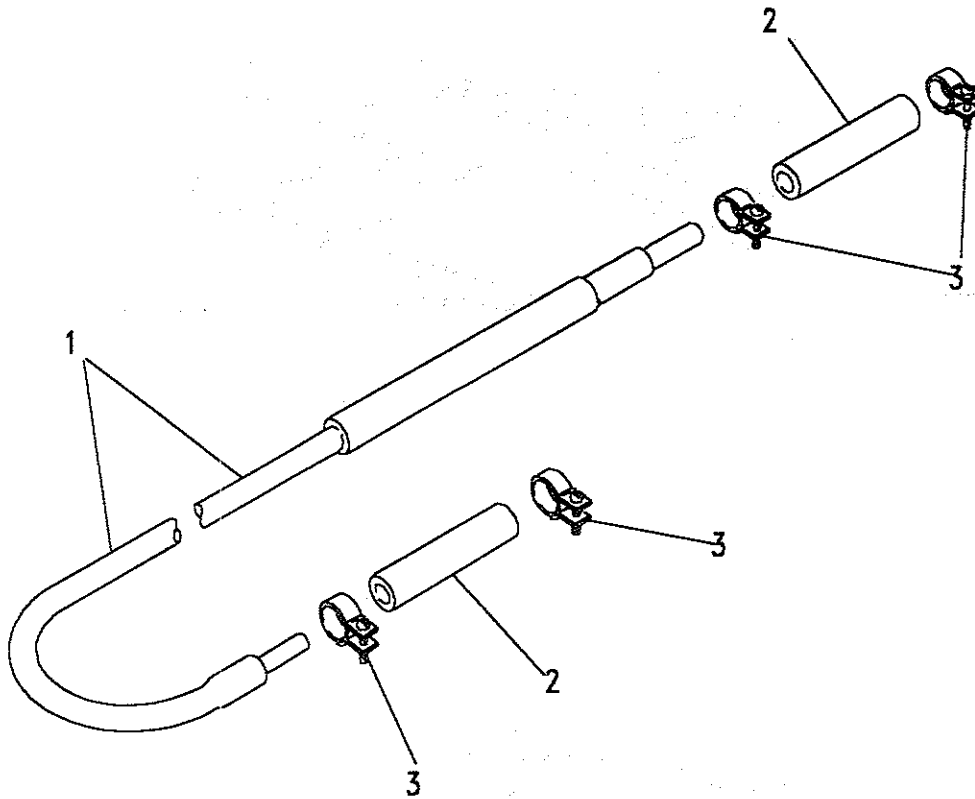


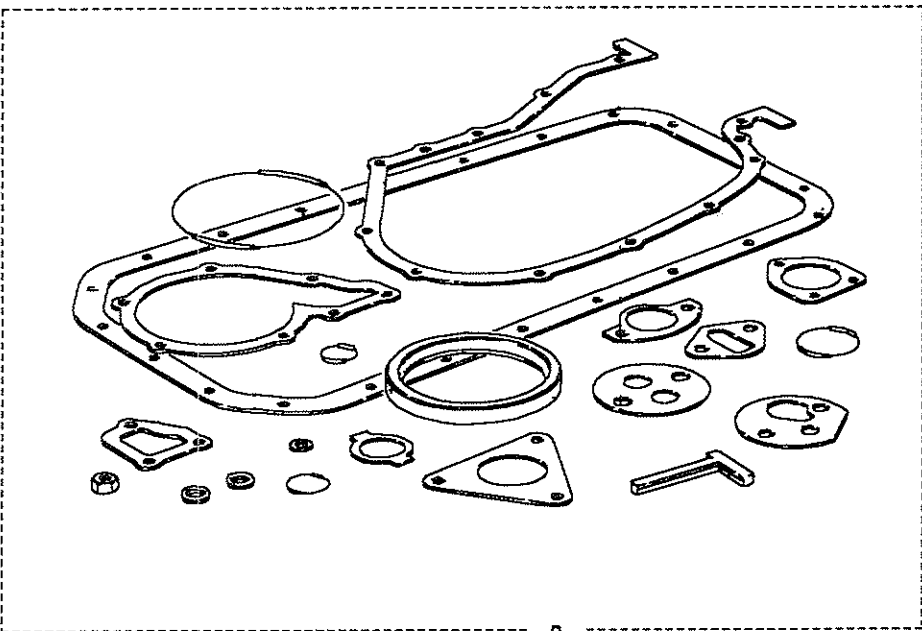
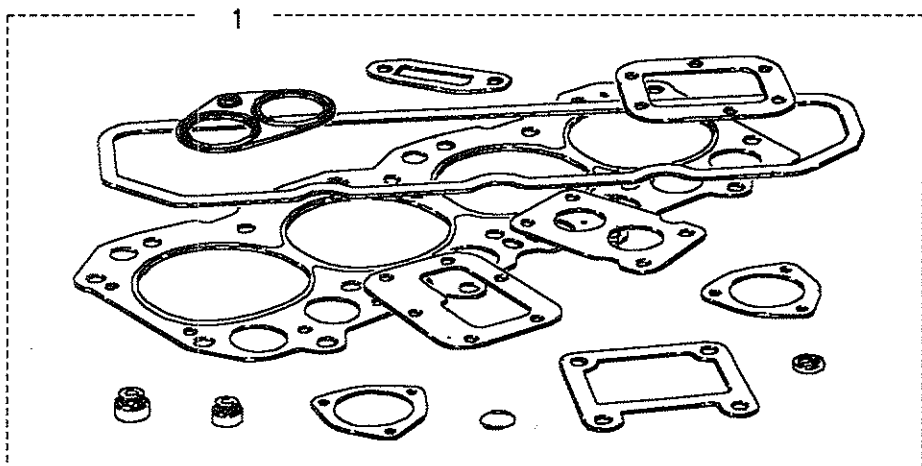
Model DEFENDER 90

Page ADBAIC2A

ENGINE - CARBURETTER - 2.3 PETROL - FUEL PIPES

III. Part No.	Description	Qty	Remarks
1 ETC4925	Pipe fuel	1	
2 587684	Connection	2	
3 572839	Clip	4	





**Model** DEFENDER 90  
**Page** ADBAMA1A

**ENGINE - GASKET KITS - 2.3 PETROL**

III. Part No.	Description	Qty	Remarks
1 RTC2889	Kit decarbonising	1	
STC1640	Kit decarbonising	1	Asbestos free
2 RTC2890	Kit overhaul	1	
STC1467	Kit overhaul	1	Asbestos free

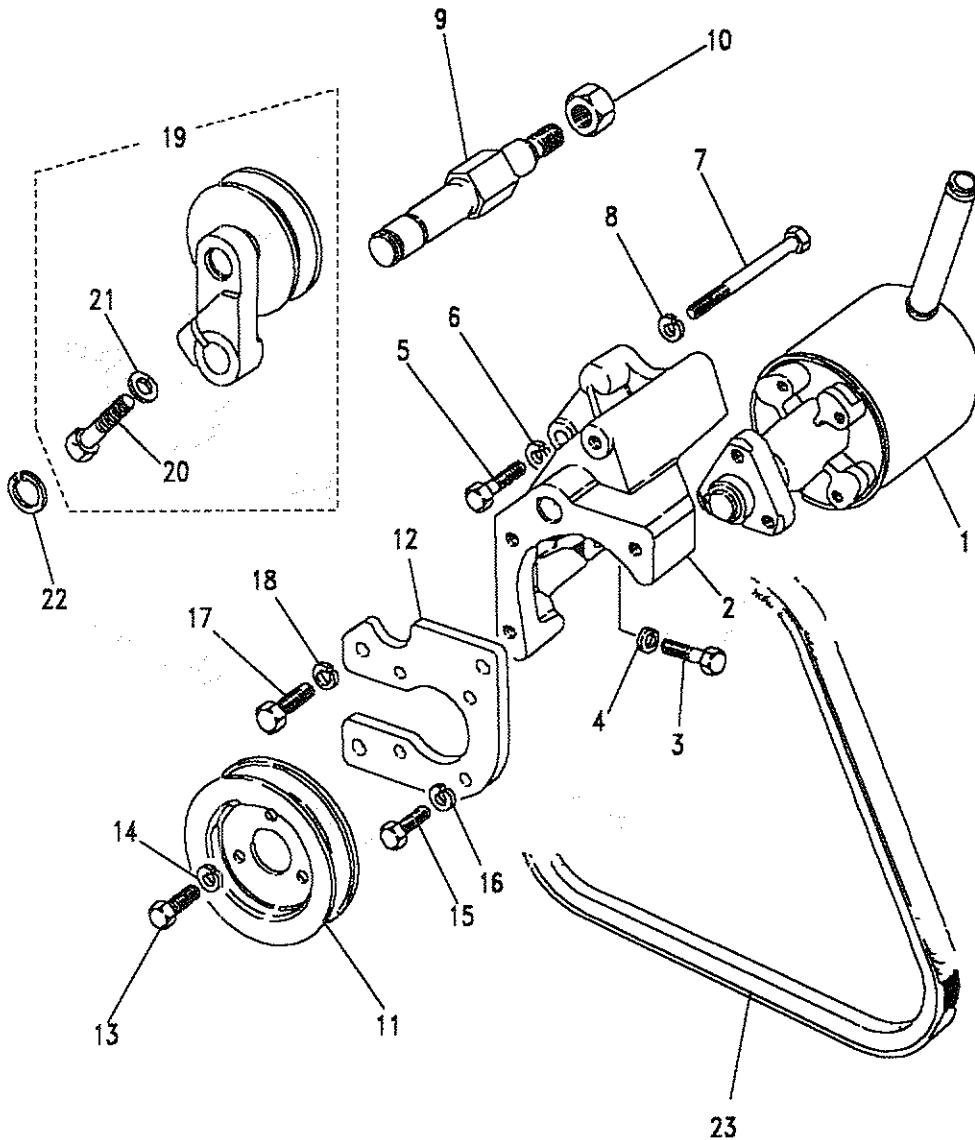


Model DEFENDER 90  
Page ADBANC1A

ENGINE - POWER STEERING PUMP (ADWEST) - 2.3 PETROL

Ill. Part No.	Description	Qty	Remarks
1	Pump power steering	1	Note(1)
RTC4485	Banjo	1	
2	ERC6974	1	
3	SH108251L	3	
4	WL108001L	3	
5	SH108301L	1	
6	WL108001L	1	
7	BH108181L	1	
8	WL108001L	1	
9	ERC6976	1	
10	ERC6977	1	
11	ERC5145	1	
12	ERC6975	1	
13	SH108141L	3	
14	WL108001L	3	
15	FS106201L	4	
16	WL106001L	4	
17	SH108251L	3	
18	WL108001L	3	
19	ETC4153	1	
20	SH108401L	1	
21	WL108001L	1	
22	CR120195L	2	
23	ERC5146	1	
23	ETC4272	1	
AEU4119	Washer special-banjo	2	

Note(1) ADWEST pump no longer available use ETC9077



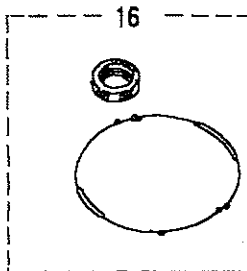
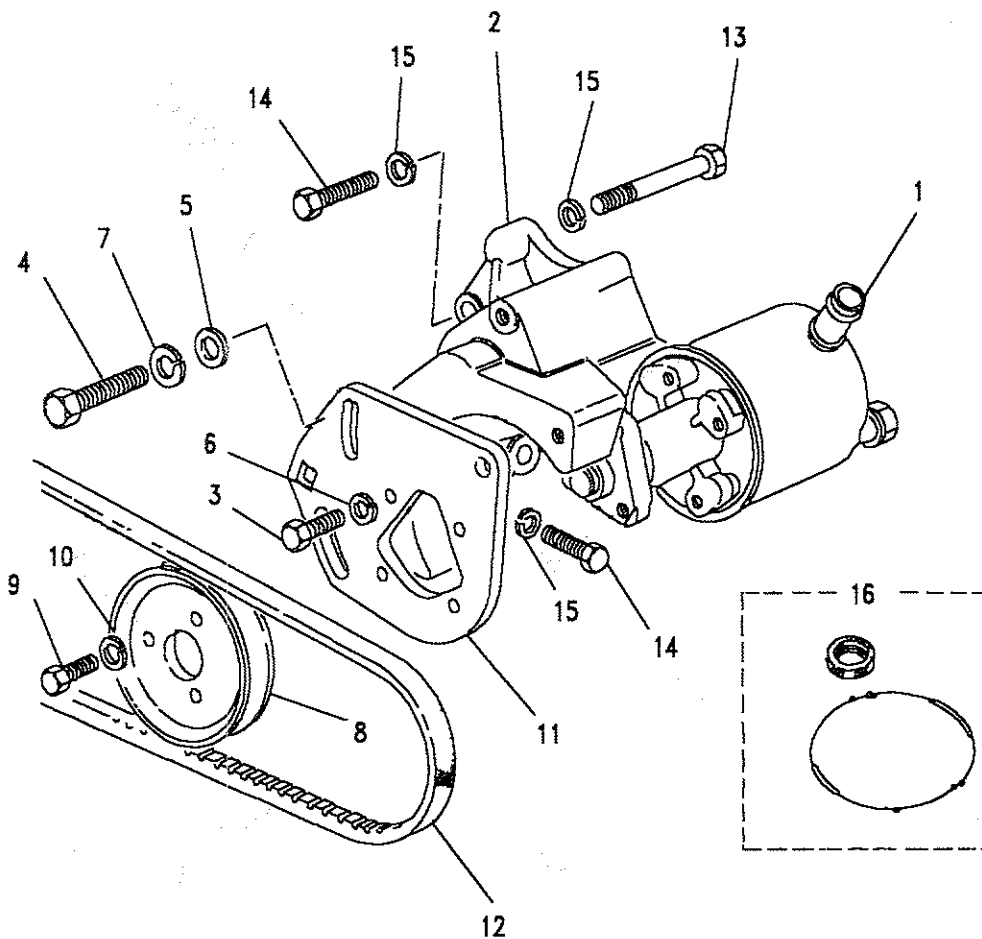


**Model** DEFENDER 90  
**Page** ADBANC2A

**ENGINE - POWER STEERING PUMP (GEMMER) - 2.3 PETROL**

III. Part No.	Description	Qty	Remarks
1	ETC9077	1	Pump power steering
	RTC5674	1	Banjo
	RTC5675	2	Washer sealing
2	ERC6974	1	Bracket
3	FS106201L	4	Screw
4	SH108251L	3	Screw
5	WA108051L	2	Washer
6	WL106001L	4	Washer spring
7	WL108001L	3	Washer spring
8	ETC5783	1	Pulley
9	SH108141L	3	Screw
10	WL108001L	3	Washer spring
11	ETC5944	1	Plate mounting
12	ETC5815	1	Belt
13	BH108181L	1	Bolt
14	SH108251L	3	Screw
	SH108301L	1	Screw
15	WL108001L	5	Washer spring
16	RTC5935	1	Kit seal
	STC1633	1	Kit seal

Note(1) Up to 11L22454A  
 Note(2) From 11L22455A



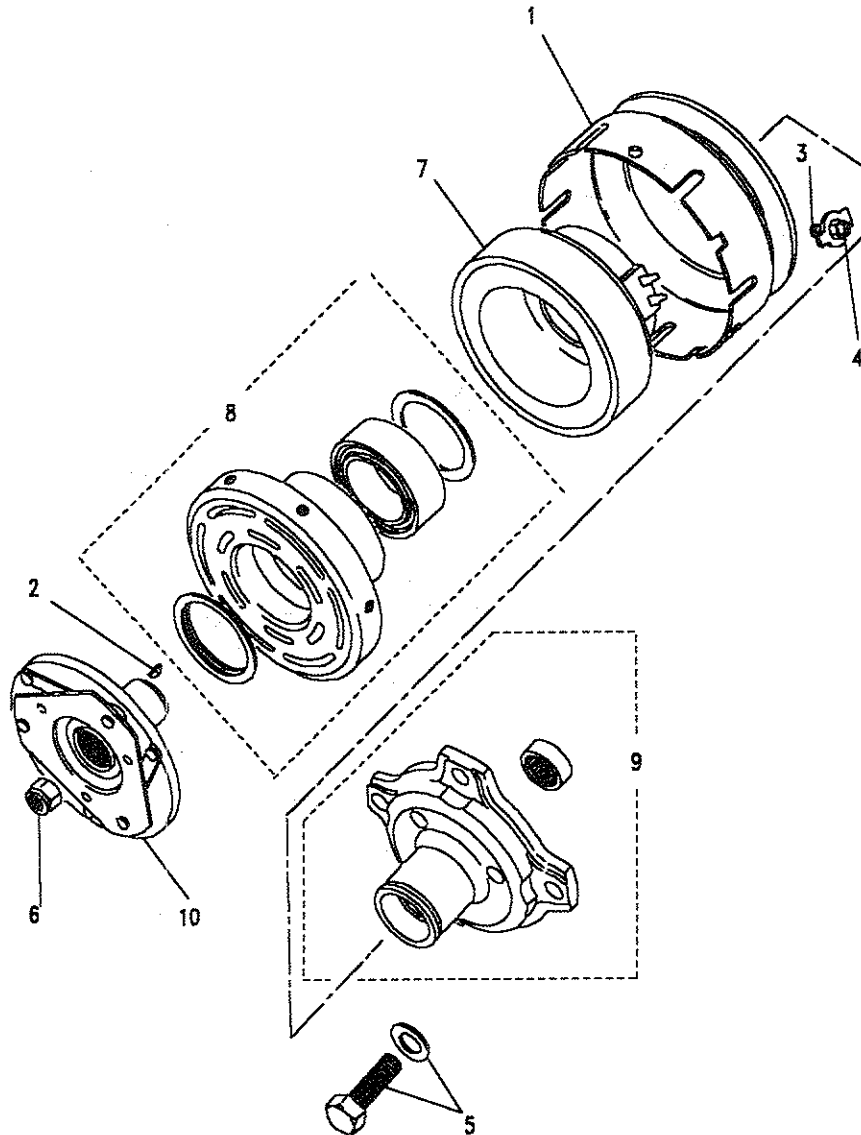




Model DEFENDER 90  
Page ADBANE1A

ENGINE - AIR CONDITIONING COMPRESSOR - 2.3 PETROL

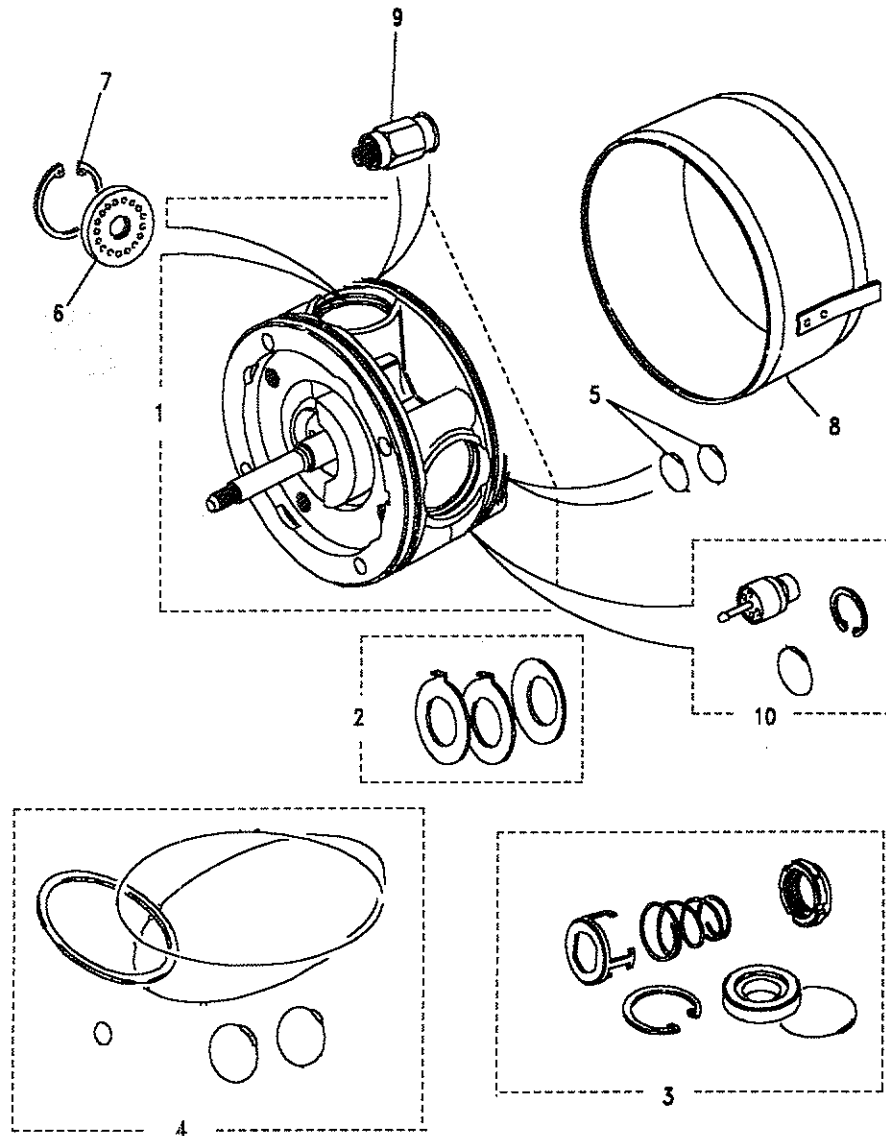
iii. Part No.	Description	Qty	Remarks
ERC6480	Compressor assembly	1	
2 AEU1782	Rim pulley	1	
2 AEU1694	Key clutch hub	1	
3 AEU1780	Screw rim mounting	6	
4 AEU1779	Washer rim mounting	6	
5 AEU1784	Screw/washer assy	4	
6 AEU1775	Nut shaft	1	
7 AEU1778	Coil/hsg assy	1	
8 AEU1777	Rotor and bearing assy	1	
9 AEU1785	Front head/bearing asy	1	
10 AEU1776	Clutch assembly	1	

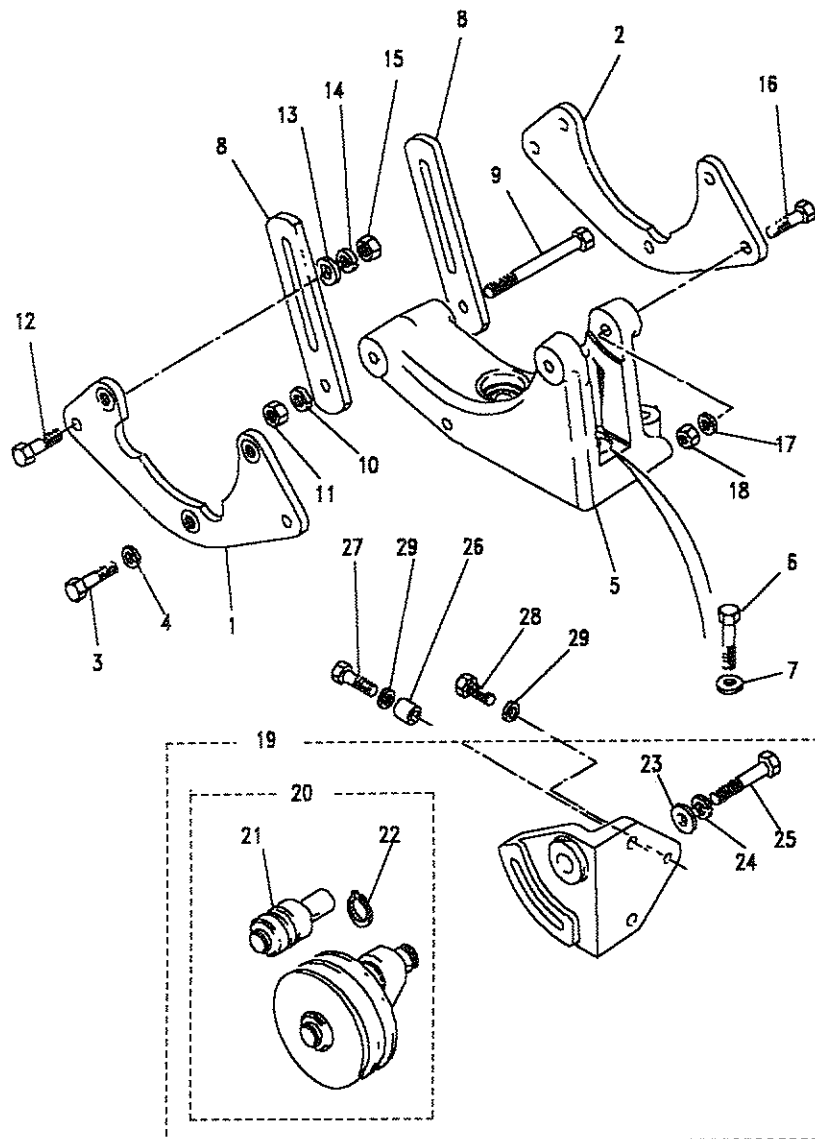


**Model** DEFENDER 90  
**Page** ADBANE2A

**ENGINE - AIR CONDITIONING COMPRESSOR - 2.3 PETROL - KITS**

III. Part No.	Description	Qty	Remarks
ERC6480	Compressor assembly	1	
1 AEU1792	Kit cylinder/shaft	1	
2 AEU1791	Kit thrust washers	1	
3 AEU1790	Kit shaft seal	1	
4 AEU1192	Kit 'O'rings	1	
5 AEU1690	'O'rings	2	
6 AEU1788	Plate valve assembly	4	
7 AEU1787	Ring retaining	4	
8 AEU1786	Shell assembly	1	
9 AEU1689	Valve pressure release	1	
10 AEU1688	Kit superheat switch	1	
ERC6072	Belt driving	2	
AEU1691	Oil 525 Visc 2pt(1136ml)	A/R	





Model DEFENDER 90

Page ADBANE3A

ENGINE - COMPRESSOR FIXINGS - 2.3 PETROL

III. Part No.	Description	Qty	Remarks
1	ERC7082	1	Plate mounting front
2	ERC5152	1	Plate mounting rear
3	BH110201L	3	Bolt compressor to plate
4	WL110001L	3	Washer spring
5	ETC4882	1	Bracket mounting
6	BH110101L	4	Bolt bracket to cover
7	WA110061L	4	Washer plain
8	ERC5155	2	Link adjusting
9	BH108181L	1	Bolt link to bracket
10	WL108001L	1	Washer spring
11	NH108041L	1	Nut
12	SH108251L	2	Screw link to plate
13	WA108051L	2	Washer
14	WL108001L	2	Washer spring
15	NH108041L	2	Nut
16	FB108081L	2	Bolt bracket to plates
17	WL108001L	2	Washer spring
18	NH108041L	2	Nut
19	ERC5386	1	Idler pulley assembly
20	ERC5387	1	Arm idler assembly
21	90613049	1	Pulley
22	CR120171L	1	Circlip
23	WC108051L	1	Washer idler arm clamp
24	WL108001L	1	Washer spring idler
25	FB108081L	1	Bolt
26	ERC6071	2	Dowell
27	FB108061	2	Bolt
28	SH108251L	1	Screw
29	WL108001L	3	Washer spring

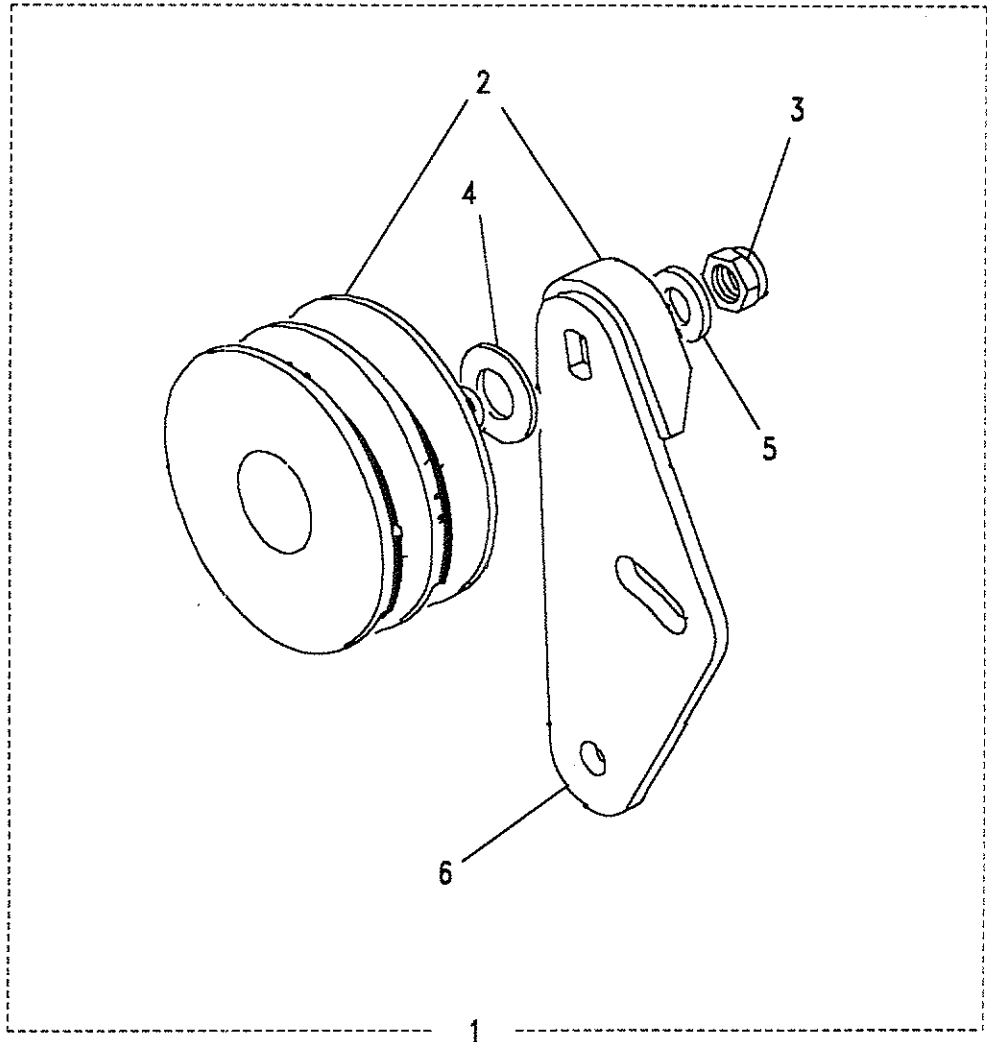


Model DEFENDER 90

Page ADBANE4A

ENGINE - AIR CON IDLER PULLEY - 2.3 PETROL

III. Part No.	Description	Qty	Remarks
1	ETC7756	1	Damper pulley assembly
2	554971	1	Pulley
3	RTC6077	1	Nut
4	4095	1	Washer plain
5	WB108051L	1	Washer plain
6	ETC4212	1	Plate mounting







DEFENDER 90

60

ENGINE

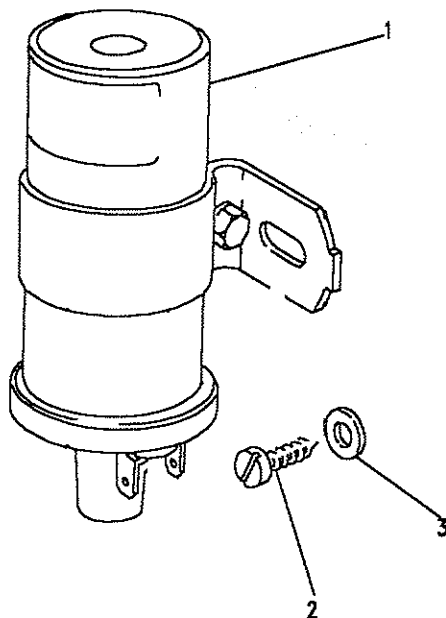


Model DEFENDER 90

Page ADBAPA2A

ENGINE - IGNITION COIL - 2.3 PETROL

III. Part No.	Description	Qty	Remarks
1 PRC9858	Kit ignition coil	1	
2 AB614061L	Screw drive	2	
3 WJ106007	Washer plain	2	



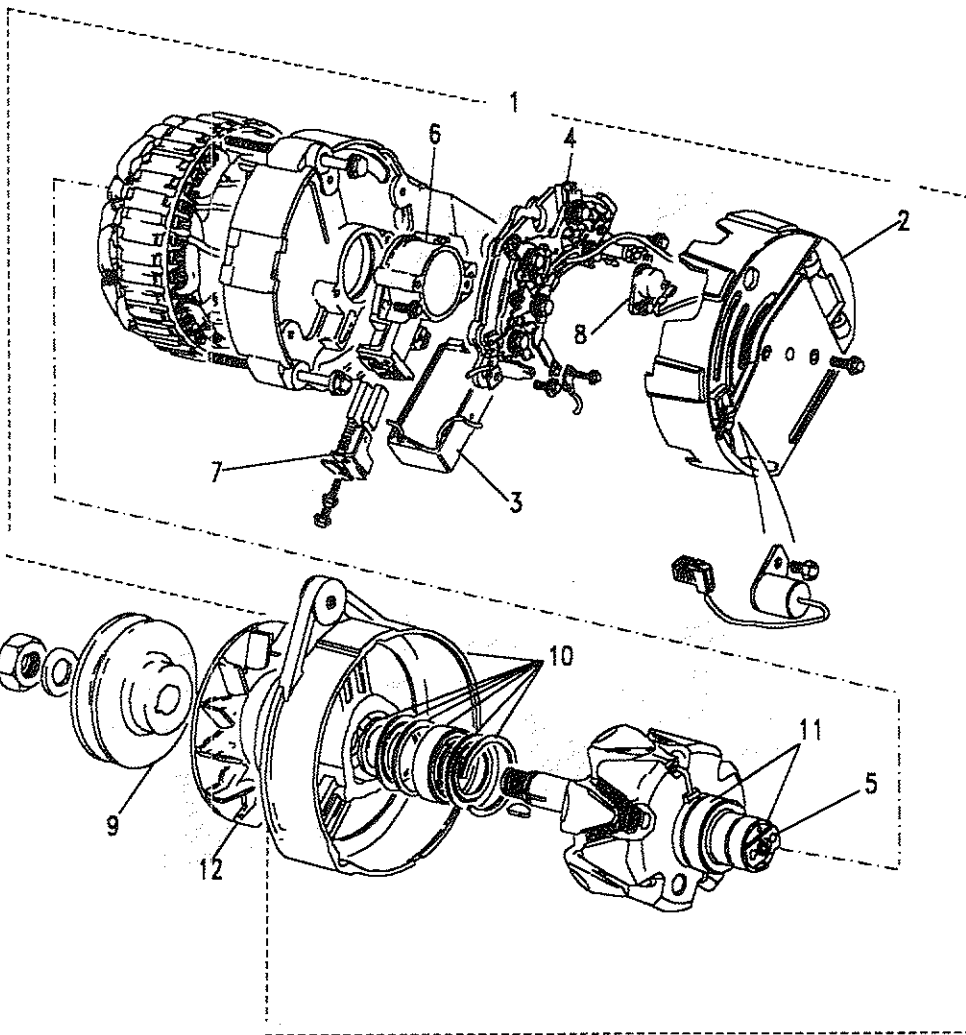
Model DEFENDER 90

Page ADBAPC1A

ENGINE - ALTERNATOR - 2.3 PETROL

III. Part No.	Description	Qty	Remarks
1	RTC5083E	1	Note(1)
2	AEU2507	1	
3	AEU3076	1	
1	RTC5088E	1	Note(2)
2	AEU1814	1	
3	AEU2464L	1	
4	BAU1825	1	
5	BAU2193	1	
6	BAU2195	1	
7	RTC3215	1	
8	STC130	1	
9	568788	1	
	ERC8986	1	SPLIT CHARGE
10	18G8619L	1	
11	AEU1532	1	
12	C37222L	1	
	AEU1706	1	
	AEU1710	1	
	AEU1942	1	

Note(1) LUCAS number LRA356 - use if machine sensed  
 Note(2) LUCAS number 24079B90 - use if battery sensed

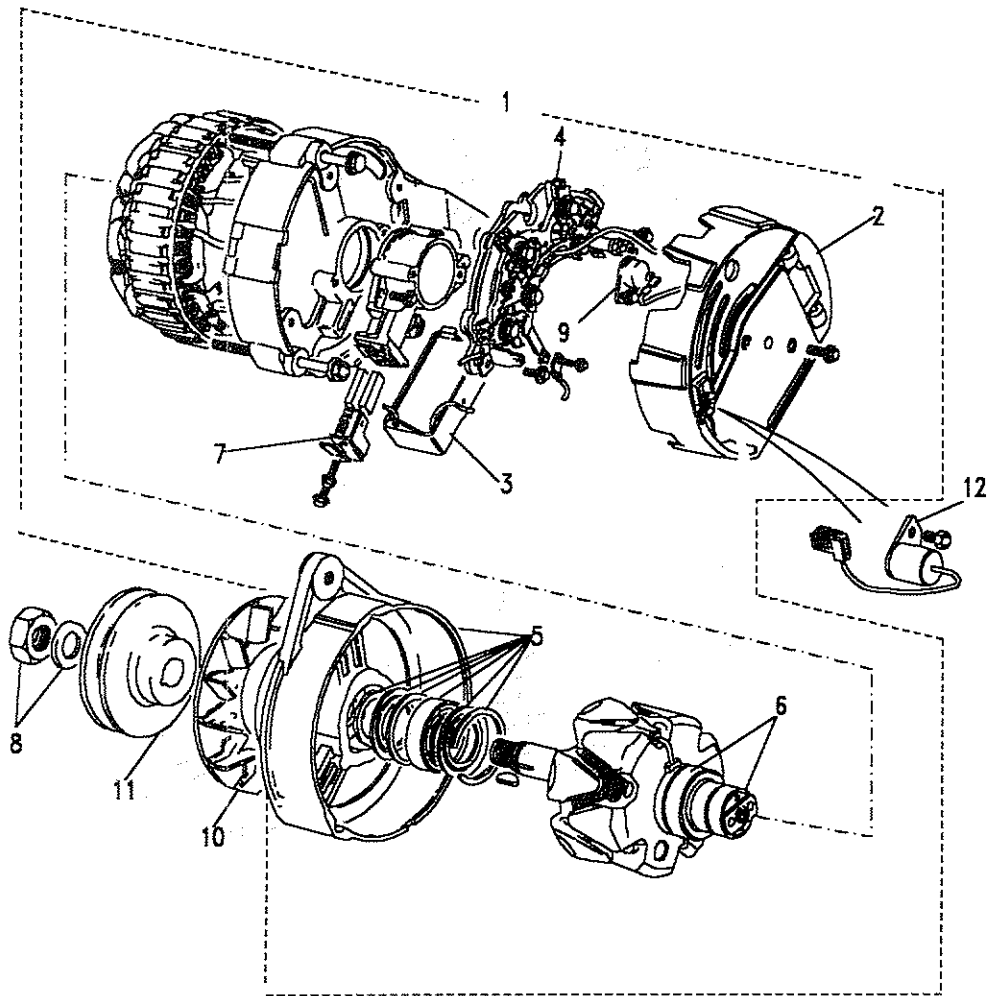


**Model** DEFENDER 90  
**Page** ADBAPC2A

**ENGINE - ALTERNATOR - AIR CON - 2.3 PETROL**

III. Part No.	Description	Qty	Remarks
1	RTC5218E	1	Note(1)
2	AEU1725	1	
3	AEU3076	1	
4	AEU1527	1	
7	RTC3292	1	
9	STC130	1	
5	AEU1726	1	Kit bearing-drive end
6	AEU1532	1	Kit bearing-slip ring end
8	AEU1710	1	Kit-sundry parts
	ERC8987	1	Nut-special
10	DU4928L	1	Fan
11	ERC8986	1	Pulley
12	AEU1616	1	Suppression capacitor
	AEU1706	1	Kit-screw
	AEU1708	1	Kit-spacer
	AEU1709	1	Kit-terminal

Note(1) LUCAS number LRA406

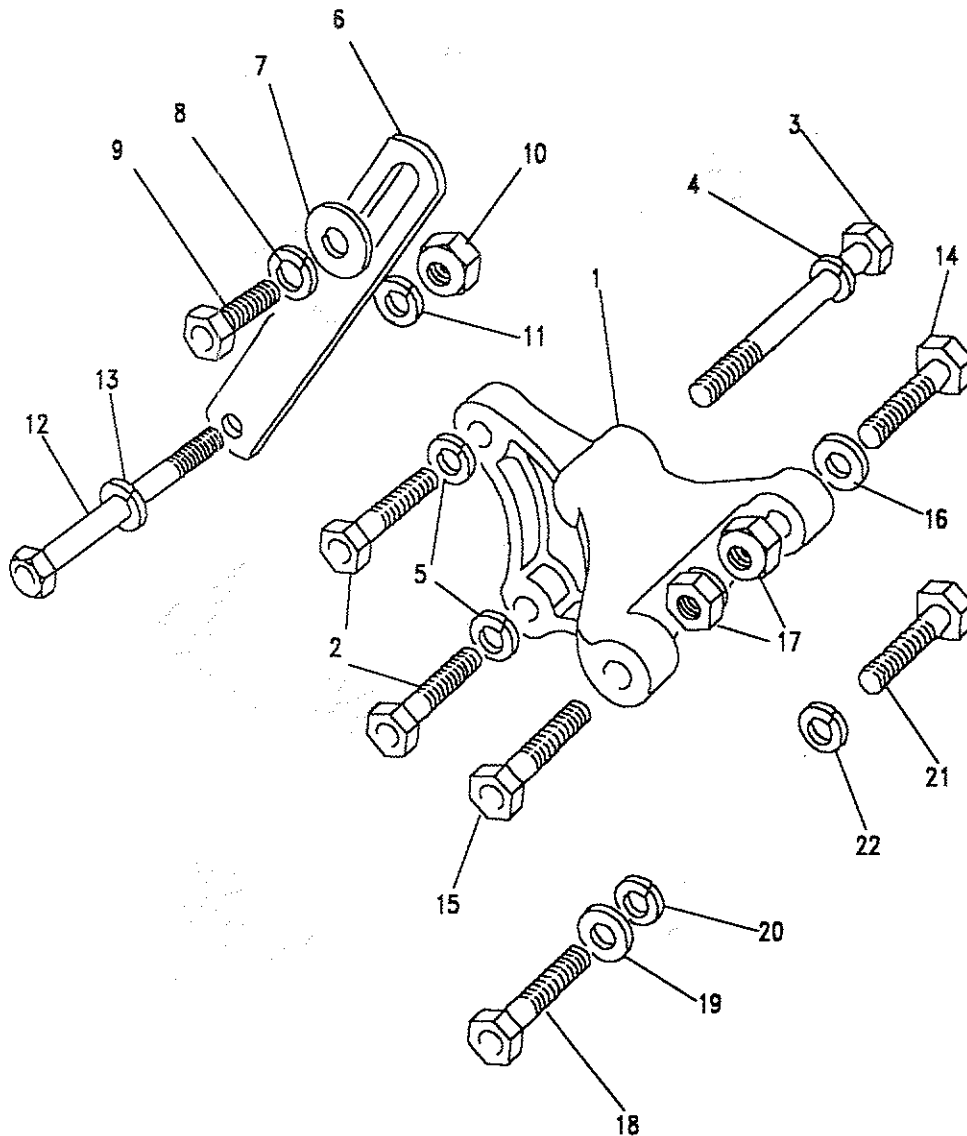






Model DEFENDER 90  
Page ADBAPC3A

ENGINE - ALTERNATOR FIXINGS - 2.3 PETROL



Ill. Part No.	Description	Qty	Remarks
1	ETC4357 Bracket	1	)
2	SH108301L Screw	2	)
3	BH605261L Bolt	1	)
4	WM600051L Washer spring	1	)NON AIR CON
3	BH108161L Bolt	1	)
4	WL108001L Washer spring	1	)
5	WL108001L Washer spring	2	)
6	ERC5139 Link adusting	1	)
	ERC6683 Link adjusting	1	)AIR CON
	ERC6683 Link adjusting	1	)SPLIT CHARGE
7	2266L Washer-Link to Alternator	1	)
8	WL108001L Washer spring	1	)
9	SH108251L Screw	1	)
10	NH605041L Nut	1	)AIR CON
11	WM600051L Washer spring	1	)
12	BH108201L Bolt	1	)NON AIR CON
13	WL108001L Washer spring	1	)
14	FB108081L Bolt	1	)
15	BH108091L Bolt	1	)NON P.A.S.
16	WC108051L Washer	1	)
17	NY108041L Nut	2	)
18	FS108351L Screw	1	)
19	WC108051L Washer	1	)P.A.S. ONLY
20	WL108001L Washer spring	1	)
21	SH108401L Screw	1	)
22	WL108001L Washer spring	1	)

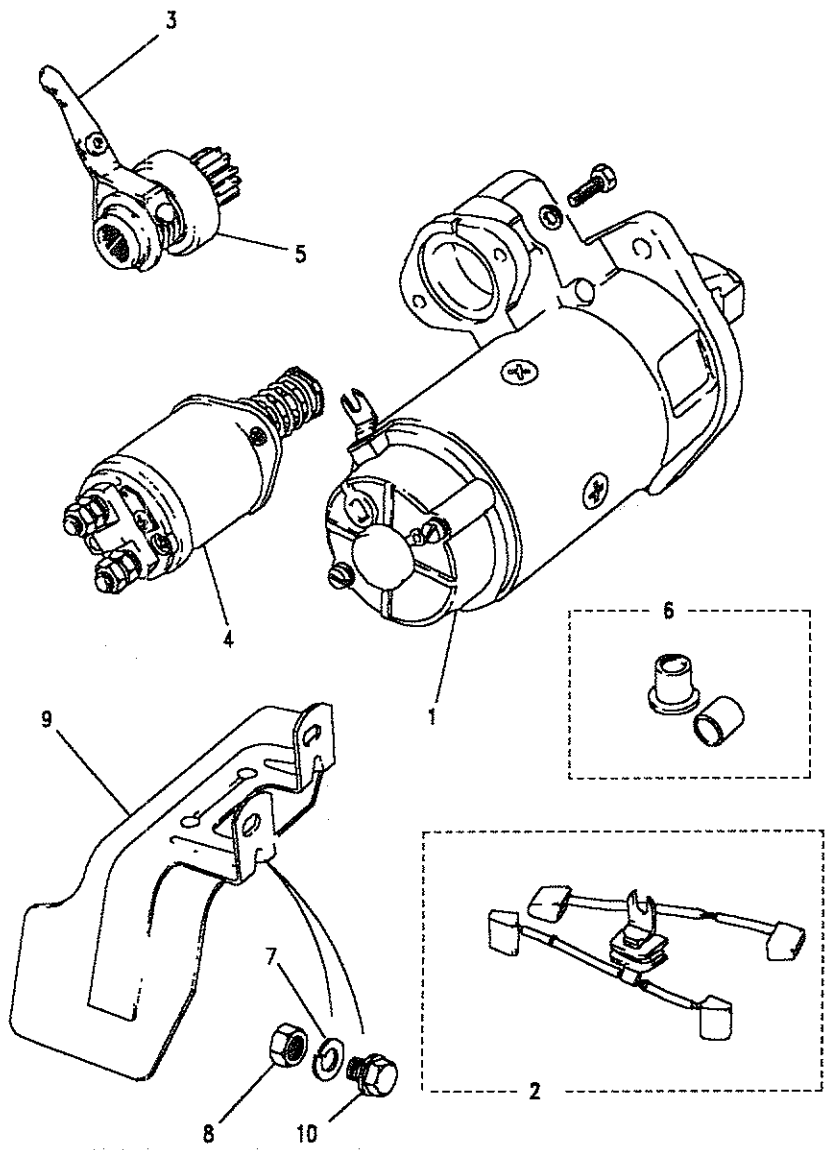




Model DEFENDER 90

Page ADBAPE1A

ENGINE - STARTER MOTOR - 2.3 PETROL



Ill. Part No.	Description	Qty	Remarks
1	PRC6613N	1	M78R Type
	PRC6613E	1	
2	RTC5967	1	
3	520455	1	
4	STC1519	1	
5	AEU2502	1	
2	RTC5048	1	
4	RTC5049	1	
6	608352	1	
	RTC5563	1	
7	WL110001L	2	
8	NH110041L	2	
9	ETC4133	1	
10	ERC8722	2	
	608395	1	
	90608178	1	
	RTC5577	1	



Model DEFENDER 90

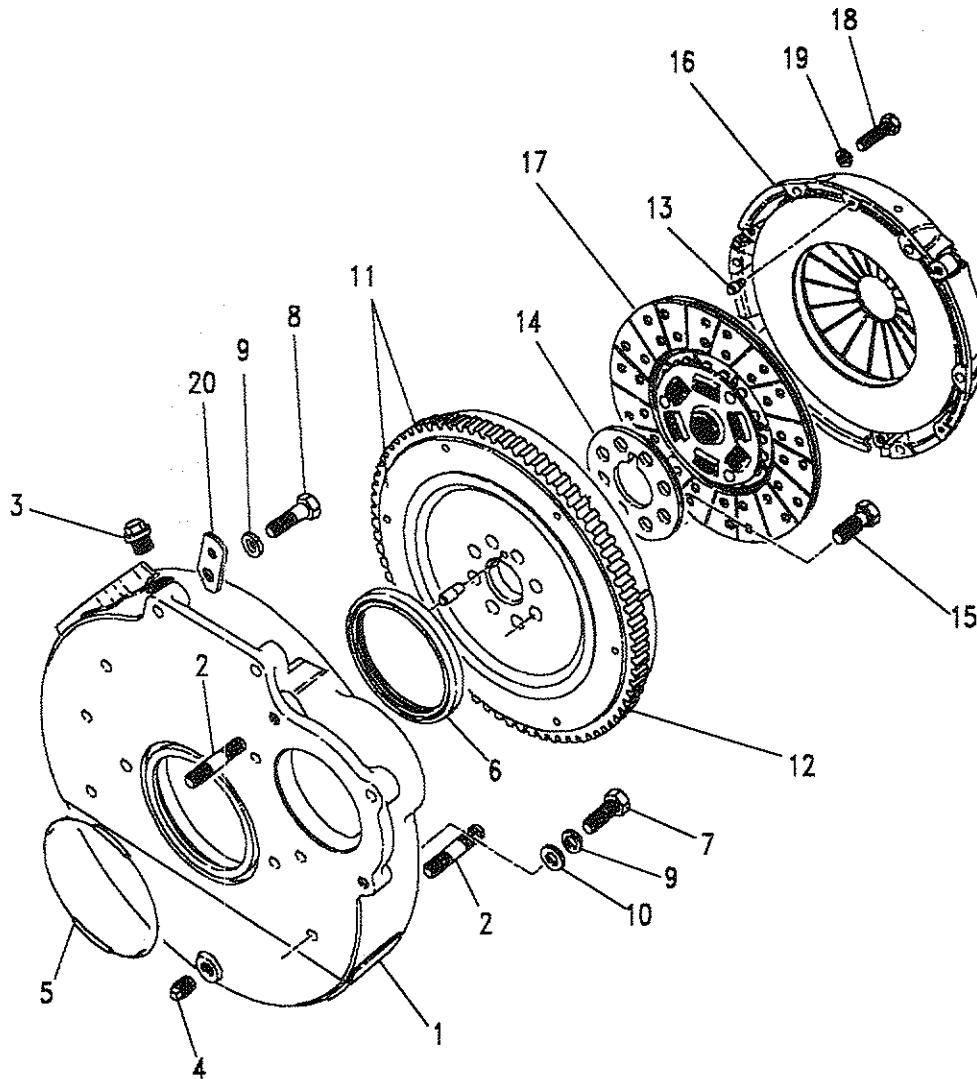
Page ADBARA1A

ENGINE - FLYWHEEL AND CLUTCH - 2.3 PETROL

Ill. Part No.	Description	Qty	Remarks	
1	ETC6394	1	Flywheel housing assembly	
2	TE110061L	13	Stud-bell housing	
3	ERC7295	1	Plug	
	NH110041L	11	Nut	
4	3290	1	Plug drain	
5	ERC6432	1	O ring	
6	ERR1535	1	Seal oil	
7	SH110301L	6	Bolt	
8	BX110071L	2	Bolt	
9	WL110001L	2	Washer spring	
10	WA110061L	6	Washer plain	
11	ERC6408	1	Flywheel and starter ring	
12	ERC5293	1	Ring starter	
13	502116	3	Dowel-clutch	
14	ERC4658	1	Plate reinforcing	Note(1)
15	ERC6551	8	Bolt	Note(1)
	ERR4574	8	Bolt	
16	576557	1	Clutch cover	
17	FRC2671	1	Clutch plate	
	FTC159	1	Clutch plate	ASBESTOS FREE
	STC8359	1	Kit clutch	
	FTC159	1	Plate	
	576557	1	Cover	
	FRC9568	1	Bearing	
18	SX108201L	6	Bolt set	
19	WL108001L	6	Washer spring	
20	ERC9404	2	Bracket	

Note(1)

Only fitted up to Dec 93. The reinforcing plate was found to serve no useful purpose. If replacing use shorter screws ERR4574





MASTER INDEX

GROUP B

ENGINE

ENGINE

INTRODUCTION PAGES	PAGES		
ALPHABETICAL INDEX	1 - 5		
ENGINE	6 - 14		
ENGINE	15 - 65		
ENGINE	66 - 117	ENGINE COMPLETE - 2.5 PETROL	68
ENGINE	118 - 171	ENGINE STRIPPED - 2.5 PETROL	69
ENGINE	172 - 217	ENGINE SHORT - 2.5 PETROL	70
ENGINE	218 - 261	CYLINDER BLOCK - 2.5 PETROL	71 - 72
ENGINE	262 - 297	SIDE COVERS - 2.5 PETROL	73
ENGINE	298 - 367	CRANKSHAFT - 2.5 PETROL	74
GEARBOX	368 - 394	PISTON AND RINGS - 2.5 PETROL	75
GEARBOX	395 - 411	SUMP - 2.5 PETROL	76
GEARBOX	412 - 425	ENGINE MOUNTINGS - 2.5 PETROL	77
TRANSFER BOX	426 - 456	FRONT COVER - 2.5 PETROL	78 - 79
TRANSFER BOX	457 - 474	TIMING CHAIN - 2.5 PETROL	80
AXLES AND SUSPENSION	475 - 531	WATER PUMP - 2.5 PETROL - BASIC	81
STEERING	532 - 564	WATER PUMP - 2.5 PETROL - AIR CONDITIONING	82
VEHICLE AND ENGINE CONTROLS	565 - 580	OIL PUMP - 2.5 PETROL	83
BRAKES	581 - 603	OIL FILTER - 2.5 PETROL	84
FUEL SYSTEM AND AIR CLEANER	604 - 645	OIL FILTER WITH OIL COOLER - 2.5 PETROL	85
EXHAUST SYSTEM	646 - 660	CYLINDER HEAD - 2.5 PETROL	86 - 87
COOLING/HEATING	661 - 709	ROCKERS - 2.5 PETROL	88
COOLING/HEATING	710 - 718	VALVES AND TAPPETS - 2.5 PETROL	89
BODY ELECTRICAL	719 - 793	ROCKER COVER - 2.5 PETROL	90
BODY AND CHASSIS	794 - 923	CAMSHAFT - 2.5 PETROL	91
INTERIOR TRIM	924 - 965	THERMOSTAT HOUSING - 2.5 PETROL	92
SEATS	966 - 1009	MANIFOLDS - 2.5 PETROL	93 - 94
STOWAGE	1010 - 1017	CARBURETTERS - 2.5 PETROL	95
ACCESSORIES - PAINTS	1018 - 1042	CARBURETTER - 2.5 PETROL - CONTINUED	96
NUMERICAL INDEX	1044 - 1122	HAND THROTTLE - 2.5 PETROL	97
		VACUUM PIPES - CARBURETTER - 2.5 PETROL	98
		FUEL PIPES - 2.5 PETROL	99
		CARBURETTER FIXINGS - 2.5 PETROL	100
		GASKET KITS - 2.5 PETROL	101
		POWER STEERING PUMP(ADWEST) - 2.5 PETROL	102
		POWER STEERING PUMP - 2.5 PETROL	103
		AIR CONDITIONING COMPRESSOR - 2.5 PETROL	104
		AIR CONDITIONING COMPRESSOR - 2.5 PETROL - KITS	105
		COMPRESSOR FIXINGS - 2.5 PETROL	106
		AIR CON IDLER PULLEY - 2.5 PETROL	107
		DISTRIBUTOR - 2.5 PETROL	108
		IGNITION COIL - 2.5 PETROL	109





# DEFENDER 90

67

# ENGINE

ALTERNATOR - 2.5 PETROL	110 - 111
ALTERNATOR - 2.5 PETROL - AIR CON	112 - 113
ALTERNATOR FIXINGS - 2.5 PETROL	114
STARTER MOTOR - 2.5 PETROL	115
FLYWHEEL - 2.5 PETROL	116 - 117





DEFENDER 90

68

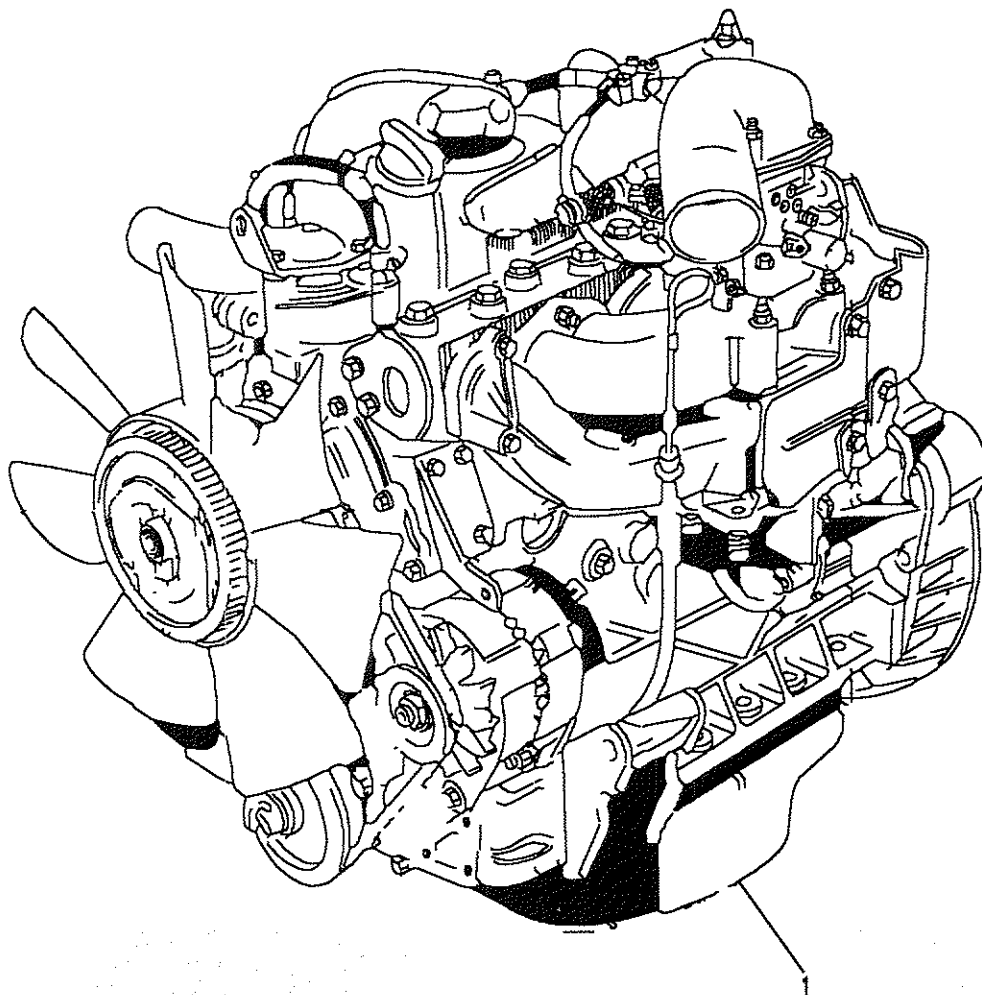
ENGINE



**Model** DEFENDER 90  
**Page** ADBFAA1A

**ENGINE - ENGINE COMPLETE - 2.5 PETROL**

III. Part No.	Description	Qty	Remarks
1 ETC5900N	Engine complete assembly	1	17H00001C





DEFENDER 90

69

ENGINE



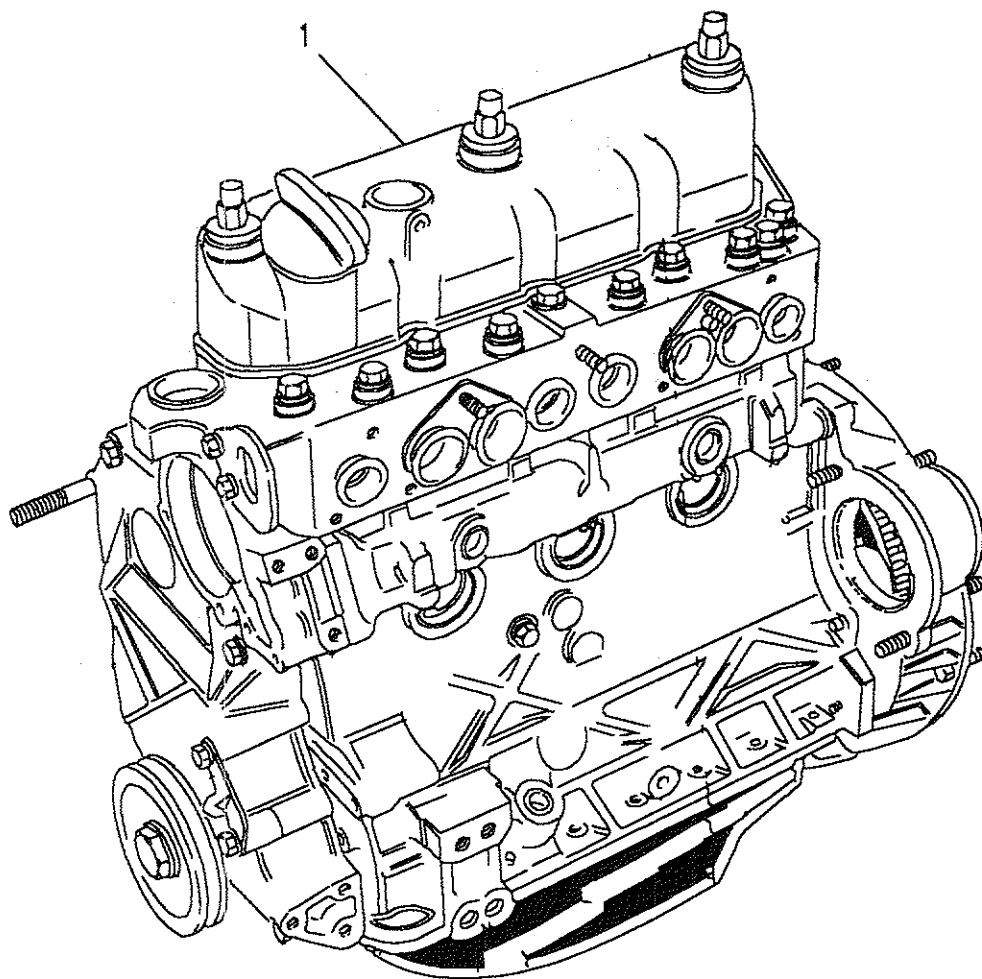
**Model** DEFENDER 90

**Page** ADBFAC1A

**ENGINE - ENGINE STRIPPED - 2.5 PETROL**

III. Part No.	Description	Qty	Remarks
1	RTC4595R	1	Note(1)
	RTC6800N	1	
	RTC6800R	1	Note(2)

Note(1) Reconditioned engine only available up to eng-17H25700C  
Note(2) Reconditioned engine only available from eng-17H25701C





DEFENDER 90

70

ENGINE

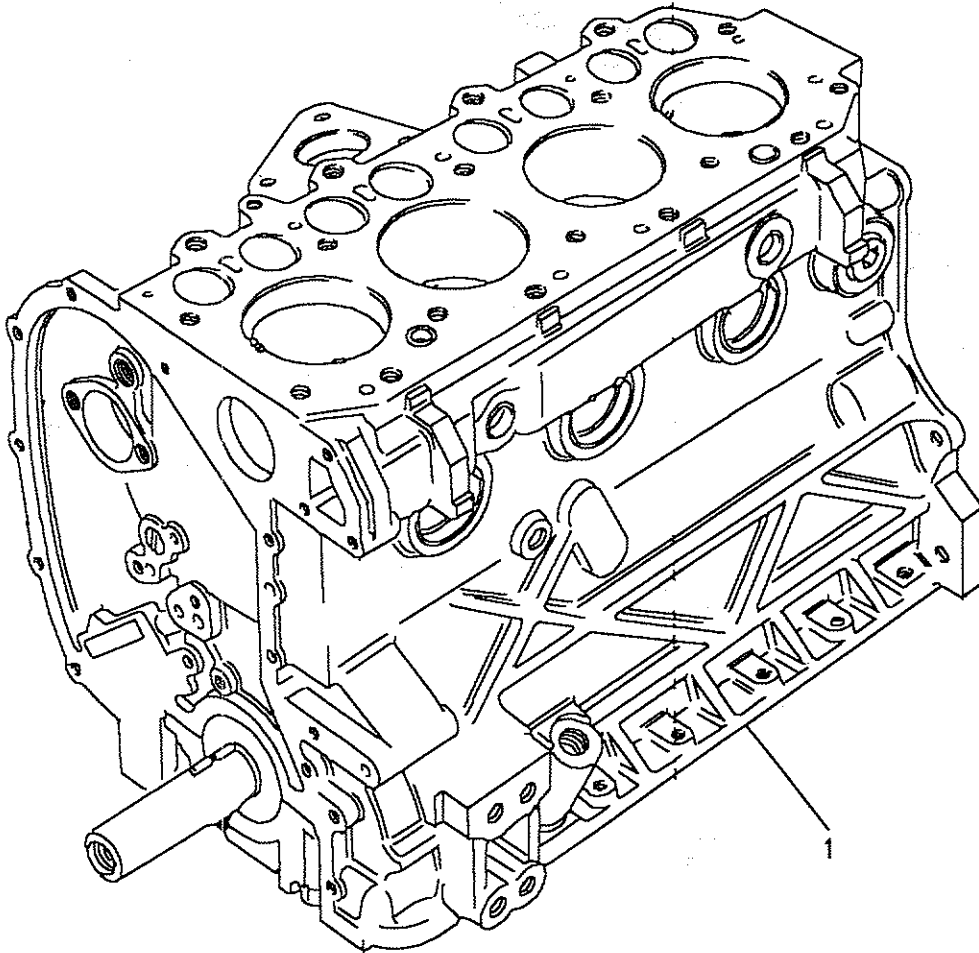


**Model** DEFENDER 90

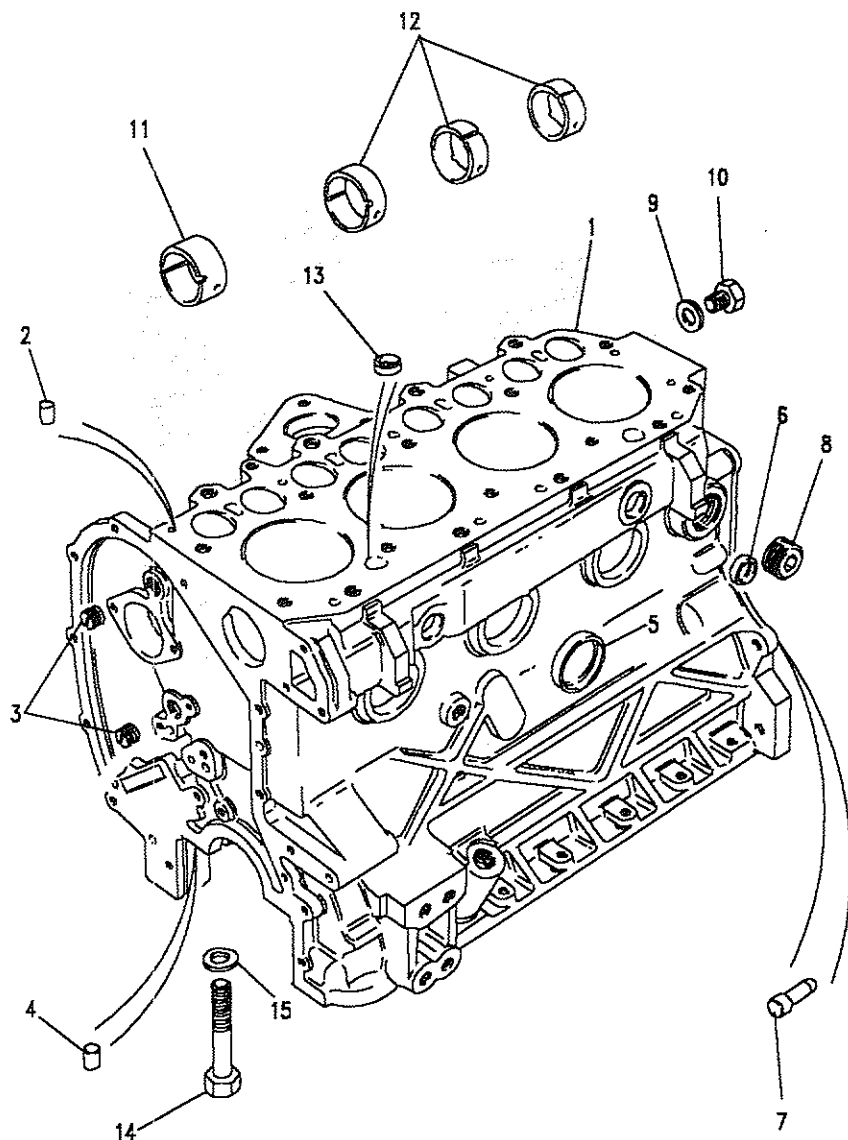
**Page** ADBFAE1A

**ENGINE - ENGINE SHORT - 2.5 PETROL**

III. Part No.	Description	Qty	Remarks
1 RTC6793	Engine short assembly	1	







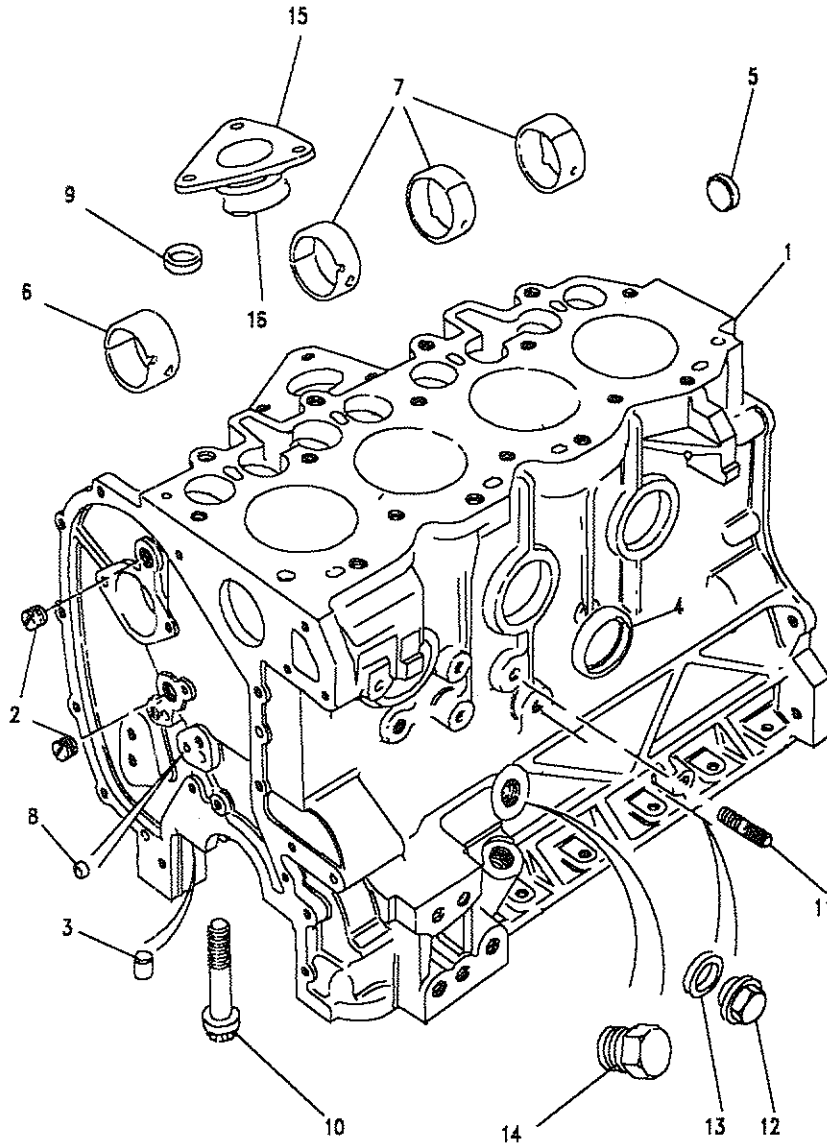
**Model** DEFENDER 90

**Page** ADBFBA1A

### ENGINE - CYLINDER BLOCK - 2.5 PETROL

III. Part No.	Description	Qty	Remarks
1	RTC3985	1	Note(1)
2	247965	1	
3	247127	2	
4	501593	10	
5	ERC4996	6	
6	597586	3	
7	ERC4644	2	
8	527269	1	
9	243959	2	
10	ETC4922	2	
11	90519054	1	
12	90519055	3	
13	ERC4995	2	
14	ETC7596	10	
15	504006	10	
	ERR5034	3	

Note(1) This block used up to eng17H25700C

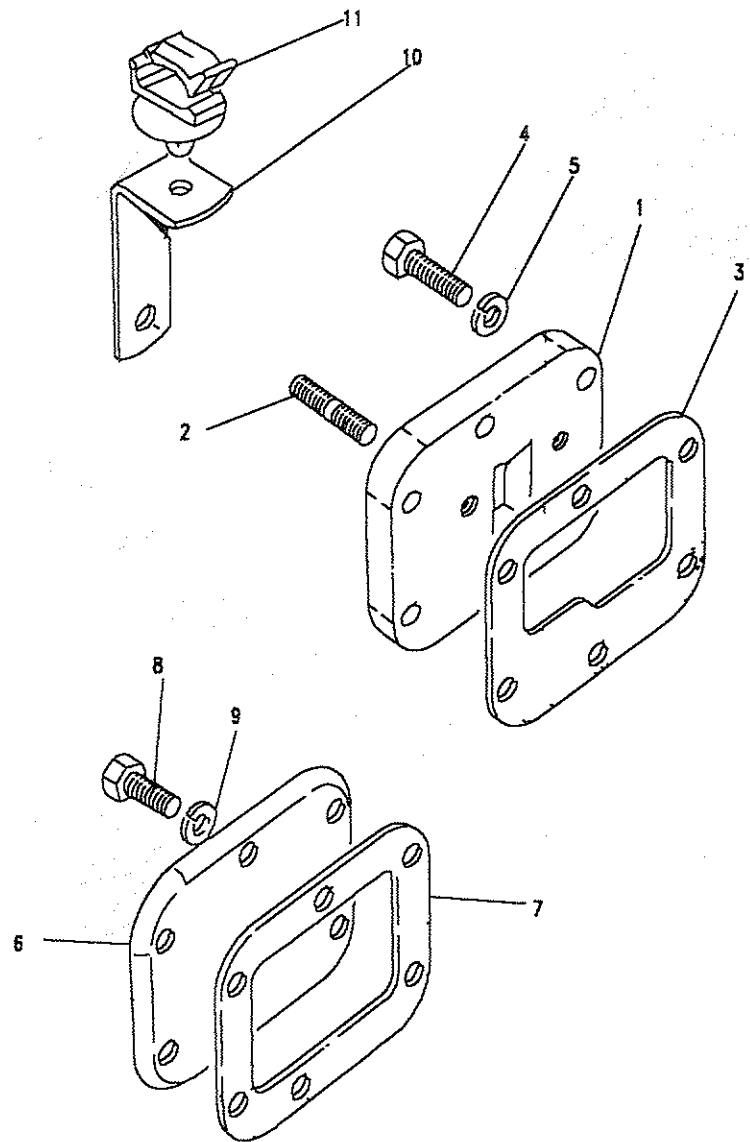


**Model** DEFENDER 90  
**Page** ADBFBA2A

**ENGINE - CYLINDER BLOCK - 2.5 PETROL**

III. Part No.	Description	Qty	Remarks
1	ERR477	1	Cylinder block assembly
2	247127	2	Plug-oil gallery
3	501593	10	Dowel-bearing caps
4	ERC4996	6	Cup plug-sides/ends
5	597586	3	Cup plug-water rail ends
6	ETC8442	1	Bearing-camshaft front
7	90519055	3	Bearing-camshaft inter/R
8	ETC4529	1	Cup plug
9	ERC4995	2	Cup plug
10	ETC8074	10	Bolt main-bearing cap
11	TE108031L	1	Stud-starter motor
12	ETC5577	1	Plug drain
13	213961	1	Washer joint
14	ETC8362	1	Plug-turbo drain
15	ERR586	1	Adaptor-cylinder block
16	ERR531	1	O ring-adaptor
	ERC9188	4	Liner cylinder
	ERR5034	3	Plug tapered

Note(1) This block used from eng17H25701C

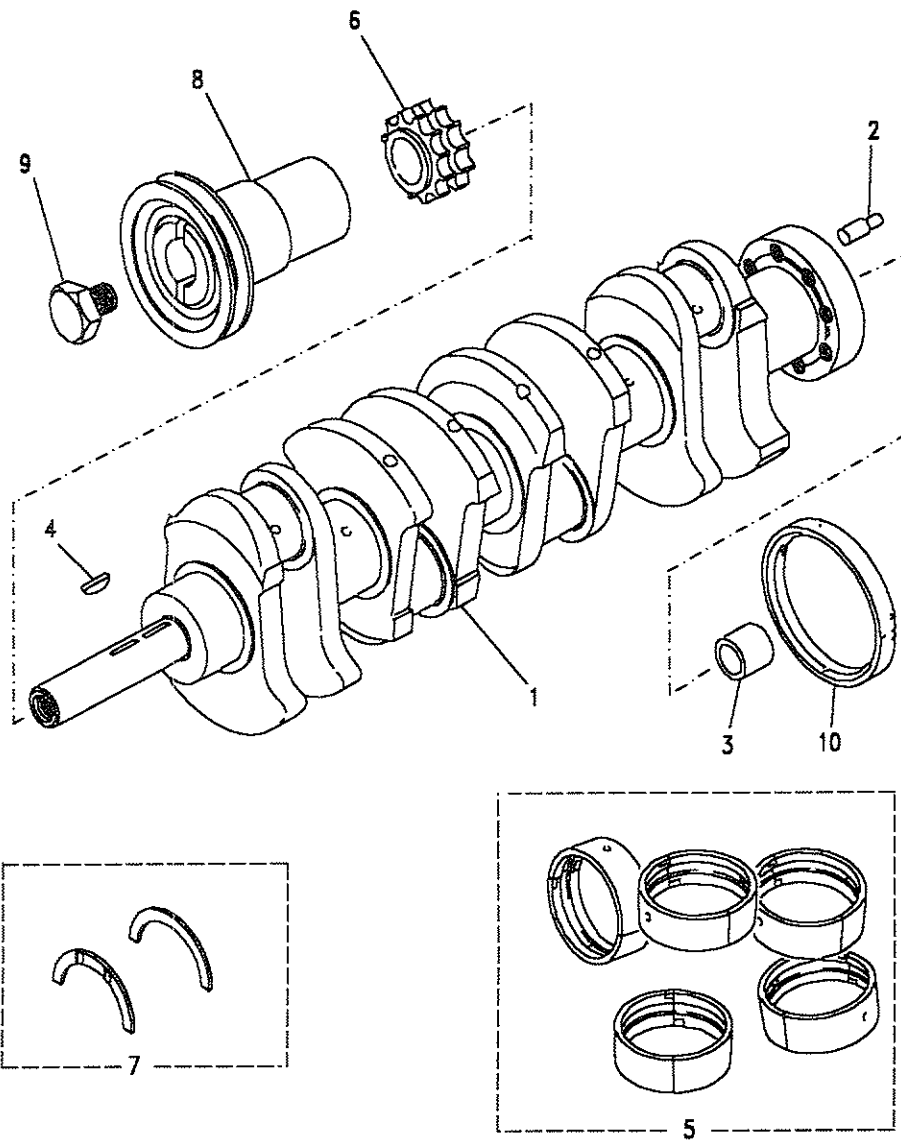


**Model** DEFENDER 90  
**Page** ADBFBC1A

**ENGINE - SIDE COVERS - 2.5 PETROL**

III. Part No.	Description	Qty	Remarks
1 ETC4799	Plate cover	1	
2 TE108041L	Stud	2	
3 ERR1475	Washer joint	1	
4 FS108201L	Screw	6	
5 WL108001L	Washer spring	6	
6 ERC2869	Cover side front	1	
7 247555	Gasket side cover	1	
ERR3605	Gasket side cover	1	Asbestos free
8 FS108201L	Screw	6	
9 WL108001L	Washer spring	6	
10 ERC9480	Bracket	1	
11 AFU1090L	Clip	1	

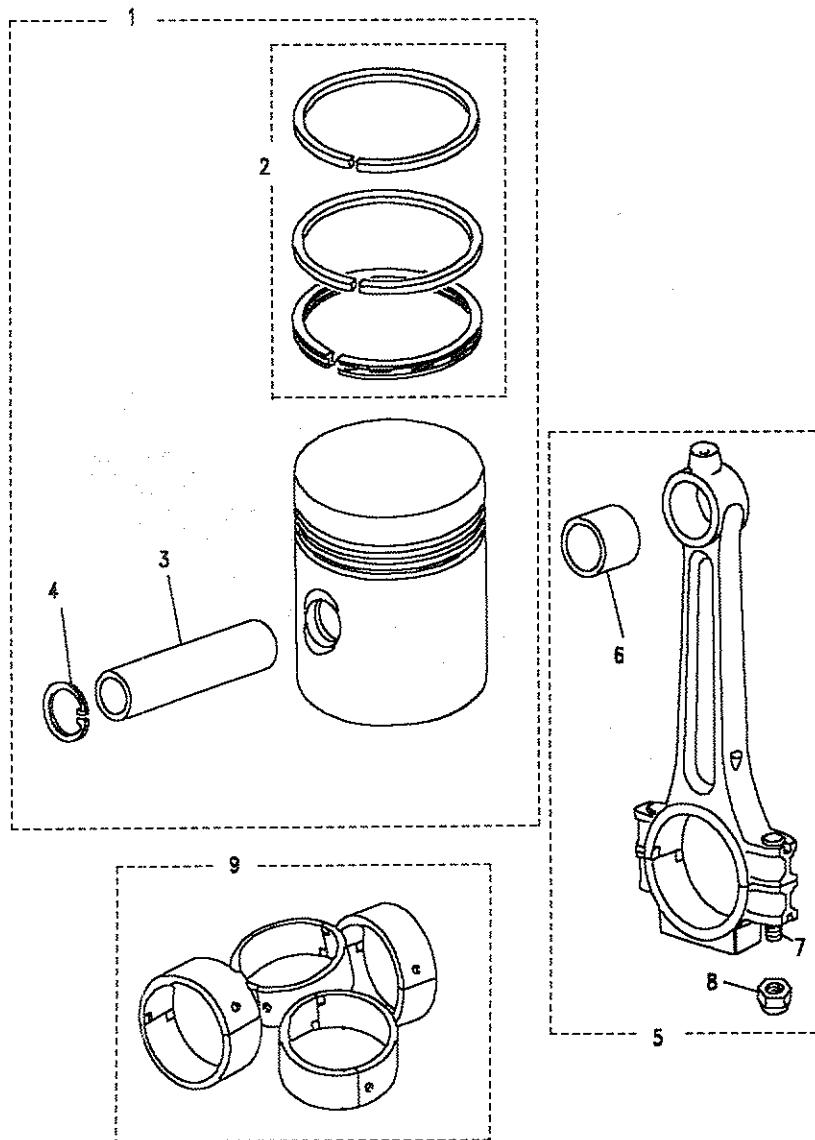




Model DEFENDER 90  
Page ADBFCA1A

ENGINE - CRANKSHAFT - 2.5 PETROL

III. Part No.	Description	Qty	Remarks
1 ETC8829	Crankshaft	1	
ERR1181	Crankshaft	1	FromAUG1989
2 ERR1630	Dowel crankshaft	1	
3 8566L	Bush	1	
4 235770	Key-chainwheel	1	
5 RTC2992	Bearing set main	A/R	Upto17H25700C
RTC299210	Bearing set main-010"	A/R	
RTC4783	Bearing set main	1	From17H25701C
RTC478310	Bearing set main-010"	1	
6 568333	Chainwheel	1	
7 RTC2825	Washer thrust standard	A/R	
538131	Washer thrust 00215"	A/R	
538132	Washer thrust 0050"	A/R	
	Washer thrust 0075"	A/R	NLA use538134
538134	Washer thrust 010"	A/R	
8 ERC5349	Pulley BASIC	1	
ERC5128	Pulley P.A.S.	1	
ERC5127	Pulley AIR CON	1	
ERC7089	Pulley AIR CON & P.A.S.	1	
9 ETC7934	Bolt-Crankshaft Pulley	1	
ERR605	Bolt-Crankshaft Pulley	1	)FromAUG1989
ERR705	Thrust Washer-Crankshaft	1	)
10 ERR1535	Seal oil main	1	



Model DEFENDER 90

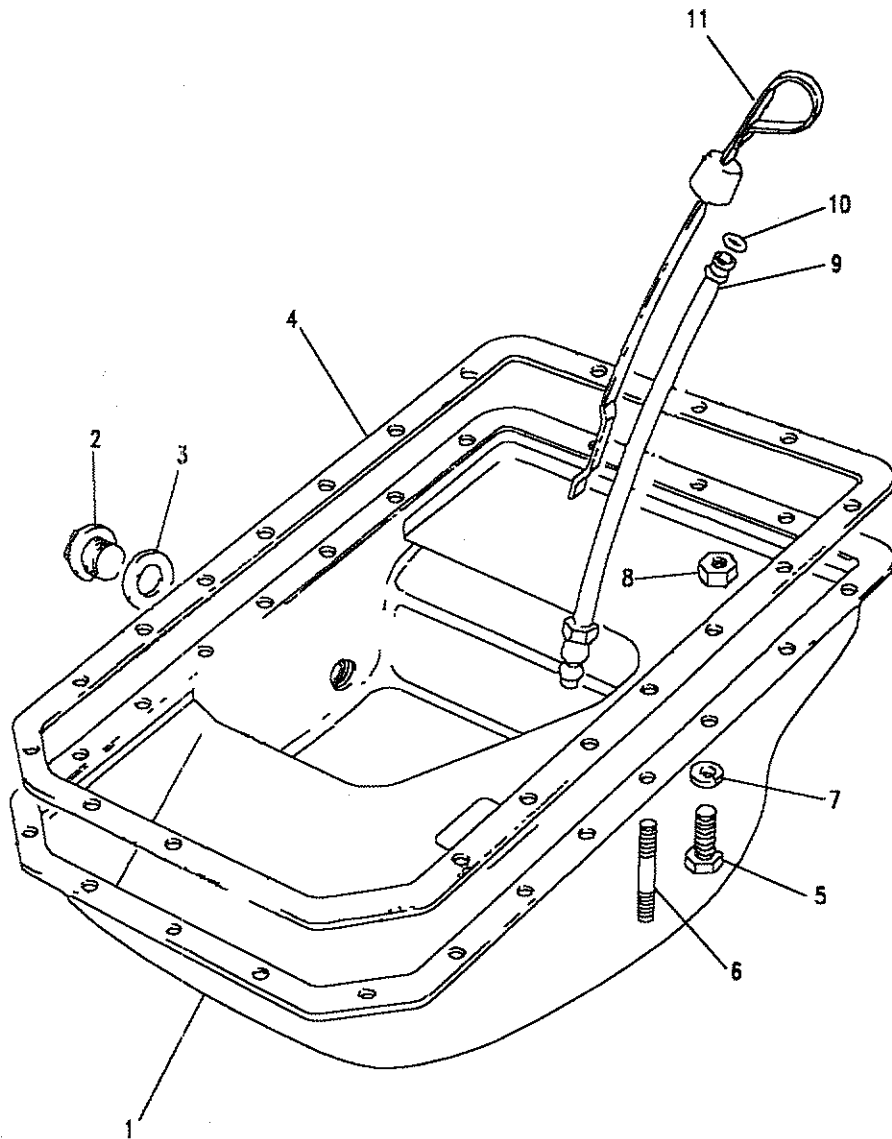
Page ADBFCC1A

ENGINE - PISTON AND RINGS - 2.5 PETROL

III. Part No.	Description	Qty	Remarks
1	RTC4734S	4	Piston assembly
	RTC473420	4	Piston assembly
2	RTC4374S	4	Kit piston ring std
	RTC437420	4	Kit piston ring o/s
3	ETC5994	4	Gudgeon pin
4	265175	8	Circlip
5	ERR595	4	Con rod
6	528004	4	Bush
7	ETC7357	8	Bolt
8	ETC8191	8	Nut conn rod

Con Rod Bearing: Engine Set

9	RTC2993	1	Bearing set big end
	RTC299310	1	Bearing set big end o/s



**Model** DEFENDER 90  
**Page** ADBFDA1A

**ENGINE - SUMP - 2.5 PETROL**

III. Part No.	Description	Qty	Remarks
1	RTC4841	1	Sump assembly
	ERR4716	1	Sump
2	599552	1	Plug drain
3	FRC4808	1	Washer joint
4	546841	1	Washer joint
5	SH108161L	21	Screw
6	TE108031L	1	Stud
7	WL108001L	22	Washer spring
8	NH108041L	1	Nut
9	ERC8980	1	Tube-dipstick
10	532387	1	Ring sealing
11	ETC7867	1	Dipstick
	SH108251L	21	Screw )Note(1)
	TE108041L	1	Stud )

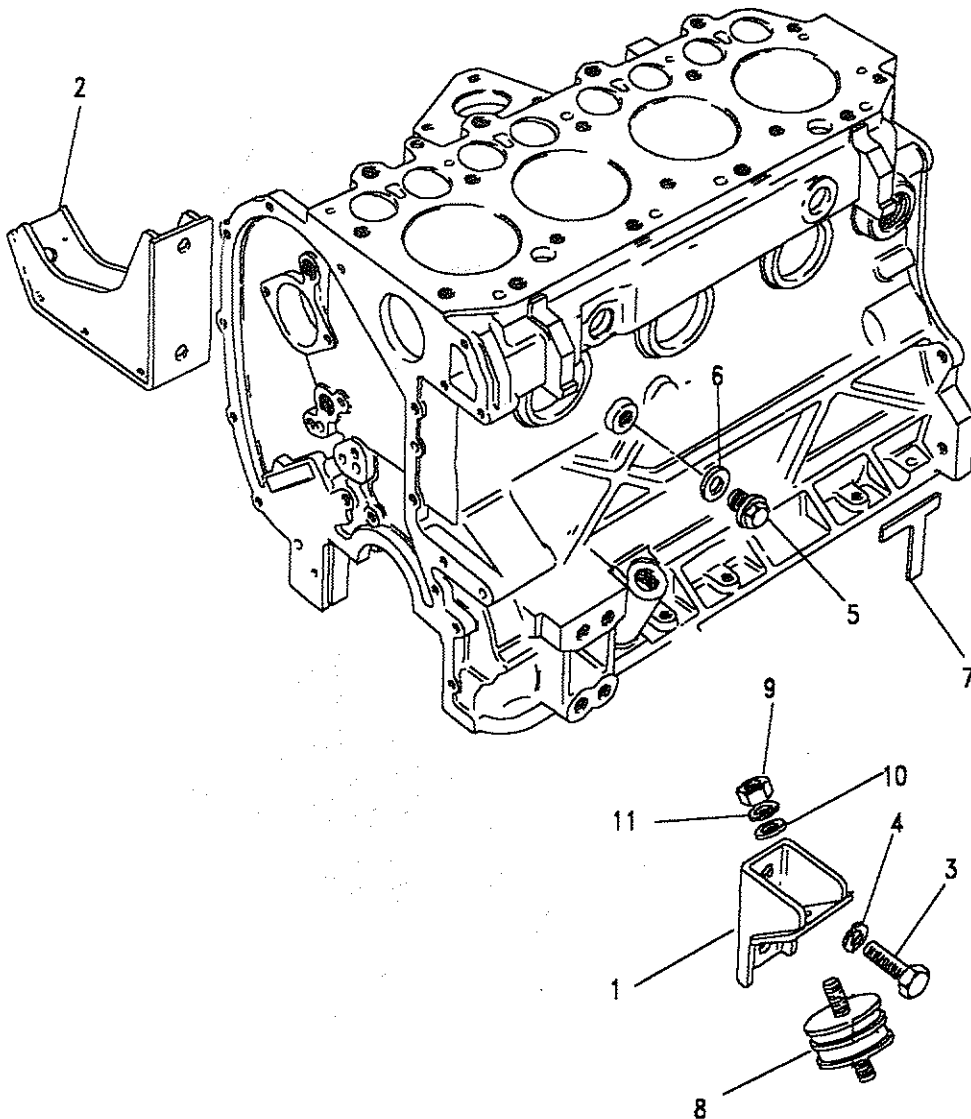
Note(1) Use with earlier sump with stiffeners around sump flange

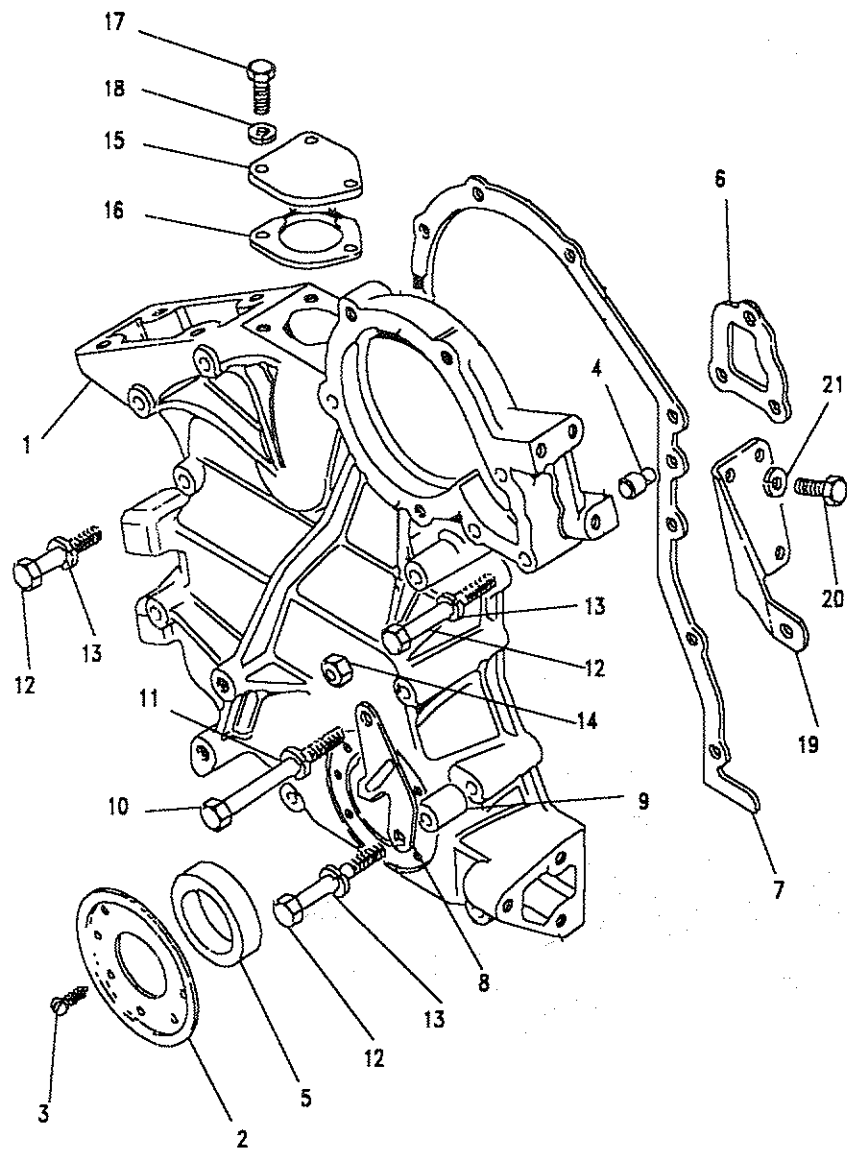


Model DEFENDER 90  
Page ADBFDC1A

ENGINE - ENGINE MOUNTINGS - 2.5 PETROL

III. Part No.	Description	Qty	Remarks
1	NRC5434	1	Mounting foot RH
2	NRC9557	1	Mounting foot LH
3	SH112251L	4	Screw
4	WL112001L	4	Washer spring
5	ERC9410	1	Plug drain
6	AFU1882L	1	Washer joint plug
7	ERC5086	2	Packing strip
8	ANR1808	2	Mounting rubber
9	NH110041L	4	Nut rubber to foot
10	WC110061L	2	Washer rubber to foot
11	WL110001L	4	Washer spring rubber





**Model** DEFENDER 90  
**Page** ADBFEA1A

### ENGINE - FRONT COVER - 2.5 PETROL

III. Part No.	Description	Qty	Remarks
1	ERC9519	1	)Note(1)
	ERC9528	1	
	ETC6081	1	
	ETC7947	1	
	Cover front assy AIR CON	1	)Note(2)
	Cover front assy AIR CON	1	
2	247766	1	Mud Excluder
3	AB606061L	8	Screw
4	6395L	2	Dowel
5	90516028	1	Oil Seal
	ETC5187	1	Oil Seal
6	538038	1	Gasket water pump
	ERR1607	1	Gasket water pump
7	538039	1	Washer joint front cover
8	ERC5361	1	Pointer timing
9	ERC6869	1	Spacer
10	ERC8964	1	Bolt
11	WL108001L	1	Washer spring
12	ETC4994	1	Bolt
	BH108151L	1	)Non Air Con
	FB108101	6	
13	WL108001L	8	Washer spring
	WA108051L	1	Washer
12	ETC4995	1	Bolt Special
	ERC9468	1	Stud Special
	BH108131L	1	)Air Con
	BH108151L	1	
	FB108101	2	
	ERC8964	2	
	BH108201L	1	Bolt

Note(1) For vehicles with SINGLE LIP oil seal  
 Note(2) For vehicles with TWIN LIP oil seal





DEFENDER 90

79

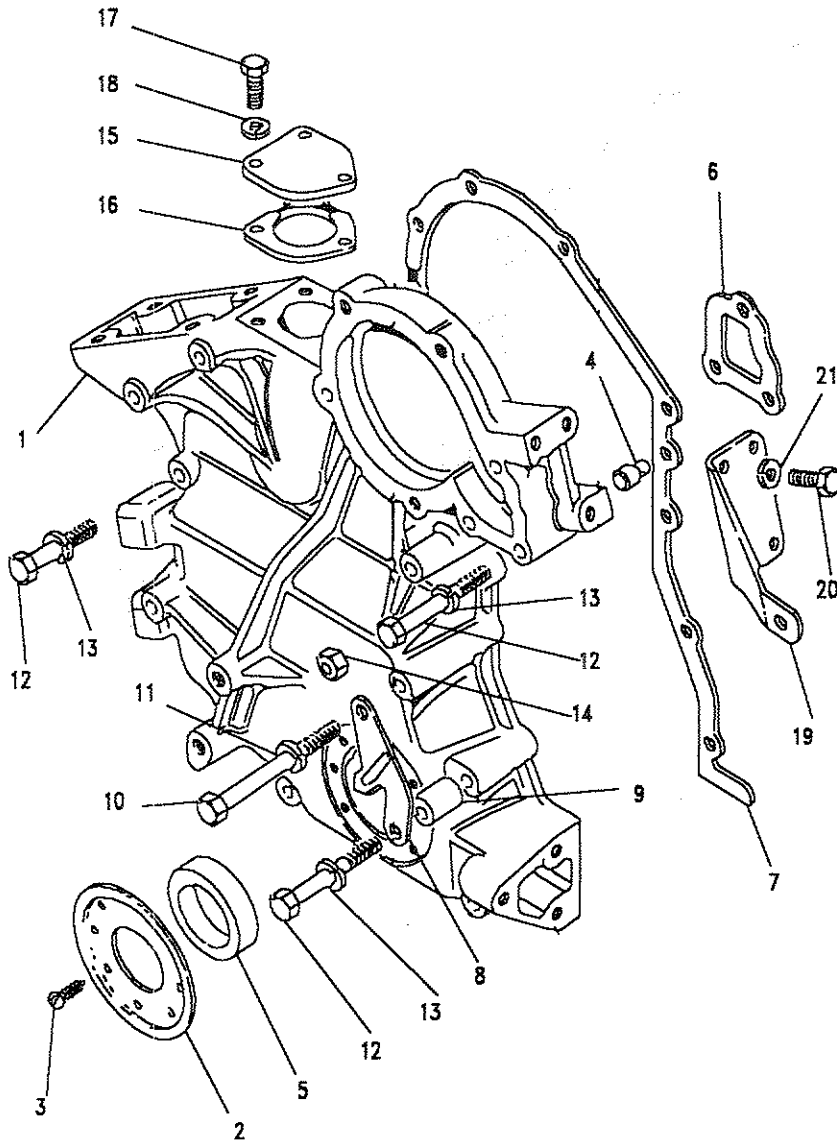
ENGINE



Model DEFENDER 90

Page ADBFEA1A

ENGINE - FRONT COVER - 2.5 PETROL



III. Part No.	Description	Qty	Remarks
13	WL108001L	9	) Air Con
14	NH108041L	1	
15	574469	1	
16	542636	1	)
17	FS106201L	3	)
18	WL106001L	3	)
19	ERC6479	1	
20	FS108201L	3	
21	WL108001L	3	

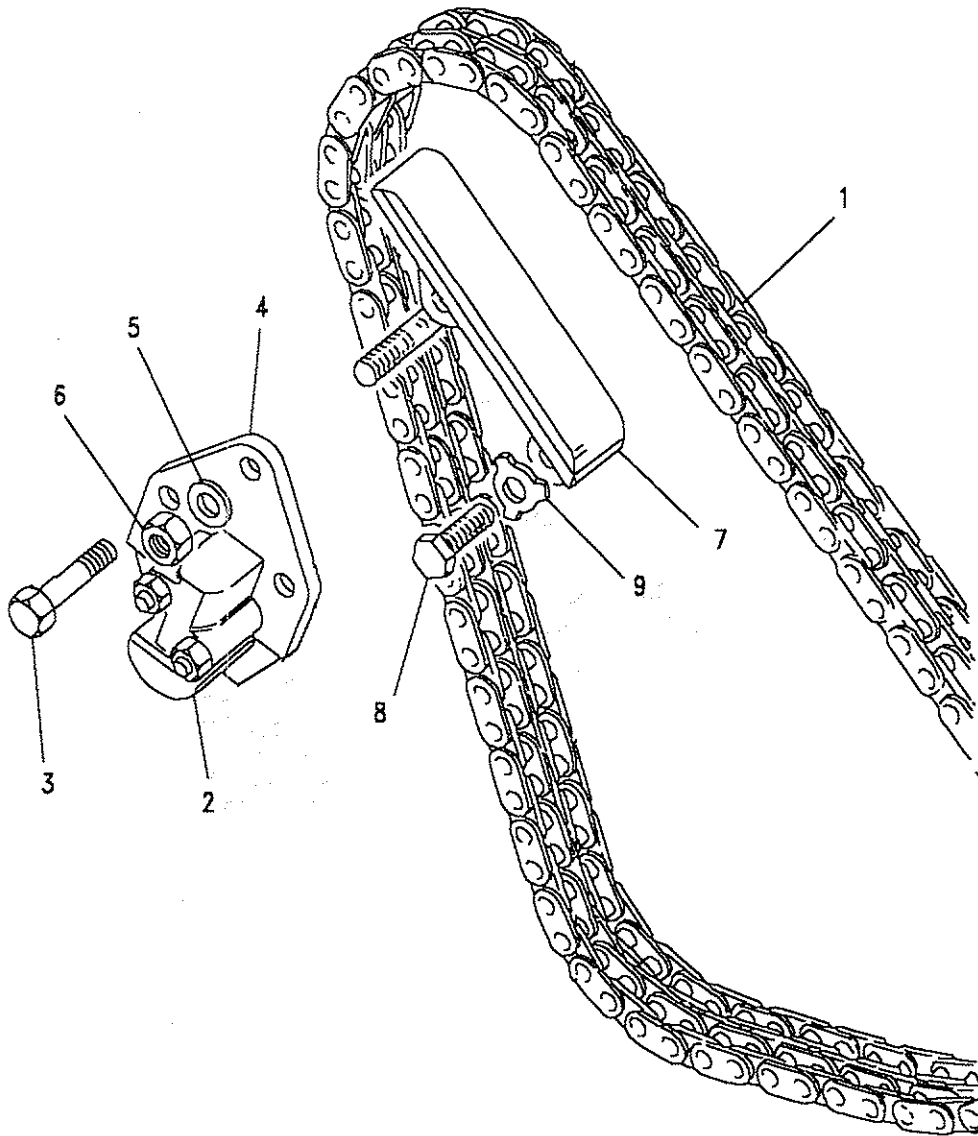


**Model** DEFENDER 90

**Page** ADBFEC1A

**ENGINE - TIMING CHAIN - 2.5 PETROL**

Ill. Part No.	Description	Qty	Remarks
1	ETC5191 Chain timing	1	
2	ETC5190 Tensioner-timing chain	1	
3	FS108201L Screw	2	
4	TE108051L Stud	1	
5	WA108051L Washer	3	
6	NH108041L Nut	1	
7	275234 Damper vibration	1	
8	SH106121L Screw	2	
9	557523 Washer lock	2	

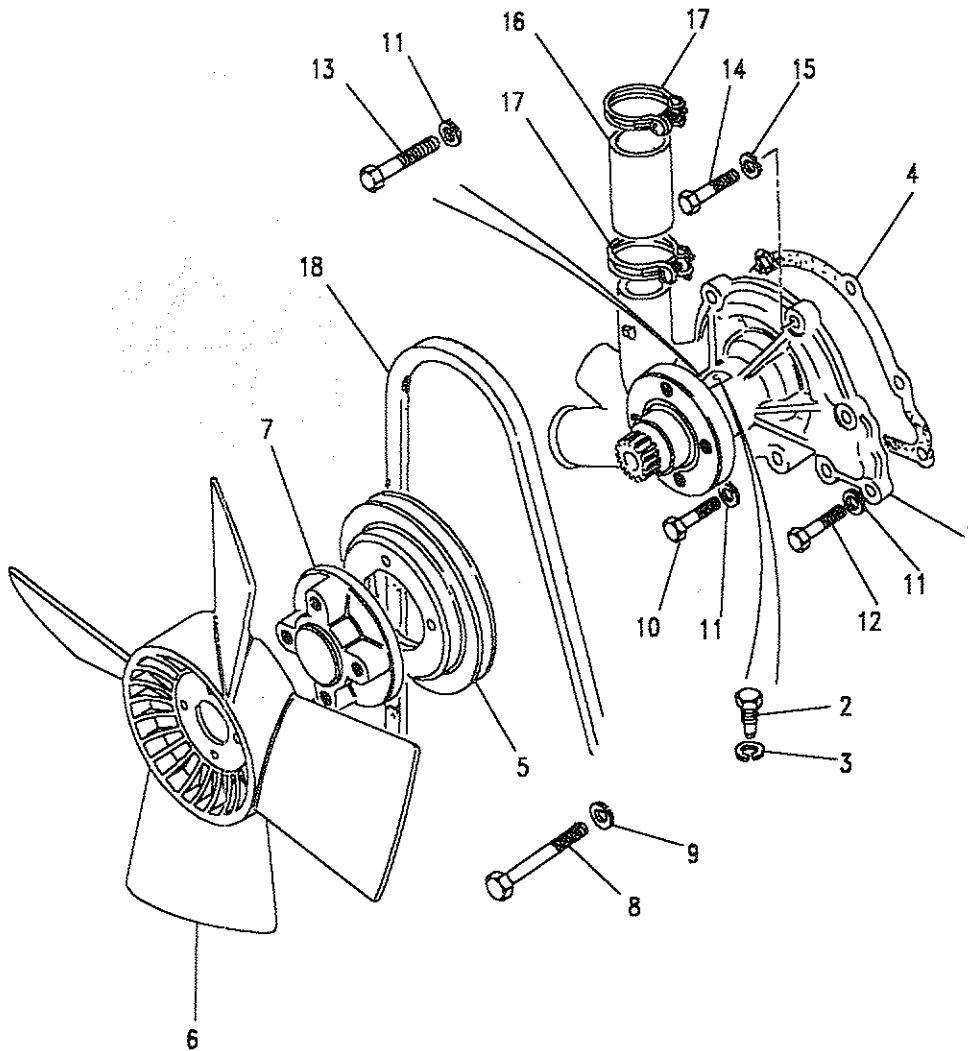




**Model** DEFENDER 90  
**Page** ADBFEE1A

**ENGINE - WATER PUMP - 2.5 PETROL - BASIC**

III. Part No.	Description	Qty	Remarks
1	RTC6331	1	Pump water
2	ERC5600	1	Screw special
3	WL106001L	1	Washer spring
4	ERC5655	1	Gasket
5	ERC5578	1	Pulley single groove
6	ERC5545	1	Fan assembly
7	ERC7489	1	Spacer
8	FB108111L	4	Bolt pulley to pump
9	WL108001L	4	Washer spring
10	BH108161L	2	Bolt pump to block
11	WL108001L	4	Washer spring
12	BH108171L	1	Bolt pump to block
13	BH108151L	1	Bolt pump to block
14	FB108061	3	Bolt pump to cover
15	WL108001L	3	Washer spring
16	ERC5654	1	Hose by pass to outlet
17	CN100408L	2	Clip hose
18	563132	1	Belt fan

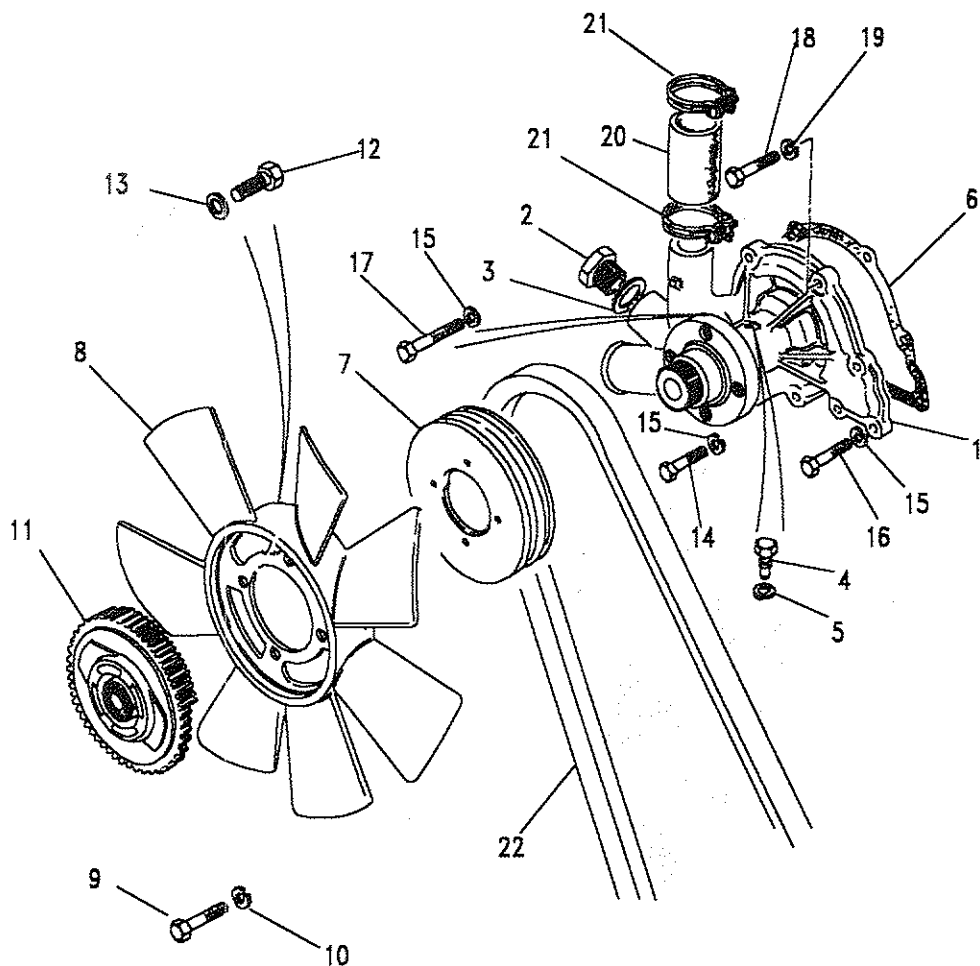




**Model** DEFENDER 90  
**Page** ADBFEE2A

**ENGINE - WATER PUMP - 2.5 PETROL - AIR CONDITIONING**

III. Part No.	Description	Qty	Remarks
1	RTC6333	1	A133alternator
	RTC6332	1	A127alternator
2	ERC7312	1	Plug de aerator boss
3	232046	1	Washer joint
4	ERC5600	1	Screw special
5	WL106001L	1	Washer spring
6	ERC5655	1	Gasket
7	ERC8890	1	Pulley twin groove
8	EEE3380	1	Fan assembly
9	BH106051L	4	Bolt pulley to hub
10	WL106001L	4	Washer spring
11	ERC5708	1	Viscous Unit
12	ERC5709	4	Bolt
13	4589L	4	Washer
14	BH108161L	2	Bolt pump to block
15	WL108001L	4	Washer spring
16	BH108171L	1	Bolt pump to block
17	BH108151L	1	Bolt pump to block
18	BH108161L	3	Bolt pump to cover
19	WL108001L	3	Washer spring
20	ERC5654	1	Hose by pass to outlet
21	CN100408L	2	Clip hose
22	ERC8938	1	Belt alternator





DEFENDER 90

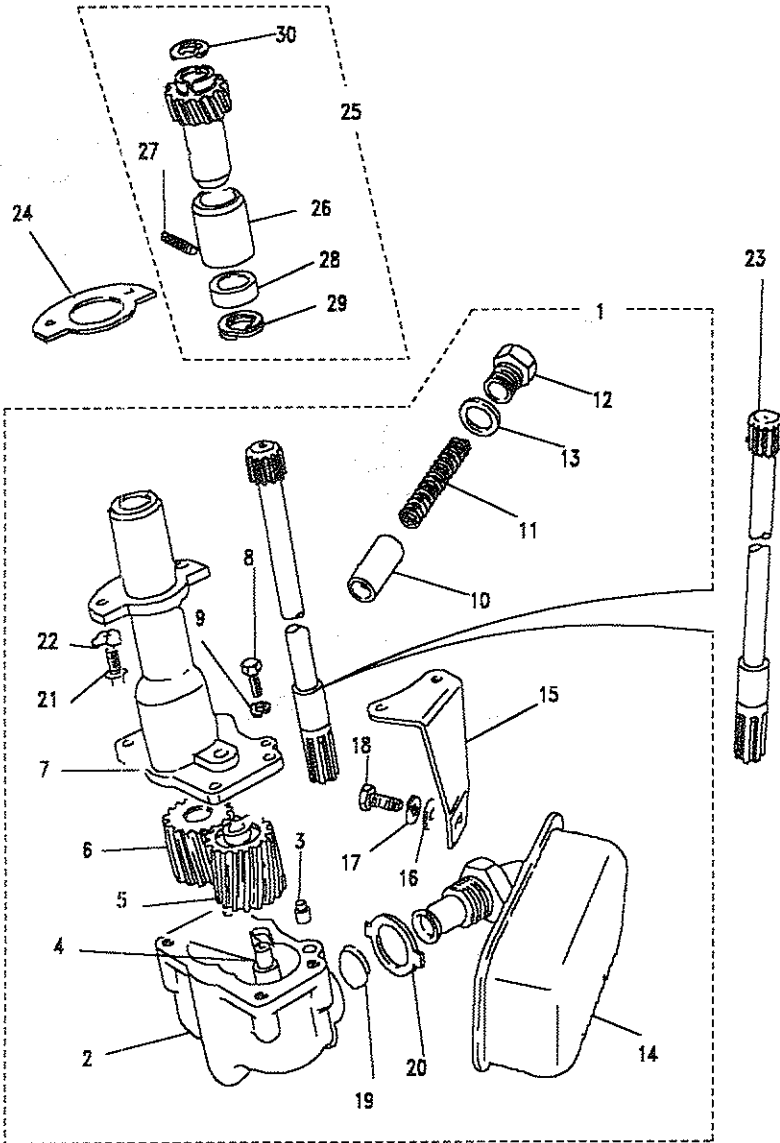
83

ENGINE



Model DEFENDER 90  
Page ADBFFA1A

ENGINE - OIL PUMP - 2.5 PETROL



III. Part No.	Description	Qty	Remarks
1	ERR1117	1	Pump oil assembly
2		1	Body oil pump assembly
3	236257	2	Dowel
4	ERR1063	1	Spindle idler wheel
5	ERR1088	1	Wheel idler
6	ERC9706	1	Wheel driver
7		1	Cover oil pump
8	FS108201L	4	Bolt
9	WL108001L	4	Washer spring
10	ETC4880	1	Plunger oil relief
11	564456	1	Spring oil relief
12	564455	1	Plug end oil relief
13	232044	1	Washer joint oil relief
14	ERC7530	1	Filter
15	ERC7940	1	Bracket support
16	WA108051L	1	Washer filter
17	WL108001L	1	Washer spring
18	FS108201L	1	Screw filter
19	244488	1	'O' ring
20	244487	1	Washer lock
21	SH108251L	2	Bolt
22	247665	2	Lock washer
23	ERR850	1	Shaft
24	ERC8408	1	Gasket oil pump
	ERR3606	1	Gasket oil pump
25	ETC6139	1	Drive assembly
26	522745	1	Bush
27	ETC6142	1	Locating screw
28	ETC6137	1	Thrust washer
29	ETC6138	1	Locking ring
30	247742	1	Circlip

Asbestos free

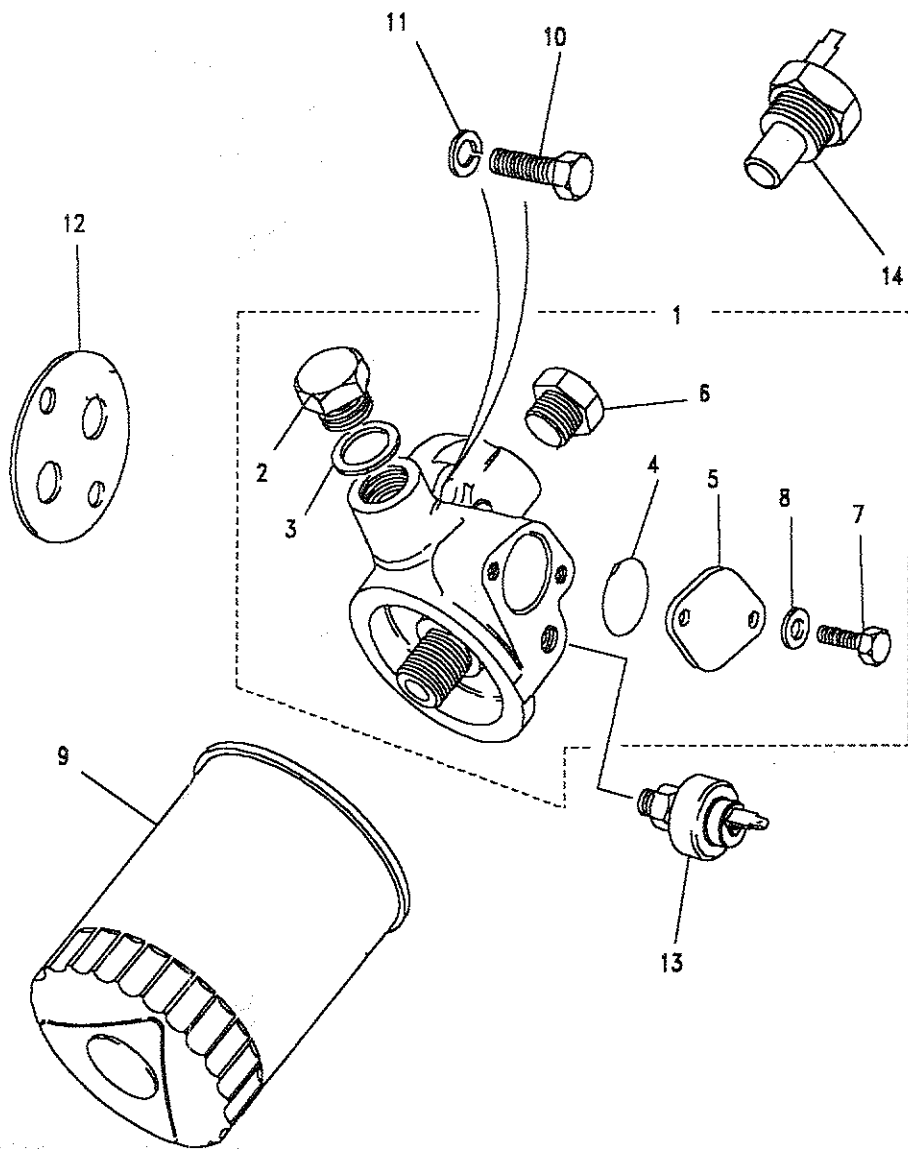


**Model** DEFENDER 90  
**Page** ADBFFA2A

**ENGINE - OIL FILTER - 2.5 PETROL**

III. Part No.	Description	Qty	Remarks
1	ETC5347	1	Note(1)
2	RTC6851	1	
3	213961	1	
4	ERC5913	1	
5	ERC9884	1	
6	ETC4021	1	Note(2)
7	SH106141L	2	
8	WA106041L	2	
9	ERR3340	1	
10	SH110301L	2	
11	WL110001L	2	
12	ETC7582	1	
	ERR4934	1	Asbestos free
13	PRC6387	1	
14	PRC2505	1	Note(2)

Note(1) ETC5347 is interchangeable with ETC6519 (includes filter)  
 Note(2) Remove ETC4021 when fitting PRC2505



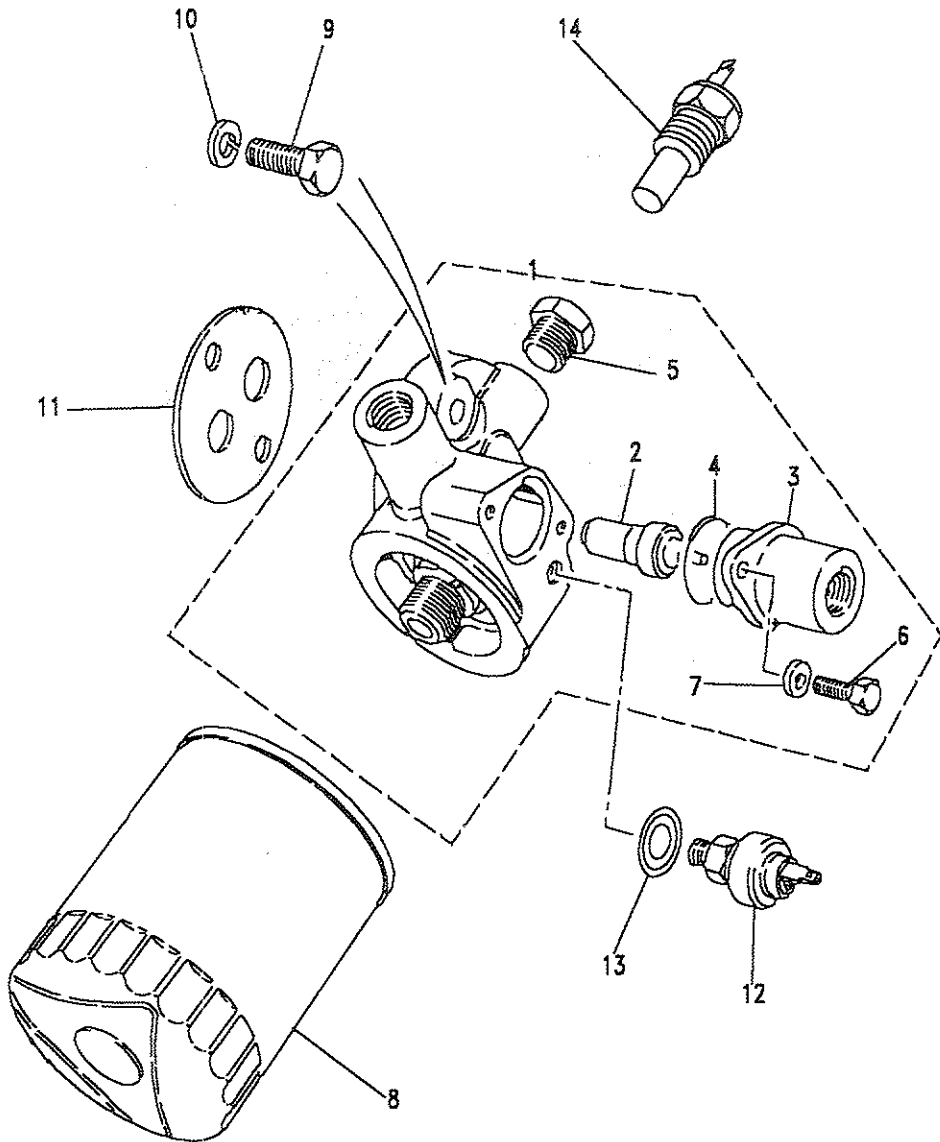


Model DEFENDER 90  
Page ADBFFA3A

ENGINE - OIL FILTER WITH OIL COOLER - 2.5 PETROL

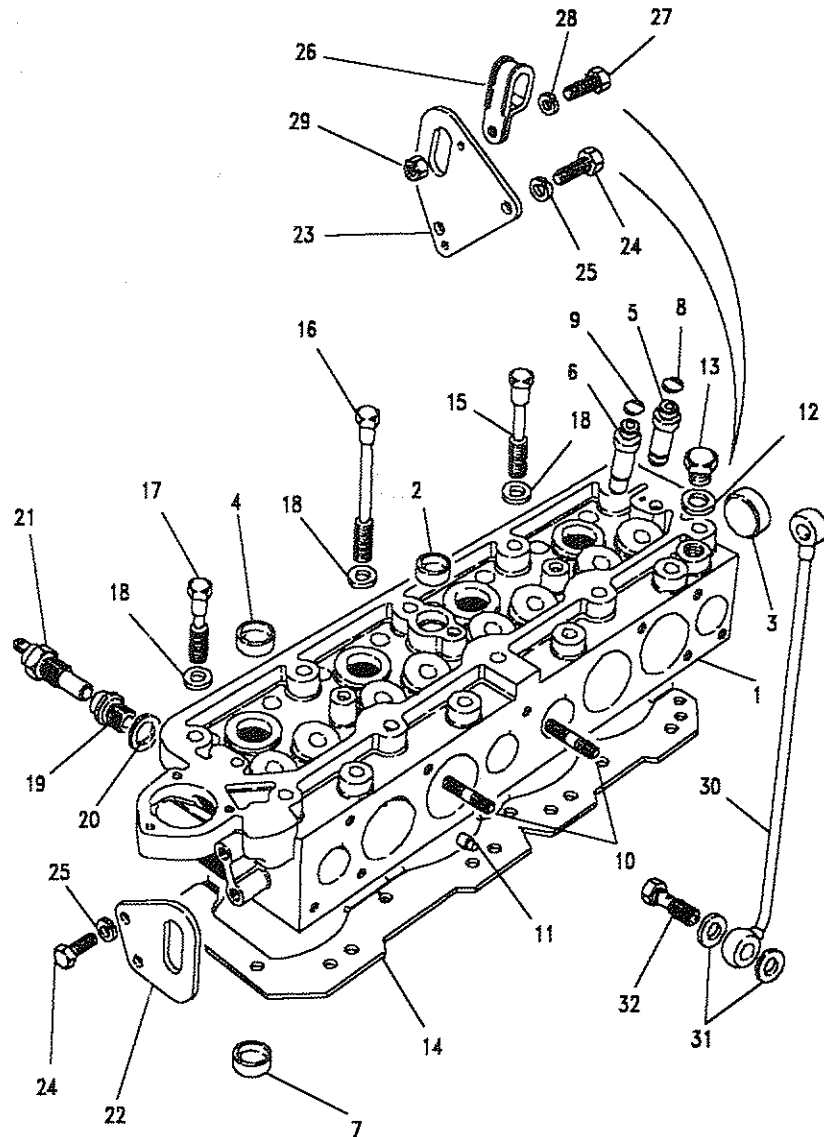
III. Part No.	Description	Qty	Remarks
1	ERR1347	1	
2	ERC5923	1	
3	ETC4022	1	
4	ERC5913	1	
5	ETC4021	1	Note(1)
6	SH106141L	2	
7	WA106041L	2	
8	ERR3340	1	
9	SH110301L	2	
10	WL110301L	2	
11	ETC7582	1	
	ERR4934	1	Asbestos free
12	PRC6387	1	
13	232039	1	
14	PRC2505	1	Note(1)

Note(1) Remove ETC4021 when fitting PRC2505



**Model** DEFENDER 90  
**Page** ADBFGA1A

**ENGINE - CYLINDER HEAD - 2.5 PETROL**



III. Part No.	Description	Qty	Remarks
1	ETC5412	1	Cylinder head assembly
2	525497	1	Cup plug
3	524765	1	Cup plug
4	549702	4	Cup plug
5	568686	4	Guide valve inlet
6	568687	4	Guide valve exhaust
7	ETC6278	4	Insert valve seat
8	ERR1510	4	Seal inlet valve
9	ETC4751	4	Seal exhaust valve
10	TE108051L	3	Stud
11	213700	2	Dowel
12	AFU1890L	1	Washer joint
13	ERC9448	1	Plug
14	ERC6380	1	Gasket
15	247051	9	Bolt 4.562"
16	279648	4	Bolt 2.312"

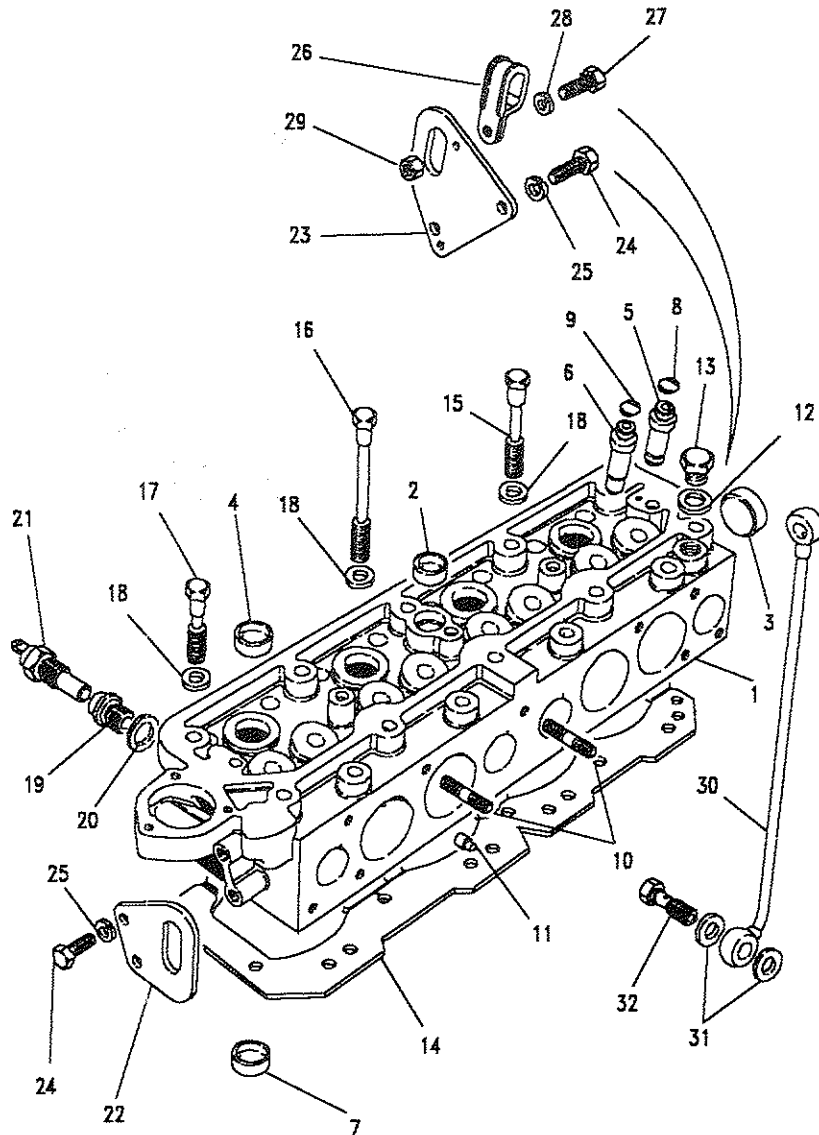




Model DEFENDER 90  
Page ADBFGA1A

ENGINE - CYLINDER HEAD - 2.5 PETROL

III. Part No.	Description	Qty	Remarks
17	554621 Bolt 4.125"	5	
18	ERC6821 Washer	18	
19	ERC8973 Adaptor water temp	1	UptoAPRIL1989
20	AFU1890L Washer joint	1	
21	PRC2505 Transmitter water	1	UptoAPRIL1989
	PRC6663 Transmitter water	1	FromAPRIL1989
22	ERC2254 Bracket lifting front	1	
23	ETC7135 Bracket lifting rear	1	
24	FS108201L Screw brackets to head	4	
25	WL108001L Washer spring	4	
26	543589 Clip	1	
27	SH104121L Screw	1	
28	WA104001L Washer	1	
29	NH104041L Nut	1	
30	275679 Pipe oil feed	1	
31	ETC6510 Washer joint	4	
32	ETC4498 Bolt banjo	2	

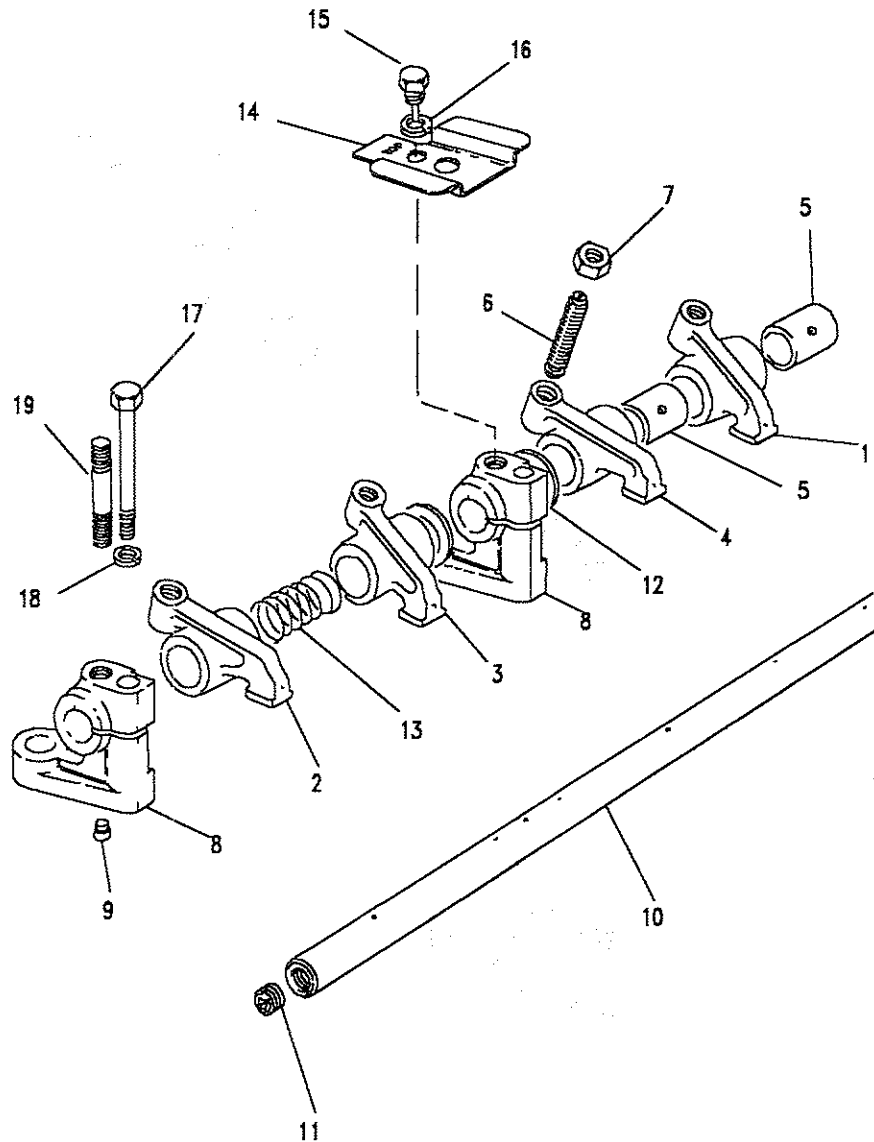




4/81

Model DEFENDER 90  
Page ADBFGC1A

ENGINE - ROCKERS - 2.5 PETROL



III. Part No.	Description	Qty	Remarks
1	ERC9103	2	Rocker arm assembly RH
2	ERC9102	2	Rocker arm assembly LH
3	ERC9107	2	Rocker arm assembly RH
4	ERC9106	2	Rocker arm assembly LH
5	247614	8	Bush
6	ERC9054	8	Screw adjusting
7	NT108041L	8	Locknut
8	ERC9138	5	Bracket pedestal
9	277956	3	Ring dowel
10	ERC6341	1	Shaft rocker
11	ERC6337	2	Plug
12	525389	6	Washer plain
13	247040	4	Spring
14	ERC9278	1	Baffle plate-breather
15	ETC4460	1	Screw-locating
16	WL108001L	1	Washer spring
17	BH108151L	5	Bolt
18	WL108001L	5	Washer spring
19	TE108081L	3	Stud

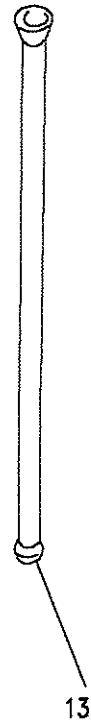
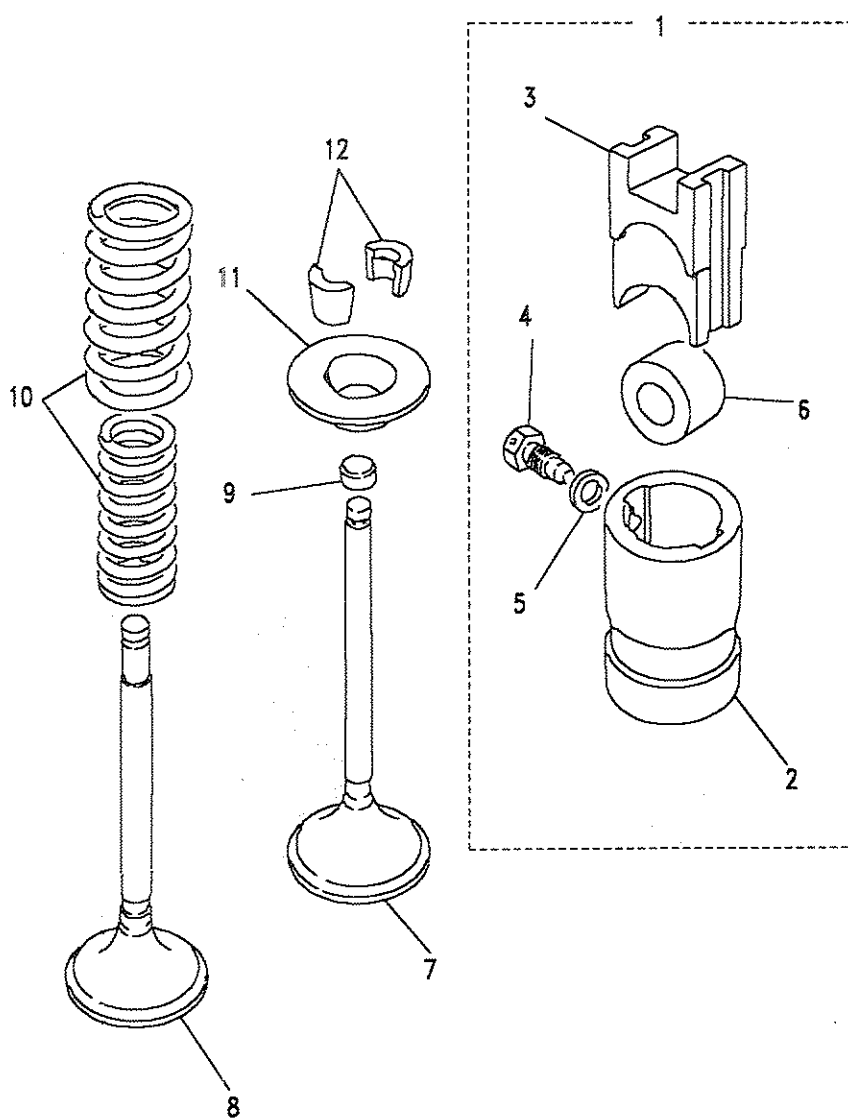




Model DEFENDER 90  
Page ADBFGE1A

ENGINE - VALVES AND TAPPETS - 2.5 PETROL

III. Part No.	Description	Qty	Remarks
1	507829 Tappet assembly	8	
2	502473 Guide tappet	8	
3	ERR607 Tappet slide	8	
4	ETC4246 Bolt	8	
5	273069 washer plain	8	
6	ERR561 Roller follower	8	
7	ETC4067 Valve inlet	4	
8	ETC5866 Valve exhaust	4	
9	ERR4175 Cap-valve stem	8	
10	ERR4640 Spring valve	8	
11	ETC4068 Cup-valve spring	8	
12	ETC4069 Cotter split halves	16	
13	546798 Push rod	8	

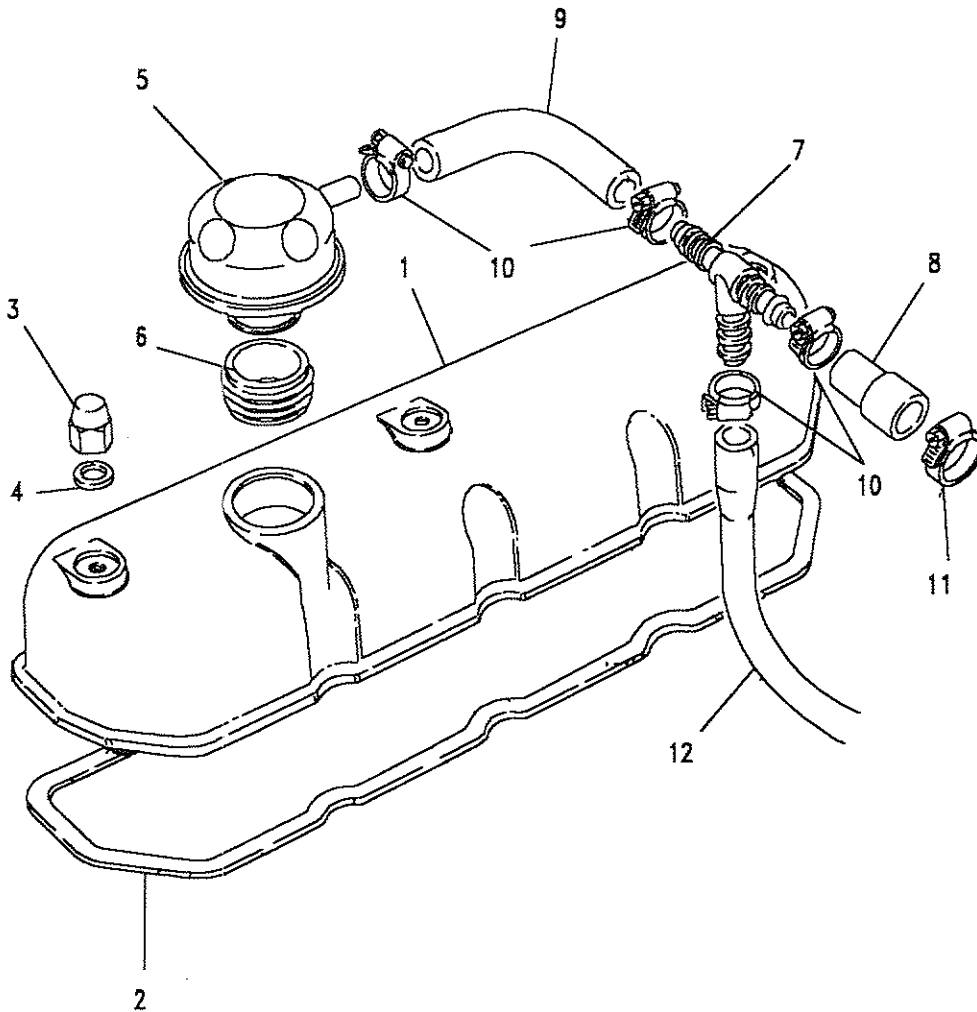




Model DEFENDER 90  
Page ADBFGG1A

ENGINE - ROCKER COVER - 2.5 PETROL

III. Part No.	Description	Qty	Remarks
1	ETC5955	1	Rocker cover
2	ETC6439	1	Gasket rocker cover
	ERR4933	1	Gasket rocker cover
3	ERC9220	3	Nut domed
4	273069	3	Washer sealing
5	ERR1454	1	Breather silencer assy
6	ERR736	1	'O'ring breather
7	ERC6200	1	Tee piece
8	ERC9032	1	Hose tee piece to elbow
9	ERC9031	1	Hose rocker to tee piece
10	CN100208L	4	Clip hose
11	CN100148L	1	Clip hose
12	ERC9033	1	Hose tee piece to carb

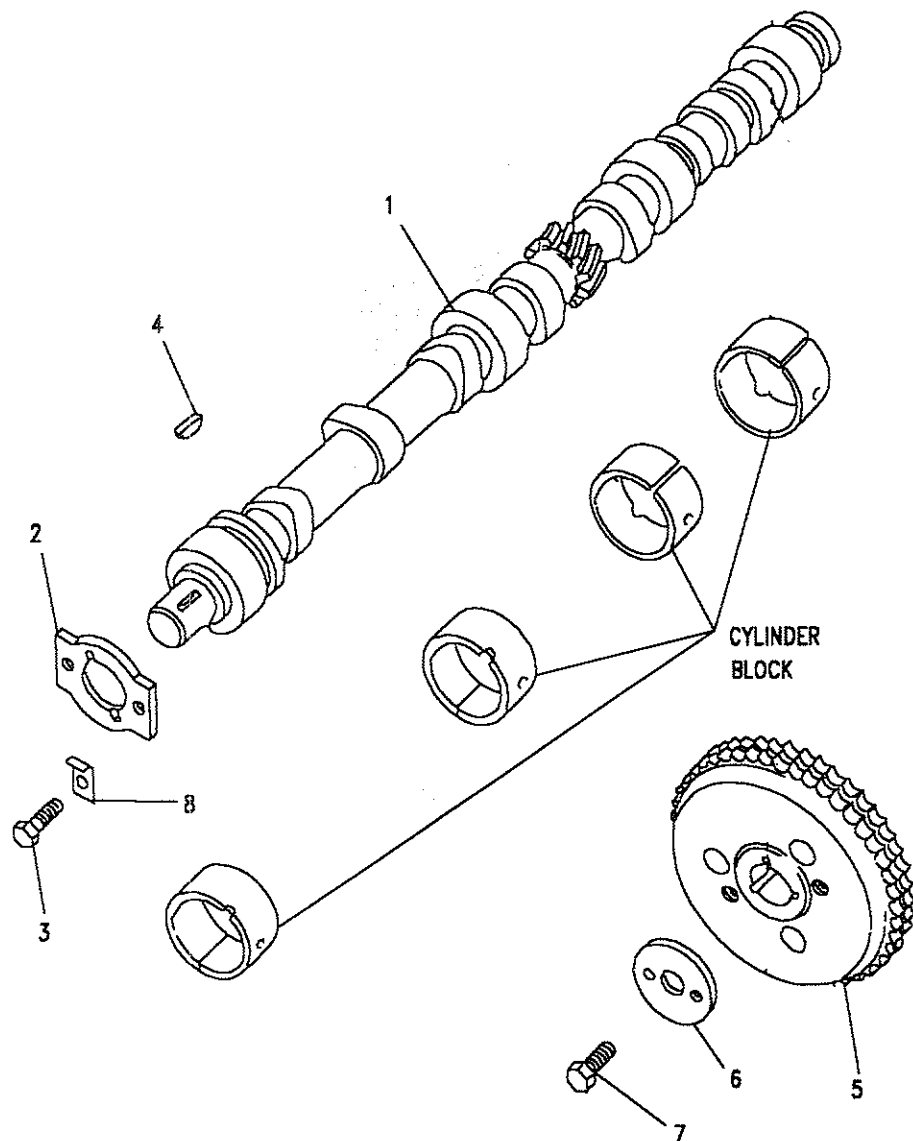


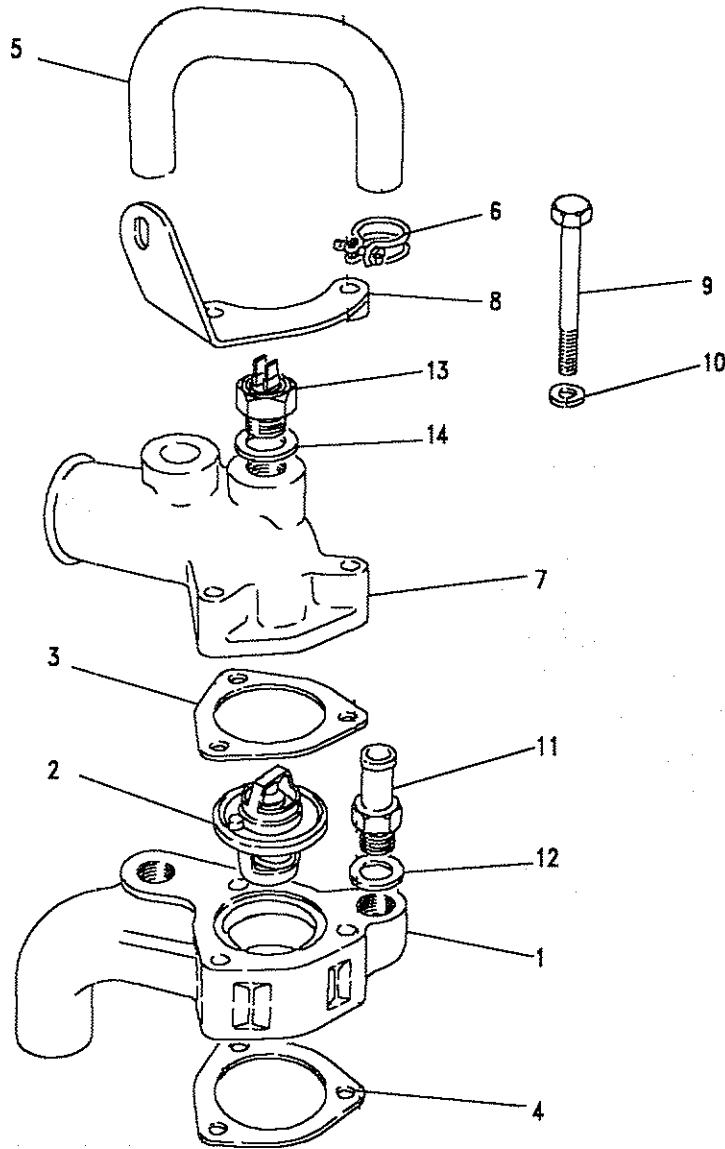


Model DEFENDER 90  
Page ADBFG11A

ENGINE - CAMSHAFT - 2.5 PETROL

III. Part No.	Description	Qty	Remarks
1 ETC7128	Camshaft	1	
2 ERC1561	Plate thrust	1	
3 FS106167	Screw flanged	2	
4 230313	Key woodruff	1	
5 ETC5172	Chainwheel	1	
6 ETC4140	Washer retaining	1	
7 BX110071L	Bolt retaining	1	
8 2995	Locker	2	





**Model** DEFENDER 90  
**Page** ADBFGK1A

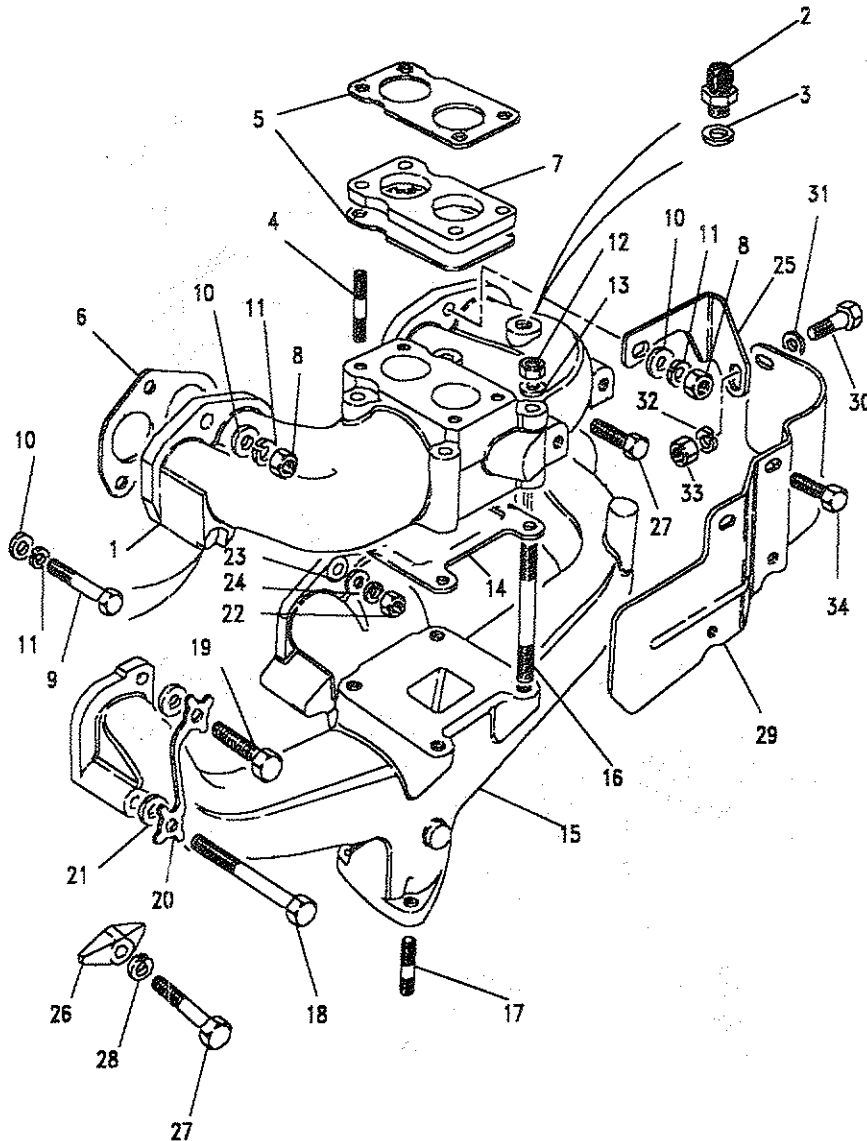
**ENGINE - THERMOSTAT HOUSING - 2.5 PETROL**

III. Part No.	Description	Qty	Remarks
1	ERC8758	1	Housing thermostat
2	ETC4763	1	Thermostat 82o
	ETC4761	1	Thermostat 74o
3	ERR3682	1	Gasket thermostat
4	247874	1	Washer joint
5	ERC7510	1	Hose
6	CN100258L	2	Clip Hose
7	ETC5967	1	Water outlet connector
	ETC5958	1	Water outlet connector
8	ETC5965	1	Bracket cowl mounting
9	BH106151L	3	Bolt
10	WL106001L	3	Washer spring
11	624091	2	Adaptor thermo housing
12	243959	2	Washer joint
13	PRC3366	1	Switch Temp/sensor blue
	PRC3541	1	Switch Temp/sensor red
14	C457593	2	Washer



**Model** DEFENDER 90  
**Page** ADBFHA1A

**ENGINE - MANIFOLDS - 2.5 PETROL**



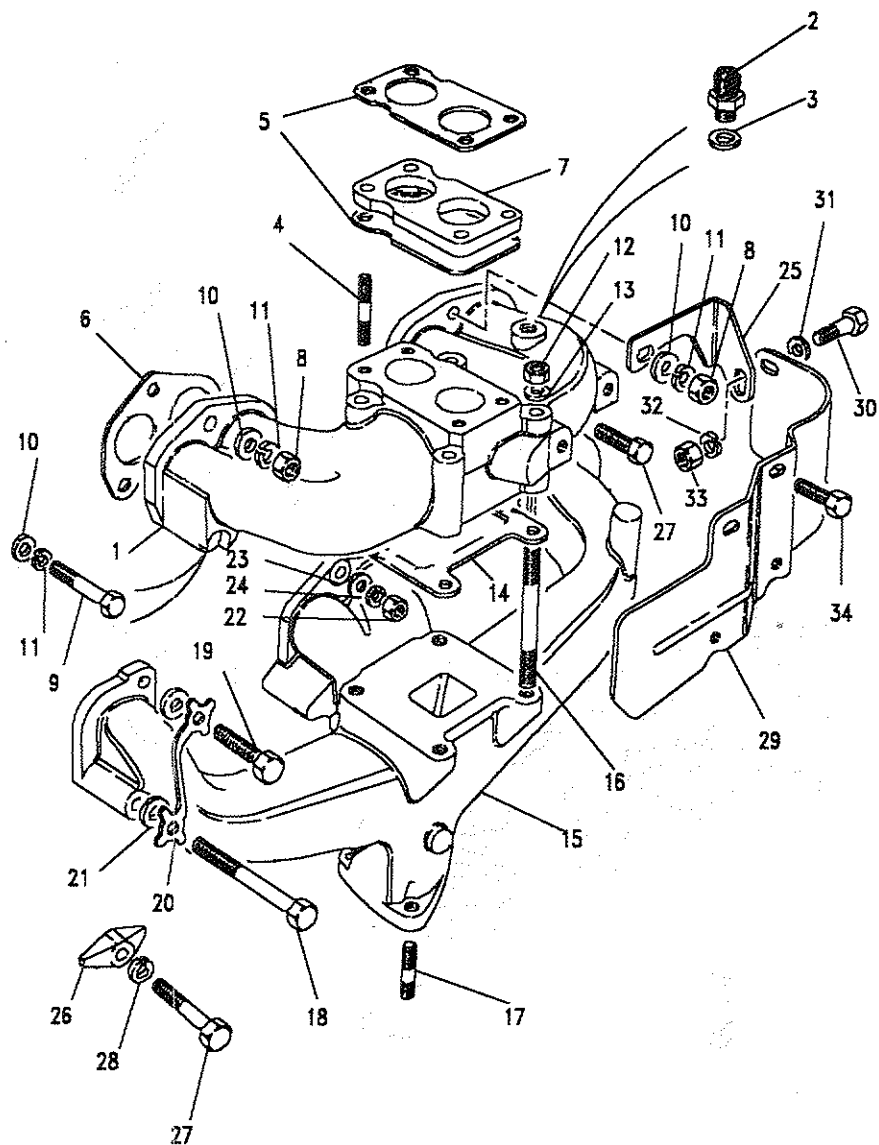
III. Part No.	Description	Qty	Remarks
1	ERC9069 Manifold inlet	1	
2	90513171 Adaptor servo	1	
3	ETC6929 Banjo assembly	1	Note(1)
3	243958 Washer joint	1	
4	TE108081L Stud carb to inlet/man	4	
	NH108041L Nut carb to inlet/man	4	
	WL108001L Washer spring	4	
5	ERC8645 Washer joint	2	
	ERR4385 Joint washer	2	Asbestos free
6	564307 Washer joint	2	
7	ERC8460 Insulator heat	1	
	ERR4386 Insulator heat	1	Asbestos free
8	NH108041L Nut manifold to head	2	
9	FB108101 Bolt manifold to head	2	
10	587405 Washer manifold to head	4	
11	WL108001L Washer spring	4	
12	NH108041L Nut manifold to manifold	4	
13	WA108051L Washer	4	
14	ERC8124 Gasket manifold	1	
	ERR4387 Gasket manifold	1	Asbestos free
15	ERC9071 Exhaust manifold	1	Note(2)
	ETC5330 Exhaust manifold	1	Note(3)

Note(1) Vehicles with charcoal canister only  
 Note(2) Conical bore to take downpipe with welded olive end  
 Note(3) Parallel sided bore to take downpipe with copper/asbestos'O'ring



**Model** DEFENDER 90  
**Page** ADBFHA1A

**ENGINE - MANIFOLDS - 2.5 PETROL**



III. Part No.	Description	Qty	Remarks
16	TE108131L	4	
17	AFU1848L	3	
18	BH108141L	2	
19	SH108301L	2	
20	596490	2	
21	587405	4	
22	NH108041L	1	
23	587405	1	
24	WL108001L	1	
25	ETC5040	1	
26	564308	2	
27	BH108141L	2	
28	WL108001L	2	
29	ERC8712	1	
30	FS108201L	1	
31	WA108051L	4	
32	WL108001L	3	
33	NH108041L	1	
34	SH108141L	2	
	ERC8722	2	

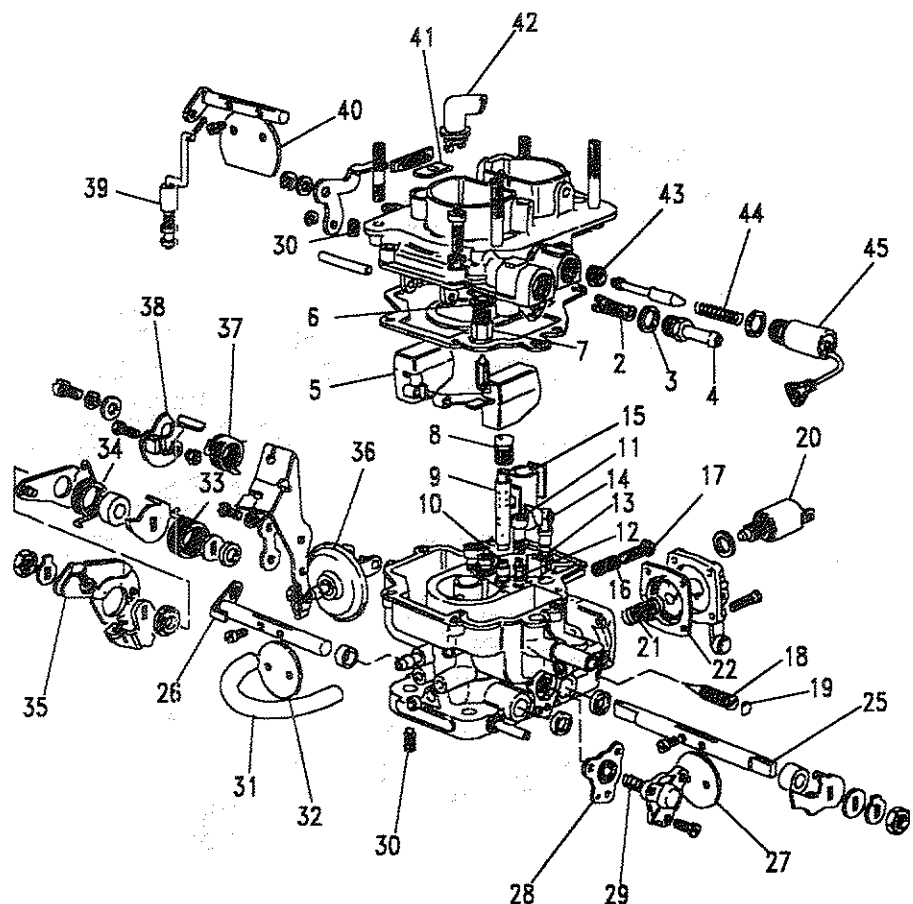




Model DEFENDER 90  
Page ADBFIA1A

ENGINE - CARBURETTORS - 2.5 PETROL

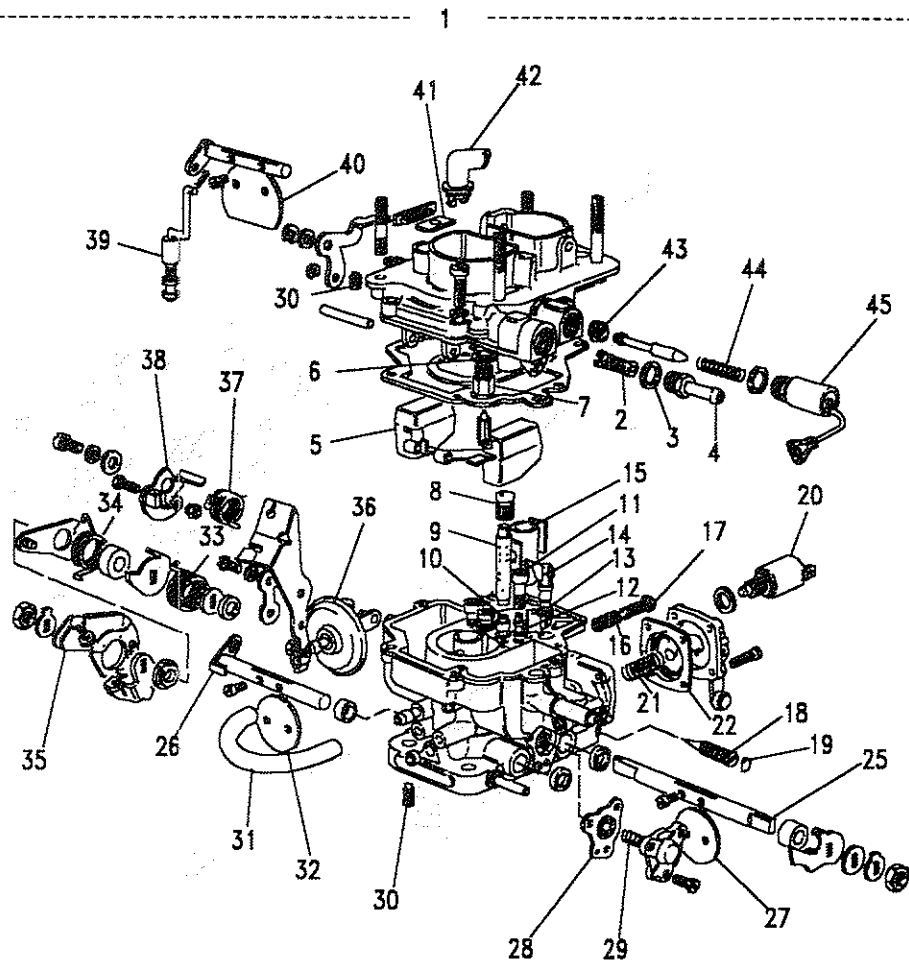
III. Part No.	Description	Qty	Remarks
1	ETC6350 ETC7144	1	Upto17H08822C From17H08823C
2	RTC4421	1	NLA
3	RTC4420	1	NLA
4	RTC4419	1	
5	AEU2583	1	
6	RTC4896	1	NLA
7	AEU2584	1	NLA
8	AEU2565	1	
9	AEU2566 RTC4857	1	
10	RTC4852	2	
11	AEU2582	1	
12	RTC4849 AEU2580	1	
13	RTC4897	1	
14	AEU2578	1	NLA
15	AEU2585 RTC4859	1	
16	AEU2577	1	
17	RTC4898	1	
18	RTC4899	1	NLA
19	RTC4900	1	NLA
20	RTC4850	1	
21	AEU2575	1	
22	RTC4901	1	NLA
23		1	NLA
24	RTC4903	3	NLA



Model DEFENDER 90  
Page ADBFIA1A

ENGINE - CARBURETTER - 2.5 PETROL - CONTINUED

III. Part No.	Description	Qty	Remarks
25 AEU2573	Shaft primary	1	NLA
26 AEU2570	Shaft secondary	1	NLA
27 AEU2574	Plate throttle	1	NLA
28 RTC4860	Diaphragm	1	NLA
29 RTC4851	Spring valve	1	
30 AEU2579	Screw-secondary adjust	1	
AEU2579	Screw-choke setting	1	
31 RTC4904	Tube	1	
32 AEU2571	Plate throttle	1	NLA
33 AEU2569	Spring	1	
34 AEU2564	Spring	1	
35 RTC4853	Lever throttle	1	
36 AEU2560	Capsul	1	
37 AEU2564	Spring-fast idle cam	1	
38 AEU2563	Cam fast idle	1	
39 AEU2562	Link choke	1	
40 AEU2558	Plate choke	1	NLA
41 RTC4906	Seal dust	1	
42 RTC4861	Elbow vent	1	
43 RTC3665	Seal valve	1	
44 RTC4908	Spring	1	
45 RTC3663	Solenoid	1	
RTC5970	Kit repair	1	
RTC5863	Kit overhaul	1	
RTC5608	Kit gasket carb	1	





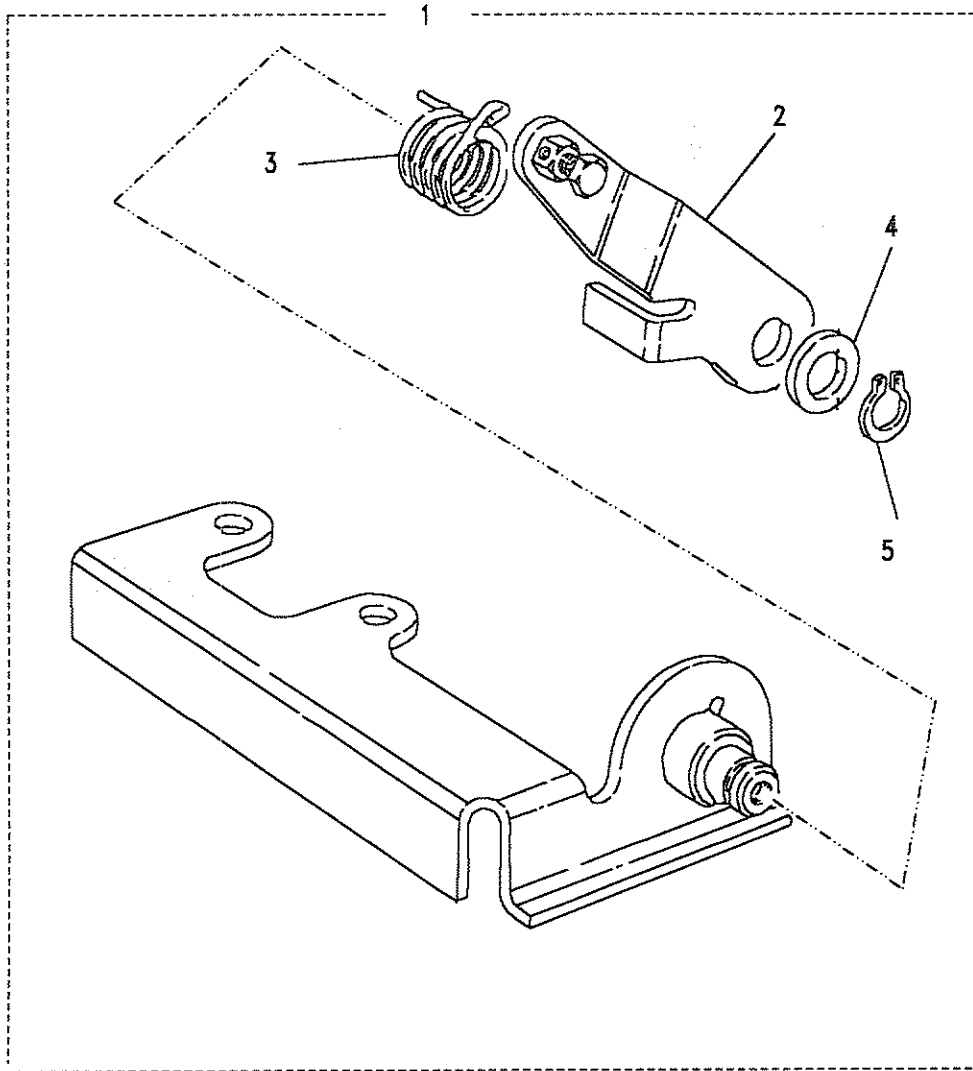
11/80

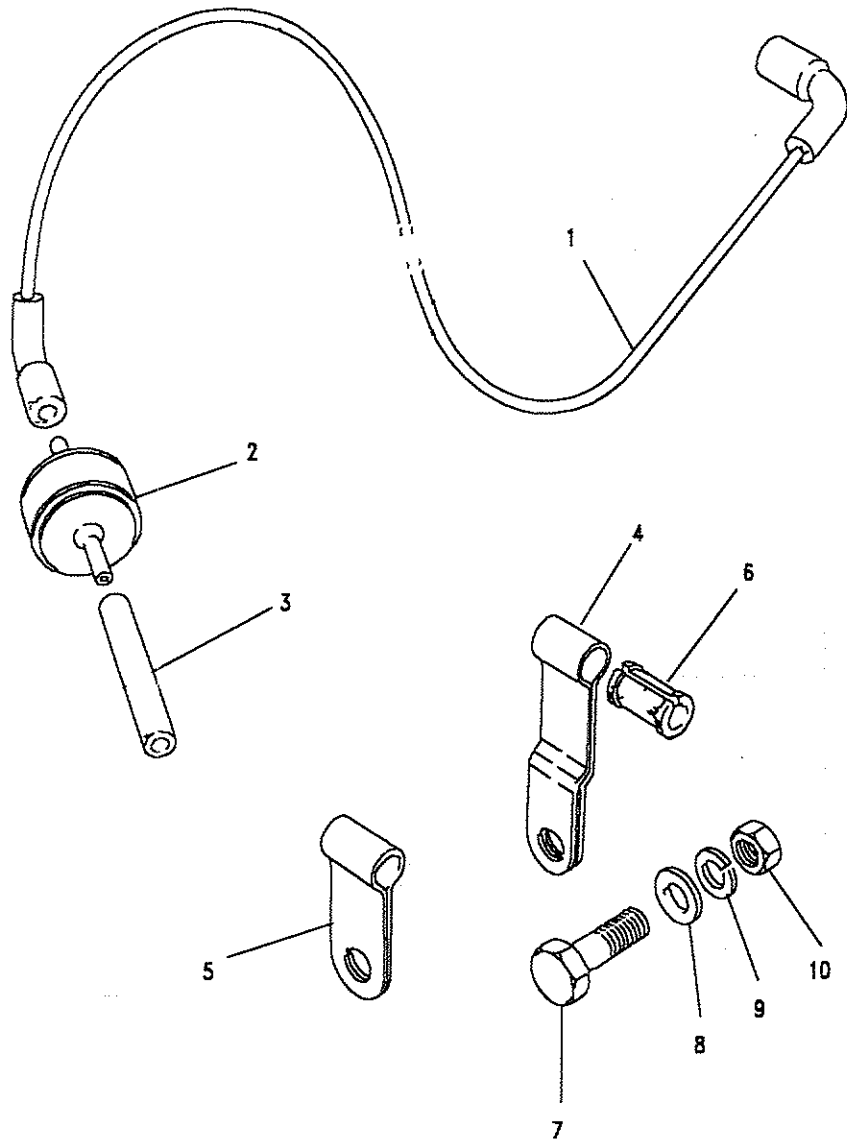
Model DEFENDER 90

Page ADBFIA2A

ENGINE - HAND THROTTLE - 2.5 PETROL

III. Part No.	Description	Qty	Remarks
1	ERC9708	1	Bracket assembly-hand
2	ERC9693	1	Lever assembly
3	ERC9704	1	Spring
4	WB600071L	1	Washer plain
5	CR120115L	1	Circlip





**Model** DEFENDER 90

**Page** ADBFIC1A

**ENGINE - VACUUM PIPES - CARBURETTER - 2.5 PETROL**

III. Part No.	Description	Qty	Remarks
1	ERC9294	1	Pipe assy vacuum advance
2	ERC8119	1	Valve-vacuum delay
3	ERC6996	1	Hose-distributor to valve
4	512646	1	Clip pipe
5	214228	1	Clip pipe
6	214229	2	Grommet-clip
7	SH604051L	1	Screw
8	RTC609	1	Washer
9	WM600041L	1	Washer spring
10	NH604041L	1	Nut



DEFENDER 90

99

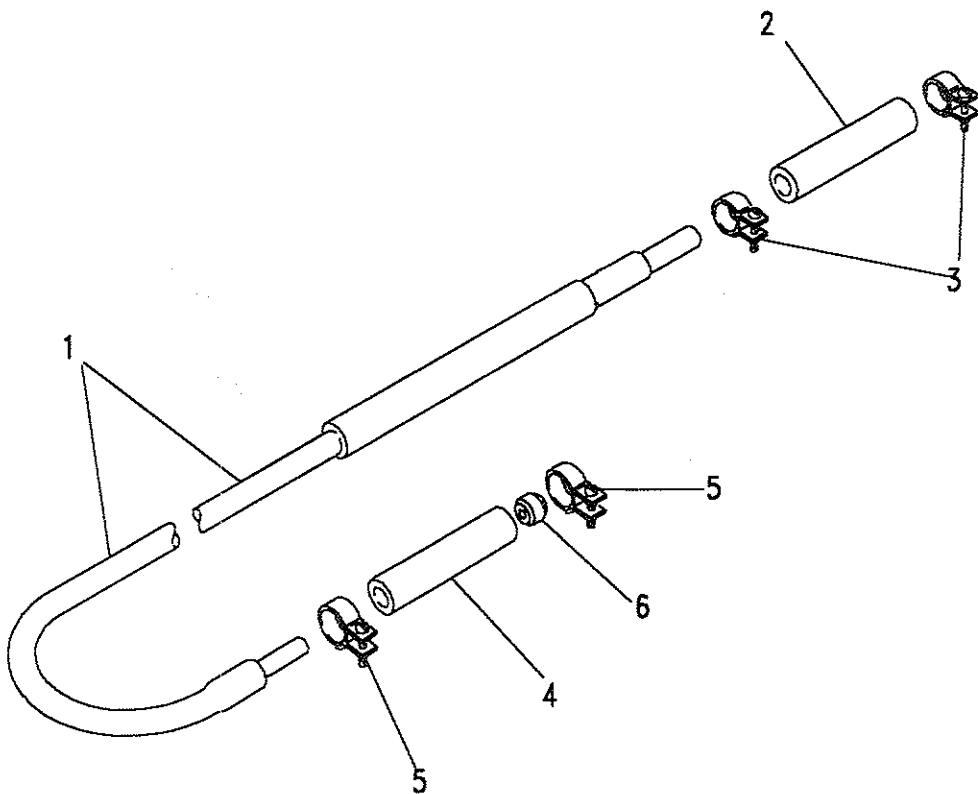
ENGINE

2000

Model DEFENDER 90  
Page ADBFIE1A

ENGINE - FUEL PIPES - 2.5 PETROL

III. Part No.	Description	Qty	Remarks
1 ETC5027	Pipe fuel assembly	1	
2 ETC6155	Hose connector-fuel pipe	1	
3 EAC32151	Clip hose connector	2	
4 ETC6156	Connector hose-fuel pipe	1	
5 EAC32151	Hose clip-connector	2	
6 ETC6243	Restrictor	1	

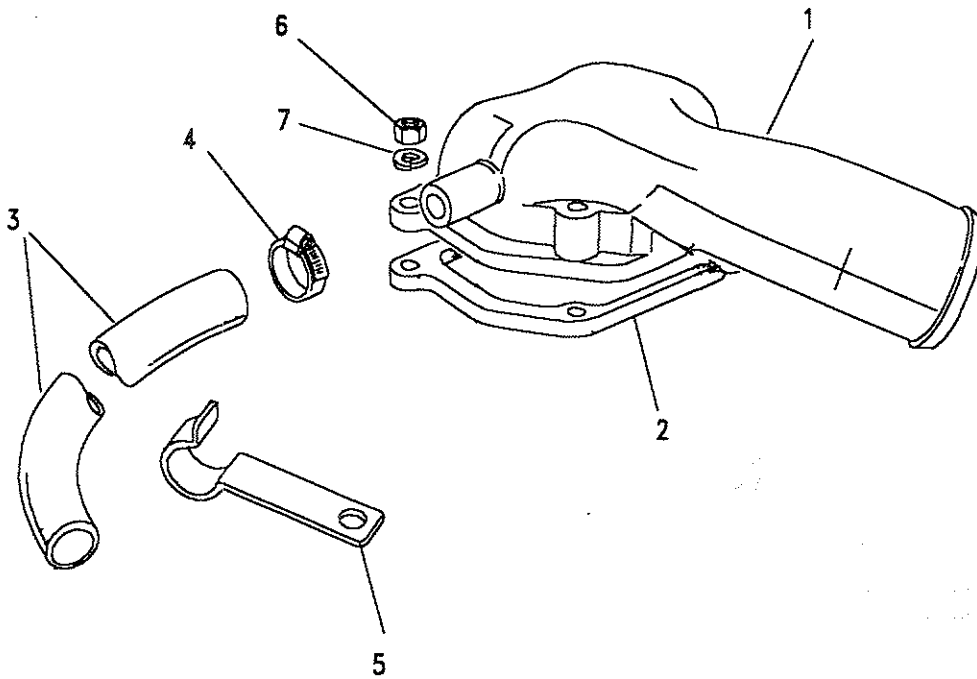




**Model** DEFENDER 90  
**Page** ADBFIG1A

**ENGINE - CARBURETTER FIXINGS - 2.5 PETROL**

III. Part No.	Description	Qty	Remarks
1 ERR539	Elbow air inlet	1	
2 ERC7922	Gasket elbow	1	
ERR4384	Gasket elbow	1	Asbestos free
3 ERC298	Hose carburetter vent	1	
4 AAU1979	Clip hose	1	
5 ETC4959	Clip	1	
6 NH105041L	Nut elbow to carb	4	
7 WL105001L	Washer elbow to carb	4	

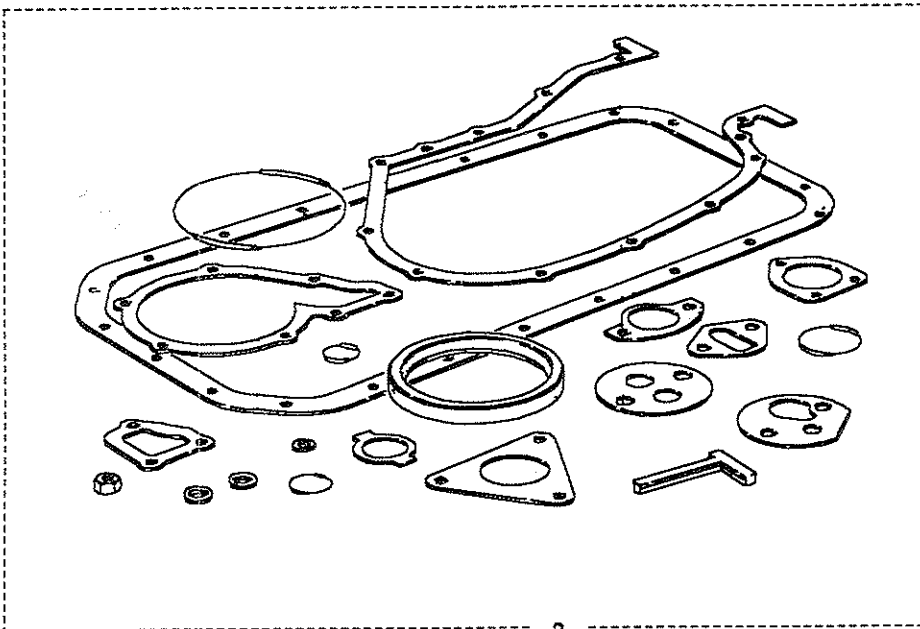
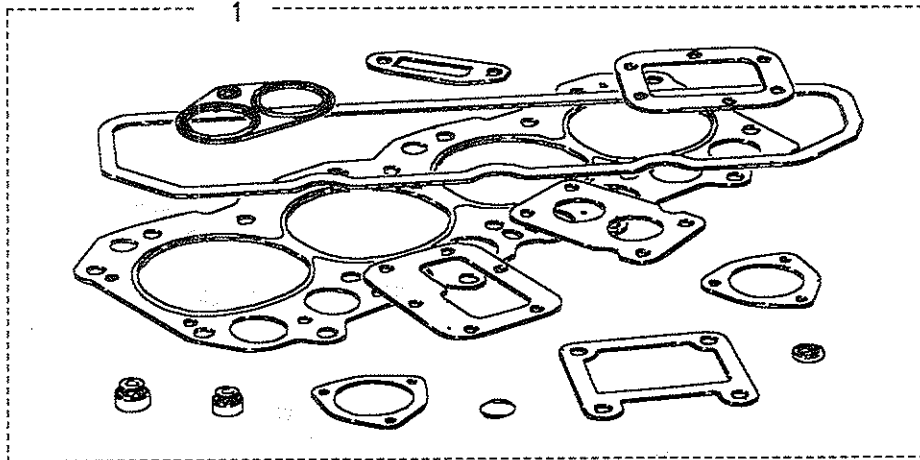




DEFENDER 90

101

ENGINE



**Model** DEFENDER 90  
**Page** ADBFMA1A

**ENGINE - GASKET KITS - 2.5 PETROL**

III. Part No.	Description	Qty	Remarks
1	RTC2889 STC1640	1	Kit gasket/seals decarb
1		1	Asbestos free
2	RTC2890 STC1467	1	Kit gasket/seals overhaul
1		1	Asbestos free



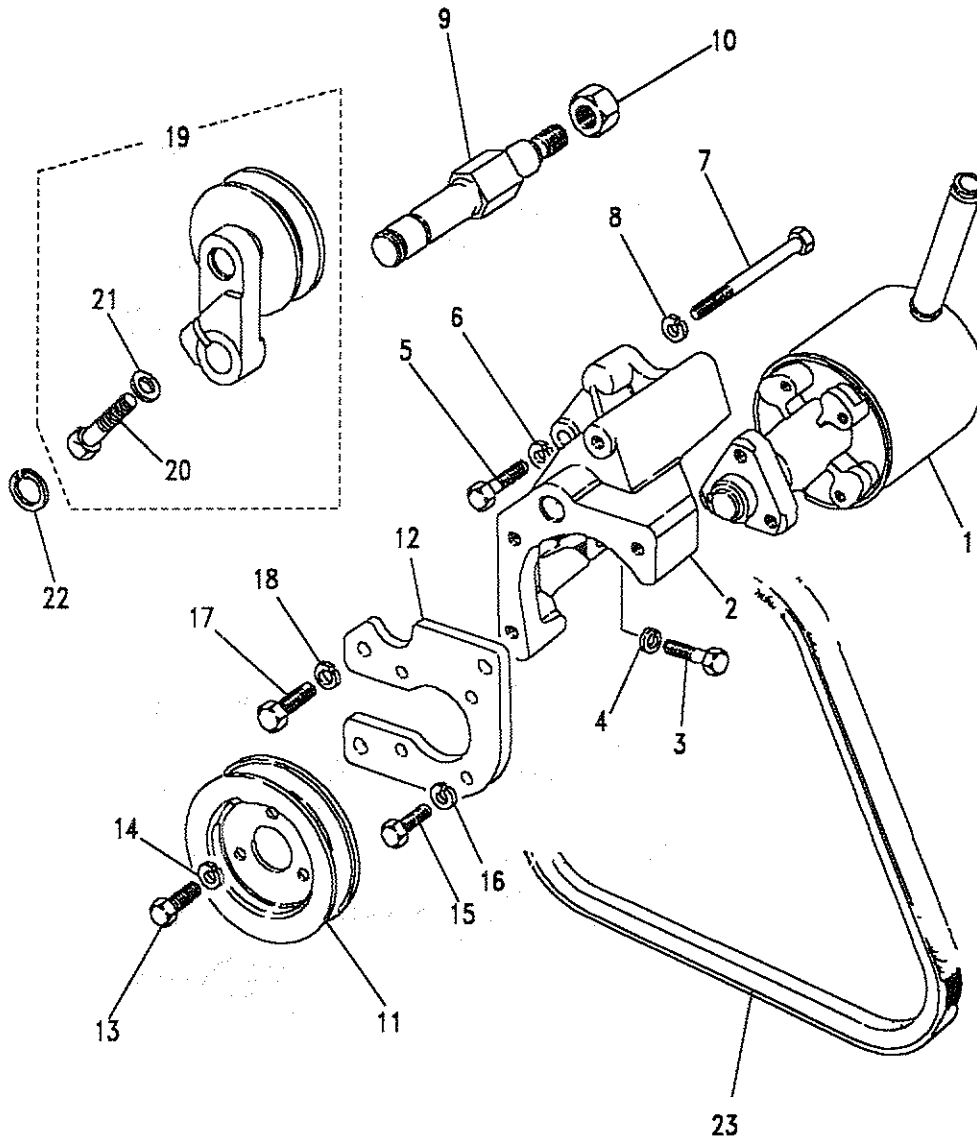


**Model** DEFENDER 90  
**Page** ADBFNC1A

**ENGINE - POWER STEERING PUMP(ADWEST) - 2.5 PETROL**

III. Part No.	Description	Qty	Remarks
1	Pump power steering	1	Note(1)
RTC4485	Banjo	1	
2	ERC6974	1	Bracket mounting
3	SH108251L	3	Screw bracket to cover
4	WL108001L	3	Washer spring
5	SH108301L	1	Screw
6	WL108001L	1	Washer spring
7	BH108181L	1	Bolt bracket to block
8	WL108001L	1	Washer spring
9	ERC6976	1	Spigot idler arm mounting
10	ERC6977	1	Nut special spigot
11	ERC5145	1	Pulley power steering
12	ERC6975	1	Plate mounting pump
13	SH108141L	3	Screw pulley to pump
14	WL108001L	3	Washer spring
15	FS106201L	4	Screw-pump to plate
16	WL106001L	4	Washer spring-Pump to Pla
17	SH108251L	3	Screw plate to bracket
18	WL108001L	3	Washer spring
19	ETC4153	1	Idler arm pulley assembly
20	SH108401L	1	Screw idler arm clamp
21	WL108001L	1	Washer spring idler arm
22	CR120195L	2	Circlip
23	ERC5146	1	Belt driving
	ETC4272	1	Belt driving
	AEU4119	2	Washer special banjo

Note(1) ADWEST pump no longer available use ETC9077



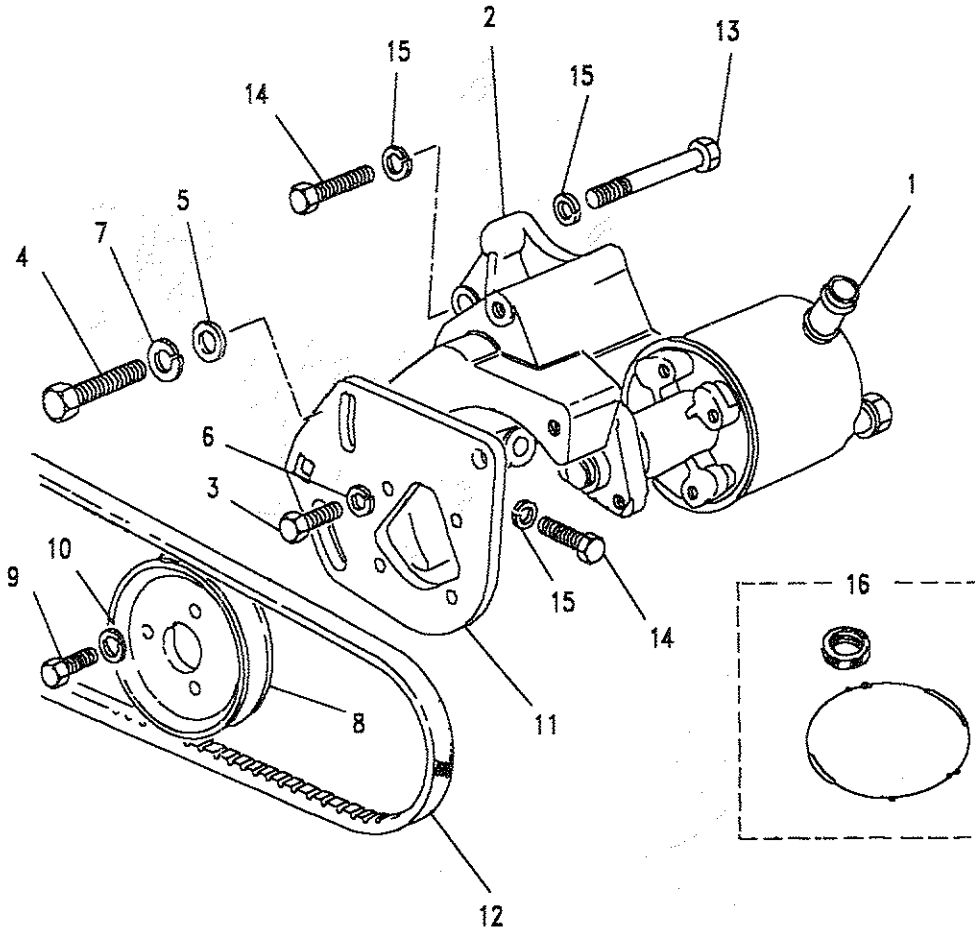




Model DEFENDER 90  
Page ADBFNC2A

ENGINE - POWER STEERING PUMP - 2.5 PETROL

III. Part No.	Description	Qty	Remarks
1	ETC9077	1	)
	RTC5674	1	)UptoJUNE1989
	RTC5675	2	)
1	NTC8287	1	FromJUNE1989
1	NTC9070	1	FromJUNE1992
2	ERC6974	1	UptoJUNE1989
	ETC8854	1	fromJUNE1989
3	FS106201L	4	
4	SH108251L	3	
5	WA108051L	2	
6	WL106001L	4	
7	WL108001L	3	
8	ETC5783	1	
9	SH108141L	3	
10	WL108001L	3	
11	ETC5944	1	
	ERR1976	1	
	ERR2605	1	
12	ETC5815	1	
13	BH108181L	1	
14	SH108251L	3	
	SH108301L	1	
15	WL108001L	5	
16	RTC5935	1	Up to JA918809
	STC1633	1	From JA918810



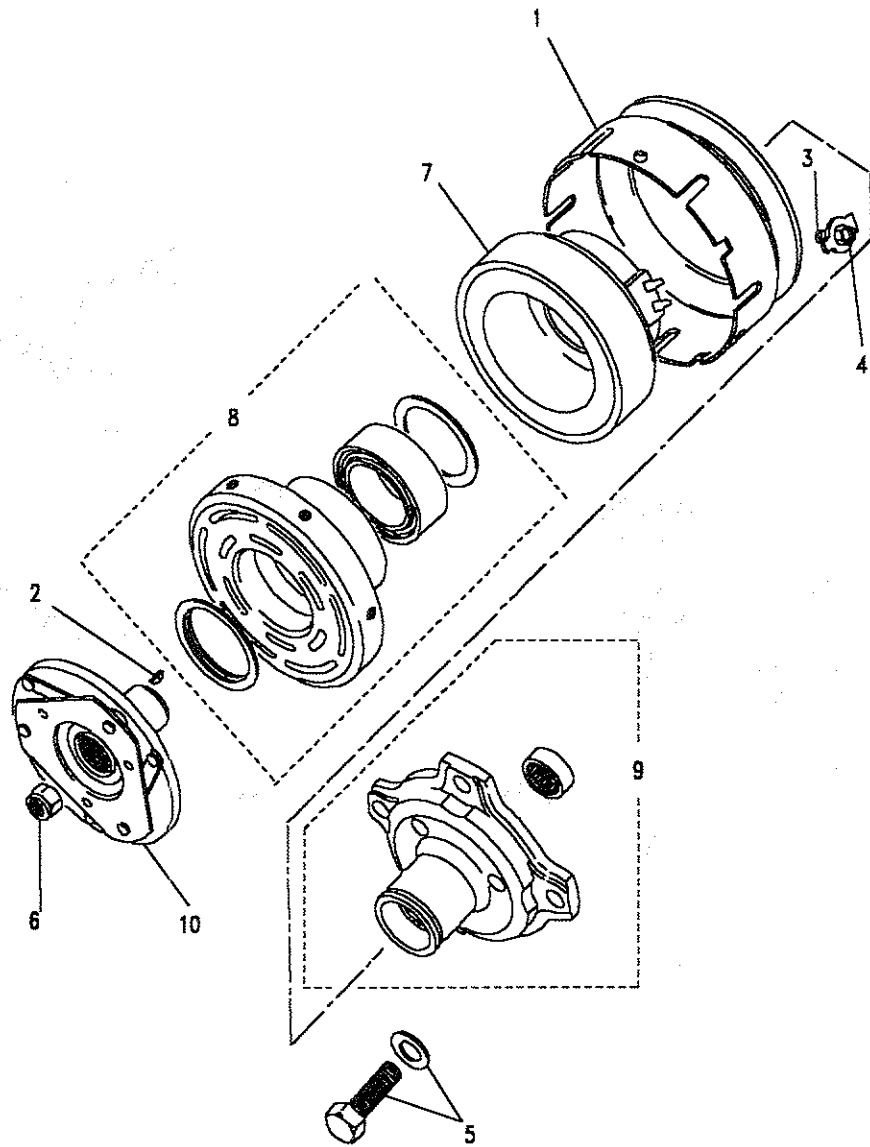


**Model** DEFENDER 90  
**Page** ADBFNE1A

**ENGINE - AIR CONDITIONING COMPRESSOR - 2.5 PETROL**

Ill. Part No.	Description	Qty	Remarks
BTR9419	Compressor assembly	1	Note(2)
ERC6480	Compressor assembly	1	Note(1)
1 AEU1782	Pulley rim	1	
2 AEU1894	Key clutch hub	1	
3 AEU1780	Screw rim mounting	6	
4 AEU1779	Washer rim mounting	6	
5 AEU1784	Screw and washer assy	4	
6 AEU1775	Nut shaft	1	
7 AEU1778	Coil and housing assy	1	
8 AEU1777	Rotor and bearing assy	1	
9 AEU1785	Front head/bearing assy	1	
10 AEU1776	Clutch assembly	1	

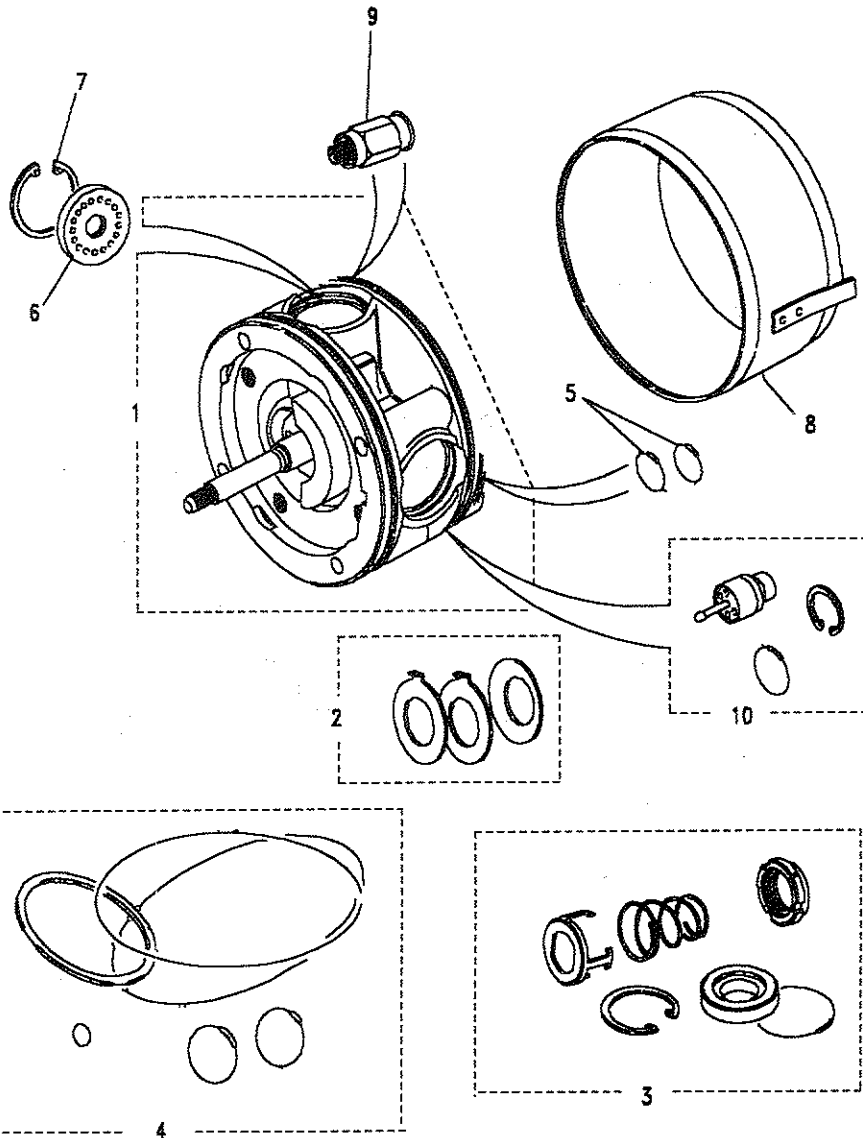
Note(1) Up to VIN MA949374  
 Note(2) From VIN MA949375





Model DEFENDER 90  
Page ADBFNE2A

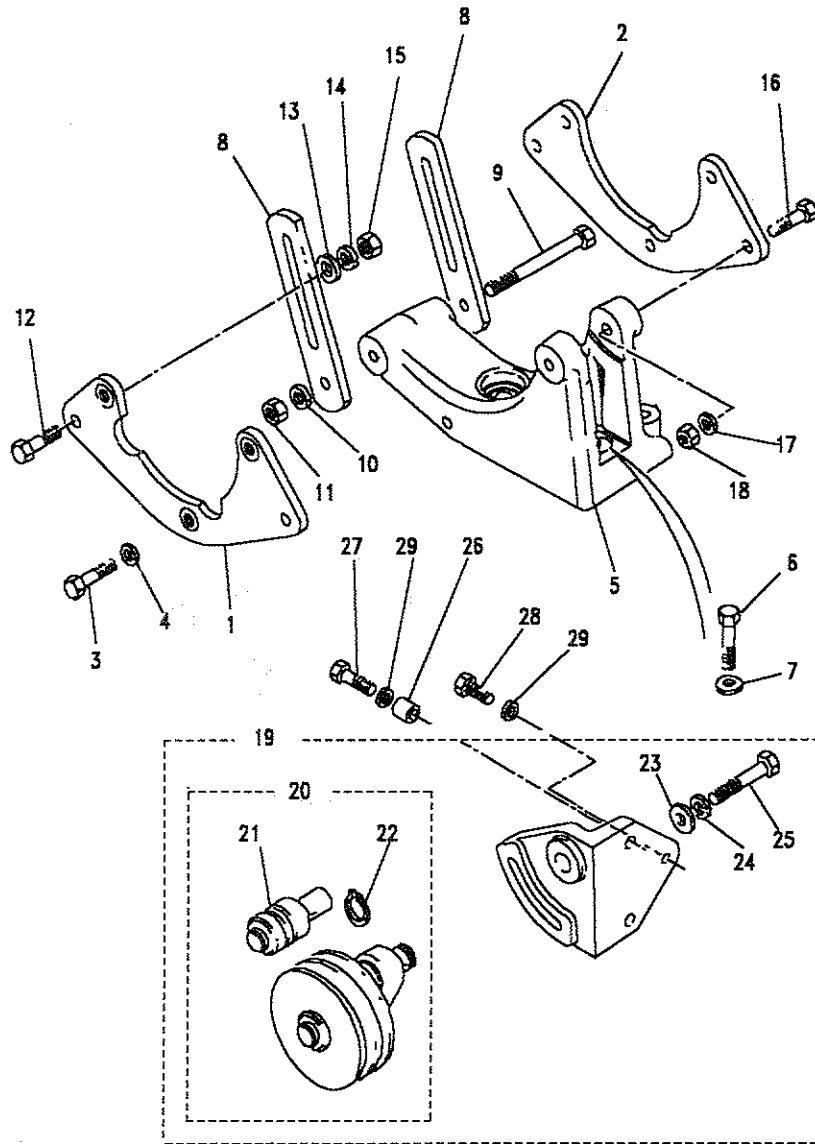
ENGINE - AIR CONDITIONING COMPRESSOR - 2.5 PETROL - KITS



III. Part No.	Description	Qty	Remarks
BTR9419	Compressor assembly	1	Note(2)
ERC6480	Compressor assembly	1	Note(1)
1 AEU1792	Kit cylinder and shaft	1	
2 AEU1791	Kit thrust washers	1	
3 AEU1790	Kit shaft seal	1	
4 AEU1192	Kit 'O' rings	1	
5 AEU1690	'O' ring ports	2	
6 AEU1788	plate valve assembly	4	
7 AEU1787	Ring retaining	4	
8 AEU1786	Shell assembly	1	
9 AEU1689	Valve pressure release	1	
10 AEU1688	Kit superheat switch	1	
ERC6072	Belt driving twin belt	2	
ETC4371	Belt driving single belt	1	
AEU1691	Oil 525 visco/2pt(1136ml)	A/R	

Note(1) Up to VIN MA949374  
Note(2) From VIN MA949375





Model DEFENDER 90

Page ADBFNE3A

ENGINE - COMPRESSOR FIXINGS - 2.5 PETROL

III. Part No.	Description	Qty	Remarks
1	ERC7082	1	Plate mounting front
2	ERC5152	1	Plate mounting rear
3	BH110201L	3	Bolt compressor to plate
4	WL110001L	3	Washer spring
5	ETC4882	1	Bracket mounting compress
6	BH110101L	4	Bolt bracket to cover
7	WA110061L	4	Washer plain
8	ERC5155	2	Link adjusting
9	BH108181L	1	Bolt link to bracket
10	WL108001L	1	Washer spring
11	NH108041L	1	Nut
12	SH108251L	2	Screw link to plate
13	WA108051L	2	Washer
14	WL108001L	2	Washer spring
15	NH108041L	2	Nut
16	FB108081L	2	Boit bracket to plates
17	WL108001L	2	Washer spring
18	NH108041L	2	Nut
19	ERC5386	1	Idler assembly
20	ERC5387	1	Idler arm assembly
21	90613049	1	Bearing idler
22	CR120171L	1	Circlip
23	WC108051L	1	Washer idler arm clamp
24	WL108001L	1	Washer spring
25	FB108081L	1	Bolt idler arm clamp
26	ERC6071	2	Dowel hollow
27	FB108061	2	Bolt
28	SH108251L	1	Screw
29	WL108001L	3	Washer spring

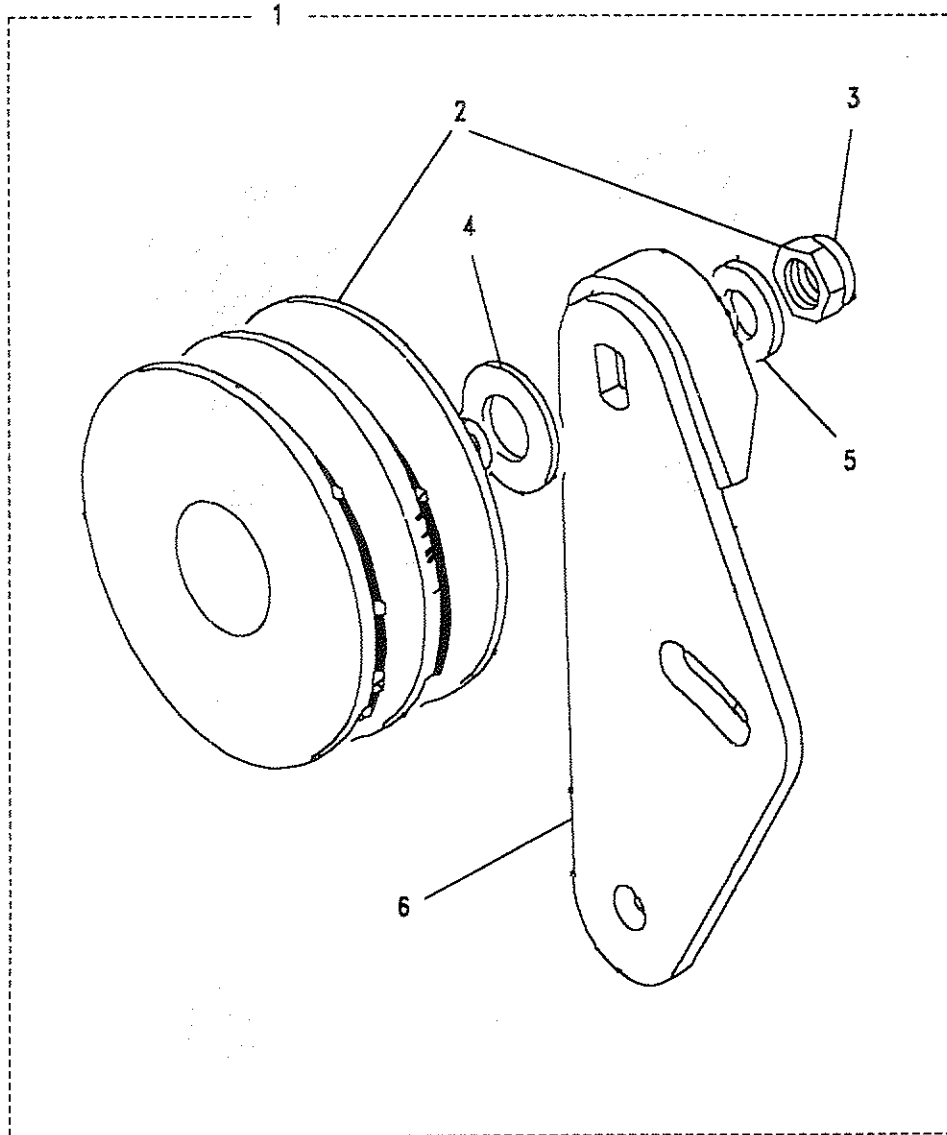


DEFENDER 90

107

ENGINE

107

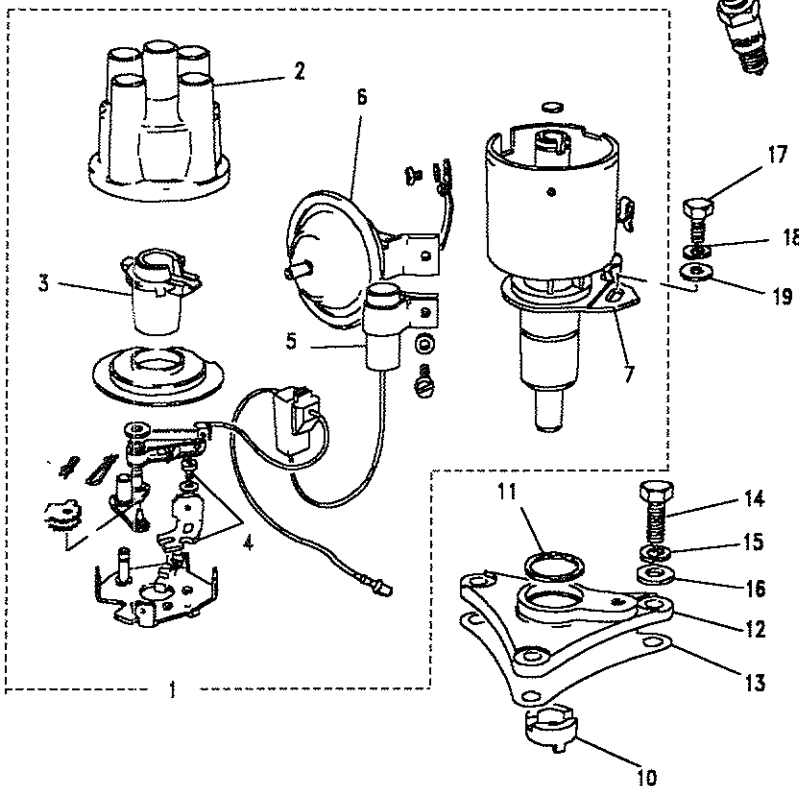
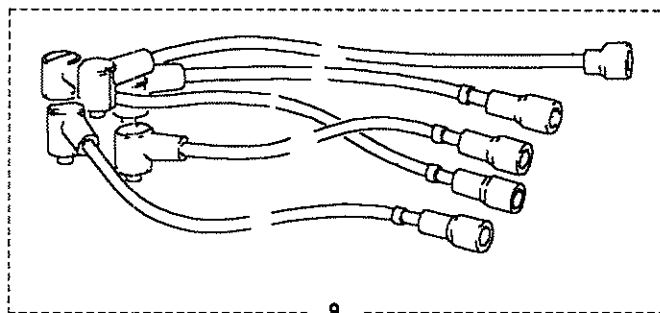


**Model** DEFENDER 90  
**Page** ADBFNE4A

**ENGINE - AIR CON IDLER PULLEY - 2.5 PETROL**

III. Part No.	Description	Qty	Remarks
1 ETC7756	Pulley damper assembly	1	
2 554971	Pulley	1	
3 RTC6077	Nut	1	
4 4095	Washer plain	1	
5 WB108051L	Washer plain	1	
6 ETC4212	Plate mounting	1	





**Model** DEFENDER 90  
**Page** ADBFPA1A

**ENGINE - DISTRIBUTOR - 2.5 PETROL**

III. Part No.	Description	Qty	Remarks
1	ETC5835	1	Distributor
2	RTC3278	1	Cap
3	RTC3614	1	Rotor arm
4	RTC6627	1	Contact set
	RTC5947	1	Contact set
5	RTC3474	1	Capacitor
6	AEU1034	1	Vacuum unit
7	245003	1	Plate clamping
8	RTC3812	1	Spark plug
9	ERC3256	4	Lead ignition set
10	549611	1	Drive coupling
11	52278	1	Washer cork
12	ETC4466	1	Adaptor
13	247212	1	Washer joint
14	FS108201L	3	Screw
15	WL108001L	3	Washer spring
16	WA108051L	3	Washer
17	FS106167	1	Screw flanged
18	WL106001L	1	Washer spring
19	WB106041L	1	Washer

Note(1) LUCAS number 42618  
 Note(2) Sliding contact-replace at 24000 miles(40000 KMS) or 2 years  
 Note(3) Fixed contact type-replace at 12000 miles(20000 KMS) or 1 year



DEFENDER 90

109

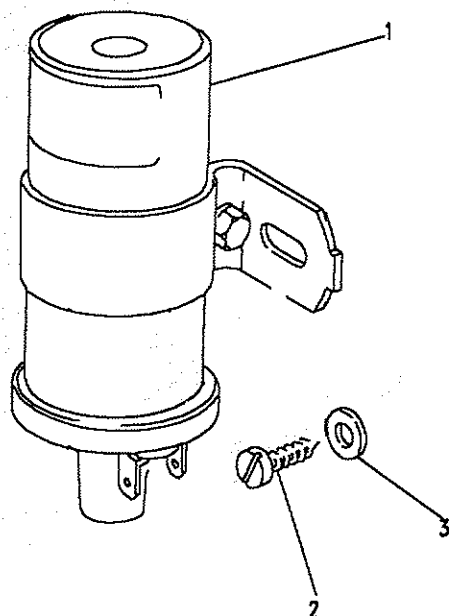
ENGINE

Model DEFENDER 90

Page ADBFPA2A

ENGINE - IGNITION COIL - 2.5 PETROL

III. Part No.	Description	Qty	Remarks
1 PRC9858	Coil ignition	1	
2 AB614061L	Screw	2	
3 WJ106007	Washer plain	2	





**Model** DEFENDER 90

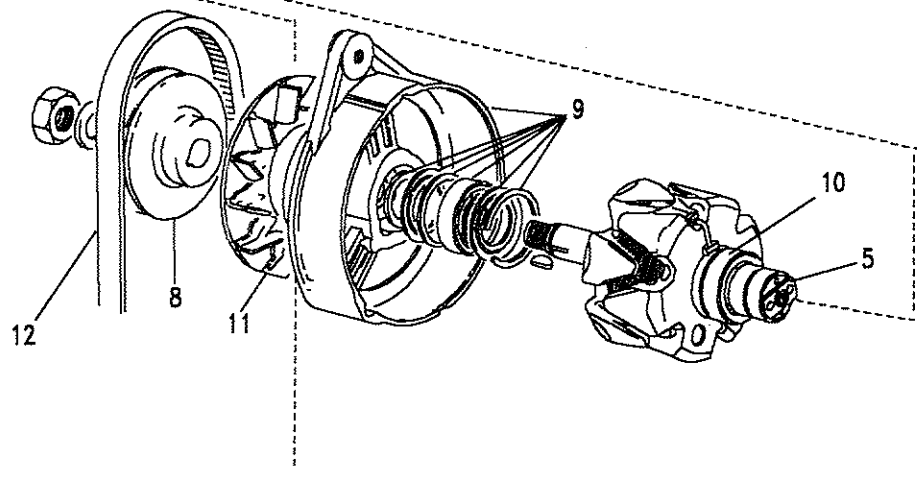
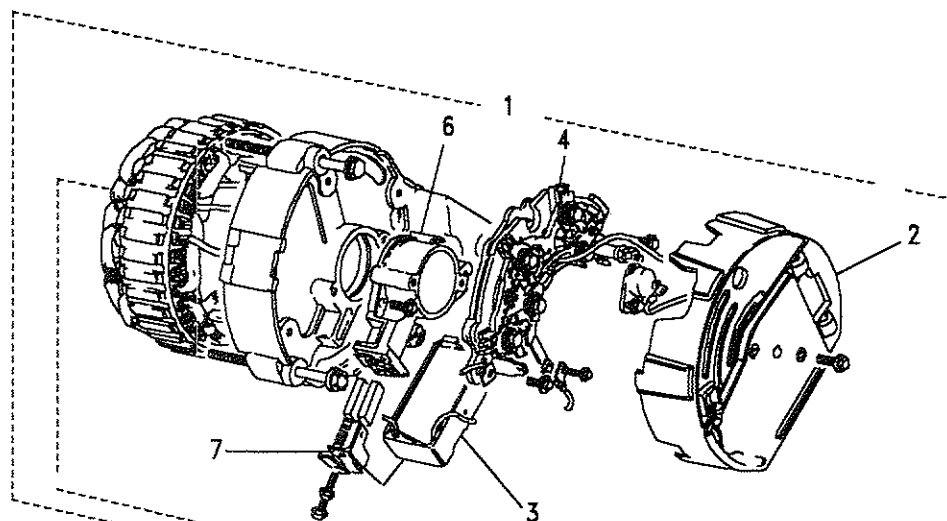
**Page** ADBFPC1A

**ENGINE - ALTERNATOR - 2.5 PETROL**

III. Part No.	Description	Qty	Remarks
1	RTC5083E Alternator A115/45 AMP	1	Note(1)
2	AEU2507 Cover	1	
3	AEU3076 Regulator	1	
4	BAU1825 Rectifier	1	
5	BAU2193 Slip ring	1	
6	BAU2195 Brush box	1	
7	RTC3215 Brush set	1	
8	568788 Pulley	1	
9	18G8619L Kit-bearing-drive end	1	
10	AEU1532 Kit-slip ring and bearing	1	
11	C37222L Fan	1	
12	ETC7939 Belt-fan	1	
	AEU1706 Kit-screws	1	
	AEU1710 Kit-sundry parts	1	
	AEU1942 Kit-spacer	1	

Note(1)

LUCAS number LRA356





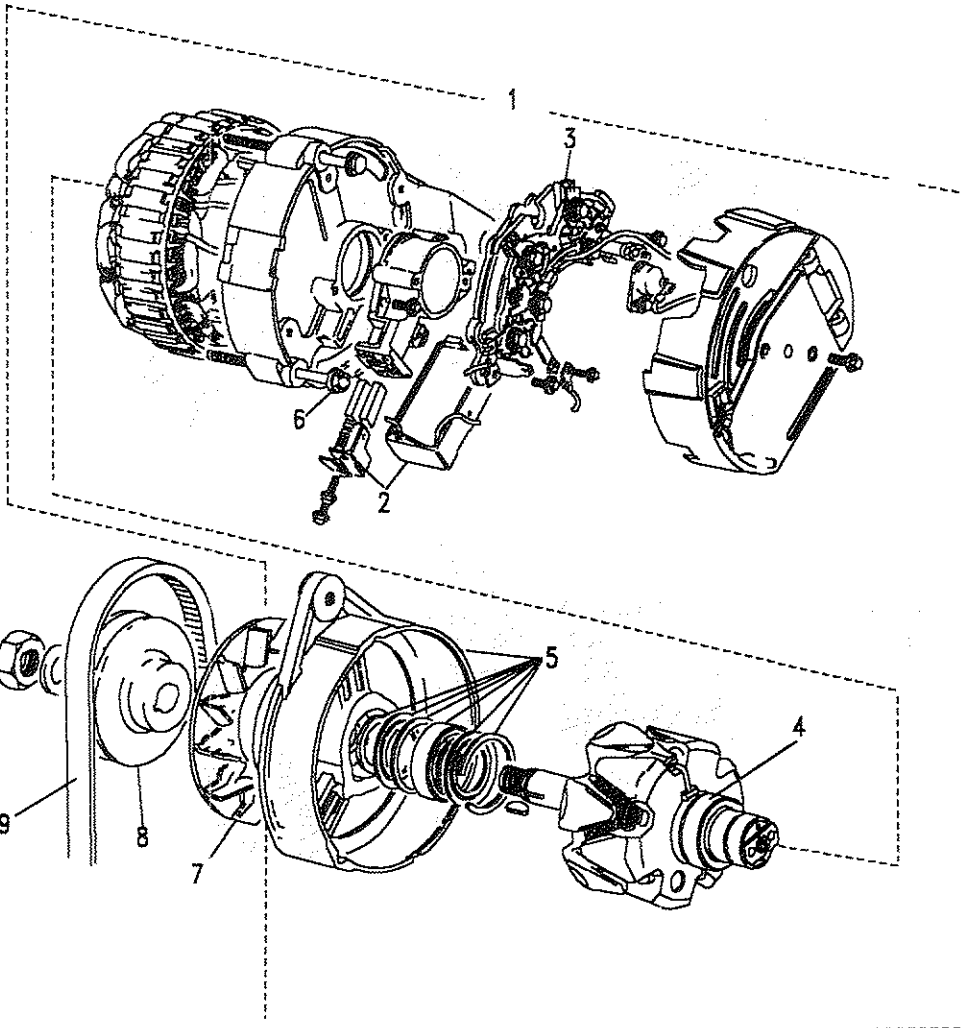


**Model** DEFENDER 90  
**Page** ADBFPC2A

**ENGINE - ALTERNATOR - 2.5 PETROL**

III. Part No.	Description	Qty	Remarks
1	RTC5682N RTC5682E	1 1	Note(1)
2	RTC5670	1	
3	RTC5684	1	
4	RTC5926	1	
5	RTC5687	1	
6	RTC5925	1	
7	RTC5685	1	
8	RTC5686	1	
9	ETC7939	1	
	RTC5689	1	

Note(1) LUCAS number 24199

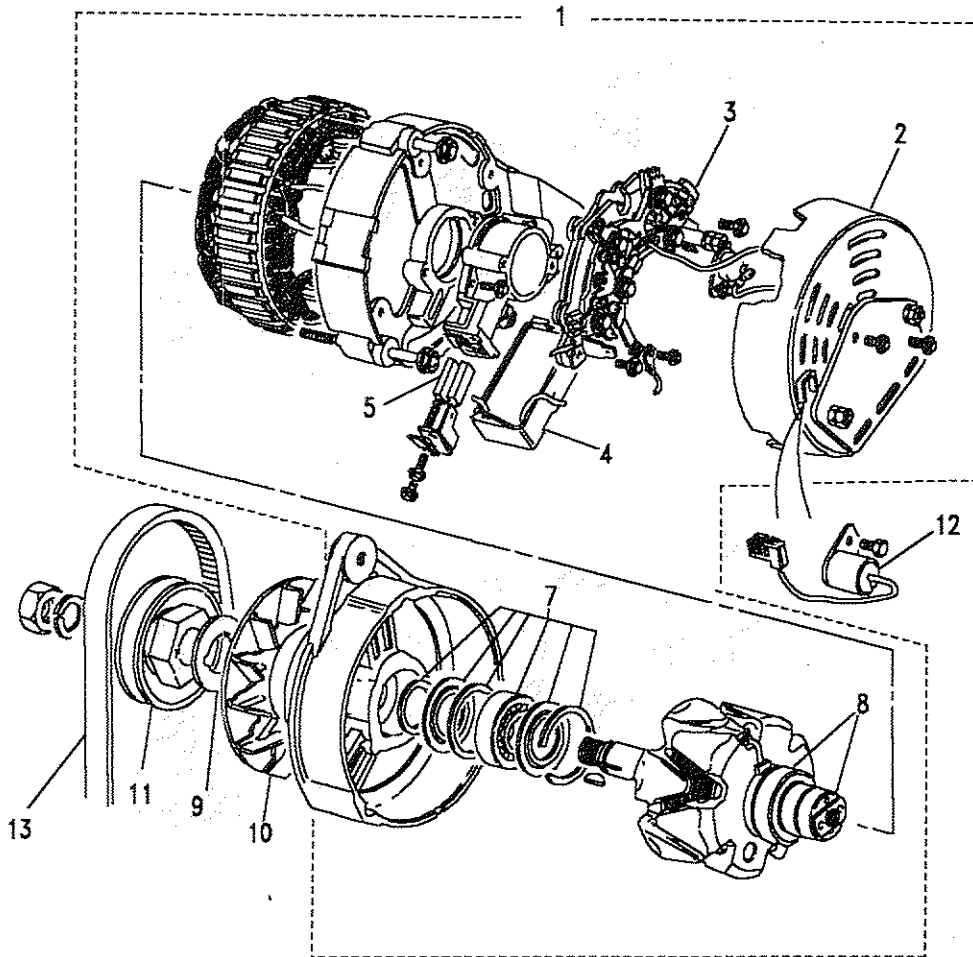


**Model** DEFENDER 90  
**Page** ADBFPC3A

**ENGINE - ALTERNATOR - 2.5 PETROL - AIR CON**

III. Part No.	Description	Qty	Remarks
1	RTC5218E	1	Note(1)
2	AEU1725	1	Cover
3	AEU1915	1	Regulator
4	AEU1527	1	Rectifier
5	RTC3292	1	Brush set
6	STC130	1	Surge protection device
7	AEU1726	1	Kit bearing-drive end
8	AEU1532	1	Kit bearing-slip ring end
9	AEU1710	1	Kit-sundry parts
	ERC8987	1	Nut-special
10	DU4928L	1	Fan
11	ERC8986	1	Pulley
12	AEU1616	1	Capacitor suppression
13	ETC7939	1	Belt-fan
	AEU1706	1	Kit-screw
	AEU1708	1	Kit-spacer
	AEU1709	1	Kit-terminal

Note(1) LUCAS number LRA406

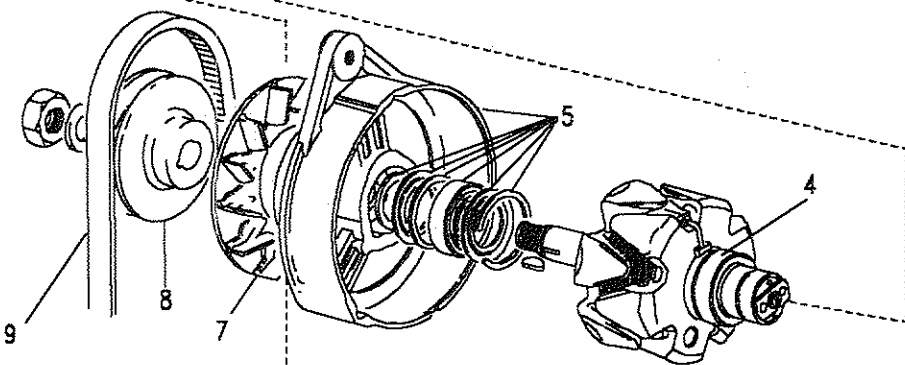
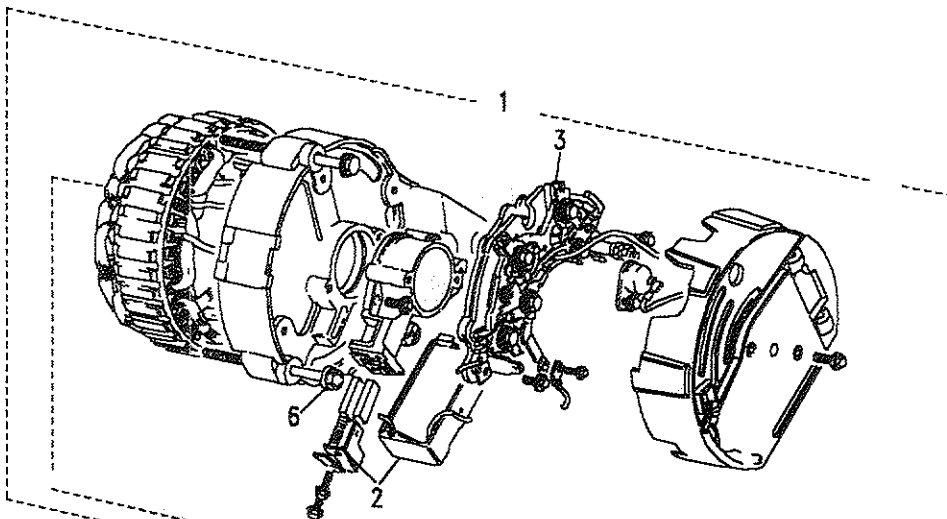


Model DEFENDER 90  
 Page ADBFPC4A

ENGINE - ALTERNATOR - 2.5 PETROL - AIR CON

III. Part No.	Description	Qty	Remarks
1	RTC5680N	1	Note(1)
	RTC5680E	1	
2	RTC5670	1	
3	RTC5671	1	
4	RTC5926	1	
5	RTC5687	1	
6	RTC5925	1	
7	AAU2249L	1	
8	RTC5686	1	
9	ETC7939	1	
	RTC5689	1	

Note(1) LUCAS number 24220

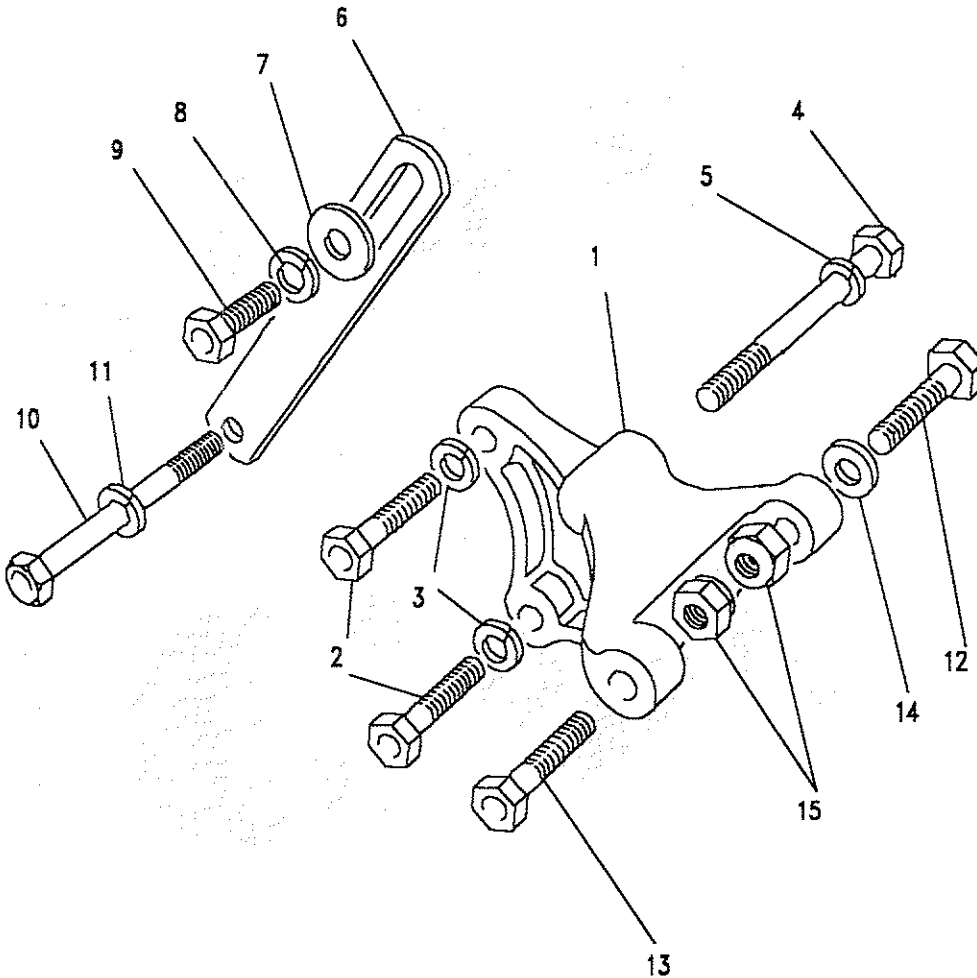


**Model** DEFENDER 90  
**Page** ADBFPC5A

**ENGINE - ALTERNATOR FIXINGS - 2.5 PETROL**

III. Part No.	Description	Qty	Remarks
1	ETC4357	1	
2	SH108301L	2	
3	WL108001L	2	
4	BH108161L	1	
5	WL108001L	1	
6	ERC5139	1	Note(1)
	ERC6266	1	Note(2)
7	2266L	1	
8	WL108001L	1	
9	SH108251L	1	
10	BH108201L	1	
11	WL108001L	1	
12	FB108081L	1	
13	BH108091L	1	
14	WC108051L	1	
15	NY108041L	2	

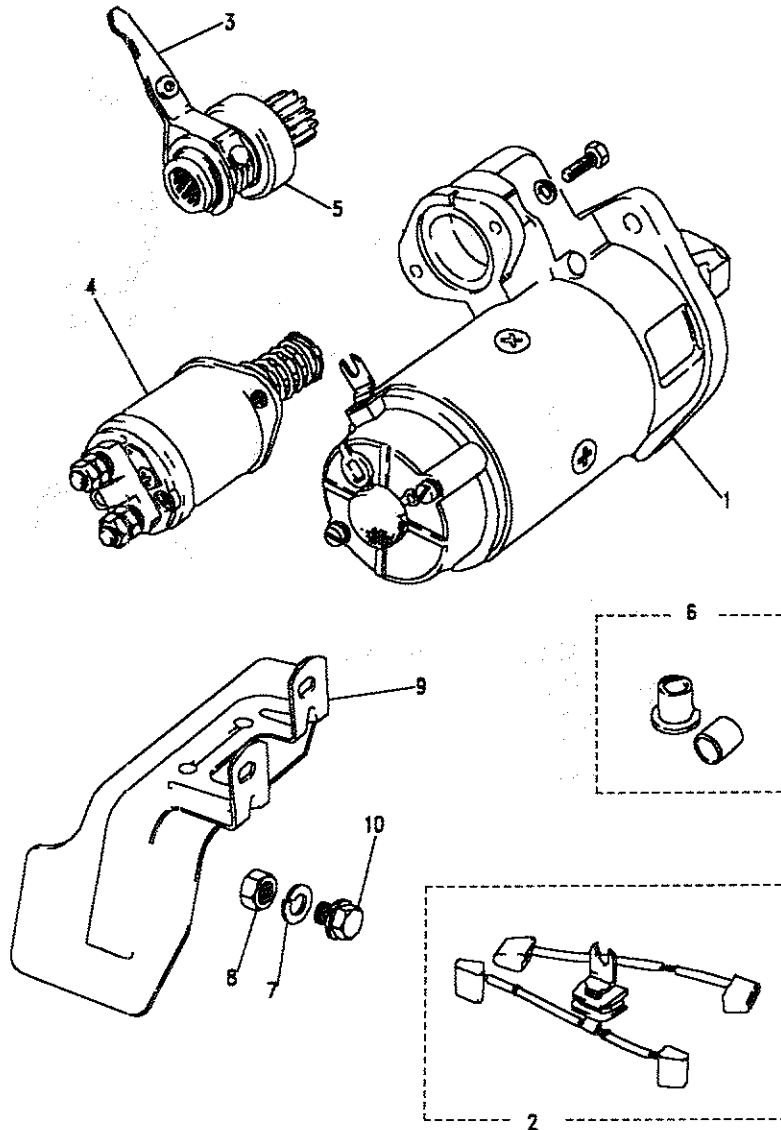
Note(1) Use with A115 & A133 type alternator  
 Note(2) Use with A127 type alternator





**Model** DEFENDER 90  
**Page** ADBFPE1A

**ENGINE - STARTER MOTOR - 2.5 PETROL**



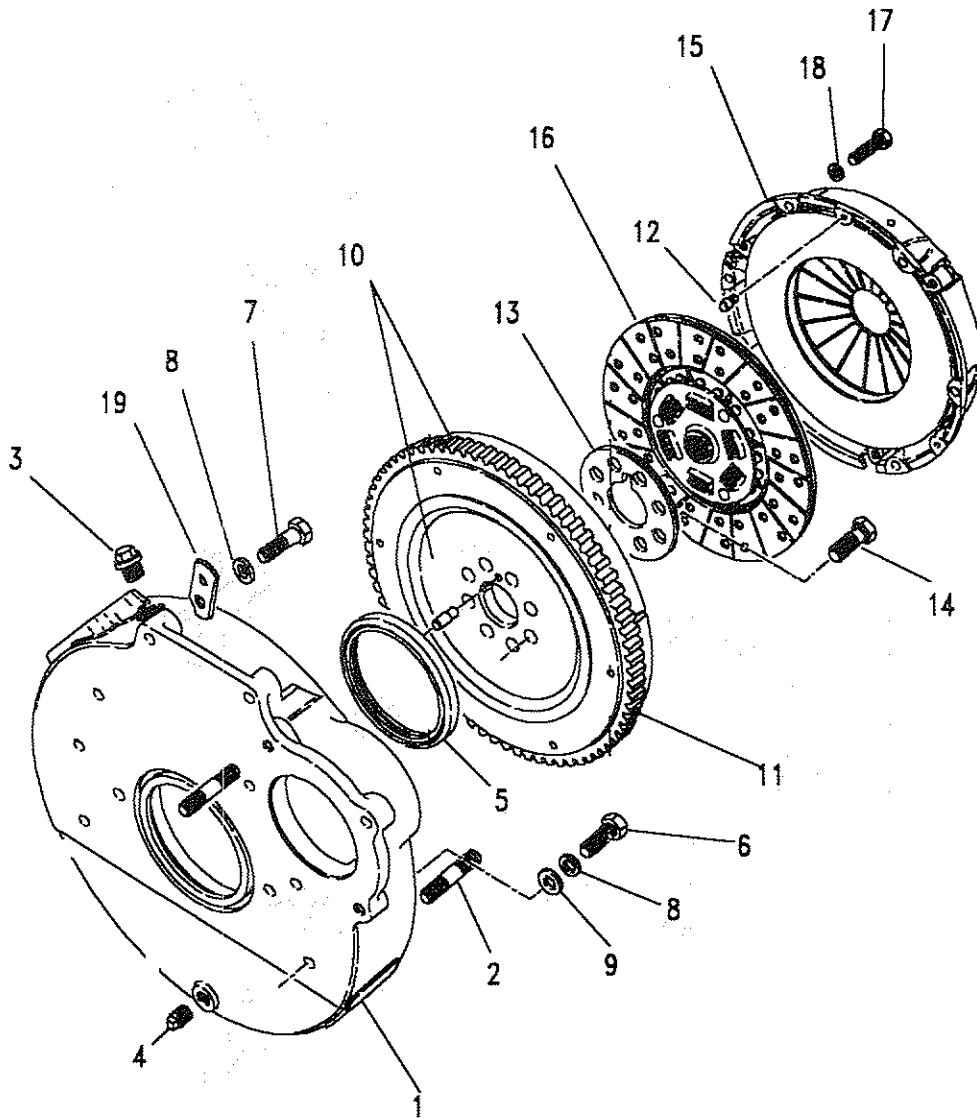
III. Part No.	Description	Qty	Remarks
1	PRC6613N	1	Note(3)
	PRC6613E	1	Starter motor-EXCHANGE
	NAD10040	1	From 17H26368C
2	RTC5967	1	kit brush
3	520455	1	Pin pivot
4	STC1519	1	Solenoid
5	AEU2502	1	Drive assembly
2	RTC5048	1	Kit brush
4	RTC5049	1	Solenoid
	STC742	1	Drive assembly
6	608352	1	Kit-bush
	RTC5563	1	Kit-bush
7	WL110001L	2	Washer spring
8	NH110041L	2	Nut
9	ETC4133	1	Heatshield assembly
10	ERC8722	2	Bolt-shield to exh/man
	608395	1	Kit-retention
	90608178	1	Kit-sundry parts
	RTC5577	1	Kit-sundry parts

Note(1) Use with 2M100 type starter motor  
 Note(2) Use with M78R type starter motor  
 Note(3) M78R type starter motor replaces 2M100 type. Fitted up to engine 17H26367C.

**Model** DEFENDER 90  
**Page** ADBFRA1A

**ENGINE - FLYWHEEL - 2.5 PETROL**

III. Part No.	Description	Qty	Remarks
1	ETC6394	1	Housing flywheel assembly
2	TE110061L	13	Stud-bell housing
3	ERC7295	1	Plug
	NH110041L	11	Nut
4	ERC7295	1	Plug drain-fly/hsg
5	ERR1535	1	Seal oil main
	ERR2532	1	Seal oil main
6	SH110301L	6	Bolt
7	BX110071	2	Bolt
8	WL110001L	2	Washer spring
9	WA110061L	6	Washer plain
10	ERC6408	1	Flywheel starter ring
11	ERC5293	1	Ring starter
12	502116	3	Dowel-clutch
13	ERC4658	1	Plate reinforcement
14	ERC6551	8	Bolt-Fly/crankshaft
	ERR4574	8	Bolt flywheel



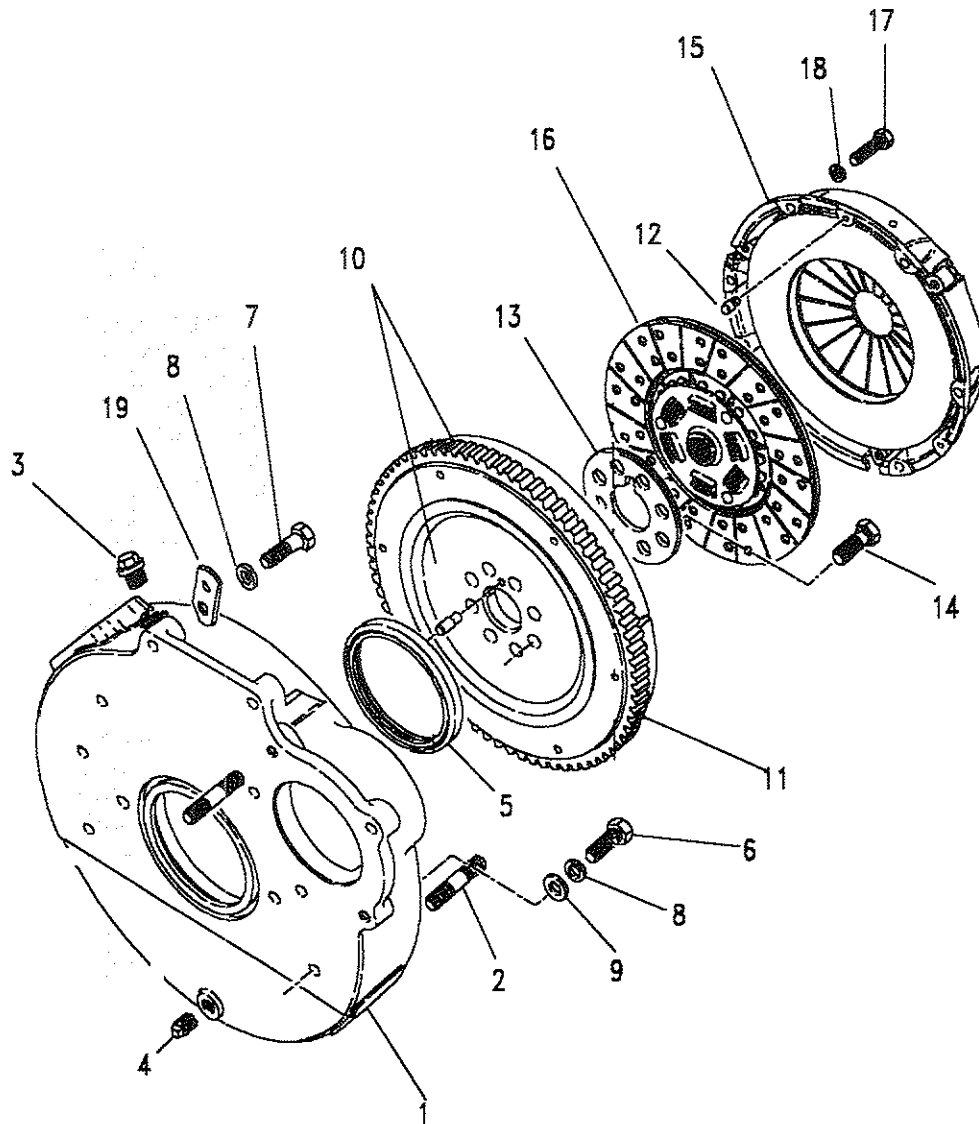


Model DEFENDER 90  
Page ADBFRA1A

ENGINE - FLYWHEEL - 2.5 PETROL

III. Part No.	Description	Qty	Remarks
15	576557 Cover clutch	1	
16	FRC2671 Plate clutch	1	
	FTC159 Plate clutch-asb/free	1	UptoJAN1993
	FTC3196 Plate clutch-asb/free	1	FromJAN1993
	STC8359 Kit clutch	1	
	FTC159 Plate	1	
	576557 Cover	1	
	FRC9568 Bearing	1	
17	SX108201L Bolt set	6	
18	WL108001L Washer spring	6	
19	ERC9404 Bracket-clip to housing	2	
	AFU1090L Clip	2	

Note(1) Only fitted up to Dec 93. The reinforcing plate was found to serve no useful purpose. If replacing use shorter screws ERR4574





MASTER INDEX

	PAGES
INTRODUCTION PAGES	1 - 5
ALPHABETICAL INDEX	6 - 14
ENGINE	15 - 65
ENGINE	66 - 117
ENGINE	118 - 171
ENGINE	172 - 217
ENGINE	218 - 261
ENGINE	262 - 297
ENGINE	298 - 367
GEARBOX	368 - 394
GEARBOX	395 - 411
GEARBOX	412 - 425
TRANSFER BOX	426 - 456
TRANSFER BOX	457 - 474
AXLES AND SUSPENSION	475 - 531
STEERING	532 - 564
VEHICLE AND ENGINE CONTROLS	565 - 580
BRAKES	581 - 603
FUEL SYSTEM AND AIR CLEANER	604 - 645
EXHAUST SYSTEM	646 - 660
COOLING/HEATING	661 - 709
COOLING/HEATING	710 - 718
BODY ELECTRICAL	719 - 793
BODY AND CHASSIS	794 - 923
INTERIOR TRIM	924 - 965
SEATS	966 - 1009
STOWAGE	1010 - 1017
ACCESSORIES - PAINTS	1018 - 1042
NUMERICAL INDEX	1044 - 1122

GROUP B

ENGINE

ENGINE

ENGINE COMPLETE - 2.5 DIESEL	120
ENGINE STRIPPED - 2.5 DIESEL	121
ENGINE SHORT - 2.5 DIESEL	122
CYLINDER BLOCK - 2.5 DIESEL	123 - 125
SIDE COVER - 2.5 DIESEL	126
CRANKSHAFT - 2.5 DIESEL	127
PISTONS - 2.5 DIESEL	128
SUMP - 2.5 DIESEL	129
MOUNTINGS - 2.5 DIESEL	130
FRONT COVER - 2.5 DIESEL	131 - 132
TIMING BELT - 2.5 DIESEL	133
WATER PUMP - 2.5 DIESEL - BASIC	134
WATER PUMP - 2.5 DIESEL - AIR CON	135
WATER PUMP - 2.5 DIESEL - 65AMP ALTERNATOR	136
WATER PUMP - 2.5 DIESEL - NOISE REDUCTION PACKAGE	137
OIL PUMP - 2.5 DIESEL	138 - 139
OIL FILTER - 2.5 DIESEL	140
OIL FILTER - 2.5 DIESEL WITH OIL COOLER	141
CYLINDER HEAD - 2.5 DIESEL	142 - 143
ROCKER SHAFT - 2.5 DIESEL	144
TAPPETS - 2.5 DIESEL	145
ROCKER COVER - 2.5 DIESEL	146
CYCLONE BREATHER ASSEMBLY - 2.5 DIESEL	147
CAMSHAFT - 2.5 DIESEL	148
THERMOSTAT HOUSING - 2.5 DIESEL	149
MANIFOLDS - 2.5 DIESEL	150
FUEL PUMP - 2.5 DIESEL	151
INJECTOR PUMP - 2.5 DIESEL	152
INJECTOR AND PIPES - 2.5 DIESEL	153
GASKET KIT - 2.5 DIESEL	154
VACUUM PUMP - 2.5 DIESEL	155
POWER STEERING PUMP (ADWEST) - 2.5 DIESEL	156
POWER STEERING PUMP - 2.5 DIESEL	157
AIR CONDITIONING COMPRESSOR - 2.5 DIESEL	158 - 159
COMPRESSOR FIXINGS - 2.5 DIESEL	160
AIR CONDITIONING IDLER PULLEY - 2.5 DIESEL	161
ALTERNATOR - 2.5 DIESEL	162 - 163
ALTERNATOR - 2.5 DIESEL - AIR CON	164 - 165







DEFENDER 90

119

ENGINE

ALTERNATOR FIXINGS - 2.5 DIESEL  
STARTER MOTOR - 2.5 DIESEL  
FLYWHEEL AND CLUTCH - 2.5 DIESEL

166  
167 - 169  
170 - 171



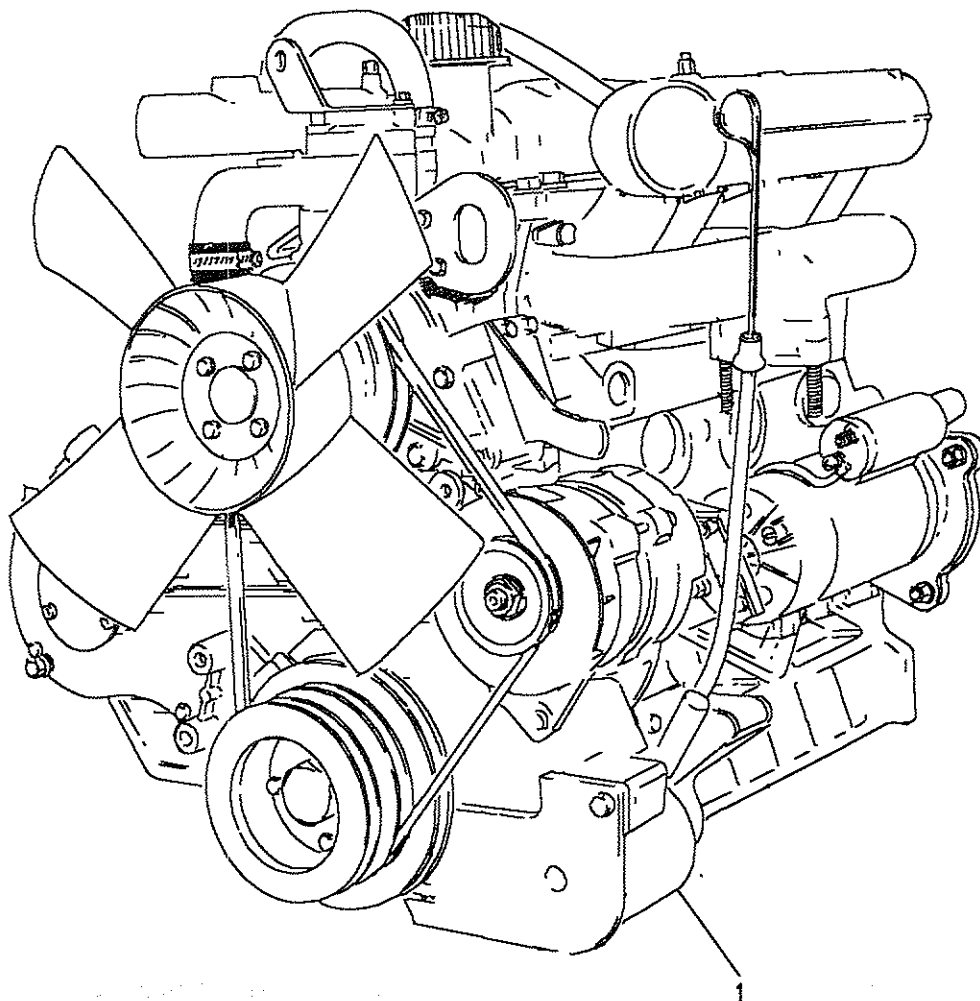


**Model** DEFENDER 90  
**Page** ADBGAA1A

**ENGINE - ENGINE COMPLETE - 2.5 DIESEL**

III. Part No.	Description	Qty	Remarks
1 STC1257	Engine complete assembly	1	12J000001C )

Note(1) Engine fitted with 65 amp alternator. If replacing an engine fitted with a 45 amp alternator also fit new harness PRC6082, if the vehicle is fitted with air conditioning the new harness is PRC6081





DEFENDER 90

121

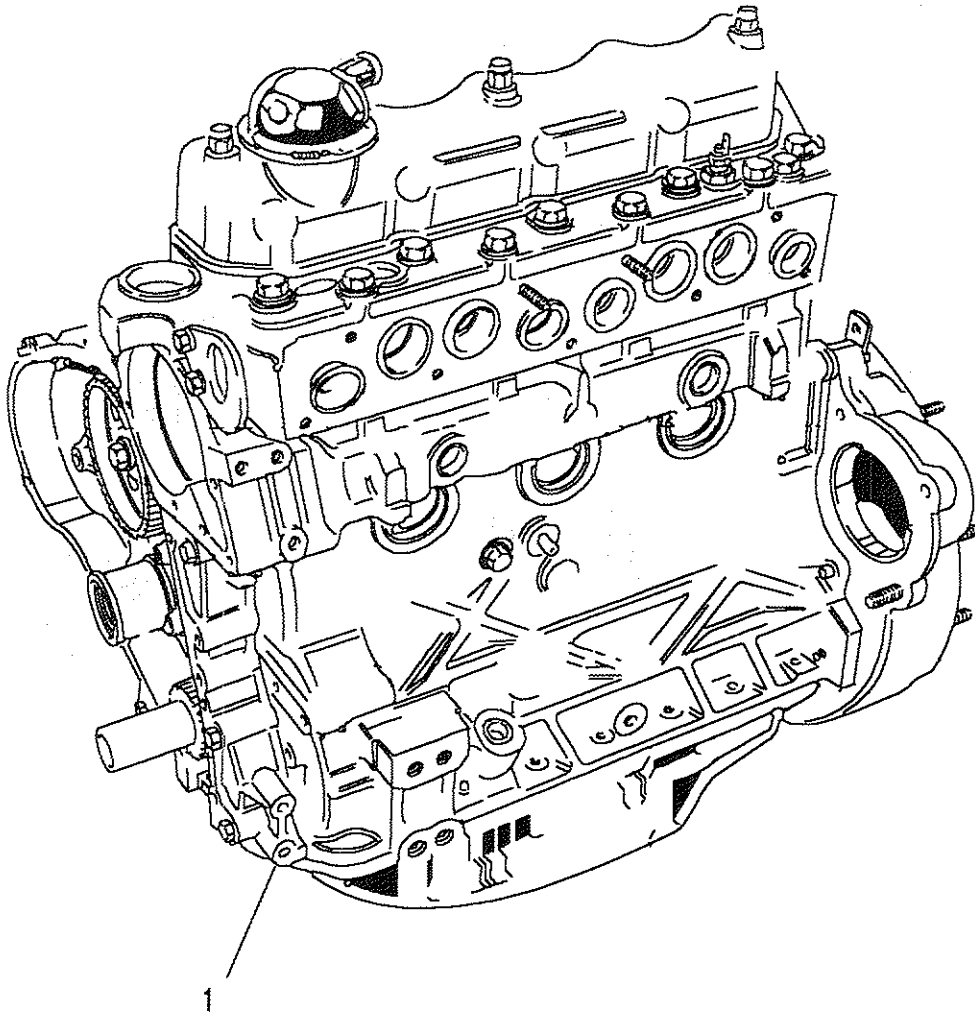
ENGINE

Model DEFENDER 90

Page ADBGAC1A

ENGINE - ENGINE STRIPPED - 2.5 DIESEL

III. Part No.	Description	Qty	Remarks
1 RTC6801N	Engine stripped assy	1	
RTC4059E	Engine stripped-exchange	1	Upto12J43824C
RTC6801R	Engine stripped-recon	1	From12J43825C





DEFENDER 90

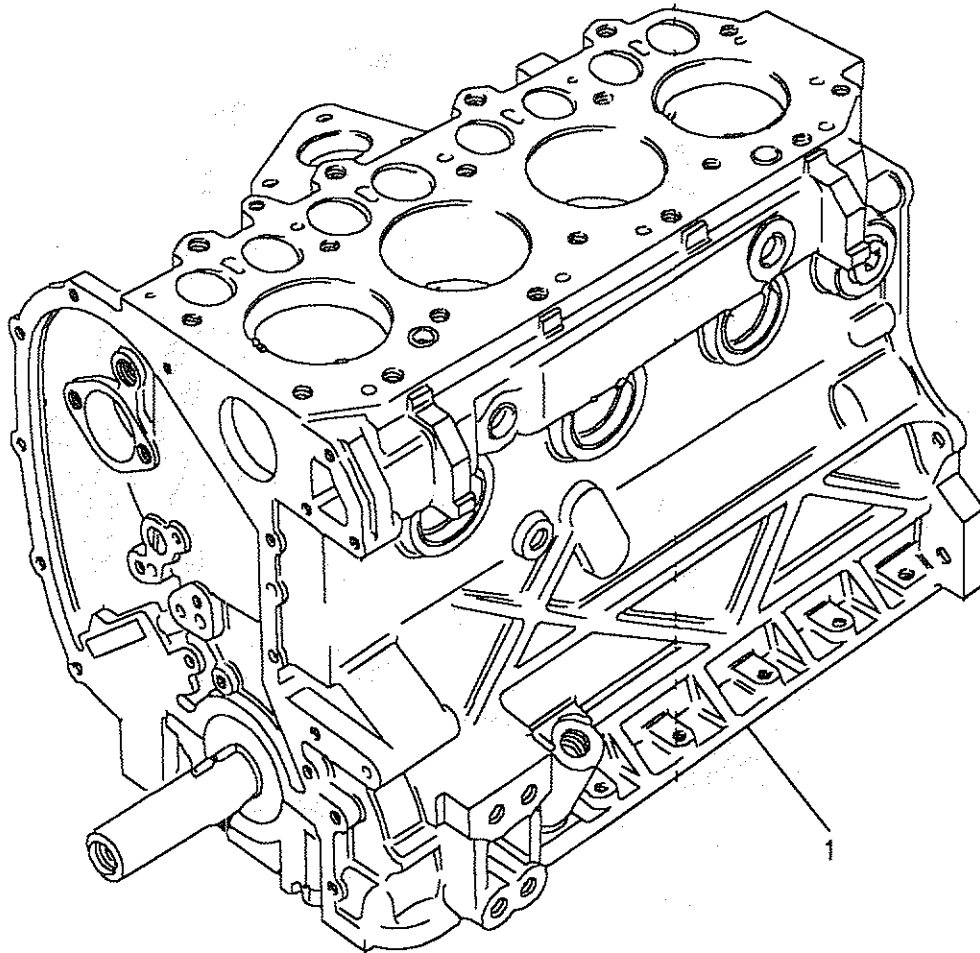
122

ENGINE

Model DEFENDER 90  
Page ADBGAE1A

ENGINE - ENGINE SHORT - 2.5 DIESEL

III. Part No.	Description	Qty	Remarks
1 RTC6794	Engine short assembly	1	





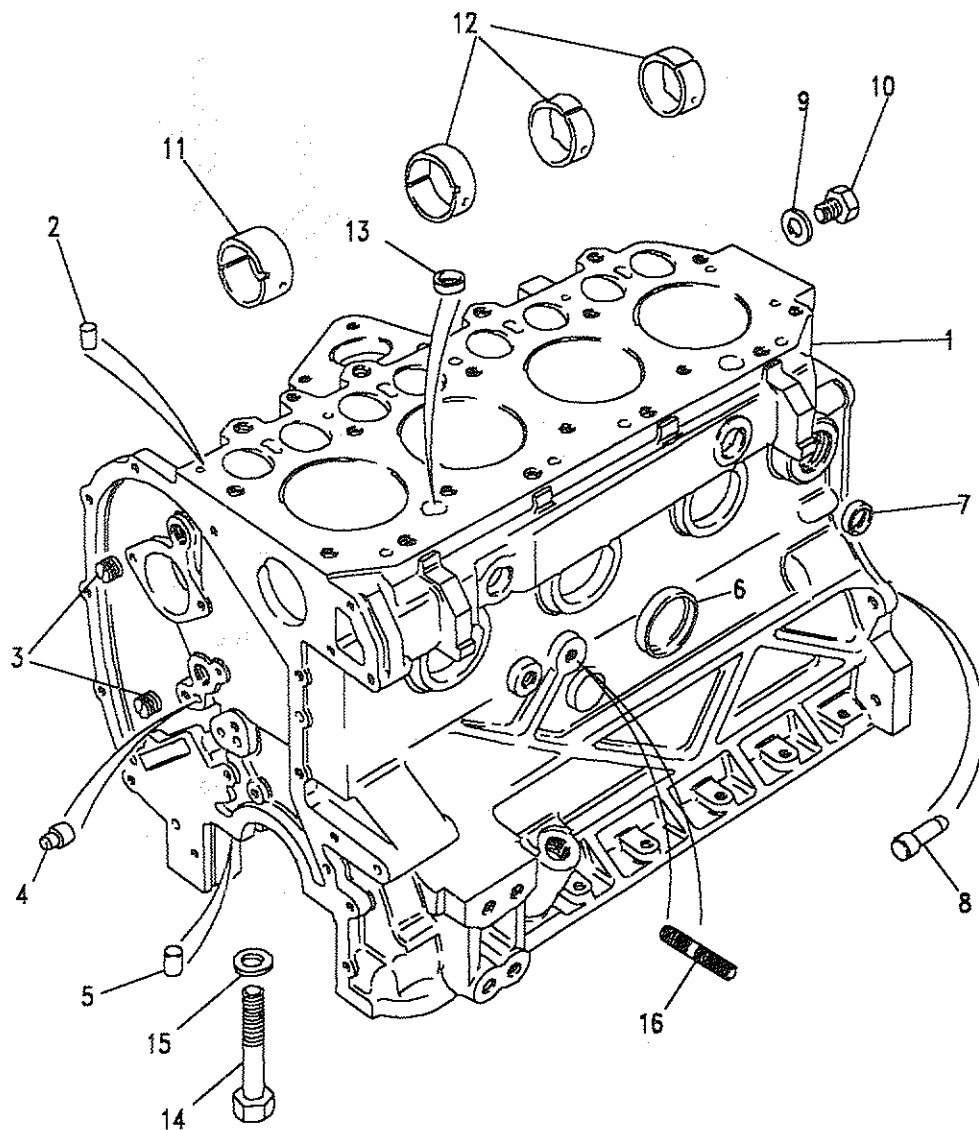
Model DEFENDER 90

Page ADBGBA1A

ENGINE - CYLINDER BLOCK - 2.5 DIESEL

III. Part No.	Description	Qty	Remarks
1	RTC2991	1	Note(1)
2	247965	1	
3	247127	2	
4	ETC4529	1	
5	501593	10	
6	ERC4996	6	
7	597586	3	
8	ERC4644	2	
9	243959	1	
10	536577	2	
11	90519054	1	
12	90519055	3	
13	ERC4995	2	
14	247755	10	
	ETC7596	10	
15	504006	10	
	ERR5034	3	
16	TE108031L	1	

Note(1) This block used up to 12J43824C page 125

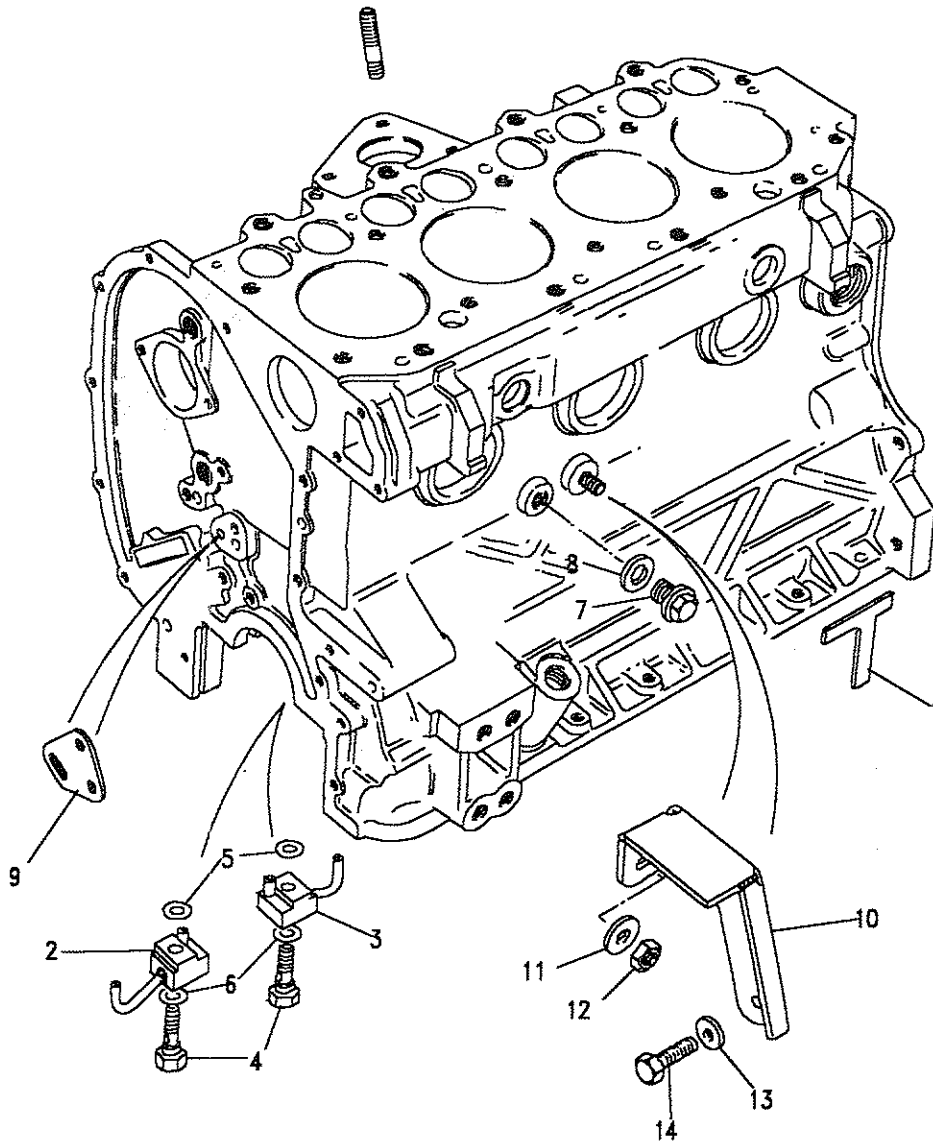




**Model** DEFENDER 90  
**Page** ADBGA2A

**ENGINE - CYLINDER BLOCK - 2.5 DIESEL**

III. Part No.	Description	Qty	Remarks
1	ERC5086	2	Strip packing
2	ETC6531	2	Jet assembly No1&No3 cyl
3	ETC6532	2	Jet assembly No2&No4 cyl
4	ETC5592	4	Valve relief
5	AFU1879L	4	Washer joint
6	AFU1887L	4	Washer joint
7	ERC9410	1	Plug-drain
8	AFU1882L	1	Washer joint-drain plug
9	ERC8864	1	Gasket
10	ETC4697	1	Bracket-starter support
11	WC108051L	1	Washer plain-M8
12	NH108041L	1	Nut-M8
13	WA106041L	2	Washer plain-M6
14	FS106167	2	Screw-M6 X 16mm





DEFENDER 90

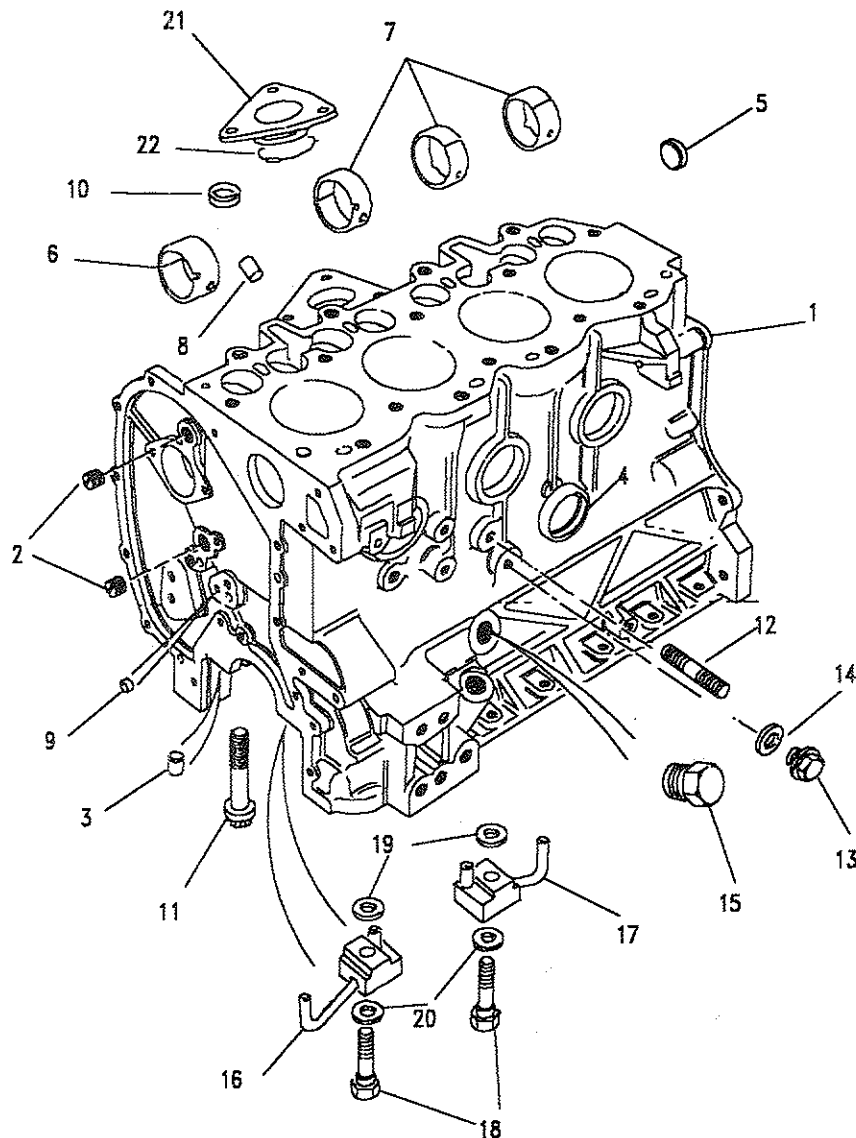
125

ENGINE

125  
DEFENDER 90  
ENGINE

Model DEFENDER 90  
Page ADBGBA3A

ENGINE - CYLINDER BLOCK - 2.5 DIESEL



III. Part No.	Description	Qty	Remarks
1	ERR478	1	Note(1)
2	247127	2	
3	501593	10	
4	ERC4996	6	
5	597586	3	
6	ETC8442	1	
7	90519055	3	
8	ERR5034	3	
9	ETC4529	1	
10	ERC4995	2	
11	ETC8074	10	
12	TE108031L	1	
13	ETC5577	1	
14	213961	1	
15	ETC8362	1	
16	ETC6531	2	
17	ETC6532	2	
18	ETC5592	4	
19	AFU1879L	4	
20	AFU1887L	4	
21	ERR586	1	
22	ERR531	1	
	ERC9188	4	

Note(1) This block used from 12J43825C page 123



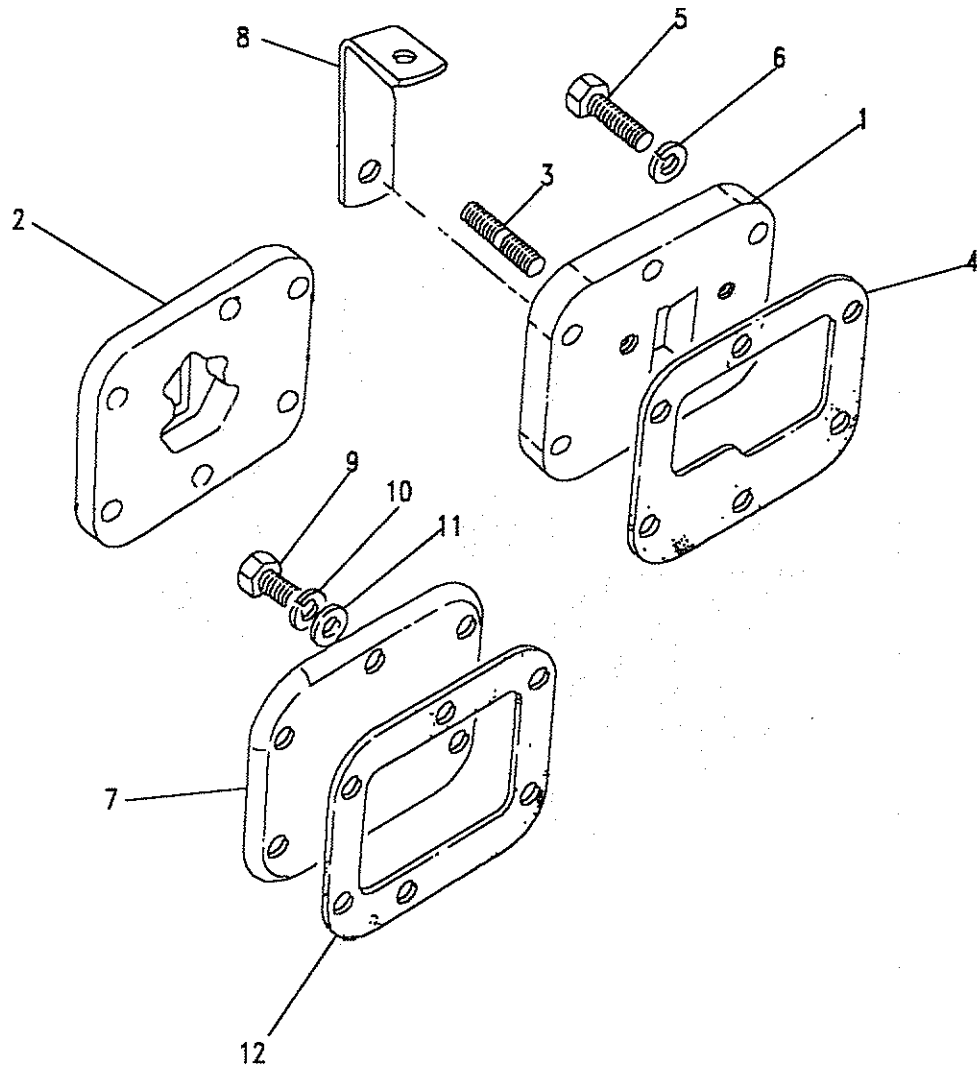


Model DEFENDER 90

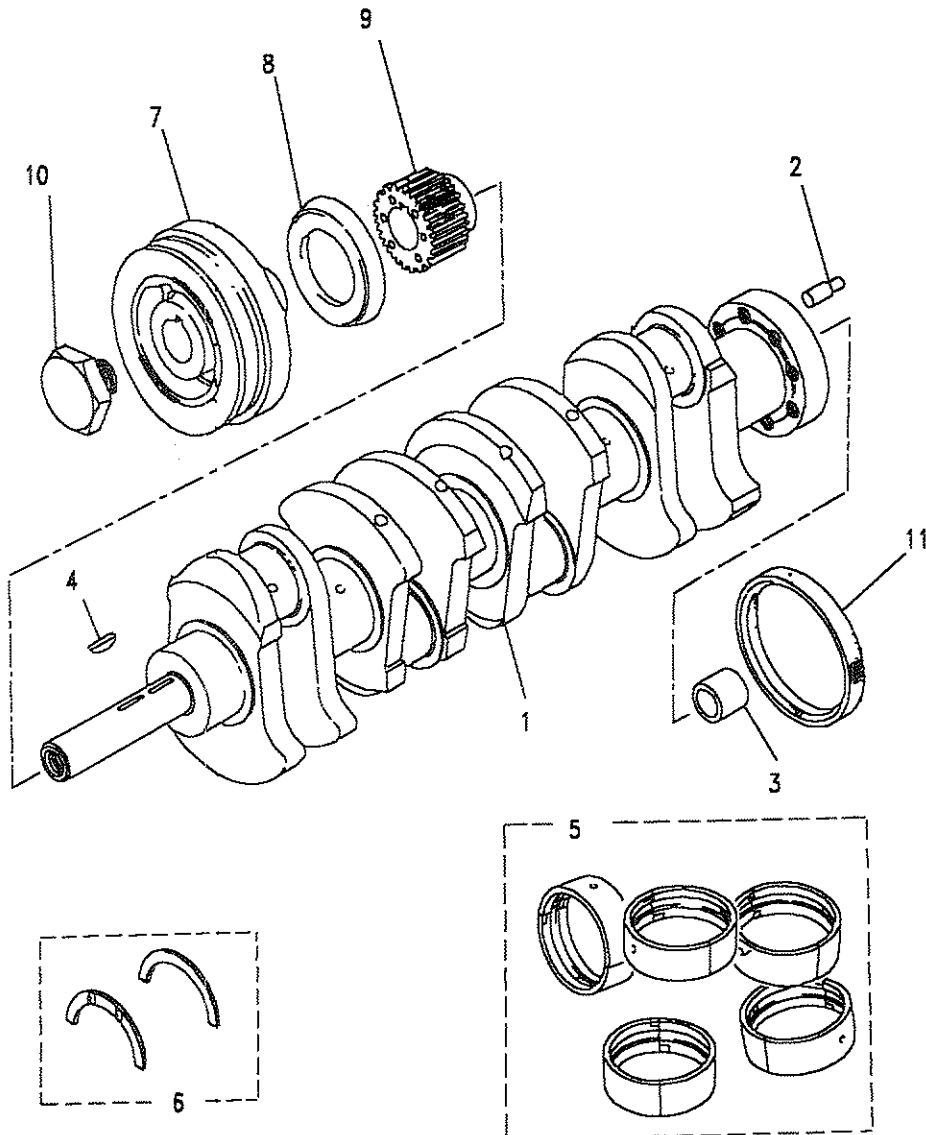
Page ADBGBC1A

ENGINE - SIDE COVER - 2.5 DIESEL

III. Part No.	Description	Qty	Remarks
1	ERC9073	1	Upto12J39054C
2	ETC7929	1	From12J39055C
3	TE108041L	2	Upto12J39054C
4	ERR1475	1	
5	SH108251L	6	
6	WL108001L	6	
7	541010	1	
8	ERC9480	1	
9	FS108201L	3	
	SH108251L	3	
10	WA108051L	3	
11	WL108001L	6	
12	247555	1	
	ERR3605	1	Asbestos free







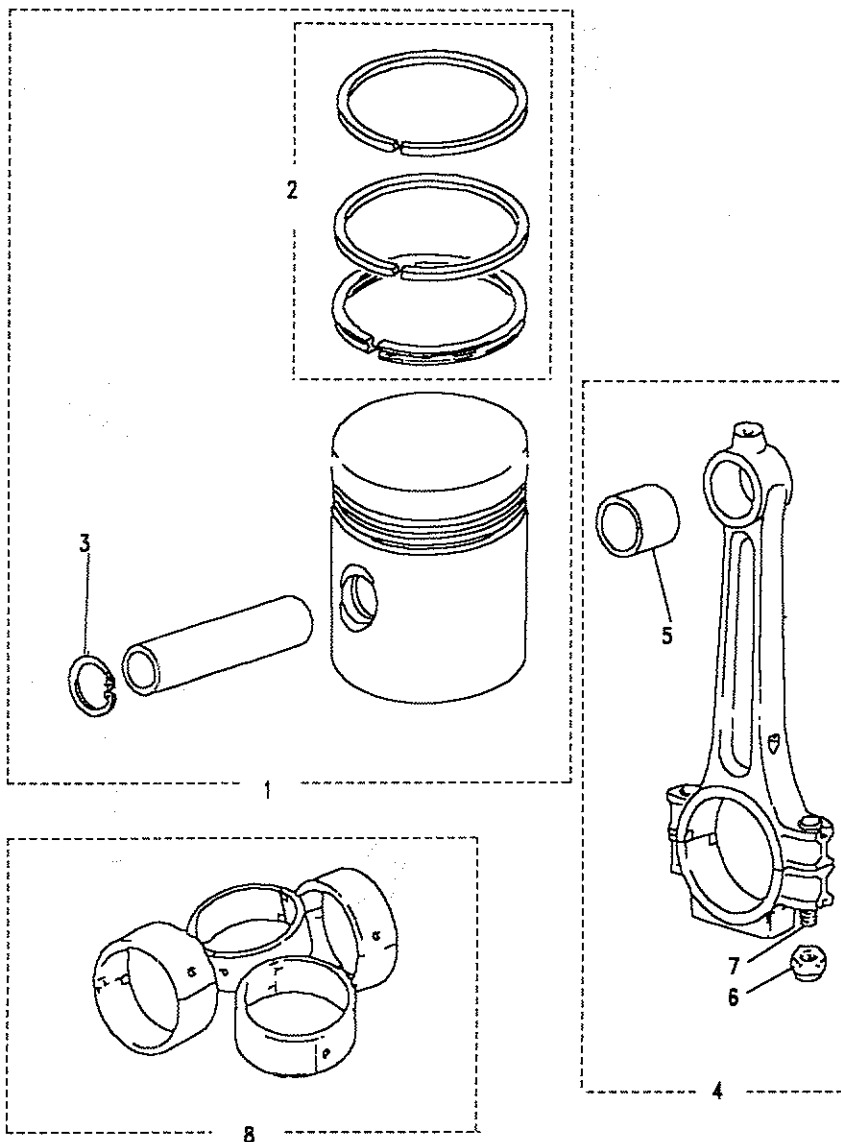
**Model** DEFENDER 90  
**Page** ADBGCA1A

**ENGINE - CRANKSHAFT - 2.5 DIESEL**

III. Part No.	Description	Qty	Remarks
1	ETC8829 Crankshaft	1	UptoAUG1989
	ERR1181 Crankshaft	1	FromAUG1989
2	ERR1630 Dowel	1	
3	8566L Bush	1	
4	235770 Key	2	
5	RTC2992 Kit main bearing-std	1	)Upto12J43824C
	RTC299210 Kit main bearing-010"	1	
	RTC4783 Kit main bearing-std	1	)From12J43825C
	RTC478310 Kit main bearing-010"	1	
6	KIT-THRUST WASHER-PAIRS		
	RTC2825 Standard	A/R	
	538131 0.0025" o/S	A/R	
	538132 0.005" o/S	A/R	
	538134 0.010" o/S	A/R	
7	ETC4077 Damper & pulley assy	1	BASIC
	ETC4105 Damper vibration	1	Note(1)
	ERC6860 Pulley AIR CON	1	
	ERC6859 Pulley AIR CON/P.A.S.	1	
	ERC6861 Pulley P.A.S.	1	
	SH108251L Screw	4	
	WL108001L Washer spring	4	
8	ETC4390 Flinger-T.V. damper	1	
9	ERC9765 Pulley-crankshaft	1	
10	ETC7934 Bolt	1	
	ERR605 Bolt-crankshaft	1	)FromAUG1989
	ERR705 Washer thrust-crankshaft	1	
11	ERR1535 Seal oil	1	

Note(1) Use with appropriate pulley when AIR CON or P.A.S.is fitted





**Model** DEFENDER 90  
**Page** ADBGCC1A

**ENGINE - PISTONS - 2.5 DIESEL**

III. Part No.	Description	Qty	Remarks
1	RTC6442S	4	)Note(1)
	RTC644220	4	
2	RTC3053S	4	)Note(2)
	RTC305320	4	
	RTC305340	4	)Note(3)
	RTC4778S	4	
	RTC477820	4	
3	266945	8	
4	ERR593	4	
5	247583	4	
6	ETC8191	8	
7	ETC7357	8	

**Con Rod Bearing: Engine Set**

8	RTC2993	1	0.010 o/s
	RTC299310	1	
	ERC9188	4	

Note(1) Pistons are HEPWORTH/GRANDIDGE  
 Note(2) RTC3053 only to be used on GKN pistons  
 Note(3) RTC4778 only to be used on HEPWORTH/GRANDIDGE pistons

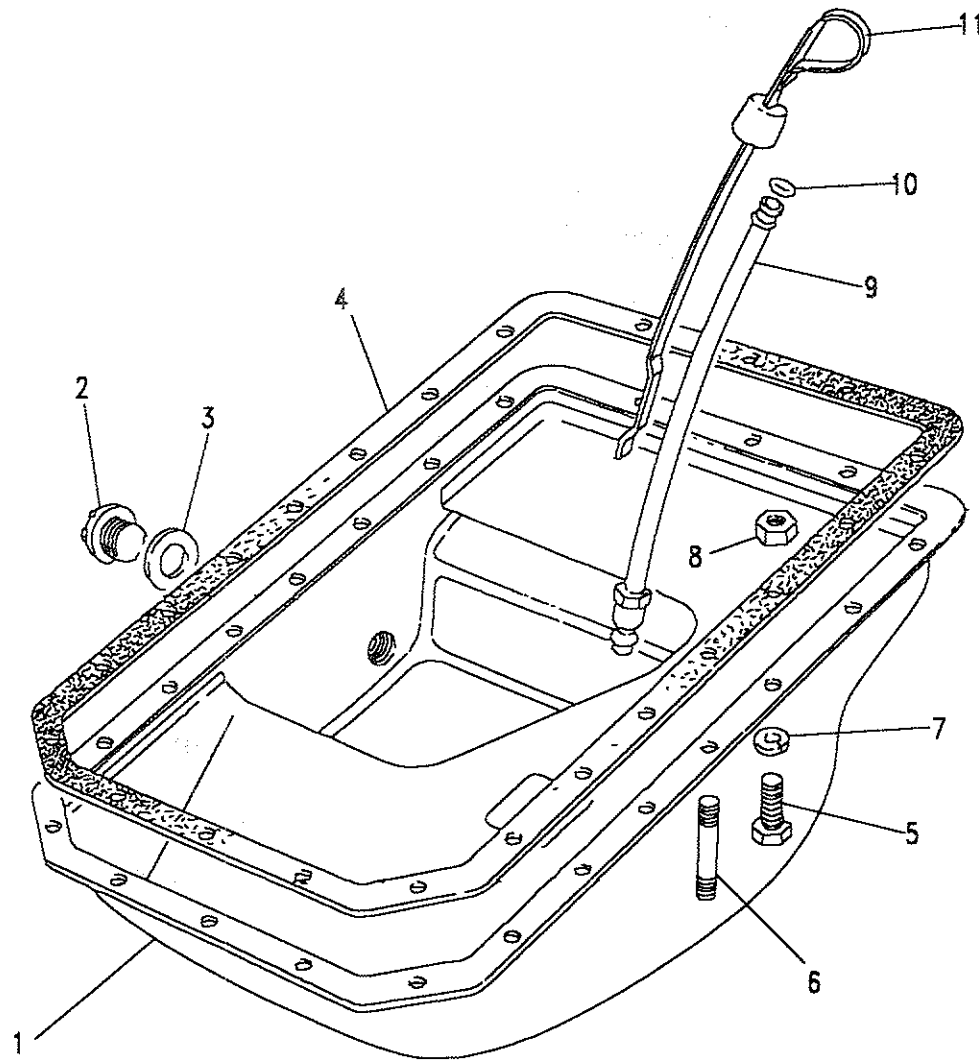


Model DEFENDER 90  
Page ADBGDA1A

ENGINE - SUMP - 2.5 DIESEL

III. Part No.	Description	Qty	Remarks
1	RTC4841	1	Sump assembly
	ERR4716	1	Sump
2	599552	1	Plug drain
3	FRC4808	1	Washer joint
4	546841	1	Washer joint
5	SH108161L	21	Screw
6	TE108031L	1	Stud
7	WL108001L	22	Washer spring
8	NH108041L	1	Nut
9	ERC8980	1	Tube-dipstick
10	532387	1	Ring sealing
11	ETC7867	1	Dipstick
	SH108251L	21	Screw
	TE108041L	1	Stud

Note(1) Use with earlier sump with stiffeners around sump flange

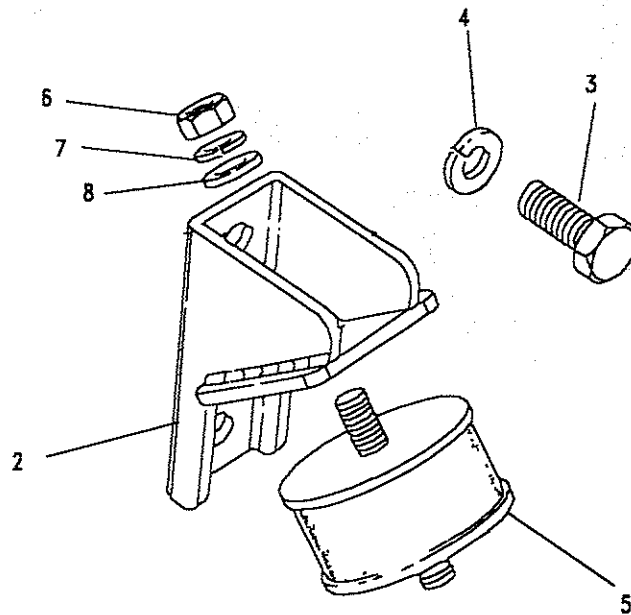
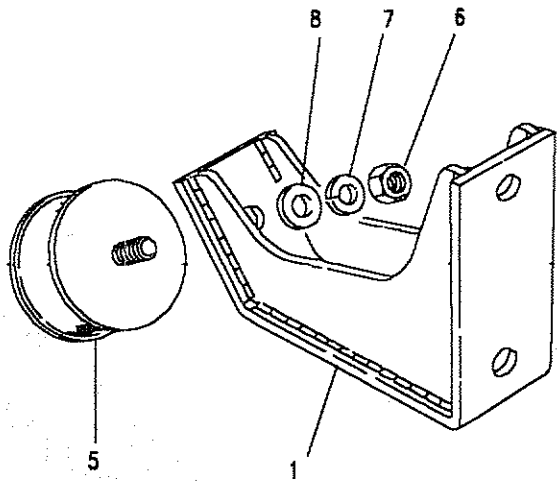




**Model** DEFENDER 90  
**Page** ADBGDC1A

**ENGINE - MOUNTINGS - 2.5 DIESEL**

Ill. Part No.	Description	Qty	Remarks
1	NRC5434	1	Mounting foot-RH
2	NRC9557	1	Mounting foot-LH
3	SH112251L	4	Screw-foot to block
4	WL112001L	4	Washer-foot to block
5	ANR1808	1	Mounting rubber
6	NH110041L	4	Nut-rubber to foot
7	WC110061L	2	Washer-rubber to foot
8	WL110001L	4	Washer-rubber to foot



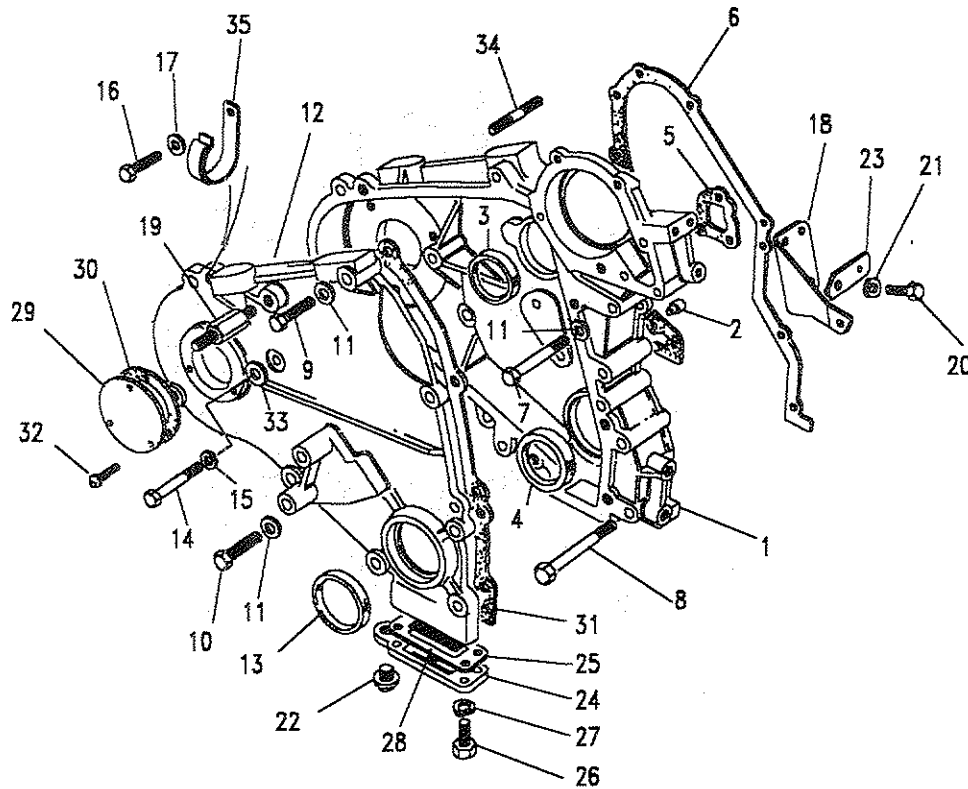


Model DEFENDER 90

Page ADBGEA1A

ENGINE - FRONT COVER - 2.5 DIESEL

III. Part No.	Description	Qty	Remarks
1	ETC4421	1	NON AIR CON
	ETC5672	1	AIR CON
2	6395L	4	
3	ETC5064	1	
4	ETC5065	1	
5	538038	1	
	ERR1607	1	Asbestos free
6	538039	1	
7	FB108111L	1	
8	FB108121L	4	
9	BH108201L	1	
10	BH108251L	2	
11	WA108051L	8	
12	ETC4422	1	NON AIR CON
	ETC5675	1	AIR CON
13	ETC4154	1	
14	BH108131L	1	
15	WA108051L	1	
16	SH108251L	7	
17	WA108051L	7	
18	ERC6479	1	
19	ETC4996	1	
20	FS108201L	3	
21	WL108001L	3	
22	ERC7295	1	
23	RTC3772	1	

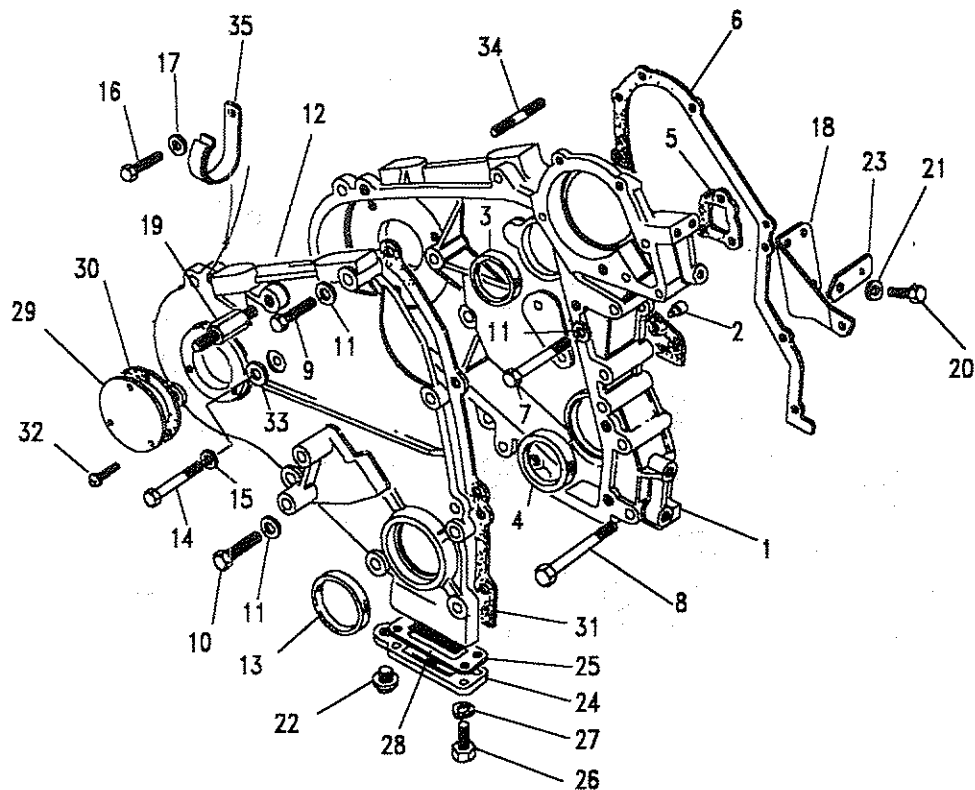




**Model** DEFENDER 90  
**Page** ADBGEA1A

**ENGINE - FRONT COVER - 2.5 DIESEL**

III. Part No.	Description	Qty	Remarks
24	ETC4058	1	Plate drain
25	ETC4122	1	Gasket
	ERR3615	1	Gasket
26	FS106207	4	Screw m6 x 20
27	WA106041L	4	Washer plate to cover
28	ETC4063	1	Strainer
29	ERC9199	1	Cover plate
30	ERC9201	1	Gasket
	ERR3614	1	Gasket
31	ETC4420	1	Gasket
	ERR3616	1	Gasket
32	SE106121L	3	Screw
33	ETC4124	1	Gasket
	ERR3604	1	Gasket
34	ETC4873	3	Stud DPS to front cover
35	ETC4630	1	Bracket mounting



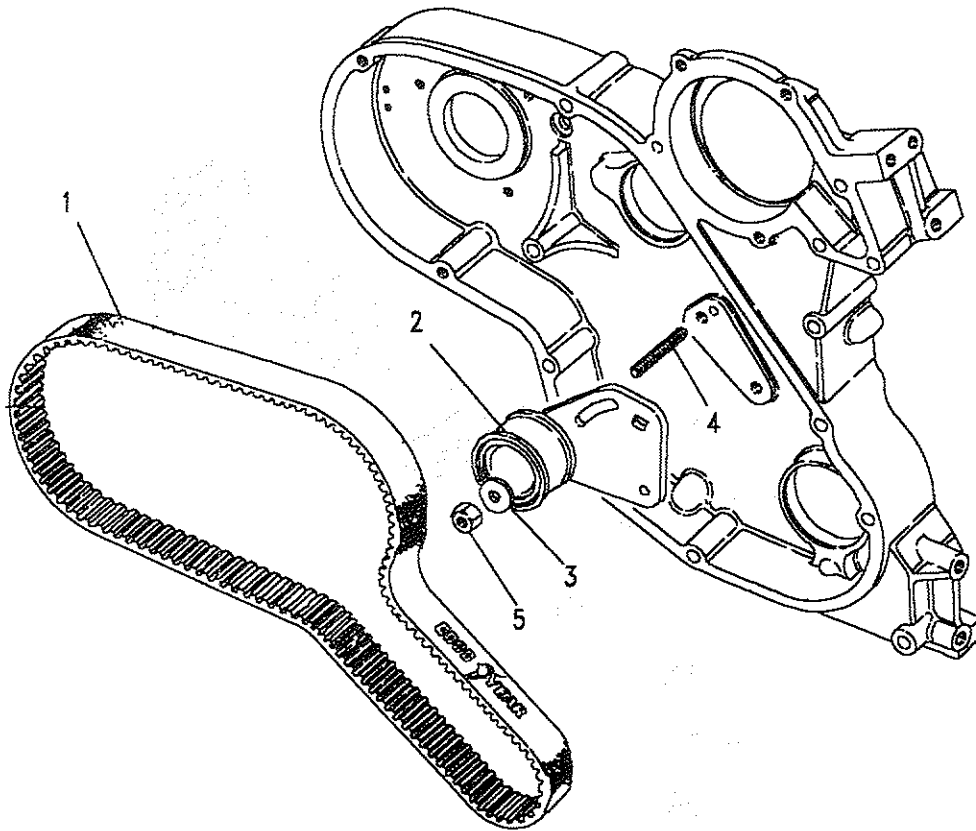


*Handwritten notes*

Model DEFENDER 90  
Page ADBGEC1A

ENGINE - TIMING BELT - 2.5 DIESEL

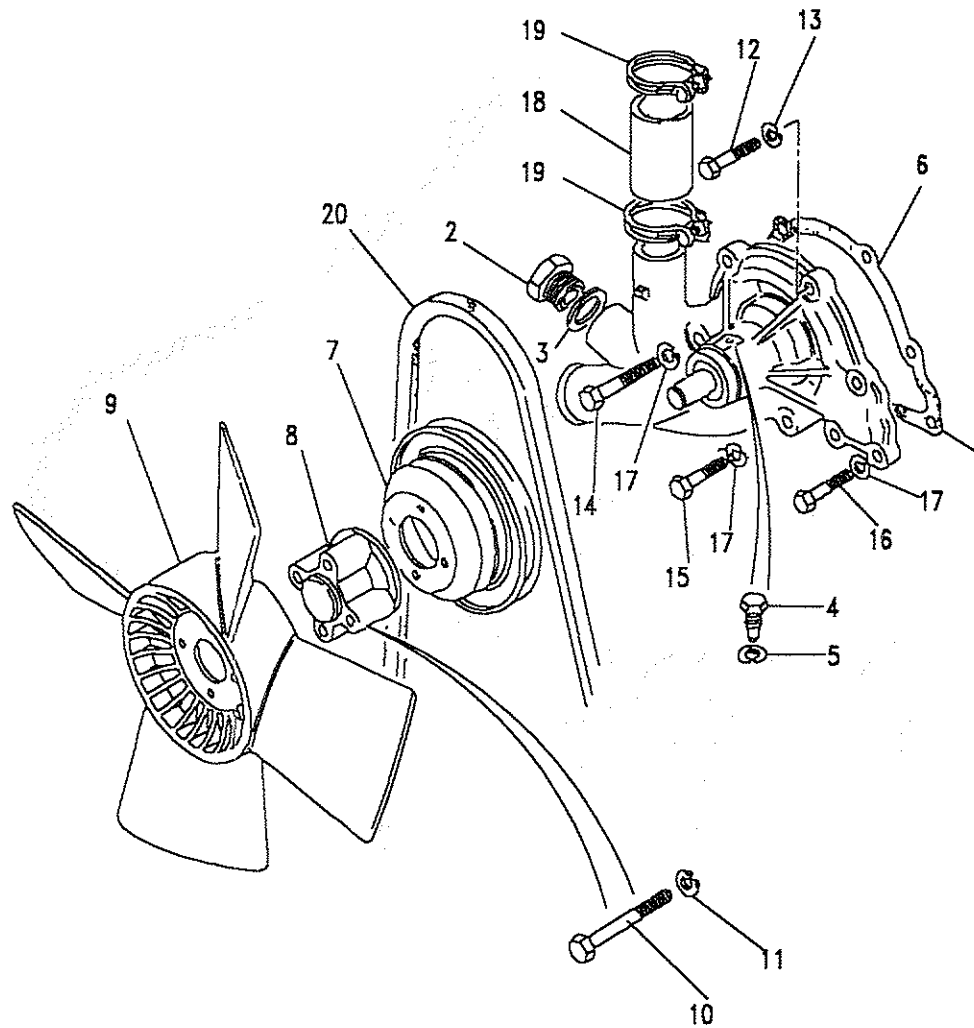
III. Part No.	Description	Qty	Remarks
1 ETC7333	Belt timing	1	
2 ERC8861	Tensioner assembly	1	
3 4594L	Washer	2	
4 TE108061L	Stud	2	
5 NY108041L	Nut	2	



Model DEFENDER 90  
Page ADBGEE1A

ENGINE - WATER PUMP - 2.5 DIESEL - BASIC

Ill. Part No.	Description	Qty	Remarks
1	RTC6331	1	Pump water assembly
2	ERC7312	1	Plug
3	232046	1	Washer Joint
4	ERC5600	1	Bolt special
5	WL106001L	1	Washer spring
6	ERC5655	1	Gasket
7	ERC5578	1	Pulley
8	ERC7489	1	Spacer fan to pump
9	ERC5545	1	Fan assembly
10	FB108111L	4	Bolt
11	WL108001L	4	Washer spring
12	FB108061	3	Bolt pump to cover
13	WL108001L	3	Washer spring
14	BH108151L	1	Bolt pump to block
15	BH108161L	2	Bolt pump to block
16	BH108171L	1	Bolt pump to block
17	WL108001L	4	Washer spring
18	ERC5654	1	Hose by pass water outlet
19	CN100408L	2	Clip hose
20	563132	1	Belt fan

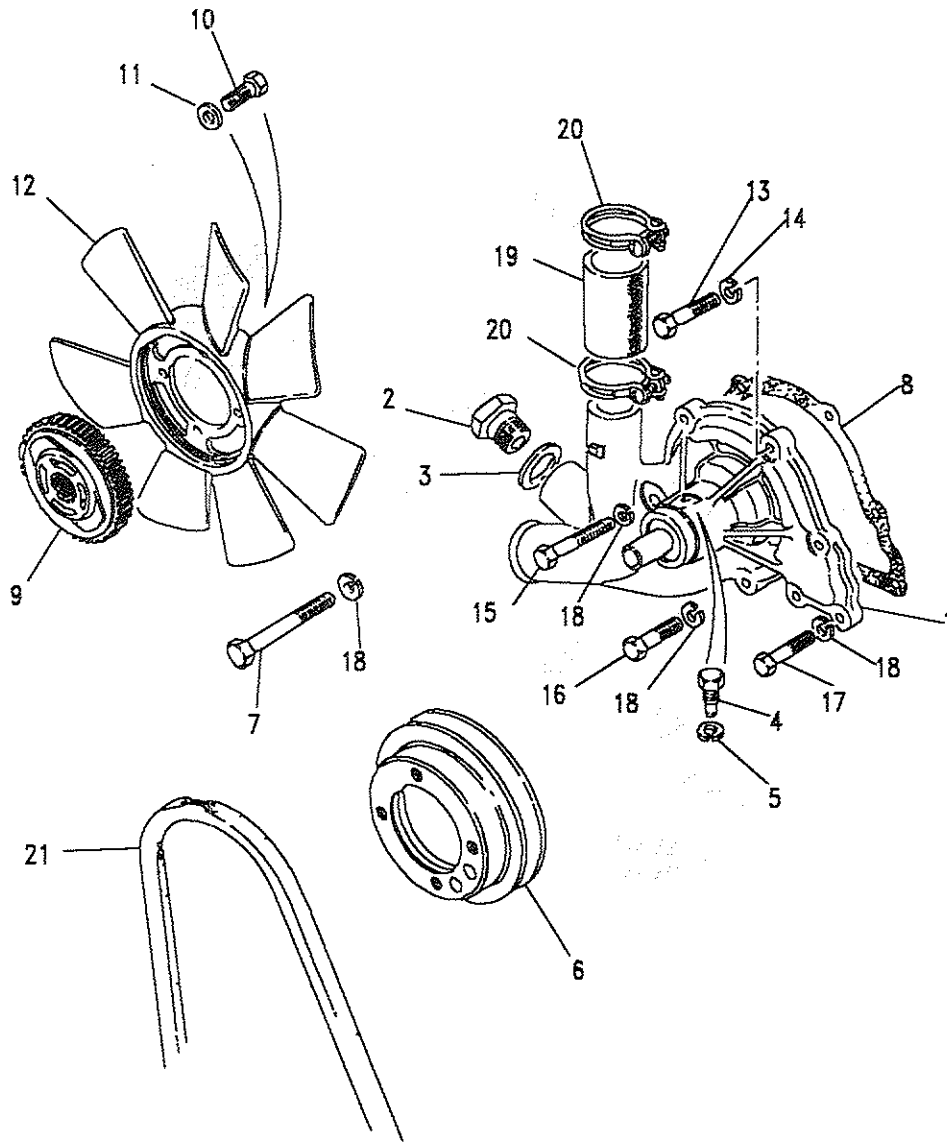






Model DEFENDER 90  
Page ADBGEE2A

ENGINE - WATER PUMP - 2.5 DIESEL - AIR CON



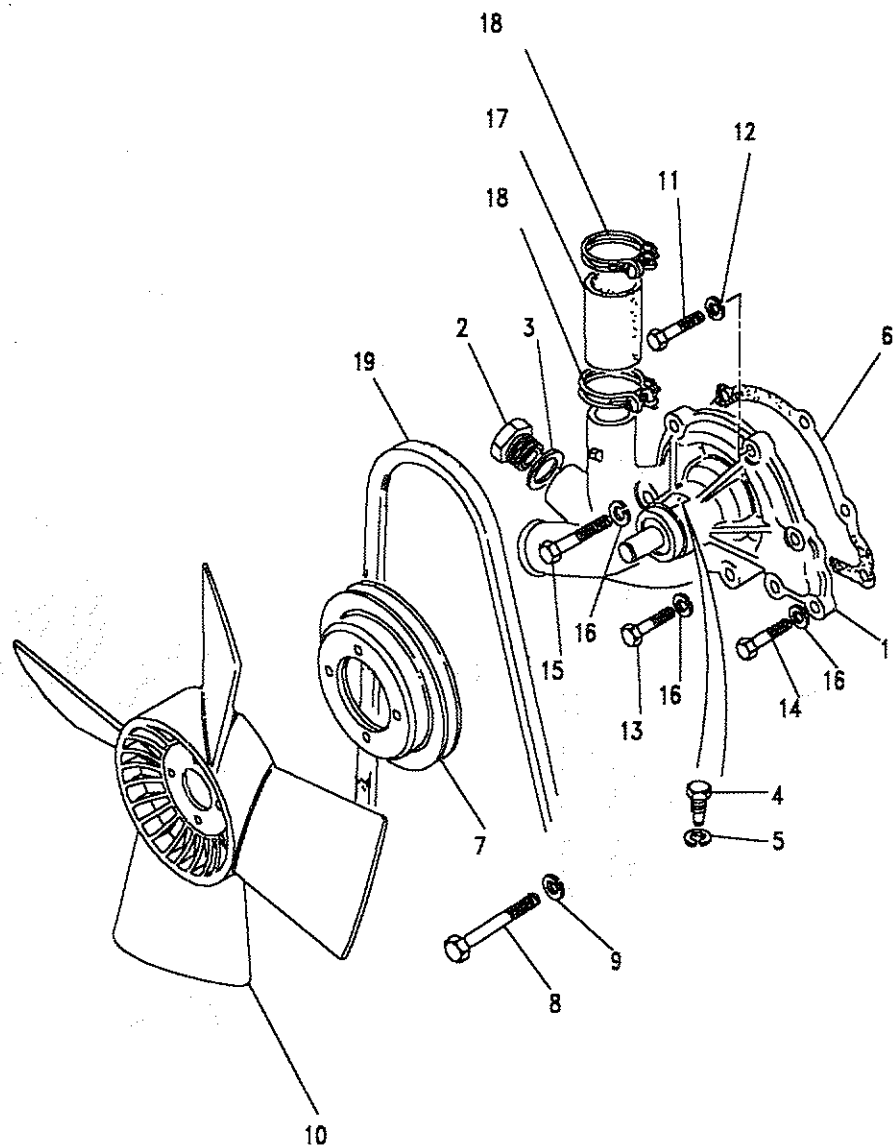
Ill. Part No.	Description	Qty	Remarks
1	RTC6332	1	Pump water assembly
2	ERC7312	1	Plug
3	232046	1	Washer joint
4	ERC5600	1	Bolt special
5	WL106001L	1	Washer spring
6	ETC4457	1	Pulley
7	BH106051L	4	Bolt pulley to hub
8	ERC5655	1	Gasket
9	ERC5708	1	Viscous unit
10	ERC5709	4	Bolt viscous unit
11	4589L	4	Washer viscous unit
12	ERC7834	1	Fan
13	FB108061	3	Bolt pump to cover
14	WL108001L	3	Washer spring
15	BH108151L	1	Bolt pump to cover
16	BH108161L	2	Bolt pump to cover
17	BH108171L	1	Bolt pump to cover
18	WL108001L	8	Washer spring
19	ERC5654	1	Hose by pass water outlet
20	CN100408L	2	Clip hose
21	ERC6504	1	Belt fan





**Model** DEFENDER 90  
**Page** ADBGEE3A

**ENGINE - WATER PUMP - 2.5 DIESEL - 65AMP ALTERNATOR**

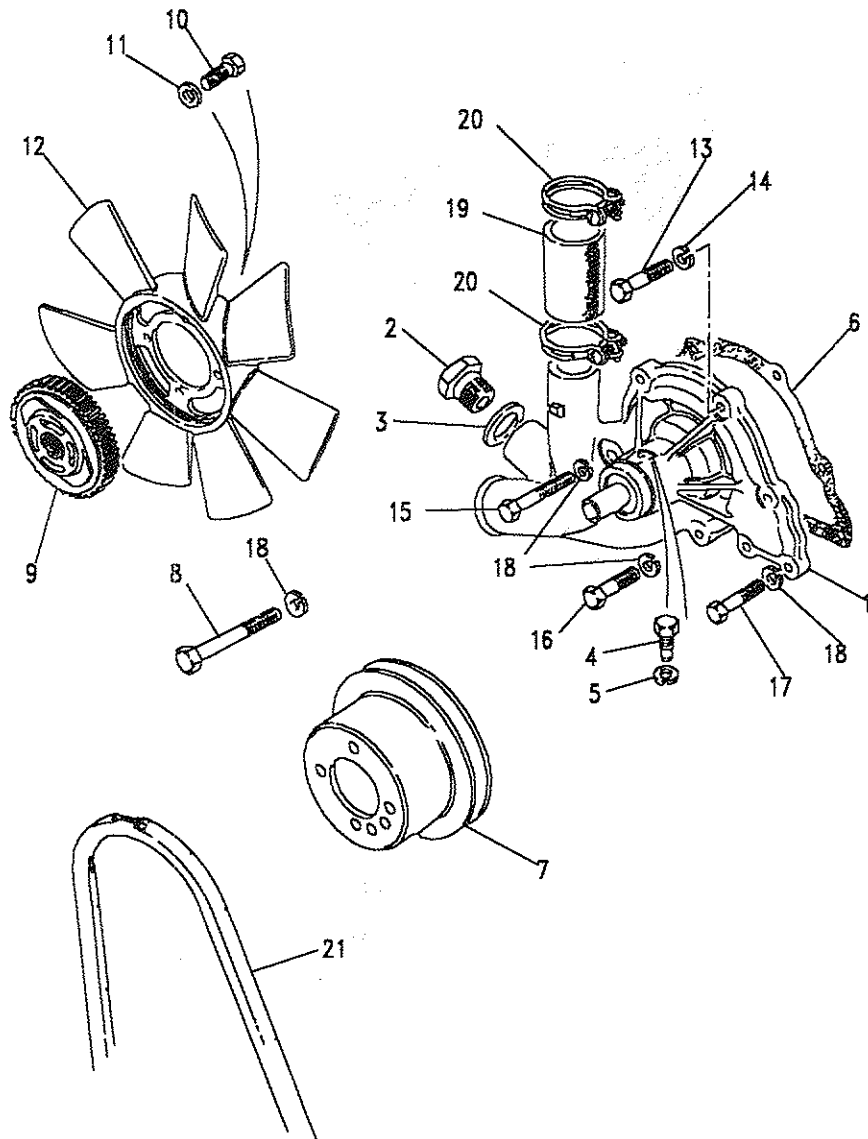


III. Part No.	Description	Qty	Remarks
1	RTC6331	1	Pump water assembly
2	ERC7312	1	Plug water pump
3	232046	1	Washer joint
4	ERC5600	1	Bolt special
5	WL106001L	1	Washer spring
6	ERC5655	1	Gasket
7	ETC4650	1	Pulley
8	BH106051L	4	Bolt pulley to hub
9	WL106001L	4	Washer spring
10	ERC5545	1	Fan
11	FB108061	3	Bolt pump to cover
12	WL108001L	3	Washer spring
13	BH108151L	1	Bolt pump to cover
14	BH108161L	2	Bolt pump to cover
15	BH108171L	1	Bolt pump to cover
16	WL108001L	4	Washer spring
17	ERC5654	1	Hose by pass pipe
18	CN100408L	2	Clip hose
19	ERC6504	1	Belt fan



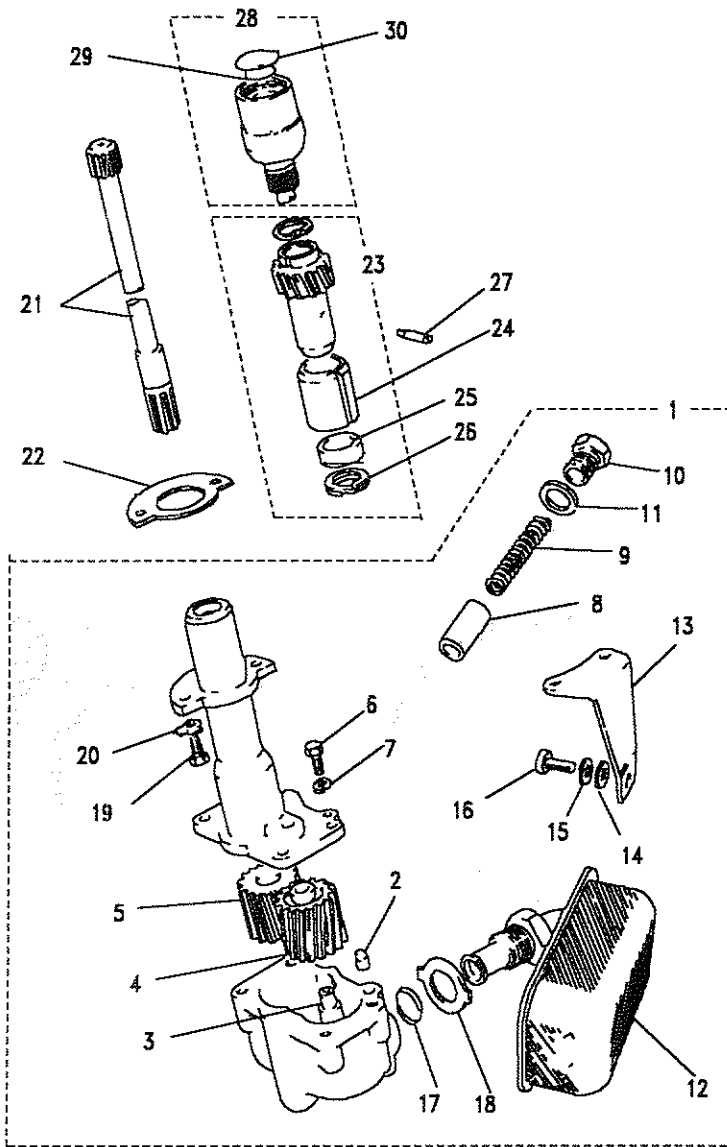
Model DEFENDER 90  
Page ADBGEE4A

ENGINE - WATER PUMP - 2.5 DIESEL - NOISE REDUCTION PACKAGE



III. Part No.	Description	Qty	Remarks
1	RTC6332	1	Pump water assembly
2	ERC7312	1	Plug water pump
3	232046	1	Washer joint
4	ERC5600	1	Bolt special
5	WL106001L	1	Washer spring
6	ERC5655	1	Gasket
7	ETC4785	1	Pulley
8	BH106051L	4	Bolt pulley to hub
9	ERC5708	1	Viscous unit
10	ERC5709	4	Bolt viscous unit
11	4589L	4	Washer viscous unit
12	ERC7834	1	Fan
13	FB108061	3	Bolt pump to cover
14	WL108001L	3	Washer spring
15	BH108151L	1	Bolt pump to cover
16	BH108161L	2	Bolt pump to cover
17	BH108171L	1	Bolt pump to cover
18	WL108001L	8	Washer spring
19	ERC5654	1	Hose by pass
20	CN100408L	2	Clip hose
21	ERC6886	1	Belt fan

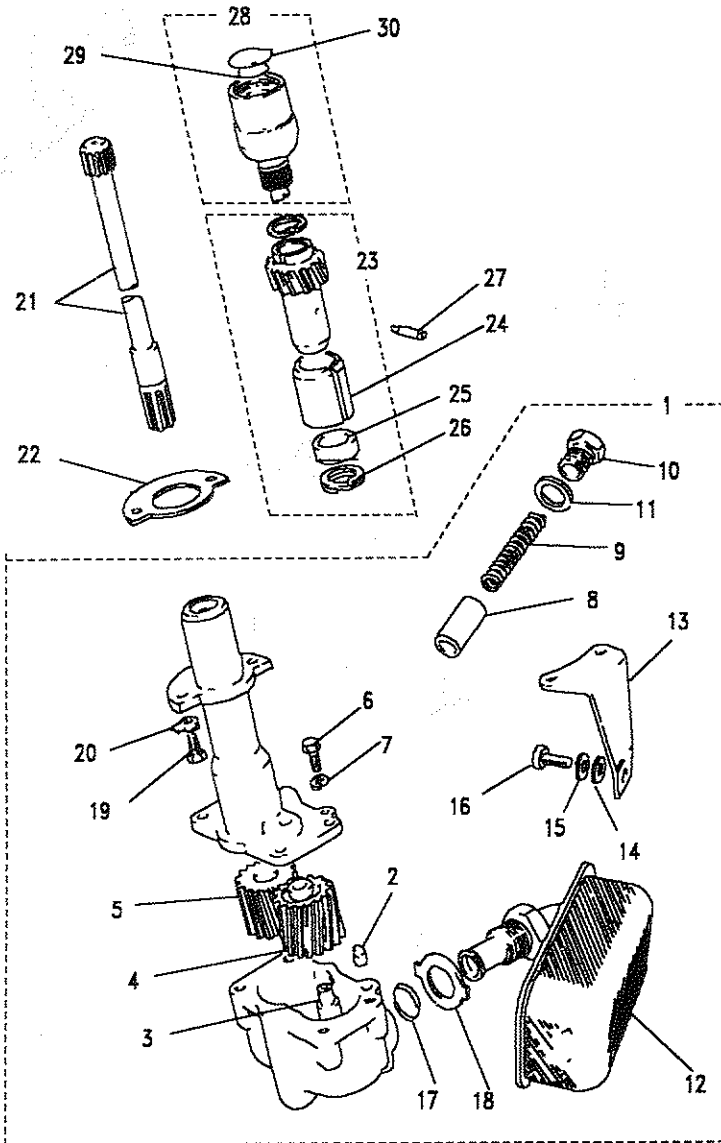




**Model** DEFENDER 90  
**Page** ADBGFA1A

**ENGINE - OIL PUMP - 2.5 DIESEL**

III. Part No.	Description	Qty	Remarks
1	ERR1117	1	Pump oil assembly
2	236257	2	Dowel
3	ERR1063	1	Spindle idler wheel
4	ERR1088	1	Idler wheel assembly
5	ERC9706	1	Drive wheel
6	FS108201	4	Screw
7	WL108001L	4	Washer spring
8	ETC4880	1	Plunger oil relief
9	564456	1	Spring oil relief
10	564455	1	Plug oil relief
11	232044	1	Washer joint
12	ERC7530	1	Filter
13	ERC7940	1	Bracket support
14	WA108051L	1	Washer
15	WL108001L	1	Washer spring
16	FS108201	1	Screw



Model DEFENDER 90

Page ADBGFA1A

ENGINE - OIL PUMP - 2.5 DIESEL

III. Part No.	Description	Qty	Remarks
17 244488	'O' ring	1	
18 244487	Lock washer	1	
19 SH108251L	Screw	2	
20 247665	Lock washer	2	
21 ERR850	Shaft drive	1	
22 ERC8408	Gasket	1	
ERR3606	Gasket	1	Asbestos free
23 ETC6139	Gear bush assembly	1	Note(1)
24 522745	Bush	1	
25 ETC6137	Washer thrust	1	
26 ETC6138	Ring locking	1	
27 ETC6142	Screw locating shaft	1	
28 ETC4706	Coupling	1	
29 RTC6167	O ring inner	1	
30 RTC6168	O ring outer	1	

Note(1) Remove plug before assembly DRIVE SHAFT & COUPLING

Handwritten note: *Remove plug before assembly*

Handwritten note: *Remove plug before assembly*

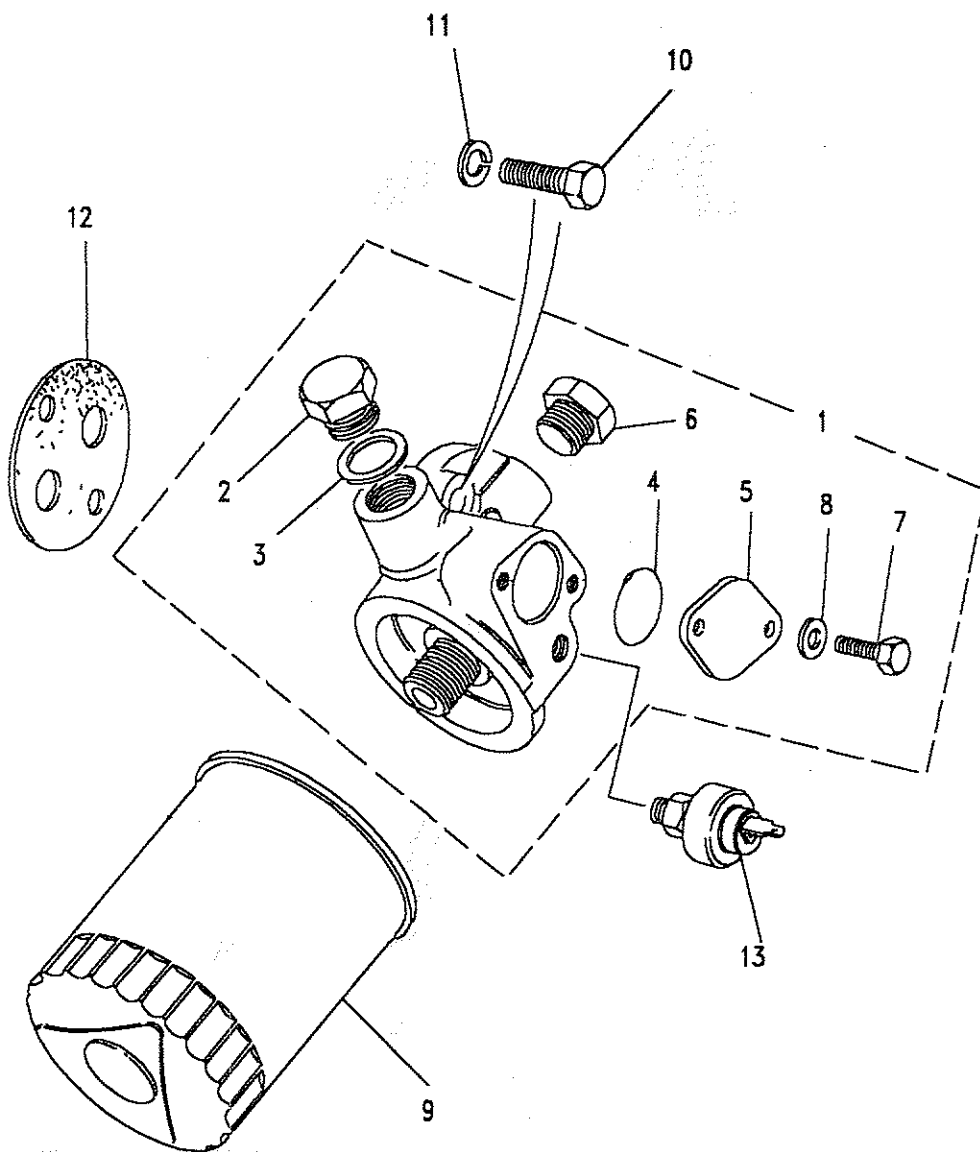


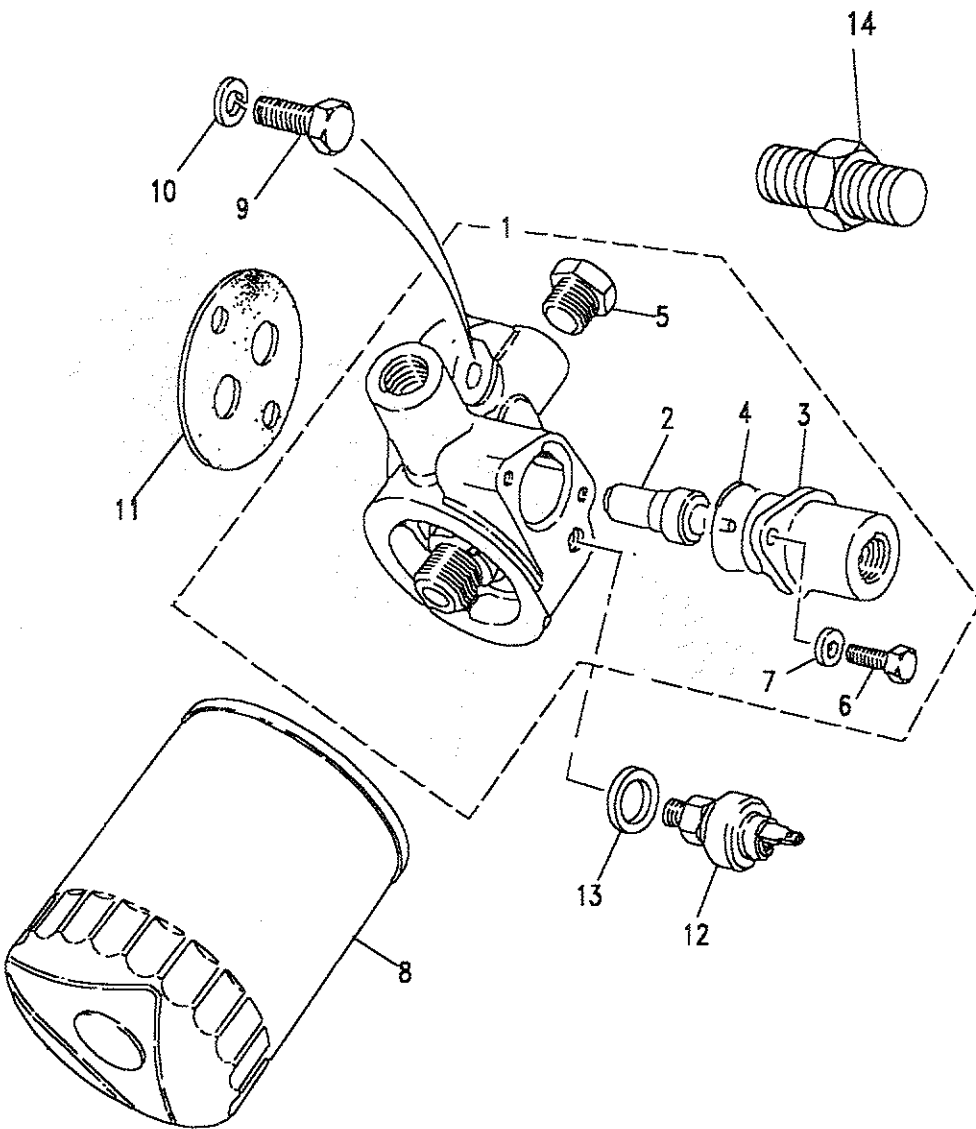
**Model** DEFENDER 90  
**Page** ADBGFA2A

**ENGINE - OIL FILTER - 2.5 DIESEL**

III. Part No.	Description	Qty	Remarks
1	ETC5347	1	Note(1)
2	RTC6851	1	
3	213961	1	
4	ERC5913	1	
5	ERC9884	1	
6	ETC4021	1	
7	SH106141L	2	
8	WA106041L	2	
9	ERR3340	1	
10	SH110301L	2	
11	WL110001L	2	
12	ETC7582	1	
	ERR4934	1	Asbestos free
13	PRC6387	1	
	PRC4043	1	)
	ETC4033	1	)Optional
	ETC4034	1	)
	PRC4372	1	)

Note(1) ETC5347 is interchangeable with ETC6519(includes filter)





**Model** DEFENDER 90  
**Page** ADBGFA3A

**ENGINE - OIL FILTER - 2.5 DIESEL WITH OIL COOLER**

III. Part No.	Description	Qty	Remarks	
1	ERR1347	1	Adaptor oil assembly	
2	ERC5923	1	Bulb thermostat	
3	ETC4022	1	Adaptor	
4	ERC5913	1	O ring	
5	ETC4021	1	Plug	
6	SH106141L	2	Screw	
7	WA106041L	2	Washer	
8	ERR3340	1	Element oil filter	
9	SH110301L	2	Screw filter to block	
10	WL110001L	2	Washer filter to block	
11	ETC7582	1	Gasket oil filter	
	ERR4934	1	Gasket oil filter	Asbestos free
12	PRC6387	1	Switch oil pressure	
13	232039	1	Washer joint switch	
14	NRC8618	1	Coupling	
	PRC4043	1	Transmitter oil pressure	)
	ETC4033	1	Adaptor oil pressure	) Optional
	ETC4034	1	Banjo oil pressure switch	)
	PRC4372	1	Transmitter temperature	)

Model DEFENDER 90

Page ADBGGA1A

ENGINE - CYLINDER HEAD - 2.5 DIESEL

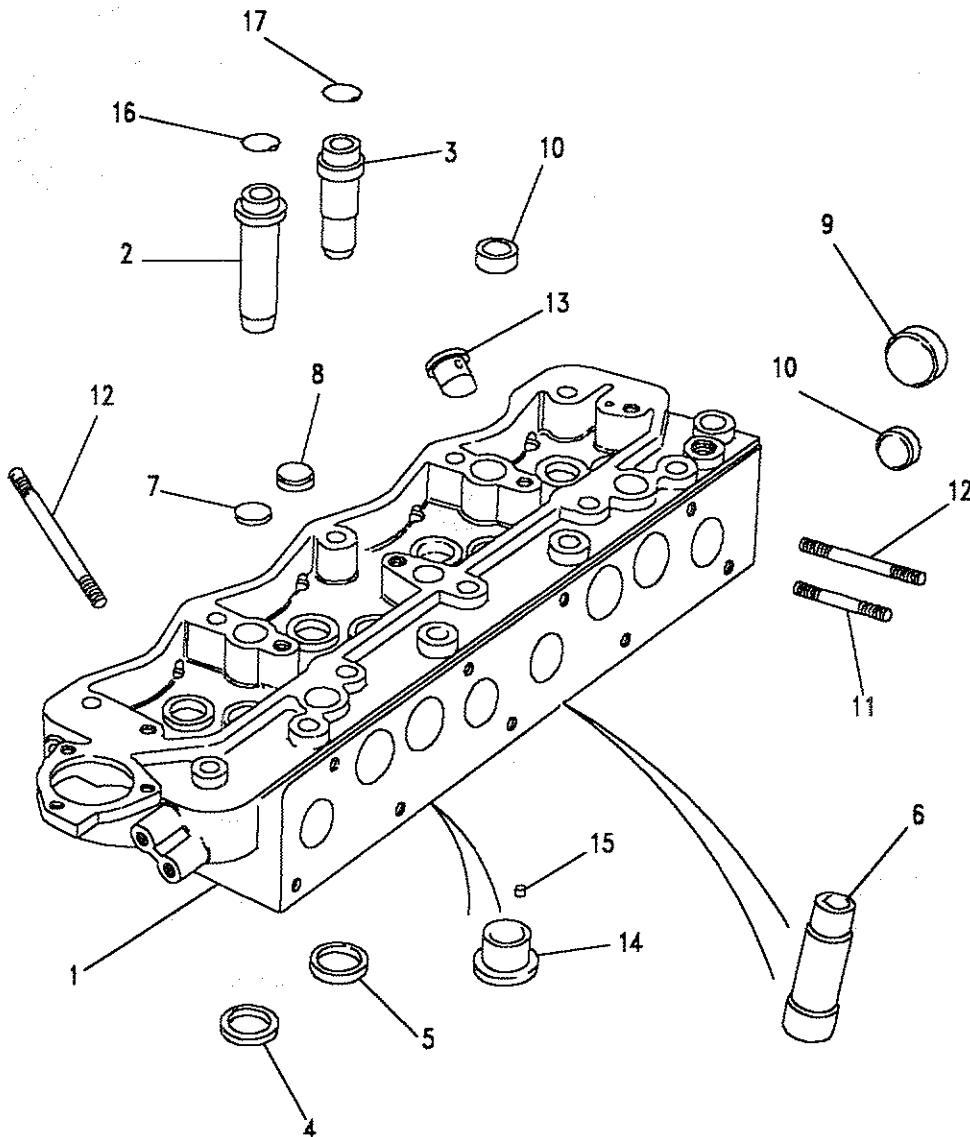
III. Part No.

Description

Qty Remarks

1	ETC4649	Cylinder head assembly	1	UptoAPRIL1989
	STC803	Cylinder head assembly	1	FromAPRIL1989
2	568688	Guide valve inlet	4	
	ERR2861	Guide valve inlet	4	Note(1)
3	568689	Guide valve exhaust	4	
	ERR2860	Guide valve exhaust	4	Note(1)
4	ERC9631	Insert valve seat exh	4	
	ERR3081	Insert valve seat exh	4	Note(1)
5	ETC4643	Insert valve seat inlet	4	
	ERR3082	Insert valve seat inlet	4	Note(1)
6	ERC8663	Tube push rod	8	
7	250830	Plug welch	2	
8	525497	Plug cup	9	
9	524765	Plug cup	1	
10	602289	Plug cup	2	
11	TE108051L	Stud manifold fixing	5	
12	TE108071L	Stud	12	
13	ERC9501	Shroud injector	4	
14	ETC8620	Hot plug	4	
15	PA105101L	Peg locating hot plug	4	
16	ERR1510	Seal inlet valve	4	
17	ETC4751	Seal exhaust valve	4	

Note(1) From engine 17H26287A

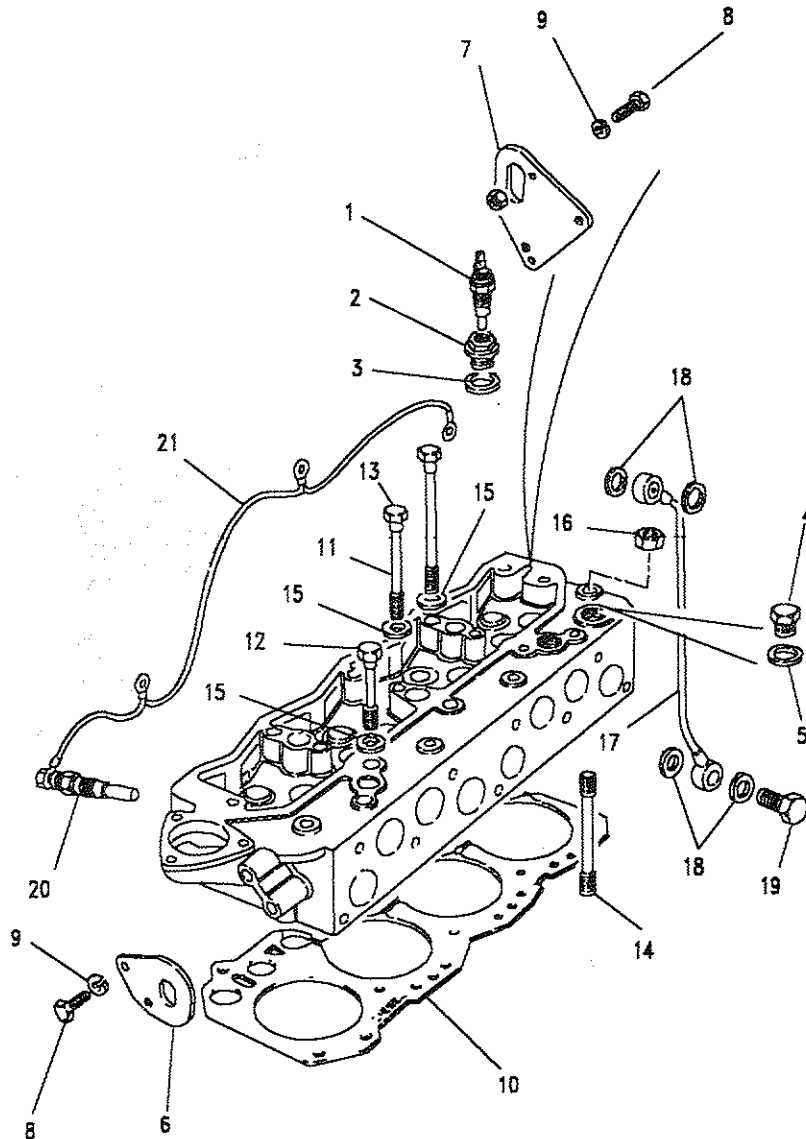






Model DEFENDER 90  
Page ADBGGA2A

ENGINE - CYLINDER HEAD - 2.5 DIESEL



III. Part No.	Description	Qty	Remarks
1	PRC2505	1	UptoAPRIL1989
	PRC6663	1	FromAPRIL1989
2	ERC9432	1	UptoAPRIL1989
3	10802070	1	
4	ERC9448	1	
	RTC6851	1	FromAPRIL1989
5	AFU1890L	2	
	243960	1	FromAPRIL1989
6	ERC2254	1	
7	ETC7135	1	
8	FS108201L	4	
9	WL108001L	4	
10	ETC5301	1	
	ERR3618	1	Asbestos free
11	247051	9	
12	247683	2	
13	247723	5	
14	90518466	2	
15	ERC6821	18	
16	NH608061L	2	
17	275679	1	
18	ETC6510	4	
19	ETC4498	2	
20	ERC8450	4	
21	PRC6295	1	





4/7/74

Model DEFENDER 90

Page ADBGGC1A

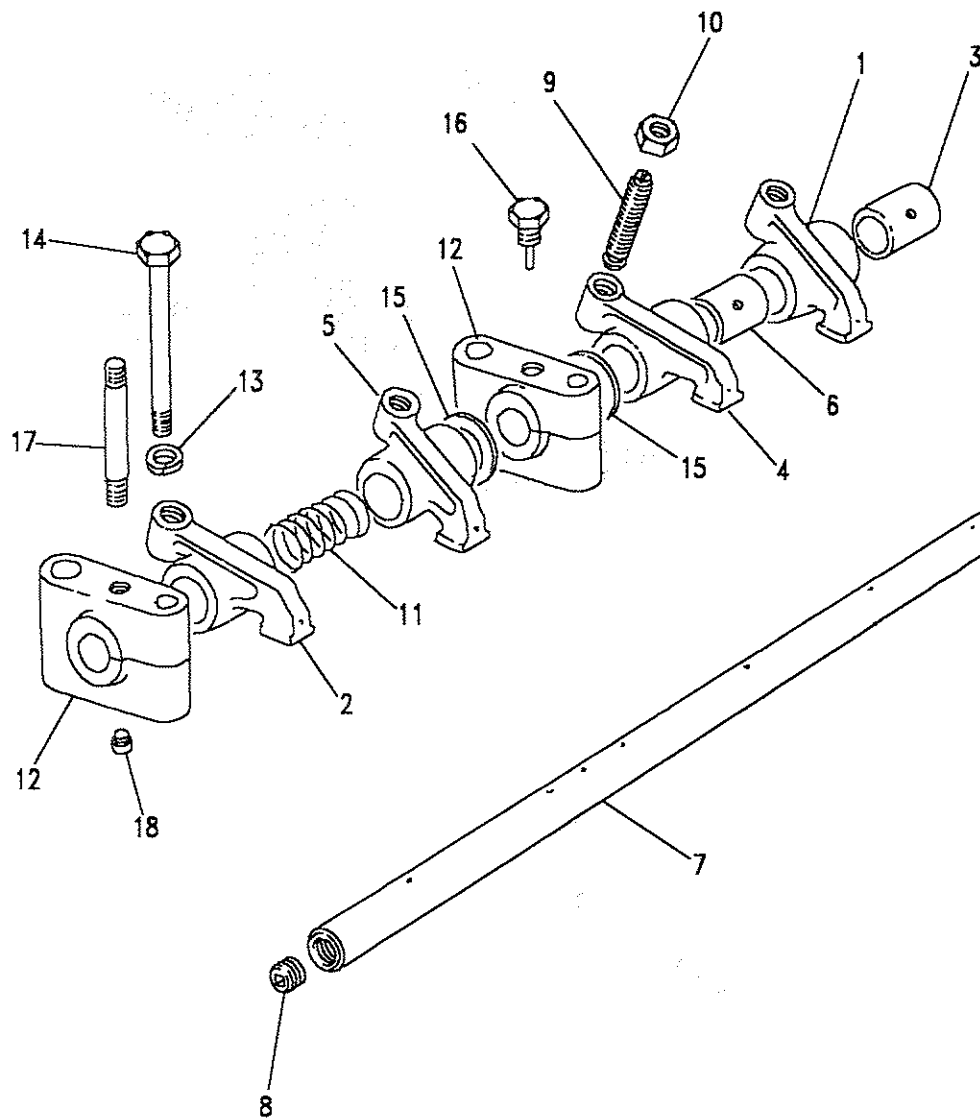
ENGINE - ROCKER SHAFT - 2.5 DIESEL

III. Part No.

Description

Qty Remarks

1	ERC9060	Rocker arm exhaust RH	2
2	ERC9059	Rocker arm exhaust LH	2
3	247738	Bush-exhaust rockers	4
4	ERC9055	Rocker arm inlet RH	2
5	ERC9056	Rocker arm inlet LH	2
6	247737	Bush-inlet rockers	4
7	ERC6341	Shaft	1
8	ERC6337	Plug-shaft	2
9	ERC9054	Screw-tappet adjuster	8
10	NT108041L	Locknut-M8	8
11	247040	Spring	4
12	ERC9137	Bracket-rocker shaft	5
13	WL108001L	Washer-spring	5
14	FB108111L	Bolt-M8 X 55mm	5
15	247153	Washer-rocker shaft	8
16	ETC4460	Screw-shaft location	1
17	TD108091L	Stud-M8-rocker cover	3
18	277956	Dowel-rocker	3

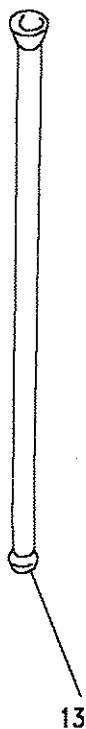
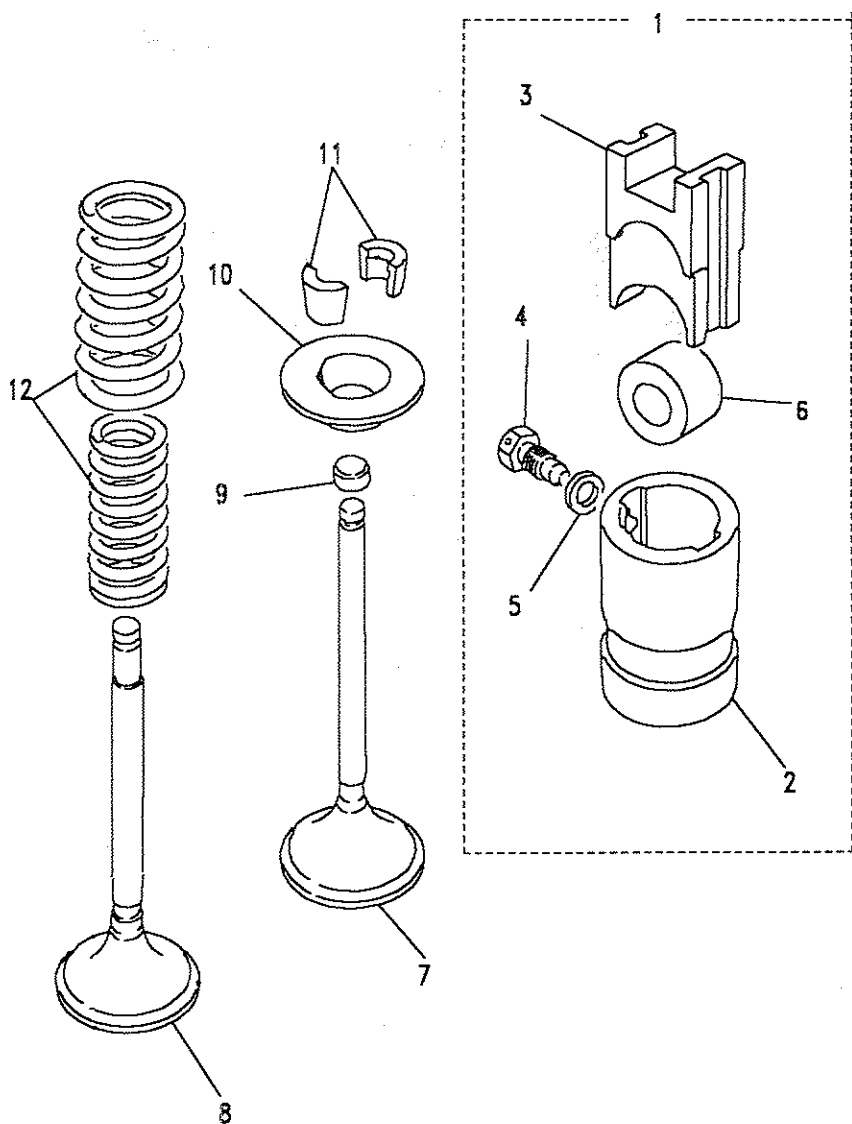


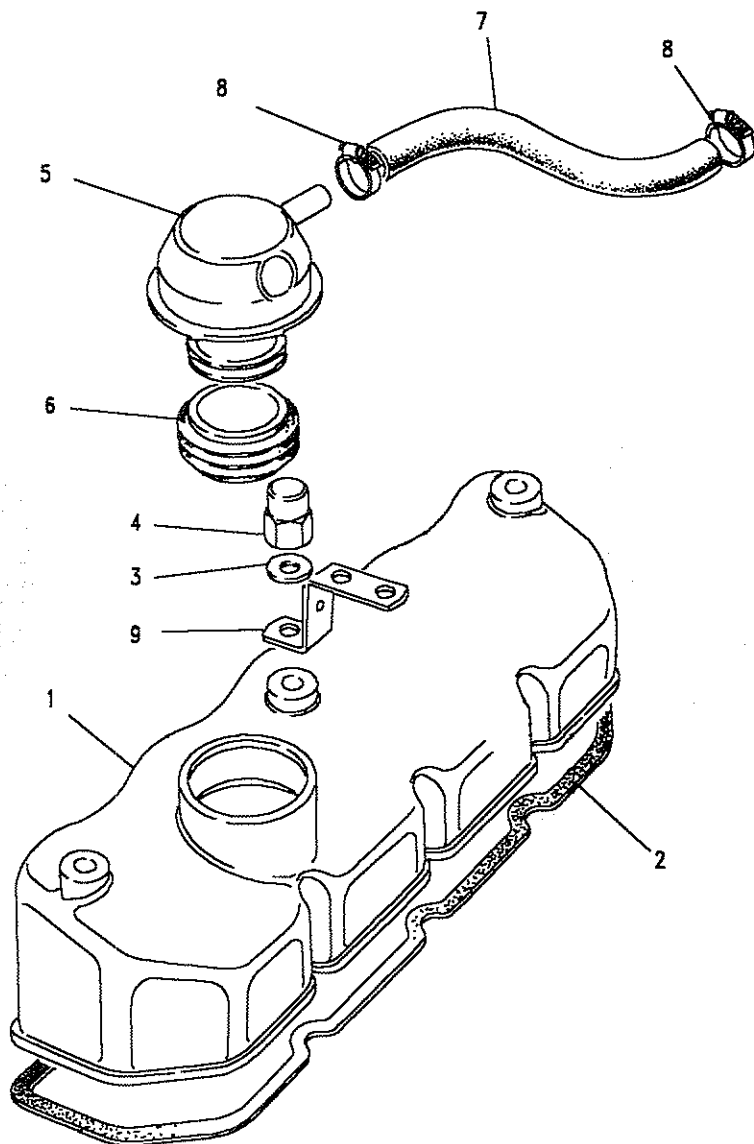


Model DEFENDER 90  
Page ADBGGE1A

ENGINE - TAPPETS - 2.5 DIESEL

III. Part No.	Description	Qty	Remarks
1	507829	8	Tappet assembly
2	502473	8	Guide tappet
3	ERR607	8	Tappet slide
4	ETC4246	8	Bolt set
5	273069	8	Washer tappet guide
6	ERR561	8	Roller follower
7	ETC5739	4	Valve inlet
8	ERR1230	4	Valve exhaust
9	ERR4175	8	Stem valve
10	ETC4068	8	Cup valve springs
11	ETC4069	16	Cotter split
12	ERR4640	8	Springs valves
13	546799	8	Push rod





**Model** DEFENDER 90  
**Page** ADBGG1A

**ENGINE - ROCKER COVER - 2.5 DIESEL**

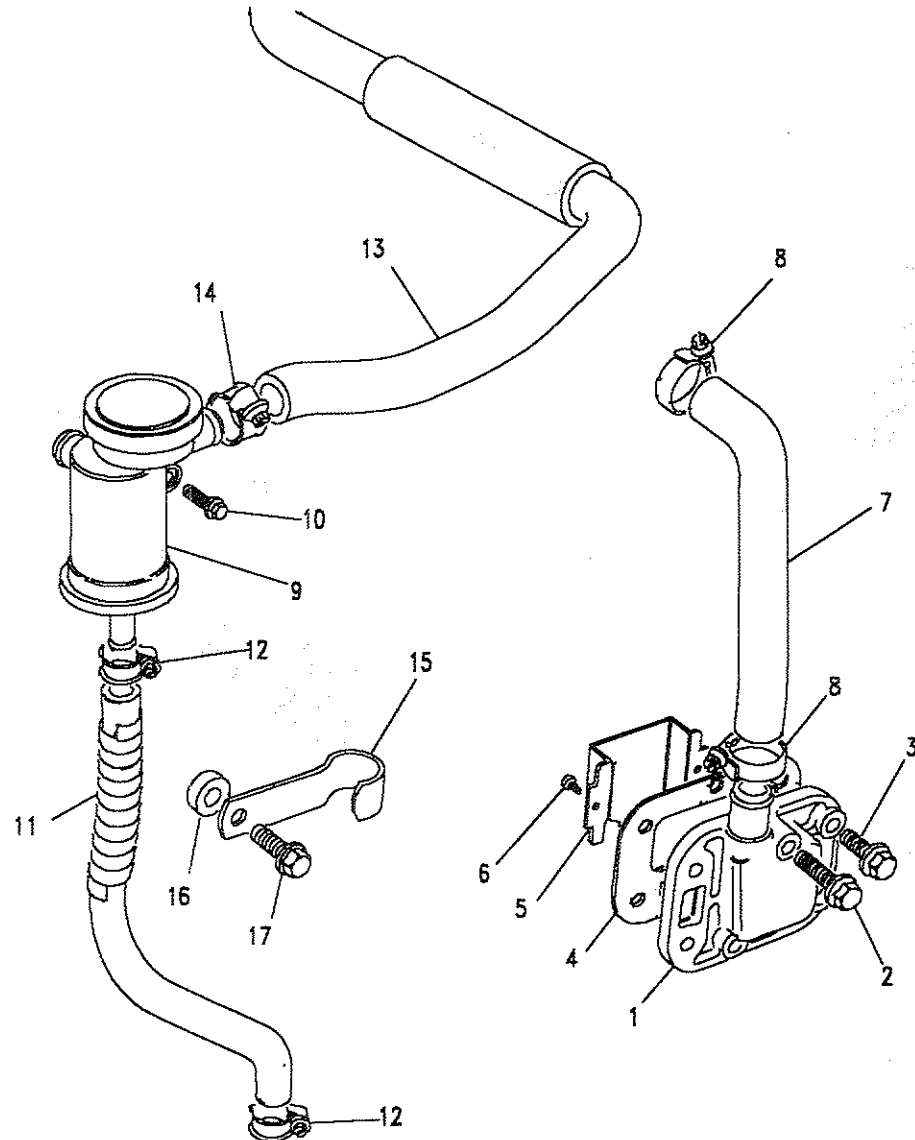
III. Part No.	Description	Qty	Remarks
1	ETC6924	1	Rocker cover assembly
2	ETC6438	1	Gasket-cover to cylinder
3	273069	3	Washer joint
4	ERC9220	3	Nut-dome-M8
5	ERR1454	1	Breather filter
	ERR737	1	Breather filter
6	ERR736	1	'O' ring
7	ERC9728	1	Hose breather to manifold
	ETC7969	1	Hose breather to manifold
8	RTC3499	2	Clip hose
9	ETC5588	1	Bracket

Upto 12J42593C  
 From 12J42594C  
 Upto 12J42593C  
 From 12J42594C  
 AIR CON



Model DEFENDER 90  
Page ADBGGG2A

ENGINE - CYCLONE BREATHER ASSEMBLY - 2.5 DIESEL



III. Part No.	Description	Qty	Remarks
1	ERR506	1	Cover side breather assy
2	FB108081L	1	Bolt flanged
3	FS108251L	5	Screw flange M8x25
4	247555	1	Gasket-side cover
5	ERR874	1	Baffle plate-side cover
6	79026	1	Screw No6
7	ERR877	1	Hose-side to rock/cover
8	CN100258L	2	Clip-worm-hose
9	ERR1471	1	Breather cyclone
10	FB106121L	2	Screw flange M6x60
11	ERR1605	1	Hose-cyclone oil drain
12	CN100208L	2	Clip-worm-hose
13	ERR1729	1	Hose-cyclone to air/clean
14	CN100258L	2	Clip-worm-hose
15	ERR878	1	Clip-oil drain hose
16	ERR879	1	Spacer-clip-oil drain
17	SH110201L	1	Screw flange M10x20



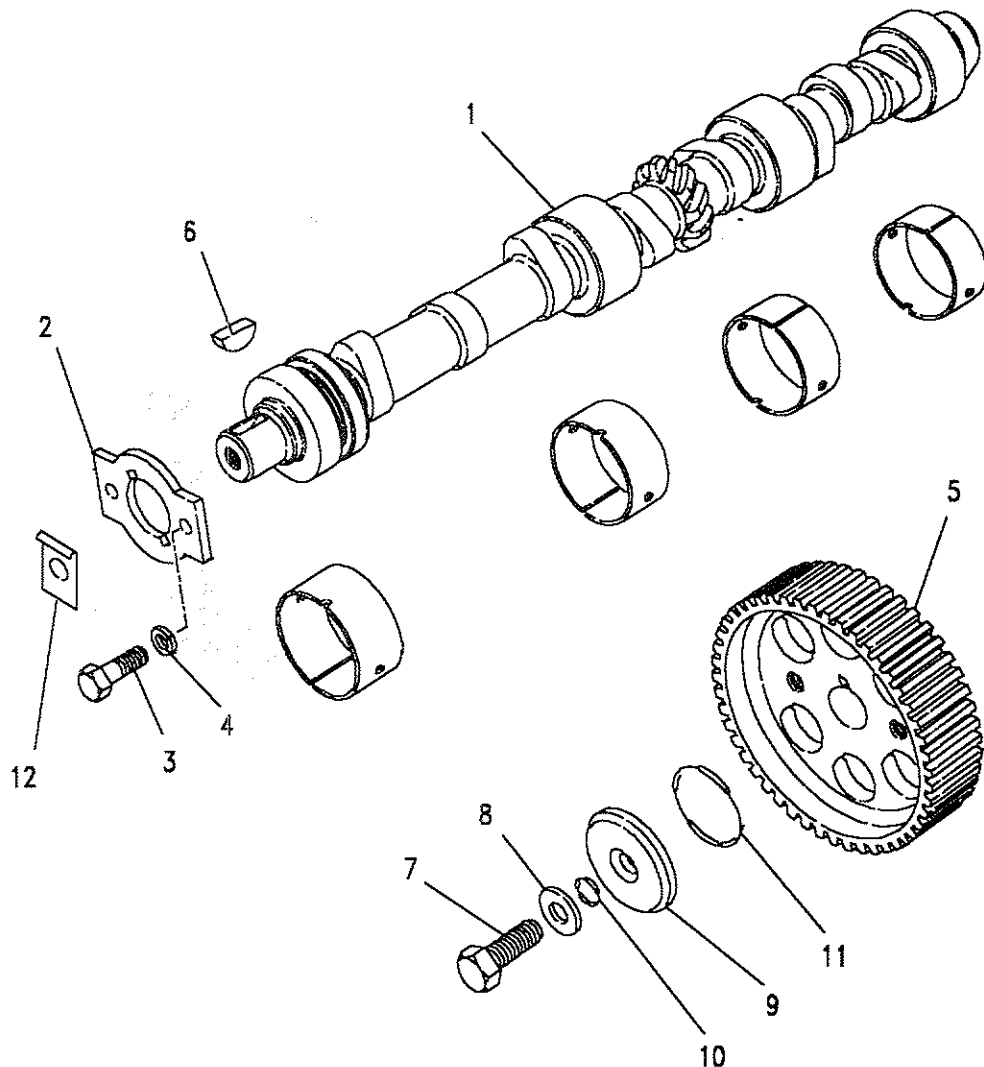


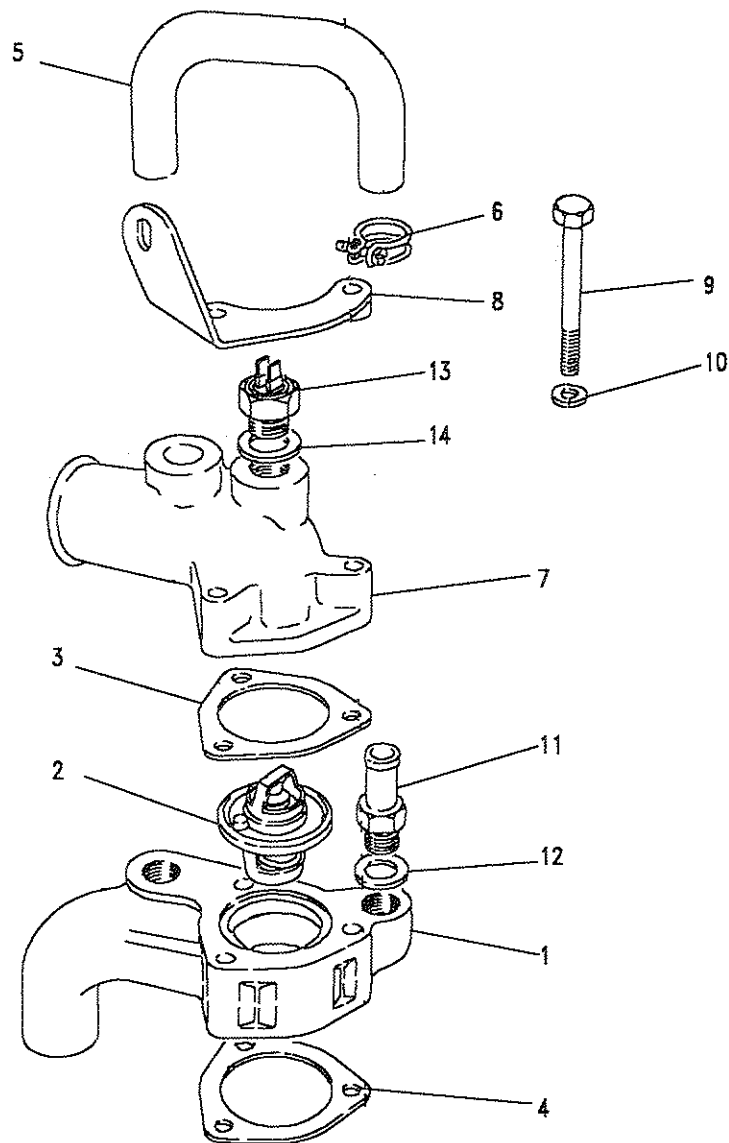
Model DEFENDER 90

Page ADBGG11A

ENGINE - CAMSHAFT - 2.5 DIESEL

III. Part No.	Description	Qty	Remarks
1	ETC7128 Camshaft	1	
2	ERC1561 Plate thrust camshaft	1	
3	FS106167 Screw	2	
4	WL106001L Washer spring	2	
5	ETC4014 Pulley	1	
6	230313 Key woodruff	1	
7	BX110071L Bolt	1	
8	ETC4670 Washer	1	
9	ERC8847 Plate retaining	1	
10	ERC8849 'O' ring	1	
11	ETC4076 'O' ring	1	
12	2995 Locker	2	





**Model** DEFENDER 90  
**Page** ADBGK1A

**ENGINE - THERMOSTAT HOUSING - 2.5 DIESEL**

III. Part No.	Description	Qty	Remarks
1 ERC8758	Thermostat Housing	1	
2 602687	Thermostat 82o	1	
ETC4761	Thermostat 74o	1	OPTIONAL
3 ERR3682	Gasket	1	
4 247874	Gasket	1	
5 ERC7510	Hose connecting adaptors	1	
6 CN100258L	Hose clip	2	
7 ERC8757	Outlet water BASIC	1	)
ETC4217	Outlet water AIR CON	1	)
8 ERC6478	Bracket Cowl Mounting	1	)Note(1)
9 BH106141L	Bolt Cover to Head	1	)
BH106151L	Bolt Cover to Head	2	)
7 ETC5967	Outlet water BASIC	1	)
ETC5958	Outlet water AIR CON	1	)Note(2)
8 ETC5965	Bracket cowl mounting	1	)
9 BH106151L	Bolt	3	)
10 WL106001L	Washer spring	3	
11 624091	Adaptor	2	
12 243959	Washer joint	2	
13 PRC3366	Switch temperature sensor	1	GREEN
PRC3541	Switch temperature sensor	1	RED
14 C457593L	Washer copper	2	

Note(1) Early condition, Water outlet points to RIGHT-from drivers seat  
 Note(2) Later condition, Water outlet points to LEFT-from drivers seat





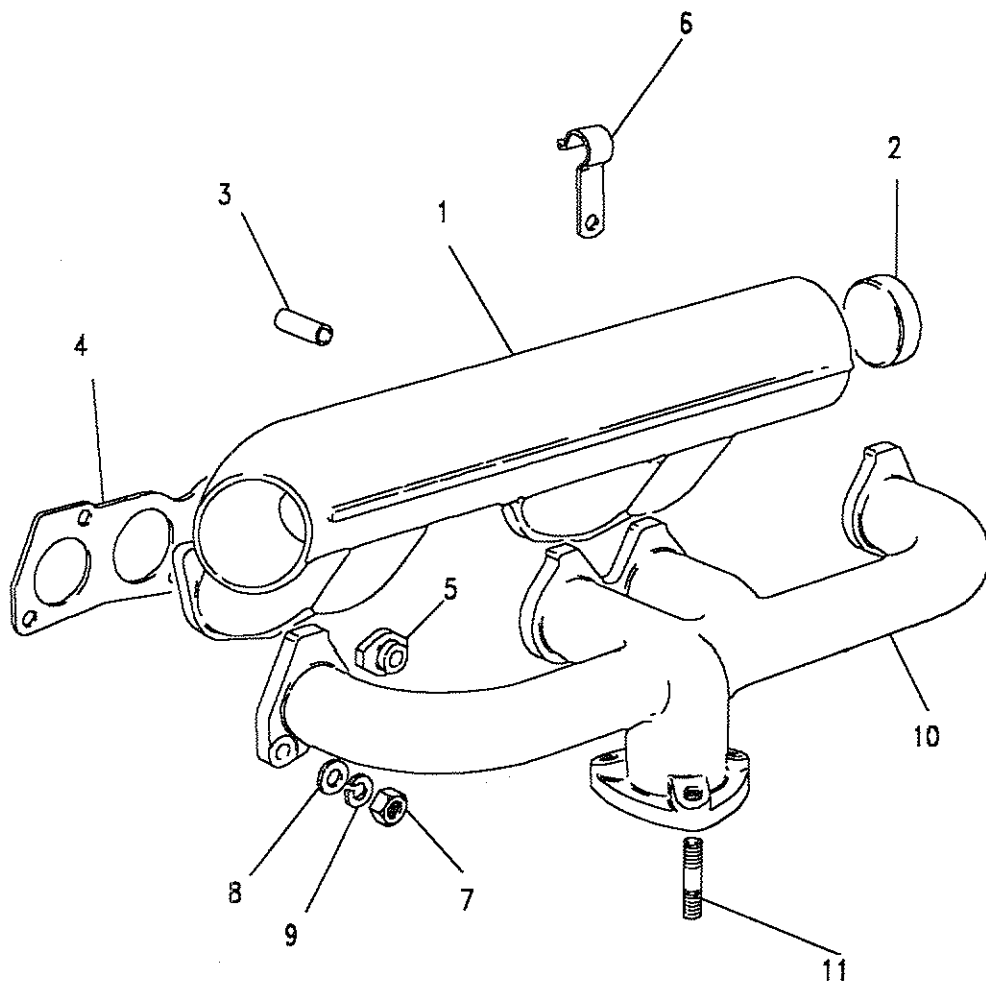
**Model** DEFENDER 90  
**Page** ADBGHA1A

**ENGINE - MANIFOLDS - 2.5 DIESEL**

III. Part No.	Description	Qty	Remarks
1	ERC6939	1	Upto 12J42593C
	ERR362	1	From 12J42594C
2	525428	1	
3	ERC6047	1	
4	ETC5312	1	Upto 12J48876C
	ETC7750	1	From 12J48877C
5	564308	4	
6	574654	1	
7	NH108041L	9	
8	WA108051L	9	
9	WL108001L	9	
10	ERC9688	1	Note(1)
	ETC5331	1	Note(2)
	ETC5337	1	
11	AFU1848L	3	

Note(1)  
 Note(2)

To take downpipe with welded olive end  
 To take downpipe with copper asbestos O'ring







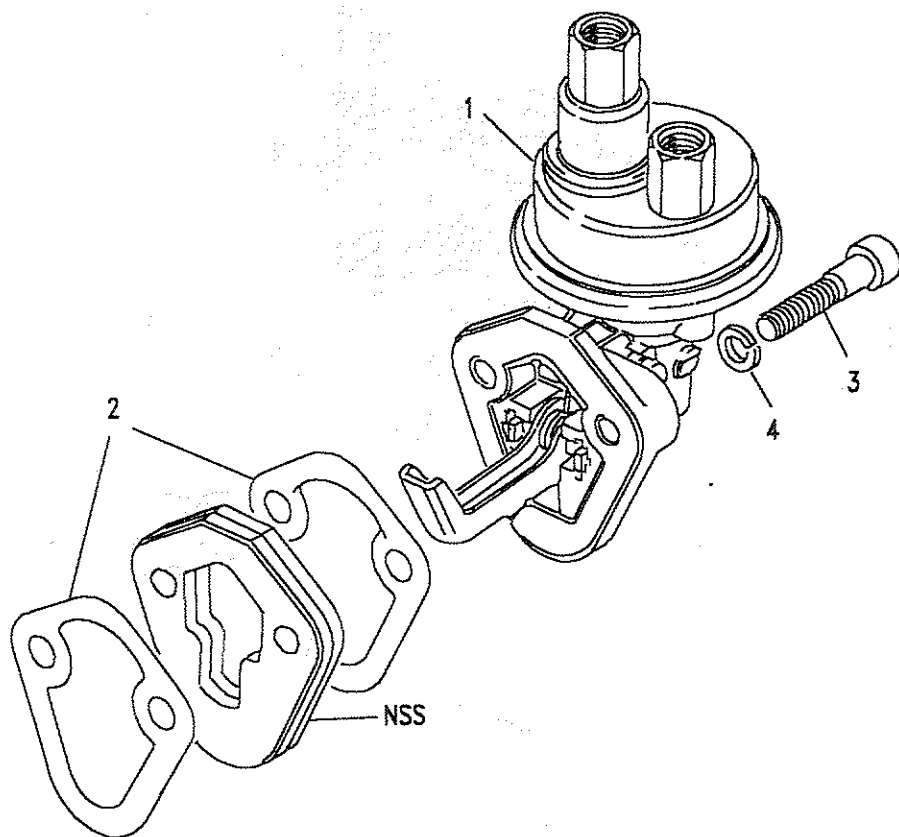
Model DEFENDER 90

Page ADBGKA1A

ENGINE - FUEL PUMP - 2.5 DIESEL

III. Part No.	Description	Qty	Remarks
1 ETC7869	Pump fuel	1	Note(1)
2 ERR2028	Gasket	2	
3 SS108301L	Screw socket	2	
4 WA108051L	Washer	2	

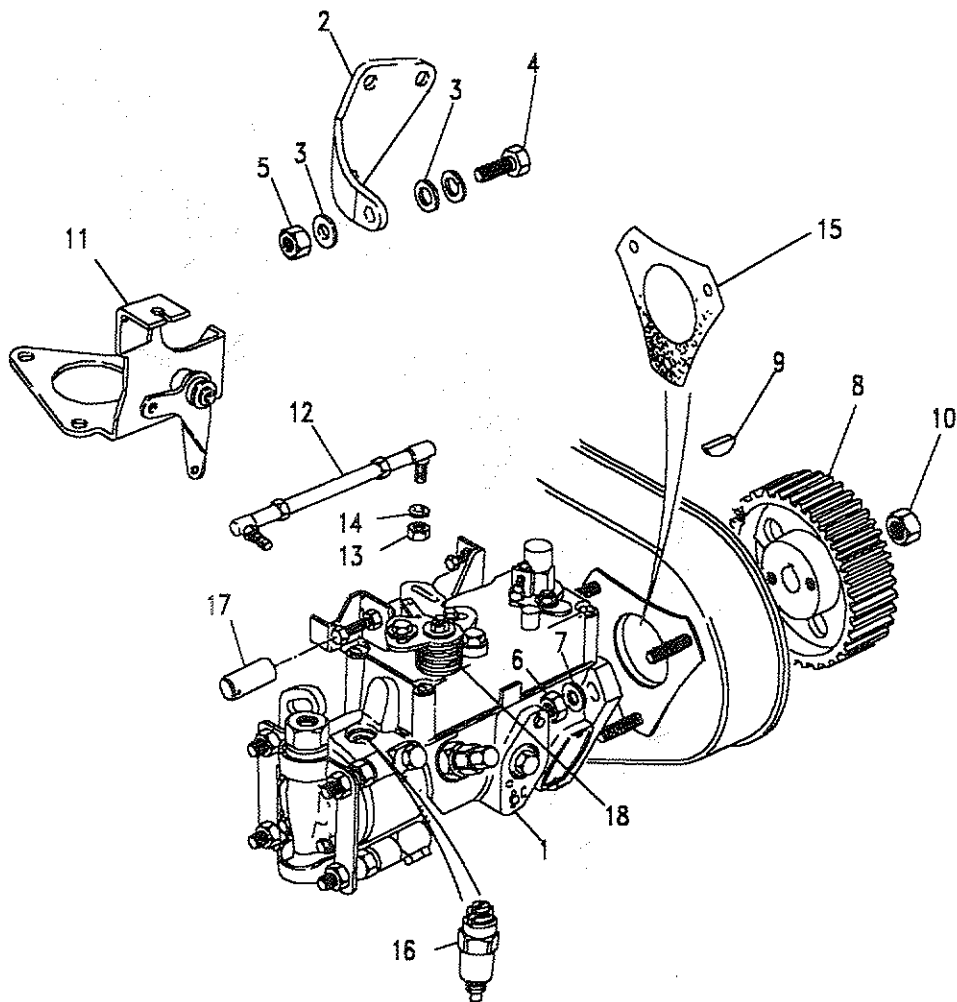
Note(1) Use RTC6180 fuel pump kit up to 12J39054C



**Model** DEFENDER 90  
**Page** ADBGKC1A

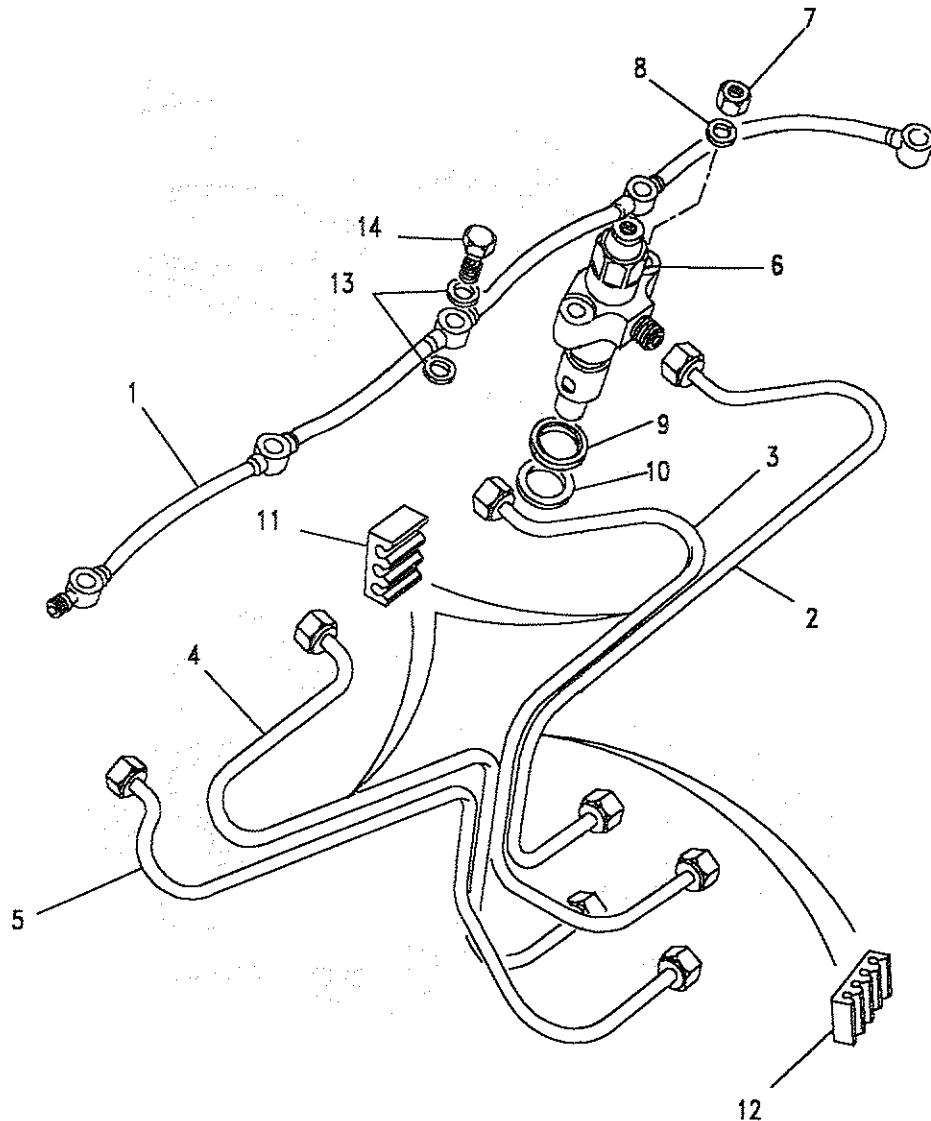
**ENGINE - INJECTOR PUMP - 2.5 DIESEL**

III. Part No.	Description	Qty	Remarks
1	ERC6761	1	
	ERC6761E	1	Exchange
2	ETC4070	1	
3	WA108051L	2	
4	SH108251L	1	
5	NY108041L	1	
6	NY108041L	3	
7	WA108051L	3	
8	ETC5717	1	
9	RTC5077	1	
10	NH112041L	1	
11	ETC6675	1	
12	ETC4417	1	
13	NH105041L	2	
14	WA105001L	2	
15	ETC4440	1	
	ERR3617	1	Asbestos free
16	BAU4611L	1	
17	ETC4752	1	
18	RTC5891	1	



Model DEFENDER 90  
Page ADBGKE1A

ENGINE - INJECTOR AND PIPES - 2.5 DIESEL



III. Part No.	Description	Qty	Remarks
1	ERC4480	1	Spill return assembly
2	ETC4291	1	Pipe-injector No.1
3	ETC4292	1	Pipe-injector No.2
4	ETC4293	1	Pipe-injector No.3
5	ETC4294	1	Pipe-injector No.4
6	ERR1266	4	Injector
	564332E	4	Injector
	247726	4	Nozzle
7	NH108041L	8	Nut-injector to head
8	WL108001L	8	Washer-injector to head
9	247179	4	Washer-joint-injector
10	12H220L	4	Washer-spring-injector
11	ETC4156	2	Clip-injector pipes
12	ETC4308	1	Clip-injector pipes
13	273069	8	Washer-joint-leak off pip
14	273521	3	Banjo-1, 2, 3, injectors
	563195	1	Banjo-4 injector

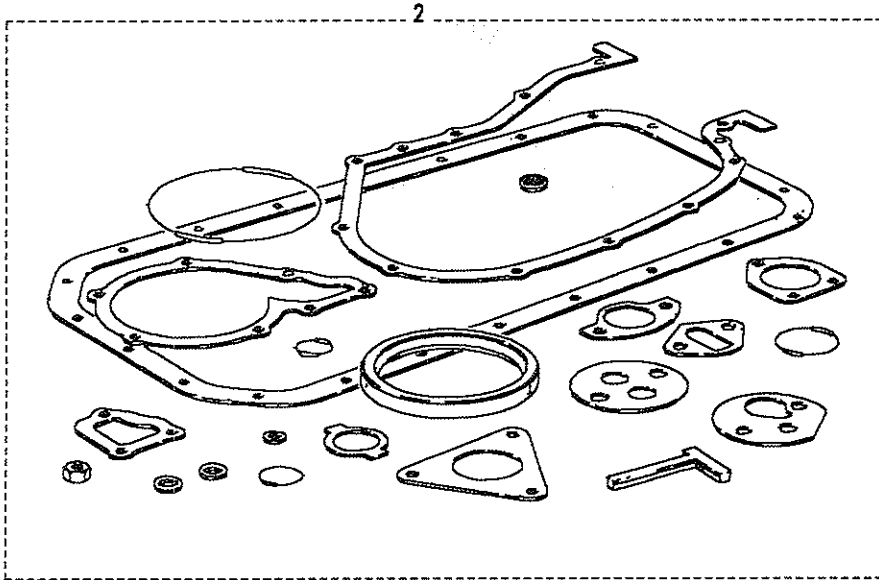
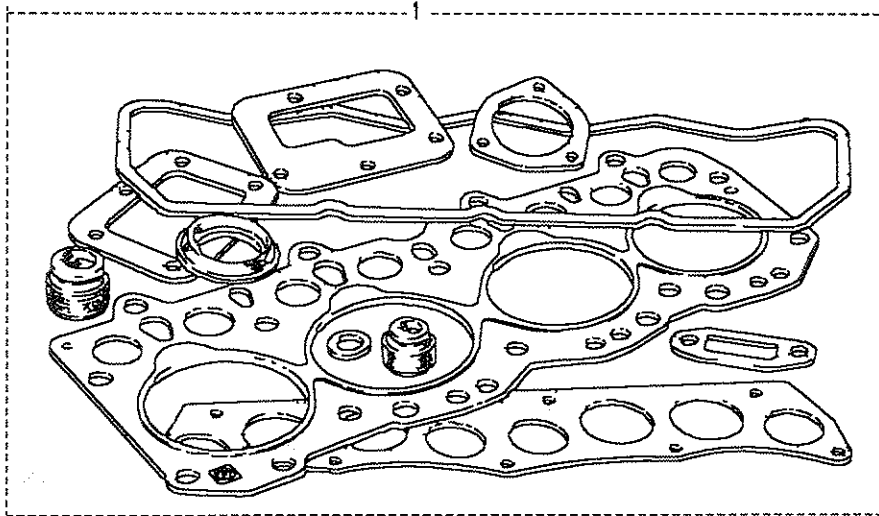
Exchange



**Model** DEFENDER 90  
**Page** ADBGMA1A

**ENGINE - GASKET KIT - 2.5 DIESEL**

III. Part No.	Description	Qty	Remarks
1 STC1562	Kit gasket decarbonising	1	
2 RTC6084	Kit gasket overhaul	1	
STC1559	Kit gasket overhaul	1	Asbestos free





DEFENDER 90

155

ENGINE

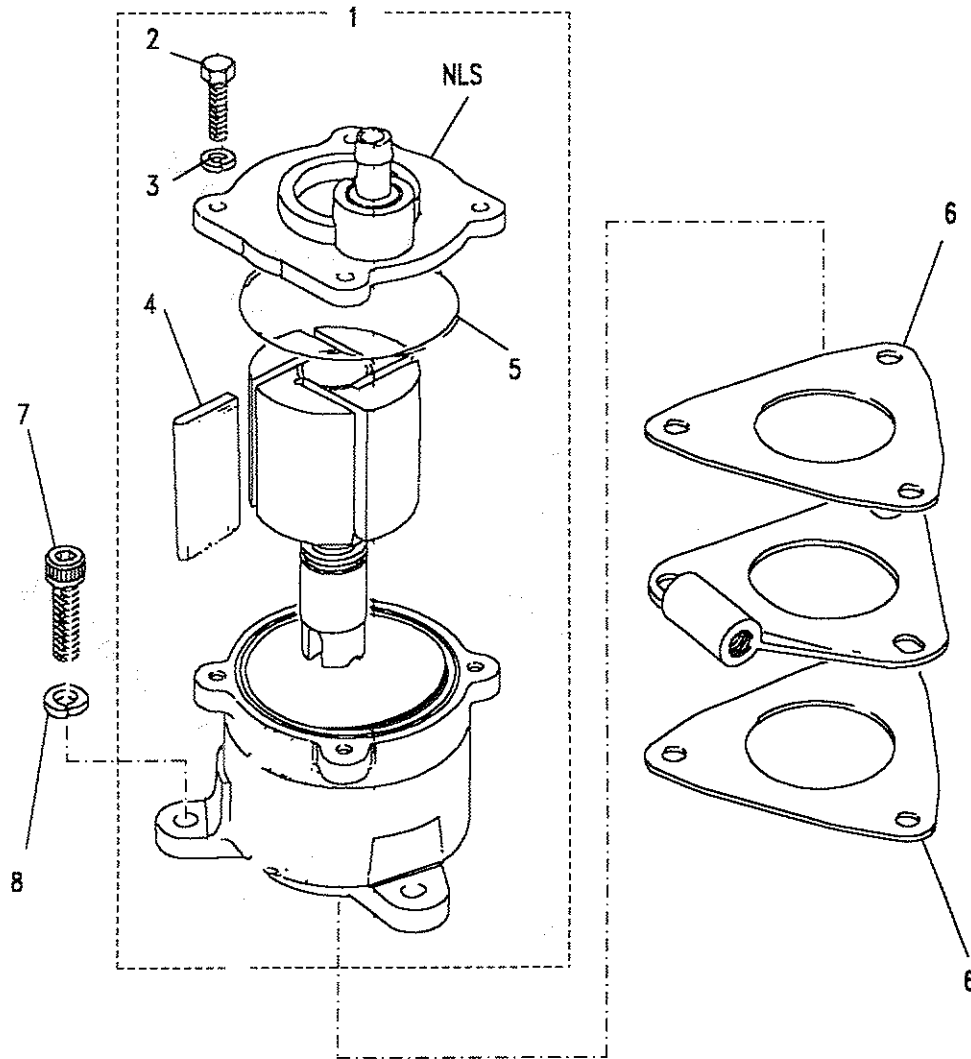


Model DEFENDER 90

Page ADBGNA1A

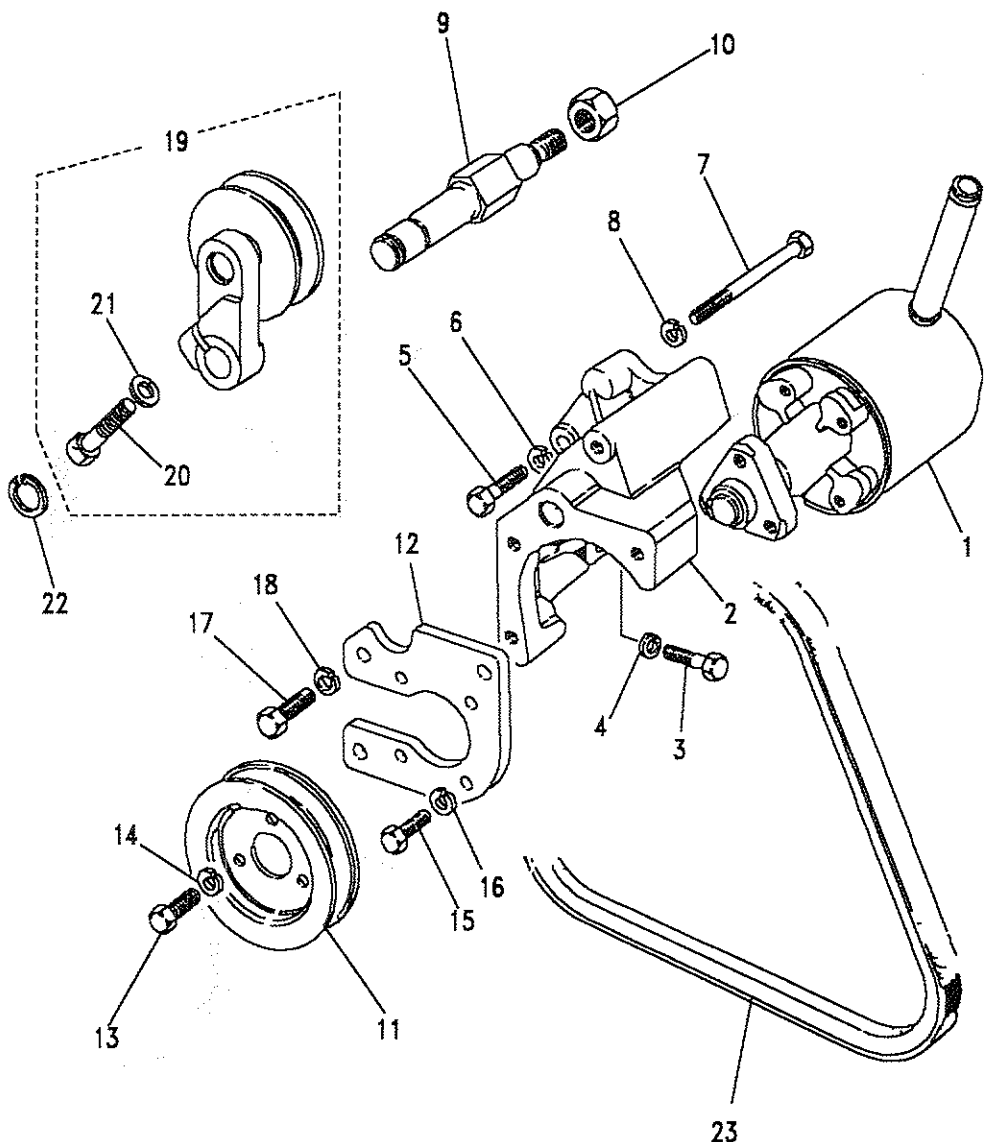
ENGINE - VACUUM PUMP - 2.5 DIESEL

III. Part No.	Description	Qty	Remarks
1	ERR535	1	Pump vacuum assembly
2	AEU2720	4	Bolt
3	WL106001L	4	Washer
4	AEU2718	4	Blades rotor
5	AEU2719	1	O ring
6	ETC4616	2	Gasket
7	SS108301L	3	Bolt
8	WM600051L	3	Washer



**Model** DEFENDER 90  
**Page** ADBGNC1A

**ENGINE - POWER STEERING PUMP (ADWEST) - 2.5 DIESEL**



III. Part No.	Description	Qty	Remarks
1	Pump power steering	1	Note(1)
RTC4485	Banjo	1	
2	ERC6974	1	Bracket
3	SH108251L	3	Screw
4	WL108001L	3	Washer spring
5	SH108301L	1	Screw
6	WL108001L	1	Washer spring
7	BH108181L	1	Bolt-bracket to block
8	WL108001L	1	Washer spring
9	ERC6976	1	Spigot-idler arm mounting
10	ERC6977	1	Nut special-spigot
11	ERC5145	1	Pulley
12	ERC6975	1	Plate mounting-pump
13	SH108141L	3	Screw-pulley to pump
14	WL108001L	3	Washer spring
15	FS106201L	4	Screw-pump to plate
16	WL106001L	4	Washer spring
17	SH108251L	3	Screw-plate to bracket
18	WL108001L	3	Washer spring
19	ETC4153	1	Idler arm and pulley assy
20	SH108401L	1	Screw-idler arm clamp
21	WL108001L	1	Washer spring
22	CR120195L	2	Circlip
23	ERC5146	1	Belt driving
	ETC4272	1	Belt driving
	AEU4119	2	Washer Special-Banjo

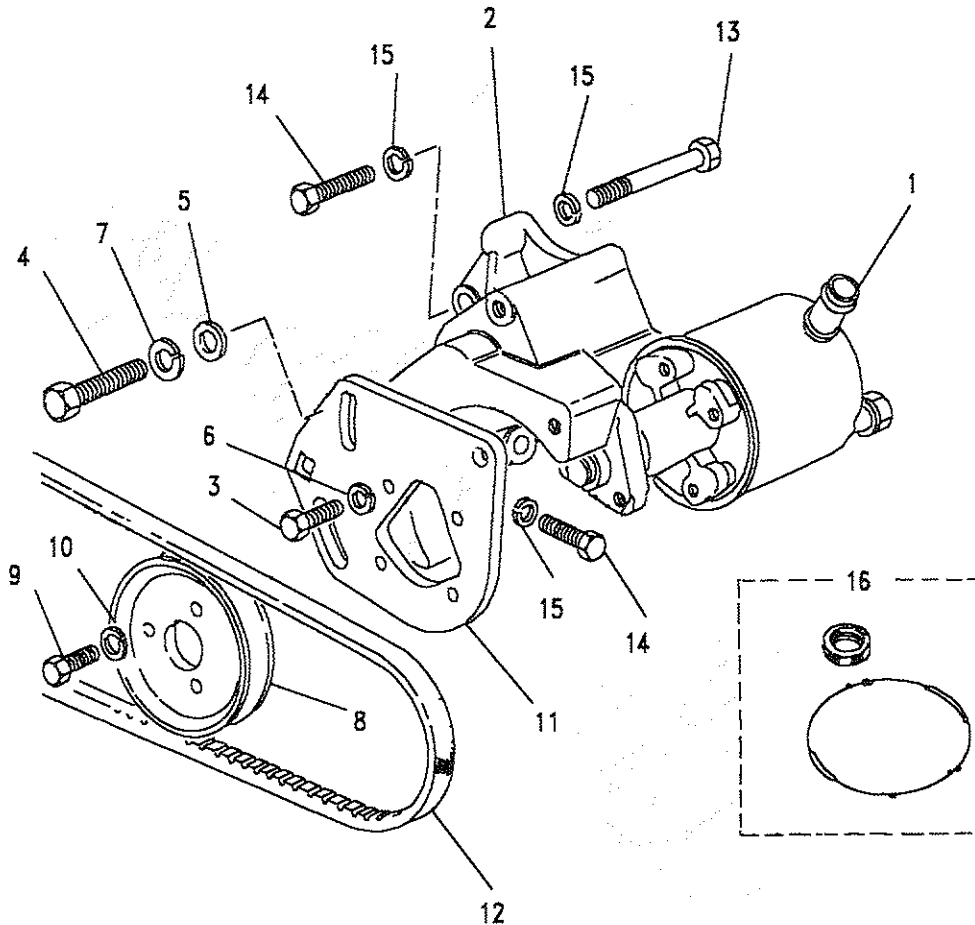
Note(1) ADWEST/pump not available use ETC9077 on page 157.



Model DEFENDER 90  
Page ADBGNC2A

ENGINE - POWER STEERING PUMP - 2.5 DIESEL

Ill. Part No.	Description	Qty	Remarks
1	ETC9077	1	)UptoJUNE1989
	RTC5674	1	
	RTC5675	2	
1	NTC8287	1	)fromJUNE1989
			)UptoJULY1992
1	NTC9070	1	From JULY1992
2	ERC6974	1	UptoJUNE1989
	ETC8854	1	FromJUNE1989
3	FS106201L	4	
4	SH108251L	3	
5	WA108051L	2	
6	WL106001L	4	
7	WL108001L	3	
8	ETC5783	1	
9	SH108141L	3	
10	WL108001L	3	
11	ETC5944	1	
11	ERR1976	1	Upto JULY1992
	ERR2605	1	From JULY1992
12	ETC5815	1	
13	BH108181L	1	
14	SH108251L	2	
	SH108301L	1	
15	WL108001L	4	
16	STC1633	1	



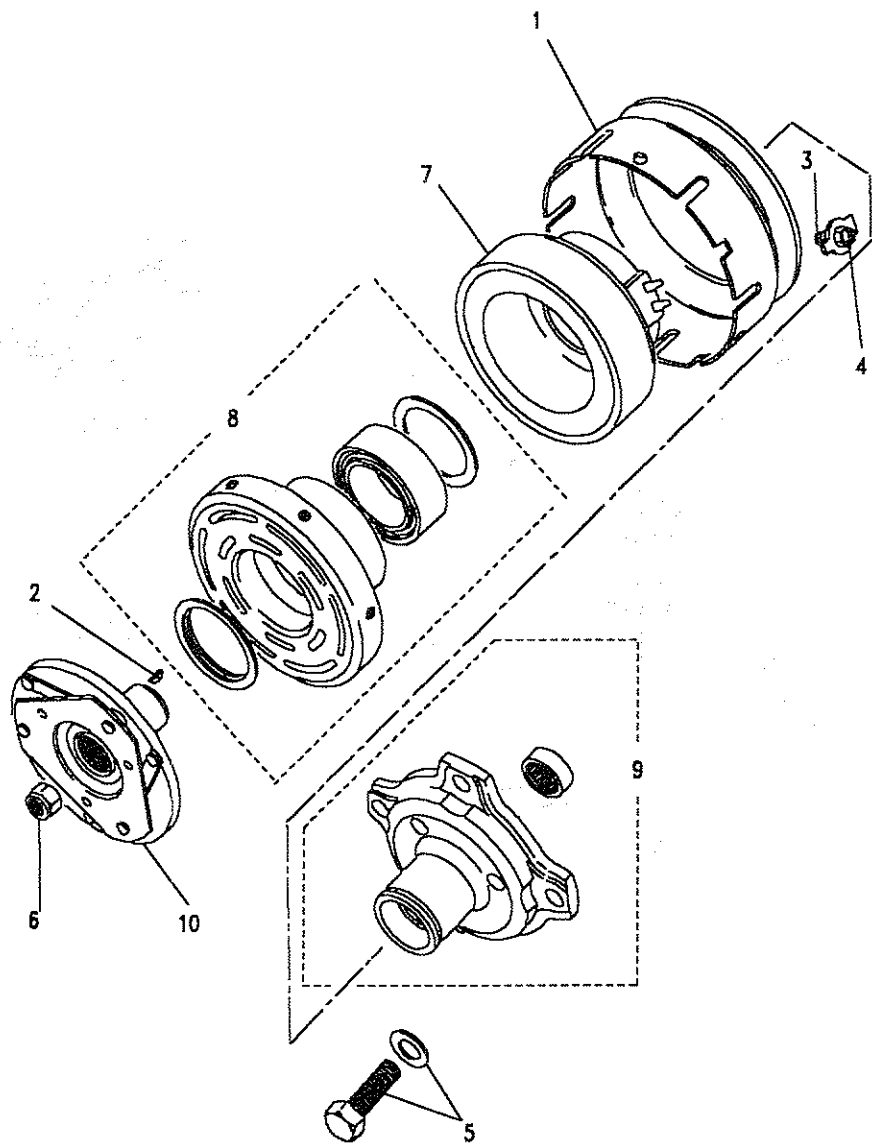


**Model** DEFENDER 90  
**Page** ADBGNE1A

**ENGINE - AIR CONDITIONING COMPRESSOR - 2.5 DIESEL**

III. Part No.	Description	Qty	Remarks
BTR9419	Compressor assembly	1	Note(2)
ERC6480	Compressor assembly	1	Note(1)
1 AEU1782	Pulley rim	1	
2 AEU1694	Key-clutch hub	1	
3 AEU1780	Screw-rim mounting	6	
4 AEU1779	Washer-rim mounting	6	
5 AEU1784	Screw and washer assy	4	
6 AEU1775	Nut-shaft	1	
7 AEU1778	Coil and housing assy	1	
8 AEU1777	Rotor and bearing assy	1	
9 AEU1785	Front head/bearing assy	1	
10 AEU1776	Clutch assembly	1	

Note(1) Up to VIN MA949374  
 Note(2) From VIN MA949375





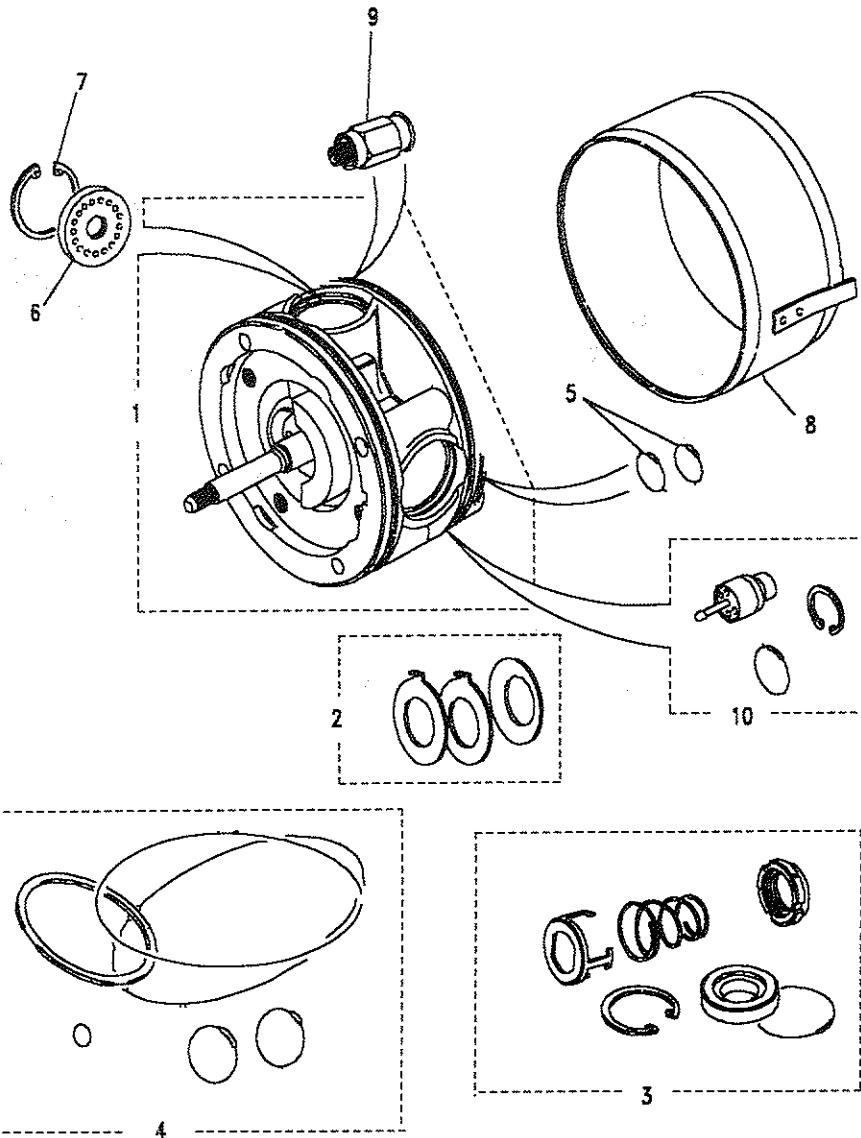


Model DEFENDER 90  
Page ADBGNE2A

ENGINE - AIR CONDITIONING COMPRESSOR - 2.5 DIESEL

III. Part No.	Description	Qty	Remarks
BTR9419	Compressor assembly	1	Note(2)
ERC6480	Compressor assembly	1	Note(1)
1 AEU1792	Kit-cylinder and shaft	1	
2 AEU1791	Kit-thrust washers	1	
3 AEU1790	Kit-shaft seal	1	
4 AEU1192	Kit-'O' rings	1	
5 AEU1690	'O' ring-ports	2	
6 AEU1788	Plate valve assembly	4	
7 AEU1787	Ring retaining	4	
8 AEU1786	Shell assembly	1	
9 AEU1689	Valve pressure release	1	
10 AEU1688	Kit-superheat switch	1	
ETC4371	Belt-timing	1	
AEU1691	Oil-525 visc/2pt-(1136ml)	A/R	

Note(1) Up to VIN MA949374  
Note(2) From VIN MA949375



Ordering information

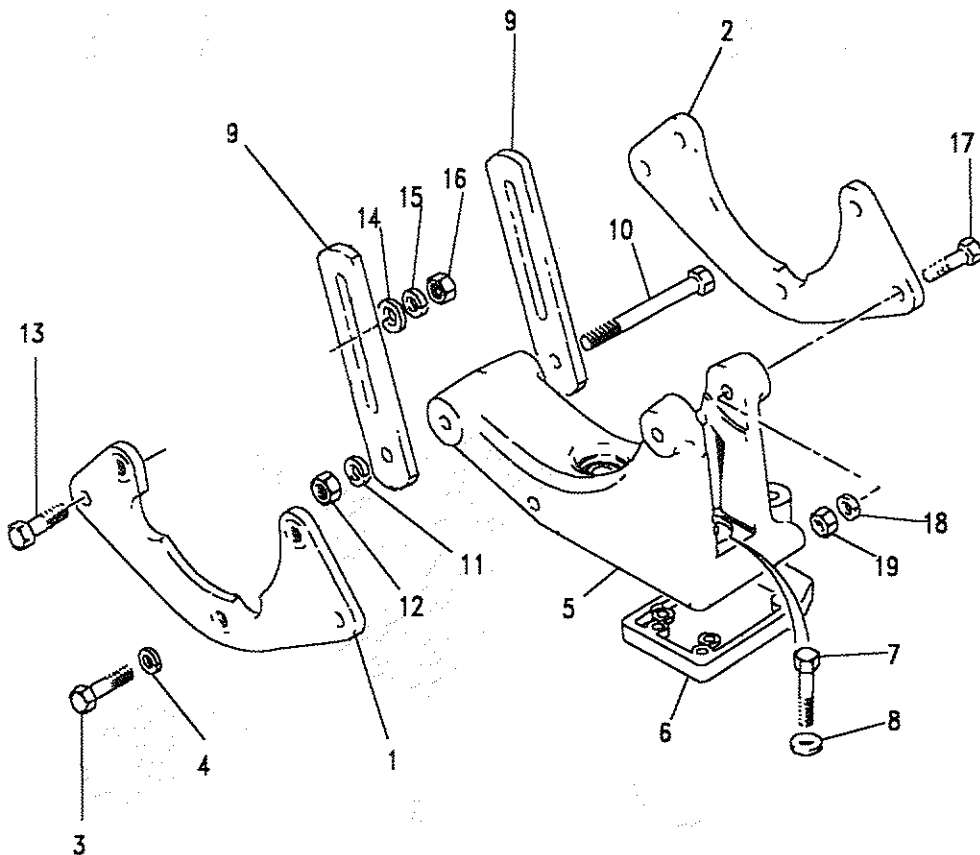




**Model** DEFENDER 90  
**Page** ADBGNE3A

**ENGINE - COMPRESSOR FIXINGS - 2.5 DIESEL**

III. Part No.	Description	Qty	Remarks
1	ERC7082	1	Plate mounting front
2	ERC5152	1	Plate mounting rear
3	BH110201L	3	Bolt compressor to plate
4	WL110001L	3	Washer spring
5	ERR3091	1	Bracket mounting
6	ETC4197	1	Adaptor plate bracket
7	BH110101L	4	Bolt bracket to cover
8	WA110061L	4	Washer plain
9	ERC5155	2	Link adjusting
10	BH108181L	1	Bolt link to bracket
11	WL108001L	1	Washer spring
12	NH108041L	1	Nut
13	SH108251L	2	Screw link to plate
14	WA108051L	2	Washer
15	WL108001L	2	Washer spring
16	NH108041L	2	Nut
17	FB108081L	2	Bolt bracket to [lates
18	WL108001L	2	Spring Washer
19	NH108041L	2	Nut



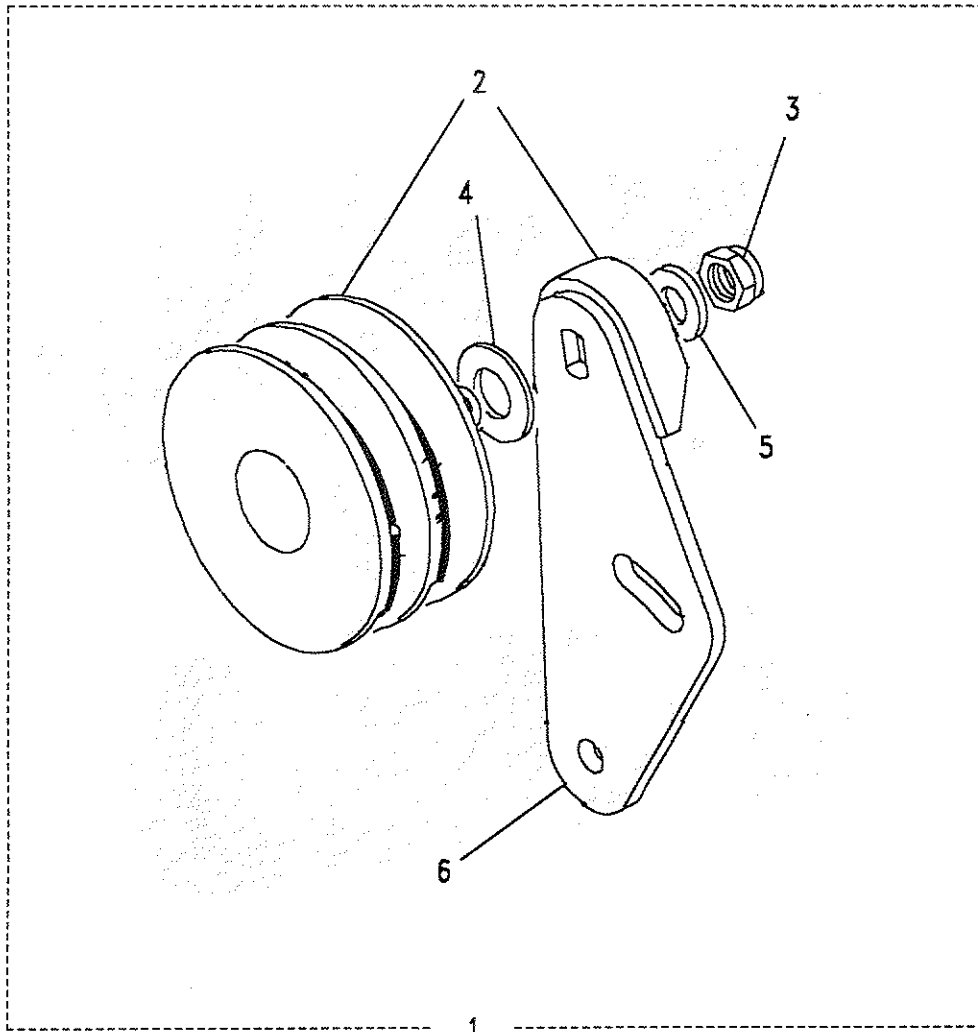


Model DEFENDER 90

Page ADBGNE4A

ENGINE - AIR CONDITIONING IDLER PULLEY - 2.5 DIESEL

III. Part No.	Description	Qty	Remarks
1	ETC7756	1	Pulley damper assembly
2	554971	1	Pulley
3	RTC6077	1	Nut
4	4095	1	Washer plain
5	WB108051L	1	Washer plain
6	ETC4212	1	Plate mounting





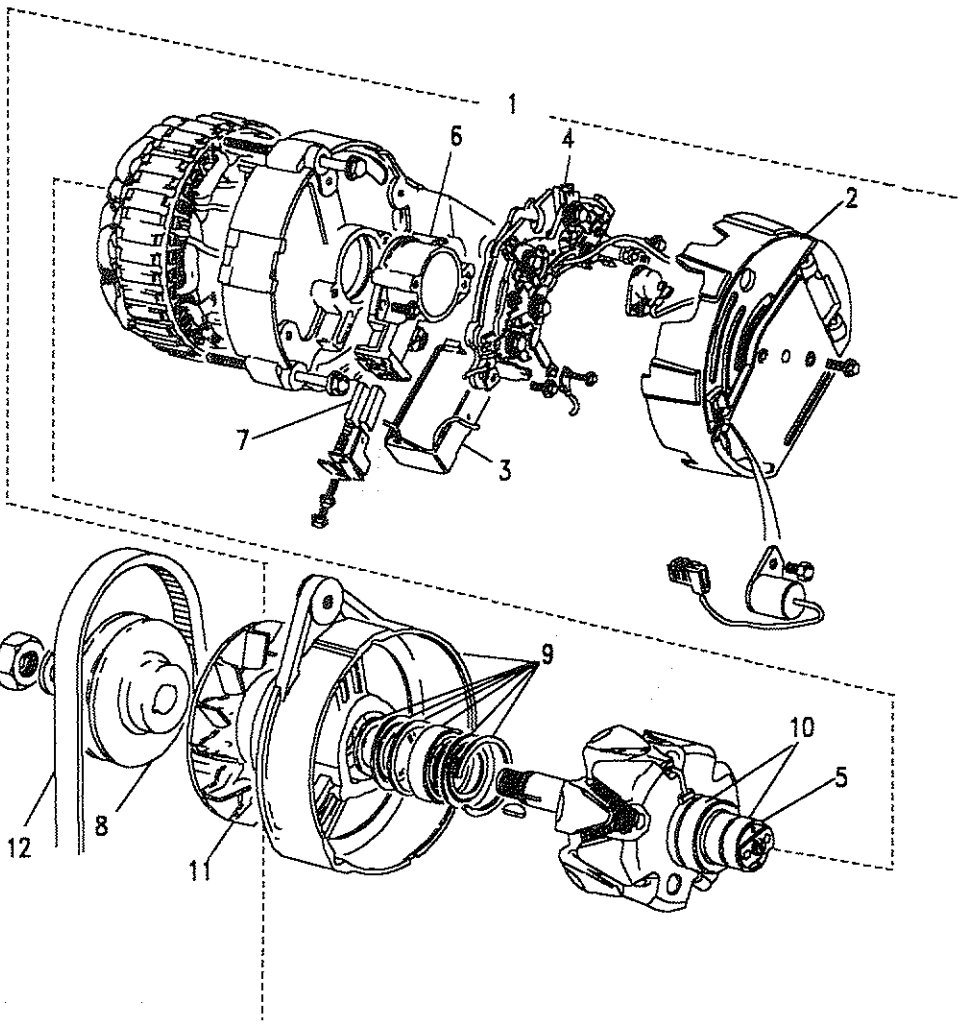
**Model** DEFENDER 90

**Page** ADBGPC1A

**ENGINE - ALTERNATOR - 2.5 DIESEL**

Ill. Part No.	Description	Qty	Remarks
1	RTC5083E Alternator A115/45	1	Note(1)
2	AEU2507 Cover	1	
3	AEU3076 Regulator	1	
4	BAU1825 Rectifier	1	
5	BAU2193 Slip ring	1	
6	BAU2195 Brush box	1	
7	RTC3215 Brush set	1	
8	568788 Pulley	1	
9	18G8619L Kit bearing drive end	1	
10	AEU1532 Kit slip ring and bearing	1	
11	C37222L Fan	1	
12	ETC7939 Belt fan	1	
	AEU1706 Kit screw	1	
	AEU1710 Kit sundry parts	1	
	AEU1942 Kit spacer	1	

Note(1) LUCAS number LRA356





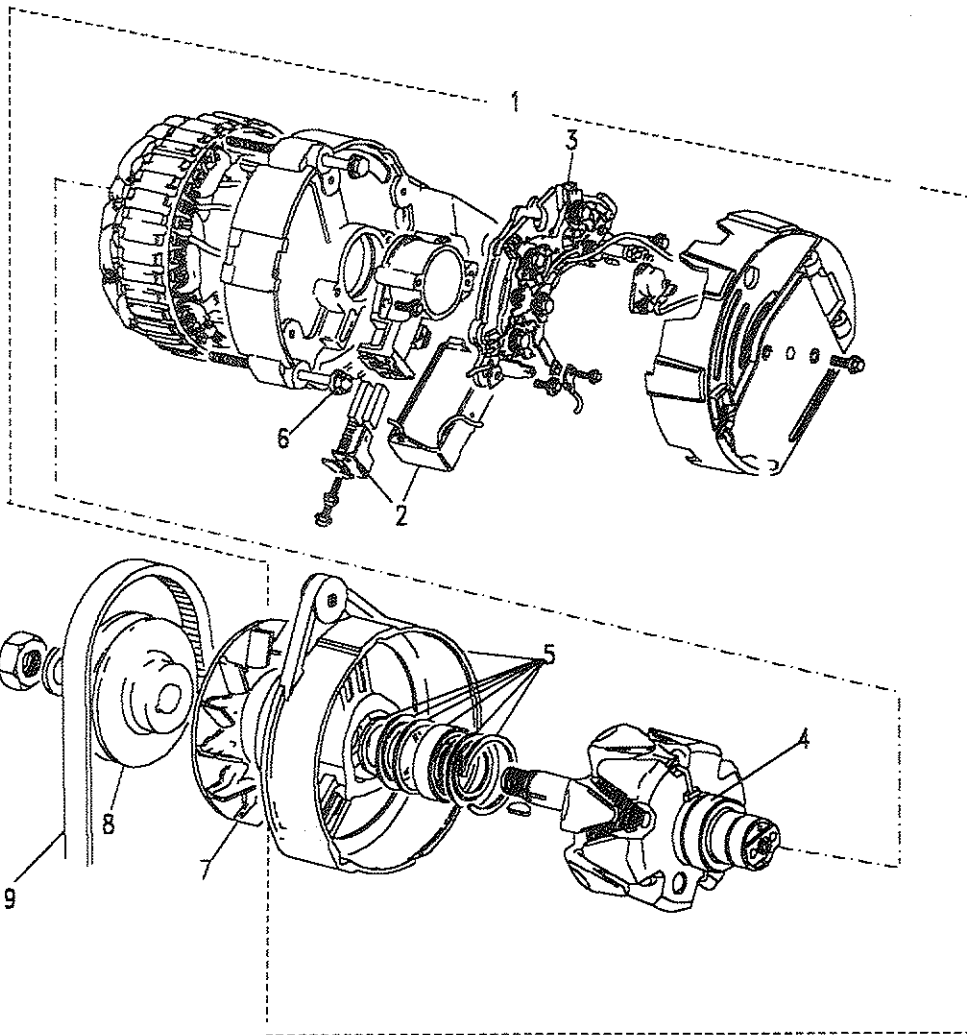
Model DEFENDER 90

Page ADBGPC3A

ENGINE - ALTERNATOR - 2.5 DIESEL

III. Part No.	Description	Qty	Remarks
1	RTC5682N RTC5682E	1	Note(1)
2	RTC5670	1	Regulator and brush box
3	RTC5684	1	Rectifier
4	RTC5047	1	Bearing slip ring end
5	RTC5687	1	Bracket
6	RTC5046	1	Kit through bolts
7	RTC5685	1	Fan
8	RTC5686	1	Pulley
9	ETC7939	1	Belt fan
	RTC5689	1	Spacer pulley

Note(1) LUCAS number 24199



Model DEFENDER 90

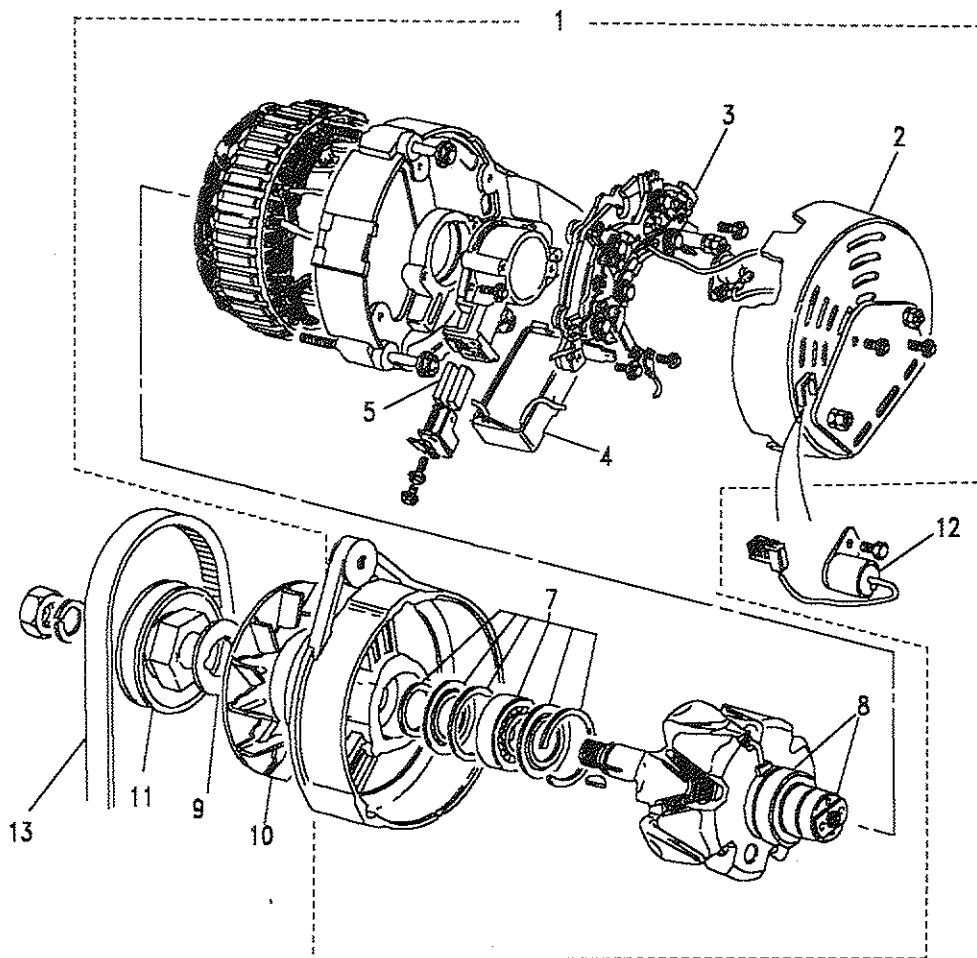
Page ADBGPC4A

ENGINE - ALTERNATOR - 2.5 DIESEL - AIR CON

III. Part No.	Description	Qty	Remarks
1	RTC5218E	1	Note(1)
2	AEU1725	1	
3	AEU3076	1	
4	AEU1527	1	
5	RTC3292	1	
6	STC130	1	
7	AEU1726	1	
8	AEU1532	1	
9	AEU1710	1	
	ERC8987	1	
10	ADU4928L	1	
11	ERC8986	1	
12	AEU1616	1	
13	ETC7939	1	
	AEU1706	1	
	AEU1708	1	
	AEU1709	1	

Note(1)

LUCAS number LRA406



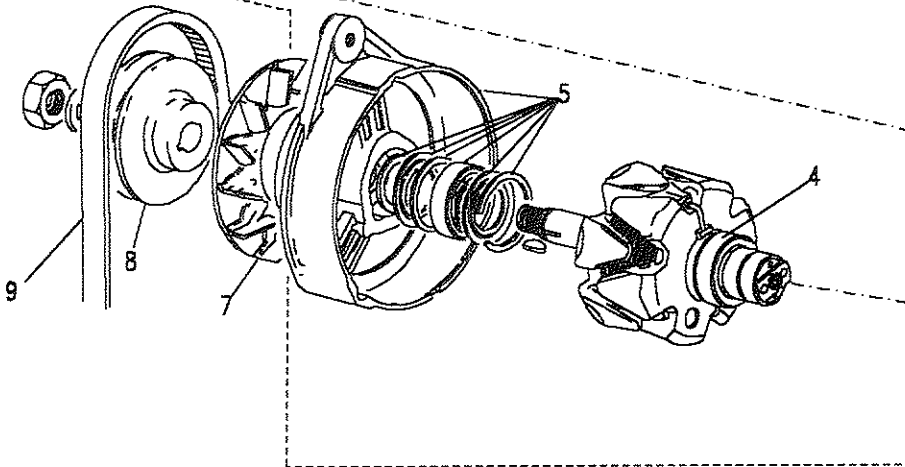
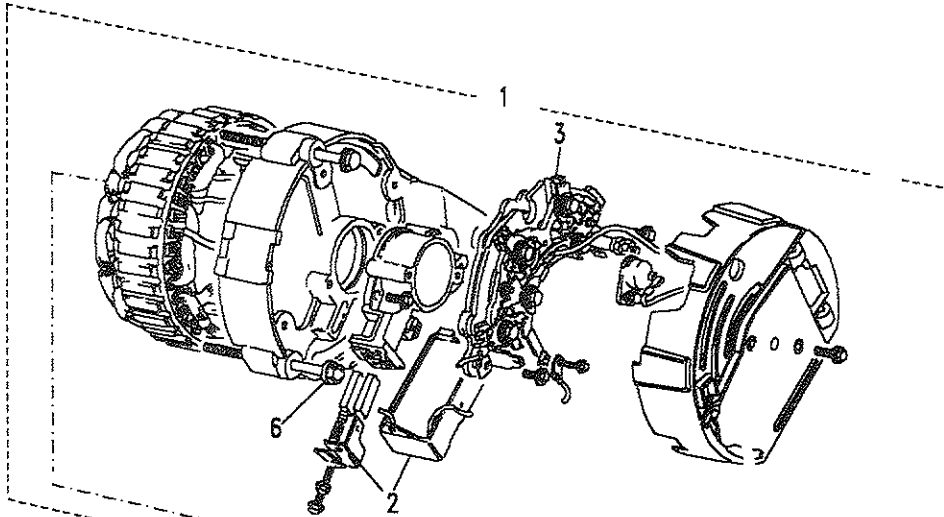


Model DEFENDER 90  
Page ADBGPC5A

ENGINE - ALTERNATOR - 2.5 DIESEL - AIR CON

III. Part No.	Description	Qty	Remarks
1	RTC5680N	1	Note(1)
	RTC5680E	1	
2	RTC5670	1	Regulator and brush box
3	RTC5671	1	Rectifier
4	RTC5047	1	Bearing slip ring end
5	RTC5687	1	Bracket
6	RTC5046	1	Kit through bolts
7	AAU2249L	1	Fan
8	RTC5686	1	Pulley
9	ETC7939	1	Belt fan
	RTC5689	1	Spacer pulley

Note(1) LUCAS number 24220

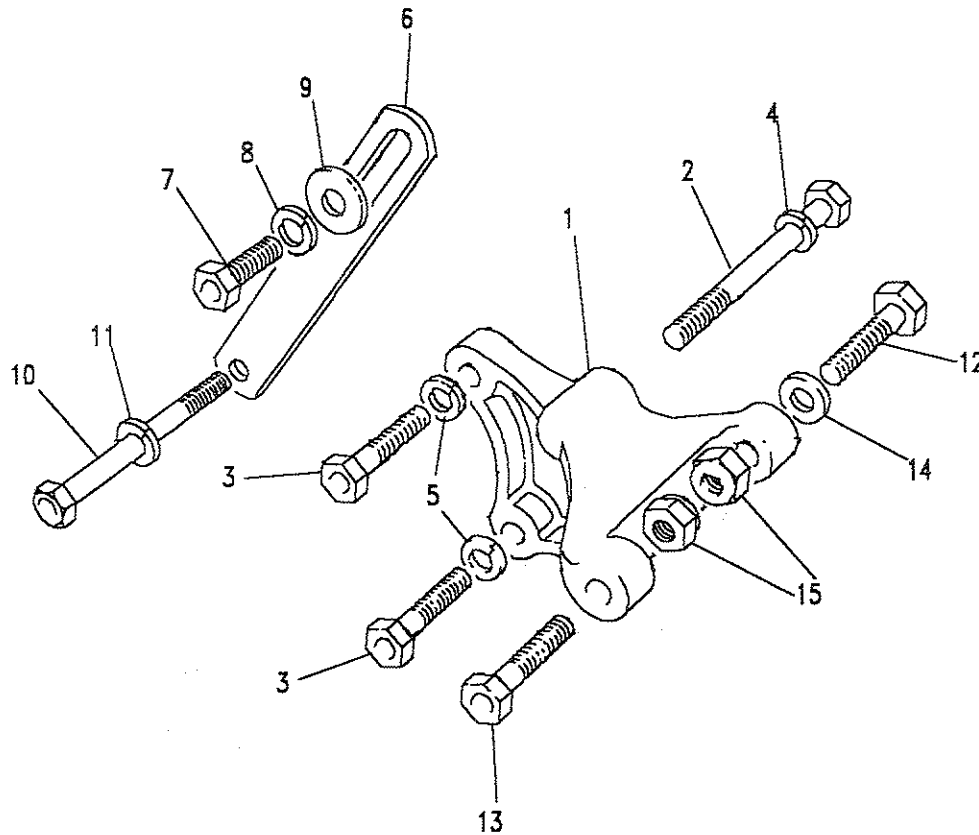


**Model** DEFENDER 90  
**Page** ADBGPC6A

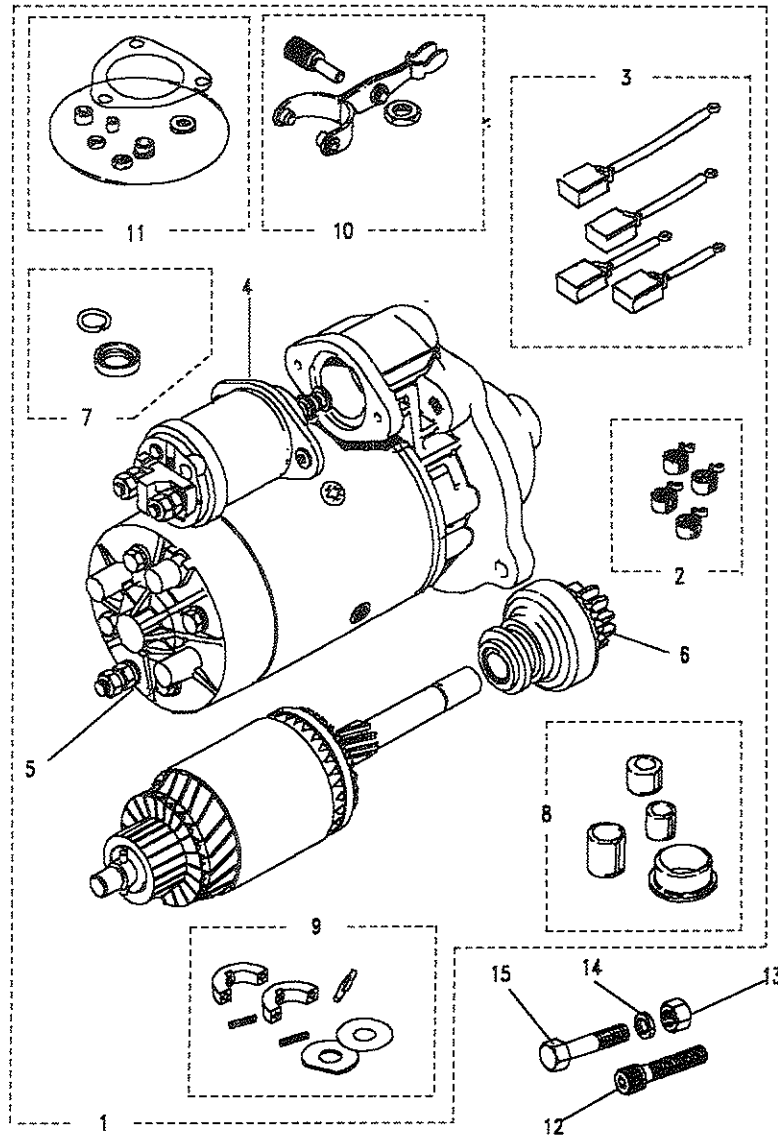
**ENGINE - ALTERNATOR FIXINGS - 2.5 DIESEL**

III. Part No.	Description	Qty	Remarks
1	ETC4357	1	Bracket mounting
2	BH108161L	1	Bolt bracket to block
3	SH110301L	2	Bolt bracket to block
4	WL108001L	1	Washer
5	WL108001L	2	Washer
6	ERC5139	1	Link adjusting
	ERC6266	1	Link adjusting
7	FS108201L	1	Screw link to alternator
8	WL108001L	1	Washer spring
9	2266L	1	Washer
10	ERC8964	1	Bolt link to block
11	WL108001L	1	Washer spring
12	BH108081L	1	Bolt bracket to block
13	BH108091L	1	Bolt bracket to block
16	ERC7974	1	Spacer
14	WC108051L	1	Washer
15	NY108041L	2	Nut nyloc

Note(1) Use with A115 and A113 type ALTERNATORS  
 Note(2) Use with A127 type ALTERNATORS







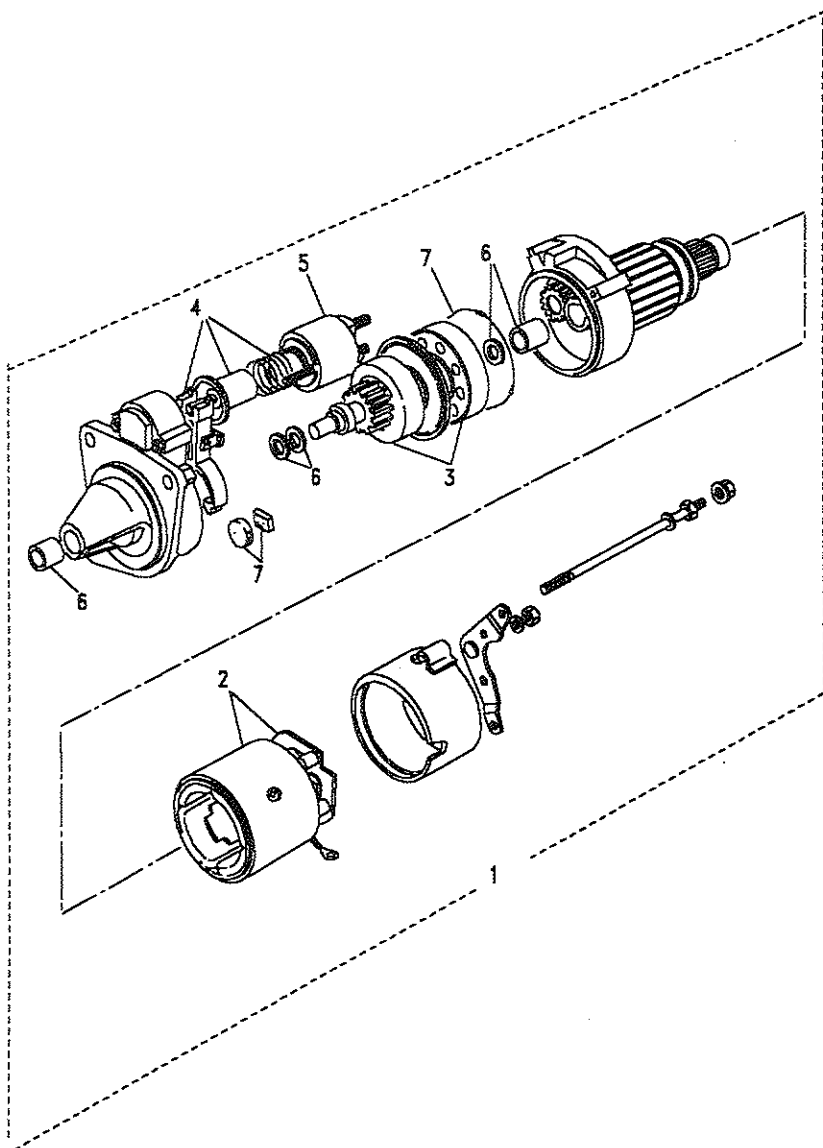
Model DEFENDER 90  
 Page ADBGPE1A

ENGINE - STARTER MOTOR - 2.5 DIESEL

III. Part No.	Description	Qty	Remarks
1 RTC5249N	Starter motor	1	Note(1)
1 RTC5249E	Starter motor	1	
2 27H5932L	Brush spring	1	
3 AEU4151	Kit brush	1	
4 STC1518	Solenoid	1	
5 AEU4147	Bracket assembly	1	
6 AEU2792	Drive assembly	1	
7 AEU4148	Kit-retention	1	
8 AEU4149	Kit-bush	1	
9 37H6171L	Kit-brake	1	
10 AEU1613	Kit-engaging lever	1	
11 37H7618L	Kit-sealing	1	
12 SH110301L	Screw	1	
13 NH110041L	Nut	2	
14 WL110001L	Washer spring	3	
15 BH110091L	Bolt	4	
AEU4150	Kit sundry parts	1	

Note(1) LUCAS number 27460





**Model** DEFENDER 90  
**Page** ADBGPE2A

**ENGINE - STARTER MOTOR - 2.5 DIESEL**

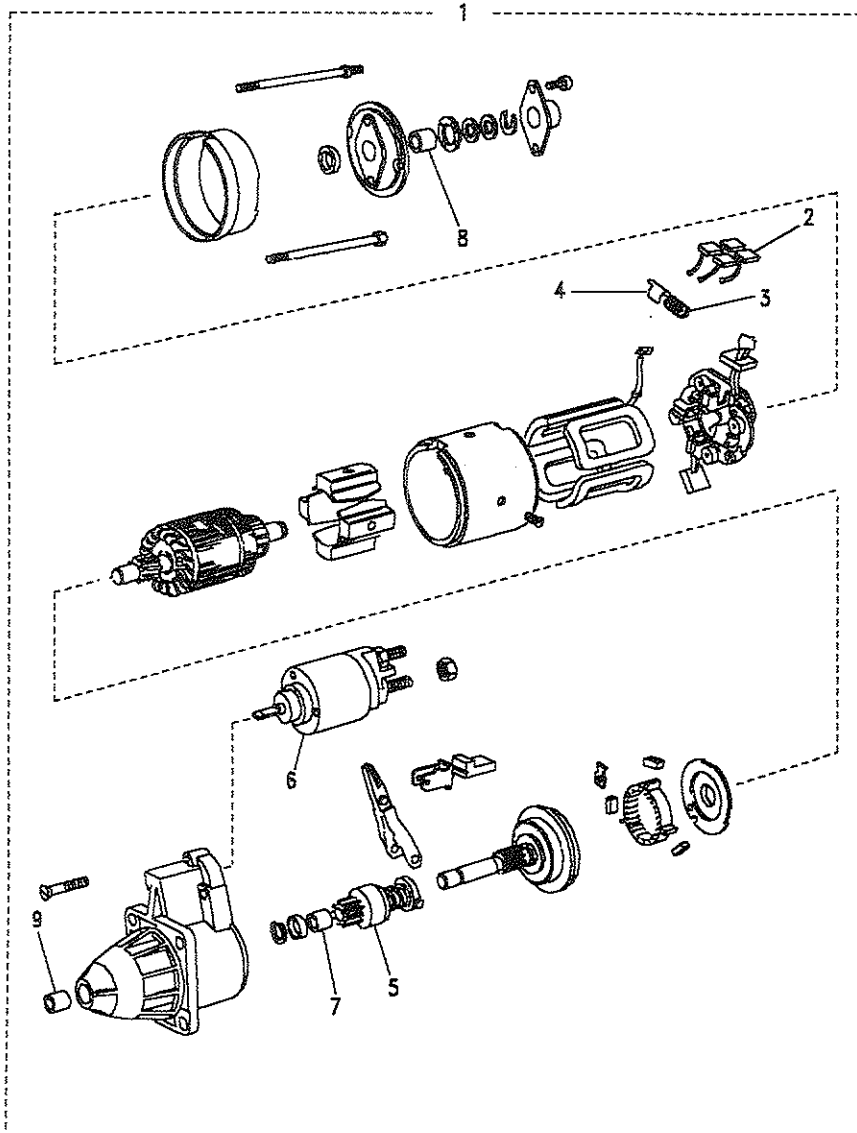
III. Part No.	Description	Qty	Remarks
<b>Used up to 12J52162c</b>			
1	PRC5109N	1	PARIS RHONE
	PRC5109E	1	
2	RTC4981	1	
3	RTC4982	1	
4	RTC4979	1	
5	RTC4978	1	
6	RTC4980	1	
7	RTC4983	1	
	PRC5538	1	
	SH110301L	1	
	NH110041L	2	
	WL110001L	3	
	BH110091L	4	



DEFENDER 90

169

ENGINE



Model DEFENDER 90

Page ADBGPE3A

ENGINE - STARTER MOTOR - 2.5 DIESEL

III. Part No.	Description	Qty	Remarks
<b>Used from 12J52163C</b>			
1	ERR5009	1	Starter motor
2	STC1246	1	Brush set
3	STC1254	4	Spring compression
4	STC1247	4	Guide brush
5	STC1244	1	Drive assembly
6	STC1245	1	Solenoid
7	STC1250	2	Bush
8	STC1251	1	Bush
9	STC1255	1	Bush



Model DEFENDER 90  
Page ADBGRA1A

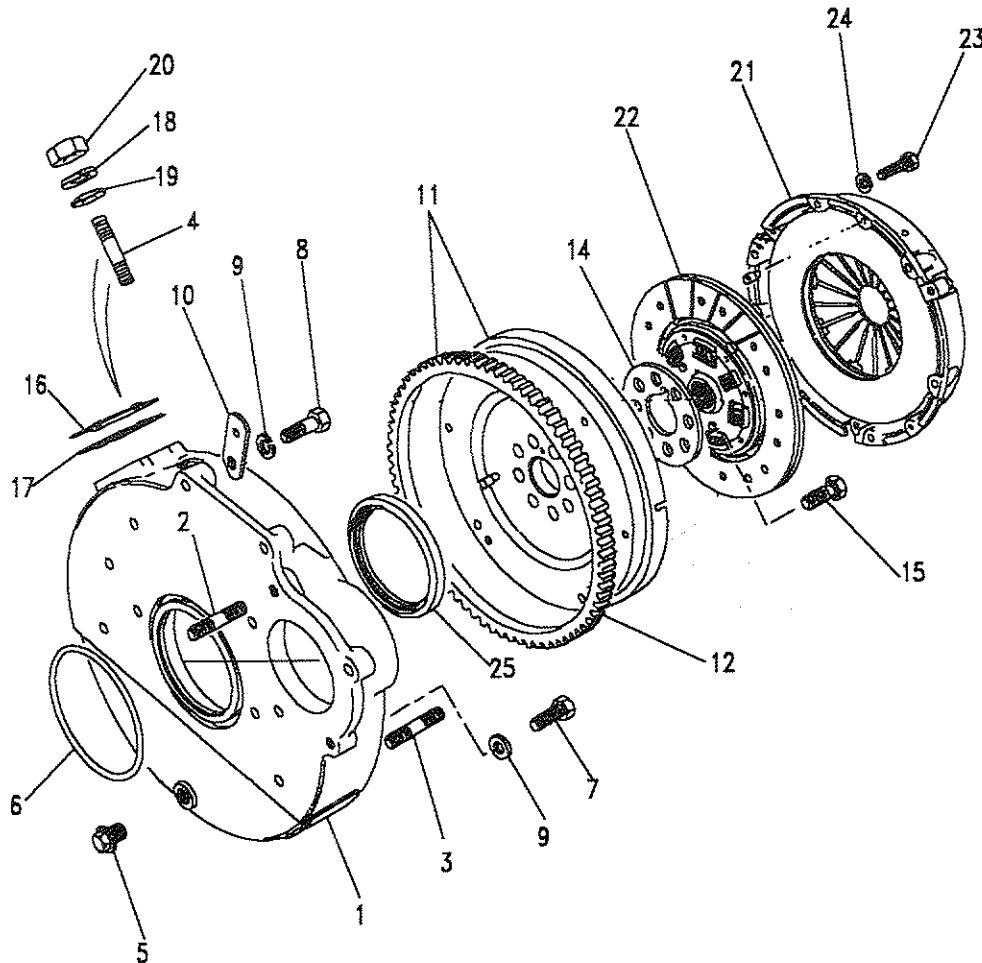
ENGINE - FLYWHEEL AND CLUTCH - 2.5 DIESEL

III. Part No.

Description

Qty Remarks

1	ETC7336	Flywheel housing assembly	1	UptoJAN1993
	ERR3920	Flywheel housing assembly	1	FromJAN1993
2	TE110061L	Stud bell housing	11	
3	ERC9240	Stud starter motor	1	
4	TE106041L	Stud inspection cover	2	Note(1)
5	ERC7295	Plug	2	
6	ERC6432	'O'ring flywheel housing	1	Note(1)
	NH110041L	Nut	11	
7	SH110301L	Screw housing to block	6	
8	BH110091L	Bolt housing to block	2	
9	WA110061L	Washer housing to block	8	
10	ERC9404	Bracket harness clip	2	
11	ETC5780	Flywheel assembly	1	
12	568431	Starter ring	1	
13	502116	Dowel	3	





Model DEFENDER 90  
Page ADBGRA1A

ENGINE - FLYWHEEL AND CLUTCH - 2.5 DIESEL

III. Part No.	Description	Qty	Remarks
14	ERC4658	1	)
15	ERC6551	8	)Note(2)
	ERR4574	8	)
16	56140	1	)
17	50216	1	)
18	WL106001L	2	)Note(1)
19	WA106041L	2	)
20	NH106041L	2	)
21	FTC575	1	)
22	FTC2149	1	)
	STC8358	1	)
	FTC2149	1	)
	FTC575	1	)
	FRC9568	1	)
23	SX108201L	6	)
24	WL108001L	6	)
25	ERR2532	1	)

Note(1) Used up to engine number 12J10960C  
 Note(2) Only fitted up to Dec 93. The reinforcing plate was found to serve no useful purpose. If replacing use shorter screws ERR4574

