



MASTER INDEX

	PAGES
INTRODUCTION PAGES	1 - 5
ALPHABETICAL INDEX	6 - 14
ENGINE	15 - 65
ENGINE	66 - 117
ENGINE	118 - 171
ENGINE	172 - 217
ENGINE	218 - 261
ENGINE	262 - 297
ENGINE	298 - 367
ENGINE	368 - 394
GEARBOX	395 - 411
GEARBOX	412 - 425
TRANSFER BOX	426 - 456
TRANSFER BOX	457 - 474
AXLES AND SUSPENSION	475 - 531
STEERING	532 - 564
VEHICLE AND ENGINE CONTROLS	565 - 580
BRAKES	581 - 603
FUEL SYSTEM AND AIR CLEANER	604 - 645
EXHAUST SYSTEM	646 - 660
COOLING/HEATING	661 - 709
COOLING/HEATING	710 - 718
BODY ELECTRICAL	719 - 793
BODY AND CHASSIS	794 - 923
INTERIOR TRIM	924 - 965
SEATS	966 - 1009
STOWAGE	1010 - 1017
ACCESSORIES - PAINTS	1018 - 1042
NUMERICAL INDEX	1044 - 1122

GROUP P

INTERIOR TRIM

INTERIOR TRIM

UPPER CRASH PAD	925 - 926
ASHTRAY - MOUNTED ON HEATER DUCT	927
ASHTRAY - MOUNTED IN UPPER CRASH PAD	928
PARCEL TRAY & HEATER DUCT	929 - 930
CUBBY BOX	931 - 933
DOOR TRIM UP TO 1987MY	934 - 935
FRONT DOOR TRIM FROM 1987MY	936
REAR END DOOR - FROM NOTE(1)	937 - 938
STATION WAGON - BODYSIDE	939 - 941
DASH TRIM	942 - 945
STATION WAGON - ROOF	946 - 948
HARD TOP	949
TRUCK CAB	950 - 952
SUN VISORS	953 - 954
BONNET INSULATION	955
TURBO DIESEL	956
CARPETS - FLOOR AND SEATBASE	957 - 961
RUBBER FLOOR MATS AND SEATBASE INSULATION	962 - 963
ADDITIONAL FLOOR COVERS	964 - 965



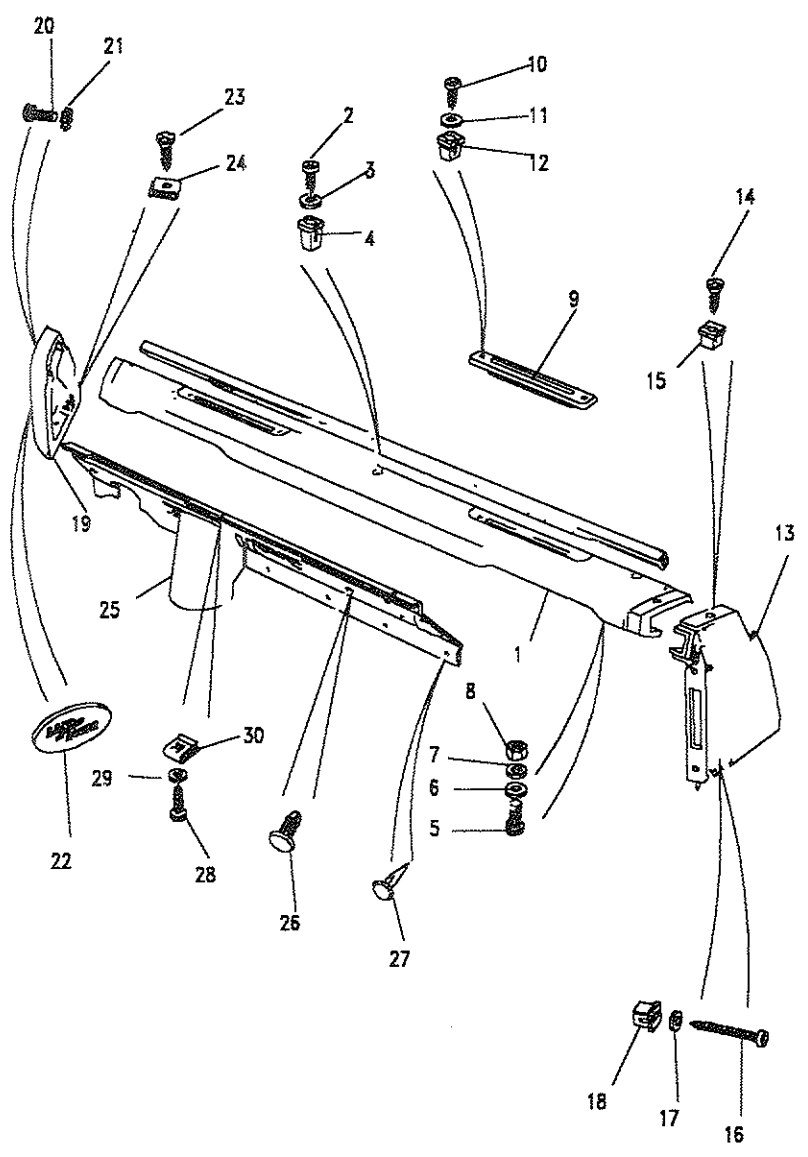


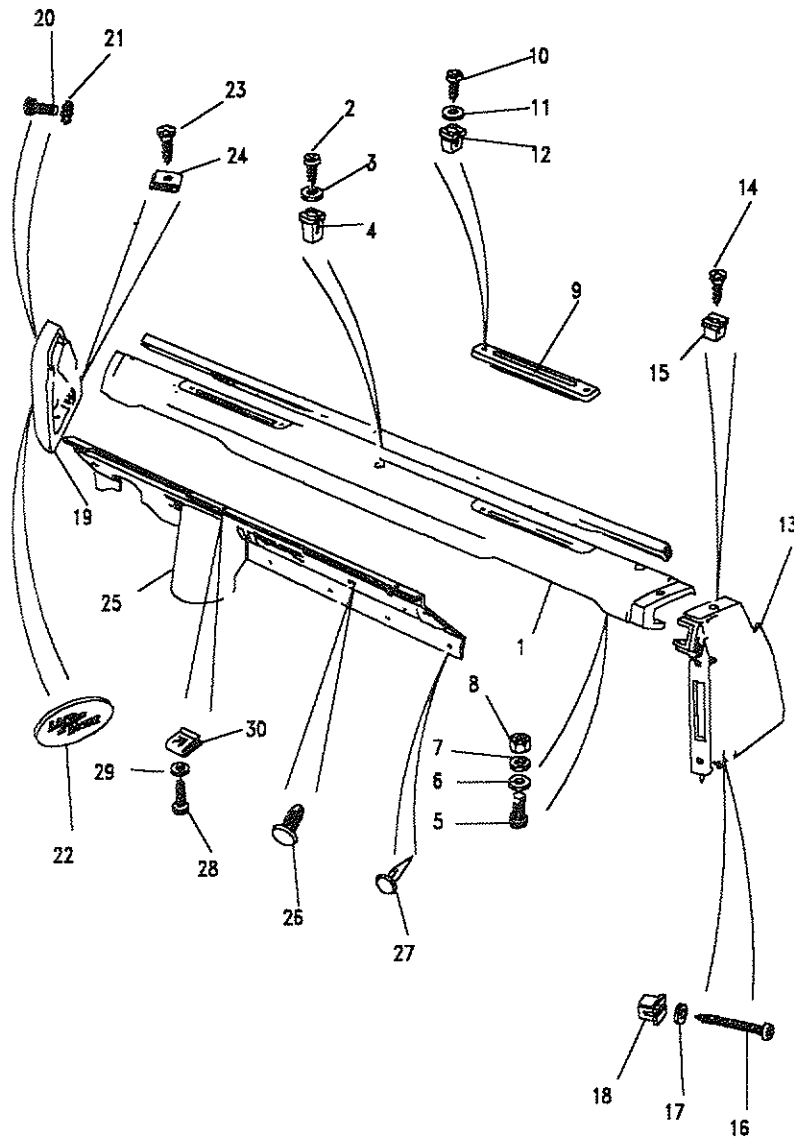
Model DEFENDER 90

Page ADPXAA1A

FACIA - UPPER CRASH PAD

Ill. Part No.	Description	Qty	Remarks
1	MWC9327PMA MXC6084PMA	1	Crash pad upper
2	AB614064	1	Crash pad upper
3	WC106044L	8	Screw
4	RTC3744	3	Washer plain
5	SE104124L	3	Nut lokut
6	WA104004L	2	Screw
7	WL104004	2	Washer plain
8	NH104044	2	Washer spring
		2	Nut
<b>Fixings - Crash rail to front plate</b>			
	WC105001L	4	Washer plain
	WM702001L	2	Washer spring
	NH105041L	2	Nut
	AB608051L	2	Screw
	AK606031	2	Nut spring
	RTC3745	1	Nut lokut
	SE105121L	2	Screw
9	MTC6040	2	Demister outlet
	BTR912	2	Demister outlet
10	AB606064L	4	Screw
11	WA105001L	4	Washer plain
12	RTC3745	4	Nut lokut
<b>Non Air Conditioning</b>			
13	MWC9338PMA	1	Trim panel RHS
	MTC4571	1	Trim panel LHS
	MWC9339PUA	1	Trim panel LHS
	MWC9339PMA	1	Trim panel LHS





Model DEFENDER 90

Page ADPXA1A

FACIA - UPPER CRASH PAD

III. Part No.	Description	Qty	Remarks
14	D606044L Screw	1	
15	RTC3745 Nut lokut	1	
16	AB610124L Screw	1	
17	AFU1248 Washer plain	1	
18	RTC3748 Nut lokut	1	
19	MTC6142 Grab handle RH	1	LHD
	MTC6143 Grab handle LH	1	RHD
<b>Air Conditioning grab handle</b>			
19	AWR1175 Grab handle RH	1	LHD
20	SE105121L Screw	1	
21	WF105001L Washer shakeproof	1	
22	MTC5851 Badge	1	
23	AC606104 Screw	1	
24	AK606031 Nut spring	1	
<b>Non Air Conditioning</b>			
25	MTC4617LDQ Trim panel RHS	1	
	MTC4618LDQ Trim panel LHS	1	
26	AFU1897 Fastener	2	
27	AFU2813 Fastener	6	
28	AB606044L Screw	2	
29	WA104004L Washer plain	2	
30	AJ606011L Nut spring	2	
	AB608041L Screw	6	
	WA105001L Washer plain	6	



DEFENDER 90

927

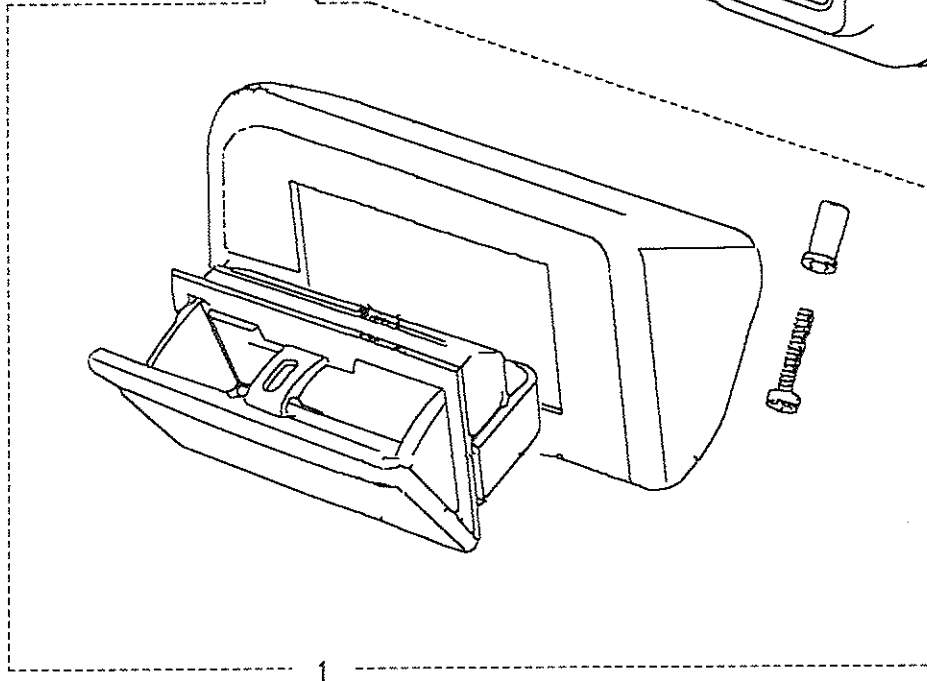
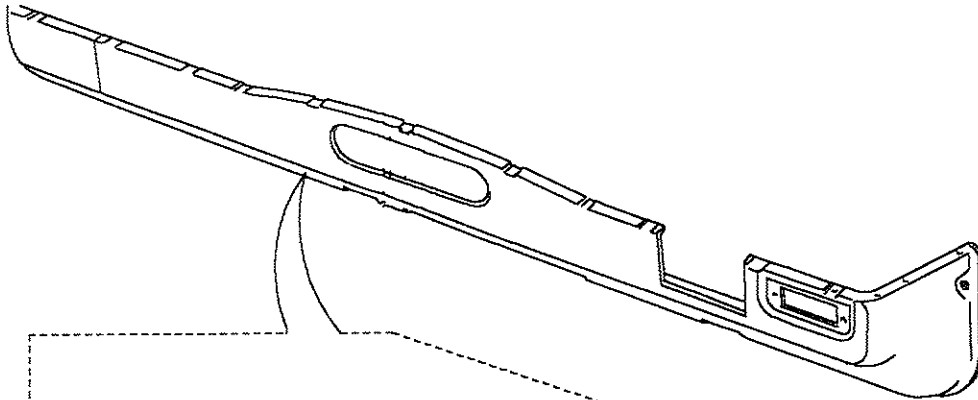
INTERIOR TRIM

Model DEFENDER 90

Page ADPXAA2A

FACIA - ASHTRAY - MOUNTED ON HEATER DUCT

III. Part No.	Description	Qty	Remarks
1 RTC8071	Ash tray kit	1	

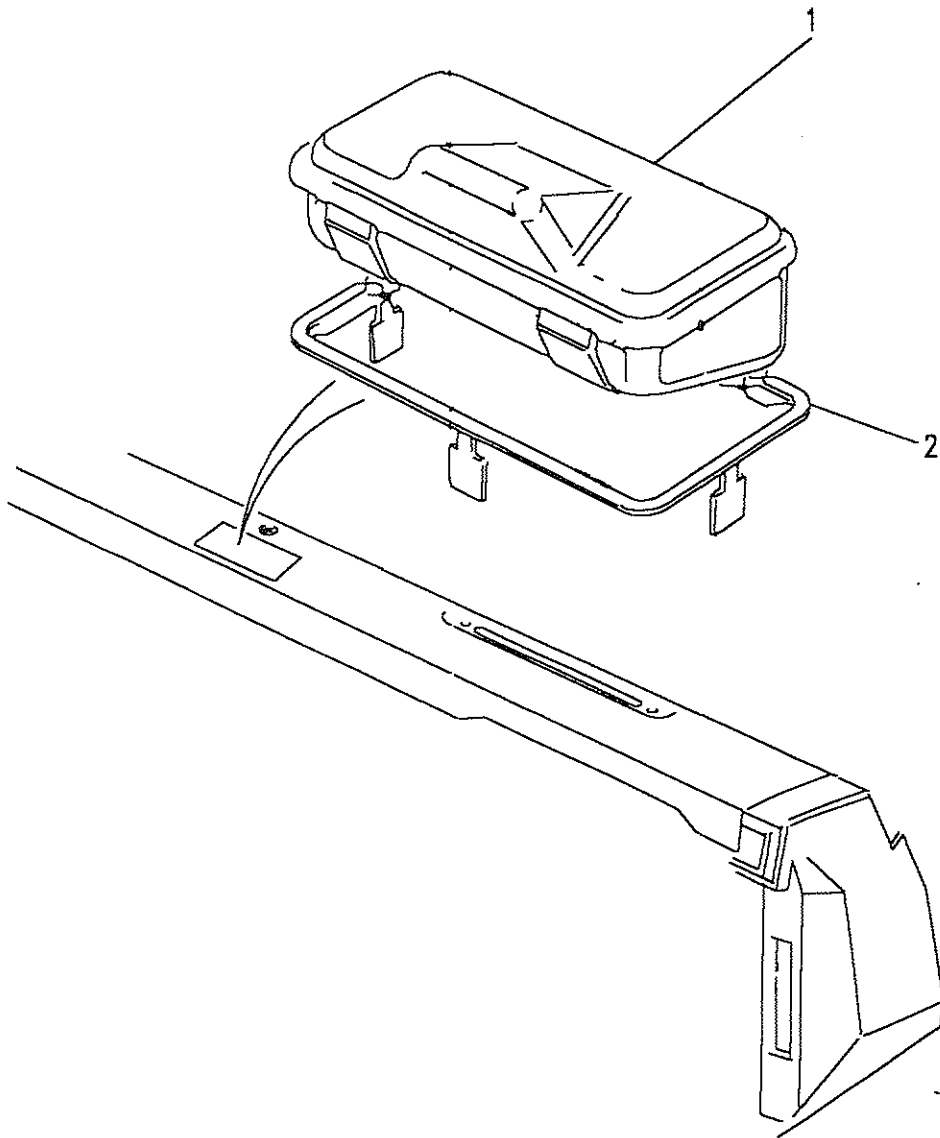


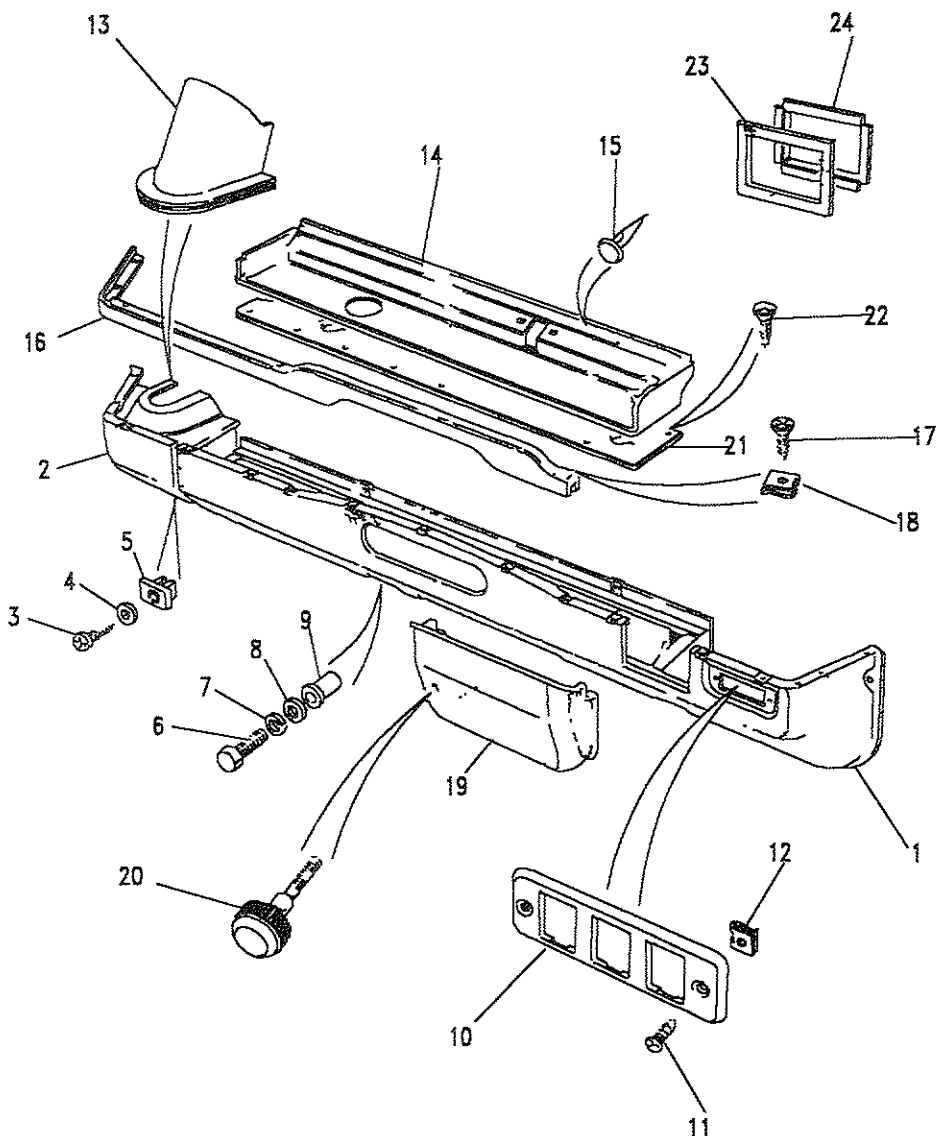


Model DEFENDER 90  
Page ADPXAA3A

FACIA - ASHTRAY - MOUNTED IN UPPER CRASH PAD

III. Part No.	Description	Qty	Remarks
1 DZA5097L	Ash tray	1	
2 MUC1582	Retainer	1	





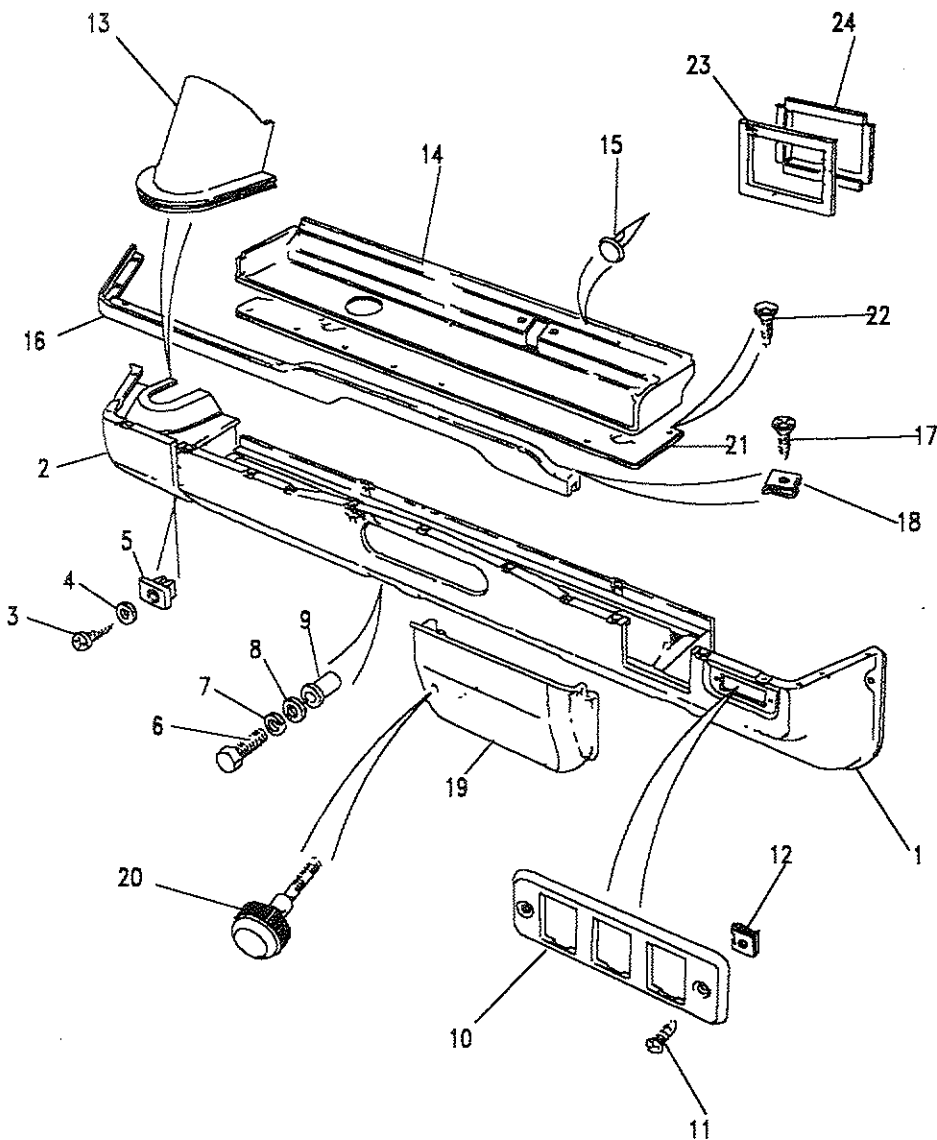
Model DEFENDER 90

Page ADPXAC1A

FACIA - PARCEL TRAY & HEATER DUCT

III. Part No.	Description	Qty	Remarks
<b>Non Air Conditioning</b>			
1	MTC2826	1	Heater duct RHS
	MUC1384	1	Heater duct RHS Speaker
	MTC2827	1	Heater duct LHS
	MUC1383	1	Heater duct LHS Speaker
<b>Air Conditioning</b>			
1	MUC3249	1	Heater duct RHS
	MUC3244	1	Heater duct RHS Speaker
	MUC1703	1	Heater duct LHS
	MUC1716	1	Heater duct LHS Speaker
2	MTC3523	1	Cover wiper motor RHS
	MUC1701	1	Cover wiper motor RHS Speaker
	MTC6080	1	Cover wiper motor LHS
	MUC1382	1	Cover wiper motor LHS Speaker
3	AB608054L	10	Screw
4	AFU1248	10	Washer plain
5	AFU2692	10	Nut lokut
6	SH105201L	2	Screw
7	WL105001L	2	Washer spring
8	WC105001L	2	Washer plain
9	NN105021L	2	Nutsert
10	MTC2640	1	Switch Panel RHS
11	D606041L	2	Screw
12	AK606011L	2	Nut spring
13	MTC3705LDQ	1	Cover





**Model** DEFENDER 90  
**Page** ADPXAC1A

**FACIA - PARCEL TRAY & HEATER DUCT**

III. Part No.	Description	Qty	Remarks
14 MRC7282	Parcel tray	1	RHS
MRC7283	Parcel Tray	1	LHS
<b>Fixings - Parcel tray to Dash</b>			
15 AFU2813	Fastener	5	
AB606044L	Screw	5	)Alternative
WA104004L	Washer plain	5	)Fixings.
16 MTC6166	Finisher	1	RHS
MTC6167	Finisher	1	LHS
17 AC606064L	Screw	3	
18 AK606031	Nut spring	3	
19 BTR2307	Cover fusebox	1	
MTC5227	Label warning-diff lock	1	Note(1) Upto VIN HA705313
BTR2308	Label warning-diff lock	1	Note(1) From VIN HA705314
20 MTC9968	Screw	2	
21 MRC8584	Panel closing	1	RHS
MRC8585	Panel closing	1	LHS
22 AB606041L	Screw	22	
23 MTC6871	Seal	1	Non Air Con
MTC7400	Seal	1	Air Con
24 MUC4801	Bezel	1	Non Air Con

Note(1) Located on front of Fuse Box Cover



DEFENDER 90

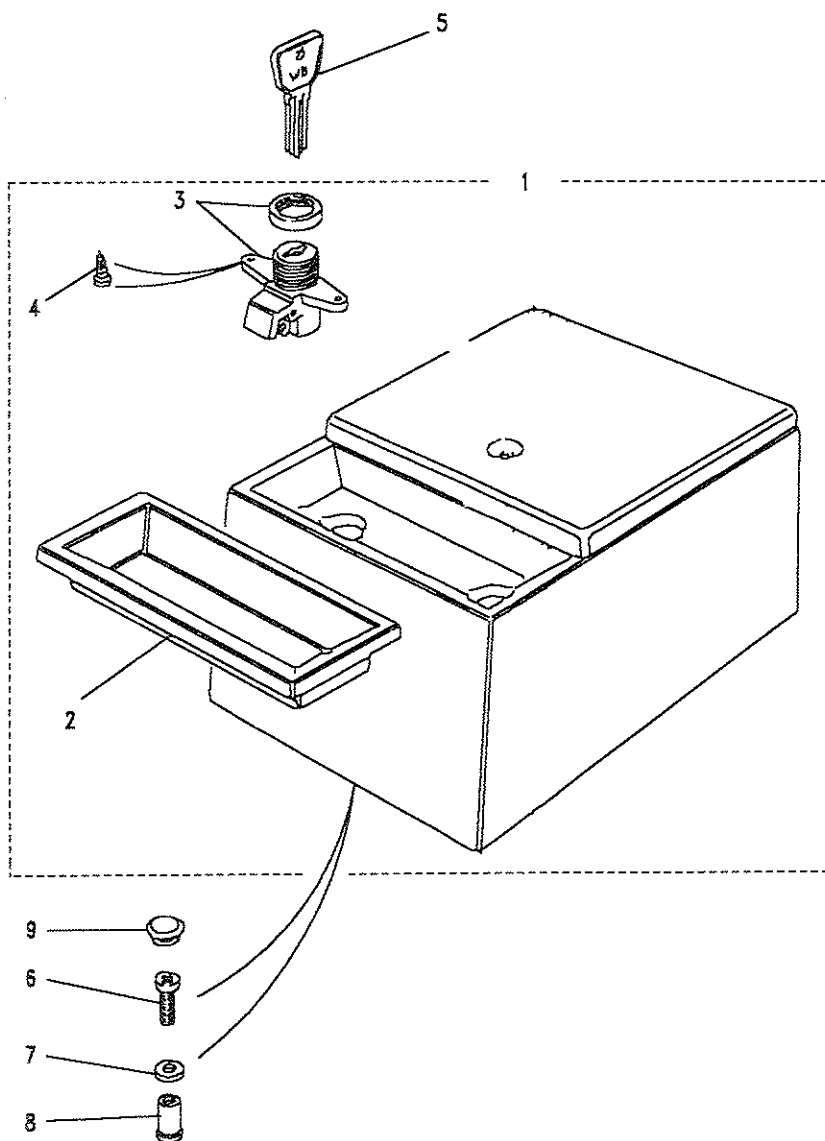
931

INTERIOR TRIM

Model DEFENDER 90

Page ADPXCC1A

TRIM - CUBBY BOX



III. Part No.	Description	Qty	Remarks
1 MUC6681	Console	1	table
2 MTC4520	Tray	1	
3 RTC3024	Lock Kit	1	
4 AB606061L	Screw	2	
5 CZK3882	Key blank	A/R	
6 SE106351L	Screw	4	
7 WA106041L	Washer plain	4	
8 NN106021	Nut anchor	4	
9 AFU2501	Plug	4	







Model DEFENDER 90

Page ADPXCC2A

TRIM - CUBBY BOX

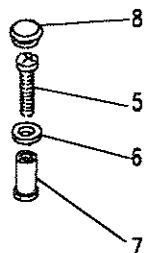
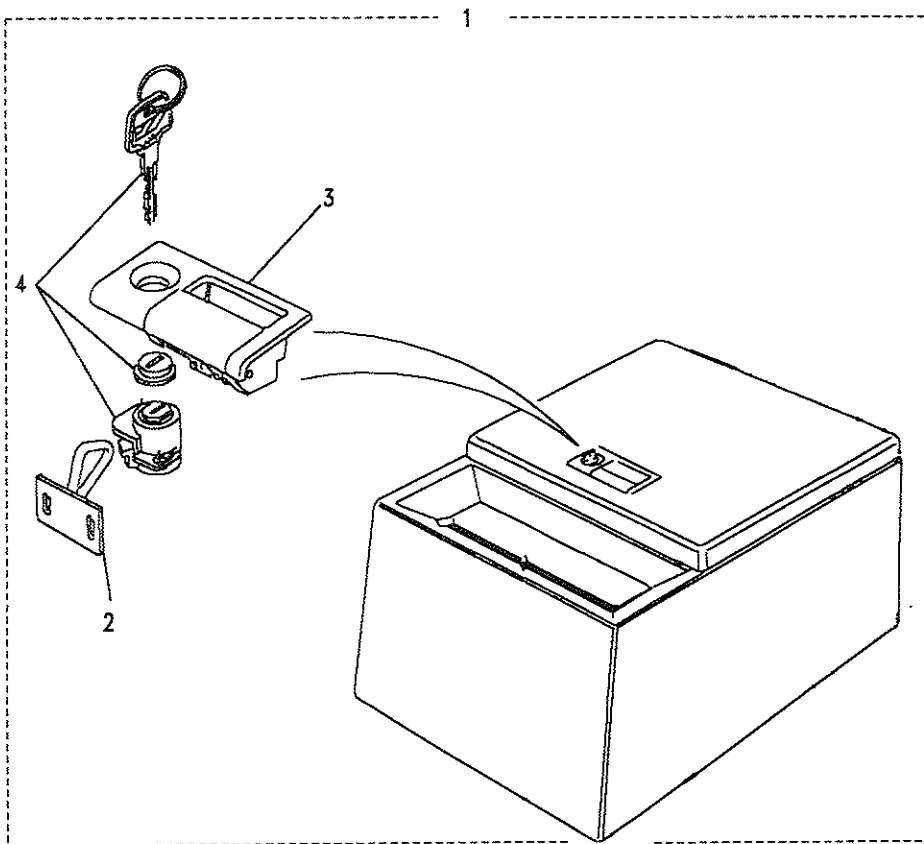
III. Part No.

Description

Qty Remarks

Upto VIN 455631

1	MUC6681	Console	1
2	MUC6682	Striker lock	1
3	MUC6452	Latch	1
4	MUC6453	Barrel lock and keys	1
	MUC2153	Key blank	A/R
5	SE106351L	Screw	4
6	WA106041L	Washer plain	4
7	NN106021	Nut anchor	4
8	AFU2501	Plug	4

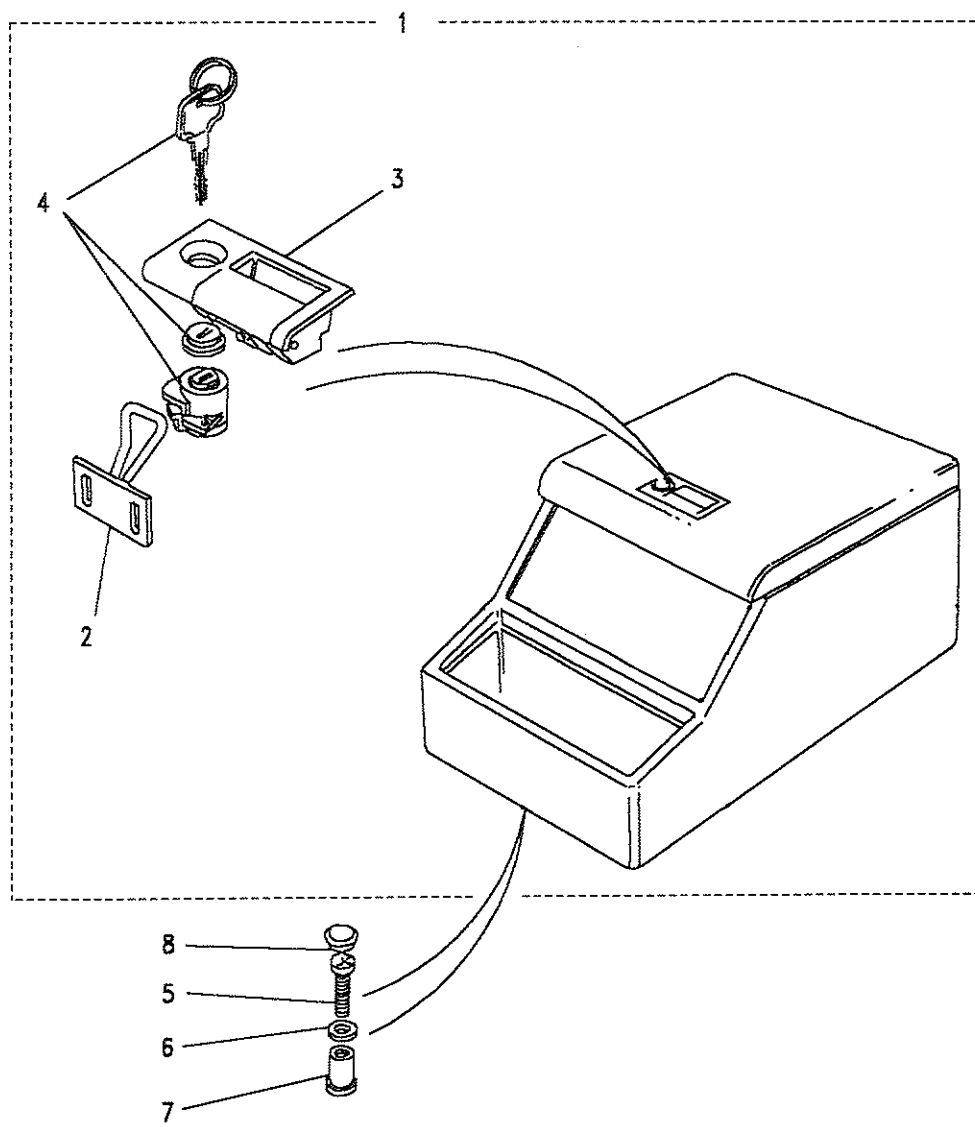




Model DEFENDER 90  
Page ADPXCC3A

TRIM - CUBBY BOX

III. Part No.	Description	Qty	Remarks
<b>From VIN HA455632</b>			
1 AWR1607	Cubby box	1	
2 BTR695	Striker lock	1	
3 MUC6452	Latch	1	
4 MUC6453	Barrel lock and keys	1	
MUC2153	Key blank	A/R	
5 SE106351L	Screw	4	
6 WA106041L	Washer plain	4	
7 NN106021	Nut anchor	4	
8 AFU2501	Plug	4	





40

Model DEFENDER 90

Page ADPXE1A

TRIM - DOOR TRIM UP TO 1987MY

III. Part No.	Description	Qty	Remarks
---------------	-------------	-----	---------

Up to AAA270227, AA270484, AA271214.

1	MTC8706	Casing front door RH	1	
	MTC8707	Casing front door LH	1	
	MWC3137	Spacer foam	6	
2	MUC3186	Clip trim	8	
3	MUC3187	Socket	8	
4	MUC3394	Screw sems	26	
	AB608084	Screw	2	
	WC104004L	Washer plain	2	
5	AFU1926L	Nut captive	28	
6	MUC3036	Cover checklink RH	1	
	MUC3037	Cover checklink LH	1	
7	AB608064L	Screw	2	

No Rear Wash Wipe/ Heated Rear Window

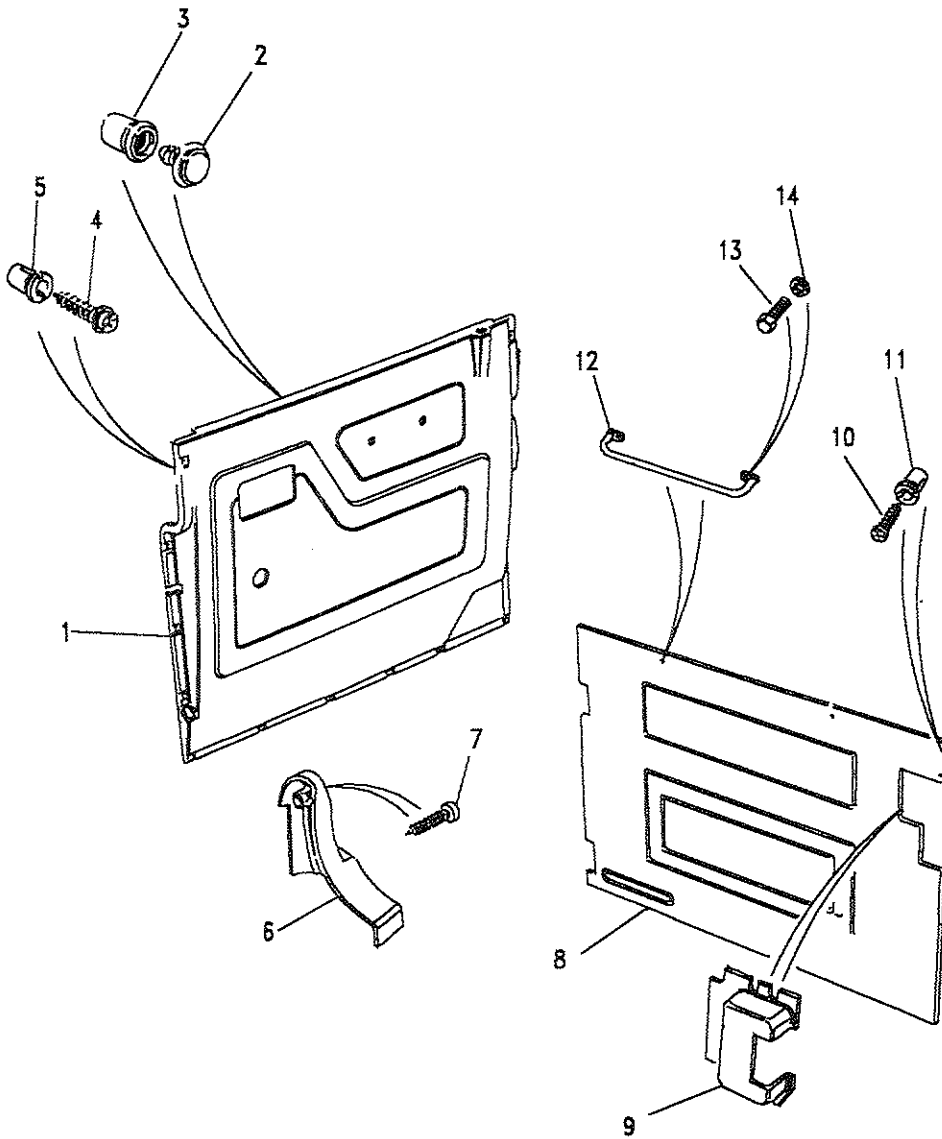
8	MUC4529	Casing rear end door	1	
---	---------	----------------------	---	--

Rear Wash Wipe/Heated Rear Window

8	MTC9801	Casing rear end door	1	Upto 241999
	MUC4528	Casing rear end door	1	From 242000

All variants

9	MTC1710	Lock Cover	1	
10	AB606041L	Drive Screw	4	Up to EA358392
	AFU2636	Drive Screw	4	)From
11	AFU1926L	Captive Nut	3	)FA358393



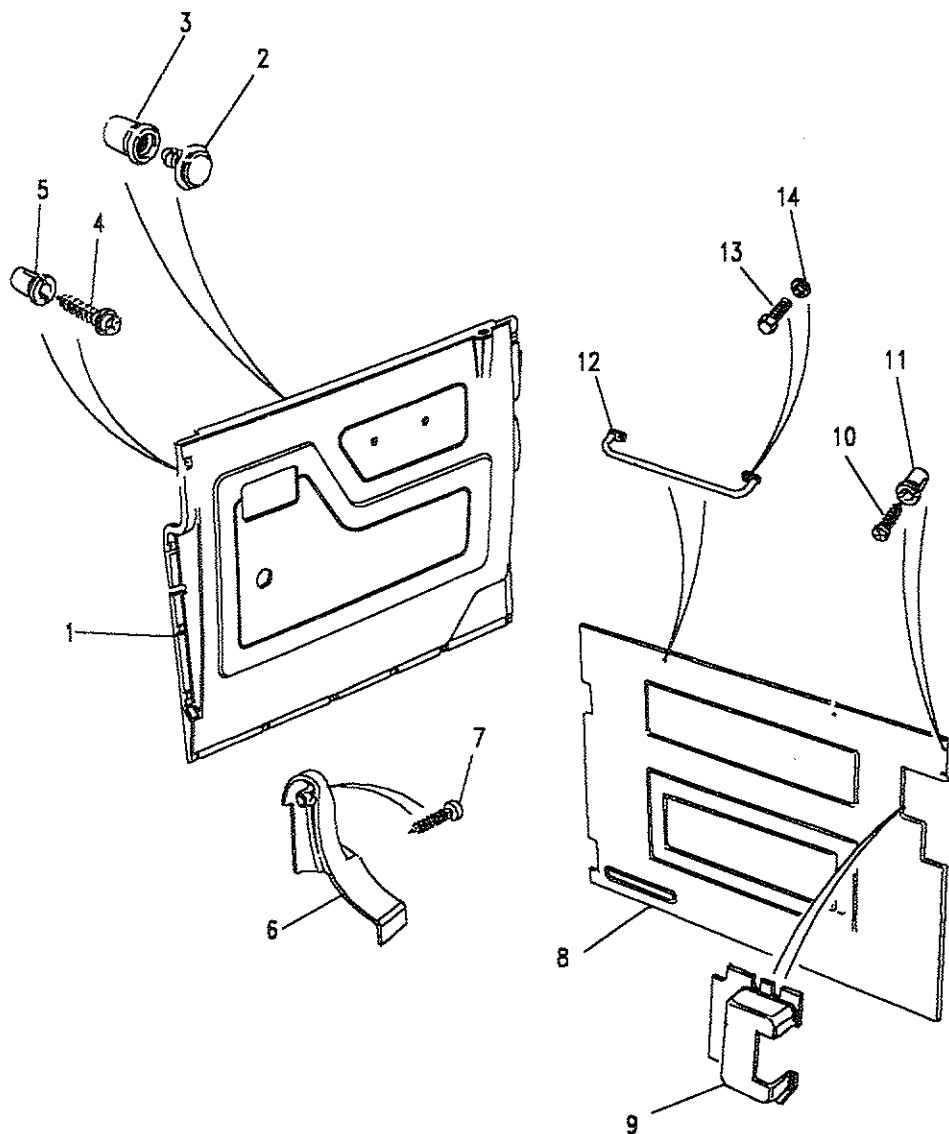


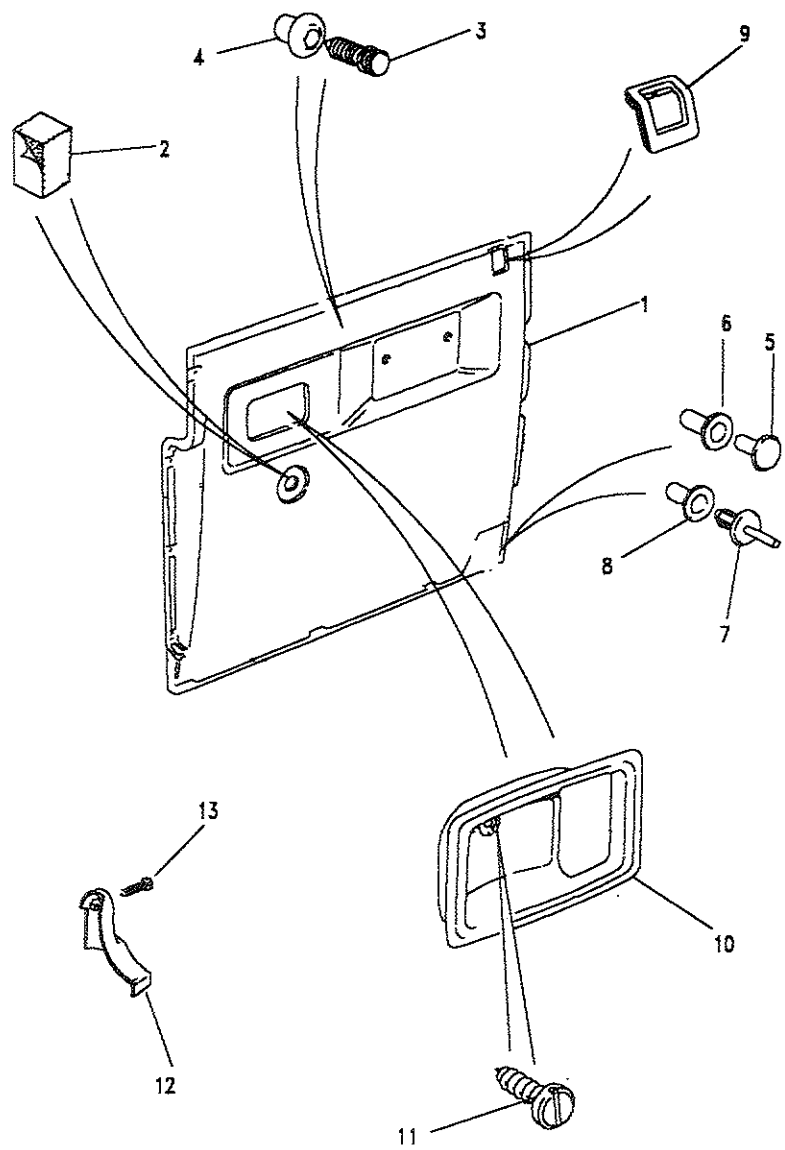
Model DEFENDER 90

Page ADPXE1A

TRIM - DOOR TRIM UP TO 1987MY

III. Part No.	Description	Qty	Remarks
12	MUC1402	1	Grab Handle
13	SH106204	2	Screw
14	WL106004L MUC4525	2	Washer spring Arrow label
Germany MTC6630	Cover nut grab handle	2	





**Model** DEFENDER 90  
**Page** ADPXE2A

**TRIM - FRONT DOOR TRIM FROM 1987MY**

**III. Part No. Description Qty Remarks**

From AA270227, AA270484, AA271214.

**Black - Upto EA314058**

1	MWC2780	Casing front door lh	1
	MWC2781	Casing front door rh	1

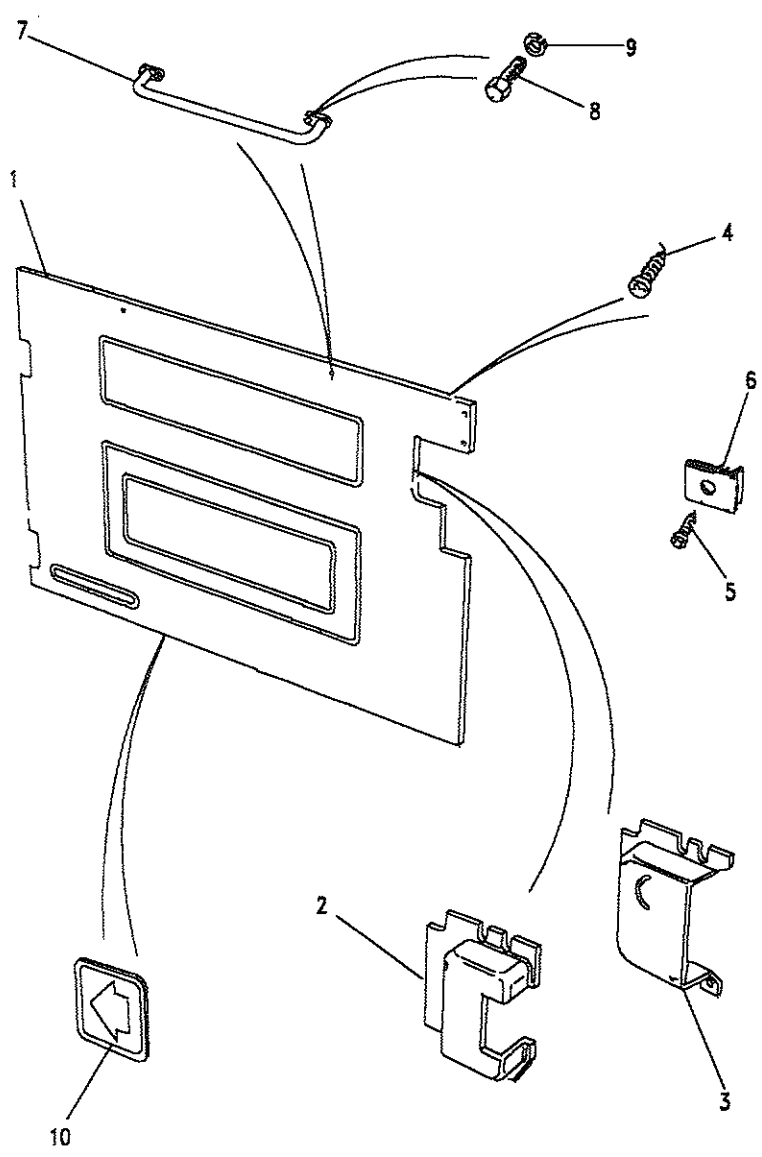
**Grey - From FA314059**

1	MXC1858LCS	Casing front door RH	1	)Upto
	MXC1859LCS	Casing front door LH	1	)LA932528
	BTR6700LCS	Casing front door RH	1	)From
	BTR6701LCS	Casing front door LH	1	)LA932529
2	MWC3137	Spacer foam	4	
3	MWC1474	Fastener	24	Upto 339423
	MXC1800	Fastener	24	From 339424
4	MWC3136	Snapsac	24	
5	79118PH	Stud-black	4	)
6	13H2475L	Anchor	4	)Note(1)
7	MWC9918LCS	Lokut-grey	4	)
8	MWC9917	Snapsac	4	)Note(2)
9	MXC4738PMA	Escutcheon	2	
10	DBP6532PMA	Escutcheon RH	1	
	DBP6533PMA	Escutcheon LH	1	
11	DA608044L	Screw	2	
12	MUC3036	Cover checklink RH	1	
	MUC3037	Cover checklink LH	1	
13	AB608064L	Screw	2	

Note(1) Up to EA314058  
 Note(2) From FA314059



24

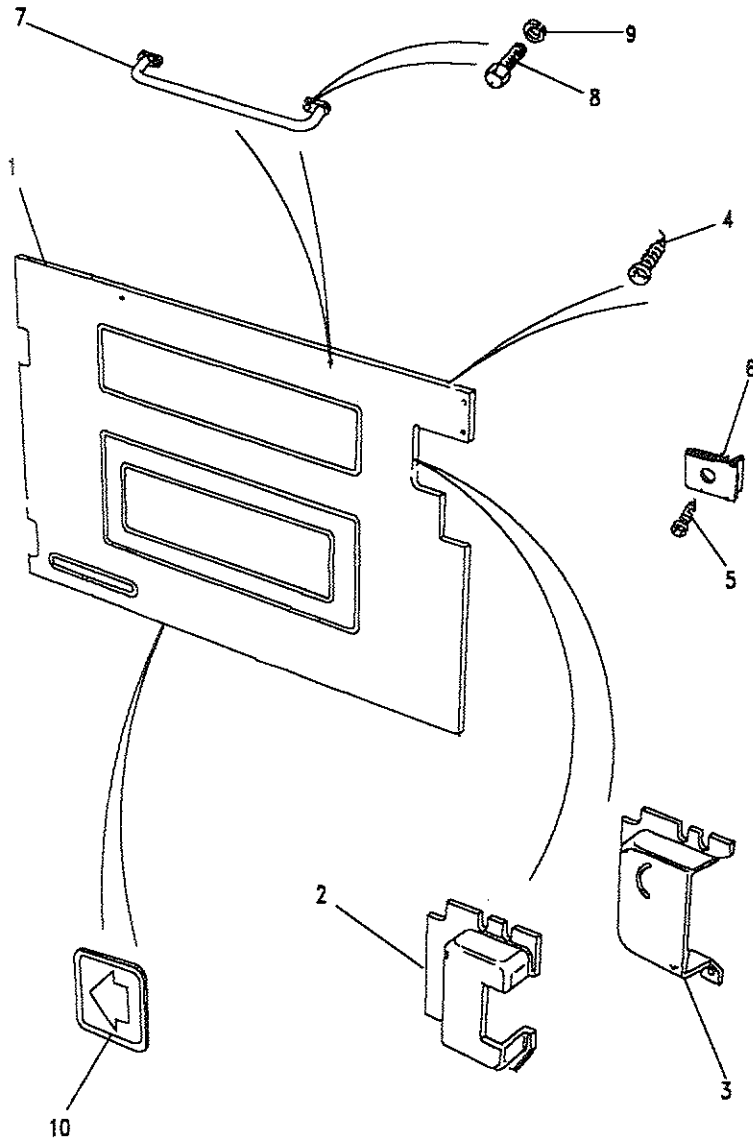


Model DEFENDER 90  
 Page ADPXEG1A

**TRIM - REAR END DOOR - FROM NOTE(1)**

III. Part No.	Description	Qty	Remarks
<b>From introduction of 1987 Model Year - Note(1)</b>			
<b>Except Rear Wash Wipe/Heated Rear Window</b>			
1 MWC1743	Casing rearend door-Black	1	Upto Note(4)
MWC1743LCS	Casing rear end door-Grey	1	From Note(4) Upto Note(5)
MXC1989LCS	Casing rear end door	1	Note(6) From Note(5) Upto VIN KA929577
BTR7964LCS	Casing rear end door	1	Note(6) From VIN KA929578
<b>Rear Wash Wipe/Heated Rear Window</b>			
1 MWC1744	Casing rearend door-Black	1	Upto Note(4)
MWC1744LCS	Casing rear end door-Grey	1	From Note(4) Upto Note(5)
MXC1992LCS	Casing rear end door	1	Note(6) From Note(5) Upto VIN JA910753
BTR3793LCS	Casing rear end door	1	Note(6) From VIN JA910754 Upto VIN KA929577
BTR7959LCS	Casing rear end door	1	Note(6) From VIN KA929578
73037	Clip retaining	8	





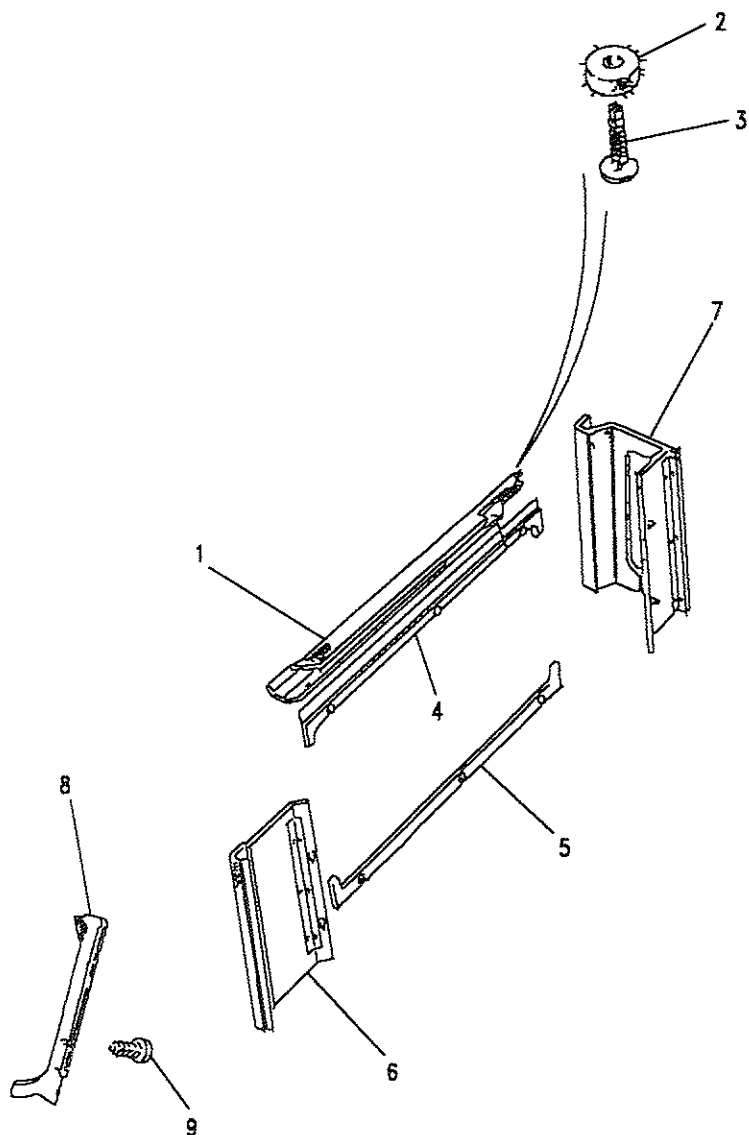
**Model** DEFENDER 90  
**Page** ADPXEG1A

**TRIM - REAR END DOOR - FROM NOTE(1)**

III. Part No.	Description	Qty	Remarks
2	MTC1710	1	Upto Note(4)
3	395191LCS	1	From Note(4)
4	AB606041	7	Note(2)
	AFU2636	1	
5	AA606044L	2	Note(3)
6	AK606011L	2	Note(3)
7	MUC1402	1	
8	SH106204	2	
9	WL106004	2	
10	MUC4525	1	

- Note(1) VIN SALLDVAD7AA270227, SALLDVAC7AA270484, and SALLDVAV7AA271214 - Introduction of 1987 Model Year
- Note(2) Except Rear wash wipe/heated rear window
- Note(3) Rear wash wipe/heated rear window
- Note(4) Introduction of 1988 Model Year - Regular VIN EA314059, Station Wagon VIN EA314174
- Note(5) Introduction of 1989 Model Year - Regular VIN FA358393, Station Wagon VIN FA358407
- Note(6) Includes checklink cover





Model DEFENDER 90  
 Page ADPXGC1A

TRIM - STATION WAGON - BODYSIDE

III. Part No.	Description	Qty	Remarks
<b>Upto VIN 314173 - Note(1)</b>			
1	MUC6494	1	Trim cantrail RH
	MUC6495	1	Trim cantrail LH
2	MUC1508	8	Felt spacer
3	AFU1900	8	Fastener
4	MUC1474	2	Trim silight upper
5	MUC3242	2	Trim silight lower
6	MTC8296	1	Trim silight front RH
	MTC8297	1	Trim silight front LH
7	MTC8298	1	Trim rear quarter RH
	MTC8299	1	Trim rear quarter LH
8	MTC5212	1	Trim 'A' post RH
	MWC2314	1	Trim 'A' post LH
9	AB606084	4	Screw
<b>Germany</b>			
	MUC3630	1	Cover rear qrtr panel RH
	MUC3631	1	Cover rear qrtr panel LH
	AB608041L	4	Screw

Note(1) Introduction of 1988 Model Year - VIN EA



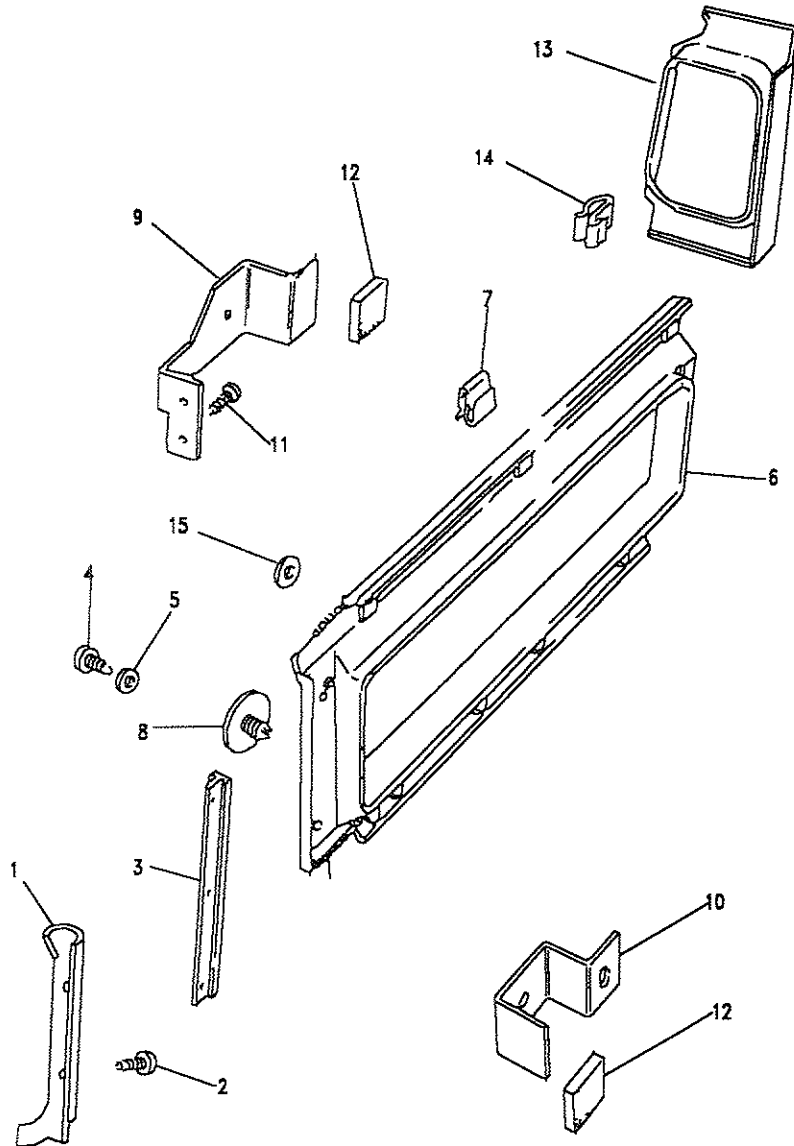


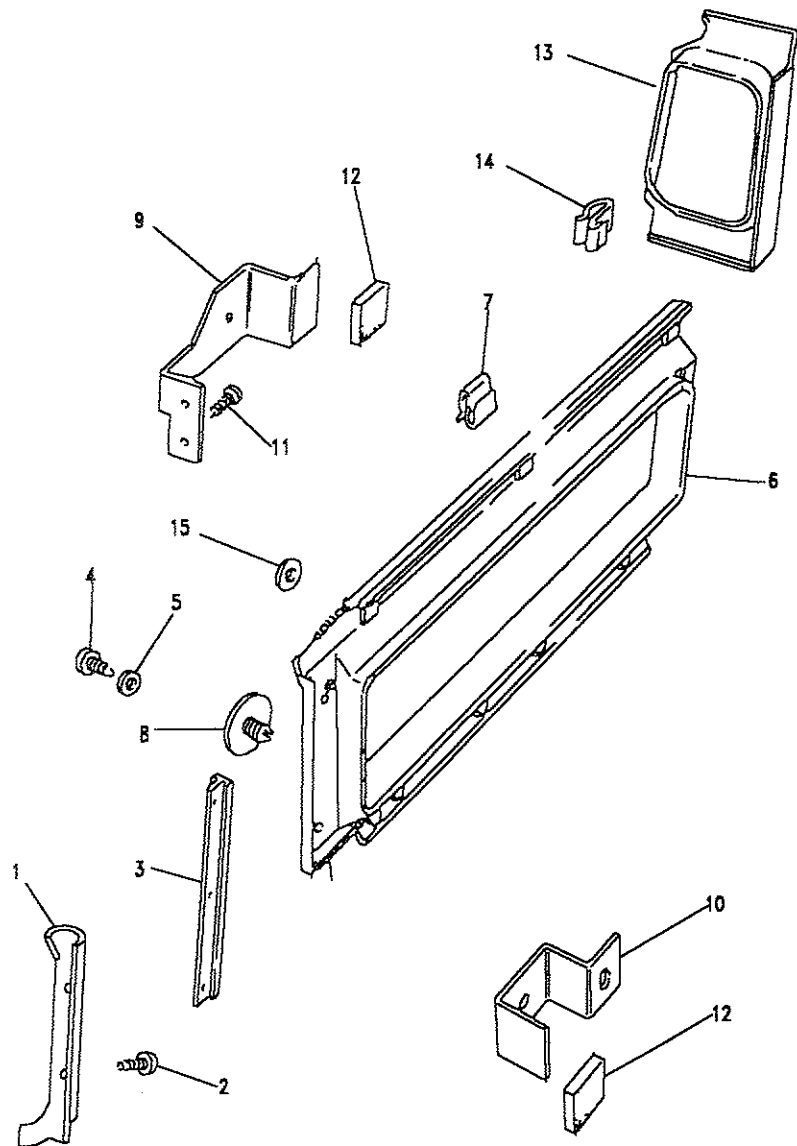


Model DEFENDER 90  
Page ADPXGC2A

TRIM - STATION WAGON - BODYSIDE

III. Part No.	Description	Qty	Remarks
<b>From VIN 314174 - Note(1)</b>			
1	MTC5212	1	Trim 'A' post RH
	MWC2314	1	Trin 'A' post LH
2	AB606084	4	Screw
3	MWC9823LNP	2	Trim 'BC' post
	MXC3319LNP	2	Trim 'BC' post
4	77869	6	Screw
5	3852L	6	Washer plain
6	MWC5832LNP	1	Trim panel bodyside RH
	MWC5833LNP	1	Trim panel bodyside LH
7	MWC6203	6	Clip edge
8	MWC5763LNP	2	Fastener
<b>From Note(2)</b>			
9	MXC3278	1	Bracket retaining RH
	MXC3279	1	Bracket retaining LH
10	MXC3276	2	Bracket retaining
11	AB608044L	4	Screw
12	MUC6400	4	Upper bracket





Model DEFENDER 90

Page ADPXGC2A

TRIM - STATION WAGON - BODYSIDE

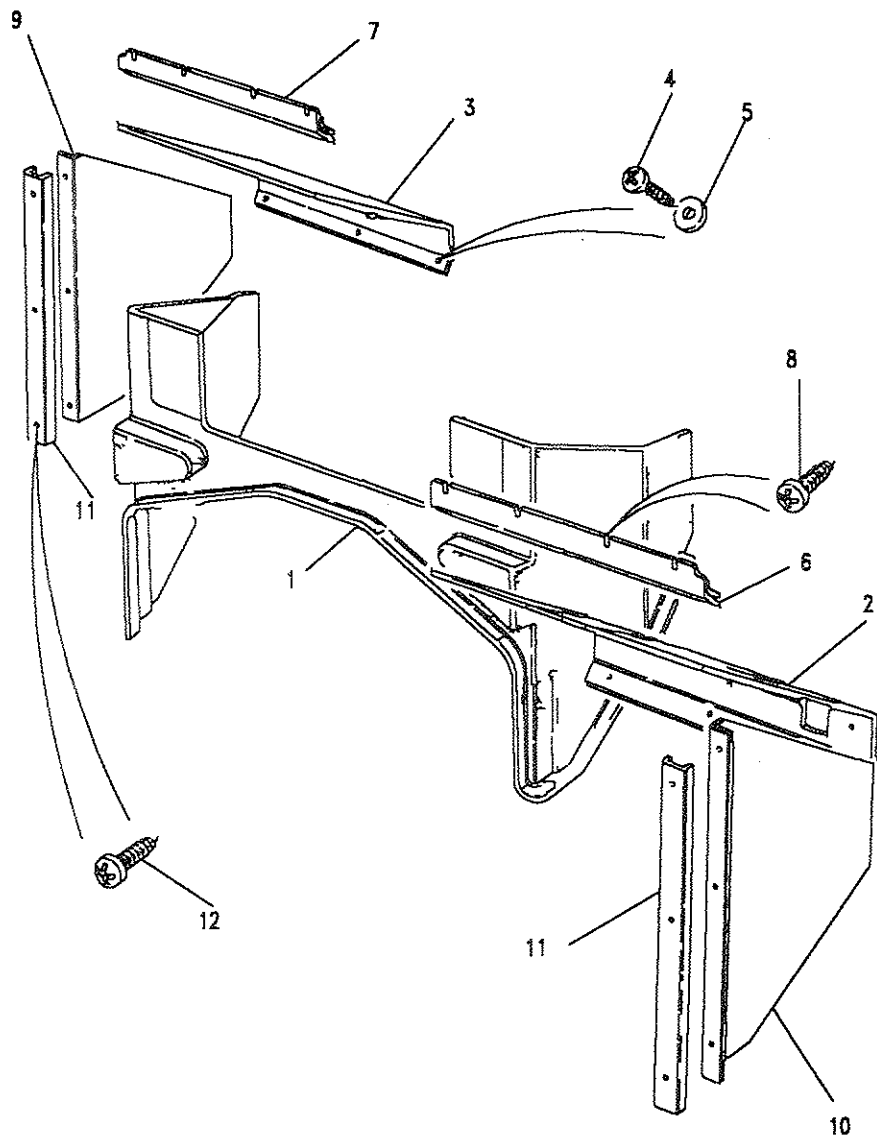
III. Part No.	Description	Qty	Remarks
13 MWC8910LNP	Trim panel rear end RH	1	
MWC8911LNP	Trim panel rear end LH	1	
14 MWC6204	Clip edge	4	
<b>Seat belt anchorage/trim protection</b>			
15 MWC9482	Washer retaining	2	

Note(1) Introduction of 1988 Model Year - VIN EA314174

Note(2) Introduction of 1989 Model Year - VIN FA

Note(3) LNP = Mid Grey



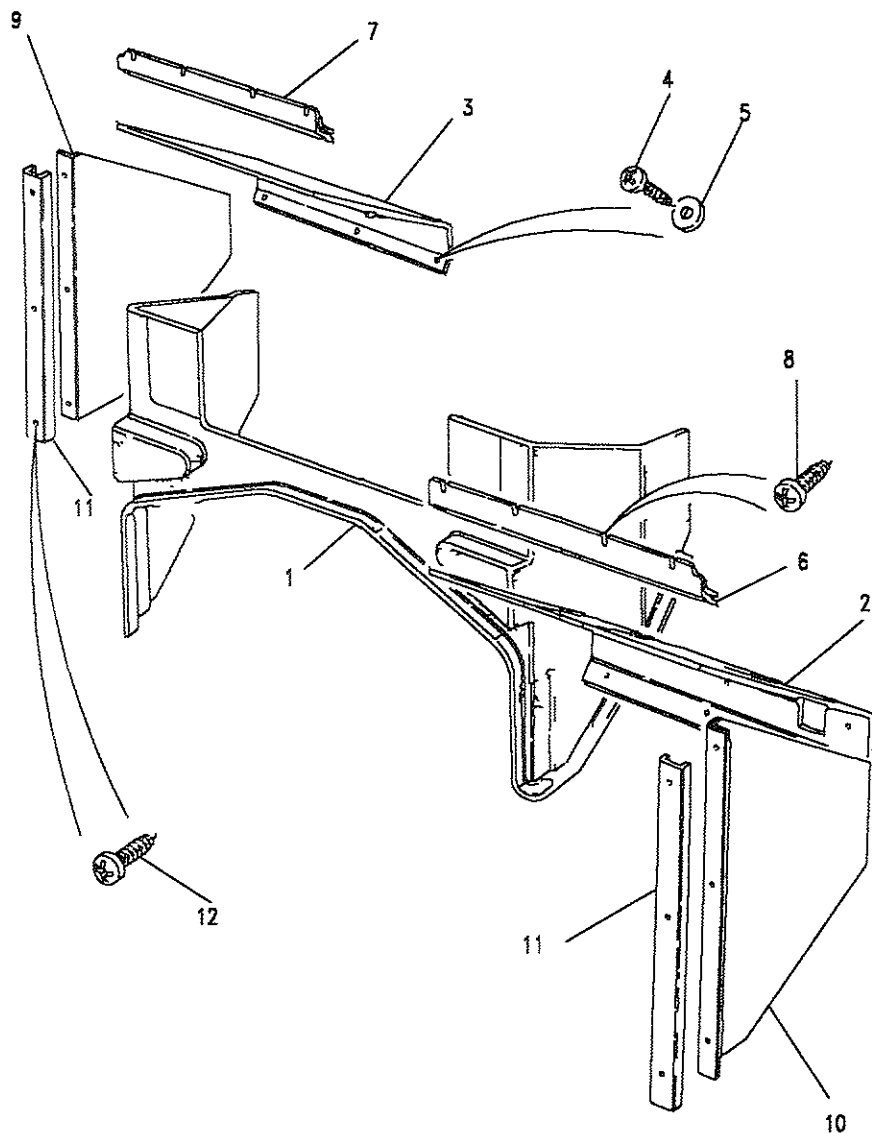


**Model** DEFENDER 90  
**Page** ADPXIA1A

**FACIA - DASH TRIM**

III. Part No.	Description	Qty	Remarks
<b>Dash centre - Insulation</b>			
1 BTR341	Insulation	1	4 Cylinder
MUC1248	Insulation	1	V8
			Upto VIN FA424037
BTR360	Insulation	1	V8
			From VIN FA424038
<b>Dash centre - Carpet - Upto Note(2)</b>			
1 MUC1356RD	Carpet	1	4 Cylinder
MUC1256RD	Carpet	1	V8
<b>Dash centre - Carpet - From Note(2)</b>			
1 MXC2949LDE	Carpet	1	4 Cylinder
MXC2948LDE	Carpet	1	V8
<b>Toebox trim - RHD - Non Air Con</b>			
2 MUC9167	Panel toebox trim RH	1	Upto VIN FA440581
MXC6538	Panel toebox trim RH	1	From VIN FA440582
			Upto VIN KA922165
BTR5232	Panel toebox trim RH	1	From VIN KA922166
3 MTC4866	Panel toebox trim LH	1	Upto VIN FA440581
MXC6539	Panel toebox trim LH	1	From VIN FA440582
			Upto VIN KA922165
BTR5233	Panel toebox trim LH	1	From VIN KA922166





Model DEFENDER 90

Page ADPXIA1A

FACIA - DASH TRIM

III. Part No.	Description	Qty	Remarks
<b>Toebox trim - RHD - Air Con</b>			
2	MUC9167	1	Panel toebox trim RH
	MXC6538	1	Panel toebox trim RH
	BTR5232	1	Panel toebox trim RH
3	MUC2210	1	Panel toebox trim LH
	MXC6543	1	Panel toebox trim LH
<b>Toebox trim - LHD - Non Air Con</b>			
2	MUC9168	1	Panel toebox trim RH
	MXC6540	1	Panel toebox trim RH
	BTR5234	1	Panel toebox trim RH
3	MTC4865	1	Panel toebox trim LH
	MXC6541	1	Panel toebox trim LH
	BTR5235	1	Panel toebox trim LH





DEFENDER 90

944

INTERIOR TRIM

Model DEFENDER 90  
Page ADPXIA1A

FACIA - DASH TRIM

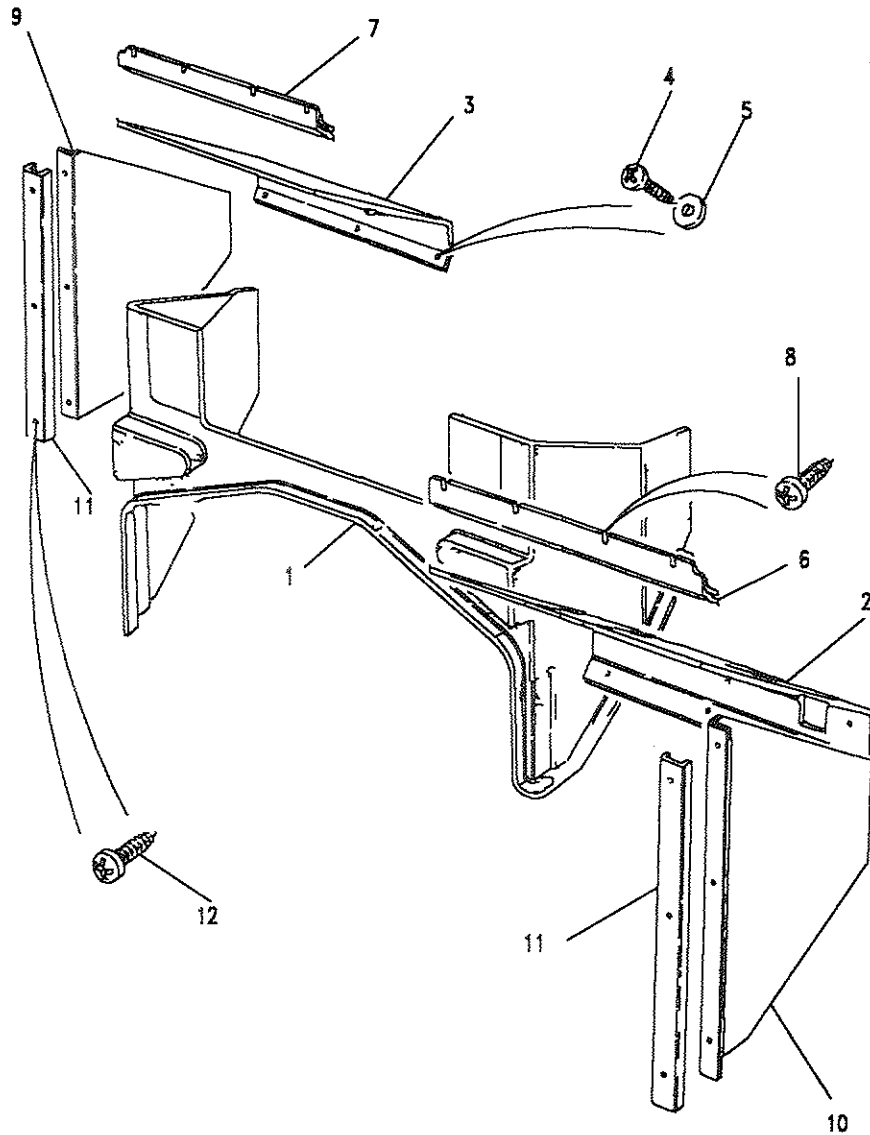
III. Part No.

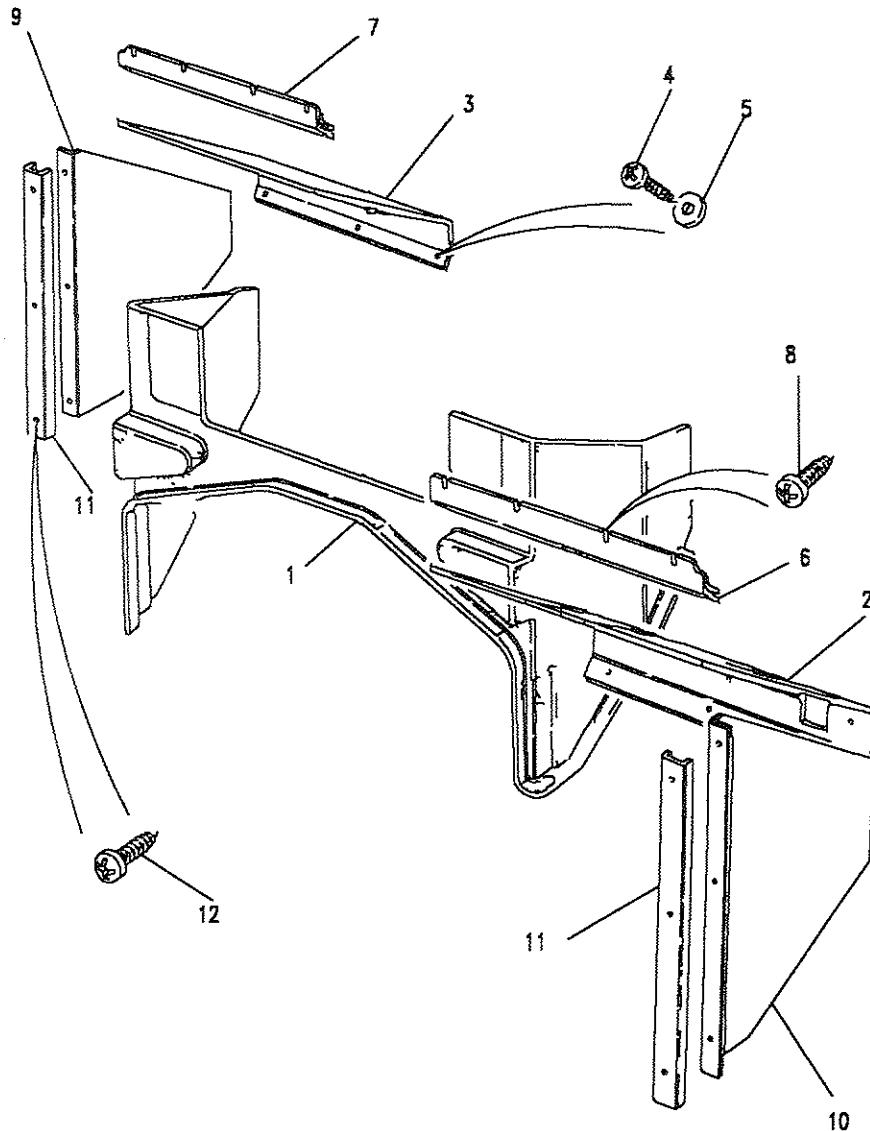
Description

Qty Remarks

Toebox trim - LHD - Air Con

2	MTC8360	Panel toebox trim RH	1	Upto Note(1)
	MUC9169	Panel toebox trim RH	1	From Note(1)
	MXC6542	Panel toebox trim RH	1	Upto VIN FA440581
	BTR5236	Panel toebox trim RH	1	Upto VIN KA922252
3	MTC4865	Panel toebox trim LH	1	From VIN KA922253
	MXC6541	Panel toebox trim LH	1	Upto VIN FA440581
	BTR5235	Panel toebox trim LH	1	Upto VIN FA440582
	MTC8349	Baffle	1	Upto VIN KA922252
4	AB606041L	Screw	6	From VIN KA922253
5	WC104001L	Washer plain	6	Air Con
6	MWC6254	Retainer RH	1	Upto VIN FA440581
	MXC6550	Retainer RH	1	From VIN FA440582
	BTR6194	Retainer trim panel	1	Upto VIN KA922165
		-RHS	1	Upto VIN KA922252
		-LHS	1	From VIN KA922166
		-RHS	1	From VIN KA922253
7	396416	Retainer LH	1	Upto VIN 303555
	MWC6253	Retainer LH	1	Upto VIN 303556
	MXC6551	Retainer LH	1	Upto VIN FA440581
		-RHS	1	From VIN FA440582
		-LHS	1	Upto VIN KA922165
	BTR6193	Retainer trim panel	1	Upto VIN KA922252
		-RHS	1	From VIN KA922166
		-LHS	1	From VIN KA922253
8	AB606031L	Screw	6	Upto Note(3)





Model DEFENDER 90  
 Page ADPXIA1A

FACIA - DASH TRIM

III. Part No.	Description	Qty	Remarks
9	MRC5394	1	Upto VIN 455945
	BTR981	1	From VIN HA455946
10	MTC6820	1	Upto VIN 455945
	BTR980	1	From VIN HA455946
11	MUC9347	2	Upto VIN 455945
	BTR978	1	From VIN HA455946
	BTR2372	1	Upto VIN HA702829
	BTR979	1	From VIN HA702830
	BTR2371	1	From VIN HA455946
12	AB606041L	1	Upto VIN HA702829
		6	From VIN HA702830

Note(1) VIN SALLDVAD7AA270227, SALLDVAC7AA270484, and SALLDVAV7AA271214 - Introduction of 1987 Model Year  
 Note(2) Introduction of 1988 Model Year - VIN FA  
 Note(3) Upto VIN FA440581, from VIN FA440582 use heater duct fixings - see items 3, 4, and 5 on page 929 - 930



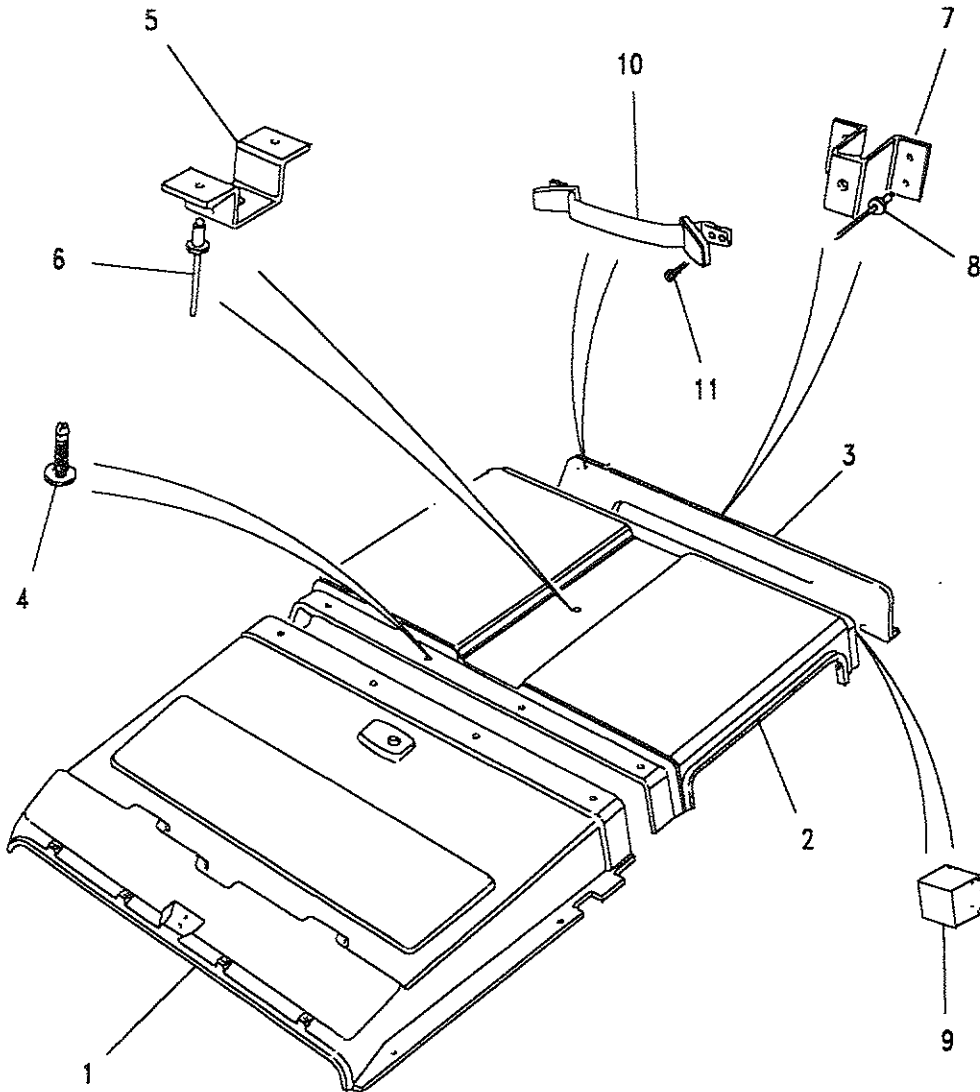


Model DEFENDER 90  
Page ADPXKA1A

TRIM - STATION WAGON - ROOF

III. Part No.	Description	Qty	Remarks
<b>Upto VIN 314173 - Note(1)</b>			
1	MUC6484	1	Upto VIN 232401
	MUC6492	1	From VIN 232402
2	MUC6493	1	
3	MUC6487	1	
	MWC2896	1	Note(2)
4	AFU1900	15	
5	MTC6686	1	
6	RU608123L	2	
7	MTC6408	4	Upto VIN 238316
8	RU608123L	16	Upto VIN 238316
9	MWC3137	2	
10	YGA2682L	2	Rear
11	AB608061L	8	

Note(1) Introduction of 1988 Model Year - VIN EA  
Note(2) With ventilator aperture provision





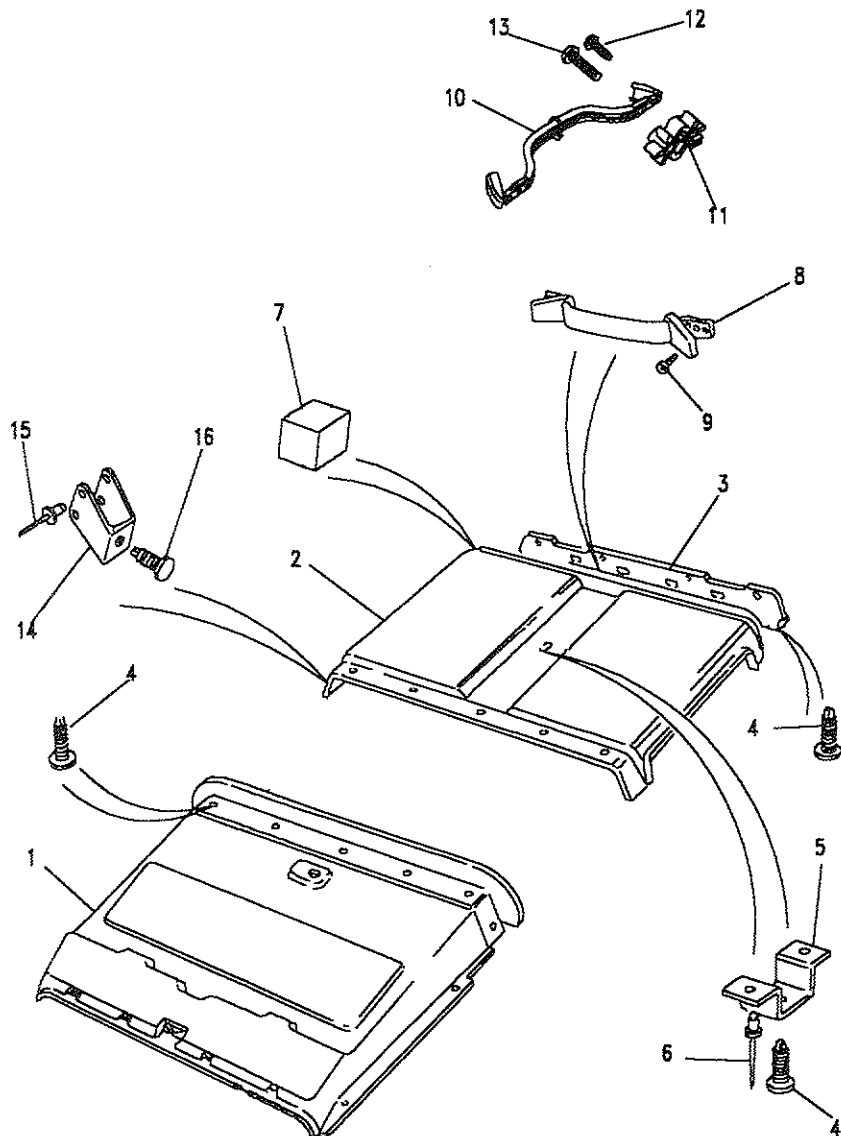
Model DEFENDER 90  
Page ADPXKA2A

TRIM - STATION WAGON - ROOF

III. Part No. Description Qty Remarks

From VIN EA314174 - Note(1)

1	MXC2343LUH	Headlining front	1	
	BTR9176LUH	Headlining front	1	From MA939976
	MWC9491LUH	Headlining front-sunroof	1	Upto Note(2)
	MXC5856LUH	Headlining front-sunroof	1	From Note(2)
				Upto VIN 455945
	MXC2344LUH	Headlining front-sunroof	1	From VIN HA455946
	BTR4525LUH	Headlining front-sunroof	1	From VIN JA906680
	BTR9181LUH	Headlining front-sunroof	1	From MA939976 680
2	MXC2346LUH	Headlining rear	1	
	MXC2346LUH	Headlining rear-sunroof	1	
3	MXC1645LUH	Lining rear end	1	Upto VIN FA441847
	BTR586LUH	Lining rear end	1	From VIN FA441848
4	MWC9832LUH	Fastener	15	
5	MTC6686	Bracket mounting	1	
6	RU608123L	Rivet	2	
7	MUC4199	Spacer foam	2	Upto VIN 335120
	MWC3137	Spacer foam	2	From VIN 335121





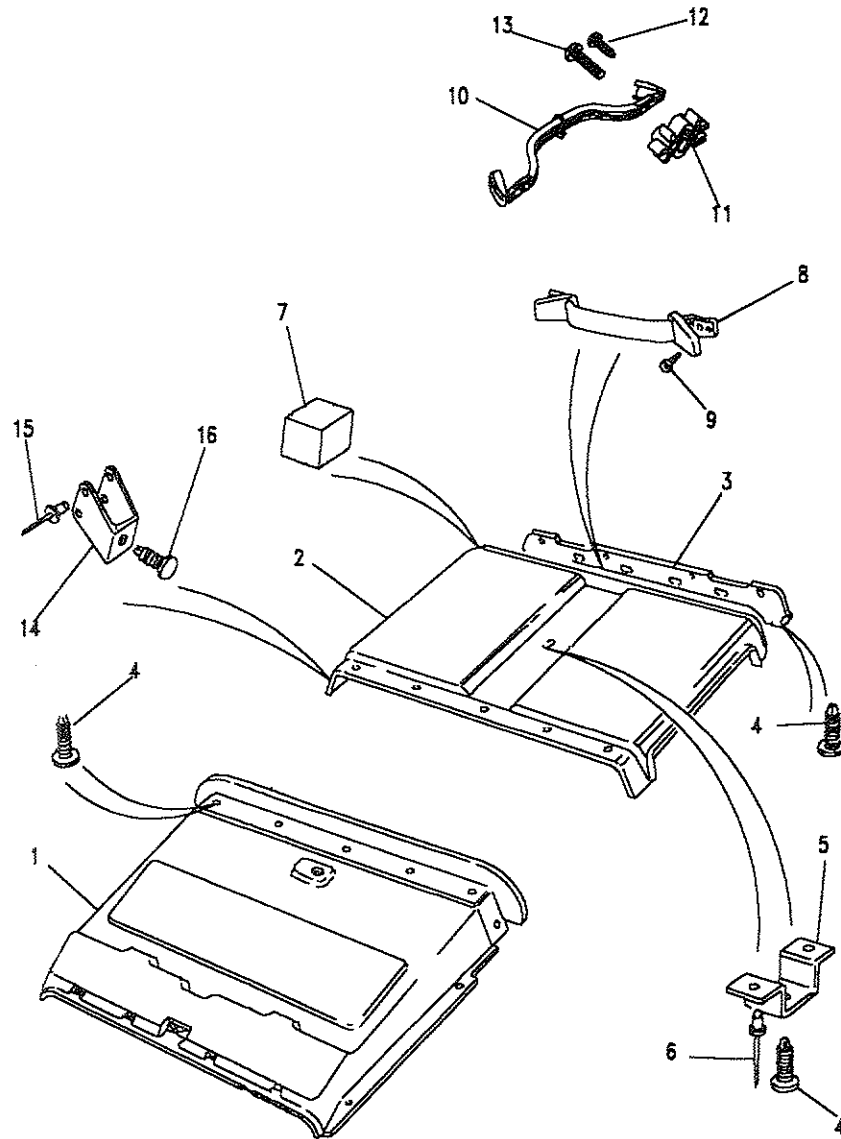


Model DEFENDER 90  
Page ADPXKA2A

TRIM - STATION WAGON - ROOF

Ill. Part No.	Description	Qty	Remarks
8	YGA2682L	2	Upto VIN JA917889
9	AB608061L	8	Upto VIN JA917889
10	JPC5641LUN	2	From VIN JA917890 Note(4)
11	PAM4356L	4	From VIN JA917890
12	AB608107	4	From VIN JA917890
13	SE105351L	4	From VIN JA917890
14	MXC5859	2	
15	RU612373L	8	
16	MWC9832LUH	2	

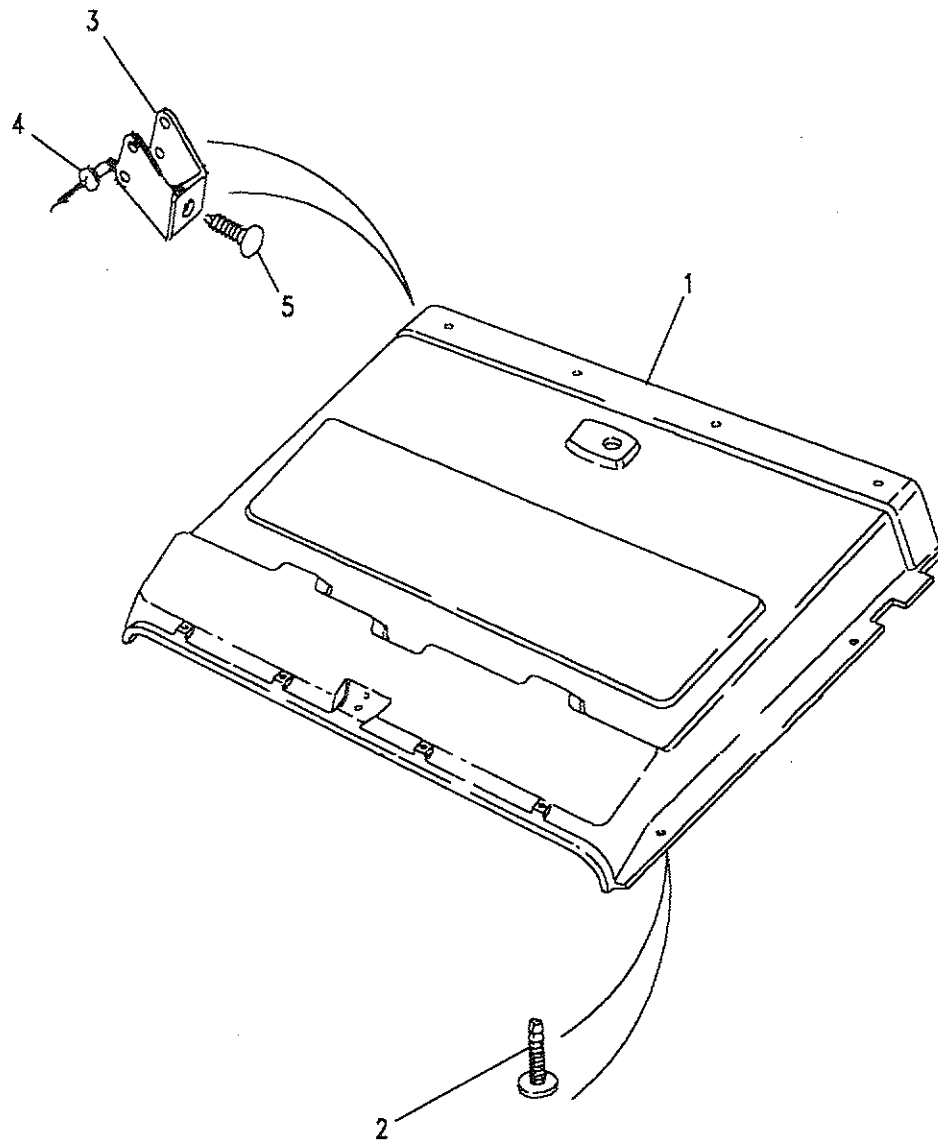
Note(1) Introduction of 1988 Model Year - VIN EA314174  
 Note(2) Introduction of 1989 Model Year - VIN FA  
 Note(3) LUH = Ripple Grey  
 Note(4) LUN = Ash





Model DEFENDER 90  
Page ADPXKA3A

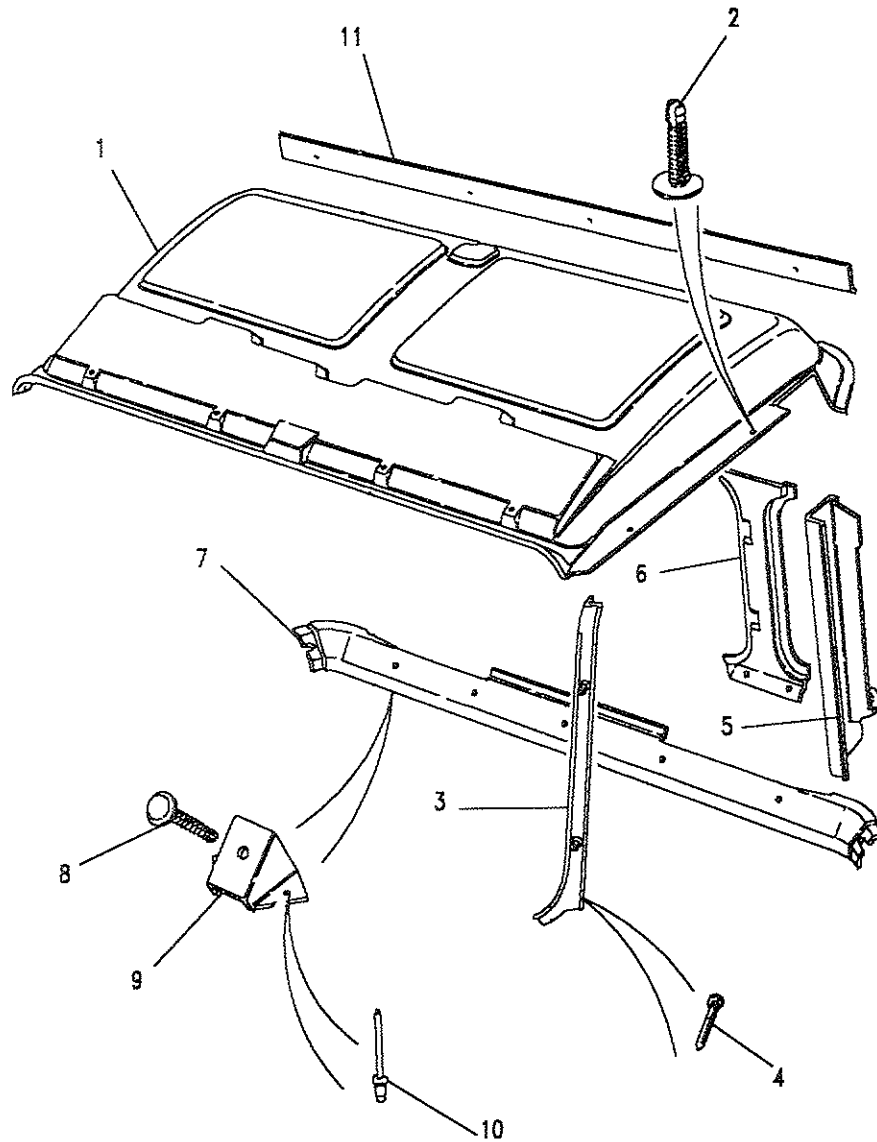
TRIM - HARD TOP



III. Part No.	Description	Qty	Remarks
1 MUC6651	Headlining front	1	Upto Note(1)
MXC5857LUH	Headlining front	1	From Note(1)
MXC2345LUH	Headlining front	1	Upto VIN 455945
BTR9178LUH	Headlining front	1	From VIN HA455946
BTR4525LUH	Headlining front-sunroof	1	From MA939976 946
BTR9181LUH	Headlining front-sunroof	1	From VIN JA906680
2 AFU1900	Fastener	1	From MA939976 680
MWC9832LUH	Fastener	8	Upto Note(1)
3 MXC5859	Bracket retaining	8	From Note(1)
4 RU612373L	Rivet	2	From Note(1)
5 MWC9832LUH	Fastener	8	From Note(1)

Note(1) Introduction of 1988 Model Year - VIN EA314059  
Note(2) LUH = Ripple Grey



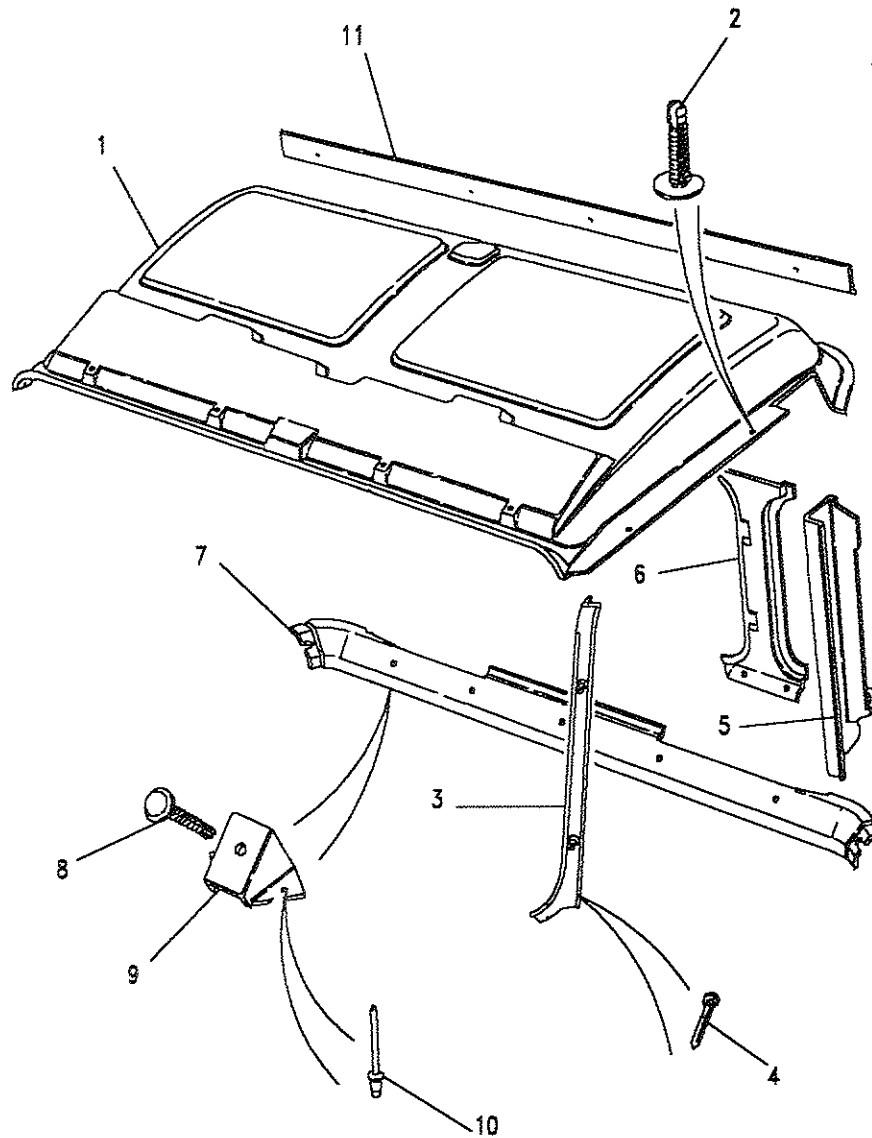


Model DEFENDER 90  
Page ADPXKA4A

TRIM - TRUCK CAB

III. Part No.	Description	Qty	Remarks
1 MTC5206	Headlining	1	Upto VIN 232401
MUC6496	Headlining	1	From VIN 232402 Upto VIN 314040
MXC2348LUH	Headlining	1	From Note(2)
BTR9179LUH	Headlining	1	From MA939976
2 AFU1900	Fastener	4	Upto VIN 314040
MWC9832LUH	Fastener	4	From Note(2)
3 MTC5212	Trim 'A' post RH	1	
MTC5213	Trim 'A' post LH	1	Upto Note(1)
MWC2314	Trim 'A' post LH	1	From Note(1)
4 AB606084	Screw	4	
5 MUC6498	Trim 'B' post RH	1	Upto VIN 314040
MUC6499	Trim 'B' post LH	1	Upto VIN 314040
MWC5712LUH	Trim 'B' post RH	1	From Note(2)
MWC5713LUH	Trim 'B' post LH	1	From Note(2)
6 MUC6652	Trim rear pillar RH	1	Upto VIN 314040
MUC6653	Trim rear pillar LH	1	Upto VIN 314040
MWC5710LUH	Trim rear pillar RH	1	From Note(2)
MWC5711LUH	Trim rear pillar LH	1	From Note(2)
7 MUC6497	Trim rear lower	1	Upto VIN 314040
MWC5708LUH	Trim rear lower	1	From Note(2)
8 AFU1900	Fastener	7	Upto VIN 314040
MWC9832LUH	Fastener	7	From Note(2)





Model DEFENDER 90  
Page ADPXKA4A

TRIM - TRUCK CAB

III. Part No.	Description	Qty	Remarks
9 MTC5486	Bracket mounting	7	
10 RA608236L	Rivet	14	
11 MWC9604	Retainer headlining	1	From Note(2) Upto VIN KA930143
AB608054L	Screw	4	From Note(2) Upto VIN KA930143

Note(1) VIN SALLDVAD7AA270227, SALLDVAC7AA270484, and  
 SALLDVAV7AA271214 - Introduction of 1987 Model Year  
 Note(2) VIN 314041 - Introduction of 1988 Model Year





DEFENDER 90

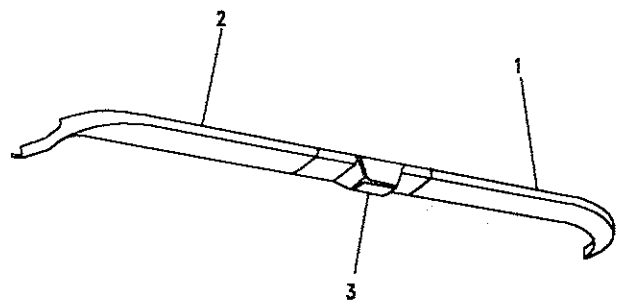
952

INTERIOR TRIM

Model DEFENDER 90

Page ADPXKA5A

TRIM - TRUCK CAB



III. Part No.	Description	Qty	Remarks
17 BTR9810	Panel trim RH -windscreen header	1	90SV
18 BTR9811	Panel trim centre -windscreen header	1	90SV
19 BTR8513	Panel trim LH -windscreen header	1	90SV
17 AWR1547LNF	Panel trim RH -windscreen header	1	95my
18 AWR1546LNF	Panel trim centre -windscreen header	1	95my
19 AWR1545LNF	Panel trim LH -windscreen header	1	95my

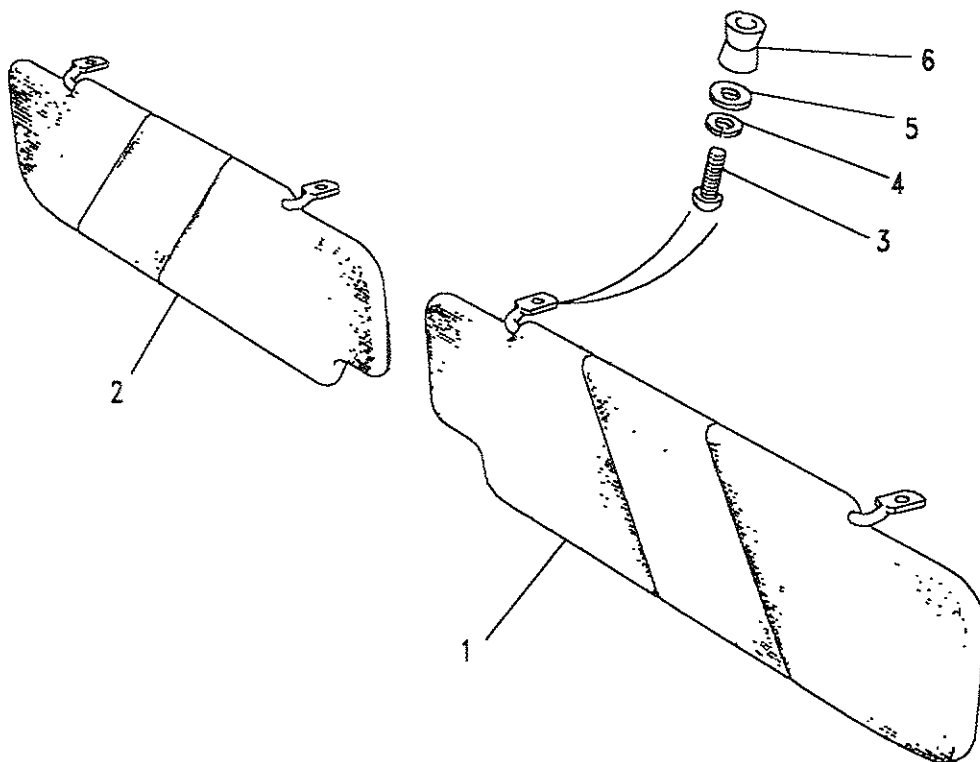




Model DEFENDER 90  
Page ADPXK1A

TRIM - SUN VISORS

III. Part No.	Description	Qty	Remarks
1	MTC5698 Sunvisor RH	1	Upto VIN 314058
2	MTC5699 Sunvisor LH	1	Upto VIN 314058
	MXC1394LUH Sunvisor RH	1	From Note(1)
	MXC1395LUH Sunvisor LH	1	From Note(1)
	BTR6334PUC Sunvisor RH	1	90SV
	BTR6333PUC Sunvisor LH	1	90SV
<b>Untrimmed Vehicle - Upto VIN KA926045</b>			
3	SE106201L Screw	4	
4	WL106001L Washer spring	4	
5	WA106041L Washer plain	4	
6	NN106021 Nut anchor	4	From VIN FA413835
<b>Untrimmed Vehicle - From VIN KA926046</b>			
3	AB614061L Screw	4	
4	WL106001L Washer spring	4	
5	WA106041L Washer plain	4	
6	79246 Nut spire	4	
<b>Trimmed Vehicle - Upto VIN KA926045</b>			
3	SE106251L Screw	4	
4	WL106001L Washer spring	4	
5	WA106041L Washer plain	4	
6	NN106021 Nut anchor	4	From VIN FA413835





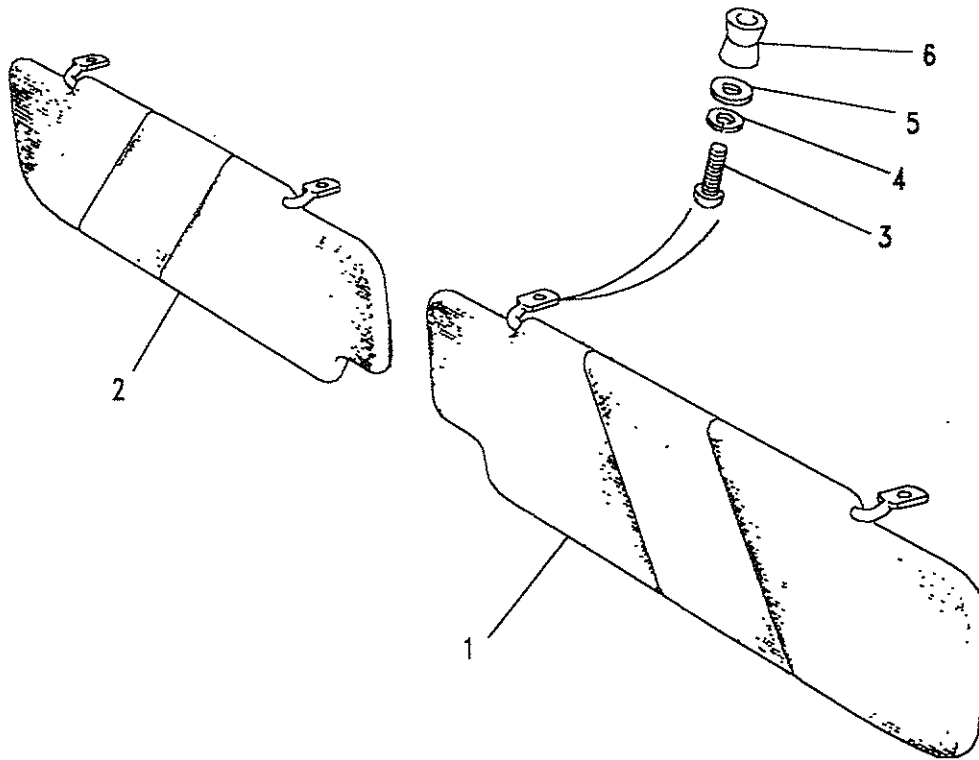
Model DEFENDER 90

Page ADPXKC1A

TRIM - SUN VISORS

III. Part No.	Description	Qty	Remarks
Trimmed Vehicle - From VIN KA926046			
3	AB614081L Screw	4	
4	WL106001L Washer spring	4	
5	WA106041L Washer plain	4	
6	79246 Nut spire	4	

Note(1) VIN 314059 - Introduction of 1988 Model Year

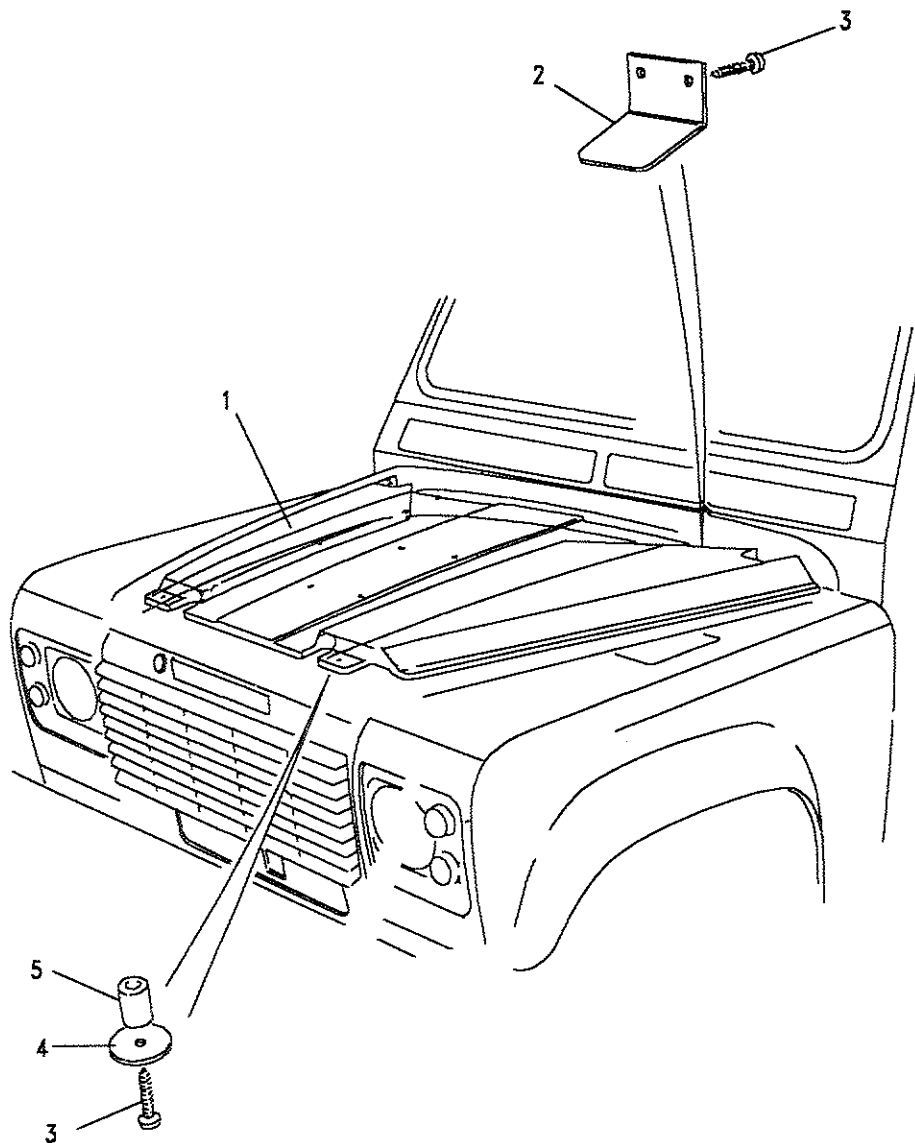




Model DEFENDER 90  
Page ADPXMA1A

TRIM - BONNET INSULATION

III. Part No.	Description	Qty	Remarks
1	BTR3415 BTR6189	1	Insulation bonnet
2	MTC4657	1	Insulation bonnet
3	AR608061	2	Bracket mounting
	AR608061	13	Screw
4	AFU1071	9	Screw
5	AFU1497	9	Washer plain
	RU612373L	9	Spacer
		9	Rivet
		9	Upto VIN JA915268
		9	Alternative fixing

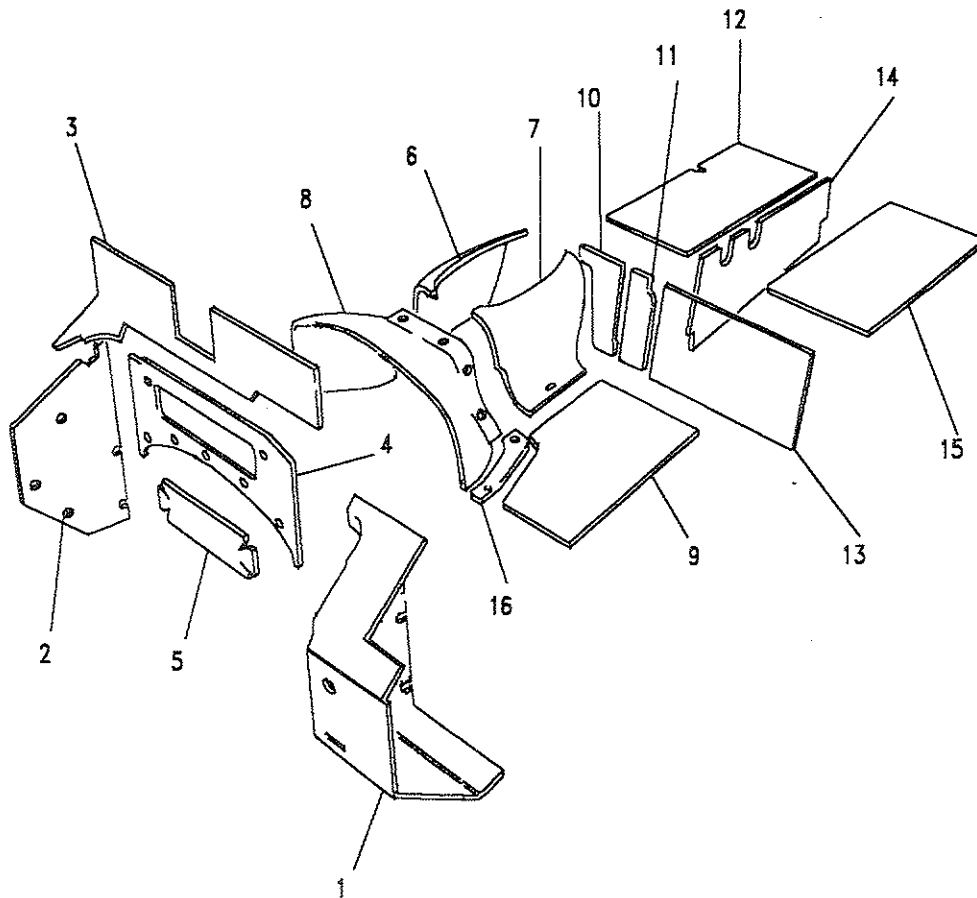






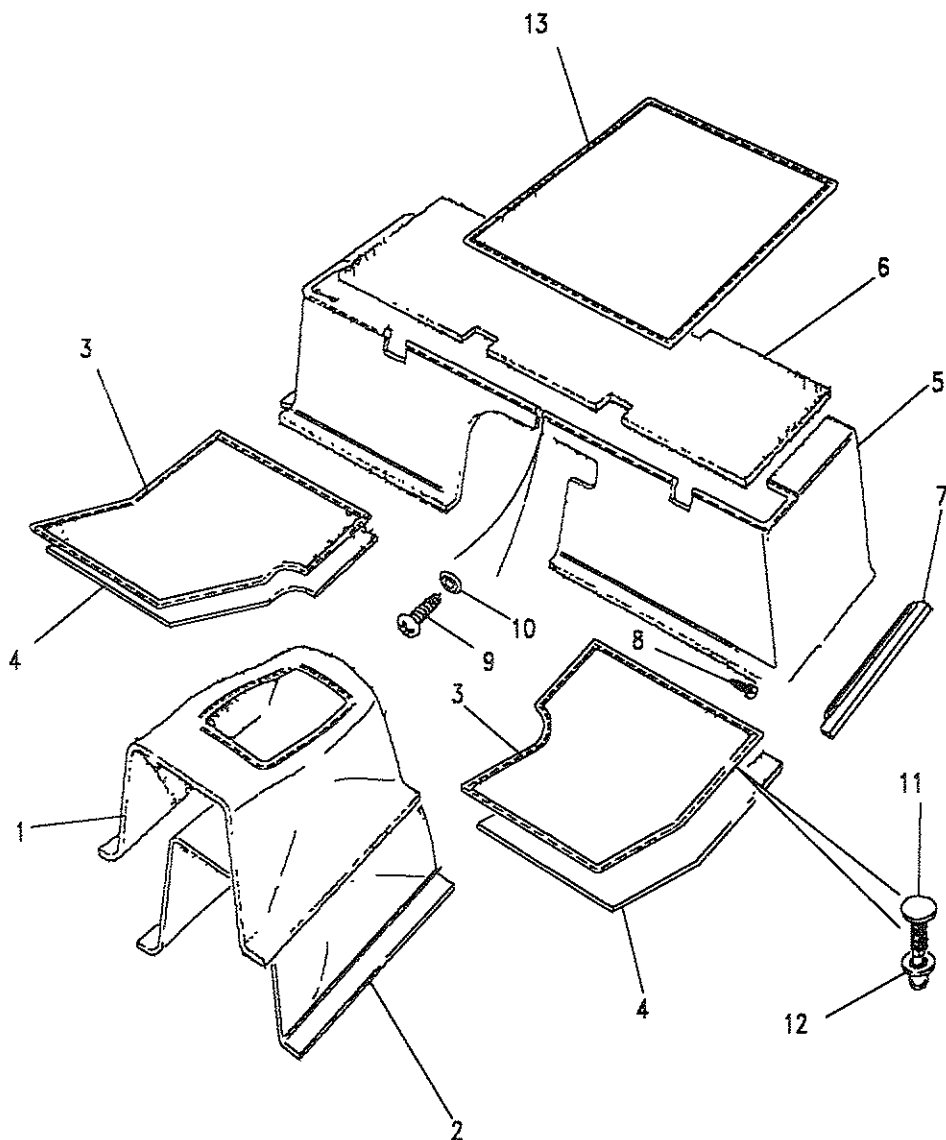
Model DEFENDER 90  
Page ADPXMA2A

## INSULATION - TURBO DIESEL



III. Part No.	Description	Qty	Remarks
1	MWC8203	1	RHD
	MWC8201	1	LHD
2	MWC8202	1	
3	MWC8205	1	
4	MWC8206	1	
5	MWC8207	1	
6	MWC8208	1	
7	MWC8209	1	
8	MWC8210	1	
9	MWC8211	1	
10	MWC8212	1	RHD
			Upto VIN 455945
	BTR362	1	RHD
			From VIN HA455946
	MWC8213	1	LHD
			Upto VIN 455945
	BTR361	1	LHD
			From VIN HA455946
11	MWC8214	1	Upto VIN 455945
	BTR363	1	From VIN HA455946
12	MWC8215	1	
13	MWC8216	1	Upto VIN 455945
	BTR364	1	From VIN HA455946
14	MWC8217	1	Upto VIN 455945
	BTR365	1	From VIN HA455946
15	MWC8218	1	
16	MWC8219	1	





Model DEFENDER 90  
Page ADPXA1A

TRIM - CARPETS - FLOOR AND SEATBASE

III. Part No. Description Qty Remarks

Upto introduction of 1988 Model Year - Note(1)

4 Cylinder

1	MUC1361RD	Carpet tunnel	1	
2	MUC1499	Felt tunnel	1	
3	MUC1358RD	Carpet front floor RH	1	RHD
	MUC1357RD	Carpet front floor LH	1	RHD
	MUC1362RD	Carpet front floor RH	1	LHD
	MUC1363RD	Carpet front floor LH	1	LHD
4	MUC1498	Felt front floor RH	1	Upto VIN KA929549
	BTR8114	Felt floor front RH-LT77	1	From VIN KA929550
	MUC1497	Felt front floor LH	1	Upto VIN KA929549
	BTR8115	Felt floor front LH-LT77	1	From VIN KA929550
5	MUC3567RD	Carpet seatbase RH	1	RHD
	MUC1359RD	Carpet seatbase LH	1	RHD
	MUC3568RD	Carpet seatbase RH	1	LHD
	MUC1365RD	Carpet seatbase LH	1	LHD

V8

1	MUC1257RD	Carpet tunnel	1	
2	MUC1499	Felt tunnel	1	
3	MUC1258RD	Carpet front floor RH	1	RHD
	MUC1259RD	Carpet front floor LH	1	RHD
	MUC1264RD	Carpet front floor RH	1	LHD
	MUC1265RD	Carpet front floor LH	1	LHD
4	MUC1268	Felt front floor RH	1	Upto VIN KA929549
	BTR8116	Felt floor front RH	1	From VIN KA929550
	MUC1269	Felt front floor LH	1	





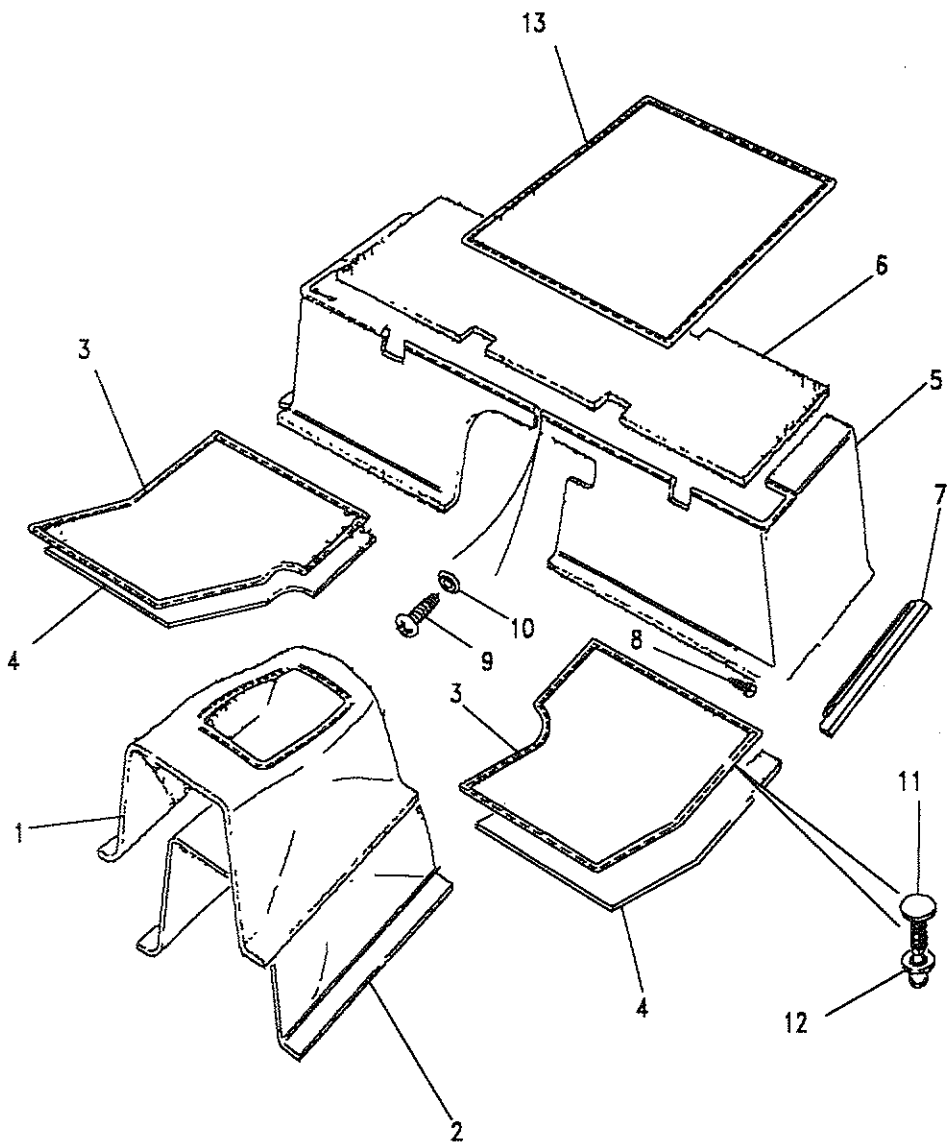
44

Model DEFENDER 90  
Page ADPXA1A

TRIM - CARPETS - FLOOR AND SEATBASE

III. Part No.	Description	Qty	Remarks
5	MUC4067RD MUC1261RD MUC4068RD	1 1 1	RHD RHD LHD
<b>4 Cyl and V8</b>			
6	MUC1757RD	1	
7	MUC1500	2	
8	AB606054L	6	
9	MTC9428	16	
10	MTC9429	16	
11	RTC3938AV	4	
12	13H2475L	4	
13	MUC2400RD	1	

Note(1) Regular VIN 314059, Station Wagon VIN 314174  
Note(2) RD = Brushwood  
Note(3) AV = Brushwood





**Model** DEFENDER 90  
**Page** ADPXA2A

**TRIM - CARPETS - FLOOR AND SEATBASE**

**III. Part No. Description Qty Remarks**

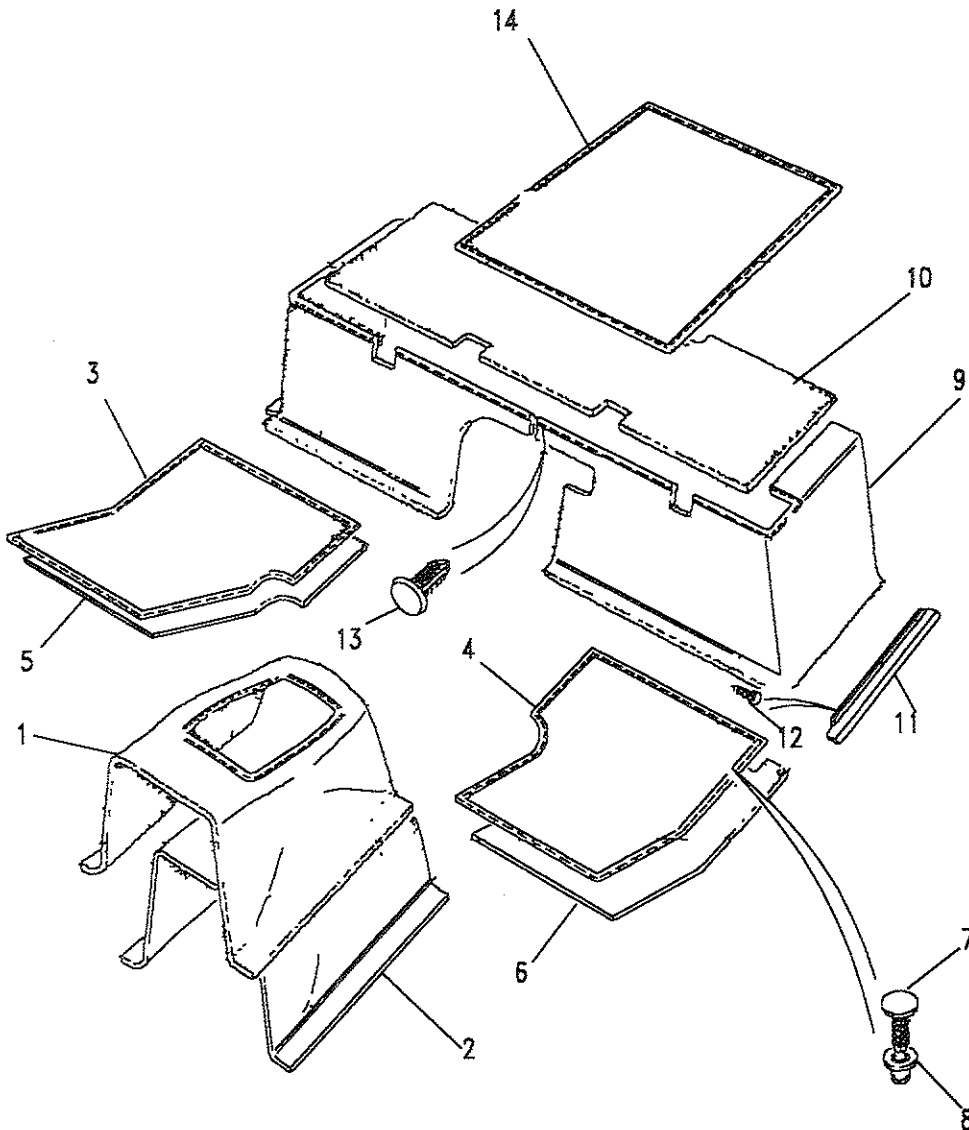
From introduction of 1988 Model Year - Note(1)

**4 Cylinder**

1	MUC1361LDE	Carpet tunnel	1	Upto LA939975
	BTR9321LDE	Carpet tunnel	1	From MA939976
2	MUC1499	Felt tunnel	1	
3	MUC1358LDE	Carpet front floor RH	1	RHD
4	MUC1357LDE	Carpet front floor LH	1	RHD
	MUC1362LDE	Carpet front floor RH	1	LHD
	MUC1363LDE	Carpet front floor LH	1	LHD
5	MUC1498	Felt front floor RH	1	Upto VIN KA929549
	BTR8114	Felt floor front RH-LT77	1	From VIN KA929550
6	MUC1497	Felt front floor LH	1	Upto VIN KA929549
	BTR8115	Felt floor front LH-LT77	1	From VIN KA929550
7	RTC3938LDE	Fastener	4	
8	13H2475L	Stud anchor	4	

**V8**

1	MUC1257LDE	Carpet tunnel	1	LT85
	BTR1200LDE	Carpet tunnel	1	LT77
	BTR9321LDE	Carpet tunnel	1	From MA939976
2	MUC1499	Felt tunnel	1	
3	MUC1258LDE	Carpet front floor RH	1	RHD
4	MUC1259LDE	Carpet front floor LH	1	RHD LT85
	BTR1682LDE	Carpet front floor LH	1	RHD LT77
	MUC1264LDE	Carpet front floor RH	1	LHD
	MUC1265LDE	Carpet front floor LH	1	LHD LT85
	BTR1681LDE	Carpet front floor LH	1	LHD LT77
5	MUC1268	Felt front floor RH	1	Upto VIN KA929549
	BTR8116	Felt floor front RH	1	From VIN KA929550
6	MUC1269	Felt front floor LH	1	LT85
	BTR1683	Felt front floor LH	1	LT77
	BTR8117	Felt floor front LH	1	Upto VIN KA929549
7	RTC3938LDE	Fastener	4	From VIN KA929550
8	13H2475L	Stud anchor	4	





Model DEFENDER 90

Page ADPXA2A

TRIM - CARPETS - FLOOR AND SEATBASE

III. Part No. Description Qty Remarks

4 Cylinder - Upto VIN 347903

9	MWC7658LDE	Carpet seatbase front RH	1	RHD
	MWC7657LDE	Carpet seatbase front LH	1	RHD
	MWC7662LDE	Carpet seatbase front RH	1	LHD
	MWC7661LDE	Carpet seatbase front LH	1	LHD

V8 - Upto VIN 347903

9	MWC7660LDE	Carpet seatbase front RH	1	RHD
	MWC7659LDE	Carpet seatbase front LH	1	RHD
	MWC7663LDE	Carpet seatbase front	1	LHD

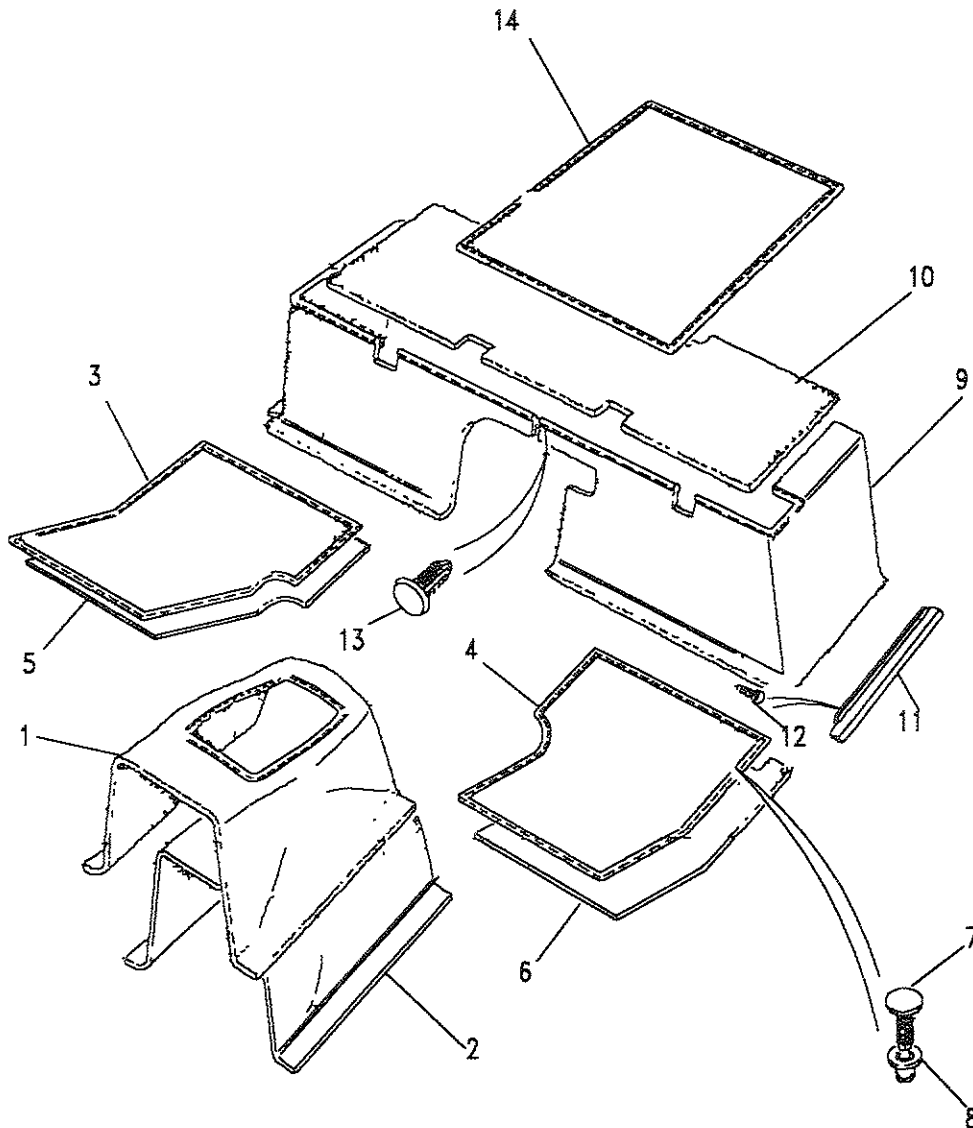
From VIN 347904 upto VIN 455945

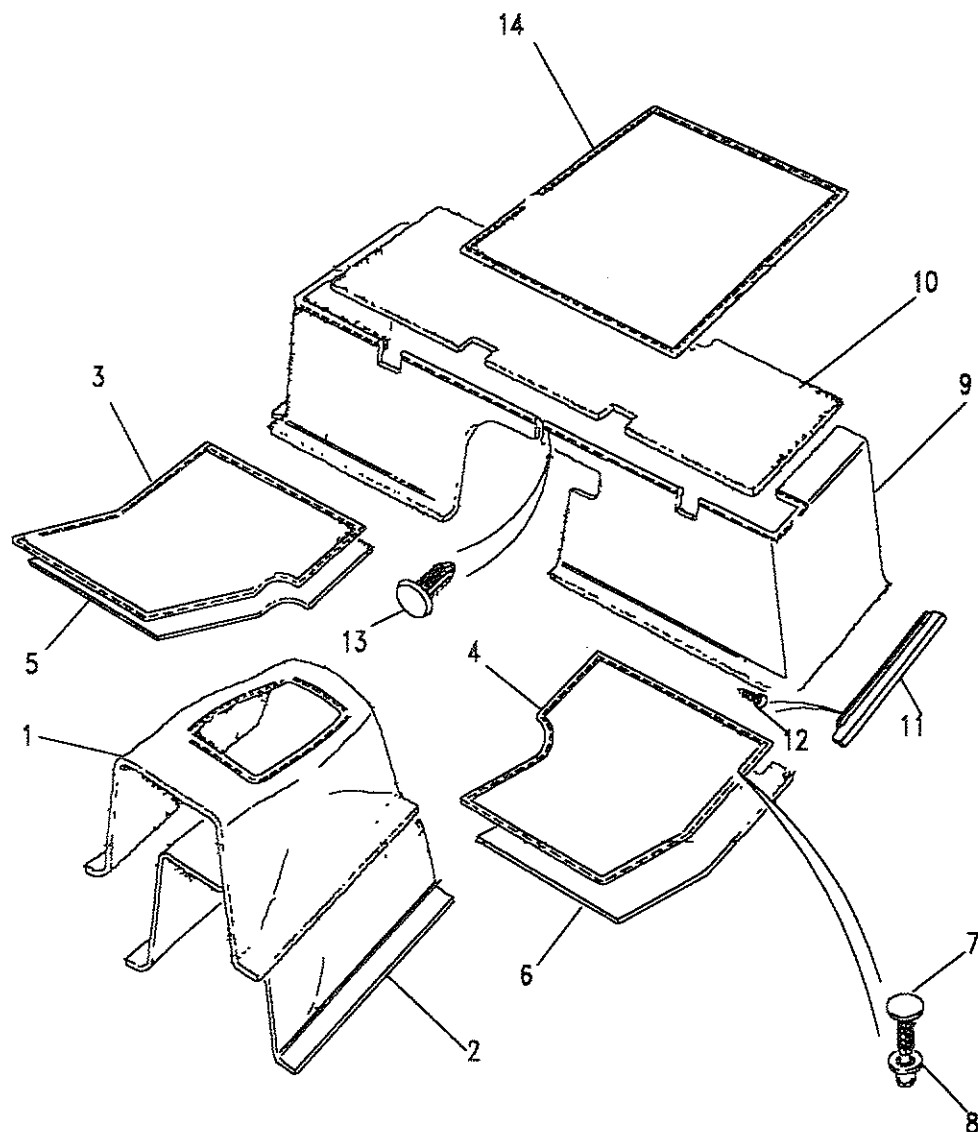
9	MWC9370LDE	Carpet seatbase front RH	1	4 Cylinder
	MWC9371LDE	Carpet seatbase front LH	1	4 Cylinder
	MWC9369LDE	Carpet seatbase front	1	V8

From VIN HA455946

9	MXC2338LDE	Carpet seatbase front RH	1	4 Cylinder
	MXC2339LDE	Carpet seatbase front LH	1	4 Cylinder
	MXC2340LDE	Carpet seatbase front	1	V8 LT85
	BTR1194LDE	Carpet seatbase front	1	V8 LT77

10	MUC1757LDE	Carpet seatbase top	1	Upto VIN 455945
	MXC2337LDE	Carpet seatbase top	1	From VIN HA455946





**Model** DEFENDER 90  
**Page** ADPXA2A

**TRIM - CARPETS - FLOOR AND SEATBASE**

III. Part No.	Description	Qty	Remarks
11 MUC1500	Retainer	2	Upto VIN KA924784
<b>Non Station Wagon Only - From VIN 347904</b>			
11 MWC9376	Retainer	2	Upto VIN KA924784
12 AB606054L	Screw	6	Upto VIN KA924784
13 AFU1897LDE	Fastener	9	
14 MUC2400LDE	Carpet rear floor	1	

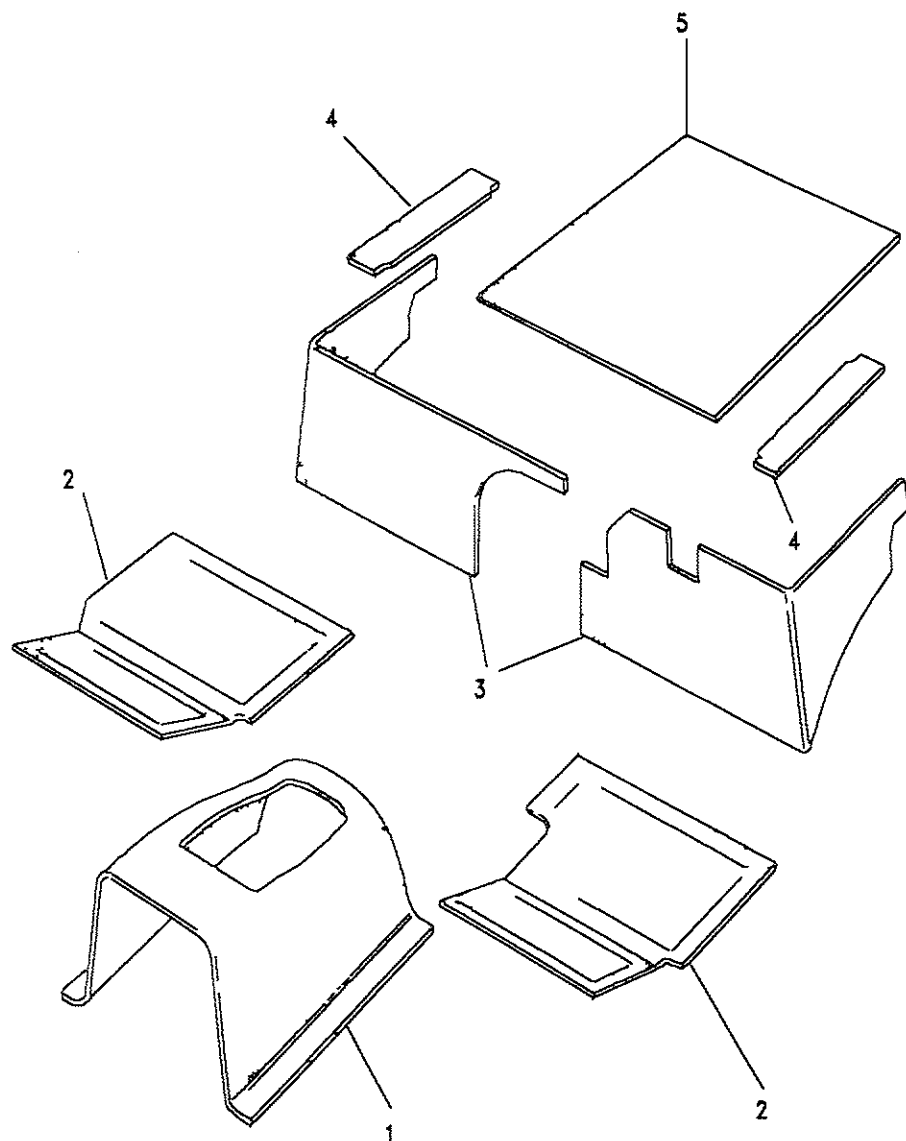
Note(1) Regular VIN 314059, Station Wagon VIN314174  
 Note(2) LDE = Slate





Model DEFENDER 90  
Page ADPXTA1A

TRIM - RUBBER FLOOR MATS AND SEATBASE INSULATION



III. Part No.	Description	Qty	Remarks
<b>4 Cylinder</b>			
1	MUC1621	1	Cover tunnel
2	MUC2268	1	Cover floor RH RHD
	BTR7896	1	Cover floor RH
	MUC2269	1	Cover floor LH RHD
	BTR7895	1	Cover floor LH
	MUC2270	1	Cover floor RH LHD
	BTR7896	1	Cover floor RH
	MUC2271	1	Cover floor LH LHD
	BTR7895	1	Cover floor LH
3	MXC1804PMA	1	Insuln s/base front RH
	MXC1805PMA	1	Insuln s/base front LH
	MXC5088PMA	1	Insuln s/base front RH
	MXC5089PMA	1	Insuln s/base front LH
<b>V8</b>			
1	MUC1253	1	Cover tunnel
	BTR1198	1	Cover tunnel
	BTR9320	1	Carpet tunnel
2	MUC1250	1	Cover floor RH RHD
	BTR7898	1	Cover floor RH
	MUC1249	1	Cover floor LH RHD-LT85
	BTR1680	1	Cover floor LH RHD-LT77
	BTR7897	1	Cover floor LH
	MUC1254	1	Cover floor RH LHD
	BTR7898	1	Cover floor RH
	MUC1255	1	Cover floor LH LHD-LT85
	BTR1679	1	Cover floor LH LHD-LT77
	BTR7897	1	Cover floor LH
3	MXC1806PMA	1	Insuln seatbase front
	MXC5090PMA	1	Insuln seatbase front
	BTR1197PMA	1	Insuln seatbase front
<b>4 Cylinder and V8</b>			
4	396950	1	Insuln seatbase top RH



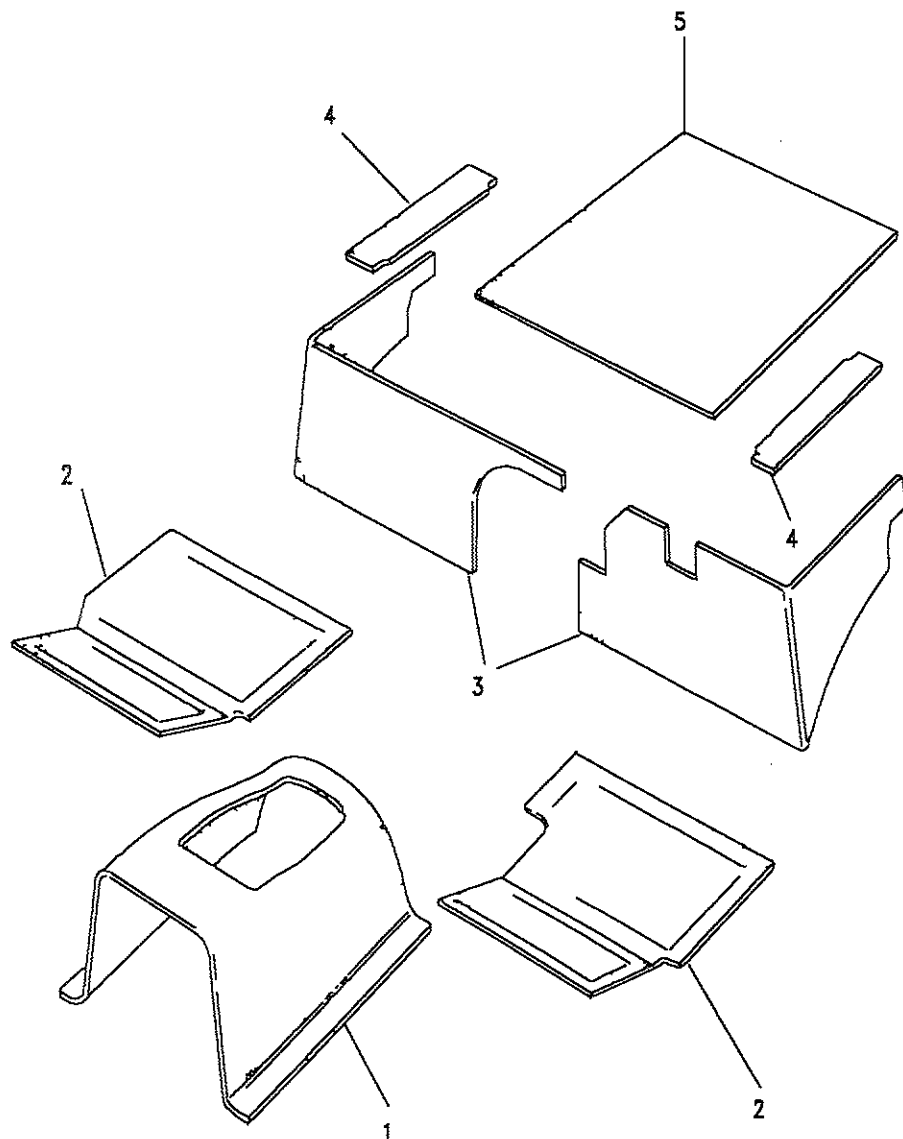


Model DEFENDER 90  
Page ADPXTA1A

TRIM - RUBBER FLOOR MATS AND SEATBASE INSULATION

III. Part No.	Description	Qty	Remarks
396951	Insuln seatbase top LH	1	Upto VIN 347052
5 MTC8294	Cover floor rear	1	

Note(1) PMA = Black







DEFENDER 90

964

INTERIOR TRIM

277

Model DEFENDER 90

Page ADPXTA2A

TRIM -ADDITIONAL FLOOR COVERS

III. Part No.	Description	Qty	Remarks
---------------	-------------	-----	---------

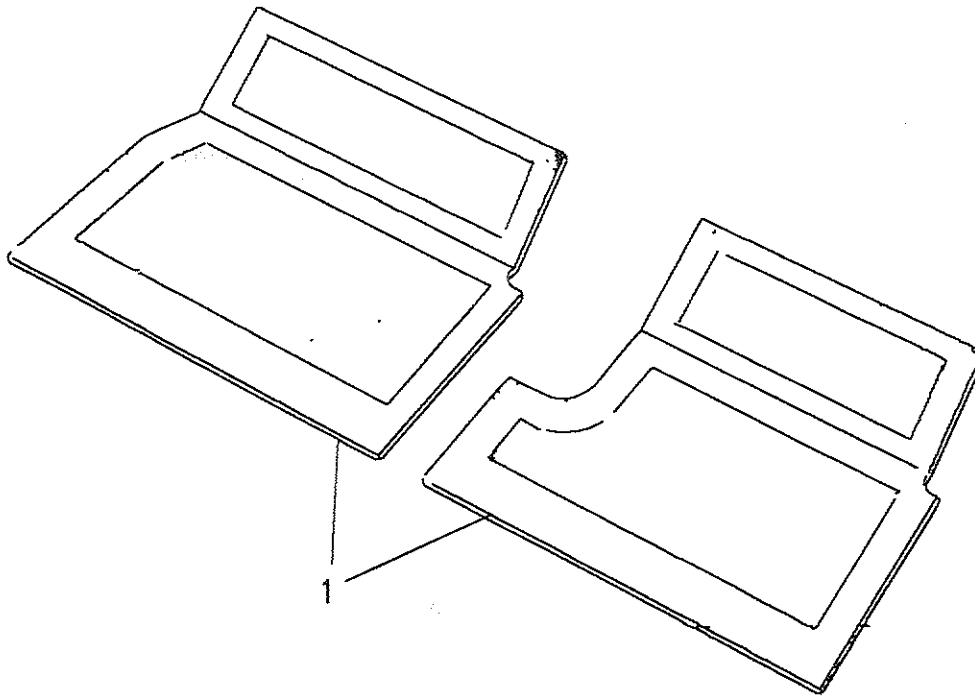
Upto VIN HA467836

Additional floor mats - 4 Cylinder

1	MUC2380	Mat front RH	1	RHD
	MUC2379	Mat front LH	1	RHD
	MUC2382	Mat front RH	1	LHD
	MUC2381	Mat front LH	1	LHD

Additional floor mats - V8

1	MUC4150	Mat front RH	1	RHD
	MUC4149	Mat front LH	1	RHD
	MUC4152	Mat front RH	1	LHD
	MUC4153	Mat front LH	1	LHD





DEFENDER 90

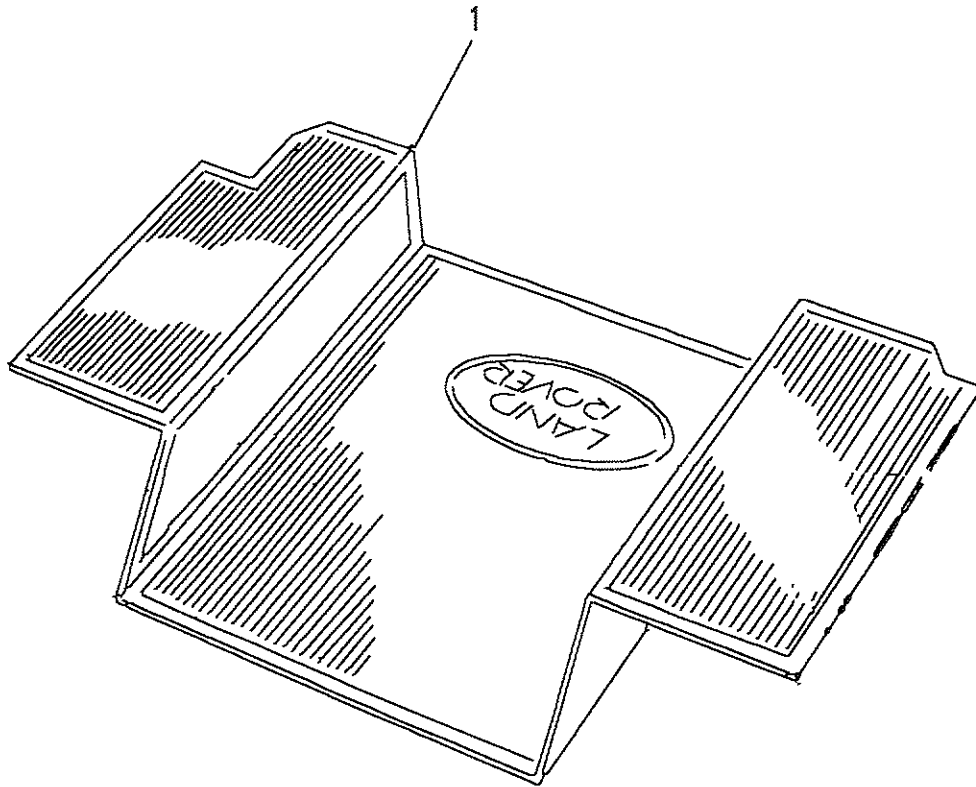
965

INTERIOR TRIM

Model DEFENDER 90  
Page ADPXTA2B

TRIM -ADDITIONAL FLOOR COVERS

III. Part No.	Description	Qty	Remarks
1 BTR8309	Cover floor rear	1	Note(1)
Note(1)	With Land Rover Logo		





MASTER INDEX

GROUP R

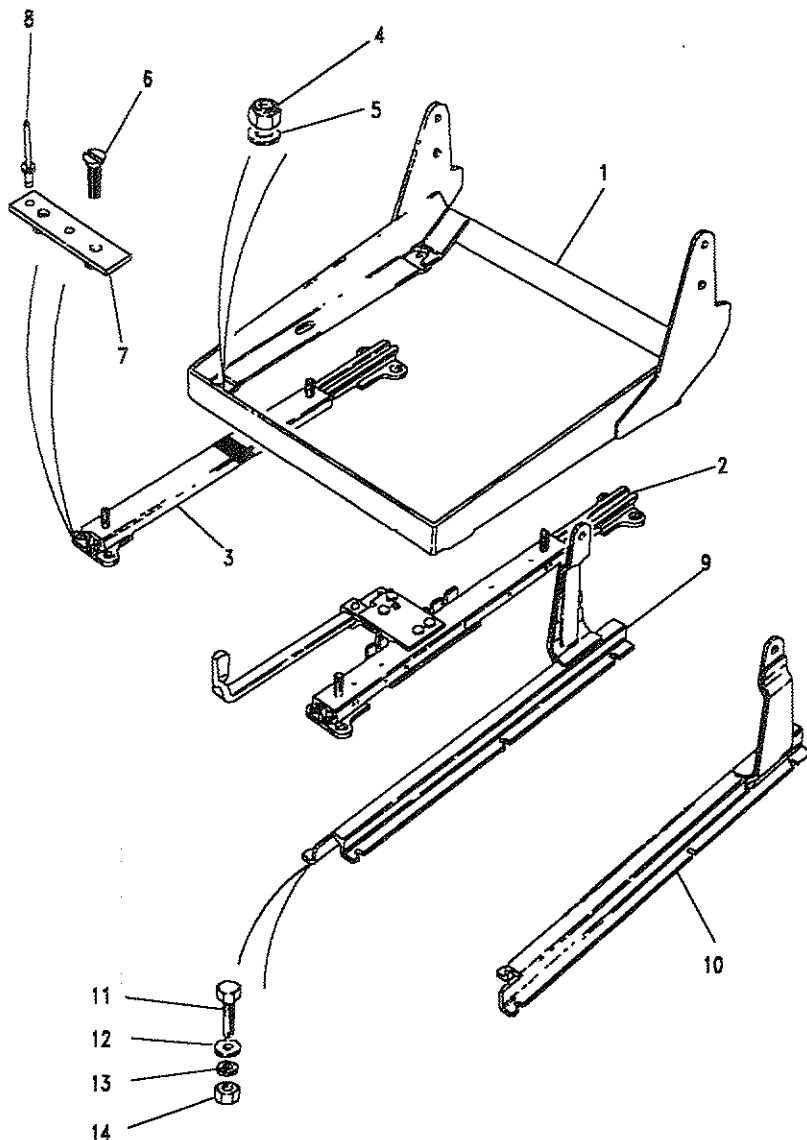
	PAGES
INTRODUCTION PAGES	1 - 5
ALPHABETICAL INDEX	6 - 14
ENGINE	15 - 65
ENGINE	66 - 117
ENGINE	118 - 171
ENGINE	172 - 217
ENGINE	218 - 261
ENGINE	262 - 297
ENGINE	298 - 367
GEARBOX	368 - 394
GEARBOX	395 - 411
GEARBOX	412 - 425
TRANSFER BOX	426 - 456
TRANSFER BOX	457 - 474
AXLES AND SUSPENSION	475 - 531
STEERING	532 - 564
VEHICLE AND ENGINE CONTROLS	565 - 580
BRAKES	581 - 603
FUEL SYSTEM AND AIR CLEANER	604 - 645
EXHAUST SYSTEM	646 - 660
COOLING/HEATING	661 - 709
COOLING/HEATING	710 - 718
BODY ELECTRICAL	719 - 793
BODY AND CHASSIS	794 - 923
INTERIOR TRIM	924 - 965
SEATS	966 - 1009
STOWAGE	1010 - 1017
ACCESSORIES - PAINTS	1018 - 1042
NUMERICAL INDEX	1044 - 1122

SEATS

SEATS

SUPPORTS AND SLIDES - BASIC SEATS	967 - 968
BASIC - VINYL	969 - 971
RH/LH - COUNTY - TYPE A	972 - 973
CENTRE - COUNTY - TYPE A	974
DRIVER - COUNTY - TYPE B	975 - 976
PASSENGER - COUNTY - TYPE B	977 - 978
CENTRE - COUNTY - TYPE B	979
RH/LH - COUNTY	980 - 983
CENTRE - COUNTY	984 - 985
INWARD FACING - TWO SEATER BENCH	986 - 990
INWARD FACING - INDIVIDUAL - COUNTY	991 - 994
FRONT SEATS - RH/LH	995 - 997
FRONT SEATS - RH/LH MA939976 On.	998
FRONT SEATS - RH/LH	999
FRONT SEATS - CENTRE	1000
REAR SEATS	1001
FRONT SEATS	1002 - 1008
REAR SEATS	1009



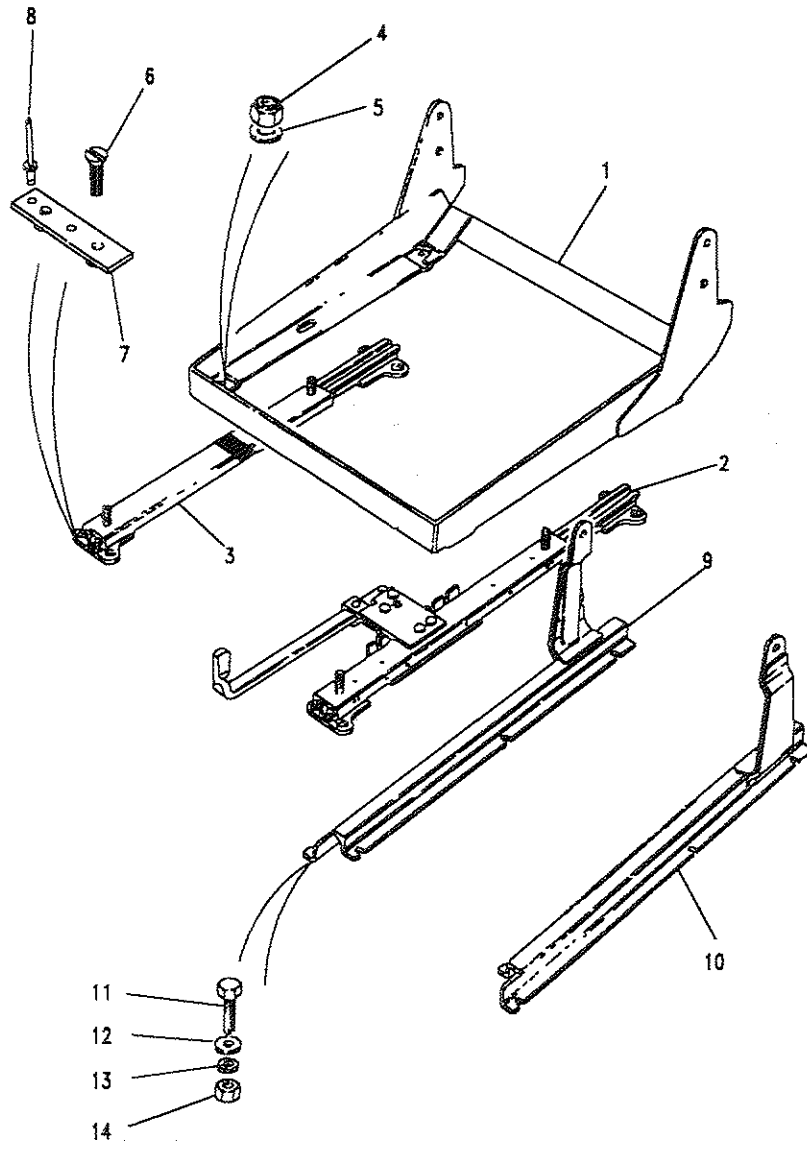


Model DEFENDER 90  
Page ADRXCA1A

FRONT SEATS - SUPPORTS AND SLIDES - BASIC SEATS

III. Part No.	Description	Qty	Remarks
1 349996	Seat frame	2	
2 MRC9492	Seat slide RH-control	1	Upto VIN 410573
MRC9493	Seat slide LH-control	1	Upto VIN 410573
3 MRC9481	Seat Slide-plain	2	Upto VIN 410573
MXC3258	Seat slide RH-control	2	From VIN 410574
MXC3259	Seat Slide LH-plain	2	From VIN 410574
4 NT108041L	Lock nut	8	
5 WF108001L	Washer shakeproof	8	
4075L	Washer plain	8	
<b>Upto VIN 410573</b>			
6 SF106201L	Screw	16	
7 MTC7631	Nut plate	8	
8 RU608253L	Rivet	16	
<b>From VIN 410574</b>			
SA106201	Screw	8	
MRC5525	Washer plain	8	
WL106001L	Washer spring	8	
NH106041L	Nut	8	
<b>Upto Note(1)</b>			
9 MTC1714	Support RH centre	1	
10 MTC1715	Support LH centre	1	





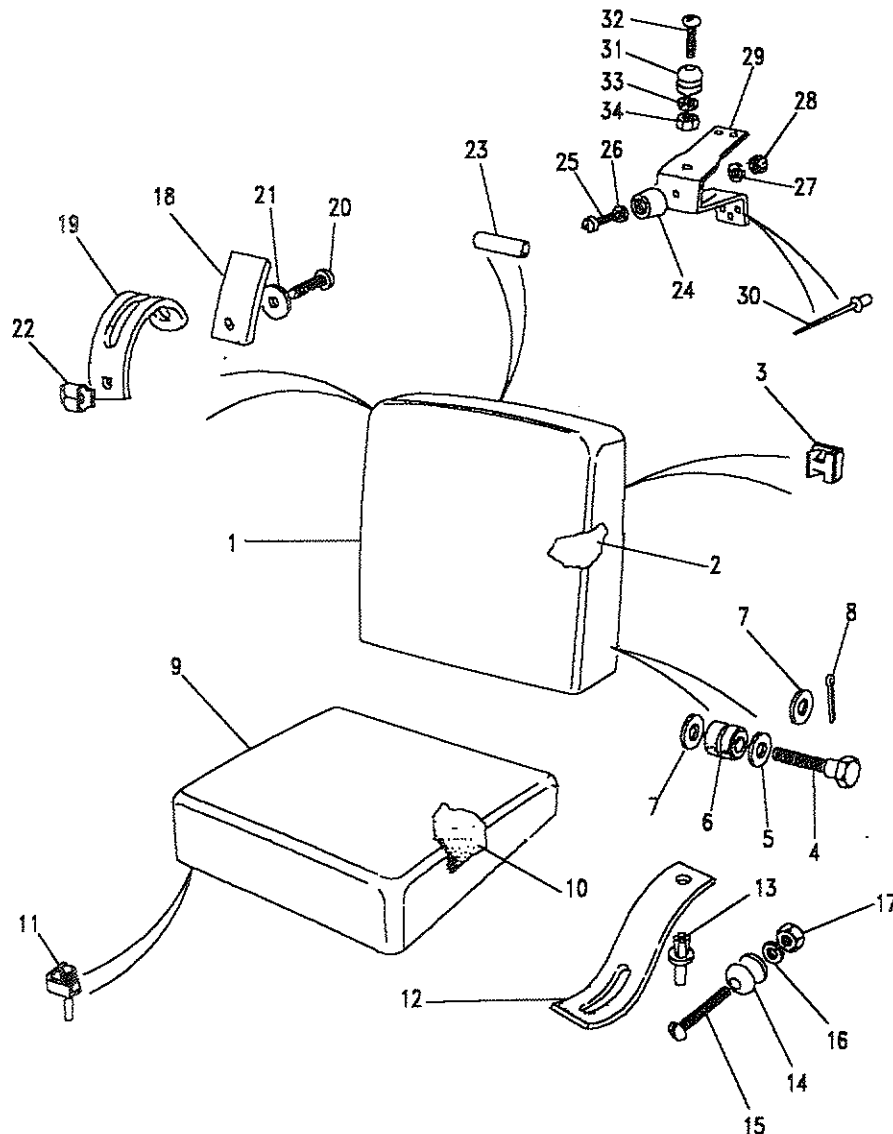
**Model** DEFENDER 90  
**Page** ADRXCA1A

**FRONT SEATS - SUPPORTS AND SLIDES - BASIC SEATS**

III. Part No.	Description	Qty	Remarks
11 FS106201L	Flange screw	4	
12 MRC5525	Washer plain	12	
RTC615	Washer plain	2	
13 WL106001L	Washer spring	4	
14 NH106041L	Nut	4	

Note(1) Introduction of 1991 Model Year - Deletion of centre seat



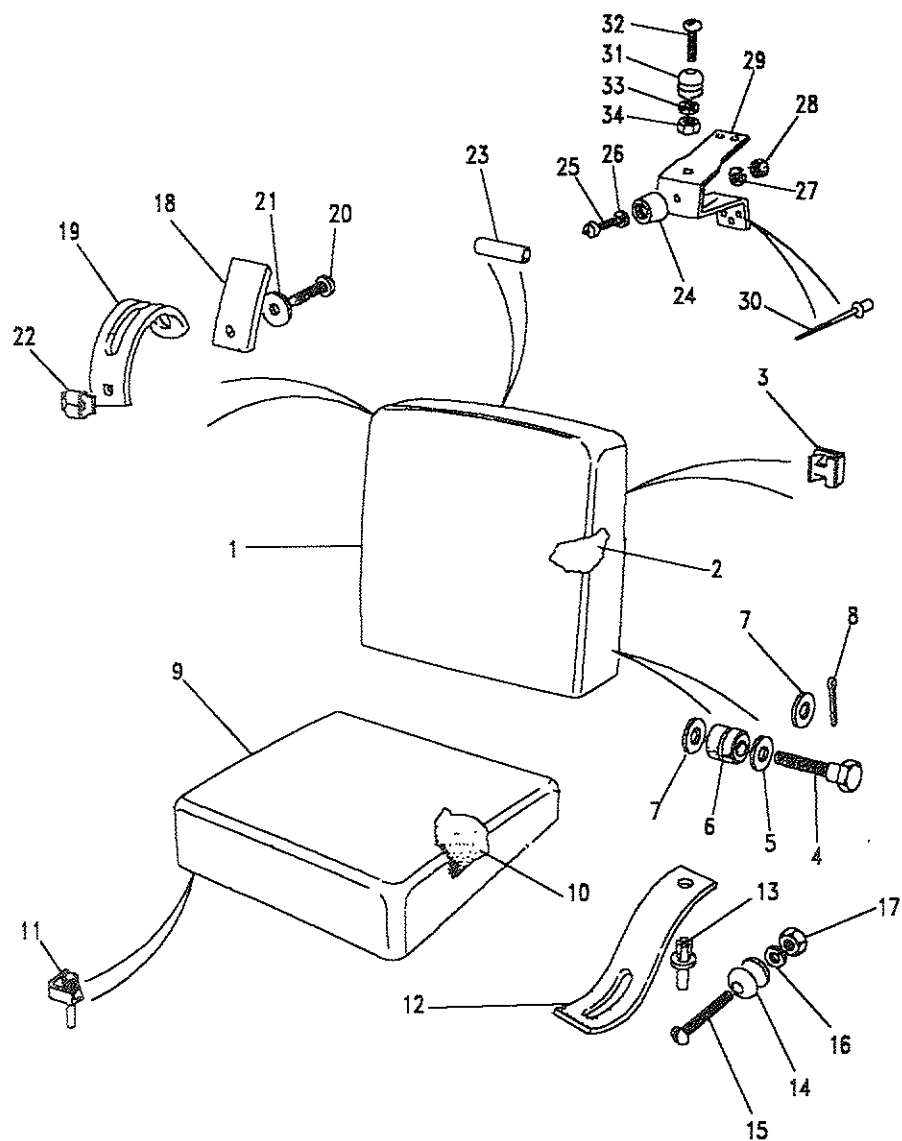


**Model** DEFENDER 90  
**Page** ADRXE1A

**FRONT SEATS - BASIC - VINYL**

III. Part No.	Description	Qty	Remarks
<b>Black - Upto Note(1)</b>			
1 MUC1520	Squab driver seat	1	
MUC1520	Squab passenger seat	1	
MUC1488	Squab centre seat	1	
<b>Grey - From Note(1)</b>			
1 MWC5599LCS	Squab driver seat	1	
MWC5599LCS	Squab passenger seat	1	
MWC5607LCS	Squab centre seat	1	Upto Note(2)
2 337873	Interior driver squab	1	
337873	Interior passenger squab	1	
337880	Interior centre squab	1	Upto Note(2)
3 RTC3764	Clip trim	24	Upto Note(2)
RTC3764	Clip trim	16	From Note(2)
<b>Fixings - Driver and passenger squab</b>			
4 331709	Bolt	8	
5 WC108051L	Washer plain	8	
6 345213	Washer rubber	4	
7 349931	Washer plastic	4	
<b>Fixings - Centre squab</b>			
7 349931	Washer plastic	2	Upto Note(2)
8 RTC614	Pin split	2	Upto Note(2)
349997	Stop-Seat Squab	4	
SP604061	Screw	4	
WE600041L	Washer shakeproof	4	
349998	Strip edging	4	Seat frame
<b>Black - Upto Note(1)</b>			
9 320699	Cushion driver seat	1	
320699	Cushion passenger seat	1	
320726	Cushion centre seat	1	





Model DEFENDER 90

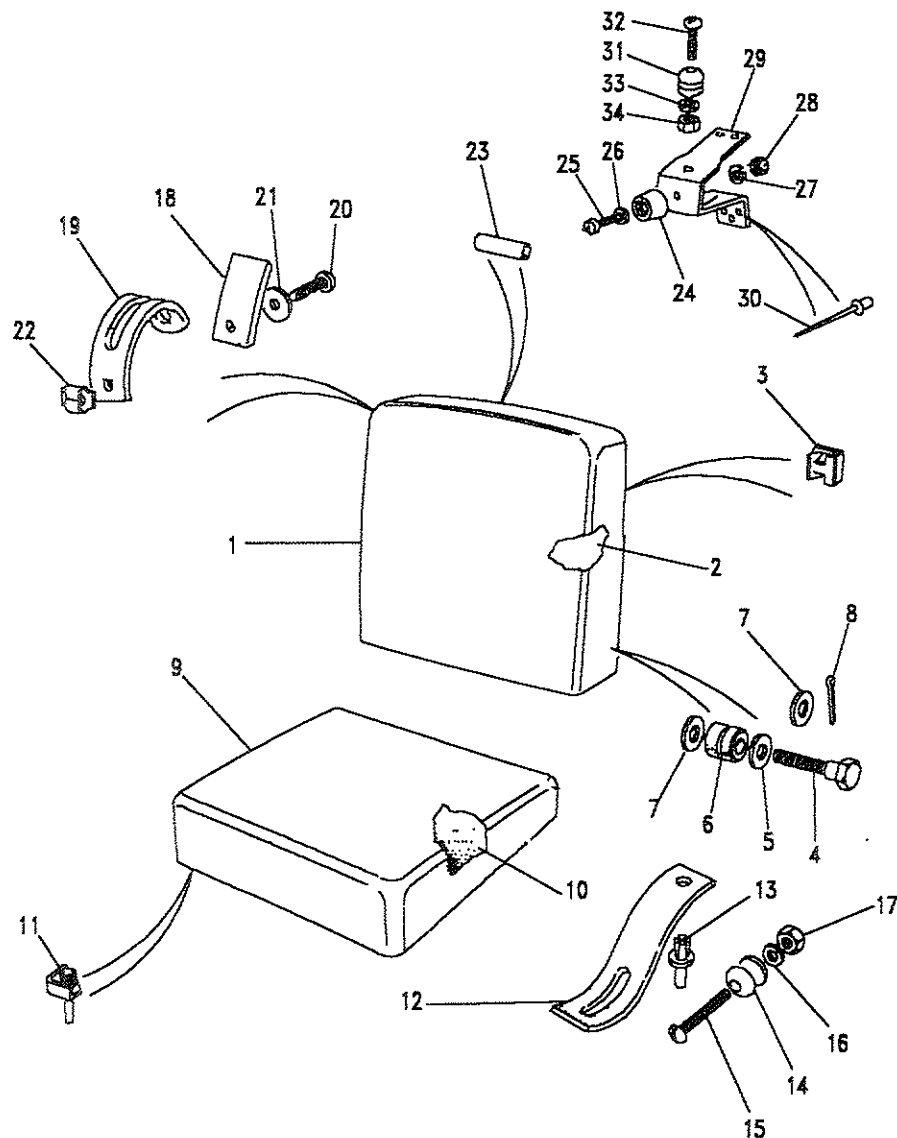
Page ADRXEA1A

FRONT SEATS - BASIC - VINYL

III. Part No.	Description	Qty	Remarks
<b>Grey - From Note(1)</b>			
9	MWC5573LCS	1	Cushion driver seat
	MWC5573LCS	1	Cushion passenger seat
	MWC5613LCS	1	Cushion centre seat
			From Note(1) Upto Note(2)
10	337899	1	Interior driver cushion
	337899	1	Interior passgr cushion
	337859	1	Interior centre cushion
			Upto Note(2)
11	349943	12	Capping corner
	349943	8	Capping corner
			From Note(2) Upto Note(2)
12	331974	1	Strap centre cushion
13	RTC3755	1	Rivet plastic
14	348430	1	Stud
15	SE105251L	1	Screw
16	WL105001L	1	Washer spring
17	NH105041L	1	Nut

Note(1) Introduction of 1988 Model Year - Regular VIN EA314059,  
 Note(2) Introduction of 1991 Model Year - Deletion of centre seat  
 Note(3) LCS = Grey





Model DEFENDER 90

Page ADRXE1A

FRONT SEATS - BASIC - VINYL

III. Part No. Description Qty Remarks

Driver/passenger squab - Station Wagon - Upto Note(1)

18	339986	Packing rubber	4
20	AB610081	Screw	4
21	WJ105001	Washer plain	4
22	78237	Nut spire	4

Centre squab - Non Station Wagon - Upto Note(1)

19	331273	Strap	2
20	AB610061L	Screw	2
21	WJ105001L	Washer plain	2
22	78237	Nut spire	2
23	346410	Tube	3
24	304125	Buffer rubber	2
25	SE105251L	Screw	2
26	WC702101L	Washer plain	2
27	WE702101L	Washer shakeproof	2
28	NH105041L	Nut	2

29	347553	Bracket support	6	Upto Note(1)
30	RU612373L	Rivet	24	Upto Note(1)

Note(1) Non Station Wagon

31	348430	Stud	2
32	SE105251L	Screw	2
33	WL105001L	Washer spring	2
34	NH105041L	Nut	2

Note(2) Introduction of 1991 Model Year - Deletion of centre seat





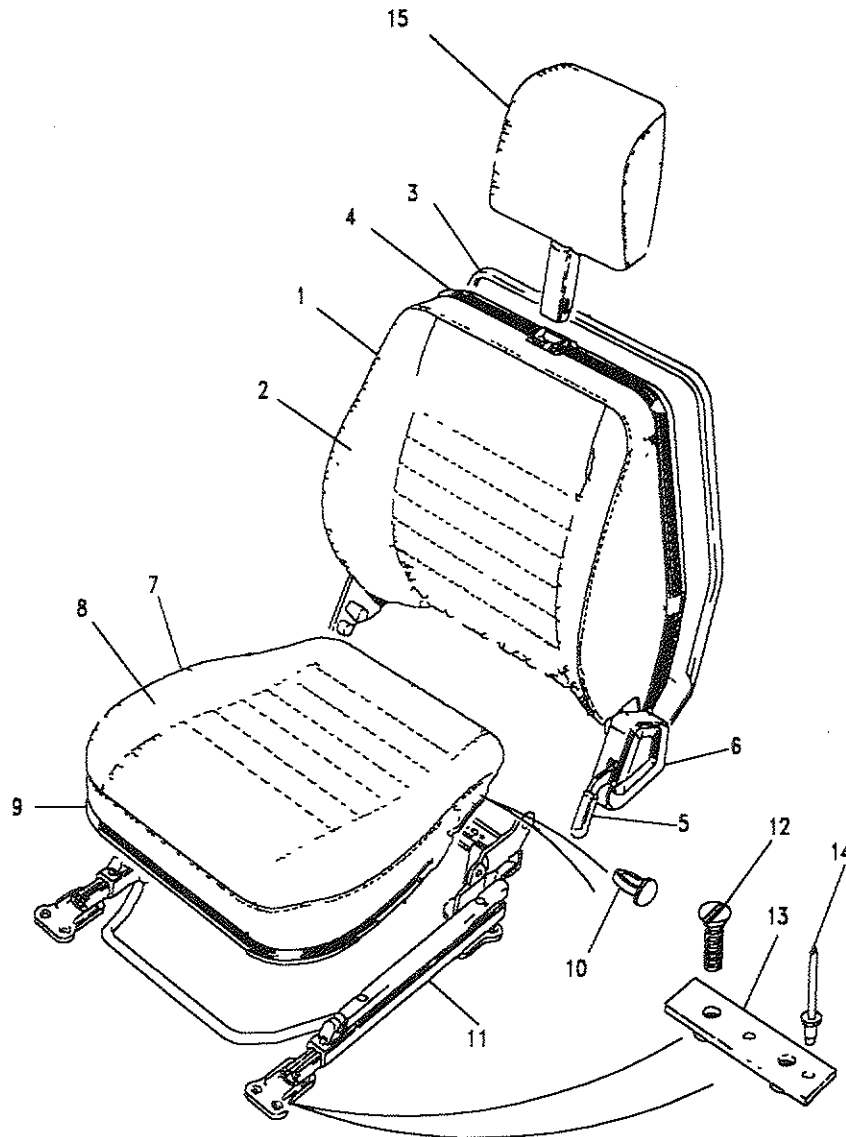
4403

Model DEFENDER 90

Page ADRXEA2A

FRONT SEATS - RH/LH - COUNTY - TYPE A

III. Part No.	Description	Qty	Remarks
<b>Brushwood/Berber cloth</b>			
MTC1674RD	Seat assembly RH	1	Upto VIN 277964 NLA-Use MUC8428RD
MTC1675RD	Seat assembly LH	1	Upto VIN 277964 NLA-Use MUC8429RD
<b>Black vinyl</b>			
MTC1670	Seat assembly RH	1	Upto VIN 276737 NLA-Use MWC3306
MTC1671	Seat assembly LH	1	Upto VIN 276737 NLA-Use MWC3307
1	MUC8448RD	1	Squab RH cloth
	MUC8449RD	1	Squab LH cloth
	MWC3302	1	Squab RH vinyl
	MWC3303	1	Squab LH vinyl
2	MTC1933RD	2	Cover squab cloth
	MWC4535	2	Cover squab vinyl
3	STC354AV	2	Panel back-Brushwood
	STC354PB	2	Panel back-Black
4	MTC9956	2	Trim locking
5	MUC8754	2	Knob-Black
6	RTC3107	1	Cover mechanism RH
	RTC3108	1	Cover mechanism LH
7	MUC8780RD	2	Cushion cloth
	MWC4535	2	Cushion vinyl
8	MTC1932RD	2	Cover cushion cloth
	MWC4534	2	Cover cushion vinyl
9	MTC9967	2	Trim locking
10	MTC9962	2	Trim nail
	RTC4102	2	Retaining rod assy
11	MXC5778	1	Subframe and slide RH
	MXC5779	1	Subframe and slide LH
	MWC4537	2	Bracket stop
12	SF106201L	16	Screw
13	MTC7631	8	Nut plate
14	RU608253L	16	Rivet





DEFENDER 90

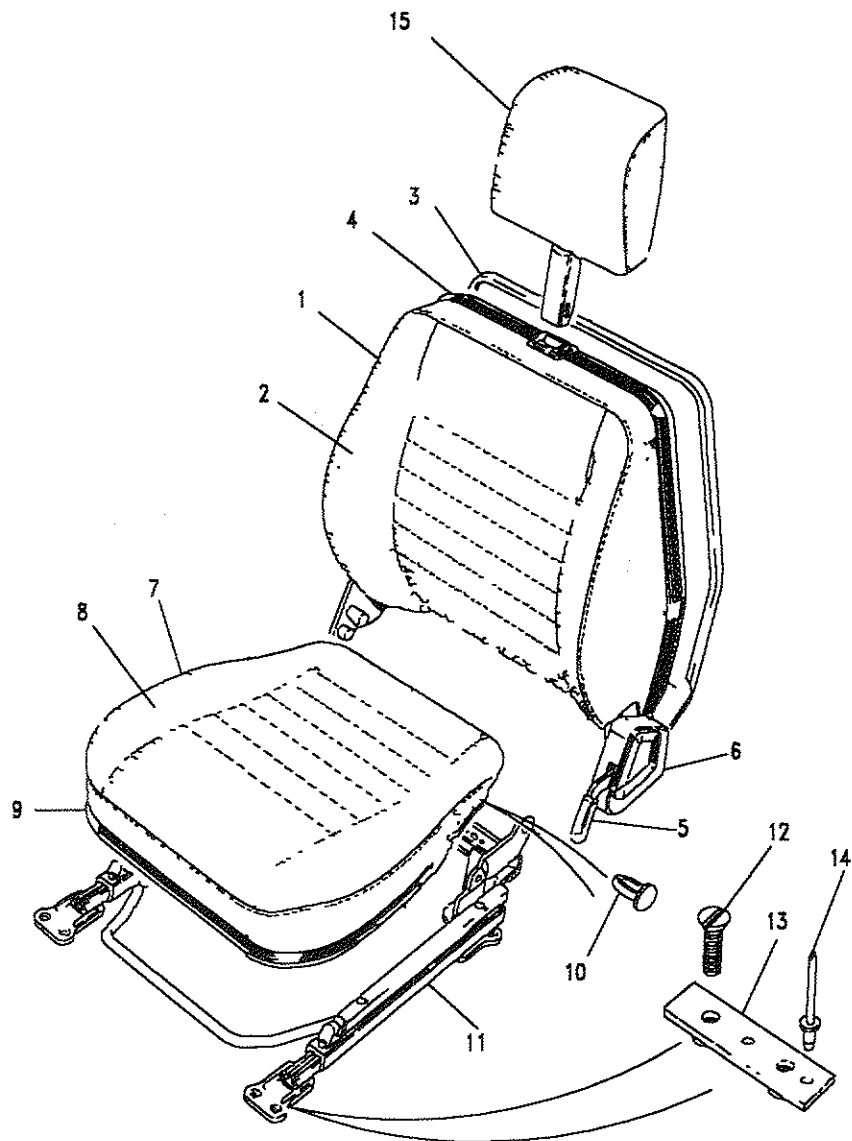
973

SEATS

Model DEFENDER 90  
Page ADRXEA2A

FRONT SEATS - RH/LH - COUNTY - TYPE A

III. Part No.	Description	Qty	Remarks
15 MWC1018RD	Head restraint cloth	2	
MWC1010	Head restraint vinyl	2	





DEFENDER 90

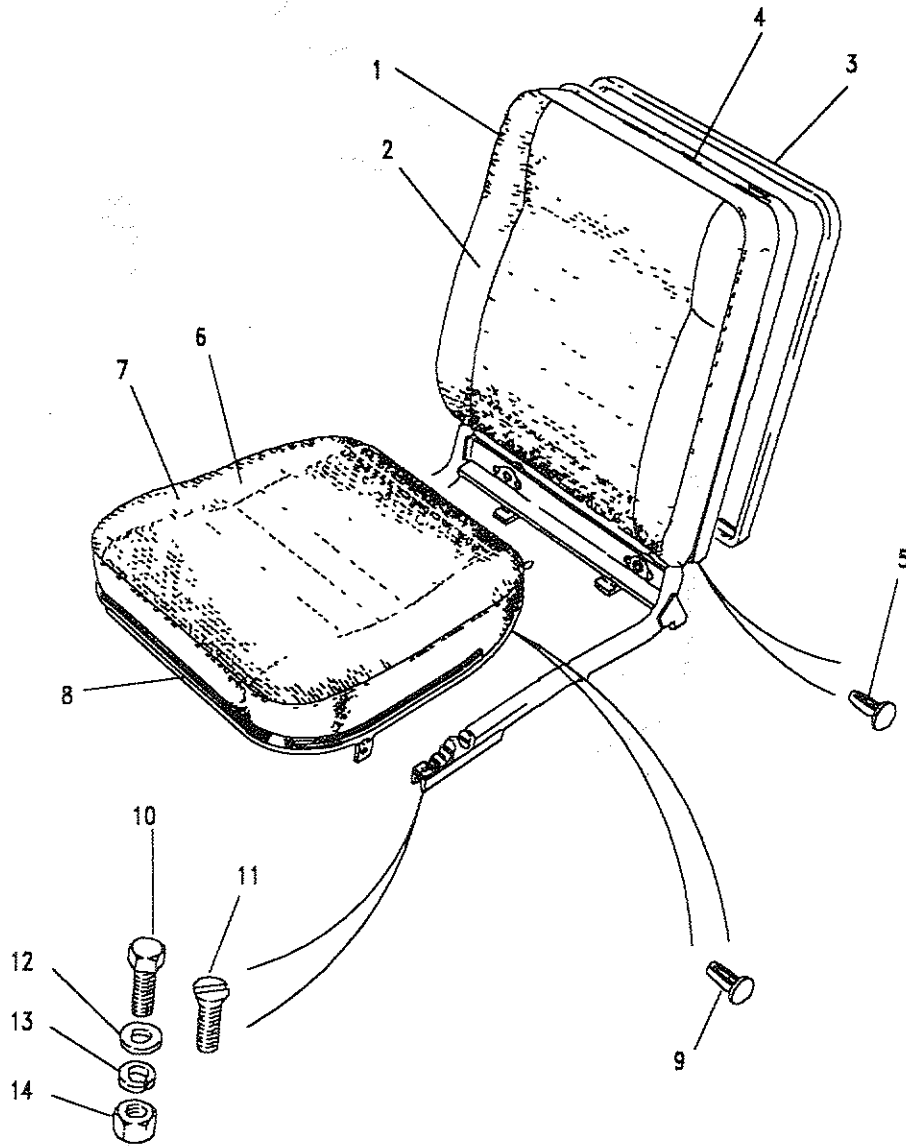
974

SEATS

Model DEFENDER 90  
Page ADRXEA3A

FRONT SEATS - CENTRE - COUNTY - TYPE A

III. Part No.	Description	Qty	Remarks
<b>Brushwood/Berber cloth</b>			
MTC1673RD	Seat assembly centre	1	Upto VIN 277964 NLA-Use MUC8432RD
<b>Black vinyl</b>			
MTC1672	Seat assembly centre	1	Upto VIN 277964 NLA-Use MWC4548
1	MUC8450RD	1	Squab cloth
	MUC8447	1	Squab vinyl
2	MTC1950RD	1	Cover squab cloth
	MTC1944	1	Cover squab vinyl
3	STC355AV	1	Panel back-Brushwood
	STC355PB	1	Panel back-Black
4	MTC9958	1	Trim locking
5	MTC9962	2	Trim nail
6	MUC8779RD	1	Cushion cloth
	MWC4549	1	Cushion vinyl
7	MTC1949RD	1	Cover cushion cloth
	MTC1943	1	Cover cushion vinyl
8	MTC9959	1	Trim locking
9	MTC9962	4	Trim nail
10	BH106071	2	Bolt
11	SF106201L	2	Screw
12	MRC5525	4	Washer plain
13	WL106001L	4	Washer spring
14	NH106041L	4	Nut





Model DEFENDER 90  
Page ADRXEA4A

FRONT SEATS - DRIVER - COUNTY - TYPE B

III. Part No. Description Qty Remarks

Upto introduction of 1988 Model Year

Brushwood/Berber cloth

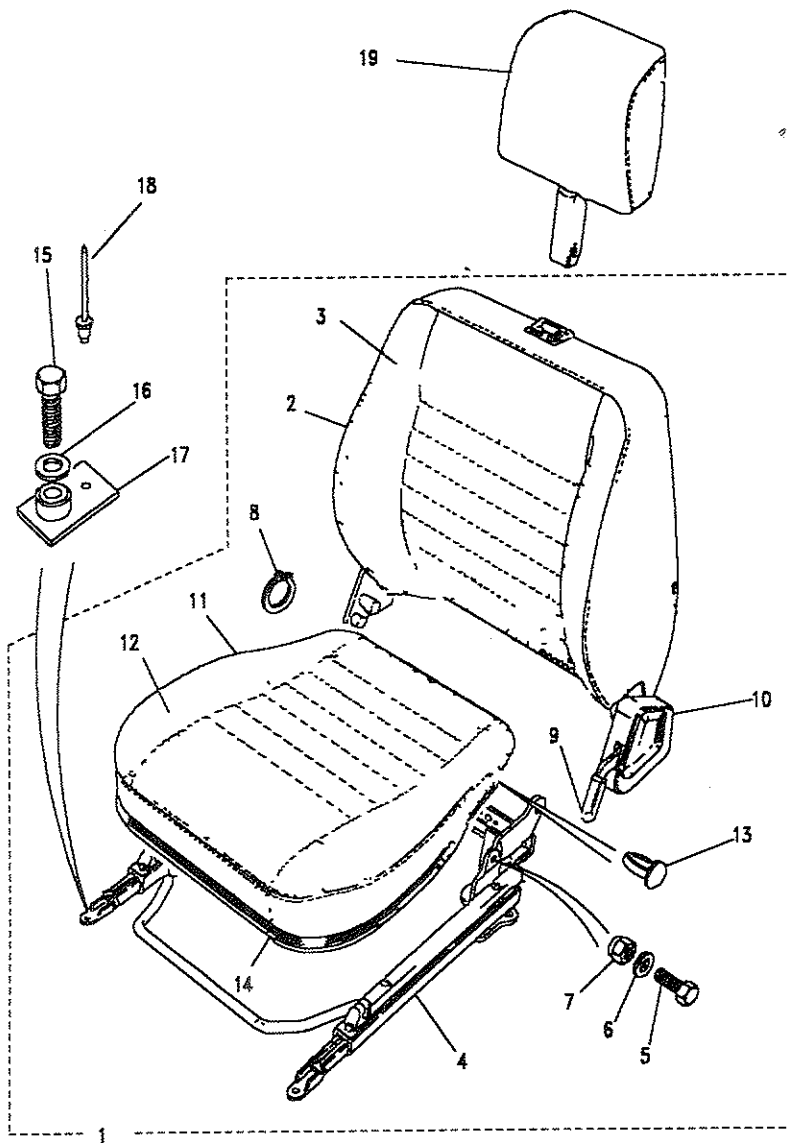
1	MUC8428RD	Seat assembly RHD-driver	1	From VIN 277964
	MUC8429RD	Seat assembly LHD-driver	1	From VIN 277964

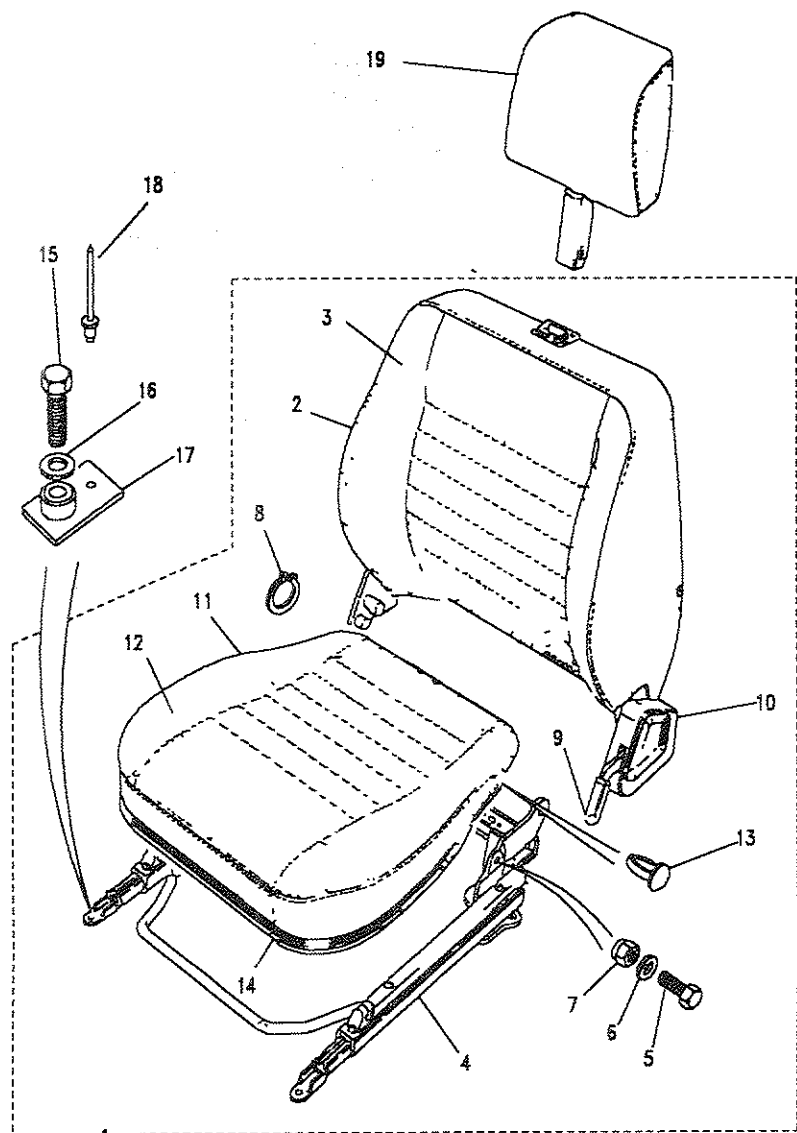
Black vinyl

1	MWC3306	Seat assembly RHD-driver	1	From VIN 276737
	MWC3307	Seat assembly LHD-driver	1	From VIN 276737
2	MUC8448RD	Squab RHD cloth	1	
	MUC8449RD	Squab LHD cloth	1	
	MWC3302	Squab RHD vinyl	1	
	MWC3303	Squab LHD vinyl	1	
3	MUC8409RD	Cover squab cloth	1	
	MUC8414	Cover squab vinyl	1	
4	MXC5778	Subframe and slide RHD	1	
	MXC5779	Subframe and slide LHD	1	
5	SH108151	Screw	2	
6	WA108041	Washer plain	2	
7	NY108041L	Nut	2	
8	CR120205	Circlip	1	
9	MUC8754	Knob	1	
10	MWC7636	Cover mechanism RH	1	
	MWC7635	Cover mechanism LH	1	
11	MUC8780RD	Cushion cloth	1	
	MWC4535	Cushion vinyl	1	
12	MTC1932RD	Cover cushion cloth	1	
	MWC4534	Cover cushion cloth	1	
13	MTC9962	Trim nail	4	
14	MTC9967	Trim locking	1	
	MWC4536	Bracket stop	2	Seat slide RHD

Fixings - When centre seat not fitted

15	FS108251L	Screw	4	
16	WA108051L	Washer plain	4	
	4075L	Spacer	4	



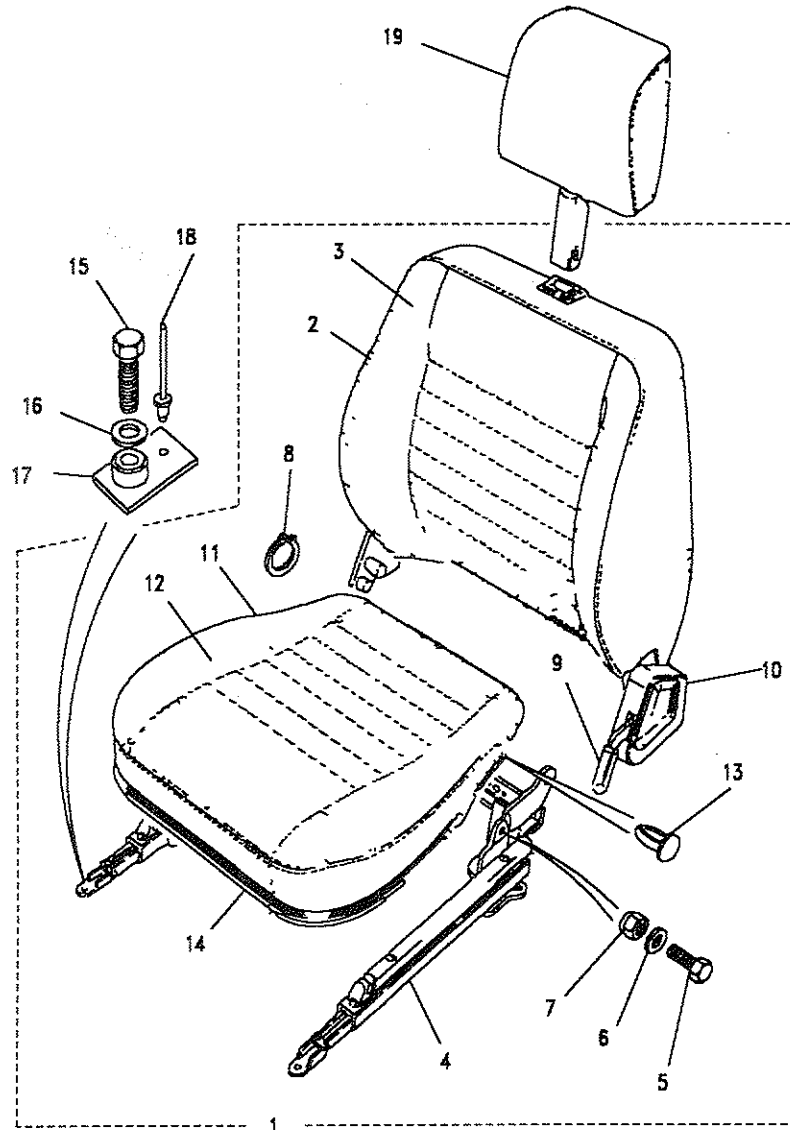


**Model** DEFENDER 90  
**Page** ADRXEA4A

**FRONT SEATS - DRIVER - COUNTY - TYPE B**

III. Part No.	Description	Qty	Remarks
17 MUC7947	Bush and plate	4	
18 RU608313L	Rivet	4	
<b>Fixings - When centre seat is fitted</b>			
FS108251L	Screw	4	
WA108051L	Washer plain	5	
4075L	Spacer	4	
MUC7947	Bush and plate	3	
RU608313L	Rivet	3	
FN108041L	Nut	1	
19 MWC1018RD	Head restraint cloth	1	
MWC1010	Head restraint vinyl	1	

Note(1) Drivers seats are adjustable and have recline mechanism



**Model** DEFENDER 90

**Page** ADRXEA5A

**FRONT SEATS - PASSENGER - COUNTY - TYPE B**

**Ill. Part No. Description Qty Remarks**

**Upto introduction of 1988 Model Year**

**Brushwood/Berber cloth**

1	MUC8430RD	Seat assy RHD-passenger	1	From VIN 277964
	MUC8431RD	Seat assy LHD-passenger	1	From VIN 277964

**Black vinyl**

1	MWC3301	Seat assembly-passenger	1	From VIN 276737 NLA-Use MWC3307
2	MUC8449RD	Squab RHD cloth	1	
	MUC8448RD	Squab LHD cloth	1	
2	MWC3305	Squab and frame vinyl	1	
3	MUC8409RD	Cover squab cloth	1	
	MUC8414	Cover squab cloth	1	

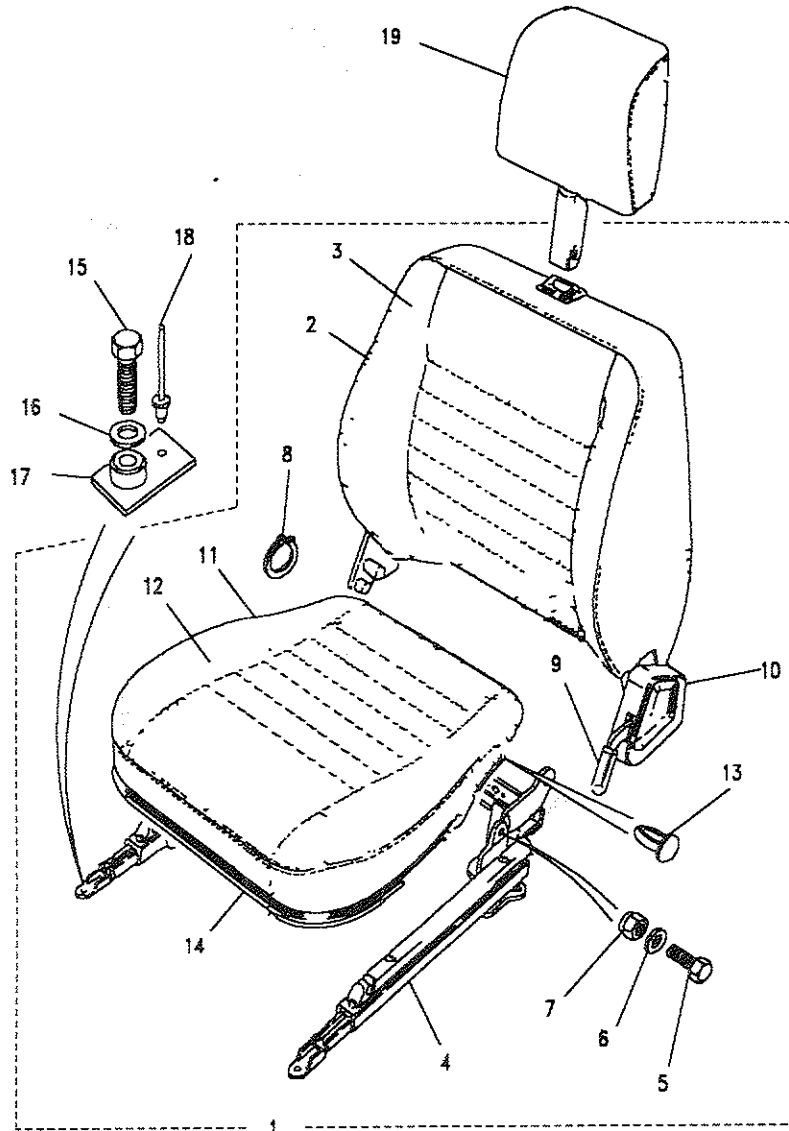
**Applicable to cloth seat only**

4	MUC8439	Subframe RHD	1	
	MUC8438	Subframe LHD	1	
5	SH108151	Screw	2	
6	WA108041	Washer plain	2	
7	NY108041L	Nut	2	
8	CR120205	Circlip	1	
9	MUC8754	Knob	1	
10	MWC7636	Cover mechanism RH	1	
	MWC7635	Cover mechanism LH	1	
11	MUC8780RD	Cushion cloth	1	
	MWC4535	Cushion vinyl	1	
12	MTC1932RD	Cover cushion cloth	1	
	MWC4534	Cover cushion vinyl	1	
13	MTC9962	Trim nail	4	
14	MTC9967	Trim locking	1	

**Fixings - When centre seat not fitted**

15	FS108251L	Screw	4	
16	WA108051L	Washer plain	4	





Model DEFENDER 90

Page ADRXE5A

FRONT SEATS - PASSENGER - COUNTY - TYPE B

III. Part No.	Description	Qty	Remarks
4075L	Spacer	4	
17 MUC7947	Bush and plate	4	
18 RU608313L	Rivet	4	
<b>Fixings - When centre seat is fitted</b>			
FS108251L	Screw	4	
WA108051L	Washer plain	5	
4075L	Spacer	4	
MUC7947	Bush and plate	3	
RU608313L	Rivet	3	
FN108041L	Nut	1	
19 MWC1018RD	Head restraint cloth	1	
MWC1010	Head restraint vinyl	1	

Note(1) MUC8430RD and MUC8431RD are not adjustable but have recline mechanism

Note(2) MWC3301 is not adjustable and has no recline mechanism

Note(3) MWC3307 is adjustable and has recline mechanism

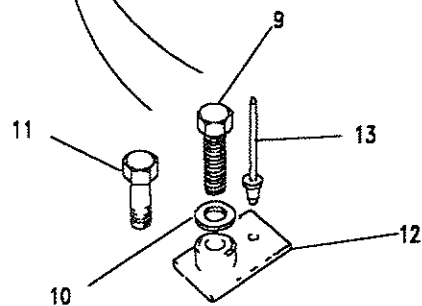
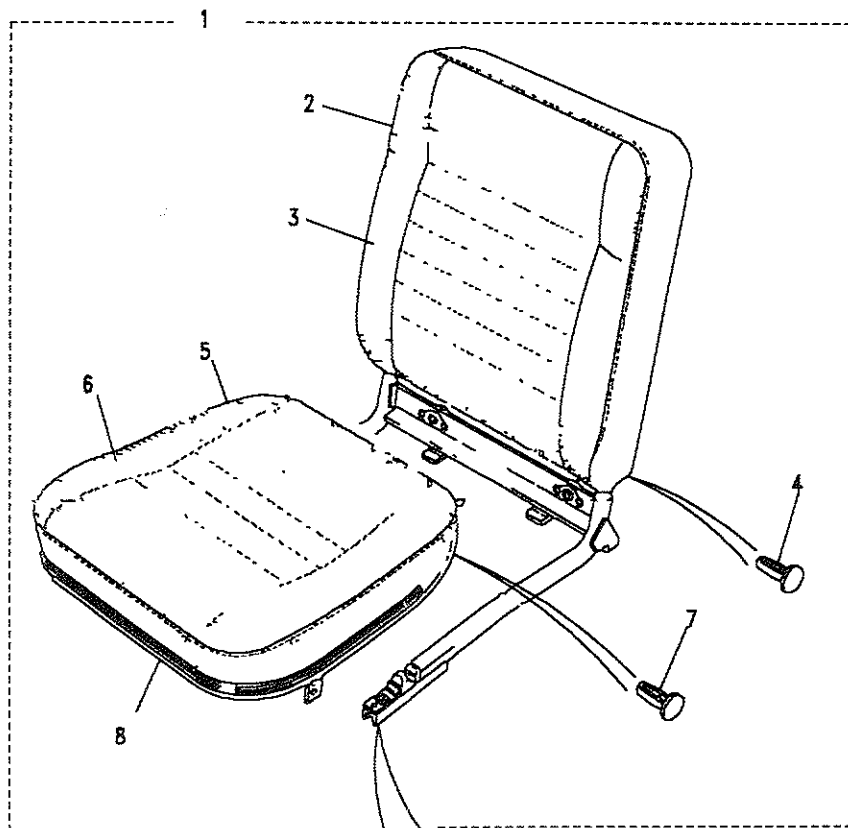




DEFENDER 90

979

SEATS



Model DEFENDER 90

Page ADRXE6A

FRONT SEATS - CENTRE - COUNTY - TYPE B

III. Part No. Description Qty Remarks

Upto introduction of 1988 Model Year

Brushwood/Berber cloth

1 MUC8432RD Seat assembly centre 1 From VIN 277964

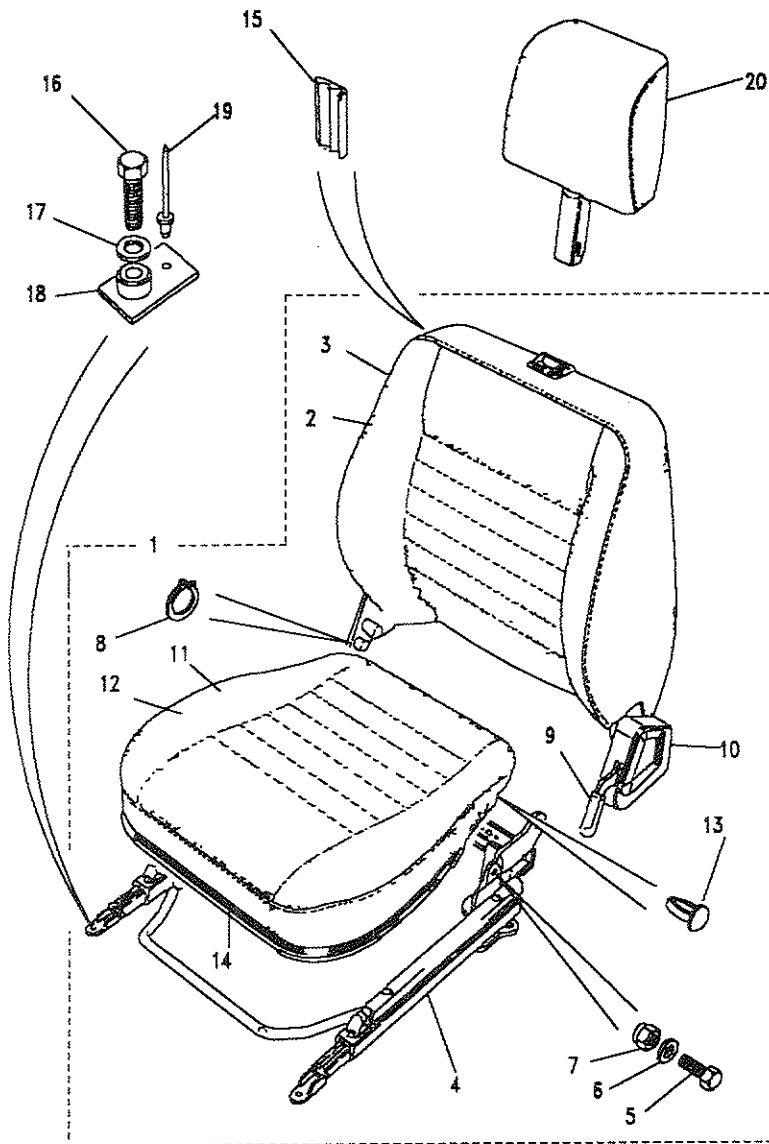
Black vinyl

1 MWC4548 Seat assembly centre 1 From VIN 277964

2	MUC8450RD	Squab cloth	1	
	MUC8447	Squab vinyl	1	
3	MUC8411RD	Cover squab cloth	1	
	MUC8412	Cover squab vinyl	1	
4	MTC9962	Trim nail	4	
5	MUC8779RD	Cushion cloth	1	
	MWC4549	Cushion vinyl	1	
6	MTC1949RD	Cover cushion cloth	1	
	MWC4950	Cover cushion vinyl	1	
7	MTC9962	Trim nail	4	
8	MTC9959	Trim locking	1	
9	FS108251L	Screw	2	Rear
10	WC108051L	Washer plain	4	
11	FS108301L	Bolt	2	Front
12	MUC7947	Bush and plate	2	Front
13	RU608313L	Rivet	2	
	FN108041L	Nut	2	Rear







Model DEFENDER 90

Page ADRXEA7A

FRONT SEATS - RH/LH - COUNTY

III. Part No.	Description	Qty	Remarks
---------------	-------------	-----	---------

From 1988 Model Year - Note(1)

Blue Grey/Grey Cloth

1	MWC5630RCF	Seat assembly RH	1	Upto Note(2)
	MWC5676RCF	Seat assembly LH	1	Upto Note(2)
	MWC8944RCF	Seat assembly RH	1	From Note(2) Upto VIN 456060
	MWC8945RCF	Seat assembly LH	1	From Note(2) Upto VIN 456060

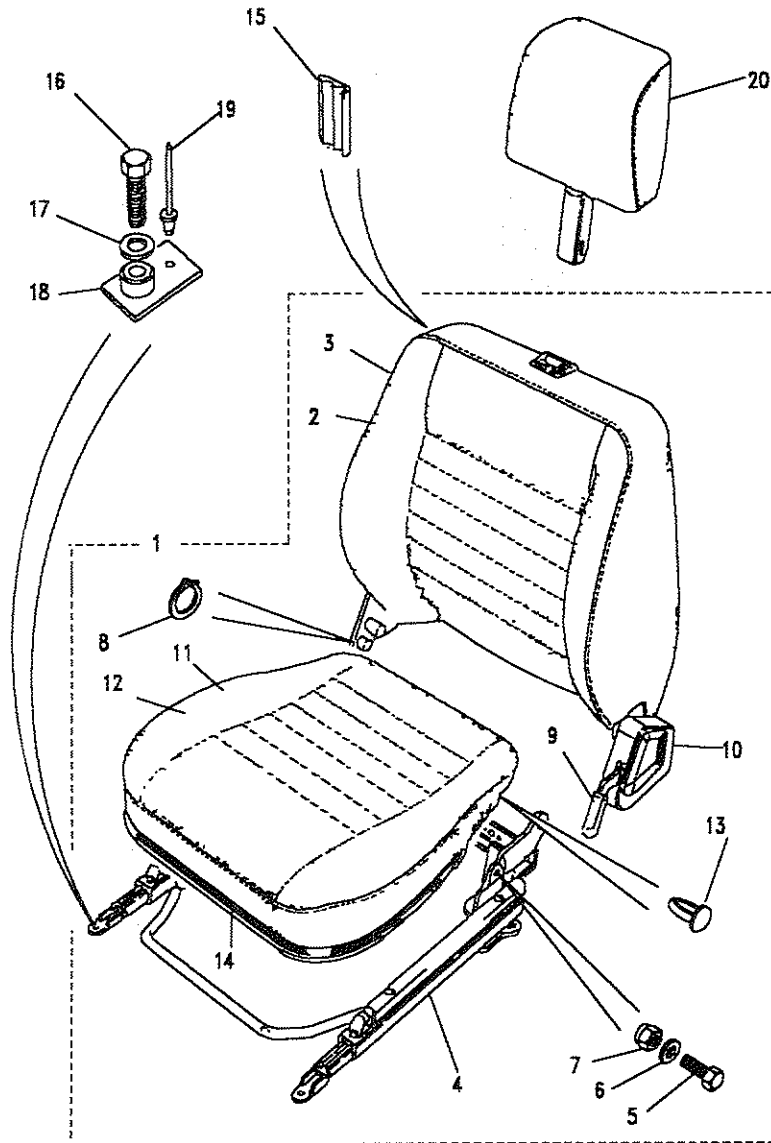
Moorland/Grey cloth

1	MXC3254RUY	Seat assembly RH	1	From VIN HA456061
	MXC3255RUY	Seat assembly LH	1	From VIN HA456061

Grey Vinyl

1	MWC5667LCS	Seat assembly RH	1	Upto Note(2)
	MWC5674LCS	Seat assembly LH	1	Upto Note(2)
	MWC8946LCS	Seat assembly RH	1	From Note (2) Upto VIN 455631
	MWC8947LCS	Seat assembly LH	1	From Note(2) Upto VIN 455631
	MXC3256LCS	Seat assembly RH	1	From VIN HA455632
	MXC3257LCS	Seat assembly LH	1	From VIN HA455632
2	MWC5677RCF	Squab RH cloth	1	Upto Note(2)
	MWC5679RCF	Squab LH cloth	1	Upto Note(2)
	MWC9842RCF	Squab RH cloth	1	From Note(2) Upto VIN456060
	MWC9841RCF	Squab LH cloth	1	From Note(2) Upto VIN 456060
	MWC9842RUY	Squab RH cloth	1	From VIN HA456061
	MWC9841RUY	Squab LH cloth	1	From VIN HA456061
	MWC5668LCS	Squab RH vinyl	1	Upto Note(2)
	MWC5675LCS	Squab LH vinyl	1	Upto Note(2)
	MWC9844LCS	Squab RH vinyl	1	From Note(2)
	MWC9843LCS	Squab LH vinyl	1	From Note(2)



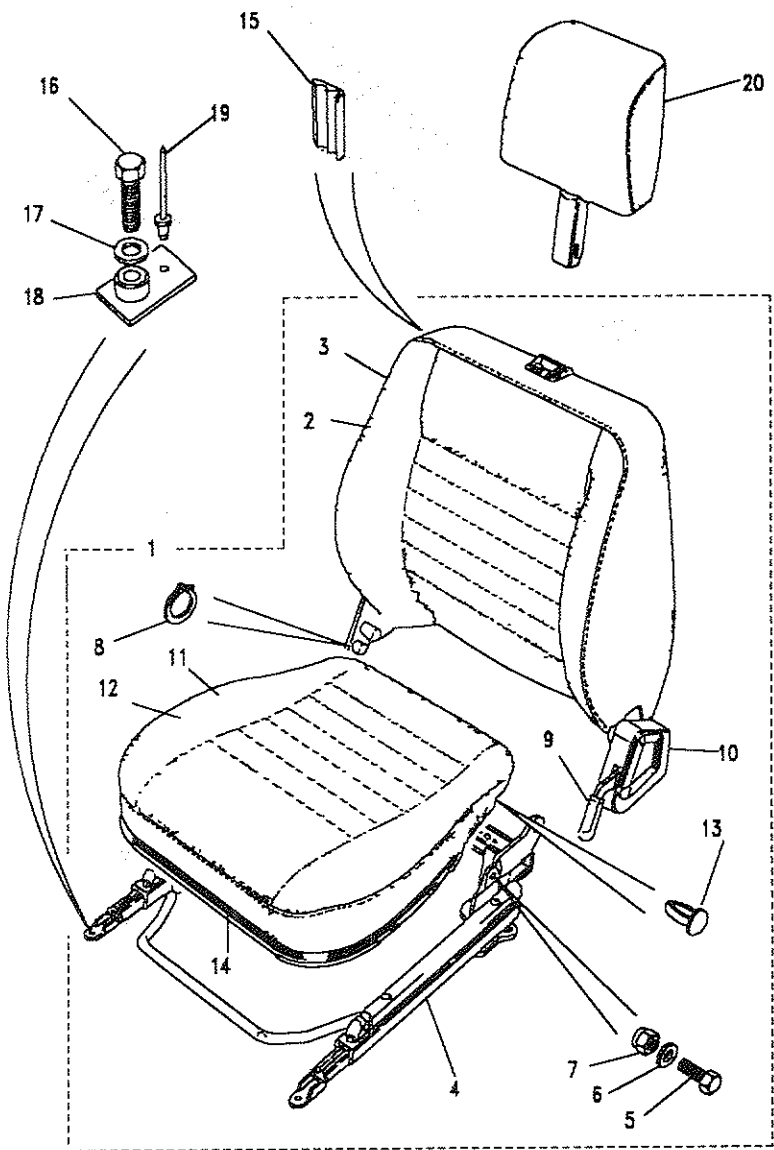


Model DEFENDER 90  
 Page ADRXE7A

FRONT SEATS - RH/LH - COUNTY

III. Part No.	Description	Qty	Remarks
3	MWC5632RCF	2	Upto Note(2)
	MWC8942RCF	2	From Note(2)
	MWC8942RUY	2	Upto VIN 456060
	MWC5669LCS	2	From VIN HA456061
	MWC8943LCS	2	Upto Note(2)
		2	From Note(2)
4	MXC5778	1	Subframe and slide RH
	MXC5779	1	Subframe and slide LH
5	SH108151L	4	Screw
6	WA108051L	4	Washer plain
7	NY108041L	4	Nut
8	CR120205	2	Circlip
9	MUC8754	2	Knob
10	MWC7636	1	Cover mechanism RH
	MWC7635	1	Cover mechanism LH





Model DEFENDER 90

Page ADRXEA7A

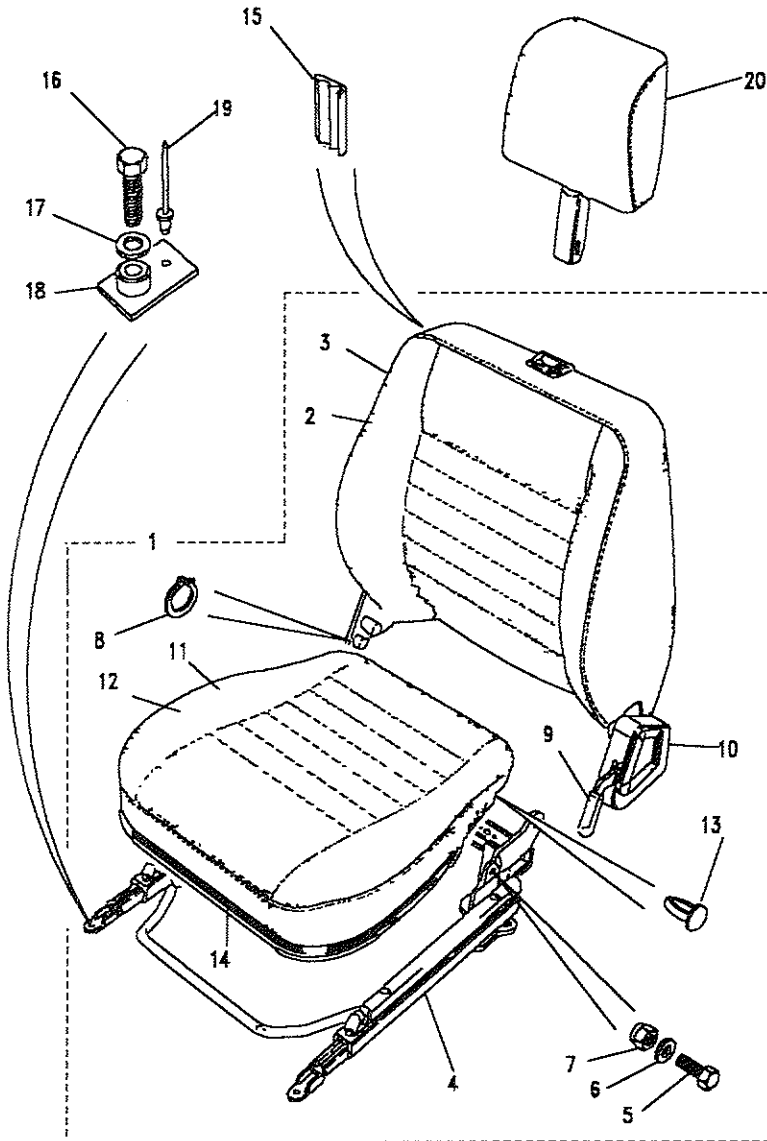
FRONT SEATS - RH/LH - COUNTY

III. Part No.	Description	Qty	Remarks
11 MWC5648RCF	Cushion cloth	2	Upto VIN 456060
MWC5648RUY	Cushion cloth	2	From VIN HA456061
MWC5670LCS	Cushion vinyl	2	
12 MWC5649RCF	Cover cushion cloth	2	Upto VIN 456060
MWC5649RUY	Cover cushion cloth	2	From VIN HA456061
MWC5671LCS	Cover cushion vinyl	2	
13 MTC9962	Trim nail	8	
14 MTC9967	Trim locking	2	
15 MWC6106PCB	Rubbing strip	4	

When centre seat not fitted

16 SH108251L	Screw	8	
17 WA108051L	Washer plain	8	
4075L	Spacer	8	
18 MUC7947	Bush and plate	8	
19 RU608313L	Rivet	8	





Model DEFENDER 90  
 Page ADRXE7A

**FRONT SEATS - RH/LH - COUNTY**

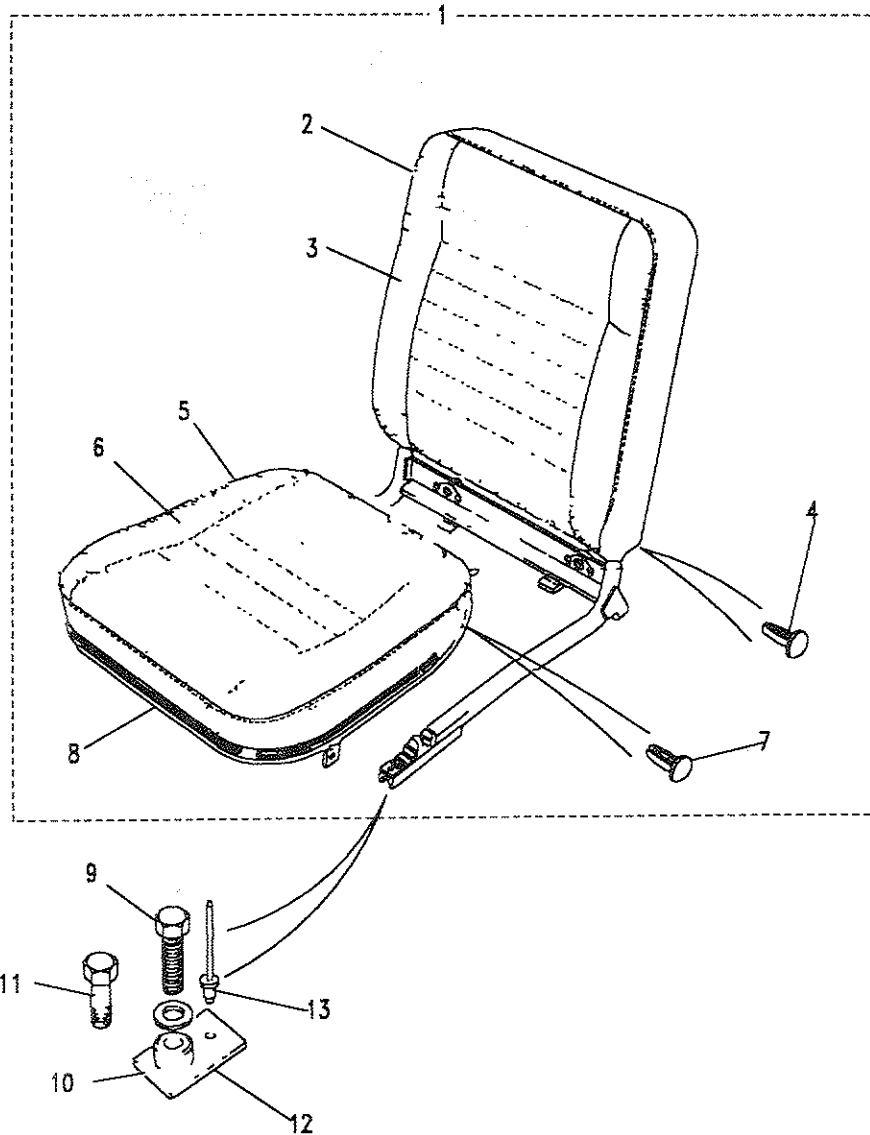
III. Part No.	Description	Qty	Remarks
<b>When centre seat is fitted</b>			
FS108251L	Screw	8	
WA108051L	Washer plain	10	
4075L	Spacer	48	
MUC7947	Bush and plate	6	
RU608313L	Rivet	6	
FN108041L	Nut	2	
MWC4536	Bracket stop	2	Driver seat RHD
20 MWC5626RCF	Head restraint cloth	2	Upto VIN 456060
MWC5626RUY	Head restraint cloth	2	From VIN HA456061
MWC5628LCS	Head restraint vinyl	2	

Note(1) Regular VIN EA314059, Station Wagon VIN EA314174  
 Note(2) Introduction of 1989 Model Year - VIN FA





5/11



Model DEFENDER 90

Page ADRXEA8A

FRONT SEATS - CENTRE - COUNTY

Ill. Part No.	Description	Qty	Remarks
<b>From introduction of 1988 Model Year - Note(1)</b>			
<b>Blue Grey/Grey cloth</b>			
1	MWC5680RCF Seat assembly centre	1	Upto VIN 456060
<b>Moorland/Grey cloth</b>			
1	MXC2646RUY Seat assembly centre	1	From VIN HA456061
<b>Grey vinyl</b>			
1	MWC5685LCS Seat assembly centre	1	Upto VIN 455631
	MXC2645LCS Seat assembly centre	1	From VIN HA455632
2	MWC5681RCF Squab cloth	1	Upto VIN 456060
	MXC2650RUY Squab cloth	1	From VIN HA456061
	MWC5686LCS Squab vinyl	1	Upto VIN 455631
	MXC2648LCS Squab vinyl	1	From VIN HA455632
3	MWC5682RCF Cover squab cloth	1	Upto VIN 456060
	MXC2641RUY Cover squab cloth	1	From VIN HA456061
	MWC5687LCS Cover squab vinyl	1	Upto VIN 455631
	MXC2652LCS Cover squab vinyl	1	From VIN HA455632
4	MTC9962 Trim nail	4	
5	MWC5683RCF Cushion cloth	1	Upto VIN 456060
	MXC2649RUY Cushion cloth	1	From VIN HA456061
	MWC5688LCS Cushion vinyl	1	Upto VIN 455631
	MXC2647LCS Cushion vinyl	1	From VIN HA455632
6	MWC5684RCF Cover cushion cloth	1	Upto VIN 456060
	MXC2640RUY Cover cushion cloth	1	From VIN HA456061
	MWC5689LCS Cover cushion vinyl	1	Upto VIN 455631
	MXC2651LCS Cover cushion vinyl	1	From VIN HA455632
7	MTC9962 Trim nail	4	
8	MTC9959 Trim locking	1	
9	FS108251L Screw	2	Rear
10	WC108051L Washer plain	4	
11	FS108301L Bolt	2	Front
12	MUC7947 Bush and plate	2	Front
13	RU608313L Rivet	2	

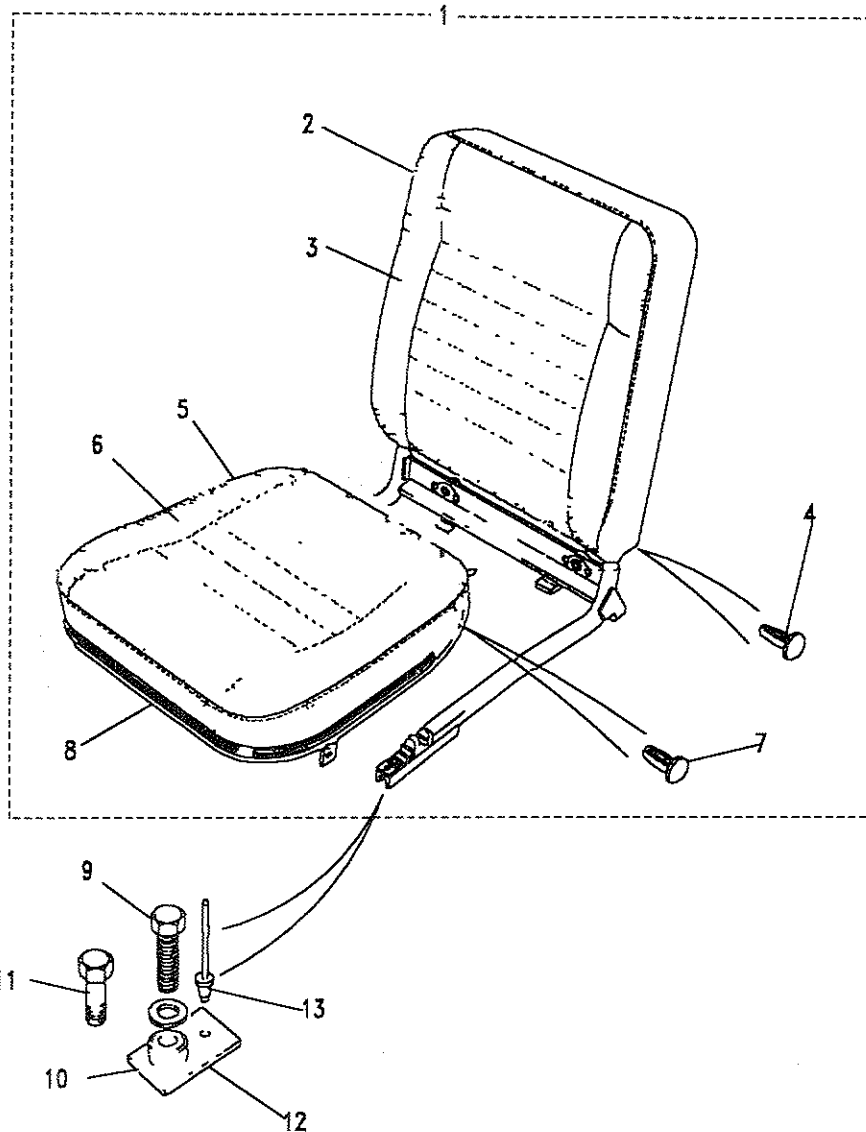




DEFENDER 90

985

SEATS



**Model** DEFENDER 90  
**Page** ADRXE8A

**FRONT SEATS - CENTRE - COUNTY**

III. Part No.	Description	Qty	Remarks
FN108041L	Nut	2	Rear

Note(1) Regular VIN EA314059, Station Wagon VIN EA314174





Model DEFENDER 90

Page ADRXKA1A

REAR SEATS - INWARD FACING - TWO SEATER BENCH

Ill. Part No.	Description	Qty	Remarks
---------------	-------------	-----	---------

Upto introduction of 1988 Model Year

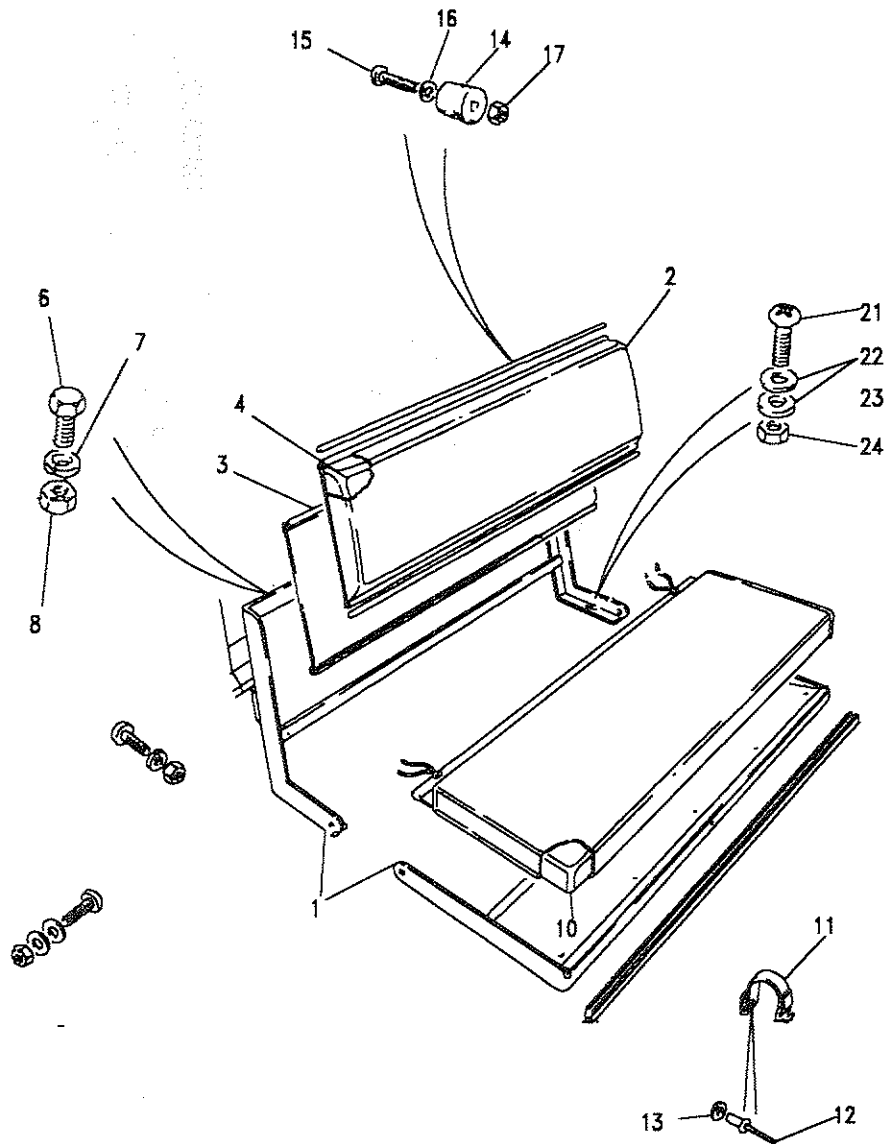
1	MTC6448	Seat frame	1
2	SE106204	Screw	2
3	AFU2651	Washer plain	6
4	NY106041L	Nut	2
5	MTC6452	Clip RH	1
	MTC6453	Clip LH	1
6	SE106164	Screw	4
7	WL106004L	Washer spring	4
8	NH106044	Nut	4
9	302648	Strap seat	1
10	301005	Hook	1
11	RU612373L	Rivet	2
12	WC702101L	Washer plain	2

Brushwood/Berber cloth

13	MTC4488RD	Backrest	1
----	-----------	----------	---

Black vinyl

13	396739	Backrest	1
14	396698	Pad	1
15	STC1012	Panel	1
16	301476	Rod	2





Model DEFENDER 90  
Page ADRXKA1A

REAR SEATS - INWARD FACING - TWO SEATER BENCH

III. Part No. Description Qty Remarks

Fixings - Backrest to frame

17	SH106124	Screw	5
18	WL106004L	Washer spring	5
19	NH106044	Nut	5

Brushwood/Berber cloth

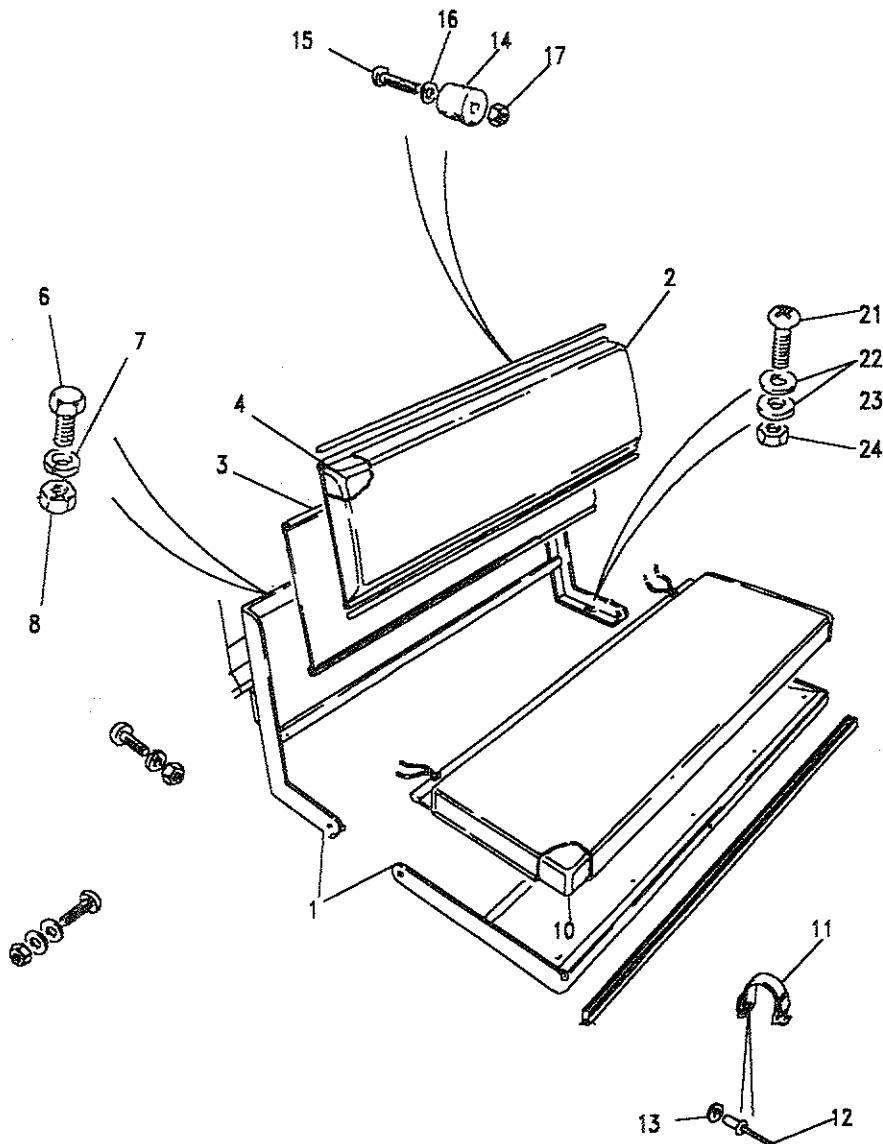
20	MTC4487RD	Cushion	1
----	-----------	---------	---

Black vinyl

20	320674	Cushion	1
----	--------	---------	---

21	331835	Pad	1
22	SE106201L	Screw	2
23	MRC5528	Washer plain	2
24	AFU1070	Washer packing	4
25	WL106001L	Washer spring	2
26	NH106041L	Nut	2
27	304125	Buffer rubber	2
28	SE105251L	Screw	2
29	WA105001L	Washer plain	2
30	NH105041L	Nut	2

Note(1) Quantities shown are for one seat only



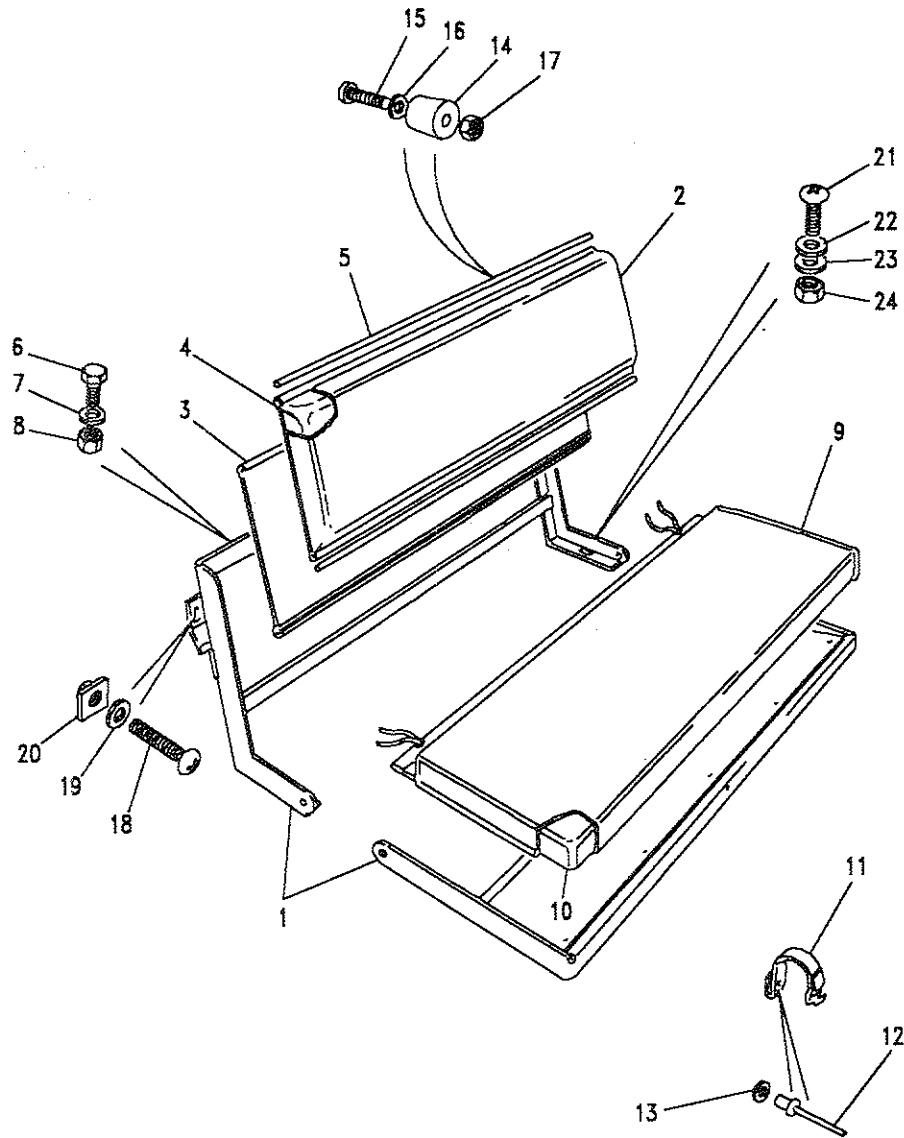


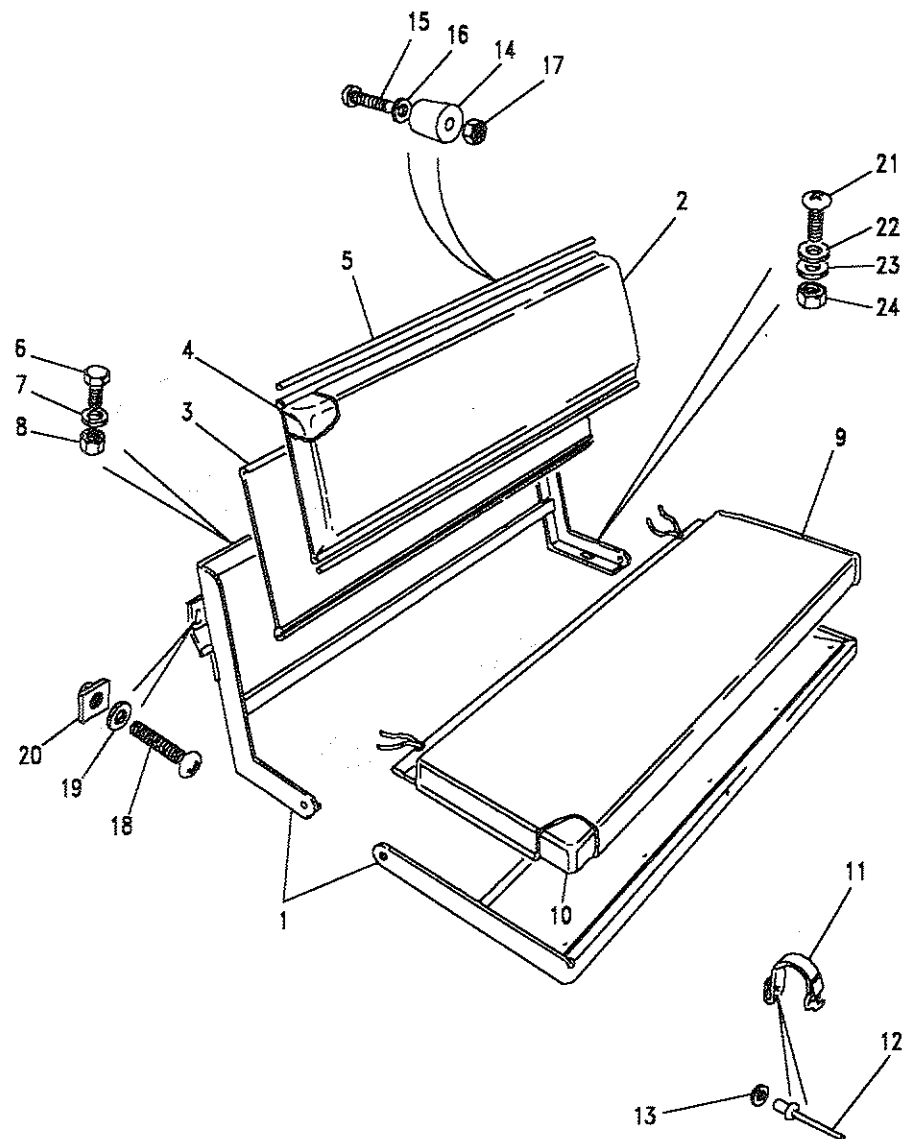


Model DEFENDER 90  
Page ADRXKA2A

REAR SEATS - INWARD FACING - TWO SEATER BENCH

III. Part No.	Description	Qty	Remarks
<b>From introduction of 1988 Model Year - Note(1)</b>			
1	MWC4822 Seat frame	1	
<b>Blue Grey/Grey cloth</b>			
2	MWC5466RCF Backrest	1	Upto Note(2)
<b>Moorland/Grey cloth</b>			
2	MWC5466RUY Backrest	1	From Note(2) Upto VIN HA705239
	BTR2935RUY Backrest	1	From VIN HA705240
<b>Grey vinyl</b>			
2	MWC5465LCS Backrest	1	Upto VIN HA705239
	BTR2934LCS Backrest	1	From VIN HA705240
3	STC1012 Panel	1	Upto VIN HA705239
4	396696 Pad	1	Upto VIN HA705239
5	301476 Rod	2	Upto VIN HA705239
<b>Fixings - Backrest to frame</b>			
6	SH106124 Screw	5	
7	WL106004L Washer spring	5	
8	NH106044 Nut	5	





Model DEFENDER 90

Page ADRXKA2A

REAR SEATS - INWARD FACING - TWO SEATER BENCH

III. Part No.	Description	Qty	Remarks
<b>Blue Grey/Grey cloth</b>			
9 MWC5464RCF	Cushion	1	Upto Note(2)
<b>Moorland/Grey cloth</b>			
9 MWC5464RUY	Cushion	1	From Note(2)
<b>Grey vinyl</b>			
9 MWC5463LCS	Cushion	1	
10 331835	Pad	1	
11 302648	Strap	1	
12 RU612373L	Rivet	2	
13 WC702101L	Plain Washer	2	
14 304125	Buffer rubber	2	
15 SE105251L	Screw	2	
16 WA105001L	Washer plain	2	
17 NH105041L	Nut	2	
<b>Fixings - Seat frame to bodyside</b>			
18 SE106401	Screw	2	
19 WC600045L	Washer plain	2	
20 MTC3203	Nut plate	2	





Model DEFENDER 90

Page ADRXKA2A

REAR SEATS - INWARD FACING - TWO SEATER BENCH

III. Part No.	Description	Qty	Remarks
---------------	-------------	-----	---------

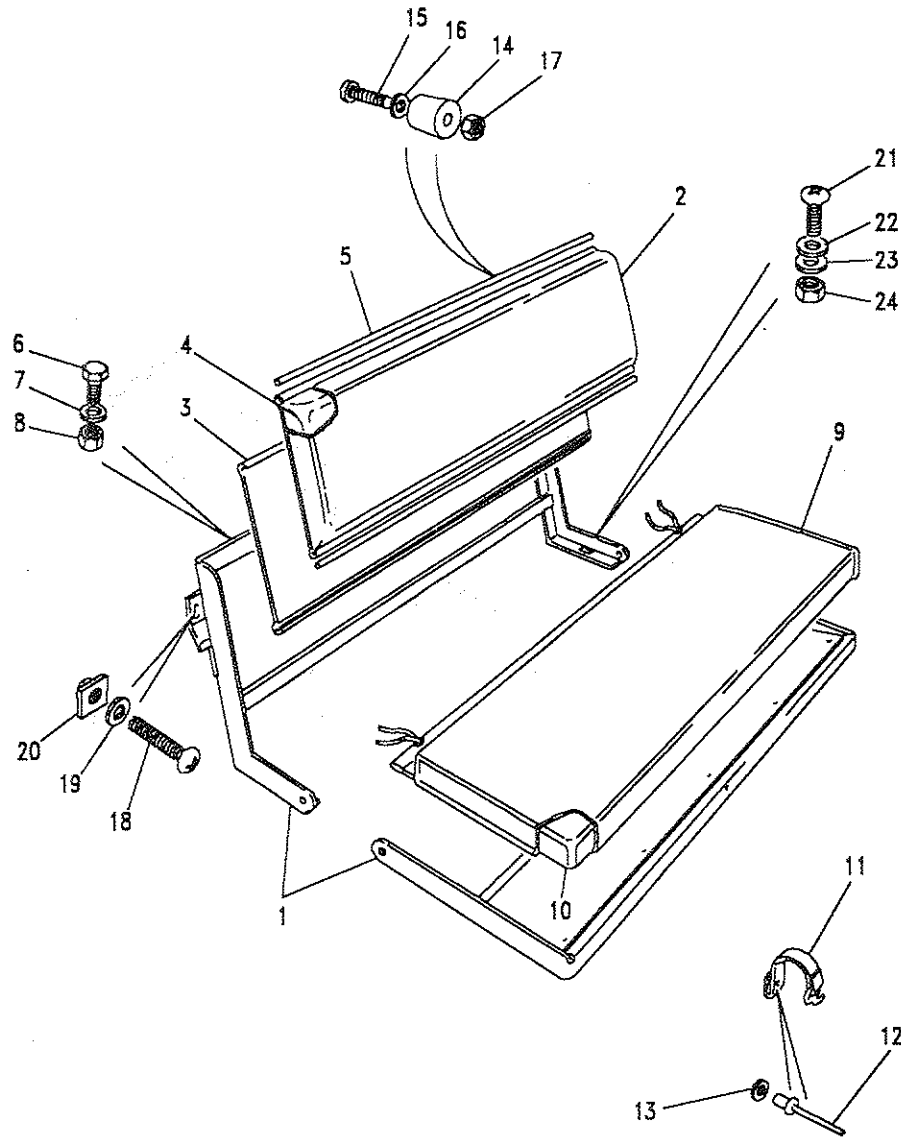
Fixings - Seat frame to wheelarch

21	SE106201L	Screw	2
22	MRC5528	Washer plain	2
23	AFU1070	Washer packing	2
24	NH106041L	Nut M6	2

Note(1) VIN EA314174

Note(2) Introduction of 1991 Model Year - VIN HA

Note(3) Quantities shown are for one seat only

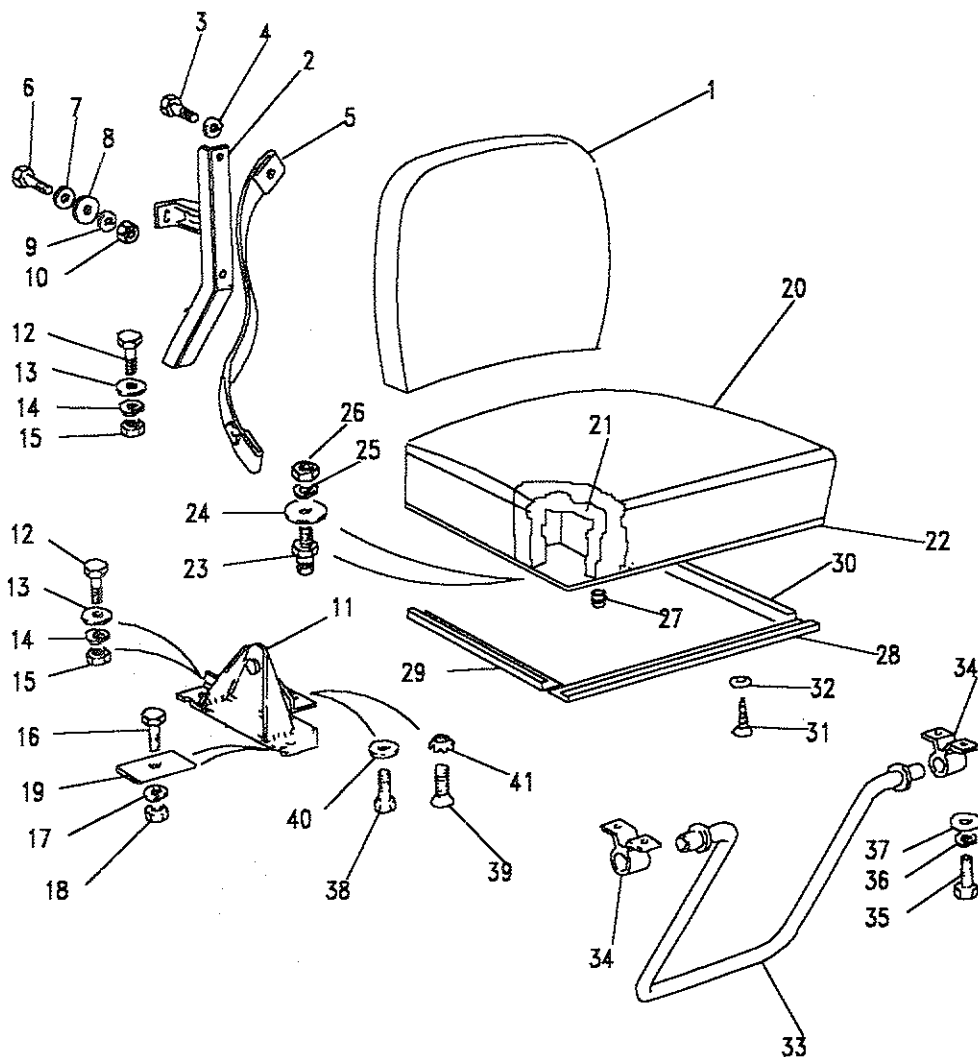




Model DEFENDER 90  
Page ADRXKA3A

REAR SEATS - INWARD FACING - INDIVIDUAL - COUNTY

Ill. Part No.	Description	Qty	Remarks
<b>Brushwood/Berber cloth</b>			
1	MTC4484RD Backrest	4	Upto Note(1)
<b>Blue Grey/Grey cloth</b>			
1	MWC5508RCF Backrest	4	From Note(1) Upto Note(2)
<b>Moorland/Grey cloth</b>			
1	MWC5508RUY Backrest	4	From Note(2)
2	MTC8302 Support RH	4	Upto Note(1)
	MTC8303 Support LH	4	Upto Note(1)
	MWC8666 Support RH	4	From Note(1)
	MWC8667 Support LH	4	From Note(1)
<b>Fixings - Backrest to support</b>			
3	FS106167L Screw	16	
4	WL106001L Washer spring	16	
5	RTC6453 Strap retaining	4	





Model DEFENDER 90  
Page ADRXKA3A

REAR SEATS - INWARD FACING - INDIVIDUAL - COUNTY

III. Part No. Description Qty Remarks

Fixings - Support to capping

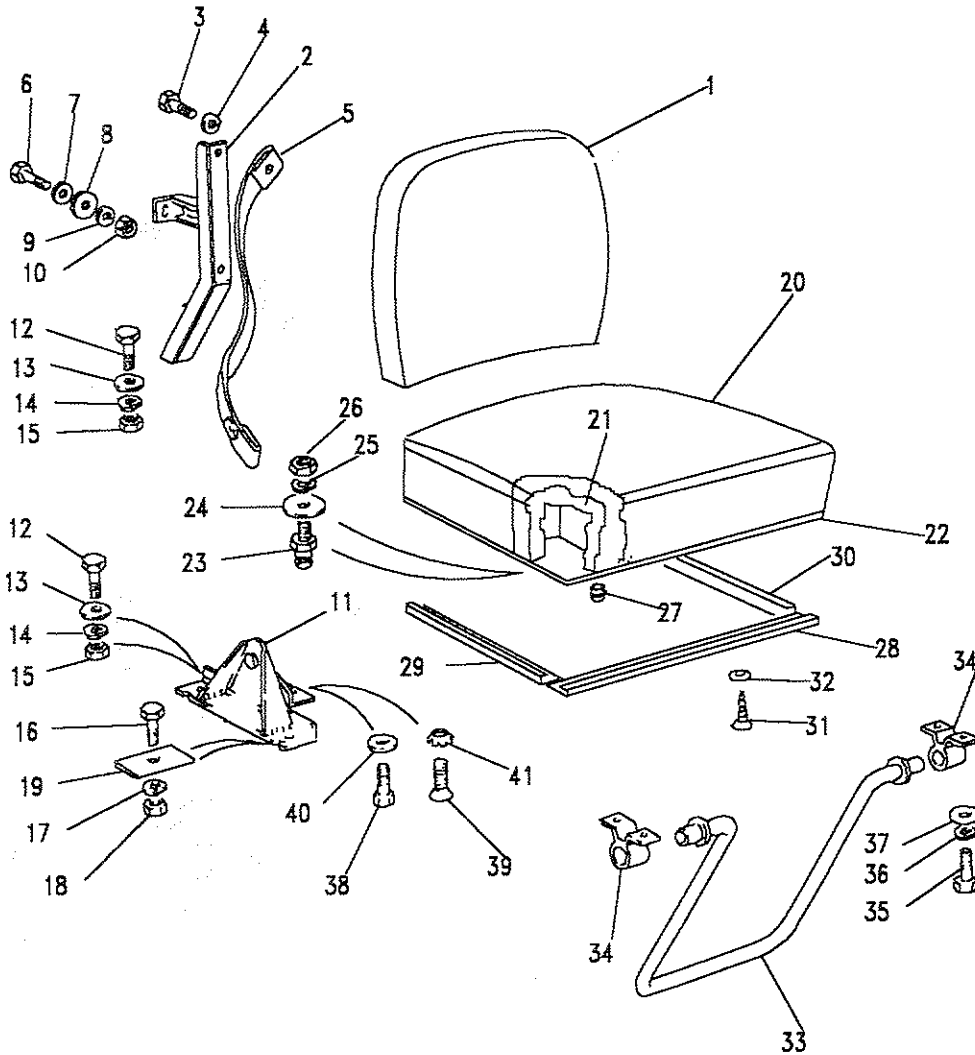
6	FS106167L	Screw	6
7	WB106041L	Washer plain	6
8	WC106041L	Washer plain	6
9	WL106001L	Washer spring	6
10	NH106041L	Nut	6
11	MUC4108	Bracket pivot RH	4
	MUC4109	Bracket pivot LH	4

Supports and outer brackets to wheelarch

12	SH604051L	Screw	16
13	WC600045L	Washer plain	16
14	WM600041L	Washer spring	16
15	NH604041L	Nut	16

Inner brackets to wheelarch

16	SH604071L	Screw	4
17	WM600041L	Washer spring	4
18	NH604041L	Nut	4
19	346804	Clamping bar	4

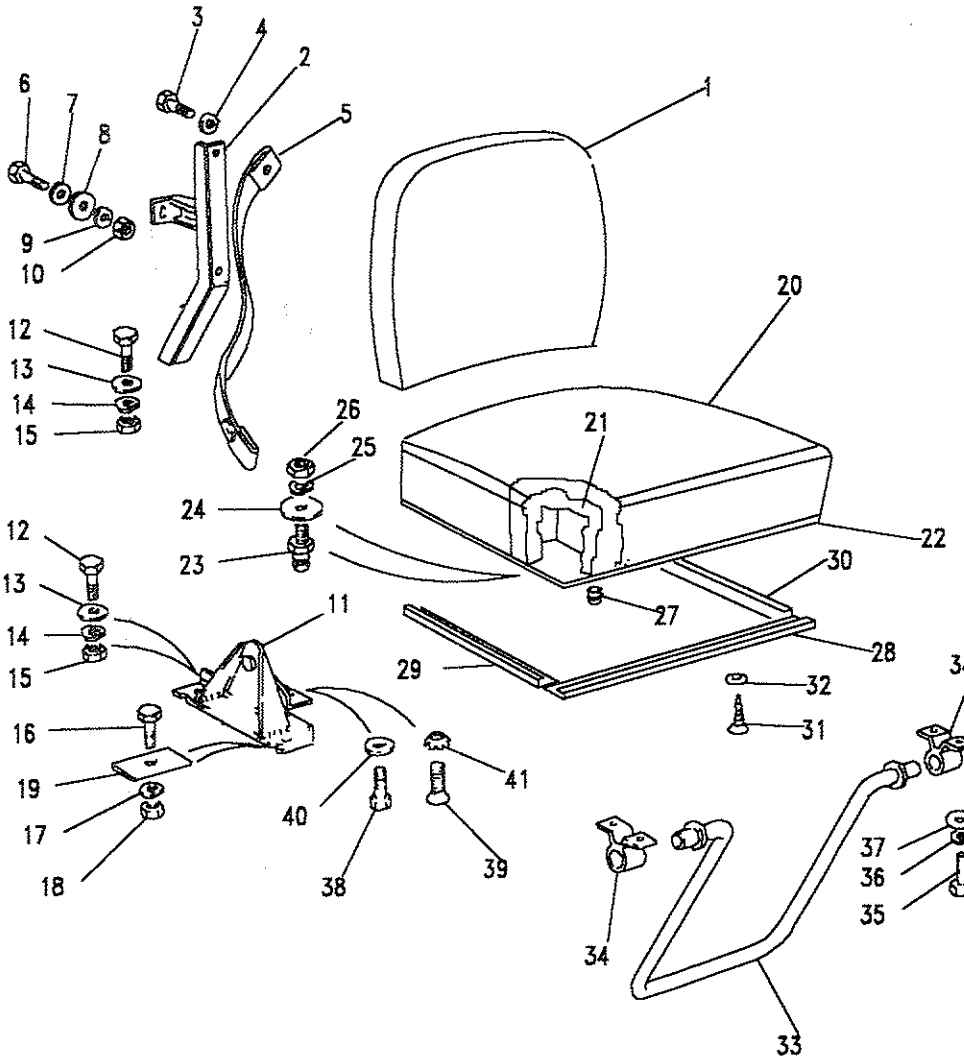




Model DEFENDER 90  
Page ADRXKA3A

REAR SEATS - INWARD FACING - INDIVIDUAL - COUNTY

III. Part No.	Description	Qty	Remarks
<b>Brushwood/Berber cloth</b>			
20 MTC4483RD	Cushion	4	Upto Note(1)
<b>Blue Grey/Grey cloth</b>			
20 MWC5507RCF	Cushion	4	From Note(1) Upto Note(2)
<b>Moorland/Grey cloth</b>			
20 MWC5507RUY	Cushion	4	From Note(2)
21 349516	Interior	4	
22 306316	Panel seat base	4	
23 243618	Stud	4	
24 3852L	Washer plain	4	
25 WM702001L	Washer spring	4	
26 RTC608	Nut	4	
27 312028	Buffer rubber	4	
28 307418	Finisher	4	Front
29 307419	Finisher RH	4	Side
30 307420	Finisher LH	4	Side
31 20138	Screw	8	Finisher
20147	Screw	16	Finisher
AF608081	Screw	8	Seat base
32 WK608213	Washer cup	8	
33 MUC4083	Support tube	4	
34 90306199	Tube bearing	8	



Handwritten mark





Model DEFENDER 90  
Page ADRXKA3A

REAR SEATS - INWARD FACING - INDIVIDUAL - COUNTY

III. Part No. Description Qty Remarks

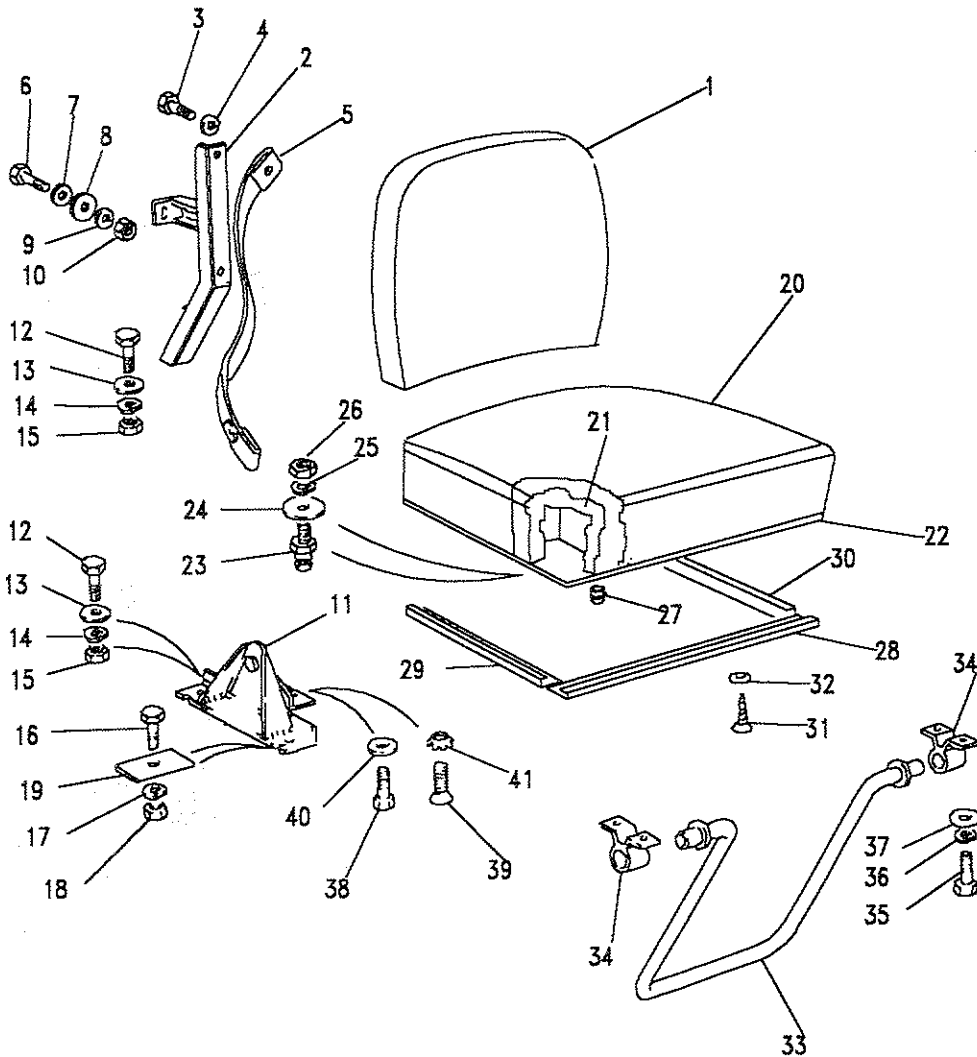
Fixings - Bearing to cushion frame

35	SH604071L	Screw	16
36	WM600041L	Washer spring	16
37	WB106045	Washer plain	16

Fixings - Pivot bracket to cushion frame

38	SH604071	Screw	8
39	SF604101	Screw	8
40	WB106045	Washer plain	16
41	WH600041L	Washer shakeproof	8 Countersunk

Note(1) Introduction of 1988 Model Year - VIN EA314174  
Note(2) Introduction of 1991 Model Year - VIN HA





DEFENDER 90

995

SEATS



Model DEFENDER 90

Page ADRXPA1A

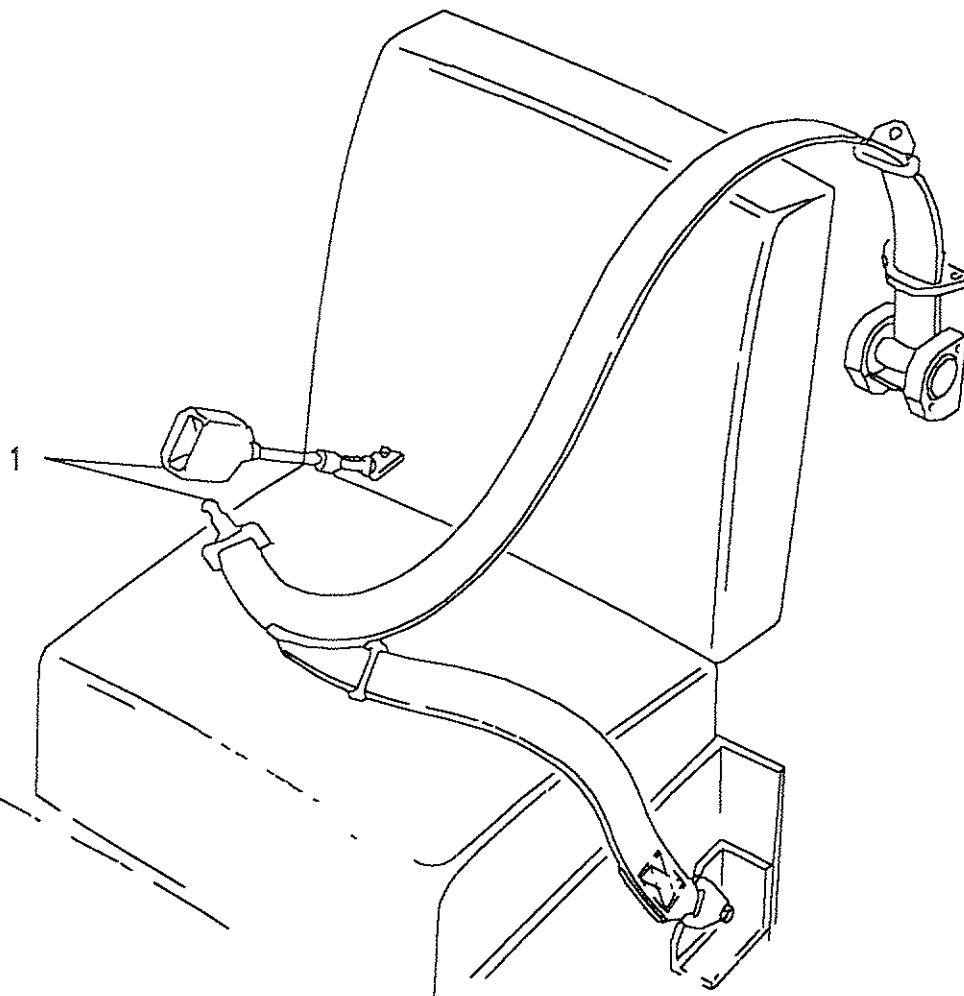
SAFETY HARNESS - FRONT SEATS - RH/LH

III. Part No.	Description	Qty	Remarks
---------------	-------------	-----	---------

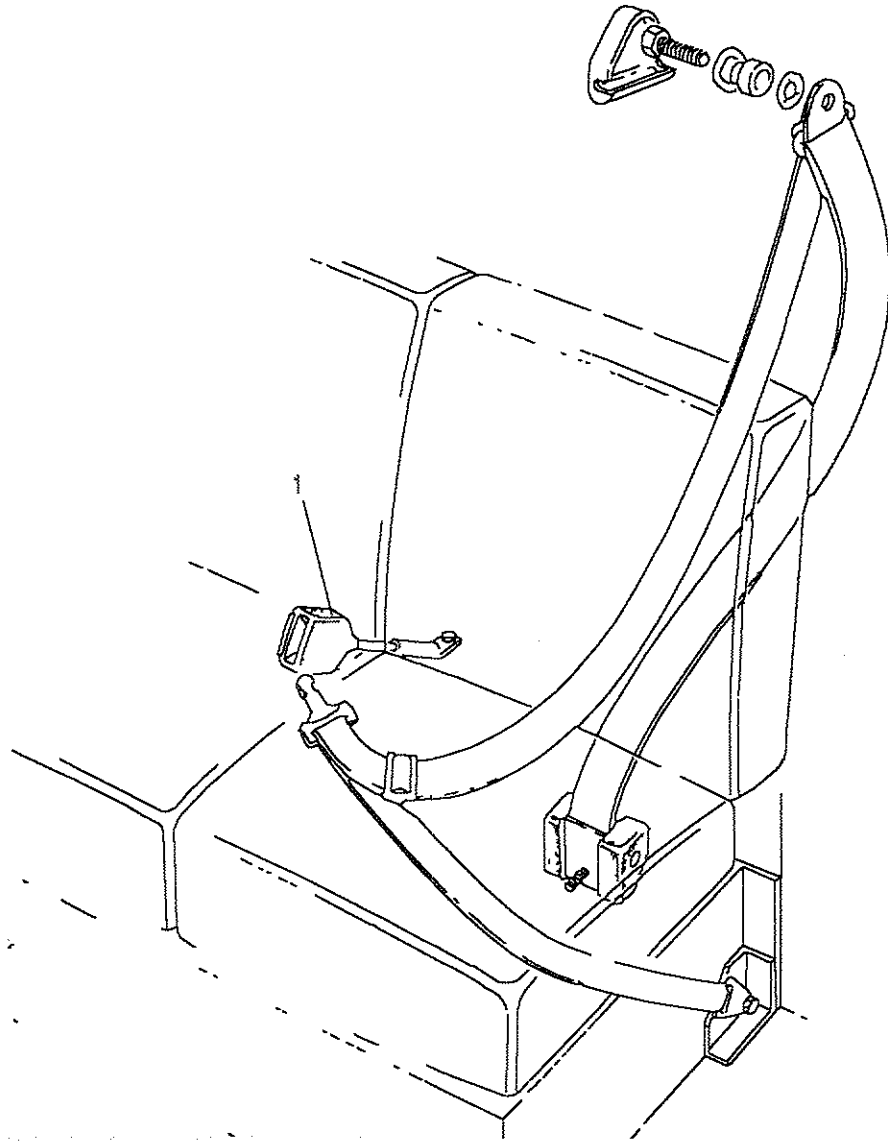
Vehicles with Full Length Hood - Upto Note(1)

1	MTC1608	Seat belt RH	1
	MTC1609	Seat belt LH	1
	AFU2875	Clip retaining	2 On seatbase
	AB610051L	Screw	4

Note(1) VIN SALLDVAD7AA270227, SALLDVAC7AA270484, and  
SALLDVAV7AA271214 - Introduction of 1987 Model Year







Model DEFENDER 90

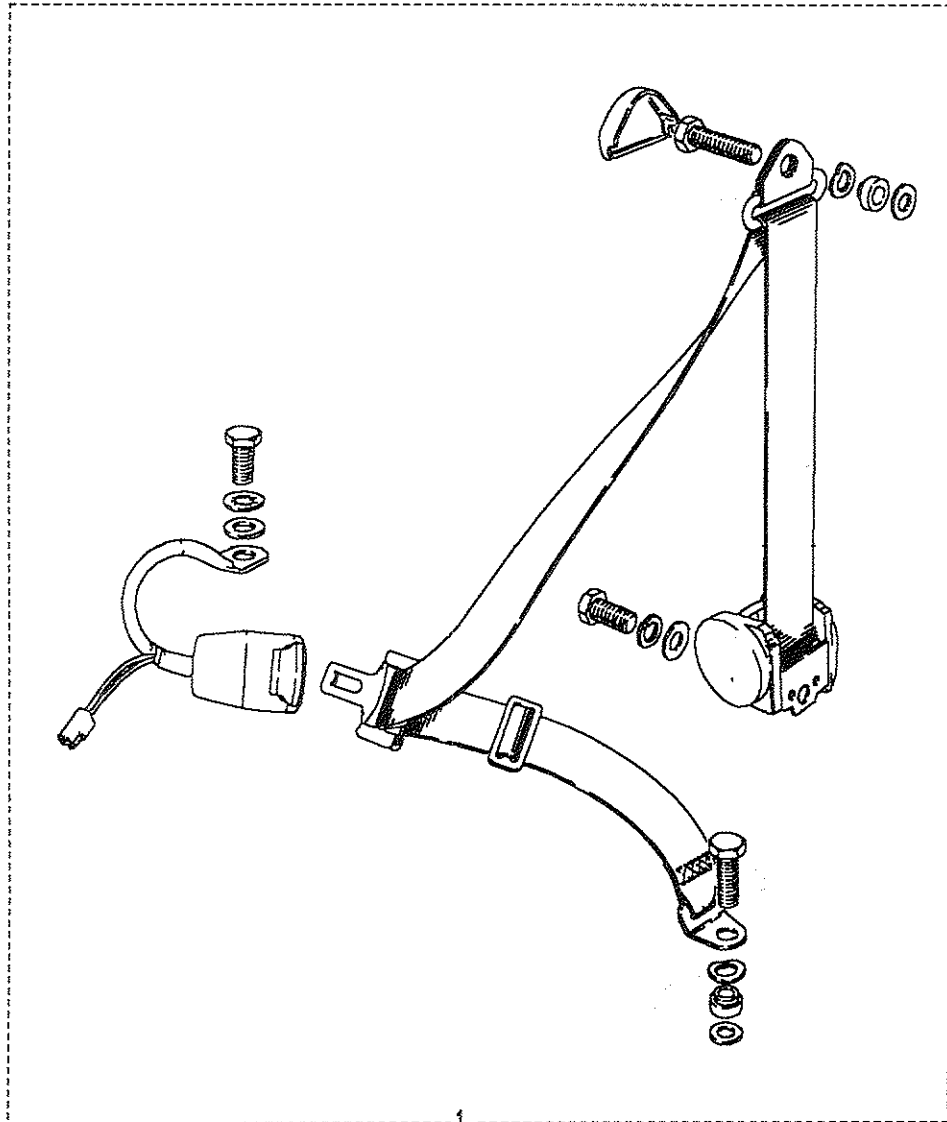
Page ADRXPA2A

**SAFETY HARNESS - FRONT SEATS - RH/LH**

III. Part No.	Description	Qty	Remarks
<b>All Vehicles Except Full Length Hood - Upto Note(1)</b>			
1 MWC3284	Seat belt RH	1	
MWC3285	Seat belt LH	1	
MTC7798	Seat belt LH	1	Audible warning Saudi Arabia
AFU2875	Clip retaining	2	On seatbase
AB610051L	Screw	4	

Note(1) VIN SALLDVAD7AA270227, SALLDVAC7AA270484, and SALLDVAV7AA271214 - Introduction of 1987 Model Year





Model DEFENDER 90

Page ADRXPA3A

SAFETY HARNESS - FRONT SEATS - RH/LH

III. Part No.	Description	Qty	Remarks
<b>From Note(1)</b>			
<b>Full Length Hood Vehicles</b>			
1	RTC6105	1	Seat belt RH
	AWR2002	1	Seat belt RH
	BTR4372	1	Buckle assembly RH
	BTR1884PMA	2	Cap for bolt
	STC1180	1	Kit fixings
1	RTC6106	1	Seat belt LH
	AWR2001	1	Seat belt LH
	BTR4373	1	Buckle assembly LH
	BTR1884PMA	2	Cap for bolt
	STC1180	1	Kit fixings
1	MUC9419	1	Seat belt LH
			Audible warning
<b>Fixings for AWR2001/2</b>			
	WL106001L	1	Washer plain
	SH106251L	1	Setscrew
	NH106041L	2	Nut
	MRC5527	1	Plain washer

Note(1) VIN SALLDVAD7AA270227, SALLDVAC7AA270484, and SALLDVAV7AA271214 - Introduction of 1987 Model Year





DEFENDER 90

998

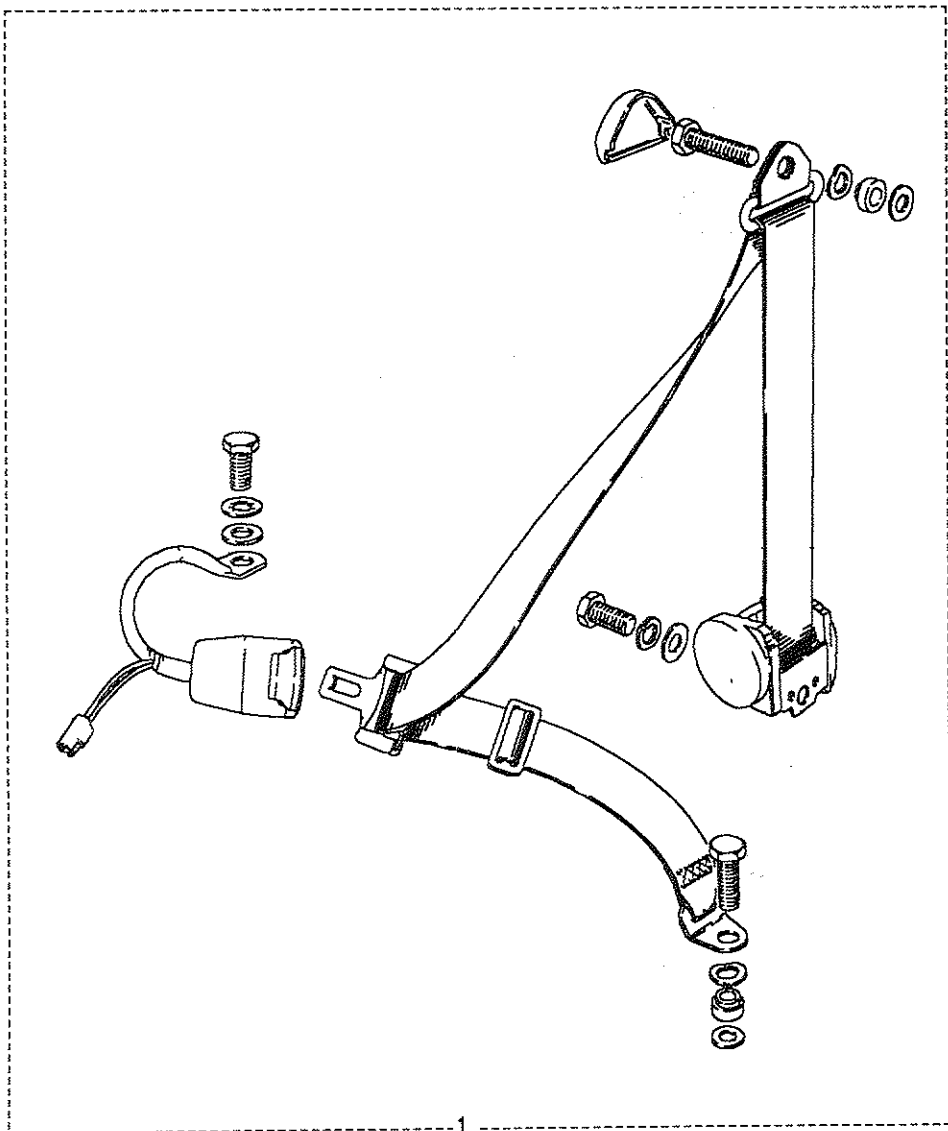
SEATS



Model DEFENDER 90  
Page ADRXPA3A

**SAFETY HARNESS - FRONT SEATS - RH/LH MA939976 On.**

III. Part No.	Description	Qty	Remarks
<b>Full Length Hood Vehicles</b>			
1 BTR8410	Seat belt RH	1	
BTR8411	Seat belt LH	1	
BTR4372	Buckle assembly RH	1	
BTR4373	Buckle assembly LH	1	
BTR1884PMA	Cap for bolt	2	





Model DEFENDER 90  
Page ADRXPA4A

SAFETY HARNESS - FRONT SEATS - RH/LH

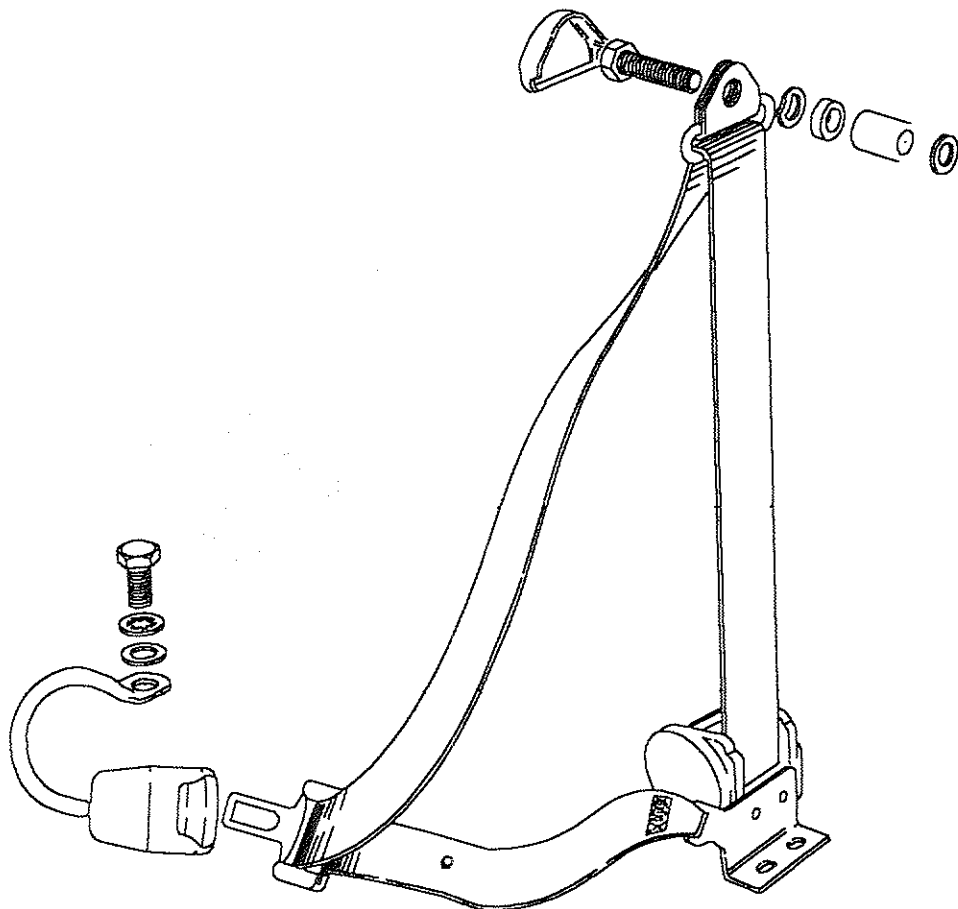
III. Part No. Description Qty Remarks

All Vehicles Except Full Length Hood - Upto VIN EA354677

1	MXC5492	Seat belt RH	1	
1	MXC5493	Seat belt LH	1	
1	MXC5491	Seat belt LH	1	Audible warning
	AFU2875	Clip retaining	2	On seatbase
	AB610051L	Screw	4	

All Vehicles Except Full Length Hood - From VIN EA354678

1	MXC5488	Seat belt RH	1	Upto VIN KA924692
	BTR6562	Seat belt RH	1	)
	BTR4372	Buckle assembly RH	1	)From VIN KA924693
	BTR1884PMA	Cap for bolt	2	)
	STC1180	Kit fixings	1	)
1	MXC5489	Seat belt LH	1	Upto VIN KA924692
	BTR6561	Seat belt LH	1	)
	BTR4373	Buckle assembly LH	1	)From VIN KA924693
	BTR1884PMA	Cap for bolt	2	)
	STC1180	Kit fixings	1	)
1	MWC8615	Seat belt LH	1	Audible warning
				Upto VIN KA924692
	BTR6561	Seat belt LH	1	)
	MXC5509	Buckle assembly LH	1	)From VIN KA924693
	BTR1884PMA	Cap for bolt	2	)
	STC1180	Kit fixings	1	)
	AFU2875	Clip retaining	2	On seatbase
	AB610051L	Screw	4	





DEFENDER 90

1000

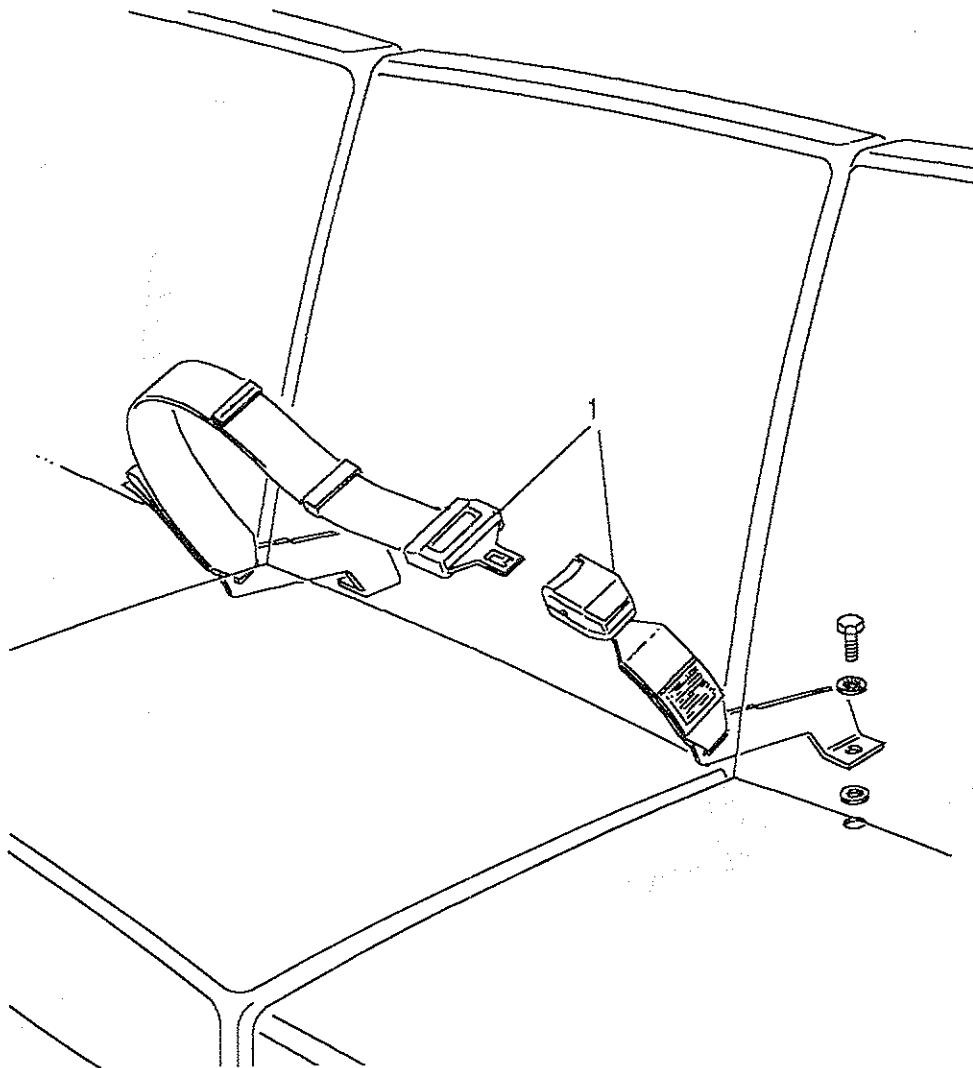
SEATS



Model DEFENDER 90  
Page ADRXPA5A

**SAFETY HARNESS - FRONT SEATS - CENTRE**

III. Part No.	Description	Qty	Remarks
1 MXC2537	Lap strap	1	
BTR4347	Tongue lap belt	1	)MA939976 On
BTR4346	Buckle lap belt	1	)
STC1180	Kit fixings	1	)





DEFENDER 90

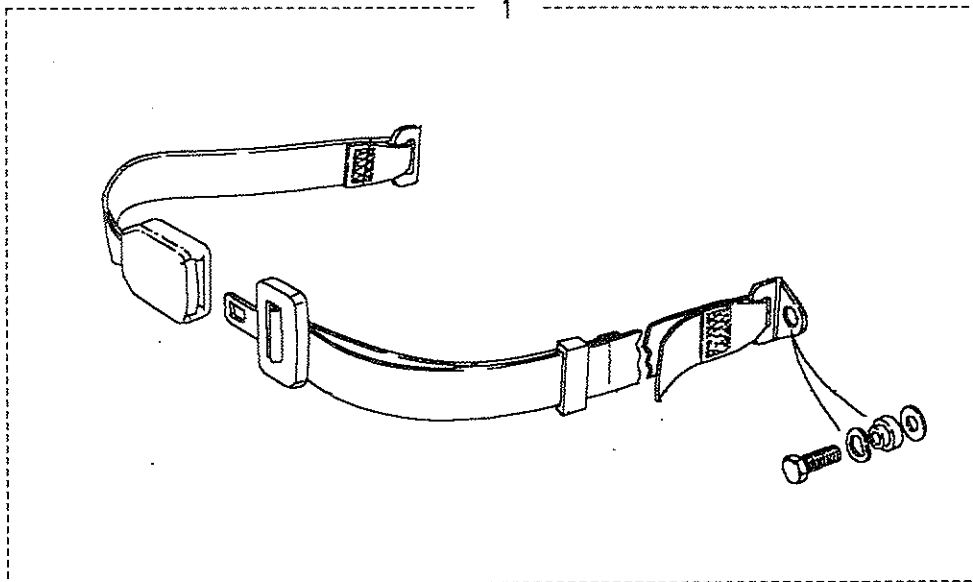
1001

SEATS

Model DEFENDER 90  
Page ADRXPE1A

**SAFETY HARNESS - REAR SEATS**

III. Part No.	Description	Qty	Remarks
1 MXC5495	Lap strap	4	





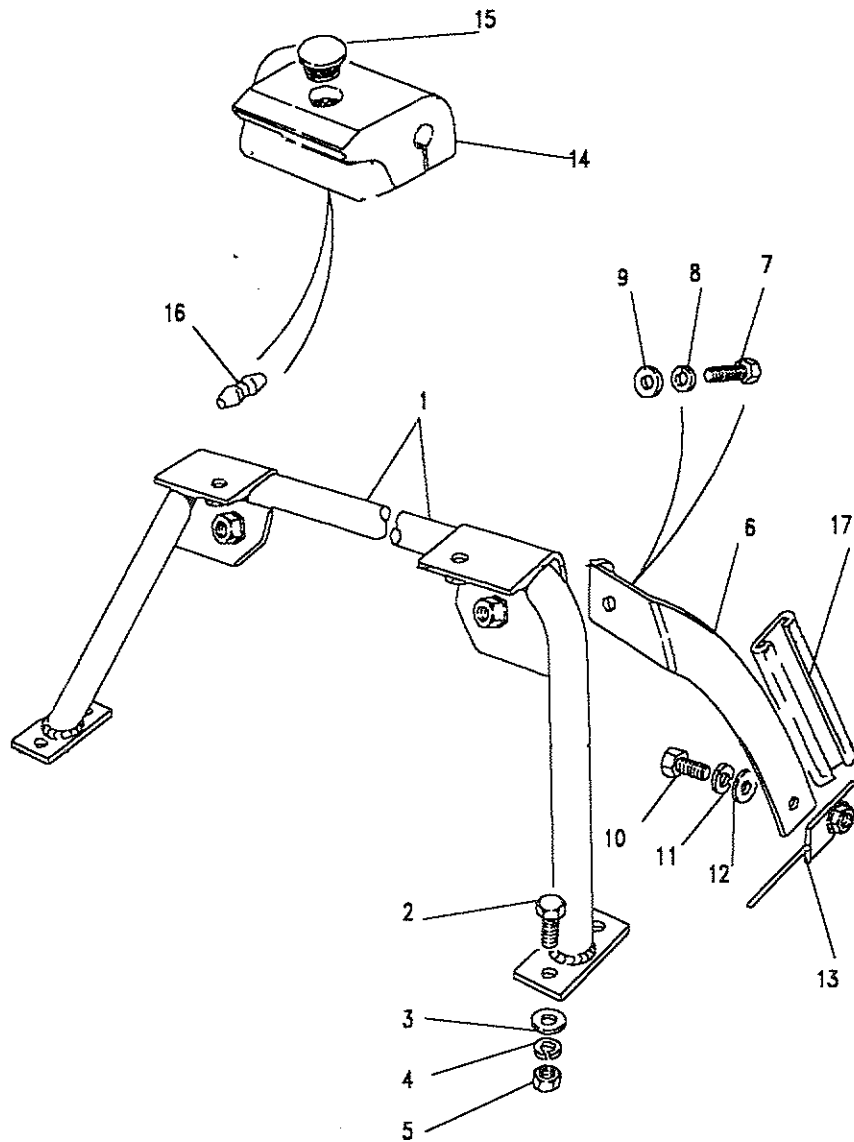
Model DEFENDER 90  
Page ADRXRA1A

SAFETY HARNESS ANCHORAGES - FRONT SEATS

III. Part No. Description Qty Remarks

Anchor Rail - Full Length Soft Top Vehicles

Part No.	Description	Qty	Remarks
1	MRC7354	1	Rail anchorage
2	FS108251L	4	Screw
3	WA108051L	4	Washer plain
4	WL108001L	4	Washer spring
5	FN108041L	4	Nut
6	MRC199	1	Tie bar RH
7	MRC200	1	Tie bar LH
8	SH112251	2	Screw
9	WL112001L	2	Washer spring
10	WA112081L	2	Washer plain
11	SH110201L	2	Screw
12	WL110001L	2	Washer spring
13	WA110061L	2	Washer plain
14	MRC7610	2	Nut plate
15	MRC8329	1	Finishing cap RH
16	MRC8330	1	Finishing cap LH
17	MRC8389	4	Plug
18	MRC8390	14	Fixing lug
19	MRC8392	1	Cover tie bar RH
20	MRC8393	1	Cover tie bar LH





DEFENDER 90

1003

SEATS

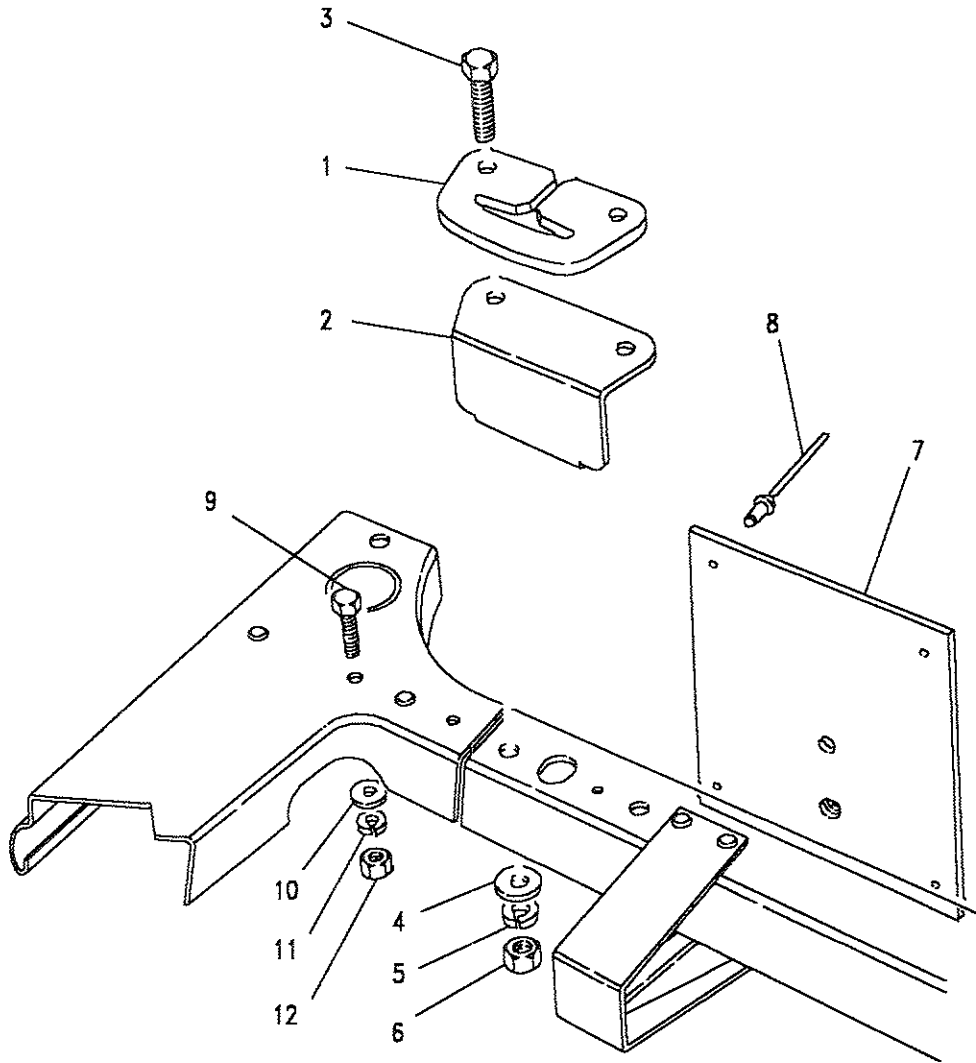
Model DEFENDER 90  
Page ADRXRA2A

SAFETY HARNESS ANCHORAGES - FRONT SEATS

III. Part No. Description Qty Remarks

Harness Guide - Full Length Soft Top Vehicles

Part No.	Description	Qty	Remarks
1	MRC7755 Guide	2	
2	345937 Plate guard	2	
3	BH605101L Bolt	4	
4	WA108051L Washer plain	4	
5	WL600051 Washer spring	4	
6	NH605041L Nut	4	
7	MTC1631 Plate reinforcement	2	
8	RU612373L Rivet	8	
9	SH106201 Screw	8	
10	MRC5524 Washer plain	8	
11	WL106001L Washer spring	8	
12	NH106041L Nut	8	

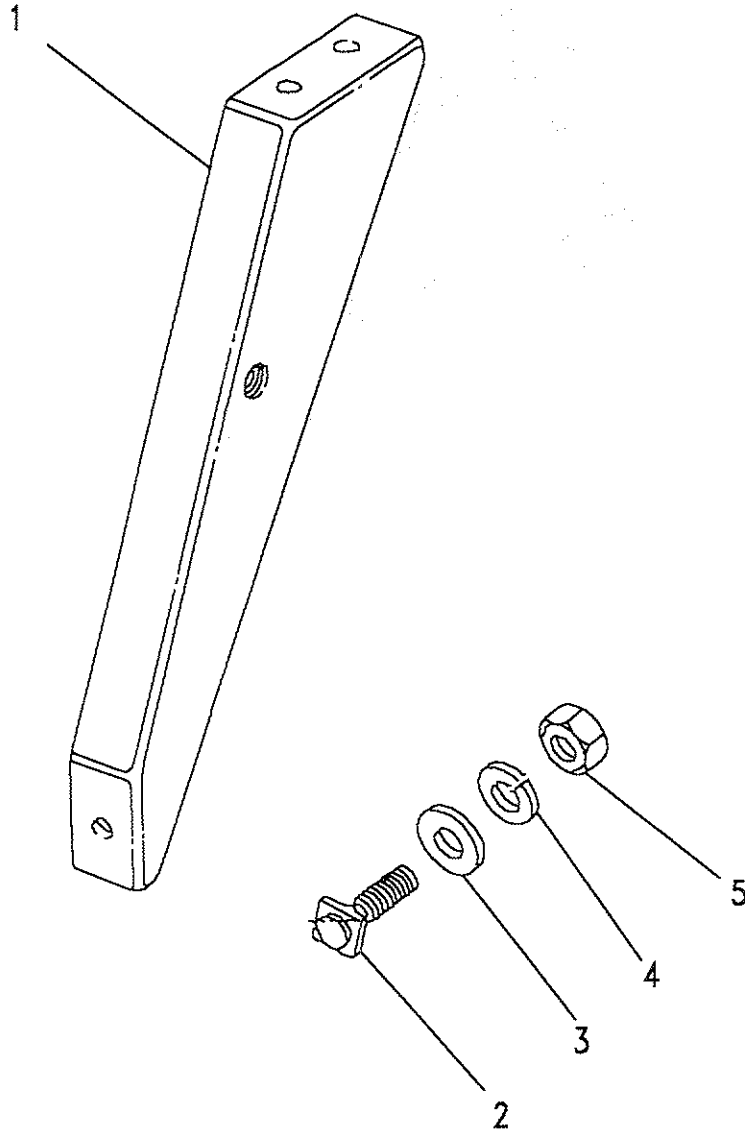






DEFENDER 90

1004 SEATS



Model DEFENDER 90  
Page ADRXRA3A

SAFETY HARNESS ANCHORAGES - FRONT SEATS

III. Part No.	Description	Qty	Remarks
<b>Shoulder Anchorage - Hard Top</b>			
1	395586	1	Bracket mounting RH
	395587	1	Bracket mounting LH
2	MRC7626	2	Bolt plate
3	WB106041L	2	Washer plain
4	WL106001L	2	Washer spring
5	NH106041L	2	Nut

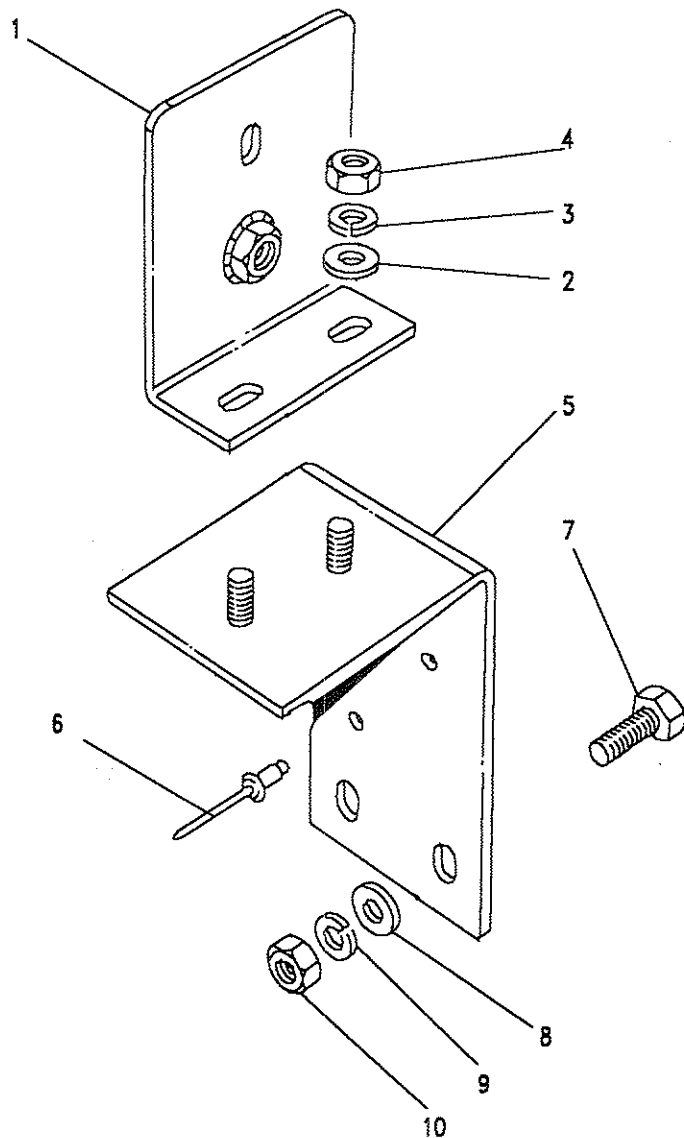




DEFENDER 90

1005

SEATS



Model DEFENDER 90

Page ADRXRA4A

**SAFETY HARNESS ANCHORAGES - FRONT SEATS**

III. Part No.	Description	Qty	Remarks
<b>Inertia Reel Mounting - Chassis Cab and Hard Top</b>			
1	MTC4090	2	Reel
2	WC108051L	4	
3	WL108001L	4	
4	FN108041L	4	
5	MRC8524	2	Bulkhead
6	RA612347L	4	
7	FS108251L	4	
8	WA108051L	4	
9	WL108001L	4	
10	FN108041L	4	





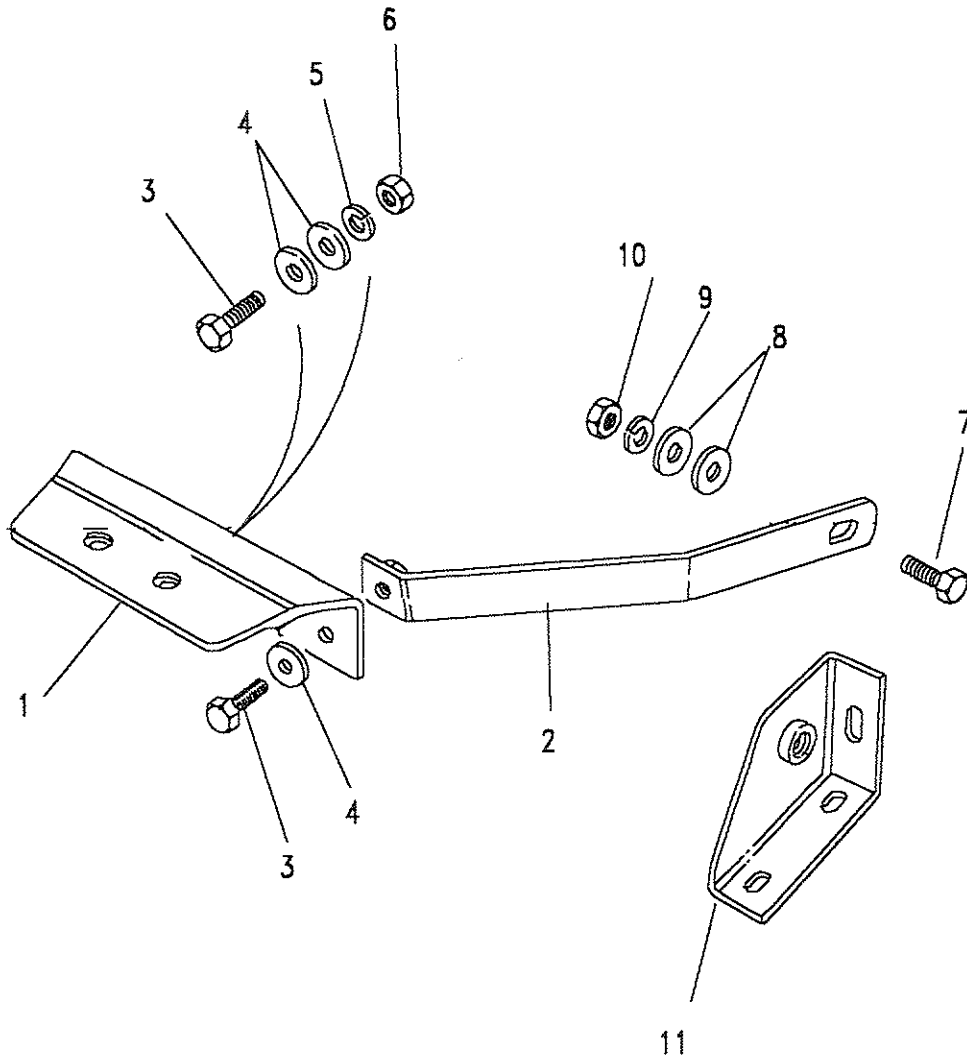
Model DEFENDER 90  
Page ADRXRA5A

SAFETY HARNESS ANCHORAGES - FRONT SEATS

III. Part No. Description Qty Remarks

Seatbase Anchorage - Soft and Hard Top

Part No.	Description	Qty	Remarks
1	395252 Bracket harness	2	
	MRC4885 Tie bar RH	1	
2	MRC4886 Tie bar LH	1	
3	BH108071L Bolt	4	
4	AFU1079 Washer plain	6	
5	WL108001L Washer spring	4	
6	FN108041L Nut	2	
8	AFU1079 Washer plain	4	
9	WL108001L Washer spring	2	
6	FN108041L Nut	2	
10	345100 Gusset sill RH	1	
11	345101 Gusset sill LH	1	

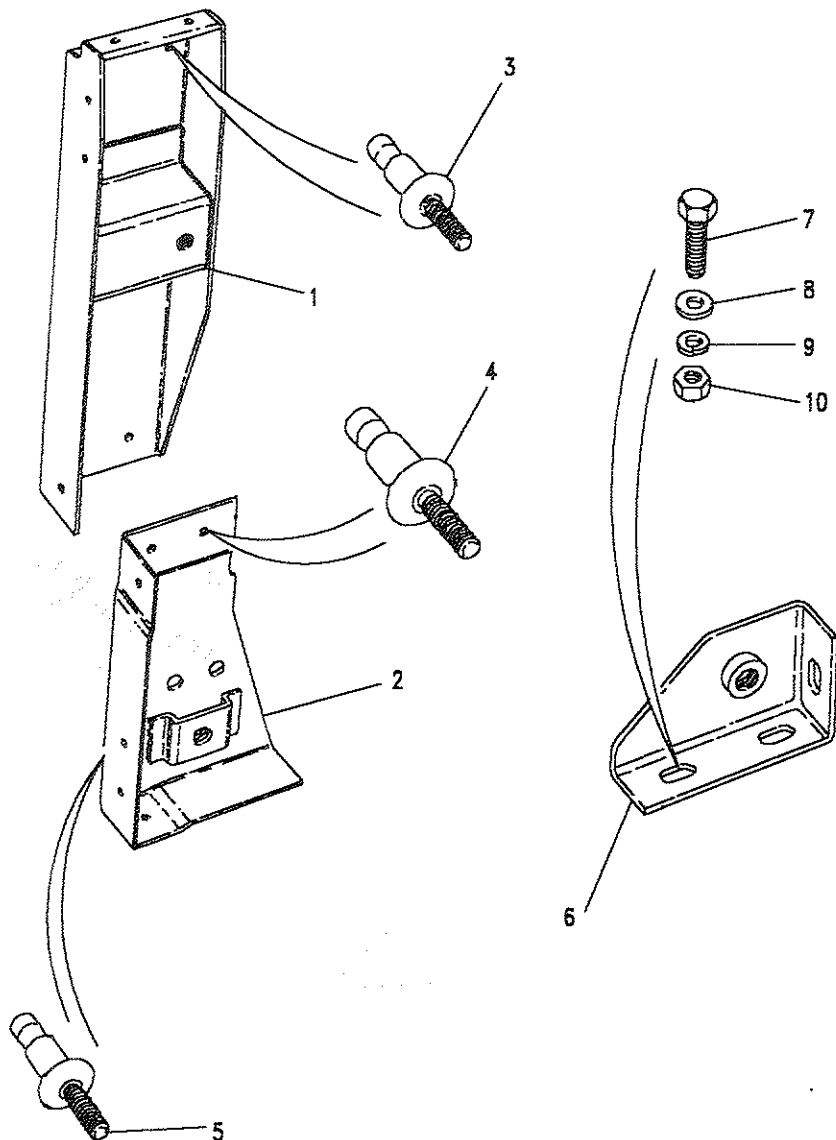




Model DEFENDER 90  
Page ADRXRA6A

SAFETY HARNESS ANCHORAGES - FRONT SEATS

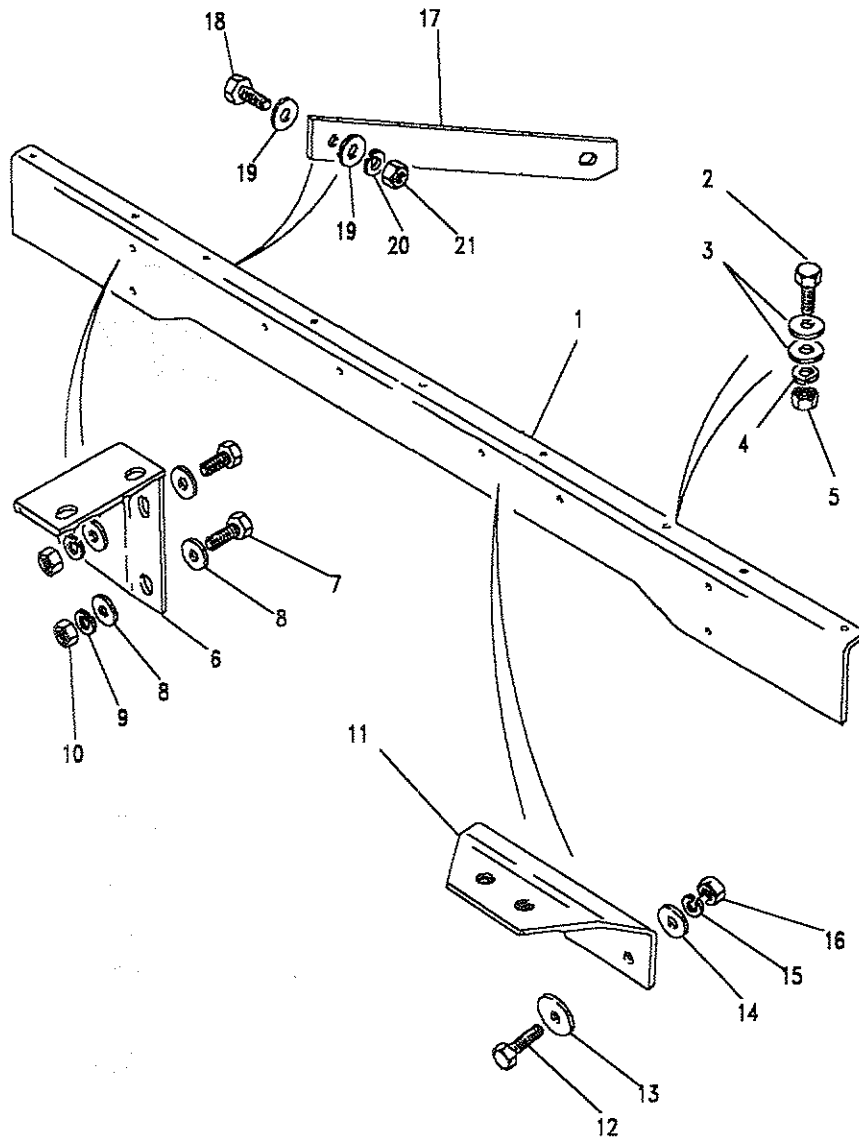
III. Part No.	Description	Qty	Remarks
<b>Shoulder and Seatbase Anchorages - Truck Cab</b>			
1	MRC9361	1	Shoulder anchor upper RH
	MRC9362	1	Shoulder anchor upper LH
2	MRC9367	1	Shoulder anchor lower RH
	MRC9368	1	Shoulder anchor lower LH
3	AFU1298	12	Monobolt
4	AFU1350	6	Monobolt
5	AFU1298	12	Monobolt
6	345100	1	Gusset sill RH
	345101	1	Gusset sill LH
7	SH106251L	2	Screw
8	AFU1069	2	Washer plain
9	WL106001L	2	Washer spring
10	NH106041L	2	Nut





Model DEFENDER 90  
Page ADRXRA7A

**SAFETY HARNESS ANCHORAGES - FRONT SEATS**



III. Part No.	Description	Qty	Remarks
<b>Cab Base Anchorages - Truck Cab</b>			
1	MTC3042 Reinforcing angle	1	
2	FS108251L Screw	9	
3	WC108051L Washer plain	18	
4	WL108001L Washer spring	9	
5	FN108041L Nut	9	
6	MTC3051 Bracket	1	
	MTC3052 Bracket LH	1	
7	FS108251L Screw	2	Upper
	SH108301L Screw	2	Lower
8	WC108051L Washer plain	8	
9	WL108001L Washer spring	4	
10	FN108041L Nut	4	
11	395252 Bracket mounting	2	Harness
12	FS108251L Screw	4	
13	AFU1079 Washer plain	4	
14	WC108051L Washer plain	4	
15	WL108001L Washer spring	4	
16	FN108041L Nut	4	
17	MTC3032 Tie bar	2	
18	FS108251L Screw	4	
19	WC108051L Washer plain	8	
20	WL108001L Washer spring	4	
21	FN108041L Nut	4	





DEFENDER 90

1009

SEATS



Model DEFENDER 90

Page ADRXRE1A

**SAFETY HARNESS ANCHORAGE - REAR SEATS**

III. Part No.	Description	Qty	Remarks
1 MTC6836	Stiffener wheelarch front	2	
2 MUC1330	Stiffener wheelarch centr	1	RH side
MUC1331	Stiffener wheelarch centr	1	LH side
3 MUC1331	Stiffener Wheelarch rear	1	RH side
MUC1330	Stiffener wheelarch rear	1	LH side
4 MTC6840	Angle bracket front	2	
5 MUC1327	Angle bracket centre	2	
MUC1327	Angle bracket rear	2	

**Fixings - Front stiffeners and angle brackets**

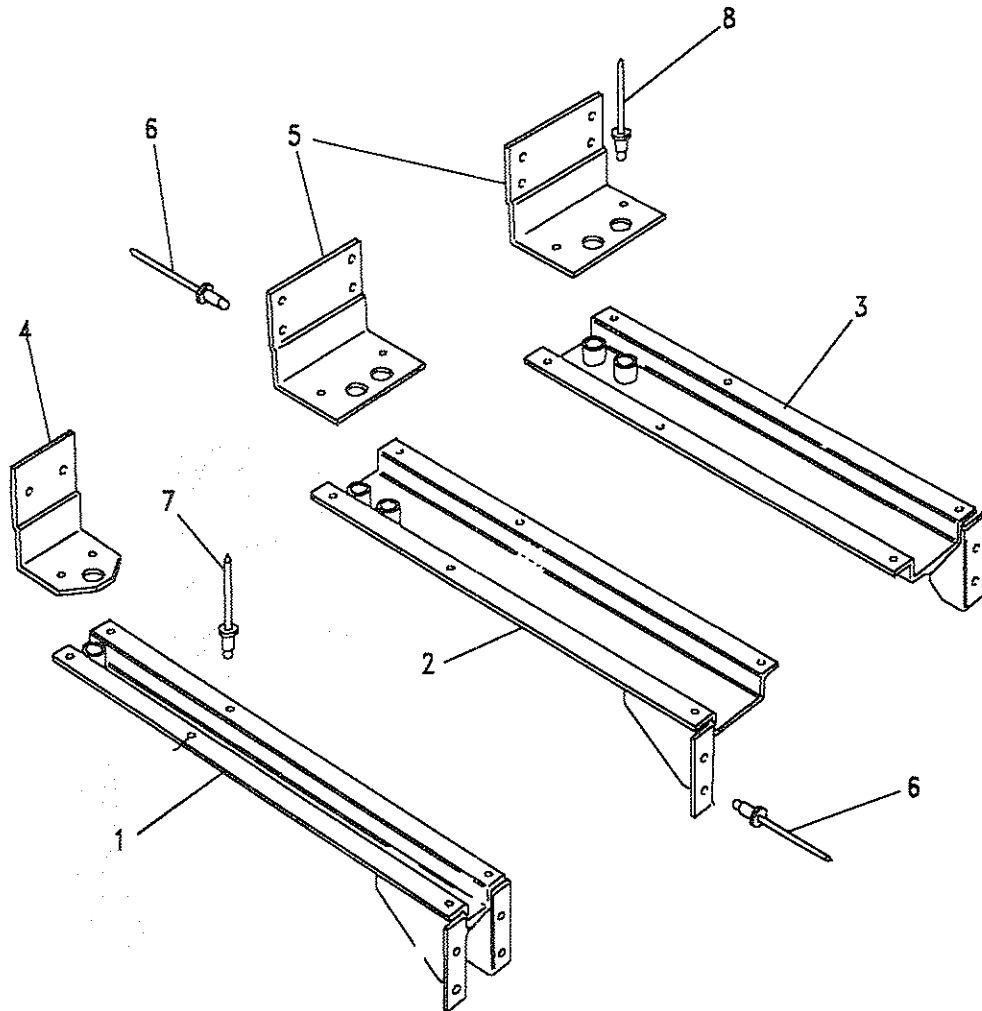
6 AFU1350	Monobolt	12	
7 RA612156L	Rivet	8	
8 RA612236	Rivet	4	

**Fixings - Centre stiffeners and angle brackets**

6 AFU1350	Monobolt	12	
7 RA612156L	Rivet	8	
8 RA612236	Rivet	4	

**Fixings - Rear stiffeners and angle brackets**

6 AFU1350	Monobolt	12	
7 RA612156L	Rivet	8	
8 RA612236	Rivet	4	





DEFENDER 90

1010

STOWAGE



MASTER INDEX

	PAGES
INTRODUCTION PAGES	1 - 5
ALPHABETICAL INDEX	6 - 14
ENGINE	15 - 65
ENGINE	66 - 117
ENGINE	118 - 171
ENGINE	172 - 217
ENGINE	218 - 261
ENGINE	262 - 297
ENGINE	298 - 367
GEARBOX	368 - 394
GEARBOX	395 - 411
GEARBOX	412 - 425
TRANSFER BOX	426 - 456
TRANSFER BOX	457 - 474
AXLES AND SUSPENSION	475 - 531
STEERING	532 - 564
VEHICLE AND ENGINE CONTROLS	565 - 580
BRAKES	581 - 603
FUEL SYSTEM AND AIR CLEANER	604 - 645
EXHAUST SYSTEM	646 - 660
COOLING/HEATING	661 - 709
COOLING/HEATING	710 - 718
BODY ELECTRICAL	719 - 793
BODY AND CHASSIS	794 - 923
INTERIOR TRIM	924 - 965
SEATS	966 - 1009
STOWAGE	1010 - 1017
ACCESSORIES - PAINTS	1018 - 1042
NUMERICAL INDEX	1044 - 1122

GROUP S

STOWAGE

STOWAGE

TOOL STOWAGE

TOOL CURTAIN

TOOLS

SPARE WHEEL STOWAGE - INTERIOR

1011 - 1012

1013 - 1014

1015 - 1016

1017





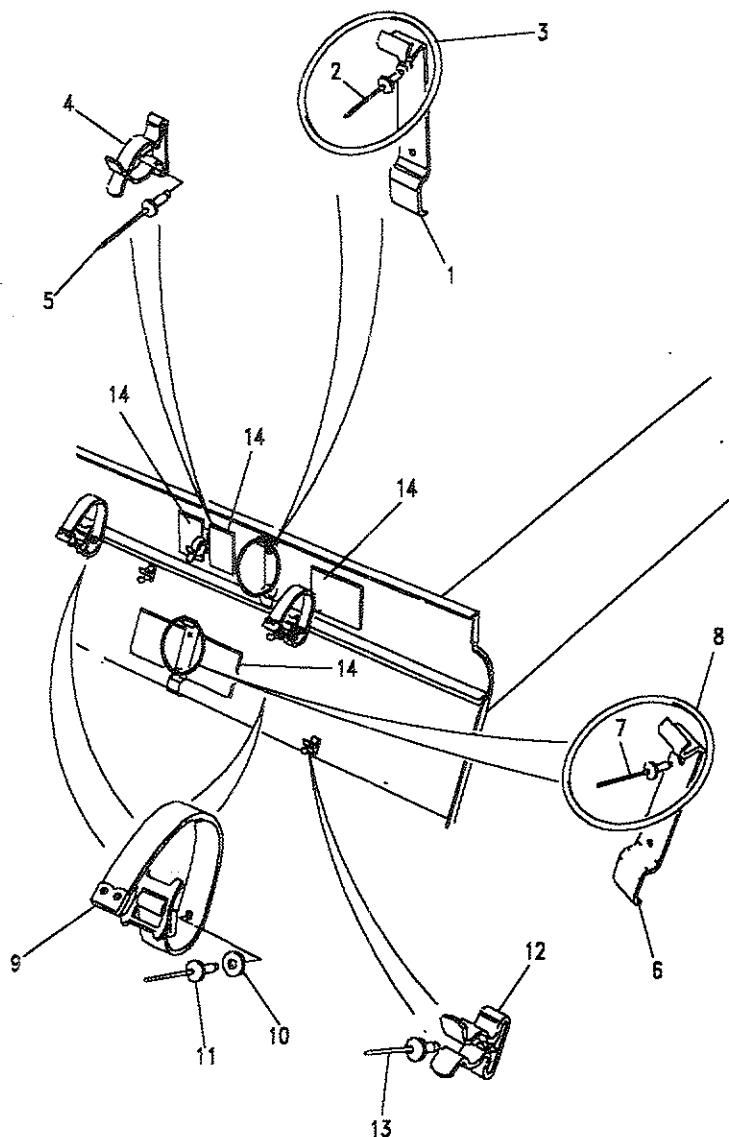
Model DEFENDER 90

Page ADSXAA1A

STOWAGE - TOOL STOWAGE

III. Part No.	Description	Qty	Remarks
<b>Upto Note(1)</b>			
1 MWC9313	Bracket-hand pump	1	
2 RU612123L	Rivet	2	
3 371144	Ring retaining	1	
4 MTC7449	Clip spring-hand pump	1	
5 RU612123L	Rivet	1	
6 MWC9313	Bracket-jack base	1	
7 RU612123L	Rivet	2	
8 371144	Ring retaining	1	
9 MTC1359	Strap-side lift jack	2	
10 AFU1256	Washer	2	
11 RU612373L	Rivet	2	
12 90508035	Clip spring-strng handle	3	
13 RU612123L	Rivet	3	
14 MTC7457	Pad anti rattle	A/R	No longer available

Note(1) VIN SALLDVAD7AA270227, SALLDVAC7AA270484, and  
 SALLDVAV7AA271214 - Introduction of 1987 Model Year



10/87  
 10/87





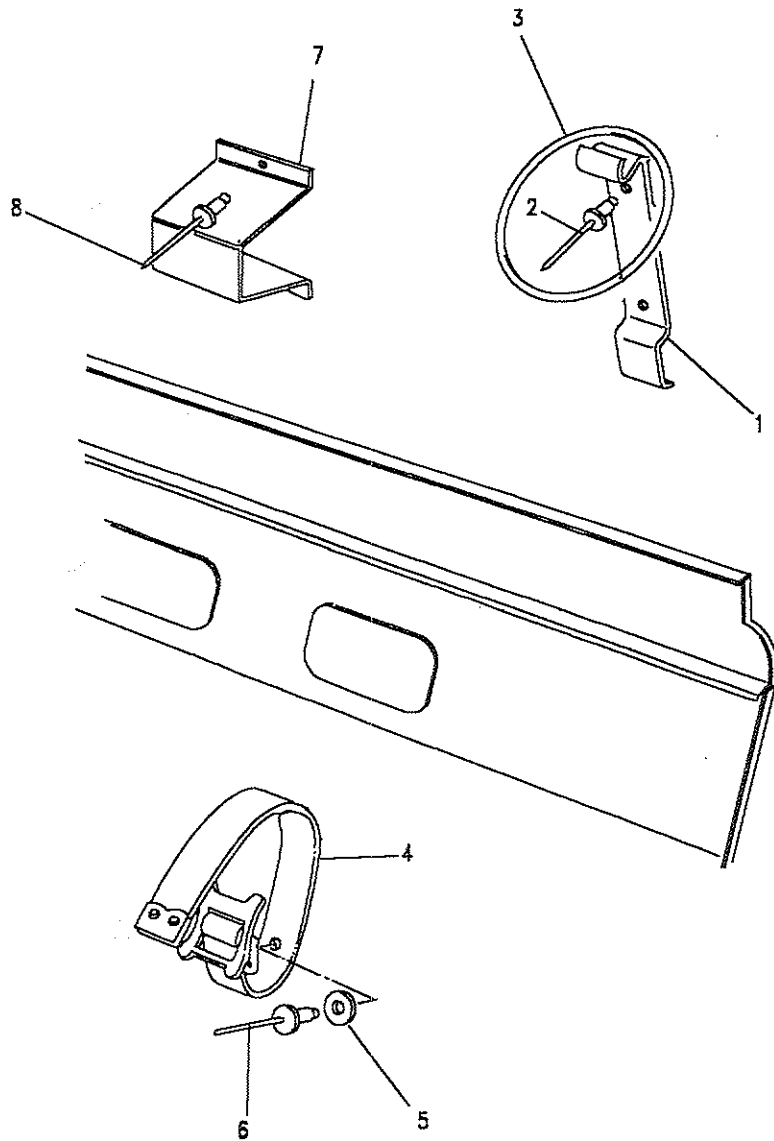


Model DEFENDER 90  
Page ADSXAA2A

STOWAGE - TOOL STOWAGE

III. Part No.	Description	Qty	Remarks
<b>From Note(1)</b>			
1	MWC9313	1	Bracket-tool roll
2	78248	2	Rivet
3	371144	1	Ring retaining
	MWC9313	1	Bracket-jack base
	78248	2	Rivet
	371144	1	Ring retaining
4	MTC1359	1	Strap-jack retaining
5	AFU1256	1	Washer
6	78248	1	Rivet
7	MWC2145	1	Bracket-jack retaining LH
	MWC2146	1	Bracket-jack retaining RH
8	78248	2	Rivet

Note(1) VIN SALLDVAD7AA270227, SALLDVAC7AA270484, and  
SALLDVAV7AA271214 - Introduction of 1987 Model Year





DEFENDER 90

1013

STOWAGE



Model DEFENDER 90

Page ADSXAA3A

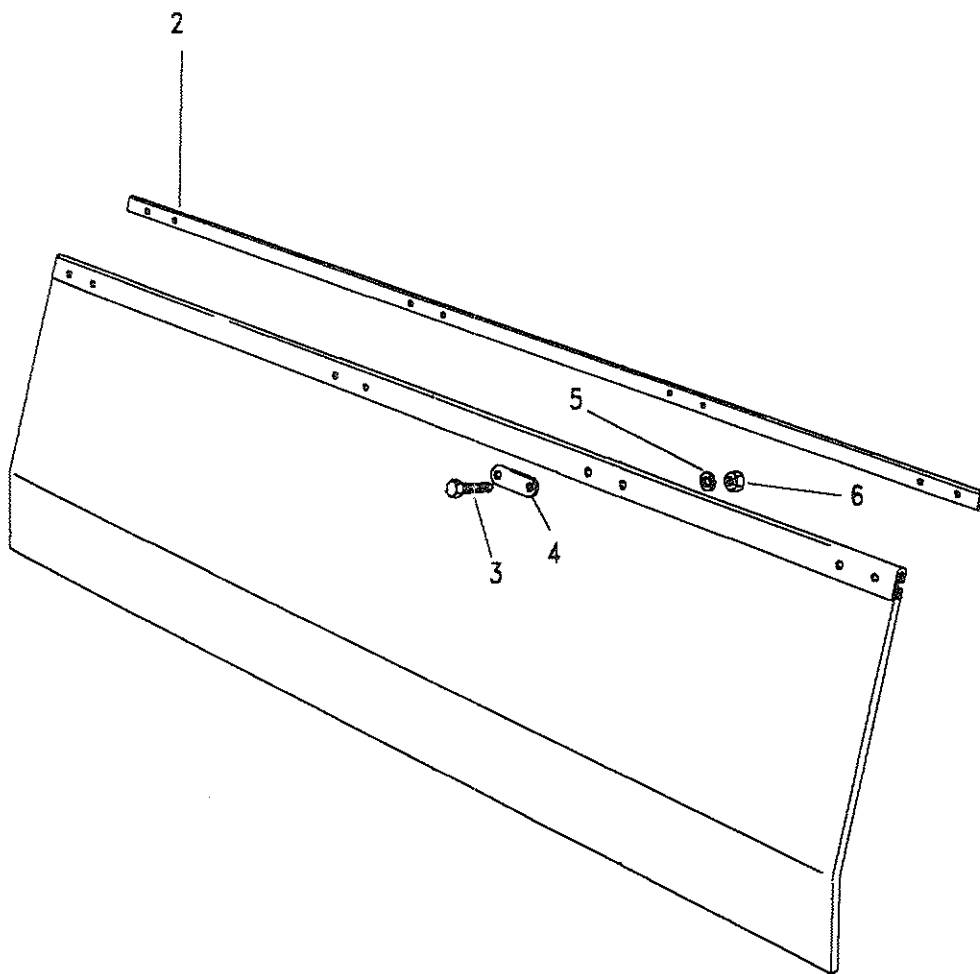
STOWAGE - TOOL CURTAIN

III. Part No.	Description	Qty	Remarks
---------------	-------------	-----	---------

Upto 1991 Model Year

Germany

1	MTC3165	Tool curtain	1
2	MTC3166	Plate retaining	1
3	SH106251L	Screw	8
4	MTC4601	Washer plate	4
5	WL106001L	Washer spring	8
6	NH106041L	Nut	8





DEFENDER 90

1014

STOWAGE

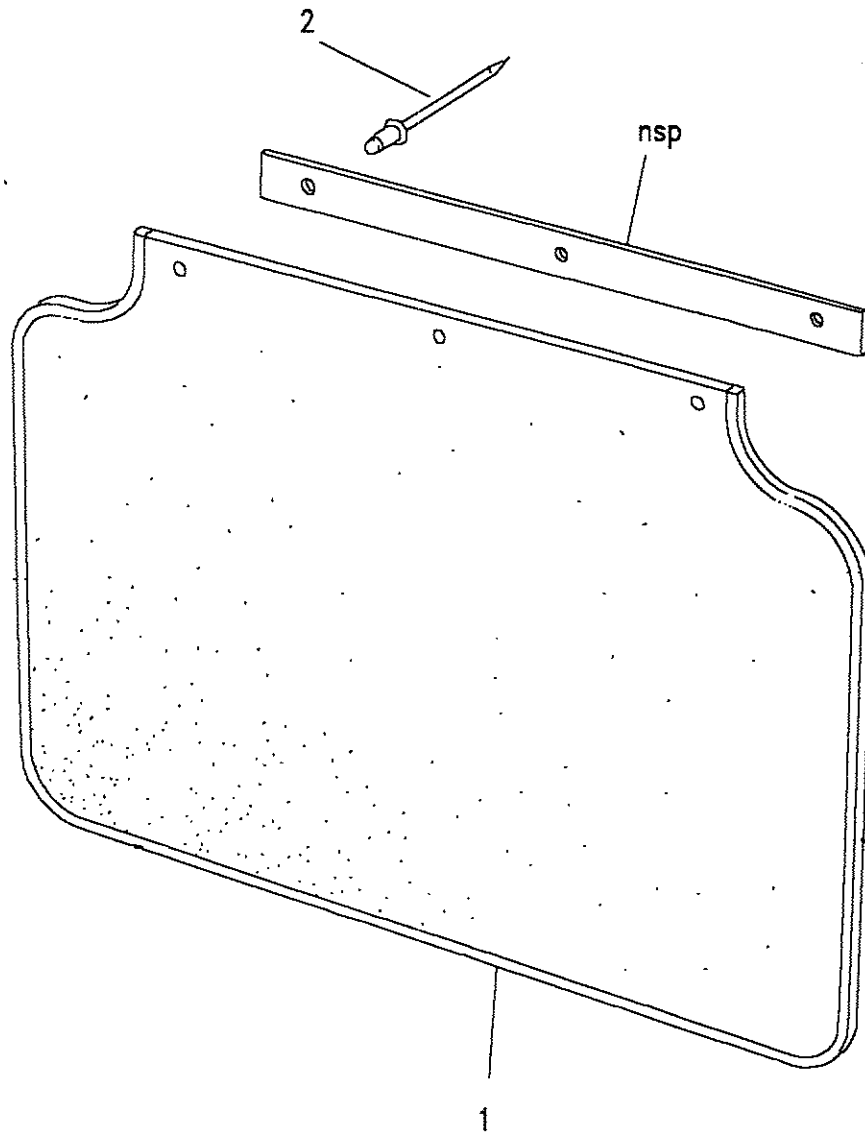


Model DEFENDER 90

Page ADSXAA4A

STOWAGE - TOOL CURTAIN

III. Part No.	Description	Qty	Remarks
From 1991 Model Year			
1 MXC6321PMA	Tool Curtain	1	
2 78248	Rivet	3	





DEFENDER 90

1015

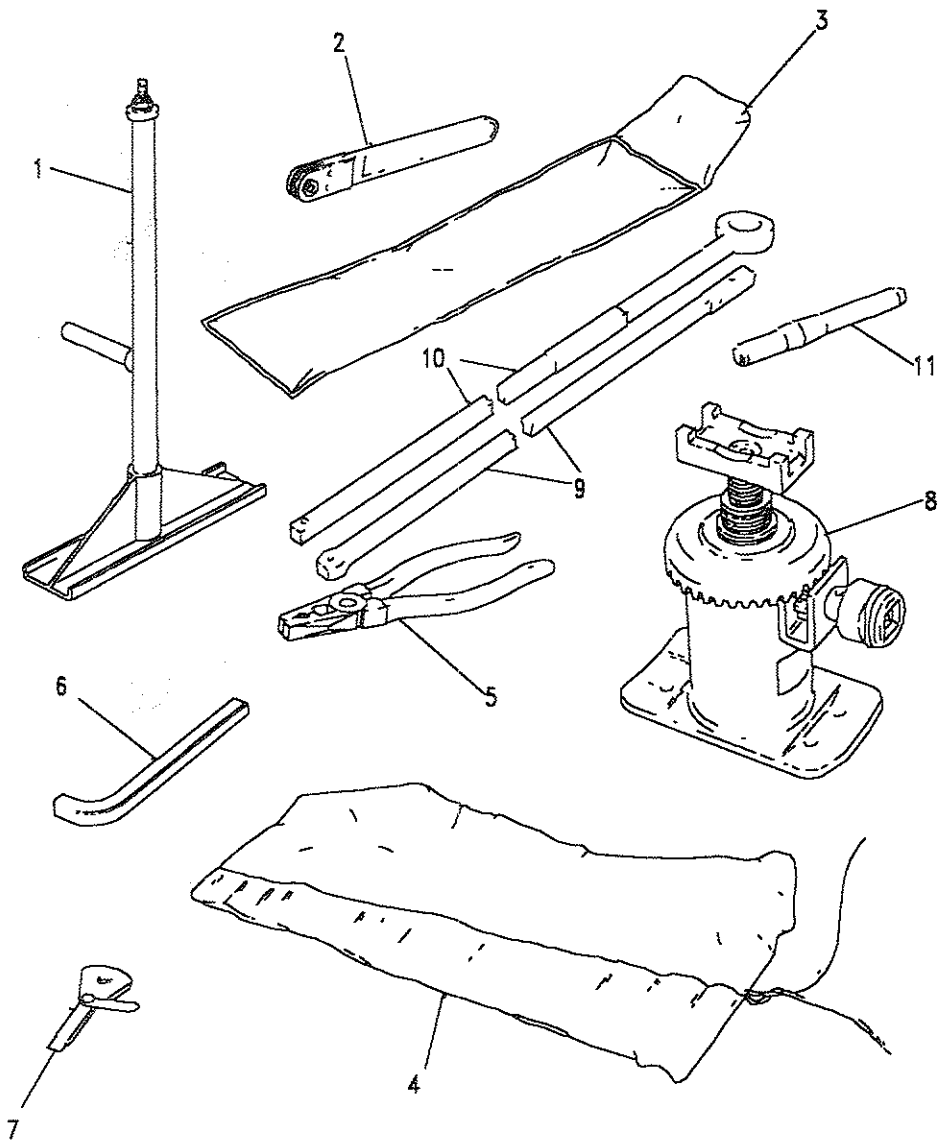
STOWAGE



Model DEFENDER 90  
Page ADSXAC1A

MISCELLANEOUS - TOOLS

III. Part No.	Description	Qty	Remarks
1	NTC7955	1	Jack side lift
2	NRC6481	1	Spanner ratchet
3	NRC7455	1	Bag stowage
4	219704	1	Roll tool storage
5	AFU1024L	1	Pliers
6	NRC1081	1	Wrench drain plug
7	240836	1	Screwdriver and feeler
8	NTC7956	1	Jack triple lift
9	592513	1	Shaft jack
10	592514	1	Shaft jack
11	543301	1	Jack handle

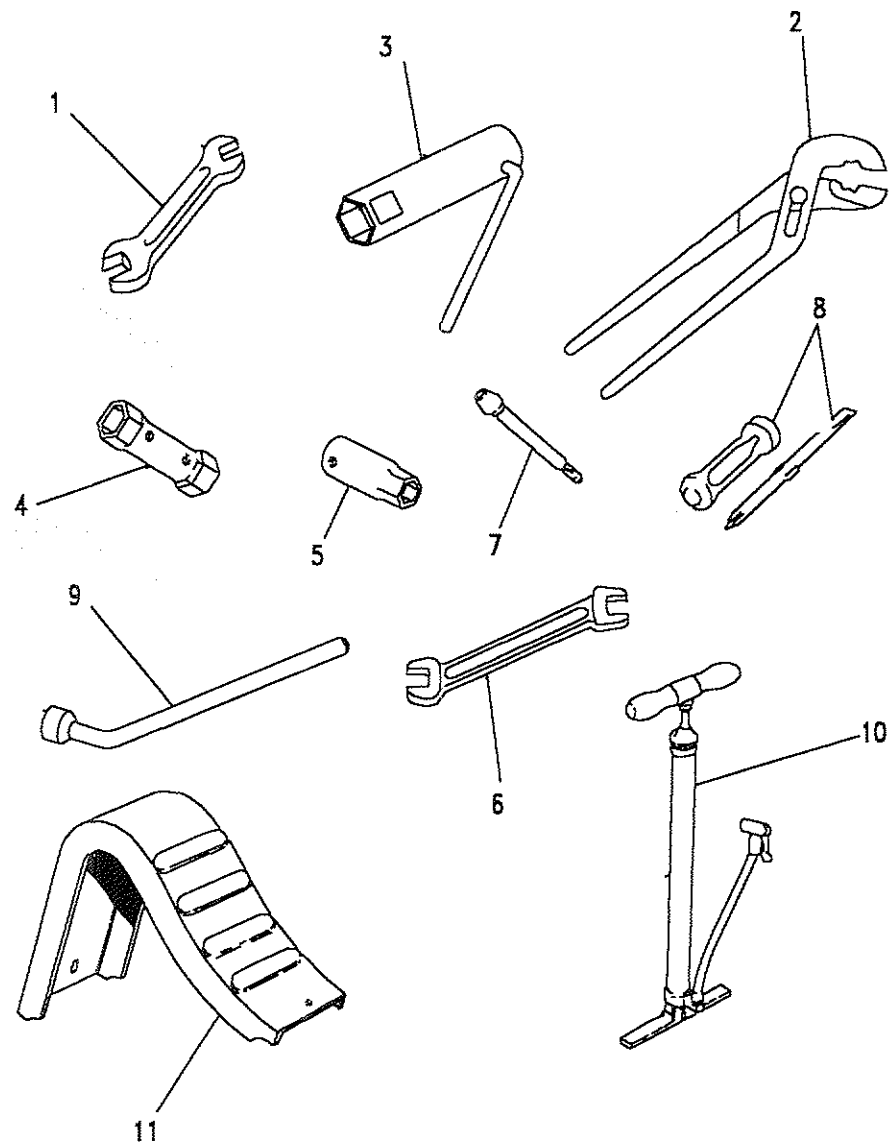




Model DEFENDER 90

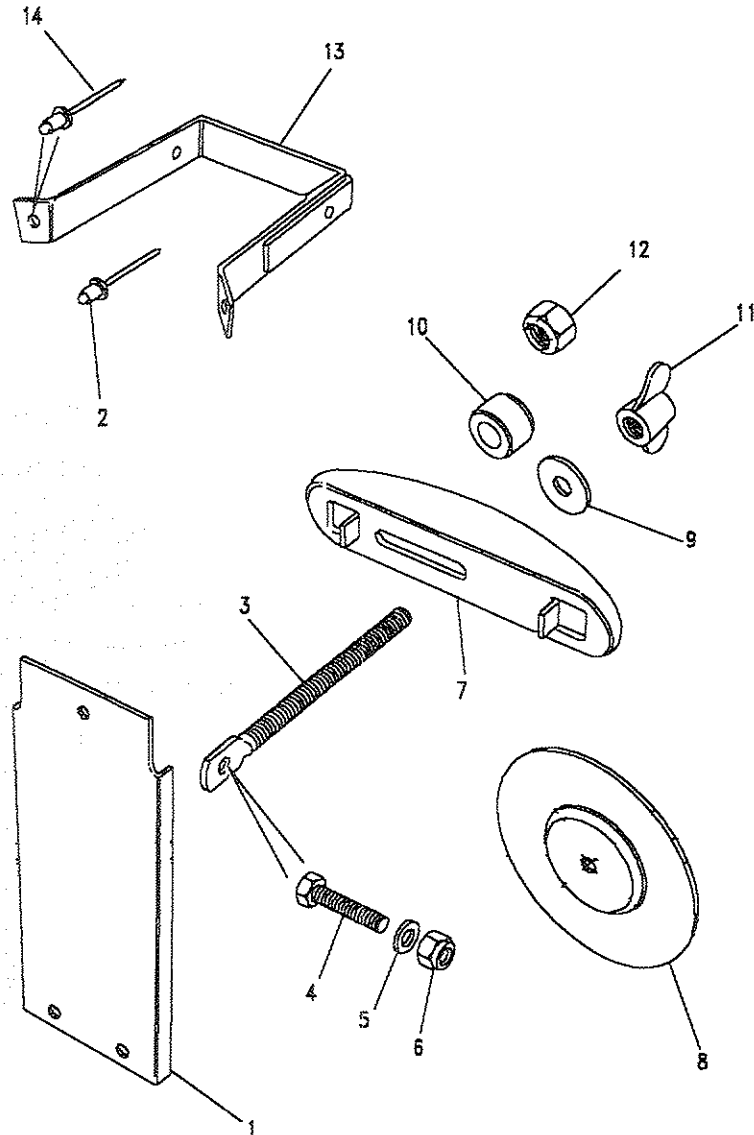
Page ADSXAC2A

MISCELLANEOUS - TOOLS



III. Part No.	Description	Qty	Remarks
1 2705	Spanner	1	3/16" x 1/4"
230736	Spanner	1	5/16" x 7/16"
276396	Spanner	1	1/2" x 7/16"
276397	Spanner	1	9/16" x 5/8"
277217	Spanner	1	11/16" x 3/4"
AFU1004	Spanner	1	6mm x 8mm
AFU1005	Spanner	1	10mm x 12mm
2 MUC4291	Pliers	1	
3 MUC4275	Box Spanner	1	
4 276322	Spanner plug	1	
5 276323	Spanner extension	1	
6 549840	Spanner	1	DPA 5/16" x 3/8"
7 562019	Gauge tyre pressure	1	
8 NRC6993	Screwdriver	1	
9 NTC7829	Wheelbrace	1	
10 523638	Pump tyre	1	
11 NTC7937	Chock roadwheel	1	Up to MA941926
ANR3052	Chock roadwheel	1	From MA941927





Model DEFENDER 90  
 Page ADSXCA1A

STOWAGE - SPARE WHEEL STOWAGE - INTERIOR

III. Part No.	Description	Qty	Remarks
1 MUC6332	Mounting spare wheel	1	
2 RA612237	Rivet	3	
3 347866	Tie bar-3/8"UNF	1	Upto VIN FA450153
MXC5479	Tie bar-M16	1	From VIN FA450154
4 FB106081L	Bolt	1	
5 WC106041L	Washer plain	2	
6 NY106041L	Nut	1	
7 303847	Clamp	1	Note(1)
MXC5477	Clamp	1	Upto VIN FA450153
8 390411	Clamp disc	1	Note(1)
MXC5478	Clamp Disc	1	Note(2)
9 AFU1265	Washer plain	1	From VIN FA450154
WA116101L	Washer plain	1	Note(2)
10 MXC5480	Spacer	1	Upto VIN FA450153
11 250053	Nut wing-3/8"UNF	1	From VIN FA450154
12 90577473	Wheel nut-M16	1	Upto VIN FA450153
13 MUC1649	Bracket rubbing	1	From VIN FA450154
MUC1649	Bracket rubbing	2	Note(1)
14 RA612237	Rivet	2	Note(2)
RA612237	Rivet	4	Note(1)

Note(1) Vehicles with Defender wheels  
 Note(2) Vehicles with Range Rover wheels





MASTER INDEX

	PAGES
INTRODUCTION PAGES	1 - 5
ALPHABETICAL INDEX	6 - 14
ENGINE	15 - 65
ENGINE	66 - 117
ENGINE	118 - 171
ENGINE	172 - 217
ENGINE	218 - 261
ENGINE	262 - 297
ENGINE	298 - 367
GEARBOX	368 - 394
GEARBOX	395 - 411
GEARBOX	412 - 425
TRANSFER BOX	426 - 456
TRANSFER BOX	457 - 474
AXLES AND SUSPENSION	475 - 531
STEERING	532 - 564
VEHICLE AND ENGINE CONTROLS	565 - 580
BRAKES	581 - 603
FUEL SYSTEM AND AIR CLEANER	604 - 645
EXHAUST SYSTEM	646 - 660
COOLING/HEATING	661 - 709
COOLING/HEATING	710 - 718
BODY ELECTRICAL	719 - 793
BODY AND CHASSIS	794 - 923
INTERIOR TRIM	924 - 965
SEATS	966 - 1009
STOWAGE	1010 - 1017
ACCESSORIES - PAINTS	1018 - 1042
NUMERICAL INDEX	1044 - 1122

GROUP T

ACCESSORIES - PAINTS

ACCESSORIES - PAINTS

PAINT	1019 - 1020
TOWING BALL AND BRACKET	1021 - 1022
TOWING JAW	1023
TOWING HOOK	1024
TOWING PINTLE	1025
TRAILER SOCKET	1026 - 1027
CENTRE POWER TAKE OFF	1028 - 1029
LAMP GUARDS	1030
LUBRICANTS	1031
CAR CARE	1032
FIRE EXTINGUISHER	1033
SEAT COVERS	1034
SPARE WHEEL COVER	1035 - 1038
	1039
TONNEAU COVER - 90SV	1040
MUDFLAPS	1041 - 1042





DEFENDER 90

1019

ACCESSORIES - PAINTS

Model DEFENDER 90  
Page ADTXAA1A

MISCELLANEOUS - PAINT



**FLAMMABLE HARMFUL**  
**SPRAY PAINT WARNING**  
 Harmful by inhalation  
 Harmful in contact with skin  
 Keep out of reach of children  
 Keep away from fire and sources of ignition. When using, do not smoke.  
 Do not breathe spray or vapour.  
 In case of contact with skin or eyes, wash immediately with plenty of water and seek medical advice.  
 Do not spray on to metal (fume or may undercoat material)  
 Pressurised container  
 Protect from sunlight and do not expose to temperatures exceeding 50°C  
 Do not pierce or burn even after use

III. Part No.	Description	Qty	Remarks
<b>Touch Up Pencil</b>			
1	RTC4058T	1	Paint Ivory
	RTC4032T	1	Paint Masai Red
	RTC4035T	1	Paint Venetian Red
	RTC4042T	1	Paint Bronze Green
	RTC4043T	1	Paint Marine Blue
	RTC4044T	1	Paint Limestone
	RTC4047T	1	Paint Trident Green
	RTC4048T	1	Paint Roan Brown
	RTC4049T	1	Paint Stratos Blue
	RTC4051T	1	Paint Arizona Tan
	RTC4054T	1	Paint Slate Grey
	RTC4055T	1	Paint White Primer
	RTC4056T	1	Paint Grey Primer
	RTC4057T	1	Paint Red Oxide Primer
	RTC5727T	1	Paint Shire Blue
	RTC5728T	1	Paint Arrow Red
	RTC5980T	1	Paint Arran Beige
	RTC5981T	1	Paint Eastnor Green
	RTC6401T	1	Paint Pacific Blue
	RTC6870T	1	Paint White
	RTC6869T	1	Paint Grey
	RTC5983T	1	Paint County Red
	RTC6634T	1	Paint County Green
	RTC5979T	1	Paint County Black
	STC1349T	1	Paint Montpellier Red
	STC1348T	1	Paint Coniston Green



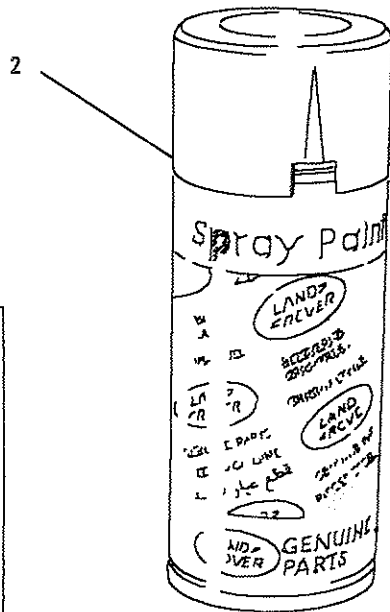
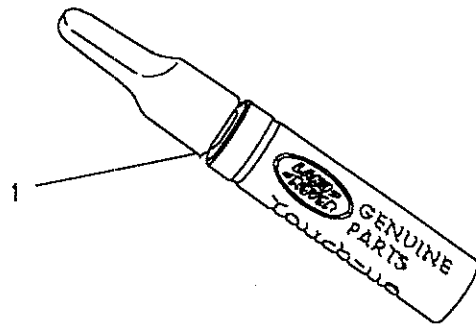




Model DEFENDER 90  
Page ADTXAA1A

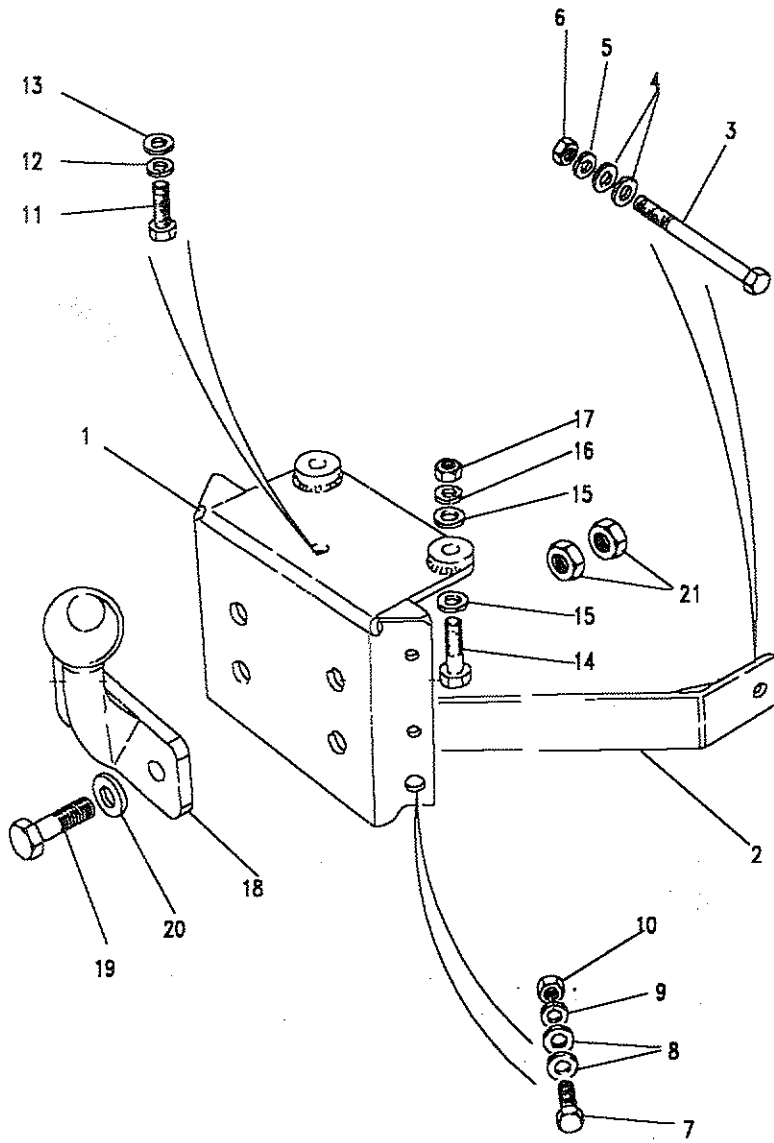
MISCELLANEOUS - PAINT

III. Part No.	Description	Qty	Remarks
<b>Aerosol</b>			
2	RTC4058A	1	Paint Ivory
	RTC4032A	1	Paint Masai Red
	RTC4035A	1	Paint Venetian Red
	RTC4042A	1	Paint Bronze Green
	RTC4043A	1	Paint Marine Blue
	RTC4044A	1	Paint Limestone
	RTC4047A	1	Paint Trident Green
	RTC4048A	1	Paint Roan Brown
	RTC4049A	1	Paint Stratos Blue
	RTC4051A	1	Paint Arizona Tan
	RTC4054A	1	Paint Slate Grey
	RTC4055A	1	Paint White Primer
	RTC4056A	1	Paint Grey Primer
	RTC4057A	1	Paint Red Oxide Primer
	RTC5727A	1	Paint Shire Blue
	RTC5728A	1	Paint Arrow Red
	RTC5980A	1	Paint Arran Beige
	RTC5981A	1	Paint Eastnor Green
	RTC6401A	1	Paint Pacific Blue
	RTC6870A	1	Paint White
	RTC6869A	1	Paint Grey
	RTC5983A	1	Paint County Red
	RTC6634A	1	Paint County Green
	RTC5979A	1	Paint County Black
	STC1349A	1	Paint Montpellier Red
	STC1348A	1	Paint Coniston Green



**FLAMMABLE HARMFUL**  
**SPRAY PAINT - WARNING**  
 Harmful by inhalation  
 Harmful on contact with skin  
 Keep out of reach of children  
 Keep away from fire and sources of ignition. When using, do not smoke.  
 Do not breathe spray or vapour.  
 In case of contact with skin or eyes, rinse immediately with plenty of water and seek medical advice.  
 Do not spray on a sealed flame or any inflammable material.  
 Pressurised container  
 Protect from sunlight and do not expose to temperatures exceeding 50°C.  
 Do not pierce or burn even after use.





Model DEFENDER 90  
Page ADTXCA1A

OPTIONAL EQUIPMENT - TOWING BALL AND BRACKET

III. Part No.	Description	Qty	Remarks
1	NRC8208	1	Bracket towing jaw
2	NRC8210	1	Tie bar RH
	NRC8211	1	Tie bar LH
<b>Fixings - Tie bars to chassis</b>			
3	BH110201L	2	Bolt
4	WA110061L	4	Washer plain
5	WL110001	2	Washer spring
6	NY110041L	2	Nut
<b>Fixings - Tie bars to bracket</b>			
7	SH110301	2	Screw
8	WA110061L	4	Washer plain
9	WL110001	2	Washer spring
10	NY110041L	2	Nut
<b>Fixings - Bracket to rear crossmember</b>			
11	SH110251L	1	Screw
12	WL110001	1	Washer spring
13	WA110061L	1	Washer plain
14	BH110081L	2	Bolt
15	WA110061L	4	Washer plain
16	WL110001	2	Washer spring
17	NY110041L	2	Nut
18	RTC8891	1	Ball towing
			Option

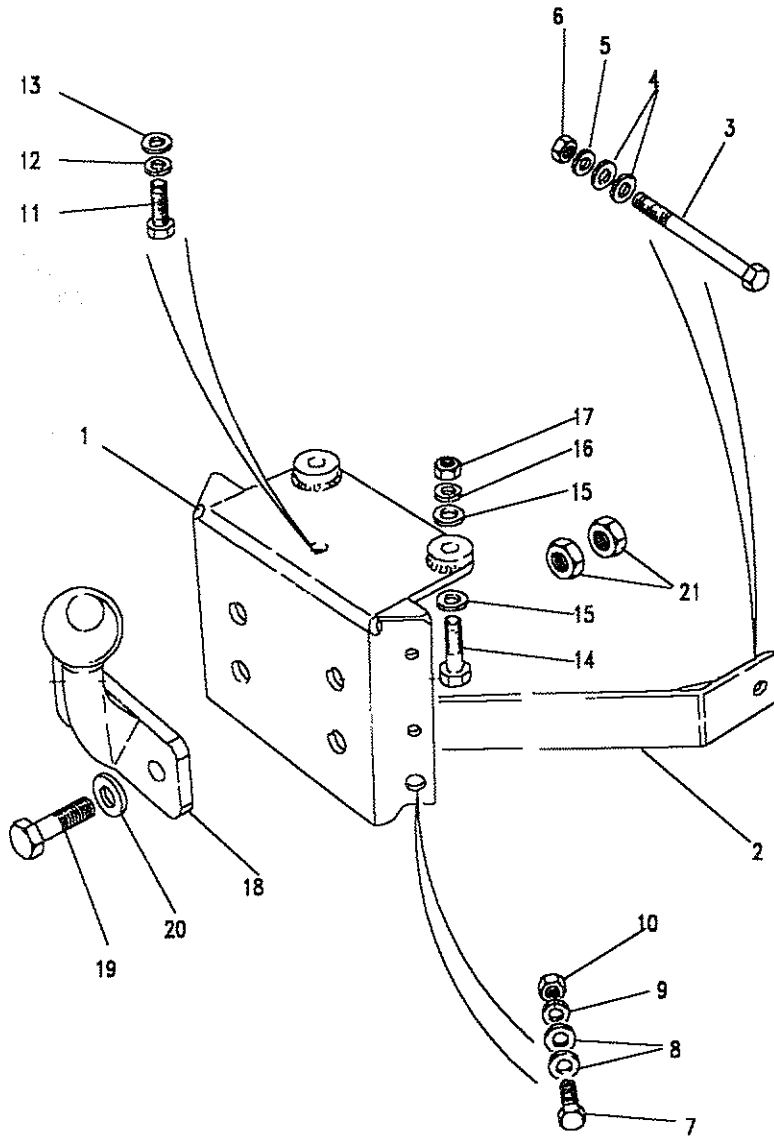




Model DEFENDER 90  
Page ADTXCA1A

OPTIONAL EQUIPMENT - TOWING BALL AND BRACKET

III. Part No.	Description	Qty	Remarks
<b>Fixings - Towing ball to bracket</b>			
19	BH116121L Bolt	2	
20	RTC625 Washer	2	
21	NY116041L Nut	4	



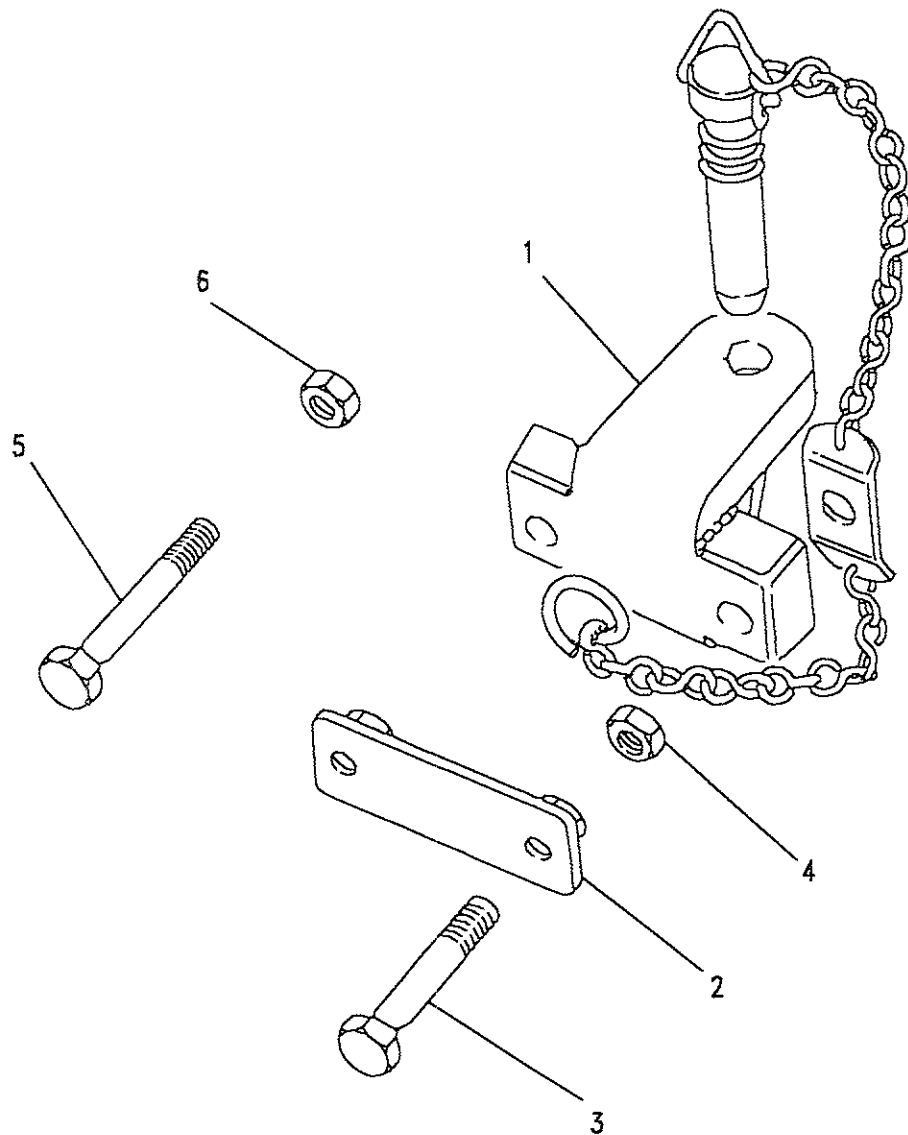


Model DEFENDER 90

Page ADTXCC1A

OPTIONAL EQUIPMENT - TOWING JAW

Ill. Part No.	Description	Qty	Remarks
1 559636	Jaw towing	1	
<b>Fixings - Towing jaw to rear crossmember</b>			
2 562756	Distance piece	1	
3 BH116261	Bolt	2	
4 NY116041L	Nut	2	
<b>Fixings - Towing jaw to bracket</b>			
5 BH116161L	Bolt	2	
6 NY116041L	Nut	4	

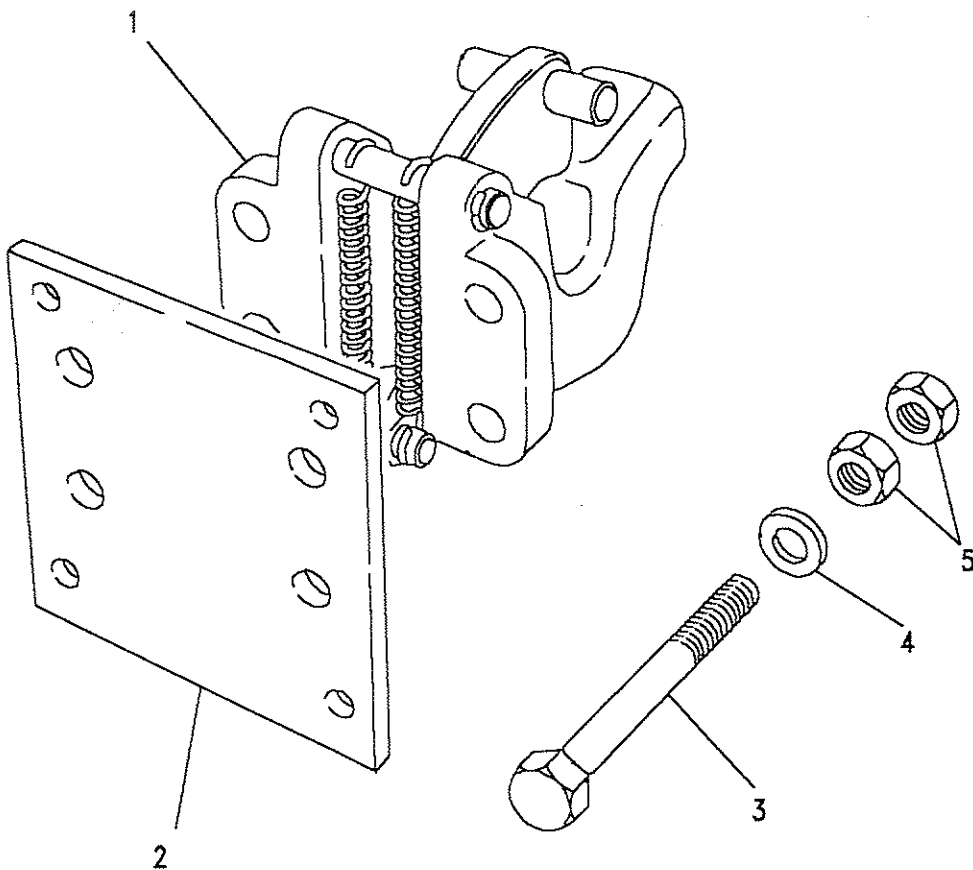




Model DEFENDER 90  
Page ADTXCE1A

OPTIONAL EQUIPMENT - TOWING HOOK

Ill. Part No.	Description	Qty	Remarks
1	246109	1	No longer available
2	NRC8323	1	
<b>Fixings - Towing hook to crossmember</b>			
3	BX112201	4	
4	WA112081L	4	
5	NH112041L	8	
<b>Fixings - Towing hook to drop plate</b>			
	BH112101L	4	
	NH112041L	8	

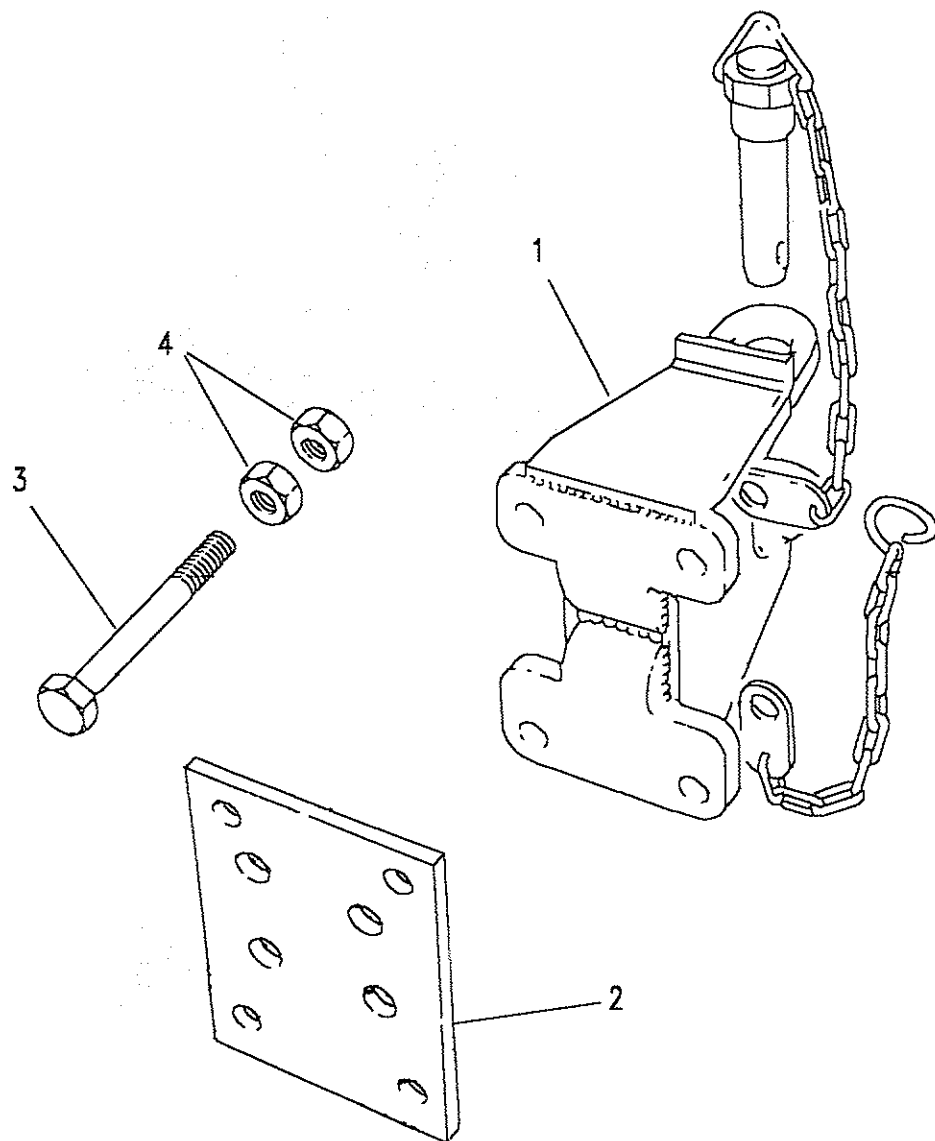




Model DEFENDER 90  
Page ADTXC11A

OPTIONAL EQUIPMENT - TOWING PINTLE

III. Part No.	Description	Qty	Remarks
1 535068	Pintle towing	1	
2 NRC8323	Stiffener	1	
<b>Fixings - Pintle to crossmember</b>			
3 BH110181L	Bolt	4	
4 NH110041L	Nut	8	
<b>Fixings - Pintle to drop plate</b>			
BH110081L	Bolt	4	
NH110041L	Nut	8	



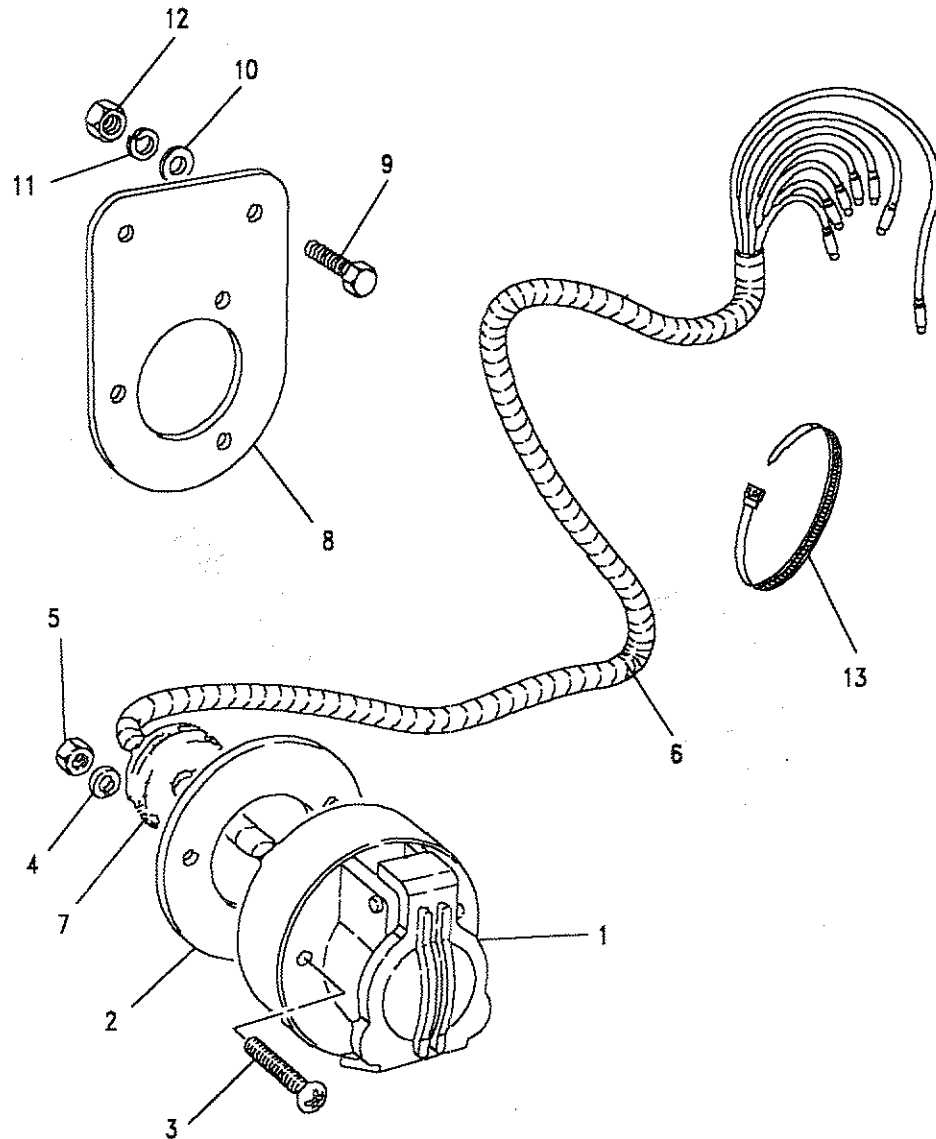


Model DEFENDER 90

Page ADTXCK1A

OPTIONAL EQUIPMENT - TRAILER SOCKET

III. Part No.	Description	Qty	Remarks
<b>Except Switzerland</b>			
1	579409	1	7 pin
	RTC3729	1	Additional
			From VIN 283270
2	560553	1	Upto VIN 283269
	PRC4540	2	From VIN 283270
3	SE105351L	6	
4	WL105001L	6	
5	NH105041L	6	
<b>UK and Europe</b>			
6	PRC2403	1	Upto VIN 283269
	PRC5357	1	From VIN 283270
<b>Rest of World</b>			
6	PRC4209	1	Upto VIN 283269
	PRC5356	1	From VIN 283270
<b>When universal tow hitch fitted</b>			
6	PRC8131	1	
7	PRC2439	1	
8	NRC8048	2	
9	SH106251	4	
10	WA106041L	4	
11	WL106001	4	
12	NH106041L	4	
13	UKC6684L	2	

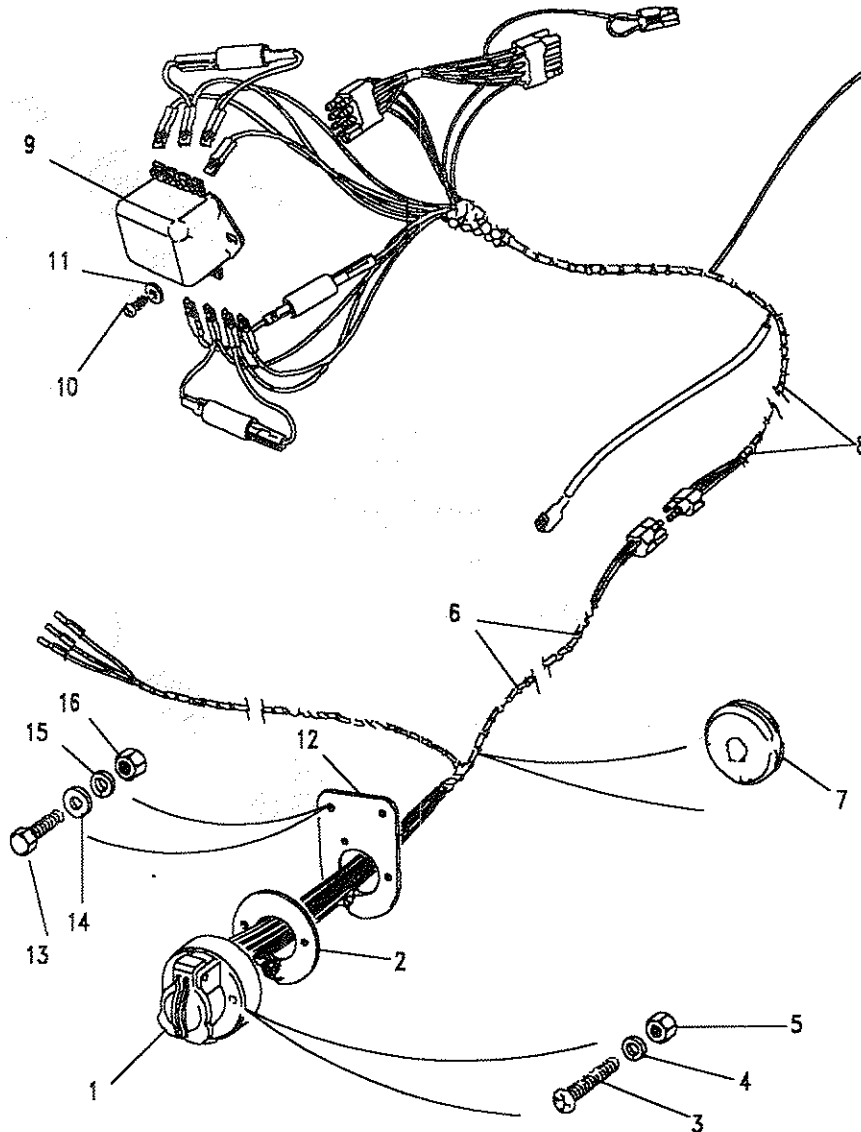




Model DEFENDER 90  
Page ADTXCK2A

OPTIONAL EQUIPMENT - TRAILER SOCKET

III. Part No.	Description	Qty	Remarks
<b>Switzerland</b>			
1	579409	1	7 pin
	RTC3729	1	Additional
			From 283270
2	560553	1	Upto 283269
	PRC4540	2	From 283270
3	SE105351L	6	
4	WL105001L	6	
5	NH105041L	6	
6	PRC4127	1	Upto 283269
	PRC5383	1	From 283270
7	PRC2439	1	
8	PRC4151	1	
9	STC1956	1	
10	AB608031	2	
11	WA105001	2	
12	NRC8048	2	
13	SH106251	4	
14	WA106041L	4	
15	WL106001	4	
16	NH106041L	4	





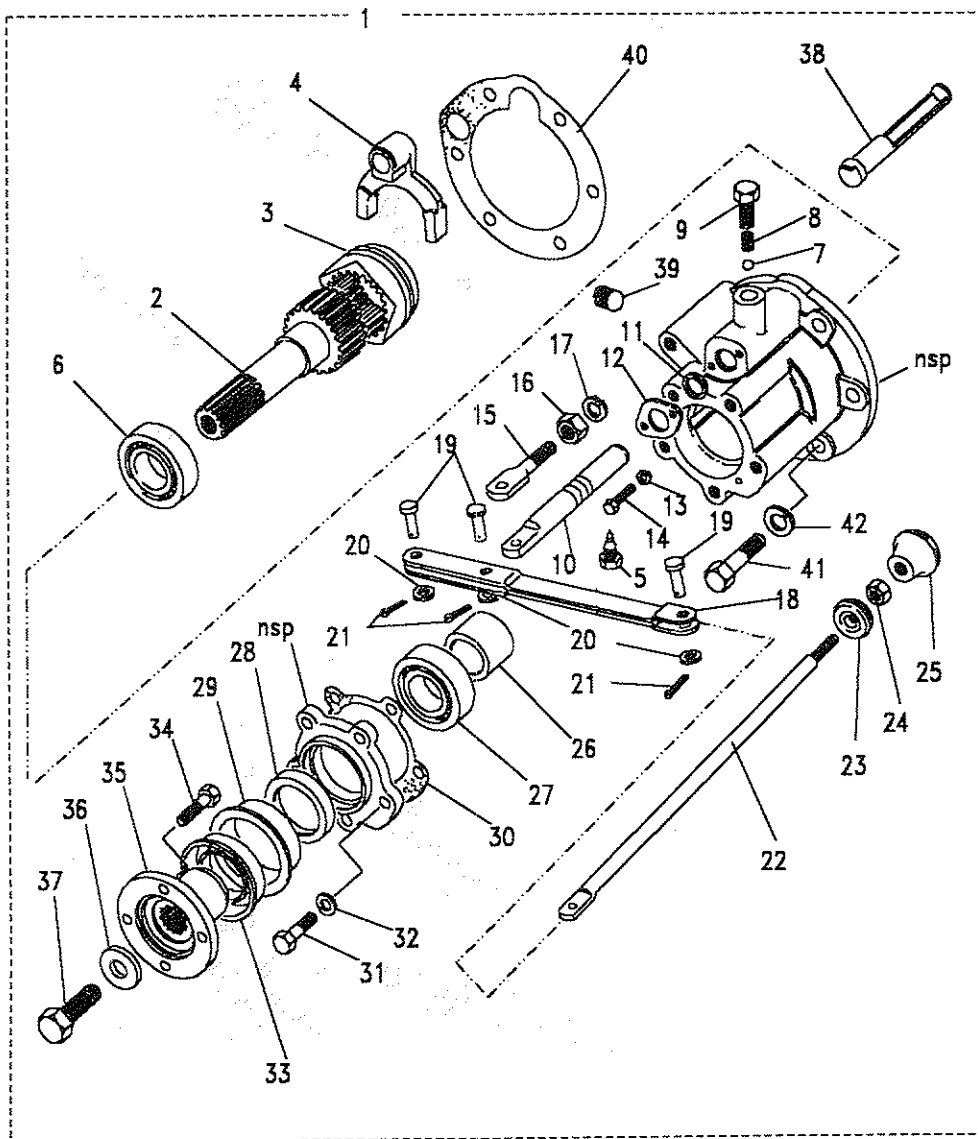


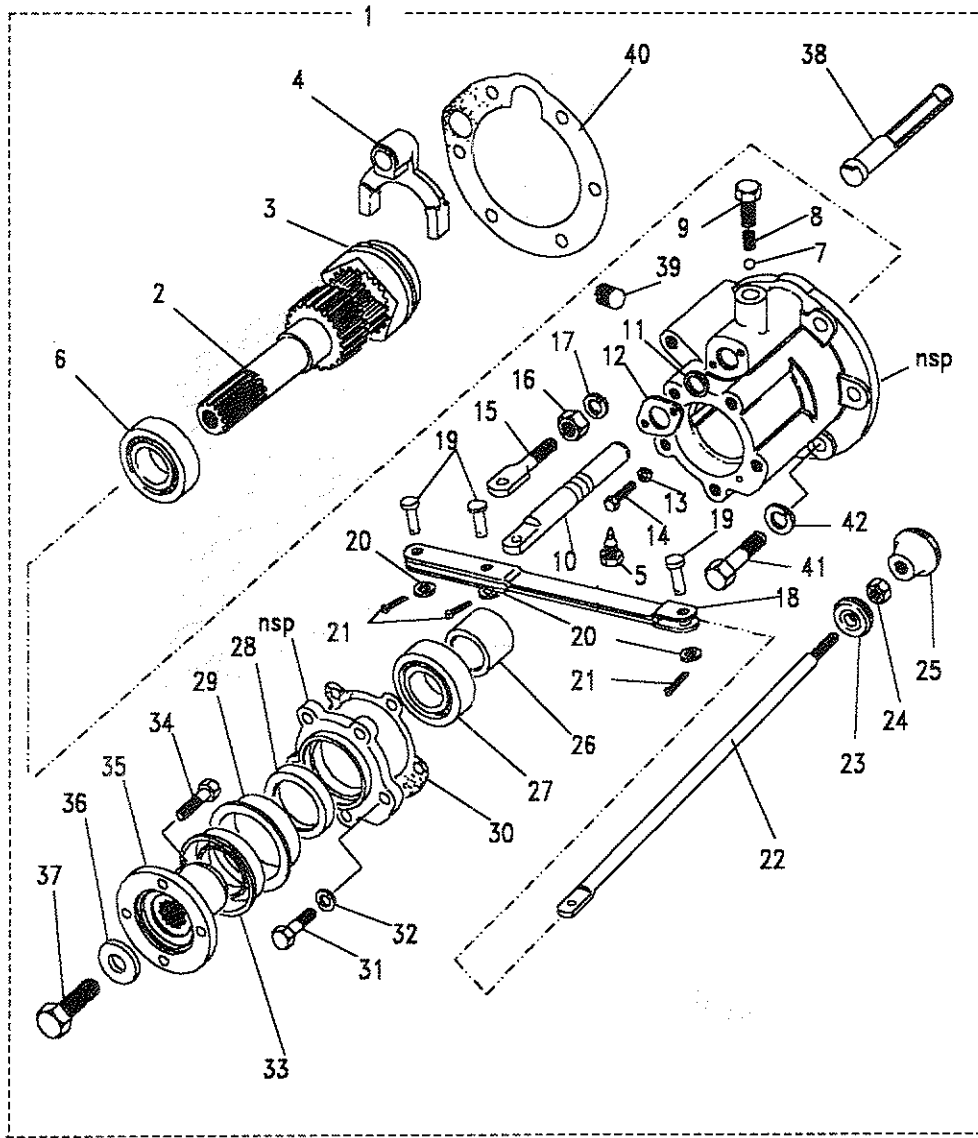
Model DEFENDER 90

Page ADTXGA1A

OPTIONAL EQUIPMENT - CENTRE POWER TAKE OFF

III. Part No.	Description	Qty	Remarks
1	FTC988	1	4 Cylinder
	FRC8541	1	V8
2	FRC5376	1	Power take off centre
	FRC5381	1	Shaft output
3	FRC5379	1	Dog
4	FRC5379	1	Fork selector
5	FRC7018	1	Screw retaining
6	217325	1	Bearing rear
7	BLS112L	1	Ball detent
8	NRC255	1	Spring detent
9	SH112201	1	Screw detent
10	FRC5380	1	Shaft selector
11	FRC3477	1	O ring
12	FRC5388	1	Plate
13	WL106001L	2	Washer spring
14	SH106141L	2	Screw
15	576303	1	Pin pivot
16	FN110041L	1	Nut flanged
17	WM600071L	1	Washer spring





Model DEFENDER 90  
 Page ADTXGA1A

OPTIONAL EQUIPMENT - CENTRE POWER TAKE OFF

III. Part No.	Description	Qty	Remarks
18 FRC5383	Lever	1	
19 PC106291	Pin clevis	3	
20 WA106041L	Washer plain	3	
21 PS103121L	Pin split	3	
22 FRC5391	Rod	1	4 Cylinder
FRC8538	Rod	1	V8
23 508571	Grommet	1	
24 NT110041L	Lock nut	1	
25 FRC3470	Knob	1	
26 FRC5385	Spacer	1	
27 STC1130	Ball bearing	1	
28 FRC5387	Seal oil	1	
29 236548	Mudguard	1	
30 FRC5386	Gasket	1	
31 FS108251L	Screw	5	
32 WL108001L	Washer spring	5	
33 236074	Mudshield	1	
34 509045P	Bolt	4	
35 FRC5378	Flange	1	
36 571174	Washer	1	
37 SH116301	Screw	1	
38 FRC6933	Catcher oil	1	
39 SK110101	Screw	1	No longer available
40 FRC5389	Joint Washer	1	
41 BH110091L	Bolt	6	
42 WL110001L	Washer spring	6	



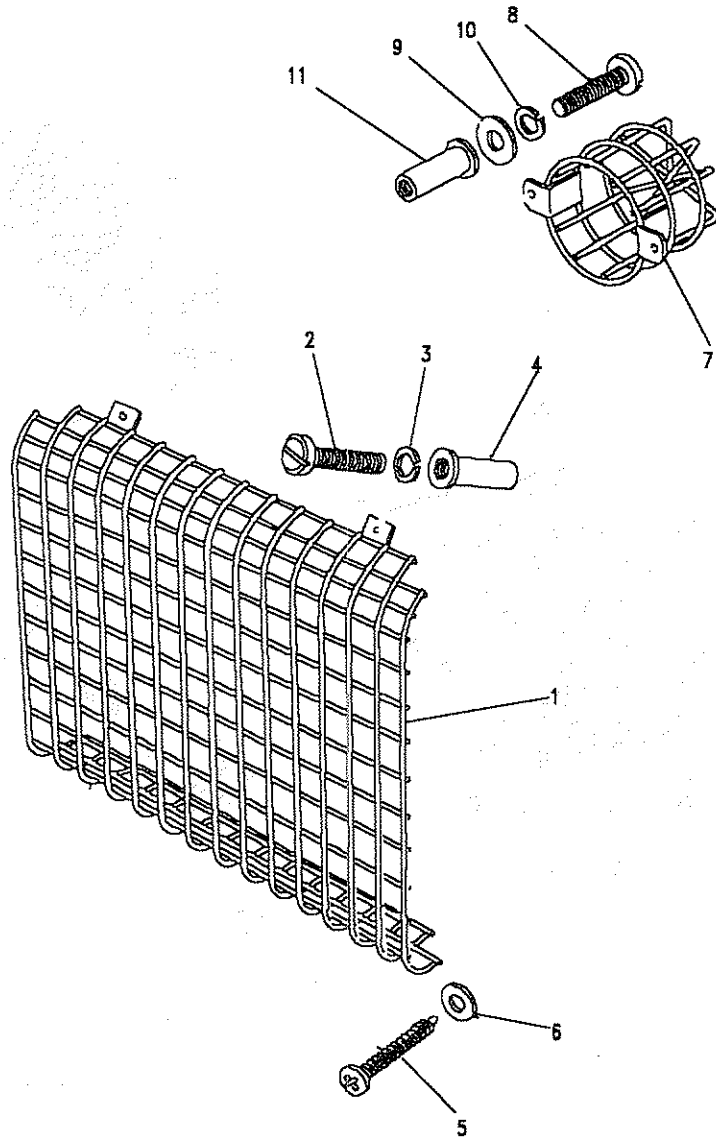


Model DEFENDER 90  
Page ADTXIA1A

OPTIONAL EQUIPMENT - LAMP GUARDS

III. Part No.	Description	Qty	Remarks
1	345985	2	Guard lamp front
2	78384	4	Screw
3	WL700101L	4	Washer spring
4	AFU1876	4	Rivnut
5	AB608047L	4	Screw
6	WC702101L	4	Washer plain
7	RTC8064	1	Kit guard lamp rear
8	78384	4	Screw
9	WC702101L	4	Washer plain
10	WL700101L	4	Washer spring
11	AFU1876	4	Rivnut

Note(1) Two kits required per vehicle





DEFENDER 90

1031

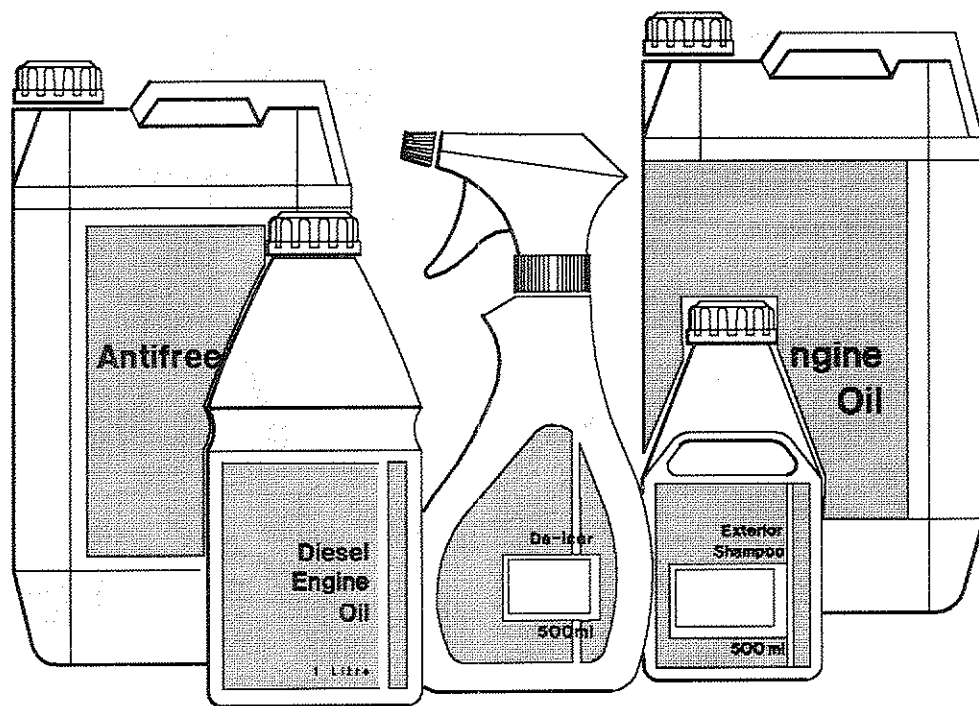
ACCESSORIES - PAINTS

Model DEFENDER 90  
Page ADTXLG1A

MISCELLANEOUS - LUBRICANTS

III. Part No.	Description	Qty	Remarks
<b>Lubricants - UK only</b>			
STC8257	Oil engine 1 litre	A/R	SHPD
STC8256	Oil engine 5 litres	A/R	SHPD
STC8255	Oil engine 1 litre	A/R	15W40
STC8254	Oil engine 5 litres	A/R	15W40
STC8259	Oil gear	A/R	EP90
STC8261	Fluid auto trans	A/R	Dextron 11
STC8263	Fluid auto trans	A/R	Type G
<b>Brake fluid - UK only</b>			
STC8292	Brake fluid	A/R	
<b>Anti-freeze</b>			
RTC5782A	Anti-freeze 205 litres	A/R	
RTC5781A	Anti-freeze 5 litres	A/R	
RTC5779A	Anti-freeze 1 litre	A/R	
<b>Product guide</b>			
STC8352	Product guide	A/R	

Note(1) Not available in all territories  
Note(2) For application details see Product guide STC8352





DEFENDER 90

1032

ACCESSORIES - PAINTS

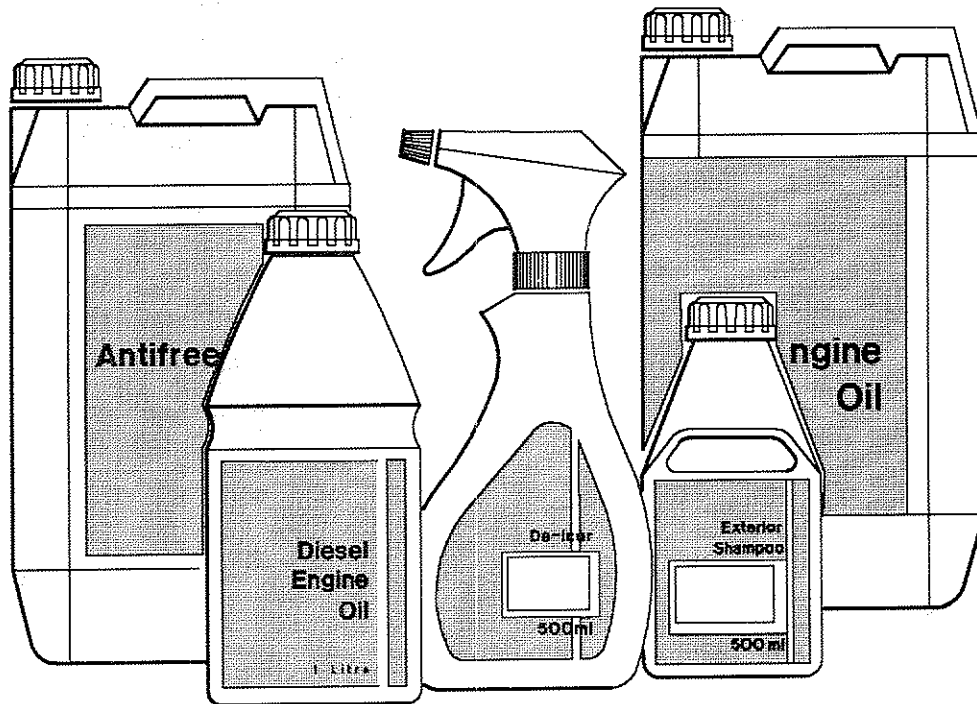


Model DEFENDER 90  
Page ADTXLG1A

MISCELLANEOUS - CAR CARE

III. Part No.	Description	Qty	Remarks
Europe only			
STC8249	Screenwash	A/R	1 Bottle
STC717	De icer	A/R	500ml trigger
STC718	Alloy wheel cleaner	A/R	500ml trigger
STC719	Glass cleaner	A/R	500ml trigger
STC721	Black bumper cleaner	A/R	500ml bottle
STC722	Shampoo	A/R	500ml bottle
STC723	Polish wax	A/R	500ml bottle

Note(1) Not available in all territories



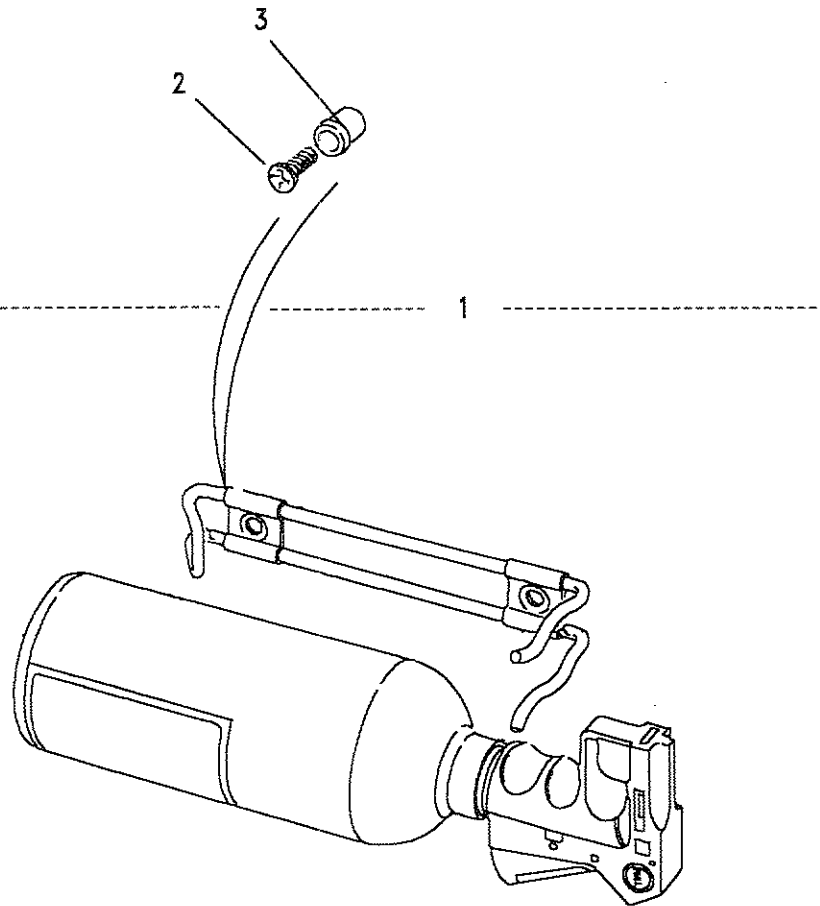


Model DEFENDER 90

Page ADTXMA1A

OPTIONAL EQUIPMENT - FIRE EXTINGUISHER

III. Part No.	Description	Qty	Remarks
1 MRC7350	Extinguisher fire with bracket	1	Upto KA922469
2 SF106161L	Screw	2	
3 MM106301L	Rivnut	2	
1 STC8529	Extinguisher c/w brkt	1	From KA922470
2 SF105201	Screw	2	
3 NN105021L	Rivnut	2	





DEFENDER 90

1034

ACCESSORIES - PAINTS

Model DEFENDER 90  
Page ADTXMA1B

ACCESSORIES - SEAT COVERS

III. Part No.	Description	Qty	Remarks
1 STC8178	Seat covers	1	





DEFENDER 90

1035

ACCESSORIES - PAINTS

Model DEFENDER 90  
Page ADTXPA1A

OPTIONAL EQUIPMENT - SPARE WHEEL COVER

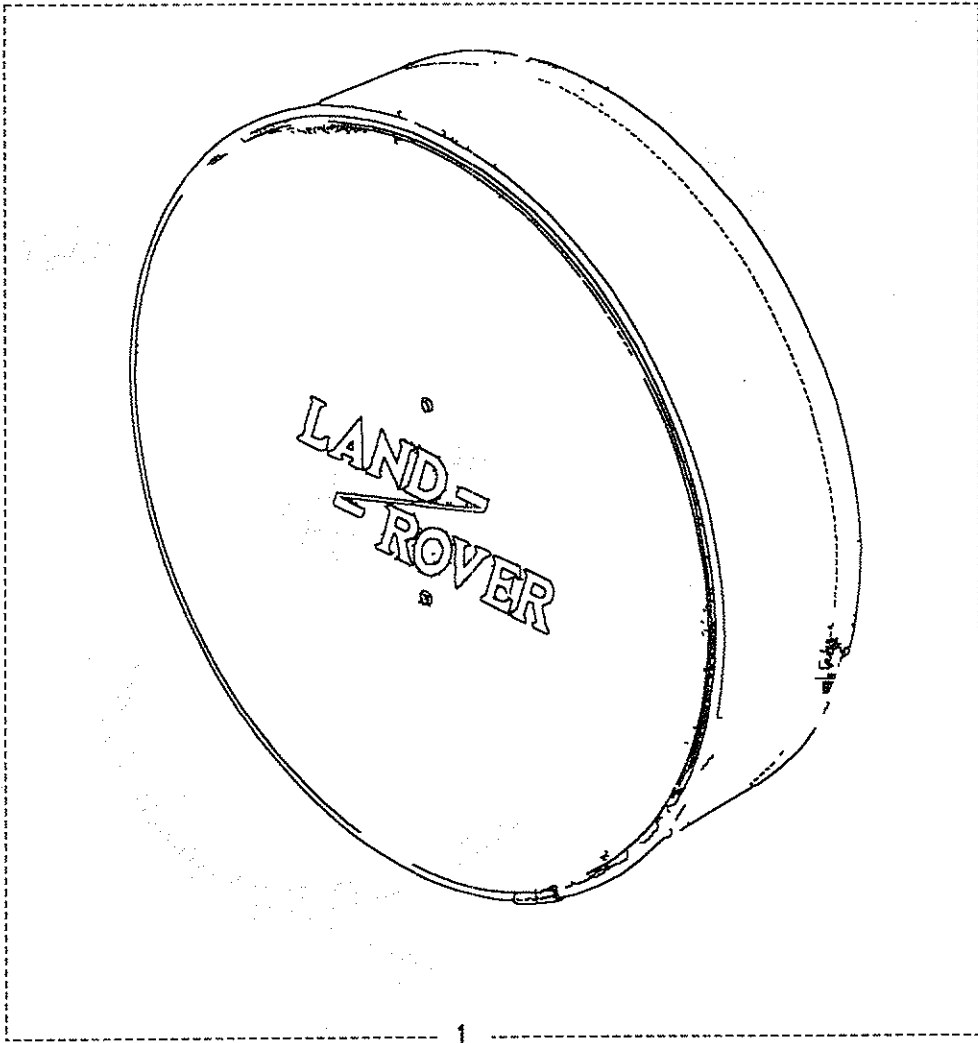
III. Part No. Description Qty Remarks

Upto FA414686

Optional

III. Part No.	Description	Qty	Remarks
1 MRC7365	Cover spare wheel	1	750 x 16 No longer available Use MXC6407 See ADTXPA2A
MTC7993	Cover spare wheel	1	205 600 x 16
1 MUC4161	Cover spare wheel	1	750 x 16
MUC3628	Cover spare wheel	1	205 600 x 16

Germany



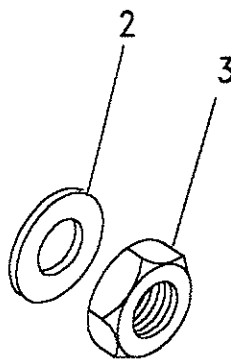
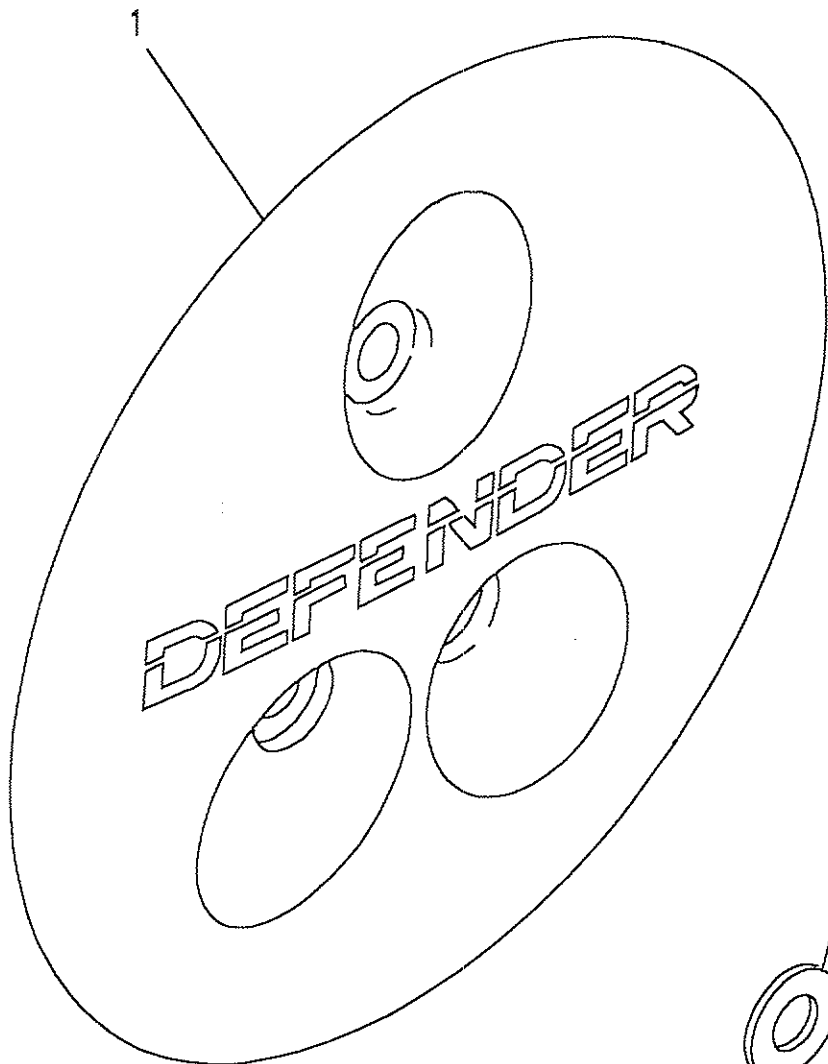




Model DEFENDER 90  
Page ADTXPA4A

OPTIONAL EQUIPMENT - SPARE WHEEL COVER

III. Part No.	Description	Qty	Remarks
<b>From JA906581</b>			
1	BTR2129NUC	1	Cover spare wheel
2	MXC7335	3	Washer plastic
3	MXC7887	3	Nut M16





DEFENDER 90

1039

ACCESSORIES - PAINTS

**Model** DEFENDER 90  
**Page** ADTXPA5A

**OPTIONAL EQUIPMENT -**

III. Part No.	Description	Qty	Remarks
STC8112	Covers wheel nut		
STC8124	Kit gun box fixing		
STC8438	Side runner-twin tube		





DEFENDER 90

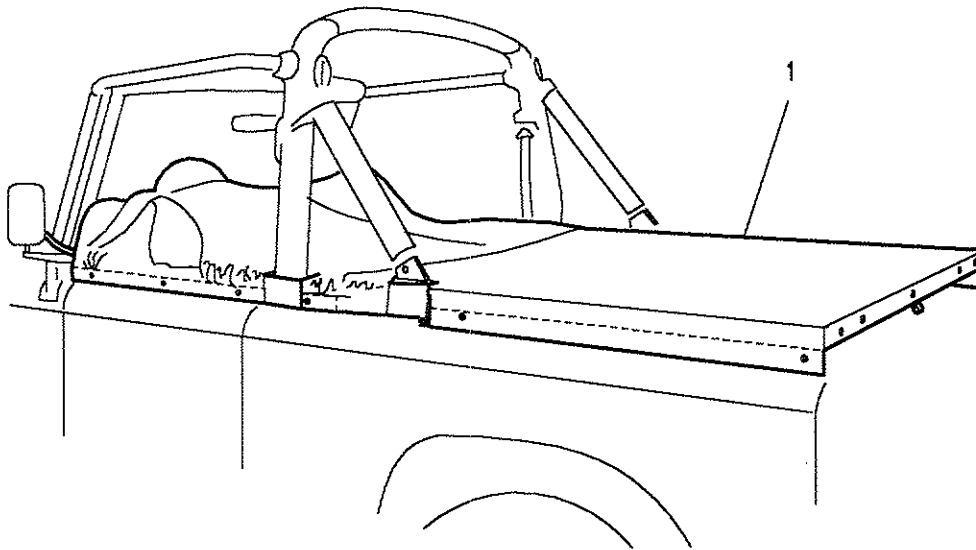
1040

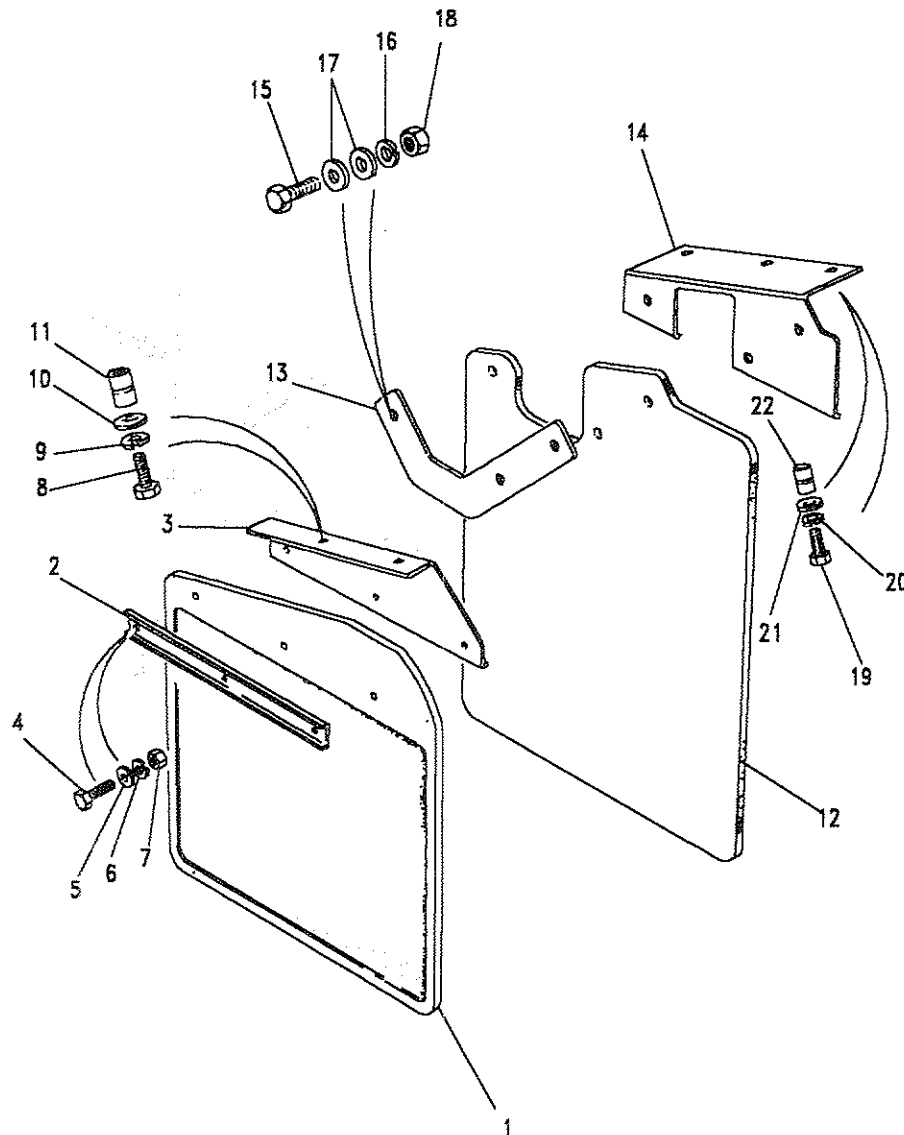
ACCESSORIES - PAINTS

**Model** DEFENDER 90  
**Page** ADTXPA6A

**OPTIONAL EQUIPMENT - TONNEAU COVER - 90SV**

III. Part No.	Description	Qty	Remarks
1 BTR8691	Cover tonneau assembly	1	





**Model** DEFENDER 90  
**Page** ADTXSA1A

**OPTIONAL EQUIPMENT - MUDFLAPS**

III. Part No.	Description	Qty	Remarks
1	RTC4685	1	Mudflap pair front
2	MTC3874	2	Stiffener
3	MTC3000	1	Bracket mounting RH
	MTC3001	1	Bracket mounting LH
4	SH106251L	6	Screw
5	WA106041L	6	Washer plain
6	WL106001L	6	Washer spring
7	NH106041L	6	Nut
8	FS106201L	4	Flange screw
9	WL106001L	4	Washer spring
10	WA106041L	4	Washer plain
11	NN106021	4	Nutsert
<b>All Vehicles</b>			
12	MUC2344	1	Mudflap rear RH
	MXC6412	1	Mudflap rear RH
<b>Soft Top Vehicles</b>			
12	MUC2345	1	Mudflap rear LH
	MUC3990	1	Mudflap rear LH
	MXC6413	1	Mudflap rear LH
<b>Hard Top and Station Wagon Vehicles</b>			
12	MUC2345	1	Mudflap rear LH
	MUC3990	1	Mudflap rear LH
	MXC6413	1	Mudflap rear LH
13	MUC1512	2	Washer Plate
<b>Soft Top Vehicles</b>			
14	MUC3984	1	Bracket mounting RH
	MUC3985	1	Bracket mounting LH
	MUC3986	1	Bracket mounting RH
	MUC3987	1	Bracket mounting LH





Model DEFENDER 90

Page ADTXSA1A

OPTIONAL EQUIPMENT - MUDFLAPS

III. Part No.	Description	Qty	Remarks
<b>Hard Top and Station Wagon Vehicles</b>			
14 MUC3984	Bracket mounting RH	1	Upto 253494
MUC3985	Bracket mounting LH	1	Upto 253494
MUC3986	Bracket mounting RH	1	From 253495
MUC3987	Bracket mounting LH	1	From 253495
15 SH106251L	Screw	6	
16 WL106001L	Washer spring	6	
17 WA106041L	Washer plain	12	
18 NH106041L	Nut	6	
19 FS106201L	Flange screw	6	
20 WL106001L	Washer spring	6	
21 WA106041L	Washer plain	6	
22 NN106021	Nutsert	6	
<b>Germany</b>			
MTC7513	Strip edge		A/R

