



MASTER INDEX

	PAGES
INTRODUCTION PAGES	1 - 7
ALPHABETICAL INDEX	8 - 16
ENGINE	17 - 66
ENGINE	67 - 119
ENGINE	120 - 166
ENGINE	167 - 209
ENGINE	210 - 245
ENGINE	246 - 299
GEARBOX	300 - 326
GEARBOX	327 - 344
GEARBOX	345 - 359
TRANSFER BOX	360 - 378
TRANSFER BOX	379 - 397
AXLES AND SUSPENSION	398 - 444
STEERING	445 - 471
VEHICLE AND ENGINE CONTROLS	472 - 486
BRAKES	487 - 517
FUEL SYSTEM AND AIR CLEANER	518 - 579
EXHAUST SYSTEM	580 - 593
COOLING/HEATING	594 - 637
COOLING/HEATING	638 - 641
COOLING/HEATING	642 - 649
COOLING/HEATING	650 - 655
COOLING/HEATING	656 - 666
BODY ELECTRICAL	667 - 740
BODY AND CHASSIS	741 - 909
INTERIOR TRIM	910 - 955
SEATS	956 - 1036
STOWAGE	1037 - 1046
ACCESSORIES - PAINTS	1047 - 1074
NUMERICAL INDEX	1076 - 1151

GROUP M

BODY ELECTRICAL

BODY ELECTRICAL	
HEADLAMPS - LUCAS - UP TO KA922614	669
HEADLAMPS - WIPAC - FROM KA922615	670
HEADLAMPS WITH LEVELLING - LHS ONLY	671
FRONT LAMPS - SIDE AND INDICATOR	672
SIDE REPEATER LAMPS	673
REAR LAMPS - STOP/TAIL, INDICATOR, NUMBER PLATE	674 - 675
REFLECTORS, FOG LAMP, REVERSE LAMP	676 - 677
INTERIOR LAMP - UP TO HA455595	678
INTERIOR LAMP - FROM HA455596 UP TO LA939975	679
INTERIOR LAMP - FROM MA939976	680
BATTERY	681 - 682
BATTERY CABLES	683 - 685
MAIN HARNESS - NOTE(1)	686 - 690
UNDER BONNET FUSE BOX - FROM MA939976	691
CHASSIS HARNESS	692 - 694
HARNESS	695 - 696
AIR CONDITIONING ELECTRICS	697 - 698
AIR CONDITIONING ELECTRICS - RHS	699
ENGINE HARNESS - 2.5 PETROL	700
ENGINE HARNESS - V8	701 - 702
ENGINE HARNESS - DIESEL	703
ENGINE HARNESS - DIESEL TURBO AND 200TDI	704
ENGINE HARNESS - 300TDI	705
SPLIT CHARGE FACILITY - UP TO VIN 310168	706 - 707
SPLIT CHARGE FACILITY - FROM VIN 310169	708
INSTRUMENT HARNESS	709
REAR WASH WIPE AND HEATED REAR WINDOW	710
SWITCHES	711 - 712
CIGAR LIGHTER, DASH HARNESS	713
FACIA PLATE - UP TO LA939975	714
FACIA PLATE - FROM MA939976	715
DIM DIP UNIT, GLOW PLUG TIMER	716
FLASHER UNITS - RELAYS - DELAY UNIT	717
300TDI	718
HORN	719 - 721
INSTRUMENT PANEL AND COWL	722 - 723
INSTRUMENTS	724 - 725
CLOCK AND OIL GAUGES	726





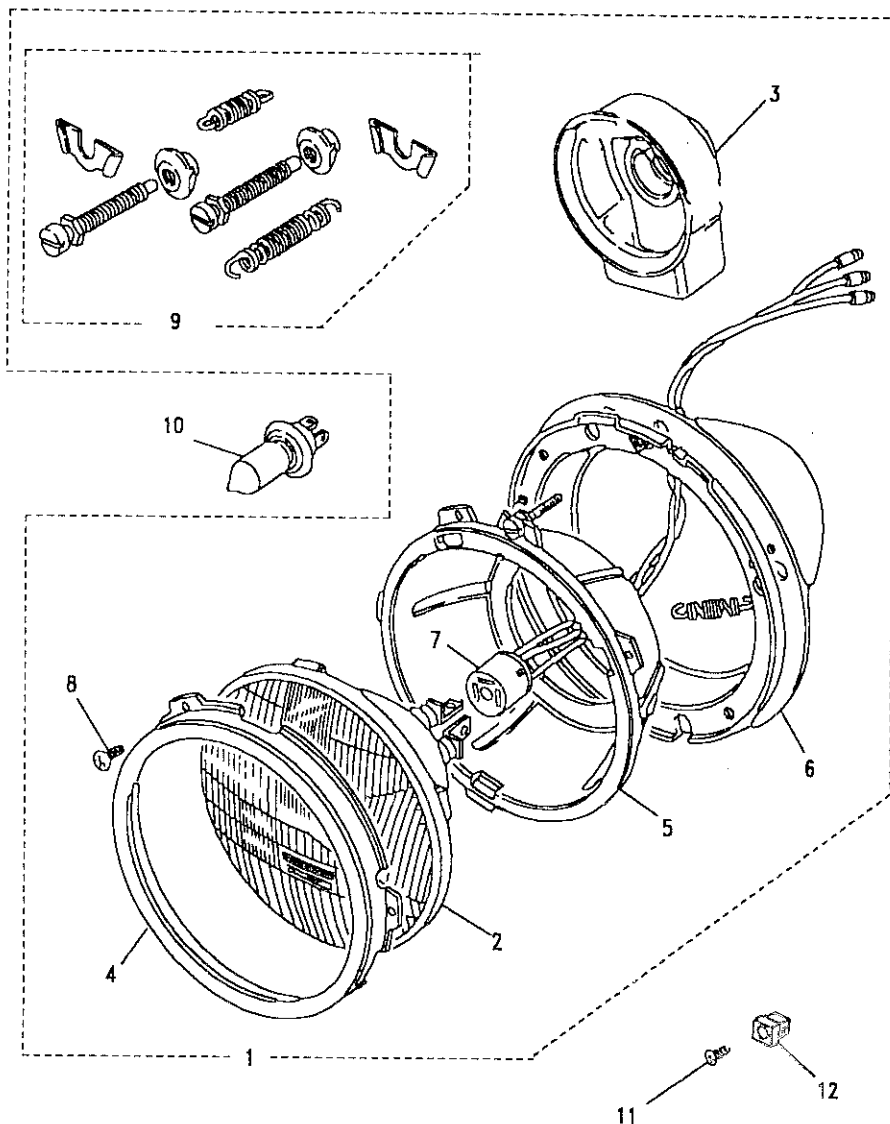
DEFENDER 110 1987 onwards

668

BODY ELECTRICAL

RADIO CASSETTE & LOUDSPEAKERS - UP TO LA939975	727
RADIO CASSETTE & LOUDSPEAKERS - FROM MA939976	728
WINDSCREEN WIPERS	729
WINDSCREEN WASH - NON AIR CON	730
WINDSCREEN WASH - AIR CON	731
FRONT/REAR SCREEN WASH	732
FRONT/REAR SCREEN WASH - AIR CON	733
HEADLAMP AND SCREEN WASH - NON AIR CON	734 - 735
HEADLAMP AND WINDSCREEN WASH - AIR CON	736
HEADLAMP/FRONT/REAR SCREEN WASH	737 - 738
REAR WASH WIPE	739
SEAT BELT AND OVERSPEED WARNING SYSTEM	740



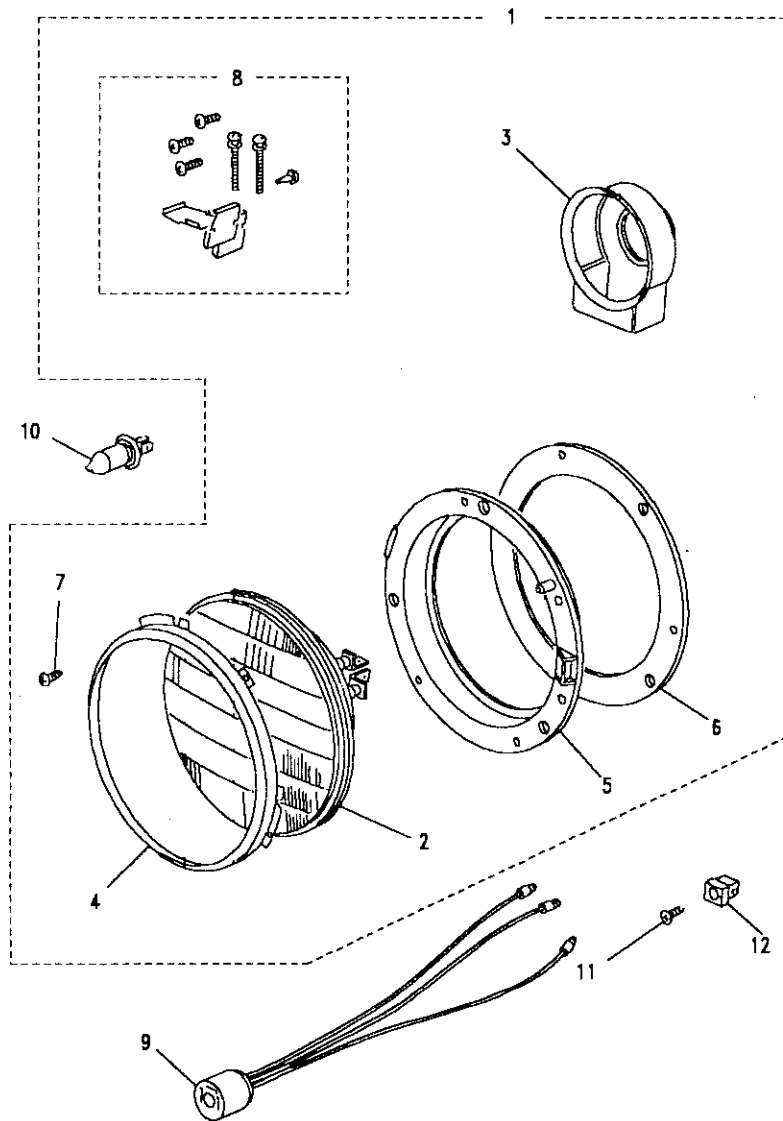


Model DEFENDER 110 1987 onwards

Page AFMXXA1A

ELECTRICAL - HEADLAMPS - LUCAS - UP TO KA922614

III. Part No.	Description	Qty	Remarks
Sealed Beam			
1 AEU1355	Headlamp assembly	2	RHS
27H8207L	Headlamp assembly	2	LHS
2 RTC3682	Light unit	2	RHS
RTC3683	Light unit	2	LHS
Quartz Halogen			
1 BAU2144	Headlamp assembly	2	RHS
AEU1742	Headlamp assembly	2	LHS
2 RTC4615	Light Unit	2	RHS
PRC7994	Light Unit	2	LHS
3 156206	Cover bulb	2	
Sealed Beam and Quartz Halogen			
4 PRC7992	Bezel	2	
5 STC643	Rim seating	2	
6 531586	Gasket headlamp	2	
7 600226L	Adaptor	2	
8 AB606022L	Screw	6	
9 BHM7058L	Kit trimmer screw	2	
Quartz Halogen only			
10 589783	Bulb	2	
PRC2167	Bulb yellow	2	
Fixings - Headlamp to body			
11 AB608047	Screw	8	
12 79051	Nut lokut	8	



Model DEFENDER 110 1987 onwards

Page AFMXXA2A

ELECTRICAL - HEADLAMPS - WIPAC - FROM KA922615
III. Part No. Description Qty Remarks
Sealed Beam - Wagner markings

1	AMR2342	Headlamp assembly	2	RHS
	AMR2343	Headlamp assembly	2	LHS
2	STC949	Light unit	2	RHS
	STC950	Light unit	2	LHS

Quartz Halogen - Wipac markings

1	AMR2344	Headlamp assembly	2	RHS
	AMR2345	Headlamp assembly	2	LHS
	AMR2346	Headlamp assembly	2	LHS Yellow
2	STC1209	Light unit	2	RHS
	STC1210	Light unit	2	LHS
	STC1851	Clip bulb retaining	2	
3	STC951	Cover bulb	2	

Sealed Beam and Quartz Halogen

4	STC1485	Bezel black	2	
5	STC1613	Body headlamp	2	
6	STC1612	Gasket headlamp	2	
7	STC1486	Screw black	2	
8	STC1614	Kit headlamp fittings	2	
9	AMR2357	Link lead headlamp	2	Note(1)

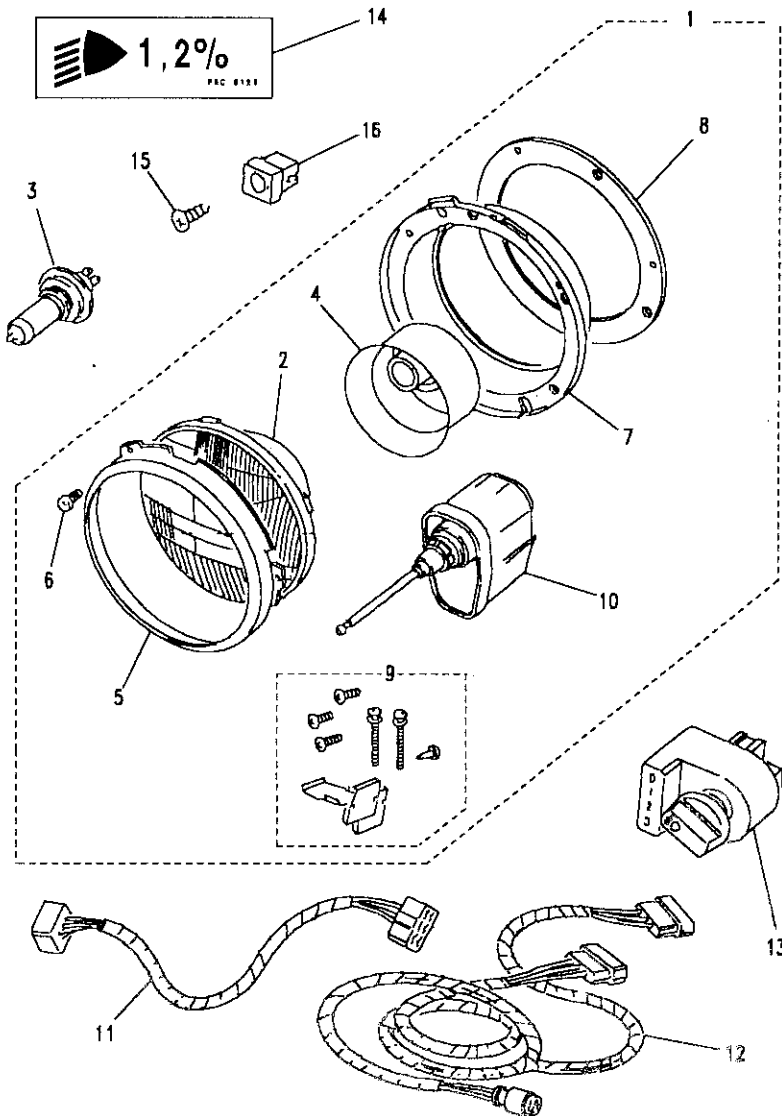
Quartz Halogen only

10	589783	Bulb	2	
	PRC2167	Bulb yellow	2	

Fixings - Headlamp to body

11	AB608047	Screw	8	
12	79051	Nut lokut	8	

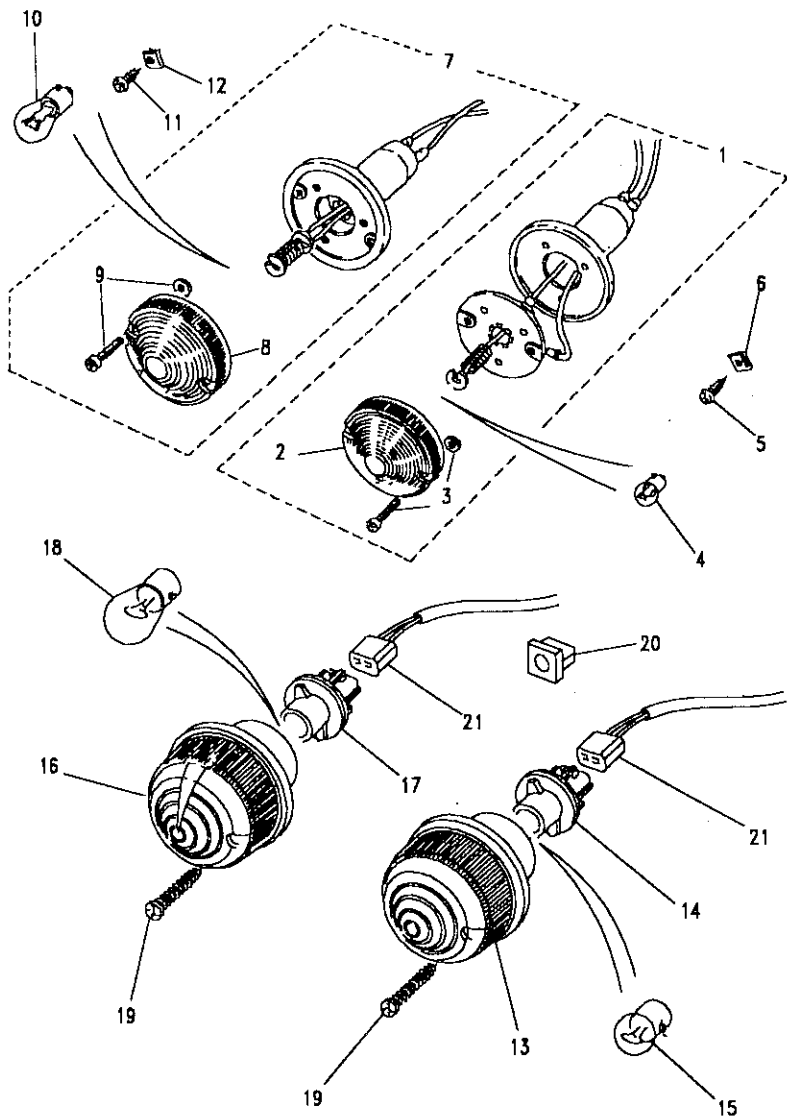
Note(1) For fitting Wipac lamps in place of Lucas.



Model DEFENDER 110 1987 onwards
Page AFMXAA2B

BODY ELECTRICS - HEADLAMPS WITH LEVELLING - LHS ONLY

III. Part No.	Description	Qty	Remarks
1	AMR3247	2	Headlamp assembly
2	STC1210	2	Light Unit
	STC1851	2	Clip bulb retaining
3	589783	2	Bulb
4	STC951	2	Cover bulb
5	STC1485	2	Rim (Black)
6	STC1486	2	Screw(Black)
7	STC1613	2	Body headlamp
8	STC1612	2	Gasket headlamp
9	STC1614	2	Kit headlamp fittings
10	AMR2090	2	Actuator
11	PRC9993	1	Cable assembly
12	PRC8816	1	Link lead
13		1	Switch headlamp levelling
14	PRC8125	1	Label warning
Fixings - Headlamp to body			
15	AB608047	8	Screw
16	79051	8	Nut lokut



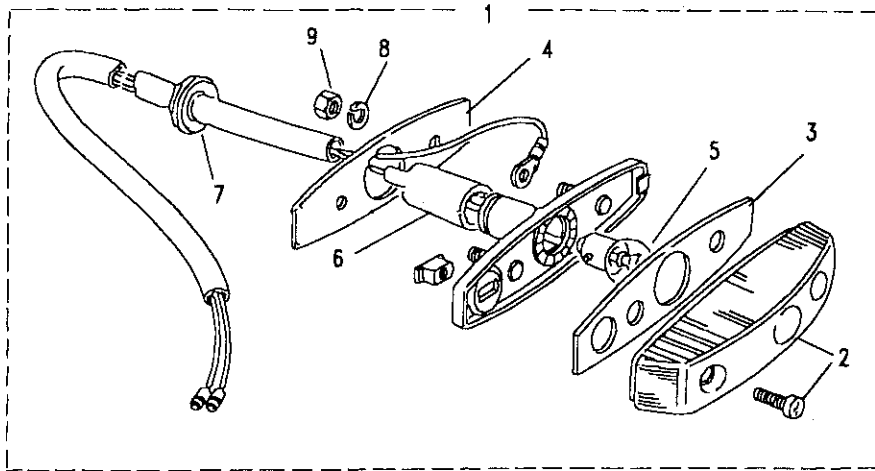
Model DEFENDER 110 1987 onwards
Page AFMXAC1A

ELECTRICAL - FRONT LAMPS - SIDE AND INDICATOR

Ill. Part No.	Description	Qty	Remarks
Up to LA940004			
1	RTC5012	2	Lamp side
2	589284	2	Lens
3	608004	4	Screw and Washer
4	570822	2	Bulb
	10211	2	Lucas lamps
		2	LEP lamps
5	AB606041L	6	Screw
6	AK606021L	6	Nut spring
7	RTC5013	2	Lamp indicator
8	589285	2	Lens
9	608004	4	Screw and Washer
10	264591	2	Bulb
11	AB606041L	6	Screw
12	AK606021L	6	Nut spring
Sealed light units - From MA940005			
13	STC1227	2	Lamp - front sidelight
14	AMR1421	2	Bulb holder
15	10211	2	Bulb - silight
16	STC1228	2	Lamp - front indicator
17	AMR1421	2	Bulb holder
18	264591	2	Bulb - indicator
19		4	NSP Note(1)
20	CZH619	4	Nut lokut
21	STC1188	4	Note(2)

Note(1) Screws supplied with lens assembly.
 Note(2) For connection of 95MY lamps to pre 95MY harness.

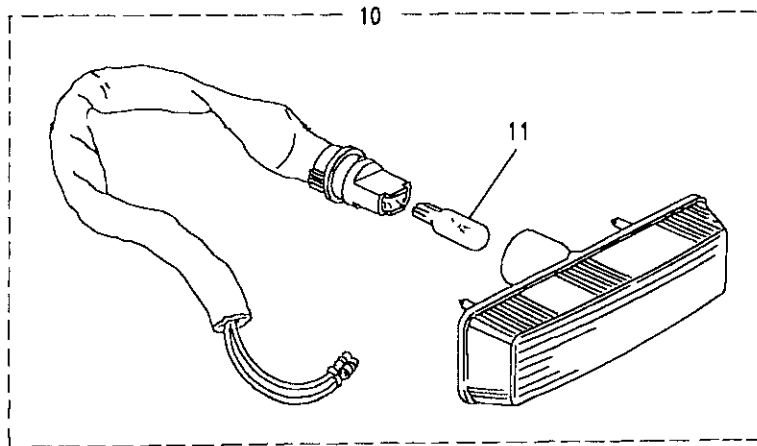


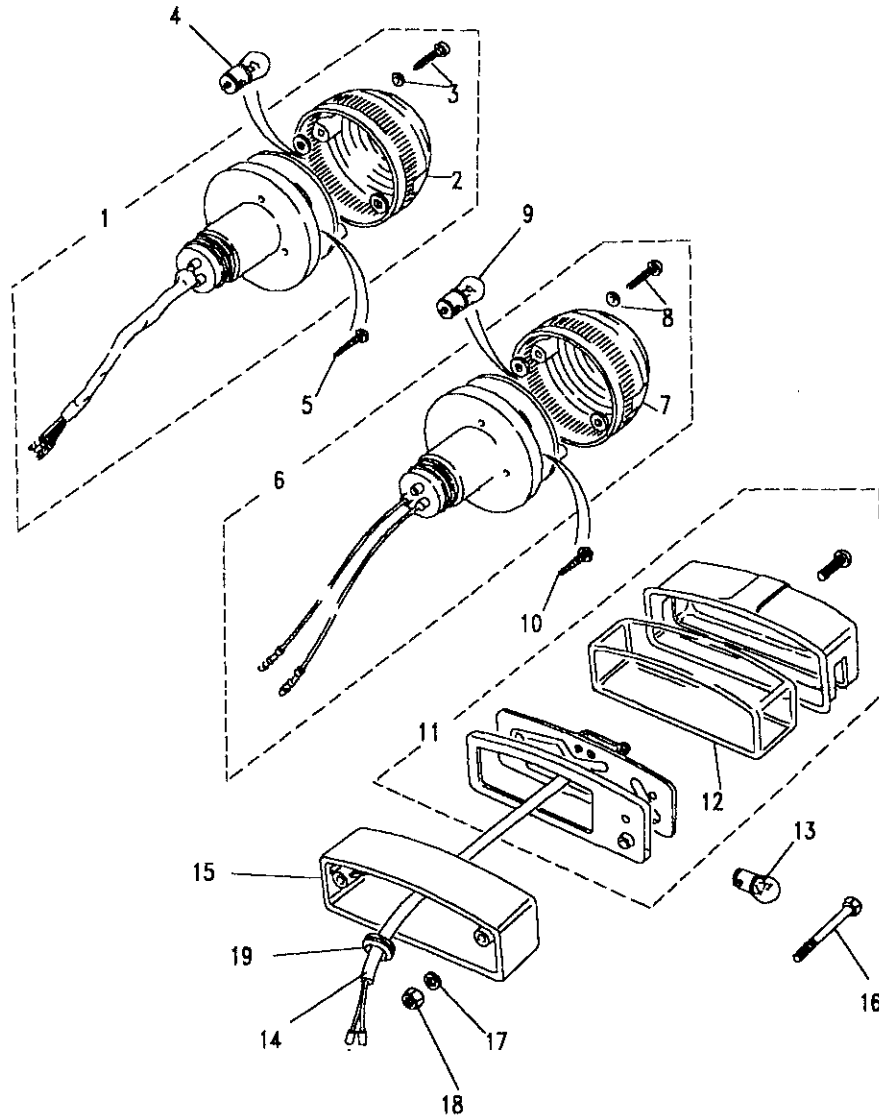


Model DEFENDER 110 1987 onwards
Page AFMXAC2A

ELECTRICAL - SIDE REPEATER LAMPS

III. Part No.	Description	Qty	Remarks
1 589143	Lamp side repeater	2	Upto VIN 331921
2 27H2403L	Lens and screw	2	NLS
3 608311	Gasket	2	
4 608312	Gasket	2	
5 570822	Bulb	2	
6 515060	Grommet	2	NLS
7 233243	Grommet	2	
8 WM704001L	Washer spring	4	
9 257203	Nut	4	
10 PRC7044	Lamp side repeater	2	From VIN 331922
PRC9916	Lamp side repeater	2	up to LA939975
11 570829	Bulb	2	From MA939976
12 MWC9606	Bush	4	
AFU1926L	Nut captive	4	



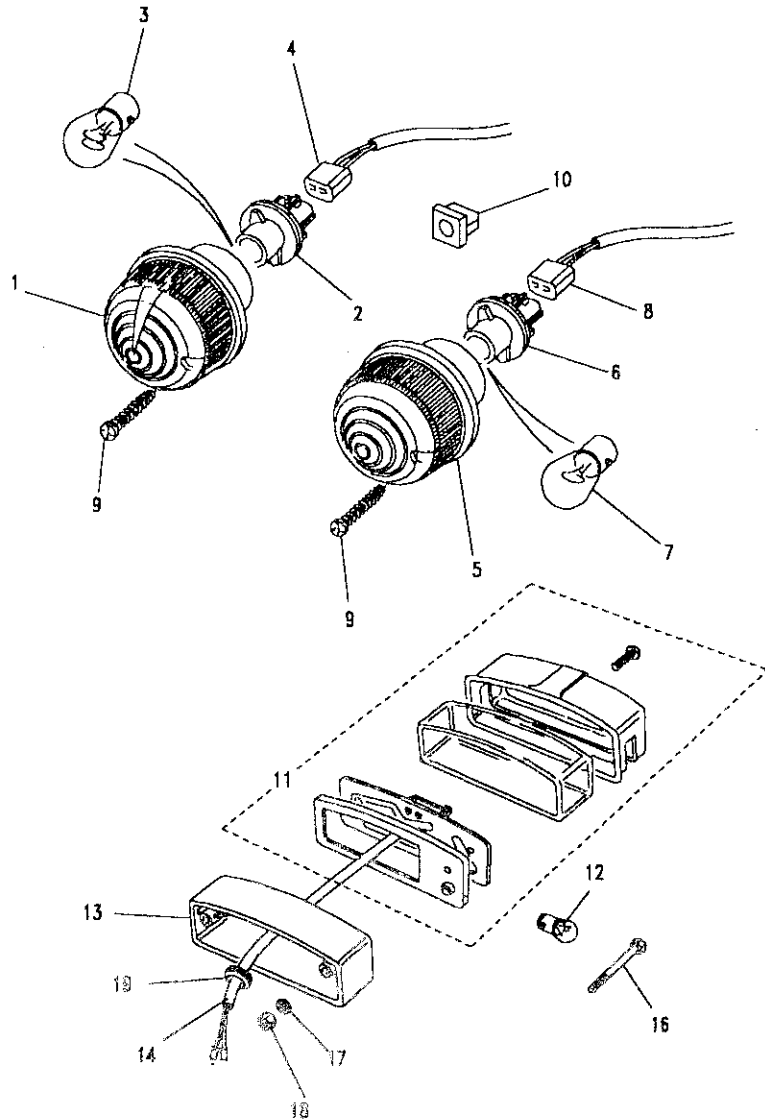


Model DEFENDER 110 1987 onwards
 Page AFMXAC3A

ELECTRICAL - REAR LAMPS - STOP/TAIL, INDICATOR, NUMBER PLATE

Ill. Part No.	Description	Qty	Remarks
Up to LA939975			
1	RTC5523	2	Lamp stop/tail
2	RTC210	2	Lens
3	608004	4	Screw & Washer
4	264590	2	Bulb
5	77932	6	Screw
6	RTC5524	2	Lamp indicator
7	589202	2	Lens
8	608004	4	Screw & Washer
9	264591	2	Bulb
10	77932	6	Screw
11	AEU1652	1	Lamp number plate
12	606211	1	Lens NLS
13	570822	2	Bulb
14	589026	1	Cable
15	PRC3617	1	Cable HCPU
16	345597	1	Plinth
17	PRC3588	1	Plinth HCPU
18	257302	2	Screw
19	WL105001L	2	Washer spring
	HN2005L	2	Nut
	235113	1	Grommet





Model DEFENDER 110 1987 onwards

Page AFMXAC3B

ELECTRICAL - REAR LAMPS - STOP/TAIL, INDICATOR, NUMBER PLATE

III. Part No.	Description	Qty	Remarks
Sealed light units - From MA939976			
1	STC1230 Lamp - stop/tail	2	
2	AMR1422 Bulb holder 5/21W	2	
3	264590 Bulb - stop/tail	2	
4	STC1189 Cable assembly	2	Note(1)
5	STC1229 Lamp - rear indicator	2	
6	AMR1421 Bulb holder	2	
7	264591 Bulb - indicator	2	
8	STC1188 Cable assembly	2	Note(1)
9	Screw	4	NSP Note(2)
10	CZH619 Lokut nut	4	
11	PRC7255 Lamp number plate	1	
12	570822 Bulb	2	
13	345597 Plinth	1	
14	589026 Cable	1	
15	233244 Grommet	1	
16	SH105551 Screw M5	2	
17	WM702001 Washer spring	2	
18	NH105041 Nut M5	2	

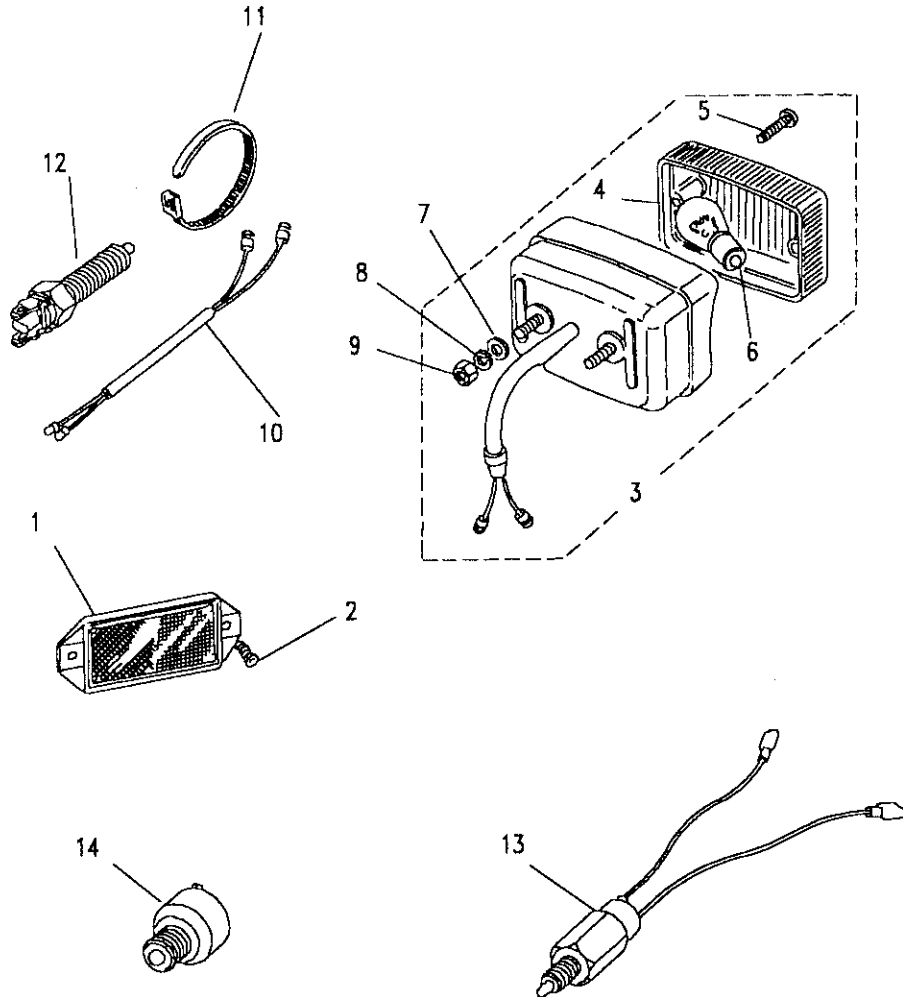
Note(1) For connection of 95MY lamps to pre 95MY harness.
 Note(2) Screws supplied with lens assembly.





Model DEFENDER 110 1987 onwards
Page AFMXAC4A

ELECTRICAL - REFLECTORS, FOG LAMP, REVERSE LAMP



III. Part No.	Description	Qty	Remarks
1	MWC1722	2	Rectangular
2	AB608047L	4	
3	PRC2516	1	
4	RTC4183	1	Lens red
5	RTC4185	2	Screw
6	264591	1	Bulb
7	WA105001L	2	Washer plain
8	WL105001L	2	Washer spring
9	NH105041L	2	Nut
3	PRC3299	1	Lamp reversing
4	RTC4184	1	Lens clear
5	RTC4185	2	Screw
6	264591	1	Bulb
7	WA105001L	2	Washer plain
8	WL105001L	2	Washer spring
9	NH105041L	2	Nut





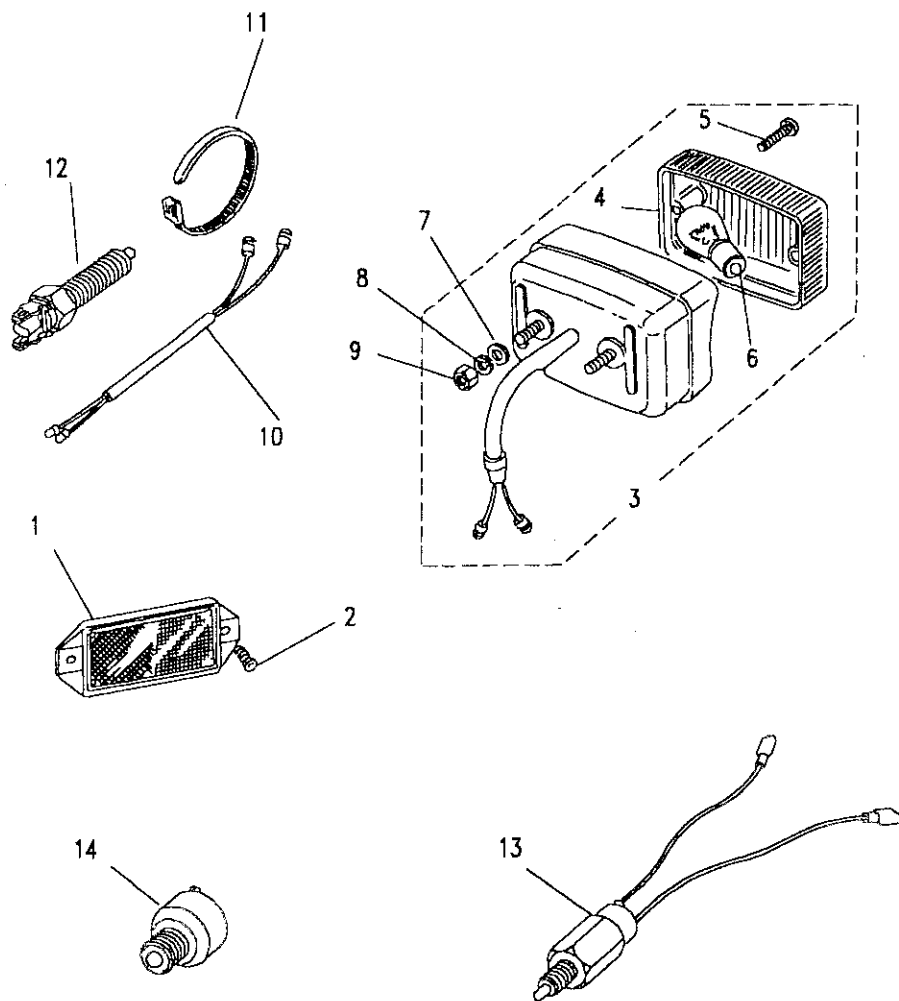
Model DEFENDER 110 1987 onwards

Page AFMXAC4A

ELECTRICAL - REFLECTORS, FOG LAMP, REVERSE LAMP

III. Part No.	Description	Qty	Remarks
Vehicles with LT77 gearbox - Note(1)			
10 PRC2876	Cable assembly	1	4 cyl reverse lamp
PRC4473	Cable assembly	1	V8 reverse lamp
11 573246	Cable tie	2	
4 Cylinder vehicles			
12 PRC2911	Switch reverse lamp	1	Upto FA414648
PRC3085	Link lead	1	Note(2)
13 PRC8204	Switch reverse lamp	1	From FA414649
NT110041L	Lock nut	1	Reverse lamp switch
V8 vehicles			
14 PRC1039	Switch reverse lamp	1	

Note(1) For R380 gearbox switches see transmission section.
 Note(2) Connects chassis harness to PRC2911 reverse lamp switch.



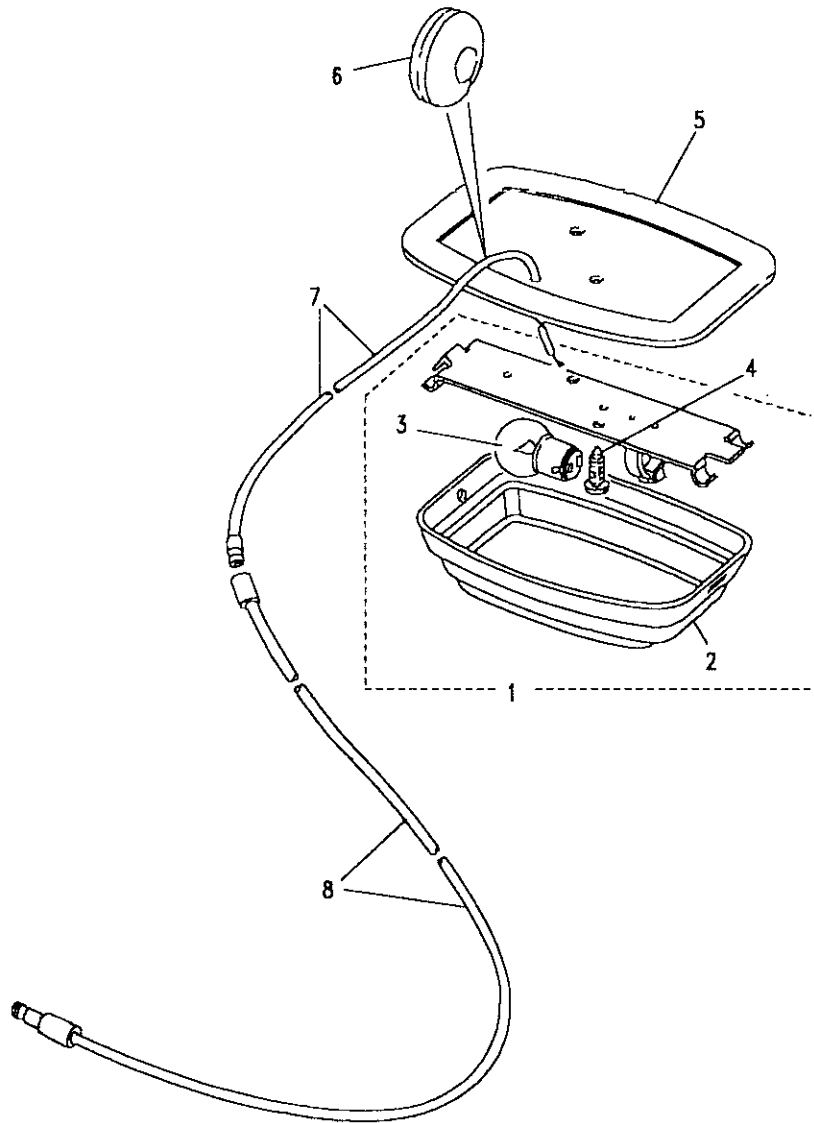


Model DEFENDER 110 1987 onwards
Page AFMXAE1A

ELECTRICAL - INTERIOR LAMP - UP TO HA455595

III. Part No.	Description	Qty	Remarks
1 265295	Lamp interior	1	No longer available use STC251
2 320608	Lens	1	
3 264591	Bulb	1	
4 AB606041L	Screw	2	
5 MTC4132	Pad	1	
MWC9601	Gasket roof lamp	1	Sunroof vehicles From Note(1)
6 312856	Grommet	1	
Lamp to roof connection			
7 PRC2964	Lead	1	
Switch to roof connection			
8 PRC3813	Lead	1	

Note(1) EA314292 (Regular), EA314268 (Station Wagon) - Intro. of 1988MY.

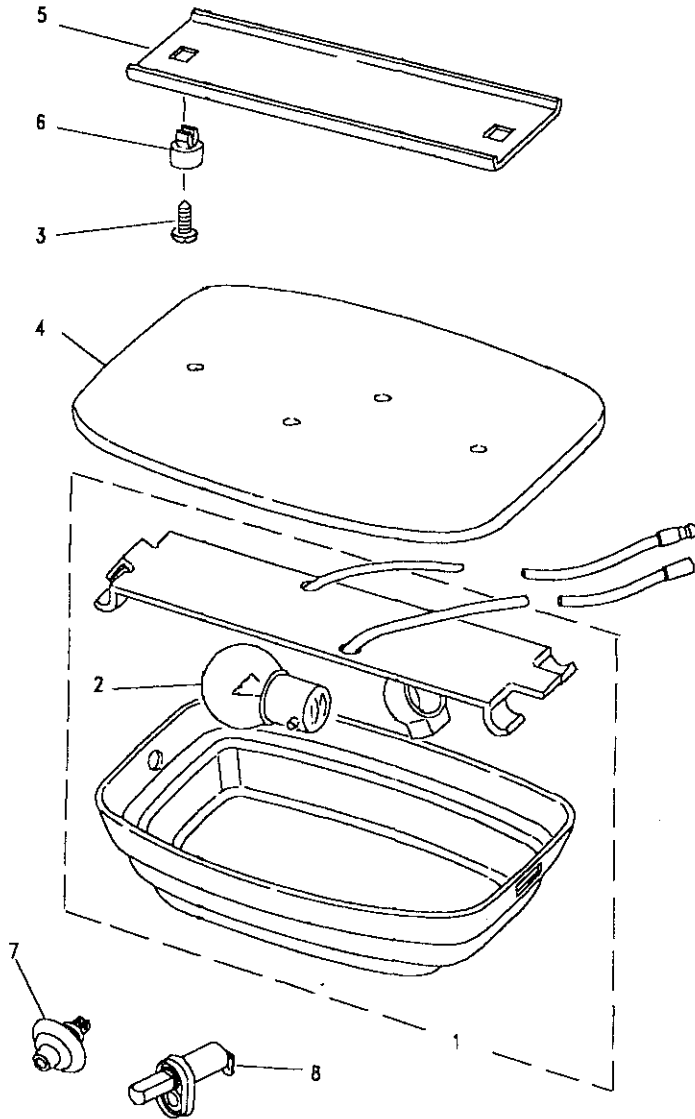




DEFENDER 110 1987 onwards

679

BODY ELECTRICAL



Model DEFENDER 110 1987 onwards
Page AFMXAE2A

ELECTRICAL - INTERIOR LAMP - FROM HA455596 UP TO LA939975

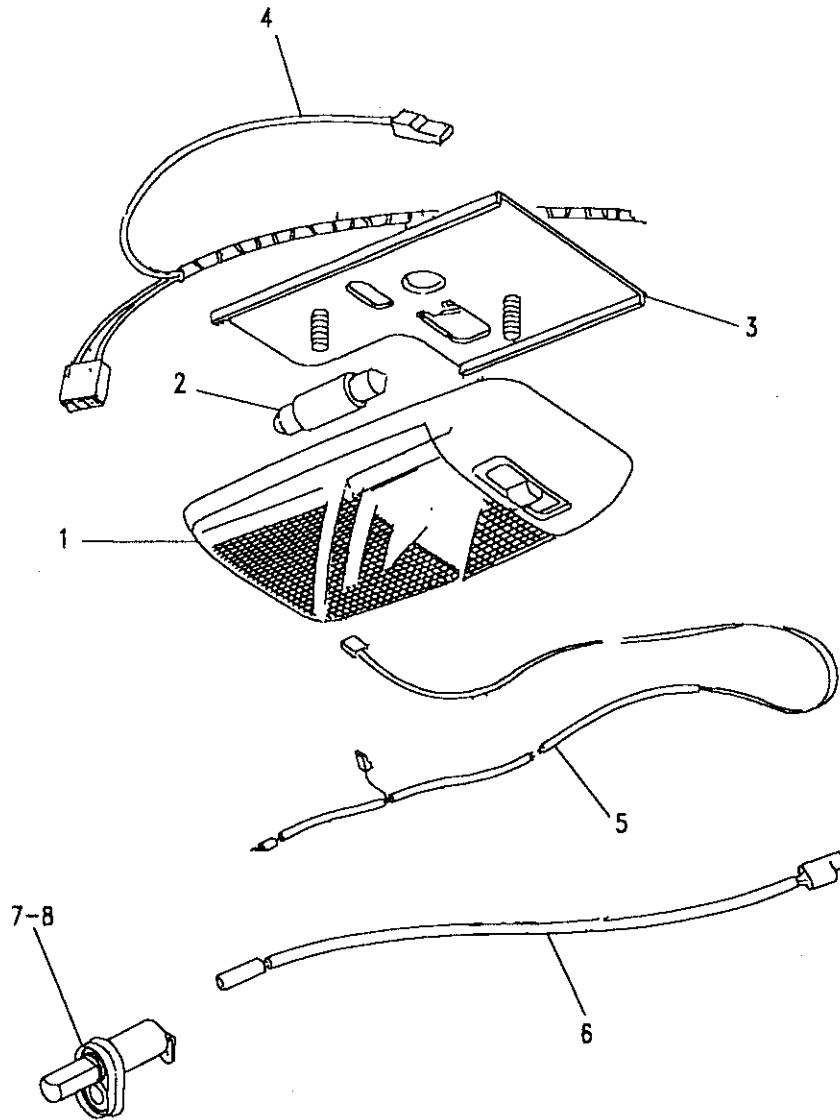
III. Part No.	Description	Qty	Remarks
1	STC251	1	Lamp interior
2	264591	1	Bulb
3	AB606041L	2	Screw
4	MWC9601	1	Gasket
5	MXC2342	1	Plate backing
6	MXC2341	2	Nut lokut
7	PRC8231	2	Switch interior light
8	AFU4241L	2	Switch interior light
			Up to HA903278
			From HA903279

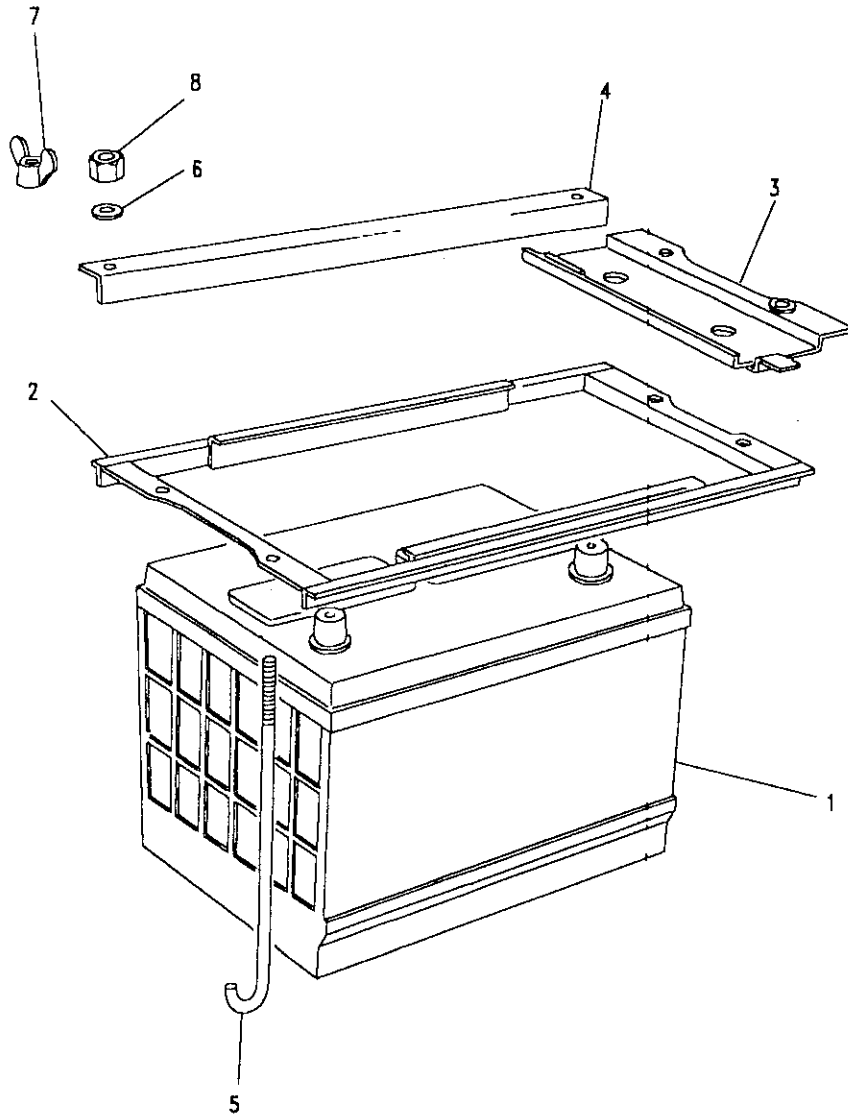


Model DEFENDER 110 1987 onwards
Page AFMXAE2B

ELECTRICAL - INTERIOR LAMP - FROM MA939976

III. Part No.	Description	Qty	Remarks
1 AMR3155	Lamp interior	2	
2 586438	Bulb festoon 12V 10W	2	
3 AMR3142	Bracket mounting	2	
4 AMR3158	Harness front light	1	
5 AMR3322	Harness rear light	1	
6 AMR3727	Cable rear light switch	1	
7 AFU4241L	Switch front light	2	
8 PRC8548	Switch rear light	1	





Model DEFENDER 110 1987 onwards
Page AFMXCA1A

ELECTRICAL - BATTERY

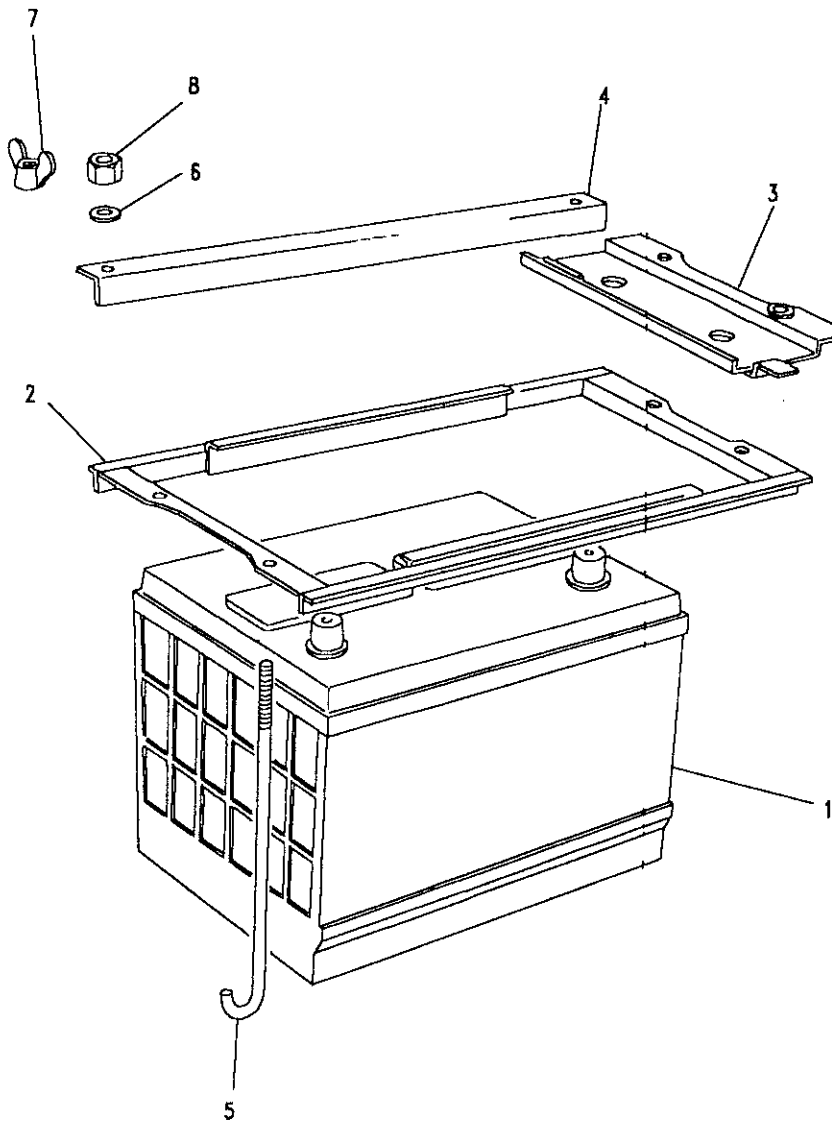
Ill. Part No.	Description	Qty	Remarks
Petrol			
1 STC8268	Battery wet	1	
1 STC8270	Battery dry	1	
Diesel			
1 STC8267	Battery wet	1	
1 STC8269	Battery dry	1	
2 NRC5338	Cover battery	1	Petrol Upto VIN 273882
2 NRC5387	Cover battery	1	Diesel Upto VIN 273882
3 MTC6302	Spacer	1	Petrol Upto VIN 273882
4 MUC7513	Clamp battery	1	From VIN 273883



Model DEFENDER 110 1987 onwards
Page AFMXCA1A

ELECTRICAL - BATTERY

III. Part No.	Description	Qty	Remarks
Defender 110			
5 MRC7132	J bolt	2	Up to VIN 273882
5 MRC7132	J bolt	1	From VIN 273883 up to VIN 455645
5 MUC7514	J bolt	1	From VIN 273883 up to VIN 455645
5 STC307	J bolt	2	From HA455646
Defender 130			
RRC2636	J bolt	2	
RRC2579	Clamp eye	2	
6 AFU1271	Washer	2)Alternatives
6 WA106041L	Washer plain	2)up to VIN 273882
6 WC106041L	Washer plain	2	From VIN 273883
7 AFU1272	Nut wing	2)Alternatives
8 NH106041L	Nut	4)up to VIN 273882
8 NH106041L	Nut	4	From VIN 273883

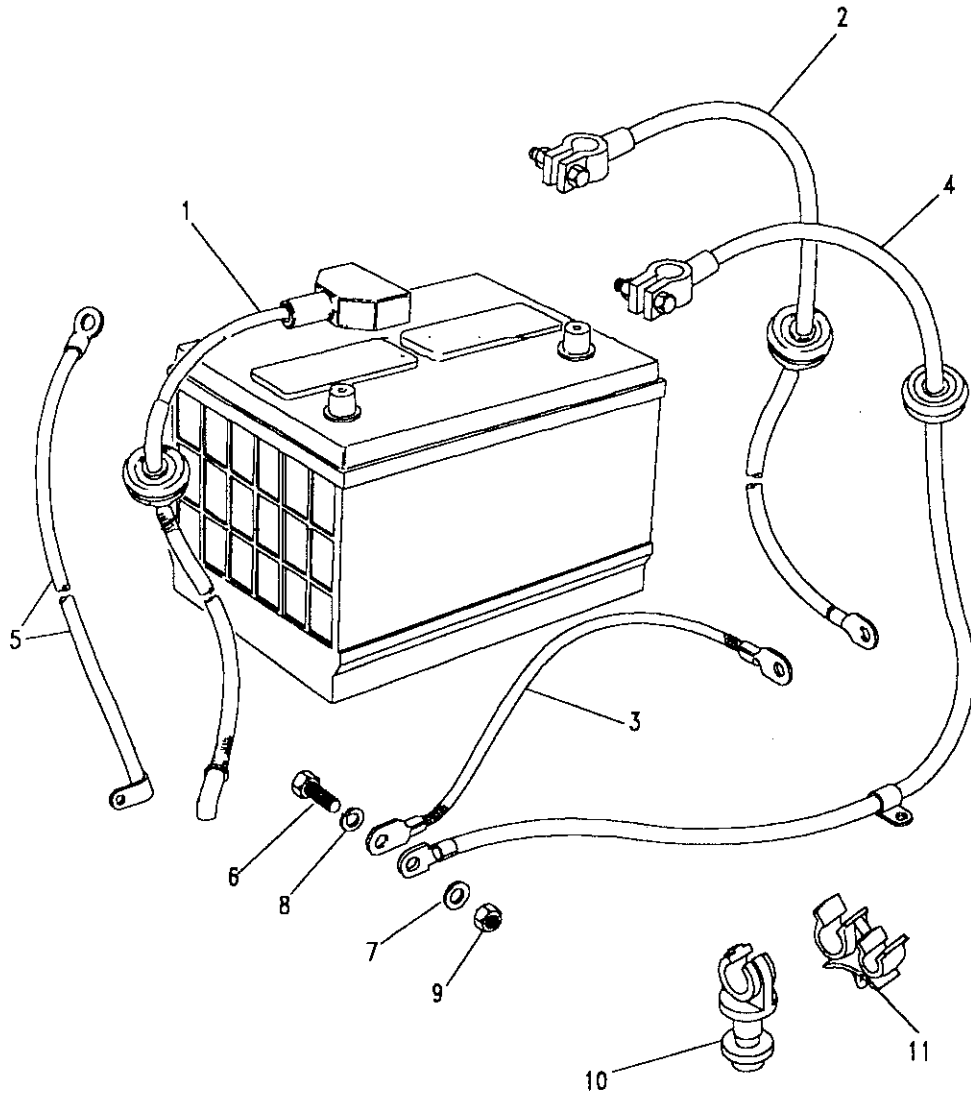




Model DEFENDER 110 1987 onwards
Page AFMXCA2A

ELECTRICAL - BATTERY CABLES

III. Part No.	Description	Qty	Remarks
Defender 110			
4 cylinder Petrol			
1 PRC1860	Cable battery positive	1	1250mm
V8 Petrol			
1 PRC2230	Cable battery positive	1	1830mm
Diesel & 200TDI			
1 PRC4616	Cable battery positive	1	1250mm
300TDI			
1 AMR3104	Cable battery positive	1	
Defender 130			
1 RRC2635	Cable battery positive	1	NLS

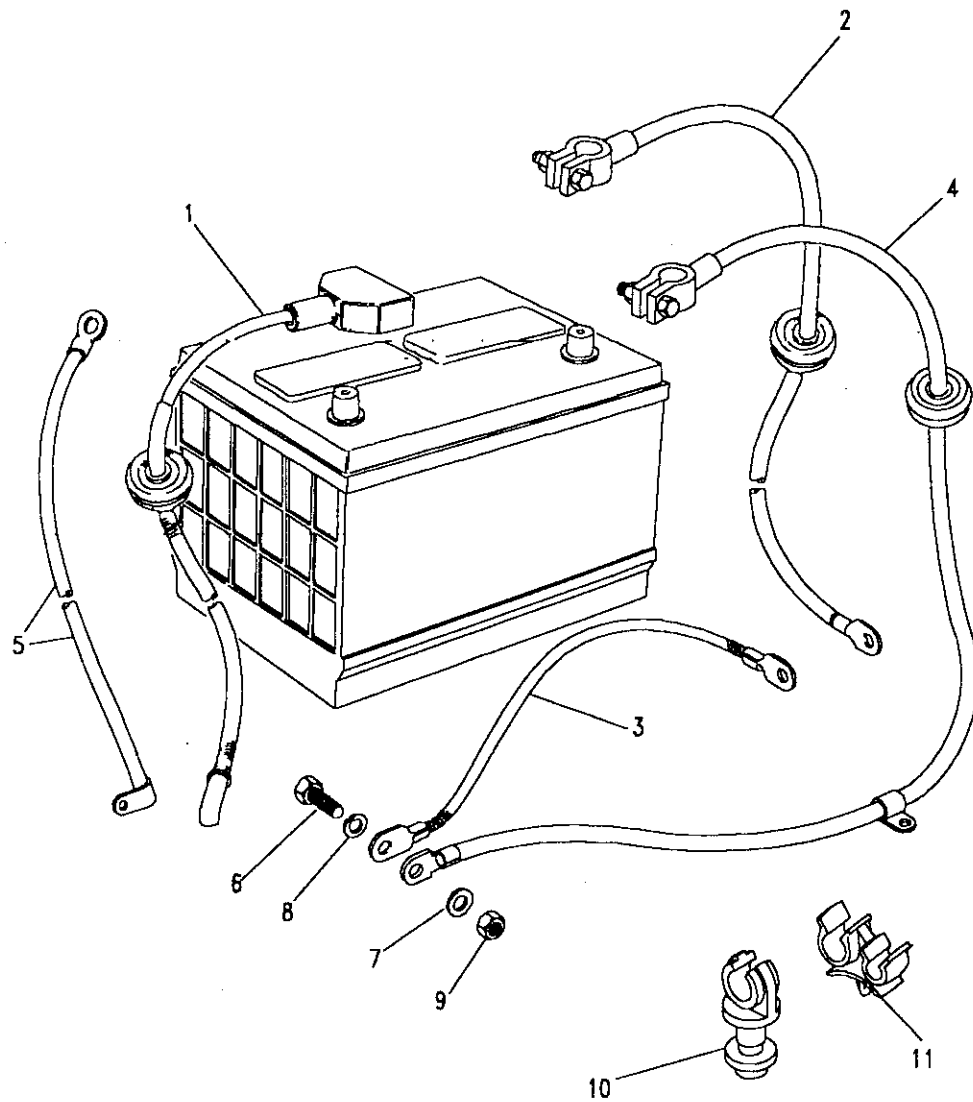




Model DEFENDER 110 1987 onwards
Page AFMXCA2A

ELECTRICAL - BATTERY CABLES

Ill. Part No.	Description	Qty	Remarks
Petrol			
2 PRC1859	Cable battery negative	1	480mm Up to VIN 273882
2 PRC7175	Cable battery negative	1	740mm From VIN 273883 Up to HA905528
4 PRC9226	Cable battery negative	1	1170mm From HA905529
Diesel			
2 PRC5524	Cable battery negative	1	640mm Up to HA905518
4 PRC9224	Cable battery negative	1	1170mm From HA905519
Petrol/Diesel - Note(1)			
2 PRC6785	Cable battery negative	1	1050mm





Model DEFENDER 110 1987 onwards
 Page AFMXCA2A

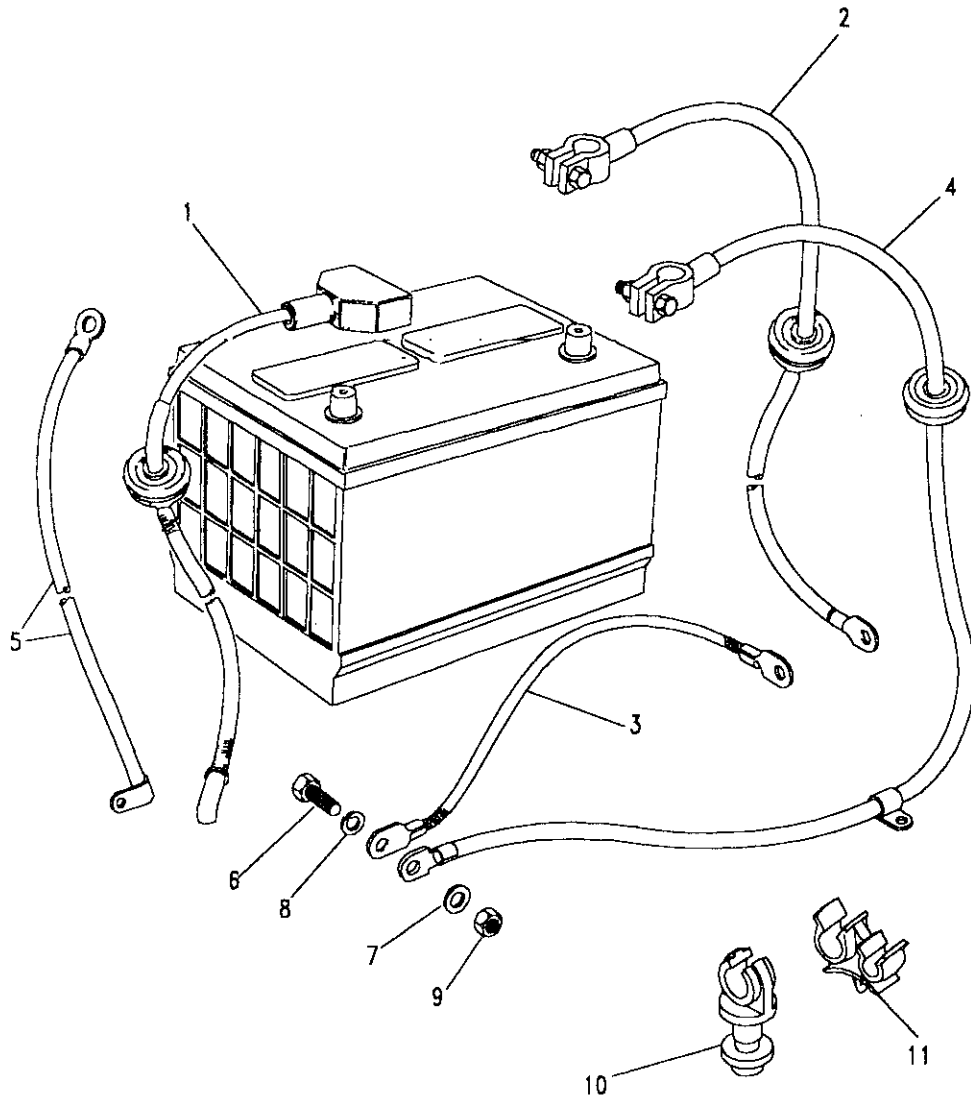
ELECTRICAL - BATTERY CABLES

III. Part No.	Description	Qty	Remarks
3	PRC3625	1	Lead engine/earth 250mm
3	PRC5499	1	Lead engine/earth 250mm
5	PRC2015	1	Lead starter/earth 300mm
6	FS108207L	2	Screw
6	FS108251L	2	Screw
7	WA108051L	2	Washer plain
8	WL108001L	2	Washer spring
9	FN108041L	2	Nut
10	PRC3180	1	Clip retaining
11	PRC3025	2	Clip retaining

Split charge vehicles only - from EA VIN prefix onwards

1	AMR3843	1	Cable battery - positive	Additional battery
2	AMR3844	1	Cable battery - negative	Additional battery

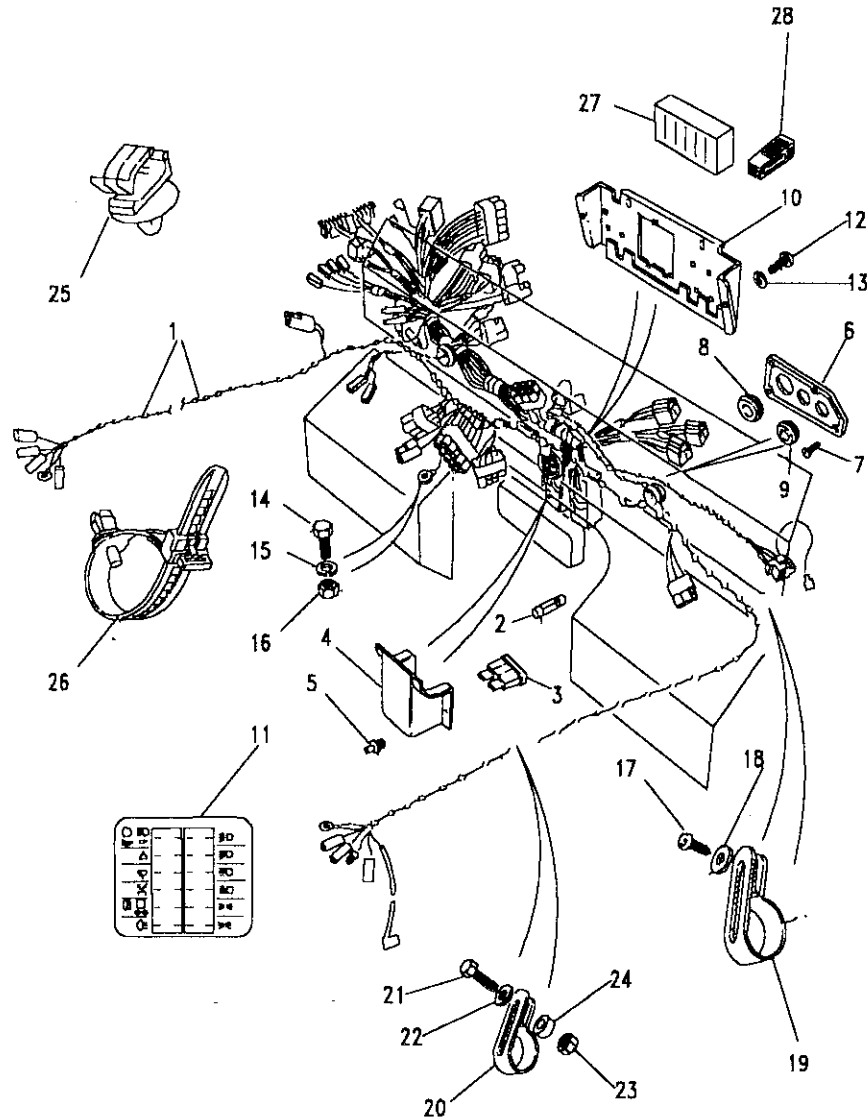
Note(1) Re-routed cable - From VIN 293222
 Note(2) Up to HA905528 Petrol & HA905518 Diesel.





Model DEFENDER 110 1987 onwards
Page AFMXCC1A

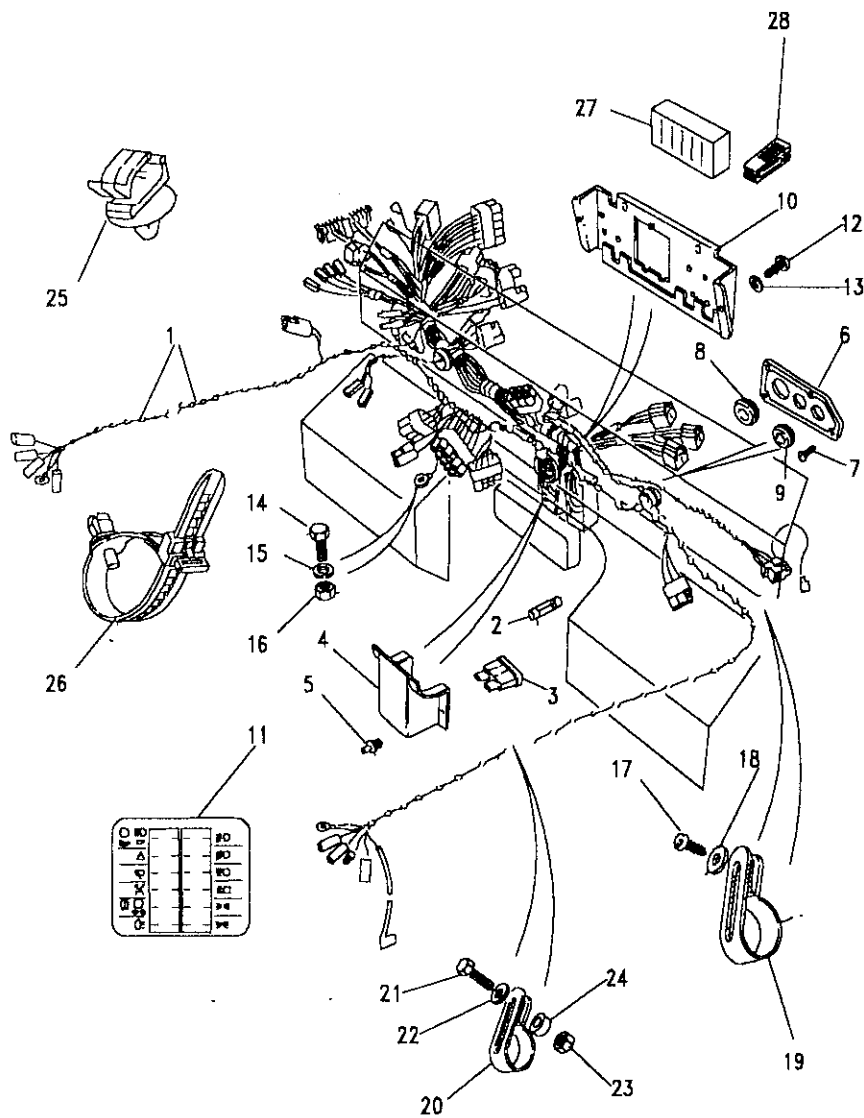
ELECTRICAL - MAIN HARNESS - NOTE(1)



III. Part No.	Description	Qty	Remarks
All Derivatives - up to HA906454			
1 PRC6311	Harness main	1	Up to FA404682
1 PRC6779	Harness main	1	From FA404683 up to FA423988
1 PRC8243	Harness main	1	From FA423989 up to VIN 455595
1 PRC8385	Harness main	1	From HA455596 up to HA903278
1 PRC8868	Harness main	1	From HA903279 up to HA906454
Petrol - from HA906455 up to LA939975			
1 PRC9810	Harness main	1	From HA906455 up to JA915797
1 AMR1487	Harness main	1	From JA915798 up to KA922208
1 AMR2347	Main harness	1	From KA922209
Diesel - from HA906455 up to LA939975			
1 PRC9809	Harness main	1	From HA906455
200TDI - from HA906455			
1 PRC9810	Harness main	1	From HA906455 up to JA915323
1 AMR1488	Harness main	1	From JA915324 up to KA922208
1 AMR2348	Harness main	1	From KA922209

Note(1) Fusebox is part of main harness and is not serviced separately.





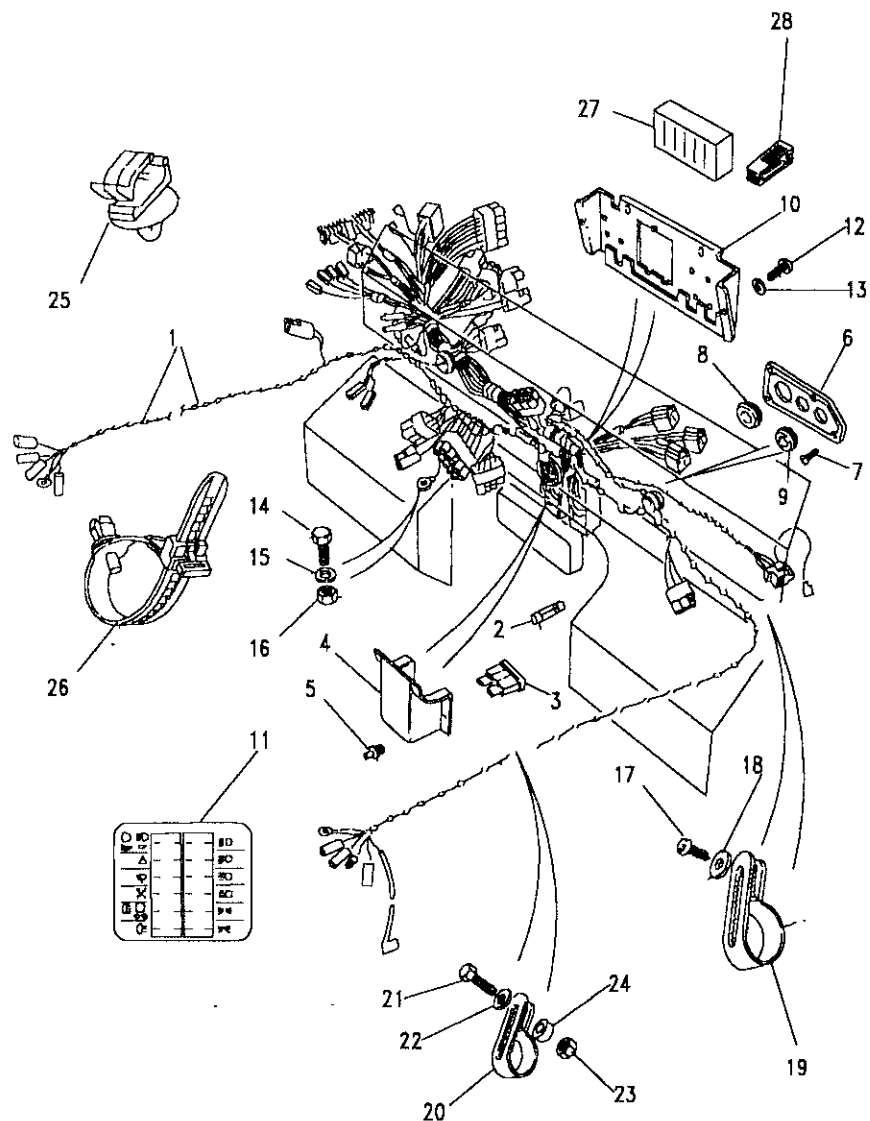
Model DEFENDER 110 1987 onwards
Page AFMXCC1A

ELECTRICAL - MAIN HARNESS - NOTE(1)

Ill. Part No.	Description	Qty	Remarks
Petrol - from MA939976			
1	AMR3481	1	Harness main - lowline
	AMR3480	1	Harness main - highline
Diesel - from MA939976			
	AMR3482	1	Harness main
300TDI - from MA939976			
	AMR3483	1	Harness main - lowline
	AMR3484	1	Harness main - highline

Note(1) Fusebox is part of main harness and is not serviced separately.





Model DEFENDER 110 1987 onwards
Page AFMXCC1A

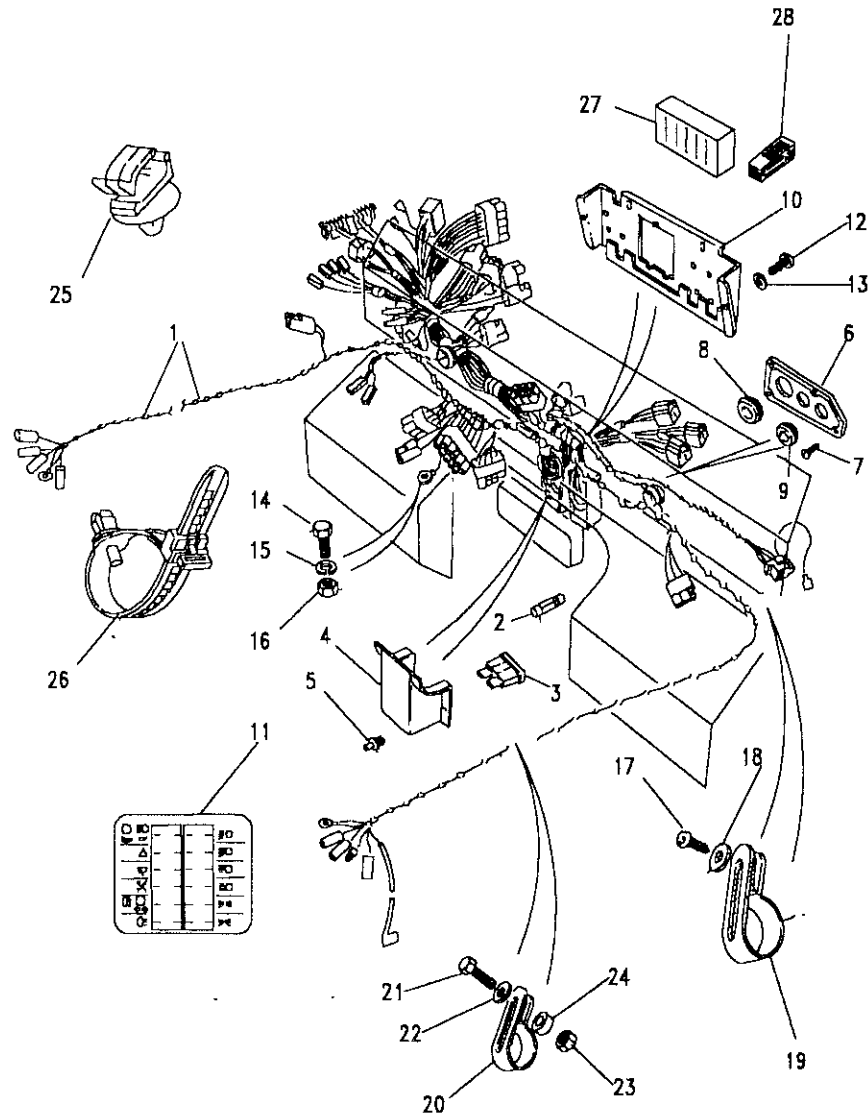
ELECTRICAL - MAIN HARNESS - NOTE(1)

Ill. Part No.	Description	Qty	Remarks
All Derivatives			
C46082	Resistor	1	Up to JA912943
PRC9096	Resistor	1	From JA912944
AAU5034	Diode	1	From HA455596 up to HA903278
AAU5034	Diode	3	From HA903279
Fuse - Cartridge type - up to FA423988			
2	RTC4482	Fuse 5 amp	A/R
	RTC4500	Fuse 10 amp	A/R
	RTC4502	Fuse 15 amp	A/R
	RTC4785	Fuse 20 amp	A/R
	RTC4505	Fuse 25 amp	A/R
	RTC4510	Fuse 35 amp Con	A/R Air con
Fuse - Blade type - from FA423989			
3	RTC4497	Fuse 5 amp	A/R
	RTC4498	Fuse 7.5 amp	A/R
	RTC4501	Fuse 10 amp	A/R
	RTC4503	Fuse 15 amp	A/R
	RTC4504	Fuse 20 amp	A/R

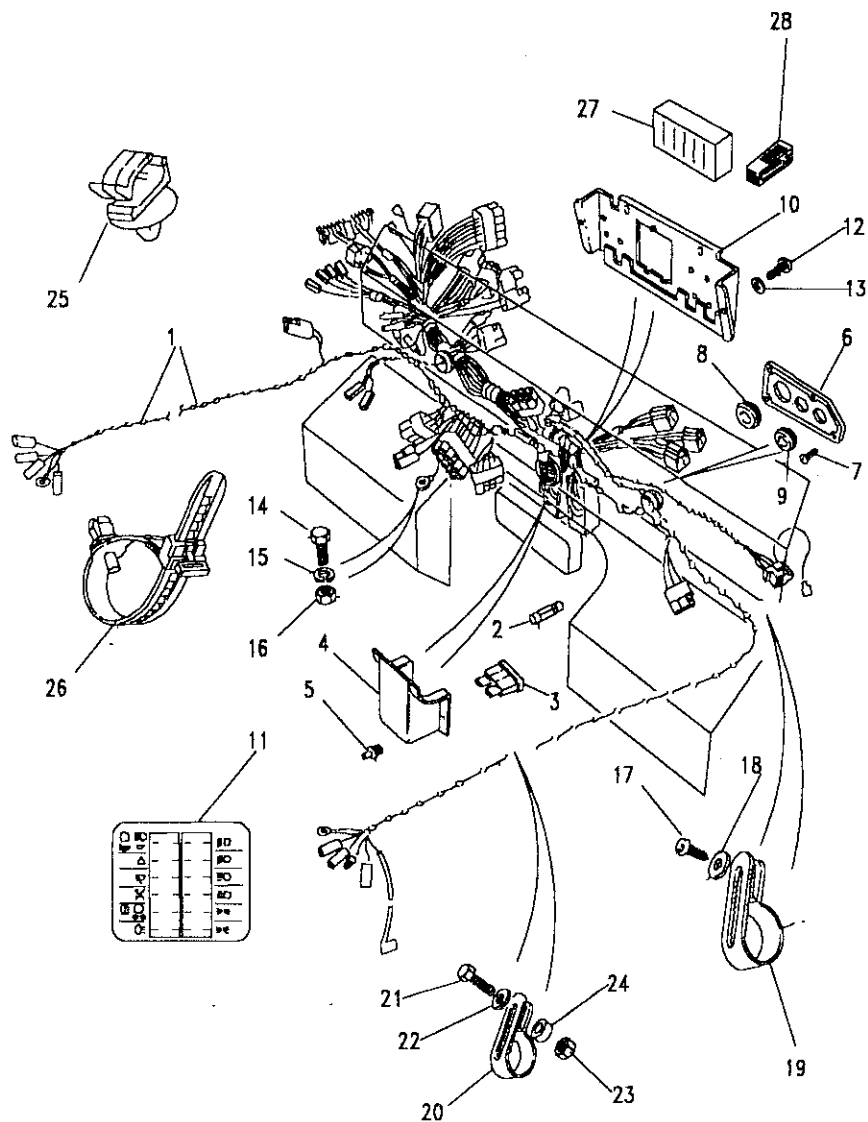
Note(1) Fusebox is part of main harness and is not serviced separately.

Model DEFENDER 110 1987 onwards
Page AFMXCC1A

ELECTRICAL - MAIN HARNESS - NOTE(1)



III. Part No.	Description	Qty	Remarks
4	PRC3037	1	Cover
5	BRC8089L	4	Rivet
6	PRC1333	1	Plate grommet bulkhead
	AMR3098	1	Plate grommet bulkhead
7	AB610051L	8	Screw
8	BD155888	1	Plug sealing
9	338023	2	Plug sealing
10	PRC2443	1	Panel mounting
	PRC8072	1	Panel mounting
	AMR3138	1	Panel mounting
11	PRC3389	1	Label fuse
	PRC5670	1	Label fuse
	PRC8245	1	Label fuse
	PRC9902	1	Label fuse
	AMR3771	1	Label fuse
12	SE106121L	2	Screw
13	WF600041L	2	Washer spring
14	SH106121L	1	Screw
15	WL106001L	1	washer spring
16	NH106041L	1	Nut
17	AB608047	1	Screw
18	4034L	1	Washer plain
19	C39377L	1	Strap cable
20	C39377L	2	Strap cable



Model DEFENDER 110 1987 onwards
Page AFMXCC1A

ELECTRICAL - MAIN HARNESS - NOTE(1)

III. Part No.	Description	Qty	Remarks
21	SH106121L FS106201L	1 2	
22	WL106001L	3	
23	NH106041L	3	
24	390939	2	From HA455596
25	AFU1090L	A/R	
26	AAU3686	A/R	
27	HAM4301L	1	Note(2&3)
28	PRC4412 STC197	1 1	Note(2&3)
	Fuse box - cartridge type	1	Australia only

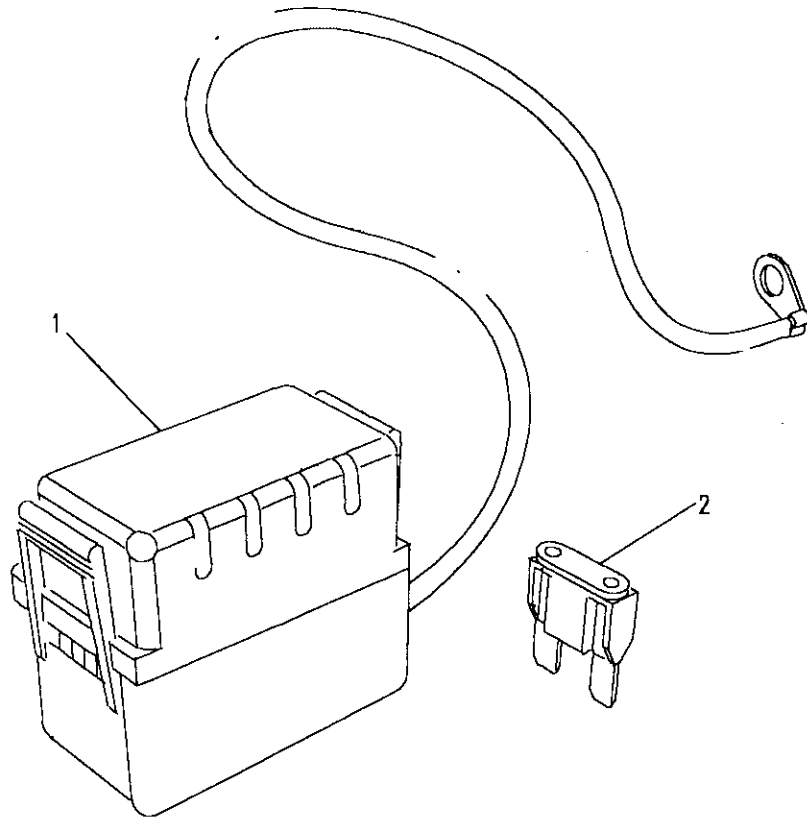
Note(1) Fusebox is part of main harness and is not serviced separately.
 Note(2) From FA423989
 Note(3) Attached to underside of fusebox cover.



DEFENDER 110 1987 onwards

691

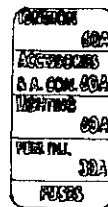
BODY ELECTRICAL



Model DEFENDER 110 1987 onwards
Page AFMXCC2A

ELECTRICAL - UNDER BONNET FUSE BOX - FROM MA939976

Ill. Part No.	Description	Qty	Remarks
1 AMR1637	Fuse box underbonnet	1	V8
AMR2983	Fuse box underbonnet	1	4cyl.
Fuse options			
2 YQG10007	Fuse 20A - yellow	A/R	HRW
YQG10008	Fuse 30A - green	A/R	PI/lighting
YQG10011L	Fuse 60A - blue	A/R	Ign/gl.pl./air con.
3	Label fuse	1	NSP



Model DEFENDER 110 1987 onwards

Page AFMXCE1A

ELECTRICAL - CHASSIS HARNESS

III. Part No.

Description

Qty Remarks

Defender 110

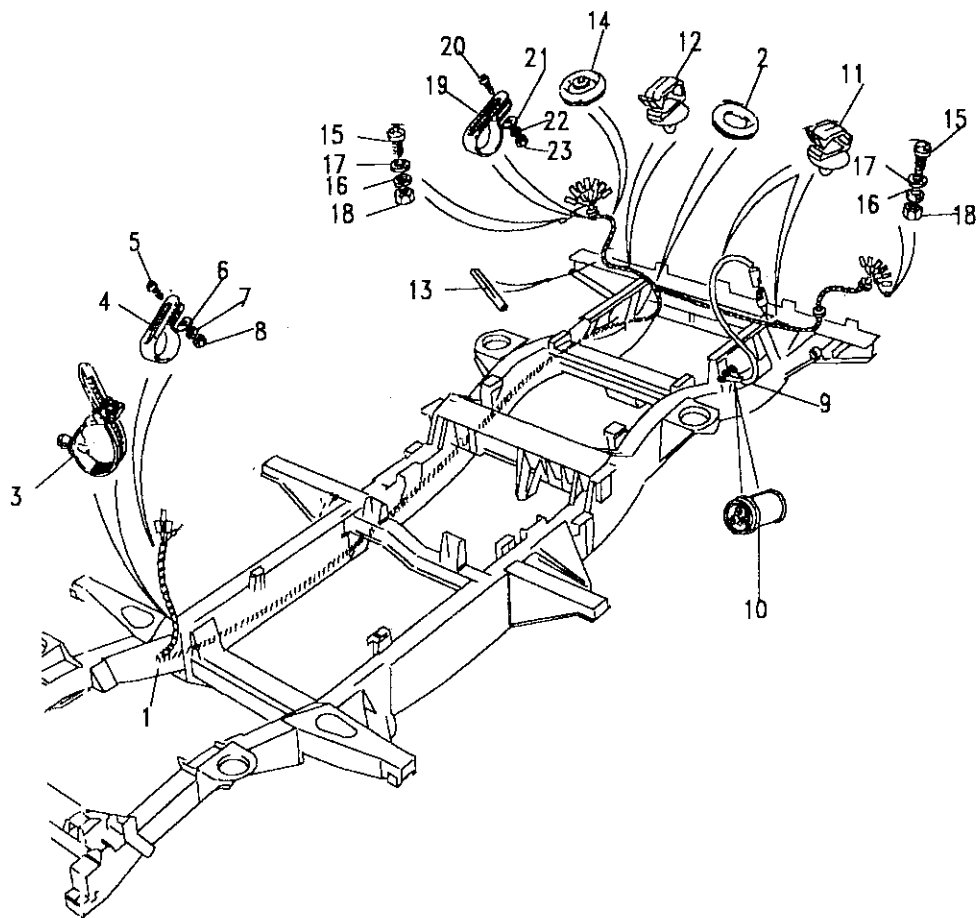
1	PRC4970	Harness chassis	1	Up to VIN 344778
	PRC7003	Harness chassis	1	From VIN 344779 up to HA903278
	PRC8870	Harness chassis - petrol	1	From HA903279
	PRC8870	Harness chassis - diesel	1	From HA903279 up to JA915357
	AMR1491	Harness chassis - diesel	1	From JA915358 up to LA939975
	AMR3448	Harness chassis - pet/die	1	From MA939976

Defender 110 - Rear Wash Wipe/Heated Rear Window

1	PRC4993	Harness chassis	1	Up to VIN 343944
	PRC7004	Harness chassis	1	From VIN 343945 up to HA903278
	PRC8869	Harness chassis	1	From HA903279 (up to JA915353 diesel only)
	AMR1492	Harness chassis - diesel	1	From JA915354 up to LA939975
	AMR3449	Harness chassis - pet/die	1	From MA939976

Defender 130

1	PRC7542	Harness chassis	1	Up to HA903329
	PRC8872	Harness chassis	1	From HA903330 up to JA915815
	AMR1518	Harness chassis	1	From JA915816 up to LA939975
	AMR3450	Harness chassis	1	From MA939976





Model DEFENDER 110 1987 onwards
Page AFMXCE1A

ELECTRICAL - CHASSIS HARNESS

Ill. Part No.	Description	Qty	Remarks
2	589452 Grommet	1	
3	AAU3686 Strap cable	3	
4	C39377L Clip retaining	1	
5	SE105121L Screw	1	
6	WA105001L Washer plain	1	
7	WL105001L Washer spring	1	
8	NH105041L Nut	1	

Petrol

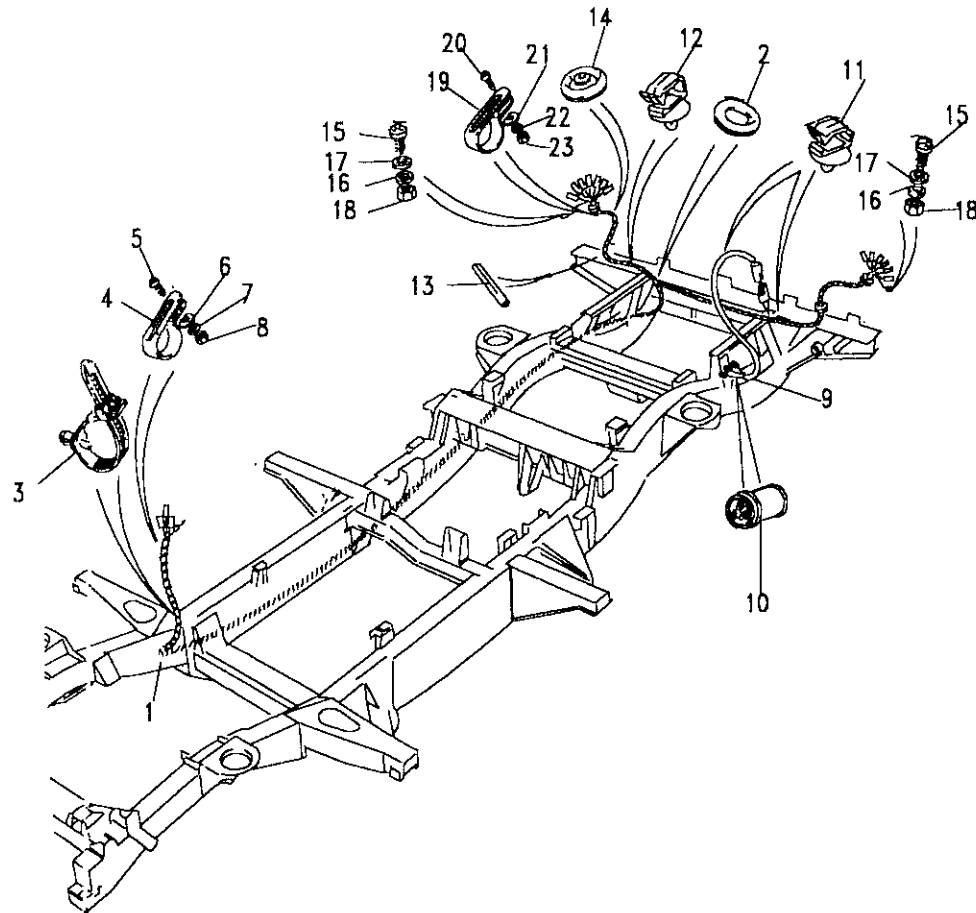
9	PRC5602	Harness rear tank	1	Up to VIN 344778
	PRC7011	Harness rear tank	1	From VIN 344779 up to HA903305
	PRC9331	Harness rear tank	1	From HA903306 up to JA915411
	AMR1493	Harness rear tank	1	From JA915412

Diesel

9	PRC5544	Harness rear tank	1	Up to VIN 343944
	PRC7012	Harness rear tank	1	From VIN 343945 up to HA903353
	PRC9332	Harness rear tank	1	From HA903354 up to JA915815
	AMR1494	Harness rear tank	1	From JA915816

10	RTC6545	Connector	1	Note(1)
----	---------	-----------	---	---------

Note(1) To convert PRC5602 where necessary.





Model DEFENDER 110 1987 onwards

Page AFMXCE1A

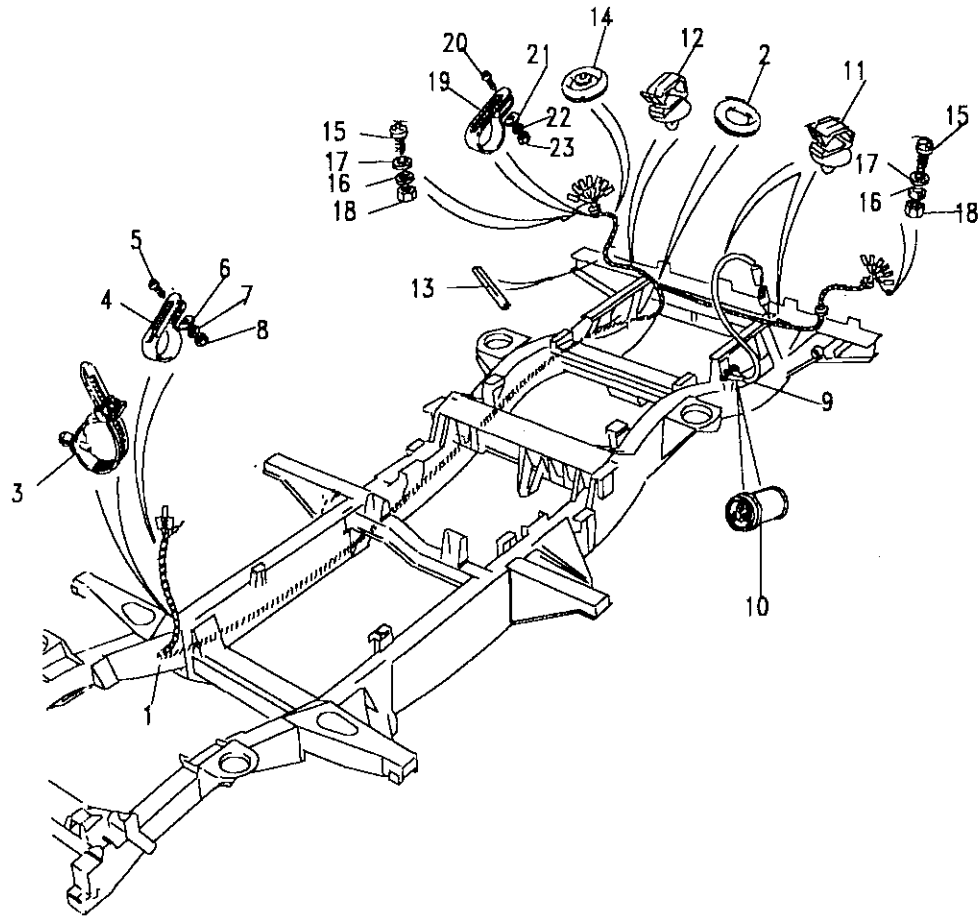
ELECTRICAL - CHASSIS HARNESS

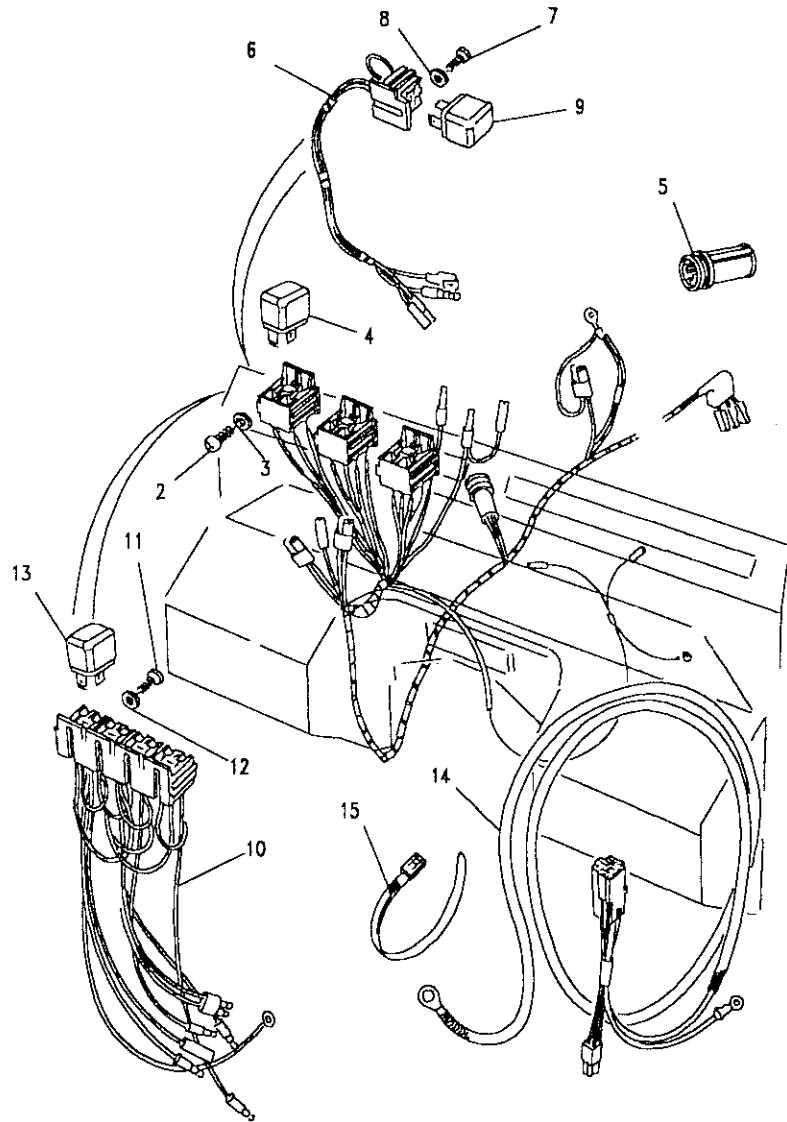
III. Part No.

Description

Qty Remarks

11	AFU1090L	Clip cable	3	
12	PRC3537	Clip	1	NLS
13	570753	Finisher edge	1	
14	269257	Grommet	1	
15	SE105121L	Screw	2	
16	WM702001L	Washer spring	2	
17	WA105001L	Washer plain	2	
18	NH105041L	Nut	2	
19	C393771L	Strap cable	1	
20	SH105121L	Screw	2	
21	WA105001L	Washer plain	2	
22	WL105001L	Washer spring	2	
23	NH105041L	Nut	2	
	PRC8928	Link lead	1	From HA903559
		-overtemp sw to ch harness	1	



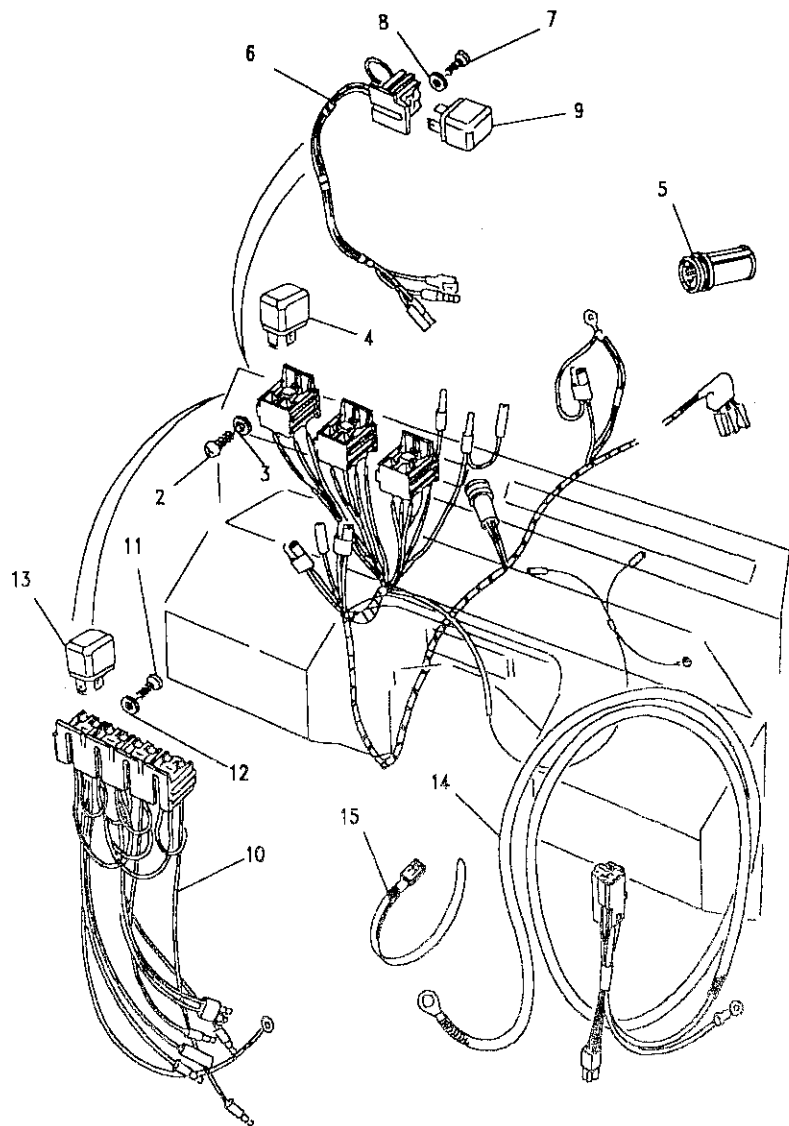


Model DEFENDER 110 1987 onwards
Page AFMXCE2A

ELECTRICAL - HARNESS

III. Part No.	Description	Qty	Remarks
Harness twin fuel tanks - Petrol			
1 PRC5600	Harness twin tank	1	Up to VIN 343944
PRC7002	Harness twin tank	1	From VIN 343945 up to VIN 392146
PRC7867	Harness twin tank	1	From VIN 392147 up to HA903698
PRC9327	Harness twin tank	1	From HA903699 up to LA939975
AMR2972	Harness twin tank	1	From MA939976
Harness twin fuel tanks - Diesel			
1 PRC5603	Harness twin tank	1	Up to VIN 343944
PRC7022	Harness twin tank	1	From VIN 343945 up to HA903353
PRC9329	Harness twin tank	1	From HA903354 up to LA939975
AMR2973	Harness twin tank	1	From MA939976
2 AB608047L	Screw	2	
3 WA105001L	Washer plain	2	
4 YWB10032L	Relay	2	Petrol
YWB10032L	Relay	1	Diesel
5 RTC6545	Connector	1	Note(1)

Note(1) To convert PRC5602 where necessary.



Model DEFENDER 110 1987 onwards
Page AFMXCE2A

ELECTRICAL - HARNESS

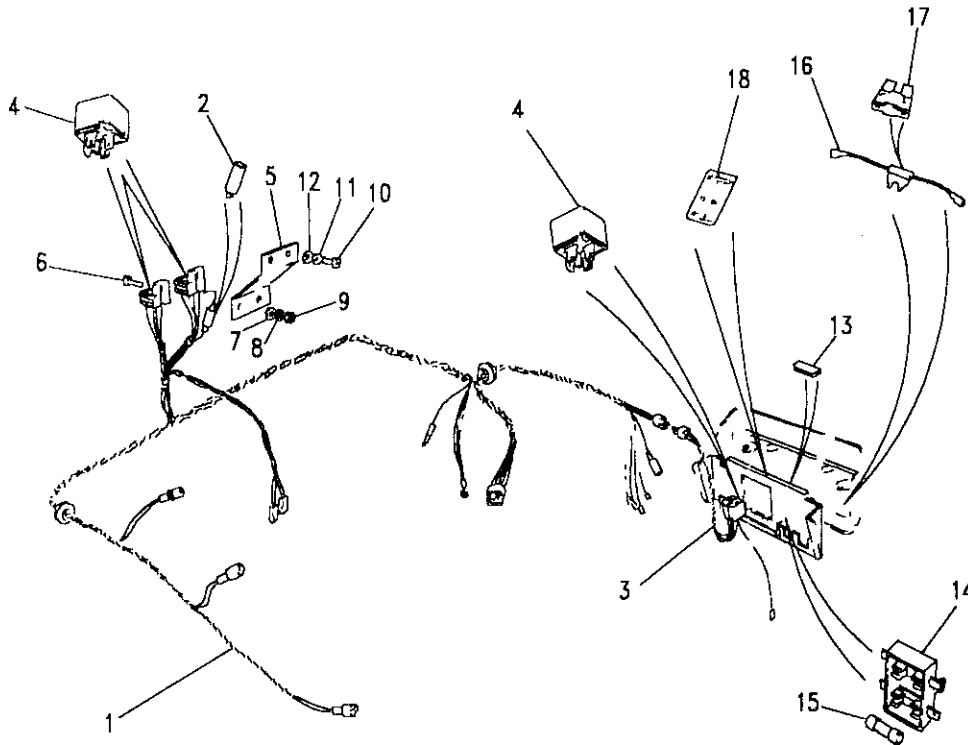
III. Part No.	Description	Qty	Remarks
Harness fuel pump isolation			
6 PRC7851	Harness	1	From VIN 392009 up to VIN 404682
7 AB608031L	Screw	1	
8 WA105001L	Washer plain	1	
9 YWB10032L	Relay	1	
Harness daylight running lights			
10 PRC5680	Harness	1	Norway
11 AB608031L	Screw	2	
12 WA105001L	Washer plain	2	
13 YWB10032L	Relay	4	
Cable - glow plug timer			
14 PRC6083	Cable-glow plug timer	1	From HA455646 up to note(1)
15 568680	Cable tie	5	From HA455646
Cable - volt sensitive switch			
AMR2351	Cable - volt sens. sw. -volt sensitive switch	1	From KA922209

Note(1) Glow plug timer cable incorporated into main harness.



Model DEFENDER 110 1987 onwards
Page AFMXCE3A

ELECTRICAL - AIR CONDITIONING ELECTRICS



III. Part No.	Description	Qty	Remarks
1 PRC4208	Cable main fans	1	Up to FA423988
PRC7277	Cable main fans	1	From FA423989
PRC9324	Cable main fans	1	Up to HA903558 From HA903559 up to LA939975
AMR2976	Cable main fans	1	From MA939976
2 AAU5034	Diode	1	
3 PRC3905	Cable relay extension	1	Up to VIN 455595
PRC9325	Cable relay extension	1	From HA455596 up to LA939975
AMR2977	Cable relay extension	1	From MA939976
Upto VIN HA903358			
4 YWB10032L	Relay	1	Blower fan
YWB10032L	Relay	1	Condenser fan
YWB10032L	Relay	1	Comp clutch
From VIN HA903559			
4 YWB10027L	Relay	1	Blower fan
YWB10027L	Relay	1	Condenser fan
YWB10027L	Relay	1	Comp clutch
5 PRC3738	Bracket support	1	No longer serviced
Fixings - Relay connectors to support bracket			
6 SE105121L	Screw	2	
7 WA105001L	Washer plain	2	
8 WL105001L	Washer spring	2	
9 NM105011	Nut	2	

Model DEFENDER 110 1987 onwards

Page AFMXCE3A

ELECTRICAL - AIR CONDITIONING ELECTRICS

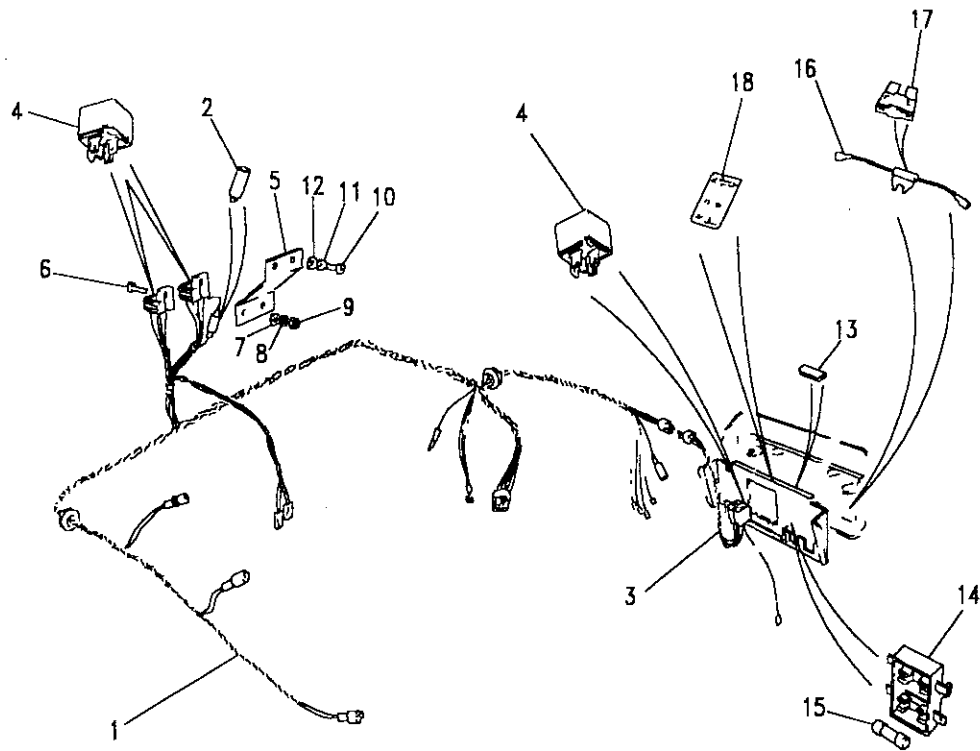
III. Part No.

Description

Qty Remarks

Fixings - Support bracket to wing

10	SE105121L	Screw	2	
11	WA105001L	Washer plain	2	
12	WL105001L	Washer spring	2	
13	DRC1530	Finisher edge	A/R	
14	PRC3737	Fuse box	1	Up to FA423988
15	RTC4510	Fuse 35 amp	1	Condenser fans up to FA423988
	RTC4500	Fuse 10 amp	1	Clutch up to FA423988
16	PRC4311	Inline Fuse	1	
17	RTC4507	Fuse 30 amp	1	
18	PRC4306	Label fuse	1	Up to FA423988





DEFENDER 110 1987 onwards

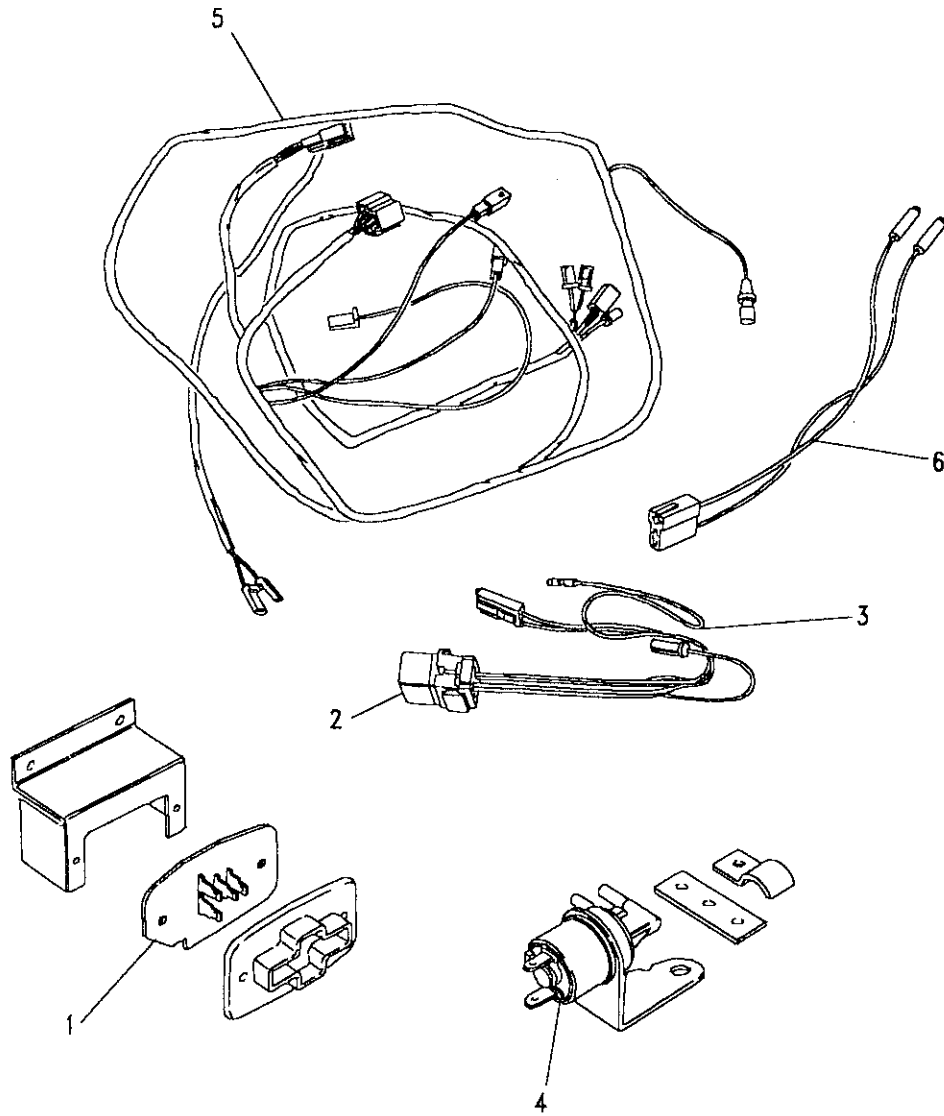
699

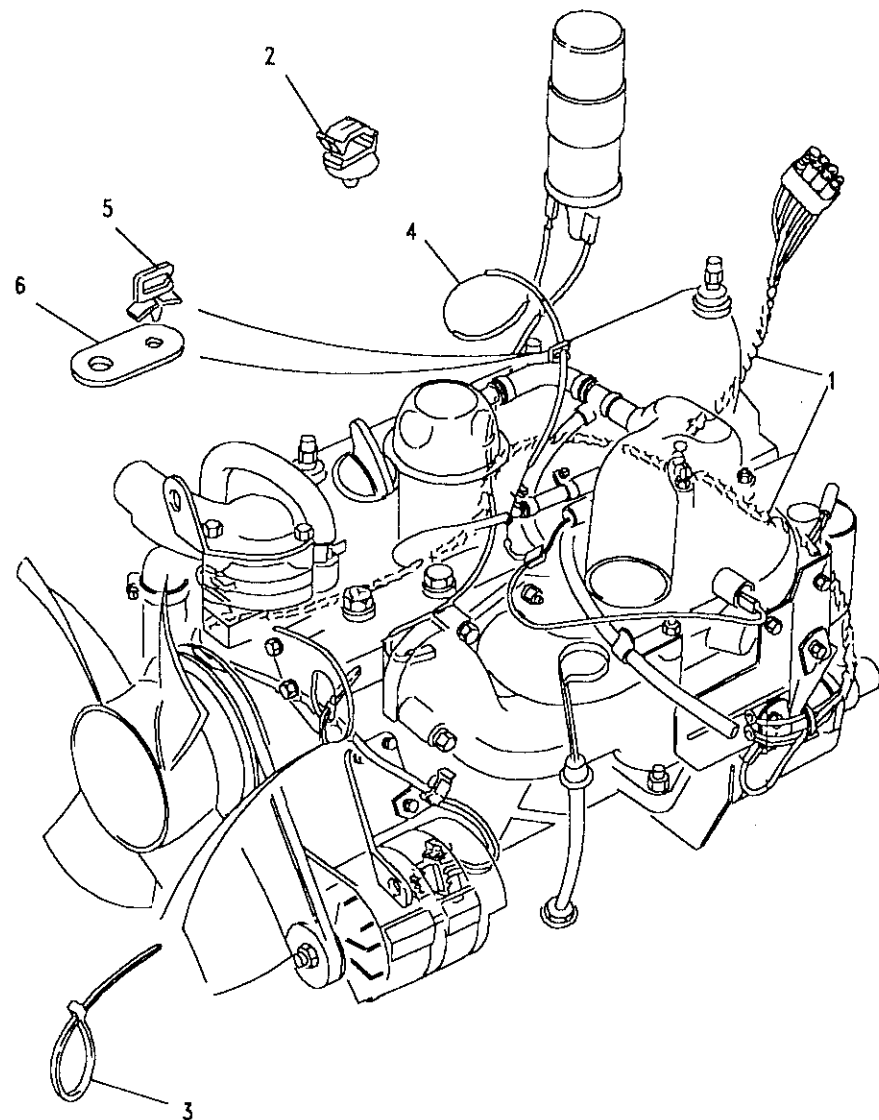
BODY ELECTRICAL

Model DEFENDER 110 1987 onwards
Page AFMXCE4A

ELECTRICAL - AIR CONDITIONING ELECTRICS - RHS

III. Part No.	Description	Qty	Remarks
1	AEU1747	1	Resistor
2	RTC7454	1	Relay
3	MUC1676	1	Harness relay
4	MUC1678	1	Solenoid vacuum
5	MUC1672	1	Harness aircon
6	MUC1677	1	Harness lighting





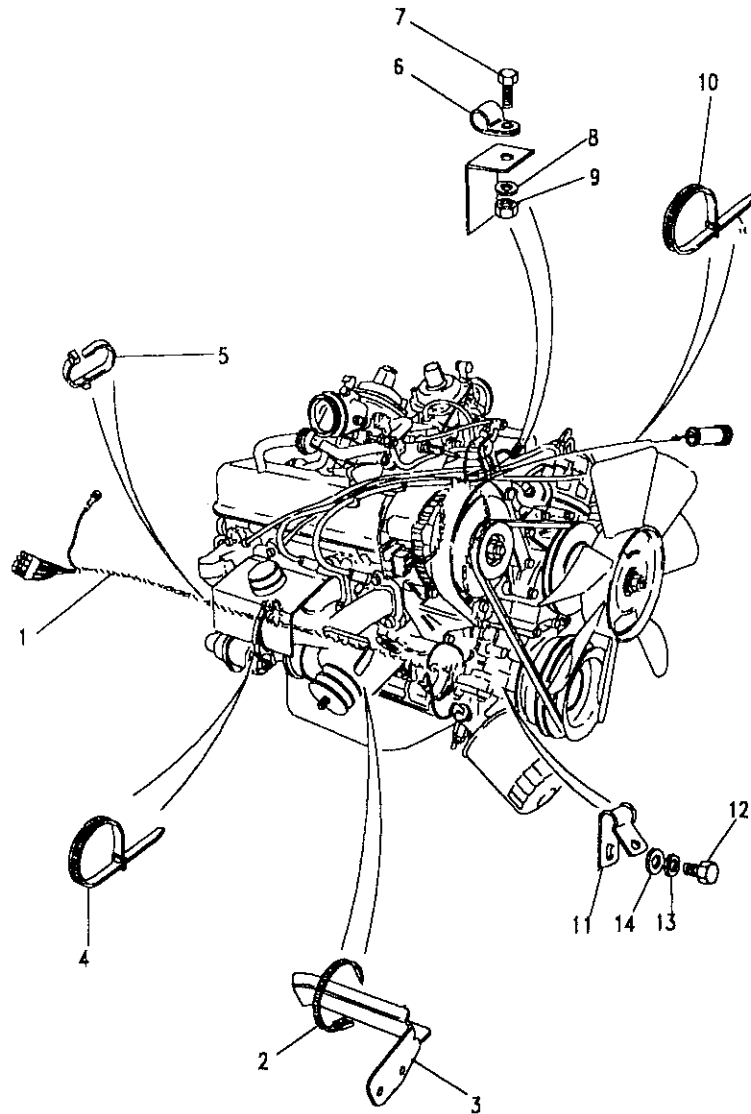
Model DEFENDER 110 1987 onwards

Page AFMXCF1A

ELECTRICAL - ENGINE HARNESS - 2.5 PETROL

III. Part No.	Description	Qty	Remarks
Up to November 1989			
1 PRC4785	Harness engine - 45A	1	Standard
PRC4021	Harness engine - 65A	1	Optional
PRC4096	Harness engine - 65A	1	Air Con.
From November 1989 up to November 1992			
PRC6080	Harness engine - 45A	1	Standard
PRC6082	Harness engine - 65A	1	Optional
PRC6081	Harness engine - 65A	1	Air Con.
From November 1992 up to LA939975			
PRC6082	Harness engine - 65A	1	Standard
PRC6081	Harness engine - 65A	1	Air Con.
From MA939976 up to MA949874			
AMR2962	Harness engine - 65A	1	Standard
AMR2982	Harness engine - 65A	1	Air Con.
From MA949975			
AMR4027	Harness engine - 65A	1	Standard
AMR4029	Harness engine - 65A	1	Air Con.
2 568680	Clip cable	1	
AFU1090L	Clip cable	4	
3 RTC3772	Cleat cable	2	
4 PRC4376	Lead-coil/shut off	1	
5 PRC3702	Clip	1	
6 PRC3494	Plate mounting	1	

Note(1) For split charge engine harness see split charge components.



Model DEFENDER 110 1987 onwards

Page AFMXCF4A

ELECTRICAL - ENGINE HARNESS - V8

III. Part No. Description Qty Remarks

Vehicles with fuel pump attached to the chassis

1	PRC4952	Harness engine	1	Standard
	PRC4954	Harness engine	1	Air Con.

Vehicles with in tank fuel pump - up to VIN 276551

	PRC4994	Harness engine - 45A	1	Standard
	PRC4996	Harness engine - 65A	1	Optional
	PRC4996	Harness engine - 65A	1	Air Con.

Vehicles from VIN 276552 up to November 1992

	PRC4994	Harness engine - 45A	1	Standard
	PRC5877	Harness engine - 65A	1	Optional
	PRC5878	Harness engine - 65A	1	Air Con.

From November 1992 (engine number 24G10808A) up to LA939975

	PRC5877	Harness engine - 65A	1	Standard
	PRC5878	Harness engine - 65A	1	Air Con.

From MA939976 up to MA949874

	AMR2959	Harness engine - 65A	1	Standard
	AMR2981	Harness engine - 65A	1	Air Con.

From MA949875

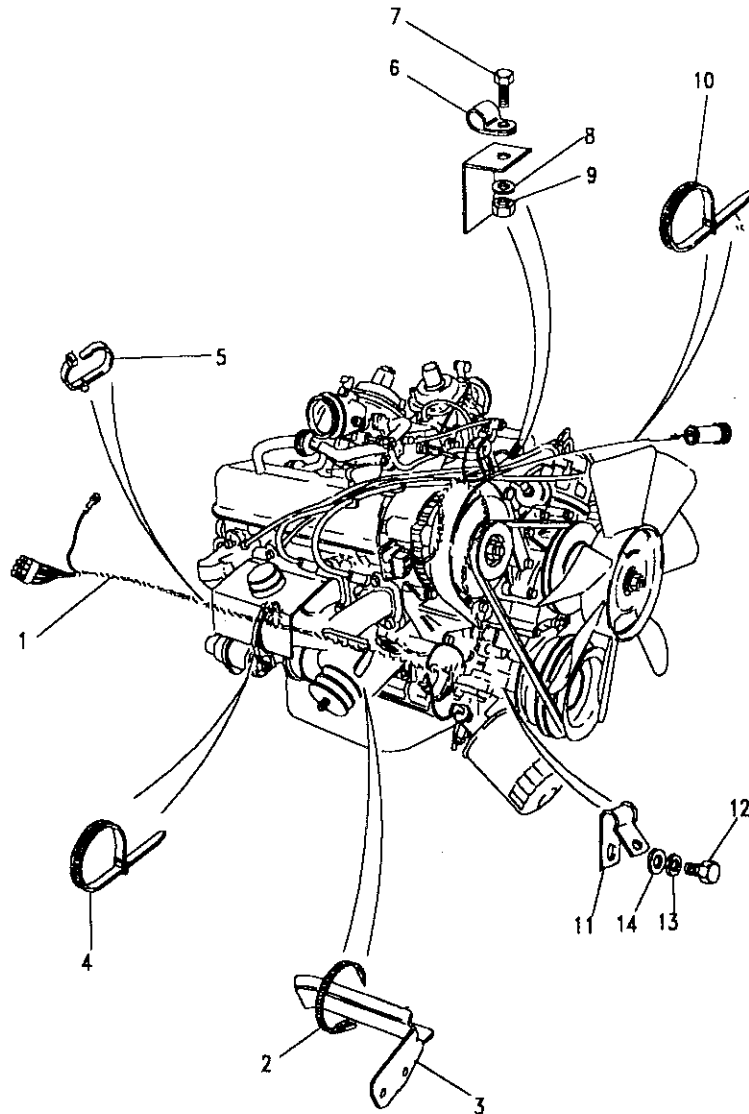
	AMR4023	Harness engine - 65A	1	Standard
	AMR4025	Harness engine - 65A	1	Air Con.

Note(1) For split charge engine harness see split charge components.



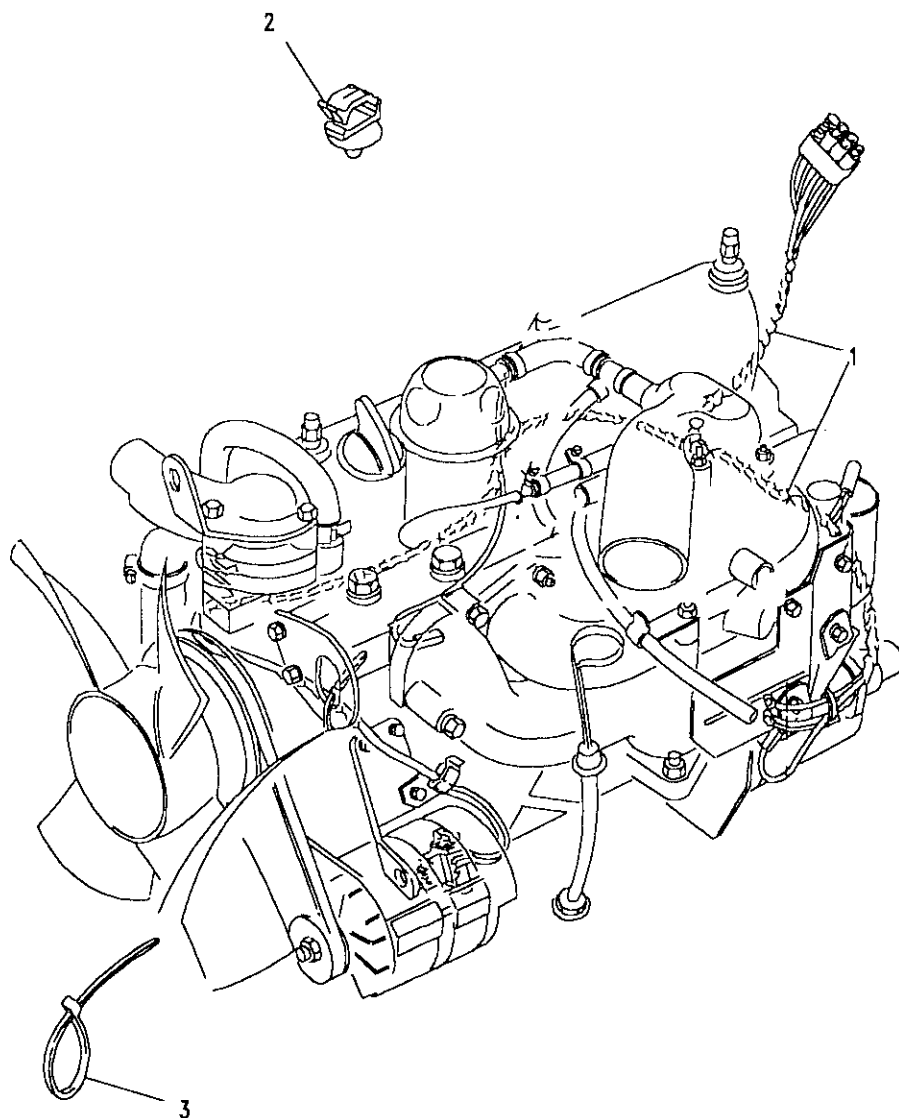
Model DEFENDER 110 1987 onwards
Page AFMXCF4A

ELECTRICAL - ENGINE HARNESS - V8



III. Part No.	Description	Qty	Remarks
2	RTC3772	2	Cleat cable
3	PRC1794	1	Bracket support
4	568680	1	Cleat cable
5	AAU3686	1	Cleat cable
6	CP105061	1	P clip
7	SH105161L	1	Screw
8	WL105001L	1	Washer spring
9	NH105041L	1	Nut
10	573246	2	Cable tie
11	CP108081L	1	P clip
12	SH505051L	1	Screw
13	WM600051L	1	Washer spring
14	WA108051L	1	Washer plain





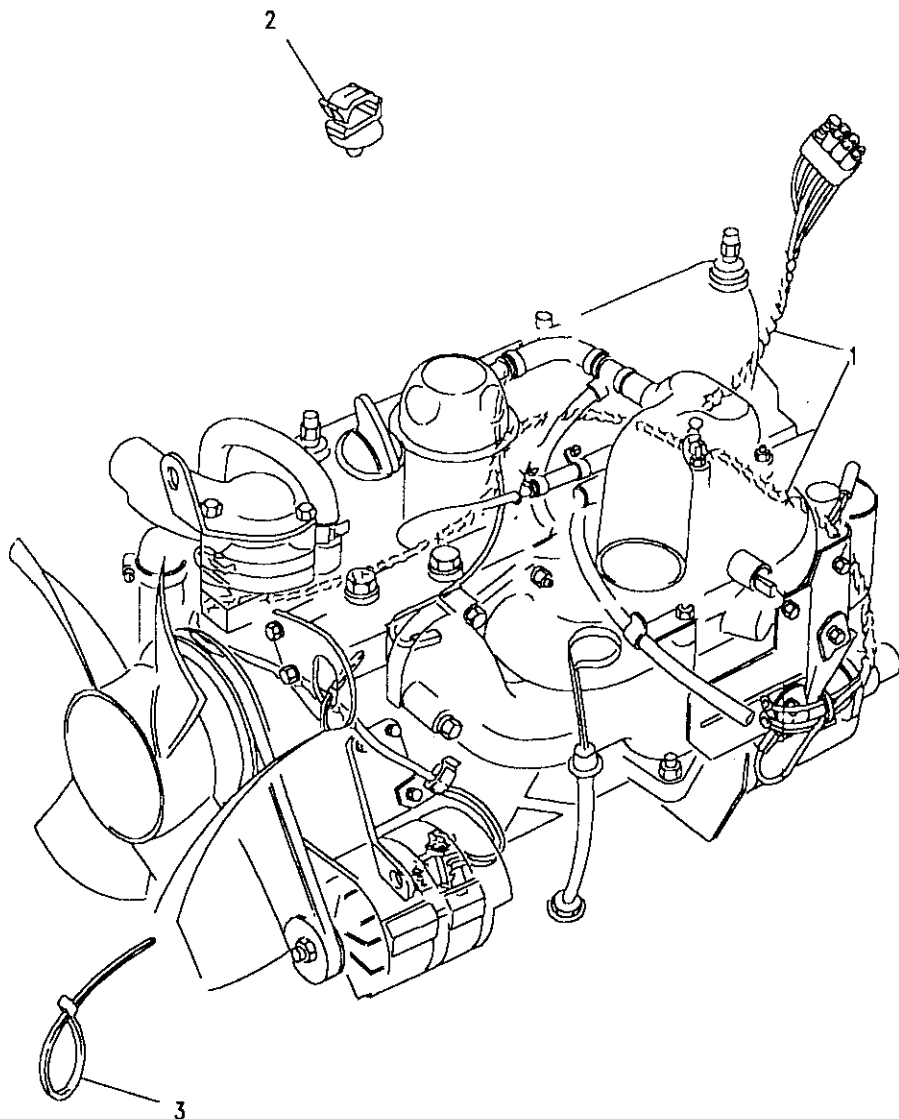
Model DEFENDER 110 1987 onwards
Page AFMXCF2A

ELECTRICAL - ENGINE HARNESS - DIESEL

Ill. Part No.	Description	Qty	Remarks
Up to November 1989			
1 PRC4785	Harness engine - 45A	1	Standard
PRC4021	Harness engine - 65A	1	Optional
PRC4096	Harness engine - 65A	1	Air Con.
From November 1989 up to November 1992			
PRC6080	Harness engine - 45A	1	Standard
PRC6082	Harness engine - 65A	1	Optional
PRC6081	Harness engine - 65A	1	Air Con.
From November 1992 up to LA939975			
PRC6082	Harness engine - 65A	1	Standard
PRC6081	Harness engine - 65A	1	Air Con.
From MA939976 up to MA949874			
AMR2962	Harness engine - 65A	1	Standard
AMR2982	Harness engine - 65A	1	Air Con.
From MA949875			
AMR4027	Harness engine - 65A	1	Standard
AMR4029	Harness engine - 65A	1	Air Con.
2 568680	Clip cable	1	
AFU1090L	Clip cable	4	Upto Nov 1989
3 RTC3772	Clip cable	2	
ERC9404	Bracket mounting	4	From Nov 1989
ERC9480	Bracket mounting	1	From Nov 1989

Note(1) For split charge engine harness see split charge components.





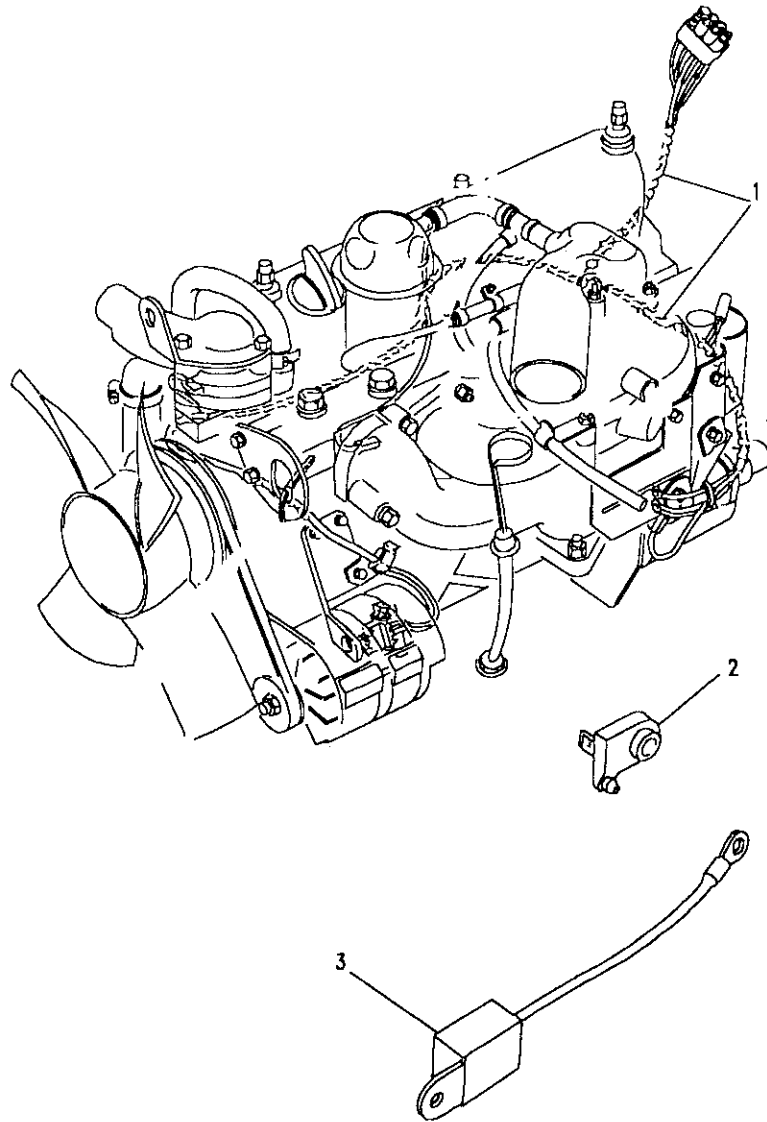
Model DEFENDER 110 1987 onwards
Page AFMXCF3A

ELECTRICAL - ENGINE HARNESS - DIESEL TURBO AND 200TDI

Ill. Part No.	Description	Qty	Remarks
Up to November 1989			
1 PRC4785	Harness engine - 45A	1	Standard
PRC4021	Harness engine - 65A	1	Optional
PRC4096	Harness engine - 65A	1	Air Con.
From November 1989 up to November 1992			
PRC6080	Harness engine - 45A	1	Standard
PRC6082	Harness engine - 65A	1	Optional
PRC6081	Harness engine - 65A	1	Air Con.
From November 1992 (engine number 11L26192A)			
PRC6082	Harness engine - 65A	1	Standard
PRC6081	Harness engine - 65A	1	Air Con.
2 568680	Clip cable	1	
3 AFU1090L	Cleat cable	4	
RTC3772	Cleat cable	2	
ERC9404	Bracket mounting	4	
ERC9480	Bracket mounting	1	

Note(1) For split charge engine harness see split charge components.





Model DEFENDER 110 1987 onwards

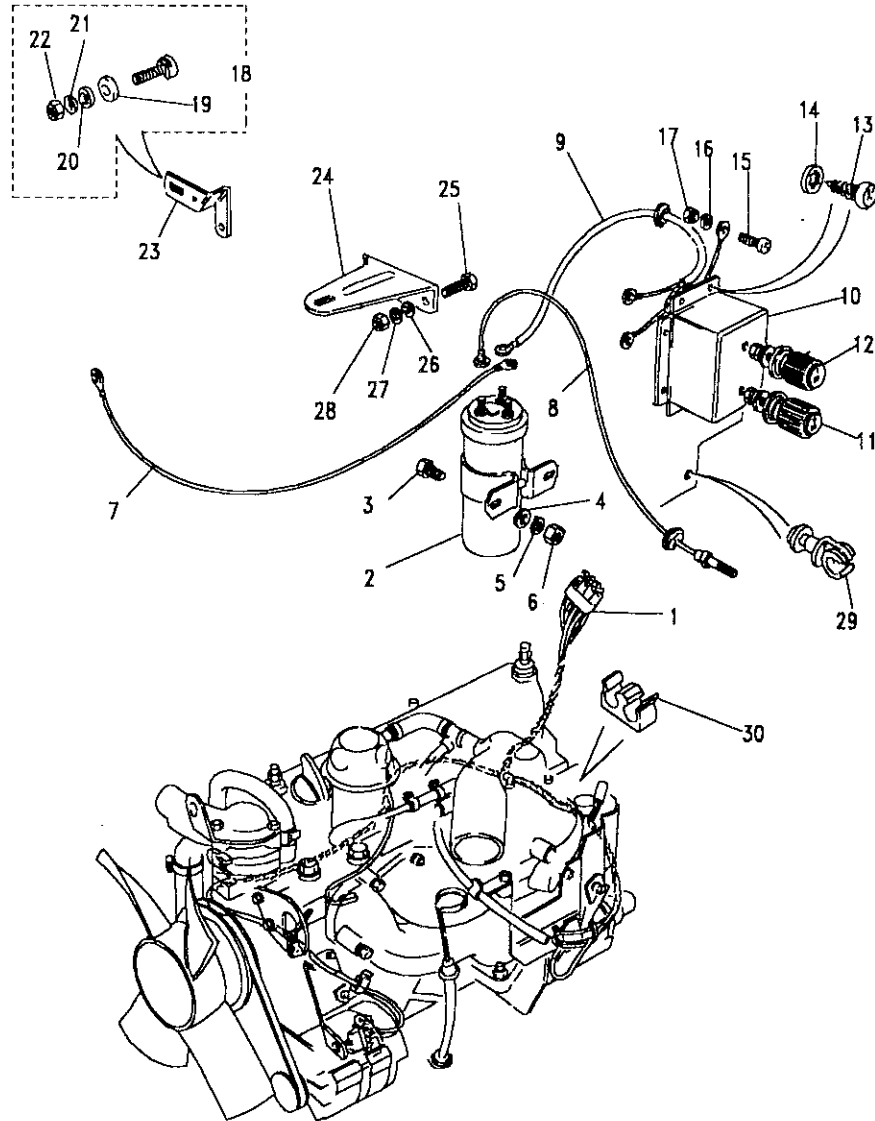
Page AFMXCF4B

ELECTRICAL - ENGINE HARNESS - 300TDI

III. Part No.	Description	Qty	Remarks
Up to MA949874			
1 AMR2956	Harness engine - 65A	1	Standard
AMR2980	Harness engine - 65A	1	Air Con.
AMR3988	Harness engine - 65A	1	EGR
AMR3987	Harness engine - 65A	1	EGR Air Con.
From MA949875			
AMR4019	Harness engine - 65A	1	Standard
AMR4021	Harness engine - 65A	1	Air Con.
AMR3988	Harness engine - 65A	1	EGR
AMR3987	Harness engine - 65A	1	EGR Air Con.
Phase tap protection unit - EGR vehicles only			
2 AMR4042	Phase tap protection unit	1	
3 AMR4043	Suppressor	1	

Note(1) For split charge engine harness see split charge components.



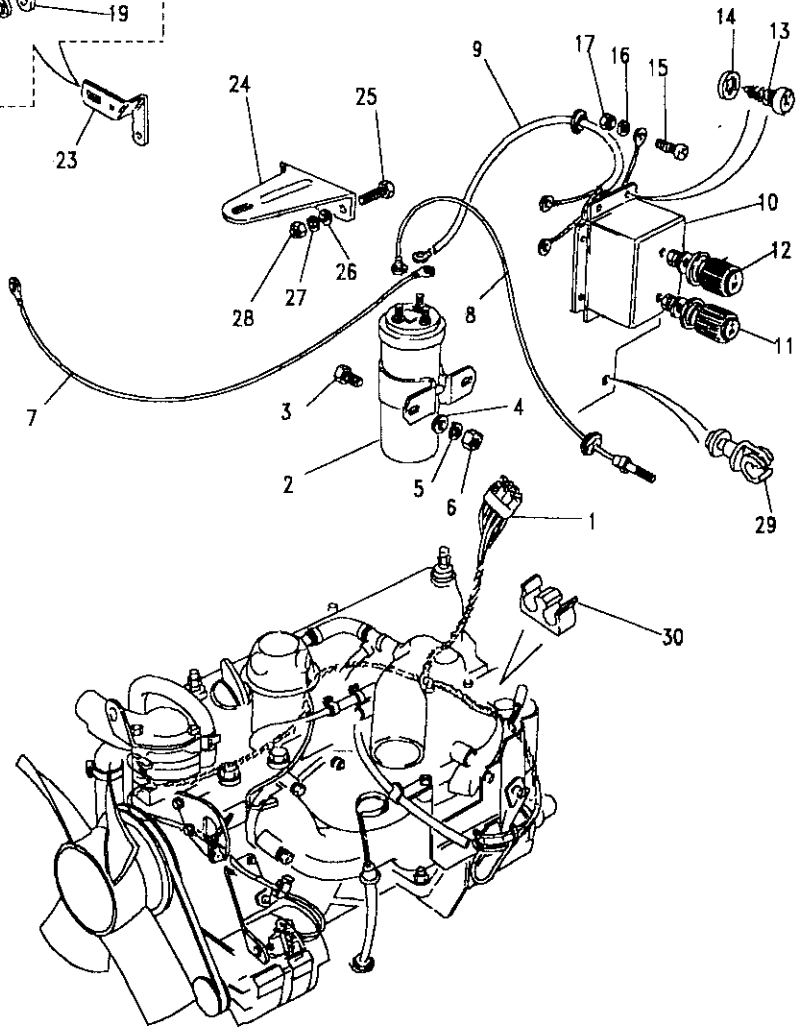
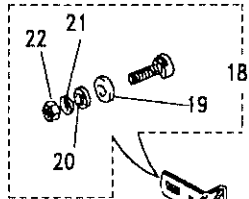


Model DEFENDER 110 1987 onwards
Page AFMXCI2A

ELECTRICAL - SPLIT CHARGE FACILITY - UP TO VIN 310168

III. Part No.	Description	Qty	Remarks
1	PRC4021	1	4 cylinder
	PRC4995	1	V8
2	PRC4092	1	Diode
3	FS108207L	2	Screw
4	WA108001	2	Washer plain
5	WL108001L	2	Washer spring
6	FN108041L	2	Nut
Lead - Terminal post to diode			
7	PRC4082	1	V8
	PRC4083	1	4 cylinder
Lead - Diode to battery			
8	PRC4084	1	Lead
Lead - Diode to terminal box			
9	PRC4085	1	Lead

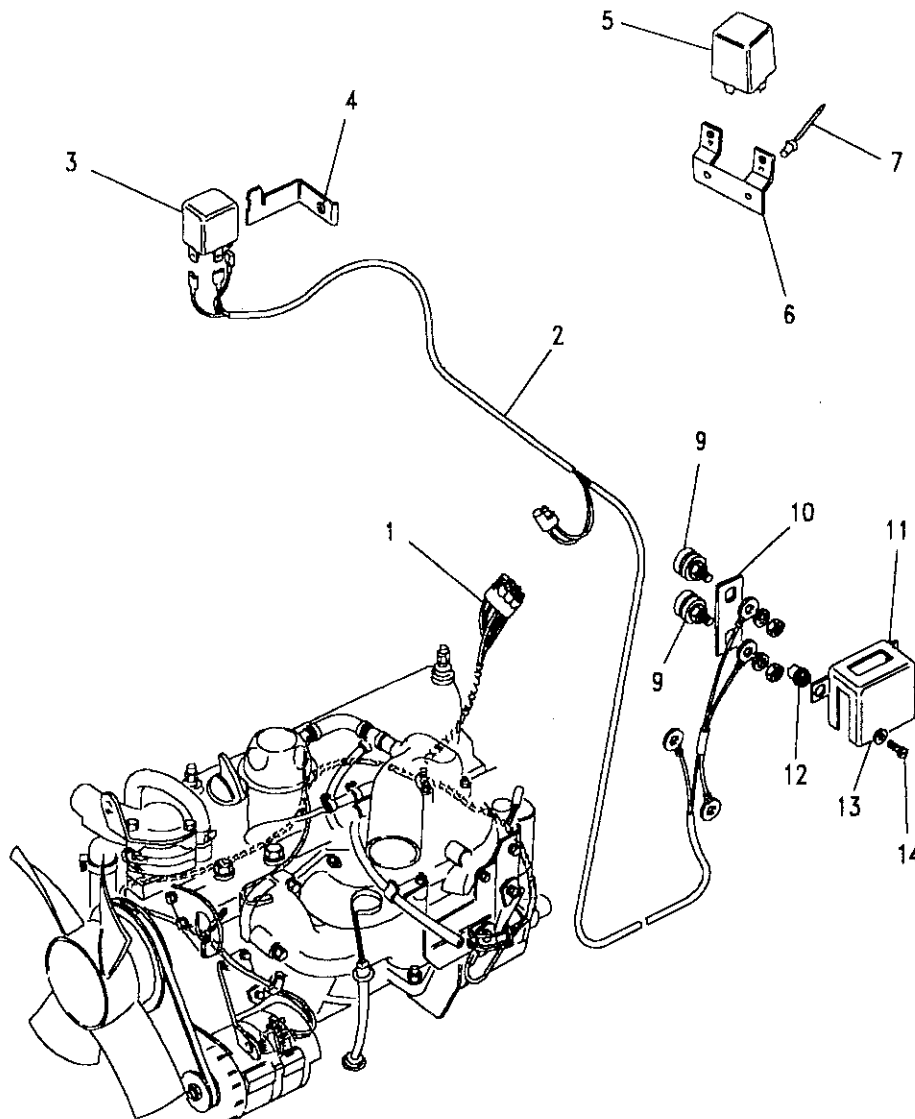




Model DEFENDER 110 1987 onwards
 Page AFMXC12A

ELECTRICAL - SPLIT CHARGE FACILITY - UP TO VIN 310168

Ill. Part No.	Description	Qty	Remarks
10	531604	1	Bracket mounting
11	532736	1	Terminal B plus
12	525569	1	Terminal B minus
13	AR608031L	6	Screw
14	WE703081	6	Washer shakeproof
15	SE106201L	1	Screw Earth
16	WL106001L	1	Washer spring
17	NH106041L	1	Nut
18	C22257L	1	Terminal post
19	565847	1	Bush insulation
20	3830L	2	Washer plain
21	575014	2	Washer spring
22	90575015	2	Nut
23	PRC2978	1	Bracket mounting V8
24	PRC3247	1	Bracket mounting 4 cylinder
25	FS106167L	2	Screw)
26	WA106041L	2	Washer plain)4 cylinder
27	WL100001L	2	Washer spring)RHS
28	NH106041L	2	Nut)
29	PRC3180	1	Clip pipe
30	13H9157	5	Clip pipe V8
	13H9157	3	Clip pipe 4 cylinder



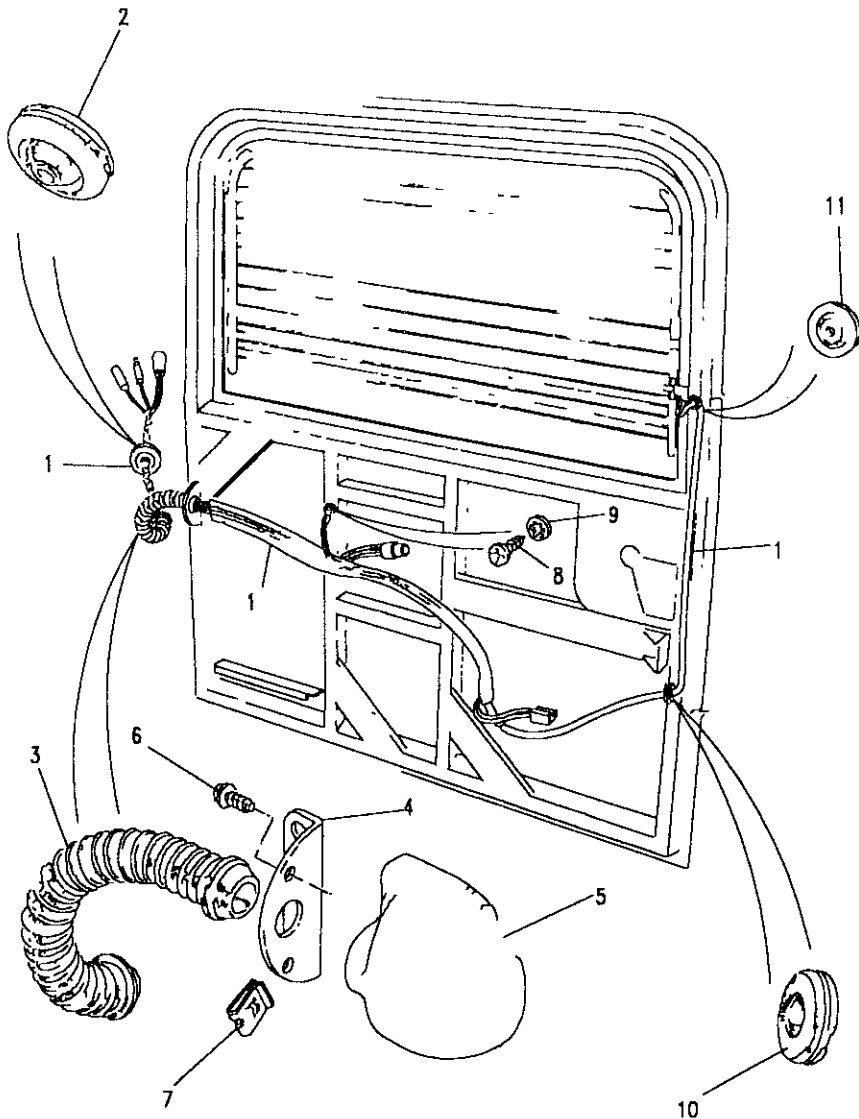
Model DEFENDER 110 1987 onwards
Page AFMXC13A

ELECTRICAL - SPLIT CHARGE FACILITY - FROM VIN 310169

III. Part No.	Description	Qty	Remarks
From VIN 310169 up to November 1989			
1 PRC5879	Harness engine - 65A	1	4 cyl pet/die
PRC5880	Harness engine - 65A	1	4 cyl-Air Con
PRC5877	Harness engine - 65A	1	V8
PRC5878	Harness engine - 65A	1	V8-Air Con
From November 1989			
PRC6082	Harness engine - 65A	1	4 cyl pet/die
PRC5877	Harness engine - 65A	1	V8
PRC5878	Harness engine - 65A	1	V8-Air Con
2 PRC5724	Cable split charge	1	Up to KA922208
AMR2350	Cable split charge	1	From KA922209 up to LA939975
AMR3135	Cable split charge	1	From MA939976
3 ASU1151	Relay	1	Up to LA939975
AMR3324	Relay	1	From MA939976
4 PRC5723	Bracket mounting	1	
5 PRC4427	Switch volt sensitive	1	Up to LA939975
AMR3325	Switch volt sensitive	1	From MA939976
6 PRC4795	Bracket mounting	1	Up to LA939975
7 RA610123	Rivet	2	Up to LA939975
8 AMR2532	Cable volt sensitive sw.	1	From MA939976
9 PRC7100	Terminal post	2	
10 PRC7173	Plate keeper	1	
11 PRC5003	Cover	1	
12 NH104041L	Nut	2	
13 WA704061	Washer plain	2	
14 SE104161L	Screw	2	

Model DEFENDER 110 1987 onwards
 Page AFMXC14A

ELECTRICAL - REAR WASH WIPE AND HEATED REAR WINDOW



III. Part No.	Description	Qty	Remarks
1	PRC6290	1	Up to LA939975
	AMR3124	1	From MA939976
2	BMK1714	1	
3	PRC4471	1	
4	MTC9914	1	
5	MTC9915	1	Black up to Note(1)
	MTC9915LCS	1	Grey from Note(1)
6	AA606044L	2	
7	AK606011L	2	
8	AB610041L	1	
9	WA105001L	1	
10	BHA5131L	1	Lower
11	27H5311	1	Upper

Note(1) EA314268 - Introduction of 1988 Model Year.

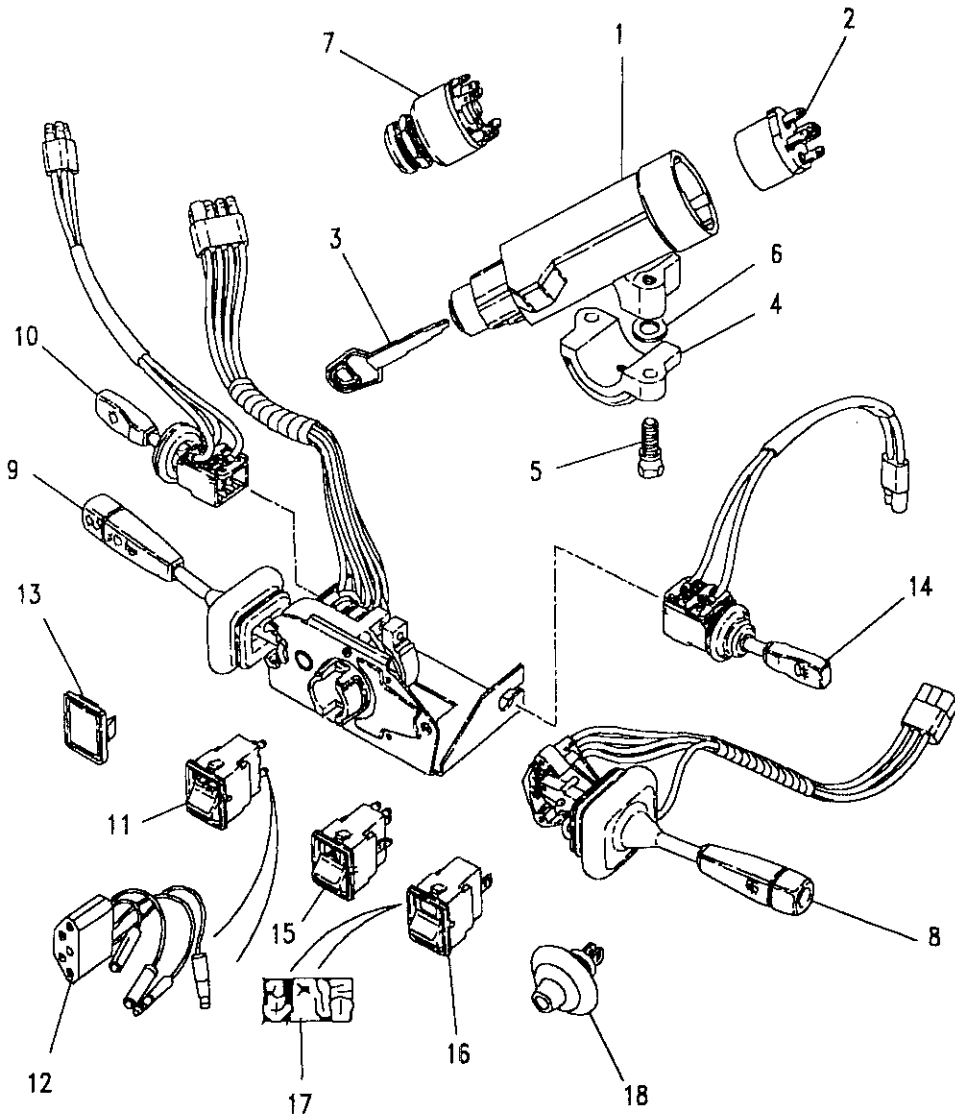


Model DEFENDER 110 1987 onwards
Page AFMXEA1A

ELECTRICAL - SWITCHES

Ill. Part No.	Description	Qty	Remarks
Petrol			
1	NTC7855	1	Up to LA932973
	ANR2848	1	From LA932974
2	579085	1	Up to FA415292
	PRC8230	1	From FA415293
Diesel			
1	NRC3908	1	Up to LA932971
	ANR2847	1	From LA932972
2	PRC2735	1	
200TDI & 300TDI			
1	NTC7855	1	Up to LA932973
	ANR2848	1	From LA932974
2	PRC8230	1	
3	AAU8276	1	RO 1001-2000
4	NRC7422	1	
5	51K400IL	2	
6	WB108051L	2	Note(1)

Note(1) Fitted between the lock body and the clamp.

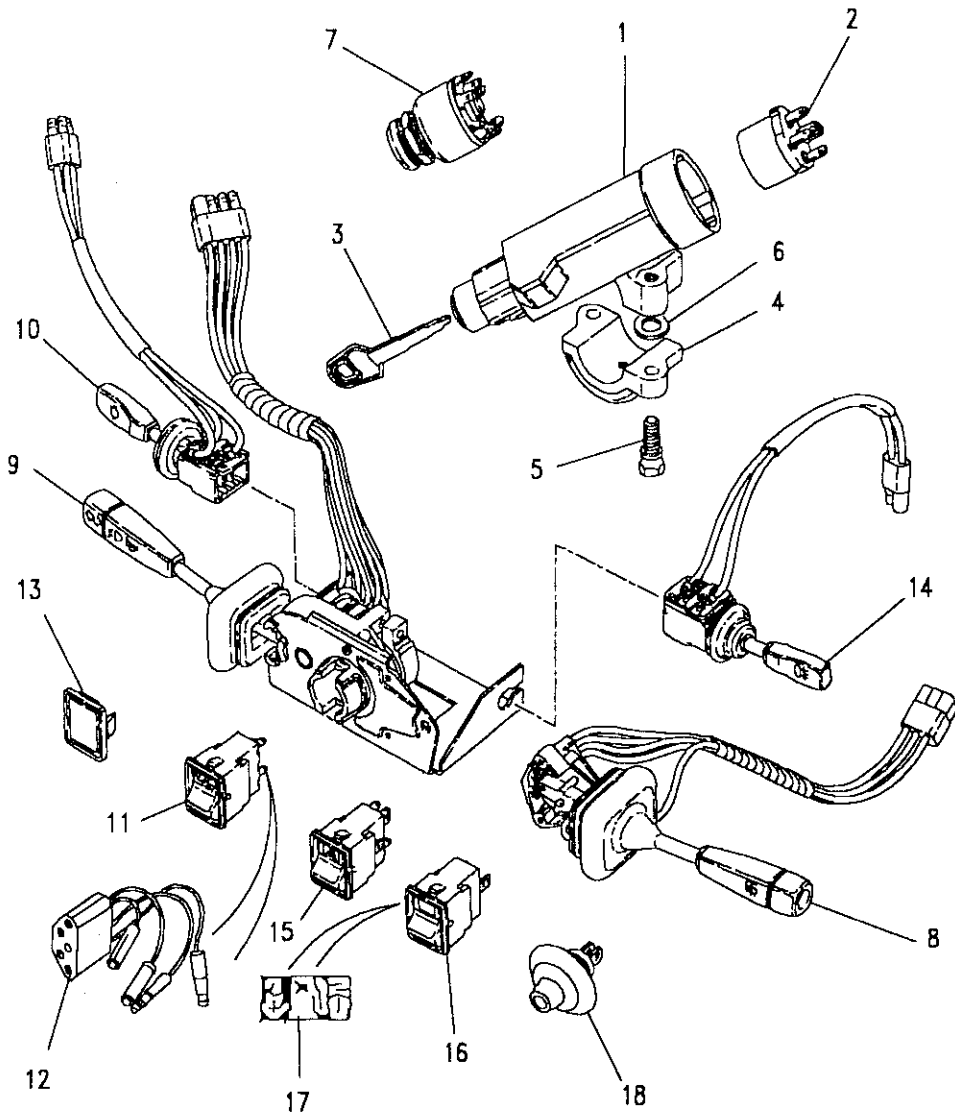


Model DEFENDER 110 1987 onwards
 Page AFMXE1A

ELECTRICAL - SWITCHES

III. Part No.	Description	Qty	Remarks
7	551508	1	Note(1)
	395141	1	Note(1)
	PRC2734	1	Note(2)
	RTC3022	1	Note(2)
8	PRC3900	1	Up to FA455595
	PRC7370	1	From HA455596
9	PRC3875	1	Up to FA455595
	STC439	1	From HA455596
10	PRC3430	1	Switch master light
11	PRC2497	1	Switch interior light
	PRC7371	1	Switch interior light
12	PRC5679	1	Cable assy interior light
	PRC8470	1	Cable assy interior light
	AMR2449	1	Cable assy interior light
13	AAM222L	3	Plug blanking
14	PRC3432	1	Switch rear fog lamp
15	ASU1009	1	Switch hazard warning
	STC873	1	Bulb hazard switch
16	C38637L	1	Switch fuel changeover
17	PRC5537	1	Label changeover switch

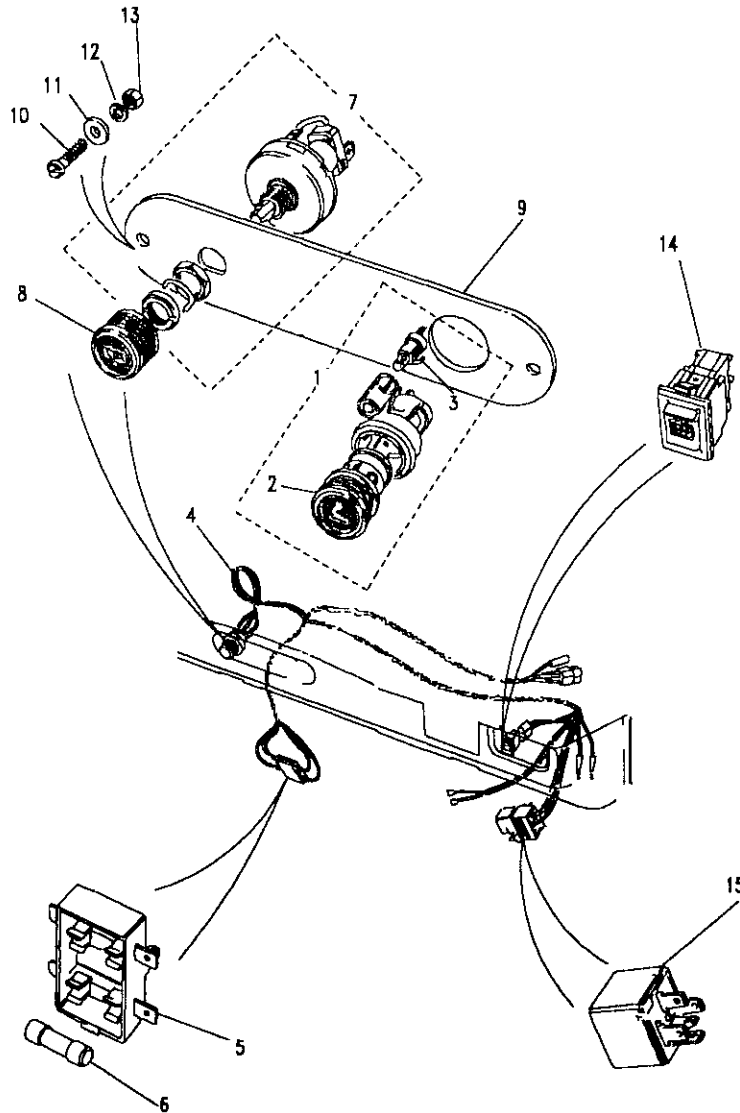
Note(1) Petrol vehicles without steering column lock
 Note(2) Diesel vehicles without steering column lock
 Note(3) Up to LA939975. From MA939976 switch incorporated into light.





Model DEFENDER 110 1987 onwards
 Page AFMXEC1A

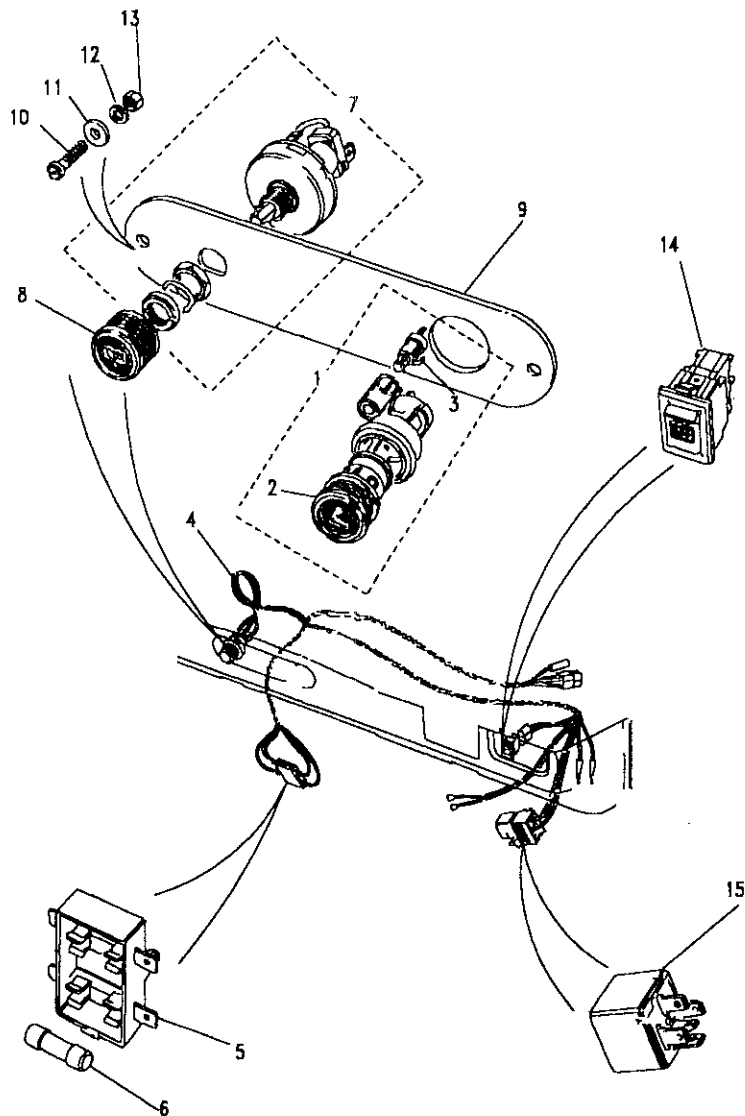
ELECTRICAL - CIGAR LIGHTER, DASH HARNESS



III. Part No.	Description	Qty	Remarks
1 PRC9410	Cigar lighter	1	Up to JA915407
YUJ10037L	Cigar lighter	1	From JA915408
2 DRC8398	Popout unit	1	Part of PRC4524
STC733	Popout unit	1	Up to JA913074
			Part of PRC9410
			From JA913075
3 RTC3635	Bulb	1	
4 PRC4720	Harness dash RWW/HRW	1	Up to FA424003
PRC8246	Harness dash RWW/HRW	1	From FA424004
			Up to VIN 455595
PRC8452	Harness dash RWW/HRW	1	From HA455596
			Up to HA903278
PRC9334	Harness dash RWW/HRW	1	From HA903279
AAU5034	Diode	1	Up to HA903278
5 PRC3737	Fuse box	1	Up to FA423988
6 RTC4502	Fuse 15 amp	1	Up to FA423988
7 PRC4449	Switch RWW	1	
8 PRC4454	Knob	1	

Note(1) RWW/HRW = Rear wash wipe/heated rear window





Model DEFENDER 110 1987 onwards

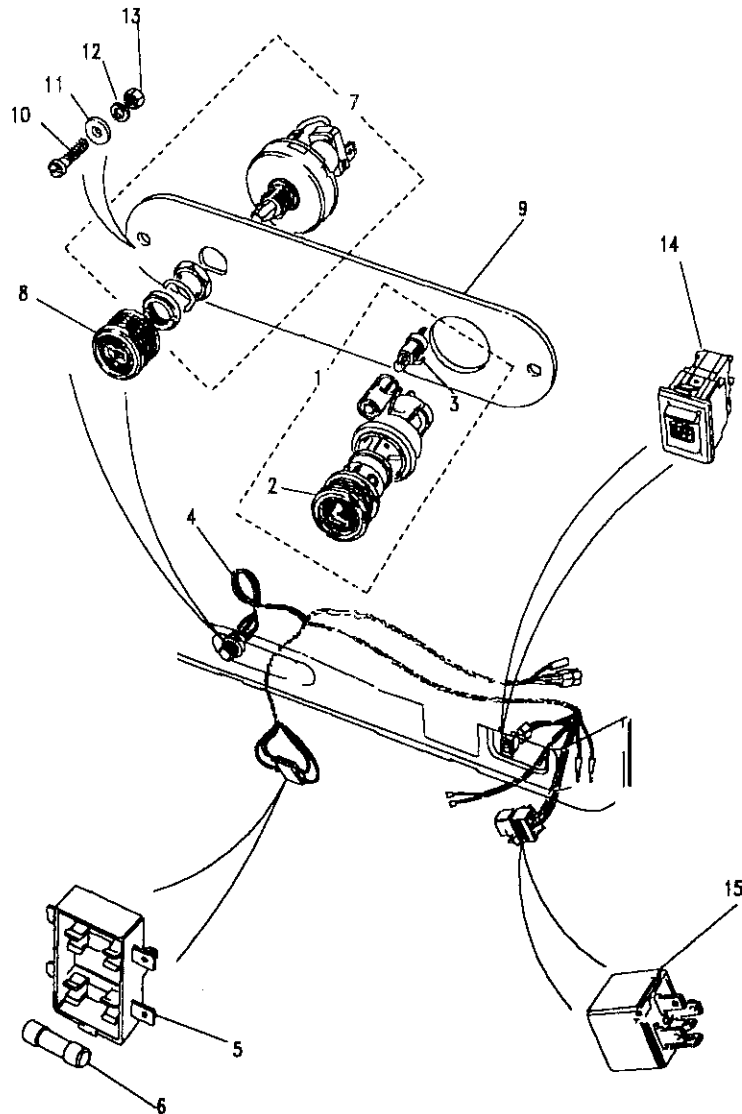
Page AFMXEC1A

ELECTRICAL - FACIA PLATE - UP TO LA939975

III. Part No.	Description	Qty	Remarks
For cigar lighter			
9 MUC2165	Facia plate	1	
For rear wash wipe switch			
9 MUC1368	Facia plate RHS	1	
MUC1367	Facia plate LHS	1	
For cigar lighter/rww switch/round clock			
9 MUC1583	Facia plate RHS	1	Up to VIN 319740
MUC1584	Facia plate LHS	1	Up to VIN 319740
For cigar lighter/rww switch/rectangular clock			
9 MWC9304	Facia plate RHS	1	From VIN 319741
MWC9303	Facia plate LHS	1	From VIN 319741
For cigar lighter/gauge/rectangular clock			
9 MWC9301	Facia plate	1	From VIN 319741
For three gauges			
9 MWC9306	Facia plate	1	From VIN 319741
Fixings for facia plate			
10 SP105204	Screw	2	
11 WC105007	Washer plain	2	
12 WL105004	Washer spring	2	
13 NH105041L	Nut	2	
14 PRC4433	Switch HRW	1	
15 YWB10032L	Relay dash harness	1	Up to HA903278
YWB10027L	Relay dash harness	1	From HA903279
PRC4427	Volt sens. switch HRW	1	Note(1)

Note(1) Required for vehicles with 45A alternator only.





Model DEFENDER 110 1987 onwards
Page AFMXEC1A

ELECTRICAL - FACIA PLATE - FROM MA939976

III. Part No.	Description	Qty	Remarks
12 BTR9614	Facia plate centre	1	
BTR9615	Plug blanking	1	Note(1)
Fixings for facia plate			
13 SP105204	Screw	2	
14 AFU1248	Washer plastic	2	
15 WC105001	Washer plain	2	
16 NH105041L	Nut	2	
17 PRC4433	Switch heated rear window	1	
18 YWB10027L	Relay dash harness HRW	1	

Note(1) For rear wash/wipe switch aperture.



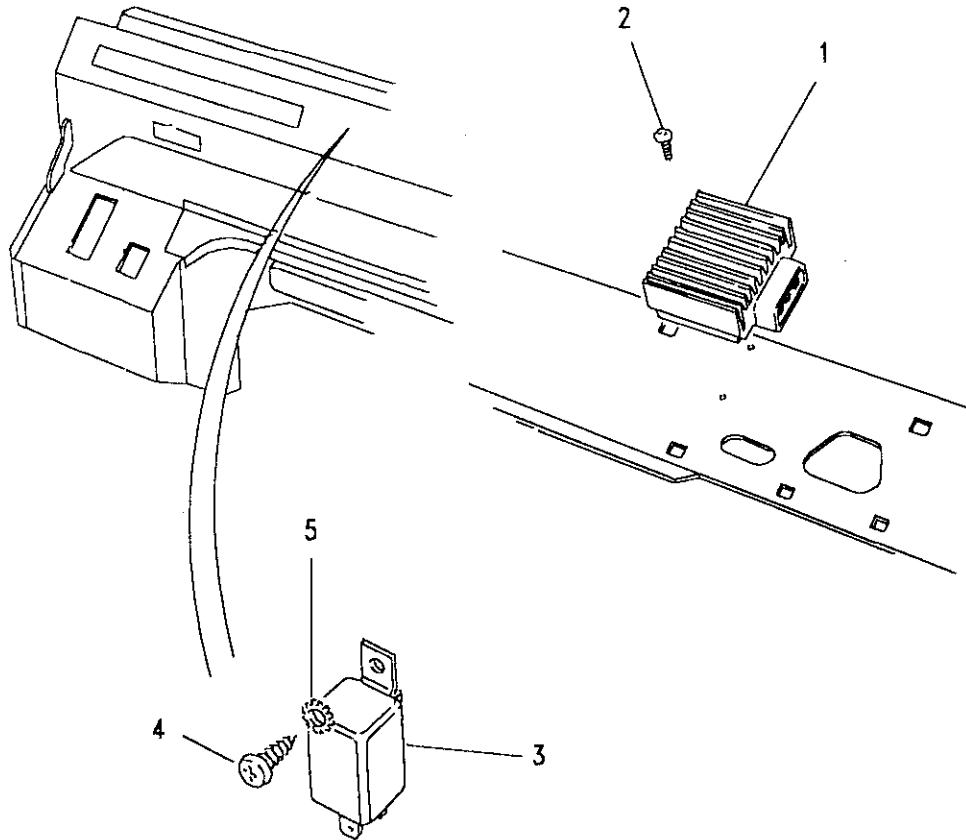
Model DEFENDER 110 1987 onwards

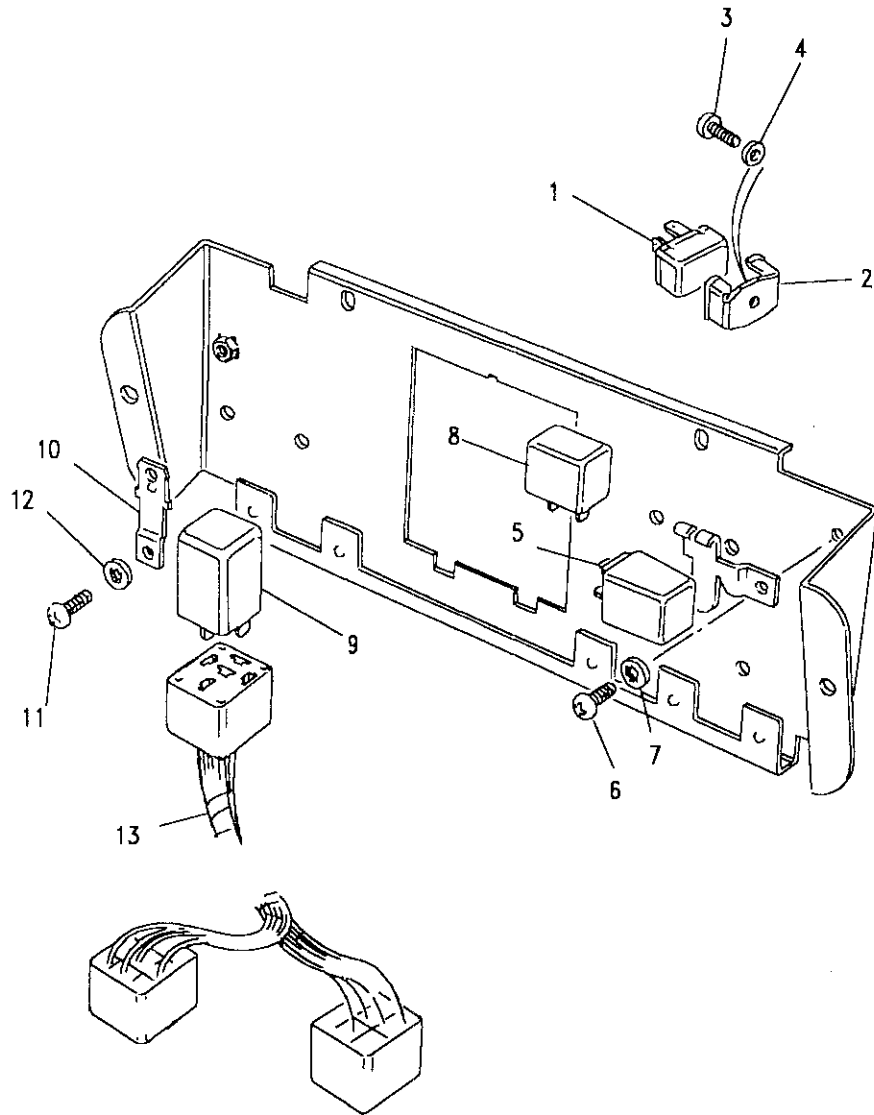
Page AFMXGA1A

ELECTRICAL - DIM DIP UNIT, GLOW PLUG TIMER

Ill. Part No.	Description	Qty	Remarks
1 PRC8123	Dim dip unit	1	Quartz halogen headlamps up to HA906454
PRC6336	Dim dip unit	1	Tungsten headlamps up to HA906454
YWC10050L	Controller-dim dip	1	UK only from HA906455
YWZ10003L	Control unit (dummy)	1	Except UK from HA906455
AB608031L	Screw	1	From HA906455
DRC1245	Bracket mounting	1	From HA906455
XBL10003L	Resistor-dim dip	1	From HA906455
FN106047L	Nut flanged	1	From HA906455
2 DA610051L	Screw	2	
3 PRC6913	Timer glow plug	1	200TDI Note(1)
4 AB612051L	Screw	1	
5 WE600041L	Washer shakeproof	1	

Note(1) Glow plug timer cable shown in harness section.





Model DEFENDER 110 1987 onwards
Page AFMXGA2A

ELECTRICAL - FLASHER UNITS - RELAYS - DELAY UNIT

III. Part No.	Description	Qty	Remarks
1	RTC3562	1	Note(1)
	YWT10003	1	Up to LA939976
			From MA939977
			Note(2)
2	567959	1	Clip retaining
3	SE105101L	1	Screw
4	WF105001L	1	Washer shakeproof
5	PRC2239	1	Flasher unit - 3 pin
	PRC8876	1	NLA use PRC8876
			Note(3)
6	SE106121L	1	Screw
7	WF106001L	1	Washer shakeproof
8	YWB10032L	1	Relay
	YWB10032L	1	Relay
	YWB10032L	1	Relay
			Brake system check
			Starter
			Headlamp override
			From VIN 423989
			Fuel changeover
	YWB10032L	2	Relay
	YWB10032L	4	Relay
	SE105101L	2	Screw
	WA105001L	4	Plain Washer
	WL105001L	2	Spring Washer
	NH105041L	2	Nut
9	PRC6864	1	Delay unit wash/wipe
	AMR2341	1	Delay unit variable
10	DRC1245	1	Bracket retaining
11	SE105121L	1	Screw
12	WF600041L	1	Washer shakeproof
13	PRC8295	1	Cable assy delay unit

Note(1) Two pin unit for vehicles without trailer socket.
 Note(2) Replace with PRC8876 heavy duty unit.
 Note(3) Three pin unit for vehicles with trailer wiring.



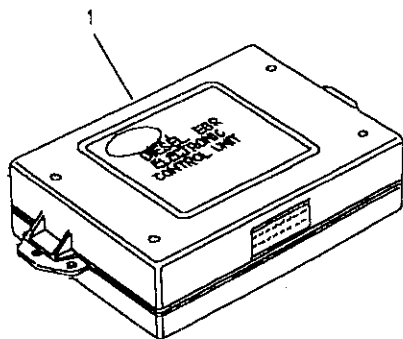
Model DEFENDER 110 1987 onwards

Page AFMXGC1A

ELECTRONIC CONTROL UNIT - 300TDI

III. Part No.	Description	Qty	Remarks
1 ERR5033	ECU for EGR - located under cubby box Electronic unit EGR	1	

Note(1) For modulator EGR valve see page 234





DEFENDER 110 1987 onwards

719

BODY ELECTRICAL

Model DEFENDER 110 1987 onwards
Page AFMXGE1A

ELECTRICAL - HORN

III. Part No. Description Qty Remarks
 Up to KA923603

Single Horn - Non Air Con

1	PRC2057	Horn	1
2	PRC1984	Bracket mounting	1
3	SH106141L	Screw	2
4	WL106001L	Washer spring	2
5	235113	Grommet	1

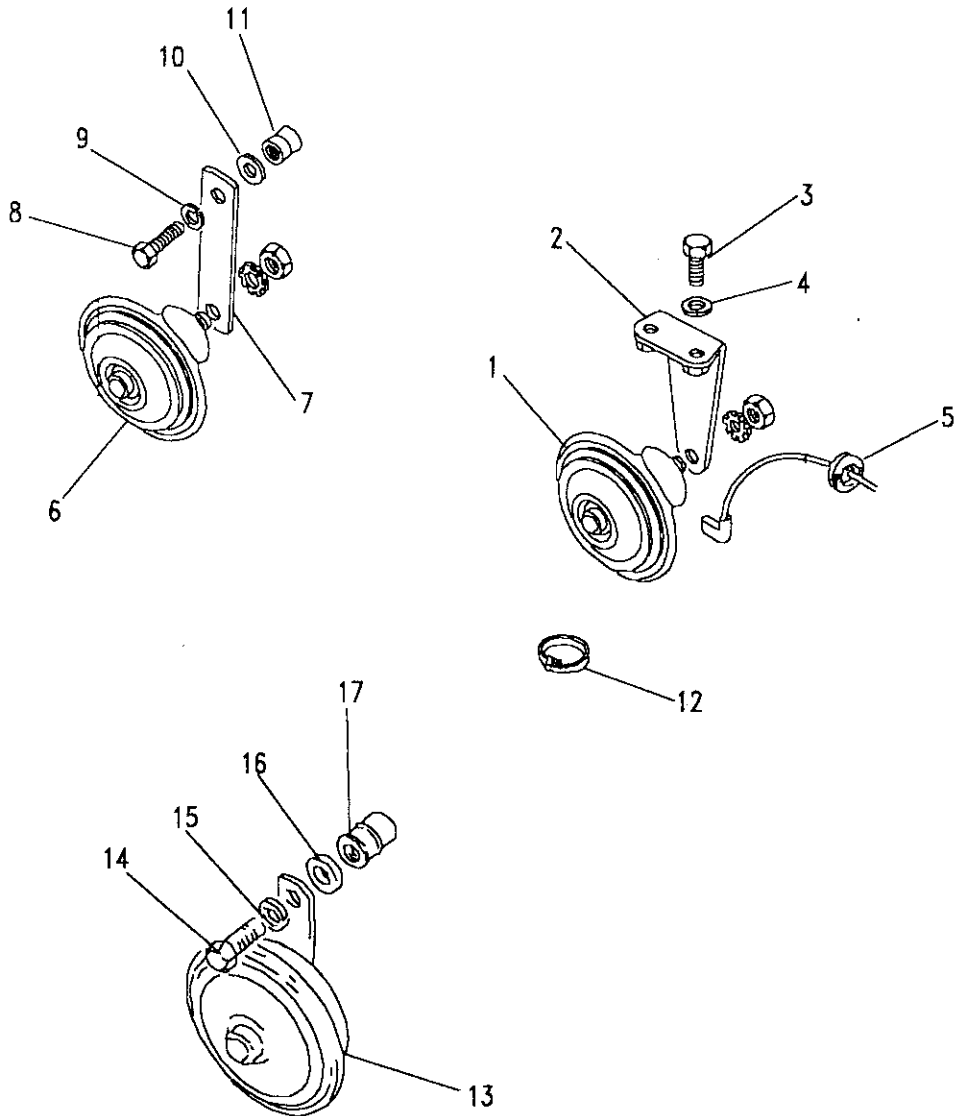
Additional Horn - Non Air Con - Note(1)

6	PRC2057	Horn	1
7	PRC4456	Bracket mounting	1
8	FS108251L	Flange screw	1
9	WL108001L	Washer spring	1
10	4868L	Washer plain	1
11	NN108021	Nutsert	1
12	C43640	Cable tie	3

Single Horn - Air Con

13	PRC5912	Horn	1
14	FS108251L	Flange screw	1
15	WL108001L	Washer spring	1
16	4868L	Washer plain	1
17	NN108021	Nutsert	1

Note(1) Middle East Countries



Model DEFENDER 110 1987 onwards

Page AFMXGE2A

ELECTRICAL - HORN

III. Part No. Description Qty Remarks

Non Air Con - From KA923604

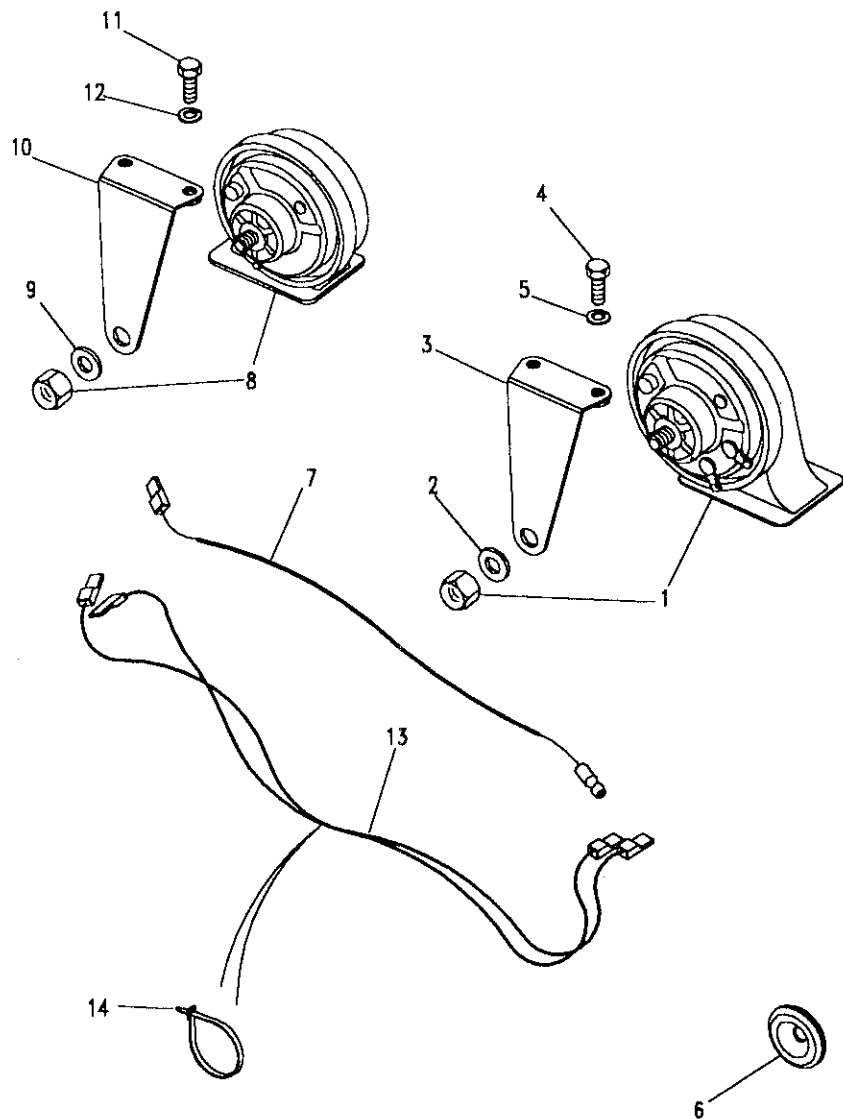
Single Horn

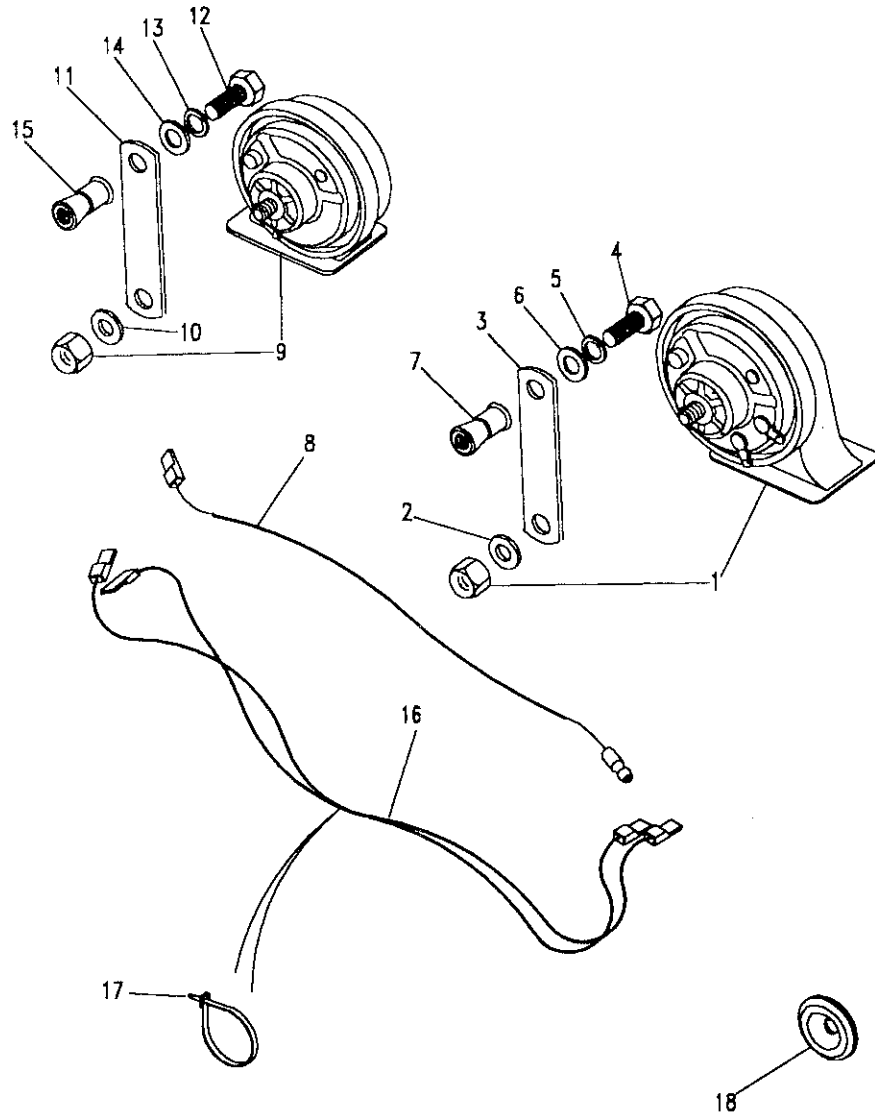
1	YEB10027	Horn low note	1	
2	WA108051L	Washer plain	1	
3	AMR2393	Bracket mounting	1	
4	SH106141L	Screw	2	
5	WL106001L	Washer spring	2	
6	235113	Grommet	1	
7	AMR2416	Lead horn	1	Nat Asp Diesel

Additional Horn

8	YEB10026	Horn	1	
9	WA108051L	Washer plain	1	
10	AMR2393	Bracket mounting	1	
11	SH106141L	Screw	2	
12	WL106001L	Washer spring	2	
13	AMR2358	Extension lead horn	1	
14	573246	Cable tie	2	
	STC1182	Horn kit secondary	1	Note(1)

Note(1) To fit additional horn to vehicles with single horn only.





Model DEFENDER 110 1987 onwards
Page AFMXGE3A

ELECTRICAL - HORN

III. Part No.	Description	Qty	Remarks
Air Con - From KA923604			
Single Horn			
1	YEB10027	1	Horn
2	WA108051L	1	Washer plain
3	AMR2411	1	Bracket mounting
4	FS108251L	1	Flange screw
5	WL108001L	1	Washer spring
6	4868L	1	Washer plain
7	NN108021	1	Nutsert
8	AMR2416	1	Lead horn
			Nat Asp Diesel

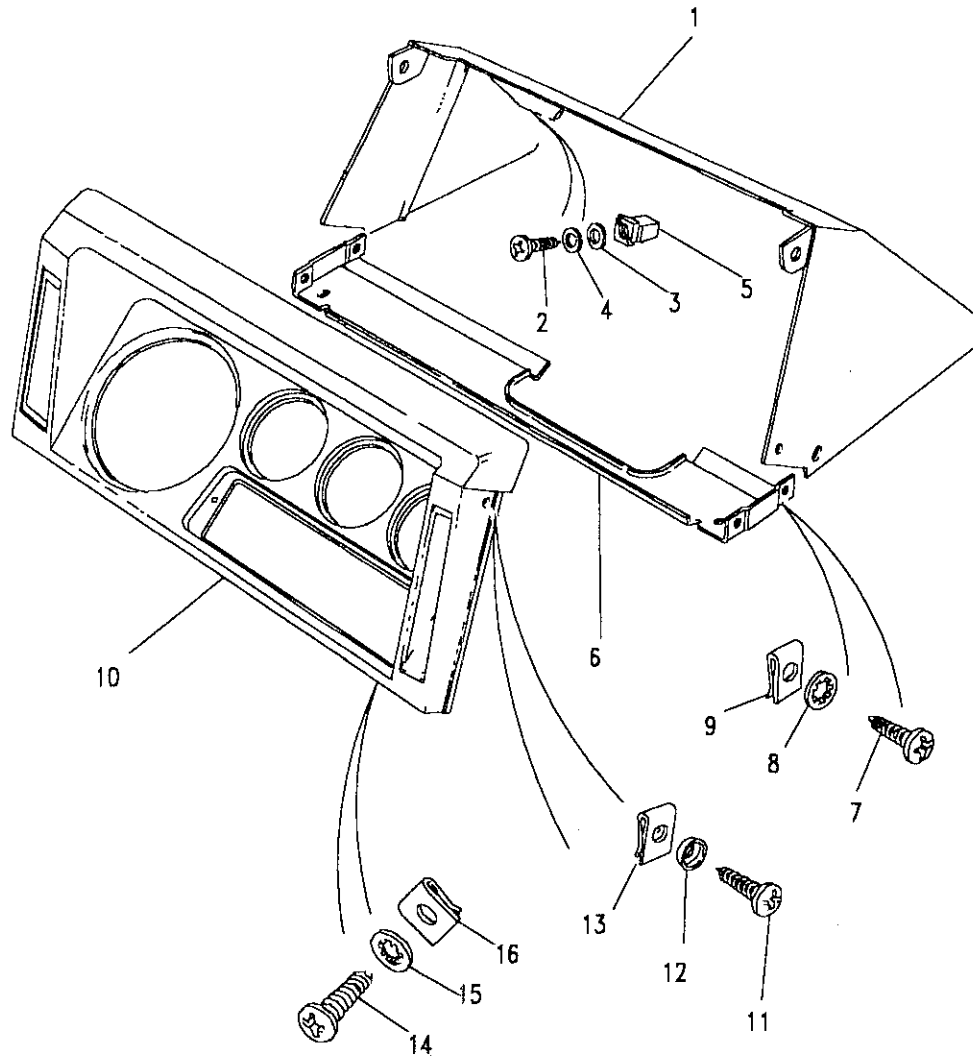
Additional Horn			
9	YEB10026	1	Horn
10	WA108051L	1	Washer plain
11	AMR2411	1	Bracket mounting
12	FS108251L	1	Flange screw
13	WL108001L	1	Washer spring
14	4868L	1	Washer plain
15	NN108021	1	Nutsert
16	AMR2358	1	Extension lead horn
17	573246	2	Cable tie
18	235113	1	Grommet



Model DEFENDER 110 1987 onwards
Page AFMXIA1A

ELECTRICAL - INSTRUMENT PANEL AND COWL

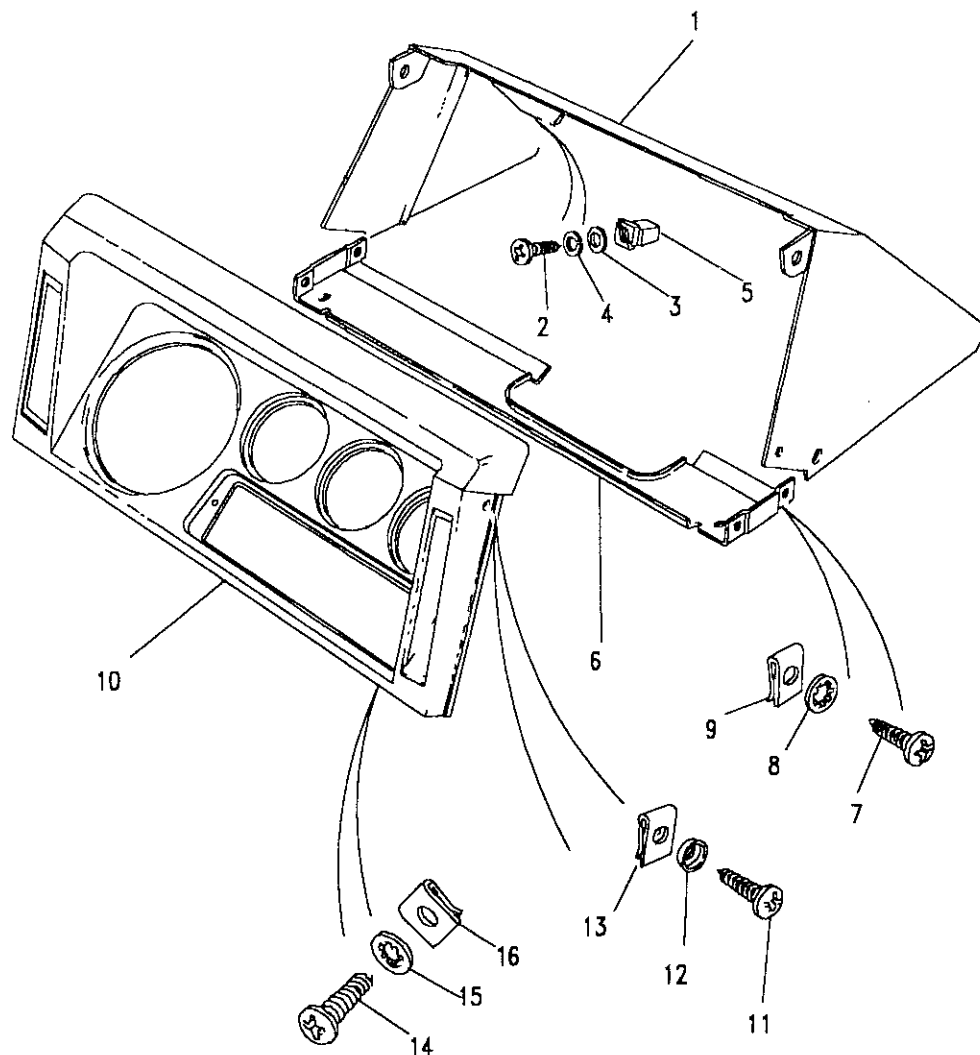
III. Part No.	Description	Qty	Remarks
1	MTC2808	1	Cowl
	MUC3023	1	Cowl
2	AZ610081	5	Screw
3	AFU1218L	5	Washer plain
4	WL105001L	5	Washer spring
	WF702108	5	Washer shakeproof
5	CZA4705L	5	Nut lokut
6	MUC7598	1	Stiffener rh
	MUC7599	1	Stiffener base
	AAM222L	1	Plug blanking
Air conditioning			
7	AB608044L	4	Screw
	AFU2636	4	Screw
8	WF703084	4	Washer shakeproof
9	AJ608031	4	Nut spring



Model DEFENDER 110 1987 onwards
Page AFMXIA1A

ELECTRICAL - INSTRUMENT PANEL AND COWL

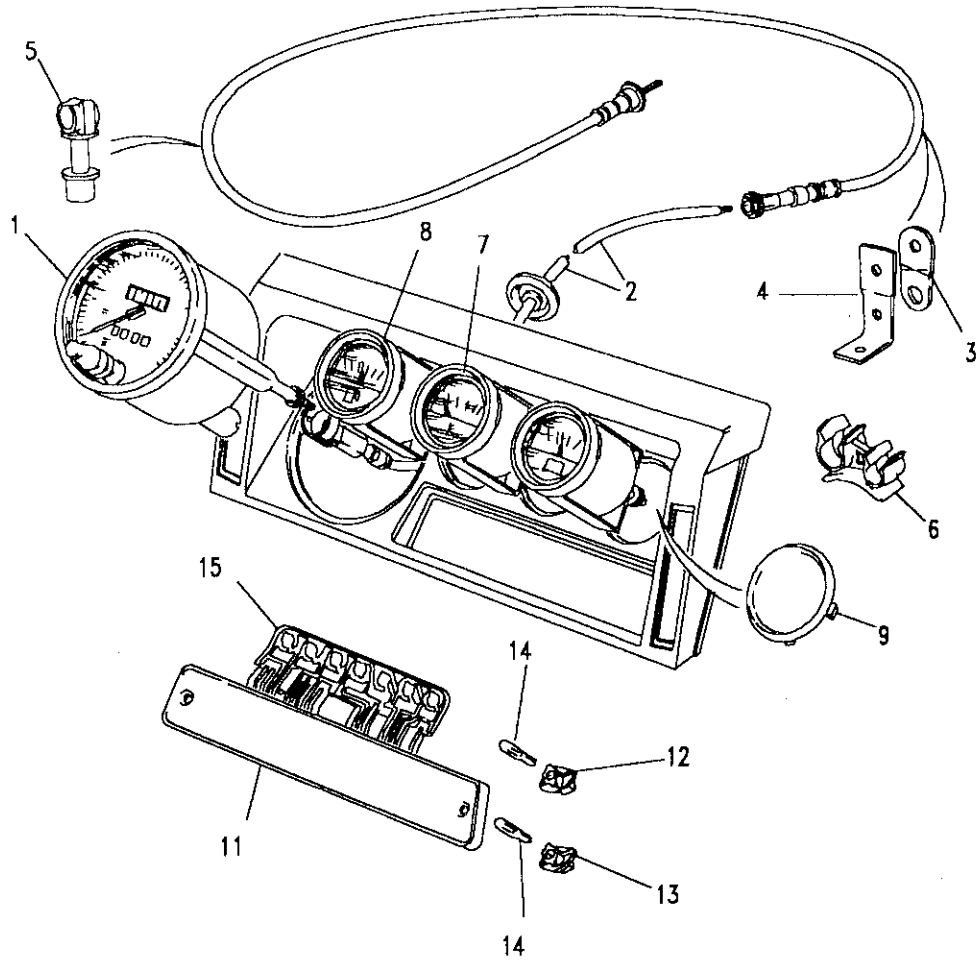
III. Part No.	Description	Qty	Remarks
10	MTC5458	1	RHS
	MTC5459	1	LHS
11	AD606044L	2	Screw
12	WK606214L	2	Washer cup
13	AJ606041	2	Nut spring
	MWC9322	2	U nut
14	AB606044L	2	Screw
15	WF704064	2	Washer shakeproof
16	AJ606041	2	Nut spring
	MWC9322	2	U nut



Model DEFENDER 110 1987 onwards
 Page AFMXIA2A

ELECTRICAL - INSTRUMENTS

III. Part No.	Description	Qty	Remarks
1	PRC7373	1	Speedometer MPH
	PRC7374	1	Speedometer KPH
2	PRC6022	1	Cable speedometer RHS
	PRC6023	1	Cable speedometer RHS
	PRC6021	1	Cable speedometer LHS
3	PRC2979	1	Bracket support
4	PRC2980	1	Bracket support
	PRC3678	1	Bracket transfer box
	PRC3833	1	Bracket toebox
5	PRC3180	2	Clip speedometer cable
6	PRC3025	2	Cable clip
	PRC3025	2	Cable clip
7	PRC7311	1	Gauge water temperature
	AMR2070	1	Gauge water temperature
	AMR2631	1	Gauge water temperature
8	PRC7313	1	Gauge fuel
9	MRC8225	1	Plug blanking
10	PRC7315	1	Gauge battery condition

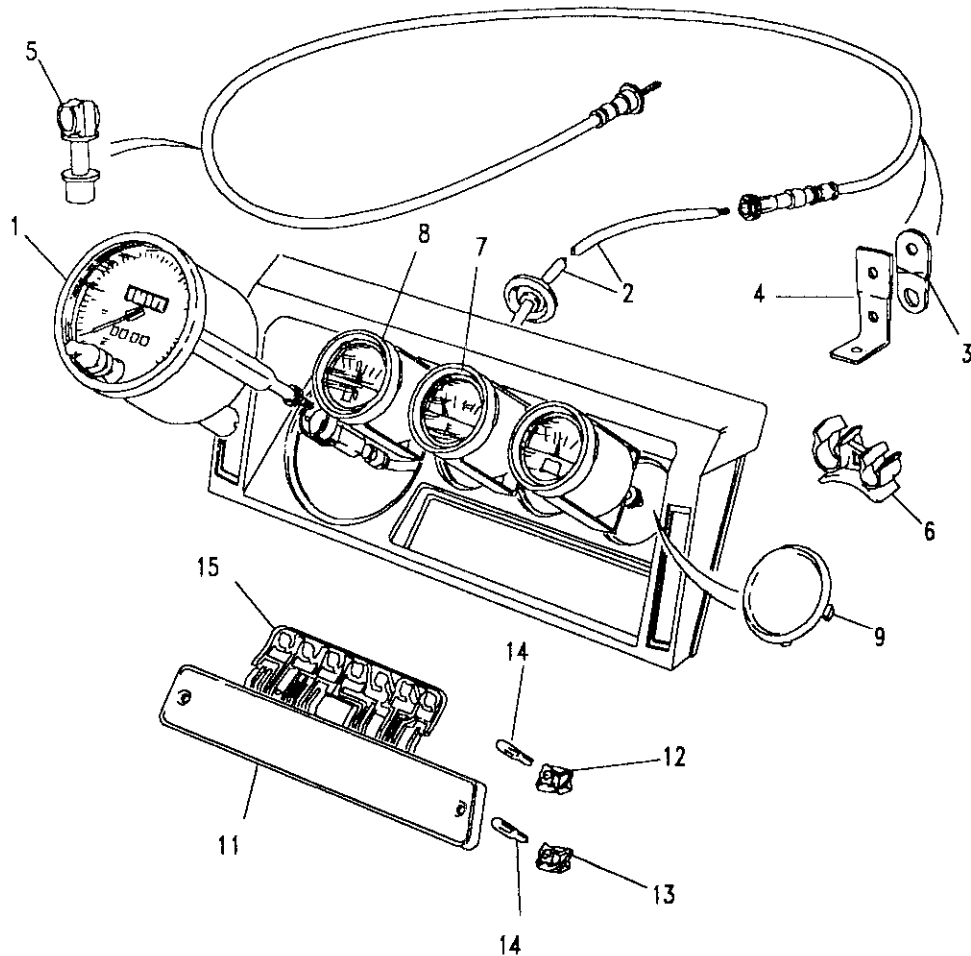


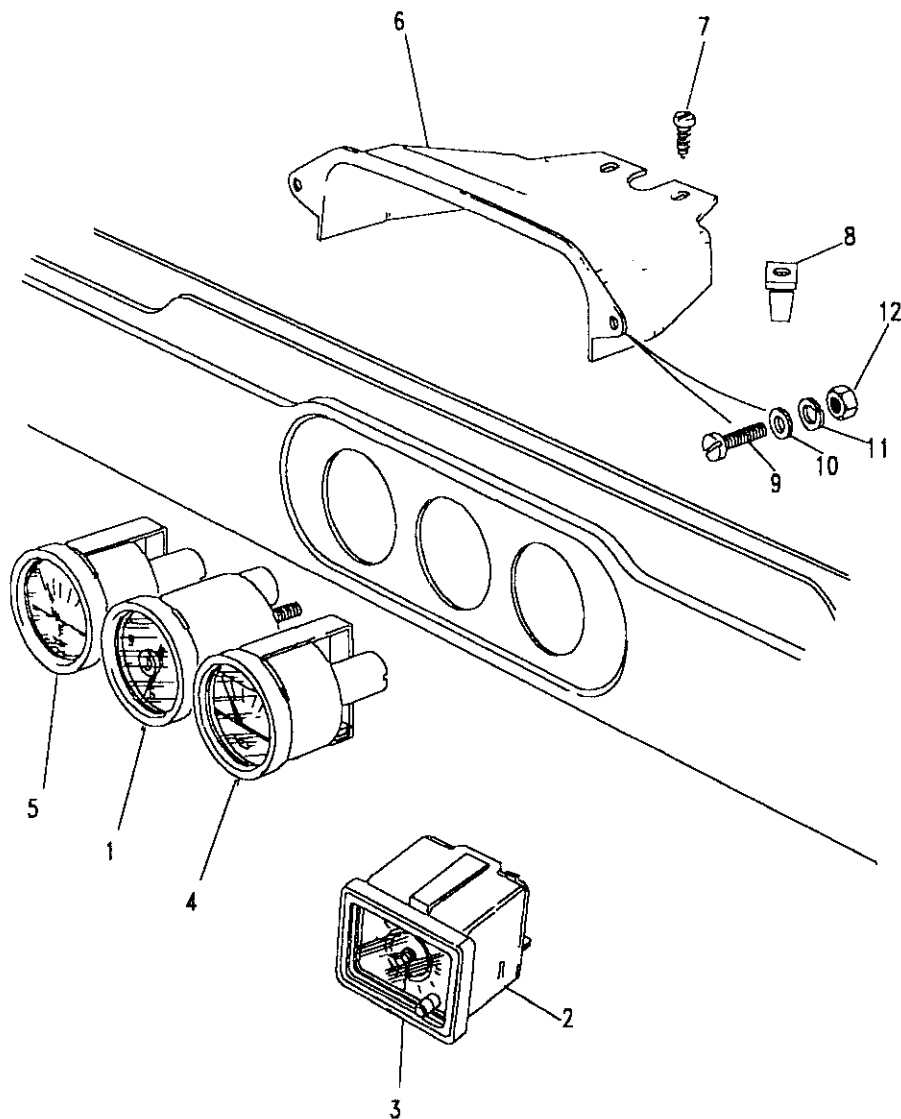
Model DEFENDER 110 1987 onwards
Page AFMXIA2A

ELECTRICAL - INSTRUMENTS

III. Part No.	Description	Qty	Remarks
11 PRC8879	Module warning lamp	1	Up to KA929565
AMR2628	Module warning light	1	From KA929566
12 AEU2722	Bulb holder	13	
13 AEU2723	Bulb holder	1	NLA - use RTC3878
14 RTC3635	Bulb	13	12V 1.2W
AEU2724	Bulb	1	6V 1.2W
15 AEU2721	Printed circuit	1	
WE104001L	Washer shakeproof	2	
NH104041L	Nut	2	
Police Vehicles			
ZXC9121	Speedometer	1	No longer available
ZXC9120	Cable speedometer 70" -gearbox to junction	1	4 Cylinder
ZXC9119	Cable speedometer 80" -gearbox to junction	1	V8
ZXC9117	Cable speedometer 26" -jnctn to main speedo	1	
ZXC9118	Cable speedometer 18.5" -jnctn to calibr speedo	1	
ZXC9328	Junction unit	1	

Note(1) For round binnacle mounted clock see frame page 726





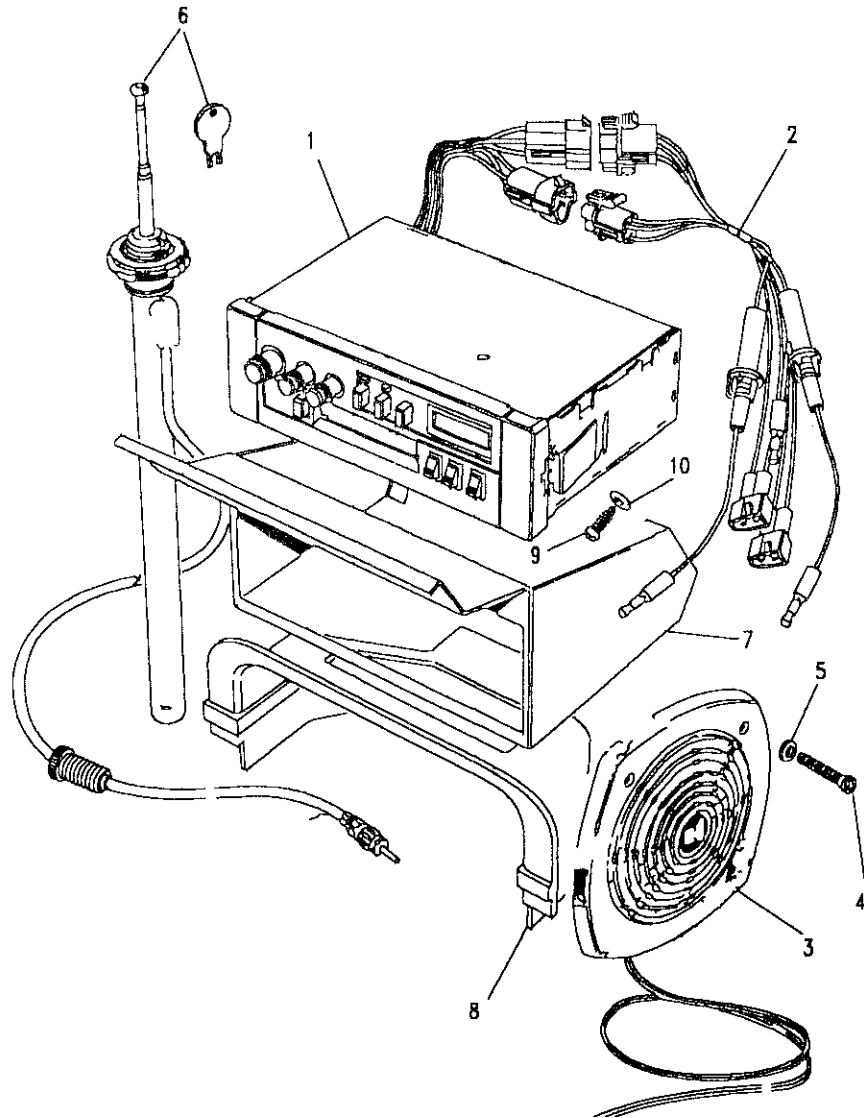
Model DEFENDER 110 1987 onwards

Page AFMXIA3A

ELECTRICAL - CLOCK AND OIL GAUGES

III. Part No.	Description	Qty	Remarks
Clock in centre dash panel			
1 RTC6324	Clock	1	Upto VIN 319740
2 PRC4370	Clock rectangular	1	From VIN 319740 Up to LA936688
Clock in main instrument binnacle			
AMR3443	Clock round	1	From LA936689
3 PRC4324	Bezel clock rectangular	1	From VIN 319740
4 PRC7319	Gauge oil pressure	1	Note(1)
5 PRC7320	Gauge oil pressure	1	V8
5 PRC7318	Gauge oil temperature	1	Note(1)
5 PRC7318	Gauge oil temperature	1	V8
6 346786	Cover instruments	1	
7 AB606034	Screw	2	
8 RTC3745	Nut lokut	2	
9 SP105204	Screw	2	
10 WC105007	Washer plain	2	
11 WL105004	Washer spring	2	
12 NH105041L	Nut	2	

Note(1) 4 cyl. Petrol, nat. asp. Diesel and Diesel Turbo only.



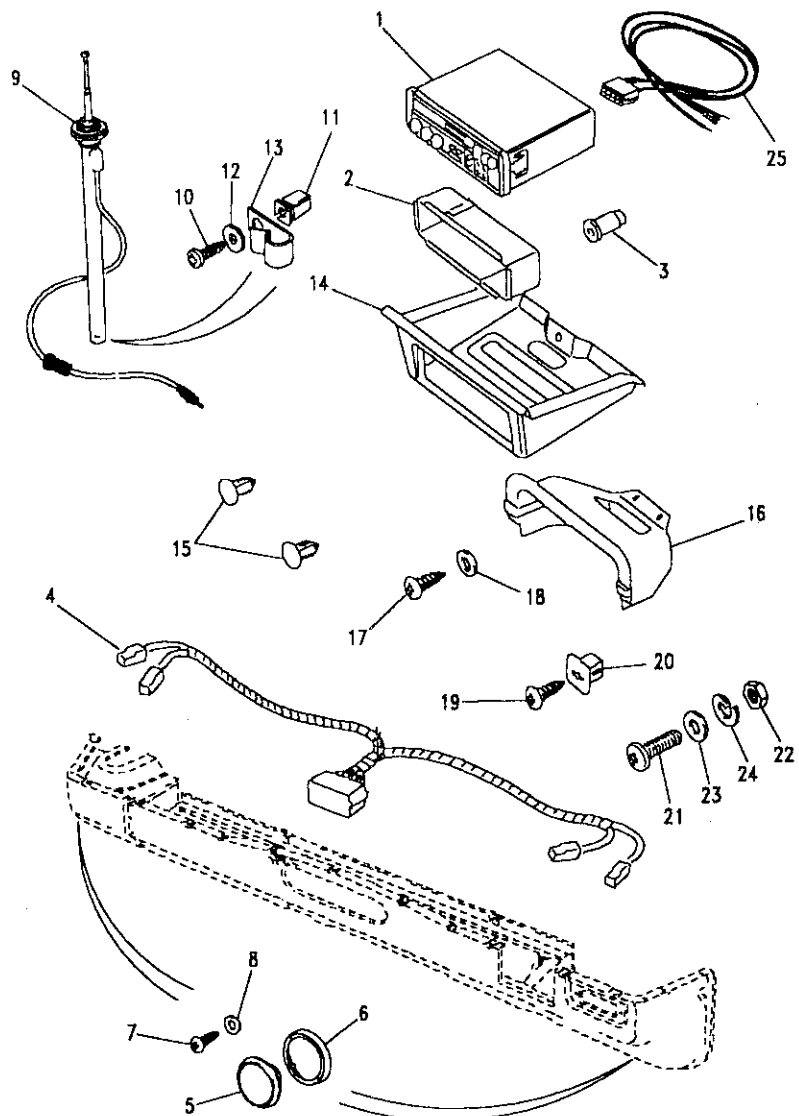
Model DEFENDER 110 1987 onwards
Page AFMXKA1A

ELECTRICAL - RADIO CASSETTE & LOUDSPEAKERS - UP TO LA939975

III. Part No.	Description	Qty	Remarks
1	PRC9188	1	Up to JA910822
	PRC9937	1	From JA910823
	PRC9941	1	From JA910823
2	PRC6228	1	Up to JA910822
	PRC9938	1	From JA910823
3	PRC6348	2	Up to JA910822
	PRC9939	2	From JA910823
4	AD606074L	8	Screw
5	WA104001L	8	Washer plain
6	PRC4327	1	Aerial
7	MWC2526	1	Housing radio
8	MWC2530	1	Cover aux instruments
9	AW608081	2	Screw - radio housing
10	WA105001L	2	Washer plain - housing
	STC737	1	Fitting kit audio Note(1&2)

Note(1)
 Note(2)

Required when fitting PRC9937 in place of PRC9188.
 Required when fitting radio to vehicles which are not pre-wired.

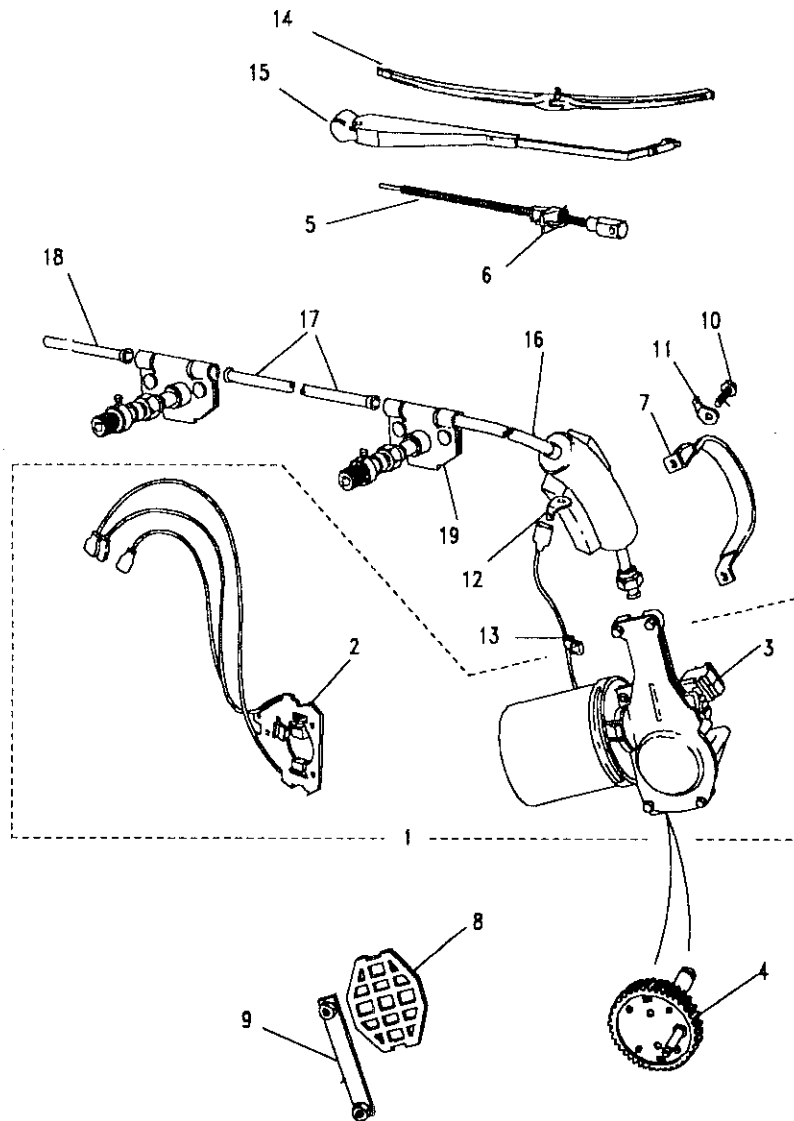


Model DEFENDER 110 1987 onwards
 Page AFMXKA2A

ELECTRICAL - RADIO CASSETTE & LOUDSPEAKERS - FROM MA939976

Ill. Part No.	Description	Qty	Remarks
1	AMR3414	1	Radio cassette
2	PRC9941	1	Cage radio mounting
3	XQJ10002	1	Radio location bung
4	AMR3294	1	Harness speaker
5	AMR3417	1	Speaker assy
6	AMR3840	2	Spacer - speaker
7	AD606074L	8	Screw - speaker
	AB606124	8	Screw - speaker
8	WA104001L	8	Washer plain - speaker
	WA104004	8	Washer plain - speaker
9	AMR3418	1	Aerial
10	AB614061	1	Screw - aerial
11	CZK3164	1	Nut - aerial
12	MRC5527	1	Washer - aerial
13	NRC2383	1	Clip - aerial
14	BTR8593LDQ	1	Housing radio
15	AFU1897	2	Fastener - radio housing
16	BTR9552	1	Cover aux instruments
17	AW608081	2	Screw - radio housing
18	WA105001L	2	Washer plain - housing
19	AB606034	2	Screw - inst. cover
20	CZH0619	2	Nut lokut - inst. cover
21	SE105204	2	Screw M5 - inst. cover
22	NH105041	2	Nut M5 - inst. cover
23	WC105004	4	Washer M5 - inst. cover
24	WL105004	2	Washer spring M5
25	STC1747	1	Radio power lead

Note(1) Required when fitting radio to vehicles which are not pre-wired.



Model DEFENDER 110 1987 onwards
 Page AFMXMA1A

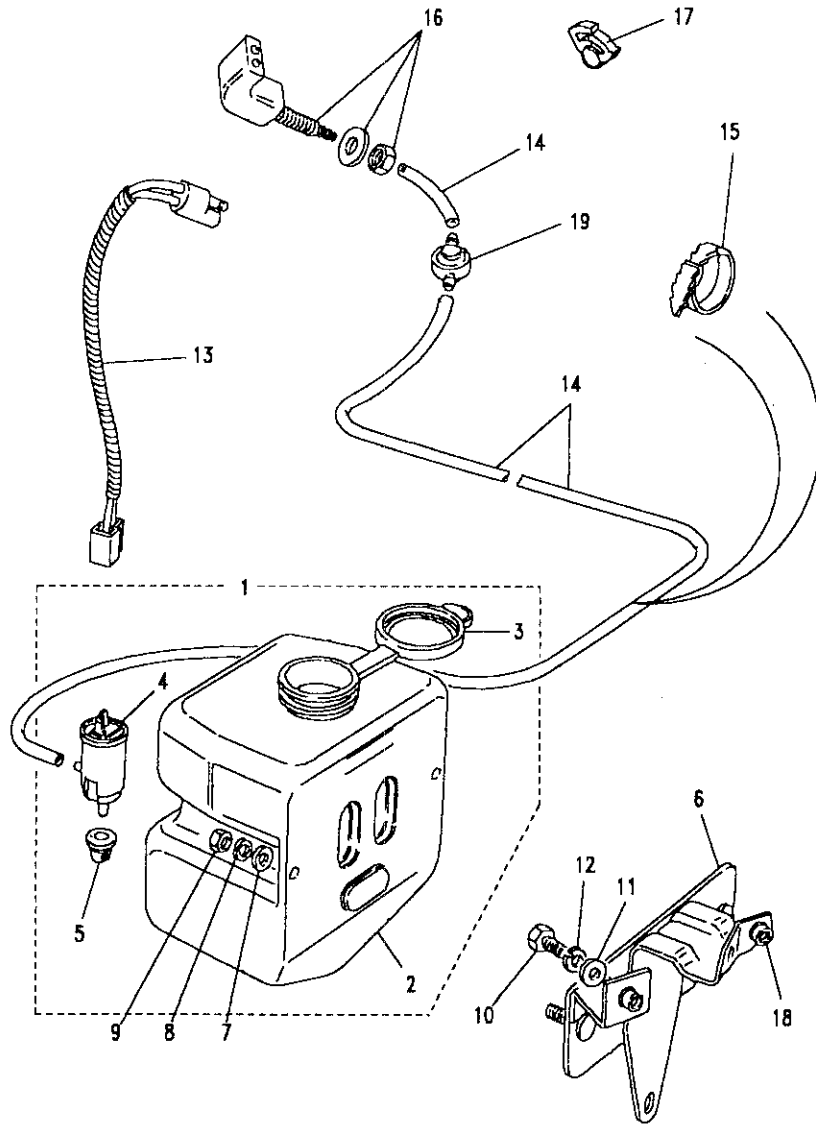
ELECTRICAL - WINDSCREEN WIPERS

Ill. Part No.	Description	Qty	Remarks
1	RTC3867	1	Motor wiper front
2	RTC198	1	Brush set
3	520160	1	Switch park
4	517646	1	Gear
5	37H5208L	1	Rack
6	37H3694L	1	Ferrule
7	BHA4790L	1	Strap
8	150844	1	Pad
9	MTC2607	1	Nut plate
10	SE106161L	2	Screw
11	505205	1	Lucar blade
12	STC712	1	Lucar blade
13	570351	1	Cable clip
14	PRC8559	2	Blade wiper
15	PRC4276	2	Arm wiper
	PRC4277	2	Arm wiper
16	PRC3671	1	Tube
	PRC3672	1	Tube
17	PRC2471	1	Tube
18	575047	1	Tube
19	PRC8495	2	Wheel box
	RTC4480	2	Drum splined
	STC987	2	-pinch bolt type Drum splined
	MUC3933	2	-grub screw type Cover wiper pinch bolt



Model DEFENDER 110 1987 onwards
 Page AFMXMC3A

ELECTRICAL - WINDSCREEN WASH - NON AIR CON

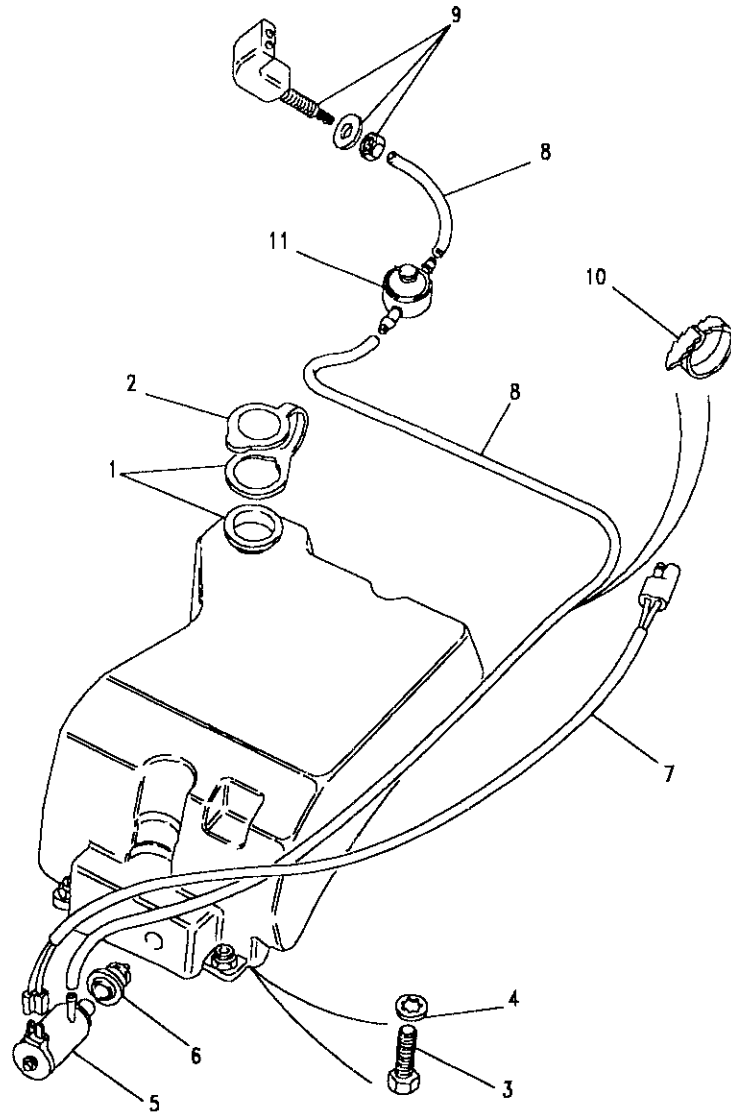


Ill. Part No.	Description	Qty	Remarks
1	AMR3756 Reservoir assembly	1	
2	PRC5744 Reservoir	1	
3	PRC8664 Cap reservoir	1	
4	ADU3905 Pump screenwash	1	
5	RTC3959 Grommet	1	
6	PRC5742 Bracket mounting RH	1	
	PRC5741 Bracket mounting LH	1	
7	WC106041L Washer plain	2	
8	WL106001L Washer spring	2	
9	NH106041L Nut	2	
10	SH106121L Screw	1	
11	WA106041L Washer plain	1	
12	WL106001L Washer spring	1	
13	PRC5738 Cable assy	1	Up to LA939975
	AMR2474 Cable assy	1	From MA939976
14	RTC3650 Tubing	A/R	
15	RTC222 Strap	3	
16	PRC5736 Jet windscreen	1	Up to LA930671
	AMR3025 Jet windscreen	1	From LA930672
17	AMR3012 Clip retaining	1	From LA930672
18	NN106021 Nut anchor	2	
19	ACU5037 Valve non return	1	From HA455596

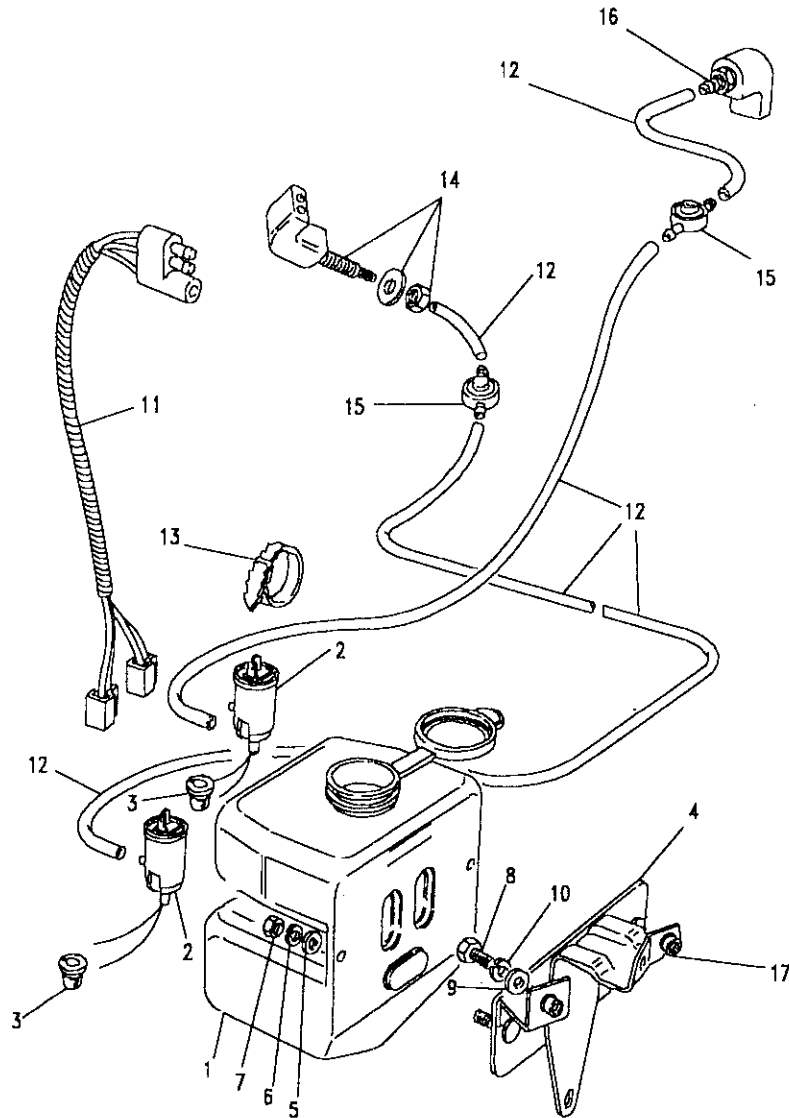


Model DEFENDER 110 1987 onwards
Page AFMXMC2A

ELECTRICAL - WINDSCREEN WASH - AIR CON



III. Part No.	Description	Qty	Remarks
1	PRC5756 Reservoir	1	
2	PRC2854 Cap reservoir	1	
3	78210 Screw	3	
4	WF600041L Washer shakeproof	3	
5	DRC2713L Pump screenwash	1	
6	RTC5827 Grommet	1	
7	PRC3794 Cable assembly	1	Up to LA939975
	AMR2978 Cable assembly	1	From MA939976
8	RTC3650 Tubing	AVR	
9	PRC5736 Jet windscreen	1	Up to LA930671
	AMR3025 Jet windscreen	1	From LA930672
	AMR3012 Clip retaining	1	From LA930672
10	RTC222 Strap	3	
11	ACU5037 Valve non return	1	From HA455596



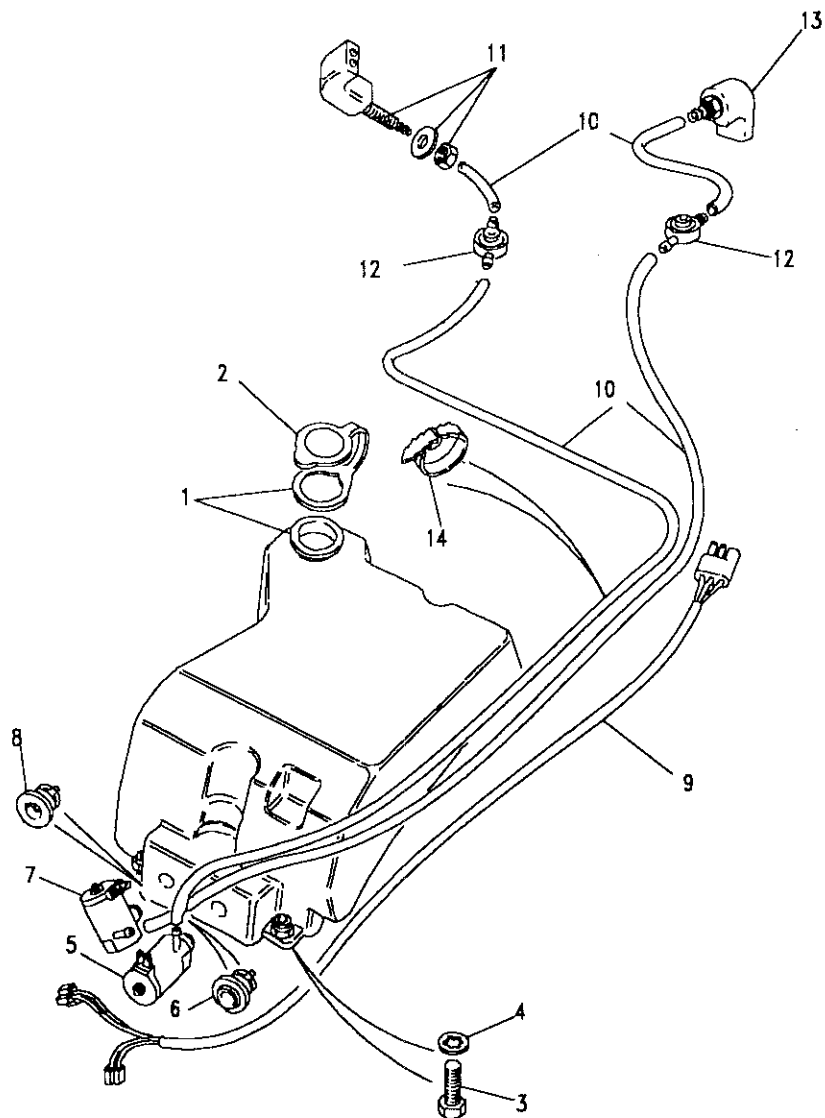
Model DEFENDER 110 1987 onwards
Page AFMXMC4A

ELECTRICAL - FRONT/REAR SCREEN WASH

III. Part No.	Description	Qty	Remarks
1	PRC5747	1	Reservoir
	PRC8664	1	Cap reservoir
2	ADU3905	2	Pump screenwash
3	RTC3959	2	Grommet
4	PRC5742	1	Bracket mounting RH
	PRC5741	1	Bracket mounting LH
5	WC106041L	2	Washer plain
6	WL106001L	2	Washer spring
7	NH106041L	2	Nut
8	SH106121L	1	Screw
9	WA106041L	1	Washer plain
10	WL106001L	1	Washer spring
11	PRC5738	1	Cable assy
	AMR2474	1	Cable assy
12	RTC3650	A/R	Tubing
13	RTC222	3	Strap
14	PRC5736	1	Jet windscreen
	AMR3025	1	Jet windscreen
	AMR3012	1	Clip retaining
15	ACU5037	1	Valve non return
	ACU5037	1	Valve non return
16	PRC5802	1	Jet rear screen
	AMR3026	1	Jet rear screen
	AMR3012	1	Clip retaining
17	NN106021	2	Nut anchor

Model DEFENDER 110 1987 onwards
Page AFMXMC1A

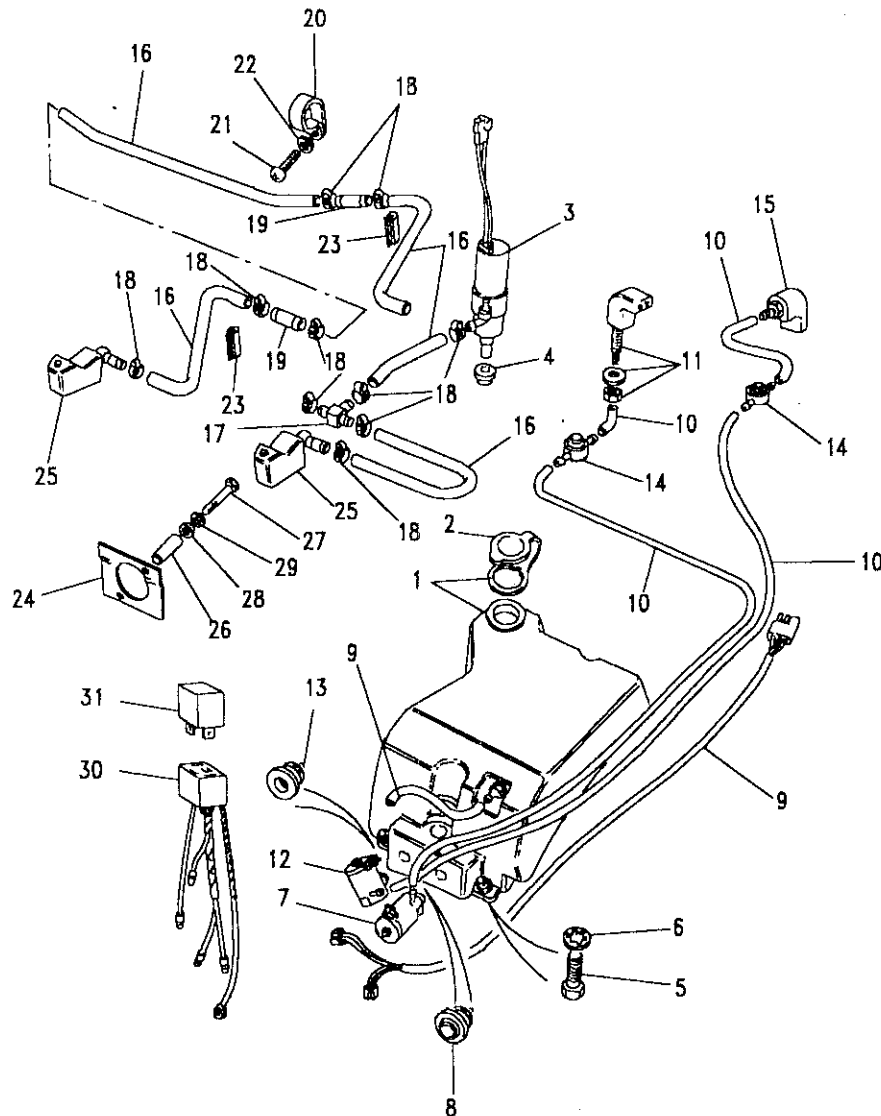
ELECTRICAL - FRONT/REAR SCREEN WASH - AIR CON



III. Part No.	Description	Qty	Remarks
1	PRC5765	1	Reservoir
2	PRC2854	1	Cap reservoir
3	78210	3	Screw
4	WF600041L	3	Washer shakeproof
5	DRC2713L	1	Pump windscreen wash
6	RTC5827	1	Grommet
7	ADU6693L	1	Pump rear screen wash
8	RTC5828	1	Grommet
9	PRC5739	1	Cable assembly
	AMR2979	1	Cable assembly
10	RTC3650	A/R	Tubing
11	PRC5736	1	Jet windscreen
	AMR3025	1	Jet windscreen
	AMR3012	1	Clip retaining
12	ACU5037	1	Valve non return
	ACU5037	1	Valve non return
13	PRC5802	1	Jet rear screen
	AMR3026	1	Jet rear screen
	AMR3012	1	Clip retaining
14	RTC222	3	Strap

Model DEFENDER 110 1987 onwards
 Page AFMXME2A

ELECTRICAL - HEADLAMP AND SCREEN WASH - NON AIR CON



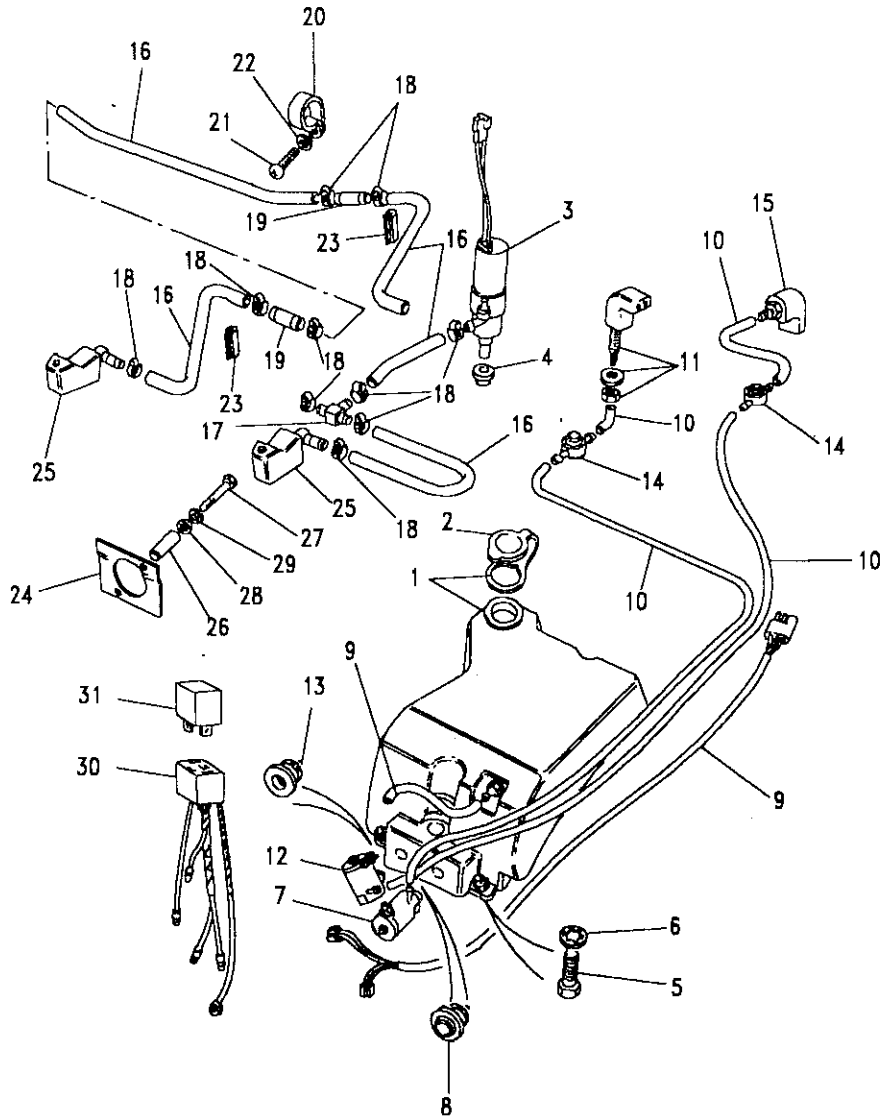
III. Part No.	Description	Qty	Remarks
1	PRC5777	1	Reservoir
2	PRC2854	1	Cap reservoir
3	ADU6409L	1	Pump headlamp wash
4	ADU6418L	1	Grommet
5	78210	3	Screw
6	WF600041L	3	Washer shakeproof
7	DRC2713L	1	Pump windscreen wash
8	RTC5827	1	Grommet
9	PRC5739	1	Cable assembly
	AMR2979	1	Cable assembly
10	RTC3650	A/R	Tubing
11	PRC5736	1	Jet windscreen
	AMR3025	1	Jet windscreen
	AMR3012	1	Clip retaining
12	ADU6693L	1	Pump rear screen
13	RTC5828	1	Grommet
14	ACU5037	1	Valve non return
	ACU5037	1	Valve non return
15	PRC5802	1	Jet rear screen
	AMR3026	1	Jet rear screen
	AMR3012	1	Clip retaining
16	RTC4848	A/R	Tubing
17	EAM5549L	1	Tee piece
18	CJ600041L	8	Clip hose
19	PRC3030	2	Connector
20	C34950L	3	Clip retaining
21	AB606051L	3	Screw
22	WA104001L	3	Washer plain
23	DRC1530	2	Finisher edge
24	MRC8564	2	Stiffener
25	PRC2291	2	Jet headlamp wash
26	PRC3250	4	Spacer
27	BH106141L	4	Bolt



Model DEFENDER 110 1987 onwards
Page AFMXME2A

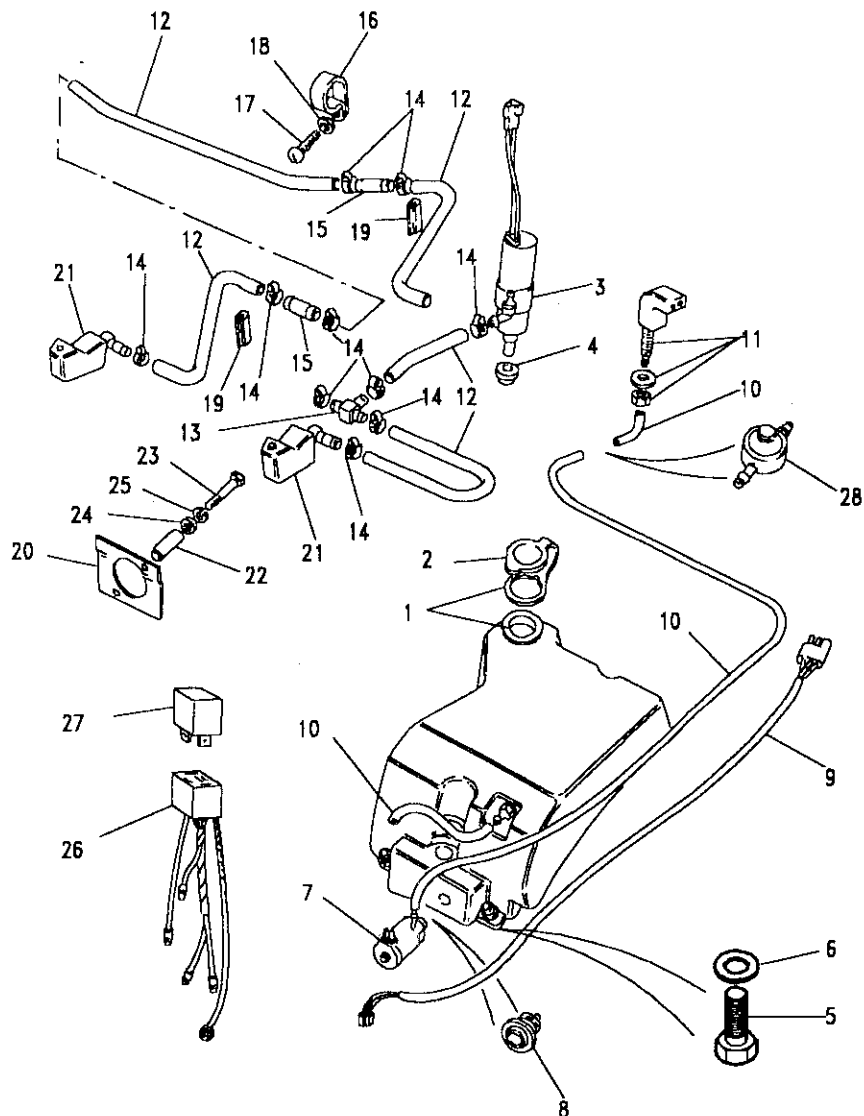
ELECTRICAL - HEADLAMP AND SCREEN WASH - NON AIR CON

III. Part No.	Description	Qty	Remarks
28	WA106041L Washer plain	4	
29	WL106001L Washer spring	4	
30	PRC5141 Cable Assy power wash	1	
31	ADU1784L Delay unit	1	

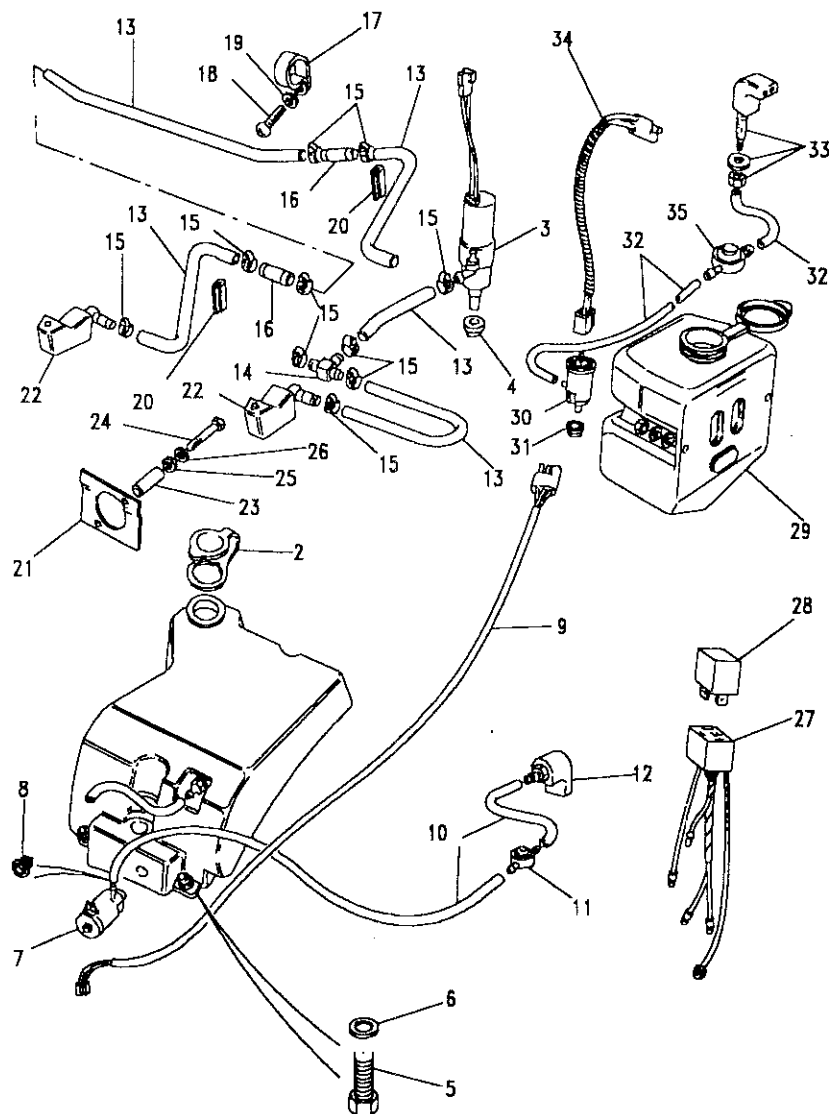


Model DEFENDER 110 1987 onwards
 Page AFMXME3A

ELECTRICAL - HEADLAMP AND WINDSCREEN WASH - AIR CON



III. Part No.	Description	Qty	Remarks
1	PRC5773 Reservoir	1	
2	PRC2854 Cap reservoir	1	
3	ADU6409L Pump headlamp wash	1	
4	ADU6418L Grommet	1	
5	78210 Screw	3	
6	WF600041L Washer shakeproof	3	
7	DRC2713L Pump windscreen wash	1	
8	RTC5827 Grommet	1	
9	PRC3794 Cable assembly	1	Up to LA939975
	AMR2978 Cable assembly	1	From MA939976
10	RTC3650 Tubing	A/R	
11	PRC5736 Jet windscreen	1	Up to LA930671
	AMR3025 Jet windscreen	1	From LA930672
	AMR3012 Clip retaining	1	From LA930672
12	RTC4848 Tubing	A/R	
13	EAM5549L Tee piece	1	
14	CJ600041L Clip hose	8	
15	PRC3030 Connector	2	
16	C34950L Clip retaining	3	
17	AB606051L Screw	3	
18	WA104001L Washer plain	3	
19	DRC1530 Finisher edge	2	
20	MRC8564 Stiffener	2	
21	PRC2291 Jet headlamp wash	2	
22	PRC3250 Spacer	4	
23	BH106141L Bolt	4	
24	WA106041L Washer plain	4	
25	WL106001L Washer spring	4	
26	PRC5141 Cable assy power wash	1	
27	ADU1784L Delay unit	1	
28	ACU5037 Valve non return	1	From HA455596



Model DEFENDER 110 1987 onwards

Page AFMXME1A

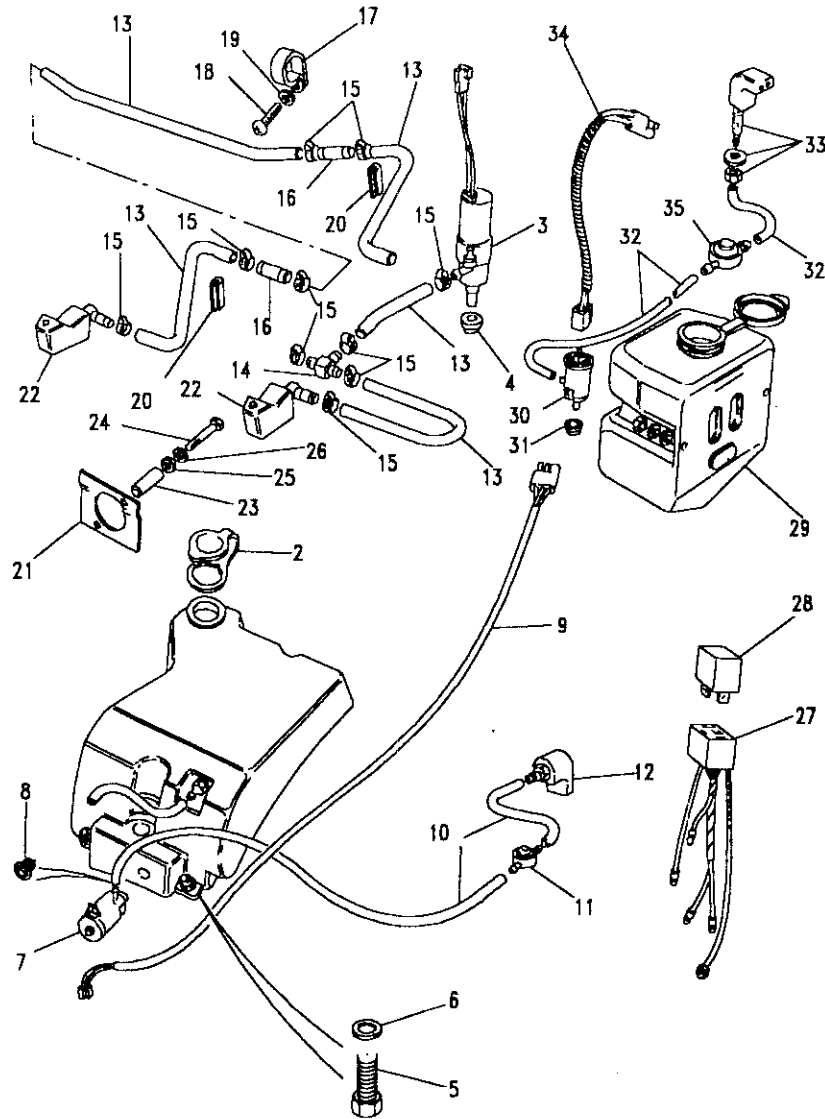
ELECTRICAL - HEADLAMP/FRONT/REAR SCREEN WASH

III. Part No.	Description	Qty	Remarks
Finland and Sweden only			
1	PRC5773 Reservoir	1	
2	PRC2854 Cap reservoir	1	
3	ADU6409L Pump headlamp wash	1	
4	ADU6418L Grommet	1	
5	78210 Screw	3	
6	WF600041L Washer shakeproof	3	
7	DRC2713L Pump rear screen wash	1	
8	RTC5827 Grommet	1	
9	PRC3794 Cable assembly	1	Up to LA939975
	AMR2978 Cable assembly	1	From MA939976
10	RTC3650 Tubing	A/R	
11	ACU5037 Valve non return	1	
12	PRC5802 Jet rear screen	1	Up to LA930671
	AMR3026 Jet rear screen	1	From LA930672
	AMR3012 Clip retaining	1	From LA930672
13	RTC4848 Tubing	A/R	
14	EAM5549L Tee piece	1	
15	CJ600041L Clip hose	8	
16	PRC3030 Connector	2	
17	C34950L Clip retaining	3	
18	AB605051L Screw	3	
19	WA104001L Washer plain	3	
20	DRC1530 Finisher edge	2	
21	MRC8564 Stiffener	2	
22	PRC2291 Jet headlamp wash	2	
23	PRC3250 Spacer	4	
24	BH106141L Bolt	4	
25	WA106041L Washer plain	4	
26	WL106001L Washer spring	4	
27	PRC5141 Cable assy headlamp wash	1	
28	ADU1784L Delay unit	1	
29	PRC5744 Reservoir windscreen wash	1	
	PRC8664 Cap reservoir	1	

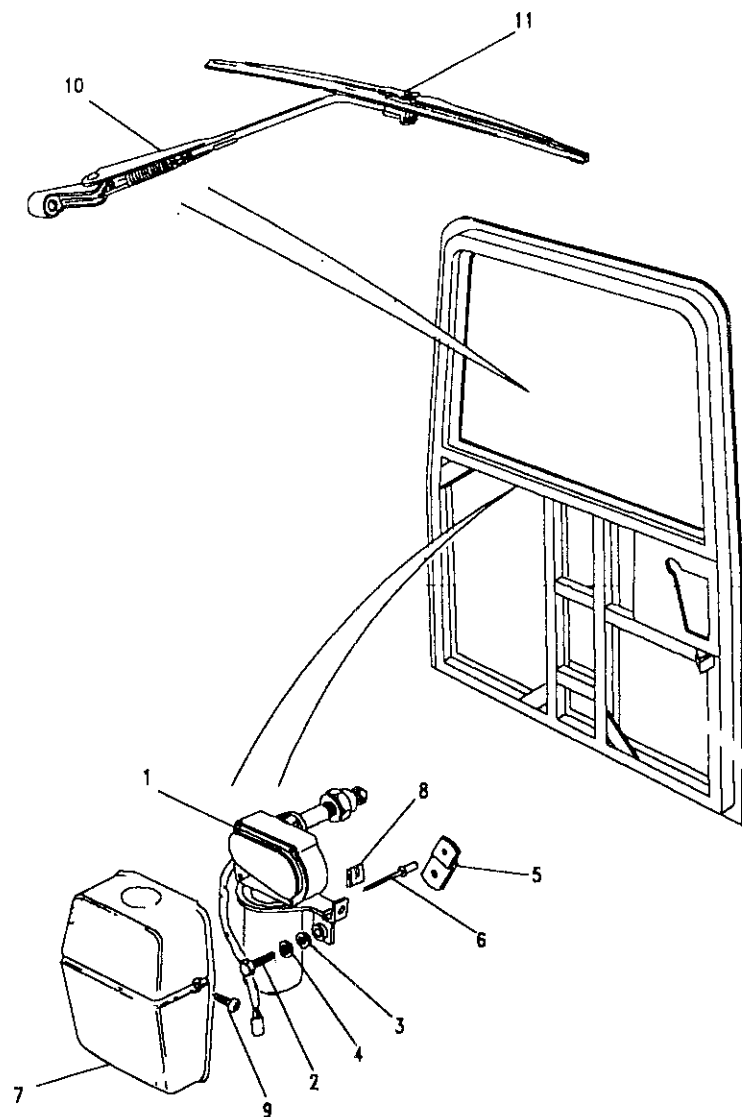


Model DEFENDER 110 1987 onwards
Page AFMXME1A

ELECTRICAL - HEADLAMP/FRONT/REAR SCREEN WASH



III. Part No.	Description	Qty	Remarks
30	ADU3905	1	Pump windscreen wash
31	RTC3959	1	Grommet
32	RTC3650	A/R	Tubing
33	PRC5736	1	Jet windscreen
	AMR3025	1	Jet windscreen
	AMR3012	1	Clip retaining
34	PRC3794	1	Cable assembly
	AMR2978	1	Cable assembly
35	ACU5037	1	Valve non return



Model DEFENDER 110 1987 onwards
 Page AFMXMI1A

ELECTRICAL - REAR WASH WIPE

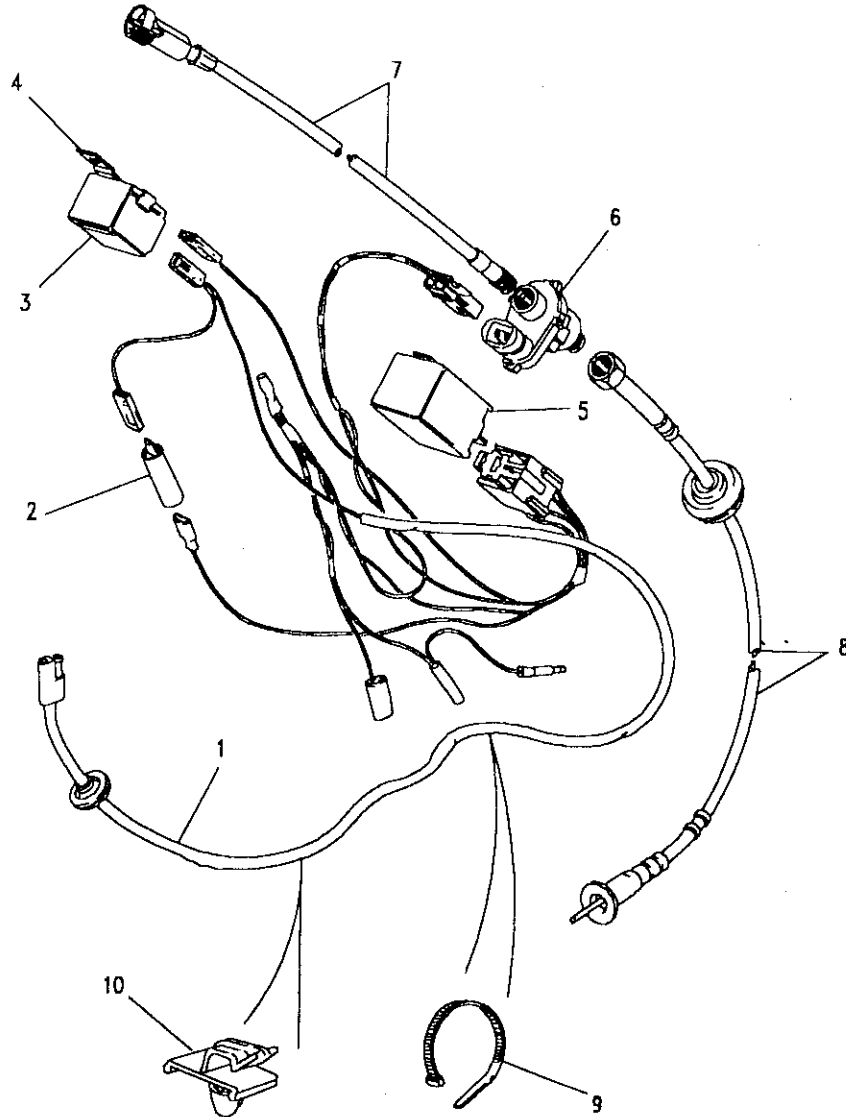
III. Part No.	Description	Qty	Remarks
1 PRC4612	Motor wiper rear - Imos	1	Up to JA910750
AMR1054	Motor wiper rear - Delco	1	From JA910751
2 SR106251L	Screw	1	
3 WA106041L	Washer plain	1	
4 WL106001L	Washer spring	1	
5 MUC1286	Bracket mounting	1	Up to JA910750
ALR2622	Bracket mounting	1	From JA910751
6 RA610167	Rivet	1	Up to JA910750
RA612207L	Rivet	1	From JA910751
7 PRC4613	Cover	1	Black
			Up to Note(1)
PRC4613LCS	Cover	1	Grey
			From Note(1)
			Up to JA910750
BTR3792LCS	Cover	1	Grey
			From JA910751
8 AK608141L	Nut spire	2	
9 DA608044L	Screw	2	
STC443	Arm wiper and blade	1	Up to VIN 451222
10 PRC8558	Arm wiper	1	From VIN 451223
11 RTC6856	Blade wiper	1	Up to VIN 451222
PRC8559	Blade wiper	1	From VIN 451223

Note(1) EA314268 - Introduction of 1988 Model Year.



Model DEFENDER 110 1987 onwards
 Page AFMXVA1A

ELECTRICAL - SEAT BELT AND OVERSPEED WARNING SYSTEM



Ill. Part No.	Description	Qty	Remarks
1	PRC4301 AMR3039	1	Cable assembly Harness seat belt warning
2	AAU5034	1	Diode
3	PRC4299	1	Buzzer
4	PRC4304	1	Clip buzzer mounting
	SE105121	1	Screw M5
	WA105041	1	Washer plain
	NH105041	1	Nut M5
5	PRC4268	1	Overspeed monitor unit
	AFU2879	2	Clip monitor unit
	DRC1245	1	Bracket mounting
	AR606021	1	Screw
6	PRC4497	1	Sensor vehicle speed
7	PRC4298	1	Cable speedometer upper
8	PRC4282	1	Cable speedometer lower
	PRC6037	1	Cable speedometer upper
	PRC6036	1	Cable speedometer lower
9	C43640	5	Cable tie
10	AFU2879	2	Cable clip

Note(1) Seat belt and overspeed warning.
 Note(2) Fitted from MA939976.