



## MASTER INDEX

## PAGES

INTRODUCTION PAGES	1 - 7
ALPHABETICAL INDEX	8 - 16
ENGINE	17 - 66
ENGINE	67 - 119
ENGINE	120 - 166
ENGINE	167 - 209
ENGINE	210 - 245
ENGINE	246 - 299
GEARBOX	300 - 326
GEARBOX	327 - 344
GEARBOX	345 - 359
TRANSFER BOX	360 - 378
TRANSFER BOX	379 - 397
AXLES AND SUSPENSION	398 - 444
STEERING	445 - 471
VEHICLE AND ENGINE CONTROLS	472 - 486
BRAKES	487 - 517
FUEL SYSTEM AND AIR CLEANER	518 - 579
EXHAUST SYSTEM	580 - 593
COOLING/HEATING	594 - 637
COOLING/HEATING	638 - 641
COOLING/HEATING	642 - 649
COOLING/HEATING	650 - 655
COOLING/HEATING	656 - 666
BODY ELECTRICAL	667 - 740
BODY AND CHASSIS	741 - 909
INTERIOR TRIM	910 - 955
SEATS	956 - 1036
STOWAGE	1037 - 1046
ACCESSORIES - PAINTS	1047 - 1074
NUMERICAL INDEX	1076 - 1151

## GROUP K

## EXHAUST SYSTEM

EXHAUST SYSTEM	
FRONT - 4 CYL PETROL & NAT ASP DIESEL	581 - 582
FRONT - V8	583 - 584
REAR - PETROL AND NAT ASP DIESEL	585 - 586
FRONT - DIESEL TURBO	587 - 589
REAR - DIESEL TURBO	590
FRONT - TDI	591
REAR - TDI	592
REAR - 200TDI	593

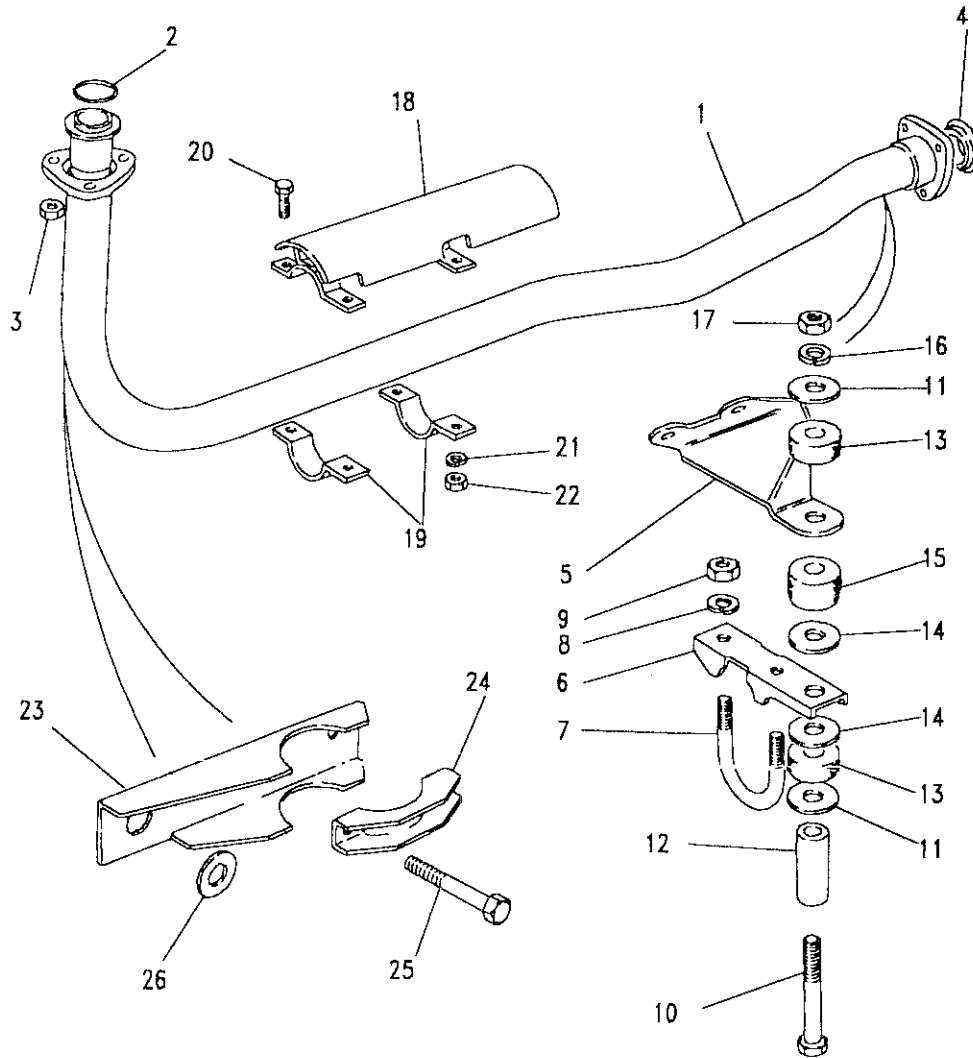




Model DEFENDER 110 1987 onwards  
Page AFKXAA1A

## EXHAUST SYSTEM - FRONT - 4 CYL PETROL &amp; NAT ASP DIESEL

Ill.	Part No.	Description	Qty	Remarks
1	NTC1794K	Downpipe	1	Petrol
	NTC1793K	Downpipe	1	Diesel
	ESR1617	Downpipe	1	Upto JA911705 Diesel
			1	From JA911706
2	ETC5337	Gasket exhaust	1	
3	AFU2778	Nut	3	
4	NTC1030	Olive	1	
5	NRC7778	Bracket mounting	1	
6	NRC6467	Clamp exhaust	1	Upto 290071
	90575748	Clamp exhaust	1	From 290072
7	NRC6466	U bolt	1	Upto 290071
	NRC6374	U bolt	1	From 290072
8	WL108001L	Washer spring	2	
9	FN108041L	Nut	2	
10	SH108701L	Bolt	1	
11	WP105L	Washer plain	2	
12	NRC5403	Spacer	1	
13	572166	Bush rubber	2	
14	572168	Washer plain	1	
15	572167	Bush rubber	1	
16	WL108001L	Washer spring	1	
17	FN108041L	Nut	1	
18	NTC5205	Heatshield exhaust	1	
19	NTC2278	Clamp exhaust	2	
20	FS108201L	Screw	4	
21	WL108001L	Washer spring	4	
22	FN108041L	Nut	4	





Model DEFENDER 110 1987 onwards

Page AFKXAA1A

EXHAUST SYSTEM - FRONT - 4 CYL PETROL & NAT ASP DIESEL

III. Part No.

Description

Qty Remarks

23 NTC4580

Bracket support

1

)From EA290072

24 NTC4586

Clamp exhaust

1

)Upto EA338367

25 BH108131L

Bolt

2

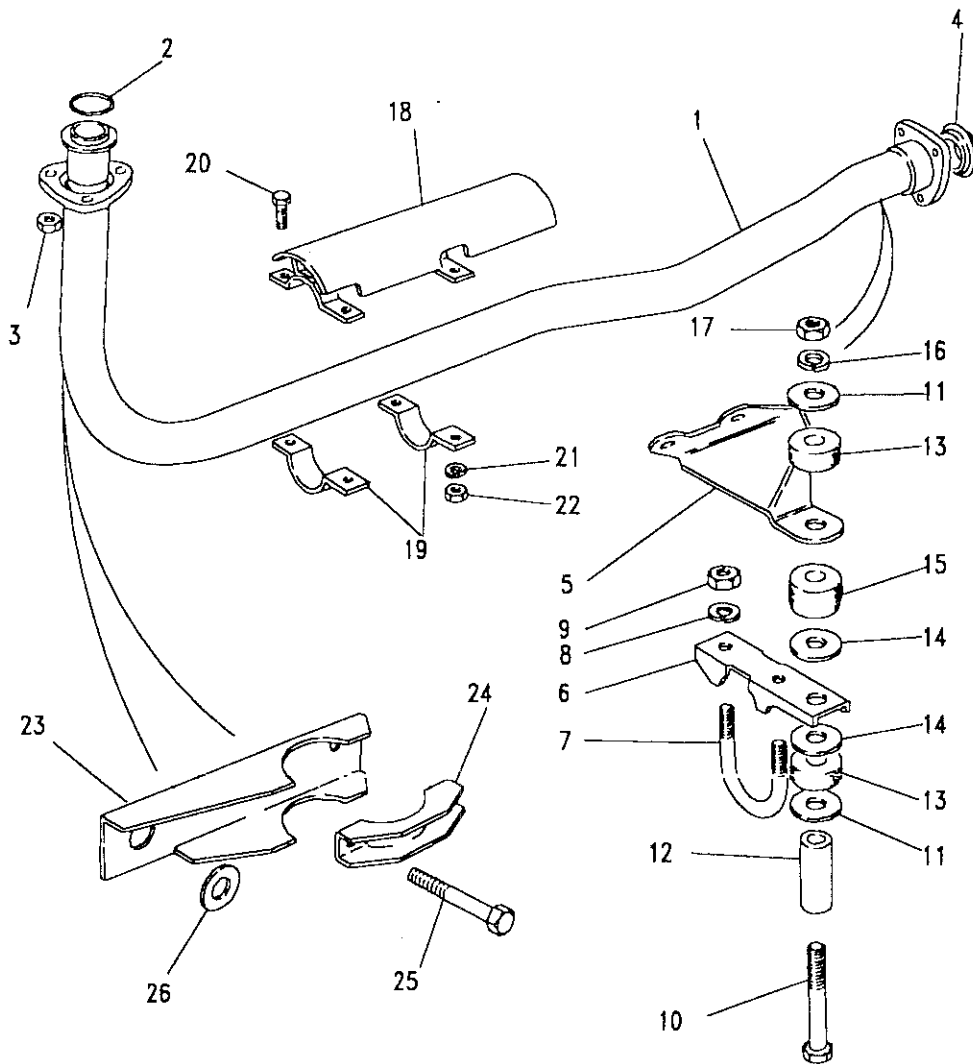
)and

26 WC112081L

Washer plain

1

)From FA405333  
)onwards





DEFENDER 110 1987 onwards

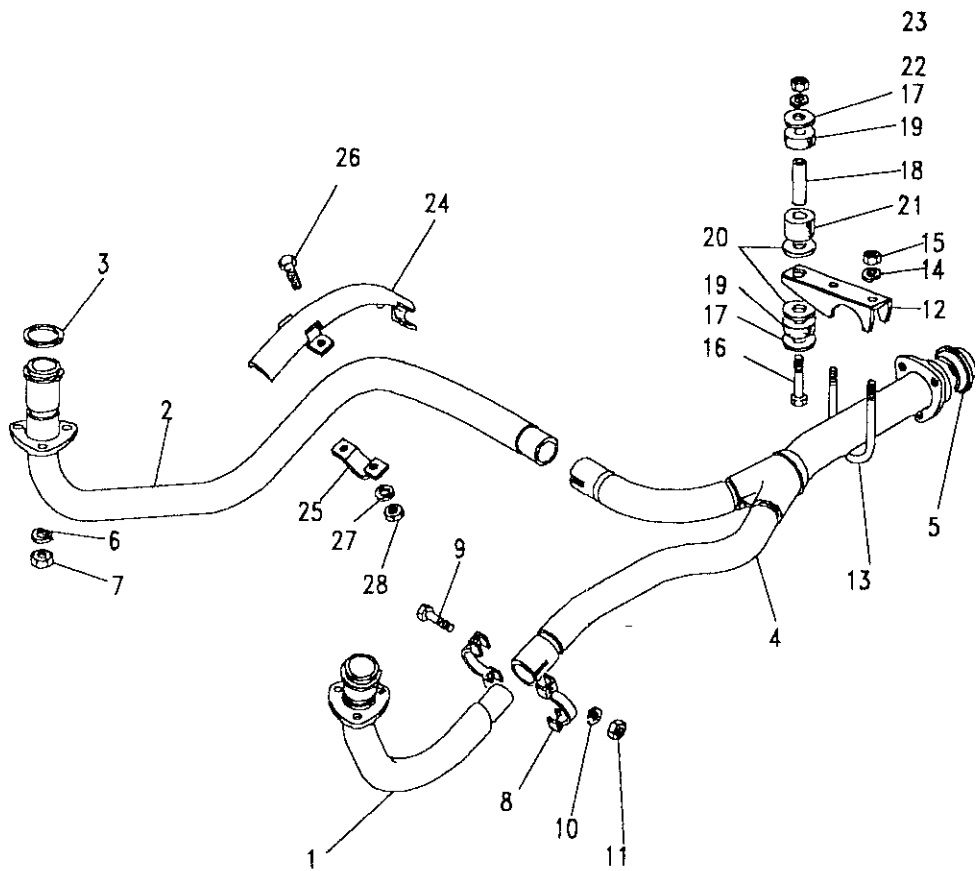
583

EXHAUST SYSTEM

Model DEFENDER 110 1987 onwards

Page AFKXAA2A

EXHAUST SYSTEM - FRONT - V8



Ill. Part No.	Description	Qty	Remarks
1	NTC1133K	1	Downpipe LH
2	NTC1136K	1	Downpipe assembly
	NRC4219	1	Downpipe LH
	NRC6432	1	Downpipe RH
3	ERC2734	1	Gasket exhaust
4	NTC2726	2	Upto FA403996
5	NTC1030	1	Y piece
6	WM600051L	6	Washer spring
7	NH605041L	6	Nut
	NV605041L	6	Nut
8	90575511	4	Clamp exhaust
9	BH108091L	4	Bolt
10	WL108001L	4	Washer spring
11	FN108041L	4	Nut
12	90575748	1	Clamp exhaust
13	NRC6374	1	U bolt
14	WL108001L	1	Washer spring
15	FN108041L	2	Nut
16	SH108701L	1	Bolt
17	WP105L	2	Washer plain
18	NRC5403	1	Spacer
19	572166	2	Bush rubber
20	572168	2	Washer plain
21	572167	1	Bush rubber
22	WL108001L	1	Washer spring
23	FN108041L	1	Nut

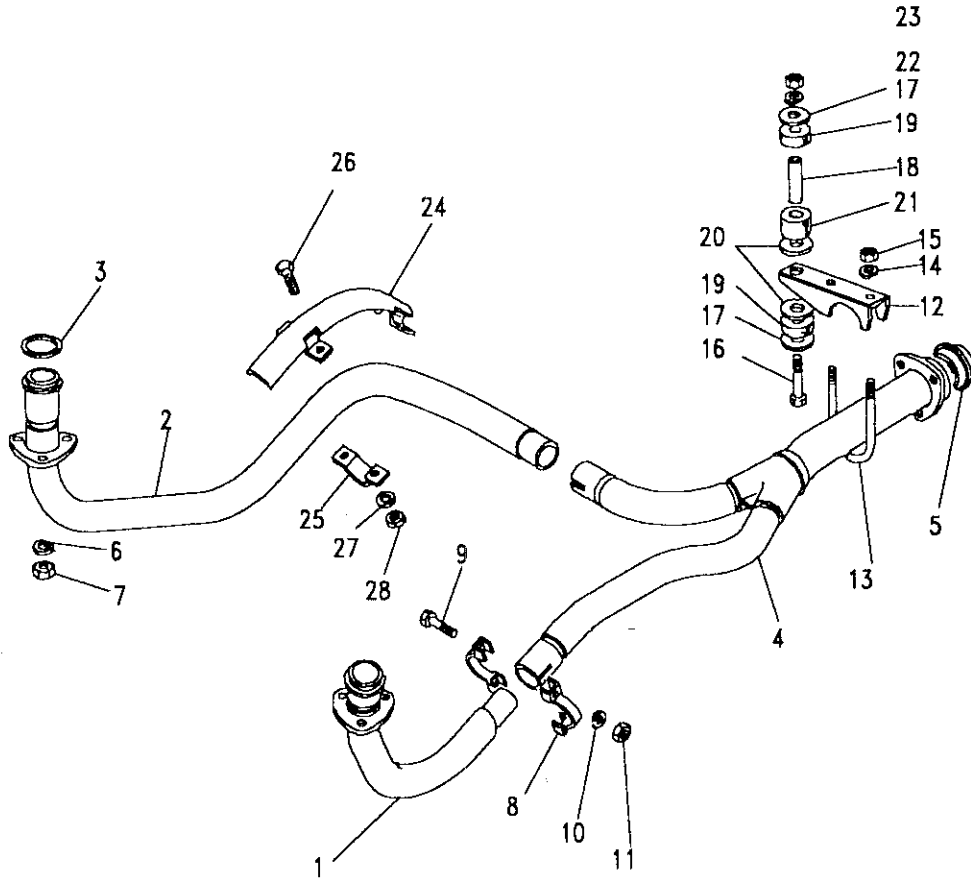




Model DEFENDER 110 1987 onwards  
Page AFKXAA2A

EXHAUST SYSTEM - FRONT - V8

III. Part No.	Description	Qty	Remarks
24	NRC9724 Heatshield exhaust	2	
25	NRC9722 Pipe Clip	4	
26	FS108201L Screw	8	
27	WL108001L Washer spring	8	
28	FN108041L Nut	8	

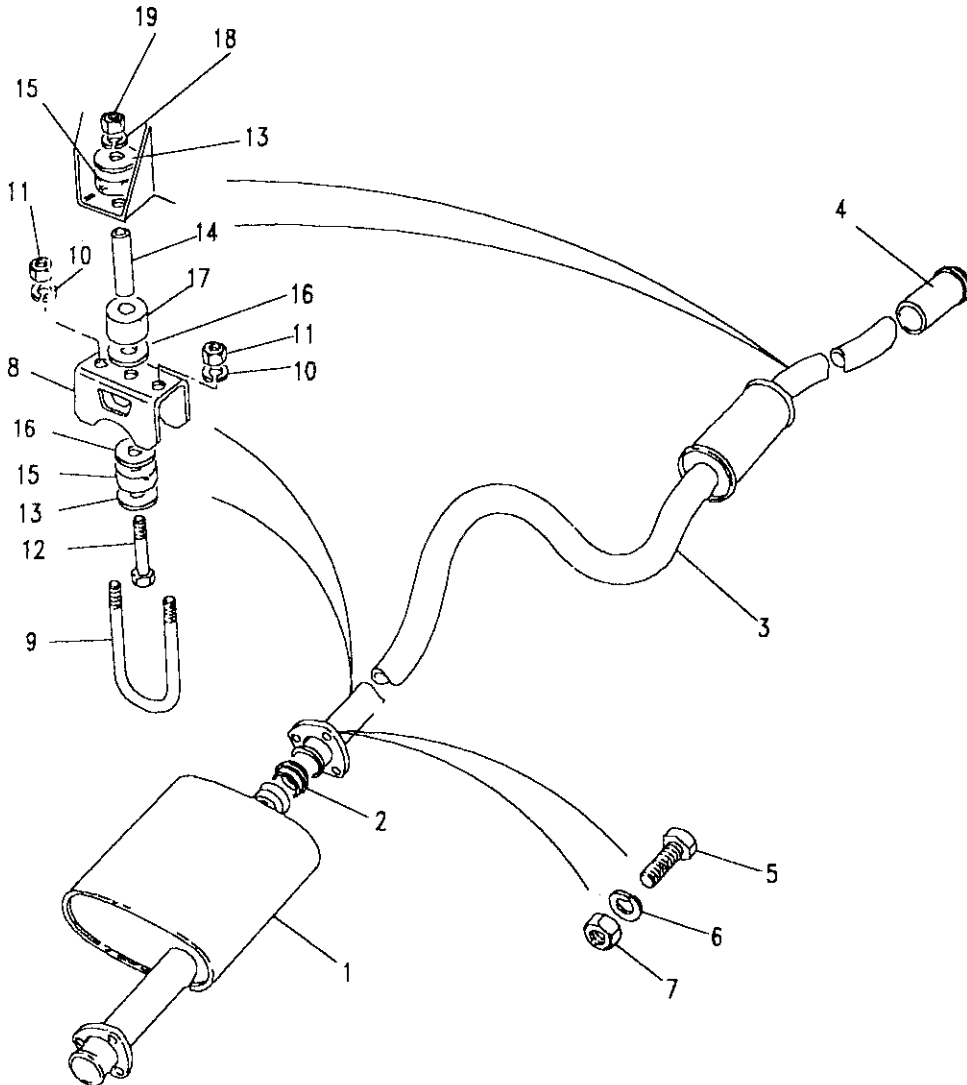




Model DEFENDER 110 1987 onwards  
Page AFKXAA3A

## EXHAUST SYSTEM - REAR - PETROL AND NAT ASP DIESEL

III. Part No.	Description	Qty	Remarks
1	NTC4614	1	Front
2	NTC2731	1	
3	NTC1800K	1	Note(1)
	NTC4617	1	Note(2)
	NTC2701K	1	Note(3)
4	NRC8238	1	Note(4)
5	FB108081L	6	
6	WL108001L	6	
7	FN108041L	6	
8	NRC7608	2	
9	NRC7609	2	
10	WL108001L	4	
11	FN108041L	4	
12	SH108701	2	
13	WP105L	4	
14	NRC5403	2	
15	572166	4	
16	572168	4	



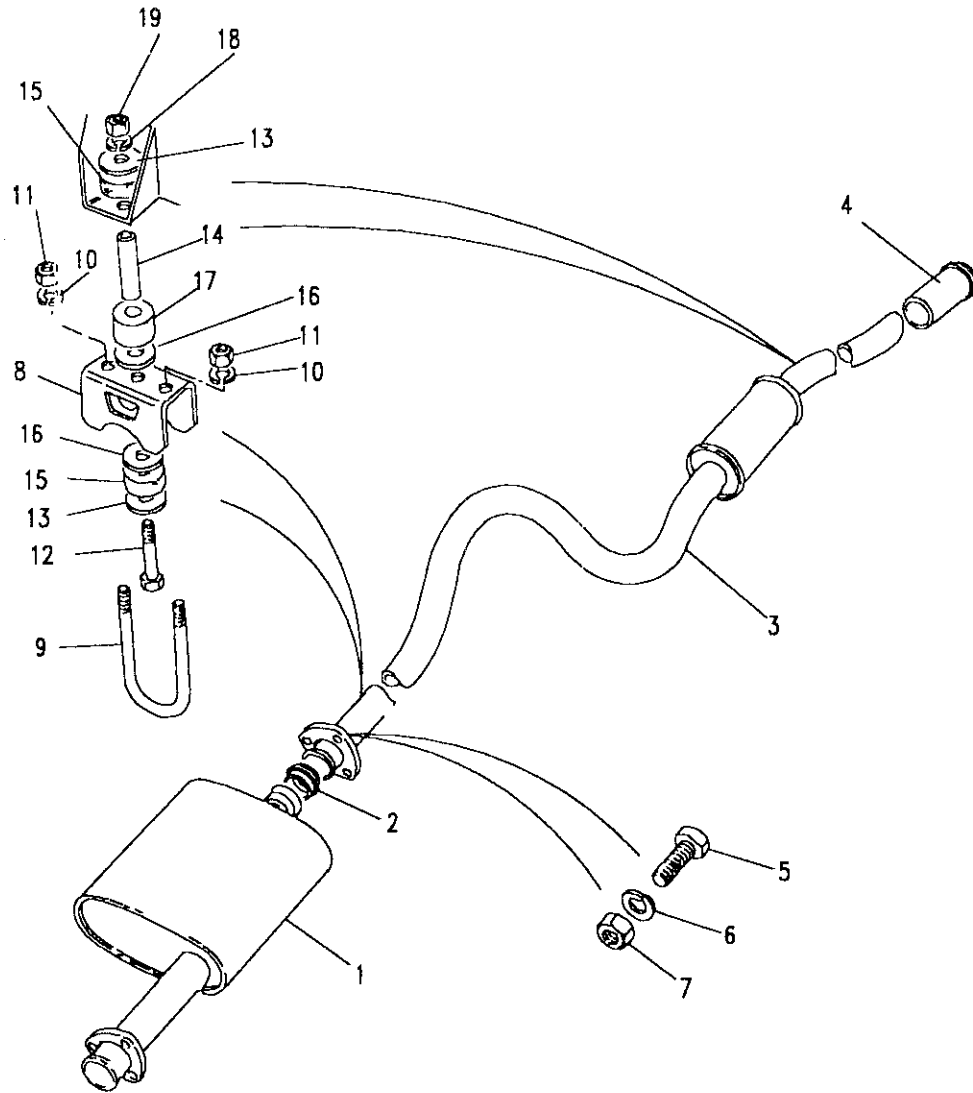


Model DEFENDER 110 1987 onwards  
Page AFKXAA3A

EXHAUST SYSTEM - REAR - PETROL AND NAT ASP DIESEL

III. Part No.	Description	Qty	Remarks
17 572167	Bush rubber	2	
18 WL108001L	Washer spring	2	
19 FN108041L	Nut	2	
Defender 130 RRC4419	Pipe exhaust extension	1	

Note(1) Rear - single can  
Note(2) Rear - single can - Australia  
Note(3) Rear - twin can - Option and Switzerland  
Note(4) HCPU and Germany





Model DEFENDER 110 1987 onwards

Page AFKXDC1A

EXHAUST SYSTEM - FRONT - DIESEL TURBO

Ill. Part No.	Description	Qty	Remarks
1 NTC4426	Downpipe	1	Upto VIN 450078
ESR159	Downpipe	1	From VIN 450079
2 NTC3608	Clamp exhaust	1	
3 ESR266	Bracket mounting	1	From VIN 450079

Fixings - downpipe to engine

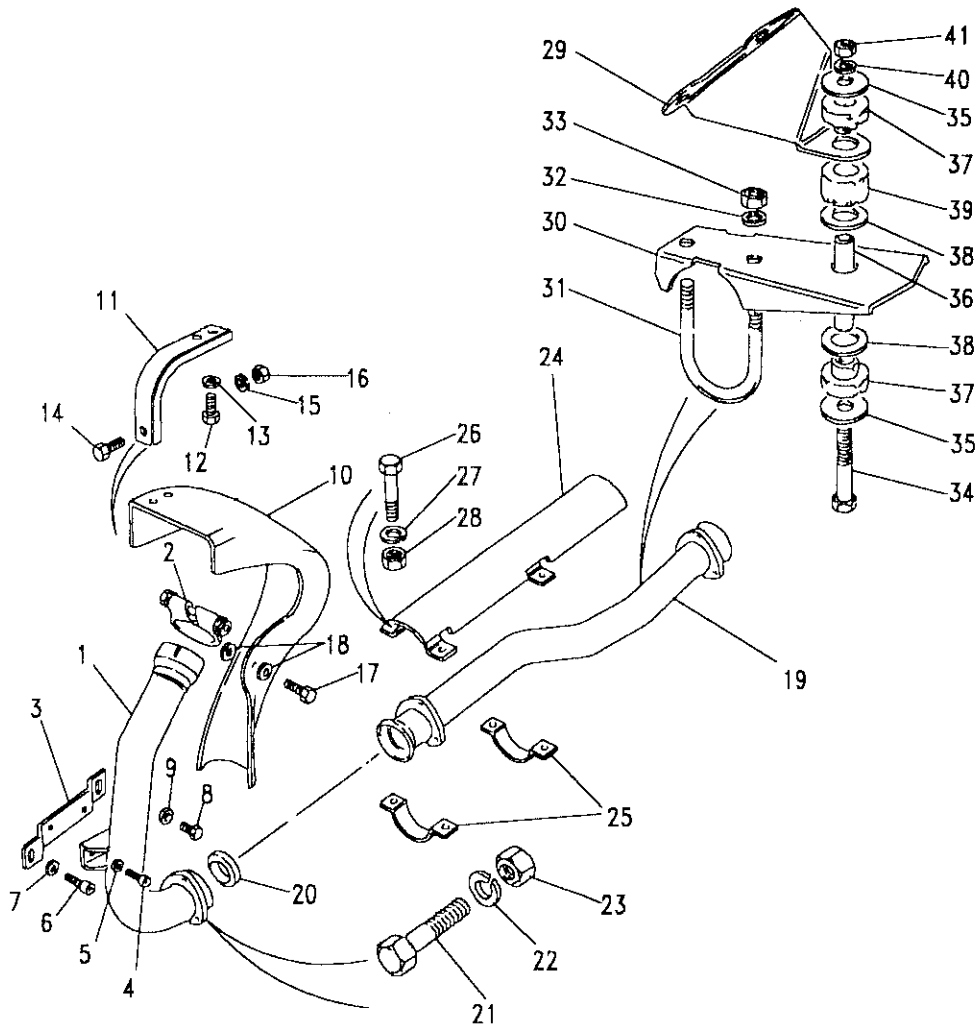
SH110161	Screw	1	Upto VIN 450078
WA110061	Washer plain	1	Upto VIN 450078

Fixings - bracket to downpipe

4 SS106161L	Screw	2	From VIN 450079
5 WJ106001L	Washer plain	2	From VIN 450079

Fixings - bracket to engine

6 SS108161L	Screw	1	From VIN 450079
7 WA108051L	Washer plain	1	From VIN 450079
8 SH110141L	Screw	1	From VIN 450079
9 WA110061L	Washer plain	1	From VIN 450079
10 NTC4833	Heatshield exhaust	1	
11 NTC4548	Bracket support	1	Upto VIN FA418948
ESR219	Bracket support	1	From VIN FA418949







Model DEFENDER 110 1987 onwards  
Page AFKXDC1A

## EXHAUST SYSTEM - FRONT - DIESEL TURBO

III. Part No. Description Qty Remarks

## Fixings - heatshield to bracket

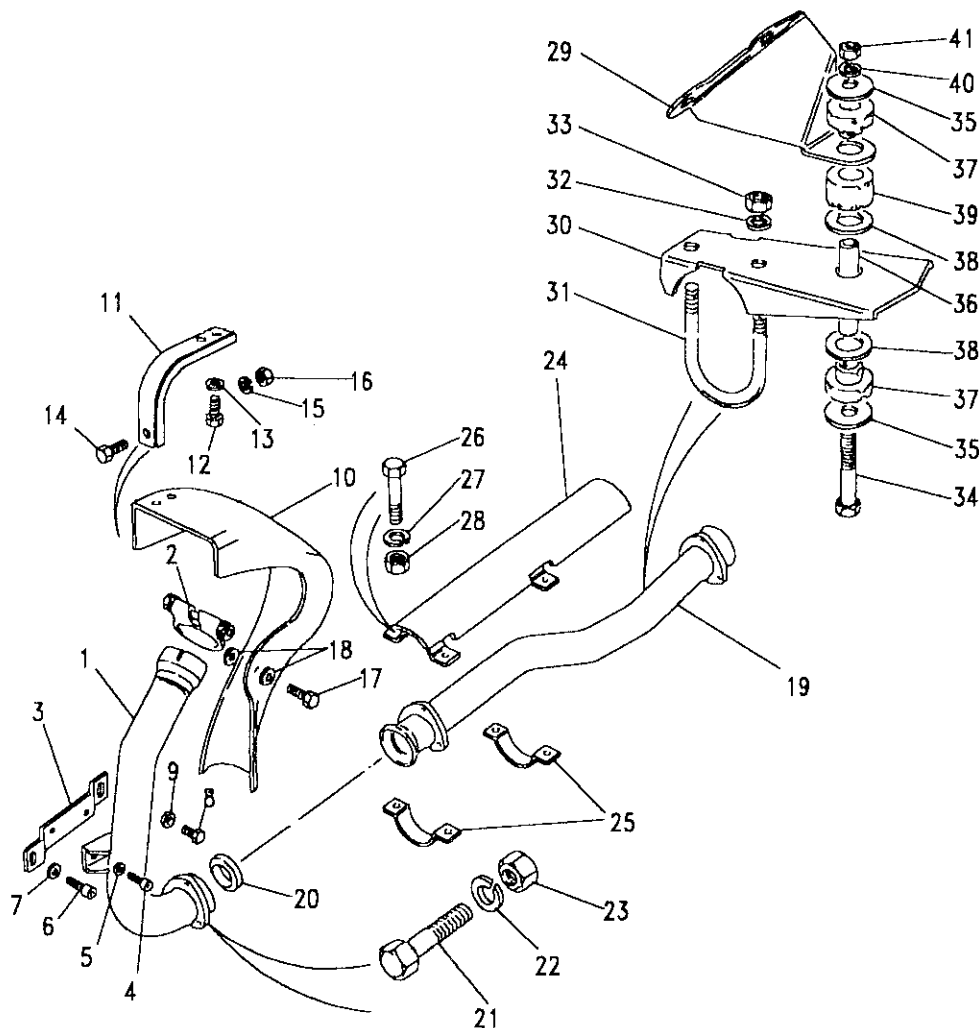
12	FS106167L	Screw	2	Note(1))
	FS106167L	Screw	1	Note(1)
13	WA106041L	Washer plain	2	Upto VIN FA418948
	WA106041L	Washer plain	1	From VIN FA418949

## Fixings - bracket to waste gate

14	FS106167L	Screw	1	Note(1)
15	WL106001	Washer spring	1	
16	NH106041L	Nut	1	

## Fixings - heatshield to stud

17	SH108141L	Screw	1	Note(1)
18	WJ108001	Washer plain	2	
19	NTC4221	Pipe exhaust intermediate	1	
20	NTC1030	Olive	1	
21	BH108091L	Bolt	3	
22	WL108001L	Washer spring	3	
23	FN108041L	Nut	3	



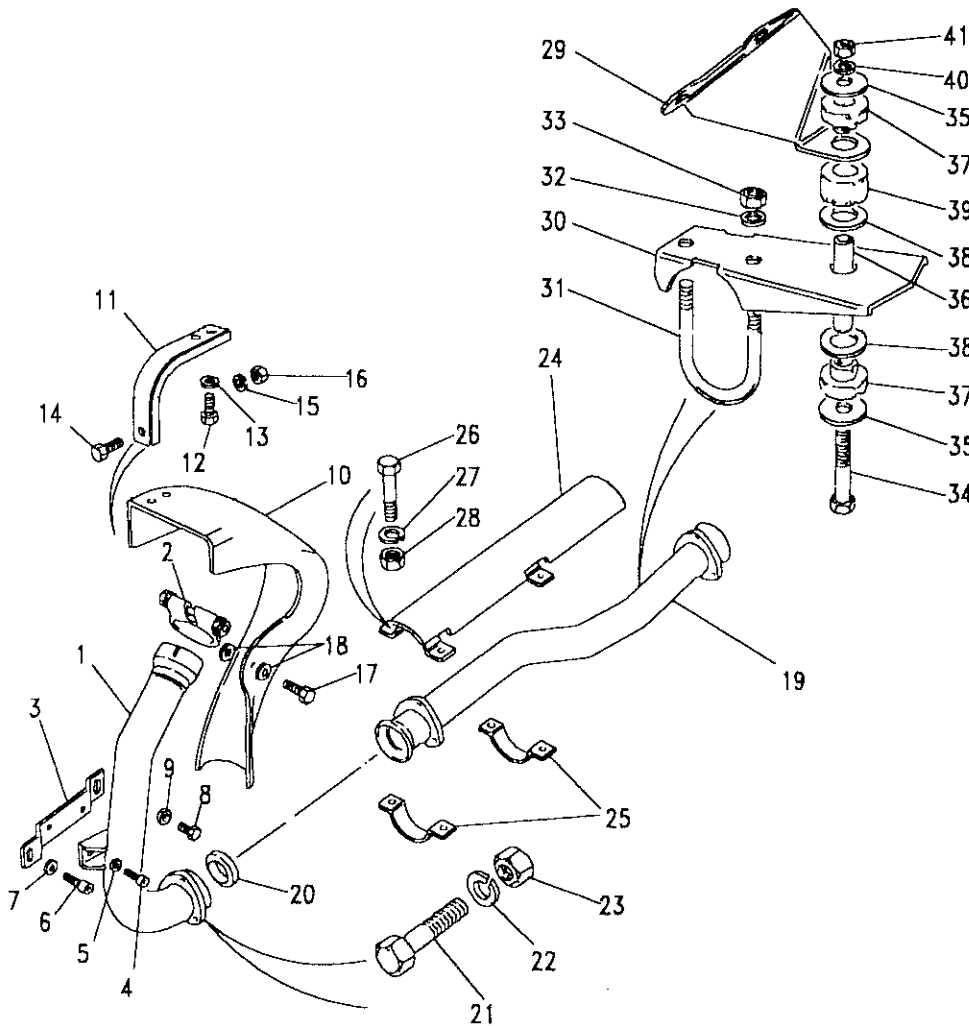


Model DEFENDER 110 1987 onwards  
Page AFKXDC1A

EXHAUST SYSTEM - FRONT - DIESEL TURBO

III. Part No.	Description	Qty	Remarks
24	NTC5205	1	Heatshield slave cylinder
25	NTC2278	2	Clamp exhaust
26	FS108207L	4	Screw
27	WL108001L	4	Washer spring
28	FN108041L	4	Nut
29	ESR169	1	Bracket mounting
30	90575748	1	Clamp exhaust
31	NRC6374	1	U bolt
32	WL108001L	2	Washer spring
33	FN108041L	2	Nut
34	BH108141L	1	Bolt
35	WP105L	2	Washer plain
36	NRC5403	1	Spacer
37	572166	2	Bush rubber
38	572168	2	Washer
39	572167	1	Bush rubber
40	WL108001L	1	Washer spring
41	FN108041L	1	Nut

Note(1) Use Loctite 242 or similar





Model DEFENDER 110 1987 onwards

Page AFKXDC2A

EXHAUST SYSTEM - REAR - DIESEL TURBO

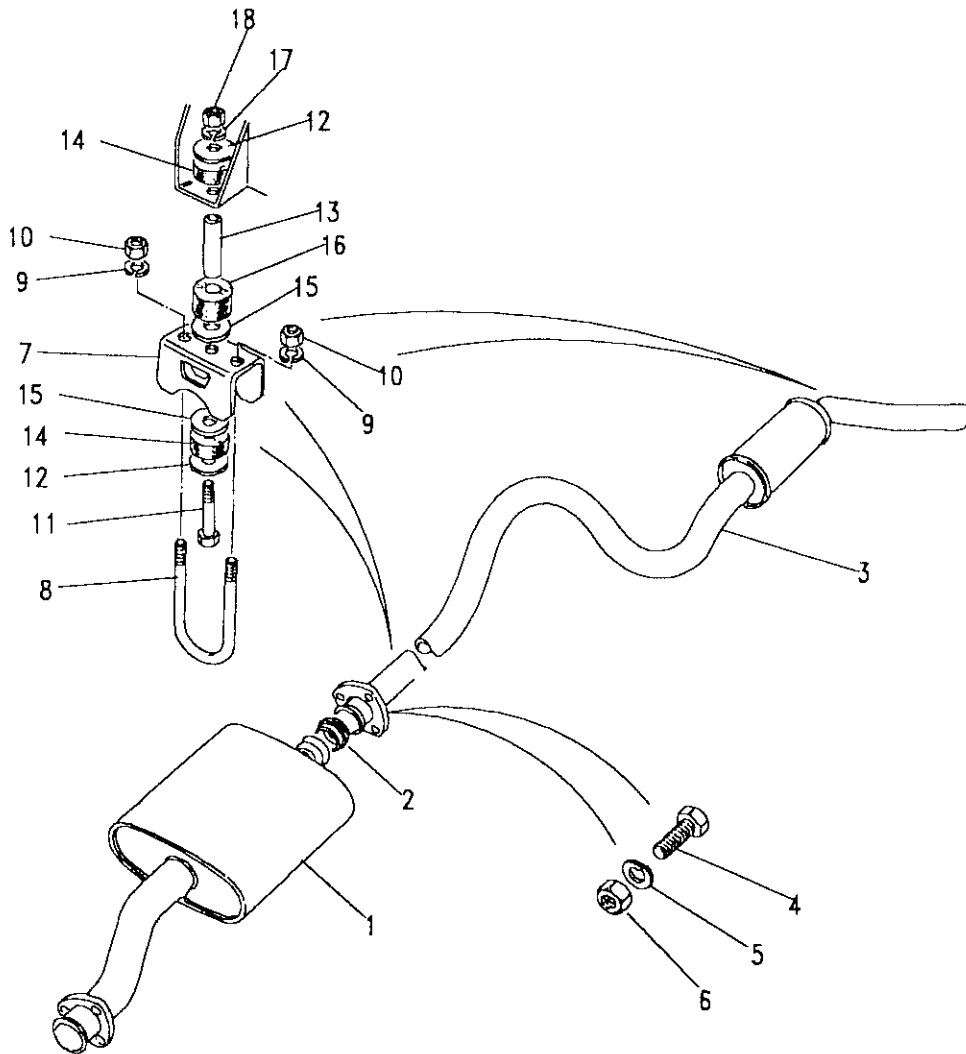
Ill. Part No.	Description	Qty	Remarks
1	NTC1666	1	Front
2	NTC1030	1	
3	NTC2832	1	Rear
4	BH108091L	6	
5	WL108001L	6	
6	FN108041L	6	
7	NRC7608	2	
8	NRC7609	2	
9	WL108001L	4	
10	FN108041L	4	
11	SH108701	2	
12	WP105L	4	
13	NRC5403	2	
14	572166	4	
15	572168	4	
16	572167	2	
17	WL108001L	2	
18	FN108041L	2	

Defender 130

RRC4419

Pipe exhaust extension

1





DEFENDER 110 1987 onwards

591

EXHAUST SYSTEM

Model DEFENDER 110 1987 onwards  
Page AFKXDE1A

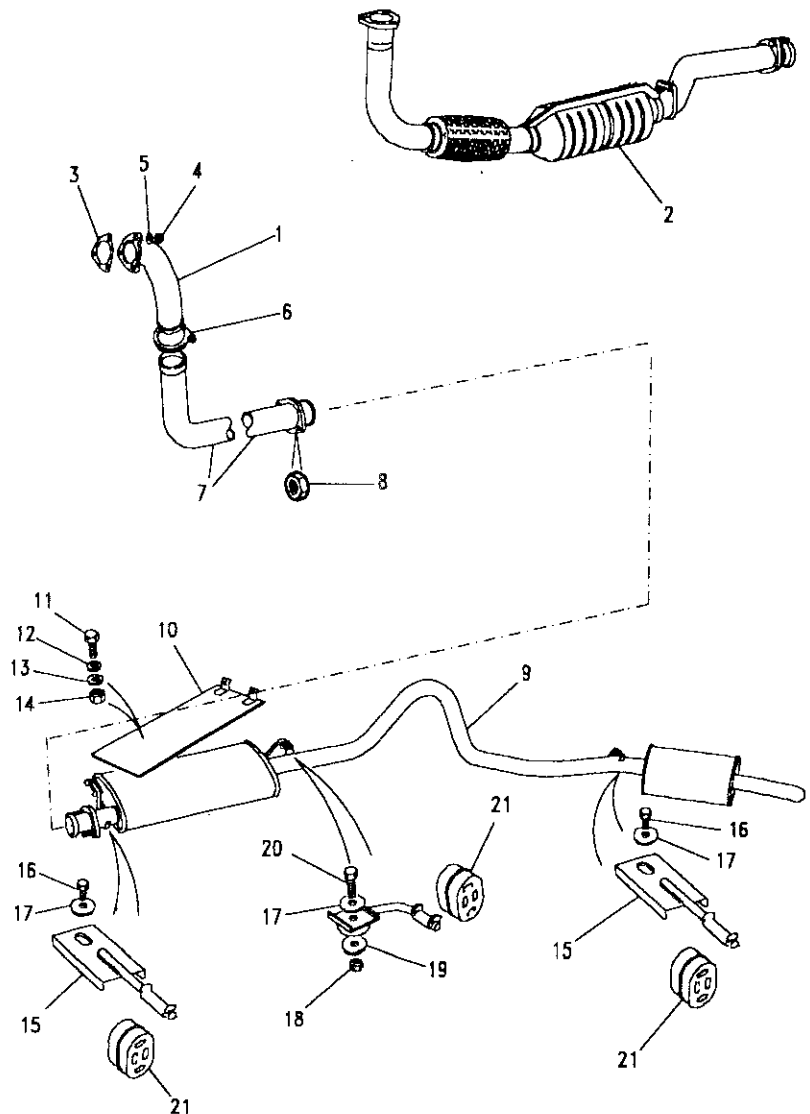
EXHAUST SYSTEM - FRONT - TDI

III. Part No.

Description

Qty Remarks

1	ESR158	Downpipe	1	Upto LA939975
	ESR2297	Downpipe Non-Cat	1	From MA939976
2	ESR2739	Downpipe with cat	1	From MA939976
	ESR3495	Downpipe with cat	1	Swiss only
3	NTC3608	Clamp exhaust	1	
4	ESR266	Bracket mounting	1	
	ESR3260	Gasket exhaust	1	From MA939976
5	SS106161L	Screw socket	2	
6	WJ106001L	Washer plain	2	
7	SS108161L	Screw socket	1	
8	WA108051L	Washer plain	1	
9	SH110141L	Screw	1	
10	WA110061L	Washer plain	1	
11	NTC4833	Heatshield	1	
12	SH108141L	Screw	1	
13	WJ108001	Washer plain	2	
14	ESR219	Bracket support	1	
15	FS106167L	Screw	1	
16	WA106041L	Washer plain	1	
17	FS106167L	Screw	1	
18	WL106001	Washer spring	1	
19	NH106041L	Nut	1	
20	ESR361	Heatshield	1	
21	ESR208	Clamp exhaust	2	
22	FS108251L	Screw	4	
23	WL108001L	Washer spring	4	
24	FN108041L	Nut	4	

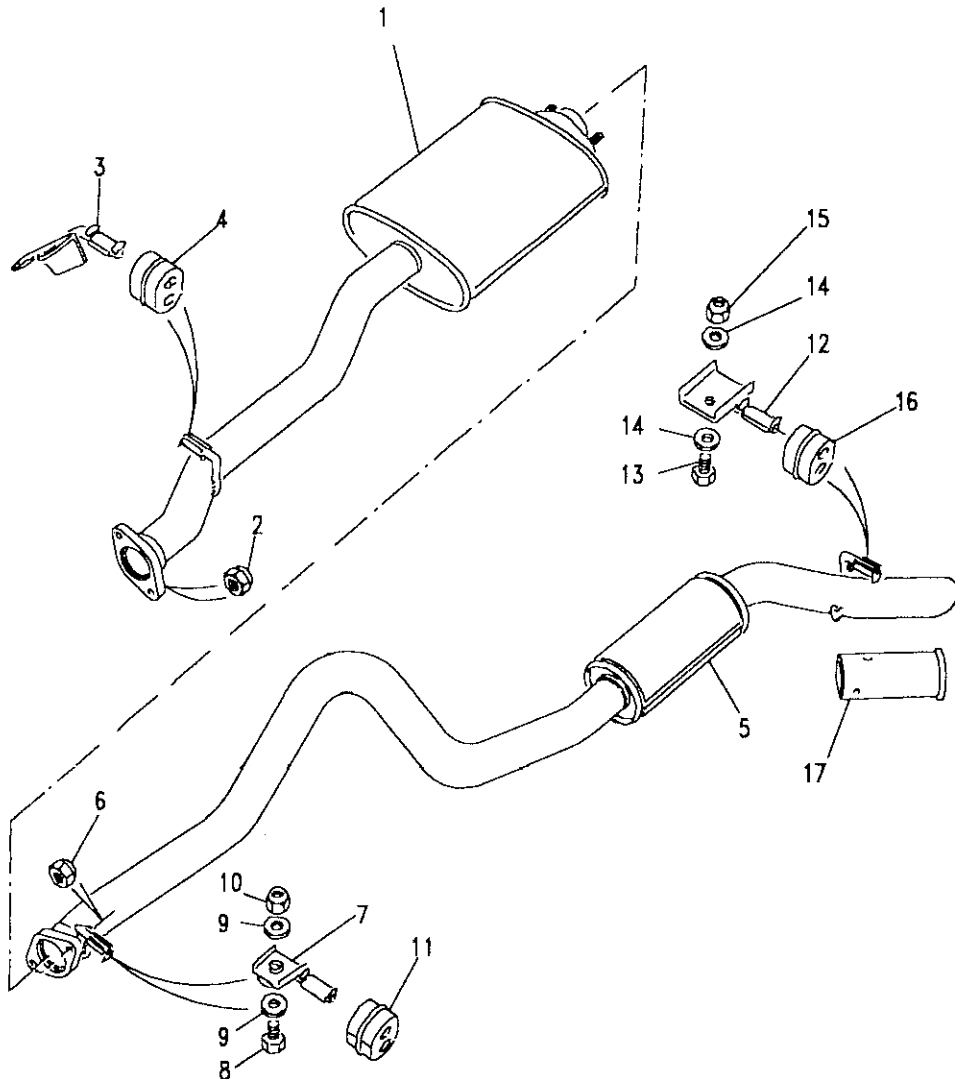


**Model** DEFENDER 110 1987 onwards  
**Page** AFKXDE2A

**EXHAUST SYSTEM - REAR - TDI**

III. Part No.	Description	Qty	Remarks
<b>Except Defender 130</b>			
1	ESR54	1	Upto LA939975
	ESR2383	1	From MA939976
2	NV110041L	2	
3	ESR414	1	Front Note(1)
	ESR2087	1	Front Note(2)
4	NTC5582	1	Upto LA939975
	NTC3650	1	From MA939976
5	ESR359	1	Upto LA939975
	ESR2384	1	From MA939976
	ESR1696	1	Australia
			Upto LA939975
			From MA939975
6	NV110041L	2	
7	ESR360	1	Note(1)
	ESR2215	1	Note(2)
	ESR3294	1	Note(3)
8	SH108251L	1	
9	WP185L	2	
10	NV108041L	1	
11	NTC5582	1	Upto LA939975
	NTC3650	1	From MA939976
12	ESR95	1	Upto MA948144
	ESR3293	1	From MA948145
13	FS108251L	1	
14	WP185L	2	
15	NV108041L	1	
16	NTC5582	1	
17	NTC2022	1	HCPU

Note(1) Up to LA939975  
 Note(2) From MA939976 UptoMA948144  
 Note(3) From MA948145





DEFENDER 110 1987 onwards

593

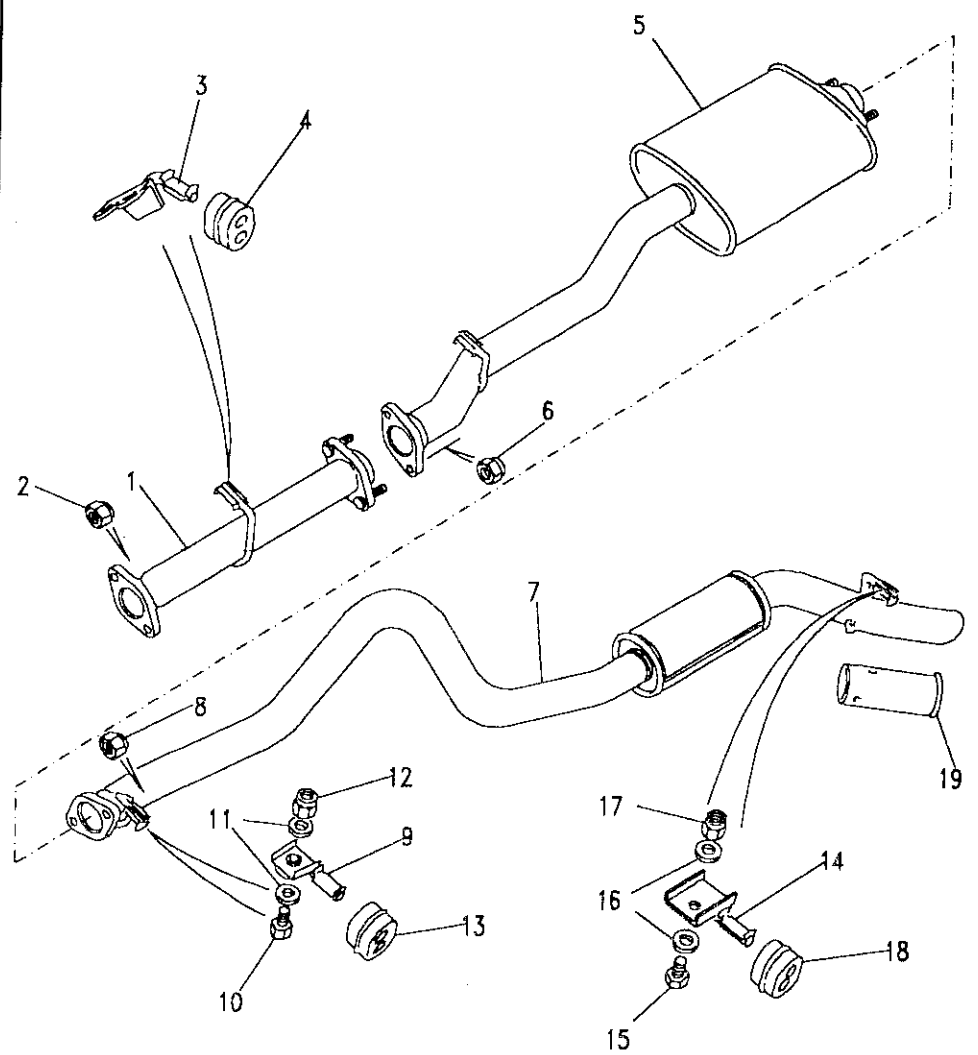
EXHAUST SYSTEM

Model DEFENDER 110 1987 onwards  
Page AFKXDE3A

EXHAUST SYSTEM - REAR - 200TDI

III. Part No.	Description	Qty	Remarks
<b>Defender 130</b>			
1	ESR255	1	Pipe extension
	ESR2386	1	Pipe extension
2	NV110041L	2	Nut
3	ESR414	1	Bracket mounting
	ESR2087	1	Bracket mounting
4	NTC5582	1	Mounting rubber
	NTC3650	1	Mounting rubber
5	ESR439	1	Silencer
	ESR2385	1	Exhaust silencer main
6	NV110041L	2	Nut
7	ESR359	1	Tail pipe
	ESR2384	1	Tail pipe
8	NV110041L	2	Nut
9	ESR360	1	Bracket mounting
	ESR2215	1	Bracket mounting
	ESR3294	1	Bracket mounting
10	FS108251L	1	Screw
11	WP185L	2	Washer plain
12	NV108041L	1	Nut philidas
13	NTC5582	1	Mounting rubber
	NTC3650	1	Mounting rubber
14	ESR95	1	Bracket mounting
	ESR3293	1	Bracket mounting
15	FS108251L	1	Screw
16	WP185L	2	Washer plain
17	NV108041L	1	Nut philidas
18	NTC5582	1	Mounting rubber
19	NTC2022	1	Finisher tail pipe
		1	HCPU

Note(1) Up to LA939975  
Note(2) From MA939976 UptoMA948144  
Note(3) From MA948145





## MASTER INDEX

	PAGES
INTRODUCTION PAGES	1 - 7
ALPHABETICAL INDEX	8 - 16
ENGINE	17 - 66
ENGINE	67 - 119
ENGINE	120 - 166
ENGINE	167 - 209
ENGINE	210 - 245
ENGINE	246 - 299
GEARBOX	300 - 326
GEARBOX	327 - 344
GEARBOX	345 - 359
TRANSFER BOX	360 - 378
TRANSFER BOX	379 - 397
AXLES AND SUSPENSION	398 - 444
STEERING	445 - 471
VEHICLE AND ENGINE CONTROLS	472 - 486
BRAKES	487 - 517
FUEL SYSTEM AND AIR CLEANER	518 - 579
EXHAUST SYSTEM	580 - 593
COOLING/HEATING	594 - 637
COOLING/HEATING	638 - 641
COOLING/HEATING	642 - 649
COOLING/HEATING	650 - 655
COOLING/HEATING	656 - 666
BODY ELECTRICAL	667 - 740
BODY AND CHASSIS	741 - 909
INTERIOR TRIM	910 - 955
SEATS	956 - 1036
STOWAGE	1037 - 1046
ACCESSORIES - PAINTS	1047 - 1074
NUMERICAL INDEX	1076 - 1151

## GROUP L

## COOLING/HEATING

COOLING/HEATING	
RADIATOR	596 - 598
RADIATOR, INTERCOOLER & OIL COOLER - 300TDI	599 - 602
FAN COWL	603 - 604
RADIATOR HOSES	605 - 606
RADIATOR & INTERCOOLER HOSES - 200TDI	607
RADIATOR HOSES - V8	608 - 609
OIL COOLER AND MOUNTING FRAME	610 - 611
COOLER AND FRAME - V8 LT77 GEARBOX	612
PIPES - NOTE(1)	613
PIPES	614
PIPES - V8 - UPTO VIN FA429127	615 - 616
PIPES - V8 - FROM VIN FA429128	617
PIPES - V8 LT77 GEARBOX	618
EXPANSION TANK	619 - 622
HEATER	623 - 625
HEATER COMPONENTS	626
HEATER CONTROLS	627 - 628
DEMISTERS AND OUTLET FLAPS	629
HEATER PIPES - 4 CYL PETROL 630 DIESEL	630
HEATER PIPES - 4 CYL PETROL 631 DIESEL	631
HEATER PIPES - V8	632
HEATER PIPES - 200TDI	633 - 634
HEATER PIPES - 300TDI	635
CONDENSER - RHS/LHS	636
EVAPORATOR ASSEMBLY - RHS	637





DEFENDER 110 1987 onwards

595

COOLING/HEATING

GROUP L

COOLING/HEATING

COOLING/HEATING

FLUID SYSTEM - RHS

647

VACUUM PIPES & RESERVOIR - RHS/LHS

648

HEATER PIPES - 4 CYLINDER - RHS

649

GROUP L

COOLING/HEATING

COOLING/HEATING

FRESH AIR DUCT - RHS

658

PLENUM 659 DEFROSTERS - RHS

659

FACIA PANEL ASSEMBLY - RHS

660

FRESH AIR DUCT - LHS

661

AIR DUCT INSULATION - LHS

662

HEATER CONTROLS - LHS

663

PLENUM CHAMBER - LHS

664

FACIA PANEL - LHS

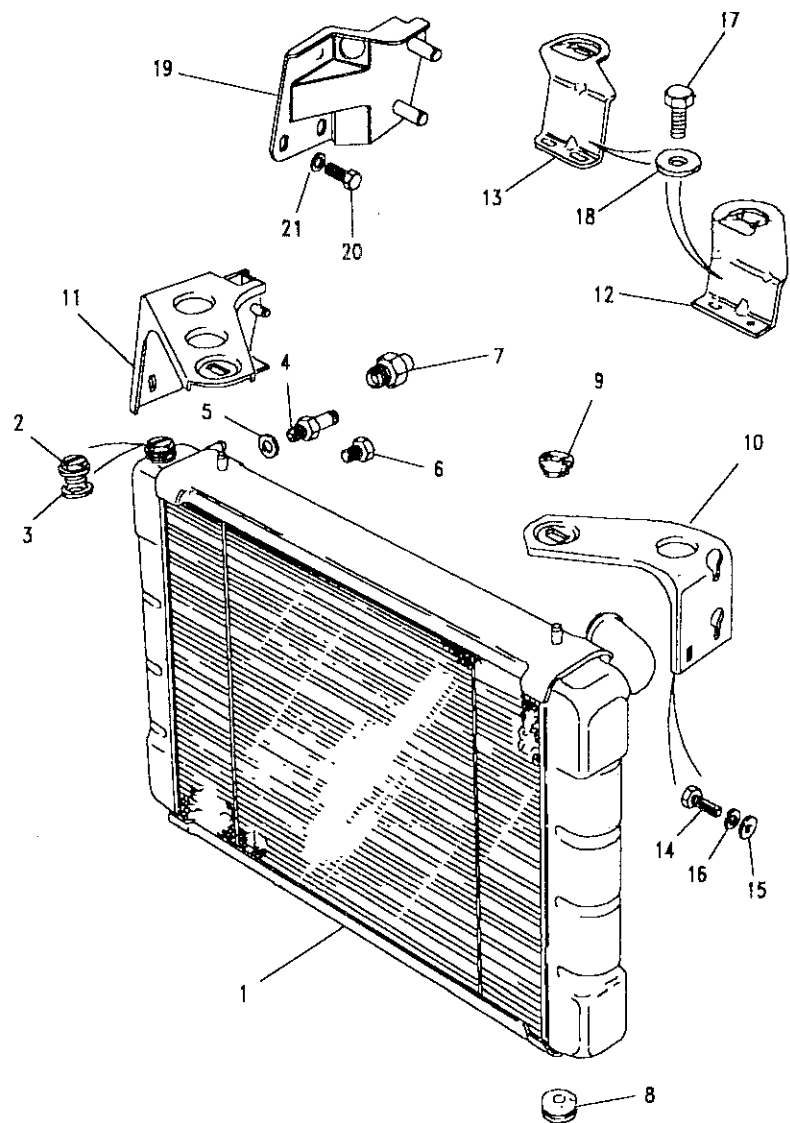
665

DEMISTER AND FLAPS

666







**Model** DEFENDER 110 1987 onwards  
**Page** AFLXAA1A

**COOLING SYSTEM - RADIATOR**

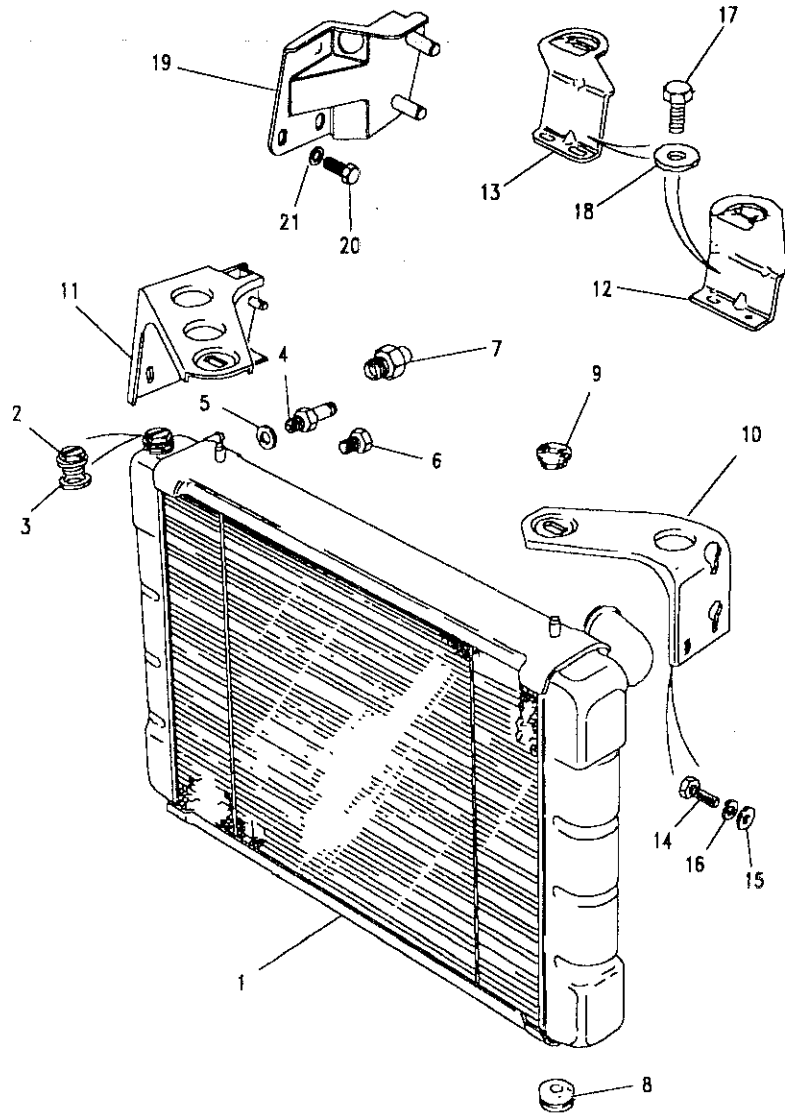
III. Part No.	Description	Qty	Remarks
<b>2.5 Petrol</b>			
1 ESR79	Radiator	1	Upto VIN FA389798
ESR77	Radiator	1	From VIN FA389981
ESR78	Radiator	1	Note(1) From VIN FA389799
ESR1677	Radiator	1	Upto VIN JA919831 Note(1) From VIN JA919832
<b>V8 Petrol</b>			
1 ESR76	Radiator	1	Upto VIN FA428918
ESR203	Radiator	1	From VIN FA428919
ESR204	Radiator	1	Note(1) From VIN FA429128
ESR1678	Radiator	1	Upto VIN JA922098 Note(1) From VIN JA919099
<b>Diesel</b>			
1 ESR79	Radiator	1	Upto VIN FA389798
ESR77	Radiator	1	From VIN FA389981
ESR78	Radiator	1	Note(1) From VIN FA389799
ESR1677	Radiator	1	Upto VIN JA919831 Note(1) From VIN JA919832





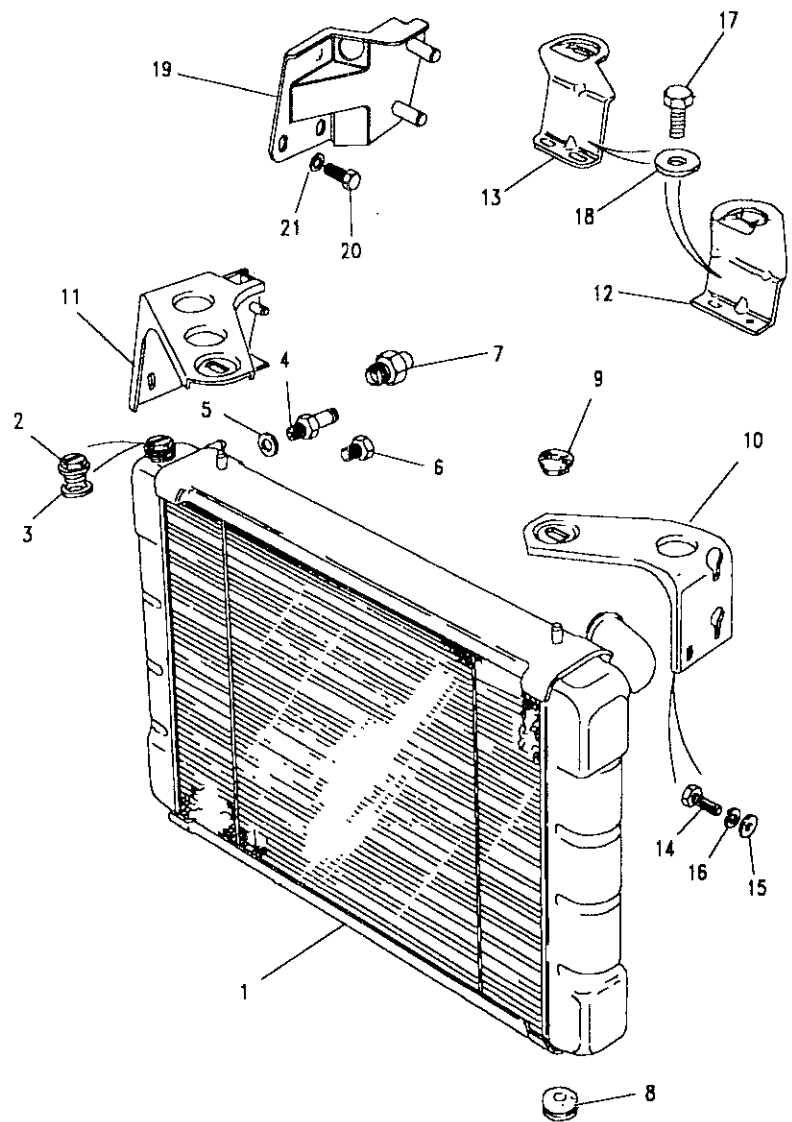
Model DEFENDER 110 1987 onwards  
Page AFLXAA1A

COOLING SYSTEM - RADIATOR



III. Part No.	Description	Qty	Remarks
<b>Diesel Turbo</b>			
1 NTC6168	Radiator	1	Note(1)
<b>200Tdi</b>			
1 NTC4893	Radiator	1	Note(2)
ESR1676	Radiator	1	Note(2) Upto VIN JA919831 From VIN JA919832
2 NTC4609	Filler plug	1	
3 NTC5171	Washer sealing	1	
4 KTP9024	Vent penthouse	1	V8
5 RRO2125L	Washer	1	
6 RRO2126L	Plug	1	Except V8
7 NTC3858	Adaptor	2	Diesel Turbo
8 572312	Bush radiator mounting	2	Lower
9 NRC5544	Bush radiator mounting	2	Upper





**Model** DEFENDER 110 1987 onwards  
**Page** AFLXAA1A

**COOLING SYSTEM - RADIATOR**

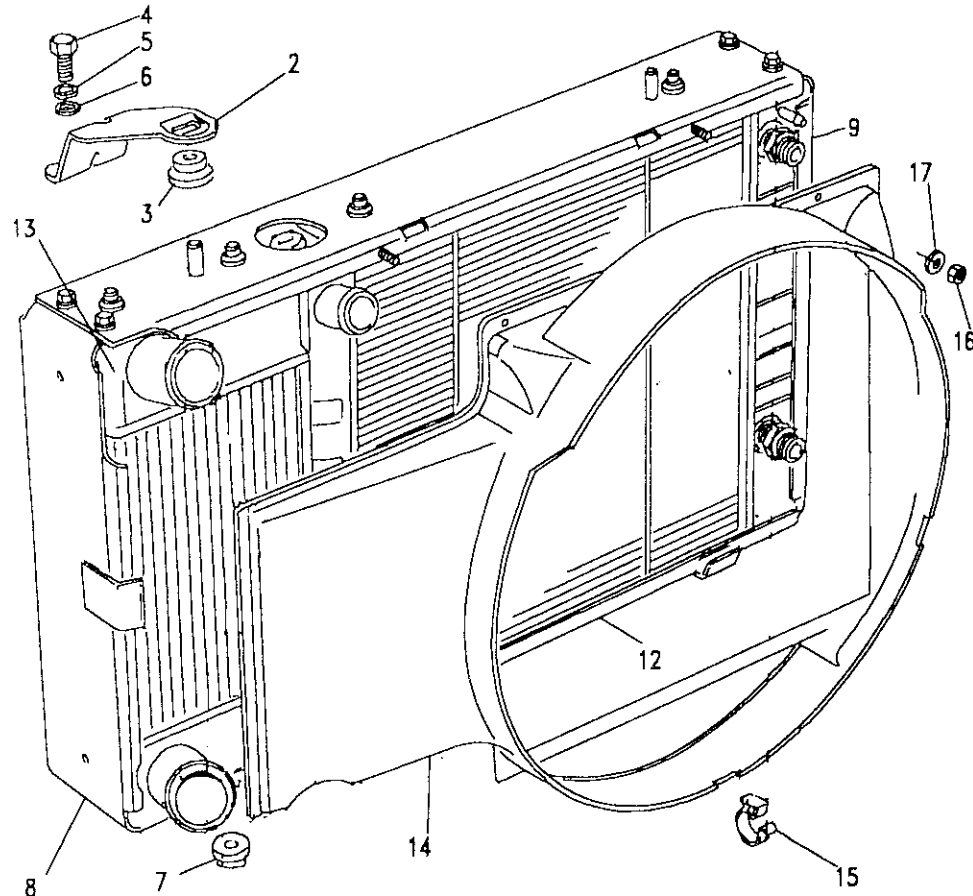
Ill. Part No.	Description	Qty	Remarks
10	NRC4839 Bracket radiator LH	1	Upto 4/3/92
11	NRC8609 Bracket radiator RH	1	Upto 4/3/92
12	ESR69 Bracket radiator LH	1	From 5/3/92
	ESR68 Bracket radiator RH	1	From 5/3/92
13	ESR282 Bracket radiator LH	1	200Tdi
	ESR283 Bracket radiator RH	1	200Tdi
14	FS106201L Flange screw	6	Upto 4/3/92
15	WC106041L Washer plain	6	Upto 4/3/92
16	WL106001L Washer spring	6	Upto 4/3/92
17	SH106207L Screw	4	From 5/3/92
18	WC106047 Washer plain	4	From 5/3/92
	SH106207L Screw	4	200Tdi
	WC106047 Washer plain	4	200Tdi
19	ALR1982 Bracket support	1	From VIN JA910952
20	SH106207L Screw	3	From VIN JA910952
21	WC106047 Washer plain	3	From VIN JA910952

Note(1) Includes oil cooler for engine  
 Note(2) Includes oil cooler for engine and intercooler for turbo charger

Model DEFENDER 110 1987 onwards

Page AFLXAA1B

COOLING SYSTEM - RADIATOR, INTERCOOLER & OIL COOLER - 300TDI



Ill. Part No.	Description	Qty	Remarks
---------------	-------------	-----	---------

Radiator and intercooler

1	ESR2727	1	Radiator/intercooler assy
2	ESR282	1	Bracket mounting upper LH
	ESR283	1	Bracket mounting upper RH
3	NRC5544	2	Grommet pad
4	SH106205	4	Screw M6
5	WM600041L	4	Washer spring
6	WC106045	4	Washer plain
7	572312	2	Bush radiator/chassis
8	BTP1826	1	Frame side LH
9	BTP1827	1	Frame side RH
10	BTP2275	1	Radiator block
11	BTP2282	1	Frame top radiator
12	BTP2284	1	Frame bottom radiator
13	FTP8030	1	Intercooler
14	ESR2308	1	Cowl fan
15	ESR1800	2	Clip edge
16	NH105041	2	Nut M5
17	WA105001	2	Washer plain



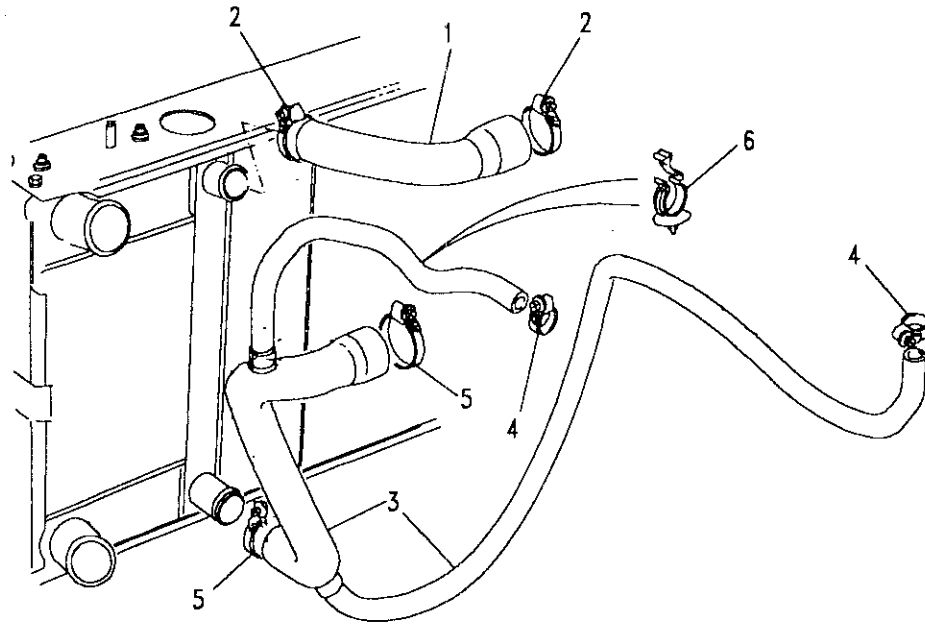
Model DEFENDER 110 1987 onwards  
Page AFLXAA1C

COOLING SYSTEM - RADIATOR, INTERCOOLER & OIL COOLER - 300TDI

Ill. Part No. Description Qty Remarks

Radiator hoses

1	ESR2298	Hose top	1	
2	CN100508	Clip hose	2	
3	ESR3121	Hose assembly bottom	1	
4	CN100308	Clip hose	2	
5	CN100508	Clip hose	2	
6	ESR2662	Clip hose	2	



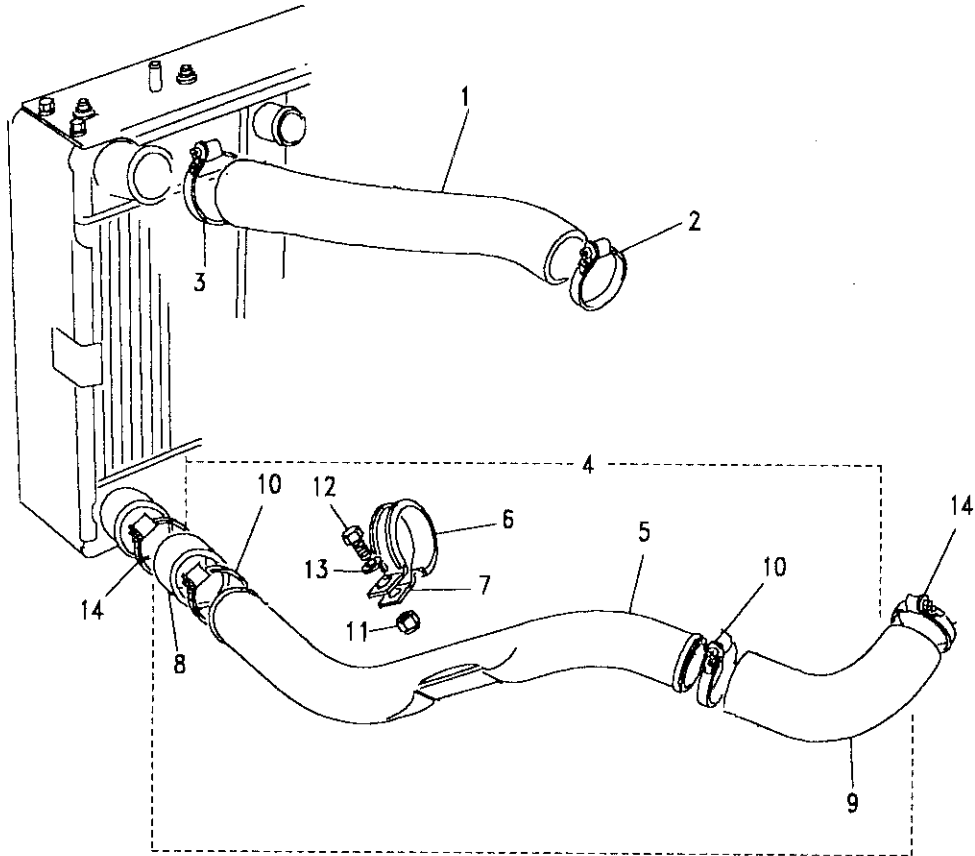
**Model** DEFENDER 110 1987 onwards  
**Page** AFLXAA1D

**COOLING SYSTEM - RADIATOR, INTERCOOLER & OIL COOLER - 300TDI**

**III. Part No. Description Qty Remarks**

**Intercooler hoses**

1	ESR2309	Hose intercooler/manifold	1
2	CN100608	Clip hose	1
3	CN100708	Clip hose	1
4	ESR2728	Pipe assy i'cooler/turbo	1
5	ESR2055	Pipe intercooler/turbo	1
6	ESR2119	Mounting rubber	1
7	ESR2120	Bracket mounting	1
8	ESR2729	Hose pipe/intercooler	1
9	ESR2730	Hose turbo/pipe	1
10	CN100608	Clip hose	2
11	NY108041	Nut nyloc M8	1
12	SH108161	Screw M8	1
13	WA108041	Washer plain	1
14	CN100608	Clip hose	2





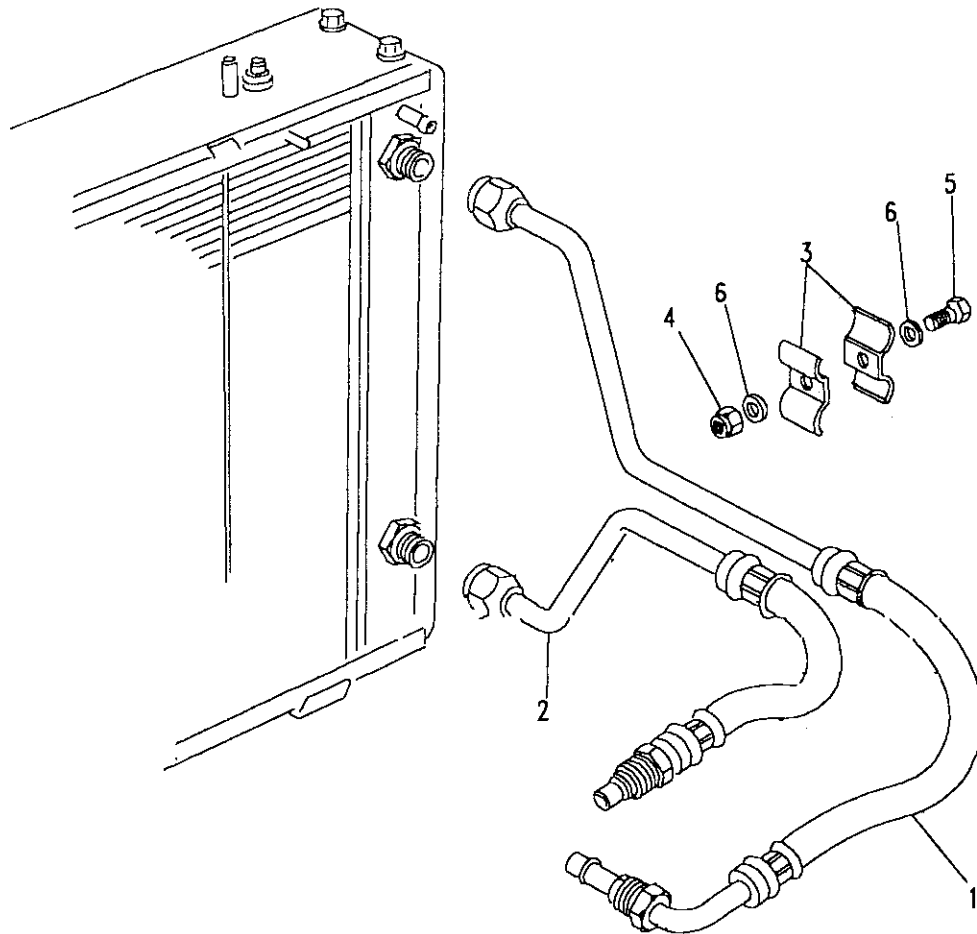
Model DEFENDER 110 1987 onwards  
Page AFLXAA1E

COOLING SYSTEM - RADIATOR, INTERCOOLER & OIL COOLER - 300TDI

III. Part No. Description Qty Remarks

Oil cooler hoses

1	ESR1931	Pipe cooler to engine	1
2	ESR2629	Pipe engine to cooler	1
	ESR1594	O Ring	4
3	NTC6847	Clamp saddle	2
4	NY106041	Nut nyloc M6	1
5	SH106161	Screw M6	1
6	WA106041	Washer plain	2

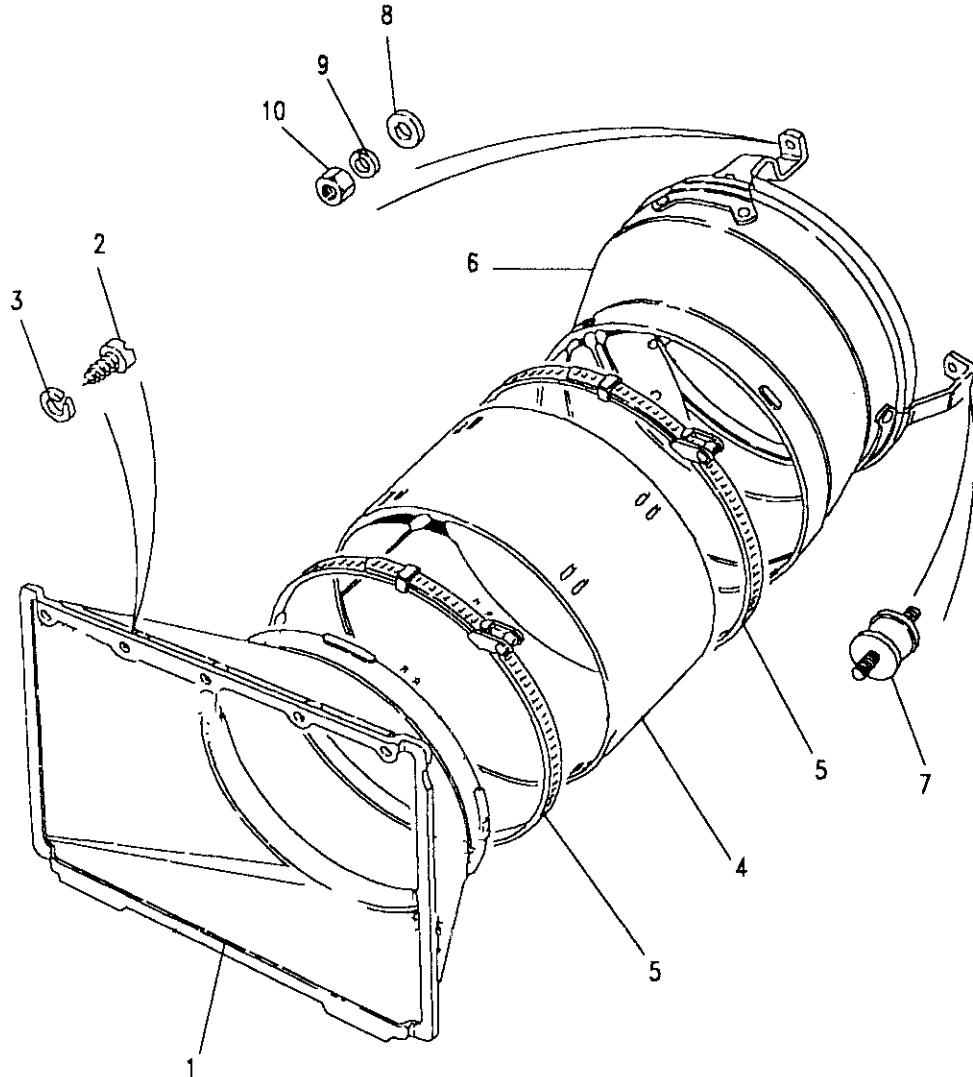




Model DEFENDER 110 1987 onwards  
Page AFLXAA2A

COOLING SYSTEM - FAN COWL

III. Part No.	Description	Qty	Remarks
<b>2.5 Petrol</b>			
1\ NRC3662	Cowl fan-radiator	1	Upto VIN FA389798
NTC3937	Cowl fan-radiator	1	From VIN FA389799
<b>V8 Petrol</b>			
1 NRC3406	Cowl fan-radiator	1	Upto VIN FA428918
NTC5685	Cowl fan-radiator	1	From VIN FA428919
<b>Diesel</b>			
1 NRC3977	Cowl fan-radiator	1	Upto VIN FA389798
NTC3937	Cowl fan-radiator	1	From VIN FA389799
<b>Diesel Turbo</b>			
1 NTC3937	Cowl fan-radiator	1	
<b>200Tdi</b>			
1 ESR335	Cowl fan-radiator	1	







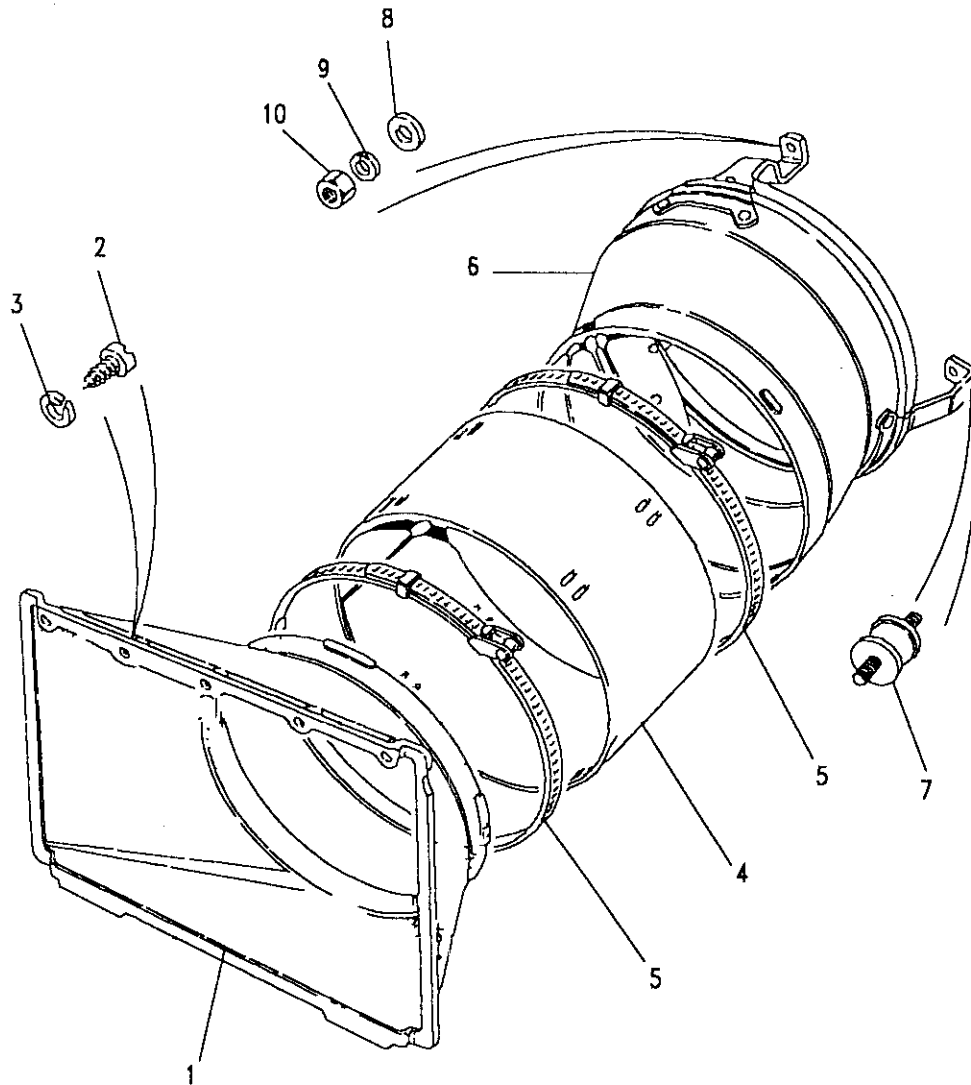
Model DEFENDER 110 1987 onwards

Page AFLXAA2A

COOLING SYSTEM - FAN COWL

III. Part No.	Description	Qty	Remarks
2 562979	Screw	5	Upto VIN FA389798
562979	Screw	4	From VIN FA389799
3 WS600041L	Washer spring	5	Upto VIN FA389798
WS600047L	Washer spring	4	From VIN FA389799
595199	Washer plain	2	Diesel
WS105001	Washer spring	2	From VIN FA389799
NH105041L	Nut	2	200Tdi
4 NRC7227	Ducting	1	4 Cylinder
5 NRC6430	Clip retaining	2	4 Cylinder
6 ETC4989	Cowl fan-engine	1	4 Cylinder
7 ETC4993	Mounting flexible	3	
8 WA108051L	Washer plain	2	
9 WL108001L	Washer spring	6	
10 FN108041L	Nut	5	

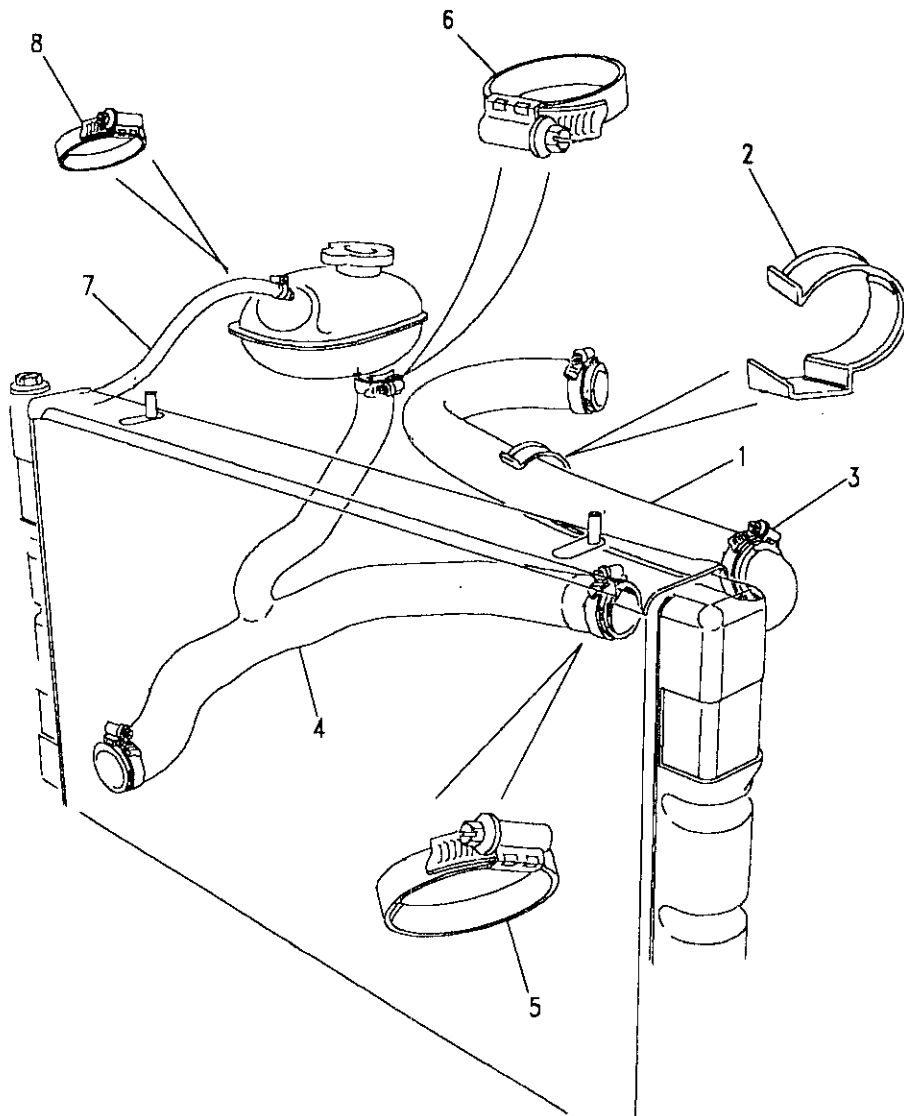
Note(1) UK and Europe  
 Note(2) Rest of World(Heavy Duty)





Model DEFENDER 110 1987 onwards  
Page AFLXAA3A

COOLING SYSTEM - RADIATOR HOSES



Ill. Part No.	Description	Qty	Remarks
<b>2.5 Petrol and Diesel</b>			
1	NTC2029	1	Upto VIN FA389798
	ESR2125	1	From VIN FA389799
<b>Diesel Turbo</b>			
1	ESR2125	1	
2	NRC7448	1	
3	CN100508	2	
4	NTC3453	1	
5	CN100508	2	
6	CN100308L	1	
7	NRC9726	1	
	NTC2736	1	
8	AAU1979	2	Diesel turbo

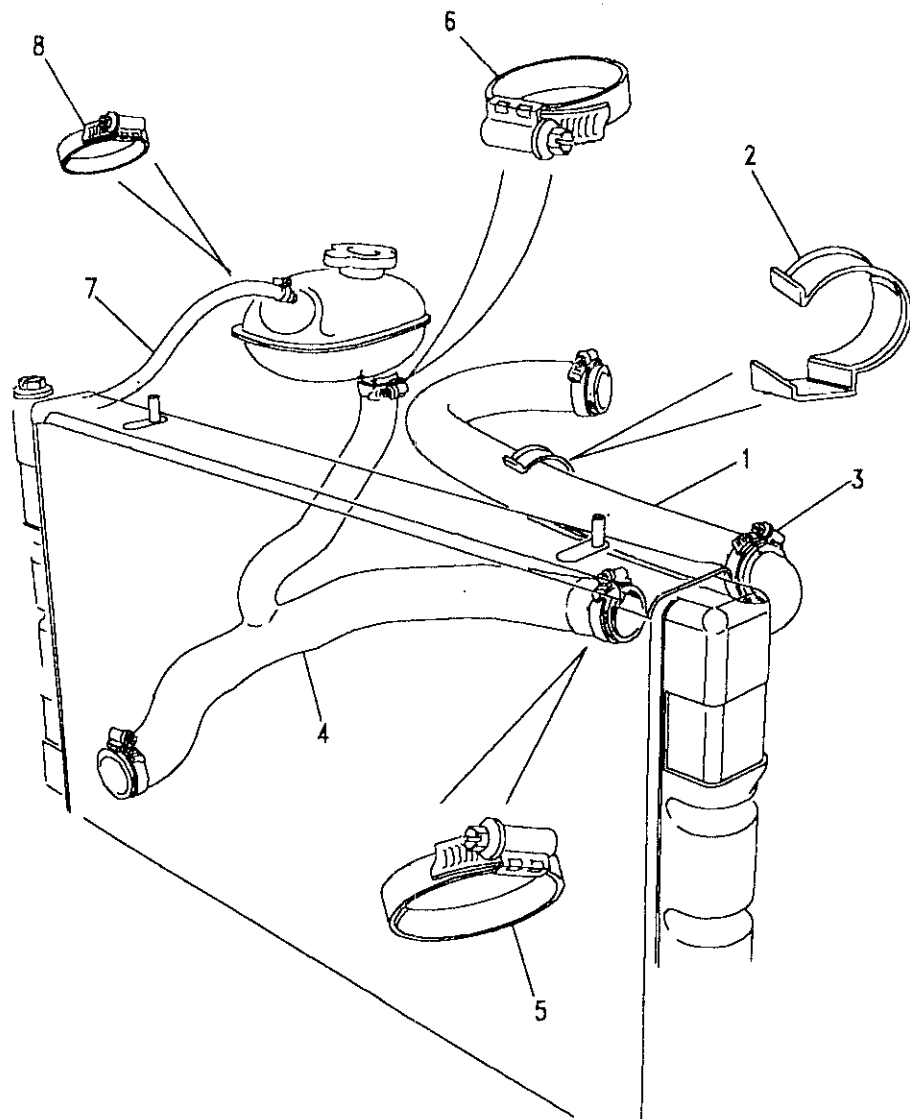




**Model** DEFENDER 110 1987 onwards  
**Page** AFLXAA3A

**COOLING SYSTEM - RADIATOR HOSES**

III. Part No.	Description	Qty	Remarks
<b>Air con vehicles upto engine number 17H07705C</b>			
NRC4842	Hose bottom	1	To engine
NRC4844	Hose bottom	1	To radiator
NRC4843	Tee piece	1	
CN100508	Clip hose	4	
NRC4837	Hose expansion tank	1	Diesel
NRC5503	Hose expansion tank	1	Petrol
CN100408	Clip hose	2	





DEFENDER 110 1987 onwards

607

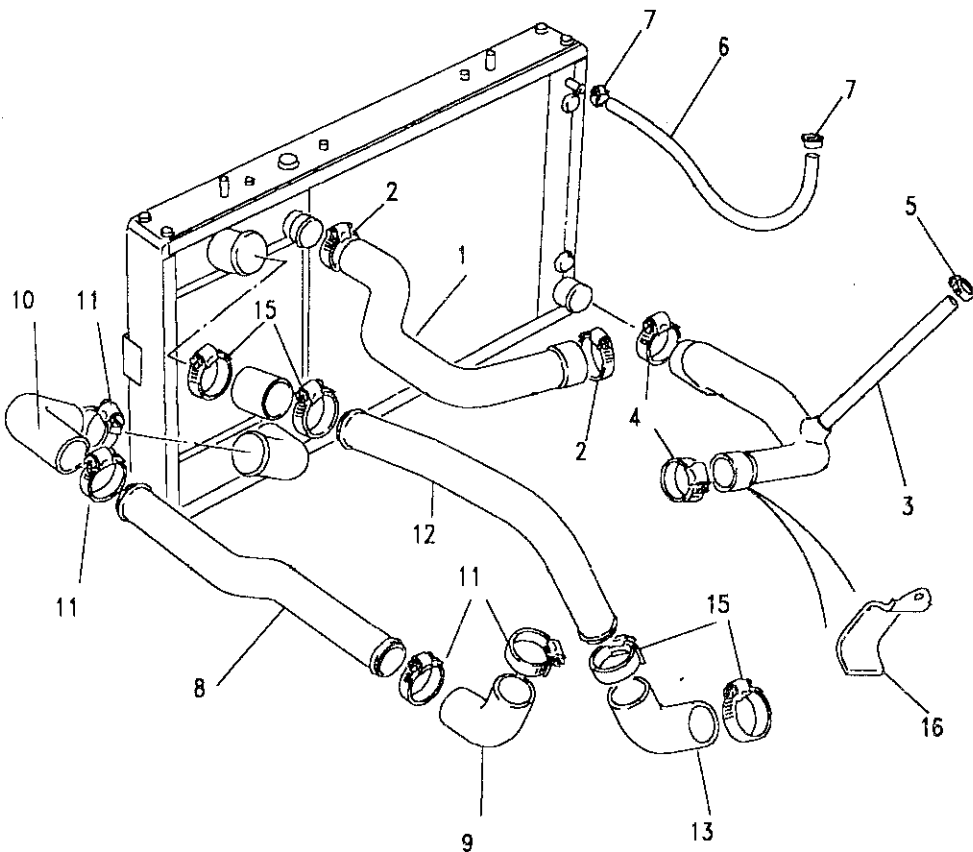
COOLING/HEATING

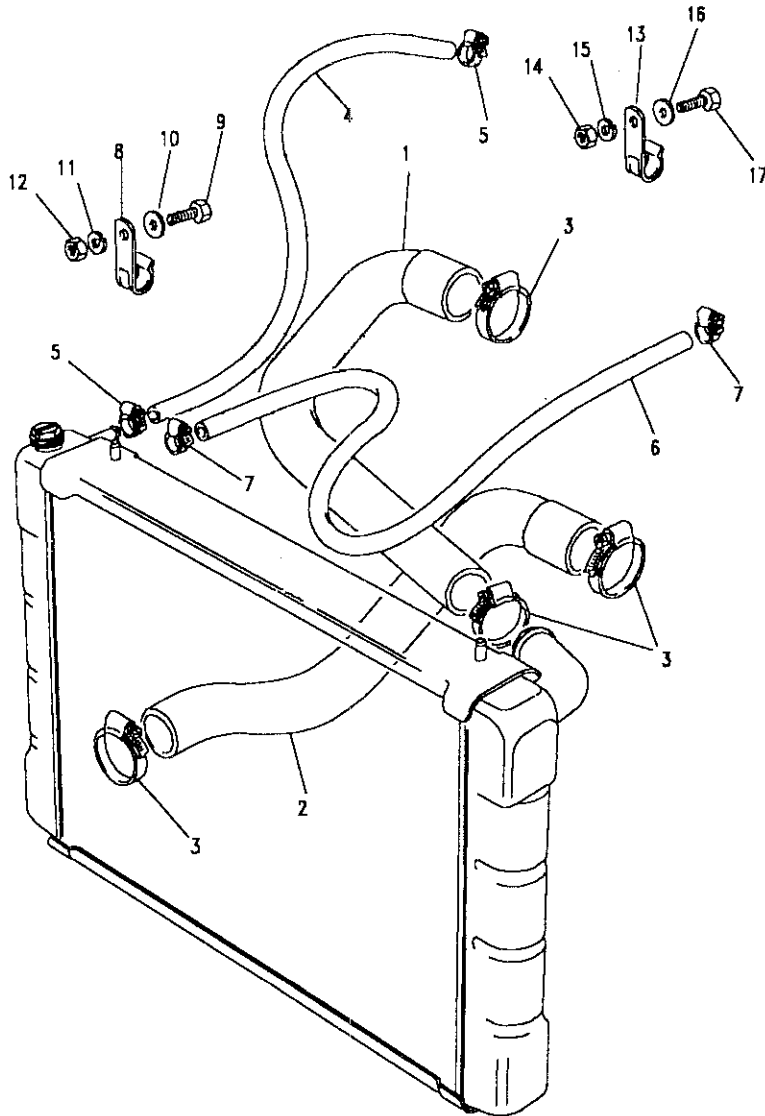
Model DEFENDER 110 1987 onwards

Page AFLXAA4A

COOLING SYSTEM - RADIATOR & INTERCOOLER HOSES - 200TDI

Ill. Part No.	Description	Qty	Remarks
1	NTC4895 Hose top	1	
2	CN100508 Clip hose	2	
3	ESR536 Hose bottom	1	Non Air Con
	ESR1686 Hose bottom	1	Air Con
4	CN100508 Clip hose	2	
5	CN100308 Clip hose	1	
	CN100308L Clip hose	1	
6	NTC4898 Hose bleed	1	
7	CN100208L Clip hose	2	
<b>Turbo to intercooler</b>			
8	NTC5628 Pipe intercooler	1	
9	ESR299 Hose elbow	1	Upto VIN JA915341
	ESR1906 Hose elbow	1	From VIN JA915342
10	ESR298 Hose elbow	1	
11	CN100608L Clip hose	4	
<b>Intercooler to manifold</b>			
12	NTC5627 Pipe intercooler	1	
13	ESR299 Hose elbow	1	Upto VIN JA915341
	ESR1906 Hose elbow	1	From VIN JA915342
14	ESR289 Hose	1	
15	CN100608L Clip hose	4	
16	ESR400 Bracket bottom hose	1	Air con





**Model** DEFENDER 110 1987 onwards  
**Page** AFLXAA5A

**COOLING SYSTEM - RADIATOR HOSES - V8**

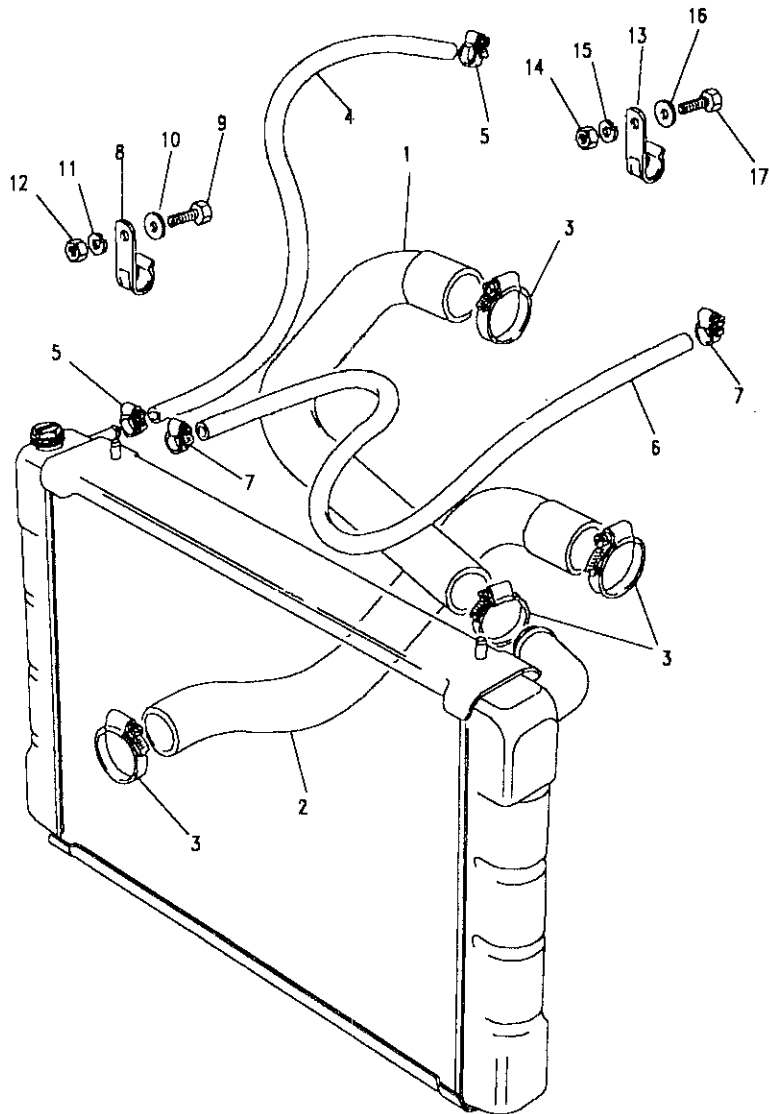
III. Part No.	Description	Qty	Remarks
1	NRC5985	1	Non air con
	NTC5686	1	Upto VIN FA428918
	NRC9710	1	Non air con
	NTC5687	1	From VIN FA428919
2	NTC3543	1	Air con
3	CN100508	4	Upto VIN FA429127
4	NRC9726	1	Air con
	NTC2736	1	From VIN FA429128
5	AAU1979	2	
6	90575977	1	When oil cooler fitted
7	AAU1979	2	Penthouse



DEFENDER 110 1987 onwards

609

COOLING/HEATING

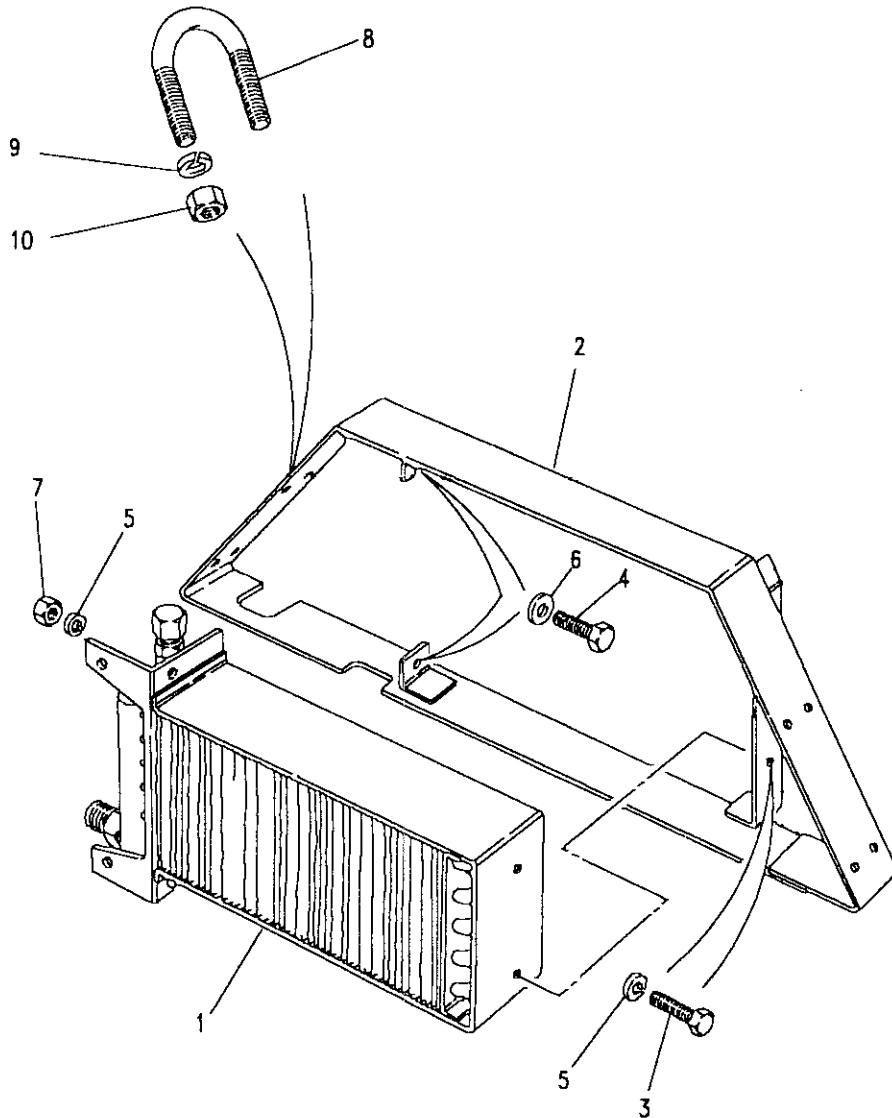


**Model** DEFENDER 110 1987 onwards  
**Page** AFLXAA5A

**COOLING SYSTEM - RADIATOR HOSES - V8**

III. Part No.	Description	Qty	Remarks
8	NRC2383	1	
9	FS106201L	1	
10	WA106041L	1	
11	WM106001L	1	
12	NH106041L	1	
<b>Non air con</b>			
13	239600	1	Penthouse bleed
14	FS108201L	1	Penthouse bleed
15	WA108051L	1	
16	WL108001L	1	
17	FN108041L	1	





**Model** DEFENDER 110 1987 onwards  
**Page** AFLXAG1A

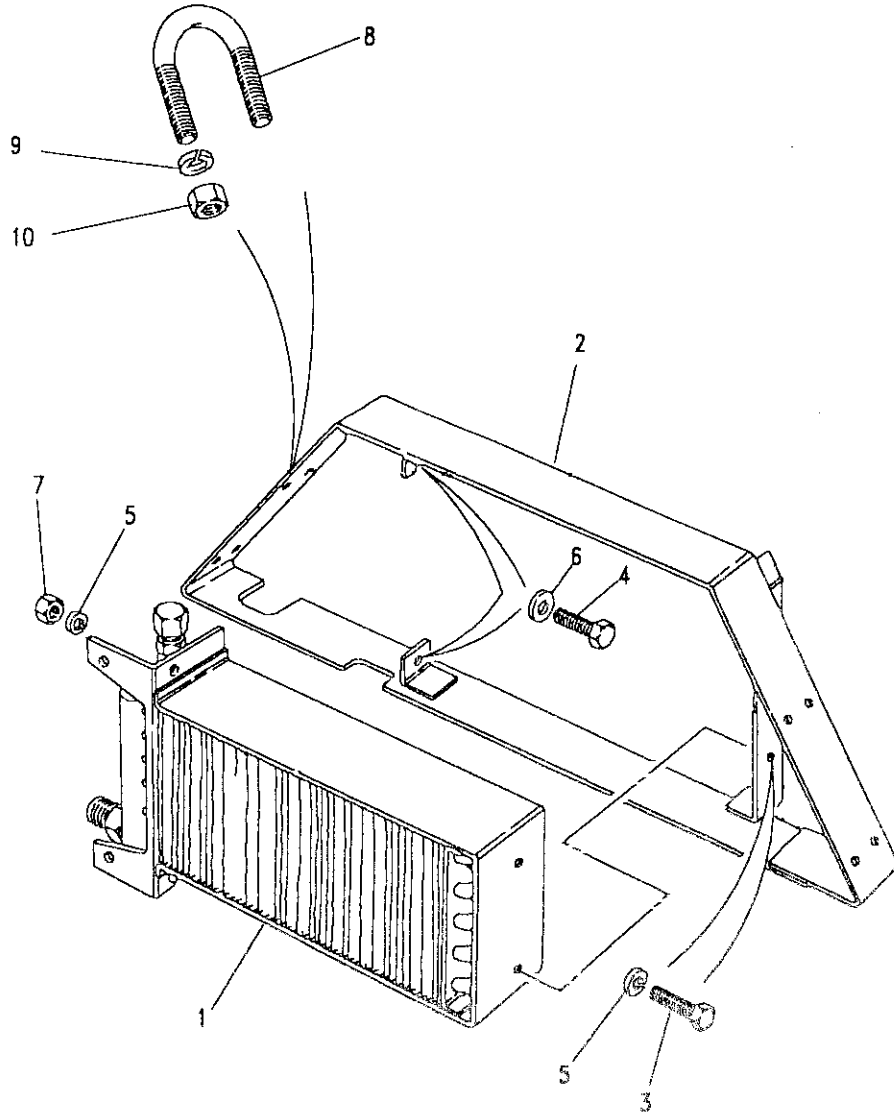
**ENGINE OIL COOLER - OIL COOLER AND MOUNTING FRAME**

Ill. Part No.	Description	Qty	Remarks
<b>4 Cylinder Petrol</b>			
1 NRC7741	Oil cooler	1	Upto VIN FA389798 Note(1)
<b>Diesel</b>			
1 NRC7741	Oil cooler	1	Upto VIN FA389798 Note(1)
<b>Diesel Turbo</b>			
1	Oil cooler		Note(2)
<b>V8 - Non Air Con</b>			
1 NRC7741	Oil cooler	1	Upto VIN FA429127 Note(3)
<b>V8 - Air con</b>			
1 NRC8201	Oil cooler	1	Upto VIN FA429127 Note(3)



**Model** DEFENDER 110 1987 onwards  
**Page** AFLXAG1A

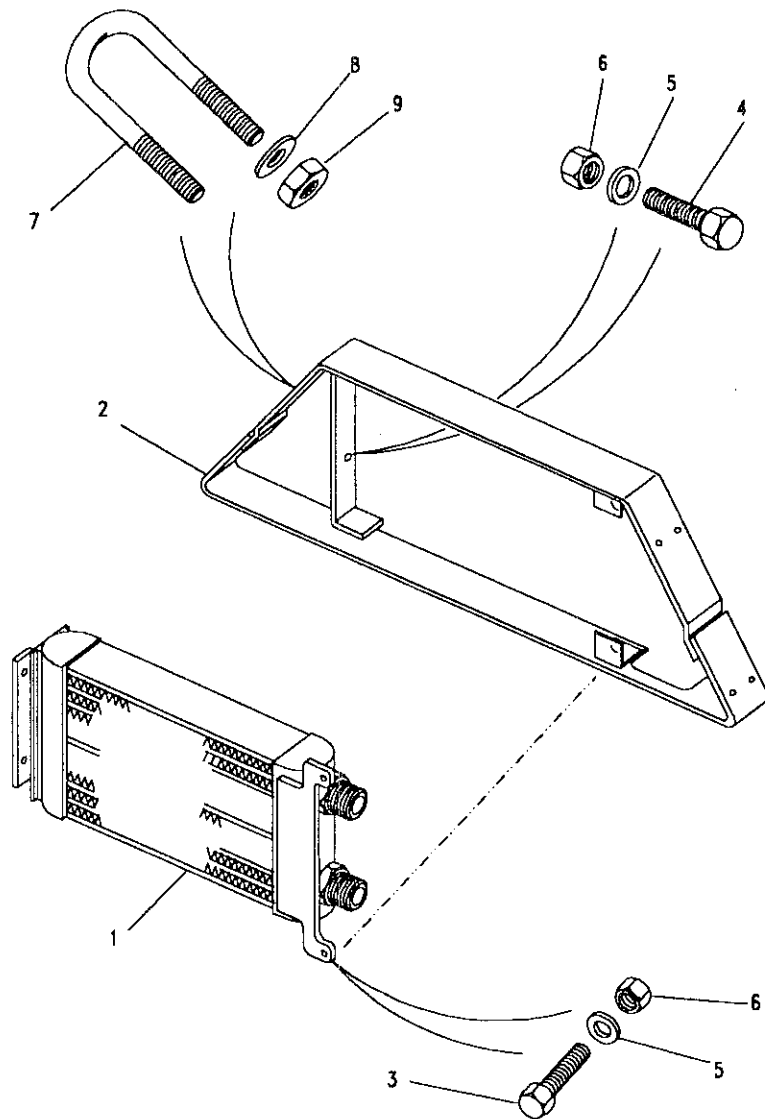
**ENGINE OIL COOLER - OIL COOLER AND MOUNTING FRAME**



III. Part No.	Description	Qty	Remarks
2	NRC7458 Frame mounting	1	)
3	SH106121L Screw	2	)
4	FS106161 Screw	2	)
5	WL106001L Washer spring	4	)Upto VIN
6	WA106041L Washer plain	2	)FA429127
7	NH106041L Nut	2	)Except
8	NRC7459 U bolt	4	)Air Con
9	WL106001L Washer spring	8	)
10	NH106041L Nut	8	)
	SH106121L Screw	2	)Upto VIN
	WL106001L Washer spring	4	)FA429127
	NH106041L Nut	2	)Air Con

Note(1) From VIN FA389799 - Engine oil cooler is part of radiator  
 Note(2) Diesel Turbo - Engine oil cooler is part of radiator  
 Note(3) From VIN FA429128 - Engine oil cooler is part of radiator





**Model** DEFENDER 110 1987 onwards  
**Page** AFLXAG2A

**GEARBOX OIL COOLER - COOLER AND FRAME - V8 LT77 GEARBOX**

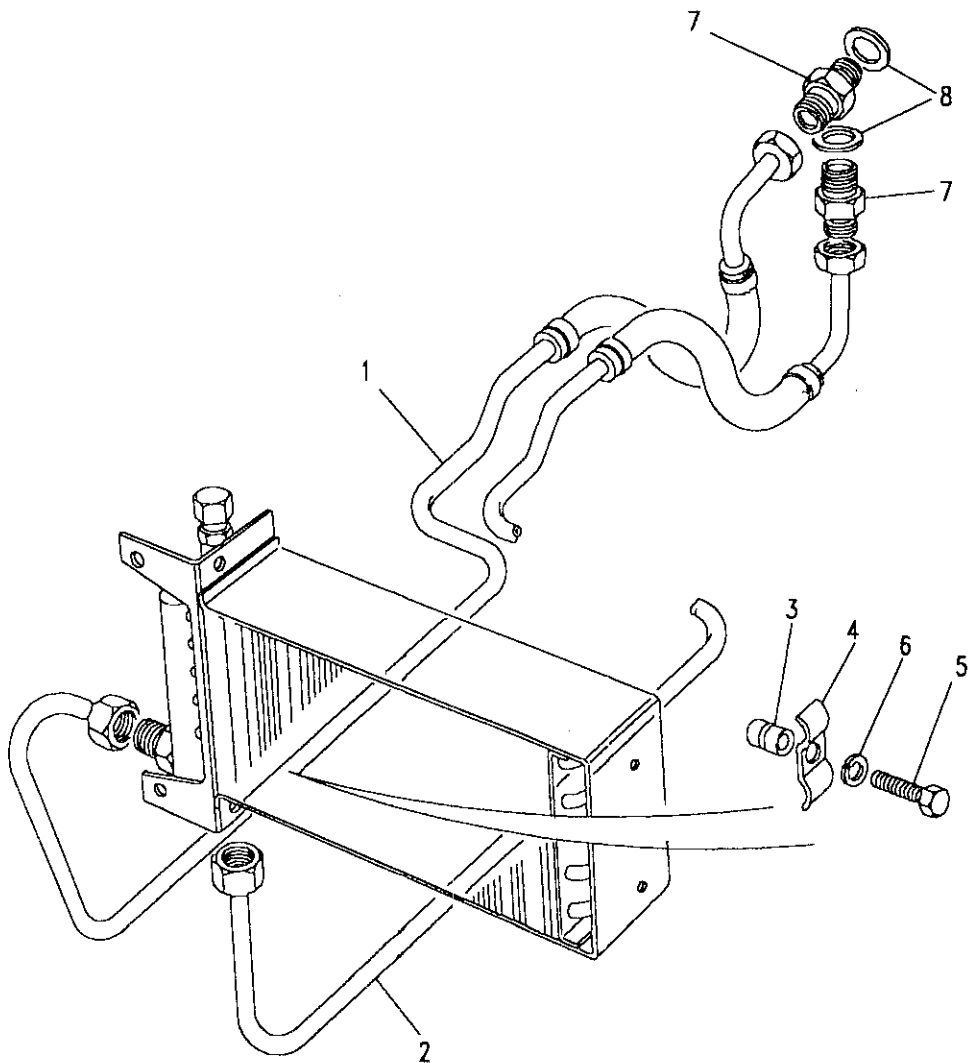
III. Part No.	Description	Qty	Remarks
1 ESR488	Oil cooler	1	Upto JA922091
ESR1554	Oil cooler	1	From JA922092
2 ESR489	Frame mounting	1	
3 FS106167I	Screw	2	
4 SH106121L	Screw	2	
5 WA106041L	Washer plain	4	
6 NH106041L	Nut	4	
<b>Non Air Con</b>			
7 NRC7459	U bolt	4	
8 WA106041L	Washer plain	8	
9 NH106041L	Nut	8	

**Model** DEFENDER 110 1987 onwards  
**Page** AFLXA11A

**ENGINE OIL COOLER - PIPES - NOTE(1)**

III. Part No.	Description	Qty	Remarks
1	NRC8507	1	Pipe assembly feed
	NRC8509	1	Pipe assembly feed
2	NRC8508	1	Pipe assembly return
	NRC8510	1	Pipe assembly return
3	NN106011	1	Nutsert
4	594637	1	Clamp pipe
5	FS106167L	1	Screw
6	WL106001L	1	Washer spring
7	NRC8618	2	Coupling
8	ETC7398	2	Washer copper

Note(1) 2.5 Petrol and Diesel - Upto VIN FA389798



**Model** DEFENDER 110 1987 onwards  
**Page** AFLXAI2A

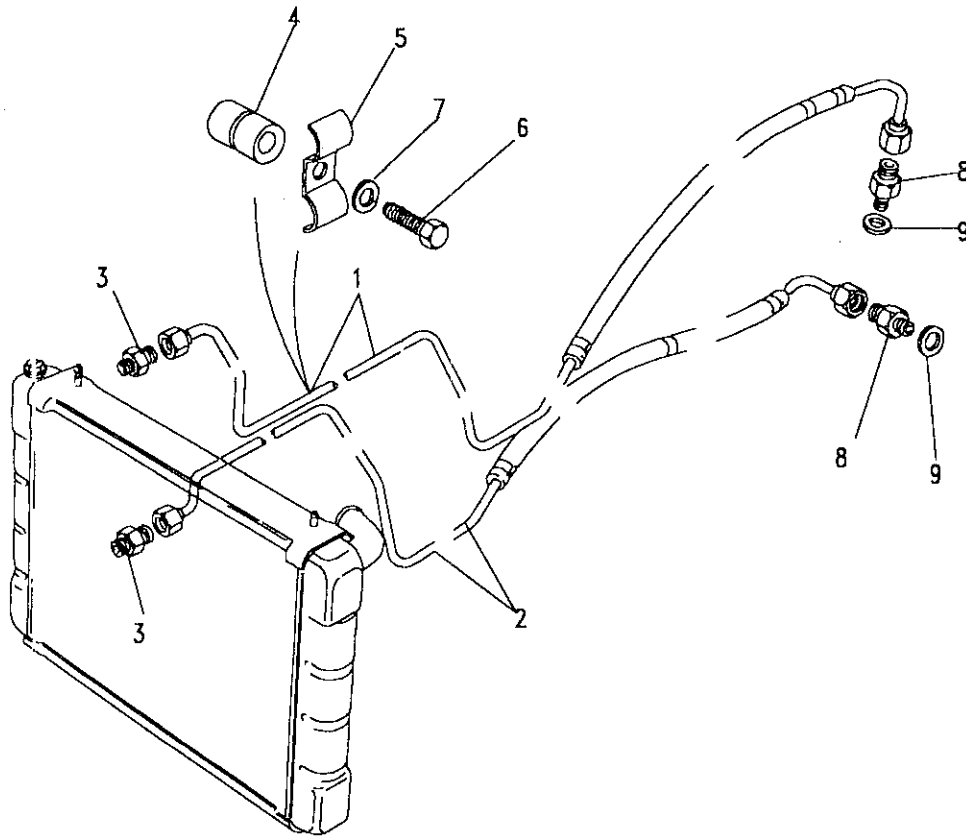
**ENGINE OIL COOLER - PIPES**

**III. Part No. Description Qty Remarks**

**Diesel Turbo and 200Tdi**

**2.5 Petrol and Diesel Nat Asp - From VIN FA389799**

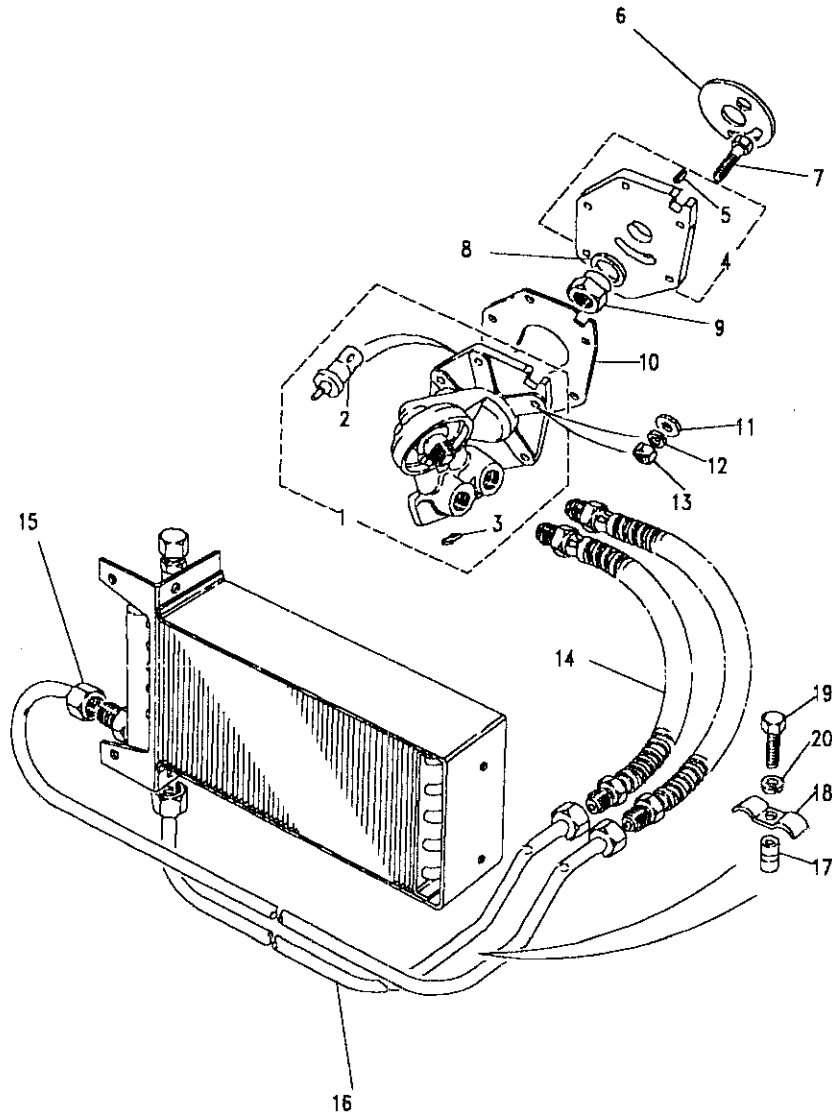
III. Part No.	Description	Qty	Remarks
1	NTC2927	1	Upto VIN FA430172
	ESR71	1	From VIN FA430173
			Upto VINJA919831
	ESR280	1	From VIN FA430173
			Upto VIN JA919831
	ESR280	1	200Tdi
			Upto VIN JA919831
	ESR1912	1	From VIN JA919832
2	NTC2928	1	Upto VIN FA430172
	ESR281	1	From VIN FA430173
			Upto VIN JA919831
	ESR281	1	200Tdi
			Upto VIN JA919831
	ESR1913	1	From VIN JA919832
3	NTC3858	2	Upto VIN JA919831
	ESR1262	2	From VIN JA919832
	NN106011	1	
	594637	1	
	NTC6847	2	200Tdi
6	FS106167L	1	
	WL106001L	1	
	WA106041L	2	200Tdi
	NY106041L	1	200Tdi
	568680	1	200Tdi
8	NRC8618	2	
9	ETC7398	2	





Model DEFENDER 110 1987 onwards  
Page AFLXAI3A

ENGINE OIL COOLER - PIPES - V8 - UPTO VIN FA429127

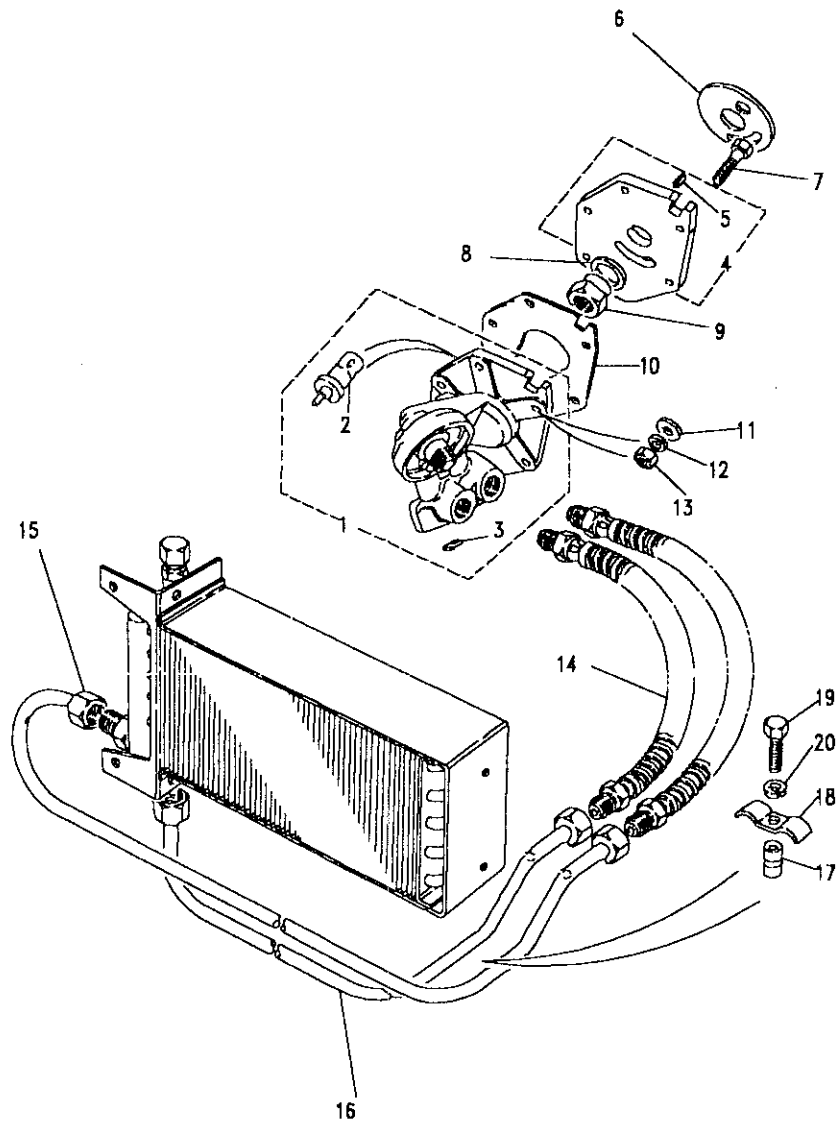


III. Part No.	Description	Qty	Remarks
1	ERC6720	1	Adaptor assembly bypass
2	ERC5923	1	Thermostat
3	TRS1114L	2	O ring
4	ERC6722	1	Baseplate
	ETC6812	1	Baseplate
5	PA105101	1	Pin spring
6	SH108301L	5	Screw
7	ERC6890	1	Joint washer
	ERR852	1	Joint washer
8	ERC3724	1	Washer
9	ERC3500	1	Nut tube
10	ERC6723	1	Joint washer



**Model** DEFENDER 110 1987 onwards  
**Page** AFLXAI3A

**ENGINE OIL COOLER - PIPES - V8 - UPTO VIN FA429127**



III. Part No.	Description	Qty	Remarks
11	WA108051L Plain washer	5	
12	WL108001L Washer spring	5	
13	FN108041L Nut	5	
14	NRC4162 Pipe flexible	2	
15	NRC5824 Pipe assembly feed	1	
	NRC8198 Pipe assembly feed	1	Air con
16	NRC5823 Pipe assembly	1	
	NRC8199 Pipe assembly return	1	Air con
17	NN106011 Nutsert	1	
18	594637 Clamp pipe	1	
19	FS106167L Screw	1	
20	WL106001L Washer spring	1	



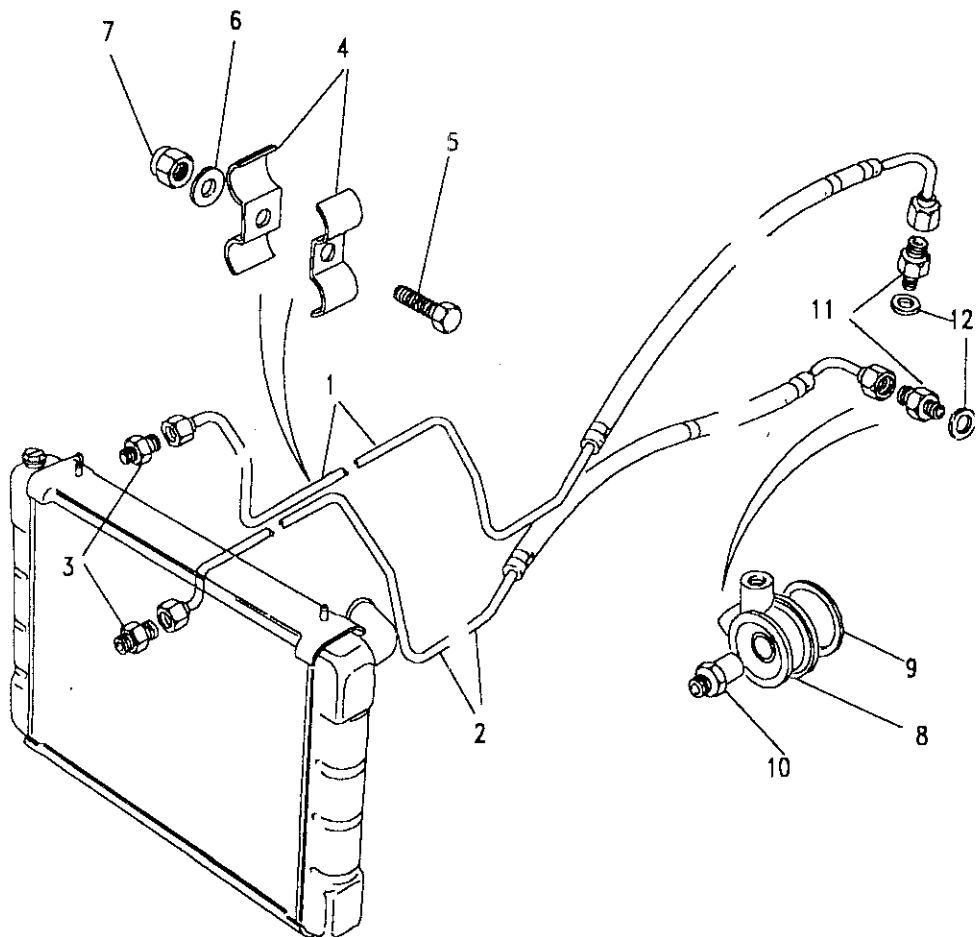
Model DEFENDER 110 1987 onwards

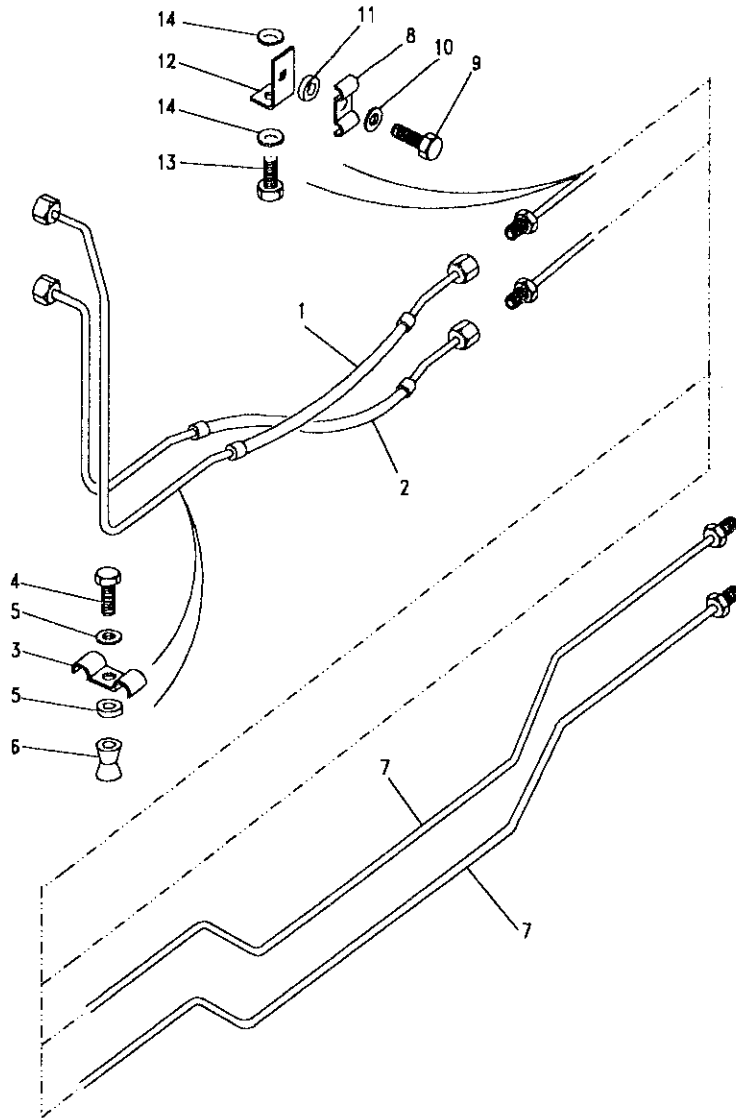
Page AFLXAI4A

## ENGINE OIL COOLER - PIPES - V8 - FROM VIN FA429128

III. Part No.	Description	Qty	Remarks
1	ESR399	1	Upto VIN JA922098
	ESR583	1	Upto VIN JA922098
	ESR1915	1	From VIN JA922099
2	NTC5624	1	Except Note(1)
			Upto VIN JA922098
	ESR398	1	Note(1)
			Upto VIN JA922098
	ESR1914	1	From VIN JA922099
3	NTC3858	2	Upto VIN JA922098
	ESR1262	2	From VIN JA922099
4	NTC6847	2	
5	FS106167L	1	
	Screw		
6	WA106041L	1	
	Washer plain		
7	NY106041L	1	
	Nut nyloc		
8	ERC8501	1	
	Adaptor assembly filter		
9	ERR852	1	
	Gasket		
10	ERC2226L	1	
	Adaptor screw		
11	ETC9064	2	
	Coupling		
12	ETC9065	2	
	Washer copper		

Note(1) RHS vehicles with Gemmer power steering box from VIN HA469818

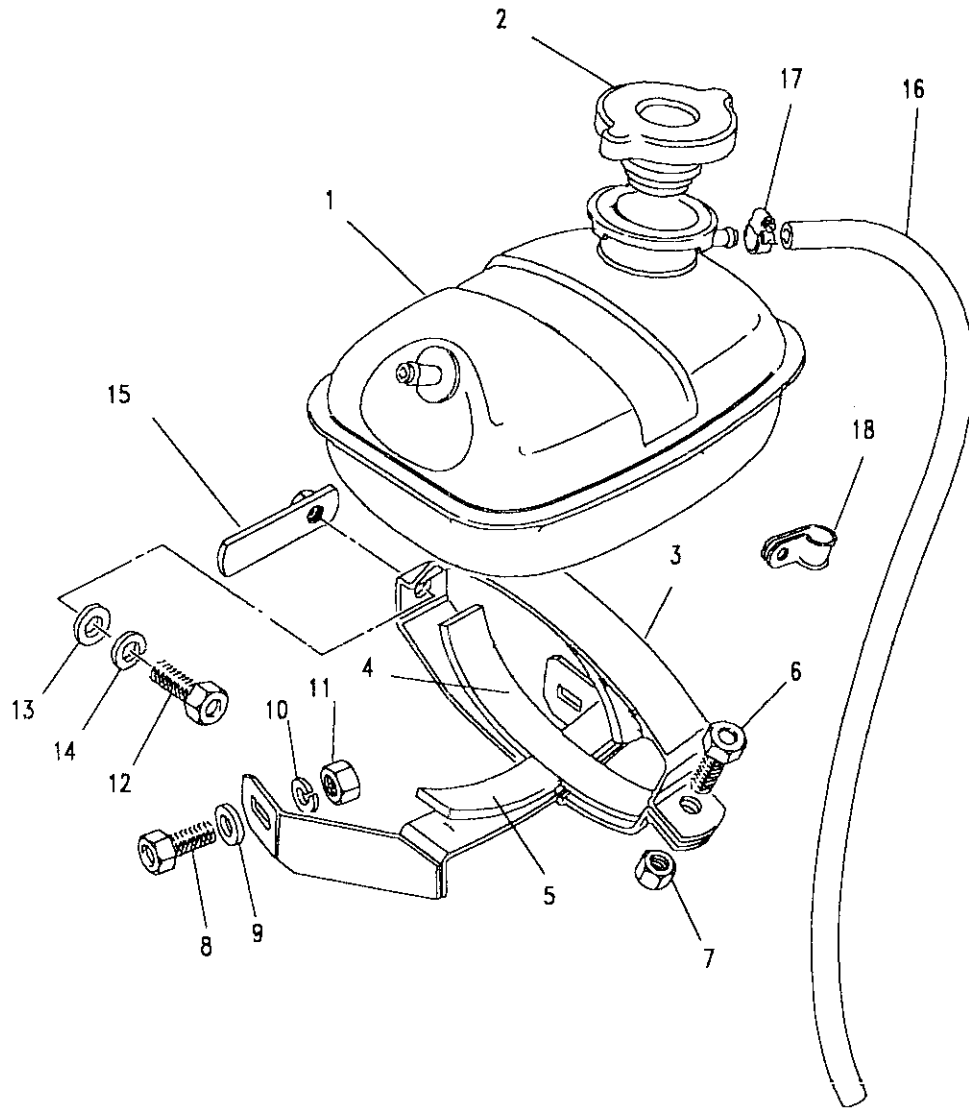




**Model** DEFENDER 110 1987 onwards  
**Page** AFLXAI5A

**GEARBOX OIL COOLER - PIPES - V8 LT77 GEARBOX**

III. Part No.	Description	Qty	Remarks
<b>Non Air Con</b>			
1 ESR570	Pipe oil cooler RH front	1	Upto VIN JA922098
ESR1919	Pipe oil cooler RH front	1	From VIN JA922099
2 ESR571	Pipe oil cooler LH front	1	Upto VIN JA922098
ESR1920	Pipe oil cooler LH front	1	From VIN JA922099
<b>Air Con</b>			
1 ESR530	Pipe oil cooler RH front	1	Upto VIN JA922098
ESR1918	Pipe oil cooler RH front	1	From VIN JA922099
2 ESR531	Pipe oil cooler LH front	1	Upto VIN JA922098
ESR1917	Pipe oil cooler LH front	1	From VIN JA922099
3 594637	Clip retaining	1	
4 FS106167L	Screw	1	
5 WA106041L	Washer plain	2	
6 NN106011	Nut anchor	1	
7 ESR527	Pipe oil cooler rear	2	Upto VIN JA922098
ESR1916	Pipe oil cooler rear	2	From VIN JA922099
8 594637	Clip retaining	1	
9 FS106201L	Screw	1	
10 WA108051L	Washer plain	1	
11 WA106041L	Washer plain	1	
12 NTC5897	Bracket mounting	1	
13 SH505081L	Screw	1	
14 WA106001L	Washer plain	2	



**Model** DEFENDER 110 1987 onwards  
**Page** AFLXCA1A

**COOLING SYSTEM - EXPANSION TANK**

**III. Part No. Description Qty Remarks**  
 Petrol, Nat Asp Diesel, Diesel Turbo

**4 Cylinder, All Variants**

Part No.	Description	Qty	Remarks
1 ESR2733	Tank expansion	1	
2 RTC3610	Cap expansion tank-9psi	1	Upto LA932798
PCD100150	Cap expansion tank-15psi	1	From LA932799
565540	Cap expansion tank-15psi	1	Diesel Turbo

**V8**

1 ESR2734	Tank expansion	1	
2 PCD100150	Cap expansion tank-15psi	1	

3 NRC6692	Carrier	1	
4 NRC5294	Strip carrier	2	
5 NRC5295	Strip carrier	2	

**Fixings - Carrier to tank**

6 SH106207L	Screw	1	Upto FA389798
FS106201L	Flange screw	1	From FA389799
7 NY106041L	Nut nyloc	1	



**Model** DEFENDER 110 1987 onwards  
**Page** AFLXCA1A

**COOLING SYSTEM - EXPANSION TANK**

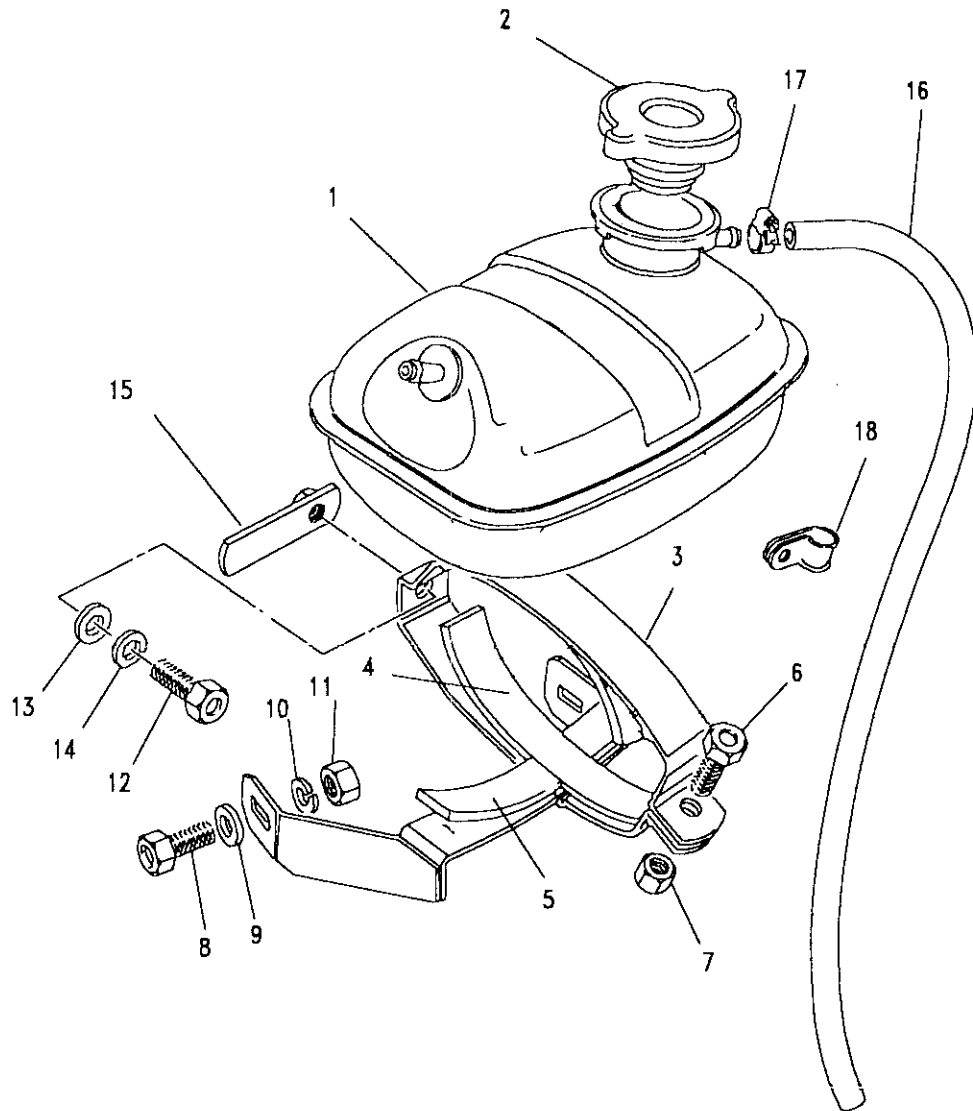
**III. Part No. Description Qty Remarks**

**Fixings - Carrier to wheelarch**

8	SH106207L	Screw	2	)
9	WC106047	Washer plain	4	)Upto
10	WL106007L	Washer spring	2	)FA389798
11	NH106047	Nut	2	)
	FS106201L	Flange screw	2	)
	WC106041L	Washer plain	4	)From
	WL106001L	Washer spring	2	)FA389799
	NH106041L	Nut	2	)

**Fixings - Carrier to wing**

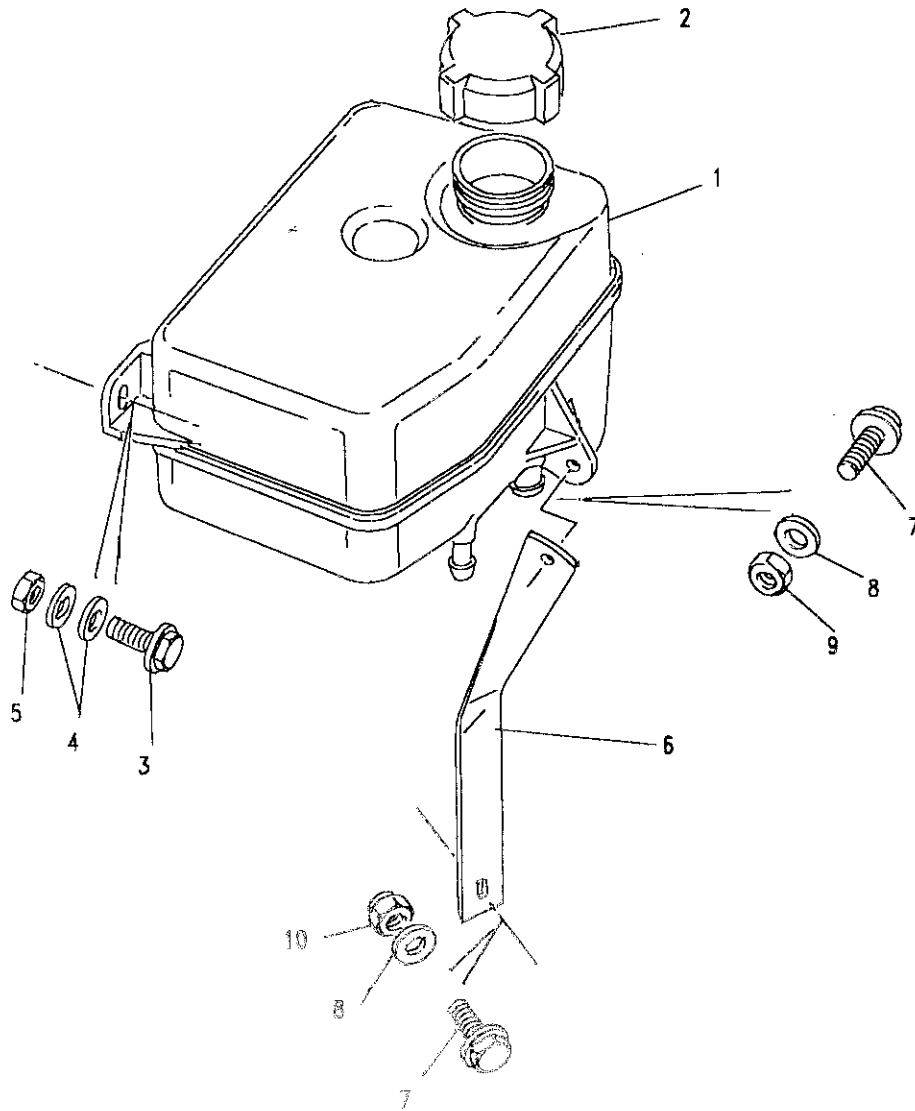
12	SH106207L	Screw	1	)Upto
13	WC106047	Washer plain	1	)FA389798
14	WL106007L	Washer spring	1	)
	FS106201L	Flange screw	1	)From
	WC106041L	Washer plain	1	)FA389799
	WL106001L	Washer spring	1	)
15	NRC7133	Nut plate	1	)
16	564724	Hose overflow	1	)
17	NRC1360	Clip hose	1	)
18	CP106121	Clip retaining	1	)



**Model** DEFENDER 110 1987 onwards  
**Page** AFLXCC1A

**COOLING SYSTEM - EXPANSION TANK**

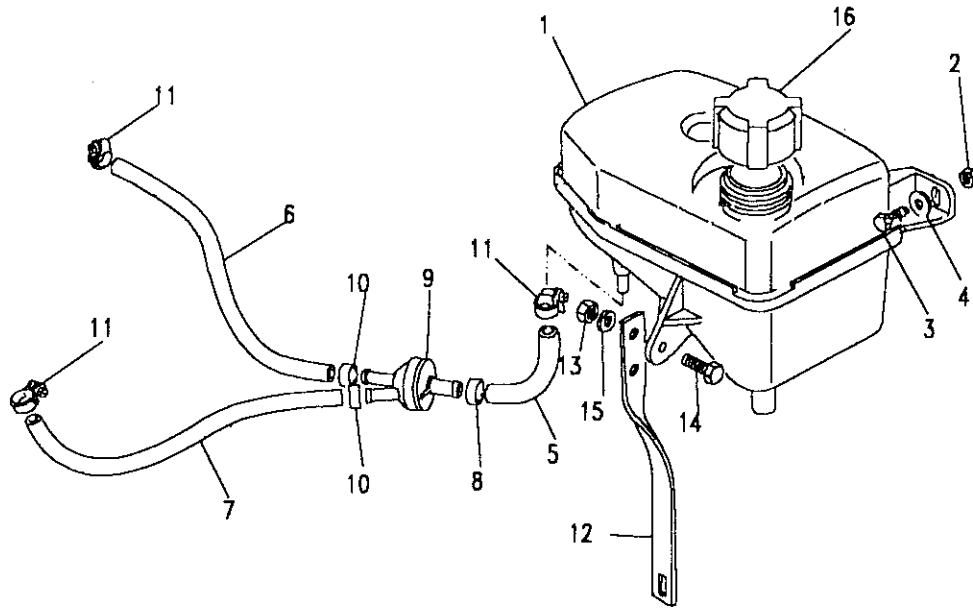
III. Part No.	Description	Qty	Remarks
<b>200TDI</b>			
1 ESR63	Tank expansion	1	
2 NTC7161	Cap expansion tank	1	15 psi
3 FS106167L	Screw	2	
4 WA106041L	Washer plain	4	
5 NH106041L	Nut	2	
6 ESR584	Bracket mounting	1	
7 FS106167L	Screw	2	
8 WA106041L	Washer plain	2	
9 NH106041L	Nut	1	
10 NY106041L	Nut nyloc	1	



**Model** DEFENDER 110 1987 onwards  
**Page** AFLXCC1B

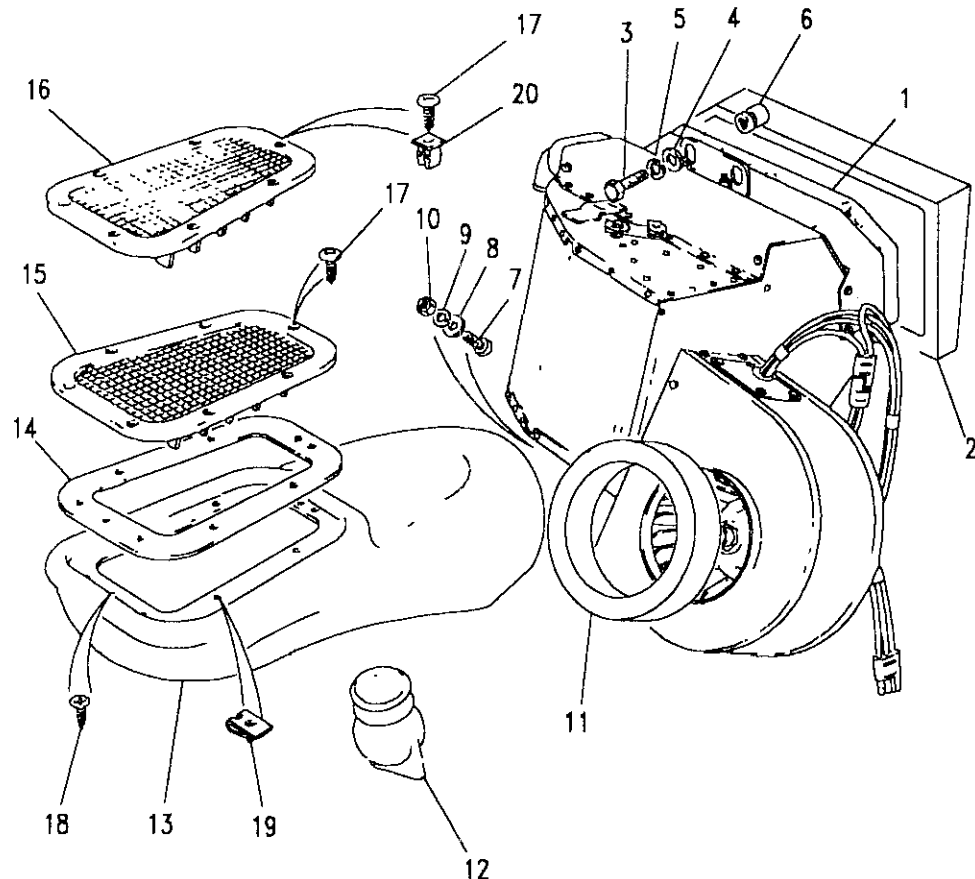
**COOLING SYSTEM - EXPANSION TANK**

III. Part No.	Description	Qty	Remarks
<b>300TDI</b>			
1	ESR0063	1	Expansion tank
2	NH106041	3	Nut M6
3	SH106161	3	Screw M6
4	WA106041	5	Washer plain
5	ESR2343	1	Hose ejector/exp.tank
6	ESR2344	1	Hose radiator/ejector
7	ESR2345	1	Hose engine/ejector
8	ESR2346	1	Clip oetiker hose type
9	ESR2348	1	Pump ejector
10	ESR2349	2	Clip oetiker hose type
11	CN100208	3	Clip hose
12	ESR2313	1	Bracket mounting
13	NH106041	1	Nut M6
14	SH106161	1	Screw M6
15	WA106041	1	Washer plain
16	NTC7161	1	Cap expansion tank-15psi



**Model** DEFENDER 110 1987 onwards  
**Page** AFLXGA1A

**HEATING SYSTEM - HEATER**

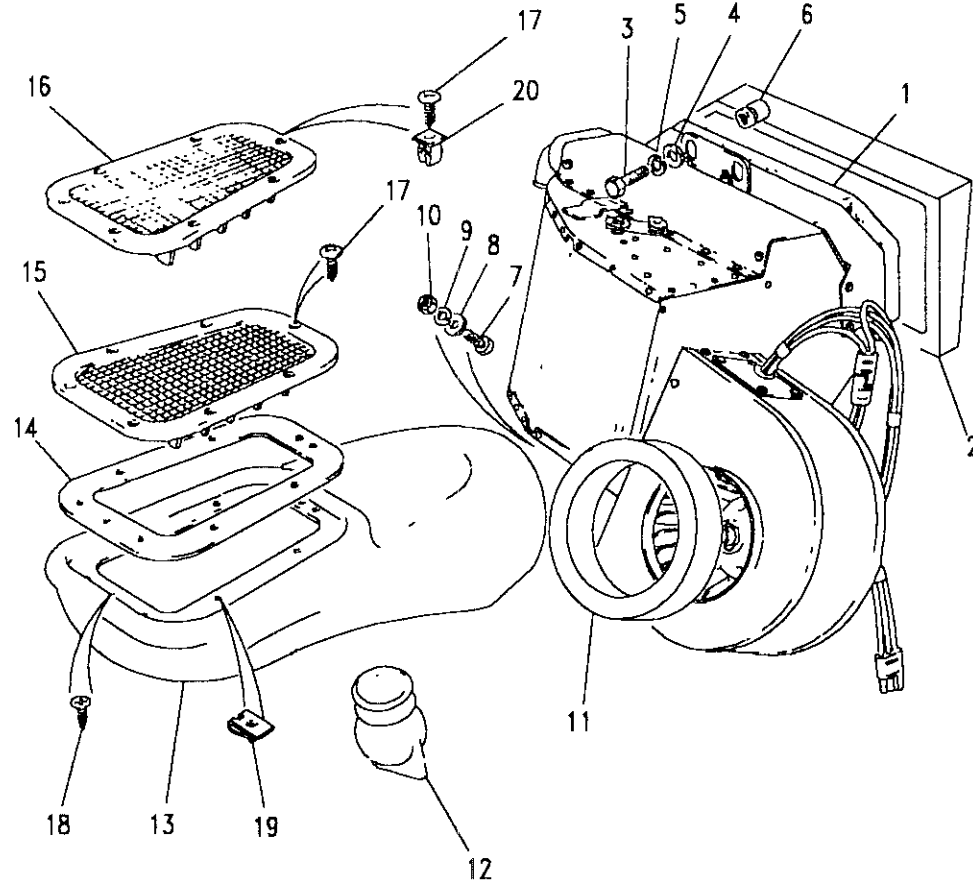


III. Part No.	Description	Qty	Remarks
<b>4 Cylinder</b>			
1 STC456	Heater kit-RHS	1	Upto VIN HA900750
BTR1116	Heater assembly-RHS	1	From VIN HA900751 up to LA939975
BTR4318	Heater assembly - RHS	1	From MA939976
BTR1109	Heater assembly-LHS	1	Upto VIN HA900794
BTR1117	Heater assembly-LHS	1	From VIN HA900795 up to LA939975
BTR4317	Heater assembly - LHS	1	From MA939976
<b>200TDI</b>			
1 STC456	Heater kit-RHS	1	Upto VIN HA900808
BTR1116	Heater assembly-RHS	1	From VIN HA900809 up to LA939975
BTR4318	Heater assembly - RHS	1	From MA939976
BTR1109	Heater assembly-LHS	1	Upto VIN HA900795
BTR1117	Heater assembly-LHS	1	From VIN HA900796 up to LA939975
BTR4317	Heater assembly - LHS	1	From MA939976
<b>V8</b>			
1 STC456	Heater kit-RHS	1	Upto VIN HA900869
BTR1116	Heater assembly-RHS	1	From VIN HA900870 up to LA939975
BTR4318	Heater assembly - RHS	1	From MA939976
BTR1109	Heater assembly-LHS	1	Upto VIN HA900889
BTR1117	Heater assembly-LHS	1	From VIN HA900890 up to LA939975
BTR4317	Heater assembly - LHS	1	From MA939976



Model DEFENDER 110 1987 onwards  
Page AFLXGA1A

HEATING SYSTEM - HEATER

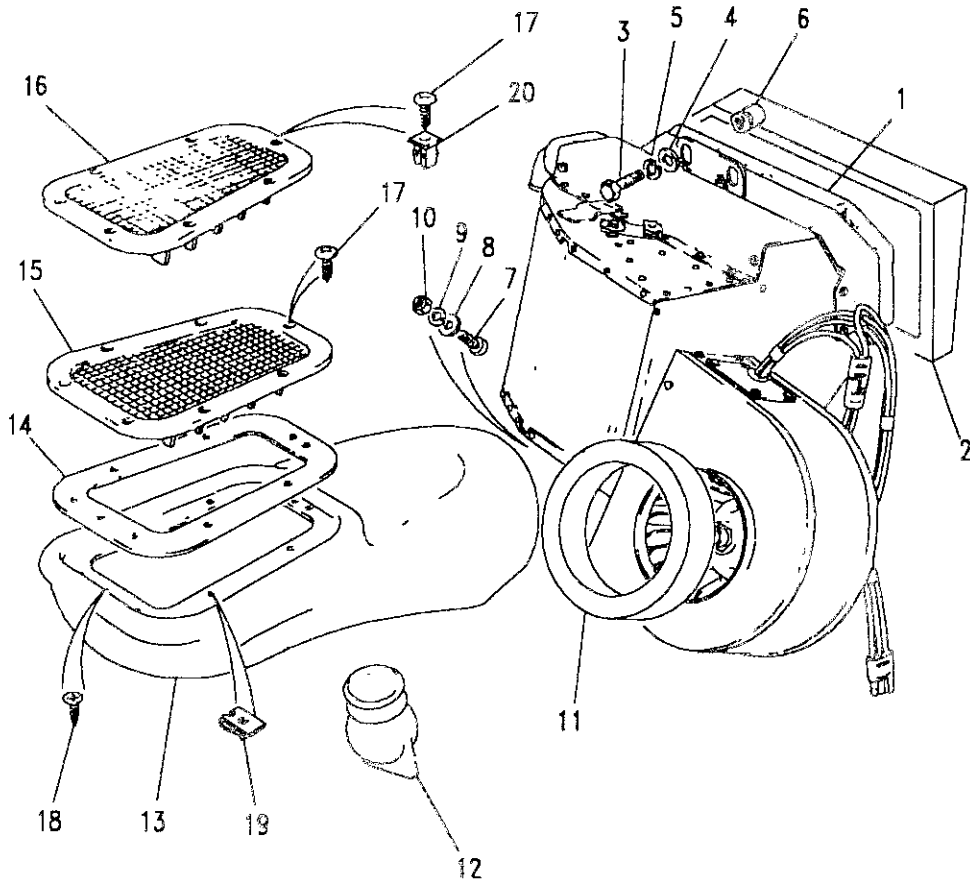


III. Part No.	Description	Qty	Remarks
<b>300TDI</b>			
BTR4318	Heater assembly - RHS	1	
BTR4317	Heater assembly - LHS	1	
<b>All variants</b>			
2 STC952	Seal-heater to dash	1	RHS
STC953	Seal-heater to dash	1	LHS
3 SH108161L	Screw-to dash	2	
4 RTC610	Washer plain	1	
5 WL108001L	Washer spring	2	
6 NN108021	Nutsert	2	
7 FS106167L	Screw	2	
8 WA106041L	Washer plain	2	
9 WL106001L	Washer spring	2	
10 NH106041L	Nut	2	



**Model** DEFENDER 110 1987 onwards  
**Page** AFLXGA1A

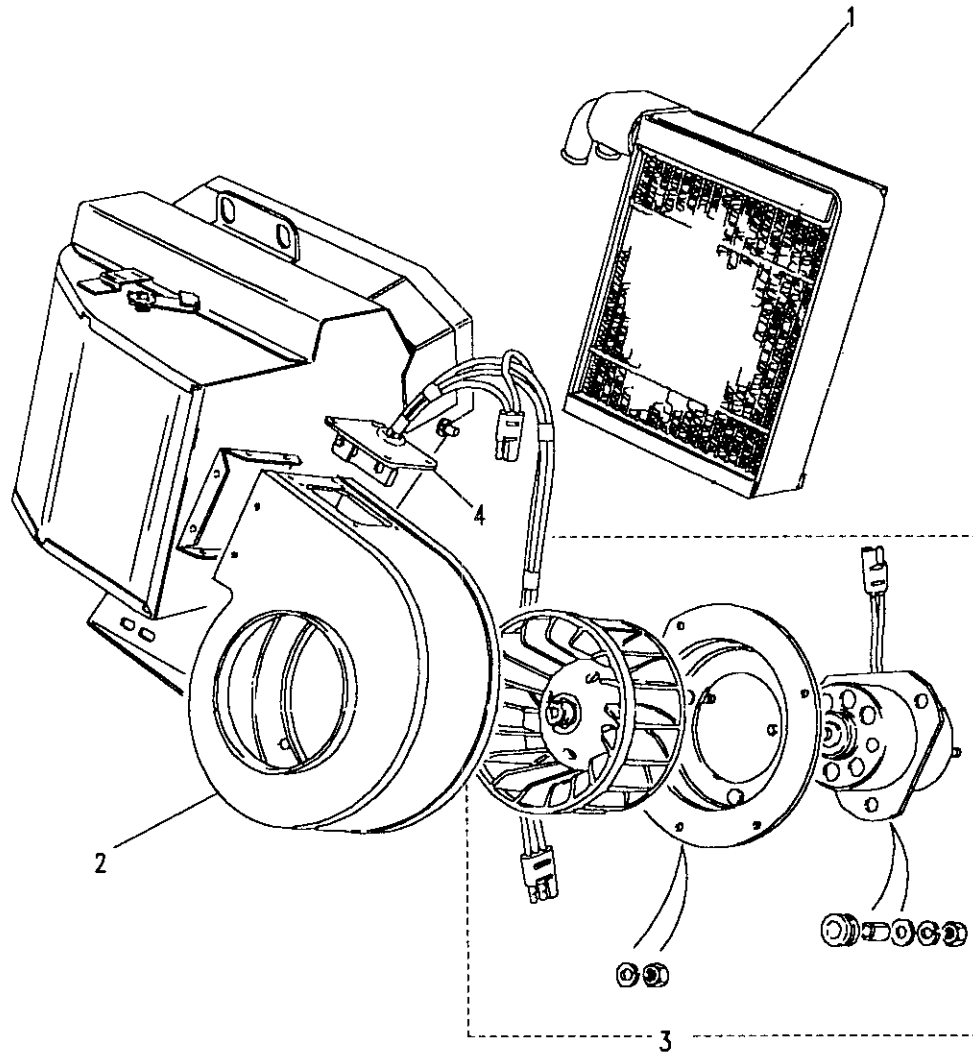
**HEATING SYSTEM - HEATER**



III. Part No.	Description	Qty	Remarks
11	MRC8378 Seal heater	1	
12	MUC2417 Valve dump	1	
13	MUC2419 Duct heater LH	1	RHS
	MUC2418 Duct heater RH	1	LHS
14	MRC9998 Seal Duct	1	
15	MRC9939 Finisher Grille LH	1	RHS
	MRC9938 Finisher Grille RH	1	LHS
16	MRC9940 Finisher Blanking RH	1	RHS
	MRC9941 Finisher Blanking LH	1	LHS
17	AB608065L Screw	14	
18	AC608041L Screw	4	
19	AJ608041 Clip spire	9	
20	CZK619 Nut lokut	9	

**Model** DEFENDER 110 1987 onwards  
**Page** AFLXGA2A

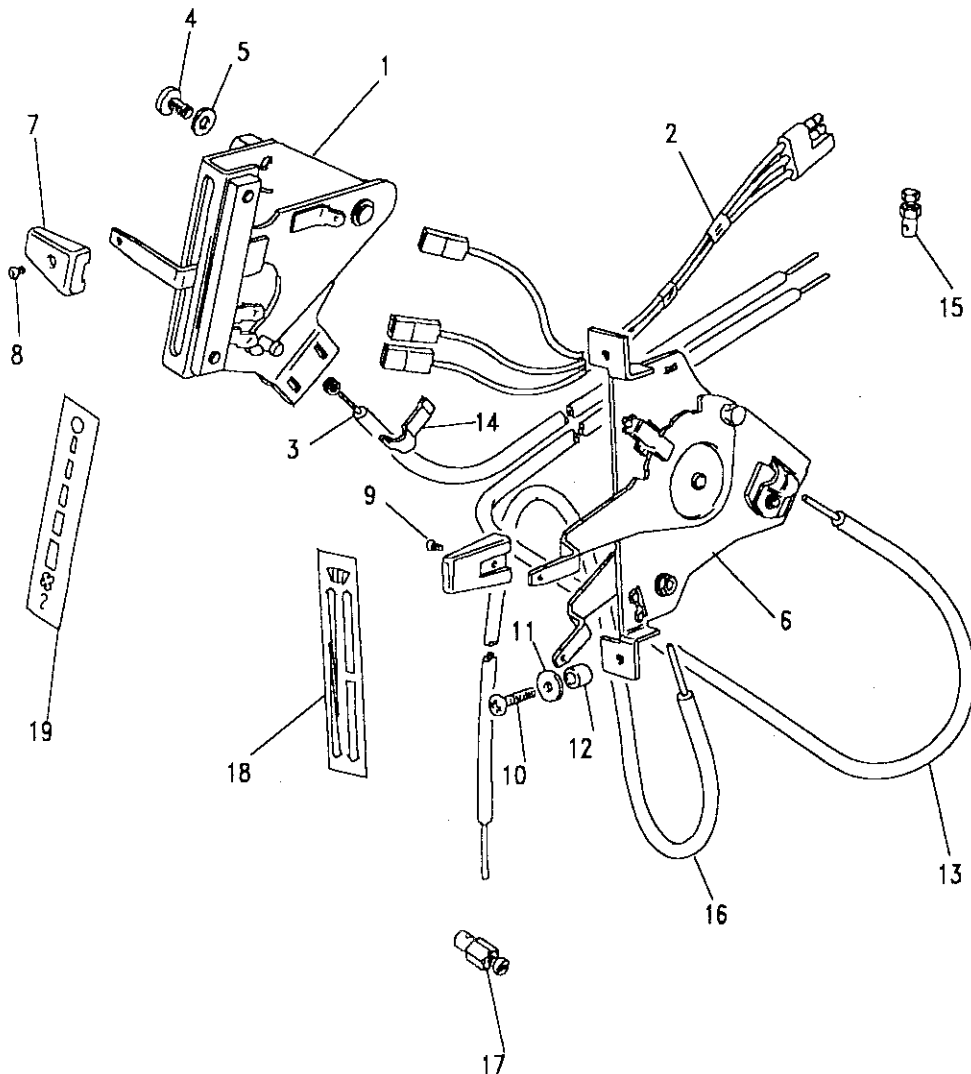
**HEATING SYSTEM - HEATER COMPONENTS**



Ill. Part No.	Description	Qty	Remarks
1	AAP817	1	Note(1)
	UTP1725	1	Note(2)
2	AAP810	1	Up to LA939975
	UTP1259	1	From MA939975
	AAP811	1	Up to LA939975
	UTP1258	1	From MA939975
3	RTC4200	1	Up to LA939975
	RTC4201	1	Up to LA939975
	STC1207	1	From MA939975
4	UTP1281	1	RHS
	UTP1282	1	LHS

Note(1)  
 Note(2)

For Heater assy with downward facing inlet/outlet pipes BTR1109  
 For Heater assy with horizontal inlet/outlet pipes STC456 BTR1116  
 BTR1117



**Model** DEFENDER 110 1987 onwards  
**Page** AFLXGA3A

**HEATING SYSTEM - HEATER CONTROLS**

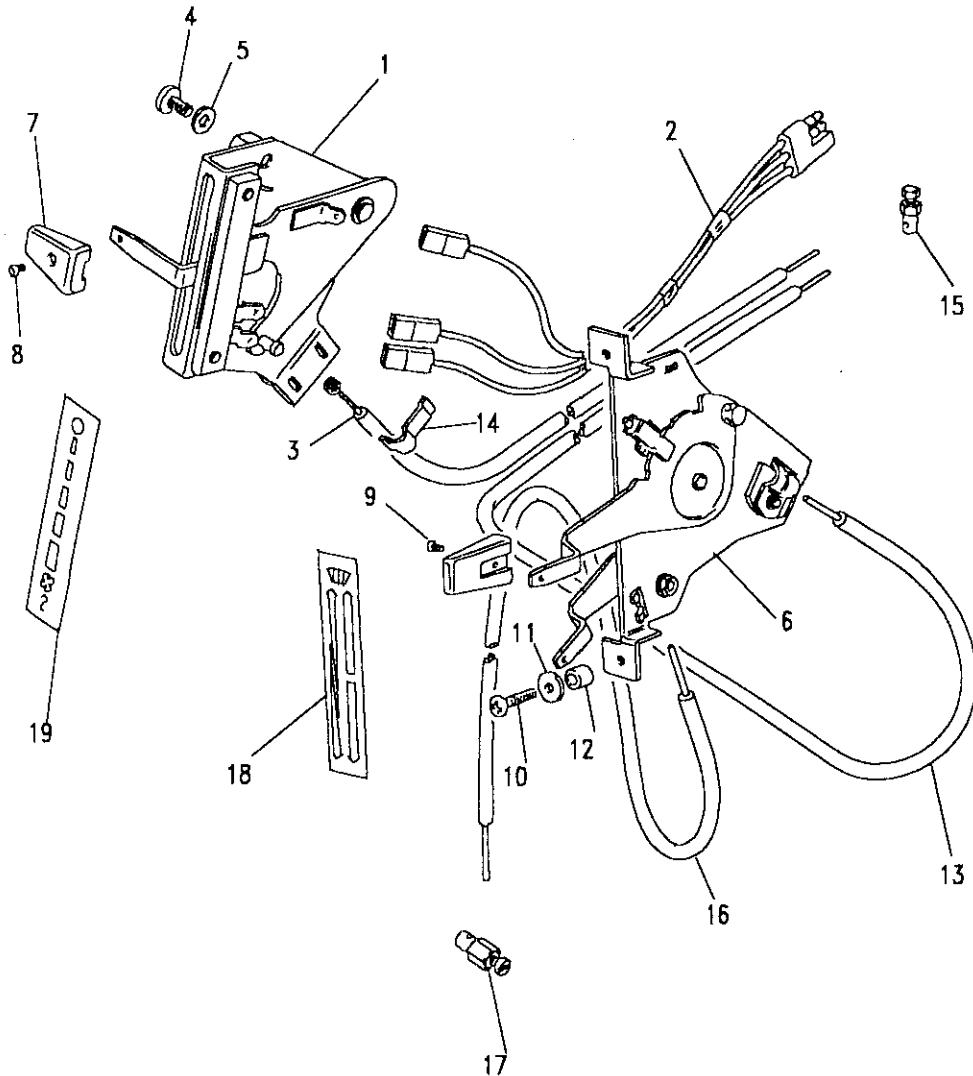
Ill. Part No.	Description	Qty	Remarks
<b>Up to LA939975</b>			
1	UTP1126	1	RHS
	UTP1125	1	LHS
2	AAP890	1	
3	AAP876	1	
<b>From MA939976</b>			
1	BTR4433	1	RHS
	AAP938	1	RHS
2	UTP1883	1	
3	AAP876	1	
14	13H7343L	1	
1	BTR4434	1	LHS
	AAP939	1	LHS
2	UTP1883	1	
3	AAP876	1	
14	13H7343L	1	





**Model** DEFENDER 110 1987 onwards  
**Page** AFLXGA3A

**HEATING SYSTEM - HEATER CONTROLS**



**III. Part No. Description Qty Remarks**

**Fixings - Control to cowl**

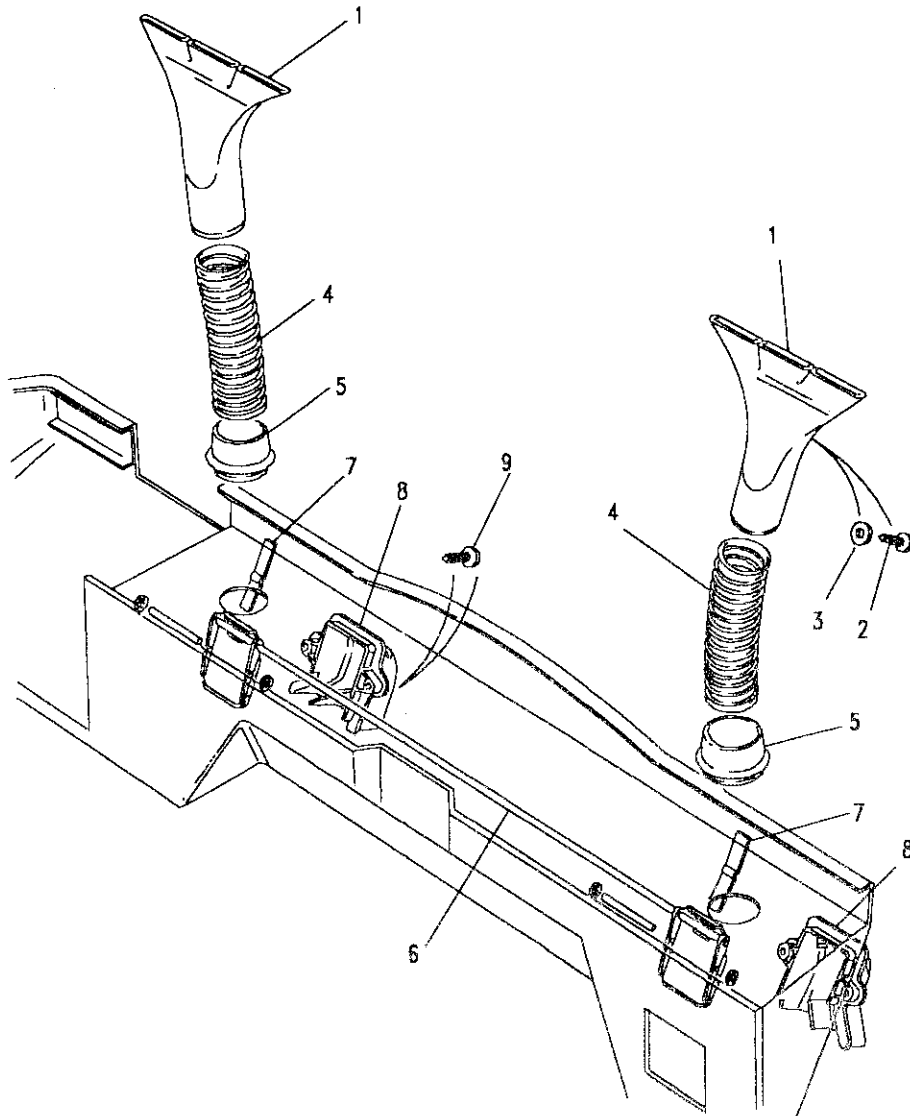
4	SE105161L	Screw	2	
5	WA105001L	Washer plain	2	
6	346924	Plate mounting and levers	1	RHS
7	347586	Plate mounting and levers	1	LHS
8	MTC2805	Knob	3	
8	SG103084	Screw	1	
9	MTC7737	Screw	2	

**Fixings - Mounting plate to dash**

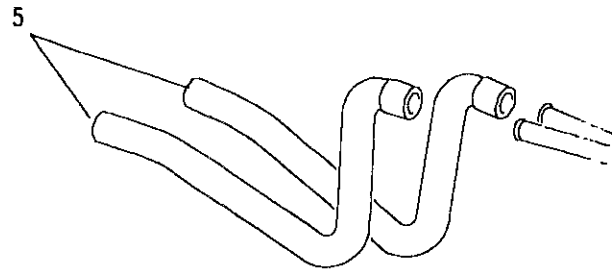
10	SE808244	Screw	2	
11	WA105004L	Washer plain	2	
12	MRC9922	Spacer	2	
13	MTC6194	Cable control - blend	1	
14	13H7343L	Clip retaining	2	
15	RTC5978	Trunnion	2	
16	347939	Cable control - distrib'n	1	Up to LA939975
16	BTR8736	Cable control - distrib'n	1	From MA939976
17	566902	Trunnion	1	
18	MTC6006	Label	1	
19	MTC6007	Label	1	

**Model** DEFENDER 110 1987 onwards  
**Page** AFLXIA1A

**HEATER SYSTEM - DEMISTERS AND OUTLET FLAPS**



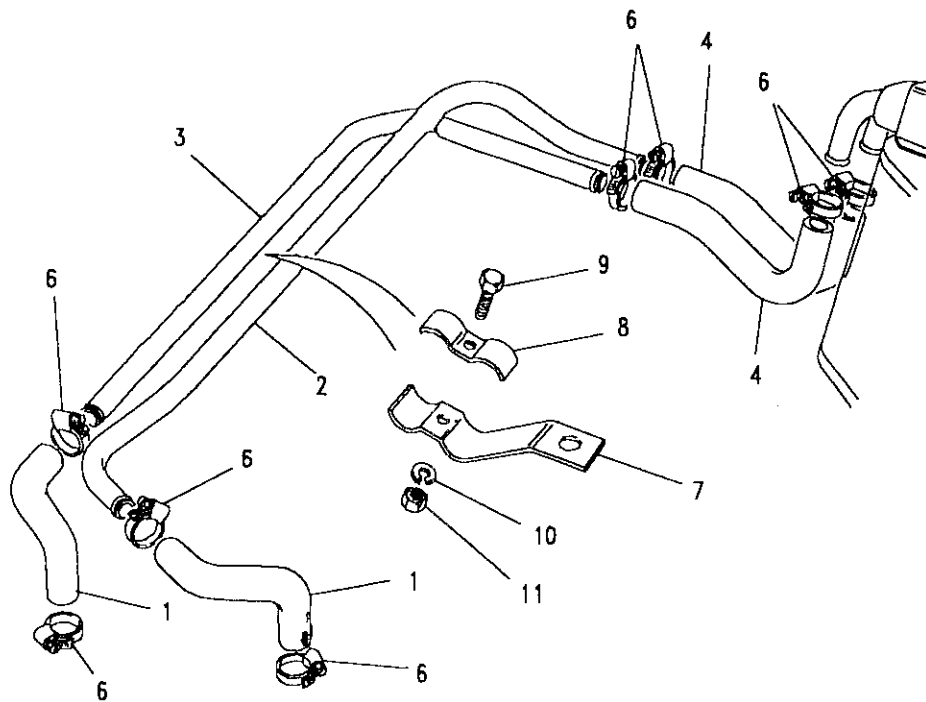
Ill.	Part No.	Description	Qty	Remarks
1	MRC9668	Nozzle RH	1	
	MXC3188	Nozzle RH	1	200Tdi
	BTR1600	Nozzle RH	1	Upto VIN JA906639 200Tdi From VIN JA906640
1	MRC9669	Nozzle demist outlet	1	
	MXC3189	Nozzle LH	1	200Tdi
	BTR1599	Nozzle LH	1	Upto VIN JA906639 200Tdi From VIN JA906640
2	AB608047L	Screw	2	
3	WA105001	Washer plain	2	
	AB608054L	Screw	4	200Tdi
	AK608021	Nut spring	4	200Tdi
4	MTC6382	Tube flexible	2	
5	MRC7281	Grommet	2	
6	346894	Flaps heater outlet	1	Upto VIN HA905500
	BTR1349	Flaps heater outlet	1	From VIN HA905501
7	346976	Spring	2	
8	395829	Grille outlet RH	1	
	395830	Grille outlet LH	1	
9	MRC1525	Screw	4	

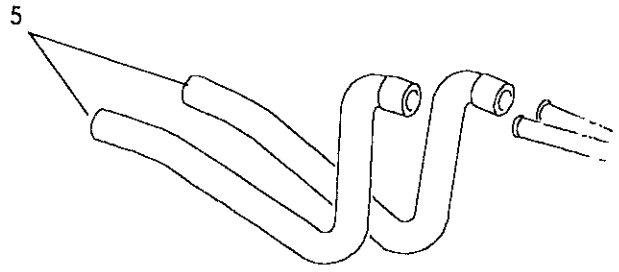


**Model** DEFENDER 110 1987 onwards  
**Page** AFLXIA2A

**HEATING SYSTEM - HEATER PIPES - 4 CYL PETROL & DIESEL**

III. Part No.	Description	Qty	Remarks
<b>Engine feed and return</b>			
1 NRC6306	Hose heater	2	
<b>Heater feed</b>			
2 NRC6307	Pipe heater	1	RHS
NRC6422	Pipe heater	1	LHS
<b>Heater return</b>			
3 NRC6420	Pipe heater	1	RHS
NRC6421	Pipe heater	1	LHS
<b>Heater feed and return</b>			
4 NRC6308	Hose heater	2	RHS Upto VIN HA900750
NRC6309	Hose heater	2	LHS Upto VIN HA900794
5 BTR1134	Hose heater	2	RHS From VIN HA900751
BTR1135	Hose heater	2	LHS From VIN HA900795

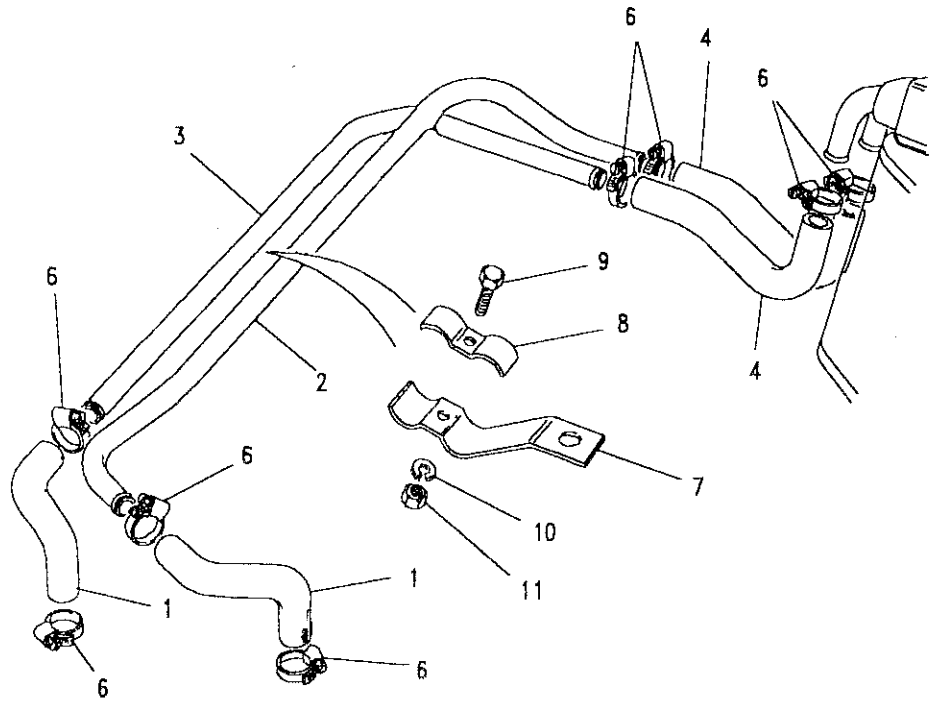




**Model** DEFENDER 110 1987 onwards  
**Page** AFLXIA2A

**HEATING SYSTEM - HEATER PIPES - 4 CYL PETROL & DIESEL**

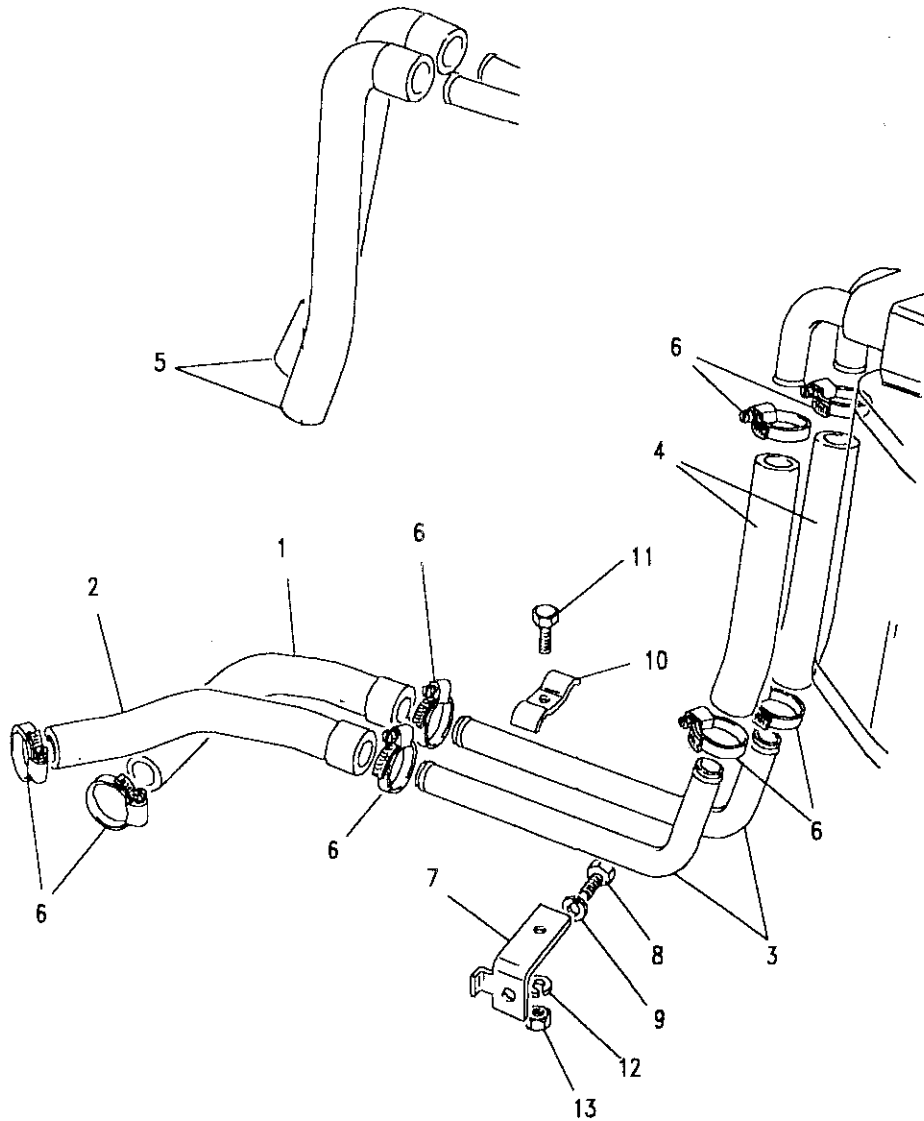
III. Part No.	Description	Qty	Remarks
<b>Hose fixings</b>			
6	CN100258L	8	
7	NRC6417	1	Petrol
	NRC6418	1	Diesel
8	NRC6419	3	
9	SH106251L	2	
10	WL106001L	2	
11	NH106041L	2	





Model DEFENDER 110 1987 onwards  
Page AFLXIA4A

HEATING SYSTEM - HEATER PIPES - V8



Ill. Part No.	Description	Qty	Remarks
<b>Engine feed</b>			
1 NRC6311	Hose heater	1	RHS
NRC6352	Hose heater	1	LHS
<b>Engine return</b>			
2 NRC6314	Hose heater	1	RHS
NRC6353	Hose heater	1	LHS
<b>Heater feed and return</b>			
3 NRC6902	Pipe heater	2	RHS
NRC6312	Pipe heater	2	LHS
4 NRC6313	Hose heater	2	RHS
NRC6313	Hose heater	1	Upto VIN HA900869 LHS
5 BTR1136	Hose heater	2	Upto VIN HA900889 RHS
BTR1137	Hose heater	2	From VIN HA900870 LHS
6 CN100308I	Clip hose	8	From VIN HA900890
7 NRC8707	Bracket support	1	RHS
<b>Fixings - Bracket to engine</b>			
8 SH605071	Screw	1	
9 WM600051L	Washer spring	1	
10 NRC6419	Clamp pipe	1	RHS
11 1H106301	Screw	1	
12 WL106001	Washer spring	1	
13 NH106041L	Nut	1	





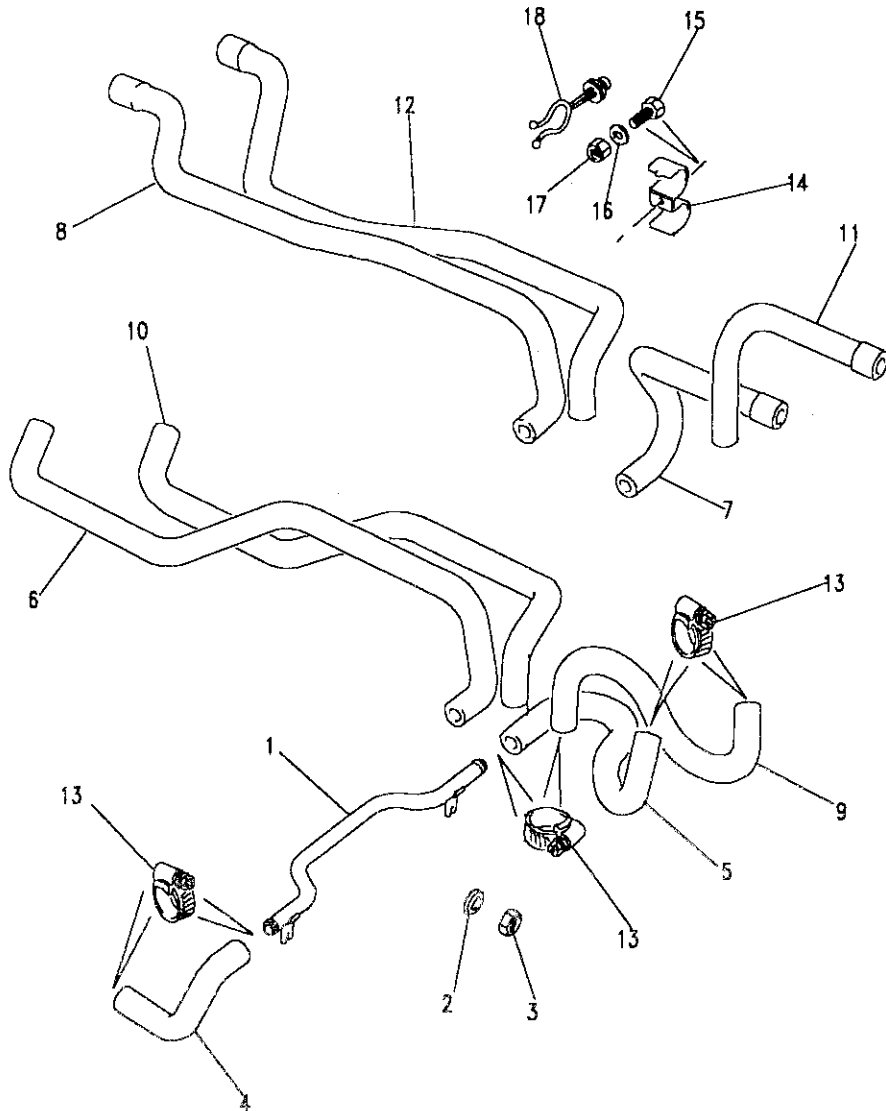
DEFENDER 110 1987 onwards

633

COOLING/HEATING

**Model** DEFENDER 110 1987 onwards  
**Page** AFLXIA3A

**HEATING SYSTEM - HEATER PIPES - 200TDI**



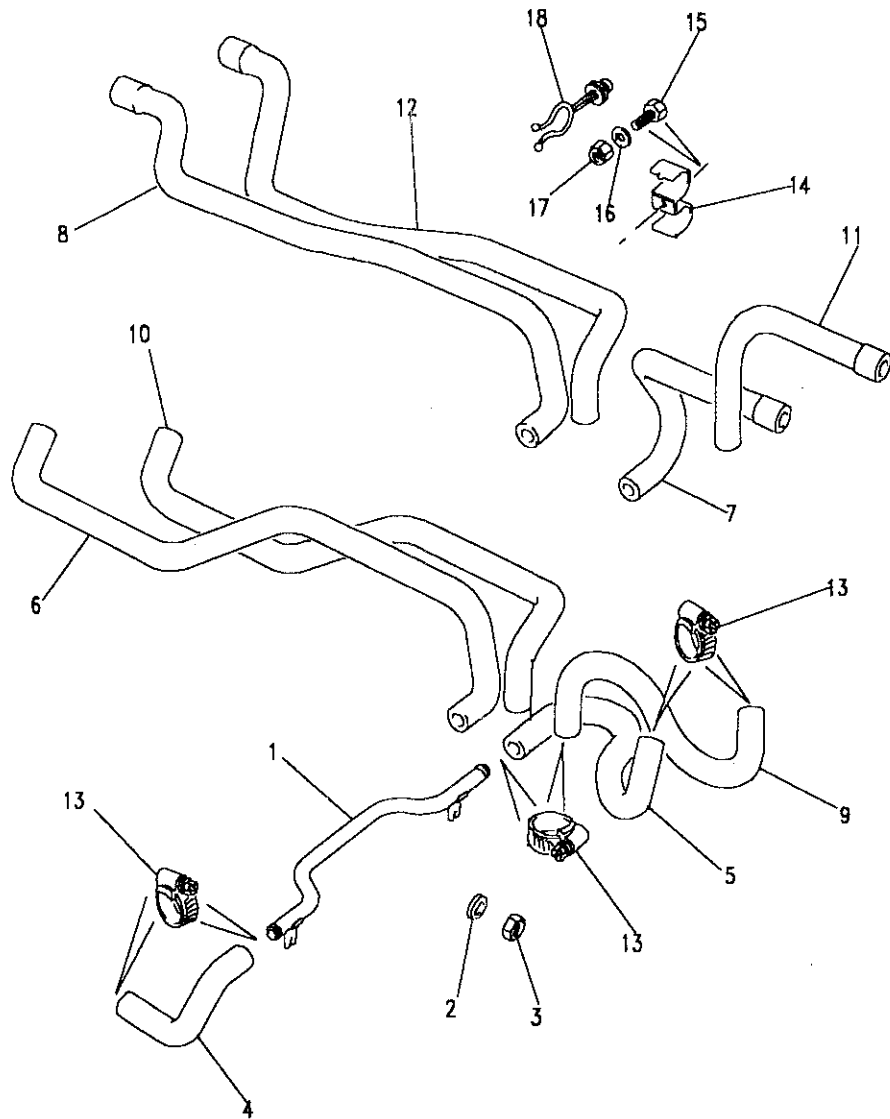
III. Part No.	Description	Qty	Remarks
<b>Heater return</b>			
1 ERR371	Pipe heater	1	
2 WA110065	Washer plain	2	
3 NT110041L	Nut	2	
<b>Heater return</b>			
4 ERR1436	Hose heater	1	
5 BTR445	Hose heater	1	RHS
6 BTR982	Hose heater	1	Upto VIN HA900808
7 BTR1130	Hose heater	1	LHS
8 BTR1131	Hose heater	1	Upto VIN HA900795
			RHS
			From VIN HA900809
			LHS
			From VIN HA900796





Model DEFENDER 110 1987 onwards  
Page AFLXIA3A

HEATING SYSTEM - HEATER PIPES - 200TDI



III. Part No.	Description	Qty	Remarks
<b>Heater feed</b>			
9 BTR447	Hose heater	1	RHS Upto VIN HA900808
10 BTR983	Hose heater	1	LHS Upto VIN HA900795
11 BTR1132	Hose heater	1	RHS From VIN HA900809
12 BTR1133	Hose heater	1	LHS From VIN HA900796
13 CN100258L	Clip hose	6	
14 BTR988	Clamp hose	1	
15 SH105121L	Screw	1	
16 WA105001L	Washer plain	1	
17 NY105041L	Nut nyloc	1	
18 NRC8332	Clip cable	1	





DEFENDER 110 1987 onwards

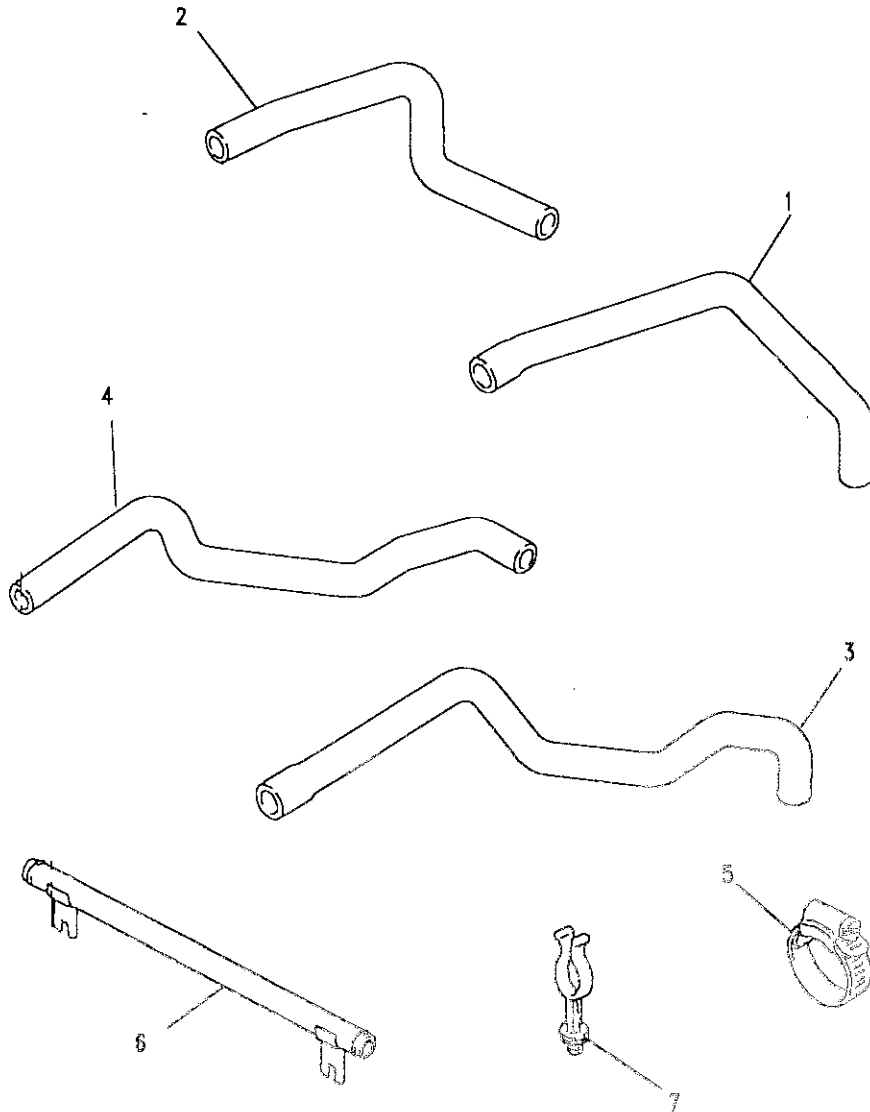
635

COOLING/HEATING

Model DEFENDER 110 1987 onwards  
Page AFLXIA3B

HEATING SYSTEM - HEATER PIPES - 300TDI

III. Part No.	Description	Qty	Remarks
<b>RHS</b>			
1 BTR6165	Hose heater inlet	1	
2 BTR6164	Hose heater return	1	
<b>LHS</b>			
3 BTR8396	Hose heater inlet	1	
4 BTR8395	Hose heater return	1	
<b>All variants</b>			
5 CN100258L	Clip hose	4	
6 ERR4531	Pipe assembly return	1	
7 NRC8332	Cable clip	1	







**Model** DEFENDER 110 1987 onwards  
**Page** AFLXKA1A

**AIR CONDITIONING - CONDENSER - RHS/LHS**

**III. Part No. Description Qty Remarks**

**TDI CFC free**

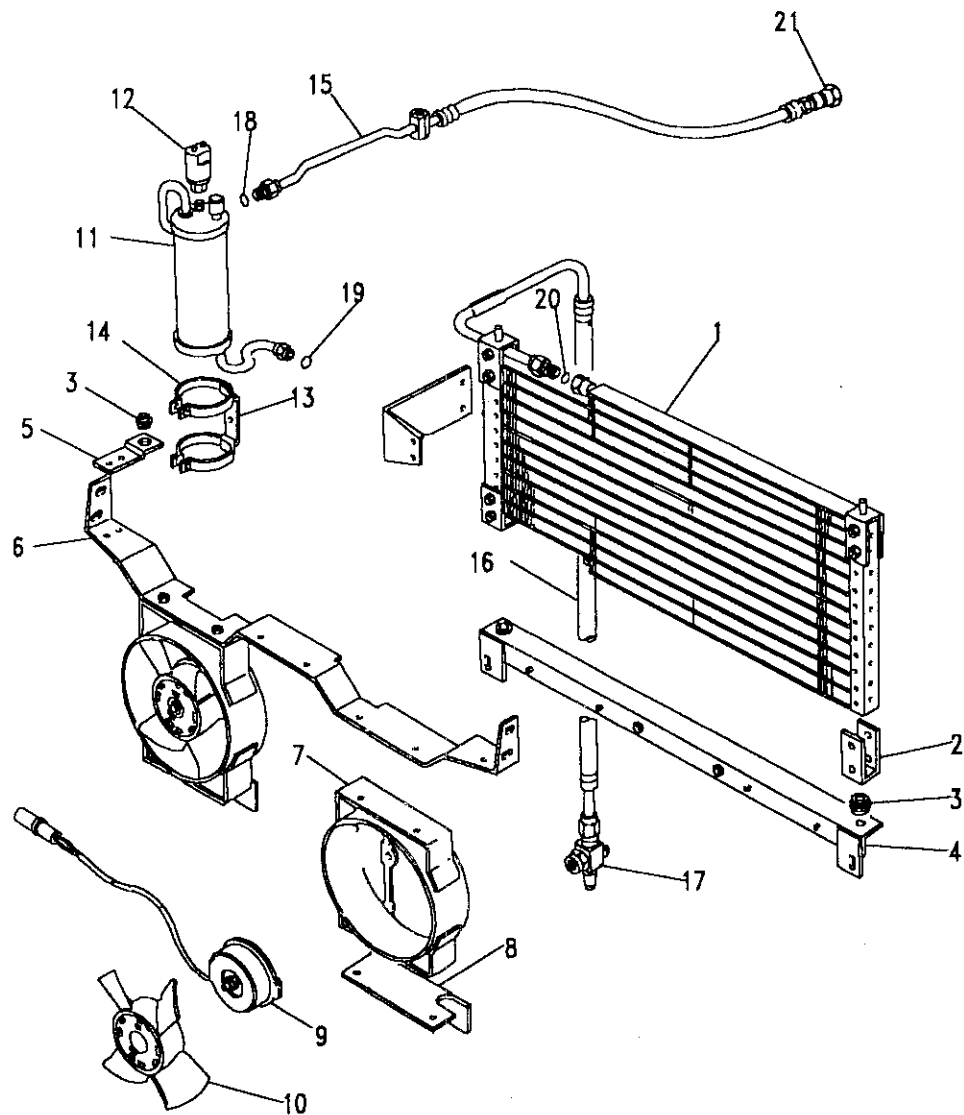
1 AWR2335 Condenser

**Petrol & None Turbo diesel CFC free**

AWR1178 Condenser 1

**Petrol & None Turbo diesel**

1	RTC7416	Condenser	1	
2	RTC7417	Bracket support	4	
3	RTC7418	Grommet	4	
4	RTC7419	Bracket mounting	1	Lower
5	RTC7420	Bracket pilot	2	
6	RTC7421	Bracket mounting	1	Upper
7	RTC7422	Shroud fan	2	
8	RTC7423	Bracket support	2	
9	RTC7424	Motor fan	2	
10	RTC7425	Fan blade	2	
11	RTC7426	Receiver drier	1	
12	AEU3068	Switch high pressure	1	
13	RTC7427	Bracket support	1	
14	RTC7428	Clamp	2	
15	RTC7429	Hose assembly	1	
16	RTC7430	Hose discharge	1	
17	AEU3067	Valve discharge	1	
18	AEU3056	O ring	1	
19	AEU1626	O ring	2	0.3125 dia
20	AEU1627	O ring	2	0.4060 dia
21	MTC8500	Coupling	1	



Model DEFENDER 110 1987 onwards

Page AFLXMA1A

**AIR CONDITIONING - EVAPORATOR ASSEMBLY - RHS**

III. Part No. Description Qty Remarks

**Petrol & Non Turbo Diesel RHS (CFC free)**

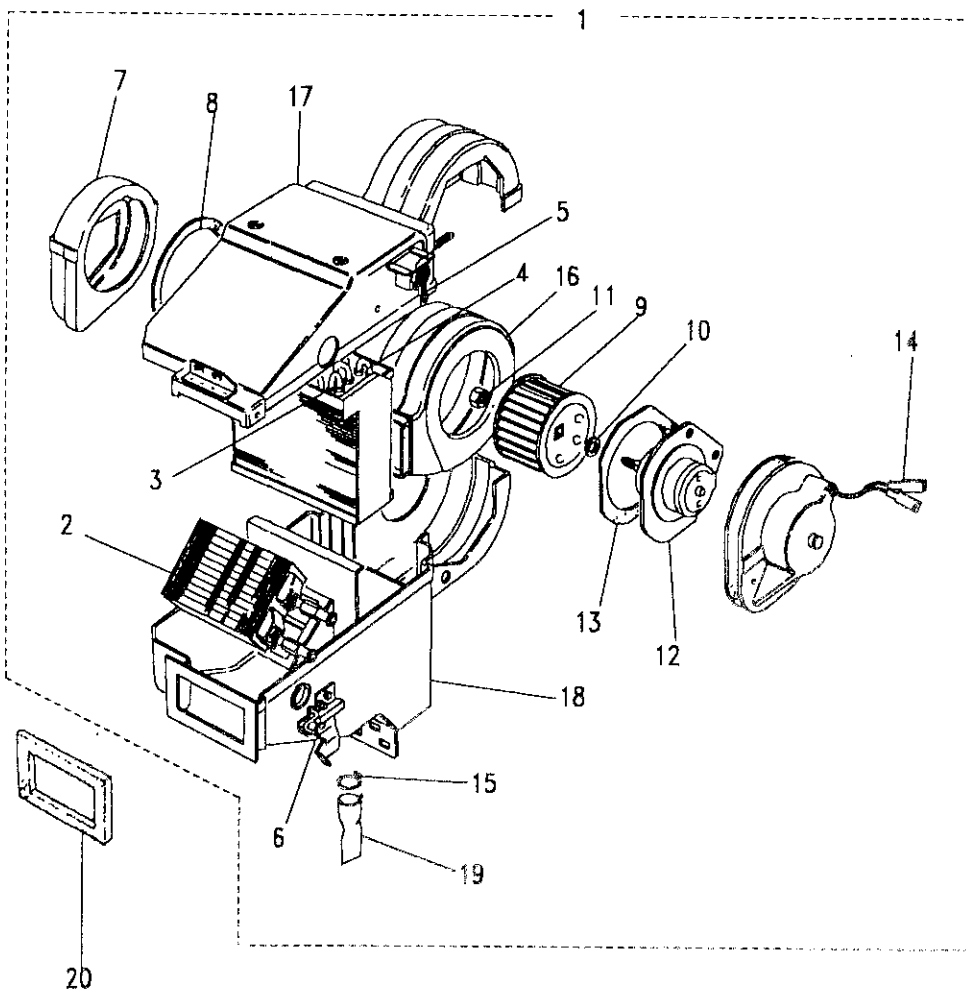
1 AWR1168 Evaporator 1

**TDI RHS (CFC free) 134a gas**

AWR1249 Evaporator 1

**All variants CFC R12gas**

1	MUC1663	Evaporator assembly	1
2	MUC6050	Core heater	1
3	MUC6037	Valve expansion	1
4	MUC6038	Tube extension	1
5	MUC6042	Thermostat	1
6	MUC4375	Switch vacuum	1
7	MUC1682	Adaptor	1
8	MUC6040	Seal	1
9	MUC6053	Wheel blower motor	1
10	MUC6054	Spacer	1
11	MUC6055	Lock nut	1
12	MUC1675	Motor blower	1
13	MUC6052	Seal	1
14	MUC6056	Harness blower	1
15	RTC7470	Clamp	1
16	STC760	Housing blower motor	1
17	STC761	Cover top evaporator	1
18	STC762	Cover rotor evaporator	1
19	STC948	Evaporator tube	1
20	MUC4860	Seal	1





## MASTER INDEX

	PAGES
INTRODUCTION PAGES	1 - 7
ALPHABETICAL INDEX	8 - 16
ENGINE	17 - 66
ENGINE	67 - 119
ENGINE	120 - 166
ENGINE	167 - 209
ENGINE	210 - 245
ENGINE	246 - 299
GEARBOX	300 - 326
GEARBOX	327 - 344
GEARBOX	345 - 359
TRANSFER BOX	360 - 378
TRANSFER BOX	379 - 397
AXLES AND SUSPENSION	398 - 444
STEERING	445 - 471
VEHICLE AND ENGINE CONTROLS	472 - 486
BRAKES	487 - 517
FUEL SYSTEM AND AIR CLEANER	518 - 579
EXHAUST SYSTEM	580 - 593
COOLING/HEATING	594 - 637
COOLING/HEATING	638 - 641
COOLING/HEATING	642 - 649
COOLING/HEATING	650 - 655
COOLING/HEATING	656 - 666
BODY ELECTRICAL	667 - 740
BODY AND CHASSIS	741 - 909
INTERIOR TRIM	910 - 955
SEATS	956 - 1036
STOWAGE	1037 - 1046
ACCESSORIES - PAINTS	1047 - 1074
NUMERICAL INDEX	1076 - 1151

## GROUP L

## COOLING/HEATING

## COOLING/HEATING

## HEATER/COOLER ASSEMBLY - LHS

640 - 646





DEFENDER 110 1987 onwards

639

COOLING/HEATING

GROUP L

COOLING/HEATING

COOLING/HEATING

HEATER PIPES - 4 CYLINDER - LHS

652

HEATER PIPES - TDI - LHS

653

HEATER PIPES - V8 - RHS

654

HEATER PIPES - V8 - LHS

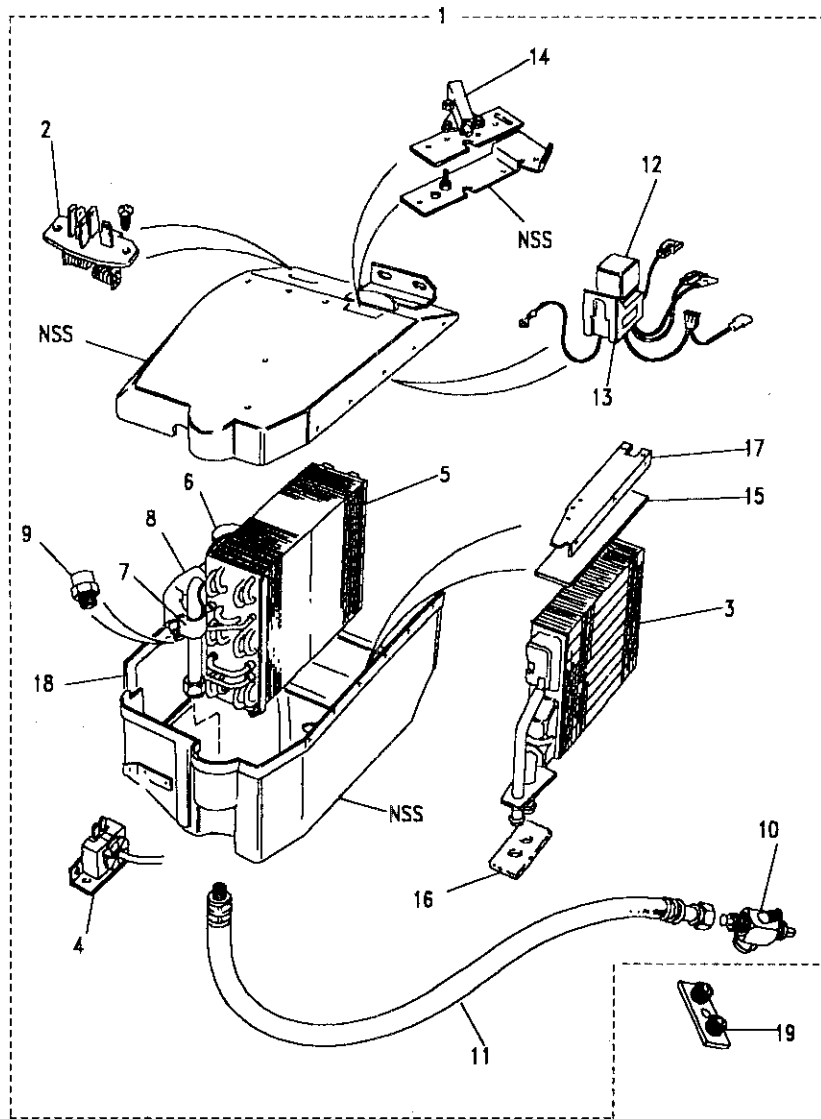
655



Model DEFENDER 110 1987 onwards

Page ADLXMA2A

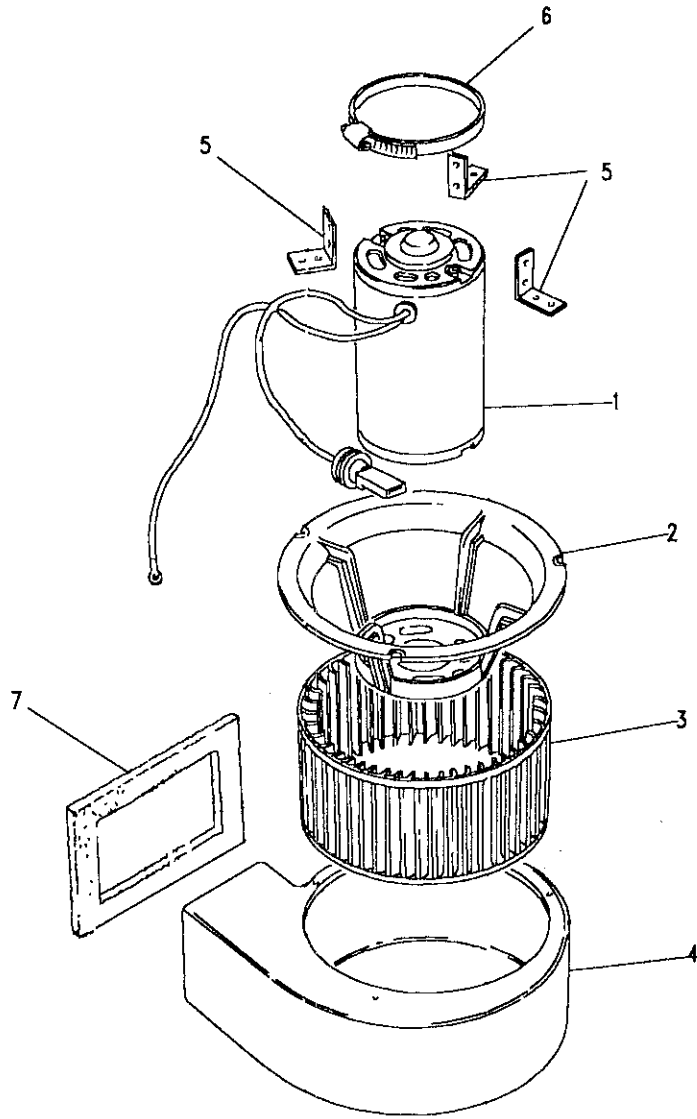
AIR CONDITIONING - HEATER/COOLER ASSEMBLY - LHS



III. Part No.	Description	Qty	Remarks
1	RTC7588	1	Heater/Cooler Assembly
2	RTC7456	1	Resistor
3	RTC7433	1	Core heater
4	RTC7434	1	Thermostat
5	RTC7436	1	Evaporator
	AWR1177	1	Evaporator(cfc free)
	AWR1242	1	Evaporator(cfc free)
		1	TDI
6	AEU1213	1	Valve expansion
7	AEU1214	1	Clamp
8	RTC7458	1	Pipe assembly
9	RTC7457	1	Coupling
10	AEU3055	1	Valve service
11	RTC7439	1	Hose assembly
12	RTC7454	1	Relay
13	RTC7455	1	Harness blower
14	RTC7414	1	Switch vacuum
15	RTC7471	2	Seal
16	RTC7472	1	Seal
17	RTC7473	1	Cover
18	RTC7453	1	Seal-to duct
19	MUC4358	1	Adaptor R4 comp/rotolock
	RTC7452	2	Ring rotolock
	MUC1661	1	Seal-to dash

**Model** DEFENDER 110 1987 onwards  
**Page** ADLXMA3A

**AIR CONDITIONING - HEATER/COOLER ASSEMBLY - LHS**



Ill. Part No.	Description	Qty	Remarks
1	RTC7440	1	Motor blower
2	RTC7468	1	Mounting motor
3	RTC7441	1	Wheel blower motor
4	RTC7442	1	Housing blower motor
5	RTC7469	3	Bracket support
6	RTC7470	1	Clamp
7	RTC7446	1	Seal-bulkhead
	RTC7474	1	Seal-firewall
2	MUC6050	1	Core heater
3	MUC6037	1	Valve expansion
4	MUC6038	1	Tube extension
5	MUC6042	1	Thermostat
6	MUC4375	1	Switch vacuum
7	MUC1682	1	Adaptor
8	MUC6040	1	Seal
9	MUC6053	1	Wheel blower motor
10	MUC6054	1	Spacer
11	MUC6055	1	Lock nut
12	MUC1675	1	Motor blower
13	MUC6052	1	Seal
14	MUC6056	1	Harness blower
15	RTC7470	1	Clamp
16	STC760	1	Housing blower motor
17	STC761	1	Cover top evaporator
18	STC762	1	Cover rotor evaporator
19	STC948	1	Evaporator tube
20	MUC4860	1	Seal



## MASTER INDEX

	PAGES
INTRODUCTION PAGES	1 - 7
ALPHABETICAL INDEX	8 - 16
ENGINE	17 - 66
ENGINE	67 - 119
ENGINE	120 - 166
ENGINE	167 - 209
ENGINE	210 - 245
ENGINE	246 - 299
GEARBOX	300 - 326
GEARBOX	327 - 344
GEARBOX	345 - 359
TRANSFER BOX	360 - 378
TRANSFER BOX	379 - 397
AXLES AND SUSPENSION	398 - 444
STEERING	445 - 471
VEHICLE AND ENGINE CONTROLS	472 - 486
BRAKES	487 - 517
FUEL SYSTEM AND AIR CLEANER	518 - 579
EXHAUST SYSTEM	580 - 593
COOLING/HEATING	594 - 637
COOLING/HEATING	638 - 641
COOLING/HEATING	642 - 649
COOLING/HEATING	650 - 655
COOLING/HEATING	656 - 666
BODY ELECTRICAL	667 - 740
BODY AND CHASSIS	741 - 909
INTERIOR TRIM	910 - 955
SEATS	956 - 1036
STOWAGE	1037 - 1046
ACCESSORIES - PAINTS	1047 - 1074
NUMERICAL INDEX	1076 - 1151

## GROUP L

## COOLING/HEATING

COOLING/HEATING	
RADIATOR	596 - 598
RADIATOR, INTERCOOLER & OIL COOLER - 300TDI	599 - 602
FAN COWL	603 - 604
RADIATOR HOSES	605 - 606
RADIATOR & INTERCOOLER HOSES - 200TDI	607
RADIATOR HOSES - V8	608 - 609
OIL COOLER AND MOUNTING FRAME	610 - 611
COOLER AND FRAME - V8 LT77 GEARBOX	612
PIPES - NOTE(1)	613
PIPES	614
PIPES - V8 - UPTO VIN FA429127	615 - 616
PIPES - V8 - FROM VIN FA429128	617
PIPES - V8 LT77 GEARBOX	618
EXPANSION TANK	619 - 622
HEATER	623 - 625
HEATER COMPONENTS	626
HEATER CONTROLS	627 - 628
DEMISTERS AND OUTLET FLAPS	629
HEATER PIPES - 4 CYL PETROL 630 DIESEL	630
HEATER PIPES - 4 CYL PETROL 631 DIESEL	631
HEATER PIPES - V8	632
HEATER PIPES - 200TDI	633 - 634
HEATER PIPES - 300TDI	635
CONDENSER - RHS/LHS	636
EVAPORATOR ASSEMBLY - RHS	637





DEFENDER 110 1987 onwards

643

COOLING/HEATING

GROUP L

COOLING/HEATING

GROUP L

COOLING/HEATING

COOLING/HEATING

FLUID SYSTEM - RHS

VACUUM PIPES & RESERVOIR - RHS/LHS

HEATER PIPES - 4 CYLINDER - RHS

647

648

649

COOLING/HEATING

FRESH AIR DUCT - RHS

PLENUM 659 DEFROSTERS - RHS

FACIA PANEL ASSEMBLY - RHS

FRESH AIR DUCT - LHS

AIR DUCT INSULATION - LHS

HEATER CONTROLS - LHS

PLENUM CHAMBER - LHS

FACIA PANEL - LHS

DEMISTER AND FLAPS

658

659

660

661

662

663

664

665

666

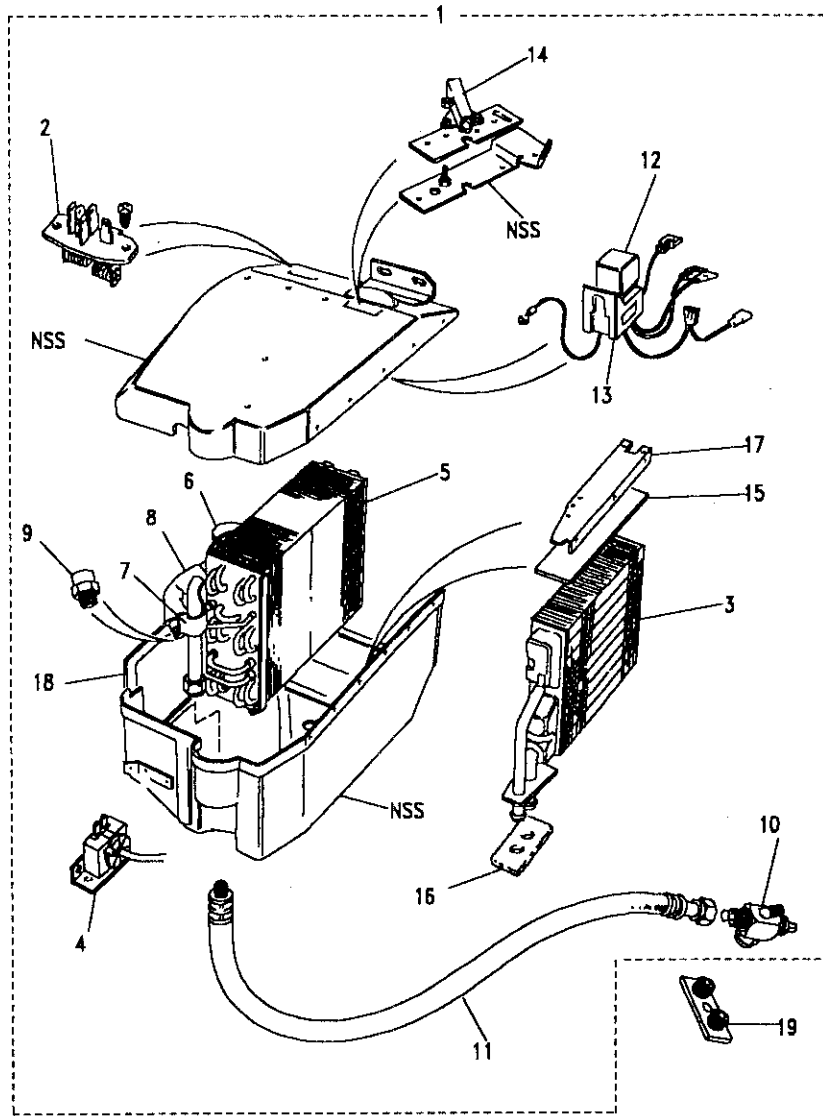


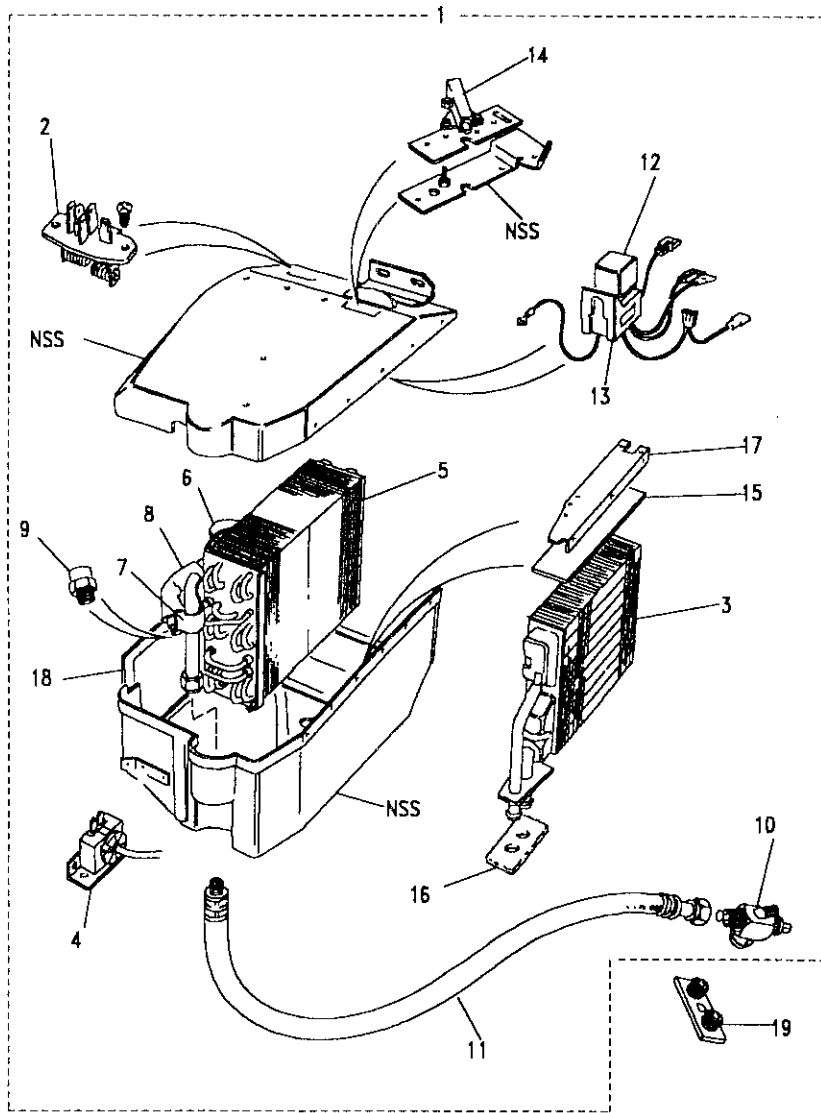


Model DEFENDER 110 1987 onwards  
 Page AFLXMA2A

**AIR CONDITIONING - HEATER/COOLER ASSEMBLY - LHS**

III. Part No.	Description	Qty	Remarks
1	RTC7588	1	Heater/Cooler Assembly
2	RTC7456	1	Resistor
3	RTC7433	1	Core heater
4	RTC7434	1	Thermostat
5	RTC7436	1	Evaporator
6	AEU1213	1	Valve expansion
7	AEU1214	1	Clamp
8	RTC7458	1	Pipe assembly
9	RTC7457	1	Coupling
10	AEU3055	1	Valve service
11	RTC7439	1	Hose assembly
12	RTC7454	1	Relay
13	RTC7455	1	Harness blower





**Model** DEFENDER 110 1987 onwards  
**Page** AFLXMA2A

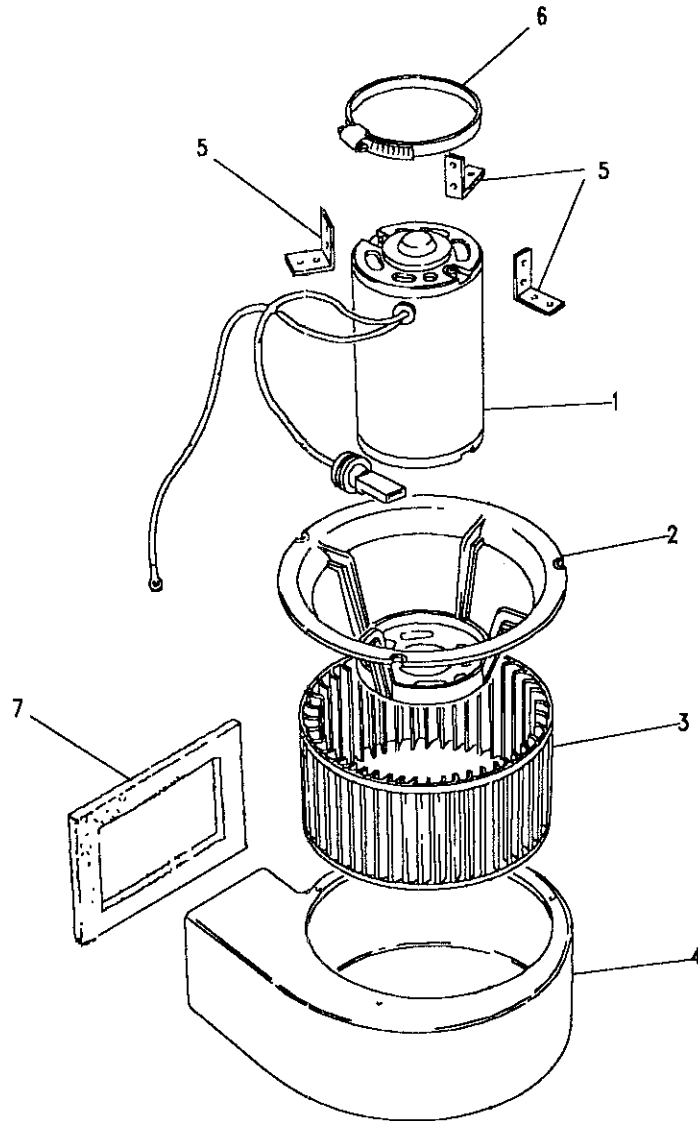
**AIR CONDITIONING - HEATER/COOLER ASSEMBLY - LHS**

III. Part No.	Description	Qty	Remarks
14 RTC7414	Switch vacuum	1	
15 RTC7471	Seal	2	
16 RTC7472	Seal	1	
17 RTC7473	Cover	1	
<b>Evaporator to duct</b>			
18 RTC7453	Seal	1	
19 MUC4358	Adaptor	1	-R4 comp/rotolock
RTC7452	Ring rotolock	2	
<b>Evaporator to dash</b>			
MUC1661	Seal	1	
AWR1173	Seal kit	1	



Model DEFENDER 110 1987 onwards  
Page AFLXMA3A

AIR CONDITIONING - HEATER/COOLER ASSEMBLY - LHS



III. Part No.	Description	Qty	Remarks
1	RTC7440	1	Motor blower
2	RTC7468	1	Mounting motor
3	RTC7441	1	Wheel blower motor
4	RTC7442	1	Housing blower motor
5	RTC7469	3	Bracket support
6	RTC7470	1	Clamp
7	RTC7446	1	Seal bulkhead
	RTC7474	1	Seal firewall





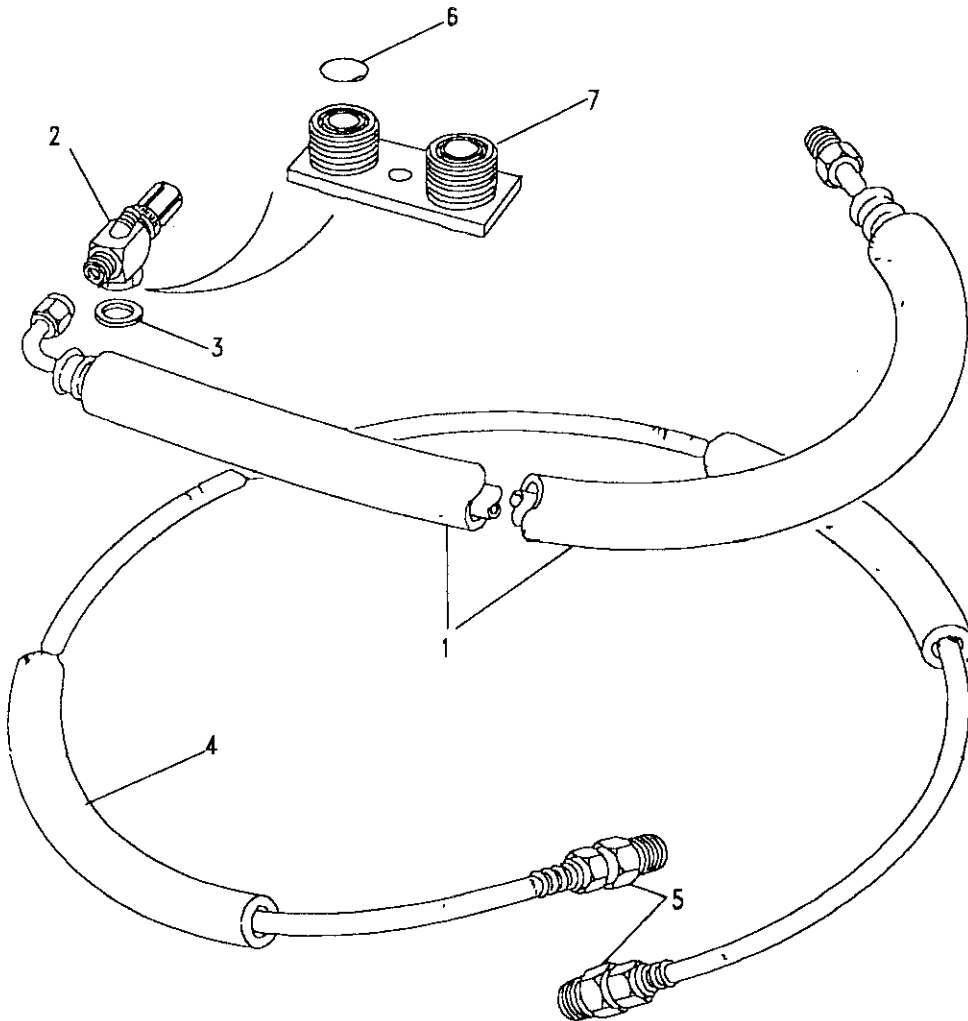
DEFENDER 110 1987 onwards

647

COOLING/HEATING

Model DEFENDER 110 1987 onwards  
Page AFLXPA1A

AIR CONDITIONING - FLUID SYSTEM - RHS



III. Part No.	Description	Qty	Remarks
1 MUC4875	Hose suction	1	
2 AEU3055	Valve service	1	
3 MUC4874	Seal	1	
4 MUC4872	Hose liquid	1	
5 RTC7457	Fitting aeroquip	2	
6 RTC7452	Ring rotolock	2	
7 MUC4358	Adaptor	1	R4 comp/rotolock
AEU1628	O ring	2	
AEU1626	O ring	1	
AEU1627	O ring	1	
AEU3056	O ring	3	



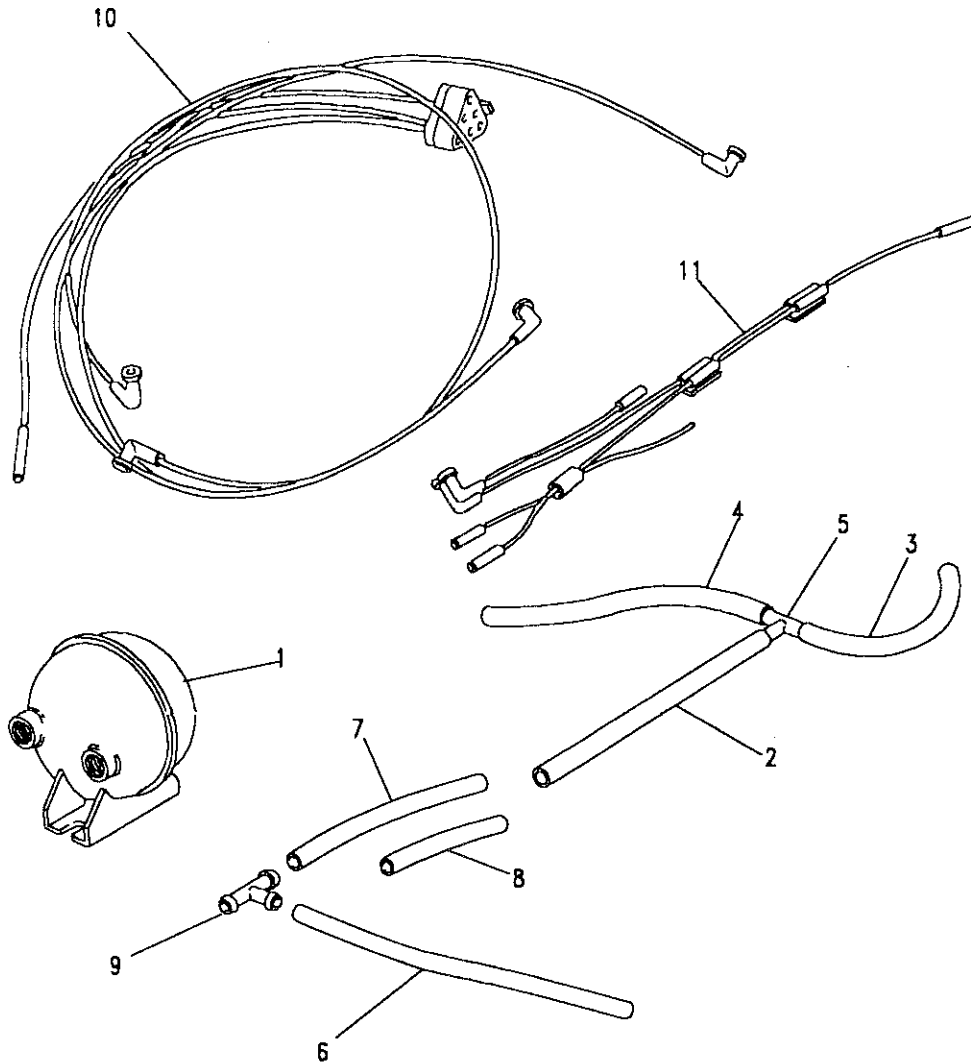


Model DEFENDER 110 1987 onwards  
Page AFLXPA2A

AIR CONDITIONING - VACUUM PIPES & RESERVOIR - RHS/LHS

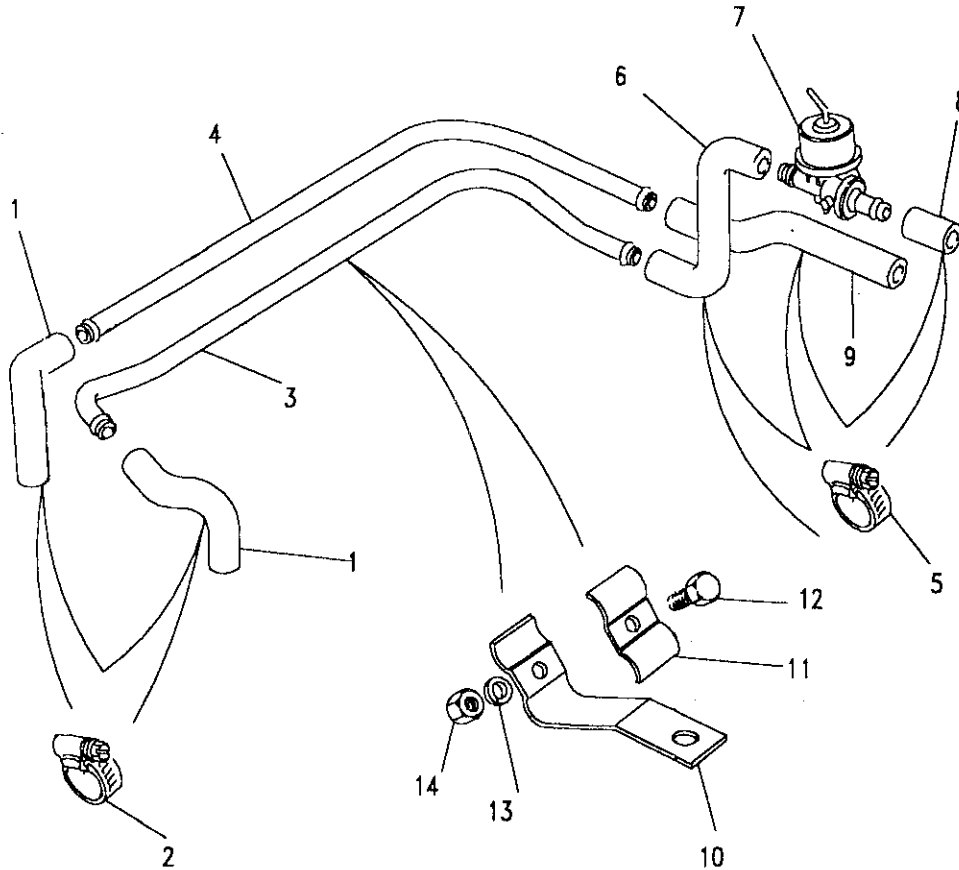
III. Part No.	Description	Qty	Remarks
1	MUC1679 Tank vacuum	1	
2	MUC4878 Hose vacuum	1	30" x 0.109375"
3	Hose vacuum	1	5" - Note(1)
4	Hose vacuum	1	20" - Note(1)
5	MUC4455 Tee piece	2	
6	MUC4866 Hose vacuum	1	10" x 0.21875
7	Hose vacuum	1	10" - Note(1)
8	Hose vacuum	1	1" - Note(1)
9	MUC4865 Tee piece	1	
10	MUC1671 Harness vacuum	1	
11	MUC4871 Harness vacuum	1	
ATU1041	Clamp hose	8	

Note(1) Use MUC4878 = 30" x 0.109375"



Model DEFENDER 110 1987 onwards  
 Page AFLXPC1A

AIR CONDITIONING - HEATER PIPES - 4 CYLINDER - RHS



III. Part No.	Description	Qty	Remarks
1	NRC6306	2	Hose heater
2	CN100308L	2	Clip hose
3	NRC6307	1	Pipe heater-feed
4	NRC6420	1	Pipe heater-return
5	CN100258L	8	Clip hose
6	BTR213	1	Hose engine to valve
	BTR9400	1	Hose engine to valve
7	NRC8346	1	Valve water control
8	ERC3964	1	Hose valve to heater
	BTR9401	1	Hose valve to heater
9	BTR214	1	Hose heater-return
	BTR9402	1	Hose heater return
10	NRC6417	1	Clip retaining
	NRC6418	1	Clip retaining
11	NRC6419	1	Clamp pipe
12	SH106251L	1	Screw
13	WL106001L	1	Washer spring
14	NH106041L	1	Nut
15	ESR3301	1	Strap retaining



MASTER INDEX

GROUP L

	PAGES
INTRODUCTION PAGES	1 - 7
ALPHABETICAL INDEX	8 - 16
ENGINE	17 - 66
ENGINE	67 - 119
ENGINE	120 - 166
ENGINE	167 - 209
ENGINE	210 - 245
ENGINE	246 - 299
GEARBOX	300 - 326
GEARBOX	327 - 344
GEARBOX	345 - 359
TRANSFER BOX	360 - 378
TRANSFER BOX	379 - 397
AXLES AND SUSPENSION	398 - 444
STEERING	445 - 471
VEHICLE AND ENGINE CONTROLS	472 - 486
BRAKES	487 - 517
FUEL SYSTEM AND AIR CLEANER	518 - 579
EXHAUST SYSTEM	580 - 593
COOLING/HEATING	594 - 637
COOLING/HEATING	638 - 641
COOLING/HEATING	642 - 649
COOLING/HEATING	650 - 655
COOLING/HEATING	656 - 666
BODY ELECTRICAL	667 - 740
BODY AND CHASSIS	741 - 909
INTERIOR TRIM	910 - 955
SEATS	956 - 1036
STOWAGE	1037 - 1046
ACCESSORIES - PAINTS	1047 - 1074
NUMERICAL INDEX	1076 - 1151

COOLING/HEATING

COOLING/HEATING  
HEATER/COOLER ASSEMBLY - LHS

640 - 646





DEFENDER 110 1987 onwards

651

COOLING/HEATING

GROUP L

COOLING/HEATING

COOLING/HEATING

HEATER PIPES - 4 CYLINDER - LHS

652

HEATER PIPES - TDI - LHS

653

HEATER PIPES - V8 - RHS

654

HEATER PIPES - V8 - LHS

655



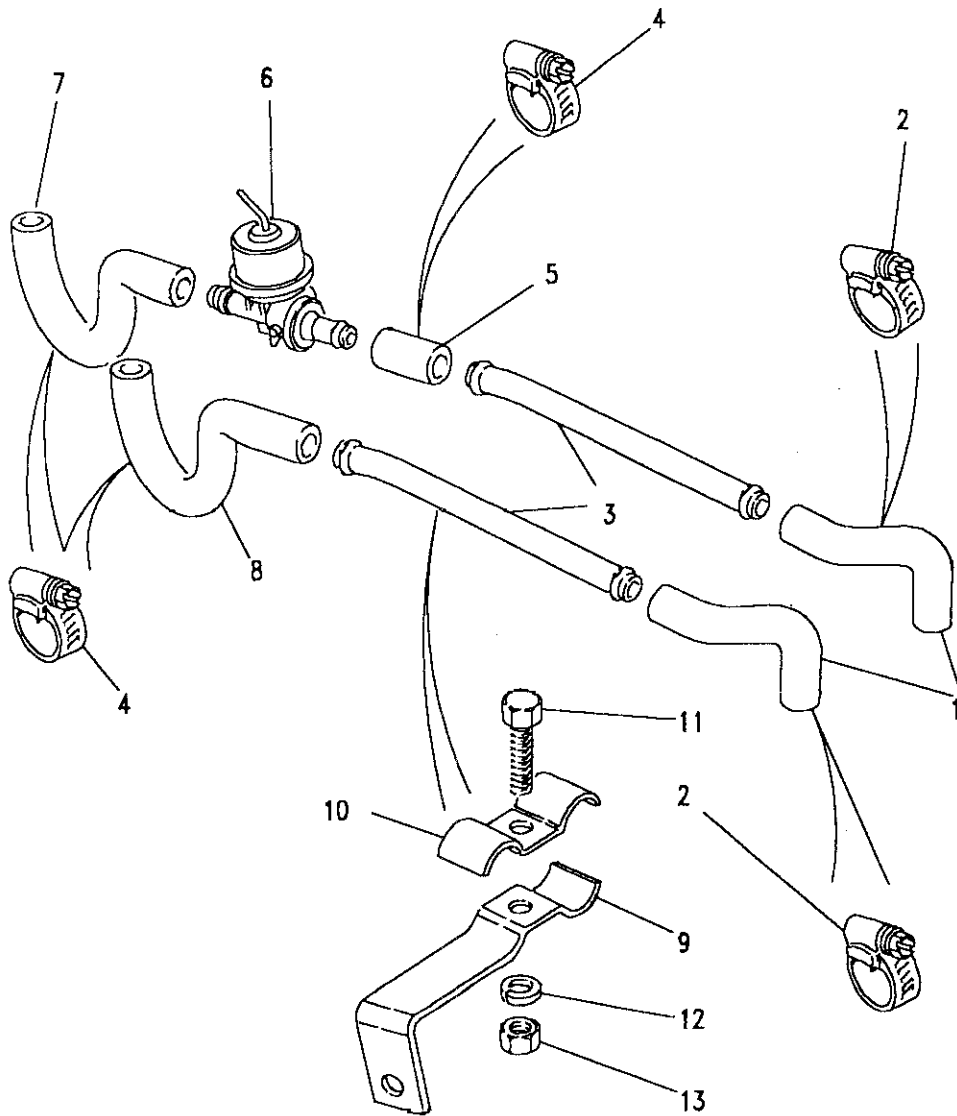




Model DEFENDER 110 1987 onwards  
Page ADLXPC2A

AIR CONDITIONING - HEATER PIPES - 4 CYLINDER - LHS

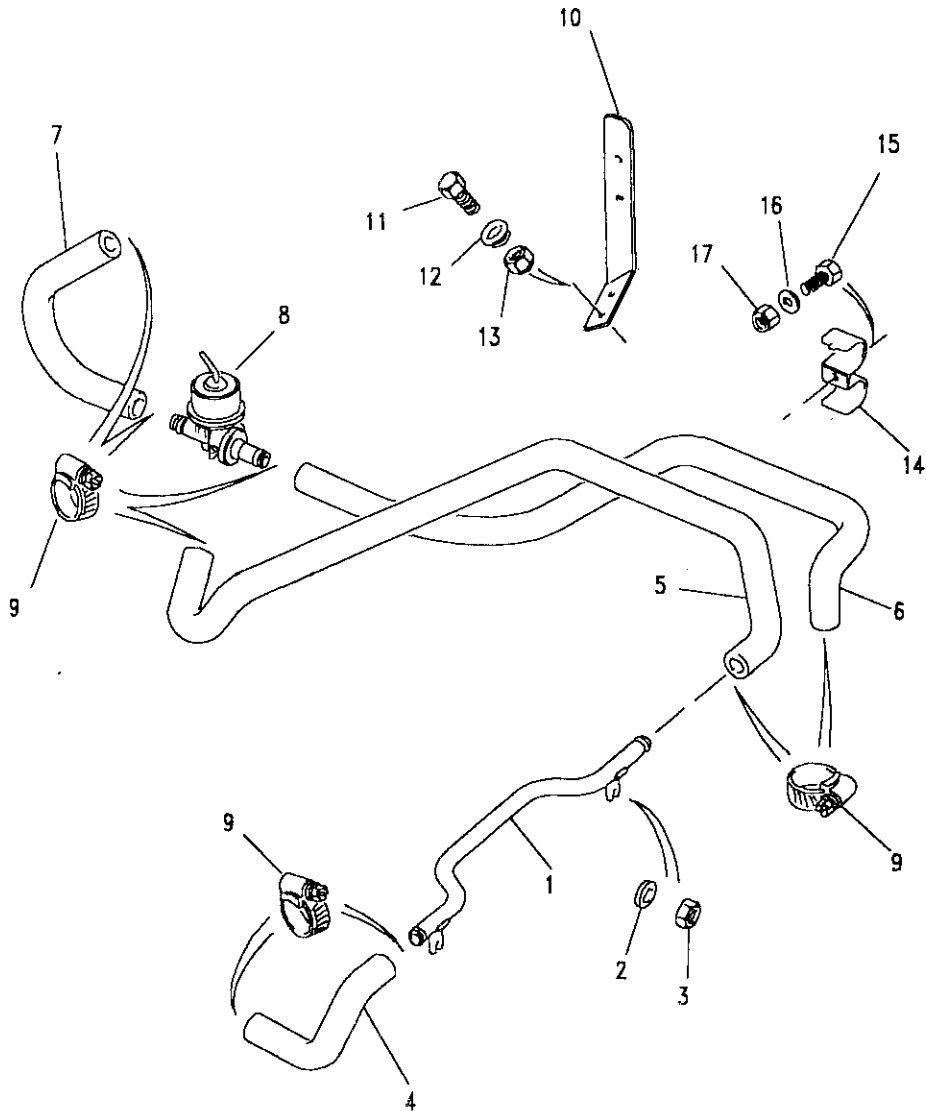
III. Part No.	Description	Qty	Remarks
1	NRC6306	2	Hose heater
2	CN100258L	4	Clip hose
3	NRC8245	2	Pipe heater
4	CN100258L	6	Clip hose
5	ERC3964	1	Hose heater-feed
6	NRC8346	1	Valve water control
7	NRC8347	1	Hose heater-feed
8	NRC8247	1	Hose heater-return
9	NRC8248	1	Bracket mounting
10	594637	1	Clamp pipe
11	FS106201L	1	Flange screw
12	WL106001L	1	Washer spring
13	NH106041L	1	Nut
14	ESR3301	1	Strap retaining

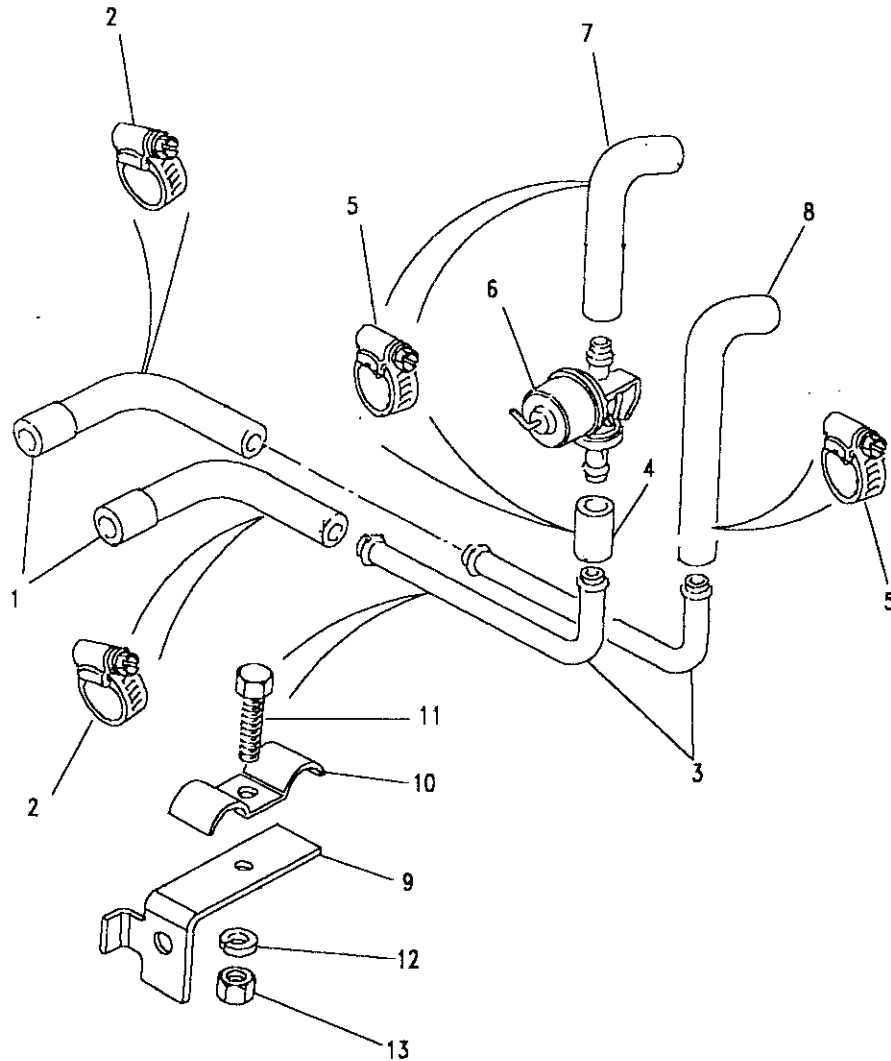


Model DEFENDER 110 1987 onwards  
 Page ADLXPC3A

AIR CONDITIONING - HEATER PIPES - TDI - LHS

III. Part No.	Description	Qty	Remarks
1	ERR371	1	
2	WA110065	2	
3	NT110041L	2	
4	ERR1436	1	
5	BTR984	1	UptoMA939975
	AWR2334	1	FromMA939976
6	BTR985	1	UptoMA939975
	AWR2333	1	FromMA939976
7	BTR986	1	UptoMA939975
	AWR2332	1	FromMA939976
8	NRC8346	1	
9	CN100258L	8	
10	BTR987	1	
11	SH105121L	2	
12	MRC9851	2	
13	NY105041L	2	
14	BTR988	2	
15	SH105121L	2	
16	WA105001L	2	
17	NY105041L	2	
18	ESR3301	1	





Model DEFENDER 110 1987 onwards  
 Page ADLXPC4A

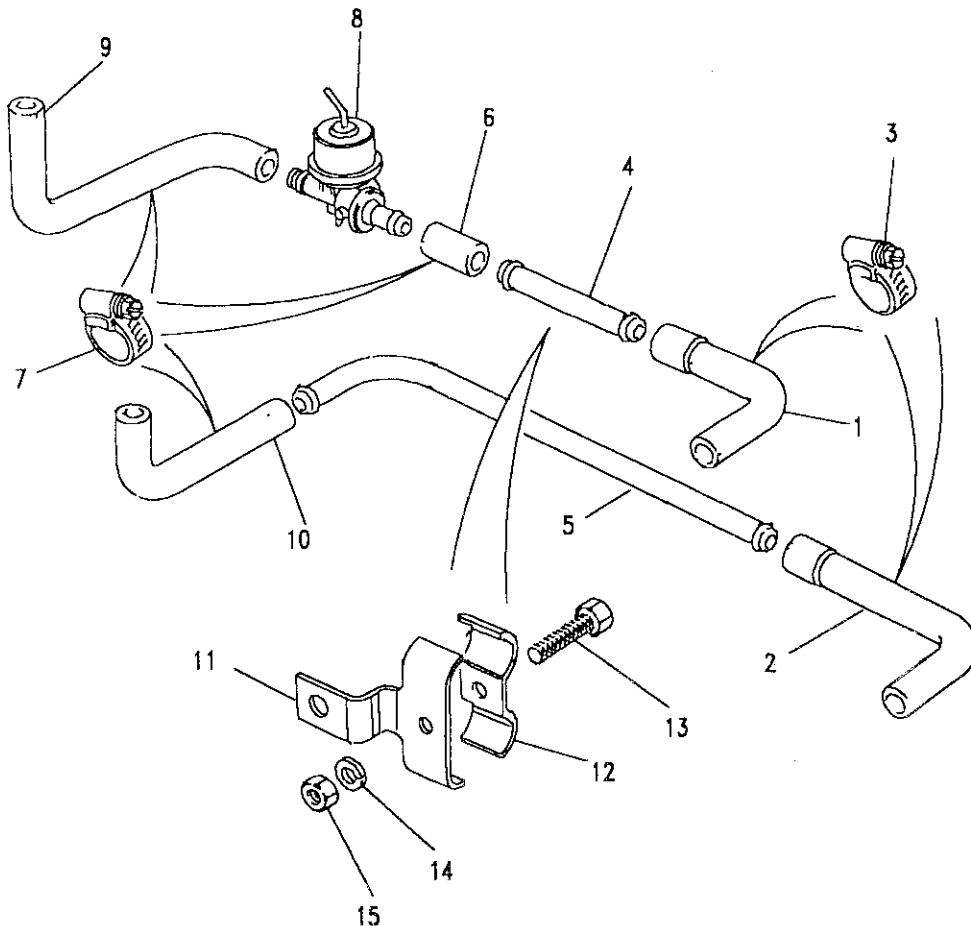
AIR CONDITIONING - HEATER PIPES - V8 - RHS

III. Part No.	Description	Qty	Remarks
1	NRC6314 Hose heater	2	
2	CN100308L Clip hose	4	
3	NRC6902 Pipe heater	2	
4	ERC3964 Hose heater-feed	1	
5	CN100258L Clip hose	10	
6	NRC8346 Valve water control	1	
7	NTC1212 Hose heater-feed	1	
8	NRC6308 Hose heater-return	1	
9	NRC6903 Bracket support	1	
10	NRC6419 Clamp pipe	1	
11	SH106301L Screw	1	
12	WL106001L Washer spring	1	
13	NH106041L Nut	1	
14	ESR3301 Strap retaining	1	

Model DEFENDER 110 1987 onwards  
 Page ADLXPC5A

AIR CONDITIONING - HEATER PIPES - V8 - LHS

III. Part No.	Description	Qty	Remarks
1	NRC9098	1	Hose heater-feed
2	NRC6353	1	Hose heater-return
3	CN100308L	4	Clip hose
4	NRC9091	1	Pipe heater-feed
5	NTC1090	1	Pipe heater-return
6	ERC3964	1	Hose heater-feed
7	CN100258L	7	Clip hose
8	NRC8346	1	Valve water control
9	NTC1089	1	Hose heater-feed
10	NTC1088	1	Hose heater-return
11	NRC8620	1	Bracket support
12	594637	1	Clamp pipe
13	SH106301L	1	Screw
14	WL106001L	1	Washer spring
15	NH106041L	1	Nut
16	ESR3301	1	Strap retaining





## MASTER INDEX

	PAGES
INTRODUCTION PAGES	1 - 7
ALPHABETICAL INDEX	8 - 16
ENGINE	17 - 66
ENGINE	67 - 119
ENGINE	120 - 166
ENGINE	167 - 209
ENGINE	210 - 245
ENGINE	246 - 299
GEARBOX	300 - 326
GEARBOX	327 - 344
GEARBOX	345 - 359
TRANSFER BOX	360 - 378
TRANSFER BOX	379 - 397
AXLES AND SUSPENSION	398 - 444
STEERING	445 - 471
VEHICLE AND ENGINE CONTROLS	472 - 486
BRAKES	487 - 517
FUEL SYSTEM AND AIR CLEANER	518 - 579
EXHAUST SYSTEM	580 - 593
COOLING/HEATING	594 - 637
COOLING/HEATING	638 - 641
COOLING/HEATING	642 - 649
COOLING/HEATING	650 - 655
COOLING/HEATING	656 - 666
BODY ELECTRICAL	667 - 740
BODY AND CHASSIS	741 - 909
INTERIOR TRIM	910 - 955
SEATS	956 - 1036
STOWAGE	1037 - 1046
ACCESSORIES - PAINTS	1047 - 1074
NUMERICAL INDEX	1076 - 1151

## GROUP L

## COOLING/HEATING

## COOLING/HEATING

RADIATOR	596 - 598
RADIATOR, INTERCOOLER & OIL COOLER - 300TDI	599 - 602
FAN COWL	603 - 604
RADIATOR HOSES	605 - 606
RADIATOR & INTERCOOLER HOSES - 200TDI	607
RADIATOR HOSES - V8	608 - 609
OIL COOLER AND MOUNTING FRAME	610 - 611
COOLER AND FRAME - V8 LT77 GEARBOX	612
PIPES - NOTE(1)	613
PIPES	614
PIPES - V8 - UPTO VIN FA429127	615 - 616
PIPES - V8 - FROM VIN FA429128	617
PIPES - V8 LT77 GEARBOX	618
EXPANSION TANK	619 - 622
HEATER	623 - 625
HEATER COMPONENTS	626
HEATER CONTROLS	627 - 628
DEMISTERS AND OUTLET FLAPS	629
HEATER PIPES - 4 CYL PETROL 630 DIESEL	630
HEATER PIPES - 4 CYL PETROL 631 DIESEL	631
HEATER PIPES - V8	632
HEATER PIPES - 200TDI	633 - 634
HEATER PIPES - 300TDI	635
CONDENSER - RHS/LHS	636
EVAPORATOR ASSEMBLY - RHS	637





DEFENDER 110 1987 onwards

657

COOLING/HEATING

GROUP L

COOLING/HEATING

COOLING/HEATING

FLUID SYSTEM - RHS

VACUUM PIPES & RESERVOIR - RHS/LHS

HEATER PIPES - 4 CYLINDER - RHS

647

648

649

GROUP L

COOLING/HEATING

COOLING/HEATING

FRESH AIR DUCT - RHS

PLENUM 659 DEFROSTERS - RHS

FACIA PANEL ASSEMBLY - RHS

FRESH AIR DUCT - LHS

AIR DUCT INSULATION - LHS

HEATER CONTROLS - LHS

PLENUM CHAMBER - LHS

FACIA PANEL - LHS

DEMISTER AND FLAPS

658

659

660

661

662

663

664

665

666

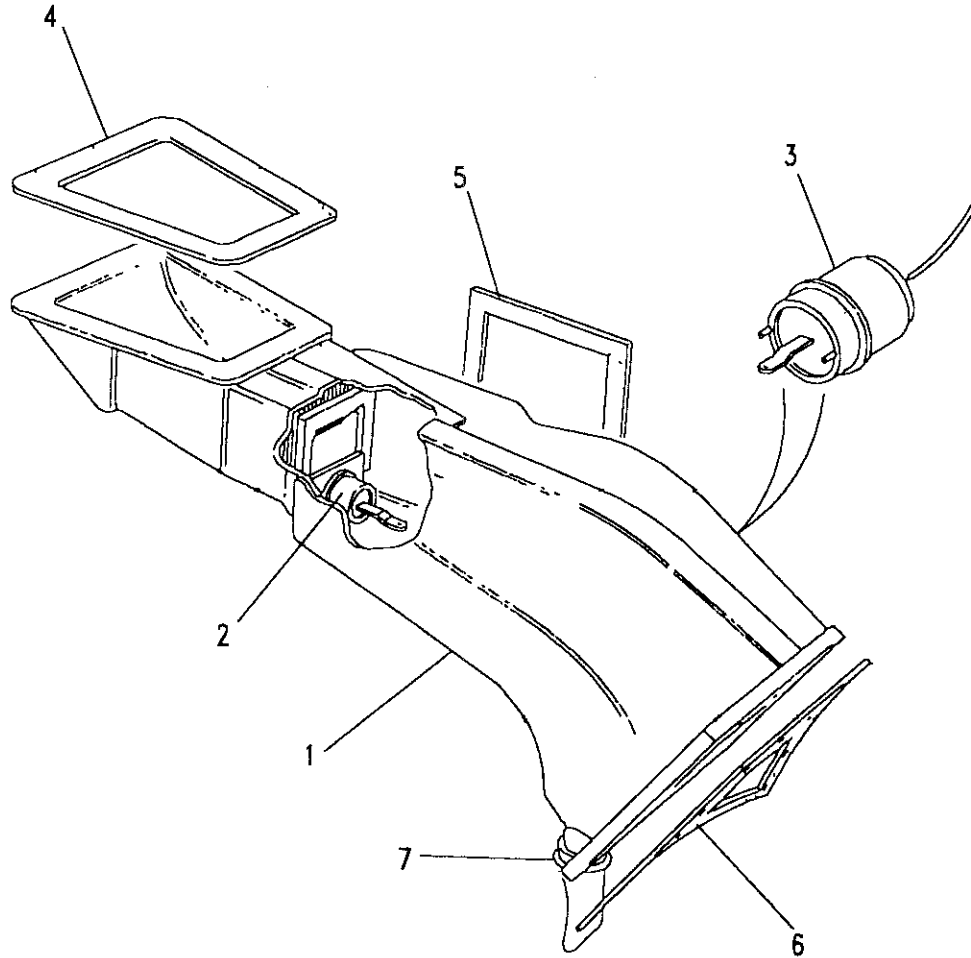




Model DEFENDER 110 1987 onwards  
Page AFLXRA1A

AIR CONDITIONING - FRESH AIR DUCT - RHS

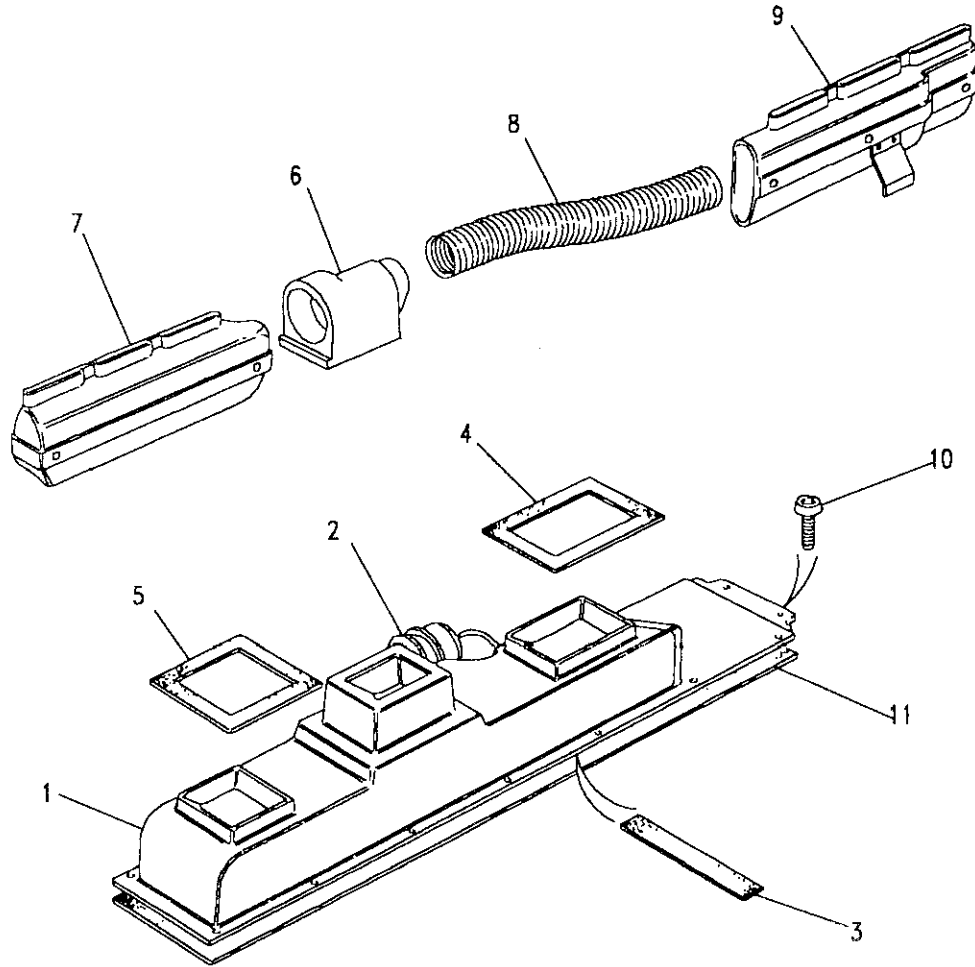
III. Part No.	Description	Qty	Remarks
1 MUC1668	Duct air	1	
2 MUC4884	Motor vacuum	1	
3 RTC7467	Motor vacuum	1	
4 MUC4883	Seal - duct to wing top	1	
5 MUC4886	Seal - duct to evaporator	1	
6 MUC4888	Seal - air duct to dash	1	Upto EA332911
MWC4860	Seal - air duct to dash	1	From EA332912
7 RTC7470	Clamp	1	





Model DEFENDER 110 1987 onwards  
Page AFLXRA2A

AIR CONDITIONING - PLENUM & DEFROSTERS - RHS



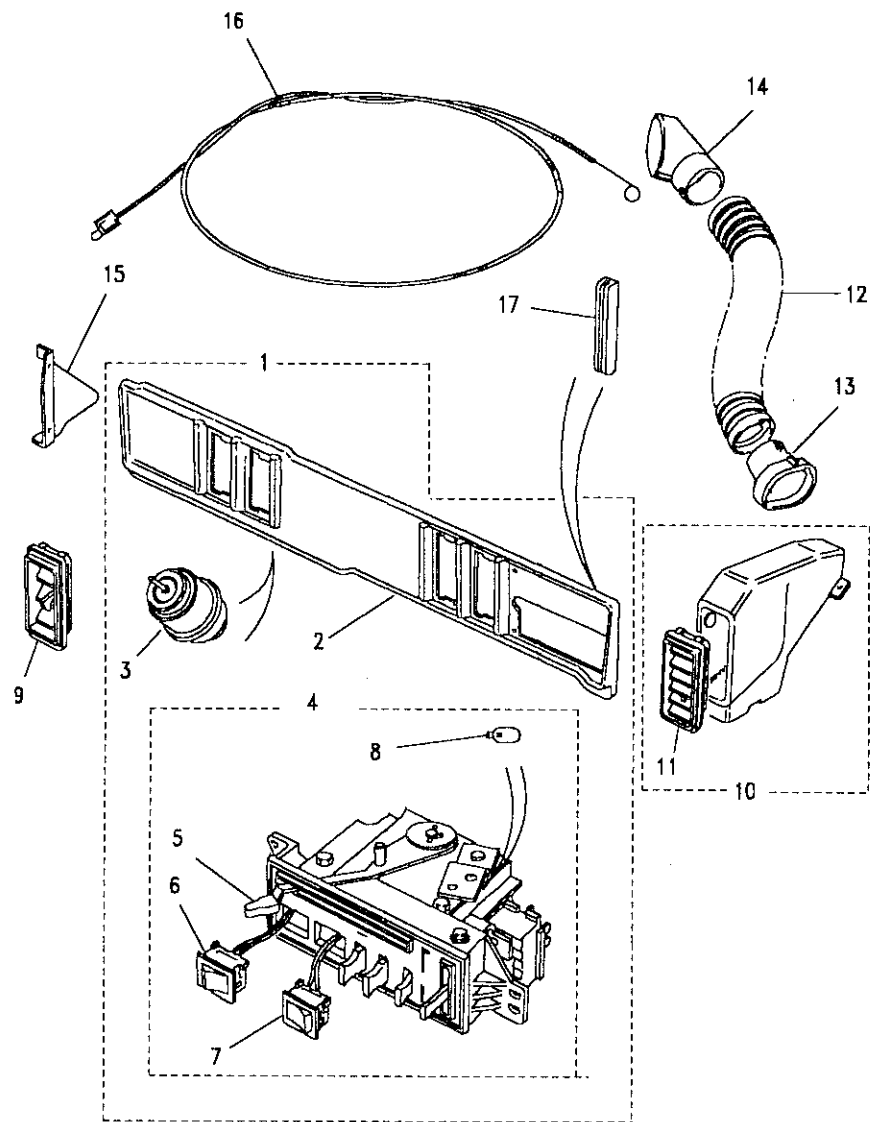
III. Part No.	Description	Qty	Remarks
1	MUC1665 Plenum chamber assembly	1	
2	AEU4002 Motor vacuum	2	
3	MUC6021 Seal	1	NLS
4	MUC4882 Seal RH	1	
5	MUC4881 Seal LH	1	
6	MUC4891 Adaptor	1	
7	MUC1673 Duct LH	1	
8	MUC4892 Hose	1	
9	MUC1674 Duct RH	1	UptoMA939975
	AWR1247 Duct RH	1	FromMA939976
10	AB606021L Screw	22	
11	MUC3695 Pad insulation	1	





Model DEFENDER 110 1987 onwards  
 Page AFLXRA3A

AIR CONDITIONING - FACIA PANEL ASSEMBLY - RHS

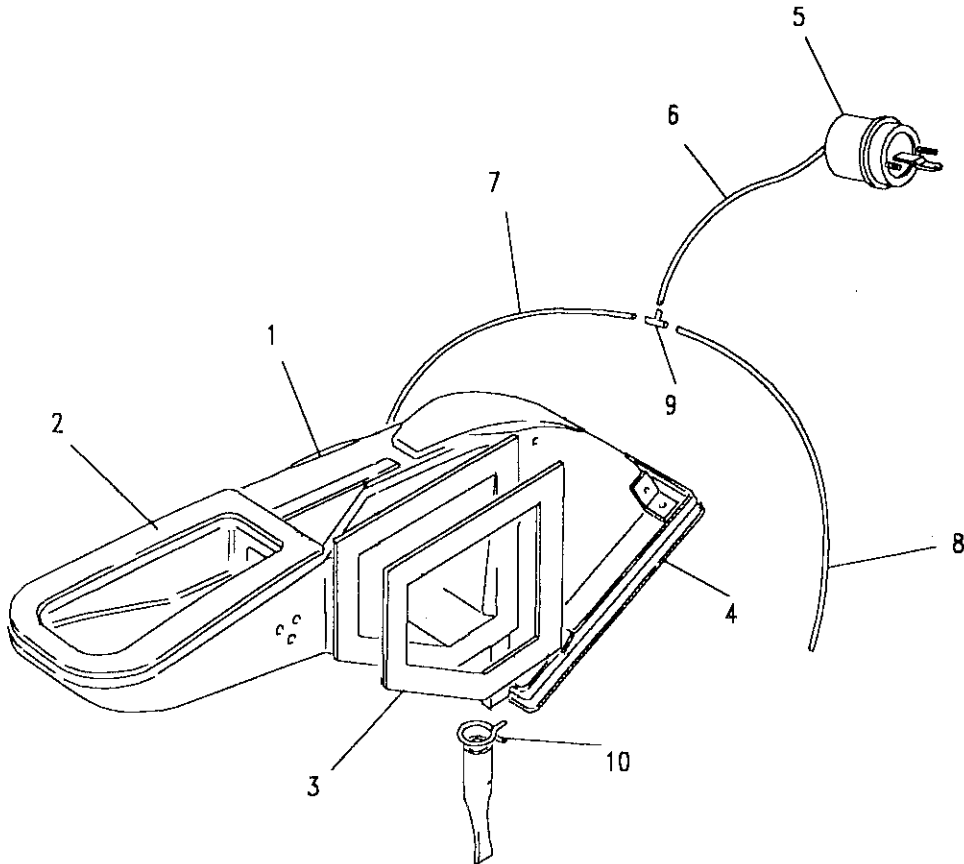


Ill. Part No.	Description	Qty	Remarks
1	MUC1667	1	Facia assembly
2	MUC6001	1	Panel
	AWR1245	1	Panel
3	AEU4002	2	Motor vacuum
4	MUC1666	1	Control assembly
	AWR1666	1	Control assembly
5	MUC6011	1	Knob
6	MUC6012	1	Switch clutch
7	MUC6013	1	Switch fresh air
8	573289	1	Bulb
9	MUC4880	4	Louvre
10	MUC1669	1	Duct assembly
11	RTC7411	1	Louvre
12	MUC4895	1	Hose - duct to plenum
	MXC3418	1	Hose - duct to plenum
13	MXC3357	1	Adaptor duct
14	MXC3358	1	Adaptor plenum
15	MUC1670	1	Finisher
16	MUC1680	1	Cable control
17	RTC7465	1	Finisher



Model DEFENDER 110 1987 onwards  
Page AFLXRA4A

AIR CONDITIONING - FRESH AIR DUCT - LHS



III. Part No.	Description	Qty	Remarks
1	MTC5571 Duct air	1	
2	RTC7461 Seal - duct to wing top	1	
3	RTC7460 Seal - duct to evaporator	1	
4	RTC7459 Seal - air duct to dash	1	
5	AEU4002 Motor vacuum	1	
6	Hose vacuum	1	5" Note(1)
7	Hose vacuum	1	12" Note(1)
8	Hose vacuum	1	9" Note(1)
9	MUC4455 Tee piece	1	
10	RTC7470 Clamp	1	
	ATU1041 Clamp hose	8	

Note(1) Use MUC4878 = 30" x 0.109375"

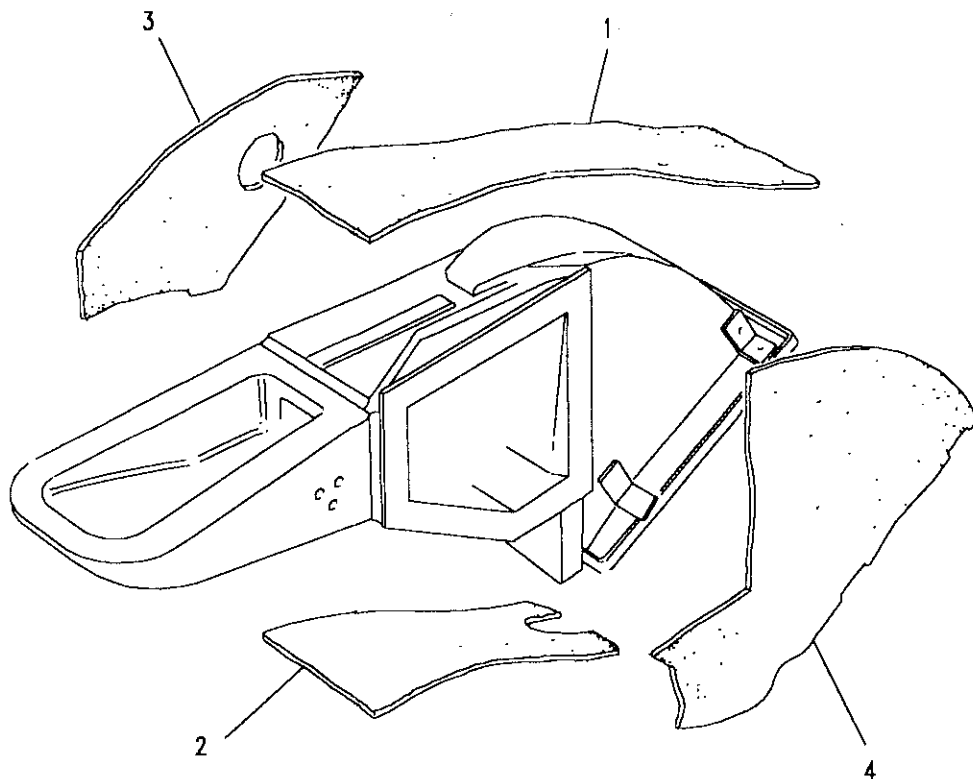




**Model** DEFENDER 110 1987 onwards  
**Page** AFLXRA5A

**AIR CONDITIONING - AIR DUCT INSULATION - LHS**

III. Part No.	Description	Qty	Remarks
1 MUC1657	Insulation top	1	
2 MUC1658	Insulation bottom	1	
3 MUC1659	Insulation outer	1	
4 MUC1660	Insulation inner	1	

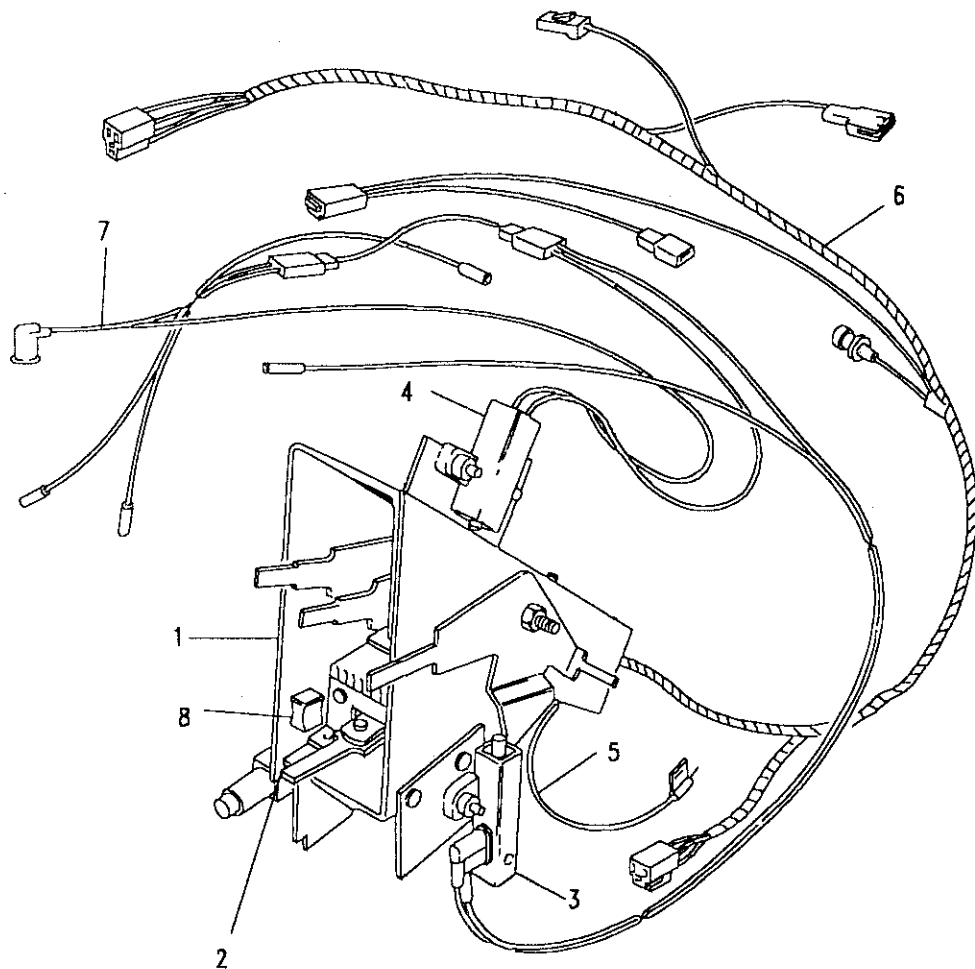


**Model** DEFENDER 110 1987 onwards

**Page** AFLXRA6A

**AIR CONDITIONING - HEATER CONTROLS - LHS**

III. Part No.	Description	Qty	Remarks
1 MTC5573	Control heater	1	UptoMA939976
AWR1179	Control heater	1	FromMA939976
2 AEU1205	Switch fan speed	1	
3 RTC7443	Switch vacuum	1	
4 RTC7451	Switch vacuum	1	
5 RTC7445	Cable control	1	Short
6 RTC7448	Harness electric	1	
7 RTC7466	Harness vacuum	1	
8 AEU1198	Knob	4	



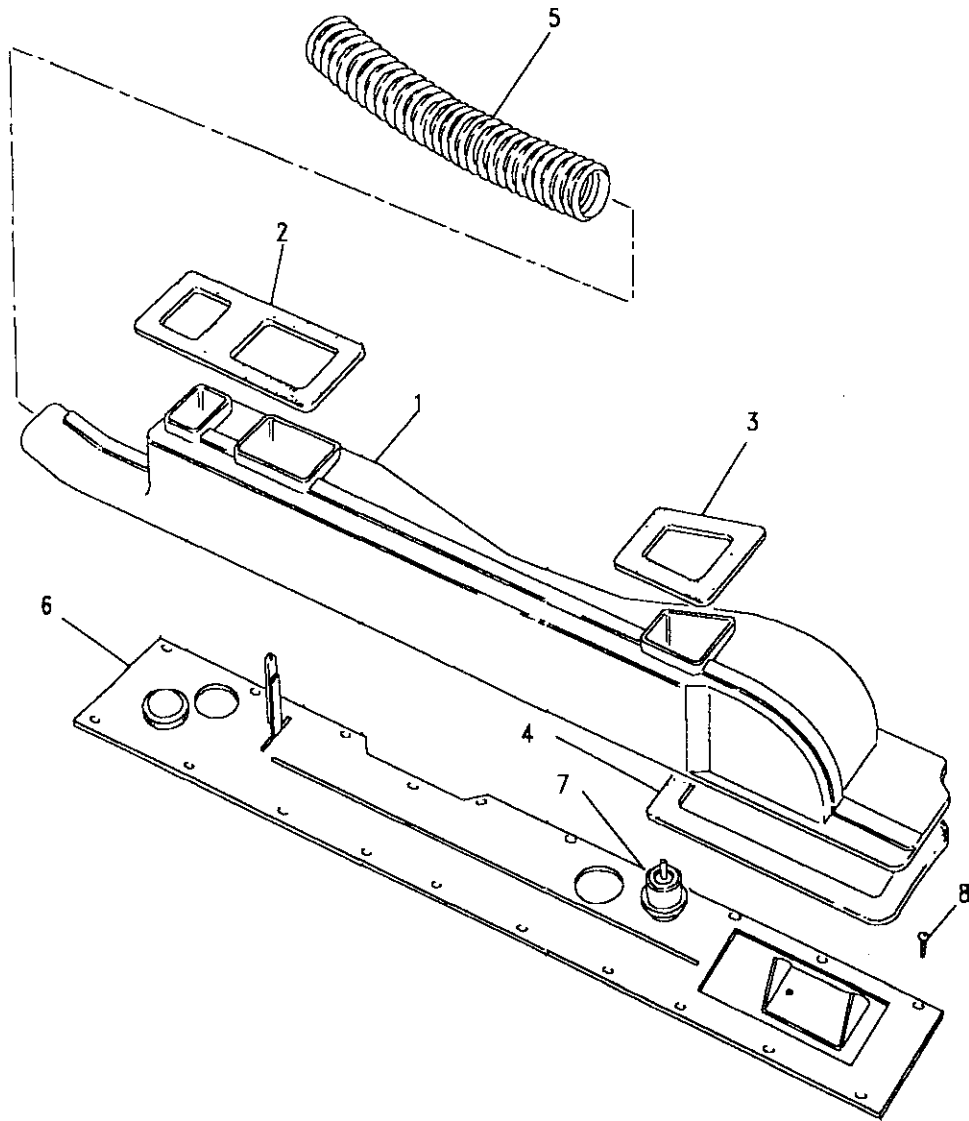


**Model** DEFENDER 110 1987 onwards  
**Page** AFLXRA7A

**AIR CONDITIONING - PLENUM CHAMBER - LHS**

III. Part No.	Description	Qty	Remarks
1 RTC7408	Plenum chamber assembly	1	
AWR1174	Plenum extension	1	FromMA939976
2 RTC7462	Seal outlet	1	
3 RTC7463	Seal outlet	1	
4 RTC7464	Seal inlet	1	
5 RTC7409	Hose	1	
6 RTC7415	Panel closing	1	UptoMA939975
AWR1448	Panel closing	1	FromMA939976
7 AEU4002	Motor vacuum	1	
8 AB606021	Screw	22	

**Plenum chamber to toe box**  
 367078 Spacer A/R

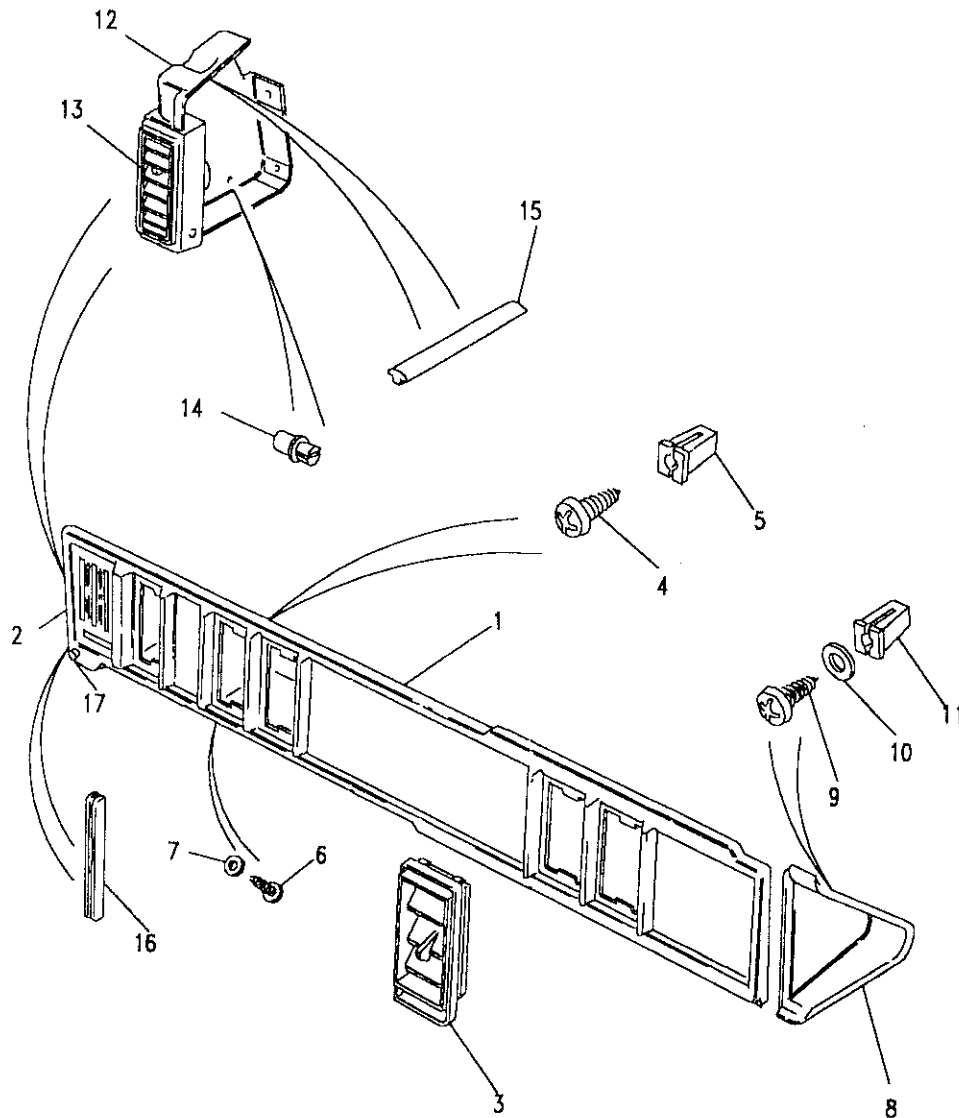




DEFENDER 110 1987 onwards

665

COOLING/HEATING



**Model** DEFENDER 110 1987 onwards  
**Page** AFLXRA8A

**AIR CONDITIONING - FACIA PANEL - LHS**

III. Part No.	Description	Qty	Remarks
1	RTC7450	1	
2	AEU4000	1	Plate instruction
3	AEU4001	5	Louvre
	AWR1169	5	Louvre

**Facia to front plate**

4	AC608065	2	Screw
5	ACU5431	2	Nut lokut
6	AB608051	2	Screw
7	WC105001	2	Washer plain

**Facia panel end finishers**

8	MTC5581	1	Finisher
9	AW606124	1	Screw
10	WA104004	1	Washer plain
11	ACU5431	1	Nut lokut
12	RTC7410	1	Finisher assembly
	AWR1170	1	Finisher assembly
13	RTC7411	1	Louvre
14	79086	1	Rivet rokut
15	MTC7516	1	Finisher
16	RTC7465	1	Finisher
17	RTC7412	1	Switch illuminated
	RTC7413	1	Bulb

UptoMA939975  
FromMA939976



Model DEFENDER 110 1987 onwards

Page AFLXRA9A

**AIR CONDITIONING - DEMISTER AND FLAPS**

Ill. Part No.	Description	Qty	Remarks
1 NRC9668	Nozzle RH	1	LHS
MXC3188	Nozzle RH	1	200Tdi LHS Upto VIN JA906639
BTR1600	Nozzle RH	1	200Tdi LHS From VIN JA906640
1 NRC9669	Nozzle LH	1	LHS
MXC3189	Nozzle LH	1	200Tdi LHS Upto VIN JA906639
BTR1599	Nozzle LH	1	200Tdi LHS From VIN JA906640
2 AB608047L	Screw	2	LHS
3 WA105001	Washer plain	2	LHS

**Fixings - 200Tdi LHS**

AB608054L	Screw	4	
RTC3745	Nut lokut	1	RH nozzle
AK608021	Nut spring	1	RH nozzle
4 MRC7279	Flexible Tube	2	LHS
5 MRC7281	Grommet	2	LHS
6 MUC1139	Outlet flaps assy LHS	1	Upto HA905497 NLA use BTR1347
BTR1347	Outlet flaps assy LHS	1	From HA905498
MUC3278	Outlet flaps assy RHS	1	Upto JA908189 NLA use BTR1348
BTR1348	Outlet flaps assy RHS	1	From JA908190
7 MTC5578	Actuating bar	1	
8 346796	Spring	2	
9 395829	Grille outlet RH	1	
395830	Grille outlet LH	1	
10 MRC1525	Screw	4	

