



## MASTER INDEX

	PAGES
INTRODUCTION PAGES	1 - 7
ALPHABETICAL INDEX	8 - 16
ENGINE	17 - 66
ENGINE	67 - 119
ENGINE	120 - 166
ENGINE	167 - 209
ENGINE	210 - 245
ENGINE	246 - 299
GEARBOX	300 - 326
GEARBOX	327 - 344
GEARBOX	345 - 359
TRANSFER BOX	360 - 378
TRANSFER BOX	379 - 397
AXLES AND SUSPENSION	398 - 444
STEERING	445 - 471
VEHICLE AND ENGINE CONTROLS	472 - 486
BRAKES	487 - 517
FUEL SYSTEM AND AIR CLEANER	518 - 579
EXHAUST SYSTEM	580 - 593
COOLING/HEATING	594 - 637
COOLING/HEATING	638 - 641
COOLING/HEATING	642 - 649
COOLING/HEATING	650 - 655
COOLING/HEATING	656 - 666
BODY ELECTRICAL	667 - 740
BODY AND CHASSIS	741 - 909
INTERIOR TRIM	910 - 955
SEATS	956 - 1036
STOWAGE	1037 - 1046
ACCESSORIES - PAINTS	1047 - 1074
NUMERICAL INDEX	1076 - 1151

## GROUP G

## VEHICLE AND ENGINE CONTROLS

VEHICLE AND ENGINE CONTROLS	
ACCELERATOR PEDAL	473
ACCELERATOR CABLE	474 - 475
CLUTCH PEDAL	476 - 477
BRAKE PEDAL	478
CLUTCH MASTER CYLINDER AND PIPES	479 - 480
CHOKE CABLE	481
HAND THROTTLE CONTROL	482 - 483
HAND THROTTLE LINKAGE	484 - 486

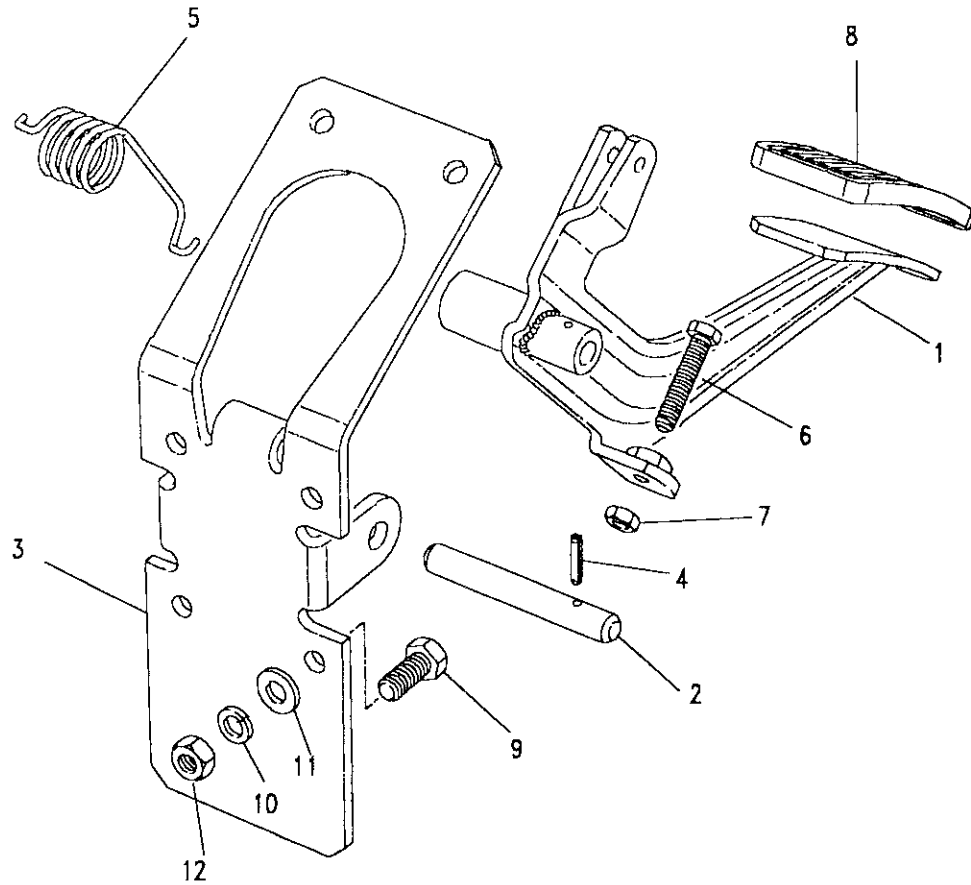


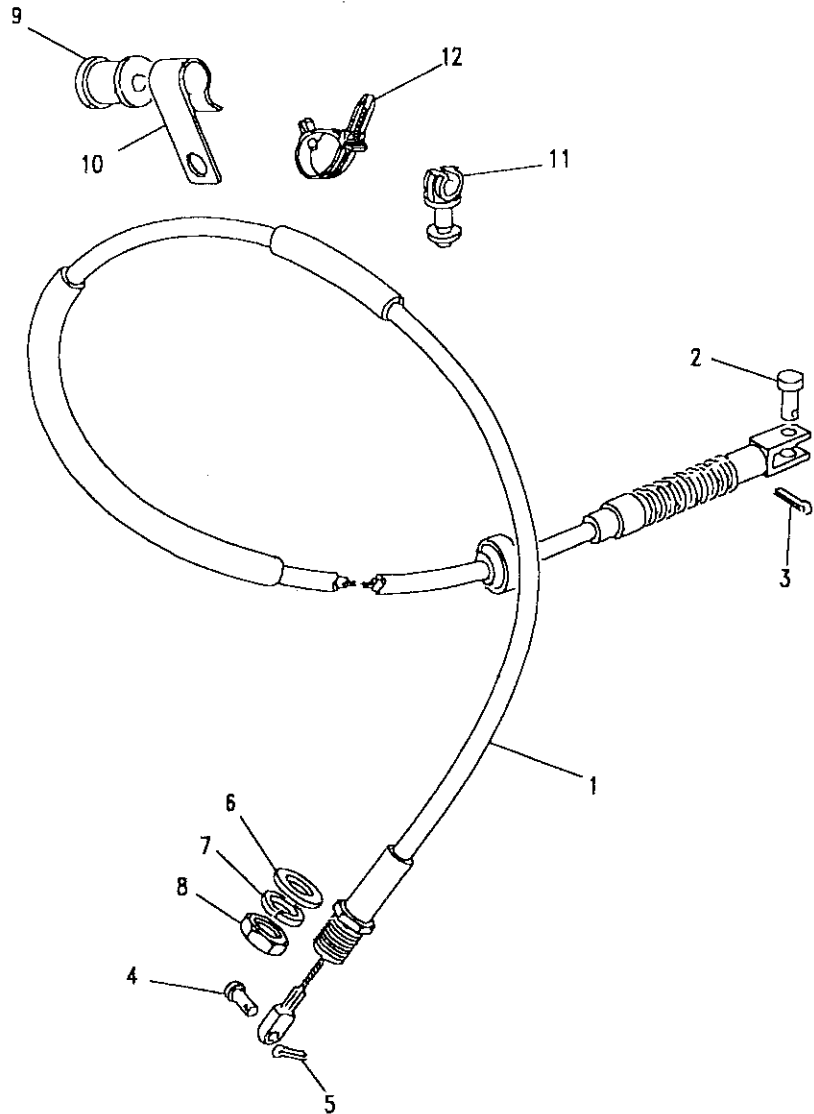
Model DEFENDER 110 1987 onwards

Page AFGXAA1A

ENGINE CONTROLS - ACCELERATOR PEDAL

III. Part No.	Description	Qty	Remarks
1	NRC7827	1	Pedal accelerator
2	NRC4475	1	Shaft pedal
3	NRC5220	1	Bracket mounting
4	PA105161L	1	Pin spring
5	NRC9121	1	Spring
6	SH106451	1	Screw-pedal stop
7	NH605041L	1	Nut
8	11H1781L	1	Pad rubber
9	FS106161	6	Screw
10	WL106001L	6	Washer spring
11	WA106041L	6	Washer plain
12	NH106041L	6	Nut



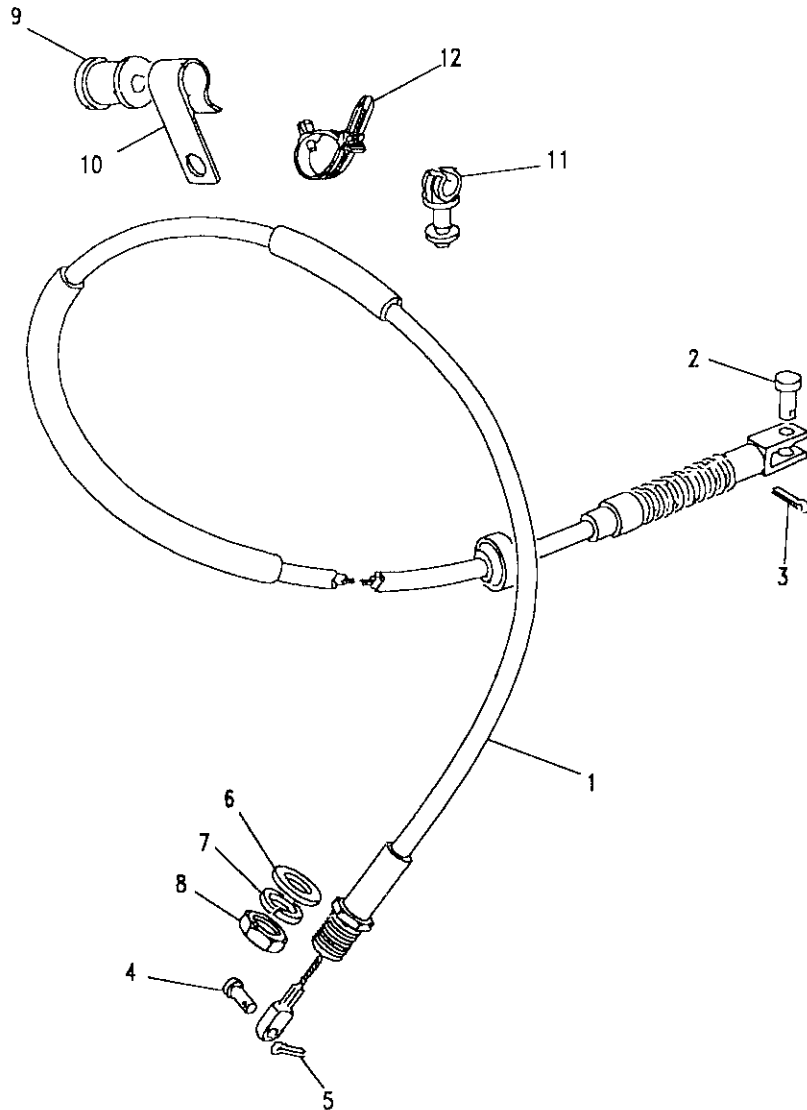


**Model** DEFENDER 110 1987 onwards  
**Page** AFGXAA2A

**ENGINE CONTROLS - ACCELERATOR CABLE**

Ill. Part No.	Description	Qty	Remarks
<b>2.5 Petrol</b>			
1 NTC2086	Cable accelerator RHS	1	Upto VIN 296335
NTC2087	Cable accelerator LHS	1	Upto VIN 296249
NTC3460	Cable accelerator RHS	1	From VIN 296336
NTC3459	Cable accelerator LHS	1	From VIN 296250
<b>V8 Petrol</b>			
1 NRC5494	Cable accelerator	1	
<b>Diesel and Diesel Turbo</b>			
1 NTC2743	Cable accelerator RHS	1	
NTC3396	Cable accelerator LHS	1	
<b>200Tdi</b>			
1 NTC4944	Cable accelerator RHS	1	Upto VIN JA915380
ANR1419	Cable accelerator RHS	1	Note(1)
NTC9360	Cable accelerator RHS	1	Note(3)
NTC4945	Cable accelerator LHS	1	Note(2)
NTC9359	Cable accelerator LHS	1	Note(3)

Note(1) From JA915381, up to LA939975  
 Note(2) From HA455646, up to LA939975  
 Note(3) From MA939976



Model DEFENDER 110 1987 onwards

Page AFGXAA2A

ENGINE CONTROLS - ACCELERATOR CABLE

Ill. Part No.	Description	Qty	Remarks
2 562481	Pin clevis	1	
3 PS103081L	Pin split	1	Upto VIN 455645
	PS603041L	1	From VIN HA455646
4 NRC5502	Pin clevis	1	
5 PS102081L	Pin split	1	
6 WA112081L	Washer plain	1	
7 WF112001L	Washer spring	1	
8 NT112041L	Nut	1	
9 6860L	Grommet	1	Upto VIN HA901219
10 240407	Clip-RHS	1	From VIN HA455646
	AFU1077L	1	Upto VIN HA901221
		1	4 cylinder Petrol
		1	From VIN HA901222
11 79121	Clip RHS	1	200Tdi
		1	From VIN HA901222
	79121	1	From VIN HA455646
12 AAU3686	Strap cable LHS	1	From VIN HA455646
	ESR301	1	200Tdi
		1	From VIN JA915381

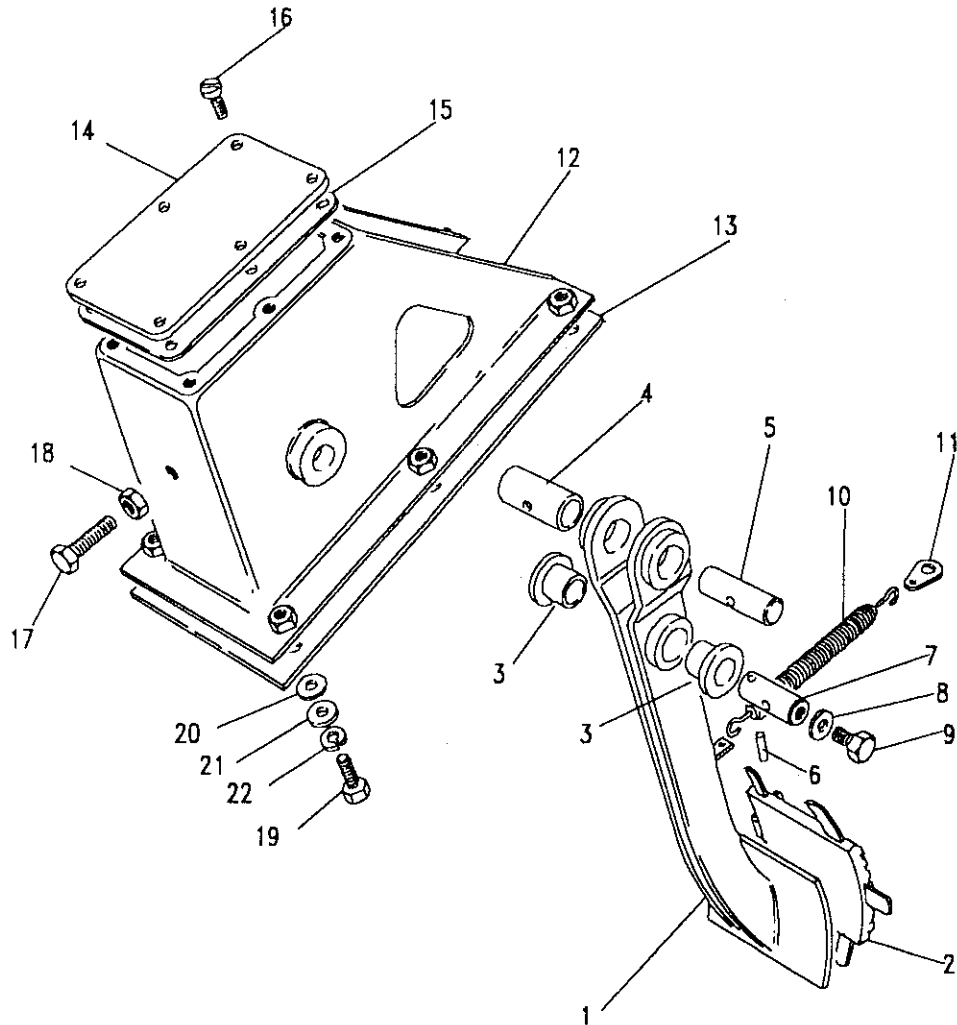
Model DEFENDER 110 1987 onwards  
 Page AFGXCA1A

ENGINE CONTROLS - CLUTCH PEDAL

III. Part No. Description Qty Remarks

Up to LA939891

III. Part No.	Description	Qty	Remarks
1	NTC1112	1	Pedal assembly clutch
2	61K738	1	Pad rubber
3	272714	2	Bush
4	269783	1	Bush
5	568883	1	Trunnion
6	50446	1	Pin
7	272712	1	Pin pivot
8	3052	1	Joint Washer
9	SH604031L	1	Bolt
10	569701	1	Spring
	NRC7869	1	Sleeve
11	240708	1	Plate anchor
12	272632	1	Pedal Box
13	MUC7505	1	Gasket
14	272713	1	Top Cover
15	272819	1	Screw
16	78227	6	Screw
17	SH604081L	1	Bolt-pedal stop
18	NH604041L	1	Nut
19	GG605081	6	Bolt
20	RTC610	5	Washer plain
21	4594L	1	Washer plain
22	WM600051L	6	Washer spring

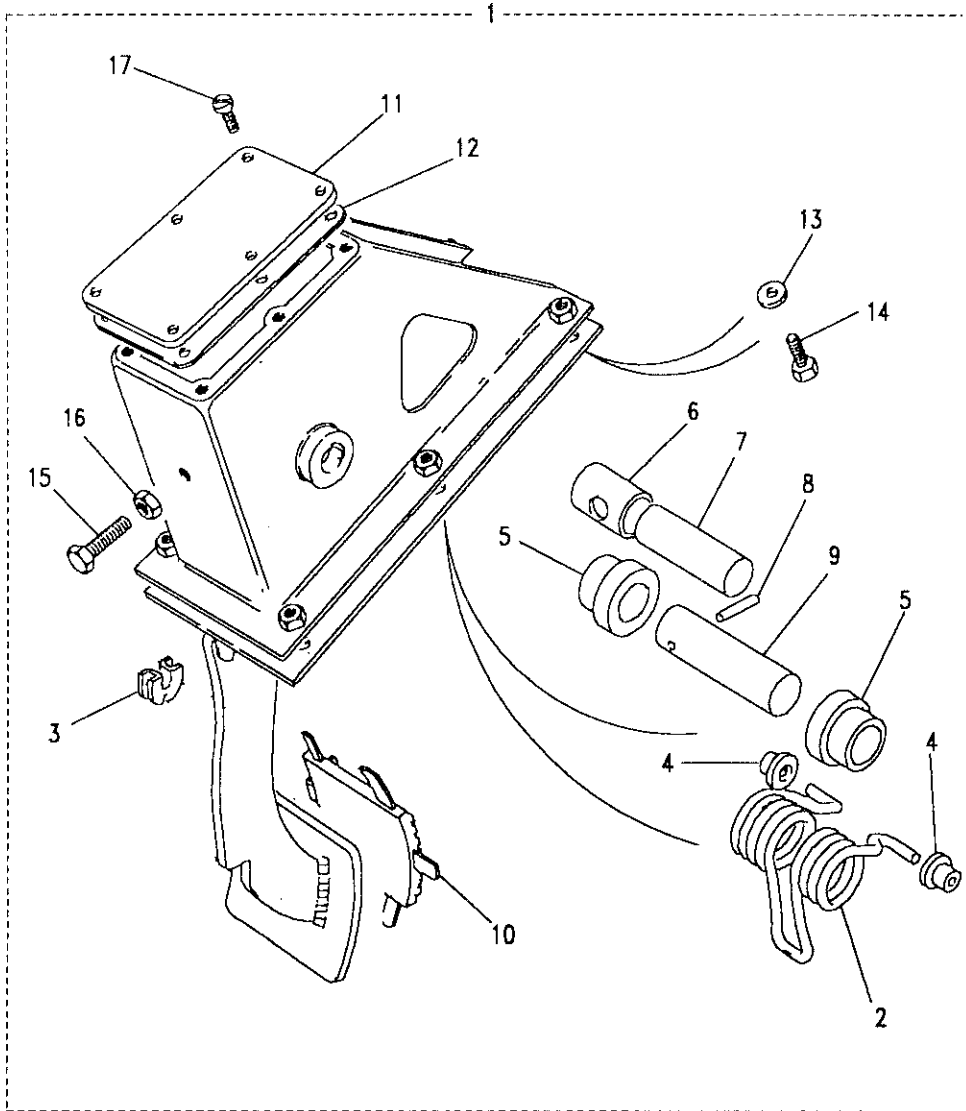


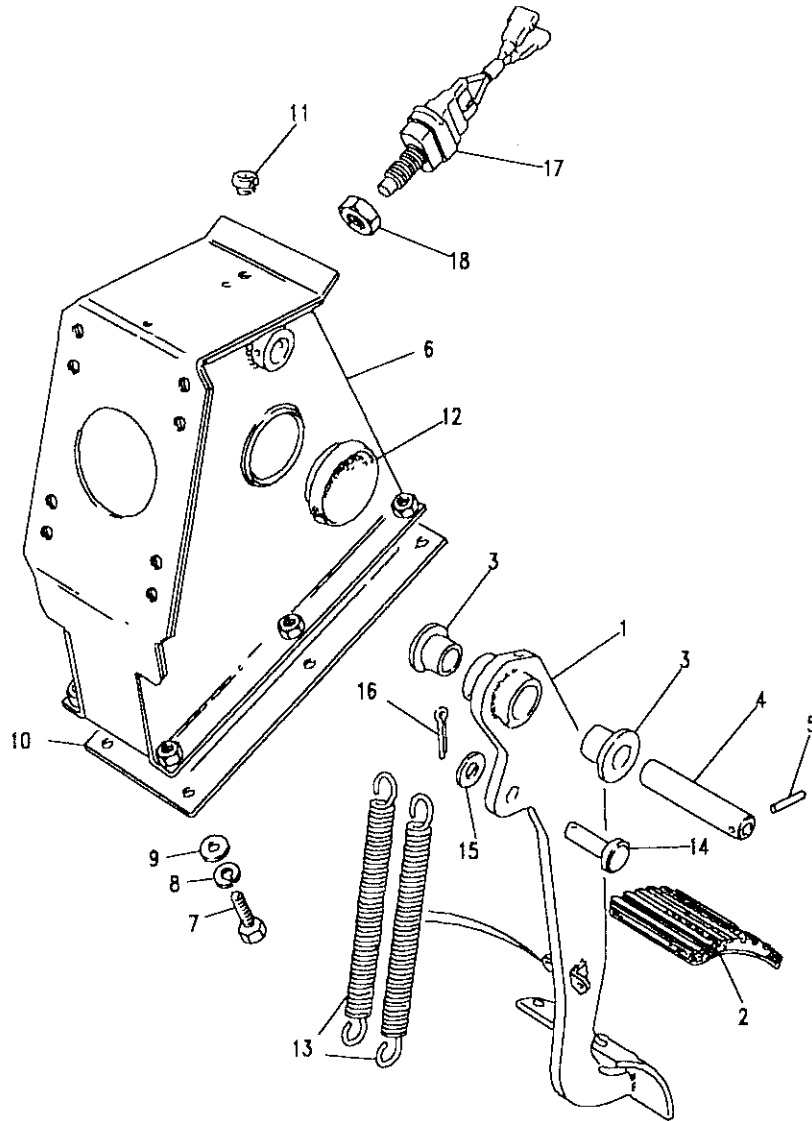


Model DEFENDER 110 1987 onwards  
Page AFGXCA1B

ENGINE CONTROLS - CLUTCH PEDAL

III. Part No.	Description	Qty	Remarks
<b>From LA939892</b>			
1	ANR3400	1	Pedal box assembly
2	EDP7510L	1	Spring torsion
3	CLP3180	1	Bearing
4	DCP3212L	2	Nylon bush
5	272714	2	Bush
6	269783	1	Distance piece
7	568883	1	Trunnion
8	50446	1	Pin
9	272712	1	Pin pivot
10	61K738	1	Pad rubber
11	272713	1	Top Cover
12	272819	1	Gasket
13	WA108051L	6	Washer
14	SH604081L	6	Screw 1/4 UNF
15	BH108061L	1	Bolt M8 30
16	NH604041L	1	Nut
16	NH604041L	1	Nut
17	78227	6	Screw





**Model** DEFENDER 110 1987 onwards  
**Page** AFGXCA2A

### ENGINE CONTROLS - BRAKE PEDAL

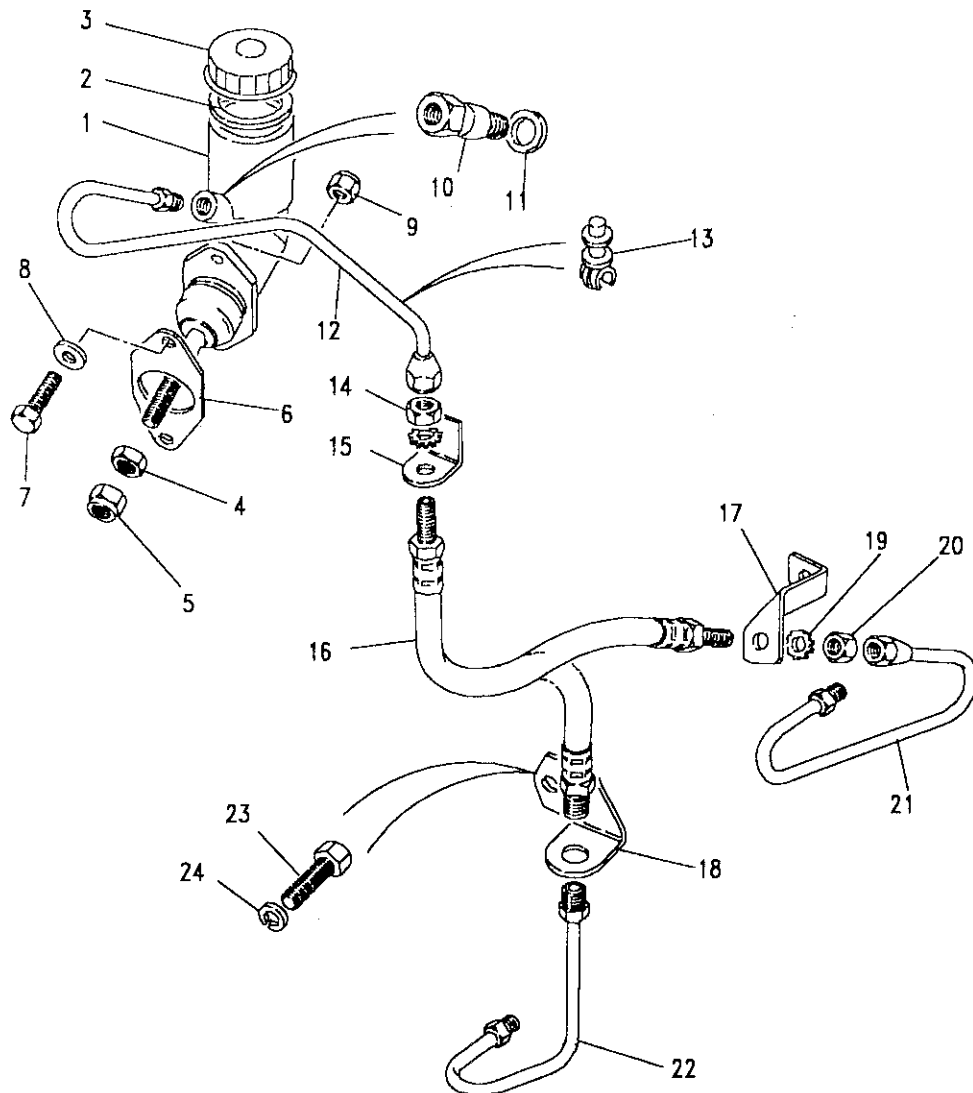
Ill. Part No.	Description	Qty	Remarks
1	NTC1210	1	Pedal assembly brake
2	61K738	1	Pad rubber
3	564816	2	Bush brake pedal
4	564813	1	Shaft pedal
5	50446	1	Pin
6	NRC6058	1	Pedal Box
	NTC7933	1	Pedal Box
7	GG108251L	6	Screw
8	WL108001L	6	Washer spring
9	WA108051L	6	Washer plain
10	MUC7506	1	Gasket
11	338013	1	Plug Sealing
12	AFU2627	2	Plug Sealing
13	569291	2	Spring
	NRC7869	1	Sleeve
14	NRC4665	1	Pin clevis
	PC112291	1	Pin clevis
15	WA112081L	1	Washer plain
16	PS106201	1	Pin split
17	PRC4297	1	Switch brake light
18	BMK1903	1	Nut
	NRC9169	1	Strip sealing
	NRC9233	1	Sealing ring
	NTC5017	1	Sealing strip
			Upto VIN HA901219
			From VIN HA901220



Model DEFENDER 110 1987 onwards

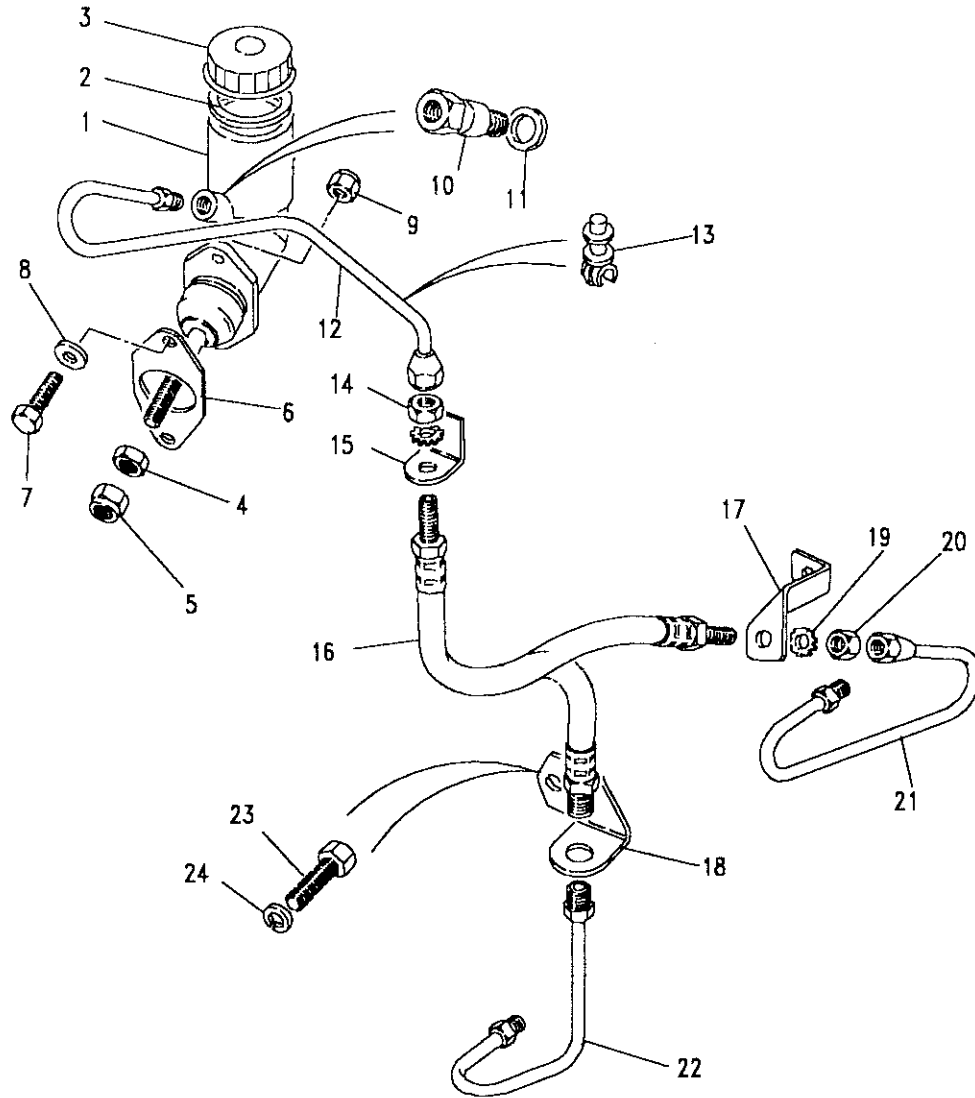
Page AFGXE1A

ENGINE CONTROLS - CLUTCH MASTER CYLINDER AND PIPES



III. Part No.	Description	Qty	Remarks
1	550732	1	Master cylinder clutch
2	264767	1	Washer sealing
3	500201	1	Cap aluminium
	STC976	1	Cap plastic
	8G8837L	1	Kit master cylinder
4	NT605041L	2	Nut thin
5	NY605041L	1	Nut nyloc
6	592358	1	Gasket
7	FB108301L	2	Screw
8	WA108051L	4	Washer plain
9	NY108041L	2	Nut nyloc
10	139082	1	Adaptor
11	233220	1	Gasket
12	NRC8330	1	Pipe assembly RHS
	ANR2162	1	Pipe assembly RHS
	NRC8329	1	Pipe assembly RHS
	ANR2945	1	Pipe assembly LHS
13	79123	2	Pipe Clip
14	NT607041L	2	Nut
	NT604041L	1	Nut
15	WF600071L	2	Washer shakeproof
	WE600071L	1	Washer shakeproof





**Model** DEFENDER 110 1987 onwards  
**Page** AFGXEA1A

**ENGINE CONTROLS - CLUTCH MASTER CYLINDER AND PIPES**

III. Part No.	Description	Qty	Remarks
16	RTC4425	1	4 cylinder
	NRC2211	1	V8
	NRC7139	1	Tdi Note(1)
	NTC9055	1	Tdi Note(2)
17	NRC7441	1	4 cylinder
18	90577642	1	)
19	WE600101L	1	)V8
20	2K8686L	1	)
21	NRC9595	1	4 cylinder
22	577643	1	V8
23	BH506161L	2	
24	WM600061L	2	

Note(1) Up to LA939975  
 Note(2) From MA939976

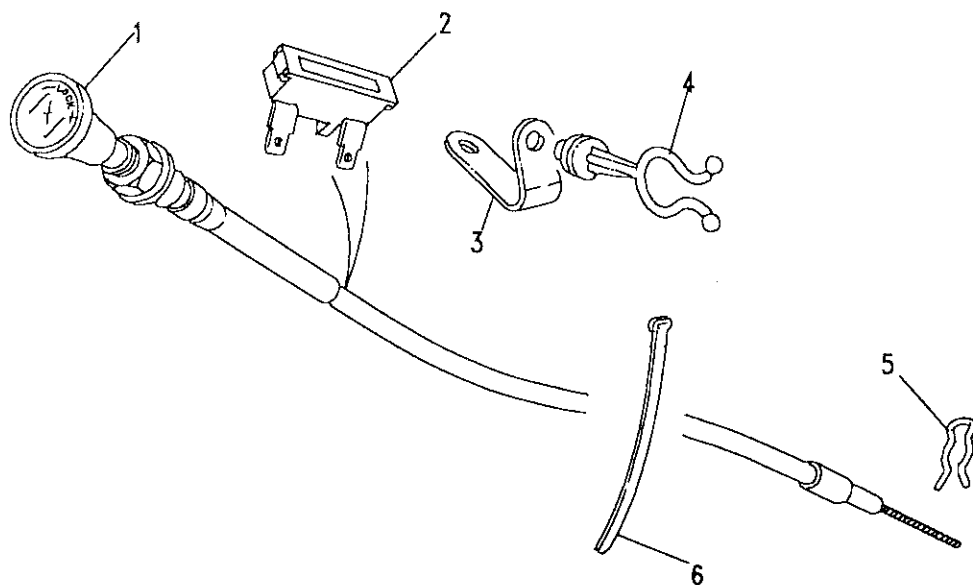


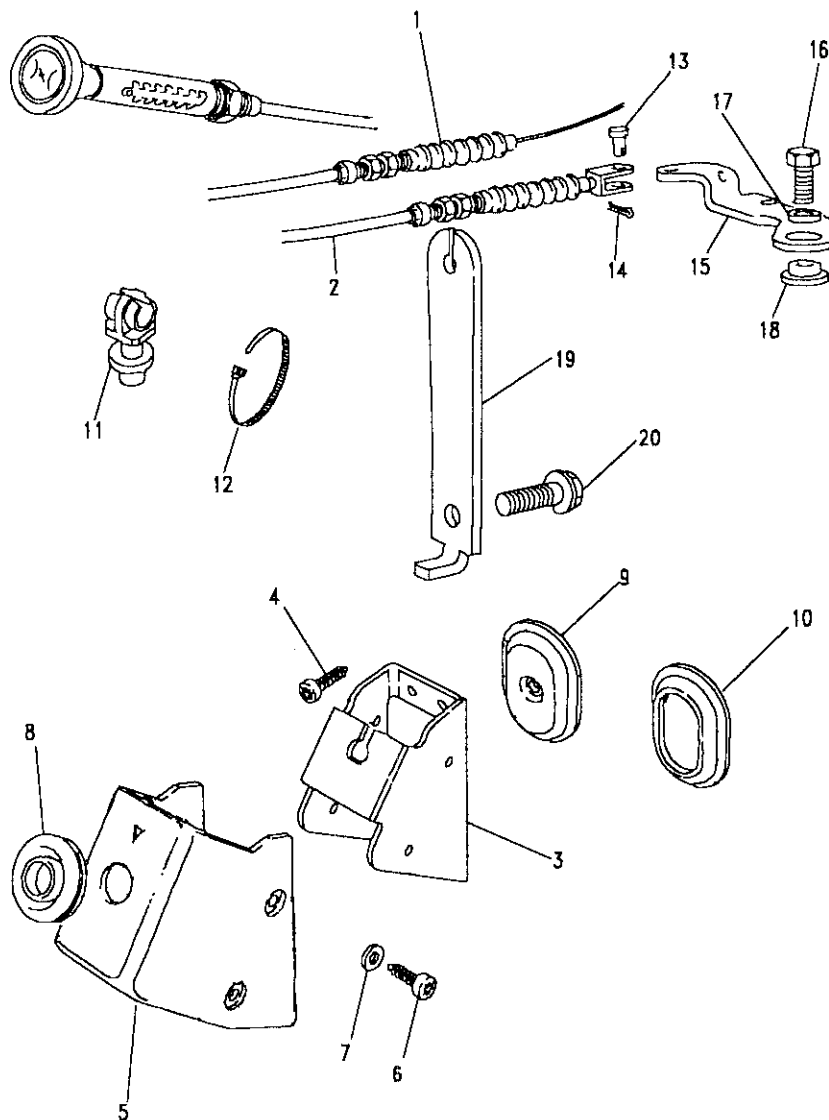
**Model** DEFENDER 110 1987 onwards

**Page** AFGXGA1A

**ENGINE CONTROLS - CHOKE CABLE**

III. Part No.	Description	Qty	Remarks
1 NTC1384	Cable choke	1	RHS 4 Cyl
NTC1385	Cable choke	1	LHS 4 Cyl
NTC3932	Cable choke	1	RHS V8
NTC3933	Cable choke	1	LHS V8
2 RTC5816	Switch choke	1	
3 NRC8333	Bracket	1	
4 NRC8332	Cable clip	1	
5 538890L	Cable clip	1	V8
6 594594	Cable tie	1	V8





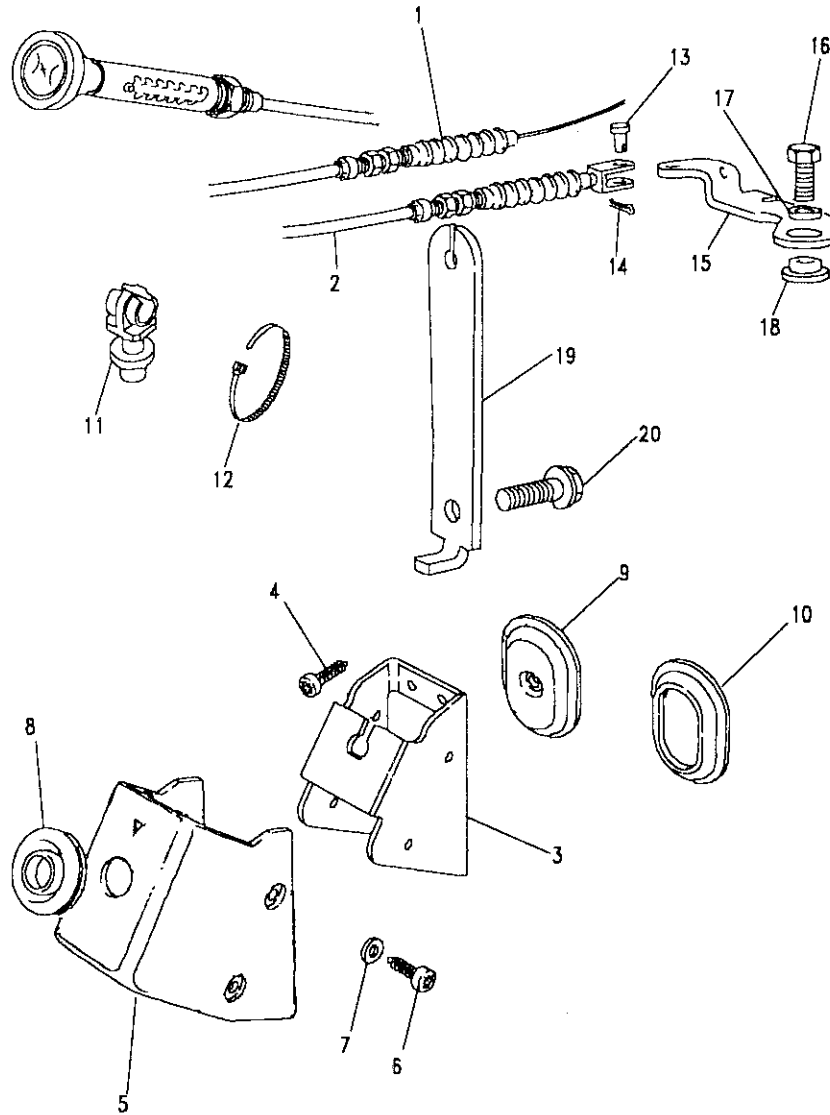
Model DEFENDER 110 1987 onwards

Page AFGXIA1A

ENGINE CONTROLS - HAND THROTTLE CONTROL

III. Part No.	Description	Qty	Remarks
<b>4 Cylinder Petrol</b>			
1 NRC8560	Cable hand throttle	1	
<b>V8</b>			
1 NRC9284	Cable hand throttle	1	RHS
1 NRC9285	Cable hand throttle	1	LHS
<b>Diesel</b>			
2 NTC3484	Cable hand throttle	1	RHS Upto VIN 456346
2 NTC3483	Cable hand throttle	1	LHS Upto VIN 456346
2 NTC8554	Cable hand throttle	1	RHS Note(1)
2 ANR1338	Cable hand throttle	1	RHS Note(2)
2 NTC8553	Cable hand throttle	1	LHS Note(1)
2 ANR1339	Cable hand throttle	1	LHS Note(2)
3 NRC8734	Bracket mounting	1	
4 AB610041L	Screw	4	
5 MTC3611	Cover	1	
6 AB608031L	Screw	2	
7 WC105001L	Washer plain	2	
8 531689	Grommet	1	
9 NRC6799	Grommet	1	
10 MTC1650	Plug blanking	1	
11 79121	Clip cable	1	V8-LHS
12 UKC6684L	Cable tie	1	
13 562481	Pin clevis	1	Diesel
14 PS102081	Pin split	1	Diesel Upto VIN 456346

Note(1) From 456347, Up to LA939975  
 Note(2) From MA939976



Model DEFENDER 110 1987 onwards  
 Page AFGXIA1A

ENGINE CONTROLS - HAND THROTTLE CONTROL

III. Part No.	Description	Qty	Remarks
<b>Diesel from VIN 456347 also 200Tdi</b>			
14 PS603041L	Pin split	1	
15 NTC8011	Lever	1	
16 FS106161	Screw	1	
17 WC106041L	Washer plain	1	Upto 11L00029A
3900L	Washer plain	1	From 11I00030A
18 NTC7240	Bush	1	Upto 11L00029A
NTC8544	Bush	1	From 11L00030A
19 NTC7097	Bracket abutment	1	Upto LA939975
ANR2512	Bracket abutment	1	From MA939975
20 FS108251L	Screw	1	



Model DEFENDER 110 1987 onwards

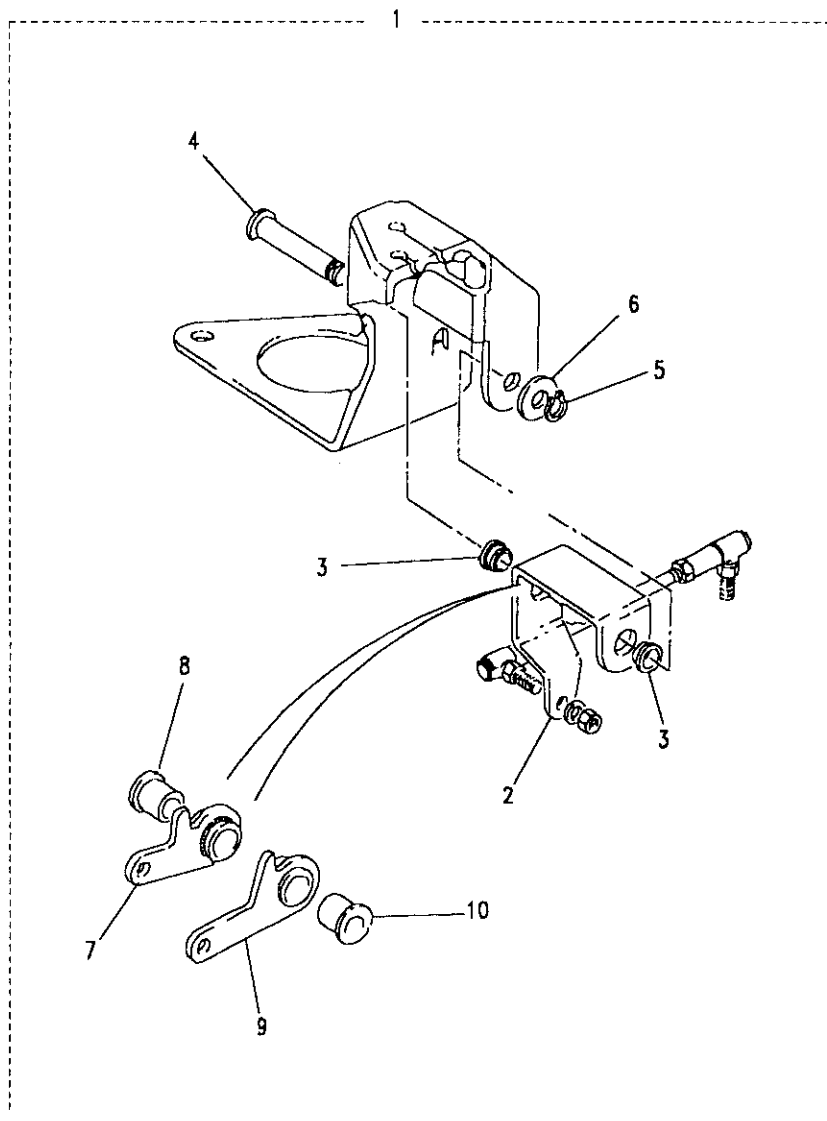
Page AFGXIA2A

ENGINE CONTROLS - HAND THROTTLE LINKAGE

III. Part No. Description Qty Remarks

Diesel and Diesel Turbo - Not 200Tdi

Part No.	Description	Qty	Remarks
1	ETC6630	1	Hand throttle control
2	ETC4678	1	Lever relay
3	613915	2	Bush
4	ETC4686	1	Pin: pivot
5	CR120081L	1	Circlip
6	WA108051L	1	Washer plain
7	ETC5182	1	Lever throttle assembly
8	522932	1	Bush
9	ETC5183	1	Lever hand throttle
10	522932	1	Bush



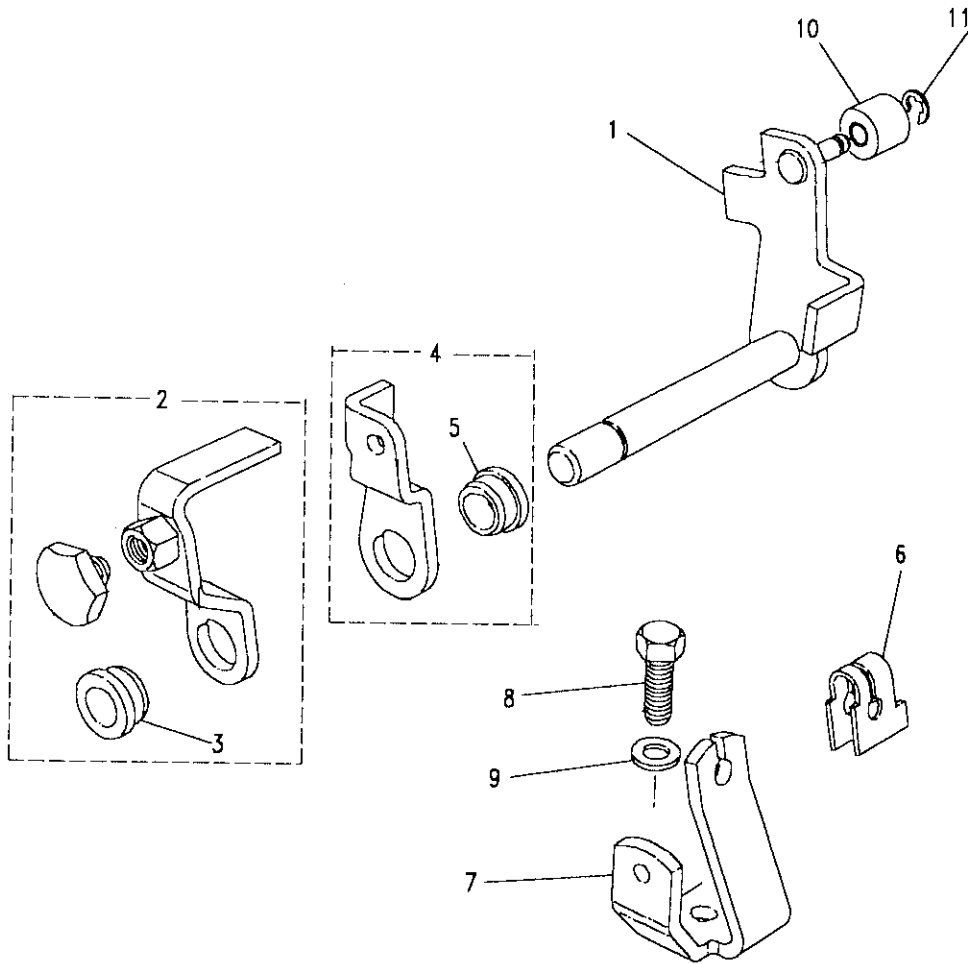


Model DEFENDER 110 1987 onwards

Page AFGXIA3A

ENGINE CONTROLS - HAND THROTTLE LINKAGE

III. Part No.	Description	Qty	Remarks
<b>V8 with SU Carburettors</b>			
1 613910	Countershaft	1	
2 613916	Lever hand throttle	1	
3 613915	Bush	1	
4 90613913	Lever accelerator	1	
5 613915	Bush	1	
6 239673	Clip	1	
7 ETC7393	Bracket anchor	1	
8 SH504051L	Screw	1	
9 WA106041L	Washer plain	1	
10 603237	Roller	1	
11 521452	Circlip	1	





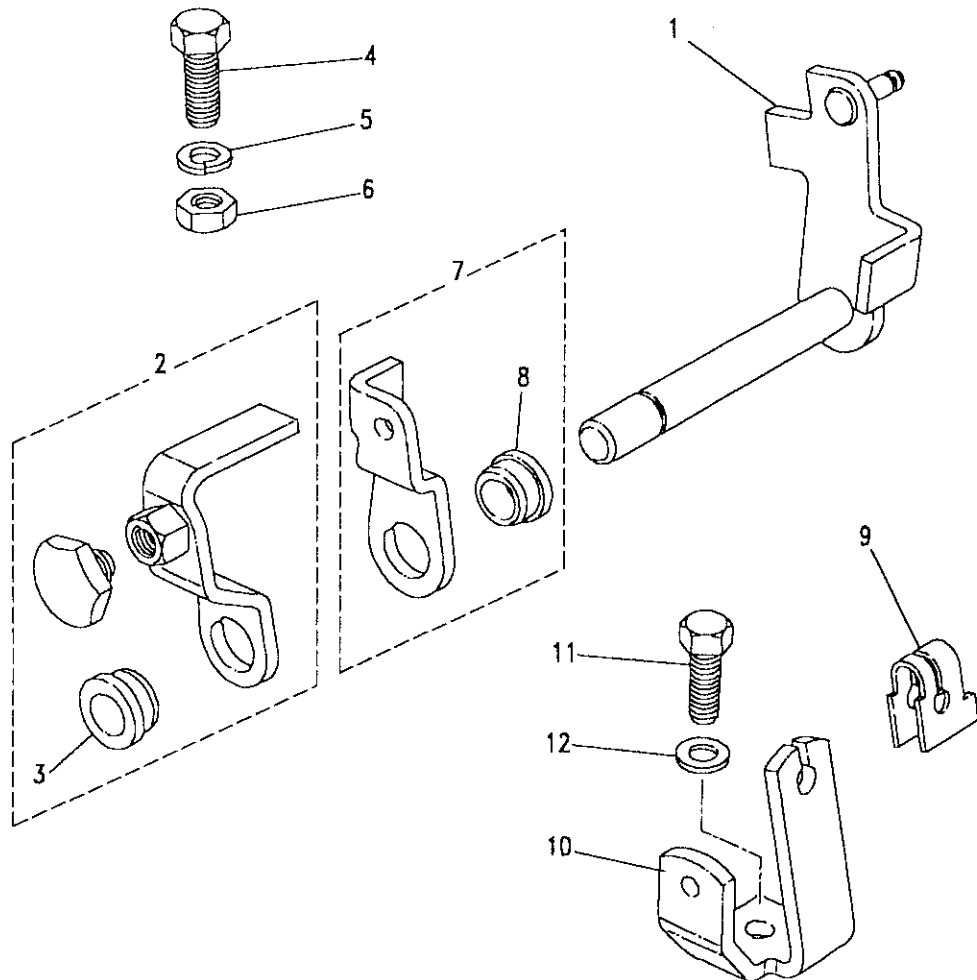
Model DEFENDER 110 1987 onwards  
 Page AFGXIA4A

ENGINE CONTROLS - HAND THROTTLE LINKAGE

III. Part No. Description Qty Remarks

V8 With Stromberg Carburettors

Part No.	Description	Qty	Remarks
1	613910 Countershaft	1	
2	613916 Lever hand throttle	1	
3	613915 Bush	1	
4	SH105201L Screw	1	
5	WL105001L Washer spring	1	
6	NH105041L Nut	1	
7	90613913 Lever accelerator	1	
8	613915 Bush	1	
9	239673 Clip	1	
10	ETC4006 Bracket anchor	1	
11	SH504051L Screw	1	
12	WA106041L Washer plain	1	





MASTER INDEX

INTRODUCTION PAGES	PAGES
ALPHABETICAL INDEX	1 - 7
ENGINE	8 - 16
ENGINE	17 - 66
ENGINE	67 - 119
ENGINE	120 - 166
ENGINE	167 - 209
ENGINE	210 - 245
ENGINE	246 - 299
GEARBOX	300 - 326
GEARBOX	327 - 344
GEARBOX	345 - 359
TRANSFER BOX	360 - 378
TRANSFER BOX	379 - 397
AXLES AND SUSPENSION	398 - 444
STEERING	445 - 471
VEHICLE AND ENGINE CONTROLS	472 - 486
BRAKES	487 - 517
FUEL SYSTEM AND AIR CLEANER	518 - 579
EXHAUST SYSTEM	580 - 593
COOLING/HEATING	594 - 637
COOLING/HEATING	638 - 641
COOLING/HEATING	642 - 649
COOLING/HEATING	650 - 655
COOLING/HEATING	656 - 666
BODY ELECTRICAL	667 - 740
BODY AND CHASSIS	741 - 909
INTERIOR TRIM	910 - 955
SEATS	956 - 1036
STOWAGE	1037 - 1046
ACCESSORIES - PAINTS	1047 - 1074
NUMERICAL INDEX	1076 - 1151

GROUP H

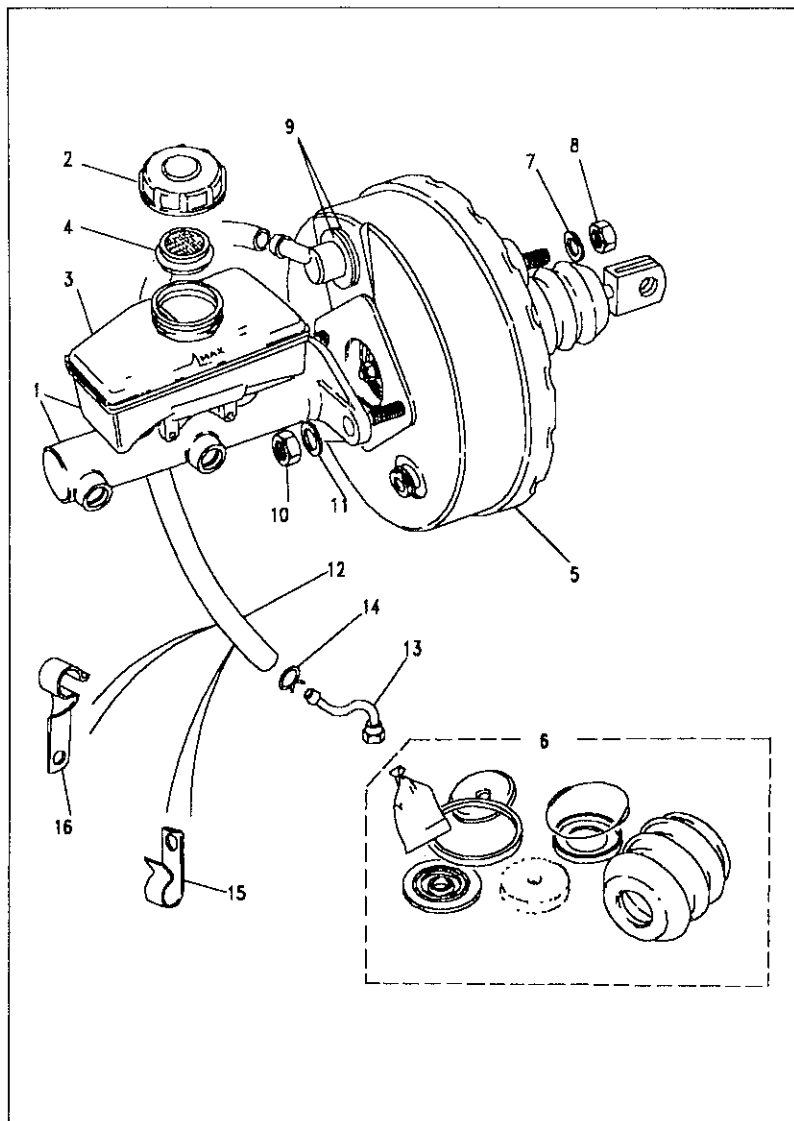
BRAKES

BRAKES

BRAKE MASTER CYLINDER & SERVO - UP TO HA901219	488 - 489
BRAKE MASTER CYLINDER AND SERVO - FROM HA901220	490
VACUUM HOSES - AIR CONDITIONING - UPTO 279962	491
VACUUM HOSES - AIR CONDITIONING - FROM 279963	492
FRONT BRAKE PIPES	493 - 494
FRONT BRAKE PIPES RHD	495
FRONT BRAKE PIPES LHD	496
FRONT BRAKE PIPES RHD	497
FRONT BRAKE PIPES LHD	498
FRONT BRAKE PIPES	499 - 501
REAR BRAKE PIPES	502 - 506
FRONT BRAKES	507 - 508
REAR DRUM BRAKES	509
REAR DISC BRAKES	510
HANDBRAKE LEVER	511 - 513
HANDBRAKE LEVER - AUSTRALIA	514
HANDBRAKE CABLE	515 - 517







**Model** DEFENDER 110 1987 onwards  
**Page** AFHXAA1A

**BRAKES - BRAKE MASTER CYLINDER & SERVO - UP TO HA901219**

III. Part No.	Description	Qty	Remarks
1	NRC8690 Master cylinder brake	1	
2	RTC4428 Cap master cylinder	1	
3	AEU1045 Kit fluid reservoir	1	
	AEU1044 Pin	2	
	AEU3015 Kit master cylinder	1	
4	592324 Filter	1	
	AEU1891 Seal	1	
5	NRC4775 Servo assembly	1	Note(1)
	NRC4772 Servo assembly	1	Note(2)
6	18G8951L Kit servo repair	1	Type 50
	AEU2741 Kit servo repair	1	Type 80
7	WL108001L Washer spring	4	
8	FN108041L Nut	4	
9	18G8953L Valve non return	1	
10	NH110041L Nut	2	
11	WL110001L Washer spring	2	

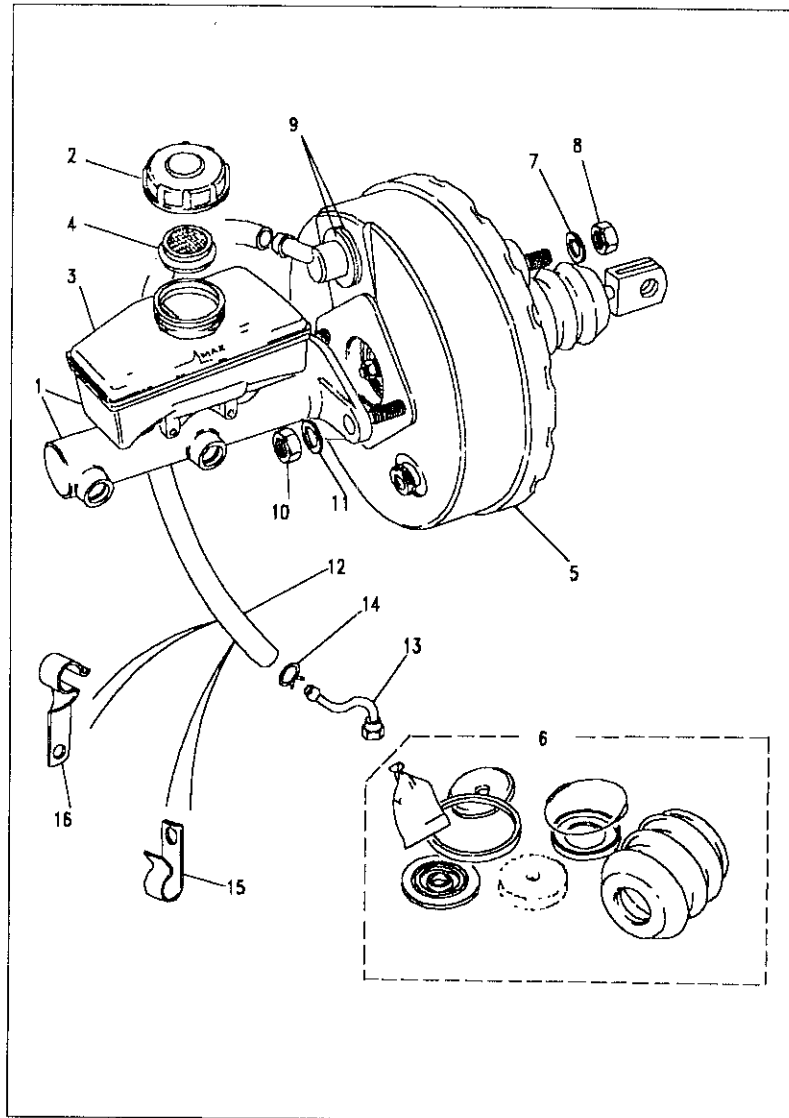
Note(1) Type 50 - 227mm diameter, non return valve aperture at bottom, right of centre.

Note(2) Type 80 - 276mm diameter, non return valve aperture at top, left of centre.



Model DEFENDER 110 1987 onwards  
Page AFHXAA1A

**BRAKES - BRAKE MASTER CYLINDER & SERVO - UP TO HA901219**



III. Part No.	Description	Qty	Remarks
12 CRC2131	Vacuum Hose	1	
NTC3372	Vacuum Hose	1	Diesel turbo LHS
NTC3372	Vacuum Hose	1	200Tdi LHS
CRC2135	Vacuum Hose	1	V8 RHS
13 569714	Adaptor pipe	1	4 cyl Petrol
14 572548	Clamp hose	2	
CS600244L	Clamp hose	2	Diesel turbo LHS
568680	Cable Tie	3	Diesel turbo LHS
CS600244L	Clamp hose	2	200Tdi LHS
568680	Cable Tie	3	200Tdi LHS
15 240407	Clip hose	1	4 cyl Petrol
CS600244L	Clamp hose	2	Diesel turbo LHS
568680	Cable Tie	3	Diesel turbo LHS
16 614617	Clip hose	1	V8
NRC9338	Clip hose	1	Diesel turbo LHS
NRC9338	Clip hose	1	200Tdi LHS



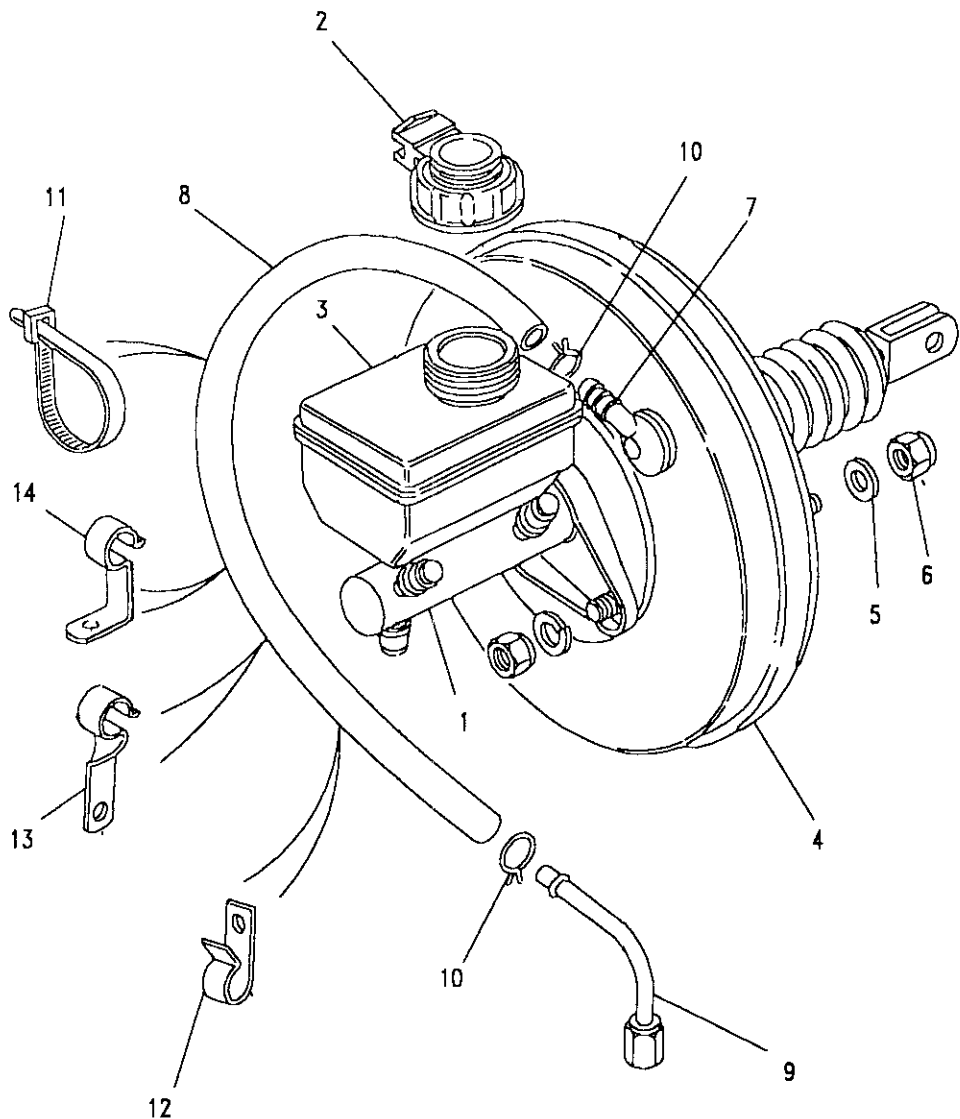


**Model** DEFENDER 110 1987 onwards  
**Page** AFHXAA2A

**BRAKES - BRAKE MASTER CYLINDER AND SERVO - FROM HA901220**

Ill. Part No.	Description	Qty	Remarks
1	STC441	1	Master cylinder brake
2	NTC4414	1	Cap master cylinder
3	STC492	1	Kit fluid reservoir
	STC491	1	Kit master cylinder
4	STC442	1	Servo assembly
5	WA108051L	4	Washer plain
6	NY108041L	4	Nut nyloc
7	STC493	1	Valve non return
8	CRC2131	1	Vacuum Hose
	NTC3372	1	Vacuum Hose LHD
	ANR2784	1	Hose vacuum LHD
	ANR2783	1	Hose vacuum RHD
	CRC2135	1	Vacuum Hose
9	569714	1	Adaptor pipe
10	572548	2	Clamp hose
	CS600244L	2	Clamp hose
11	568680	3	Cable Tie
12	240407	1	Clip hose
13	614617	1	Clip hose
14	NRC9338	1	Clip hose

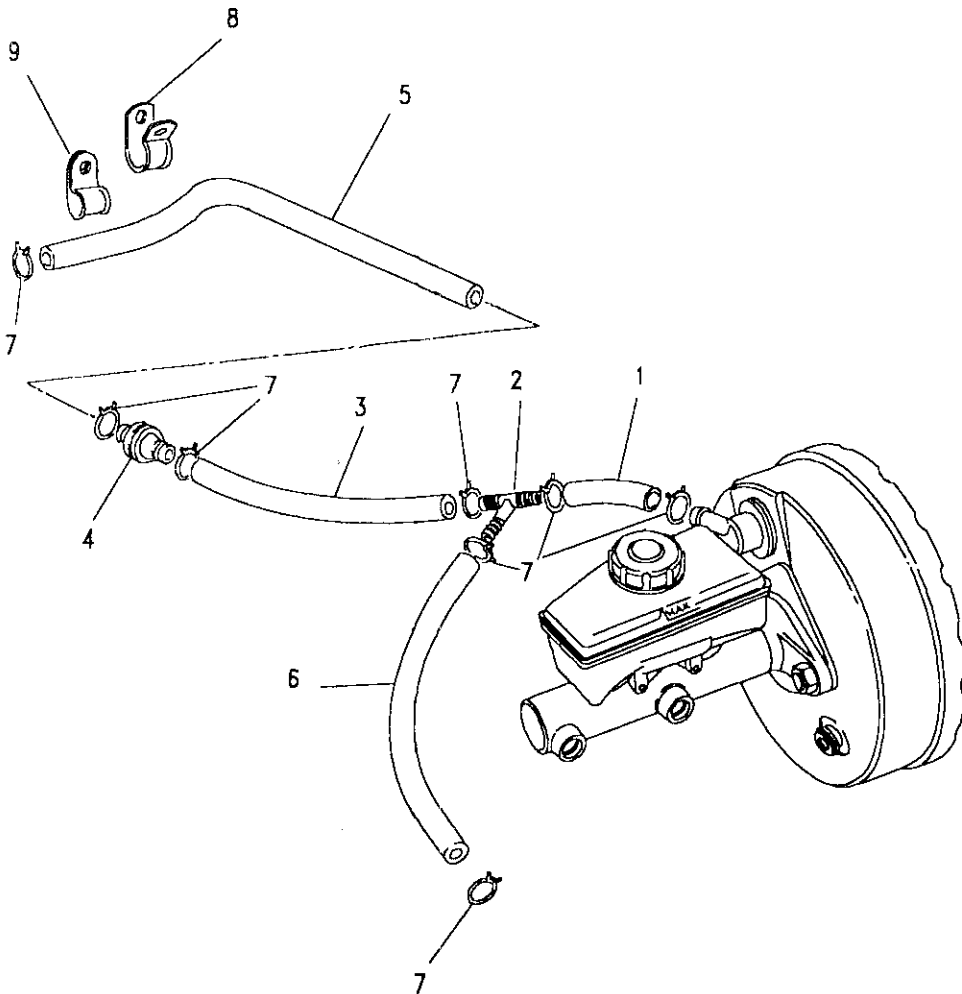
Note(1) Up to LA939975  
 Note(2) From MA939976  
 Note(3) There is no repair kit for the servo assembly

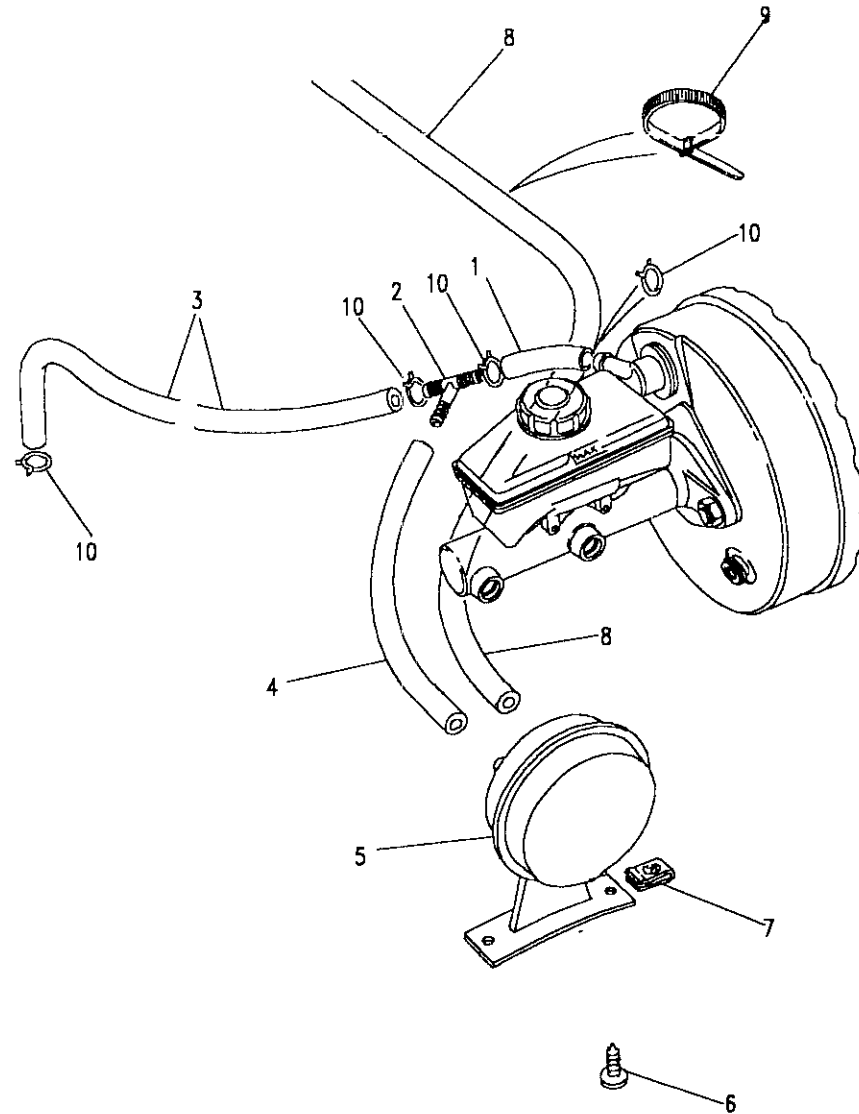


Model DEFENDER 110 1987 onwards  
 Page AFHXAA3A

**BRAKES - VACUUM HOSES - AIR CONDITIONING - UPTO 279962**

III. Part No.	Description	Qty	Remarks
1 NRC8349	Vacuum hose	1	Petrol
CRC2131	Vacuum hose	1	Diesel
CRC2135	Vacuum hose	1	Diesel turbo
2 592443	Tee piece	1	
3 NRC8629	Vacuum hose	1	Petrol
CRC2134	Vacuum hose	1	Diesel
CRC2131	Hose vacuum	1	Diesel turbo
4 NRC8593	Valve one way	1	
5 NRC8352	Vacuum hose	1	Petrol
CRC2131	Vacuum hose	1	Diesel
CRC2131	Vacuum hose	1	Diesel turbo
6 CRC2133	Vacuum hose (to engine)	1	4 cyl Petrol
NRC8352	Vacuum hose (to engine)	1	V8
CRC2144	Vacuum hose (to pump)	1	Diesel
CRC2131	Vacuum hose (to pump)	1	Diesel turbo
7 CS600244L	Clamp hose	8	
8 CP105121L	Clip	1	Petrol
9 56667	Clip	1	Diesel





Model DEFENDER 110 1987 onwards  
 Page AFHXAA4A

**BRAKES - VACUUM HOSES - AIR CONDITIONING - FROM 279963**

III. Part No.	Description	Qty	Remarks
1	NRC8349	1	LHD
	CRC2131	1	RHD
2	MUC4865	1	Tee piece
3	CRC2131	1	4 cyl Petrol
	NRC8352	1	V8 RHD
	CRC2131	1	V8LHD
	CRC2131	1	Diesel
	NTC3372	1	Diesel turbo LHD
	NTC3372	1	200Tdi LHD
	NTC8592	1	Up to HA901219 200Tdi From HA901220
4	MUC4866	1	Vacuum hose
5	MUC1679	1	Vacuum tank
6	AB606041L	2	Screw
7	AK612011L	2	Nut spire
8	MWC4854	1	Vacuum hose
9	568680	3	Cable Tie
10	CS600244L	4	Clamp hose

Model DEFENDER 110 1987 onwards

Page AFHXCA1A

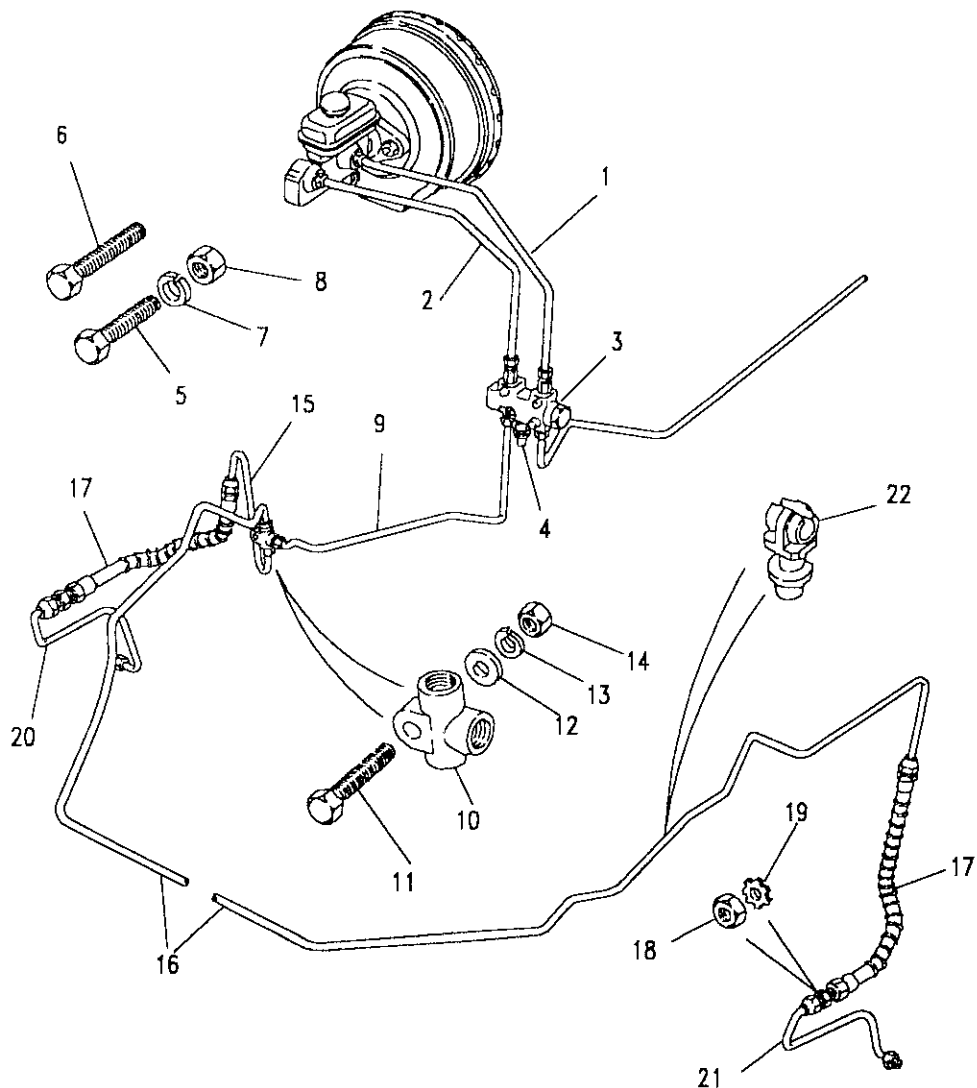
**BRAKES - FRONT BRAKE PIPES**

III. Part No. Description Qty Remarks

Vehicles with front disc and rear drum brakes

Upto VIN HA901219

1	NRC7901	Pipe brake primary	1	RHS
	NRC7902	Pipe brake primary	1	LHS
2	NRC7903	Pipe brake secondary	1	RHS
	NRC7904	Pipe brake secondary	1	LHS
3	NRC7871	Valve PDWA	1	Note(1)
	NRC6515	Valve PDWA/PCR	1	Note(2)
4	AAU1700	Switch	1	
5	BH106091L	Bolt	1	
6	BH106111L	Bolt	1	
7	WL106001L	Washer spring	1	
8	NH106041L	Nut	1	
9	NRC9731	Pipe brake	1	
10	NRC4251	Tee piece	1	
11	BH106061L	Bolt	1	
12	WC106041L	Washer plain	1	
13	WL106001L	Washer spring	1	
14	NH106041L	Nut	1	
15	NRC8721	Pipe brake RH	1	
16	NRC7801	Pipe brake LH	1	
17	NRC7874	Hose brake	2	
18	CRC1487	Nut	4	
19	WF110001L	Washer shakeproof	4	



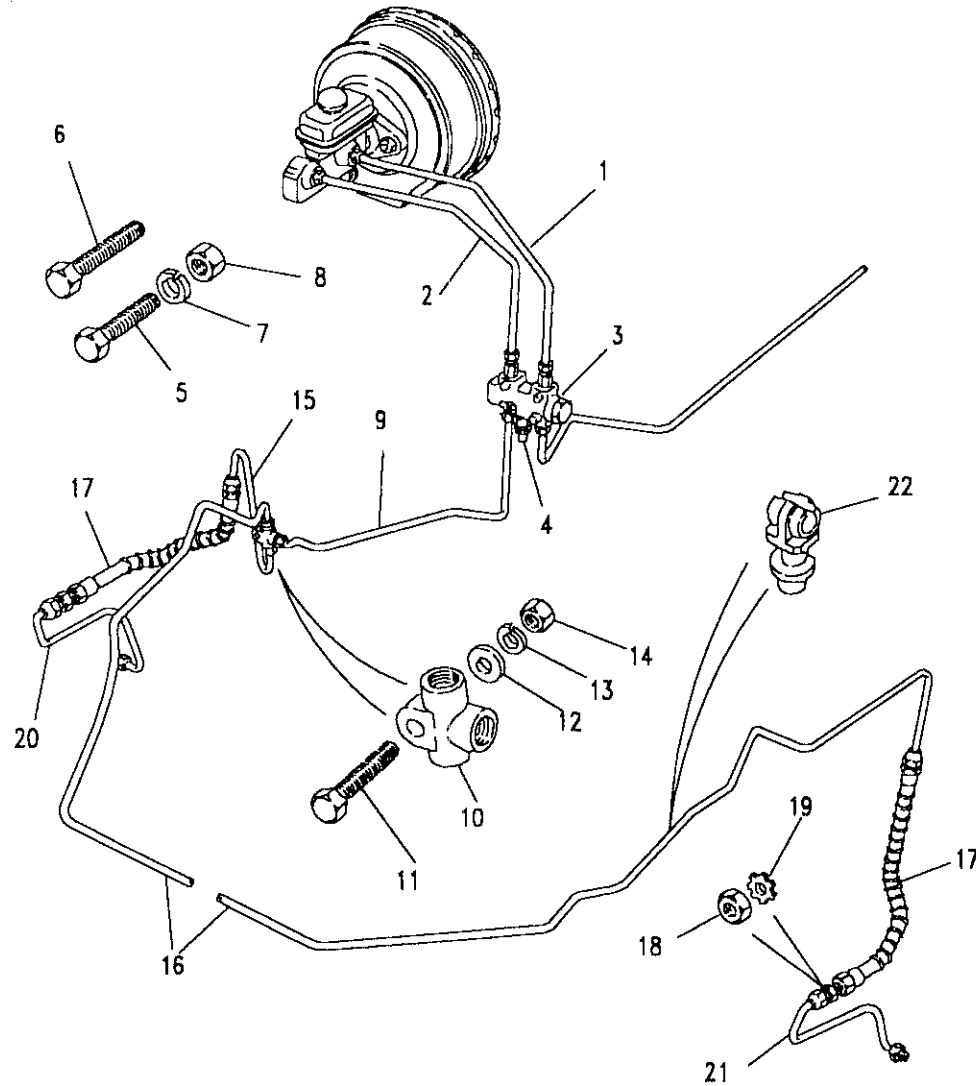


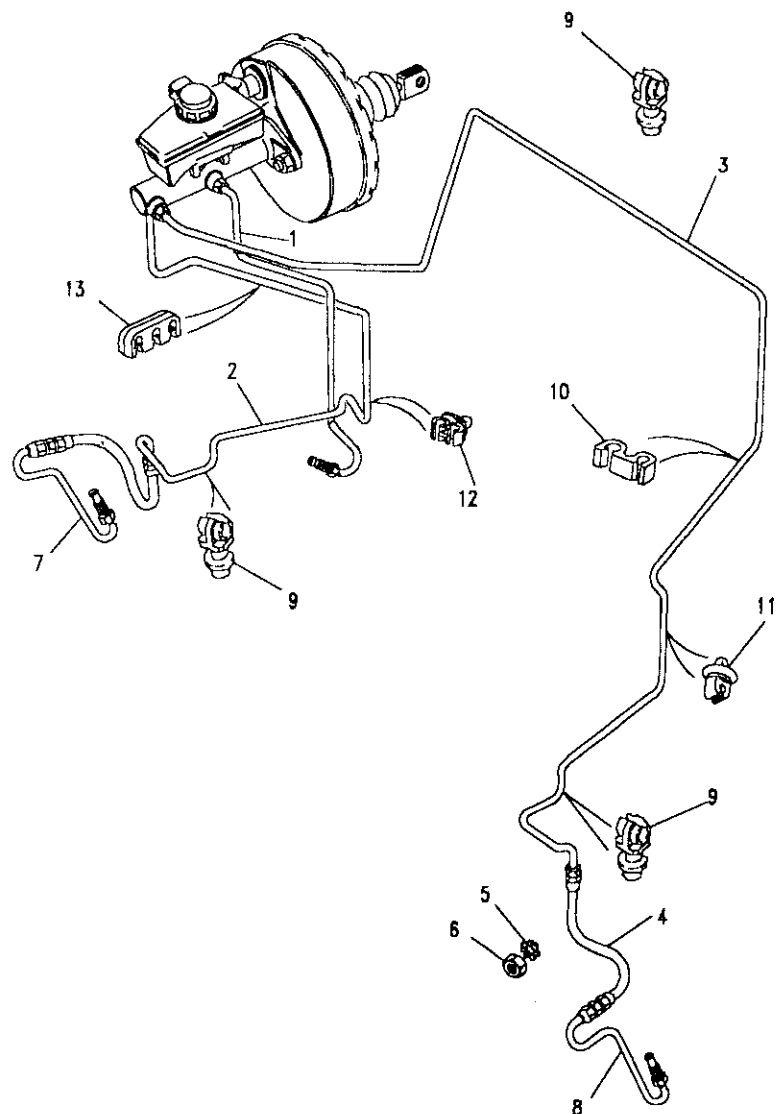
Model DEFENDER 110 1987 onwards  
Page AFHXCA1A

**BRAKES - FRONT BRAKE PIPES**

III. Part No.	Description	Qty	Remarks
20 NRC9575	Pipe brake RH	1	Note(3)
ANR2946	Pipe brake RH	1	Note(4)
21 NRC7799	Pipe brake LH	1	Note(3)
ANR2947	Pipe brake LH	1	Note(4)
22 CRC1250	Pipe Clip	8	

Note(1) PDWA = Pressure differential warning actuator  
 Note(2) PDWA/PCR = Pressure differential warning actuator combined with pressure conscious reduction  
 Note(3) Up to LA930434  
 Note(4) From LA930435





Model DEFENDER 110 1987 onwards

Page AFHXCA2A

**BRAKES - FRONT BRAKE PIPES RHD**

III. Part No. Description Qty Remarks

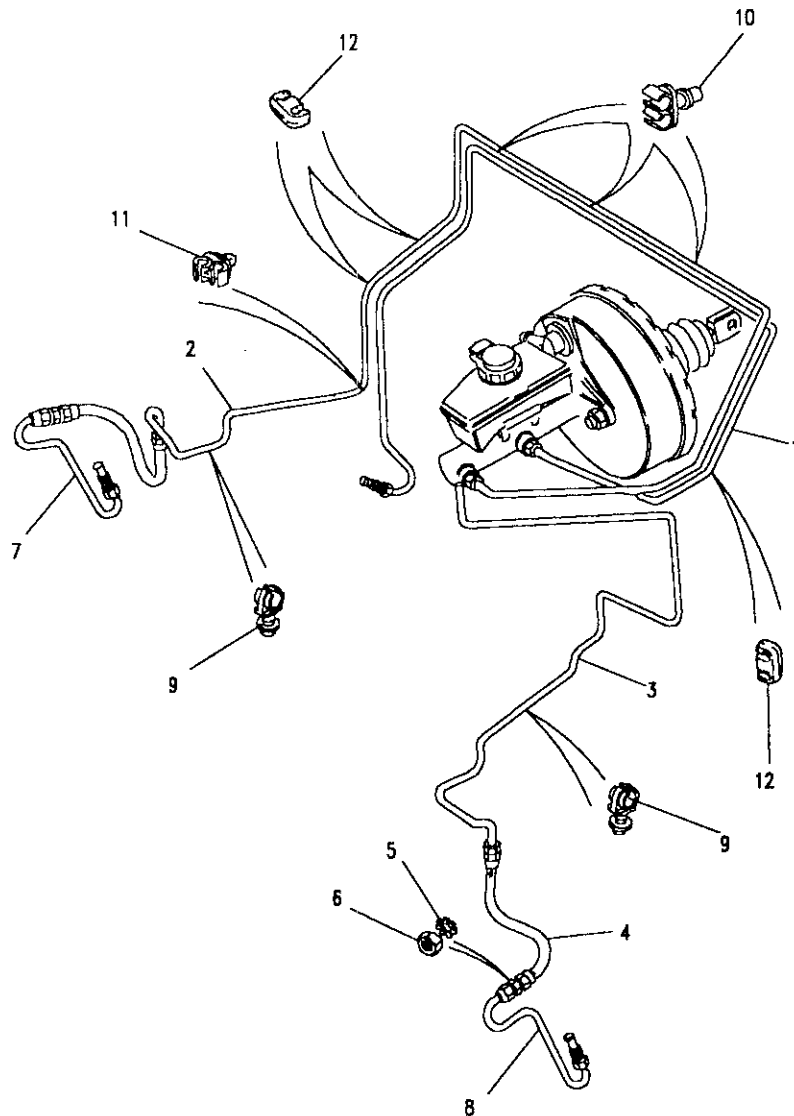
Vehicles with front disc and rear drum brakes

Defender 110 - From VIN HA901222 - Upto VIN 930434

1	NTC8452	Pipe brake	1	Note(1)
	NTC8454	Pipe brake	1	Note(2)
2	NTC5711	Pipe brake RH	1	
3	NTC5709	Pipe brake LH	1	
4	NRC7874	Hose brake	2	
5	WF110001L	Washer shakeproof	4	
6	CRC1487	Nut	4	
7	NRC9575	Pipe brake RH	1	
8	NRC7799	Pipe brake LH	1	
9	CRC1250L	Pipe clip-single	4	
10	NTC1175	Pipe clip-double	1	
11	NTC1176	Pipe clip-single	1	
12	NTC1177	Pipe clip-double	1	
13	ADU8846L	Pipe clip-triple	1	

Note(1) Vehicles fitted with G valve  
 Note(2) Vehicles fitted with connector





**Model** DEFENDER 110 1987 onwards  
**Page** AFHXCA3A

**BRAKES - FRONT BRAKE PIPES LHD**

**III. Part No. Description Qty Remarks**

**Vehicles with front disc and rear drum brakes**

**Defender 110 - From VIN HA901220 - Upto VIN 930434**

1	NTC8451	Pipe brake	1	Note(1)
	NTC8453	Pipe brake	1	Note(2)
2	NTC8450	Pipe brake RH	1	
3	NTC5708	Pipe brake LH	1	
4	NRC7874	Hose brake	2	
5	WF110001L	Washer shakeproof	4	
6	CRC1487	Nut	4	
7	NRC9575	Pipe brake RH	1	
8	NRC7799	Pipe brake LH	1	
9	CRC1250L	Pipe clip-single	2	
10	79127	Pipe clip-double	3	
11	NTC1177	Pipe clip-double	1	
12	AAU7803	Pipe clip-double	3	

Note(1) Vehicles fitted with G valve  
 Note(2) Vehicles fitted with connector



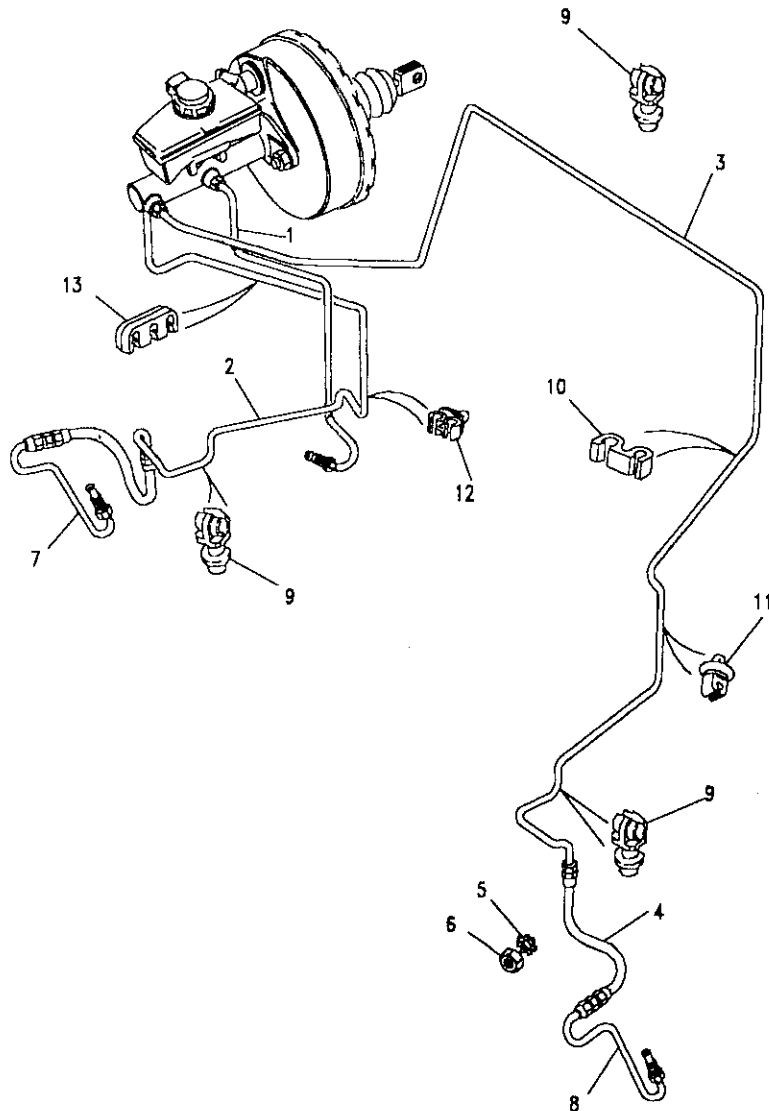
Model DEFENDER 110 1987 onwards  
Page AFHXCA4A

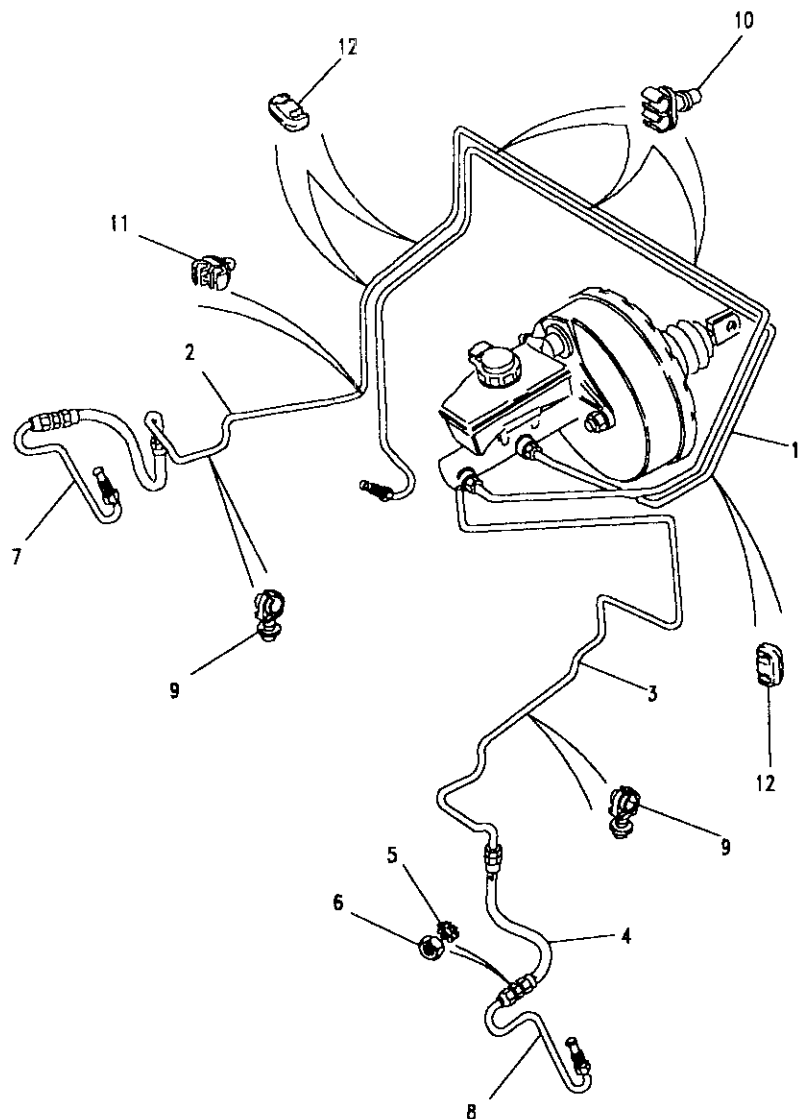
**BRAKES - FRONT BRAKE PIPES RHD**

III. Part No. Description Qty Remarks  
Vehicles with front disc and rear drum brakes

Defender 130 - From VIN HA901222 - Upto VIN 930545

1	NTC8454	Pipe brake	1
2	NTC5711	Pipe brake RH	1
3	NTC5709	Pipe brake LH	1
4	NRC7874	Hose brake	2
5	WF110001L	Washer shakeproof	4
6	CRC1487	Nut	4
7	NRC9575	Pipe brake RH	1
8	NRC7799	Pipe brake LH	1
9	CRC1250L	Pipe clip single	4
10	NTC1175	Pipe clip double	1
11	NTC1176	Pipe clip single	1
12	NTC1177	Pipe clip double	1
13	ADU8846L	Pipe clip triple	1





**Model** DEFENDER 110 1987 onwards  
**Page** AFHXCA5A

**BRAKES - FRONT BRAKE PIPES LHD**

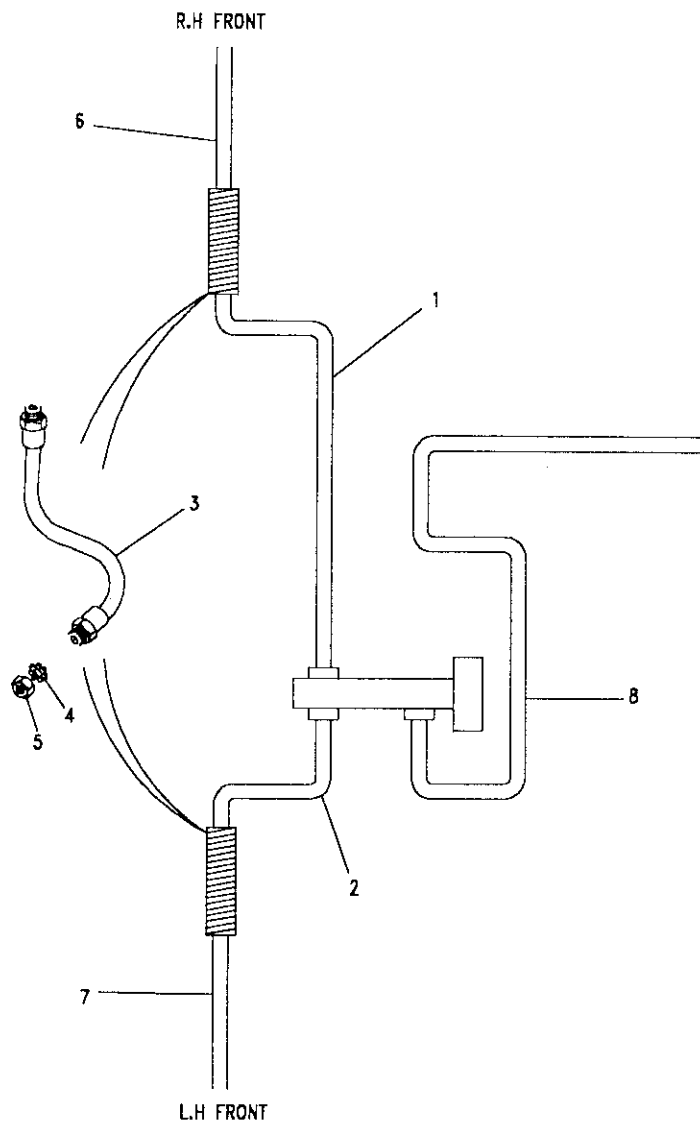
**III. Part No. Description Qty Remarks**

**Vehicles with front disc and rear drum brakes**

**Defender 130 - From VIN HA901220 - Upto VIN 930545**

1	NTC8453	Pipe brake	1
2	NTC8450	Pipe brake RH	1
3	NTC5708	Pipe brake LH	1
4	NRC7874	Hose brake	2
5	WF110001L	Washer shakeproof	4
6	CRC1487	Nut	4
7	NRC9575	Pipe brake RH	1
8	NRC7799	Pipe brake LH	1
9	CRC1250L	Pipe clip single	2
10	79127	Pipe clip double	3
11	NTC1177	Pipe clip double	1
12	AAU7803	Pipe clip double	3





Model DEFENDER 110 1987 onwards

Page AFHXCA6A

**BRAKES - FRONT BRAKE PIPES**

Ill. Part No.	Description	Qty	Remarks
---------------	-------------	-----	---------

Defender 110 - From VIN LA930435

Defender 130 - From VIN LA930546

With front and rear disc brakes

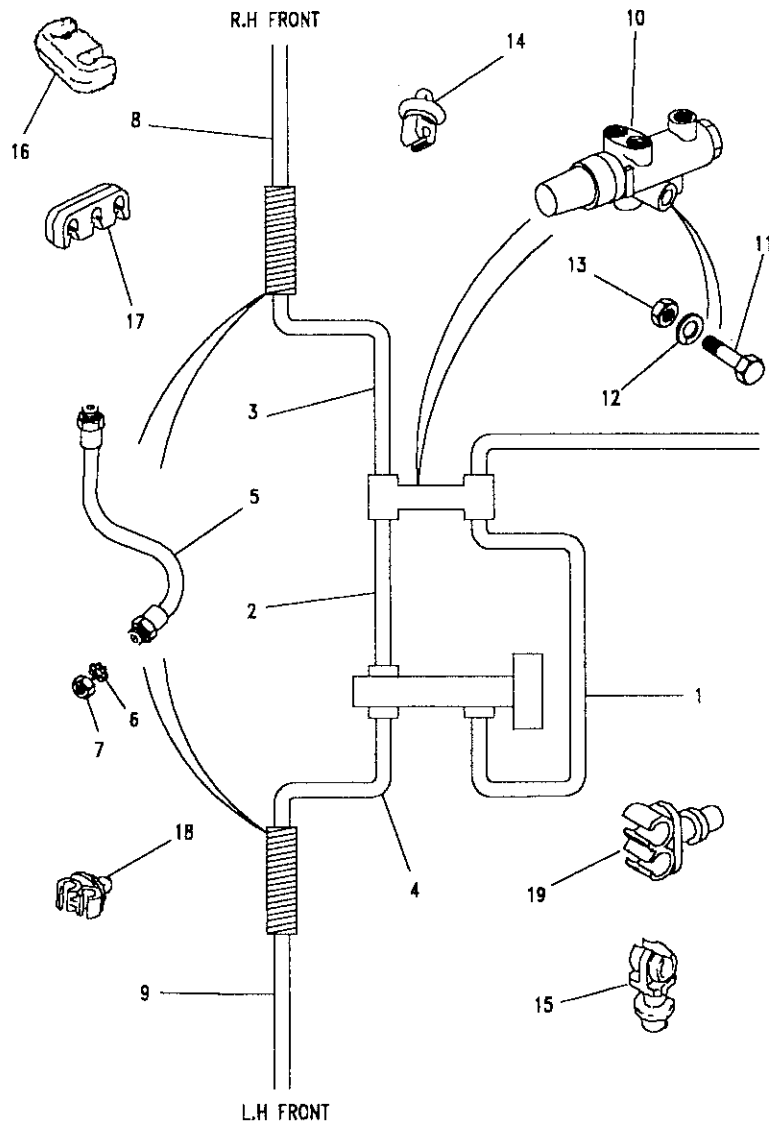
Without Brake Valve

1	NTC5711	Pipe brake -m/cyl to front RH	1	RHS Note(1)
	ANR3615	Pipe brake RH	1	Note(2)
1	ANR2780	Pipe brake -m/cyl to front RH	1	LHS
2	NTC9726	Pipe brake -m/cyl to front LH	1	RHS
2	NTC5708	Pipe brake -m/cyl to front LH	1	LHS
3	NRC7874	Hose brake	2	
4	WF110001L	Washer shakeproof	4	
5	CRC1487	Nut	4	
6	ANR2946	Pipe brake-caliper RH	1	
7	ANR2947	Pipe brake-caliper LH	1	
8	NTC8454	Pipe brake -m/cyl to connector	1	RHS
8	NTC8453	Pipe brake -m/cyl to connector	1	LHS

Note(1) Up to LA939975

Note(2) From MA939976





Model DEFENDER 110 1987 onwards  
 Page AFHXCA7A

**BRAKES - FRONT BRAKE PIPES**

III. Part No. Description Qty Remarks

Defender 110 - From VIN LA930435

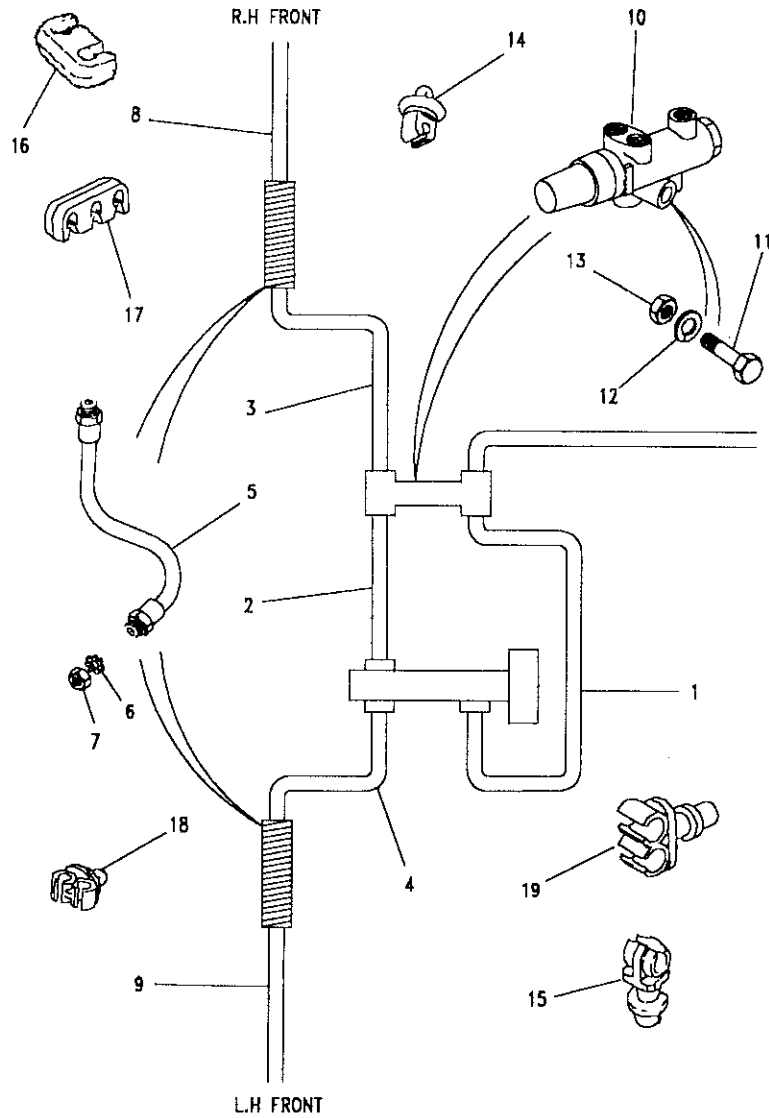
With front and rear disc brakes

**With Brake Valve**

Part No.	Description	Qty	Remarks
1 NTC7961	Pipe brake -m/cyl to valve rear	1	RHS
1 NTC7962	Pipe brake -m/cyl to valve rear	1	LHS Note(3)
ANR3770	Pipe brake -m/cyl to valve rear	1	LHS Note(4)
2 NTC7968	Pipe brake -m/cyl to valve rear	1	RHS
2 NTC7970	Pipe brake -m/cyl to valve front	1	LHS Note(1)
ANR3069	Pipe brake -m/cyl to valve front	1	LHS Note(2)
3 ANR2503	Pipe brake -valve to front RH	1	
4 NTC9726	Pipe brake -m/cyl to front LH	1	RHS
4 NTC5708	Pipe brake -m/cyl to front LH	1	LHS
5 NRC7874	Hose brake	2	
6 WF110001L	Washer shakeproof	4	
7 CRC1487	Nut	4	
8 ANR2946	Pipe brake-caliper RH	1	
9 ANR2947	Pipe brake-caliper LH	1	

Note(1) Up to LA930434  
 Note(2) From LA930435  
 Note(3) Up to MA948860  
 Note(4) From MA948861





**Model** DEFENDER 110 1987 onwards  
**Page** AFHXCA7A

**BRAKES - FRONT BRAKE PIPES**

III. Part No.	Description	Qty	Remarks
10	ANR1415	1	Valve brake-29PRF43
11	BH106091L	1	Bolt
12	WL106001L	1	Washer spring
13	NH106041L	1	Nut
14	NTC1176	1	Clip pipe single
15	CRC1250L	1	Clip pipe single
16	AAU7803	2	Clip pipe single
17	AAU7803	3	Clip pipe double
18	ADU8846L	1	Clip pipe triple
19	NTC1177	1	Clip pipe double
	79127	3	Clip pipe double



**Model** DEFENDER 110 1987 onwards  
**Page** AFHXEA1A

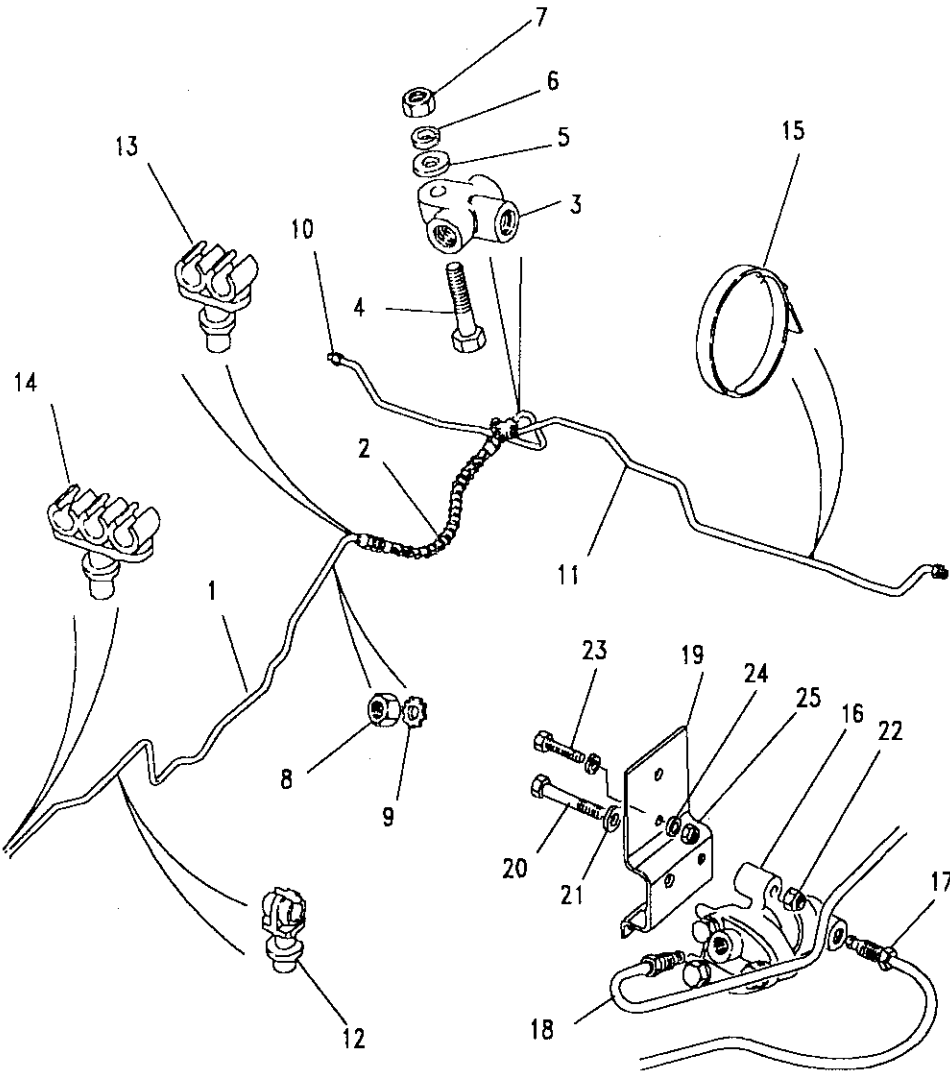
**BRAKES - REAR BRAKE PIPES**

**III. Part No. Description Qty Remarks**

**Vehicles with front disc and rear drum brakes**

**Upto VIN HA901219**

1	NTC1792	Pipe brake	1	
	RRC2479	Pipe brake	1	Defender 130
2	NRC9456	Hose brake	1	
3	NRC4251	Tee piece	1	
4	BH106061L	Bolt	1	
5	WC106041L	Washer plain	1	
6	WL106041	Washer spring	1	
7	NH106041L	Nut	1	
8	CRC1487	Nut	1	
9	WF110001L	Washer shakeproof	1	
10	NRC7905	Pipe brake RH	1	
11	NRC7906	Pipe brake LH	1	
12	CRC1250	Pipe clip	5	
13	79127	Pipe clip-double	1	
14	AFU1217	Pipe clip-triple	2	
15	11820L	Clip	3	Note(1)
	577873	Clip	3	Note(2)
	79004	Screw	3	Upto VIN 341764
	SL510031	Screw	3	From VIN 341765
	WC702101L	Washer plain	3	



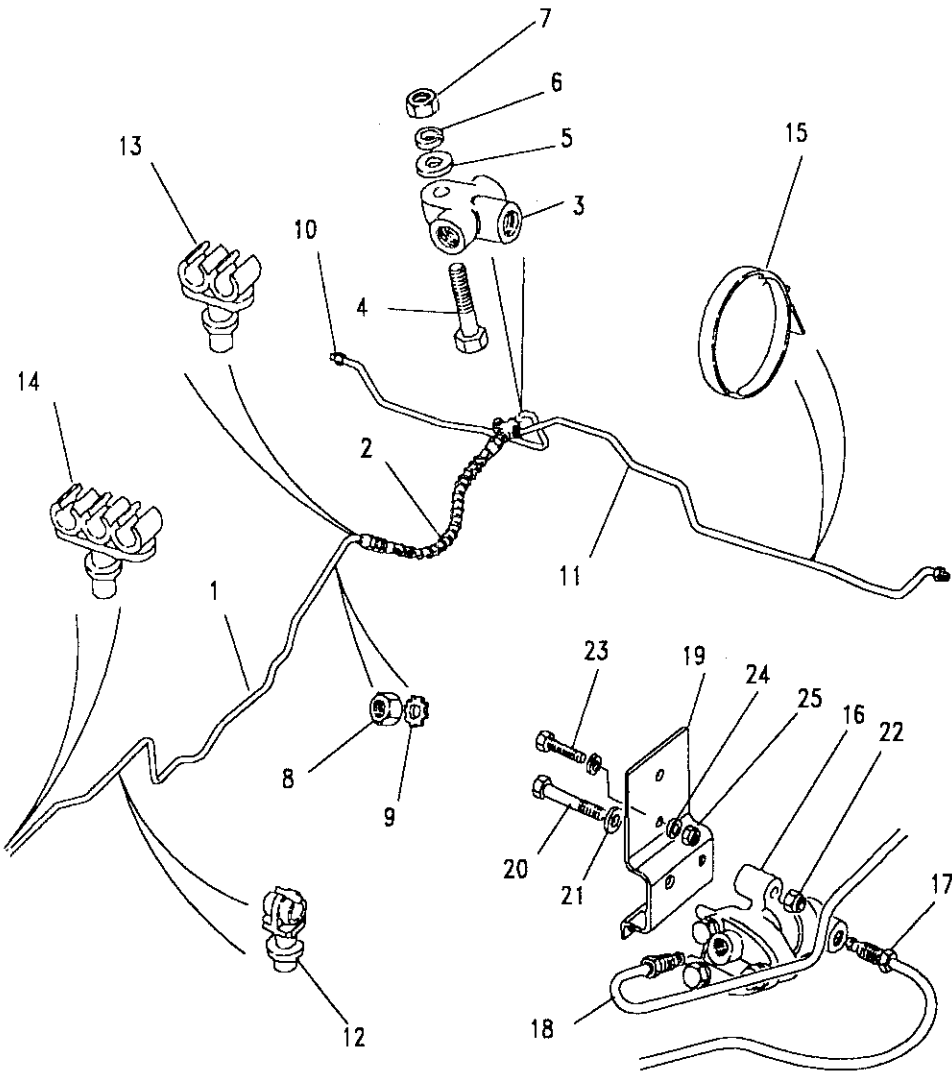


Model DEFENDER 110 1987 onwards  
Page AFHXEA1A

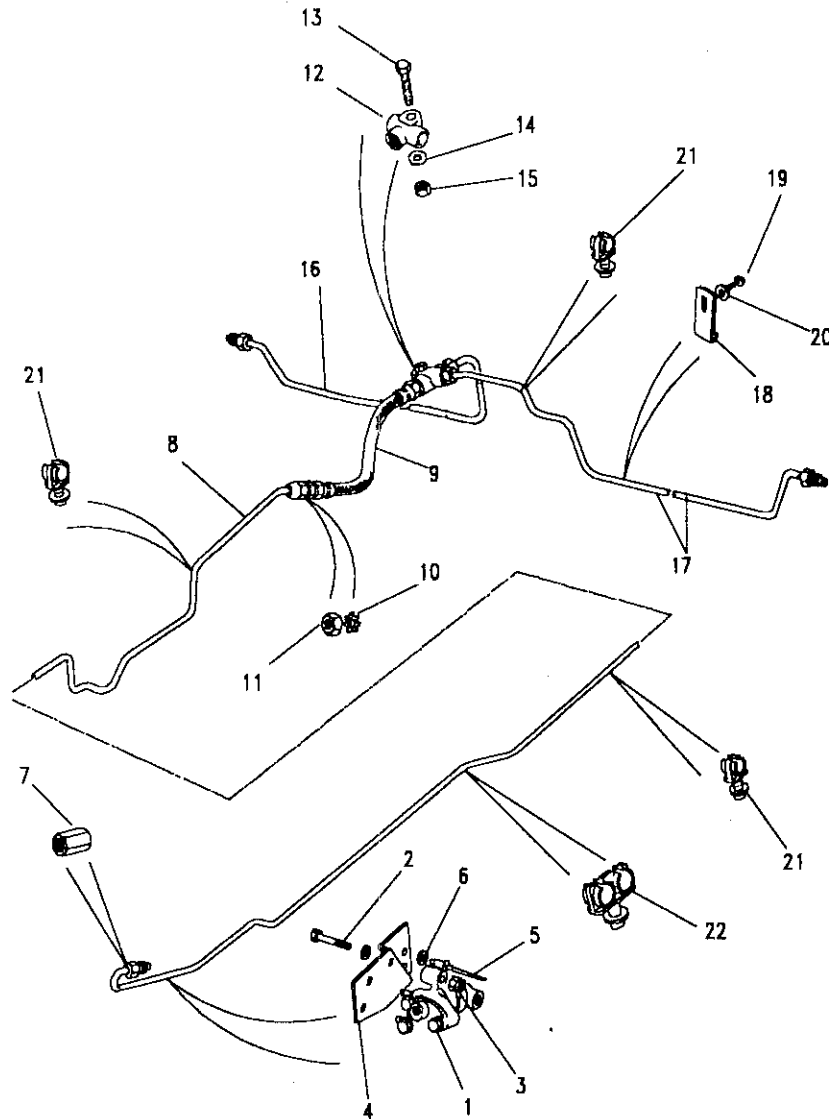
BRAKES - REAR BRAKE PIPES

Ill. Part No.	Description	Qty	Remarks
16	NRC8215	1	)
17	NRC8213	1	)
18	NRC8214	1	)
19	NRC9035	1	)
20	BH108091L	1	)
21	WA108051L	1	)
22	NY108041L	1	)
23	SH106251L	1	)
24	WA106041L	1	)
25	NY106041L	1	)

Note(1) Up to axle number 21543061B  
 Note(2) From axle number 21543062B  
 Note(3) For use on Hard Top vehicles with extra seats in rear







**Model** DEFENDER 110 1987 onwards  
**Page** AFHXEA2A

**BRAKES - REAR BRAKE PIPES**

**Ill. Part No.**                      **Description**                      **Qty** **Remarks**

Vehicles with front disc and rear drum brakes

Defender 110 - From VIN HA901220 - Upto VIN 930434

1	NRC8215	G valve	1	}
2	BH108091L	Bolt	1	
3	NY108041L	Nut nyloc	1	} Note(1)
4	NRC8897	Bracket mounting	1	
5	RA612207L	Rivet	2	}
6	2266L	Washer plain	2	
7	BMK2466	Connector	1	Note(2)
8	NTC8455	Pipe brake	1	Note(1)
	NTC8456	Pipe brake	1	Note(2)
9	NRC9456	Hose brake	1	
10	WF110001L	Washer shakeproof	1	
11	CRC1487	Nut	1	
12	NRC4251	Tee piece	1	
13	BH106061L	Bolt	1	
14	WA106041L	Washer plain	2	
15	NH106041L	Nut	1	
16	NRC7905	Pipe brake RH	1	
17	NTC4578	Pipe brake LH	1	
18	577873	Clip	3	
19	SL510031	Screw	3	
20	WC702101L	Washer plain	3	
21	CRC1250L	Pipe clip-single	6	
22	79127	Pipe clip-double	2	

Note(1) Vehicles fitted with G valve  
 Note(2) Vehicles fitted with connector

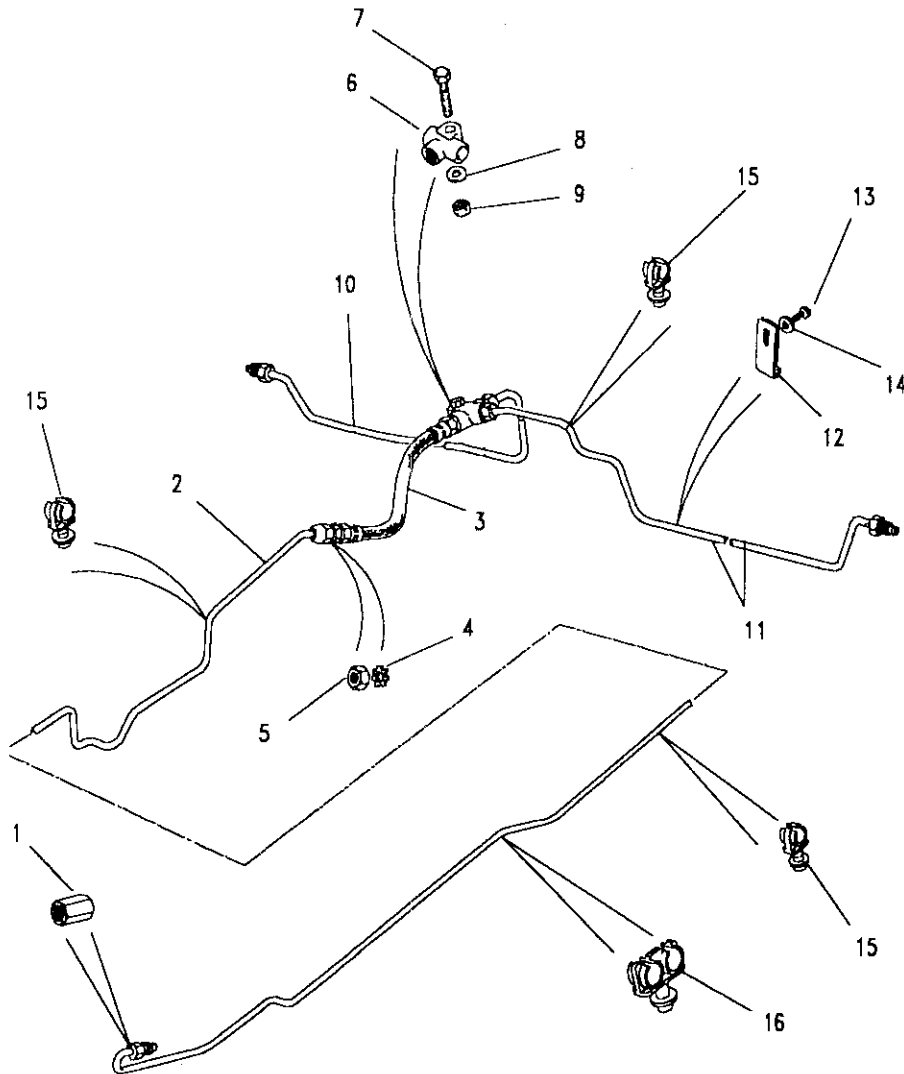
**Model** DEFENDER 110 1987 onwards  
**Page** AFHXEA3A

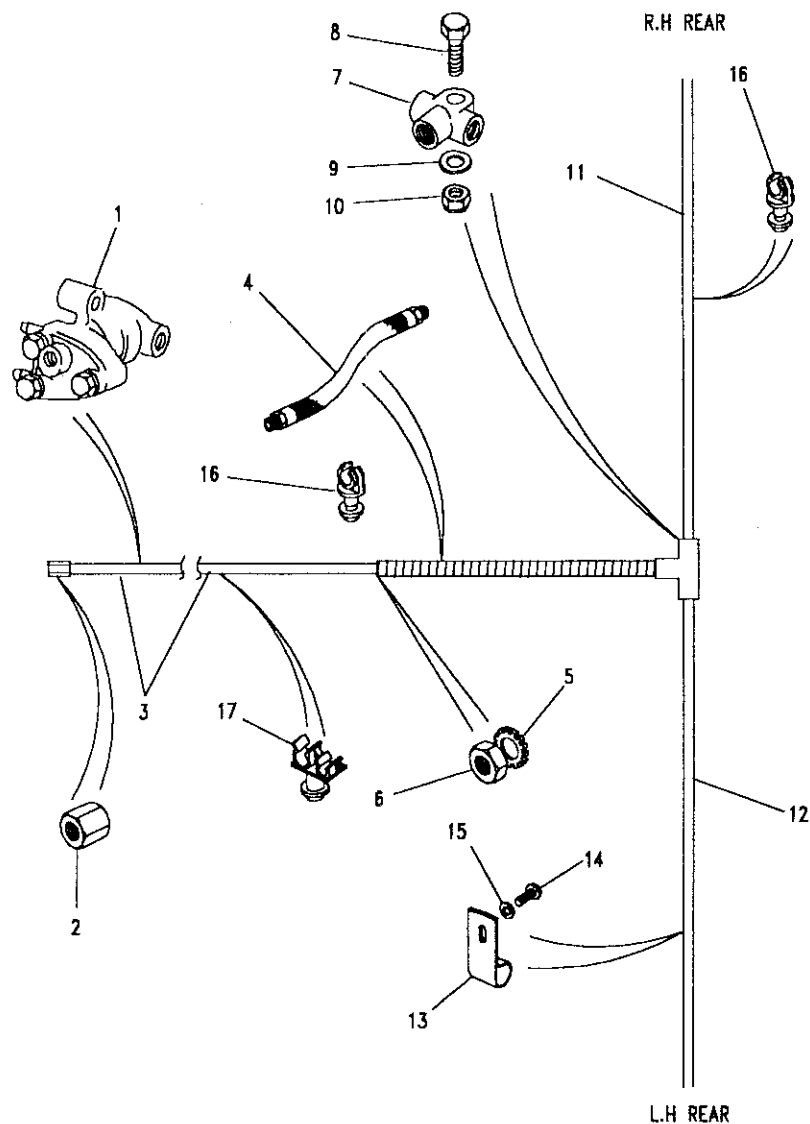
**BRAKES - REAR BRAKE PIPES**

**III. Part No. Description Qty Remarks**  
**Vehicles with front disc and rear drum brakes**

**Defender 130 - From VIN HA901220 - Upto VIN 930545**

1	BMK2466	Connector	1	
2	NTC8543	Pipe brake	1	
3	NRC9456	Hose brake	1	
4	WF110001L	Washer shakeproof	1	
5	CRC1487	Nut	1	
6	NRC4251	Tee piece	1	
7	BH106061L	Bolt	1	
8	WA106041L	Washer plain	2	
9	NH106041L	Nut	1	
10	NRC7905	Pipe brake RH	1	
11	NTC4578	Pipe brake LH	1	
12	577873	Clip	3	
13	SL510031	Screw	3	
14	WC702101L	Washer plain	3	
15	CRC1250L	Pipe clip single	6	RH stg
	CRC1250L	Pipe clip single	7	LH stg
16	79127	Pipe clip double	2	





**Model** DEFENDER 110 1987 onwards

**Page** AFHXEA4A

**BRAKES - REAR BRAKE PIPES**

**III. Part No. Description Qty Remarks**

**From VIN LA930435 - 110, LA930546 - 130**

**Vehicles with front and rear disc brakes**

1	NRC8215	G valve	1	Upto LA939975
	ANR1415	G valve	1	From MA939976

**Defender 110 - Without Brake Valve**

2	BMK2466	Connector	1	
3	ANR2777	Pipe brake rear	1	

**Defender 110 - With Brake Valve**

3	ANR2776	Pipe brake rear	1	
---	---------	-----------------	---	--

**Defender 130**

2	BMK2466	Connector	1	
3	ANR2778	Pipe brake rear	1	

**All Derivatives**

4	NRC9456	Hose brake	1	
5	WF110001L	Washer shakeproof	1	
6	CRC1487	Nut	1	
7	NRC4251	Tee piece	1	
8	BH106061L	Bolt	1	
9	WA106041L	Washer plain	2	
10	NH106041L	Nut	1	
11	NTC7964	Pipe brake-rear RH	1	
12	ANR2779	Pipe brake-rear LH	1	
13	577873	Clip pipe	3	
14	SL510031	Screw	3	
15	WC702101	Washer plain	3	
16	CRC1250L	Clip pipe single	6	
17	79127	Clip pipe double	2	



DEFENDER 110 1987 onwards

507

BRAKES

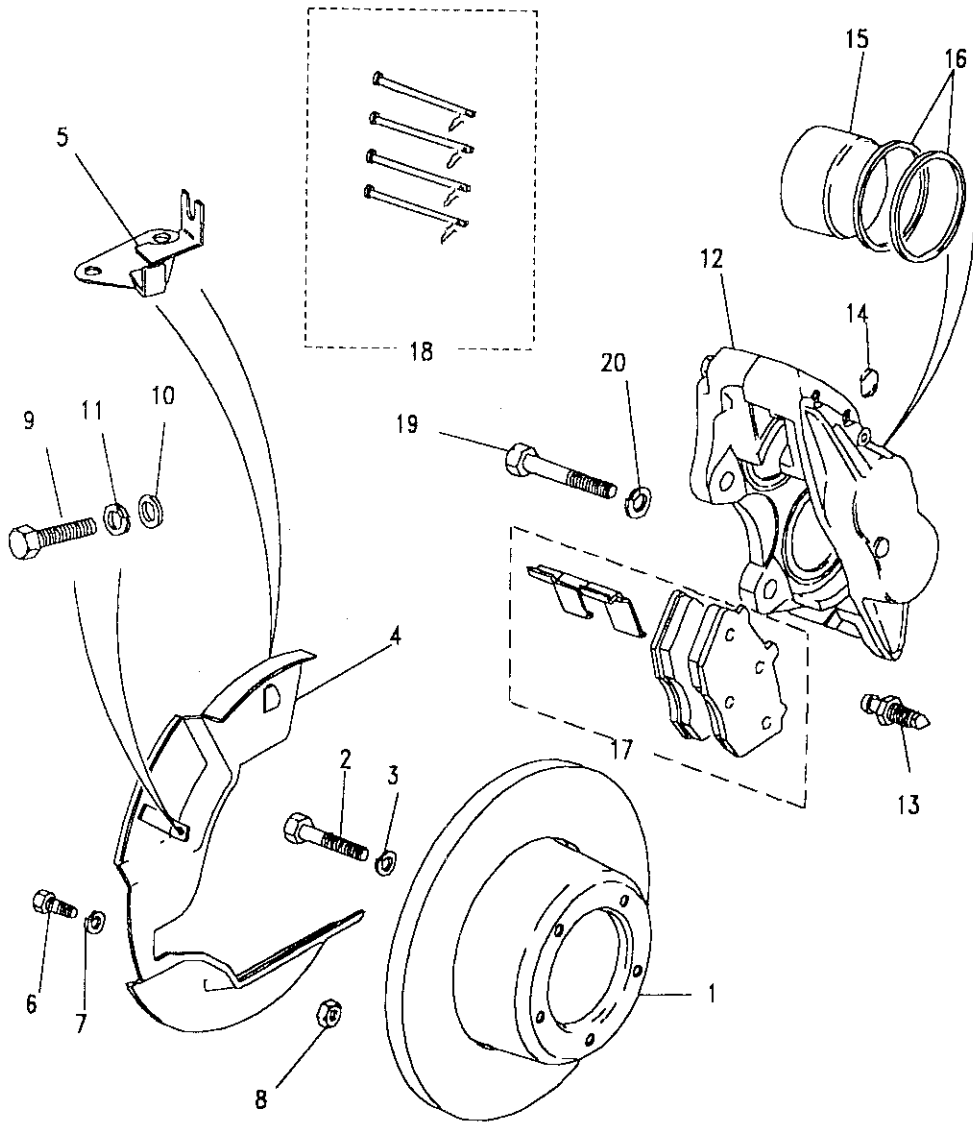
Model DEFENDER 110 1987 onwards  
Page AFHXGA1A

**BRAKES - FRONT BRAKES**

III. Part No. Description Qty Remarks  
Upto VIN 930434 - 110, 930545 - 130

**Vehicles with front disc and rear drum brakes**

1	FRC7329	Disc brake	2	
2	AFU1180	Bolt	10	
3	WL110001L	Washer spring	10	
4	FRC6402	Mudshield brake RH	1	
	FRC6403	Mudshield brake LH	1	
5	FRC7202	Bracket retaining-RH	1	
	FRC7201	Bracket retaining-LH	1	
6	SH106121L	Screw	2	
7	WL106001L	Washer spring	2	
8	NH106041L	Nut	2	
9	SH106121L	Screw	2	
10	WL106001L	Washer spring	2	
11	WA106041L	Washer plain	2	
12	RTC5572	Caliper brake RH	1	
	RTC5573	Caliper brake LH	1	
13	RTC1526	Screw bleed	2	
14	17H8764L	Seal fluid channel	4	
15	STC201	Piston caliper	4	
16	AEU2539	Repair kit caliper	2	
17	RTC5574	Brake pad axle set	1	
18	RTC5001	Retention kit	1	
19	AFU1031	Bolt	2	
20	WL112001L	Washer spring	2	





Model DEFENDER 110 1987 onwards  
Page AFHXGA2A

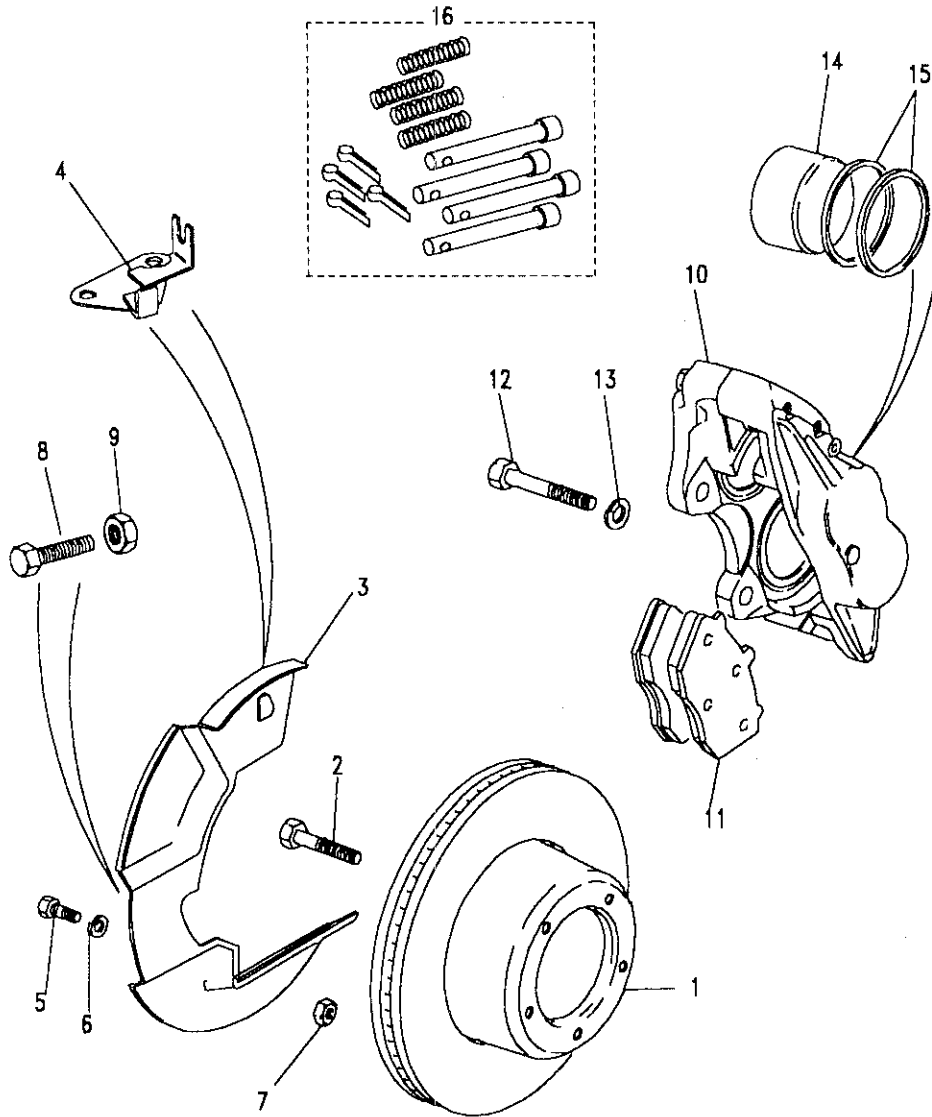
**BRAKES - FRONT BRAKES**

III. Part No. Description Qty Remarks

From VIN LA930435 - 110, LA930546 - 130

**Vehicles with front and rear disc brakes**

1	FTC902	Disc brake vented	2
2	FTC1368	Special bolt	10
3	FTC3278	Mudshield brake RH	1
	FTC3279	Mudshield brake LH	1
4	FRC7202	Bracket RH	1
	FRC7201	Bracket LH	1
5	SH106121L	Screw	2
6	WA106041L	Washer plain	2
7	NH106045	Nut	2
8	SH112505	Screw	2
9	NT112041L	Nut	2
10	STC1266	Caliper brake RH	1
	STC1267	Caliper brake LH	1
11	STC1275	Brake pad axle set	1
12	FTC3375	Bolt caliper	2
13	WL112001L	Washer spring	2
14	STC1280	Kit caliper piston	1
15	AEU2539	Kit caliper repair	4
16	RTC6799	Kit pad retention	1





DEFENDER 110 1987 onwards

509

BRAKES

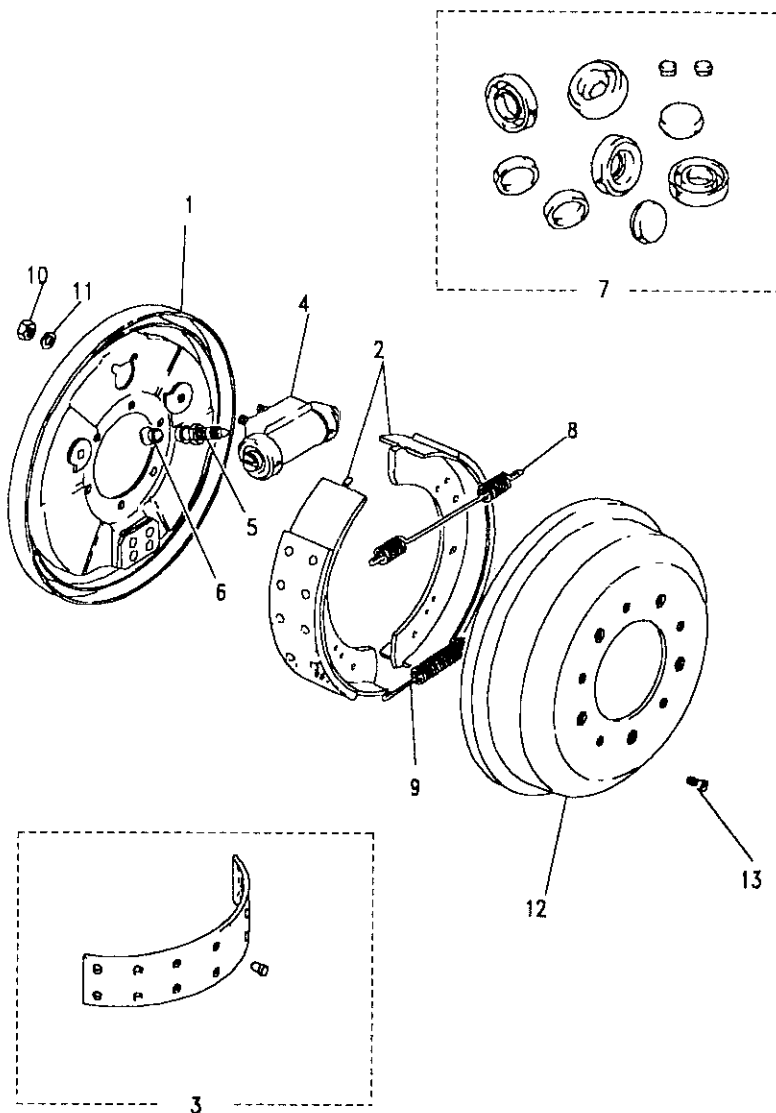
Model DEFENDER 110 1987 onwards

Page AFHXIA1A

**BRAKES - REAR DRUM BRAKES**

III. Part No.	Description	Qty	Remarks
<b>Upto VIN 930434 - 110, 930545 - 130</b>			
1 AEU2496	Backplate RH	1	
AEU2497	Backplate LH	1	
STC361	Backplate RH	1	Note(1)
STC360	Backplate LH	1	Note(1)
2 RTC3418	Brakeshoe axle set	1	
STC359	Brakeshoe axle set	1	Note(1)
3 AEU1880	Linings and rivets set	1	Part of RTC3418
4 RTC3626	Cylinder wheel RH	1	
RTC3627	Cylinder wheel LH	1	
5 608400	Screw bleed	2	
6 234957	Dust cap	2	
7 AEU2498	Repair kit cylinder wheel	2	
8 548169	Spring shoe return	2	Top
9 531893	Spring shoe return	2	Bottom
10 NH605041L	Nut	4	
11 WM600051L	Washer spring	4	
12 576973	Drum brake	2	
13 SA108161	Screw	2	
RTC3176	Adjuster kit brake	1	

Note(1) For heavy duty axle 24S suffix B - Defender110 over 3050kg and all Defender 130



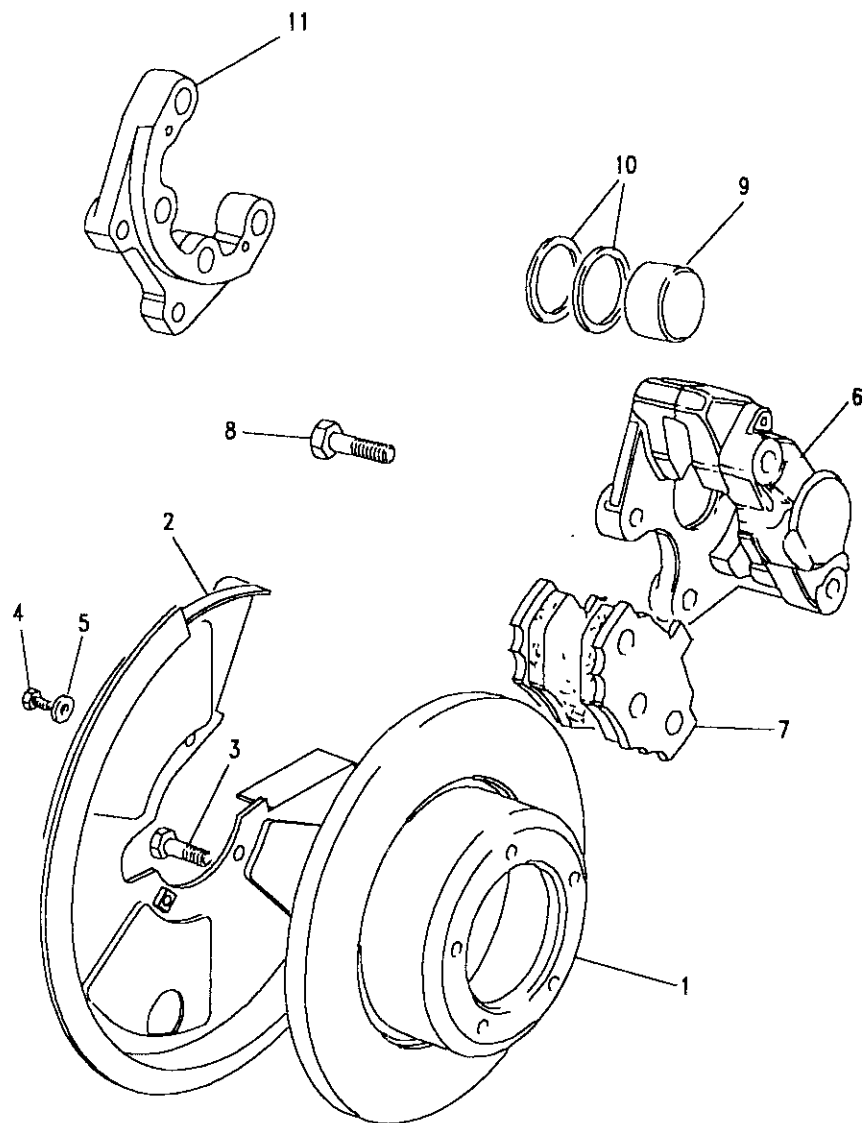


Model DEFENDER 110 1987 onwards

Page AFHXIA2A

## BRAKES - REAR DISC BRAKES

III. Part No.	Description	Qty	Remarks
From VIN LA930435 - 110, LA930546 - 130			
1	FTC3846	2	Disc brake
2	FTC3320	1	Mudshield RH
	FTC3321	1	Mudshield LH
	FTC3299	1	Mounting Bracket
3	FTC1368	10	Bolt M10
4	FS106201L	6	Screw
5	2215L	6	Washer plain
6	STC1268	1	Caliper brake RH
	STC1269	1	Caliper brake LH
7	STC1601	1	Brake pad kit axle set
8	FTC1967	4	Bolt brake caliper
9	STC1281	1	Kit caliper piston
10	STC1270	1	Kit caliper repair
	FTC3306	2	Bracket mounting caliper



Model DEFENDER 110 1987 onwards

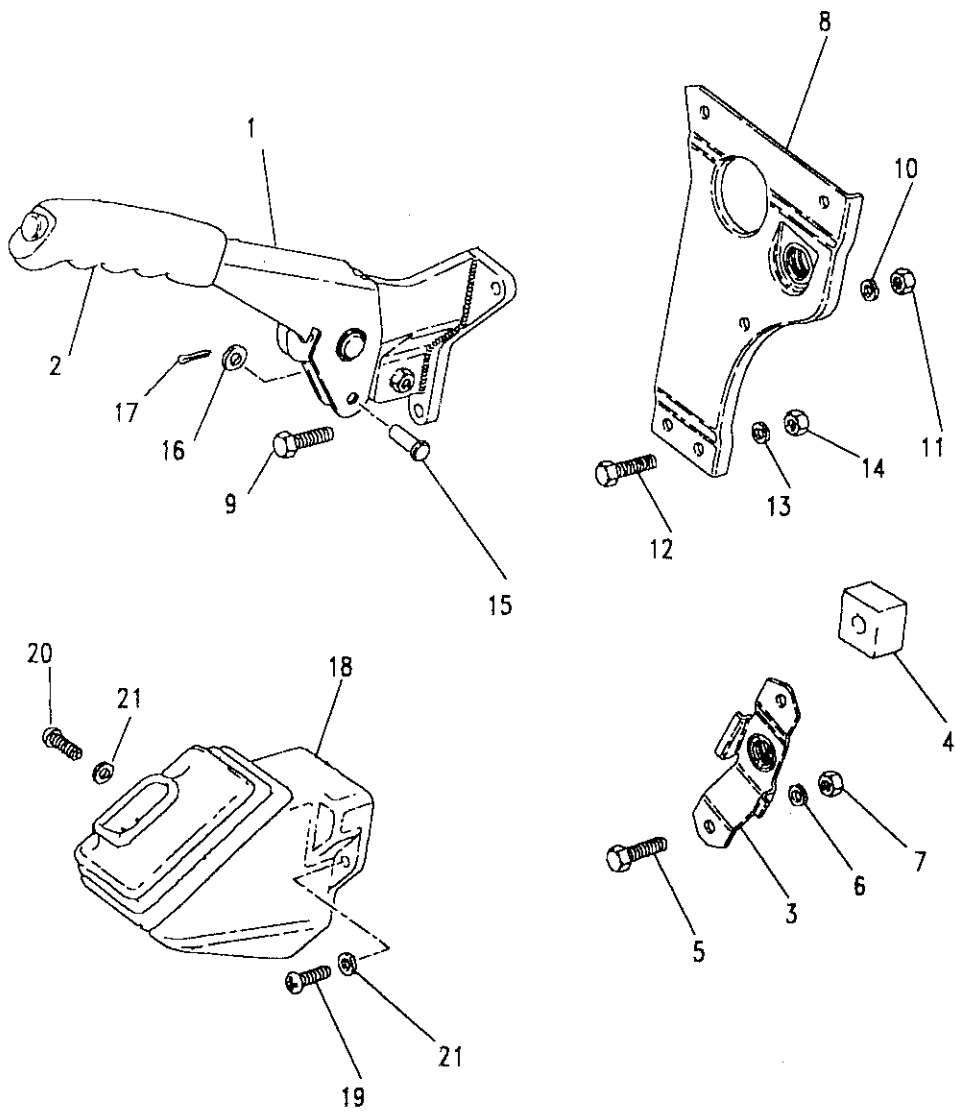
Page AFHXMA1A

**BRAKES - HANDBRAKE LEVER**

III. Part No.	Description	Qty	Remarks
1	NTC1557	1	)
	NRC9115	1	)Note(1)
	ANR3692	1	)
	ANR3693	1	)Note(2)
	WA110061	1	
	NH110041	1	25
	FN110041L	1	25
2	NRC2744	1	
<b>4 Cylinder also V8 from VIN 455962</b>			
3	NRC7984	1	
4	NRC6795	1	
5	FS108251L	2	
6	WL108001L	2	
7	FN108041L	2	

Note(1) Up to LA935629

Note(2) From LA935630

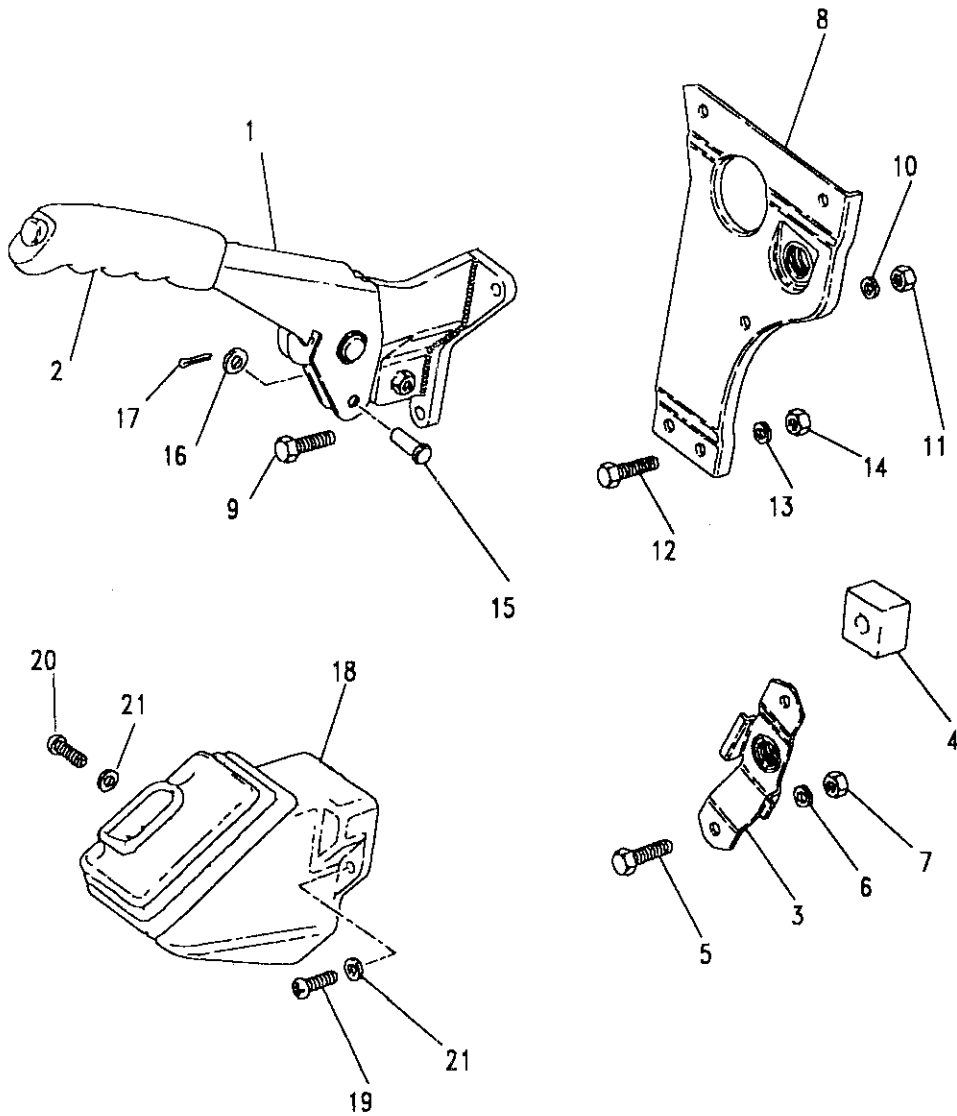




**Model** DEFENDER 110 1987 onwards  
**Page** AFHXMA1A

**BRAKES - HANDBRAKE LEVER**

III. Part No.	Description	Qty	Remarks
<b>V8 upto VIN 455961</b>			
8	NTC1224	1	Stiffener heelboard-RHS
	NRC6653	1	Stiffener heelboard-LHS
9	FS108251L	2	Screw
10	WL108001L	2	Washer spring
11	FN108041L	2	Nut
12	FS108251L	3	Screw
13	WL108001L	3	Washer spring
14	FN108041L	3	Nut





Model DEFENDER 110 1987 onwards

Page AFHXMA1A

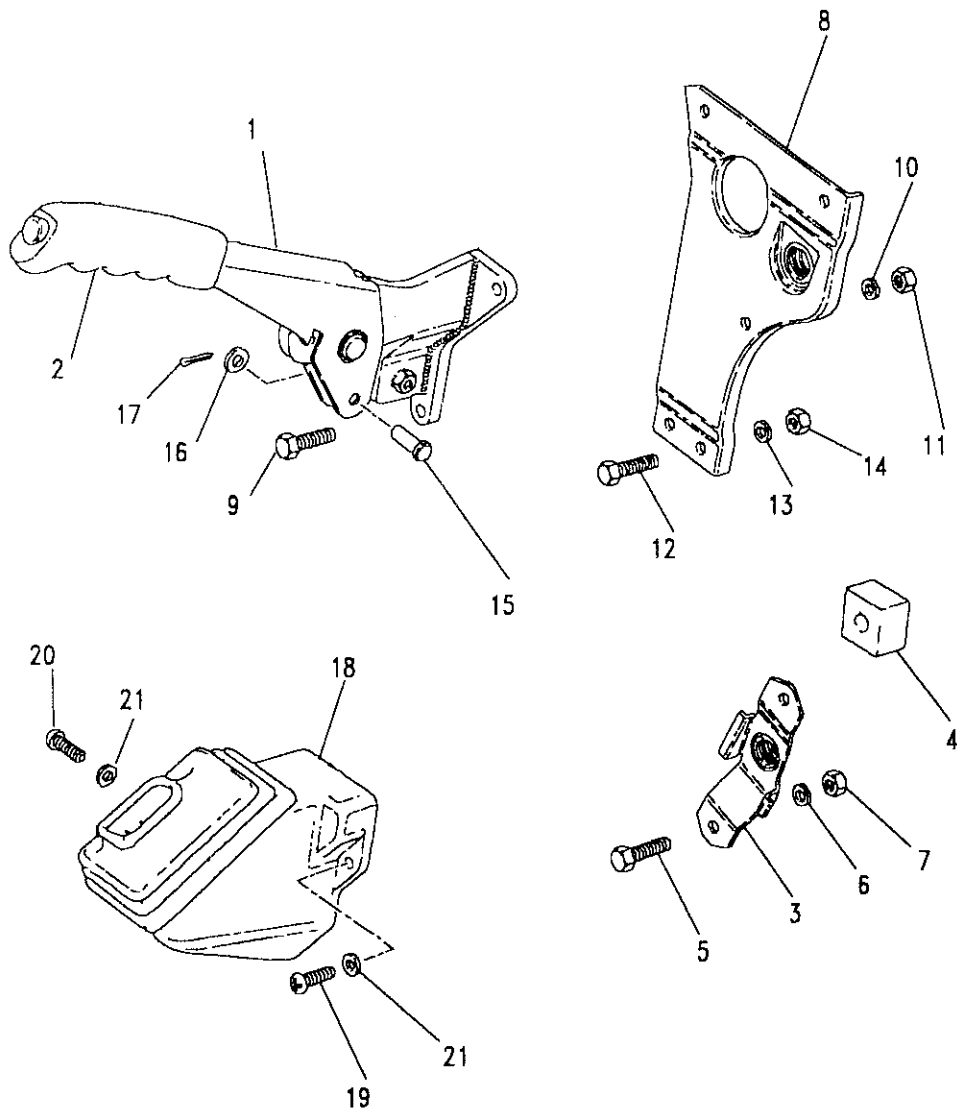
BRAKES - HANDBRAKE LEVER

III. Part No.	Description	Qty	Remarks
15	PC108291L Pin clevis	1	
16	WA108051L Washer plain	1	
17	PS104127L Pin split	1	
18	MRC9570 Cover handbrake	1	RHS
	MRC9571 Cover handbrake	1	LHS
19	AR608041L Screw	2	)
20	SE105201L Screw	1	)
21	WA105001L Washer plain	3	) Note(1)
19	AFU1897LDE Drive fastener	2	)
20	MWC3136 Snapsac	1	)Note(2)

Note(1) Up to LA935629

Note(2) From LA935630

20	AFU1897LDE Drive fastener	1	
21	MWC3136 Snapsac	1	



**Model** DEFENDER 110 1987 onwards  
**Page** AFHXMA2A

**BRAKES - HANDBRAKE LEVER - AUSTRALIA**

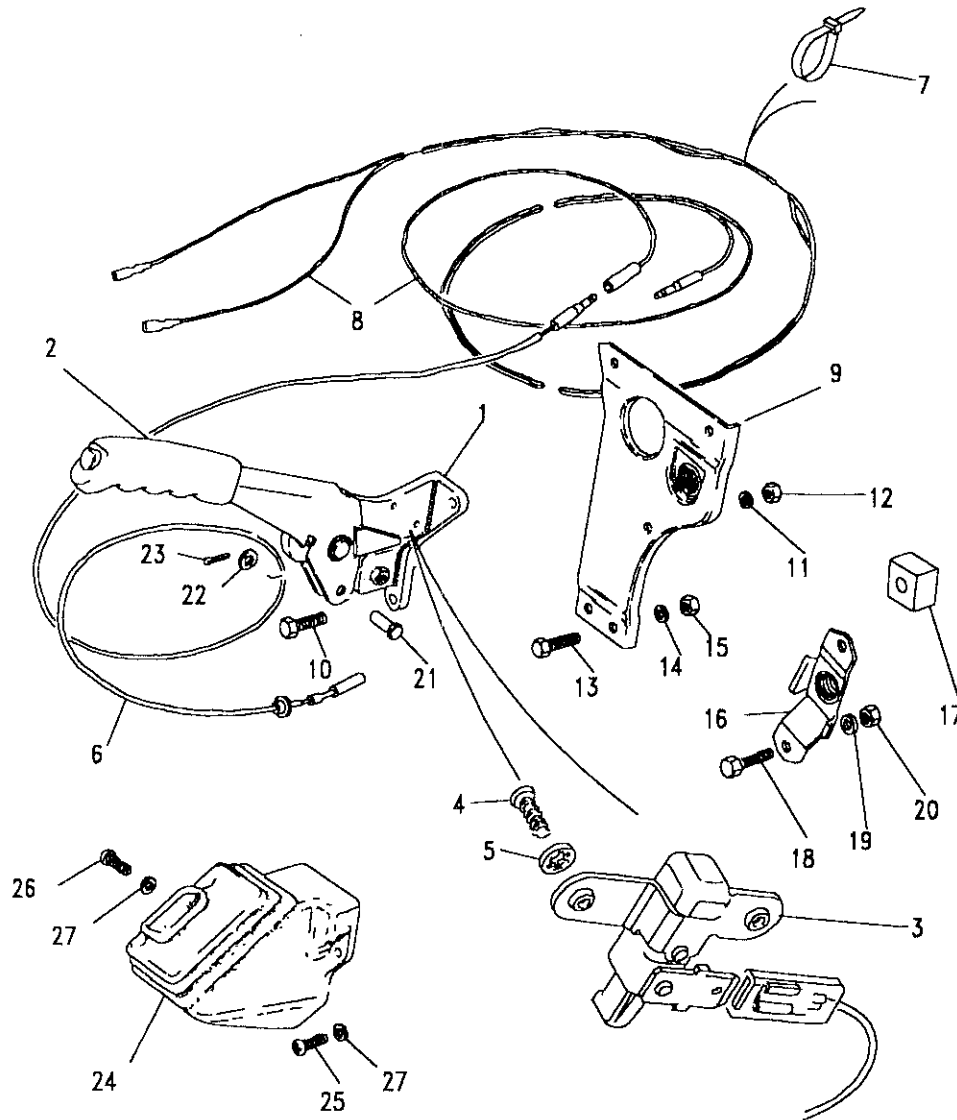
III. Part No.	Description	Qty	Remarks
1	NTC1563	1	Handbrake assembly
2	NRC2744	1	Grip handbrake
3	ADU2888L	1	Switch handbrake
4	SE104124L	2	Screw
5	WF104001L	2	Washer shakeproof
6	PRC4442	1	Lead
7	DRC1538	4	Cable tie
8	PRC3353	1	Cable assembly

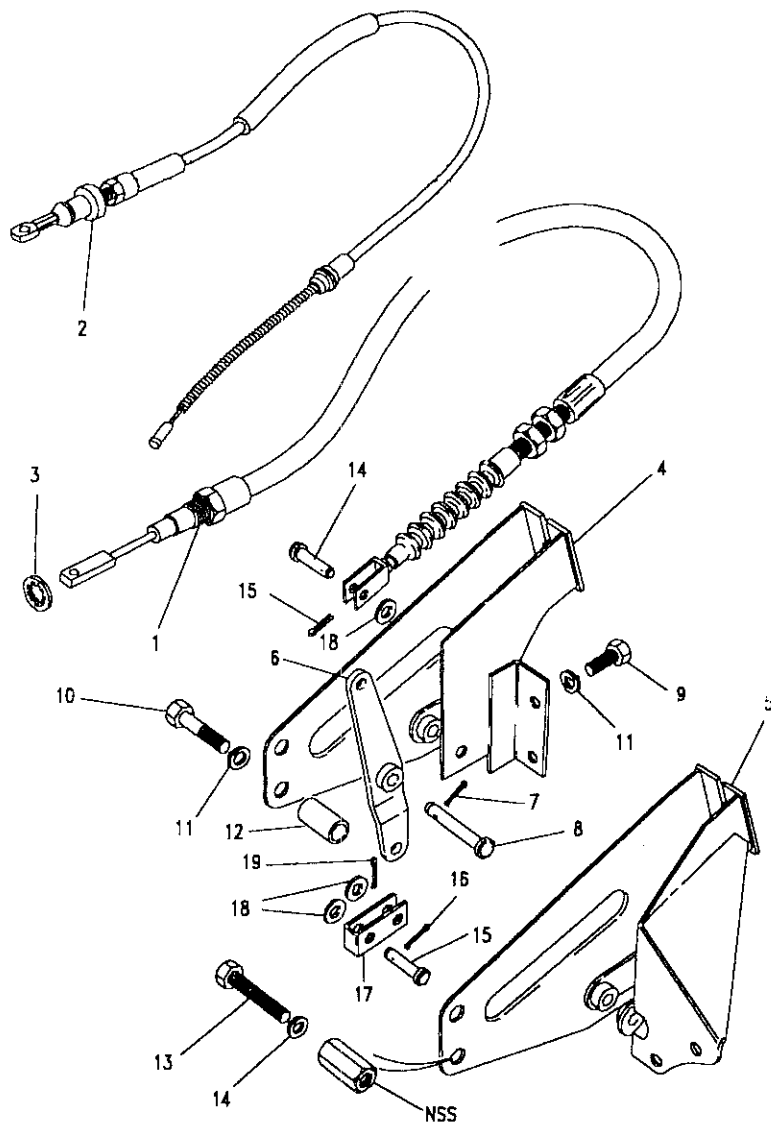
**Upto VIN 455961**

9	NTC1224	1	Stiffener heelboard
10	FS108251L	2	Screw
11	WL108001L	2	Washer spring
12	FN108041L	2	Nut
13	FS10825L	3	Screw
14	WL108001L	3	Washer spring
15	FN10804L	3	Nut

**From VIN 455962**

16	NRC7984	1	Plate abutment
17	NRC6795	1	Seal
18	FS108251L	2	Screw
19	WL108001L	2	Washer spring
20	FN108041L	2	Nut
21	PC108291L	1	Pin clevis
22	WA108051L	1	Washer plain
23	PS104127L	1	Pin split
24	MRC9570	1	Cover handbrake
25	AR608041L	2	Screw
26	SE105201L	1	Screw
27	WA105001L	3	Washer plain





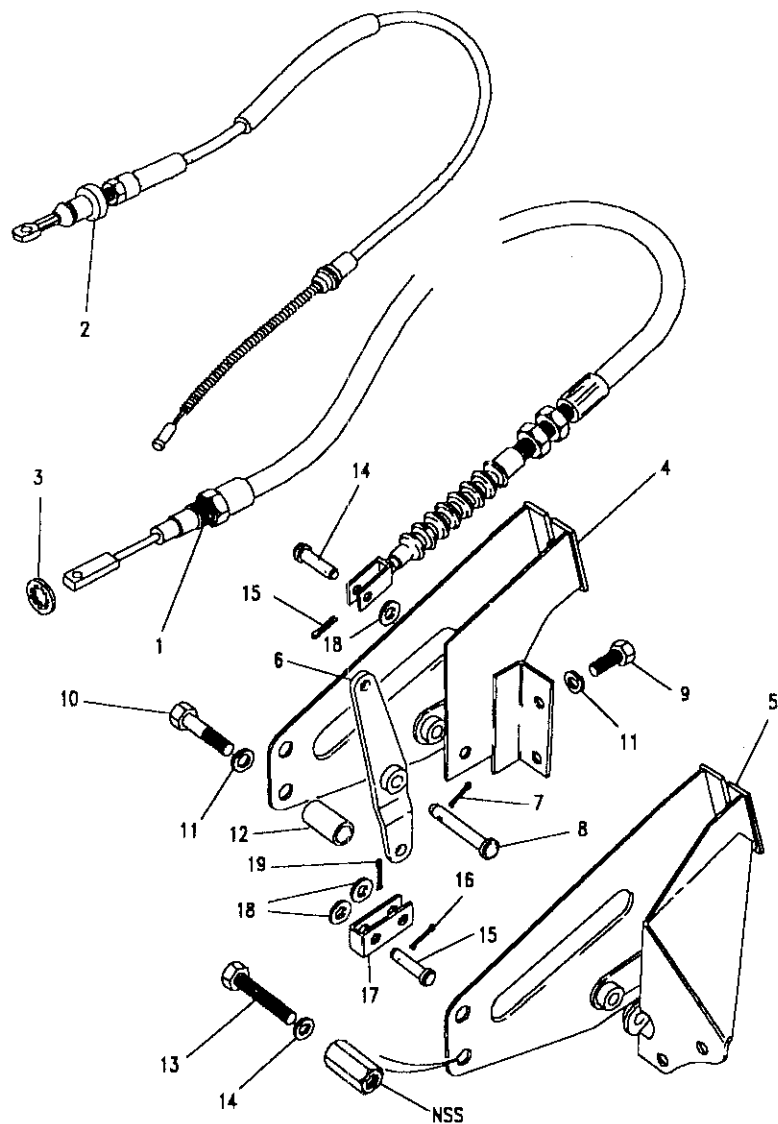
**Model** DEFENDER 110 1987 onwards

**Page** AFHXMA3A

**BRAKES - HANDBRAKE CABLE**

III. Part No.	Description	Qty	Remarks
1 NTC3480	Cable handbrake	1	Note(1)
2 STC1530	Cable handbrake	1	Note(2)
3 WF116001L	Washer shakeproof	1	
<b>4 Cylinder</b>			
4 NRC8059	Carrier	1	Upto VIN HA901219
NTC1643	Carrier	1	From VIN HA901220
<b>V8</b>			
5 NTC1643	Carrier	1	
6 NRC7044	Lever	1	
7 PS104161	Pin split	1	
8 NRC5104	Pin	1	
<b>4 Cylinder upto VIN HA901219</b>			
9 FS108251L	Screw-to housing	2	
10 BH108091L	Bolt-to housing	2	
11 WL108001L	Washer spring	4	
12 NRC7124	Spacer	2	

Note(1) Up to 20D290863E  
 Note(2) From 20D290864E



**Model** DEFENDER 110 1987 onwards  
**Page** AFHXMA3A

**BRAKES - HANDBRAKE CABLE**

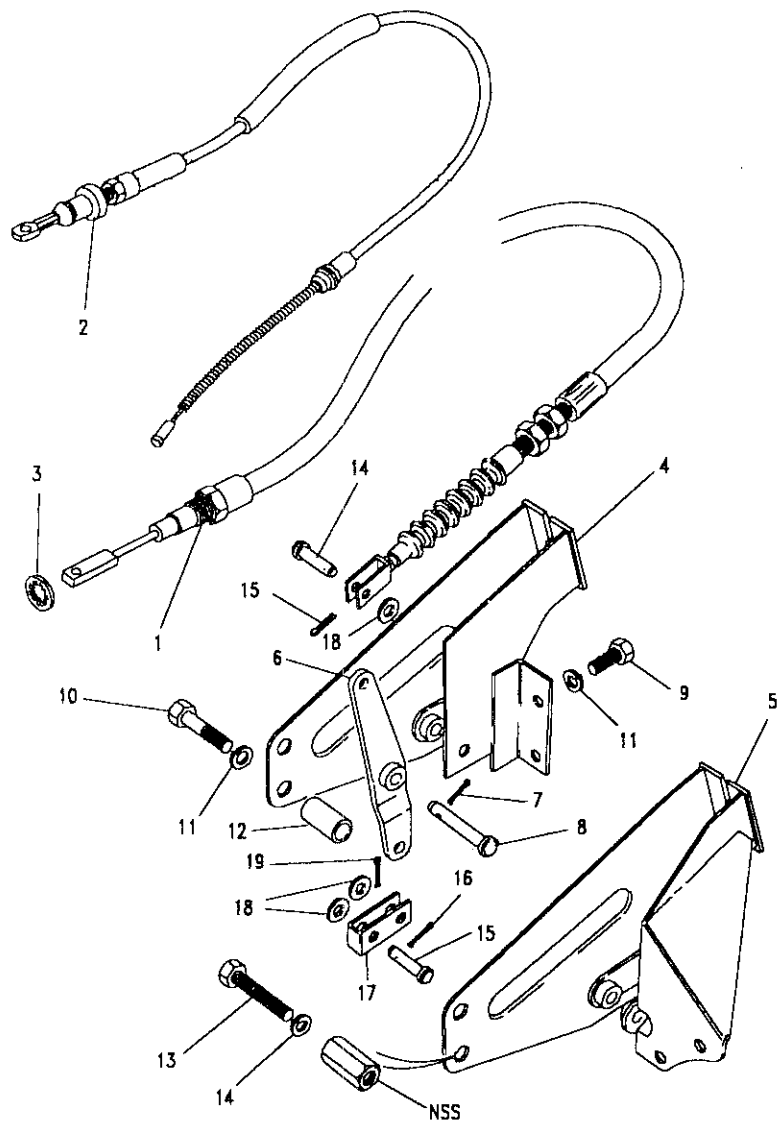
III. Part No.	Description	Qty	Remarks
V8 also 4 Cylinder from VIN HA901220			
13 SH606061L	Screw-to pillar	2	
14 WM600061L	Washer spring	2	
15 PC108291L	Pin clevis	1	
16 PS104127L	Pin split	1	
17 NRC7648	Clevis	1	
18 WA108051L	Washer plain	2	
19 PS104127L	Pin split	2	



**Model** DEFENDER 110 1987 onwards  
**Page** AFHXMA3A

**BRAKES - HANDBRAKE CABLE**

III. Part No.	Description	Qty	Remarks
<b>Upto VIN 455961</b>			
NRC9461	Clip anti rattle RHS	1	
AFU1350	Monobolt-RHS	1	
AEU1446	Clip anti rattle LHS	1	
SE105161	Screw LHS	1	
WL105001L	Washer spring LHS	1	
NH105041	Nut LHS	1	
<b>From VIN 455962</b>			
AEU1446	Clip	1	
78248	Rivet	1	





## MASTER INDEX

	PAGES
INTRODUCTION PAGES	1 - 7
ALPHABETICAL INDEX	8 - 16
ENGINE	17 - 66
ENGINE	67 - 119
ENGINE	120 - 166
ENGINE	167 - 209
ENGINE	210 - 245
ENGINE	246 - 299
GEARBOX	300 - 326
GEARBOX	327 - 344
GEARBOX	345 - 359
TRANSFER BOX	360 - 378
TRANSFER BOX	379 - 397
AXLES AND SUSPENSION	398 - 444
STEERING	445 - 471
VEHICLE AND ENGINE CONTROLS	472 - 486
BRAKES	487 - 517
FUEL SYSTEM AND AIR CLEANER	518 - 579
EXHAUST SYSTEM	580 - 593
COOLING/HEATING	594 - 637
COOLING/HEATING	638 - 641
COOLING/HEATING	642 - 649
COOLING/HEATING	650 - 655
COOLING/HEATING	656 - 666
BODY ELECTRICAL	667 - 740
BODY AND CHASSIS	741 - 909
INTERIOR TRIM	910 - 955
SEATS	956 - 1036
STOWAGE	1037 - 1046
ACCESSORIES - PAINTS	1047 - 1074
NUMERICAL INDEX	1076 - 1151

## GROUP J

## FUEL SYSTEM AND AIR CLEANER

FUEL SYSTEM AND AIR CLEANER	
MAIN FUEL TANK	520 - 521
EXTRA FUEL TANK - PICK UP	522 - 523
EXTRA FUEL TANK - STATION WAGON	524 - 525
FUEL FILLER - REAR AND SIDE TANK	526 - 527
SEPARATOR & FILTER - 4 CYL PETROL	528 - 529
FILTER AND PIPES - V8 PETROL	530
REAR PIPES - SINGLE TANK - PETROL	531
TWIN TANKS-PETROL-4 CYL AND V8	532
PIPES,SOLENOID-TWIN TANKS-PETROL	533
PIPES - DIESEL AND DIESEL TURBO	534
PIPES - 200TDI - FROM VIN HA455646	535
PIPES - DIESEL - WITHOUT SEDIMENTOR	536 - 539
PIPES - DIESEL - WITH - SEDIMENTOR	540
PIPES - DIESEL - WITH SEDIMENTOR	541 - 542
FUEL PIPES - 300TDI	543
TAPS - DUAL TANKS OPTION - DIESEL	544 - 545
FILTER - DIESEL AND DIESEL TURBO	546
FILTER - 200TDI	547
FILTER - 300TDI	548
SEDIMENTORS - OPTIONAL - DIESEL	549
AIR CLEANER - 4 CYLINDER PETROL	550
AIR CLEANER - V8 PETROL	551 - 552
AIR INLETS V8 STROMBERG CARBS NON DETOXED	553
AIR INLETS V8 SU CARBS NON DETOXED	554
AIR TEMPERATURE CONTROL	555 - 558
AIR CLEANER - DIESEL NATURALLY ASPIRATED	559 - 560
AIR CLEANER - DIESEL TURBO	561 - 562
AIR CLEANER - 200TDI	563
AIR CLEANER - 300TDI	564 - 565
AIR INTAKE - DIESEL TURBO & 200TDI	566
AIR INTAKE - 300TDI	567
RAISED AIR CLEANER - 4 CYLINDER	568
RAISED AIR CLEANER - 200TDI	569
EVAPORATIVE LOSS - 4 CYLINDER PETROL	570
EVAPORATIVE LOSS - V8 PETROL	571 - 572
EVAPORATIVE LOSS - HCPU - SINGLE FUEL TANK	573
EVAP LOSS - STATION WAGON - SINGLE FUEL TANK	574
EVAP LOSS - STATION WAGON - SINGLE TANK	575





DEFENDER 110 1987 onwards

519

FUEL SYSTEM AND AIR CLEANER

EVAPORATIVE LOSS - HCPU	576
EVAP LOSS - REGULAR AND STATION WAGON	577
EVAPORATIVE LOSS - DEFENDER 130	578
EVAP LOSS SINGLE FUEL TANK - DEFENDER 130	579



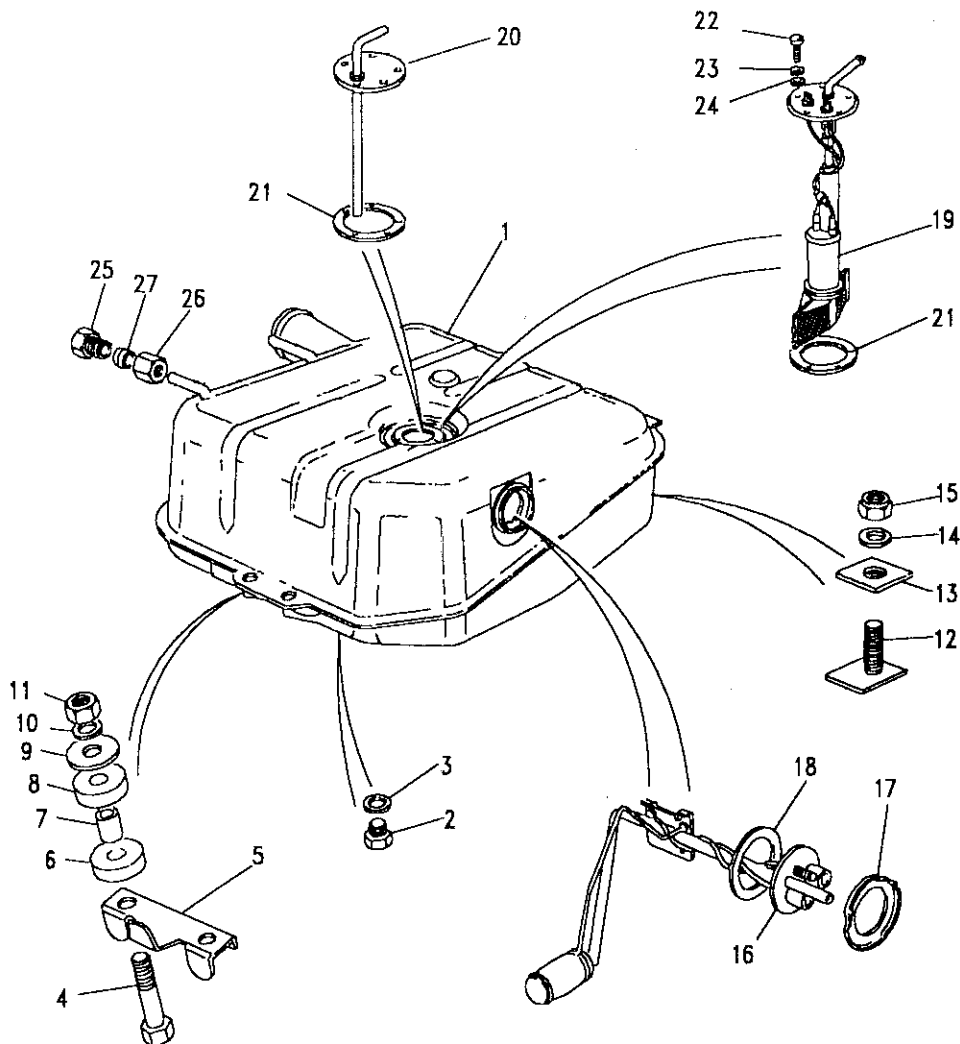




Model DEFENDER 110 1987 onwards  
 Page AFJXAA1A

FUEL SYSTEM - MAIN FUEL TANK

III. Part No.	Description	Qty	Remarks
1	NTC2017	1	18 gallon
2	NRC62	1	
3	243958	1	
4	BH110091L	2	
5	NRC6097	1	
6	500447	2	
7	NRC4757	2	
8	500447	2	
9	850641	2	
10	WL110001L	2	
11	NH110041L	2	
12	NTC2681	2	
13	NTC2837	2	
14	WA108051L	2	
15	NY108041L	2	





DEFENDER 110 1987 onwards

521

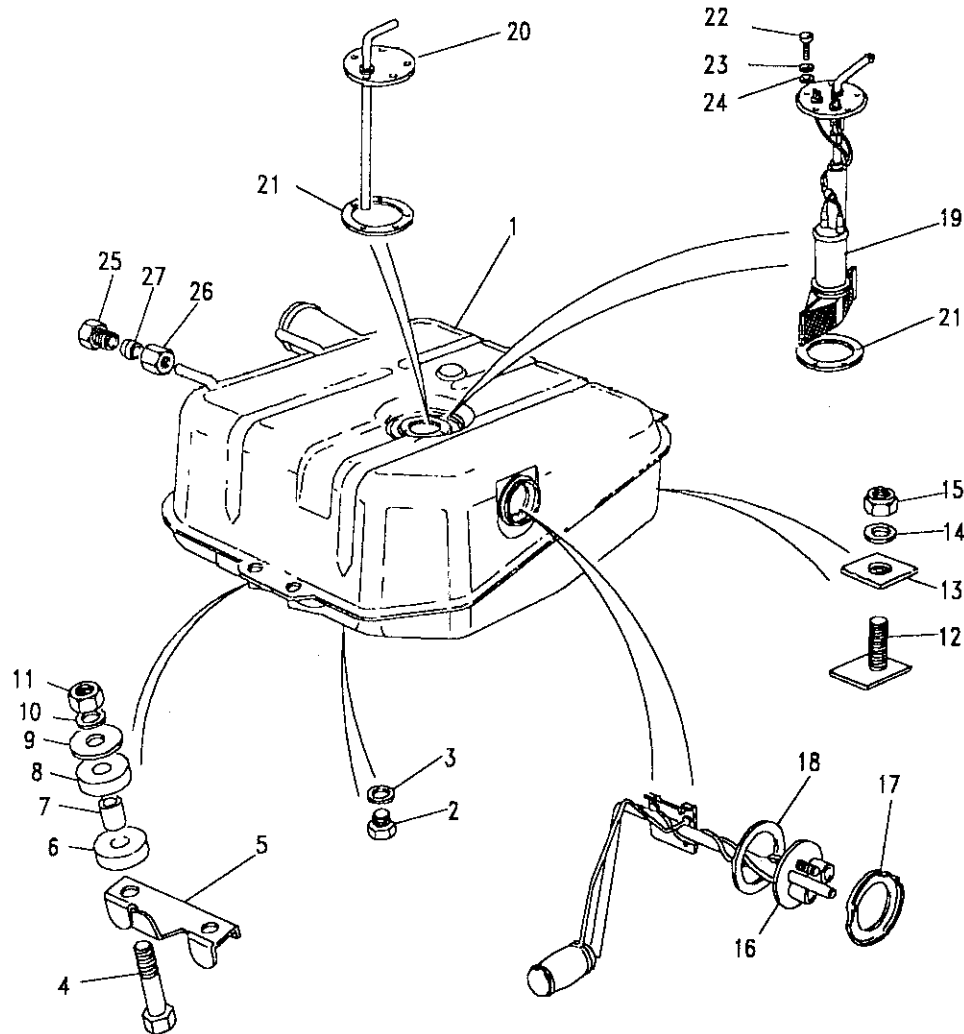
FUEL SYSTEM AND AIR CLEANER

**Model** DEFENDER 110 1987 onwards  
**Page** AFJXAA1A

**FUEL SYSTEM - MAIN FUEL TANK**

Ill. Part No.	Description	Qty	Remarks
16 PRC8707	Fuel level unit - Petrol	1	Note(1&2)
STC1482	Fuel level unit - Petrol	1	Note(1&3)
AMR1496	Fuel level unit -pre wired	1	Petrol
PRC8463	Fuel level unit	1	From JA915412
AMR1495	Fuel level unit -pre wired	1	Diesel
17 ARA1501L	Ring locking	1	Upto JA915357
18 519965	Ring sealing	1	Diesel
19 PRC7020	Pump fuel	1	Petrol
RTC6545	Connector	1	Petrol Upto VIN 345560 only
20 NTC2156	Pipe fuel return	1	Diesel
21 PRC5852	Ring sealing	1	
22 SE105121L	Screw	5	
23 WL105001L	Washer spring	5	
24 WA105001L	Washer plain	5	
25 NTC1612	Plug	1	Diesel
26 NRC9770	Nut union	1	Diesel
27 NRC9771	Olive	1	Diesel

Note(1) Up to JA915411  
 Note(2) Without low fuel warning light.  
 Note(3) With low fuel warning light.

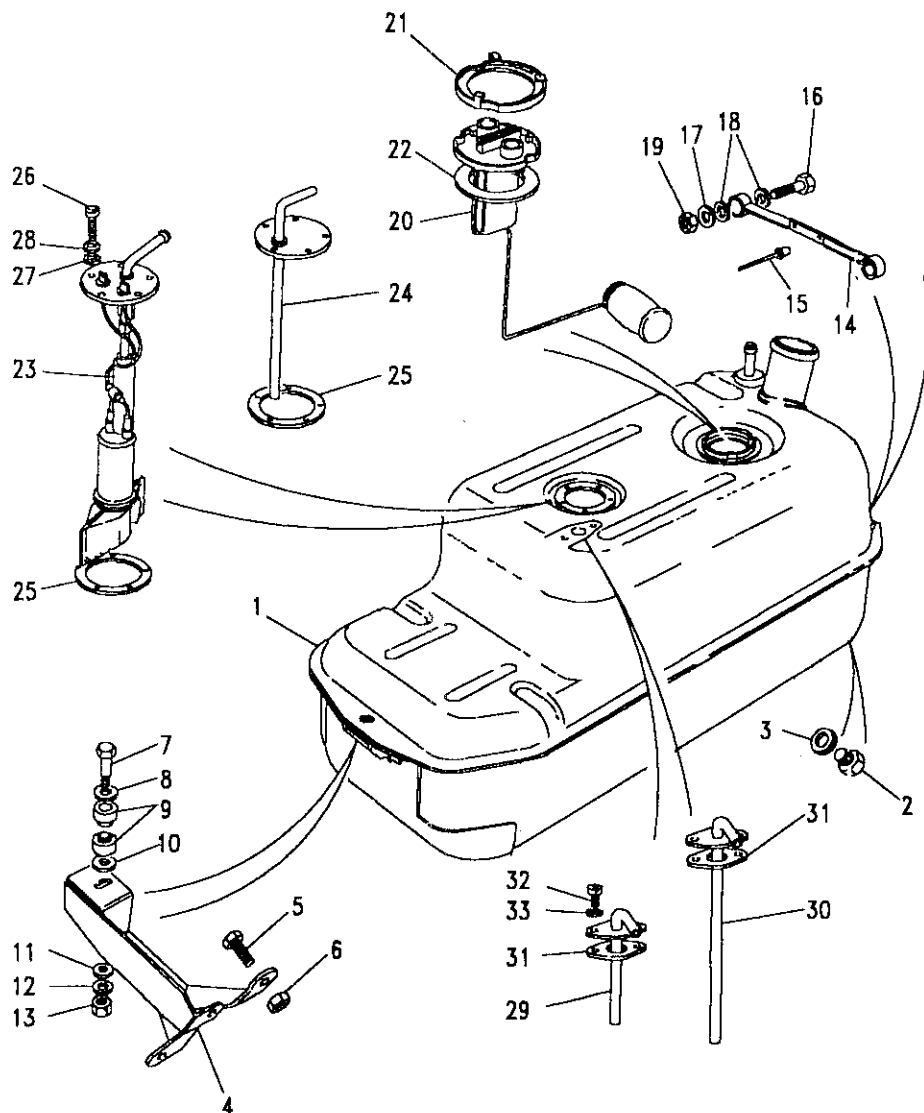




**Model** DEFENDER 110 1987 onwards  
**Page** AFJXAA2A

**FUEL SYSTEM - EXTRA FUEL TANK - PICK UP**

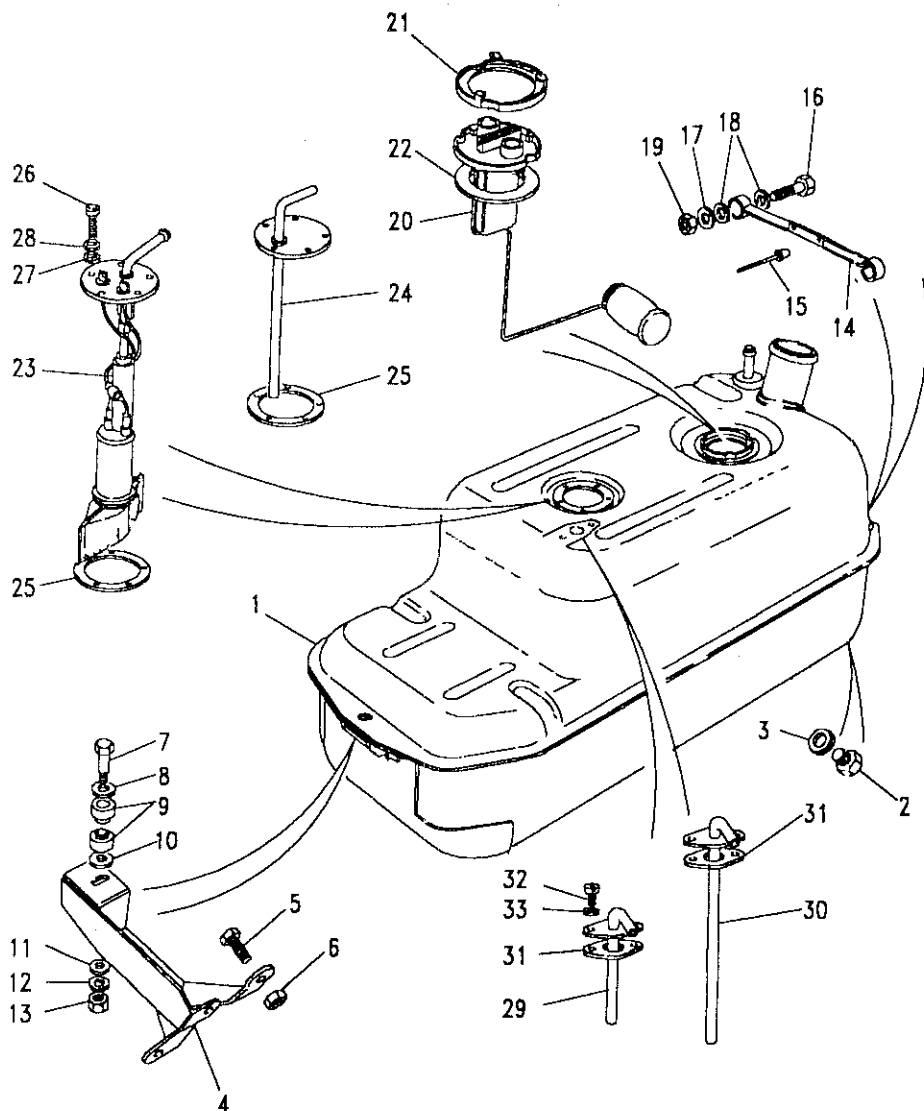
III. Part No.	Description	Qty	Remarks
1	NTC2089	1	15 gallon
2	NRC62	1	
3	243958	1	
<b>Front fixings</b>			
4	NRC9474	1	Mounting Plate
5	FS108251L	3	Bolt
6	NY108041L	3	Nut
7	NRC4765	1	Bolt
8	2265L	1	Washer plain
9	90508545	2	Bush rubber
10	WP185L	1	Washer plain
11	WA108051L	1	Washer plain
12	WL108001L	1	Washer spring
13	FN108041L	1	Nut
<b>Rear fixings</b>			
14	NRC6526	1	Spacer
15	RA608177L	2	Rivet
16	SH108351L	2	Bolt
17	WL108001L	2	Washer spring
18	WC108051L	4	Washer plain
19	FN108041L	2	Nut





**Model** DEFENDER 110 1987 onwards  
**Page** AFJXAA2A

**FUEL SYSTEM - EXTRA FUEL TANK - PICK UP**



III. Part No.	Description	Qty	Remarks
20	PRC8708	1	Fuel level unit
21	ARA1501L	1	Ring locking
22	ARA1502L	1	Ring sealing
23	PRC7018	1	Pump fuel
	RTC6545	1	Connector
24	NTC2180	1	Elbow and pipe
25	PRC5852	1	Ring sealing
26	SE105121L	5	Screw
27	WL105001L	5	Washer spring
28	WA105001L	5	Washer plain
29	NRC9543	1	Pipe fuel return
30	NRC9562	1	Pipe fuel return
31	267837	1	Washer joint
	ESR3277	1	Washer joint
32	3890	2	Screw
33	3101	2	Washer plain



Model DEFENDER 110 1987 onwards

Page AFJXAA3A

FUEL SYSTEM - EXTRA FUEL TANK - STATION WAGON

III. Part No.

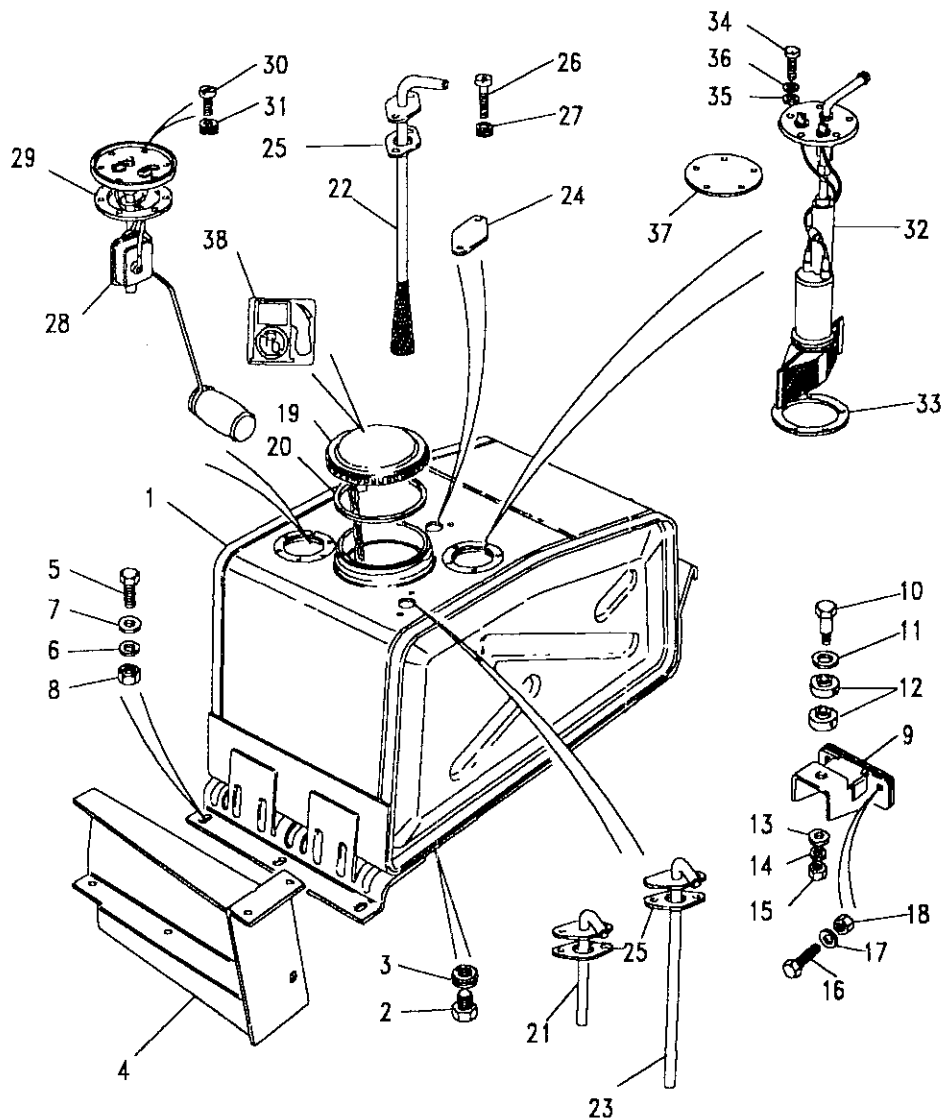
Part No.	Description	Qty	Remarks
1	NTC2110	1	10 gallon
2	NRC62	1	
3	243958	1	Washer
4	NRC9138	1	Bracket mounting-front
	NTC5351	1	Bracket mounting-front

Front fixings

5	FS108251L	3	Bolt
6	WL108001L	3	Washer spring
7	WA108051L	3	Washer plain
8	FN108041L	3	Nut
9	NRC6558	1	Bracket mounting-rear

Rear fixings

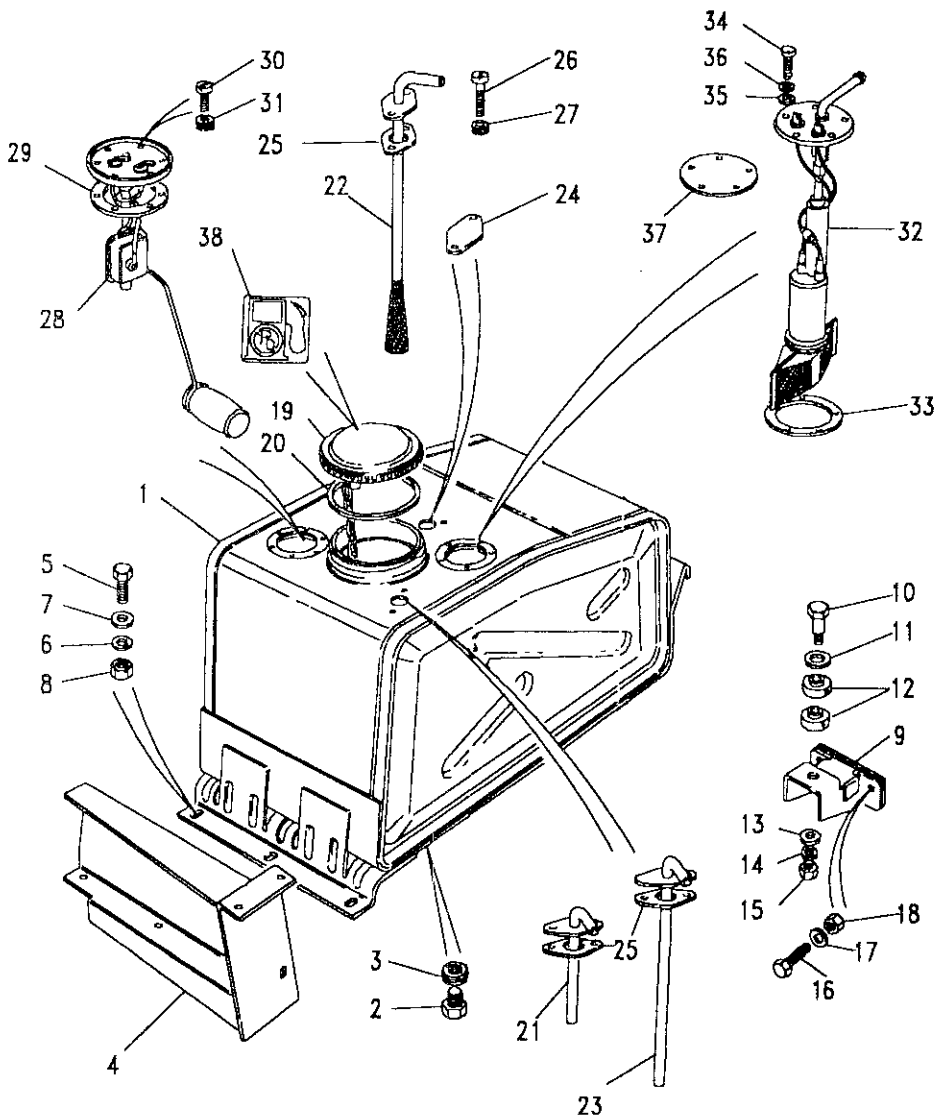
10	NRC4765	1	Bolt
11	2265L	1	Washer plain
12	90508545	2	Bush rubber
13	WC108051L	1	Washer plain
14	WL108001L	1	Washer spring
15	FN108041L	1	Nut
16	FS108251L	2	Bolt
17	WL108001L	2	Washer spring
18	FN108041L	2	Nut





Model DEFENDER 110 1987 onwards  
Page AFJXAA3A

FUEL SYSTEM - EXTRA FUEL TANK - STATION WAGON



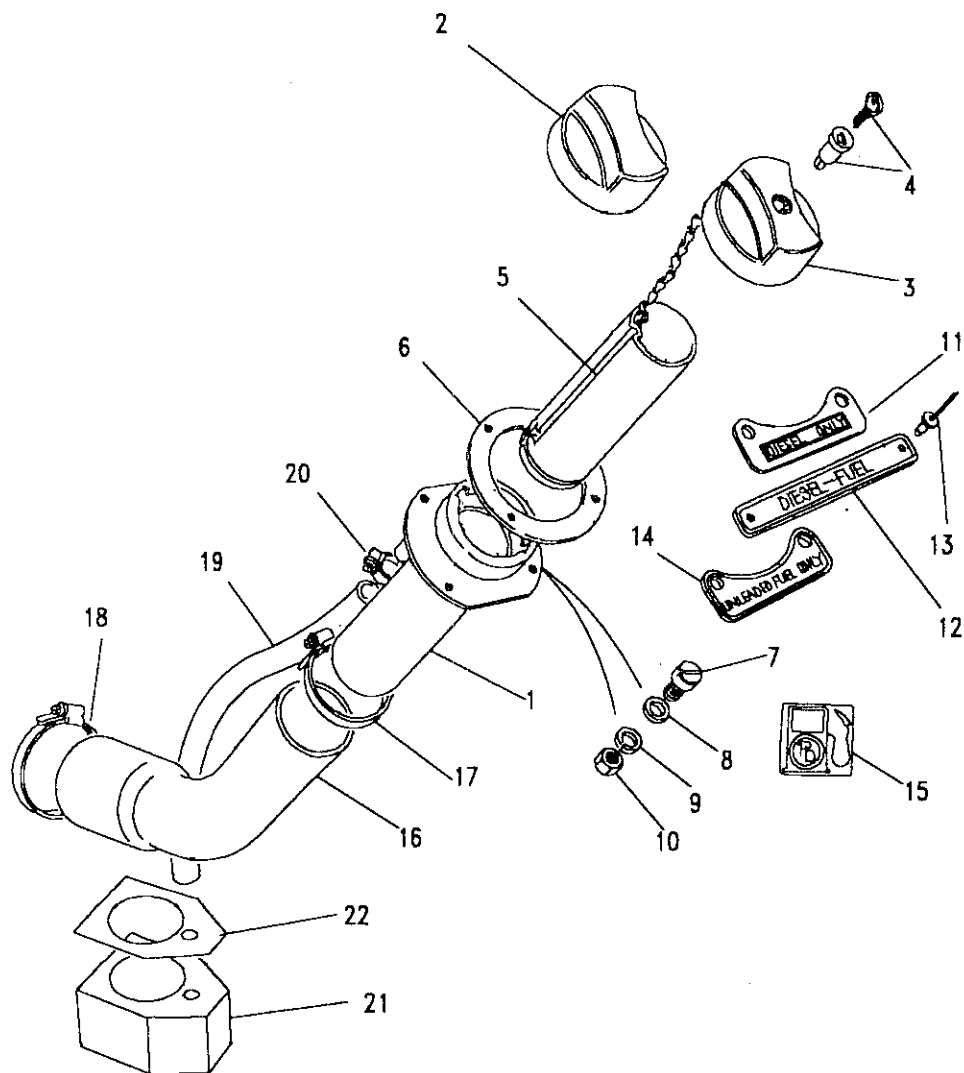
Ill. Part No.	Description	Qty	Remarks
19 569006	Cap fuel filler	1	
NTC3391	Cap fuel filler	1	Non vented
20 NRC6836	Washer sealing	1	
21 NRC9543	Pipe fuel return	1	Petrol
22 NRC5414	Pipe fuel feed	1	Diesel
23 NRC9678	Pipe fuel return	1	Diesel
24 NTC2334	Plate blanking	1	Petrol
25 267837	Washer joint	2	
26 3972	Screw	4	
27 3101	Washer spring	4	
28 PRC3098	Fuel level unit	1	
29 RTC1148	Washer	1	
30 3890	Screw	6	
31 3101	Washer spring	6	
32 PRC7019	Pump fuel	1	Petrol
RTC6545	Connector	1	Petrol Upto VIN 345761 only
33 PRC5852	Ring sealing	1	Petrol
34 SE105121L	Screw	5	Petrol
35 WL105001L	Washer spring	5	Petrol
36 WA105001L	Washer plain	5	Petrol
37 NTC2333	Plate blanking	1	Diesel
38 NTC7503	Label unleaded fuel	1	4 Cylinder From VIN 441401 V8 From VIN 441412



Model DEFENDER 110 1987 onwards

Page AFJXCA1A

## FUEL SYSTEM - FUEL FILLER - REAR AND SIDE TANK



III. Part No.	Description	Qty	Remarks
1	NTC2676 Filler fuel	1	
2	NTC2690 Filler fuel	1	Unloaded
2	NTC2757 Cap fuel filler	1	Non locking-vented
3	RTC4740 Cap fuel filler	1	2 lug black Locking-vented
	RTC4741 Cap fuel filler	1	2 lug black Locking-non vented
			2 lug grey
4	RTC3022 Barrel lock and keys	1	
5	NTC2655 Extension tube	1	
6	NTC2229 Seal	1	Upto VIN JA910669
	ESR1650 Seal	1	From VIN JA910670
7	77941 Screw	4	
8	WC702101 Washer plain	4	
9	WL700101 Washer spring	4	
10	RTC608 Nut	4	
11	502951 Label	1	
12	MTC4320 Label	1	HCPU
13	RU612503 Rivet	2	HCPU
14	NTC2914 Label unleaded fuel	1	4 Cylinder Upto VIN 441400 V8
			Upto VIN 441411
15	NTC7503 Label unleaded fuel	1	4 Cylinder From VIN 441401 V8 From VIN 441412









DEFENDER 110 1987 onwards

529

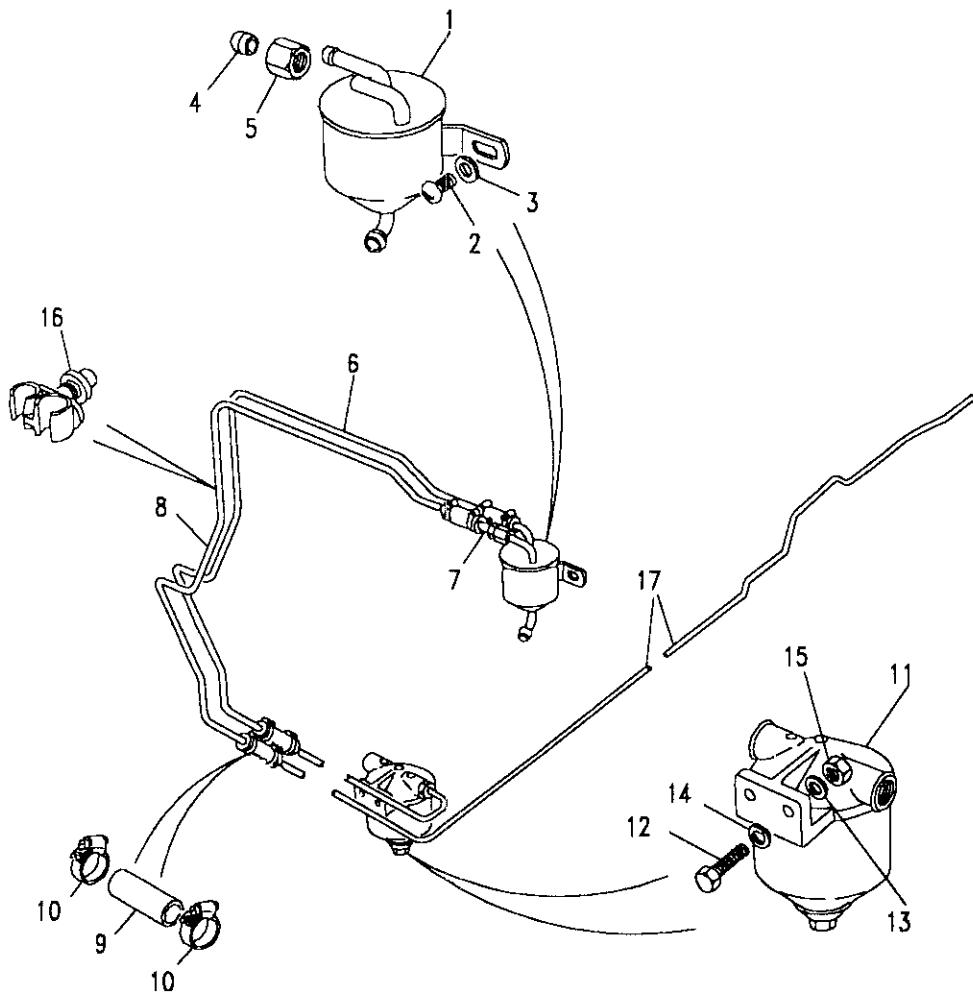
FUEL SYSTEM AND AIR CLEANER

Model DEFENDER 110 1987 onwards

Page AFJXE1A

FUEL SYSTEM - SEPARATOR & FILTER - 4 CYL PETROL

III. Part No.	Description	Qty	Remarks
11	NRC9786	1	
	JS660L	1	
12	FS106201L	2	
13	WA106041L	2	
14	WL106001L	2	
15	NH106041L	2	
16	79158	4	Upto VIN 296311
	NRC5415	4	From VIN 296312
17	NTC2072	1	

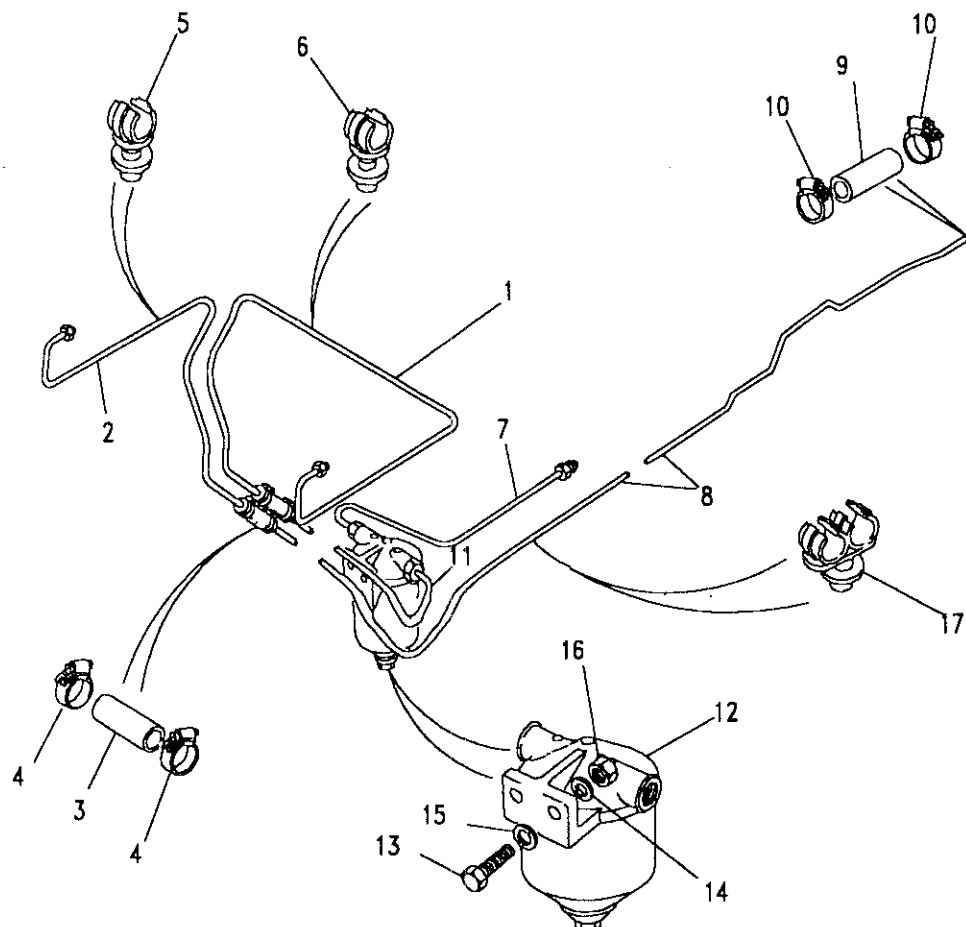


Model DEFENDER 110 1987 onwards

Page AFJXEA2A

FUEL SYSTEM - FILTER AND PIPES - V8 PETROL

III. Part No.	Description	Qty	Remarks
1 NTC3692	Pipe fuel-feed	1	
<b>Defender 110</b>			
2 NTC2122	Pipe fuel-spill	1	
<b>Defender 130</b>			
2 RRC2488	Pipe fuel-spill	1	Upto 25-9-88
RRC6149	Pipe fuel-spill	1	With SU Carbs From 26-9-88
3 NTC2876	Hose	2	
4 CN100168L	Clip hose	2	
5 79122	Pipe clip	1	
6 79121	Pipe clip	3	
7 NTC2224	Pipe fuel-feed	1	
8 NTC2072	Pipe fuel spill	1	
9 NTC2876	Hose	2	
10 CN100168L	Clip hose	4	
11 NTC2069	Pipe fuel-feed	1	
12 NRC9786	Filter fuel	1	
JS660L	Element	1	
13 FS106201L	Flange screw	2	
14 WA106041L	Washer plain	2	
15 WL106001L	Washer spring	2	
16 NH106041L	Nut	2	
17 79158	Pipe clip-double	4	





DEFENDER 110 1987 onwards

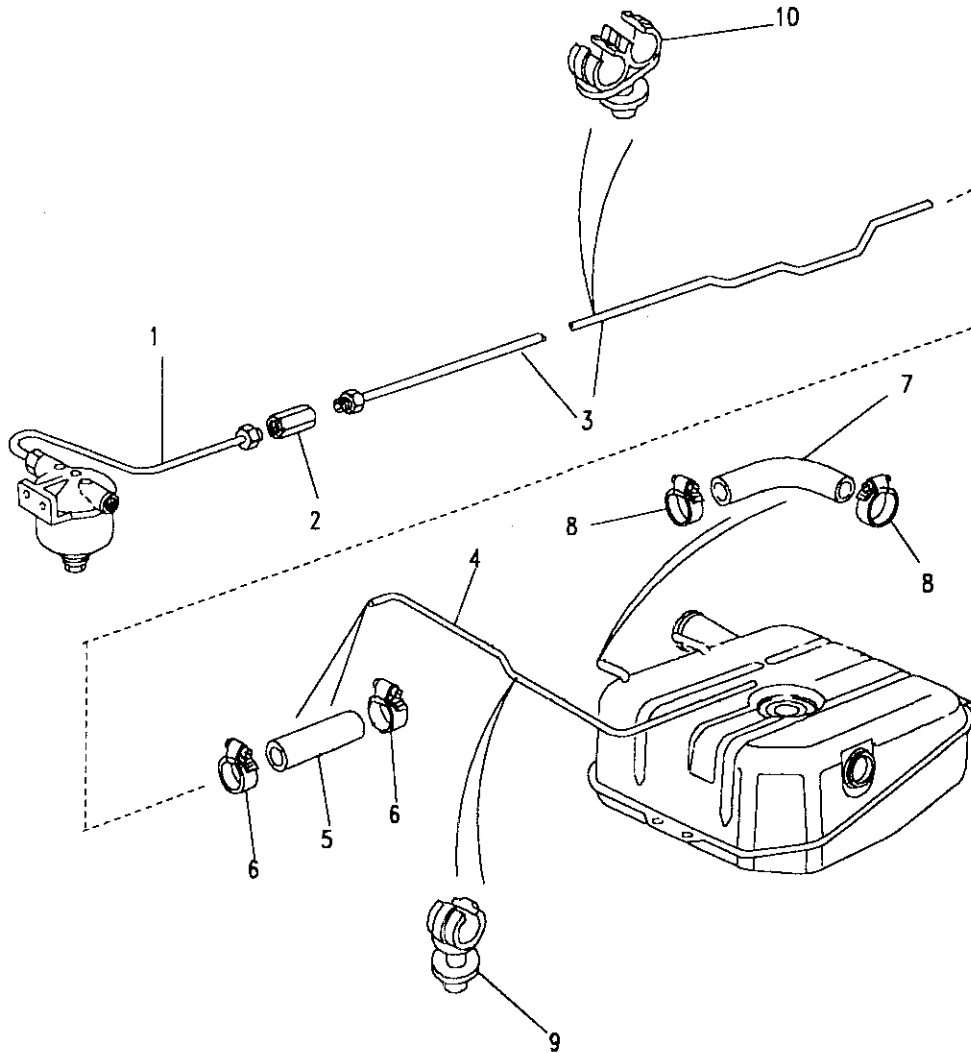
531

FUEL SYSTEM AND AIR CLEANER

**Model** DEFENDER 110 1987 onwards  
**Page** AFJXE3A

**FUEL SYSTEM - REAR PIPES - SINGLE TANK - PETROL**

III. Part No.	Description	Qty	Remarks
1 NTC2225	Pipe fuel-feed	1	
2 NTC2227	Connector	1	
<b>Defender 110</b>			
3 NTC2263	Pipe fuel-feed	1	
<b>Defender 130</b>			
3 RRC2487	Pipe fuel-feed	1	V8
RRC6150	Pipe fuel-feed	1	Upto 25-9-88 V8 SU Carbs From 25-9-88
4 NTC6750	Pipe fuel-feed	1	Includes valve
5 NRC9771	Olive	1	
6 NRC9770	Nut union	1	
7 NTC2876	Hose	1	
8 CN100168L	Clip hose	2	
9 ETC5340	Hose	1	
10 CN100168L	Clip hose	2	
11 79122	Pipe clip-single	4	
12 79158	Pipe clip-double	6	

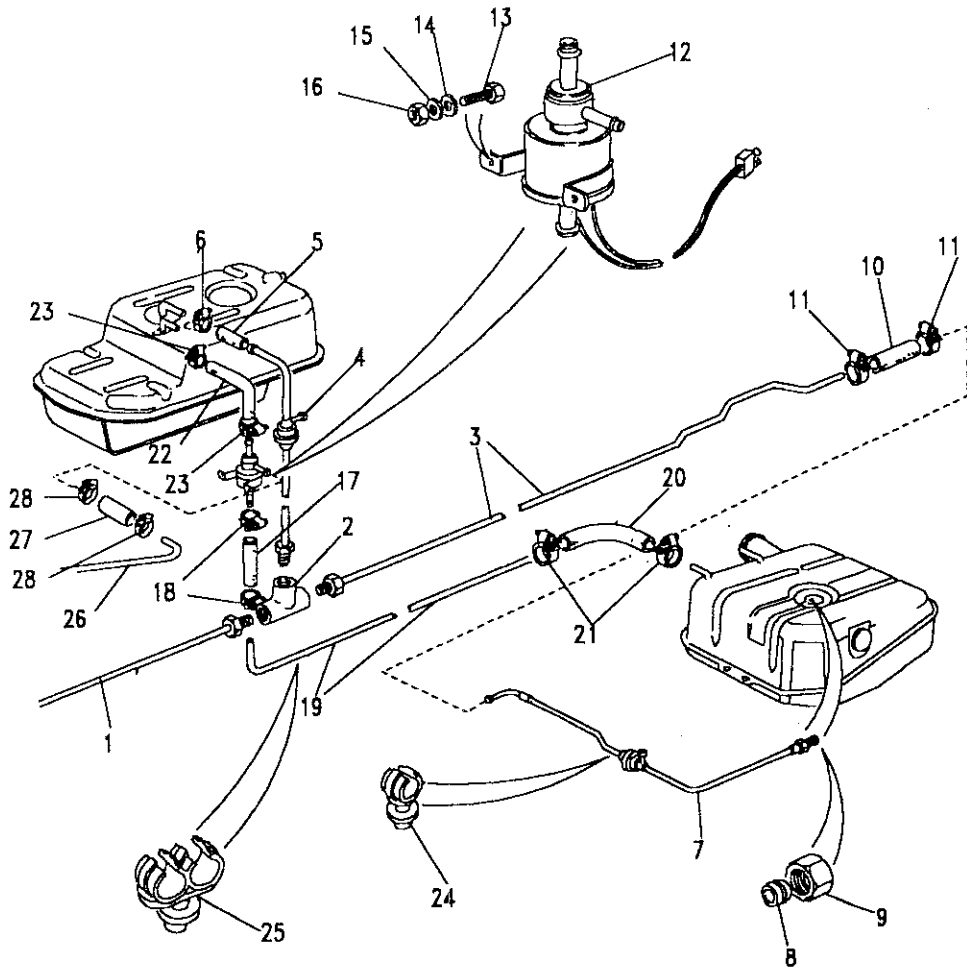




Model DEFENDER 110 1987 onwards  
Page AFJXE4A

FUEL SYSTEM - TWIN TANKS-PETROL-4 CYL AND V8

III. Part No.	Description	Qty	Remarks
1	NTC2225	1	Pipe fuel-feed
2	NTC2093	1	Tee piece
3	NTC2263	1	Pipe fuel-feed
4	NTC6752	1	Pipe fuel-feed
	NTC6751	1	Pipe fuel-feed
5	NTC2876	1	Hose
6	CN100168L	2	Clip hose
7	NTC6750	1	Pipe fuel-feed
8	NRC9771	1	Olive
9	NRC9770	1	Nut union
10	NTC2876	2	Hose
11	CN100168L	4	Clip hose

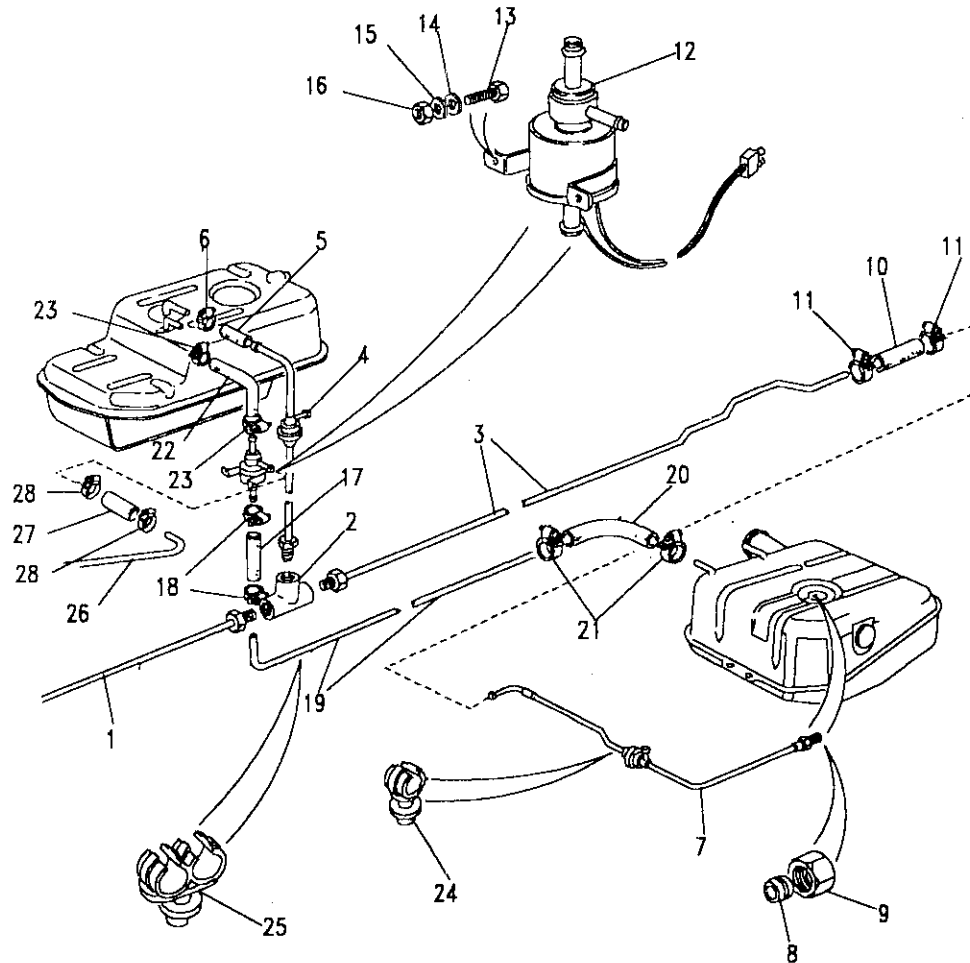




**Model** DEFENDER 110 1987 onwards  
**Page** AFJXE4A

**FUEL SYSTEM - PIPES, SOLENOID-TWIN TANKS-PETROL**

Ill. Part No.	Description	Qty	Remarks
12	PRC5543 Solenoid	1	
13	SH104201L Screw	2	
14	WA104001L Washer plain	2	
15	WL104001L Washer spring	2	
16	NH104041L Nut	2	
17	NTC2876 Hose	1	
18	CN100168L Clip hose	2	
<b>Defender 110</b>			
19	NTC2099 Pipe fuel-spill	1	
<b>Defender 130</b>			
19	RRC6716 Pipe fuel-spill	1	From October 1989
20	ETC5340 Hose	1	
21	CN100168L Clip hose	2	
22	NTC2097 Hose	1	
23	CN100168L Clip hose	2	
24	79122 Pipe clip	4	
25	79158 Pipe clip-double	6	
26	NTC2096 Pipe fuel-spill	1	
27	NTC2876 Hose	1	
28	CN100168L Clip hose	2	



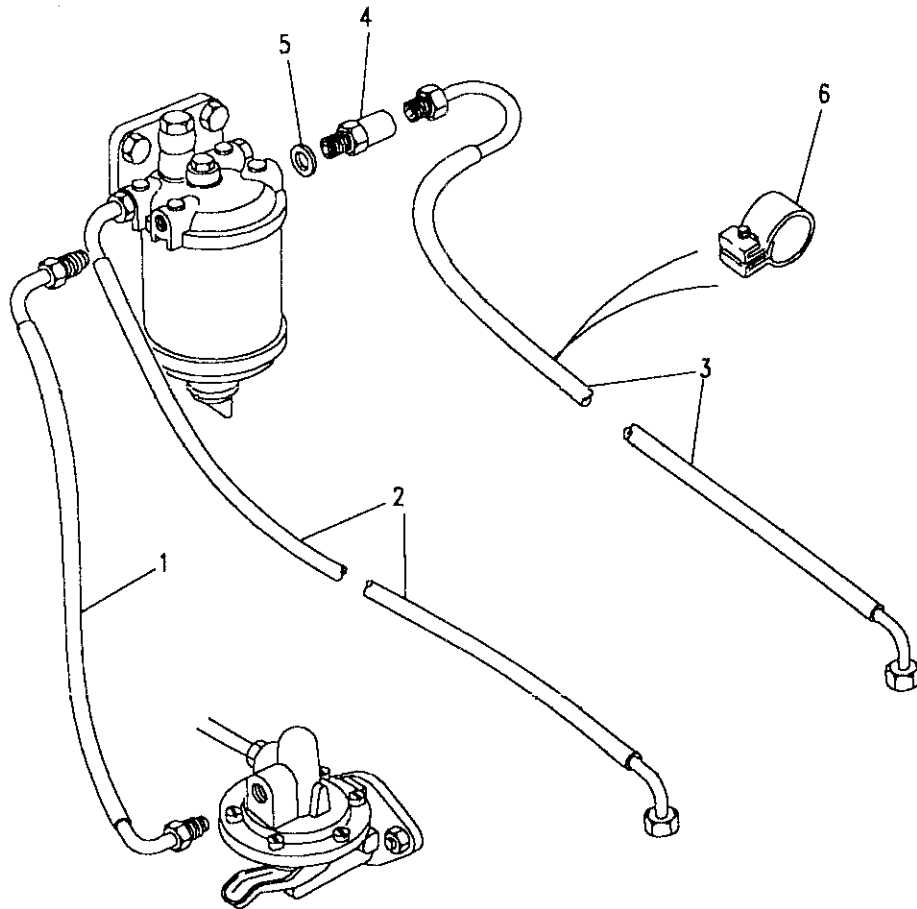


Model DEFENDER 110 1987 onwards

Page AFJXEC1A

FUEL SYSTEM - PIPES - DIESEL AND DIESEL TURBO

Ill. Part No.	Description	Qty	Remarks
<b>Lift pump to filter - Diesel</b>			
1 ETC6903	Pipe fuel	1	Upto 12J41642C
ERR244	Pipe fuel	1	From 12J41643C
<b>Lift pump to filter - Diesel turbo</b>			
1 ETC6903	Pipe fuel	1	Upto 19J20835C
ERR244	Pipe fuel	1	From 19J20836C
<b>Filter to DPS pump</b>			
2 ETC6901	Pipe fuel	1	
<b>DPS pump to filter</b>			
3 ETC6902	Pipe fuel	1	
4 AAU3509	Valve non return	1	
5 517706	Joint Washer	1	
6 578293	Clip hose	6	Sweden





DEFENDER 110 1987 onwards

535

# FUEL SYSTEM AND AIR CLEANER

**Model** DEFENDER 110 1987 onwards

**Page** AFJXEC2A

**FUEL SYSTEM - PIPES - 200TDI - FROM VIN HA455646**

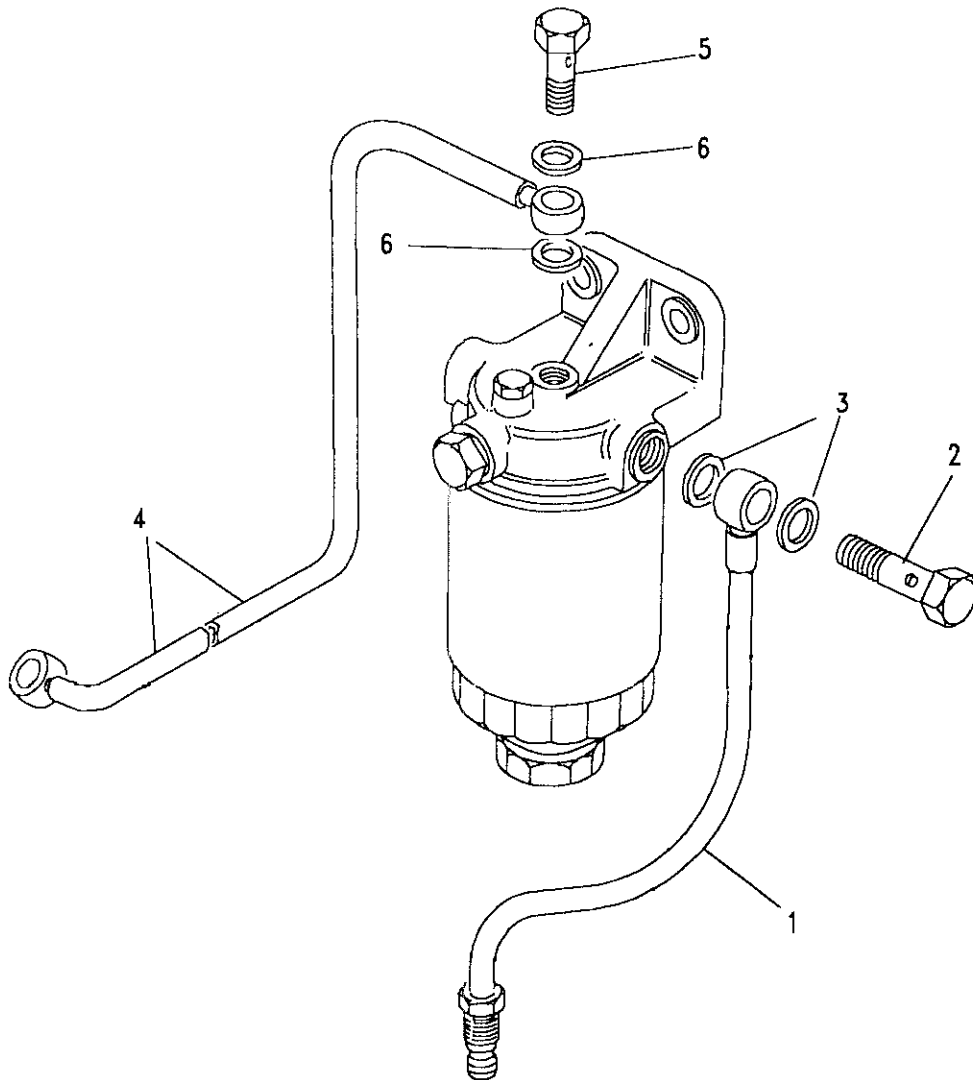
**III. Part No. Description Qty Remarks**

**Lift pump to filter**

1	ESR394	Pipe fuel	1
2	NTC3346	Bolt banjo	2
3	ESR354	Washer copper	4

**Filter to fuel injection pump**

4	ESR395	Pipe fuel	1
5	NTC3346	Bolt banjo	1
6	ESR354	Washer copper	2

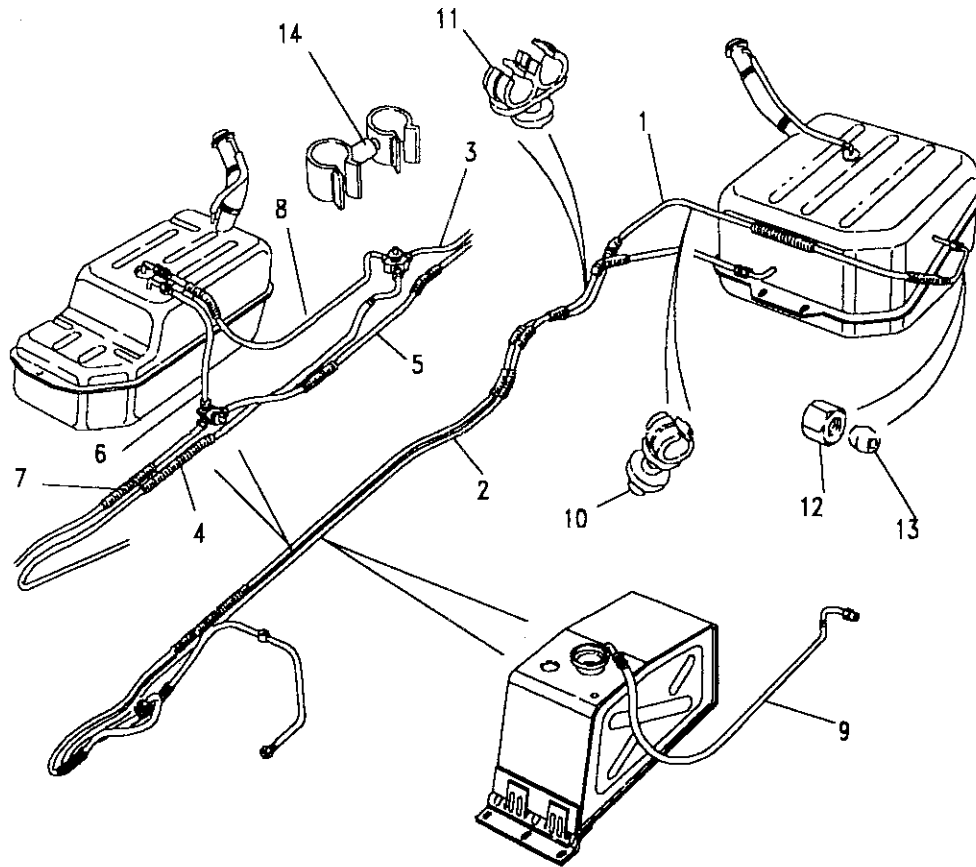




Model DEFENDER 110 1987 onwards  
 Page AFJXEC3A

FUEL SYSTEM - PIPES - DIESEL - WITHOUT SEDIMENTOR

III. Part No.	Description	Qty	Remarks
<b>Defender 110 - Rear tank to lift pump</b>			
1 NRC7979	Pipe fuel	1	Upto VIN 450724
ESR246	Pipe fuel	1	From VIN 450725
<b>Defender 130 - Rear tank to lift pump</b>			
1 RRC2644	Pipe fuel	1	
<b>Spill rail to filter to rear tank</b>			
2 NTC2157	Pipe fuel	1	Upto VIN 328280
<b>Spill rail to filter</b>			
NTC4604	Pipe fuel	1	From VIN 328281
<b>Defender 110 - Filter to rear tank</b>			
NTC3491	Pipe fuel	1	From VIN 328281
<b>Defender 130 - Filter to rear tank</b>			
RRC2645	Pipe fuel	1	





Model DEFENDER 110 1987 onwards

Page AFJXEC3A

FUEL SYSTEM - PIPES - DIESEL - WITHOUT SEDIMENTOR

III. Part No. Description Qty Remarks

Defender 110 - Spill rail to rear tank  
NTC5729 Pipe fuel 1 200Tdi

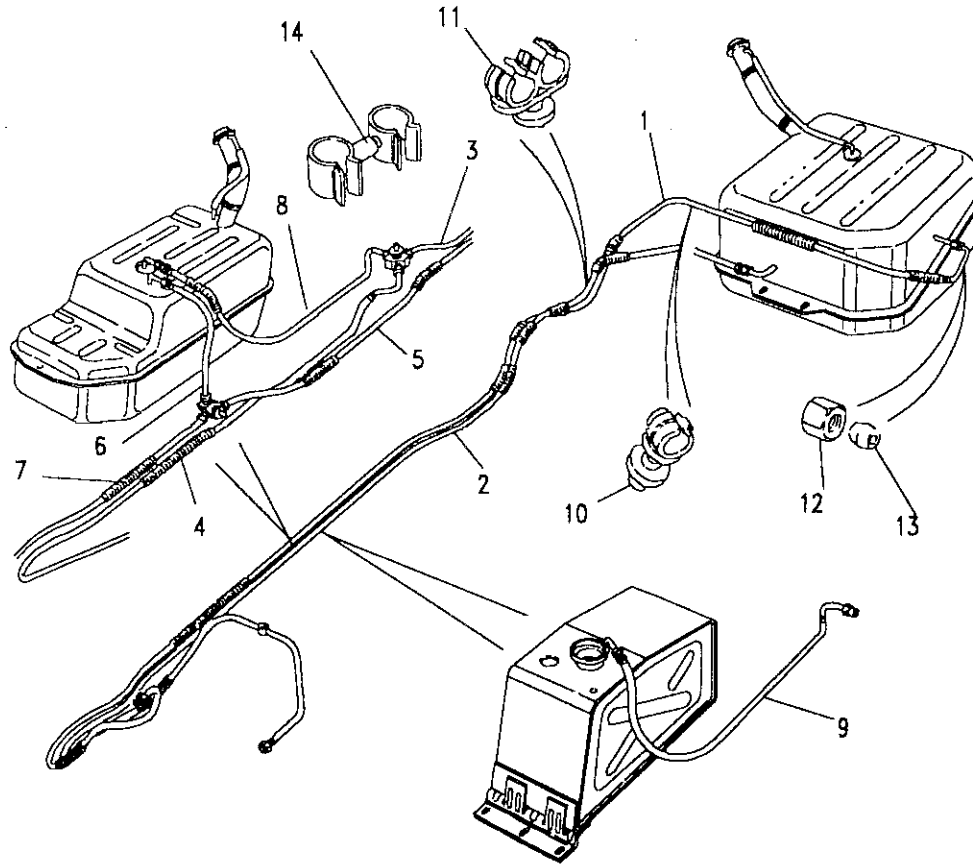
Defender 130 - Spill rail to rear tank  
ESR352 Pipe fuel 1 200Tdi

ADDITIONAL FUEL TANK - OPTIONAL

Defender 110 - Rear tank to tap-feed  
3 NRC7893 Pipe fuel 1 Upto VIN 450722  
ESR247 Pipe fuel 1 From VIN 450723

Defender 130 - Rear tank to tap-feed  
3 RRC6745 Pipe fuel 1 From October 1989

Tap to lift pump-feed  
4 NRC8104 Pipe fuel 1

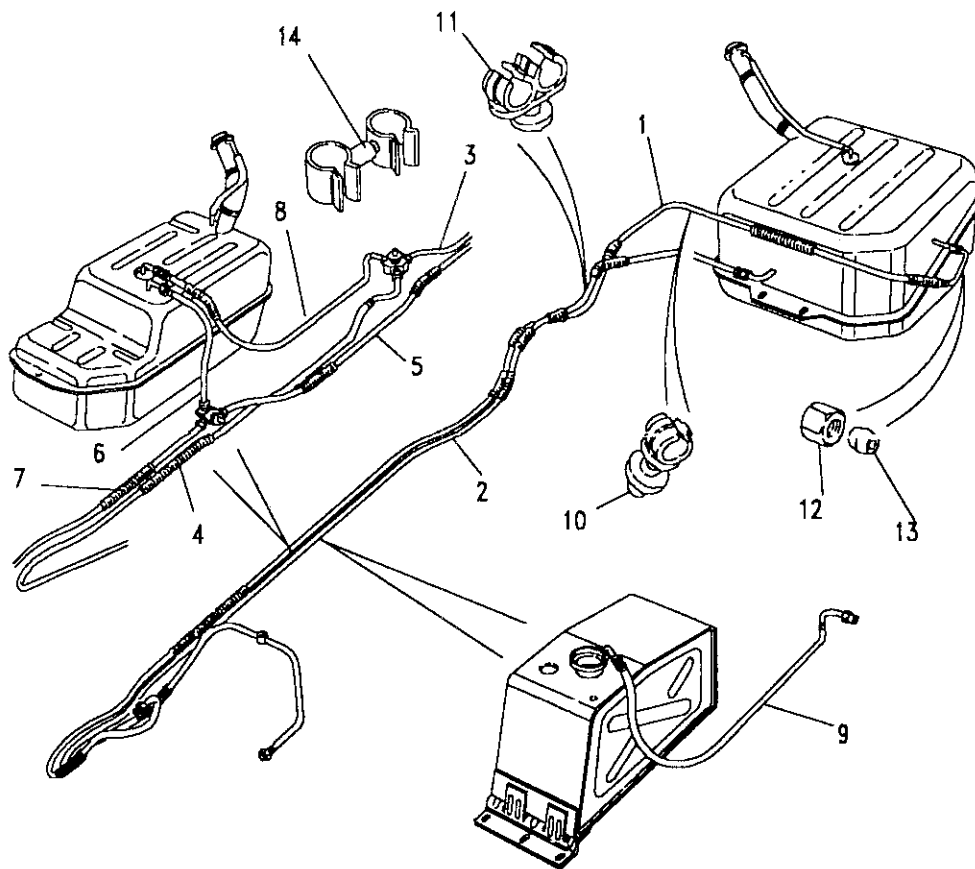




**Model** DEFENDER 110 1987 onwards  
**Page** AFJXEC3A

**FUEL SYSTEM - PIPES - DIESEL - WITHOUT SEDIMENTOR**

Ill. Part No.	Description	Qty	Remarks
Defender 110 - Tap to rear tank-spill 5 NTC2179	Pipe fuel	1	
Defender 130 - Tap to rear tank-spill 5 RRC6746	Pipe fuel	1	From October 1989
Side tank to tap-spill 6 NRC7310 NTC4596	Pipe fuel Pipe fuel	1 1	Upto VIN 328280 From VIN 328281
Spill rail to tap 7 NRC7351	Pipe fuel	1	Upto VIN 328280
Filter to tap NTC3489	Pipe fuel	1	From VIN 328281
Spill rail to tap NTC5750	Pipe fuel	1	200Tdi



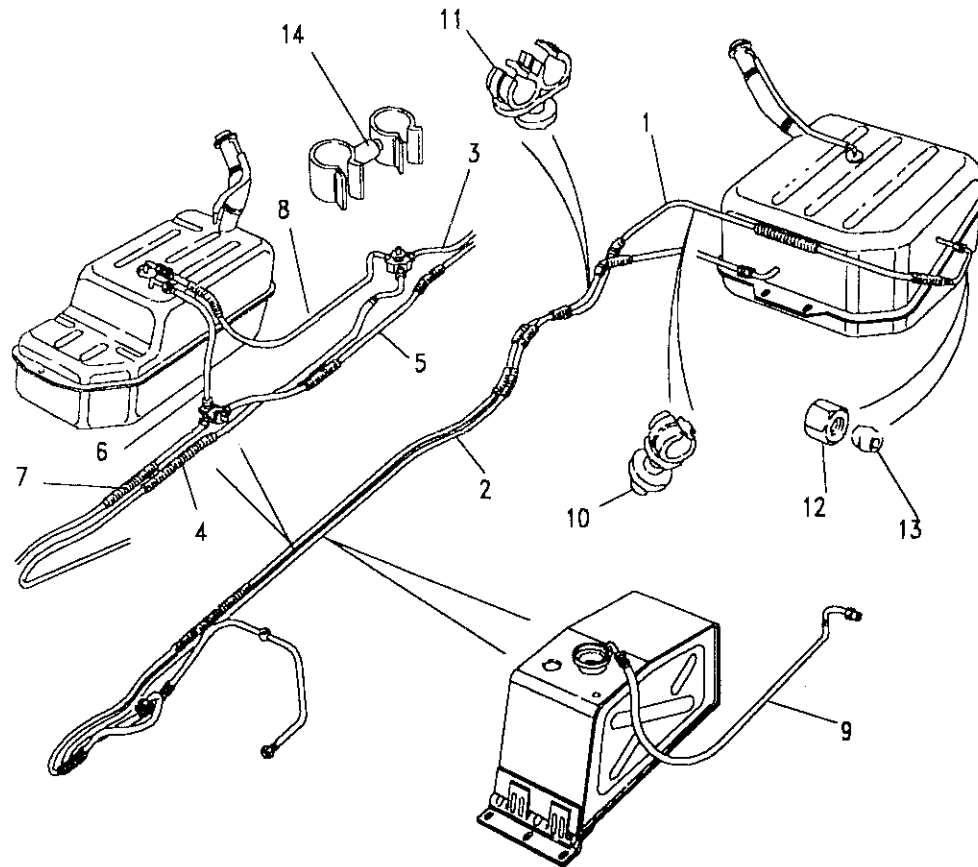


Model DEFENDER 110 1987 onwards

Page AFJXEC3A

FUEL SYSTEM - PIPES - DIESEL - WITHOUT SEDIMENTOR

III. Part No.	Description	Qty	Remarks
<b>Side tank to tap-feed - Pick Up</b>			
8 NRC7303	Pipe fuel	1	Upto VIN 328280
NTC4595	Pipe fuel	1	From VIN 328281
<b>Side tank to tap-feed - Station Wagon</b>			
9 NRC8087	Pipe fuel	1	Upto VIN 328280
NTC4599	Pipe fuel	1	From VIN 328281
10 79121	Pipe clip-single	4	
78122	Pipe clip-single	1	
11 NRC5415	Pipe clip-double	7	
12 603431	Nut union-UNF	A/R	Upto VIN 328280
NRC9770	Nut union-Metric	A/R	From VIN 328281
13 542846	Olive	A/R	Upto VIN 328280
NRC9771	Olive	A/R	From VIN 328281
14 ESR301	Clip swivel	1	200Tdi

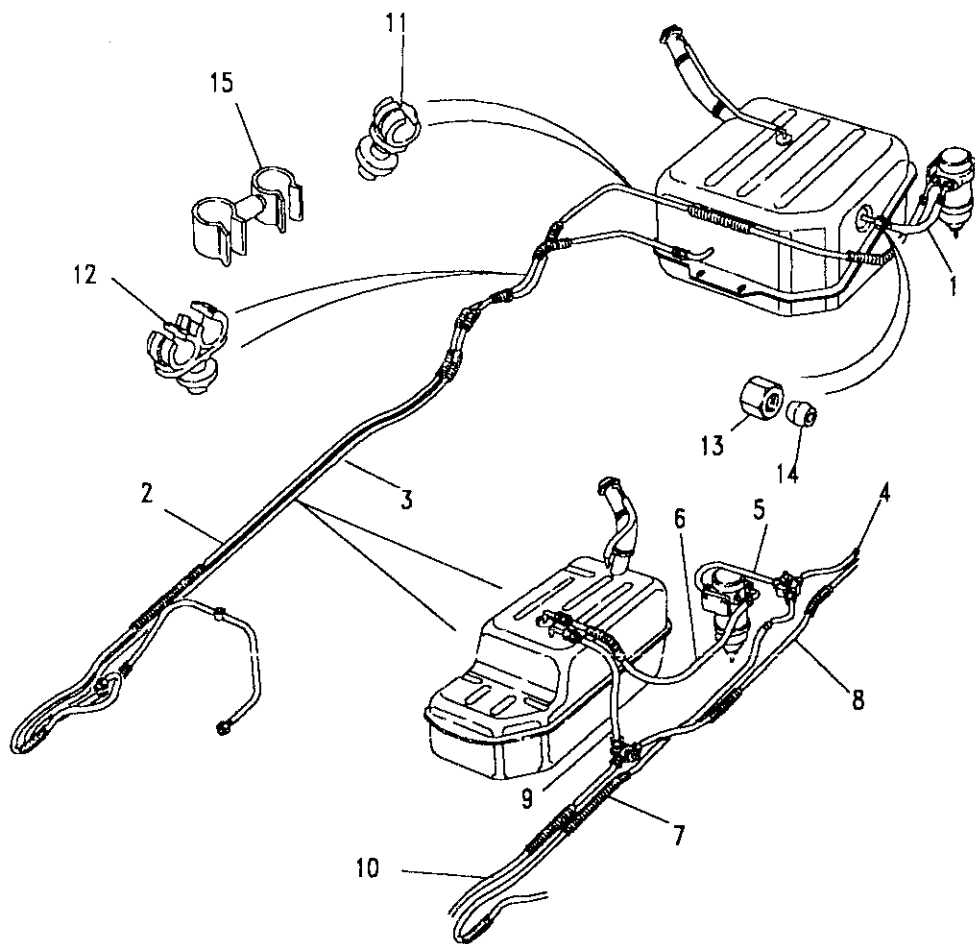




Model DEFENDER 110 1987 onwards  
 Page AFJXEC4A

FUEL SYSTEM - PIPES - DIESEL - WITH - SEDIMENTOR

Ill. Part No.	Description	Qty	Remarks
<b>Tank to sedimentor</b>			
1	NRC8462	1	Upto VIN 450724
	ESR245	1	From VIN 450725
<b>Defender 110 - Sedimentor to lift pump</b>			
2	NRC8103	1	
<b>Defender 130 - Sedimentor to lift pump</b>			
2	RRC2475	1	Upto October 1989
	RRC6744	1	From October 1989
<b>Spill rail to filter to rear tank</b>			
3	NTC2157	1	Upto VIN 328280
<b>Spill rail to filter</b>			
	NTC4604	1	From VIN 328281
<b>Filter to rear tank</b>			
	NTC3491	1	From VIN 328281



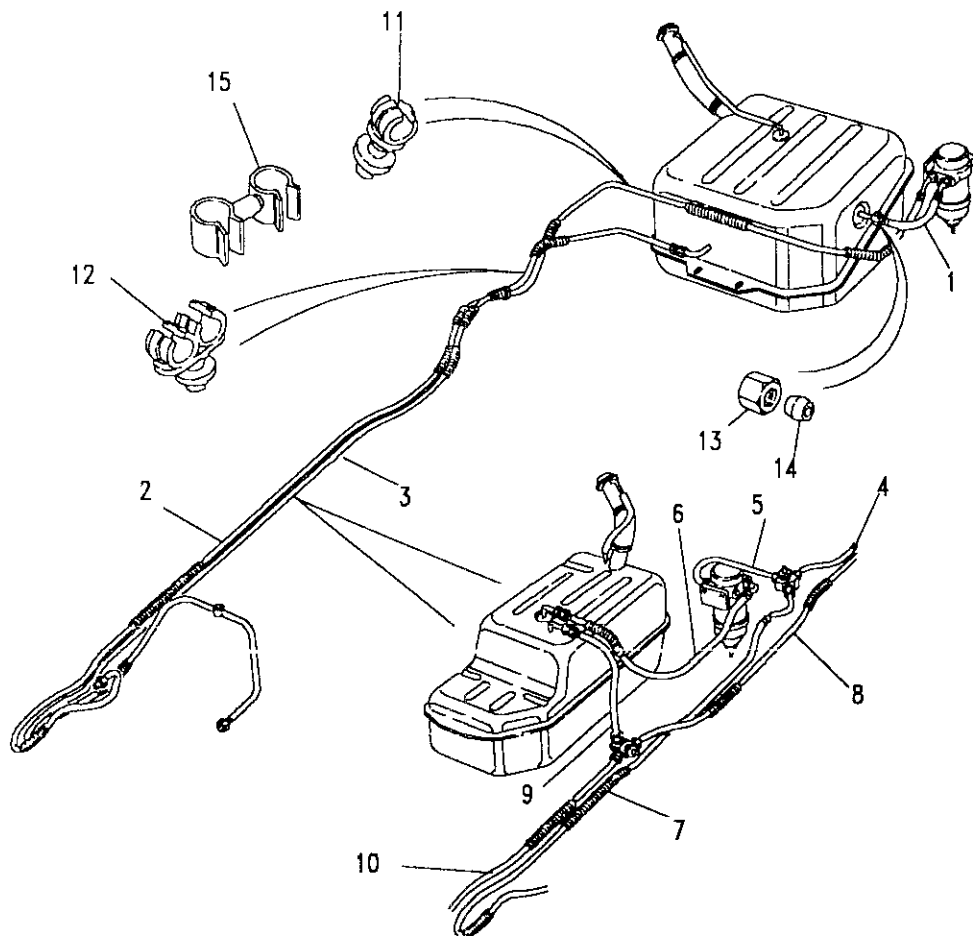


Model DEFENDER 110 1987 onwards

Page AFJXEC4A

FUEL SYSTEM - PIPES - DIESEL - WITH SEDIMENTOR

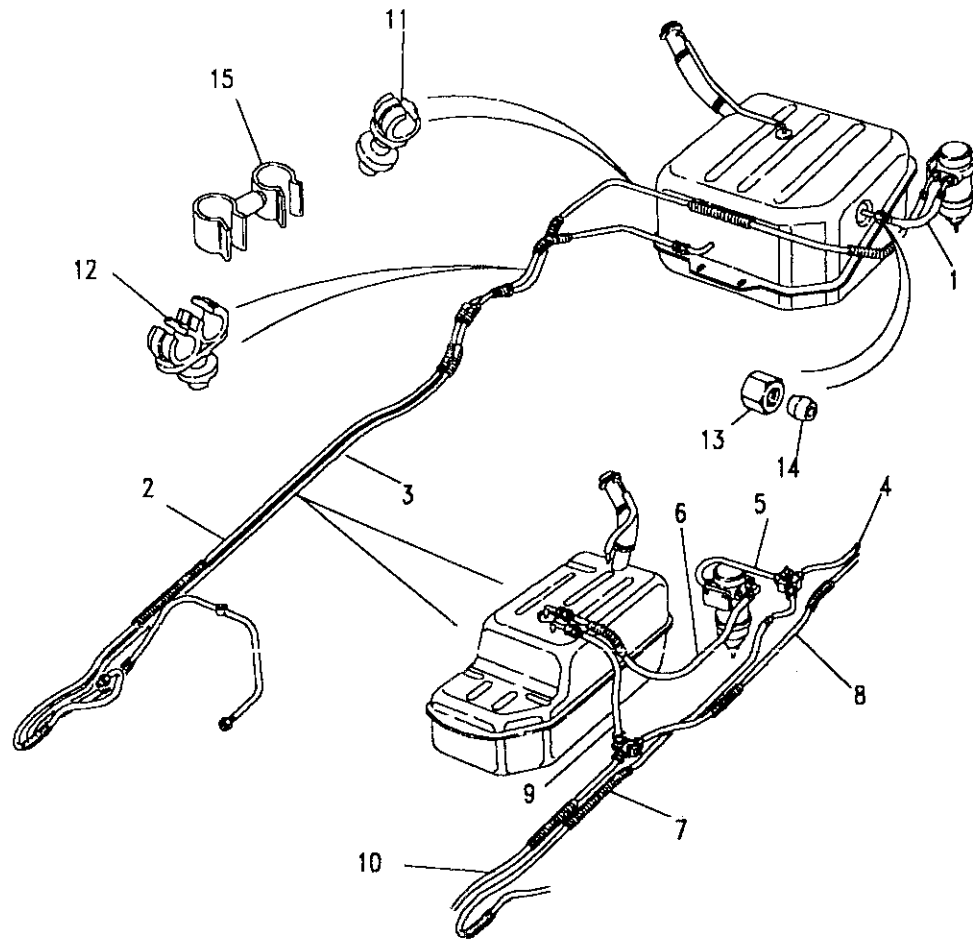
III. Part No.	Description	Qty	Remarks
Defender 110 - Spill rail to rear tank NTC5729	Pipe fuel	1	200Tdi
Defender 130 - Spill rail to rear tank ESR352	Pipe fuel	1	200Tdi
<b>ADDITIONAL FUEL TANK - OPTIONAL</b>			
Defender 110 - Rear sedimentor to tap 4 NRC7318	Pipe fuel	1	
Defender 130 - Rear sedimentor to tap 4 RRC6747	Pipe fuel	1	From October 1989
Front sedimentor to tap 5 NRC7319	Pipe fuel	1	
Side tank to front sedimentor 6 NRC8108 NTC4597	Pipe fuel Pipe fuel	1 1	Upto VIN 328280 From VIN 328281



**Model** DEFENDER 110 1987 onwards  
**Page** AFJXEC4A

**FUEL SYSTEM - PIPES - DIESEL - WITH SEDIMENTOR**

Ill. Part No.	Description	Qty	Remarks
<b>Tap to lift pump</b>			
7 NRC8104	Pipe fuel	1	
<b>Tap to rear tank-spill</b>			
8 NTC2179	Pipe fuel	1	
<b>Side tank to tap-spill</b>			
9 NRC7310	Pipe fuel	1	Upto VIN 328280
NTC4596	Pipe fuel	1	From VIN 328281
<b>Spill rail to tap</b>			
10 NRC7351	Pipe fuel	1	
NTC5750	Pipe fuel	1	200Tdi
<b>Filter to tap</b>			
NTC3489	Pipe fuel	1	
11 79121	Pipe clip-single	4	
79122	Pipe clip-single	1	
12 NRC5415	Pipe clip-double	7	
13 603431	Nut union-UNF	A/R	Upto VIN 328280
NRC9770	Nut union-Metric	A/R	From VIN 328281
14 542846	Olive	A/R	Upto VIN 328280
NRC9771	Olive	A/R	From VIN 328281
15 ESR301	Clip swivel	1	200Tdi





DEFENDER 110 1987 onwards

543

FUEL SYSTEM AND AIR CLEANER

**Model** DEFENDER 110 1987 onwards

**Page** AFJXEC4B

**FUEL SYSTEM - FUEL PIPES - 300TDI**

III. Part No.	Description	Qty	Remarks
1 ESR3133	Pipe fuel - tank/LP	1	110
ESR3134	Pipe fuel - tank/LP	1	130
2 ESR3118	Pipe fuel twin - LP/filter & filter/HP	1	
3 ESR3130	Pipe fuel - sedimentor/LP	1	110
ESR3128	Pipe fuel - sedimentor/LP	1	130
4 ESR3127	Pipe fuel - spill/tank	1	110
ESR3124	Pipe fuel - spill/tank	1	130
5 ESR3131	Pipe fuel - ch.over/LP	1	
6 ESR3126	Pipe fuel - spill/ch.over	1	
7 ESR3135	Bracket pipe clip	1	
8 ESR1373	Clip pipe		A/R

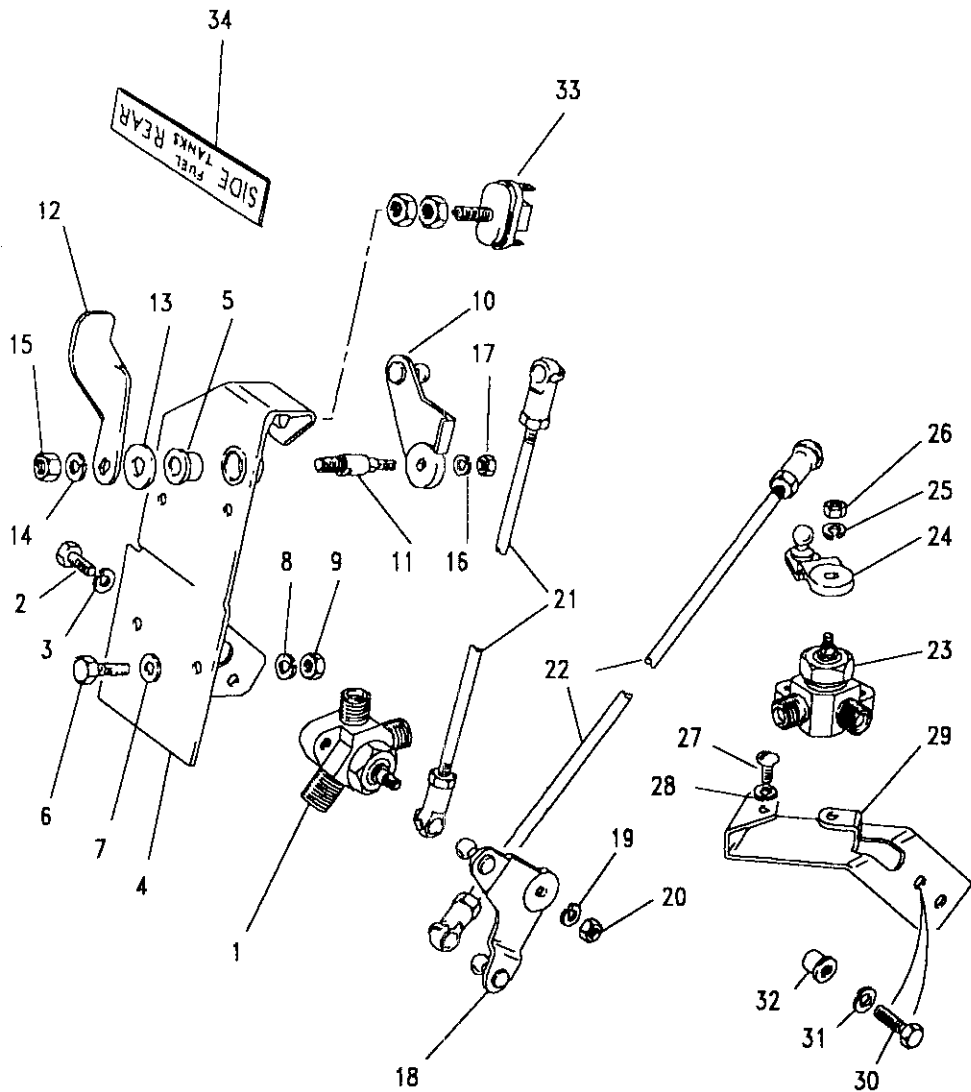




Model DEFENDER 110 1987 onwards  
 Page AFJXEC5A

FUEL SYSTEM - TAPS - DUAL TANKS OPTION - DIESEL

III. Part No.	Description	Qty	Remarks
1	NRC7249 Tap fuel	1	Heelboard
2	FS105107 Screw	2	
3	WL105001L Washer spring	2	
4	NRC7230 Bracket support	1	
5	NRC6339 Bush	1	
6	SH105121L Screw	1	
7	WA105001L Washer plain	4	
8	WL105001L Washer spring	4	
9	NH105041L Nut	4	
10	NRC7235 Lever assembly	1	
11	NRC7238 Pin	1	
12	NRC7311 Lever hand	1	
13	WA108051L Washer plain	1	
14	WS108001L Washer spring	1	Alternative
14	WL106001L Washer spring	1	
	WS600051 Washer spring	1	Alternative
15	NH106041L Nut	1	
16	WL105001L Washer spring	1	
17	NH105041L Nut	1	

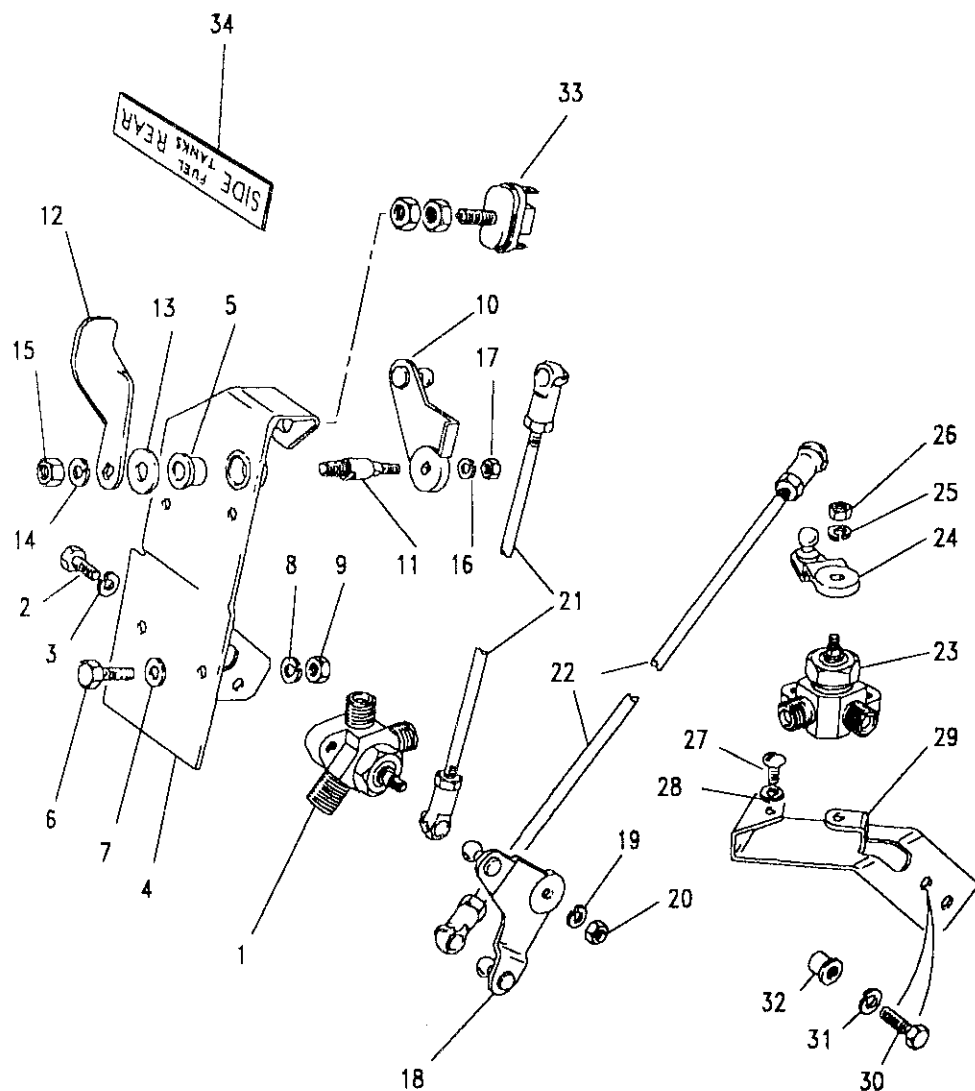


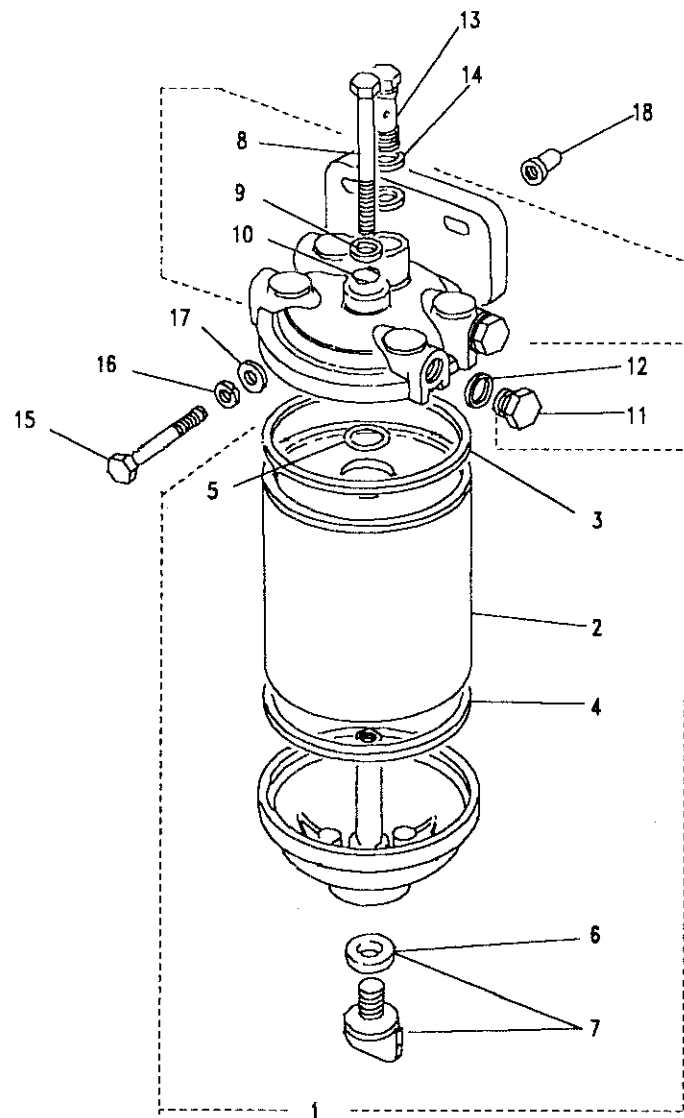


Model DEFENDER 110 1987 onwards  
Page AFJXEC5A

## FUEL SYSTEM - TAPS - DUAL TANKS OPTION - DIESEL

III. Part No.	Description	Qty	Remarks
18	NRC7240	1	Lever assembly
19	WL105001L	1	Washer spring
20	NH105041L	1	Nut
21	NTC3455	1	Control rod
22	NTC3457	1	Control rod
23	NRC7249	1	Tap fuel
24	NRC7232	1	Lever assembly
25	WL105001L	1	Washer spring
26	NH105041L	1	Nut
27	SP105121	2	Screw
	FS105107	2	Screw
28	WL105001L	2	Washer spring
29	NRC7880	1	Bracket support
	NTC7398	1	Bracket support
30	SH106141L	2	Screw
31	WL106001L	2	Washer spring
32	NN106021	2	Nutsert
33	510267	1	Switch fuel change over
34	559625	1	Label





**Model** DEFENDER 110 1987 onwards  
**Page** AFJXGC1A

**FUEL SYSTEM - FILTER - DIESEL AND DIESEL TURBO**

III. Part No.	Description	Qty	Remarks
1	563190	1	Filter assembly fuel
2	90517711	1	Element
3	AAU9903	1	Seal top
4	AAU9902	1	Seal bottom
5	37H575L	1	Seal small
6	605011	1	Seal drain plug
7	37H7920	1	Drain plug and seal
8	37H8119L	1	Bolt
9	522940	1	Washer
10	37H770L	1	O ring
11	517689	1	Plug blanking
12	517706	1	Washer
13	13H1515L	1	Bolt banjo
14	517976	2	Joint washer
15	SH108301L	2	Screw
16	WL108001L	2	Washer spring
17	WA108051L	2	Washer plain
18	NN108021	2	Rivnut

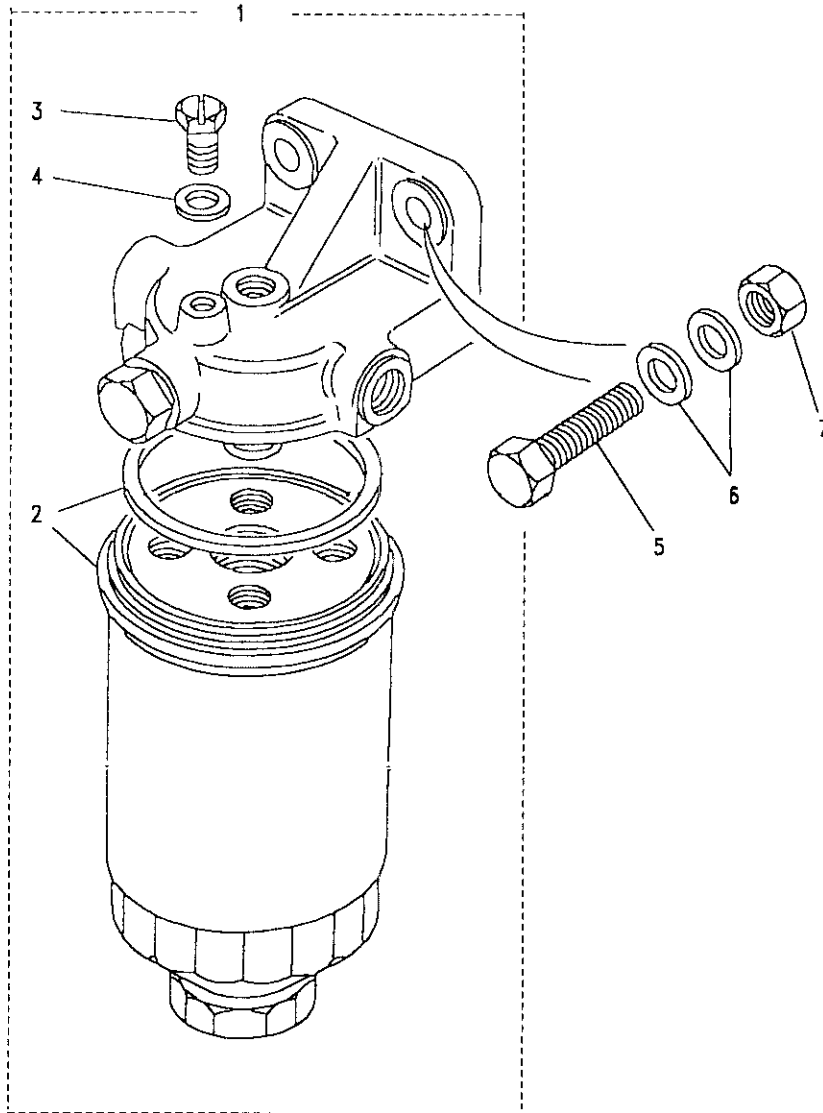




DEFENDER 110 1987 onwards

547

FUEL SYSTEM AND AIR CLEANER

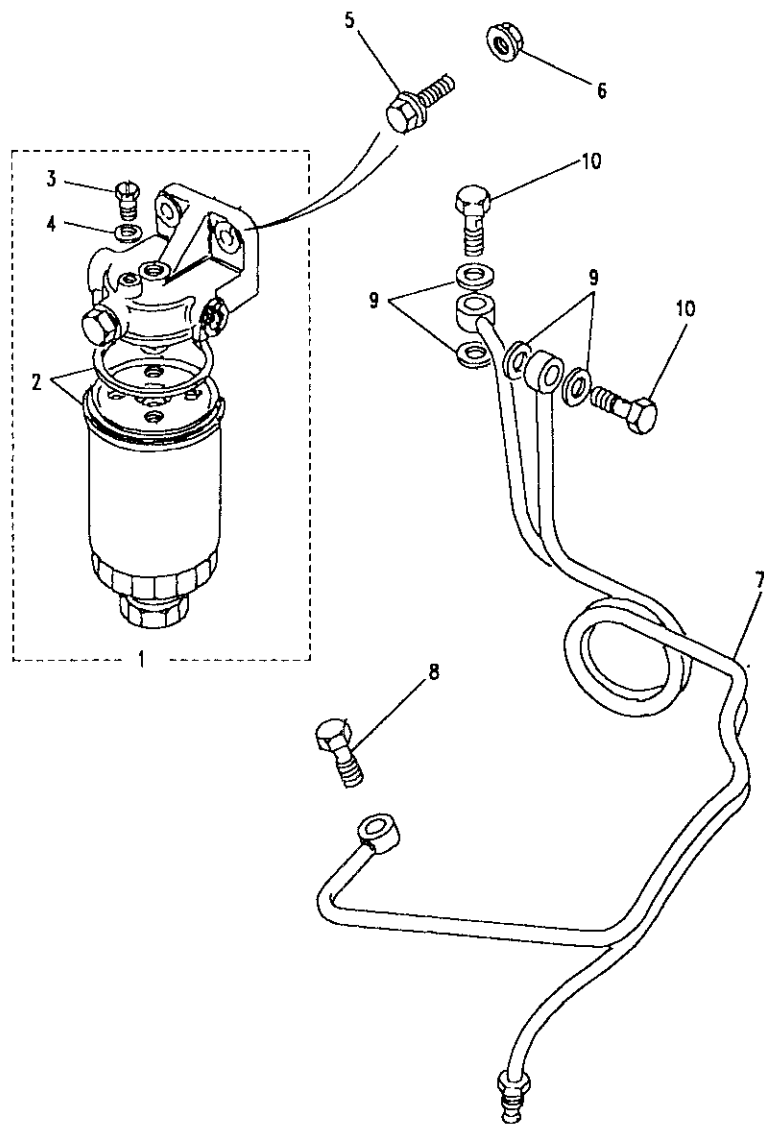


**Model** DEFENDER 110 1987 onwards  
**Page** AFJXGC2A

**FUEL SYSTEM - FILTER - 200TDI**

III. Part No.	Description	Qty	Remarks
1	NTC1518	1	Filter assembly fuel
2	AEU2147L	1	Element and seal
3	AEU2148L	1	Screw bleed
4	AEU2149L	1	Washer sealing
5	FS110301L	2	Screw
6	WA110061L	4	Washer plain
7	NY110041L	2	Nut nyloc





**Model** DEFENDER 110 1987 onwards  
**Page** AFJXGC2B

**FUEL SYSTEM - FILTER - 300TDI**

III. Part No.	Description	Qty	Remarks
1	NTC1518	1	
2	AEU2147L	1	
3	AEU2148L	1	
4	AEU2149L	1	
5	FS110301L	2	
6	FX110041	2	
7	Fuel pipe	1	Note(1)
8	ERR1125	1	
9	ESR354	4	
10	NTC3346	2	
11	ESR3206	1	
12	FS108201L	1	
13	FS108301L	2	

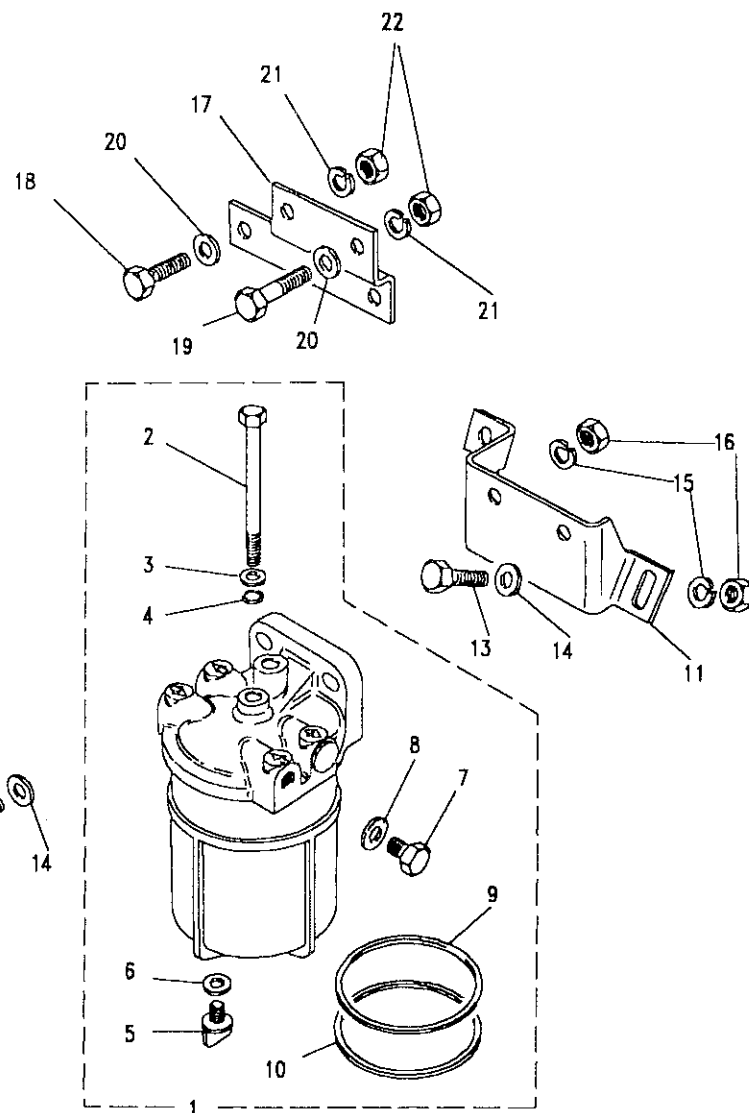
Note(1) For fuel pipes see page 544 - 545



Model DEFENDER 110 1987 onwards

Page AFJXGC3A

## FUEL SYSTEM - SEDIMENTORS - OPTIONAL - DIESEL



III. Part No.	Description	Qty	Remarks
1 562748	Sedimentor	1	Note(1)
2 37H8119	Bolt	1	
3 522940	Washer	1	
4 37H770	O ring	1	
5 37H7920	Plug drain	1	
6 605011	Seal	1	
7 517689	Plug blanking	1	
8 517706	Joint washer	1	
9 AAU9903	Seal top	1	
10 AAU9902	Seal bottom	1	
11 NRC5623	Bracket support	1	Rear tank
12 FS108301L	Bolt	2	
13 FS108201L	Bolt	2	
14 WA108051L	Washer plain	4	
15 WL108001L	Washer spring	4	
16 FN108041L	Nut	4	
17 NRC7372	Bracket support	1	Side tank
18 FS108251L	Bolt	2	
19 FS108201L	Bolt	2	
20 WA108051L	Washer plain	4	
21 WL108001L	Washer spring	4	
22 FN108041L	Nut	4	

Note(1) 562748 is used for rear and side tank - alter blanking plugs as required

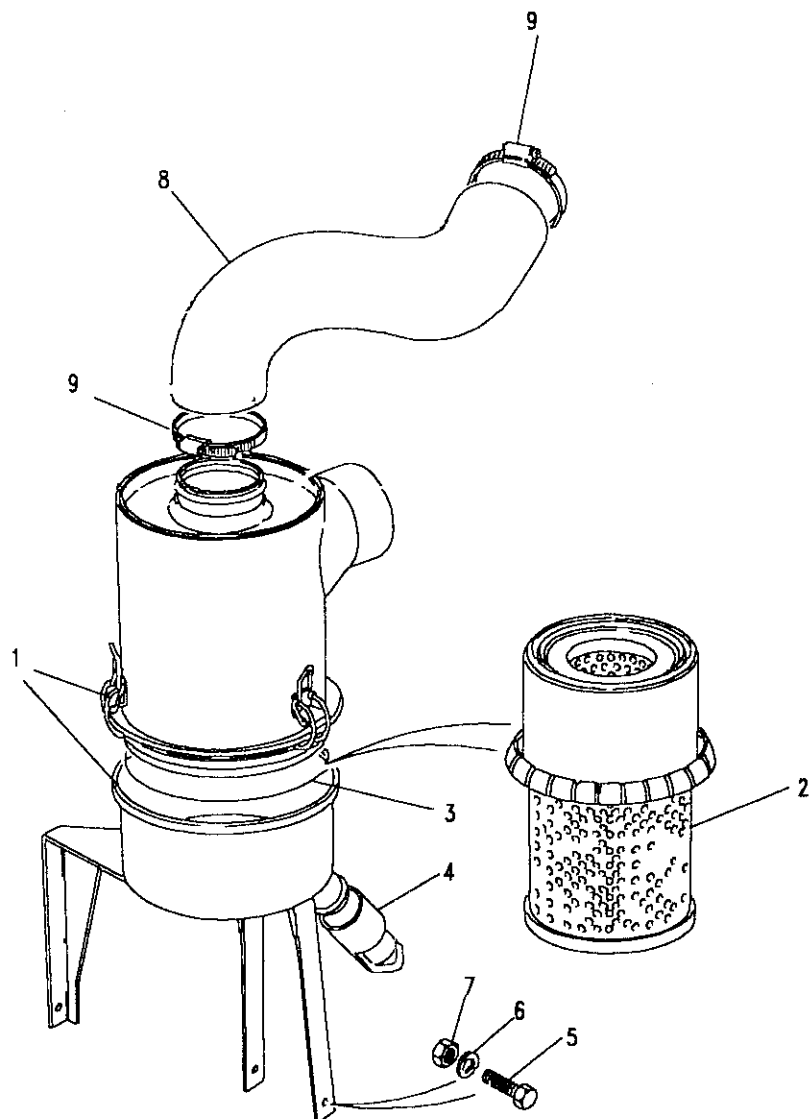




Model DEFENDER 110 1987 onwards  
Page AFJXPA1A

FUEL SYSTEM - AIR CLEANER - 4 CYLINDER PETROL

III. Part No.	Description	Qty	Remarks
1 RRC4002	Air cleaner assembly	1	Upto VIN FA375497
NTC4183	Air cleaner assembly	1	From VIN FA375498
2 NRC9238	Element	1	
NRC9239	Nut wing and gasket	1	
3 RRC3746	O ring	1	
4 NRC8955	Valve dump	1	Upto VIN FA375497
NTC3751	Valve dump	1	From VIN FA375498
5 SH106121L	Screw	3	
6 WL106001L	Washer spring	3	
7 NH106041L	Nut	3	
<b>Air cleaner to carburetter</b>			
8 NTC1650	Hose	1	
9 CJ600504L	Clip hose	2	





DEFENDER 110 1987 onwards

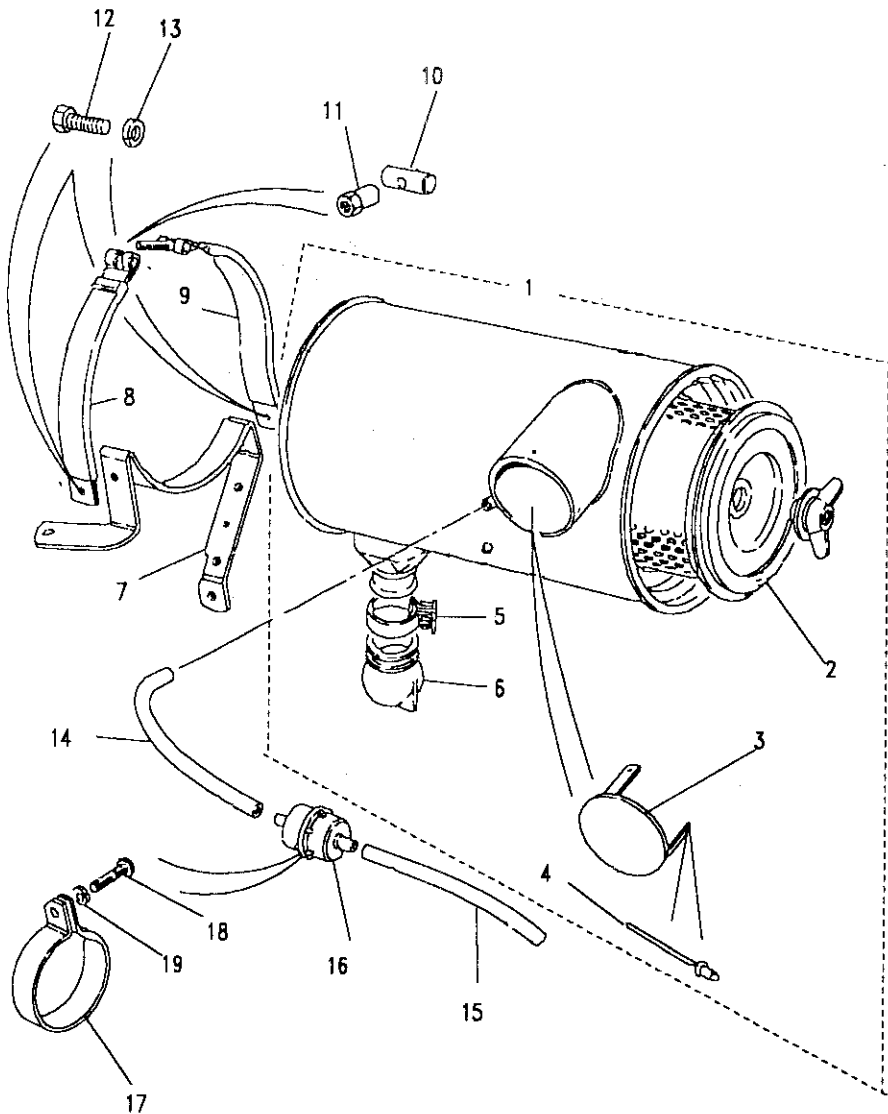
551

FUEL SYSTEM AND AIR CLEANER

Model DEFENDER 110 1987 onwards  
Page AFJXPA2A

FUEL SYSTEM - AIR CLEANER - V8 PETROL

III. Part No.	Description	Qty	Remarks
1	ERC8505	1	Air cleaner assembly
2	RTC3479	1	Element
3	ERC3896	1	Baffle
4	RA607076	1	Rivet
5	606247	3	Clamp air cleaner
6	STC1120	1	Dust valve
7	ERC3892	1	Bracket
8	ERC3893	1	Bracket
9	ERC3946	1	Strap air cleaner
10	ERC3897	2	Strap retaining
11	572994	2	Trunnion
12	578023	2	Nut tension
13	SH505051	4	Screw
	WL600051L	4	Washer spring

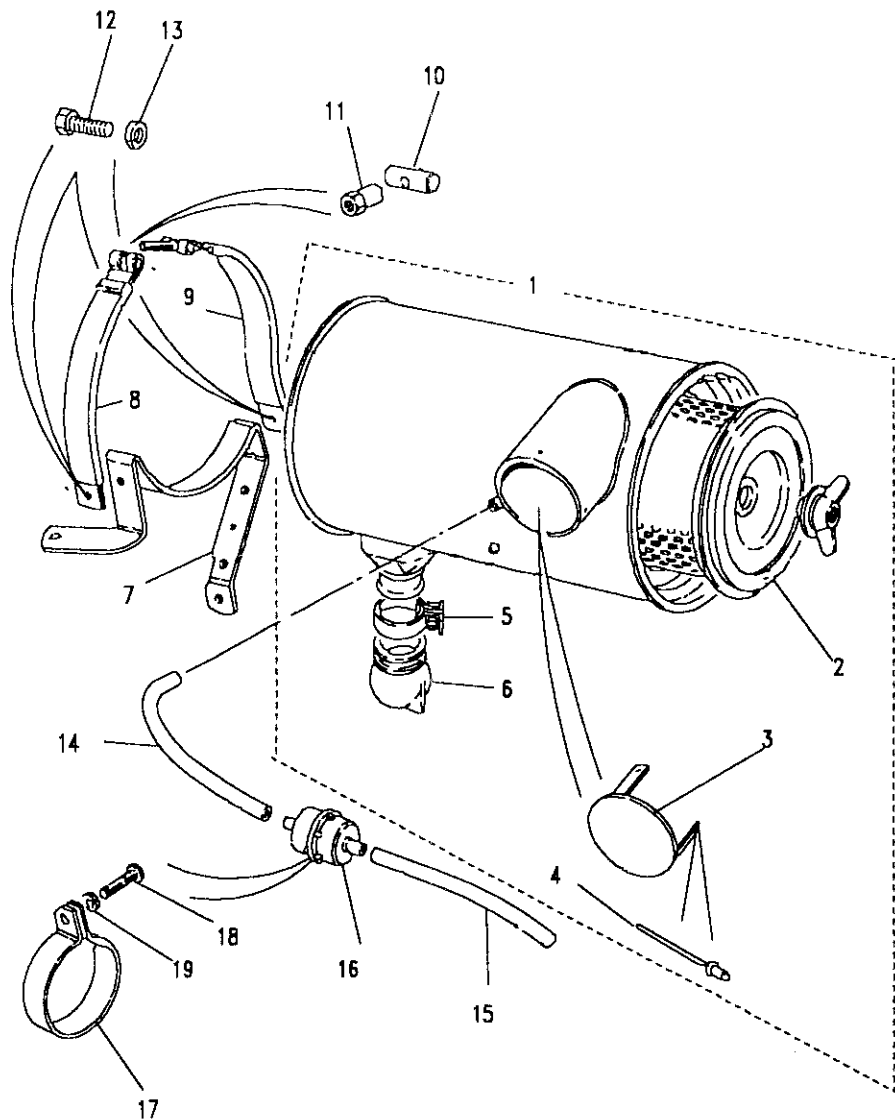




**Model** DEFENDER 110 1987 onwards  
**Page** AFJXPA2A

**FUEL SYSTEM - AIR CLEANER - V8 PETROL**

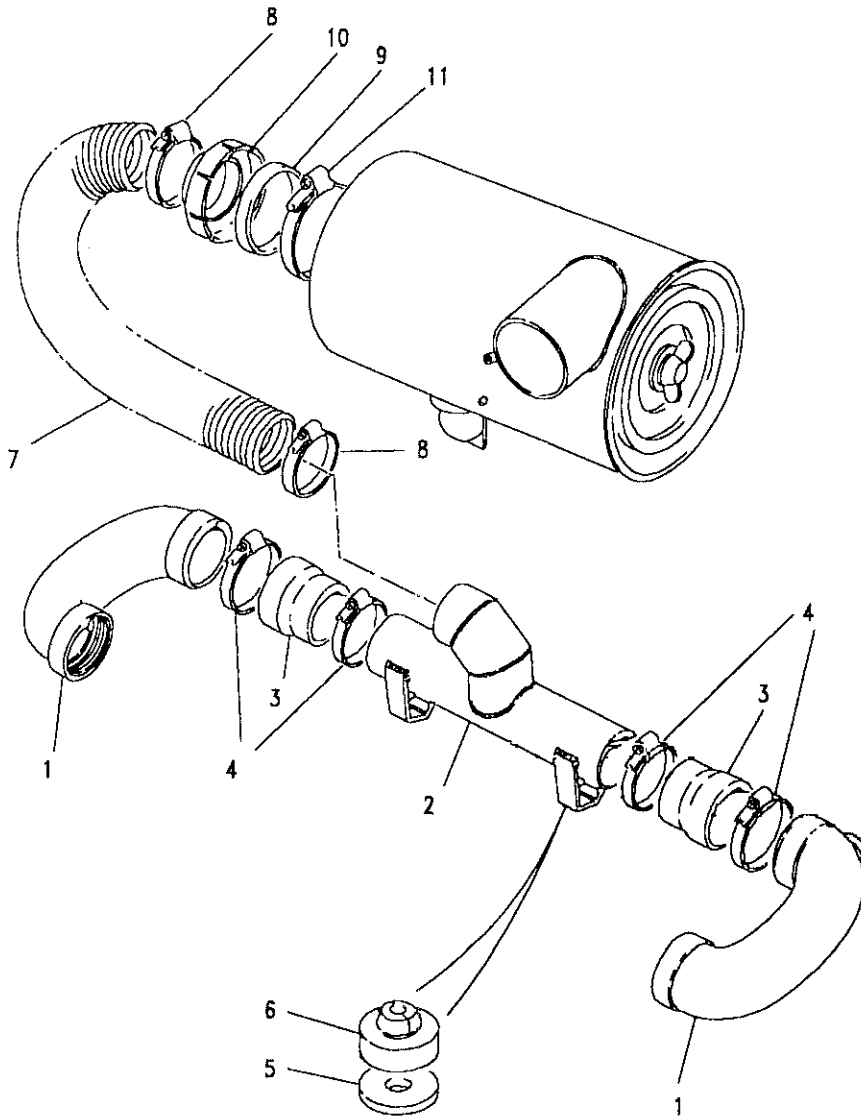
Ill. Part No.	Description	Qty	Remarks
<b>Filter to air cleaner</b>			
14	ERC3955	1	
<b>Filter to block</b>			
15	ERC3954	1	
16	606168	1	
17	603962	1	
18	79134	1	
19	WL700101	1	





Model DEFENDER 110 1987 onwards  
 Page AFJXPA3A

FUEL SYSTEM - AIR INLETS V8 STROMBERG CARBS NON DETOXED



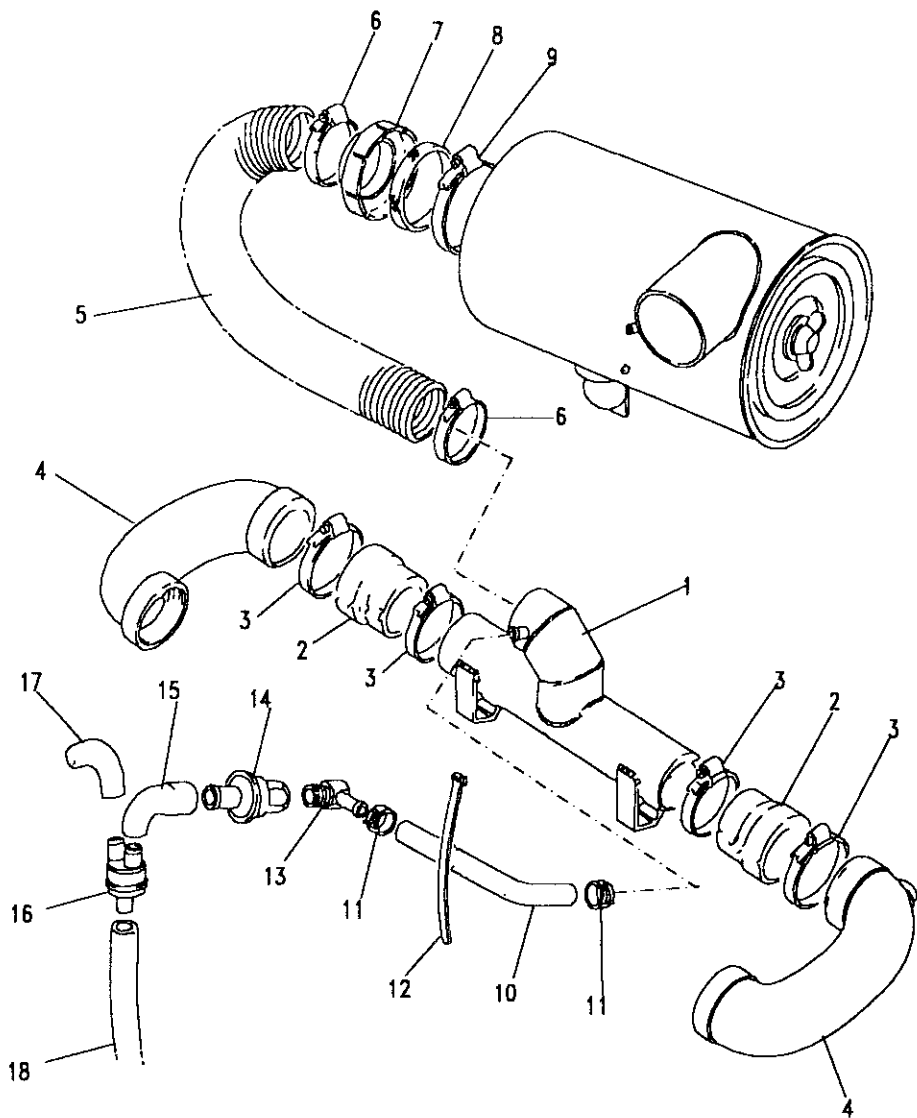
III. Part No.	Description	Qty	Remarks
1	ERC5247	2	Elbow air inlet
2	ERC5453	1	Duct air
3	ERC5052	2	Hose
4	RTC3518	2	Clip hose
5	4594	4	Spacer
6	603851	2	Grommet
7	ERC5401	2	Hose air intake
8	CA600424	1	Clip hose
9	ERC3899	2	Seal air intake
10	ERC5400	1	Adaptor air cleaner
11	RTC3502	1	Clip hose



**Model** DEFENDER 110 1987 onwards  
**Page** AFJXPA6A

**FUEL SYSTEM - AIR INLETS V8 SU CARBS NON DETOXED**

III. Part No.	Description	Qty	Remarks
1	ETC7193	1	Duct air inlet
2	ERC3915	2	Hose
3	RTC3519	4	Clip hose
4	ERC5247	2	Elbow
5	ERC3956	1	Hose
6	ETC5847	2	Clip hose
7	ERC3894	1	Adaptor
8	ERC3899	1	Seal
9	RTC3519	1	Clip hose
10	ETC7199	1	Hose breather
11	CN100308L	2	Clamp hose
12	594594	1	Cable tie
13	ETC7201	1	Adaptor assembly
14	ERC6878	1	Valve check
15	ETC7189	1	Hose breather
16	ETC7188	1	Flame trap
17	611092	1	Hose to rocker cover
18	611097	1	Hose to carburetter





DEFENDER 110 1987 onwards

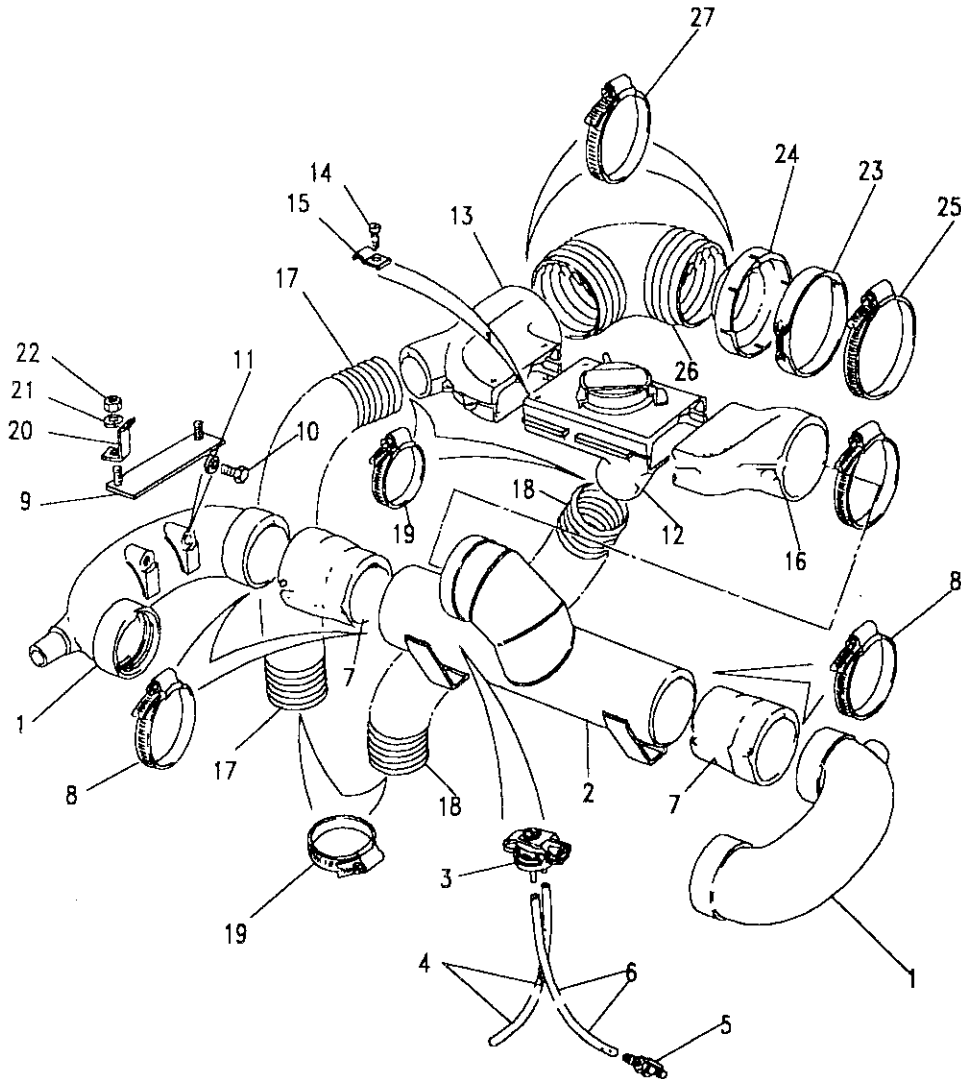
555

FUEL SYSTEM AND AIR CLEANER

**Model** DEFENDER 110 1987 onwards  
**Page** AFJXPA4A

**FUEL SYSTEM - AIR TEMPERATURE CONTROL**

III. Part No.	Description	Qty	Remarks
<b>V8 Detoxed</b>			
1 ERC9037	Elbow air inlet	2	
2 ERC7144	Duct air	1	
3 ERC6399	Sensor	1	
4 614892	Hose	2	
5 614866	Valve non return	1	
<b>Sensor to valve</b>			
6 614891	Hose	1	
<b>Duct to elbow</b>			
7 ERC5052	Hose	2	
8 RTC3518	Clip hose	4	
9 ERC3890	Bracket mounting	1	
10 SH108121L	Screw	2	
11 WL108001L	Washer spring	1	
12 ERC4591	Valve air temp control	1	
13 ETC4639	Adaptor	1	
ETC5147	Adaptor	1	Air con





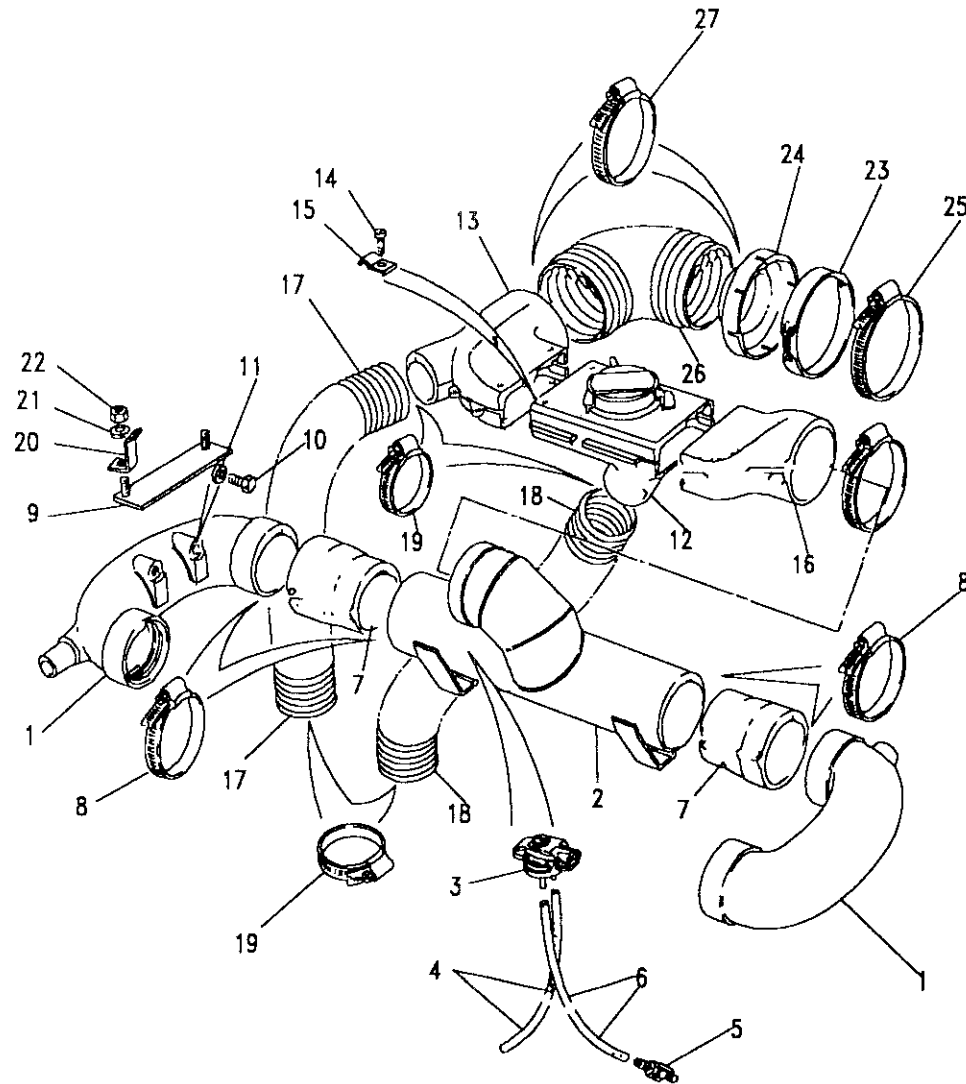
DEFENDER 110 1987 onwards

556

FUEL SYSTEM AND AIR CLEANER

Model DEFENDER 110 1987 onwards  
Page AFJXPA4A

FUEL SYSTEM - AIR TEMPERATURE CONTROL



III. Part No.	Description	Qty	Remarks
V8 Detoxed			
14 AB600031	Screw	4	
15 216708	Clip choke cable	1	
16 ERC3884	Adaptor	1	
17 ERC4293	Hose	1	
18 ERC4294	Hose	1	
19 CN100508	Clip hose	4	
20 ERC3891	Clip-ATC Valve	2	
21 WL600041L	Washer spring	2	
22 NH604041L	Nut	2	
23 ERC3899	Seal air intake	1	
24 ERC5400	Adaptor	1	
25 RTC3502	Clip hose	1	
26 ERC4074	Hose	1	
27 CA600424	Clip hose	2	





DEFENDER 110 1987 onwards

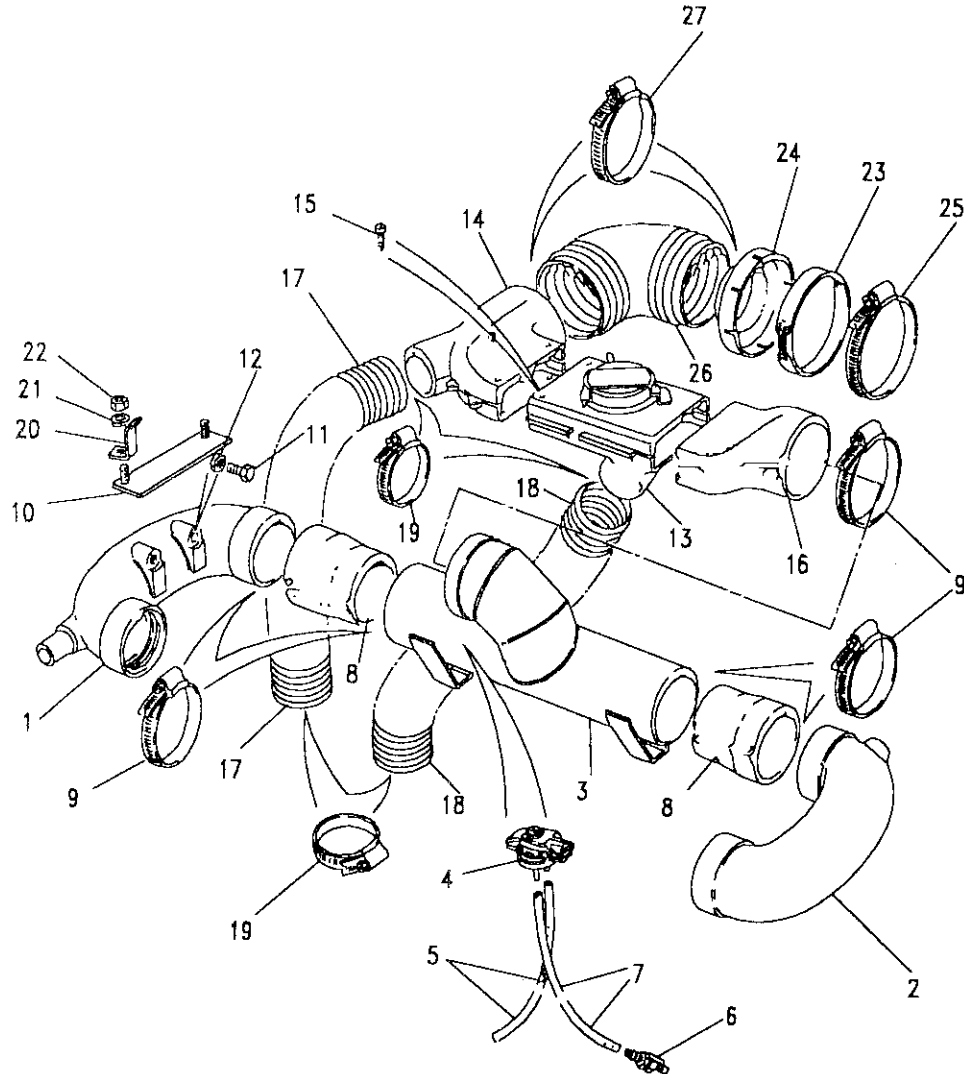
557

FUEL SYSTEM AND AIR CLEANER

**Model** DEFENDER 110 1987 onwards  
**Page** AFJXPA5A

**FUEL SYSTEM - AIR TEMPERATURE CONTROL**

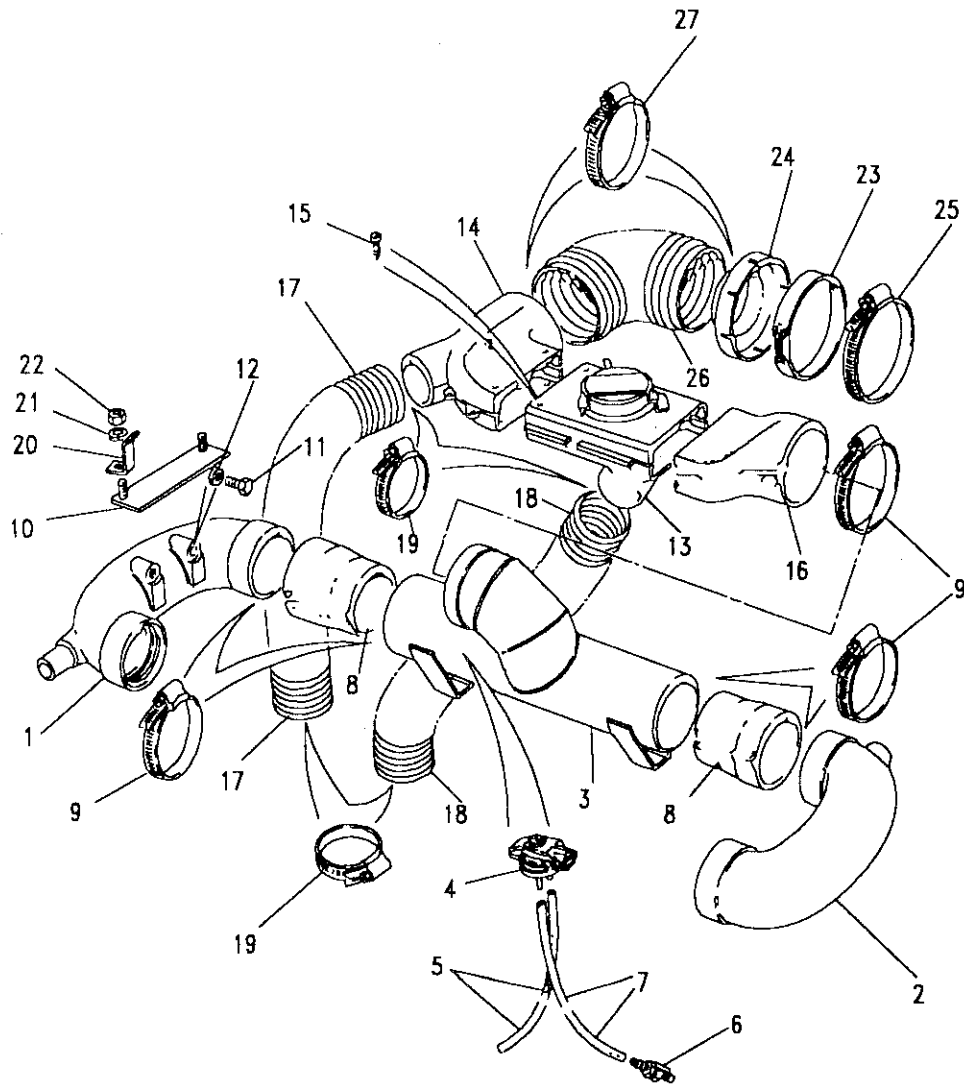
III. Part No.	Description	Qty	Remarks
<b>V8 Evaporative Loss</b>			
1	ERC7882	1	Elbow air inlet RH
2	ERC7881	1	Elbow air inlet LH
3	ERC7144	1	Duct air
4	ERC7879	1	Sensor
5	613601	1	Hose
6	614866	1	Valve non return
<b>Valve to manifold</b>			
7	614891	1	Hose
<b>Duct to elbow</b>			
8	ERC5052	2	Hose
9	RTC3518	4	Clip hose
10	ERC3890	1	Bracket mounting
11	SH505041L	2	Screw
12	WL108001L	2	Washer spring
13	ERC4591	1	Valve air temp control
14	ETC5147	1	Adaptor
15	AB610031L	4	Screw



Model DEFENDER 110 1987 onwards  
 Page AFJXPA5A

FUEL SYSTEM - AIR TEMPERATURE CONTROL

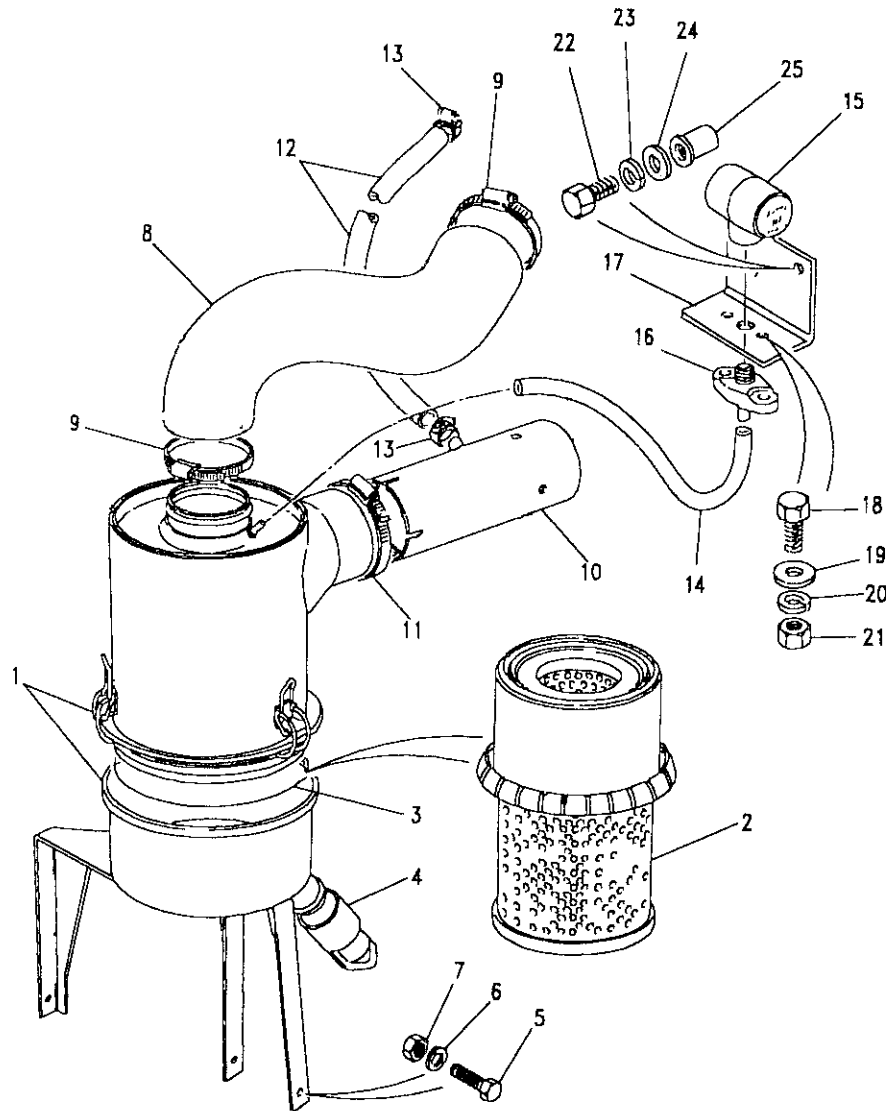
III. Part No.	Description	Qty	Remarks
<b>V8 Evaporative Loss</b>			
16	ERC3884	1	Adaptor
17	ERC4293	1	Hose
18	ERC4294	1	Hose
19	CN100508	4	Clip hose
20	ERC3891	2	Clip ATC valve
21	WM600041L	2	Washer spring
22	NH604041L	2	Nut
23	ERC3889	1	Seal air intake
24	ERC5400	1	Adaptor
25	RTC3502	1	Clip hose
26	ERC3956	1	Hose
27	CA600424	2	Clip hose





Model DEFENDER 110 1987 onwards  
Page AFJXPC1A

FUEL SYSTEM - AIR CLEANER - DIESEL NATURALLY ASPIRATED



III. Part No.	Description	Qty	Remarks
1	RRC4002 NTC4183 Air cleaner assembly	1	Upto VIN FA375497
2	NRC9238 NRC9239 Element	1	From VIN FA375498
3	RRC3746 Nut wing and gasket	1	
4	NRC8955 NTC3751 O-Ring Valve dump	1	
5	SH106121L Screw	1	Upto VIN FA375497
6	WL106001L Washer spring	3	From VIN FA375498
7	NH106041L Nut	3	
<b>Air cleaner to manifold</b>			
8	NRC8962 Hose	1	
9	CJ600504L Clip hose	2	
10	NRC8987 Resonator	1	Upto VIN FA375497
11	NTC4612 CJ600504L Resonator Clip hose	1	From VIN FA375498
<b>Resonator to top breather</b>			
12	ETC7969 Hose	1	From VIN FA375498
13	CJ600164L Clip hose	2	From VIN FA375498

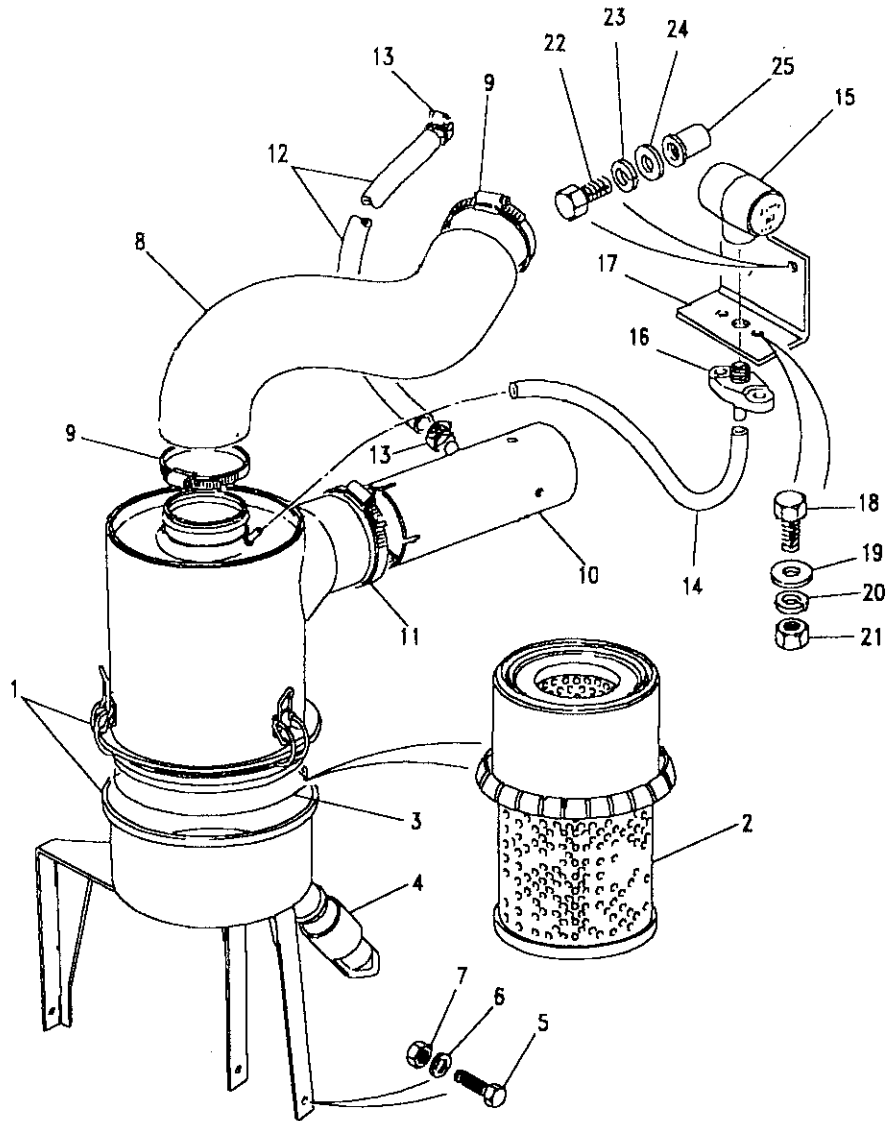






Model DEFENDER 110 1987 onwards  
Page AFJXPC1A

FUEL SYSTEM - AIR CLEANER - DIESEL NATURALLY ASPIRATED



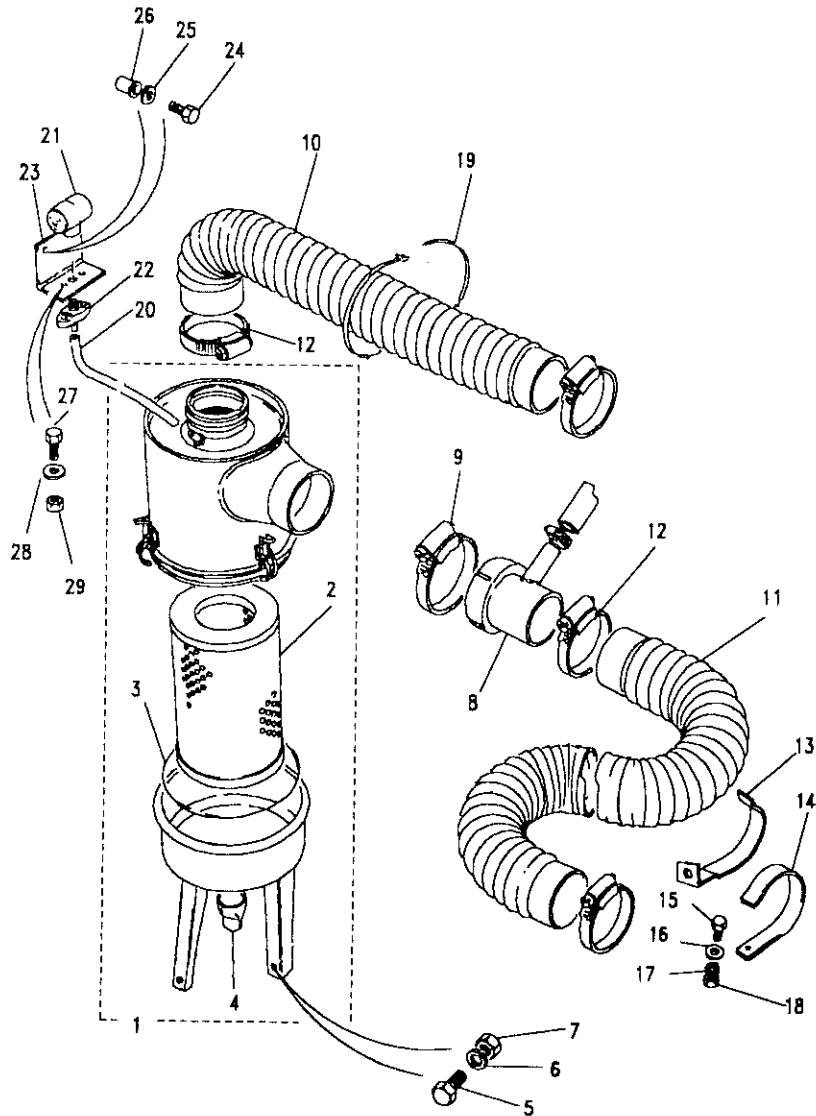
III. Part No.	Description	Qty	Remarks
<b>Air cleaner to restriction indicator</b>			
14	NTC4187	1	) From VIN
15	NTC4611	1	
16	NTC4224	1	) FA375498
17	RRC3011	1	
18	SH106161L	2	)
19	WA106041L	2	
20	WL106001L	2	)
21	NH106041L	2	
22	SH106121L	2	)
23	WL106001L	2	
24	WA106041L	2	)
25	NN106011L	2	





Model DEFENDER 110 1987 onwards  
Page AFJXPC2A

FUEL SYSTEM - AIR CLEANER - DIESEL TURBO



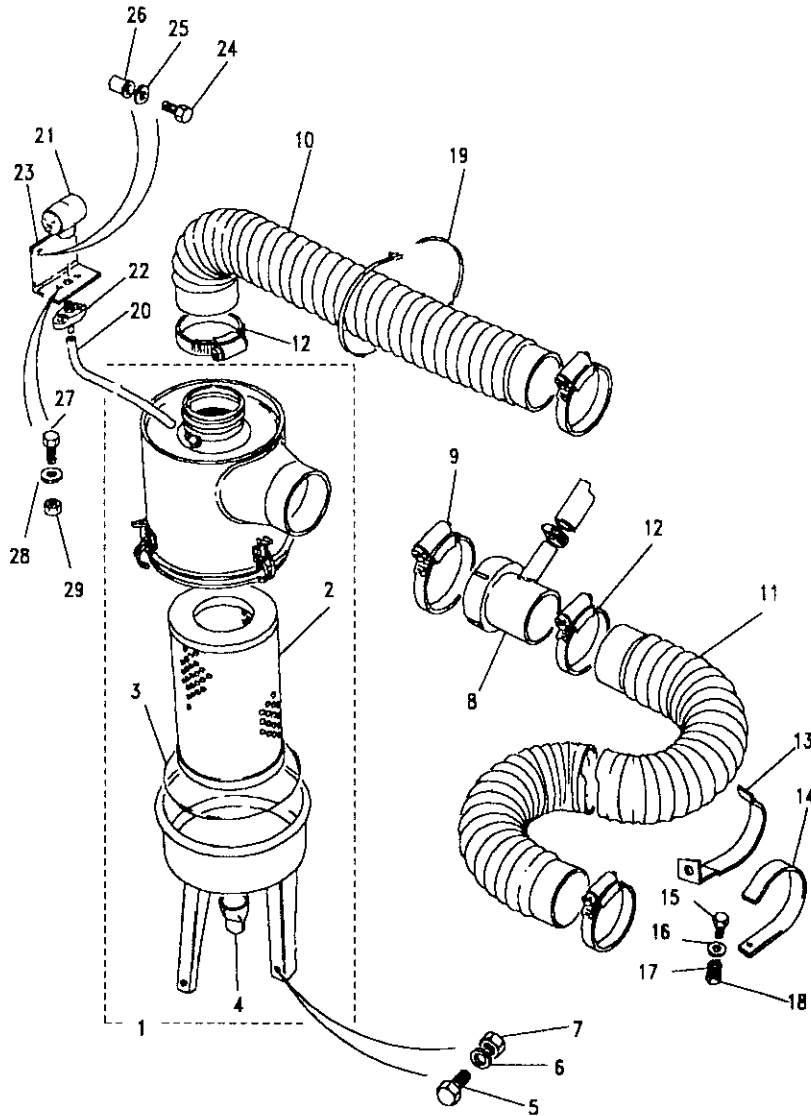
III. Part No.	Description	Qty	Remarks
1	NTC4183 Air cleaner assembly	1	
2	NRC9238 Element	1	
3	RRC3746 O ring	1	
4	NTC3751 Valve dump	1	
5	SH106121L Screw	3	
6	WL106001L Washer spring	3	
7	NH106041L Nut	3	
8	NTC4655 Adaptor air cleaner	1	
	RRC5528 Adaptor air cleaner	1	Note(1)
9	CJ600564 Clip hose	1	
10	NTC2660 Hose-air cleaner to turbo	1	
11	NTC2830 Hose-wing to air cleaner	1	
12	CJ600504 Clip hose	4	
13	NTC3778 Bracket retaining LHD	1	
	NTC3778 Bracket retaining RHD	1	Upto VIN 372172
14	ESR1004 Bracket retaining RHD	1	From VIN 372173





Model DEFENDER 110 1987 onwards  
Page AFJXPC2A

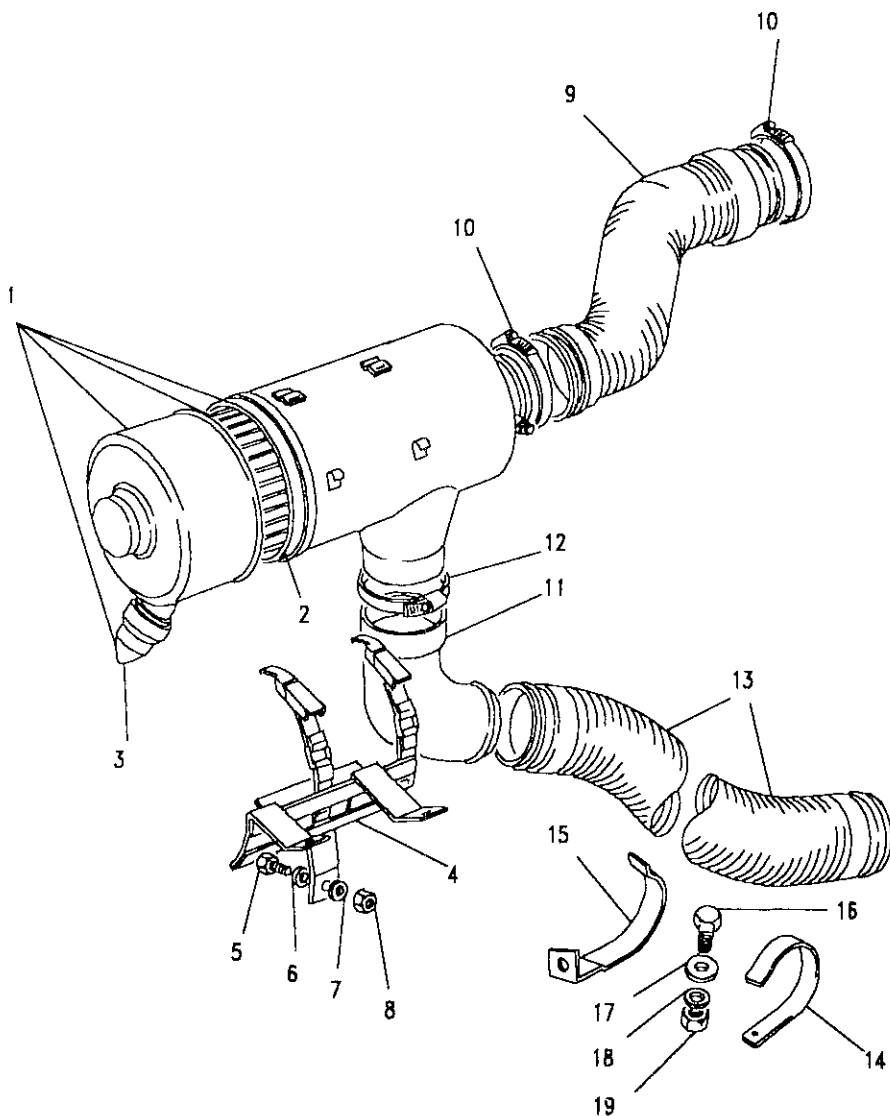
FUEL SYSTEM - AIR CLEANER - DIESEL TURBO



Ill. Part No.	Description	Qty	Remarks
15	SH106207L	1	Screw
16	WA106047L	2	Washer plain
17	WL106001L	2	Washer spring
18	NH106047L	1	Nut
19	594594	1	Cable Tie
20	NTC4187	1	Hose-air clnr/indicator
	RRC5727	1	Hose
21	RRC2800	1	Indicator restriction
	NTC4611	1	Indicator restriction
22	NTC4224	1	Flange adaptor
23	RRC3011	1	Bracket support
24	SH106121L	2	Screw
25	WL106047L	2	Washer plain
26	NN106011L	2	Nutsert
27	SH106161L	2	Screw
28	WA106041L	2	Washer plain
29	NH106041L	2	Nut

Note(1) For vehicles with raised air intake





**Model** DEFENDER 110 1987 onwards  
**Page** AFJXPC3A

**FUEL SYSTEM - AIR CLEANER - 200TDI**

III. Part No.	Description	Qty	Remarks
1 ESR370	Air cleaner assembly	1	
2 NTC6660	Element	1	
NRC9239	Nut wing and gasket	1	
3 NRC8955	Valve dump	1	
4 ESR276	Cradle	1	
5 FS106161	Screw	3	
6 WA106041L	Washer plain	3	
7 WL106001L	Washer spring	3	
8 NH106041L	Nut	3	
9 ESR415	Hose-air cleaner to turbo	1	
10 STC128	Clip hose	2	
11 ESR228	Elbow	1	
12 CN100908L	Clip hose	1	
13 ESR184	Hose-intake to air clnr	1	
14 ESR1004	Bracket retaining	1	RHD
15 NTC3778	Bracket retaining	1	LHD
16 SH106207L	Screw	1	
17 WA106047L	Washer plain	2	
18 WL106007L	Washer spring	2	
19 NH106047L	Nut	1	



Model DEFENDER 110 1987 onwards

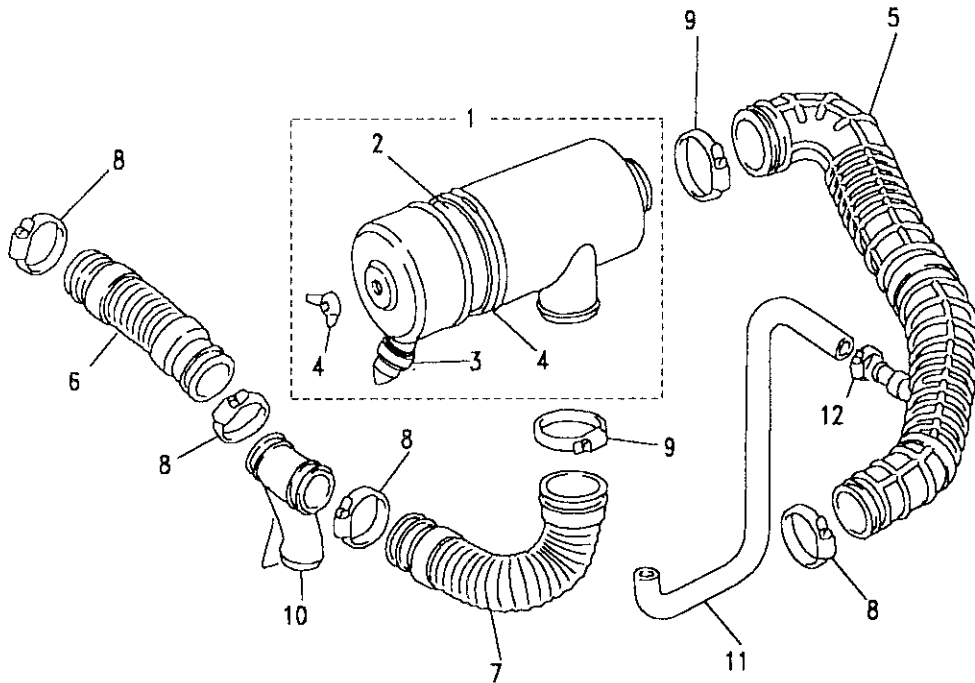
Page AFJXPC3B

FUEL SYSTEM - AIR CLEANER - 300TDI

III. Part No. Description Qty Remarks

Air cleaner assembly

1	ESR2102	Air cleaner asseembly	1
2	ESR2623	Filter element	1
3	NRC8955	Valve dump	1
4	NRC9239	Nut & gasket	1
5	ESR2731	Hose air cleaner to turbo	1
6	ESR3028	Hose intake to dump valve	1
7	ESR3032	Hose dump to air cleaner	1
8	CN100708	Clip hose	4
9	CN100908	Clip hose	2
10	ESR3162	Dump valve & bracket assy	1
11	ERR4926	Hose cyclone to a/cleaner	1
12	CN100258	Clip hose	1

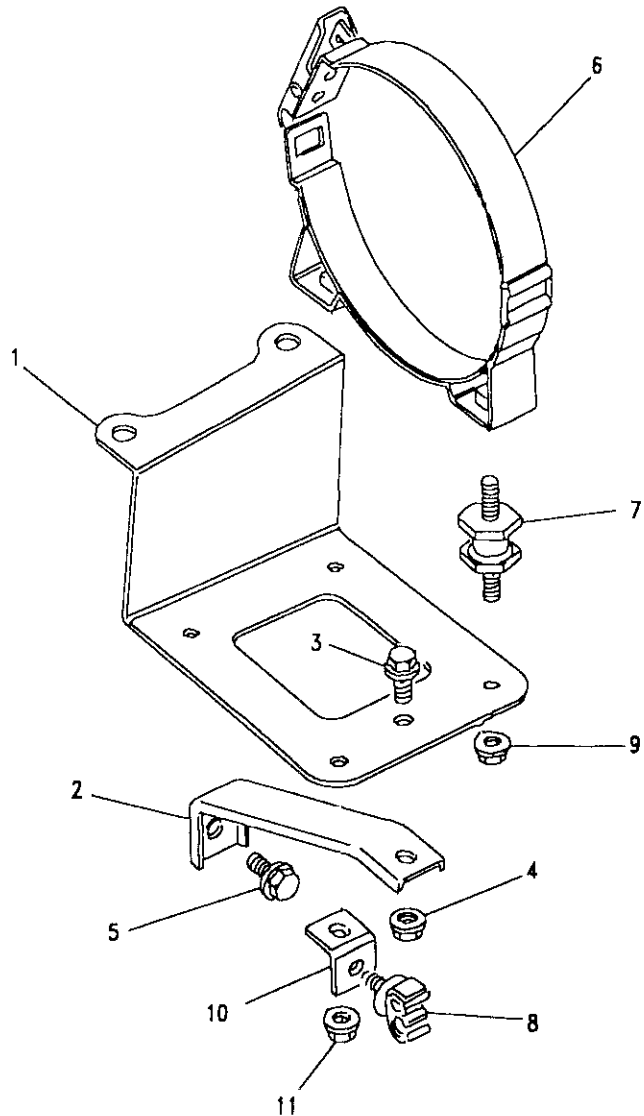




**Model** DEFENDER 110 1987 onwards  
**Page** AFJXPC3C

**FUEL SYSTEM - AIR CLEANER - 300TDI**

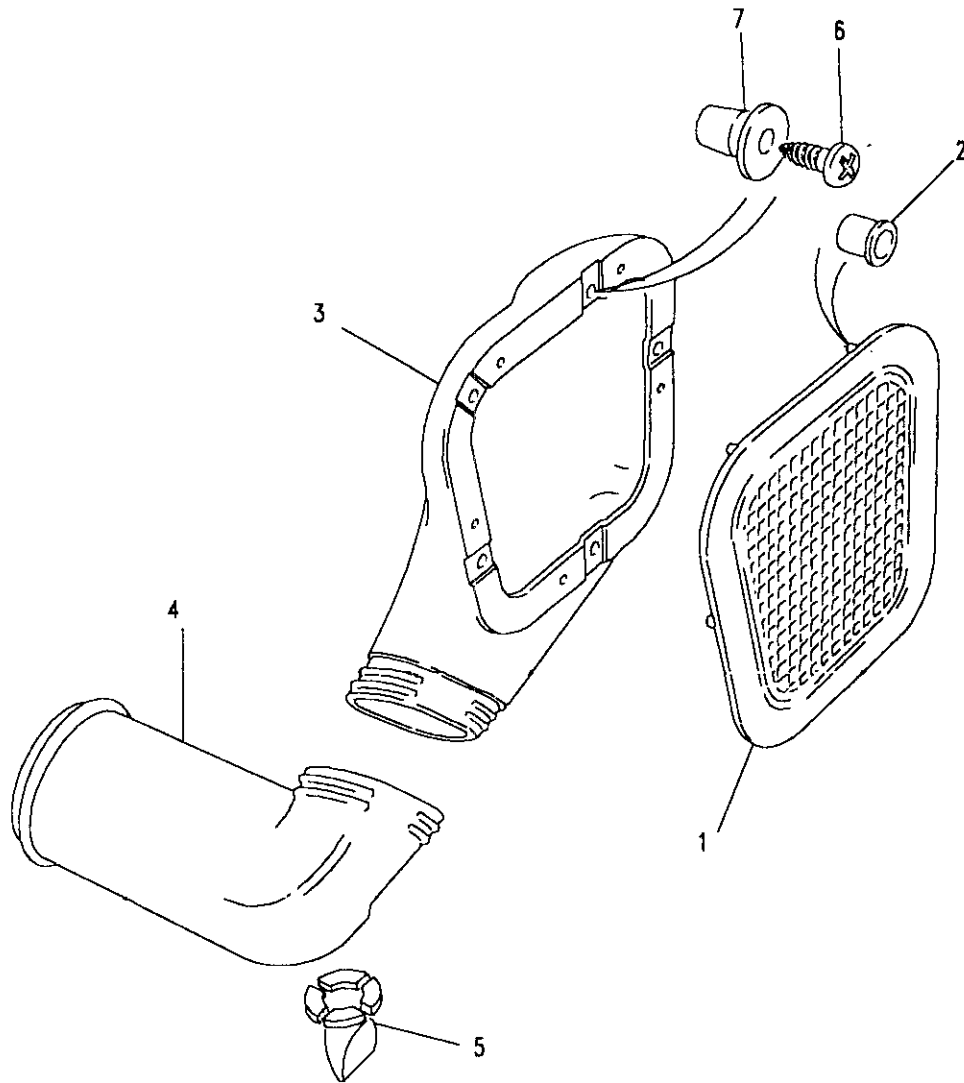
III. Part No.	Description	Qty	Remarks
<b>Air cleaner mountings</b>			
1	ERR2850	1	Bracket mounting air clean
2	ERR2851	1	Strut air cleaner bracket
3	FS108161L	1	Screw flange
4	FN108041L	1	Nut flanged
5	FS108201L	1	Screw flange
6	ERR4688	2	Strap air cleaner
7	ERR2337	4	Mounting rubber flexible
8	ESR1373	1	Clip pipe
9	FN106047L	2	Nut flanged
10	NRC2089	1	Bracket mounting rear
11	FN106047L	2	Nut flanged





**Model** DEFENDER 110 1987 onwards  
**Page** AFJXPC5A

**FUEL SYSTEM - AIR INTAKE - DIESEL TURBO & 200TDI**



III. Part No.	Description	Qty	Remarks
1	MWC2501 Grille air intake	1	
2	359526 Bush badge fixing	5	
3	MWC1826 Duct air	1	Upper
4	MWC1827 Duct air	1	Lower
5	MUC2417 Valve dump	1	
6	AB608047 Screw	5	
7	AFU1926L Nut captive	5	

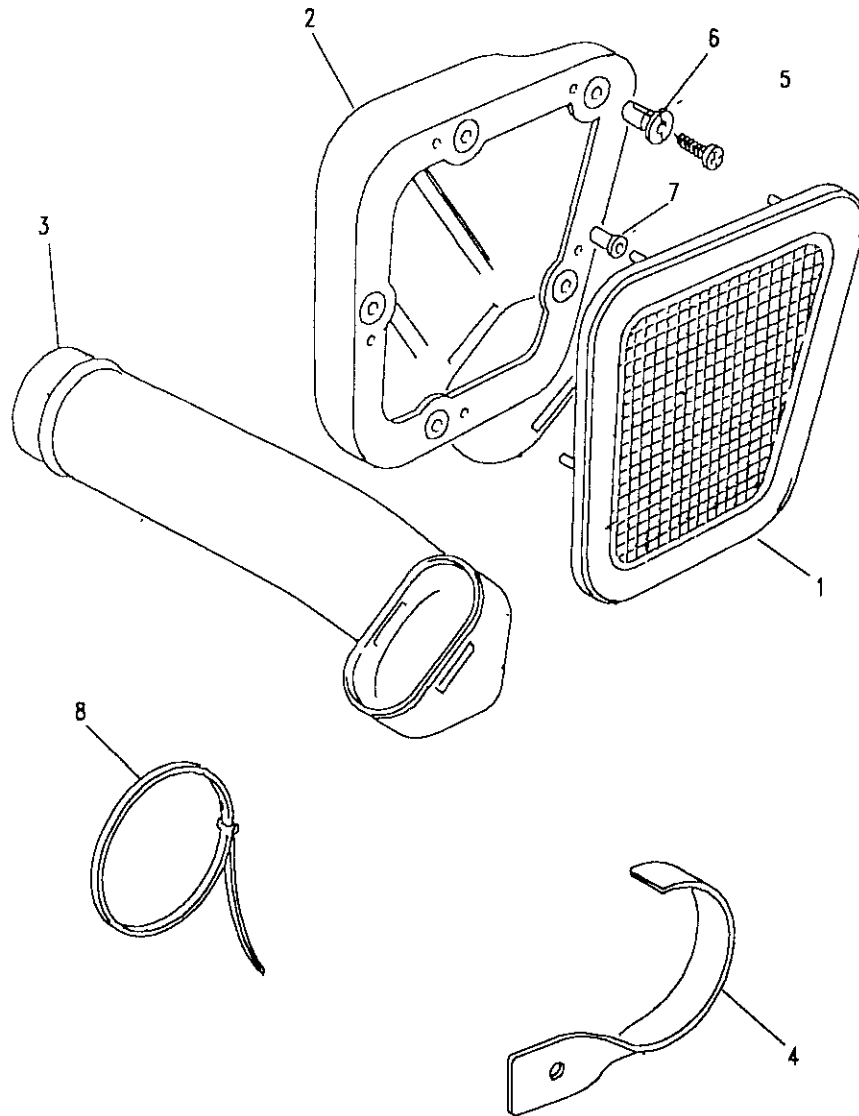




DEFENDER 110 1987 onwards

567

FUEL SYSTEM AND AIR CLEANER



Model DEFENDER 110 1987 onwards  
 Page AFJXPC5B

FUEL SYSTEM - AIR INTAKE - 300TDI

III. Part No.	Description	Qty	Remarks
<b>Air intake</b>			
1	BTR6188	1	Grille air intake
2	ESR3173	1	Duct air upper RH
3	ESR3175	1	Duct air lower RH
4	ESR2315	1	Bracket intake support
5	AB608041	5	Screw - air duct
6	AFU1926	5	Nut captive
7	AJU1136	5	Stud anchor
8	359526	5	Bush friction
9	594594	1	Tyrap strap

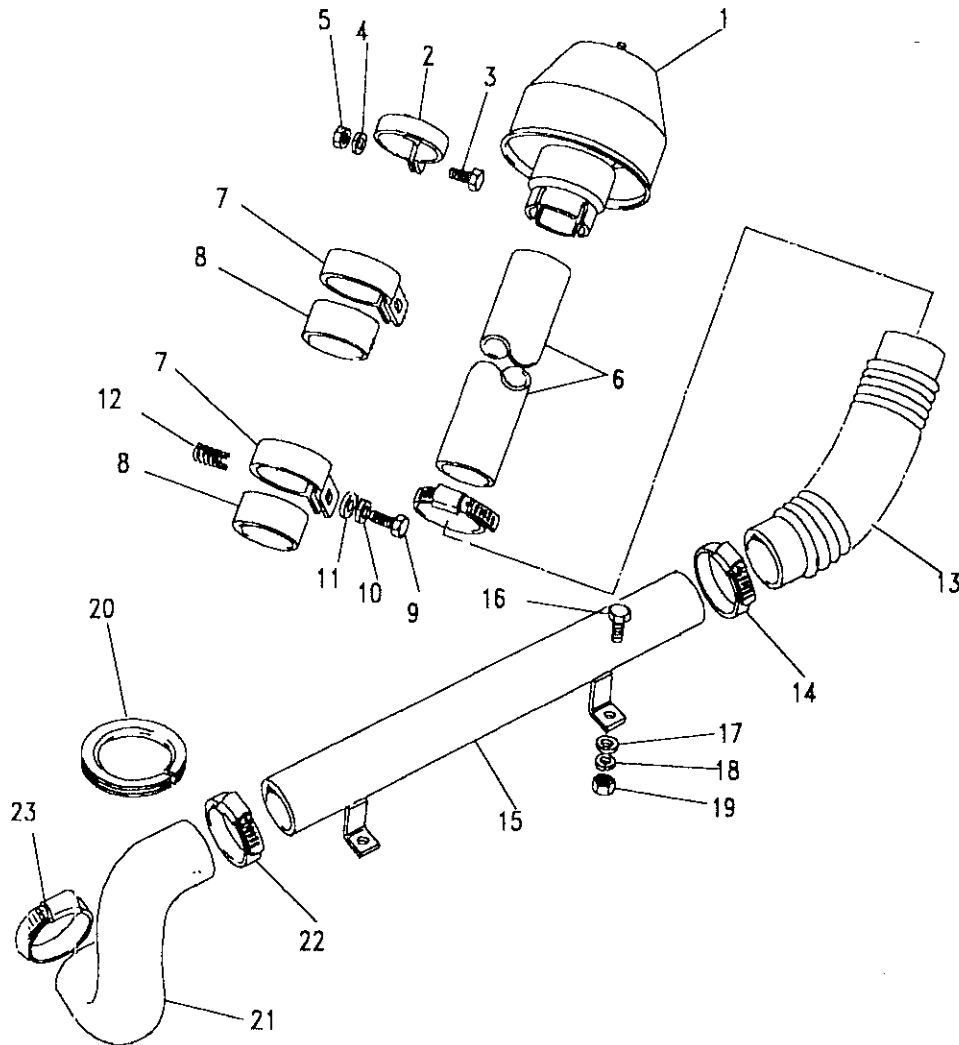




Model DEFENDER 110 1987 onwards

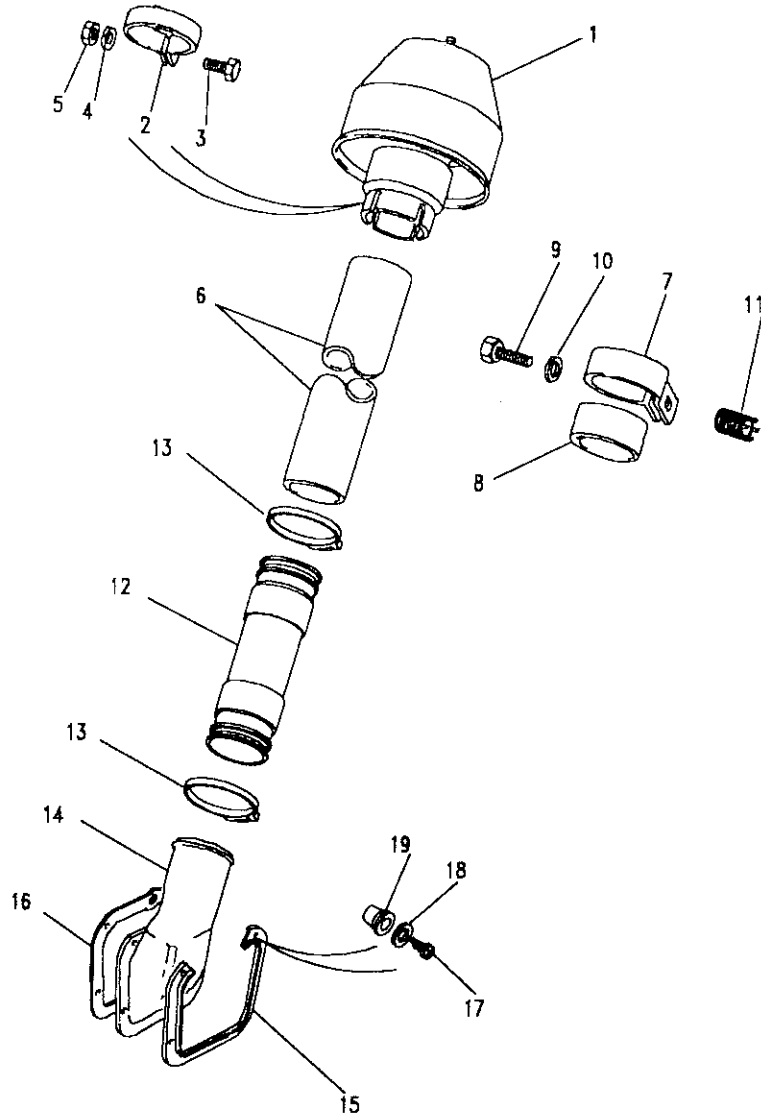
Page AFJXPC4A

FUEL SYSTEM - RAISED AIR CLEANER - 4 CYLINDER



III. Part No.	Description	Qty	Remarks
<b>Not suitable for 200Tdi - Note(1)</b>			
1	NRC6920 Air cleaner assembly	1	Raised
2	NRC6919 Clamp air cleaner	1	
3	FS106201L Flange screw	1	
4	WL106001L Washer spring	1	
5	NH106041L Nut	1	
6	NRC7457 Pipe air cleaner	1	
7	NRC7154 Clamp pipe	2	Upto VIN 323866
	NTC4257 Clamp pipe	2	From VIN 323867
8	276426 Seal	2	
9	FS106201L Flange screw	2	
10	WA106041L Washer plain	2	
11	WL106001L Washer spring	2	
12	ML106015 Insert helicoil	2	
13	NRC6254 Hose	1	
14	CJ600504L Clip hose	2	
15	NRC9107 Pipe assembly	1	
16	SH106121L Screw	4	
17	WA106041L Washer plain	4	
18	WL106001L Washer spring	4	
19	NH106041L Nut	4	
20	MTC7513 Strip seal	A/R	
21	NRC8984 Hose (to air cleaner)	1	
22	CJ600504L Clip hose	1	
23	RTC3518 Clip hose	1	

Note(1) 200Tdi - see page 569

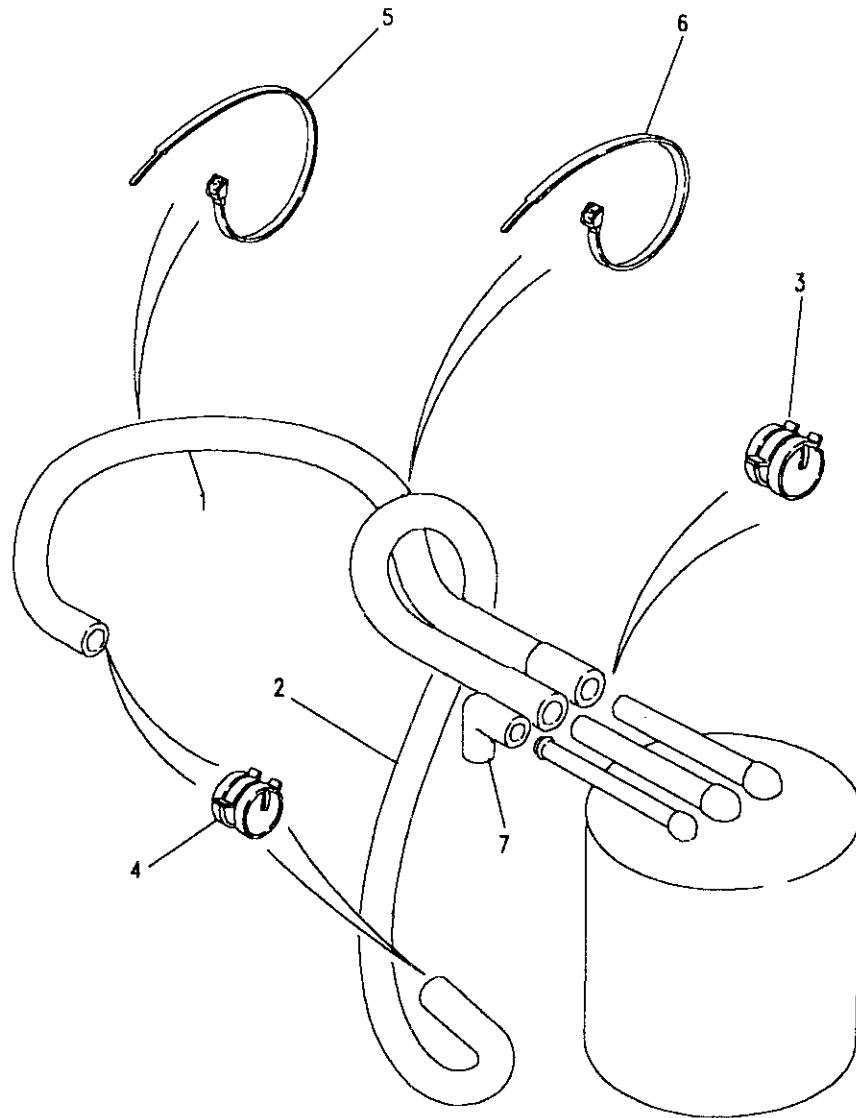


**Model** DEFENDER 110 1987 onwards  
**Page** AFJXPC6A

**FUEL SYSTEM - RAISED AIR CLEANER - 200TDI**

III. Part No.	Description	Qty	Remarks
1	NRC6920 Air cleaner assembly	1	Raised
2	NRC6919 Clamp air cleaner	1	
3	SH106207L Screw	1	
4	WA106047L Washer plain	1	
5	NH106047L Nut	1	
6	NRC7457 Pipe air cleaner	1	
7	NTC4257 Clamp pipe	2	
8	276426 Seal	2	
9	SH106207L Screw	2	
10	WA106047L Washer plain	2	
11	ML106015 Insert helicoil	2	
12	ESR1128 Hose	1	
13	ESR1269 Clip hose	2	
14	ESR1127 Duct air	1	
15	ESR1225 Clamp	1	
16	ESR1265 Gasket	1	
17	AB608067L Screw	6	
18	WA105001L Washer plain	6	
19	AJU1136L Snapsac	5	



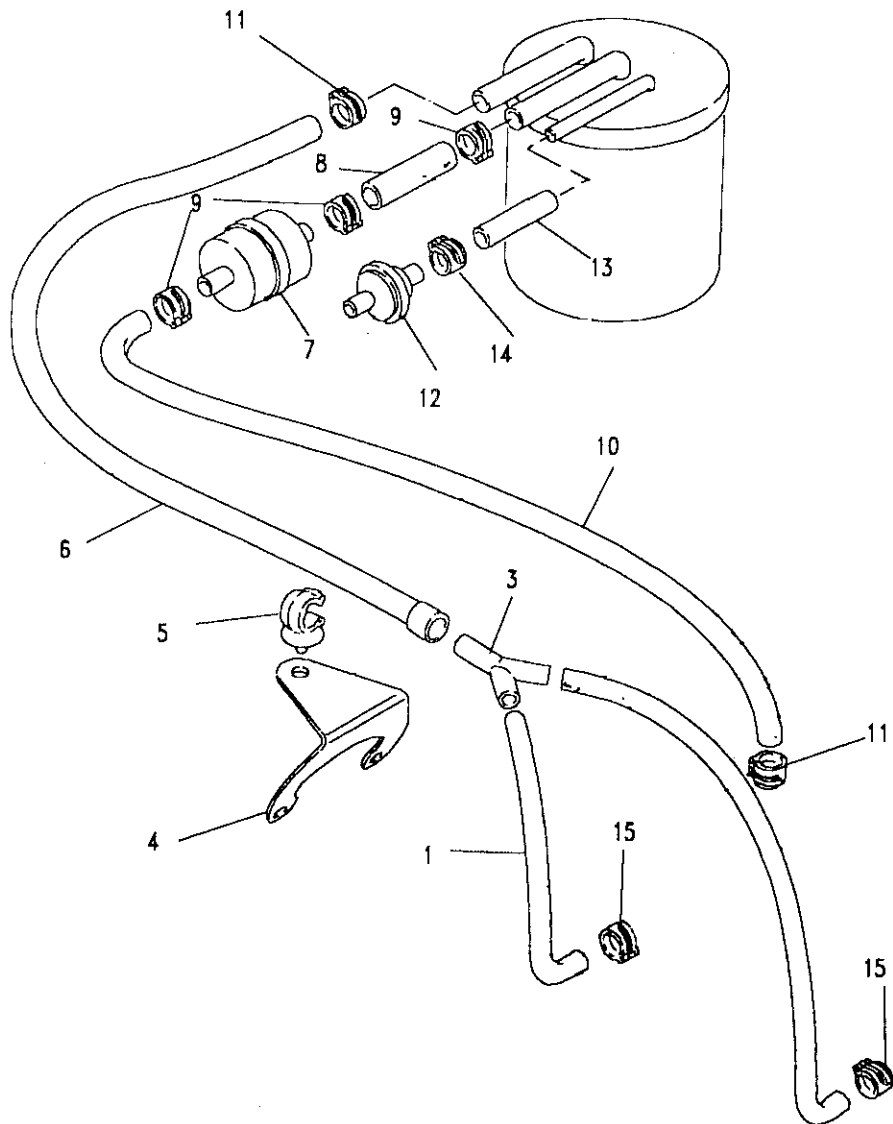


**Model** DEFENDER 110 1987 onwards  
**Page** AFJXTA1A

**FUEL SYSTEM - EVAPORATIVE LOSS - 4 CYLINDER PETROL**

III. Part No.	Description	Qty	Remarks
<b>Carburettor to canister</b>			
1 ETC6932	Hose	1	
<b>Engine to canister</b>			
2 ETC5397	Hose	1	
3 UKC3798L	Clamp hose	2	
4 UKC3803L	Clamp hose	2	
5 UKC6683L	Strap	1	
6 C45099	Strap	1	
7 577458	Elbow rubber	1	





**Model** DEFENDER 110 1987 onwards  
**Page** AFJXTA2A

**FUEL SYSTEM - EVAPORATIVE LOSS - V8 PETROL**

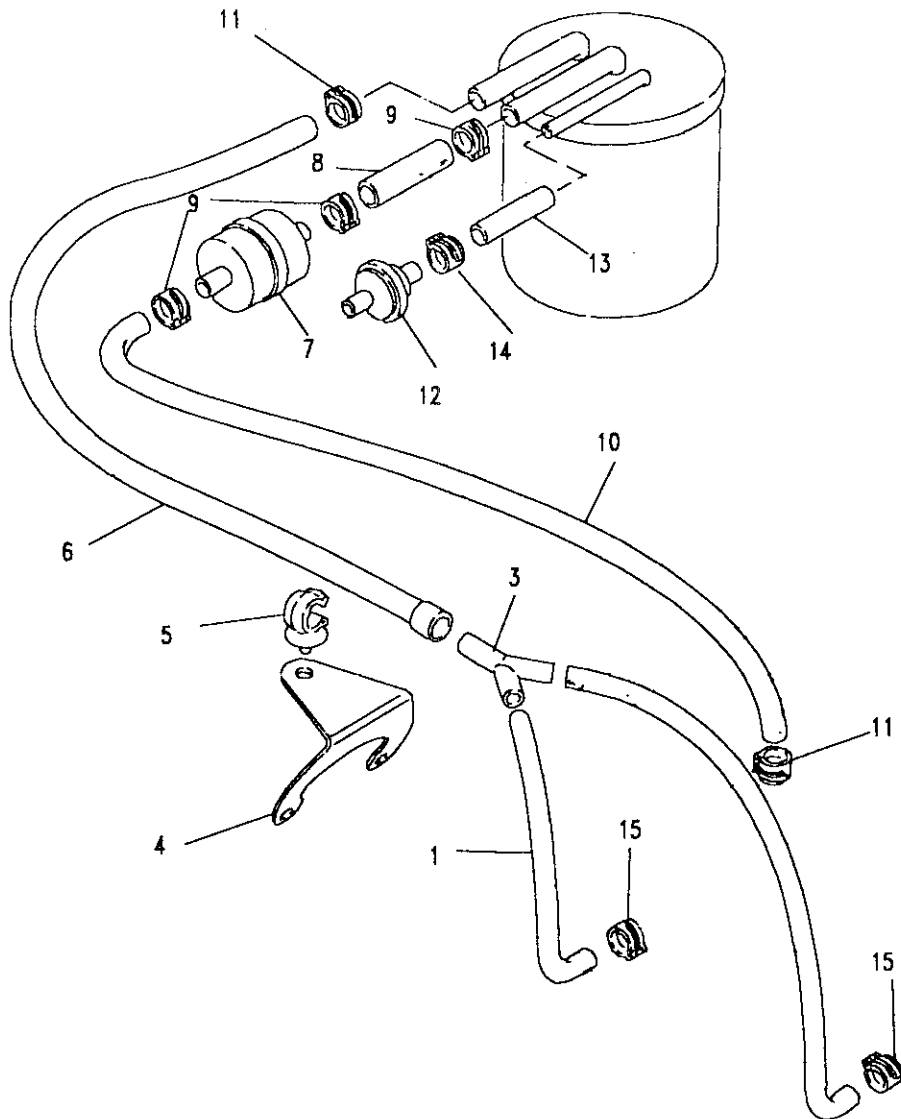
III. Part No.	Description	Qty	Remarks
<b>Y piece to carburetter</b>			
1 NTC3763	Hose	1	110mm
2 NTC3764	Hose	1	293mm
3 566724L	Y piece	1	
4 NTC3862	Bracket support	1	
5 NTC3863	Pipe clip	1	
<b>Y piece to filter</b>			
6 NTC3766	Hose	1	
7 606168	Filter	1	
<b>Filter to canister</b>			
8 ERC4176	Hose	1	RHS
ETC5397	Hose	1	LHS
9 UKC3794L	Clamp hose	3	



Model DEFENDER 110 1987 onwards  
Page AFJXTA2A

FUEL SYSTEM - EVAPORATIVE LOSS - V8 PETROL

III. Part No.	Description	Qty	Remarks
<b>Engine to canister</b>			
10	ETC5398 Hose	1	RHS
	ERC3955 Hose	1	LHS
11	UKC3798L Clamp hose	2	
12	NTC3891 Valve pressure/vacuum	1	
<b>Valve to canister</b>			
13	ERC4176 Hose	1	
14	UKC3795L Clamp hose	1	
15	UKC3803L Clamp hose	2	

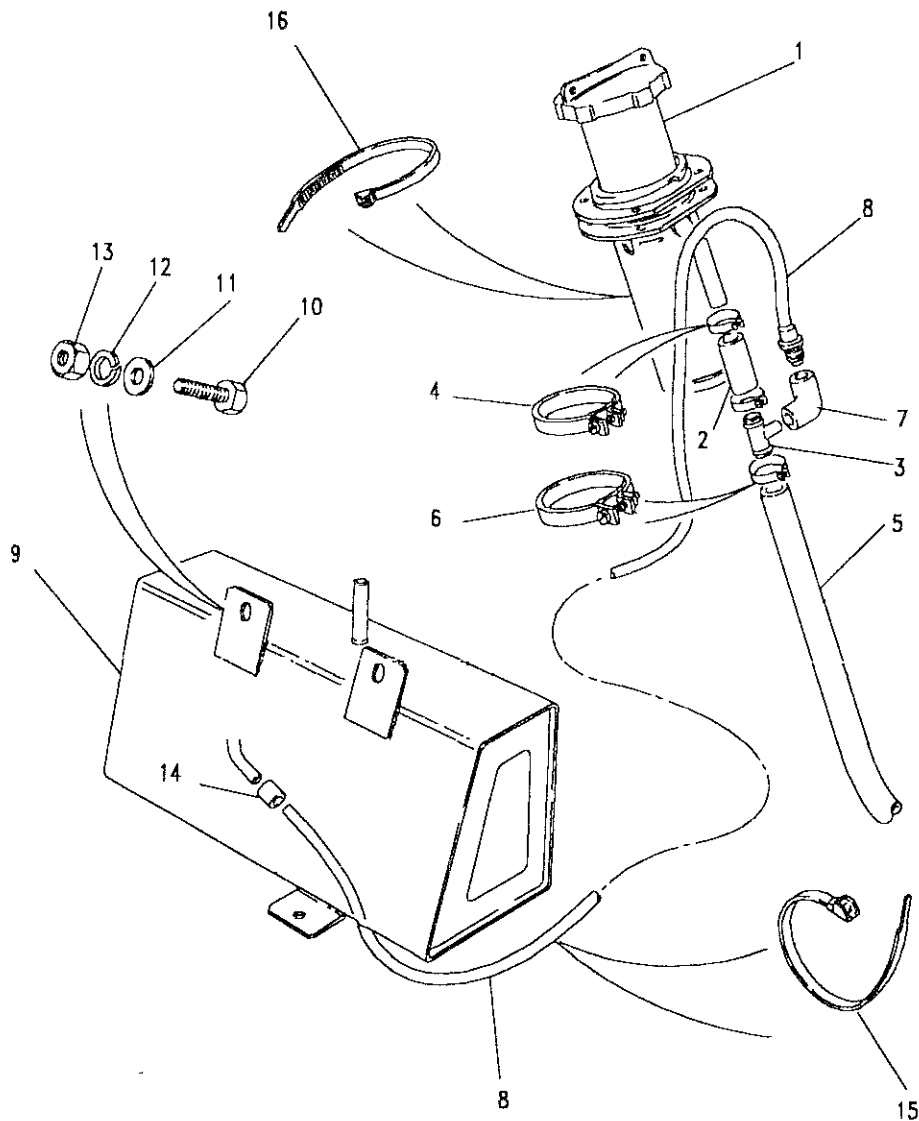




**Model** DEFENDER 110 1987 onwards  
**Page** AFJXTA3A

**FUEL SYSTEM - EVAPORATIVE LOSS - HCPU - SINGLE FUEL TANK**

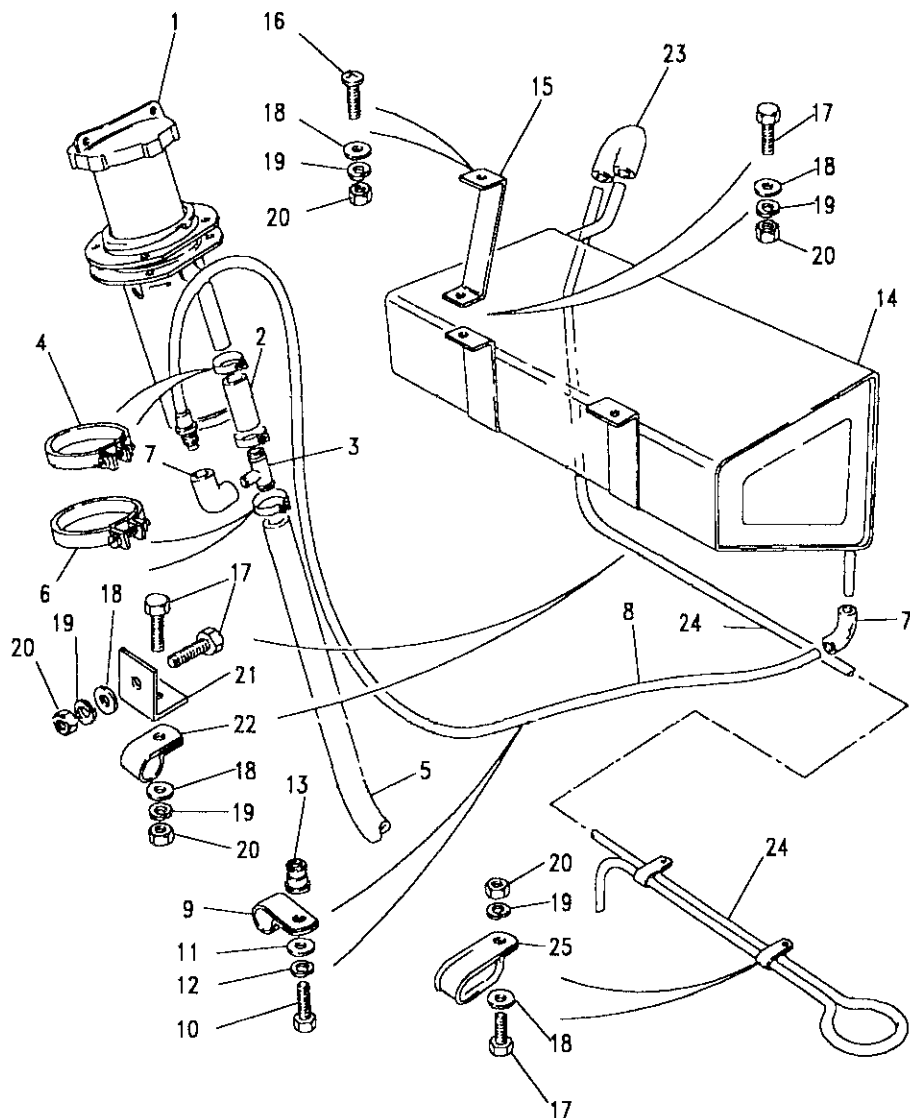
III. Part No.	Description	Qty	Remarks
1	NRC2536 Fuel Filler	1	
2	NRC2159 Connection hose	1	
3	NRC2652 Tee Piece	1	
4	CN100168L Clip hose	3	
5	ESR1287 Hose breather	1	Australia
6	603887 Clip hose	1	
7	577458 Elbow rubber	2	
8	NRC9508 Pipe	1	
9	NRC9472 Catch tank	1	
10	FS108251L Screw	2	
11	WA108051L Washer plain	2	
12	WL108001L Washer spring	2	
13	FN108041L Nut	2	
14	577459 Connector	1	
<b>Pipe to tie bar</b>			
15	C45099L Cable Tie	1	
<b>To fuel filler neck</b>			
16	UKC6683L Cable Tie	1	





Model DEFENDER 110 1987 onwards  
Page AFJXTA4A

FUEL SYSTEM - EVAP LOSS - STATION WAGON - SINGLE FUEL TANK



III. Part No.	Description	Qty	Remarks
1 NRC2536	Fuel Filler	1	
2 NRC2159	Connection hose	1	
3 NRC2652	Tee piece	1	
4 CN100168L	Clip hose	3	
5 NRC2214	Hose breather	1	
6 603887	Clip hose	1	
7 577458	Elbow rubber	2	
8 NRC2195	Pipe	1	
9 CP105081	Clip retaining	2	
10 SH105121	Screw	3	
11 WA105001	Washer plain	3	
12 WL105001	Washer spring	3	
13 NN105011	Nutsert	3	

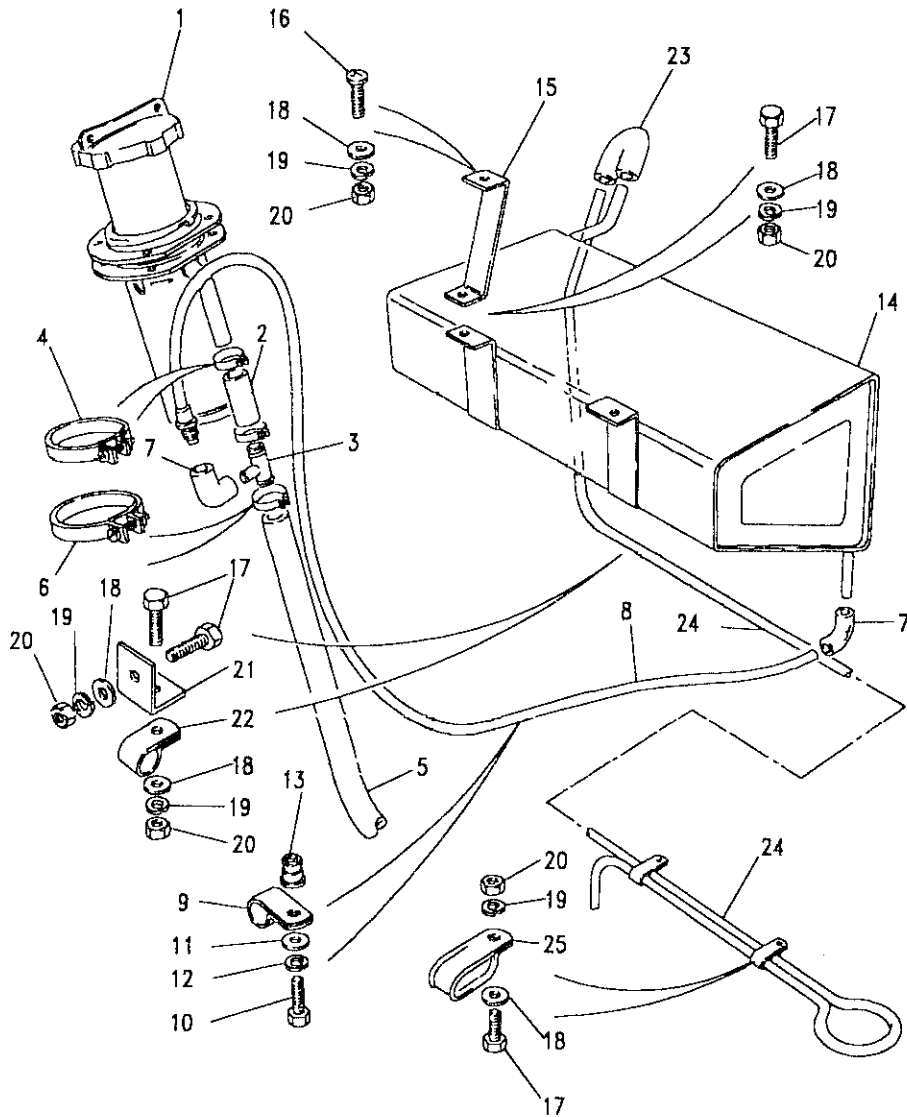




Model DEFENDER 110 1987 onwards  
Page AFJXTA4A

FUEL SYSTEM - EVAP LOSS - STATION WAGON - SINGLE TANK

III. Part No.	Description	Qty	Remarks
14	592326	1	Catch tank
15	NRC2087	2	Bracket mounting
16	SE106161	2	Screw
17	SH106161	6	Screw
18	MRC5695	6	Washer plain
19	WL106001	8	Washer spring
20	NH106041L	8	Nut
21	NRC2089	2	Bracket mounting
22	CP106081	2	Clip retaining
23	611110	1	Connector
24	NRC2015	1	Pipe
25	543589	2	Clip retaining

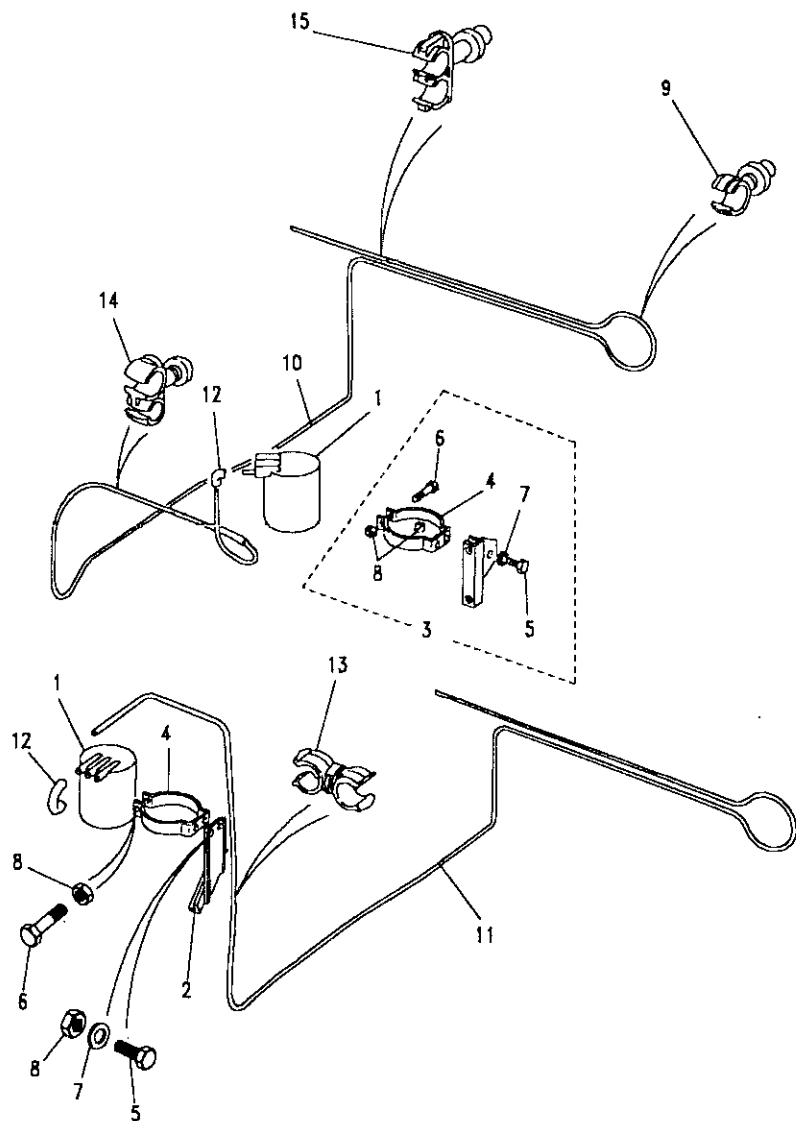




**Model** DEFENDER 110 1987 onwards  
**Page** AFJXTA5A

**FUEL SYSTEM - EVAPORATIVE LOSS - HCPU**

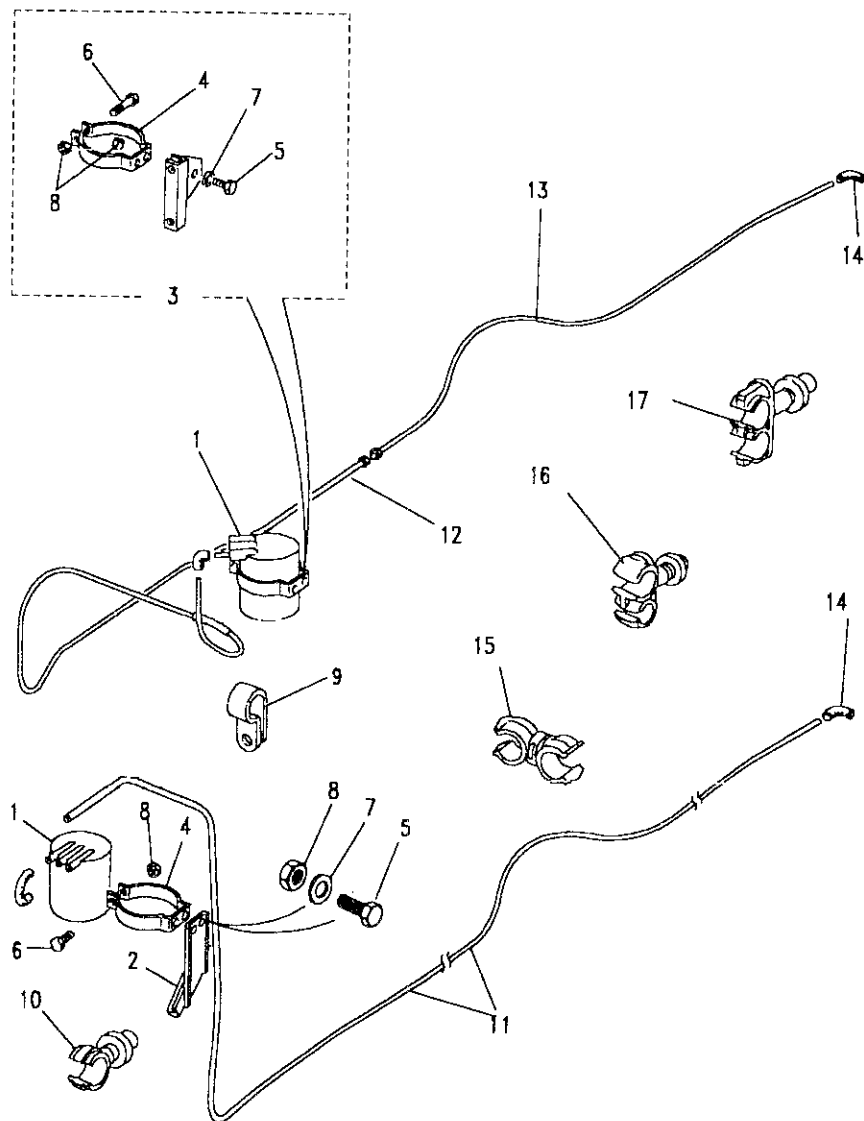
III. Part No.	Description	Qty	Remarks
1 AFU1085L	Canister charcoal	1	
2 NRC5844	Bracket support	1	Australia No longer available
3 ESR1278	Bracket support	1	
4 NRC4776	Clamp	1	
5 SH106141L	Screw	2	
6 SH106351L	Screw	1	
7 WL106001L	Washer spring	2	
8 NY106041L	Nut	3	
9 79122	Pipe Clip	4	
<b>Canister to catch tank</b>			
10 NTC1048	Pipe	1	
11 NRC9507	Pipe	1	Australia
12 577458	Elbow rubber	2	
13 NTC3333	Clip swivel	7	
14 NRC5415	Pipe Clip	2	V8
15 79158	Pipe Clip	3	
CP108081L	Clip retaining	1	



Model DEFENDER 110 1987 onwards

Page AFJXTA6A

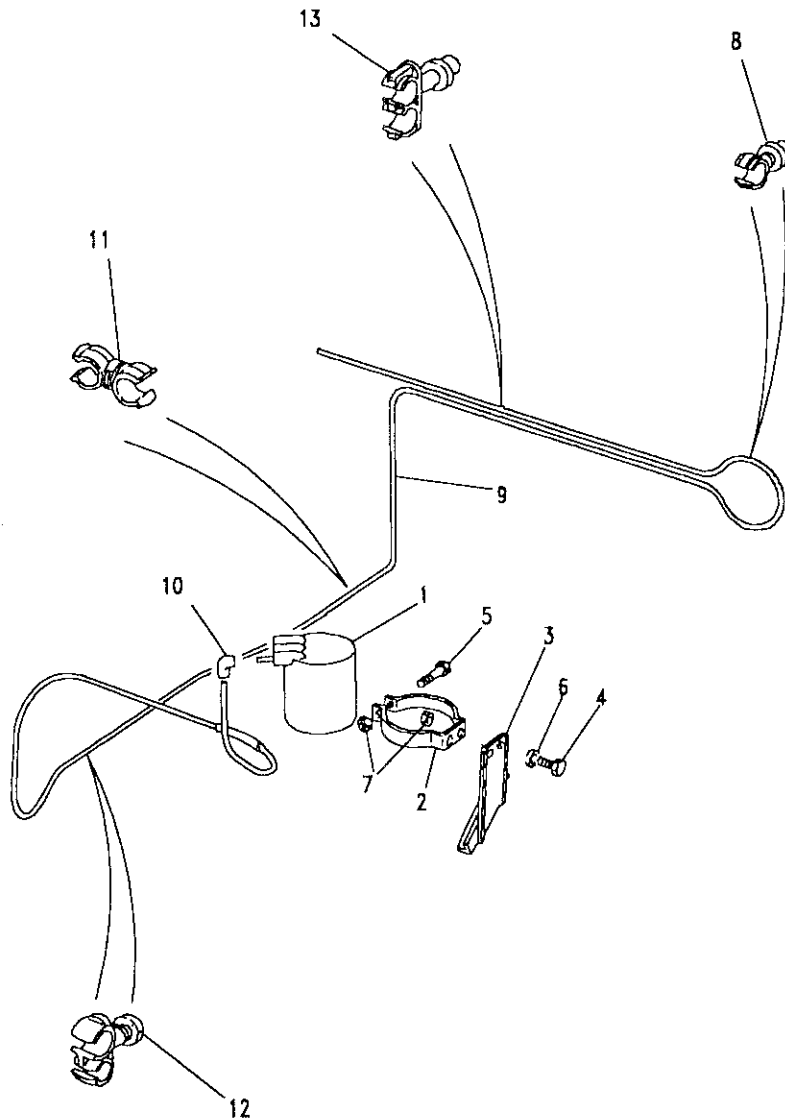
FUEL SYSTEM - EVAP LOSS - REGULAR AND STATION WAGON



III. Part No.	Description	Qty	Remarks
1 AFU1085L	Canister charcoal	1	
2 NRC5844	Bracket support	1	Australia No longer available
3 ESR1278	Bracket support	1	
4 NRC4776	Clamp	1	
5 SH106141L	Screw	2	
6 SH106351L	Screw	1	
7 WL106001L	Washer spring	2	
8 NY106041L	Nut	3	
9 CP108081L	Clip retaining	1	Australia
10 79122	Pipe Clip	3	
11 NRC5818	Pipe	1	Note(1)
12 NRC9862	Pipe front	1	Note(2)
13 NRC9863	Pipe rear	1	Note(2)
14 577458	Elbow rubber	2	
15 AFU1077L	Clip swivel	6	
16 NRC5415	Pipe Clip	3	V8
17 79158	Pipe Clip	1	

Note(1) Station Wagon - single fuel tank - RHS Regular and Station Wagon - dual fuel tanks - LHS

Note(2) Station Wagon - single fuel tank - LHS



**Model** DEFENDER 110 1987 onwards  
**Page** AFJXTA7A

**FUEL SYSTEM - EVAPORATIVE LOSS - DEFENDER 130**

III. Part No.	Description	Qty	Remarks
1	AFU1085L	1	Canister charcoal
2	NRC4776	1	Clamp support
3	NRC9865	1	Bracket support
4	SH106141L	2	No longer available
5	SH106351L	1	Screw
6	WL106001L	2	Washer spring
7	NY106041L	1	Nut
8	79122	2	Pipe clip
	79122	3	Pipe clip
9	NTC1048	1	Pipe
	ESR422	1	Pipe
10	577458	2	Elbow rubber
11	NTC3333	4	Clip swivel
	NTC3333	2	Clip swivel
	NTC3333	6	Clip swivel
12	NRC5415	2	Pipe Clip
13	79158	3	Pipe Clip

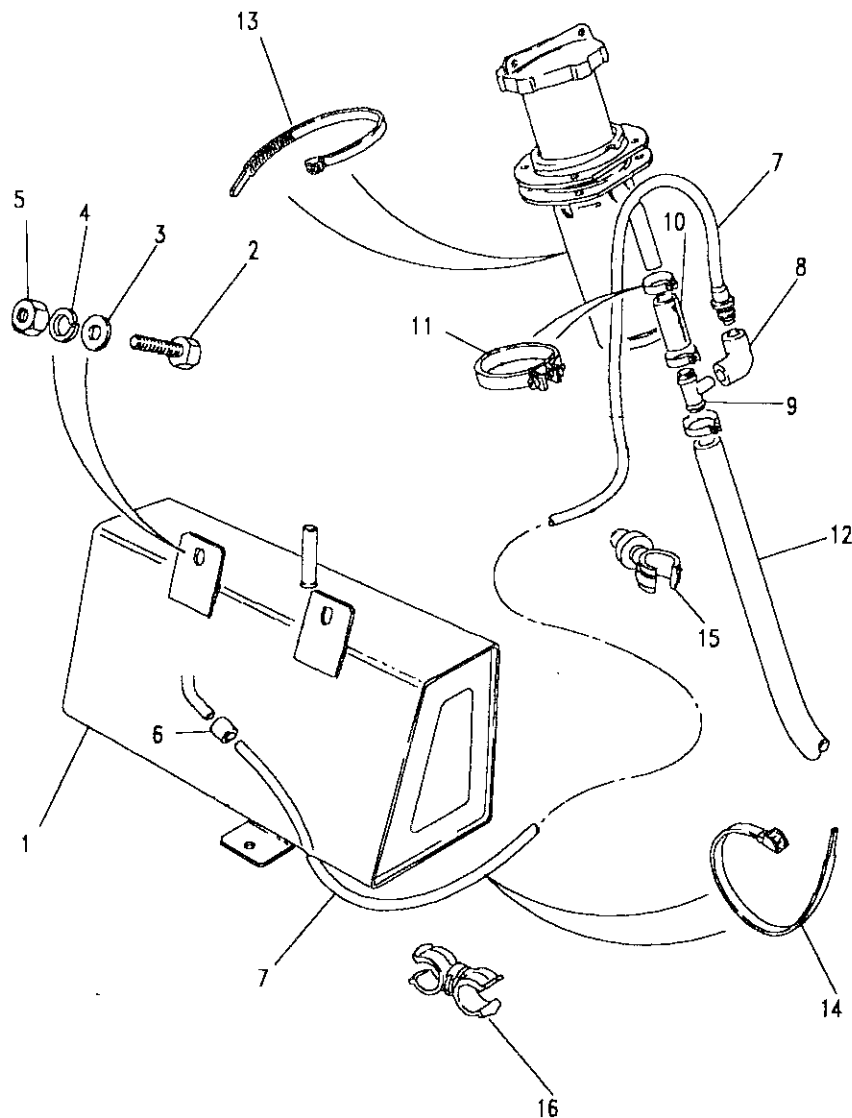
Note(1) Chassis cab - single fuel tank  
 Note(2) Chassis cab - twin fuel tanks  
 Note(3) Crew cab - single fuel tank



Model DEFENDER 110 1987 onwards

Page AFJXTA8A

FUEL SYSTEM - EVAP LOSS SINGLE FUEL TANK - DEFENDER 130



III. Part No.	Description	Qty	Remarks
1	NRC9472	1	Catch tank
2	FS108251L	2	Screw
3	WA108051L	2	Washer plain
4	WL108001L	2	Washer spring
5	FN108041L	2	Nut
6	577459	1	Connector
7	ESR419	1	Pipe
	ESR421	1	Pipe
8	577458	1	Elbow
9	NRC2652	1	Tee piece
10	NRC2159	1	Connection
11	CN100168L	3	Clip hose
12	ESR1287	1	Pipe breather
13	UKC6683L	1	Cable tie
14	C45099	1	Cable tie
15	79122	2	Pipe clip
16	NTC3333	4	Clip swivel
	NTC3333	3	Clip swivel

