



MASTER INDEX

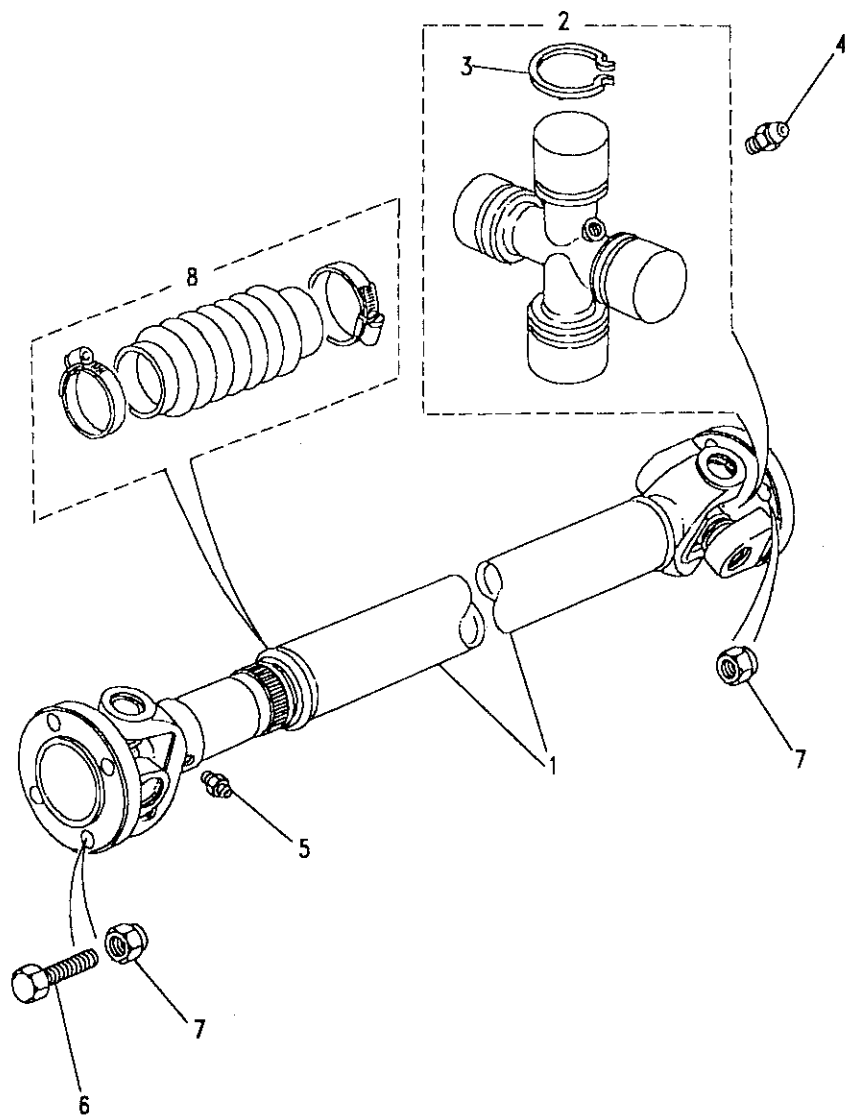
	PAGES
INTRODUCTION PAGES	1 - 7
ALPHABETICAL INDEX	8 - 16
ENGINE	17 - 66
ENGINE	67 - 119
ENGINE	120 - 166
ENGINE	167 - 209
ENGINE	210 - 245
ENGINE	246 - 299
GEARBOX	300 - 326
GEARBOX	327 - 344
GEARBOX	345 - 359
TRANSFER BOX	360 - 378
TRANSFER BOX	379 - 397
AXLES AND SUSPENSION	398 - 444
STEERING	445 - 471
VEHICLE AND ENGINE CONTROLS	472 - 486
BRAKES	487 - 517
FUEL SYSTEM AND AIR CLEANER	518 - 579
EXHAUST SYSTEM	580 - 593
COOLING/HEATING	594 - 637
COOLING/HEATING	638 - 641
COOLING/HEATING	642 - 649
COOLING/HEATING	650 - 655
COOLING/HEATING	656 - 666
BODY ELECTRICAL	667 - 740
BODY AND CHASSIS	741 - 909
INTERIOR TRIM	910 - 955
SEATS	956 - 1036
STOWAGE	1037 - 1046
ACCESSORIES - PAINTS	1047 - 1074
NUMERICAL INDEX	1076 - 1151

GROUP E

AXLES AND SUSPENSION

AXLES AND SUSPENSION	
FRONT PROPSHAFT	399
REAR PROPSHAFT	400 - 401
FRONT AXLE ASSEMBLY	402 - 403
FRONT AXLE CASE	404 - 405
FRONT DIFFERENTIAL	406 - 413
DRIVE SHAFTS	414 - 416
SWIVEL PIN HOUSING	417 - 419
FRONT HUB	420 - 422
REAR AXLE ASSEMBLY	423 - 424
AXLE CASE REAR	425
DIFFERENTIAL	426
AXLE SHAFTS AND HUBS	427 - 428
REMOTE BREATHERS	429
ALTERNATIVE REMOTE BREATHERS	430
REMOTE BREATHERS	431
GAITER KIT	432
ROAD WHEEL	433
RADIUS ARM & LINKS	434 - 435
SHOCK ABSORBERS & ROAD SPRING	436
ANTI-ROLL BAR	437
BOTTOM LINK	438
TOP LINK, FULCRUM, BALL JOINT	439 - 440
SHOCK ABSORBER & ROAD SPRING	441 - 442
ANTI ROLL BAR	443
LEVELLING UNIT - OPTIONAL	444





Model DEFENDER 110 1987 onwards

Page AFEXAA1A

AXLES - FRONT PROPSHAFT

III. Part No.	Description	Qty	Remarks
Defender 110 & 130			
1 FRC8390	Propellor shaft front	1	Note(1)
FRC8386	Propellor shaft front	1	Note(2)(3)
All Variants			
2 RTC3458	Universal joint	2	
3 242522	Circlip	8	
4 549229	Nipple grease	2	
5 234532	Nipple grease	1	
6 509045P	Bolt	4	Note(3)
7 NZ606041L	Nut	8	
8 276484	Grommet assembly	1	

Note(1) 4 Cylinder

Note(2) All V8

Note(3) TDI from MA939976

Note(4) Fixing bolt at transfer box - see page 368



Model DEFENDER 110 1987 onwards

Page AFEXAC1A

AXLES - REAR PROPSHAFT

Ill. Part No.	Description	Qty	Remarks
---------------	-------------	-----	---------

Vehicles with front disc and rear drum brakes

Defender 110

1	FRC8391	Propellor shaft rear	1	4 Cylinder Upto VIN KA925786
	FTC3245	Propeller shaft rear	1	4 Cylinder From VIN KA925787
	FRC8389	Propellor shaft rear	1	V8

Defender 130

1	FTC1250	Propellor shaft rear	1	4 Cylinder V8
	RRC2303	Propellor shaft rear	1	Upto 4.6.89
	FTC1249	Propellor shaft rear	1	V8 LT85 From 5.6.89

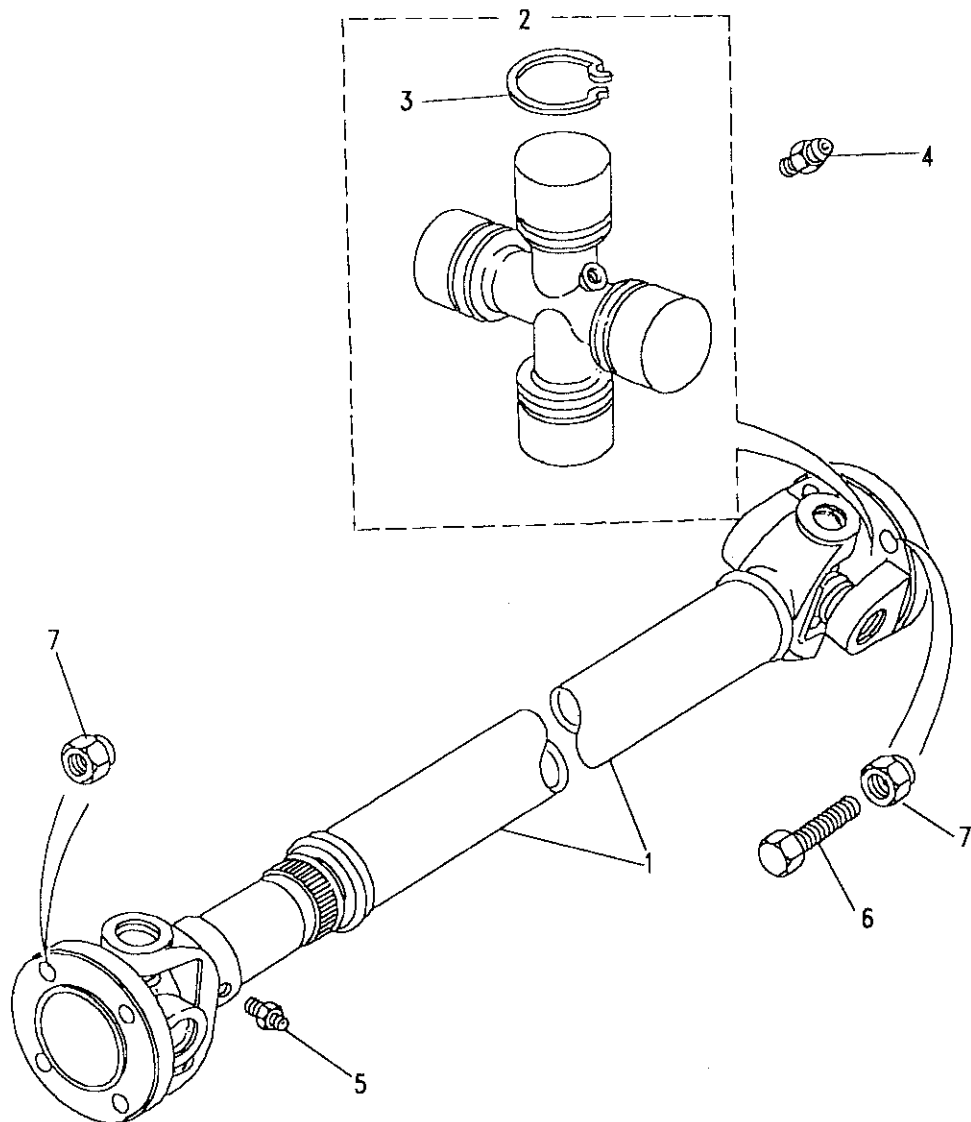
Vehicles with front and rear disc brakes

Defender 110

1	FTC3245	Propeller shaft rear	1	4 Cylinder
	FRC8389	Propeller shaft rear	1	V8 Note(1)
	FTC3905	Propeller shaft rear	1	V8 Note(2)
	FTC3905	Propeller shaft rear	1	300TDi

Note(1) Up to LA937639

Note(2) From LA937640



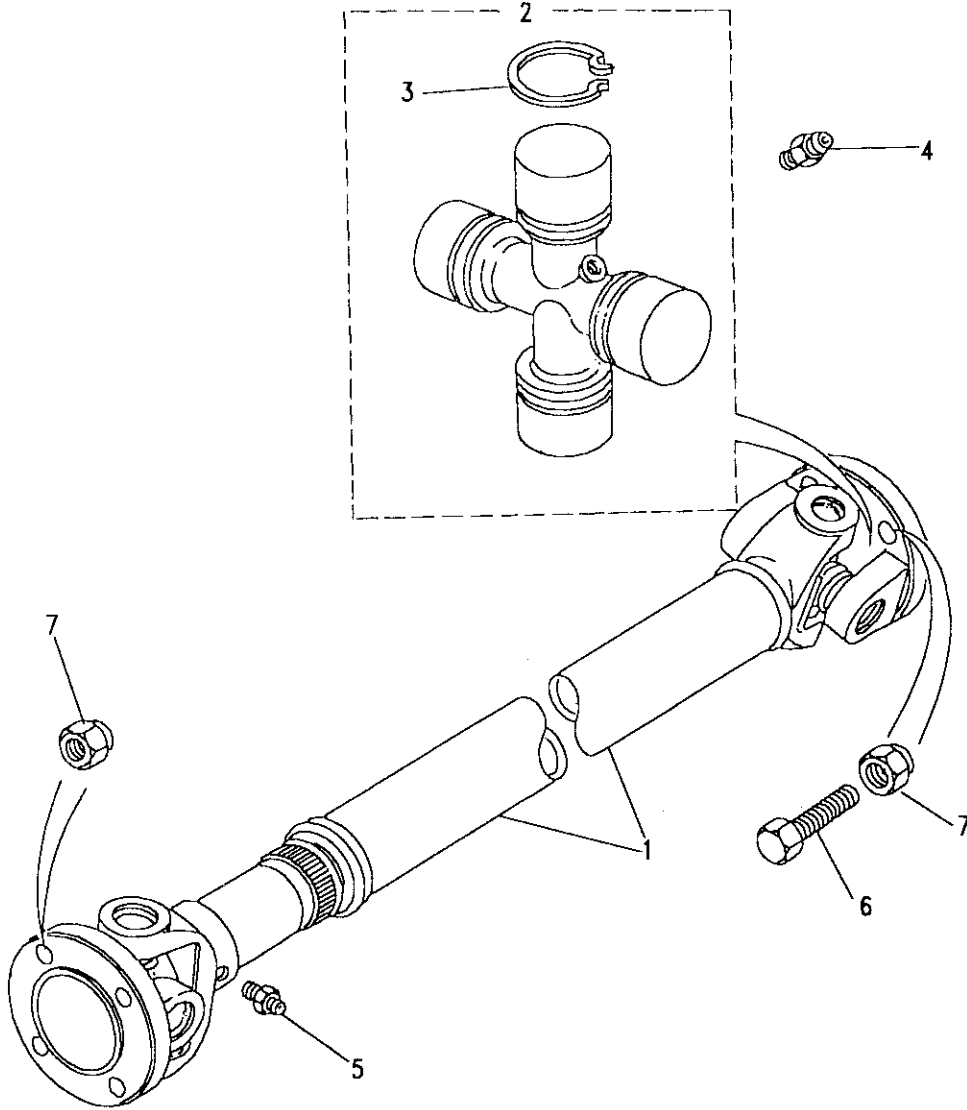


Model DEFENDER 110 1987 onwards
Page AFEXAC1A

AXLES - REAR PROPSHAFT

III. Part No.	Description	Qty	Remarks
Defender 130 1 FTC1250	Propeller shaft rear	1	
All Derivatives			
2 RTC3458	Universal joint	2	
3 242522	Circlip	8	
4 549229	Nipple grease	2	
5 234532	Nipple grease	1	
6 509045P	Bolt	4	Note(1)
7 NZ606041L	Nut	8	

Note(1) Fixing bolt at transfer box - see page 369





Model DEFENDER 110 1987 onwards
Page AFEXCA1A

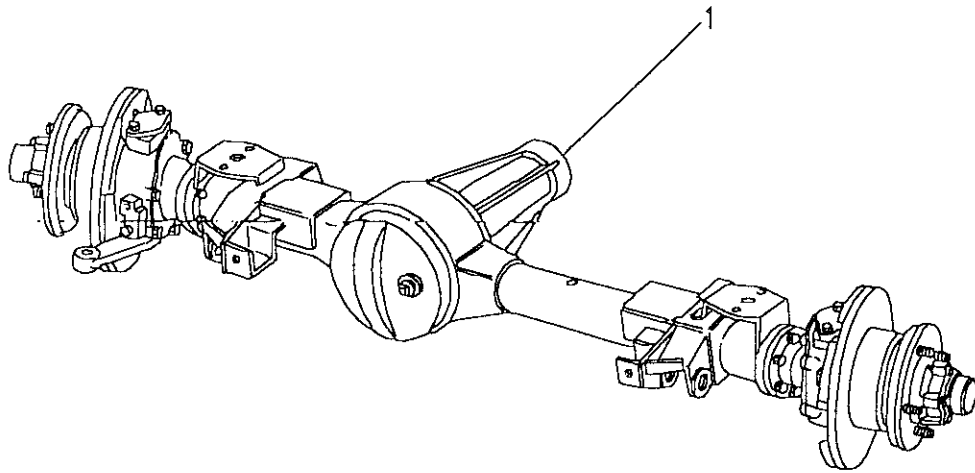
FRONT AXLE - FRONT AXLE ASSEMBLY

III. Part No. Description Qty Remarks

Vehicles with front disc and rear drum brakes

Upto VIN 930434 - 110, 930545 - 130

1	FRC8782	Axle assembly front-RHS	1	Upto 20L77036C
	FTC3280	Axle assembly front-RHS	1	From 20L77037C
	FRC8783	Axle assembly front-LHS	1	Upto 21L56452C
	FTC3281	Axle assembly front-LHS	1	From 21L56453C





Model DEFENDER 110 1987 onwards

Page AFEXCA2A

FRONT AXLE - FRONT AXLE ASSEMBLY

III. Part No.	Description	Qty	Remarks
---------------	-------------	-----	---------

Vehicles with front and rear disc brakes

Defender 110 4 Cylinder - From VIN LA930435

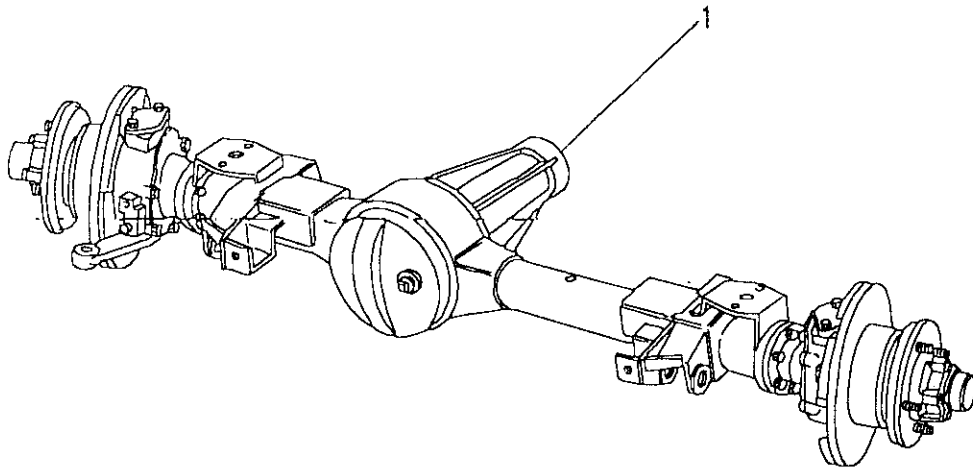
1	FTC3300	Axle assembly front-RHS	1 63L
	FTC3301	Axle assembly front-LHS	1 64L

Defender 110 V8 - From VIN LA930435

1	FTC3300	Axle assembly front-RHS	1 63L
	FTC3301	Axle assembly front-LHS	1 64L

Defender 130 - From VIN LA930546

1	FTC3300	Axle assembly front-RHS	1 63L
	FTC3301	Axle assembly front-LHS	1 64L





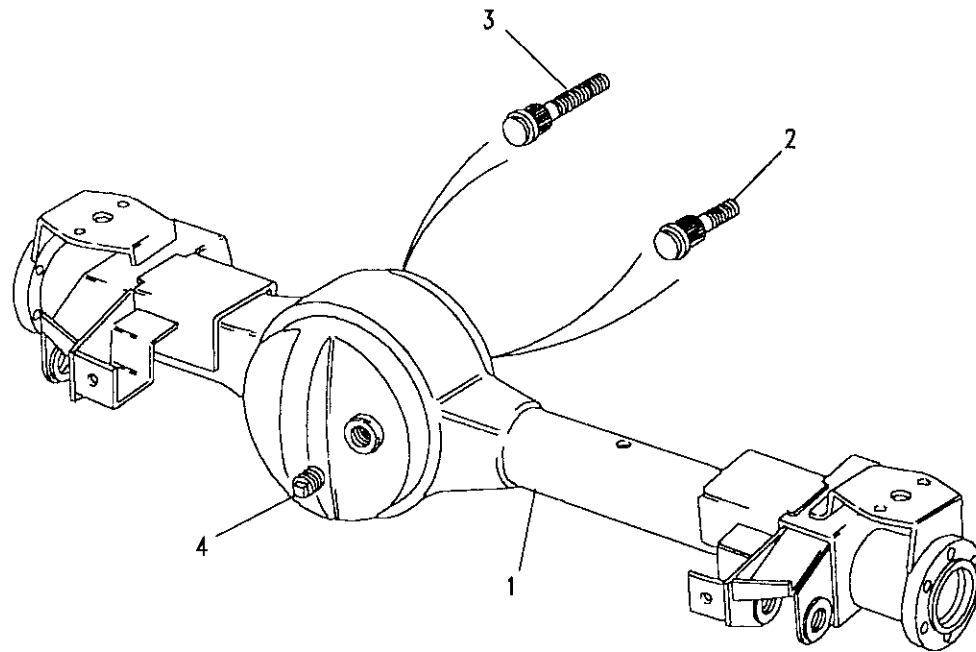
Model DEFENDER 110 1987 onwards
Page AFEXCC1A

FRONT AXLE - FRONT AXLE CASE

III. Part No. Description Qty Remarks

Vehicles with front disc and rear drum brakes

Upto VIN	Part No.	Description	Qty	Remarks
930434 - 110.	1	FRC4307 Axle case front	1	
110. 930545 - 130	2	561195 Stud	4	
	3	561196 Stud	6	
	4	608246 Plug oil level	2	





DEFENDER 110 1987 onwards

405

AXLES AND SUSPENSION

Model DEFENDER 110 1987 onwards
Page AFEXCC2A

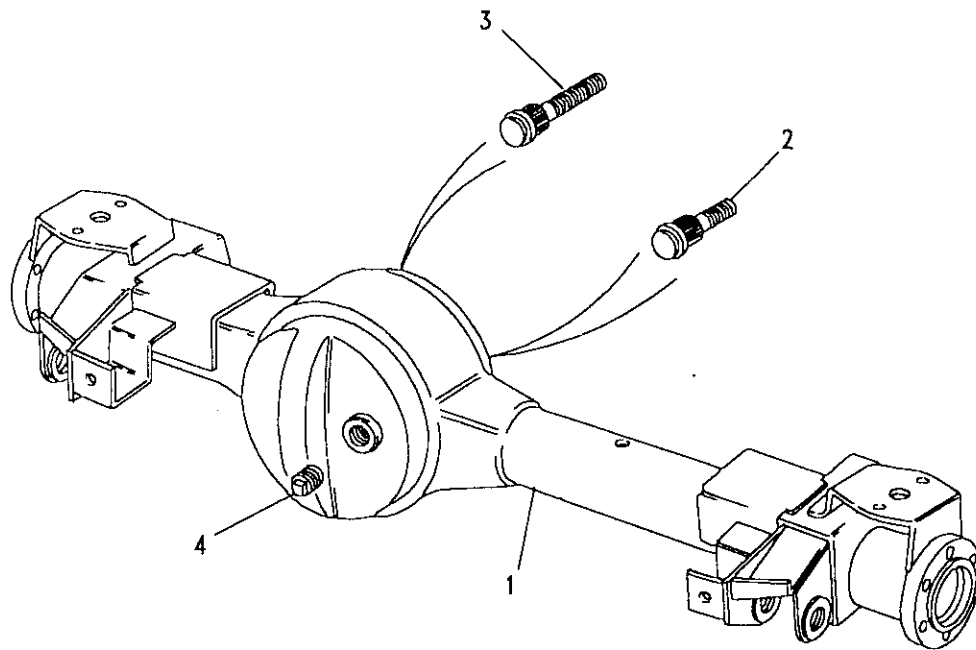
FRONT AXLE - FRONT AXLE CASE

III. Part No.	Description	Qty	Remarks
---------------	-------------	-----	---------

Vehicles with front and rear disc brakes

From VIN LA930435 - 110, LA930546 - 130

1	FTC4413	Axle case front	1
2	561195	Stud	4
	561196	Stud	4
3	561196	Stud	6
4	608246	Plug oil level	2





Model DEFENDER 110 1987 onwards
 Page AFEXCE1A

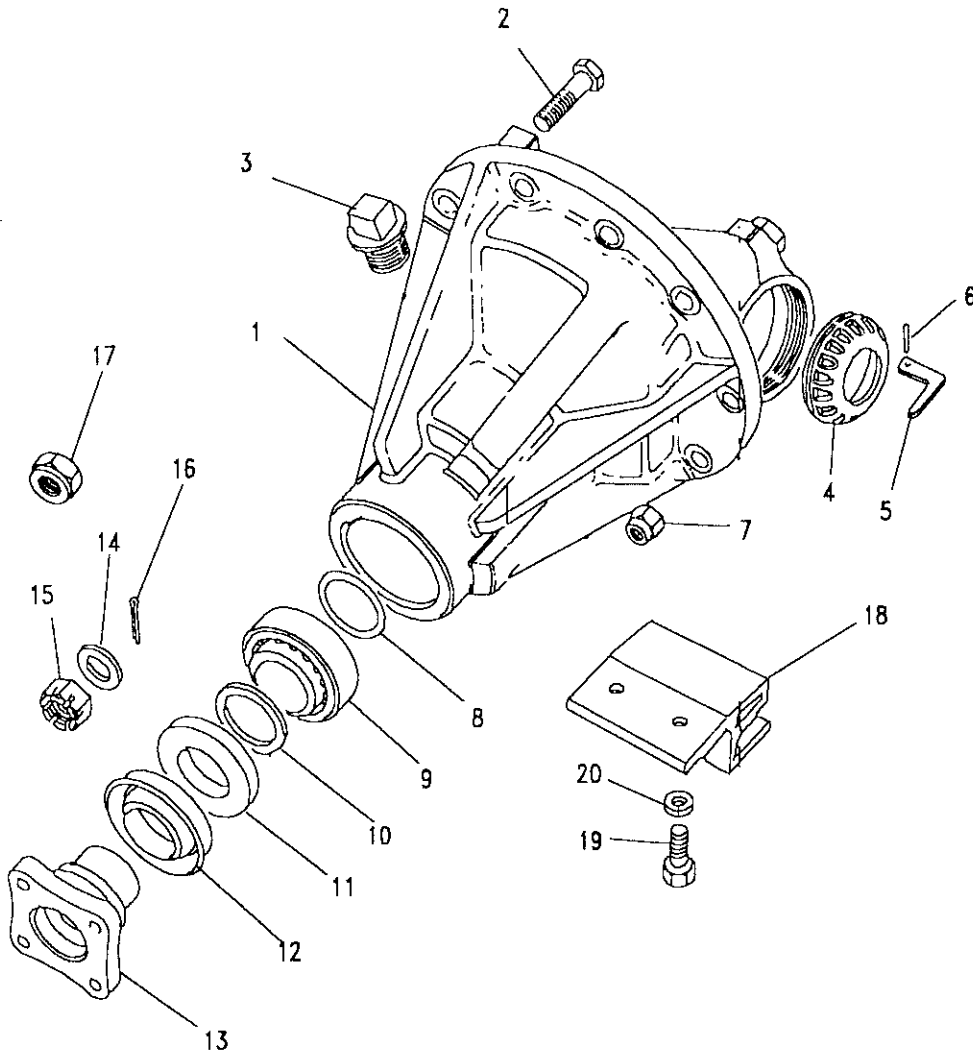
FRONT AXLE - FRONT DIFFERENTIAL

III. Part No. Description Qty Remarks

Vehicles with front disc and rear drum brakes

Upto VIN 930434 - 110, 930545 - 130

1	FRC8521	Differential assembly	1	Use FTC782N
	FTC782N	Differential assembly	1	Upto VIN JA917433
	FTC2750	Differential assy 3.54:1	1	From VIN JA917434
	FTC2750R	Differential assembly	1	Rebuild
1	FRC5690	Housing pinion	1	
2	BH112101L	Set bolt	4	
3	608246	Filler plug	1	
4	FRC5204	Lock ring	2	
5	FRC5661	Locking tab	2	
6	576159	Spring pin	2	
7	NY606041L	Nut nyloc	10	
8	FRC1193	Shim 0.060"	2	
	FRC1195	Shim 0.062"	2	
	FRC1197	Shim 0.064"	2	
	FRC1199	Shim 0.066"	2	
	FRC1201	Shim 0.068"	2	
	FRC1203	Shim 0.070"	2	
	539718	Shim 0.072"	2	
	539720	Shim 0.074"	2	
	539722	Shim 0.076"	2	
	539724	Shim 0.078"	2	

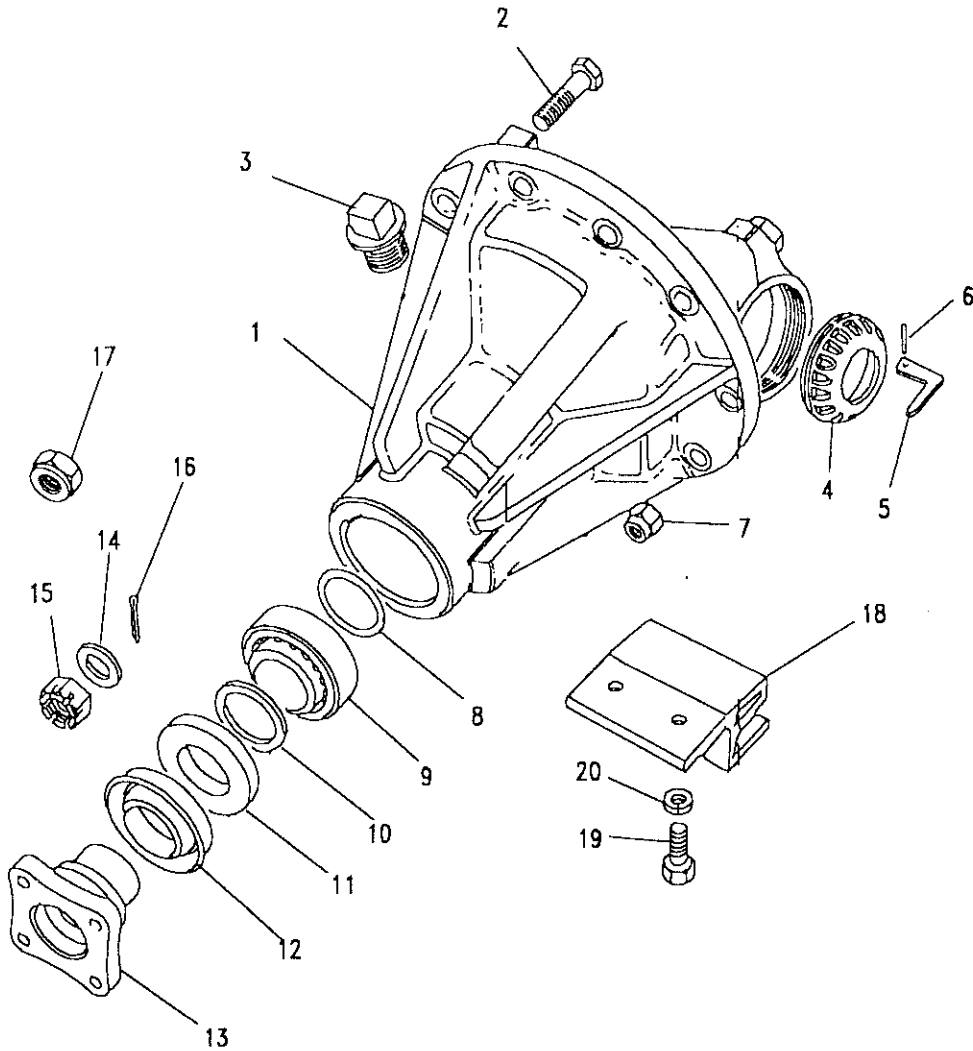


Model DEFENDER 110 1987 onwards
Page AFEXCE1A

FRONT AXLE - FRONT DIFFERENTIAL

III. Part No.	Description	Qty	Remarks
9	539707	1	Bearing pinion
10	539745	1	Spacer
11	FRC8220	1	Oil seal
12	FRC8154	1	Mud Shield
13	236632	1	Flange
	FRC3002	1	Flange
14	90513454	1	Washer plain
15	3259	1	Nut castle
16	NY116041	1	Nut nyloc
17	PS608101L	1	Pin split
18	NRC9713	1	Bracket-Track Rod Protect
19	SH406061L	2	Bolt
20	WM600061	2	Washer spring

Note(1) Use on Differential Assembly FRC8521
 Note(2) Use on Differential Assembly FTC782N
 Note(3) Up to LA929665
 Note(4) From LA929666
 Note(5) Used with FTC3620



Model DEFENDER 110 1987 onwards

Page AFEXCE2A

FRONT AXLE - FRONT DIFFERENTIAL

Ill. Part No. Description Qty Remarks

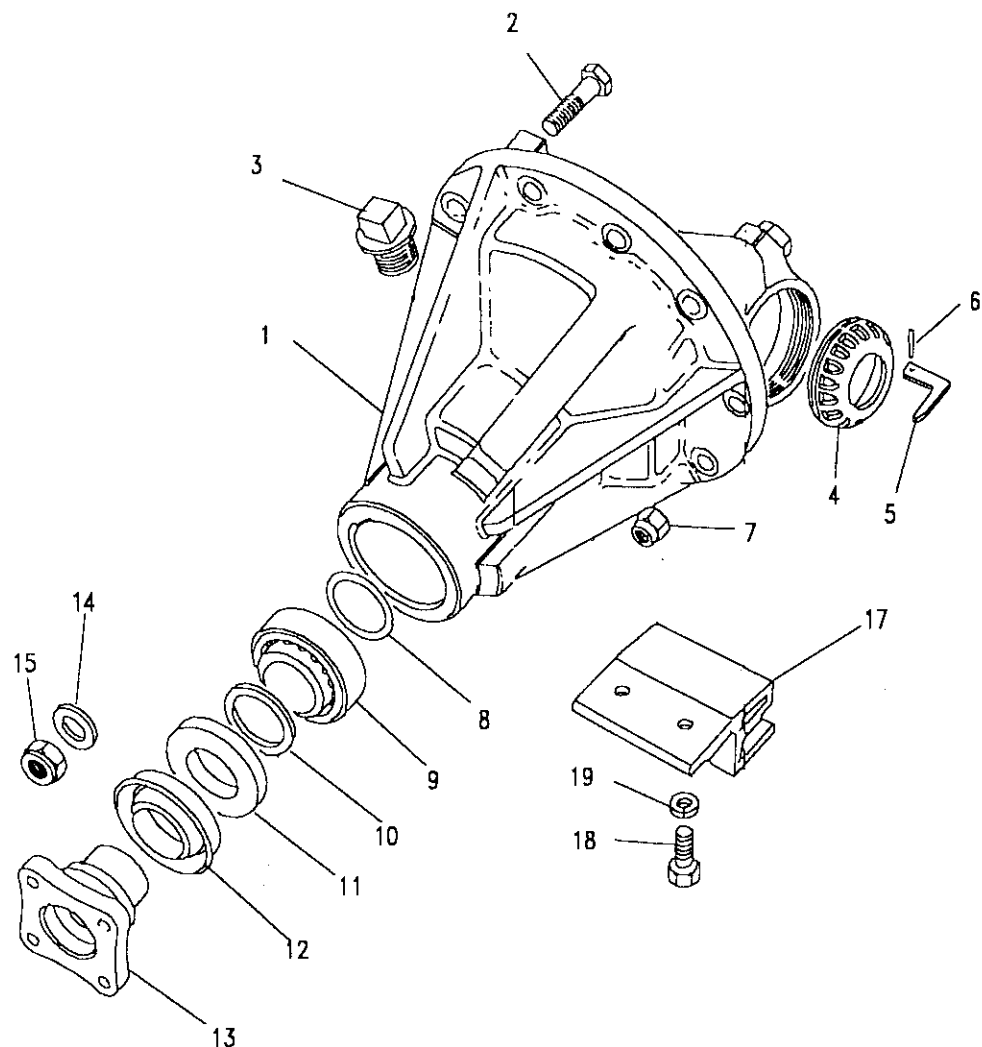
Vehicles with front and rear disc brakes

From VIN LA930435 - 110, LA930546 - 130

	FTC3272	Differential assembly	1	
	FTC3272R	Differential assembly	1	Rebuild
1	FRC5690	Housing pinion	1	
2	BH112101L	Set bolt	4	
3	608246	Filler plug	1	
4	FRC5204	Lock ring	2	
5	FRC5661	Locking tab	2	
6	576159	Spring pin	2	
7	NY606041L	Nut nyloc	10	

Selective Shim - tail pinion bearing A/R

8	FTC3869	2.155mm
	FTC3871	2.105mm
	FTC3873	2.080mm
	FTC3875	2.005mm
	FTC3877	1.955mm
	FTC3879	1.905mm
	FTC3881	1.855mm
	FTC3883	1.805mm
	FTC3885	1.755mm
	FTC3887	1.705mm
	FTC3889	1.655mm
	FTC3891	1.605mm
	FTC3893	1.555mm
	FTC3895	1.505mm

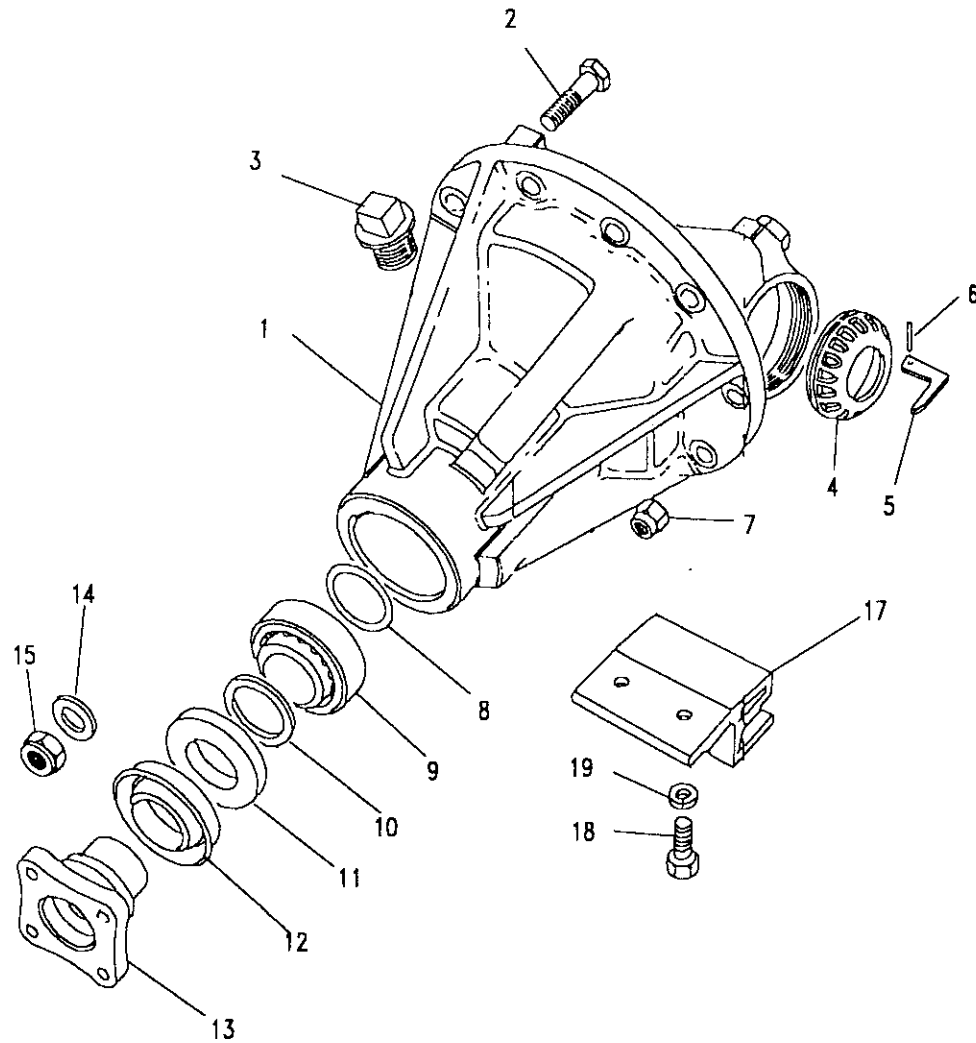




Model DEFENDER 110 1987 onwards
Page AFEXCE2A

FRONT AXLE - FRONT DIFFERENTIAL

Ill. Part No.	Description	Qty	Remarks
9	539707 Bearing pinion	1	
10	539745 Spacer	1	
11	FRC8220 Oil seal	1	
12	FRC8154 Mud Shield	1	
13	FRC3002 Flange	1	
14	90513454 Washer plain	1	
15	NY116041 Nut nyloc	1	
16	NRC9713 Bracket-Track Rod Protect	1	
17	SH406061L Bolt	2	
18	WM600061 Washer spring	2	

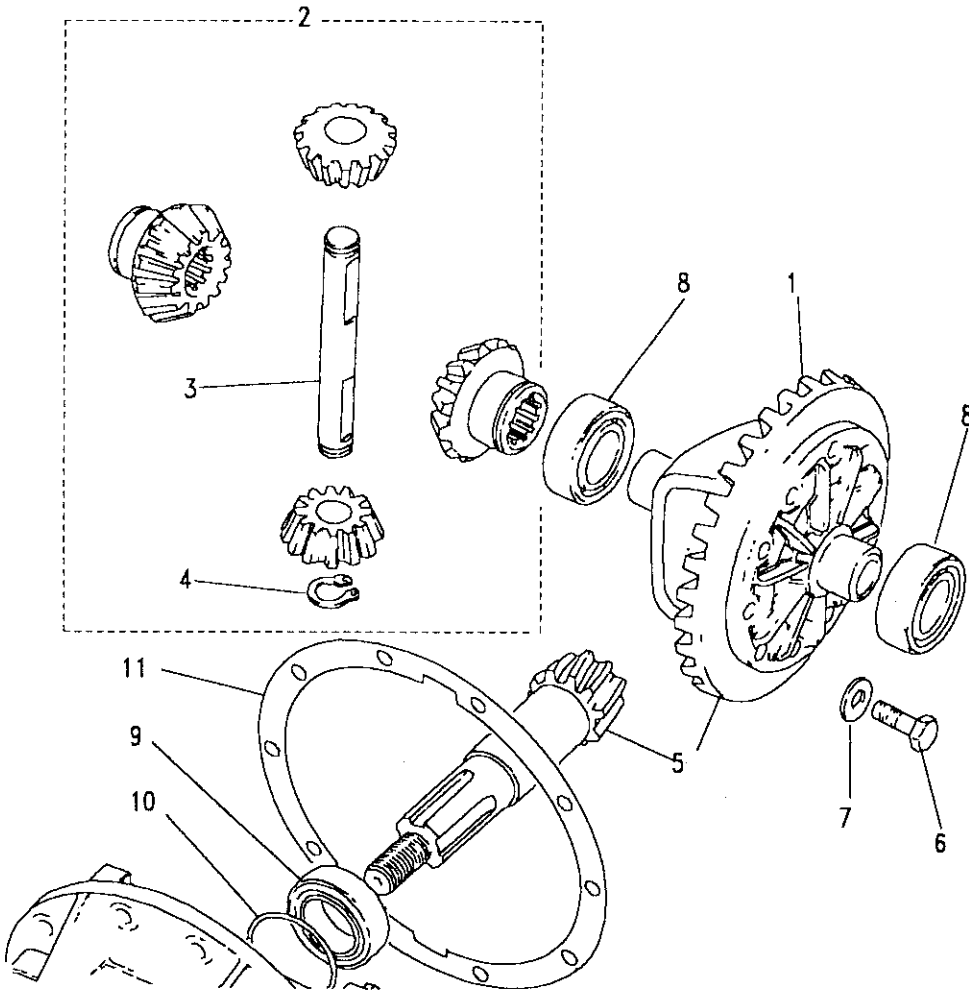


Model DEFENDER 110 1987 onwards
Page AFEXCG1A

FRONT AXLE - FRONT DIFFERENTIAL

III. Part No.	Description	Qty	Remarks
10 576236	Shim 0.062"	1	
576237	Shim 0.063"	1	
576238	Shim 0.064"	1	
576239	Shim 0.065"	1	
11 7316	Joint washer	1	Note(4)

- Note(1) Use on Differential Assembly FRC8521
- Note(2) Use on Differential Assembly FTC782N
- Note(3) Use FTC781 plus FRC3002
- Note(4) From Axle 20L73298C RHS 21L54972C LHS RTV sealant used not a gasket



Model DEFENDER 110 1987 onwards
 Page AFEXCG2A

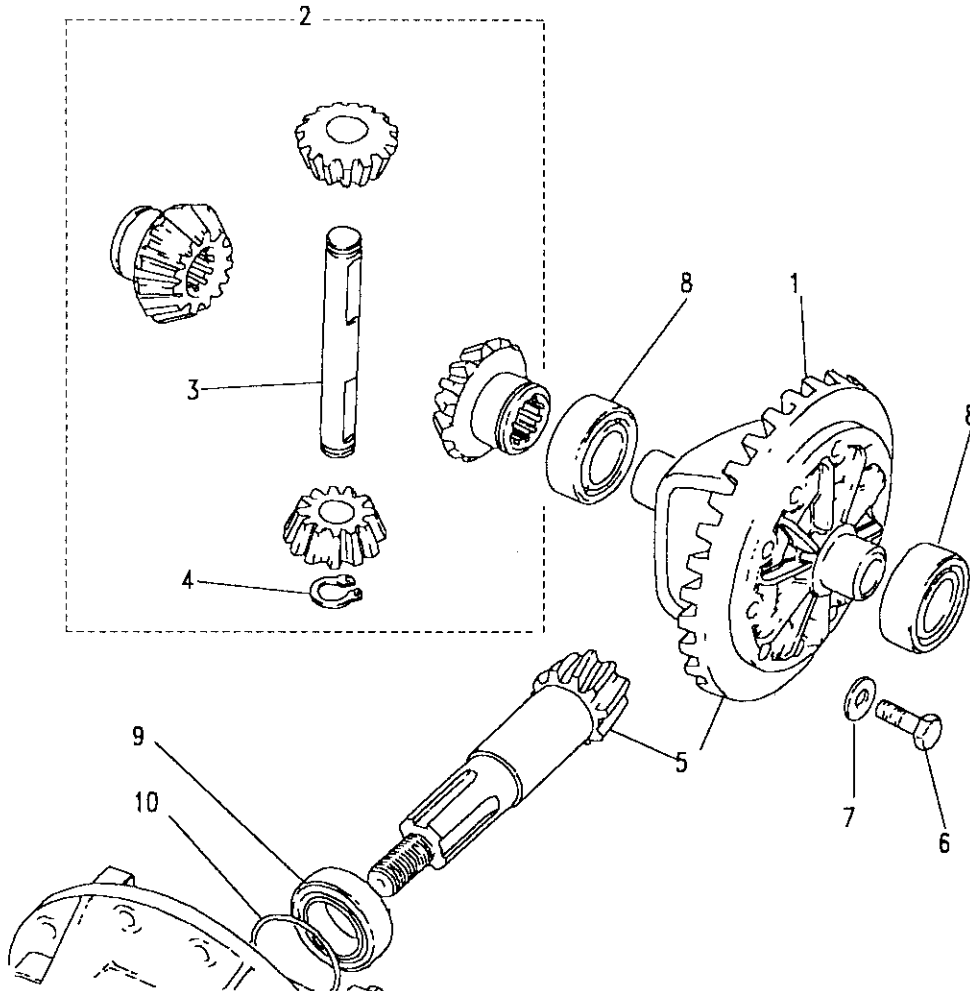
FRONT AXLE - FRONT DIFFERENTIAL

III. Part No. Description Qty Remarks

Vehicles with front and rear disc brakes

From VIN LA930435 - 110, LA930546 - 130

1	FRC2933	Case differential	1	Suffix A/B
	FTC3269	Case differential	1	Suffix C
2	STC851	Kit gear differential	1	Suffix A/B
	FTC3267	Wheel differential	2	Suffix C
	FTC3268	Pinion differential	2	Suffix C
3	599945	Cross shaft	1	
4	CCN110L	Circlip	2	
5	FTC781	Crownwheel and pinion	1	Suffix A/B
	FTC3620	Crownwheel and pinion	1	Suffix C
6	593692	Bolt	10	Suffix A/B
	FTC3586	Bolt	10	Suffix C
7	593693	Washer plain	10	
8	RTC2726	Bearing differential	2	Suffix A/B
	STC1602	Bearing differential	2	Suffix C
9	539706	Bearing pinion	1	





Model DEFENDER 110 1987 onwards

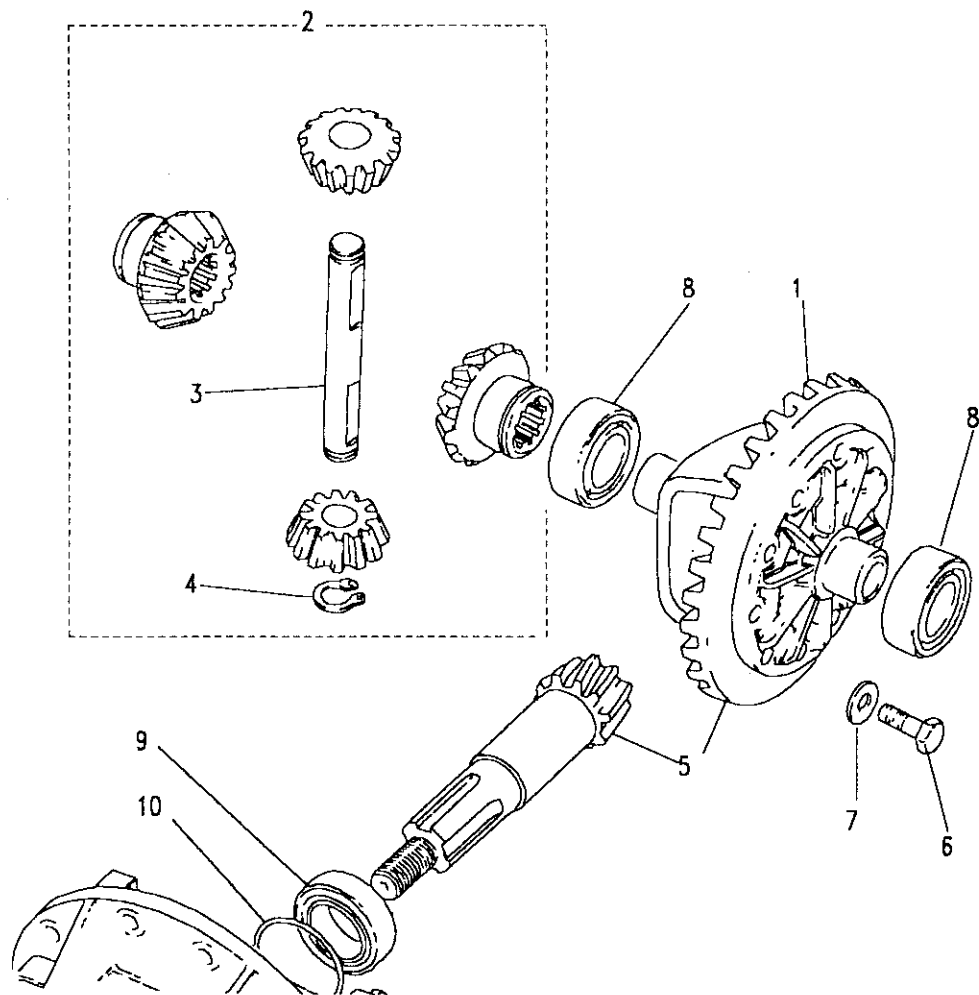
Page AFEXCG2A

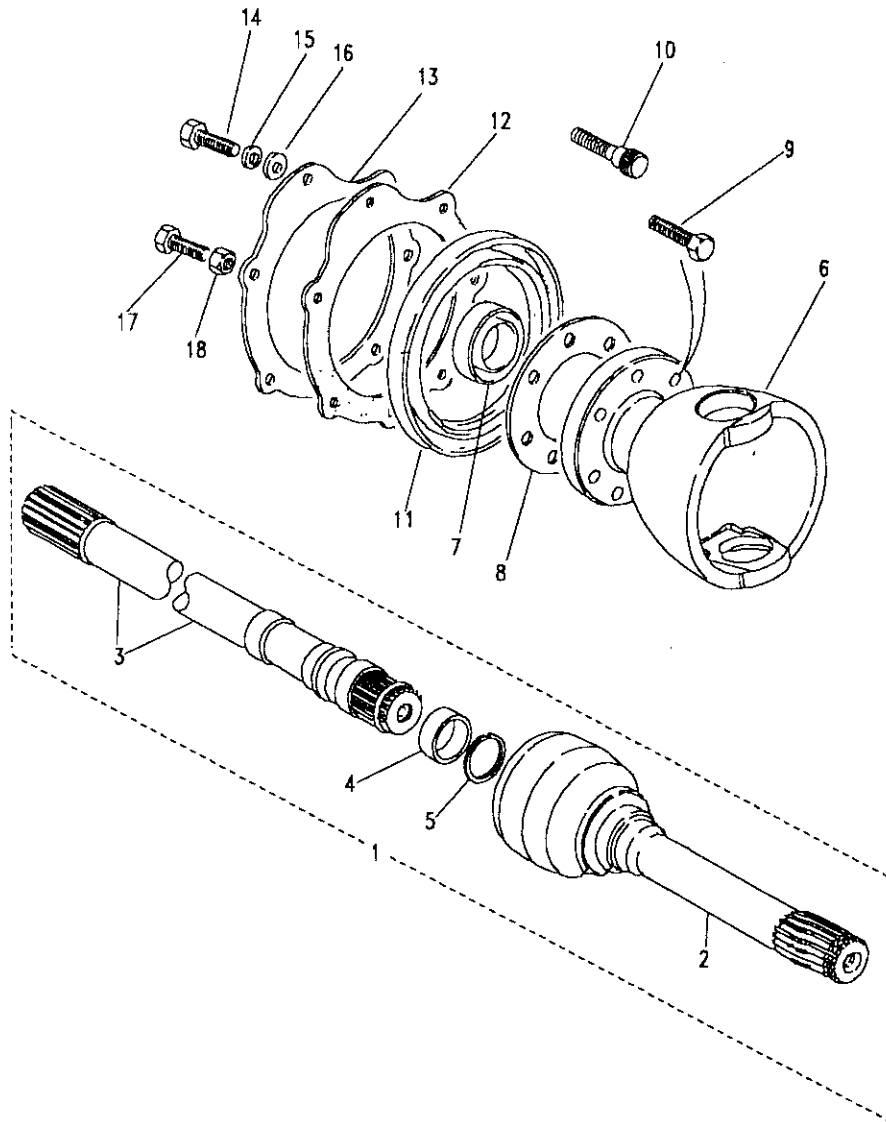
FRONT AXLE - FRONT DIFFERENTIAL

III. Part No.	Description	Qty	Remarks
---------------	-------------	-----	---------

Selective Shim - pinion bearing head - A/R

10	FTC3853	1.548mm	
	FTC3855	1.498mm	
	FTC3857	1.448mm	
	FTC3859	1.398mm	
	FTC3861	1.348mm	
	FTC3863	1.298mm	
	FTC3865	1.248mm	
	FTC3867	1.198mm	





Model DEFENDER 110 1987 onwards
Page AFEXC11A

FRONT AXLE - DRIVE SHAFTS

III. Part No. Description Qty Remarks

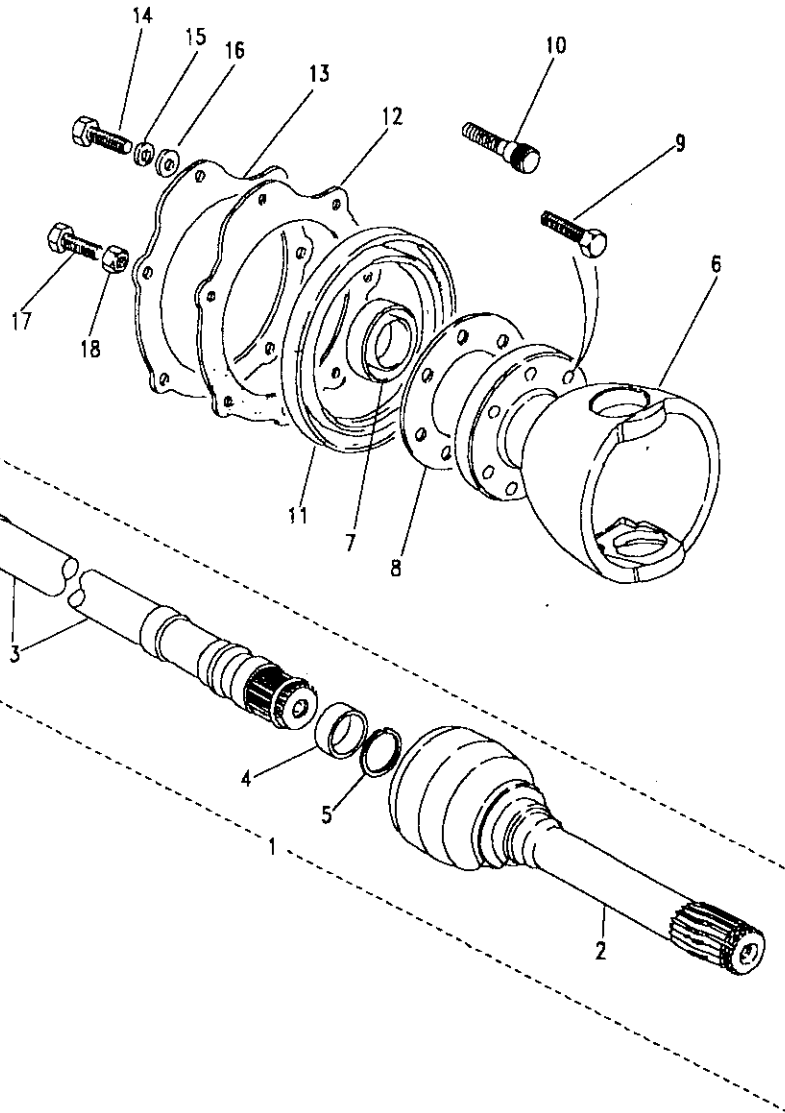
Vehicles with front disc and rear drum brakes

Upto VIN 930434 - 110, 930545 - 130

1	FRC3890	Halfshaft assembly RH	1	Note(1)
	FRC3891	Halfshaft assembly LH	1	Note(1)
	FTC1332	Halfshaft assembly RH	1	Note(2)
	FTC1333	Halfshaft assembly LH	1	Note(2)
2	AEU2522	Constant velocity joint	2	Note(1)
	RTC6862	Constant velocity joint	2	Note(2)
3	AEU2520	Halfshaft RH	1	Note(1)
	AEU2521	Halfshaft LH	1	Note(1)
	RTC6754	Halfshaft RH	1	Note(2)
	RTC6755	Halfshaft LH	1	Note(2)
4	FTC254	Spacer	2	Note(1)
	RTC5841	Spacer	2	Note(2)
5	RTC4820	Circlip	2	Note(1)
	STC579	Circlip	2	Note(2)
6	FRC2644	Housing bearing	2	
7	571718	Oil Seal	2	
8	FRC2349	Joint Washer	2	NLA use FTC3646
	FTC3646	Joint washer	2	Asbestos free

Note(1) Upto 20L48865 RHS, 21L33355 LHS
 Note(2) From 20L48866 RHS, 21L33356 LHS





Model DEFENDER 110 1987 onwards
Page AFEXC11A

FRONT AXLE - DRIVE SHAFTS

III. Part No.	Description	Qty	Remarks
9	FTC3456 Bolt swivel housing	12	
10	FTC3454 Dowel Bolt	2	
	FRC8530 Washer	14	
11	FRC2889 Oil Seal	2	Note(1)
	FTC3401 Oil seal	2	Note(2)
12	FRC4206 Joint Washer	2	
13	FRC4142 Retaining Plate	2	
14	SH106121L Bolt	14	
15	WL106001 Washer spring	14	
16	WA106001L Washer plain	14	
17	AFU1234 Bolt lock	2	
18	NT112041L Lock nut	2	

Note(1) Upto 20L74081C RHS, 21L55147C LHS, 24L00953C RHS
 Note(2) From 20L74082C RHS, 21L55148C LHS, 24L00954C RHS



Model DEFENDER 110 1987 onwards
Page AFEXCI2A

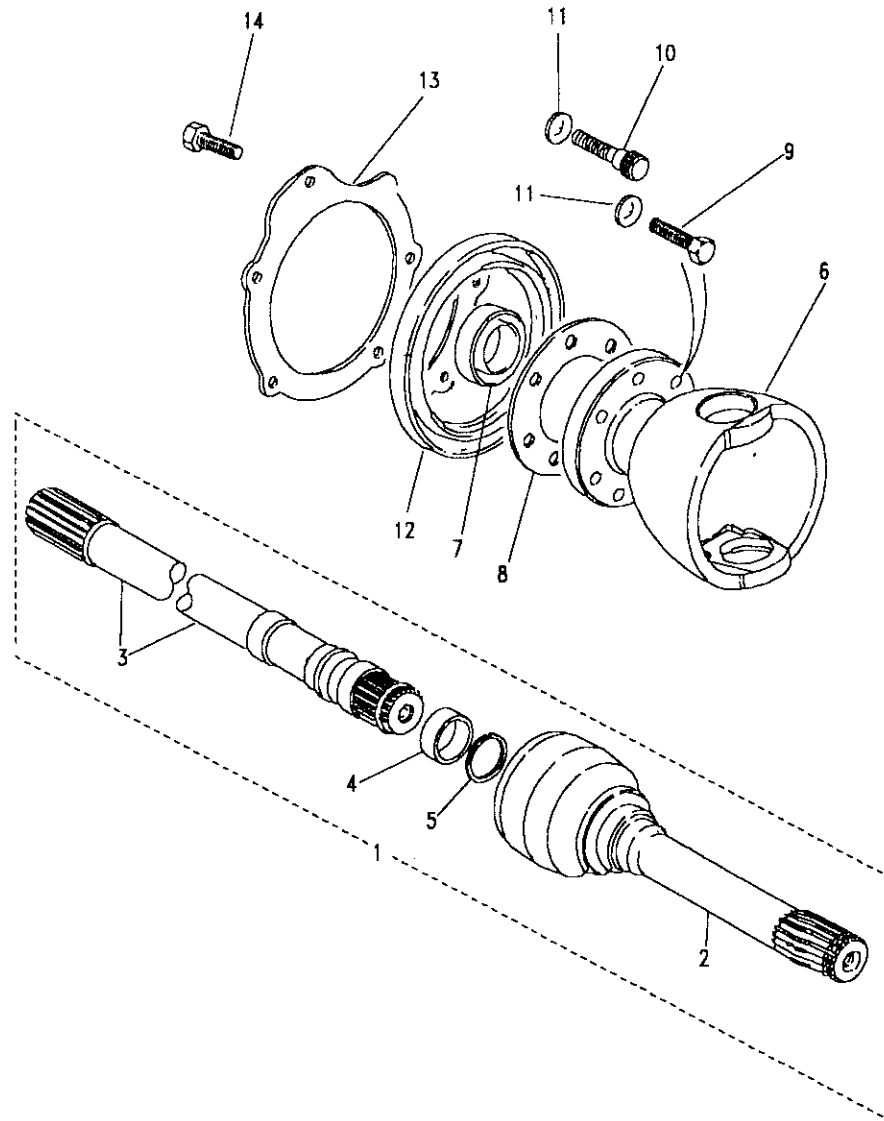
FRONT AXLE - DRIVE SHAFTS

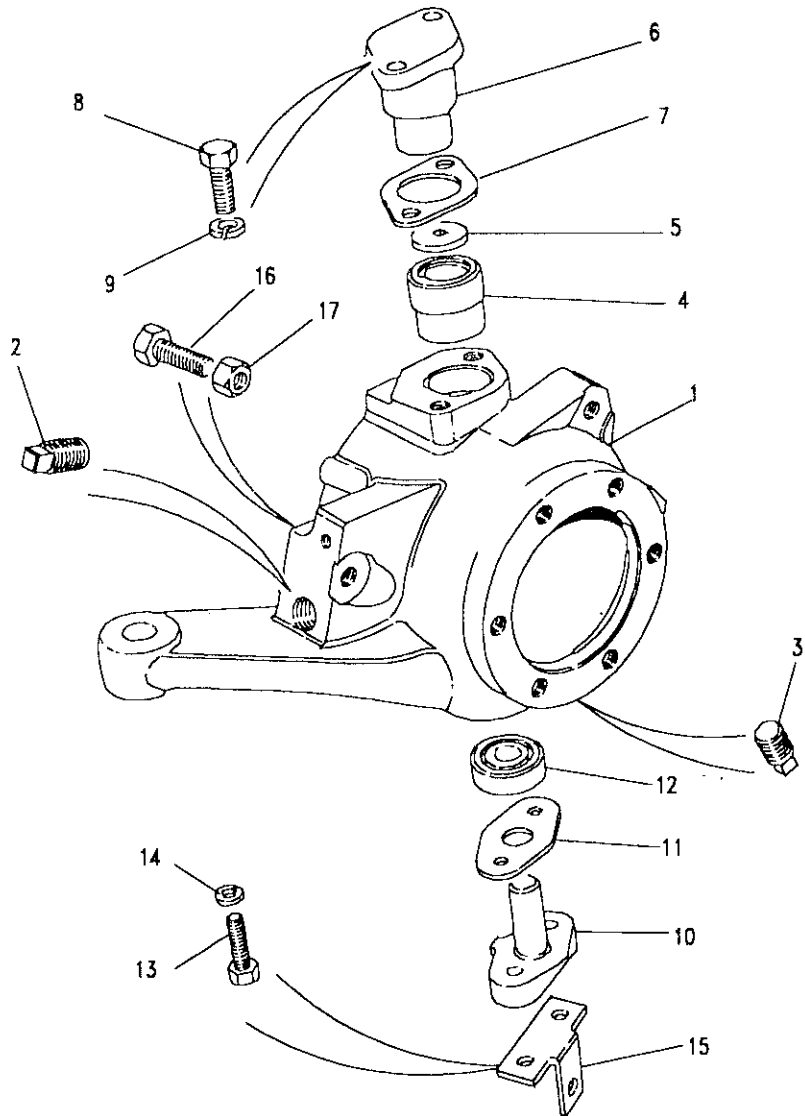
III. Part No. Description Qty Remarks

Vehicles with front and rear disc brakes

From VIN LA930435 - 110, LA930546 - 130

1	FTC3148	Halfshaft assembly RH	1	
	FTC3149	Halfshaft assembly LH	1	
2		Constant velocity joint	2	NSP
3		Halfshaft RH	1	NSP
		Halfshaft LH	1	NSP
4		Spacer	2	NSP
5	STC579	Circlip	2	NSP
6	FRC7065	Housing bearing	2	
7	FTC3276	Oil Seal	2	
8	FRC2349	Joint Washer	2	NLA use FTC3646
	FTC3646	Joint Washer	2	Asbestos free
9	FTC3456	Bolt swivel housing	12	
10	FTC3454	Dowel Bolt	2	
11	FRC8530	Washer	14	
12	FTC3401	Oil Seal	2	
13	571755	Plate retaining	2	
14	FS106121	Bolt	12	





Model DEFENDER 110 1987 onwards

Page AFEXCK1A

FRONT AXLE - SWIVEL PIN HOUSING

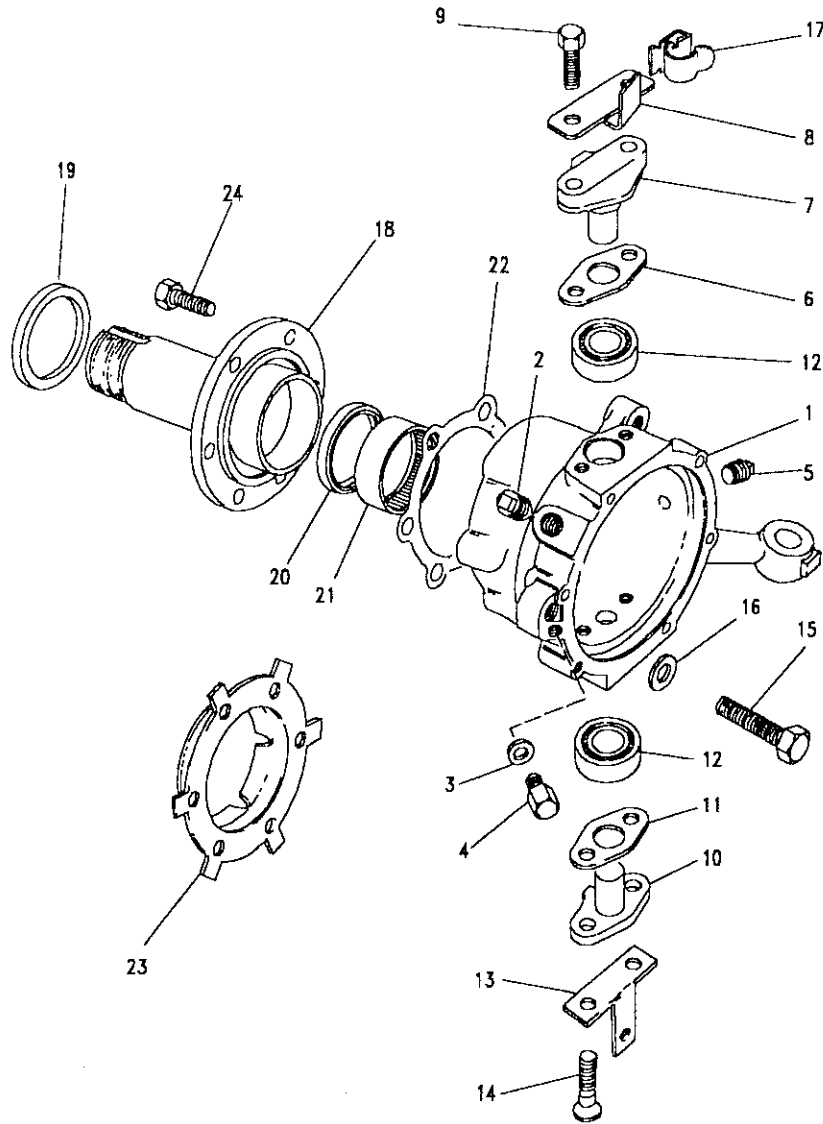
III. Part No. Description Qty Remarks

Vehicles with front disc and rear drum brakes

Upto VIN 930434 - 110, 930545 - 130

1	FRC4838	Housing swivel pin-RH RHS	1	Upto VIN JA909205
	FRC4839	Housing swivel pin-LH RHS	1	Upto VIN JA909205
	FRC4840	Housing swivel pin-RH LHS	1	Upto VIN JA909205
	FRC4841	Housing swivel pin-LH LHS	1	Upto VIN JA909205
1	FTC2528	Housing swivel pin-RH RHS	1	From VIN JA909206
	FTC2529	Housing swivel pin-LH RHS	1	From VIN JA909206
	FTC2530	Housing swivel pin-RH LHS	1	From VIN JA909206
	FTC2531	Housing swivel pin-LH LHS	1	From VIN JA909206
2	3291	Filler plug	2	
3	3290	Drain plug	2	
4	FRC2916	Housing and bush	2	
5	FRC2906	Washer thrust	2	
6	FRC3511	Swivel pin upper	2	
7	FRC2883	Shim 0.075mm	2	
	FRC2884	Shim 0.130mm	2	
	FRC2885	Shim 0.250mm	2	
	FRC2886	Shim 0.750mm	2	
8	BX110071M	Bolt M10 m/encap	4	Note(1)
9	WL110001	Washer spring	4	
10	FRC2894	Swivel pin lower	1	
11	FRC2897	Joint washer	1	NLA use FTC3647
	FTC3647	Joint washer	1	Asbestos free
12	606666	Bearing	1	
13	BH108061M	Flange Bolt	4	Note(1)
14	WL108001L	Washer spring	2	
15	FRC3725	Bracket retaining	1	
16	AFU1234	Bolt lock	2	steering stop
17	NT112041	Lock nut	2	

Note(1) Pre-impregnated with adhesive.



Model DEFENDER 110 1987 onwards
Page AFEXCK2A

FRONT AXLE - SWIVEL PIN HOUSING

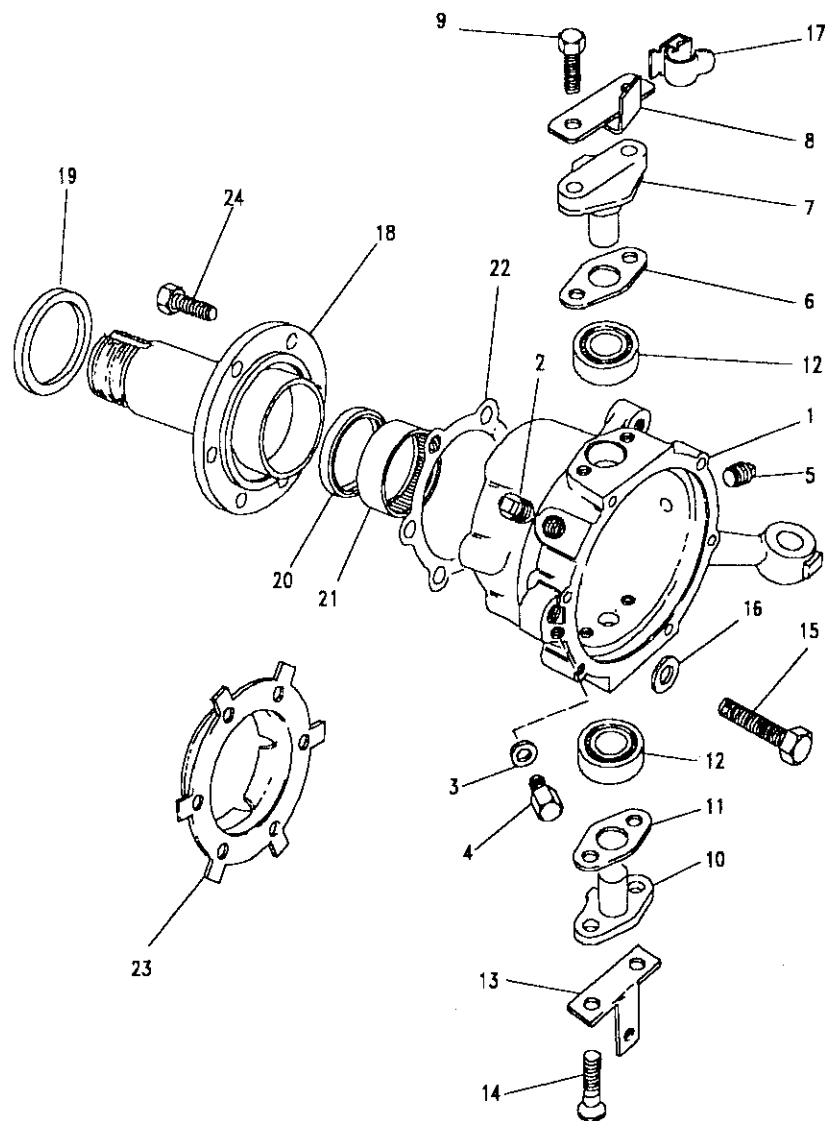
Ill. Part No. **Description** **Qty** **Remarks**

Vehicles with front and rear disc brakes

From VIN LA930435 - 110, LA930546 - 130

1	FTC3308	Housing swivel pin-RH	1	RHS
	FTC3309	Housing swivel pin-LH	1	RHS
	FTC3310	Housing swivel pin-RH	1	LHS
	FTC3311	Housing swivel pin-LH	1	LHS
2	3292	Plug oil filler	2	
3	230511	Joint washer	2	
4	236070	Plug oil drain	2	
5	FTC3670	Plug oil level	2	
6	FRC2883	Shim 0.075"	2	
	FRC2884	Shim 0.130"	2	
	FRC2885	Shim 0.250"	2	
	FRC2886	Shim 0.750"	2	
7	FTC2882	Swivel pin upper	2	
8	90576928	Washer locking	2	
9	BX110071M	Bolt M10 m/encap	4	Note(1)
10	FRC2894	Swivel pin lower	2	
11	FRC2897	Joint washer	2	NLA use FTC3647
	FTC3647	Joint washer	2	Asbestos free





Model DEFENDER 110 1987 onwards
Page AFEXCK2A

FRONT AXLE - SWIVEL PIN HOUSING

Ill. Part No.	Description	Qty	Remarks
12	606666	4	Bearing
13	FRC3725	2	Bracket retaining
14	FTC3455	4	Screw
15	BH108061M	4	Flange Bolt
16	WL108001L	4	Washer spring
17	NTC6944	2	Clip retaining
18	FTC3183	2	Axle stub
19	FTC56	2	Thrust ring
20	FTC840	2	Oil seal
	FTC3145	2	Oil seal
21	FTC861	2	Bearing
22	FRC3205	2	Joint washer
	FTC3648	2	Joint washer
23	FRC2310	2	Plate locking
24	SX110251M	12	Bolt

Note(1) Pre-impregnated with adhesive.
 Note(2) Up to 20L77036C - RHS & 21L56452C - LHS
 Note(3) From 20L77037C - RHS & 21L56453C - LHS

Model DEFENDER 110 1987 onwards
 Page AFEXCM1A

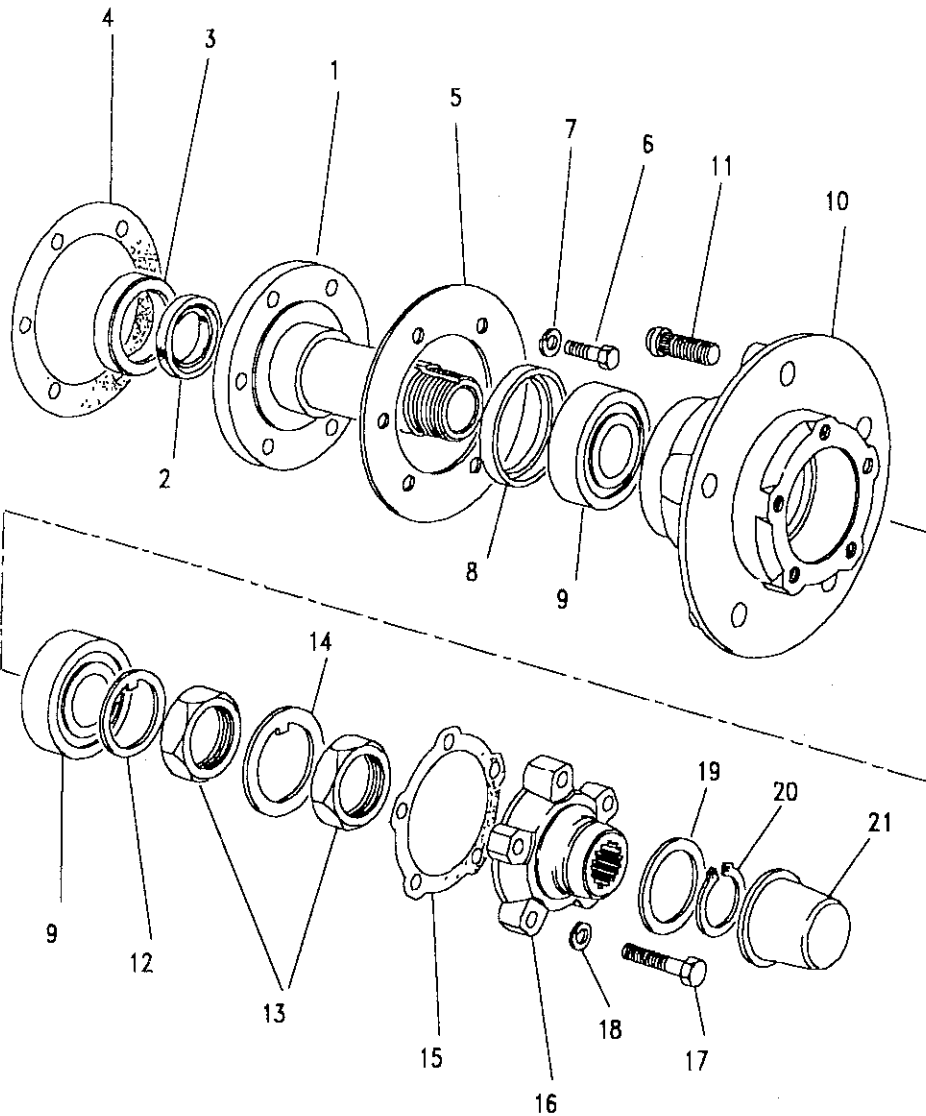
FRONT AXLE - FRONT HUB

III. Part No. Description Qty Remarks

Vehicles with front disc and rear drum brakes

Upto VIN 930434 - 110, 930545 - 130

1	FRC4320	Axle stub	2	
2	FRC3099	Oil seal	2	
3	FRC4319	Bush stub axle	2	
4	FTC3648	Joint washer	2	
5	FRC2310	Plate locking	2	
6	SX110251M	Bolt	12	
7	WL110001L	Washer spring	12	
8	FRC8221	Oil seal	2	
	FTC2783	Oil seal hub	1	From Note(1) From 6/7/92
9	RTC3429	Bearing	2	
10	FRC6139	Hub assembly	2	
11	FRC6137	Stud	10	
12	217352	Key washer	2	
13	FRC8700	Lock nut	4	
14	217353	Locker	2	
15	FRC3988	Joint washer	2	
16	FRC5806	Driving member	2	
17	AFU1181	Bolt hub	10	NLA use FC110107L
	FC110107L	Bolt hub	10	
18	WL110001L	Washer spring	10	



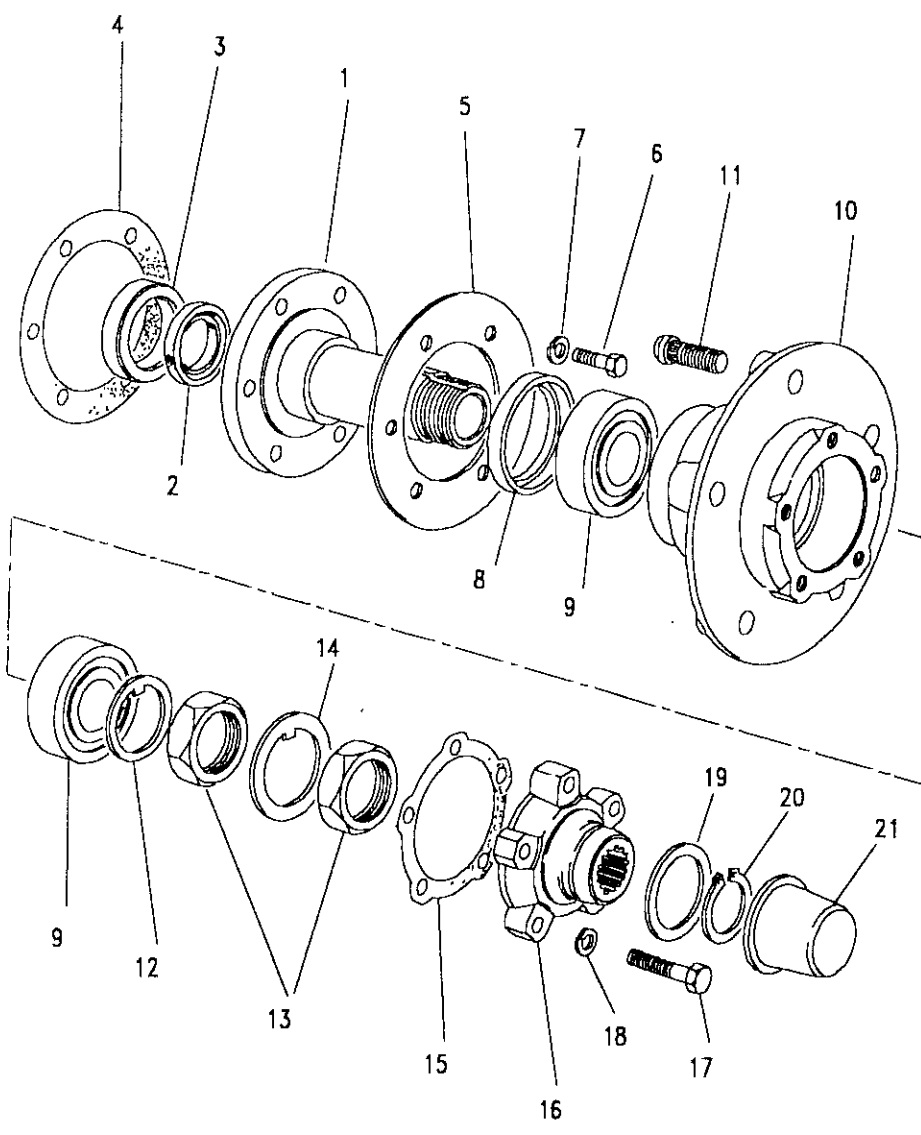


Model DEFENDER 110 1987 onwards
Page AFEXCM1A

FRONT AXLE - FRONT HUB

III. Part No.	Description	Qty	Remarks
19 FRC6782	Shim 0.45mm	4	
FRC6783	Shim 0.60mm	4	
FRC6784	Shim 0.75mm	4	
FRC6785	Shim 0.90mm	4	
FRC6786	Shim 1.05mm	4	
FRC6787	Shim 1.20mm	4	
FRC6788	Shim 1.35mm	4	
FRC6789	Shim 1.50mm	4	
FRC6790	Shim 1.65mm	4	
20 549473	Circlip	2	
21 FRC4377	Hub cap	2	

Note(1) From Axle No 20L70576C RHS, 21L52061C LHS



Model DEFENDER 110 1987 onwards
 Page AFEXCM2A

FRONT AXLE - FRONT HUB

III. Part No. Description Qty Remarks

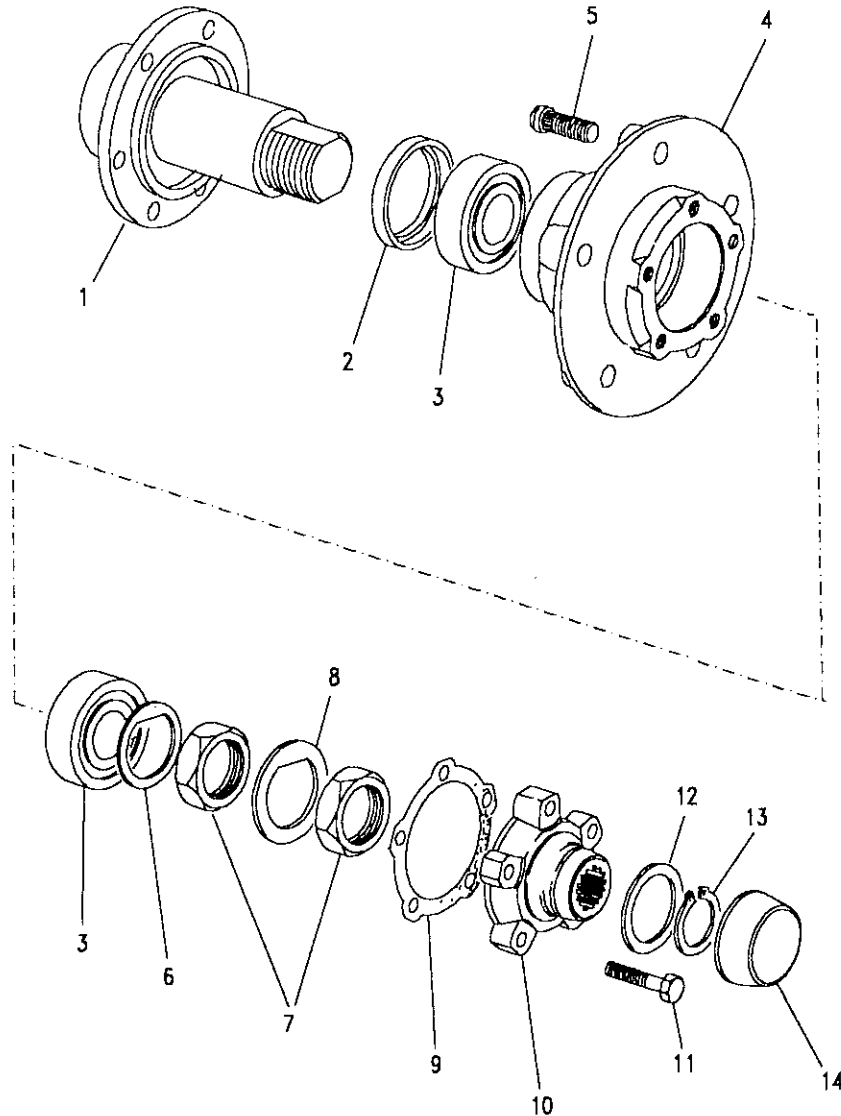
Vehicles with front and rear disc brakes

From VIN LA930435 - 110, LA930546 - 130

1	FTC3183	Axle stub	2	Note(1)
2	FTC2783	Oil seal inner	2	
3	RTC3429	Bearing	4	
4	FTC942	Hub assembly	2	
5	FRC5926	Stud	10	
6	FTC3185	Washer stub axle	2	
7	FRC8700	Nut	4	
8	FTC3179	Washer lock	2	
9	571752	Washer joint	2	
10	FTC859	Hub driving member	2	
11	BX110095M	Bolt m/encapsulated	10	Note(2)
12	FRC6782	Shim 0.045mm	2	
	FRC6783	Shim 0.060mm	2	
	FRC6784	Shim 0.075mm	2	
	FRC6785	Shim 0.090mm	2	
	FRC6786	Shim 1.05mm	2	
	FRC6787	Shim 1.20mm	2	
	FRC6788	Shim 1.35mm	2	
	FRC6789	Shim 1.50mm	2	
	FRC6790	Shim 1.65mm	2	
13	549473	Circlip	2	
14	FTC943	Cap hub	2	

Note(1)
 Note(2)

Also shown on page AFEXCK
 Pre-impregnated with adhesive.





Model DEFENDER 110 1987 onwards
Page AFEXEA1A

REAR AXLE - REAR AXLE ASSEMBLY

III. Part No. Description Qty Remarks

Vehicles with front disc and rear drum brakes

Upto VIN 930434 - 110, 930545 - 130

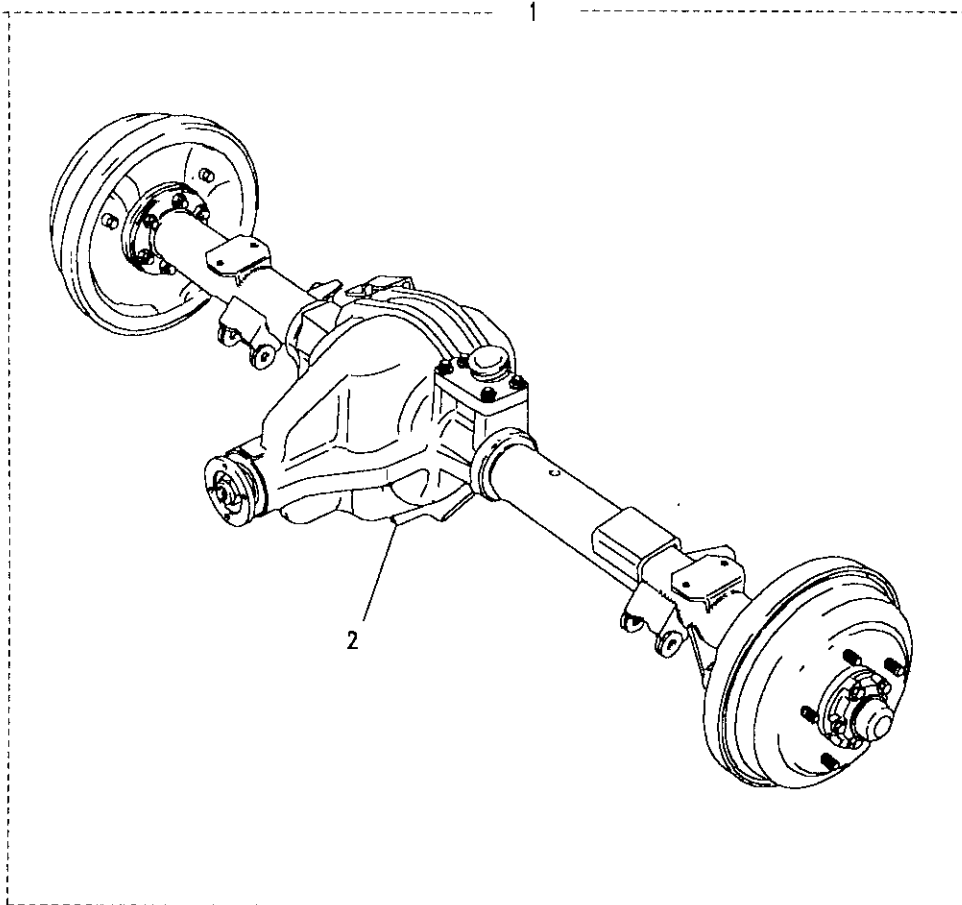
1	FTC2352	Axle assembly rear	1	21S
2	FTC3721	Housing assembly	1	Note(1)
1	FTC2353	Axle assembly rear	1	Note(2)
2	FTC2212	Housing assembly	1	Note(1)

Note(1)

Axle assembly rear, less axle shafts, hubs and brakes.

Note(2)

Heavy duty 3.54 ratio axle 24S suffix B, Defender 110 over 3050kg and all Defender 130





Model DEFENDER 110 1987 onwards
Page AFEXEA1A

REAR AXLE - REAR AXLE ASSEMBLY

III. Part No. Description Qty Remarks

Vehicles with front and rear disc brakes

Defender 110 - 4 Cylinder - From VIN LA930435

1	FTC3304	Axle assembly rear	1	39S
2	FTC3721	Housing assembly	1	

Defender 110 - V8 - From VIN LA930435

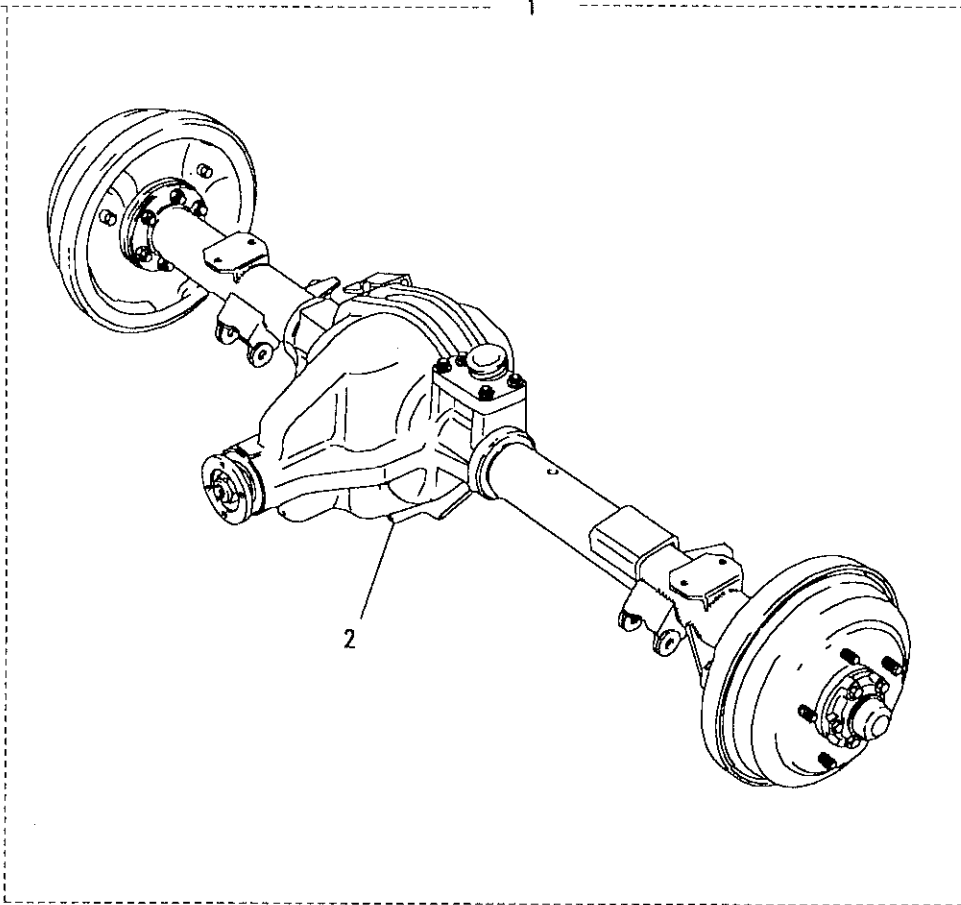
1	FTC3304	Axle assembly rear	1	39S
2	FTC3721	Housing assembly	1	

Defender 110 V8 Heavy Duty - From VIN LA930435

1	FTC3232	Axle assembly rear	1	38S
2	FTC3722	Housing assembly	1	

Defender 130 - From VIN LA930546

1	FTC3232	Axle assembly rear	1	38S
2	FTC3722	Housing assembly	1	

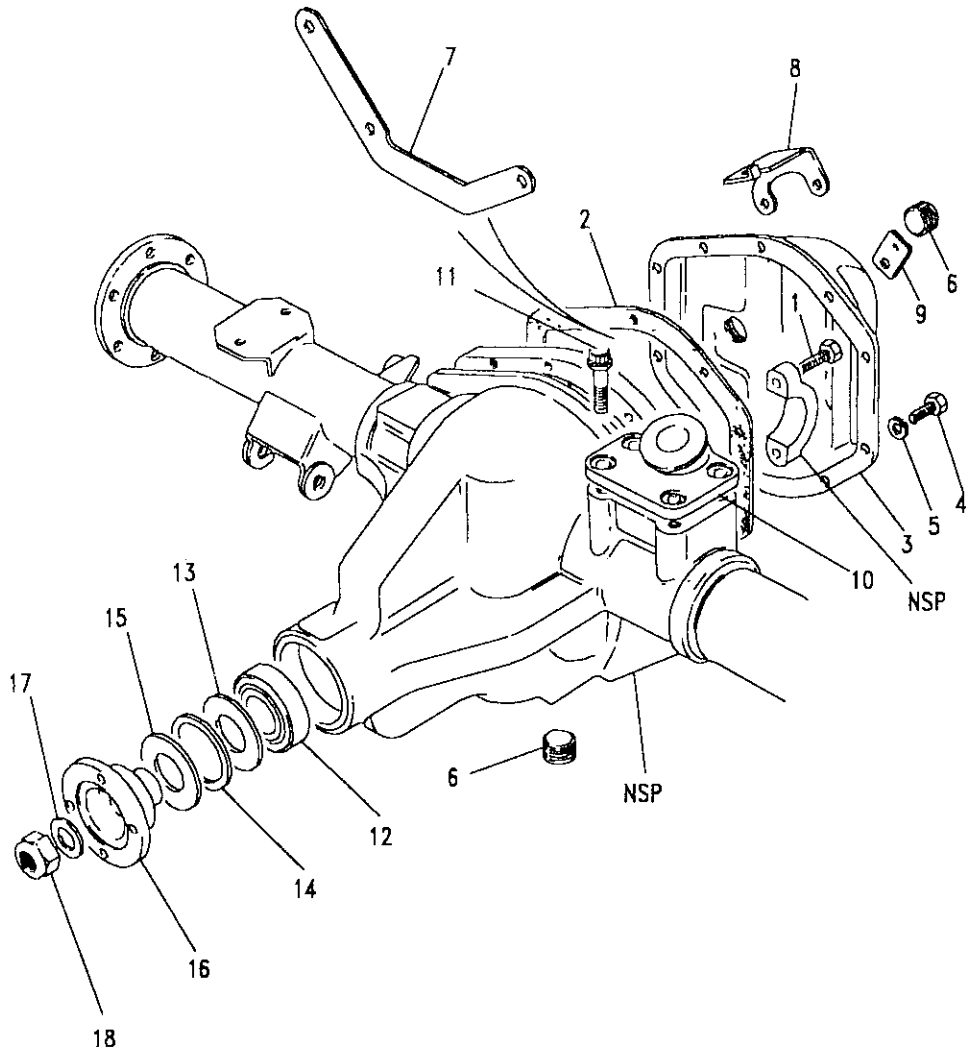


Model DEFENDER 110 1987 onwards

Page AFEXEC1A

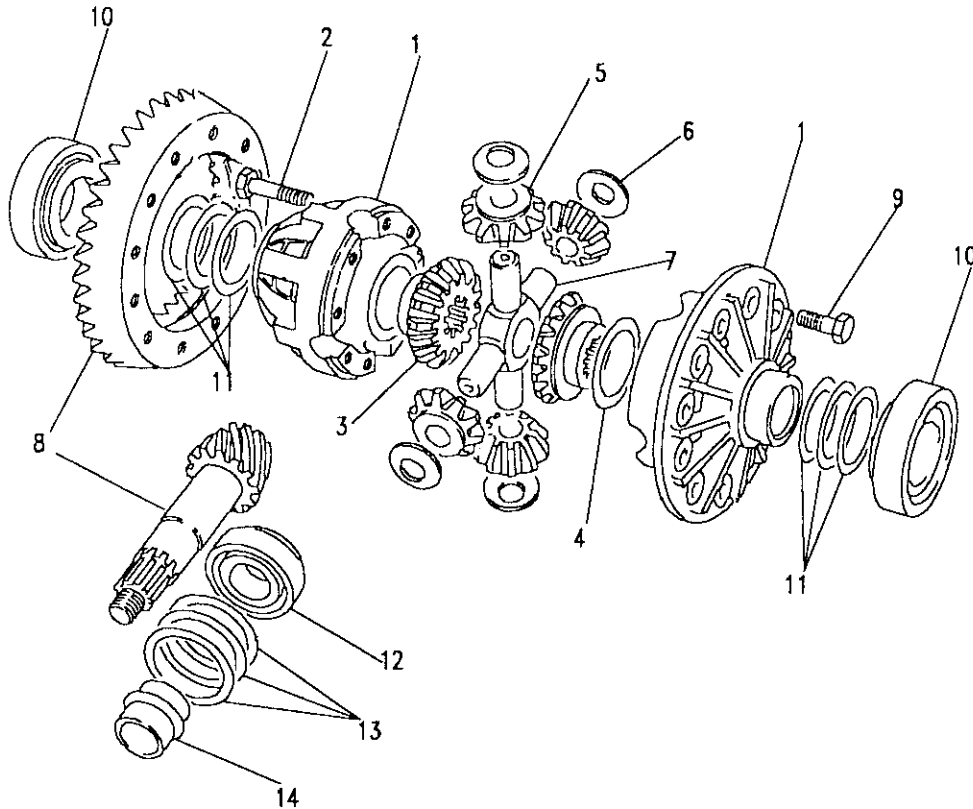
REAR AXLE - AXLE CASE REAR

III. Part No.	Description	Qty	Remarks
1	607163 Bolt-diff bearing cap	4	
2	RTC1139 Gasket	1	
3	RTC844 Cover	1	
4	607173 Bolt	10	
5	AAU2825 Lock washer	10	
6	608246 Filler/drain plug	2	
7	RTC845 Flitch	1	
8	NRC8024 Bracket-3 way	1	
9	NRC5346 Plate-brake pipe	1	
10	NRC9607 Bracket-ball joint	1	
11	AEU2508 Special bolt	4	
12	607181 Bearing pinion	1	
13	607182 Oil thrower	1	
14	607183 Gasket	1	
15	AEU2515 Oil seal	1	
16	607185 Flange	1	
17	607357 Washer	1	
18	90608545 Lock nut	1	



Model DEFENDER 110 1987 onwards
 Page AFEXEE1A

REAR AXLE - DIFFERENTIAL



Ill. Part No.	Description	Qty	Remarks
1	AEU1489	1	Case differential
2	607165	8	Bolt
	RTC4488	1	Kit gear differential
3	607166	2	Differential gear
4	607169	2	Washer thrust
5	607167	4	Differential wheel
6	607168	4	Washer thrust
7	90607170	1	Cross shaft
8	AEU1488	1	Crownwheel and pinion
9	RTC773	12	Bolt
10	607187	2	Bearing differential
11	607188	2	Shim 0.003"
	607189	2	Shim 0.005"
	607190	2	Shim 0.010"
	607191	2	Shim 0.030"
12	607180	1	Bearing pinion
13	607177	2	Shim 0.003"
	607178	2	Shim 0.005"
	607179	2	Shim 0.010"
14	607197	1	Spacer collapsible

Model DEFENDER 110 1987 onwards

Page AFEXE11A

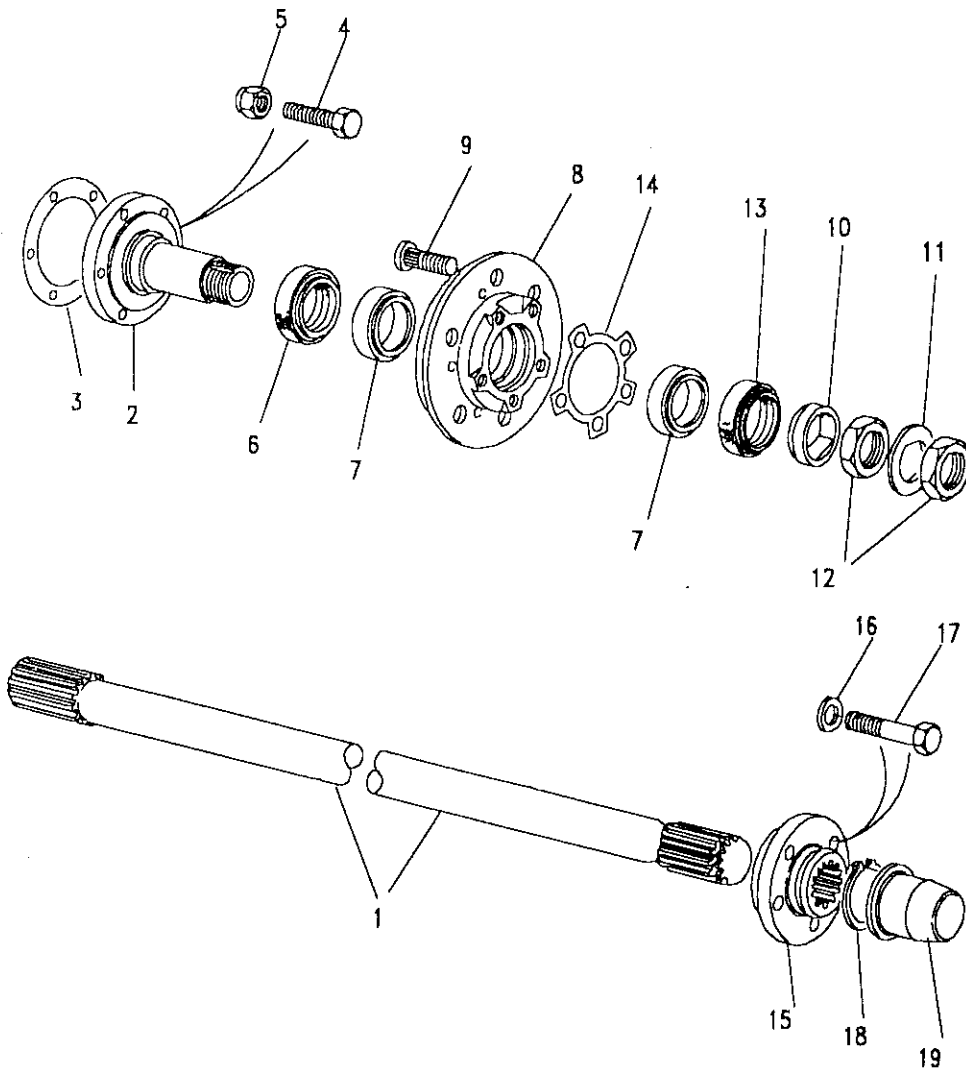
REAR AXLE - AXLE SHAFTS AND HUBS

III. Part No. Description Qty Remarks

Vehicles with front disc and rear drum brakes

Upto VIN 930434 - 110, 930545 - 130

1	FRC2454	Shaft drive rear RH	1	
	FRC2455	Shaft drive rear LH	1	
2	FRC8540	Hub bearing sleeve	2	
3	FRC3136	Joint washer	2	NLA use FTC3649
	FTC3649	Joint washer	2	Asbestos free
4	FRC7257	Bolt	12	
5	NY110041L	Nut nyloc	12	
6	FRC8221	Oil seal	2	
	FTC2783	Oil seal hub	2	From 21S10028C
	FTC2783	Oil seal hub	2	From 24S00522A
7	RTC3429	Bearing	4	
8	FRC8555	Hub assembly	2	
9	FRC6137	Stud	10	
10	FRC8227	Spacer	2	
11	FRC8700	Lock nut	4	
12	FRC8002	Locker	2	
13	FRC8222	Oil seal	2	
14	FRC3988	Joint washer	2	
15	FRC5806	Driving member	2	
16	WL110001L	Washer spring	5	
17	FC110107L	Bolt	10	
18	549473	Circlip	2	
19	FRC4377	Hub cap	2	





Model DEFENDER 110 1987 onwards
Page AFEXEI2A

REAR AXLE - AXLE SHAFTS AND HUBS

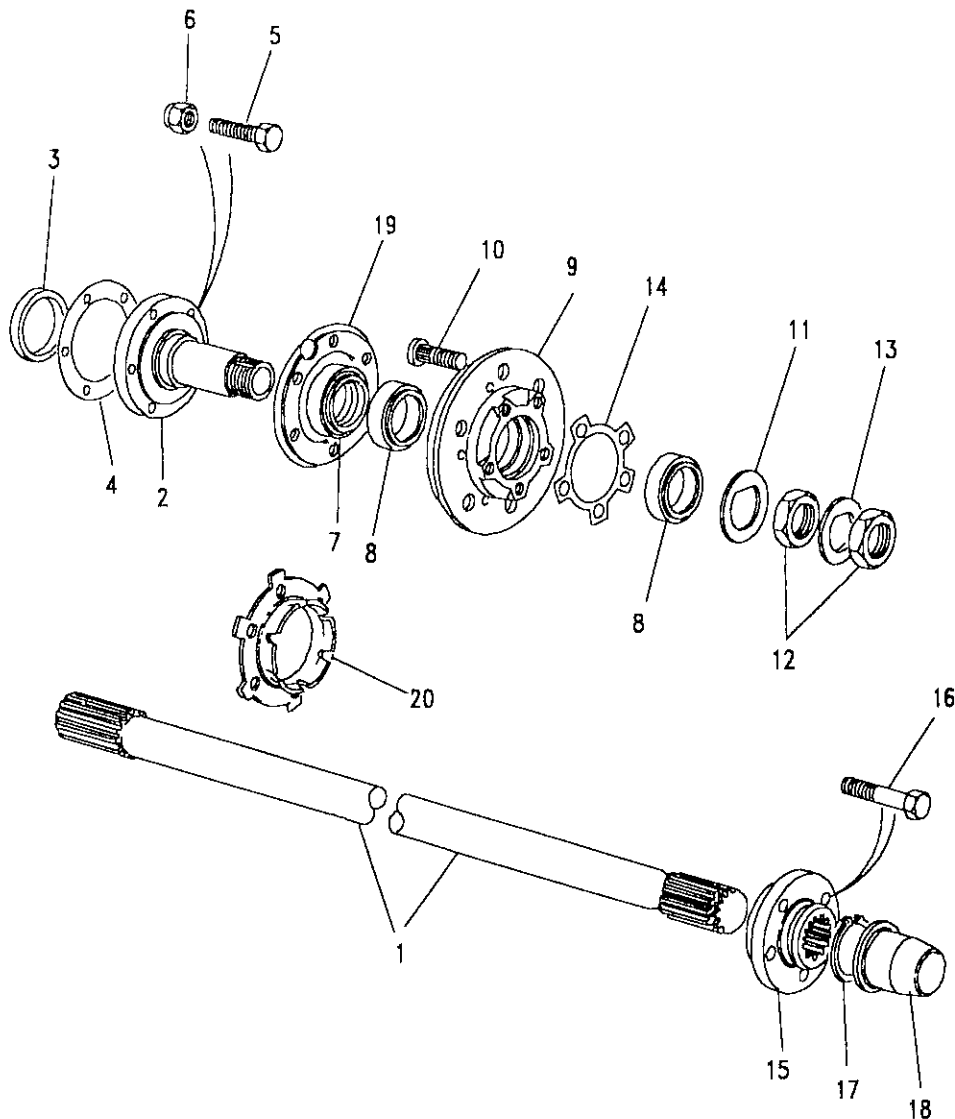
III. Part No. Description Qty Remarks

Vehicles with front and rear disc brakes

From VIN LA930435 - 110, LA930546 - 130

1	FTC1724	Shaft axle RH	1	
	FTC1725	Shaft axle LH	1	
2	FTC1740	Axle stub	2	
3	FTC3145	Oil seal	2	
4	FRC3136	Joint washer	2	NLA use FTC3649
	FTC3649	Joint washer	2	Asbestos free
5	BX110111L	Bolt fixing	8	
	SX110301	Screw	4	
	BX110071L	Bolt M10	4	Note(1)
6	NY110041L	Nut	12	
7	FTC2783	Oil seal hub	2	
8	RTC3429	Bearing	4	
9	FTC942	Hub assembly	2	
10	FRC5926	Stud	10	
11	FTC3185	Washer stub axle	2	
12	FRC8700	Nut stub axle	4	
13	FTC3179	Lockwasher	2	
14	571752	Joint washer	2	
15	FTC859	Hub driving member	2	
16	BX110095M	Bolt m/encapsulated	10	Note(2)
17	549473	Circlip	2	
18	FTC943	Cap hub	2	
19	FTC1378	Mudshield Stub Axle	2	
20	FRC2310	Plate locking	2	

Note(1) Alternative if SX110301 is too short.
 Note(2) Pre-impregnated with adhesive.





Model DEFENDER 110 1987 onwards

Page AFEXGA1A

AXLES - REMOTE BREATHERS

III. Part No. Description Qty Remarks

Vehicles with front disc and rear drum brakes

Upto VIN 930434 - 110, 930545 - 130

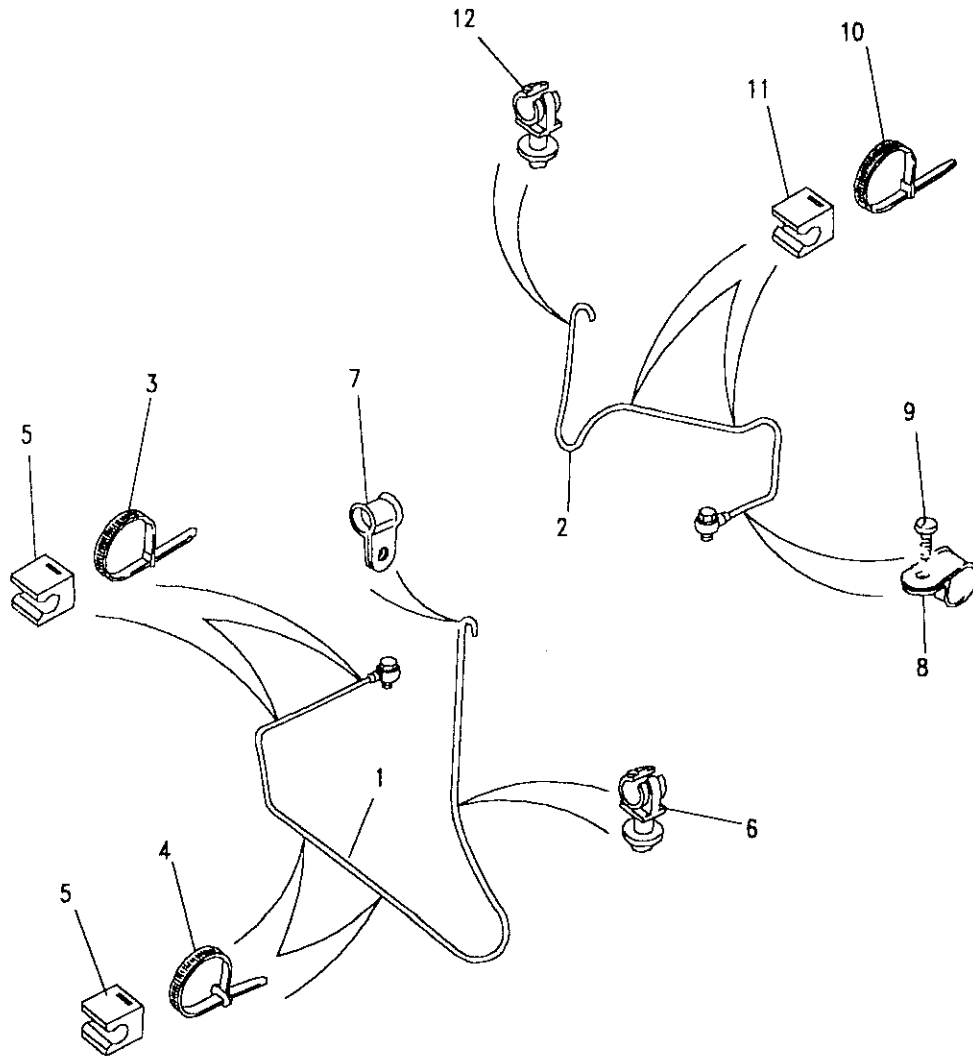
1	FTC2175	Breather remote front	1
	595478	Banjo bolt	1
	232039	Copper washer	2
2	FTC2176	Breather remote rear	1
	595478	Banjo bolt	1
	232039	Copper washer	2

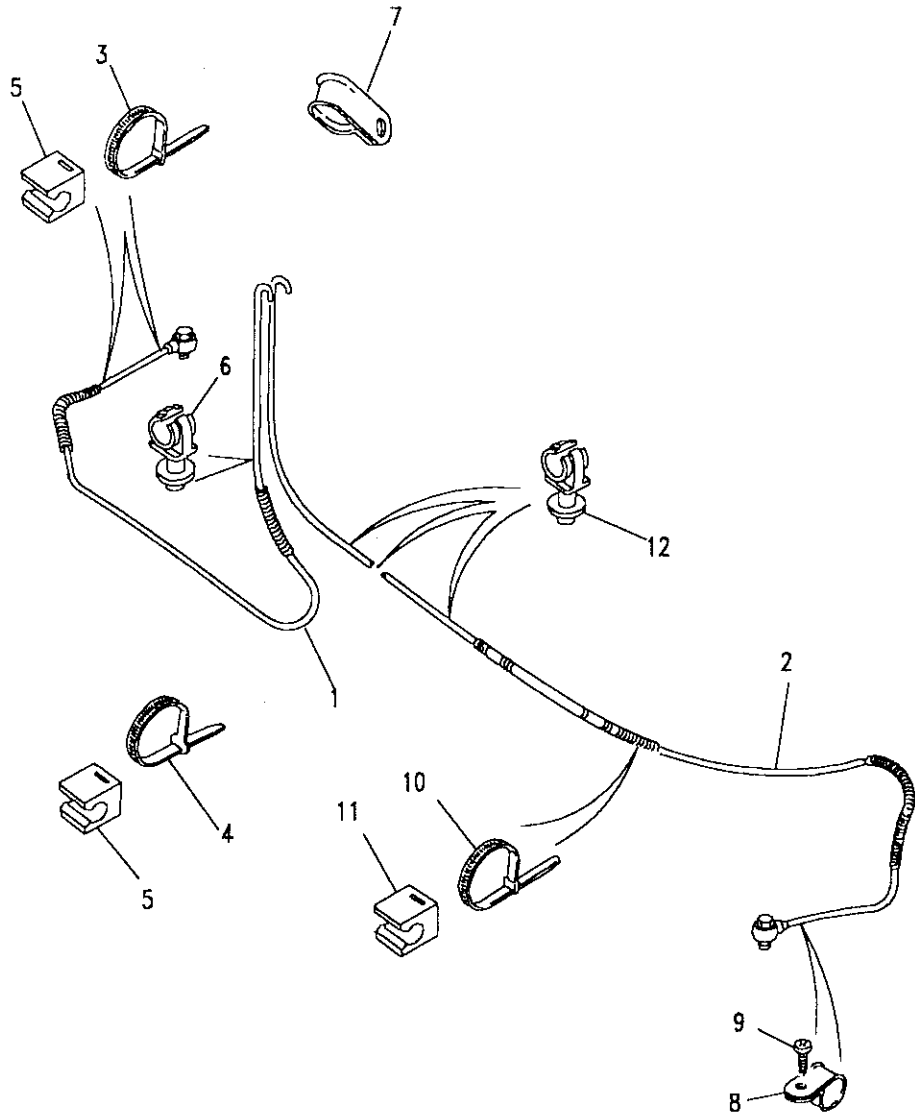
Fixings for front breather

3	594594	Tie	2
4	568680	Cleat	2
5	NRC9246	Clip	4
6	79123	Clip	1
7	BAU1689	Clip	1

Fixings for rear breather

8	ATU1017L	Clip	1
9	79004	Screw	1
10	568680	Cleat	2
11	NRC9246	Clip	2
12	79123	Clip	1





Model DEFENDER 110 1987 onwards
 Page AFEXGA2A

AXLES - ALTERNATIVE REMOTE BREATHERS

III. Part No.	Description	Qty	Remarks
---------------	-------------	-----	---------

Vehicles with front disc and rear drum brakes

Upto VIN 930434 - 110, 930545 - 130

1	FRC4718	Breather remote front	1	Upto HA473072
	FTC2177	Breather remote front	1	From HA473073
	595478	Banjo bolt	1	
	232039	Copper washer	2	
2	FRC4719	Breather remote rear	1	Upto HA473072
	FTC2178	Breather remote rear	1	From HA473073
	595478	Banjo bolt	1	
	232039	Copper washer	2	

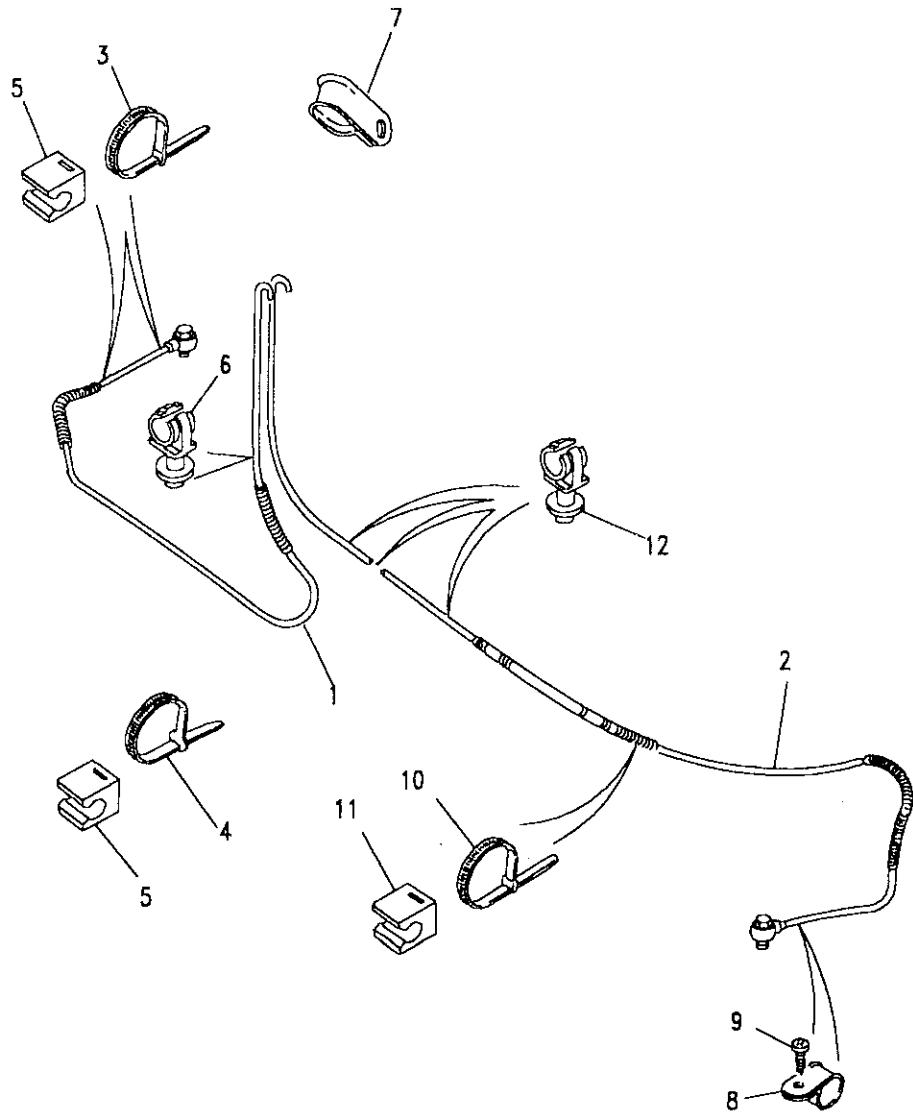
Fixings for front breather

3	594594	Tie	2	
4	568680	Cleat	2	
5	NRC9246	Clip	4	
6	79123	Clip	1	
7	622324	Clip	1	

Fixings for rear breather

8	ATU1017L	Clip	1	
9	79004	Screw	1	
10	568630	Cleat	2	
11	NRC9246	Clip	2	
12	79123	Clip	3	





Model DEFENDER 110 1987 onwards
Page AFEXGA3A

AXLES - REMOTE BREATHERS

III. Part No. Description Qty Remarks

Vehicles with front and rear disc brakes

From VIN LA930435 - 110, LA930546 - 130

1	FTC2177	Breather remote front	1	
	595478	Banjo bolt	1	
	FTC3904	Copper washer	2	
2	FTC2178	Breather remote rear	1	Up to LA937639
	FTC3904	Breather remote rear	1	From LA937640
	595478	Banjo bolt	1	
	FTC3904	Copper washer	2	

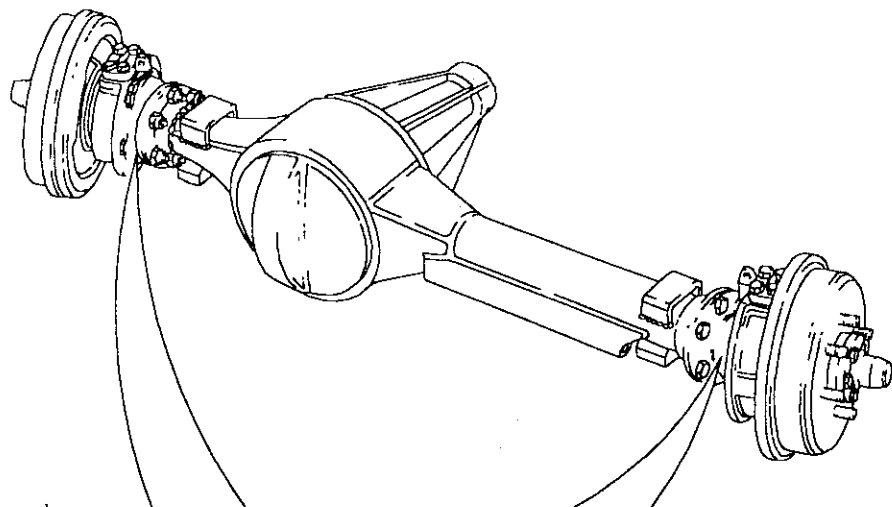
Fixings for front breather

3	594594	Tie	2	
4	568680	Cleat	2	
5	NRC9246	Clip	4	
6	79123	Clip single	1	
7	622324	Clip	1	

Fixings for rear breather

8	ATU1017L	Clip	1	
9	79004	Screw	1	
10	568630	Cleat	2	
11	NRC9246	Clip	2	
12	79123	Clip	3	

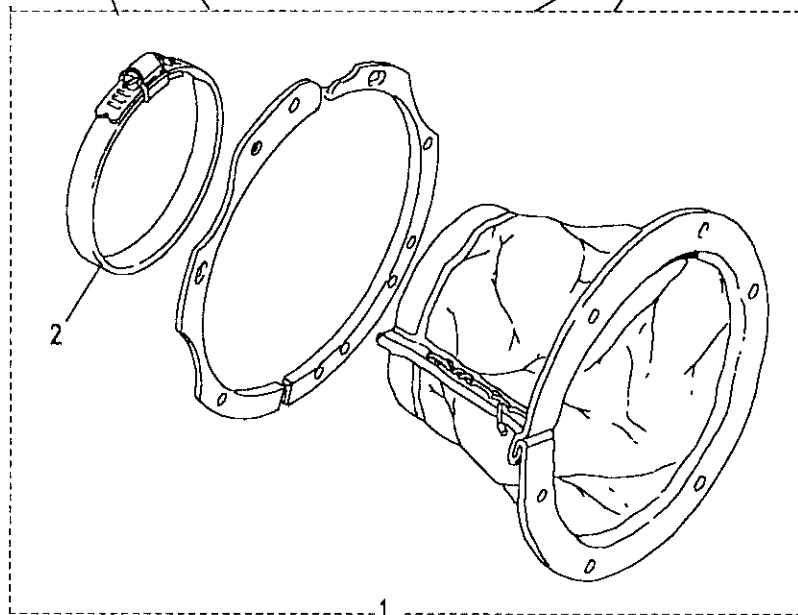




Model DEFENDER 110 1987 onwards
Page AFEXGC1A

FRONT AXLE - GAITER KIT

III. Part No.	Description	Qty	Remarks
Only used up to VIN LA930434			
1 RTC3826	Kit gaiter	1	
2 RTC3519	Clip hose	2	

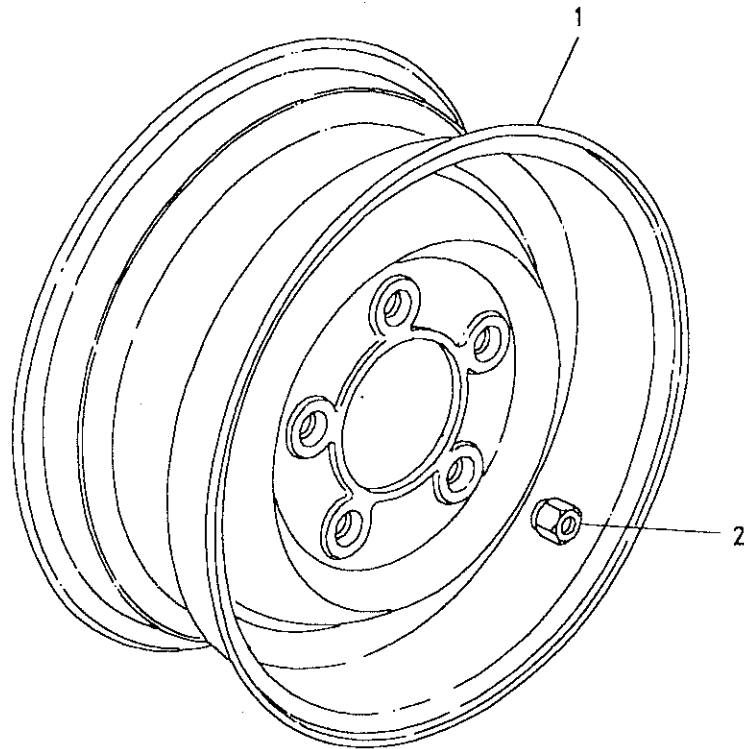




DEFENDER 110 1987 onwards

433

AXLES AND SUSPENSION

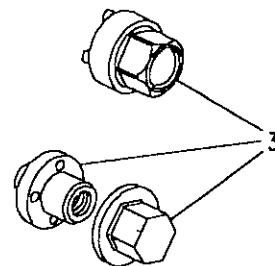


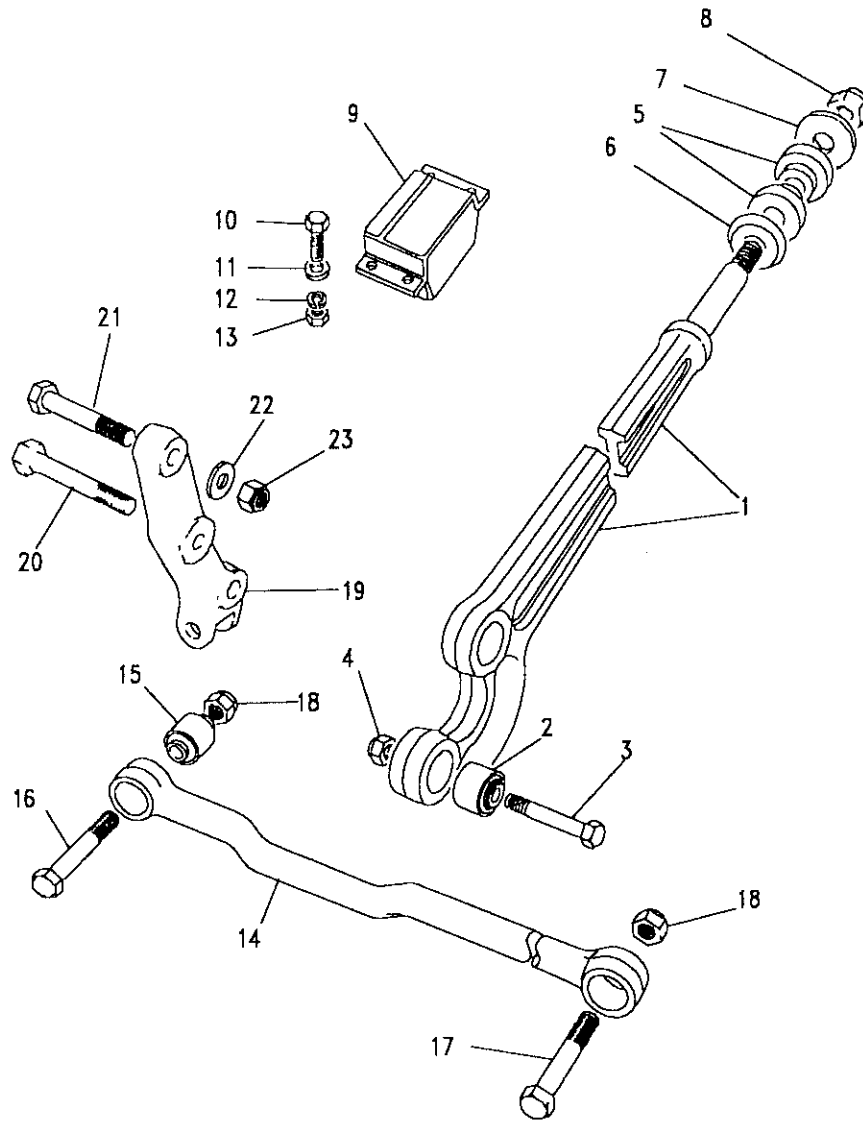
Model DEFENDER 110 1987 onwards
Page AFEXGE1A

AXLES - ROAD WHEEL

Ill. Part No.	Description	Qty	Remarks
Defender 110 1 NRC7578PM	Wheel road	5	Note(1)
Defender 130 1 ANR1534PM	Wheel road	5	Note(2)
Defender 110 and 130 2 90577473	Wheel nut 16mm	20	
3 RTC9535	Wheel nut locking	1	Set of 5

Note(1) 5.5F x 16 x 33mm inset
Note(2) 6.5L x 16 x 20.6mm inset





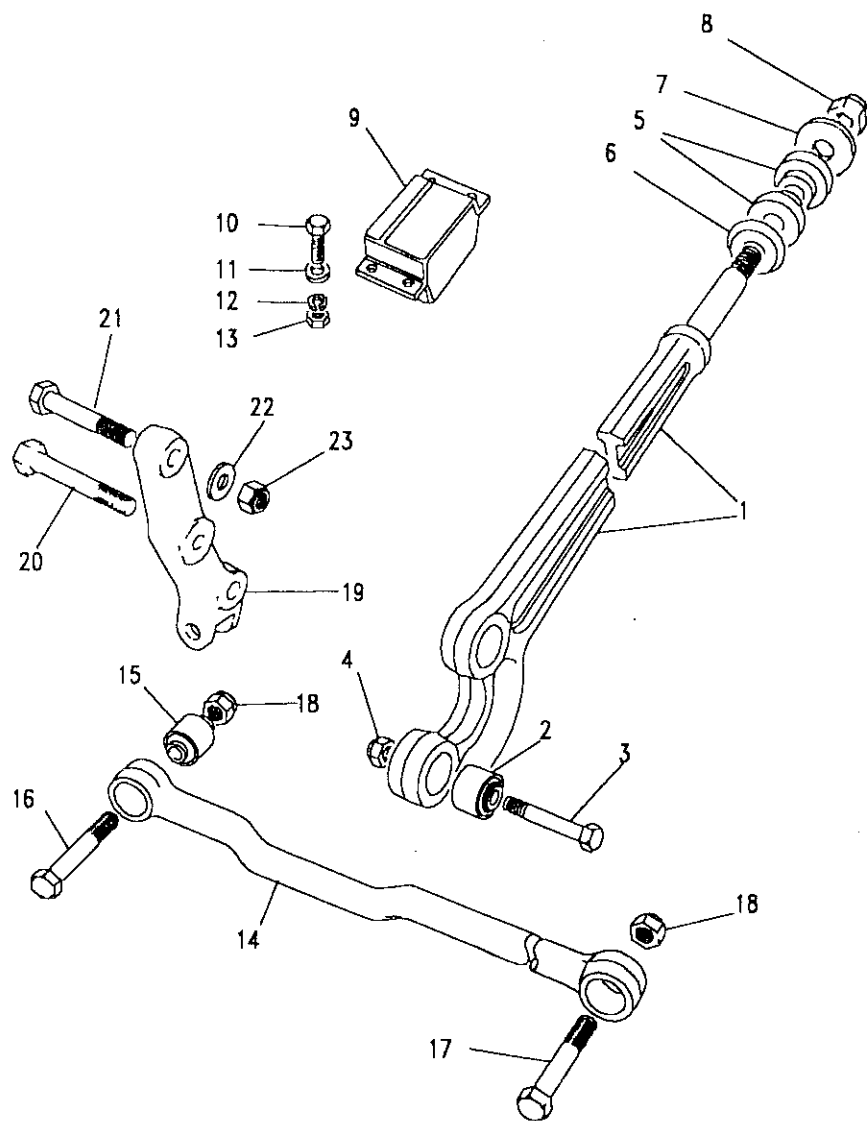
Model DEFENDER 110 1987 onwards
 Page AFEXIA1A

FRONT SUSPENSION - RADIUS ARM & LINKS

III. Part No.	Description	Qty	Remarks
Defender 110			
1	NTC2705	2	Note(1)
	NTC7331	2	Note(2)
2	NTC7307	4	Note(1)
	NTC6781	4	Note(2)
3	BH610281L	4	Note(1)
	BX116201L	4	Note(2)(3)
	BH116207	4	Note(4)
4	NY610041	4	Note(1)
	NY116051L	4	Note(2)(3)
	NV116047	4	Note(4)
Defender 130			
1	NTC2705	2	Note(1)
	NTC7331	2	Note(2)
2	NTC7307	4	Note(1)
	NTC6781	4	Note(2)
3	BH610281L	4	Note(1)
	BX116201L	4	Note(2)(3)
	BH116207	4	Note(4)
4	NY610041	4	Note(1)
	NY116051L	4	Note(2)(3)
	NV116047	4	Note(4)
5	NRC4514	4	
6	NRC4515	2	

Note(1) Up to LA930434
 Note(2) From LA930435
 Note(3) Up to LA944441
 Note(4) From LA944442



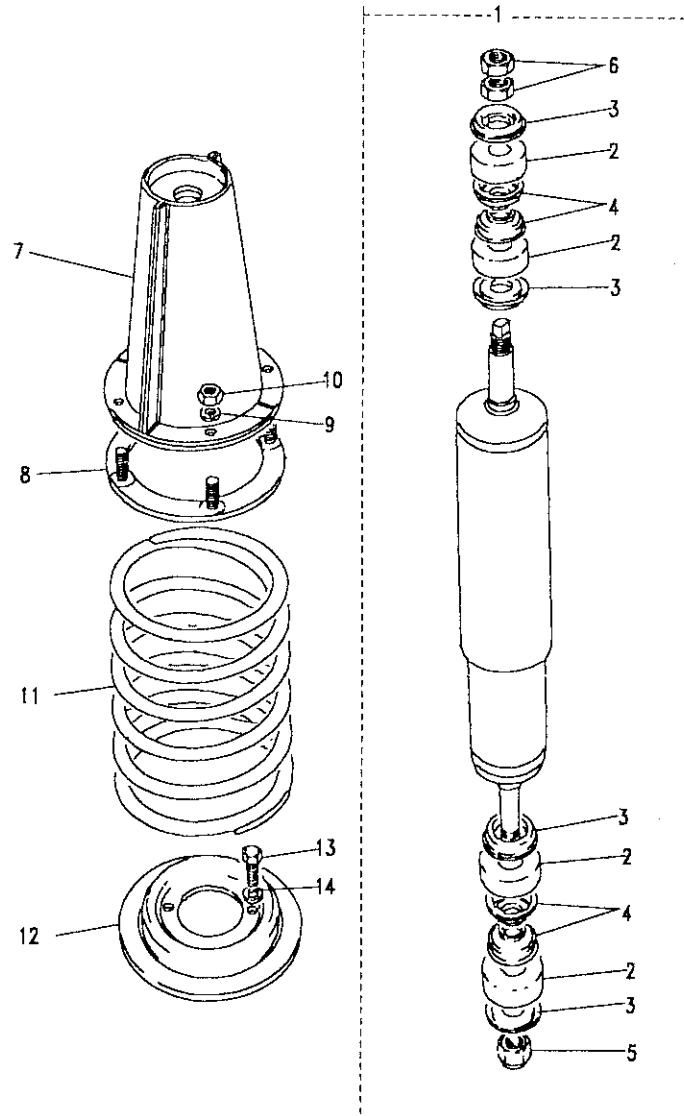


Model DEFENDER 110 1987 onwards
Page AFEXIA1A

FRONT SUSPENSION - RADIUS ARM & LINKS

III. Part No.	Description	Qty	Remarks
7	NRC4516	2	Washer plain
8	NY120041L	2	Nut nyloc
9	575707	2	Bump stop
10	FS108201	4	Screw
11	WA108051L	4	Washer plain
12	WL108001L	4	Washer spring
13	NY108041L	4	Nut
14	NRC9729	1	Rod panhard
15	NRC9728	2	Bush rubber
	ANR3410	2	Bush rubber
16	BH114161	1	Bolt
	BH114167	1	Bolt
17	BH114161	1	Bolt
	BH114167	1	Bolt
18	NY114041	2	Nut nyloc
	NV114047	2	Nut nyloc
19	NTC9462	1	Arm mounting RH RHD
	NTC9461	1	Arm mounting LH LHD
20	253952	1	Bolt
21	BH608461	1	Bolt
22	WC112081L	2	Washer plain
23	NY608041L	2	Nut
Defender 130 3500Kg			
	RRC2281	1	Spacer bump stop front LH
	FB108101	2	Bolt
	WA108051L	2	Washer plain
	WL108001L	2	Washer spring
	FN108041L	2	Nut

Note(1) Upto LA944441
 Note(2) From LA944442



Model DEFENDER 110 1987 onwards

Page AFEXIC1A

FRONT SUSPENSION - SHOCK ABSORBERS & ROAD SPRING

III. Part No.	Description	Qty	Remarks
1	RTC4637 STC290	2	Upto VIN HA475249 From VIN HA475250
2	552818	8	Cushion rubber
3	500746	8	Washer retaining
4	NRC4365	8	Washer guide
5	NY608041L	2	Upto VIN HA475249 Alternative
6	NV608041L	2	Upto VIN HA475249 From VIN HA475250
	NT608041L	4	Lock nut
	NTC4571	4	Nut
7	NRC6372	2	Bracket-shock absorber
8	572087	2	Ring securing
9	WM600051L	8	Washer spring
10	NH605041L	8	Nut
Defender 110			
11	NRC8044	1	Standard
	NRC8045	1	Standard
	NRC9448	1	Heavy Duty
	NRC9449	1	Heavy Duty
Defender 130			
11	NRC9448	1	Spring front driver
	NRC9449	1	Spring front passenger
12	NRC9700	2	Seat spring
13	SH110251L	4	Screw
14	WM110001L	4	Washer spring





DEFENDER 110 1987 onwards

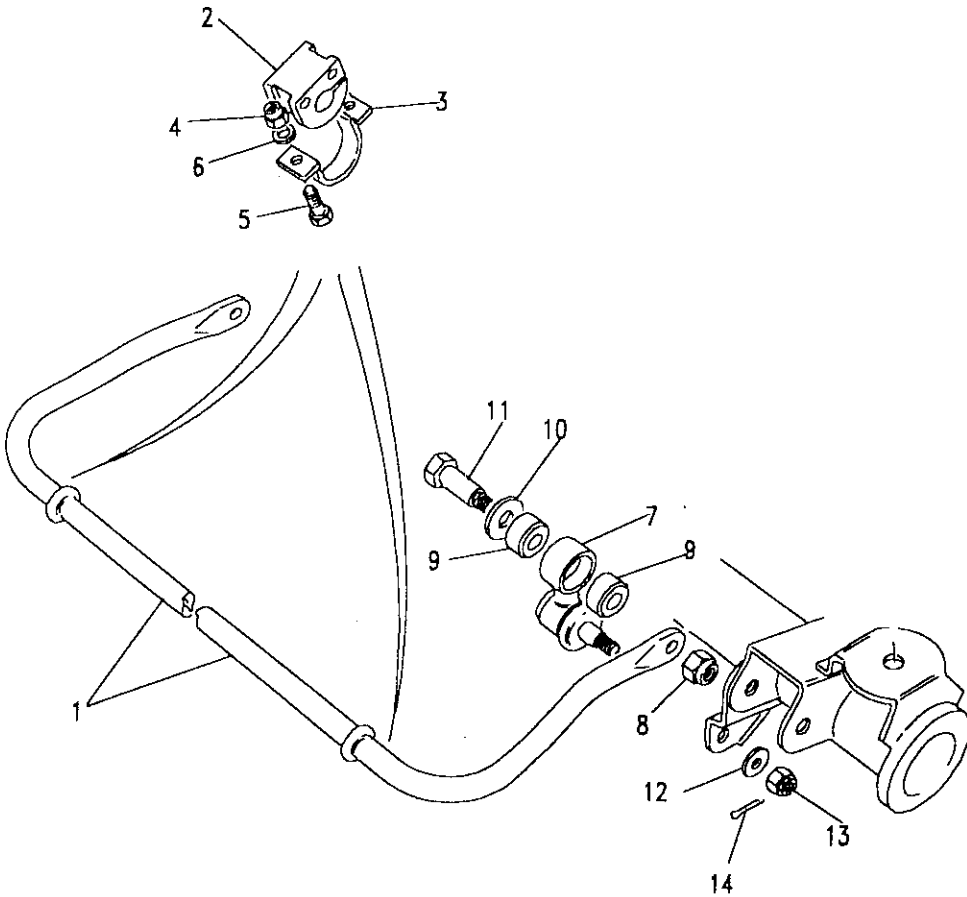
437

AXLES AND SUSPENSION

Model DEFENDER 110 1987 onwards
Page AFEXIE1A

FRONT SUSPENSION - ANTI-ROLL BAR

III. Part No.	Description	Qty	Remarks
Defender 130 3500Kg			
1	NTC6837	1	Anti-roll bar front
2	NTC6828	2	Bush
3	NTC6776	2	Strap
4	NY110041L	4	Nut
5	SH110351L	4	Screw
6	WA110061L	4	Washer
7	NTC1888	2	Ball joint assembly
8	NV116041	2	Nut
9	552819	4	Bush
10	264024	2	Washer plain
11	NTC8202	2	Pin
12	WC112081L	2	Washer plain
13	NC112041	2	Nut
14	PS105251	2	Pin split



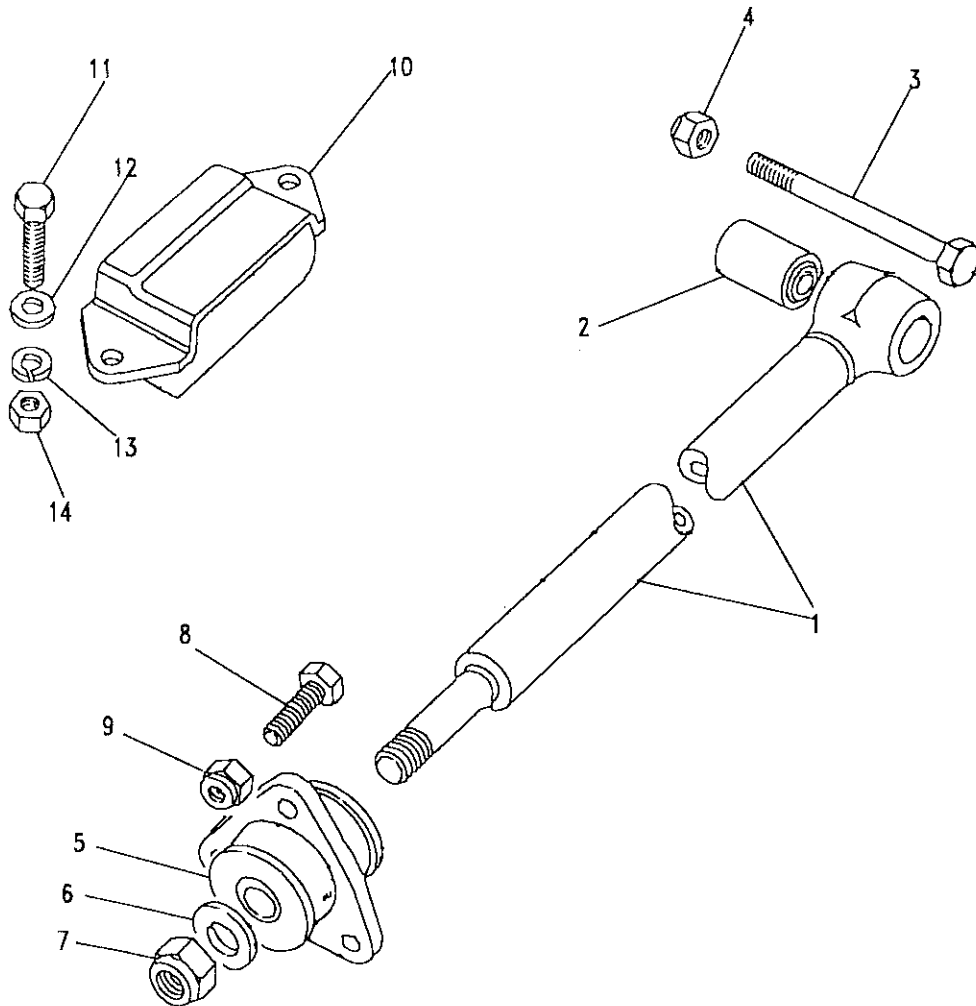
Model DEFENDER 110 1987 onwards

Page AFEXKA1A

REAR SUSPENSION - BOTTOM LINK

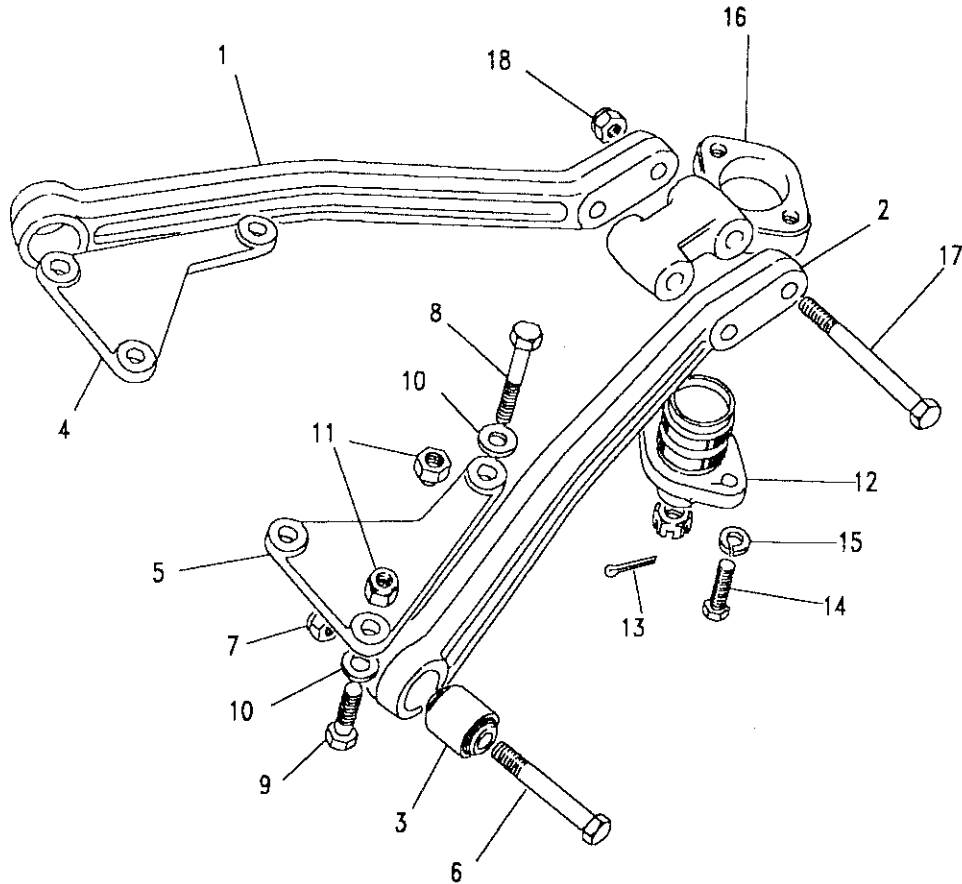
Ill. Part No.	Description	Qty	Remarks
1	NTC4720	2	Note (1)
	NTC8328	2	From VIN HA470437
2	NTC1772	2	Bush
3	BH610321L	2	Bolt
4	NY610041L	2	Nut
5	STC618	1	Kit mounting rubber
	NTC9027	2	Mounting rubber
6	WA120001	2	Washer plain
7	NY120041L	2	Nut nyloc
8	SH110301	6	Bolt
9	NY110041	6	Nut nyloc
10	90575789	2	Bump stop
11	FS108201	4	Screw
12	WA108051L	4	Washer plain
13	WL108001L	4	Washer spring
14	NY108041L	4	Nut

Note(1) Upto VIN HA470436 - No longer available - use NTC8328 which must be fitted in pairs



Model DEFENDER 110 1987 onwards
 Page AFEXKA2A

REAR SUSPENSION - TOP LINK, FULCRUM, BALL JOINT



III. Part No.	Description	Qty	Remarks
1	NTC2706	1	Link top RH
2	NTC2707	1	Link top LH
3	NTC1773	2	Bush
4	575615	1	Bracket RH
5	575616	1	Bracket LH
6	BH612321	2	Bolt
7	NY612041	2	Nut nyloc
8	BX110111L	2	Bolt
9	BX110091L	4	Bolt
10	WC110061L	6	Washer plain
11	NY110051L	6	Nut nyloc
12	NRC7661	1	Ball joint
			Upto VIN 329694 No longer available Use NTC4260
	NTC1154	1	Cable tie
	NRC9787	1	Cover dust
	592445	1	Ring spring
12	NTC4260	1	Ball joint
			Upto VIN 329694
12	NTC9932	1	Ball joint
			Upto VIN JA914425 From VIN JA914426
12	ANR1799	1	Ball joint
	WB120001	1	Washer special
	NTC4618	1	Nut 20mm
13	PS608101L	1	Pin split
	PS106321L	1	Pin split
14	SH605081L	2	Screw
	FS108201	2	Screw
15	WM600051L	2	Washer spring
			Upto VIN JA914425 Upto VIN KA930263 From VIN KA930264



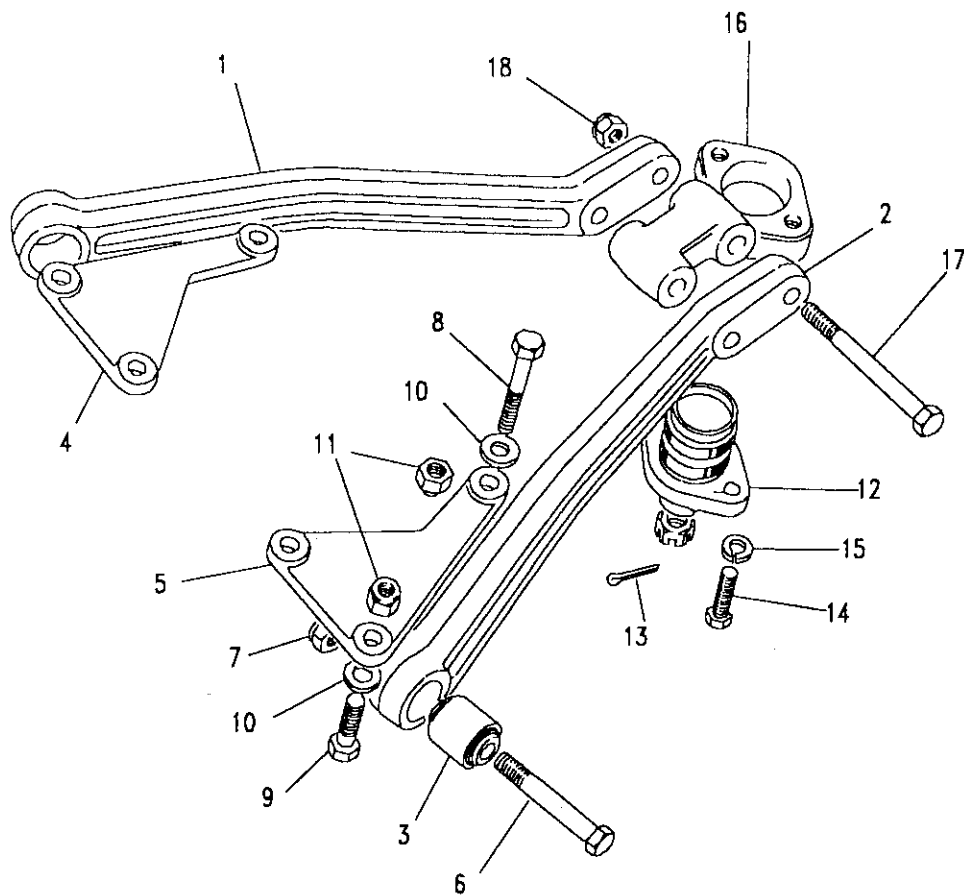
Model DEFENDER 110 1987 onwards

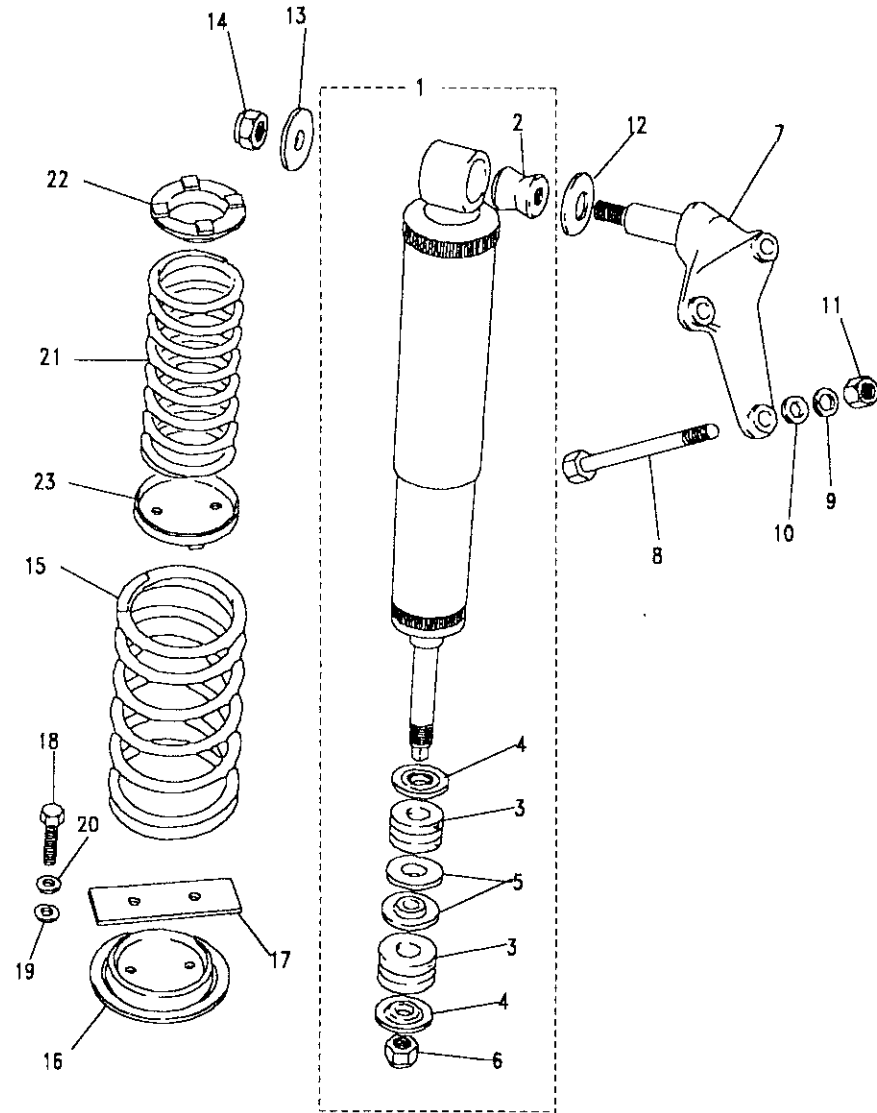
Page AFEXKA2A

REAR SUSPENSION - TOP LINK, FULCRUM, BALL JOINT

Ill. Part No.	Description	Qty	Remarks
16 NRC3923	Bracket fulcrum	1	Note(1)(Imperial)
ANR3037	Bracket fulcrum	1	Upto VIN KA930263
17 253952	Bolt	2	Note(1)(Metric)
18 NY608041L	Nut nyloc	2	From VIN KA930264

Note(1) Not fitted with self levelling unit.



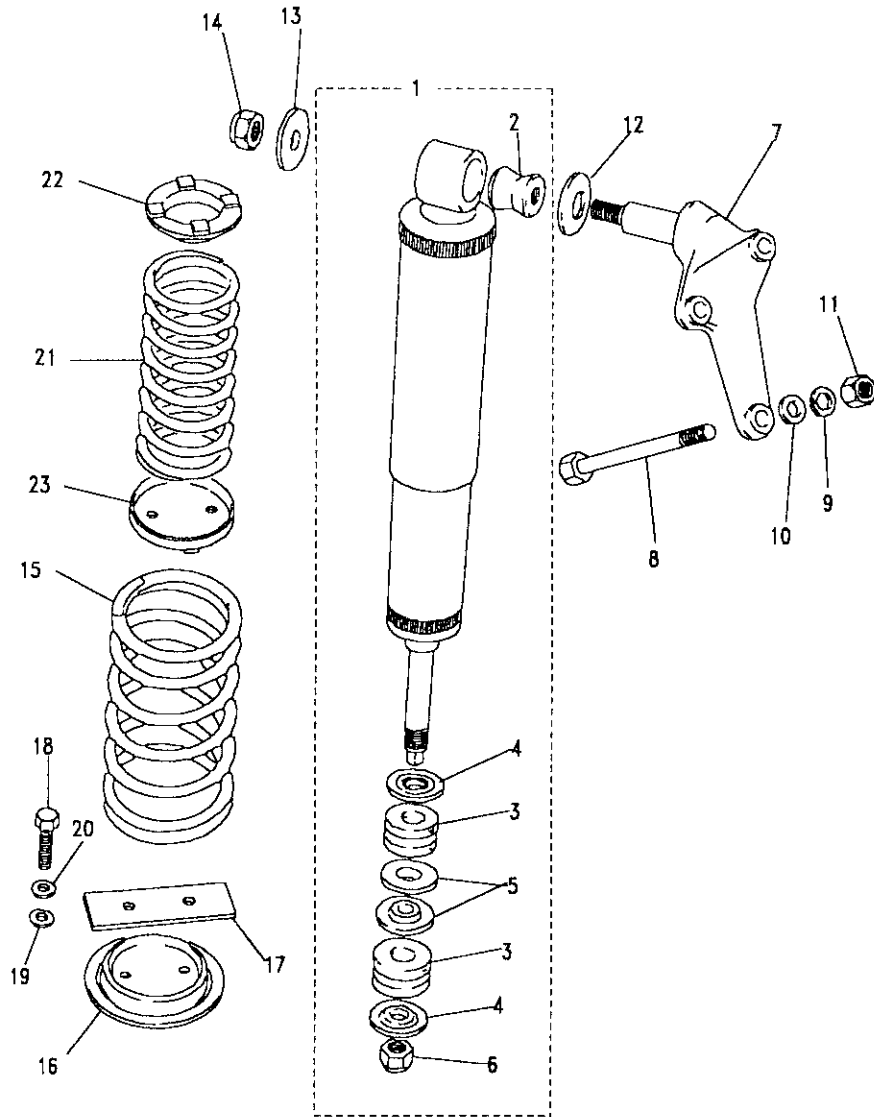


Model DEFENDER 110 1987 onwards
 Page AFEXKC1A

REAR SUSPENSION - SHOCK ABSORBER & ROAD SPRING

III. Part No.	Description	Qty	Remarks
Levelled suspension			
1	RTC4638	2	Upto VIN HA473822
	STC291	2	From VIN HA473823
Non levelled suspension			
1	RTC4639	2	Upto VIN HA478284
	STC292	2	From VIN HA478285
Defender 130 3500Kg			
1	STC293	2	Heavy Duty
2	NRC5593	2	Bush rubber
3	552818	4	Cushion rubber
4	500746	4	Washer retaining
5	NRC6235	4	Washer guide
6	NY608041L	2	Nut
	NV608041L	2	Alternative
	NTC4571	2	Use on RTC4638/39
			Use on STC291
			STC292 and STC293
7	NRC7981	2	Bracket shock absorber
8	BH110221L	6	Bolt
9	WM110001L	6	Washer spring
10	WC110061L	6	Washer plain
11	NH110041L	6	Nut
12	NRC5602	2	Retainer inner
13	NRC5603	2	Retainer outer
14	NY112041L	2	Nut





Model DEFENDER 110 1987 onwards
Page AFEXKC1A

REAR SUSPENSION - SHOCK ABSORBER & ROAD SPRING

Ill. Part No. Description Qty Remarks

Defender 110 - Levelled Suspension

15 NRC6388 Spring rear driver 1 Standard
 NRC7000 Spring rear passenger 1 Standard

Defender 110 - Non Levelled Suspension

15 NRC6389 Spring rear driver 1 Heavy duty
 NRC6904 Spring rear passenger 1 Heavy duty

Defender 130

15 NRC6389 Spring rear driver 1
 NRC6904 Spring rear passenger 1

16 NRC4317 Seat 2
 17 NRC4318 Retainer 2
 18 SH110251L Screw 4
 19 WA110061L Washer plain 8
 20 WM110001L Washer spring 4

Defender 130 - 3500kg

21 RRC3266 Helper spring 2
 22 RRC3352 Retainer upper 2
 23 RRC3355 Retainer lower 2
 18 FS110301L Screw 4
 19 WA110001L Washer plain 4

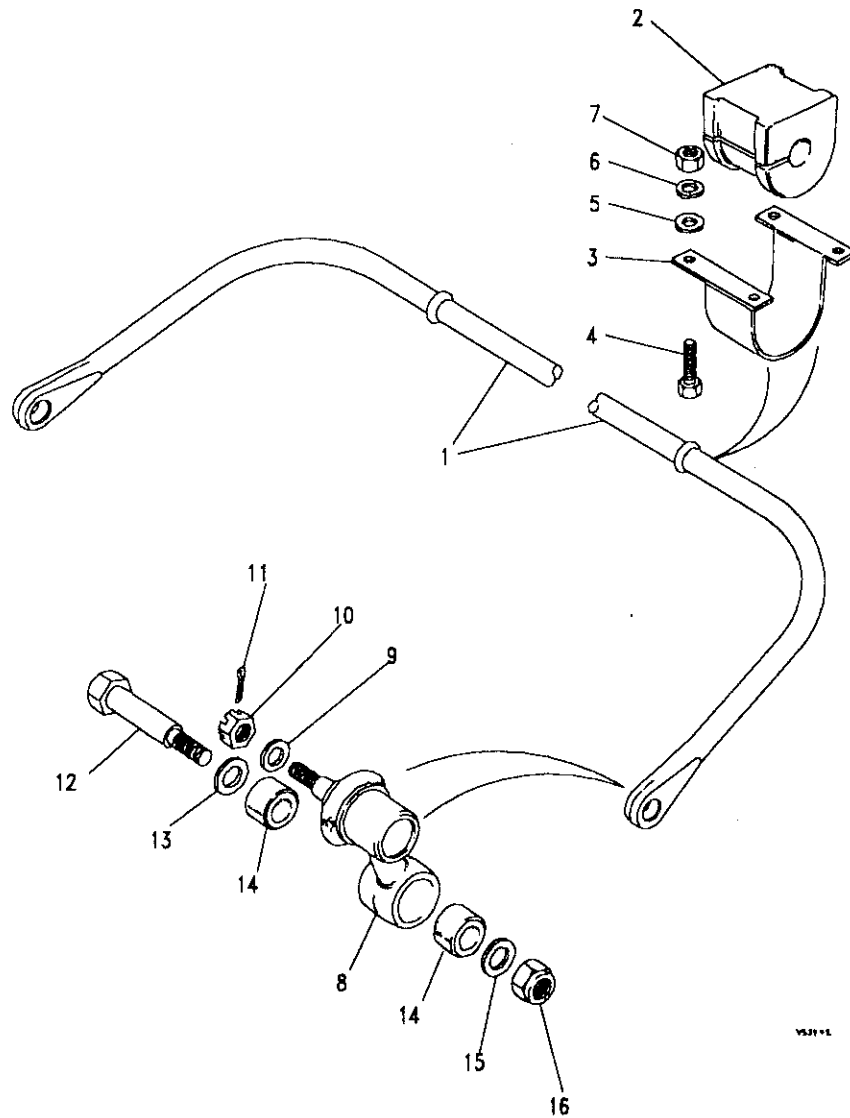




Model DEFENDER 110 1987 onwards
Page AFEXKE1A

REAR SUSPENSION - ANTI ROLL BAR

III. Part No.	Description	Qty	Remarks
1	NRC6221	1	Anti roll bar
2	NRC5674	2	Bush
3	592773	2	Strap
4	FS108251L	8	Screw
5	WA108051L	8	Washer plain
6	WL108001L	8	Washer spring
7	NY108041L	8	Nut
8	NTC1888	2	Ball joint and link assy
9	WC112081	2	Washer
10	NC112041	2	Nut
11	PS105251	2	Pin split
12	NRC6658	2	Pin-anti roll bar
13	264024	2	Washer
14	552819	2	Bush
15	WC116101	2	Washer plain
16	NY116041L	2	Nut

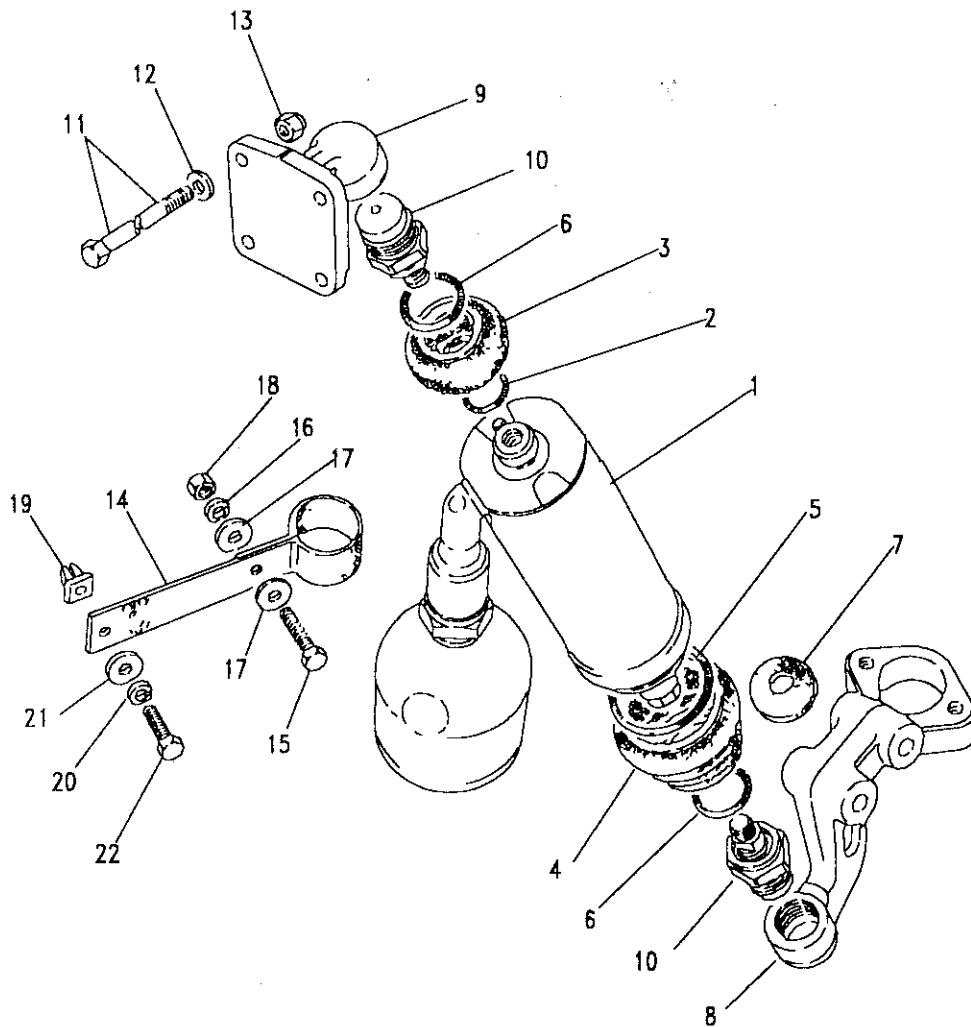


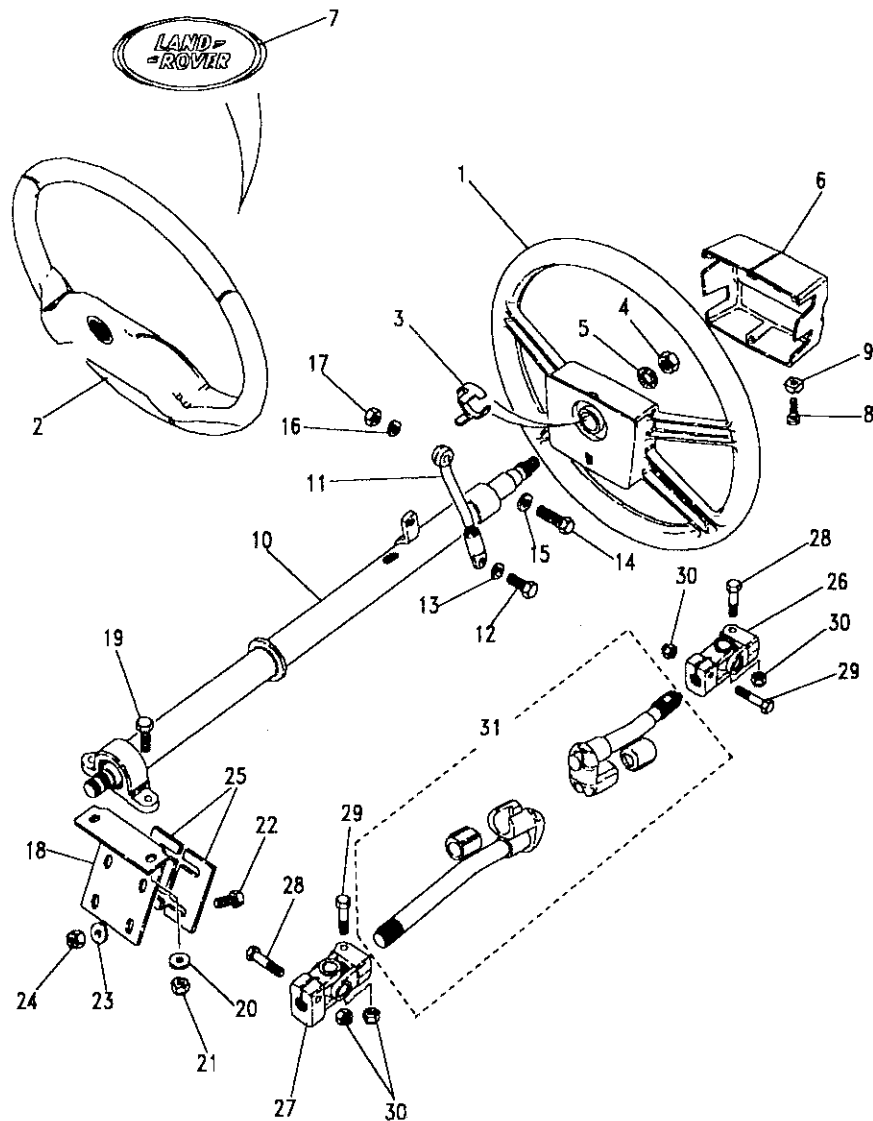
Model DEFENDER 110 1987 onwards
 Page AFEXKG1A

REAR SUSPENSION - LEVELLING UNIT - OPTIONAL

III. Part No. Description Qty Remarks

III. Part No.	Description	Qty	Remarks
1	NRC7050 Levelling unit	1	
2	NRC7066 Ring spring	1	
3	NRC5707 Gaiter-upper	1	
4	NRC6561 Gaiter-lower	1	
5	577703 Ring spring-large	1	
6	90577704 Ring spring-small	1	
7	NRC8007 Dirt seal	1	
8	90575878 Fulcrum bracket imperial	1	Upto VIN KA930263
	ANR3036 Fulcrum bracket metric	1	From VIN KA930264
9	NRC8375 Housing	1	
10	575882 Ball joint	2	
11	BH110351 Bolt	4	
12	NRC5758 Washer	4	
13	NY110041L Nut nyloc	4	
14	NRC6320 Strap	1	
	NRC8518 Strap-additional	1	
15	SH106301 Screw	1	
16	WL106001L Washer spring	1	
17	2215L Washer plain	1	
18	NH106041L Nut	1	
19	NN106011 Nutsert	1	
20	WL106001L Washer spring	1	
21	2215L Washer plain	1	
22	FS106201L Flange screw	1	





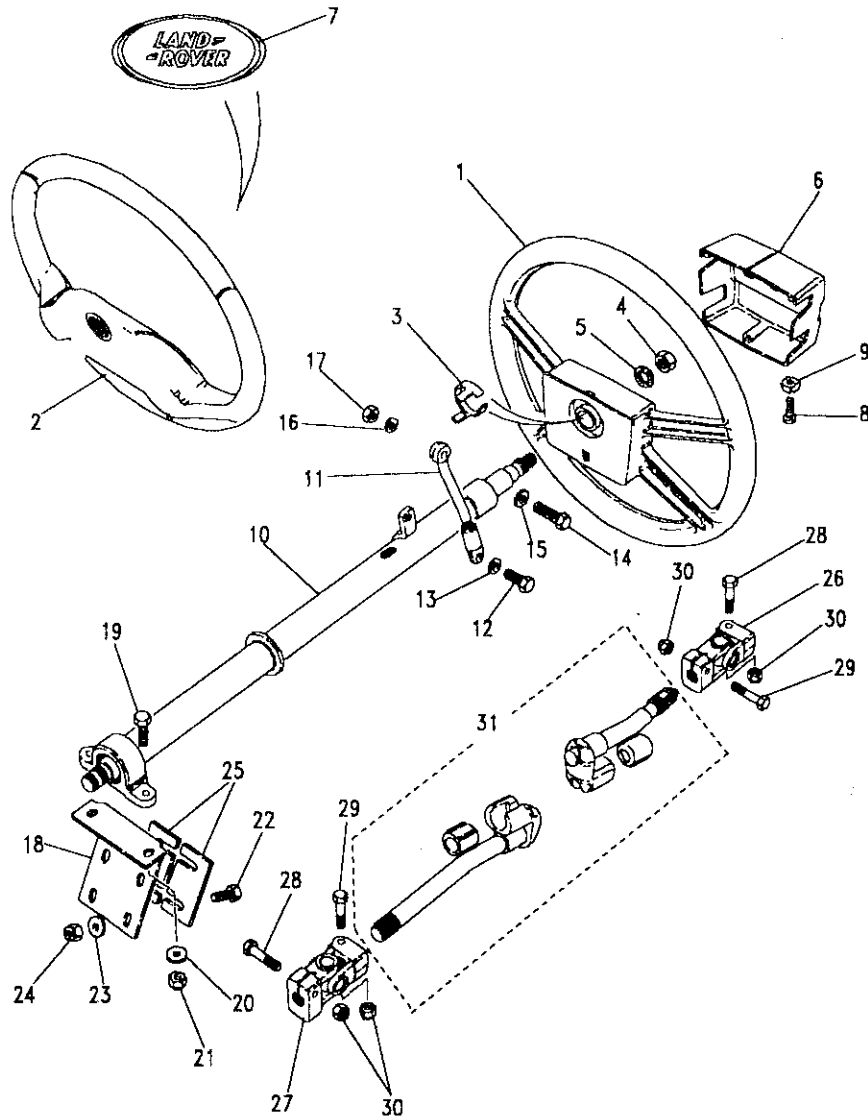
Model DEFENDER 110 1987 onwards

Page AFFXAA1A

STEERING - STEERING WHEEL AND COLUMN

III. Part No.	Description	Qty	Remarks
Defender 110			
1 NRC5281	Wheel steering	1	Upto VIN HA906578
1 NTC4844	Wheel steering	1	Note(1) Upto VIN HA906578
2 NTC8847	Wheel steering	1	Note(2)
ANR3231	Wheel steering	1	Note(3)
Defender 130			
1 NRC5281	Wheel steering	1	Upto VIN HA906988
1 NTC4844	Wheel steering	1	Note(1) Upto VIN HA906988
2 NTC8847	Wheel steering	1	Note(2)
ANR3231	Wheel steering	1	Note(3)
Defender 110 and 130			
3 NRC7636	Ring striker	1	
4 CRC2015	Nut	1	
5 WE600081	Washer shakeproof	1	
Defender 110			
6 NRC6747	Moulding	1	Upto VIN HA906578
6 NTC7731	Moulding	1	Note(1) Upto VIN HA906578
7 NTC8848	Cap centre	1	From VIN JA906579

Note(1) Option -County Station Wagon - Leather trimmed
 Note(2) From JA906580, up to LA936926
 Note(3) From LA936927



Model DEFENDER 110 1987 onwards
Page AFFXAA1A

STEERING - STEERING WHEEL AND COLUMN

Ill. Part No.	Description	Qty	Remarks
Defender 130			
6 NRC6747	Moulding	1	Upto VIN HA906988
6 NTC7731	Moulding	1	Note(1) Upto VIN HA906988
7 NTC8848	Cap centre	1	From VIN JA906989
8 SE106121L	Screw	1	Upto VIN HA906988
9 NK106081	Nut grip	1	Upto VIN HA906988
Defender 110			
10 NRC7635	Column steering	1	Note(2) Upto VIN HA906578
10 NTC9068	Column steering	1	Note(2) From VIN JA906579
Defender 130			
10 NRC7635	Column steering	1	Note(2) Upto VIN HA906988
10 NTC9068	Column steering	1	Note(2) From VIN JA906989

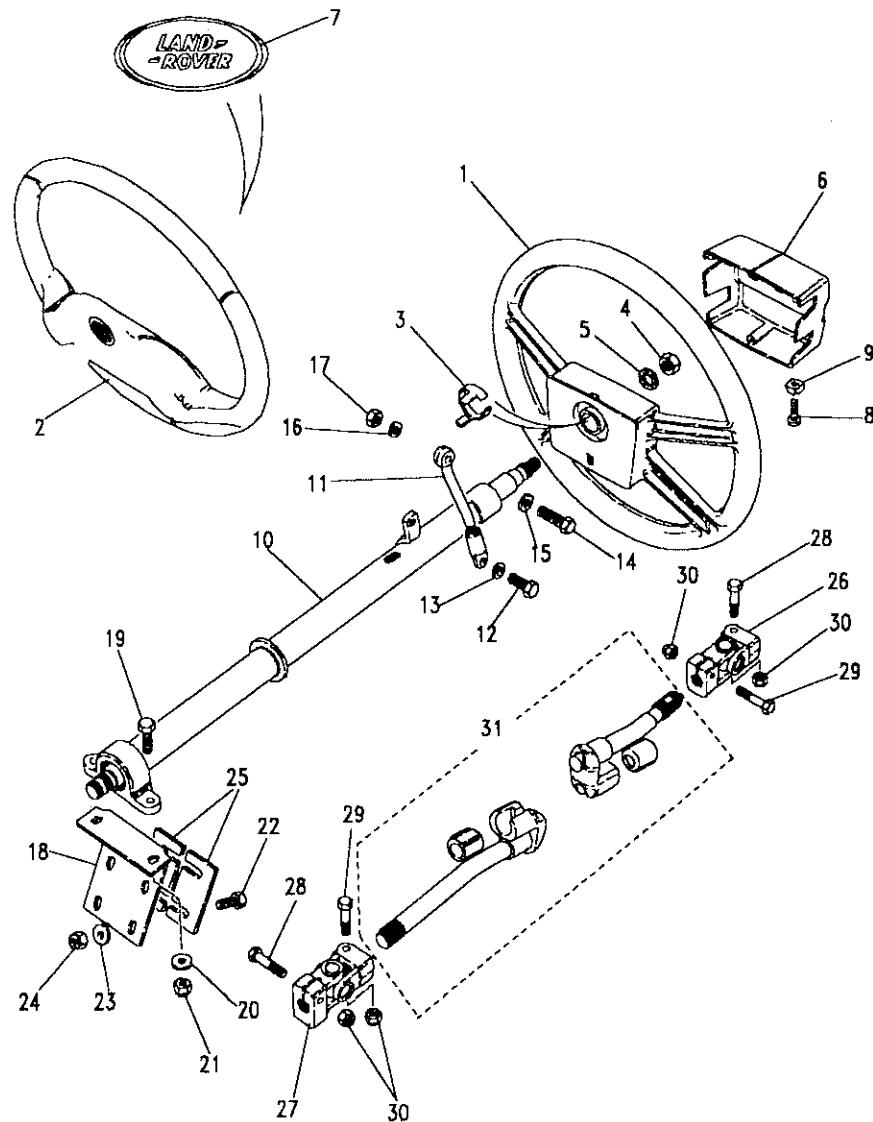
Note(1) Option -County Station Wagon - Leather trimmed
 Note(2) Steering column lock - see page 711 - 712





Model DEFENDER 110 1987 onwards
 Page AFFXAA1A

STEERING - STEERING WHEEL AND COLUMN



III. Part No.	Description	Qty	Remarks
Defender 110 and 130			
11	NRC9711	1	Tie rod
12	SH110161L	1	Screw
13	WL110001L	1	Washer spring
14	SH110301L	1	Screw
15	WA110061L	1	Washer plain
16	WL110001L	1	Washer spring
17	NH110041L	1	Nut
18	NRC7127	1	Support
19	FB108251	2	Bolt
20	WC108051L	2	Washer plain
21	NY108041L	2	Nut nyloc
22	FB108251	4	Bolt
23	WC108051L	4	Washer plain
24	NY108041L	4	Nut nyloc
25	569522	4	Packing piece
26	NRC7387	1	Universal joint
27	NRC7704	1	Universal joint
28	BH108091L	2	Bolt
29	BH108091L	2	Bolt
30	NY108041L	4	Nut nyloc
31	RTC4738	1	Shaft steering





DEFENDER 110 1987 onwards

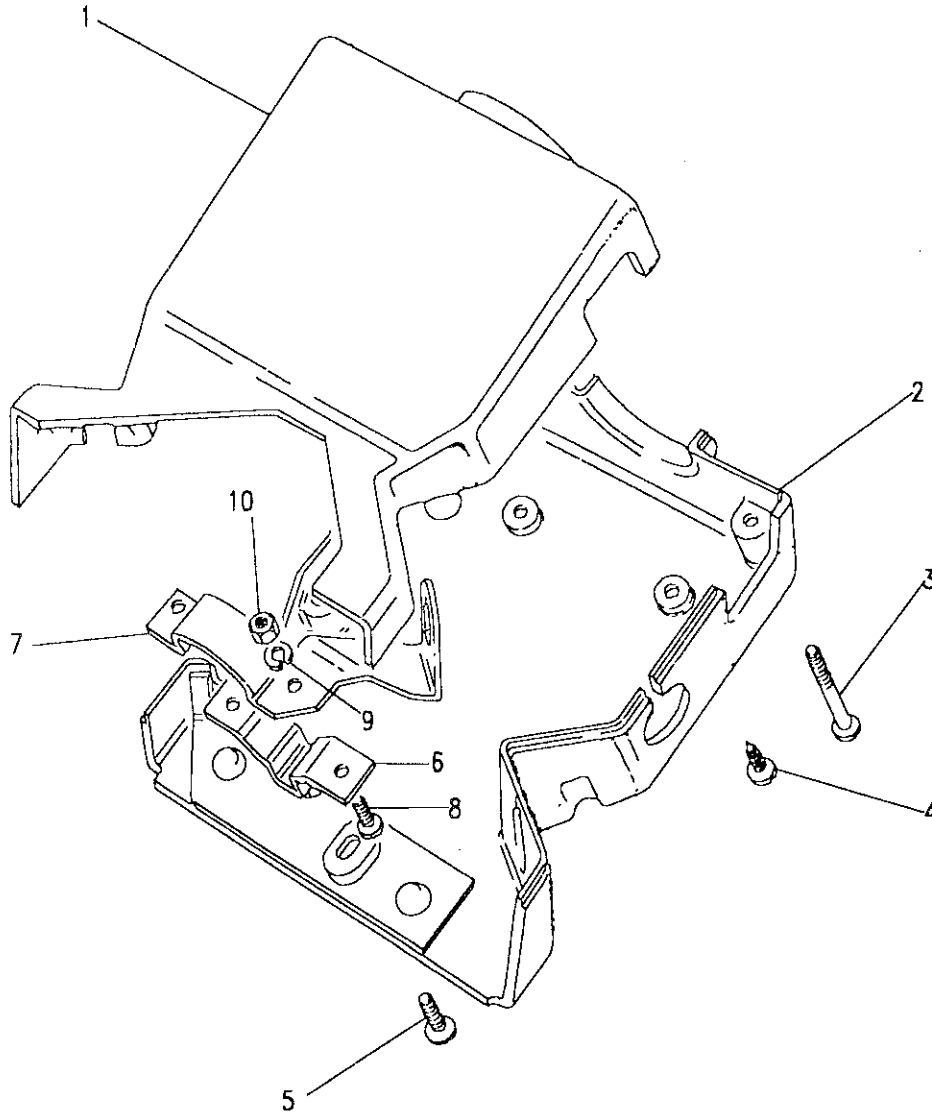
449

STEERING

Model DEFENDER 110 1987 onwards
Page AFFXCA1A

STEERING - STEERING COLUMN SHROUD

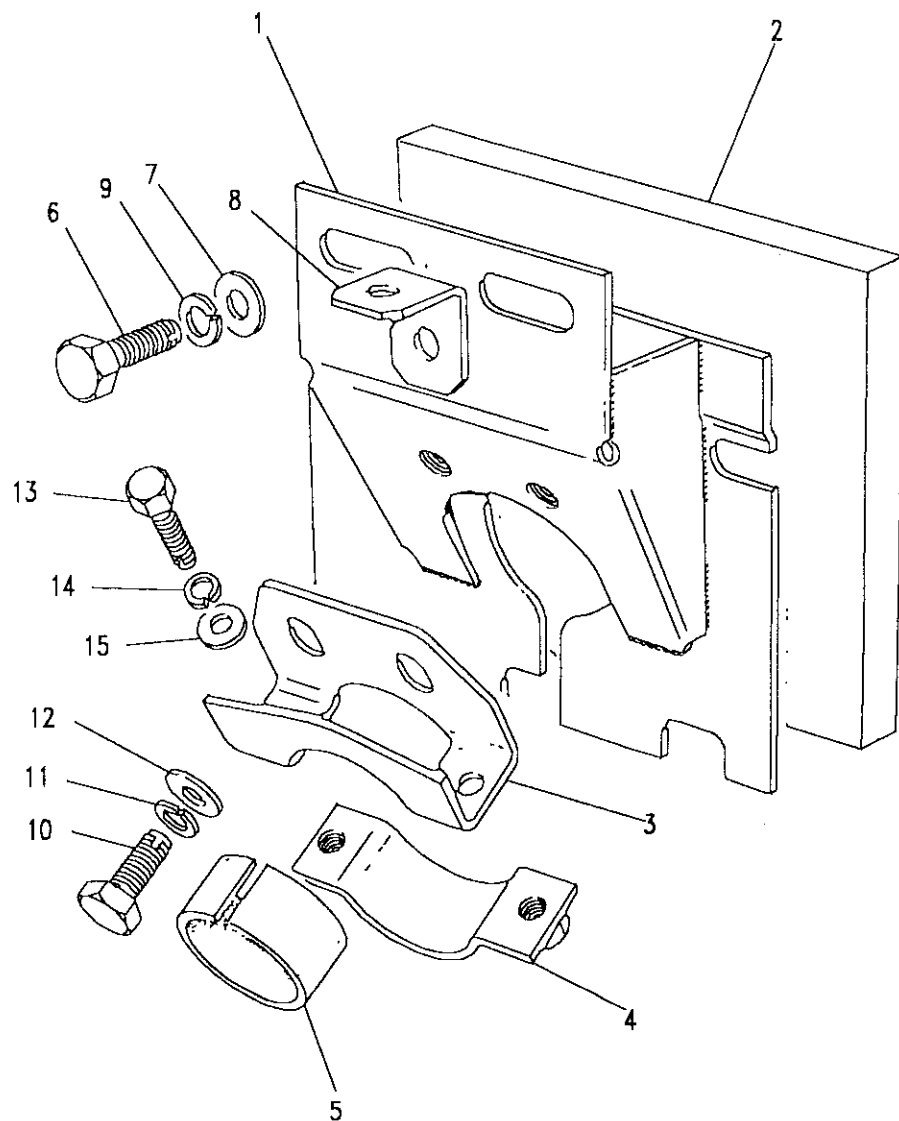
III. Part No.	Description	Qty	Remarks
1 MTC3499	Shroud-upper	1	
2 MTC3801	Shroud-lower	1	
Fixing - Upper to lower shroud			
3 SE105401	Screw	2	
Fixing - Lower shroud to switch plate			
4 AR608031L	Screw	2	
Fixing - Lower shroud to ignition switch			
5 SE105161	Screw	1	
6 NRC7836	Clamp	1	
7 NRC7835	Bracket	1	
Fixings - Clamp to bracket			
8 SH105121	Screw	2	
9 WA105001	Washer plain	2	
10 NH105041	Nut	2	
331083	Grommet-blanking	1	Diesel





Model DEFENDER 110 1987 onwards
 Page AFFXE1A

STEERING - COLUMN TOP SUPPORT



III. Part No.	Description	Qty	Remarks
1	MTC1382	1	Bracket support
2	MUC7000	1	Seal
3	346722	1	Clamp-Top
4	MTC1078	1	Clamp-Lower
5	348747	1	Strip rubber
6	FS108251L	2	Screw
7	WA108051L	1	Washer plain
8	MTC4771	1	Bracket-dash cable
9	WL108001L	2	Washer spring
	NN108021	2	Nutsert
10	GG108251L	2	Screw
11	WA108051L	2	Washer plain
12	WL108001L	2	Washer spring
13	GG106251L	2	Screw
14	WL106001L	2	Washer spring
15	WA106041L	2	Washer plain



Model DEFENDER 110 1987 onwards

Page AFFXGA1A

STEERING - MANUAL STEERING BOX - GEMMER

III. Part No.

Description

Qty Remarks

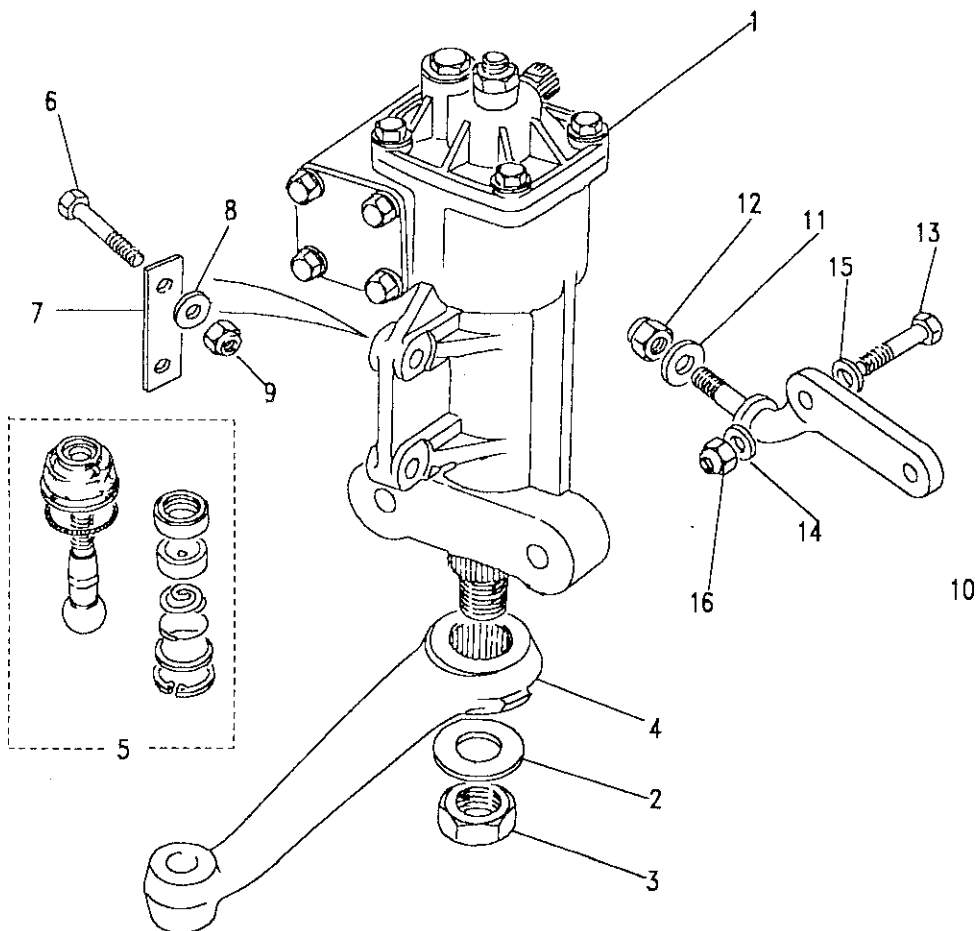
Right Hand Steering

1	NRC8588	Steering box	1	Note(1) No longer available Use NTC2590
	NTC2590	Steering box	1	Note(2) No longer available Use NTC8224
	NTC2590E	Steering box	1	Note(2) Exchange

Left Hand Steering

1	NRC8589	Steering box	1	Note(1) No longer available Use NTC2591
	NTC2591	Steering box	1	Note(2) Upto VIN JA920706
	NTC2591E	Steering box	1	Note(2) Upto VIN JA920706 No longer available Use NTC8223
2	AEU4025	Washer	1	
3	AEU4026	Nut	1	
4	RTC6398	Drop arm-RHS	1	Note(3)
	RTC6399	Drop arm-LHS	1	Note(3)

Note(1) Upto VIN 311627 RHS VIN 322575 LHS
 Note(2) From VIN 311628 RHS VIN 322576 LHS
 Note(3) Use RTC4198 Ball joint kit when fitting replacement drop arm
 RTC6398/RTC6399

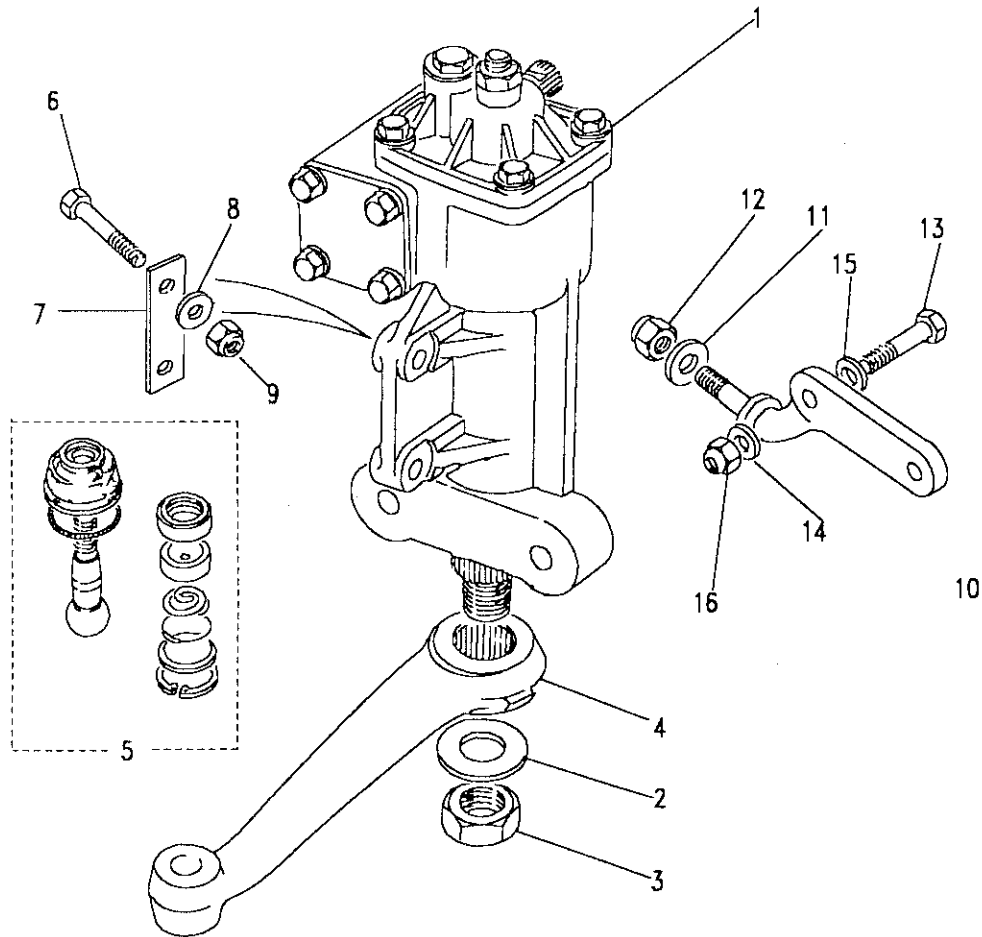


Model DEFENDER 110 1987 onwards
Page AFFXGA1A

STEERING - MANUAL STEERING BOX - GEMMER

Ill. Part No.	Description	Qty	Remarks
5	AEU2761	1	Note(3)
	RTC4198	1	Note(4)
6	BH607381	4	Note(3)
	BX112201	4	Note(4)
7	572077	2	
8	WA600071	8	Note(3)
	WA112081L	4	Note(4)
9	NY607041L	4	Note(3)
10	594947	1	}
	594946	1	
	ANR2994	2	Note(2)
Tie bar to panhard rod			
11	4905	1	
12	252164	1	
Tie bar steering box			
13	253963	2	Note(1)
	BH607191	2	Note(2)
14	217245	2	
15	3261	2	
16	NY607041L	2	

Note(1) Up to LA939975
 Note(2) From MA939976
 Note(3) Upto VIN 311627 RHS VIN 322575 LHS
 Note(4) From VIN 311628 RHS VIN 322576 LHS



Model DEFENDER 110 1987 onwards

Page AFFXGA2A

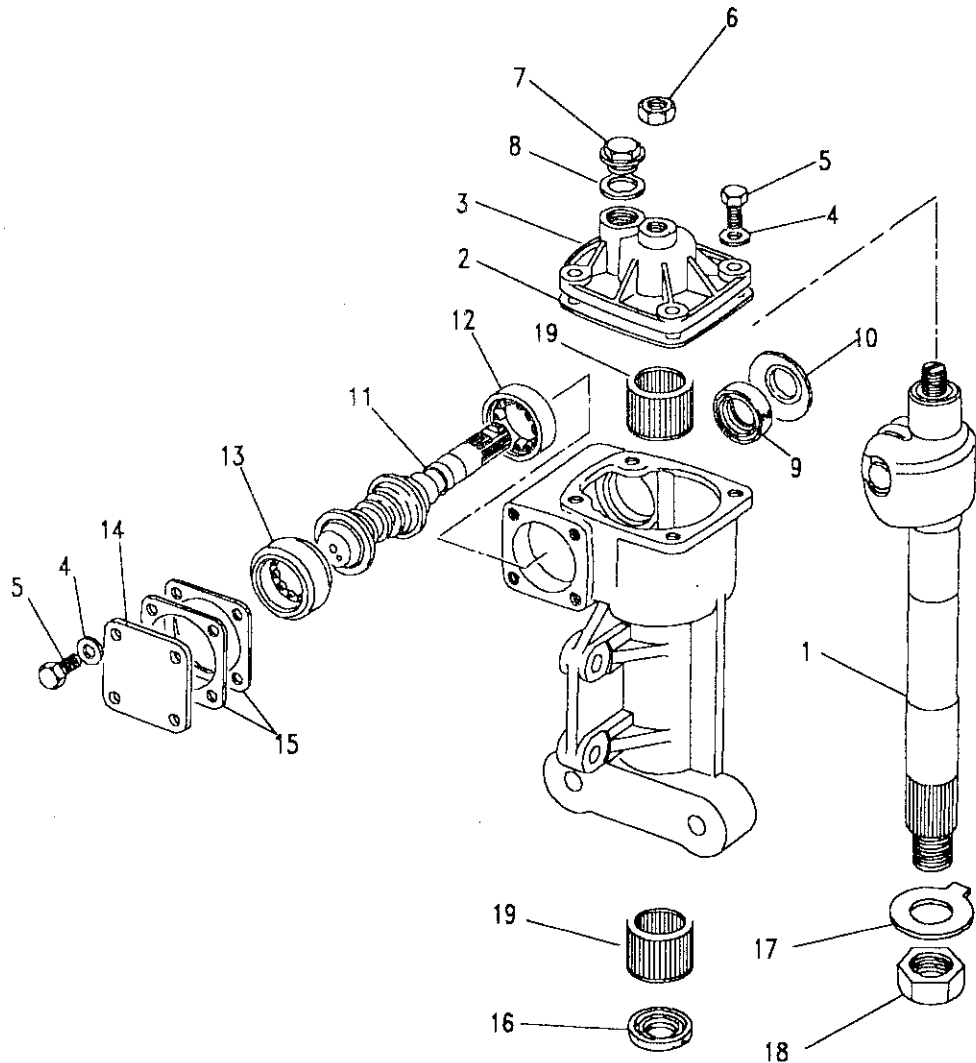
STEERING - MANUAL STEERING BOX - GEMMER

III. Part No.

Description

Qty Remarks

1	RTC5909	Rockershaft	1	LHS
	RTC5908	Rockershaft	1	RHS
2	BAU4865	Seal	1	Part of STC603
3	AEU4013	Cover plate	1	
4	AEU4014	Screw	8	
5	AEU4015	Washer	8	
6	AEU4016	Nut	1	
7	AEU4017	Filler plug	1	
8	AEU4018	Seal	1	
9	BAU4870	Seal-Wormshaft	1	Part of STC603
10	AEU4019	Dust seal	1	Part of STC603
11	AEU4020	Wormshaft	1	LHS
	AEU4021	Wormshaft	1	RHS
12	RTC6130	Bearing	1	
13	RTC6129	Bearing	1	
14	AEU4023	Plate cover	1	
15	BAU4871	Shim	A/R	Part of STC603
16	AEU4024	Seal	1	
17	AEU4025	Washer tab	1	
18	AEU4026	Nut	1	Part of STC603
19	STC1055	Bearing needle	2	
	STC603	Seal kit	1	

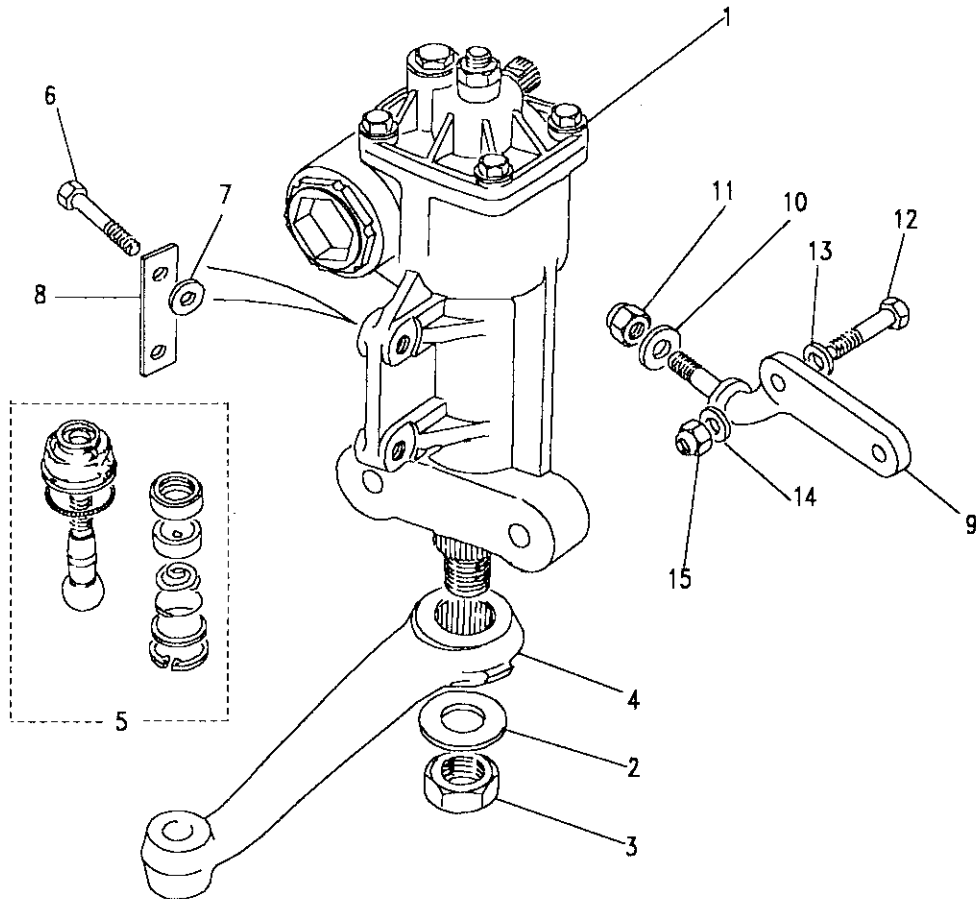


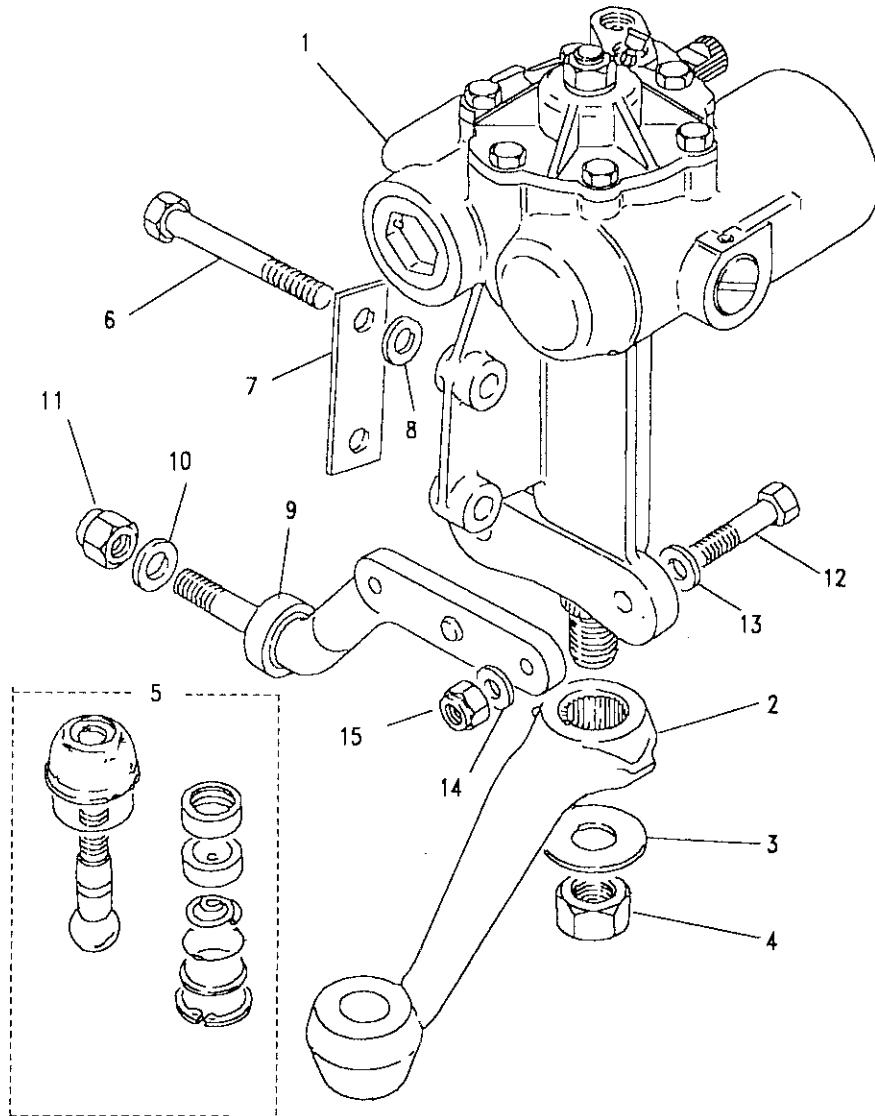
Model DEFENDER 110 1987 onwards
 Page AFFXGA3A

STEERING - MANUAL STEERING BOX - ADWEST

III. Part No.	Description	Qty	Remarks
1	NTC8224	1	
1	NTC8223	1	From VIN JA920707
2	600265	1	Washer tab
3	NH614041	1	Nut
4	STC1044	1	Drop arm-RHS
4	STC1045	1	Drop arm-LHS
5	RTC4198	1	Kit ball joint
6	BX112201	4	Bolt
7	WA112081L	4	Washer plain
8	572077	2	Washer tab
9	594947	1	Tie bar-RHS
	594946	1	Tie bar-LHS
	ANR2994	2	Tie bar LHS & RHS
10	4905	1	Washer plain
11	NY608041L	1	Nut
12	BH607161L	2	Note(1)
	BH607191L	2	Note(2)
13	3261	2	Washer plain
14	217245	2	Washer plain
15	NY607041L	2	Nut
	STC892	1	Kit repair steering box
	STC897	1	Kit filler plug

Note(1) Up to LA939975
 Note(2) From MA939976





Model DEFENDER 110 1987 onwards
 Page AFFXGC1A

STEERING - POWER STEERING BOX - GEMMER

III. Part No. Description Qty Remarks
 Upto VIN 290109
 From VIN 290110 Upto JA919038 - See Note(1)

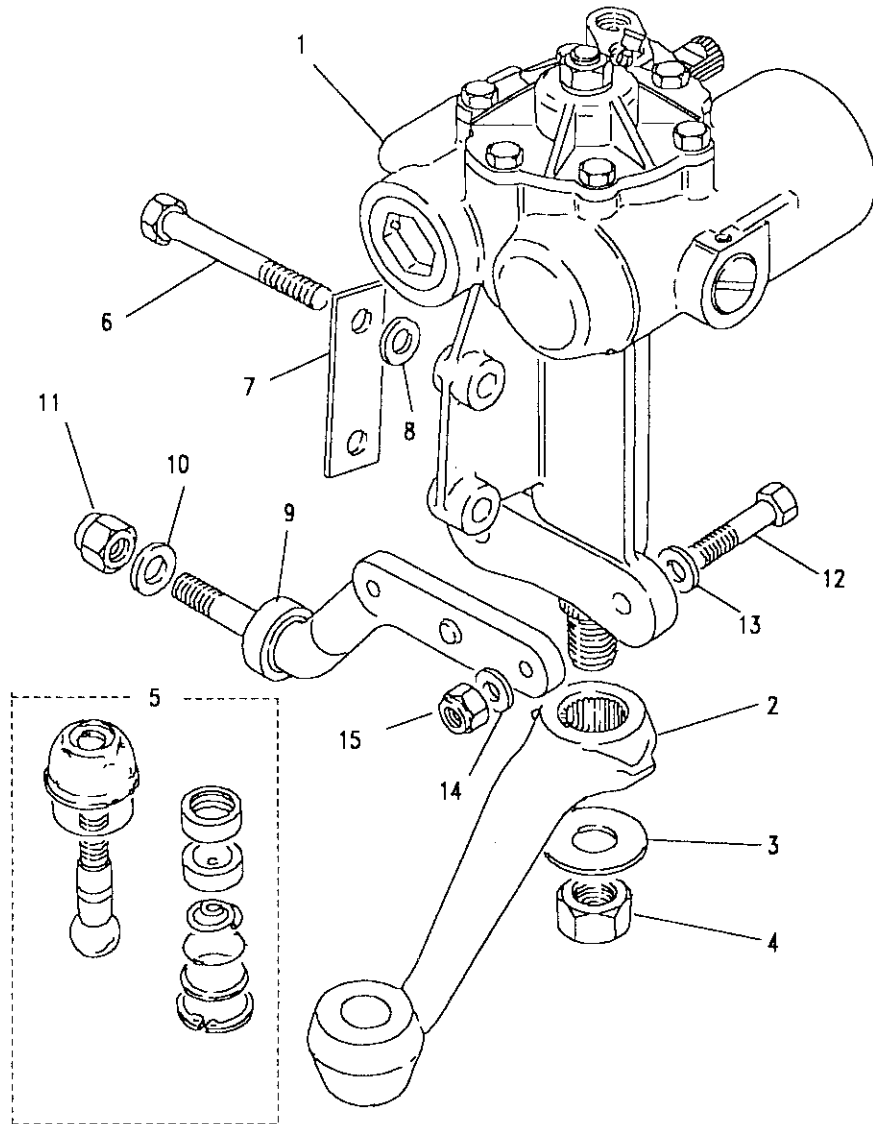
From VIN JA919039 - See Adwest

Part No.	Description	Qty	Remarks
1	NTC1582	1	Steering box-RHS
	NTC1582E	1	Steering Box-RHS
	NTC1583	1	Steering box-LHS
	NTC1583E	1	Steering Box-LHS
2	RTC6398	1	Drop arm-RHS
	RTC6399	1	Drop arm-LHS
3	AEU4025	1	Washer
4	AEU4026	1	Nut
5	RTC4198	1	Ball joint kit
6	BX112201	4	Bolt
7	572077	2	Washer tab
8	WA112081L	4	Washer plain
9	594947	1	Tie bar RHS
	ANR2994	1	Tie bar LHS & RHS
	594946	1	Tie bar-LHS
10	4905	1	Washer plain
11	NY608041L	1	Nut

NLA Use ANR2994 with
 2 X BH607201L bolts
 Note(1)
 Note(2)

Note(1) Up to LA939769
 Note(2) From LA939770





Model DEFENDER 110 1987 onwards
Page AFFXGC1A

STEERING - POWER STEERING BOX - GEMMER

III. Part No.	Description	Qty	Remarks
12	BH607161L	2	Note(1)
	BH607191L	2	Note(2)
13	3261	2	
14	217245	2	
15	NY607041L	2	
	RTC5071	1	
	RTC5074	1	
	RTC5068	1	No longer available
	RTC5069	1	No longer available
	RTC5070	1	
	RTC5072	1	No longer available
	RTC5073	1	No longer available

Note(1) Up to LA939769
 Note(2) From LA939770
 Note(3) From VIN 290110 - Gemmer or Adwest Lightweight may be fitted - Check before ordering



Model DEFENDER 110 1987 onwards
Page AFFXGC2A

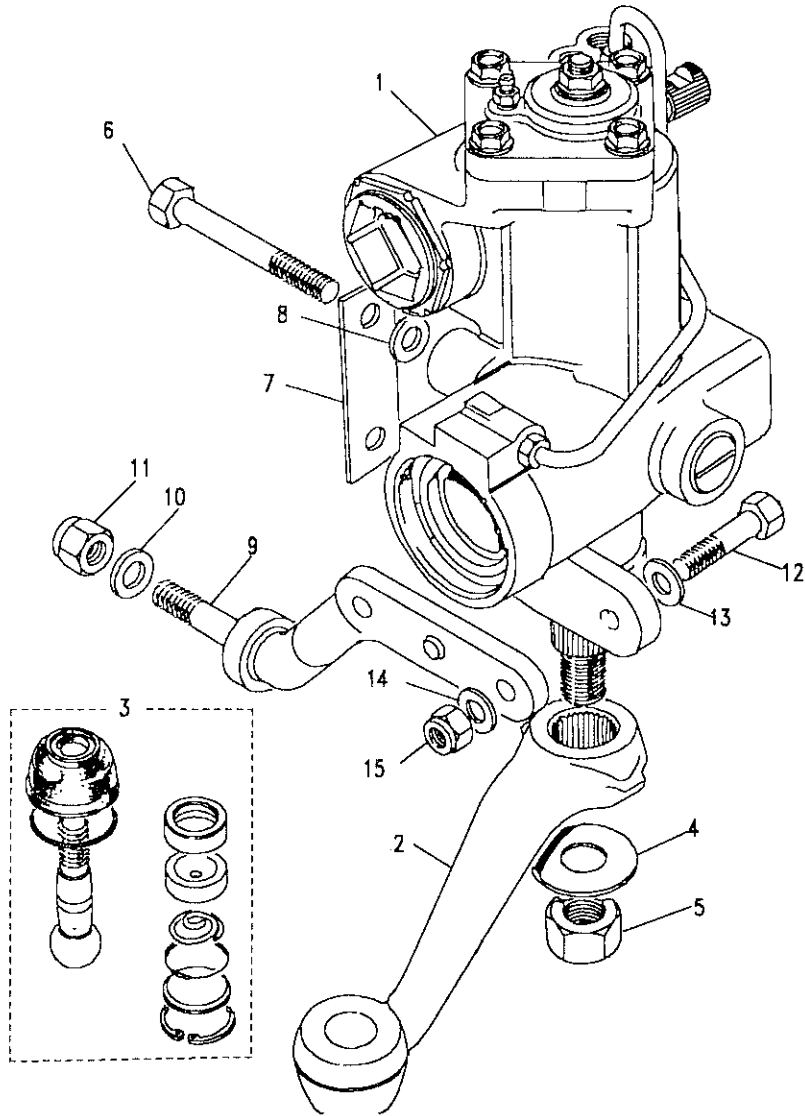
STEERING - POWER STEERING BOX - ADWEST

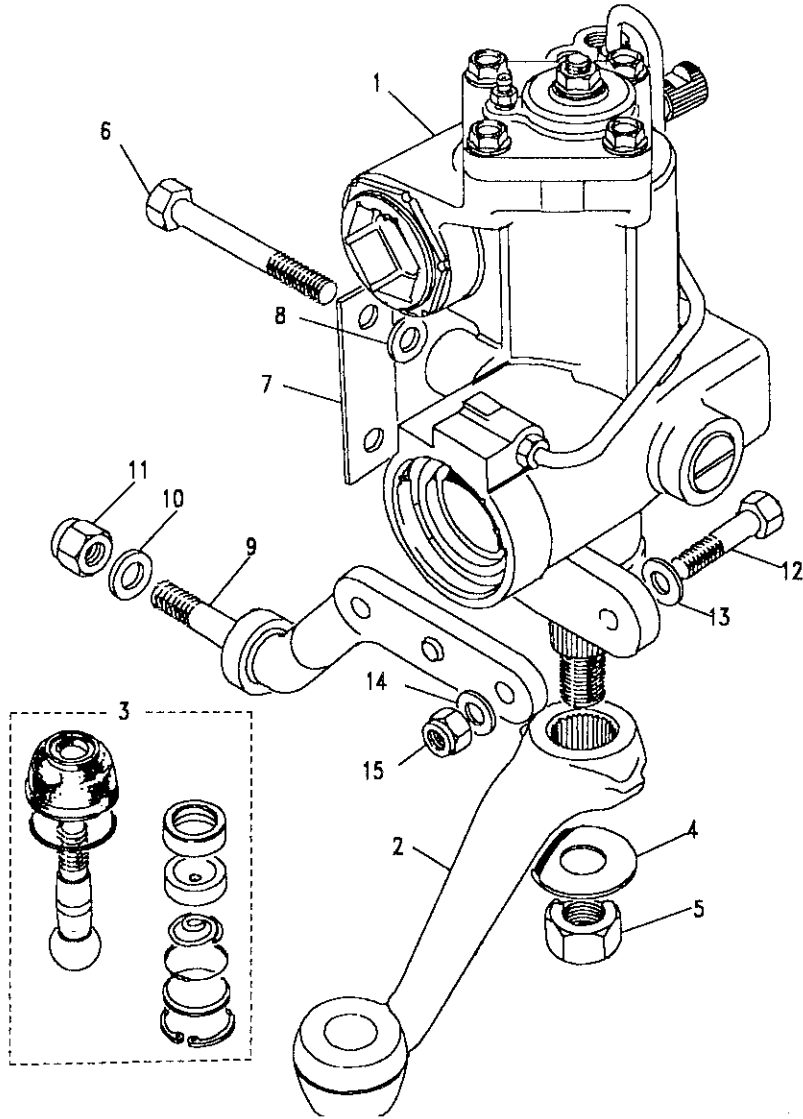
III. Part No. Description Qty Remarks
From VIN 290110 Upto JA919038 - See Note(1)

From VIN JA919039 onwards

1	STC398	Steering box RHS	1	Upto VIN JA919038
1	STC837	Steering box RHS	NLA	From VIN JA919039 Upto VIN KA625024 Use STC887
	STC887	Steering box RHS	1	From VIN KA625025
	STC888	Steering box LHS	1	
	STC8384E	Steering Box RHS	1	Exchange
	STC8383E	Steering Box LHS	1	Exchange
2	STC1044	Drop arm and ball joint	1	RHS
	STC1045	Drop arm and ball joint	1	LHS
3	600265	Washer tab	1	
4	NT614041L	Nut	1	
5	RTC4198	Ball joint kit	1	
6	BX112201	Bolt	4	
7	572077	Washer tab	2	
8	WA112081L	Washer plain	4	
9	594947	Tie bar RHS	NLA	Use ANR2994 with 2 X BH607201L bolts Note(1)
	ANR2994	Tie bar LHS & RHS	1	Note(2)
	594946	Tie bar LHS	1	Note(1)

Note(1) Up to LA939769
 Note(2) From LA939770
 Note(3) From VIN 290110 upto VIN JA919038 - Gemmer or Adwest may be fitted - Check before ordering





Model DEFENDER 110 1987 onwards
Page AFFXGC2A

STEERING - POWER STEERING BOX - ADWEST

III. Part No.	Description	Qty	Remarks
Tie bar to panhard rod			
10 4905	Washer plain	1	
11 NY608041L	Nut	1	
Tie bar to steering box			
12 BH607161L	Bolt	2	Note(1)
BH607191L	Bolt	2	Note(2)
13 3261L	Washer plain	2	
14 217245	Washer plain	2	
15 NY607041L	Nut nyloc	2	

Note(1) Up to LA939769
 Note(2) From LA939770
 Note(3) From VIN 290110 upto VIN JA919038 - Gemmer or Adwest may be fitted - Check before ordering



Model DEFENDER 110 1987 onwards
Page AFFXGC3A

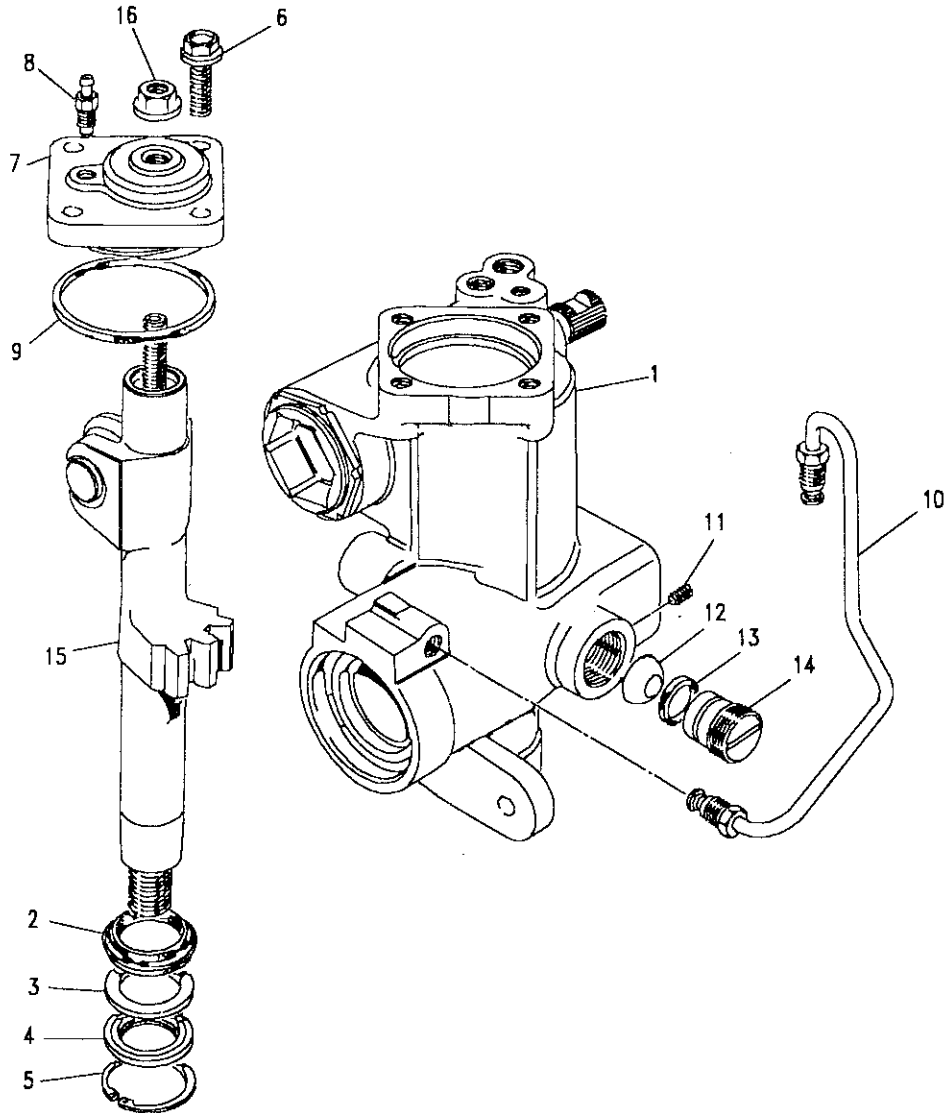
STEERING - POWER STEERING BOX - ADWEST

III. Part No. Description Qty Remarks
From VIN 290110 Upto JA919038 - See Note(1)

From VIN JA919039 onwards

Part No.	Description	Qty	Remarks
1	RTC4391	1	Note(3) No longer available
	RTC4392	1	Note(3) No longer available
	STC416	1	Note(4)
	STC417	1	Note(4)
2	608066	NLA	Note(2) (5)
3		1	Note(2) (5)
4		1	Note(2) (5)
5	606551	NLA	Note(5)
	RTC6110	1	Note(5)
6	RTC4393	4	
7	STC418	1	
8	RTC4395	1	
9		1	Note(2)

Note(1) From VIN 290110 upto VIN JA919038 - Gemmer or Adwest may be fitted - Check before ordering
 Note(2) Part of STC876
 Note(3) For steering box NTC1580/1
 Note(4) For steering box NTC8416/7
 Note(5) Part of STC1042
 Note(6) Part of STC1040





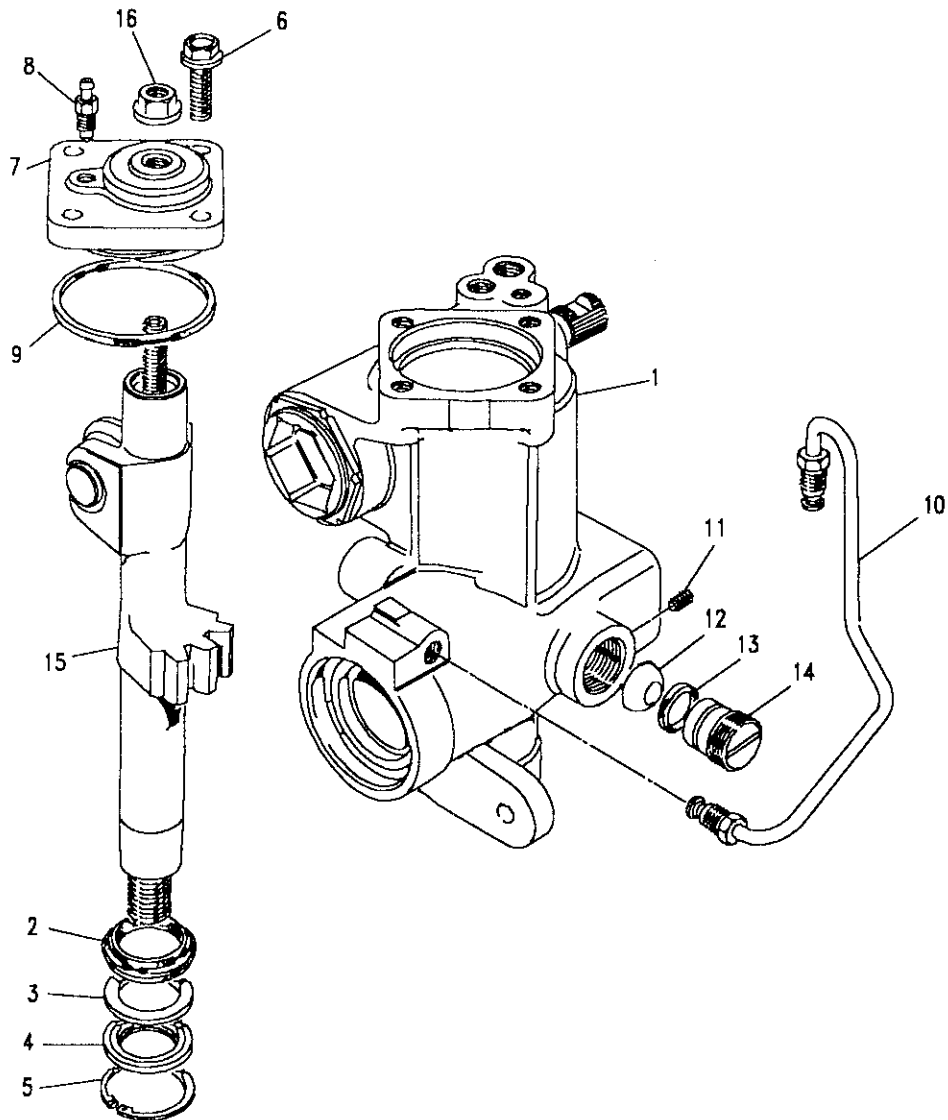
Model DEFENDER 110 1987 onwards

Page AFFXGC3A

STEERING - POWER STEERING BOX - ADWEST

III. Part No.	Description	Qty	Remarks
10	RTC4400	1	
	RTC4401	1	
11	11011L	1	Note(6)
12	606544	NLA	Note(6)
13	608065	1	Note(2)
14	606545	1	Note(6)
15	RTC4398	1	
	RTC4399	1	
16	RTC4394	1	
	STC876	1	
	STC1042	1	
	STC1040	1	

- Note(1) From VIN 290110 upto VIN JA919038 - Gemmer or Adwest may be fitted - Check before ordering
- Note(2) Part of STC876
- Note(3) For steering box NTC1580/1
- Note(4) For steering box NTC8416/7
- Note(5) Part of STC1042
- Note(6) Part of STC1040





DEFENDER 110 1987 onwards

461

STEERING

Model DEFENDER 110 1987 onwards

Page AFFXGC4A

STEERING - POWER STEERING BOX - ADWEST

III. Part No. Description Qty Remarks

From VIN 290110 Upto JA919038 - See Note(1)

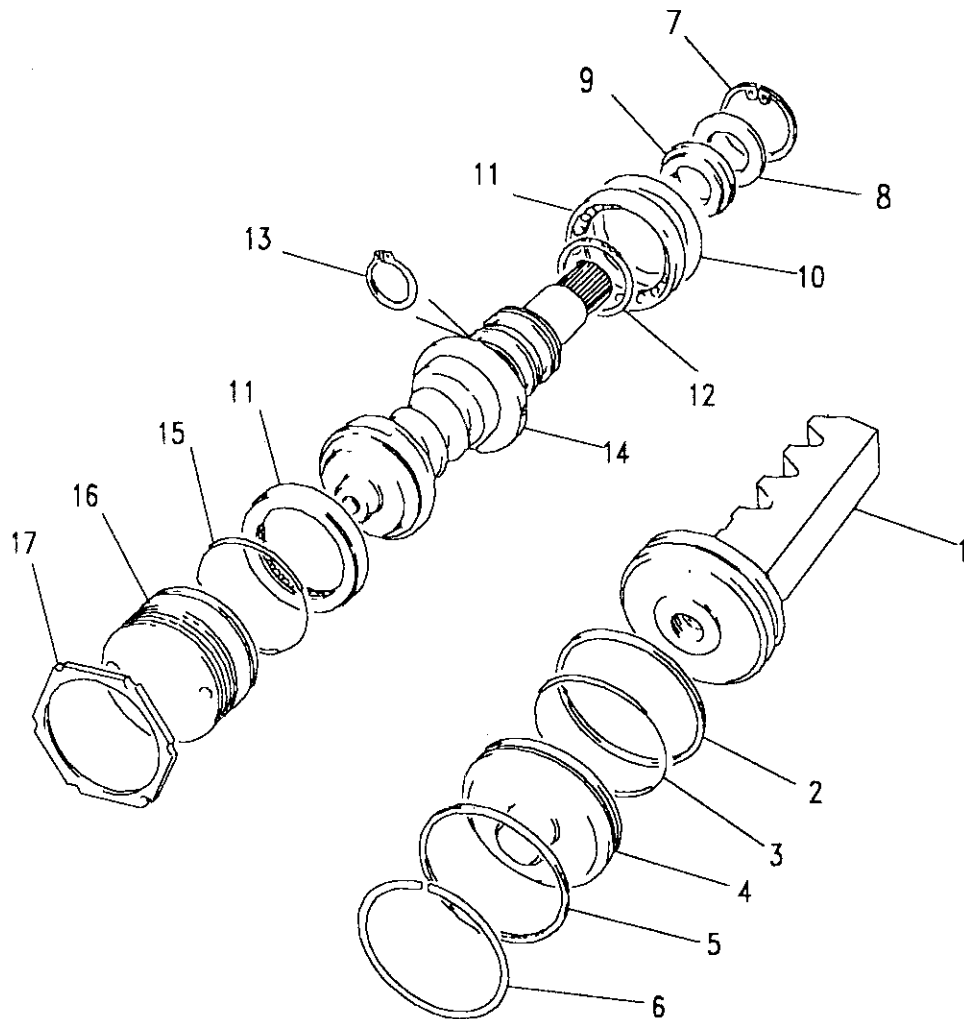
From VIN JA919039 onwards

1	RTC4402	Piston	1	
2		Ring teflon	1	Note(2)
3		O-ring	1	Note(2)
4	RTC4403	Cover	1	
5		Seal	1	Note(2)
6	RTC4404	Ring retaining	1	
7		Circlip	1	Note(3)
8		Washer	1	Note(2) (3)
9	AEU1248	Seal-rotor	NLA	Note(2) (3)
10	RTC4410	Shim set	1	
11	RTC4409	Bearing race	2	
12	608000	Ring teflon	3	
13	607567	Circlip	1	
14	RTC4405	Worm and valve-RHS	1	
	RTC4406	Worm and valve-LHS	1	
15		Seal	1	Note(2)
16	RTC4407	Screw-worm adjusting	1	
17	RTC4408	Lock nut	1	
	STC876	Seal kit-overhaul	NLA	use STC890
	STC890	Seal kit-overhaul	1	
	STC1041	Seal kit-input shaft	NLA	use STC875
	STC875	Seal kit-input shaft	NLA	use STC889
	STC889	Seal kit-input shaft	1	

Note(1) From VIN 290110 upto VIN JA919038 - Gemmer or Adwest may be fitted - Check before ordering

Note(2) Part of STC876

Note(3) Part of STC1041

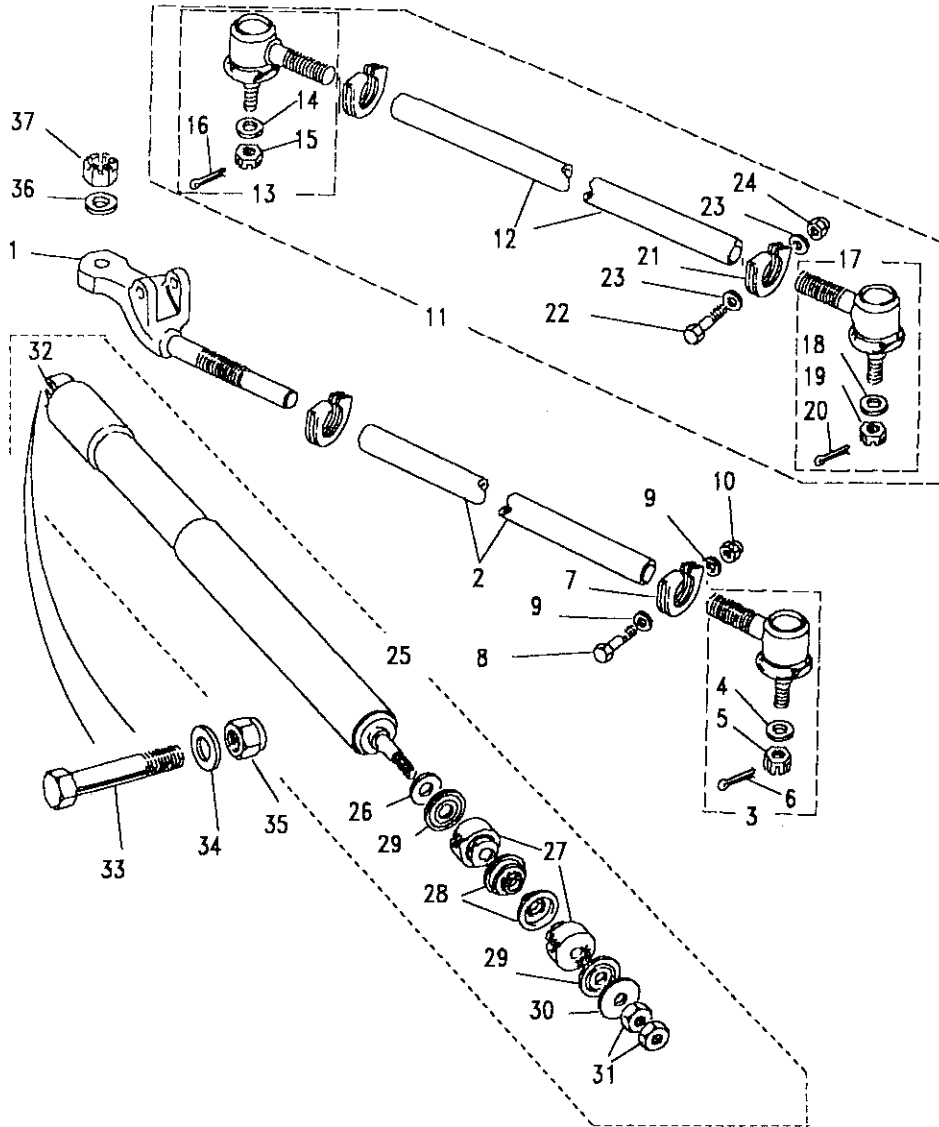




Model DEFENDER 110 1987 onwards
Page AFFXKA1A

STEERING - STEERING TRACK RODS

III. Part No.	Description	Qty	Remarks
1 NRC8231	Crossrod eye end-RHS	1	Upto LA939975
ANR2858	Crossrod eye end-RHS	1	From MA939976
NRC8232	Crossrod eye end-LHS	1	Upto LA939975
ANR2859	Crossrod eye end-LHS	1	From MA939976
2 NRC9741	Tube crossrod	1	Upto LA939975
ANR2860	Tube crossrod	1	From MA939976
3 RTC5869	Ball joint kit RH	1	
4 WC112081L	Washer plain	2	
5 NC112041	Nut castle	2	
6 PS105321L	Pin split	1	
7 577898	Clamp	2	
8 BH604151L	Bolt	2	
9 WA106041L	Washer plain	4	
10 NY604041L	Nut nyloc	2	
11 NRC9743	Track rod assembly	1	
12 NRC9742	Tube track rod	1	
13 RTC5869	Ball joint kit RH	1	
14 WC112081L	Washer plain	1	
15 NC112041	Nut castle	1	
16 PS105321L	Pin split	1	
17 RTC5870	Ball joint kit LH	1	
18 WC112081L	Washer plain	1	
19 NC112041	Nut castle	1	
20 PS105321L	Pin split	1	



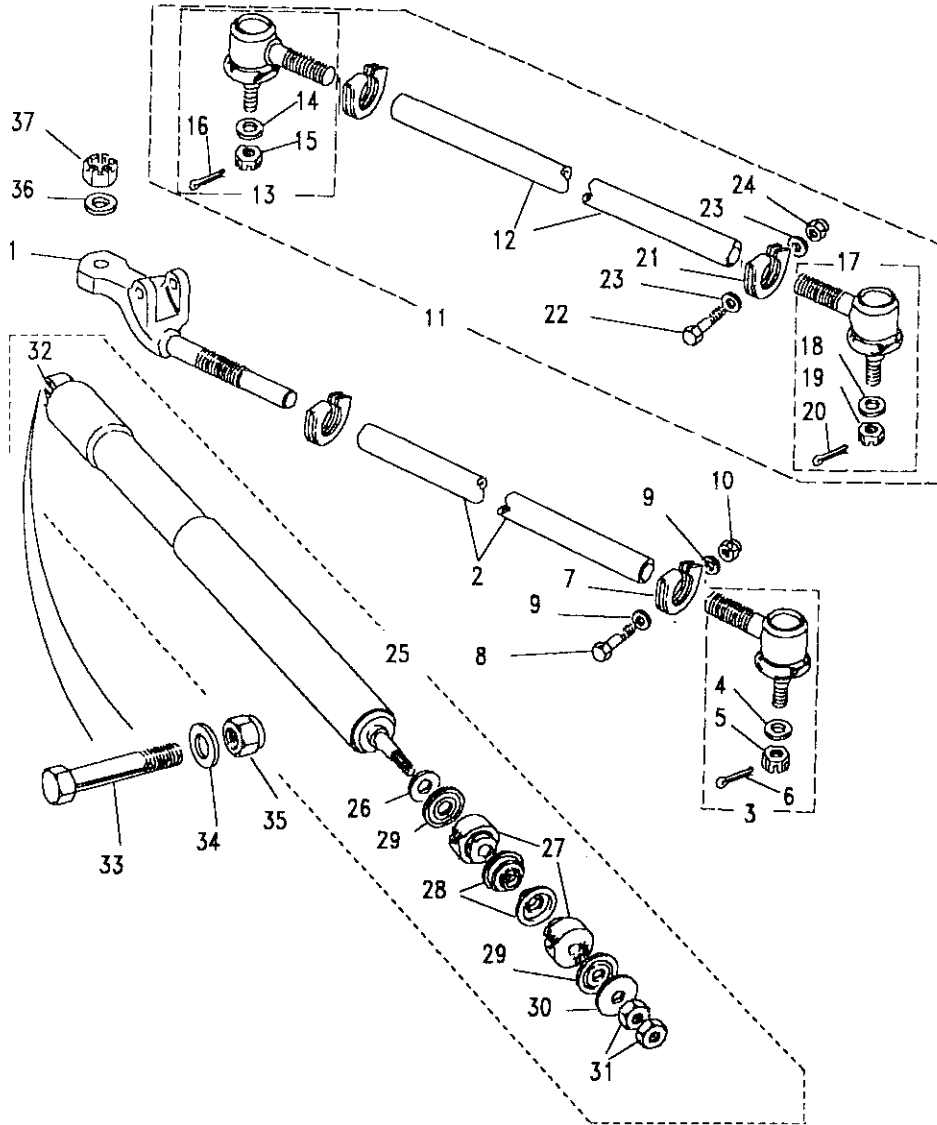
Model DEFENDER 110 1987 onwards
Page AFFXKA1A

STEERING - STEERING TRACK RODS

Ill. Part No.	Description	Qty	Remarks
21	577898	Clamp	2
22	BH604151L	Bolt	2
23	WA106041L	Washer plain	4
24	NY604041L	Nut nyloc	2
25	RTC4472	Damper steering kit	1
26	595199	Washer plain	1
27	568858	Bush rubber	2
28	543819	Washer intermediate	2
29	90575597	Washer stem	2
30	WJ110001L	Washer plain	1
31	AFU4214	Nut thin M10	2
32	NTC1775	Bush rubber	1
33	BH110121L	Bolt-damper to crossrod	1
34	WA110061L	Washer plain	1
35	NY110041L	Nut nyloc	1

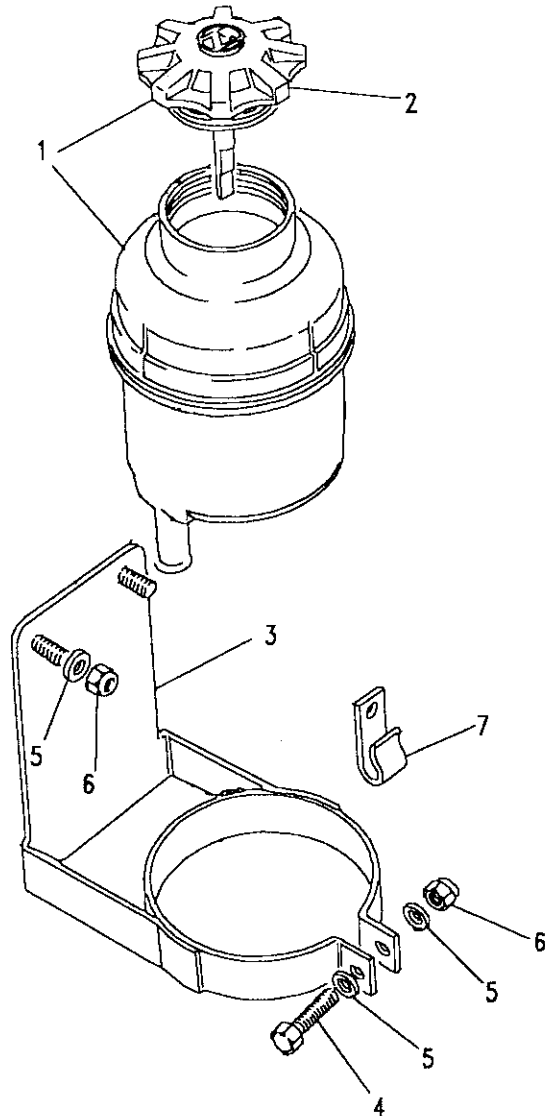
Steering drop arm to crossrod

36	WC112081L	Washer plain	1
37	NC112041	Nut castle	1



Model DEFENDER 110 1987 onwards
Page AFFXPA1A

STEERING - POWER STEERING RESERVOIR



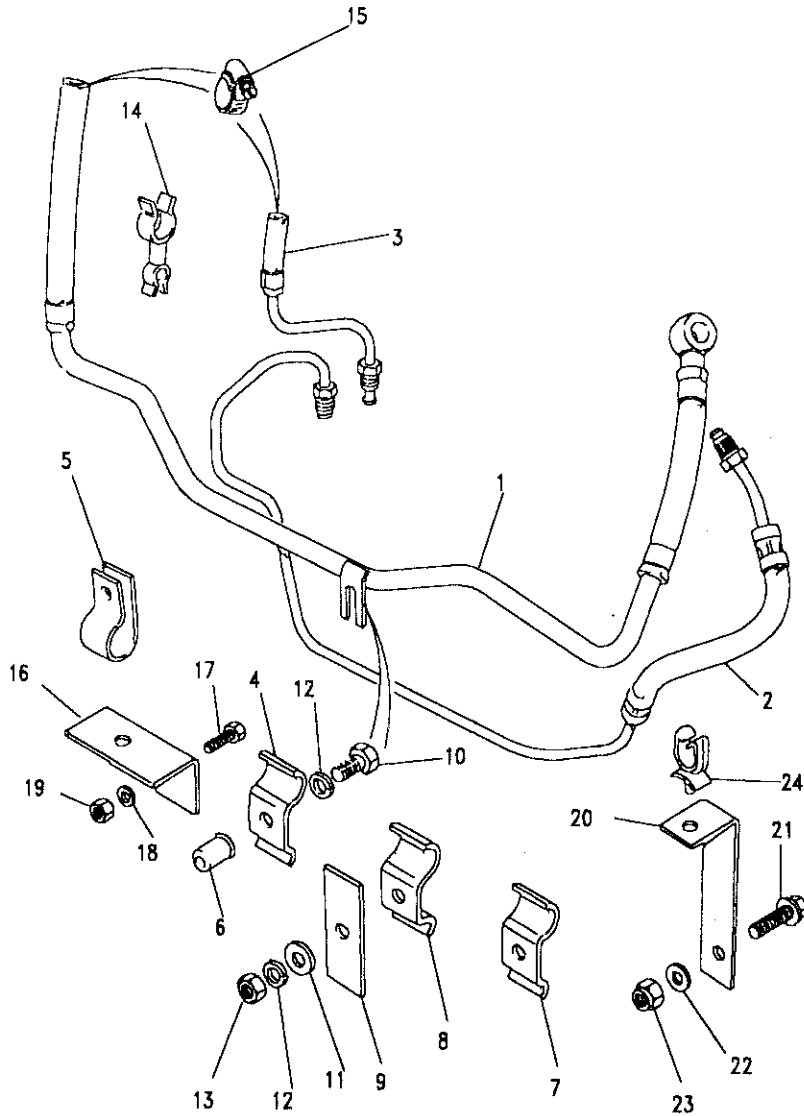
III. Part No.	Description	Qty	Remarks
1	ANR1998 Reservoir assembly	1	
2	NTC2723 Cap reservoir	1	
3	ANR3327 Carrier bracket	1	
4	SH106251L Screw	1	
5	WA106041L Washer plain	4	
6	NY106041 Nut nyloc	3	
7	NRC2383 P-clip	1	



DEFENDER 110 1987 onwards

465

STEERING



Model DEFENDER 110 1987 onwards

Page AFFXRA1A

STEERING - POWER STEERING PIPES - UPTO VIN JA918809

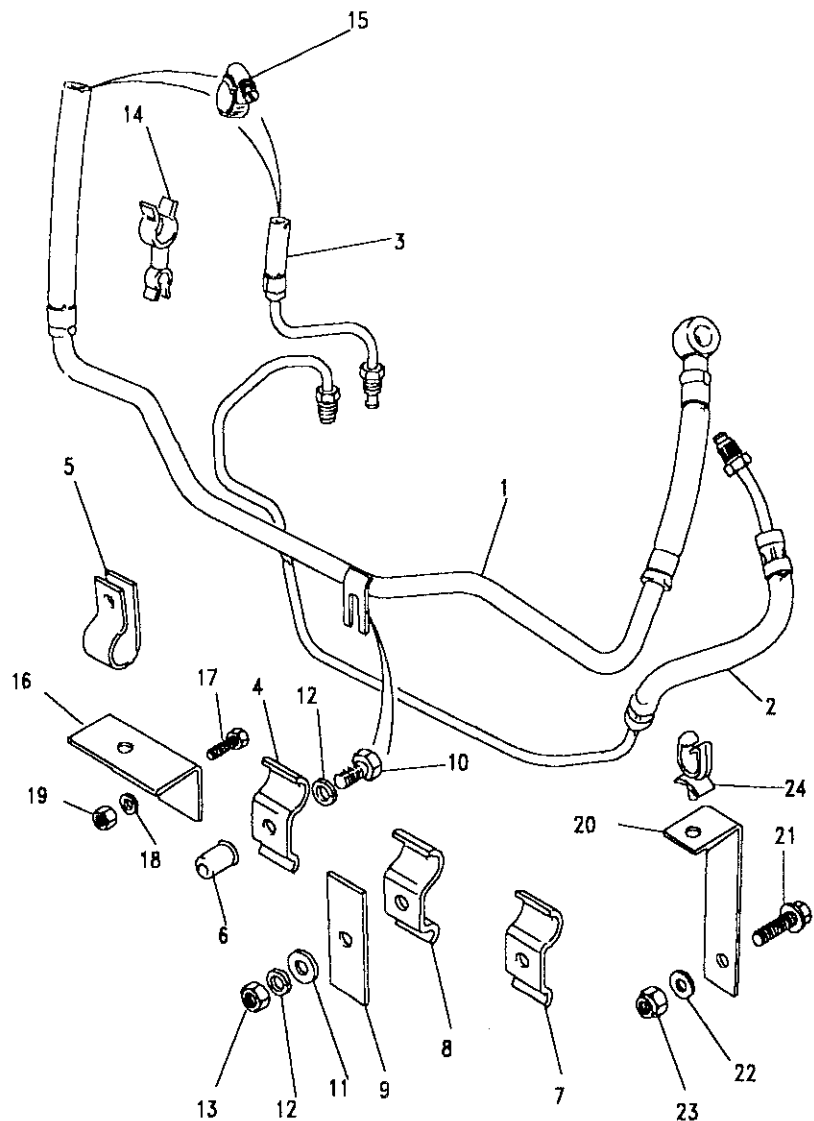
III. Part No.	Description	Qty	Remarks
4 Cylinder Petrol and Non Turbo Diesel			
1 NTC1691	Pipe-reservoir to pump	1	Upto VIN FA388915
1 NTC6863	Pipe-reservoir to pump	1	From VIN FA388916
Diesel Turbo			
1 NTC3066	Pipe-reservoir to pump	1	Upto VIN FA388915
1 NTC6863	Pipe-reservoir to pump	1	From VIN FA388916 Upto VIN FA455645
200Tdi			
1 NTC8192	Pipe-reservoir to pump	1	
V8			
1 NTC2595	Pipe-reservoir to pump	1	

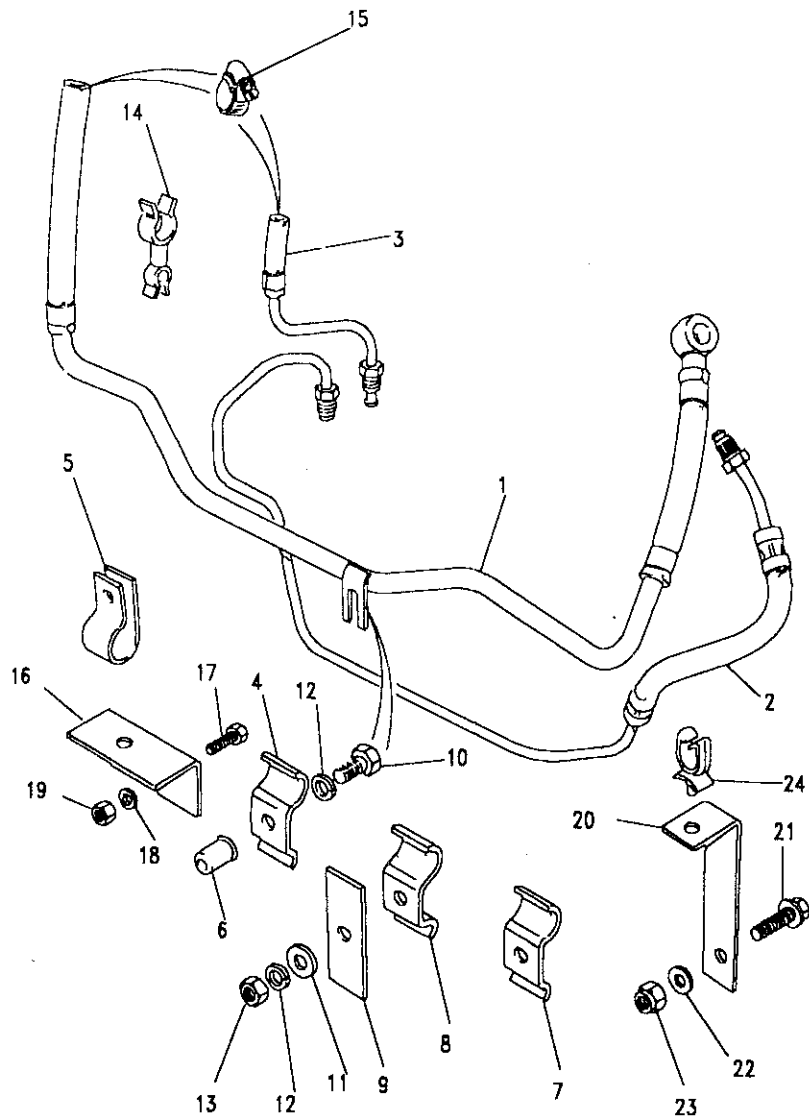


Model DEFENDER 110 1987 onwards
 Page AFFXRA1A

STEERING - POWER STEERING PIPES - UPTO VIN JA918809

III. Part No.	Description	Qty	Remarks
4 Cyl Petrol and Non Turbo Diesel - Right Hand Steering			
2 NTC5001	Pipe-pump to strg box	1	Upto VIN FA389464
2 NTC6731	Pipe-pump to strg box	1	From VIN FA389465
Diesel Turbo - Right Hand Steering			
2 NTC5001	Pipe-pump to strg box	1	Upto VIN FA389464
2 NTC6731	Pipe-pump to strg box	1	From VIN FA389465
200Tdi - Right Hand Steering			
2 NTC8193	Pipe-pump to strg box	1	
V8 - Right Hand Steering			
2 NTC2597	Pipe-pump to strg box	1	
RTC4826	O-ring	1	

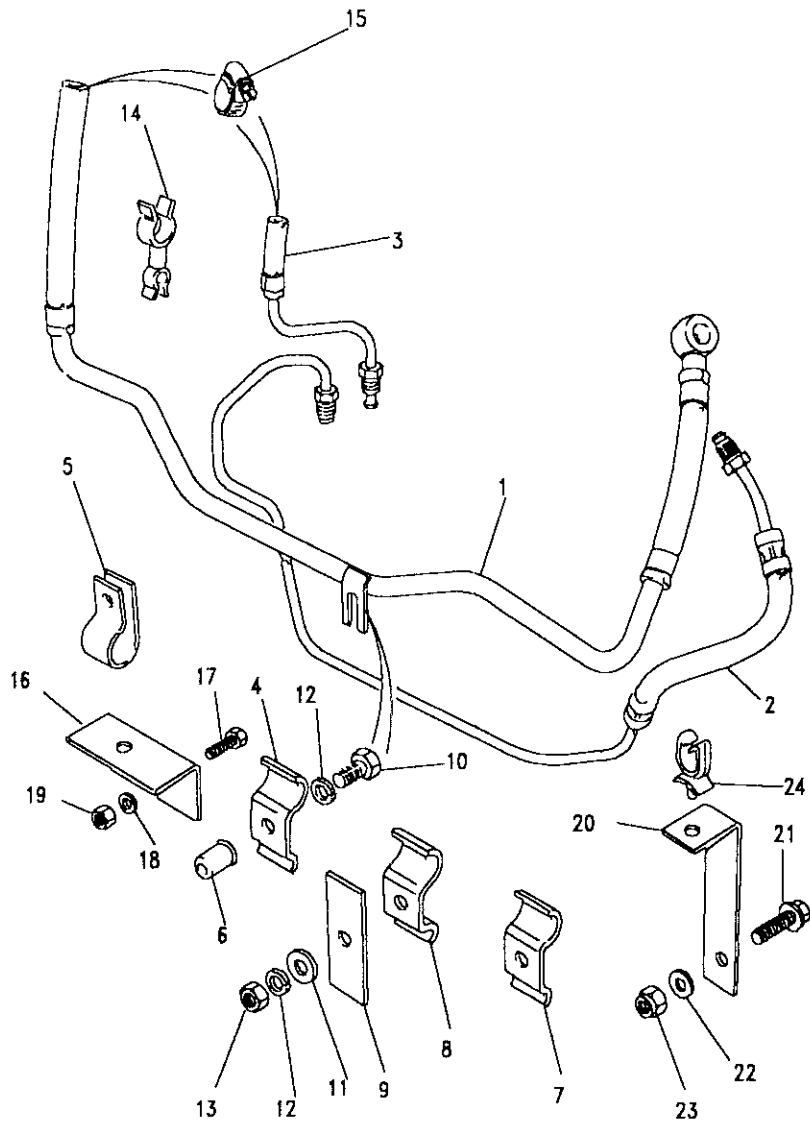




Model DEFENDER 110 1987 onwards
Page AFFXRA1A

STEERING - POWER STEERING PIPES - UPTO VIN JA918809

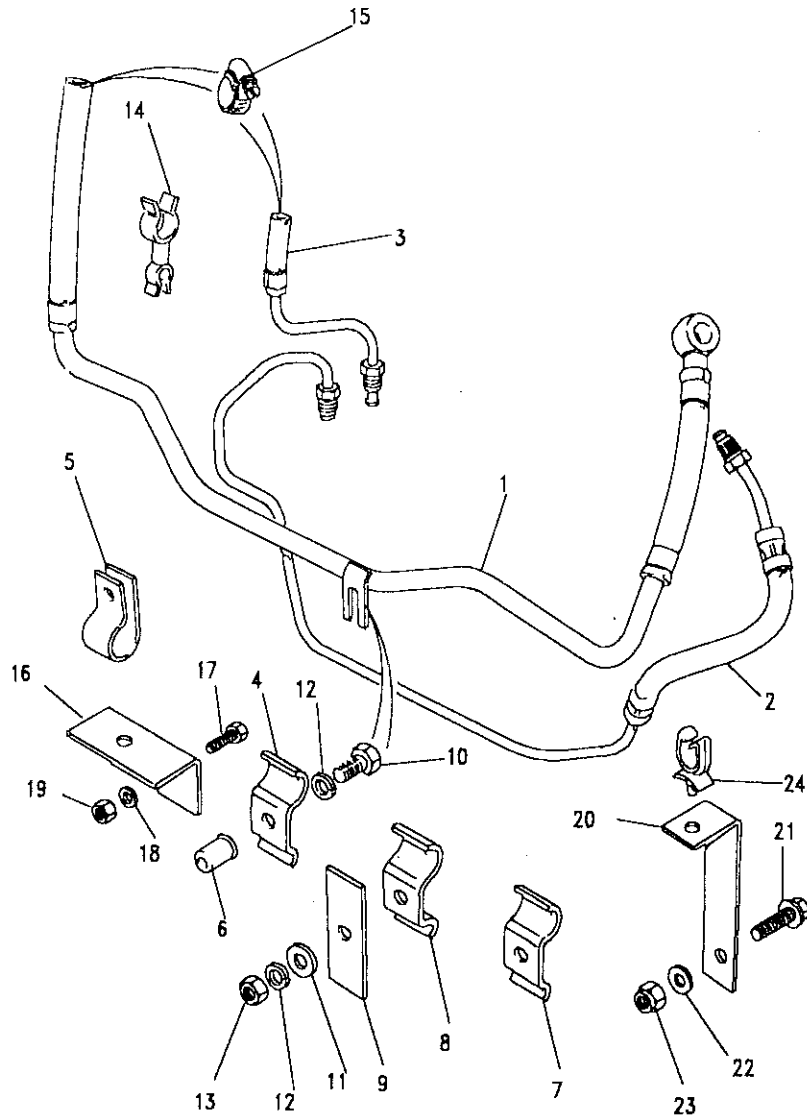
III. Part No.	Description	Qty	Remarks
4 Cyl Petrol and Non Turbo Diesel - Left Hand Steering			
2 NTC5000	Pipe-pump to strg box	1	Upto VIN FA389107
2 NTC6730	Pipe-pump to strg box	1	From VIN FA389108
Turbo Diesel - Left Hand Steering			
2 NTC5000	Pipe-pump to strg box	1	Upto VIN FA389107
2 NTC6730	Pipe-pump to strg box	1	From VIN FA389108
200Tdi - Left Hand Steering			
2 NTC8191	Pipe-pump to strg box	1	
V8 - Left Hand Steering			
2 NTC6790	Pipe-pump to strg box	1	
RTC4826	O-ring	1	



Model DEFENDER 110 1987 onwards
Page AFFXRA1A

STEERING - POWER STEERING PIPES - UPTO VIN JA918809

III. Part No.	Description	Qty	Remarks
3	NTC8861	1	RHS
	NTC8860	1	LHS
	RTC4825	1	O-ring
4	NRC6302	1	Pipe clip-air cleaner-RHS
5	NRC8408	1	Pipe clip-air cleaner-LHS
	NRC9492	1	Clip support
	NTC3791	1	Clip support
6	NN106011	2	Nutsert
7	NRC9302	2	Clip pipe-crossmember-RHS
	NRC8404	2	Clip pipe-crossmember-LHS
8	NRC8404	1	Clip pipe
	NRC6302	1	Clip pipe-RHS
	NRC8404	1	Clip pipe LHS
9	NRC8405	1	Plate
10	SH106121L	3	Screw-clip to crossmember
	SH106161L	2	Screw-clip to crossmember
	SH106121L	4	Screw-clip to crossmember
	SH106161L	3	Screw-clip to crossmember
11	WA106041L	A/R	Washer plain
12	WL106001L	A/R	Washer spring
13	NH106041L	A/R	Nut



Model DEFENDER 110 1987 onwards
 Page AFFXRA1A

STEERING - POWER STEERING PIPES - UPTO VIN JA918809

Ill. Part No.	Description	Qty	Remarks
14	ADU9081L	1	
	ADU9081L	1) Diesel Turbo
15	CN100258L	2	
	CN100208L	1	
16	NTC7224	1)
17	SH104081L	2)From VIN
18	WA104001L	2)FA389460
19	NH104041L	2)
20	NTC8263	1)200Tdi
21	FS106201L	1)LHD
22	WA106041L	1)From VIN
23	NY106041L	1)HA455646
24	ADU8363L	1)

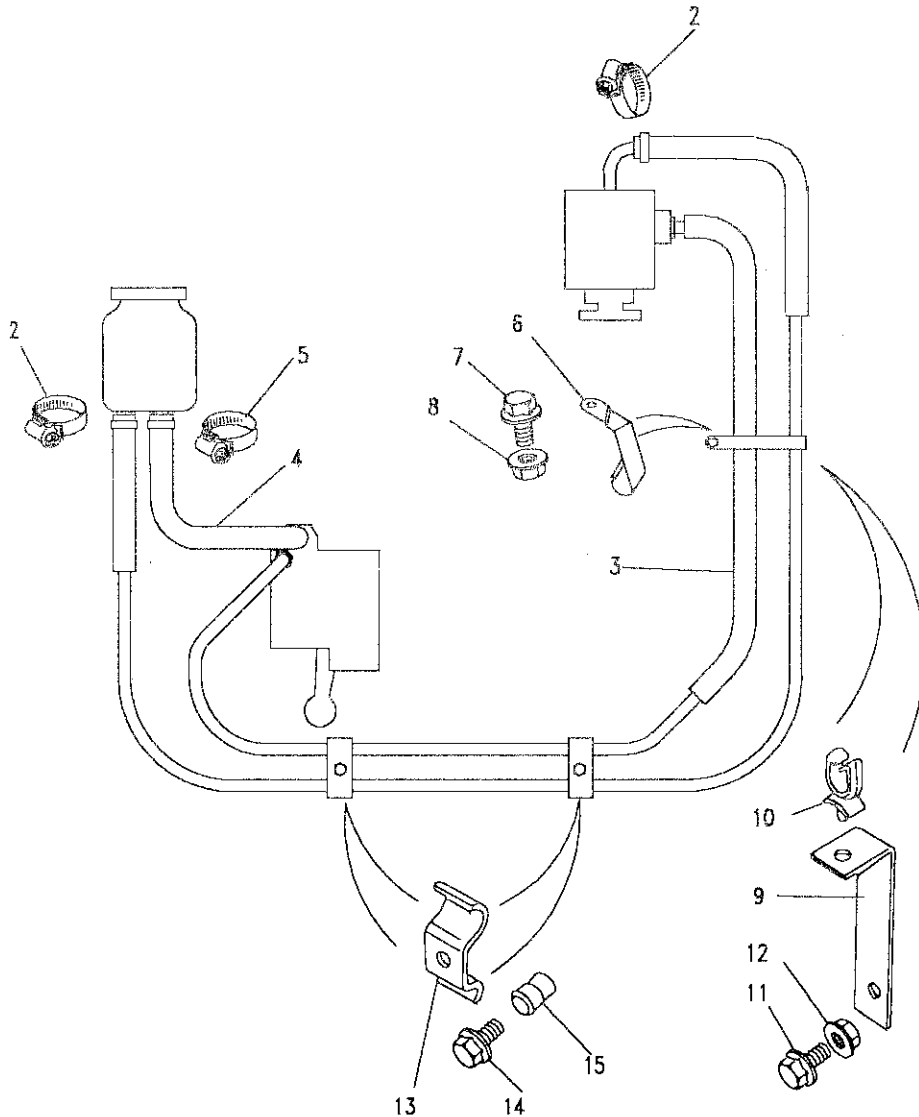


Model DEFENDER 110 1987 onwards
Page AFFXRA2A

STEERING - POWER STEERING PIPES - FROM VIN JA918810

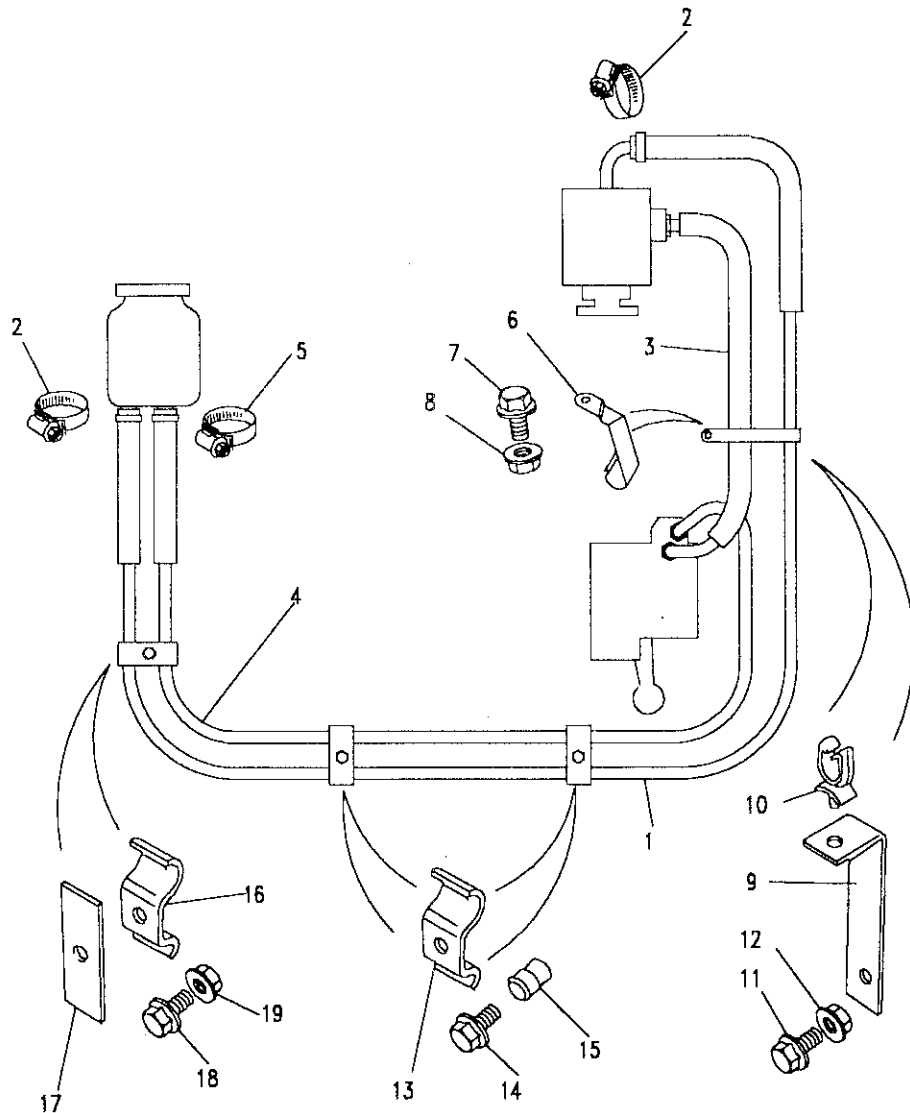
III. Part No.	Description	Qty	Remarks
Right Hand Steering			
1	NTC9073	1	4 Cyl Petrol
	NTC2595	1	V8
	NTC9073	1	NatAsp Diesel
	NTC9071	1	200Tdi Note(3)
	ANR2485	1	Tdi Note(4)
2	CN100258L	2	
3	NTC2597	1	V8 Note(1)
	ANR1969	1	V8 Note(2)
	NTC9072	1	Tdi Note(3)
	ANR2135	1	Tdi Note(4)
4	NTC8861	1	Note(3)
	ANR3598	1	Note(4)
5	CN100208L	1	
6	NTC3791	1)4 Cyl Petrol
7	FS106167L	1)and
8	FN106047L	1)NatAsp Diesel
9	NTC8263	1)
10	ADU8363L	1)200Tdi
11	FS106167L	1)
12	FN106047L	1)
13	NRC6302	2	
14	FS106167L	2	
15	NN106021	2	

Note(1) Up to JA922879
Note(2) From JA922880
Note(3) Up to LA939975
Note(4) From MA939976



Model DEFENDER 110 1987 onwards
 Page AFFXRA3A

STEERING - POWER STEERING PIPES - FROM VIN JA918810



III. Part No.	Description	Qty	Remarks
Left Hand Steering			
1	NTC9073	1	4 Cyl Petrol
	NTC2595	1	V8
	NTC9073	1	NatAsp Diesel
	NTC9071	1	Tdi Note(1)
	ANR2485	1	Tdi Note(2)
2	CN100258L	2	
3	NTC9704	1	4 Cyl Petrol
	NTC9099	1	V8
	NTC9704	1	NatAsp Diesel
	NTC9074	1	Tdi Note(1)
	ANR2136	1	Tdi Note(2)
4	NTC8860	1	Note(1)
	ANR2487	1	Note(2)
5	CN100208L	1	
6	NTC3791	1)4 Cyl Petrol
7	FS106167L	1)and
8	FN106047L	1)NatAsp Diesel
9	NTC8263	1)
10	ADU8363L	1)200Tdi
11	FS106167L	1)
12	FN106047L	1)
13	NRC6302	2	Note(1)
	NTC9208	2	Note(2)
14	FS106167L	2	
15	NN106021	2	
16	NRC6302	1	
17	NRC8405	1	
18	FS106167L	1	
19	FN106047L	1	

Note(1) Up to LA939975
 Note(2) From MA939976