



MASTER INDEX

	PAGES		GROUP C
INTRODUCTION PAGES	1 - 7		
ALPHABETICAL INDEX	8 - 16		
ENGINE	17 - 66		
ENGINE	67 - 119		
ENGINE	120 - 166		
ENGINE	167 - 209		
ENGINE	210 - 245		
ENGINE	246 - 299		
ENGINE	300 - 326		
GEARBOX	327 - 344		
GEARBOX	345 - 359		
TRANSFER BOX	360 - 378		
TRANSFER BOX	379 - 397		
AXLES AND SUSPENSION	398 - 444		
STEERING	445 - 471		
VEHICLE AND ENGINE CONTROLS	472 - 486		
BRAKES	487 - 517		
FUEL SYSTEM AND AIR CLEANER	518 - 579		
EXHAUST SYSTEM	580 - 593		
COOLING/HEATING	594 - 637		
COOLING/HEATING	638 - 641		
COOLING/HEATING	642 - 649		
COOLING/HEATING	650 - 655		
COOLING/HEATING	656 - 666		
BODY ELECTRICAL	667 - 740		
BODY AND CHASSIS	741 - 909		
INTERIOR TRIM	910 - 955		
SEATS	956 - 1036		
STOWAGE	1037 - 1046		
ACCESSORIES - PAINTS	1047 - 1074		
NUMERICAL INDEX	1076 - 1151		
		GEARBOX	
		GEARBOX ASSEMBLY - LT77/LT77S	301
		CLUTCH RELEASE MECHANISM - 4CYL - LT77/LT77S	302
		CLUTCH RELEASE MECHANISM - V8 - LT77S	303
		CLUTCH HOUSING - LT77/LT77S	304
		GEARCASE - LT77 - UP TO SUFFIX E INCLUSIVE	305
		GEARCASE - LT77/LT77S FROM SUFFIX F	306
		EXTENSION CASE - LT77 - UP TO SUFFIX F INCLUSIVE	307
		EXTENSION CASE - LT77/LT77S FROM SUFFIX G	308
		EXTENSION CASE - LT77/LT77S - CONTINUED	309
		MAINSHAFT - LT77/LT77S	310
		MAINSHAFT - LT77/LT77S - CONTINUED	311
		MAINSHAFT GEARS - LT77	312 - 313
		MAINSHAFT GEARS - LT77/LT77S	314 - 316
		LAYSHAFT - LT77 - UPTO SUFFIX E INCLUSIVE	317 - 318
		LAYSHAFT - LT77/LT77S FROM SUFFIX F	319 - 320
		SELECTORS AND SHAFTS - LT77/LT77S	321
		SELECTORS AND SHAFTS - LT77/LT77S - CONTINUED	322
		GEAR LEVER - LT77/LT77S	323
		GEAR LEVER - LT77/LT77S - CONTINUED	324
		MOUNTINGS - LT77/LT77S	325
		GASKET KIT - LT77	326





DEFENDER 110 1987 onwards

301

GEARBOX

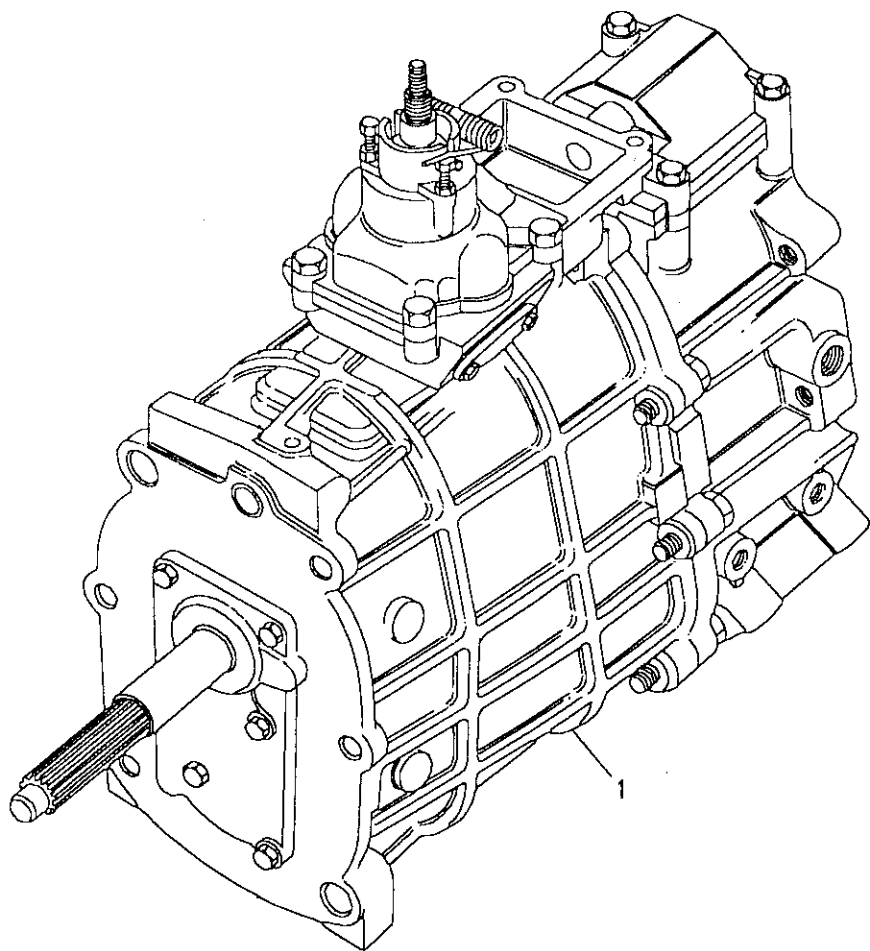
Model DEFENDER 110 1987 onwards

Page AFCDA1A

GEARBOX - GEARBOX ASSEMBLY - LT77/LT77S

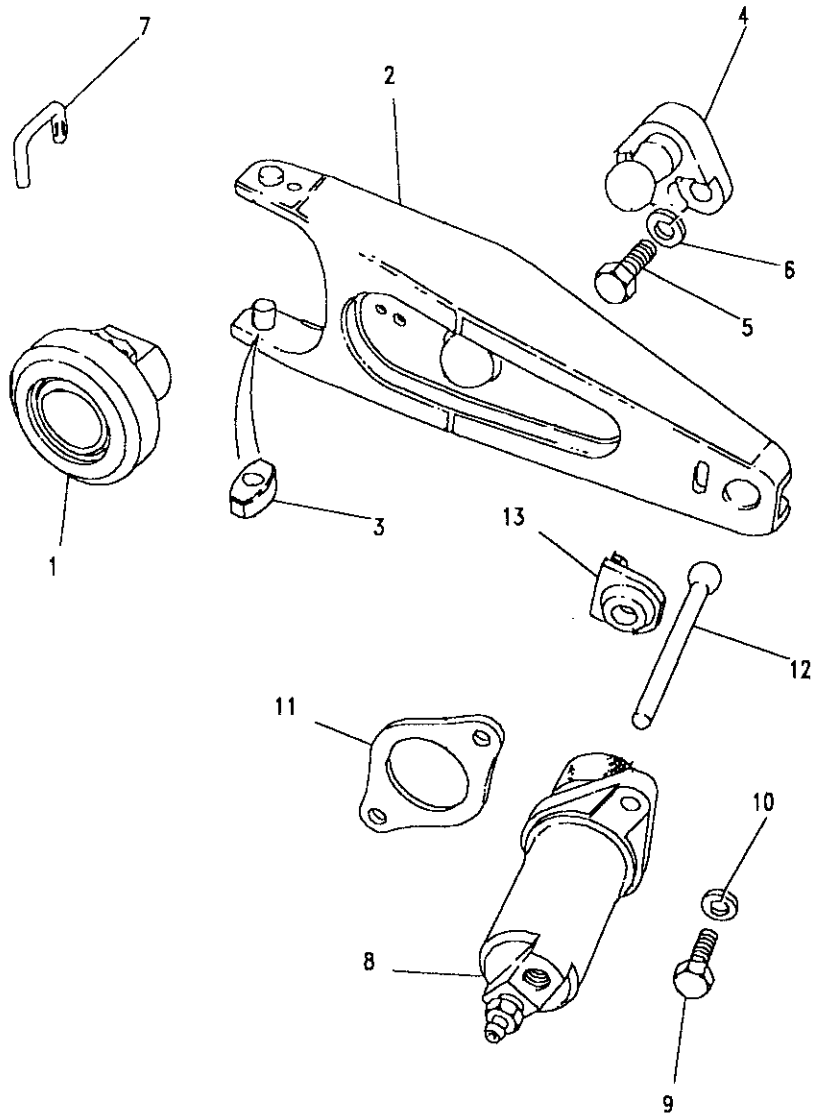
III. Part No.	Description	Qty	Remarks
1 FRC5928R	Gearbox assy RECON-LT77	1	Note(1)
RTC6999R	Gearbox assy RECON-LT77	1	Note(2)
RTC6868R	Gearbox assy RECON-LT77	1	Note(3)
STC1787N	Gearbox assy NEW-LT77S	1	Note(4)
STC1786N	Gearbox assy NEW-LT77S	1	Note(5)
STC1007R	Gearbox assy RECON-LT77S	1	
STC1004N	Gearbox assy NEW-LT77S	1	Note(6)
STC1005N	Gearbox assy NEW-LT77S	1	Note(7)

- Note(1) Serial Number 50A up to Suffix E
- Note(2) Serial Number 50A Suffix F
- Note(3) Serial Number 50A Suffix G
- Note(4) Serial Number 50A Suffix E.F.G.H
- Note(5) Serial Number 56A Suffix G.H.200 TDI
- Note(6) Serial Number 60A00001A for V8
- Note(7) Serial Number 61A00001A for V8 with OIL COOLER



T3503'





Model DEFENDER 110 1987 onwards
Page AFCDCA1A

GEARBOX - CLUTCH RELEASE MECHANISM - 4CYL - LT77/LT77S

Ill. Part No.	Description	Qty	Remarks
1	FRC9568 Bearing clutch release	1	
2	FTC2957 Lever clutch release	1	
3	FRC5255 Slipper pad-clutch lever	2	
4	FRC5180 Plate pivot	1	
5	FS108301L Bolt	2	
6	WL108001L Washer spring	2	
7	FRC3416 Staple-lever to sleeve	1	
8	591231 Slave cylinder	1	Note(1)
9	SH108251L Screw	2	
10	WL108001L Washer spring	2	
11	591988 Plate backing	1	
12	FRC3417 Push rod-slave cylinder	1	
13	FRC3327 Clip-push rod to lever	1	

Note(1) Slave cylinder overhaul kit 8G8600L





DEFENDER 110 1987 onwards

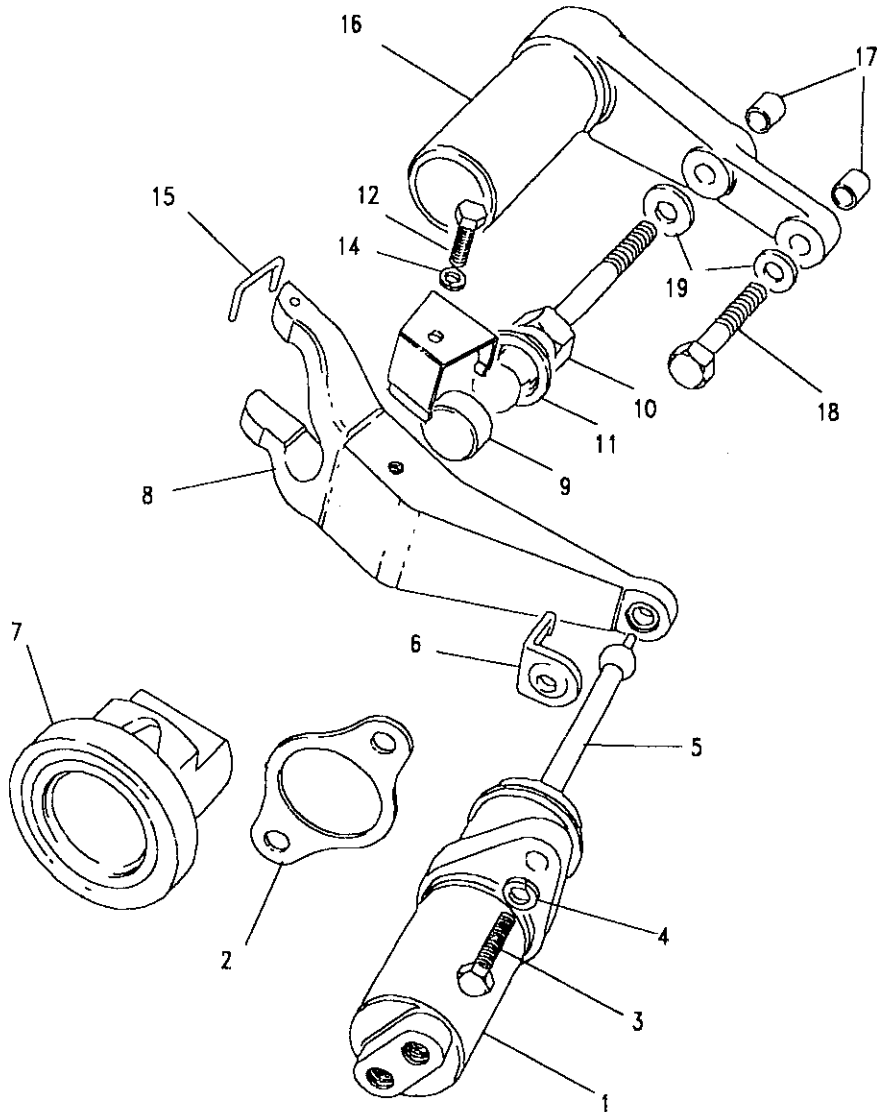
303

GEARBOX

Model DEFENDER 110 1987 onwards
Page AFCDCA2A

GEARBOX - CLUTCH RELEASE MECHANISM - V8 - LT77S

III. Part No.	Description	Qty	Remarks
1	UKC8677L	1	Slave cylinder clutch
	BHM7063L	1	Kit repair slave cylinder
2	FRC2402	1	Plate backing
3	SH108251L	2	Screw
4	WL108001L	2	Washer spring
5	571160	1	Push rod
6	576723	1	Clip
7	FRC9568	1	Bearing clutch release
8	576137	1	Lever
9	FRC2975	1	Cap-pivot lever
10	FRC2528	1	Pivot
11	571161	1	Insert
12	SH106101L	1	Screw
13	WM106001L	1	Washer spring
14	571163	1	Clip
15	576203	1	Staple
16	FRC4803	1	Guide
17	FRC2481	2	Dowel
18	SH108401L	1	Screw
19	WL108001L	2	Washer spring





Model DEFENDER 110 1987 onwards
Page AFCDEA1A

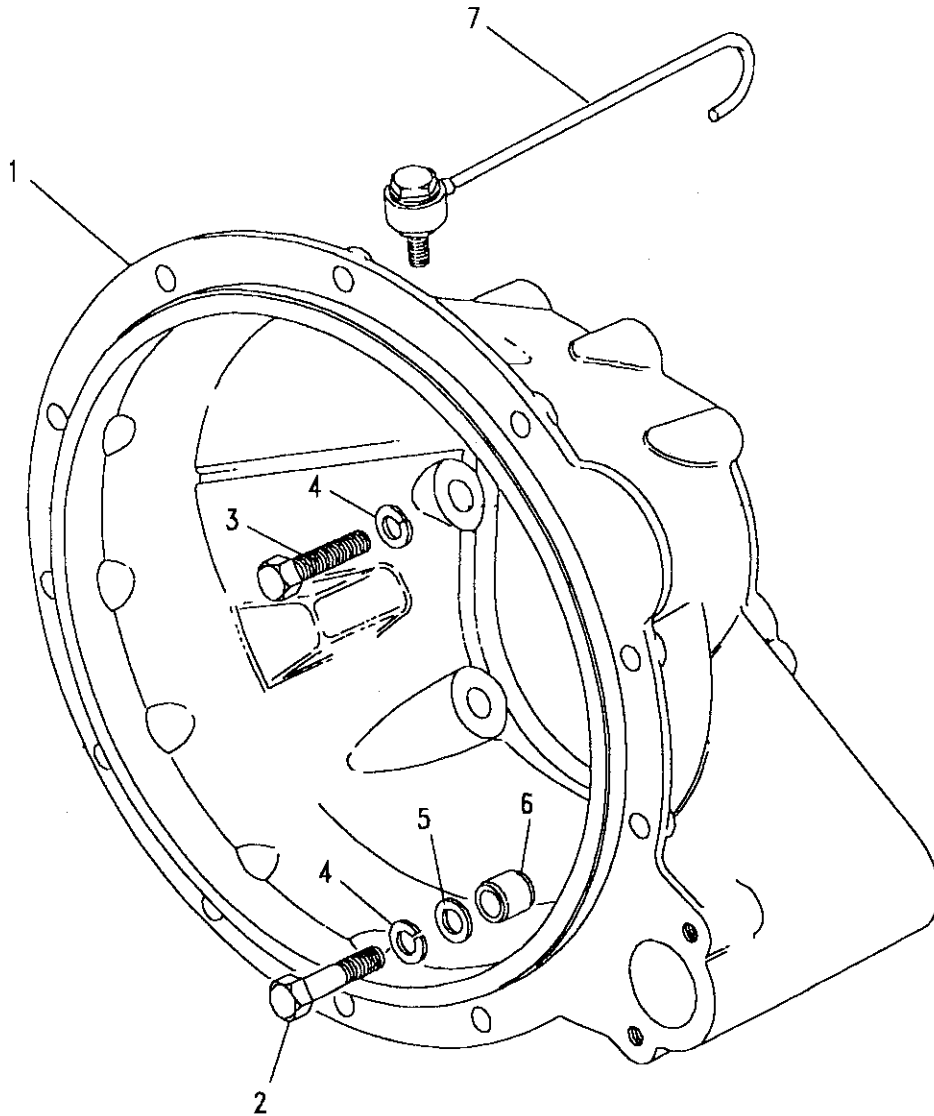
GEARBOX - CLUTCH HOUSING - LT77/LT77S

III. Part No.	Description	Qty	Remarks
1	FRC9865	1	Note(1)
	FRC6154	1	Note(2)
2	BH112091L	2	
3	SH112301L	4	
4	WL112001L	6	
5	WA112081L	2	
6	UKC25L	2	
	FRC8758	2	
7	FRC6375	1	Upto SEPT1987
	FRC9428	1	From SEPT1987

Fixings Gearbox to Engine

FN110041L	Nut flanged	11
WA110061L	Washer plain	11

Note(1) For gearbox Serial Number 50A and 56A
 Note(2) For gearbox Serial Number 60A and 61A

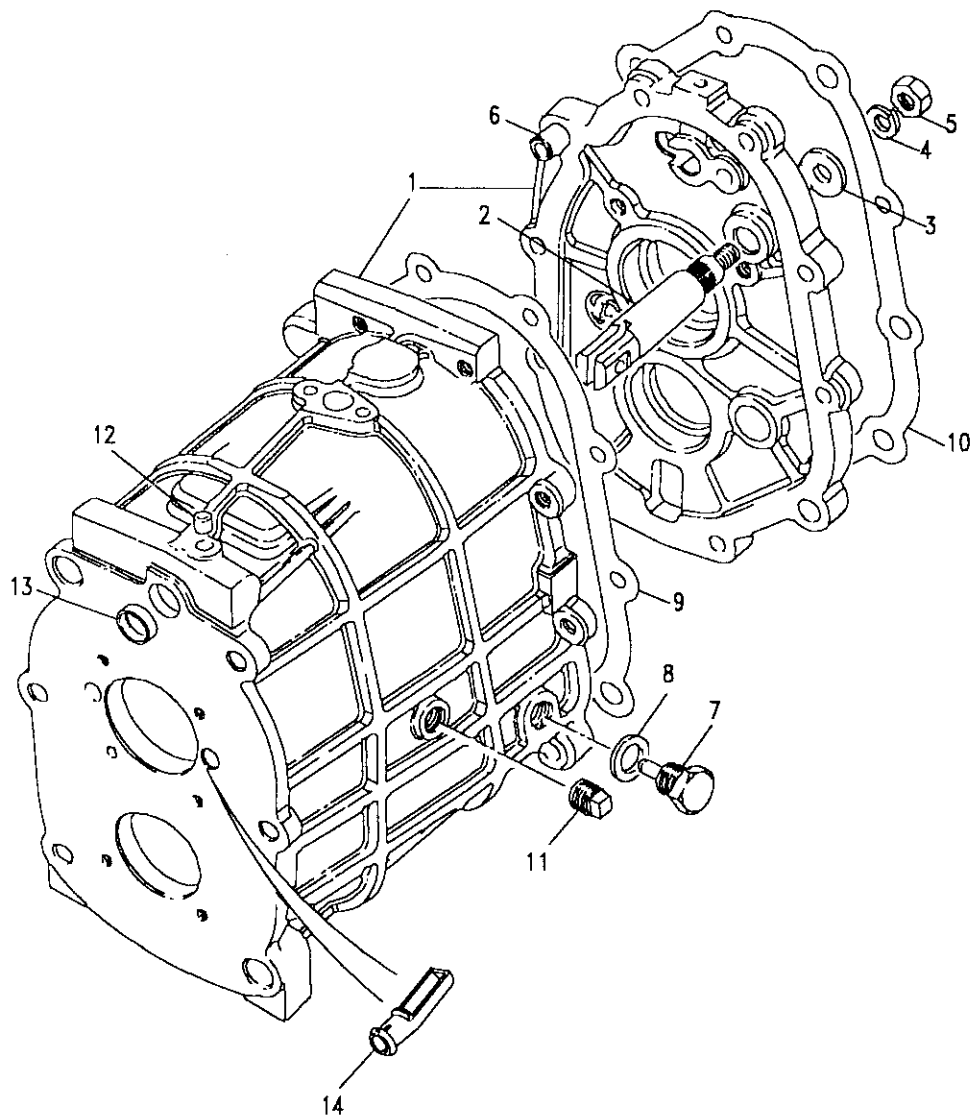


Model DEFENDER 110 1987 onwards

Page AFCDEA2A

GEARBOX - GEARCASE - LT77 - UP TO SUFFIX E INCLUSIVE

III. Part No.	Description	Qty	Remarks
1	STC471	1	Gearcase/centre plate
2	FRC8383	1	Pin-reverse lever
3	WA110061L	1	Washer
4	WL110001L	1	Washer spring
5	NH110041L	1	Nut
6	UKC170L	2	Dowell hollow
7	FRC6145	1	Plug drain
8	FTC4112	1	Washer copper
9	TKC1229L	1	Gasket-g/case to plate
10	TKC1235L	1	Gasket-plate to ext/hsg
11	3292	1	Plug-oil level
12	UKC24L	1	Plug core
13	UKC30L	1	Plug core
14	TKC5779L	1	Catcher oil
	FRC9803	1	Plug core
	UKC25L	1	Dowel





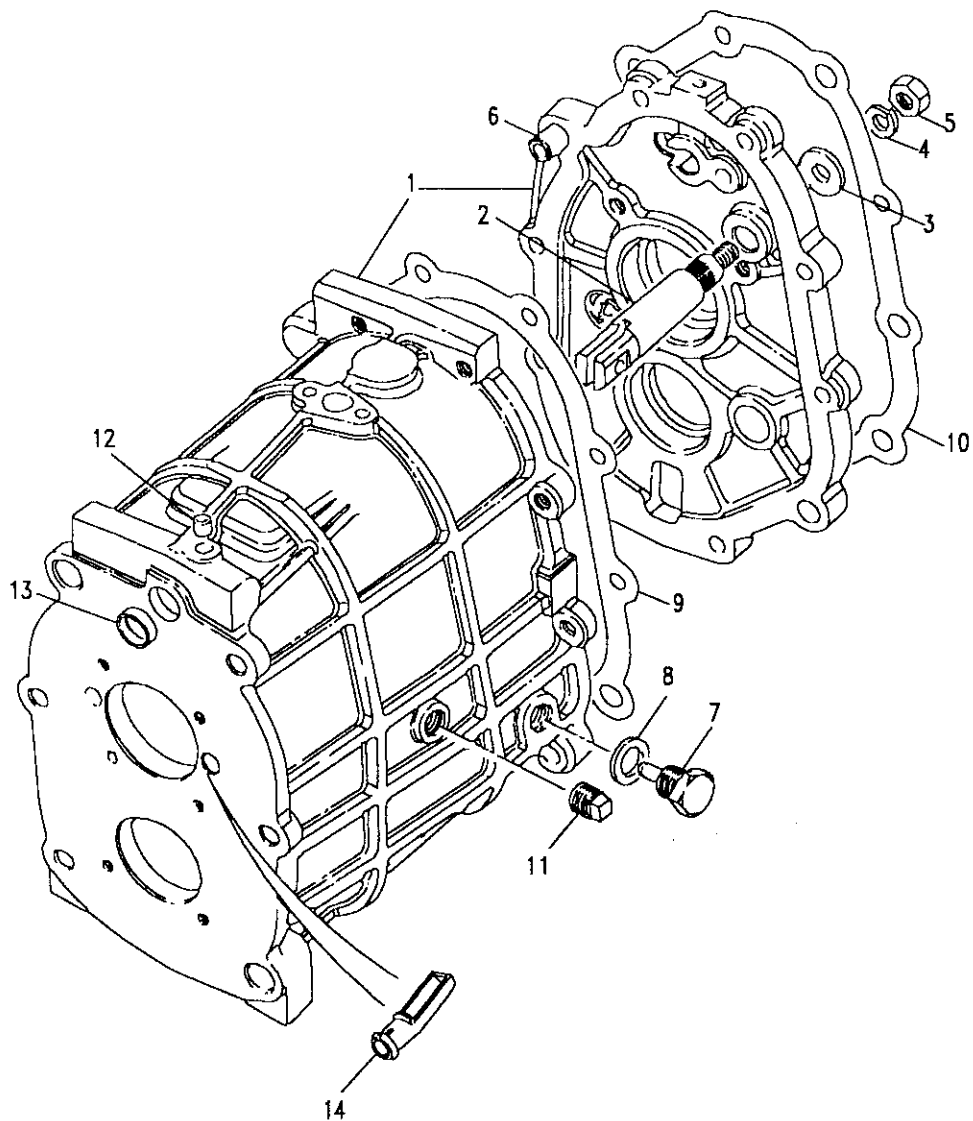
Model DEFENDER 110 1987 onwards

Page AFCDEA3A

GEARBOX - GEARCASE - LT77/LT77S FROM SUFFIX F

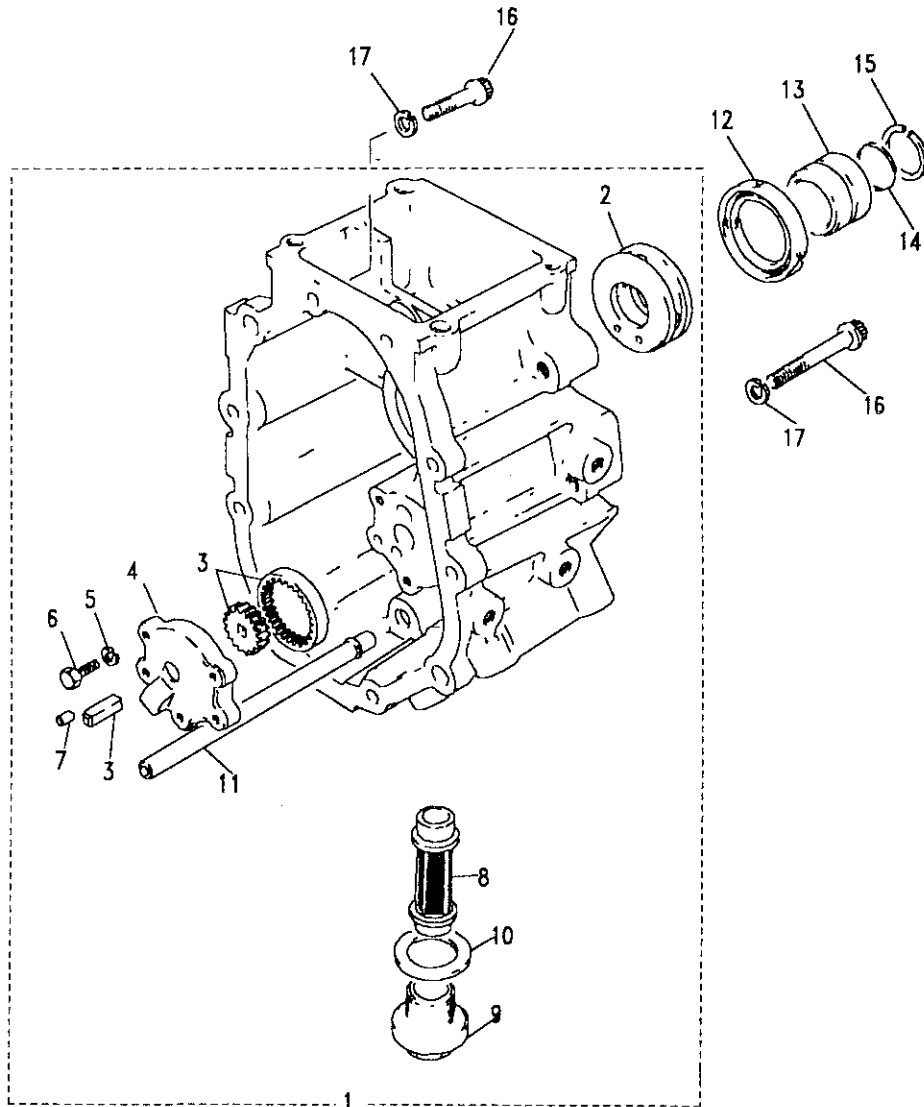
Ill. Part No.	Description	Qty	Remarks
1	STC1036 Gearcase/centre plate	1	Note(1)
6	UKC170L Dowel	2	
	FTC918 Gearcase/centre plate	1	Note(2)
	FTC2192 Gearcase/centre plate	1	Note(3)
2	FRC8383 Pin-reverse lever	1	
3	WA110061L Washer	1	
4	WL110001L Washer spring	1	
5	NH110041L Nut	1	
6	UKC170L Dowell hollow	2	
7	FRC6145 Plug drain	1	
8	FTC4112 Washer copper	1	
9	TKC1229L Gasket-g/case to plate	1	
10	TKC1235L Gasket-plate to ext/hsg	1	
11	3292 Plug-oil level	1	
12	UKC24L Catcher oil	1	
13	UKC30L Plug core	1	
14	TKC5779L Catcher oil	1	

Note(1) For gearbox Serial Number 50A Suffix F
 Note(2) For gearbox Serial Number 50A 56A Suffix G
 Note(3) For gearbox Serial Number 50A Suffix H and 56A,60A,61A



Model DEFENDER 110 1987 onwards
Page AFCDGA1A

GEARBOX - EXTENSION CASE - LT77 - UP TO SUFFIX F INCLUSIVE

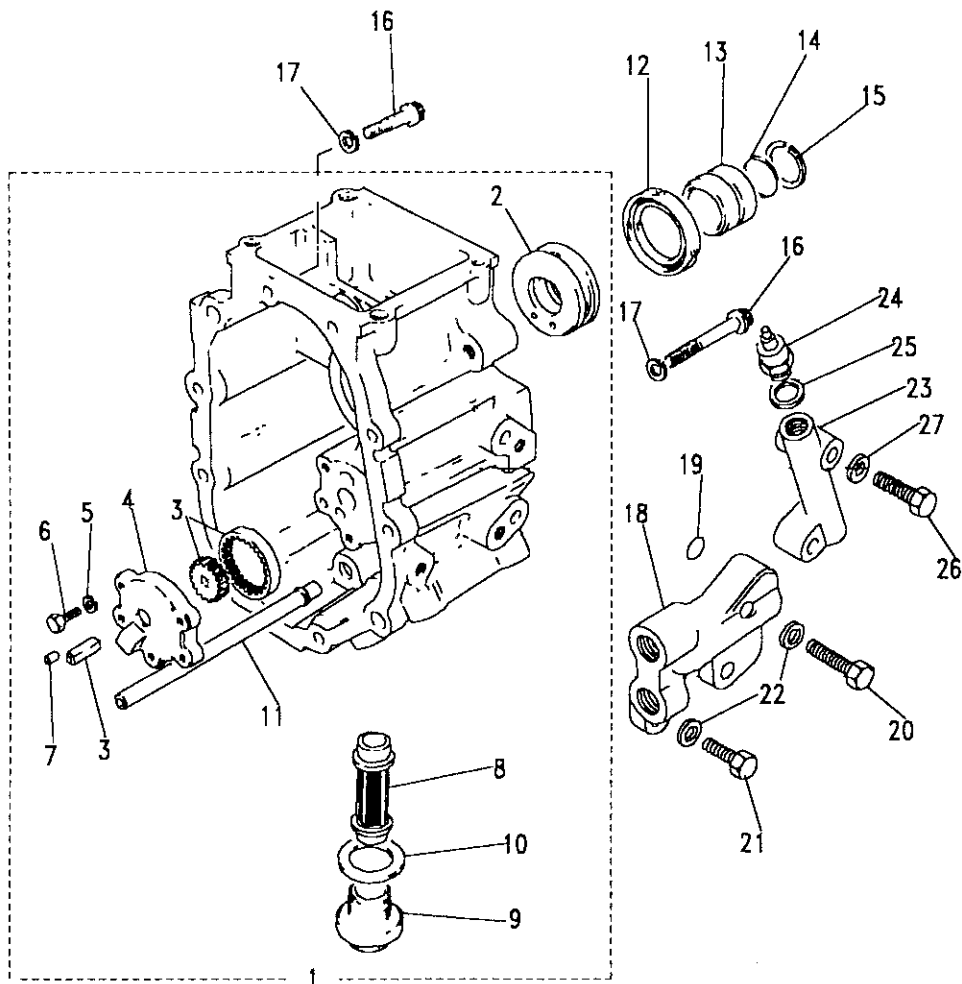


III. Part No.	Description	Qty	Remarks
1	FTC1518	1	Extension case/oil pump
2	FRC4449	1	Ring oil feed
3	RTC2057	1	Kit-pump gears and shaft
4	FRC6246	1	Body-oil pump
5	WL106001L	3	Washer spring
6	FS106201L	3	Screw
7	UKC2738L	2	Dowel
8	FRC6244	1	Filter
9	90571104	1	Plug-filter
10	FRC4810	1	Washer-plug
11	FRC8104	1	Pipe inlet pump
12	FRC2365	1	Seal oil extension case
13	FRC4493	1	Collar-oil seal
14	FRC4501	1	'O'ring-collar
15	FRC4494	1	Spring ring-collar
16	FB108101	2	Bolt-extension to gearbox
	FRC4282	8	Bolt-extension to gearbox
17	WL108001L	10	Washer spring

Model DEFENDER 110 1987 onwards
 Page AFCDGA2A

GEARBOX - EXTENSION CASE - LT77/LT77S FROM SUFFIX G

III. Part No.	Description	Qty	Remarks
1	FTC1518	1	Note(1)
	FTC2102	1	Note(2)
	FTC2190	1	Note(3)
	FTC890	1	
	FTC1533	1	
2	FRC4449	1	
	FTC2210	1	Asbestos free
3	STC822	1	
4	FTC1403	1	
	FTC3623	1	Note(4)
5	WA106001L	3	
6	BH106061L	3	
7	UKC2738L	2	
8	FRC6244	1	
9	90571104	1	
10	FRC4810	1	
11	FRC8104	1	





Model DEFENDER 110 1987 onwards
Page AFCDGA2A

GEARBOX - EXTENSION CASE - LT77/LT77S - CONTINUED

III. Part No.	Description	Qty	Remarks
12	FRC2365	1	Seal oil extension case
13	FRC4493	1	Collar-oil seal
14	FRC4501	1	O ring-collar
15	FRC4494	1	Ring spring-collar
16	BH108105L	2	Bolt
	FRC4282	8	Bolt
17	WL108001L	10	Washer spring
18	FTC1404	1	Thermostat
19	FTC1441	2	O ring
20	SH108401L	1	Screw M8x40 long
21	SH108301L	2	Screw M8x30 long
22	WA108051L	3	Washer plain M8
23	FTC2104	1	Block oil extension case
24	PRC8873	1	Transmitter temp
25	232042	1	Washer joint copper
26	SH108401L	2	Screw M8x40 long
27	WA108051L	2	Washer plain M8

Note(1)

For gearbox prefix 50A Suffix G & H and all prefix 56A

Note(2)

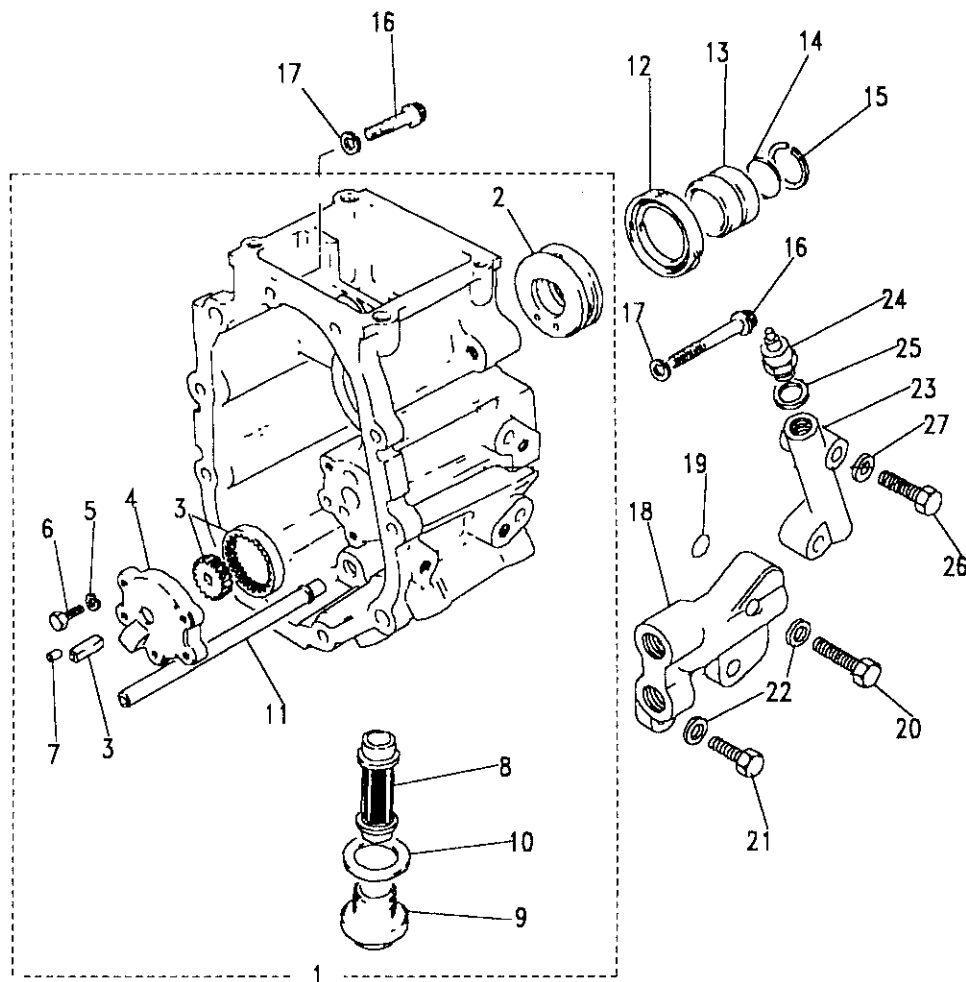
For gearbox prefix 60A

Note(3)

For gearbox prefix 61A

Note(4)

From gearbox number 0207406H

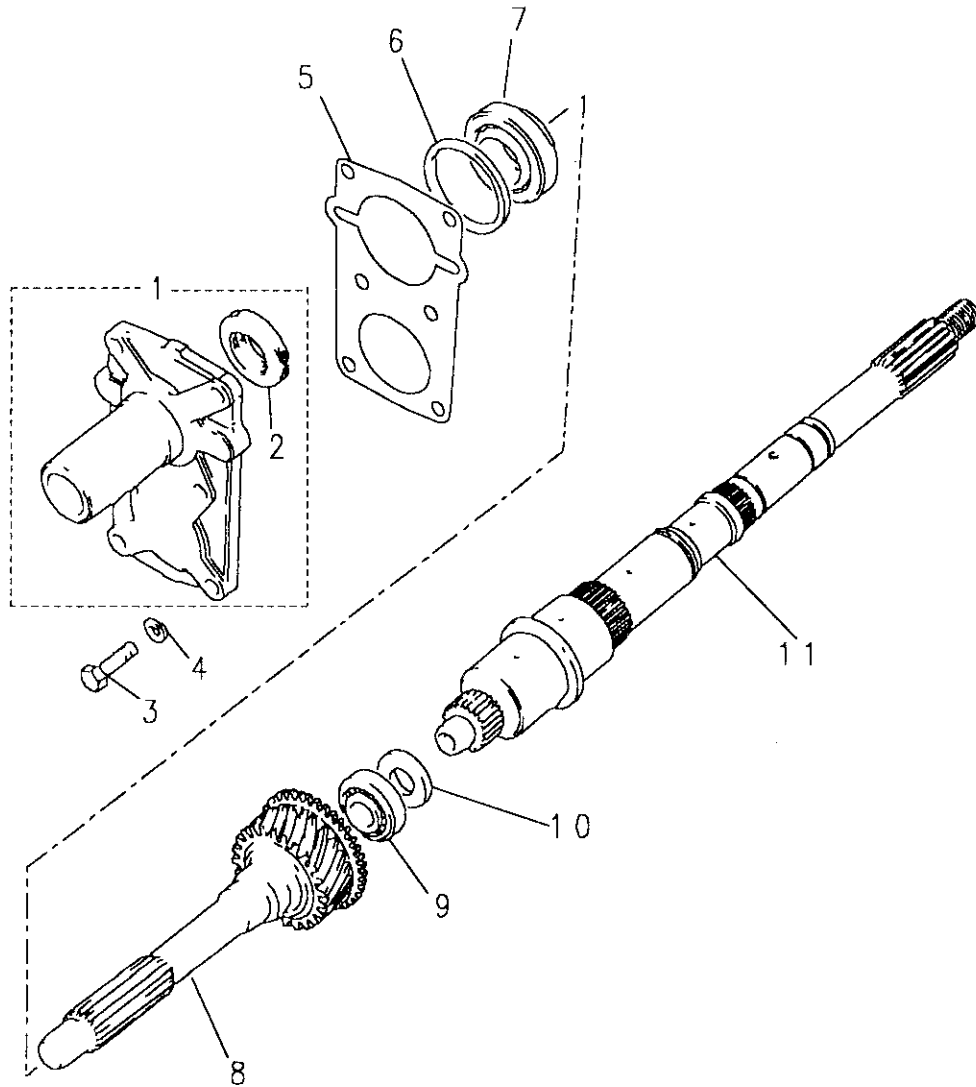




Model DEFENDER 110 1987 onwards
Page AFCDIA1A

GEARBOX - MAINSHAFT - LT77/LT77S

III. Part No.	Description	Qty	Remarks
1	FRC4856	1	Upto Suf E incl
	FTC311	1	From Suf F
	FTC1438	1	Note(1)
	FTC2822	1	Note(3)
2	UKC1060L	1	Seal oil-front cover
3	SH108251L	6	Screw
4	WA108051L	6	Washer plain
5	FRC4873	1	Upto Suf E incl
	FTC316	1	From Suf F
6	FRC4327		SELECTIVE WASHERS
	FRC4329		1.51mm
	FRC4331		1.57mm
	FRC4333		1.63mm
	FRC4335		1.69mm
	FRC4337		1.75mm
	FRC4339		1.81mm
	FRC4341		1.87mm
	FRC4343		1.93mm
	FRC4345		1.99mm
	FRC4347		2.05mm
	FRC4349		2.11mm
	FRC4351		2.17mm
	FRC4353		2.23mm
	FRC4355		2.29mm
	FRC4357		2.35mm
	FRC4359		2.41mm
	FRC4361		2.47mm
	FRC4363		2.53mm
	FRC4365		2.59mm
	FRC4367		2.65mm
	FRC4369		2.71mm
			2.77mm

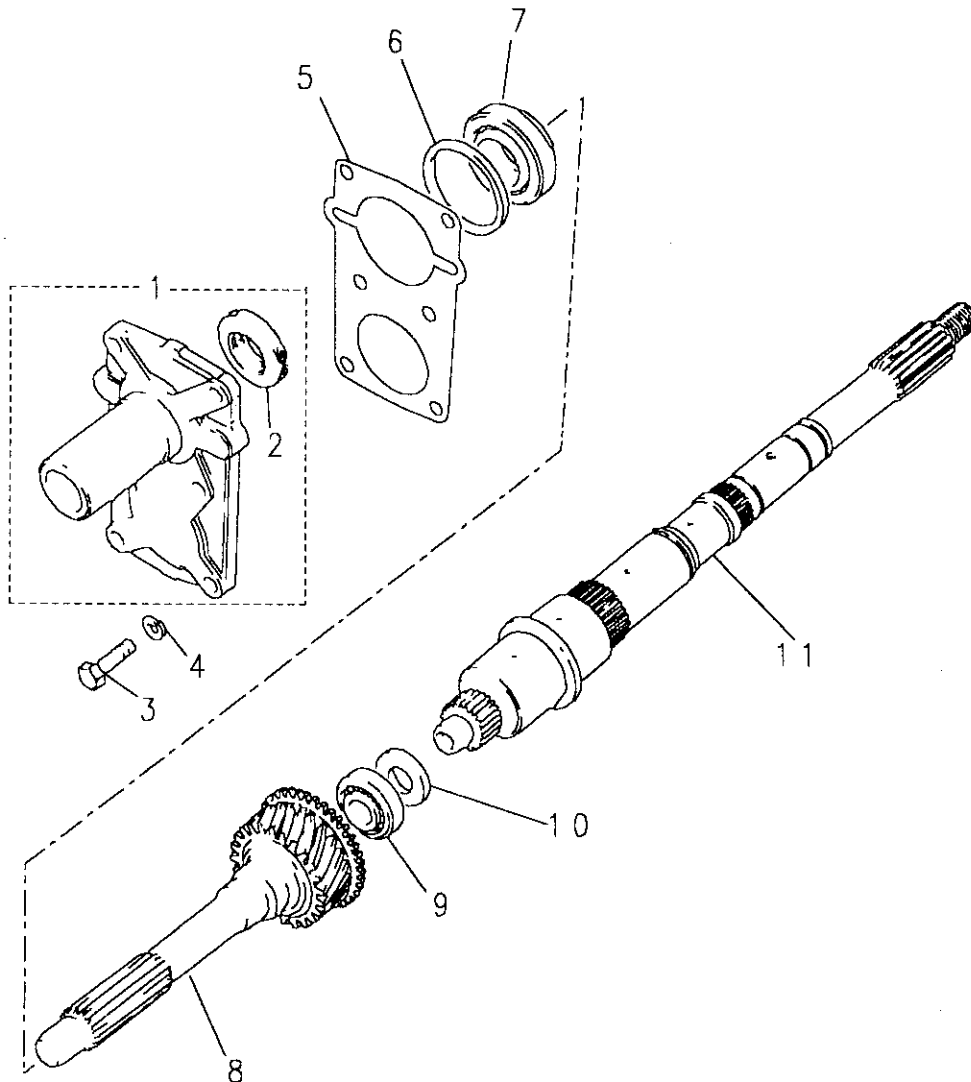


Model DEFENDER 110 1987 onwards
 Page AFCDIA1A

GEARBOX - MAINSHAFT - LT77/LT77S - CONTINUED

III. Part No.	Description	Qty	Remarks
7 RTC6751	Bearing	1	Suffix E.F
8 FRC4845	Shaft-constant pinion	1	50A Suffix E.F
FTC1406	Shaft-constant pinion	1)50A
FTC1293	Disc synchro stop	1)Suffix G.H
FTC1428	Shaft-constant pinion	1)56A
FTC1112	Disc synchro stop	1)Suffix G.H
FTC347	Shaft constant pinion	1)60A 61A
FTC1293	Disc synchro stop	1)Suffix H
FTC1420	Shaft constant pinion	1	TAXI
9 UKC8L	Bearing	1	
10 UKC37L	Spacer	1	
11 FRC5305	Mainshaft assembly	1	50A Suffix E.F
FTC1446	Mainshaft assembly	2	Note(2)
STC1889	Mainshaft assembly	2	Note(3)
FTC1282	Mainshaft assembly	2	Note(3)

Note(1) For gearbox Serial Number 50A Suffix G&H and 56A,60A,61A
 Note(2) For gearbox Serial Number 50A 56A Suffix G
 Note(3) For gearbox Serial Number 50A Suffix H and 56A,60A,61A up to gearbox number 0242819H
 Note(4) For gearbox Serial Number 50A Suffix H and 56A,60A,61A from gearbox number 0242820H





Model DEFENDER 110 1987 onwards

Page AFCDIC1A

GEARBOX - MAINSHAFT GEARS - LT77

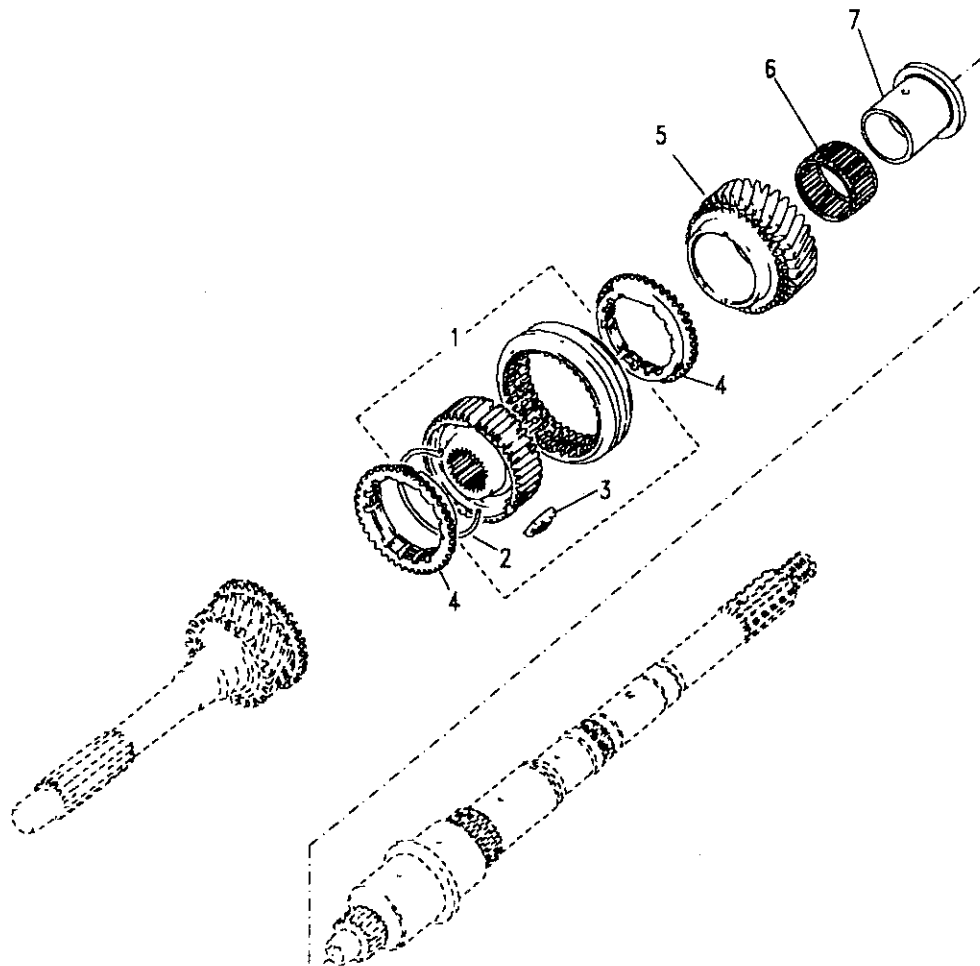
III. Part No.

Description

Qty Remarks

3rd and 4th gears

1	FRC9792	Synchro assembly	1	
2	UKC31L	Spring synchro	2	
3	UKC3530L	Plate shifting	3	
4	FRC8232	Baulk ring	2	
5	TKC6932L	Gear 3rd speed	1	Upto 50A suf F
	FTC358	Gear 3rd speed	1	50A,56A/suf G
	FTC2504	Gear 3rd speed	1	60A,61A/suf H
	FTC2505	Gear 3rd speed	1	50A,56A/suf H
6	FTC1313	Bearing	2)50A,56A,60A
7	FTC1310	Bush mainshaft gear	1)61A/suf H





DEFENDER 110 1987 onwards

313

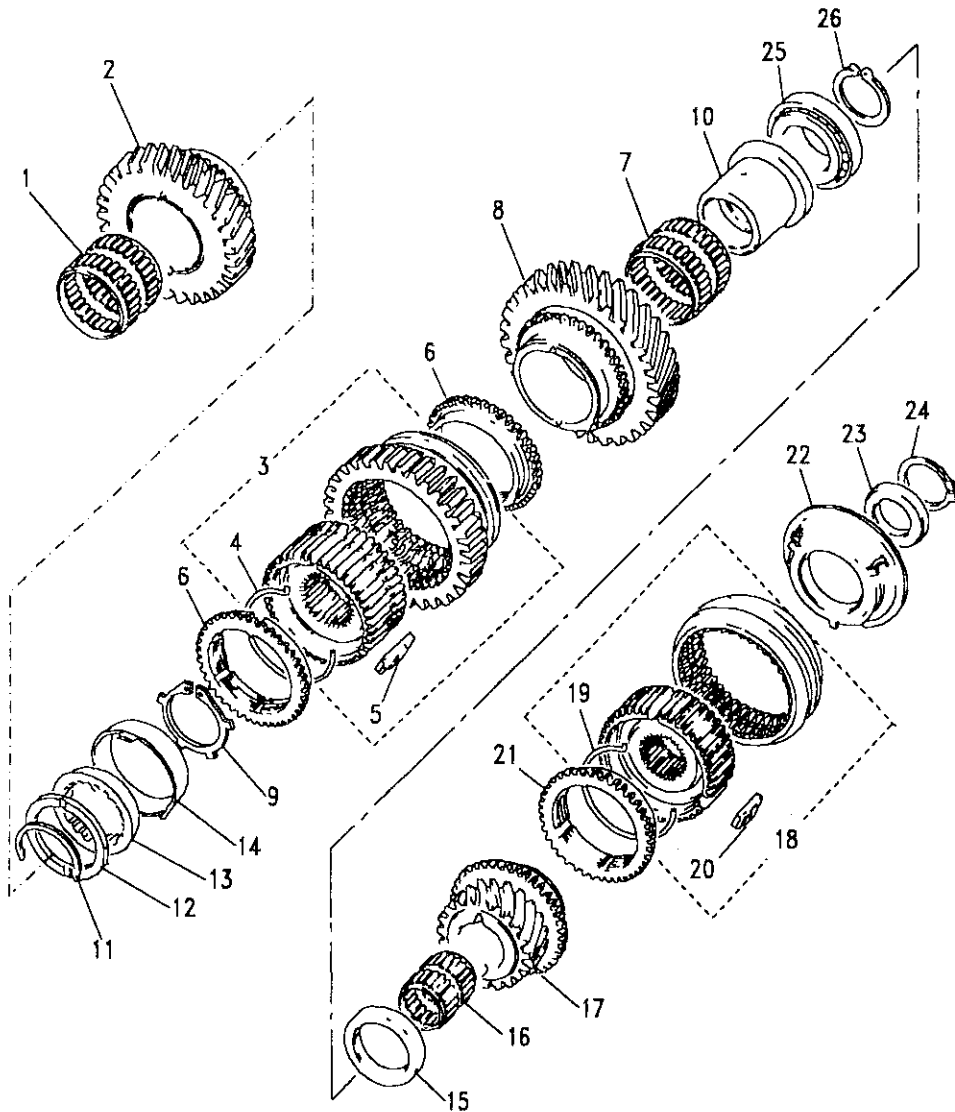
GEARBOX

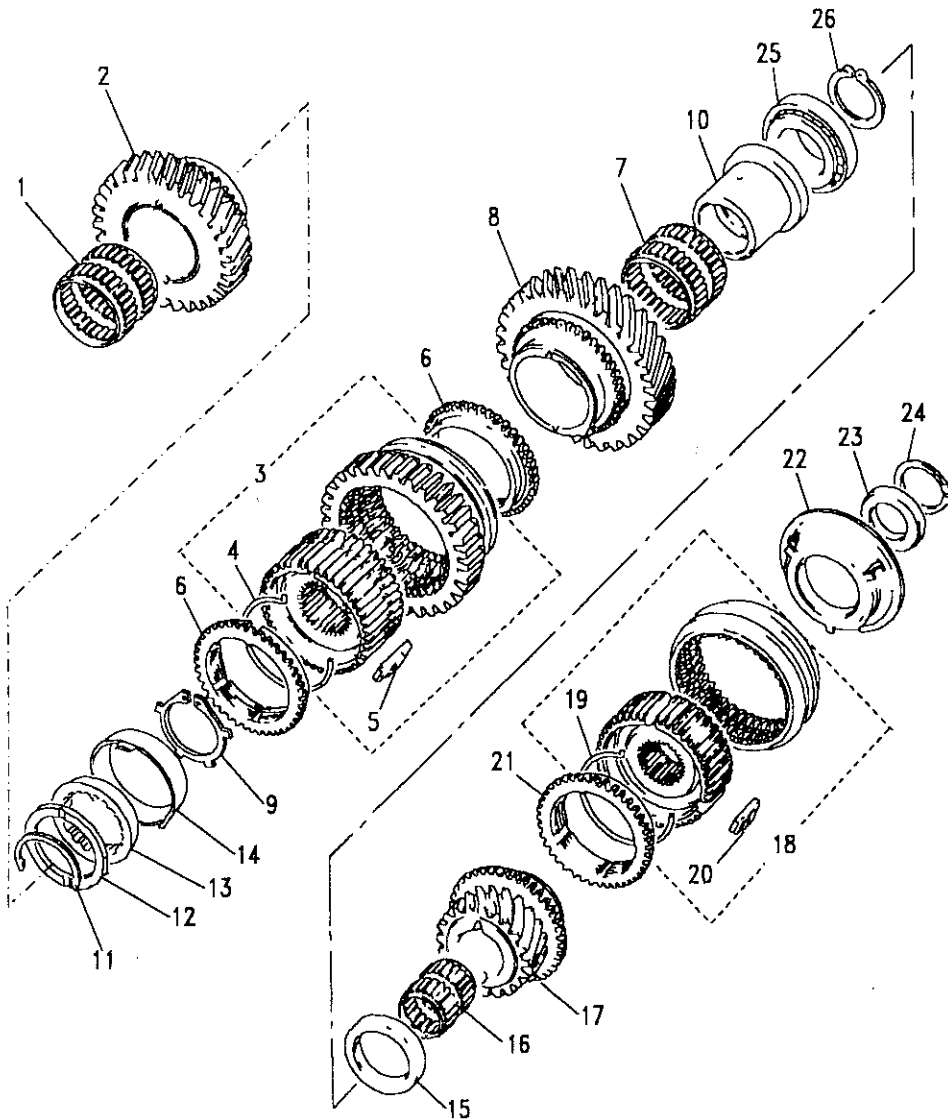
Model DEFENDER 110 1987 onwards
Page AFCDIC2A

GEARBOX - MAINSHAFT GEARS - LT77

III. Part No.	Description	Qty	Remarks
1st and 2nd gears			
1 FRC5678	Bearing needle	2	50A,56A Suf-G incl
FTC1312	Bearing needle	2)50A,56A,60A,)61A/Suf-H
2 FRC5279	Gear 2nd speed	1	Upto 50A/Suf F incl
FTC357	Gear 2nd speed	1	50A,56A Suf G
FTC2462	Gear 2nd speed	1)50A,56A,60A,)61A/Suf-H
3 FRC6670	Synchro assembly	1	Upto0173664
FRC9386	Synchro assembly	1	From0173665
FTC1361	Synchro assembly	1	50A,56A Suf-G
STC8577	Synchro assembly kit	1)50A,56A,60A,)61A/Suf-H
4 UKC31L	Spring	2)Upto
5 UKC3531L	Plate shifting	3)50A,56A,
6 FRC8232	Baulk ring	2)Suffix G incl
4 UKC31L	Spring	2)50A,56A,60A,
5 FTC3373	Plate shifting	3)61A/Suf-H
6 FTC2282	Baulk ring	2)
5 FTC4011	Plate shifting synchro	3) Note(1)
6 FTC4007	Baulk ring	2)
7 FRC5679	Bearing needle	1	Up to Suf G
FTC1311	Bearing needle	1	Suffix H

Note(1) From gearbox 0242820H





Model DEFENDER 110 1987 onwards
Page AFCDIC2A

GEARBOX - MAINSHAFT GEARS - LT77/LT77S

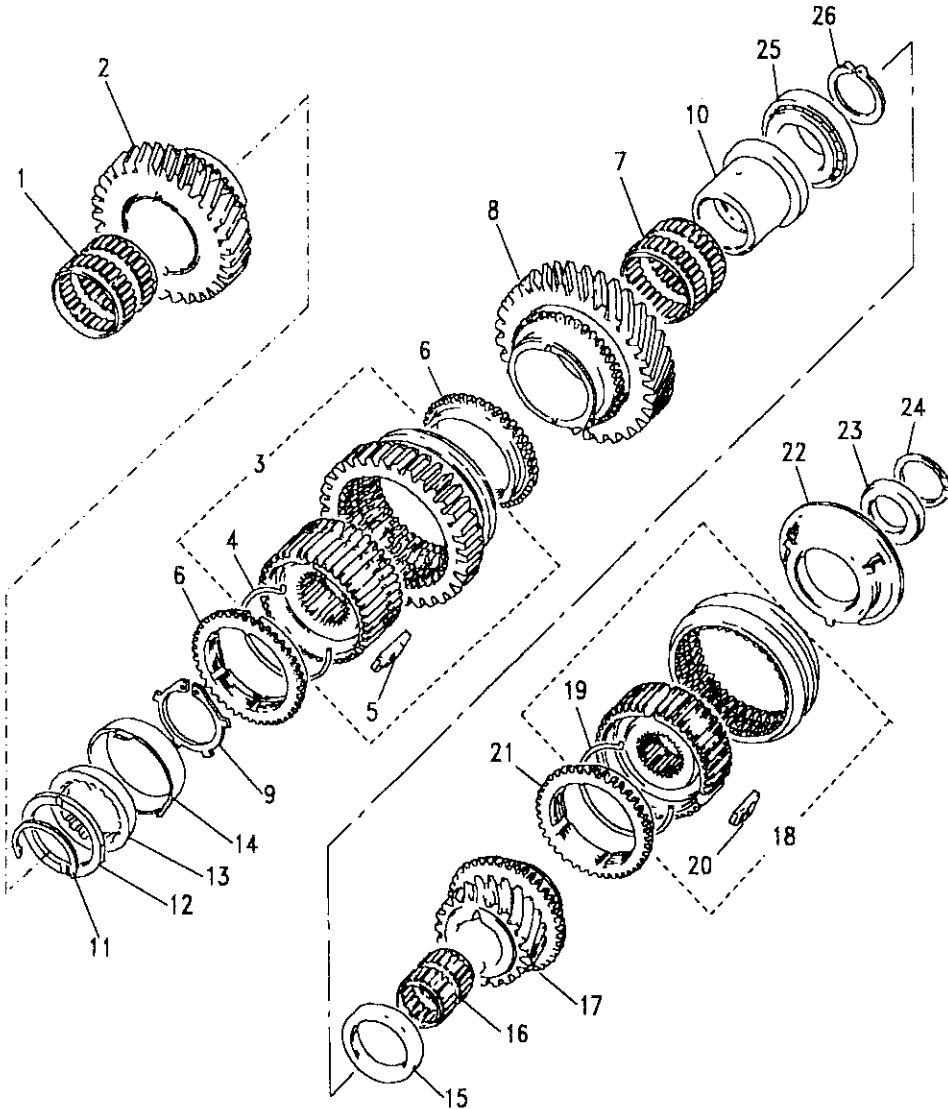
III. Part No.	Description	Qty	Remarks
8	FRC5253	1	Upto 50A/Suf F incl
	FTC2089	1	50A Suffix G
	FTC2090	1	56A Suffix G
	FTC1760	1	50A Suffix H
	FTC1989	1)56A,60A,61A,)Suffix-H
	UKC37L	1	Spacer-synchro hub/pilot
9	FTC2084	2	Circlip-1st & 2nd hub
	FTC4009	2	Circlip
10			BUSH-1ST SPEED
	FRC5243	A/R)
	FRC5244	A/R)50A,56A,
	FRC5245	A/R)Upto Suf G
	FRC5246	A/R)inclusive
	FRC5247	A/R)
10			BUSH-1ST SPEED
	FTC2005	1)
	FTC2006	1)50A,56A,60A,
	FTC2007	1)61A/Suf-H
	FTC2008	1)
	FTC2009	1)
11	FTC1752	2)
	FTC1301	2)50A,56A,60A,
13	FTC2283	2)61A/Suf-H
14	FTC2284	2)
13	FTC4008	2) Note(1)
14	FTC4010	2)

Note(1) From gearbox 0242820H

Model DEFENDER 110 1987 onwards
Page AFCDIC2A

GEARBOX - MAINSHAFT GEARS - LT77/LT77S

III. Part No.	Description	Qty	Remarks
5th gear			
15 FRC4321	Collar 5th gear	1	Upto Suf F incl
FTC916	Collar 5th gear	1	From Suf G
16 FRC5280	Needle bearing	1	
17 RKC5098L	Gear 5th speed	1	Upto 50A/Suf F
FTC1791	Gear 5th speed	1)50A,56A,60A,)61A/Suf-G&H
18 FRC9389	Synchro assembly	1	Upto 50A/Suf F
FTC1455	Synchro assembly	1)50A,56A,60A,)61A/Suf-G&H
19 UKC31L	Spring	2	
20 UKC3530L	Plate shifting	3	
21 FRC8232	Baulk ring	1	
22 FRC5235	Plate support	1	

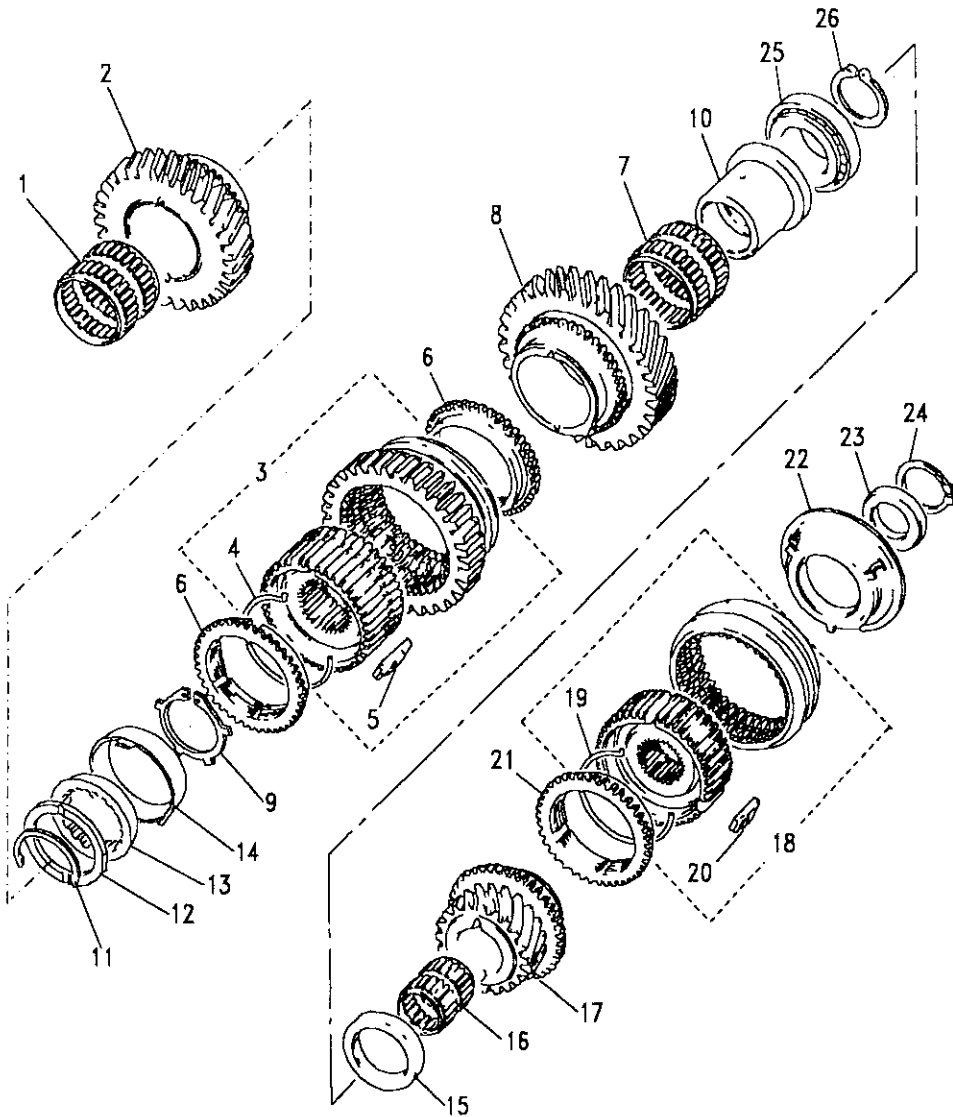




Model DEFENDER 110 1987 onwards
 Page AFCDIC2A

GEARBOX - MAINSHAFT GEARS - LT77/LT77S

III. Part No.	Description	Qty	Remarks
23	WASHER SUPPORT PLATE		
FRC5284	5.10mm	A/R	
FRC5286	5.16mm	A/R	
FRC5288	5.22mm	A/R	
FRC5290	5.28mm	A/R	
FRC5292	5.34mm	A/R	
FRC5294	5.40mm	A/R	
FRC5296	5.46mm	A/R	
FRC5298	5.52mm	A/R	
FRC5300	5.58mm	A/R	
FRC5302	5.64mm	A/R	
24	FRC9526	1	Circlip-Mainshaft
25	RTC2914	1	Bearing
26	FRC9812	1	Circlip





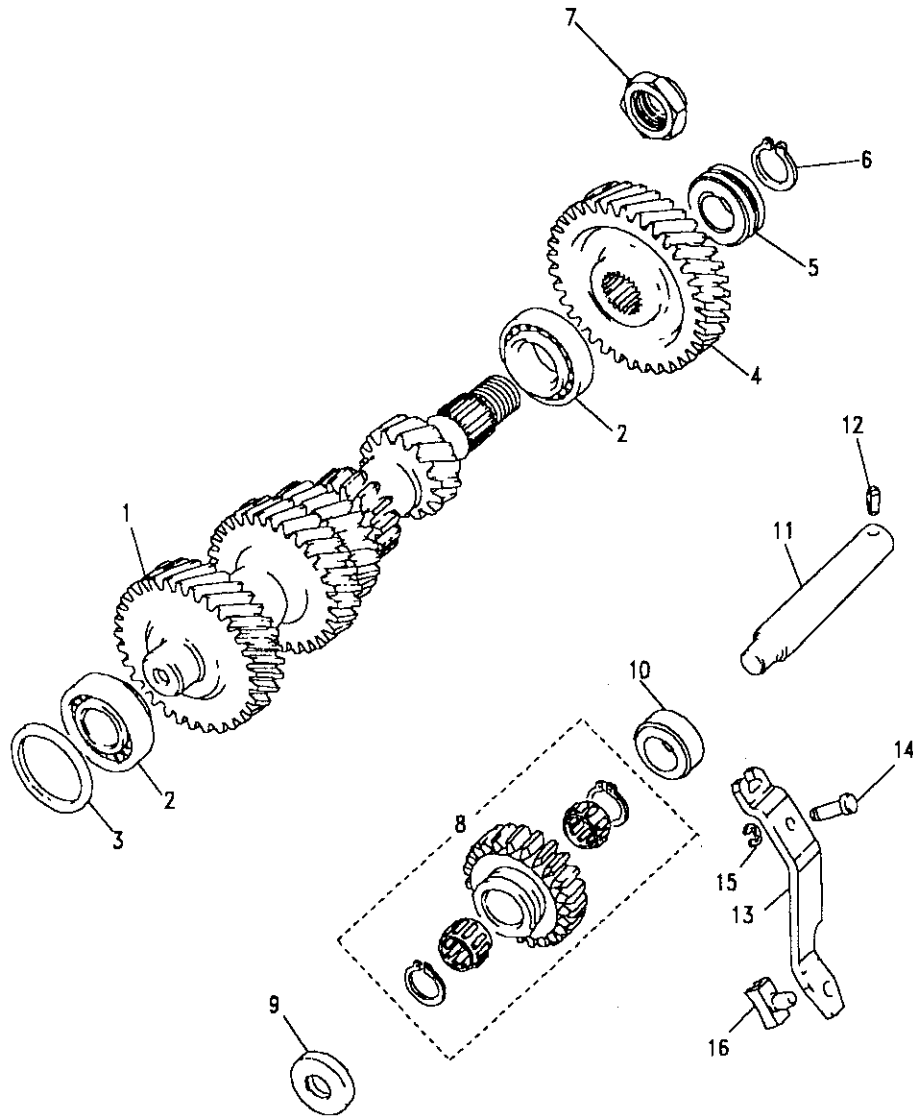
DEFENDER 110 1987 onwards

317

GEARBOX

Model DEFENDER 110 1987 onwards
Page AFCDIE1A

GEARBOX - LAYSHAFT - LT77 - UPTO SUFFIX E INCLUSIVE



III. Part No.	Description	Qty	Remarks
1	FRC8141 Layshaft	1	
2	ULC1796L Bearing layshaft	2	
3	SELECTIVE WASHERS		
	TKC4633	1.69mm	A/R
	TKC4635L	1.75mm	A/R
	TKC4637	1.81mm	A/R
	TKC4639	1.87mm	A/R
	TKC4641	1.93mm	A/R
	TKC4643L	1.99mm	A/R
	TKC4645	2.05mm	A/R
	TKC4647L	2.11mm	A/R
	TKC4649	2.17mm	A/R
	TKC4651L	2.23mm	A/R
	TKC4653L	2.29mm	A/R
	TKC4655L	2.35mm	A/R
	TKC4657L	2.41mm	A/R
	TKC4659L	2.47mm	A/R
	TKC4661L	2.53mm	A/R
	TKC4663L	2.59mm	A/R

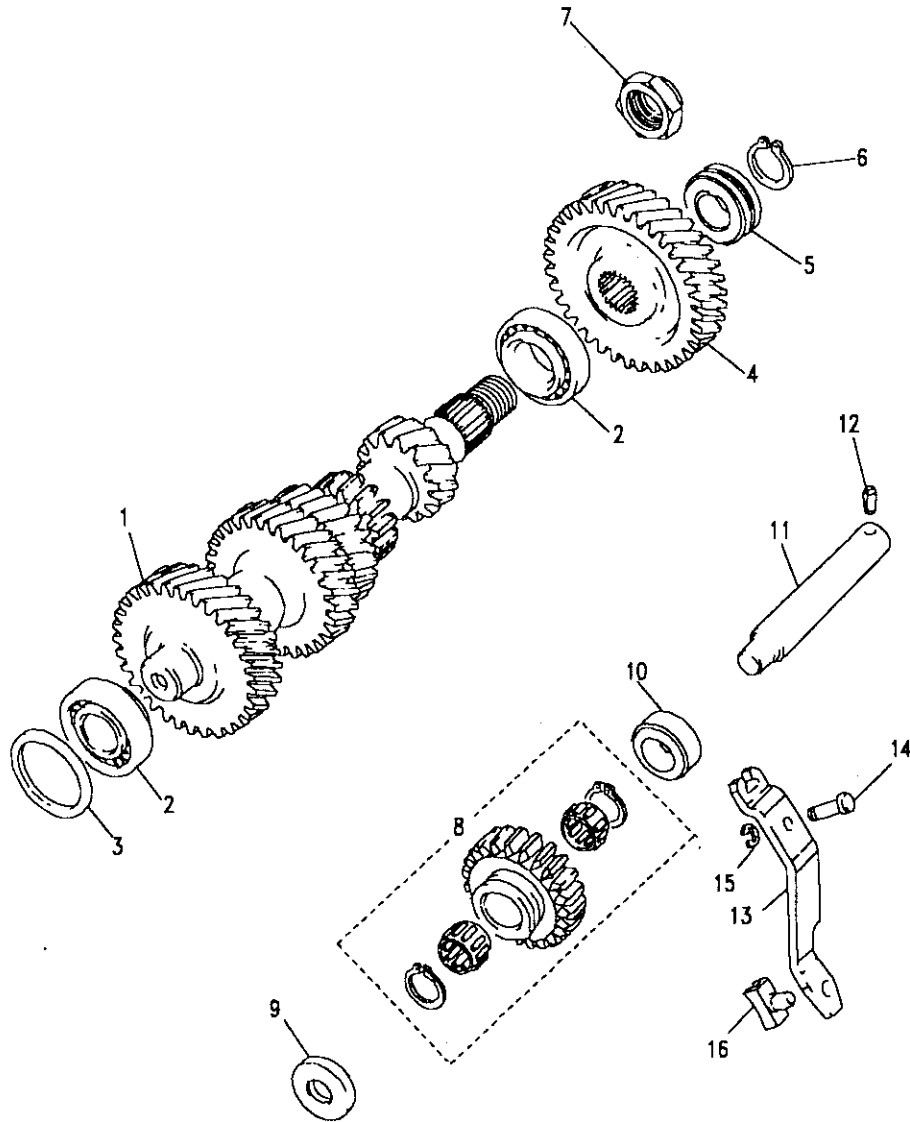




Model DEFENDER 110 1987 onwards
Page AFCDIE1A

GEARBOX - LAYSHAFT - LT77 - UPTO SUFFIX E INCLUSIVE

Ill. Part No.	Description	Qty	Remarks
4	FRC5162	1	Gear 5th speed layshaft
5	UKC1689L	1	Washer-5th speed layshaft
6	UKC1690L	1	Circlip-gear/layshaft
7	FRC7214	1	Nut
8	FRC8285	1	Gear assembly reverse
9	FRC4947	1	Spacer
10	FRC5186	1	Spacer
11	FRC5095	1	Shaft reverse gear
12	UKC18L	1	Roll pin
13	FRC8246	1	Lever-reverse operating
14	FRC8382	1	Pivot-reverse lever
15	13H2023L	1	Circlip
16	FRC8384	1	Slipper pad-reverse gear

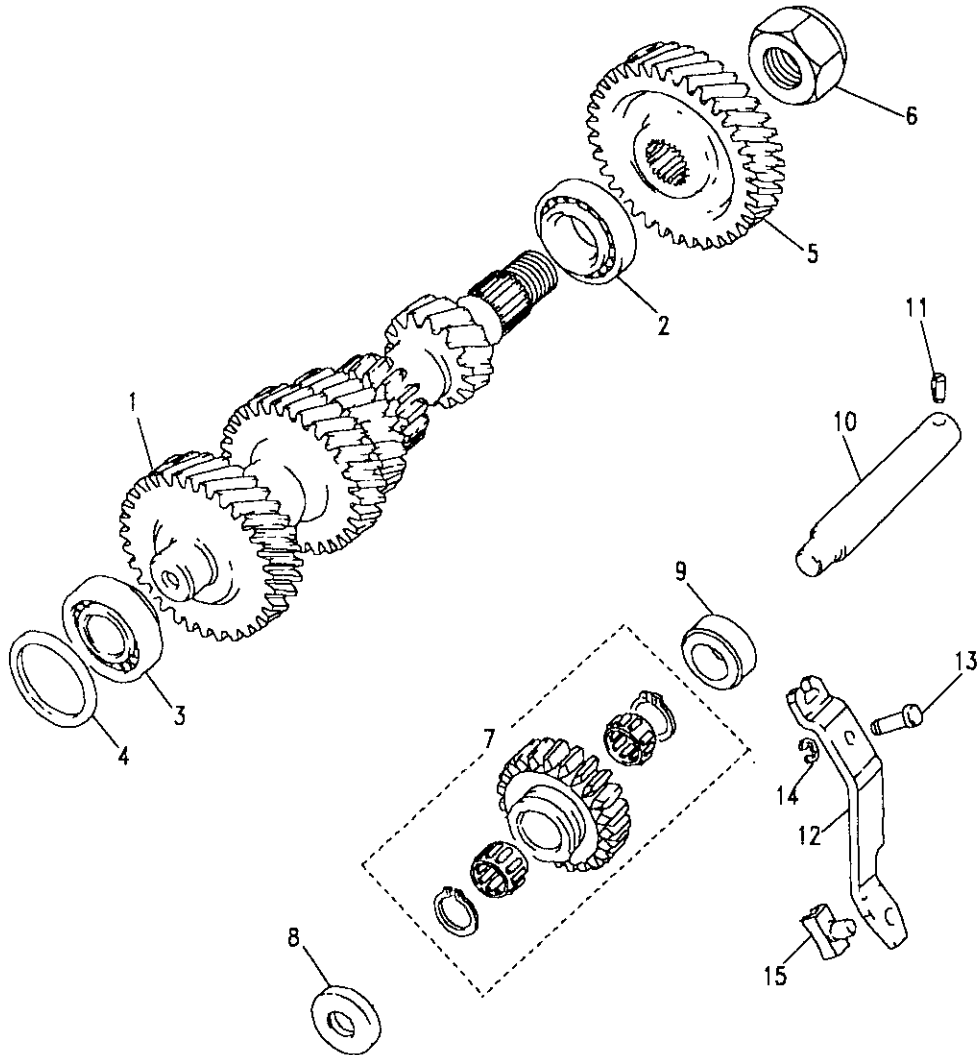


Model DEFENDER 110 1987 onwards
Page AFCDIE2A

GEARBOX - LAYSHAFT - LT77/LT77S FROM SUFFIX F

III. Part No.	Description	Qty	Remarks
1	FRC9761 Layshaft	1	Note(1)
	FTC1416 Layshaft	1	Note(2)
	FTC1074 Layshaft	1	Note(3)
2	FTC317 Bearing-layshaft rear	1	
3	FTC248 Bearing-layshaft front	1	
4	SELECTIVE WASHERS		
	FTC263 1.39mm	1	
	FTC265 1.45mm	1	
	FTC267 1.51mm	1	
	FTC269 1.57mm	1	
	FTC271 1.63mm	1	
	FTC273 1.69mm	1	
	FTC275 1.75mm	1	
	FTC277 1.81mm	1	
	FTC279 1.87mm	1	
	FTC281 1.93mm	1	
	FTC283 1.99mm	1	
	FTC285 2.05mm	1	
	FTC287 2.11mm	1	
	FTC289 2.17mm	1	
	FTC291 2.23mm	1	
	FTC293 2.29mm	1	
	FTC295 2.35mm	1	

Note(1) For gearbox Serial Number 50A up to Suffix G
 Note(2) For gearbox Serial Number 50A Suffix G&H
 Note(3) For gearbox Serial Number 56A,60A,61A



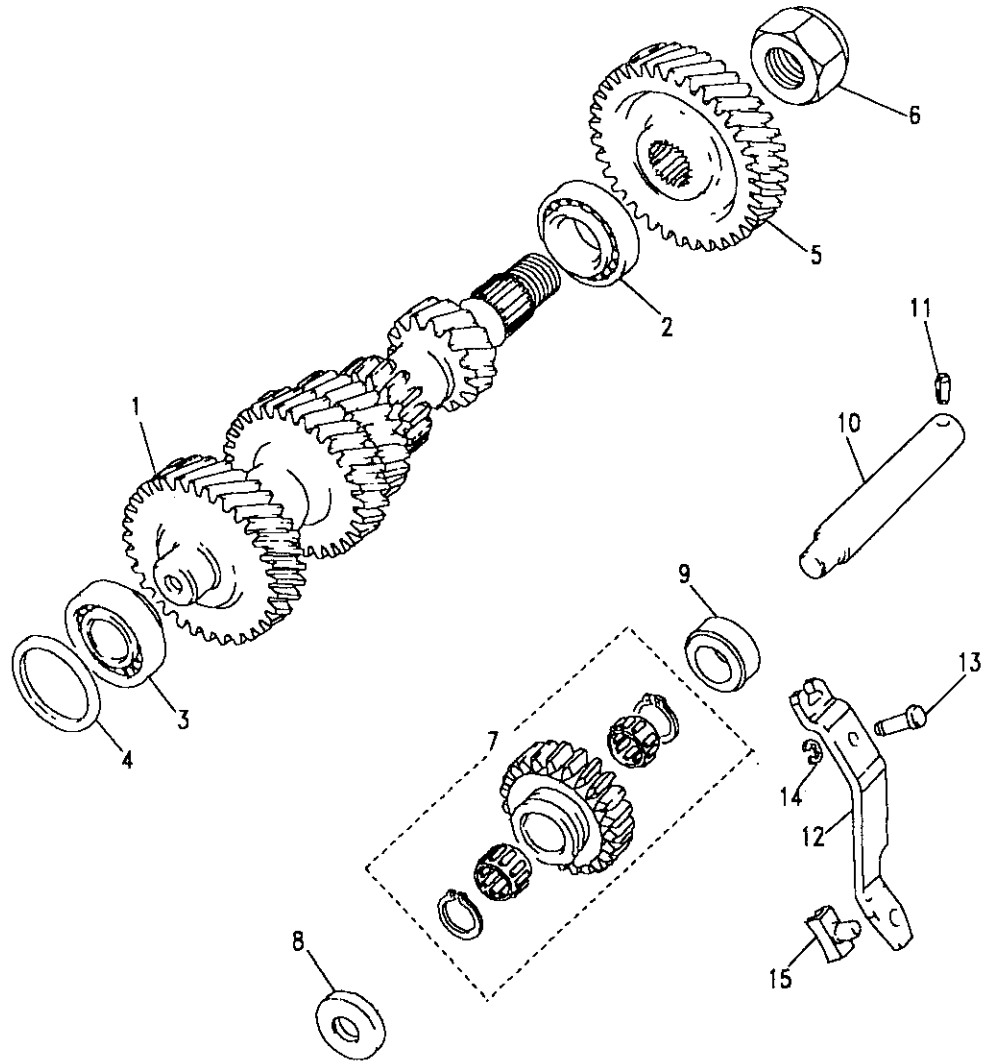


Model DEFENDER 110 1987 onwards
Page AFCDIE2A

GEARBOX - LAYSHAFT - LT77/LT77S FROM SUFFIX F

III. Part No.	Description	Qty	Remarks
5	FRC9758	1	Note(1)
	FTC419	1	Note(2)
6	FRC7214	1	
7	FRC8285	1	
8	FRC4947	1	
9	FRC5186	1	
10	FRC5095	1	
11	UKC18L	1	
12	FRC8246	1	
13	FRC8382	1	
14	13H2023L	1	
15	FTC1435	1	

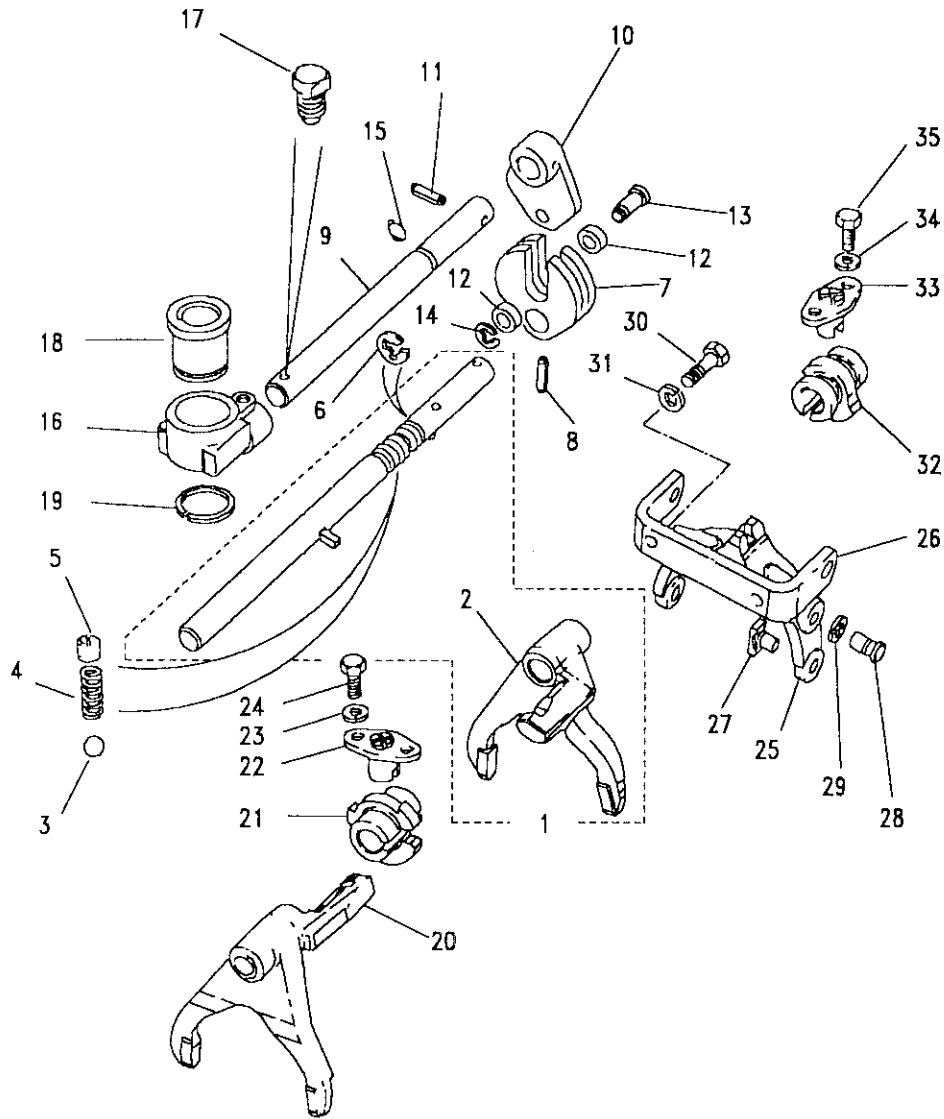
Note(1) For gearbox Serial Number 50A up to Suffix G
 Note(2) For gearbox Serial Number 50A Suffix G&H and 56A,60A,61A



Model DEFENDER 110 1987 onwards
 Page AFCDKA1A

GEARBOX - SELECTORS AND SHAFTS - LT77/LT77S

III. Part No.	Description	Qty	Remarks
1	FTC1814	1)Note(1)
2	FTC1490	1)
1	FTC1765	1)Note(2)
2	FTC2450	1)
3	BLS112L	1)Note(3)
4	FRC7195	1)
5	UKC75L	1)
3	BLS112L	1)Note(4)
4	FTC3382	1)
5	FTC2193	1)
6	UKC73L	1)
7	FRC7330	1)
8	FRC7332	1)
9	FRC7334	1)
10	FRC7333	1)
11	FRC7335	1)
12	FRC4435	1)
13	FRC4434	1)
14	CR120105L	1)
15	FRC4951	1)
16	FRC5864	1)
17	FTC4536	1)
18	FRC5859	1)
19	CR120335L	1)

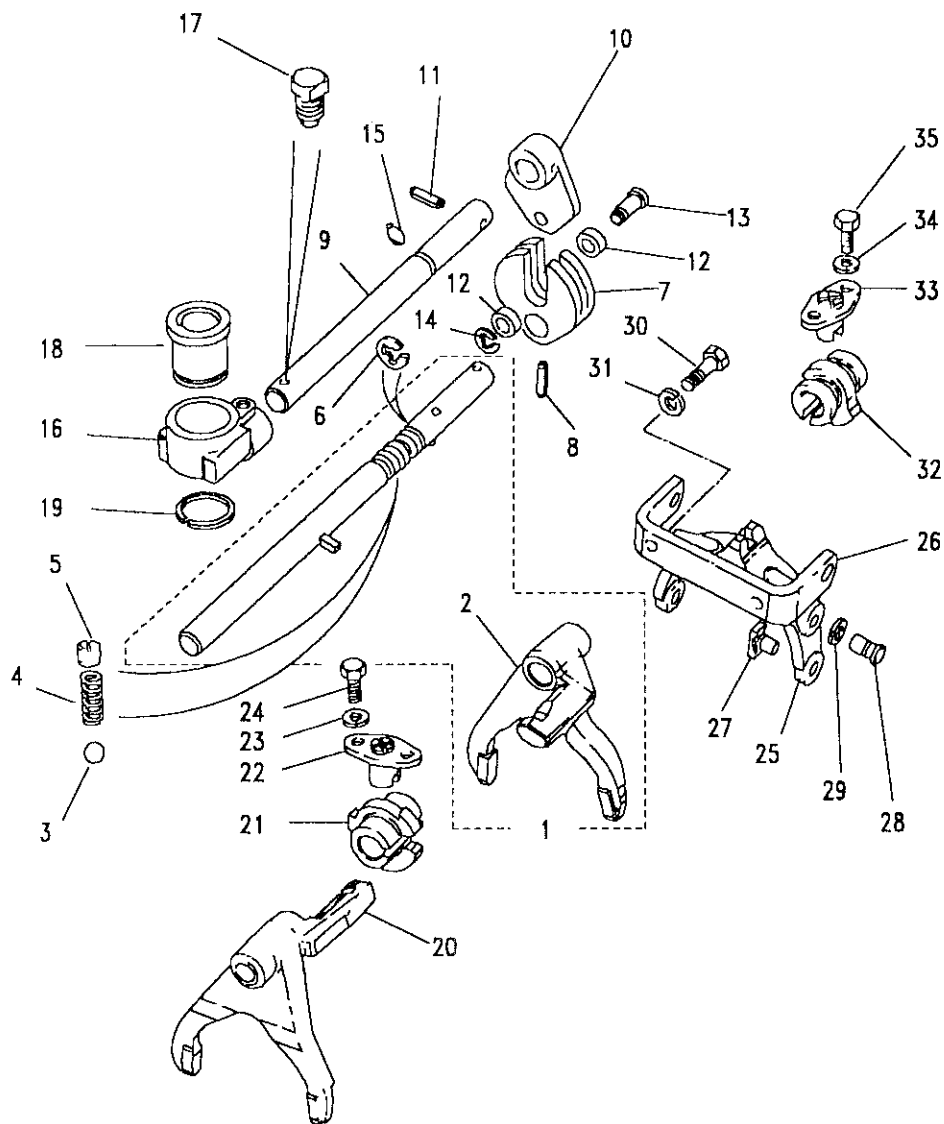




Model DEFENDER 110 1987 onwards

Page AFCDKA1A

GEARBOX - SELECTORS AND SHAFTS - LT77/LT77S - CONTINUED



III. Part No.	Description	Qty	Remarks
20	FTC1489	1	Fork-selector-3rd/4th
21	TKC290L	1	Spool-i/lock 1/2/3/4/
	FRC8239	1	Spool-interlock-retainer
	FRC8170	1	O ring-interlock retainer
	FS106167L	2	Screw
22	UKC3660L	1	Plate assembly
	FRC8239	1	Plate assembly
	FRC8170	1	O ring
23	WL106001L	2	Washer spring
24	FS106167	2	Screw
25	TKC2596	1	Selector fork-5th gear
26	UKC3115	1	Bracket support
27	532943	2	Pad-selector
28	UKC2089L	2	Pin-pivot 5th gear fork
29	UKC2105L	2	Circlip
30	SH108251L	2	Screw
31	WL108001L	2	Washer spring
	WA108051L	2	Washer plain
32	FRC7192	1	Spool-interlock-5th gear
33	FRC4905	1	Plate assembly
	FRC8240	1	Plate assembly
34	WL106001L	2	Washer
	WA106001L	2	Washer
35	FS106167	2	Screw
	FS106207	2	Screw m6 x 20

- Note(1) For gearbox Serial Number 50A up to Suffix H
 Note(2) For gearbox Serial Number 50A Suffix H and 56A,60A,61A
 Note(3) For gearbox Serial Number 50A up to Suffix H
 Note(4) For gearbox Serial Number 50A Suffix H and 56A,60A,61A





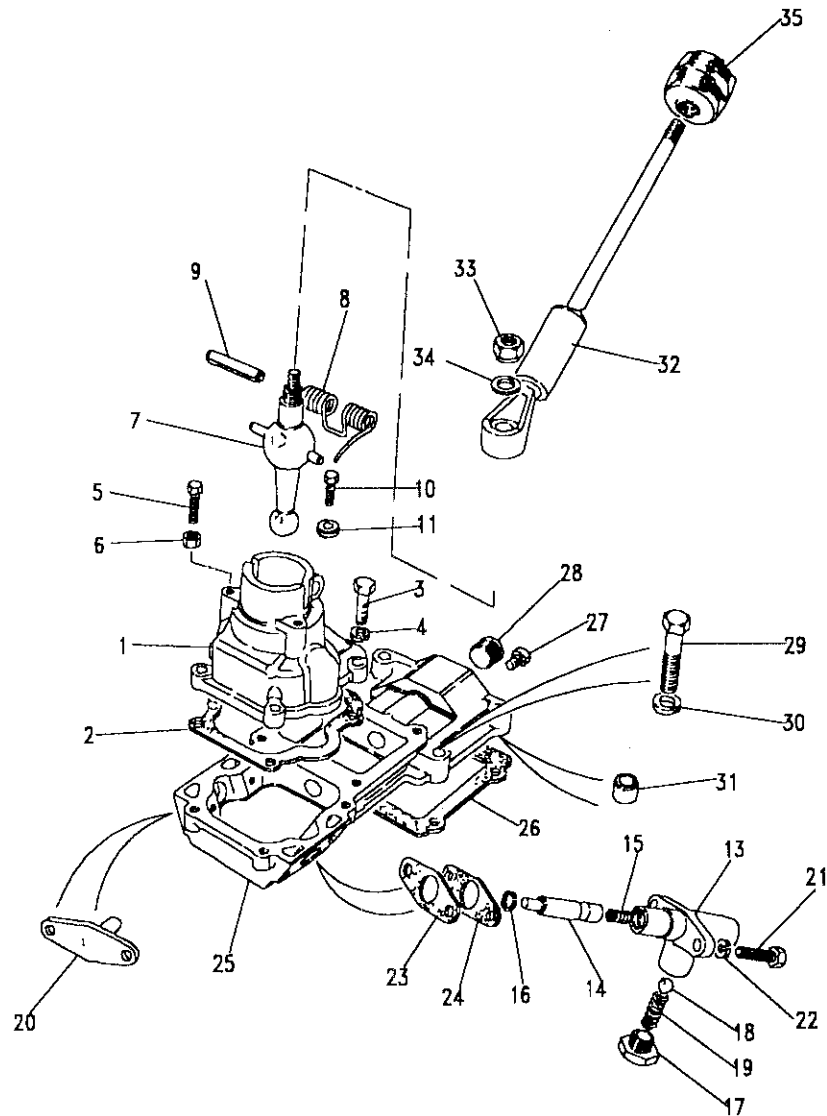
DEFENDER 110 1987 onwards

323

GEARBOX

Model DEFENDER 110 1987 onwards
Page AFCDKC1A

GEARBOX - GEAR LEVER - LT77/LT77S

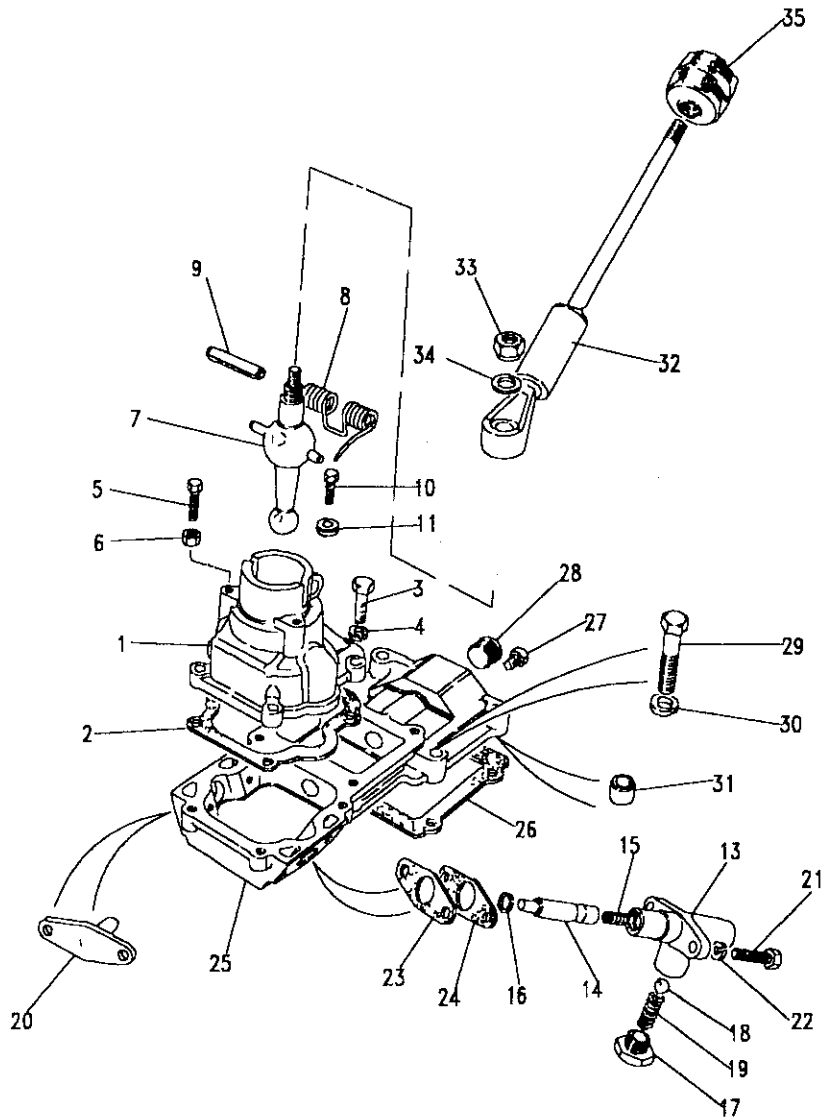


III. Part No.	Description	Qty	Remarks
1	FRC7155 Housing-gear lever	1	
2	FTC4510 Washer joint-housing	1	
3	FS108301L Bolt	4	
4	WL108001L Washer spring	4	
5	FS106201L Flange screw	2	
6	NH106041L Nut	2	
7	FRC8724 Gear lever lower	1	
	UKC3092 Pin-gear lever	2	
	22G1988L Plunger-lower gear lever	1	
	22G1989L Spring-lower gear lever	1	
8	FRC7414 Spring	1	
9	PA120801L Spring pin	1	
10	FS106161L Screw set	1	
11	FRC7886 Plate clamping	1	
12	FRC7160 Grommet	1	
13	AFU4173 Tie-securing grommet	1	
14	FRC6316 Housing-plunger unit	1	
15	FRC8119 Plunger reverse	1	
16	FRC6318 Spring plunger return	1	
17	FRC5596 Clip spring	1	
18	FRC8773 Locknut	1	
19	FRC8120 Plug	1	
20	571146 Ball detent	1	
21	571439 Spring detent	1	



Model DEFENDER 110 1987 onwards
Page AFCDKC1A

GEARBOX - GEAR LEVER - LT77/LT77S - CONTINUED



III. Part No.	Description	Qty	Remarks
20	FRC7313	1	Stop 5th gear assembly
21	SH108251L	4	Screw
22	WL108001L	4	Washer spring
23	FRC6317	A/R	Spacer-plunger housing
24	FRC7362	A/R	Spacer-plunger housing
25	FTC503	1	Housing gear change
	597586	1	Cup plug
	GS110501	1	Screw grub 5th speed
	FN110041L	1	Nut flanged
26	FRC4489	1	Washer joint
27	SH506031	1	Screw-blanking
28	608246	1	Plug-screw in type
29	FB108081L	3	Bolt flanged
	FB108111L	1	Bolt flanged
30	WL108001L	4	Washer-spring
31	FRC2626	2	Spring Pin
32	FRC7860	1	Gear lever RH steering
	FRC7493	1	Gear lever LH steering
33	NY110041L	1	Nut-gear lever assembly
34	WA110061L	1	Washer
35	FRC8722	1	Knob-gear lever

Note(1) When ordering FTC503 you will also require GS110501 and FN110041 these will replace FRC7313, the screw in plug 608246 is also replaced by cup plug 597586 which comes with FTC503.



DEFENDER 110 1987 onwards

325

GEARBOX

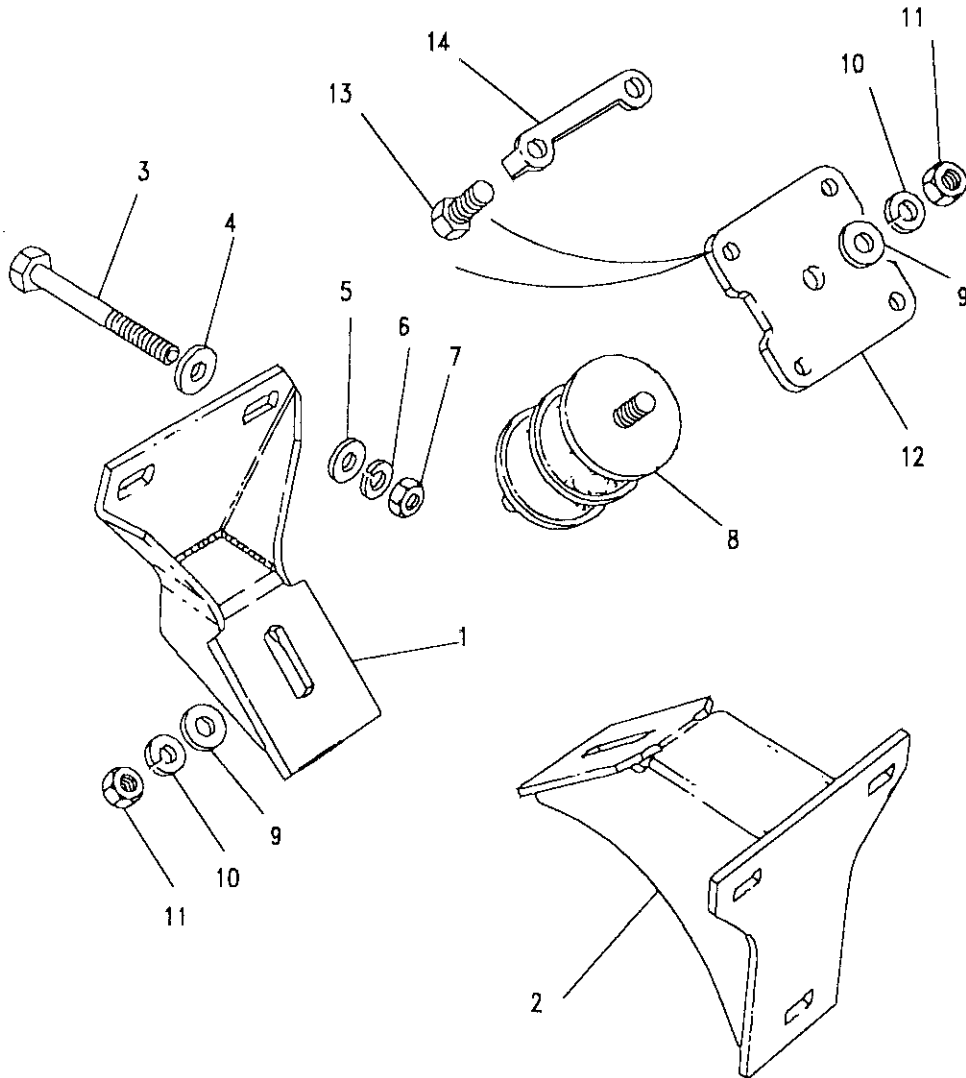
Model DEFENDER 110 1987 onwards
Page AFCDMA1A

GEARBOX - MOUNTINGS - LT77/LT77S

Ill. Part No.	Description	Qty	Remarks
1	NRC5742	1	Bracket mounting-RH
2	NRC5743	1	Bracket mounting-LH
3	BH108201L	6	Bolt
4	WP185L	6	Washer
5	WA108051L	6	Washer plain
6	WL108001L	6	Washer spring
7	NH108041L	6	Nut
8	NRC9560	2	Rubber mounting
9	WA110061L	4	Washer plain
10	WL110001L	4	Washer spring
11	NH110041L	4	Nut
12	NRC8204	2	Plate mounting
13	SH112201	8	Screw
14	NRC9561	4	Washer tab

Gearbox - Mountings - V8 with LT77S Gearbox

NTC9224	Bracket mounting-LH	1
SH112251L	Screw	4
WL112201L	Washer	4
NTC1201	Bracket mounting RR-RH	1
90575585	Bracket mounting RR-LH	1
NTC5900	Mounting circular	2
WA110061L	Washer	2
NY110041L	Nut	4
NRC8204	Plate mounting	1
SH112251L	Screw	4
WL112001L	Washer	4

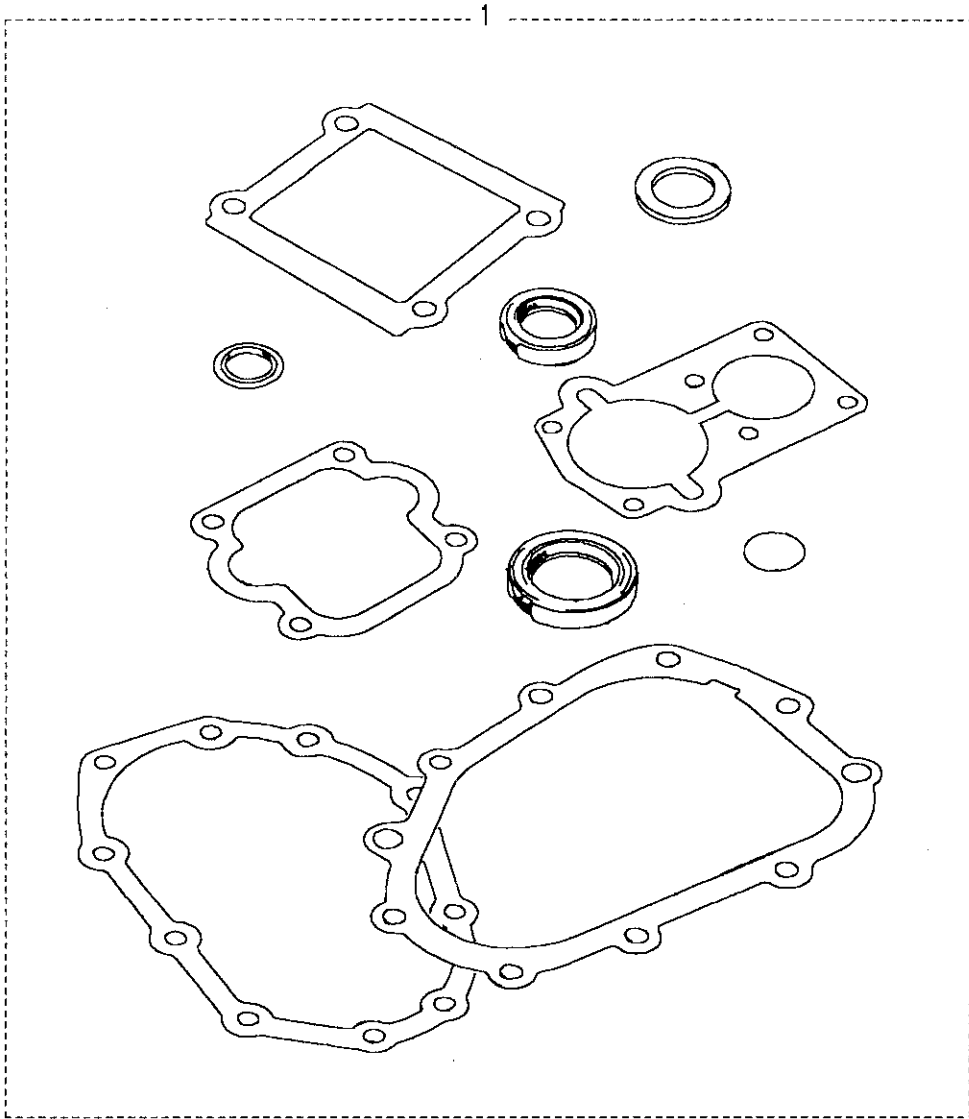




Model DEFENDER 110 1987 onwards
 Page AFCDMC1A

GEARBOX - GASKET KIT - LT77

III. Part No.	Description	Qty	Remarks
1 RTC6797	Kit-gasket and seal	1	
FTC4112	Washer copper	1	
TKC1229	Gasket-g/case to c/plate	1	
TKC1235	Gasket-c/plate to extrn	1	
FRC4810	Washer joint-plug	1	
FRC2365	Seal oil-extension case	1	
FRC4501	'O'ring	1	
UKC1060	Seal oil-front cover	1	
FRC4873	Gasket-f/cover to g/case	1	Upto Suffix D
FTC316	Gasket-f/cover to g/case	1	From Suffix E
FTC4510	Washer joint	1	
FRC4489	Washer joint	1	





MASTER INDEX

	PAGES	GROUP C
INTRODUCTION PAGES	1 - 7	
ALPHABETICAL INDEX	8 - 16	GEARBOX
ENGINE	17 - 66	
ENGINE	67 - 119	
ENGINE	120 - 166	
ENGINE	167 - 209	
ENGINE	210 - 245	
ENGINE	246 - 299	
GEARBOX	300 - 326	
GEARBOX	327 - 344	
GEARBOX	345 - 359	
TRANSFER BOX	360 - 378	
TRANSFER BOX	379 - 397	
AXLES AND SUSPENSION	398 - 444	
STEERING	445 - 471	
VEHICLE AND ENGINE CONTROLS	472 - 486	
BRAKES	487 - 517	
FUEL SYSTEM AND AIR CLEANER	518 - 579	
EXHAUST SYSTEM	580 - 593	
COOLING/HEATING	594 - 637	
COOLING/HEATING	638 - 641	
COOLING/HEATING	642 - 649	
COOLING/HEATING	650 - 655	
COOLING/HEATING	656 - 666	
BODY ELECTRICAL	667 - 740	
BODY AND CHASSIS	741 - 909	
INTERIOR TRIM	910 - 955	
SEATS	956 - 1036	
STOWAGE	1037 - 1046	
ACCESSORIES - PAINTS	1047 - 1074	
NUMERICAL INDEX	1076 - 1151	
		GEARBOX
		5 SPEED - MANUAL
		CLUTCH RELEASE MECHANISM - 4CYL PETROL R380
		CLUTCH RELEASE MECHANISM - TDI
		CLUTCH RELEASE MECHANISM - V8
		GEARCASE - MANUAL R380
		BELL HOUSING - MANUAL R380
		GEARCASE - MANUAL V8 R380
		EXTENSION CASE - MANUAL R380
		MAINSHAFT - MANUAL R380
		MAINSHAFT GEARS - MANUAL R380
		LAYSHAFT - MANUAL R380
		SELECTORS AND SHAFTS - MANUAL R380
		GEAR LEVER - MANUAL R380





Model DEFENDER 110 1987 onwards

Page AFCFAA1A

GEARBOX - 5 SPEED - MANUAL

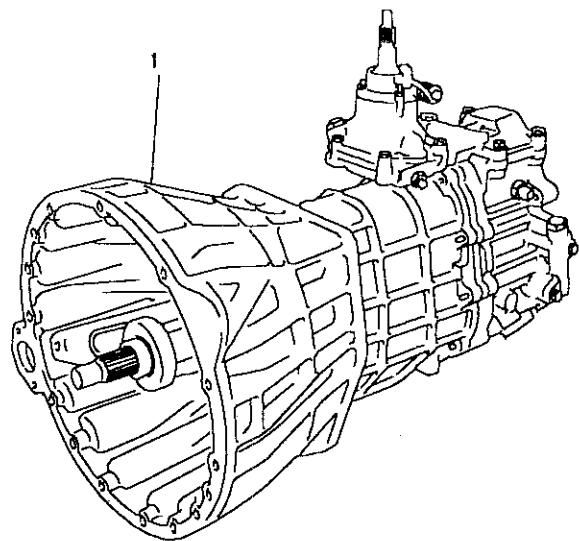
III. Part No.	Description	Qty	Remarks
STC1546N	Gearbox assembly TDI	1	Note(1)
STC1547N	Gearbox assembly V8	1	Note(2)
STC1548N	Gearbox assy V8 Cooled	1	Note(3)
STC1549N	Gearbox assy 4 cyl P/D	1	Note(4)

Note(1) Prefix 56A, suffix J

Note(2) Prefix 60A, suffix J

Note(3) Prefix 61A, suffix J

Note(4) Prefix 50A, suffix J





DEFENDER 110 1987 onwards

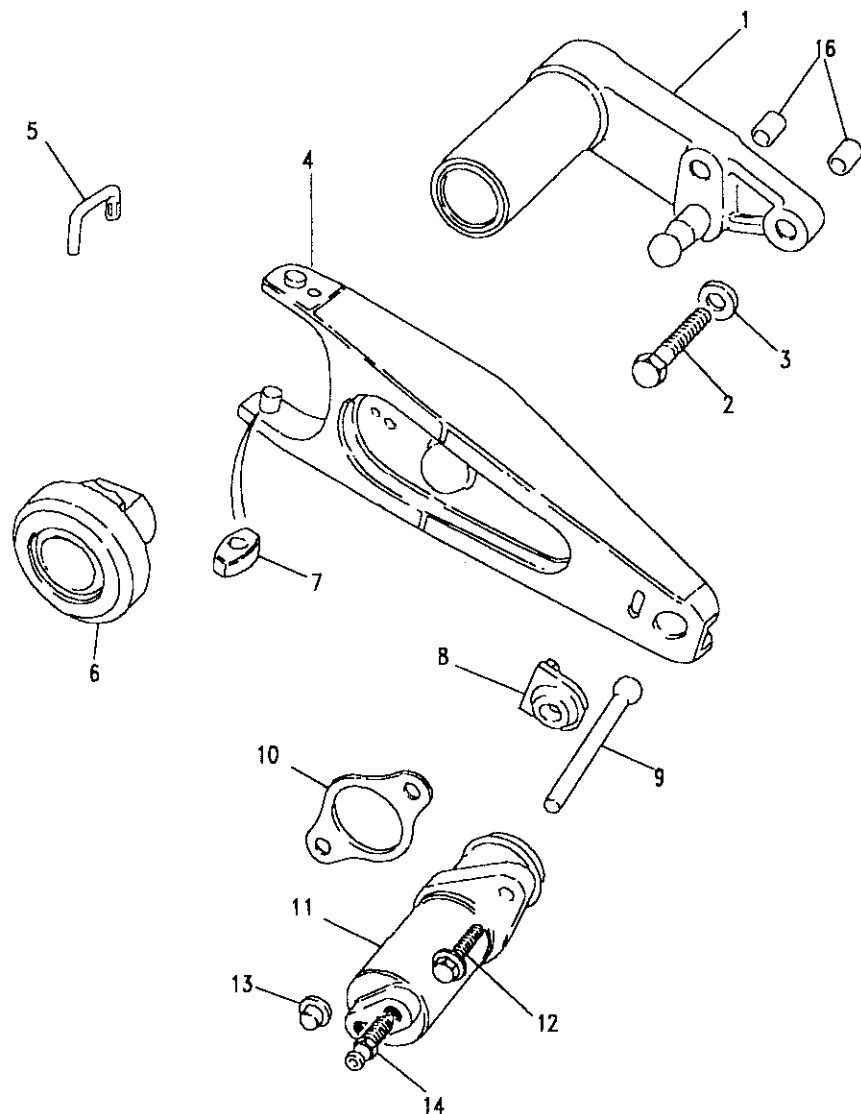
329

GEARBOX

Model DEFENDER 110 1987 onwards

Page AFCFCA1A

GEARBOX - CLUTCH RELEASE MECHANISM - 4CYL PETROL R380



III. Part No.	Description	Qty	Remarks
1	FTC4177	1	Bearing clutch
2	FTC4173	1	Lever clutch release
3	FRC5255	2	Slipper pad clutch
4	FTC4174	1	Pivot plate
5	FB108061	2	Bolt
6	FRC3416	1	Staple
7	FRC8531	1	Slave cylinder clutch
8	FS108251	2	Flange screw
9	FTC4229	1	Push rod slave cylinder
10	FRC3327	1	Clip
11	NRC7441	1	Bracket jump hose

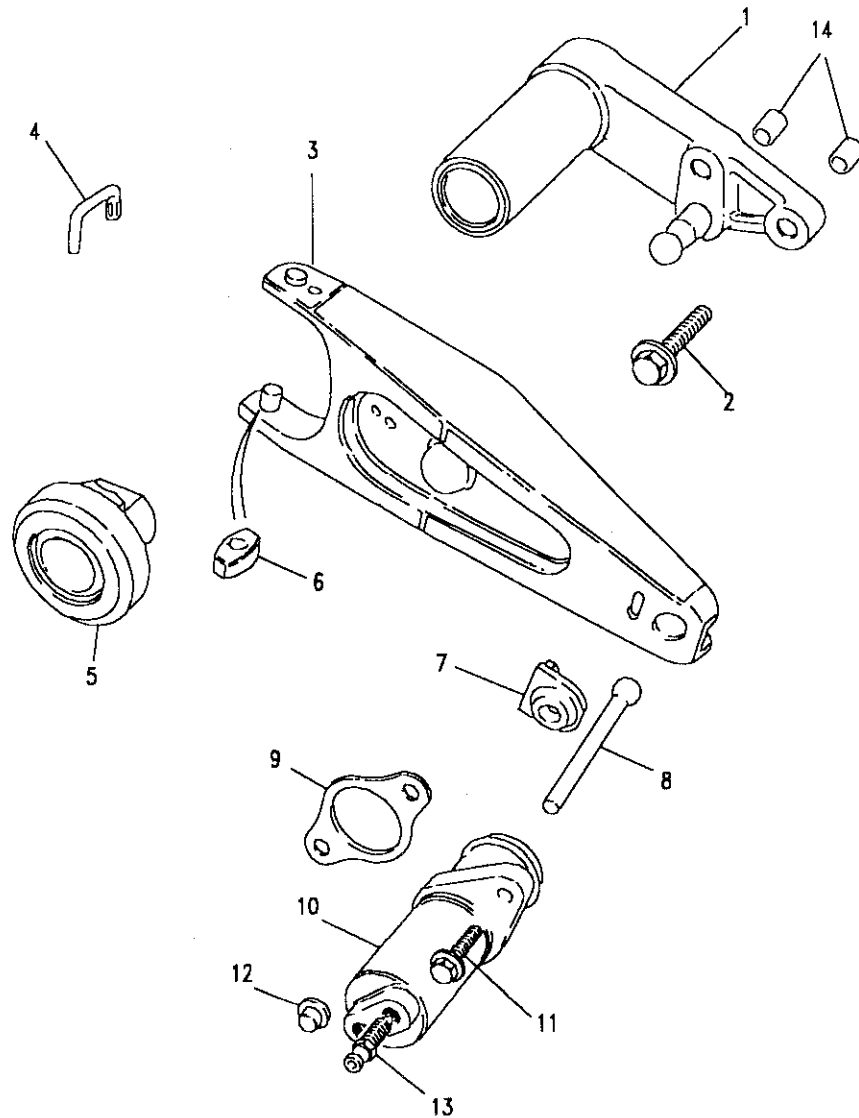




Model DEFENDER 110 1987 onwards
Page AFCFCA2A

GEARBOX - CLUTCH RELEASE MECHANISM - TDI

III. Part No.	Description	Qty	Remarks
1	FTC1271	1	Guide release bearing
2	FB108101	2	Flange bolt
3	FTC2957	1	Lever clutch release
4	FRC3416	1	Staple
5	FRC9568	1	Bearing clutch
6	FRC5255	2	Slipper pad clutch
7	FRC3327	1	Clip
8	FTC3912	1	Push rod clutch
9	FRC2402	1	Backing plate
10	FTC3911	1	Slave cylinder clutch
11	FB108161L	2	Flange bolt
12	594091	1	Dust cap
13	606733	1	Bleed screw
14	FRC2481	2	Dowel guide





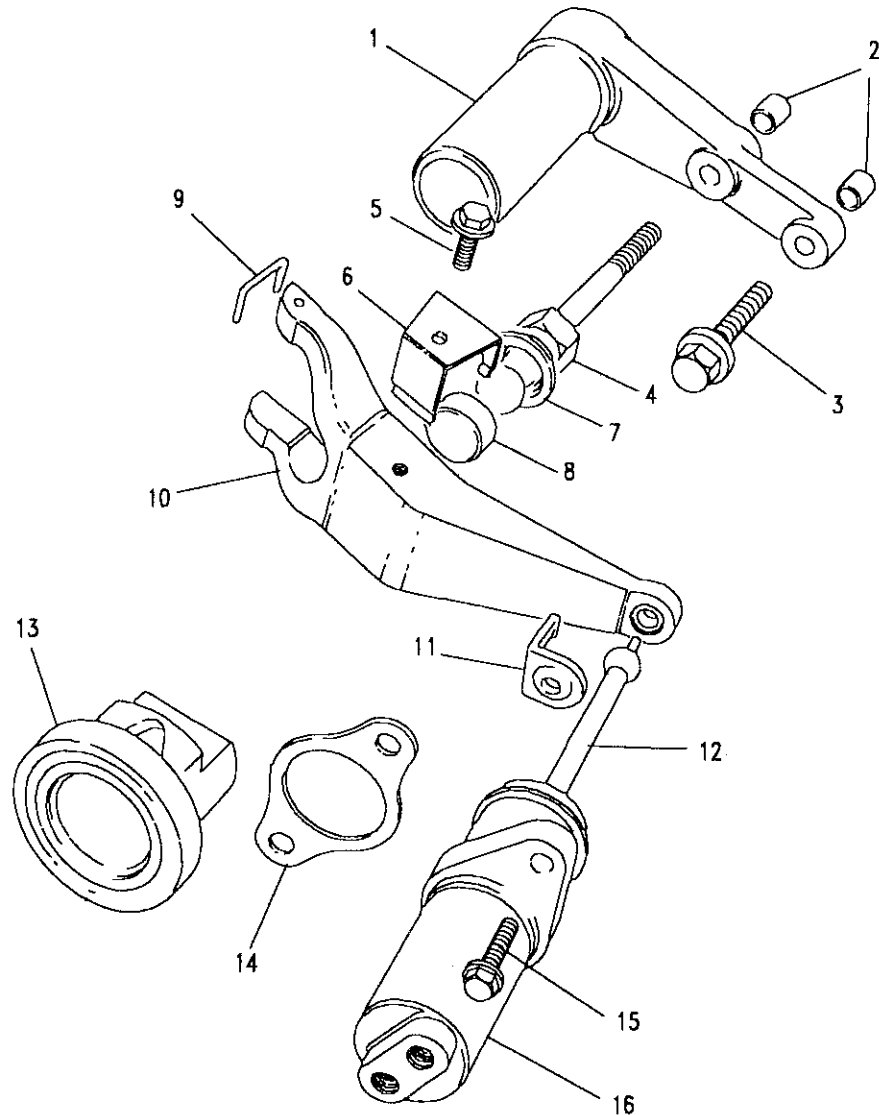
DEFENDER 110 1987 onwards

331

GEARBOX

Model DEFENDER 110 1987 onwards
Page AFCFCA3A

GEARBOX - CLUTCH RELEASE MECHANISM - V8



III. Part No.	Description	Qty	Remarks
1 FRC4803	Guide release bearing	1	
2 FRC2481	Dowel guide	2	
3 FB108101	Flange bolt	1	
4 FRC2528	Pivot clutch release	1	
5 FS106101L	Flange screw	1	
6 571163	Clip	1	
7 FRC2975	Cap clutch release lever	1	
8 571161	Insert	1	
9 576203	Staple	1	
10 576137	Lever clutch release	1	
11 576723	Clip	1	
12 571160	Push rod clutch	1	
13 FRC9568	Bearing clutch	1	
14 FRC2402	Backing plate	1	
15 FS108251	Flange screw	2	
16 UKC8677L	Slave cylinder clutch	1	
BHM7063L	Repair kit slave cylinder	1	





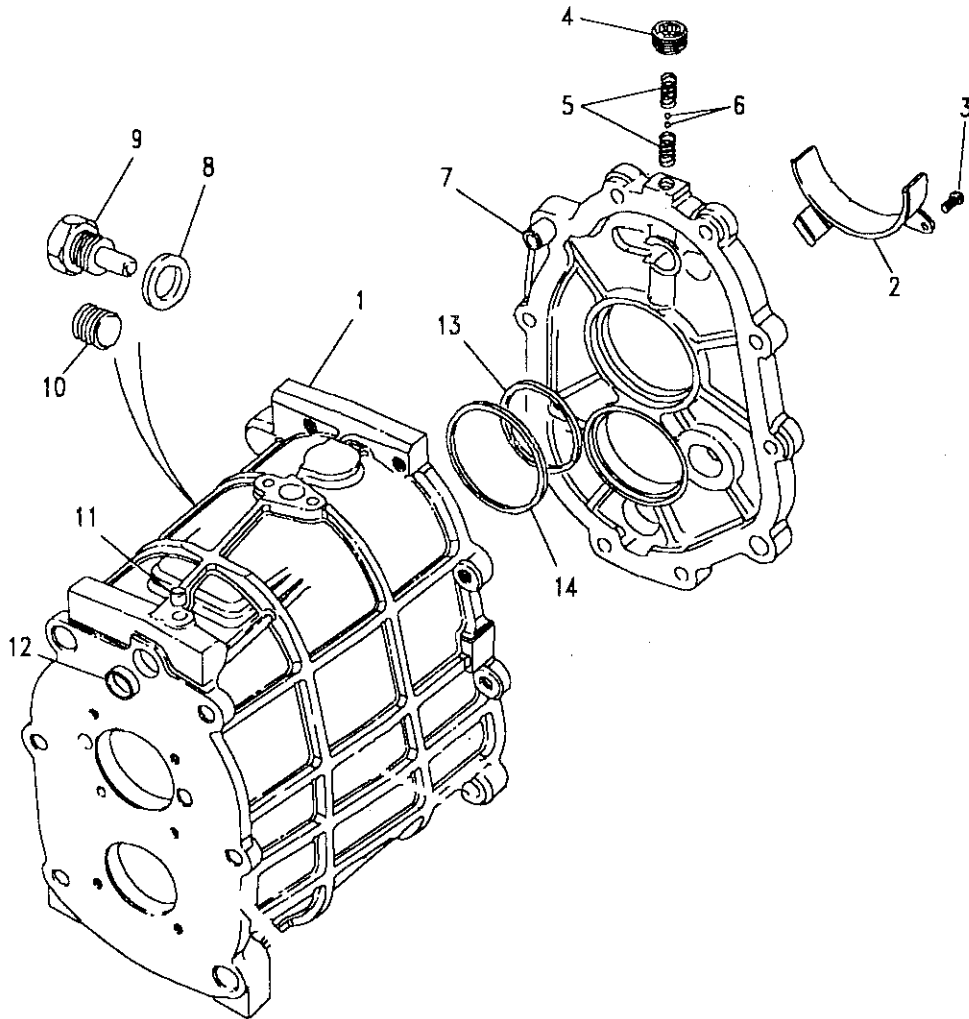
Model DEFENDER 110 1987 onwards
Page AFCFEA1A

GEARBOX - GEARCASE - MANUAL R380

III. Part No.	Description	Qty	Remarks
1	FTC3848 Gearcase	1	
2	FTC4131 Baffle plate	1	
3	FS106161ML Screw flanged	2	
4	FTC4108 Plug screw	1	
5	FTC3382 Spring detent	2	
6	BLS112L Spring detent	2	
7	UKC170L Dowel	2	
8	FRC6145 Plug magnetic	1	
9	FTC4112 Washer copper	1	
10	FTC4056 Plug drain	1	
11	FRC9803 Core plug	1	
12	UKC30L Core plug	1	

Selective Spacer - Mainshaft in Centre Plate

13	FTC3739	1.740/1.715	A/R
	FTC3741	1.790/1.765	A/R
	FTC3743	1.840/1.815	A/R
	FTC3745	1.890/1.865	A/R
	FTC3747	1.940/1.915	A/R
	FTC3749	1.990/1.965	A/R
	FTC3751	2.040/2.015	A/R
	FTC3753	2.090/2.065	A/R
	FTC3755	2.140/2.115	A/R
	FTC3757	2.190/2.165	A/R
	FTC3759	2.240/2.215	A/R
	FTC3761	2.290/2.265	A/R





DEFENDER 110 1987 onwards

333

GEARBOX

Model DEFENDER 110 1987 onwards

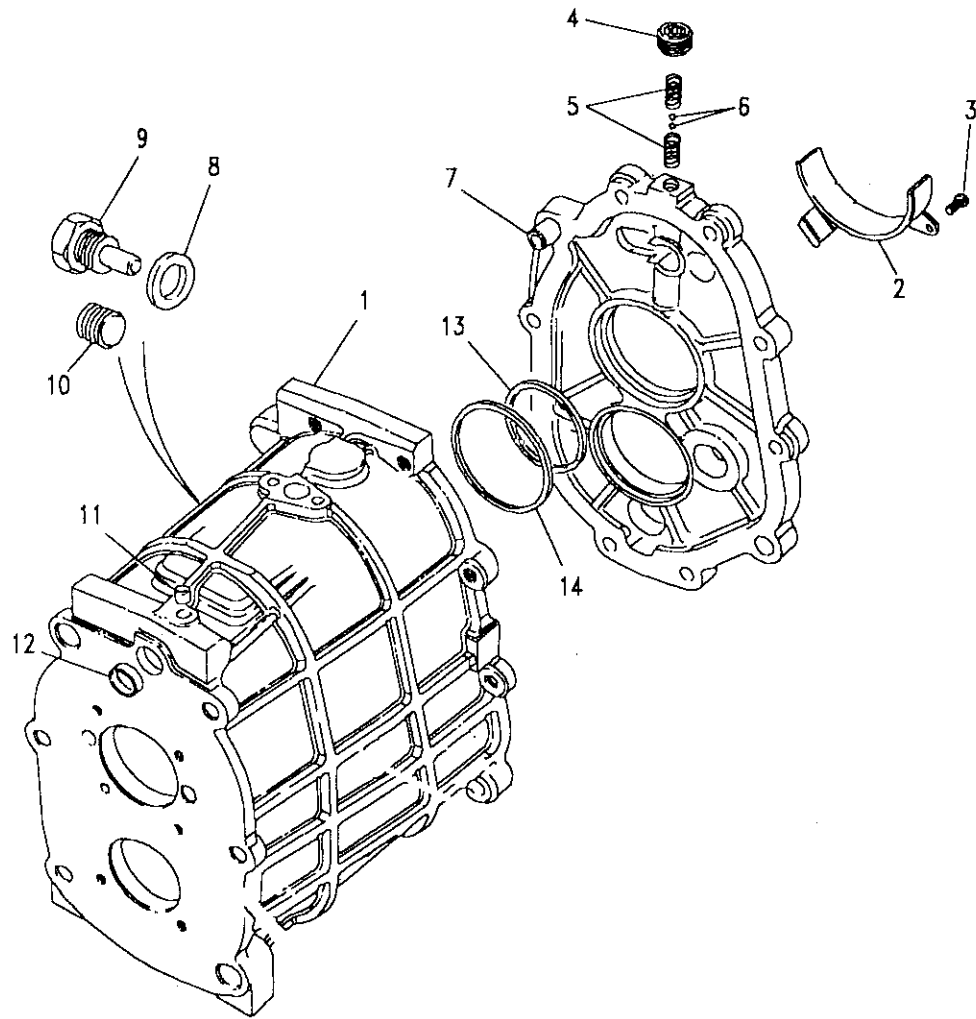
Page AFCFEA1A

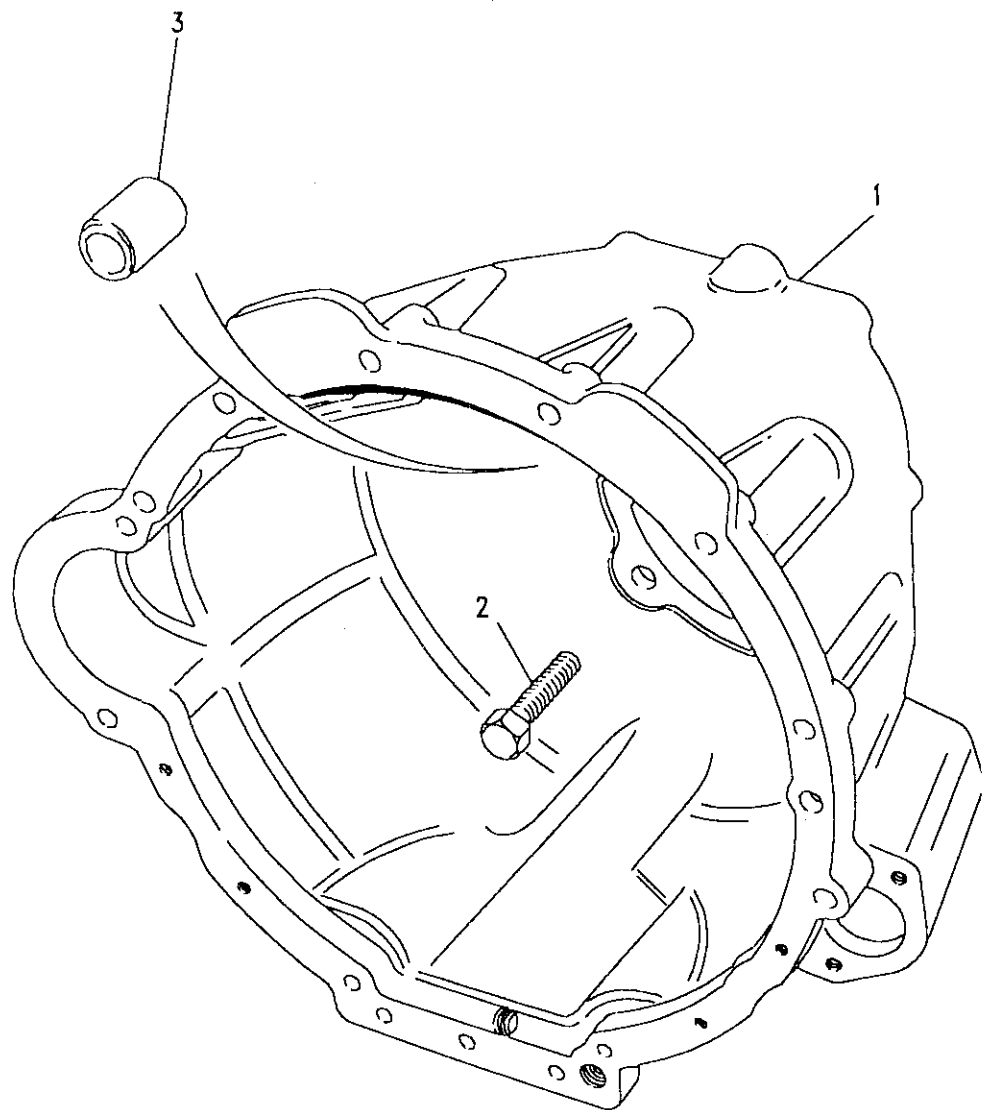
GEARBOX - GEARCASE - MANUAL R380

III. Part No.	Description	Qty	Remarks
FTC3763	2.340/2.315	A/R	
FTC3765	2.390/2.365	A/R	
FTC3767	2.440/2.415	A/R	
FTC3769	2.490/2.465	A/R	
FTC3771	2.540/2.515	A/R	
FTC3773	2.590/2.565	A/R	
FTC3775	2.640/2.615	A/R	
FTC3777	2.690/2.665	A/R	
FTC3779	2.740/2.715	A/R	
FTC3781	2.790/2.765	A/R	
FTC3783	2.840/2.815	A/R	
FTC3785	2.890/2.865	A/R	
FTC3787	2.940/2.915	A/R	

Selective Spacer - Layshaft in Centre Plate

14	FTC4296	1.477/1.452	A/R
	FTC4298	1.527/1.502	A/R
	FTC4300	1.577/1.552	A/R
	FTC4302	1.627/1.602	A/R
	FTC4304	1.677/1.652	A/R
	FTC4306	1.727/1.702	A/R
	FTC4308	1.777/1.752	A/R
	FTC4310	1.827/1.802	A/R
	FTC4312	1.877/1.852	A/R
	FTC4314	1.927/1.902	A/R
	FTC4316	1.977/1.952	A/R
	FTC4318	2.027/2.002	A/R
	FTC4320	2.077/2.052	A/R
	FTC4322	2.127/2.102	A/R
	FTC4324	2.177/2.152	A/R
	FTC4326	2.227/2.202	A/R





Model DEFENDER 110 1987 onwards
Page AFCFEA2A

GEARBOX - BELL HOUSING - MANUAL R380

Ill. Part No.	Description	Qty	Remarks
1	FTC3921	1	TDI
	FTC3922	1	V8
	FTC4018	1	4Cyl petrol
	FRC6110	1	Plug
2	FS112401	6	Screw
3	UKC25L	2	Dowel

Fixings - Gearbox to Engine - TDI

BH110221L	Bolt	4
FN110041	Nut flanged	9
SH108141L	Screw	1
WA110061	Washer plain	4
571134	Dowel	2
622324	Clip breather	1

Fixings - Gearbox to Engine - V8

BH506161L	Bolt	8
PRC2978	Bracket mounting	1
586440	Clip cable	1
NH105041L	Nut	1
SH105161L	Screw	1
WA105001L	Washer plain	2
WL105001L	Washer spring	1

Fixings - Gearbox to Engine - 4 Cylinder Petrol

FN110041	Nut flanged	11
----------	-------------	----





DEFENDER 110 1987 onwards

335

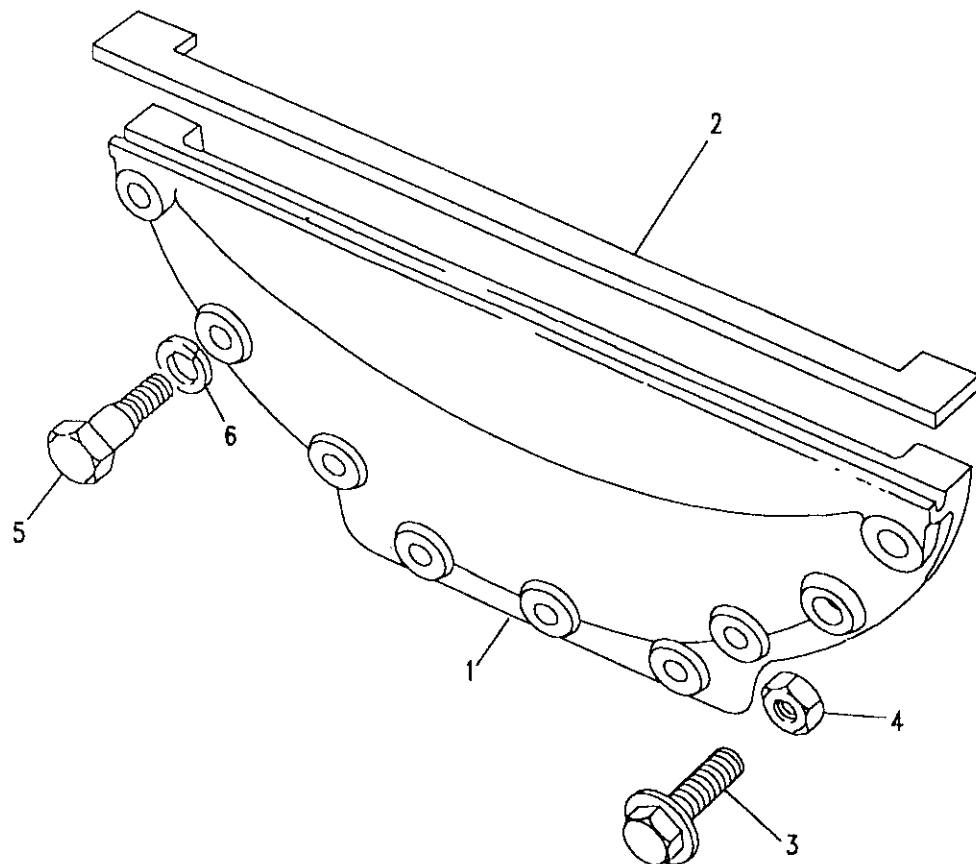
GEARBOX

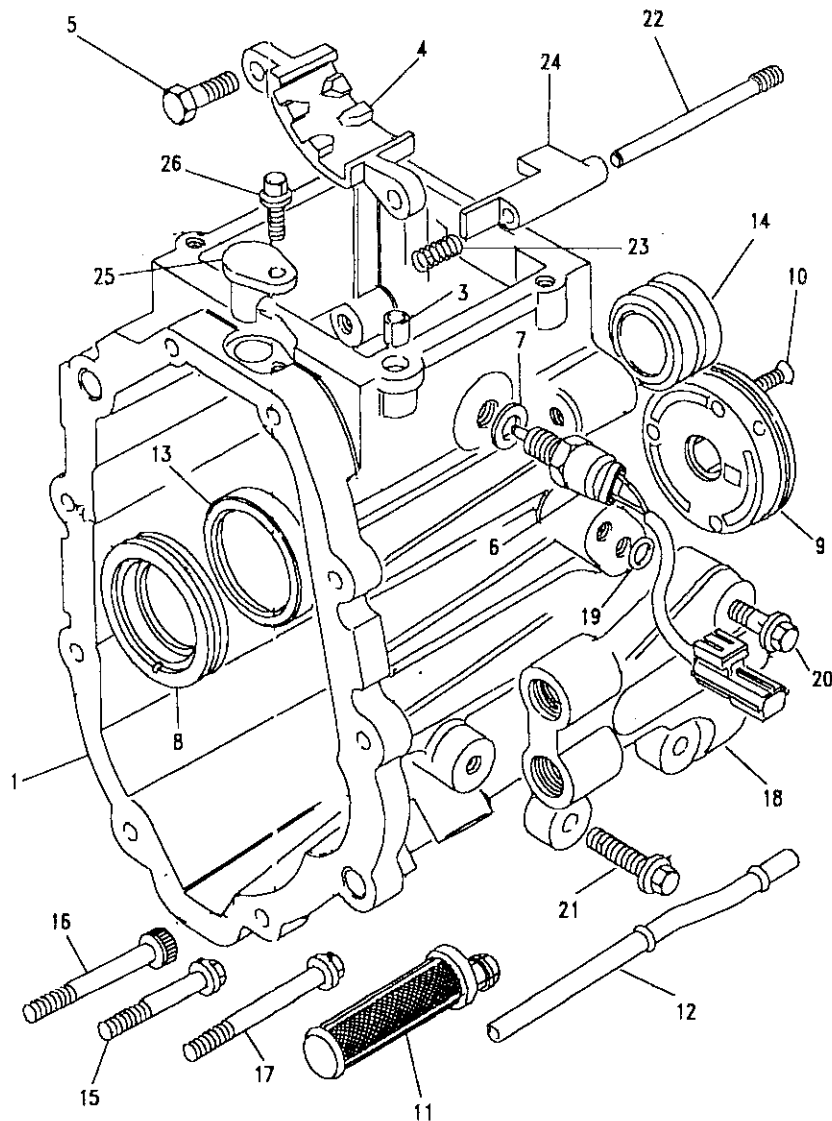
Model DEFENDER 110 1987 onwards

Page AFCFEA3A

GEARBOX - GEARCASE - MANUAL V8 R380

III. Part No.	Description	Qty	Remarks
1	FRC2859	1	Cover bottom
2	594087	1	Seal bottom cover
3	FS106251	2	Screw flanged
4	SH106351L	5	Screw
5	FN106041	5	Nut flanged
5	594134	2	Bolt
6	WL108001L	2	Washer spring





Model DEFENDER 110 1987 onwards

Page AFCFGA1A

GEARBOX - EXTENSION CASE - MANUAL R380

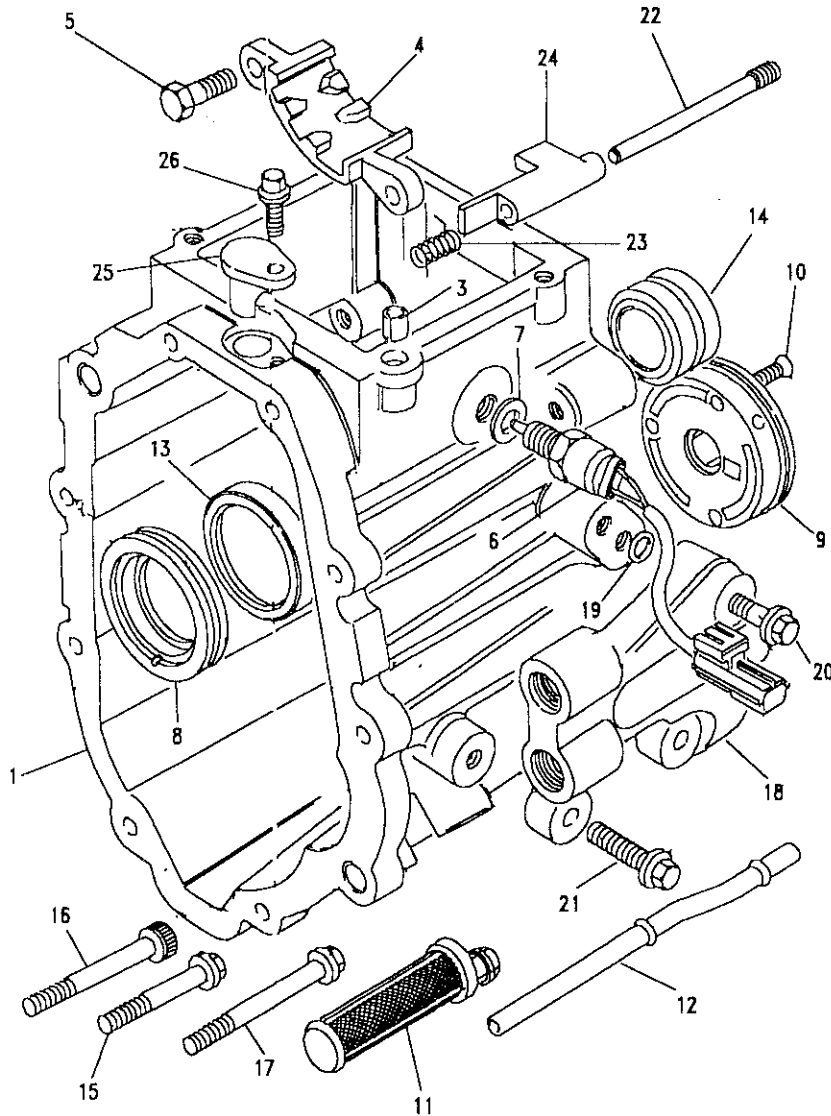
III. Part No.	Description	Qty	Remarks	
1	FTC4241	1	Extension case assembly	
2	LYQ100050	1	Plug blanking	
3	FRC2626	2	Pin spring	
4	FTC2392	1	Gateplate gear selector	
5	FS108251	2	Screw flanged	
6	CDU51	1	Switch reverse light	
7	232042	1	Washer joint	
8	AMR3859	1	Cable assy rev light swch	
9	FTC3701	1	Ring oil feed	
10	FTC4206	1	Pump oil	
11	FTC4449	3	Screw	
12	FRC7855	1	Oil filter	
13	FTC3387	1	Pipe oil inlet	
14	FTC2383	1	Oil seal gearbox	
15	FTC4021	1	Collar oil seal	
16	FB108111	6	Flange bolt	
17	FB108171	2	Flange bolt	
18	SS108701S	2	Screw	
19	FTC4053	1	Oil block extn case	TDI & 4Cyl P
	FTC2104	1	Housing thermostat	V8 Basic
	FTC2687	1	Housing thermostat	V8 Cooled
	FTC1441	2	O ring	



DEFENDER 110 1987 onwards

337

GEARBOX



Model DEFENDER 110 1987 onwards
Page AFCFGA1A

GEARBOX - EXTENSION CASE - MANUAL R380

III. Part No.	Description	Qty	Remarks
20	FB108081	2	TDI
	FB108081	2	4 Cyl Petrol
	FB108081	2	V8 Basic
	FB108081	1	V8 Cooled
21	FS108301L	2	V8 Cooled
22	FTC3711	1	
23	FTC4483	1	
24	FTC3713	1	
25	FTC3587	1	
26	FS106161M	1	
27	PRC8873	1	V8 Basic
28	232042	1	V8 Basic
29	FRC9428	1	4cyl petrol
	FRC9430	1	V8 & TDI





DEFENDER 110 1987 onwards

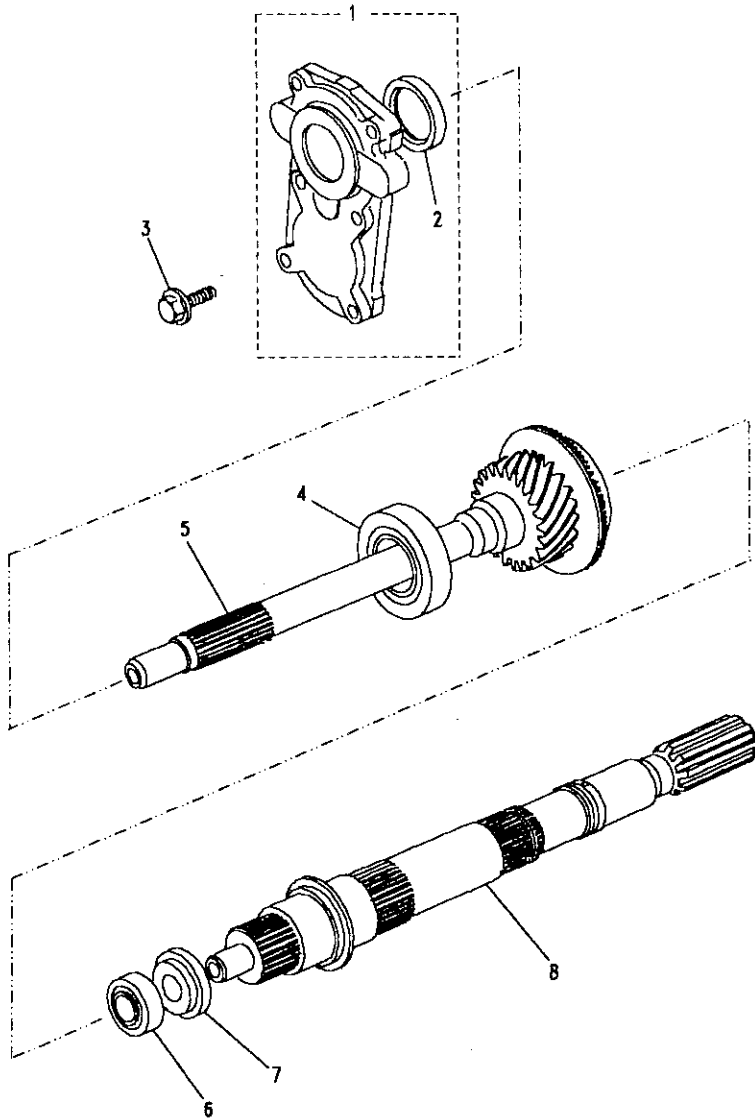
338

GEARBOX

Model DEFENDER 110 1987 onwards
Page AFCFIA1A

GEARBOX - MAINSHAFT - MANUAL R380

III. Part No.	Description	Qty	Remarks
1	FTC4238	1	4 Cyl Petrol
	FTC3696	1	TDI & V8
2	UKC1060L	1	
3	FS108251M	6	
4	STC1628	1	
5	FTC3366	1	
	FTC3927	1	
	FTC3928	1	
6	UKC8L	1	
7	FTC2737	1	
8	FTC3703	1	





DEFENDER 110 1987 onwards

339

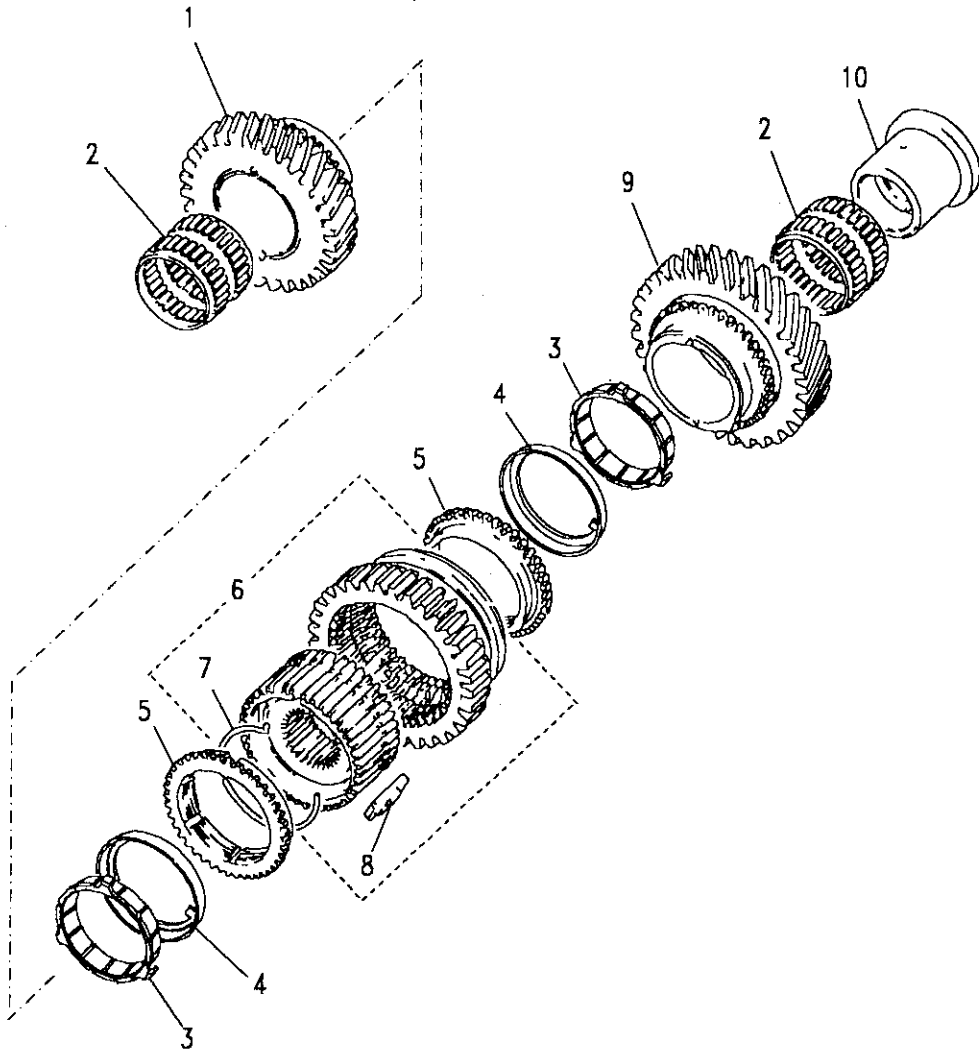
GEARBOX

Model DEFENDER 110 1987 onwards

Page AFCFIC1A

GEARBOX - MAINSHAFT GEARS. - MANUAL R380

Ill. Part No.	Description	Qty	Remarks
1st and 2nd gears			
1	FTC2714 Gear 2nd speed	1	
2	FTC1311 Bearing	2	
3	FTC2397 Ring synchro inner	2	
4	FTC2396 Ring synchro middle	2	
5	FTC3584 Ring baulk gearbox	2	
6	FTC2733 Synchro assembly	1	
7	FTC4172 Spring synchro	2	
8	FTC4171 Plate shifting synchro	3	
9	FTC2948 Gear 1st speed	1	TDI & V8
	FTC2716 Gear 1st speed	1	4 Cyl Petrol
10	FTC2005 Bush	1	

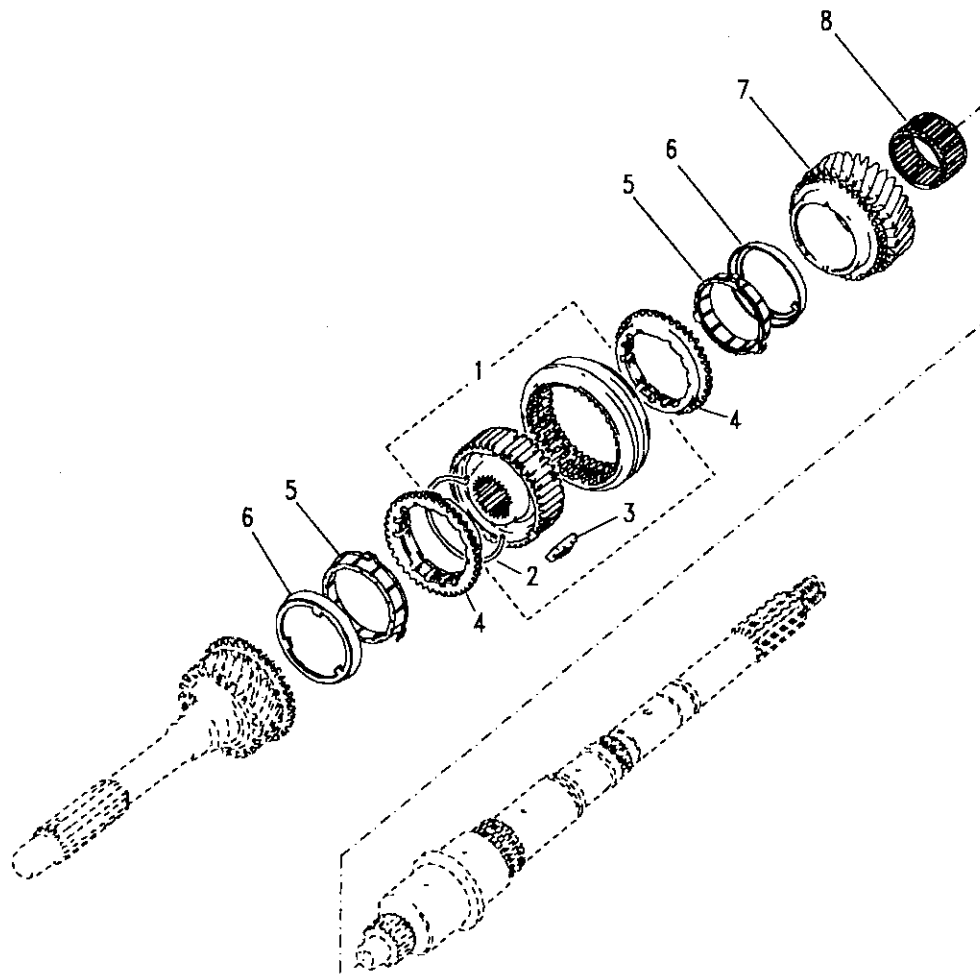


Model DEFENDER 110 1987 onwards

Page AFCFIC2A

GEARBOX - MAINSHAFT GEARS - MANUAL R380

III. Part No.	Description	Qty	Remarks
3rd & 4th gears			
1	FTC2887	1	Synchro assembly
2	FTC4172	2	Spring synchro
3	FTC4171	3	Plate shifting synchro
4	FTC3584	2	Ring baulk gearbox
5	FTC2396	2	Ring baulk middle
6	FTC2397	2	Ring baulk inner
7	FTC2712	1	Gear 3rd speed
8	FTC1311	1	Bearing





DEFENDER 110 1987 onwards

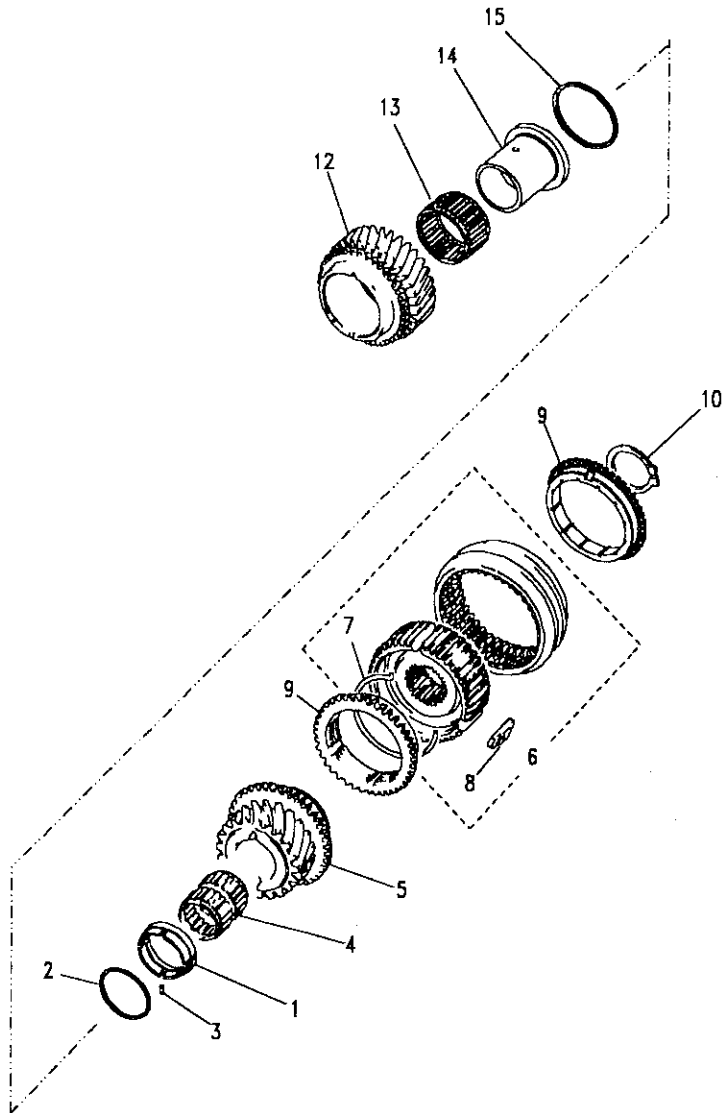
341

GEARBOX

Model DEFENDER 110 1987 onwards
Page AFCFIC3A

GEARBOX - MAINSHAFT GEARS - MANUAL R380

III. Part No.	Description	Qty	Remarks
5th gear			
1	FTC3699	1	Washer thrust
2	FTC3700	1	Ring retainer
3	PA108101L	1	Spring pin
4	FRC5280	1	Bearing needle
5	FTC2946	1	Gear 5th speed
6	FTC2727	1	Synchro assembly
7	FTC4245	2	Spring synchro
8	FTC4171	3	Plate shifting
9	FTC2731	2	Ring baulk gearbox
10	FTC3697	1	Circlip
11	FTC3371	1	Bearing
Reverse gear			
12	FTC4242	1	Gear reverse
13	FTC1311	1	Bearing
14	FTC2005	1	Bush
Selective spacer - Reverse bush			
15	FTC3951	A/R	2.475/2.450
	FTC3953	A/R	2.425/2.400
	FTC3955	A/R	2.375/2.350
	FTC3957	A/R	2.325/2.300
	FTC3959	A/R	2.275/2.250
	FTC3961	A/R	2.225/2.200
	FTC3963	A/R	2.175/2.150
	FTC3965	A/R	2.125/2.100
	FTC3967	A/R	2.075/2.050
	FTC3969	A/R	2.025/2.000





DEFENDER 110 1987 onwards

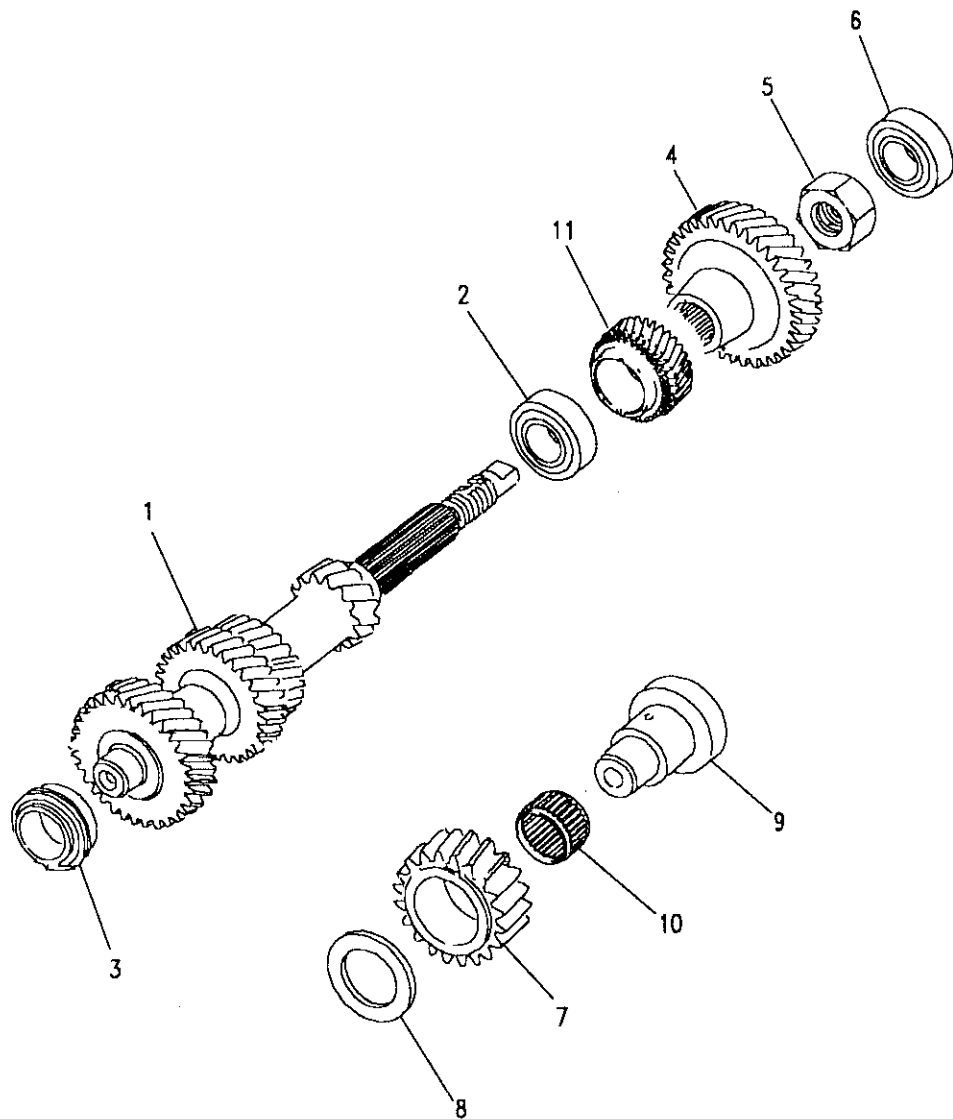
342

GEARBOX

Model DEFENDER 110 1987 onwards
Page AFCFIE1A

GEARBOX - LAYSHAFT - MANUAL R380

III. Part No.	Description	Qty	Remarks
1	FTC2941	1	TDI & V8
	FTC2974	1	4 Cyl Petrol
2	FTC317	1	
3	FTC248	1	
4	FTC2945	1	
5	EJP7738	1	
6	FTC2385	1	
7	FTC2725	1	
8	FTC3847	1	
9	FTC3850	1	
10	FTC2582	1	
11	FTC3391	1	

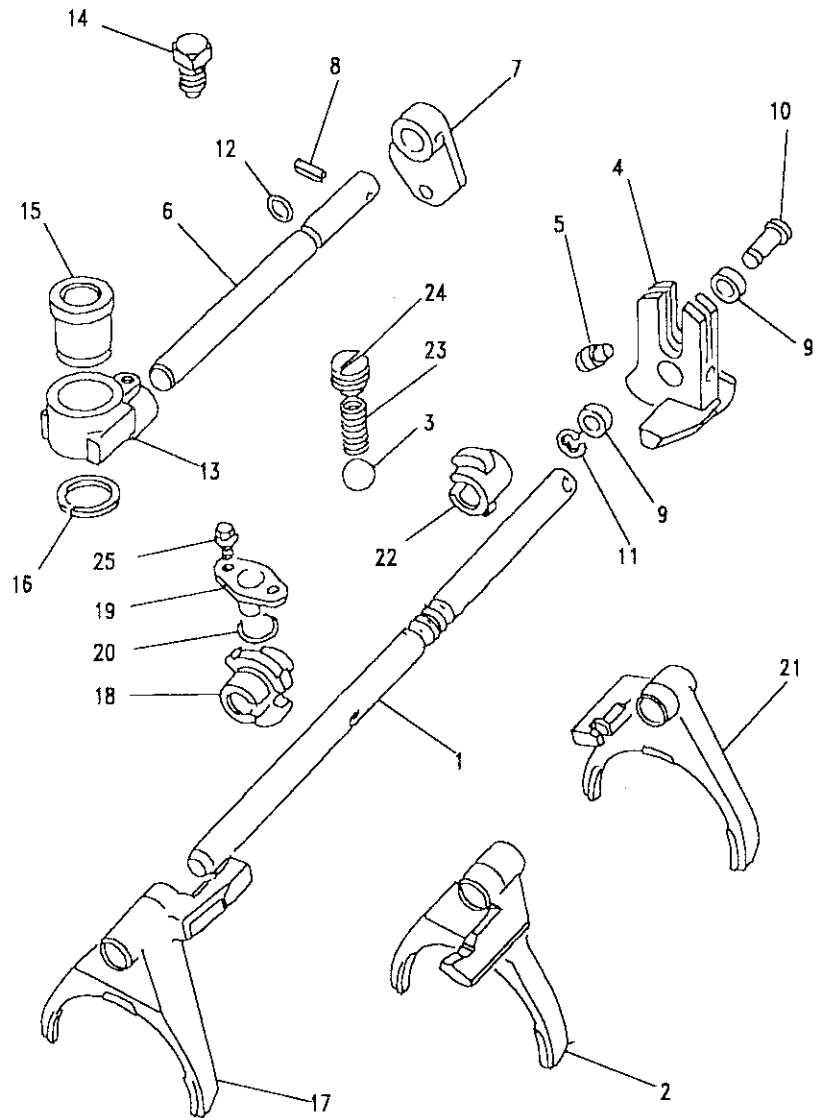




DEFENDER 110 1987 onwards

343

GEARBOX



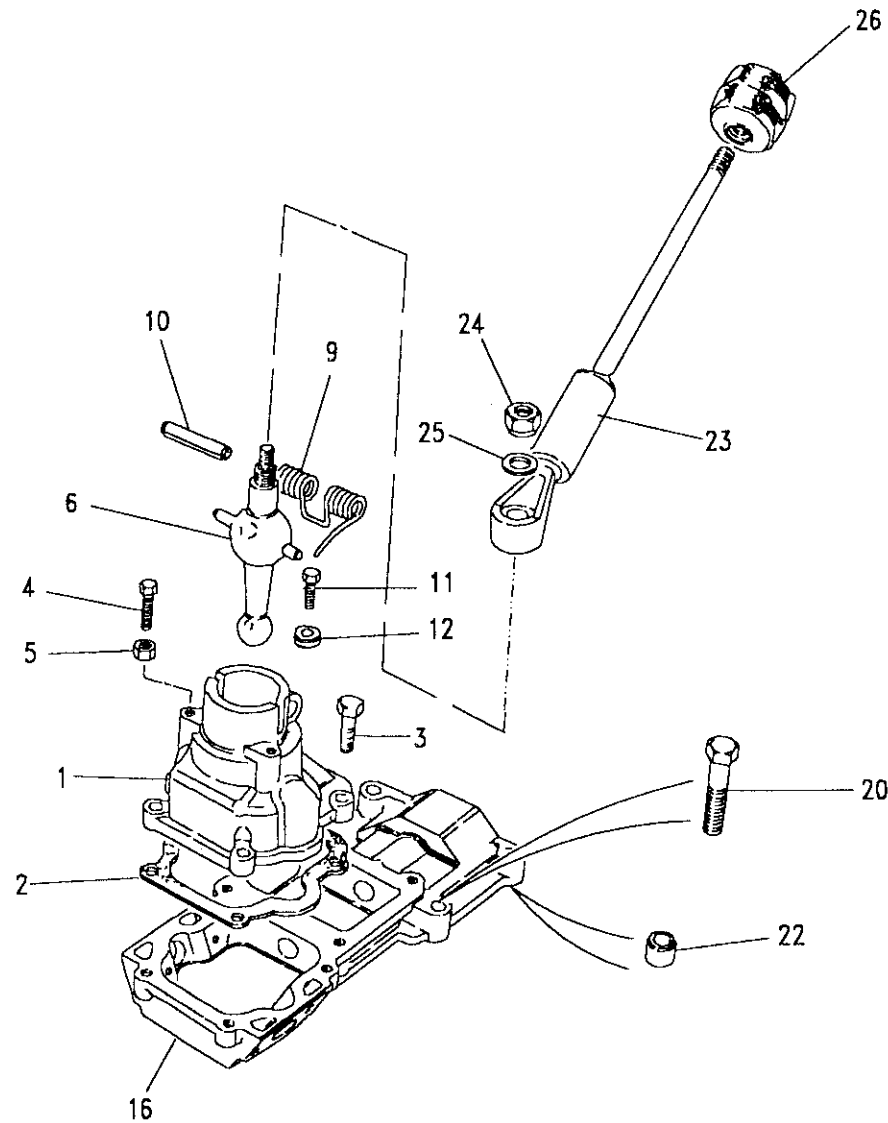
Model DEFENDER 110 1987 onwards

Page AFCFKA1A

GEARBOX - SELECTORS AND SHAFTS - MANUAL R380

III. Part No.	Description	Qty	Remarks
1	FTC3361	1	Selector shaft
2	FTC3581	1	Fork selector 1st/2nd
3	BLS112L	2	Ball detent 3/8
4	FTC4113	1	Quadrant
5	FTC1488	1	Spring pin
6	FRC7334	1	Select shaft
7	FRC7333	1	Quadrant
8	FRC7335	1	Spring pin
9	FRC4435	1	Roller quadrant shaft
10	FRC4434	1	Shaft quadrant roller
11	CR120105L	1	Circlip quadrant shaft
12	FRC4951	1	O ring
13	FRC5864	1	Yoke shaft
14	FTC4536	1	Grub screw
15	FRC5859	1	Seat ball end
16	CR120335L	1	Circlip
17	FTC3582	1	Fork selector 3rd/4th
18	FTC3370	1	Interlock spool
19	FRC8239	1	Plate assembly
20	FRC8170	1	O ring
21	FTC3583	1	Fork selector 5th
22	FTC2885	1	Interlock spool
23	FTC3382	2	Spring detent
24	FTC4108	1	Plug screw
25	SH106161M	2	Screw flanged





Model DEFENDER 110 1987 onwards
 Page AFCFKC1A

GEARBOX - GEAR LEVER - MANUAL R380

III. Part No.	Description	Qty	Remarks
1	FRC7155	1	Housing gear lever
2	FTC4510	1	Joint washer housing
3	FS108251L	4	Screw flanged
4	FS106201L	2	Flange screw
5	NH106041L	2	Nut
6	FRC8724	1	Gear lever lower
7	22G1988L	1	Plunger
8	22G1989L	1	Plunger
9	FRC7414	1	Torsion spring
10	PA120801L	1	Roll pin
11	FS106161	1	Screw
12	FRC7886	1	Retaining washer
13	FRC7160	1	Grommet
14	AFU4173	1	Tie securing grommet
15	BTR1698	1	Gaiter
16	FTC3915	1	Housing gear change
17	GS110501	1	Grubscrew 5th speed stop
18	FN110041L	1	Nut flanged
19	597586	1	Plug
20	FB108081L	3	Bolt flanged
21	FB108111L	1	Bolt flanged
22	FRC2626	2	Pin spring
23	FRC7860	1	Gear lever RH steering
	FRC7493	1	Gear lever LH steering
24	NY110041L	1	Nut nyloc
25	WC110061L	1	Washer plain
26	BTR9270	1	Knob gearchange





MASTER INDEX

	PAGES		GROUP C
INTRODUCTION PAGES	1 - 7		
ALPHABETICAL INDEX	8 - 16		GEARBOX
ENGINE	17 - 66		
ENGINE	67 - 119		
ENGINE	120 - 166	GEARBOX	
ENGINE	167 - 209		
ENGINE	210 - 245		
ENGINE	246 - 299		
GEARBOX	300 - 326		
GEARBOX	327 - 344		
GEARBOX	345 - 359		
TRANSFER BOX	360 - 378		
TRANSFER BOX	379 - 397		
AXLES AND SUSPENSION	398 - 444		
STEERING	445 - 471		
VEHICLE AND ENGINE CONTROLS	472 - 486		
BRAKES	487 - 517		
FUEL SYSTEM AND AIR CLEANER	518 - 579		
EXHAUST SYSTEM	580 - 593		
COOLING/HEATING	594 - 637		
COOLING/HEATING	638 - 641		
COOLING/HEATING	642 - 649		
COOLING/HEATING	650 - 655		
COOLING/HEATING	656 - 666		
BODY ELECTRICAL	667 - 740		
BODY AND CHASSIS	741 - 909		
INTERIOR TRIM	910 - 955		
SEATS	956 - 1036		
STOWAGE	1037 - 1046		
ACCESSORIES - PAINTS	1047 - 1074		
NUMERICAL INDEX	1076 - 1151		
		GEARBOX ASSEMBLY - LT85	346
		CLUTCH RELEASE - LT85	347
		BELL HOUSING - LT85	348
		GEARCASE - LT85	349
		FRONT COVER - LT85	350
		MAINSHAFT - LT85	351
		MAINSHAFT GEARS - LT85	352 - 354
		LAYSHAFT - LT85	355
		SELECTOR AND SHAFTS - LT85	356
		SELECTOR AND SHAFTS - LT85 - CONTINUED	357
		GEAR LEVER - LT85	358
		MOUNTINGS - LT85	359



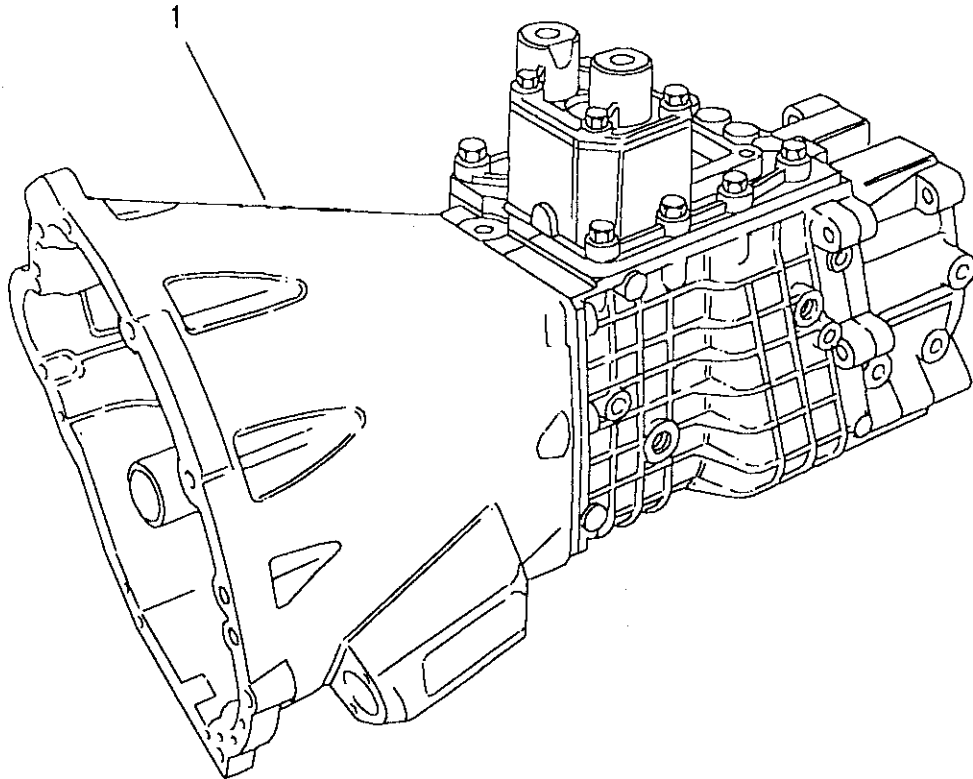


Model DEFENDER 110 1987 onwards
Page AFCGAA1A

GEARBOX - GEARBOX ASSEMBLY - LT85

III. Part No.	Description	Qty	Remarks
1	FTC322N	1	Note(1)
	FTC322R	1	22C only
	FRC7904R	1	20C only

Note(1) Gearbox Number 20C00001/22C00001





DEFENDER 110 1987 onwards

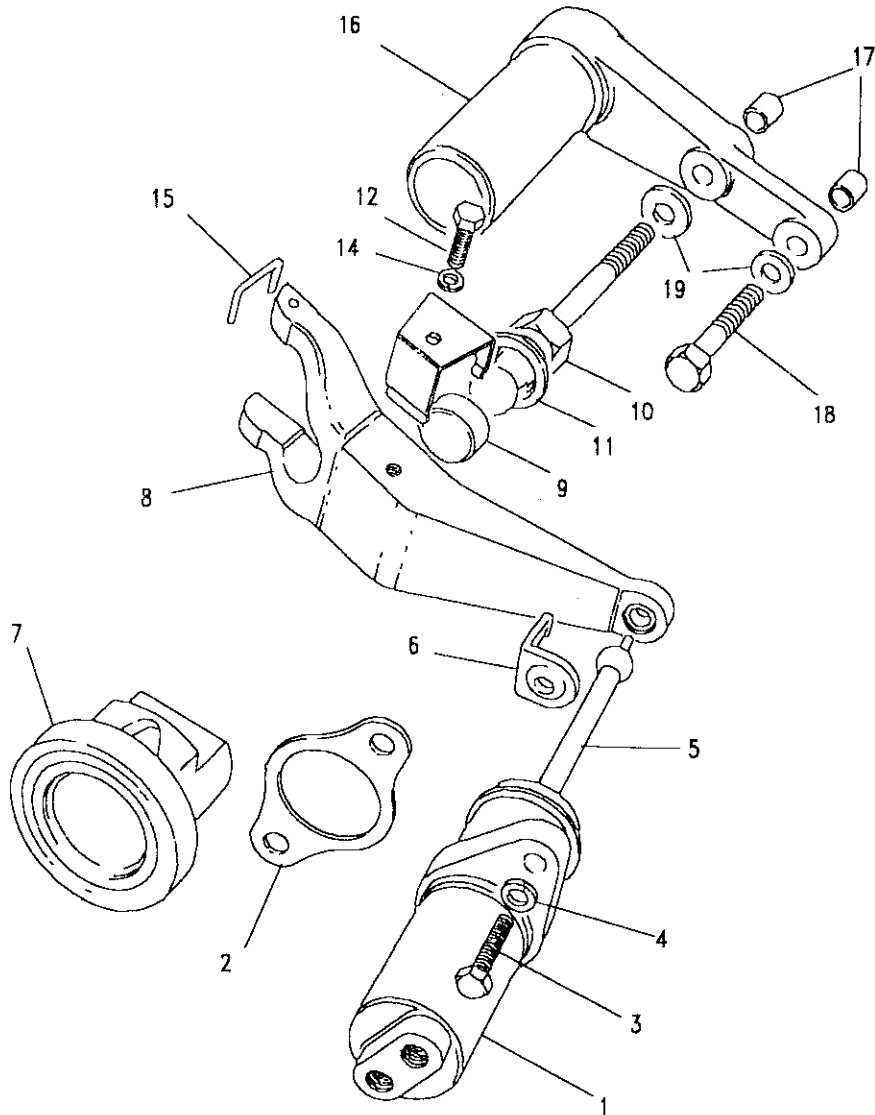
347

GEARBOX

Model DEFENDER 110 1987 onwards
Page AFCGCA1A

GEARBOX - CLUTCH RELEASE - LT85

III. Part No.	Description	Qty	Remarks
1	UKC8677L	1	Slave cylinder-clutch
	BHM7063L	1	Kit repair-slave cylinder
2	FRC2402	1	Plate backing
3	SH108251L	2	Screw-slave cylinder
4	WL108001L	2	Washer spring
5	571160	1	Push rod-slave cylinder
6	576723	1	Clip-push rod
7	FRC9568	1	Bearing clutch release
8	576137	1	Lever clutch release
9	FRC2975	1	Cap-pivot lever
10	FRC2528	1	Pivot-release lever
11	571161	1	Insert-clutch rel/lever
12	SH106101L	1	Screw-clutch rel/lever
13	WM106001L	1	Washer spring
14	571163	1	Clip-clutch release lever
15	576203	1	Staple-clutch lever
16	FRC4803	1	Guide-clutch release
17	FRC2481	2	Dowel-guide
18	SH108401L	1	Screw
19	WL108001L	2	Washer spring

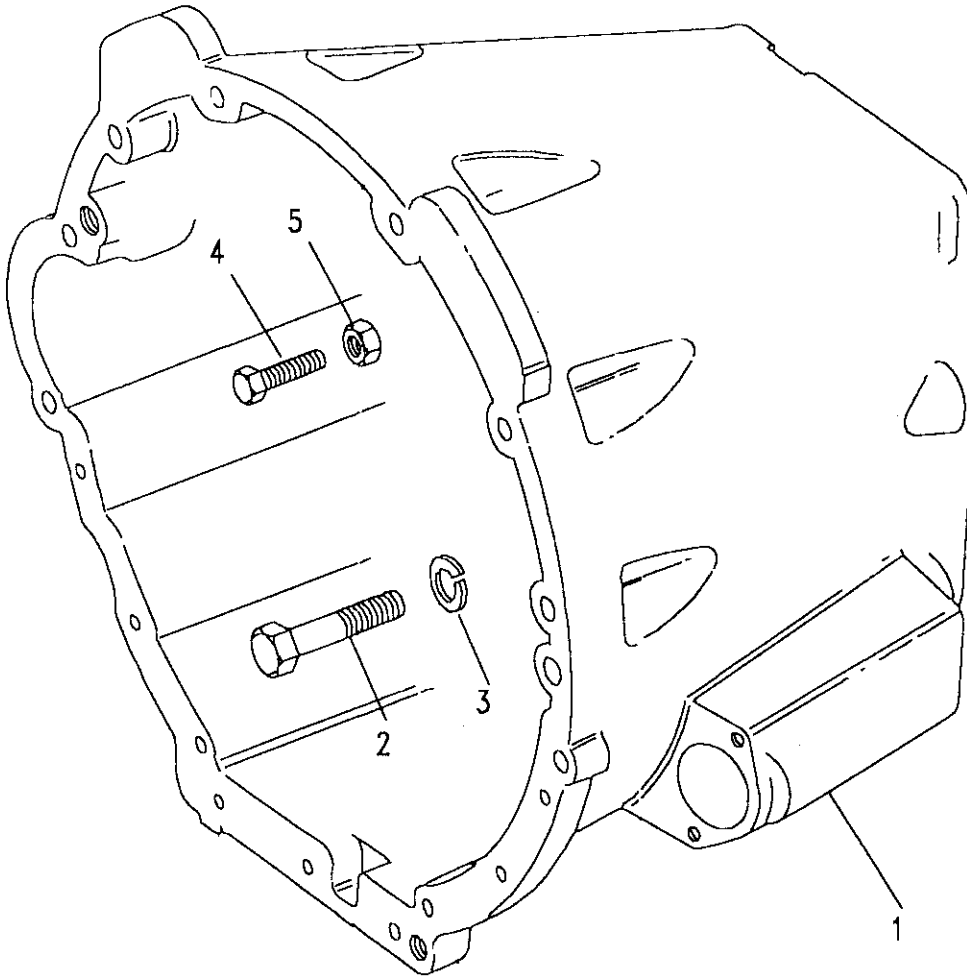




Model DEFENDER 110 1987 onwards
Page AFCGEA1A

GEARBOX - BELL HOUSING - LT85

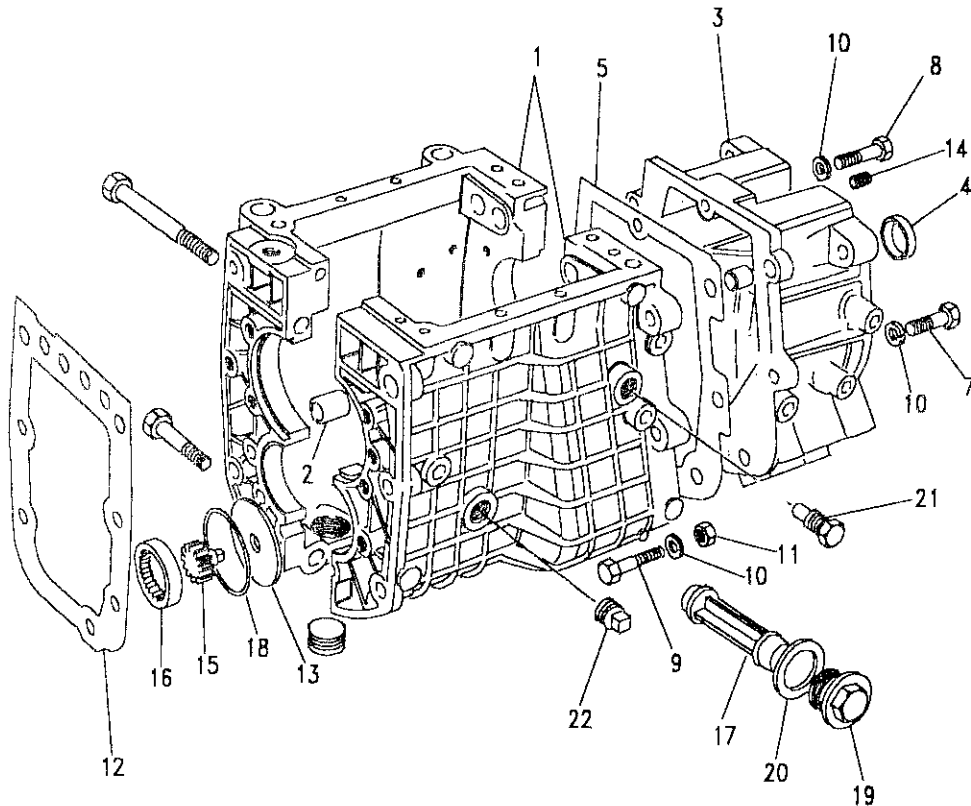
iii. Part No.	Description	Qty	Remarks
1	FRC8529	1	Bell housing
2	BH112141L	6	Bolt M12x70
3	WL112001L	6	Washer spring
4	SH106301L	1	Screw M6x30
5	NH106041L	1	Nut
	3290	1	Plug WADING





Model DEFENDER 110 1987 onwards
Page AFCGEA2B

GEARBOX - GEARCASE - LT85



III. Part No.	Description	Qty	Remarks
1	FRC3731	1	20C
	FRC8397	1	22C
	FRC9524	1	Note(1)
2	FRC2309	2	
3	FRC5306	1	
4	FRC2365	1	
5	FRC2465	1	
6	FRC2482	2	
7	BH110091L	3	
8	BH110101L	3	
9	BH110121L	2	
10	WL110001L	8	
11	NH110041L	1	
12	FRC3073	2	Note(2)
13	FRC2542	1	
14	FRC3166	1	
15	90571086	1	} 20C only
16	591227	1	
17	576220	1	}
18	FRC2468	1	
19	90571104	1	}
20	FRC4810	1	
	STC820	1	Asbestos free
	608246	1	
	571944	1	
	PRC1039	1	
	FRC5674	1	
21	FRC2370	1	
22	3292	1	

Note(1)
Note(2)

Prefix 22C but with SPLIT GEARCASE
Use only 1 washer with SPLIT GEARCASE





Model DEFENDER 110 1987 onwards

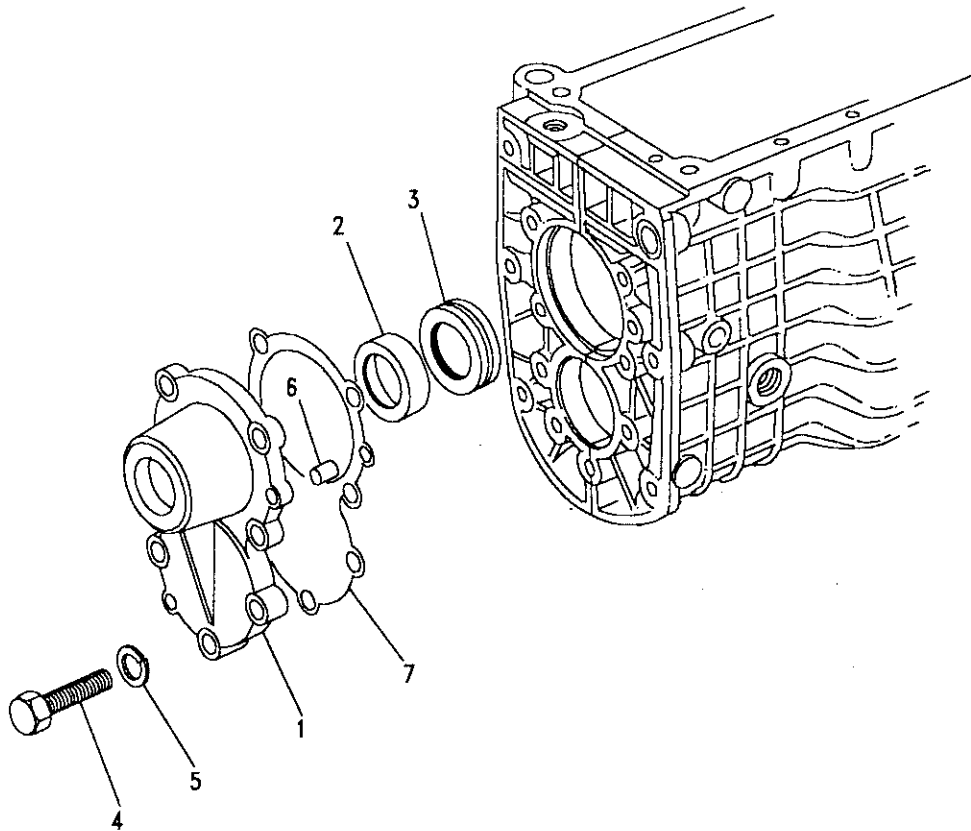
Page AFCGIA1A

GEARBOX - FRONT COVER - LT85

III. Part No.	Description	Qty	Remarks
1	FRC4875	1	20C
	FRC9620	1	22C
	GS108081L	1	20C
2	FRC2361	1	
3	591394	1	
4	SH108401L	8	
5	WL108001L	8	
6	571134	2	
7	FRC3072	1	20C
	FRC8215	1	Note(1)

Note(1)

Prefix 22C - Washer has hole at the top only





DEFENDER 110 1987 onwards

351

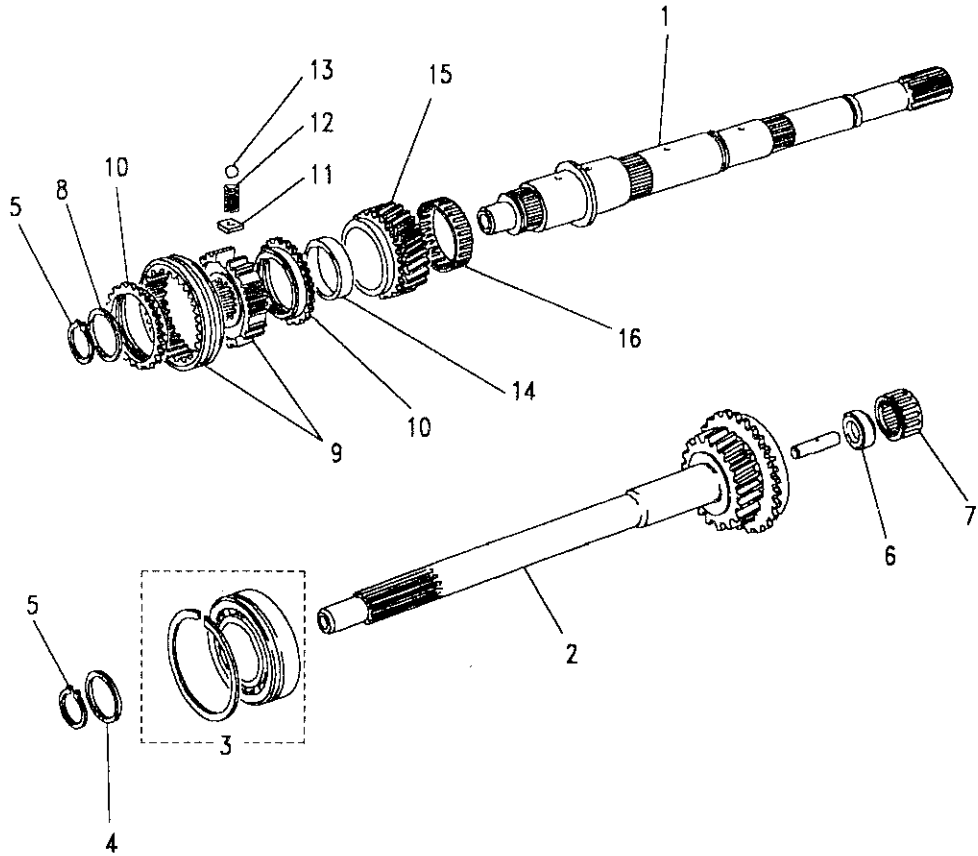
GEARBOX

Model DEFENDER 110 1987 onwards

Page AFCGIA2A

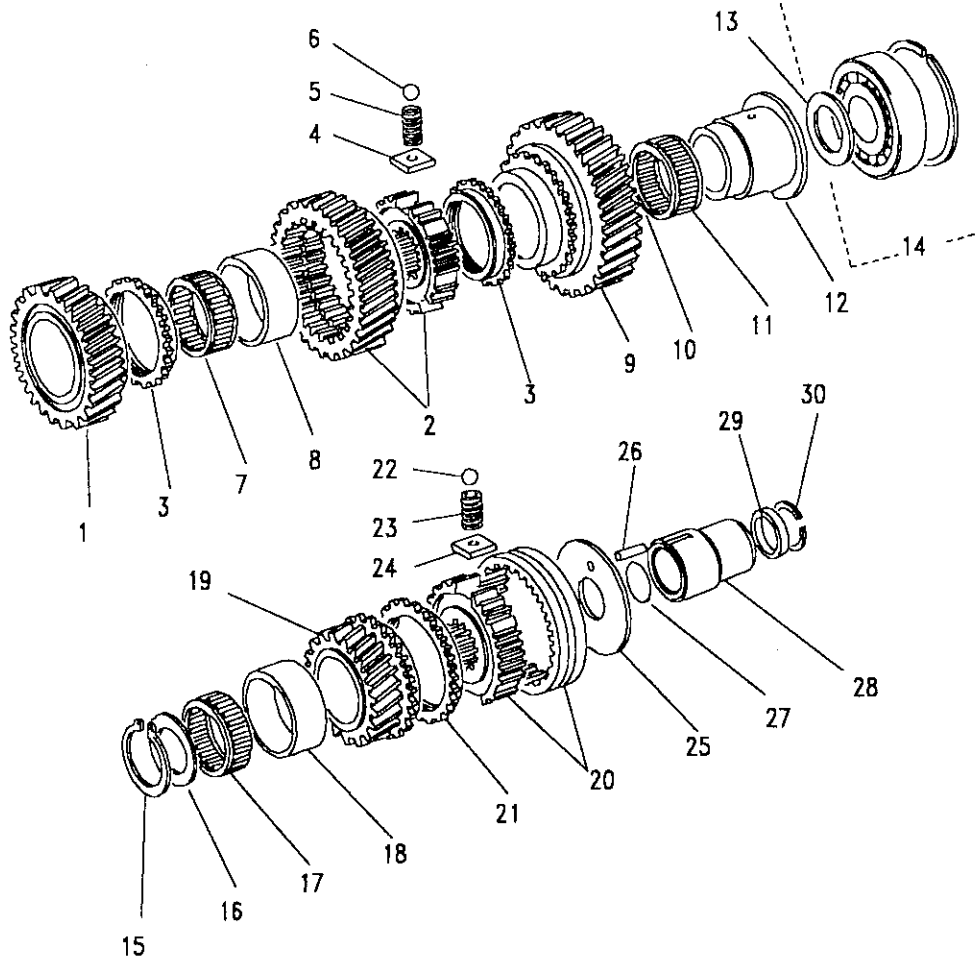
GEARBOX - MAINSHAFT - LT85

III. Part No.	Description	Qty	Remarks
1	FRC4714 Mainshaft	1)20C
2	FRC7852 Constant pinion assembly	1)
1	FRC8214 Mainshaft	1)22C
2	FRC9621 Constant pinion assembly	1)
3	FRC2301 Ball bearing	1	
4	FRC2445 SHIMS-CONSTANT PINION 3.07	A/R	
	FRC2446 3.02	A/R	
	FRC2447 2.97	A/R	
	FRC2448 2.92	A/R	
	FRC2449 2.87	A/R	
5	FRC2488 Circlip	2	
6	571142 Seal oil	1	
7	6397 Bearing	1	
8	FRC2554 SHIMS-3RD AND 4TH HUB 3.48	A/R	
	FRC2555 3.43	A/R	
	FRC2556 3.38	A/R	
9	FRC8139 Synchromesh assy 3rd/4th	1	
10	FRC8777 Baulk ring	2	
11	FRC7752 Block sliding	3	
12	503805 Spring	3	
13	BLS108L Ball	3	
14	FRC3898 Spacer-3rd gear	1	
15	FRC7764 Gear-3rd speed-mainshaft	1	20C
	FRC8210 Gear-3rd speed-mainshaft	1	22C
16	FRC2334 Bearing	1	



Model DEFENDER 110 1987 onwards
 Page AFCGIC1A

GEARBOX - MAINSHAFT GEARS - LT85



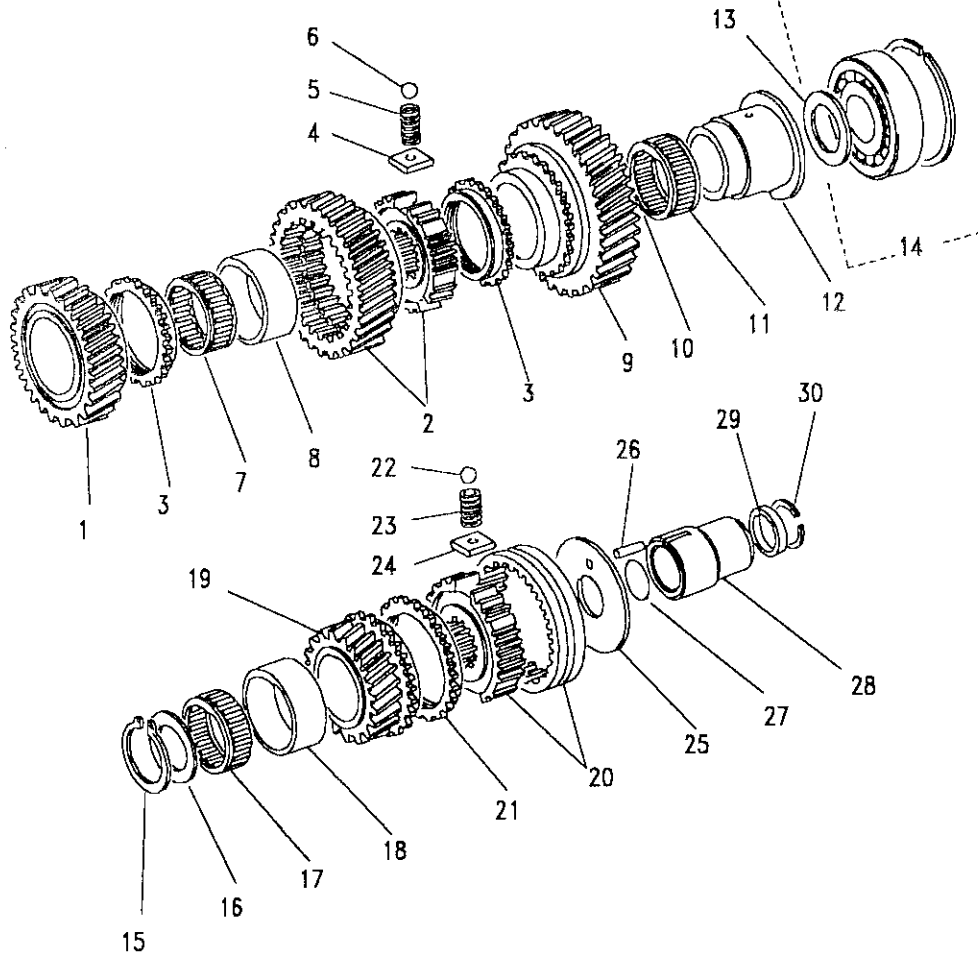
III. Part No.	Description	Qty	Remarks
1 FRC7763	Gear-2nd speed mainshaft	1	20C
FRC8209	Gear-2nd speed mainshaft	1	22C
2 FRC8129	Synchromesh assy 1st/2nd	1	Note(1)
FRC9556	Synchromesh assy 1st/2nd	1	Note(2)
3 FRC8777	Baulk ring	2	
4 FRC7752	Block sliding	3	
5 503805	Spring	3	
6 BLS108L	Ball	3	
7 FRC2334	Bearing	1	
8 FRC3898	Spacer-2nd speed	1	
9 FRC7761	Gear-1st speed mainshaft	1	20C
FRC8208	Gear-1st speed-mainshaft	1	22C
10 FRC3897	Spacer-1st Speed	1	
11 FRC2334	Bearing	1	
12 FRC8422	Bush-1st speed	1	
13	Shim 1st speed bush		
FRC8400	1.15mm	A/R	
FRC8401	1.20mm	A/R	
FRC8402	1.25mm	A/R	
FRC8403	1.30mm	A/R	
FRC8404	1.35mm	A/R	
FRC8405	1.40mm	A/R	
FRC8406	1.45mm	A/R	
14 FRC2301	Ball bearing	1	
15 FRC2488	Circlip	1	
16 FRC5978	Washer thrust-5th gear	1	
17 FRC2479	Needle bearing	1	
18 FRC3896	Spacer-5th gear	1	

Note(1) Prefix 20C and up to Prefix 22C00193
 Note(2) Prefix 22C00194 onwards



Model DEFENDER 110 1987 onwards
Page AFCGIC1A

GEARBOX - MAINSHAFT GEARS - LT85



III. Part No.	Description	Qty	Remarks
19 FRC7757	Gear-5th speed	1	20C
FRC8211	Gear-5th speed	1	22C
20 FRC8176	Synchromesh assy 5th	1	
21 FRC8777	Baulk ring	1	
22 BLS108L	Ball	3	
23 503805	Spring	3	
24 FRC7752	Block sliding	3	
25 FRC7753	Plate stop-5th speed 3mm	1	Note(1)
STC700	Plate stop-5th speed 5mm	1	Note(2)
26 FRC8409	Pin anti-rotation 3mm	1	Note(1)
STC581	Pin anti-rotation 5mm	1	Note(2)
27 FRC2457	'O'ring-collar	1	
28 FRC5317	Collar-oil seal 3mm	1	Note(1)
STC582	Collar-oil seal 5mm	1	Note(2)

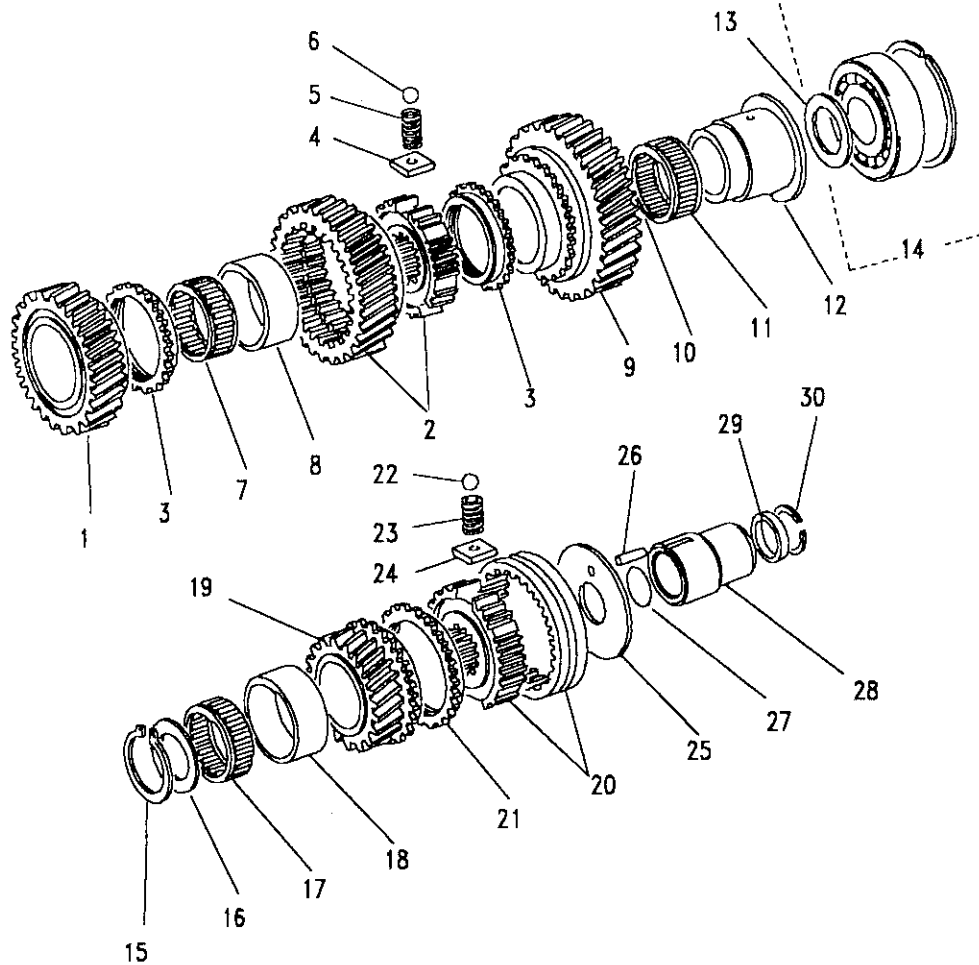
Note(1) Up to gearbox 22C00845
Note(2) From gearbox 22C00846





Model DEFENDER 110 1987 onwards
Page AFCG1A

GEARBOX - MAINSHAFT GEARS - LT85



Ill. Part No.	Description	Qty	Remarks
29	SUPPORT WASHER		
FRC5602	4.25	A/R	
FRC5603	4.30	A/R	
FRC5604	4.35	A/R	
FRC5605	4.40	A/R	
FRC5606	4.45	A/R	
FRC5607	4.50	A/R	
FRC5608	4.55	A/R	
FRC5609	4.60	A/R	
FRC5610	4.65	A/R	
FRC5611	4.70	A/R	
FRC5612	4.75	A/R	
FRC5613	4.80	A/R	
FRC5614	4.85	A/R	
FRC5615	4.90	A/R	
FRC5616	4.95	A/R	
30	Ring snap collar	1	





DEFENDER 110 1987 onwards

355

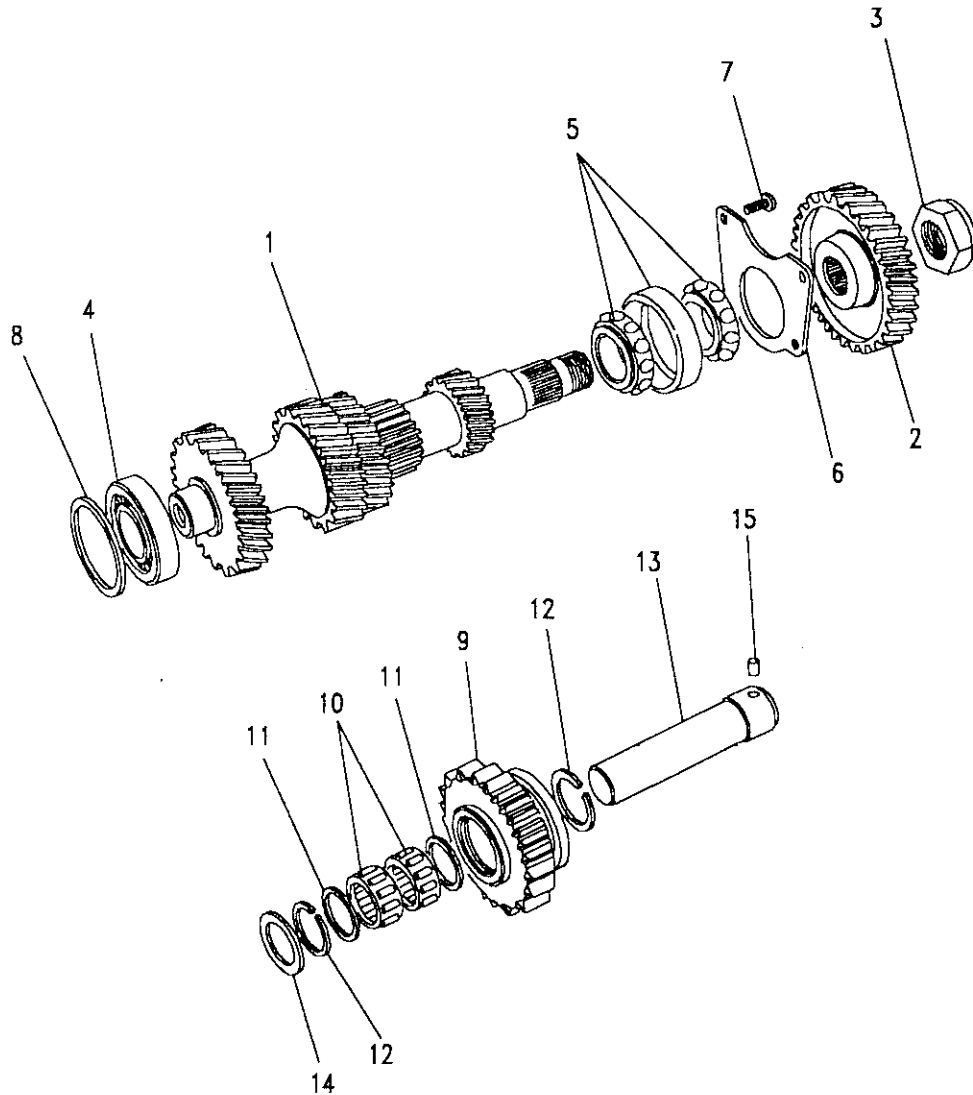
GEARBOX

Model DEFENDER 110 1987 onwards

Page AFCGIE1A

GEARBOX - LAYSHAFT - LT85

III. Part No.	Description	Qty	Remarks
1	FRC3732	1	20C
	FRC8213	1	22C
2	FRC8211	1	
3	FRC3806	1	
4	FRC2578	1	
5	FRC2470	1	
6	FRC8380	1	
7	SB108201L	2	
	SH108301L	2	
	WL108001L	2	
8	FRC3987	1	
9	FRC3319	1	
10	FRC1032	2	
11	FRC1034	2	
12	FRC1035	2	
13	FRC3112	1	
14	FRC8421	1	
15	591519	1	



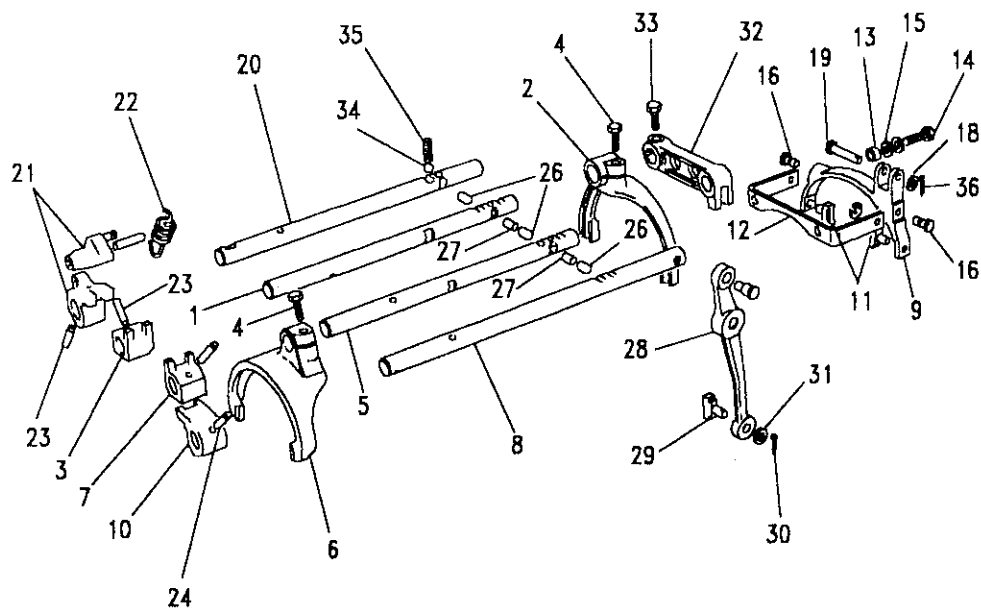


Model DEFENDER 110 1987 onwards

Page AFCGKA1A

GEARBOX - SELECTOR AND SHAFTS - LT85

Ill. Part No.	Description	Qty	Remarks
1	FRC2381	1	Shaft selector 1st/2nd
2	FRC7769	1	Fork selector 1st/2nd
3	FRC8452	1	Jaw selector 1st/2nd
4	SX108351L	1	Bolt 1st/2nd
5	FRC3118	1	Shaft selector 3rd/4th
6	FRC7754	1	Fork selector 3rd/4th
7	FRC8452	1	Jaw selector 3rd/4th
8	FRC3282	1	Shaft selector 5th
9	FRC7767	1	Fork selector 5th
10	FRC8454	1	Jaw selector 5th
11	622388	2	Pad swivel-5th fork
12	FRC7766	1	Bracket pivot 5th fork
13	FRC2481	2	Dowel-bracket
14	SH108301L	2	Screw M8x30
15	WA108051L	2	Washer plain
16	UKC2089L	2	Pivot pin-5th fork
17	UKC2105L	2	Circlip-pivot pin





DEFENDER 110 1987 onwards

357

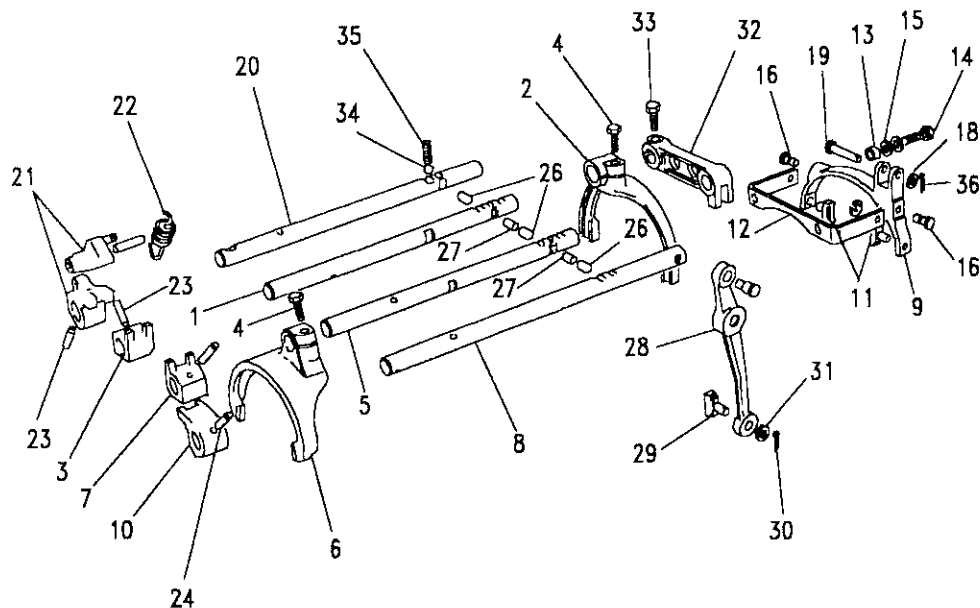
GEARBOX

Model DEFENDER 110 1987 onwards

Page AFCGKA1A

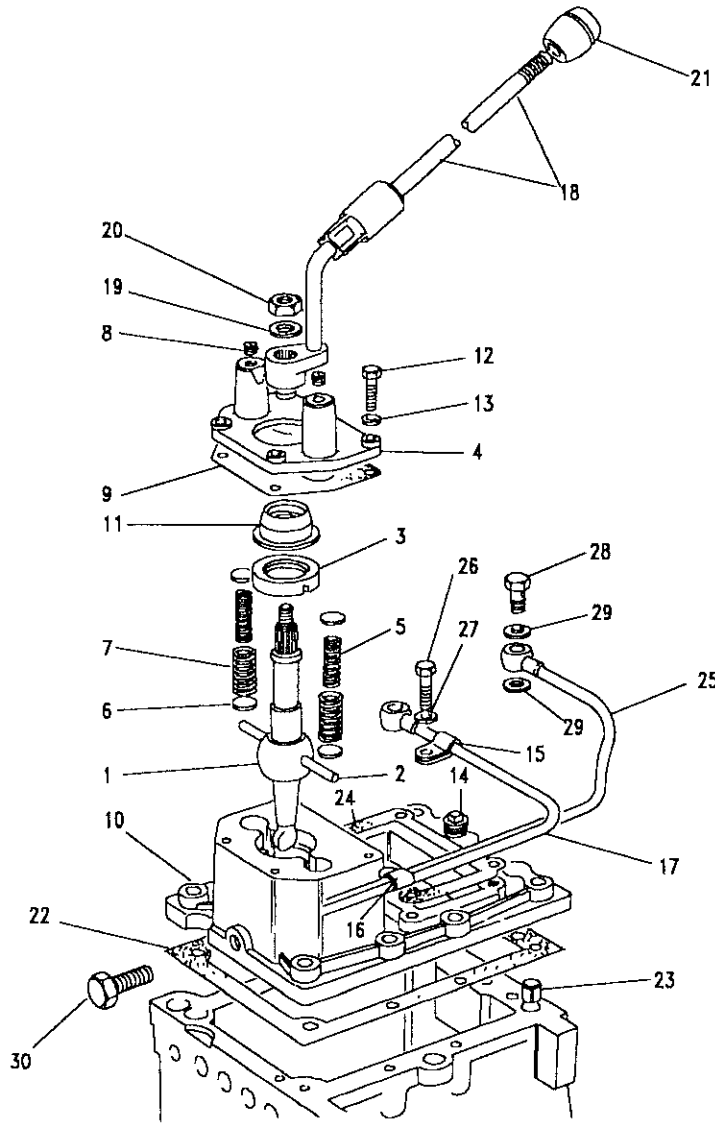
GEARBOX - SELECTOR AND SHAFTS - LT85 - CONTINUED

III. Part No.	Description	Qty	Remarks
18	WA106041L	1	Washer-plain-pivot pin
19	PC106561L	1	Clevis pin-5th fork
20	FRC8270	1	Shaft selector-reverse
21	FRC8455	1	Hinge reverse
22	FRC3481	1	Spring-reverse hinge
23	571158	4	Spring pin-jaws to shaft
24	PS103121L	1	Split pin
25	SH108301L	2	Screw M8 x 30
26	FRC2577	3	Plunger interlock
27	FRC3117	2	Pin interlock
28	FRC2390	1	Lever reverse assembly
29	571043	1	Selector foot
30	PS103121L	1	Split pin
31	WA108051L	1	Washer
32	FRC2368	1	Beam reverse
33	FRC2370	1	Bolt beam reverse
34	571146	4	Detent ball
35	593802	4	Detent spring
36	PS103121L	1	Split pin-5th speed fork



Model DEFENDER 110 1987 onwards
 Page AFCGKC1A

GEARBOX - GEAR LEVER - LT85



III. Part No.	Description	Qty	Remarks
1	FRC8250 Gear lever-LOWER	1	
2	FRC2622 Pin locating-gear lever	2	
3	FRC2612 Seat-gear lever lower	1	
4	FRC2583 Spring housing-gearchange	1	
5	FRC2587 Spring-bias-inner	2	
6	FRC2623 Disc-bias springs	4	
7	FRC3146 Spring-bias-outer	2	
8	GS112141L Screw grub-bias adjusting	2	
9	FRC2648 Washer joint	1	
10	FRC5698 Cover top-gearbox	1	
11	FRC8271 Grommet gear lever lower	1	
12	SH106251L Screw M6x25	4	
13	WL106001L Washer spring	4	
14	3292 Plug-filler-top cover	1	
15	BAU1689 Clip-single-breather pipe	1	
16	622324 Clip-double-breather pipe	1	
17	FRC9430 Breather to G/BOX	1	
18	FRC8863 Gear lever-UPPER	1	
19	WA110061L Washer	1	
20	NY110041L Nut	1	
21	FRC8722 Knob-gear lever	1	
22	FRC2487 Washer joint-top cover	1	
23	FRC2626 Spring pin-top cover	1	
24	FTC4036 Gasket-gear change	1	
25	FRC9429 Breather to T/BOX	1	
26	SH108401L Screw	8	
27	WL108001L Washer	8	
28	595478 Bolt banjo	2	
29	232039 Washer sealing	4	
30	Plug blanking	1	



DEFENDER 110 1987 onwards

359

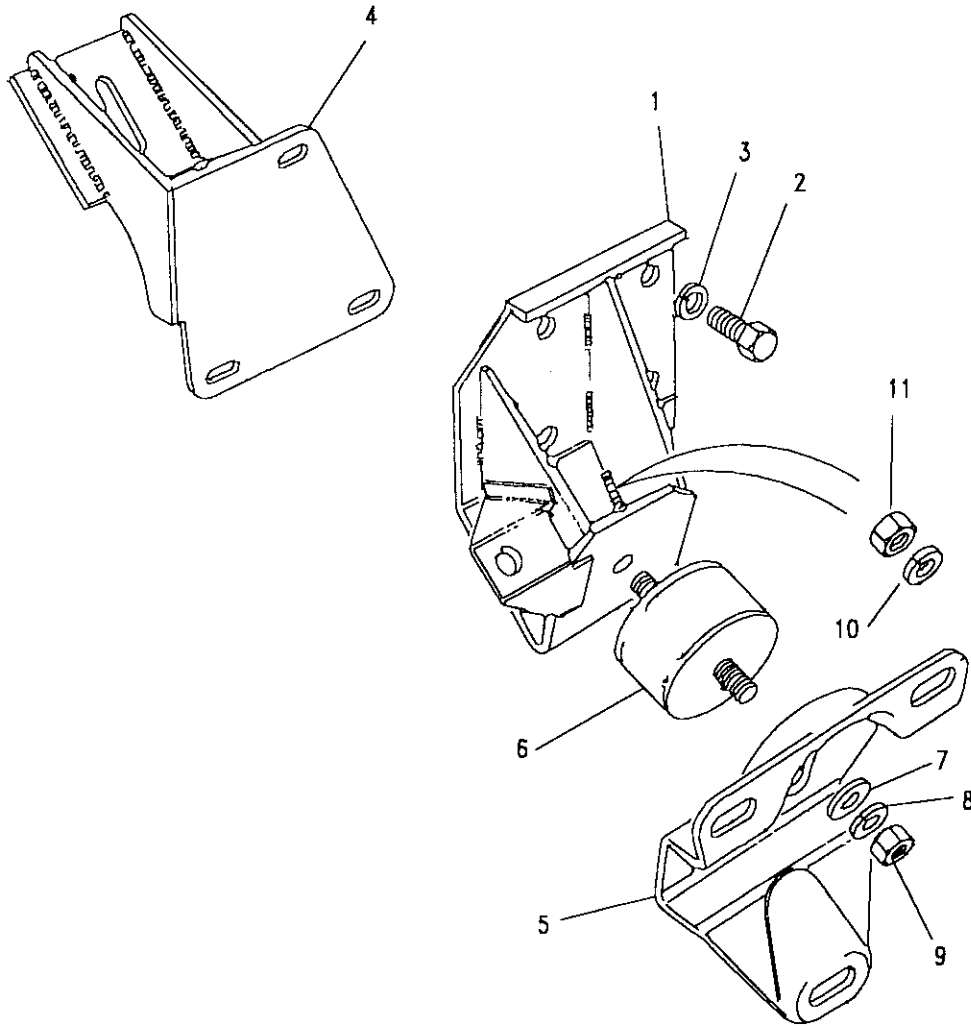
GEARBOX

Model DEFENDER 110 1987 onwards

Page AFCGMA1A

GEARBOX - MOUNTINGS - LT85

III. Part No.	Description	Qty	Remarks
1	NRC9501 Mounting Bracket-LH	1	
2	SH112251L Screw	4	
3	WL112001L Washer spring	4	
4	NTC1201 Bracket mounting RH	1	
5	90575585 Bracket mounting	2	
6	NTC5900 Rubber mounting	2	IMPERIAL
7	WD110061L Washer-rubber to bracket	2	
8	WL600061L Washer spring	2	
9	NH606041L Nut-rubber to bracket	2	
10	WL600061L Washer-rubber to bracket	2	
11	NH606041L Nut-rubber to bracket	2	
	RTC6115 Kit engine mounting	2)
	NH110041LD Nut	4)METRIC
	WC110061LD Washer	2)
	WL110001LD Washer spring	4)





MASTER INDEX

	PAGES
INTRODUCTION PAGES	1 - 7
ALPHABETICAL INDEX	8 - 16
ENGINE	17 - 66
ENGINE	67 - 119
ENGINE	120 - 166
ENGINE	167 - 209
ENGINE	210 - 245
ENGINE	246 - 299
ENGINE	300 - 326
GEARBOX	327 - 344
GEARBOX	345 - 359
GEARBOX	360 - 378
TRANSFER BOX	379 - 397
TRANSFER BOX	398 - 444
AXLES AND SUSPENSION	445 - 471
STEERING	472 - 486
VEHICLE AND ENGINE CONTROLS	487 - 517
BRAKES	518 - 579
FUEL SYSTEM AND AIR CLEANER	580 - 593
EXHAUST SYSTEM	594 - 637
COOLING/HEATING	638 - 641
COOLING/HEATING	642 - 649
COOLING/HEATING	650 - 655
COOLING/HEATING	656 - 666
BODY ELECTRICAL	667 - 740
BODY AND CHASSIS	741 - 909
INTERIOR TRIM	910 - 955
SEATS	956 - 1036
STOWAGE	1037 - 1046
ACCESSORIES - PAINTS	1047 - 1074
NUMERICAL INDEX	1076 - 1151

GROUP D

TRANSFER BOX

TRANSFER BOX	
TRANSFER ASSEMBLY - 4CYL LT77S	361
HOUSING - 4CYL/LT77S	362
SPEEDO HOUSING - 4CYL/LT77S	363 - 364
DIFFERENTIAL - 4CYL/LT77S	365
MAINSHAFT - 4CYL/LT77S	366
INTERMEDIATE SHAFT - 4CYL/LT77S	367
FRONT FLANGE - 4CYL/LT77S	368
REAR FLANGE - 4CYL/LT77S	369
FRONT OUTPUT SHAFT - 4CYL/LT77S	370 - 371
HIGH LOW GEARS - 4CYL/LT77S	372
GEAR CHANGE - 4CYL/LT77S	373 - 374
ROD ASSEMBLY - 4CYL/LT77S	375
GASKET KIT - 4CYL/LT77S	376
TRANSMISSION BRAKE - 4CYL/LT77S	377
TRANSMISSION BRAKE - 4 CYL/LT77S	378





DEFENDER 110 1987 onwards

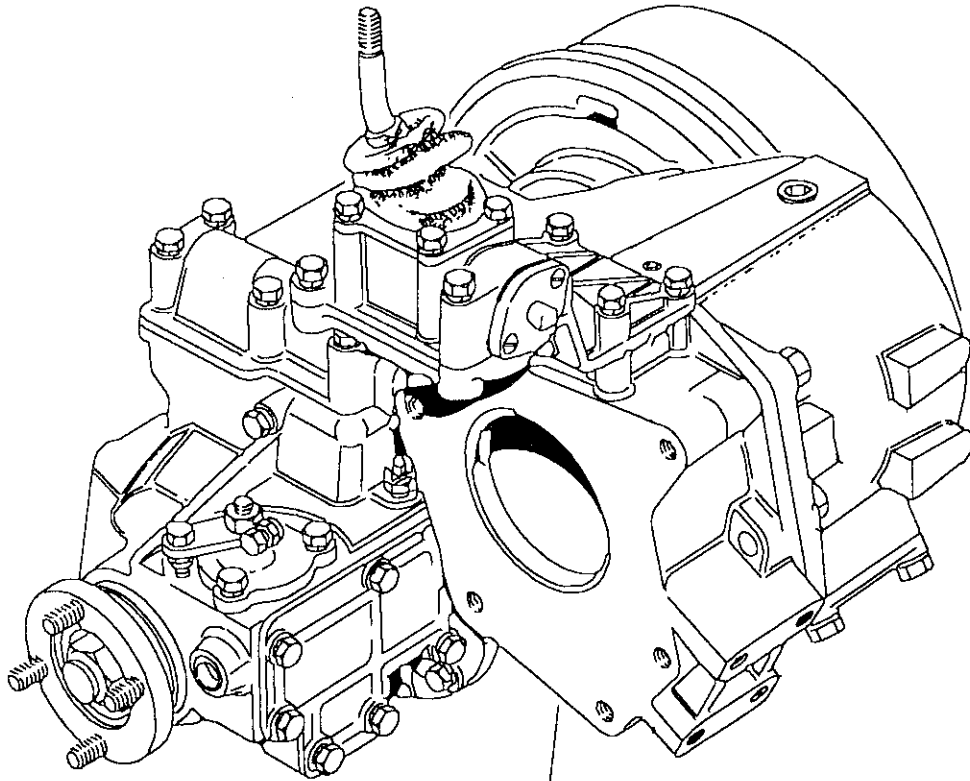
361

TRANSFER BOX

Model DEFENDER 110 1987 onwards
Page AFDCAA1A

TRANSFER GEARBOX - TRANSFER ASSEMBLY - 4CYL LT77S

III. Part No.	Description	Qty	Remarks
1 FRC9469N	Transfer assy-1.667.1	1	20D 4cyl
FRC9470N	Transfer assy-1.410.1	1	22D V8

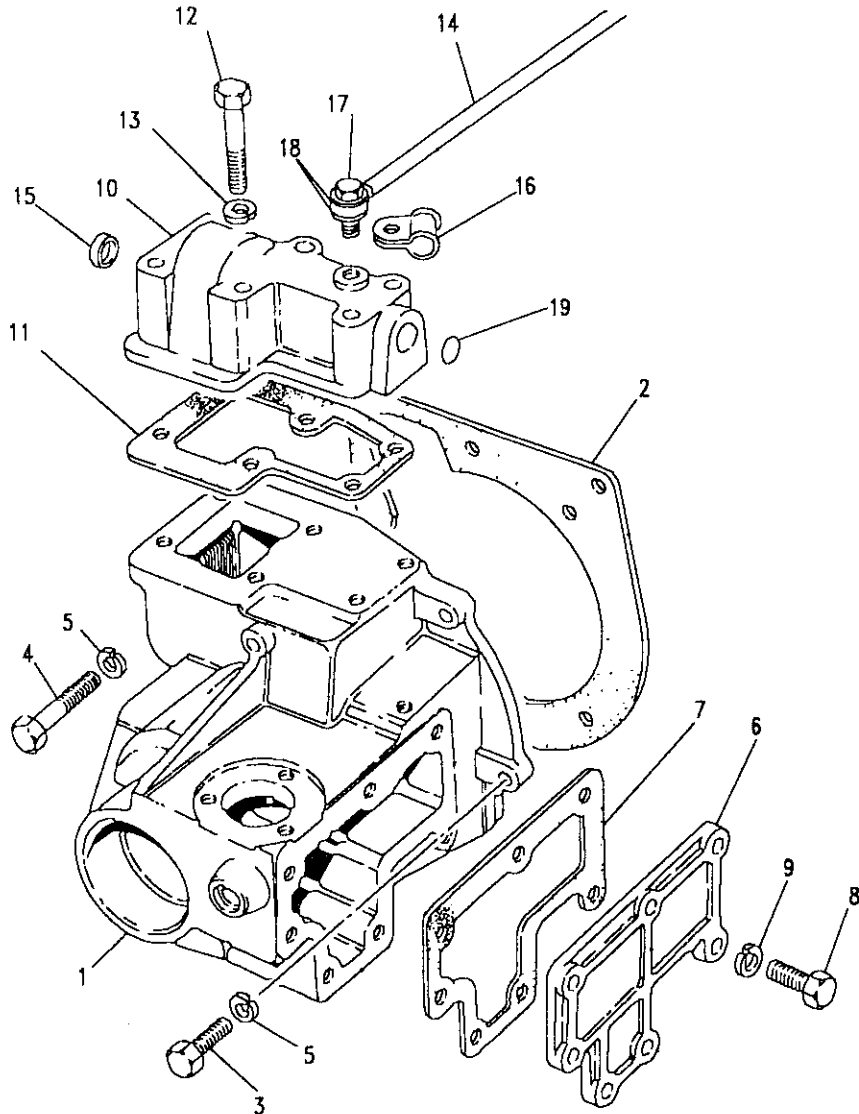


Model DEFENDER 110 1987 onwards
Page AFDBCA1A

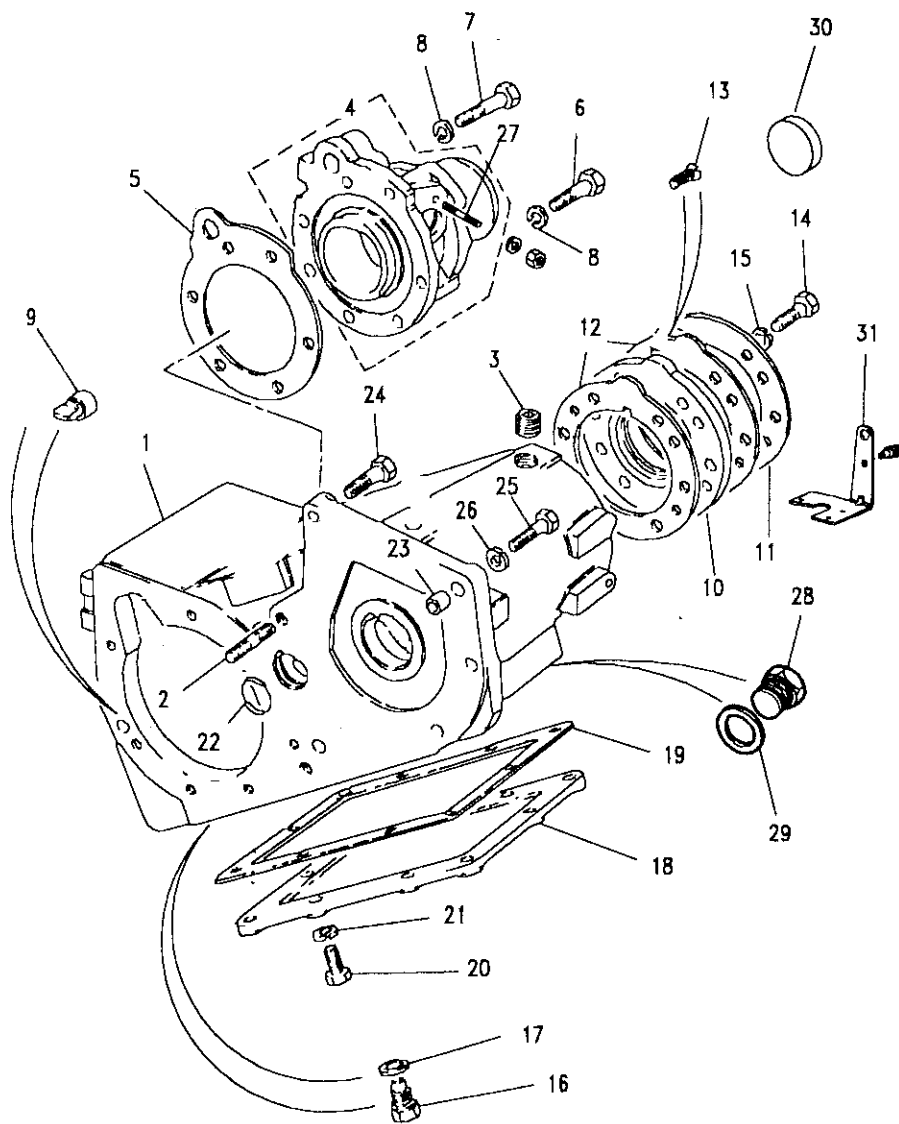
TRANSFER GEARBOX - HOUSING - 4CYL/LT77S

III. Part No.	Description	Qty	Remarks
1	FRC8299	1	Note(1)
	FTC4178	1	Note(2)
2	FRC6103	1	Note(3,4)
3	FB108061	7	
4	BH108181L	1	
5	WA108051L	8	
6	FRC6104	1	
7	FRC6105	1	Note(3)
8	SH108251L	7	
9	WA108051L	7	
10	FRC6106	1	
11	FRC7998	1	Note(3)
12	FB108111L	6	
13	WA108051L	6	
14	FRC9427	1	
15	FRC7930	1	
16	BAU1689	1	
17	595478	1	
18	232039	2	
19	FRC5575	2	

Note(1) For housing with gasket joint.
 Note(2) For housing with liquid joint.
 Note(3) Part of gasket kit RTC3890
 Note(4) Use with FRC8299



A



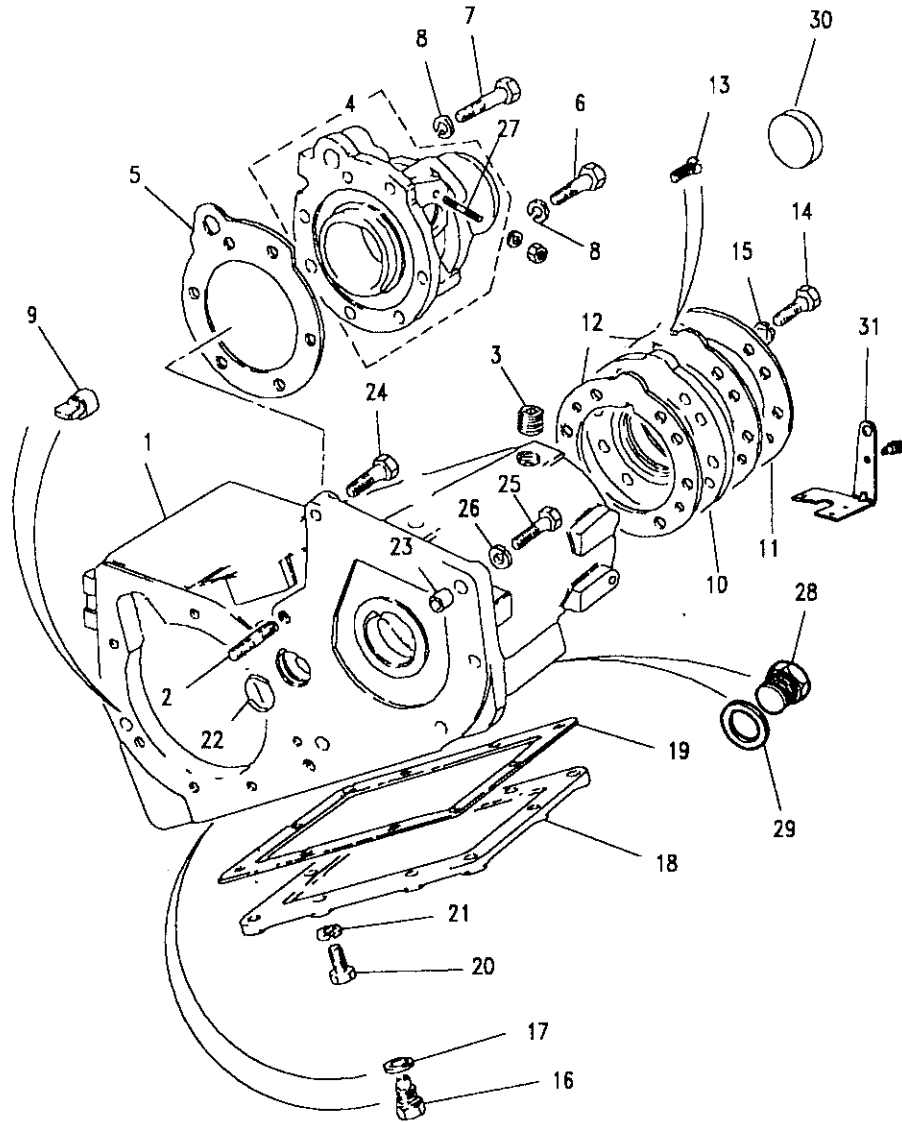
Model DEFENDER 110 1987 onwards
Page AFDBEA1A

TRANSFER GEARBOX - SPEEDO HOUSING - 4CYL/LT77S

III. Part No.	Description	Qty	Remarks
1	FRC8290	1	uptoMARCH1990
	FTC1748	1	fromMARCH1990
2	FRC5595	2	
3	608246	2	
4	FRC7447	1	Upto 22D309416E
	FTC4187	1	From 22D309417E
5	FRC5409	1	Note(1)
			(liquid gasket only used)
6	SH110301L	5	Upto 20D299332E
	FS108251M	5	From 20D299333E
7	BH110091L	1	Upto 20D299332E
	FB110091M	1	From 20D299333E
8	WA110061L	6	Upto 20D299332E
9	FRC5594	1	
10	FRC6943	1	
11	FTC2061	1	
	FRC9926	1	
	FRC9963	1	
12	FRC5413	2	Note(1)
13	SF108251L	2	
14	BH110071L	6	Upto 20D299332E
	FB110071M	6	From 20D299333E
15	WA110061L	6	Upto 20D299332E
16	599552	1	
17	FRC4808	1	Note(1)

Note(1) Part of gasket kit RTC3890





Model DEFENDER 110 1987 onwards
Page AFDBEA1A

TRANSFER GEARBOX - SPEEDO HOUSING - 4CYL/LT77S

Ill. Part No.	Description	Qty	Remarks
18	FRC5415	1	Cover
19	FRC5416	1	Washer joint
20	FB108061	10	Flange bolt
21	WA108051L	10	Washer
22	FRC8292	1	'O'ring
23	FRC2482	1	Dowel-hollow
24	BH110081L	3	Bolt
	FB110081M	2	Bolt flanged
	FN110041	1	Nut flanged
	FTC1919	1	Stud
25	BH110091L	1	Bolt
	FB110091M	1	Bolt flanged
26	WL110001L	6	Washer
27	571536	1	Stud-cable retainer
28	SH214141	1	Screw M14
29	232042	1	Washer joint
30	602146	1	Plug-cover power take/off
31	ANR3625	1	Bracket harness trans box

Note(1) Part of gasket kit RTC3890



DEFENDER 110 1987 onwards

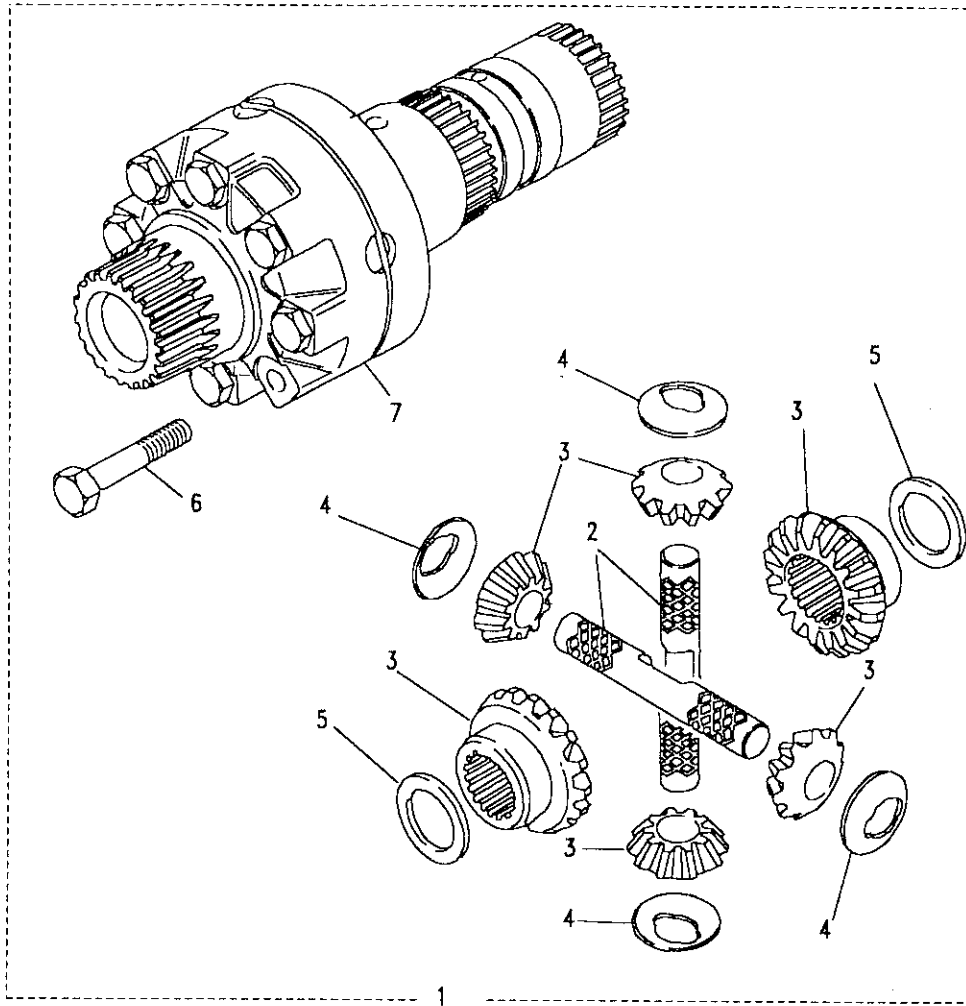
365

TRANSFER BOX

Model DEFENDER 110 1987 onwards
Page AFDBGA1A

TRANSFER GEARBOX - DIFFERENTIAL - 4CYL/LT77S

III. Part No.	Description	Qty	Remarks
1	FRC7926	1	Differential assembly
2	RTC3397	1	Kit cross shaft
3	RTC4490	1	Gears balanced set
4	FRC6968	4	Washer thrust
5	SELECTIVE THRUST WASHER		
	FRC6956		1.05mm A/R
	FRC6958		1.15mm A/R
	FRC6960		1.25mm A/R
	FRC9851		1.35mm A/R
	FRC9853		1.45mm A/R
6	BH110121L	8	Bolt-differential case
7	FRC7499	1	Ring retainer





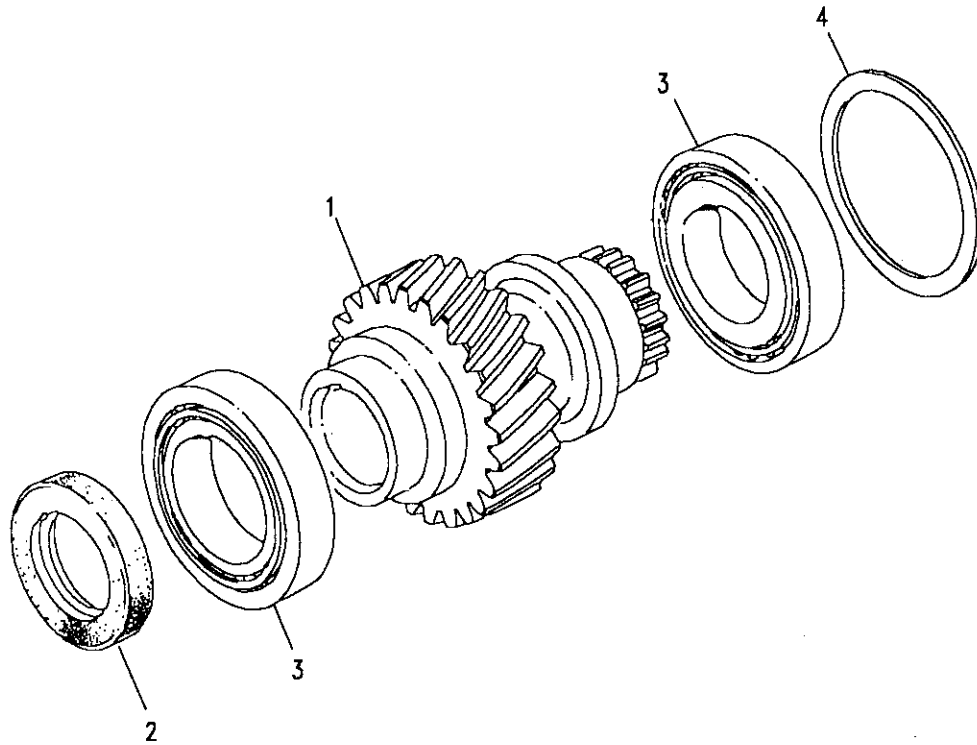
Model DEFENDER 110 1987 onwards

Page AFDBIA1A

TRANSFER GEARBOX - MAINSHAFT - 4CYL/LT77S

III. Part No.	Description	Qty	Remarks
1	FRC8917	1	Note(1)
	FTC4188	1	Note(2)
2	FRC2365	1	Note(3)
3	FRC5564	2	
4	SELECTIVE SHIMS		
	FRC9926	A/R	3.15mm
	FRC9928	A/R	3.20mm
	FRC9930	A/R	3.25mm
	FRC9932	A/R	3.30mm
	FRC9934	A/R	3.35mm
	FRC9936	A/R	3.40mm
	FRC9938	A/R	3.45mm
	FRC9940	A/R	3.50mm
	FRC9942	A/R	3.55mm
	FRC9944	A/R	3.60mm
	FRC9946	A/R	3.65mm
	FRC9948	A/R	3.70mm
	FRC9950	A/R	3.75mm
	FRC9952	A/R	3.80mm
	FRC9954	A/R	3.85mm
	FRC9956	A/R	3.90mm
	FRC9958	A/R	3.95mm
	FRC9960	A/R	4.00mm
	FRC9962	A/R	4.05mm

Note(1) Up to LA939975
 Note(2) From MA939976
 Note(3) Part of gasket kit RTC3890





DEFENDER 110 1987 onwards

367

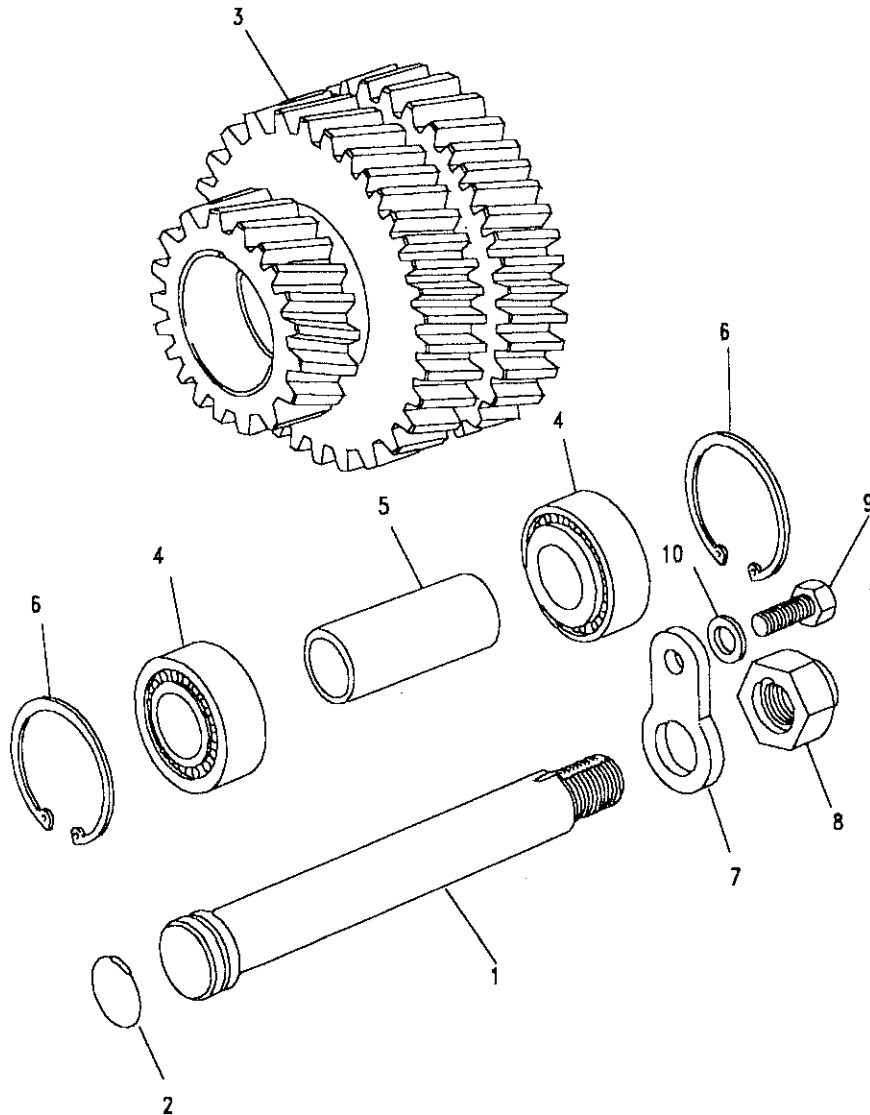
TRANSFER BOX

Model DEFENDER 110 1987 onwards
Page AFDBIA2A

TRANSFER GEARBOX - INTERMEDIATE SHAFT - 4CYL/LT77S

III. Part No.	Description	Qty	Remarks
1 FRC8291	Intermediate shaft	1	
2 FRC7439	'O'ring shaft	1	Note(1)
3 FRC9462	Gear-inter	1	20D
FRC7884	Gear-inter	1	22DsuffixB
FRC9460	Gear-inter	1	22DsuffixC
4 FRC7810	Bearing	2	
5 FRC7437	Spacer-collapsible	1	
6 FRC7454	Circlip	2	
7 FRC7452	Plate-anti rotation	1	
8 FRC7453	Nut-intermediate shaft	1	
9 FS108201L	Screw	1	
10 WA108051L	Washer	1	

Note(1) Part of gasket kit RTC3890



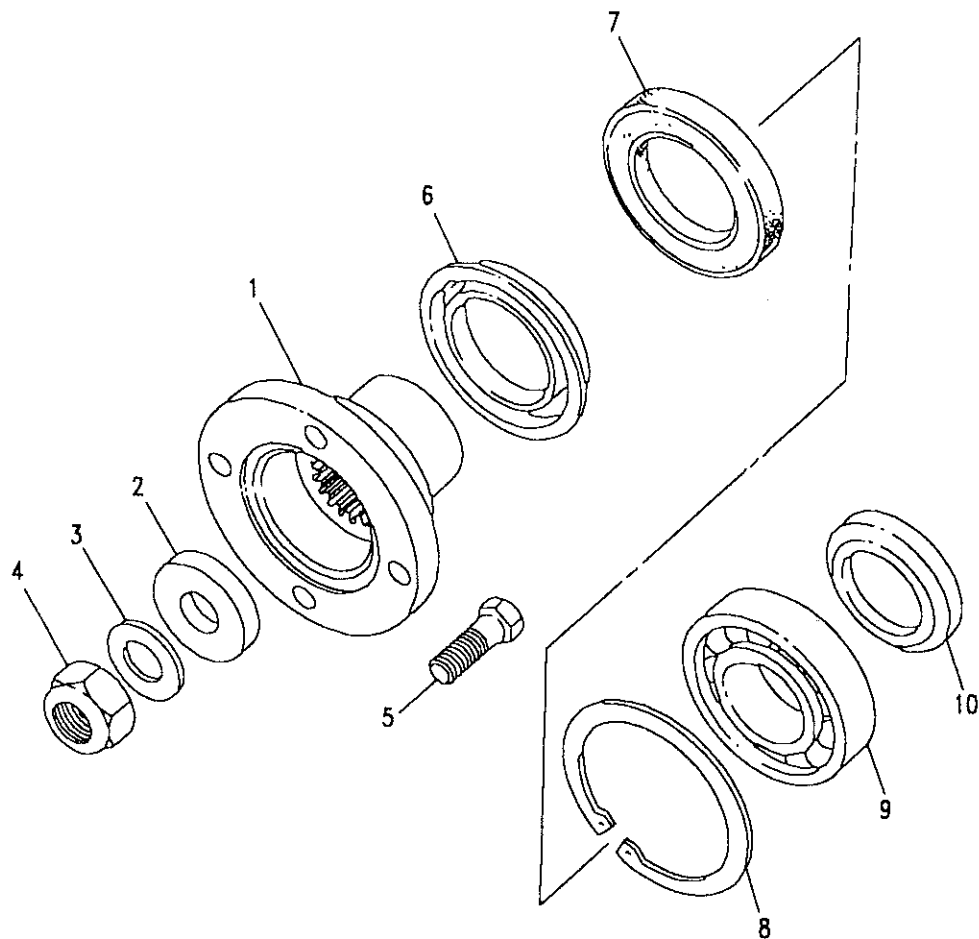


Model DEFENDER 110 1987 onwards
Page AFDBIA3A

TRANSFER GEARBOX - FRONT FLANGE - 4CYL/LT77S

III. Part No.	Description	Qty	Remarks
1	FRC5442	1	Flange-front output
2	FRC2464	2	Washer sealing
3	571468	1	Washer shaft
4	NY120041L	1	Nut-shaft
5	BT606101L	4	Bolt-flange
6	FRC6121	1	Mudshield
7	FRC7043	2	Seal oil
8	216962	1	Circlip
9	STC1130	1	Bearing
10	FRC5439	1	Spacer

Note(1) Part of gasket kit RTC3890





DEFENDER 110 1987 onwards

369

TRANSFER BOX

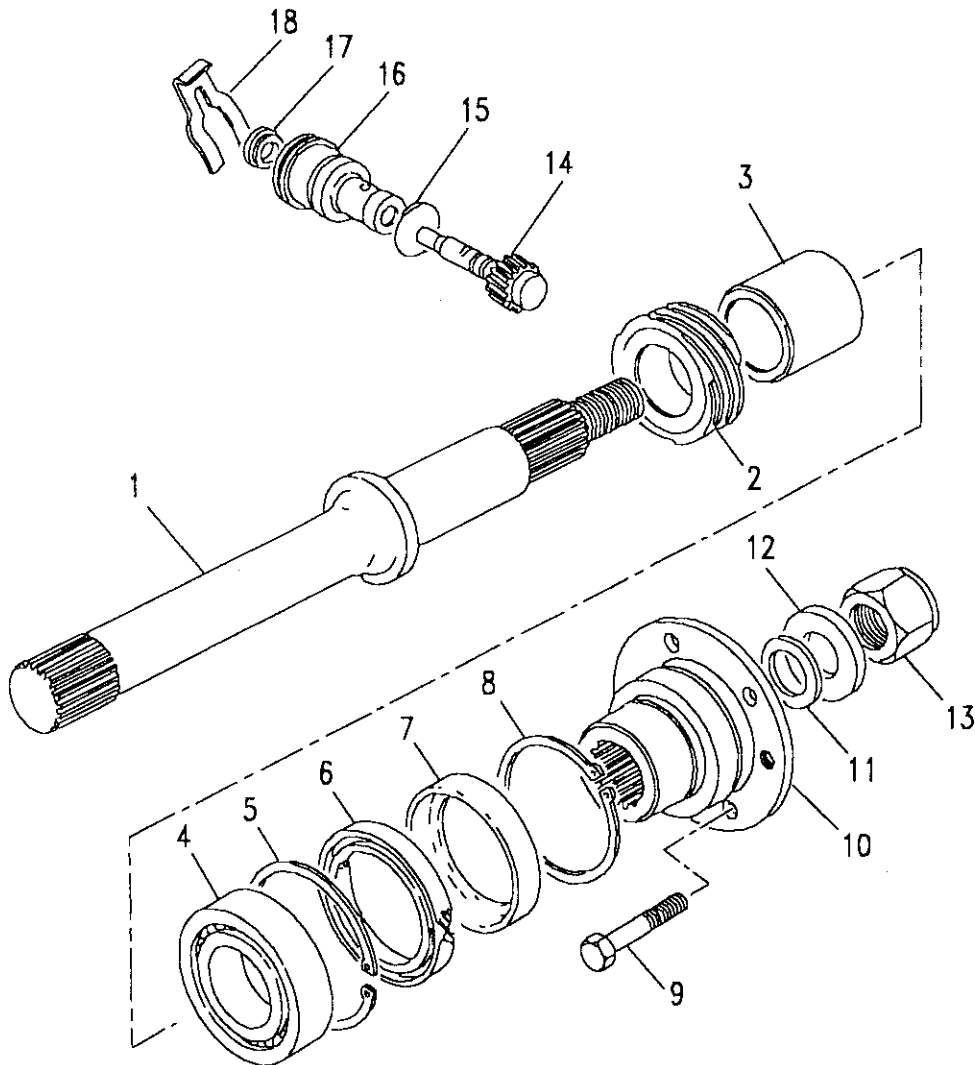
Model DEFENDER 110 1987 onwards

Page AFDBIA4A

TRANSFER GEARBOX - REAR FLANGE - 4CYL/LT77S

III. Part No.	Description	Qty	Remarks
1	FRC5450	1	Shaft-rear output
2	FRC3162	1	Worm speedo
3	FRC5446	1	Spacer-speedo worm
4	STC1130	1	Bearing
5	216962	1	Circlip
6	FRC7043	1	Seal oil
7	571970	1	Shield oil
8	571682	1	Circlip
9	FRC3602	4	Bolt
10	FRC5438	1	Flange-rear output
11	FRC2464	1	Washer sealing
12	571468	1	Washer
13	NY120041L	1	Nut
14	FRC3310	1	Gear speedo drive
15	571665	1	'O'ring
16	FRC3286	1	Housing speedo spindle
17	AAU2304	1	Seal oil
18	533765	1	Plate-retaining

Note(1) Part of gasket kit RTC3890

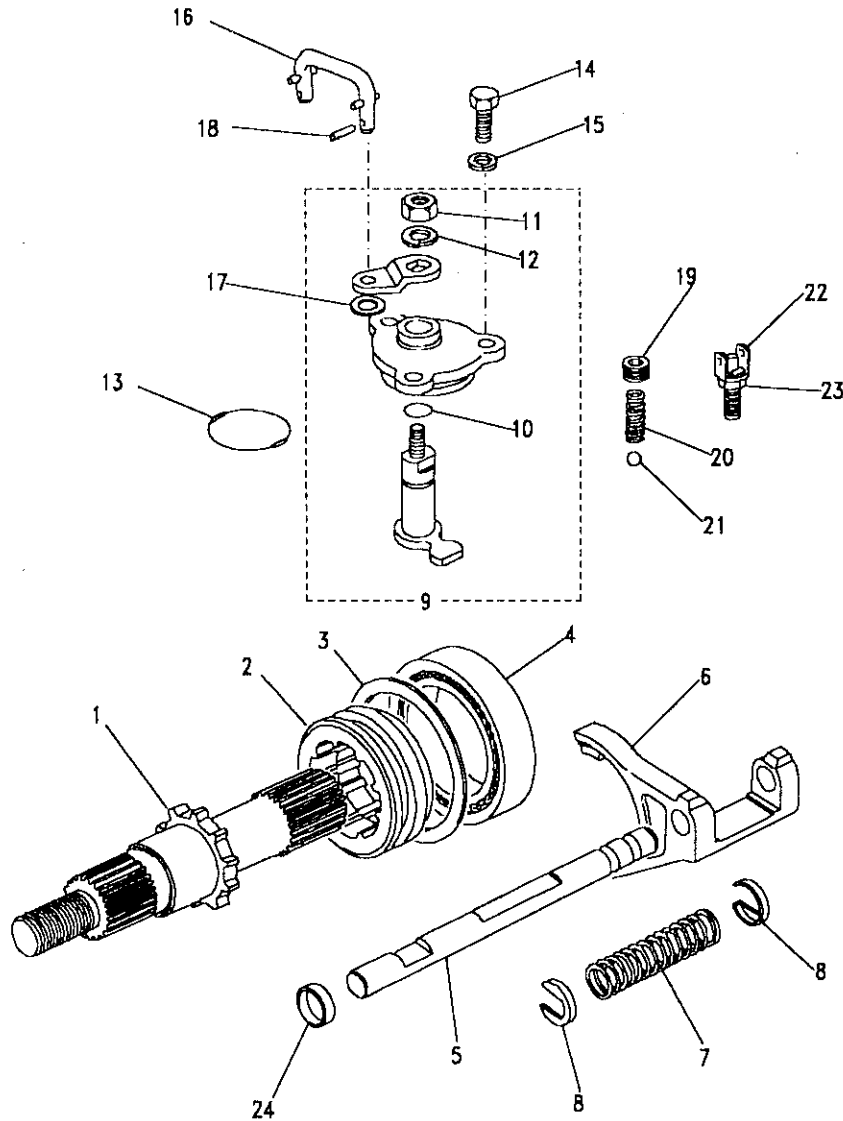




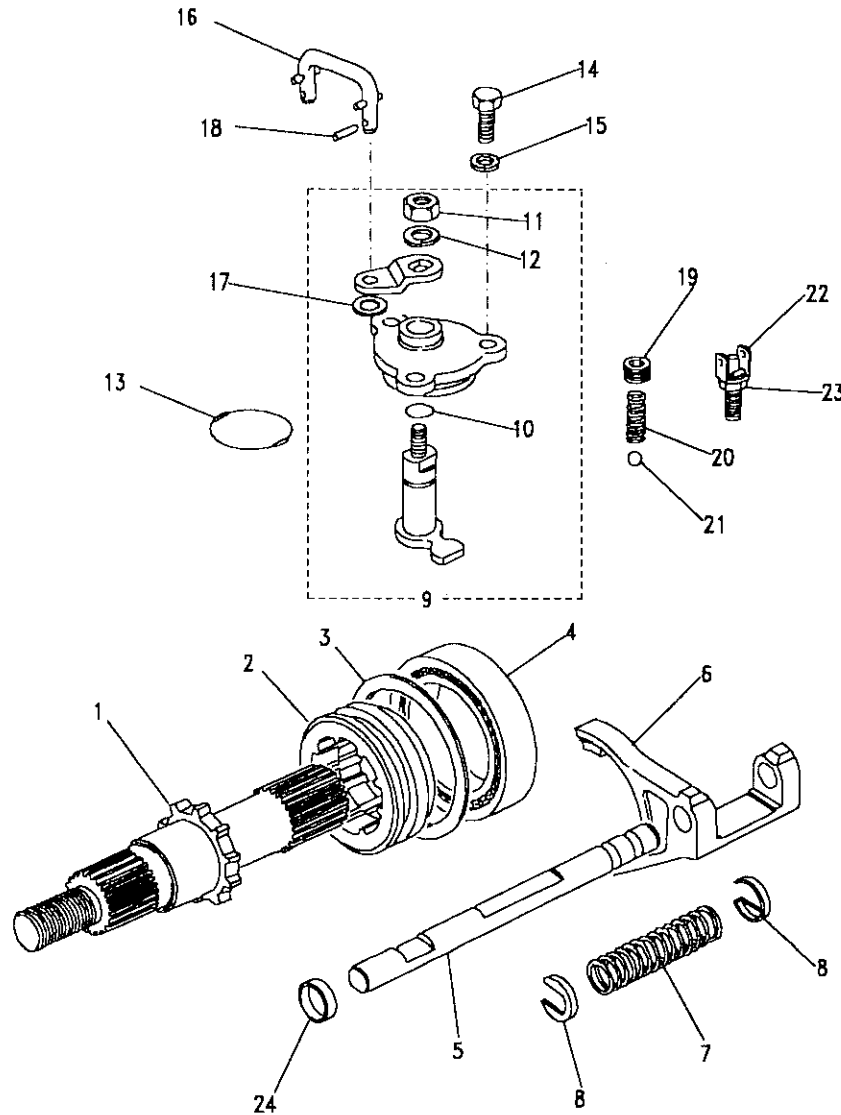
Model DEFENDER 110 1987 onwards
 Page AFDBIA5A

TRANSFER GEARBOX - FRONT OUTPUT SHAFT - 4CYL/LT77S

III. Part No.	Description	Qty	Remarks
1	FRC5449	1	Shaft-front output
2	FRC5440	1	Dog clutch-front drive
	FRC5575	1	'O'Ring-dog clutch
3	SELECTIVE SHIMS	1	
	FTC726	1	&2.00mm
	FTC278	1	Washer
	FTC730	1	&2.10mm
	FTC732	1	&2.15mm
	FTC734	1	&2.20mm
	FTC736	1	&2.25mm
	FTC738	1	&2.30mm
	FTC740	1	&2.35mm
	FTC742	1	&2.40mm
	FTC744	1	&2.45mm
	FTC746	1	&2.50mm
	FTC748	1	&2.55mm
	FTC750	1	&2.60mm
	FTC752	1	&2.65mm
	FTC754	1	&2.70mm
	FTC756	1	&2.75mm
	FTC758	1	&2.80mm
	FTC760	1	&2.85mm
	FTC762	1	&2.90mm
	FTC764	1	&2.95mm
	FTC766	1	&3.00mm
	FTC768	1	&3.05mm
	FTC770	1	&3.10mm
	FTC772	1	&3.15mm
	FTC774	1	&3.20mm
	FTC776	1	&3.25mm



Model DEFENDER 110 1987 onwards
Page AFD BIA5A

TRANSFER GEARBOX - FRONT OUTPUT SHAFT - 4CYL/LT77S


III. Part No.	Description	Qty	Remarks
4	FRC7871 Bearing-taper	1	
5	FRC6030 Shaft selector-diff lock	1	
6	FRC6109 Fork selector-diff lock	1	
7	FRC5468 Spring-diff lock	1	
8	FRC5469 Clip-spring	2	
9	FRC8041 Housing assembly	1	
10	FRC5576 'O'Ring	1	
11	NY108041L Nut	1	
12	WA108051L Washer	1	
13	FRC5473 'O'Ring	1	
14	SH108251L Bolt	3	
15	FS108251ML Bolt flanged	3	Note(1)
15	WA108051L Washer	3	
16	FRC8544 Link connecting	1	
17	FTC3698 Link connecting	1	Note(2)
17	WA106041L Washer	2	
18	PS103121L Split pin	2	
18	FTC3674 Clip retaining	2	Note(2)
19	SU112101L Plug-detent	1	
19	SU112101M Plug-indent	1	Note(1)
20	FRC5562 Spring-detent	1	
21	571146 Ball-detent	1	
22	PRC2911 Switch-diff lock	1	
23	NT110041L Lock nut-switch	1	
24	FRC6110 Plug-selector shaft	1	

Note(1) From 28D274402E (patchlock thread)
 Note(2) From 28D274898E (spring clip retainer)



Model DEFENDER 110 1987 onwards

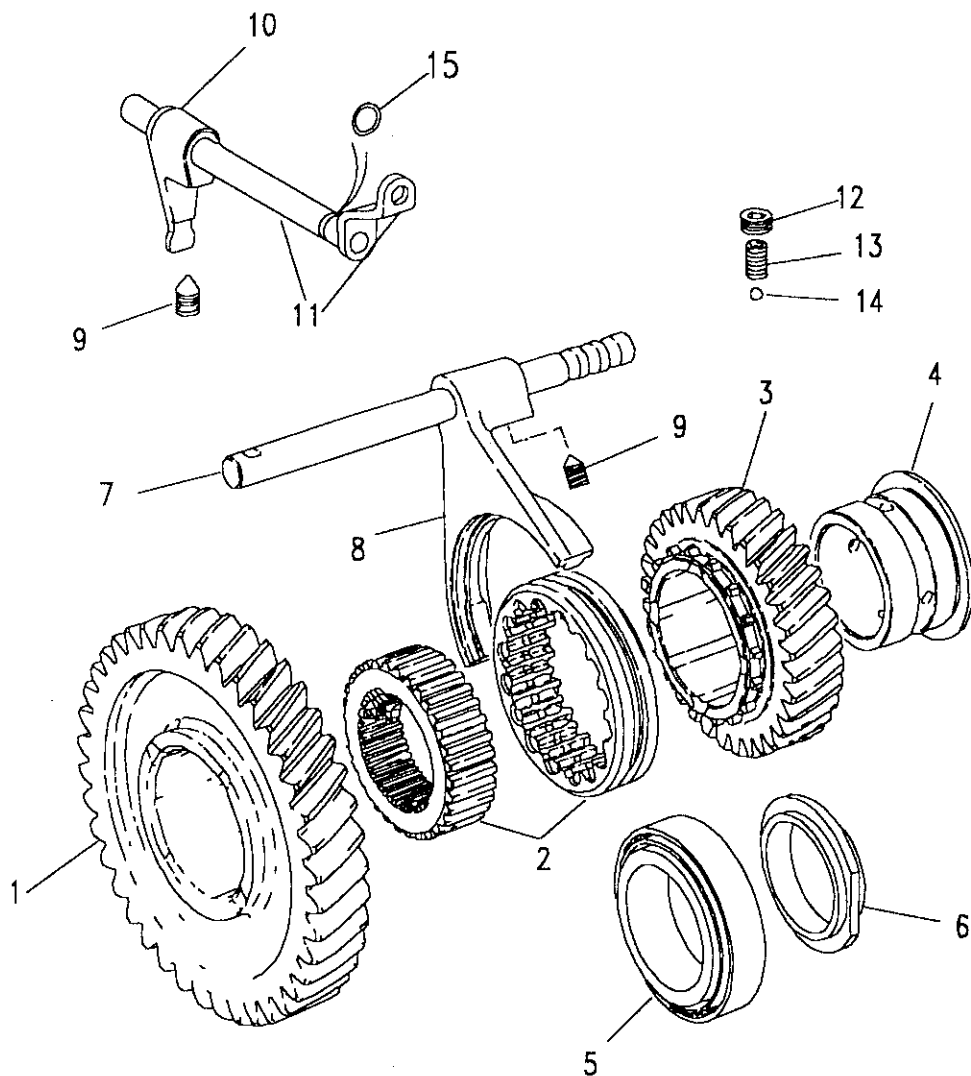
Page AFDBKA1A

TRANSFER GEARBOX - HIGH LOW GEARS - 4CYL/LT77S

III. Part No.	Description	Qty	Remarks
1 FRC7434	Gear low	1	To Suffix D
FTC1084	Gear low	1	Suffix E on
2 RTC4373	Sleeve and hub assembly	1	To Suffix D
FTC382	Sleeve and hub assembly	1	Suffix E on
3 FRC7427	Gear high	1	20D
FRC7885	Gear high	1	22D-to suf D
FTC1741	Gear high	1	22D-suf E on
4 FRC7441	Bush	1	
5 606474	Bearing	1	
6 FRC7970	Nut-bearing-retainer	1	
7 FRC9513	Shaft-selector-high/low	1	
8 FTC2859	Fork-selector high/low	1	
9 FRC7018	Screw-selector fork	1	
10 FRC7929	Selector finger	1	
11 FRC8900	Arm operating-high/low	1	
12 FRC9549	Plug-detent	1	
13 FRC9546	Spring-detent	1	
14 571146	Ball-detent	1	
15 FRC5575	'O'ring	2	Note(1)

Note(1)

Part of gasket kit RTC3890





DEFENDER 110 1987 onwards

373

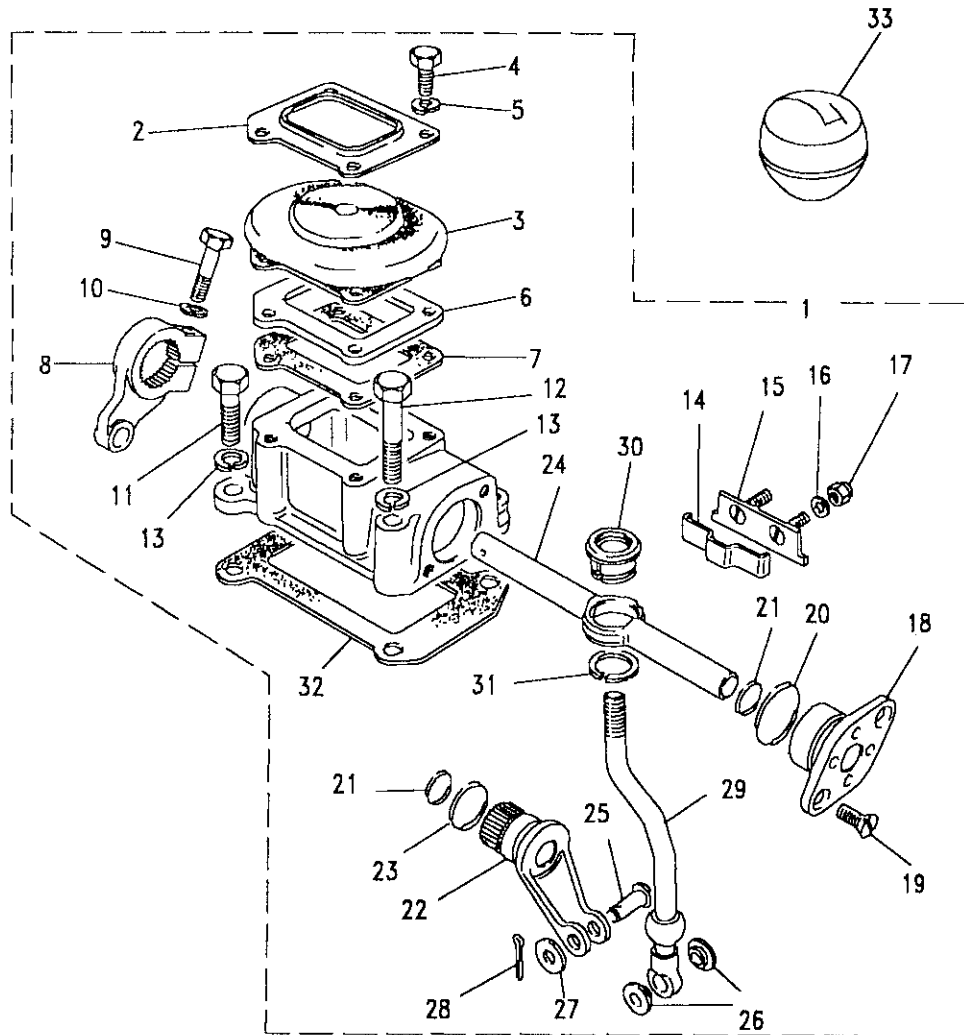
TRANSFER BOX

Model DEFENDER 110 1987 onwards
Page AFDBMA1A

TRANSFER GEARBOX - GEAR CHANGE - 4CYL/LT77S

Ill. Part No.	Description	Qty	Remarks
1	FRC9555 Gear change assembly	1	
2	FRC6873 Plate	1	
3	FRC6872 Grommet	1	
4	FS106201L Screw	4	
5	WA106041L Washer	4	
6	FRC8561 Gate Plate	1	
7	FTC4037 Gasket	1	Note(1)
8	FRC5478 Arm operating	1	
9	BH106051L Bolt M6X25	1	
10	FS106251 Bolt flanged M6X25	1	
11	WA106041L Washer	1	
12	FS108251ML Screw	1	
13	BH108111L Bolt	2	
14	FB108111L Bolt flanged	2	
15	WL108001L Washer spring	4	
16	RTC1956 Detent spring	1	
17	FRC6125 Retainer-spring	1	
18	WA105001L Washer	2	
19	NY105041L Nut	2	
20	FRC5574 Cover end	1	

Note(1) Part of gasket kit RTC3890



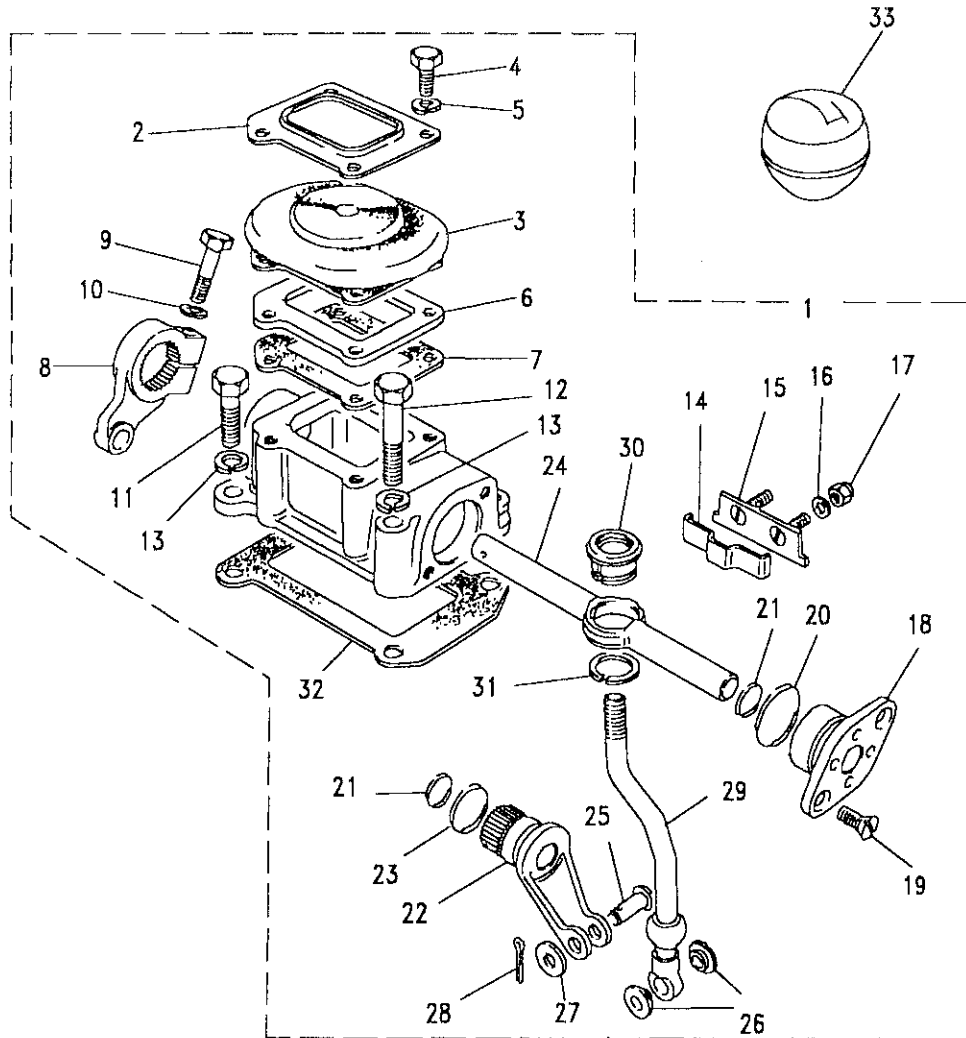


Model DEFENDER 110 1987 onwards
 Page AFDBMA1A

TRANSFER GEARBOX - GEAR CHANGE - 4CYL/LT77S

Ill. Part No.	Description	Qty	Remarks
19	SF106201L Screw	2	
20	FRC8292 'O'ring	1	Note(1)
21	FRC4509 'O'ring	2	Note(1)
22	FRC5480 Arm crank	1	
23	FRC5479 'O'ring	3	Note(1)
24	FRC8203 Cross shaft	1	
25	FRC8766 Clevis pin	1	
26	FRC4499 Bush	2	
27	WA108051L Washer	1	
28	PS104127L Pin-split	1	
29	FRC7487 Lever-gear change	1	
30	FRC5076 Seat	1	
31	CR120215 Circlip-seat	1	
32	FTC4036 Gasket	1	
	FRC7930 Plug-housing	1	
33	FRC6595 Knob	1	Upto LA935624
	FTC3852 Knob	1	From LA935625

Note(1) Part of gasket kit RTC3890





DEFENDER 110 1987 onwards

375

TRANSFER BOX

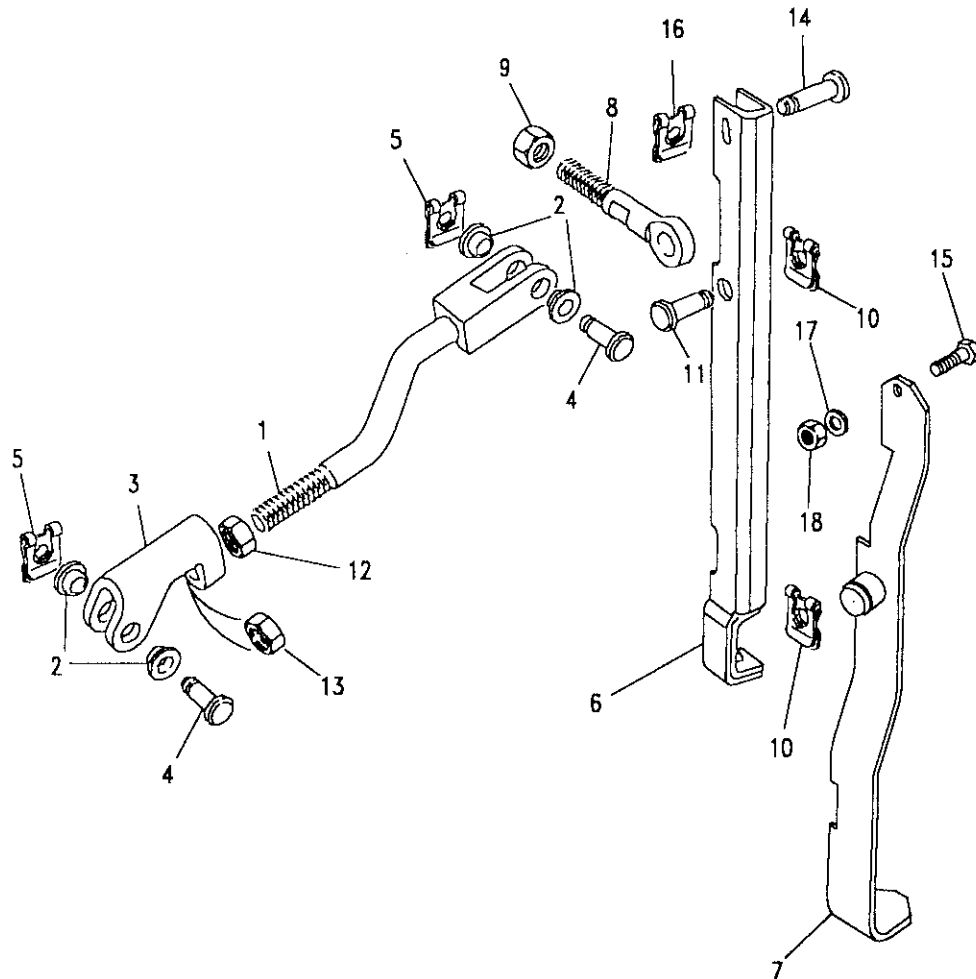
Model DEFENDER 110 1987 onwards

Page AFDBMA2A

TRANSFER GEARBOX - ROD ASSEMBLY - 4CYL/LT77S

III. Part No.	Description	Qty	Remarks
1	FRC6000 Rod connecting assembly	1	
2	FRC4499 Bush	4	
3	FRC8075 Clevis	1	
4	FRC8767 Clevis pin	2	
5	FRC8548 Clip safety-clevis	2	
6	FRC8204 Arm diff lock	1	Note(1)
7	FTC4095 Arm diff lock	1	Note(2)
8	FRC8202 Pivot pin	1	
9	NH108041L Nut	1	
10	FRC8548 Clip safety	2	
11	FRC8547 Clevis pin	1	
12	NY108041L Nut	1	
13	NT108041L Nut	1	
14	FRC8768 Clevis pin	1	Note(1)
15	FB105051L Bolt M5	1	Note(2)
16	FRC8769 Clip safety	1	Note(1)
17	WA106041L Washer	1	Note(2)
18	NY105041 Nut	1	Note(2)

Note(1) Up to LA939975
 Note(2) From MA939976





DEFENDER 110 1987 onwards

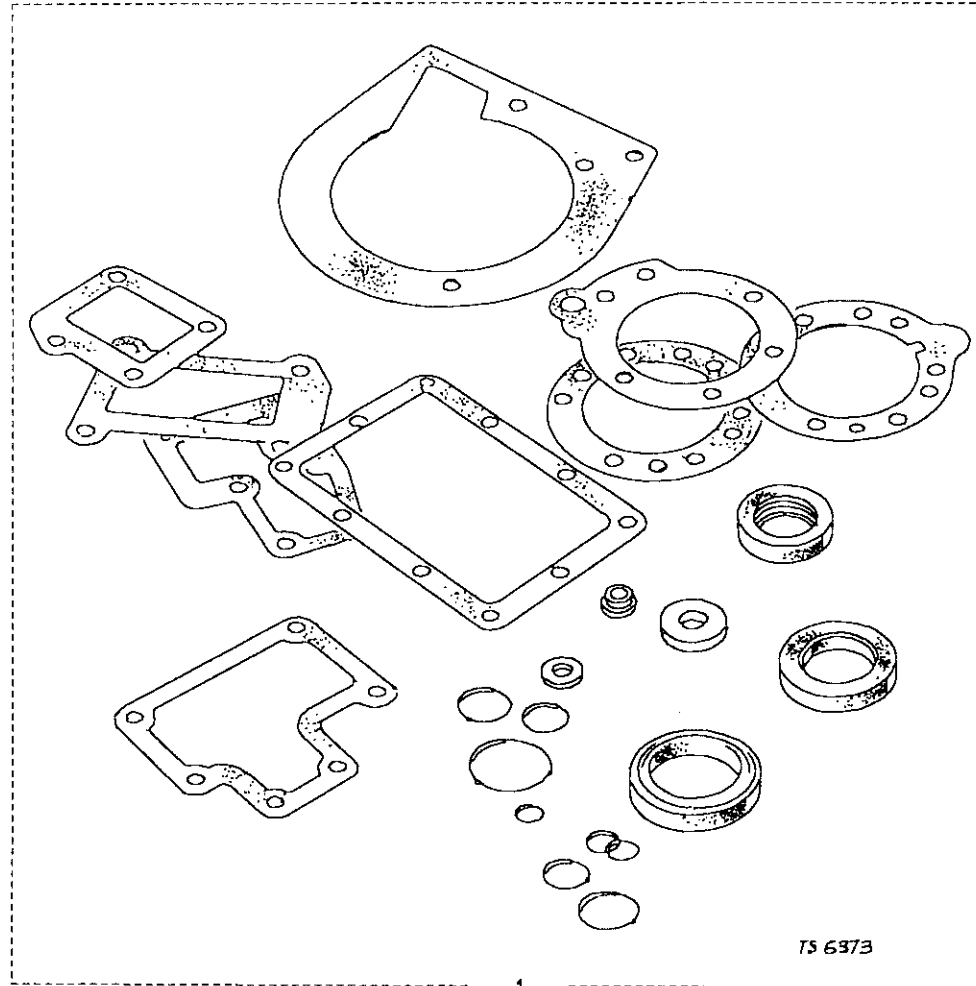
376

TRANSFER BOX

Model DEFENDER 110 1987 onwards
Page AFDBPA1A

TRANSFER GEARBOX - GASKET KIT - 4CYL/LT77S

III. Part No.	Description	Qty	Remarks
1 RTC3890	Kit gasket and seal	1	





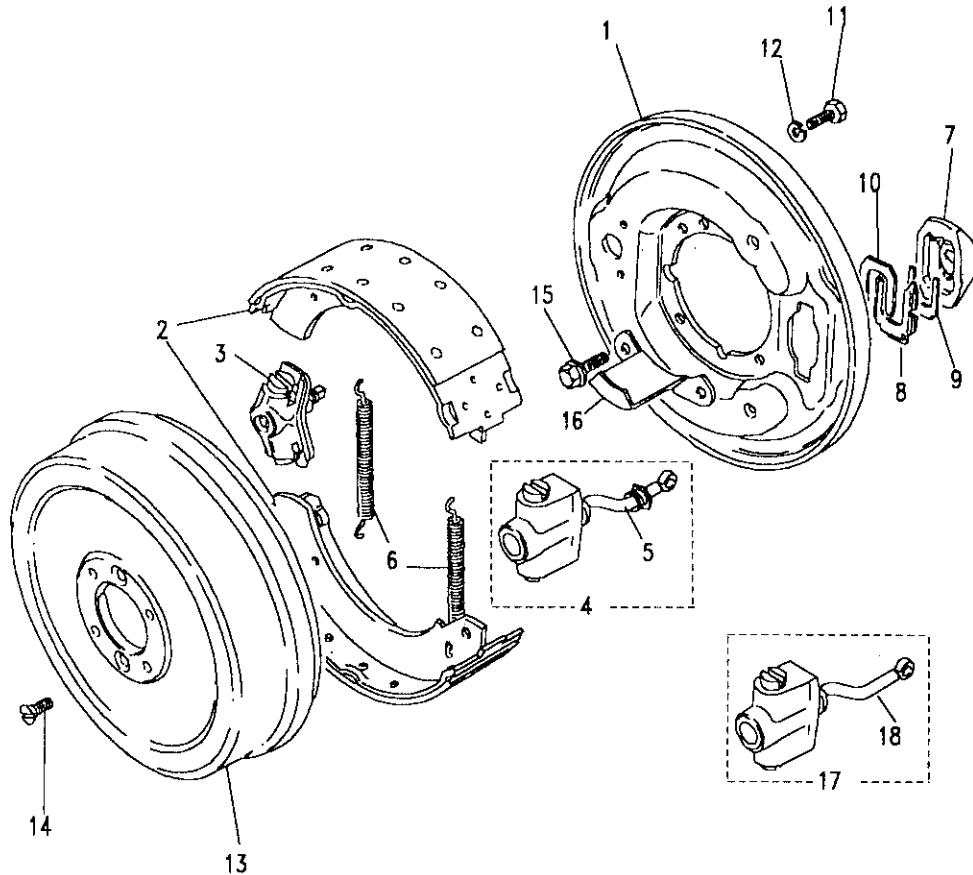
DEFENDER 110 1987 onwards

377

TRANSFER BOX

Model DEFENDER 110 1987 onwards
Page AFDBRA1A

TRANSFER GEARBOX - TRANSMISSION BRAKE - 4CYL/LT77S



III. Part No.	Description	Qty	Remarks
Up to 20D290863E,22D290863			
1	AEU2733	1) Back plate
2	RTC3403	1) Brake shoe set
3	37H4558L	1) Adjuster assembly
	8G7019L	1) Kit-adjuster
1	STC963	1) Back plate
2	RTC6179	1) Brake shoe set
3	STC244	1) Adjuster assembly
	STC245	1) Kit-adjuster
4	AEU2734	1) Expander assembly
	AEU2735	1) Kit-expander
5	AEU2736	1) Drawlink-with locknut
6	FRC8549	2) Spring-shoe return(green)
6	STC246	1) Spring-shoe return-PAIR
7	515466	1) Cover dust
8	515467	1) Plate-locking
9	515470	1) Plate-packing
10	515468	1) Plate-spring
11	AEU2737	2) Bolt
12	AEU2738	2) Washer
13	FRC3502	1) Drum brake
14	SA108201L	2) Screw-fixing drum
15	AFU1400	4) Bolt-transmission brake
16	FRC8093	1) Oil catcher
17	AEU2734	1) Expander assembly
18	STC964	1) Drawlink

Note(1) When ordering AEU2734 the NEW TYPE drawlink will be supplied.

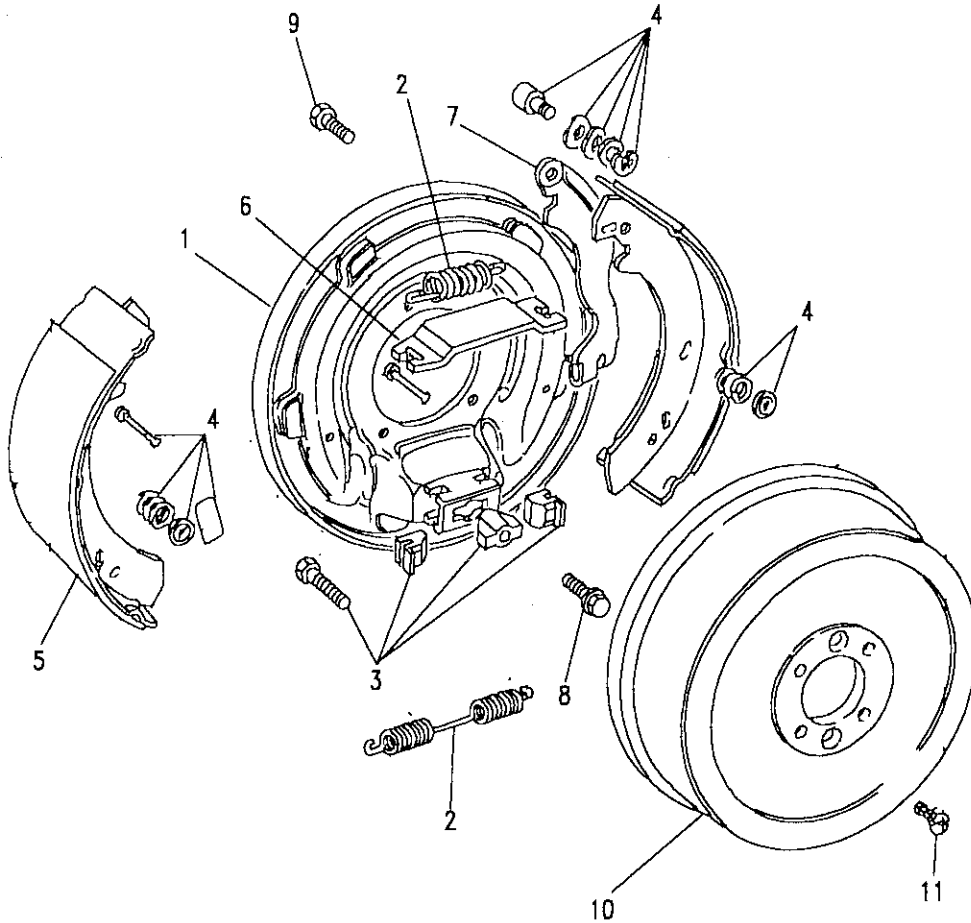




Model DEFENDER 110 1987 onwards
Page AFDBRA2A

TRANSFER GEARBOX - TRANSMISSION BRAKE - 4 CYL/LT77S

Ill. Part No.	Description	Qty	Remarks
From 20D290864E,22D290864			
1	STC1533	1	Backplate
2	STC1526	1	Kit brake springs
3	STC1527	1	Kit adjuster brake
4	STC1532	1	Kit brake shoe retention
5	STC1525	1	Brake shoe kit
6	STC1536	1	Cross shaft
7	STC1538	1	Lever brake shoe
8	AFU1400	4	Bolt
9	SF108201L	1	Screw M8 20
10	FRC3502	1	Drum brake
11	SA108201L	2	Screw





MASTER INDEX

	PAGES
INTRODUCTION PAGES	1 - 7
ALPHABETICAL INDEX	8 - 16
ENGINE	17 - 66
ENGINE	67 - 119
ENGINE	120 - 166
ENGINE	167 - 209
ENGINE	210 - 245
ENGINE	246 - 299
GEARBOX	300 - 326
GEARBOX	327 - 344
GEARBOX	345 - 359
TRANSFER BOX	360 - 378
TRANSFER BOX	379 - 397
AXLES AND SUSPENSION	398 - 444
STEERING	445 - 471
VEHICLE AND ENGINE CONTROLS	472 - 486
BRAKES	487 - 517
FUEL SYSTEM AND AIR CLEANER	518 - 579
EXHAUST SYSTEM	580 - 593
COOLING/HEATING	594 - 637
COOLING/HEATING	638 - 641
COOLING/HEATING	642 - 649
COOLING/HEATING	650 - 655
COOLING/HEATING	656 - 666
BODY ELECTRICAL	667 - 740
BODY AND CHASSIS	741 - 909
INTERIOR TRIM	910 - 955
SEATS	956 - 1036
STOWAGE	1037 - 1046
ACCESSORIES - PAINTS	1047 - 1074
NUMERICAL INDEX	1076 - 1151

GROUP D

TRANSFER BOX

TRANSFER BOX	
TRANSFER ASSEMBLY - LT85	380
HOUSING - LT85	381 - 382
SPEEDO HOUSING - LT85	383 - 384
DIFFERENTIAL - LT85	385
MAINSHAFT - LT85	386
INTERMEDIATE SHAFT - LT85	387
FRONT FLANGE - LT85	388
FRONT OUTPUT SHAFT - LT85	389 - 390
REAR FLANGE - LT85	391
HIGH LOW GEARS - LT85	392
GEAR CHANGE - LT85	393 - 394
ROD ASSEMBLY - LT85	395
GASKET KIT - LT85	396
TRANSMISSION BRAKE - LT85	397





DEFENDER 110 1987 onwards

380

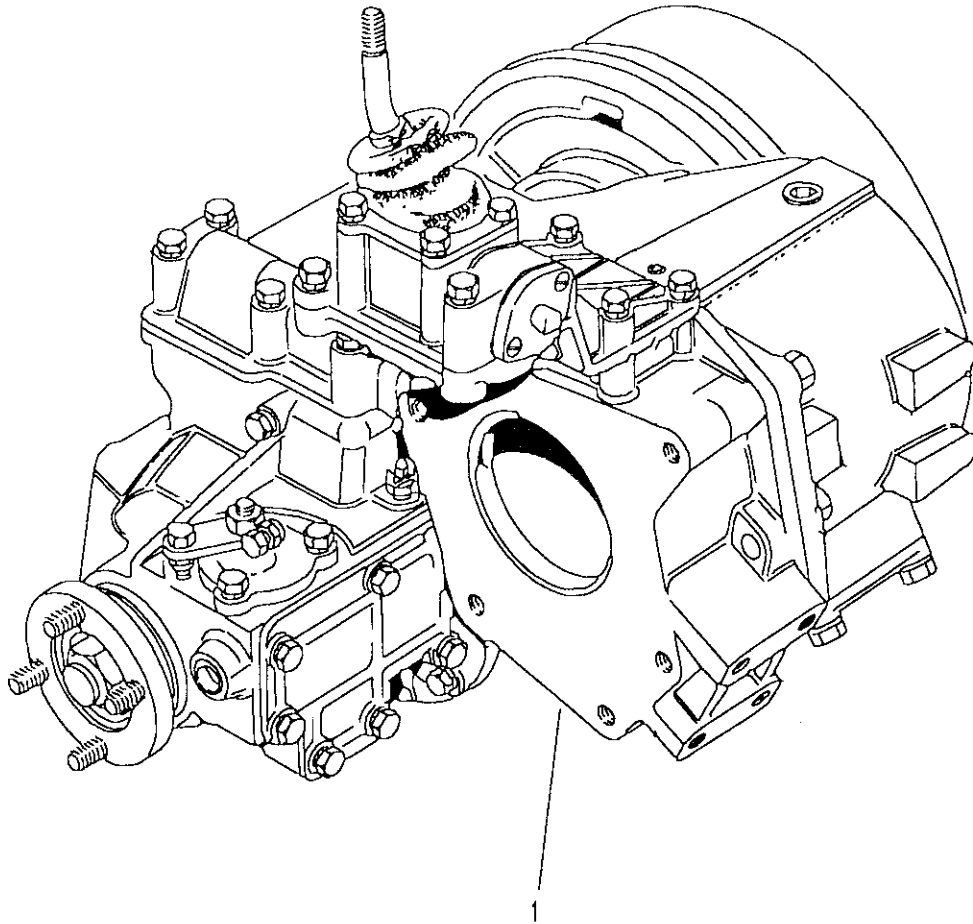
TRANSFER BOX

Model DEFENDER 110 1987 onwards
Page AFDCAA1A

TRANSFER GEARBOX - TRANSFER ASSEMBLY - LT85

III. Part No.	Description	Qty	Remarks
1 FRC9468N	Transfer assembly	1	Note(1)

Note(1) Serial Number 25D fitted to LT85 gearbox

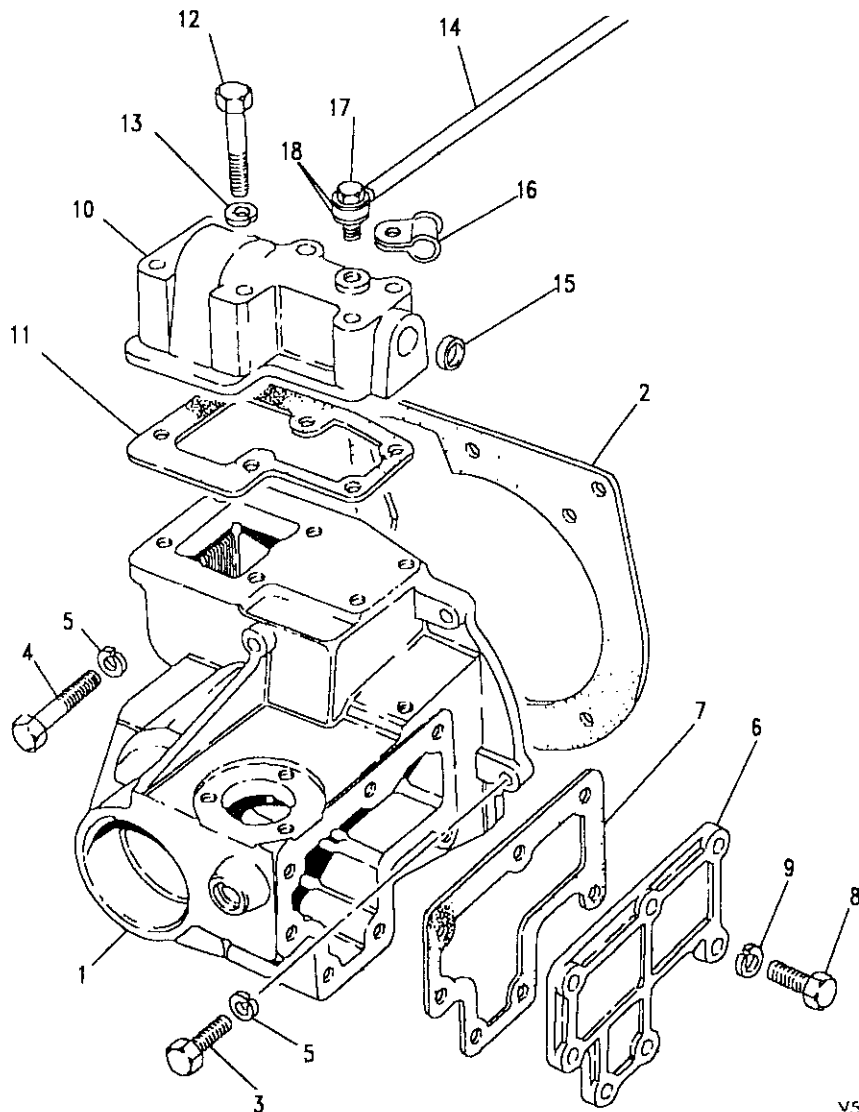


Model DEFENDER 110 1987 onwards
Page AFDCCA1A

TRANSFER GEARBOX - HOUSING - LT85

III. Part No.	Description	Qty	Remarks
1	FRC8299	1	Note(1)
	FTC4178	1	Note(2)
2	FRC6103	1	Note(3)
3	FS108301L	7	
4	BH108181L	1	
5	WA108051L	8	
6	FRC6104	1	
7	FRC6105	1	Note(3)
8	SH108251L	7	
9	WA108051L	7	
10	FRC6106	1	
11	FRC7998	1	Note(3)
12	BH108111L	6	
	FB108111L	6	
13	WA108051L	6	
14	FRC167	1	
	BAU1689	1	

Note(1) Up to 28D327047E (paper gasket type)
 Note(2) From 28D327048E (liquid gasket type)
 Note(3) Part of gasket kit RTC3890

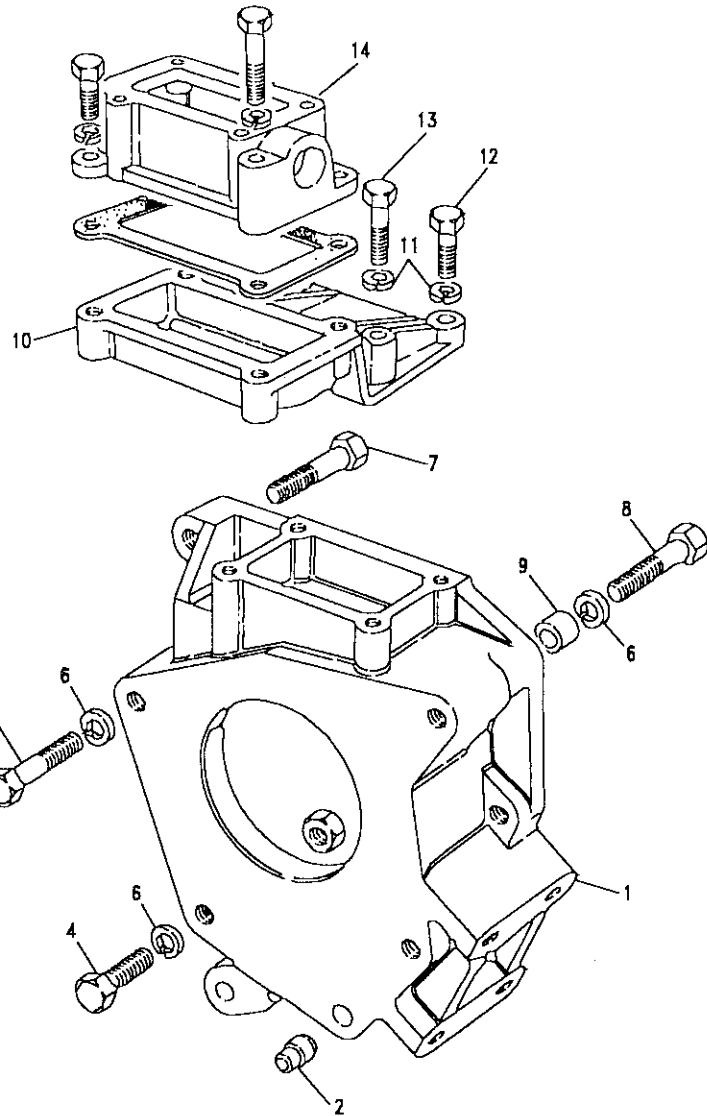


vs 3728/A



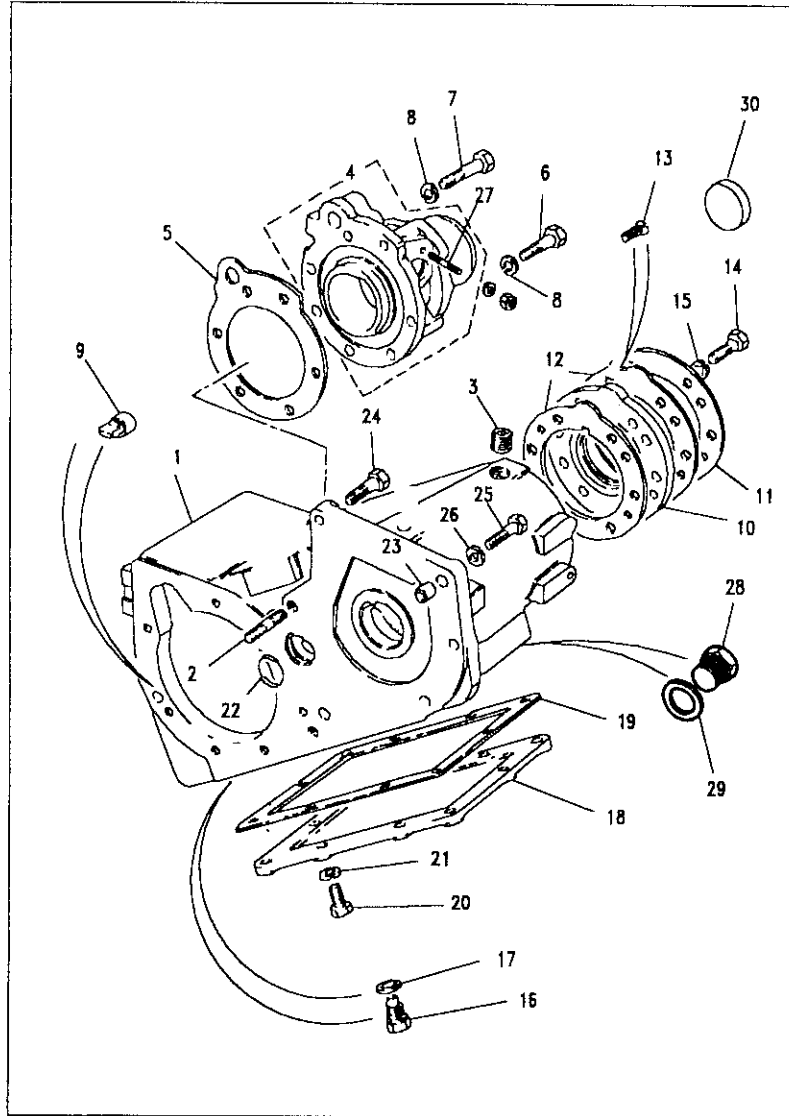
Model DEFENDER 110 1987 onwards
 Page AFDCCA2A

TRANSFER GEARBOX - HOUSING - LT85



III. Part No.	Description	Qty	Remarks
1	FRC5622	1	Housing extension
2	571134	1	Pin dowel
3	NH110041L	2	Nut
4	FRC5053	1	Screw
5	SH110401L	3	Screw
6	WL110001L	12	Washer
7	BH110081L	3	Bolt
8	BH110091L	1	Screw
9	FRC2482	1	Dowel hollow
10	FRC8558	1	Housing remote
11	WL108001L	4	Washer
12	SH108251L	2	Screw
13	BH108111L	2	Bolt M8X55
	FB108111L	2	Bolt flanged M8X55
14	FRC8751	1	Housing cross shaft



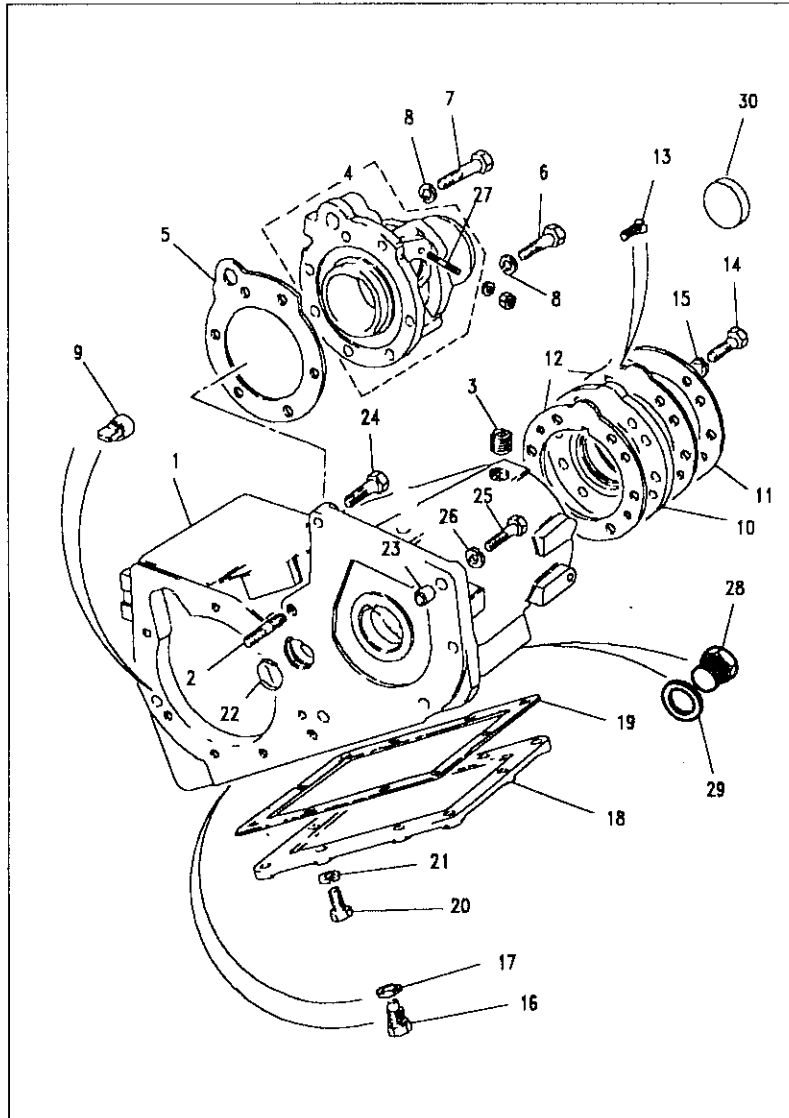


Model DEFENDER 110 1987 onwards
 Page AFDCEA1A

TRANSFER GEARBOX - SPEEDO HOUSING - LT85

Ill. Part No.	Description	Qty	Remarks
1	FRC8290 Housing transfer assy	1	
2	FRC5595 Stud	2	
3	608246 Plug-oil filler	2	
4	FRC7447 Housing speedo assy	1	Note(1)
	FTC4186 Housing speedometer	1	Note(2)
5	FRC5409 Washer joint	1	Note(3)
6	SH110301L Screw	5	
7	BH110091L Screw	1	
8	WA110061L Washer	6	
9	FRC5594 Dowel	1	
10	FRC6943 Housing	1	
11	FTC2061 Cover-power take-off	1	
	FRC9926 Shim	1	
	FRC9963 Shim	1	
12	FRC5413 Washer joint	2	Note(3)
13	SF108251L Bolt	2	
14	BX110071L Bolt	6	
15	WA110061L Washer	6	
16	599552 Plug drain	1	
17	FRC4808 Washer-drain plug	1	Note(3)

Note(1) Up to 22D309416E
 Note(2) From 22D309417E (no gasket used)
 Note(3) Part of gasket kit RTC3890



Model DEFENDER 110 1987 onwards
 Page AFDCEA1A

TRANSFER GEARBOX - SPEEDO HOUSING - LT85

III. Part No.	Description	Qty	Remarks
18	FRC5415	1	Cover
19	FRC5416	1	Washer joint
20	FB108061	10	Flange bolt M8 X 30
21	WA108051L	10	Washer
22	FRC8292	1	'O'ring
23	FRC2482	1	Dowel hollow
24	BH110081L	3	Bolt
25	BH110091L	1	Bolt
26	WL110001L	6	Washer
27	571536	1	Stud-cable retainer
28	SH214141	1	Screw M14
29	232042	1	Joint Washer
30	602146	1	Plug-cover power take/off

Note(1) Part of gasket kit RTC3890





DEFENDER 110 1987 onwards

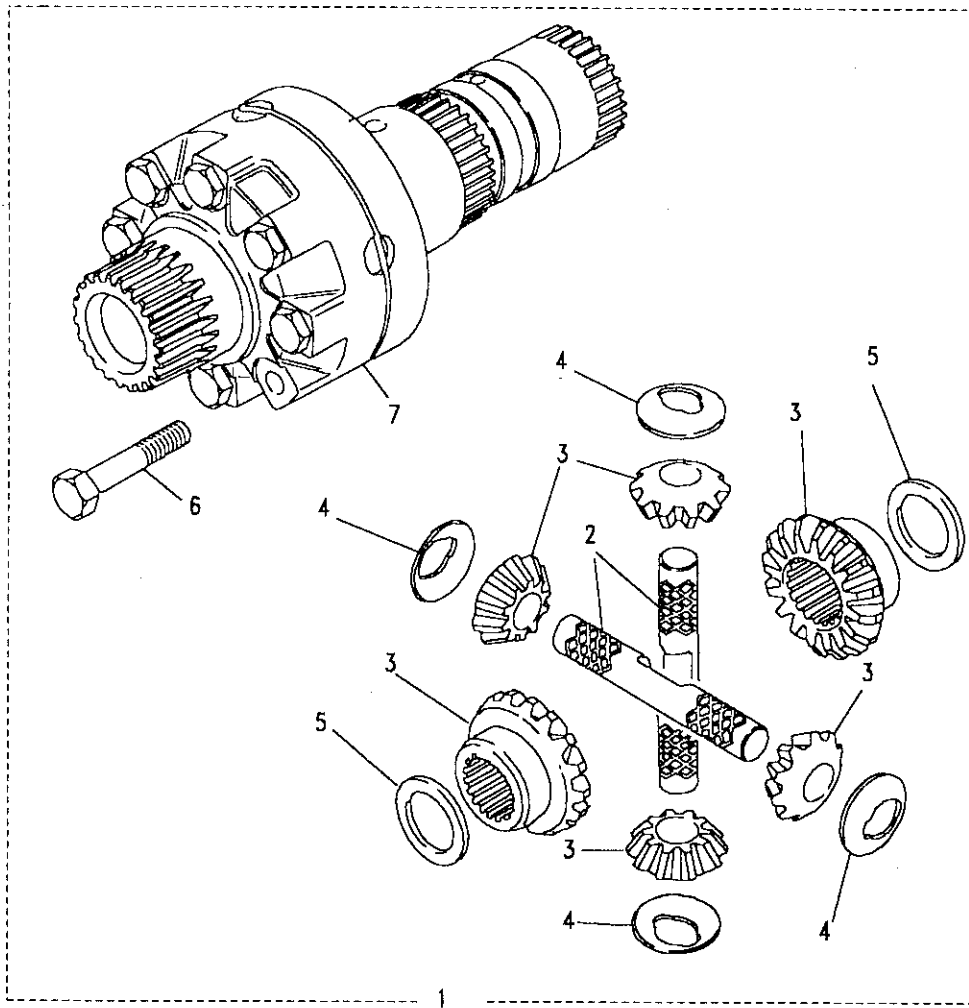
385

TRANSFER BOX

Model DEFENDER 110 1987 onwards
Page AFDCGA1A

TRANSFER GEARBOX - DIFFERENTIAL - LT85

III. Part No.	Description	Qty	Remarks
1	FRC7926	1	Differential assembly
2	RTC3397	1	Kit cross shaft
3	RTC4490	1	Gears balanced set
4	FRC6968	4	Washer thrust
5	SELECTIVE THRUST WASHER		
	FRC6956		1.05mm A/R
	FRC6958		1.15mm A/R
	FRC6960		1.25mm A/R
	FRC9851		1.35mm A/R
	FRC9853		1.45mm A/R
6	BH110121L	8	Bolt-differential case
7	FRC7499	1	Ring retainer



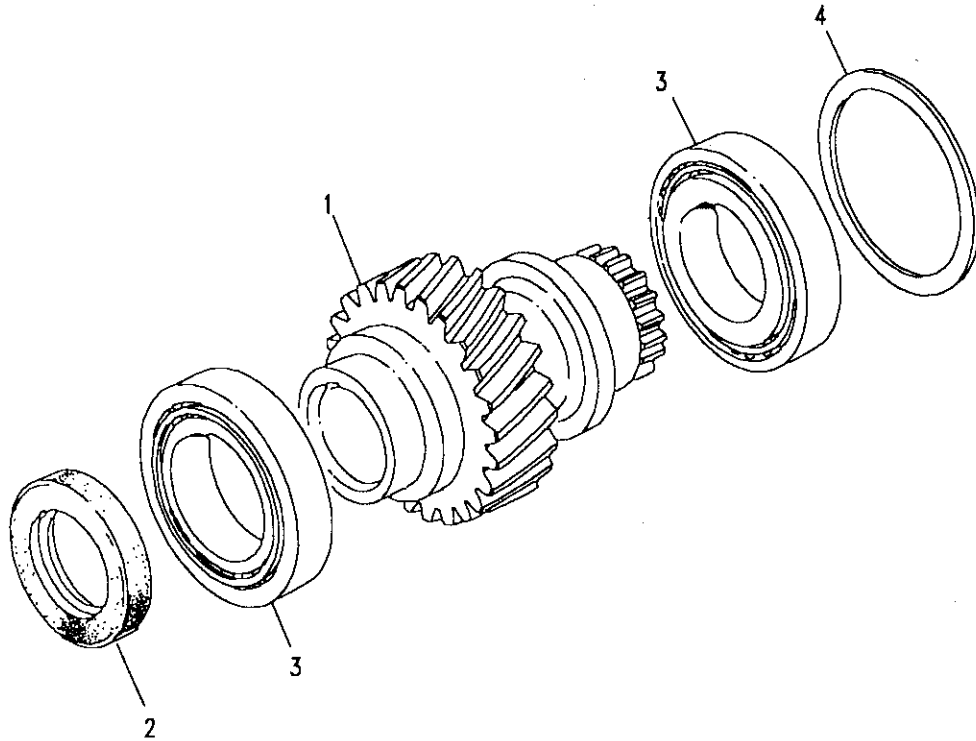


Model DEFENDER 110 1987 onwards
Page AFDCIA1A

TRANSFER GEARBOX - MAINSHAFT - LT85

Ill. Part No.	Description	Qty	Remarks
1	FRC8917 Gear mainshaft	1	
2	FRC2365 Seal oil	1	Note(1)
3	FRC5564 Bearing	2	
4	SELECTIVE SHIMS		
	FRC9928	3.20	A/R
	FRC9930	3.25	A/R
	FRC9932	3.30	A/R
	FRC9934	3.35	A/R
	FRC9936	3.40	A/R
	FRC9938	3.45	A/R
	FRC9940	3.50	A/R
	FRC9942	3.55	A/R
	FRC9944	3.60	A/R
	FRC9946	3.65	A/R
	FRC9948	3.70	A/R
	FRC9950	3.75	A/R
	FRC9952	3.80	A/R
	FRC9954	3.85	A/R
	FRC9956	3.90	A/R
	FRC9958	3.95	A/R
	FRC9960	4.00	A/R

Note(1) Part of gasket kit RTC3890





DEFENDER 110 1987 onwards

387

TRANSFER BOX

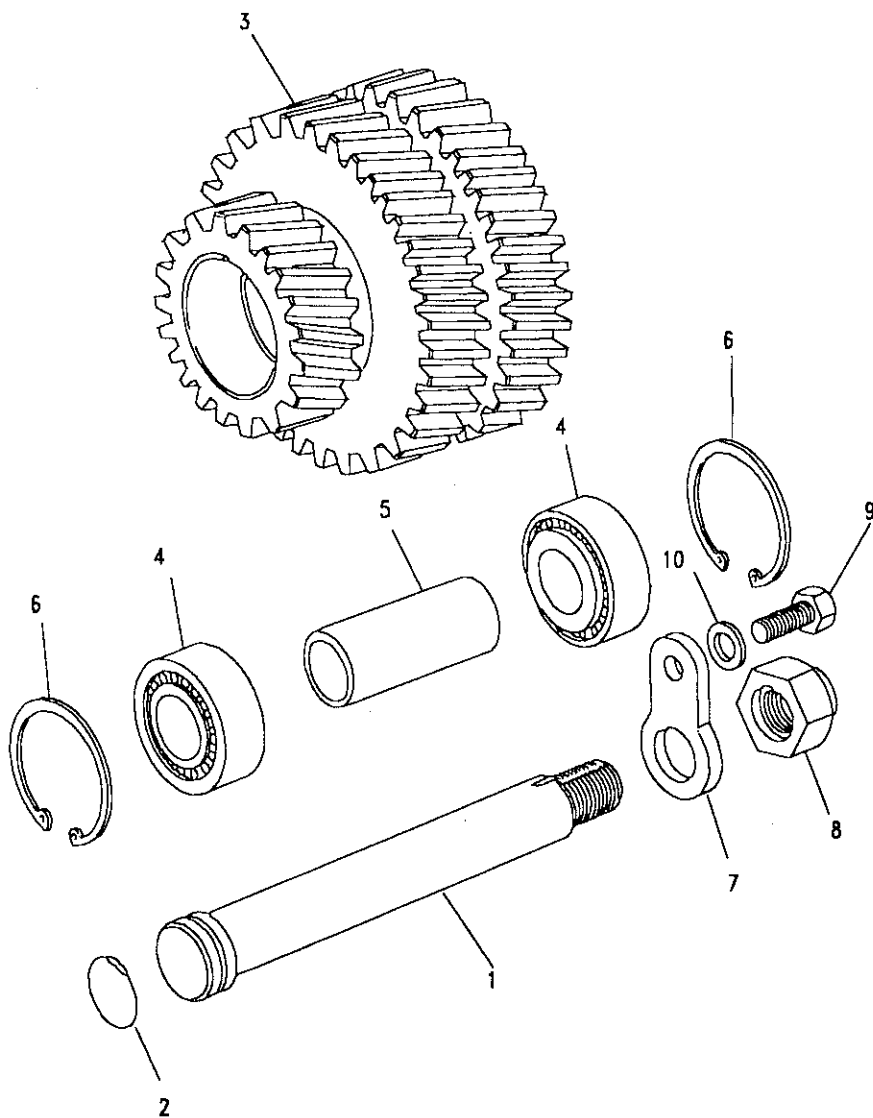
Model DEFENDER 110 1987 onwards

Page AFDCIA2A

TRANSFER GEARBOX - INTERMEDIATE SHAFT - LT85

Ill. Part No.	Description	Qty	Remarks
1	FRC8291 Intermediate shaft	1	
2	FRC7439 'O'ring-shaft	1	Note(1)
3	FRC9460 Gear inter	1	
4	FRC7810 Bearing	2	
5	FRC7437 Spacer collapsible	1	
6	FRC7454 Circlip	2	
7	FRC7452 Plate-anti rotation	1	
8	FRC7453 Nut-intermediate shaft	1	
9	FS108201L Screw	1	
10	WA108051L Washer	1	

Note(1) Part of gasket kit RTC3890



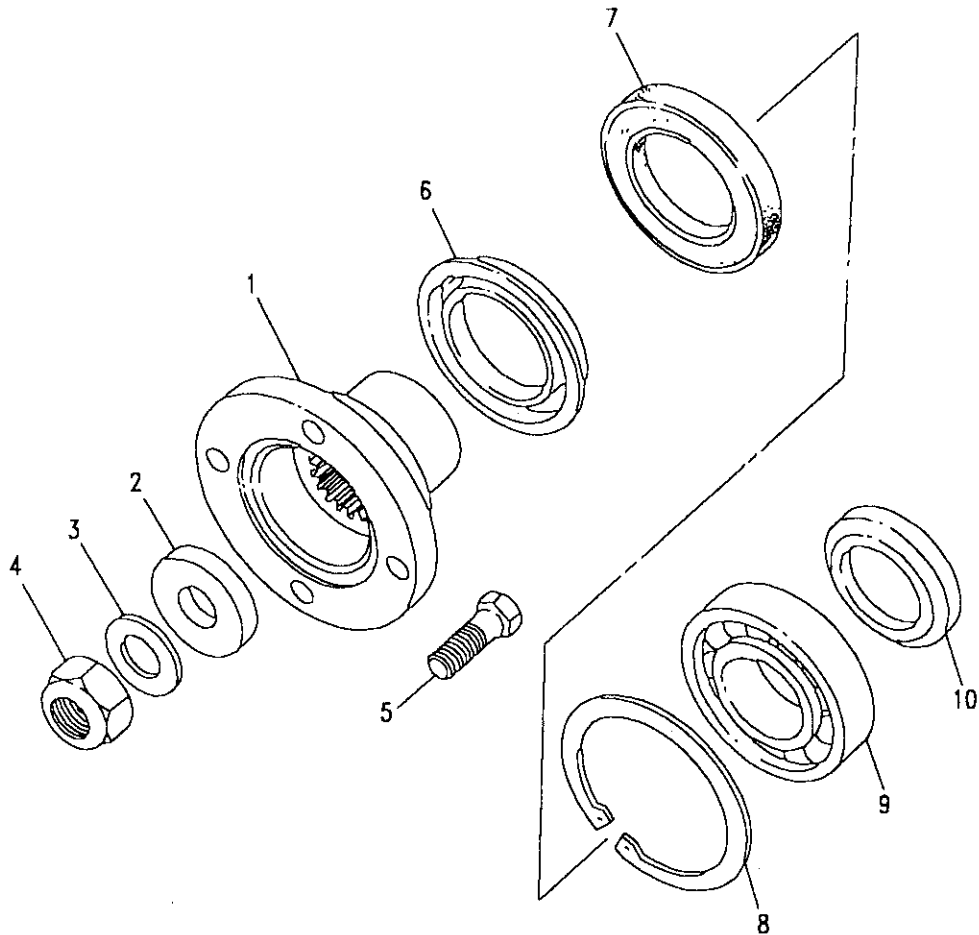


Model DEFENDER 110 1987 onwards
Page AFDCIA3A

TRANSFER GEARBOX - FRONT FLANGE - LT85

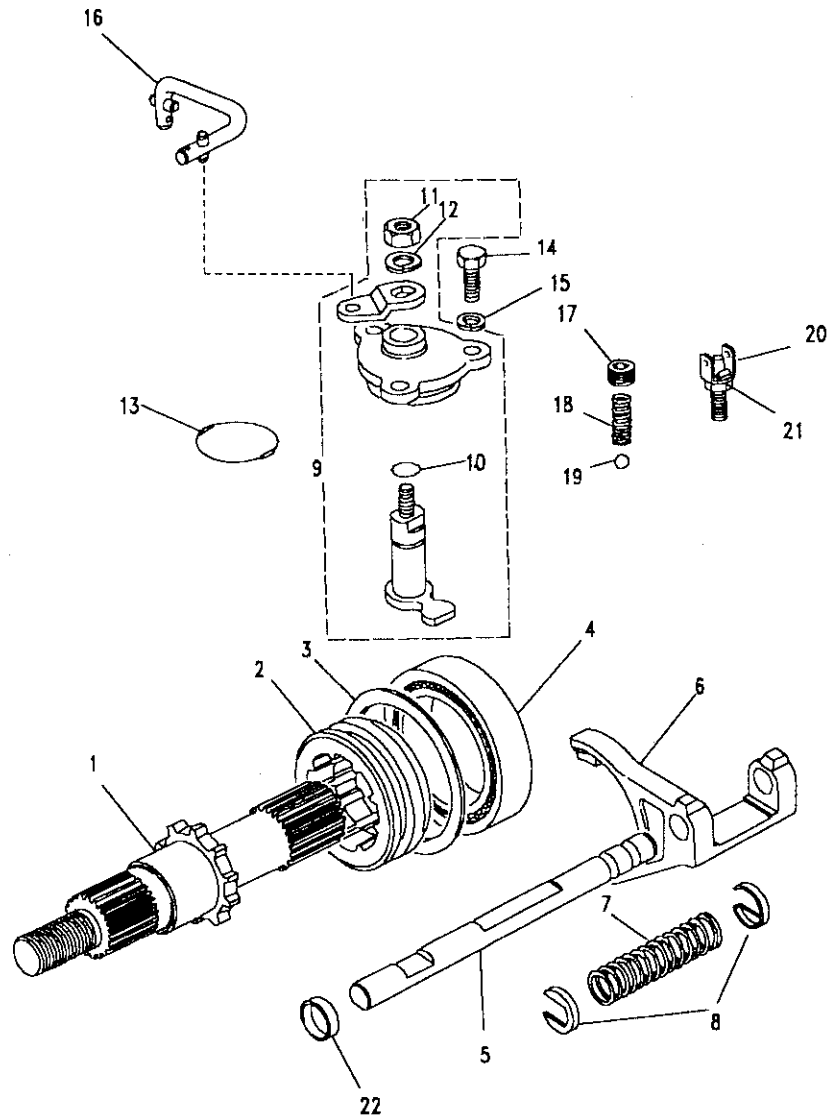
III. Part No.	Description	Qty	Remarks
1	FRC5442	1	Flange-front output
2	FRC2464	1	Washer sealing
3	571468	1	Washer-shaft
4	NY120041L	1	Nut-shaft
5	BT606101L	4	Bolt-flange
6	FRC6121	1	Mudshield
7	FRC7043	1	Seal oil
8	216962	1	Circlip
9	STC1130	1	Bearing
10	FRC5439	1	Spacer

Note(1) Part of gasket kit RTC3890



Model DEFENDER 110 1987 onwards
 Page AFDCIA5A

TRANSFER GEARBOX - FRONT OUTPUT SHAFT - LT85

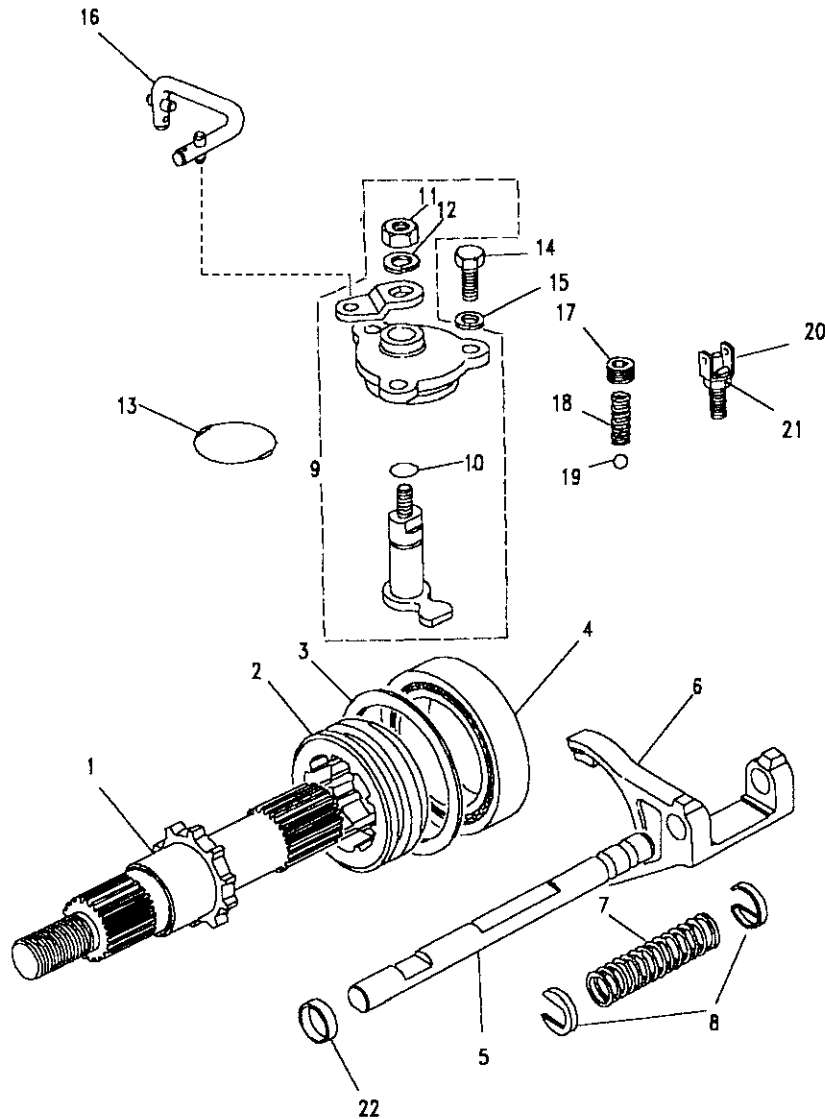


III. Part No.	Description	Qty	Remarks
1	FRC5449	1	Shaft front output
2	FRC5440	1	Dog clutch-front drive
	FRC5575	1	'O'ring-dog clutch
3			SELECTIVE SHIMS
	FTC726	1	2.00mm
	FTC278	1	Washer
	FTC730	1	2.10mm
	FTC732	1	2.15mm
	FTC734	1	2.20mm
	FTC736	1	2.25mm
	FTC738	1	2.30mm
	FTC740	1	2.35mm
	FTC742	1	2.40mm
	FTC744	1	2.45mm
	FTC746	1	2.50mm
	FTC748	1	2.55mm
	FTC750	1	2.60mm
	FTC752	1	Shim
	FTC754	1	2.70mm
	FTC756	1	2.75mm
	FTC758	1	2.80mm
	FTC760	1	Shim 2.85mm
	FTC762	1	2.90mm
	FTC764	1	2.95mm
	FTC766	1	3.00mm
	FTC768	1	3.05mm
	FTC770	1	3.10mm
	FTC772	1	3.15mm
	FTC774	1	3.20mm
	FTC776	1	3.25mm



Model DEFENDER 110 1987 onwards
 Page AFDCIA5A

TRANSFER GEARBOX - FRONT OUTPUT SHAFT - LT85



Ill. Part No.	Description	Qty	Remarks
4	FRC7871	1	Bearing-taper
5	FRC6030	1	Shaft selector-diff lock
6	FRC6109	1	Fork selector-diff lock
7	FRC5468	1	Spring-diff lock
8	FRC5469	2	Clip-spring
9	FRC8041	1	Housing assembly
10	FRC5576	1	'O'ring
11	NY108041L	1	Nut
12	WA108051L	1	Washer
13	FRC5473	1	'O'ring
14	SH108251L	3	Screw
15	WA108051L	3	Washer
16	FRC7948	1	Link connecting assembly
17	SU112101L	1	Plug-detent
18	FRC5562	1	Spring-detent
19	571146	1	Ball-detent
20	PRC2911	1	Switch-diff lock
21	NT110041L	1	Lock nut-switch
22	FRC6110	1	Plug-selector shaft





DEFENDER 110 1987 onwards

391

TRANSFER BOX

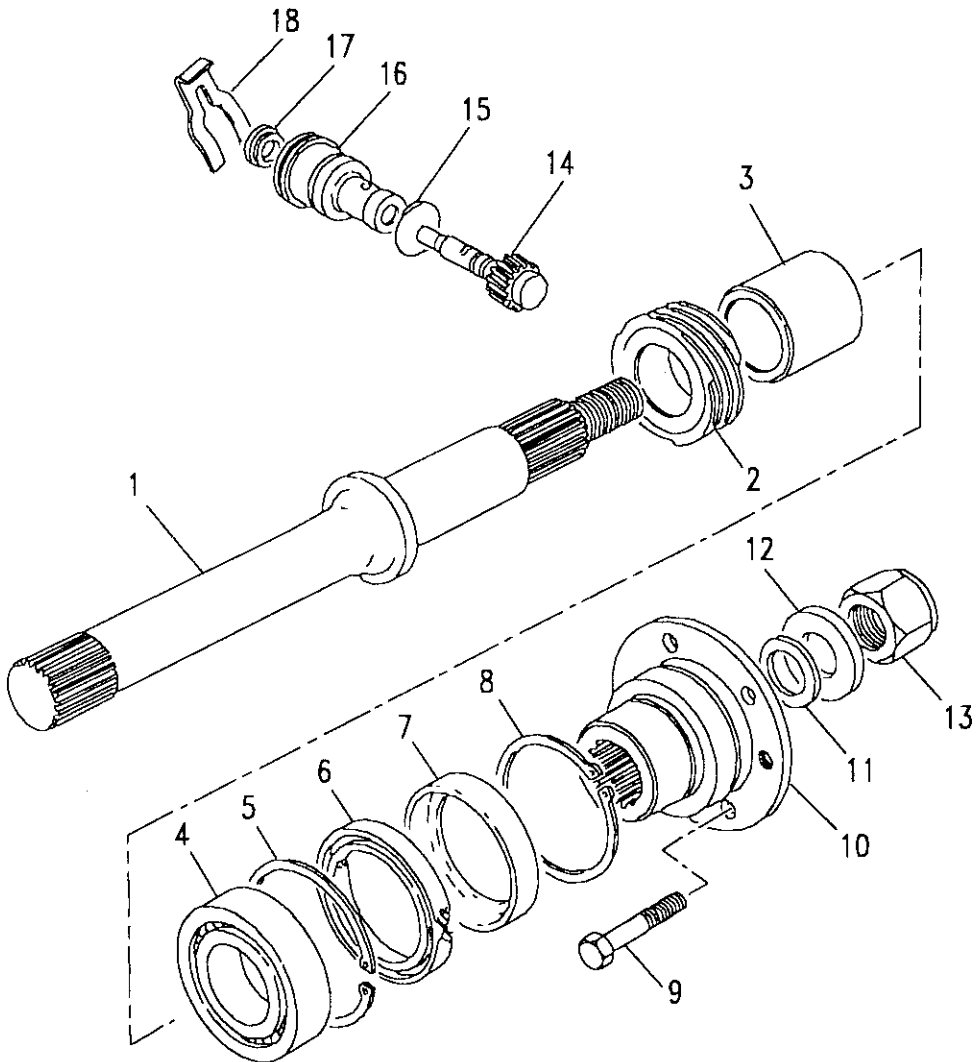
Model DEFENDER 110 1987 onwards

Page AFDCIA4A

TRANSFER GEARBOX - REAR FLANGE - LT85

Ill. Part No.	Description	Qty	Remarks
1	FRC5450	1	Shaft-rear output
2	FRC3162	1	Worm speedo
3	FRC5446	1	Spacer-speedo worm
4	STC1130	1	Bearing
5	216962	1	Circlip
6	FRC7043	1	Seal oil
7	571970	1	Shield oil
8	571682	1	Circlip
9	FRC3602	1	Bolt
10	FRC5438	1	Flange-rear output
11	FRC2464	1	Washer sealing
12	571468	1	Washer
13	NY120041L	1	Nut
14	FRC3310	1	Gear speedo drive
15	571665	1	'O'ring
16	FRC3286	1	Housing-speedo spindle
17	AAU2304	1	Seal oil
18	533765	1	Plate-retaining

Note(1) Part of gasket kit RTC3890



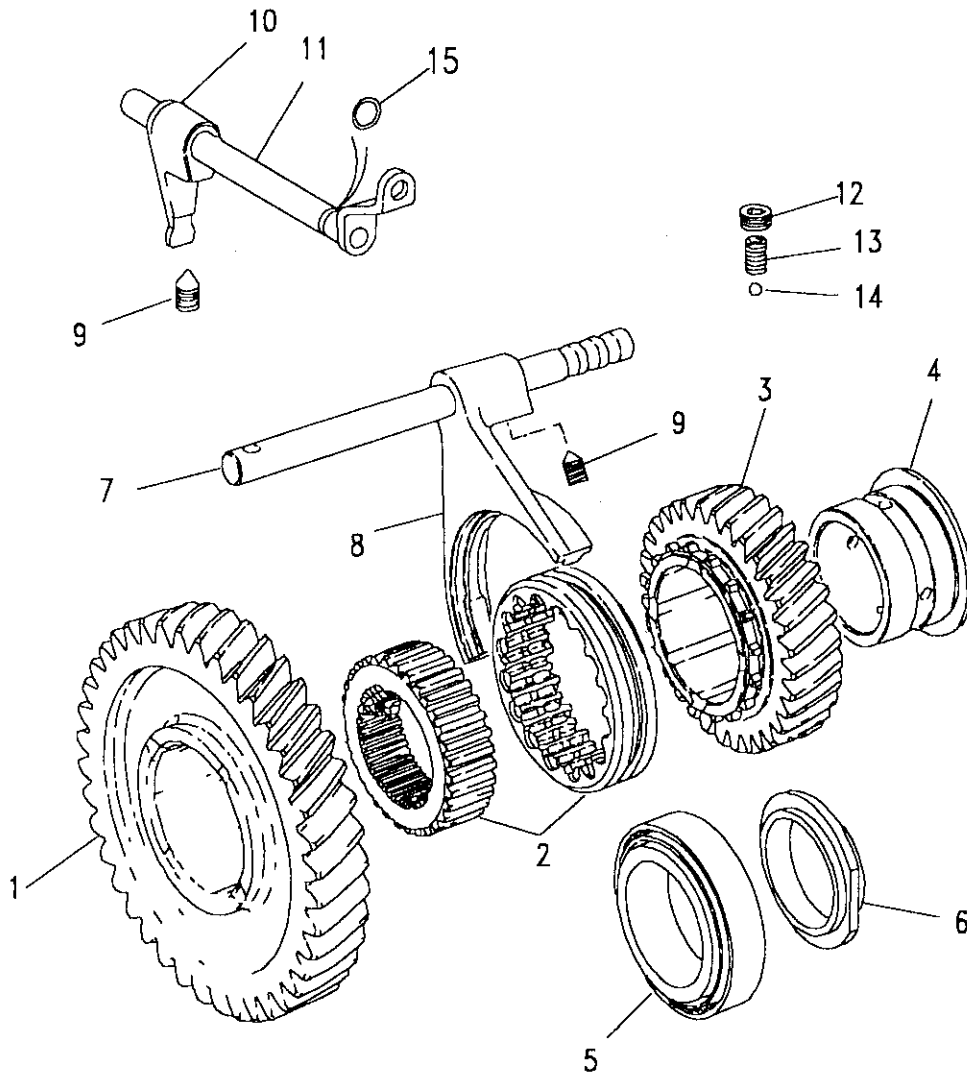


Model DEFENDER 110 1987 onwards
Page AFDCKA1A

TRANSFER GEARBOX - HIGH LOW GEARS - LT85

III. Part No.	Description	Qty	Remarks
1	FRC7434	1	Gear low
2	RTC4373	1	Sleeve and hub assembly
3	FRC7885	1	Gear-high output
4	FRC7441	1	Bush
5	606474	1	Bearing
6	FRC7970	1	Nut-bearing retainer
7	FRC9513	1	Shaft selector-high/ow
8	FTC2859	1	Fork-high/low selector
9	FRC7018	2	Screw-selector forks
10	FRC7929	1	Selector finger
11	FRC8899	1	Arm operating-high/low
12	FRC9549	1	Plug-detent
13	FRC9546	1	Spring-detent
14	571146	1	Ball-detent
15	FRC5575	2	O ring Note(1)

Note(1) Part of gasket kit RTC3890





DEFENDER 110 1987 onwards

393

TRANSFER BOX

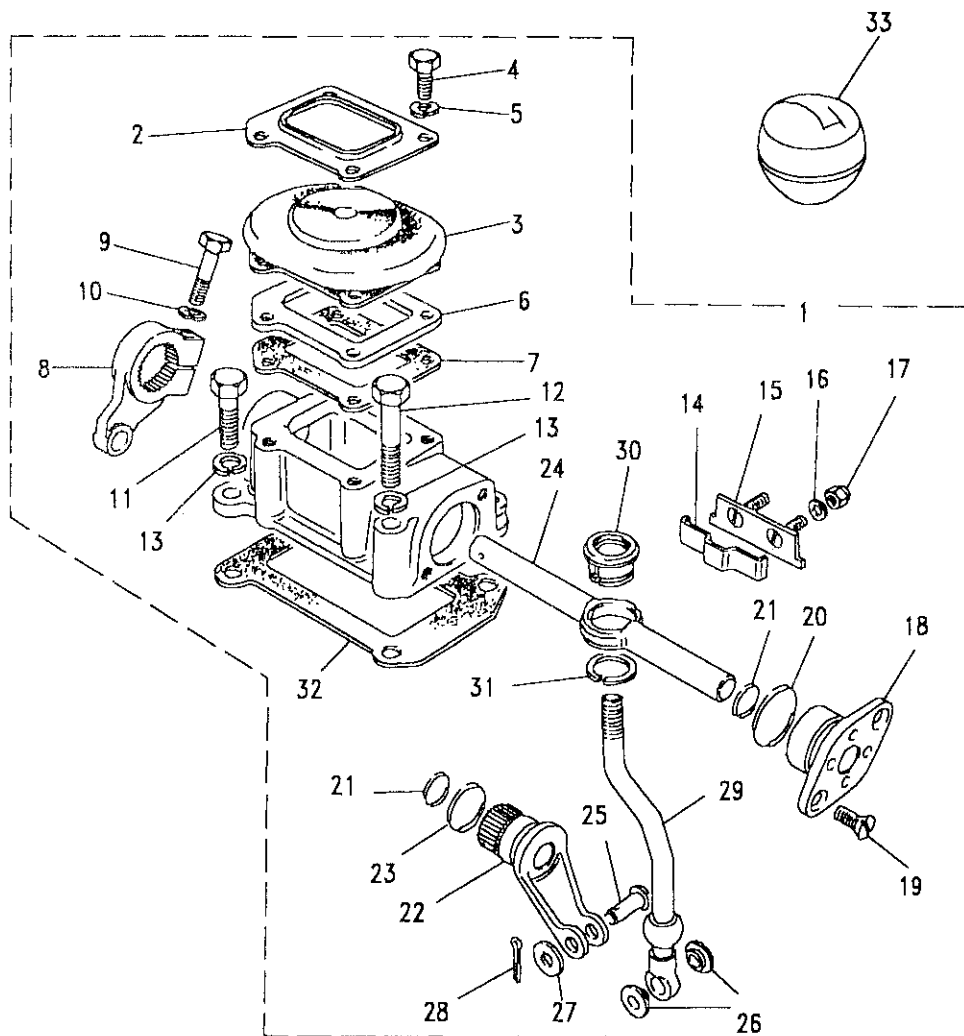
Model DEFENDER 110 1987 onwards

Page AFDCMA1A

TRANSFER GEARBOX - GEAR CHANGE - LT85

III. Part No.	Description	Qty	Remarks
1	FRC7941	1	Gear change assembly
2	FRC6873	1	Plate
3	FRC6872	1	Grommet
4	FS106207	4	Screw m6 x 20
5	WA106041L	4	Washer
6	FRC7944	1	Gate plate
7	FTC4037	1	Gasket
8	FRC5478	1	Arm operating
9	BH106051L	1	Bolt
10	WA106041L	1	Washer
11	SH108251L	2	Screw
12	FB108111L	2	Bolt flanged
13	WL108001L	4	Washer-spring
14	RTC1956	1	Detent spring
15	FRC6125	1	Retainer-spring
16	WA105001L	2	Washer
17	NY105041L	2	Nut
18	FRC5574	1	Cover end

Note(1) Part of gasket kit RTC3890

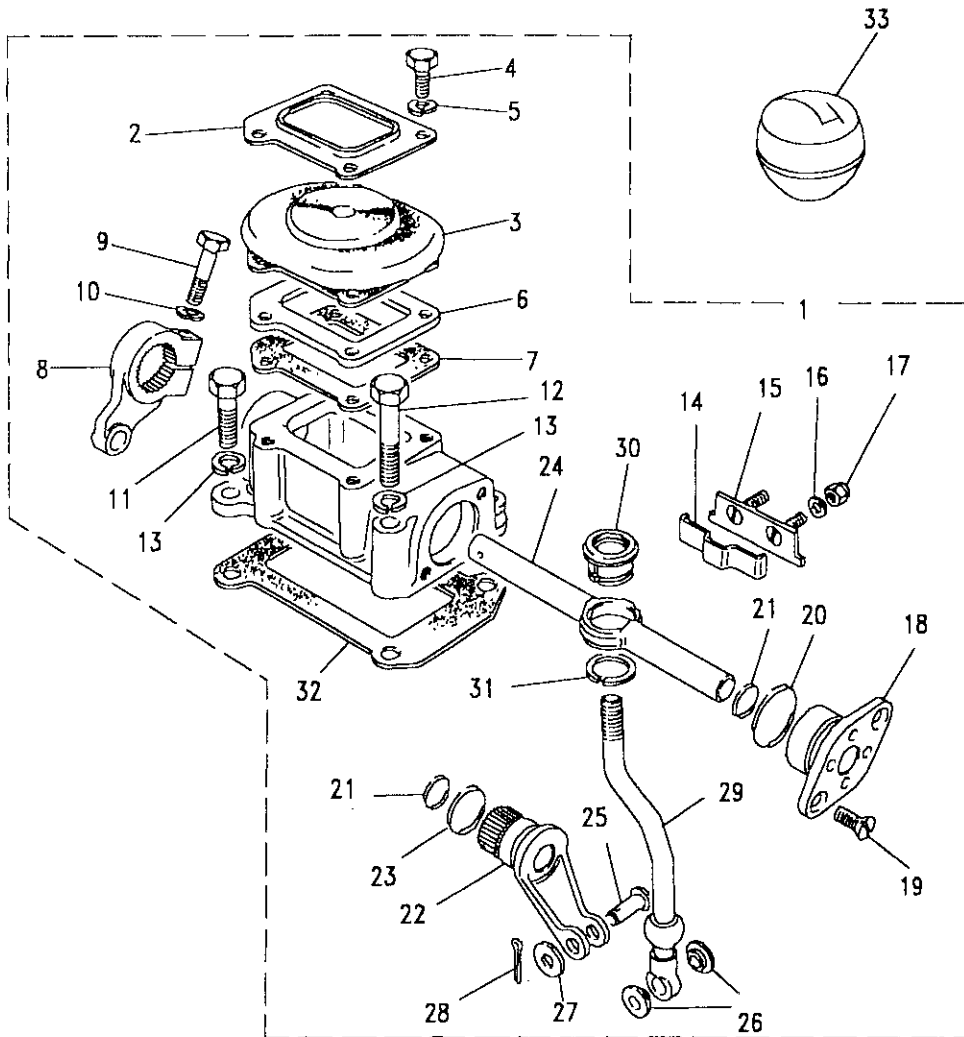


Model DEFENDER 110 1987 onwards
 Page AFDCMA1A

TRANSFER GEARBOX - GEAR CHANGE - LT85

III. Part No.	Description	Qty	Remarks
19	SF106201L Screw	2	
20	FRC8292 'O'ring	1	Note(1)
21	FRC4509 'O'ring	2	Note(1)
22	FRC5480 Arm crank	1	
23	FRC5479 'O'ring	1	Note(1)
24	FRC6117 Cross shaft	1	
25	PC108321L Clevis pin	1	
26	FRC4499 Bush	2	
27	WA108051L Washer	1	
28	PS104121L Split pin	1	
29	FRC8560 Lever	1	
30	FRC5076 Seat-gear lever	1	
31	CR120215L Circlip	1	
32	FRC6306 Gasket	1	Upto 20D299332E
	FTC4036 Gasket	1	From 20D299333E
	FRC7930 Plug-housing	1	
33	FRC6595 Knob	1	Note(2)
	FTC3852 Knob	1	Note(3)

Note(1) Part of gasket kit RTC3890
 Note(2) Up to LA935624
 Note(3) From LA935625





DEFENDER 110 1987 onwards

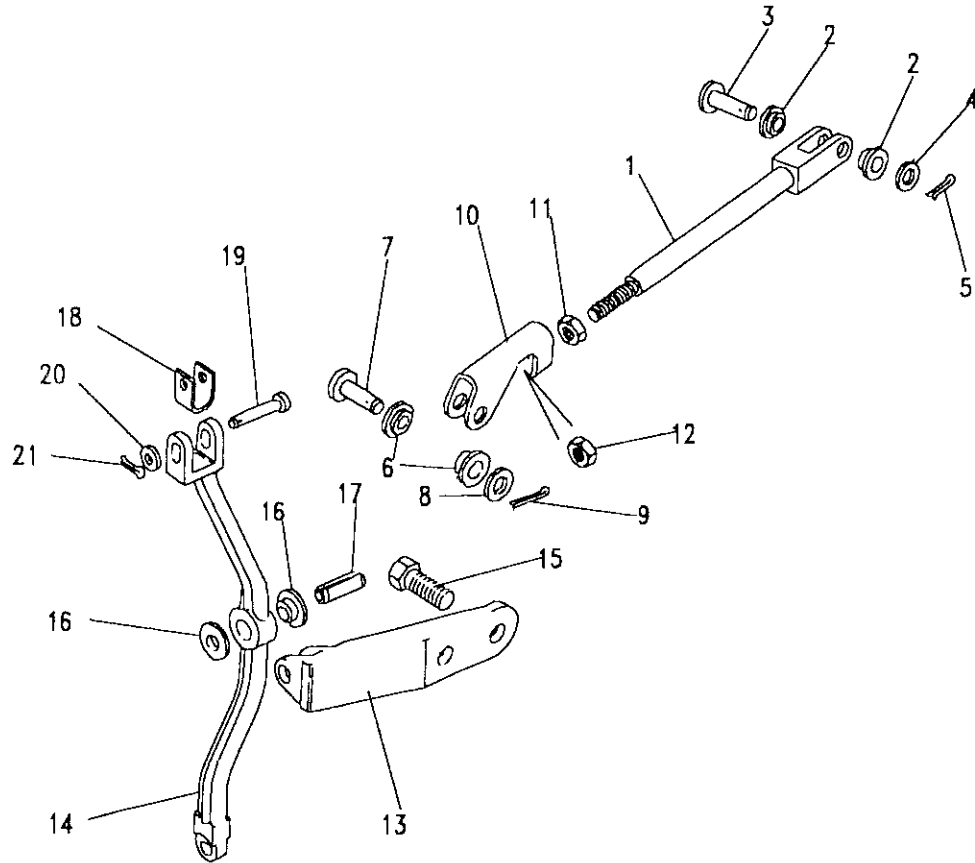
395

TRANSFER BOX

Model DEFENDER 110 1987 onwards

Page AFDCMA2A

TRANSFER GEARBOX - ROD ASSEMBLY - LT85



Ill. Part No.	Description	Qty	Remarks
1	FRC7946 Rod connecting assembly	1	
2	FRC4499 Bush	2	
3	PC108321L Clevis pin	1	
4	WA108051L Washer	1	
5	PS104121L Split pin	1	
6	FRC4499 Bush	2	
7	PC108321L Clevis pin	1	
8	WA108051L Washer	1	
9	PS104121L Split pin	1	
10	FRC8075 Clevis-high/low	1	
11	NY108041L Nut	1	
12	NT108041L Nut	1	
13	FRC8033 Bracket pivot-lever	1	
14	FRC7942 Lever-cross shaft/diff	1	
15	SH108251L Screw	2	
16	FRC4499 Bush	2	
17	FRC7325 Pin-spirol roll	1	
18	FRC4505 Nylon strip	1	
19	PC105401L Clevis pin	1	
20	WA105001L Washer	1	
21	PS103101L Split pin	1	





DEFENDER 110 1987 onwards

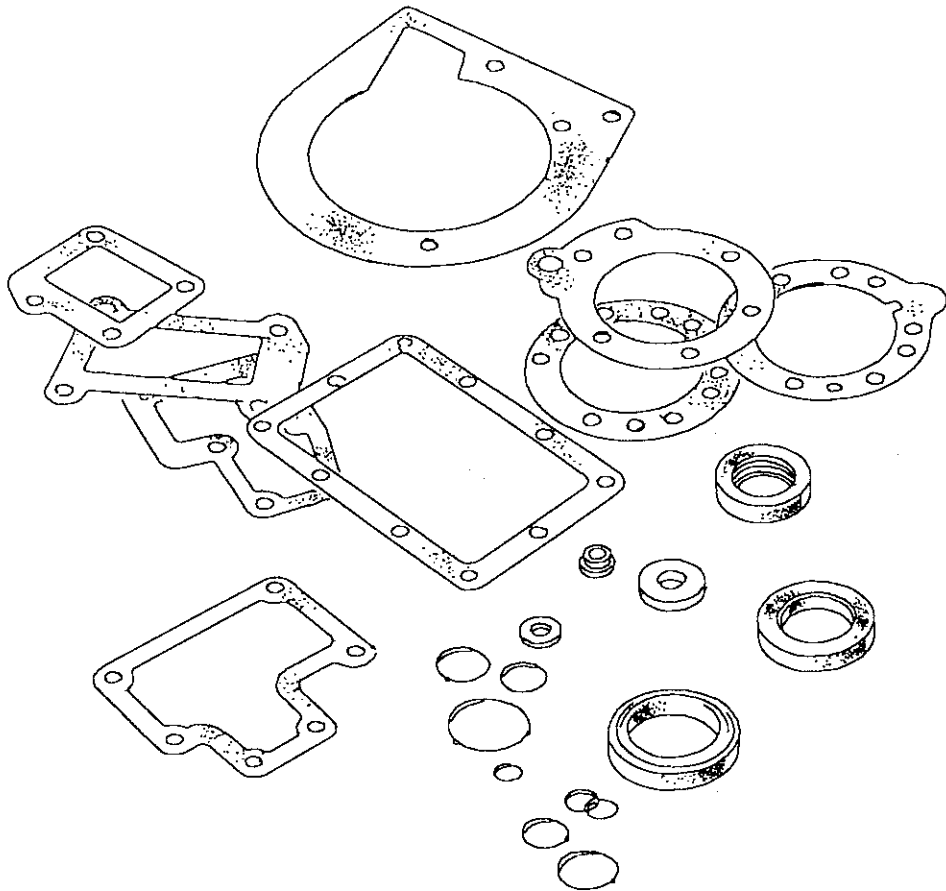
396

TRANSFER BOX

Model DEFENDER 110 1987 onwards
Page AFDCPA1A

TRANSFER GEARBOX - GASKET KIT - LT85

Ill. Part No.	Description	Qty	Remarks
1 RTC3890	Kit gasket and seal	1	



TS 6373

1





DEFENDER 110 1987 onwards

397

TRANSFER BOX

Model DEFENDER 110 1987 onwards
Page AFDCRA1A

TRANSFER GEARBOX - TRANSMISSION BRAKE - LT85

III. Part No.	Description	Qty	Remarks
1 AEU2733	Back plate	1)
2 RTC3403	Brake shoe set	1)UptoJULY1989
3 37H4558L	Adjuster assembly	1)
8G7019L	Kit-adjuster	1)
1 STC963	Back plate	1)
2 RTC6179	Brake shoe set	1)FromJULY1989
3 STC244	Adjuster assembly	1)
STC245	Kit-adjuster	1)
4 AEU2734	Expander assembly	1	Note(1)
AEU2735	Kit-expander	1	
5 AEU2736	Drawlink-with locknut	1	OLD TYPE
6 FRC8549	Spring-shoe return(green)	2	UptoJULY1989
6 STC246	Spring-shoe return set	1	FromJULY1989
7 515466	Cover dust	1	
8 515467	Plate-locking	1	
9 515470	Plate-packing	1	
10 515468	Plate-spring	1	
11 AEU2737	Bolt	2	
12 AEU2738	Washer	2	
13 FRC3502	Brake drum	1	
14 SA108201L	Screw-fixing drum	2	
15 AFU1400	Screw	4	
16 FRC8093	Oil catcher	1	
17 AEU2734	Expander assembly	1	Note(1)
18 STC964	Drawlink	1	NEW TYPE

Note(1) When ordering AEU2734 the NEW TYPE drawlink will be supplied.

