



DEFENDER 110 1987 onwards

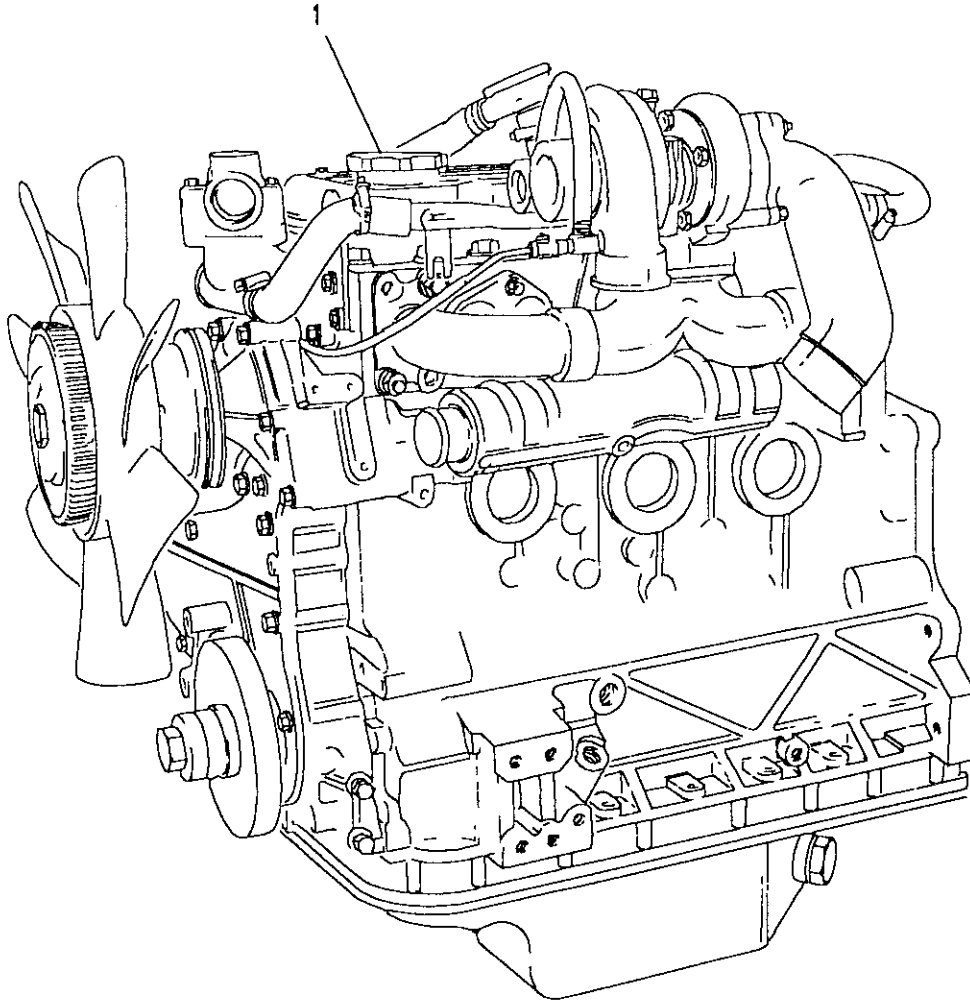
168

ENGINE

**Model** DEFENDER 110 1987 onwards  
**Page** AFBMAA1A

**ENGINE - ENGINE COMPLETE - 200 TDI**

III. Part No.	Description	Qty	Remarks
1 STC308	Engine complete assembly	1	11L00001



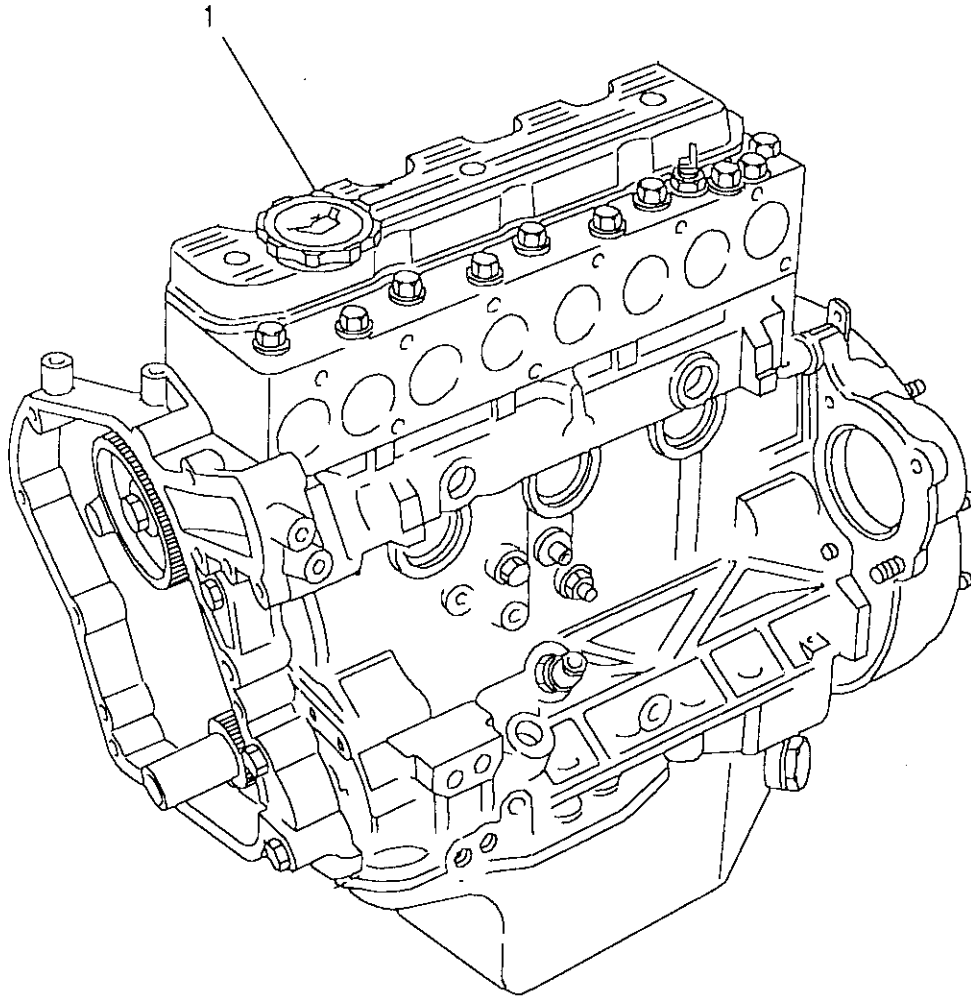


**Model** DEFENDER 110 1987 onwards  
**Page** AFBMAC1A

**ENGINE - ENGINE STRIPPED - 200 TDI**

III. Part No.	Description	Qty	Remarks
1 STC309N	Engine stripped assembly	1	11L00001
STC309R	Engine stripped-RECON	1	

Note(1) Engine less ancillary equipment





DEFENDER 110 1987 onwards

170

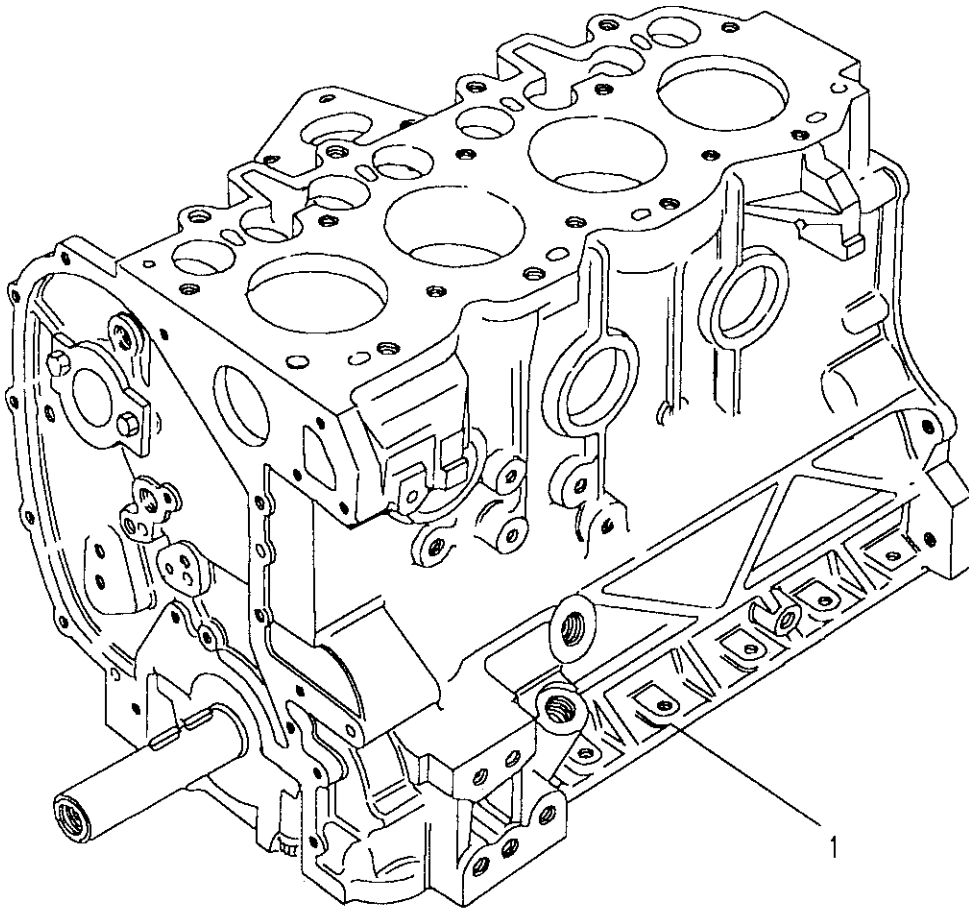
ENGINE

**Model** DEFENDER 110 1987 onwards  
**Page** AFBMAE1A

**ENGINE - ENGINE SHORT - 200 TDI**

III. Part No.	Description	Qty	Remarks
1 RTC6635	Engine short assembly	1	11L0000A

Note(1) Cyl block/Crank/Main bearings/Con rod/Pistons

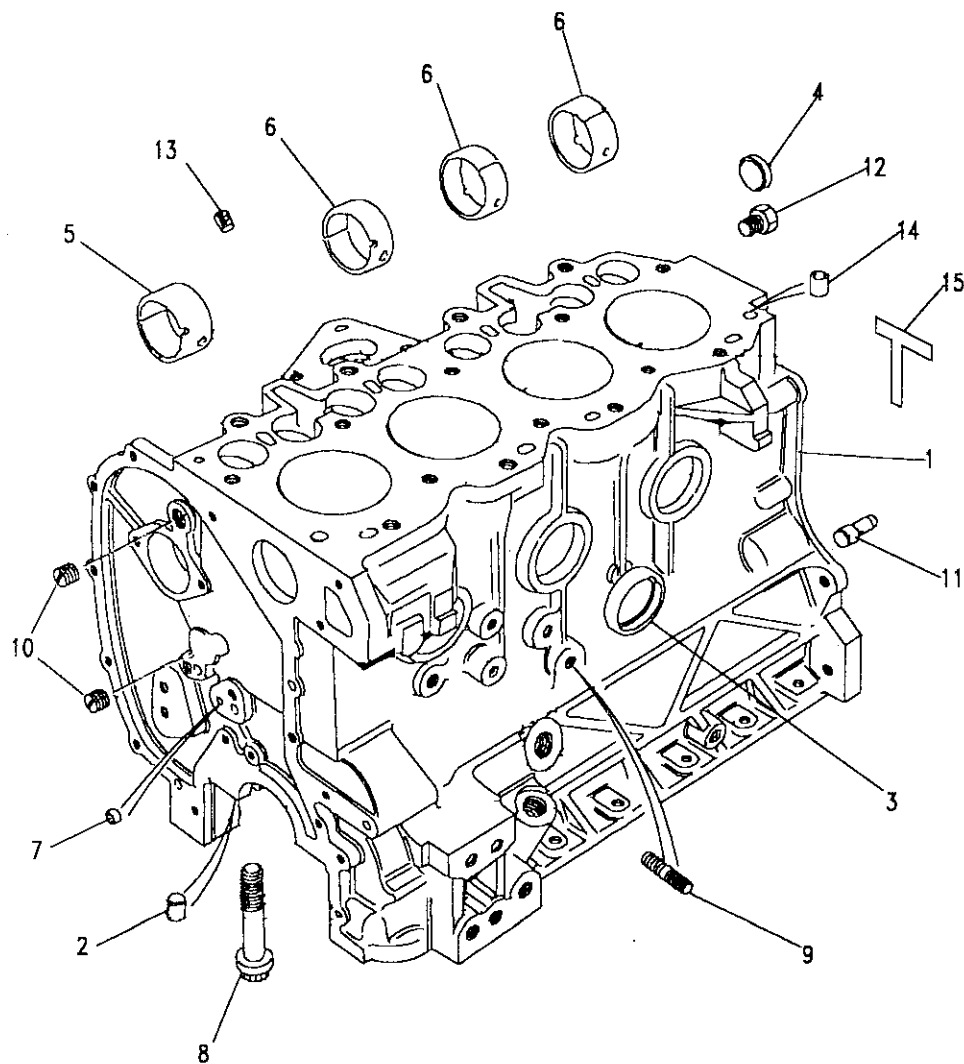


**Model** DEFENDER 110 1987 onwards  
**Page** AFBMBA1A

**ENGINE - CYLINDER BLOCK - 200 TDI**

III. Part No.	Description	Qty	Remarks
1	ERR3	1	Cylinder block assembly
2	501593	10	Dowel-bearing caps
3	ERC4996	6	Cup plug
4	597586	1	Cup plug
5	ETC8442	1	Bearing-cam
6	90519055	3	Bearing-cam
7	ETC4529	1	Plug-cup
8	ETC8074	10	Bolt-main bearing cap
9	TE108031L	1	Stud-starter motor
10	247127	1	Plug-oil gallery
11	ERC4644	2	Dowel flywheel housing
12	ETC4922	1	Plug-gallery pipe
13	ERR5034	3	Plug camshaft oil feed
14	ETC8352	2	Ring-dowel head/block
15	ERR913	2	Packing Strip

Note(1) Part of gasket kit STC363

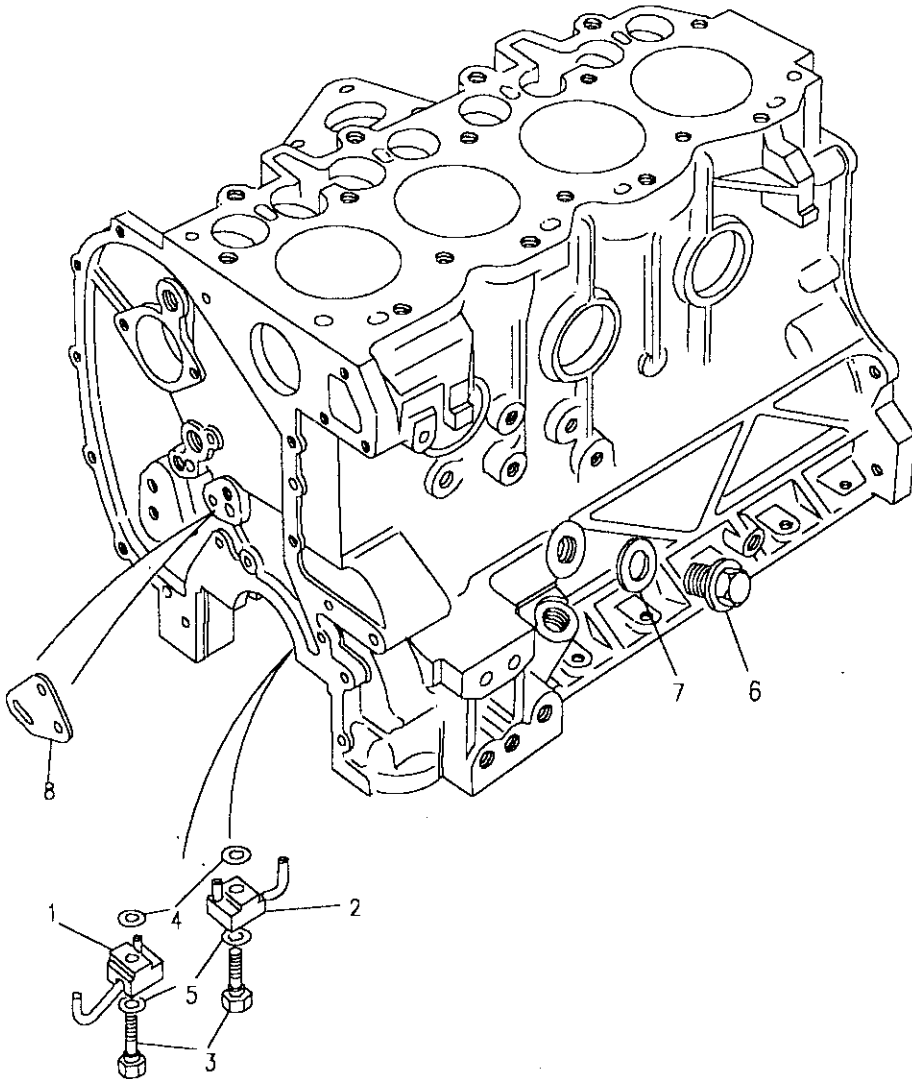


**Model** DEFENDER 110 1987 onwards  
**Page** AFBMBA2A

**ENGINE - JET ADAPTORS - 200 TDI**

III. Part No.	Description	Qty	Remarks
1 ETC6531	Jet assembly No1&No3 cyl	2	
2 ETC6532	Jet assembly No2&No4 cyl	2	
3 ETC5592	Valve relief	4	
4 AFU1879L	Washer joint	4	Note(1)
5 AFU1887L	Washer joint	4	Note(1)
6 ERC9410	Plug drain	1	
7 AFU1882L	Washer joint	1	Note(1)
8 ERC8864	Gasket	1	Note(1)(2)

Note(1) Part of gasket kit STC363  
 Note(2) No longer fitted



156692



DEFENDER 110 1987 onwards

173

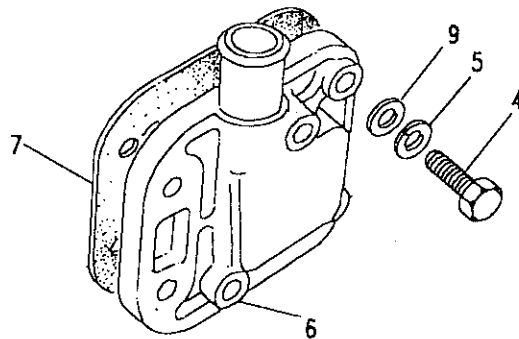
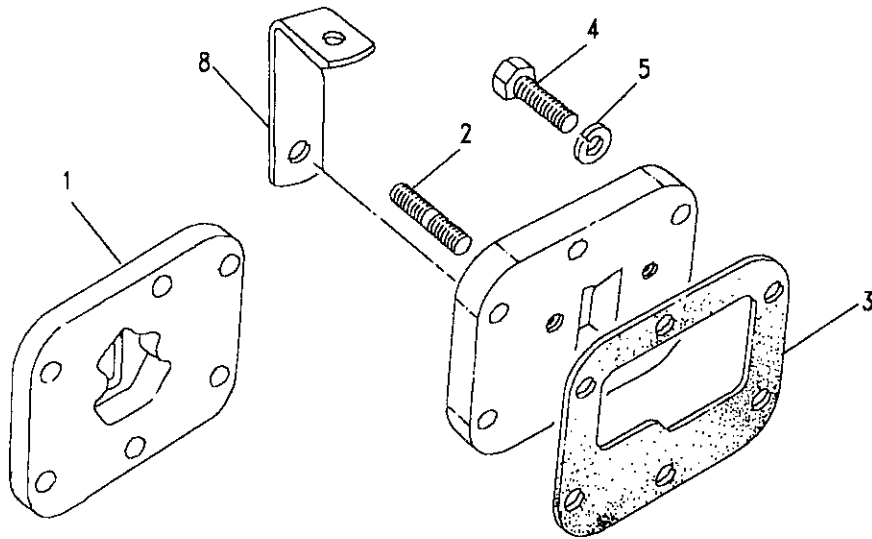
ENGINE

**Model** DEFENDER 110 1987 onwards  
**Page** AFBMBC1A

**ENGINE - SIDE COVER - 200 TDI**

III. Part No.	Description	Qty	Remarks
1	ETC7929 Plate cover	1	
2	TE108041L Stud	2	
3	ERR1475 Washer joint	1	Note(1)
4	FS108251L Screw	9	
5	WL108001L Washer spring	12	
6	ERR506 Cover side	1	
7	247555 Gasket side cover engine	1	
	ERR3605 Gasket side cover engine	1	Asbestos free
8	ERC9480 Bracket-harness clip	1	
9	WA108051L Washer plain	3	

Note(1) Part of gasket kit STC363



756829



Model DEFENDER 110 1987 onwards

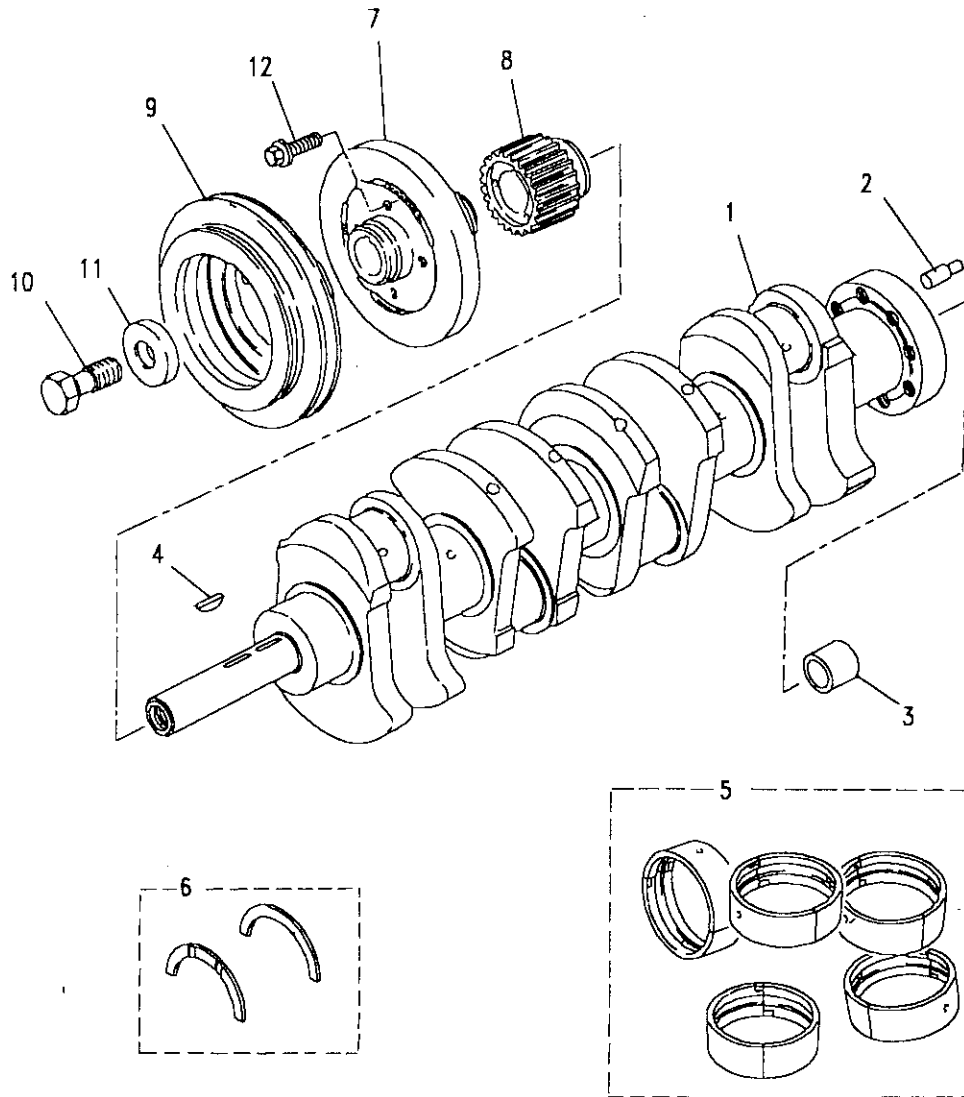
Page AFBMCA1A

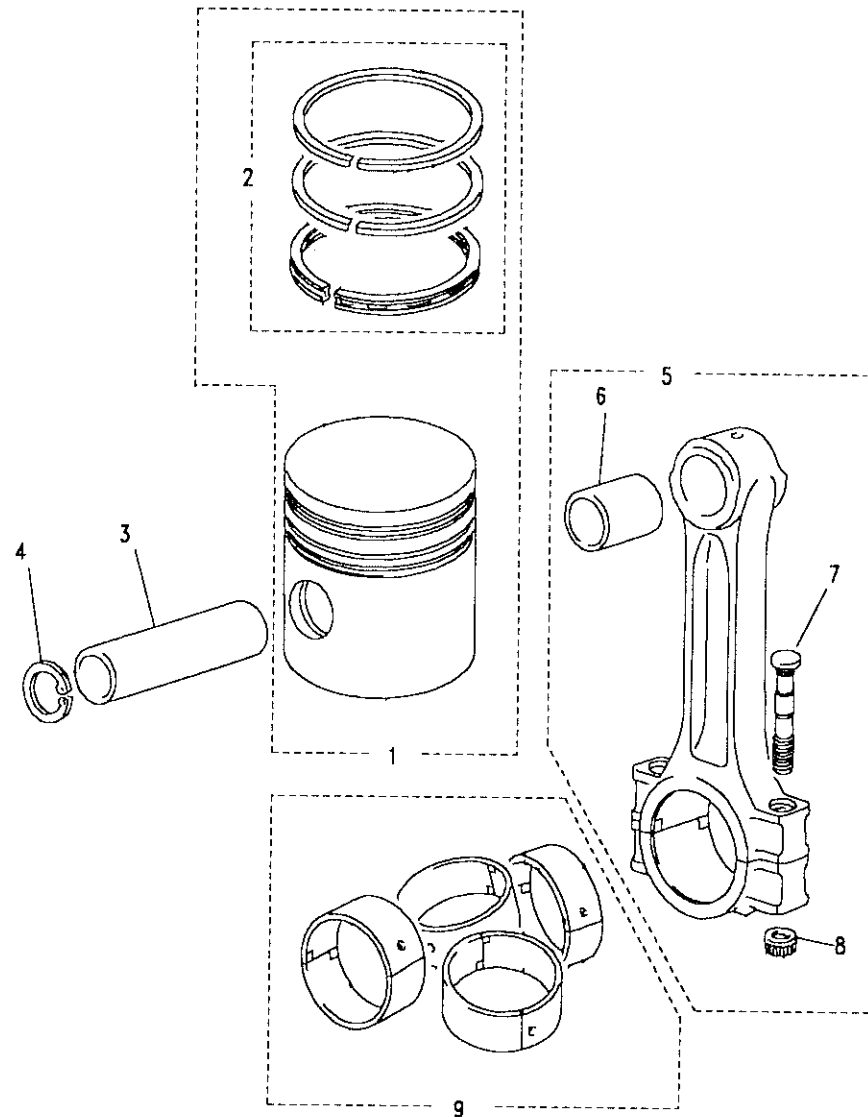
ENGINE - CRANKSHAFT - 200 TDI

III. Part No.	Description	Qty	Remarks
1	ERR1181 Crankshaft	1	
2	ERR1630 Dowel crankshaft	1	
3	8566L Bush-crankshaft	1	
4	235770 Key	2	
5	RTC4783 Bearing kit-main	1	
	RTC478310 Bearing kit-main-010"	1	
	KIT-THRUST WASHER-PAIRS		
6	RTC2825 Standard	A/R	
	538131 0.0025" oversize	A/R	
	538132 0.0050" oversize	A/R	
	538134 0.010" oversize	A/R	
7	ETC4077 Damper & pulley assembly	1	BASIC
	ERR751 Damper & flinger assy	1	AIR CON & PAS
	ETC4390 Flinger-t/v damper	1	
8	ERR1642 Pulley-crankshaft timing	1	
9	ERC6861 Pulley-PAS	1	)Note(1)
	ERC6859 Pulley-AIR CON & PAS	1	)
10	ERR605 Bolt-crankshaft	1	
11	ERR705 Washer thrust	1	
12	FS108201L Screw flange M8x20	4	

Note(1) When power steering or air conditioning is fitted use ERR751 torsional vibration damper and bolt together with appropriate pulley

Note(2) From DEC1992 ERR3093 replaces ERC6861/ERC6859 this must be used with fan ERR3380.





**Model** DEFENDER 110 1987 onwards  
**Page** AFBMCC1A

**ENGINE - PISTONS AND RINGS - 200 TDI**

III. Part No.	Description	Qty	Remarks
1 ERR1390	Piston assembly GX	4	Note(1)
1 ERR1391	Piston assembly GY	4	Note(2)
2 RTC6457	Kit piston ring	4	
3 ERR703	Gudgeon pin	4	
4 266945	Circlip	2	
5 ETC8086	Connecting rod assembly	4	
6 ETC7286	Bush	4	
7 ETC7357	Bolt	2	
8 ETC8191	Nut conn rod	2	

**Con Rod Bearing: Engine Set**

9 RTC2993	Bearing set big end	1	Standard
RTC299310	Bearing set big end	1	0.010"o/size

Note(1) Grade X Piston is For Cylinder Bore 90.487-90.475(see Note 3)  
 Note(2) Grade Y Piston is For Cylinder Bore 90.500-90.487(see Note 3)  
 Note(3) Pistons must be changed as complete sets.



Model DEFENDER 110 1987 onwards

Page AFBMDA1A

ENGINE - SUMP/LADDER FRAME - 200 TDI

III. Part No.	Description	Qty	Remarks
1 ERR1790	Sump-crankcase	1	
2 603659	Plug drain	1	
3 213961	Washer joint-plug	1	Note(1)
4 ETC7867	Rod oil level	1	
5 ERC8980	Tube dipstick	1	
6 236408	Olive	1	
7 532387	Ring seal	1	Note(1)
8 ERR1291	Ladder frame	1	Note(2)

Ladder Frame to Block

9 FB108251	Bolt flange M8x125	2	
10 FB108121L	Bolt flange M8x60	4	
11 FS108301L	Bolt	3	

Sump to Ladder Frame/Block

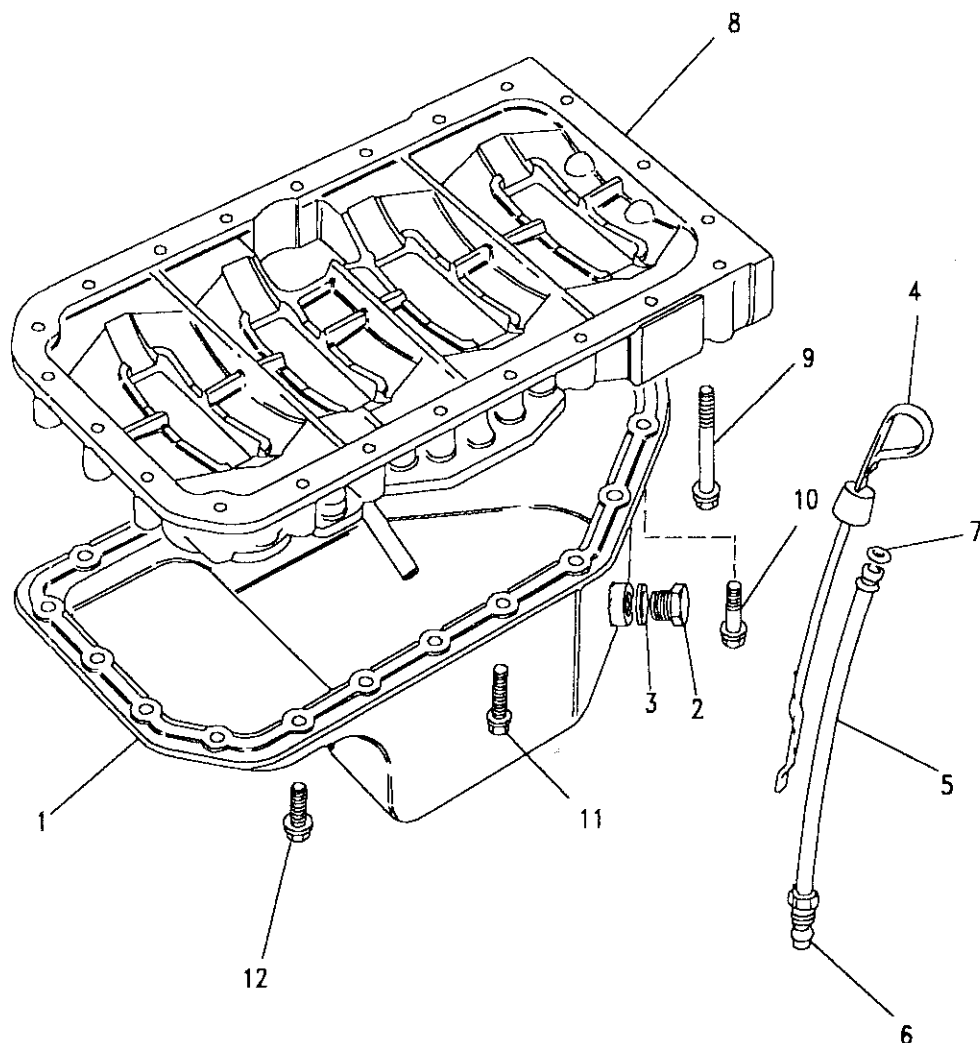
10 FB108121L	Bolt flange M8x60	12	
12 FS108251L	Screw flange M8x25	8	
STC611	Sealant-Hylomar 2000	1	Note(2)

Note(1)

Part of gasket kit STC363

Note(2)

Sealant to be used between ladder frame and sump



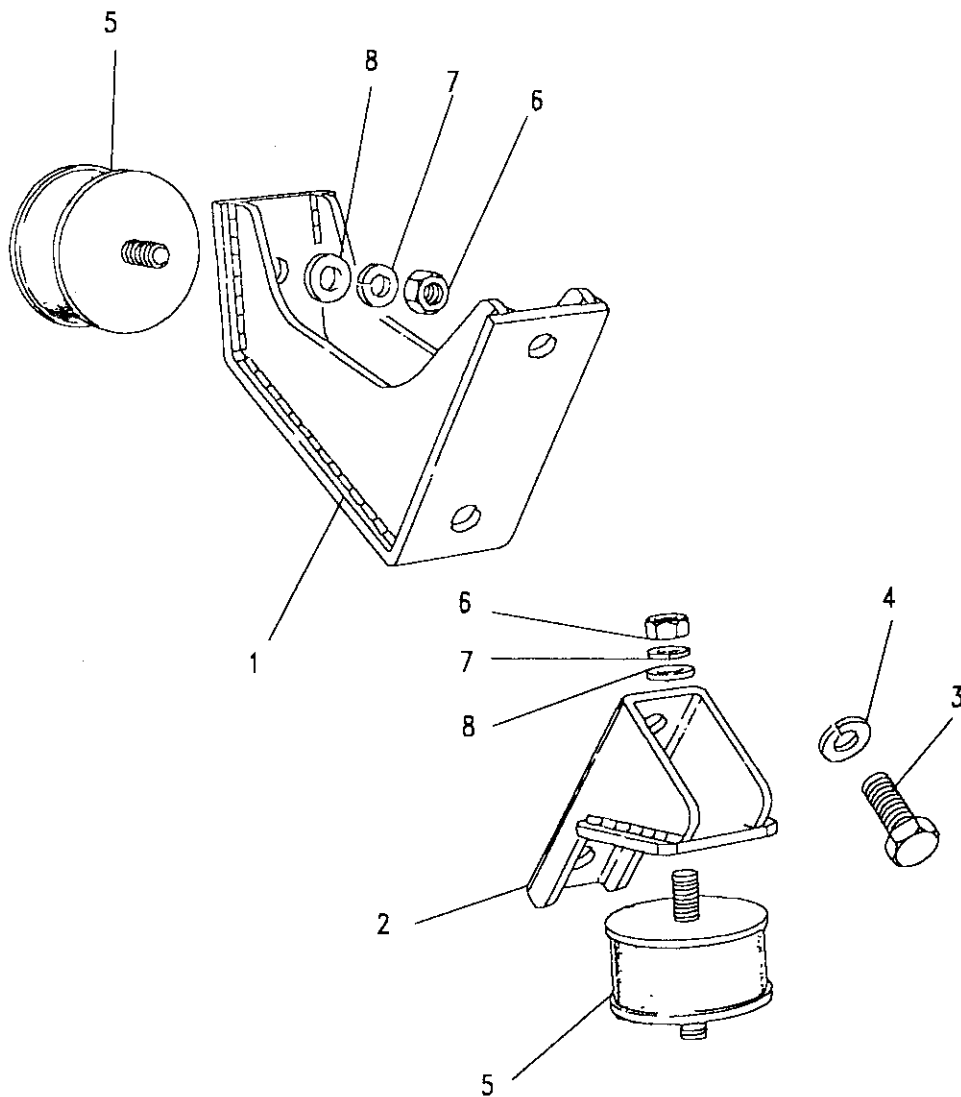


Model DEFENDER 110 1987 onwards

Page AFBMDC1A

ENGINE - ENGINE MOUNTINGS - 200 TDI

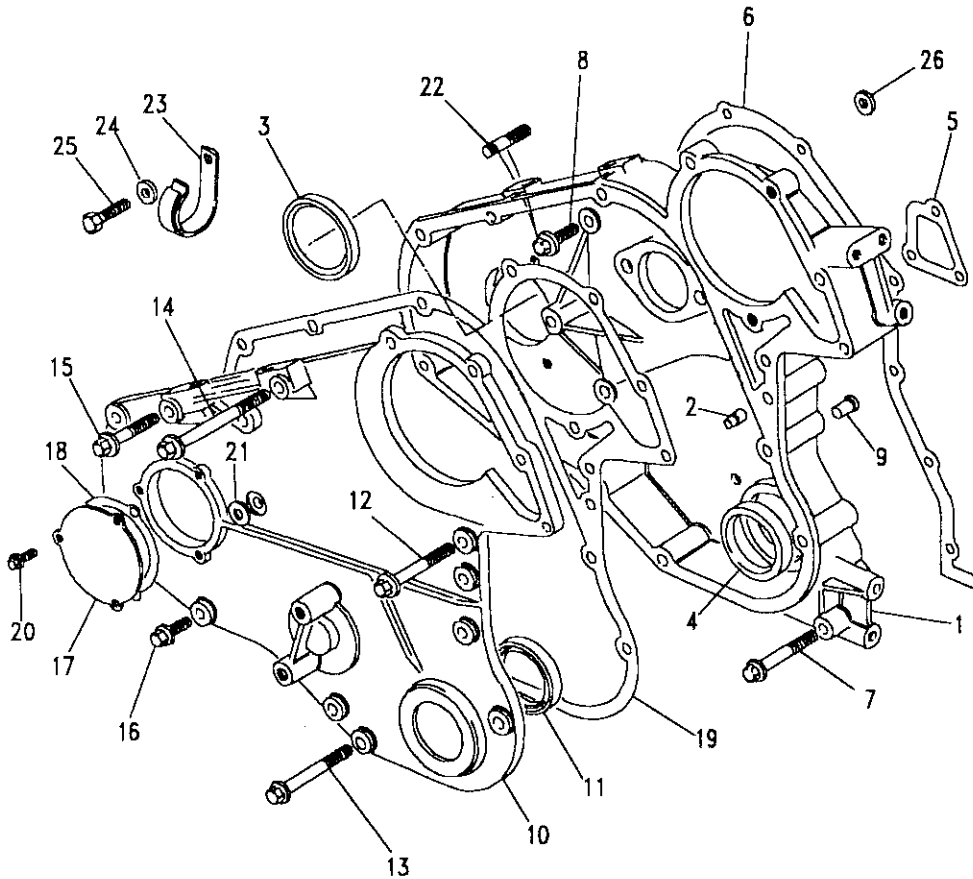
III. Part No.	Description	Qty	Remarks
1	NRC5434	1	Mounting foot-RH
2	NRC9557	1	Mounting foot-LH
3	SH112251L	4	Screw-foot to block
4	WL112001L	4	Washer-foot to block
5	ANR1808	2	Mounting rubber
6	NH110041L	4	Nut-rubber to foot
7	WC110061L	2	Washer-rubber to foot
8	WL110001L	4	Washer-rubber to foot



Model DEFENDER 110 1987 onwards

Page AFBME1A

ENGINE - FRONT COVER - 200 TDI



Ill. Part No.	Description	Qty	Remarks
1	ERR1273	1	NON AIR CON
	ERR1274	1	AIR CON
2	6395L	4	
3	ETC5064	1	Note(1)
4	ETC5065	1	Note(1)
5	ERR1607	1	Note(1)
6	538039	1	Note(1)
7	FB108131L	1	
8	FS108207L	2	
9	ERR2375	1	
10	ERR1253	1	NON AIR CON
	ERR1256	1	AIR CON
11	ETC4154	1	Note(1)
12	FB108141L	2	
13	FB108151L	4	
14	FB108201L	1	
15	FB108101	1	
16	FS108251L	3	
17	ERR25	1	
	ETC8853	1	
18	ERR635	1	Note(1)
19	ERR1553	1	Note(1)
20	SE106101L	3	
21	ERR3604	1	
22	TE108061L	3	
23	ETC4630	1	
24	WA108051L	1	
25	SH108121L	1	
26	ERR394	1	Note(1)

Note(1) Part of gasket kit STC363



DEFENDER 110 1987 onwards

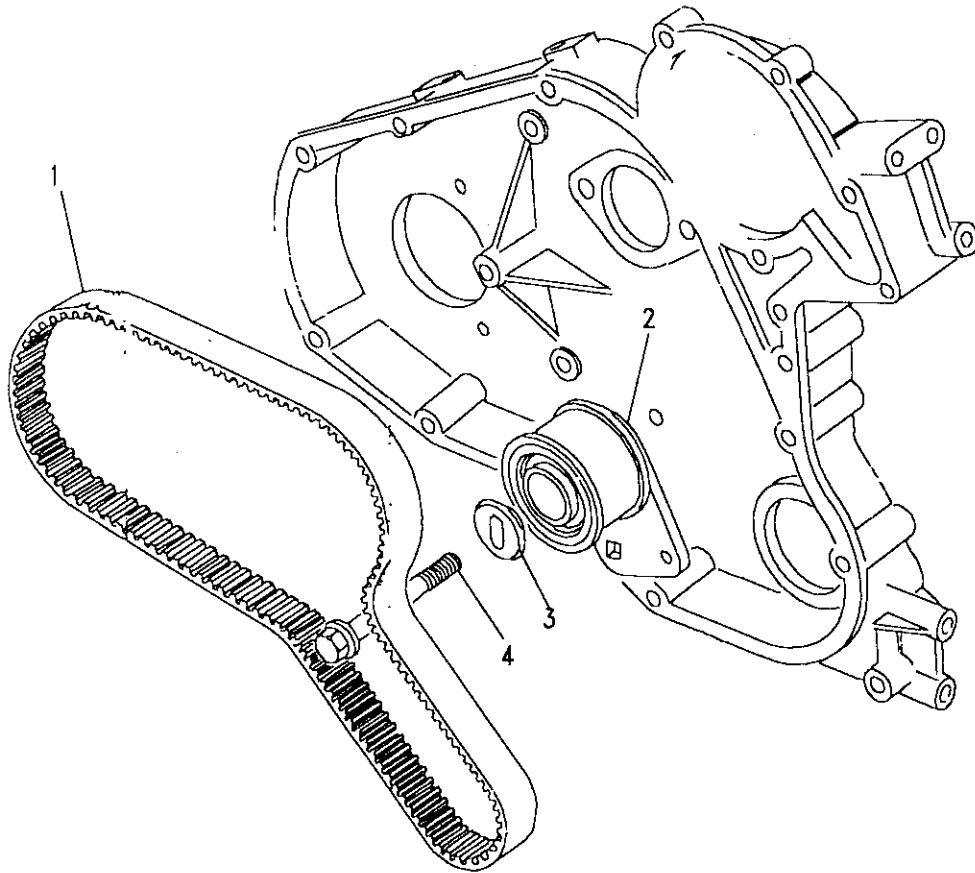
179

ENGINE

Model DEFENDER 110 1987 onwards  
Page AFBMEC1A

ENGINE - TIMING BELT - 200 TDI

III. Part No.	Description	Qty	Remarks
1 ETC8550	Belt timing	1	
2 ERR2530	Tensioner assembly	1	
3 ERR900	Washer	1	
4 FB110141L	Bolt flange M10x70	1	



Model DEFENDER 110 1987 onwards

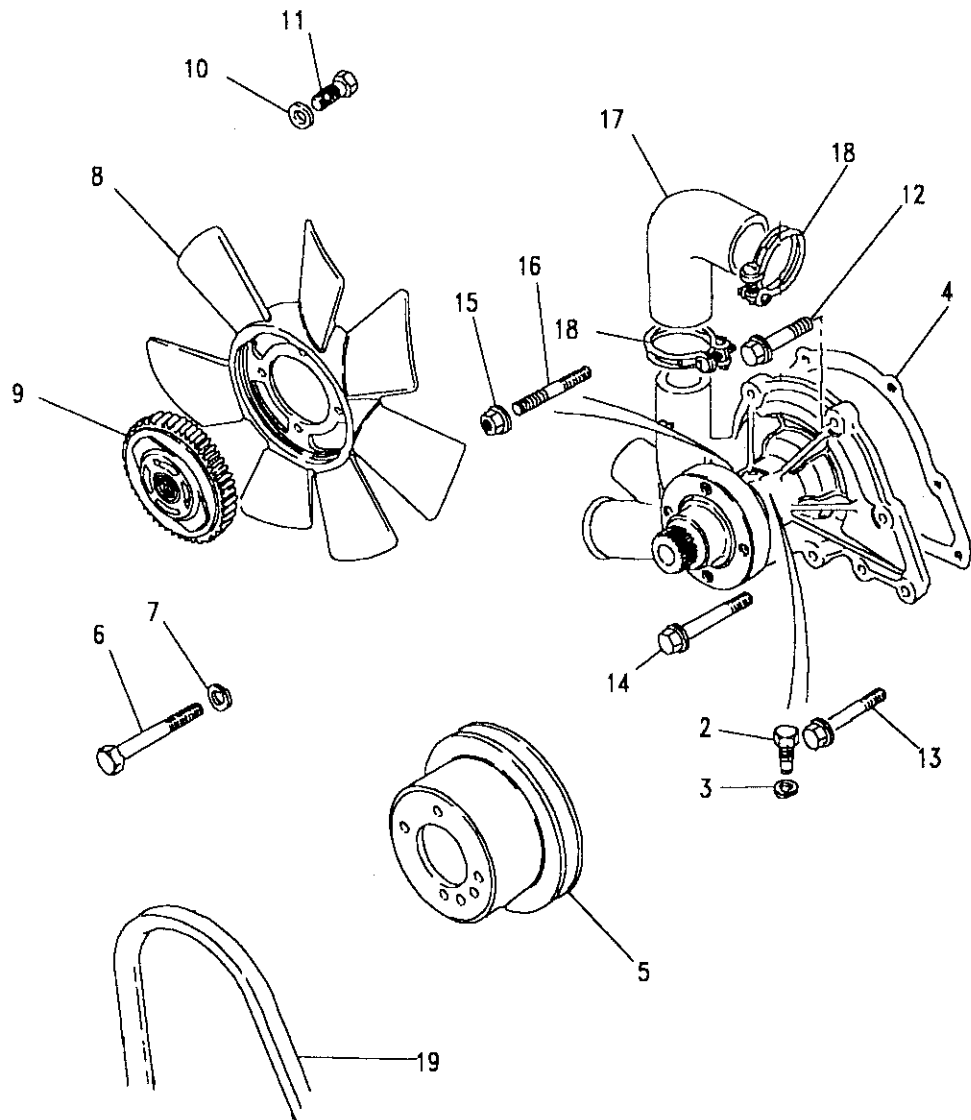
Page AFBMEE1A

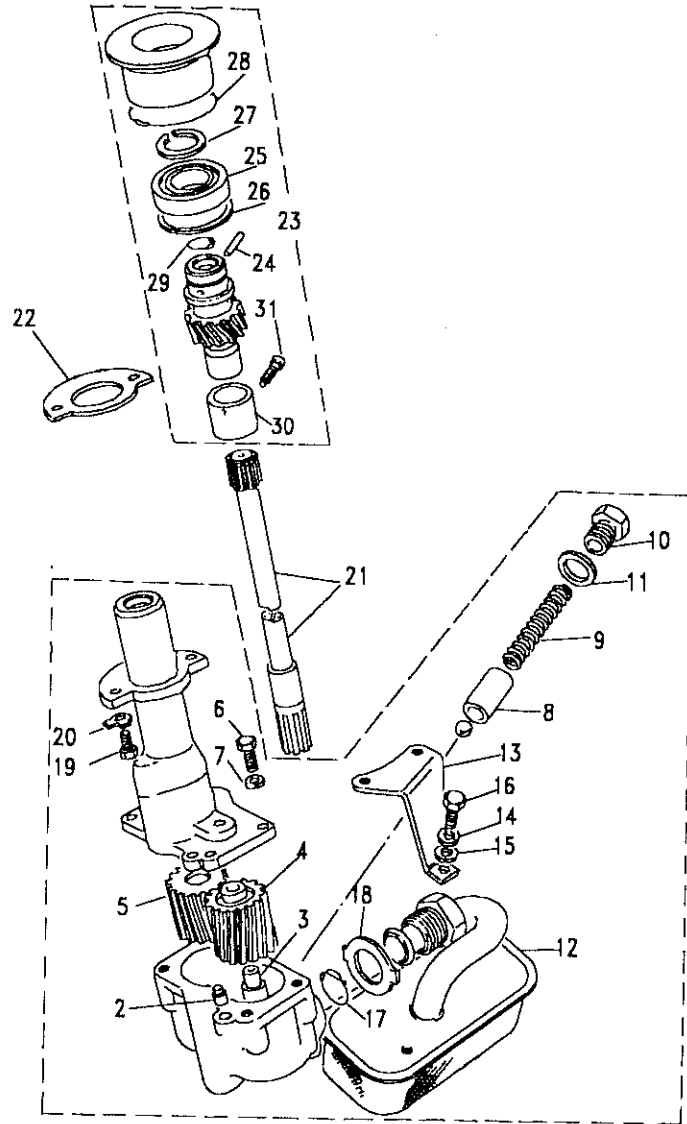
ENGINE - WATER PUMP - 200 TDI

III. Part No.	Description	Qty	Remarks
1	STC639	1	Pump water assembly
2	ERC5600	1	Bolt
3	WL106001L	1	Washer spring
4	ERC5655	1	Gasket
5	ETC4785	1	Pulley
6	FS108161L	4	Screw
7	WL108001L	4	Washer spring
8	ETC7554	1	Fan-7 blade
9	ERR3380	1	Fan
9	ETC7238	1	Viscous unit
10	4589L	4	Washer
11	ERC5709	4	Bolt
12	FB108071L	3	Bolt flange M8x35
13	FB108151L	1	Bolt flange M8x75
14	FB108171L	2	Bolt flange M8x85
15	FN108041L	1	Nut flange M8
16	TD108181	1	Stud M8x90
17	ERR1424	1	Hose-by pass outlet
18	CN100408L	2	Clip-hose
19	ETC7939	1	Belt fan

Note(1)  
Note(2)

Part of gasket kit STC363  
From DEC1992 use new fan with C/SHAFT pulley ERR3093.



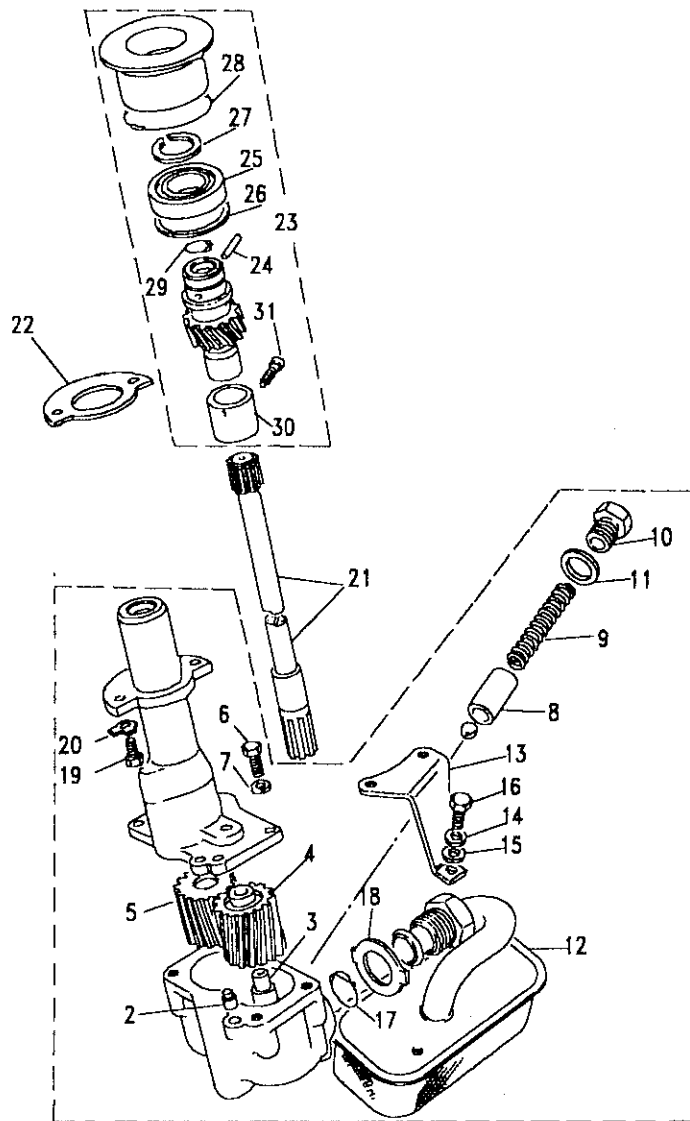


**Model** DEFENDER 110 1987 onwards  
**Page** AFBMFA1A

**ENGINE - OIL PUMP - 200 TDI**

III. Part No.	Description	Qty	Remarks
1 ERR1178	Pump oil assembly	1	
2 236257	Dowel	2	
3 ERR1063	Spindle-idler wheel	1	
4 ERR1088	Wheel idler	1	
5 ERC9706	Wheel drive	1	
6 FS108201L	Screw-cover to block	4	
7 WL108001L	Washer spring	4	
8 ETC4880	Plunger-oil relief	1	
9 564456	Spring-oil relief	1	
10 564455	Plug-oil relief	1	
11 232044	Washer joint	1	Note(1)
12 ERR1521	Filter	1	
13 ERR541	Bracket support	1	
14 WA108051L	Washer	1	
15 WL108001L	Washer spring	1	
16 FS108201L	Screw	1	
17 244488	O ring	1	Note(1)

Note(1) Part of gasket kit STC363



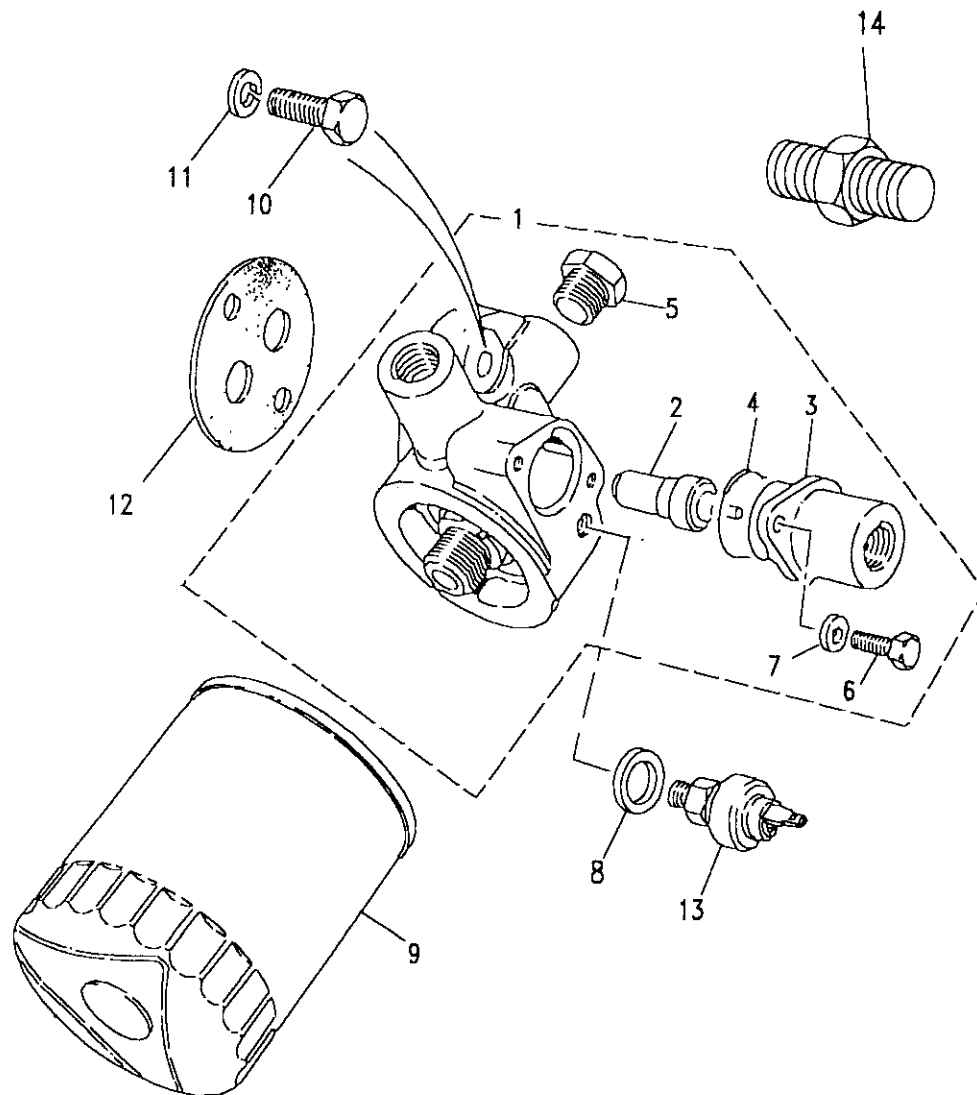
**Model** DEFENDER 110 1987 onwards

**Page** AFBMFA1A

**ENGINE - OIL PUMP - 200 TDI**

III. Part No.	Description	Qty	Remarks
18 244487	Washer locking	1	
19 FS108251L	Screw	2	
20 247665	Washer locking	2	
21 ERR850	Drive shaft	1	
22 ERR3606	Gasket	1	Note(1)
23 ERR928	Drive shaft assembly	1	
24 ERR309	Pin dowel	1	
25 ERR528	Bearing deep groove	1	
26 CR120305	Ring snap-external	1	
27 ERR530	Ring snap-internal	1	
28 ERR531	O ring bearing housing	1	Note(1)
29 ERR532	O ring	1	Note(1)
30 ERR500	Bush bottom V/D/S/ gear	1	
31 ERR848	Screw locking	1	

Note(1) Part of gasket kit STC363



**Model** DEFENDER 110 1987 onwards  
**Page** AFBMFA2A

**ENGINE - OIL FILTER - 200 TDI**

III. Part No.	Description	Qty	Remarks
1	ERR1299	1	Upto 11L25129A
	ERR3459	1	)From
	ERR2623	1	)11L25130A
1	ERR1299	1	
2	ERC5923	1	
3	ETC4022	1	
4	ERC5913	1	Note(1)
5	ETC4021	1	Upto 11L25129A
	ERR3458	1	From 11L25130A
6	SH106141L	2	
7	WA106041L	2	
8	ETC7398	2	Note(1)
9	ERR3340	1	
10	FS110301L	2	
11	WL110001L	2	
12	ETC5276	1	Note(1)
13	PRC6387	1	
14	NRC8618	2	

Note(1) Part of gasket kit STC363

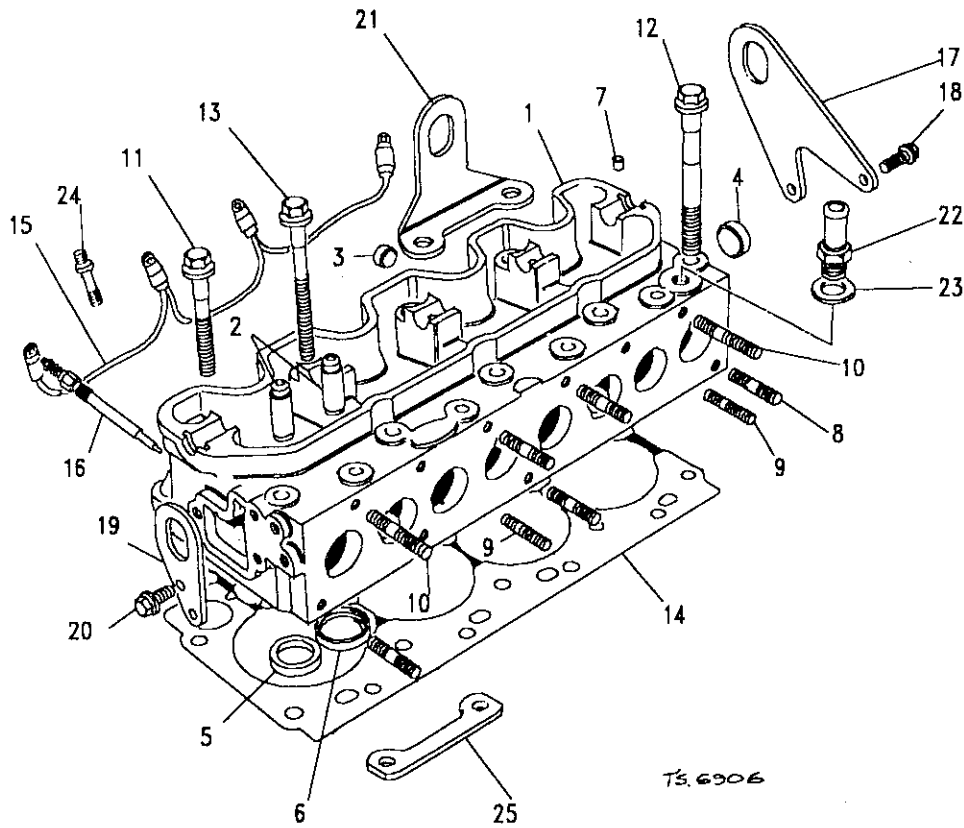


Model DEFENDER 110 1987 onwards  
 Page AFBMGA1A

ENGINE - CYLINDER HEAD - 200 TDI

III. Part No.	Description	Qty	Remarks	
1	RTC6896	1	Cylinder head assembly	
2	ETC8003	8	Guide valve	
3	525497	1	Plug cup	
4	524765	1	Plug cup	
5	ETC8002	4	Insert-valve seat	
6	ETC8001	4	Insert-valve seat	
7	ETC8194	1	Dowel-ring cyl/head	
8	TE110051L	5	Stud M10x25	
9	TE108051L	2	Stud M8x25	
10	TE110071L	2	Stud M10x35	
11	ETC8808	4	Bolt-short cyl/head	
12	ETC8809	10	Bolt-long cyl/head	
13	ETC8810	4	Bolt-M10 cyl/head	
14	ERR5261	1	Gasket-cyl head 1.3mm	Note(1)
	ERR5262	1	Gasket-cyl head 1.4mm	Note(1)
	ERR5263	1	Gasket-cyl head 1.5mm	Note(1)
15	PRC6947	1	Cable assy-glow plugs	Upto 11L33656A
	AMR2425	1	Cable assy-glow plugs	From 11L33657A
16	ETC8847	4	Glow plug	
17	ETC8036	1	Bracket-lifting rear	
18	FS108251L	2	Screw flange M8x25	

Note(1) Part of gasket kit STC362

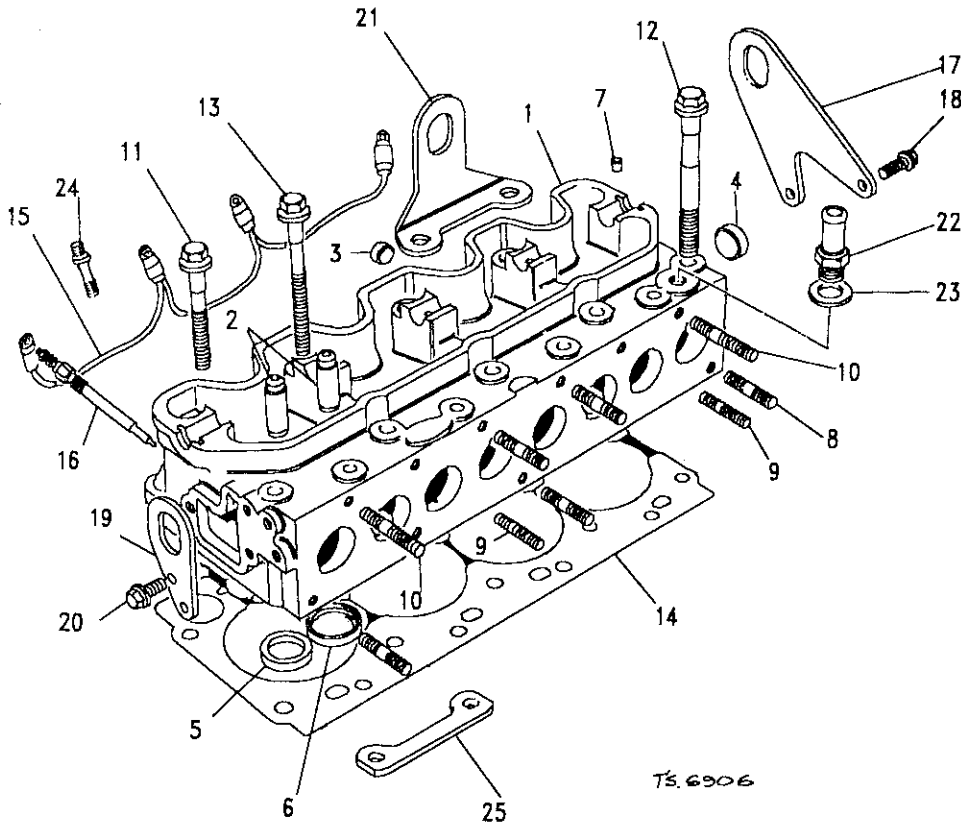


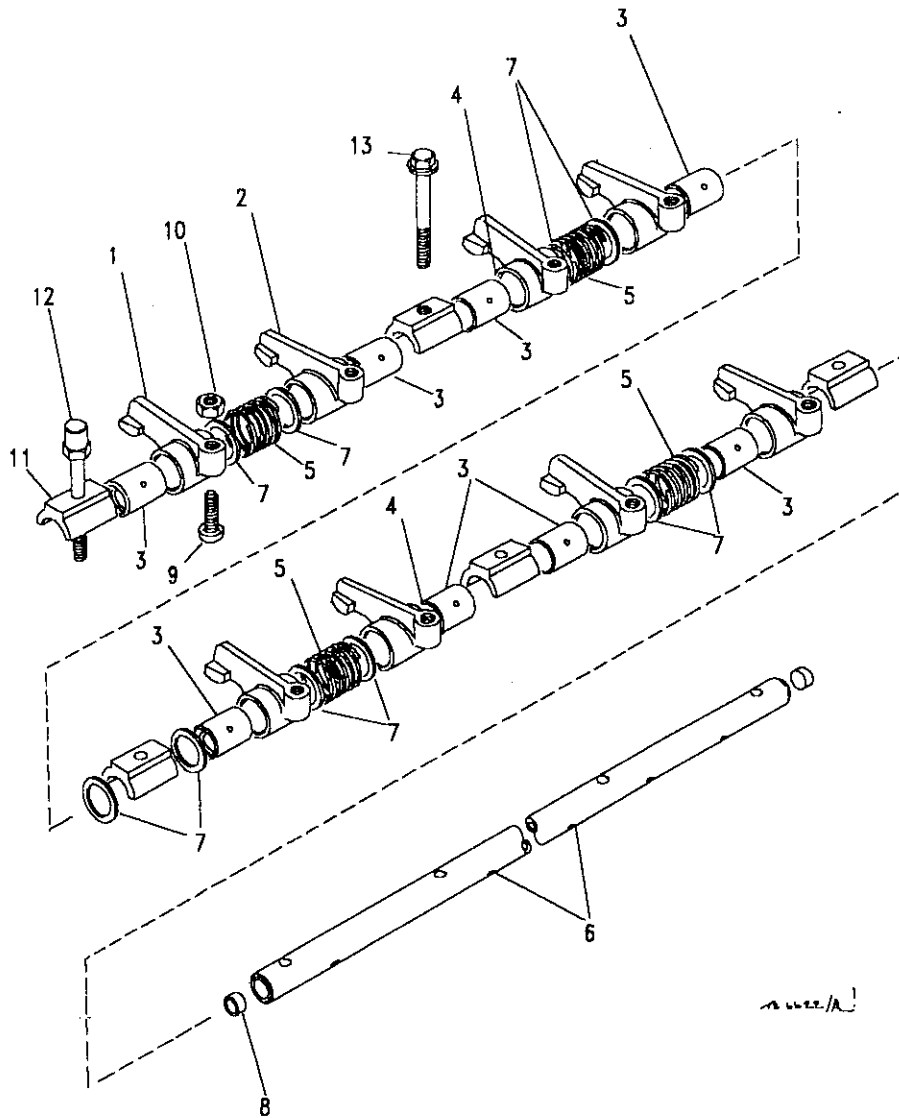
Model DEFENDER 110 1987 onwards  
 Page AFBMGA1A

ENGINE - CYLINDER HEAD - 200 TDI

III. Part No.	Description	Qty	Remarks
19 ETC8031	Bracket-lifting front	1	
20 FS108251L	Screw flange M8x25	2	
21 ERR978	Bracket engine lifting	1	
22 624091	Adaptor	1	
23 243959	Washer joint	1	
24 ERR1019	Stud-injector clamp	1	
25 ERR1536	Spacer-bracket	1	
26 ERR765	Plug rubber	2	Note(1)

Note(1) Part of gasket kit STC363





**Model** DEFENDER 110 1987 onwards  
**Page** AFBMGC1A

**ENGINE - ROCKER SHAFT - 200 TDI**

III. Part No.	Description	Qty	Remarks
1 ERR1202	Rocker arm assy RH	4	
2 ERR1201	Rocker arm assy LH	4	
3 ERR1203	Bush-rockers	8	
4 ERR1209	Washer rocker shaft	6	
5 ETC8095	Spring	4	
6 ERR1197	Shaft valve rockers	1	
ERR4682	Shaft rocker assembly	1	From Jan 94
7 ERR1210	Spacer-rocker shaft	10	
8 ETC8103	Plug-shaft	2	
9 ERR559	Screw tappet adjuster	8	
10 ERR560	Nut locker	8	
11 ERR1107	Clamp-rocker shaft	5	
12 ETC7530	Bolt-rocker shaft	3	
13 FB108101	Bolt flange	2	

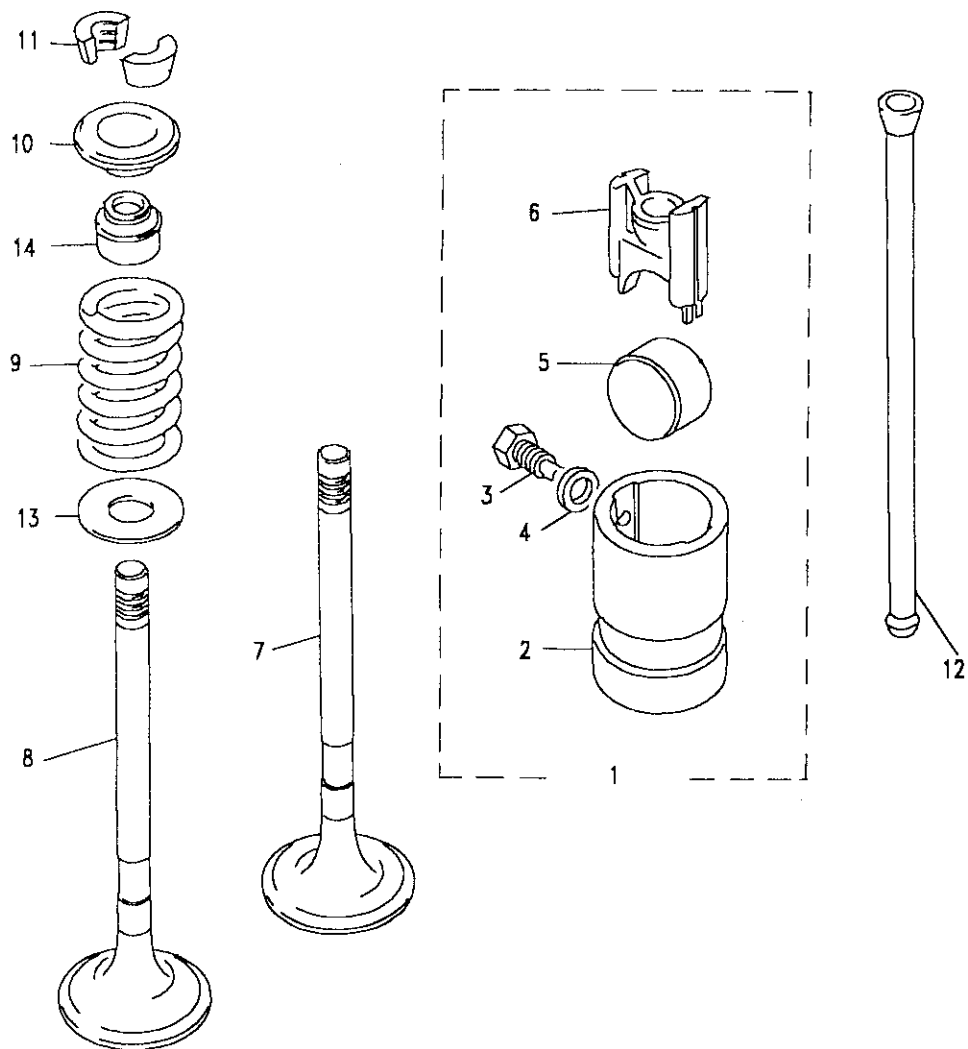
**Model** DEFENDER 110 1987 onwards  
**Page** AFBMGE1A

**ENGINE - VALVES AND TAPPETS - 200 TDI**

III. Part No.	Description	Qty	Remarks
1	RTC6564	8	
2	502473	1	
3	ETC4246	8	
4	273069	8	
5	ERR561	8	
6	ERR607	8	
7	ERR1157	4	
8	ERR1156	4	
9	ERR4640	8	
10	ETC4068	8	
11	ETC4069	16	
12	546799	8	
13	ETC8193	8	
14	ETC8663	8	Note(1)
	ERR4175	8	Note(2)

Note(1)  
Note(2)

Part of gasket kit STC362  
ERR1158 can be fitted if valve stem or rockers are worn



13 153

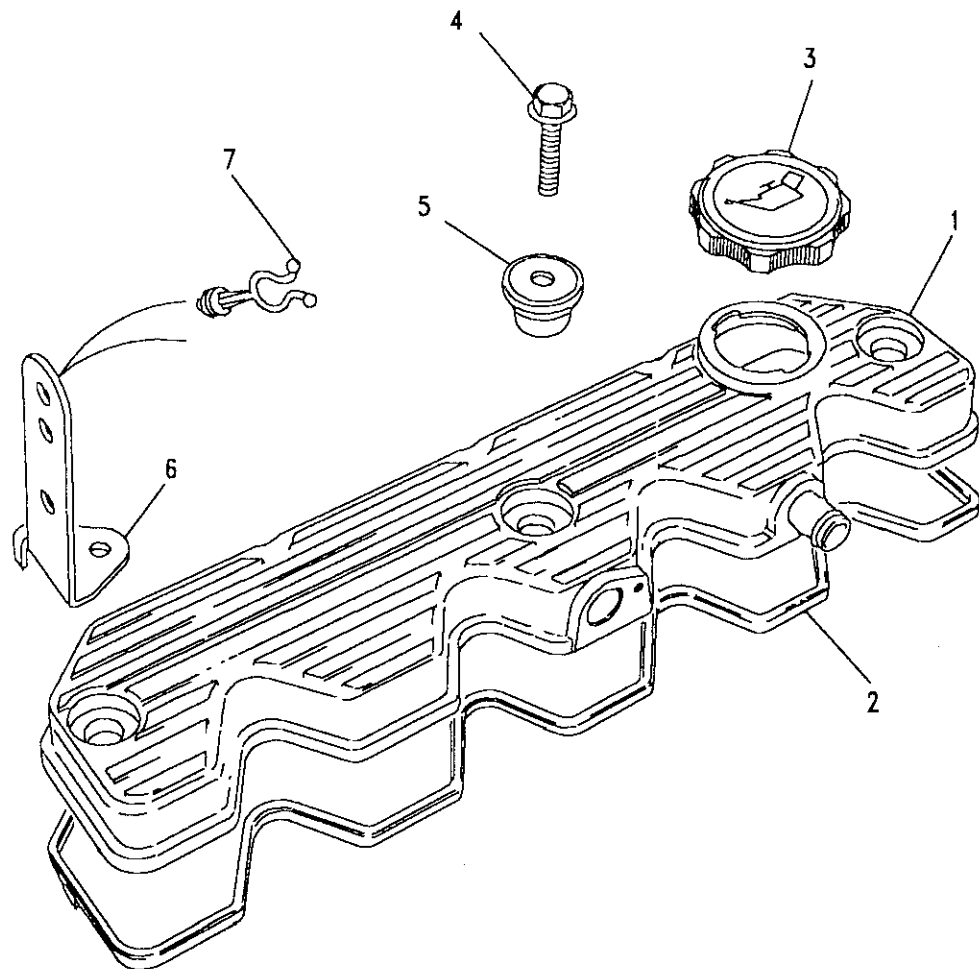
**Model** DEFENDER 110 1987 onwards

**Page** AFBMGG1A

**ENGINE - ROCKER COVER - 200 TDI**

Ill. Part No.	Description	Qty	Remarks
1	ERR1530	1	Upto Apl 92
	ERR3368	1	From Apl 92
2	ERR2393	1	
3	ERR5041	1	
4	FS106255L	3	
5	ERR663	3	Note(1)
6	ERR1621	1	
7	NRC8332	1	

Note(1) Part of gasket kit STC362

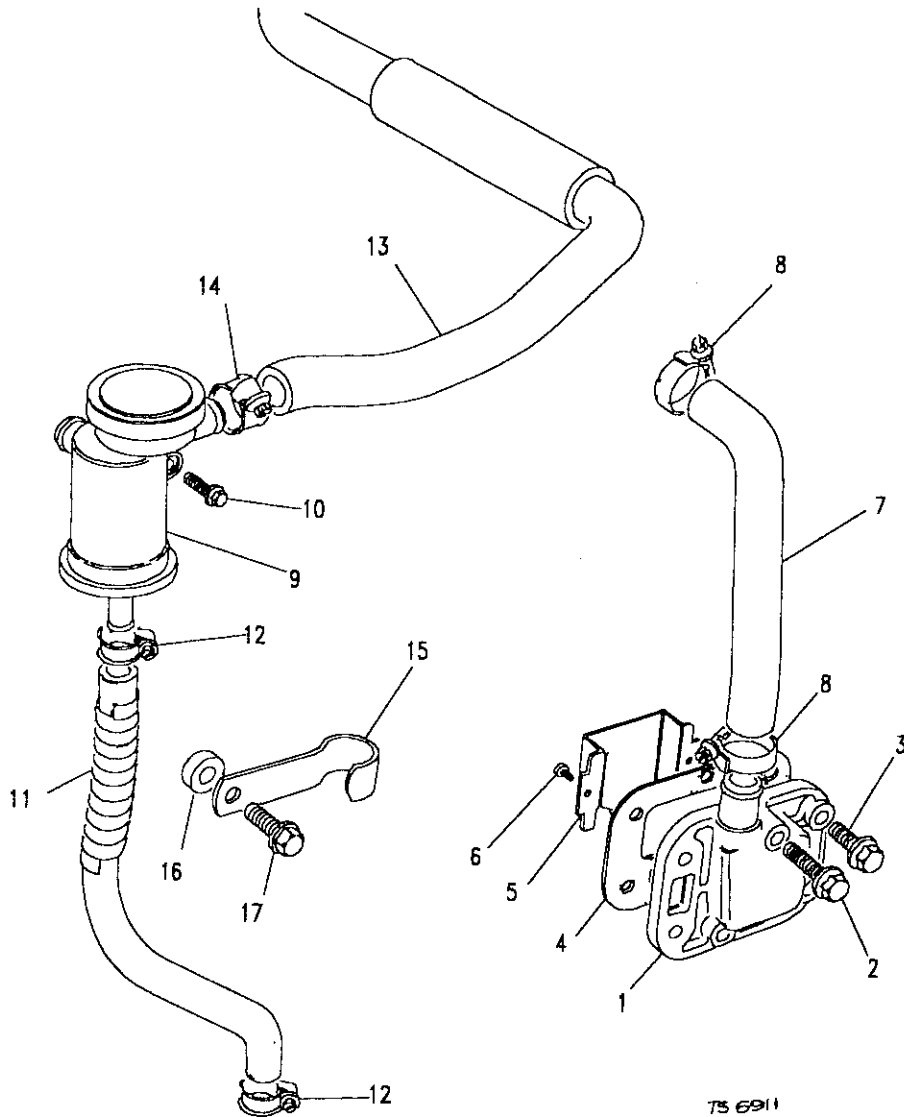


**Model** DEFENDER 110 1987 onwards  
**Page** AFBMGG2A

**ENGINE - CYCLONE BREATHER ASSEMBLY - 200 TDI**

Ill. Part No.	Description	Qty	Remarks
1 ERR506	Cover side breather assy	1	UptoAPRIL1992
541010	Cover side breather assy	1	FromAPRIL1992
2 FB108081L	Bolt flanged	1	
3 FS108251L	Screw flange M8x25	5	
4 247555	Gasket-side cover	1	
5 ERR874	Baffle plate-side cover	1	Note(1)
6 79026	Screw No6	1	Note(1)
7 ERR877	Hose-side to rock/cover	1	Note(1)
8 CN100258L	Clip-worm-hose	2	Note(1)
9 ERR1471	Breather cyclone	1	Note(1)
10 FB106121L	Screw flange M6x60	2	
11 ERR1605	Hose-cyclone oil drain	1	
12 CN100208L	Clip-worm-hose	2	
13 ERR1729	Hose-cyclone to air/clean	1	
14 CN100258L	Clip-worm-hose	2	
15 ERR878	Clip-oil drain hose	1	
16 ERR879	Spacer-clip-oil drain	1	
17 SH110201L	Screw flange M10x20	1	

Note(1) Not used on ERR3368 rocker cover without breather side plate



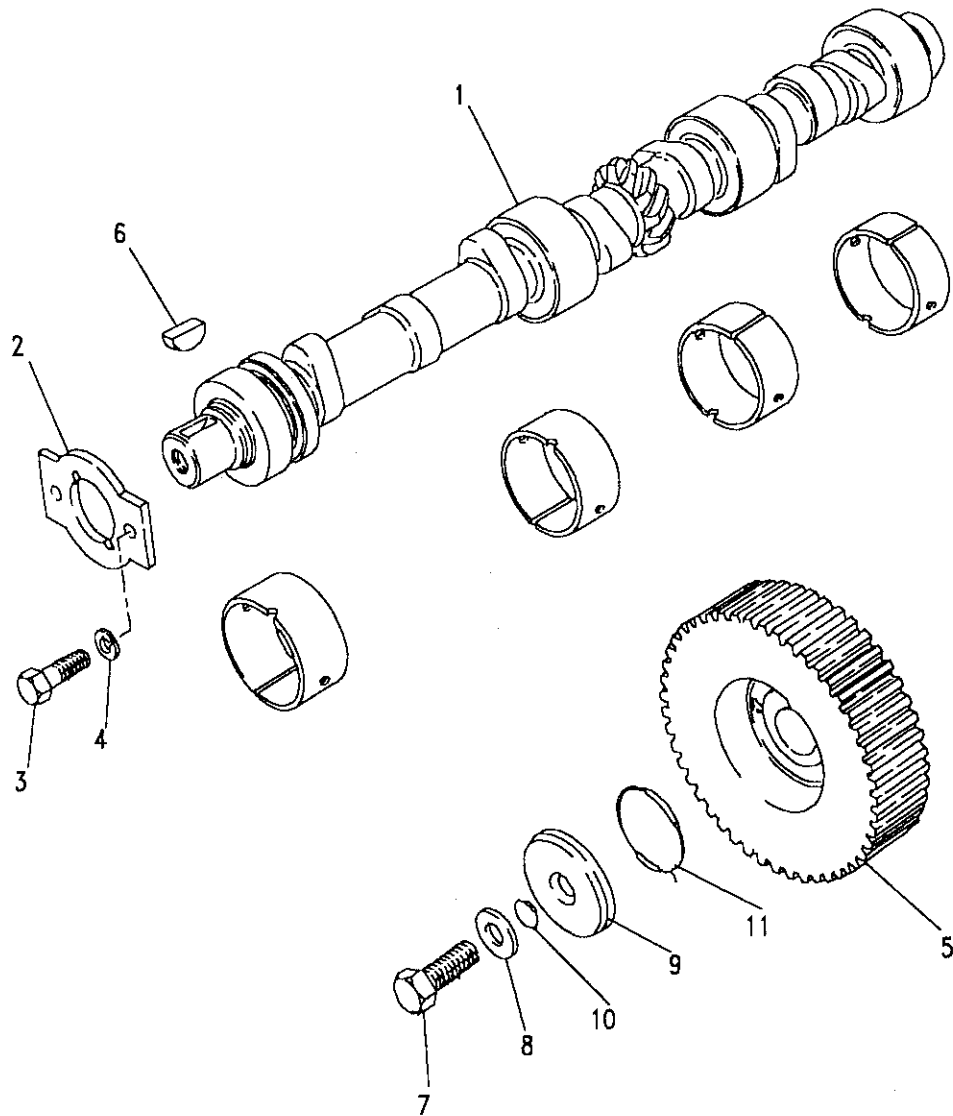
TS 6911

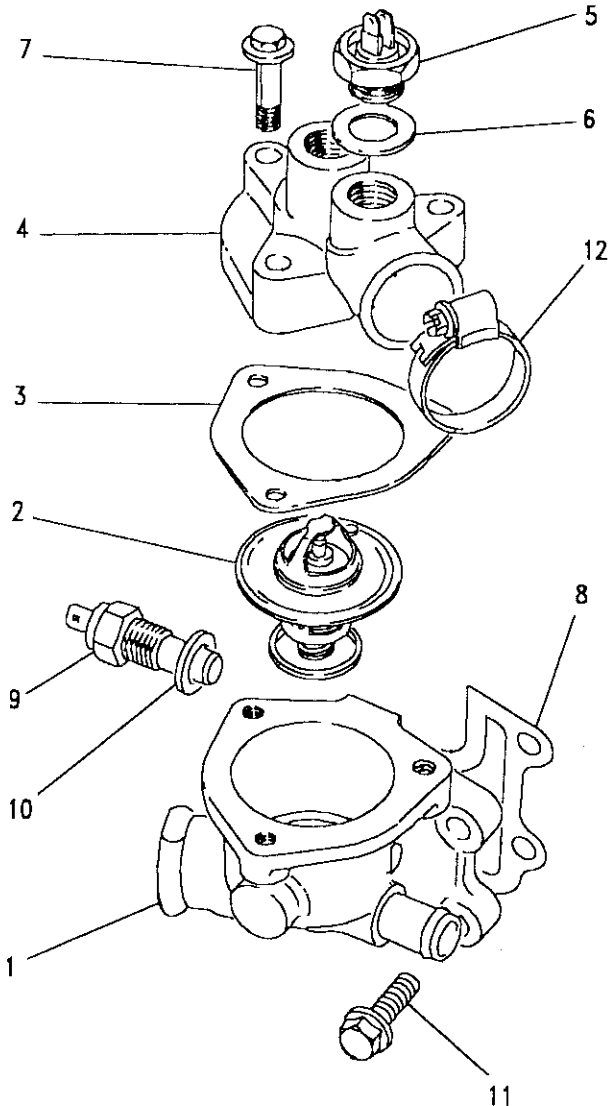
**Model** DEFENDER 110 1987 onwards  
**Page** AFBMGI1A

**ENGINE - CAMSHAFT - 200 TDI**

III. Part No.	Description	Qty	Remarks
1	ETC7128 Camshaft	1	
2	ERC1561 Plate thrust camshaft	1	
3	FS106167 Screw	2	
4	WL106001L Washer spring	2	
5	ERR666 Pulley	1	
6	230313 Key woodruff	1	
7	BX110071L Bolt	1	
8	ETC4670 Washer	1	
9	ERC8847 Plate-retaining	1	
10	ERC8849 O ring	1	Note(1)
11	ETC4076 O ring	1	Note(1)

Note(1) Part of gasket kit STC363





**Model** DEFENDER 110 1987 onwards  
**Page** AFBMGK1A

**ENGINE - THERMOSTAT HOUSING - 200 TDI**

III. Part No.	Description	Qty	Remarks
1 ERR1499	Thermostat housing	1	
2 ERR2803	Thermostat 88 degree	1	
3 ERR3682	Gasket thermostat housing	1	
4 ETC5967	Connection-water outlet	1	NON AIR CON
ETC5958	Connection-water outlet	1	AIR CON
BTR6141	Hose-by pass-no heater	1	
5 PRC3359	Switch-temperature sensor	1	
6 ERR696	Washer copper M14	1	Note(1)
7 FB106081L	Bolt flange M6x40	3	
8 ETC8007	Gasket-thermostat housing	1	Note(1)
9 PRC8593	Transmitter thermal	1	
10 90568054	Washer sealing	1	
11 FS108251L	Bolt flange-M8x25	3	
12 CJ600304L	Clip top hose	1	

Note(1) Part of gasket kit STC362

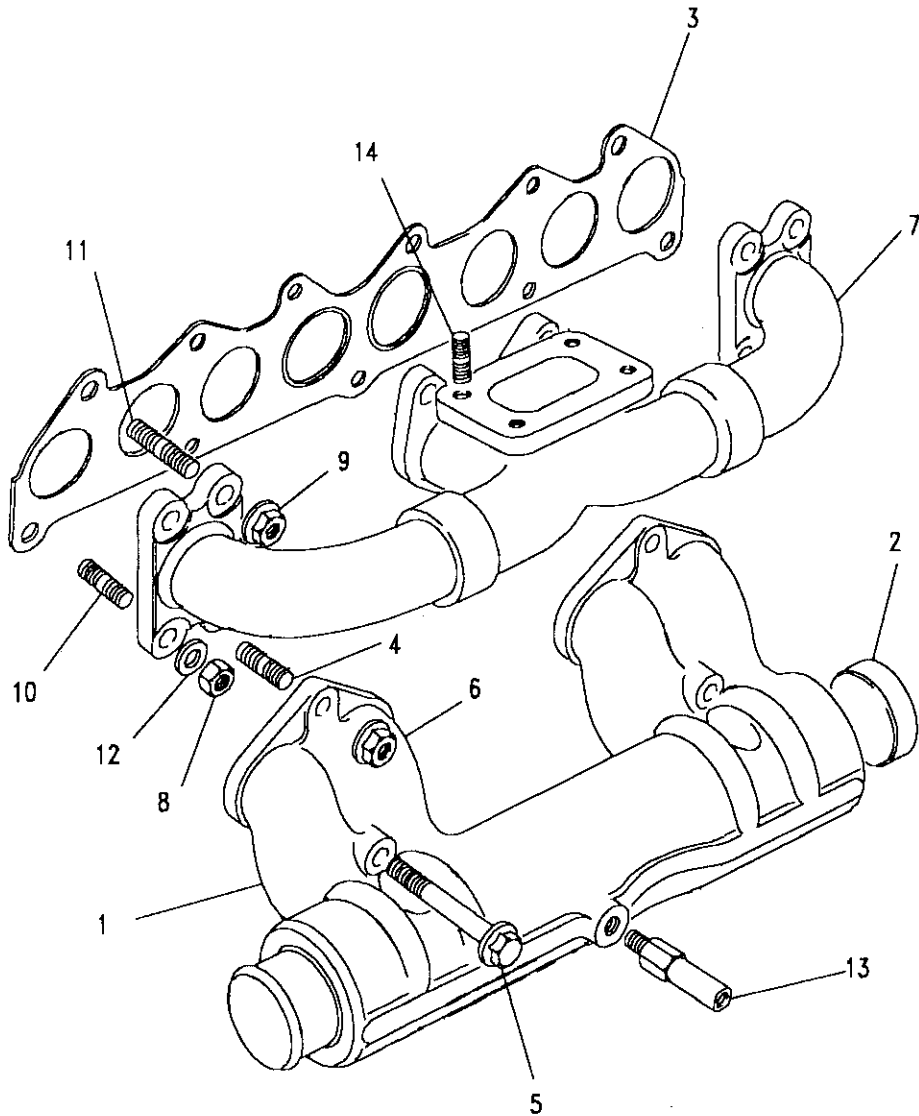


**Model** DEFENDER 110 1987 onwards  
**Page** AFBMHA1A

**ENGINE - MANIFOLDS - 200 TDI**

III. Part No.	Description	Qty	Remarks
1	ERR1435	1	
2	525428	1	
3	ERR1208	1	Note(1)
4	TE108051L	2	
5	FB108161L	2	
6	FN108041L	2	
7	ERR678	1	
8	ERR597	2	
9	NT110041L	2	
10	TE110051L	5	
11	TE110071L	2	
12	WA110061L	7	
13	ETC7395	1	
14	ERR551	4	

Note(1) Part of gasket kit STC362





DEFENDER 110 1987 onwards

193

ENGINE

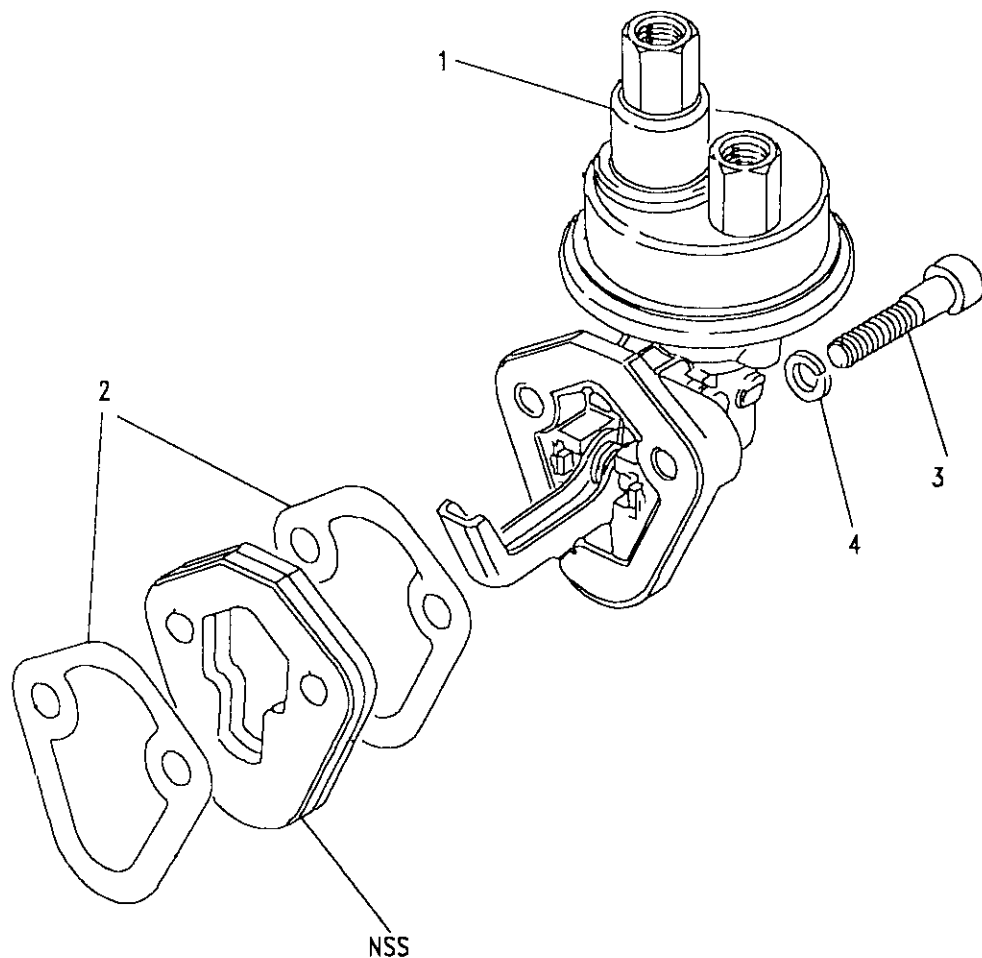
Model DEFENDER 110 1987 onwards

Page AFBMKA1A

ENGINE - FUEL PUMP - 200 TDI

III. Part No.	Description	Qty	Remarks
1 ETC7869	Pump fuel	1	
2 ETC7970	Gasket fuel pump/side cov	2	Note(1)
ERR2028	Gasket fuel pump	2	From Jan 94
3 SS108301L	Screw socket	2	
4 WA108051L	Washer	2	

Note(1) Part of gasket kit STC363

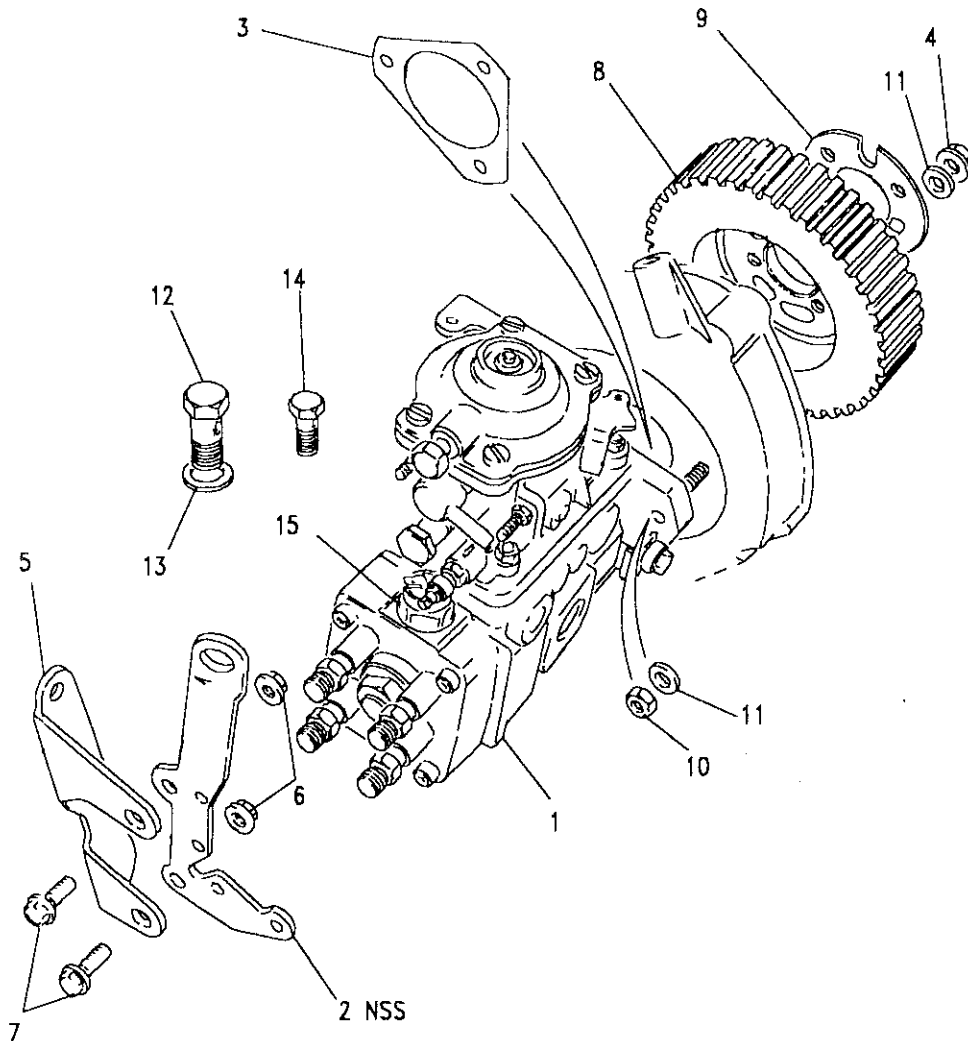


Model DEFENDER 110 1987 onwards  
 Page AFBMKC1A

ENGINE - INJECTION PUMP - 200 TDI

III. Part No.	Description	Qty	Remarks
1	ERR1333	1	Pump fuel injection
2	ERR1662	1	Bracket-F.I.E. abutment
3	ERR631	1	Gasket-fuel pump
4	FN108041L	3	Nut flange M8
5	ERR1662	1	Bracket-F.I.E.
6	FN108041L	2	Nut flange M8
7	FS108201L	2	Screw flange M8x20
8	ERR667	1	Pulley
9	ERR359	1	Plate retaining-pulley
10	FN108041L	3	Nut
11	WA108051L	6	Washer plain
12	ERR886	1	Bolt banjo
13	ERR894	2	Washer copper
14	ERR1125	1	Bolt banjo-fuel inlet
15	RTC6702	1	Switch fuel cut off
16	STC262	4	Adaptors-F.I.E. pump

Note(1) Not stocked separately - part of pump assembly  
 Note(2) Part of gasket kit STC363

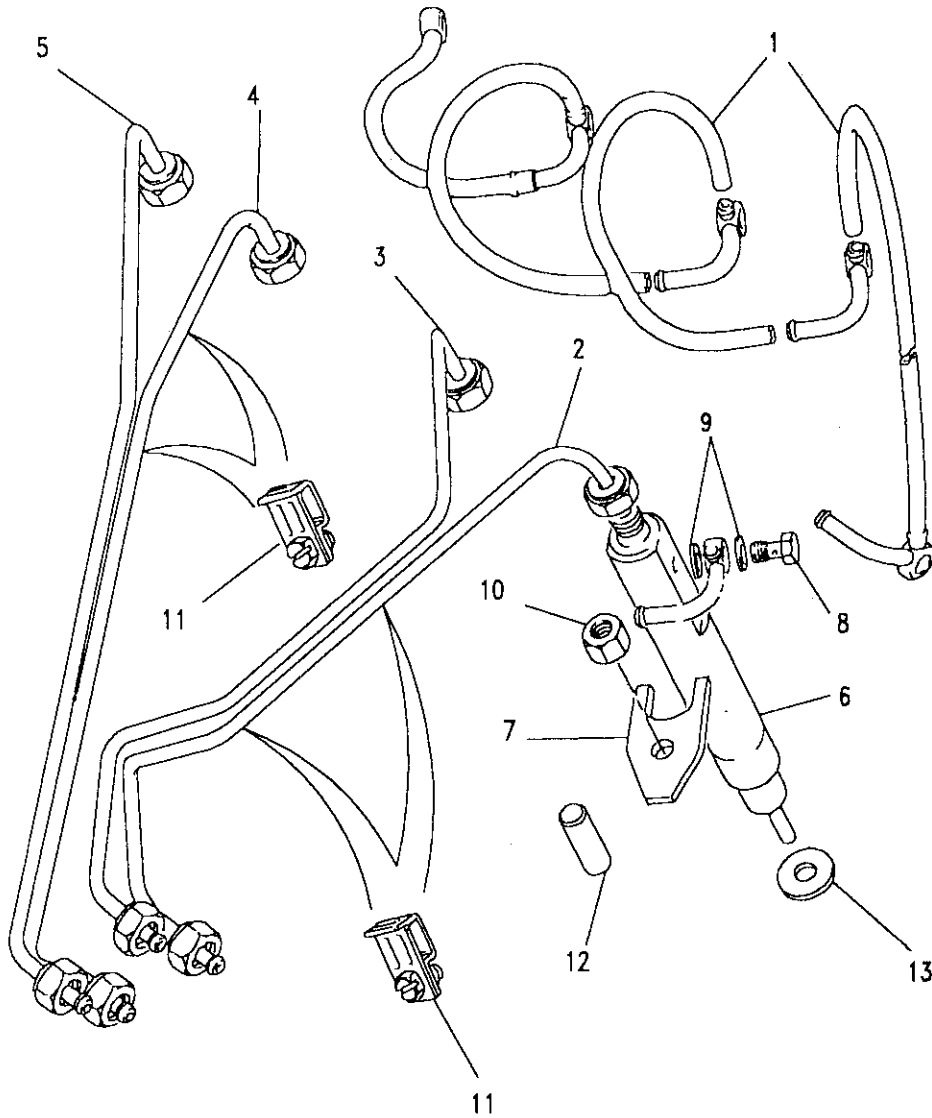


**Model** DEFENDER 110 1987 onwards  
**Page** AFBMKE1A

**ENGINE - INJECTORS AND PIPES - 200 TDI**

III. Part No.	Description	Qty	Remarks
1	ERR3652	1	Spill return assembly
2	STC793	1	Pipe-injectors No.1
3	STC794	1	Pipe-injectors No.2
4	STC795	1	Pipe-injectors No.3
5	STC796	1	Pipe-injectors No.4
6	ETC8412	4	Injectors
7	ERR1509	4	Clamp-injectors
8	ERR1200	4	Bolt banjo 6mm
9	ERR1304	8	Washer-copper
10	FN108041L	1	Nut
11	AEU2129L	4	Clip-2 pipes
12	ETC8470	4	Dowel-injector clamp
13	ERR4621	1	Washer-sealing injector

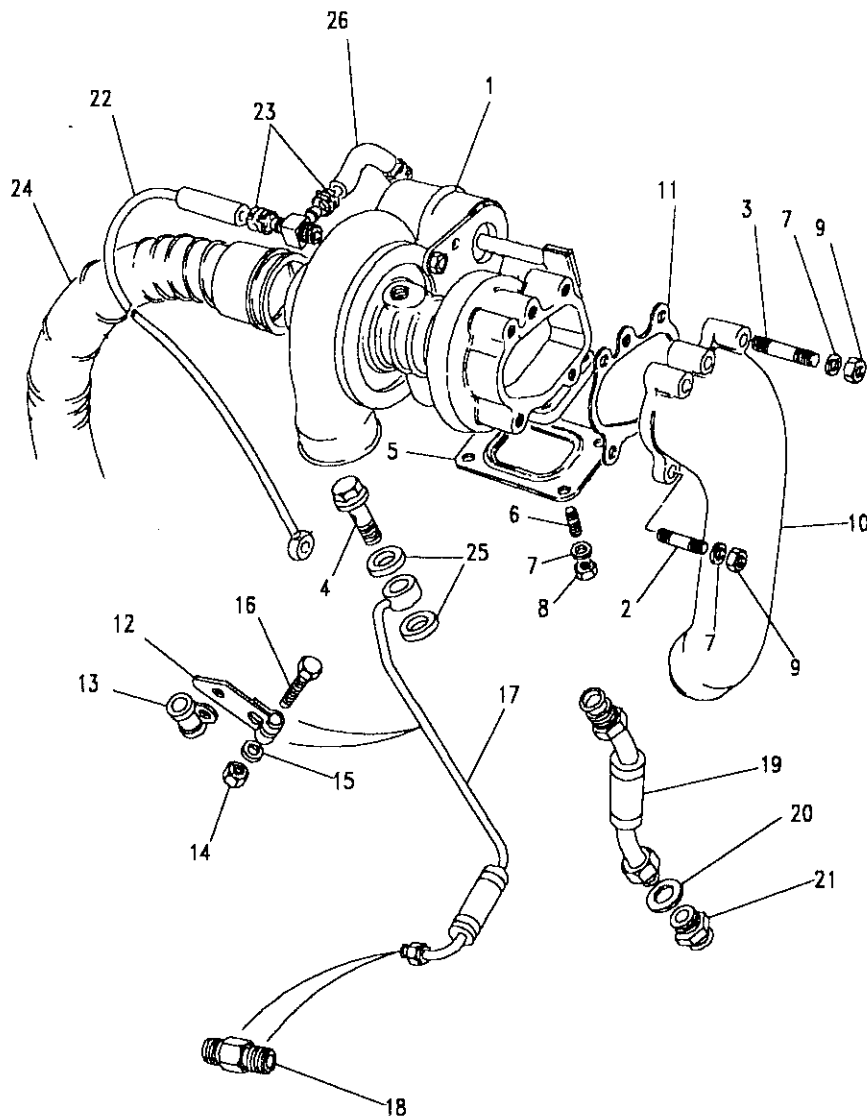
Note(1) Part of gasket kit STC362



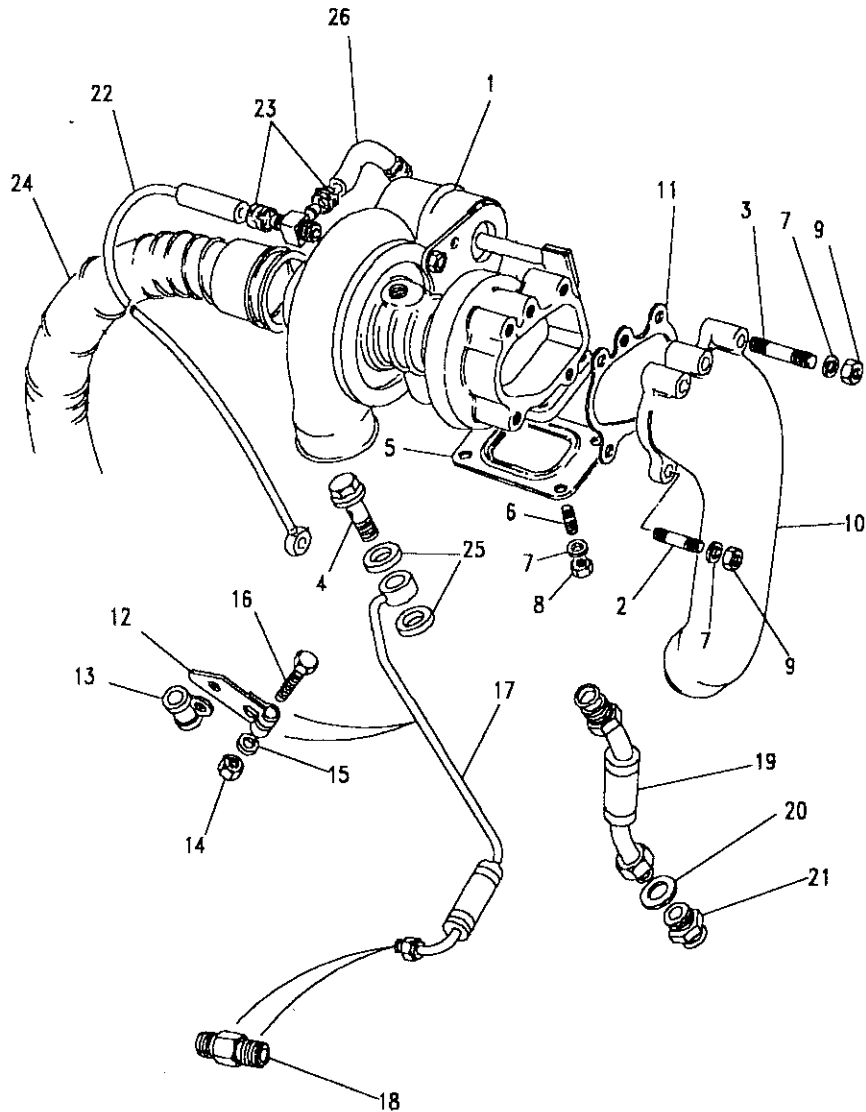
Model DEFENDER 110 1987 onwards

Page AFBMLA1A

ENGINE - TURBO CHARGER - 200 TDI



III. Part No.	Description	Qty	Remarks	
1	ETC8751	1	Turbo charger	
	ETC8751E	1	Turbo charger-exchange	
	STC960	1	Actuator	
2	RTC6094	1	Stud M8x32	
3	RTC6093	4	Stud M8x48	
4	ERR1125	1	Bolt-banjo-oil feed	
5	ETC5710	1	Gasket-turbo to exh/man	Note(1)
6	ERR551	4	Stud	
7	WA108051L	9	Washer M8	
8	ETC7184	4	Nut	
9	NH108065L	5	Nut M8	
10	ETC7058	1	Elbow-exhaust outlet	
11	ETC5898	1	Gasket-turbo to elbow out	Note(1)
12	ETC7351	1	Bracket-oil feed	
13	ETC8843	1	Clip cable	
14	NH105041L	1	Nut	
15	WA105001L	1	Washer	



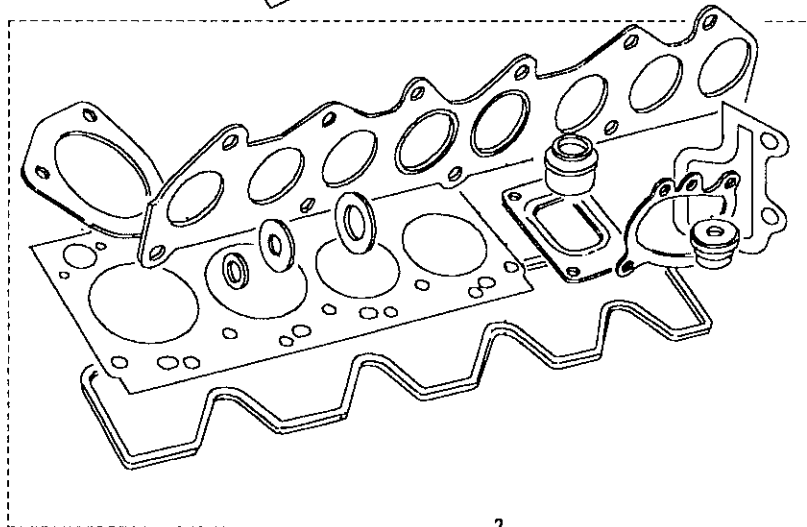
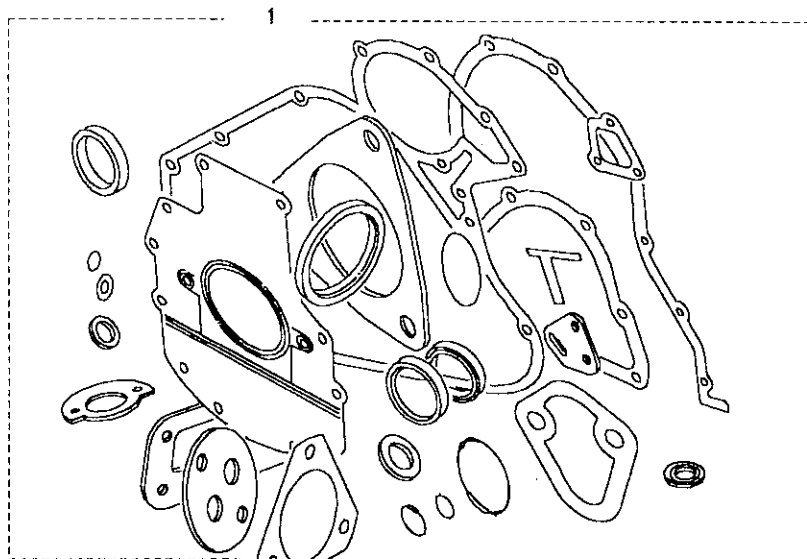
**Model** DEFENDER 110 1987 onwards  
**Page** AFBMLA1A

**ENGINE - TURBO CHARGER - 200 TDI**

III. Part No.	Description	Qty	Remarks
16 SH105251L	Screw	1	
17 ERR333	Pipe oil feed	1	UptoJAN1993
ERR3495	Pipe oil inlet	1	FromJAN1993
18 ETC8820	Adaptor oil feed	1	
19 ERR334	Pipe oil drain	1	UptoJAN1993
ERR3494	Pipe oil drain	1	FromJAN1993
20 ERR896	Washer-adaptor-oil drain	1	Note(1)
21 ERR335	Adaptor-oil drain	1	
22 ERR1458	Pipe-turbo to Inj/pump	1	
23 UKC3803L	Clamp-hose	2	
24 ESR415	Hose-turbo to cleaner	1	
25 FRC4808	Washer-sealing	2	
26 RTC5099	Hose-turbo-actuator	1	) Note(2)
STC1896	Hose-turbo-actuator	1	

Note(1)  
 Note(2)

Part of gasket kit STC362  
 Alternatives, RTC5099 is a 90 degree formed hose 60mm long and  
 STC1896 is a loose hose 233mm long.



**Model** DEFENDER 110 1987 onwards  
**Page** AFBMMA1A

**ENGINE - GASKET KITS - 200 TDI**

III. Part No.	Description	Qty	Remarks
1 STC363	Kit gasket overhaul	1	
STC1557	Kit gasket overhaul	1	Asbestos free
STC1172	Kit gasket decarbonising	1	Note(1)

Note(1) Decarbonising gasket kit no longer includes cylinder head gasket. As this is now selective, select appropriate gasket to use in conjunction with the kit.



DEFENDER 110 1987 onwards

199

ENGINE

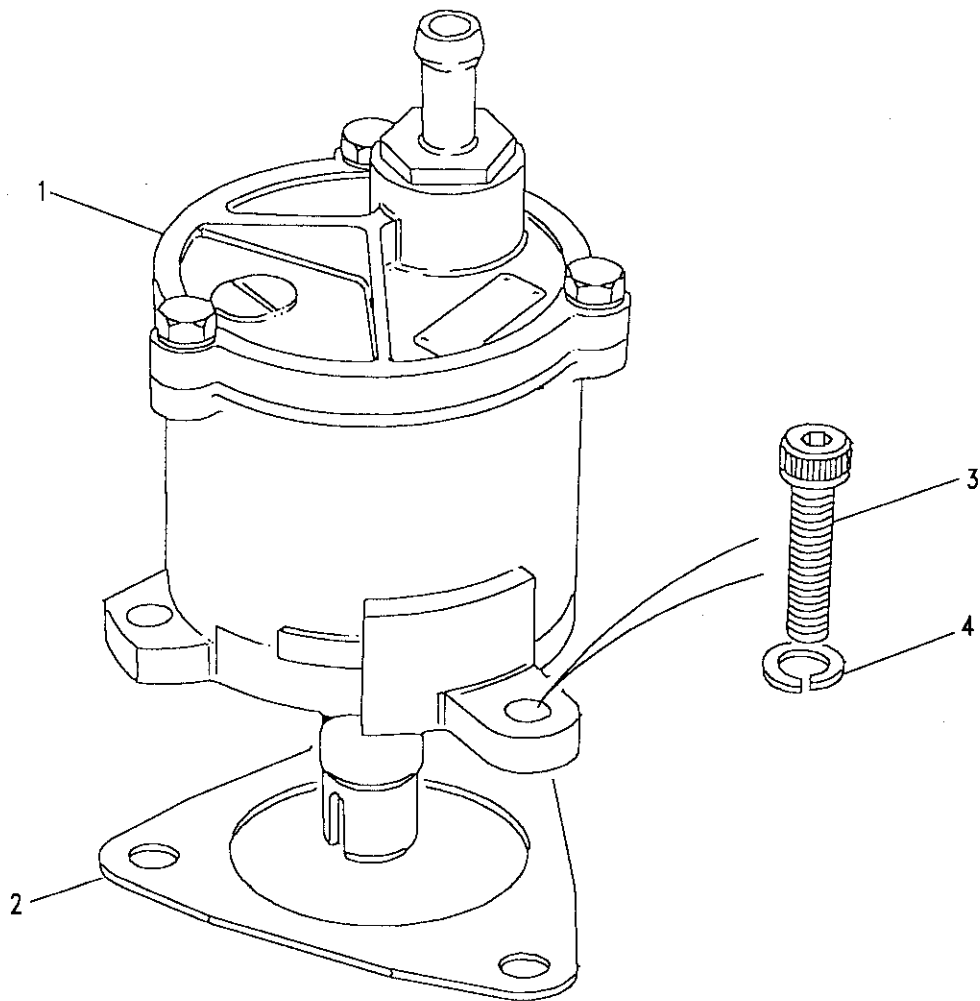
**Model** DEFENDER 110 1987 onwards

**Page** AFBMNA1A

**ENGINE - VACUUM PUMP - 200 TDI**

III. Part No.	Description	Qty	Remarks
1 ERR535	Pump vacuum assembly	1	
2 ETC4616	Gasket	1	Note(1)
3 SS108251L	Bolt M8x25	3	
4 WM600051L	Washer spring	3	

Note(1) Part of gasket kit STC363



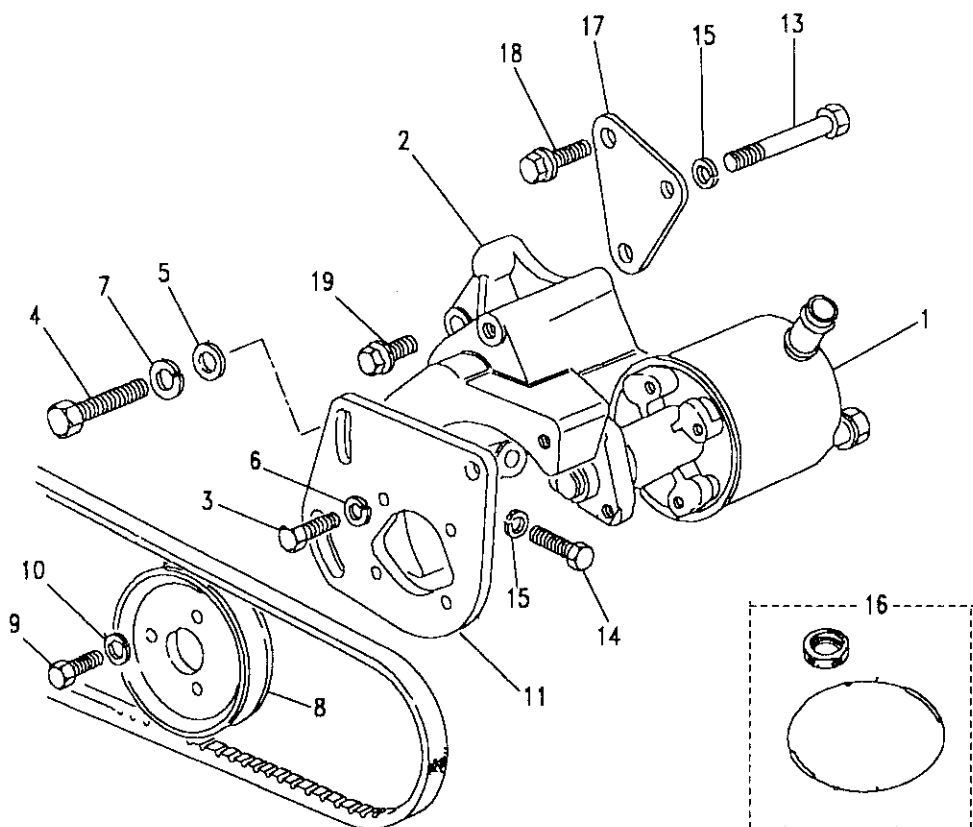


Model DEFENDER 110 1987 onwards

Page AFBMNC1A

ENGINE - POWER STEERING PUMP - 200 TDI

III. Part No.	Description	Qty	Remarks
1	NTC8287	1	Upto 11L22454A
	NTC9070	1	From 11L22455A
2	ETC8854	1	
3	FS106201L	4	
4	SH108251L	3	
5	WA108051L	2	
6	WL106001L	4	
7	WL108001L	3	
8	ETC5783	1	
9	SH108141L	3	
10	WL108001L	3	
11	ERR1976	1	Upto 11L22454A
	ERR2605	1	From 11L22455A
12	ETC5815	1	
13	BH108181L	1	
14	SH108251L	2	
	SH108301L	1	
15	WL108001L	4	
16	RTC5935	1	
	STC1633	1	
17	ERR1264	1	
18	FS108161L	1	
19	FS108301L	1	





DEFENDER 110 1987 onwards

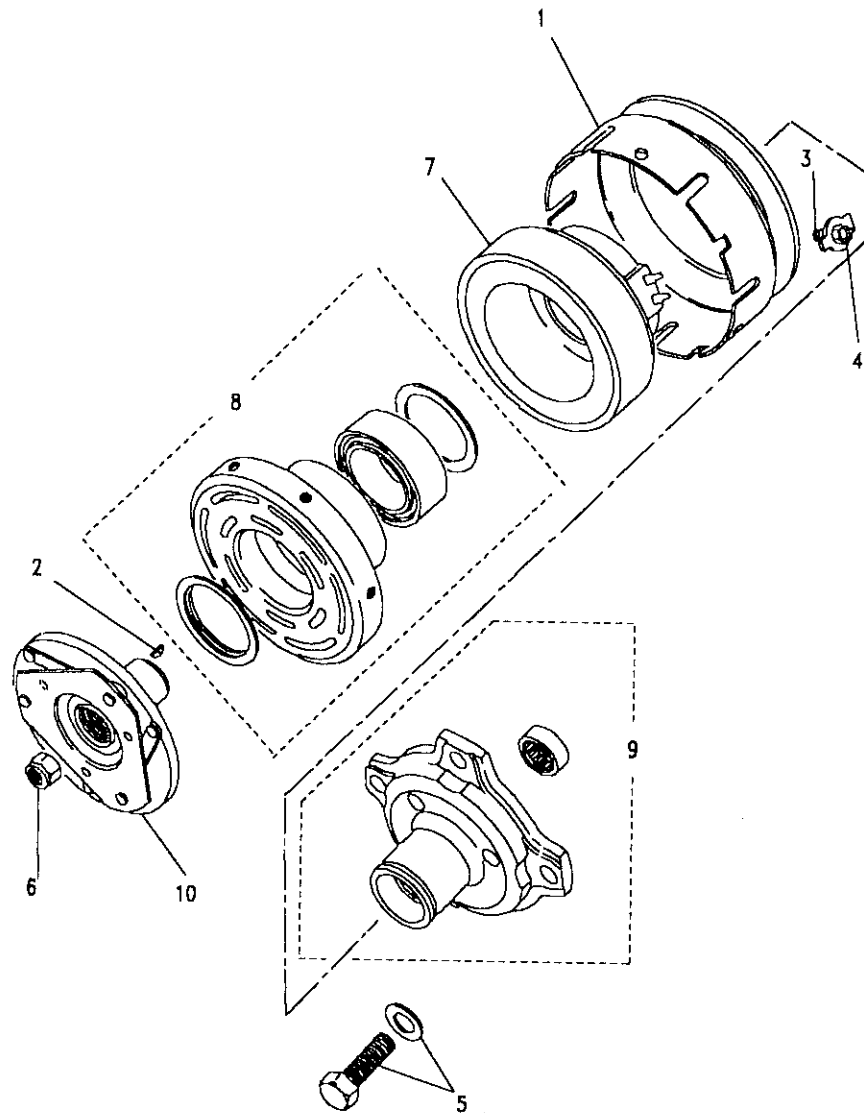
201

ENGINE

Model DEFENDER 110 1987 onwards  
Page AFBMNE1A

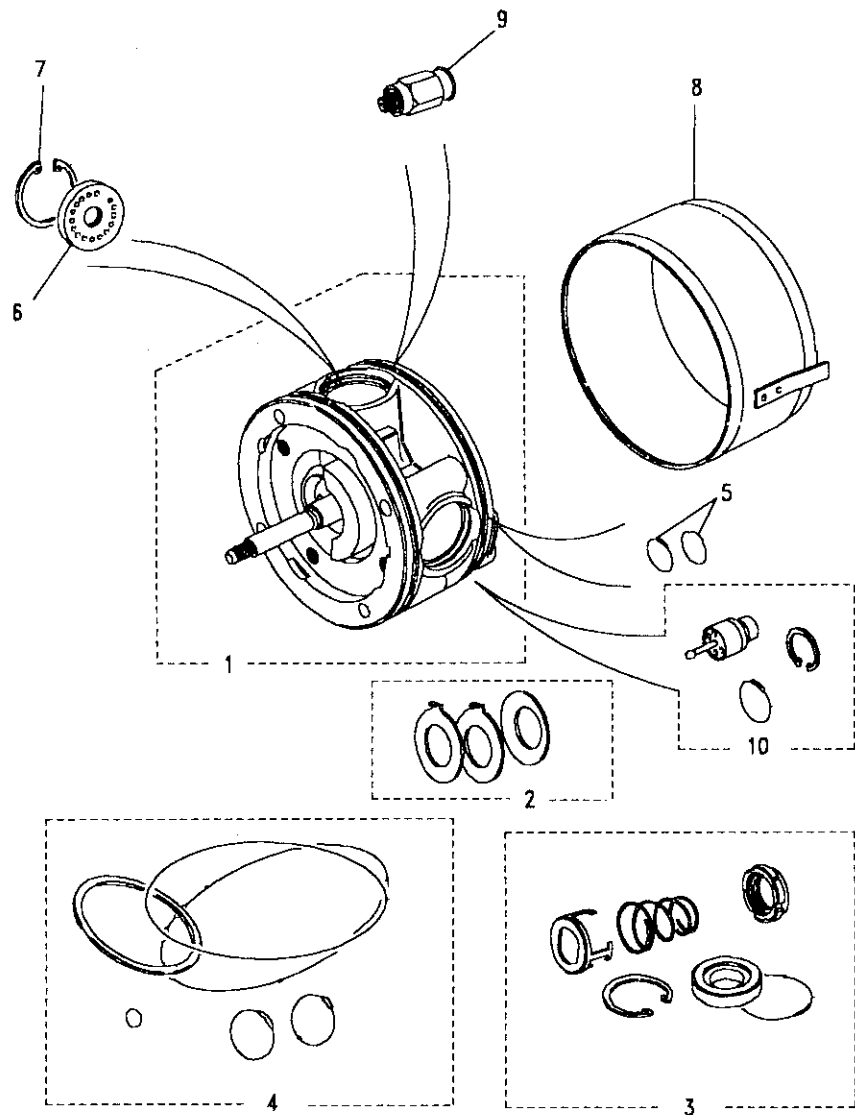
ENGINE - AIRCON COMPRESSOR - 200 TDI

III. Part No.	Description	Qty	Remarks
ERC6480	Compressor assembly	1	
1 AEU1782	Pulley rim	1	
2 AEU1694	Key-clutch hub	1	
3 AEU1780	Screw-rim mounting	6	
4 AEU1779	Washer-rim mounting	6	
5 AEU1784	Screw and washer Assy	4	
6 AEU1775	Nut-shaft	1	
7 AEU1778	Coil and housing assy	1	
8 AEU1777	Rotor and bearing assy	1	
9 AEU1785	Head front/bearing assy	1	
10 AEU1776	Clutch assembly	1	



Model DEFENDER 110 1987 onwards  
 Page AFBMNE2A

ENGINE - AIRCON COMPRESSOR - 200 TDI



III. Part No.	Description	Qty	Remarks
ERC6480	Compressor assembly	1	
1 AEU1792	Kit-cylinder/shaft assy	1	
2 AEU1791	Kit-thrust washers	1	
3 AEU1790	Kit-shaft seal	1	
4 AEU1192	Kit-'O' rings	1	
5 AEU1690	'O' ring	2	
6 AEU1788	Plate valve assembly	4	
7 AEU1787	Ring retaining	4	
8 AEU1786	Shell assembly	1	
9 AEU1689	Valve pressure release	1	
10 AEU1688	Kit-superheat switch	1	
ETC4371	Belt-driving	1	
AEU1691	Oil-525 Visco-2pt(1136ml)	A/R	



DEFENDER 110 1987 onwards

203

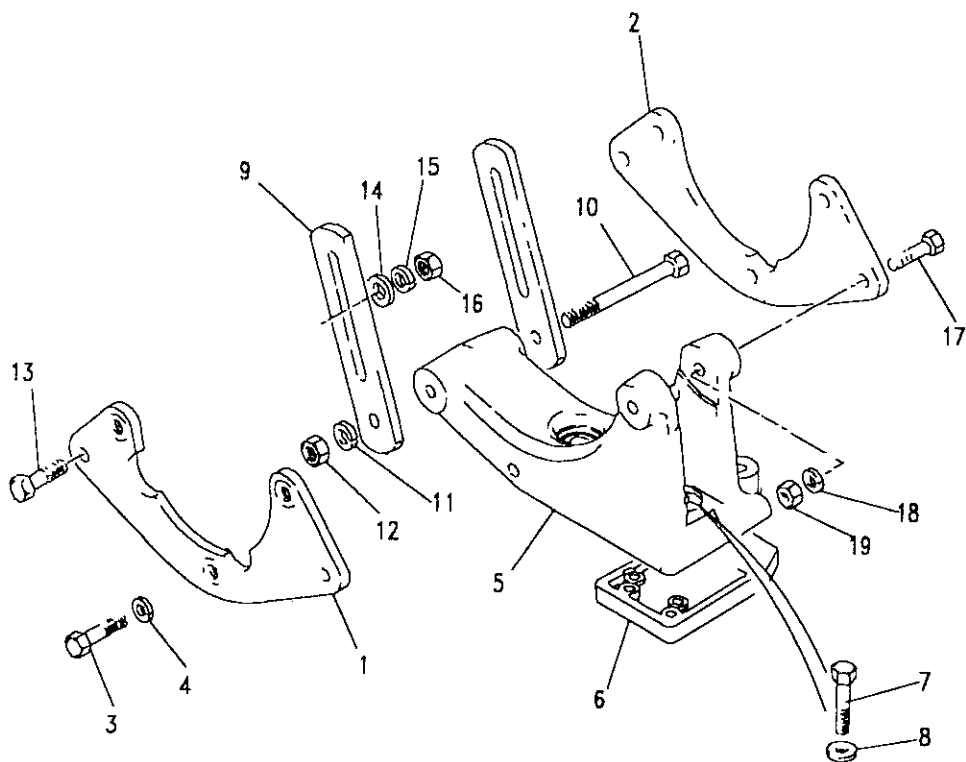
ENGINE

Model DEFENDER 110 1987 onwards

Page AFBMNE3A

ENGINE - COMPRESSOR FIXINGS - 200 TDI

III. Part No.	Description	Qty	Remarks
1	ERC7082	1	Plate mounting-front
2	ERC5152	1	Plate mounting-rear
3	BH110201L	3	Bolt-compressor to plate
4	WL110001L	3	Washer spring
5	ETC4882	1	Bracket-mounting
6	ETC4197	1	Plate adaptor-bracket
7	BH110101L	4	Bolt
8	WA110061L	4	Washer
9	ERC5155	2	Link adjusting
10	BH108181L	1	Bolt
11	WL108001L	1	Washer spring
12	NH108041L	1	Nut
13	SH108251L	2	Screw
14	WA108051L	2	Washer
15	WL108001L	2	Washer spring
16	NH108041L	2	Nut
17	FB108081L	2	Bolt flanged
18	WL108001L	2	Washer spring
19	NH108041L	2	Nut

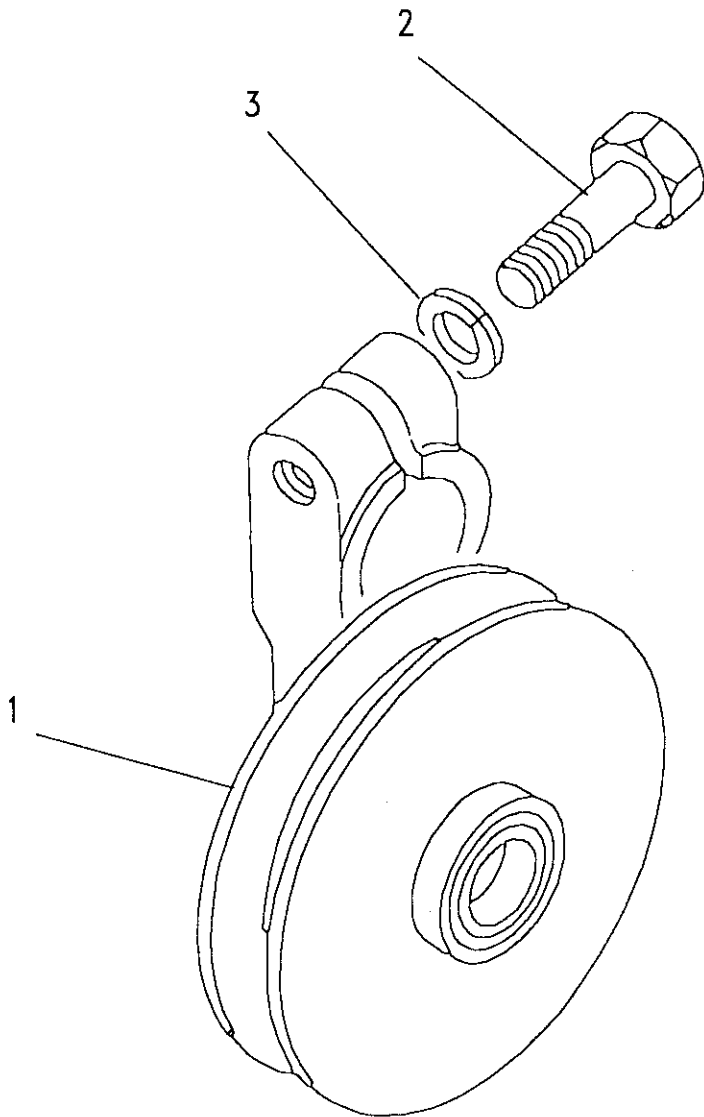




DEFENDER 110 1987 onwards

204

ENGINE



**Model** DEFENDER 110 1987 onwards

**Page** AFBMNE4B

**ENGINE - AIRCON IDLER PULLEY - 200 TDI**

III. Part No.	Description	Qty	Remarks
1 614718	Pulley damper assembly	1	
2 BH605101L	Bolt	1	
3 WM600051L	Washer	1	

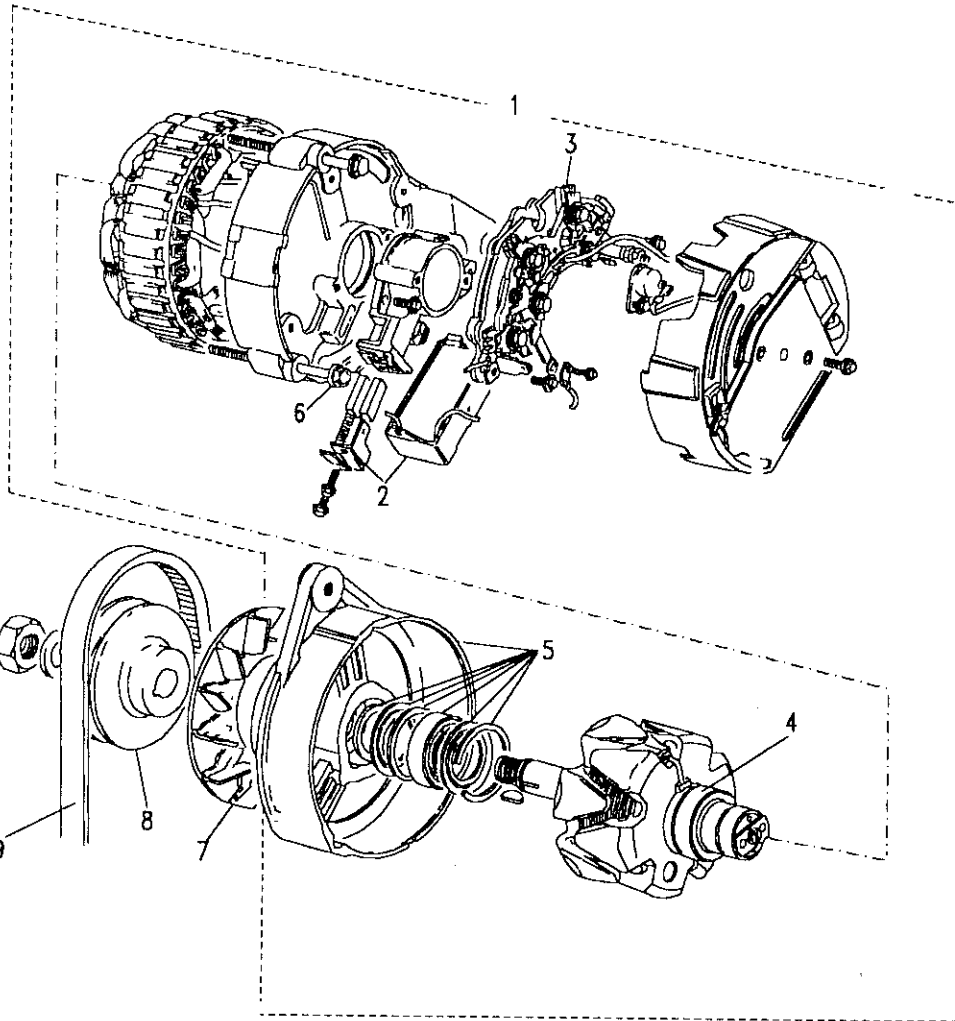


**Model** DEFENDER 110 1987 onwards  
**Page** AFBMPC1A

**ENGINE - ALTERNATOR - 200 TDI**

III. Part No.	Description	Qty	Remarks
1	RTC5680N	1	Note(1)
	RTC5680E	1	
	RTC5682N	1	Note(2)
	RTC5682E	1	
2	RTC5670	1	
3	RTC5671	1	
4	RTC5926	1	
5	RTC5687	1	
6	RTC5925	1	
7	AAU2249L	1	
8	RTC5686	1	
9	ETC7939	1	
	RTC5689	1	

Note(1) Lucas number 24220  
 Note(2) Lucas number 24199

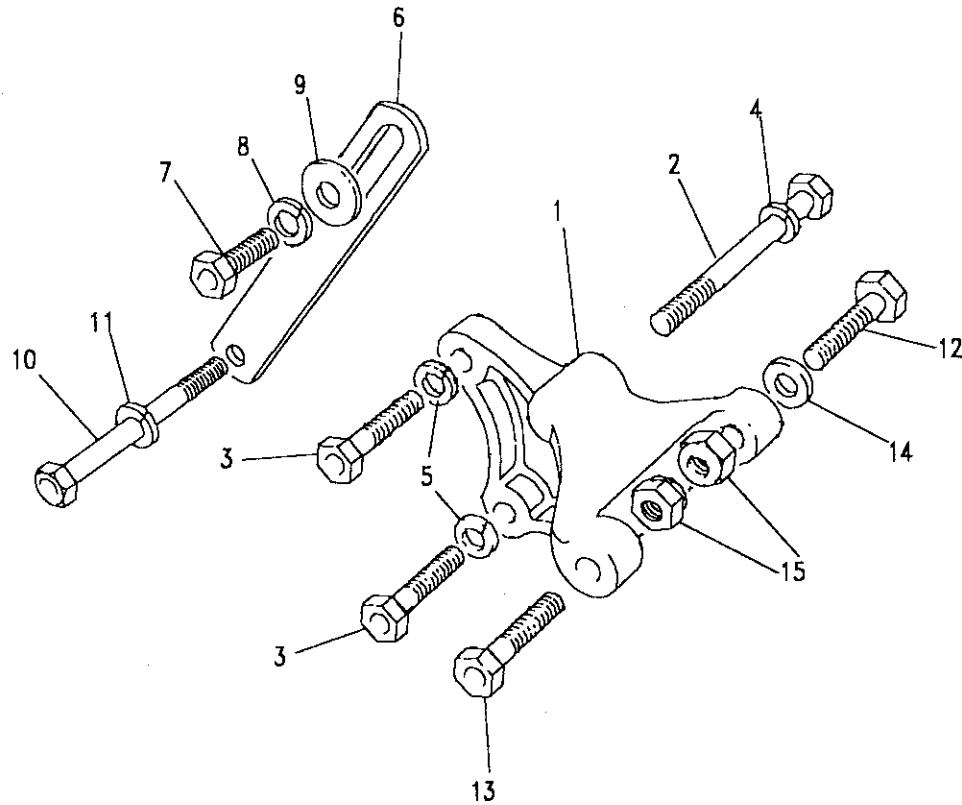


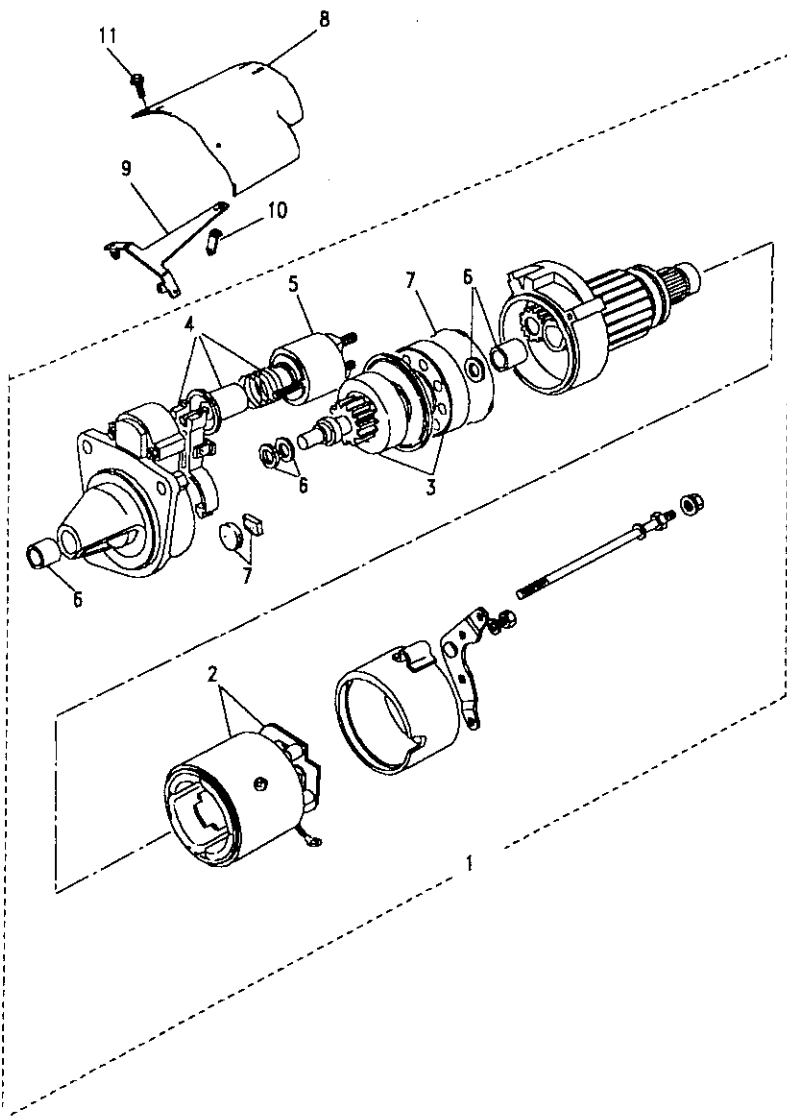


Model DEFENDER 110 1987 onwards  
Page AFBMPC2A

ENGINE - FIXINGS ALTERNATOR - 200 TDI

III. Part No.	Description	Qty	Remarks
1	ETC4357	1	Bracket mounting
2	BH108161L	1	Bolt-bracket to block
3	SH110301L	2	Bolt-bracket to block
4	WL108001L	1	Washer spring
5	WL108001L	2	Washer spring
6	ERC6266	1	Link-adjusting
7	FS108201L	1	Screw-link to alternator
8	WL108001L	1	Washer spring
9	2266L	1	Washer
10	ERC8964	1	Bolt-link to block
11	WL108001L	1	Washer spring
12	FB108081L	1	Bolt-bracket to block
13	BH108091L	1	Bolt-bracket to block
	ERC7974	1	Spacer
14	WC108051L	1	Washer
15	NY108041L	2	Nut nyloc





**Model** DEFENDER 110 1987 onwards

**Page** AFBMPE1A

**ENGINE - STARTER MOTOR - 200 TDI**

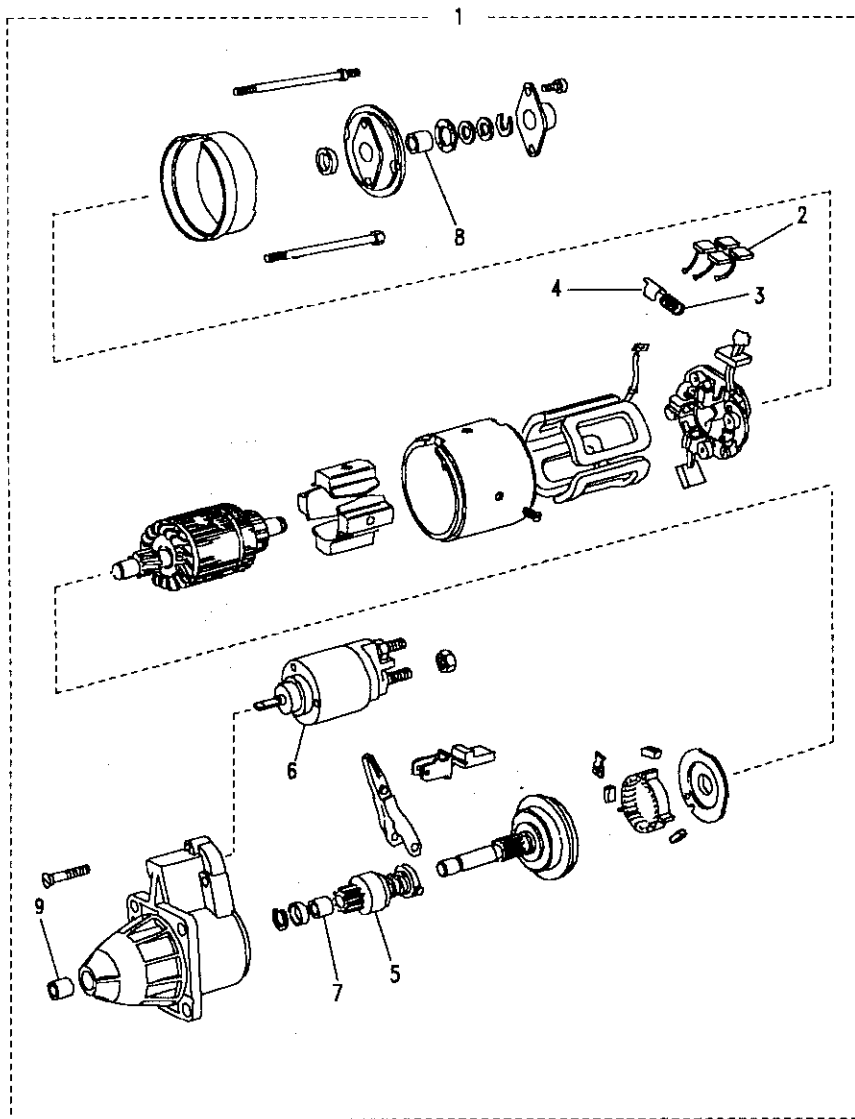
Ill. Part No.	Description	Qty	Remarks
<b>Used up to 11L24823A</b>			
1	PRC5109N PRC5109E	1	Starter motor
2	RTC4981	1	Starter motor-exchange
3	RTC4982	1	Inductor-brush holder
4	RTC4979	1	Pinion drive assembly
5	RTC4978	1	Lever shift assembly
6	RTC4980	1	Solenoid
7	RTC4983 PRC5538	1	Kit repair
		1	Kit gasket
		1	Cable earth
<b>Starter Heatshield</b>			
8	ERR806	1	Heatshield starter motor
9	ERR807	1	Bracket
10	ERR808	1	Bracket
11	FS105107	4	Screw
<b>Starter To Flywheel Housing</b>			
	FS110301L	1	Screw
	FN110041L	2	Nut flanged
	WL110001L	3	Washer spring
	BH110091L	1	Bolt-starter to flywheel



Model DEFENDER 110 1987 onwards  
 Page AFBMPE2A

ENGINE - STARTER MOTOR - 200 TDI

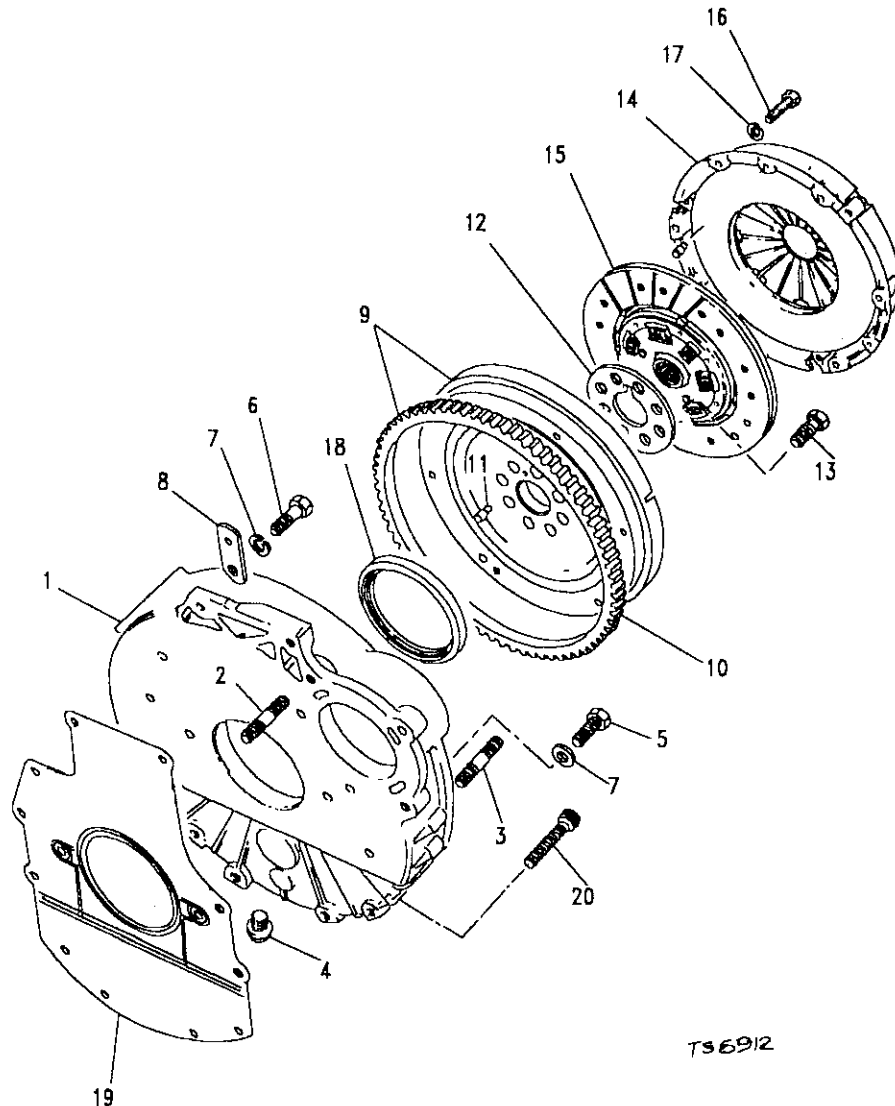
Ill. Part No.	Description	Qty	Remarks
<b>Used from 11L24824A</b>			
1	ERR5009	1	Starter motor
2	STC1246	1	Brush set
3	STC1254	4	Spring compression
4	STC1247	4	Guide brush
5	STC1244	1	Drive assembly
6	STC1245	1	Solenoid
7	STC1250	2	Bush
8	STC1251	1	Bush
9	STC1255	1	Bush





Model DEFENDER 110 1987 onwards  
Page AFBMRA1A

ENGINE - FLYWHEEL & CLUTCH - 200 TDI



III. Part No.	Description	Qty	Remarks
1	ERR1330	1	Upto 60160A
	ERR3924	1	From 60161A
2	TE110061L	13	
3	ERC9240	1	
4	ERC7295	1	
5	FS110301L	6	
6	BH110091L	2	
7	WA110061L	6	
8	ERC9404	2	
9	ERR719	1	
10	568431	1	
11	502116	3	
12	ERC4658	1	Note(2)
13	ERC6551	8	Note(2)
	ERR4574	8	Note(2)
14	FTC575	1	
15	FTC2149	1	
	STC8358	1	
	FTC575	1	
	FTC2149	1	
	FRC9568	1	
	FTC1994	1	
16	SX108201L	6	
17	WL108001L	6	
18	ERR1535	1	Note(1)
19	ERR1440	1	Note(1)
20	SS110801	4	

Note(1)  
Note(2)

Part of gasket kit STC363  
Plate deleted from June 93. If plate is not fitted use ERR4574

T36912





## MASTER INDEX

	PAGES
INTRODUCTION PAGES	1 - 7
ALPHABETICAL INDEX	8 - 16
ENGINE	17 - 66
ENGINE	67 - 119
ENGINE	120 - 166
ENGINE	167 - 209
ENGINE	210 - 245
ENGINE	246 - 299
GEARBOX	300 - 326
GEARBOX	327 - 344
GEARBOX	345 - 359
TRANSFER BOX	360 - 378
TRANSFER BOX	379 - 397
AXLES AND SUSPENSION	398 - 444
STEERING	445 - 471
VEHICLE AND ENGINE CONTROLS	472 - 486
BRAKES	487 - 517
FUEL SYSTEM AND AIR CLEANER	518 - 579
EXHAUST SYSTEM	580 - 593
COOLING/HEATING	594 - 637
COOLING/HEATING	638 - 641
COOLING/HEATING	642 - 649
COOLING/HEATING	650 - 655
COOLING/HEATING	656 - 666
BODY ELECTRICAL	667 - 740
BODY AND CHASSIS	741 - 909
INTERIOR TRIM	910 - 955
SEATS	956 - 1036
STOWAGE	1037 - 1046
ACCESSORIES - PAINTS	1047 - 1074
NUMERICAL INDEX	1076 - 1151

## GROUP B

## ENGINE

## ENGINE

ENGINE STRIPPED - 300 TDI	211
SHORT ENGINE - 300TDI	212
CYLINDER BLOCK - 300TDI	213
JET ADAPTORS - 300TDI	214
CRANKSHAFT - 300TDI	215
PISTON 216 RINGS - 300TDI	216
SUMP - 300TDI	217
MOUNTINGS - DIESEL 300TDI	218
FRONT COVER - 300TDI	219 - 220
TIMING BELT - 300 TDI	221
WATER PUMP - 300TDI	222
COOLING FAN - 300 TDI	223
OIL FILTER - 300TDI	224
CYLINDER HEAD - 300TDI	225 - 226
ROCKER SHAFT - 300TDI	227
VALVE AND TAPPETS - 300TDI	228
ROCKER COVER - 300TDI	229
CYCLONE BREATHER - 300TDI	230
CAMSHAFT - 300TDI	231
THERMOSTAT - 300TDI	232
MANIFOLDS - 300 TDI	233
EXHAUST GAS RECIRCULATING - 300TDI	234
FUEL LIFT PUMP - 300TDI	235
INJECTION PUMP - 300TDI	236
INJECTOR AND PIPES - 300TDI	237
TURBOCHARGER - 300TDI	238
VACUUM PUMP - 300 TDI	239
POWER STEERING PUMP - 300 TDI	240
AIR CONDITIONING COMPRESSOR - 300TDI	241
AIR CONDITIONING IDLERS - 300TDI	242
ALTERNATOR - 300TDI	243
STARTER MOTOR - 300TDI	244
FLYWHEEL & CLUTCH - 300 TDI	245





DEFENDER 110 1987 onwards

211

ENGINE

**Model** DEFENDER 110 1987 onwards  
**Page** AFBNAC1A

**ENGINE - ENGINE STRIPPED - 300 TDI**

III. Part No.	Description	Qty	Remarks
1 STC1736N	Engine stripped assembly	1	
Note(1)	Engine less ancillary equipment		





DEFENDER 110 1987 onwards

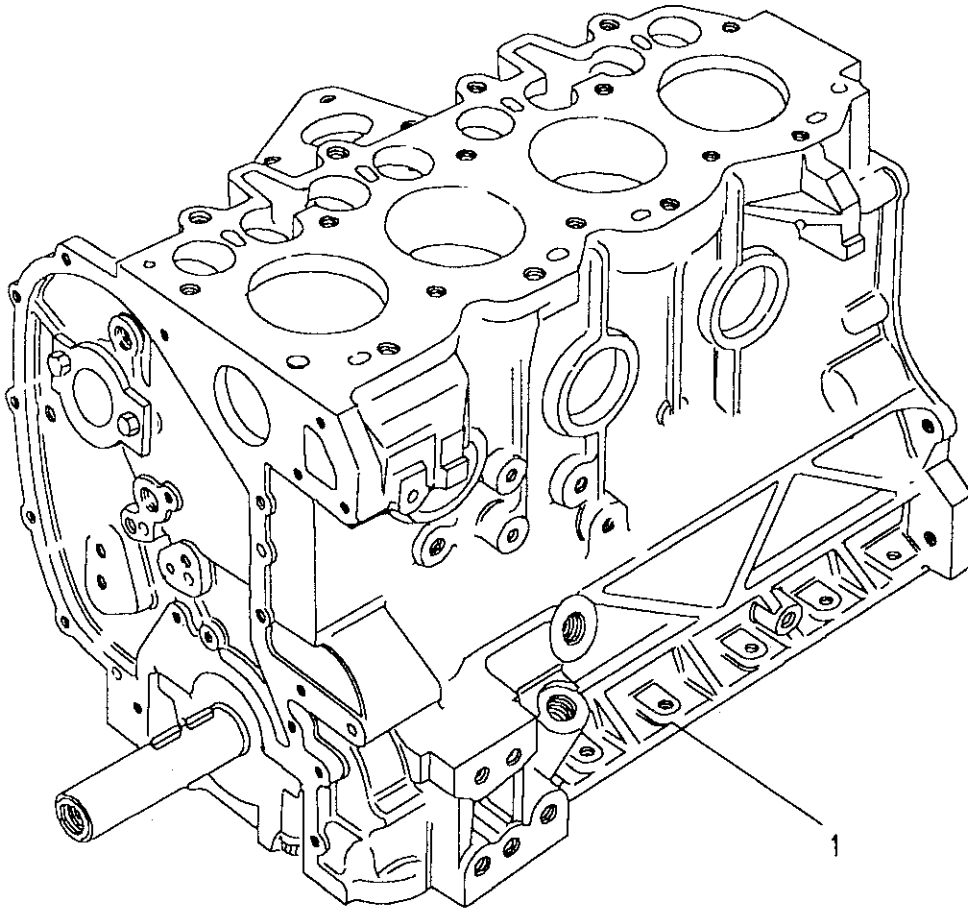
212

ENGINE

**Model** DEFENDER 110 1987 onwards  
**Page** AFBNAE1A

**ENGINE - SHORT ENGINE - 300TDI**

III. Part No.	Description	Qty	Remarks
1 STC1675	Engine short assembly	1	





Model DEFENDER 110 1987 onwards

Page AFBNA1A

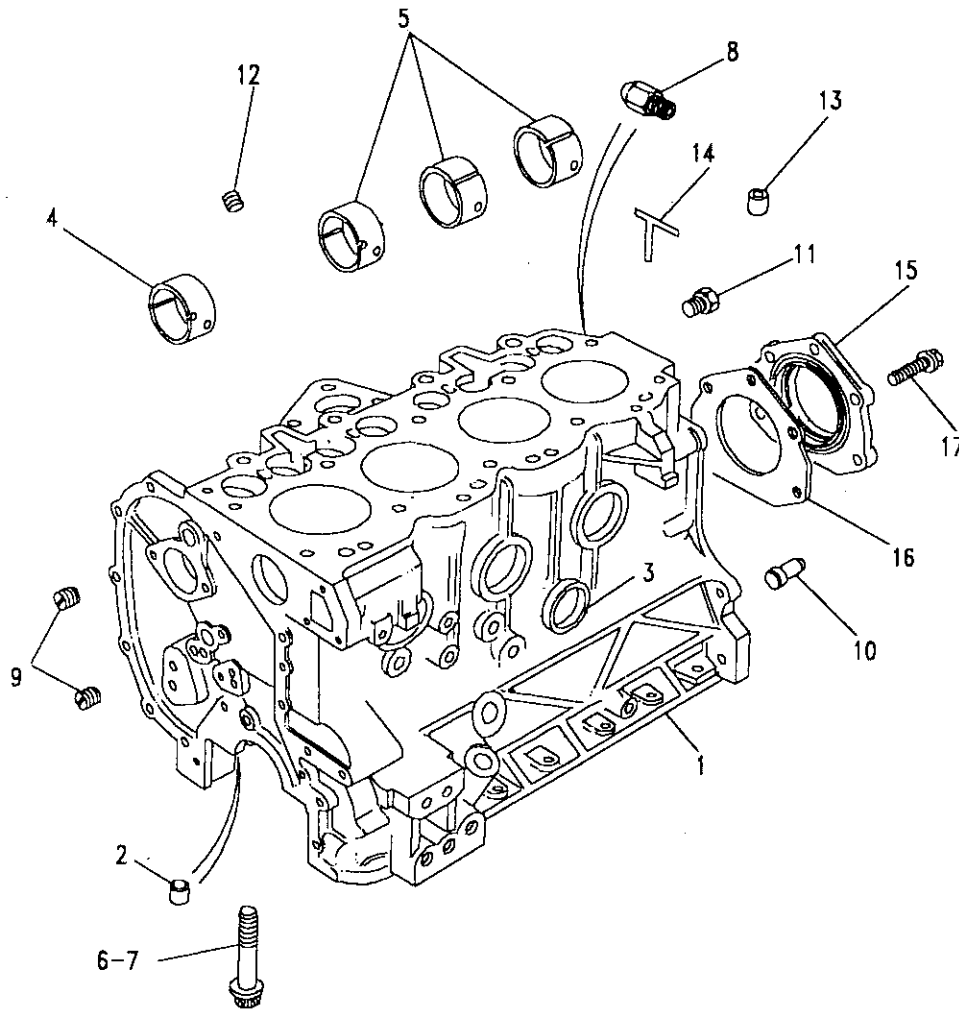
## ENGINE - CYLINDER BLOCK - 300TDI

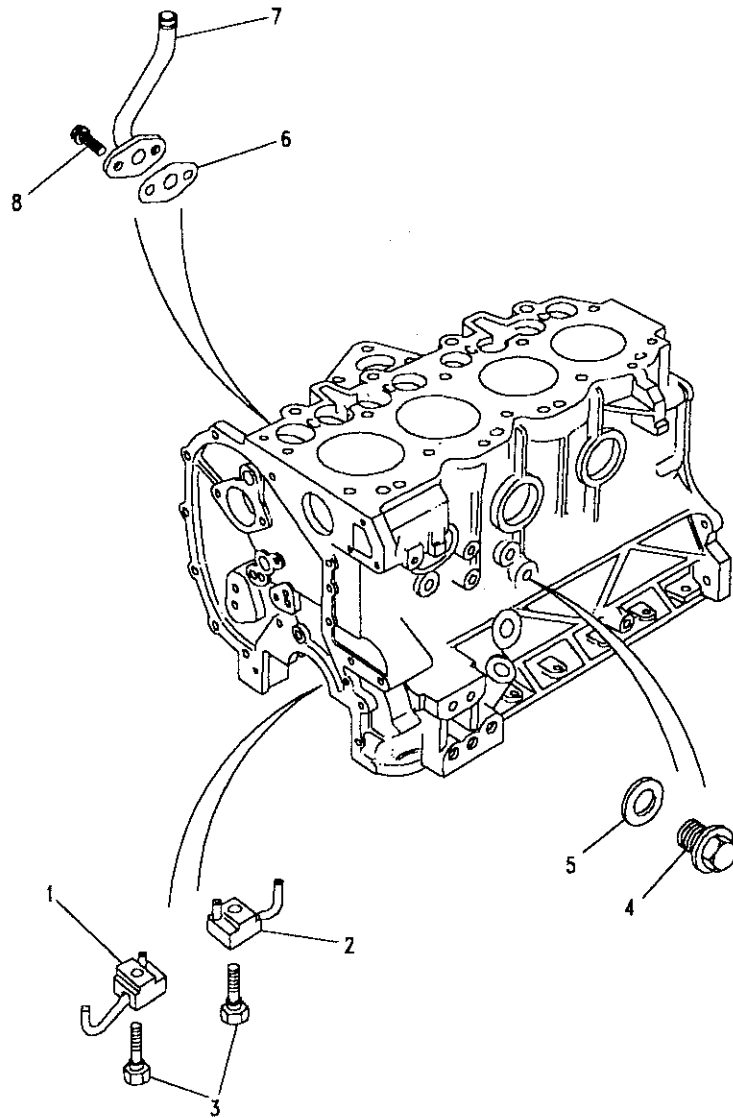
## III. Part No.

## Description

## Qty Remarks

1	ERR1919	Cylinder block assembly	1
2	501593	Dowel bearing caps	10
3	ERC4996	Cup plug	6
4	ETC8442	Bearing cam	1
5	90519055	Bearing cam	3
6	ETC8074	Bolt bearing cap	8
7	ERR3419	Bolt bearing cam	2
8	ERR2767	Jet oil camshaft	1
9	247127	Plug oil gallery	2
10	FRC2482	Dowel flywheel housing	2
11	ETC4922	Plug gallery pipe	2
12	ERR5034	Plug camshaft oil feed	3
13	ETC8352	Ring dowel head/block	2
14	ERR913	Packing strip	2
15	ERR4179	Oil seal rear	1
16	ERR4861	Gasket rear oil seal	1
17	FS108251L	Screw flange	5





Model DEFENDER 110 1987 onwards  
 Page AFBNBA2A

ENGINE - JET ADAPTORS - 300TDI

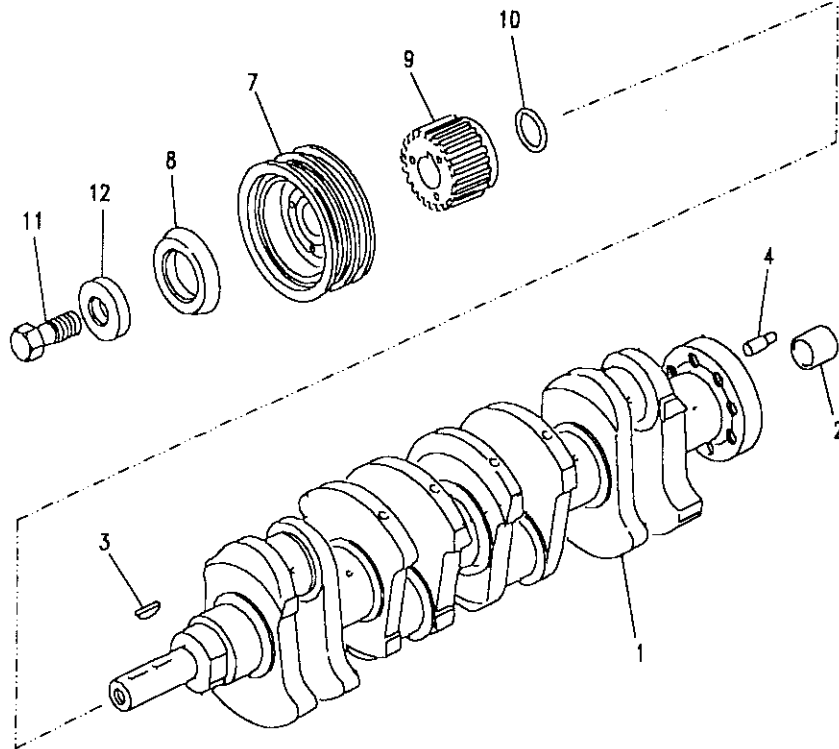
III. Part No.	Description	Qty	Remarks
1 ETC6531	Oil jet assy No1 & 3 cyl	2	
2 ETC6532	Oil jet assy No2 & 4 cyl	2	
3 ETC5592	Valve relief	4	
4 ERC9410	Plug drain	1	
5 AFU1882L	Washer joint	1	
6 ERR1094	Drain pipe oil	1	
7 ERR1653	Gasket drain pipe	1	
8 FS108201	Screw flange	2	



DEFENDER 110 1987 onwards

215

ENGINE



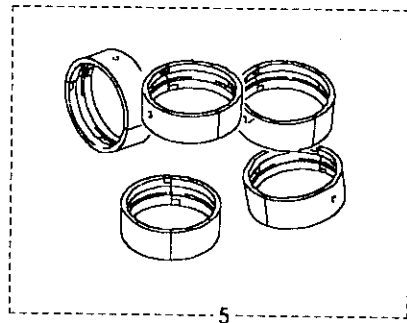
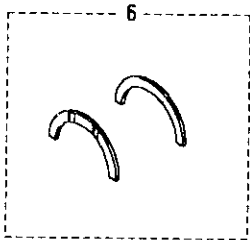
**Model** DEFENDER 110 1987 onwards  
**Page** AFBNCA1A

**ENGINE - CRANKSHAFT - 300TDI**

III. Part No.	Description	Qty	Remarks
1 ERR2112	Crankshaft	1	
2 8566L	Bush	1	
3 ERR3987	Key	2	
4 ERR1630	Dowel	1	
5 RTC4783	Bearing kit main standard	1	
RTC478310	Bearing kit main 010 u/s	1	

**Kit thrust washer - pairs**

6 RTC2825	Standard	A/R
538131	0.0025 oversize	A/R
538132	0.0050 oversize	A/R
7 ERR2220	Damper	1
8 ERR2100	Flinger	1
9 ERR4707	Pulley crankshaft timing	1
10 ERR4710	O ring	1
11 ERR5087	Bolt crankshaft	1
12 ERR1564	Thrust washer	1







Model DEFENDER 110 1987 onwards

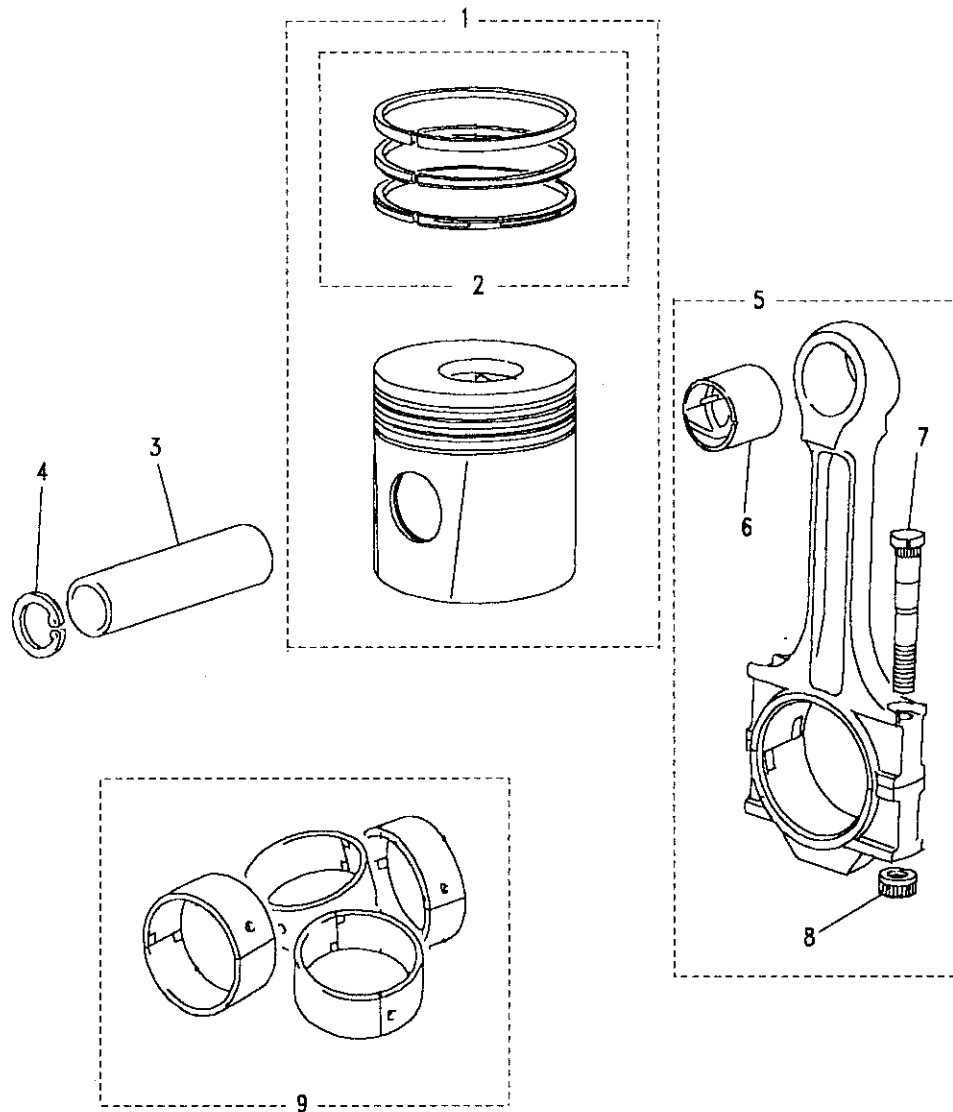
Page AFBNCC1A

ENGINE - PISTON & RINGS - 300TDI

Ill. Part No.	Description	Qty	Remarks
1	ERR2410	4	Piston assembly standard
2	STC958	4	Kit piston rings
3	ERR703	4	Gudgeon pin
4	266945	8	Circlip
5	ERR2418	4	Con rod assembly
6	ERR2419	4	Bush
7	ETC7357	8	Bolt
8	ETC8191	8	Nut

Bearing kit - conn rod - engine set

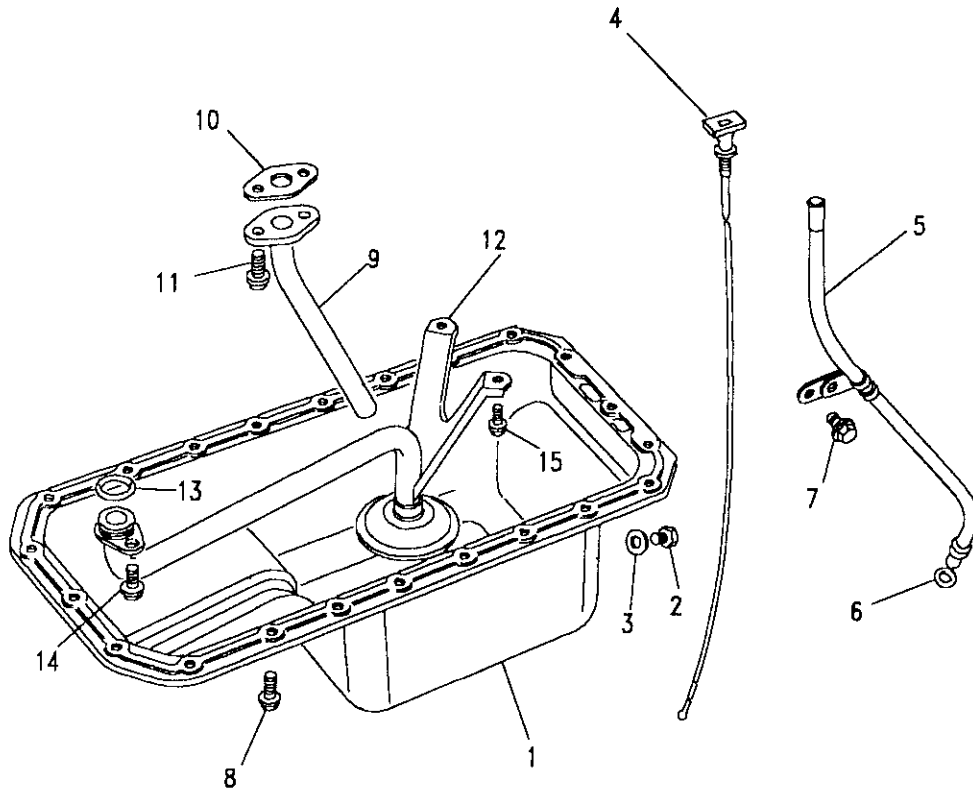
9	RTC2993	A/R	Standard
	RTC299310	A/R	0.010 oversize





Model DEFENDER 110 1987 onwards  
Page AFBNDA1A

ENGINE - SUMP - 300TDI



III. Part No.	Description	Qty	Remarks
1	ERR4696 Sump	1	
2	UAM2957 Plug	1	
3	UAM2857L Washer joint	1	
4	ERR3809 Rod oil level	1	
5	ERR4697 Tube dipstick	1	
6	ERR3683 Ring sealing	1	
7	FS108161L Screw flange	1	
8	FS108161L Screw flange	22	
9	ERR3633 Pipe oil drain	1	
10	ERR1653 Gasket	1	
11	FS108201 Screw flange	2	
12	ERR3299 Oil pick up assembly	1	
13	ERR3417 O Ring	1	
14	FS108161L Screw flange	1	
15	FS106161 Screw flange	1	

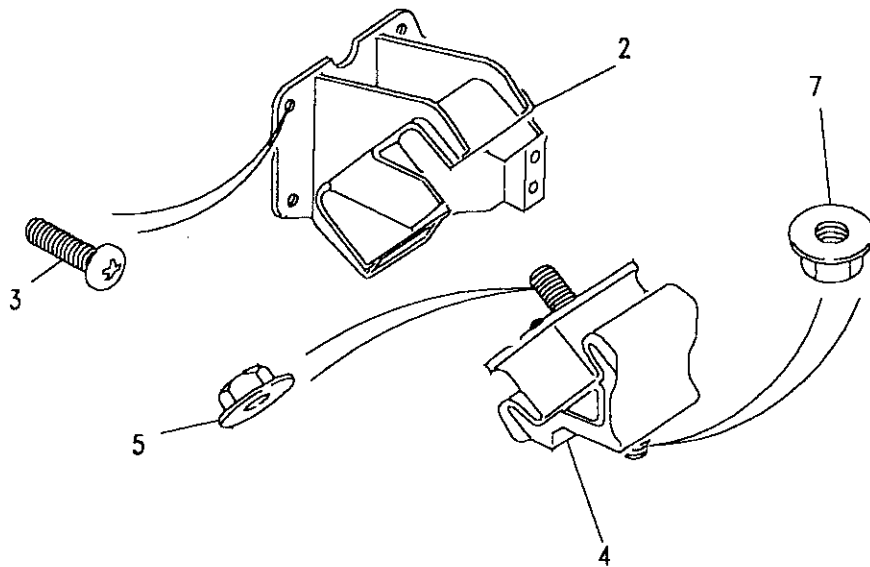
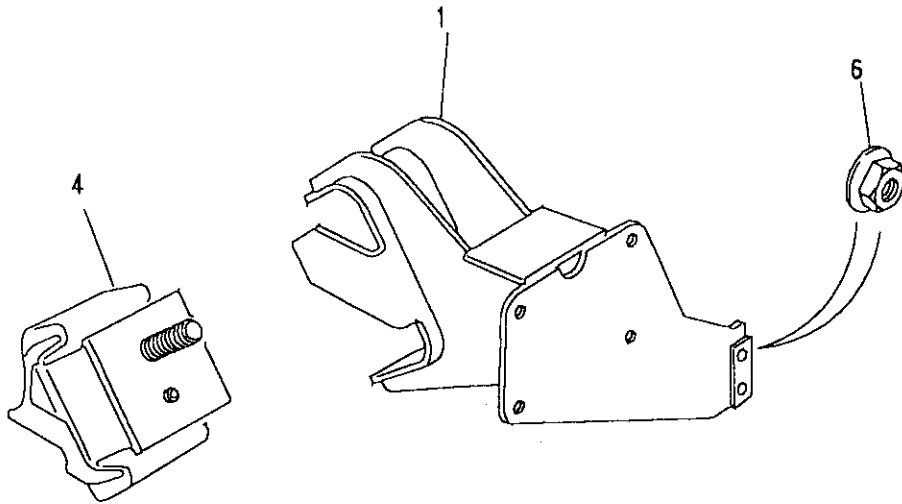




Model DEFENDER 110 1987 onwards  
Page AFBNDC1A

ENGINE - MOUNTINGS - DIESEL 300TDI

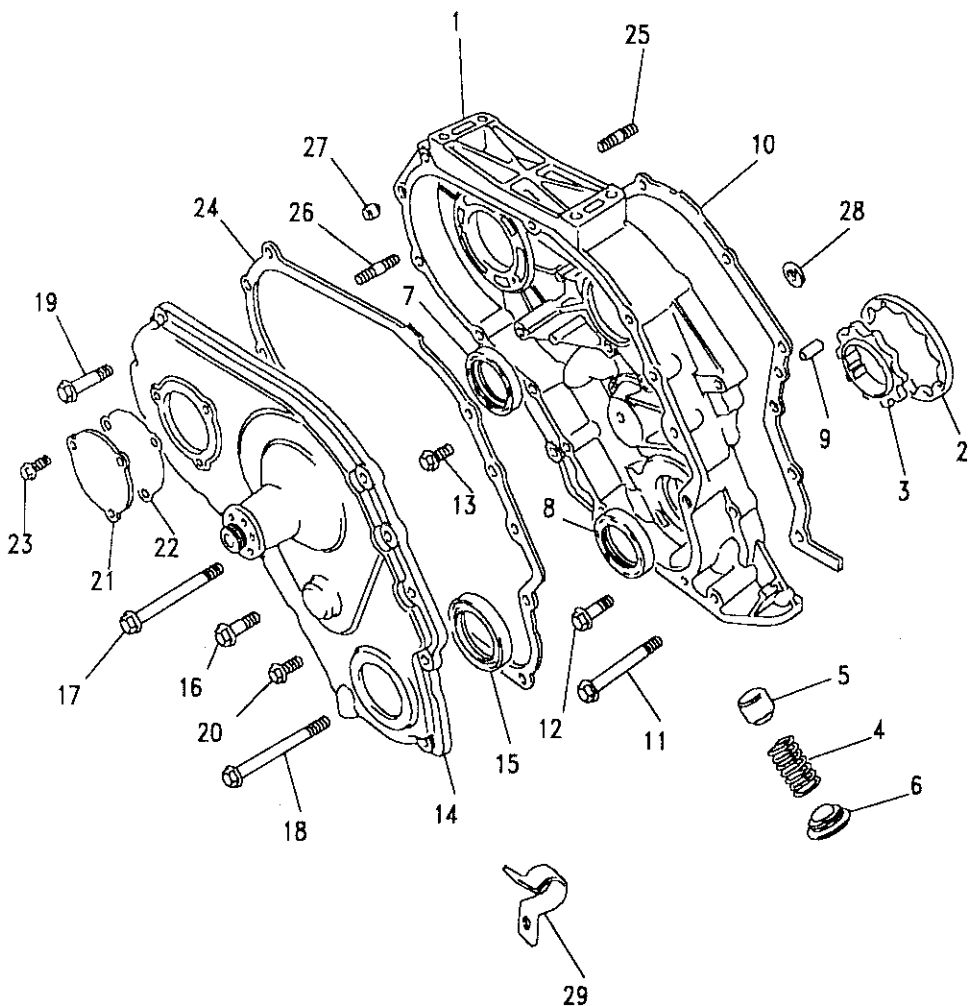
III. Part No.	Description	Qty	Remarks
1	ANR2868	1	Bracket mounting RH
2	NTC9415	1	Bracket mounting LH
3	SH112201	8	Screw M12 x 20
4	NTC9416	2	Mounting rubber
5	FX112041L	2	Nut flanged M12
6	FX110041L	2	Nut flanged M10
7	FX112041L	2	Nut flanged M12



**Model** DEFENDER 110 1987 onwards  
**Page** AFBNEA1A

**ENGINE - FRONT COVER - 300TDI**

III. Part No.	Description	Qty	Remarks
1	ERR4664	1	Cover front engine
2	ERR1040	1	Rotor outer
3	ERR1041	1	Rotor inner
4	ERR1084	1	Spring relief valve
5	ERR1085	1	Plunger relief valve
6	ERR1086	1	Plug relief plunger
7	ERR3356	1	Oil seal camshaft
8	ERR4575	1	Oil seal crankshaft
9	6395L	4	Dowel
10	ERR4860	1	Gasket front cover
11	FB108161L	2	Bolt flange M8 x 80
12	FB108071L	3	Bolt flange M8 x 35
13	FS108251L	5	Screw flange M8 x 25



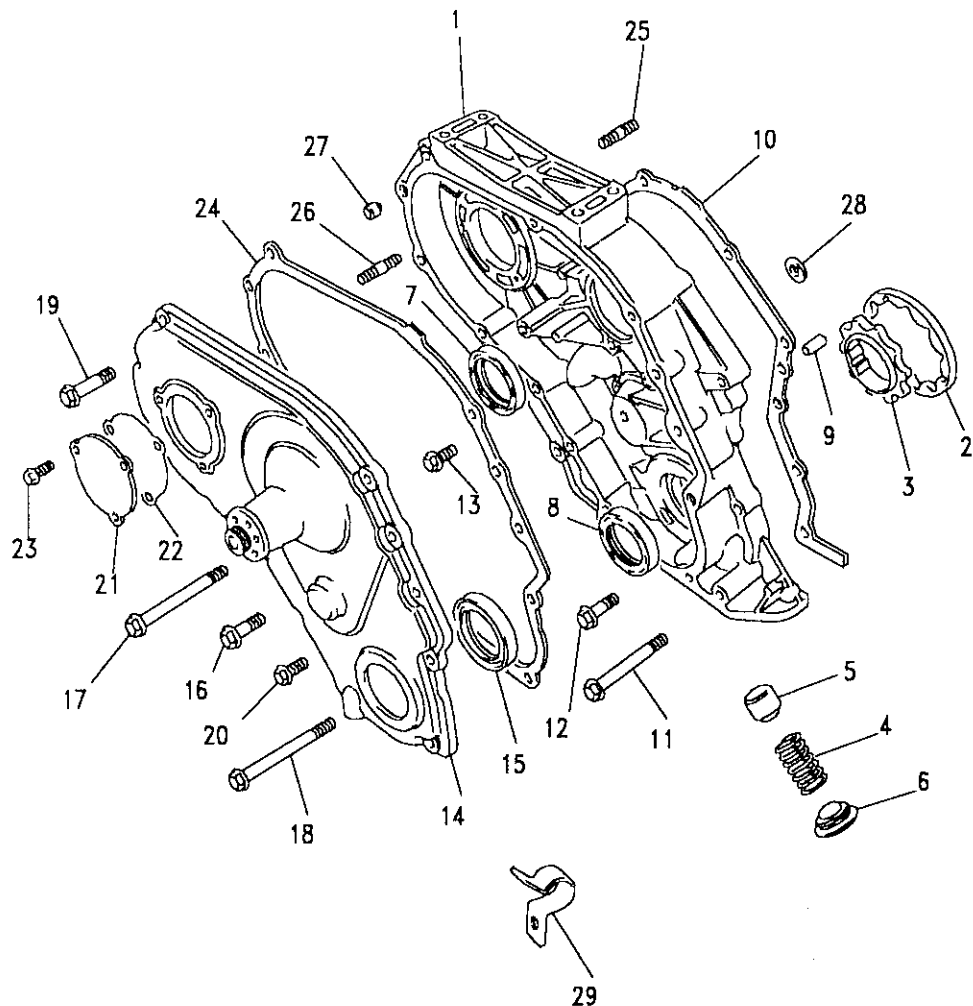


Model DEFENDER 110 1987 onwards

Page AFBNEA1A

## ENGINE - FRONT COVER - 300TDI

III. Part No.	Description	Qty	Remarks
14	ERR4578	1	Cover front engine
15	ERR4576	1	Oil seal crankshaft
16	FB108071L	5	Bolt flange M8 x 35
	FB108081L	2	Bolt flange M8 x 40
17	FB108201L	2	Bolt flange M8 x 100
18	FB108221	2	Bolt flange M8 x 110
19	FB108101	2	Bolt flange M8 x 50
20	FS108251L	1	Screw flange M8 x 25
21	ERR1560	1	Cover plate
22	ERR1561	1	Gasket cover plate
23	FS108121	3	Screw flange M8 x 12
24	ERR4120	1	Gasket cover plate
25	TE108061L	3	Stud
26	TE110051L	1	Stud M10 x 25
27	ERR3286	2	Dowel front cover
28	ERR2344	1	Joint washer
29	ERR4824	2	Clip hose





DEFENDER 110 1987 onwards

221

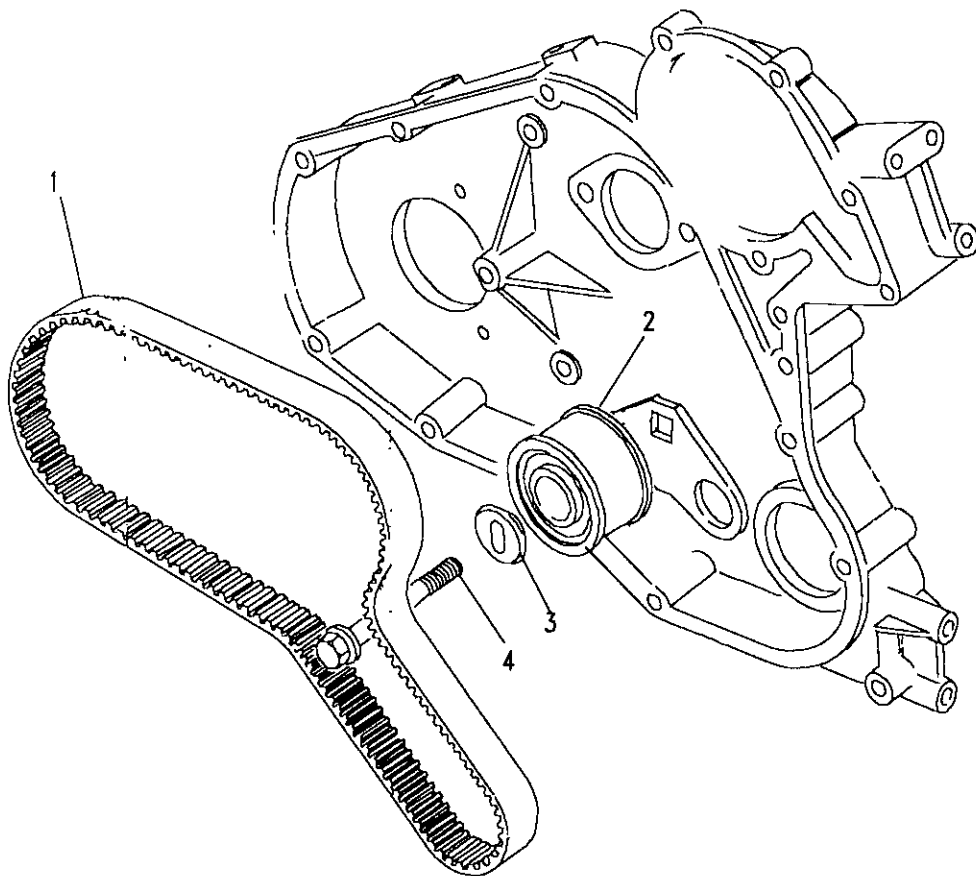
ENGINE

Model DEFENDER 110 1987 onwards

Page AFBNEC1A

ENGINE - TIMING BELT - 300 TDI

III. Part No.	Description	Qty	Remarks
1 ERR1092	Belt timing	1	
2 ERR1972	Pulley tensioner	1	
3 ERR900	Washer packing	1	
4 FB110131	Bolt flanged	1	
5 FN110041	Nut flanged	1	
6 ETC8560	Idler static- timing belt	1	
7 ERR1973	Washer spacing	1	

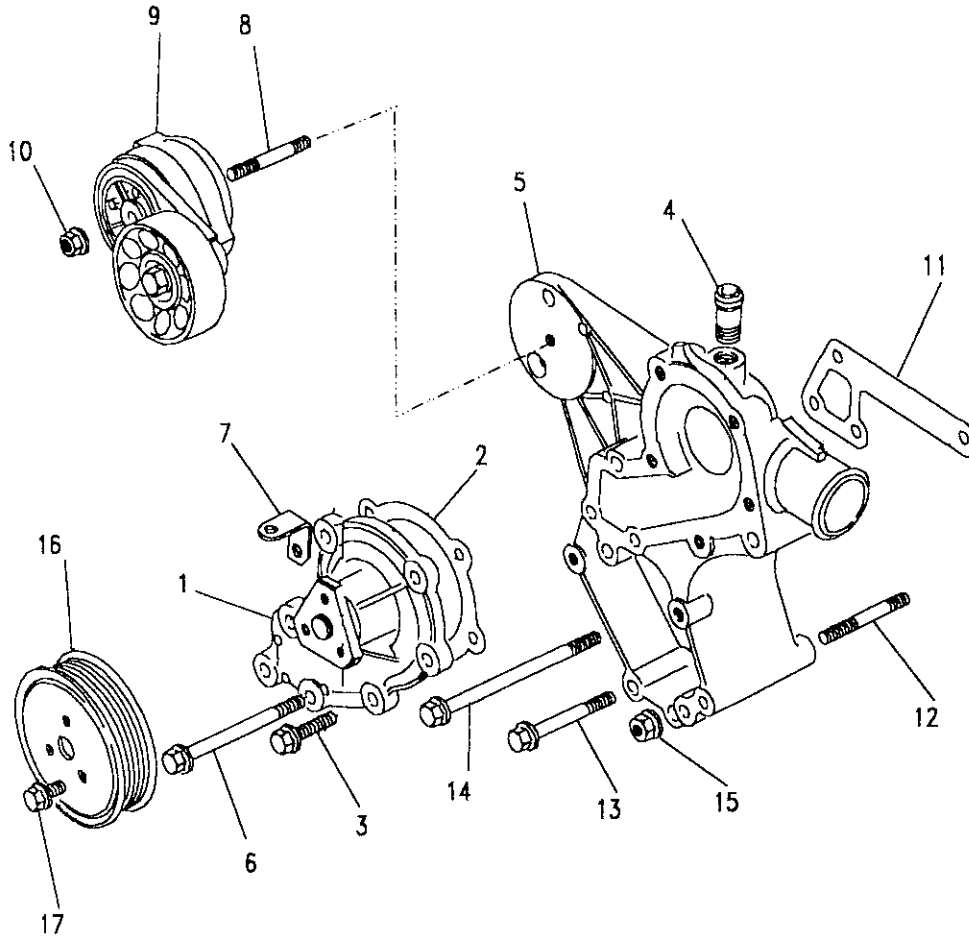




Model DEFENDER 110 1987 onwards  
Page AFBNEE1A

## ENGINE - WATER PUMP - 300TDI

III. Part No.	Description	Qty	Remarks
1	STC1086	1	Pump water
2	ERR3284	1	Gasket
3	FS108301	5	Screw flange
4	ERR3622	1	Pipe stub
5	ERR3736	1	Bracket mounting
6	FB108241	3	Bolt flange pump to brkt
7	ERR5259	1	Bracket bypass hose
8	ERR5099	1	Hose by pass
9	TE110151	1	Stud
10	ERR4708	1	Tensioner auxiliary
11	FN110041	1	Nut flange
12	ERR2378	1	Gasket water in to block
13	ERR4404	1	Stud
14	FB108131	1	Bolt flange
15	FB108261	1	Bolt flange
16	FX110041	2	Nut flange
17	ERR3734	1	Pulley water pump
18	FS108121	3	Screw flange





DEFENDER 110 1987 onwards

223

ENGINE

**Model** DEFENDER 110 1987 onwards

**Page** AFBNEG2A

**ENGINE - COOLING FAN - 300 TDI**

<b>III. Part No.</b>	<b>Description</b>	<b>Qty</b>	<b>Remarks</b>
1 ERR2789	Fan blade	1	
2 ERR2266	Viscous unit	1	
3 ERR3735	Pulley fan	1	
4 FS108121	Screw flange	4	
5 ERR3287	Belt	1	



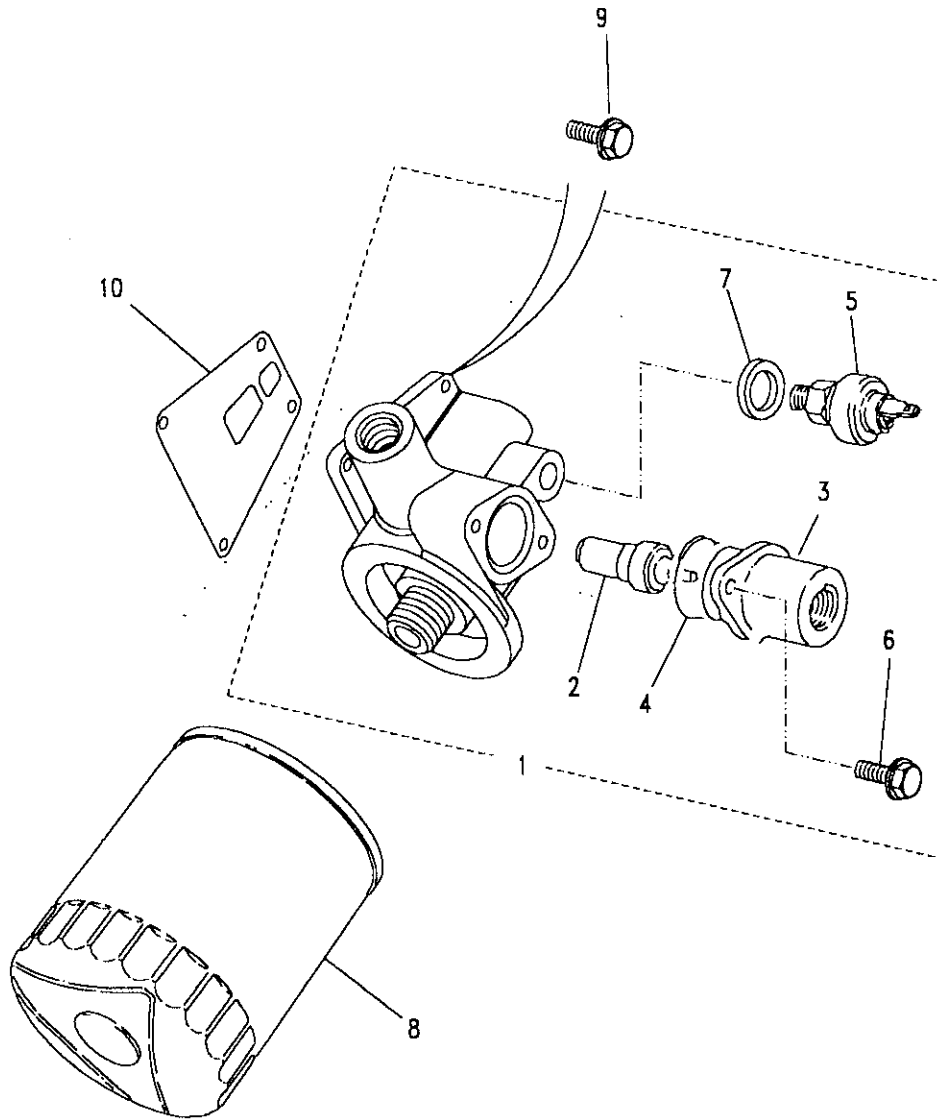




Model DEFENDER 110 1987 onwards  
Page AFBNFC1A

ENGINE - OIL FILTER - 300TDI

III. Part No.	Description	Qty	Remarks
1	ERR2317	1	Adaptor assy oil filter
2	ERC5923	1	Bulb thermostat
3	ERR2241	1	Adaptor
4	ERC5913	1	O Ring
5	PRC6387	1	Switch oil pressure
6	FS106161	2	Screw flange
7	AFU1887L	1	Washer joint
8	ERR3340	1	Element oil filter
9	FS110301	4	Screw flange
10	ERR3283	1	Gasket



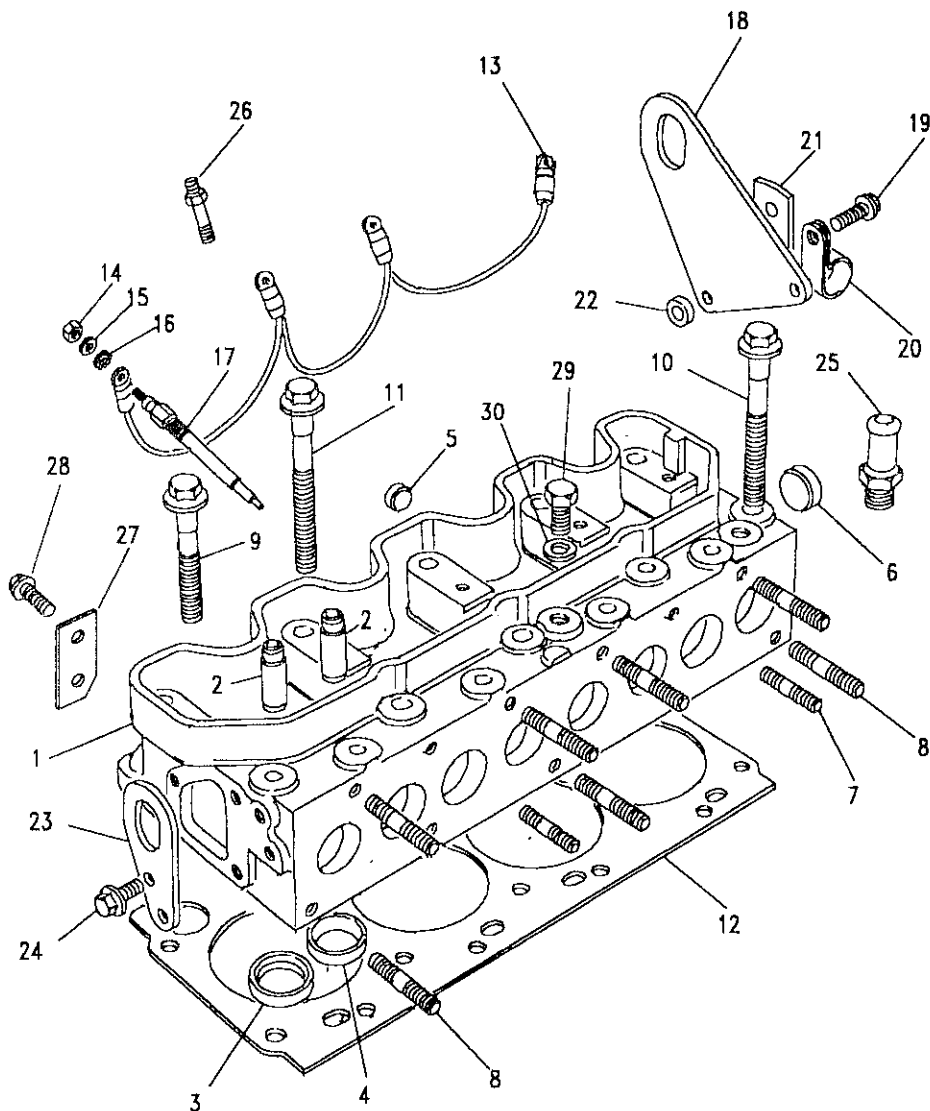
**Model** DEFENDER 110 1987 onwards  
**Page** AFBNGA1A

**ENGINE - CYLINDER HEAD - 300TDI**

III. Part No.	Description	Qty	Remarks
1	ERR5027	1	Cylinder head assembly
2	ETC8003	8	Guide-valve
3	ERR2396	4	Insert valve seat inlet
4	ERR3753	4	Insert valve seat exh
5	525497	1	Plug cup
6	524765	1	Plug cup
7	TE108051L	2	Stud M8 x 25
8	TE110071	10	Stud M10 x 35
9	ETC8808	4	Bolt fixing cyl head
10	ERR1939	10	Bolt fixing cyl head
11	ETC8810	4	Bolt fixing cyl head

**Gasket - Cylinder head - Selective**

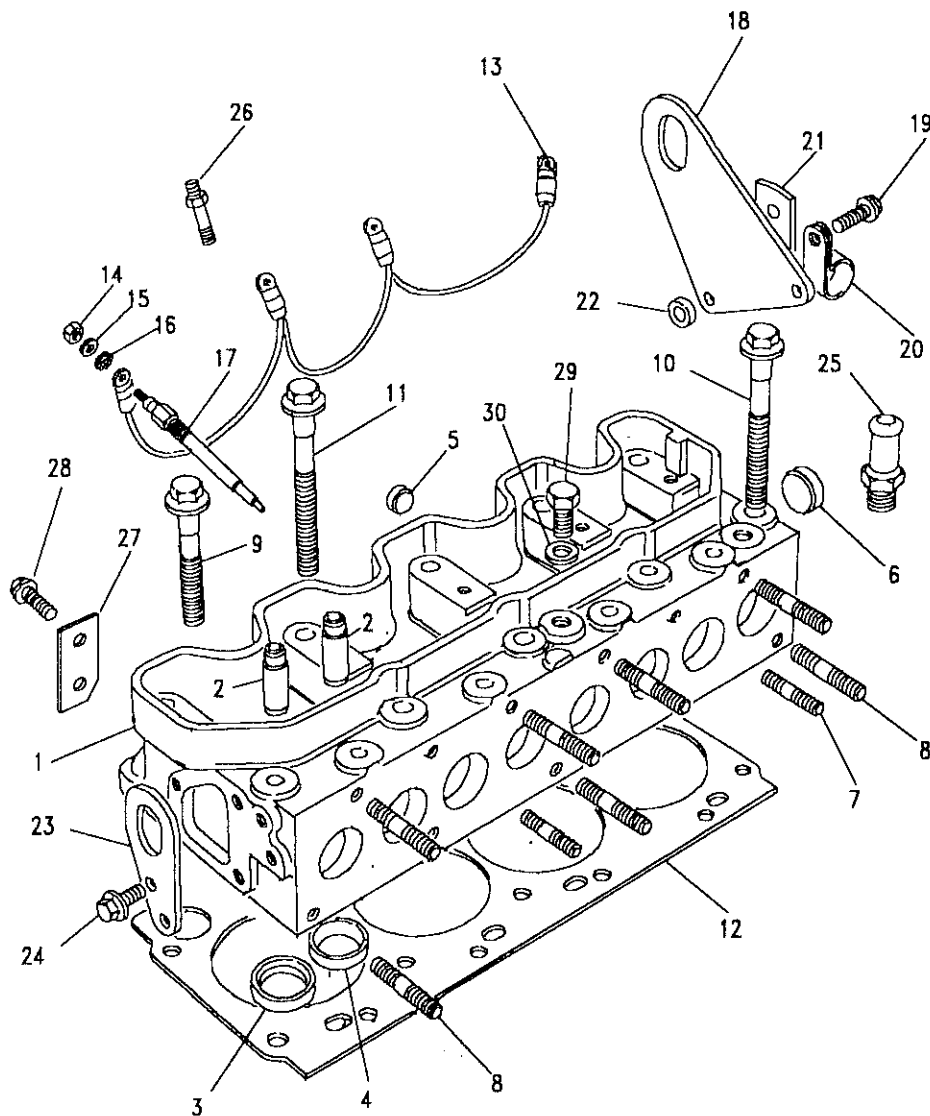
12	ERR4537	1.3mm	A/R
	ERR4538	1.4mm	A/R
	ERR4539	1.5mm	A/R
13	AMR2425	Cable assembly glow plugs	1
14	NH104041L	Nut	4
15	WA104001L	Washer	4
16	WE104001L	Washer	4
17	ETC8847	Glow plug	4

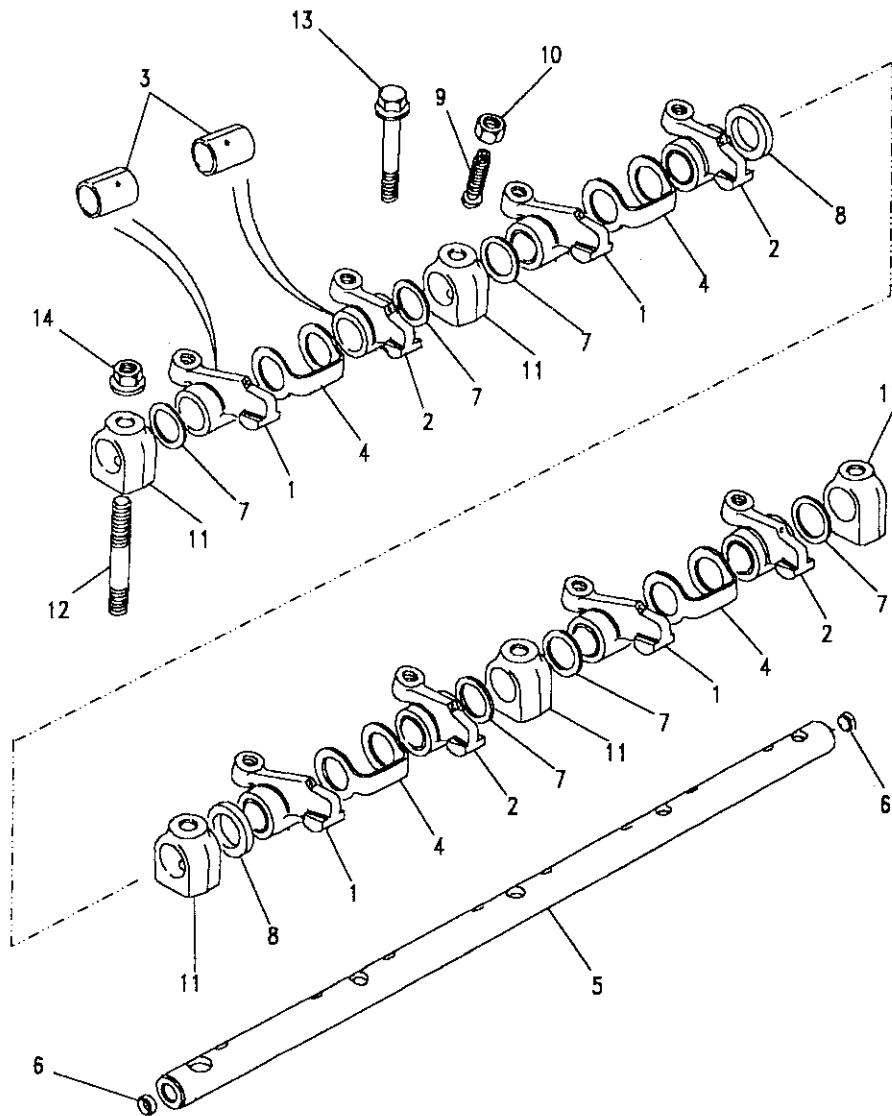


Model DEFENDER 110 1987 onwards  
 Page AFBNGA1A

ENGINE - CYLINDER HEAD - 300TDI

III. Part No.	Description	Qty	Remarks
18	ETC8036	1	Bracket lifting rear
19	FS108251	2	Screw flange
20	CP108251	1	P Clip
21	PRC2979	1	Bracket harness
22	390939	1	Spacer
23	ETC8031	1	Bracket lifting front
24	FS108201	2	Screw flange
25	624091	1	Adaptor
26	ERR1019	4	Stud injector clamp
27	ERC9404	1	Bracket retaining
28	FS108161	1	Screw flange
29	ETC5577	1	Plug
30	FRC4808	1	Washer joint

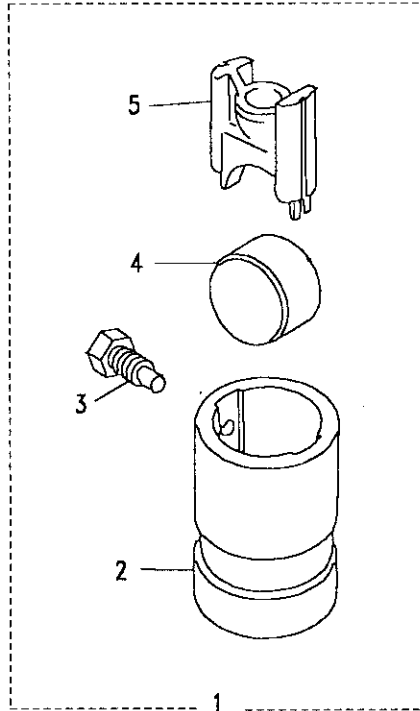
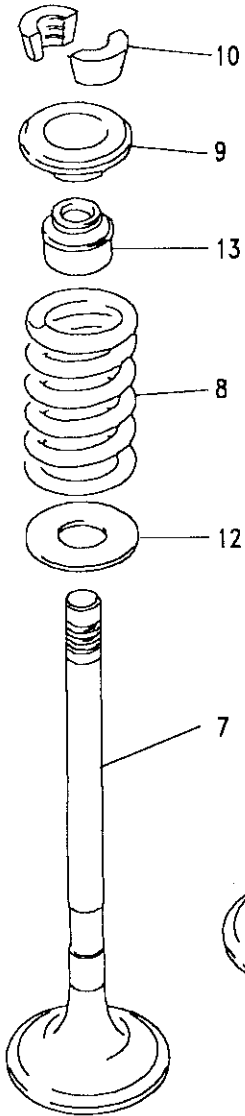




**Model** DEFENDER 110 1987 onwards  
**Page** AFBNGC1A

**ENGINE - ROCKER SHAFT - 300TDI**

III. Part No.	Description	Qty	Remarks
1	ERR3343	4	Rocker arm assembly RH
2	ERR3342	4	Rocker arm assembly LH
3	ERR1203	8	Bush
4	ERR2405	4	Spring
5	ERR4848	1	Shaft rocker assembly
6	ERR3457	2	Cup plug
7	ERR1209	6	Spacer
8	ERR2732	2	Spacer
9	ERR4883	8	Screw tappet adjusting
10	ERR560	8	Nut locker
11	ERR3779	5	Clamp rocker shaft
12	ERR4687	3	Stud rocker shaft
13	FB108101	2	Bolt flange
14	FN108041	3	Nut flange



Model DEFENDER 110 1987 onwards  
 Page AFBNGE1A

ENGINE - VALVE AND TAPPETS - 300TDI

Ill. Part No.	Description	Qty	Remarks
1	RTC6564	8	Tappet assembly
2	502473	8	Guide
3	ETC4246	8	Set bolt
4	ERR561	8	Washer tappet guide
5	ERR607	8	Slide
6	ERR3777	4	Valve inlet
7	ERR1156	4	Valve exhaust
8	ERR4640	8	Spring valve
9	ETC4068	8	Cup valve spring
10	ETC4069	16	Cotter valve spring
11	546799	8	Push rod
12	ETC8193	8	Seat valve spring
13	ETC8663	8	Seal valve stem
14	ERR4175	8	Cap valve stem protection





DEFENDER 110 1987 onwards

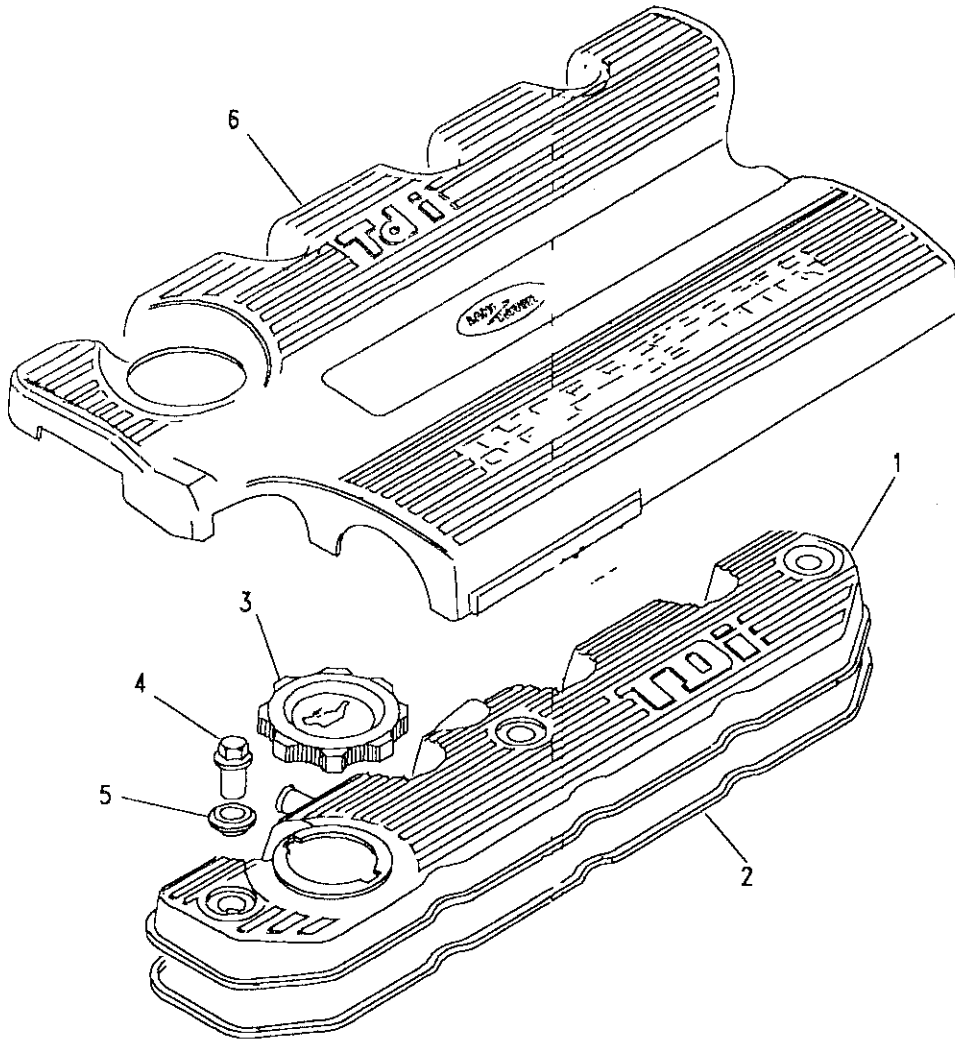
229

ENGINE

Model DEFENDER 110 1987 onwards  
Page AFBNGG1A

ENGINE - ROCKER COVER - 300TDI

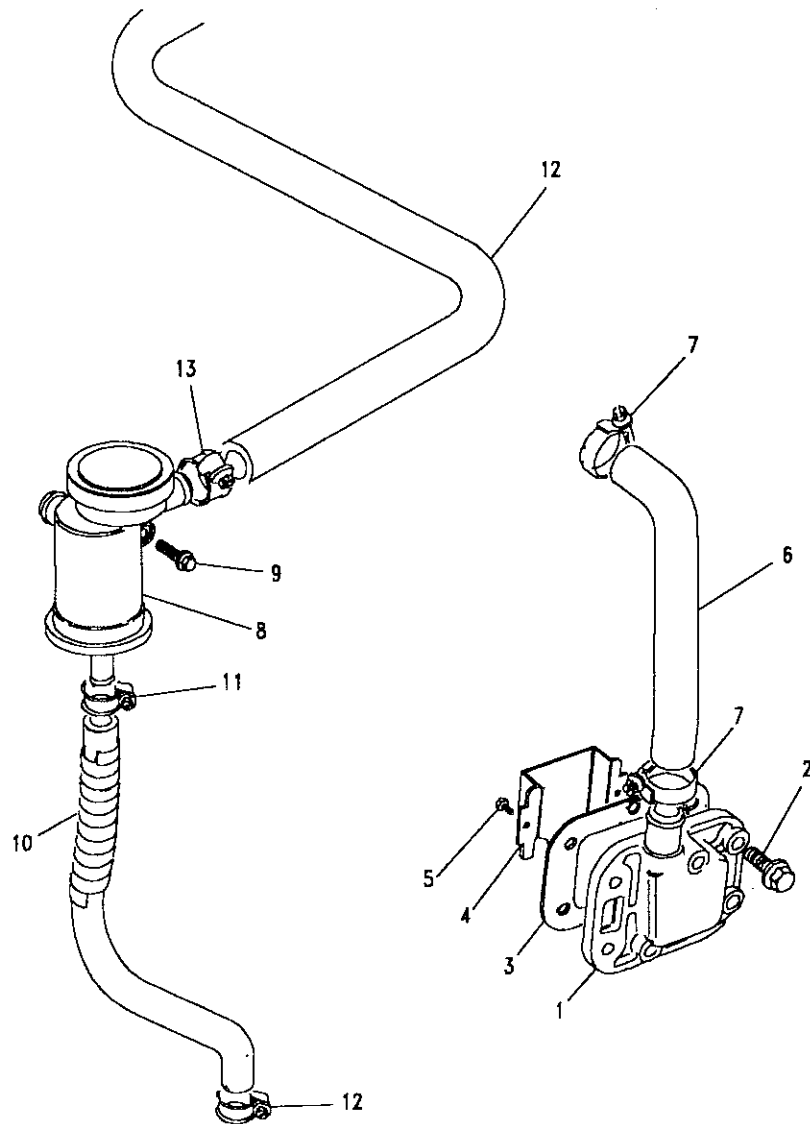
III. Part No.	Description	Qty	Remarks
1	ERR4691	1	Rocker cover
2	ERR2409	1	Gasket rocker cover
3	ERR5041	1	Cap oil filler
4	ERR4834	3	Screw
5	ERR3424	3	Washer sealing
6	ERR4632	1	Cover NVH engine top



Model DEFENDER 110 1987 onwards

Page AFBNGG2A

ENGINE - CYCLONE BREATHER - 300TDI



III. Part No.	Description	Qty	Remarks
1	ERR4706	1	Cover side breather
2	FS108251	3	Screw flange
3	ERR2026	1	Gasket side cover
4	ERR874	1	Baffle plate
5	79027	1	Screw
6	ERR3084	1	Hose side to rocker cover
7	CN100258	2	Clip hose
8	ERR1471	1	Breather cyclone
9	FB106111L	1	Bolt flange
10	ERR1351	1	Hose cyclone oil drain
11	CN100208L	2	Clip hose
12	ERR4926	1	Hose cyclone to a/cleaner
13	CN100258	2	Clip hose



DEFENDER 110 1987 onwards

231

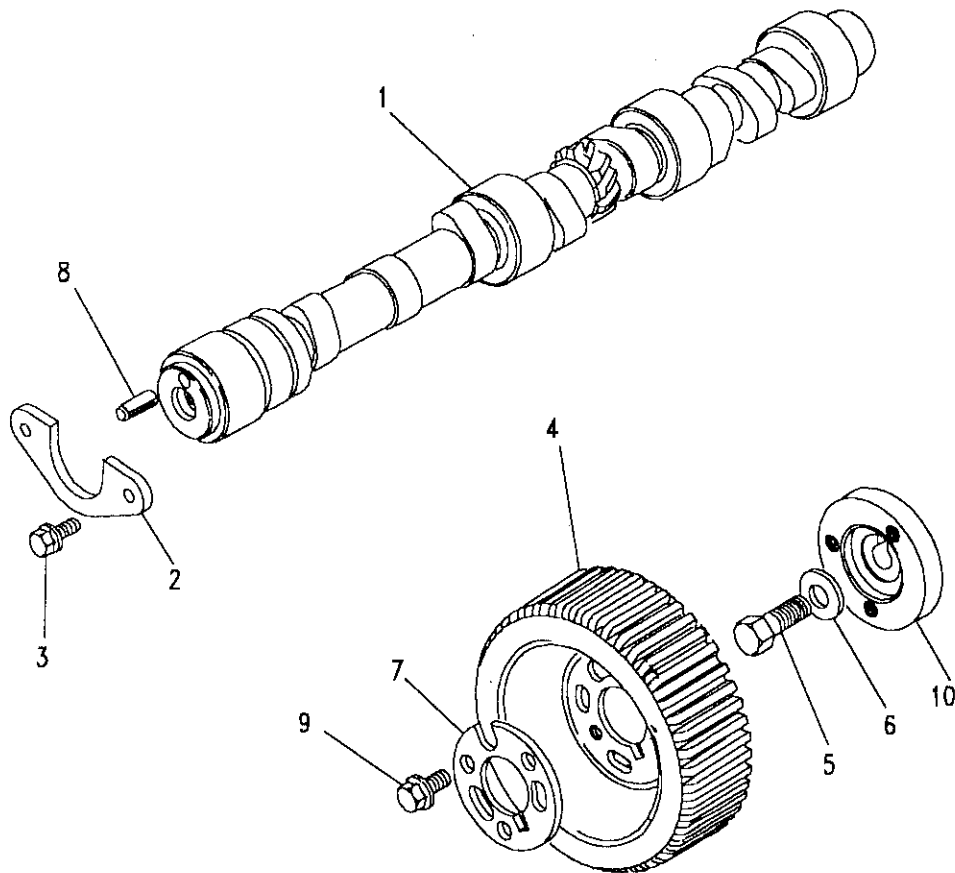
ENGINE

Model DEFENDER 110 1987 onwards

Page AFBNGI1A

ENGINE - CAMSHAFT - 300TDI

III. Part No.	Description	Qty	Remarks
1	ERR3547	1	Camshaft
2	ERR3754	1	Plate thrust camshaft
3	FS106161	2	Screw flange
4	ERR3545	1	Pulley timing belt
5	BX112091	1	Bolt
6	BDU1496	1	Washer
7	ERR2216	1	Plate retaining
8	ERR4709	1	Dowel camshaft
9	FS108161	3	Screw flange
10	ERR3756	1	Hub camshaft pulley



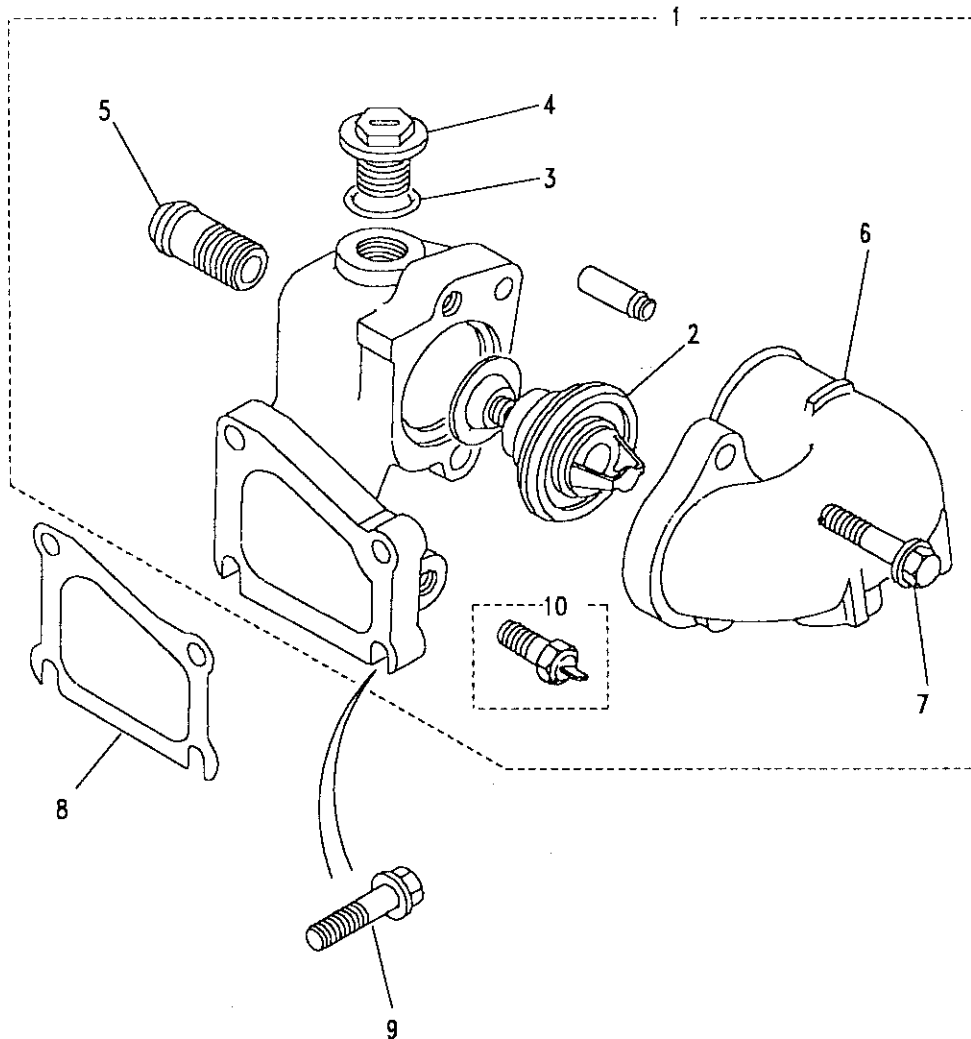




Model DEFENDER 110 1987 onwards  
 Page AFBNGK1A

ENGINE - THERMOSTAT - 300TDI

III. Part No.	Description	Qty	Remarks
1	ERR3479	1	
	ERR5098	1	Air con
2	ERR3291	1	
3	ERR4685	1	
4	ERR4686	1	
5	ERR3622	1	
6	ERR3737	1	
	ERR3738	1	Air con
7	FS108251	2	
8	ERR3490	1	
9	FS108251	4	
10	AMR1425	1	Green
	AMR3321	1	Black



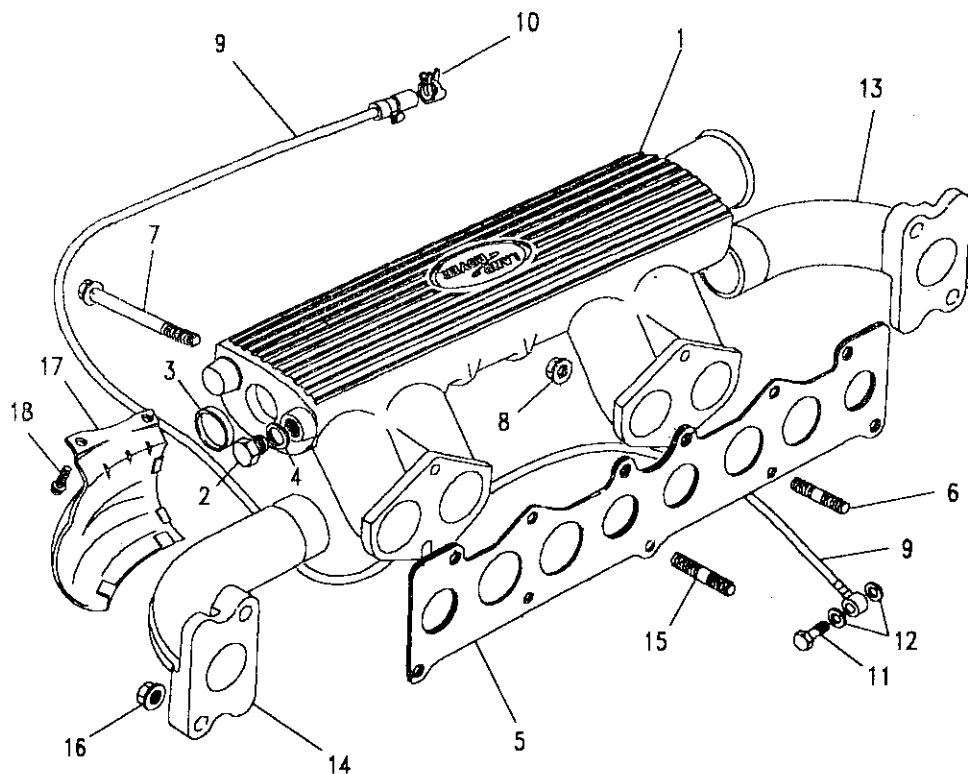
Model DEFENDER 110 1987 onwards

Page AFBNHA1A

ENGINE - MANIFOLDS - 300 TDI

Ill. Part No.	Description	Qty	Remarks
1	ERR3481	1	Manifold inlet
2	ETC5577	1	Drain plug
3	524765	1	Cup plug
4	ERR894	1	Washer joint
5	ERR3785	1	Gasket manifold to head
6	TE108051L	2	Stud
7	FB108171	2	Bolt flange
8	FN108041	2	Nut flange
9	ERR4699	1	Boost pipe assembly
10	UKC3803L	1	Hose clamp
11	ERR886	1	Banjo bolt boost capsule
12	273069	2	Washer joint
13	NSS	1	Manifold exhaust LH
14	NSS	1	Manifold exhaust RH
15	TE110071	7	Stud
16	FX110041	7	Nut flange
17	ESR2422	1	Heatshield exh manifold
18	FS105101	2	Screw flange

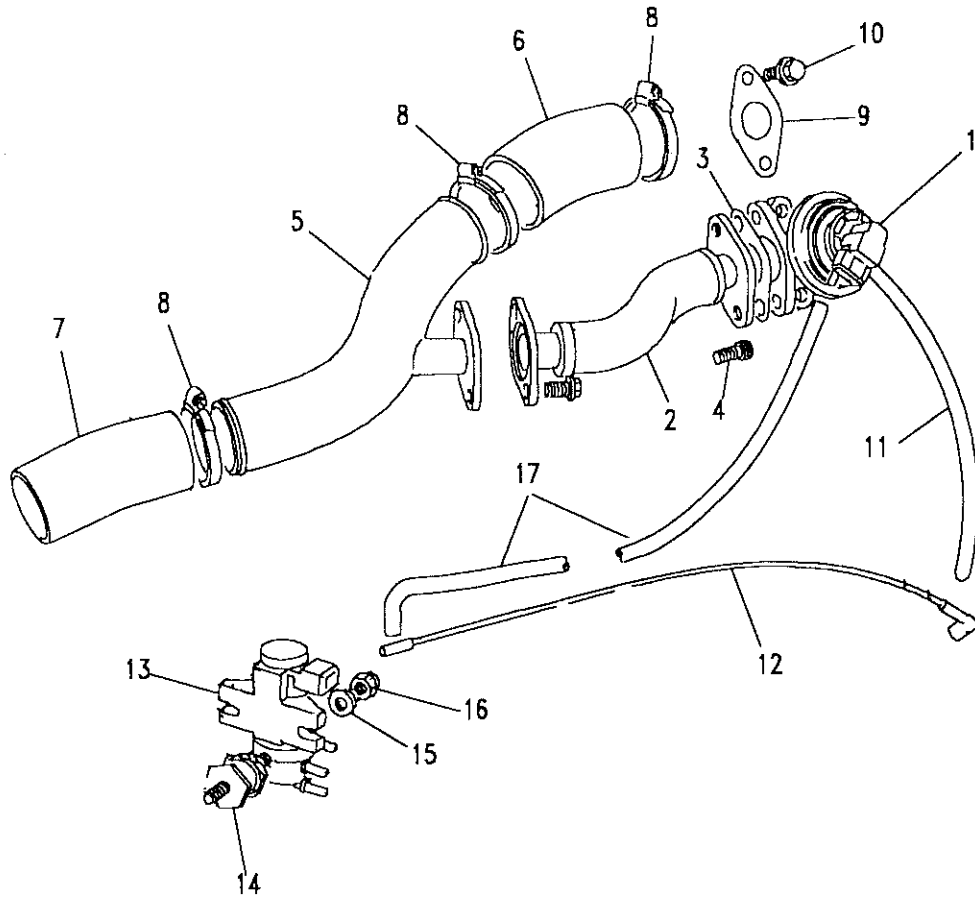
Note(1) Supplied as part of the Turbocharger assembly



Model DEFENDER 110 1987 onwards  
 Page AFBNHE1A

ENGINE - EXHAUST GAS RECIRCULATING - 300TDI

III. Part No.	Description	Qty	Remarks
1	ERR4047	1	Valve EGR
2	ERR3583	1	Tube delivery EGR
3	ERR3319	1	Gasket EGR pipe to valve
4	SS108201	2	Screw socket
5	ERR3579	1	Tube EGR mixing
6	ERR3580	1	Hose intercooler EGR tube
7	ERR3581	1	Hose EGR tube to in man
8	PYC101120	3	Clip hose
9	ERR3791	1	Gasket EGR to inlet man
10	FS108201L	2	Screw flanged
11	ESR3308	1	Pipe solenoid to EGR val
12	ERR4862	1	Hose to air cleaner
13	ERR3314	1	Modulator EGR valve
14	ERR2337	2	Mounting flexible
15	NY106041L	2	Nut nyloc M6
16	WA106001L	2	Washer plain
17	ERR5055	1	Pipe EGR vlv to modulator





DEFENDER 110 1987 onwards

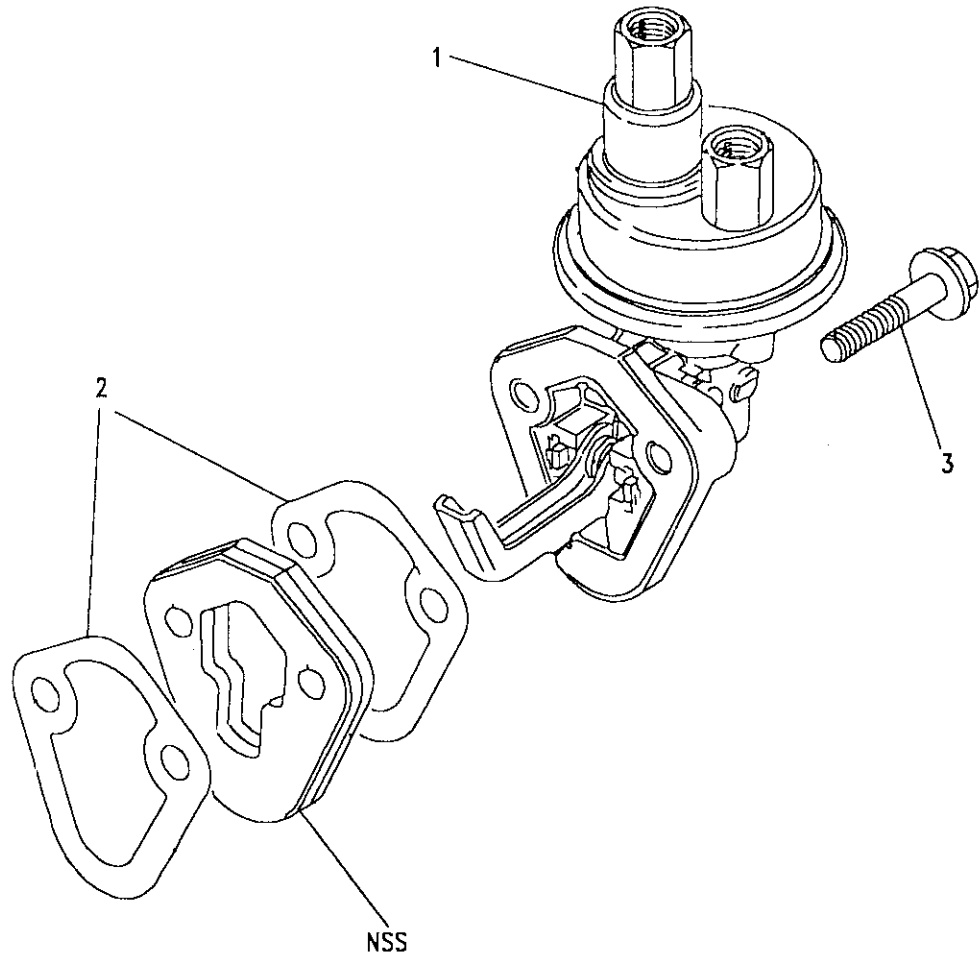
235

ENGINE

**Model** DEFENDER 110 1987 onwards  
**Page** AFBNKA1A

**ENGINE - FUEL LIFT PUMP - 300TDI**

Ill. Part No.	Description	Qty	Remarks
1	ERR5057	1	Pump fuel
2	ERR2028	1	Gasket pump to side cover
3	FS108301	2	Screw flange



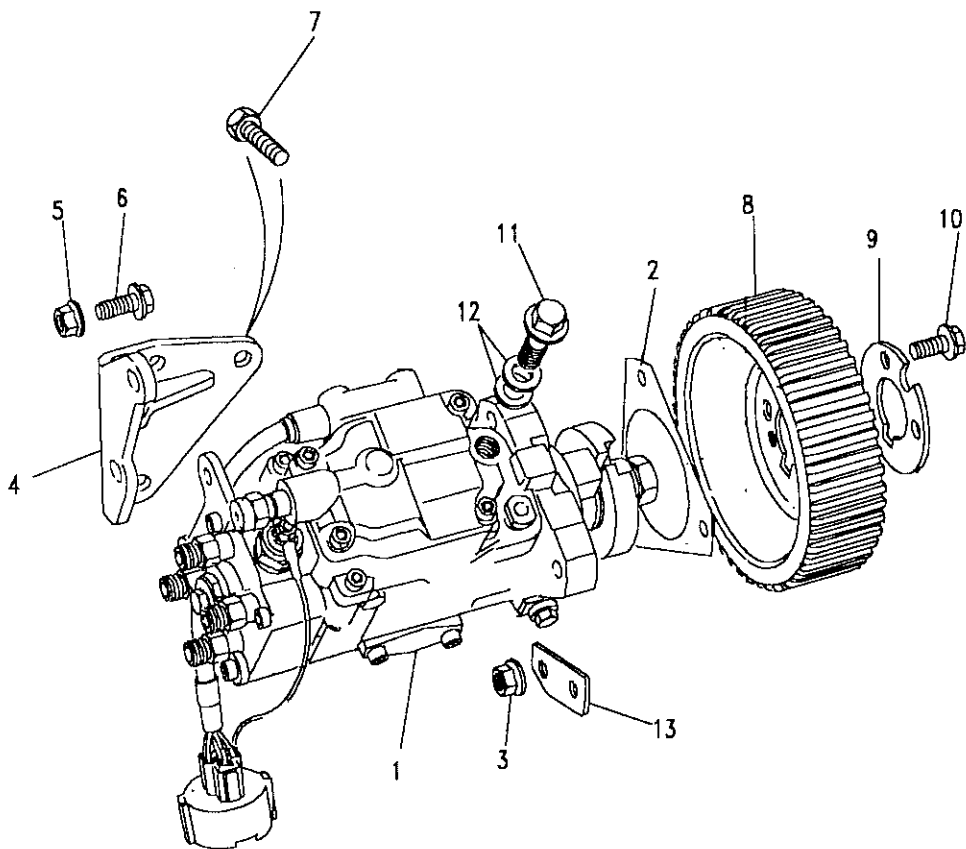


Model DEFENDER 110 1987 onwards

Page AFBNKC1A

## ENGINE - INJECTION PUMP - 300TDI

III. Part No.	Description	Qty	Remarks
1	ERR4419	1	Pump fuel injection
	RTC6702	1	Switch fuel cut off
2	ERR2023	1	Gasket
3	FN108041	3	Nut flanged
4	ERR4725	1	Bracket FIE
5	FN108041	2	Nut flanged
6	FS108201	2	Screw flanged
7	FB108101	3	Bolt flanged
8	ERR3545	1	Pulley
9	ERR2216	1	Plate retaining pulley
10	FS108161	3	Screw flanged
11	ERR886	1	Bolt banjo
12	ERR894	2	Washer copper
13	ERC9404	1	Bracket

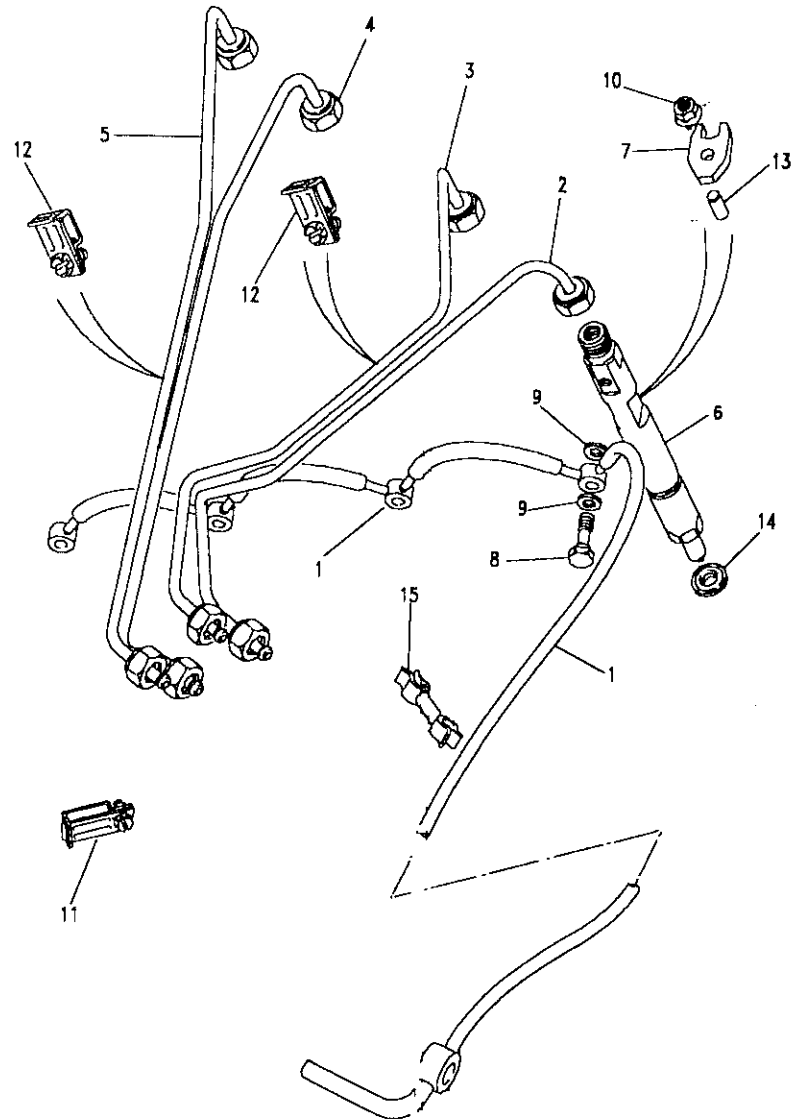




DEFENDER 110 1987 onwards

237

ENGINE



**Model** DEFENDER 110 1987 onwards  
**Page** AFBNKE1A

**ENGINE - INJECTOR AND PIPES - 300TDI**

III. Part No.	Description	Qty	Remarks
1	ERR3306	1	Spill return assembly
2	STC1694	1	Pipe injector No 1
3	STC1695	1	Pipe injector No 2
4	STC1696	1	Pipe injector No 3
5	STC1697	1	Pipe injector No 4
6	ERR3339	1	Injector
7	ERR3780	4	Clamp injector
8	ERR1200	4	Bolt banjo
9	232042	4	Washer joint
10	FN108041	8	Nut flanged
11	STC1738	4	Clip 4 pipes
12	STC1739	2	Clip 2 pipes
13	ERR3468	2	Pin injector clamp
14	ERR4621	4	Washer sealing
15	DCP7384L	1	Clip cable



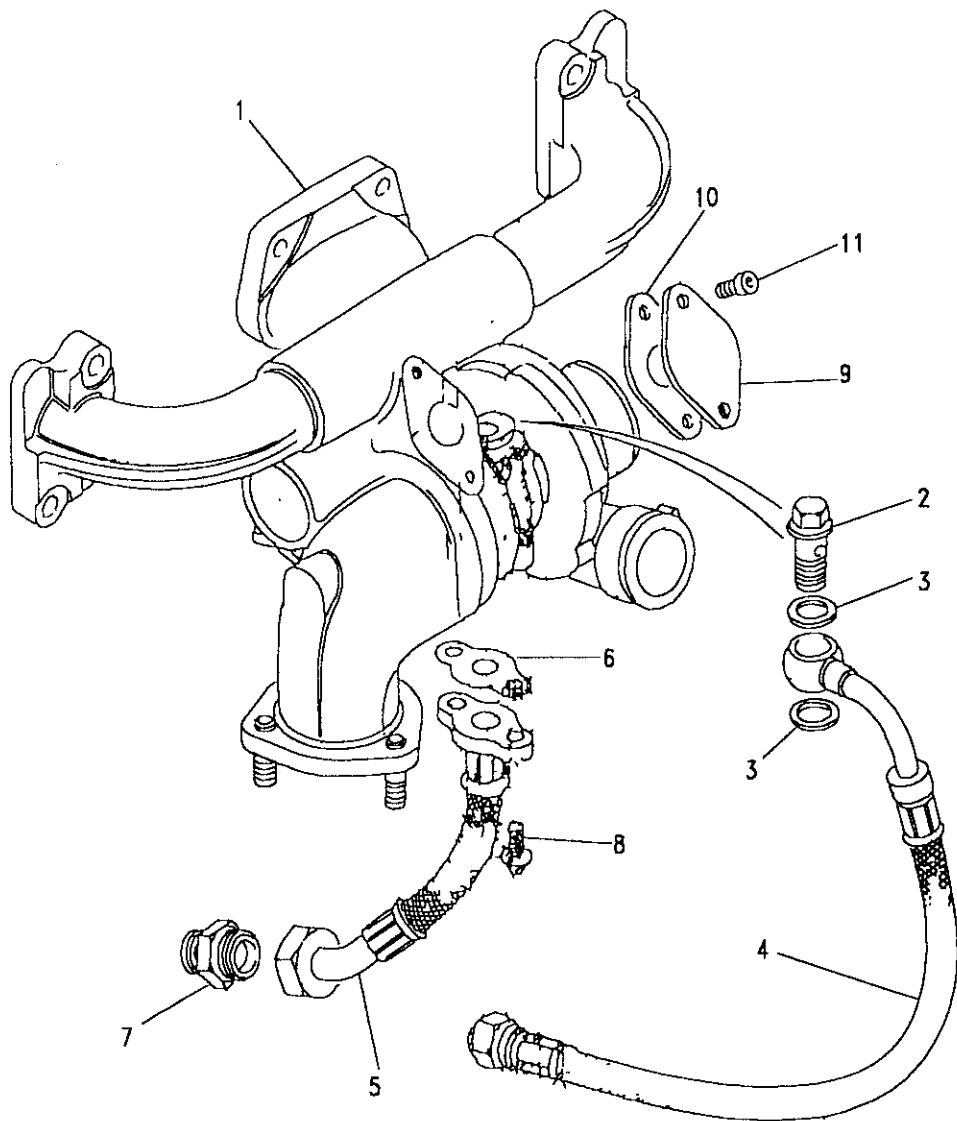
Model DEFENDER 110 1987 onwards

Page AFBNLA1A

ENGINE - TURBOCHARGER - 300TDI

Ill. Part No.	Description	Qty	Remarks
1	ERR4802	1	Turbocharger & exh man
2	ERR1125	1	Bolt banjo oil feed
3	FRC4808	2	Washer joint
4	ERR4894	1	Pipe turbo oil feed
5	ERR4895	1	Pipe oil drain
6	ERR2109	1	Gasket oil drain pipe
7	ERR335	1	Adaptor oil drain
8	FS108201	2	Screw flange
9	ERR4698	1	Plate blanking turbo
10	ERR4852	1	Gasket blanking plate
11	SS108201	2	Screw socket

Note(1) Not required when vehicle is fitted with Exhaust Gas Recirculation system





DEFENDER 110 1987 onwards

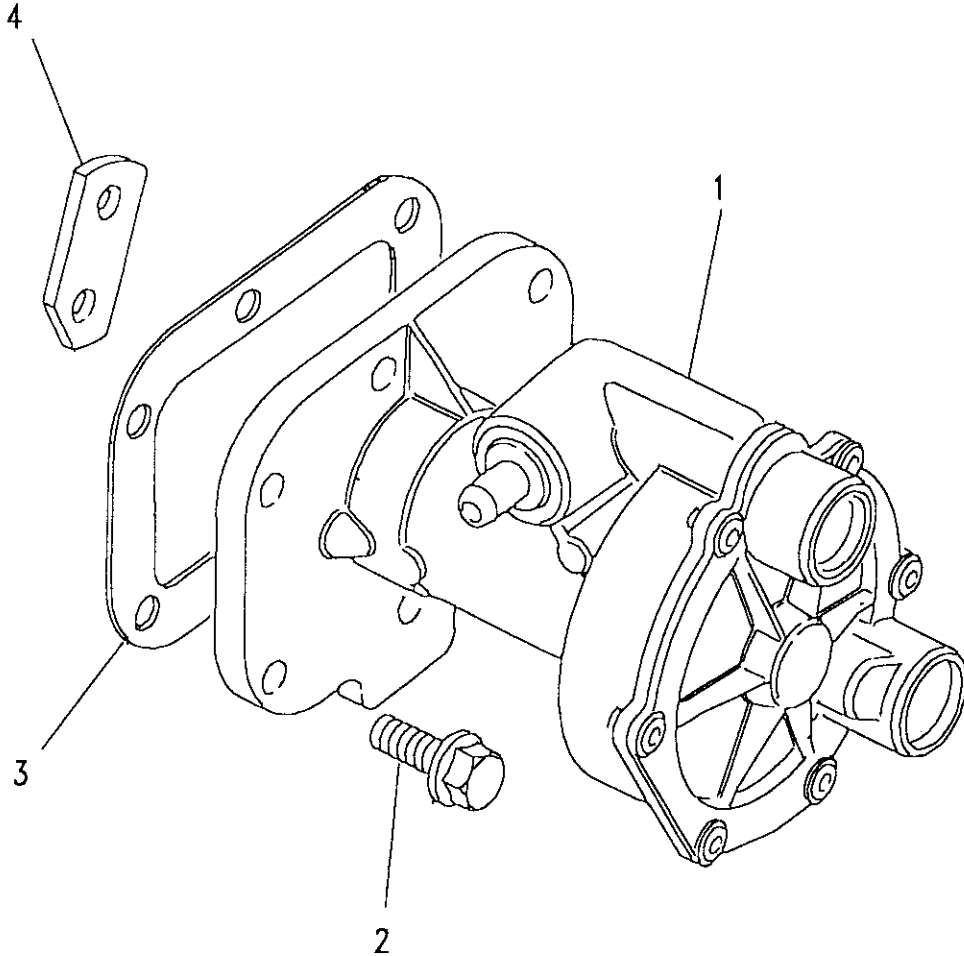
239

ENGINE

**Model** DEFENDER 110 1987 onwards  
**Page** AFBNNA1A

**ENGINE - VACUUM PUMP - 300 TDI**

III. Part No.	Description	Qty	Remarks
1	ERR3539	1	Pump vacuum
2	FS108201	5	Screw
3	ERR2027	1	Gasket
4	ERC9404	1	Bracket mounting







DEFENDER 110 1987 onwards

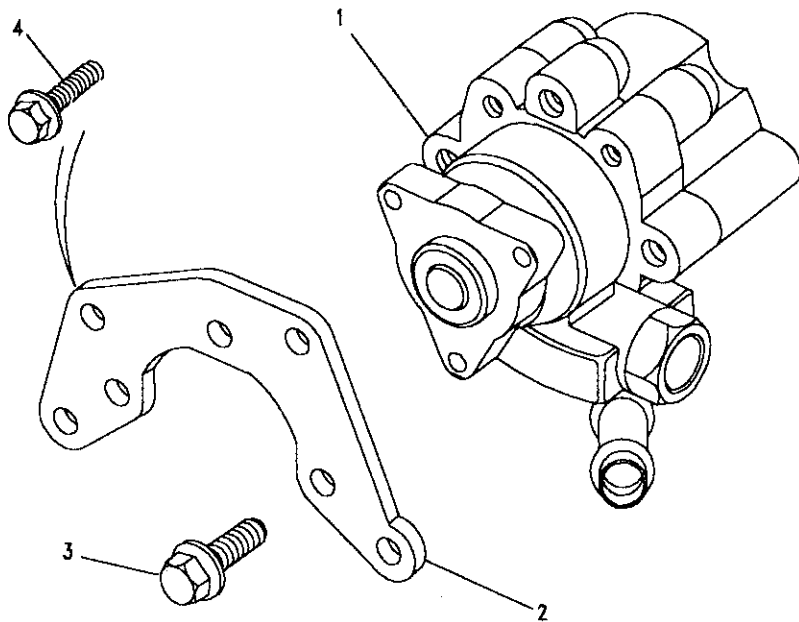
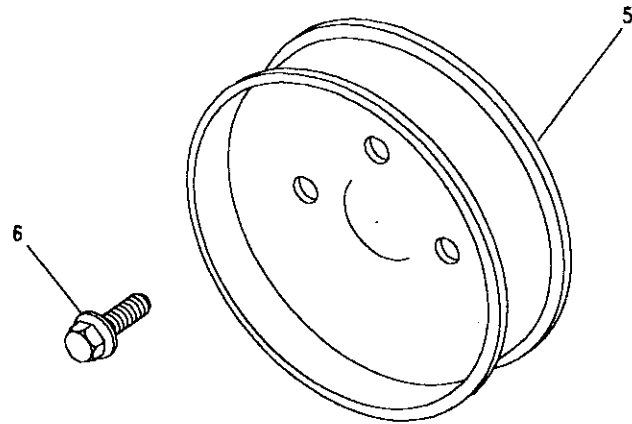
240

ENGINE

**Model** DEFENDER 110 1987 onwards  
**Page** AFBNNC1A

**ENGINE - POWER STEERING PUMP - 300 TDI**

III. Part No.	Description	Qty	Remarks
1 ANR2157	Pump power steering	1	
2 ERR2228	Bracket mounting	1	
3 FS108161	Screw flange	3	
4 FS108201	Screw flange	4	
5 ERR3733	Pulley pump	1	
6 FS108121	Screw flange	3	





DEFENDER 110 1987 onwards

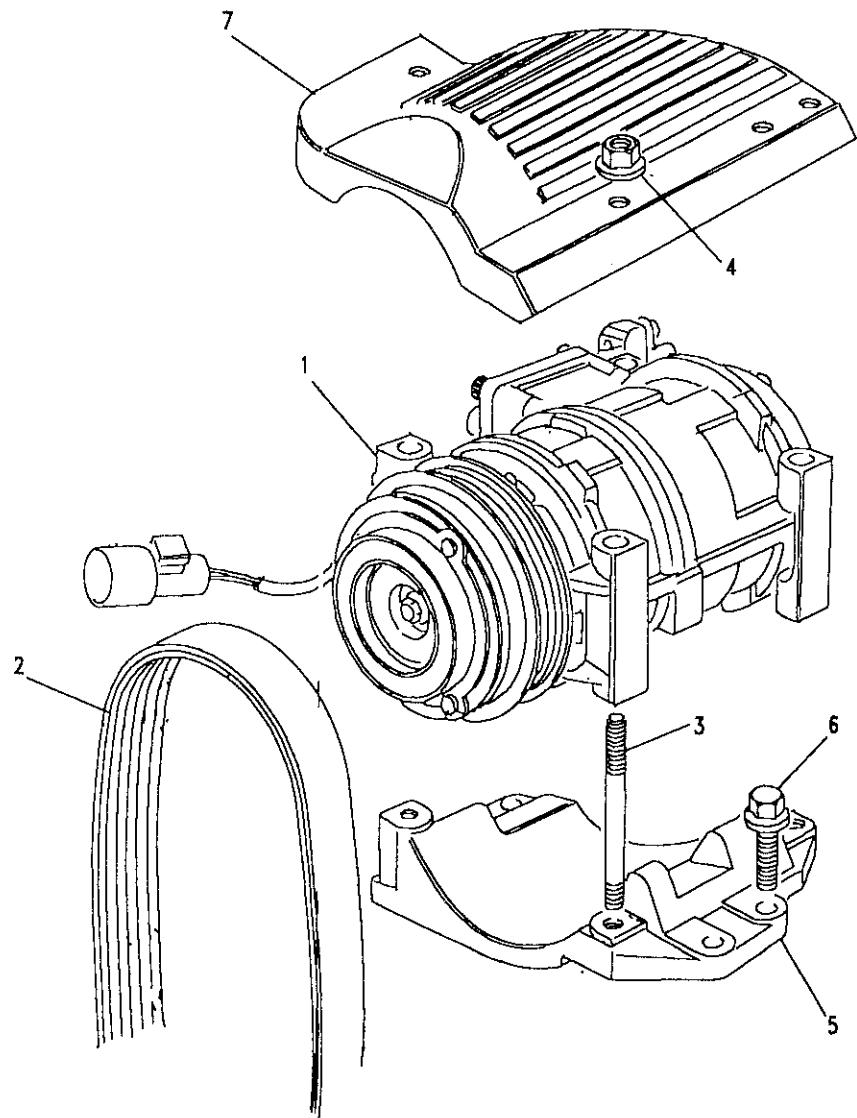
241

ENGINE

**Model** DEFENDER 110 1987 onwards  
**Page** AFBNNE1A

**ENGINE - AIR CONDITIONING COMPRESSOR - 300TDI**

III. Part No.	Description	Qty	Remarks
1	BTR8505	1	Compressor
2	ERR2215	1	Belt driving
3	TE108221	3	Stud
4	FN108041L	3	Nut flange
5	ERR4638	1	Bracket mounting
6	FS110301	4	Screw flange
7	ERR4639	1	Guard air con belt
8	FN108041L	3	Nut flange

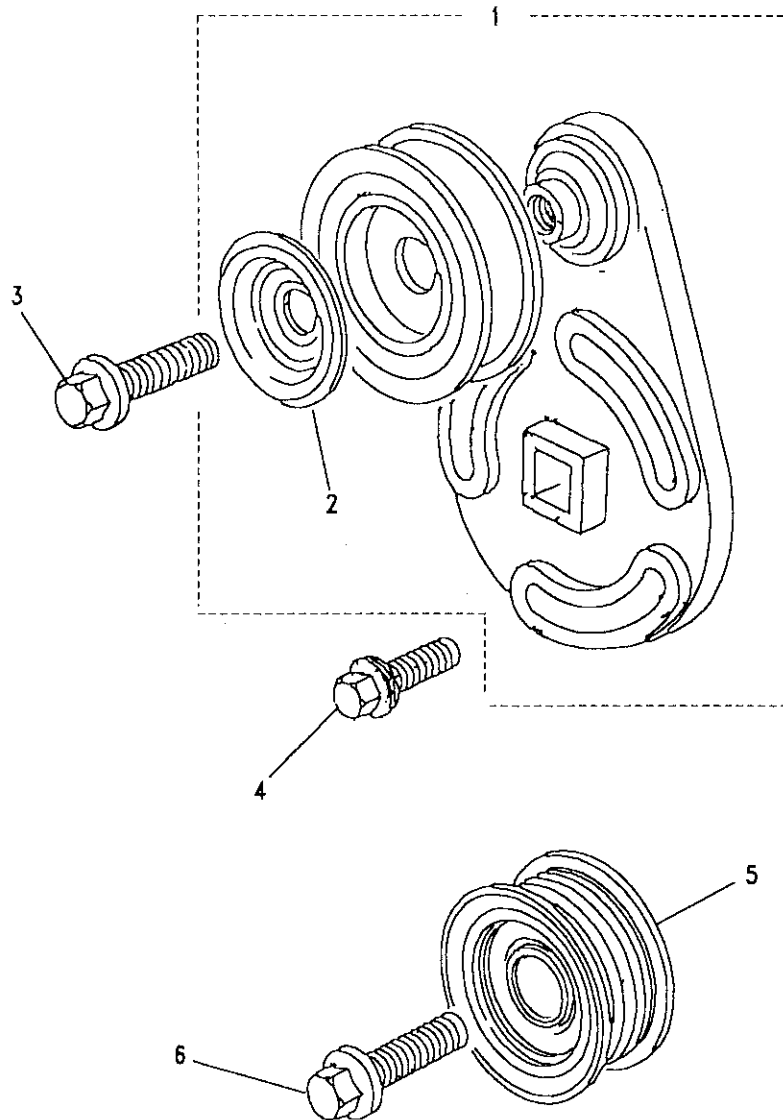




DEFENDER 110 1987 onwards

242

ENGINE



Model DEFENDER 110 1987 onwards  
Page AFBNNE2A

ENGINE - AIR CONDITIONING IDLERS - 300TDI

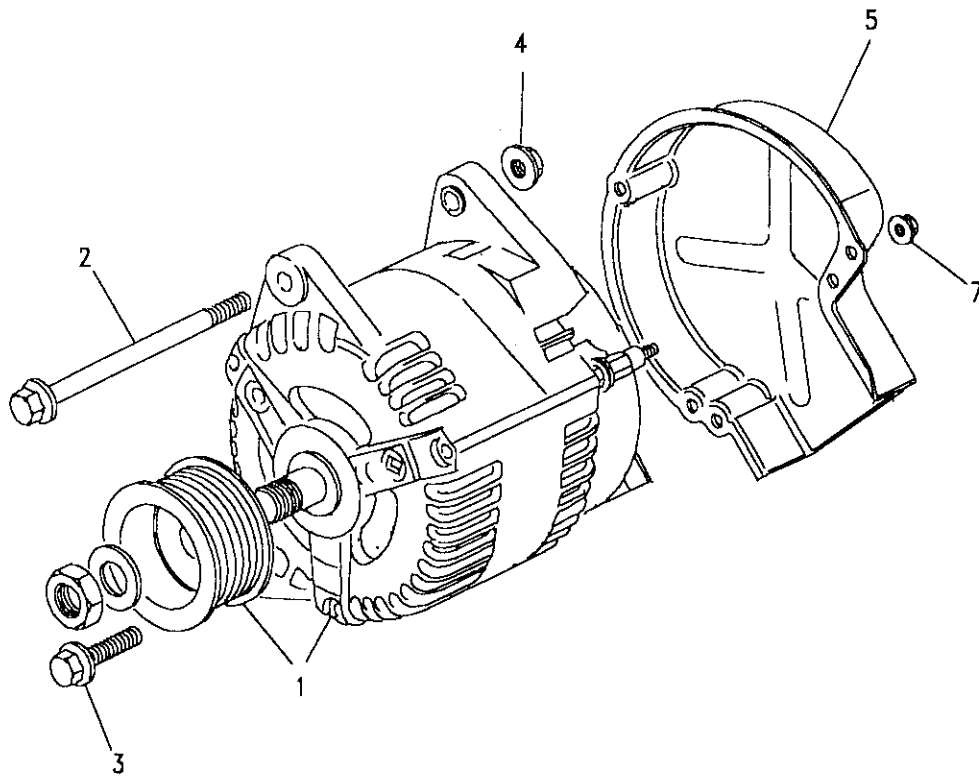
III. Part No.	Description	Qty	Remarks
1 ERR4543	Tensioner belt	1	
2 ERR3807	Dust cover	1	
3 FS110301	Screw flange	1	
4 FS108251	Screw flange	1	
5 ERR2798	Pulley idler	1	
6 FS110301	Screw flange	1	





Model DEFENDER 110 1987 onwards  
Page AFBNPC1A

ENGINE - ALTERNATOR - 300TDI



Ill. Part No.	Description	Qty	Remarks
1	AMR3412	1	Alternator 65 Amp
2	FB108251	1	Bolt flanged
3	FS108301L	1	Screw flanged
4	FX108047L	1	Nut flanged
5	ERR4859	1	Heatshield alternator
6	AMR2217	3	Nut/washer alternator
7	FN105041L	1	Nut flanged

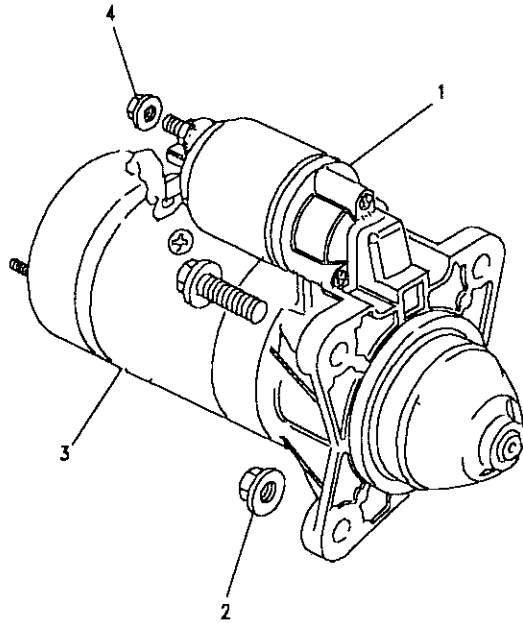




**Model** DEFENDER 110 1987 onwards  
**Page** AFBNPE1A

**ENGINE - STARTER MOTOR - 300TDI**

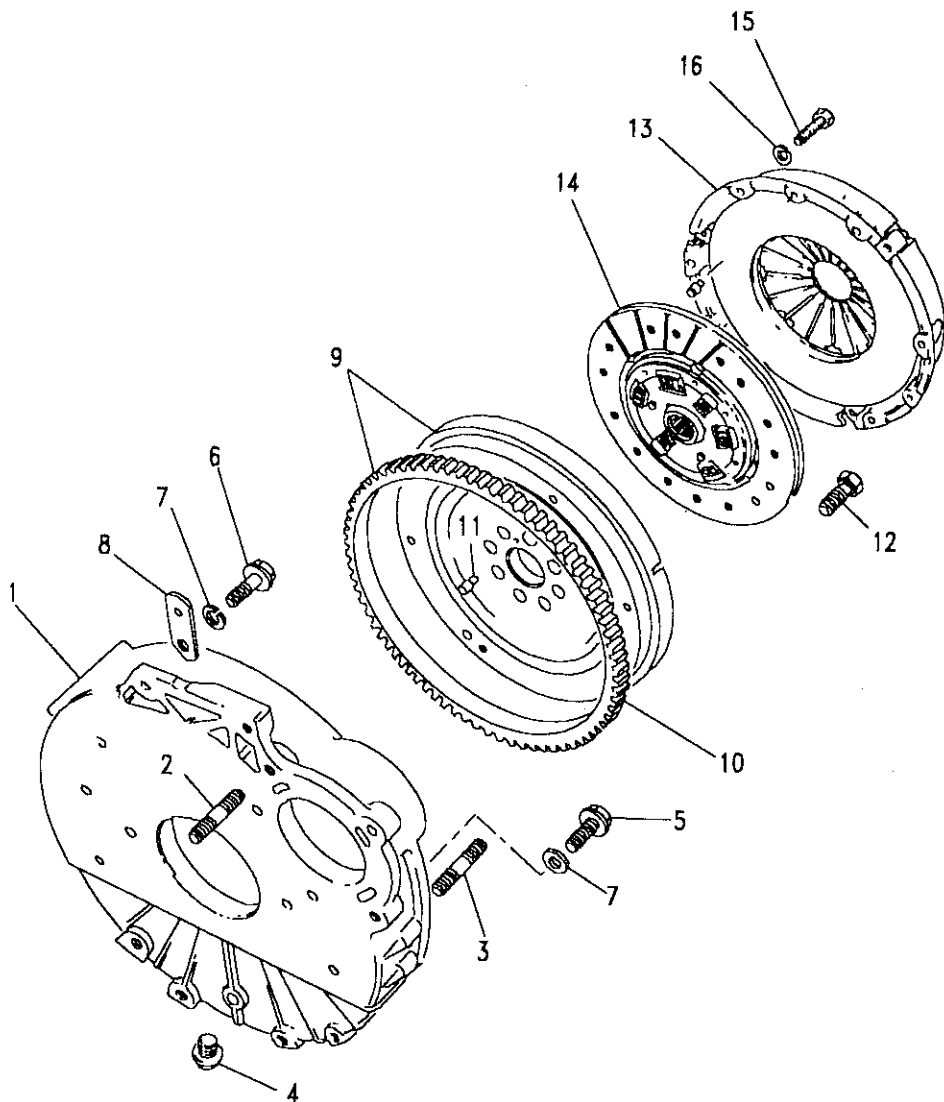
III. Part No.	Description	Qty	Remarks
1 ERR5009	Starter motor	1	
2 FN110041L	Nut flanged	1	
3 FS110301L	Screw flanged	2	
4 FN108041L	Nut	1	



**Model** DEFENDER 110 1987 onwards  
**Page** AFBNRA1A

**ENGINE - FLYWHEEL & CLUTCH - 300 TDI**

III. Part No.	Description	Qty	Remarks
1	ERR4723	1	Housing flywheel
2	TE110061L	13	Stud bell housing
3	TE110051	1	Stud m10 x 25
4	ERC7295	1	Plug
5	FS110301	6	Screw flange
6	FB110071	2	Bolt flange
7	WA110061L	2	Washer
8	ERC9404	2	Bracket harness clip
9	ERR719	1	Flywheel assembly
10	568431	1	Ring starter
11	502116	3	Dowel
12	ERR4574	8	Bolt flywheel to crank
13	FTC575	1	Clutch cover
14	FTC2149	1	Clutch plate
	FTC1994	1	Clutch plate (130)
15	SX108201L	6	Screw
16	WL108001L	6	Washer spring





## MASTER INDEX

	PAGES
INTRODUCTION PAGES	1 - 7
ALPHABETICAL INDEX	8 - 16
ENGINE	17 - 66
ENGINE	67 - 119
ENGINE	120 - 166
ENGINE	167 - 209
ENGINE	210 - 245
ENGINE	246 - 299
GEARBOX	300 - 326
GEARBOX	327 - 344
GEARBOX	345 - 359
TRANSFER BOX	360 - 378
TRANSFER BOX	379 - 397
AXLES AND SUSPENSION	398 - 444
STEERING	445 - 471
VEHICLE AND ENGINE CONTROLS	472 - 486
BRAKES	487 - 517
FUEL SYSTEM AND AIR CLEANER	518 - 579
EXHAUST SYSTEM	580 - 593
COOLING/HEATING	594 - 637
COOLING/HEATING	638 - 641
COOLING/HEATING	642 - 649
COOLING/HEATING	650 - 655
COOLING/HEATING	656 - 666
BODY ELECTRICAL	667 - 740
BODY AND CHASSIS	741 - 909
INTERIOR TRIM	910 - 955
SEATS	956 - 1036
STOWAGE	1037 - 1046
ACCESSORIES - PAINTS	1047 - 1074
NUMERICAL INDEX	1076 - 1151

## GROUP B

## ENGINE

## ENGINE

ENGINE COMPLETE - V8 CARB	248
ENGINE STRIPPED - V8 CARB	249
ENGINE SHORT - V8 CARB	250
CYLINDER BLOCK - V8 CARB	251 - 252
CRANKSHAFT - V8 CARB	253
PISTON & RINGS - V8 CARB	254
SUMP - V8 CARB	255
MOUNTING - V8 CARB	256
FRONT COVER - V8 CARB	257
WATER PUMP - NON VISCOUS - V8 CARB	258
WATER PUMP - VISCOUS - V8 CARB	259
COOLING FAN - V8 CARB	260 - 261
DRIVE BELTS - V8 CARB	262 - 263
OIL PUMP - V8 CARB	264
CYLINDER HEAD - V8 CARB	265 - 266
VALVES & TAPPETS - V8 CARB	267
ROCKER COVER - V8 CARB	268
CAMSHAFT - V8 CARB	269
INLET MANIFOLD - V8 CARB	270
THERMOSTAT & HOUSING - V8 CARB	271
GASKETS INLET MANIFOLD - V8 CARB	272
EXHAUST MANIFOLD - V8 CARB	273
HEATSHIELD - V8 CARB	274
CARBURETTER - V8 CARB	275
CARBURETTER ADAPTORS - V8 CARB	276
FLAME TRAP - V8 CARB	277
AIR INLETS - V8 CARB - NON DETOXED	278
AIR INLETS - V8 CARB - DETOXED	279
BREATHERS - V8 CARB	280
THROTTLE LINKAGE - V8 CARB	281
GASKET KITS - V8 CARB	282
POWER STEERING PUMP 283 MOUNTINGS - V8 CARB	283
AIRCON COMPRESSOR - V8 CARB	284 - 285
COMPRESSOR FIXINGS - V8 CARB	286
AIR CONDITIONING - V8 CARB	287
DISTRIBUTOR - V8 CARB	288
IGNITION COIL - V8 CARB	289
ALTERNATOR - V8 CARB	290 - 291





DEFENDER 110 1987 onwards

247

ENGINE

ALTERNATOR FIXINGS - V8 CARB - NON AIR CON	292 - 293
ALTERNATOR FIXINGS - V8 CARB - WITH AIR CON	294 - 295
ALTERNATOR FIXINGS - V8 CARB	296
STARTER MOTOR - V8 CARB	297 - 298
FLYWHEEL & CLUTCH - V8 CARB	299





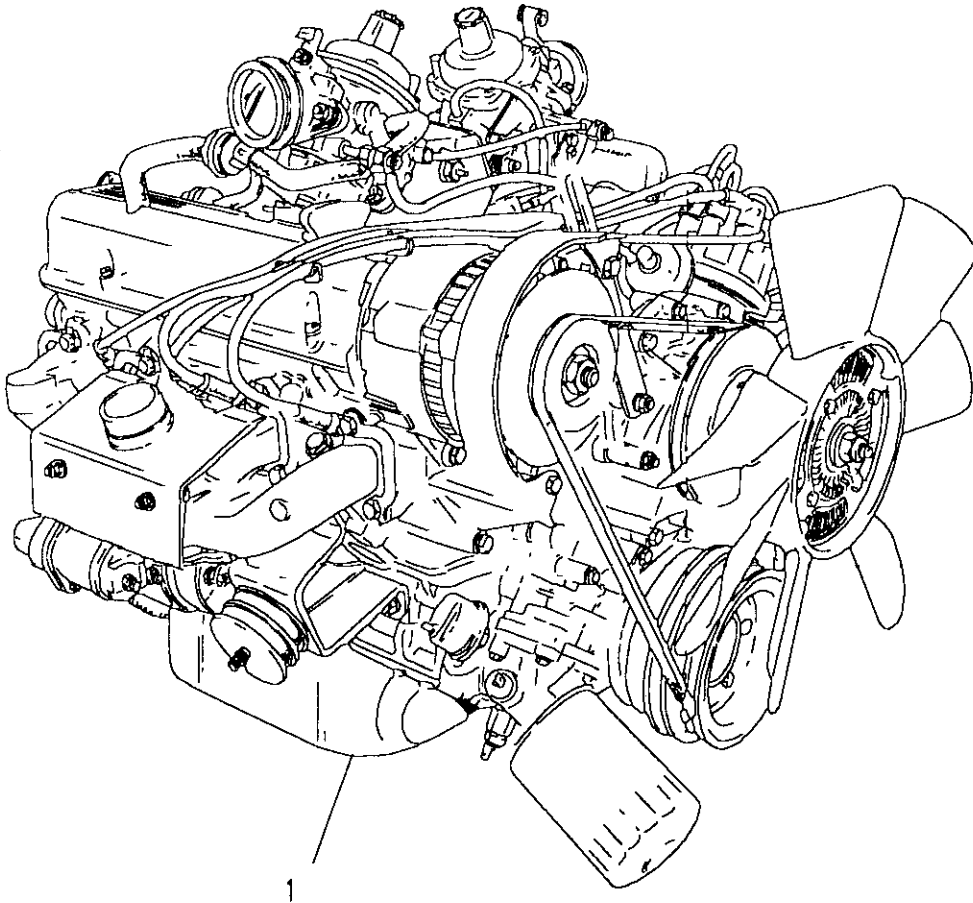


**Model** DEFENDER 110 1987 onwards  
**Page** AFBQAA1A

**ENGINE - ENGINE COMPLETE - V8 CARB**

III. Part No.	Description	Qty	Remarks
1 ETC8445	Engine complete assy	1	Note(1)

Note(1) Engine prefix 24G,engine is basic specification and does not include Air Con/Power Steering,engine is without Air Rails and Detoxed through the Carburetters.



**Model** DEFENDER 110 1987 onwards

**Page** AFBQAC1A

**ENGINE - ENGINE STRIPPED - V8 CARB**

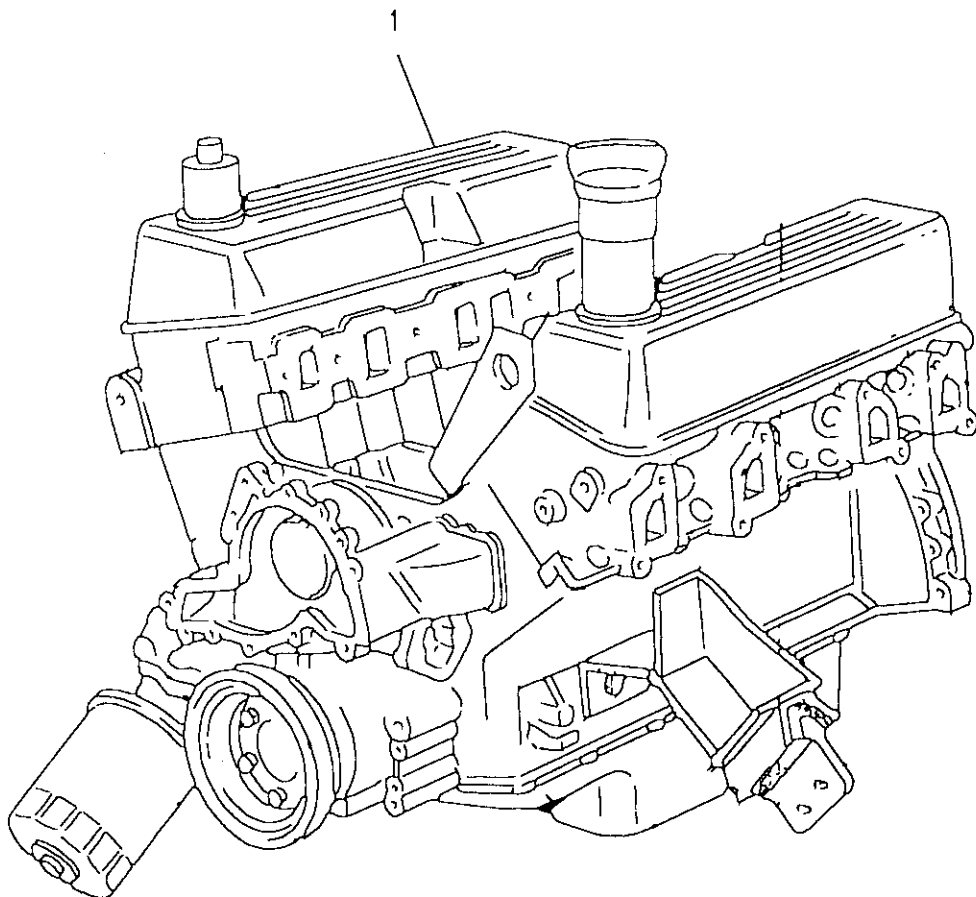
III. Part No.	Description	Qty	Remarks
1 RTC2972N	Engine stripped NON DETOX	1	Note(1)
RTC2972R	Engine stripped NON DETOX	1	Note(2)
RTC4608N	Engine stripped DETOXED	1	Note(3)
RTC5856N	Engine stripped DETOXED	1	Note(4)
RTC5856R	Engine stripped-recon	1	Note(3)
RTC3637R	Engine stripped-recon	1	Note(3)

Note(1) Prefix 20G, this engine to be used if 24G Non Air Rail required air rails not fitted when engine has SU-CARBS

Note(2) Prefix 20G

Note(3) Prefix 24G, if engine with 1/2 bore injection holes is required use RTC3637N, if engine with 5/8 bore injection holes is required use RTC5856N

Note(4) Prefix 24G also see note (1)





DEFENDER 110 1987 onwards

250

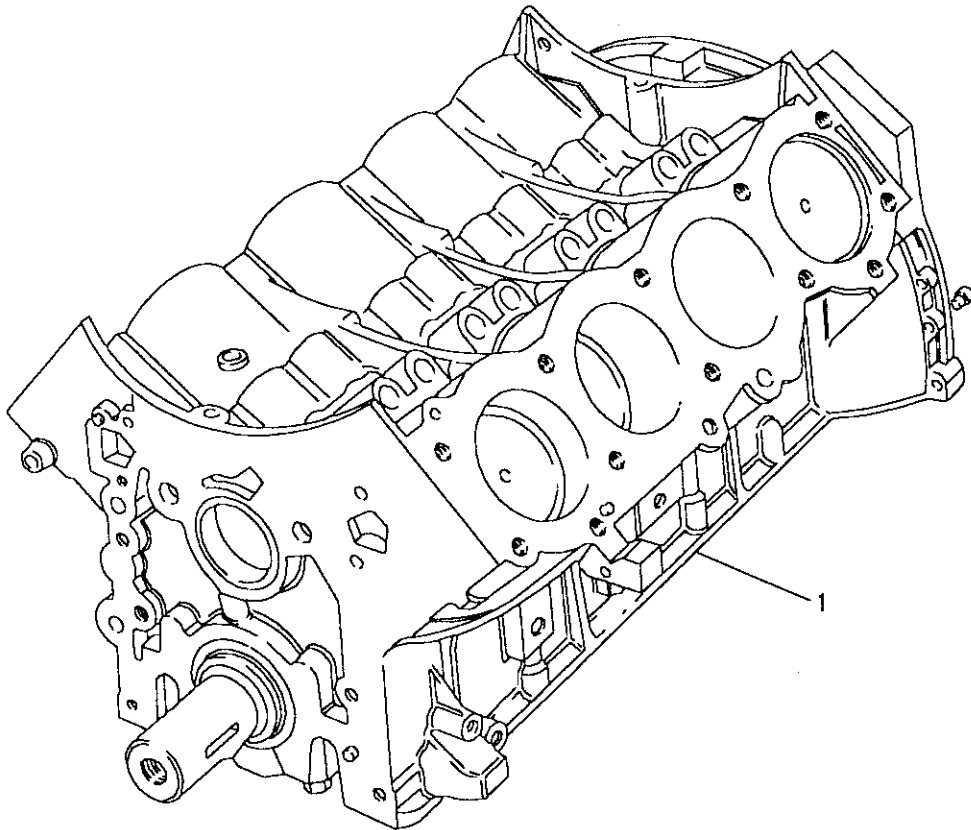
ENGINE

**Model** DEFENDER 110 1987 onwards  
**Page** AFBQAE1A

**ENGINE - ENGINE SHORT - V8 CARB**

Ill. Part No.	Description	Qty	Remarks
1 ETC7714	Engine short	1	Note(1)

Note(1) Comprises Block,Piston,Crankshaft

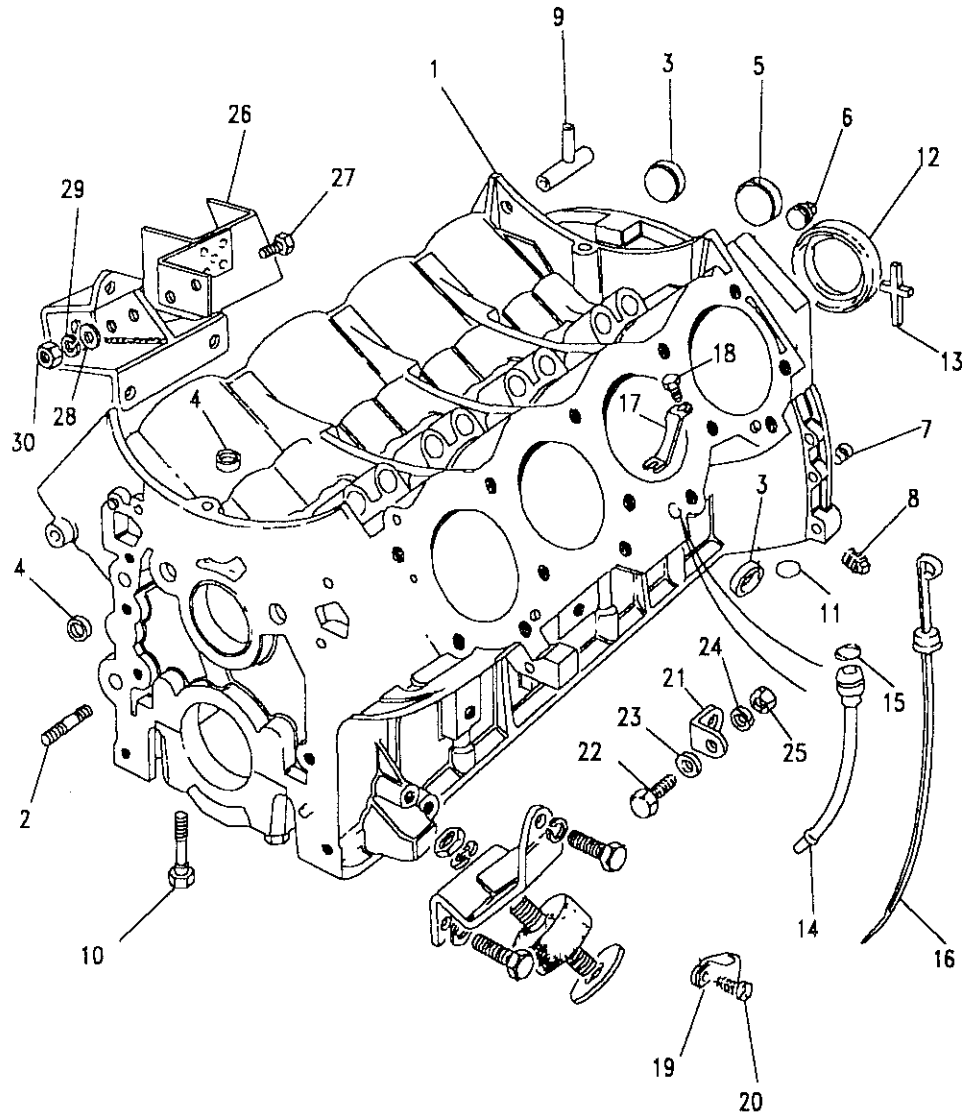




Model DEFENDER 110 1987 onwards  
Page AFBQBA1A

ENGINE - CYLINDER BLOCK - V8 CARB

III. Part No.	Description	Qty	Remarks
1	ERC6934	1	Cylinder block assembly
2	252513	1	Stud-timing cover
3	602152	8	Plug
5	602146	1	Plug-cam bore
6	602212	2	Plug-tappet line-rear
7	602141	2	Dowel-flywheel housing
8	3290	2	Plug taper
9	ERC5761	1	Pipe assembly
10	602130	10	Bolt-main bearing cap
11	612898	2	Plug-rear block
12	ERR2640	1	Oil seal crankshaft
13	611089	2	Packing-oil seal

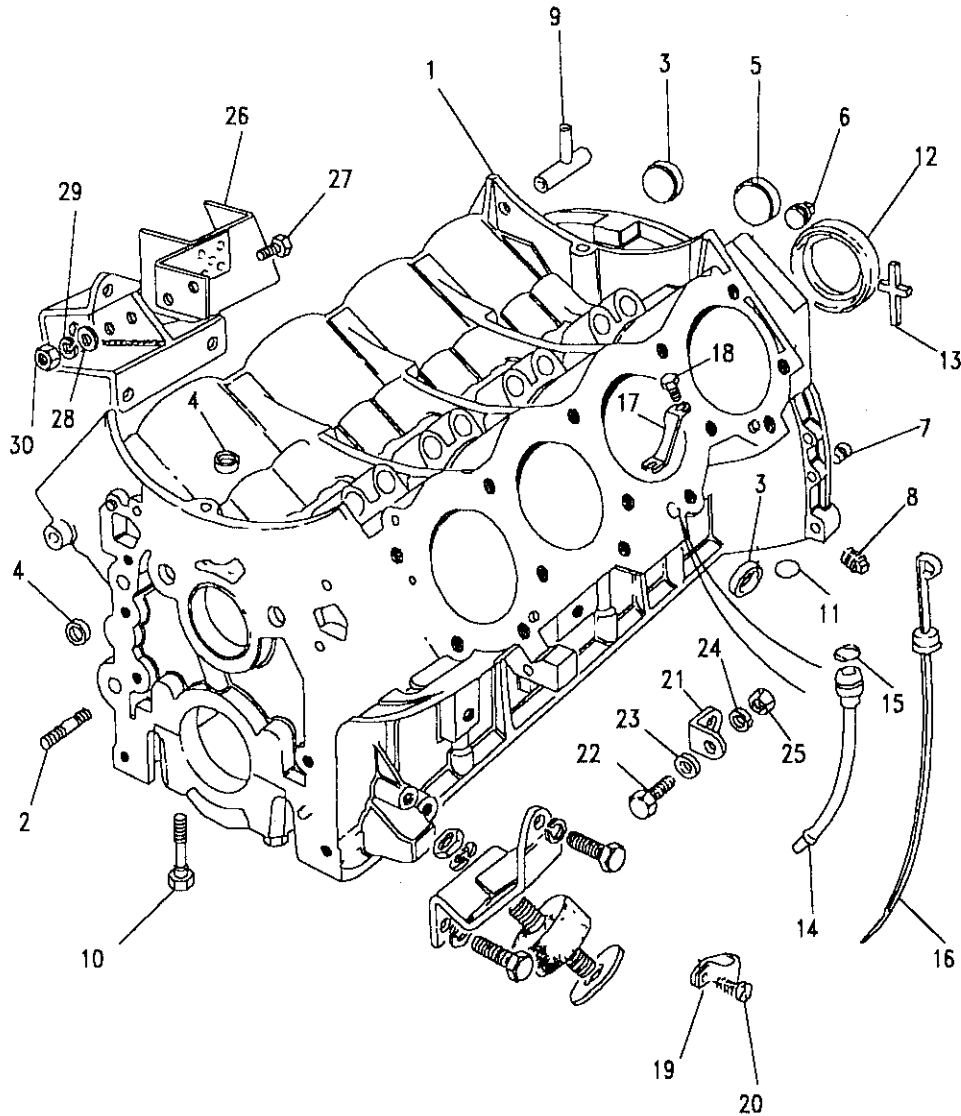




Model DEFENDER 110 1987 onwards  
Page AFBQBA1A

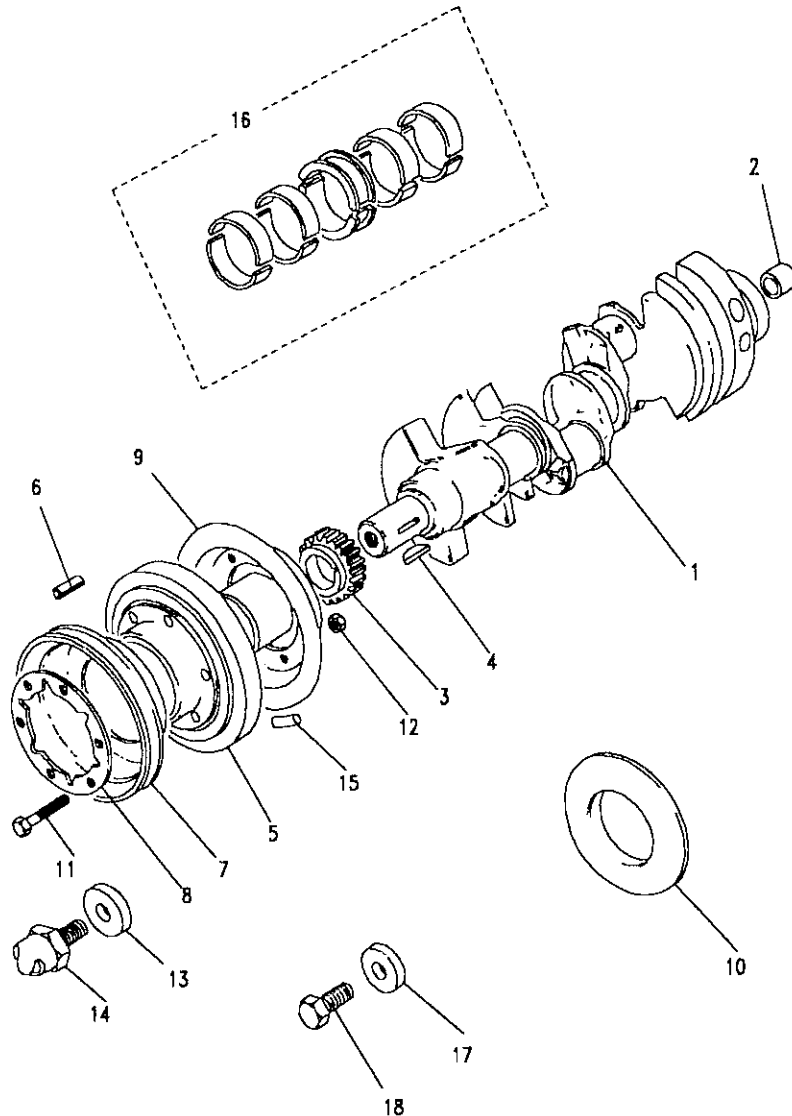
ENGINE - CYLINDER BLOCK - V8 CARB

III. Part No.	Description	Qty	Remarks
14	ERR4556	1	
15	602545	1	
16	ERR1922L	1	
17	614585	1	
18	SH604031L	1	
19	610489	1	
20	78862	1	}
21	ERC2973	1	
22	257017	1	
23	WA702101L	1	}
24	WM702001L	1	
25	HN2005L	1	
26	NRC3301	1	
	577846	1	
27	BH106051L	4	
28	WA106041L	4	
29	WL106001L	4	
30	NH106041L	4	



**Model** DEFENDER 110 1987 onwards  
**Page** AFBQCA1A

**ENGINE - CRANKSHAFT - V8 CARB**



Ill. Part No.	Description	Qty	Remarks
1 612989	Crankshaft	1	
2 549911	Spigot bush	1	
3 90602372	Sprocket	1	
4 90602025	Key sprocket crankshaft	1	
5 ETC7339	Damper	1	
6 603535	Spring pin	1	
7 611019	Pulley-basic	1	
ETC4369	Pulley front-p/steering	1	
ETC4354	Pulley front-air con	1	
ETC4330	Pulley rear-p/s & air con	1	
8 602587	Plate reinforcement	1	
9 603301	Rim balancing	1	
10 613671	Mud deflector	1	Note(1)
11 BH605121L	Bolt Basic and aircon	6	
BH605131L	Bolt-P.A.S.	6	
12 NH605041L	Nut	3	
13 602411	Washer	1	
14 610178	Starting dog	1	
15 ERC4877	Balance weight 0.18 oz	2	
ERC4878	Balance weight 0.36 oz	2	
ERC4879	Balance weight 0.54 oz	2	
ERC4880	Balance weight 0.72 oz	2	
16 RTC1718	Bearing set main standard	1	) Note(2)
RTC171810	Bearing set main .010"o/s	1	
RTC171820	Bearing set main .020"o/s	1	
17 ERC416	Washer	1	
18 ERC417	Bolt-damper to crankshaft	1	

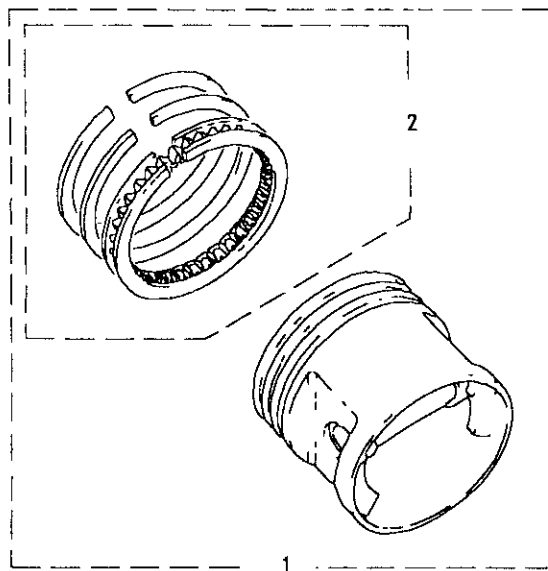
Note(1) 613671 not needed when ERR1632 oil seal fitted (front cover)  
 Note(2) Later type does not have thrust plate on lower half of centre bearing, and is fully interchangeable



DEFENDER 110 1987 onwards

254

ENGINE



Model DEFENDER 110 1987 onwards

Page AFBQCC1A

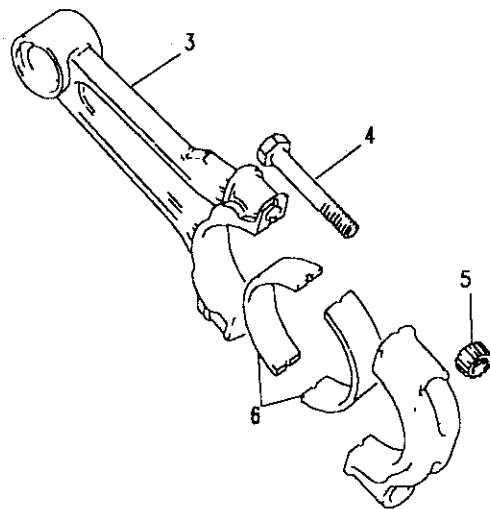
**ENGINE - PISTON & RINGS - V8 CARB**

III. Part No.	Description	Qty	Remarks
1 RTC2186S	Piston assembly standard	8	Note(1)
RTC218620	Piston assembly .020"o/s	8	Note(1)
2 RTC2408	Piston ring kit standard	8	
RTC240820	Piston ring kit .020"o/s	8	
3 602082	Con rod assembly	8	
4 602609	Bolt	16	
5 602061	Nut	16	

**Con Rod Bearing: Engine Set.**

6 RTC2117	Bearing set big end	1	Standard
RTC211710	Bearing set big end	1	0.010"o/size
RTC211720	Bearing set big end	1	0.020"o/size

Note(1) Includes gudgeon pin and piston rings.

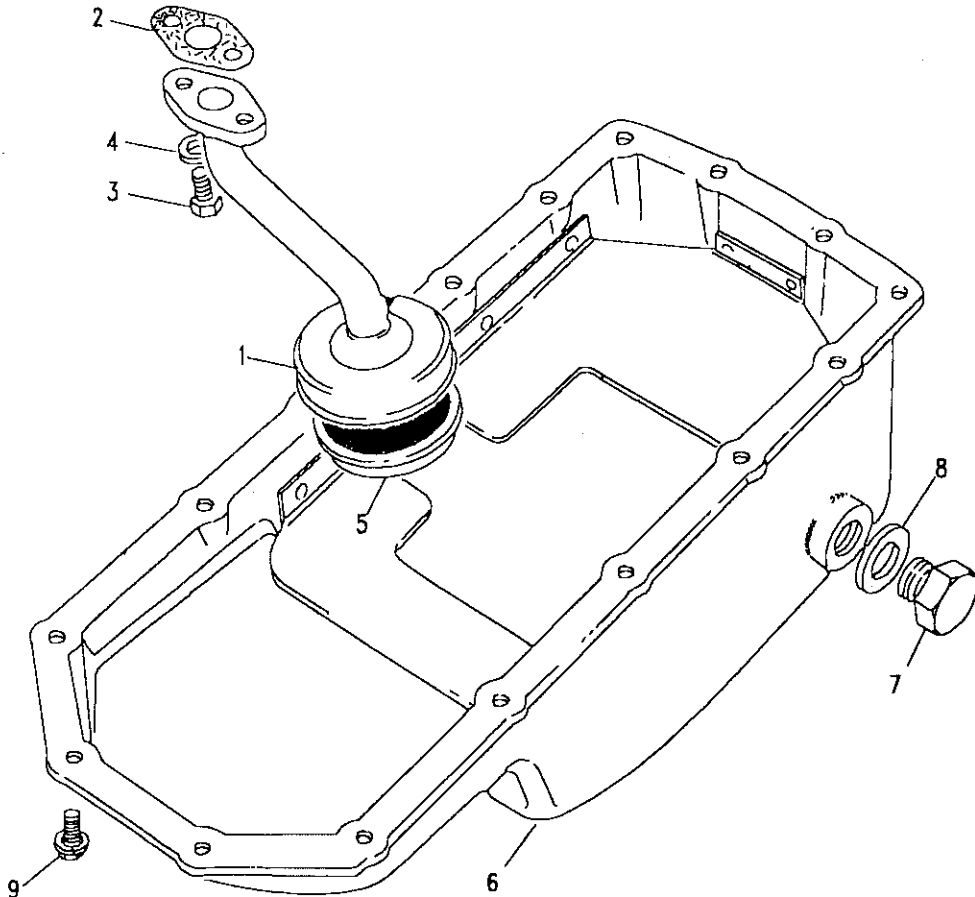


**Model** DEFENDER 110 1987 onwards  
**Page** AFBQDA1A

**ENGINE - SUMP - V8 CARB**

III. Part No.	Description	Qty	Remarks
1	ERR3677	1	Pipe oil suction
2	ERR3788	1	Gasket oil strainer
3	SH506081L	2	Screw
4	WM600041L	2	Washer spring
5	602070	1	Screen oil
6	ERR4633	1	Sump
7	603659	1	Plug drain
8	213961	1	Washer joint
9	602199	16	Screw

Note(1) No gasket-use RTV hylsil 102 Refer workshop manual-section 12

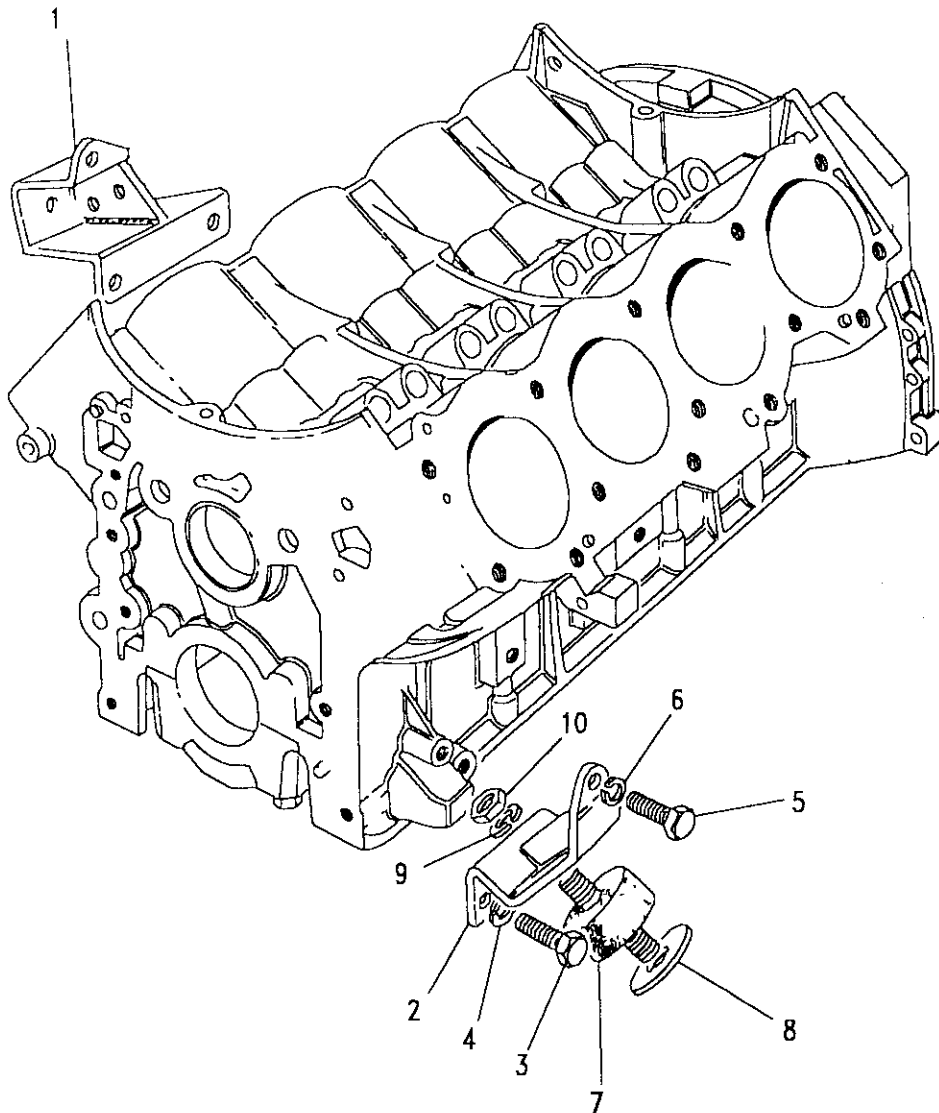




Model DEFENDER 110 1987 onwards  
 Page AFBQDC1A

**ENGINE - MOUNTING - V8 CARB**

III. Part No.	Description	Qty	Remarks
1	NRC1302	1	Mounting foot RH
2	NRC3314	1	Mounting foot LH
3	SH507091L	4	Screw
4	WM600071L	4	Washer spring
5	SH505071L	2	Screw
6	WM600051L	2	Washer spring
7	RTC6115	2	Kit engine mounting
8	WC110061L	2	Washer plain
9	WL110001L	4	Washer spring
10	NH110041L	4	Nut

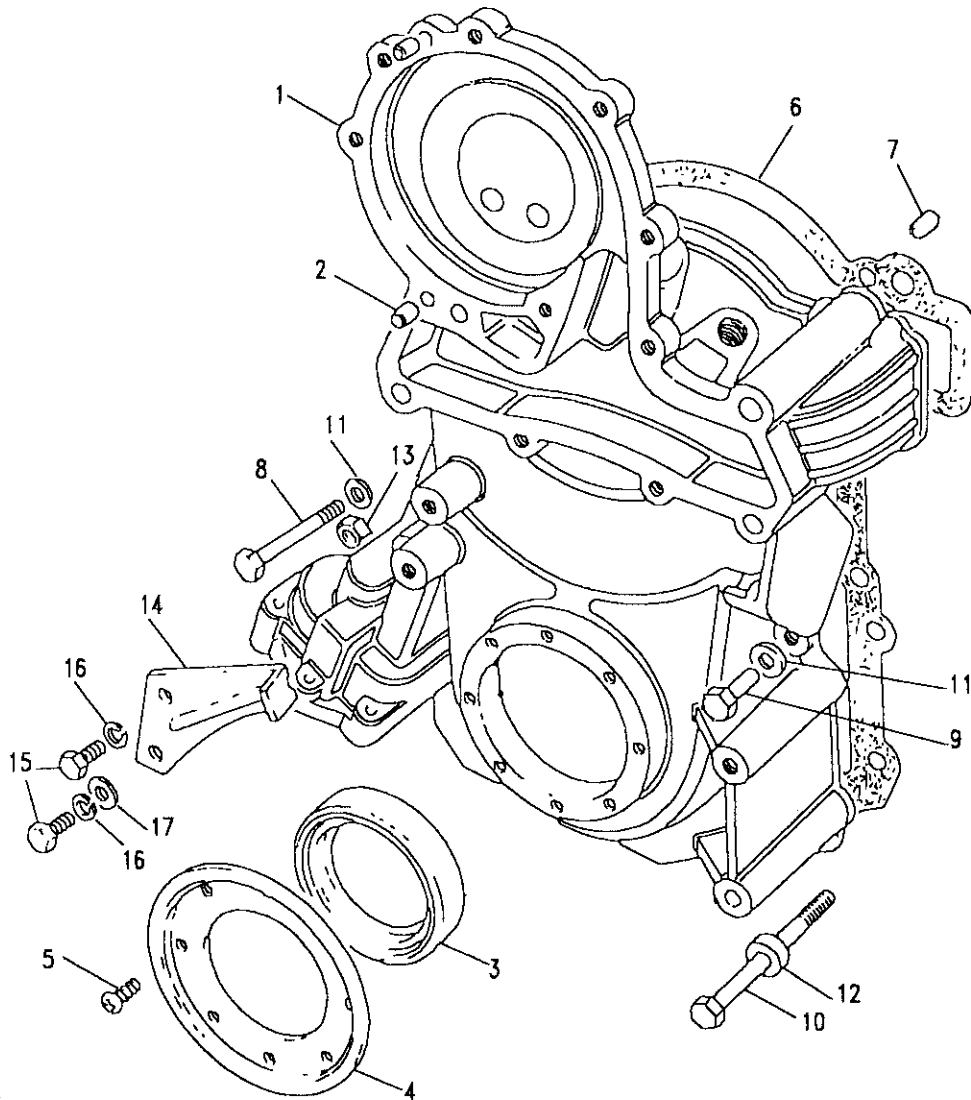


**Model** DEFENDER 110 1987 onwards  
**Page** AFBQE1A

**ENGINE - FRONT COVER - V8 CARB**

III. Part No.	Description	Qty	Remarks
1	ETC7385	1	
2	602201	2	
3	ERR1632	1	
4	247766	1	)Note(1)
5	78782	8	
	154545	1	)
6	ERR4936	1	
7	90602202	2	
8	BH505241L	1	
9	SH505091L	2	
10	602388	1	
11	WA108051L	4	
12	4075L	1	
13	NH605041L	1	
14	ETC7345	1	
15	SH504051L	2	
16	WM600041L	2	
17	RTC609	1	

Note(1) Not to be used when new oil seal ERR1632 is fitted

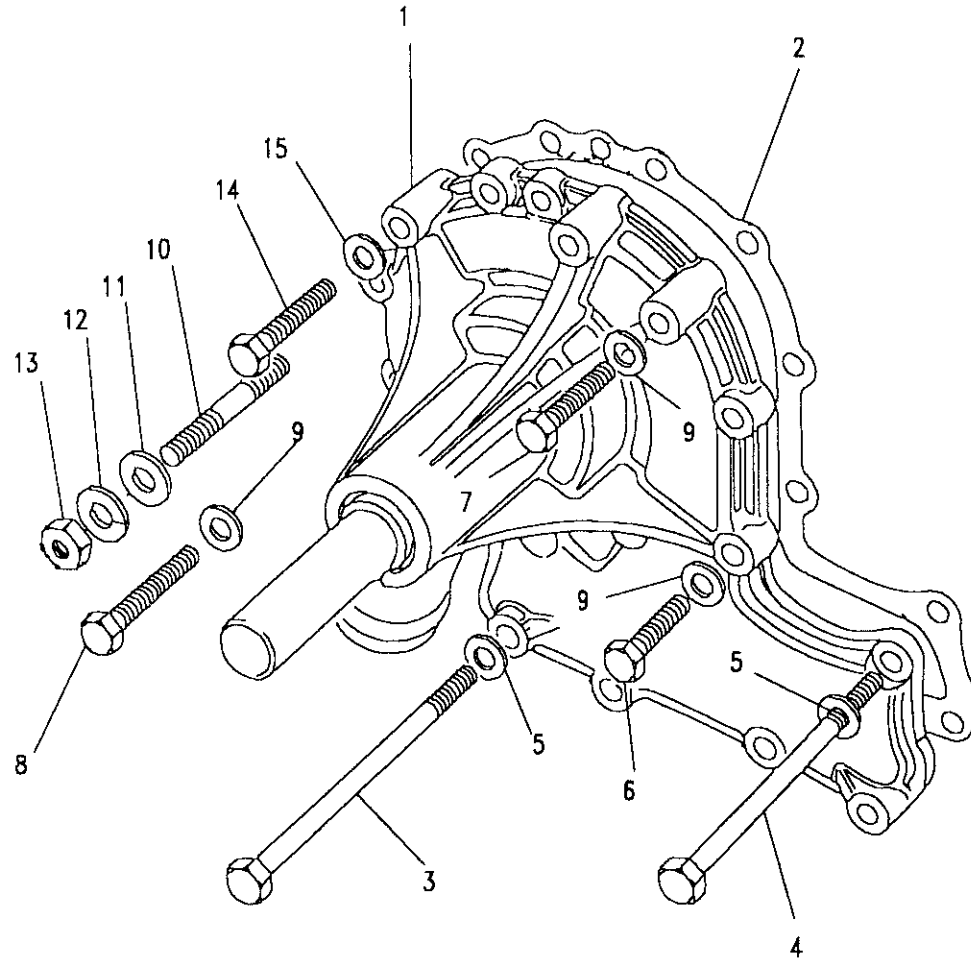




Model DEFENDER 110 1987 onwards  
 Page AFBQEE1A

ENGINE - WATER PUMP - NON VISCOUS - V8 CARB

III. Part No.	Description	Qty	Remarks
1	STC1611	1	Pump water
2	ERR2428	1	Gasket
3	BH505401L	3	Bolt
4	BH505381L	1	Bolt
5	WA108051L	4	Washer plain
6	BH504101L	6	Bolt
7	BH504151L	2	Bolt
8	BH504161L	1	Bolt
9	WC106041L	9	Washer plain
10	252516	1	Stud
11	4421	1	Washer plain
12	WM600051L	1	Washer spring
13	NT605041L	1	Locknut
14	BH505121L	1	Bolt
15	WM600051L	1	Washer spring





DEFENDER 110 1987 onwards

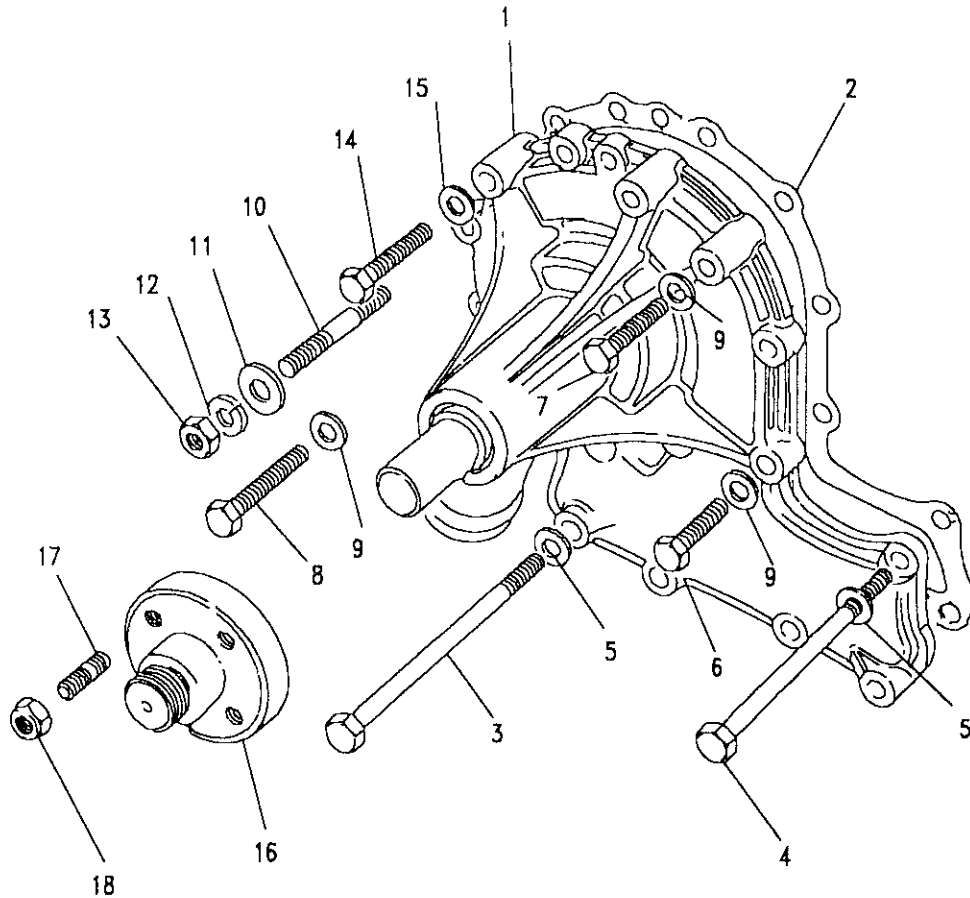
259

ENGINE

Model DEFENDER 110 1987 onwards

Page AFBQEE2A

ENGINE - WATER PUMP - VISCOUS - V8 CARB



III. Part No.	Description	Qty	Remarks
1	STC487	1	NON AIR CON
	STC488	1	AIR CON
2	ERR2428	1	Gasket
3	BH505401L	3	Bolt-non air con
	BH505401L	1	Bolt-air con
4	BH505381L	1	Bolt
5	WA108051L	4	Washer
6	BH504101L	6	Bolt
7	BH504151L	2	NON AIR CON
8	BH505161L	1	or P.A.S.
9	WC106041L	9	Washer
	BH504101L	2	Bolt
	BH505121L	2	AIR CON
	WM600051L	2	Spring Washer
	WC106041L	3	Washer
	BH504101L	4	Bolt
	BH504151L	2	P.A.S.
	BH504161L	1	Bolt
	WC106041L	7	Washer
10	252516	1	Stud-Pump to Timing Cover
11	4421	1	Washer
12	WM600051L	1	Washer spring
13	NT605041L	1	Locknut
14	BH505121L	1	Bolt
15	WM600051L	1	Washer spring
16	ERC5705	1	Hub assembly
17	TE108041L	1	Stud
18	NY108041L	4	Nut nyloc





DEFENDER 110 1987 onwards

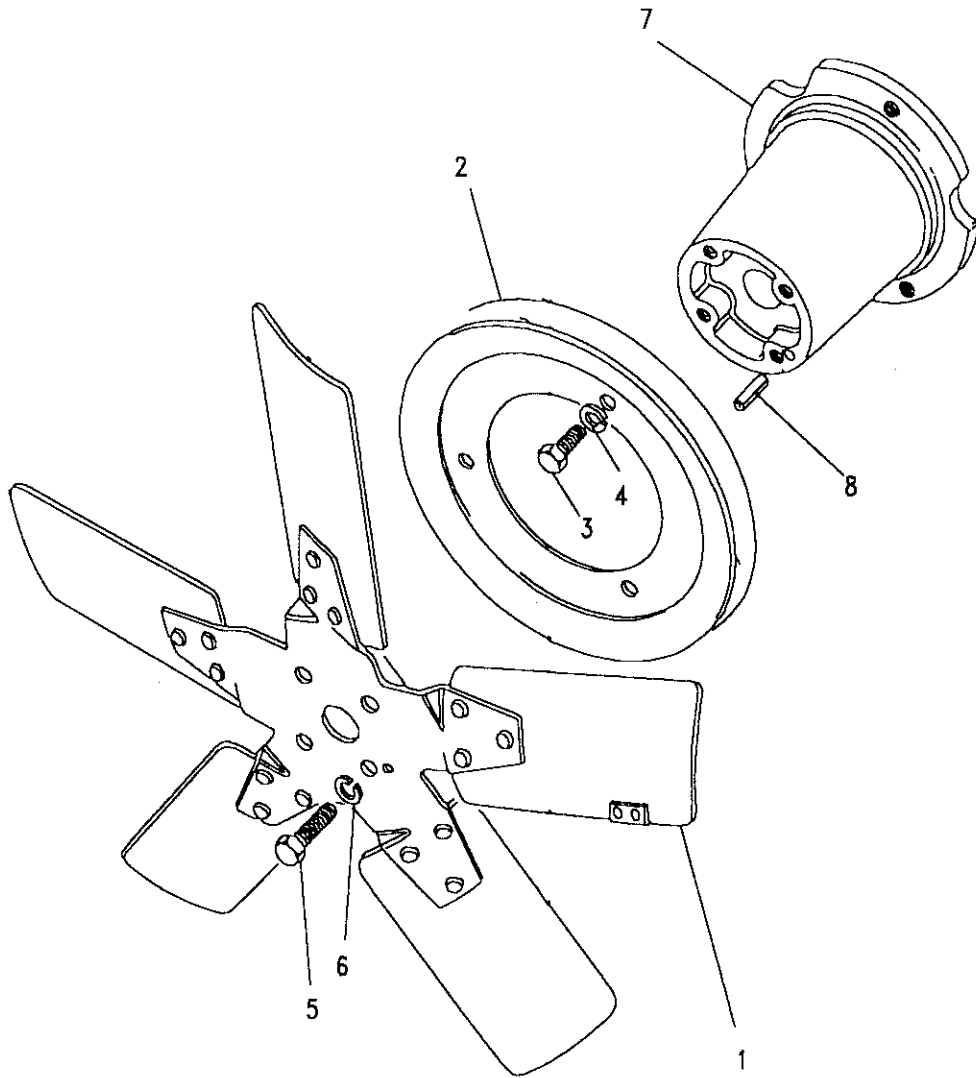
260

ENGINE

Model DEFENDER 110 1987 onwards  
Page AFBQEG1A

ENGINE - COOLING FAN - V8 CARB

III. Part No.	Description	Qty	Remarks
1 613087	Fan assembly 5 blade	1	
2 602582	Pulley	1	
3 SH504051L	Screw-pulley to hub	3	
4 WM600041L	Washer spring	3	
5 SH505061L	Screw-fan to pump	4	
6 WM600051L	Washer spring	4	
7 610578	Hub assembly	1	
8 603428	Spring pin	1	



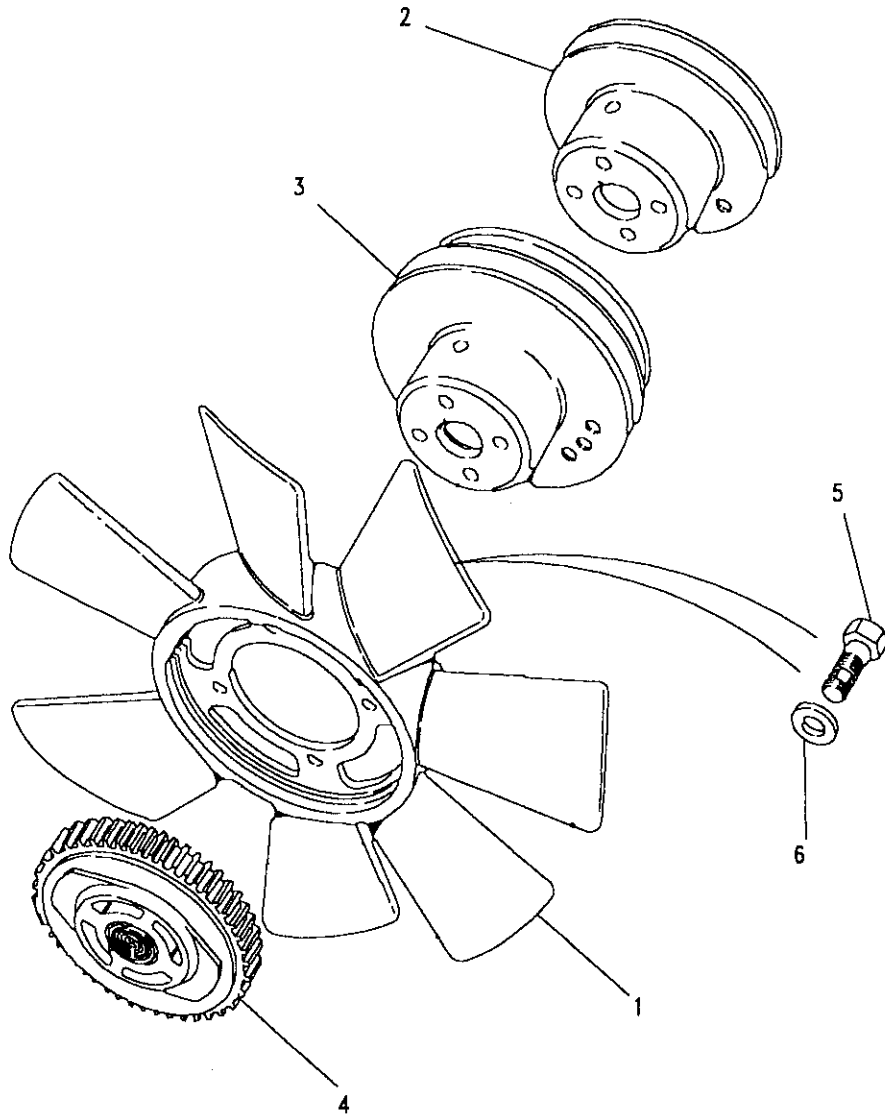


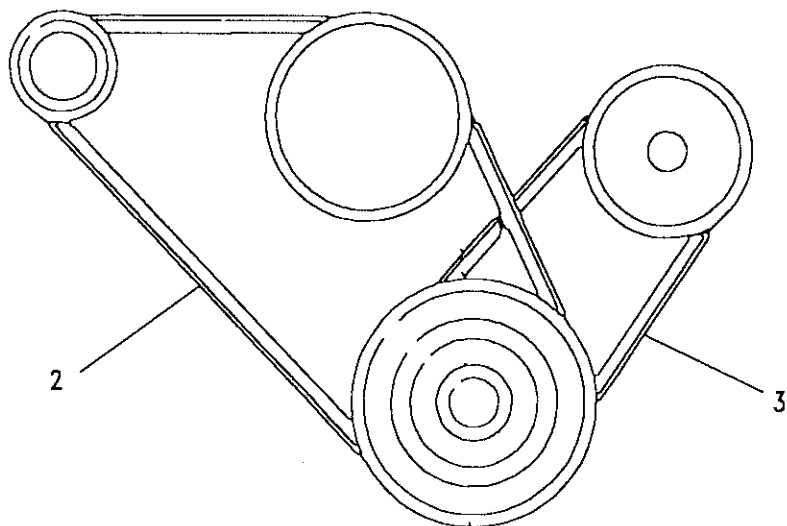
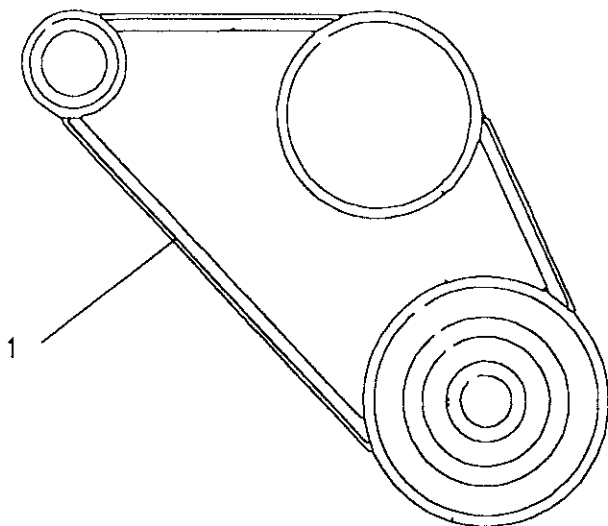
**Model** DEFENDER 110 1987 onwards  
**Page** AFBQEG2A

**ENGINE - COOLING FAN - V8 CARB**

III. Part No.	Description	Qty	Remarks
1 ETC7553L	Fan-7 blades	1	
ERC8164	Fan-11 blades	1	OPTIONAL
2 ERC5707	Pulley-single groove	1	
3 ERC6540	Pulley-twin groove	1	Note(1)
4 ERC5708	Viscous drive	1	
5 ERC5709	Bolt-fan to viscous drive	4	
6 4589L	Washer-fan to viscous	4	

Note(1) Used on AIR CON or POWER STEERING





**Model** DEFENDER 110 1987 onwards  
**Page** AFBQEG3A

**ENGINE - DRIVE BELTS - V8 CARB**

III. Part No.	Description	Qty	Remarks
1 ETC7394	Belt-driving-fan & alt	1	Note(1)
2 ETC7394	Belt-driving-fan & alt	1	
3 ERC675	Belt-driving-pump, P/S	1	

Note(1) Used on BASIC vehicles-with 45AMP alternators





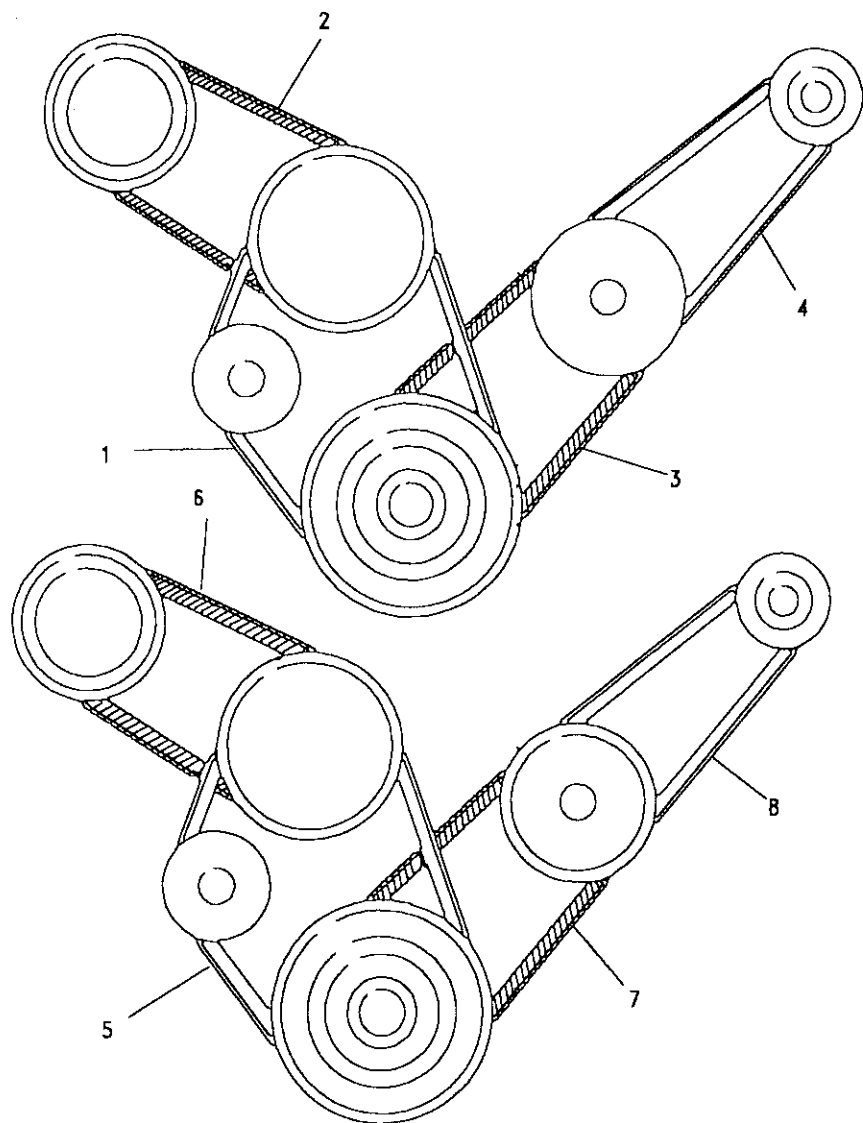
Model DEFENDER 110 1987 onwards  
Page AFBQEG4A

ENGINE - DRIVE BELTS - V8 CARB

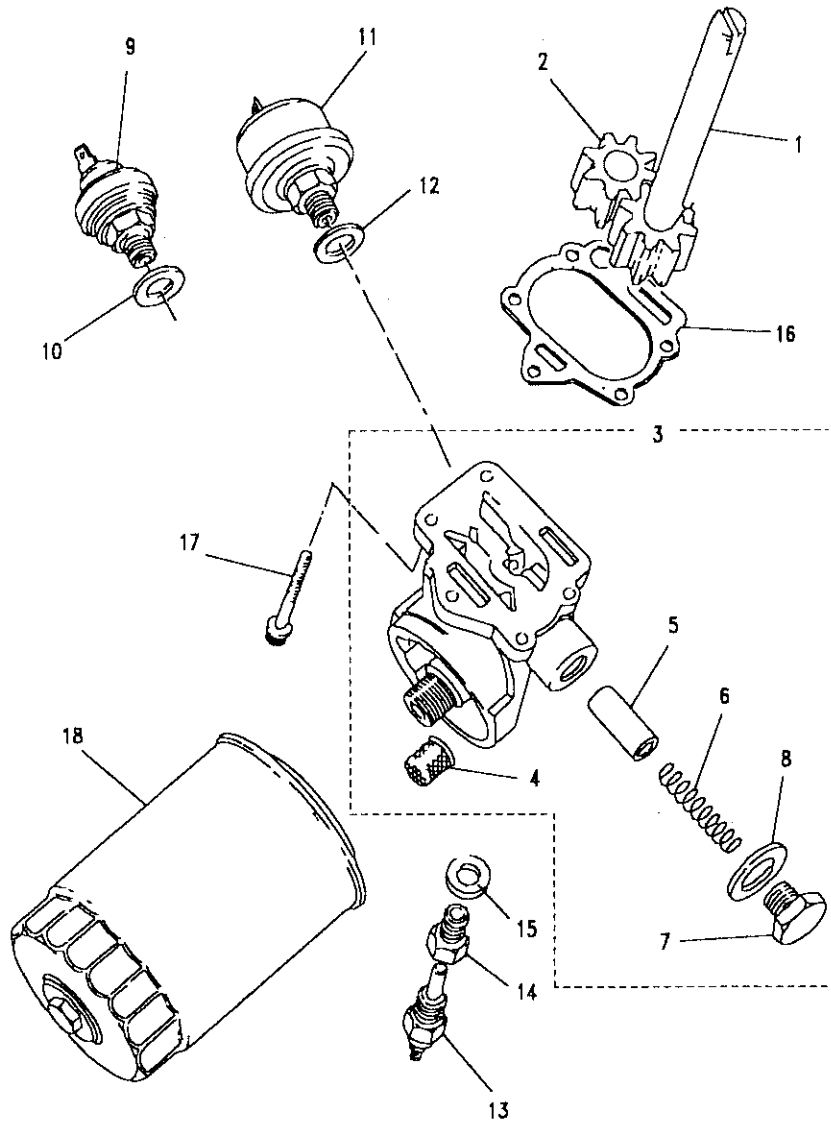
III. Part No.	Description	Qty	Remarks
1 614670	Belt-driving-fan	1	) Note(1)
2 603713	Belt-driving-air/comp	1	
3 ERC675	Belt-driving-idler	1	
4 ERR2073	Belt-driving-alternator	1	) Note(2)
5 614670	Belt-driving-fan	1	
6 603713	Belt-driving-air/comp	1	
7 ERC675	Belt-driving-pump, P/S	1	
8 ERR2073	Belt-driving-alternator	1	

Note(1)  
Note(2)

Used with AIR CONDITIONING  
Used with AIR CONDITIONING and POWER STEERING







**Model** DEFENDER 110 1987 onwards  
**Page** AFBQFA1A

**ENGINE - OIL PUMP - V8 CARB**

III. Part No.	Description	Qty	Remarks
1	ERC1351	1	Pump oil assembly
2	614037	1	Gear
3	ETC4276	1	Cover oil pump assy
4	614202	1	Strainer
5	90602064	1	Valve relief
6	602067	1	Spring
7	602071	1	Cap
8	ETC8833	1	Washer joint
9	PRC7204	1	Switch oil pressure
	AMR2092	1	Switch oil pressure
10	243968	1	Washer joint
11	DRC2479	1	Transducer oil pressure
12	243967	1	Washer joint
13	PRC2507	1	Transmitter oil temp
14	611514	1	Adaptor-transmitter
15	243968	1	Washer joint
16	90602072	1	Gasket-pump to cover
	ERR1990	1	Gasket-pump to cover
17	602912	2	Bolt
	602910	3	Bolt
	602913	1	Bolt
18	ERR3340	1	Filter oil
	RTC4477	1	Kit repair-oil pump

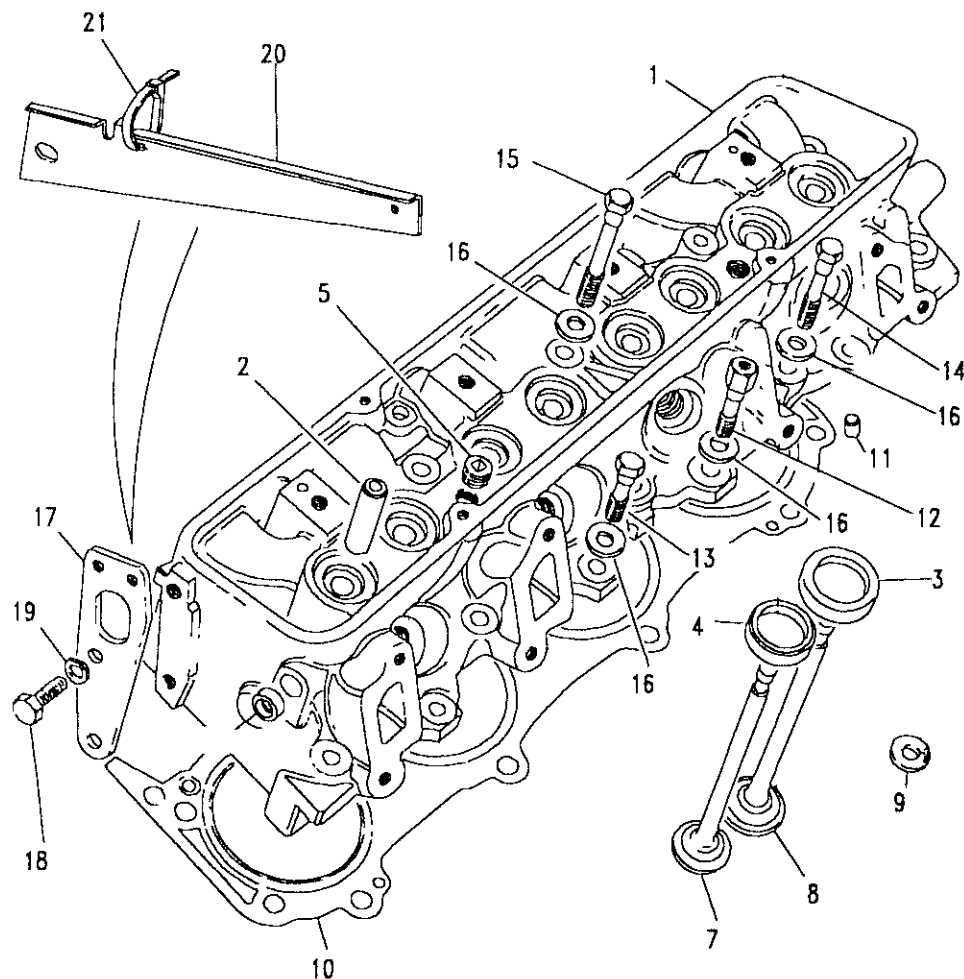
**Model** DEFENDER 110 1987 onwards

**Page** AFBQGA1A

**ENGINE - CYLINDER HEAD - V8 CARB**

III. Part No.	Description	Qty	Remarks
1	ERC215	2	Note(1)
	ETC6471	2	Note(2)
	ERC3346L	2	Note(3)
	ERR3650	2	From Nov 91
	ERR4735	2	Note(4)
2	603554	16	
	ERR3648	16	From Nov 91
3	ERC224	8	
	ERC225	8	
4	ERC210	8	
	ERC211	8	
5	602123	4	
6	602289	4	
7	STC1122	8	
	ERR2551	8	From Nov 91
8	STC1121	8	
	ERR1780	8	From Nov 91
9	ERC7865	8	
	ERR1782	8	From Nov 91
10	603796	2	
11	602040	4	

Note(1) Engine Prefix 20G NON DETOXED  
 Note(2) Engine Prefix 24G DETOXED with air rails  
 Note(3) Engine Prefix 24G DETOXED without air rails  
 Note(4) From engine 24G13114A

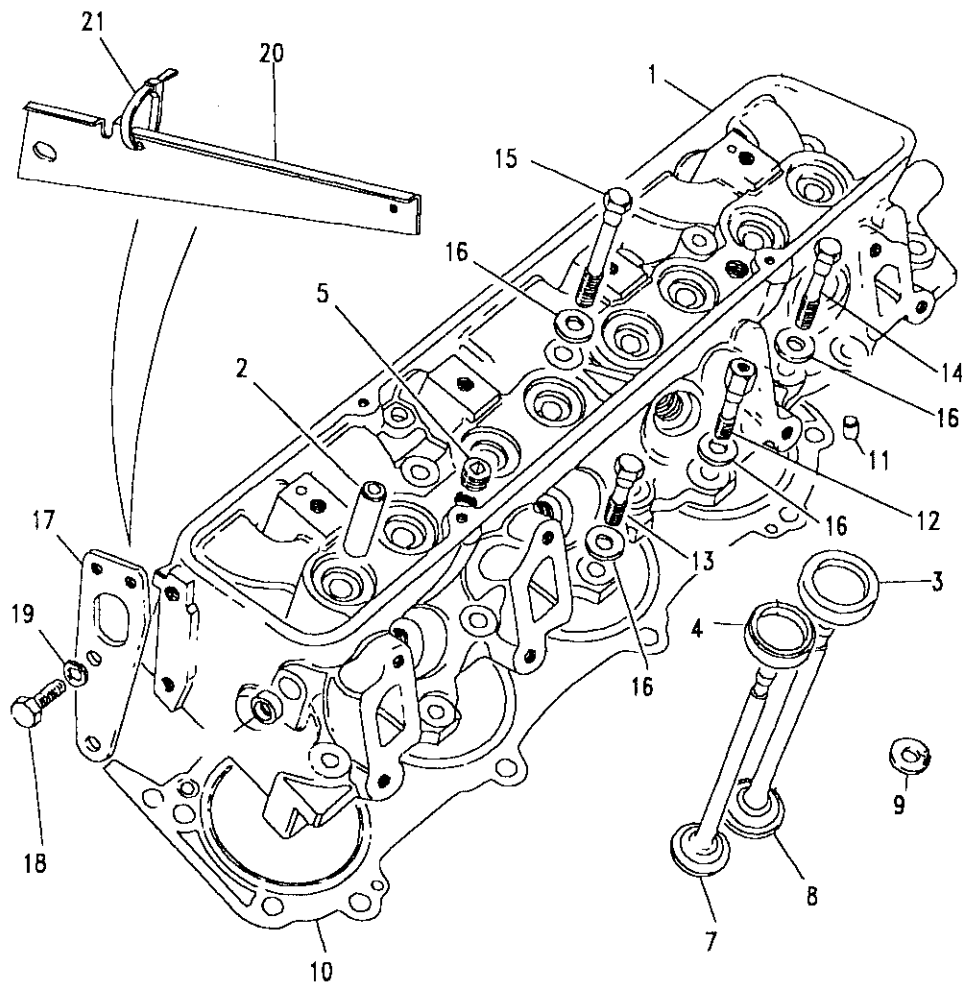


**Model** DEFENDER 110 1987 onwards  
**Page** AFBQGA1A

**ENGINE - CYLINDER HEAD - V8 CARB**

III. Part No.	Description	Qty	Remarks
12	90614584 Bolt	1	
13	602191 Bolt	7	
14	602192 Bolt	14	NON AIR CON
	602192 Bolt	13	AIR CON
	ERR2943 Bolt flanged 66mm	13	Note(1)
15	602193 Bolt	6	
	ERR2944 Bolt flanged 96mm	6	Note(1)
16	602098 Washer plain	28	
	602098 Washer plain	1	)Note(1)
	602200 Stud 7/16unc x 2.71	1	)
17	603031 Bracket lifting-front LH	1	BASIC
	90611812 Bracket lifting-front LH	1	P.A.S.
18	SH506071L Screw	2	)NON P.A.S.
19	WM600061L Washer spring	2	)
	SH506071L Screw	3	)AIR CON
	WM600061L Washer spring	3	)and P.A.S.
	SA506081L Screw	1	)
20	ERC2920 Bracket	1	)NON AIR CON
21	DRC1538 Strap	2	)
	ETC6474 Plug-pulsair	2	

Note(1) From engine 24G13114A

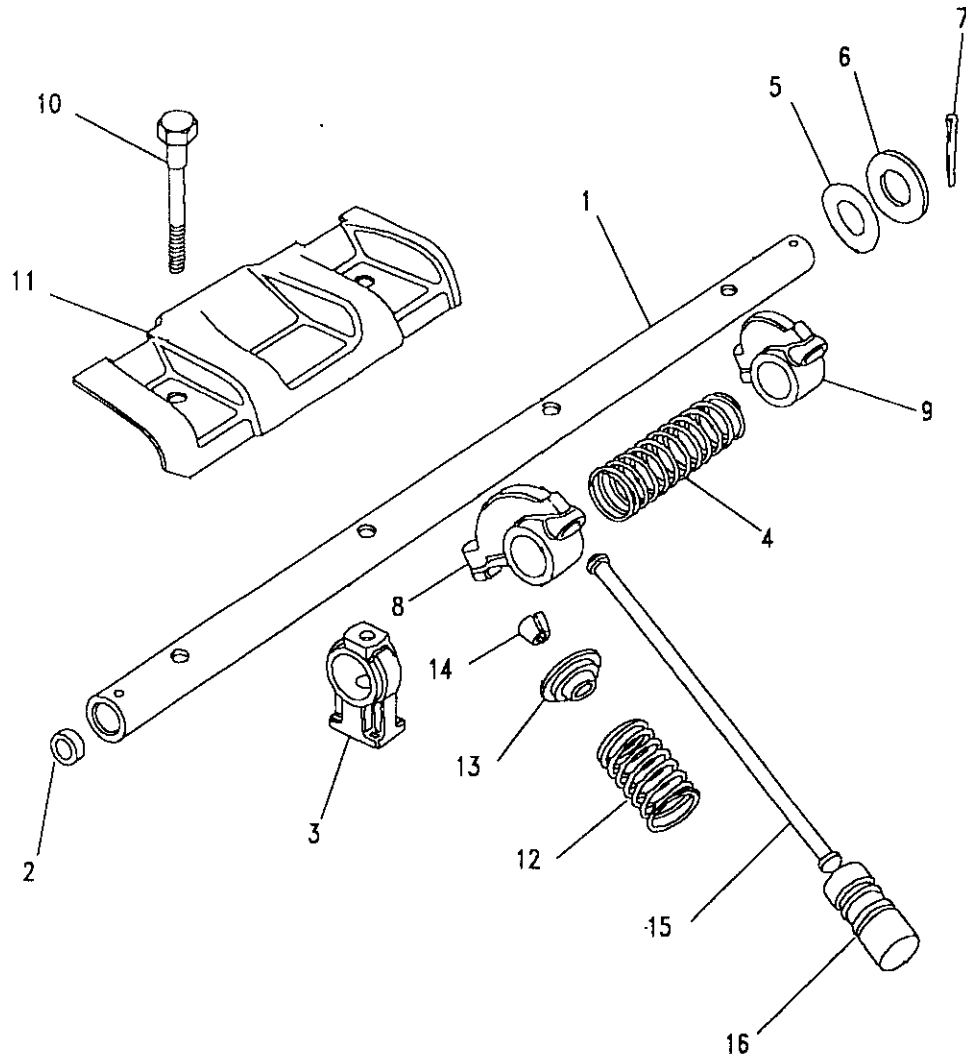


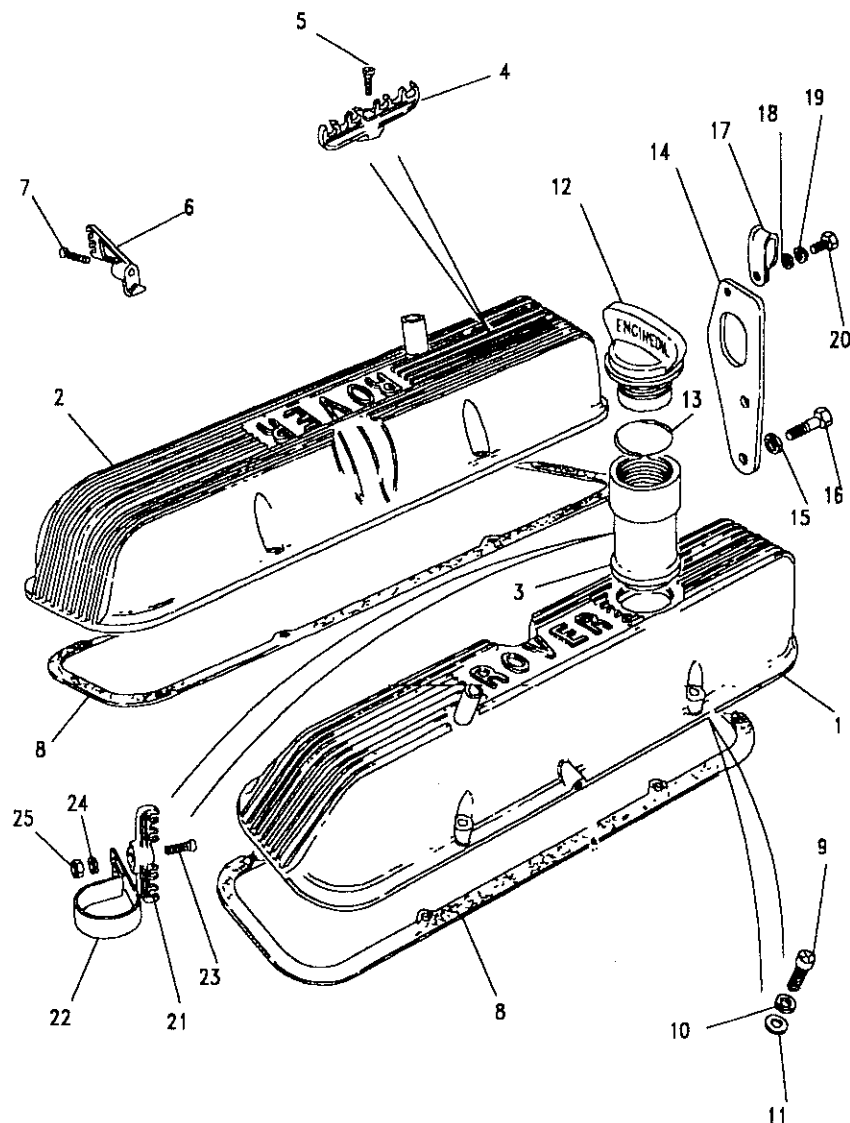
Model DEFENDER 110 1987 onwards

Page AFBQGC1A

ENGINE - VALVES & TAPPETS - V8 CARB

III. Part No.	Description	Qty	Remarks
1	611659L	2	Shaft rocker assembly
2	154545	4	Plug
3	603734	8	Bracket pedestal
4	602142	6	Spring
5	602148	4	Spring shafts end
6	602186	4	Washer
7	PS606101L	4	Split pin
8	602153	8	Valve rocker assy RH
9	602154	8	Valve rocker assy LH
10	602097	8	Bolt UNF
11	602172	2	Baffle oil
12	ERR4628	16	Spring valve
13	ERR1921	16	Cap valve spring
14	ERC1637	32	Cotter split
15	603378	16	Push rod-valves
16	ERC4949	16	Tappet hydraulic





Model DEFENDER 110 1987 onwards  
Page AFBQGG1A

## ENGINE - ROCKER COVER - V8 CARB

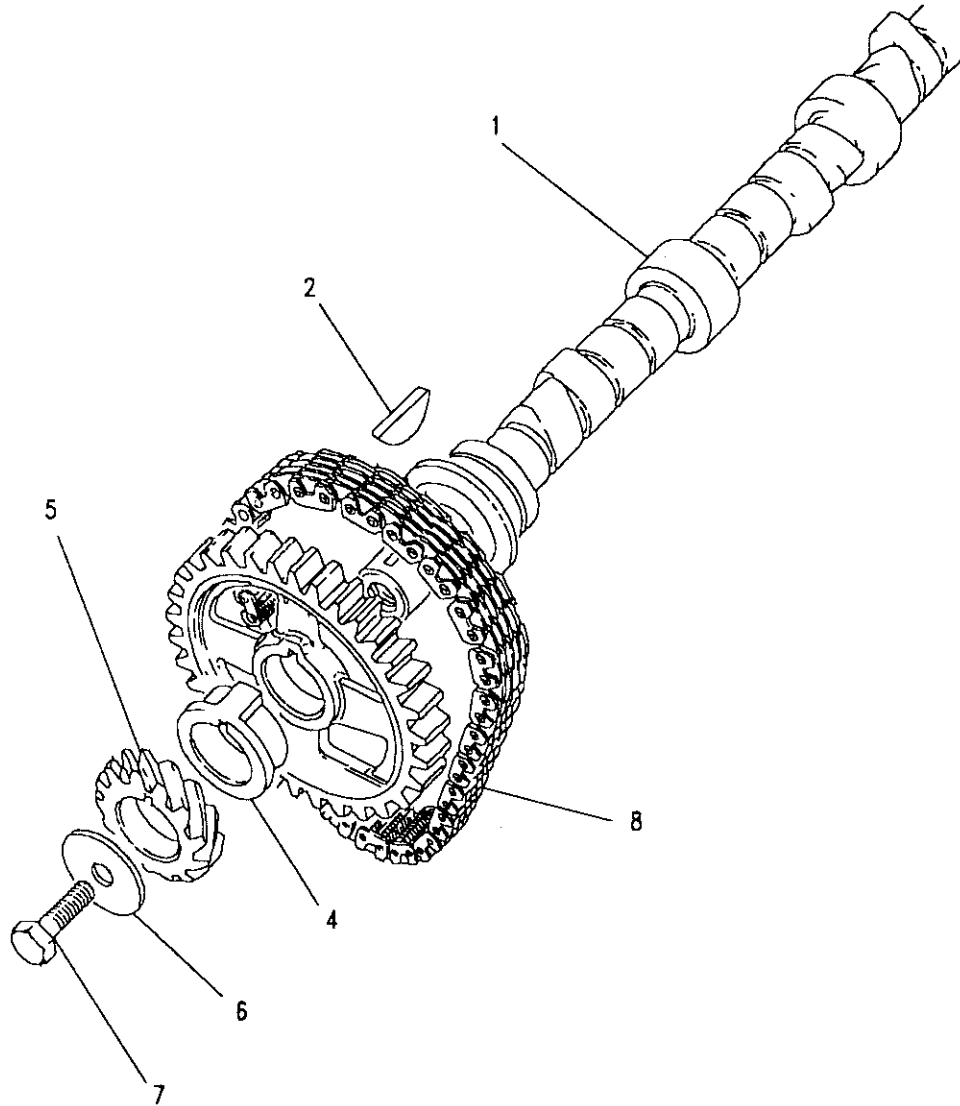
III. Part No.	Description	Qty	Remarks
1	RTC2348	1	Rocker cover RH
2	RTC2349	1	Rocker cover LH
3	ERC2989	1	Filler oil
4	ERC5512	1	Retainer HT cables
5	78862	1	Screw 10UNC x 0.562"
6	603675	1	Retainer HT xables
7	78861	1	Screw 10UNC x 0.625"
8	602512	2	Gasket cover/head
9	603127	4	Bolt
	SY504072L	4	Bolt
10	WM600041L	8	Washer spring
11	WB106041L	8	Washer plain
12	625038	1	Cap filler
13	564258	1	'O' ring cap
14	ERC614	1	Bracket lifting rear
15	WM600061L	2	Washer spring
16	SH506071L	2	Screw
17	586440	1	Clip cable
18	WM600041L	1	Washer spring
19	WB106041L	1	Washer plain
20	SH604041L	1	Screw
21	ERC2144	1	Spacer HT/LT leads
22	603184	1	Clip-leads to filler neck
23	78593	2	Screw 10UNF x 0.5"
24	WA702101L	2	Washer plain
25	HN2005L	2	Nut
	ERC5594	2	Bracket plug leads
	78861	2	Screw for bracket

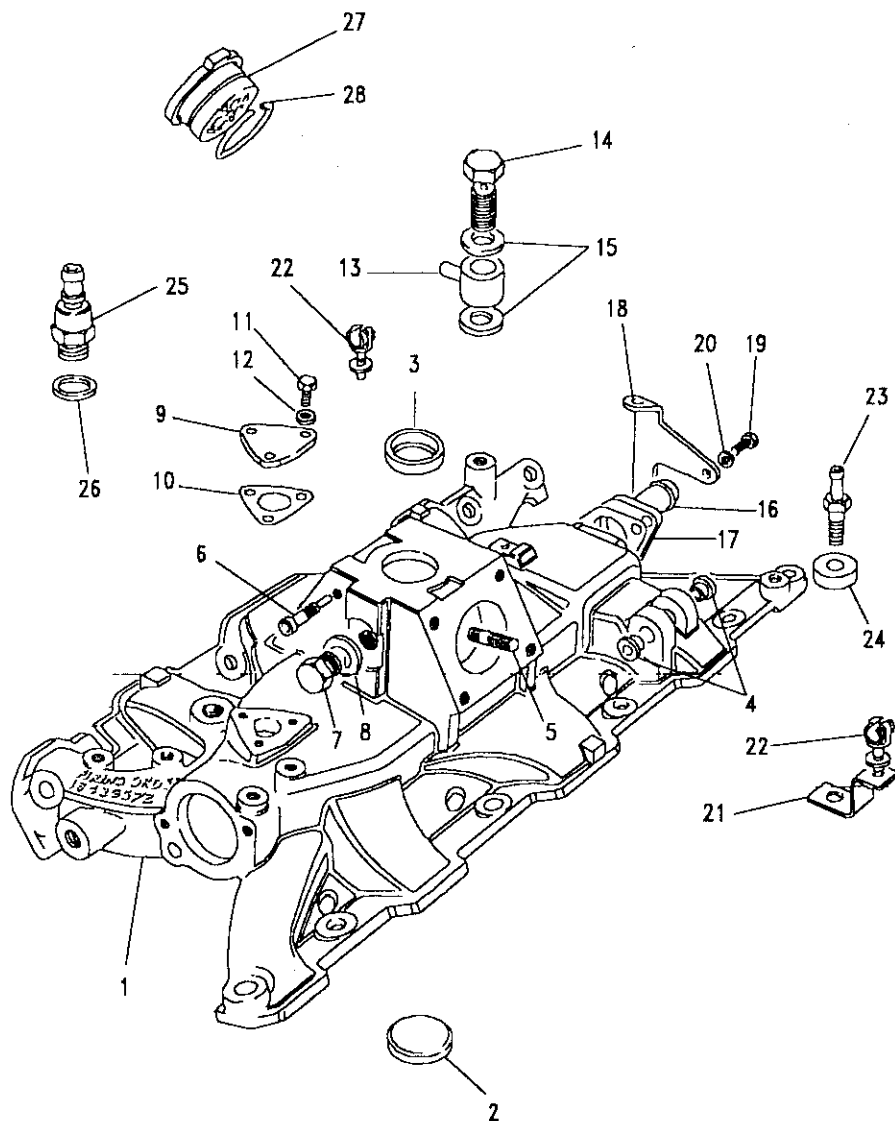


**Model** DEFENDER 110 1987 onwards  
**Page** AFBQG11A

**ENGINE - CAMSHAFT - V8 CARB**

III. Part No.	Description	Qty	Remarks
1 ETC6849	Camshaft	1	20G
ETC6850L	Camshaft	1	24G
2 ERC2838	Key camshaft	1	
3 610289	Chainwheel	1	
4 ERC2839	Spacer	1	
5 614188	Gear distributor drive	1	
6 ERC6552	Washer	1	
7 ERC5749	Bolt camshaft sprocket	1	
8 ERC7929	Chain timing	1	
RTC5918	Bearings camshaft set	1	

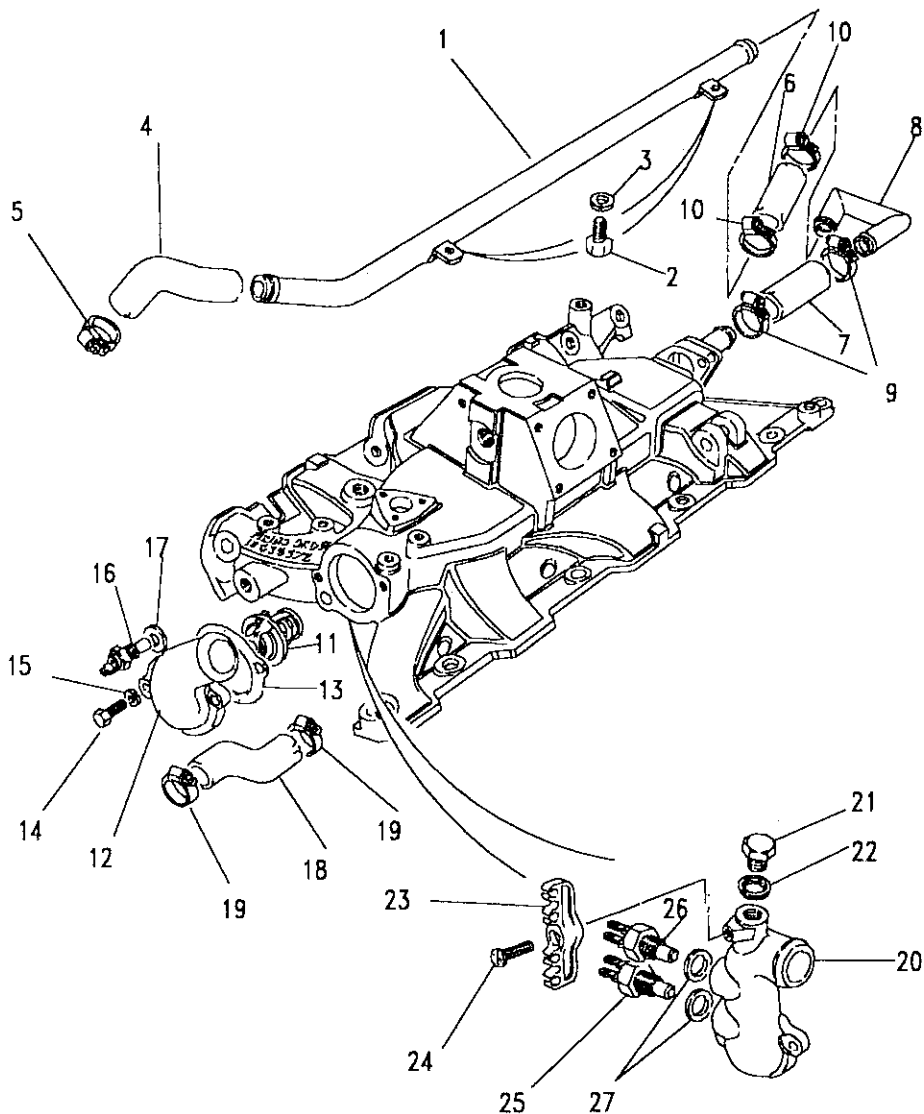




**Model** DEFENDER 110 1987 onwards  
**Page** AFBQHA1A

**ENGINE - INLET MANIFOLD - V8 CARB**

III. Part No.	Description	Qty	Remarks
1	ERC2135	1	Manifold inlet assembly
	ETC7915	1	Manifold inlet assembly
2	602152	1	Cup plug
3	ERC256	2	Cup plug
4	522932	2	Bush oilite accelerator
5	252514	8	Stud carburetters
6	ERC4820	1	Adaptor air bleed
7	603224	1	Plug blanking
8	232043	1	Washer joint
9	598006	1	Plate blanking
10	236022	1	Washer joint
11	257064	3	Screw 10UNC x 0.437
12	WM702001L	3	Washer spring
13	603277	1	Banjo vacuum signal
	610246	1	Banjo vacuum signal
14	534897	1	Bolt banjo
15	267604	2	Washer joint
16	ERC3561	1	Pipe water outlet
17	603441	1	Gasket
	ERR4935	1	Gasket water outlet conn
18	603561	1	Bracket
19	SH504061L	2	Screw
20	WM600041L	2	Washer spring
21	NRC2864	2	Bracket pipe clip
22	CRC1226	A/R	Clip fuel pipe
23	ERC2297	2	Peg air cleaner mounting
24	4594L	2	Washer plain
25	578620	1	Valve
26	232043	1	Washer joint
27	ERC3493	2	Restrictor
28	ERC3729	2	Ring spring



Model DEFENDER 110 1987 onwards

Page AFBQHA2A

ENGINE - THERMOSTAT & HOUSING - V8 CARB

III. Part No.	Description	Qty	Remarks
1	ERC2143	1	Pipe water outlet
2	SH504041L	2	Screw
3	WM600041L	2	Washer spring
4	ERC2320	1	Hose heater return
5	RTC3497	2	Clip hose
6	ERC3489	1	Hose outlet pipe
7	ERC3562	1	Hose return pipe
8	ERC3563	1	Adaptor manifold outlet
9	CJ600144L	2	Clip hose
10	RTC3497	2	Clip hose
11	602687	1	Thermostat 82o
12	ERC2139	1	Elbow water outlet
13	611786	1	Gasket
	ERR2429	1	Gasket
14	SH505091L	2	Screw
15	WM600051L	2	Washer spring
16	PRC2506	1	Transmitter water temp
	PRC4430	1	Transmitter water temp
17	90568054	1	Washer sealing
18	ERC2319	1	Hose by pass thermostat
19	RTC3497	2	Clip hose
20	ERC8639	1	Elbow water outlet
21	603224	1	Plug blanking
22	232043	1	Washer
23	603672	1	Retainer spark plug cable
24	AB610031L	1	Screw
25	PRC3505	1	Switch temp sensor fan
26	PRC3359	1	Switch temp/cut out
27	C457593L	2	Washer

NON AIR CON  
Upto FEB1991  
From FEB1991

HOT CLIMATE

AIR CON

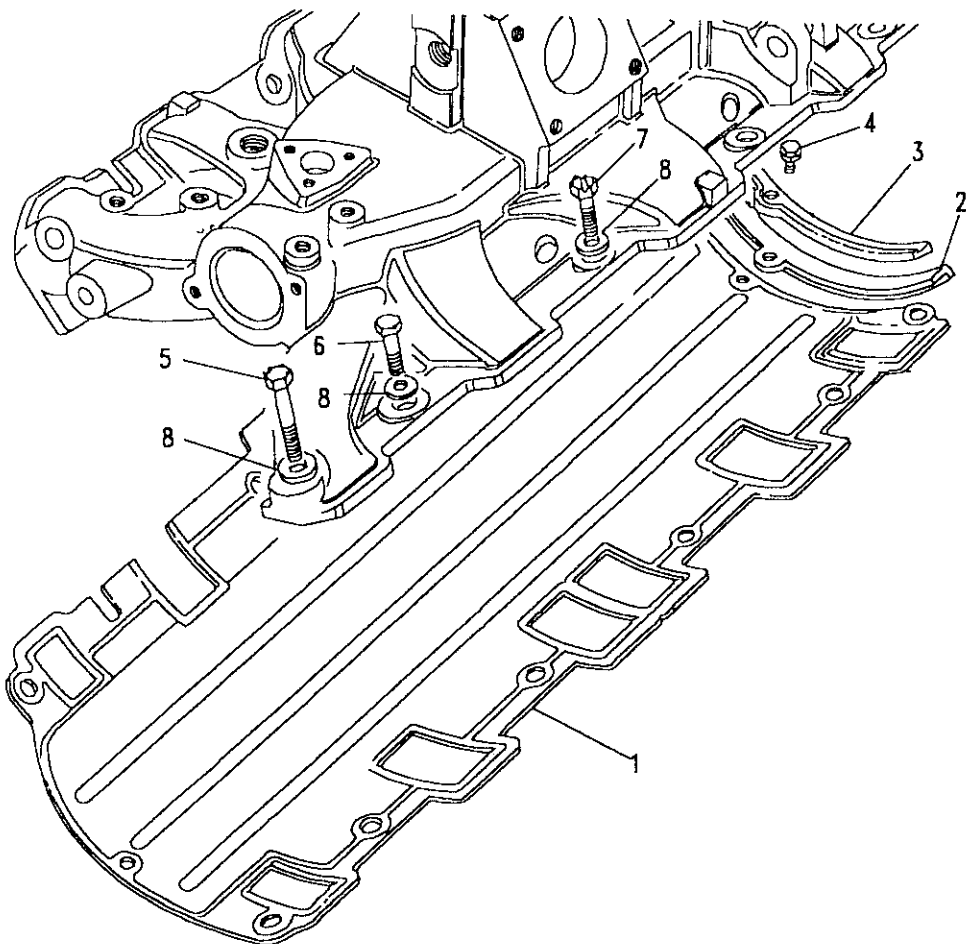




Model DEFENDER 110 1987 onwards  
Page AFBQHA3A

ENGINE - GASKETS INLET MANIFOLD - V8 CARB

III. Part No.	Description	Qty	Remarks
1 ERR4923	Gasket inlet manifold	1	
2 602099	Seal gasket ends	2	
3 602076	Clamp	2	
4 602236	Bolt clamp to block	2	
5 BH506161L	Bolt manifold to block	2	
6 BH506121L	Bolt manifold to block	6	
7 90611504	Bolt manifold to block	4	
8 2204L	Washer	12	



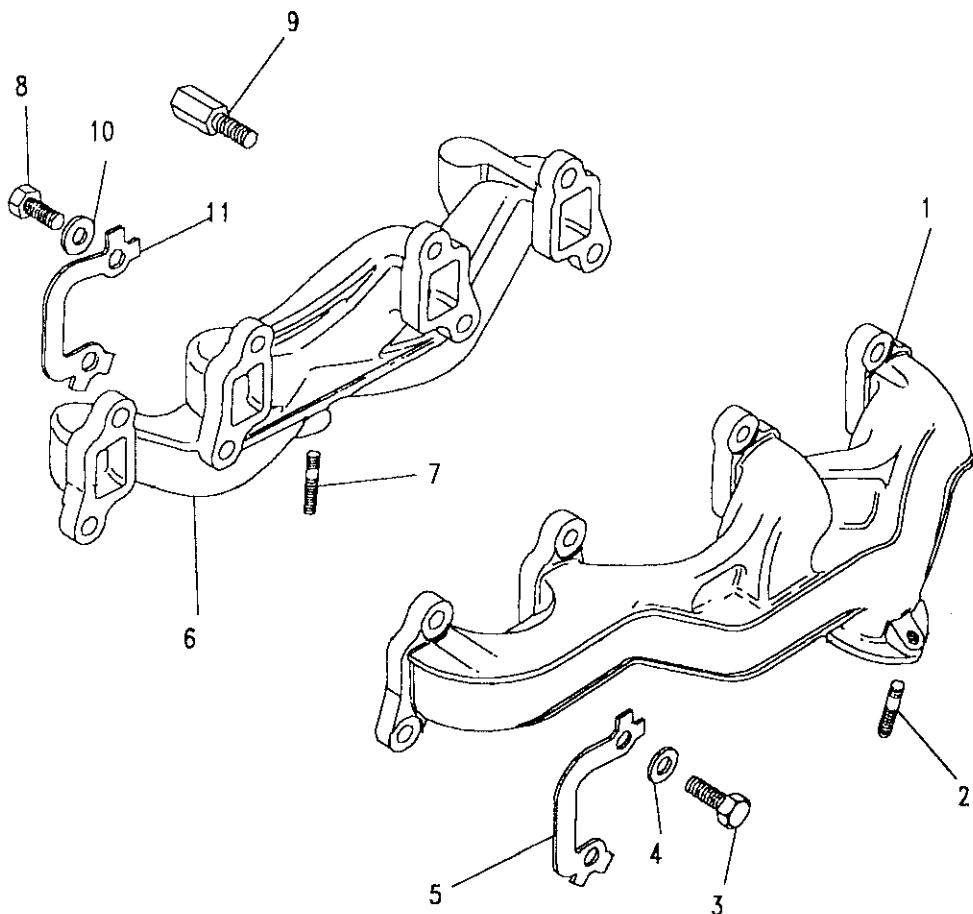
Model DEFENDER 110 1987 onwards

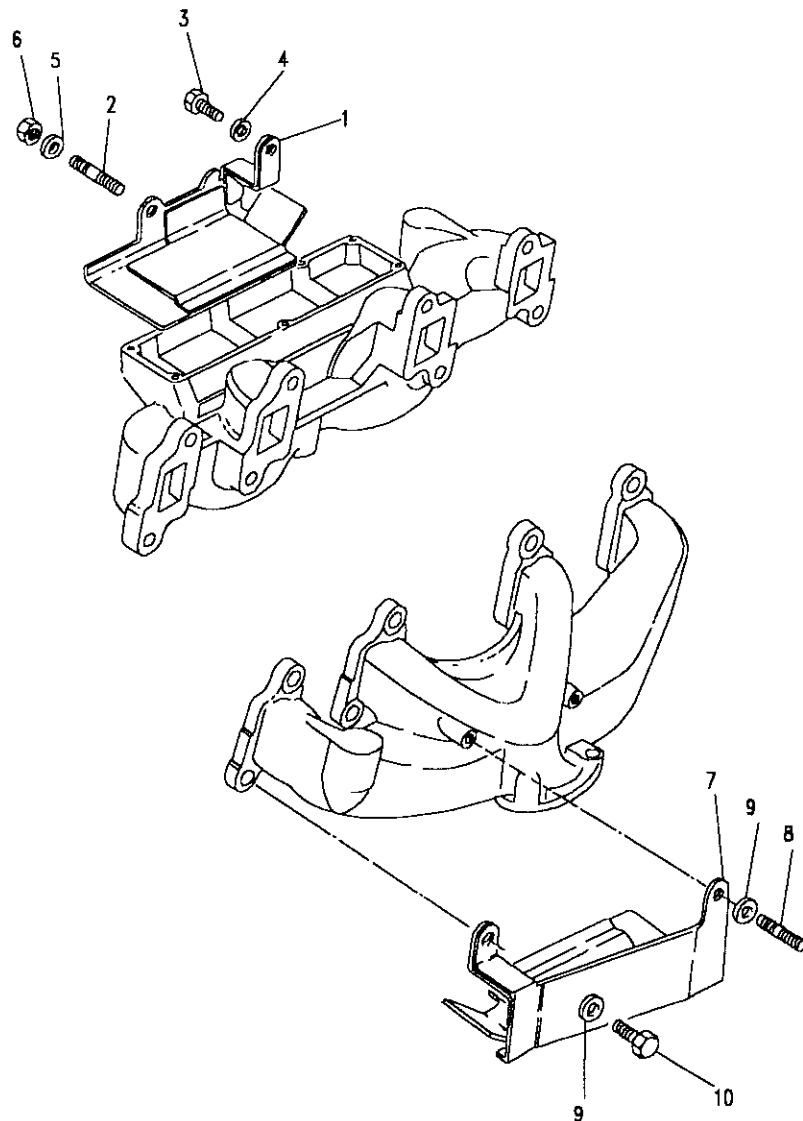
Page AFBQHC1A

ENGINE - EXHAUST MANIFOLD - V8 CARB

III. Part No.	Description	Qty	Remarks
1	ETC5329	1	Upto 24G06490B
	ERC5068	1	From 24G06491B
	ERR2535	1	Note(1)
2	252623	6	
	TE108051L	6	
3	SH506101L	8	
4	3036L	8	
5	ERC7321	4	
6	ETC6535	1	Upto 24G06490B
	ERC3102	1	From 24G06491B
	ERR2533	1	Note(1)
7	252623	3	
	TE108051L	3	
8	SH506101L	7	
9	614443	1	
10	3036L	8	
11	ERC7321	4	

Note(1) Latest type manifold with METRIC thread





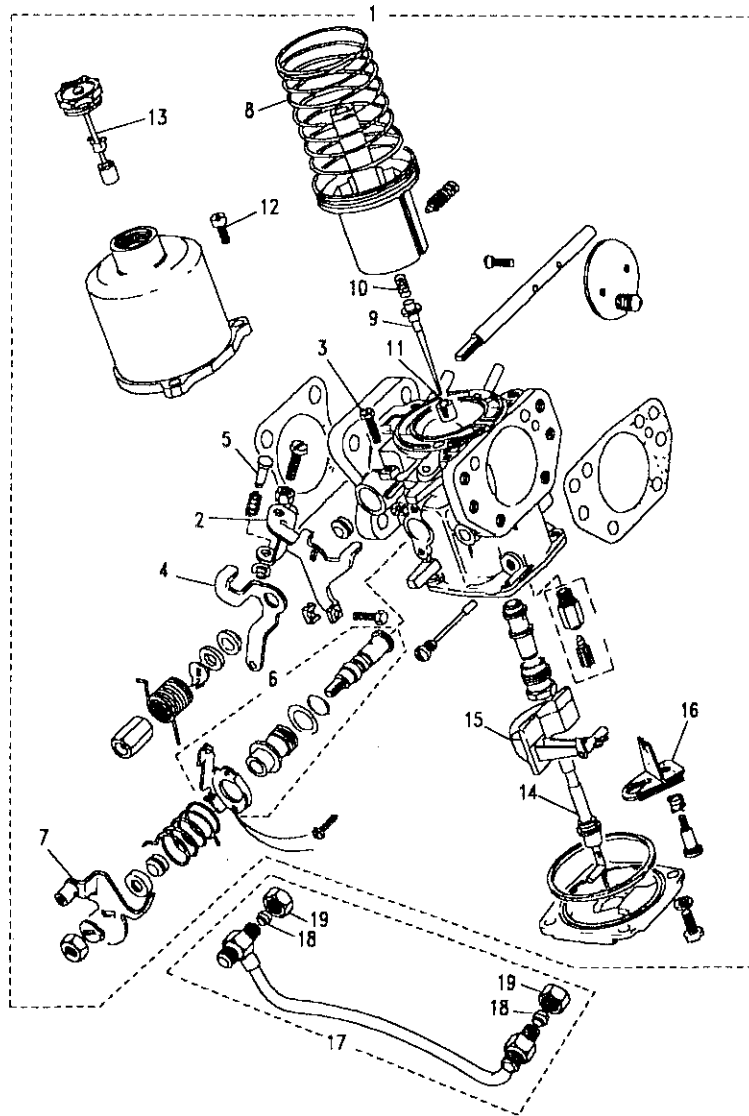
**Model** DEFENDER 110 1987 onwards  
**Page** AFBQHC2A

**ENGINE - HEATSHIELD - V8 CARB**

III. Part No.	Description	Qty	Remarks
1	ERC5875	1	Note(1)
2	ERC3690	1	
3	SH605051L	1	
4	RTC613	1	
5	RTC609	1	
6	NR604090L	1	
7	ERC5786	1	Note(2)
8	ERC3458	1	
9	RTC613	2	
10	SH605051L	1	

Note(1) For detoxed engine Prefix 24G  
 Note(2) For non-detoxed engine Prefix 20G

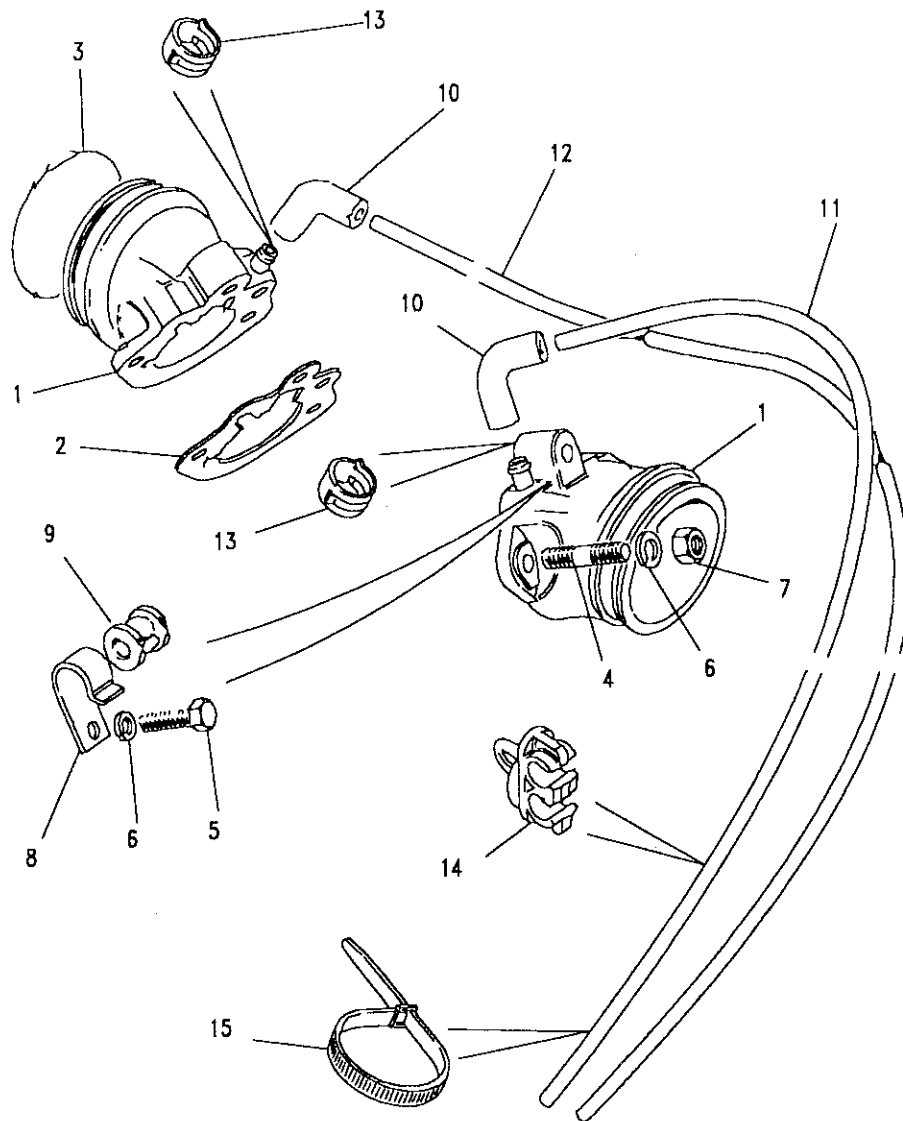




Model DEFENDER 110 1987 onwards  
 Page AFBQIA1A

ENGINE- CARBURETTER - V8 CARB

III. Part No.	Description	Qty	Remarks
1	ETC7122	1	Carburetter assembly LH
	ETC7123	1	Carburetter assembly RH
2	LZX2107L	1	Lever throttle assembly
3	JZX1303L	2	Screw fast idle
4	AUD4771L	2	Clip fast idle
5	JZX1181L	2	Screw slow run
6	STC509	1	Valve body assembly LH
	STC510	1	Valve body assembly RH
7	LZX1988L	1	Lever cam assembly LH
	LZX1989L	1	Lever cam assembly RH
8	AUD4398L	2	Spring piston (Yellow)
9	NZX8076L	2	Needle assembly
10	AUD3306L	2	Spring needle
11	JZX1039L	2	Guide needle
12	JZX1394L	6	Screw
13	LZX1505	2	Damper assembly
14	CUD2788L	1	Jet assembly LH carb
	CUD2785L	1	Jet assembly RH carb
15	LZX1600L	1	Float assembly LH carb
	RTC3566	1	Float assembly RH carb
16	CUD2399L	2	Bi metal assembly
17	ETC7127	1	Pipe fuel feed assembly
18	612064	2	Olive
19	534790	2	Nut
20	STC205	2	Needle and seat
	RTC6072	1	Kit seal SU-CARB
	WZX1505	1	Kit gasket SU-CARB



Model DEFENDER 110 1987 onwards  
 Page AFBQIC1A

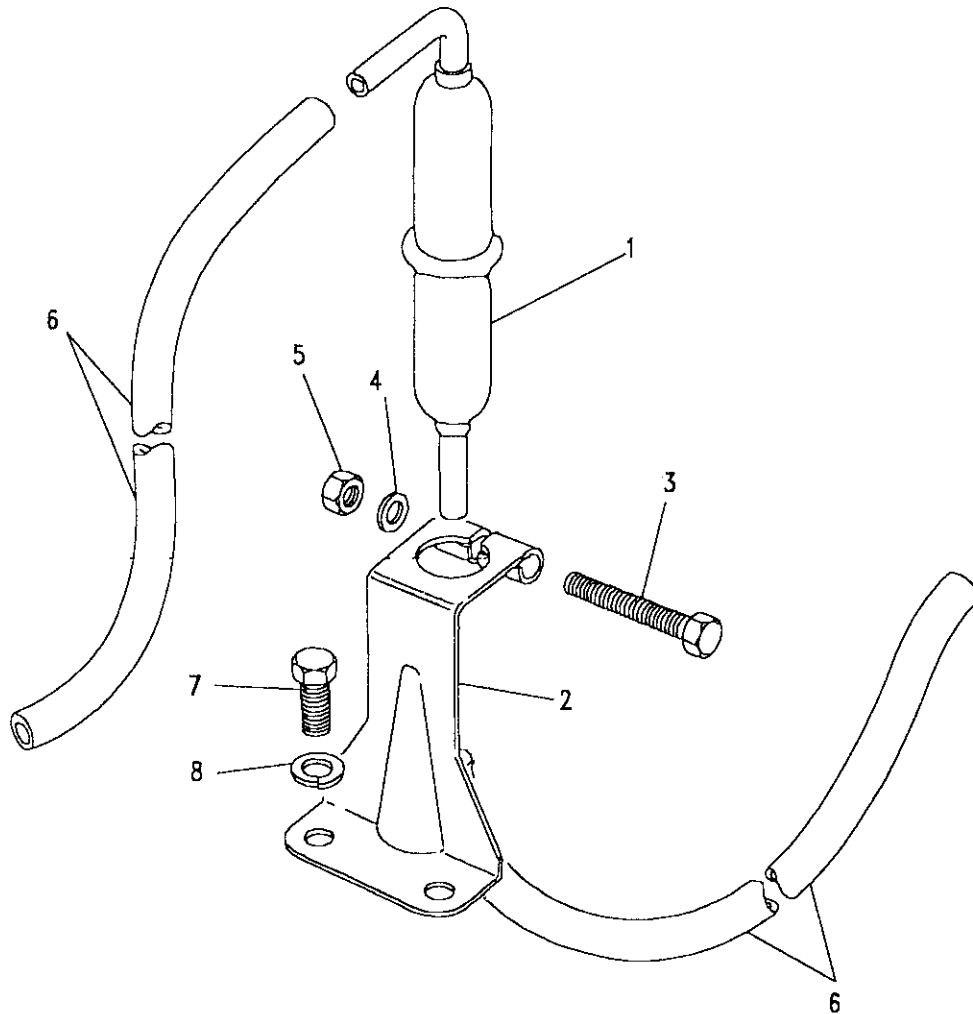
**ENGINE - CARBURETTER ADAPTORS - V8 CARB**

III. Part No.	Description	Qty	Remarks
1 ETC7126	Adaptor air intake	2	
2 612435	Washer joint	2	
PKX100030	Gasket air duct	2	From Jan 94
3 602634	'O'ring	2	
4 TE505105L	Stud adaptor	4	
5 BH505111L	Bolt	2	
6 WM600051L	Washer spring	6	
7 NH605041L	Nut	4	
8 239600	Clip LH adaptor	1	
523203	Clip RH adaptor	1	
9 273370	Grommet LH adaptor	1	
10 577458	Elbow vent to intake	2	
11 NTC3793	Pipe vent LH	1	
12 NTC3794	Pipe vent RH	1	
13 UKC3803L	Band hose	2	
14 50641	P clip	1	
589254	Grommet	1	
15 NTC2292	Clip	1	
594594	Tie cable	1	

**Model** DEFENDER 110 1987 onwards  
**Page** AFBQIC2A

**ENGINE - FLAME TRAP - V8 CARB**

III. Part No.	Description	Qty	Remarks
1	ERC2042L Fuel trap assembly	1	
2	ERC4193 Clamp support	1	
3	253942 Bolt	1	
4	WA702101L Washer	2	
5	257071 Nut	1	
6	614891 Pipe vacuum	1	AS REQUIRED
7	SH504041L Screw	2	
8	WM600041L Washer spring	2	

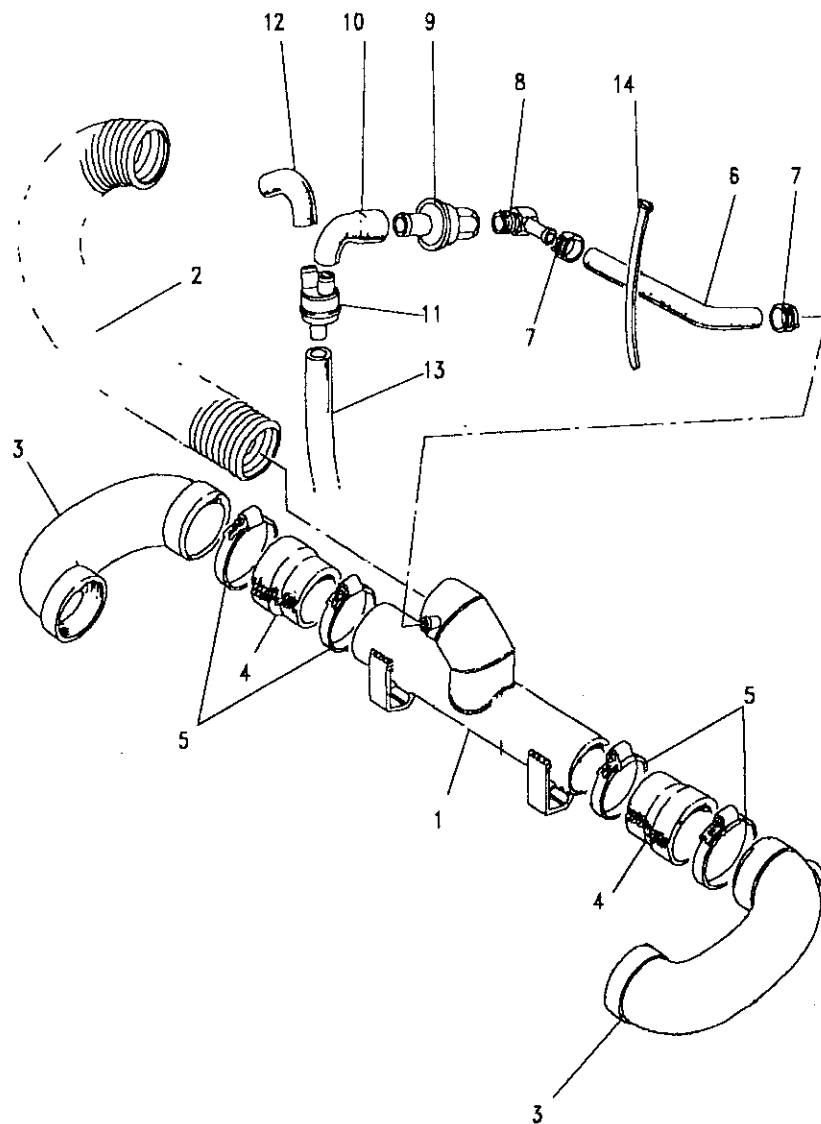


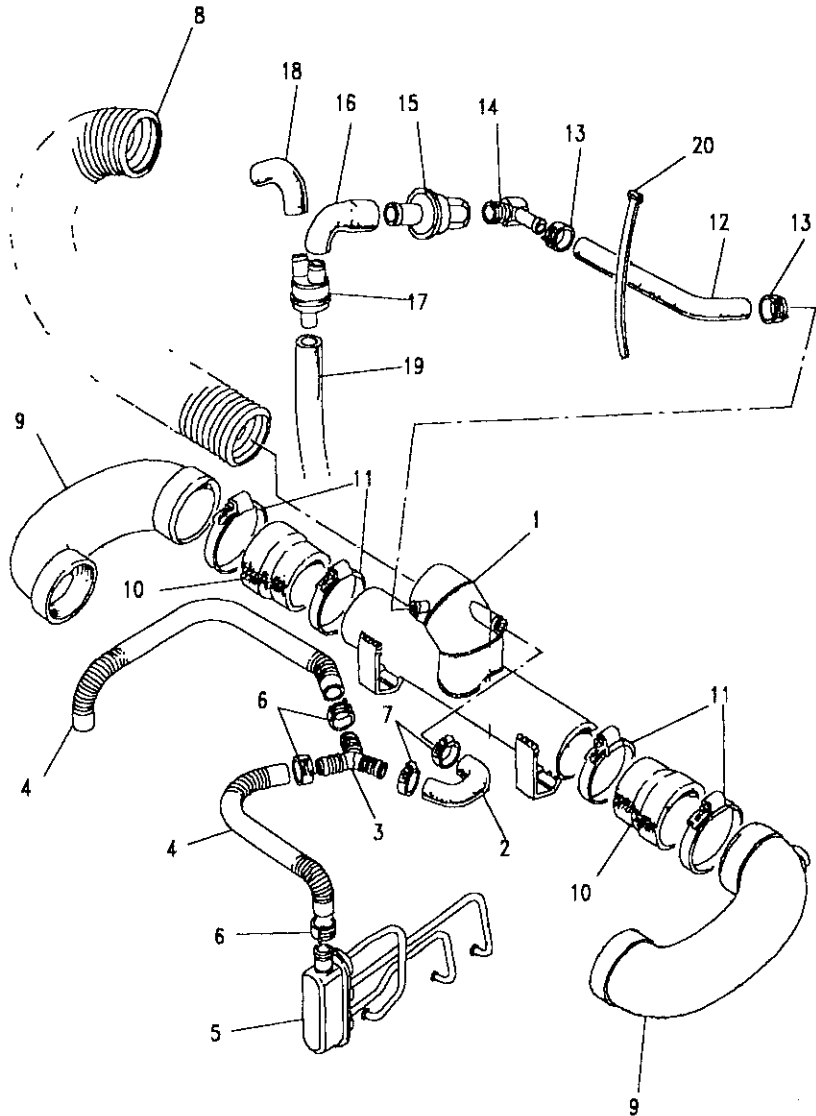


Model DEFENDER 110 1987 onwards  
Page AFBQIG1A

## ENGINE - AIR INLETS - V8 CARB - NON DETOXED

III. Part No.	Description	Qty	Remarks
1	ETC7193	1	Duct assembly
2	ERC3956	1	Hose air duct
3	ERC5247	2	Elbows carburetter
4	ERC3915	2	Hose air inlet
5	RTC3518	4	Clip hose
6	ETC7199	1	Hose breather
7	UKC3799L	2	Clamp hose
8	ETC7201	1	Adaptor assembly
9	ERC6878	1	Valve check
10	ETC7189	1	Hose breather
11	ETC7188	1	Flame trap
12	611092	1	Hose to rocker cover
13	611097	1	Hose to carburetter
14	594594	1	Tie cable





**Model** DEFENDER 110 1987 onwards  
**Page** AFBQIG2A

**ENGINE - AIR INLETS - V8 CARB - DETOXED**

Ill. Part No.	Description	Qty	Remarks
1	ETC7195 Duct assembly	1	)
2	ERC9398 Hose connection	1	)
3	ETC6579 Y connection	1	)Note(1)
4	ETC6581 Hose air flexible	2	)
5	ETC5989 Pulsair box assembly LH	1	)
	ETC5990 Pulsair box assembly RH	1	Note(1)(2)
	ETC6912 Pulsair box assembly RH	1	Note(1)(3)
	ETC6550 Steady pulsair box LH	1	Note(1)
	ETC6549 Steady pulsair box RH	1	Note(1)(2)
	ETC6249 Steady pulsair box RH	1	Note(1)(3)
	ETC7012 Steady pulsair box RH	1	Note(1)(3)
6	UKC3802L Clamo hose	4	)Note(1)
7	CN100308L Clip hose	2	)
8	ERC3956 Hose air	1	
9	ERC5247 Elbow carburetter	2	
10	ERC3915 Hose air inlet	2	
11	RTC3518 Clip hose	4	
12	ETC7199 Hose breather	1	
13	UKC3799L Clamp hose	2	
14	ETC7201 Adaptor assembly	1	
15	ERC6878 Valve check	1	
16	ETC7189 Hose breather	1	
17	ETC7188 Flame trap	1	
18	611092 Hose to rocker cover	1	
19	611097 Hose to carburetter	1	
20	594594 Tie cable	1	
	ETC5918 Tube injection	6	

Note(1) From VIN 328543 These Parts Deleted  
 Note(2) Except air con  
 Note(3) Air con only





DEFENDER 110 1987 onwards

280

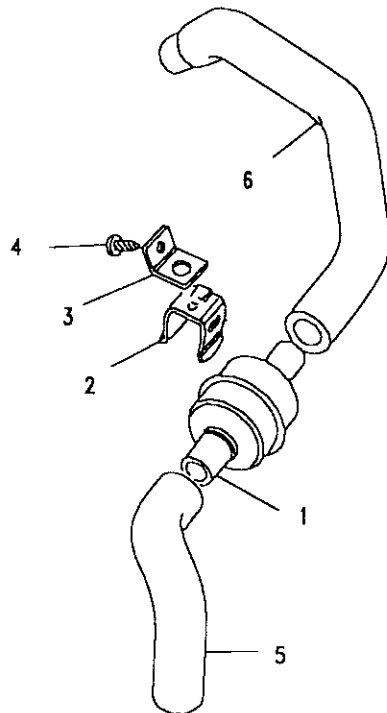
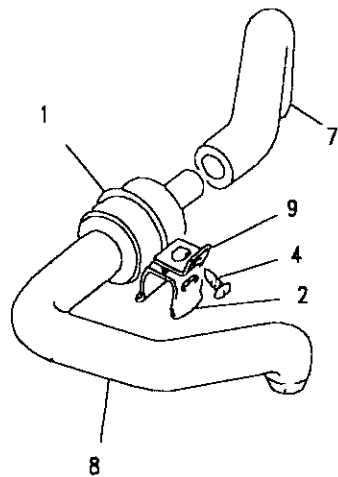
ENGINE

Model DEFENDER 110 1987 onwards

Page AFBQIG3A

ENGINE - BREATHERS - V8 CARB

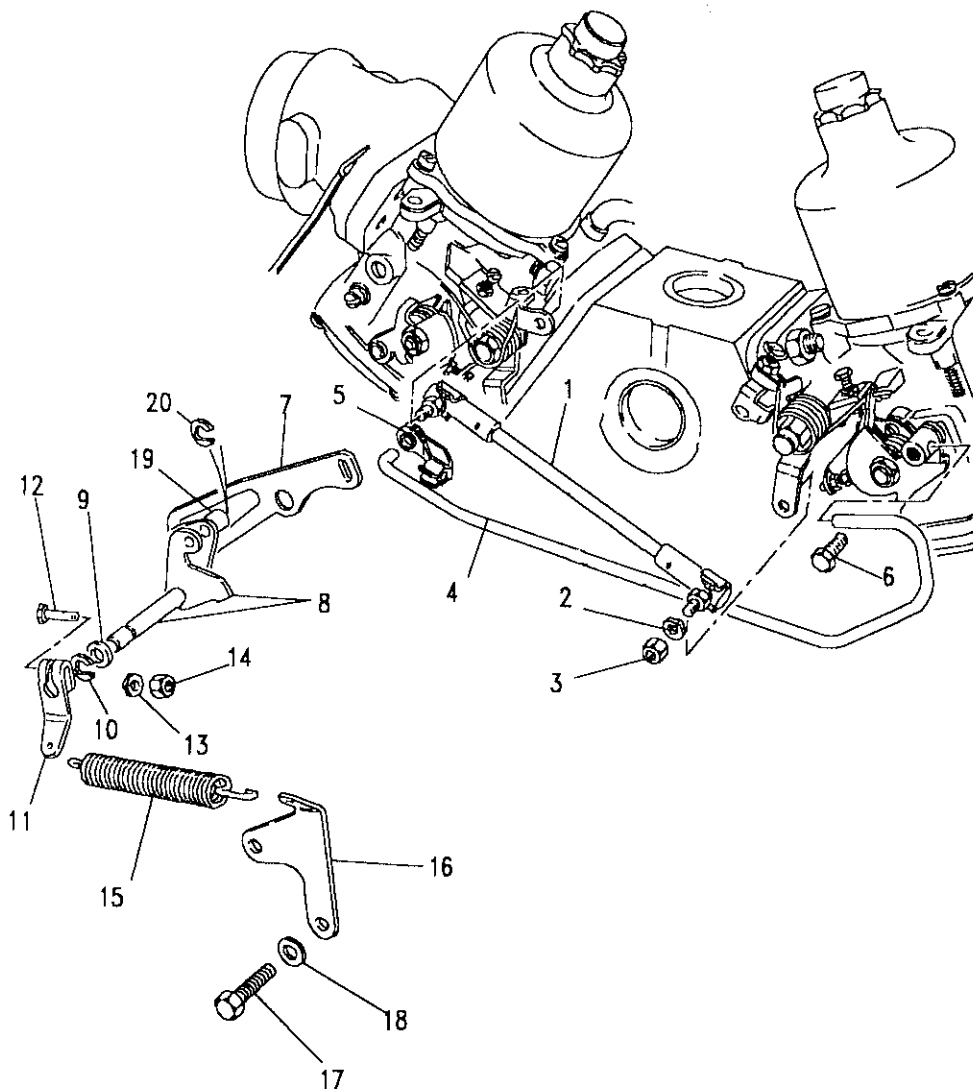
Ill. Part No.	Description	Qty	Remarks
1	Flame trap	2	
2	Clip	2	
3	Bracket	1	
4	AB610031L Screw	2	
5	613718L Hose breather/LH rocker	1	
6	613402 Hose flame trap/LH carb	1	
7	ERC3930 Hose breather/RH rocker	1	
8	ERC3931 Hose flame trap/RH carb	1	
9	ERC4670 Bracket	1	



Model DEFENDER 110 1987 onwards  
 Page AFBQI1A

ENGINE - THROTTLE LINKAGE - V8 CARB

Ill. Part No.	Description	Qty	Remarks
1	ETC4728L	1	Link throttle carb
2	WM702001L	2	Washer spring
3	NH910011L	2	Nut 10UNF
4	ERC1161L	1	Rod choke lever
5	614538L	1	Clip linkage
6	SH910101	1	Screw
7	ETC7061	1	Lever cam throttle
8	ETC8513	1	Countershaft assembly
9	WA108051L	1	Washer
10	521453	1	Circlip
11	AUD2437L	1	Lever throttle spring
12	SH910241L	1	Screw
13	WA702101L	1	Washer
14	NH910241L	1	Nut
15	603622	1	Spring coun/shaft return
16	ERC8626	1	Bracket spring anchor
17	FS504047	1	Screw fixing bracket
18	WA106061L	1	Washer fixing bracket
19	ETC8511	1	Roller countershaft
20	521452	1	Circlip roller coun/shaft

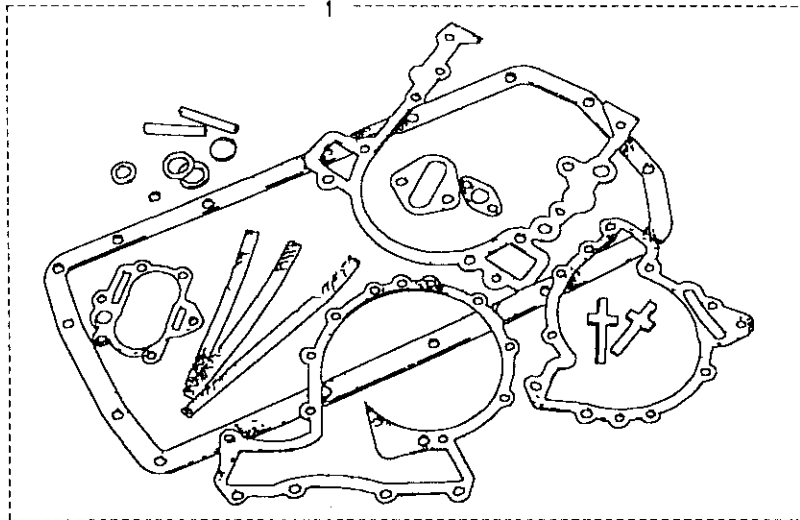




DEFENDER 110 1987 onwards

282

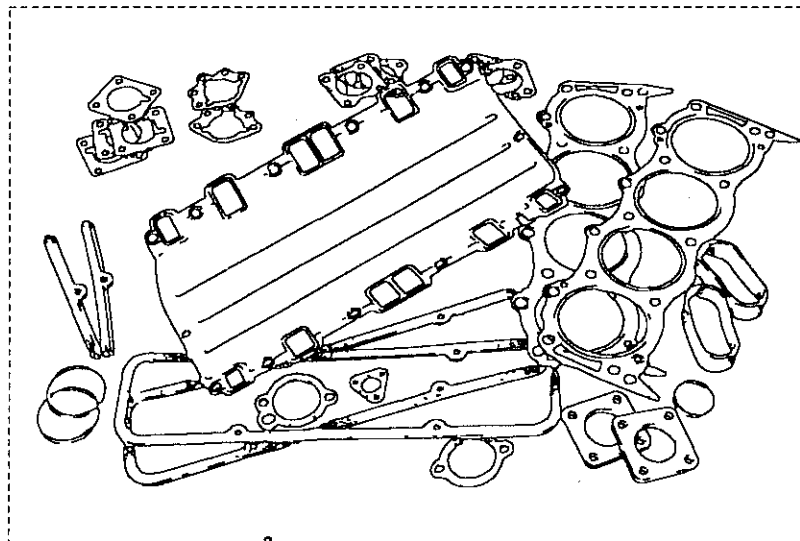
ENGINE



Model DEFENDER 110 1987 onwards  
Page AFBQMA1A

ENGINE - GASKET KITS - V8 CARB

III. Part No.	Description	Qty	Remarks
1 RTC2104	Kit gasket overhaul	1	
STC1639	Kit gasket overhaul	1	Asbestos free
2 RTC2913	Kit gasket decarbonising	1	
STC1566	Kit gasket cylinder head	1	Asbestos free





Model DEFENDER 110 1987 onwards

Page AFBQNC4A

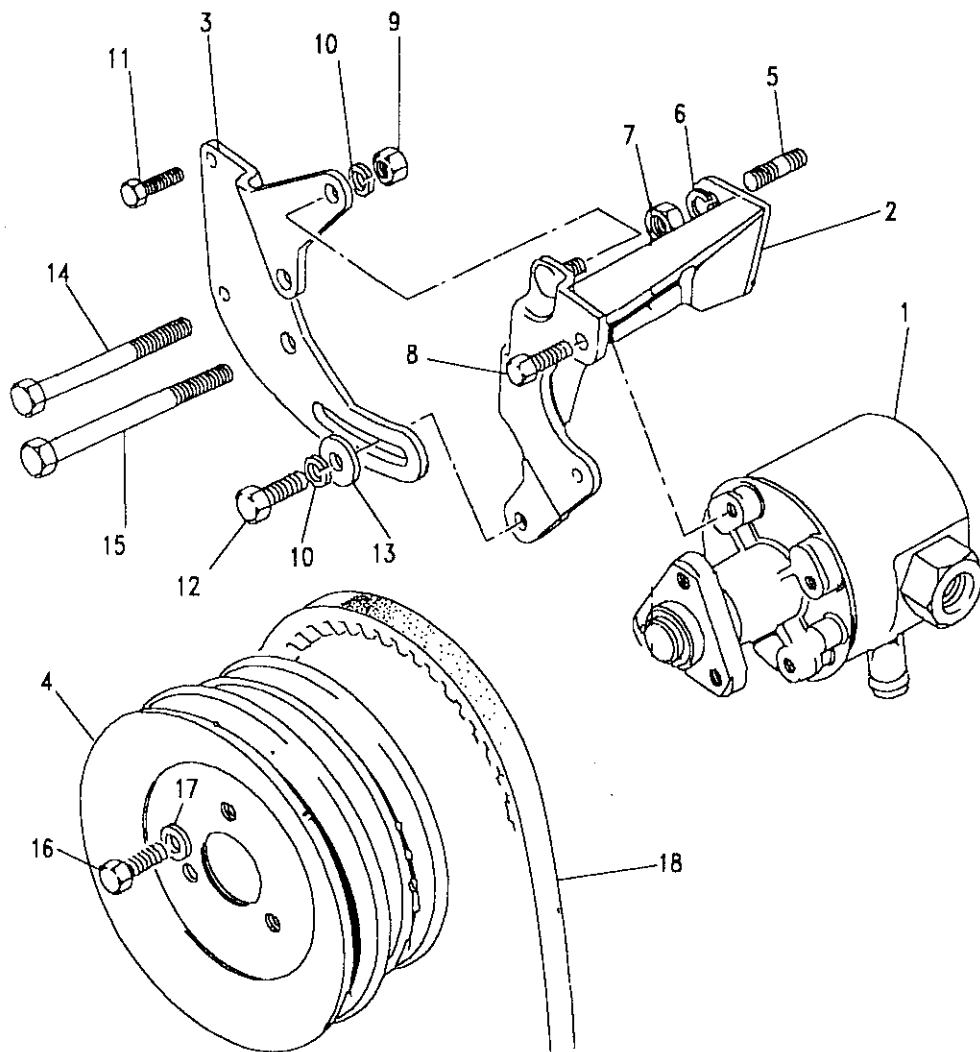
## ENGINE - POWER STEERING PUMP &amp; MOUNTINGS - V8 CARB

## III. Part No.

## Description

## Qty Remarks

1	ANR2003	Pump power steering	1	Upto24G10889
	RTC6760	Spacer	1	Upto24G10889
1	NTC9198	Pump power steering	1	From24G10890
2	ETC6486	Bracket mounting front	1	
3	ETC6607	Bracket adjusting pump	1	
4	ETC6647	Pulley single groove	1	NON AIR CON
	ETC5665	Pulley twin A133 alt	1	AIR CON
	ETC6408	Pulley twin A127 alt	1	AIR CON
5	TE506101L	Stud 3/8"UNF	1	
	SS506060	Screw socket	1	
6	WM600061L	Washer spring	1	
7	NH606045L	Nut 3/8"UNF	1	
8	FS106167L	Screw M6x16 long	3	
9	NH108041L	Nut M8	1	
10	WM600051L	Washer spring	3	
11	BH504121L	Bolt 1/4"UNCx1,1/2 long	2	
12	SH108251L	Screw M8x25 Lng	1	
13	4594L	Washer plain	1	
14	BH505401L	Bolt 5/16"UNCx4,3/4 long	1	
15	BH505401L	Bolt 5/16"UNCx5.00 Lng	1	
16	FS108201L	Screw	3	
17	WA108051L	Washer plain	3	
18	614106	Belt	1	
	554880	Key	1	)Centre Hole
	2217L	Washer Plain	1	)Pulley
	SH505071L	Screw Pulley/Pump	1	)Fixings
	RTC5935	Seal Kit (ETC6496)	1	
	STC1633	Kit seal	1	From Jan 94



Model DEFENDER 110 1987 onwards

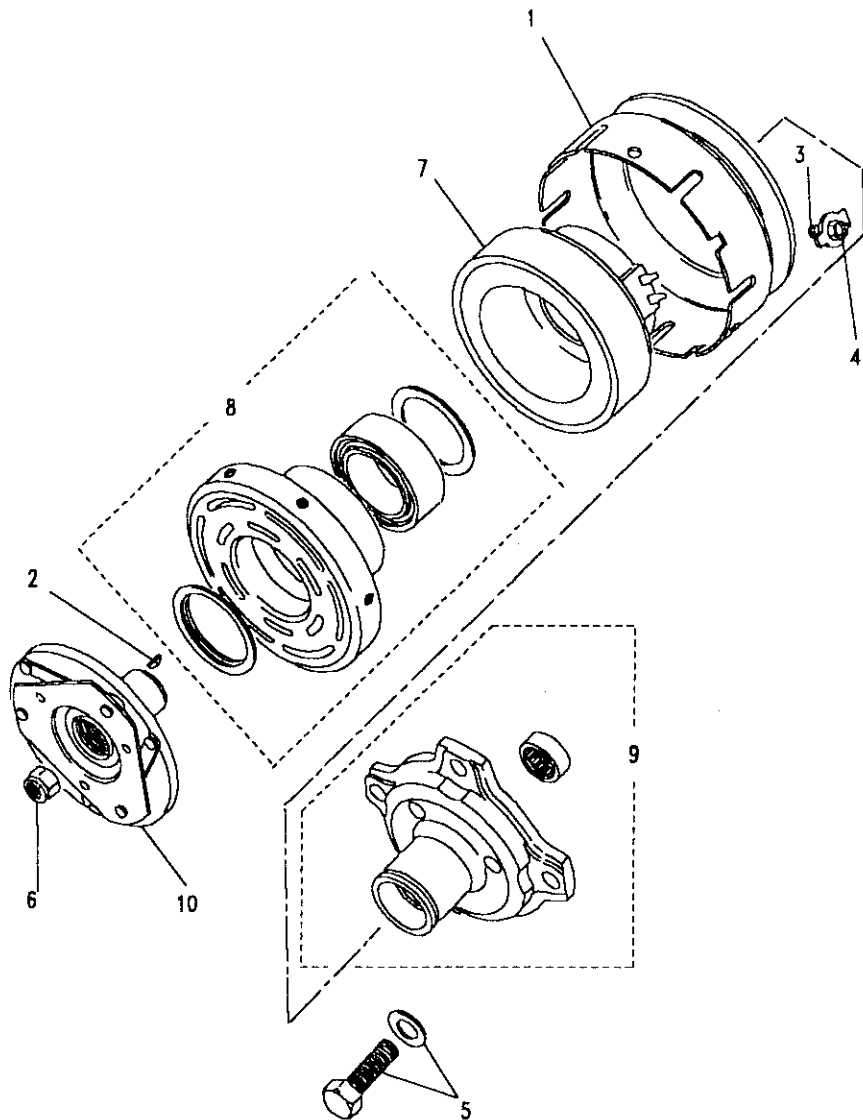
Page AFBQNE1A

ENGINE - AIRCON COMPRESSOR - V8 CARB

III. Part No.	Description	Qty	Remarks
BTR9419	Compressor assembly	1	Note(2)
ERC6480	Compressor assembly	1	Note(1)
1 AEU1782	Pulley rim	1	
2 AEU1694	Key clutch hub	1	
3 AEU1780	Screw rim mounting	6	
4 AEU1779	Washer rim mounting	6	
5 AEU1784	Screw and washer assy	4	
6 AEU1775	Nut shaft	1	
7 AEU1778	Coil and housing assy	1	
8 AEU1777	Rotor and bearing assy	1	
9 AEU1785	Front Head/bearing assy	1	
10 AEU1776	Clutch assembly	1	

Note(1) Up to VIN MA949374

Note(2) From VIN MA949375





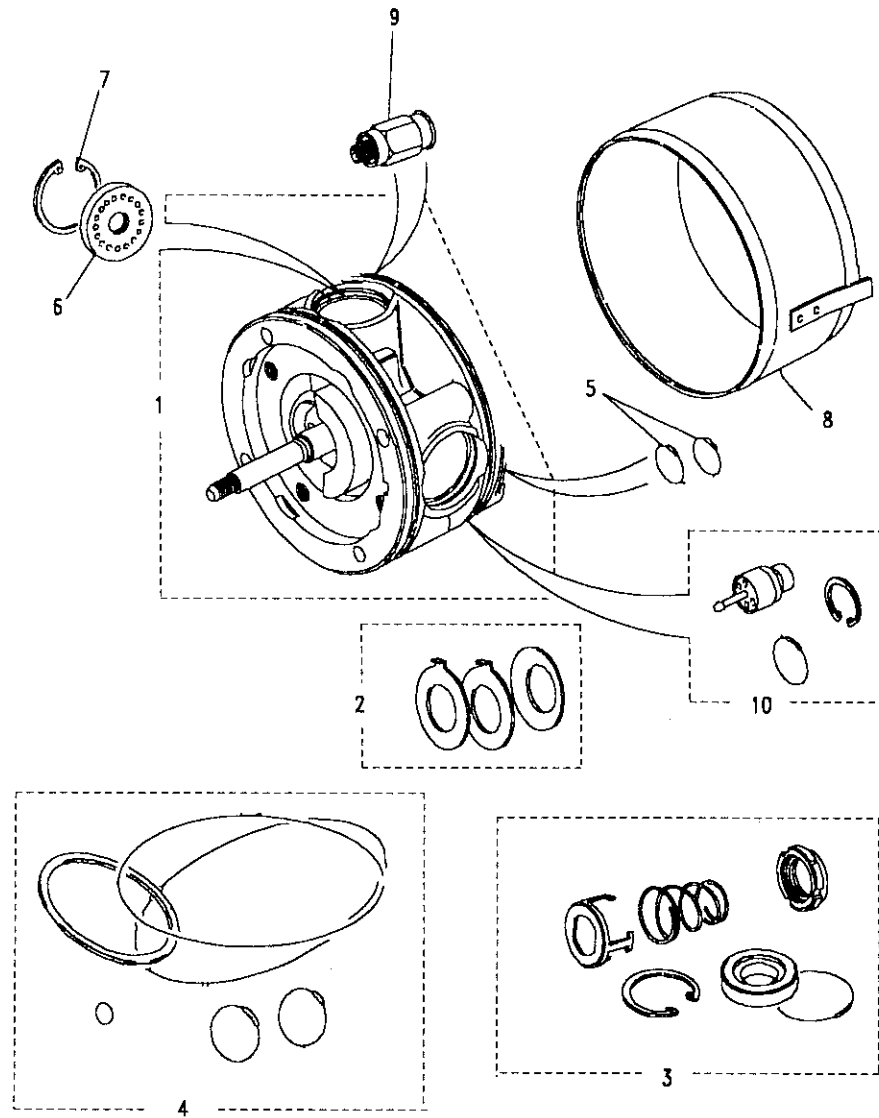
DEFENDER 110 1987 onwards

285

ENGINE

Model DEFENDER 110 1987 onwards  
Page AFBQNE2A

ENGINE - AIRCON COMPRESSOR - V8 CARB



Ill. Part No.	Description	Qty	Remarks
BTR9419	Compressor assembly	1	Note(2)
ERC6480	Compressor assembly	1	Note(1)
1 AEU1792	Kit cyl/shaft assy	1	
2 AEU1791	Kit thrust washer	1	
3 AEU1790	Kit shaft seal	1	
4 AEU1192	Kit 'O'rings	1	
5 AEU1690	'O'ring	2	
6 AEU1788	Valve plate assembly	4	
7 AEU1787	Ring retaining	4	
8 AEU1786	Shell assembly	1	
9 AEU1689	Valve pressure release	1	
10 AEU1688	Kit super heat switch	1	
603713	Belt driving	1	
AEU1691	Oil 525 visco 2pt(1136ml)	A/R	

Note(1) Up to VIN MA949374  
Note(2) From VIN MA949375



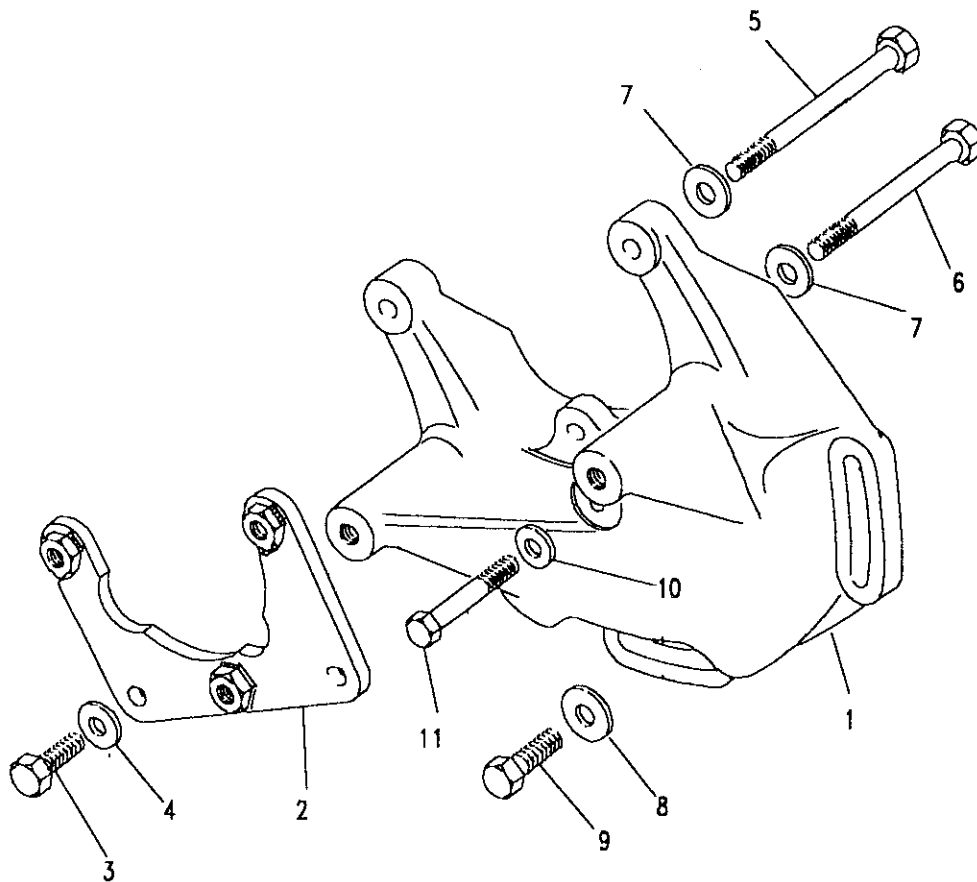


Model DEFENDER 110 1987 onwards

Page AFBQNE3A

## ENGINE - COMPRESSOR FIXINGS - V8 CARB

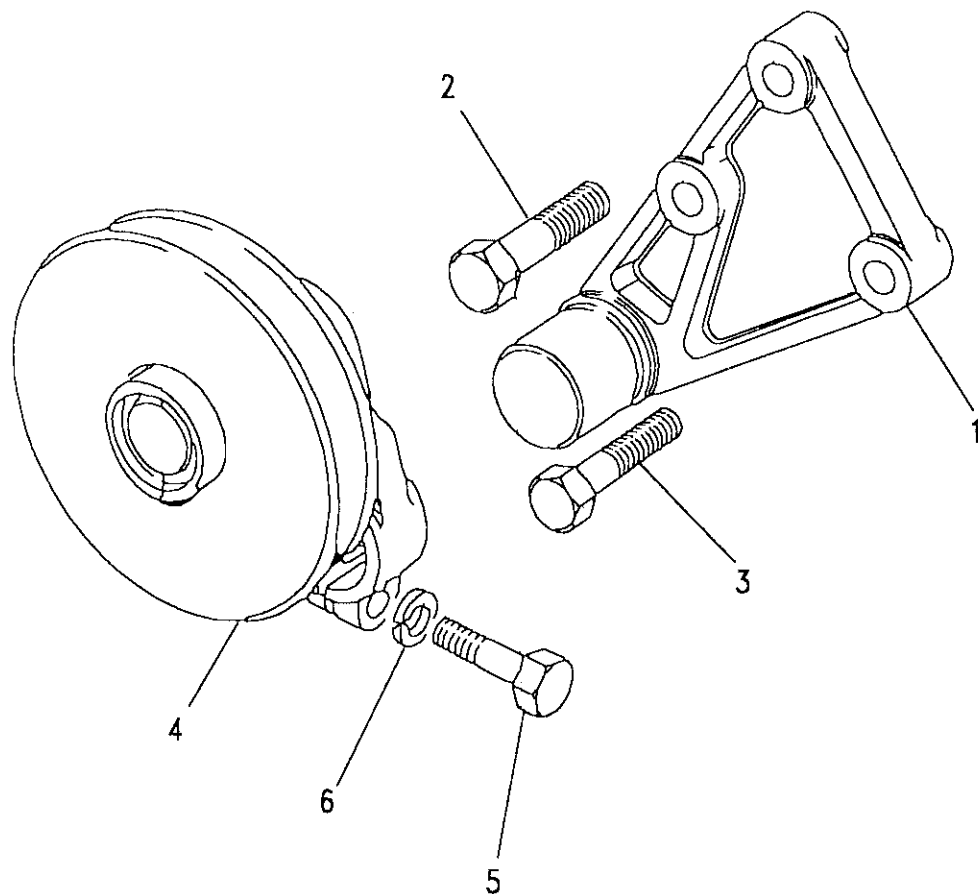
Ill. Part No.	Description	Qty	Remarks
1	ERR4524	1	Bracket mounting
2	ERC6545	1	Bracket mounting
3	SH110301L	2	Screw front
4	WA110061L	2	Washer plain
5	BH110241L	2	Bolt
6	BH110221L	2	Bolt
7	WA110061L	3	Washer plain
8	4067	2	Washer plain
9	BH506111L	2	Bolt
10	4866L	1	Washer plain
11	BH505201L	1	Bolt



**Model** DEFENDER 110 1987 onwards  
**Page** AFBQNE4A

**ENGINE - AIR CONDITIONING - V8 CARB**

III. Part No.	Description	Qty	Remarks
<b>Idler pulley and fixings</b>			
1 613540	Bracket - tensioner	1	
2 BH505441L	Bolt	2	
3 BH504151L	Bolt	2	
4 614718	Pulley idler	1	
614154	Bearing pulley	1	
5 BH605101L	Bolt	1	
6 WM600051L	Washer spring	1	







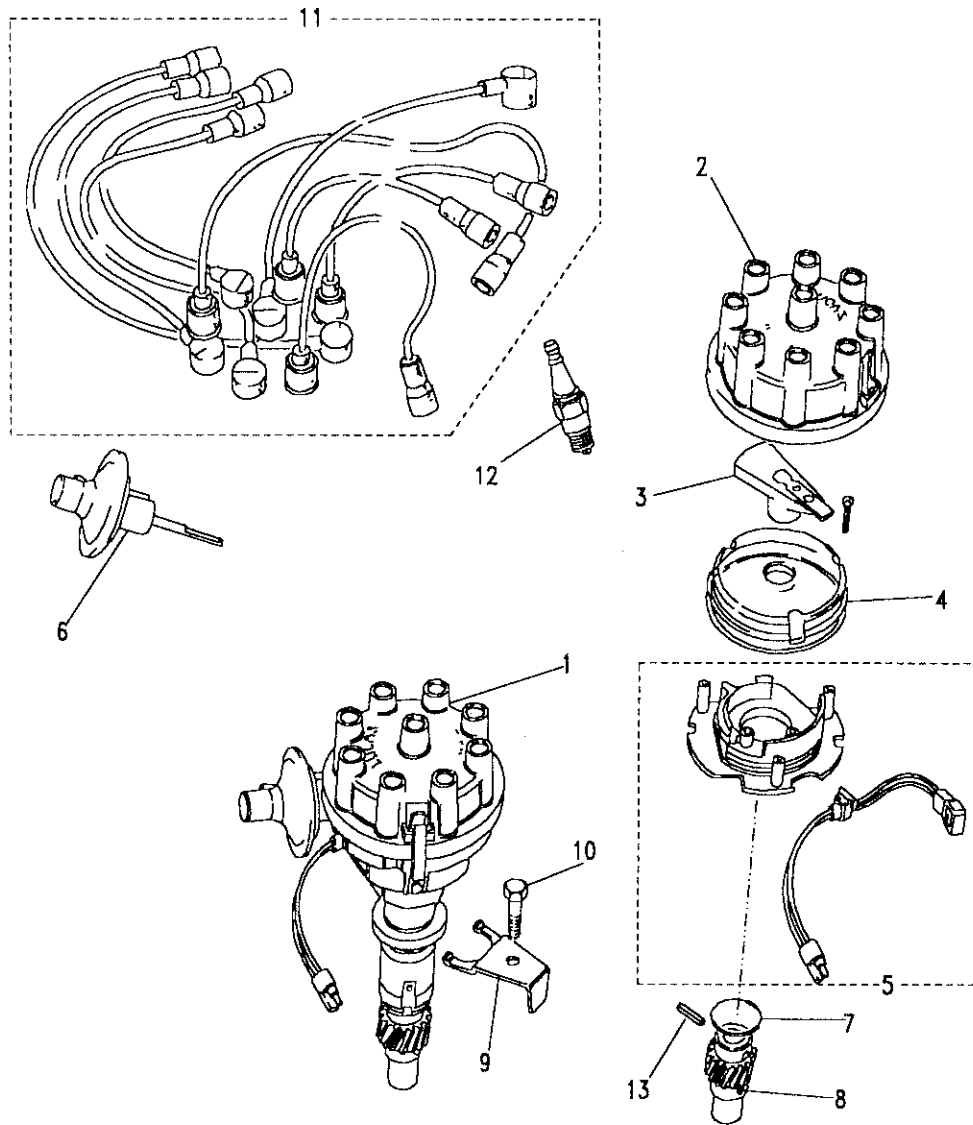
Model DEFENDER 110 1987 onwards

Page AFBQPA2A

ENGINE - DISTRIBUTOR - V8 CARB

III. Part No.	Description	Qty	Remarks
1	ETC6976	1	2 pin
	ERR4285	1	3 pin
	RTC5089	1	2 pin
	STC1184	1	3 pin
2	RTC3197	1	
3	STC1857	1	
4	RTC5971	1	
5	RTC5090	1	
6	RTC5092	1	
7	603446	1	
	STC1212	1	Note(1)
8	ERC1353	1	
	602953	1	
9	613857	1	
10	SH506121L	1	
11	ETC6484	1	
12	RTC3812	8	
	603672	1	Upto 24G03883B
	ETC8720	1	From 24G03884B
	603673	4	
13	602953	1	

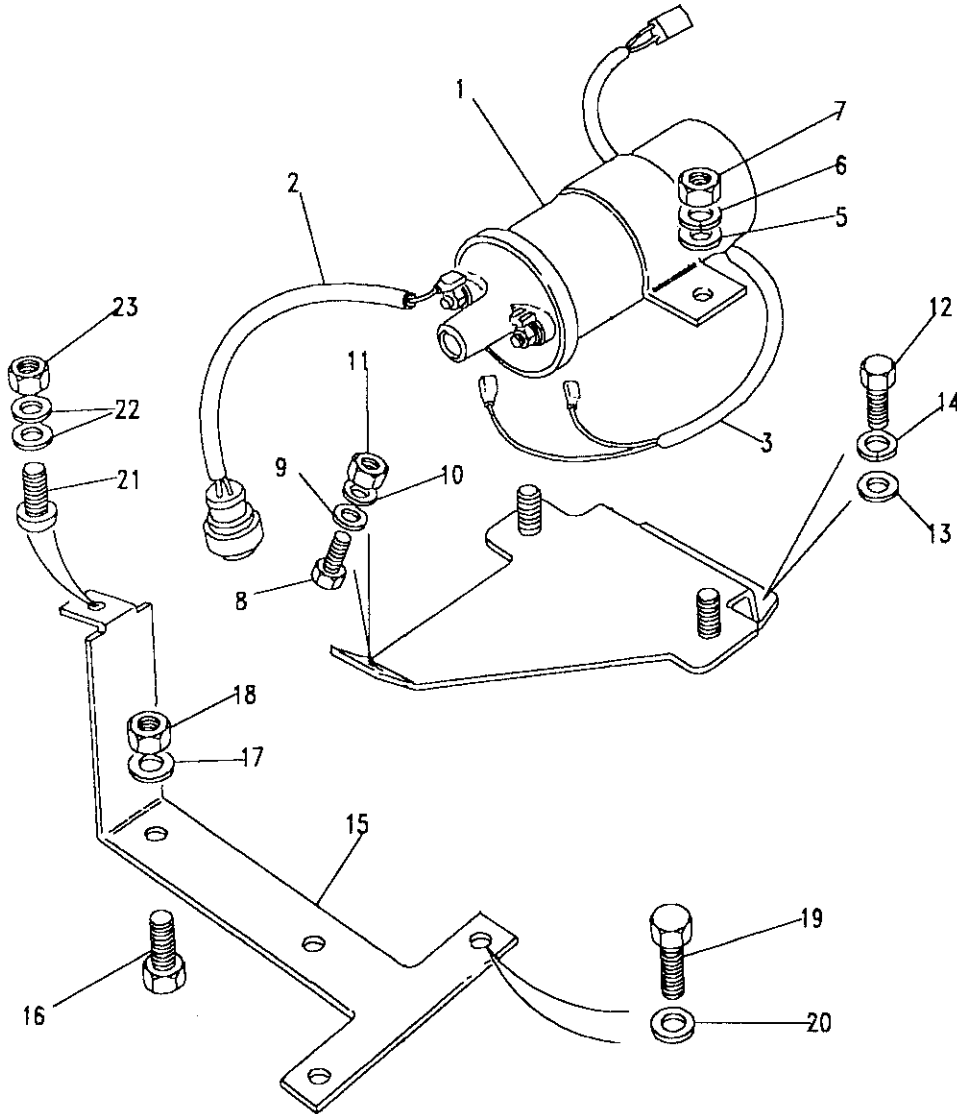
Note(1) When replacing 2 pin distributor or module for 3 pin also use this link lead.



**Model** DEFENDER 110 1987 onwards  
**Page** AFBQPA1A

**ENGINE - IGNITION COIL - V8 CARB**

Ill. Part No.	Description	Qty	Remarks
1	RTC5628	1	) Alternatives
	PRC6574	1	
2	PRC6141	1	
3	PRC6144	1	
4	PRC3131	1	
5	WA106041L	2	
6	WF106001L	2	
7	NH106041L	2	
8	SH106167	1	
9	WA106047L	1	
10	WL106047	1	
11	NH106047	1	
12	SE106167	2	
13	WA106047L	2	
14	WL106007L	2	
15	PRC6133	1	) AIR CON
16	FS108251L	2	
17	WA108051L	2	) RHD
18	FN108041L	2	
19	FS106167	1	
20	WA106041L	1	
21	SE106161L	1	
22	WA106041L	2	
23	NH106041L	1	



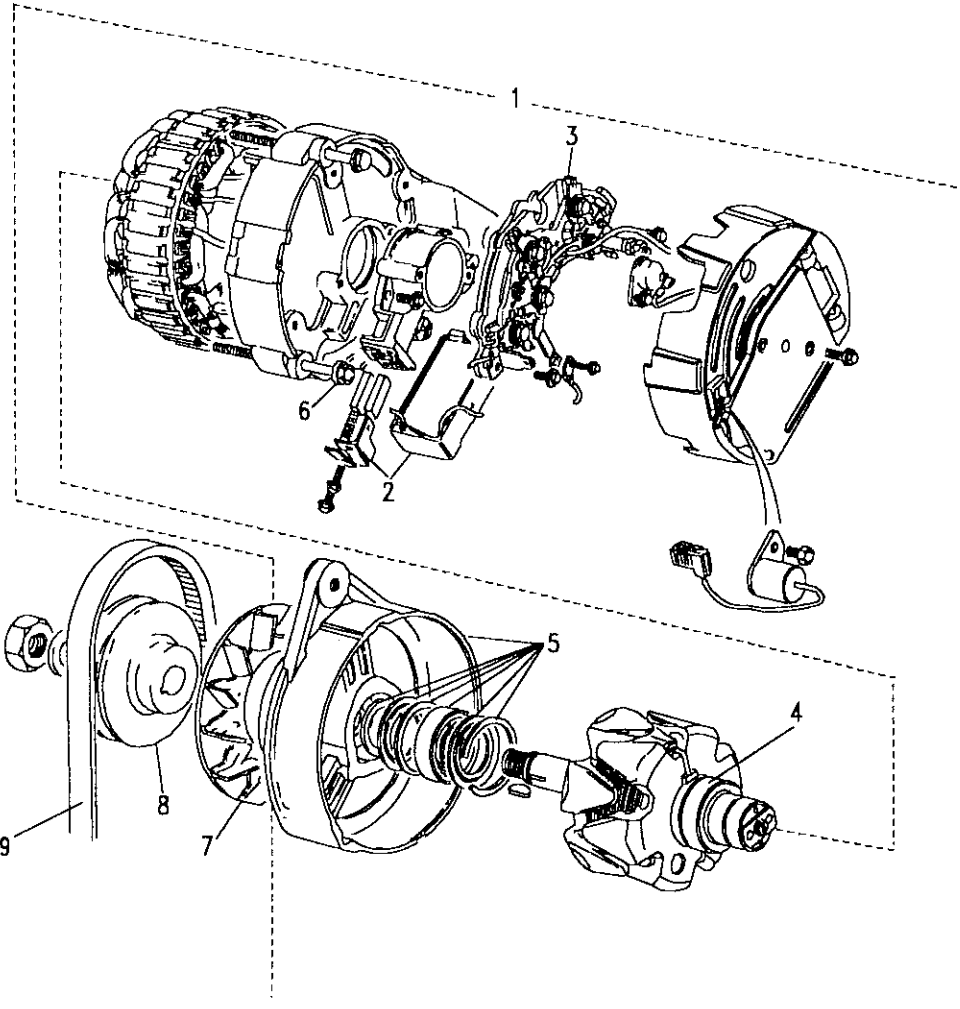


Model DEFENDER 110 1987 onwards  
Page AFBQPC1A

ENGINE - ALTERNATOR - V8 CARB

III. Part No.	Description	Qty	Remarks
1	RTC5683N	1	Note(1)
	RTC5683E	1	
2	RTC5044	1	Regulator and brush box
3	RTC5045	1	Rectifier
4	RTC5926	1	Bearing slip ring end
5	RTC5688	1	Bracket & bearing drive
6	RTC5925	1	Kit through bolts
7	RTC5685	1	Fan
8	RTC5686	1	Pulley
9	ETC7394	1	Belt fan
	RTC5689	1	Spacer pulley

Note(1) LUCAS No 24198



Model DEFENDER 110 1987 onwards

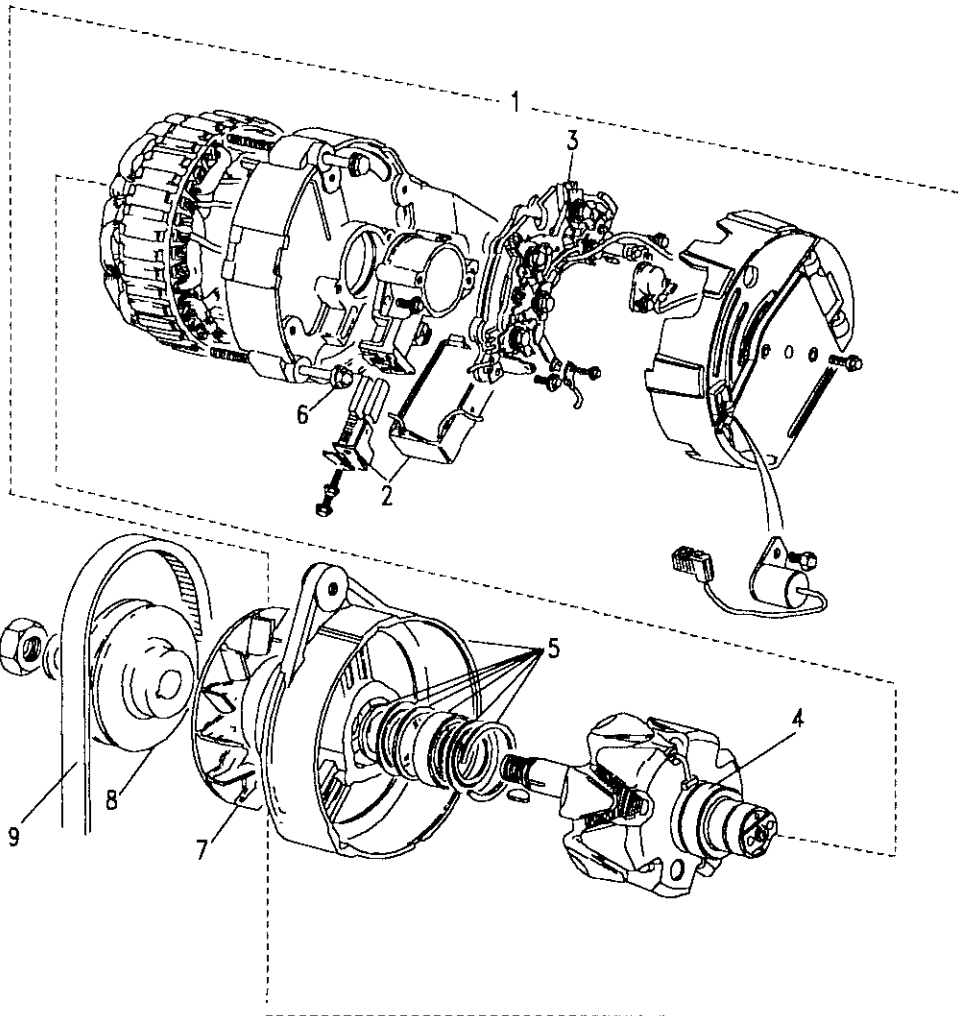
Page AFBQPC2A

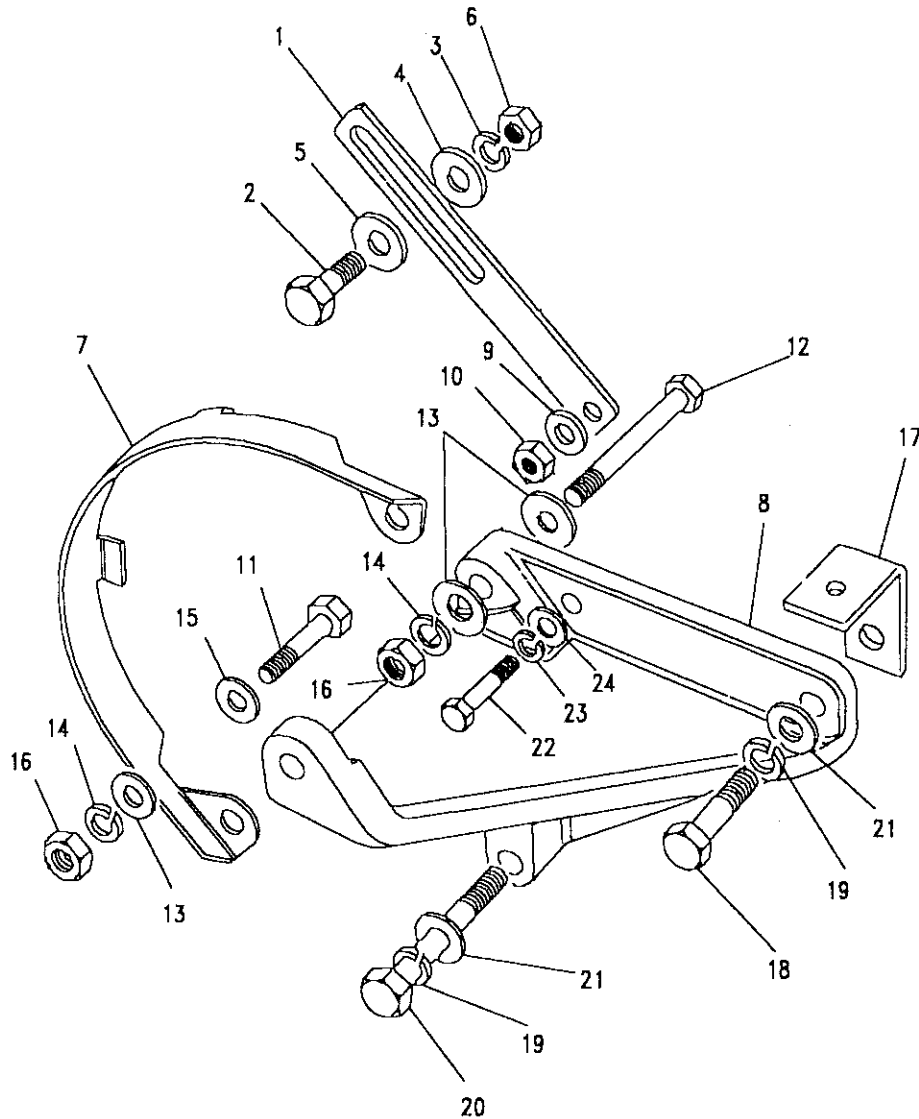
ENGINE - ALTERNATOR - V8 CARB

III. Part No.	Description	Qty	Remarks
1	RTC5680N	1	Note(1)
	RTC5680E	1	
	RTC5681N	1	Note(2)
	RTC5681E	1	
2	RTC5670	1	
3	RTC5671	1	
4	RTC5926	1	
5	RTC5687	1	RH Fixing
	RTC5688	1	LH Fixing
6	RTC5925	1	
7	AAU2249L	1	
8	RTC5686	1	
9	ERR2073	1	
	RTC5689	1	

Note(1) LUCAS No 24220

Note(2) LUCAS No 24221





**Model** DEFENDER 110 1987 onwards  
**Page** AFBQPC3A

**ENGINE - ALTERNATOR FIXINGS - V8 CARB - NON AIR CON**

III. Part No.	Description	Qty	Remarks
<b>Used Up To 24G09105B</b>			
1	614939 Link adjusting	1	
2	FS108351L Screw M8x35mm	1	
3	WM600051L Washer spring	1	
4	2217L Washer plain	1	A133 ALT
	587405 Washer plain	1	A127 ALT
5	4868L Washer plain	1	
6	NH108041L Nut M8	1	
7	ETC7390 Guard fan	1	Upto 24G02919B
	ETC8441 Guard fan	1	)
	ERC5830 Grommet	2	)Note(1)
	ETC8559 Bush	2	)
8	ERR4519L Bracket mounting	1	
9	WM600051L Washer spring	1	
10	NT605041L Locknut	1	
11	BH605131L Bolt alternator/bracket	1	A133 ALT
12	BH605201L Bolt rear	1	A133 ALT
11	FB108081L Bolt alternator/bracket	1	A127 ALT
12	FB108121L Bolt rear	1	A127 ALT
13	WA108051L Washer plain	3	
14	WM600051L Washer spring	2	
15	4868L Washer plain	1	
16	NH605041L Nut	2	

Note(1) From 24G02920B Latest condition with bush and grommet



DEFENDER 110 1987 onwards

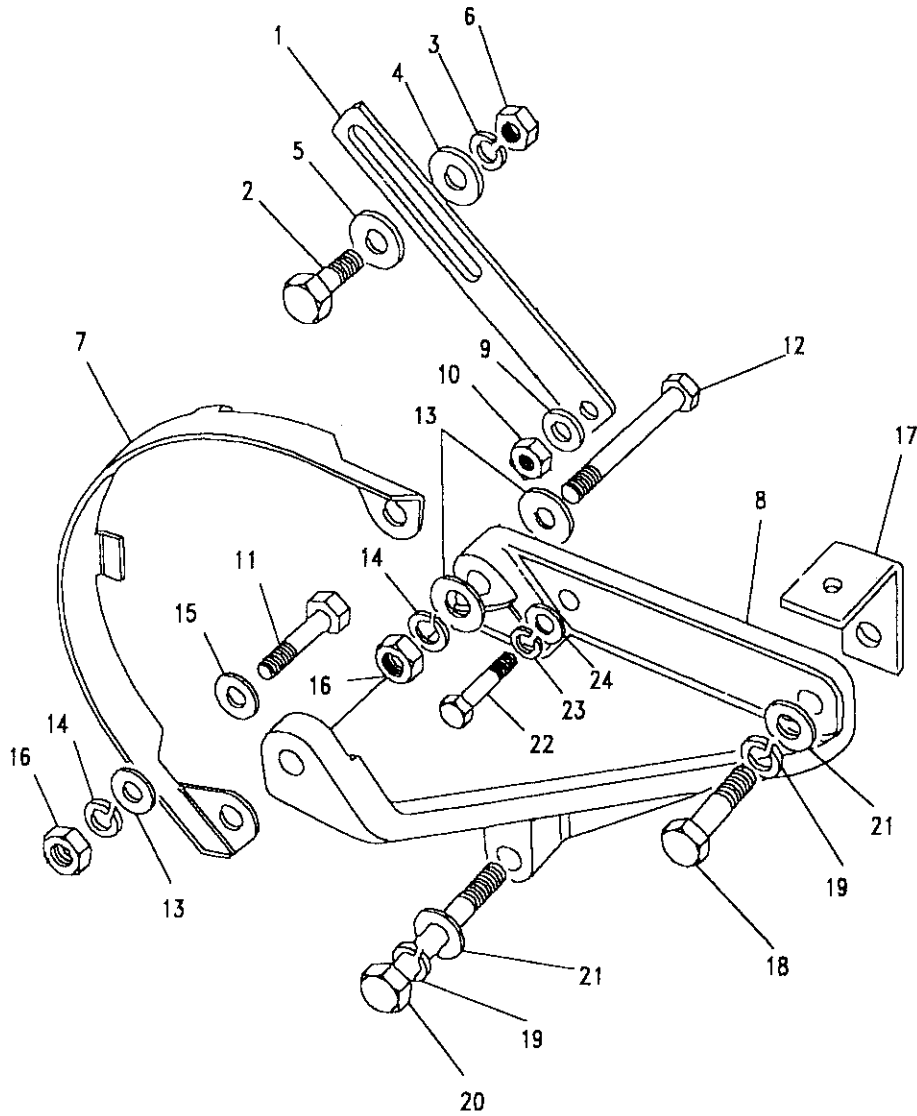
293

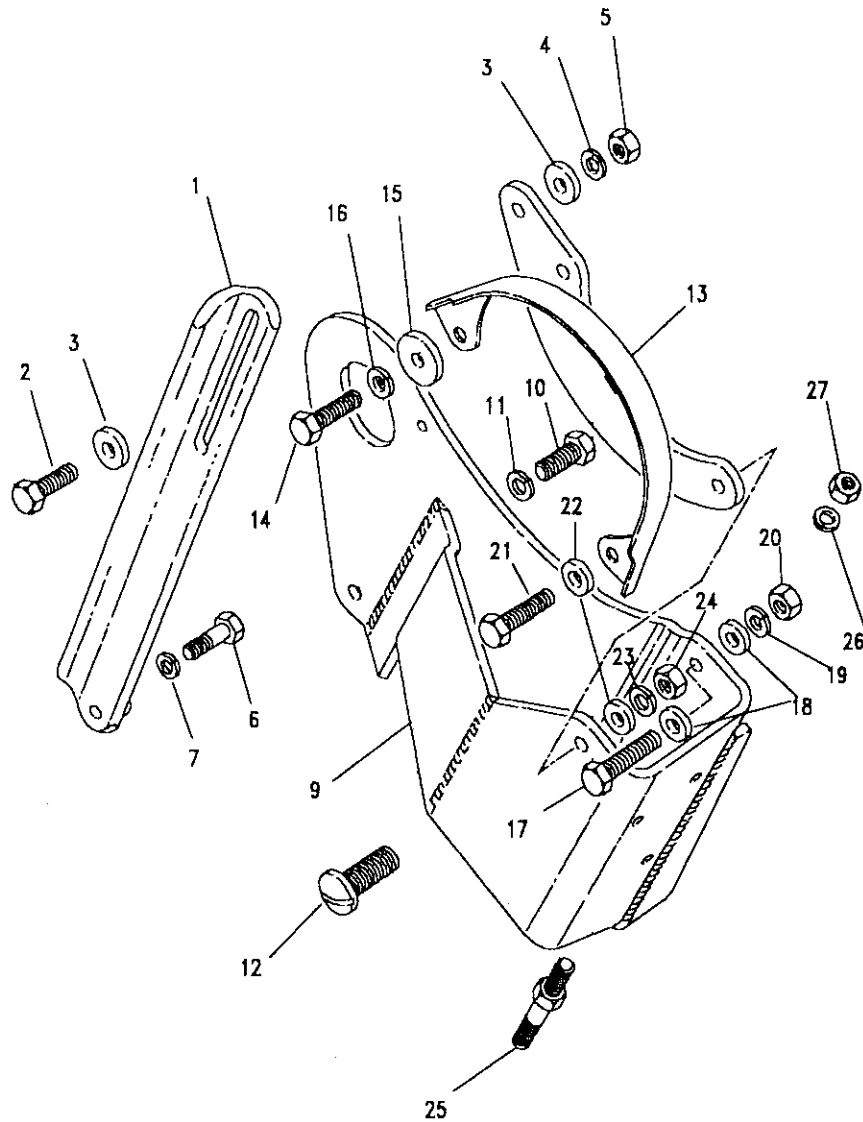
ENGINE

**Model** DEFENDER 110 1987 onwards  
**Page** AFBQPC3A

**ENGINE - ALTERNATOR FIXINGS - V8 CARB - NON AIR CON**

III. Part No.	Description	Qty	Remarks
17 613620	Clip support bracket	1	
18 BH506111L	Bolt bracket/head	2	
19 WM600061L	Washer spring	2	
20 BH506201L	Bolt	1	
21 3036L	Washer spring	3	
22 BH505111L	Bolt	1	
23 WM600051L	Washer spring	1	
24 WA108051L	Washer plain	1	





**Model** DEFENDER 110 1987 onwards  
**Page** AFBQPC4A

**ENGINE - ALTERNATOR FIXINGS - V8 CARB - WITH AIR CON**

III. Part No.	Description	Qty	Remarks
<b>Used Up to Engine 24G09105B</b>			
1	ERC7548	1	Link adjusting
2	FS108351L	1	Flange screw
3	4866L	1	Washer plain
4	WM600051L	1	Washer spring
5	NH108041L	1	Nut
6	BH605111L	1	Bolt
7	WL108001L	1	Washer spring
8	ERC6547	1	Bracket support alt
9	ERC6538	1	Bracket mounting LH
10	SH506071L	1	Screw mounting bracket
11	WM600061L	1	Washer spring
12	SA506081L	1	Screw
13	90613442	1	Guard fan
	ETC8440	1	Guard fan
	ERC5830	2	Grommet
	ETC8559	2	Bush
14	SH108251L	1	Screw M8x25mm
15	4594L	1	Washer plain
16	WM600051L	1	Washer spring

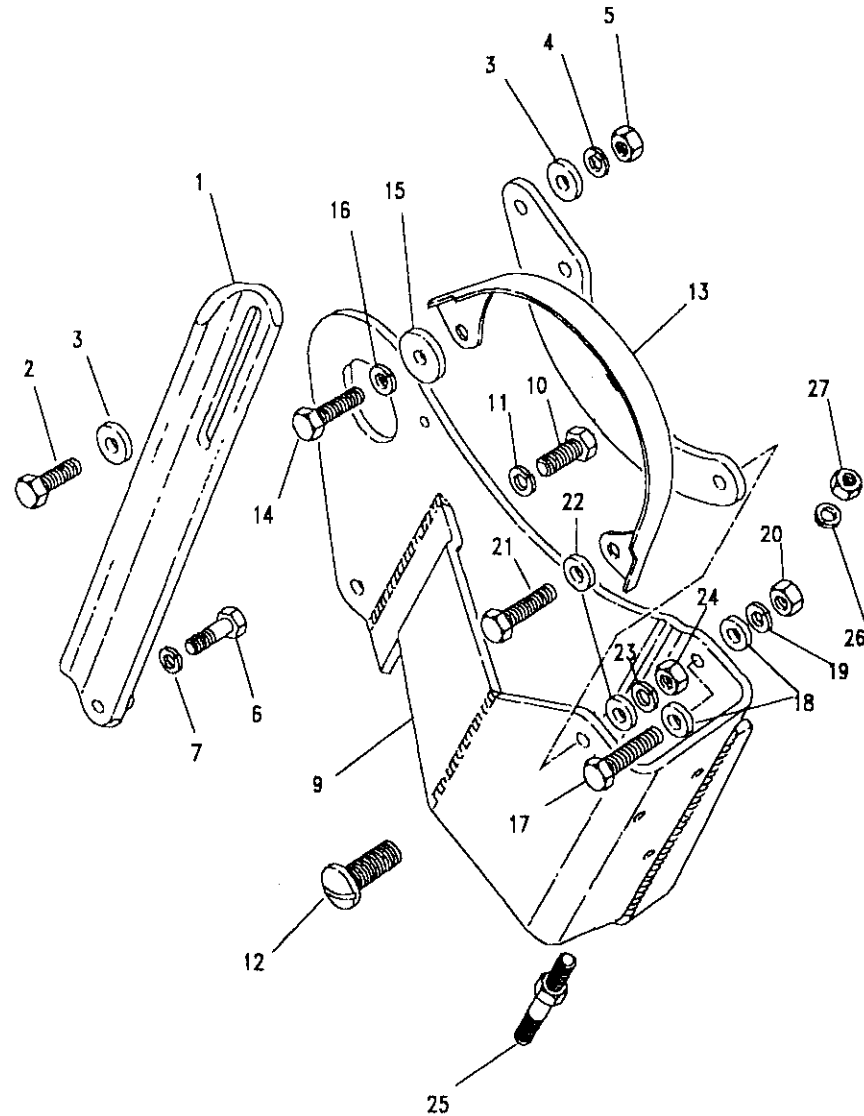
Note(1) From 24G02920B Latest condition with bush and grommet





**Model** DEFENDER 110 1987 onwards  
**Page** AFBQPC4A

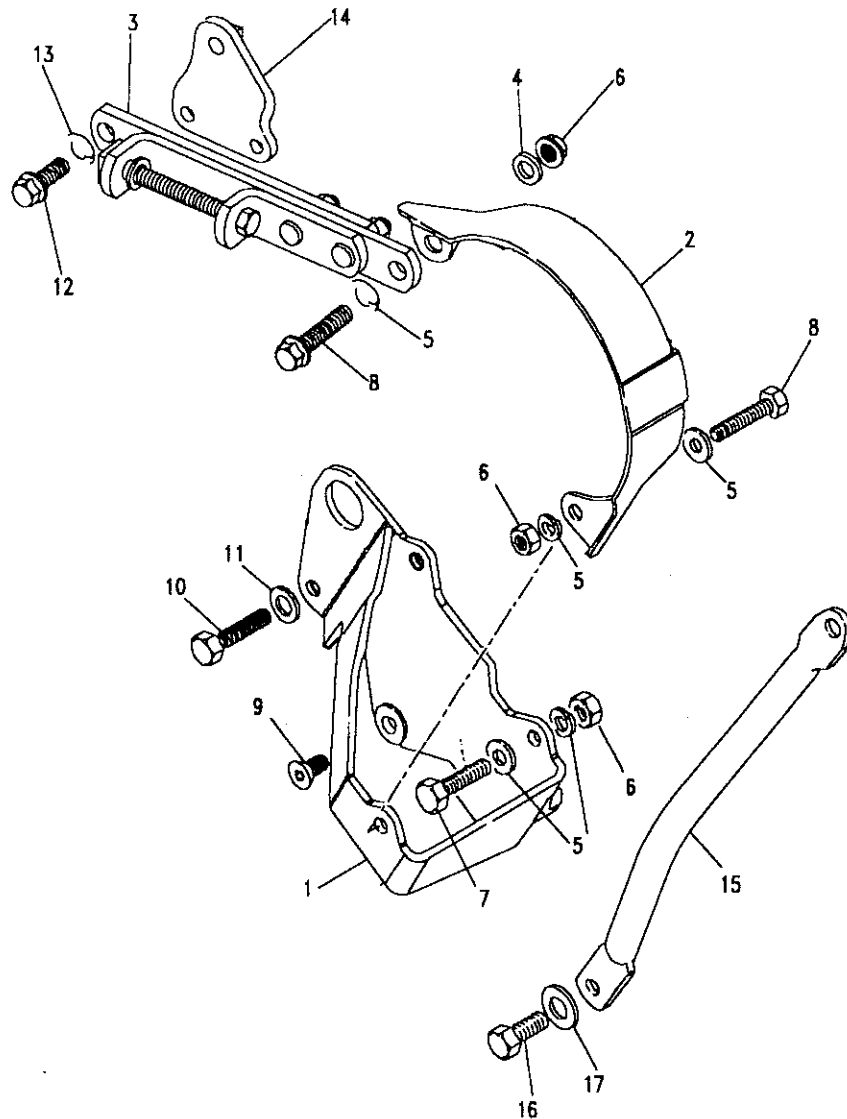
**ENGINE - ALTERNATOR FIXINGS - V8 CARB - WITH AIR CON**



III. Part No.	Description	Qty	Remarks
17	FB108081L Bolt front lug M8x40mm	1	
18	WA108051L Washer plain	2	
19	WM600051L Washer spring	1	
20	NH108041L Nut M8	1	
21	BH108091L Bolt rear lug M8x45mm	1	
22	WA108051L Washer plain	2	
23	WM600051L Washer spring	1	
24	NH108041L Nut M8	1	
25	602200 Bolt	1	
26	WM600061L Washer spring	1	
27	NH604041L Nut	1	







Model DEFENDER 110 1987 onwards

Page AFBQPC5A

ENGINE - ALTERNATOR FIXINGS - V8 CARB

III. Part No.	Description	Qty	Remarks
<b>Used from Engine 24G09106B</b>			
1	ETC5576	1	Mounting bracket
2	ETC8441	1	Fan guard (A127/65 Amp)
	ERC5830	2	Grommet
	ETC8559	2	Bush
3	ERR1574	1	Link adjuster
4	4594L	1	Spacer
5	WA108051L	8	Washer plain
6	NH108041L	3	Nut
7	SH108451L	1	Screw
8	SH108401L	2	Screw
9	ETC8765	1	Screw countersunk
10	SH506071L	1	Screw
11	WM600061L	1	Washer spring
12	FS108207L	1	Screw
13	WL108001L	1	Washer spring
14	ERR1885	1	Bracket
15	ETC8579	1	Strut alternator
16	SH506101L	1	Screw
17	WA110061L	1	Washer





DEFENDER 110 1987 onwards

297

ENGINE

Model DEFENDER 110 1987 onwards

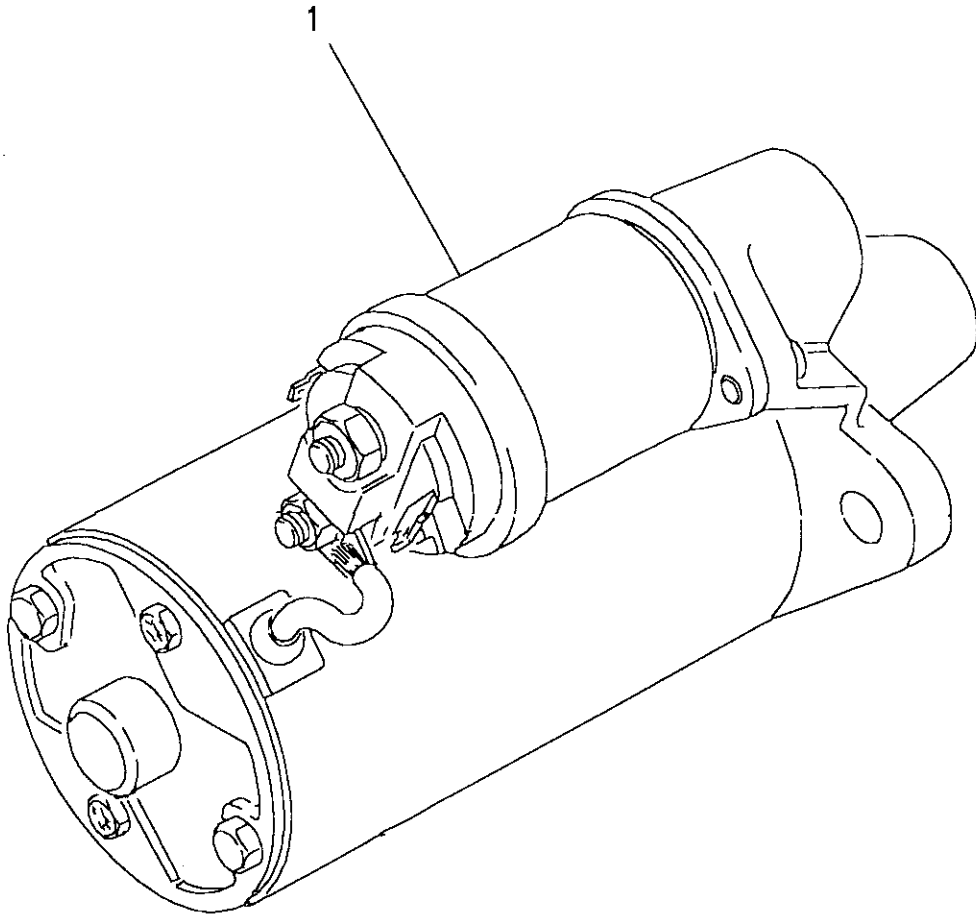
Page AFBQPE1A

ENGINE - STARTER MOTOR - V8 CARB

III. Part No.	Description	Qty	Remarks
---------------	-------------	-----	---------

Used up to JAN 1993

1	RTC6061N	Starter motor M78R	1
	RTC5049	Solenoid	1
	RTC5700	Kit drive shaft	1
	RTC5048	Kit brushes	1
	RTC5563	Bush kit	1
	608395	Kit retention	1
	RTC5577	Kit sundry parts	1
	SS506121L	Screw starter/block	2
	WM600061L	Washer spring	2
	WA110061L	Washer plain	2

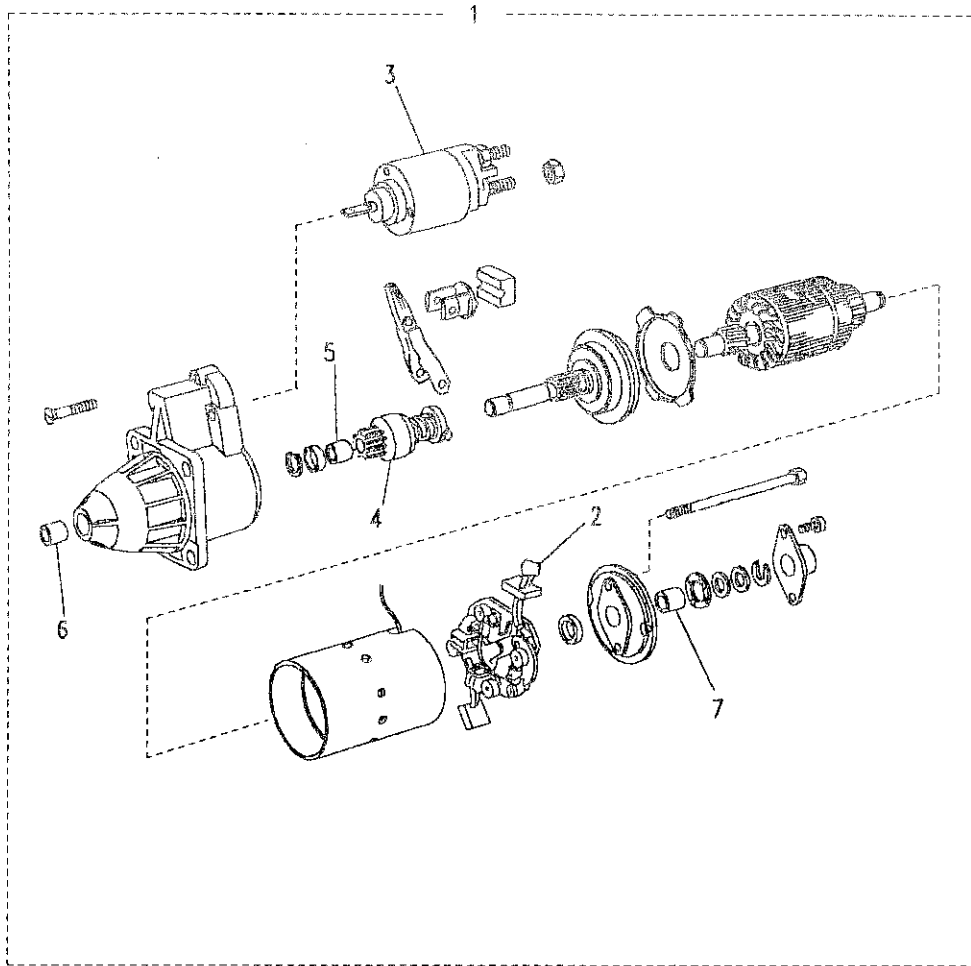




Model DEFENDER 110 1987 onwards  
Page AFBQPE2A

ENGINE - STARTER MOTOR - V8 CARB

III. Part No.	Description	Qty	Remarks
Used from JAN 1993			
1 NAD10038	Starter motor	1	
2 STC1243	Brush holder	1	
3 STC1242	Solenoid	1	
4 STC1241	Drive assembly	1	
5 STC1250	Bush	2	
6 STC1252	Bush	1	
7 STC1253	Bush	1	





Model DEFENDER 110 1987 onwards

Page AFBQRA1A

## ENGINE - FLYWHEEL &amp; CLUTCH - V8 CARB

## III. Part No.

## Description

## Qty Remarks

1	ERR2264	Flywheel assembly	1	
2	611323	Ring starter	1	
3	6395L	Dowel clutch	3	
4	SH607081L	Screw flywheel/crankshaft	6	
5	FRC6685	Clutch plate	1	
	FTC160	Clutch plate-asb/free	1	Upto24G11300
	FTC3197	Clutch plate-asb/free	1	From24G11301
6	576476	Clutch cover	1	
	STC8362	Kit clutch	1	
	FRC6685	Plate	1	
	576476	Cover	1	
	FRC9568	Bearing	1	
	STC8361	Kit clutch	1	)
	FTC160	Plate	1	)Asbestos
	576476	Cover	1	)Free
	FRC9568	Bearing	1	)
7	SH606061L	Screw clutch/flywheel	6	
8	WM600041L	Washer spring	6	
	AEU1750L	Lining package	1	

