



## MASTER INDEX

	PAGES
INTRODUCTION PAGES	1 - 7
ALPHABETICAL INDEX	8 - 16
ENGINE	17 - 66
ENGINE	67 - 119
ENGINE	120 - 166
ENGINE	167 - 209
ENGINE	210 - 245
ENGINE	246 - 299
GEARBOX	300 - 326
GEARBOX	327 - 344
GEARBOX	345 - 359
TRANSFER BOX	360 - 378
TRANSFER BOX	379 - 397
AXLES AND SUSPENSION	398 - 444
STEERING	445 - 471
VEHICLE AND ENGINE CONTROLS	472 - 486
BRAKES	487 - 517
FUEL SYSTEM AND AIR CLEANER	518 - 579
EXHAUST SYSTEM	580 - 593
COOLING/HEATING	594 - 637
COOLING/HEATING	638 - 641
COOLING/HEATING	642 - 649
COOLING/HEATING	650 - 655
COOLING/HEATING	656 - 666
BODY ELECTRICAL	667 - 740
BODY AND CHASSIS	741 - 909
INTERIOR TRIM	910 - 955
SEATS	956 - 1036
STOWAGE	1037 - 1046
ACCESSORIES - PAINTS	1047 - 1074
NUMERICAL INDEX	1076 - 1151

## GROUP B

## ENGINE

## ENGINE

ENGINE COMPLETE - 2.5 PETROL	19
ENGINE STRIPPED - 2.5 PETROL	20
ENGINE SHORT - 2.5 PETROL	21
CYLINDER BLOCK - 2.5 PETROL	22 - 23
SIDE COVERS - 2.5 PETROL	24
CRANKSHAFT - 2.5 PETROL	25
PISTON AND RINGS - 2.5 PETROL	26
SUMP - 2.5 PETROL	27
ENGINE MOUNTINGS - 2.5 PETROL	28
FRONT COVER - 2.5 PETROL	29 - 30
TIMING CHAIN - 2.5 PETROL	31
WATER PUMP - 2.5 PETROL - BASIC	32
WATER PUMP - 2.5 PETROL - AIR CONDITIONING	33
OIL PUMP - 2.5 PETROL	34
OIL FILTER - 2.5 PETROL	35
OIL FILTER WITH OIL COOLER - 2.5 PETROL	36
CYLINDER HEAD - 2.5 PETROL	37 - 38
ROCKERS - 2.5 PETROL	39
VALVES & TAPPETS - 2.5 PETROL	40
ROCKER COVER - 2.5 PETROL	41
CAMSHAFT - 2.5 PETROL	42
THERMOSTAT HOUSING - 2.5 PETROL	43
MANIFOLDS - 2.5 PETROL	44 - 45
CARBURETTORS - 2.5 PETROL	46
CARBURETTER - 2.5 PETROL	47
HAND THROTTLE - 2.5 PETROL	48
VACUUM PIPES - CARBURETTER - 2.5 PETROL	49
FUEL PIPES - 2.5 PETROL	50
CARBURETTER FIXINGS - 2.5 PETROL	51
GASKET KITS - 2.5 PETROL	52
POWER STEERING PUMP - 2.5 PETROL	53
AIRCON COMPRESSOR - 2.5 PETROL	54 - 55
COMPRESSOR FIXINGS - 2.5 PETROL	56
AIRCON IDLER PULLEY - 2.5 PETROL	57
DISTRIBUTOR - 2.5 PETROL	58
IGNITION COIL - 2.5 PETROL	59
ALTERNATOR - 2.5 PETROL	60 - 61
ALTERNATOR - 2.5 PETROL - AIR CON	62 - 63





DEFENDER 110 1987 onwards

18

ENGINE

ALTERNATOR FIXINGS - 2.5 PETROL  
STARTER - 2.5 PETROL  
FLYWHEEL & CLUTCH - 2.5 PETROL

64  
65  
66





DEFENDER 110 1987 onwards

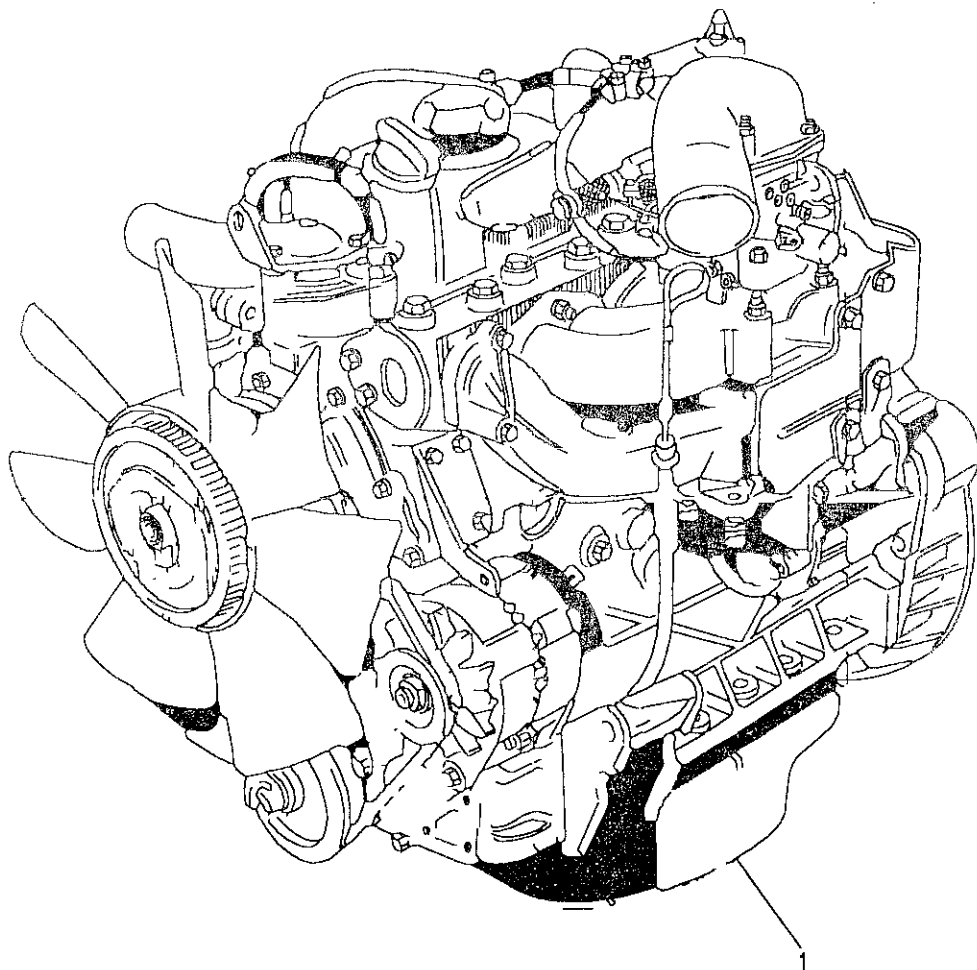
19

ENGINE

Model DEFENDER 110 1987 onwards  
Page AFBFAA1A

ENGINE - ENGINE COMPLETE - 2.5 PETROL

Ill. Part No.	Description	Qty	Remarks
1 ETC5900N	Engine complete assembly	1	17H00001C



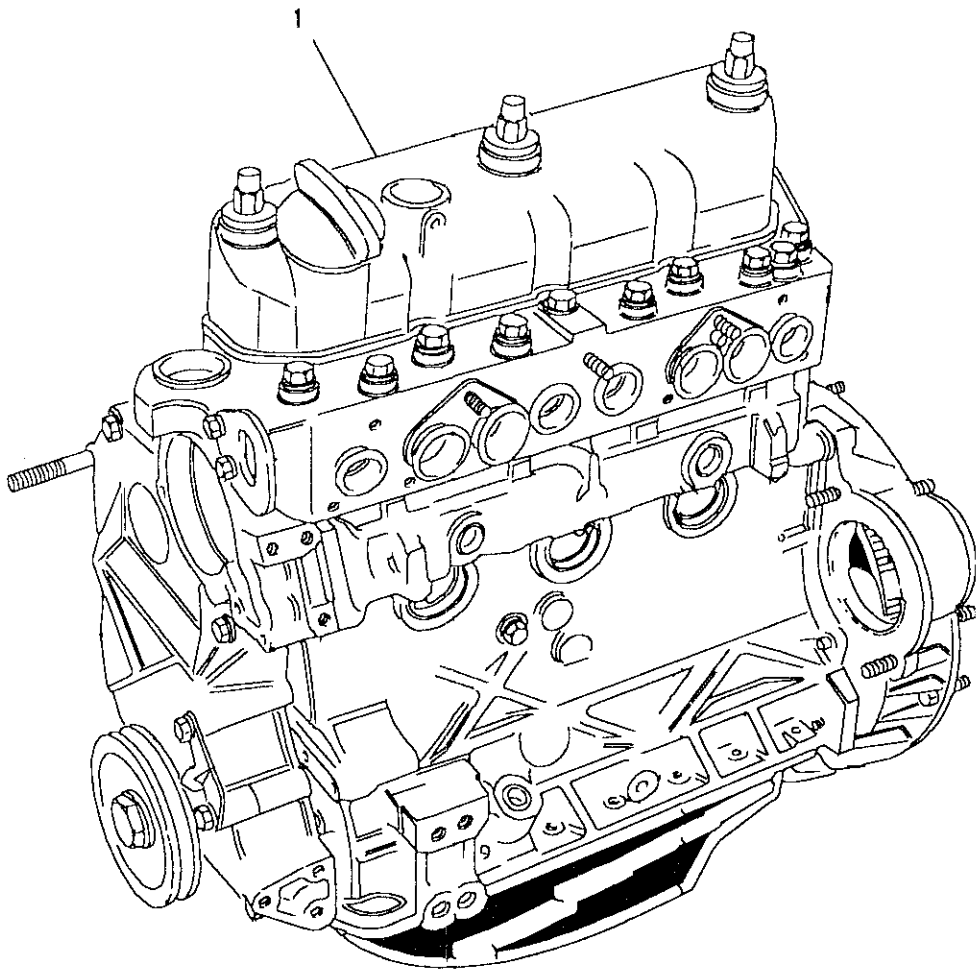
**Model** DEFENDER 110 1987 onwards

**Page** AFBFAC1A

**ENGINE - ENGINE STRIPPED - 2.5 PETROL**

III. Part No.	Description	Qty	Remarks
1 RTC4595R	Engine stripped assy	1	Note(1)
RTC6800N	Engine stripped assy	1	
RTC6800R	Engine stripped-recon	1	Note(2)

Note(1) Reconditioned engine only available up to eng-No17H25700C  
 Note(2) Reconditioned engine only available from eng-No17H25701C





DEFENDER 110 1987 onwards

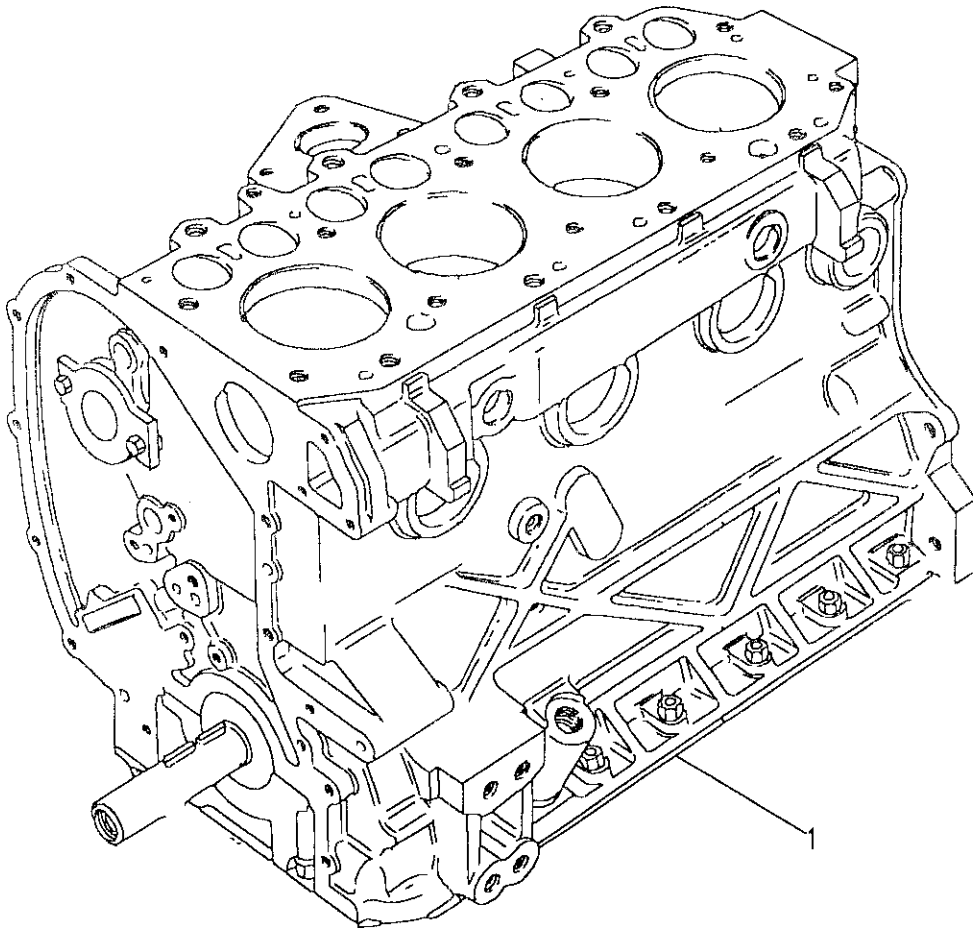
21

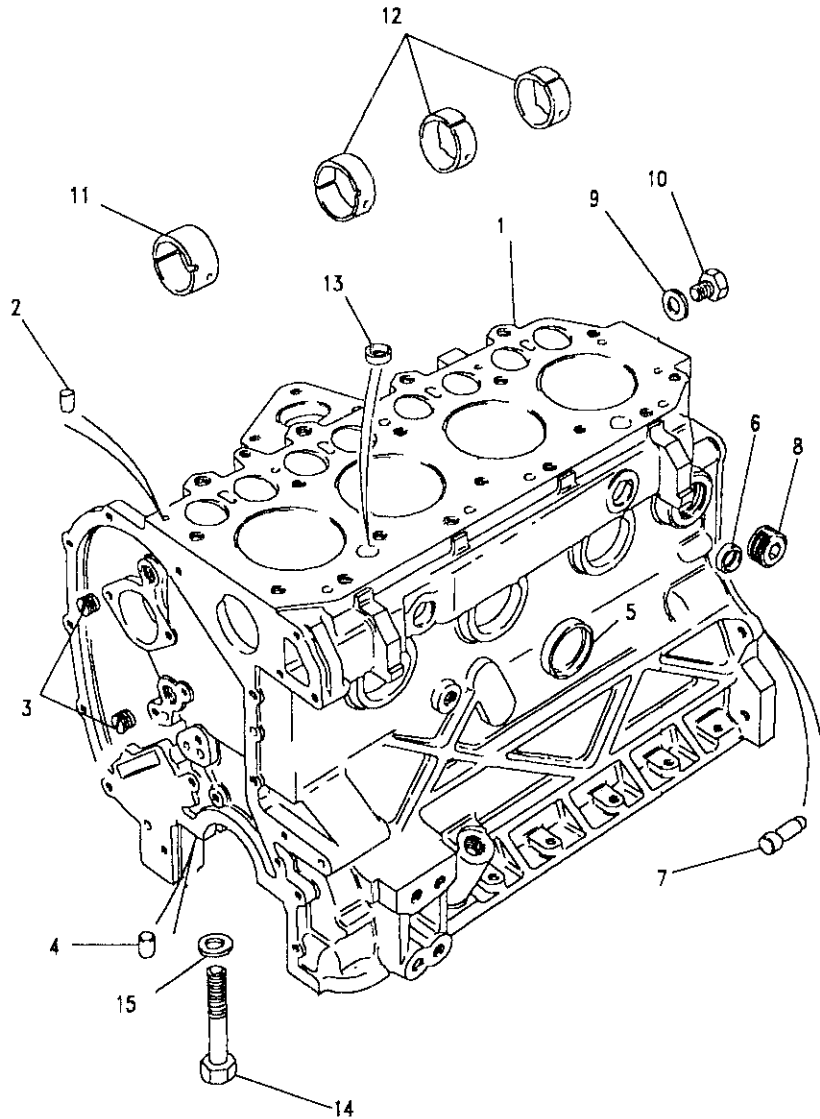
ENGINE

Model DEFENDER 110 1987 onwards  
Page AFBFAE1A

ENGINE - ENGINE SHORT - 2.5 PETROL

III. Part No.	Description	Qty	Remarks
1 RTC6793	Engine short assembly	1	



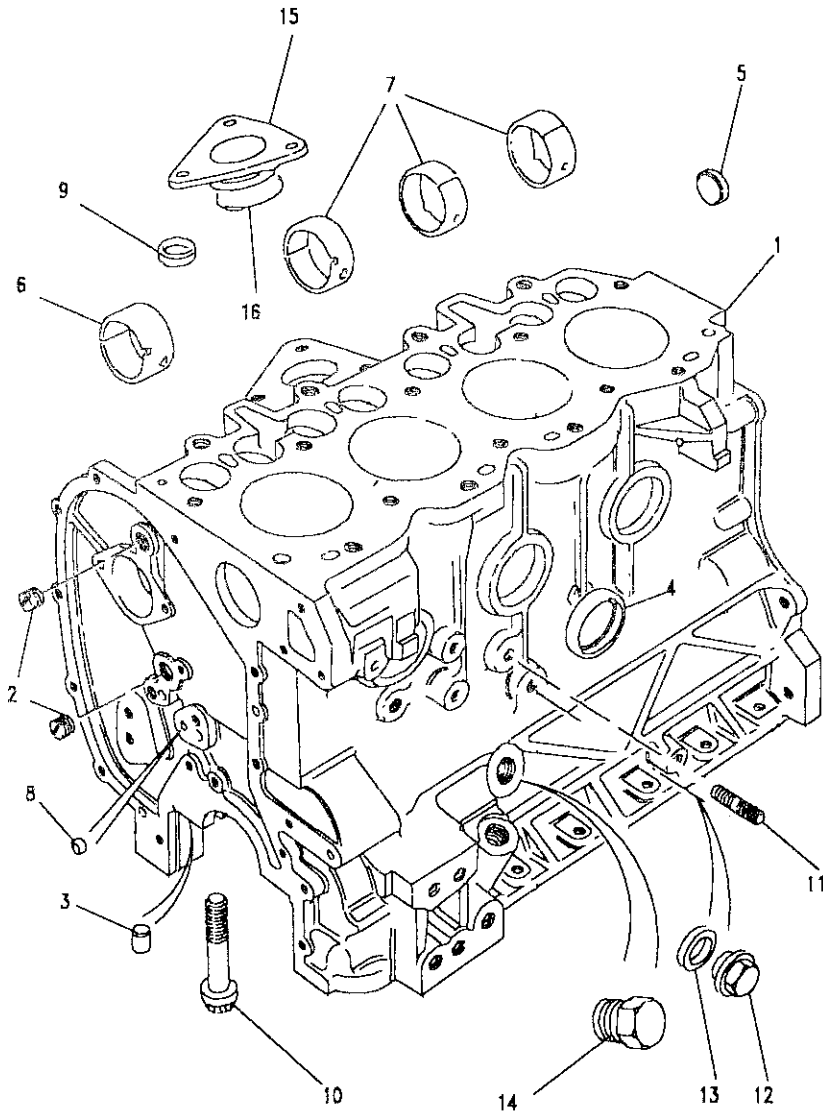


**Model** DEFENDER 110 1987 onwards  
**Page** AFBFBA1A

**ENGINE - CYLINDER BLOCK - 2.5 PETROL**

III. Part No.	Description	Qty	Remarks
1	RTC3985	1	Cylinder block assembly
2	247965	1	Plug-tappet hole feed
3	247127	2	Plug-oil gallery
4	501593	10	Dowel-bearing cap
5	ERC4996	6	Cup plug-side/ends
6	597586	3	Cup plug-water rail
7	ERC4644	2	Dowel-flywheel housing
8	527269	1	Plug-immersion heater
9	243959	2	Washer joint
10	ETC4922	2	Plug-gallery pipe
11	90519054	1	Bearing-camshaft-front
12	90519055	3	Bearing-camshaft-inter/R
13	ERC4995	2	Cup plug-top
14	ETC7596	10	Bolt flanged head
15	504006	10	Washer-main bearing cap
	ERR5034	3	Plug-camshaft oil feed

Note(1) This block used up to 17H25700C



**Model** DEFENDER 110 1987 onwards  
**Page** AFBFBA2A

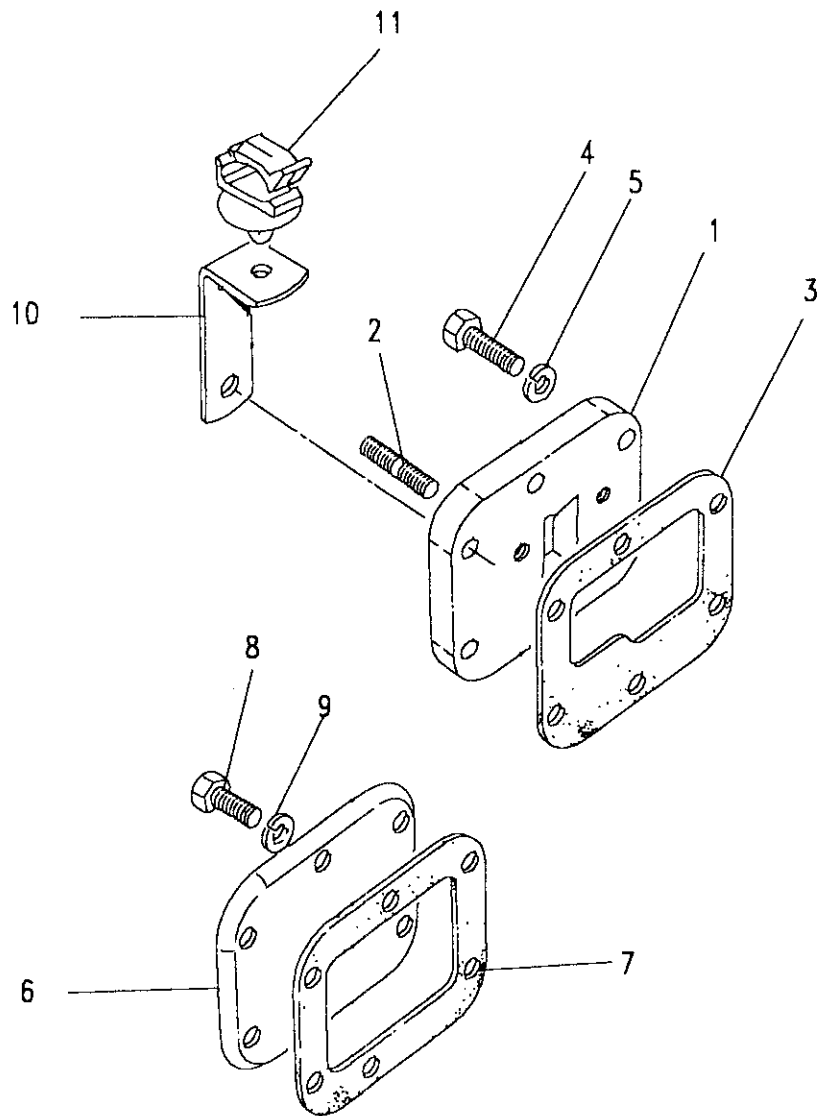
**ENGINE - CYLINDER BLOCK - 2.5 PETROL**

III. Part No.	Description	Qty	Remarks
1	ERR477 Cylinder block assembly	1	Note(1)
2	247127 Plug-oil gallery	3	
3	501593 Dowel-bearing caps	10	
4	ERC4996 Cup plug-sides/ends	6	
5	597586 Cup plug-water rail ends	3	
6	ETC8442 Bearing-camshaft front	1	
7	90519055 Bearing-camshaft inter/R	3	
8	ETC4529 Cup plug	1	
9	ERC4995 Cup plug	2	
10	ETC8074 Bolt-main bearing cap	10	
11	TE108031L Stud-starter motor	1	
12	ETC5577 plug drain	1	
13	213961 Washer joint	1	
14	ETC8362 Plug-turbo drain	1	
15	ERR586 Adaptor-cylinder block	1	
16	ERR531 O ring-adaptor	1	
	ERC9188 Liner cylinder	4	
	ERR5034 Tapered plug	3	

Note(1) This block used from 17H25701C

**Model** DEFENDER 110 1987 onwards  
**Page** AFBFBC1A

**ENGINE - SIDE COVERS - 2.5 PETROL**



III. Part No.	Description	Qty	Remarks
1	ETC4799	1	Plate cover
2	TE108041L	2	Stud
3	247554	1	Washer joint
4	FS108201L	6	Screw flanged
5	WL108001L	6	Washer spring
6	ERC2869	1	Cover side front
7	ERR3605	1	Gasket side cover engine
8	FS108201L	6	Screw flanged
9	WL108001L	6	Washer spring
10	ERC9480	1	Bracket
11	AFU1090L	1	Clip

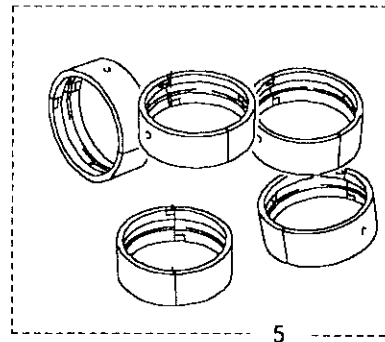
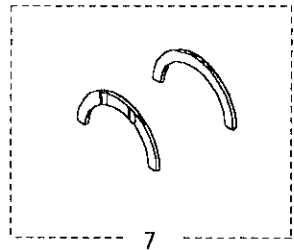
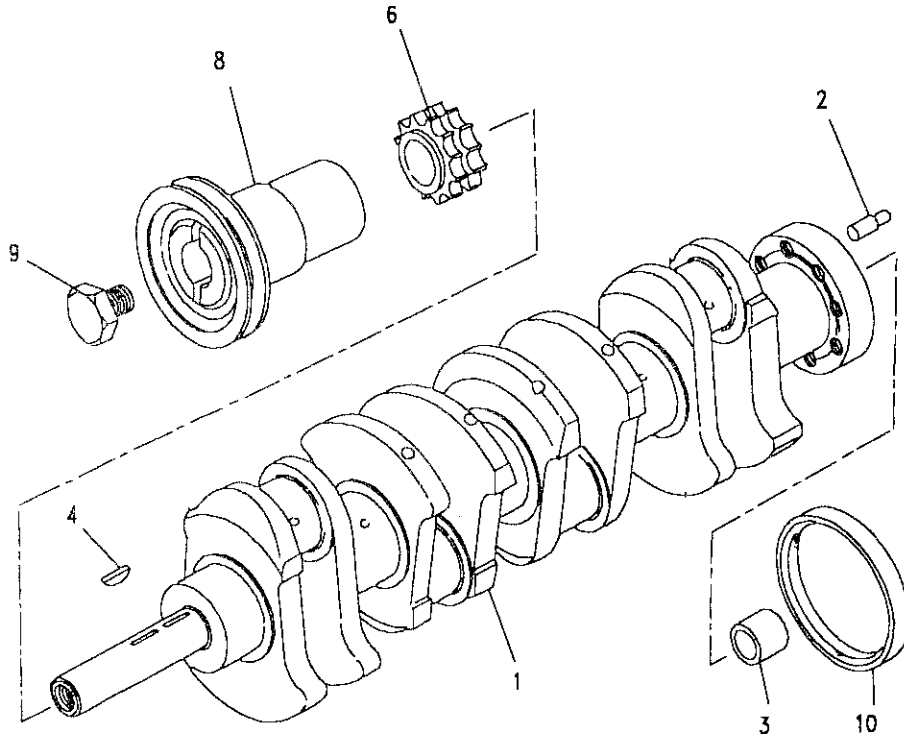




DEFENDER 110 1987 onwards

25

ENGINE



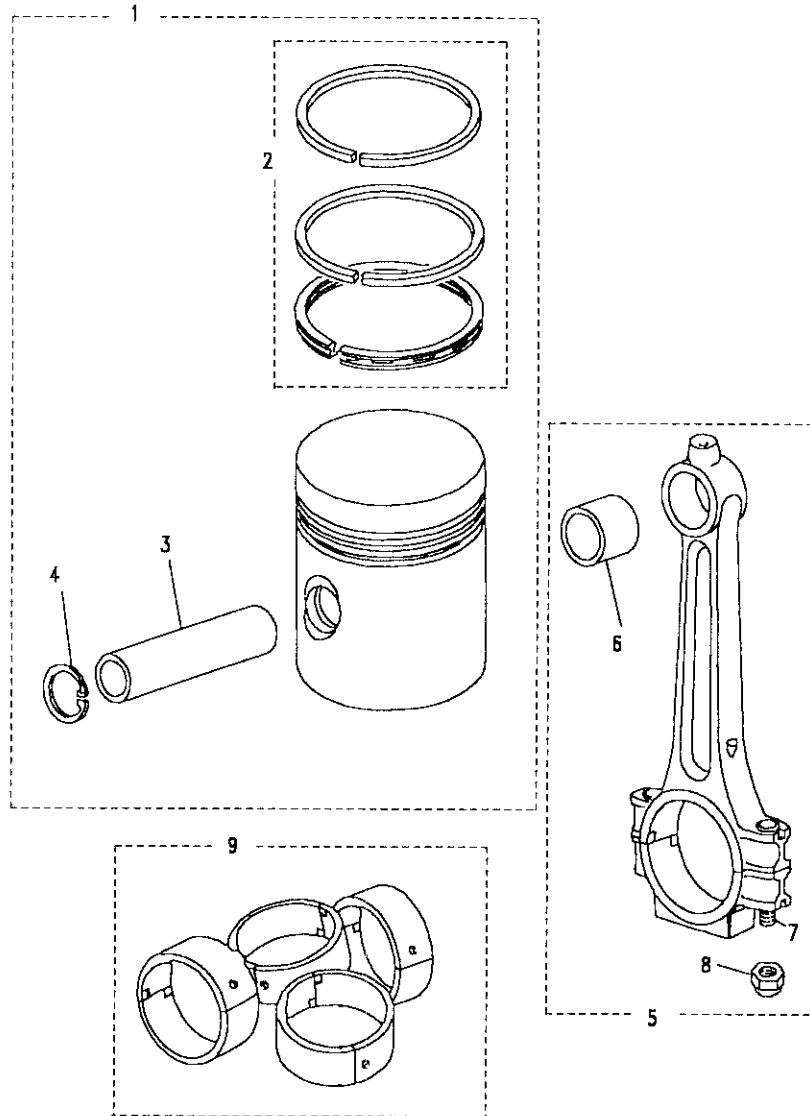
Model DEFENDER 110 1987 onwards  
Page AFBFCA1A

ENGINE - CRANKSHAFT - 2.5 PETROL

Ill. Part No.	Description	Qty	Remarks
1	ETC8829 ERR1181	1	Crankshaft
2	ERC4658	1	Crankshaft Dowel
3	8566L	1	Bush
4	235770	1	Key-chainwheel
5	RTC2992 RTC299210 RTC4783 RTC478310	A/R A/R 1 1	Bearing set main Bearing set main-010" Bearing set main Bearing set main-010"
6	568333	1	Chainwheel
7	RTC2825 538131 538132 538134	A/R A/R A/R A/R	Washer thrust standard Washer thrust 0025" Washer thrust 0050" Washer thrust 010"
8	ERC5349 ERC5128 ERC5127 ERC7089	1 1 1 1	Pulley BASIC Pulley P.A.S. Pulley AIR CON Pulley AIR CON & P.A.S.
9	ETC7934 ERR605 ERR705	1 1 1	Bolt-crankshaft pulley Bolt-crankshaft pulley Washer thrust-crankshaft
10	ERR1535	1	Seal oil main

)FromAUG1989





**Model** DEFENDER 110 1987 onwards  
**Page** AFBFCC1A

**ENGINE - PISTON AND RINGS - 2.5 PETROL**

III. Part No.	Description	Qty	Remarks
1	RTC4734S	4	Piston assembly
	RTC473420	4	Piston assembly 0.020"o/s
2	STC199	4	Kit piston ring std
	STC19920	4	Kit piston ring o/s
3	ETC5994	4	Gudgeon pin
4	265175	8	Circlip
5	ERR595	4	Con rod
6	528004	4	Bush
7	ETC7357	8	Bolt
8	ETC8191	8	Nut conn rod

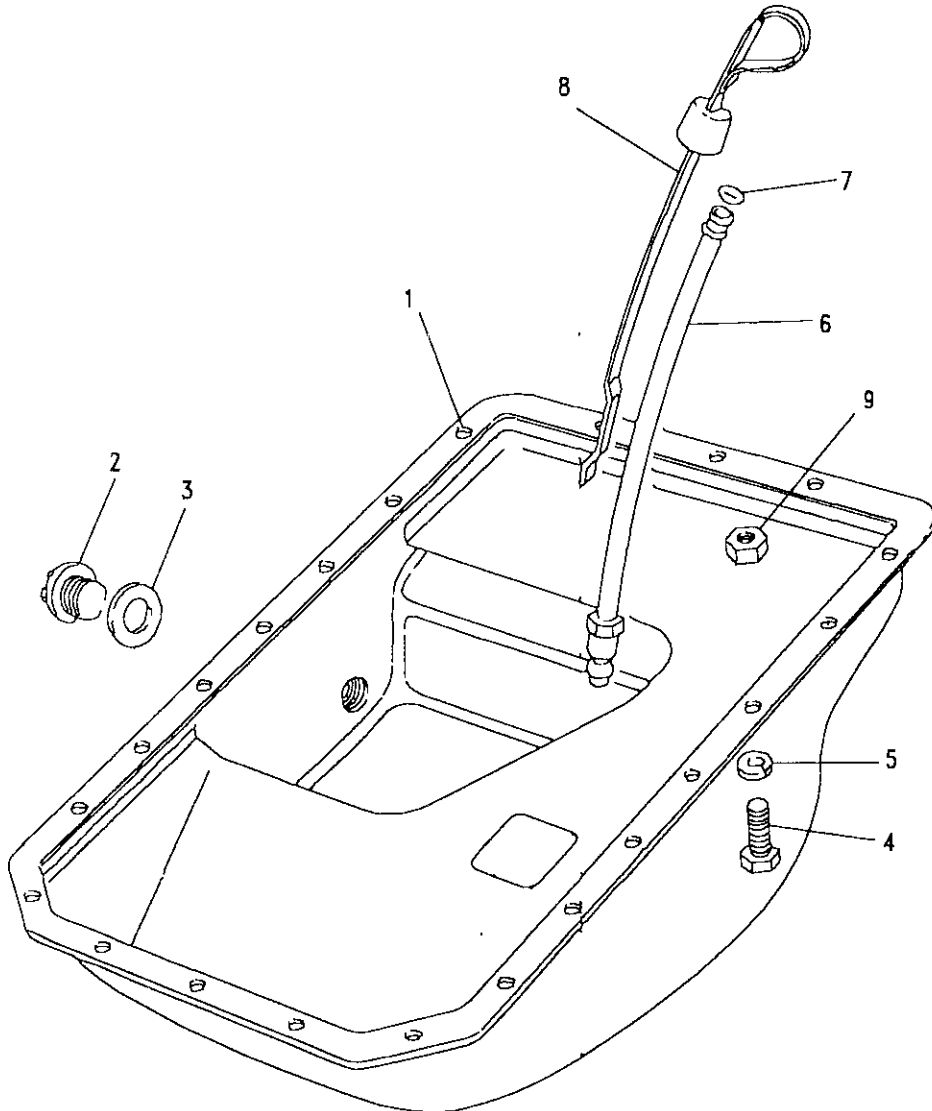
**Con Rod Bearing: Engine Set**

9	RTC2993	1	Bearing set big end
	RTC299310	1	Bearing set big end o/s

**Model** DEFENDER 110 1987 onwards  
**Page** AFBFDA1A

**ENGINE - SUMP - 2.5 PETROL**

III. Part No.	Description	Qty	Remarks
1	ERR4716	1	Sump
2	599552	1	Plug drain
3	FRC4808	1	Washer joint
4	SH108161L	22	Screw
5	WL108001L	22	Washer spring
6	ERC8980	1	Tube-dipstick
7	532387	1	Ring sealing
8	ETC7867	1	Dipstick
9	NH108041L	1	Nut M8

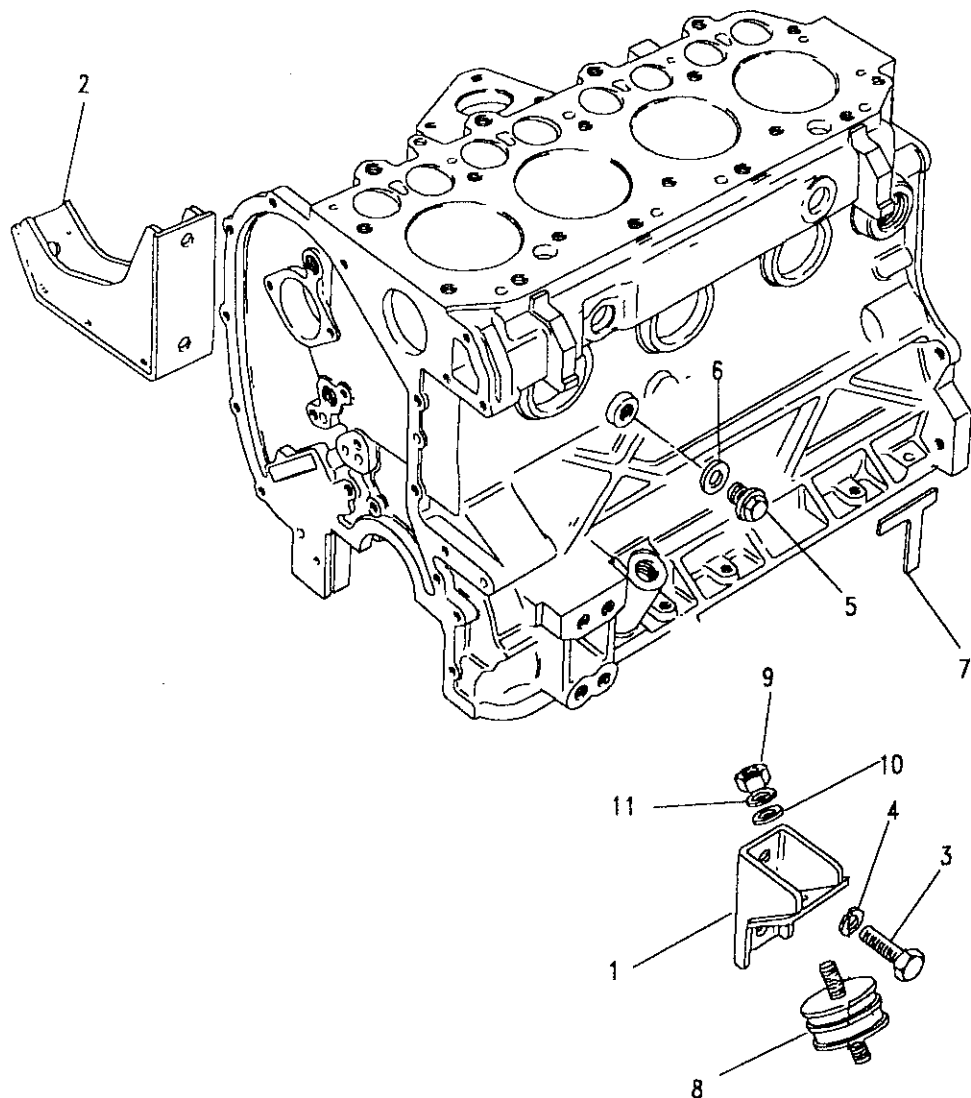


Model DEFENDER 110 1987 onwards

Page AFBFDC1A

ENGINE - ENGINE MOUNTINGS - 2.5 PETROL

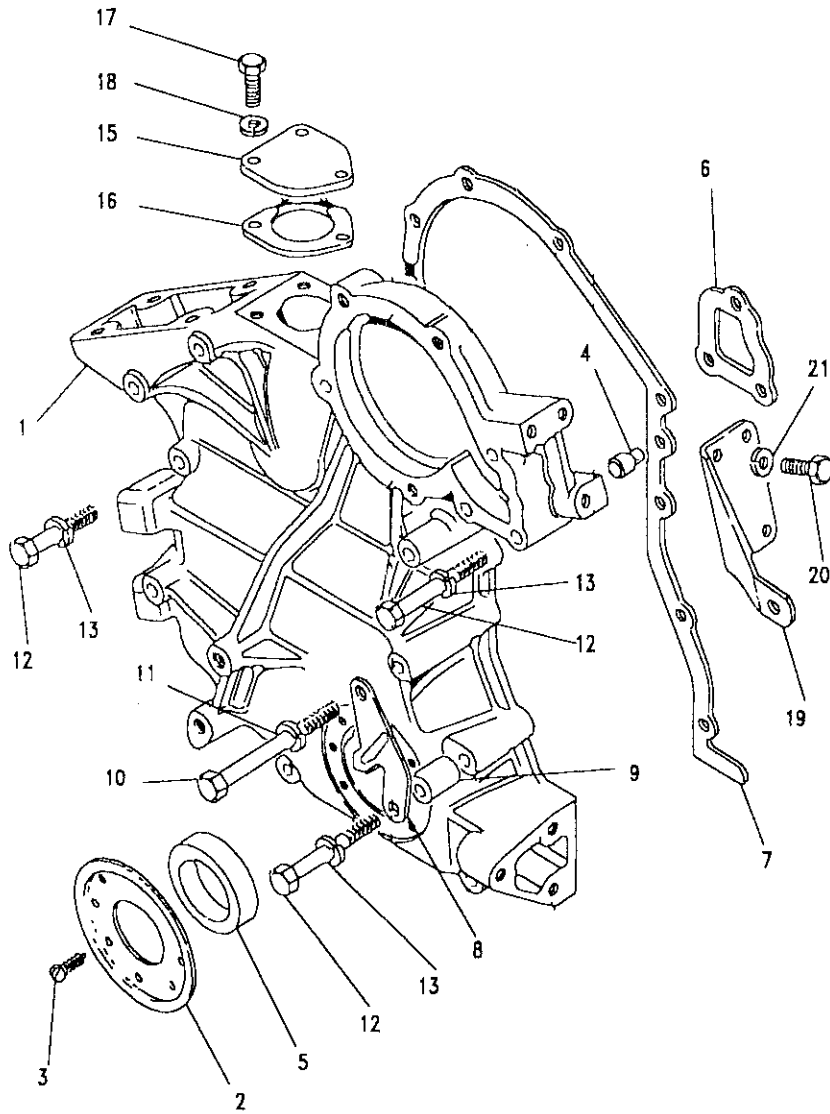
III. Part No.	Description	Qty	Remarks
1	NRC5434	1	Mounting foot-RH
2	NRC9557	1	Mounting foot-LH
3	SH112251L	4	Screw
4	WL112001L	4	Washer spring
5	ERC9410	1	Plug drain
6	AFU1882L	1	Washer joint-plug
7	ERC5086	2	Packing strip
8	ANR1808	2	Mounting rubber
9	NH110041L	4	Nut-rubber to foot
10	WC110061L	2	Washer-rubber to foot
11	WL110001L	4	Washer-spring-rubber





Model DEFENDER 110 1987 onwards  
Page AFBFEA1A

ENGINE - FRONT COVER - 2.5 PETROL



III. Part No.	Description	Qty	Remarks
1	ETC6081	1	
	ETC7947	1	AIR CON
2	247766	1	
3	AB606061L	8	
4	6395L	2	
5	ETC5187	1	
6	ERR1607	1	
7	538039	1	
8	ERC5361	1	
9	ERC6869	1	
10	ERC8964	1	
11	WL108001L	1	
12	ETC4994	1	
	BH108151L	1	NON AIR CON
	BH108105L	6	
13	WL108001L	8	
	WA108051L	1	
12	ETC4995	1	
	ERC9468	1	
	BH108131L	1	
	BH108151L	1	
	BH108105L	2	
	BH108201L	1	
	ERC8964	2	AIR CON
13	WL108001L	9	
14	NH108041L	1	
15	574469	1	
16	542636	1	
17	FS106201L	3	
18	WL106001L	3	

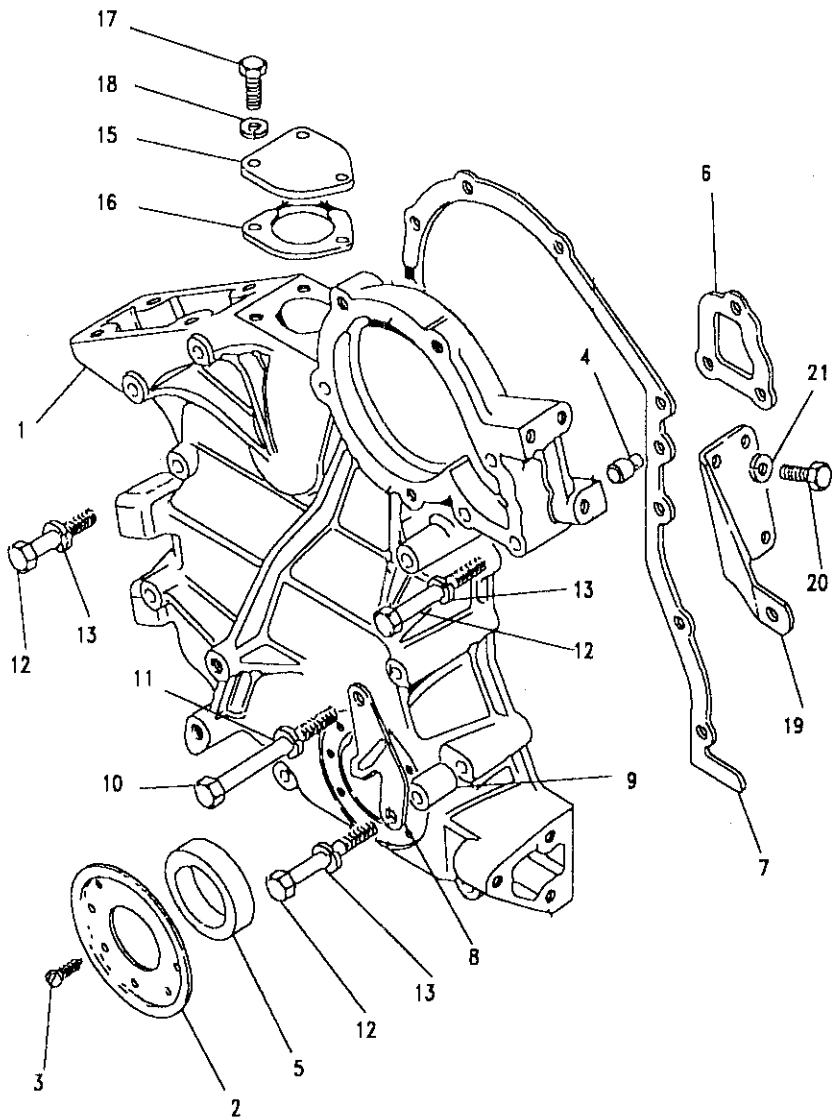




Model DEFENDER 110 1987 onwards  
Page AFBFEA1A

ENGINE - FRONT COVER - 2.5 PETROL

III. Part No.	Description	Qty	Remarks
19	ERC6479	1	
20	FS108201L	3	
21	WL108001L	3	
	ERC9404	2	) Alternatives
	AFU1090L	2	
	SH108161L	2	) Alternatives
	RTC3772	2	





DEFENDER 110 1987 onwards

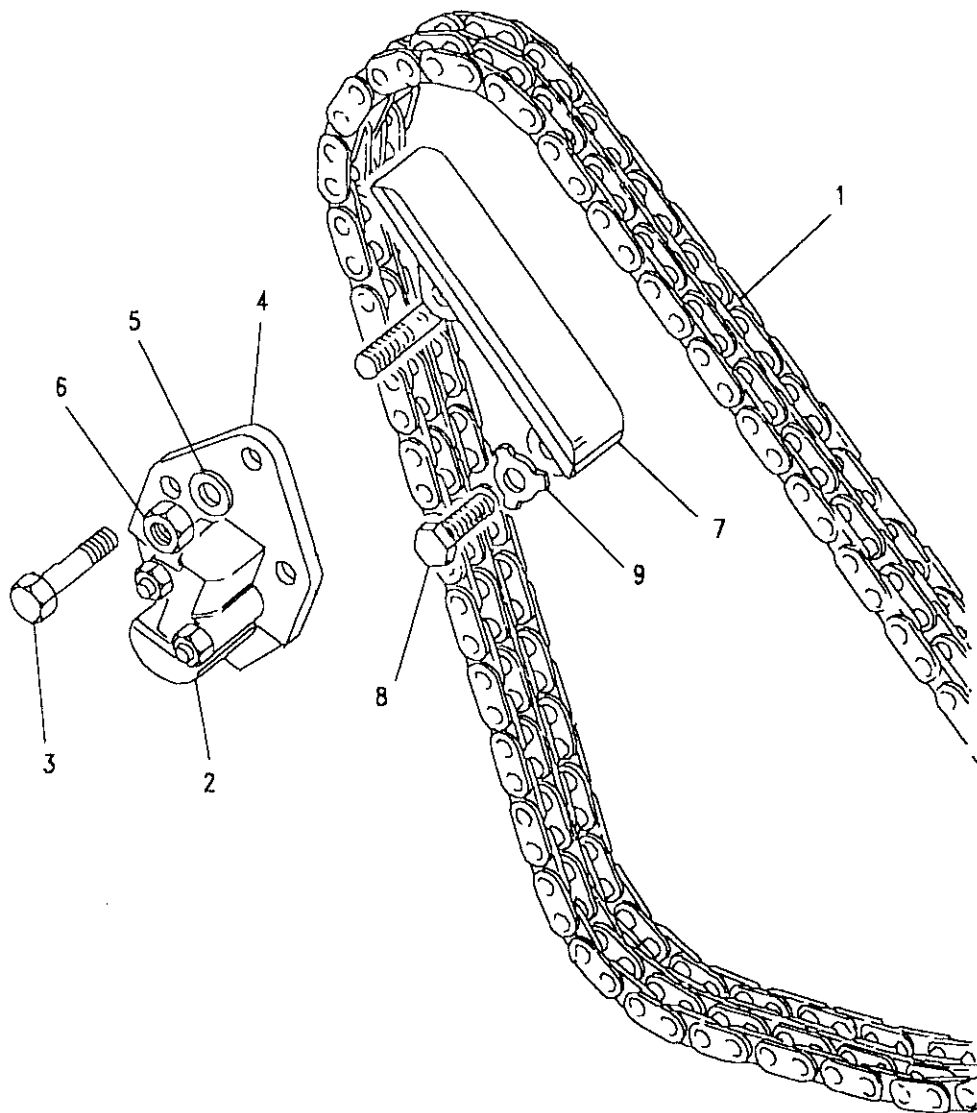
31

ENGINE

Model DEFENDER 110 1987 onwards  
Page AFBFEC1A

ENGINE - TIMING CHAIN - 2.5 PETROL

III. Part No.	Description	Qty	Remarks
1	ETC5191	1	Chain timing
2	ETC5190	1	Tensioner-timing chain
3	FS108201L	2	Screw flanged
4	TE108051L	1	Stud
5	WA108051L	3	Washer
6	NH108041L	1	Nut
7	275234	1	Damper vibration
8	SH106121L	2	Screw
9	557523	2	Washer lock

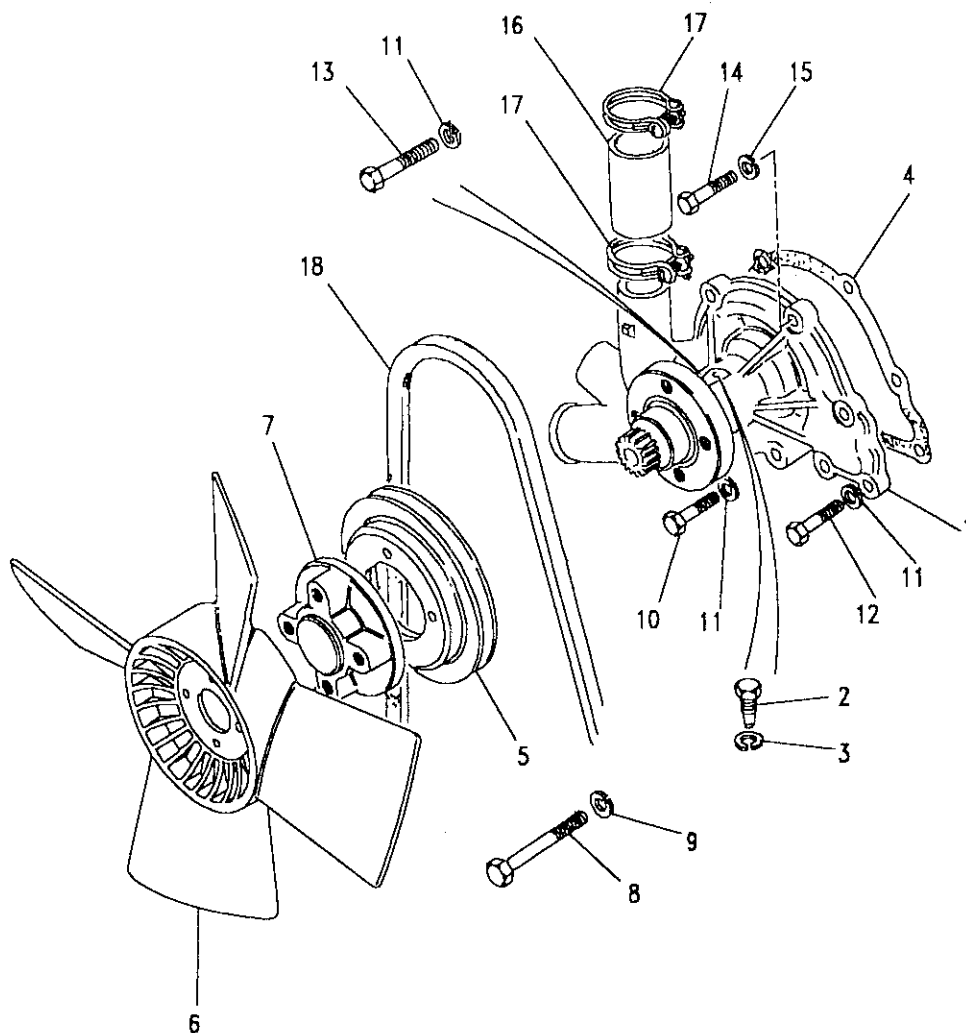


Model DEFENDER 110 1987 onwards

Page AFBFEE1A

ENGINE - WATER PUMP - 2.5 PETROL - BASIC

III. Part No.	Description	Qty	Remarks
1	STC637	1	Pump water
2	ERC5600	1	Screw special
3	WL106001L	1	Washer spring
4	ERC5655	1	Gasket
5	ERC5578	1	Pulley-single groove
6	ERC5545	1	Fan assembly
7	ERC7489	1	Spacer
8	FB108111L	4	Bolt flanged
9	WL108001L	4	Washer spring
10	BH108161L	2	Bolt-pump to block
11	WL108001L	4	Washer spring
12	BH108171L	1	Bolt-pump to block
13	BH108151L	1	Bolt-pump to block
14	FS108301L	3	Bolt
15	WL108001L	3	Washer spring
16	ERC5654	1	Hose-by pass to outlet
17	CN100408L	2	Clip hose
18	ETC7939	1	Belt fan



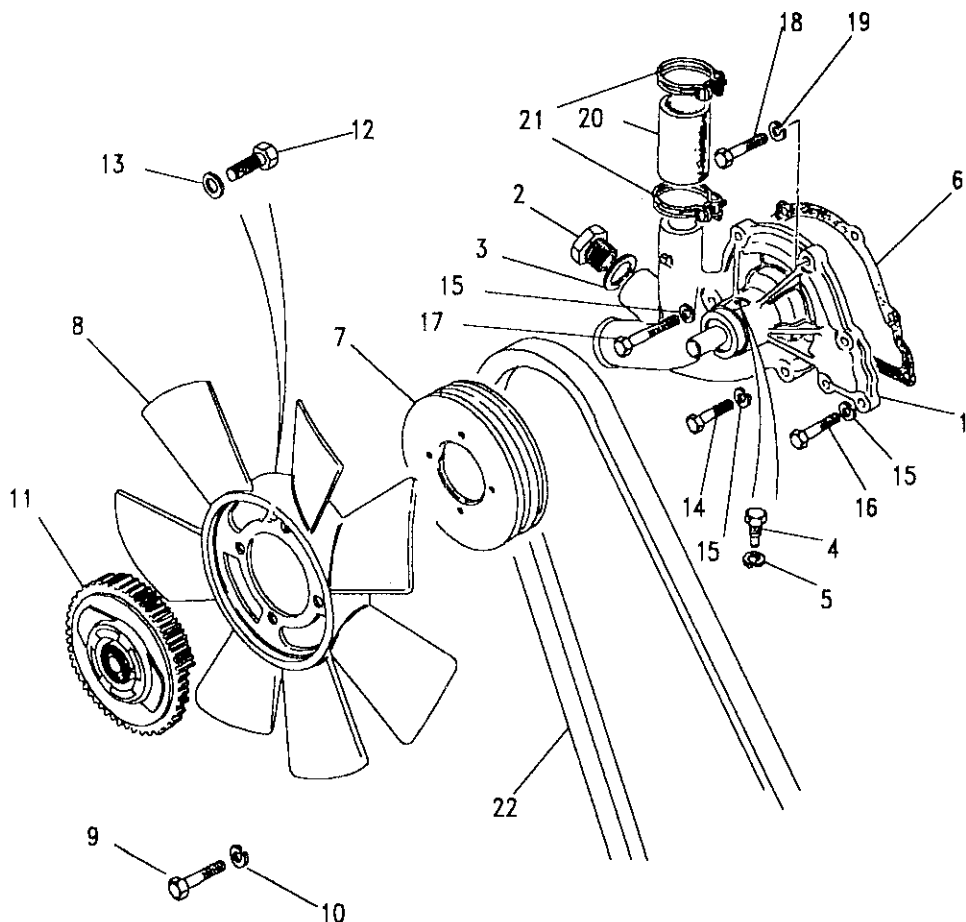


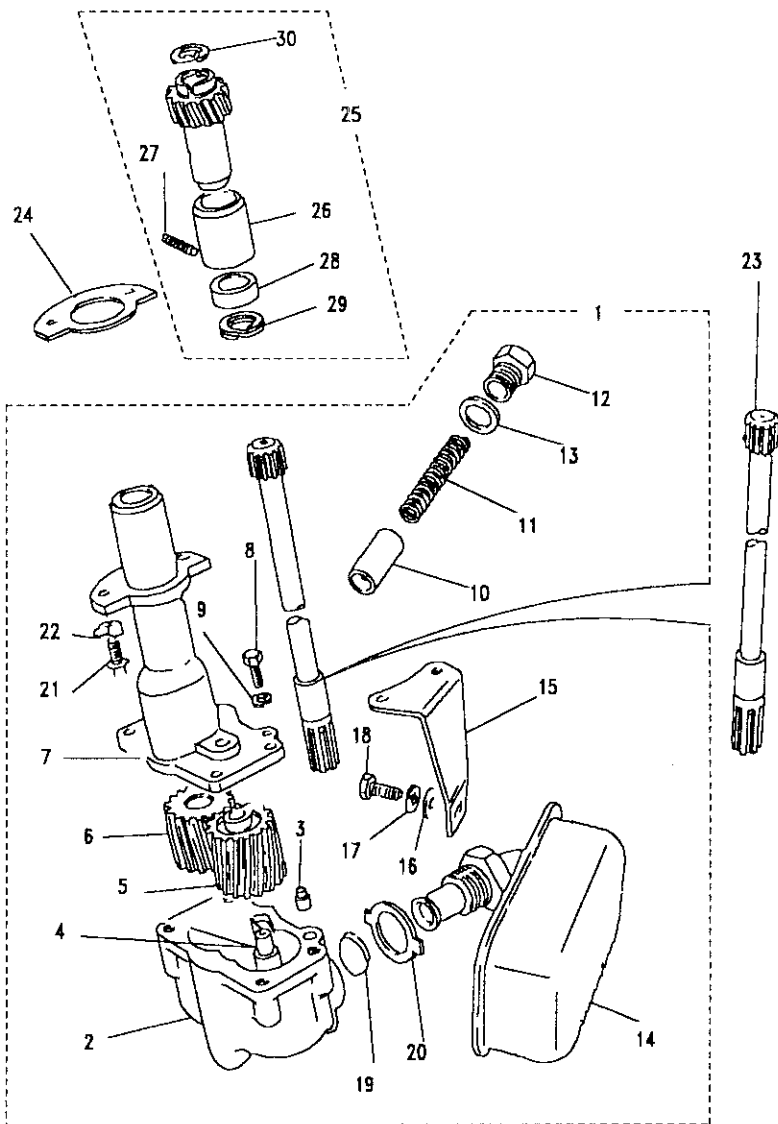
Model DEFENDER 110 1987 onwards

Page AFBFEE2A

ENGINE - WATER PUMP - 2.5 PETROL - AIR CONDITIONING

III. Part No.	Description	Qty	Remarks
1	STC640	1	A133Alternator
	STC635	1	A127Alternator
2	ERC7312	1	
3	232046	1	
4	ERC5600	1	
5	WL106001L	1	
6	ERC5655	1	
7	ERC8890	1	
8	ERC7834	1	
9	BH106051L	4	
10	WL106001L	4	
11	ERC5708	1	
12	ERC5709	4	
13	4589L	4	
14	BH108161L	2	
15	WL108001L	4	
16	BH108171L	1	
17	BH108151L	1	
18	BH108161L	3	
19	WL108001L	3	
20	ERC5654	1	
21	CN100408L	2	
22	ETC7939	1	



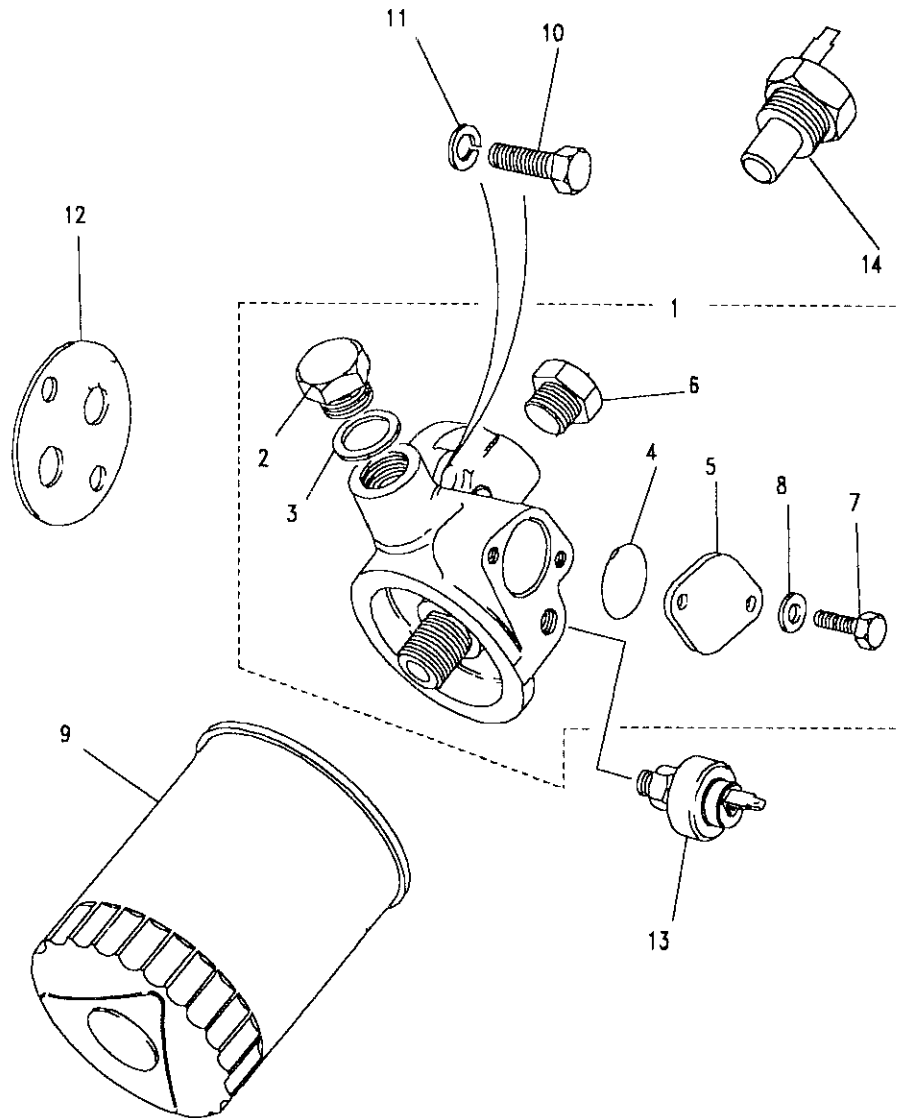


Model DEFENDER 110 1987 onwards

Page AFBFFA1A

ENGINE - OIL PUMP - 2.5 PETROL

III. Part No.	Description	Qty	Remarks
1	ERR1117	1	Pump oil assembly
2		1	Body oil pump assembly
3	236257	2	Dowel
4	ERR1063	1	Spindle idler wheel
5	ERR1088	1	Wheel idler
6	ERC9706	1	Wheel driver
7		1	Cover oil pump
8	FS108201L	4	Screw flanged
9	WL108001L	4	Washer spring
10	ETC4880	1	Plunger-oil relief
11	564456	1	Spring-oil relief
12	564455	1	Plug end-oil relief
13	232044	1	Washer joint-oil relief
14	ERC7530	1	Filter
15	ERC7940	1	Bracket support
16	WA108051L	1	Washer-filter
17	WL108001L	1	Washer spring
18	FS108201L	1	Screw flanged
19	244488	1	'O'ring
20	244487	1	Lock washer
21	SH108251L	2	Bolt
22	247665	2	Lock washer
23	ERR850	1	Shaft
24	ERR3606	1	Gasket oil pump
25	ETC6139	1	Drive assembly
26	522745	1	Bush
27	ETC6142	1	Locating screw
28	ETC6137	1	Washer thrust
29	ETC6138	1	Locking ring
30	247742	1	Circlip



**Model** DEFENDER 110 1987 onwards  
**Page** AFBFFA2A

**ENGINE - OIL FILTER - 2.5 PETROL**

III. Part No.	Description	Qty	Remarks
1	ETC5347	1	Note(1)
2	RTC6851	1	
3	213961	1	
4	ERC5913	1	
5	ERC9884	1	
6	ETC4021	1	Note(2)
7	SH106141L	2	
8	WA106041L	2	
9	ERR3340	1	
10	SH110301L	2	
11	WL110001L	2	
12	ERR4934	1	
13	PRC6387	1	
14	PRC2505	1	Note(2)

Note(1)  
 Note(2)

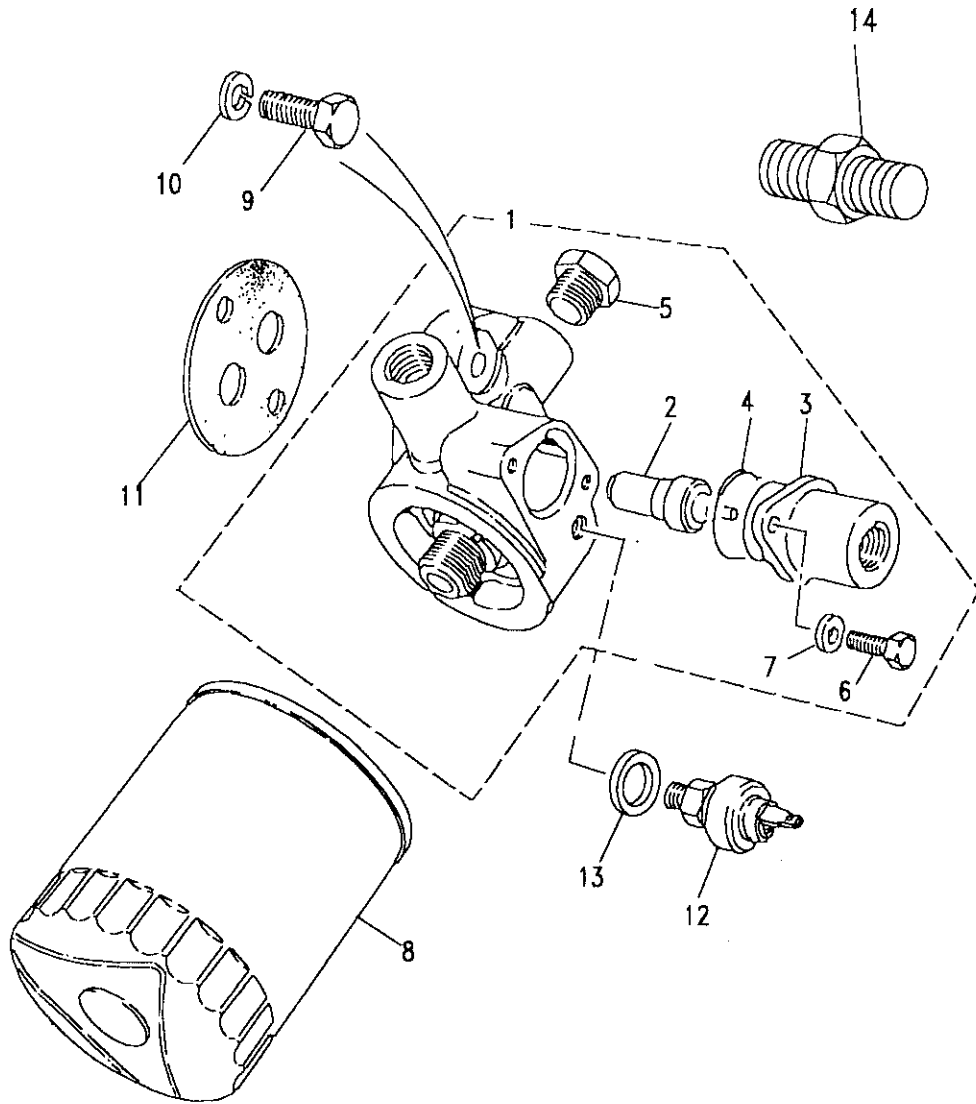
ETC5347 is interchangeable with ETC6519(includes filter)  
 Remove ETC4021 when fitting PRC2505

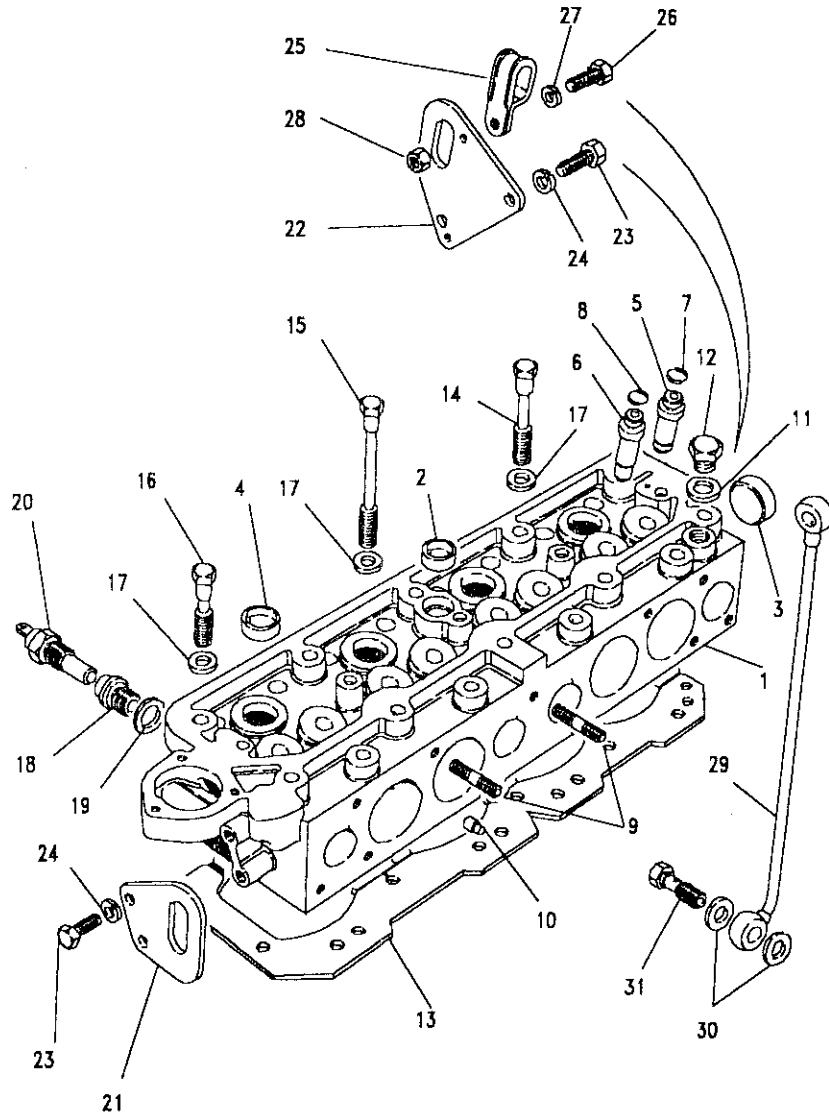
**Model** DEFENDER 110 1987 onwards  
**Page** AFBFFA3A

**ENGINE - OIL FILTER WITH OIL COOLER - 2.5 PETROL**

Ill. Part No.	Description	Qty	Remarks
1	ERR1347	1	Adaptor assembly filter
2	ERC5923	1	Bulb thermostat
3	ETC4022	1	Adaptor
4	ERC5913	1	O ring
5	ETC4021	1	Plug
6	SH106141L	2	Screw
7	WA106041L	2	Washer
8	ERR3340	1	Element-oil filter
9	SH110301L	2	Screw-filter to block
10	WL110301L	2	Washer-filter to block
11	ERR4934	1	Gasket oil filter housing
12	PRC6387	1	Switch-oil pressure
13	232039	1	Washer joint-switch
14	NRC8618	1	Coupling
	PRC2505	1	Transmitter-oil temp

Note(1) Remove ETC4021 when fitting PRC2505





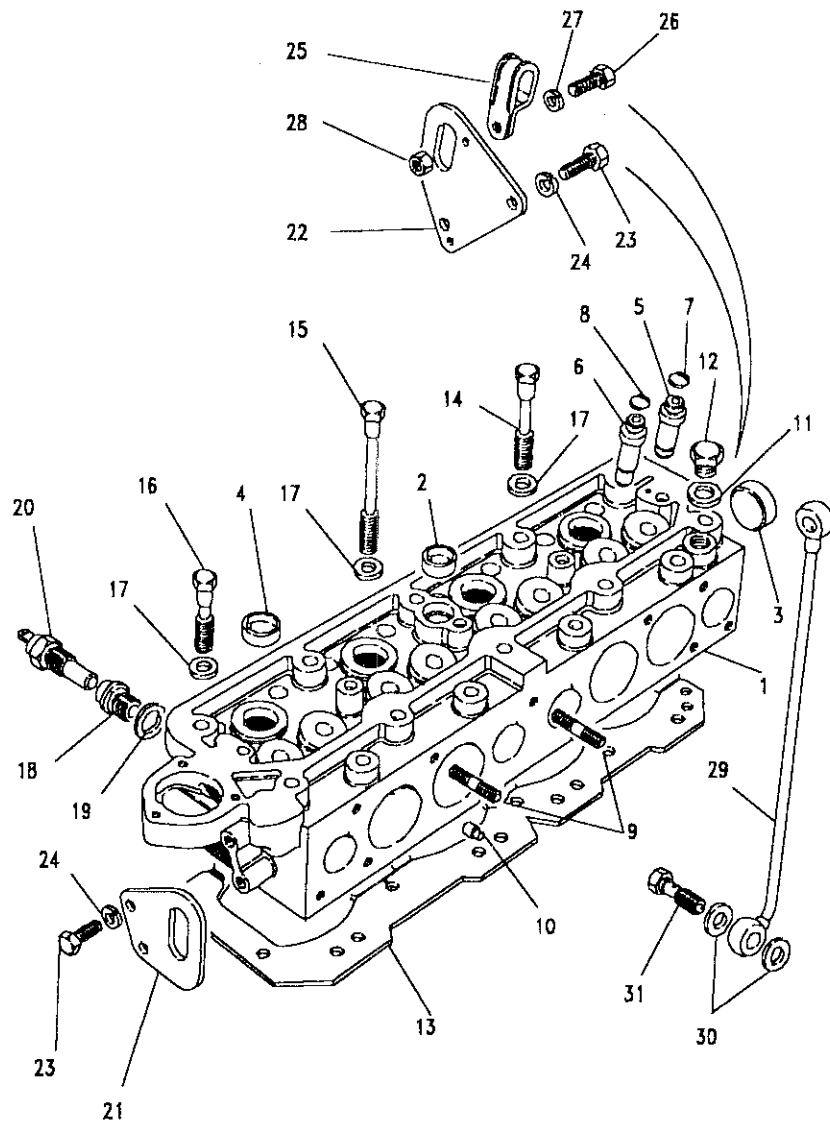
**Model** DEFENDER 110 1987 onwards  
**Page** AFBFGA1A

**ENGINE - CYLINDER HEAD - 2.5 PETROL**

III. Part No.	Description	Qty	Remarks
1	ETC5412	1	Cylinder head assembly
2	525497	1	Cup plug
3	524765	1	Cup plug
4	549702	4	Cup plug
5	568686	4	Guide valve-inlet
6	568687	4	Guide valve-exhaust
	ETC6278	4	Insert-valve seat
7	ERR1510	4	Seal-inlet valve
8	ETC4751	4	Seal-exhaust valve
9	TE108051L	3	Stud
10	213700	2	Dowel
11	AFU1890L	1	Washer joint
12	ERC9448	1	Plug
13	ERC6380	1	Gasket
14	247051	9	Bolt 4.562"
15	279648	4	Bolt 2.312"
16	554621	5	Bolt 4.125"

**Model** DEFENDER 110 1987 onwards  
**Page** AFBFGA1A

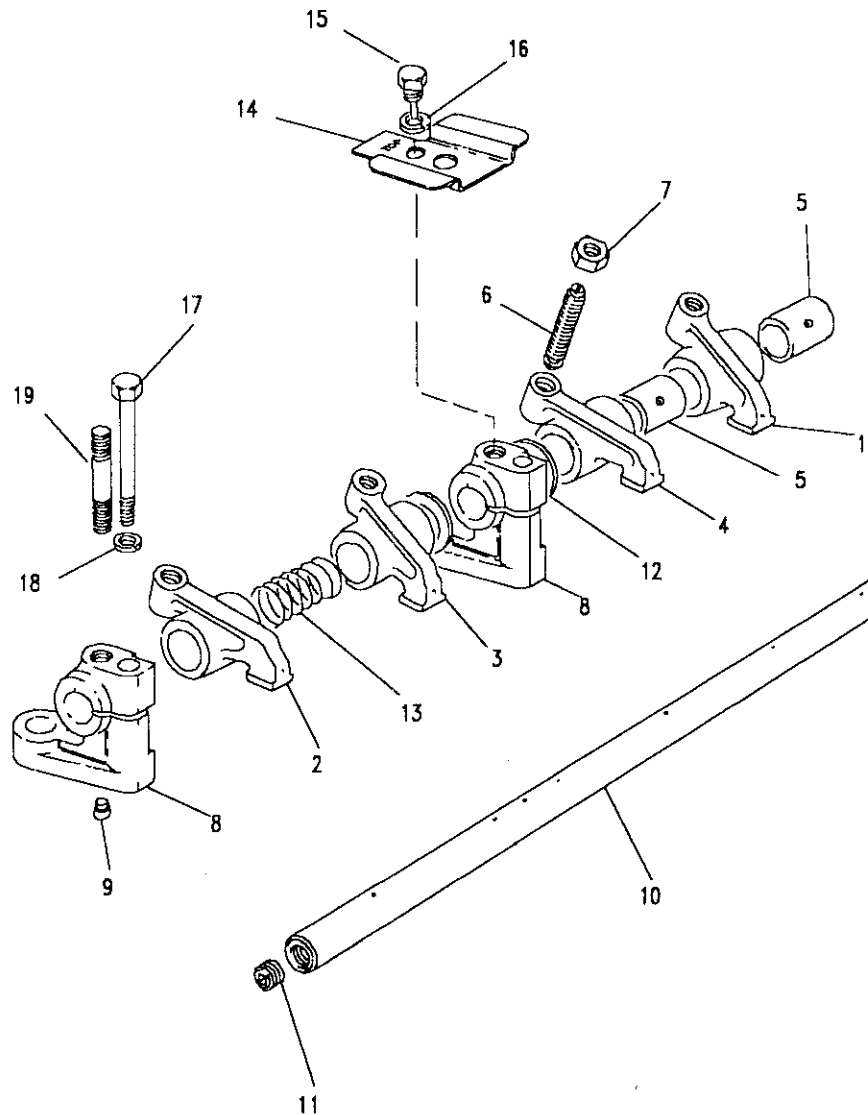
**ENGINE - CYLINDER HEAD - 2.5 PETROL**



III. Part No.	Description	Qty	Remarks
17	ERC6821	18	
18	ERC8973	1	UptoAPRIL1989
19	AFU1890L	1	
20	PRC2505	1	UptoAPRIL1989
	PRC6663	1	FromAPRIL1989
21	ERC2254	1	
22	ETC7135	1	
23	FS108201L	4	
24	WL108001L	4	
25	543589	1	
26	SH104121L	1	
27	WA104001L	1	
28	NH104041L	1	
29	275679	1	
30	ETC6510	4	
31	ETC4498	2	

**Model** DEFENDER 110 1987 onwards  
**Page** AFBFGC1A

**ENGINE - ROCKERS - 2.5 PETROL**



III. Part No.	Description	Qty	Remarks
1	ERC9103	2	Rocker arm assembly RH
2	ERC9102	2	Rocker arm assembly LH
3	ERC9107	2	Rocker arm assembly RH
4	ERC9106	2	Rocker arm assembly LH
5	247614	8	Bush
6	ERC9054	8	Screw adjusting
7	NT108041L	8	Locknut
8	ERC9138	5	Bracket pedestal
9	277956	3	Ring dowel
10	ERC6341	1	Shaft rocker
11	ERC6337	2	Plug
12	525389	6	Washer plain
13	247040	4	Spring
14	ERC9278	1	Baffle plate-breather
15	ETC4460	1	Screw-locating
16	WL108001L	1	Washer spring
17	BH108151L	5	Bolt
18	WL108001L	5	Washer spring
19	TE108081L	3	Stud

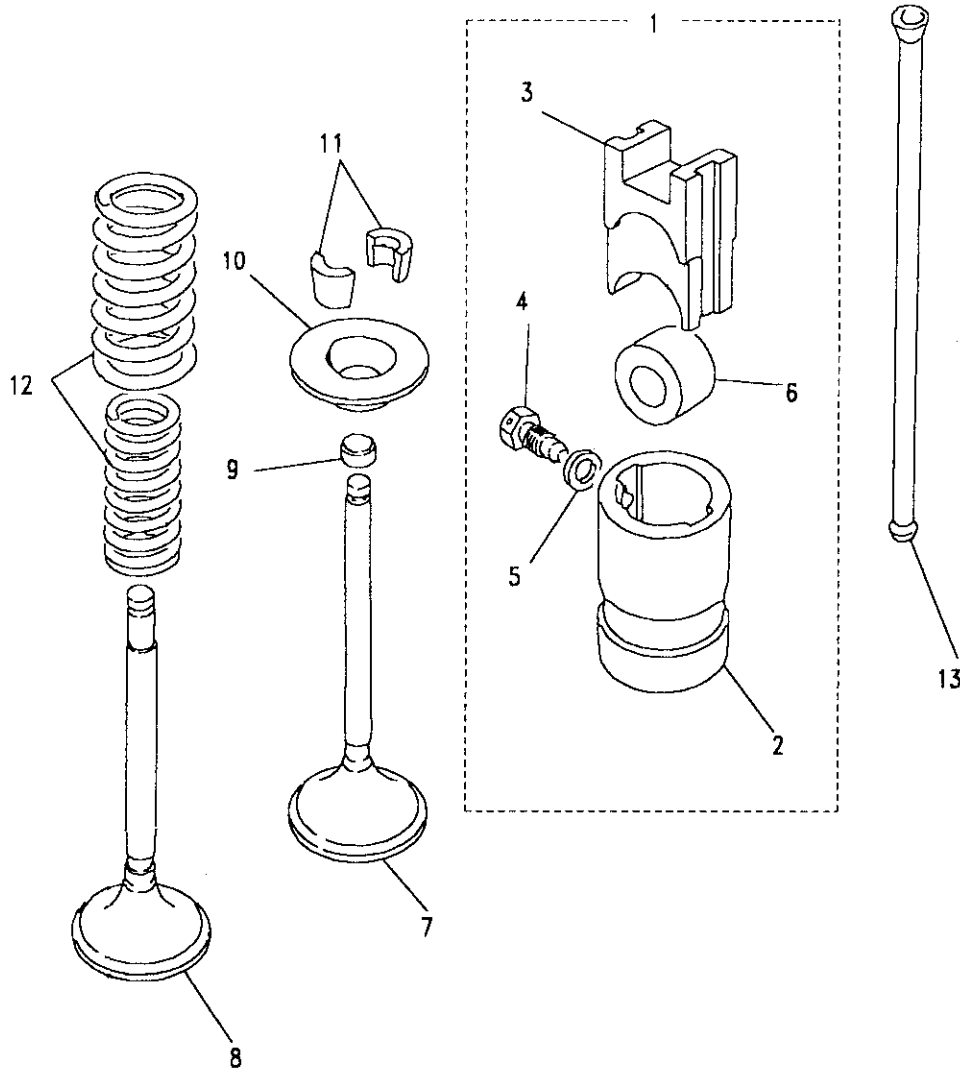
**Model** DEFENDER 110 1987 onwards

**Page** AFBFGE1A

**ENGINE - VALVES & TAPPETS - 2.5 PETROL**

III. Part No.	Description	Qty	Remarks	
1	507829	8	Tappet assembly	
2	502473	8	Guide tappet	
3	ERR607	8	Tappet slide	
4	ETC4246	8	Bolt	
5	273069	8	Washer plain	
6	ERR561	8	Roller follower	
7	ETC4067	4	Valve inlet	
8	ETC5866	4	Valve exhaust	
9	ERR4175	8	Cap-valve stem protection	Note(1)
10	ETC4068	8	Cup-valve spring	
11	ETC4069	16	Cotter split halves	
12	ERR4640	8	Valve spring	
13	546798	8	Push rod	

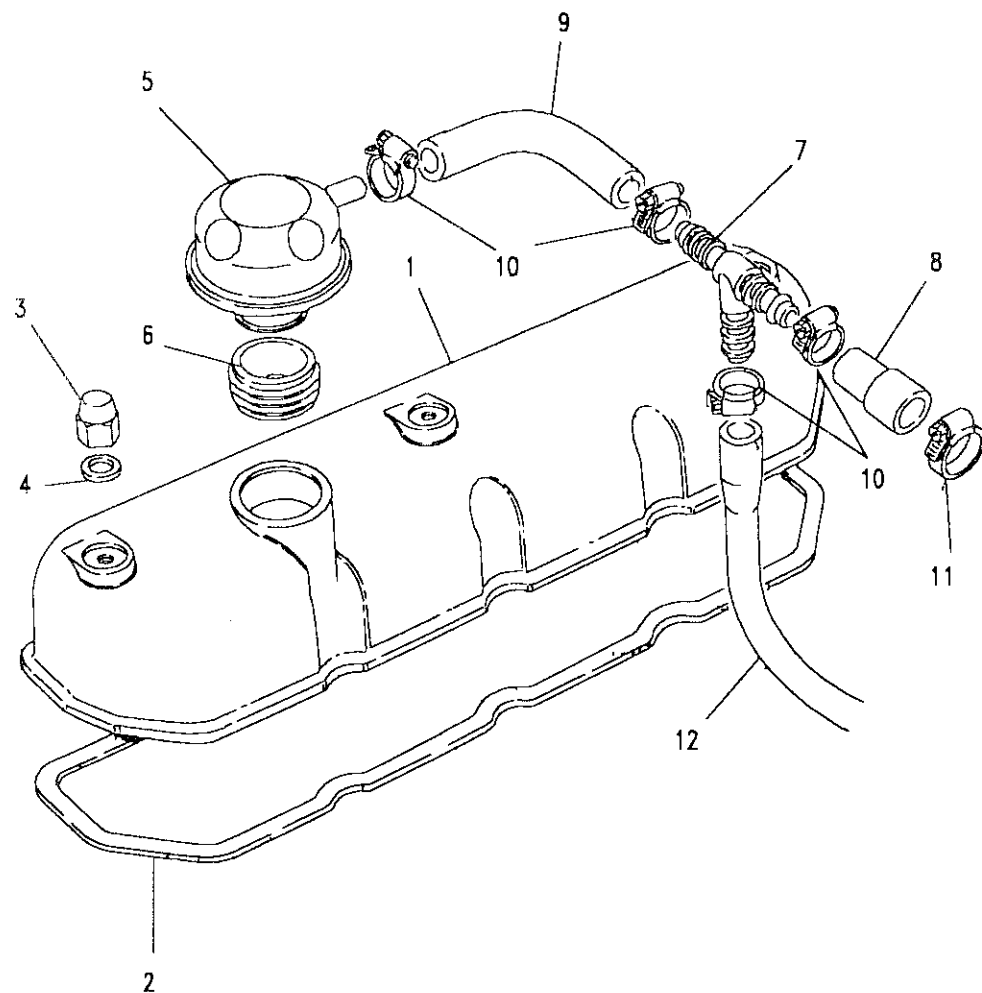
Note(1) ERR1158 can be fitted if there is excessive wear on stem





Model DEFENDER 110 1987 onwards  
 Page AFBFGG1A

ENGINE - ROCKER COVER - 2.5 PETROL



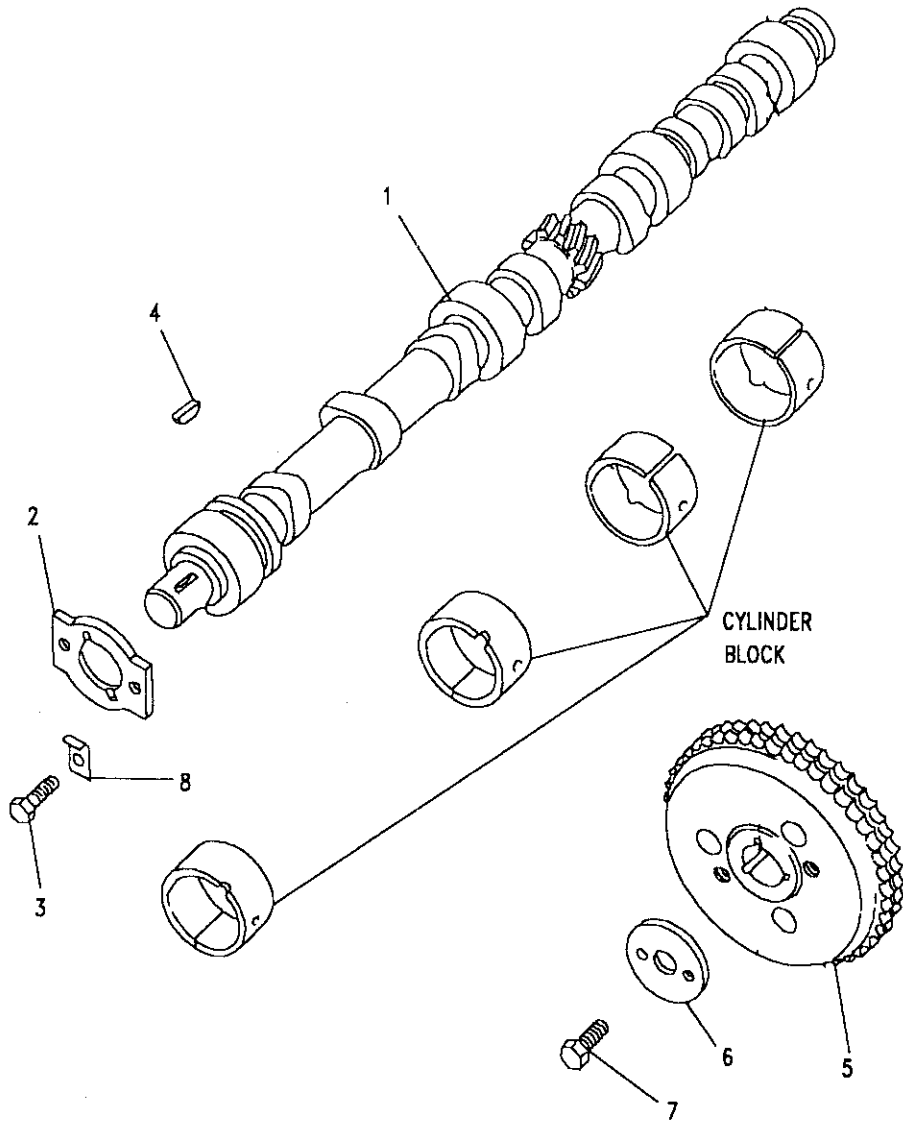
III. Part No.	Description	Qty	Remarks
1	ETC5955 Rocker cover	1	
2	ERR4933 Gasket rocker cover	1	
3	ERC9220 Nut domed	3	
4	273069 Washer sealing	3	
5	ERR1454 Breather silencer assy	1	
6	ERR736 O ring breather	1	
7	ERC6200 Tee piece	1	
8	ERC9032 Hose-tee piece to elbow	1	
9	ERC9031 Hose-rocker to tee piece	1	
10	CN100208L Clip-hose	4	
11	CN100148L Clip-hose	1	
12	ERC9033 Hose-tee piece to carb	1	

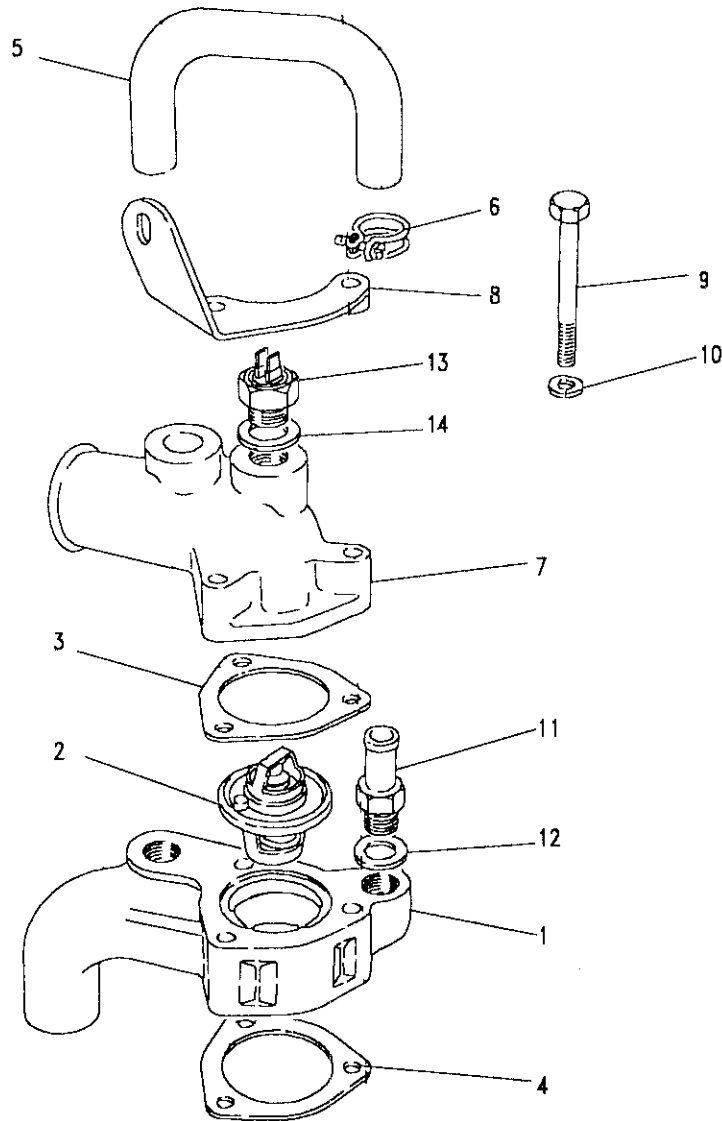
**Model** DEFENDER 110 1987 onwards

**Page** AFBFGI1A

**ENGINE - CAMSHAFT - 2.5 PETROL**

III. Part No.	Description	Qty	Remarks
1	ETC7128 Camshaft	1	
2	ERC1561 Plate thrust	1	
3	FS106167 Screw	2	
4	230313 Key woodruff	1	
5	ETC5172 Chainwheel	1	
6	ETC4140 Washer retaining	1	
7	BX110071L Bolt retaining	1	
8	2995 Locker	2	

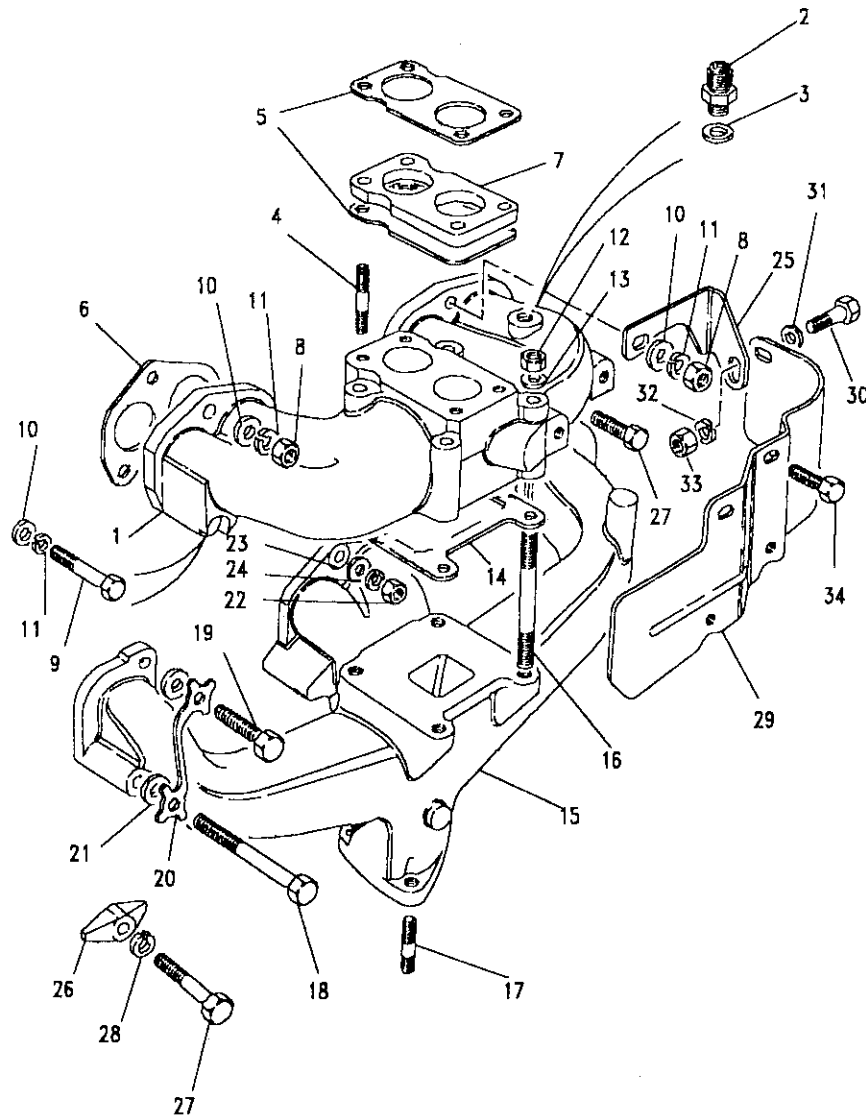




**Model** DEFENDER 110 1987 onwards  
**Page** AFBFGK1A

**ENGINE - THERMOSTAT HOUSING - 2.5 PETROL**

III. Part No.	Description	Qty	Remarks
1 ERC8758	Housing thermostat	1	
2 602687	Thermostat 82o	1	
ETC4761	Thermostat 74o	1	Optional
3 ERR3682	Gasket thermostat housing	1	
4 247874	Washer joint	1	
5 ERC7510	Hose-thermo housing	1	
6 CN100258L	Clip-Hose	2	
7 ETC5967	Water outlet connector	1	NON AIR CON
ETC5958	Water outlet connector	1	AIR CON
8 ETC5965	Bracket-cowl mounting	1	
9 BH106151L	Bolt	3	
10 WL106001L	Washer joint	3	
11 624091	Adaptor-thermo housing	2	
12 243959	Washer joint	2	
13 PRC3366	Switch-temp/sensor blue	1	)
PRC3541	Switch-Temp/sensor red	1	)AIR CON
14 C457593	Washer	2	)

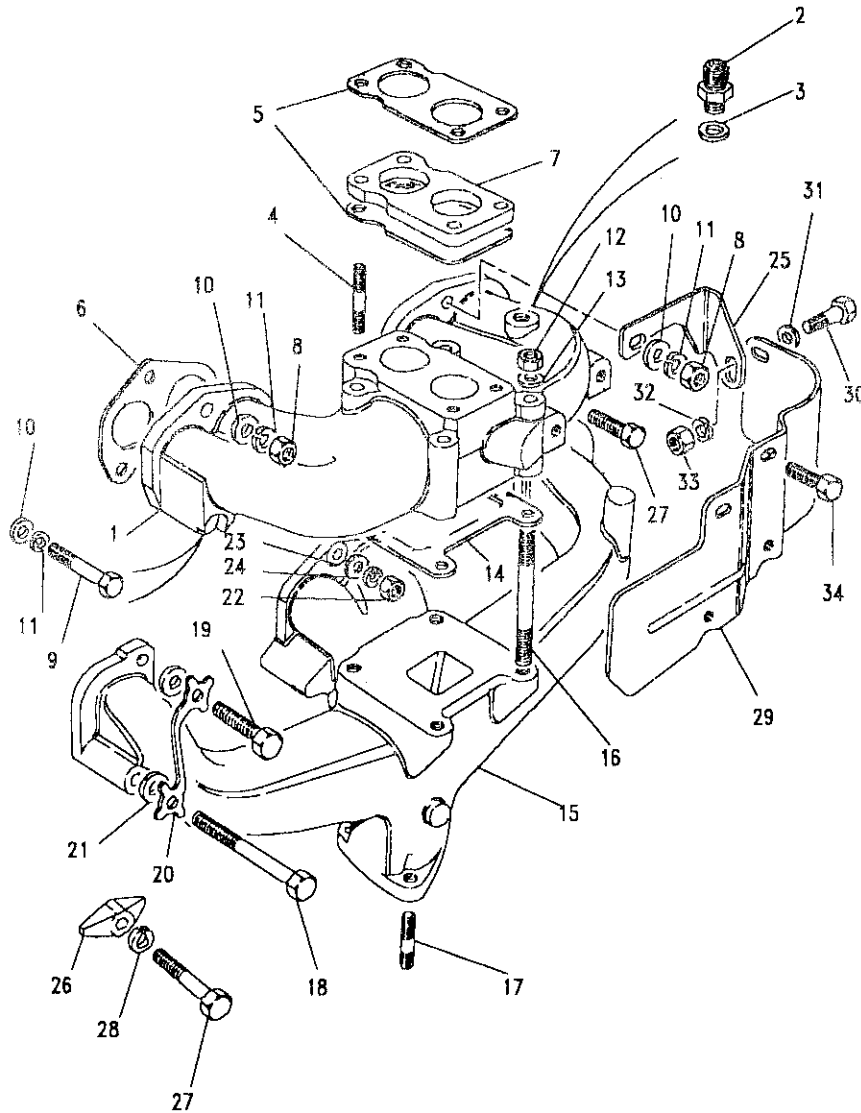


**Model** DEFENDER 110 1987 onwards  
**Page** AFBFHA1A

**ENGINE - MANIFOLDS - 2.5 PETROL**

III. Part No.	Description	Qty	Remarks
1	ERC9069 Manifold inlet	1	
2	513171 Adaptor-servo	1	
	ETC6929 Banjo assembly	1	Note(1)
3	243958 Washer joint	1	
4	TE108081L Stud-carb to inlet/man	4	
	NH108041L Nut-carb to inlet/man	4	
	WL108001L Washer spring	4	
5	ERC8645 Washer joint	2	
	ERR4385 Joint washer	1	From Jan 94
6	564307 Washer joint	2	
7	ERC8460 Packing piece	1	
	ERR4386 Insulator heat	1	From Jan 94
8	NH108041L Nut-manifold to head	2	
9	BH108105L Bolt-manifold to head	2	
10	587405 Washer-manifold to head	4	
11	WL108001L Washer spring	4	
12	NH108041L Nut-manifold to manifold	4	
13	WA108051L Washer	4	
14	ERC8124 Washer joint	1	
	ERR4387 Gasket manifold	1	From Jan 94
15	ETC5330 Manifold exhaust	1	

Note(1) Vehicles with charcoal canister only



Model DEFENDER 110 1987 onwards  
 Page AFBFHA1A

ENGINE - MANIFOLDS - 2.5 PETROL

III. Part No.	Description	Qty	Remarks
16	TE108131L Stud-manifold to manifold	4	
17	AFU1848L Stud-exhaust pipe	3	
18	BH108141L Bolt-manifold to head	2	
19	SH108301L Screw-manifold to head	2	
20	596490 Locking plate	2	
21	587405 Washer-manifold to head	4	
22	NH108041L Nut-centre flange to head	1	
23	587405 Washer	1	
24	WL108001L Washer spring	1	
25	ETC5040 Bracket-heat shield	1	
26	564308 Clamp-manifold to head	2	
27	BH108141L Bolt-manifold to head	2	
28	WL108001L Washer spring	2	
29	ERC8712 Shield-exhaust manifold	1	
30	FS108207L Bolt-shield to manifold	1	
31	WA108051L Washer	4	
32	WL108001L Washer spring	3	
33	NH108041L Nut-shield to manifold	1	
34	SH108141L Screw-shield to manifold	2	
	ERC8722 Bolt-shield to manifold	2	

Model DEFENDER 110 1987 onwards

Page AFBFIA1A

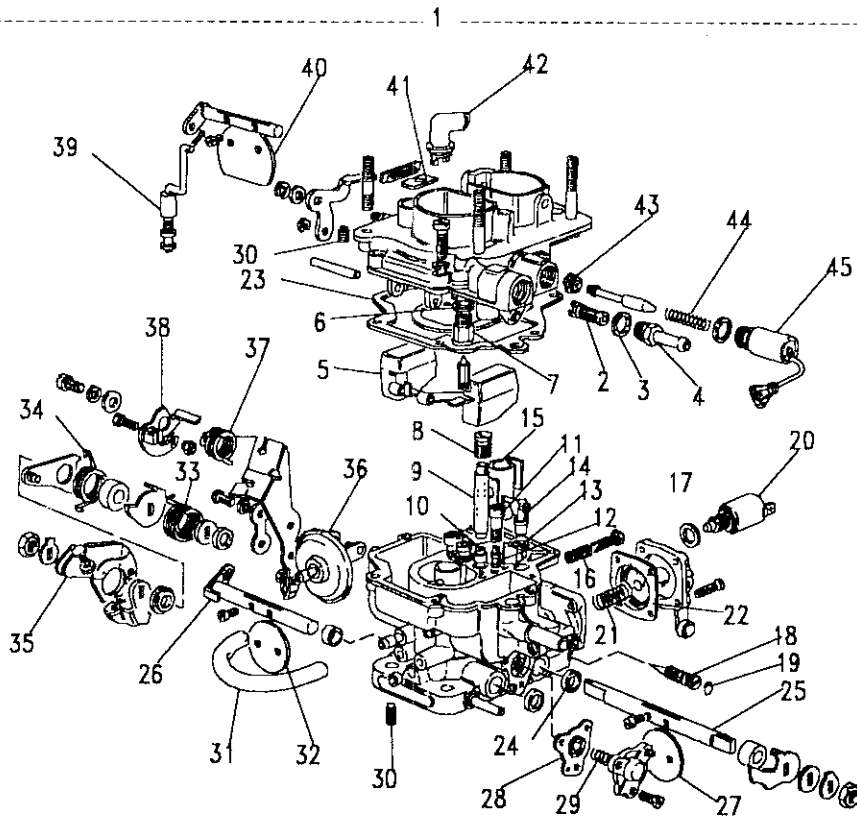
ENGINE - CARBURETTORS - 2.5 PETROL

III. Part No.

Description

Qty Remarks

1	ETC6350	Carburettor twin choke	1	Upto17H08822C
	ETC7144	Carburettor twin choke	1	From17H08823C
2	RTC4421	Filter	1	NLA
3	RTC4420	Washer	1	NLA
4	RTC4419	Fuel-inlet	1	
5	AEU2583	Float	1	
6	RTC4896	Gasket-needle valve	1	NLA
7	AEU2584	Needle valve	1	NLA
8	AEU2565	Jet air correction-prime	1	
	RTC4858	Jet air correction-sec	1	
9	AEU2566	Emulsion tube-primary	1	
	RTC4857	Emulsion tube-secondary	1	
10	RTC4852	Jet main-primary/sec	2	
11	AEU2582	Jet idle holder	1	
12	RTC4849	Jet idle-primary	1	
	AEU2580	Jet idle-secondary	1	
13	RTC4897	'O' ring	1	
14	AEU2578	Jet pump	1	NLA
15	AEU2585	Auxiliary venturi(PRI)	1	
	RTC4859	Auxiliary venturi(SEC)	1	
16	AEU2577	Spring-idle speed screw	1	
17	RTC4898	Screw idle speed	1	
18	RTC4899	Screw idle mixture	1	NLA
19	RTC4900	'O' ring-mixture screw	1	NLA
20	RTC4850	Solenoid-idle cut off	1	
21	AEU2575	Spring pump	1	
22	RTC4901	Diaphragm pump	1	NLA
23		Gasket	1	NLA
24	RTC4903	Seal shaft	3	NLA

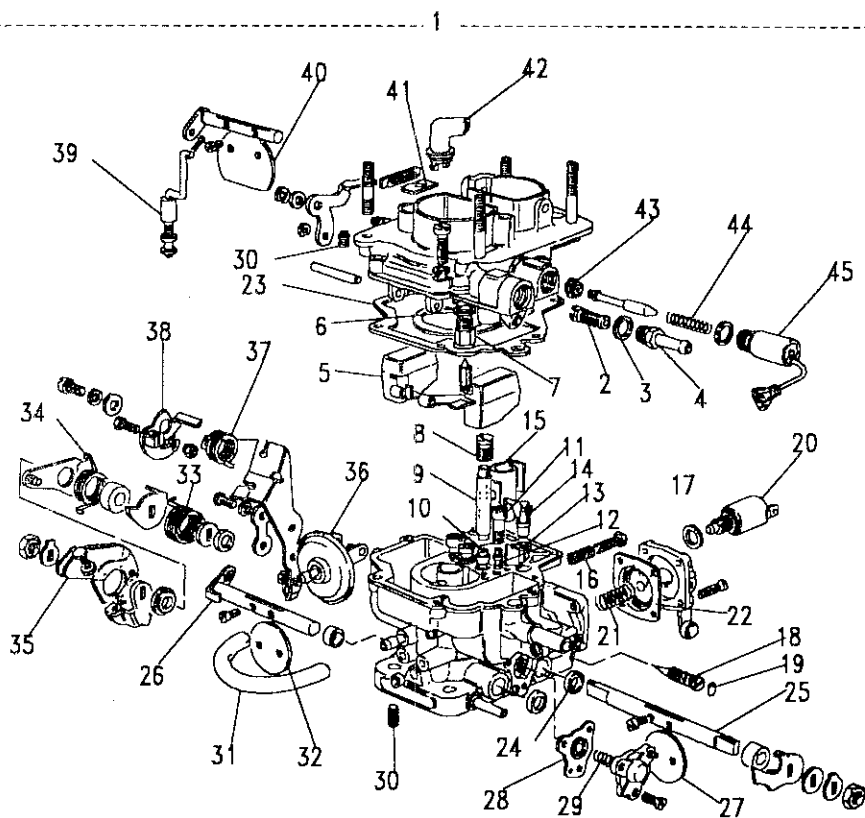


Model DEFENDER 110 1987 onwards

Page AFBFIA1A

ENGINE - CARBURETTER - 2.5 PETROL

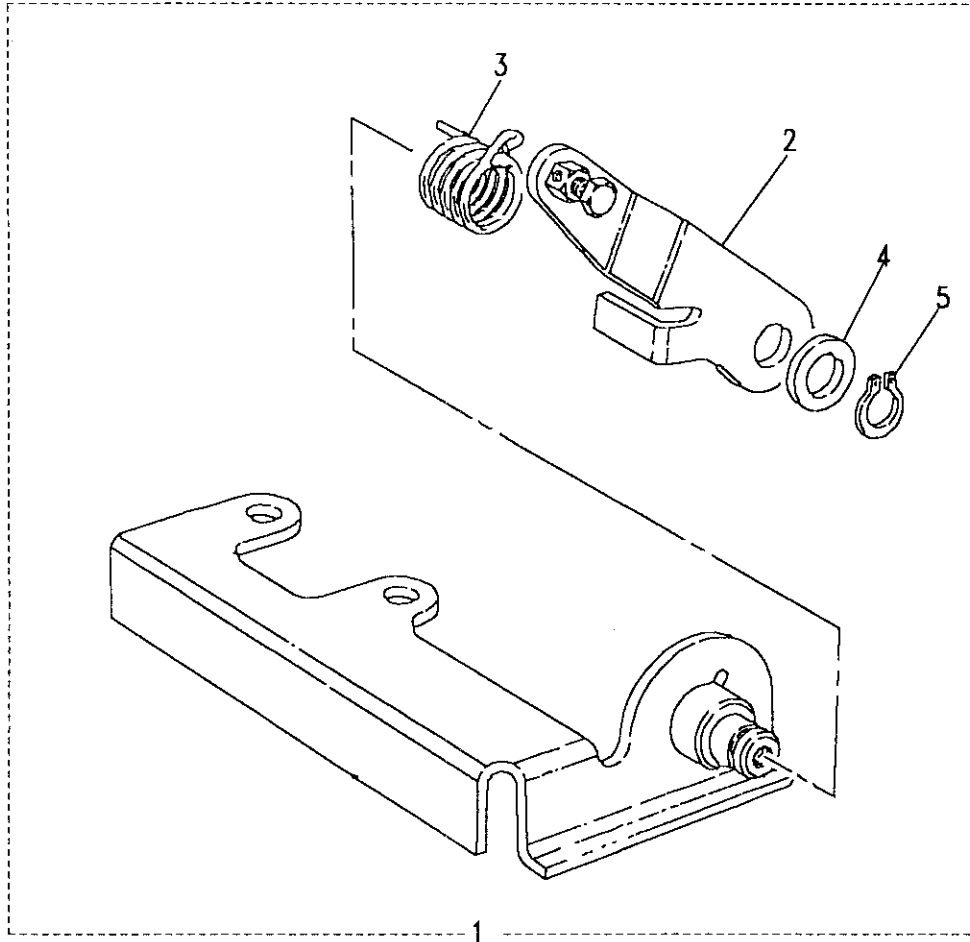
III. Part No.	Description	Qty	Remarks
25	AEU2573 Shaft primary	1	NLA
26	AEU2570 Shaft secondary	1	NLA
27	AEU2574 Plate throttle	1	NLA
28	RTC4860 Diaphragm	1	NLA
29	RTC4851 Spring valve	1	
30	AEU2579 Screw-secondary adjust	1	
	AEU2579 Screw-choke setting	1	
31	RTC4904 Tube	1	
32	AEU2571 Plate throttle	1	NLA
33	AEU2569 Spring	1	
34	AEU2564 Spring	1	
35	RTC4853 Lever throttle	1	
36	AEU2560 Capsul	1	
37	AEU2564 Spring	1	
38	AEU2563 Cam fast idle	1	
39	AEU2562 Link choke	1	
40	AEU2558 Plate choke	1	
41	RTC4906 Seal dust	1	NLA
42	RTC4861 Elbow vent	1	
43	RTC3665 Seal valve	1	
44	RTC4908 Spring	1	
45	RTC3663 Solenoid	1	
	RTC5970 Kit repair	1	
	RTC5863 Kit overhaul	1	



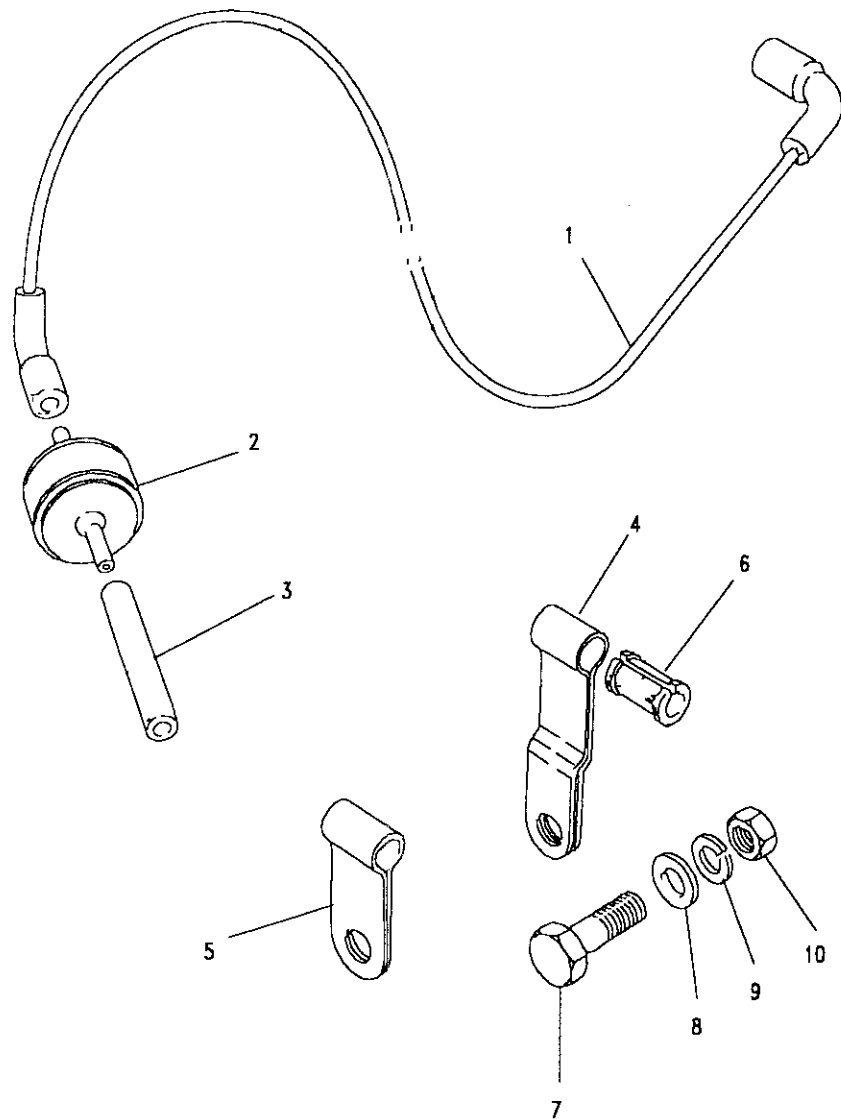
**Model** DEFENDER 110 1987 onwards  
**Page** AFBFIA2A

**ENGINE - HAND THROTTLE - 2.5 PETROL**

Ill. Part No.	Description	Qty	Remarks
1	ERC9708	1	Bracket assembly-hand
2	ERC9693	1	Lever assembly
3	ERC9704	1	Spring
4	WB600071L	1	Washer plain
5	CR120115L	1	Circlip







**Model** DEFENDER 110 1987 onwards  
**Page** AFBFIC1A

**ENGINE - VACUUM PIPES - CARBURETTER - 2.5 PETROL**

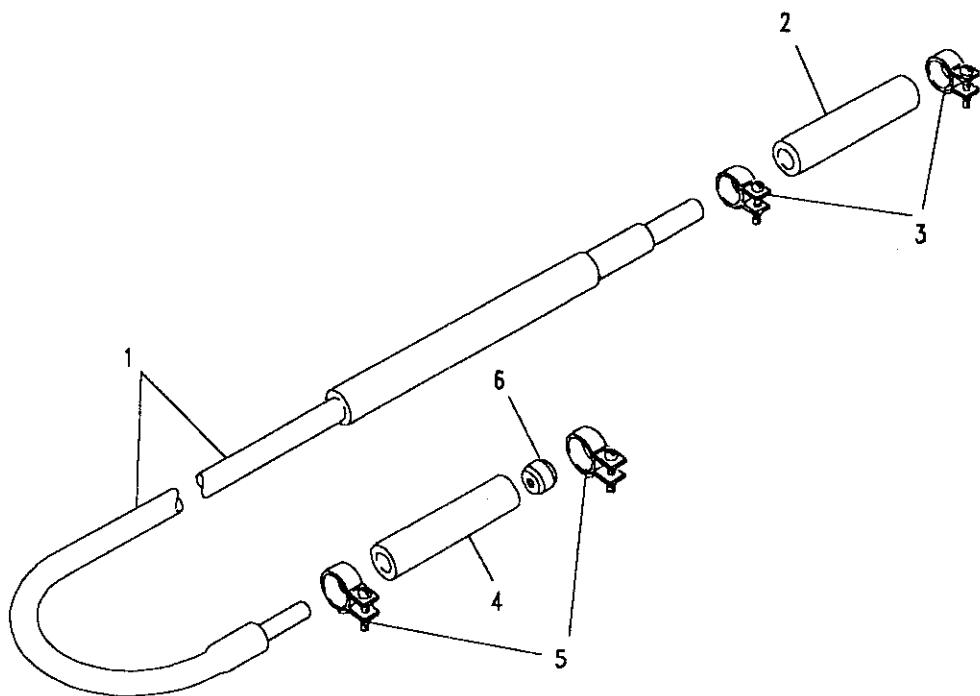
III. Part No.	Description	Qty	Remarks
1	ERC9294	1	Pipe assy vacuum advance
2	ERC8119	1	Valve-vacuum delay
3	ERC6996	1	Hose-distributor to valve
4	512646	1	Clip pipe
5	214228	1	Clip pipe
6	214229	2	Grommet-clip
7	SH604051L	1	Screw
8	RTC609	1	Washer
9	WM600041L	1	Washer spring
10	NH604041L	1	Nut

**Model** DEFENDER 110 1987 onwards

**Page** AFBFIE1A

**ENGINE - FUEL PIPES - 2.5 PETROL**

III. Part No.	Description	Qty	Remarks
1 ETC5027	Pipe fuel assembly	1	
2 ETC6155	Hose connector-fuel pipe	1	
3 EAC32151	Clip hose-connector	2	
4 ETC6156	Connector hose-fuel pipe	1	
5 EAC32151	Hose clip-connector	2	
6 ETC6243	Restrictor	1	



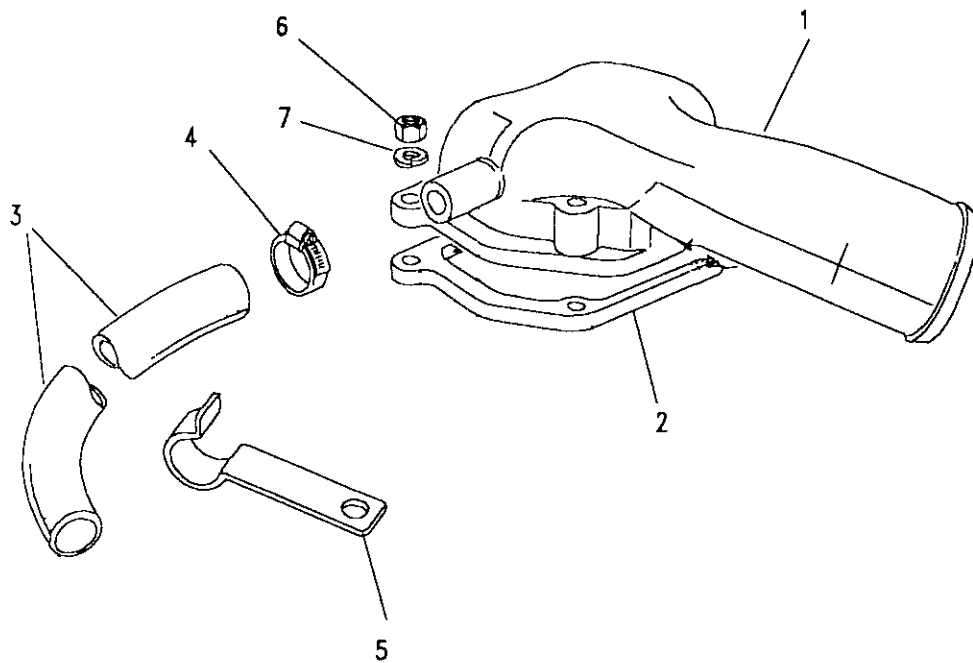


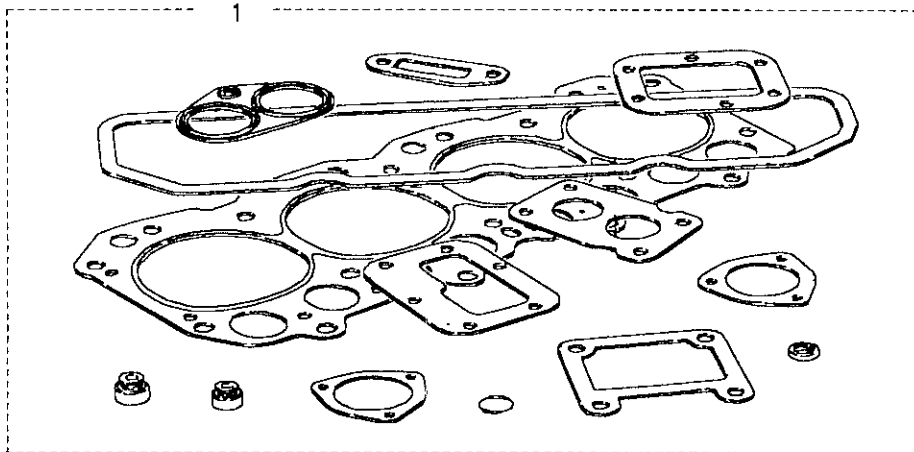
Model DEFENDER 110 1987 onwards

Page AFBFIG1A

ENGINE - CARBURETTER FIXINGS - 2.5 PETROL

III. Part No.	Description	Qty	Remarks
1 ERR539	Elbow air inlet	1	
2 ERC7922	Gasket-elbow	1	
ERR4384	Gasket elbow	1	From Jan 94
3 ERC298	Hose-carburetter vent	1	
4 AAU1979	Clip hose	1	
5 ETC4959	Clip hose	1	
6 NH105041L	Nut-elbow to carb	4	
7 WL105001L	Washer-elbow to carb	4	

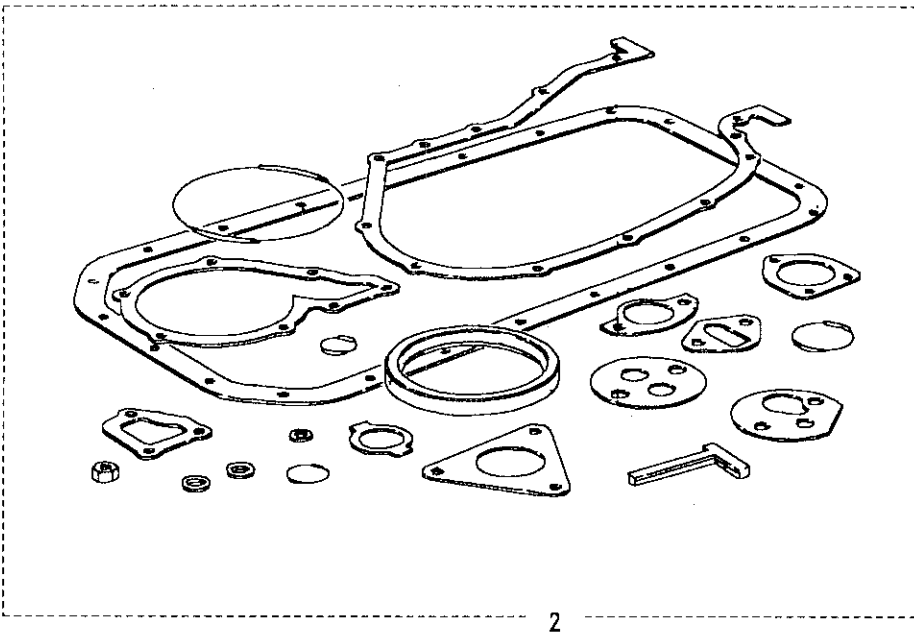




Model DEFENDER 110 1987 onwards  
 Page AFBFMA1A

ENGINE - GASKET KITS - 2.5 PETROL

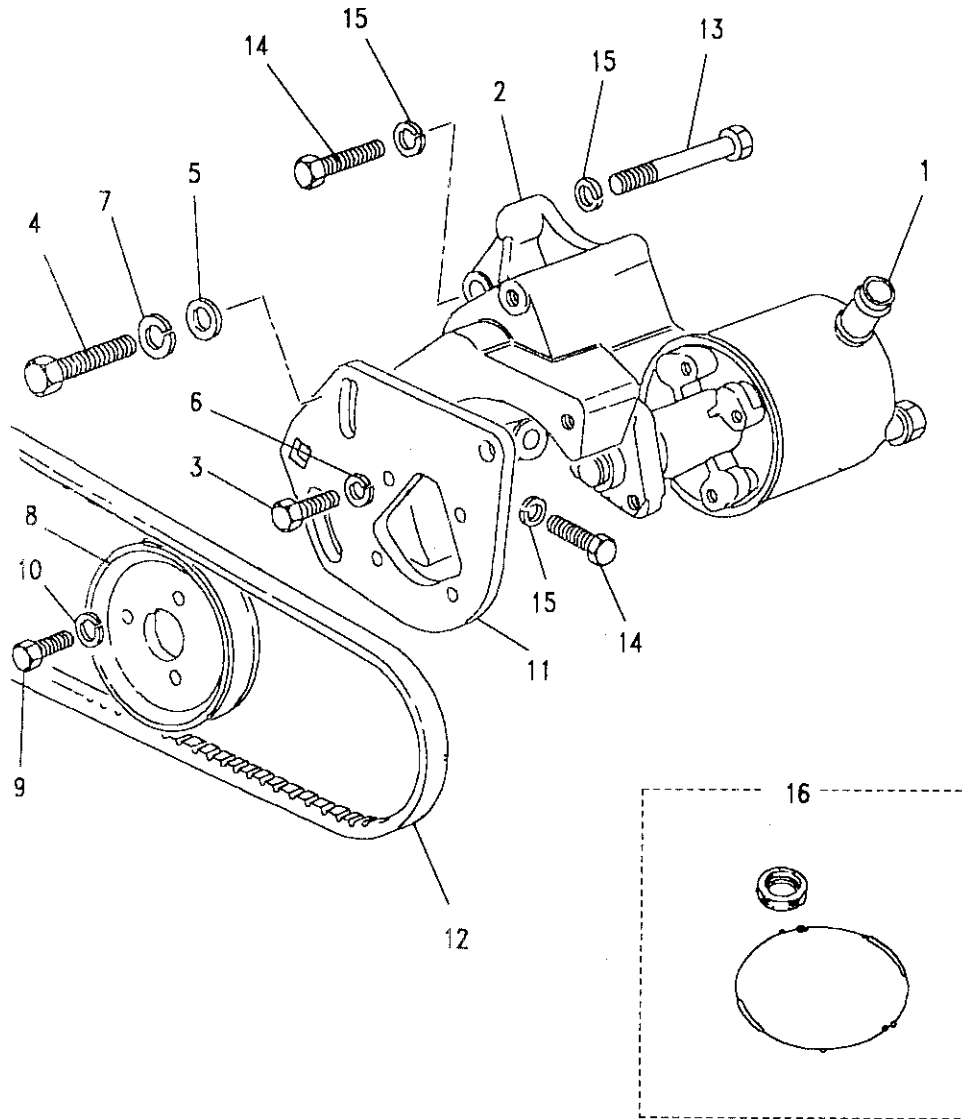
III. Part No.	Description	Qty	Remarks
1 RTC2889	Kit gasket/seals-decarb	1	
STC1640	Kit gasket cylinder head	1	From Jan 94
2 RTC2890	Kit gasket/seals-overhaul	1	
STC1467	Kit gasket overhaul	1	From Jan 94

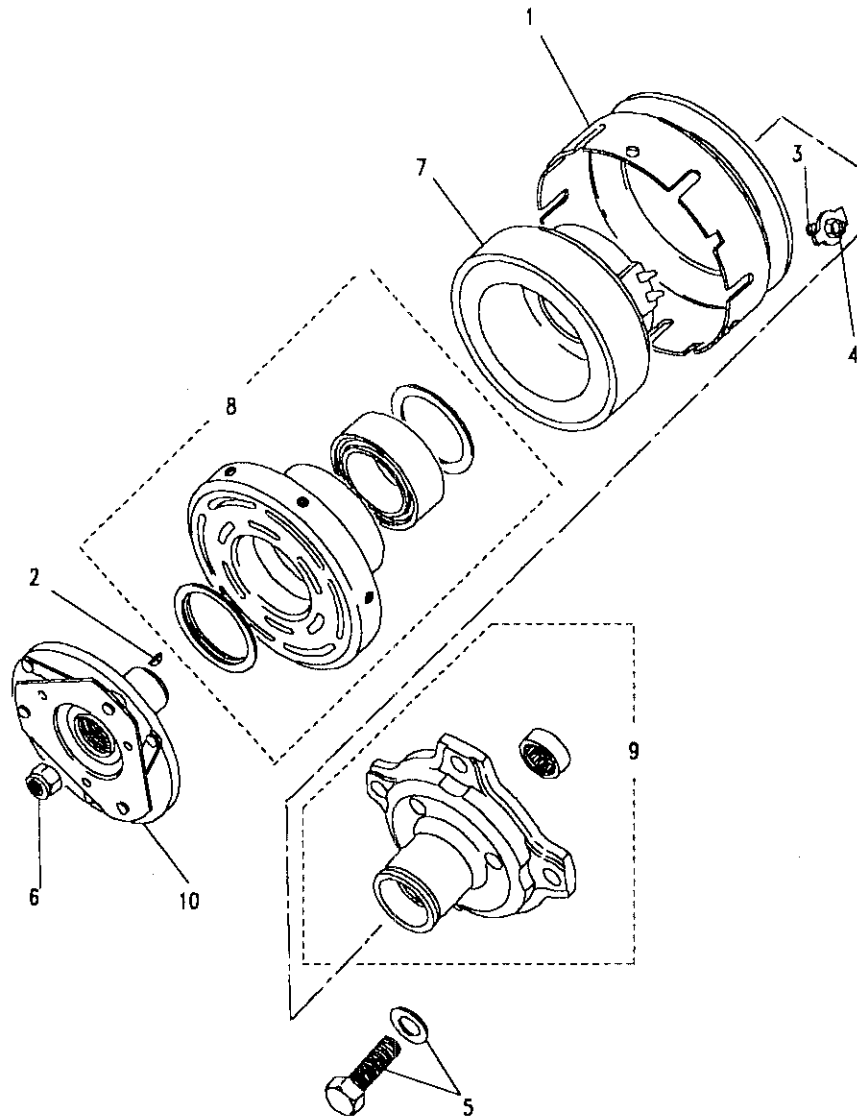


**Model** DEFENDER 110 1987 onwards  
**Page** AFBFNC1A

**ENGINE - POWER STEERING PUMP - 2.5 PETROL**

Ill. Part No.	Description	Qty	Remarks
1	ETC9077	1	)UptoJUNE1989
	RTC5674	1	
	RTC5675	1	
1	NTC8287	1	)fromJUNE1989
			)UptoJULY1992
1	NTC9070	1	From JULY1992
2	ERC6974	1	UptoJUNE1989
	ETC8854	1	FromJUNE1989
3	FS106201L	4	
4	SH108251L	3	
5	WA108051L	2	
6	WL106001L	4	
7	WL108001L	3	
8	ETC5783	1	
9	SH108141L	3	
10	WL108001L	3	
11	ERR1976	1	Upto JULY1992
	ERR2605	1	From JULY1992
12	ETC5815	1	
13	BH108181L	1	
14	SH108251L	3	
	SH108301L	1	
15	WL108001L	5	
16	RTC5935	1	
	STC1633	1	





Model DEFENDER 110 1987 onwards

Page AFBNE1A

ENGINE - AIRCON COMPRESSOR - 2.5 PETROL

III. Part No.	Description	Qty	Remarks
BTR9419	Compressor assembly	1	Note(2)
ERC6480	Compressor assembly	1	Note(1)
1 AEU1782	Pulley rim	1	
2 AEU1694	Key-clutch hub	1	
3 AEU1780	Screw-rim mounting	6	
4 AEU1779	Washer-rim mounting	6	
5 AEU1784	Screw and washer assy	4	
6 AEU1775	Nut-shaft	1	
7 AEU1778	Coil and housing assy	1	
8 AEU1777	Rotor and bearing assy	1	
9 AEU1785	Front head/bearing assy	1	
10 AEU1776	Clutch assembly	1	

Note(1) Up to VIN MA949374  
 Note(2) From VIN MA949375

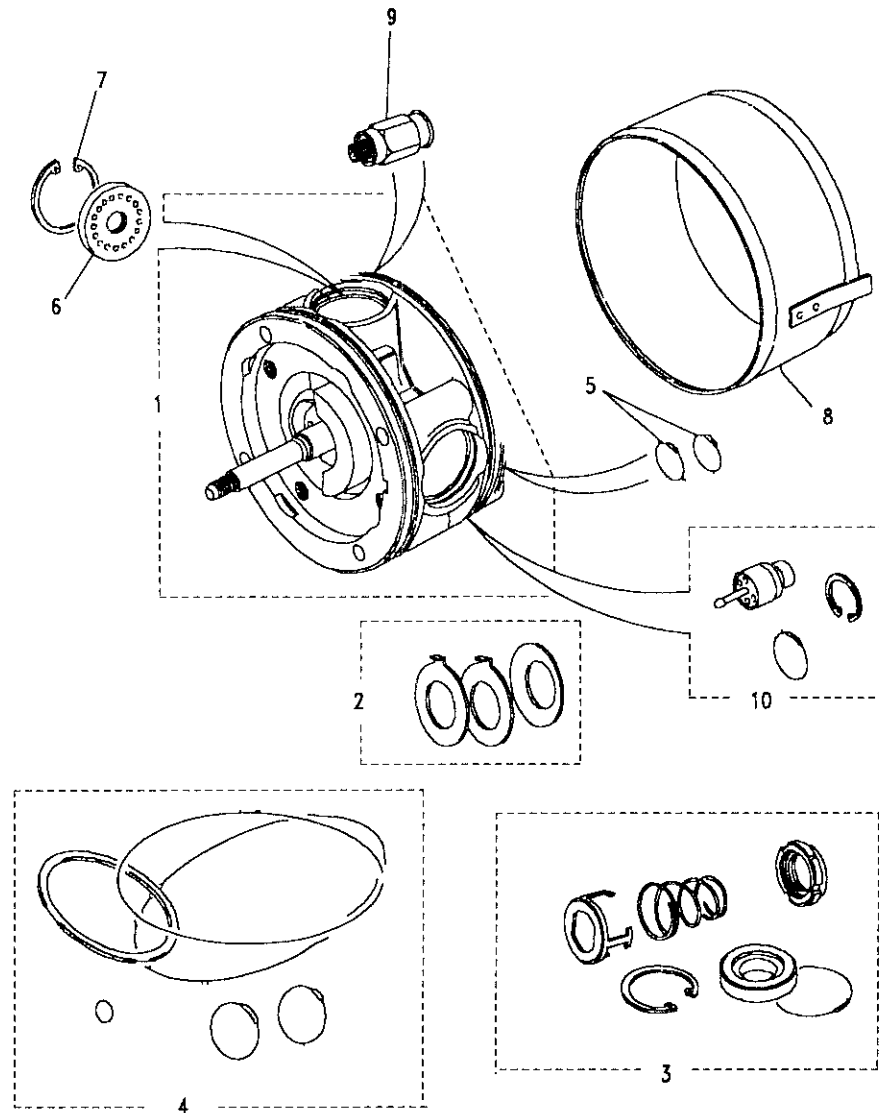


Model DEFENDER 110 1987 onwards  
Page AFBFNE2A

ENGINE - AIRCON COMPRESSOR - 2.5 PETROL

III. Part No.	Description	Qty	Remarks
BTR9419	Compressor assembly	1	Note(2)
ERC6480	Compressor assembly	1	Note(1)
1 AEU1792	Kit-cylinder and shaft	1	
2 AEU1791	Kit-thrust washers	1	
3 AEU1790	Kit-shaft seal	1	
4 AEU1192	Kit O rings	1	
5 AEU1690	O ring-ports	2	
6 AEU1788	Plate valve assembly	4	
7 AEU1787	Ring retaining	4	
8 AEU1786	Shell assembly	1	
9 AEU1689	Valve pressure release	1	
10 AEU1688	Kit-superhead switch	1	
ERC6072	Belt-driving twin belt	2	
ETC4371	Belt-driving single belt	1	
AEU1691	Oil-525 visco/2pt(1136ml)	A/R	

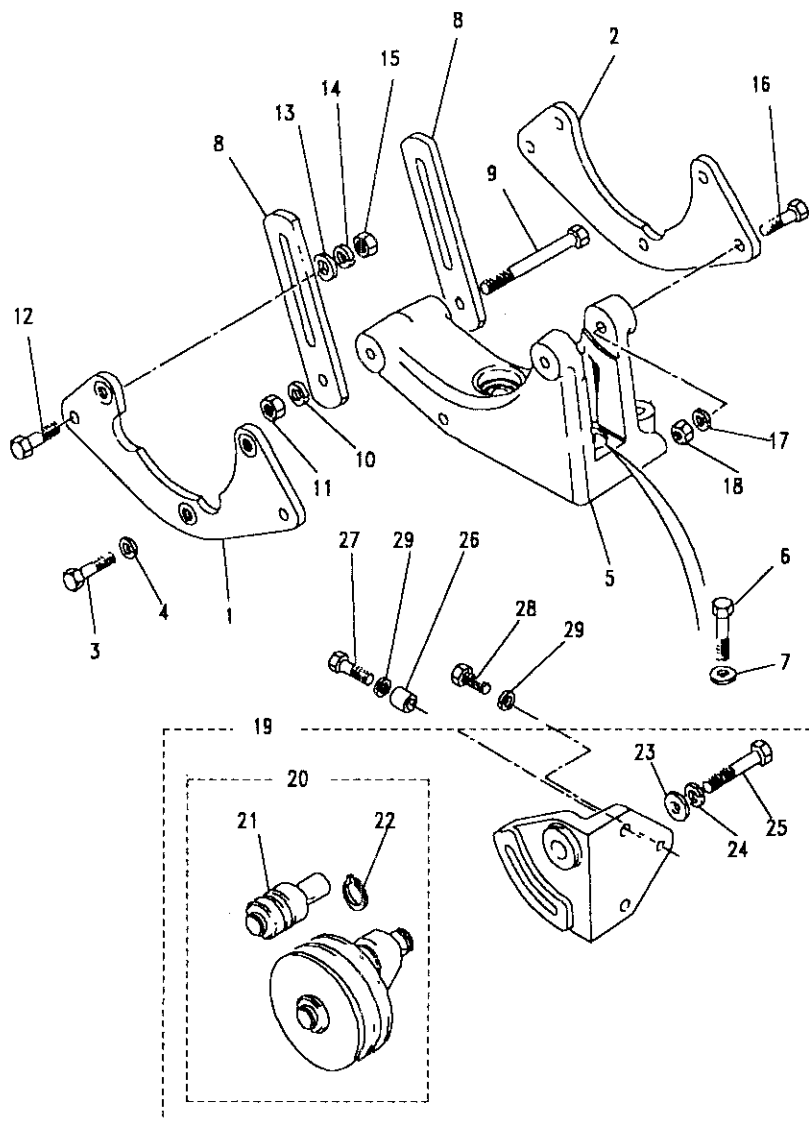
Note(1) Up to VIN MA949374  
Note(2) From VIN MA949375





Model DEFENDER 110 1987 onwards  
Page AFBFNE3A

## ENGINE - COMPRESSOR FIXINGS - 2.5 PETROL



III. Part No.	Description	Qty	Remarks
1	ERC7082	1	plate mounting-front
2	ERC5152	1	Plate mounting-rear
3	BH110201L	3	Bolt-compressor to plate
4	WL110001L	3	Washer spring
5	ERC5151	1	Bracket-mounting compress
6	BH110101L	4	Bolt-bracket to cover
7	WA110061L	4	Washer plain
8	ERC5155	2	Link-adjusting
9	BH108181L	1	Bolt-link to bracket
10	WL108001L	1	Washer spring
11	NH108041L	1	Nut
12	SH108251L	2	Screw-link to plate
13	WA108051L	2	Washer
14	WL108001L	2	Washer spring
15	NH108041L	2	Nut
16	FB108081L	2	Bolt-bracket to plates
17	WL108001L	2	Washer spring
18	NH108041L	2	Nut
19	ERC5386	1	Idler assembly
20	ERC5387	1	Idler arm assembly
21	90613049	1	Bearing idler
22	CR120171L	1	Circlip
23	WC108051L	1	Washer-idler arm clamp
24	WL108001L	1	Washer spring
25	FB108081L	1	Bolt-idler arm clamp
26	ERC6071	2	Dowel hollow
27	FS108301L	2	Bolt
28	SH108251L	1	Screw
29	WL108001L	3	Washer spring







DEFENDER 110 1987 onwards

57

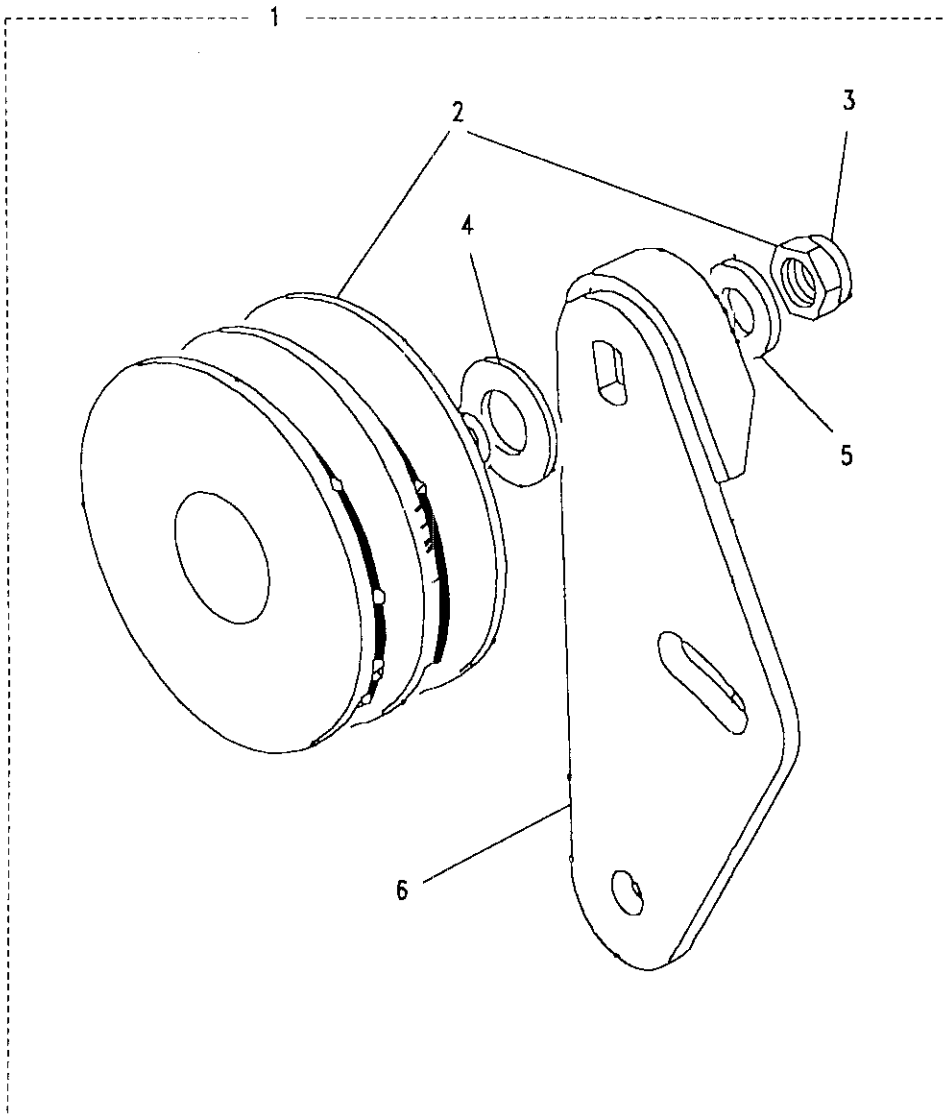
ENGINE

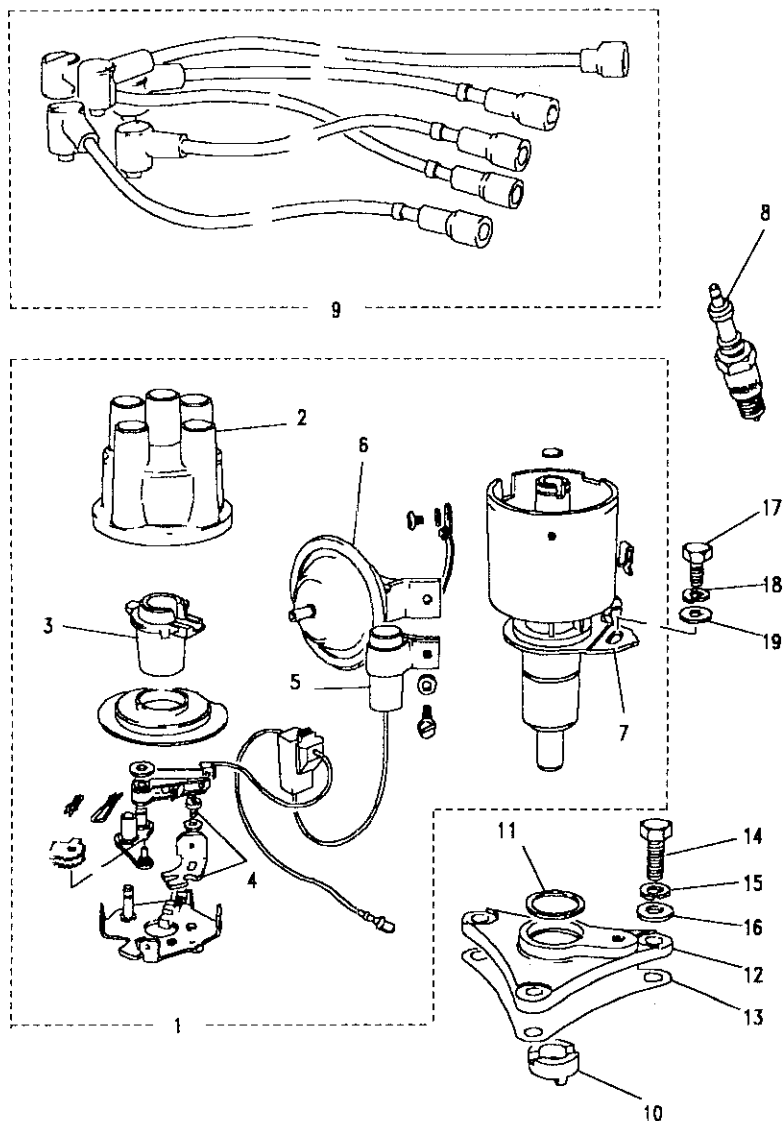
Model DEFENDER 110 1987 onwards

Page AFBFNE4A

ENGINE - AIRCON IDLER PULLEY - 2.5 PETROL

III. Part No.	Description	Qty	Remarks
1 ETC7756	Pulley damper assembly	1	
2 554971	Pulley	1	
3 RTC6077	Nut	1	
4 4095	washer plain	1	
5 WB108051L	Washer plain	1	
6 ETC4212	Plate mounting	1	





Model DEFENDER 110 1987 onwards

Page AFBFPA1A

ENGINE - DISTRIBUTOR - 2.5 PETROL

III. Part No.	Description	Qty	Remarks
1 ETC5835	Distributor	1	Note(1)
2 RTC3278	Cap	1	
3 RTC3614	Rotor arm	1	
4 RTC6627	Contact set	1	Note(2)
RTC5947	Contact set	1	Note(3)
5 RTC3474	Capacitor	1	
6 AEU1034	Vacuum unit	1	
7 245003	Plate clamping	1	
8 RTC3812	Spark plug	4	
9 ERC3256	Lead ignition set	1	
10 549611	Drive coupling	1	
11 52278	Washer cork	1	
12 ETC4466	Adaptor	1	
13 247212	Washer joint	1	
14 FS108207L	Screw	3	
15 WL108001L	Washer spring	3	
16 WA108051L	Washer	3	
17 FS106167	Screw	1	
18 WL106001L	Washer spring	1	
19 WB106041L	Washer	1	

Note(1)

LUCAS number 42618

Note(2)

Sliding contact-replace at 24000 miles(40000 KMS) or 2 years

Note(3)

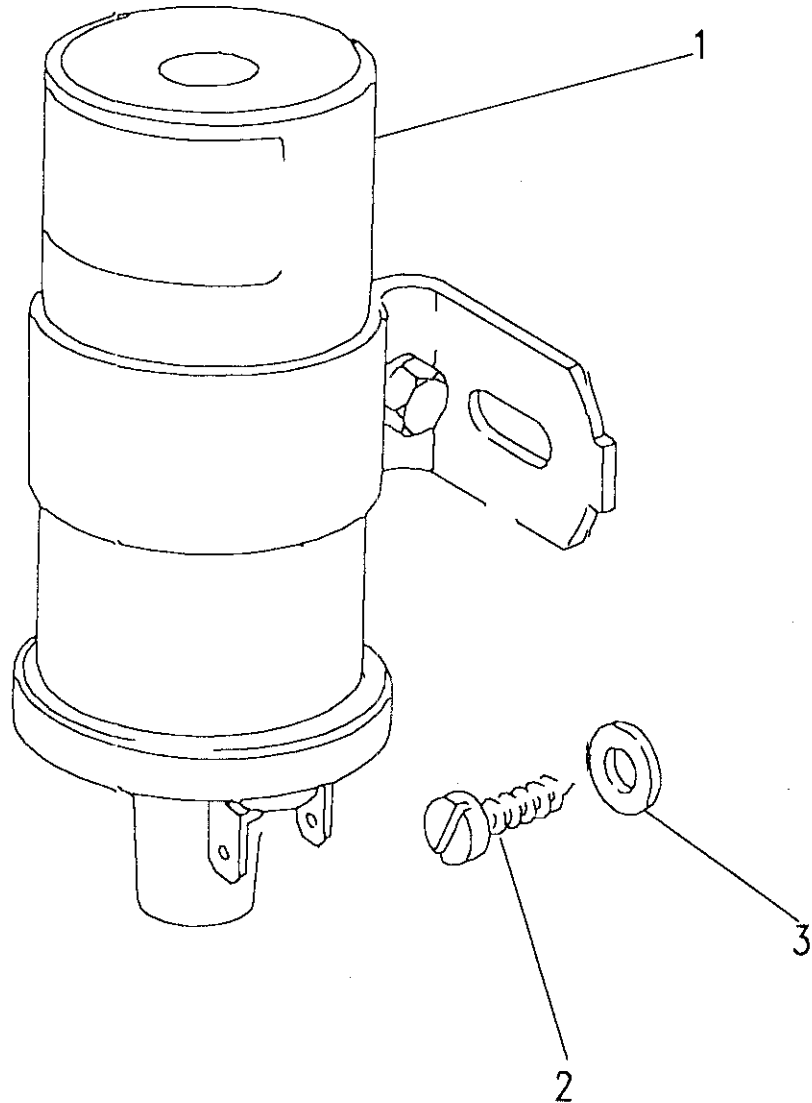
Fixed contact type-replace at 12000 miles(20000 KMS) or 1 year



DEFENDER 110 1987 onwards

59

ENGINE



**Model** DEFENDER 110 1987 onwards  
**Page** AFBFPA2A

**ENGINE - IGNITION COIL - 2.5 PETROL**

III. Part No.	Description	Qty	Remarks
1 RTC5629	Coil ignition	1	
2 AB614061L	Screw	2	
3 WJ106007	Washer plain	2	



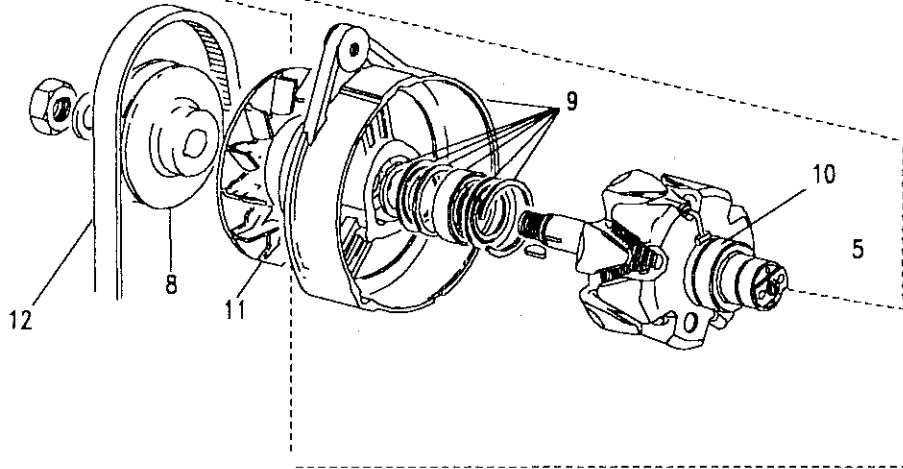
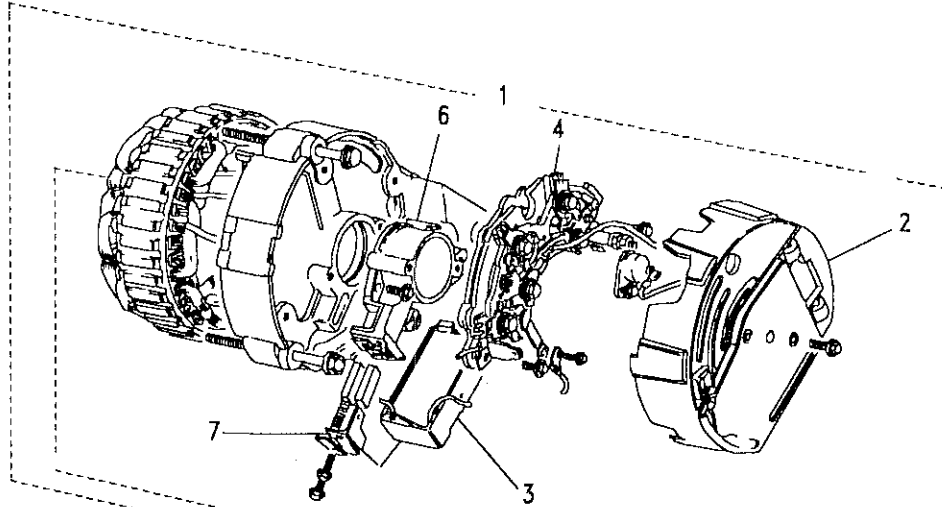
Model DEFENDER 110 1987 onwards

Page AFBFPC1A

ENGINE - ALTERNATOR - 2.5 PETROL

III. Part No.	Description	Qty	Remarks
1	RTC5083E	1	Note(1)
2	AEU2507	1	
3	AEU3076	1	
4	BAU1825	1	
5	BAU2193	1	
6	BAU2195	1	
7	RTC3215	1	
8	568788	1	
9	18G8619L	1	
10	AEU1532	1	
11	C37222L	1	
12	ETC7939	1	
	AEU1706	1	
	AEU1710	1	
	AEU1942	1	

Note(1) LUCAS number LRA356

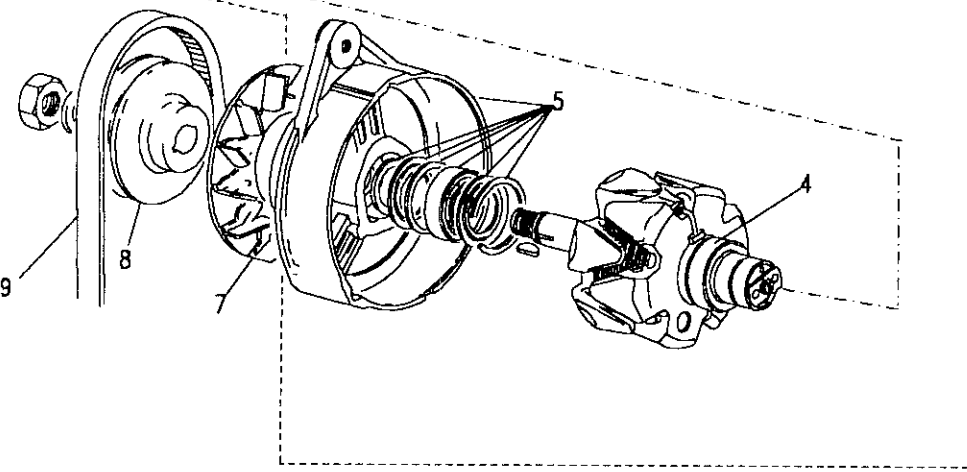
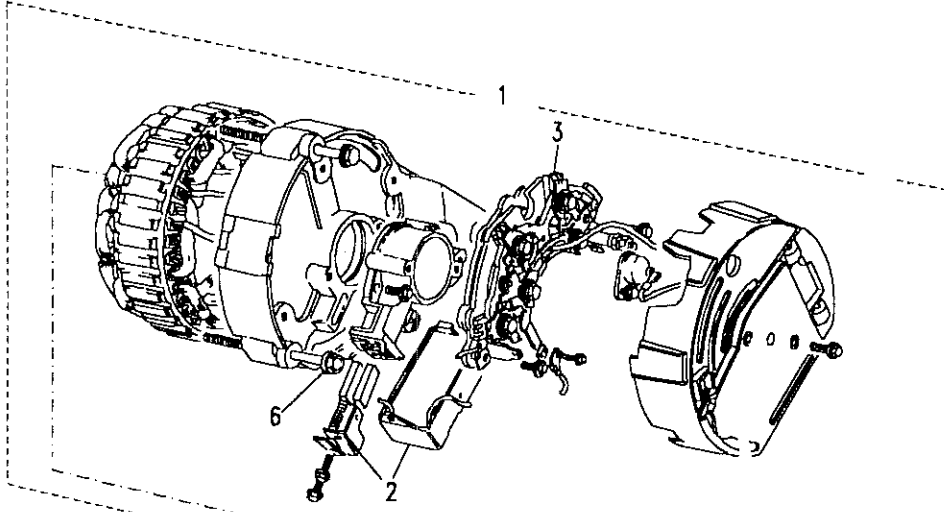


**Model** DEFENDER 110 1987 onwards  
**Page** AFBFPC2A

**ENGINE - ALTERNATOR - 2.5 PETROL**

III. Part No.	Description	Qty	Remarks
1	RTC5682N	1	Note(1)
	RTC5682E	1	
2	RTC5670	1	
3	RTC5684	1	
4	RTC5926	1	
5	RTC5687	1	
6	RTC5925	1	
7	RTC5685	1	
8	RTC5686	1	
9	ETC7939	1	
	RTC5689	1	

Note(1) LUCAS number 24199

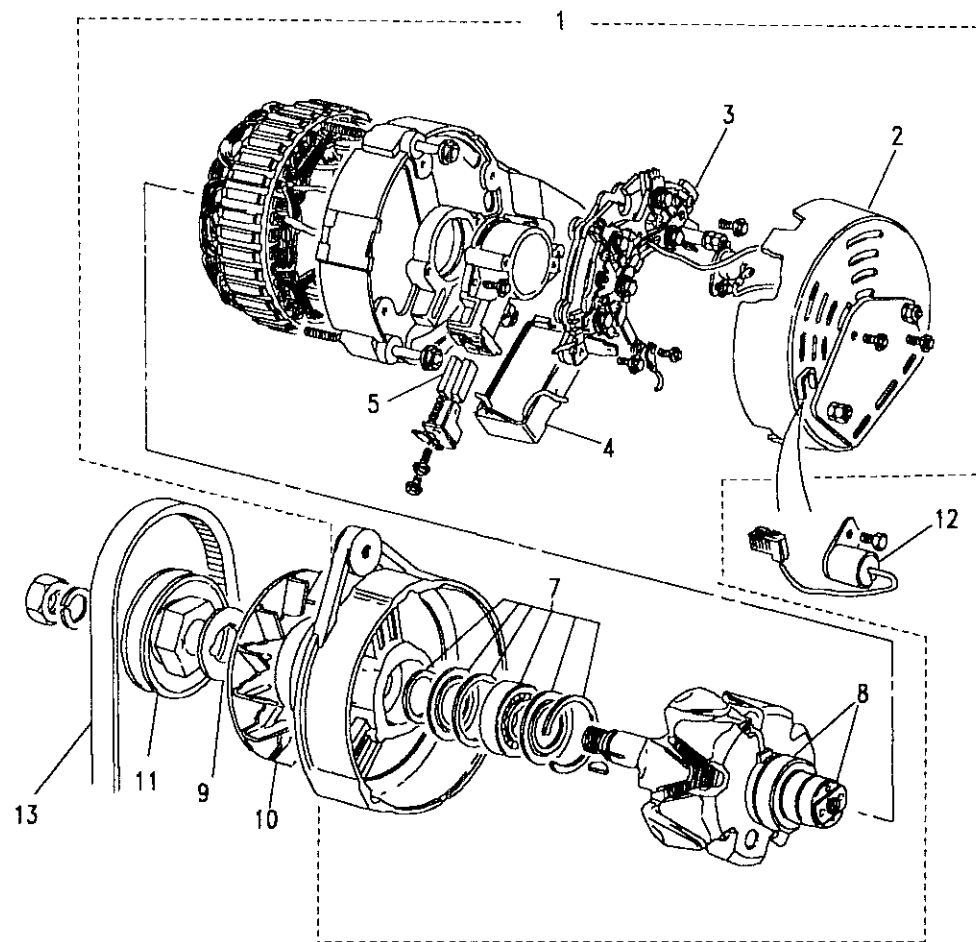


Model DEFENDER 110 1987 onwards  
 Page AFBFPC3A

ENGINE - ALTERNATOR - 2.5 PETROL - AIR CON

Ill. Part No.	Description	Qty	Remarks
1	RTC5218E	1	Note(1)
2	AEU1725	1	
3	AEU1915	1	
4	AEU1527	1	
5	RTC3292	1	
6	STC130	1	
7	AEU1726	1	
8	AEU1532	1	
9	AEU1710	1	
	ERC8987	1	
10	ADU4928L	1	
11	ERC8986	1	
12	AEU1616	1	
13	ETC7939	1	
	AEU1706	1	
	AEU1708	1	
	AEU1709	1	

Note(1) LUCAS number LRA406



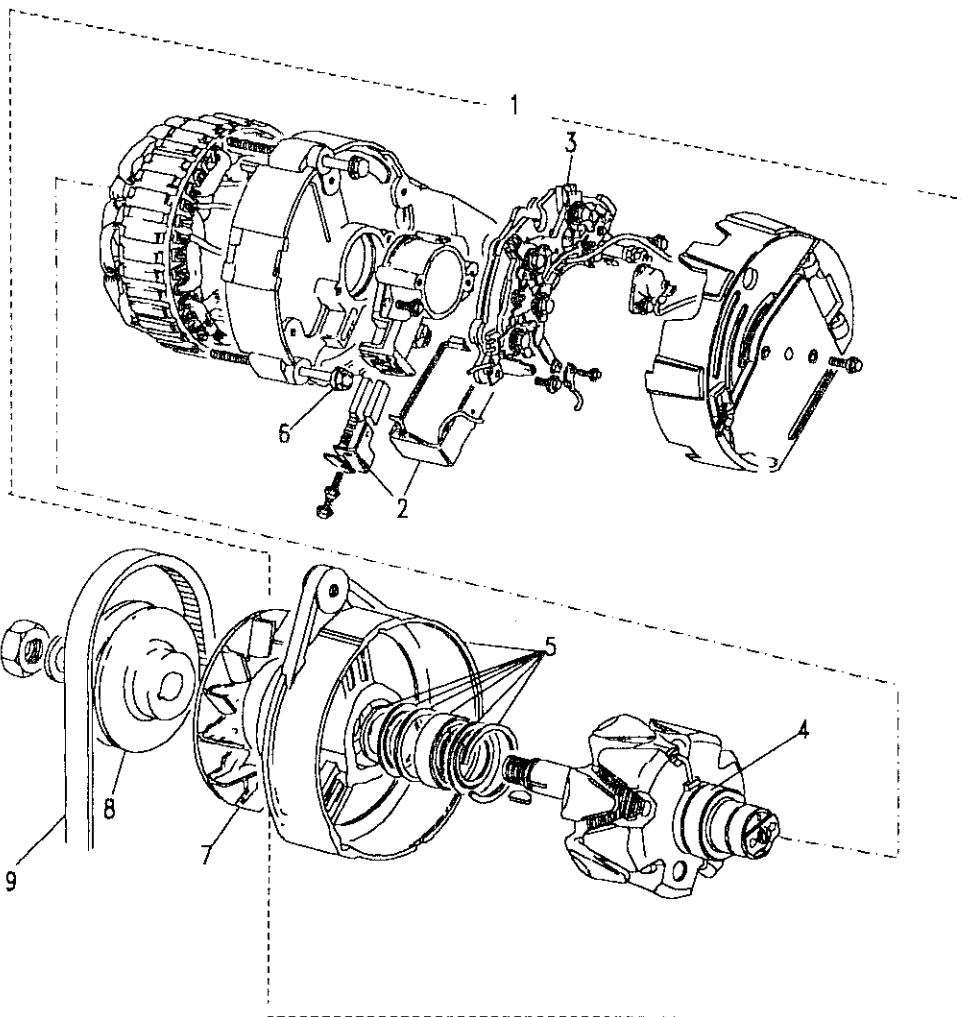
Model DEFENDER 110 1987 onwards

Page AFBFPC4A

ENGINE- ALTERNATOR - 2.5 PETROL - AIR CON

III. Part No.	Description	Qty	Remarks
1	RTC5680N	1	Note(1)
	RTC5680E	1	
2	RTC5670	1	
3	RTC5671	1	
4	RTC5926	1	
5	RTC5687	1	
6	RTC5925	1	
7	AAU2249L	1	
8	RTC5686	1	
9	ETC7939	1	
	RTC5689	1	

Note(1) LUCAS number 24220

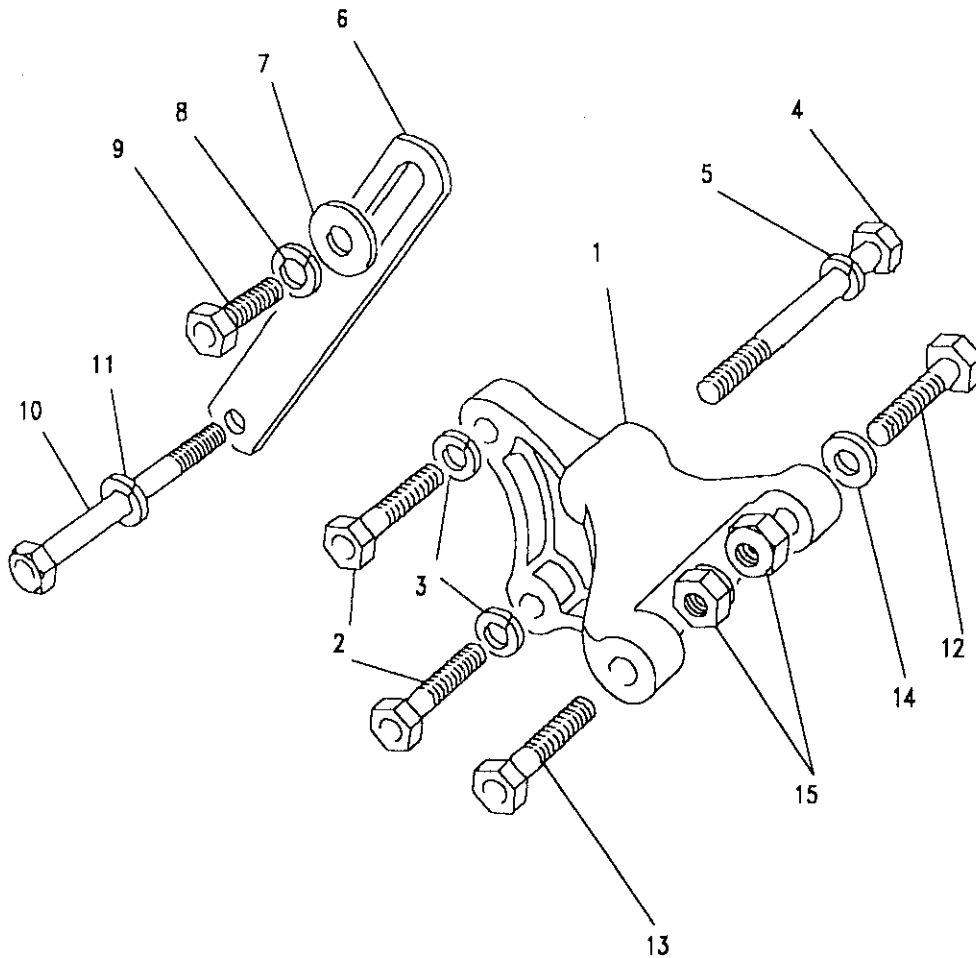


**Model** DEFENDER 110 1987 onwards  
**Page** AFBFPC5A

**ENGINE - ALTERNATOR FIXINGS - 2.5 PETROL**

Ill. Part No.	Description	Qty	Remarks	
1	ETC4357	1	Bracket-alternator	
2	SH108301L	2	Screw-bracket to block	
3	WL108001L	2	Washer spring	
4	BH108161L	1	Bolt-bracket to block	
5	WL108001L	1	Washer spring	
6	ERC5139	1	Link adjusting	Note(1)
	ERC6266	1	Link adjusting	Note(2)
7	2266L	1	Washer-link to alternator	
8	WL108001L	1	Washer link	
9	SH108251L	1	Screw-link to alternator	
10	BH108201L	1	Bolt-link to block	
11	WL108001L	1	Washer spring	
12	FB108081L	1	Bolt flanged	
13	BH108091L	1	Bolt	
14	WC108051L	1	Washer	
15	NY108041L	2	Nut nyloc	

Note(1) Use with A115 & A133 type alternator  
 Note(2) Use with A127 type alternator



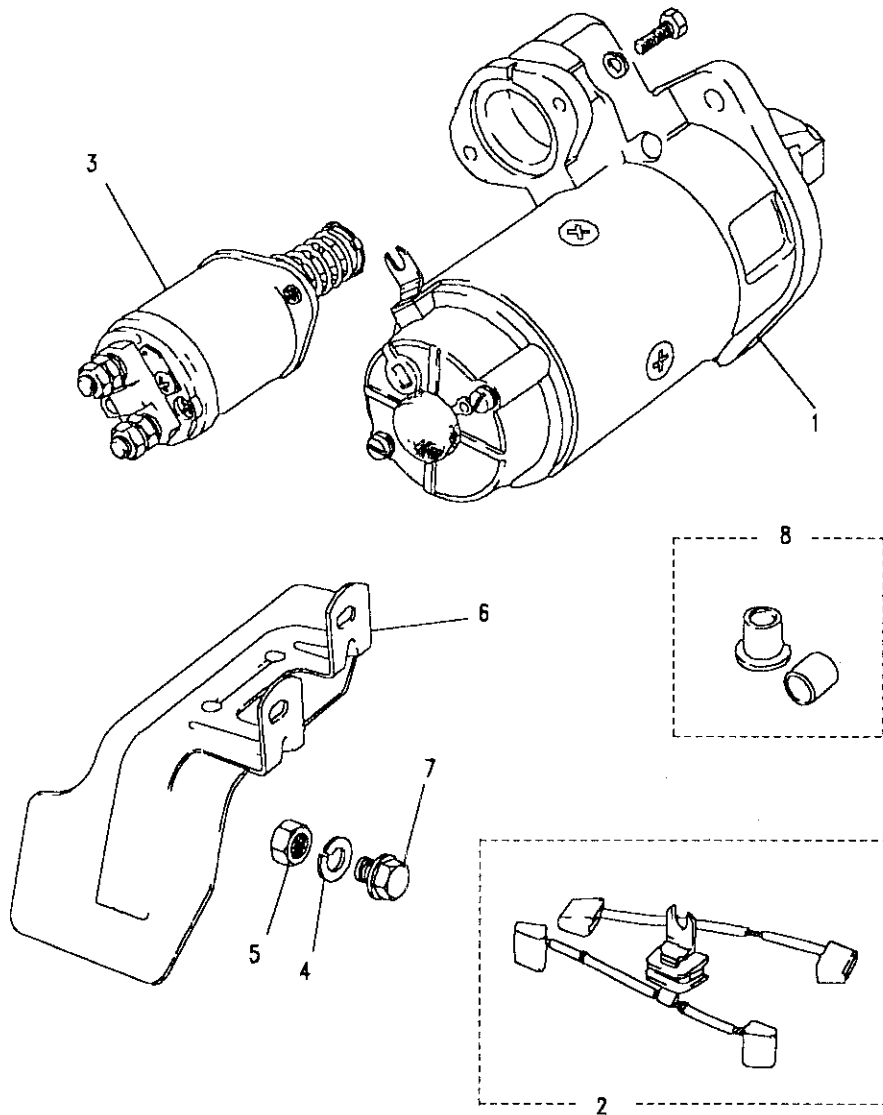




Model DEFENDER 110 1987 onwards  
Page AFBFPE1A

ENGINE - STARTER - 2.5 PETROL

Ill. Part No.	Description	Qty	Remarks
1	PRC6613N NAD10040	1	Upto17H26367C
	Starter motor-26800	1	From17H26368C
2	RTC5048	1	
	Kit brush	1	
3	RTC5049	1	
	Solenoid	1	
	Drive assembly	1	
4	WL110001L	2	
	Washer spring	2	
5	NH110041L	2	
	Nut-fixing starter	2	
6	ETC4133	1	
	Heat Shield Assembly	1	
7	ERC8722	2	
	Bolt-shield to exh/man	2	
8	RTC5563	1	
	Kit-bush	1	
	608395	1	
	Kit-retention	1	
	RTC5577	1	
	Kit-sundry parts	1	



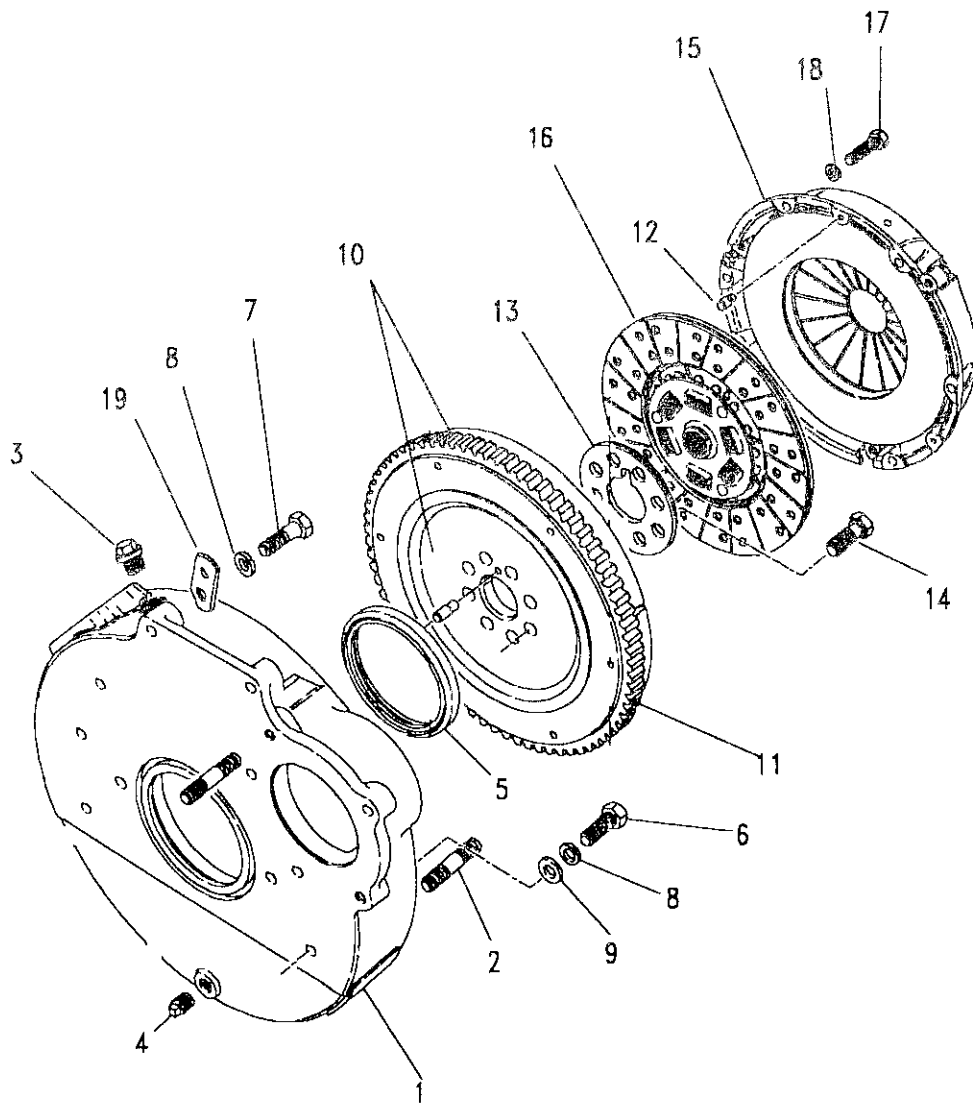
Model DEFENDER 110 1987 onwards  
 Page AFBFRA1A

ENGINE - FLYWHEEL & CLUTCH - 2.5 PETROL

iii. Part No. Description Qty Remarks

iii. Part No.	Description	Qty	Remarks
1	ETC6394	1	Housing flywheel assembly
2	TE110061L	13	Stud-bell housing
3	ERC7295	1	Plug
	NH110041L	11	Nut
4	ERC7295	1	Plug drain-fly/hsg
5	ERR1535	1	Seal oil main
	ERR2532	1	Seal oil main
			Upto17H22797C From17H22798C
6	SH110301L	6	Bolt
7	BX110071L	2	Bolt
8	WL110001L	2	Washer spring
9	WA110061L	6	Washer plain
10	ERC6408	1	Flywheel starter ring
11	ERC5293	1	Ring starter
12	502116	3	Dowel-clutch
13	ERC4658	1	Plate reinforcement
			Note(1)
14	ERC6551	8	Bolt-fly/crankshaft
	ERR4574	8	Bolt-fly/crankshaft
			Note(1)
15	576557	1	Cover clutch
16	FRC2671	1	Plate clutch
	FTC159	1	Plate clutch-asb/free
	FTC3196	1	Plate clutch-asb/free
	STC8359	1	Kit clutch
	576557	1	Cover
	FTC159	1	Plate
	FRC9568	1	Bearing
17	SX108201L	6	Bolt set
18	WL108001L	6	Washer spring
19	ERC9404	2	Bracket-clip to housing
	AFU1090L	2	Clip

Note(1) Only fitted up to Dec 93. The reinforcing plate was found to serve no useful purpose. If replacing use shortscrews ERR4574.





## MASTER INDEX

	PAGES
INTRODUCTION PAGES	1 - 7
ALPHABETICAL INDEX	8 - 16
ENGINE	17 - 66
ENGINE	67 - 119
ENGINE	120 - 166
ENGINE	167 - 209
ENGINE	210 - 245
ENGINE	246 - 299
GEARBOX	300 - 326
GEARBOX	327 - 344
GEARBOX	345 - 359
TRANSFER BOX	360 - 378
TRANSFER BOX	379 - 397
AXLES AND SUSPENSION	398 - 444
STEERING	445 - 471
VEHICLE AND ENGINE CONTROLS	472 - 486
BRAKES	487 - 517
FUEL SYSTEM AND AIR CLEANER	518 - 579
EXHAUST SYSTEM	580 - 593
COOLING/HEATING	594 - 637
COOLING/HEATING	638 - 641
COOLING/HEATING	642 - 649
COOLING/HEATING	650 - 655
COOLING/HEATING	656 - 666
BODY ELECTRICAL	667 - 740
BODY AND CHASSIS	741 - 909
INTERIOR TRIM	910 - 955
SEATS	956 - 1036
STOWAGE	1037 - 1046
ACCESSORIES - PAINTS	1047 - 1074
NUMERICAL INDEX	1076 - 1151

## GROUP B

## ENGINE

## ENGINE

ENGINE COMPLETE - 2.5 DIESEL	69
ENGINE STRIPPED - 2.5 DIESEL	70
ENGINE SHORT - 2.5 DIESEL	71
CYLINDER BLOCK - 2.5 DIESEL	72 - 74
SIDE COVER - 2.5 DIESEL	75
CRANKSHAFT - 2.5 DIESEL	76
PISTONS - 2.5 DIESEL	77
SUMP - 2.5 DIESEL	78
MOUNTINGS - 2.5 DIESEL	79
FRONT COVER - 2.5 DIESEL	80 - 81
TIMING BELT - 2.5 DIESEL	82
WATER PUMP - 2.5 DIESEL	83 - 84
WATER PUMP - 2.5 DIESEL WITH 65 AMP ALTERNATOR	85
WATER PUMP - 2.5 DIESEL - NOISE REDUCTION PACKAGE	86
OIL PUMP - 2.5 DIESEL	87 - 88
OIL FILTER - 2.5 DIESEL	89
OIL FILTER - 2.5 DIESEL WITH OIL COOLER	90
CYLINDER HEAD - 2.5 DIESEL	91 - 92
ROCKER SHAFT - 2.5 DIESEL	93
TAPPETS - 2.5 DIESEL	94
ROCKER COVER - 2.5 DIESEL	95
CYCLONE BREATHER ASSEMBLY - 2.5 DIESEL	96
CAMSHAFT - 2.5 DIESEL	97
THERMOSTAT HOUSING - 2.5 DIESEL	98
MANIFOLDS - 2.5 DIESEL	99
FUEL PUMP - 2.5 DIESEL	100
INJECTOR PUMP - 2.5 DIESEL	101
INJECTOR AND PIPES - 2.5 DIESEL	102
FUEL FILTER - 2.5 DIESEL	103
GASKET KIT - 2.5 DIESEL	104
VACUUM PUMP - 2.5 DIESEL	105
POWER STEERING PUMP - 2.5 DIESEL	106
AIRCON COMPRESSOR - 2.5 DIESEL	107 - 108
COMPRESSOR FIXINGS - 2.5 DIESEL	109
AIRCON IDLER PULLEY - 2.5 DIESEL	110
ALTERNATOR - 2.5 DIESEL	111 - 112
ALTERNATOR - 2.5 DIESEL - AIR CON	113
ALTERNATOR - 2.5 DIESEL - AIR CON	114





DEFENDER 110 1987 onwards

68

ENGINE

ALTERNATOR FIXINGS - 2.5 DIESEL	115
STARTER MOTOR - 2.5 DIESEL	116 - 117
FLYWHEEL & CLUTCH - 2.5 DIESEL	118 - 119



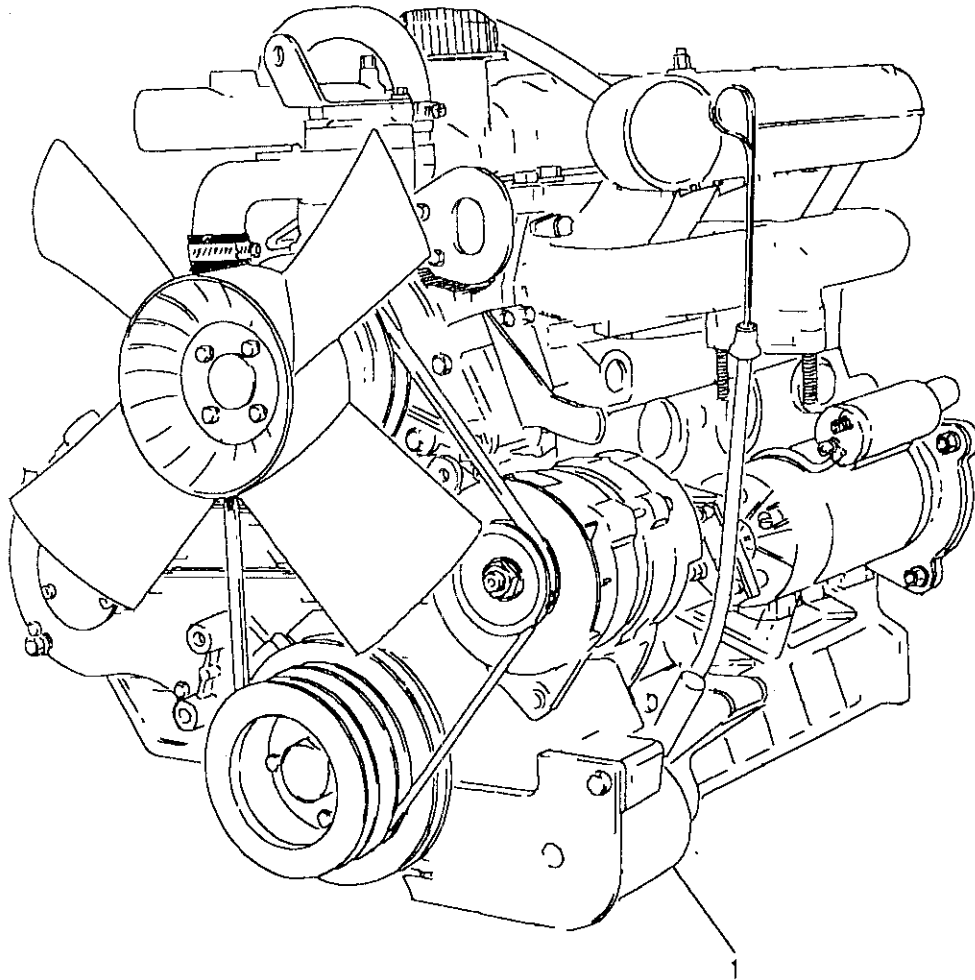


**Model** DEFENDER 110 1987 onwards  
**Page** AFBGAA1A

**ENGINE - ENGINE COMPLETE - 2.5 DIESEL**

III. Part No.	Description	Qty	Remarks
1 STC1257	Engine complete assembly	1	12J00001C

Note(1) Engine fitted with 65 amp alternator. If replacing an engine fitted with a 45 amp alternator also fit new harness PRC6082, if the vehicle is fitted with air conditioning the new harness is PRC6081.





DEFENDER 110 1987 onwards

70

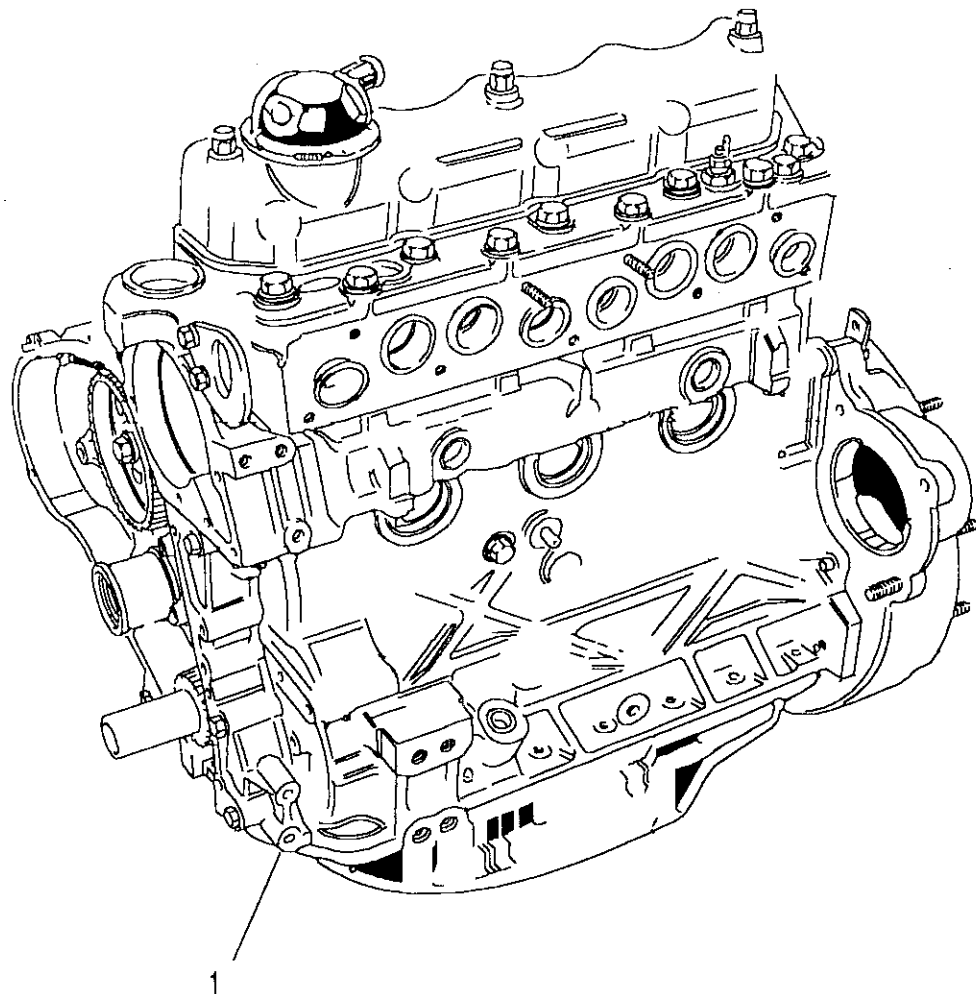
ENGINE

Model DEFENDER 110 1987 onwards

Page AFBGAC1A

ENGINE - ENGINE STRIPPED - 2.5 DIESEL

III. Part No.	Description	Qty	Remarks
1 RTC6801N	Engine stripped assy	1	
RTC4059E	Engine stripped-exchange	1	Upto12J43824C
RTC6801R	Engine stripped-recon	1	From12J43825C





DEFENDER 110 1987 onwards

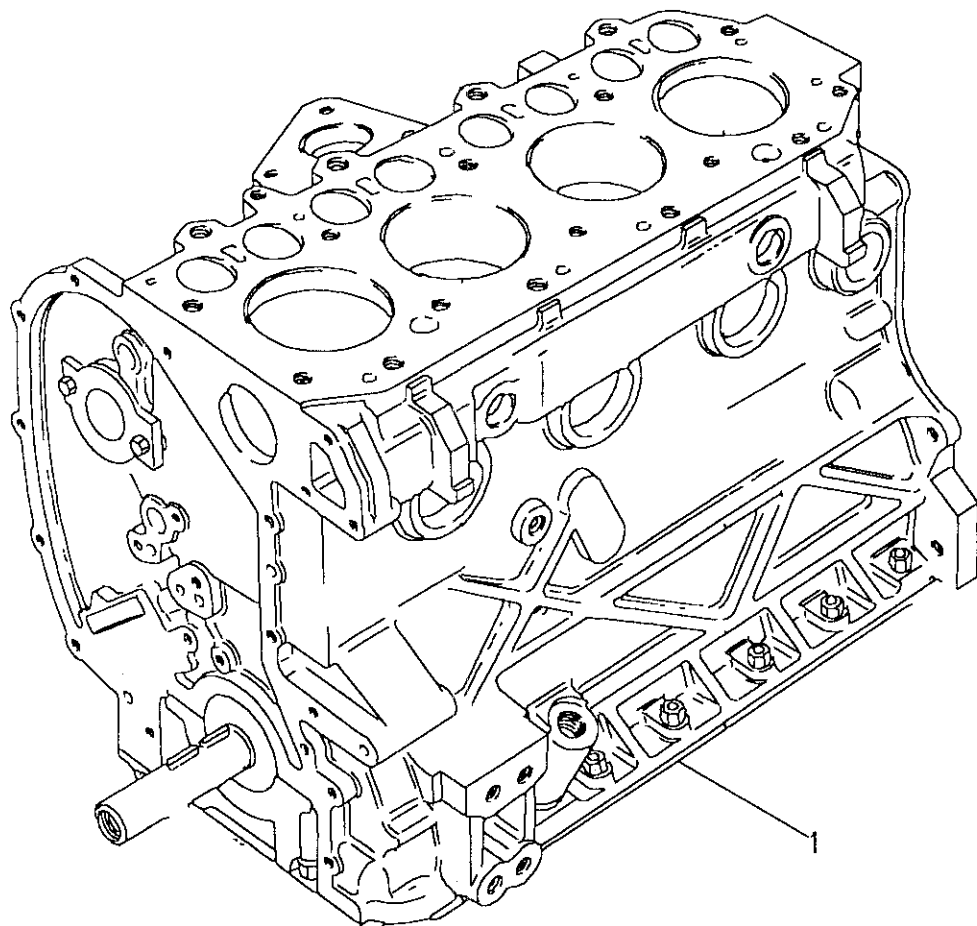
71

ENGINE

**Model** DEFENDER 110 1987 onwards  
**Page** AFBGAE1A

**ENGINE - ENGINE SHORT - 2.5 DIESEL**

III. Part No.	Description	Qty	Remarks
1 RTC6794	Engine short assembly	1	



Model DEFENDER 110 1987 onwards

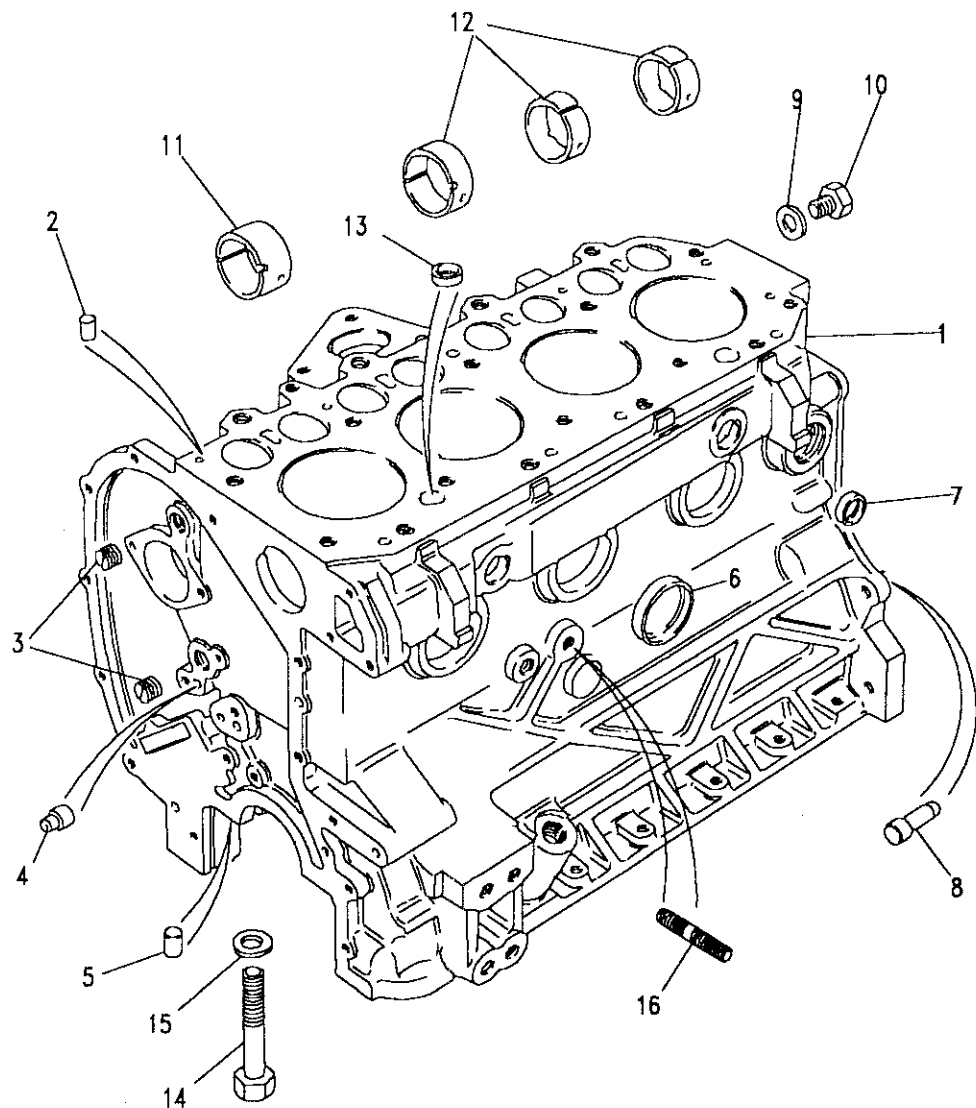
Page AFBGBA1A

ENGINE - CYLINDER BLOCK - 2.5 DIESEL

III. Part No.	Description	Qty	Remarks
1	RTC2991	1	Cylinder block assembly
2	247965	1	Plug-tappet feed hole
3	247127	2	Plug-oil gallery-front
4	ETC4529	1	Cup plug-ft face
5	501593	10	Dowel - bearing caps
6	ERC4996	6	Cup plug-side/ends
7	597586	3	Cup plug-water rail/ends
8	ERC4644	2	Dowel-flywheel housing
9	243959	1	Washer joint-gallery pip
10	536577	2	Plug-gallery pipe rear
11	90519054	1	Bearing-camshaft front
12	90519055	3	Bearing camshaft
13	ERC4995	2	Cup plug-top
14	247755	10	Bolt-main bearing cap
	ETC7596	10	Bolt flanged head
15	504006	10	Washer-main bearing cap
	ERR5034	3	Plug-Camshaft Oil Feed
16	TE108031L	1	Stud-M8 X 15

Note(1)

This block used Upto 12J43824C page 74

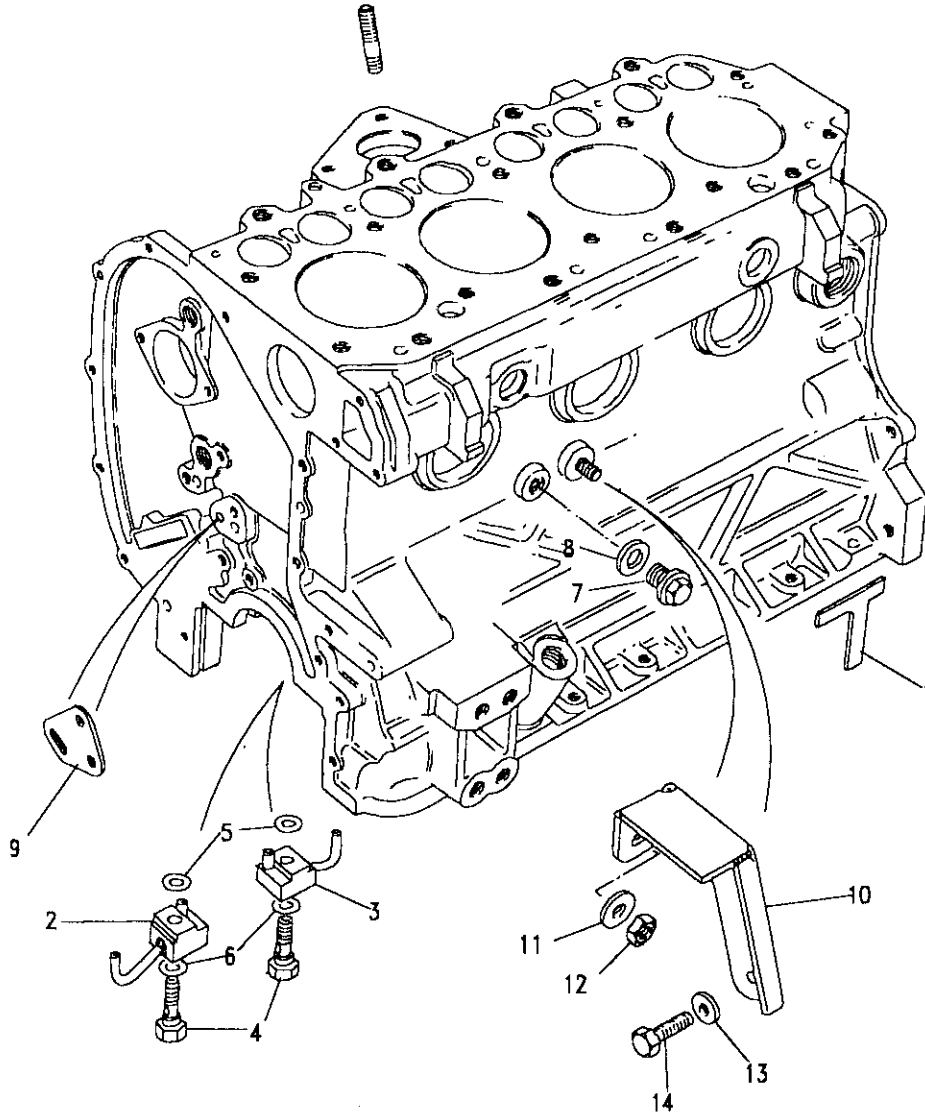


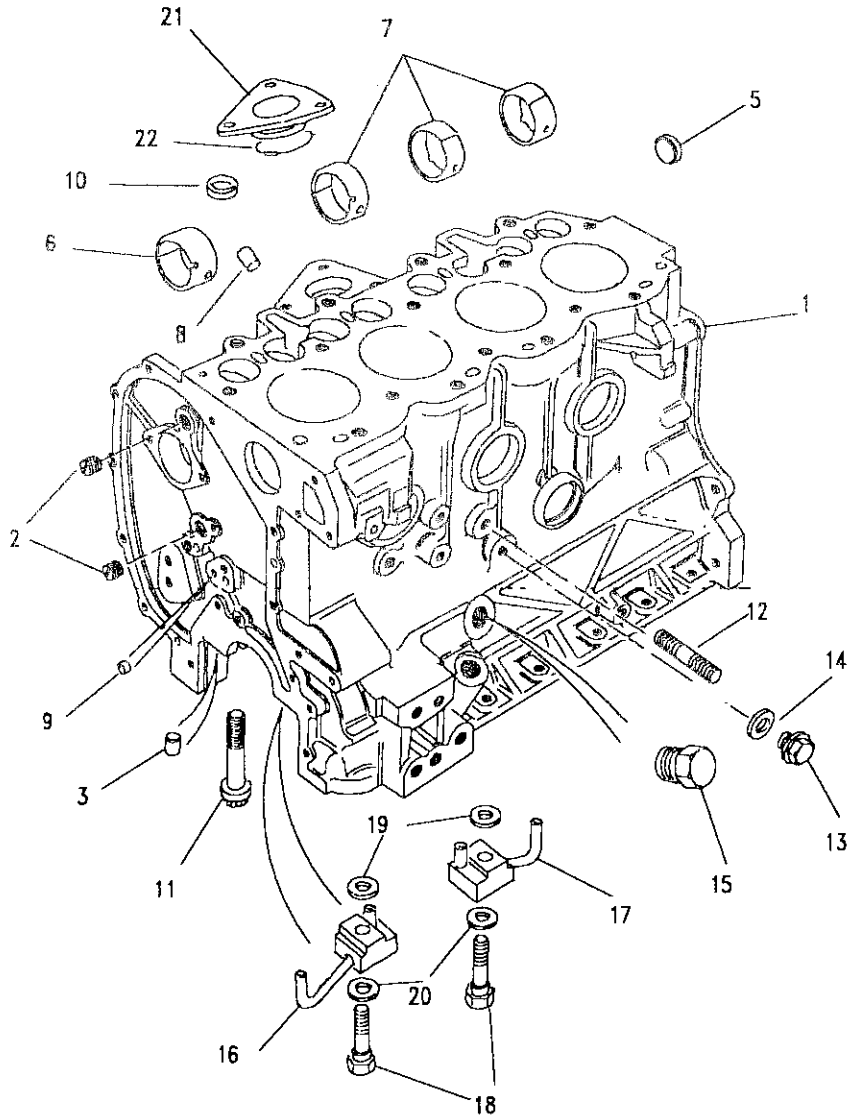


Model DEFENDER 110 1987 onwards  
 Page AFBGBA2A

ENGINE - CYLINDER BLOCK - 2.5 DIESEL

III. Part No.	Description	Qty	Remarks
1	ERC5086	2	Strip packing
2	ETC6531	2	Jet assembly No1&No3 cyl
3	ETC6532	2	Jet assembly No2&No4 cyl
4	ETC5592	4	Valve relief
5	AFU1879L	4	Washer joint
6	AFU1887L	4	Washer joint
7	ERC9410	1	Plug-drain
8	AFU1882L	1	Washer joint-drain plug
9	ERC8864	1	Gasket
10	ETC4697	1	Bracket-starter support
11	WC108051L	1	Washer plain-M8
12	NH108041L	1	Nut-M8
13	WA106041L	2	Washer plain-M6
14	FS106167	2	Screw-M6 X 16mm





**Model** DEFENDER 110 1987 onwards  
**Page** AFBGBA3A

**ENGINE - CYLINDER BLOCK - 2.5 DIESEL**

III. Part No.	Description	Qty	Remarks
1	ERR478	1	Cylinder block assembly
2	247127	2	Plug-oil gallery
3	501593	10	Dowel-bearing caps
4	ERC4996	6	Cup plug-sides/ends
5	597586	3	Cup plug-water rail ends
6	ETC8442	1	Bearing-camshaft front
7	90519055	3	Bearing-camshaft
8	ERR5034	3	Plug camshaft oil feed
9	ETC4529	1	Cup plug
10	ERC4995	2	Cup plug
11	ETC8074	10	Bolt-main bearing cap
12	TE108031L	1	Stud-starter motor
13	ETC5577	1	Plug drain
14	213961	1	Washer joint
15	ETC8362	1	Plug-turbo drain
16	ETC6531	2	Jet assembly No1&No3 cyl
17	ETC6532	2	Jet assembly No2&No4 cyl
18	ETC5592	4	Valve relief assembly
19	AFU1879L	4	Washer joint-oil squirt
20	AFU1887L	4	Washer joint-oil squirt
21	ERR586	1	Adaptor-cylinder block
22	ERR531	1	O ring-adaptor
	ERC9188	4	Liner cylinder

Note(1) This block used from 12J43825C page 72





DEFENDER 110 1987 onwards

75

ENGINE

Model DEFENDER 110 1987 onwards

Page AFBGBC1A

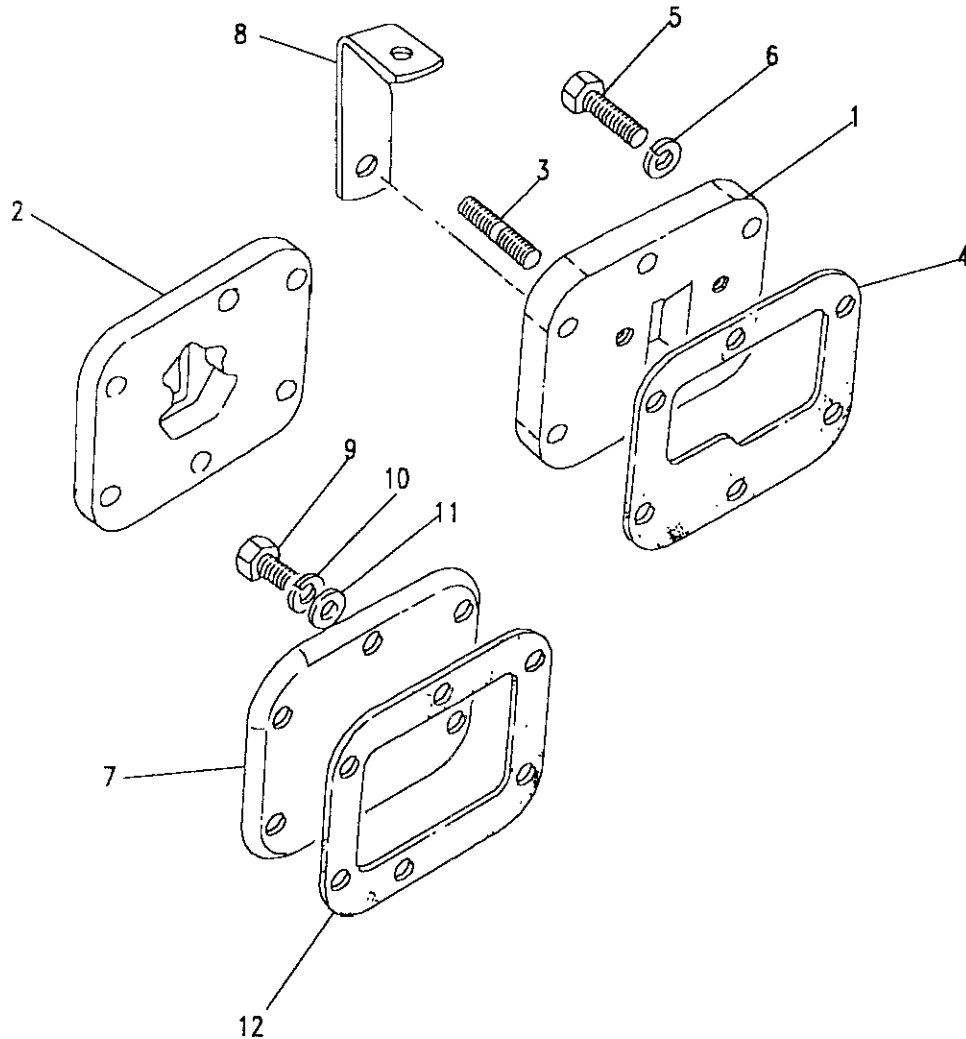
ENGINE - SIDE COVER - 2.5 DIESEL

III. Part No.

Description

Qty Remarks

1	ERC9073	Plate cover	1	Upto 12J39054C
2	ETC7929	Plate cover	1	From 12J39055C
3	TE108041L	Stud	2	Upto 12J39054C
4	ERR1475	Washer joint	1	
5	SH108251L	Screw cover to block	6	
6	WL108001L	Washer	6	
7	541010	Cover side	1	
8	ERC9480	Bracket	1	
9	FS108201L	Screw flanged	3	
	SH108251L	Screw	3	
10	WA108051L	Washer plain	3	
11	WL108001L	Washer spring	6	
12	ERR3605	Gasket side cover engine	1	



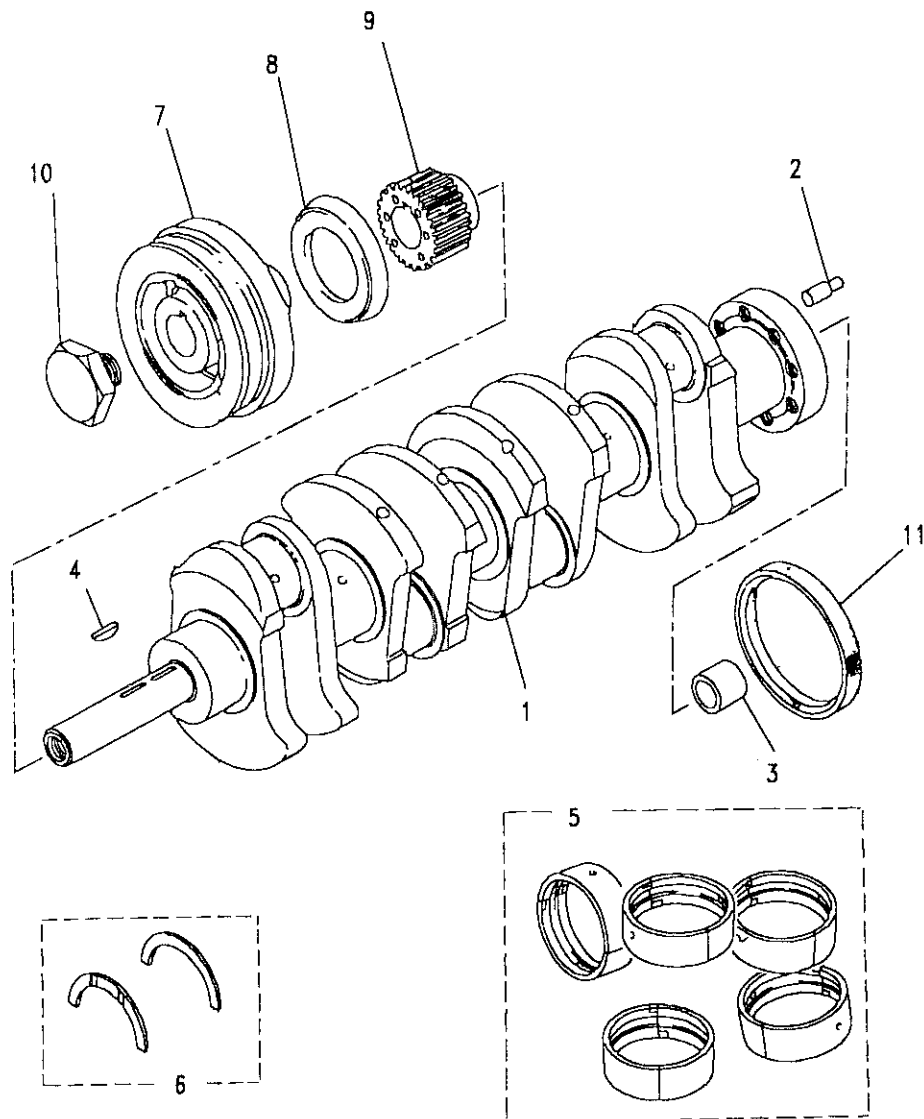
Model DEFENDER 110 1987 onwards

Page AFBGCA1A

ENGINE - CRANKSHAFT - 2.5 DIESEL

III. Part No.	Description	Qty	Remarks
1	ETC8829	1	UptoAUG1989
	ERR1181	1	FromAUG1989
2	ERR1630	1	
3	8566L	1	
4	235770	2	
5	RTC2992	1	}Upto12J43824C
	RTC299210	1	
	RTC4783	1	
	RTC478310	1	
	KIT-THRUST WASHER-PAIRS		
6	RTC2825	A/R	
	538131	A/R	
	538132	A/R	
	538134	A/R	
7	ETC4077	1	BASIC
	ETC4105	1	Note(1)
	ERC6860	1	
	ERC6859	1	
	ERC6861	1	
	SH108251L	4	
	WL108001L	4	
8	ETC4390	1	
9	ERC9765	1	
10	ETC7934	1	
	ERR605	1	}FromAUG1989
	ERR705	1	
11	ERR1535	1	

Note(1) Use with appropriate pulley when AIR CON or P.A.S.is fitted





DEFENDER 110 1987 onwards

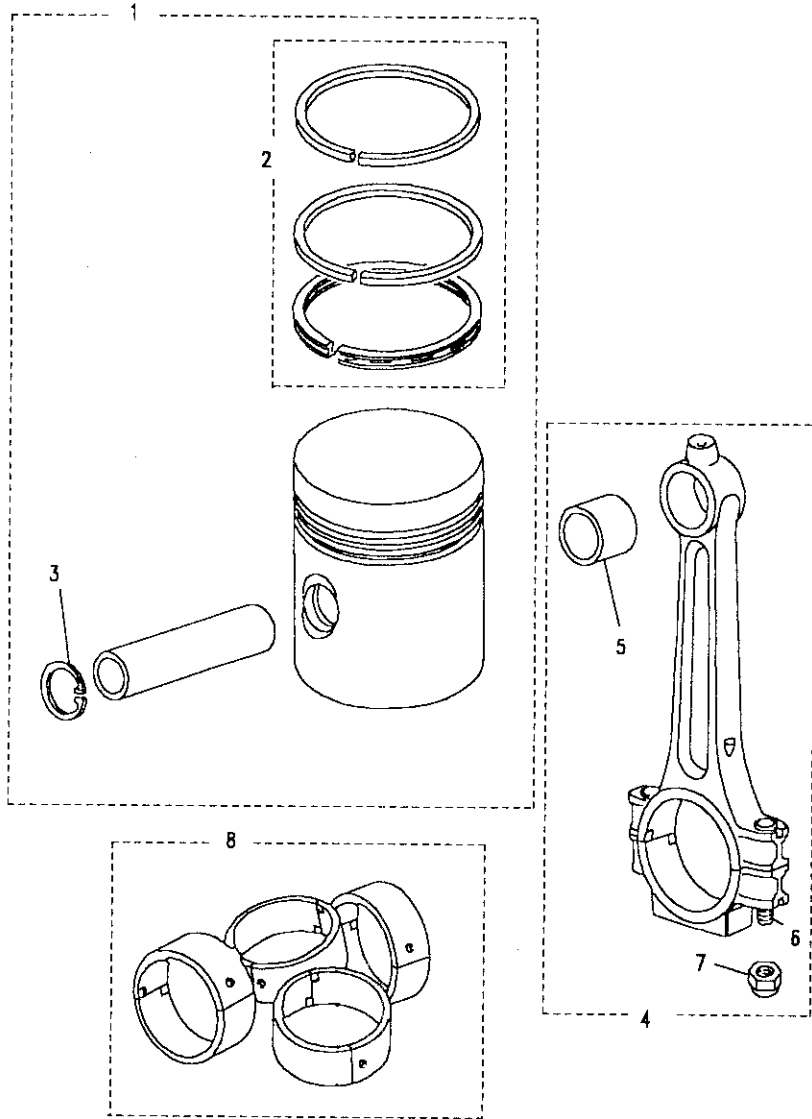
77

ENGINE

**Model** DEFENDER 110 1987 onwards  
**Page** AFBGCC1A

**ENGINE - PISTONS - 2.5 DIESEL**

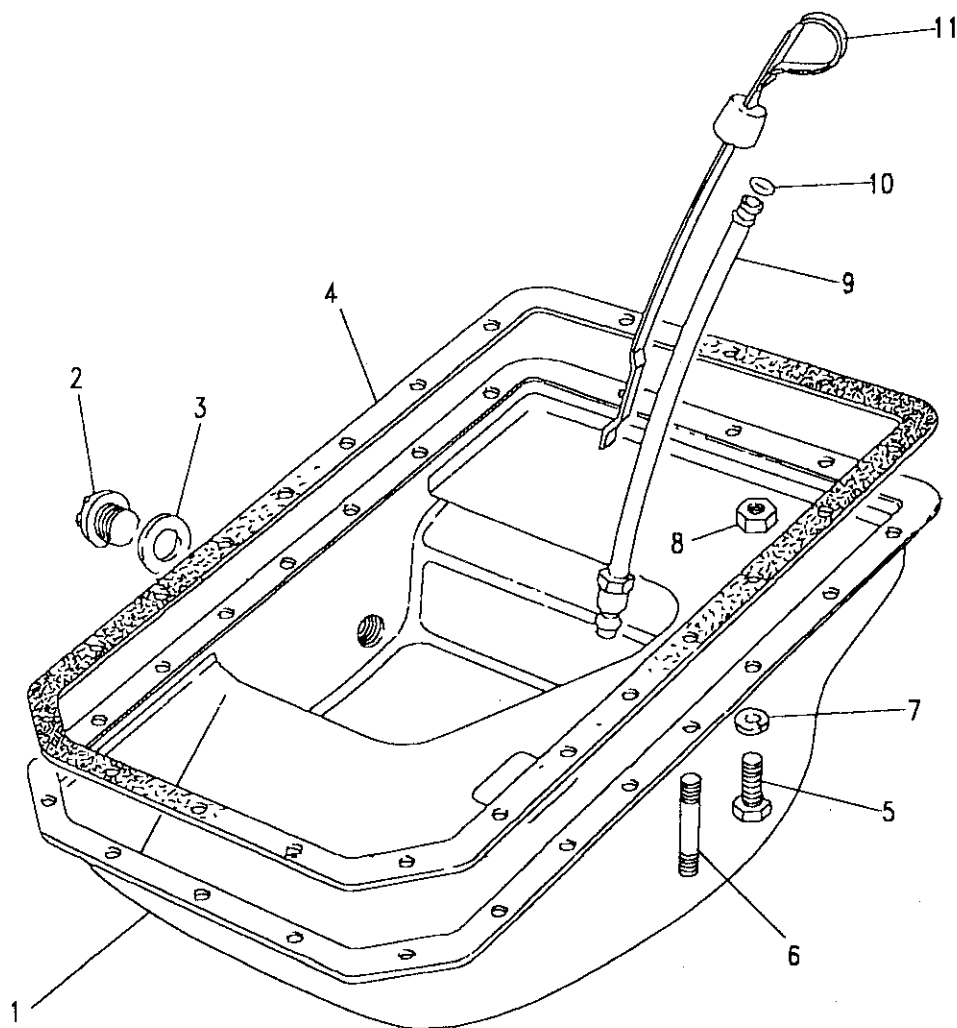
Ill. Part No.	Description	Qty	Remarks
1	RTC6442S	4	)Hepworth & )Grandidge
	RTC644220	4	
2	RTC4778S	4	Kit piston rings std
	RTC477820	4	
3	266945	8	Circlip
4	ERR593	4	Con rod assembly
5	247583	4	Bush-gudgeon pin
6	ETC7357	8	Bolt-con rod
7	ETC8191	8	Nut conn rod
<b>Con Rod Bearing: Engine Set</b>			
8	RTC2993	1	Bearing set big end
	RTC299310	1	Bearing set big end
	ERC9188	4	Liner-cylinder

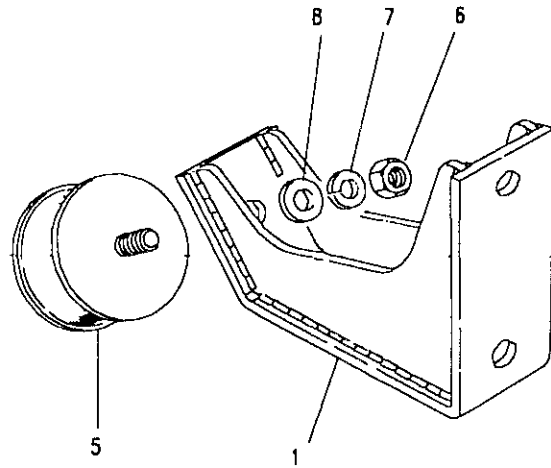


**Model** DEFENDER 110 1987 onwards  
**Page** AFBGDA1A

**ENGINE - SUMP - 2.5 DIESEL**

III. Part No.	Description	Qty	Remarks
1	ERR4716	1	Sump crankcase
2	599552	1	Plug drain
3	FRC4808	1	Washer joint
4	546841	1	Washer joint
5	SH108161L	21	Screw M8x16
6	TE108031L	1	Stud M8
7	WL108001L	22	Washer spring
8	NH108041L	1	Nut M8
9	ERC8980	1	Tube-dipstick
10	532387	1	Ring sealing tube
11	ETC7867	1	Dipstick



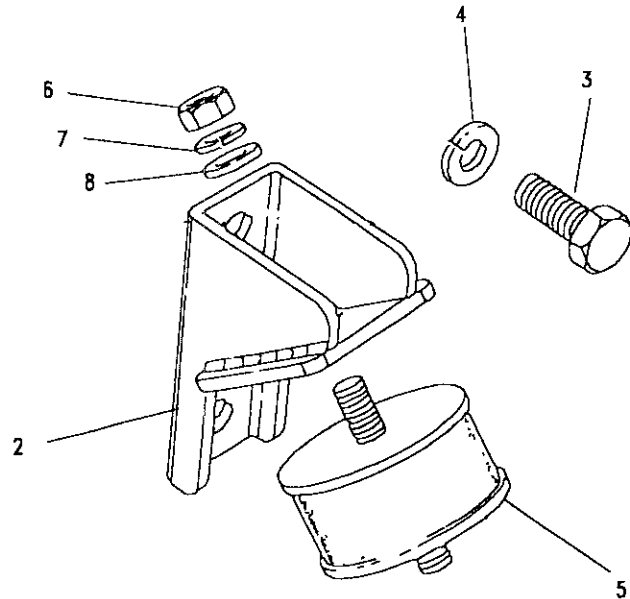


Model DEFENDER 110 1987 onwards  
Page AFBGDC1A

ENGINE - MOUNTINGS - 2.5 DIESEL

III. Part No.	Description	Qty	Remarks
1	NRC5434 Mounting foot-RH	1	
2	NRC9557 Mounting foot-LH	1	
3	SH112251L Screw-foot to block	4	
4	WL112001L Washer-foot to block	4	
5	NRC9560 Rubber engine mounting	2	Note(1)
	ANR1808 Mounting rubber	2	Note(2)
6	NH110041L Nut-rubber to foot	4	
7	WC110061L Washer-rubber to foot	2	
8	WL110001L Washer-rubber to foot	4	

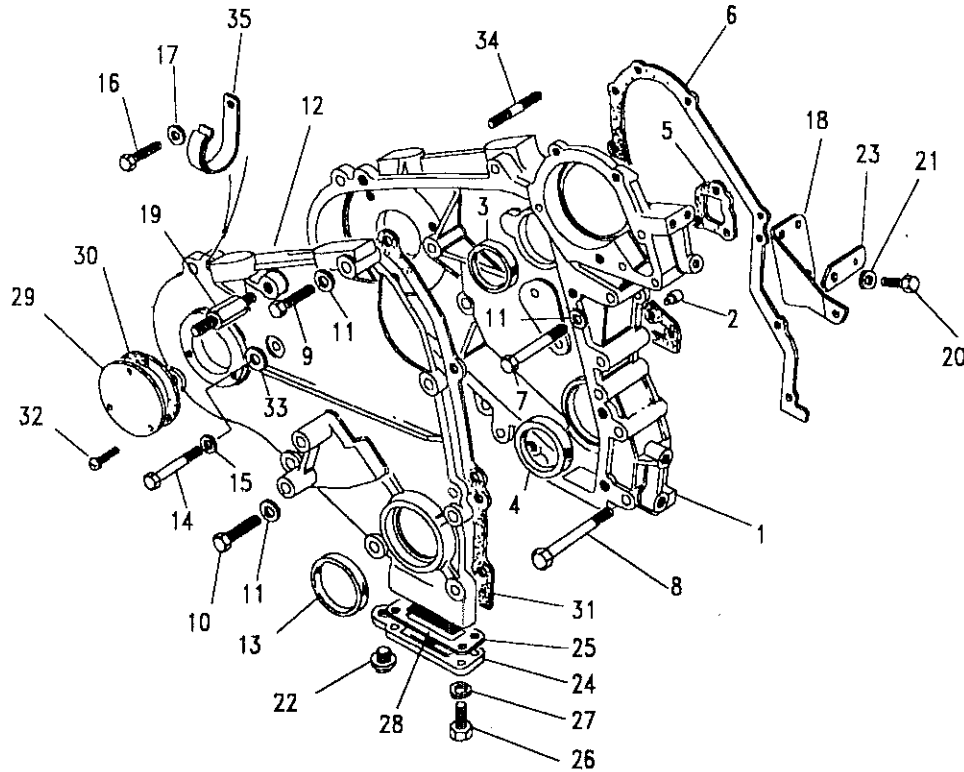
Note(1) Up to chassis JA920703  
Note(2) from chassis JA920703





Model DEFENDER 110 1987 onwards  
Page AFBGEA1A

## ENGINE - FRONT COVER - 2.5 DIESEL



Ill. Part No.	Description	Qty	Remarks
1	ETC4421	1	NON AIR CON
	ETC5672	1	AIR CON
2	6395L	4	
3	ETC5064	1	
4	ETC5065	1	
5	ERR1607	1	
6	538039	1	
7	BH108111L	1	
8	FB108121L	4	
9	BH108201L	1	
10	BH108251L	2	
11	WA108051L	8	
12	ETC4422	1	NON AIR CON
	ETC5675	1	AIR CON
13	ETC4154	1	
14	BH108131L	1	
15	WA108051L	1	
16	SH108251L	7	
17	WA108051L	7	
18	ERC6479	1	
19	ETC4996	1	
20	FS108201L	3	
21	WL108001L	3	
22	ERC7295	1	
23	RTC3772	1	



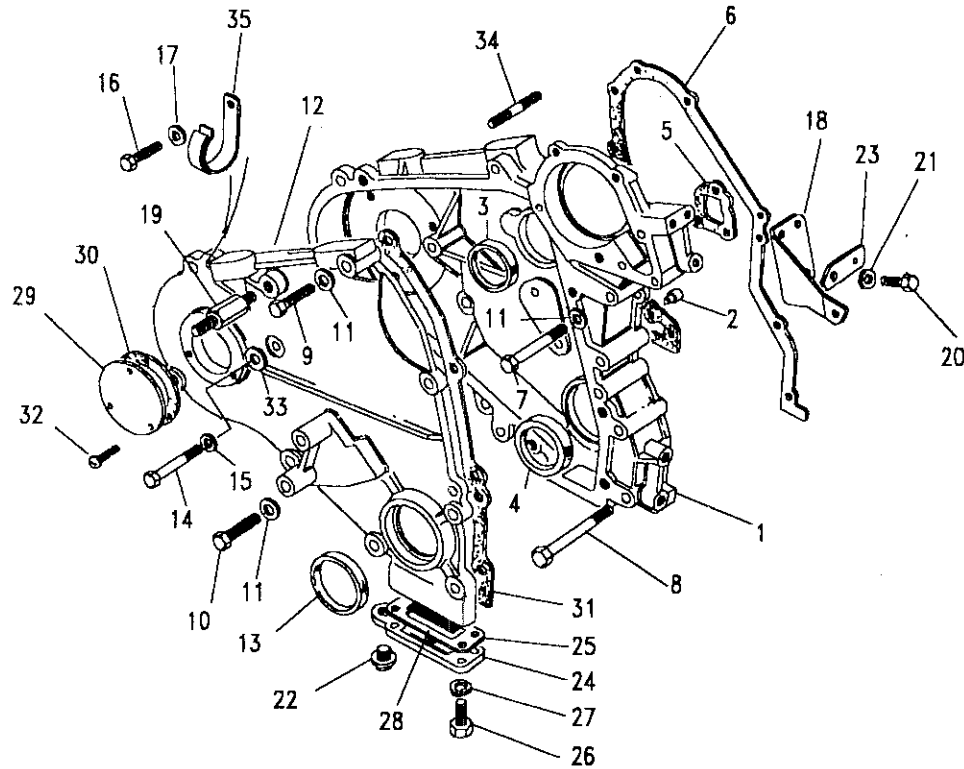




Model DEFENDER 110 1987 onwards  
Page AFBGEA1A

ENGINE - FRONT COVER - 2.5 DIESEL

III. Part No.	Description	Qty	Remarks
24	ETC4058	1	Plate drain
25	ERR3615	1	Gasket front cover
26	FS106201L	4	Screw-plate to cover
27	WA106041L	4	Washer-plate to cover
28	ETC4063	1	Strainer
29	ERC9199	1	Cover plate
30	ERR3614	1	Gasket cover plate
31	ERR3616	1	Gasket front cover
32	SE106121L	3	Screw
33	ERR3604	1	Gasket front cover
34	ETC4873	3	Stud-DPS to front cover
35	ETC4630	1	Bracket mounting





DEFENDER 110 1987 onwards

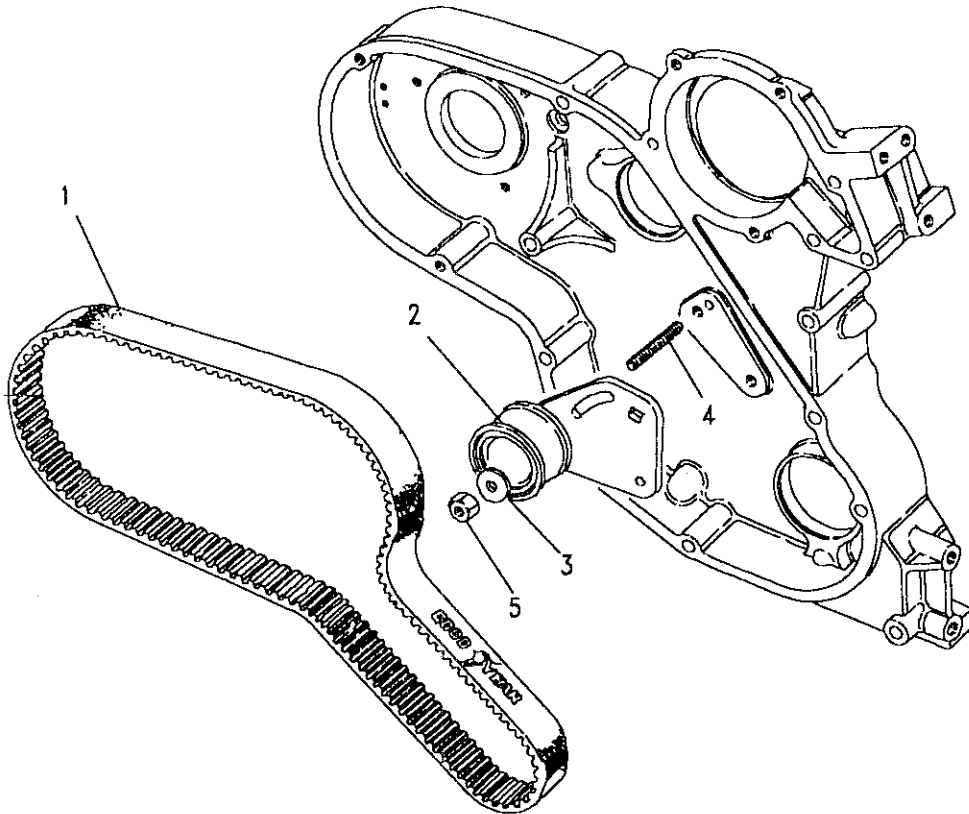
82

ENGINE

**Model** DEFENDER 110 1987 onwards  
**Page** AFBGEC1A

**ENGINE - TIMING BELT - 2.5 DIESEL**

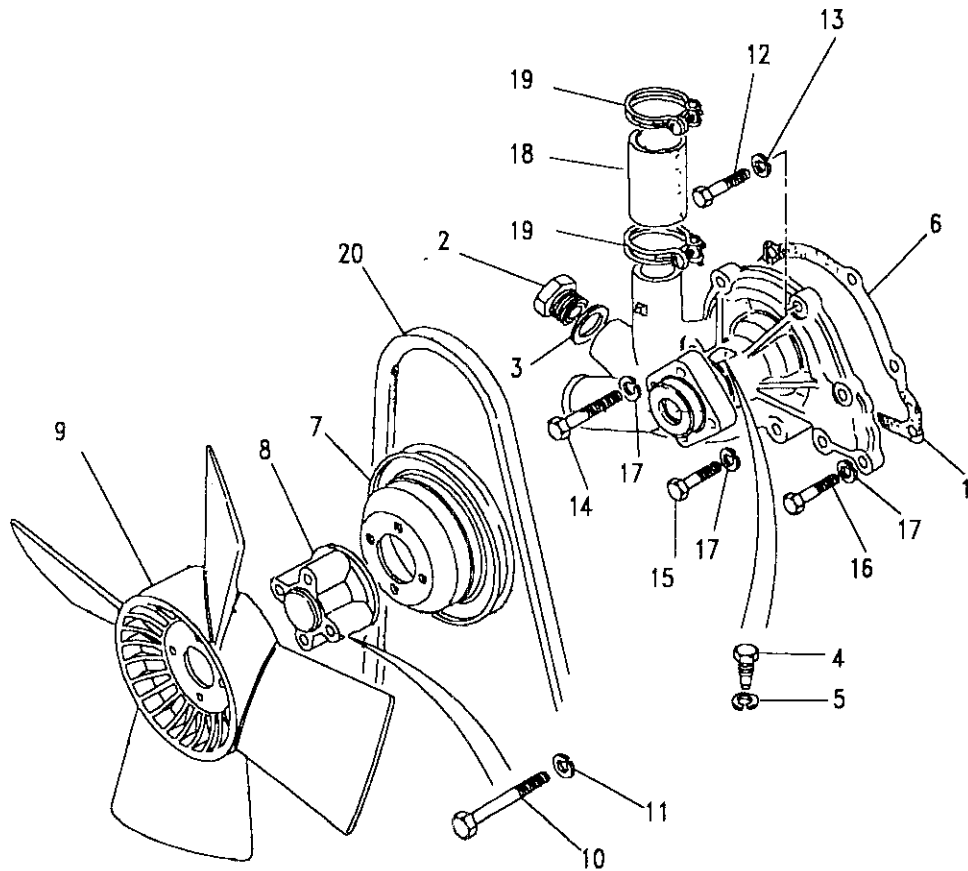
III. Part No.	Description	Qty	Remarks
1 ETC7333	Belt timing	1	
2 ERC8861	Tensioner assembly	1	
3 4594L	Washer	2	
4 TE108061L	Stud	2	
5 NY108041L	Nut	2	



Model DEFENDER 110 1987 onwards  
 Page AFBGEE1A

ENGINE - WATER PUMP - 2.5 DIESEL

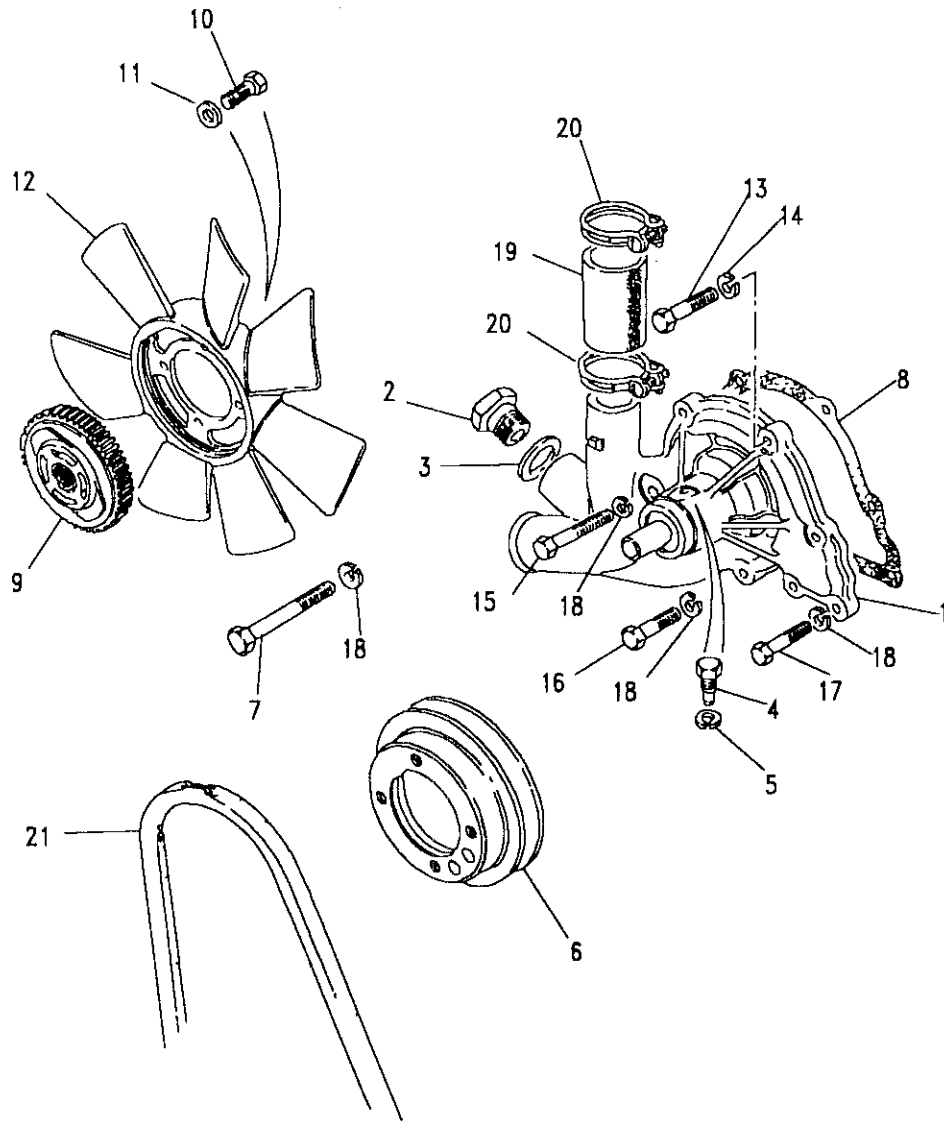
III. Part No.	Description	Qty	Remarks
1	STC637	1	BASIC
2	ERC7312	1	Plug
3	232046	1	Washer joint
4	ERC5600	1	Bolt-special
5	WL106001L	1	Washer spring
6	ERC5655	1	Gasket
7	ERC5578	1	Pulley
8	ERC7489	1	Spacer fan to pump
9	ERC5545	1	Fan assembly
10	FB108111L	4	Bolt
11	WL108001L	4	Washer spring
12	FB108061L	3	Bolt-pump to cover
13	WL108001L	3	Washer spring
14	BH108151L	1	Bolt-pump to block
15	BH108161L	2	Bolt-pump to block
16	BH108171L	1	Bolt-pump to block
17	WL108001L	4	Washer spring
18	ERC5654	1	Hose-by pass water outlet
19	CN100408L	2	Clip-hose
20	ETC7939	1	Belt fan



**Model** DEFENDER 110 1987 onwards  
**Page** AFBGEE2A

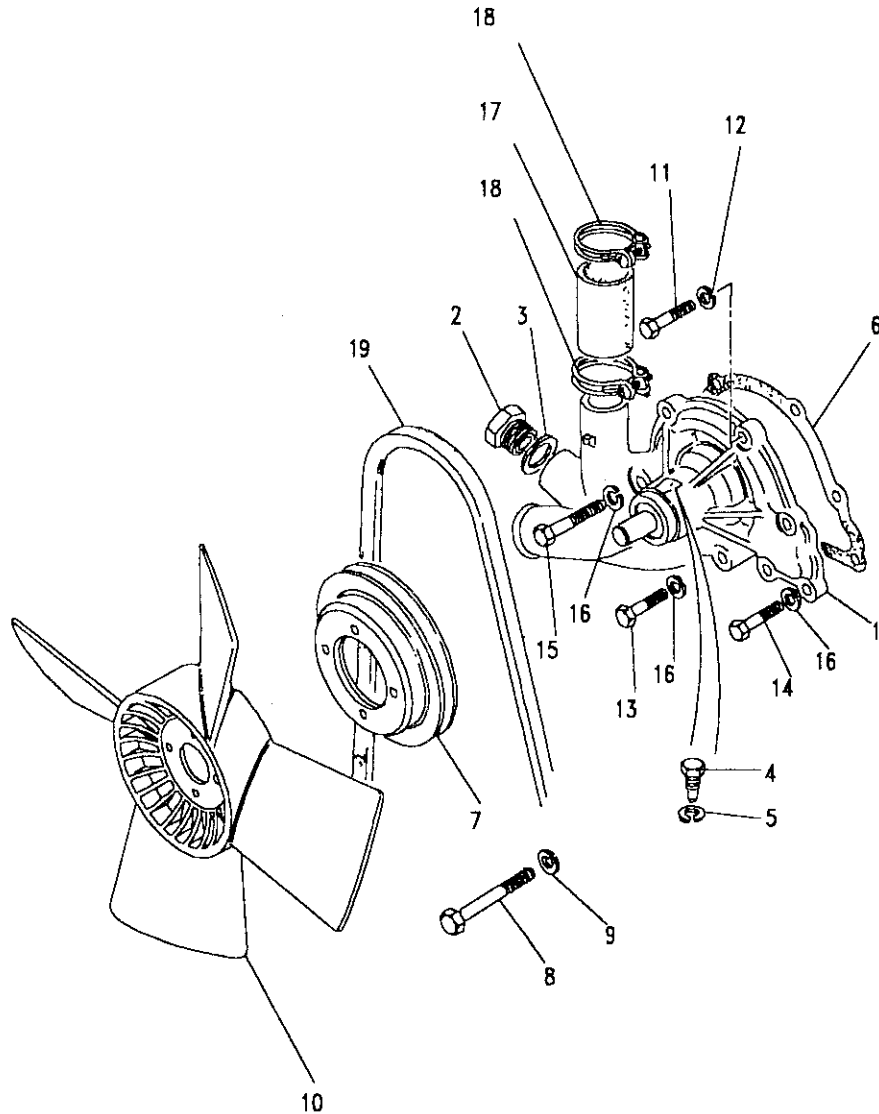
**ENGINE - WATER PUMP - 2.5 DIESEL**

III. Part No.	Description	Qty	Remarks
1	STC635	1	AIR CON
2	ERC7312	1	
3	232046	1	
4	ERC5600	1	
5	WL106001L	1	
6	ETC4457	1	
7	BH106051L	4	
8	ERC5655	1	
9	ERC5708	1	
10	ERC5709	4	
11	4589L	4	
12	ERR3380	1	
13	FB108061	3	
14	WL108001L	3	
15	BH108151L	1	
16	BH108161L	2	
17	BH108171L	1	
18	WL108001L	8	
19	ERC5654	1	
20	CN100408L	2	
21	ETC7939	1	



**Model** DEFENDER 110 1987 onwards  
**Page** AFBGEE3A

**ENGINE - WATER PUMP - 2.5 DIESEL WITH 65 AMP ALTERNATOR**

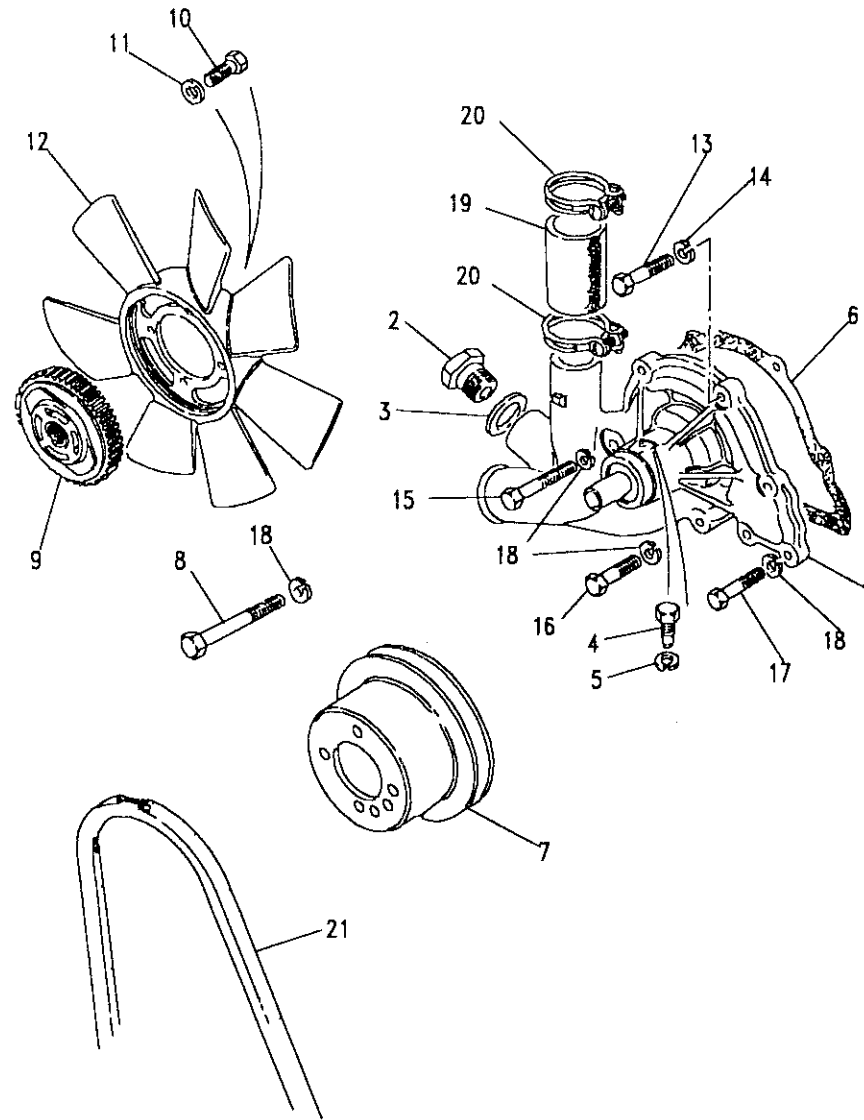


III. Part No.	Description	Qty	Remarks
1	STC637	1	Pump water assembly
2	ERC7312	1	plug-water pump
3	232046	1	Washer joint
4	ERC5600	1	Bolt-special
5	WL106001L	1	Washer spring
6	ERC5655	1	Gasket
7	ETC4650	1	Pulley
8	BH106051L	4	Bolt-pulley to hub
9	WL106001L	4	Washer spring
10	ERC5545	1	Fan
11	FB108061	3	Bolt-pump to cover
12	WL108001L	3	Washer spring
13	BH108151L	1	Bolt-pump to cover
14	BH108161L	2	Bolt-pump to cover
15	BH108171L	1	Bolt-pump to cover
16	WL108001L	4	Washer spring
17	ERC5654	1	Hose-by-pass pipe
18	CN100408L	2	Clip hose
19	ETC7939	1	Belt fan



Model DEFENDER 110 1987 onwards  
Page AFBGEE4A

ENGINE - WATER PUMP - 2.5 DIESEL - NOISE REDUCTION PACKAGE



III. Part No.	Description	Qty	Remarks
1	STC635	1	Pump water assembly
2	ERC7312	1	Plug-water pump
3	232046	1	Washer joint
4	ERC5600	1	Bolt-special
5	WL106001L	1	Washer spring
6	ERC5655	1	Gasket
7	ETC4785	1	Pulley
8	BH106051L	4	Bolt-pulley to hub
9	ERC5708	1	Viscous unit
10	ERC5709	4	Bolt-viscous unit
11	4589L	4	Washer-viscous unit
12	ERC7834	1	Fan
13	FB108061	3	Bolt-pump to cover
14	WL108001L	3	Washer spring
15	BH108151L	1	Bolt-pump to cover
16	BH108161L	2	Bolt-pump to cover
17	BH108171L	1	Bolt-pump to cover
18	WL108001L	8	Washer spring
19	ERC5654	1	Hose-by-pass
20	CN100408L	2	Clip-hose
21	ETC7939	1	Belt fan

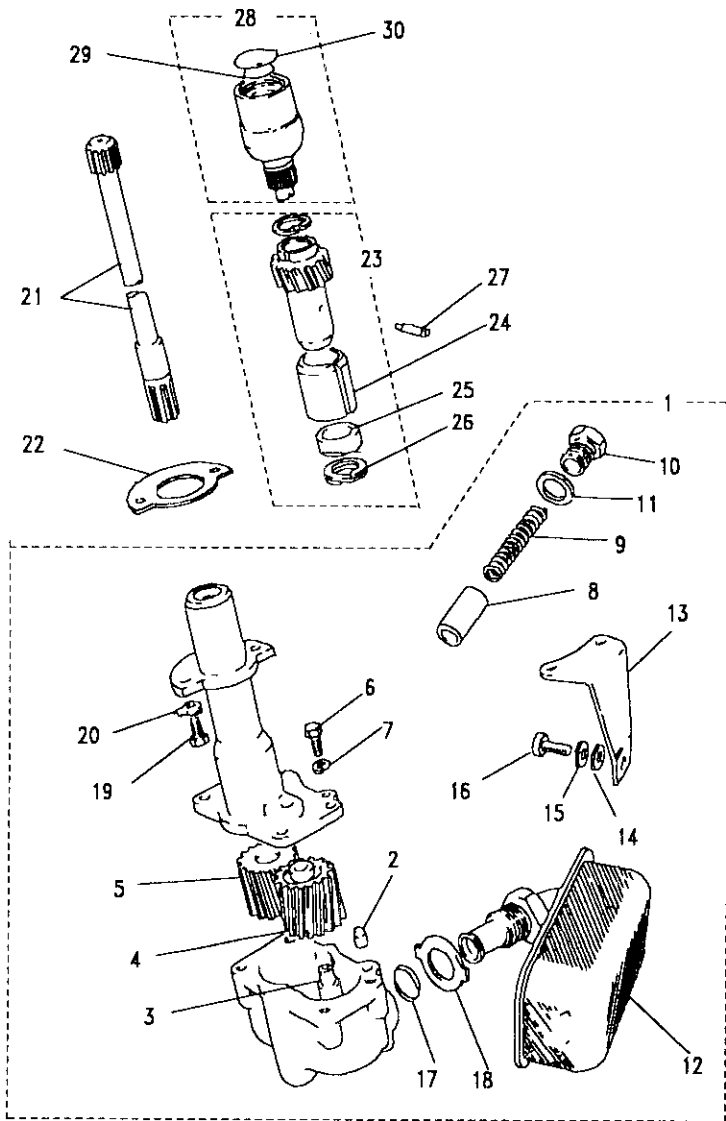




Model DEFENDER 110 1987 onwards

Page AFBGFA1A

ENGINE - OIL PUMP - 2.5 DIESEL



III. Part No.	Description	Qty	Remarks
1	ERR1117	1	Pump oil assembly
2	236257	2	Dowel
3	ERR1063	1	Spindle-idler wheel
4	ERR1088	1	Idler wheel assembly
5	ERC9706	1	Drive wheel
6	FS108201L	4	Screw flanged
7	WL108001L	4	Washer spring
8	ETC4880	1	Plunger-oil relief
9	564456	1	Spring-oil relief
10	564455	1	Plug-oil relief
11	232044	1	Washer joint
12	ERC7530	1	Filter
13	ERC7940	1	Bracket-support
14	WA108051L	1	Washer
15	WL108001L	1	Washer spring
16	FS108201L	1	Screw

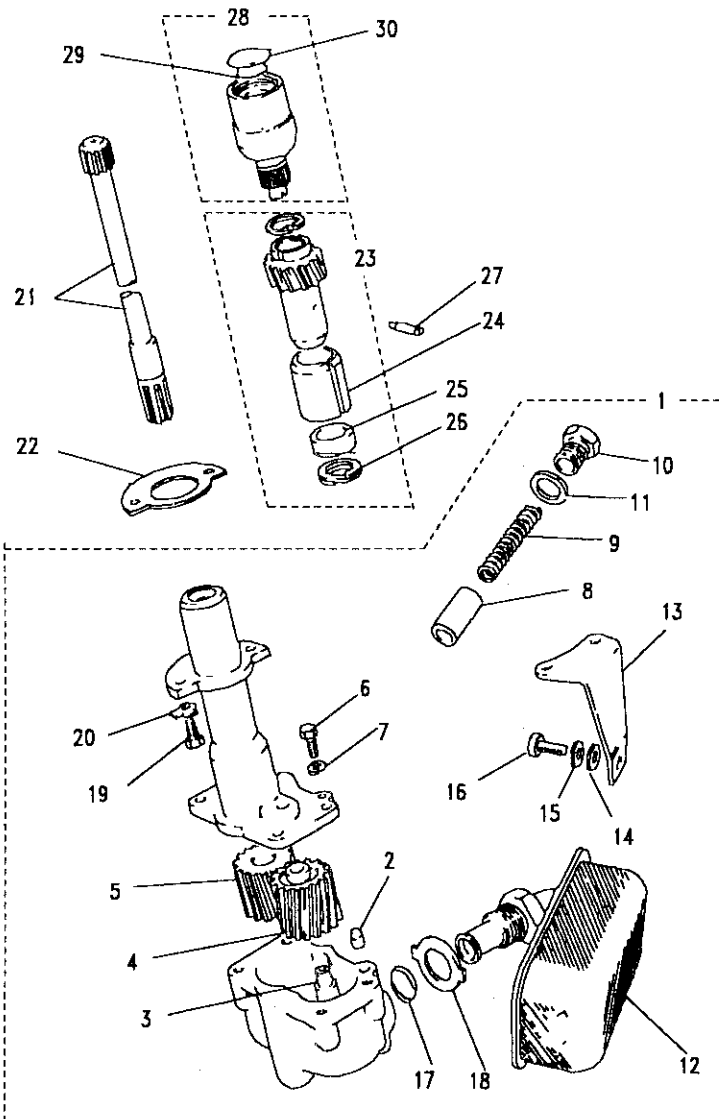


Model DEFENDER 110 1987 onwards  
 Page AFBGFA1A

ENGINE - OIL PUMP - 2.5 DIESEL

Ill. Part No.	Description	Qty	Remarks
17	244488	1	'O' ring
18	244487	1	Lock washer
19	SH108251L	2	Screw
20	247665	2	Lock washer
21	ERR850	1	Shaft drive
22	ERR3606	1	Gasket oil pump
23	ETC6139	1	Gear-bush-assembly
24	522745	1	Bush
25	ETC6137	1	Washer thrust
26	ETC6138	1	Ring locking
27	ETC6142	1	Screw-locating shaft
28	ETC4706	1	Coupling
29	RTC6167	1	O ring-inner
30	RTC6168	1	O ring-outer

Note(1) Remove plug before assembly DRIVE SHAFT & COUPLING





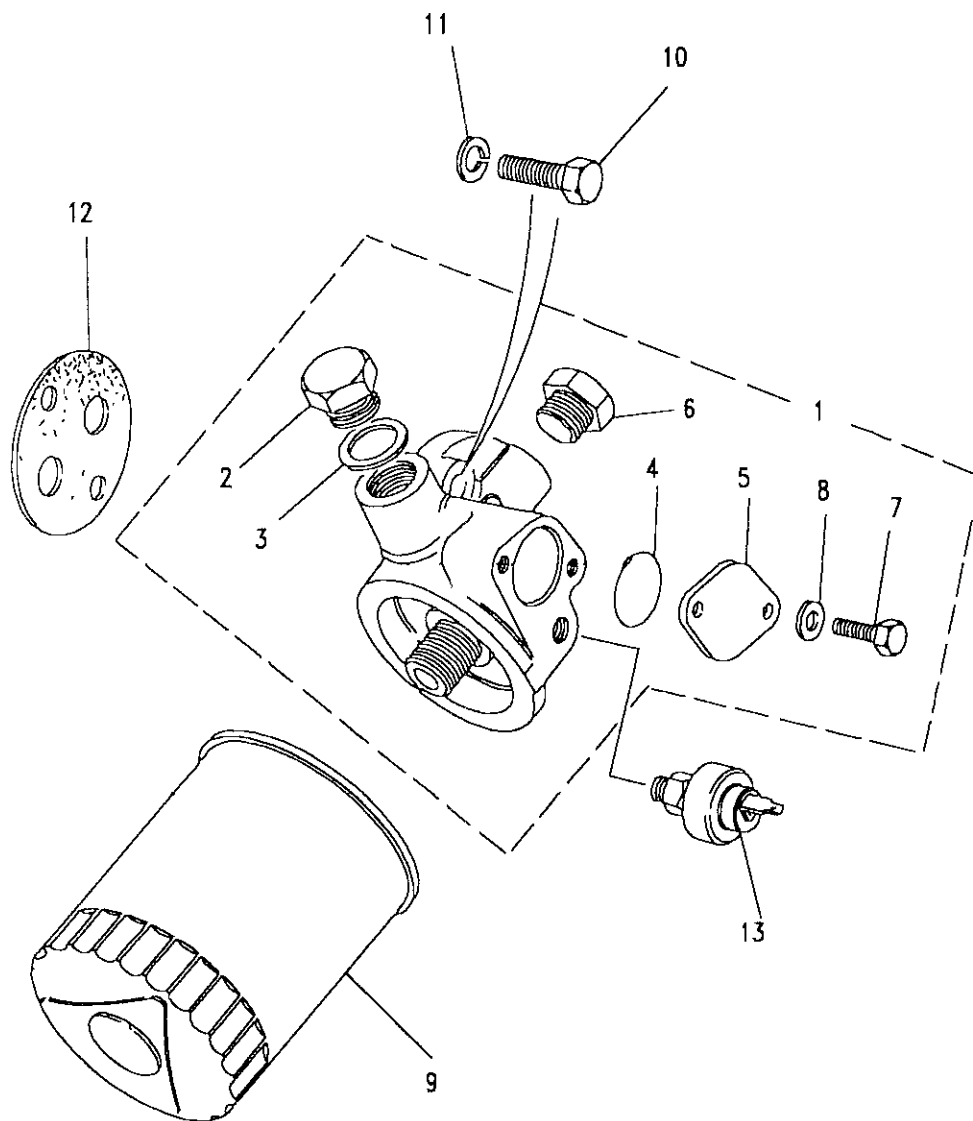
Model DEFENDER 110 1987 onwards

Page AFBGFA2A

ENGINE - OIL FILTER - 2.5 DIESEL

Ill. Part No.	Description	Qty	Remarks
1	ETC5347	1	Note(1)
2	RTC6851	1	
3	213961	1	
4	ERC5913	1	
5	ERC9884	1	
6	ETC4021	1	
7	SH106141L	2	
8	WA106041L	2	
9	ERR3340	1	
10	SH110301L	2	
11	WL110001L	2	
12	ERR4934	1	
13	PRC6387	1	
	PRC4043	1	)
	ETC4033	1	) OPTIONAL
	ETC4034	1	)
	PRC4372	1	)

Note(1) ETC5347 is interchangeable with ETC6519(includes filter)

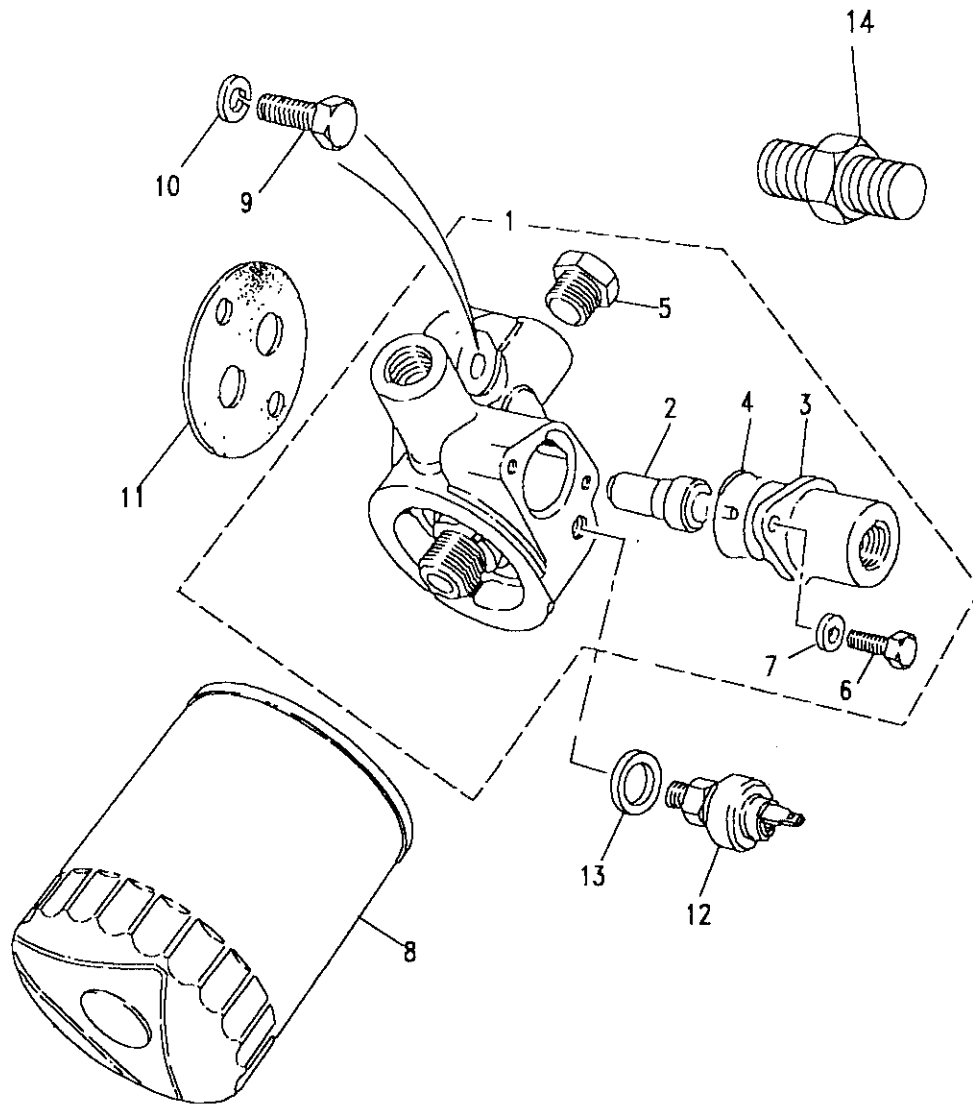




Model DEFENDER 110 1987 onwards  
Page AFBGFA3A

ENGINE - OIL FILTER - 2.5 DIESEL WITH OIL COOLER

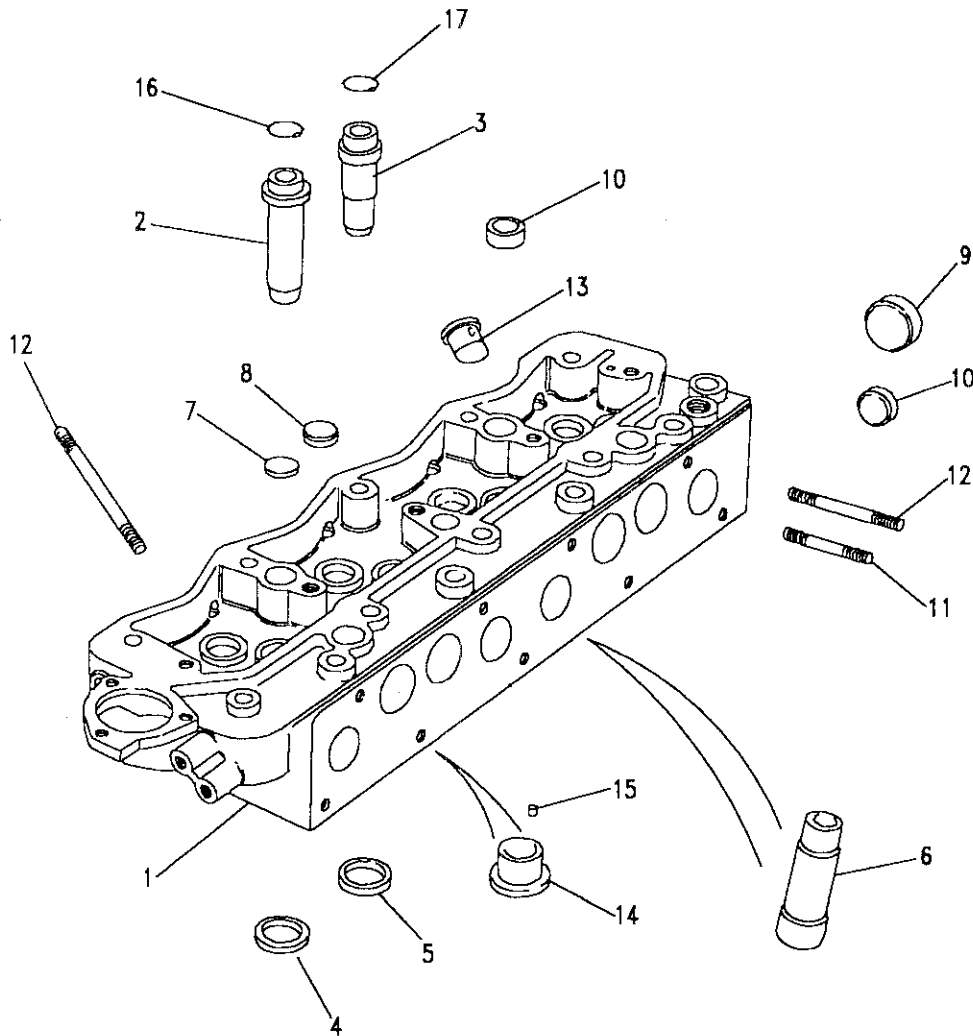
III. Part No.	Description	Qty	Remarks
1	ERR1347	1	
2	ERC5923	1	
3	ETC4022	1	
4	ERC5913	1	
5	ETC4021	1	
6	SH106141L	2	
7	WA106041L	2	
8	ERR3340	1	
9	SH110301L	2	
10	WL110001L	2	
11	ERR4934	1	
12	PRC6387	1	
13	232039	1	
14	NRC8618	1	
	PRC4043	1	} OPTIONAL
	ETC4033	1	
	ETC4034	1	
	PRC4372	1	



Model DEFENDER 110 1987 onwards  
 Page AFBGGA1A

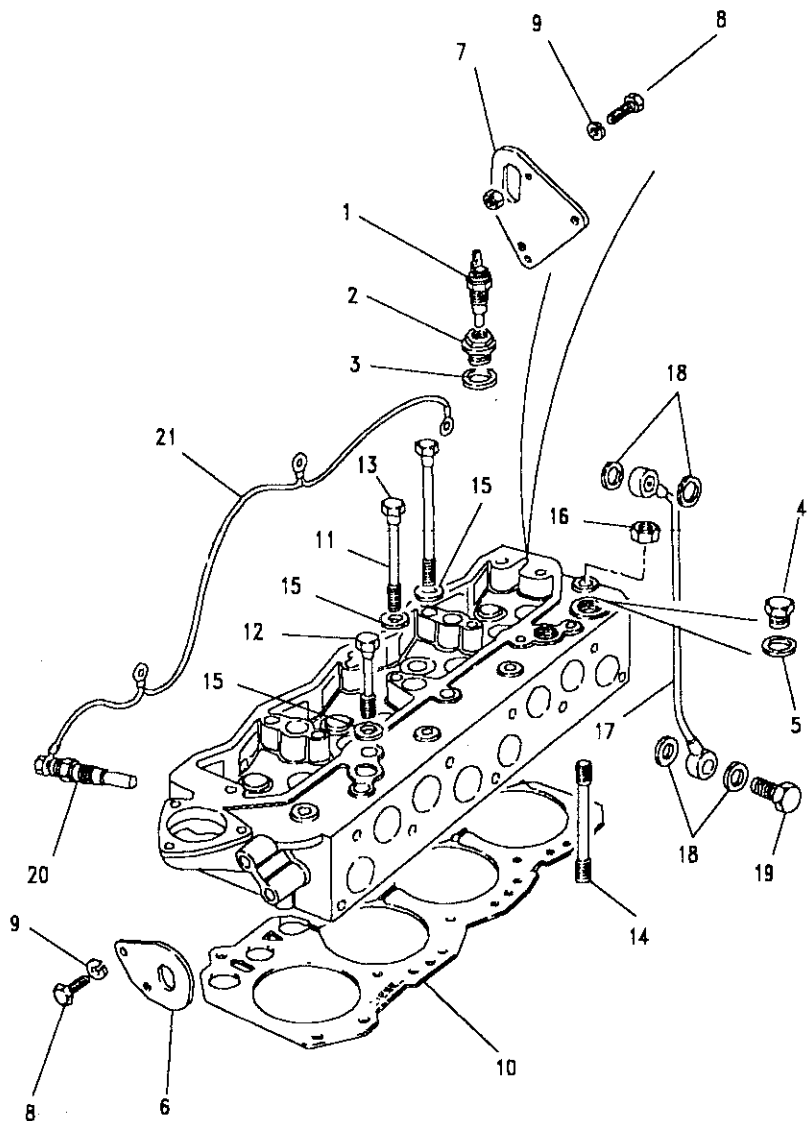
ENGINE - CYLINDER HEAD - 2.5 DIESEL

III. Part No.	Description	Qty	Remarks
1 ETC4649	Cylinder head assembly	1	UptoAPRIL1989
STC803	Cylinder head assembly	1	FromAPRIL1989
2 568688	Guide valve inlet	4	
3 SFR47	Guide valve exhaust	4	
4 ERC9631	Insert-valve seat-Exh	4	
5 ETC4643	Insert-valve seat-inlet	4	
6 ERC8663	Tube-push rod	8	
7 250830	Plug-welch	2	
8 525497	Plug-cup	9	
9 524765	Plug-cup	1	
10 602289	Plug-cup	2	
11 TE108051L	Stud-manifold fixing	5	
12 TE108071L	Stud	12	
13 ERC9501	Shroud-injector	4	
14 ETC8620	Hot plug	4	
15 PA105101L	Peg locating-hot plug	4	
16 ERR1510	Seal-inlet valve	4	
17 ETC4751	Seal-exhaust valve	4	



**Model** DEFENDER 110 1987 onwards  
**Page** AFBGGA2A

**ENGINE - CYLINDER HEAD - 2.5 DIESEL**



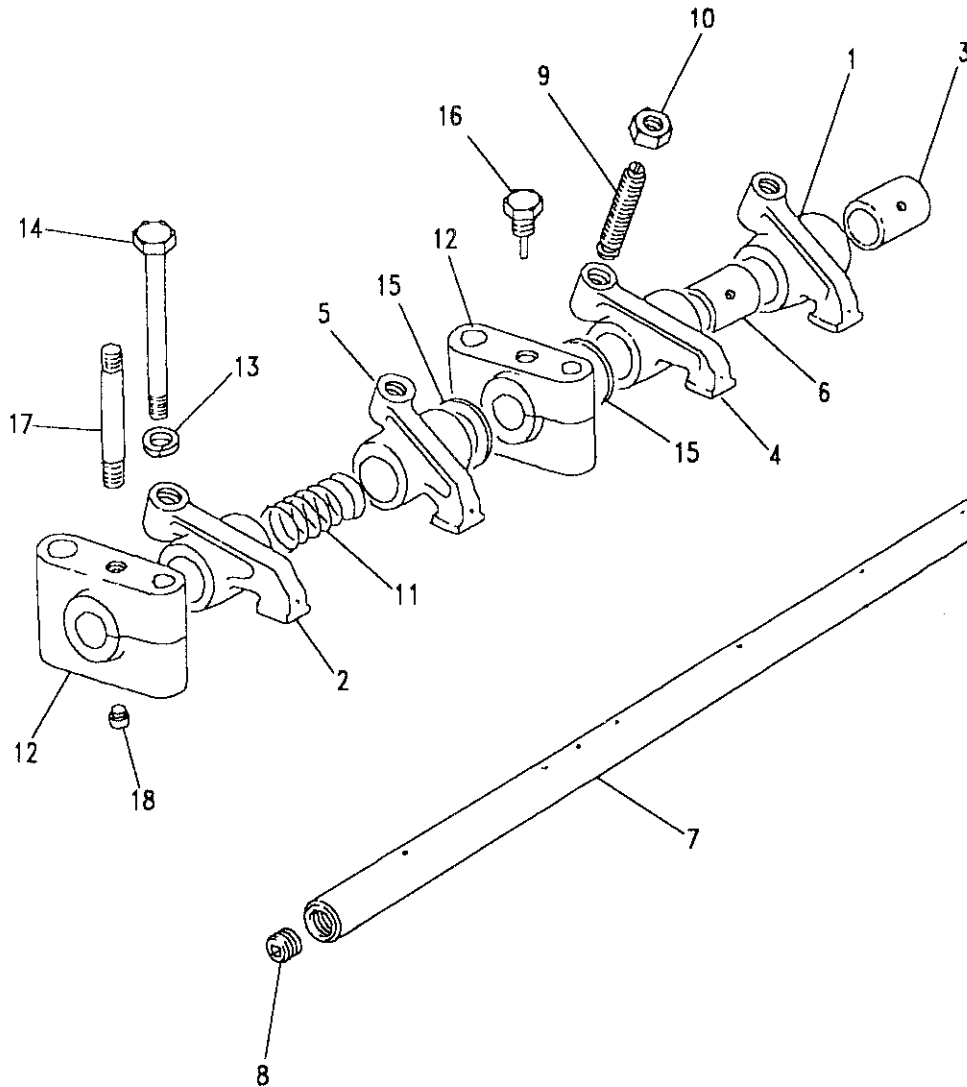
III. Part No.	Description	Qty	Remarks
1	PRC2505	1	UptoAPRIL1989
	PRC6663	1	FromAPRIL1989
2	ERC9432	1	UptoAPRIL1989
3	10802070	1	
4	ERC9448	1	
	RTC6851	1	FromAPRIL1989
5	AFU1890L	1	
	243960	1	FromAPRIL1989
6	ERC2254	1	
7	ETC7135	1	
8	FS108207	4	
9	WL108001L	4	
10	ERR3618	1	
11	247051	9	
12	247683	2	
13	247723	5	
14	90518466	2	
15	ERC6821	18	
16	NH608061L	2	
17	275679	1	
18	ETC6510	4	
19	ETC4498	2	
20	ERC8450	4	
21	PRC6295	1	



Model DEFENDER 110 1987 onwards  
Page AFBGGC1A

ENGINE - ROCKER SHAFT - 2.5 DIESEL

III. Part No.	Description	Qty	Remarks
1	ERC9060	2	Rocker arm exhaust RH
2	ERC9059	2	Rocker arm exhaust LH
3	247738	4	Bush-exhaust rockers
4	ERC9056	2	Rocker arm inlet RH
5	ERC9055	2	Rocker arm inlet LH
6	247737	4	Bush-inlet rockers
7	ERC6341	1	Shaft
8	ERC6337	2	Plug-shaft
9	ERC9054	8	Screw-tappet adjuster
10	NT108041L	8	Locknut-M8
11	247040	4	Spring
12	ERC9137	5	Bracket-rocker shaft
13	WL108001L	5	Washer spring
14	FB108111L	5	Bolt flanged
15	247153	8	Washer-rocker shaft
16	ETC4460	1	Screw-shaft location
17	TD108091L	3	Stud-M8-rocker cover
18	277956	3	Dowel-rocker

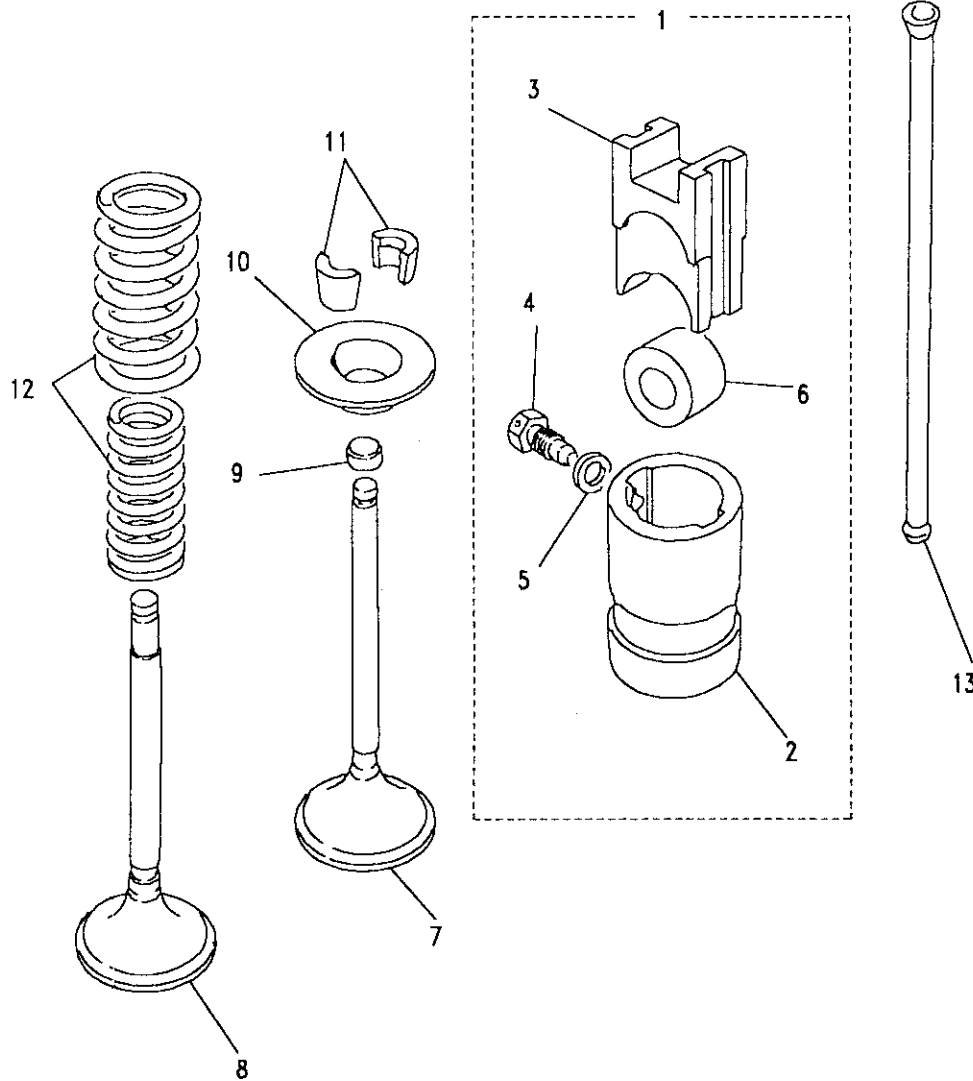


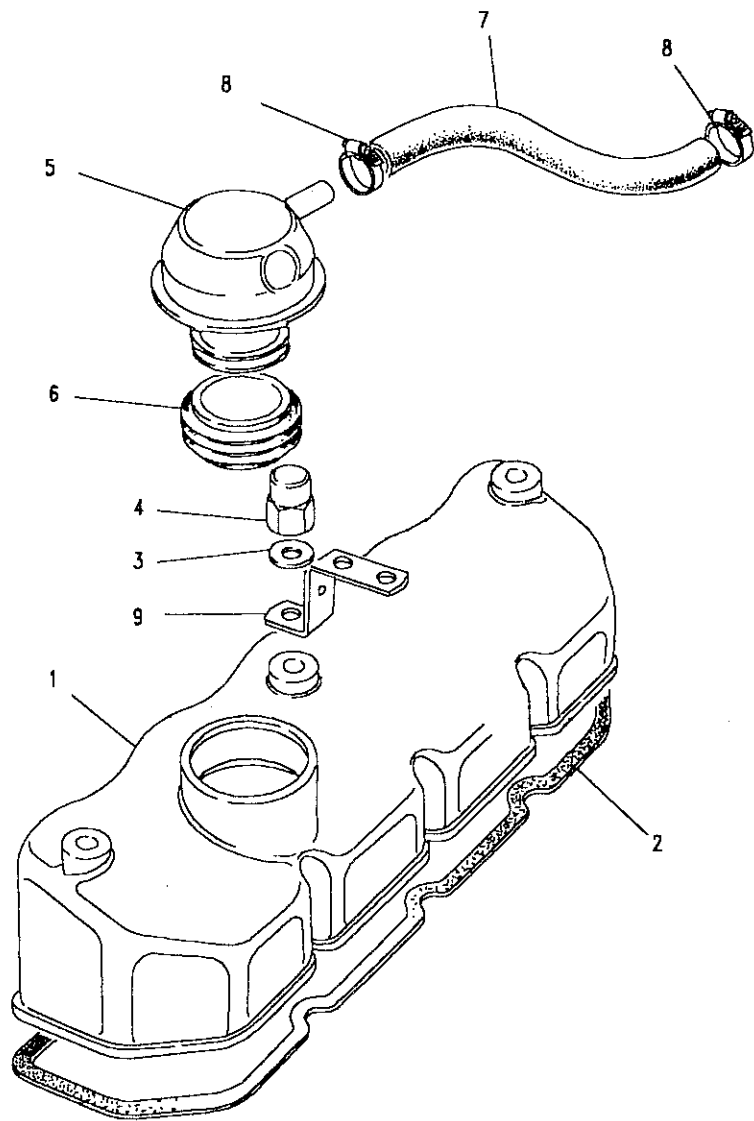
**Model** DEFENDER 110 1987 onwards  
**Page** AFBGGE1A

**ENGINE - TAPPETS - 2.5 DIESEL**

III. Part No.	Description	Qty	Remarks
1	507829 Tappet assembly	8	
2	502473 Guide tappet	8	
3	ERR607 Tappet slide	8	
4	ETC4246 Bolt-set	8	
5	273069 Washer-tappet guide	8	
6	ERR561 Roller follower	8	
7	ETC5739 Valve-inlet	4	
8	ETC5740 Valve-exhaust	4	
9	ERR4175 Cap valve cylinder head	8	Note(1)
10	ETC4068 Cup-valve springs	8	
11	ETC4069 Cotter split	16	
12	ERR4640 Valve spring	8	
13	546799 Push rod	8	

Note(1) ERR1158 can be fitted if valve stem or rockers are worn





**Model** DEFENDER 110 1987 onwards

**Page** AFBGGG1A

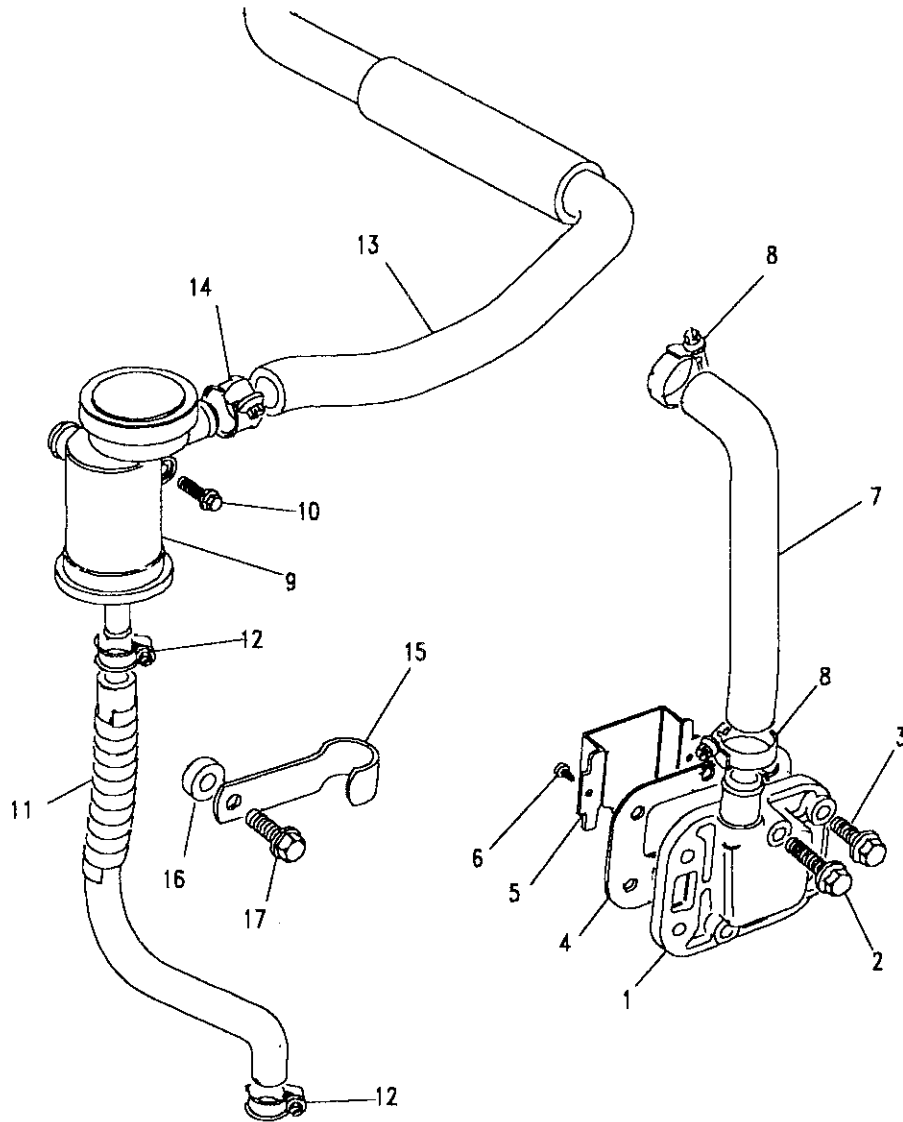
**ENGINE - ROCKER COVER - 2.5 DIESEL**

III. Part No.	Description	Qty	Remarks
1 ETC6924	Rocker cover assembly	1	
2 ETC6438	Gasket-cover to cylinder	1	
3 273069	Washer joint	3	
4 ERC9220	Nut-dome-M8	3	
5 ERR1454	Breather filter	1	Upto 12J42593C
ERR737	Breather filter	1	From 12J42594C
6 ERR736	'O' ring	1	
7 ERC9728	Hose breather to manifold	1	Upto 12J42593C
ETC7969	Hose breather to manifold	1	From 12J42594C
8 RTC3499	Clip hose	2	
9 ETC5588	Bracket	1	AIR CON

**Model** DEFENDER 110 1987 onwards  
**Page** AFBGGG2A

**ENGINE - CYCLONE BREATHER ASSEMBLY - 2.5 DIESEL**

Ill. Part No.	Description	Qty	Remarks
1	ERR506	1	Cover side breather assy
2	FB108081L	1	Bolt flanged
3	FS108251L	5	Screw flange M8x25
4	247555	1	Gasket-side cover
5	ERR874	1	Baffle plate-side cover
6	79026	1	Screw No6
7	ERR877	1	Hose-side to rock/cover
8	CN100258L	2	Clip-worm-hose
9	ERR1471	1	Breather cyclone
10	FB106121L	2	Screw flange M6x60
11	ERR1605	1	Hose-cyclone oil drain
12	CN100208L	2	Clip-worm-hose
13	ERR1729	1	Hose-cyclone to air/clean
14	CN100258L	2	Clip-worm-hose
15	ERR878	1	Clip-oil drain hose
16	ERR879	1	Spacer-clip-oil drain
17	SH110201L	1	Screw flange M10x20

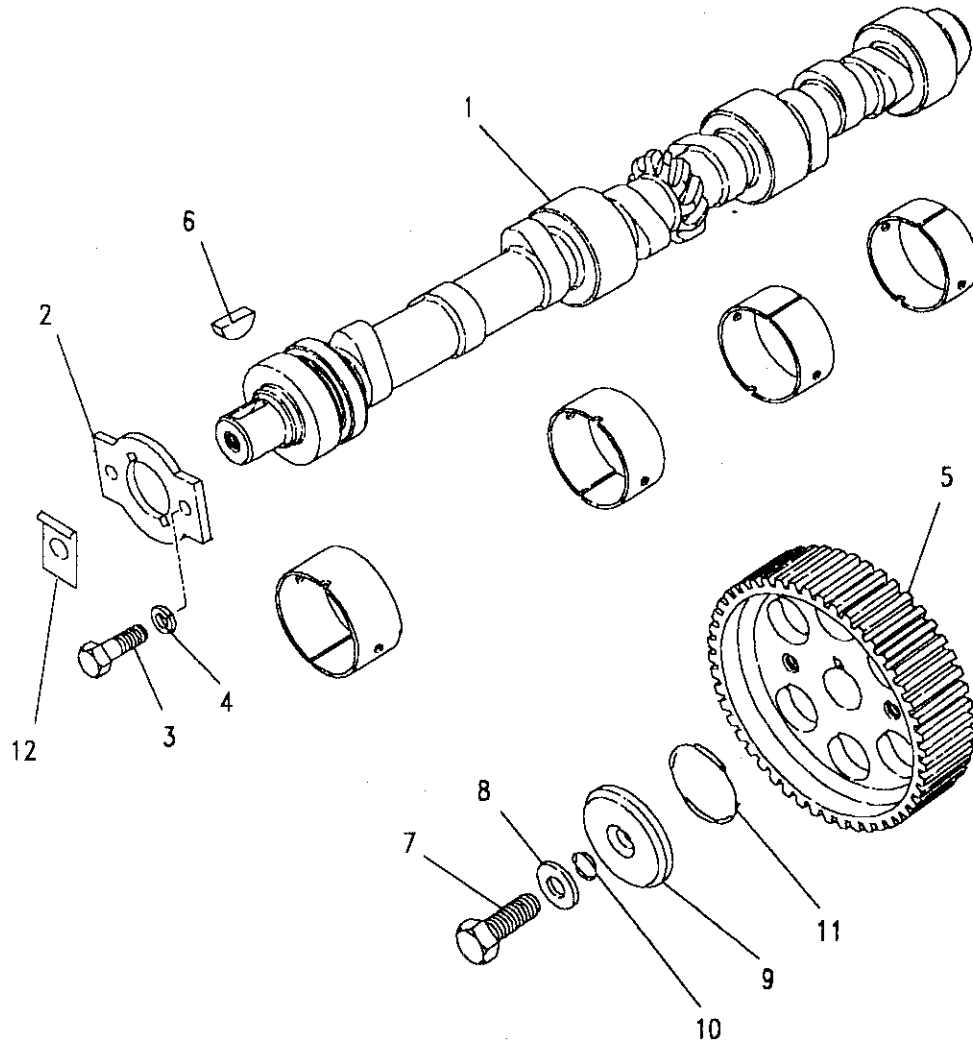


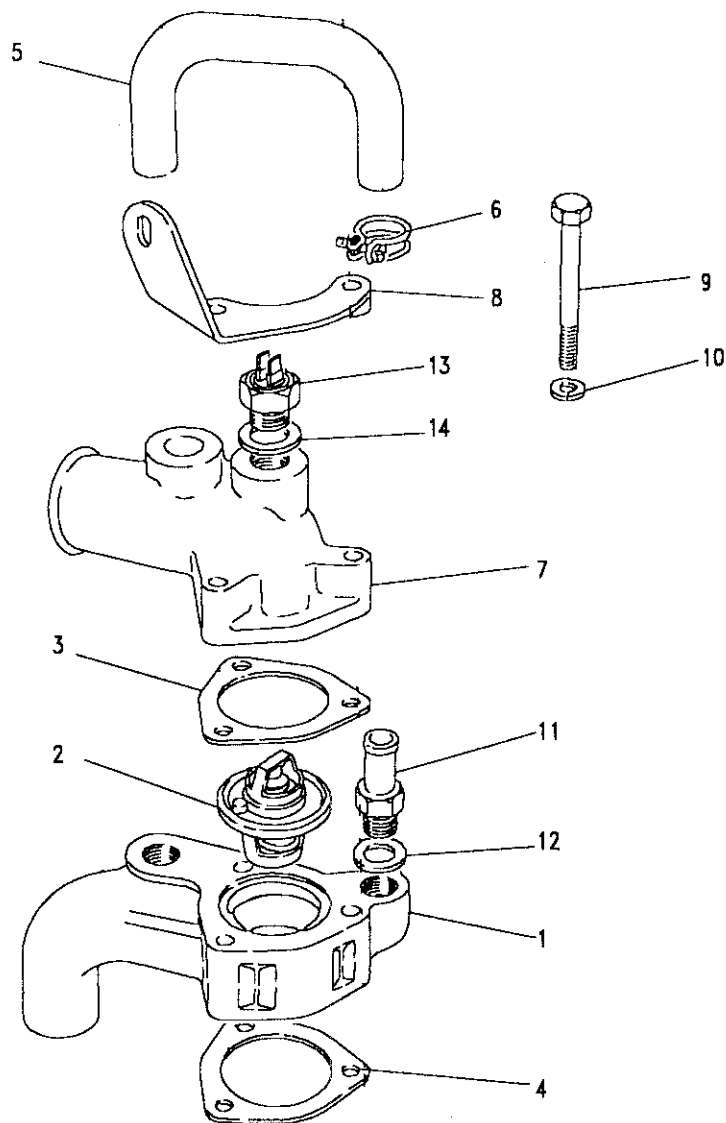


**Model** DEFENDER 110 1987 onwards  
**Page** AFBGG11A

**ENGINE - CAMSHAFT - 2.5 DIESEL**

III. Part No.	Description	Qty	Remarks
1	ETC7128 Camshaft	1	
2	ERC1561 Plate thrust-camshaft	1	
3	FS106167 Screw	2	
4	WL106001L Washer spring	2	
5	ETC4014 Pulley	1	
6	230313 Key woodruff	1	
7	BX110071L Bolt	1	
8	ETC4670 Washer	1	
9	ERC8847 Plate retaining	1	
10	ERC8849 'O' ring	1	
11	ETC4076 'O' ring	1	
12	2995 Locker	2	





**Model** DEFENDER 110 1987 onwards  
**Page** AFBGGK1A

### ENGINE - THERMOSTAT HOUSING - 2.5 DIESEL

III. Part No.	Description	Qty	Remarks
1 ERC8758	Thermostat housing	1	
2 602687	Thermostat 82o	1	
ETC4761	Thermostat 74o	1	OPTIONAL
3 ERR3682	Gasket thermostat housing	1	
4 247874	Gasket-thermo housing	1	
5 ERC7510	Hose-connecting adaptors	1	
6 CN100258L	Clip hose	2	
7 ETC5967	Outlet water connector	1	BASIC
ETC5958	Outlet water connector	1	AIR CON
8 ETC5965	Bracket-cowl mounting	1	
9 BH106151L	Bolt	3	
10 WL106001L	Washer spring	3	
11 624091	Adaptor	2	
12 243959	Washer joint	2	
13 PRC3366	Switch-temperature sensor	1	Note(1)
PRC3541	Switch-temperature sensor	1	Note(2)
14 C457593L	Washer-copper	2	

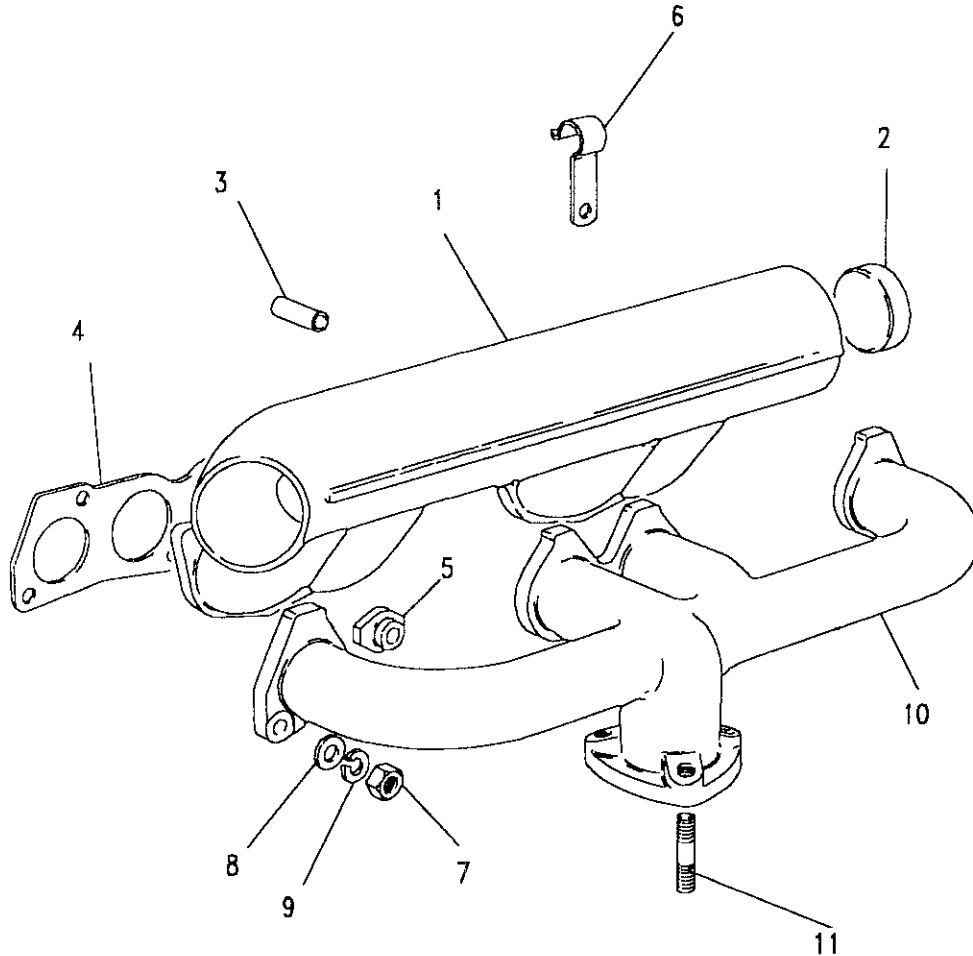
Note(1) Identified by GREEN paint  
 Note(2) Identified by RED paint



**Model** DEFENDER 110 1987 onwards  
**Page** AFBGHA1A

**ENGINE - MANIFOLDS - 2.5 DIESEL**

III. Part No.	Description	Qty	Remarks
1 ERC6939	Manifold inlet	1	Upto 12J42593C
ERR362	Manifold inlet	1	From 12J42594C
2 525428	Plug-cup	1	
3 ERC6047	Tube	1	
4 ETC5312	Gasket-manifold to head	1	Upto12J48876C
ETC7750	Gasket-manifold to head	1	From12J48877C
5 564308	Clamp-manifold to head	4	
6 574654	Clip-manifold clamp	1	
7 NH108041L	Nut	9	
8 WA108051L	Washer plain	9	
9 WL108001L	Washer spring	9	
10 ETC5331	Manifold exhaust	1	
11 AFU1848L	Stud	3	





DEFENDER 110 1987 onwards

100

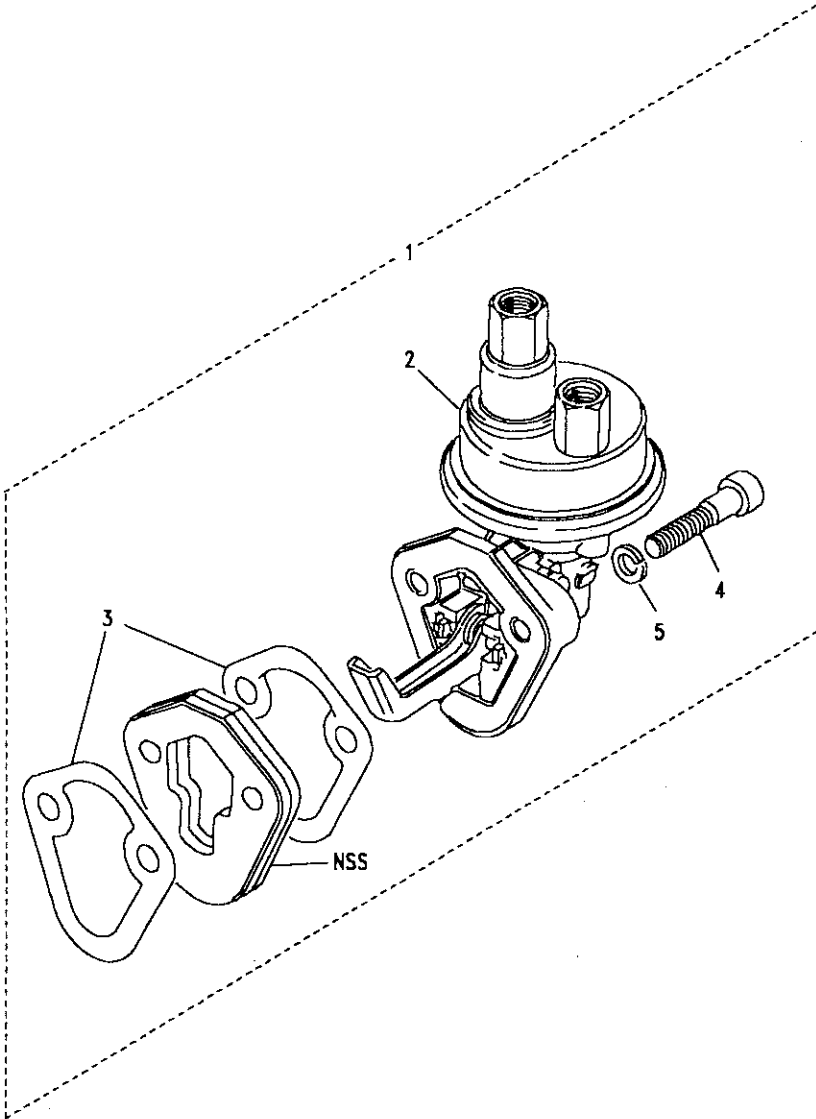
ENGINE

**Model** DEFENDER 110 1987 onwards  
**Page** AFBGKA1A

**ENGINE - FUEL PUMP - 2.5 DIESEL**

III. Part No.	Description	Qty	Remarks
1 ETC7869	Pump fuel	1	Note(1)
2 ETC7970	Gasket-fuel pump/side cov	2	
ERR2028	Gasket fuel pump	2	From Jan 94
3 SS108301L	Socket screw	2	
4 WA108051L	Washer	2	

Note(1) Use RTC6180 fuel pump kit up to 12J39054C





DEFENDER 110 1987 onwards

101

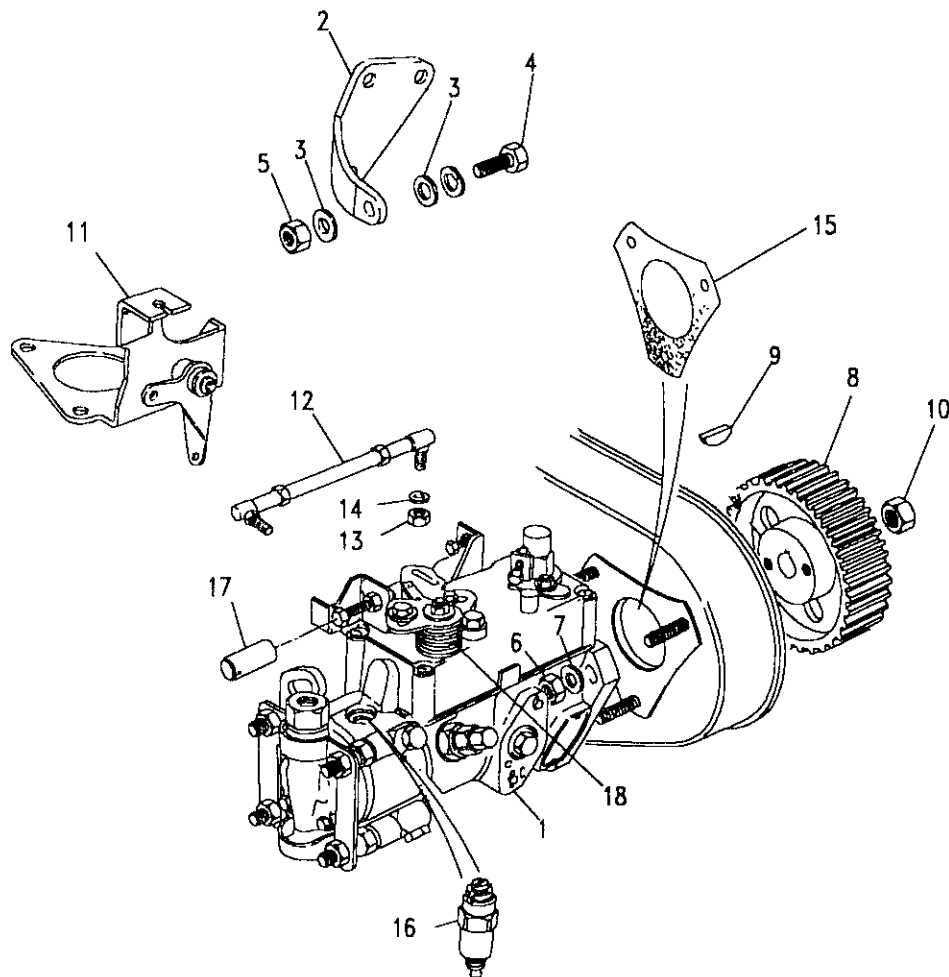
ENGINE

Model DEFENDER 110 1987 onwards

Page AFBGKC1A

ENGINE - INJECTOR PUMP - 2.5 DIESEL

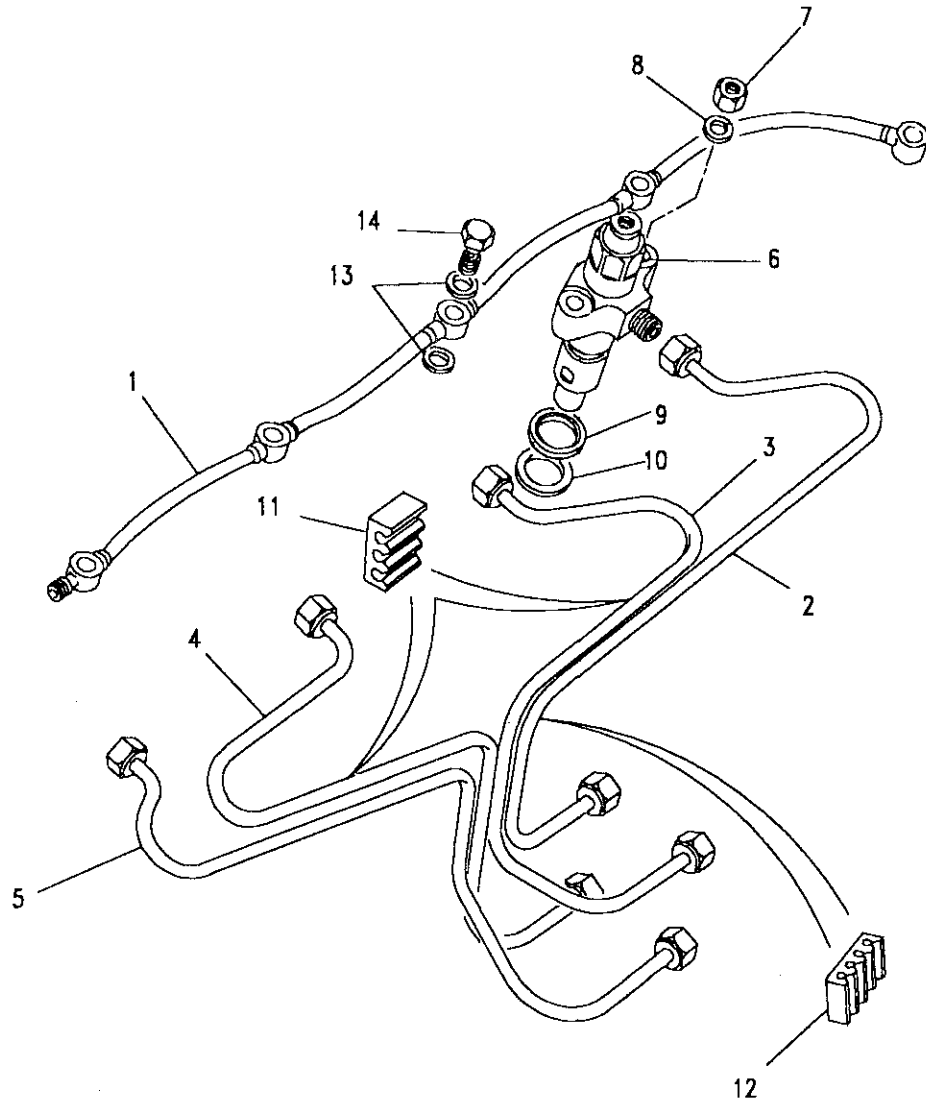
III. Part No.	Description	Qty	Remarks
1	ERC6761	1	
	ERC6761E	1	Exchange
2	ETC4070	1	
3	WA108051L	2	
4	SH108251L	1	
5	NY108041L	1	
6	NY108041L	3	
7	WA108051L	3	
8	ETC5717	1	
9	RTC5077	1	
10	NH112041L	1	
11	ETC6675	1	
12	ETC4417	1	
13	NH105041L	2	
14	WA105001L	2	
15	ERR3617	1	
16	BAU4611L	1	
17	ETC4752	1	
18	RTC5891	1	





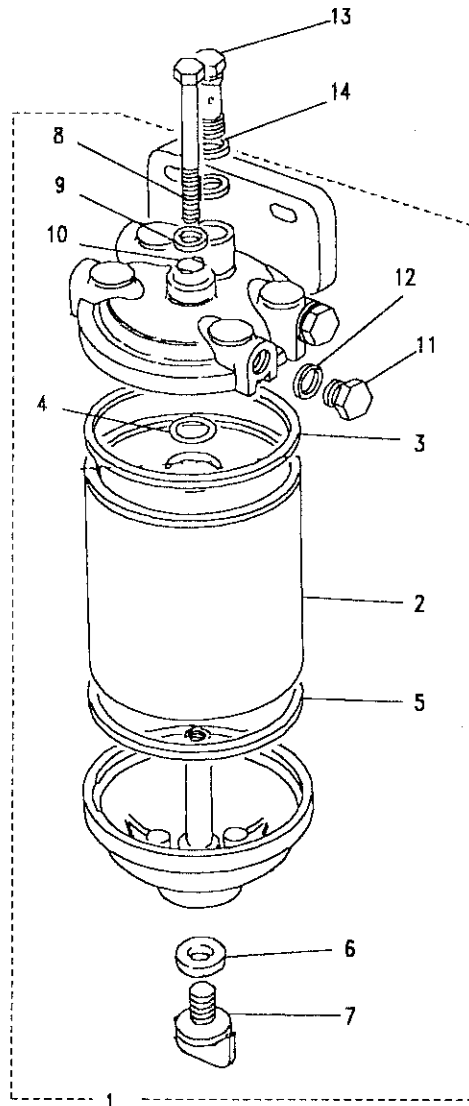
Model DEFENDER 110 1987 onwards  
 Page AFBGKE1A

ENGINE - INJECTOR AND PIPES - 2.5 DIESEL



III. Part No.	Description	Qty	Remarks
1	ERC4480	1	
2	ETC4291	1	
3	ETC4292	1	
4	ETC4293	1	
5	ETC4294	1	
6	ERR1266	4	
	564332E	4	Exchange
	247726	4	
7	NH108041L	8	
8	WL108001L	8	
9	247179	4	
10	12H220L	4	
11	ETC4156	2	
12	ETC4308	1	
13	273069	8	
14	273521	3	
	563195	1	

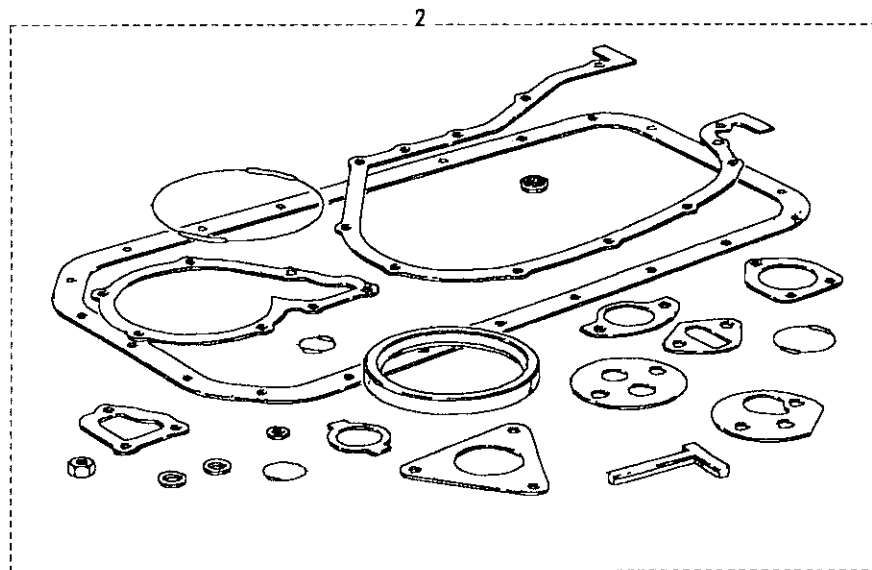
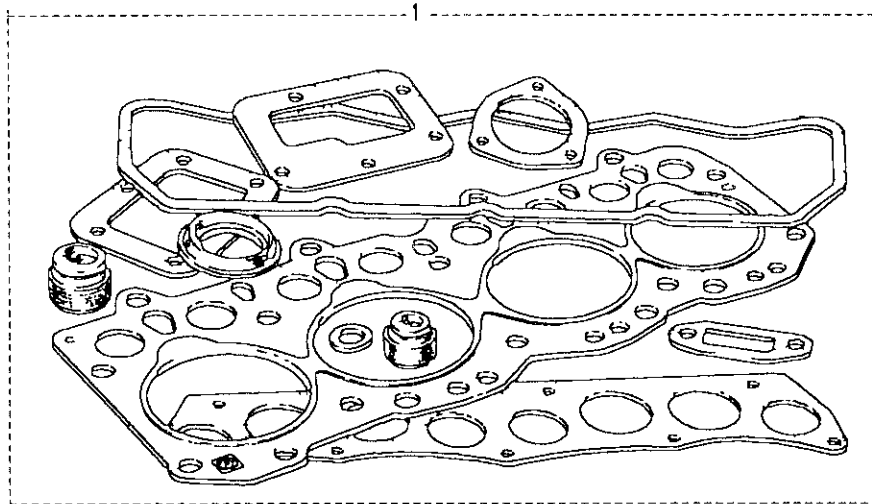




**Model** DEFENDER 110 1987 onwards  
**Page** AFBGKG1A

**ENGINE - FUEL FILTER - 2.5 DIESEL**

III. Part No.	Description	Qty	Remarks
1	563190	1	Filter fuel
2	90517711	1	Element
3	AAU9903	1	Seal-element-top
4	37H575L	1	Seal-element-top-small
5	AAU9902	1	Seal-element-bottom
6	605013	1	Seal-drain plug
7	605012	1	Plug drain
8	37H8119L	1	Bolt
9	522940	1	Washer-bolt
10	37H770L	1	O ring-bolt
11	517689	1	Plug-blanking
12	517706	1	Washer-plug
13	13H1515L	1	Boit-banjo
14	517976	2	Washer-joint-banjo bolt
15	SH108301L	2	Bolt-to Dash
16	WL108001L	2	Washer-spring-to dash
17	WA108051L	2	Washer-to dash
18	ATU1005L	2	Supercert-to dash



**Model** DEFENDER 110 1987 onwards  
**Page** AFBGMA1A

**ENGINE - GASKET KIT - 2.5 DIESEL**

III. Part No.	Description	Qty	Remarks
1 STC1562	Kit gasket cylinder head	1	
2 STC1559	Kit gasket overhaul	1	



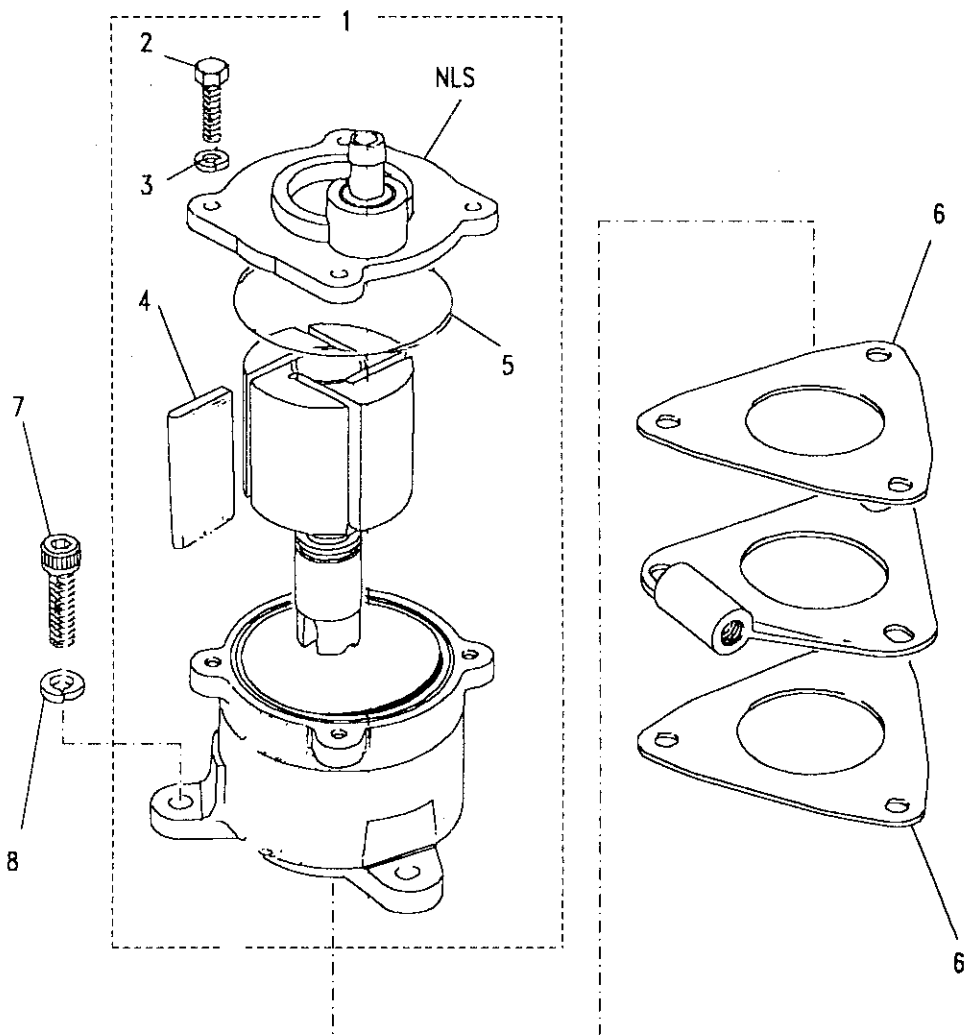




Model DEFENDER 110 1987 onwards  
Page AFBGNA1A

ENGINE - VACUUM PUMP - 2.5 DIESEL

III. Part No.	Description	Qty	Remarks
1	ERR535	1	Pump vacuum assembly
2	AEU2720	4	Bolt
3	WL106001L	4	Washer
4	AEU2718	4	Blades rotor
5	AEU2719	1	O ring
6	ETC4616	2	Gasket
7	SS108301L	3	Bolt
8	WM600051L	3	Washer





Model DEFENDER 110 1987 onwards

Page AFBGNC1A

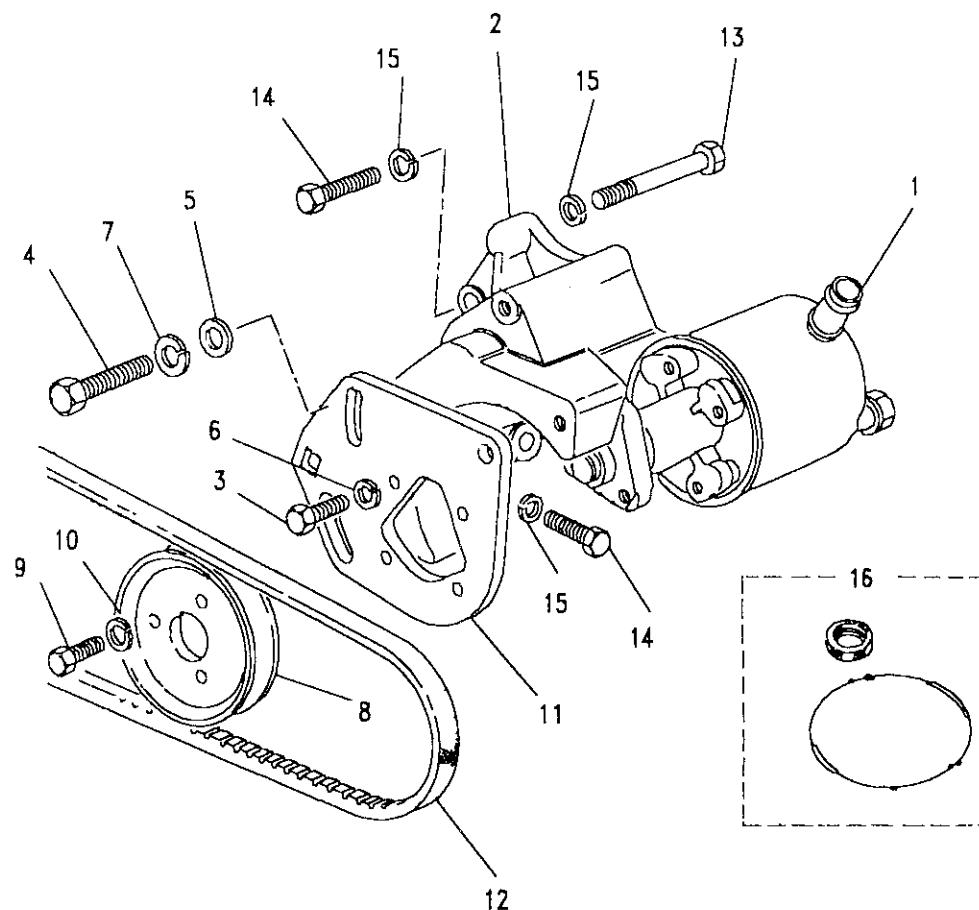
## ENGINE - POWER STEERING PUMP - 2.5 DIESEL

## III. Part No.

## Description

## Qty Remarks

1	ETC9077	Pump power steering	1	)UptoJUNE1989
	RTC5674	Barjo	1	)
	RTC5675	Washer sealing	1	)
1	NTC8287	Pump power steering	1	)FromJUNE1989
				)UptoJULY1992
1	NTC9070	Pump power steering	1	FromJULY1992
2	ERC6974	Bracket	1	UptoJUNE1989
	ETC8854	Bracket	1	FromJUNE1989
3	FS106201L	Screw-pump to bracket	4	
4	SH108251L	Screw-pump to bracket	3	
5	WA108051L	Washer-pump to bracket	2	
6	WL106001L	Washer spring	4	
7	WL108001L	Washer spring	3	
8	ETC5783	Pulley	1	
9	SH108141L	Screw-pulley to pump	3	
10	WL108001L	Washer plain	3	
11	ERR1976	Plate mounting	1	UptoJULY1992
	ERR2605	Plate mounting	1	FromJULY1992
12	ETC5815	Belt-power steering pump	1	
13	BH108181L	Bolt	1	
14	SH108251L	Screw	2	
	SH108301L	Screw	1	
15	WL108001L	Washer spring	4	
16	RTC5935	Kit seal (ETC9077)	1	
	STC1633	Kit seal (NTC9070)	1	





DEFENDER 110 1987 onwards

107

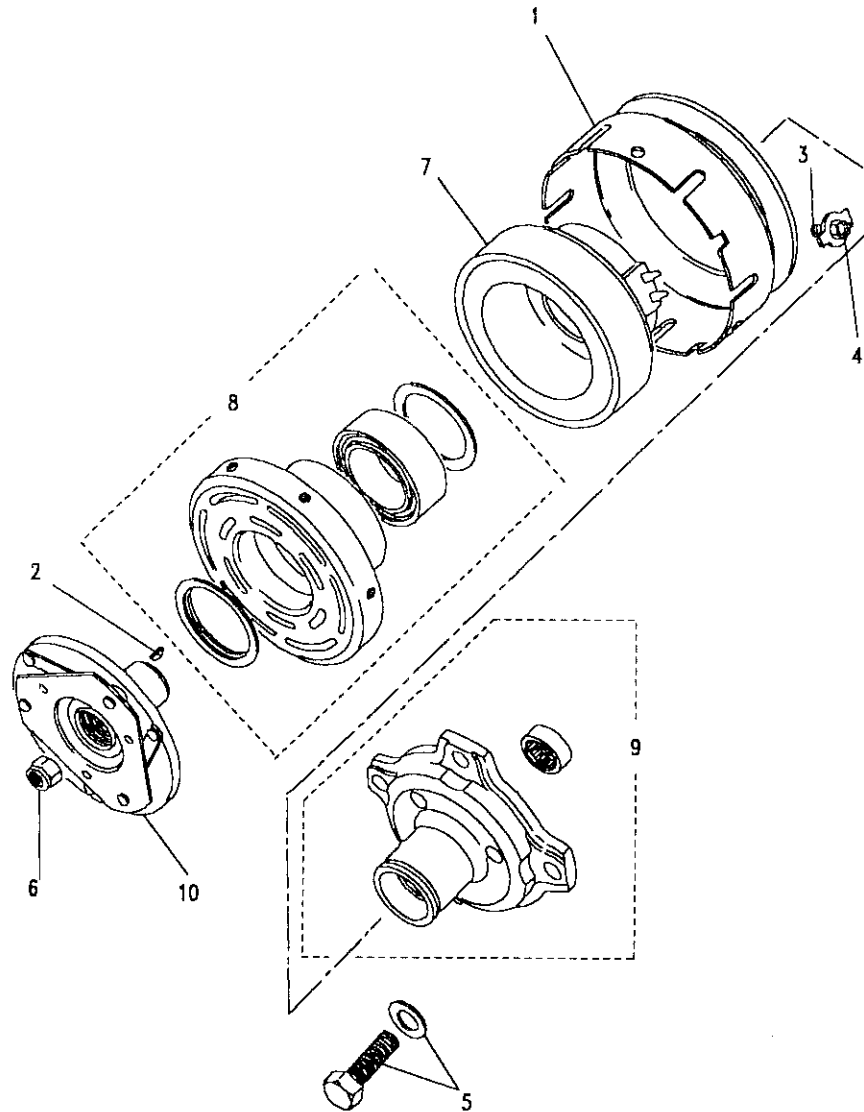
ENGINE

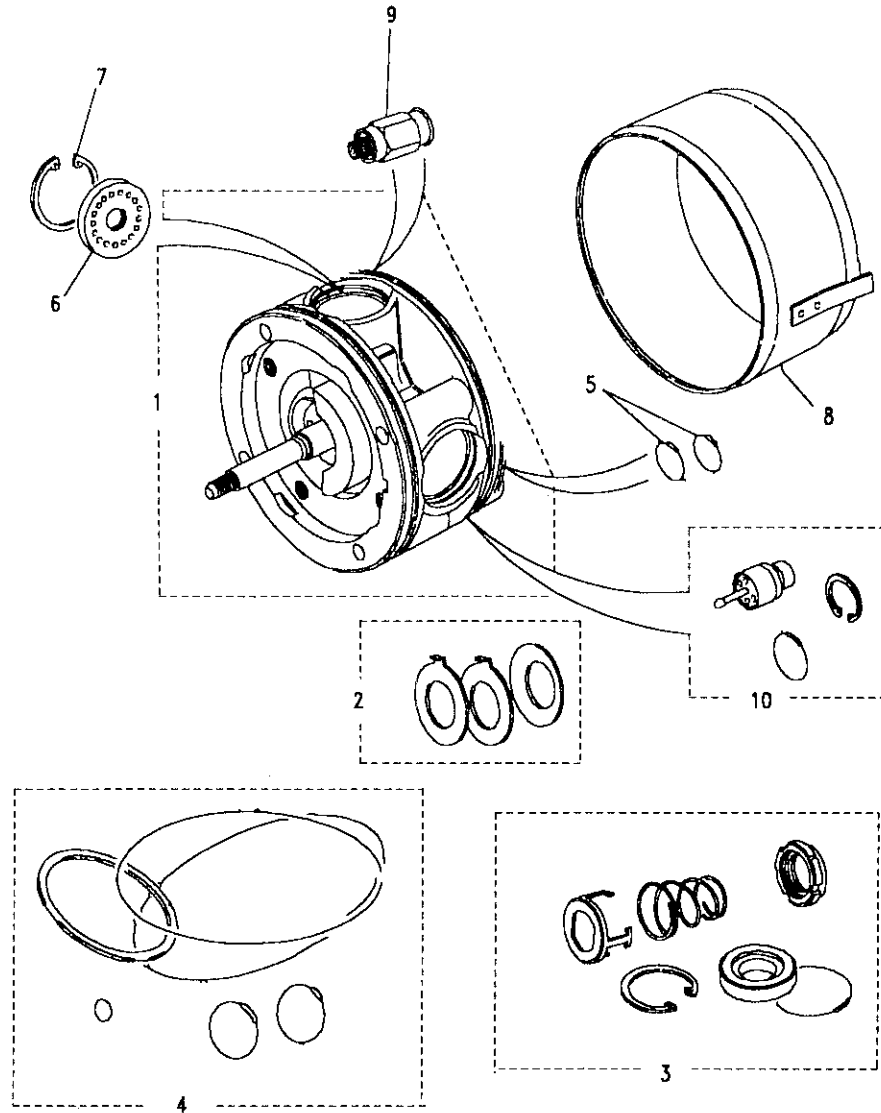
**Model** DEFENDER 110 1987 onwards  
**Page** AFBGNE1A

**ENGINE - AIRCON COMPRESSOR - 2.5 DIESEL**

III. Part No.	Description	Qty	Remarks
BTR9419	Compressor assembly	1	Note(2)
ERC6480	Compressor assembly	1	Note(1)
1 AEU1782	Pulley rim	1	
2 AEU1694	Key-clutch hub	1	
3 AEU1780	Screw-rim mounting	6	
4 AEU1779	Washer-rim mounting	6	
5 AEU1784	Screw and washer assy	4	
6 AEU1775	Nut-shaft	1	
7 AEU1778	Coil and housing assy	1	
8 AEU1777	Rotor and Bearing Assemb	1	
9 AEU1785	Front Head/bearing assy	1	
10 AEU1776	Clutch assembly	1	

Note(1) Up to VIN MA949374  
 Note(2) From VIN MA949375





**Model** DEFENDER 110 1987 onwards  
**Page** AFBGNE2A

**ENGINE - AIRCON COMPRESSOR - 2.5 DIESEL**

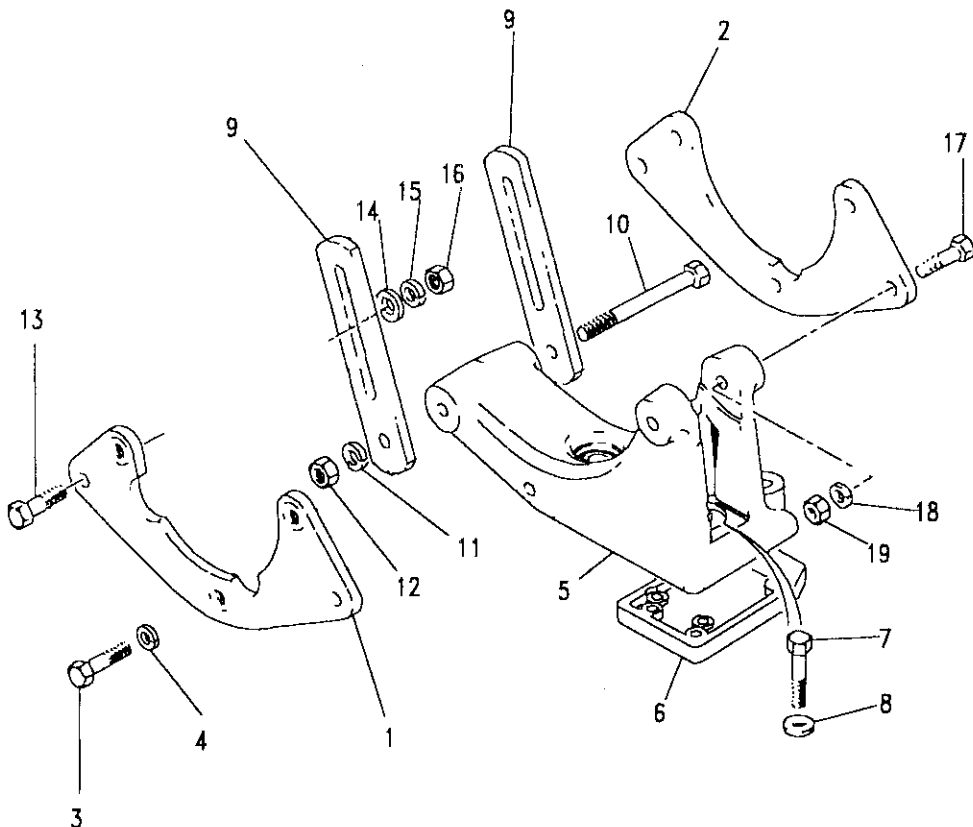
III. Part No.	Description	Qty	Remarks
BTR9419	Compressor assembly	1	Note(2)
ERC6480	Compressor assembly	1	Note(1)
1 AEU1792	Kit-cylinder and shaft	1	
2 AEU1791	Kit-thrust washers	1	
3 AEU1790	Kit-shaft seal	1	
4 AEU1192	Kit-'O' rings	1	
5 AEU1690	'O' ring-ports	2	
6 AEU1788	Plate valve assembly	4	
7 AEU1787	Ring retaining	4	
8 AEU1786	Shell assembly	1	
9 AEU1689	Valve pressure release	1	
10 AEU1688	Kit-superheat switch	1	
ETC4371	Belt-timing	1	
AEU1691	Oil-525 Visc/2pt-(1136ml)	A/R	

Note(1) Up to VIN MA949374  
 Note(2) From VIN MA949375

Model DEFENDER 110 1987 onwards  
Page AFBGNE3A

ENGINE - COMPRESSOR FIXINGS - 2.5 DIESEL

Ill. Part No.	Description	Qty	Remarks
1	ERC7082	1	Plate mounting-front
2	ERC5152	1	Plate mounting-rear
3	BH110201L	3	Bolt-compressor to plate
4	WL110001L	3	Washer spring
5	ETC4882	1	Bracket-mounting
6	ETC4197	1	Adaptor plate-bracket
7	BH110101L	4	Bolt-bracket to cover
8	WA110061L	4	Washer plain
9	ERC5155	2	Link-adjusting
10	BH108181L	1	Bolt-link to bracket
11	WL108001L	1	Washer spring
12	NH108041L	1	Nut
13	SH108251L	2	Screw-link to plate
14	WA108051L	2	Washer
15	WL108001L	2	Washer spring
16	NH108041L	2	Nut
17	FB108081L	2	Bolt-bracket topPlates
18	WL108001L	2	Washer spring
19	NH108041L	2	Nut





DEFENDER 110 1987 onwards

110

ENGINE

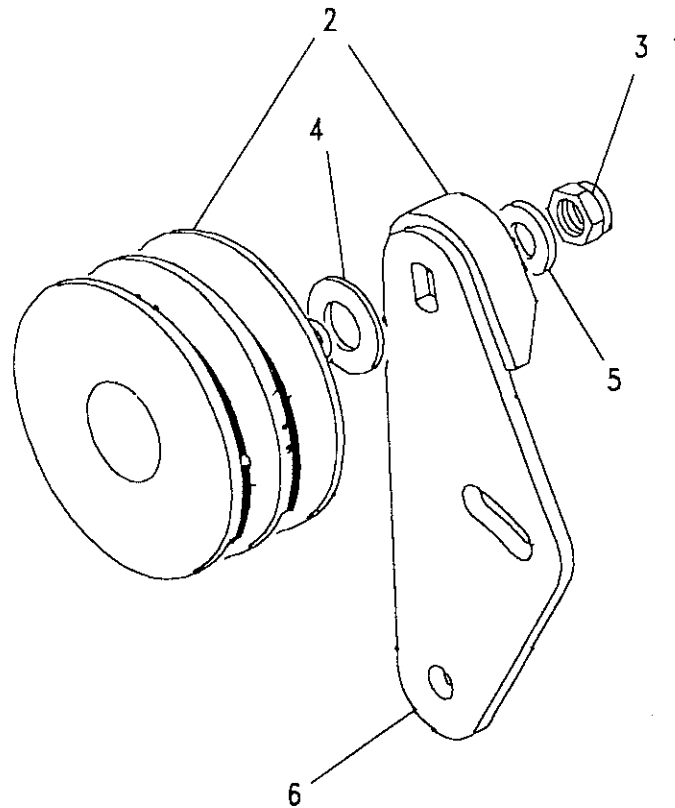
Model DEFENDER 110 1987 onwards

Page AFBGNE4A

ENGINE - AIRCON IDLER PULLEY - 2.5 DIESEL

III. Part No.	Description	Qty	Remarks
1 ETC7756	Pulley damper assembly	1	Note(1)
2 554971	Pulley	1	
3 RTC6077	Nut	1	
4 4095	Washer plain	1	
5 WB108051L	Washer plain	1	
6 ETC4212	Plate mounting	1	

Note(1) ETC7756 cost saving double groove pulley-single fitted on track



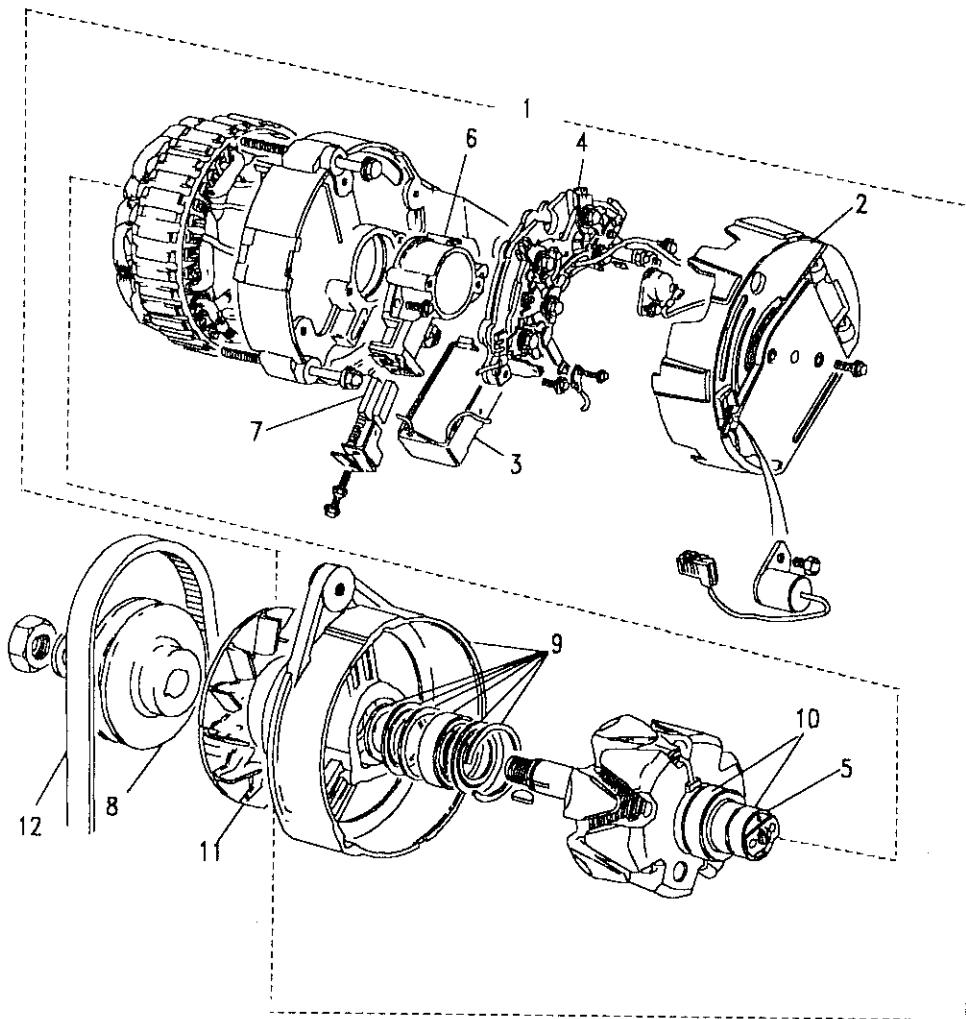
Model DEFENDER 110 1987 onwards

Page AFBGPC1A

ENGINE- ALTERNATOR - 2.5 DIESEL

III. Part No.	Description	Qty	Remarks
1	RTC5083E	1	Alternator A115/45
2	AEU2507	1	Cover
3	AEU3076	1	Regulator
4	BAU1825	1	Rectifier
5	BAU2193	1	Slip ring
6	BAU2195	1	Brush box
7	RTC3215	1	Brush set
8	568788	1	Pulley
9	18G8619L	1	Kit-bearing-drive end
10	AEU1532	1	Kit-slip ring end bearing
11	C37222L	1	Fan
12	ETC7939	1	Belt fan
	AEU1706	1	Kit-screw
	AEU1710	1	Kit-sundry parts
	AEU1942	1	Kit-spacer

Note(1) LUCAS number LRA356



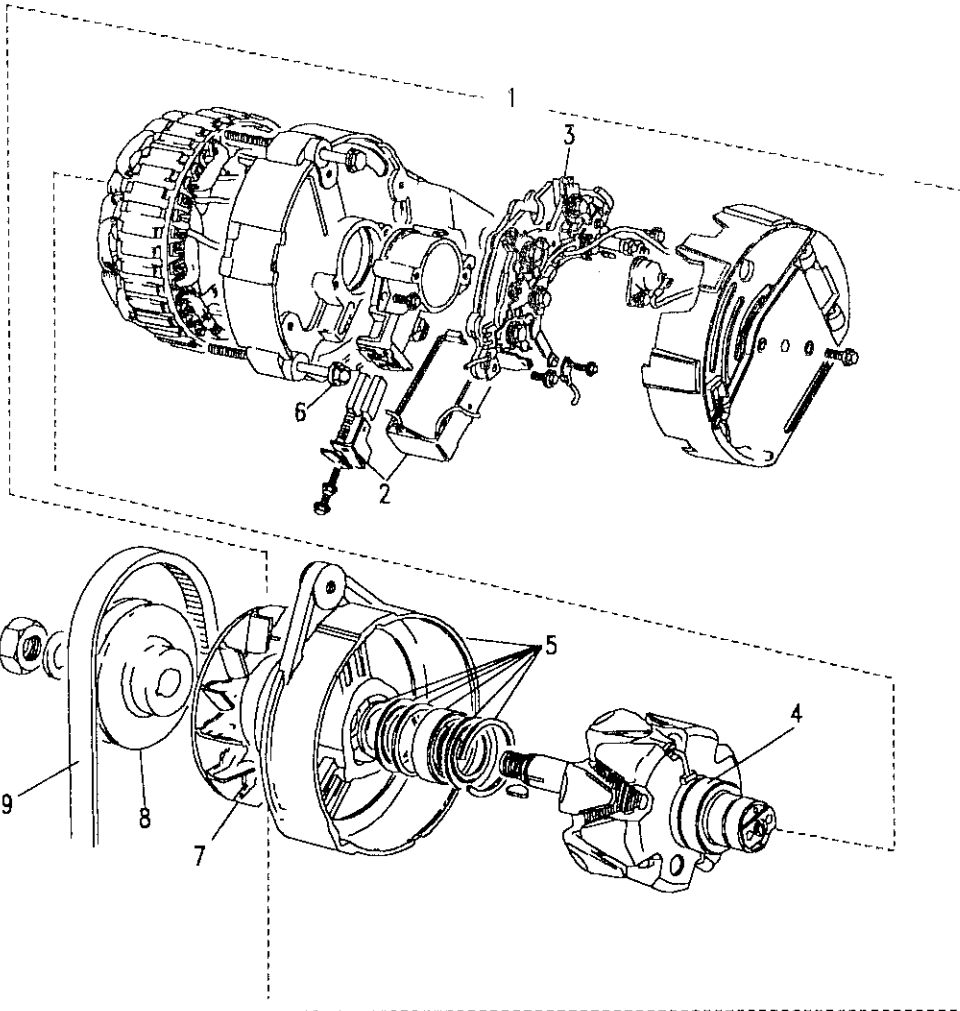


Model DEFENDER 110 1987 onwards  
Page AFBGPC2A

ENGINE- ALTERNATOR - 2.5 DIESEL

III. Part No.	Description	Qty	Remarks
1	RTC5682N RTC5682E	1	Note(1)
2	RTC5670	1	
3	RTC5684	1	
4	RTC5926	1	
5	RTC5687	1	
6	RTC5925	1	
7	RTC5685	1	
8	RTC5686	1	
9	ETC7939 RTC5689	1	

Note(1) LUCAS number 24199



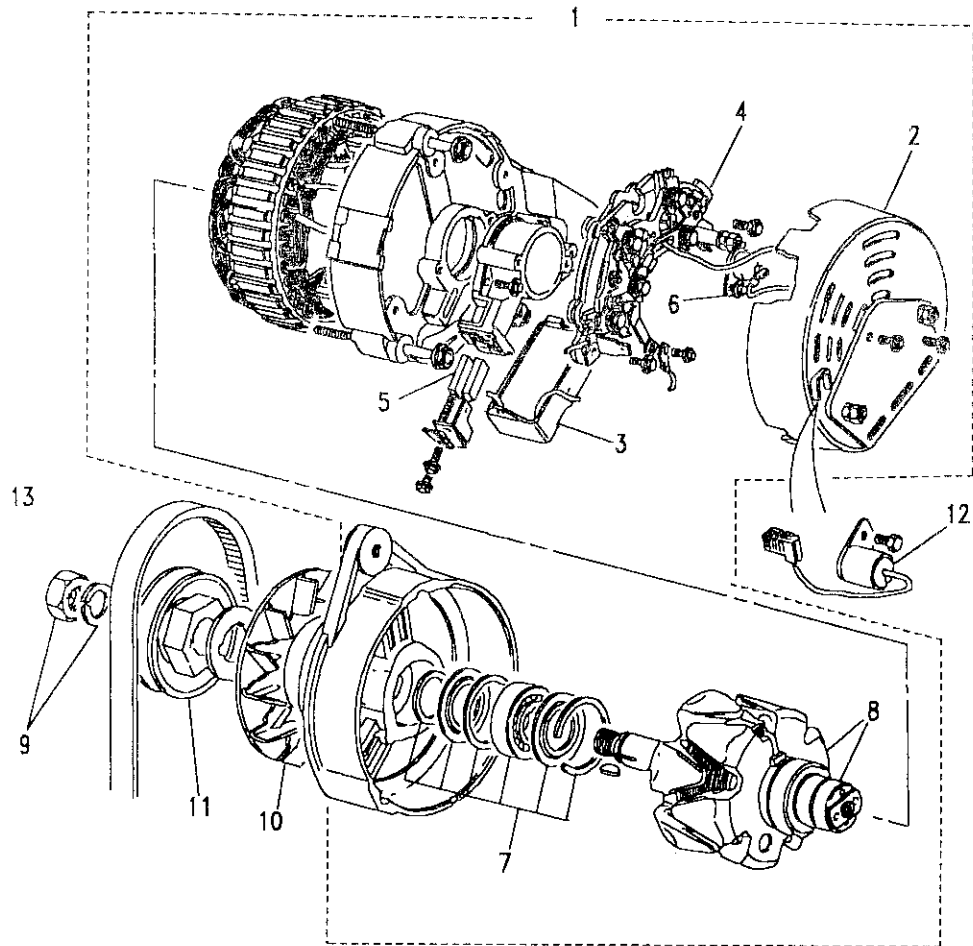


Model DEFENDER 110 1987 onwards  
 Page AFBGPC3A

ENGINE- ALTERNATOR - 2.5 DIESEL - AIR CON

III. Part No.	Description	Qty	Remarks
1	RTC5218E	1	Note(1)
2	AEU1725	1	
3	AEU3076	1	
4	AEU1527	1	
5	RTC3292	1	
6	STC130	1	
7	AEU1726	1	
8	AEU1532	1	
9	AEU1710	1	
10	ADU4928L	1	
	ERC8987	1	
11	ERC8986	1	
12	AEU1616	1	
13	ETC7939	1	
	AEU1706	1	
	AEU1708	1	
	AEU1709	1	

Note(1) LUCAS number LRA406

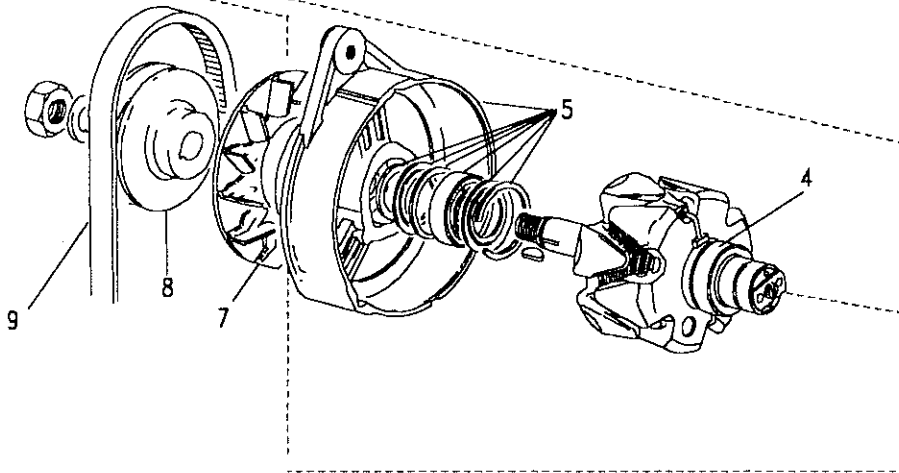
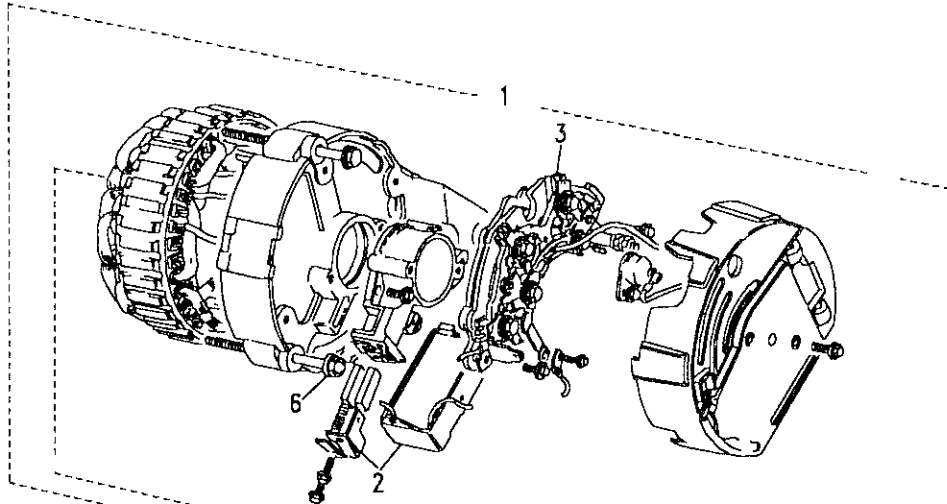


**Model** DEFENDER 110 1987 onwards  
**Page** AFBGPC4A

**ENGINE - ALTERNATOR - 2.5 DIESEL- AIR CON**

III. Part No.	Description	Qty	Remarks
1	RTC5680N RTC5680E	1	Note(1)
2	RTC5670	1	
3	RTC5671	1	
4	RTC5926	1	
5	RTC5687	1	
6	RTC5925	1	
7	AAU2249L	1	
8	RTC5686	1	
9	ETC7939	1	
	RTC5689	1	

Note(1) LUCAS number 24220

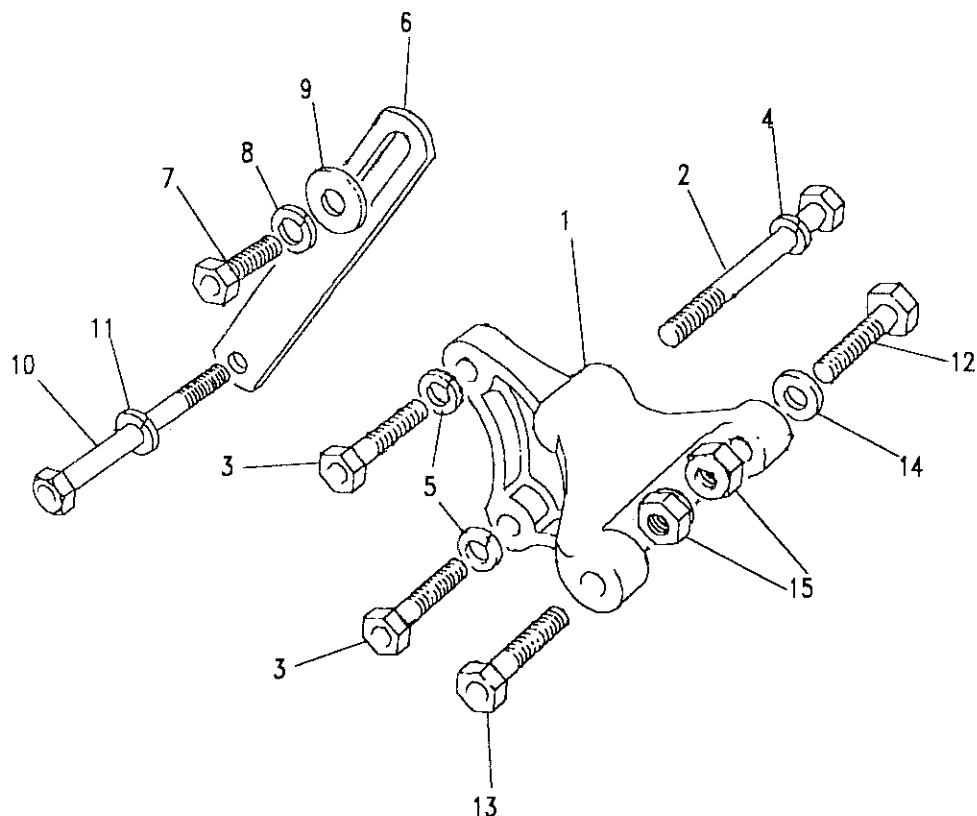


Model DEFENDER 110 1987 onwards  
 Page AFBGPC5A

ENGINE- ALTERNATOR FIXINGS - 2.5 DIESEL

III. Part No.	Description	Qty	Remarks
1	ETC4357	1	Bracket-mounting
2	BH108161L	1	Bolt-bracket to block
3	SH110301L	2	Bolt-bracket to block
4	WL108001L	1	Washer
5	WL108001L	2	Washer
6	ERC5139	1	Link-adjusting
	ERC6266	1	Link adjusting
7	FS108201L	1	Screw-link to alternator
8	WL108001L	1	Washer spring
9	2266L	1	Washer
10	ERC8964	1	Bolt-link to block
11	WL108001L	1	Washer spring
12	FB108081L	1	Bolt-bracket to block
13	BH108091L	1	Bolt-bracket to block
16	ERC7974	1	Spacer
14	WC108051L	1	Washer
15	NY108041L	2	Nut nyloc

Note(1) Use with A115 and A113 type ALTERNATORS  
 Note(2) Use with A127 type ALTERNATORS



**Model** DEFENDER 110 1987 onwards

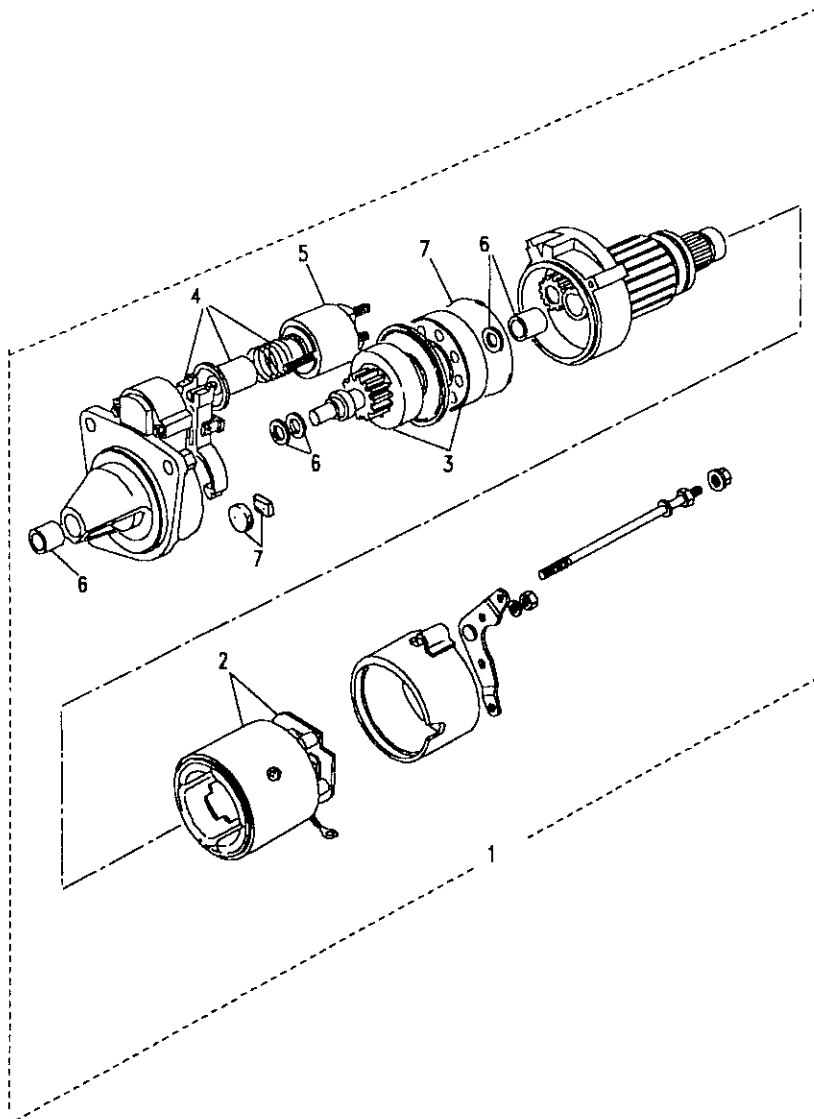
**Page** AFBGPE1A

**ENGINE-STARTER MOTOR - 2.5 DIESEL**

**III. Part No. Description Qty Remarks**

**Used up to 12J52162C**

1	PRC5109	Starter motor-D9R91	1
	PRC5109E	Starter motor-exchange	1
2	RTC4981	Inductor with brush	1
3	RTC4982	Pinion drive assembly	1
4	RTC4979	Lever shift assembly	1
5	RTC4978	Solenoid	1
6	RTC4980	Kit repair	1
7	RTC4983	Kit gasket	1
	PRC5538	Cable earth	1
	SH110301L	Screw-starter to flywheel	1
	NH110041L	Nut-starter	2
	WL110001L	Washer spring	3
	BH110091L	Bolt-starter to flywheel	4





DEFENDER 110 1987 onwards

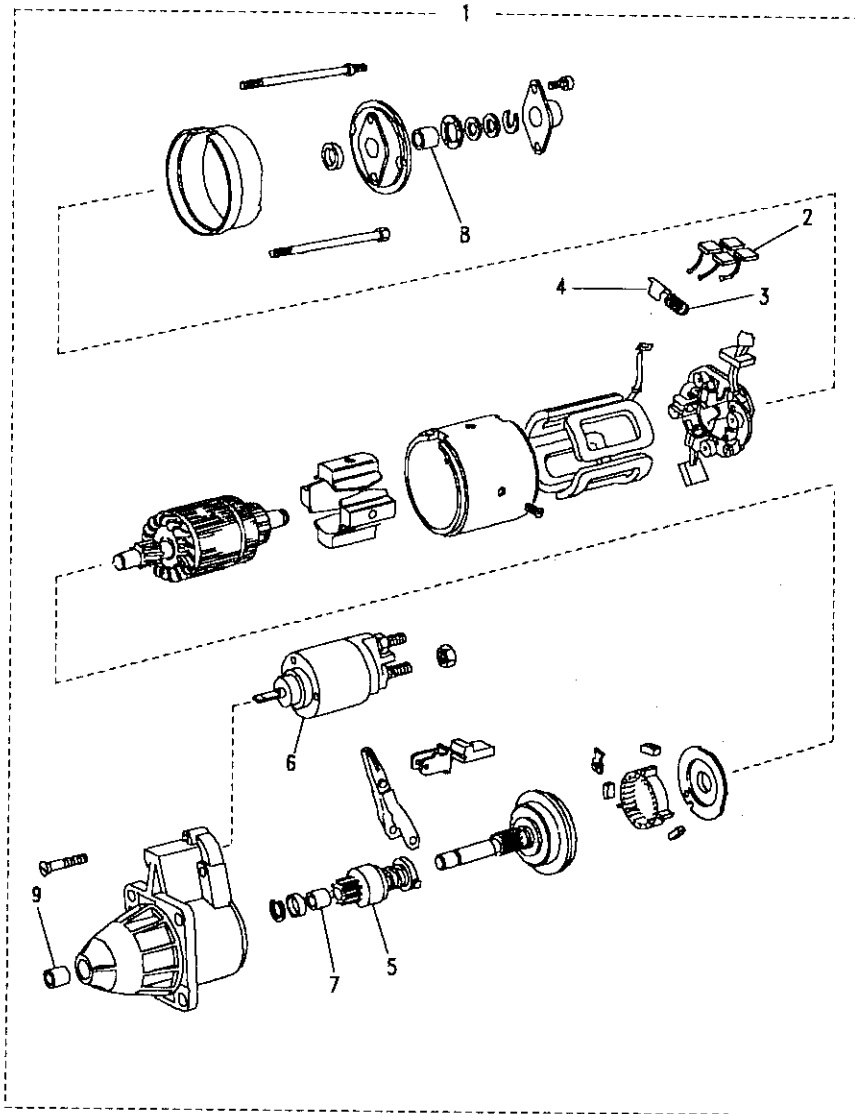
117

ENGINE

Model DEFENDER 110 1987 onwards  
Page AFBGPE2A

ENGINE-STARTER MOTOR - 2.5 DIESEL

III. Part No.	Description	Qty	Remarks
<b>Used from 12J52163C</b>			
1	ERR5009	1	Starter motor
2	STC1246	1	Brush set
3	STC1254	4	Spring
4	STC1247	4	Guide brush
5	STC1244	1	Drive assembly
6	STC1245	1	Solenoid
7	STC1250	2	Bush
8	STC1251	1	Bush
9	STC1255	1	Bush

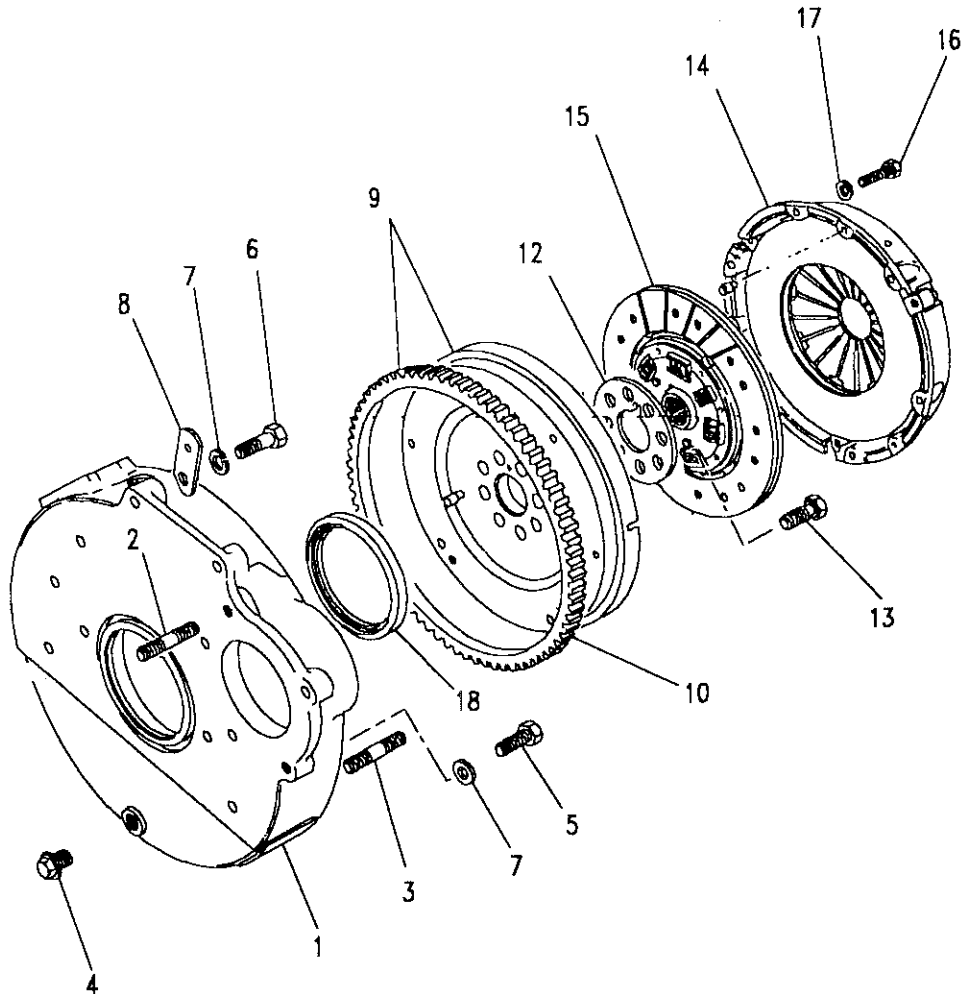




Model DEFENDER 110 1987 onwards  
Page AFBGRA1A

## ENGINE - FLYWHEEL &amp; CLUTCH - 2.5 DIESEL

III. Part No.	Description	Qty	Remarks
1	ETC7336	1	UptoJAN1993
	ERR3920	1	FromJAN1993
2	TE110061L	11	
3	ERC9240	1	
4	ERC7295	2	
	NH110041L	11	
5	SH110301L	6	
6	BH110091L	2	
7	WA110061L	8	
8	ERC9404	2	
9	ETC5780	1	
10	568431	1	
11	502116	3	

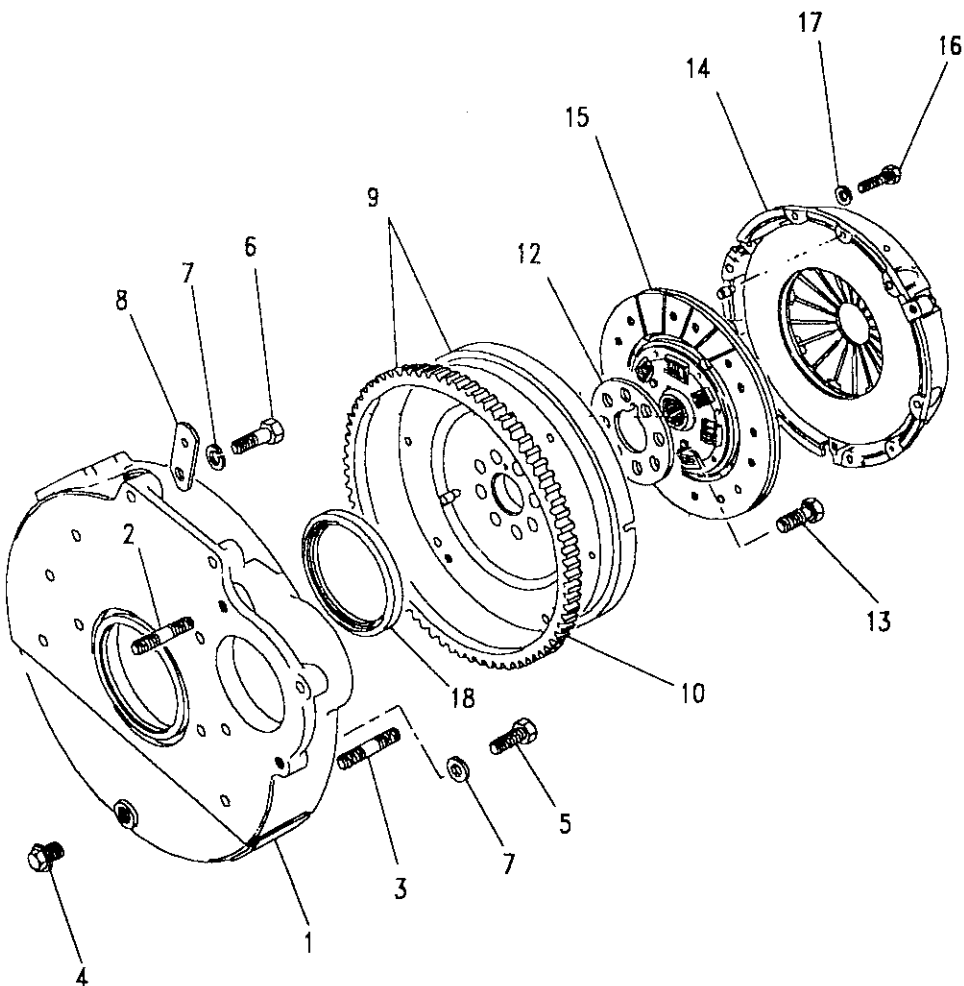


**Model** DEFENDER 110 1987 onwards  
**Page** AFBGRA1A

**ENGINE - FLYWHEEL & CLUTCH - 2.5 DIESEL**

III. Part No.	Description	Qty	Remarks
12 ERC4658	Plate reinforcement	1	Note(1)
13 ERC6551	Bolt-flywheel to crank	8	Note(1)
ERR4574	Bolt-flywheel to crank	8	From Dec 93
14 FTC575	Cover clutch	1	
15 FTC2149	Plate clutch	1	
STC8358	Kit clutch	1	
FTC575	Cover	1	
FTC2149	Plate	1	
FRC9568	Bearing	1	
16 SX108201L	Screw	6	
17 WL108001L	Washer spring	6	
18 ERR2532	Seal oil	1	

Note(1) Only fitted up to Dec 93. The reinforcing plate was found to serve no useful purpose. If replacing use shorter screws.





## MASTER INDEX

	PAGES
INTRODUCTION PAGES	1 - 7
ALPHABETICAL INDEX	8 - 16
ENGINE	17 - 66
ENGINE	67 - 119
ENGINE	120 - 166
ENGINE	167 - 209
ENGINE	210 - 245
ENGINE	246 - 299
GEARBOX	300 - 326
GEARBOX	327 - 344
GEARBOX	345 - 359
TRANSFER BOX	360 - 378
TRANSFER BOX	379 - 397
AXLES AND SUSPENSION	398 - 444
STEERING	445 - 471
VEHICLE AND ENGINE CONTROLS	472 - 486
BRAKES	487 - 517
FUEL SYSTEM AND AIR CLEANER	518 - 579
EXHAUST SYSTEM	580 - 593
COOLING/HEATING	594 - 637
COOLING/HEATING	638 - 641
COOLING/HEATING	642 - 649
COOLING/HEATING	650 - 655
COOLING/HEATING	656 - 666
BODY ELECTRICAL	667 - 740
BODY AND CHASSIS	741 - 909
INTERIOR TRIM	910 - 955
SEATS	956 - 1036
STOWAGE	1037 - 1046
ACCESSORIES - PAINTS	1047 - 1074
NUMERICAL INDEX	1076 - 1151

## GROUP B

## ENGINE

## ENGINE

ENGINE COMPLETE - 2.5 DIESEL TURBO	121
ENGINE STRIPPED - 2.5 DIESEL TURBO	122
ENGINE SHORT - 2.5 DIESEL TURBO	123
CYLINDER BLOCK - 2.5 DIESEL TURBO	124 - 126
SIDE COVER - 2.5 DIESEL TURBO	127
CRANKSHAFT - 2.5 DIESEL TURBO	128
PISTONS - 2.5 DIESEL TURBO	129
SUMP - 2.5 DIESEL TURBO	130
MOUNTINGS - 2.5 DIESEL TURBO	131
FRONT COVER - 2.5 DIESEL TURBO	132 - 133
TIMING BELT - 2.5 DIESEL TURBO	134
WATER PUMP - 2.5 DIESEL TURBO NON AIR CON	135
WATER PUMP - 2.5 DIESEL TURBO AIR CON	136
OIL PUMP - 2.5 DIESEL TURBO	137 - 138
OIL FILTER - 2.5 DIESEL TURBO	139
CYLINDER HEAD - 2.5 DIESEL TURBO	140 - 141
ROCKER SHAFT - 2.5 DIESEL TURBO	142
VALVES & TAPPETS - 2.5 DIESEL TURBO	143
ROCKER COVER - 2.5 DIESEL TURBO	144
CAMSHAFT - 2.5 DIESEL TURBO	145
THERMOSTAT HOUSING - 2.5 DIESEL TURBO	146
MANIFOLD - 2.5 DIESEL TURBO	147
FUEL PUMP - 2.5 DIESEL TURBO	148
INJECTOR PUMP - 2.5 DIESEL TURBO	149
INJECTORS AND PIPES - 2.5 DIESEL TURBO	150
TURBO CHARGER - 2.5 DIESEL TURBO	151 - 152
GASKET KIT - 2.5 DIESEL TURBO	153
VACUUM PUMP - 2.5 DIESEL TURBO	154
POWER STEERING PUMP - 2.5 DIESEL TURBO	155
AIRCON COMPRESSOR - 2.5 DIESEL - TURBO	156
AIRCON COMPRESSOR - 2.5 DIESEL TURBO	157
COMPRESSOR FIXINGS - 2.5 DIESEL TURBO	158
AIRCON IDLER PULLEY - 2.5 DIESEL TURBO	159
ALTERNATOR - 2.5 DIESEL TURBO	160
ALTERNATOR - 2.5 DIESEL TURBO - AIR CON	161
FIXINGS ALTERNATOR - 2.5 DIESEL TURBO	162
STARTER MOTOR - 2.5 DIESEL TURBO	163 - 164
FLYWHEEL & CLUTCH - 2.5 DIESEL TURBO	165 - 166





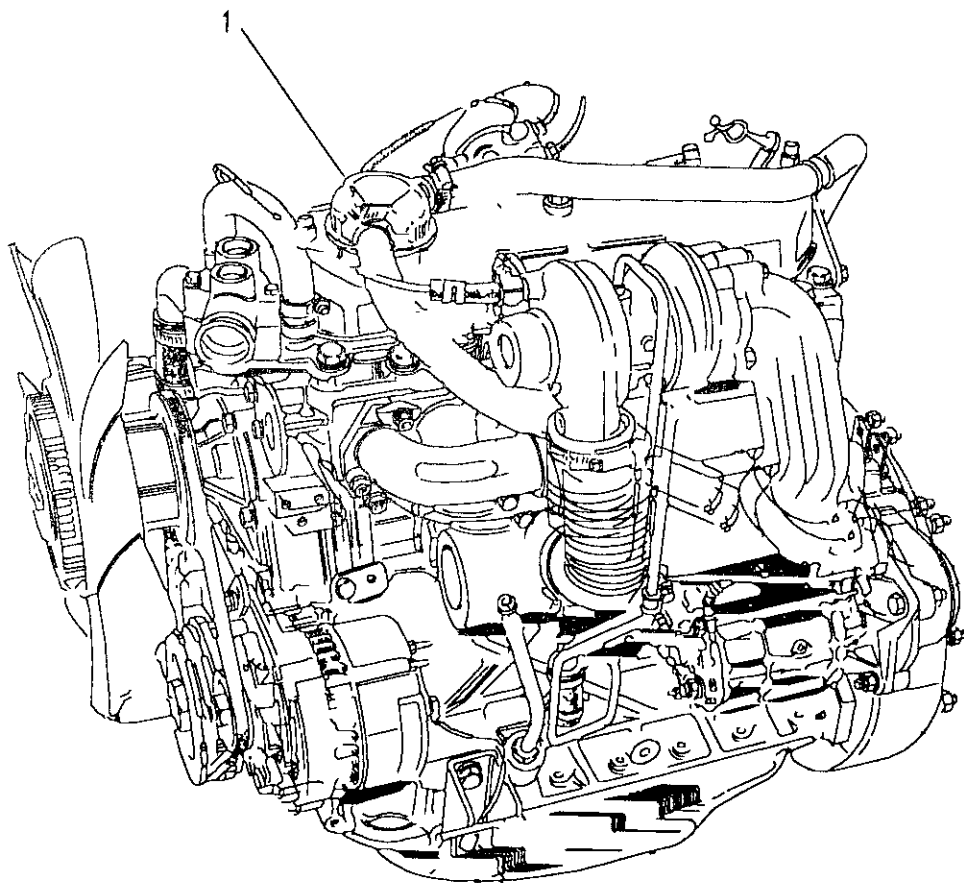
Model DEFENDER 110 1987 onwards

Page AFBHAA1A

ENGINE - ENGINE COMPLETE - 2.5 DIESEL TURBO

III. Part No.	Description	Qty	Remarks
1 ETC5700	Engine complete assembly	1	Note(1)
ETC6881	Engine complete assembly	1	Note(2)
ETC6882	Engine complete assembly	1	Note(3)
ETC6883	Engine complete assembly	1	Note(4)
ETC6884	Engine complete assembly	1	Note(5)
ETC6885	Engine complete assembly	1	Note(6)
ETC6886	Engine complete assembly	1	Note(7)
ETC6887	Engine complete assembly	1	Note(8)

- Note(1) Serial Number 19J00001C BASIC-UK/EUROPE
- Note(2) Serial Number 19J00001C with P.A.S.-UK/EUROPE
- Note(3) Serial Number 19J00001C with AIR CON-UK/EUROPE
- Note(4) Serial Number 19J00001C with P.A.S.& AIR CON-UK/EUROPE
- Note(5) Serial Number 19J00001C BASIC-REST OF WORLD
- Note(6) Serial Number 19J00001C with P.A.S.-REST OF WORLD
- Note(7) Serial Number 19J00001C with AIR CON-REST OF WORLD
- Note(8) Serial Number 19J00001C with P.A.S.& AIR CON-REST OF WORLD

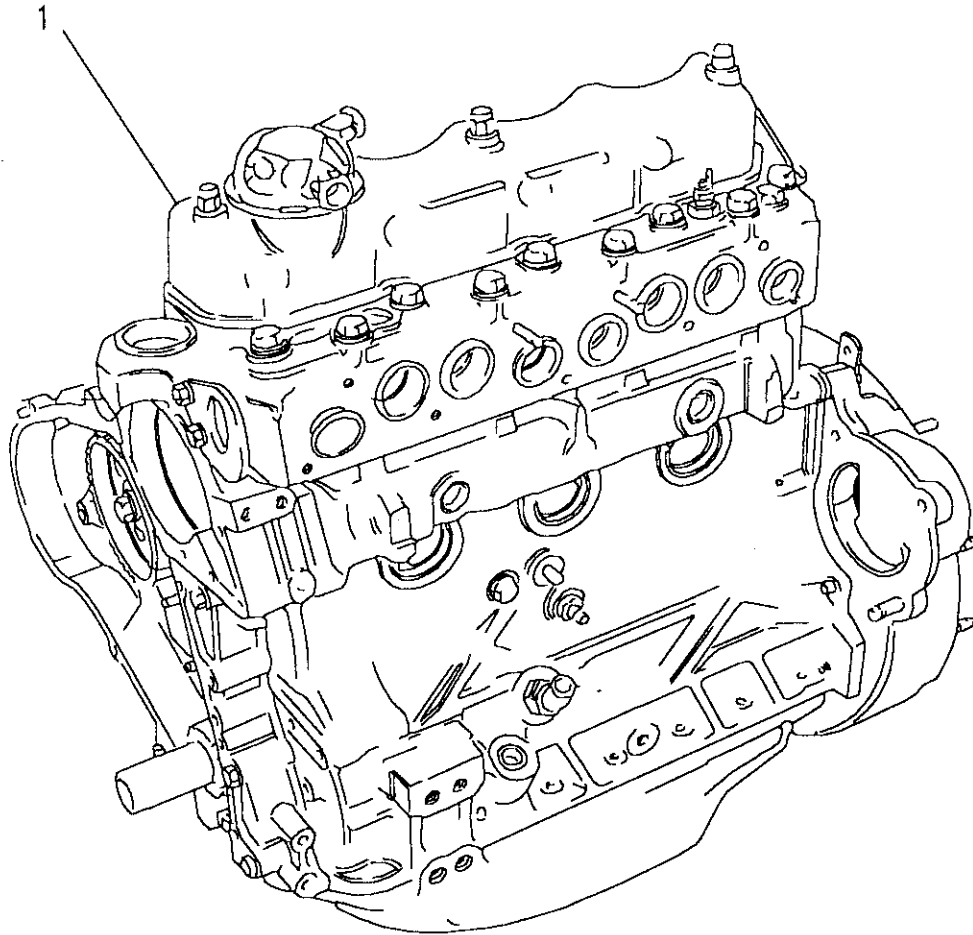


**Model** DEFENDER 110 1987 onwards  
**Page** AFBHAC1A

**ENGINE - ENGINE STRIPPED - 2.5 DIESEL TURBO**

III. Part No.	Description	Qty	Remarks
1 RTC6802N	Engine stripped assy	1	
RTC5265R	Engine stripped-recon	1	Note(1)
RTC6802R	Engine stripped-recon	1	Note(2)

Note(1) Reconditioned unit available up to engine No 19J15451C  
 Note(2) Reconditioned unit available from engine No 19J15452C





DEFENDER 110 1987 onwards

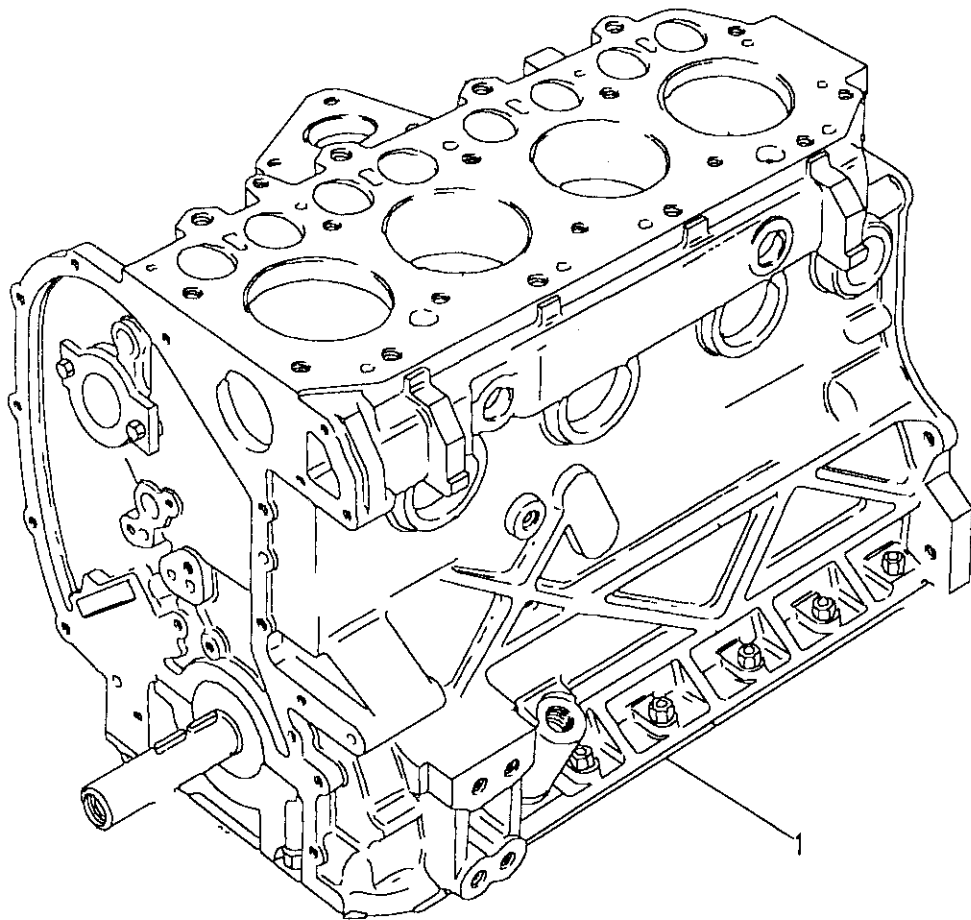
123

ENGINE

Model DEFENDER 110 1987 onwards  
Page AFBHAE1A

ENGINE - ENGINE SHORT - 2.5 DIESEL TURBO

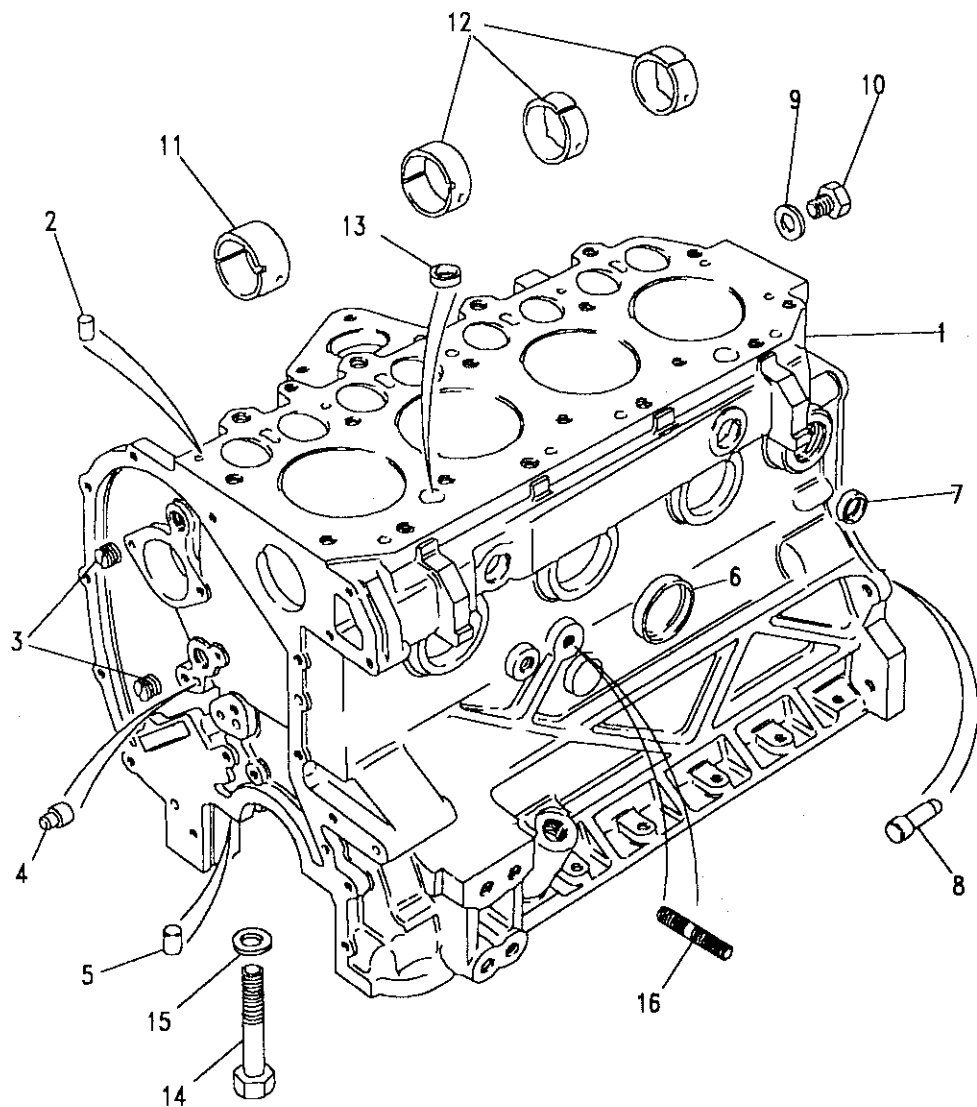
III. Part No.	Description	Qty	Remarks
1 RTC6795	Engine short assembly	1	





Model DEFENDER 110 1987 onwards  
 Page AFBHBA1A

ENGINE - CYLINDER BLOCK - 2.5 DIESEL TURBO

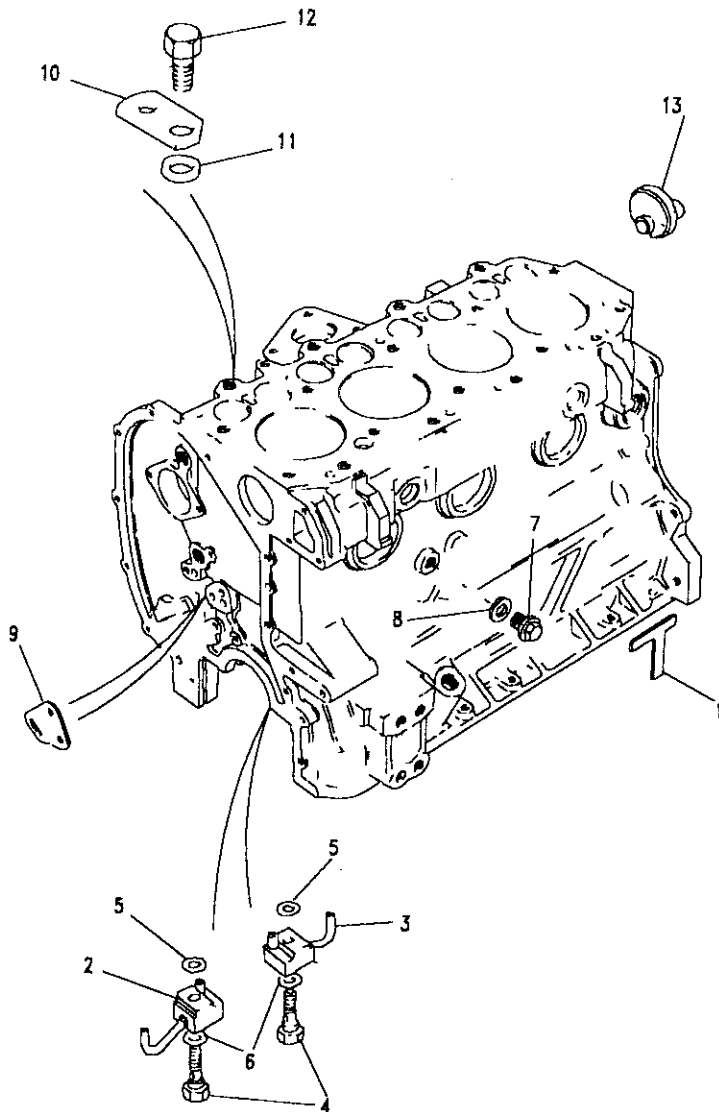


III. Part No.	Description	Qty	Remarks
1	ETC8767 Cylinder block assembly	1	Note(1)
2	247965 Plug-tappet feed hole	1	
3	247127 Plug-oil gallery	2	
4	ETC4529 Cup plug	1	
5	501593 Dowel-bearing caps	10	
6	ERC4996 Cup plug-side/ends	5	
7	597586 Cup plug-water rail-ends	3	
8	ERC4644 Dowel flywheel housing	2	
9	243959 Washer joint	2	
10	536577 Plug-gallery pipe	2	
11	90519054 Bearing-camshaft-front	1	
12	90519055 Bearing-camshaft	3	
13	ERC4995 Cup plug-top	2	
14	ETC7596 Bolt flanged	10	
15	504006 Washer-main bearing cap	10	
	ERR5034 Plug-camshaft oil feed	3	
16	TE108031L Stud-starter motor	1	

Note(1)

This block used up to 19J27514C page 126



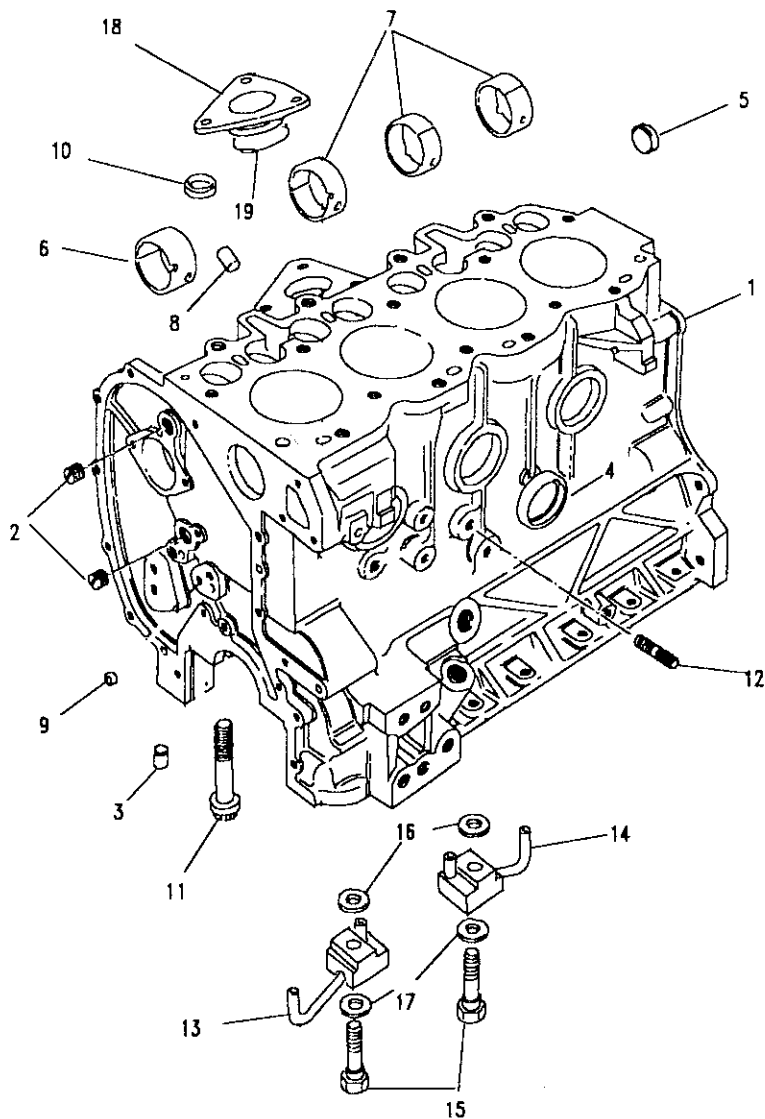


Model DEFENDER 110 1987 onwards  
 Page AFBHBA2A

ENGINE - CYLINDER BLOCK - 2.5 DIESEL TURBO

iii. Part No.	Description	Qty	Remarks
1	ERC5086	2	Strip packing
2	ETC6531	2	Jet assembly No1&No3 cyl
3	ETC6532	2	Jet assembly No2&No4 cyl
4	ETC5592	4	Valve relief
5	AFU1879L	4	Washer joint
6	AFU1887L	4	Washer joint
7	ERC9410	4	Plug drain
8	AFU1882L	1	Washer joint
9	ERC8864	1	Gasket
10	ERC9404	1	Bracket-cable clip
11	WA108051L	1	Washer-bracket to block
12	SH108161L	1	Screw-bracket to block
13	ETC8530	1	Breather assembly
	ETC5755	1	Adaptor-oil feed to turbo





**Model** DEFENDER 110 1987 onwards  
**Page** AFBHBA3A

**ENGINE - CYLINDER BLOCK - 2.5 DIESEL TURBO**

III. Part No.	Description	Qty	Remarks
1	ERR479	1	Cylinder block assembly
2	247127	2	Plug-oil gallery
3	501593	10	Dowel-bearing caps
4	ERC4996	6	Cup plug-sides/ends
5	597586	3	Cup plug-water rail ends
6	ETC8442	1	Bearing-camshaft front
7	90519055	3	Bearing-camshaft
8	ERR5034	3	Plug Camshaft oil feed
9	ETC4529	1	Cup plug
10	ERC4995	2	Cup plug
11	ETC8074	10	Bolt-main bearing cap
12	TE108031L	1	Stud-starter motor
13	ETC6531	2	Jet assembly No1&No3 cyl
14	ETC6532	2	Jet assembly No2&No4 cyl
15	ETC5592	4	Valve relief
16	AFU1879L	4	Washer joint
17	AFU1887L	4	Washer joint
18	ERR586	1	Adaptor-cylinder block
19	ERR531	1	O ring-adaptor

Note(1) This block used from 19J27515C page 124





DEFENDER 110 1987 onwards

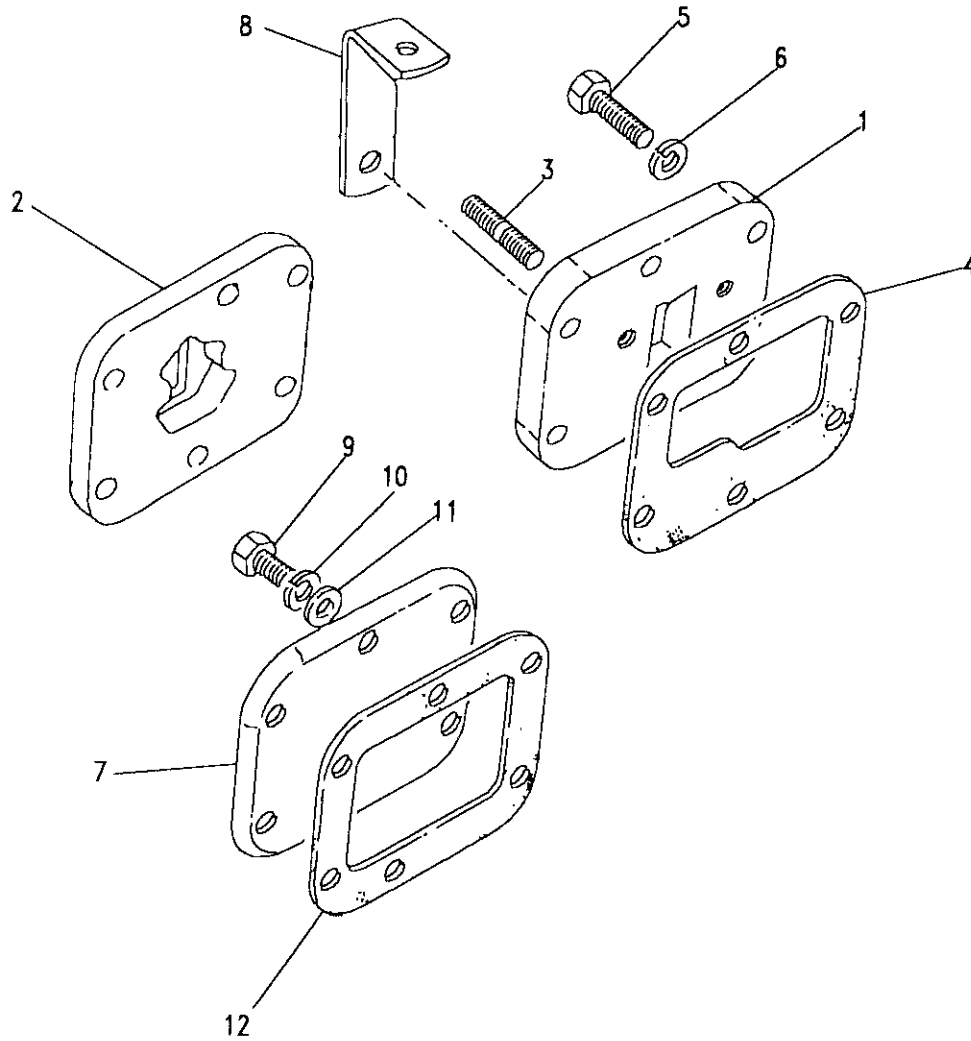
127

ENGINE

Model DEFENDER 110 1987 onwards  
Page AFBHBC1A

ENGINE - SIDE COVER - 2.5 DIESEL TURBO

III. Part No.	Description	Qty	Remarks
1	ERC9073	1	Upto19J14097C
2	ETC7929	1	From19J14098C
3	TE108041L	1	
4	ERR1475	2	
5	SH108251L	1	
6	WL108001L	6	
7	541010	6	
8	ERC9480	1	
9	FS108207L	1	
	SH108251L	3	
10	WA108051L	3	
11	WL108001L	3	
12	ERR3605	6	
		1	Gasket side cover engine

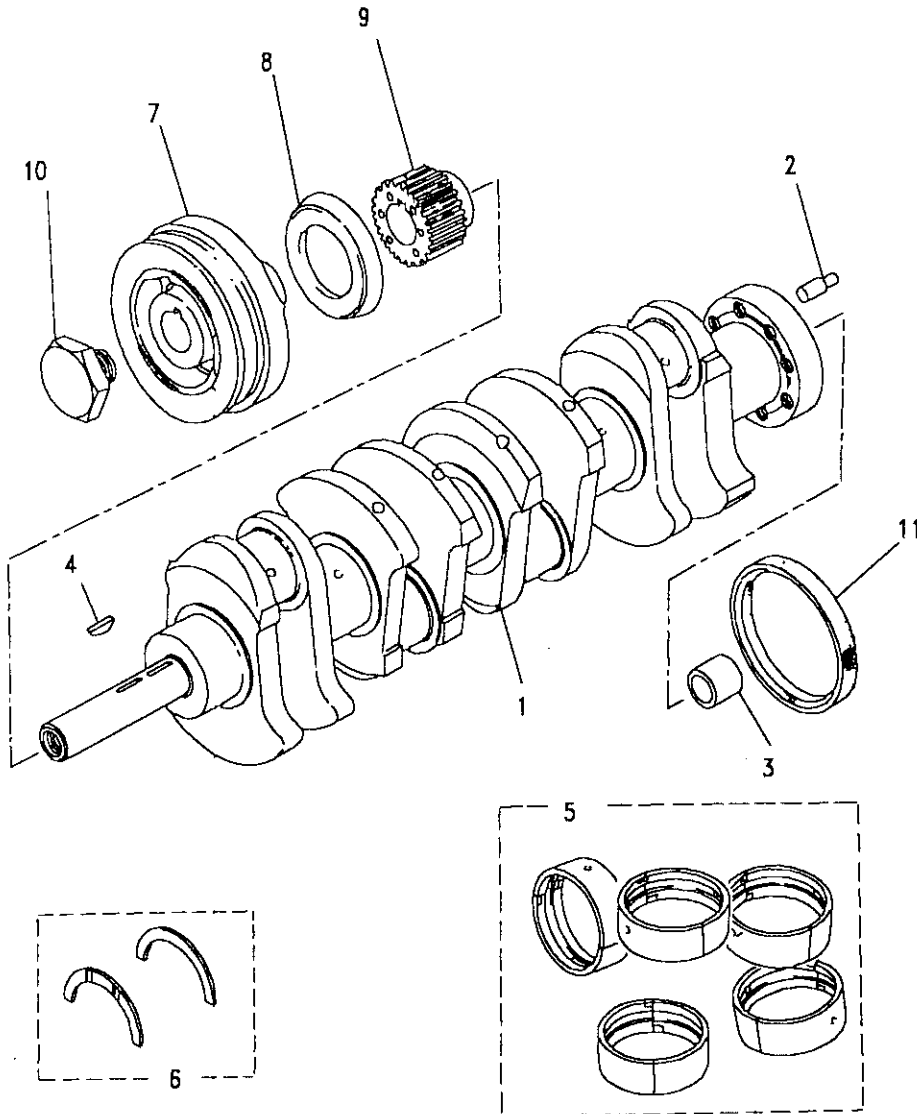


**Model** DEFENDER 110 1987 onwards  
**Page** AFBHCA1A

**ENGINE - CRANKSHAFT - 2.5 DIESEL TURBO**

Ill. Part No.	Description	Qty	Remarks
1	ETC8829 ERR1181	1	Crankshaft 1 UptoAUG1989
2	ERR1630	1	Dowel crankshaft 1 FromAUG1989
3	8566L	1	Bush crankshaft
4	235770	2	Key
5	RTC4783 RTC478310	1	Bearing set main
6	RTC2825 538131 538132 538134	1	Bearing set main-010"
7	ETC4077 ETC4105 ERC6860 ERC6859 ERC6861 SH108251L WL108001L	A/R	Washer thrust standard A/R Washer thrust 0025" A/R Washer thrust 0050" A/R Washer thrust 010" 1 BASIC 1 Note(1) 1 1 1 4 4
8	ETC4390	1	Damper & pulley assy
9	ERC9765	1	Damper vibration
10	ETC7934 ERR605 ERR705	1	Pulley air con 1 Pulley air con/PAS 1 Pulley P.A.S. 1 Screw 4 Washer spring 4
11	ERR2532	1	Flinger TV damper 1 Pulley crankshaft 1 Bolt crankshaft 1 Bolt crankshaft 1 Washer thrust crankshaft 1 Seal oil crankshaft rear 1

Note(1) Use with appropriate pulley when AIR CON or P.A.S.is fitted



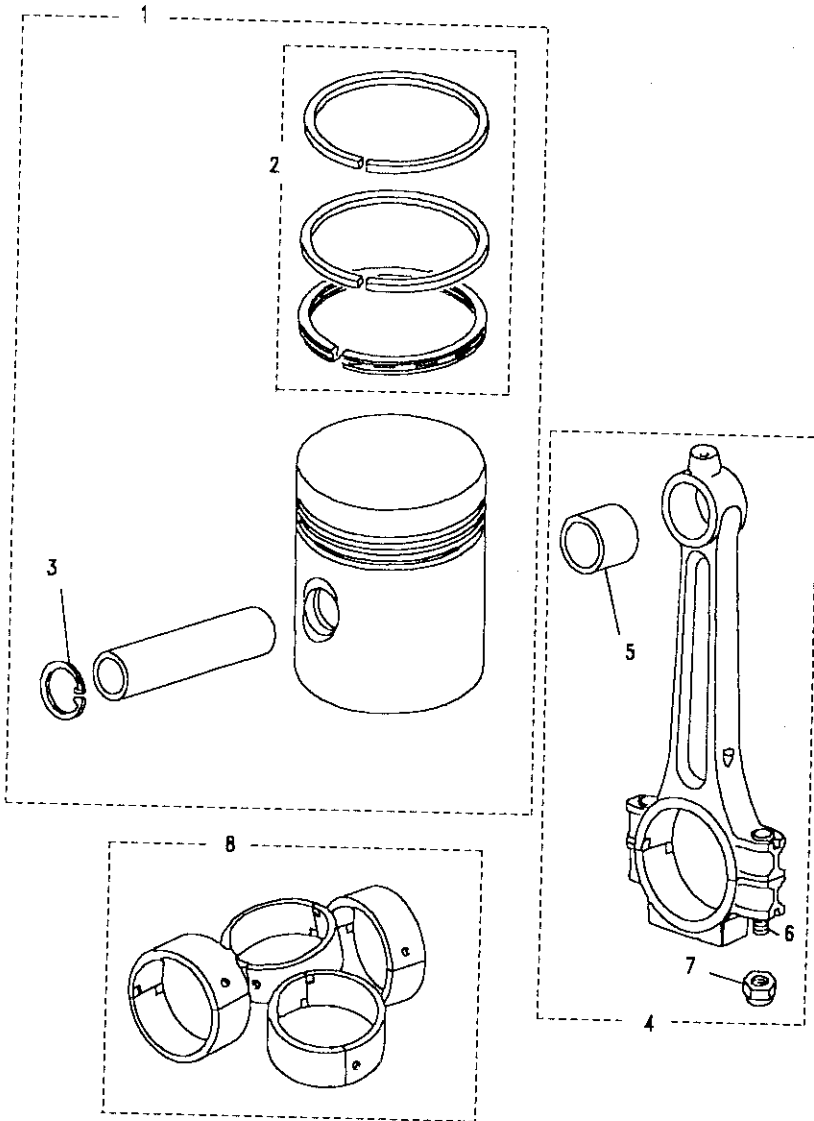




DEFENDER 110 1987 onwards

129

ENGINE



**Model** DEFENDER 110 1987 onwards  
**Page** AFBHCC1A

**ENGINE - PISTONS - 2.5 DIESEL TURBO**

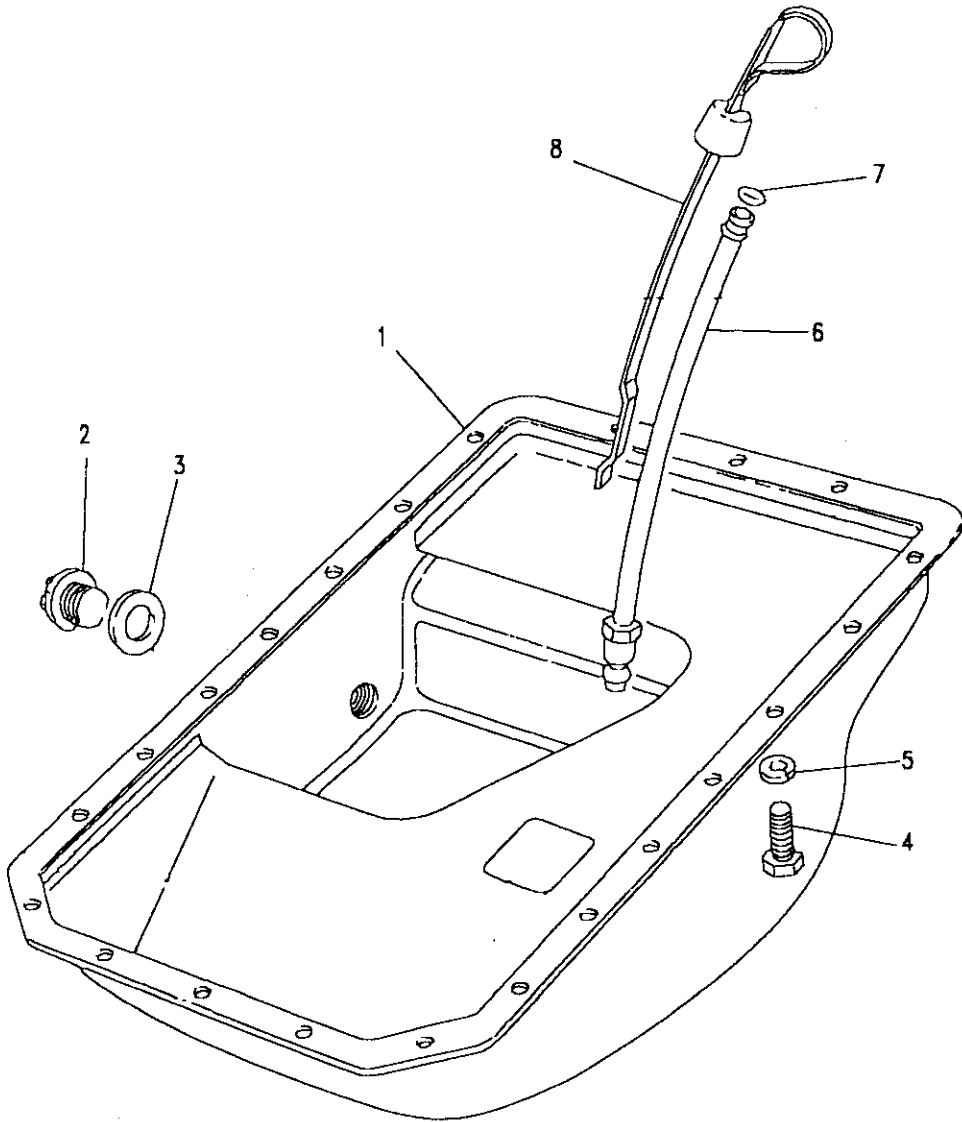
III. Part No.	Description	Qty	Remarks
1 ETC8676	Piston assy standard	4	
RTC599320	Piston assy 0.020" o/s	4	
2 RTC6174S	Kit piston rings std	4	
RTC617420	Kit piston rings 0.020"	4	
3 266945	Circlip	8	
4 ERR593	Con rod assembly	4	
5 247583	Bush-gudgeon pin	4	
6 ETC7357	Bolt-conn rod	8	
7 ETC8191	Nut conn rod	8	
<b>Con Rod Bearing: Engine Set</b>			
8 RTC2993	Bearing set big end	1	
RTC299310	Bearing set big end	1	0.010 o/s

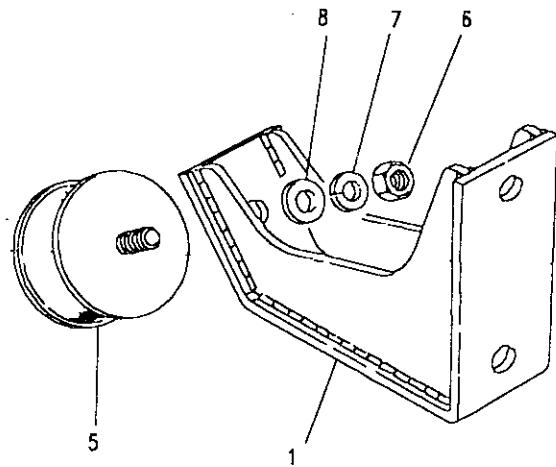


**Model** DEFENDER 110 1987 onwards  
**Page** AFBHDA1A

**ENGINE - SUMP - 2.5 DIESEL TURBO**

Ill. Part No.	Description	Qty	Remarks
1	ERR4716	1	Sump-crankcase
2	599552	1	Plug drain
3	FRC4808	1	Washer joint-Plug
4	SH108161L	22	Screw
5	WL108001L	22	Washer spring
6	ERC8980	1	Tube-dipstick
7	532387	1	Ring sealing-tube
8	ETC7867	1	Dipstick



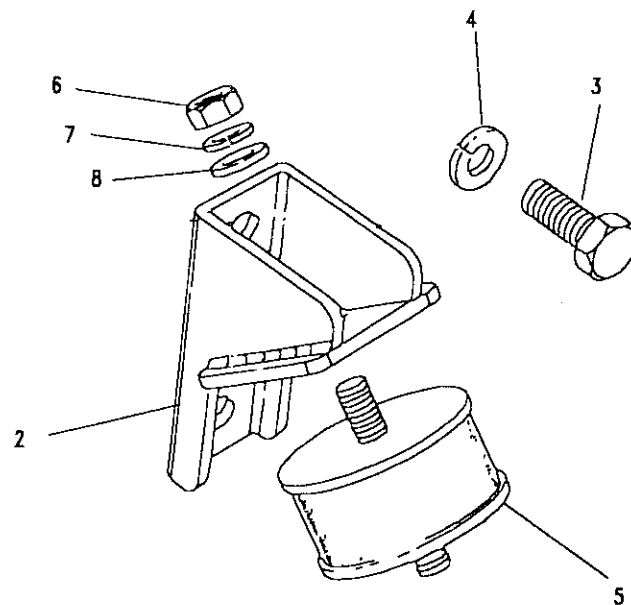


Model DEFENDER 110 1987 onwards  
Page AFBHDC1A

ENGINE - MOUNTINGS - 2.5 DIESEL TURBO

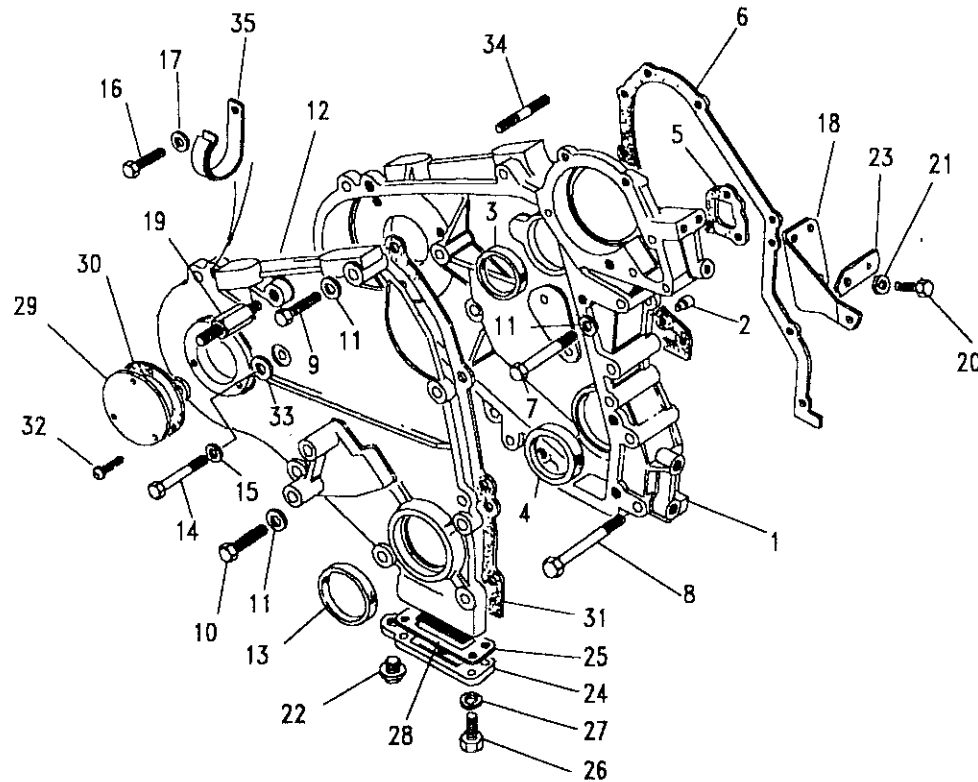
III. Part No.	Description	Qty	Remarks
1	NRC5434 Mounting foot-RH	1	
2	NRC9557 Mounting foot-LH	1	
3	SH112251L Screw-foot to block	4	
4	WL112001L Washer-foot to block	4	
5	NRC9560 ANR1808 Rubber engine mounting	2	Note(1)
6	NH110041L Mounting rubber	1	Note(2)
7	WC110061L Nut-rubber to foot	4	
8	WL110001L Washer-rubber to foot	2	
	Washer-rubber to foot	4	

Note(1) Up to chassis JA920702  
Note(2) From chassis JA920703



Model DEFENDER 110 1987 onwards  
 Page AFBHEA1A

ENGINE - FRONT COVER - 2.5 DIESEL TURBO



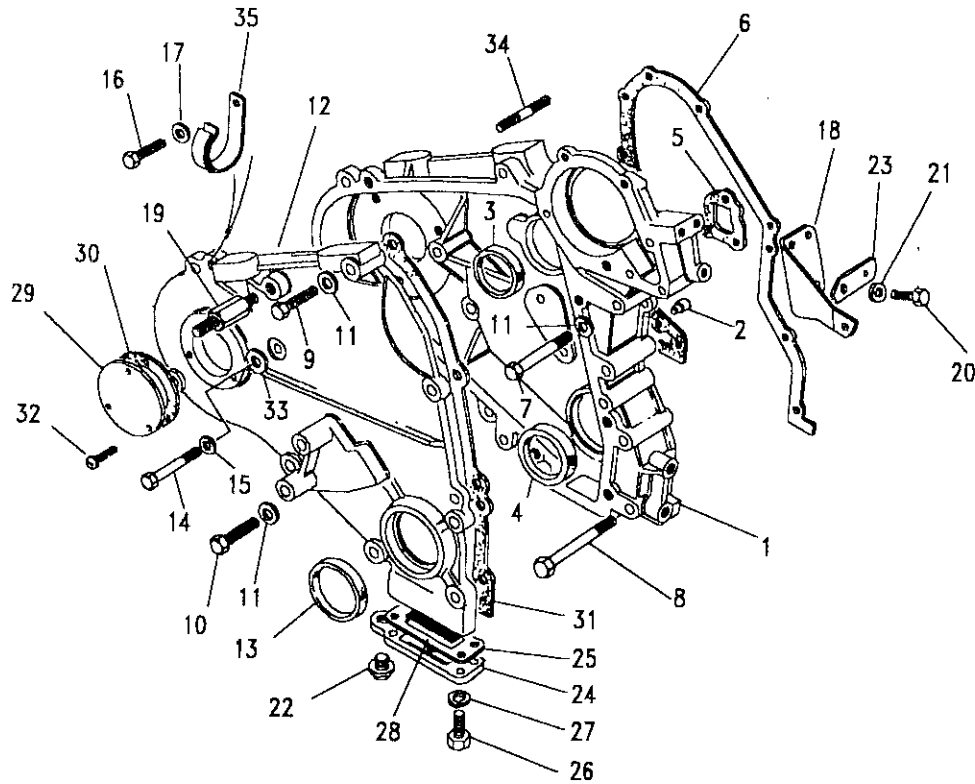
III. Part No.	Description	Qty	Remarks
1	ETC4421	1	NON AIR CON
	ETC5672	1	AIR CON
2	6395L	1	
3	ETC5064	1	
4	ETC5065	1	
5	ERR1607	1	
6	538039	1	
7	BH108111L	1	
8	FB108121L	4	
9	BH108201L	1	
10	BH108251L	2	
11	WA108051L	8	
12	ETC4422	1	NON AIR CON
	ETC5675	1	AIR CON
13	ETC4154	1	
14	BH108131L	1	
15	WA108051L	1	
16	SH108121L	1	
	SH108251L	1	
17	WA108051L	7	
18	ERC6479	1	
19	ETC4996	1	
20	FS108201L	3	
21	WL108001L	3	
22	ERC7295	1	
23	ERC9404	1	



Model DEFENDER 110 1987 onwards  
Page AFBHEA1A

ENGINE - FRONT COVER - 2.5 DIESEL TURBO

Ill. Part No.	Description	Qty	Remarks
24	ETC4058	1	Drain plate
25	ERR3615	1	Gasket front cover
26	FS106201L	4	Screw-plate to cover
27	WA106041L	4	Washer-plate to cover
28	ETC4063	1	Strainer
29	ERC9199	1	Plate cover
30	ERR3614	1	Gasket cover plate
31	ERR3616	1	Gasket front cover
32	SE106121L	3	Screw
33	ERR3604	1	Gasket front cover
34	ETC4873	3	Stud-DPS to front cover
35	ETC4630	1	Bracket mounting

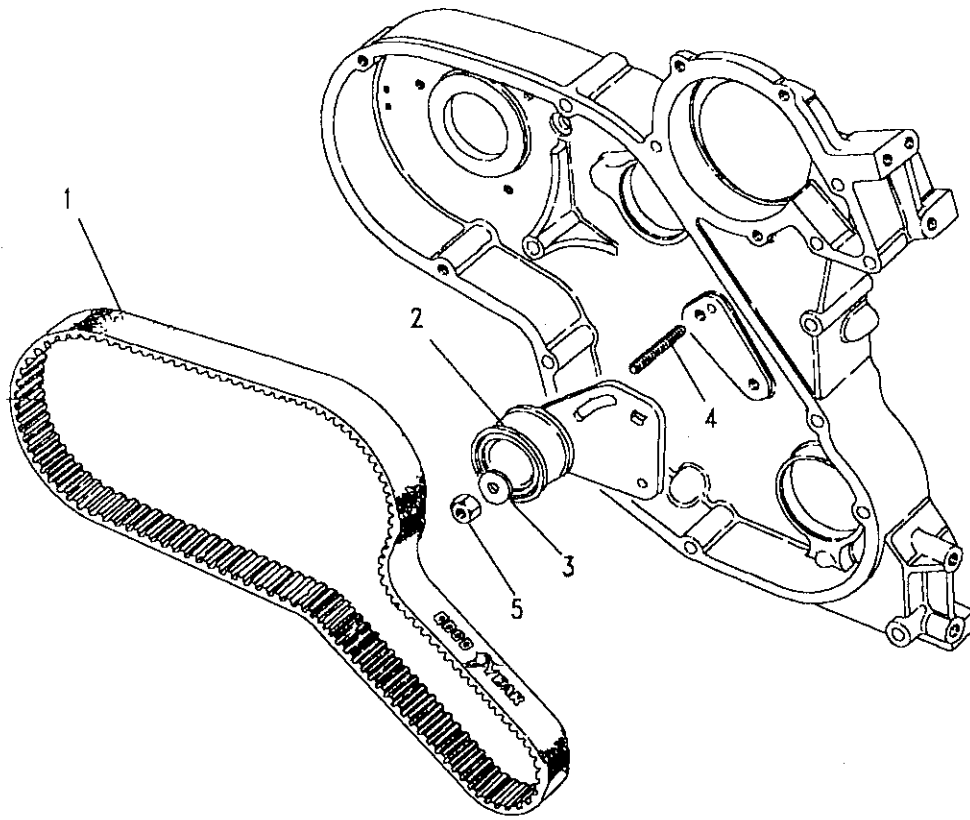




Model DEFENDER 110 1987 onwards  
Page AFBHEC1A

ENGINE - TIMING BELT - 2.5 DIESEL TURBO

III. Part No.	Description	Qty	Remarks
1	ETC7333	1	Belt timing
2	ERC8861	1	Tensioner assembly
3	4594L	2	Washer
4	TE108061L	2	Stud
5	NY108041L	2	Nut





DEFENDER 110 1987 onwards

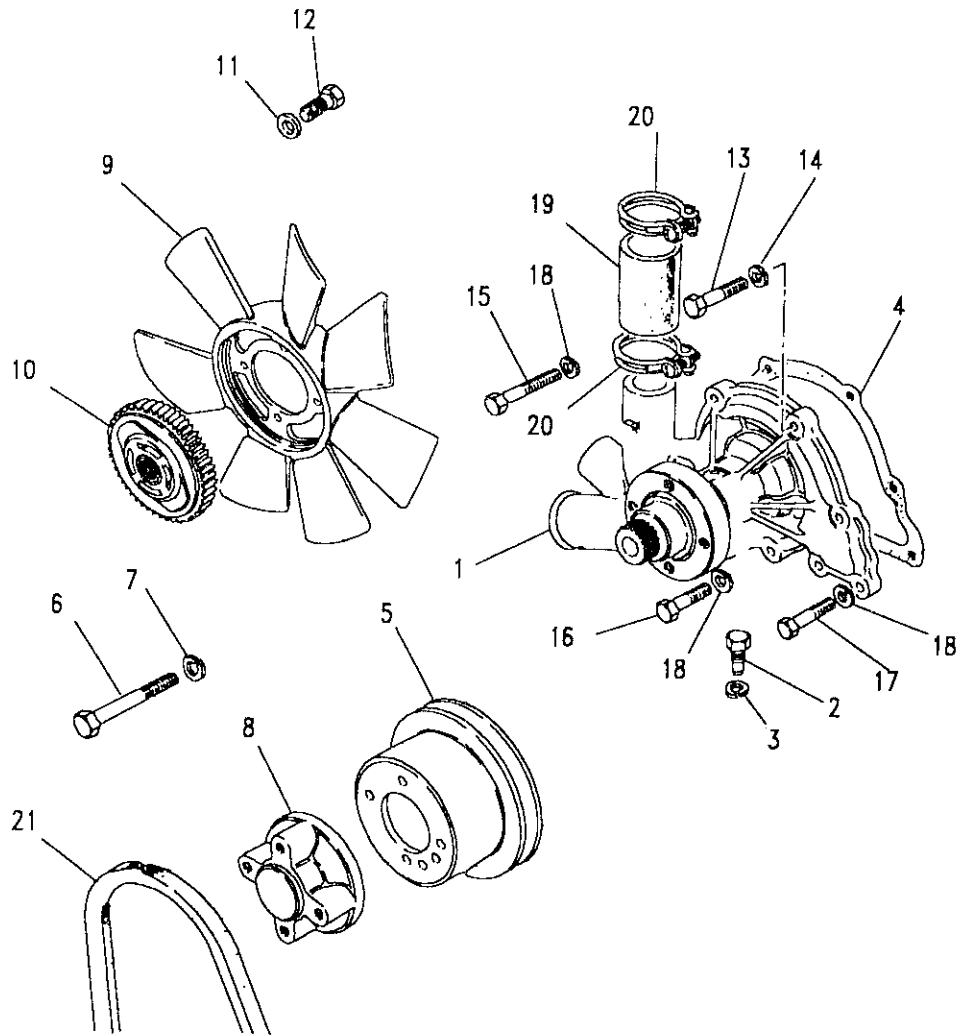
135

ENGINE

Model DEFENDER 110 1987 onwards  
Page AFBHEE1A

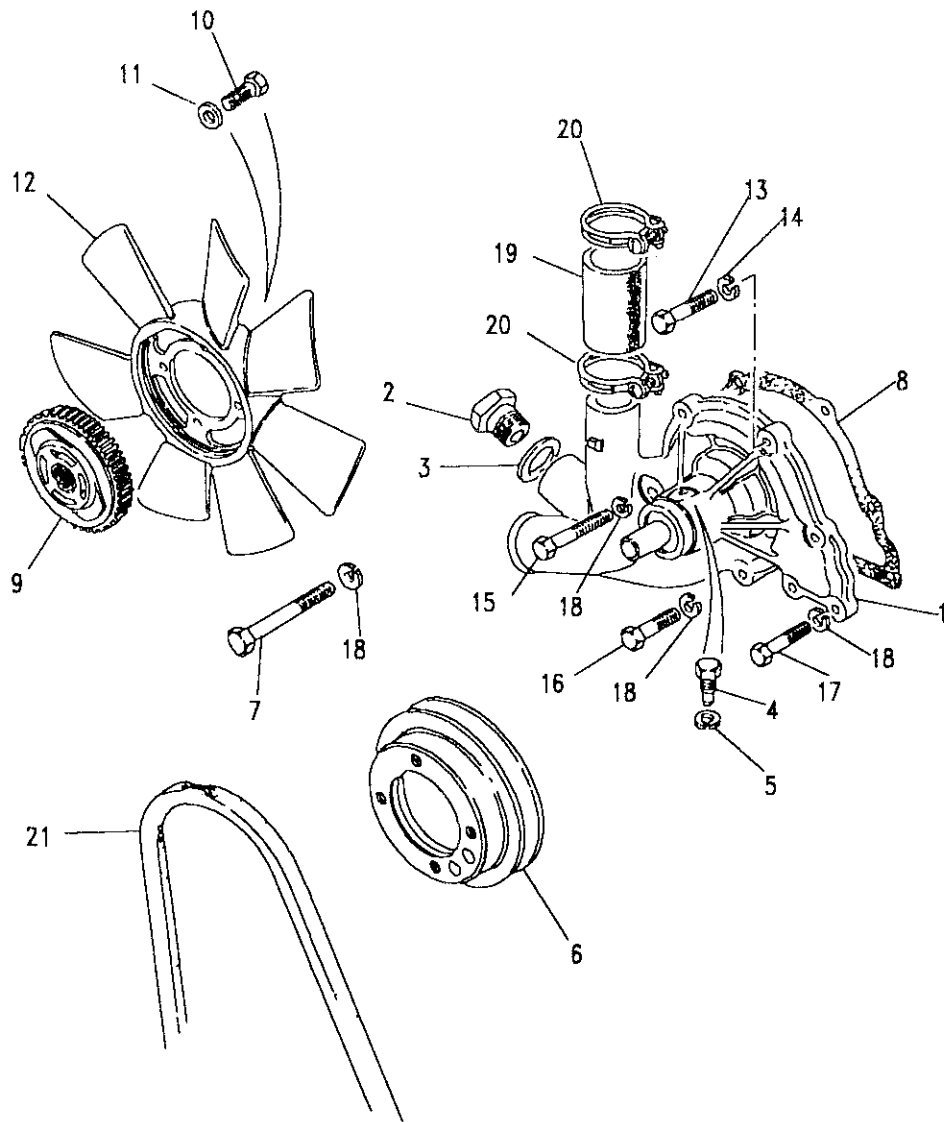
ENGINE - WATER PUMP - 2.5 DIESEL TURBO NON AIR CON

Ill. Part No.	Description	Qty	Remarks
1	STC635	1	
2	ERC5600	1	
3	WL106001L	1	
4	ERC5655	1	
5	ETC4785	1	
6	SH108161L	1	
7	WL108001L	4	
8	ERC7489	4	
9	ERR3380	1	
10	ETC7238	1	) UK/EUROPE
11	4589L	1	
12	ERC5709	4	) R.O.W.
9	ETC6852	4	
10	ETC6841	1	)
11	587405	1	
12	SH505051L	4	)
13	FB108061	4	
14	WL108001L	3	
15	BH108151L	3	
16	BH108161L	1	
17	BH108171L	2	
18	WL108001L	1	
19	ERC5654	4	
20	CN100408L	1	
21	ETC7939	2	
		1	



Model DEFENDER 110 1987 onwards  
 Page AFBHEE2A

ENGINE - WATER PUMP - 2.5 DIESEL TURBO AIR CON



III. Part No.	Description	Qty	Remarks	
1	STC635	1	Pump water assembly	
2	ERC7312	1	Plug	
3	232046	1	washer joint	
4	ERC5600	1	Bolt special	
5	WL106001L	1	Washer spring	
6	ETC4457	1	Pulley	
7	BH106051L	4	Bolt-pulley to hub	
8	ERC5655	1	Gasket	
9	ETC7238	1	Viscous unit	
9	ETC8586	1	Viscous unit-TAXI	) UK/EUROPE
10	ERC5709	4	Bolt	)
11	4589L	4	Washer	)
12	ERR3380	1	Fan-7 blade	)
9	ETC6841	1	Viscous unit	)
10	SH505051L	4	Bolt	) R.O.W.
11	587405	4	Washer	)
12	ETC6852	1	Fan-11 blade	)
13	FB108061	3	Bolt	)
14	WL108001L	3	Washer spring	)
15	BH108151L	1	Bolt	)
16	BH108161L	2	Bolt	)
17	BH108171L	1	Bolt	)
18	WL108001L	4	Washer spring	)
19	ERC5654	1	Hose-by pass water outlet	)
20	CN100408L	2	Clip-hose	)
21	ETC7939	1	Belt fan	)

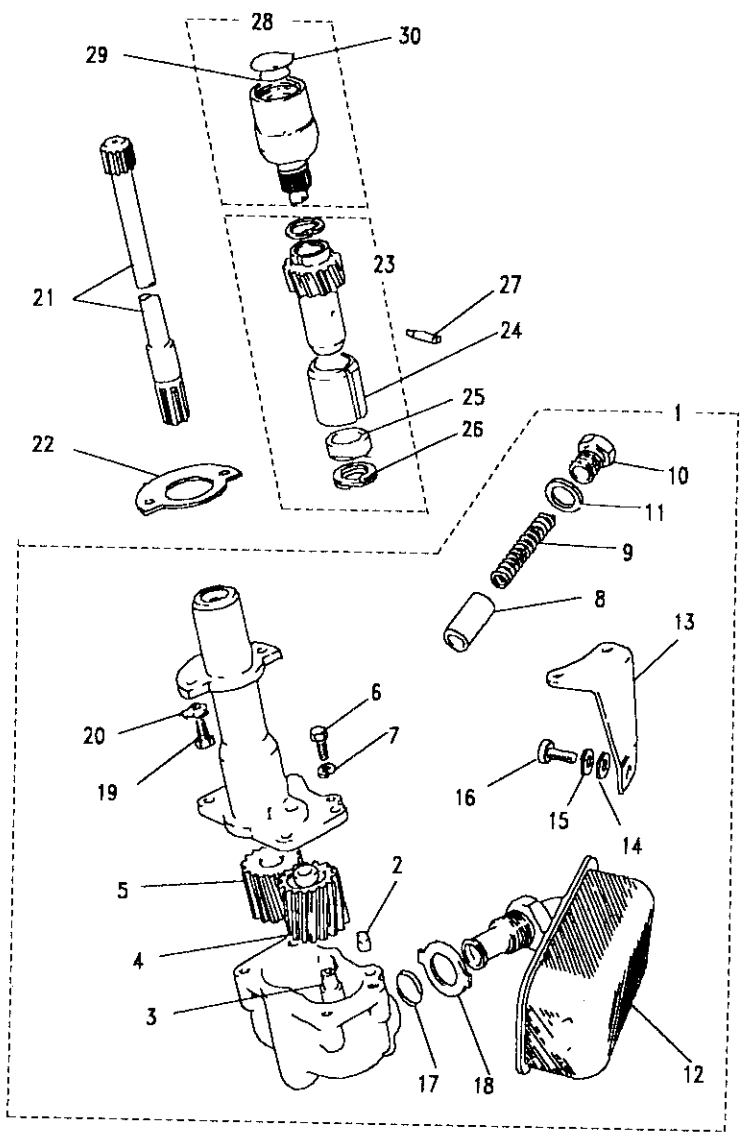




Model DEFENDER 110 1987 onwards  
Page AFBHFA1A

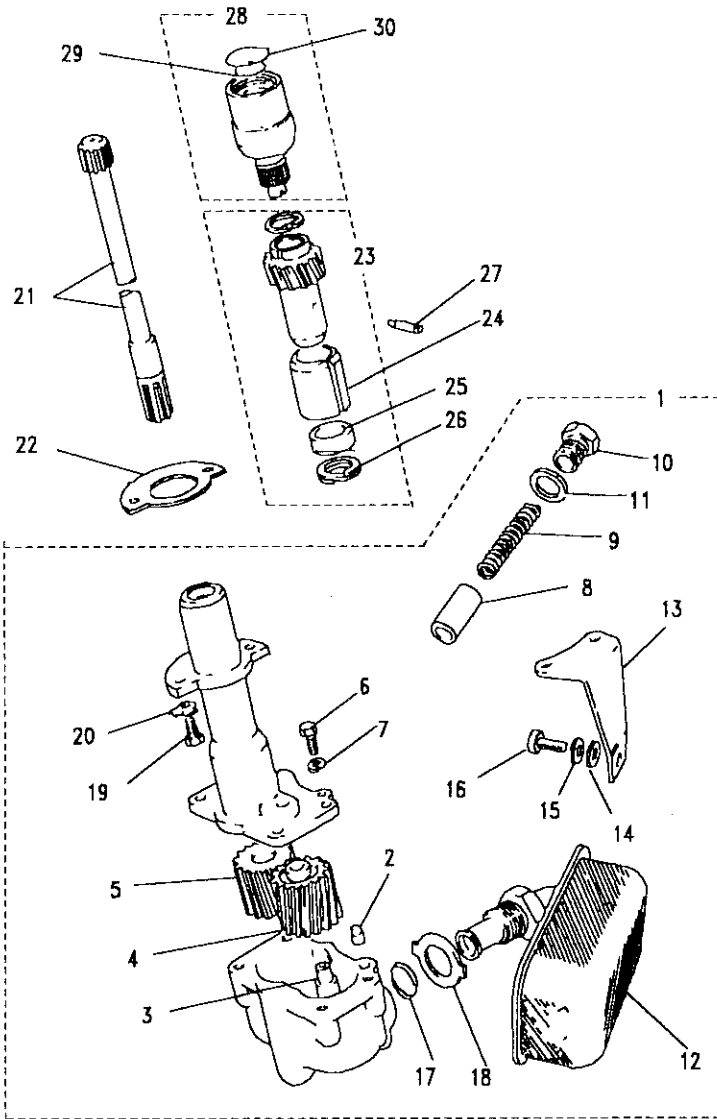
ENGINE - OIL PUMP - 2.5 DIESEL TURBO

III. Part No.	Description	Qty	Remarks
1	ERR1117	1	Pump oil assembly
2	236257	2	Dowel
3	ERR1063	1	Spindle-idler wheel
4	ERR1088	1	Idler wheel
5	ERC9706	1	Drive wheel
6	FS108201L	4	Screw-cover to block
7	WL108001L	4	Washer spring
8	ETC4880	1	Plunger-oil relief
9	564456	1	Spring-oil relief
10	564455	1	Plug-oil relief
11	232044	1	Washer joint
12	ERC7530	1	Filter
13	ERC7940	1	Bracket support-filter
14	WA108051L	1	Washer
15	WL108001L	1	Washer spring
16	FS108201L	1	Screw flanged



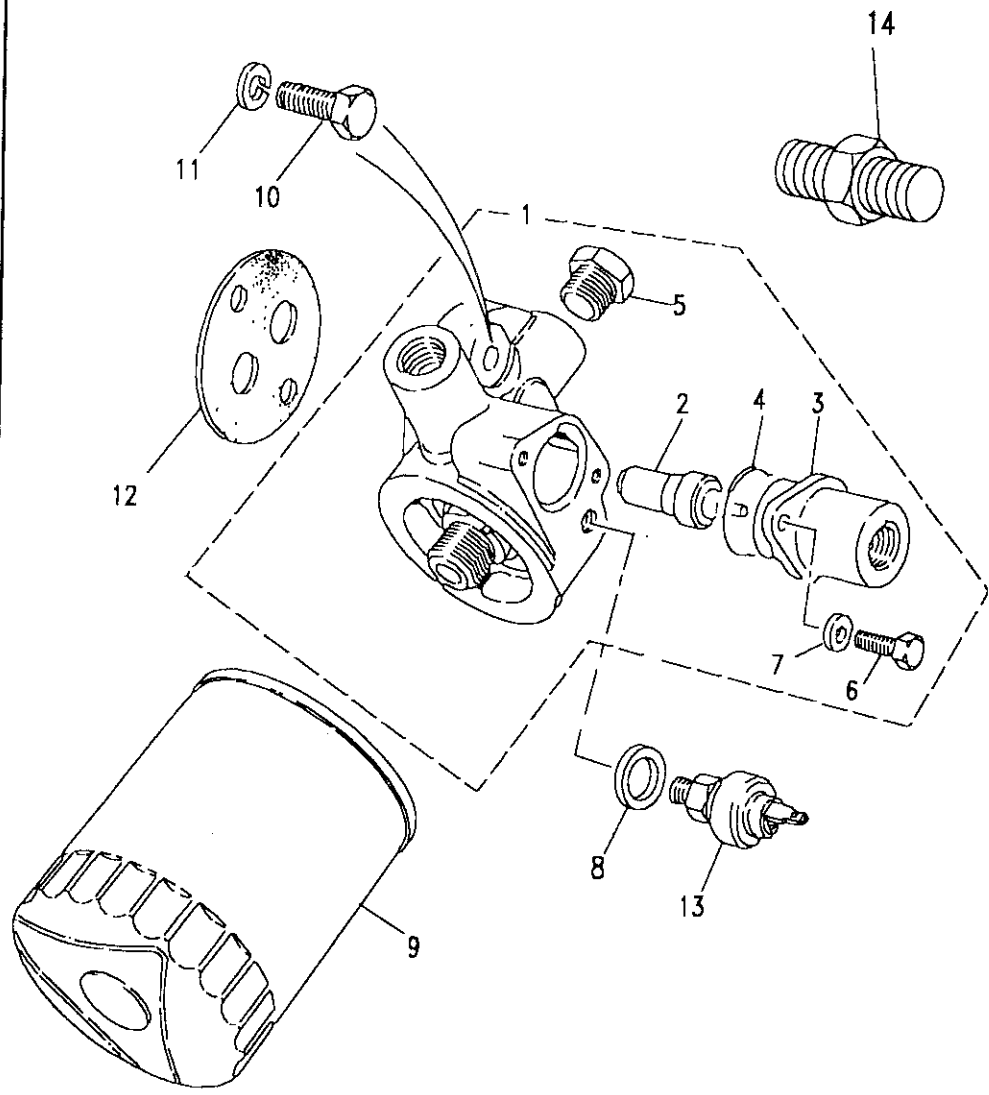
**Model** DEFENDER 110 1987 onwards  
**Page** AFBHFA1A

**ENGINE - OIL PUMP - 2.5 DIESEL TURBO**



III. Part No.	Description	Qty	Remarks
17 244488	'O'ring	1	
18 244487	Washer lock	1	
19 SH108251L	Screw	2	
20 247665	Washer lock	2	
21 ERR850	Shaft	1	
22 ERR3606	Gasket oil pump	1	
23 ETC6139	Gear-bush-assembly	1	Note(1)
24 522745	Bush	1	
25 ETC6137	Washer thrust	1	
26 ETC6138	Ring locking	1	
27 ETC6142	Screw-locating shaft	1	
28 ETC4706	Coupling	1	
29 RTC6167	O ring-inner	1	
30 RTC6168	O ring-outer	1	

Note(1) Remove plug before assembling DRIVE SHAFT & COUPLING



**Model** DEFENDER 110 1987 onwards  
**Page** AFBHFA2A

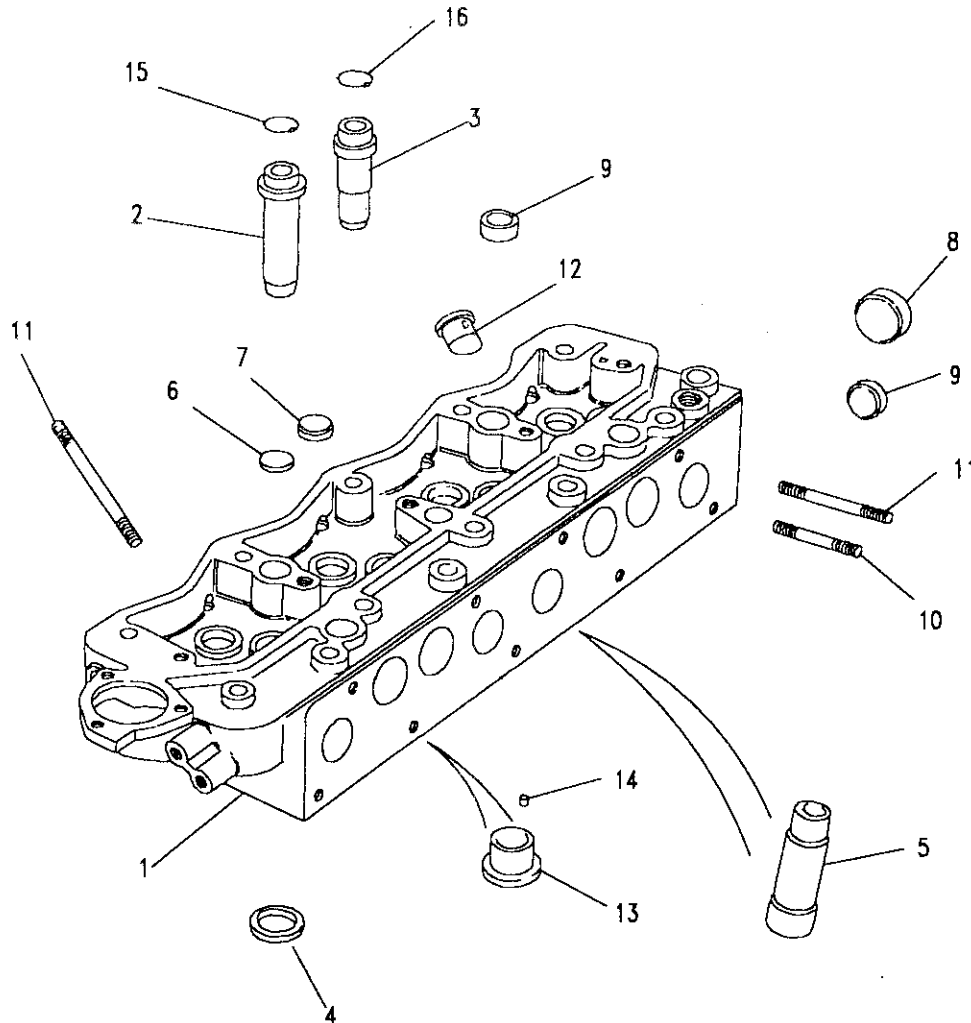
**ENGINE - OIL FILTER - 2.5 DIESEL TURBO**

III. Part No.	Description	Qty	Remarks
1	ERR1347	1	Adaptor oil assembly
2	ERC5923	1	Thermostat bulb
3	ETC4022	1	Adaptor
4	ERC5913	1	'O' ring
5	ETC4021	1	Plug
	PRC4372	1	Transmitter
6	SH106141L	1	Screw
7	WA106041L	2	Washer
8	ERR3340	2	Filter oil
9	SH110301L	1	Screw
10	WL110001L	2	Washer spring
11	ERR3607	2	Gasket oil filter housing
12	PRC6387	1	Switch-oil pressure
13	232039	1	Washer joint-switch
14	NRC8618	1	Coupling
	PRC4043	1	Transmitter
	ETC4033	1	Adaptor-oil pressure
	ETC4034	1	Banjo-oil pressure switch
			} OPTIONAL



Model DEFENDER 110 1987 onwards  
 Page AFBHGA1A

ENGINE - CYLINDER HEAD - 2.5 DIESEL TURBO

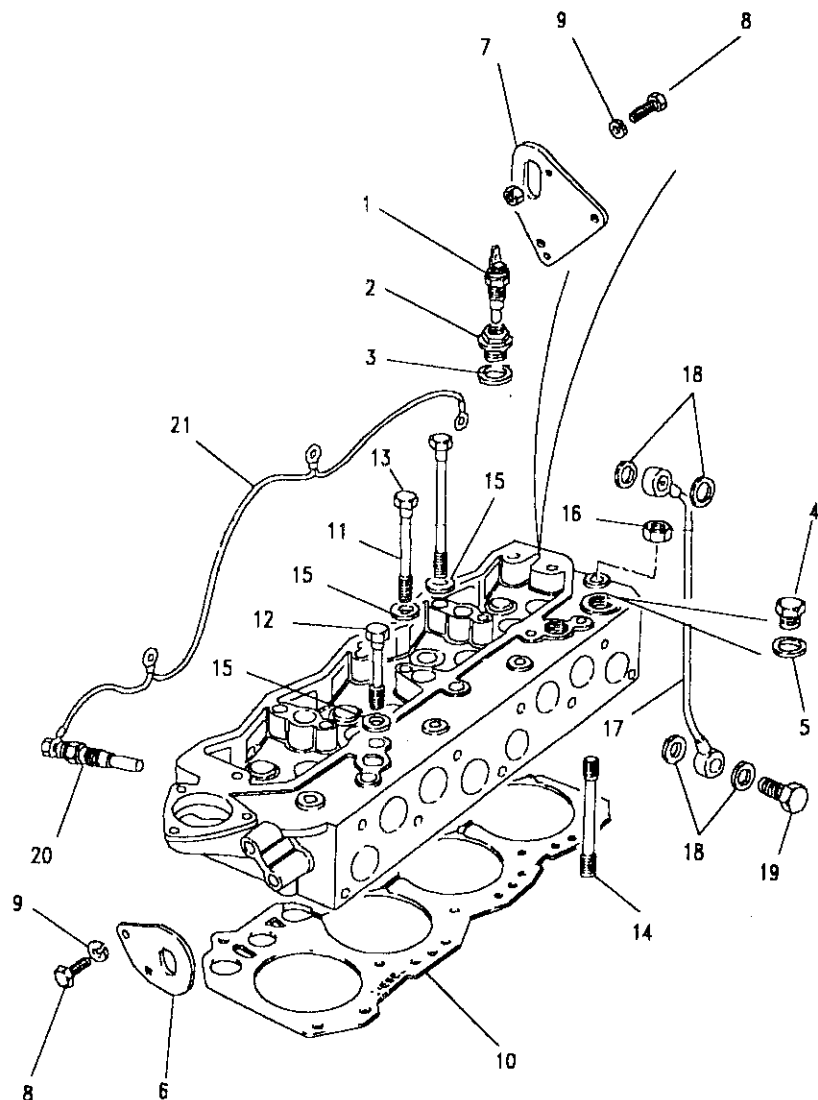


III. Part No.	Description	Qty	Remarks
1	ETC4649 STC803	1	Cylinder head assembly
2	568688	1	Cylinder head assembly
	ERR2861	4	Guide valve-inlet
3	568689	4	Guide valve-inlet
	ERR2860	4	Guide valve-exhaust
4	ERC9631	4	Guide valve-exhaust
	ERR3081	4	Insert-valve seat-exh
	ETC4643	4	Insert-valve seat-exh
	ERR3082	4	Insert-valve seat-inlet
5	ERC8663	4	Insert-valve seat-inlet
	250830	8	Tube-push rod
6	525497	2	Welch plug
7	524765	9	Cup plug
8	602289	1	Cup plug
9	ETC7190	2	Cup plug
10	TE108071L	1	Stud-manifold
11	ERC9501	8	Stud
12	ERR1223	4	Shroud injector
13	PA105101L	4	Hot plug
14	ERR1510	4	Peg locating-hot plug
15	ETC4751	4	Seal-inlet valve
16		4	Seal-exhaust valve

Note(1) Fitted from November 1992

Model DEFENDER 110 1987 onwards  
 Page AFBHGA2A

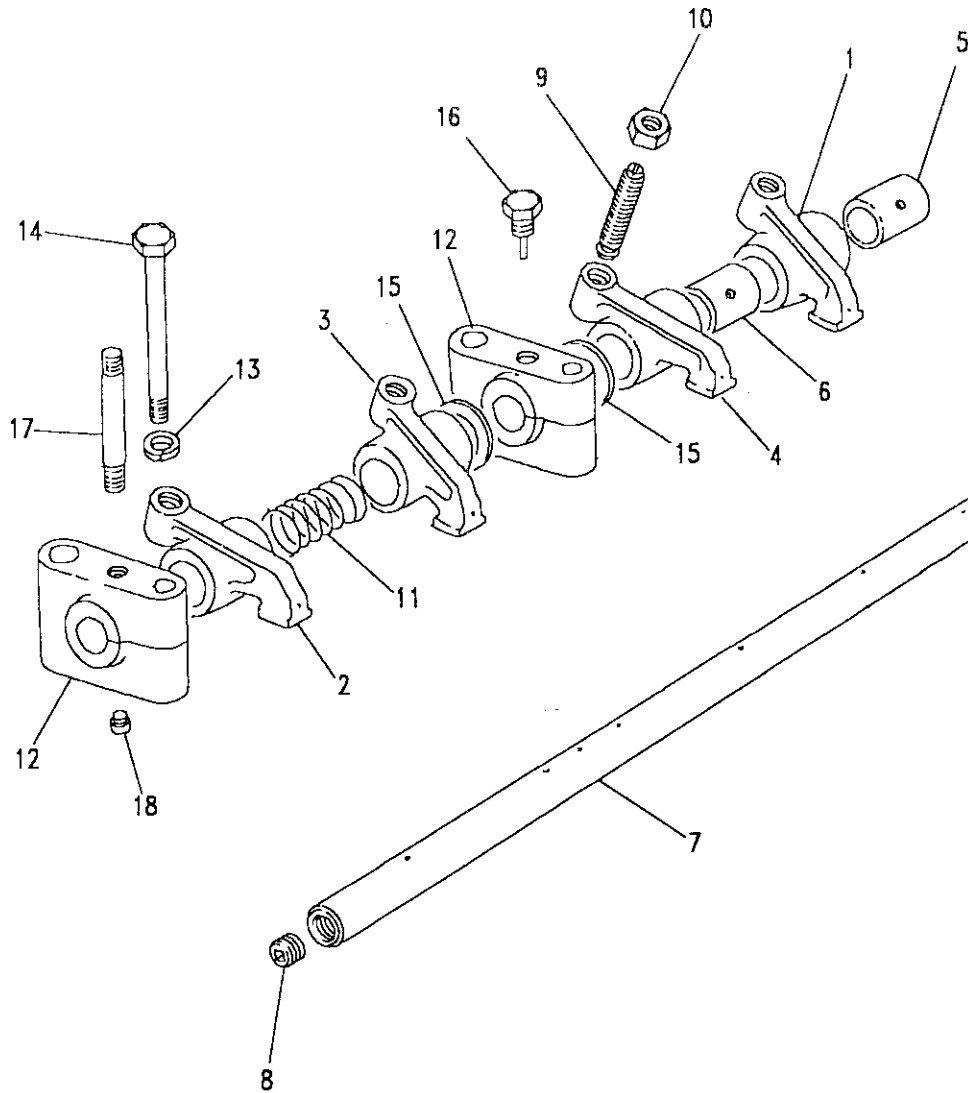
ENGINE - CYLINDER HEAD - 2.5 DIESEL TURBO



III. Part No.	Description	Qty	Remarks
1	PRC2505	1	Transmitter-water temp
	PRC6663	1	Transmitter-water temp
2	ERC9432	1	Adaptor-transmitter
3	10802070	1	Washer-adaptor
4	ERC9448	1	Plug-rear heater hole
	RTC6851	1	Plug
5	AFU1890L	1	Washer joint-plug
	243960	1	Washer joint
6	ERC2254	1	Bracket lifting-front
7	ETC5816	1	Bracket lifting-rear
8	FS108207L	4	Screw-bracket to head
9	WL108001L	4	Washer spring
10	ERR3618	1	Gasket cylinder head
11	247051	9	Bolt head to block
12	247683	2	Bolt head to block
13	247723	5	Bolt head to block
14	90518466	2	Stud head to block
15	ERC6821	18	Washer-head to block
16	NH608061L	2	Nut head to block
17	275679	1	Pipe-oil lead to rockers
18	ETC6510	4	Washer joint
19	ETC4498	2	Bolt banjo
20	ERC8450	4	Glow plug
21	PRC6295	1	Cable assembly-glow plugs

Model DEFENDER 110 1987 onwards  
 Page AFBHGC1A

ENGINE - ROCKER SHAFT - 2.5 DIESEL TURBO



III. Part No.	Description	Qty	Remarks
1	ERC9060	2	Rocker arm exhaust RH
2	ERC9059	2	Rocker arm exhaust LH
3	247738	4	Bush-exhaust rockers
4	ERC9056	2	Rocker arm inlet RH
5	ERC9055	2	Rocker arm inlet LH
6	247737	4	Bush-inlet rockers
7	ERC6341	1	Shaft
8	ERC6337	2	Plug-shaft
9	ERC9054	8	Screw-tappet adjuster
10	NT108041L	8	Lock Nut-M8
11	247040	4	Spring
12	ERC9137	5	Bracket-rocker shaft
13	WL108001L	5	Washer spring
14	FB108111L	5	Bolt flanged
15	247153	8	Washer-rocker shaft
16	ETC4460	1	Screw-shaft location
17	TD108091L	3	Stud-M8-rocker cover
18	277956	3	Dowel-rocker

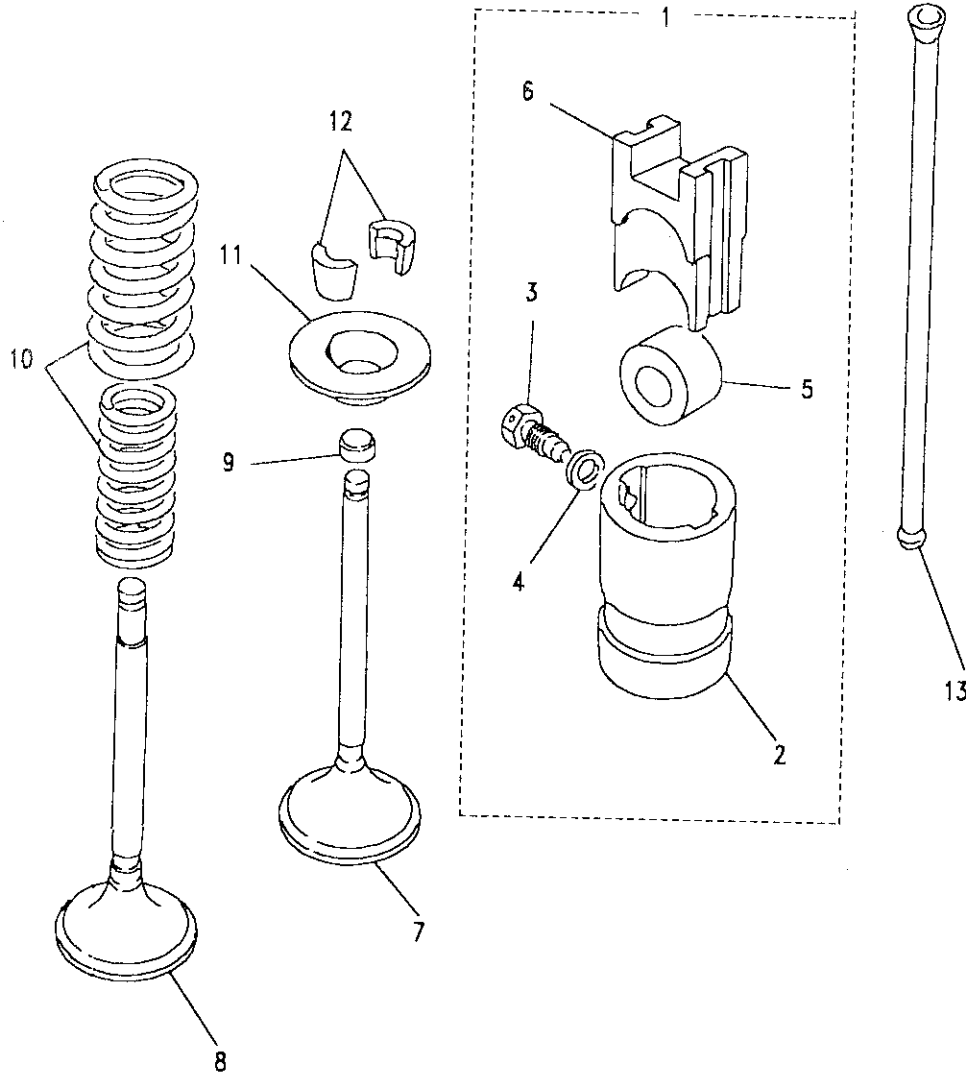


Model DEFENDER 110 1987 onwards  
Page AFBHGE1A

ENGINE - VALVES & TAPPETS - 2.5 DIESEL TURBO

III. Part No.	Description	Qty	Remarks
1 507829	Tappet assembly	8	
2 502473	Guide tappet	8	
3 ETC4246	Set bolt	8	
4 273069	Washer-tappet guide	8	
5 ERR561	Roller follower	8	
6 ERR607	Tappet slide	8	
7 ETC5739	Valve inlet	4	
8 ETC5740	Valve exhaust	4	
9 ERR4175	Cap-valve stem	8	Note(1)
10 ERR4640	Valve spring	8	
11 ETC4068	Cup-valve-spring	8	
12 ETC4069	Cotter split	16	
13 546799	Push rod	8	

Note(1) ERR1158 can be fitted if valve stem or rockers are worn

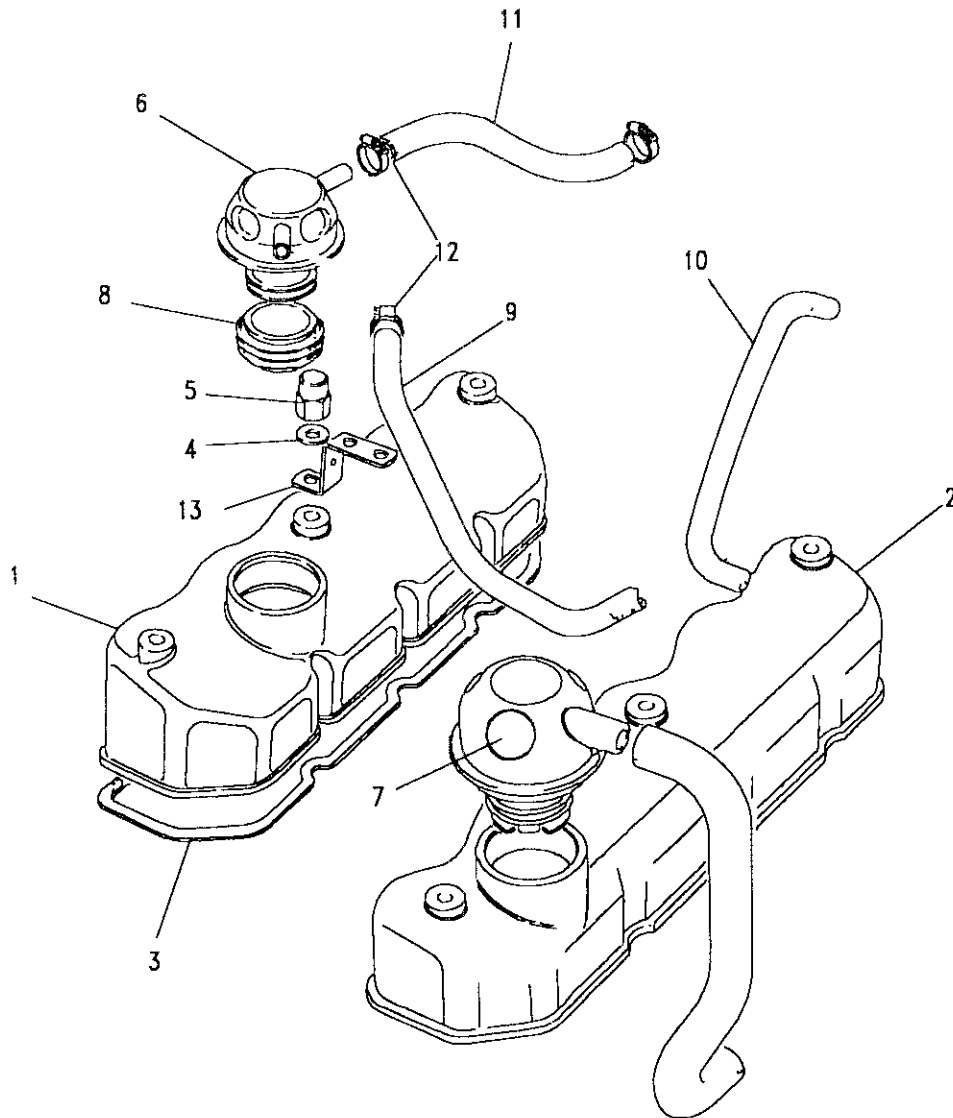


Model DEFENDER 110 1987 onwards  
 Page AFBHGG1A

ENGINE - ROCKER COVER - 2.5 DIESEL TURBO

III. Part No.	Description	Qty	Remarks
1	ETC6924	1	Upto 19J15451C
2	ETC8600	1	From 19J15452C
3	ETC6438	1	
4	273069	3	
5	ERC9220	3	
6	ETC7774	1	Upto 19J15451C
7	ERR737	1	From 19J15452C
8	ERC8049	1	Upto 19J15451C
	ERR736	1	From 19J15452C
9	ETC7187	1	Upto 19J15451C
10	ETC8636	1	From 19J15452C
11	ETC7059	1	
	RRC5728	1	Note(1)
12	CJ600224	2	
13	ETC5588	1	

Note(1) For vehicles with raised air intake







DEFENDER 110 1987 onwards

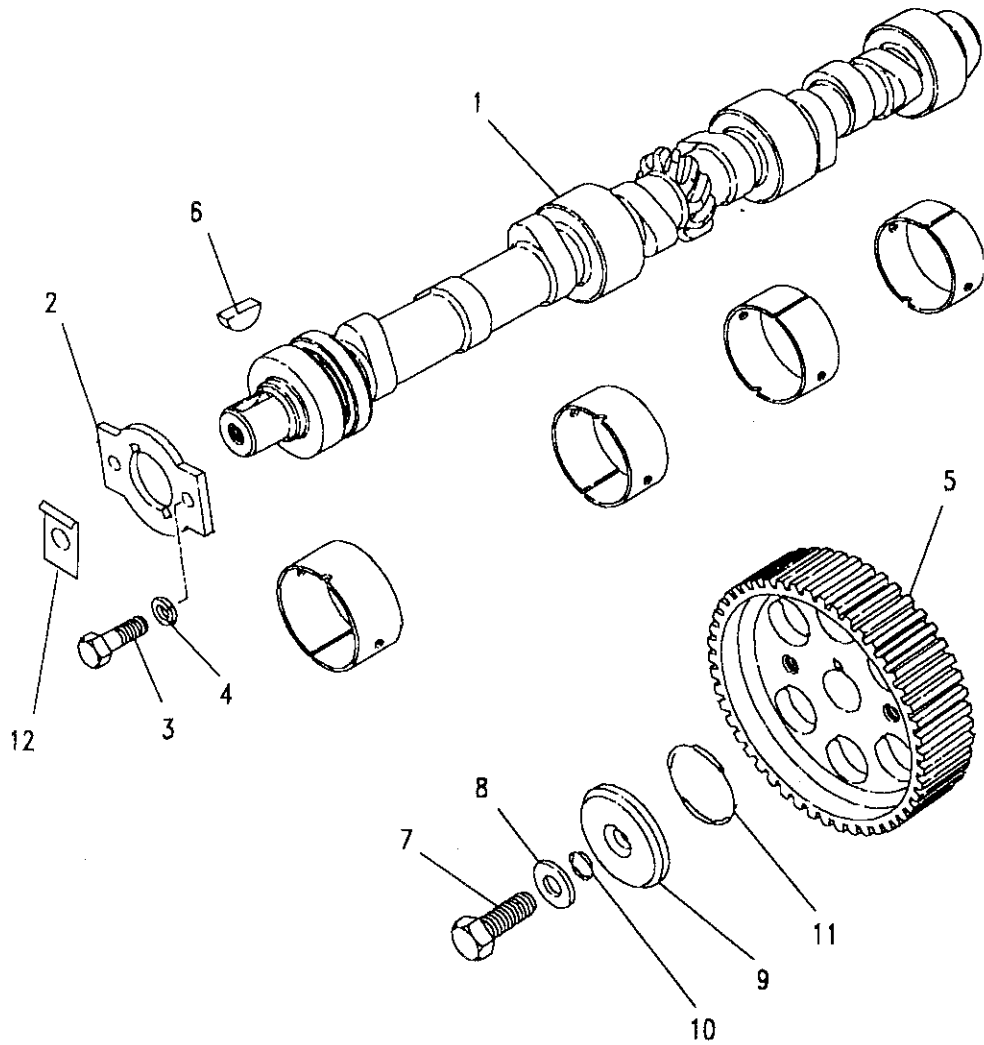
145

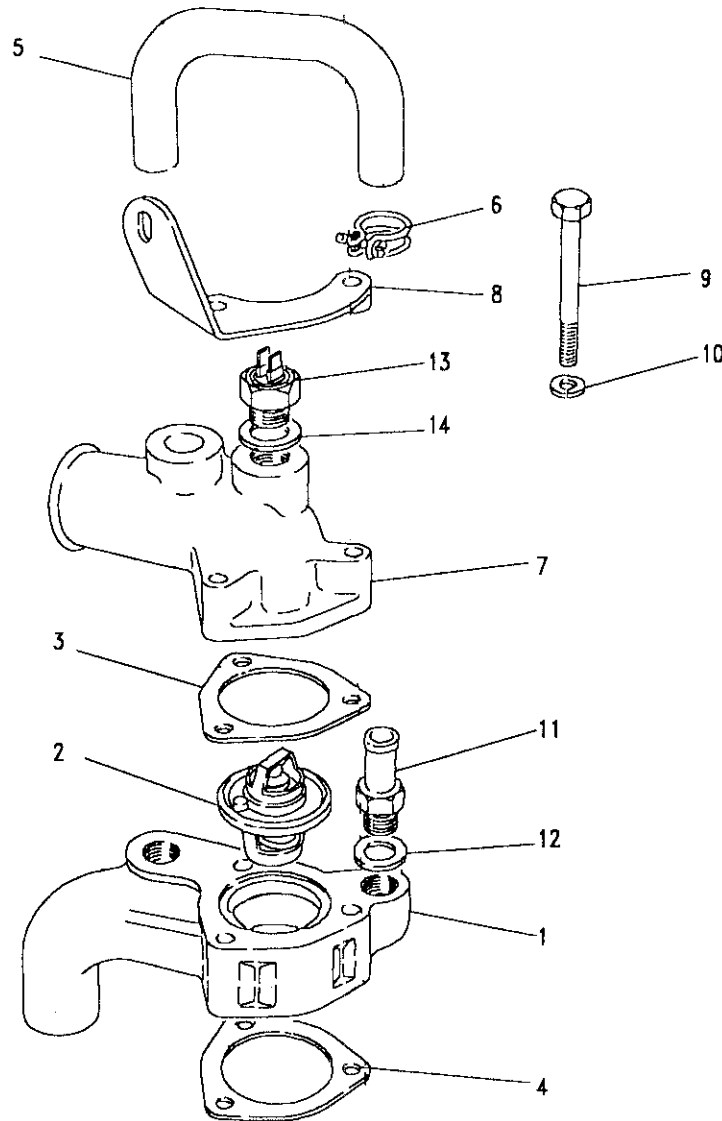
ENGINE

Model DEFENDER 110 1987 onwards  
Page AFBHG11A

ENGINE - CAMSHAFT - 2.5 DIESEL TURBO

III. Part No.	Description	Qty	Remarks
1	ETC7128 Camshaft	1	
2	ERC1561 Plate thrust-camshaft	1	
3	FS108167 Screw-plate to block	2	
4	WL106001L Spring Washer	2	
5	ETC4014 Pulley	1	
6	230313 Key woodruff	1	
7	BX110071L Bolt	1	
8	ETC4670 Washer	1	
9	ERC8847 Plate-retaining	1	
10	ERC8849 'O' ring	1	
11	ETC4076 'O' ring	1	
12	2995 Locker	2	





Model DEFENDER 110 1987 onwards  
Page AFBHGK1A

ENGINE - THERMOSTAT HOUSING - 2.5 DIESEL TURBO

III. Part No.	Description	Qty	Remarks
1 ERC8758	Housing thermostat	1	
2 602687	Thermostat 82o	1	
ETC4761	Thermostat 74o	1	OPTIONAL
3 ERR3682	Gasket thermostat housing	1	
4 247874	Gasket-thermo housing	1	
5 ERC7510	Hose-connecting adaptors	1	
6 CN100258L	Clip-hose	2	
7 ETC5967	Outlet water connector	1	NON AIR CON
ETC5958	Outlet water connector	1	AIR CON
8 ETC5965	Bracket-cowl mounting	1	
9 BH106151L	Bolt-cover to head	3	
10 WL106001L	Washer spring	3	
11 624091	Adaptor	2	
12 243959	Washer joint	2	
13 PRC3359	Switch-temperature sensor	1	Note(1)
PRC3505	Switch-temperature sensor	1	Note(2)
14 C45759L	Washer-switches	2	

Note(1) Identified by GREEN paint  
Note(2) Identified by RED paint





DEFENDER 110 1987 onwards

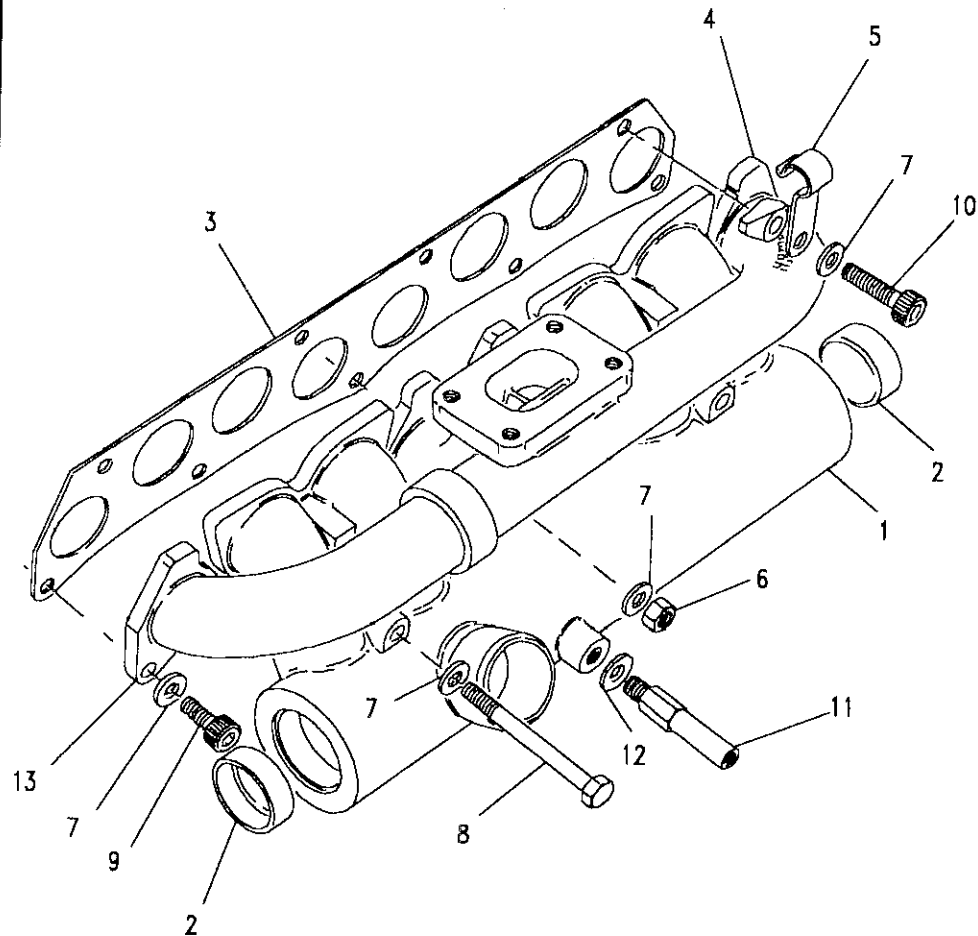
147

ENGINE

Model DEFENDER 110 1987 onwards

Page AFBHHA1A

ENGINE - MANIFOLD - 2.5 DIESEL TURBO



Ill. Part No.	Description	Qty	Remarks
1	ETC6492 Manifold inlet	1	
2	525428 Cup Plug	2	
3	ETC7750 Gasket-manifold to head	1	
4	564308 Clamp-manifold to head	4	
5	574654 Clip-manifold clamp	1	
6	NH108065L Nut	2	
7	WA108051L Washer	9	
8	ETC6910 Bolt	2	
9	ETC7917 Screw socket M8x35mm	3	
10	ETC7503 Spacer	3	Note(1)
11	ETC7917 Screw socket M8x35mm	2	
12	ETC7395 Bolt support-heat shield	1	
13	WJ108001L Washer	2	
	ETC7633 Manifold exhaust	1	
	ETC6970 Stud	2	
	NH108065L Nut	2	

Note(1) Only used on engines up to 19J15397C



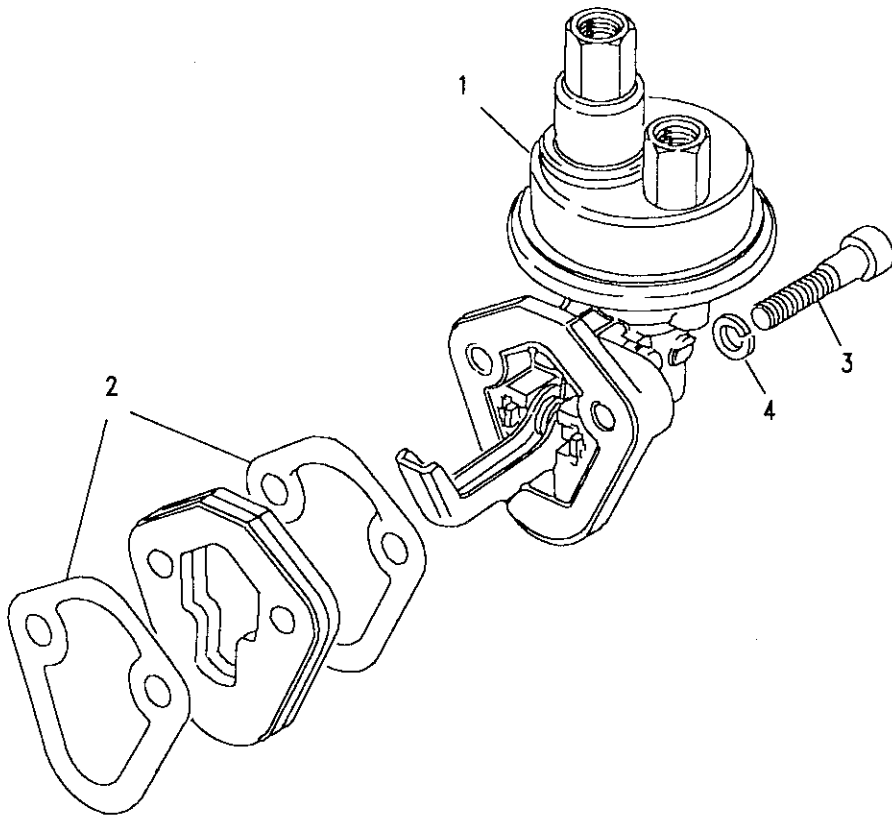


Model DEFENDER 110 1987 onwards  
Page AFBHKA1A

ENGINE - FUEL PUMP - 2.5 DIESEL TURBO

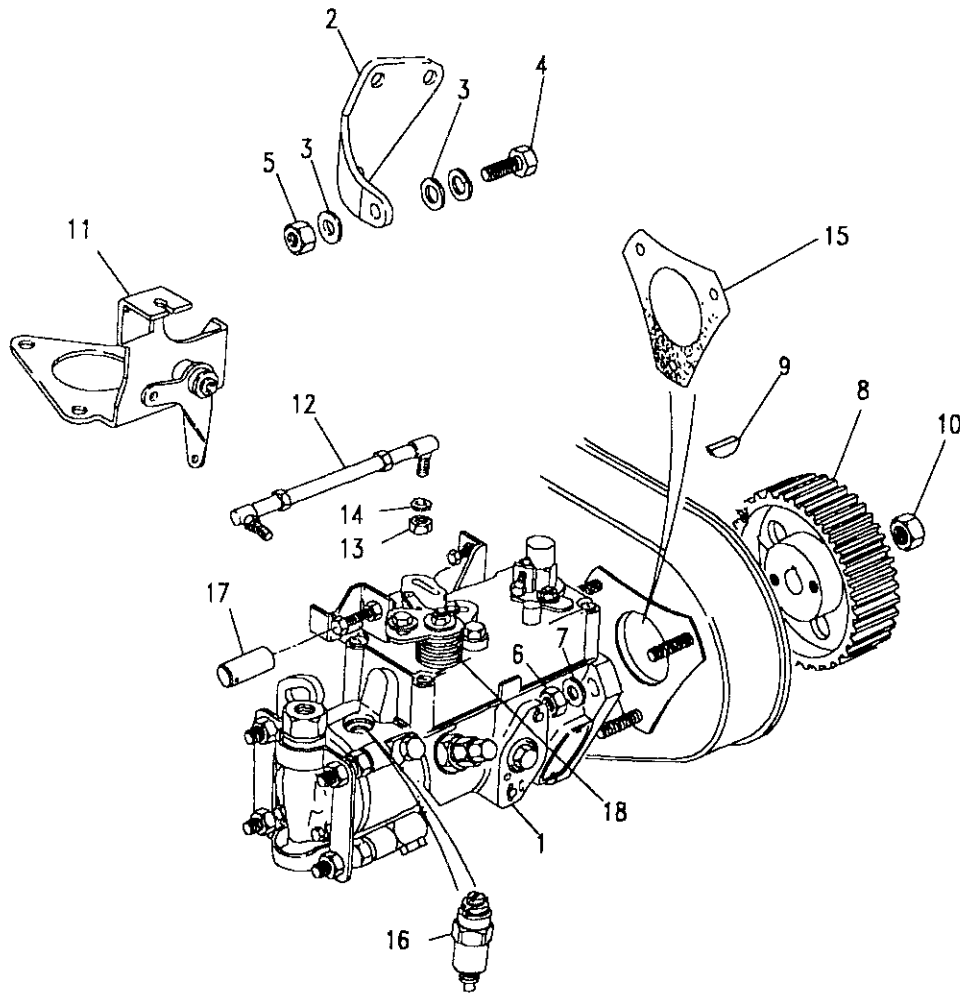
III. Part No.	Description	Qty	Remarks
1 ETC7869	Pump fuel	1	Note(1)
2 ETC7970	Gasket-fuel pump/side cov	2	
ERR2028	Gasket fuel pump	2	From Dec 93
3 SS108301L	Screw socket	2	
4 WA108051L	Washer	2	

Note(1) Use RTC6180 Fuel Pump Kit up to 19J14097C



**Model** DEFENDER 110 1987 onwards  
**Page** AFBHKC1A

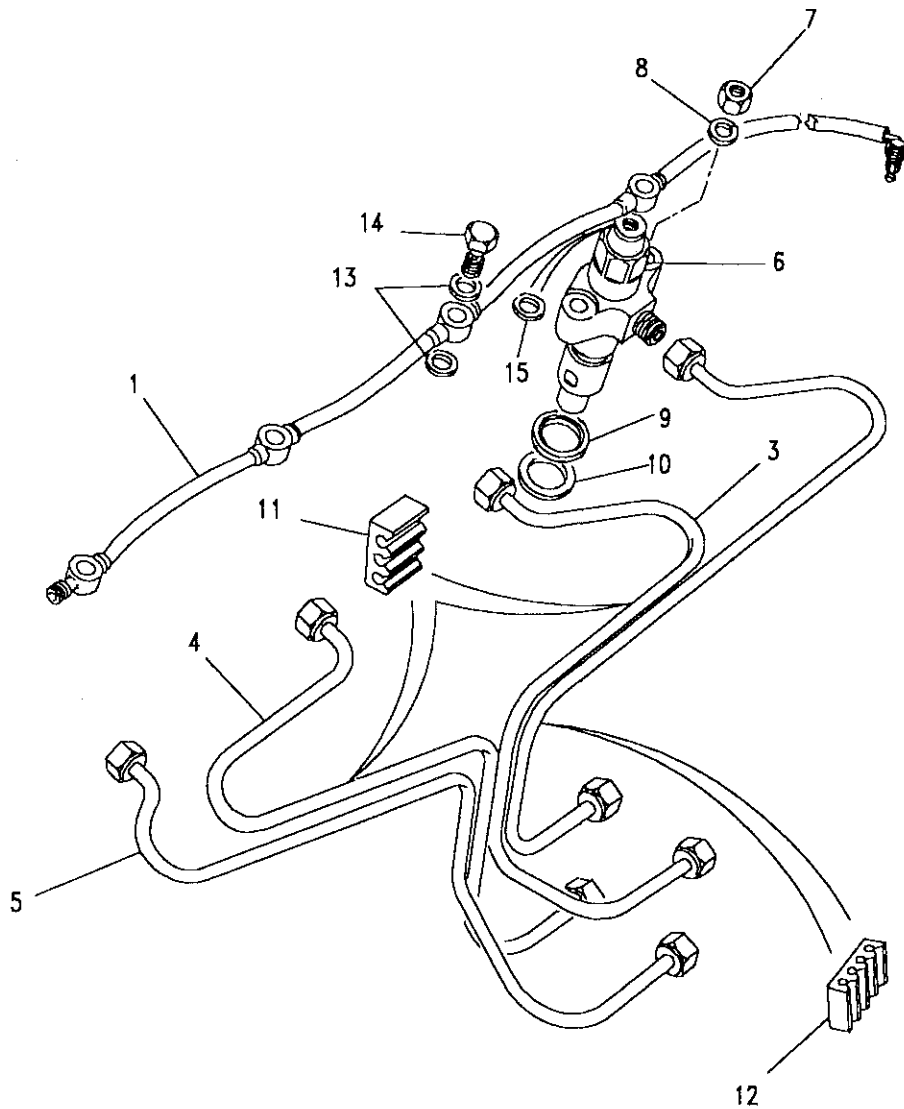
**ENGINE - INJECTOR PUMP - 2.5 DIESEL TURBO**



III. Part No.	Description	Qty	Remarks
1	ETC7136	1	Pump distributor
	ETC7136E	1	Pump distributor-exchange
2	ETC4070	1	Bracket support-pump
3	WA108051L	1	Washer-pump to bracket
4	SH108251L	2	Screw-pump to bracket
5	NY108041L	1	Nut-pump to bracket
6	NH108041L	1	Nut
7	WA108051L	3	Washer
8	ETC5717	3	Pulley
9	RTC5077	1	Key-pulley
10	NH112041L	1	Nut-fixing pulley
11	ETC6675	1	Lever throttle assembly
12	ETC4417	1	Link throttle assembly
13	NH105041L	1	Nut
14	WA105001L	2	Washer
15	ERR3617	3	Gasket injection pump
16	BAU4611L	1	Switch-fuel cut off
17	ETC4752	1	Sleeve-locking speed stop
	ETC7091	1	Bolt banjo
	517976	2	Washer joint
18	RTC5891	2	Spring-throttle return
		1	

Model DEFENDER 110 1987 onwards  
 Page AFBHKE1A

ENGINE - INJECTORS AND PIPES - 2.5 DIESEL TURBO



III. Part No.	Description	Qty	Remarks
1	ERR1259	1	Note(1)
2	ETC4291	1	Pipe-injector No.1
3	ETC4292	1	Pipe-injector No.2
4	ETC4293	1	Pipe-injector No.3
5	ETC4294	1	Pipe-injector No.4
6	ERR1266	4	Injector
	564332E	4	Injector exchange
	247726	4	Nozzle
7	NH108041L	8	Nut
8	WL108001L	8	Washer spring
9	12H220L	4	Washer
10	247179	4	Washer joint
11	ETC4156	2	Clip-injector pipes
12	ETC4308	1	Clip-injector pipes
13	273069	8	Washer joint
14	273521	4	Banjo-injectors
15	517976	4	Washer joint-banjos

Note(1) ERR1259 screws directly into the pump-olive and male nut.



DEFENDER 110 1987 onwards

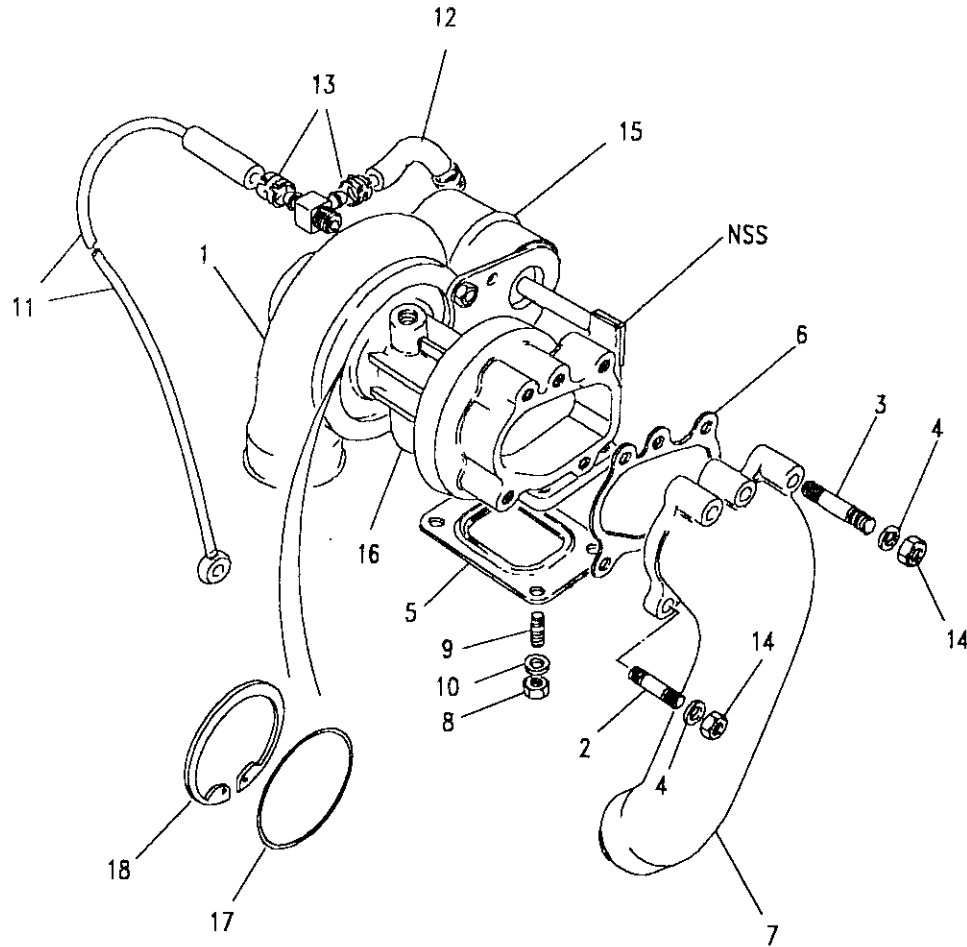
151

ENGINE

Model DEFENDER 110 1987 onwards  
Page AFBHLA1B

ENGINE - TURBO CHARGER - 2.5 DIESEL TURBO

III. Part No.	Description	Qty	Remarks
1	STC99N	1	Turbo charger
	STC99E	1	Turbo Charger - exchange
2	RTC6094	1	Stud-M8x32
3	RTC6093	1	Stud-M8x48
	ERR1125	4	Bolt banjo-turbo/charger
	FRC4808	1	Washer joint
4	WA108051L	2	Washer-stud
5	ETC5710	5	Gasket-turbo to exhaust
6	ETC5898	1	Gasket
7	ETC7058	1	Elbow-exhaust outlet
8	ETC7184	1	Nut
9	ETC7667	4	Nut
10	WA108051L	4	Washer
	ETC7186	4	Lockplate-fix/exh-man
11	ETC7331	2	Pipe assembly
	ERR1260	1	Pipe assembly
12	RTC5099	1	Hose-comp/to actuator
13	UKC3803L	1	Hose band
14	NH108041L	3	Nut-turbo exhaust outlet
15	RTC6543	4	Actuator assembly
16	RTC6540	1	Housing centre
17	RTC6541	1	O ring
18	RTC6542	1	Snap ring



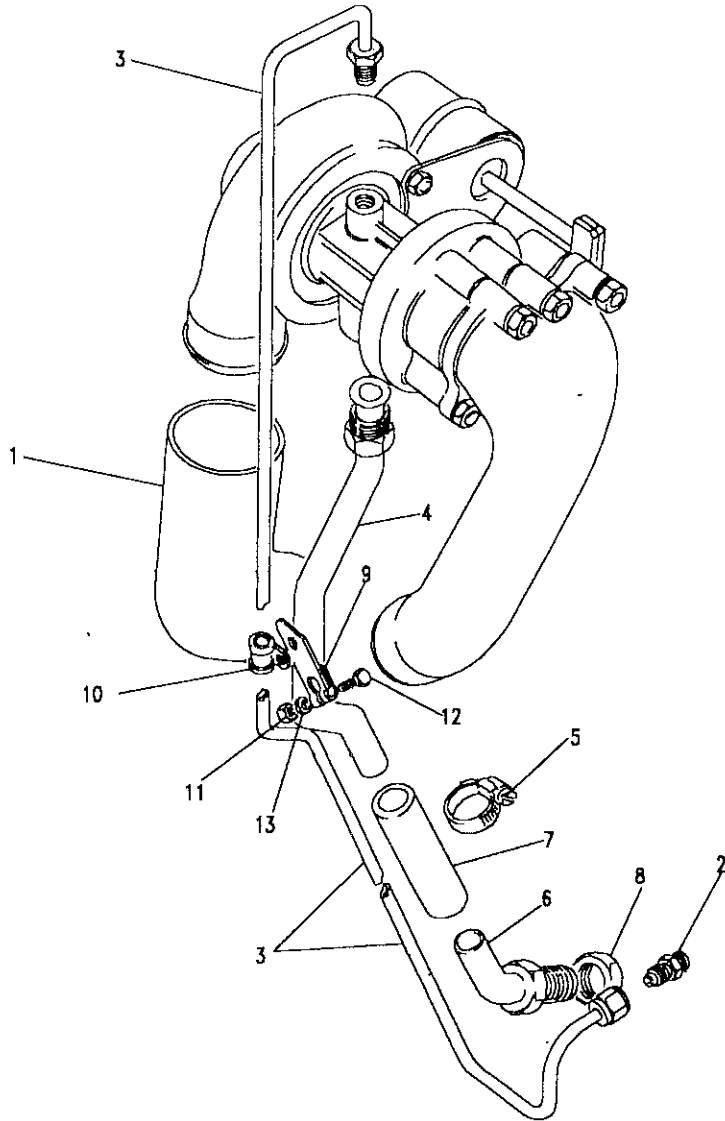
Upto 19J35152C  
From 19J35153C





**Model** DEFENDER 110 1987 onwards  
**Page** AFBHLA2A

**ENGINE - TURBO CHARGER - 2.5 DIESEL TURBO**



Ill. Part No.	Description	Qty	Remarks
1	ETC5752 Hose	1	
2	ETC5755 Adaptor	1	
	ETC8820 Adaptor	1	From19J29574C
3	ETC7207 Pipe oil feed	1	
	ERR3495 Pipe oil inlet	1	
4	ETC7654 Pipe oil drain	1	
	ERR3494 Pipe oil drain	1	
5	CN100258L Clip hose	2	
6	ETC6640 Adaptor	1	
	ERR335 Adaptor	1	)From19J29574CC
	ERR896 Washer	1	
	CP110161 P Clip	1	
7	ETC6663 Hose-oil drain	1	
	UKC3796L Clamp hose	1	
8	ETC6669 Lock nut	1	
9	ETC8666 Bracket-oil feed pipe	1	
	ETC7351 Bracket-oil feed pipe	1	From19J29574C
10	ETC7558 Clip cable	1	
	ETC8843 Clip cable	1	From19J29574C
11	NH105041L Nut	1	
12	SH105251L Screw	1	
13	WA105001L Washer	1	







DEFENDER 110 1987 onwards

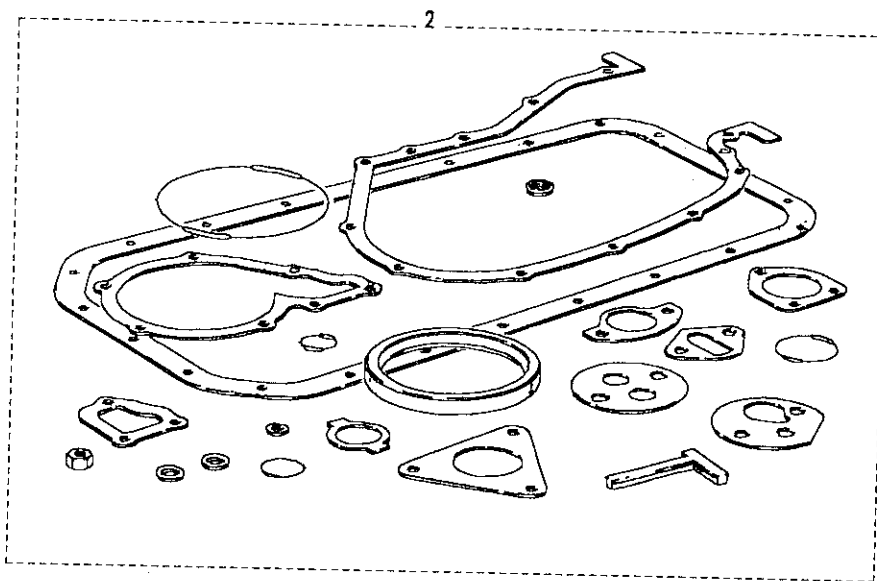
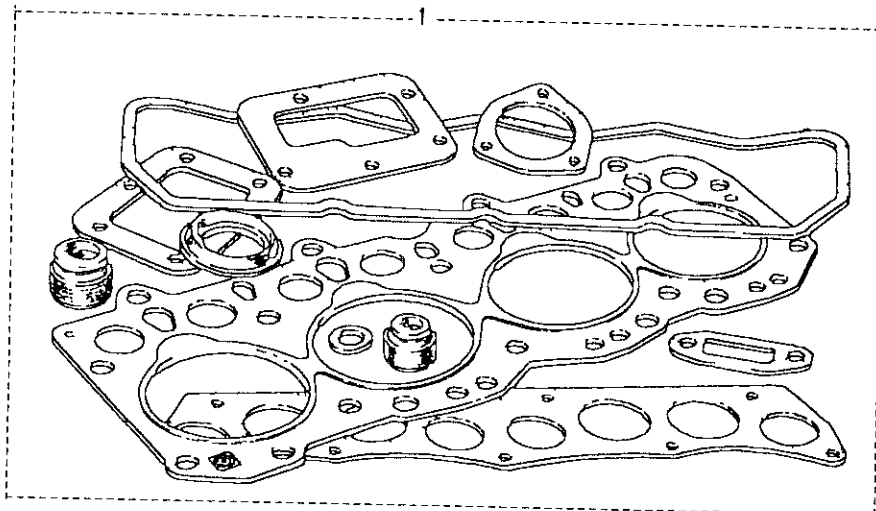
153

ENGINE

Model DEFENDER 110 1987 onwards  
Page AFBHMA1A

ENGINE - GASKET KIT - 2.5 DIESEL TURBO

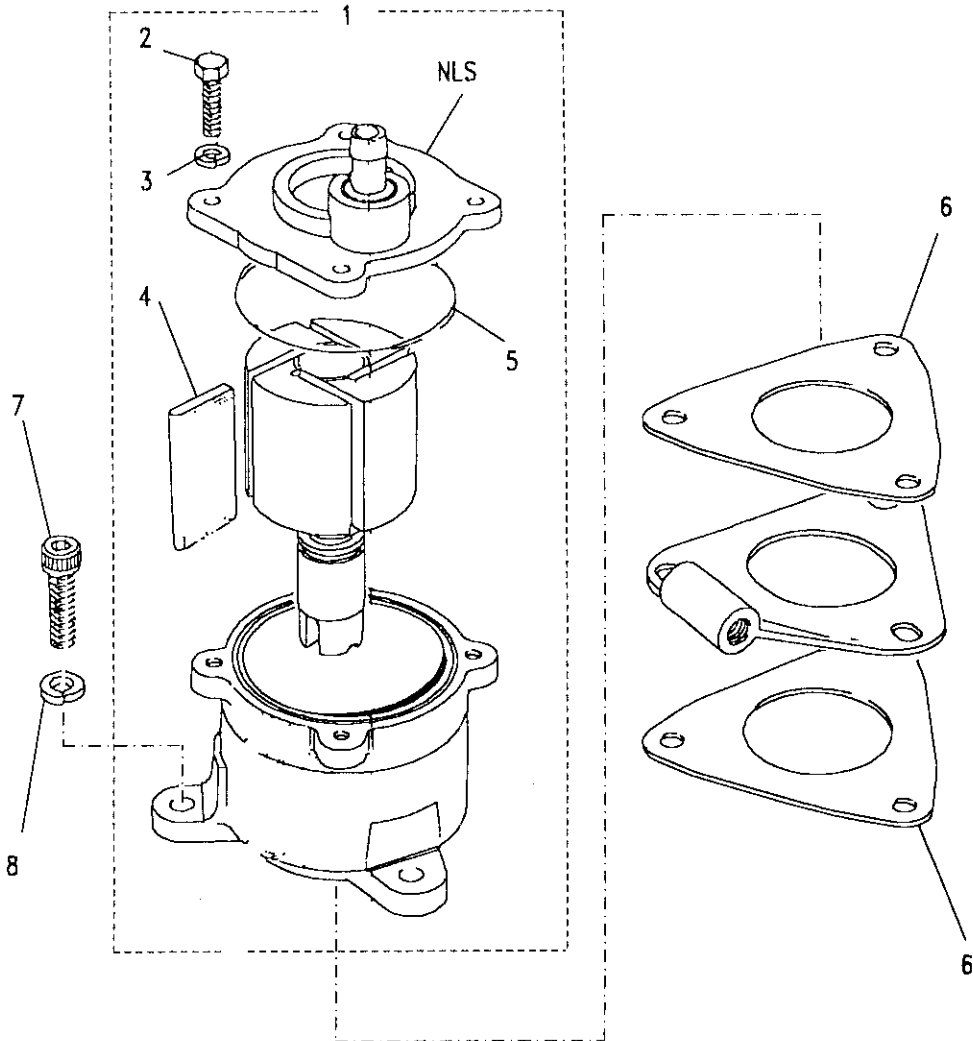
III. Part No.	Description	Qty	Remarks
1 RTC5774	Kit gasket decarbonising	1	
2 RTC5775	Kit gasket overhaul	1	
STC1558	Kit gasket overhaul	1	Asbestos free



Model DEFENDER 110 1987 onwards  
 Page AFBHNA1A

ENGINE - VACUUM PUMP - 2.5 DIESEL TURBO

III. Part No.	Description	Qty	Remarks
1	ERR535	1	Pump vaccum assembly
2	AEU2720	4	Bolt
3	WL106001L	4	Washer-spring-end/plate/
4	AEU2718	4	Blades rotor
5	AEU2719	1	O ring-end plate to body
6	ETC4616	2	Gasket
7	SS108301L	3	Bolt
8	WM600051L	3	Washer





DEFENDER 110 1987 onwards

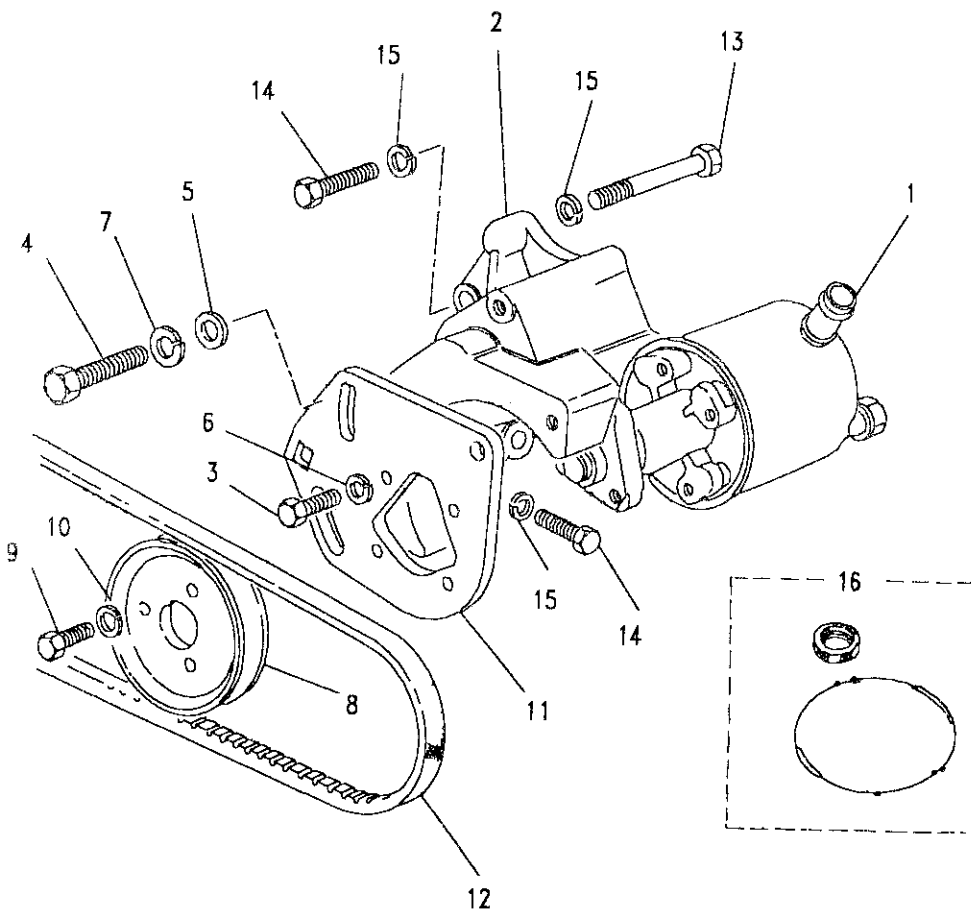
155

ENGINE

Model DEFENDER 110 1987 onwards  
Page AFBHNC1A

ENGINE - POWER STEERING PUMP - 2.5 DIESEL TURBO

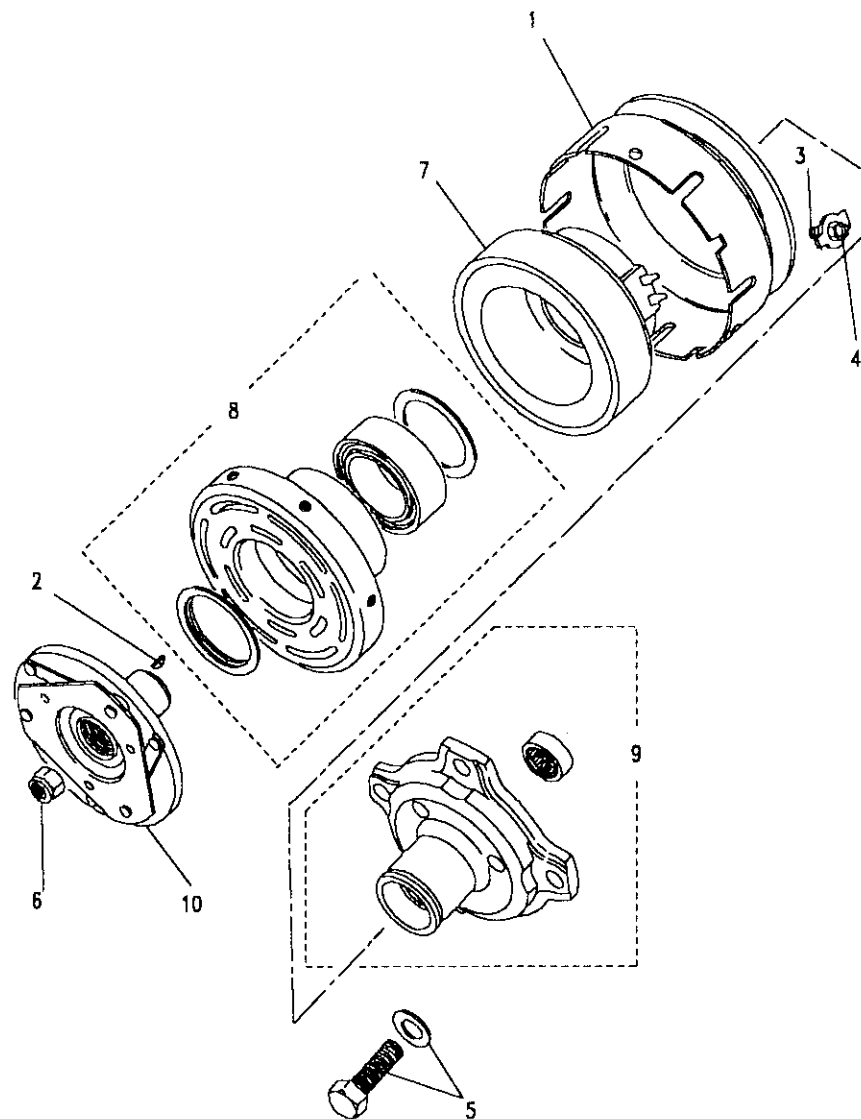
III. Part No.	Description	Qty	Remarks
1 ETC9077	Pump power steering	1	)Upto19J27245C
RTC5674	Banjo	1	)
RTC5675	Washer seating	1	)
1 NTC8287	Pump power steering	1	)From )19J27246c
1 NTC9070	Pump power steering	1	)Upto JULY 92
2 ERC6974	Bracket	1	From JULY1992
ETC8854	Bracket	1	Upto19J27245C
3 FS106201L	Screw-pump to bracket	4	From19J27246C
4 SH108251L	Screw-pump to bracket	3	
5 WA108051L	Washer-pump to bracket	2	
6 WL106001L	Washer spring	4	
7 WL108001L	Washer spring	3	
8 ETC5783	Pulley	1	
9 SH108141L	Screw-pulley to pump	3	
10 WL108001L	Washer spring	3	
11 ERR1976	Plate mounting	1	Upto JULY 1992
ERR2605	Plate mounting	1	From JULY 1992
12 ETC5815	Belt-power steering pump	1	
13 BH108181L	Bolt	1	
14 SH108251L	Screw	2	
SH108301L	Screw	1	
15 WL108001L	Washer spring	4	
16 RTC5935	Kit seal (ETC9077)	1	
STC1633	Kit seal (NTC9070)	1	



Model DEFENDER 110 1987 onwards  
 Page AFBHNE1A

ENGINE - AIRCON COMPRESSOR - 2.5 DIESEL - TURBO

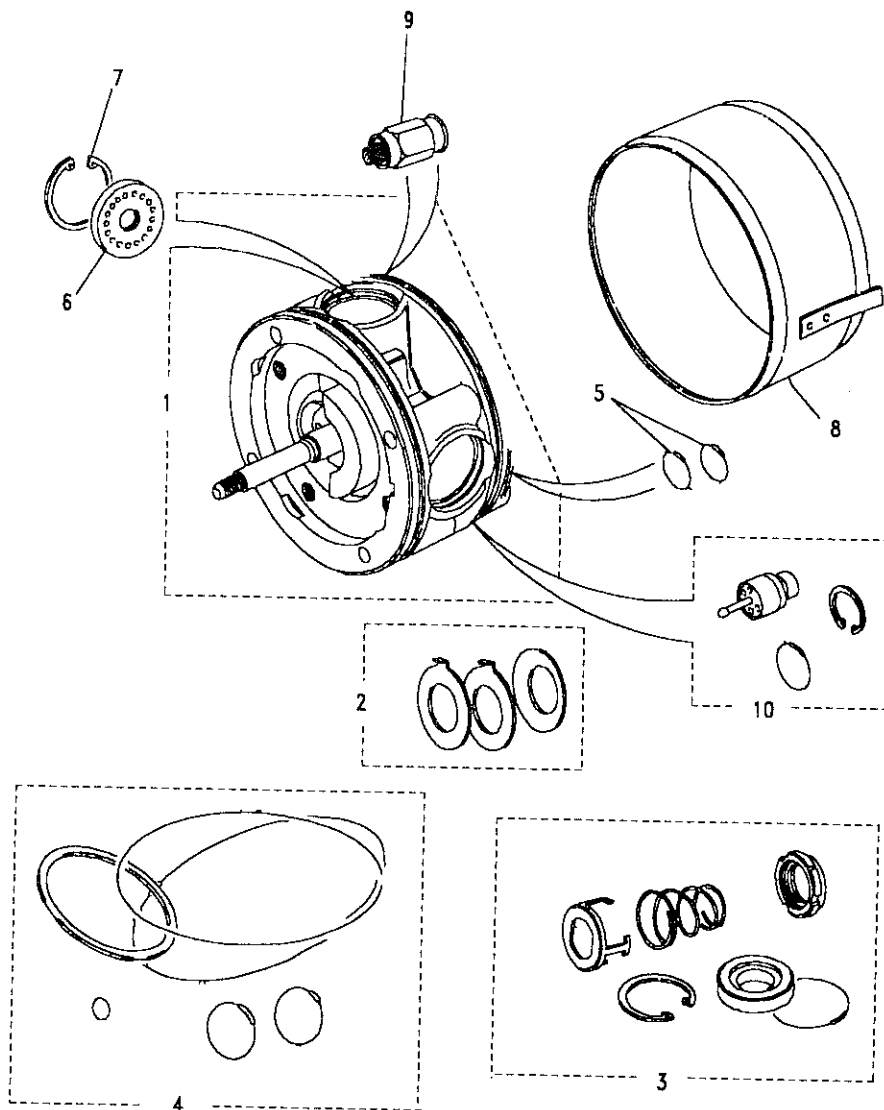
III. Part No.	Description	Qty	Remarks
ERC6480	Compressor assembly	1	
1 AEU1782	Pulley	1	
2 AEU1694	Key-clutch hub	1	
3 AEU1780	Screw-rim mounting	6	
4 AEU1779	Washer-rim mounting	6	
5 AEU1784	Screw	4	
6 AEU1775	Nut-shaft	1	
7 AEU1778	Coil	1	
8 AEU1777	Rotor	1	
9 AEU1785	Bearing assembly	1	
10 AEU1776	Clutch assembly	1	





Model DEFENDER 110 1987 onwards  
 Page AFBHNE2A

ENGINE - AIRCON COMPRESSOR - 2.5 DIESEL TURBO



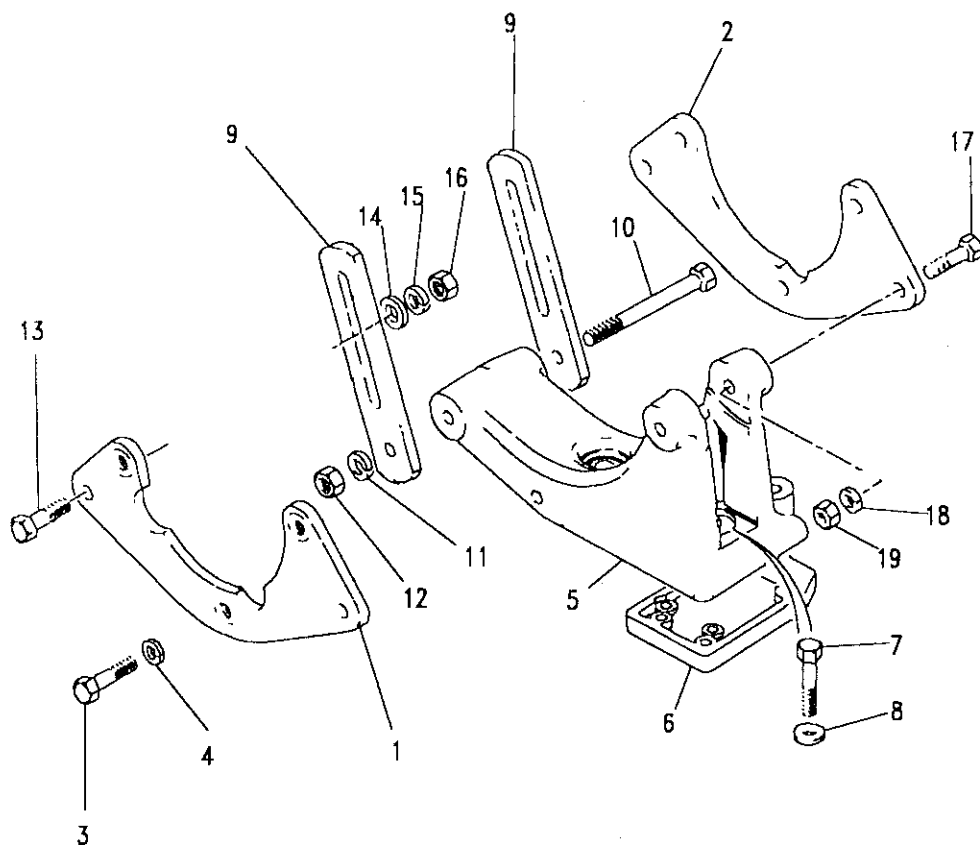
III. Part No.	Description	Qty	Remarks
ERC6480	Compressor assembly	1	
1 AEU1792	Kit-cylinder/shaft assy	1	
2 AEU1791	Kit-thrust washers	1	
3 AEU1790	Kit-shaft seal	1	
4 AEU1192	Kit-'O'rings	1	
5 AEU1690	'O'rings	2	
6 AEU1788	Valve plate assembly	4	
7 AEU1787	Ring retaining	4	
8 AEU1786	Shell assembly	1	
9 AEU1689	Valve pressure	1	
10 AEU1688	Kit-superheat switch	1	
ETC4371	Belt-driving	1	
AEU1691	Oil-525 Vis/2pt-(1136ml)	A/R	



Model DEFENDER 110 1987 onwards

Page AFBHNE3A

ENGINE - COMPRESSOR FIXINGS - 2.5 DIESEL TURBO



III. Part No.	Description	Qty	Remarks
1	ERC7082	1	Plate mounting-front
2	ERC5152	1	Plate mounting-rear
3	BH110201L	3	Bolt-compressor to plate
4	WL110001L	3	Washer spring
5	ETC4882	1	Bracket
6	ETC4197	1	Plate adaptor-bracket
7	BH110101L	4	Bolt-bracket to cover
8	WA110061L	4	Washer
9	ERC5155	2	Link adjuster
10	BH108181L	1	Bolt-link to bracket
11	WL108001L	1	Washer spring
12	NH108041L	1	Nut
13	SH108251L	2	Screw-link to plate
14	WA108051L	2	Washer
15	WL108001L	2	Washer spring
16	NH108041L	2	Nut
17	FB108081L	2	Bolt-bracket to plate
18	WL108001L	2	Washer spring
19	NH108041L	2	Nut



DEFENDER 110 1987 onwards

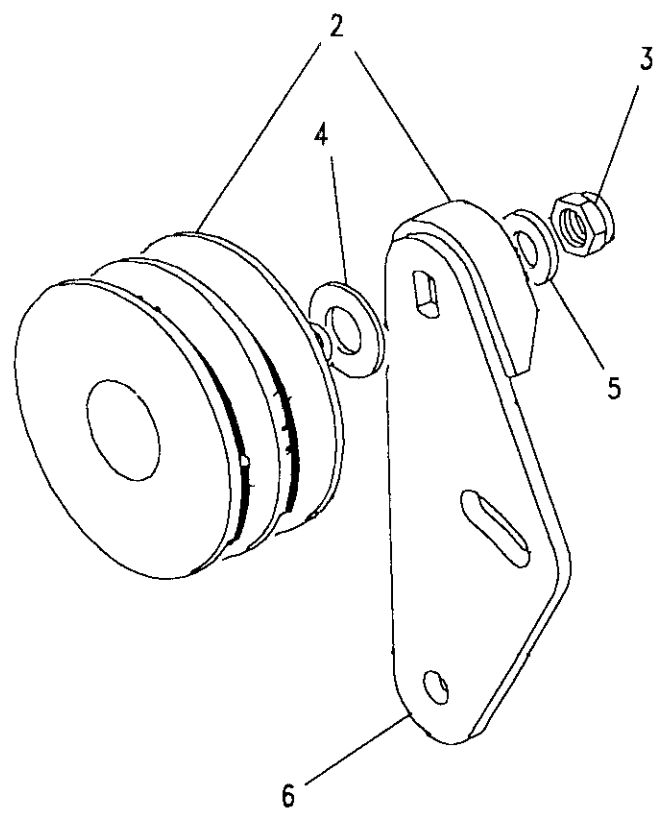
159

ENGINE

**Model** DEFENDER 110 1987 onwards  
**Page** AFBHNE4A

**ENGINE - AIRCON IDLER PULLEY - 2.5 DIESEL TURBO**

III. Part No.	Description	Qty	Remarks
1	ETC7756	1	Pulley damper assembly
2	554971	1	Pulley
3	RTC6077	1	Nut
4	4095	1	Washer plain
5	WB108051L	1	Washer plain
6	ETC4212	1	Plate mounting

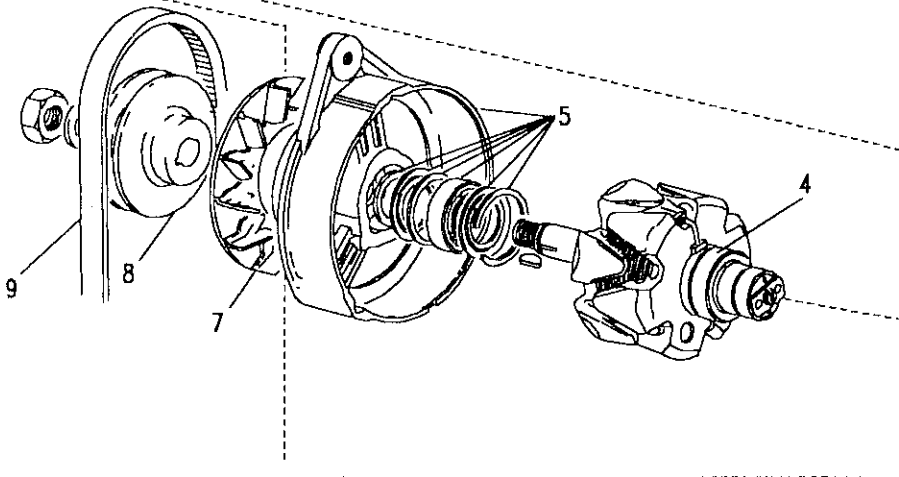
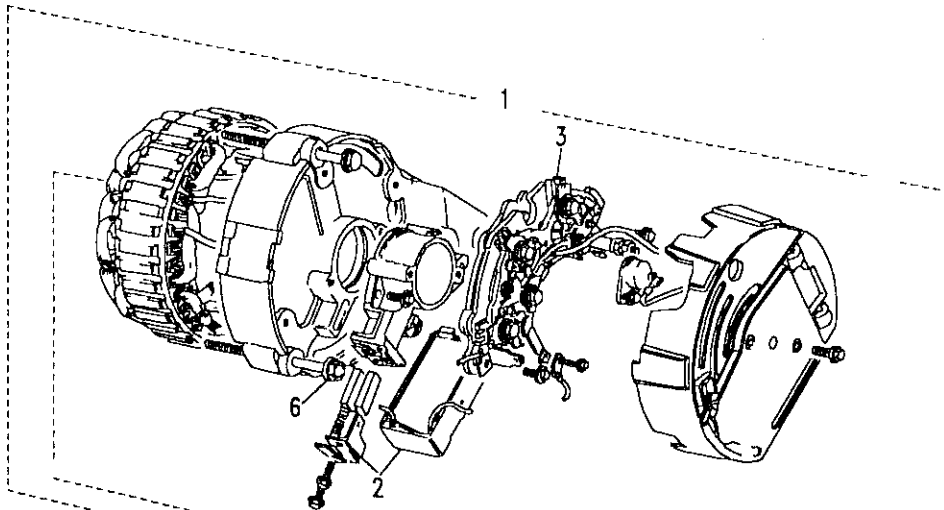


Model DEFENDER 110 1987 onwards  
 Page AFBHPC1A

**ENGINE - ALTERNATOR - 2.5 DIESEL TURBO**

III. Part No.	Description	Qty	Remarks
1	RTC5682N	1	Note(1)
	RTC5682E	1	
2	RTC5670	1	
3	RTC5684	1	
4	RTC5926	1	
5	RTC5687	1	
6	RTC5925	1	
7	RTC5685	1	
8	RTC5686	1	
9	ETC7939	1	
	RTC5689	1	

Note(1) LUCAS number 24199



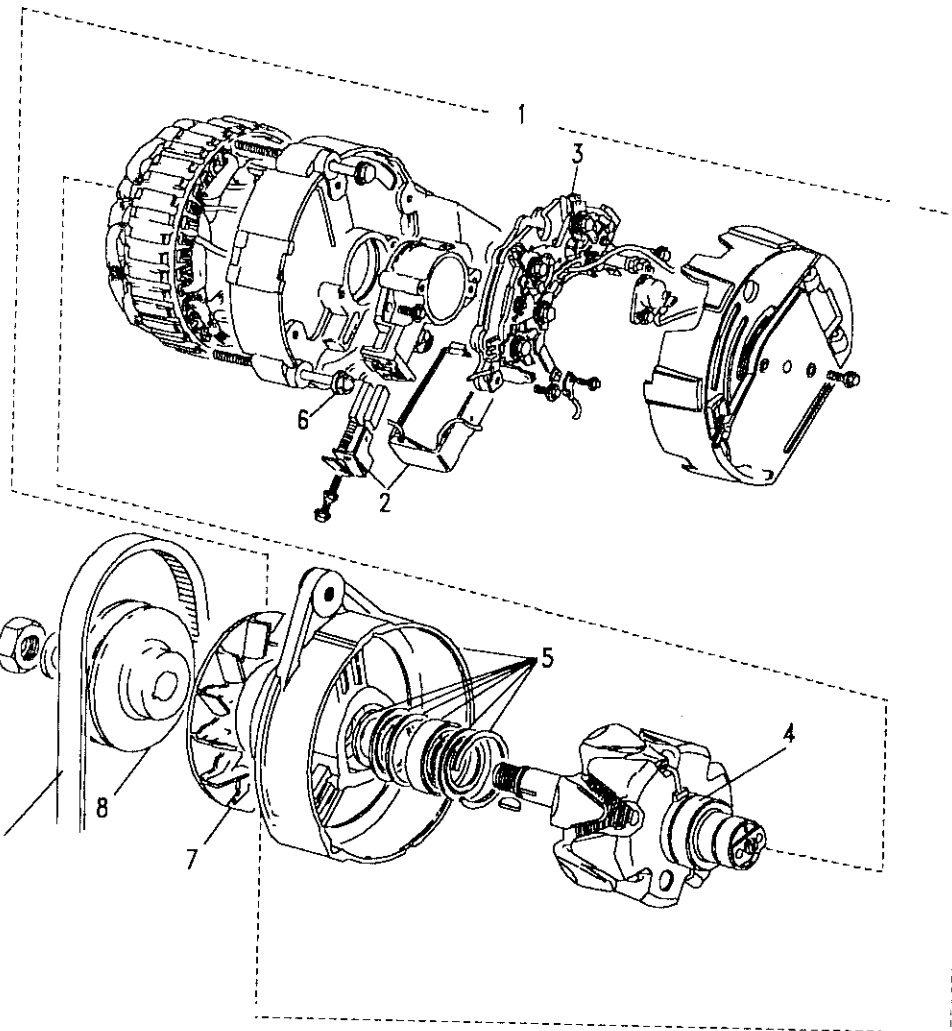


**Model** DEFENDER 110 1987 onwards  
**Page** AFBHPC2A

**ENGINE - ALTERNATOR - 2.5 DIESEL TURBO - AIR CON**

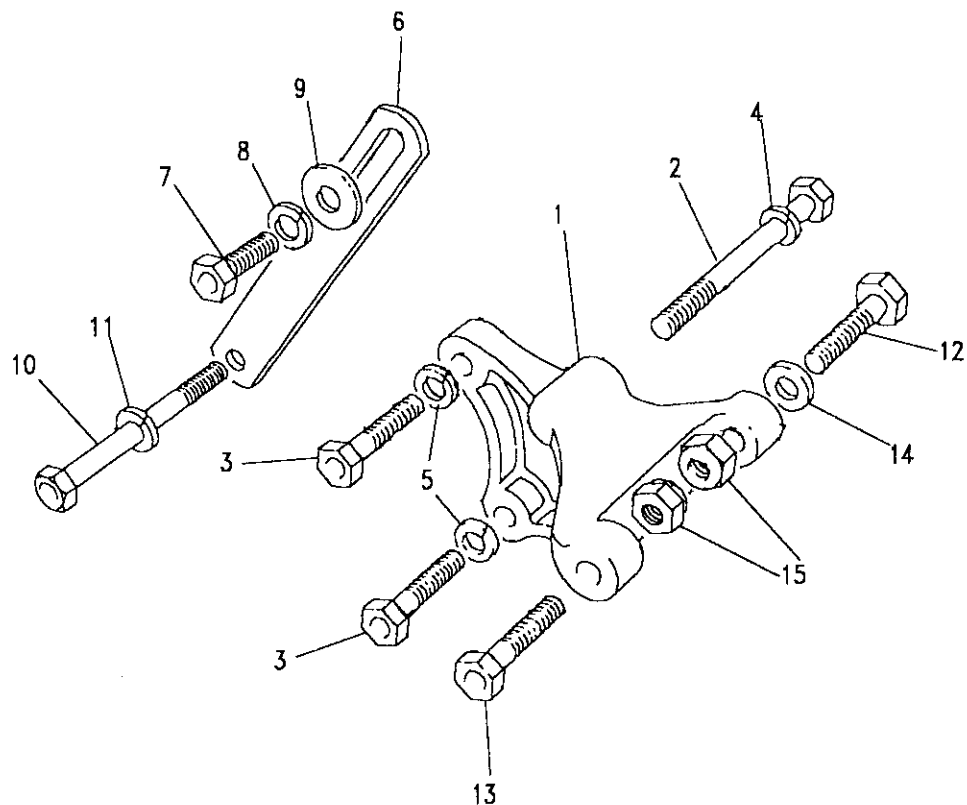
III. Part No.	Description	Qty	Remarks
1	RTC5680N	1	Note(1)
	RTC5680E	1	
2	RTC5670	1	
3	RTC5671	1	
4	RTC5926	1	
5	RTC5687	1	
6	RTC5925	1	
7	AAU2249L	1	
8	RTC5686	1	
9	ETC7939	1	
	RTC5689	1	

Note(1) LUCAS number 24220



**Model** DEFENDER 110 1987 onwards  
**Page** AFBHPC3A

**ENGINE - FIXINGS ALTERNATOR - 2.5 DIESEL TURBO**



III. Part No.	Description	Qty	Remarks
1	ETC4357	1	Bracket-mounting
2	BH108161L	1	Bolt-bracket to block
3	SH110301L	2	Bolt-bracket to block
4	WL108001L	1	Washer spring
5	WL108001L	2	Washer spring
6	ERC6266	1	Link-adjusting
7	FS108207L	1	Screw-link to alternator
8	WL108001L	1	Washer spring
9	2266L	1	Washer
10	ERC8964	1	Bolt-link to block
11	WL108001L	1	Washer spring
12	FB108081L	1	Bolt-bracket to block
13	BH108091L	1	Bolt-bracket to block
	ERC7974	1	Spacer
14	WC108051L	1	Washer
15	NY108041L	2	Nut nyloc



DEFENDER 110 1987 onwards

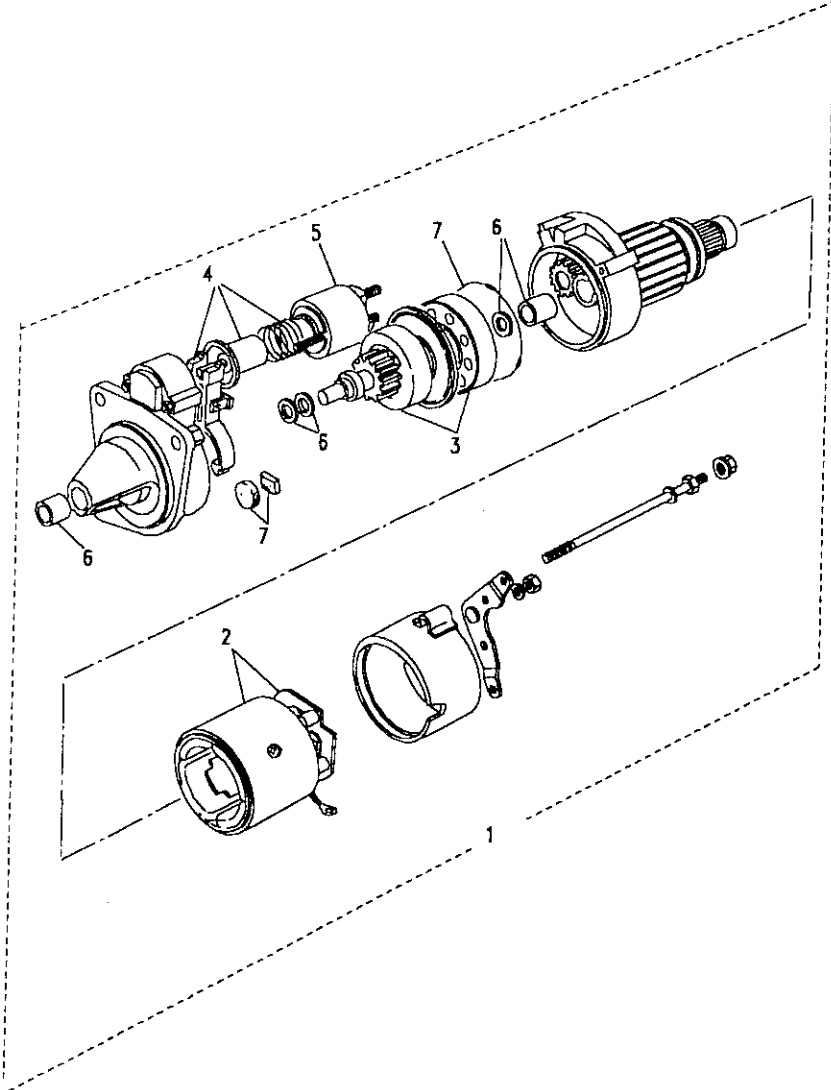
163

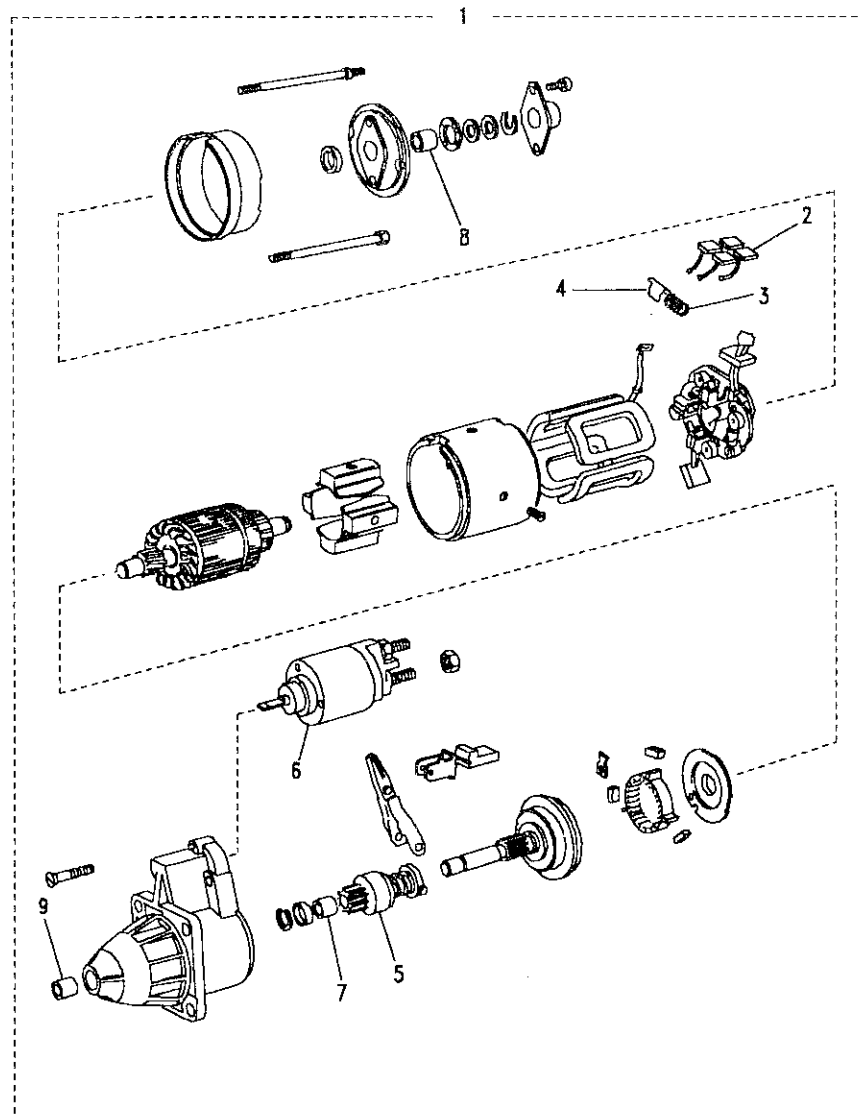
ENGINE

Model DEFENDER 110 1987 onwards  
Page AFBHPE1A

ENGINE - STARTER MOTOR - 2.5 DIESEL TURBO

III. Part No.	Description	Qty	Remarks
<b>Used up to JAN 1993</b>			
1	PRC5109N PRC5109E	1	Starter motor Starter motor exchange
2	RTC4981	1	Inductor
3	RTC4982	1	Pinion drive assembly
4	RTC4979	1	Lever shift assembly
5	RTC4978	1	Solenoid
6	RTC4980	1	Kit repair
7	RTC4983	1	Kit gasket
	PRC5538	1	Earth cable
	SH110301L	1	Screw-starter to flywheel
	NH110041L	2	Nut-starter to flywheel
	WL110001L	3	Washer spring
	BH110091L	4	Bolt-starter to flywheel





Model DEFENDER 110 1987 onwards

Page AFBHPE2A

ENGINE - STARTER MOTOR - 2.5 DIESEL TURBO

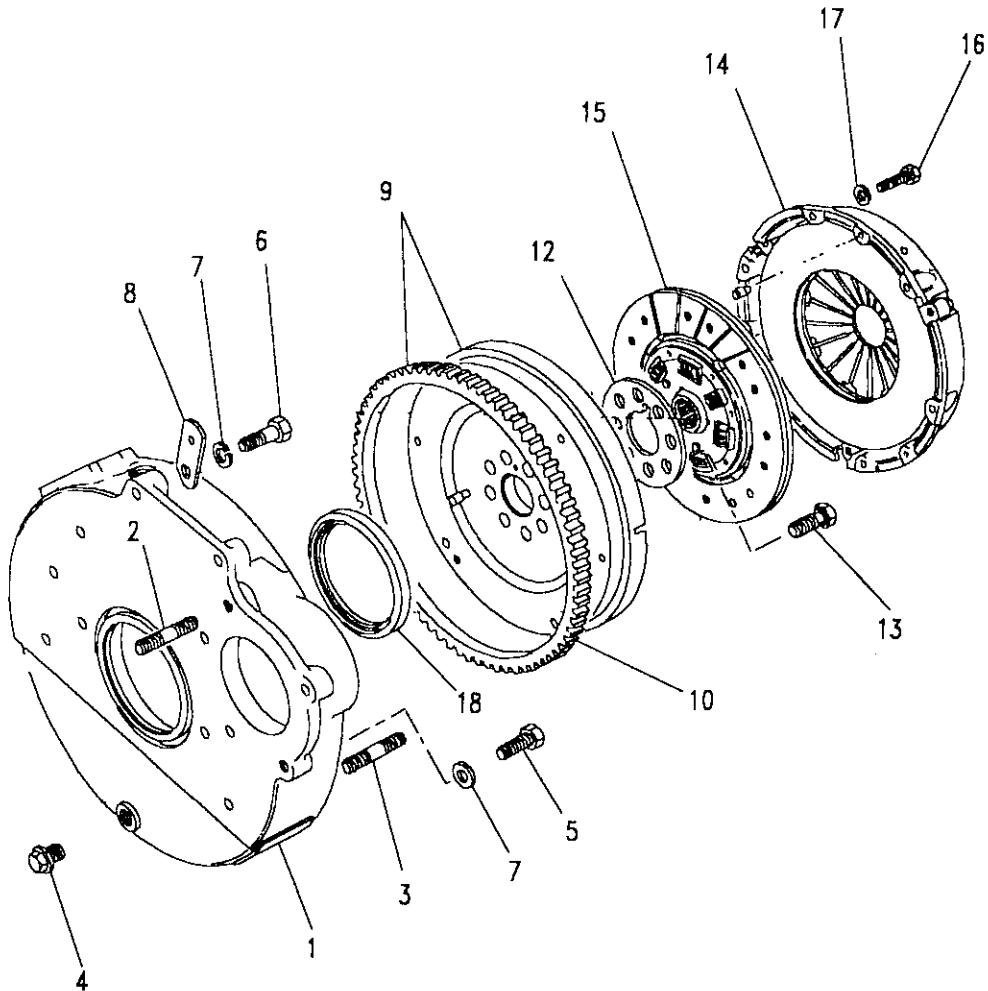
III. Part No.	Description	Qty	Remarks
---------------	-------------	-----	---------

Used from JAN 1993

1	ERR5009	1	Starter motor
2	STC1246	1	Brush set
3	STC1254	4	Spring compression
4	STC1247	4	Guide brush
5	STC1244	1	Drive assembly
6	STC1245	1	Solenoid
7	STC1250	2	Bush
8	STC1251	1	Bush
9	STC1255	1	Bush

Model DEFENDER 110 1987 onwards  
 Page AFBHRA1A

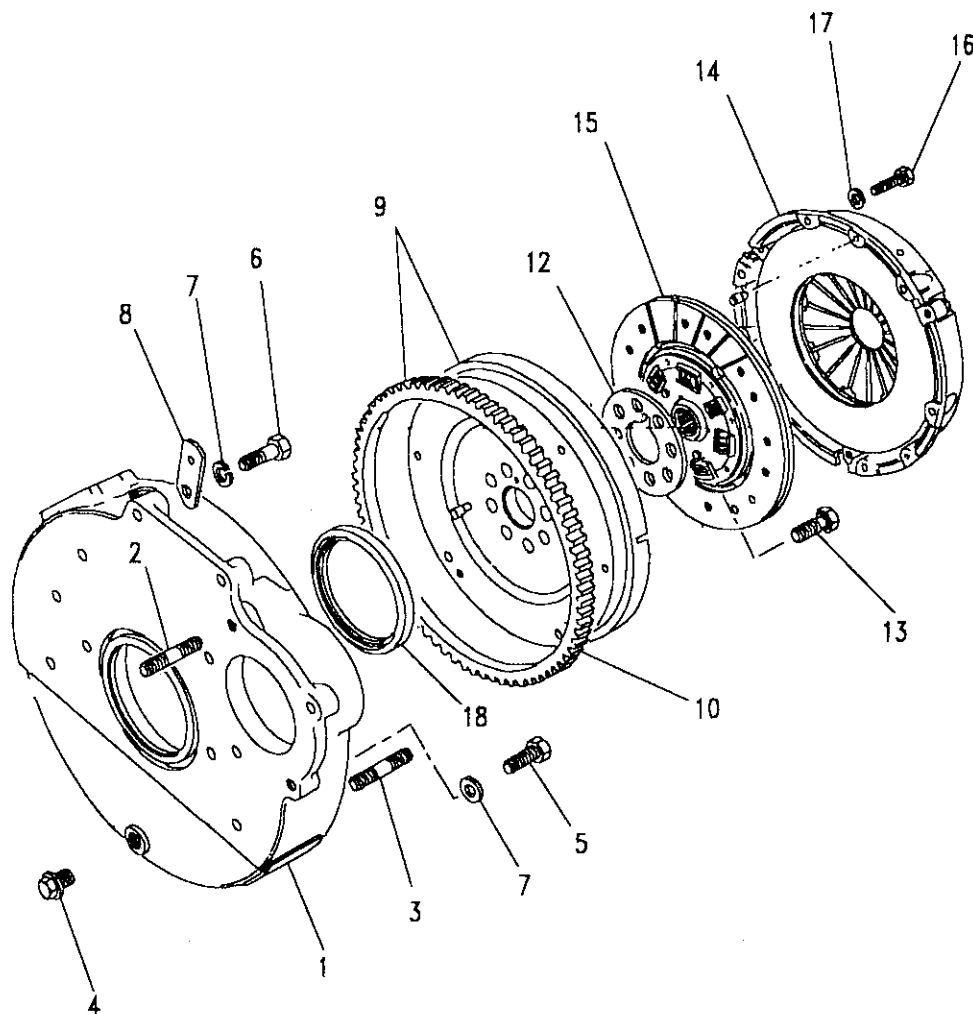
ENGINE - FLYWHEEL & CLUTCH - 2.5 DIESEL TURBO



III. Part No.	Description	Qty	Remarks
1	ETC7336	1	Housing flywheel assembly
2	TE110061L	11	Stud-bell housing
3	ERC9240	1	Stud-starter motor
4	ERC7295	1	Plug
5	SH110301L	6	Screw-housing to block
6	BH110091L	2	Bolt-housing to block
7	WA110061L	8	Washer-housing to block
8	ERC9404	2	Bracket-harness clip
9	ETC5780	1	Flywheel assembly
10	568431	1	Starter ring
11	502116	3	Dowel

**Model** DEFENDER 110 1987 onwards  
**Page** AFBHRA1A

**ENGINE - FLYWHEEL & CLUTCH - 2.5 DIESEL TURBO**



III. Part No.	Description	Qty	Remarks
12 ERC4658	Plate reinforcement	1	Note(1)
13 ERC6551	Bolt-flywheel to crank	8	Note(1)
ERR4574	Bolt flywheel	8	From Dec 93
14 FTC575	Cover clutch	1	
15 FTC2149	Plate clutch	1	
STC8358	Kit clutch	1	
FTC575	Cover	1	
FTC2149	Plate	1	
FRC9568	Bearing	1	
16 SX108201L	Screw	6	
17 WL108001L	Washer spring	6	
18 ERR2532	Seal oil	1	

Note(1) Only fitted up to Dec 93. The reinforcing plate was found to serve no useful purpose. If replacing use shorter screws ERR4574



## MASTER INDEX

	PAGES	GROUP B ENGINE
INTRODUCTION PAGES	1 - 7	
ALPHABETICAL INDEX	8 - 16	
ENGINE	17 - 66	ENGINE
ENGINE	67 - 119	ENGINE COMPLETE - 200 TDI 168
ENGINE	120 - 166	ENGINE STRIPPED - 200 TDI 169
ENGINE	167 - 209	ENGINE SHORT - 200 TDI 170
ENGINE	210 - 245	CYLINDER BLOCK - 200 TDI 171
ENGINE	246 - 299	JET ADAPTORS - 200 TDI 172
GEARBOX	300 - 326	SIDE COVER - 200 TDI 173
GEARBOX	327 - 344	CRANKSHAFT - 200 TDI 174
GEARBOX	345 - 359	PISTONS AND RINGS - 200 TDI 175
TRANSFER BOX	360 - 378	SUMP/LADDER FRAME - 200 TDI 176
TRANSFER BOX	379 - 397	ENGINE MOUNTINGS - 200 TDI 177
AXLES AND SUSPENSION	398 - 444	FRONT COVER - 200 TDI 178
STEERING	445 - 471	TIMING BELT - 200 TDI 179
VEHICLE AND ENGINE CONTROLS	472 - 486	WATER PUMP - 200 TDI 180
BRAKES	487 - 517	OIL PUMP - 200 TDI 181 - 182
FUEL SYSTEM AND AIR CLEANER	518 - 579	OIL FILTER - 200 TDI 183
EXHAUST SYSTEM	580 - 593	CYLINDER HEAD - 200 TDI 184 - 185
COOLING/HEATING	594 - 637	ROCKER SHAFT - 200 TDI 186
COOLING/HEATING	638 - 641	VALVES AND TAPPETS - 200 TDI 187
COOLING/HEATING	642 - 649	ROCKER COVER - 200 TDI 188
COOLING/HEATING	650 - 655	CYCLONE BREATHER ASSEMBLY - 200 TDI 189
COOLING/HEATING	656 - 666	CAMSHAFT - 200 TDI 190
BODY ELECTRICAL	667 - 740	THERMOSTAT HOUSING - 200 TDI 191
BODY AND CHASSIS	741 - 909	MANIFOLDS - 200 TDI 192
INTERIOR TRIM	910 - 955	FUEL PUMP - 200 TDI 193
SEATS	956 - 1036	INJECTION PUMP - 200 TDI 194
STOWAGE	1037 - 1046	INJECTORS AND PIPES - 200 TDI 195
ACCESSORIES - PAINTS	1047 - 1074	TURBO CHARGER - 200 TDI 196 - 197
NUMERICAL INDEX	1076 - 1151	GASKET KITS - 200 TDI 198
		VACUUM PUMP - 200 TDI 199
		POWER STEERING PUMP - 200 TDI 200
		AIRCON COMPRESSOR - 200 TDI 201 - 202
		COMPRESSOR FIXINGS - 200 TDI 203
		AIRCON IDLER PULLEY - 200 TDI 204
		ALTERNATOR - 200 TDI 205
		FIXINGS ALTERNATOR - 200 TDI 206
		STARTER MOTOR - 200 TDI 207 - 208
		FLYWHEEL & CLUTCH - 200 TDI 209

