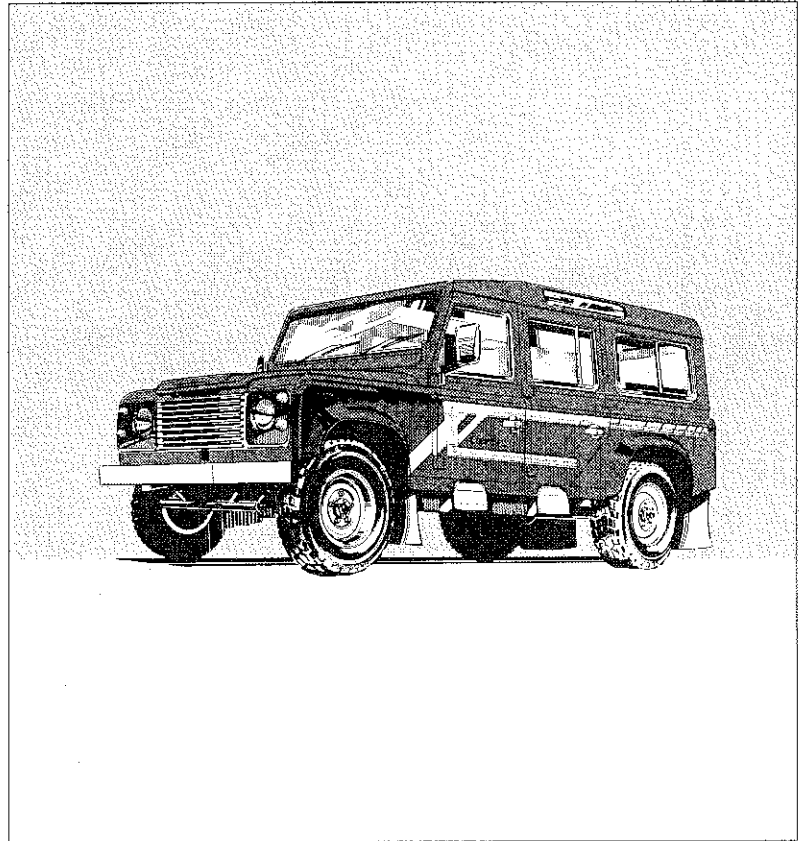


**Parts Catalogue**  
**Land Rover One Ten**

**1987 Model Year**



PART NO RTC9932CE

AUGUST 1994.



**GENUINE  
PARTS**



DEFENDER 110 1987 onwards

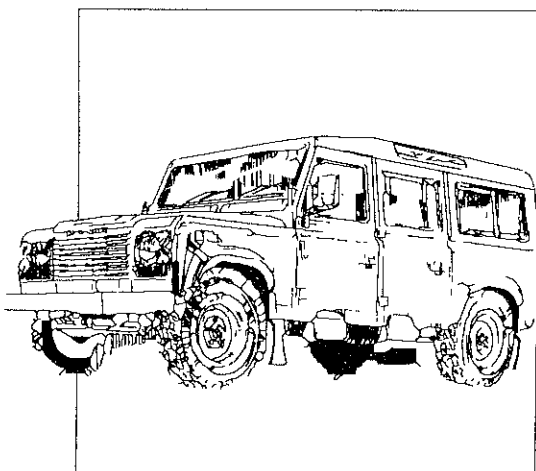
1

INTRODUCTION PAGES

## PARTS CATALOGUE

Part No. RTC9932 CE

Aug 1994



Whilst every effort is made to ensure the accuracy of the particulars contained in this Catalogue, modifications and vehicle specification changes may affect the information specified. No responsibility is accepted for the incorrect supply of parts or any other consequence that may arise as a result of information in this Catalogue not being in accord with modifications or vehicle specification changes which are subsequent to the date of this catalogue. Also no responsibility is accepted for the incorrect supply of parts or any other consequence that may arise as a result of any misinterpretation of the information specified in this Catalogue.

© LAND ROVER UK LTD 1994

All rights reserved. No part of this publication may be reproduced, stored in a retrieval system or transmitted, in any form, electronic, mechanical, photocopying, recording or other means without prior written permission from Land Rover Parts Ltd.

## DEFENDER 110



SERIAL NUMBER IDENTIFICATIONENGINES-Diesel

12J00001C 2.5 N.A

19J00001C 2.5 Turbo

11L00001 200 TDI 1991 MY

16L00001A 300 TDI 1995 MY

ENGINES-Petrol

20G00001 3.5 Litre V8 8.13.1 CR NON DETOXED

24G00001 3.5 Litre V8 8.13.1 CR DETOXED

17H00001C 2.5

GEARBOX-LT85 Manual Type

20C00001 5 Speed V8 Carb

22C00001 5 Speed V8 Carb

GEARBOX-LT77 Manual Type

50A00001 5 Speed 4 Cylinder

GEARBOX-LT77S Manual Type

56A00001 5 Speed 200 TDI 1991 MY

60A00001 5 Speed V8

61A00001 5 Speed V8 with Oil Cooler

TRANSFER GEARBOX-LT230T Type

20D00001 4 Cylinder Petrol/Diesel

22D00001 4 Cylinder Diesel Turbo

25D00001 V8 Petrol

TRANSFER GEARBOX-LT230T Type used onLT77S GEARBOX

32D00001 4 Cylinder Petrol/Diesel and V8

GEARBOX-R380 Manual Type

50A00001J 300 TDI

60A00001J V8

61A00001J V8 COOLED

50A00001J 4Cyl (Not TDI)





## AXLE SERIAL NUMBERS

### FRONT

20L00001A RHS

21L00001A LHS

63L00001A RHS

64L00001A LHS

### REAR

21S0001A

38S00001A HEAVY DUTY

39S00001A STANDARD





| VIN CODE         | ENGINE           | GEARBOX | STEERING |
|------------------|------------------|---------|----------|
| HOOD/CAB/HARDTOP |                  |         |          |
| SALLDHAD7**      | 2.5 PETROL       | 5 SPEED | RH STG   |
| SALLDHAD8**      | 2.5 PETROL       | 5 SPEED | LH STG   |
| SALLDHAC7**      | 2.5 DIESEL       | 5 SPEED | RH STG   |
| SALLDHAB7**      | 2.5 DIESEL TURBO | 5 SPEED | RH STG   |
| SALLDHAC8**      | 2.5 DIESEL       | 5 SPEED | LH STG   |
| SALLDHAB8**      | 2.5 DIESEL TURBO | 5 SPEED | LH STG   |
| SALLDHAV7**      | 3.5 PETROL       | 5 SPEED | RH STG   |
| SALLDHAV8**      | 3.5 PETROL       | 5 SPEED | LH STG   |

## STATION WAGON

|             |                  |         |        |
|-------------|------------------|---------|--------|
| SALLDHMD7** | 2.5 PETROL       | 5 SPEED | RH STG |
| SALLDHMD8** | 2.5 PETROL       | 5 SPEED | LH STG |
| SALLDHMC7** | 2.5 DIESEL       | 5 SPEED | RH STG |
| SALLDHMB7** | 2.5 DIESEL TURBO | 5 SPEED | RH STG |
| SALLDHMC8** | 2.5 DIESEL       | 5 SPEED | LH STG |
| SALLDHMB8** | 2.5 DIESEL TURBO | 5 SPEED | LH STG |
| SALLDHMV7** | 3.5 PETROL       | 5 SPEED | RH STG |
| SALLDHMV8** | 3.5 PETROL       | 5 SPEED | LH STG |

## HIGH CAPACITY PICK-UP

|             |                  |         |        |
|-------------|------------------|---------|--------|
| SALLDHH7**  | 2.5 PETROL       | 5 SPEED | RH STG |
| SALLDHH8**  | 2.5 PETROL       | 5 SPEED | LH STG |
| SALLDHC7**  | 2.5 DIESEL       | 5 SPEED | RH STG |
| SALLDHB7**  | 2.5 DIESEL TURBO | 5 SPEED | RH STG |
| SALLDHC8**  | 2.5 DIESEL       | 5 SPEED | LH STG |
| SALLDHB8**  | 2.5 DIESEL TURBO | 5 SPEED | LH STG |
| SALLDHHV7** | 3.5 PETROL       | 5 SPEED | RH STG |
| SALLDHHV8** | 3.5 PETROL       | 5 SPEED | LH STG |

\*\* BA - 87 MODEL YEAR

\*\* EA - 88 MODEL YEAR

\*\* FA - 89 MODEL YEAR

\*\* GA - 90 MODEL YEAR



DEFENDER 110 VEHICLE IDENTIFICATION NUMBERING  
FROM INTRODUCTION OF 1991 MODEL YEAR

| VIN CODE    | ENGINE     | GEARBOX | STEERING |
|-------------|------------|---------|----------|
| REGULAR     |            |         |          |
| SALLDHAD7** | 2.5 PETROL | 5 SPEED | RH STG   |
| SALLDHAD8** | 2.5 PETROL | 5 SPEED | LH STG   |
| SALLDHAC7** | 2.5 DIESEL | 5 SPEED | RH STG   |
| SALLDHAC8** | 2.5 DIESEL | 5 SPEED | LH STG   |
| SALLDHAF7** | 200 TDI    | 5 SPEED | RH STG   |
| SALLDHAF8** | 200 TDI    | 5 SPEED | LH STG   |
| SALLDHAV7** | 3.5 PETROL | 5 SPEED | RH STG   |
| SALLDHAV8** | 3.5 PETROL | 5 SPEED | LH STG   |

## STATION WAGON

|             |            |         |        |
|-------------|------------|---------|--------|
| SALLDHMD7** | 2.5 PETROL | 5 SPEED | RH STG |
| SALLDHMD8** | 2.5 PETROL | 5 SPEED | LH STG |
| SALLDHMC7** | 2.5 DIESEL | 5 SPEED | RH STG |
| SALLDHMC8** | 2.5 DIESEL | 5 SPEED | LH STG |
| SALLDHMF7** | 200 TDI    | 5 SPEED | RH STG |
| SALLDHMF8** | 200 TDI    | 5 SPEED | LH STG |
| SALLDHMV7** | 3.5 PETROL | 5 SPEED | RH STG |
| SALLDHMV8** | 3.5 PETROL | 5 SPEED | LH STG |

## HIGH CAPACITY PICK-UP

|            |            |         |        |
|------------|------------|---------|--------|
| SALLDHH7** | 2.5 PETROL | 5 SPEED | RH STG |
| SALLDHH8** | 2.5 PETROL | 5 SPEED | LH STG |
| SALLDHH7** | 2.5 DIESEL | 5 SPEED | RH STG |
| SALLDHH8** | 2.5 DIESEL | 5 SPEED | LH STG |
| SALLDHH7** | 200 TDI    | 5 SPEED | RH STG |
| SALLDHH8** | 200 TDI    | 5 SPEED | LH STG |
| SALLDHH7** | 3.5 PETROL | 5 SPEED | RH STG |
| SALLDHH8** | 3.5 PETROL | 5 SPEED | LH STG |

DEFENDER 130 VEHICLE IDENTIFICATION NUMBERING  
FROM INTRODUCTION OF 1991 MODEL YEAR

| VIN CODE    | ENGINE     | GEARBOX | STEERING |
|-------------|------------|---------|----------|
| REGULAR     |            |         |          |
| SALLDKAF7** | 200 TDI    | 5 SPEED | RH STG   |
| SALLDKAF8** | 200 TDI    | 5 SPEED | LH STG   |
| SALLDKAV7** | 3.5 PETROL | 5 SPEED | RH STG   |
| SALLDKAV8** | 3.5 PETROL | 5 SPEED | LH STG   |

## HIGH CAPACITY PICK-UP

|             |            |         |        |
|-------------|------------|---------|--------|
| SALLDKHF7** | 200 TDI    | 5 SPEED | RH STG |
| SALLDKHF8** | 200 TDI    | 5 SPEED | LH STG |
| SALLDKHV7** | 3.5 PETROL | 5 SPEED | RH STG |
| SALLDKHV8** | 3.5 PETROL | 5 SPEED | LH STG |

\*\* HA-91 MODEL YEAR

\*\* JA-92 MODEL YEAR

\*\* KA-93 MODEL YEAR

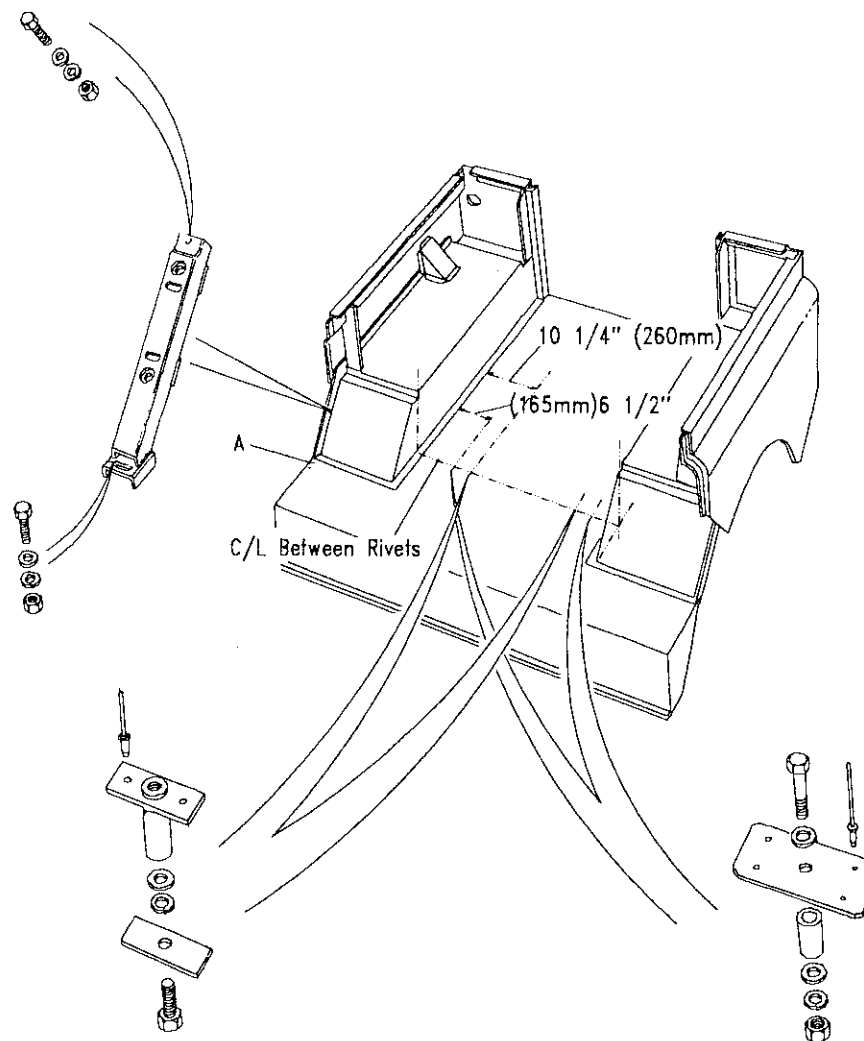
\*\* LA-94 MODEL YEAR

\*\* MA-95 MODEL YEAR



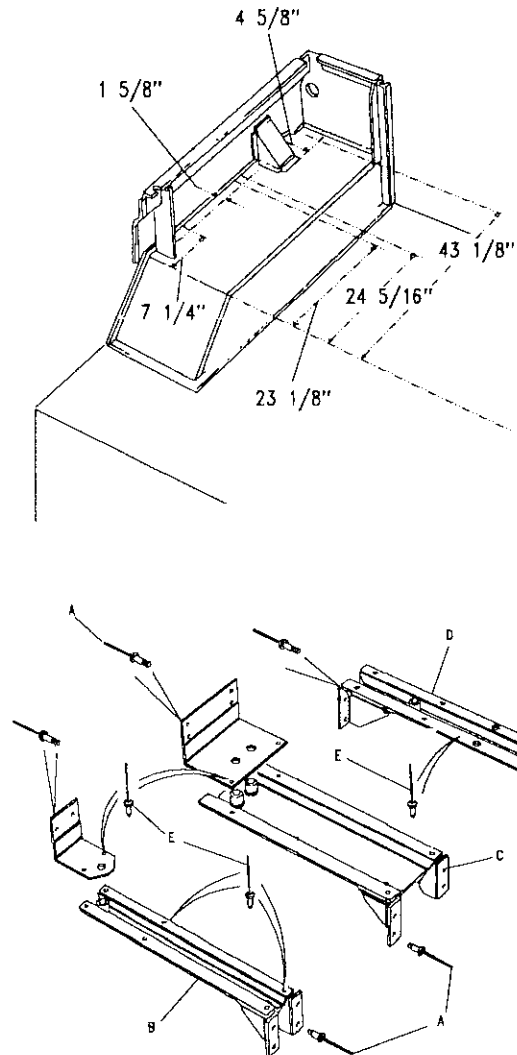
### FITTING INSTRUCTION FOR INTERMEDIATE SEAT BELT MOUNTINGS LOWER – LR 110

- 1.0 Jack up rear of vehicle, support on stands, remove road wheels.
- 2.0 Fold intermediate seats forward (or remove) and remove rear load space mat or carpet.
- 3.0 Outer Lower Mounting:  
Remove existing bolt (A), floor to bodyframe and ensure a full 5/16" clearance.
- 3.1 Fit bracket (347844) under wheelarch and temporarily secure at lower end using bolt (SH605081L) and nut (SH605041L). Ensure that the slots in the bracket are located over the outer pair of pop rivets.
- 3.2 Drill upper fixing hole 5/16" from under wheelarch and fit bolt (255227) to locate bracket.
- 3.3 Mark position of lower seat belt fixing point on the underside of the wheelarch. Remove bracket and drill seat belt fixing with 1/4" pilot hole and then open up to 5/8".
- 3.4 Refit bracket using bolt (SH605081L) 1 off at lower fixing and bolt (255227) 1 off at the upper fixing. Secure using plain washer (3830L), spring washer (WM600051L) and nut (NH605041L).
- 4.0 Floor Mounting.  
Locate step in wheelbox and draw a vertical line down to floor. Find mid point between rivets in floor and draw a line across the floor.
- 4.1 Measure 6.1/2" and 10.1/4" from either side of wheelarch and mark position. Drill 1/4" pilot holes through floor and crossmember.
- 4.2 On outer holes open up to 5/8" through floor skin only, open pilot holes to 5/16" in crossmember. On inner holes open up to 5/8" through floor and crossmember.
- 4.3 In outer holes fit spacers, screws, washers and nuts and tighten. Place anchor point tube in inner holes, drill holes 3/16" for rivets and rivet to floor.
- 4.4 From under vehicle fit screws, washer and tabwashers. Tighten screw and bend tabwasher over screws and crossmember.
- 5.0 Replace rear mat or capet and replace seats.
- 6.0 Replace road wheels and remove vehicle from stands.



### FITTING INSTRUCTIONS FOR REAR INWARD FACING SEAT BELT MOULDINGS LR110

- 1.0 Remove inward facing seats.
- 2.0 Jack up vehicles, support on stands and remove rear road wheels.
- 3.0 Remove rear light covers and the rear tool retaining strap from wheelarch.
- 4.0 Check stiffeners and open holes for monobolts ref A on illustration to  $17/64$ ".
- 5.0 Mark position for stiffeners as follows:  
 Front Stiffener (B)  
 From step in wheelarch box measure  $7 1/4$ ", draw a line from wheelarch inner edge to bodyside. Measure  $1.5/8$ " from bodyside and drill  $1/4$ " pilot hole.
- 5.1 Centre Stiffener (C)  
 From step in wheelarch box measure  $23.1/8$ " and  $24.5/16$ ", draw a line from wheelarch inner edge to bodyside. Measure  $1.5/8$ " from bodyside and drill  $1/4$ " pilot holes.
- 5.2 Rear Stiffener (D)  
 From step in wheelarch box measure  $43.1/8$ " draw a line from wheelarch inner edge to bodyside. Measure  $4.5/8$ " from bodyside and drill  $1/4$ " pilot hole.
- 5.3 Open up pilot holes to  $5/8$ " and deburr.
- 6.0 Front and Centre Stiffener.  
 From under vehicle position stiffeners to wheelarch box, locate angle bracket and use  $7/16$ " UNF bolt and washer to position stiffeners, tighten bolt, drill  $3/16$ " holes for rivets ref E, deburr and rivet, drill holes  $17/64$ " for monobolts Ref A, deburr and rivet up.
- 6.1 Rear Stiffener.  
 From under wheelarch at rear of vehicle remove rubber protector for rear lamp wiring, trim  $1/4$ " to  $1/2$ " from top of protector to allow stiffener to fit body. Remove excess sealer as required and refit rubber protector. Position stiffener to wheelarch box, use  $7/16$ " UNF bolt and washer to position stiffener, drill  $3/16$ " holes for rivets, deburr and rivet, drill holes  $17/64$ " for monobolts deburr and rivet up.
- 7.0 Remove  $7/16$ " bolts and repeat operations for opposite wheelarch.
- 8.0 Refit light covers and re-position tool retaining strap to forward edge of centre angle bracket.  
 Fit seatbelts with long end of belt in centre fixings and tighten.
- 9.0 Refit seats - Road wheels and remove vehicle from stands.









## C - Continued

|                                  |           |                                     |             |                               |           |                                   |           |
|----------------------------------|-----------|-------------------------------------|-------------|-------------------------------|-----------|-----------------------------------|-----------|
| Camshaft - 300tdi                | 231       | Centre - county - type b - note(1   | 973 - 974   | Cooling fan - v8 carb         | 260 - 261 | Cushion cloth                     | 964       |
| Canister charcoal                | 576       | Centre - county - 1988my onwards    | 978 - 979   | Cooling fan - 300 tdi         | 223       | Cushion cloth                     | 966       |
| Canister charcoal                | 577       | Centre power take off               | 1061 - 1062 | Corner bracket rh             | 833       | Cushion cloth                     | 968       |
| Canister charcoal                | 578       | Channel checkstrap rh               | 789         | Cover aux instruments         | 727       | Cushion cloth                     | 971       |
| Cap centre                       | 446       | Channel drain rh                    | 904         | Cover battery access          | 760       | Cushion cloth                     | 973       |
| Cap expansion tank               | 621       | Channel side drain rh               | 900         | Cover bumper protection       | 747       | Cushion cloth                     | 976       |
| Cap expansion tank-9psi          | 619       | Channel top drain rh                | 900         | Cover centre                  | 760       | Cushion cloth                     | 979       |
| Cap fuel filler                  | 525       | Chassis fittings                    | 746         | Cover dash side lh            | 927       | Cushion cloth                     | 985       |
| Cap fuel filler                  | 526       | Chassis frame                       | 743 - 745   | Cover floor lh rhs            | 952       | Cushion driver seat               | 959       |
| Capping corner lh                | 824       | Chassis harness                     | 692 - 694   | Cover floor rh rhs            | 952       | Cushion vinyl                     | 966       |
| Capping front panel              | 834       | Checklink                           | 799         | Cover fuel tank access        | 762       | Cyclone breather - 300tdi         | 230       |
| Capping rh                       | 833       | Checklink                           | 800         | Cover fusebox                 | 915       | Cyclone breather assembly - 2.5 d | 96        |
| Capping rh                       | 842       | Checklink rh                        | 790         | Cover handbrake               | 513       | Cyclone breather assembly - 200 t | 189       |
| Car care                         | 1068      | Checklink rh                        | 794         | Cover handbrake               | 514       | Cylinder block - v8 carb          | 251 - 252 |
| Carburettor - v8 carb            | 275       | Child seat belt retention           | 1035        | Cover lock-black              | 921       | Cylinder block - 2.5 diesel       | 72 - 74   |
| Carburettor - 2.5 petrol         | 47        | Chock roadwheel                     | 1042        | Cover rear quarter panel      | 930       | Cylinder block - 2.5 diesel turbo | 124 - 126 |
| Carburettor adaptors - v8 carb   | 276       | Choke cable                         | 481         | Cover rear quarter panel      | 933       | Cylinder block - 2.5 petrol       | 22 - 23   |
| Carburettor fixings - 2.5 petrol | 51        | Cigar lighter, dash harness         | 713         | Cover spare wheel             | 1070      | Cylinder block - 200 tdi          | 171       |
| Carburettors - 2.5 petrol        | 46        | Clack and oil gauges                | 726         | Cover suspension              | 783       | Cylinder block - 300tdi           | 213       |
| Carpet dash centre               | 924       | Closer inner wing                   | 784         | Cover tailboard hinge         | 749       | Cylinder head - v8 carb           | 265 - 266 |
| Carpet dash centre               | 924       | Clutch housing - lt77/lt77s         | 304         | Cover toe panel               | 953       | Cylinder head - 2.5 diesel        | 91 - 92   |
| Carpet front floor lh            | 944       | Clutch master cylinder and pipes    | 479 - 480   | Cover tools access            | 762       | Cylinder head - 2.5 diesel turbo  | 140 - 141 |
| Carpet front floor rh            | 943       | Clutch pedal                        | 476 - 477   | Cover transfer case           | 755       | Cylinder head - 2.5 petrol        | 37 - 38   |
| Carpet heelboard                 | 950       | Clutch release - lt85               | 347         | Cover tunnel                  | 952       | Cylinder head - 200 tdi           | 184 - 185 |
| Carpet intermediate floor        | 950       | Clutch release mechanism - tdi      | 330         | Cowl                          | 722       | Cylinder head - 300tdi            | 225 - 226 |
| Carpet rear floor                | 951       | Clutch release mechanism - v8       | 331         | Cowl fan-engine               | 604       | Cylinder wheel rh                 | 509       |
| Carpet seatbase front rh         | 946       | Clutch release mechanism - v8 - l   | 303         | Cowl fan-radiator             | 603       |                                   |           |
| Carpet seatbase top              | 948       | Clutch release mechanism - 4cyl - l | 302         | Cowl fuel filler              | 832       |                                   |           |
| Carpet toe panel                 | 950       | Clutch release mechanism - 4cyl - p | 329         | Cowl side fuel filler         | 824       |                                   |           |
| Carpet tunnel                    | 943       | Coil ignition                       | 59          | Crankshaft - v8 carb          | 253       |                                   |           |
| Carpets - front floor            | 943 - 945 | Column steering                     | 447         | Crankshaft - 2.5 diesel       | 76        | Damper steering kit               | 463       |
| Carpets - intermediate floor     | 950       | Column top support                  | 450         | Crankshaft - 2.5 diesel turbo | 128       | Dash assembly                     | 750 - 751 |
| Carpets - rear floor             | 951       | Compressor fixings - v8 carb        | 286         | Crankshaft - 2.5 petrol       | 25        | Dash trim                         | 924 - 927 |
| Carpets - seatbase               | 946 - 949 | Compressor fixings - 2.5 diesel     | 109         | Crankshaft - 200 tdi          | 174       | Dash ventilator - air con         | 753       |
| Carrier                          | 515       | Compressor fixings - 2.5 diesel t   | 158         | Crankshaft - 300tdi           | 215       | Dash ventilator - non air con     | 752       |
| Carrier                          | 515       | Compressor fixings - 2.5 petrol     | 56          | Cross brace rh                | 773       | De icer                           | 1068      |
| Carrier spare wheel              | 892       | Compressor fixings - 200 tdi        | 203         | Crossmember                   | 830       | Decals - from 1991 model year     | 882 - 883 |
| Case differential                | 410       | Condenser                           | 636         | Crossmember                   | 837       | Decals - up to 1991 model year    | 881       |
| Case differential                | 412       | Condenser - rhs/lhs                 | 636         | Crossmember                   | 846       | Deflector rh                      | 788       |
| Case differential                | 426       | Connector                           | 504         | Crossmember body              | 746       | Deflector rh                      | 792       |
| Casing rearend door-black        | 920       | Connector                           | 505         | Crossmember body mounting     | 847       | Delay unit                        | 735       |
| Catch bonnet                     | 773       | Constant velocity joint             | 414         | Crossmember detachable        | 745       | Delay unit                        | 736       |
| Catch overcentre                 | 760       | Control assembly                    | 660         | Crossrod eye end-rhs          | 462       | Delay unit                        | 737       |
| Catch overcentre                 | 762       | Control heater                      | 627         | Crownwheel and pinion         | 410       | Delay unit wash/wipe              | 717       |
| Catch tank                       | 573       | Control heater                      | 663         | Crownwheel and pinion         | 412       | Demister and flaps                | 666       |
| Catch tank                       | 575       | Control heater                      | 663         | Crownwheel and pinion         | 426       | Demisters and outlet flaps        | 629       |
| Catch tank                       | 579       | Control ventilator                  | 752         | Cubby box - from vin 456100   | 917       | Diaphragm and tunnel panels       | 754 - 755 |
| Centre - county - type a         | 965 - 966 | Cooler and frame - v8 lt77 gearbo   | 612         | Cubby box - upto vin 456099   | 916       | Diff case                         | 410       |

## D





## D - Continued

|                                   |           |                                   |           |                                   |           |                                   |           |
|-----------------------------------|-----------|-----------------------------------|-----------|-----------------------------------|-----------|-----------------------------------|-----------|
| Diff case                         | 412       | Electronic unit egr               | 718       | Eyebrow black                     | 874       | Flywheel & clutch - v8 carb       | 299       |
| Diff case                         | 426       | Engine complete - v8 carb         | 248       | Eyebrow rh                        | 784       | Flywheel & clutch - 2.5 diesel    | 118 - 119 |
| Differential                      | 426       | Engine complete - 2.5 diesel      | 69        |                                   |           | Flywheel & clutch - 2.5 diesel tu | 165 - 166 |
| Differential - lt85               | 385       | Engine complete - 2.5 diesel turb | 121       |                                   |           | Flywheel & clutch - 2.5 petrol    | 66        |
| Differential - 4cyl/lt77s         | 365       | Engine complete - 2.5 petrol      | 19        | <b>F</b>                          |           | Flywheel & clutch - 200 tdi       | 209       |
| Differential assembly             | 406       | Engine complete - 200 tdi         | 168       |                                   |           | Flywheel & clutch - 300 tdi       | 245       |
| Dim dip unit                      | 716       | Engine harness - diesel           | 703       | Facia assembly                    | 660       | Folding step - rear end door      | 380       |
| Dim dip unit, glow plug timer     | 716       | Engine harness - diesel turbo and | 704       | Facia assembly                    | 665       | Folding step - side doors - not g | 878 - 879 |
| Diode                             | 706       | Engine harness - v8               | 701 - 702 | Facia panel - lhs                 | 665       | Forward facing - individual type  | 989 - 992 |
| Disc brake                        | 507       | Engine harness - 2.5 petrol       | 700       | Facia panel assembly - rhs        | 660       | Forward facing split seat         | 981 - 988 |
| Disc brake                        | 510       | Engine harness - 300tdi           | 705       | Facia plate                       | 714       | Frame assembly sunroof            | 872       |
| Distributor - v8 carb             | 288       | Engine mountings - 2.5 petrol     | 28        | Facia plate - from ma939976       | 715       | Frame hood                        | 903       |
| Distributor - 2.5 petrol          | 58        | Engine mountings - 200 tdi        | 177       | Facia plate - up to ta939975      | 714       | Frame mounting                    | 611       |
| Door lh                           | 788       | Engine short - v8 carb            | 250       | Fan cowl                          | 603 - 604 | Frame side rh                     | 795       |
| Door pull                         | 803       | Engine short - 2.5 diesel         | 71        | Filler fuel                       | 526       | Frame side rh                     | 795       |
| Door pull                         | 806       | Engine short - 2.5 diesel turbo   | 123       | Filter - diesel and diesel turbo  | 546       | Fresh air duct - lhs              | 661       |
| Door rear end                     | 796       | Engine short - 2.5 petrol         | 21        | Filter - 200tdi                   | 547       | Fresh air duct - rhs              | 658       |
| Door rear side rh                 | 792       | Engine short - 200 tdi            | 170       | Filter - 300tdi                   | 548       | Front - diesel turbo              | 587 - 589 |
| Door rh                           | 788       | Engine stripped - v8 carb         | 249       | Filter and pipes - v8 petrol      | 530       | Front - tdi                       | 591       |
| Door seal front rh                | 791       | Engine stripped - 2.5 diesel      | 70        | Filter assembly fuel              | 546       | Front - v8                        | 583 - 584 |
| Downpipe                          | 581       | Engine stripped - 2.5 diesel turb | 122       | Filter assembly fuel              | 547       | Front - 4 cyl petrol & nat asp di | 581 - 582 |
| Downpipe                          | 587       | Engine stripped - 2.5 petrol      | 20        | Filter assembly fuel              | 548       | Front axle assembly               | 402 - 403 |
| Downpipe                          | 591       | Engine stripped - 200 tdi         | 169       | Filter fuel                       | 529       | Front axle case                   | 404 - 405 |
| Downpipe lh                       | 583       | Engine stripped - 300 tdi         | 211       | Filter fuel                       | 530       | Front brake pipes                 | 493 - 494 |
| Drain channels - full length hood | 900 - 901 | Evap loss - regular and station w | 577       | Finisher assembly                 | 665       | Front brake pipes                 | 499 - 501 |
| Drive belts - v8 carb             | 262 - 263 | Evap loss - station wagon - singl | 574       | Finisher assembly                 | 665       | Front brake pipes lhd             | 496       |
| Drive shafts                      | 414 - 416 | Evap loss - station wagon - singl | 575       | Finisher blanking rh              | 625       | Front brake pipes lhd             | 498       |
| Driver - county - type b - note(1 | 967 - 969 | Evap loss single fuel tank - defe | 579       | Finisher dash ventilator          | 753       | Front brake pipes rhd             | 495       |
| Driving member                    | 420       | Evaporative loss - 4 cylinder pe  | 570       | Finisher grille lh                | 625       | Front brake pipes rhd             | 497       |
| Driving member                    | 427       | Evaporative loss - defender 130   | 578       | Finisher rh                       | 780       | Front brakes                      | 507 - 508 |
| Drop arm-rhs                      | 451       | Evaporative loss - hcpu           | 576       | Finisher tail pipe                | 592       | Front bumper & bumperettes        | 747       |
| Drop arm-rhs                      | 455       | Evaporative loss - hcpu - single  | 573       | Finisher tail pipe                | 593       | Front cover - lt85                | 350       |
| Drum brake                        | 509       | Evaporative loss - v8 petrol      | 571 - 572 | Fire extinguisher                 | 1069      | Front cover - v8 carb             | 257       |
| Duct air                          | 553       | Evaporator                        | 640       | Fixings alternator - 2.5 diesel t | 162       | Front cover - 2.5 diesel          | 80 - 81   |
| Duct air                          | 555       | Evaporator                        | 644       | Fixings alternator - 200 tdi      | 206       | Front cover - 2.5 diesel turbo    | 132 - 133 |
| Duct air                          | 569       | Evaporator assembly               | 637       | Flame trap                        | 554       | Front cover - 2.5 petrol          | 29 - 30   |
| Duct air                          | 661       | Evaporator assembly - rhs         | 637       | Flame trap - v8 carb              | 277       | Front cover - 200 tdi             | 178       |
| Duct air inlet                    | 554       | Exhaust gas recirculating - 300td | 234       | Flaps heater outlet               | 629       | Front cover - 300tdi              | 219 - 220 |
| Duct assembly                     | 660       | Exhaust manifold - v8 carb        | 273       | Flasher unit - 2 pin              | 717       | Front differential                | 406 - 413 |
| Duct heater lh                    | 625       | Expansion tank                    | 619 - 622 | Flasher unit - 3 pin              | 717       | Front door                        | 918       |
|                                   |           | Extension bracket rh              | 1073      | Flasher units - relays - delay un | 717       | Front door - glass & window regul | 802 - 803 |
|                                   |           | Extension case - lt77 - up to suf | 307       | Floor                             | 845       | Front door - hinges and door chec | 789 - 790 |
|                                   |           | Extension case - lt77/lt77s - con | 309       | Floor intermediate                | 838       | Front door - lock mechanism       | 807 - 809 |
|                                   |           | Extension case - lt77/lt77s from  | 308       | Front plate front rh              | 756       | Front door - seals                | 791       |
|                                   |           | Extension case - manual r380      | 336 - 337 | Floor plate rear interm           | 757       | Front door clinched assembly      | 788       |
| <b>E</b>                          |           | Extinguisher fire with            | 1069      | Floor plates                      | 756 - 757 | Front flange - lt85               | 388       |
| Elbow                             | 554       | Extra fuel tank - pick up         | 522 - 523 | Fluid auto trans                  | 1067      | Front flange - 4cyl/lt77s         | 368       |
| Elbow air inlet                   | 553       | Extra fuel tank - station wagon   | 524 - 525 | Fluid system - rhs                | 647       | Front floor covers - rubber       | 952       |
| Elbow air inlet                   | 555       |                                   |           |                                   |           |                                   |           |
| Elbow air inlet rh                | 557       |                                   |           |                                   |           |                                   |           |





## F - Continued

|                                   |             |
|-----------------------------------|-------------|
| Front hub                         | 420 - 422   |
| Front lamps - side and indicator  | 672         |
| Front output shaft - lt85         | 389 - 390   |
| Front output shaft - 4cyl/lt77s   | 370 - 371   |
| Front plate rhs                   | 752         |
| Front plate lhs                   | 753         |
| Front propshaft                   | 399         |
| Front seat centre                 | 1021        |
| Front seat outer                  | 1016        |
| Front seat outer                  | 1018        |
| Front seat outer ma939976 on      | 1017        |
| Front seats - anchorage rail.     | 1026        |
| Front seats - base assy.          | 1033        |
| Front seats - harness guide.      | 1027        |
| Front seats - inertia reel mounti | 1029        |
| Front seats - seatbase.           | 1031        |
| Front seats - shoulder anchorage. | 1028        |
| Front seats - shoulder.           | 1032        |
| Front seats - station wagon       | 1030        |
| Front seats outer                 | 1019 - 1020 |
| Front slay                        | 767         |
| Front wings                       | 777 - 781   |
| Front wings - wheelarch and eyebr | 782 - 785   |
| Front/rear screen wash            | 732         |
| Front/rear screen wash - air con  | 733         |
| Fuel filler                       | 573         |
| Fuel filler                       | 574         |
| Fuel filler - rear and side tank  | 526 - 527   |
| Fuel filter - 2.5 diesel          | 103         |
| Fuel level unit                   | 523         |
| Fuel level unit                   | 525         |
| Fuel level unit - petrol          | 521         |
| Fuel lift pump - 300tdi           | 235         |
| Fuel pipes - 2.5 petrol           | 50          |
| Fuel pipes - 300tdi               | 543         |
| Fuel pump - 2.5 diesel            | 100         |
| Fuel pump - 2.5 diesel turbo      | 148         |
| Fuel pump - 200 tdi               | 193         |
| Fulcrum bracket imperial          | 444         |
| Fuse box                          | 698         |
| Fuse box                          | 713         |
| Fuse box underbonnet              | 691         |
| Fuse 20a - yellow                 | 691         |
| Fuse 5 amp                        | 688         |

## G

|                                   |           |
|-----------------------------------|-----------|
| G valve                           | 503       |
| G valve                           | 504       |
| G valve                           | 506       |
| Gaiter                            | 755       |
| Gaiter kit                        | 432       |
| Gasket kit - lt77                 | 326       |
| Gasket kit - lt85                 | 396       |
| Gasket kit - 2.5 diesel           | 104       |
| Gasket kit - 2.5 diesel turbo     | 153       |
| Gasket kit - 4cyl/lt77s           | 376       |
| Gasket kits - v8 carb             | 282       |
| Gasket kits - 2.5 petrol          | 52        |
| Gasket kits - 200 tdi             | 198       |
| Gaskets inlet manifold - v8 carb  | 272       |
| Gauge battery condition           | 724       |
| Gauge fuel                        | 724       |
| Gauge oil pressure                | 726       |
| Gauge oil temperature             | 726       |
| Gauge water temperature           | 724       |
| Gear change - lt85                | 393 - 394 |
| Gear change - 4cyl/lt77s          | 373 - 374 |
| Gear lever - lt77/lt77s           | 323       |
| Gear lever - lt77/lt77s - continu | 324       |
| Gear lever - lt85                 | 358       |
| Gear lever - manual r380          | 344       |
| Gearbox assembly - lt77/lt77s     | 301       |
| Gearbox assembly - lt85           | 346       |
| Gearcase - lt77 - up to suffix e  | 305       |
| Gearcase - lt77/lt77s from suffix | 306       |
| Gearcase - lt85                   | 349       |
| Gearcase - manual r380            | 332 - 333 |
| Gearcase - manual v8 r380         | 335       |
| Glass clear                       | 802       |
| Glass clear                       | 804       |
| Glass rear quarter clear          | 804       |
| Glow plug                         | 184       |
| Grab handle                       | 921       |
| Grab handle                       | 928       |
| Grab handle                       | 932       |
| Grab rail                         | 980       |
| Grab rail                         | 980       |
| Grille                            | 770       |
| Grille air intake                 | 566       |
| Grille top panel and braces       | 773       |
| Grommet assembly                  | 399       |

|                  |     |
|------------------|-----|
| Guard hand/chaff | 771 |
| Guide seat belt  | 922 |

## H

|                                   |           |
|-----------------------------------|-----------|
| Halfshaft assembly rh             | 414       |
| Halfshaft assembly rh             | 416       |
| Hand throttle - 2.5 petrol        | 48        |
| Hand throttle control             | 482 - 483 |
| Hand throttle control             | 484       |
| Hand throttle linkage             | 484 - 486 |
| Hand/chaff guard                  | 771       |
| Handbrake assembly-rhs            | 511       |
| Handbrake cable                   | 515 - 517 |
| Handbrake lever                   | 511 - 513 |
| Handbrake lever - australia       | 514       |
| Handle door outer rh              | 807       |
| Handle door outer rh              | 810       |
| Handle grab                       | 936       |
| Handle lifting                    | 749       |
| Handle window regulator           | 803       |
| Handle window regulator           | 806       |
| Hard top                          | 933       |
| Harness                           | 695 - 696 |
| Harness                           | 696       |
| Harness                           | 696       |
| Harness aircon                    | 699       |
| Harness and resistor              | 626       |
| Harness chassis                   | 692       |
| Harness dash rww/hrw              | 713       |
| Harness engine                    | 706       |
| Harness engine - 65a              | 708       |
| Harness heater control            | 627       |
| Harness instrument                | 709       |
| Harness lighting                  | 699       |
| Harness pdwa switch               | 709       |
| Harness rear end door             | 710       |
| Harness rear tank                 | 693       |
| Harness seat belt warning         | 740       |
| Harness twin tank                 | 695       |
| Harness twin tank                 | 695       |
| Harness vacuum                    | 648       |
| Head restraint cloth              | 964       |
| Head restraint cloth              | 969       |
| Head restraint cloth              | 972       |
| Header rail                       | 901       |
| Headlamp and screen wash - non ai | 734 - 735 |
| Headlamp and windscreen wash - ai | 736       |
| Headlamp/front/rear screen wash   | 737 - 738 |
| Headlamps - lucas - up to ka92261 | 669       |
| Headlamps - wipac - from ka922615 | 670       |
| Headlamps with levelling - lhs on | 671       |
| Headlining                        | 934       |
| Headlining front                  | 931       |
| Headlining front                  | 933       |
| Headlining front                  | 936       |
| Headlining intermediate           | 928       |
| Headlining intermediate           | 931       |
| Headlining rear                   | 928       |
| Headlining rear                   | 932       |
| Headlining rear                   | 936       |
| Heat insulation - turbo diesel    | 940 - 941 |
| Heater                            | 623 - 625 |
| Heater components                 | 626       |
| Heater controls                   | 627 - 628 |
| Heater controls - lhs             | 663       |
| Heater kit-rhs                    | 623       |
| Heater kit-rhs                    | 623       |
| Heater kit-rhs                    | 623       |
| Heater pipes - tdi - lhs          | 653       |
| Heater pipes - v8                 | 632       |
| Heater pipes - v8 - lhs           | 655       |
| Heater pipes - v8 - rhs           | 654       |
| Heater pipes - 200tdi             | 633 - 634 |
| Heater pipes - 300tdi             | 635       |
| Heater pipes - 4 cyl petrol 630 d | 630       |
| Heater pipes - 4 cyl petrol 631 d | 631       |
| Heater pipes - 4 cylinder - lhs   | 652       |
| Heater pipes - 4 cylinder - rhs   | 649       |
| Heater/cooler assembly            | 640       |
| Heater/cooler assembly            | 644       |
| Heater/cooler assembly - lhs      | 640 - 646 |
| Heatshield                        | 591       |
| Heatshield                        | 591       |
| Heatshield - v8 carb              | 274       |
| Heatshield exhaust                | 581       |
| Heatshield exhaust                | 584       |
| Heatshield exhaust                | 587       |
| Heatshield slave cylinder         | 589       |
| Helper spring                     | 442       |
| High low gears - lt85             | 392       |
| High low gears - 4cyl/lt77s       | 372       |
| Hinge door lower rh               | 789       |
| Hinge door rh                     | 793       |
| Hinge door upper rh               | 789       |





## H - Continued

|                                   |           |                                    |             |                                   |                           |                                   |           |
|-----------------------------------|-----------|------------------------------------|-------------|-----------------------------------|---------------------------|-----------------------------------|-----------|
| Hinge upper                       | 798       | Hose liquid                        | 647         | <b>J</b>                          | Lead clock illumination   | 709                               |           |
| Hood                              | 893       | Hose suction                       | 647         |                                   | Levelling unit            | 444                               |           |
| Hood                              | 893       | Hose top                           | 605         |                                   | Levelling unit - optional | 444                               |           |
| Hood                              | 895       | Hose top                           | 607         | Jack side lift                    | 1042                      | Lid ventilator rh                 | 752       |
| Hood                              | 897       | Hose top                           | 608         | Jaw towing                        | 1054                      | Light unit                        | 669       |
| Hood                              | 897       | Hose vacuum                        | 648         | Jet adaptors - 200 tdi            | 172                       | Lining rear end                   | 928       |
| Hood                              | 898       | Housing - lt85                     | 381 - 382   | Jet adaptors - 300tdi             | 214                       | Lining rear end                   | 932       |
| Hood                              | 898       | Housing - 4cyl/lt77s               | 362         |                                   |                           | Link bottom (solid)               | 438       |
| Hood - full length                | 893 - 894 | Housing swivel pin-rh rhs          | 417         | <b>K</b>                          |                           | Link top rh                       | 439       |
| Hood - high capacity pick up      | 898 - 899 | Hub assembly                       | 420         |                                   |                           | Lock assembly                     | 813       |
| Hood - three quarter length - bul | 897       | Hub assembly                       | 427         | Key blank                         | 807                       | Louvre                            | 660       |
| Hood - three quarter length - cab | 895 - 896 |                                    |             | Kit crossmember fitting           | 744                       | Lubricants                        | 1067      |
| Hoodstick front                   | 902       |                                    |             | Kit gaiter                        | 432                       |                                   |           |
| Hoodstick front                   | 903       | <b>I</b>                           |             | Kit lamp guard rear               | 1063                      | <b>M</b>                          |           |
| Hoodstick front                   | 905       |                                    |             | Kit master cylinder               | 479                       | Main fuel tank                    | 520 - 521 |
| Hoodstick intermediate            | 902       | Ignition coil - v8 carb            | 289         | Kit master cylinder               | 488                       | Main harness - note(1)            | 686 - 690 |
| Hoodstick intermediate            | 903       | Ignition coil - 2.5 petrol         | 59          | Kit master cylinder               | 490                       | Mainshaft - lt77/lt77s            | 310       |
| Hoodstick intermediate            | 905       | Indicator restriction              | 560         | Kit seat belt mounting            | 1034                      | Mainshaft - lt77/lt77s - continue | 311       |
| Hoodstick intermediate            | 907       | Indicator restriction              | 562         | Kit servo repair                  | 488                       | Mainshaft - lt85                  | 351       |
| Hoodstick rear                    | 902       | Injection pump - 200 tdi           | 194         | Kit shock absorber                | 436                       | Mainshaft - lt85                  | 386       |
| Hoodstick rear                    | 903       | Injection pump - 300tdi            | 236         | Kit shock absorber                | 441                       | Mainshaft - manual r380           | 338       |
| Hoodstick rear                    | 905       | Injector and pipes - 2.5 diesel    | 102         | Kit trimmer screw                 | 669                       | Mainshaft - 4cyl/lt77s            | 366       |
| Hoodstick rear                    | 907       | Injector and pipes - 300tdi        | 237         |                                   |                           | Mainshaft gears - lt77            | 312 - 313 |
| Hoodsticks - full length hood     | 902       | Injector pump - 2.5 diesel         | 101         | <b>L</b>                          |                           | Mainshaft gears - lt77/lt77s      | 314 - 316 |
| Hoodsticks - high capacity pick u | 907       | Injector pump - 2.5 diesel turbo   | 149         | Ladder rack                       | 908                       | Mainshaft gears - lt85            | 352 - 354 |
| Hoodsticks - 3/4 hood - bulkhead  | 905 - 906 | Injectors and pipes - 2.5 diesel   | 150         | Ladder rack - high capacity pick  | 908                       | Mainshaft gears - manual r380     | 339 - 341 |
| Hoodsticks - 3/4 hood - cab fixin | 903 - 904 | Injectors and pipes - 200 tdi      | 195         | Lamp fog                          | 676                       | Manifold - 2.5 diesel turbo       | 147       |
| Hook                              | 901       | Inlet manifold - v8 carb           | 270         | Lamp guards                       | 1063                      | Manifolds - 2.5 diesel            | 99        |
| Hook safety                       | 775       | Inline fuse                        | 698         | Lamp indicator                    | 672                       | Manifolds - 2.5 petrol            | 44 - 45   |
| Hook towing                       | 1055      | Instrument harness                 | 709         | Lamp indicator                    | 674                       | Manifolds - 200 tdi               | 192       |
| Horn                              | 719       | Instrument panel and cowl          | 722 - 723   | Lamp interior                     | 674                       | Manifolds - 300 tdi               | 233       |
| Horn                              | 721       | Instruments                        | 724 - 725   | Lamp interior                     | 678                       | Manual steering box - adwest      | 454       |
| Horn low note                     | 720       | Insulation bonnet                  | 939         | Lamp reversing                    | 679                       | Manual steering box - gemmer      | 451 - 453 |
| Hose assembly                     | 636       | Insulation dash centre             | 924         | Lamp side                         | 674                       | Master cylinder brake             | 488       |
| Hose assembly                     | 640       | Insulation dash centre             | 924         | Lamp side repeater                | 676                       | Master cylinder brake             | 490       |
| Hose assembly                     | 644       | Insulation wheelarch               | 939         | Lamp stop                         | 672                       | Master cylinder clutch            | 479       |
| Hose bleed                        | 605       | Insulation wheelarch               | 939         | Lamp stop/taill                   | 673                       | Mat front rh                      | 955       |
| Hose bleed                        | 607       | Interior lamp - from ha455596 up   | 679         | Lashing bracket                   | 850                       | Mat intermediate                  | 955       |
| Hose bleed                        | 608       | Interior lamp - from ma939976      | 680         | Latch door rh                     | 807                       | Mat intermediate floor            | 953       |
| Hose bottom                       | 605       | Interior lamp - up to ha455595     | 678         | Latch door rh                     | 810                       | Mat rear                          | 955       |
| Hose bottom                       | 608       | Intermediate floor cover - non ca  | 953         | Layshaft - lt77 - upto suffix e i | 317 - 318                 | Mat rear cab floor                | 954       |
| Hose brake                        | 493       | Intermediate shaft - lt85          | 387         | Layshaft - lt77/lt77s from suffix | 319 - 320                 | Mat rear floor                    | 954       |
| Hose clutch                       | 480       | Intermediate shaft - 4cyl/lt77s    | 367         | Layshaft - lt85                   | 355                       | Matrix                            | 626       |
| Hose discharge                    | 636       | Inward facing - defender 130       | 1015        | Layshaft - lt85                   | 355                       | Mirror arm                        | 890       |
| Hose expansion tank               | 606       | Inward facing - individual         | 1011 - 1014 | Layshaft - manual r380            | 342                       | Mirror glass                      | 890       |
| Hose heater                       | 630       | Inward facing - three seater bench | 1004 - 1010 |                                   |                           | Mirror head                       | 890       |
| Hose heater                       | 632       | Inward facing - two seater bench   | 997 - 1003  |                                   |                           |                                   |           |
| Hose heater                       | 633       |                                    |             |                                   |                           |                                   |           |







|                                   |             |                                    |           |                                   |           |                                   |             |
|-----------------------------------|-------------|------------------------------------|-----------|-----------------------------------|-----------|-----------------------------------|-------------|
| Pump windscreen wash              | 736         | Rear side door                     | 919       | Rod panhard                       | 435       | Shaft steering                    | 448         |
| Pump windscreen wash              | 738         | Rear side door - frame and seals   | 795       | Roll over bar - high capacity pic | 909       | Shock absorber & road spring      | 441 - 442   |
| <b>R</b>                          |             | Rear side door - glass & regulator | 804 - 806 | Roof - hard top and station wagon | 867 - 869 | Shock absorbers & road spring     | 436         |
| Radiator                          | 596         | Rear side door - hinges and doorc  | 793 - 794 | Roof - truck cab                  | 870 - 871 | Short engine - 300tdi             | 212         |
| Radiator & intercooler hoses - 20 | 607         | Rear side door - lock mechanism    | 810 - 812 | Roof assembly                     | 870       | Shoulder anchorage rh             | 1034        |
| Radiator baffle plate             | 772         | Rear side door clinched assembly   | 792       | Roof trim - defender 130 - 1991 m | 936       | Shroud-lower                      | 449         |
| Radiator grille                   | 769 - 770   | Rear wash wipe                     | 739       | Rope cleat                        | 831       | Shroud-upper                      | 449         |
| Radiator hoses                    | 605 - 606   | Rear wash wipe and heated rear wi  | 710       | Rotating towing pintle            | 1057      | Side cover - 2.5 diesel           | 75          |
| Radiator hoses - v8               | 608 - 609   | Receiver drier                     | 636       | <b>S</b>                          |           | Side cover - 2.5 diesel turbo     | 127         |
| Radiator, intercooler & oil coole | 599 - 602   | Recovery ring and lifting handle   | 749       | Seal rear end door                | 801       | Side cover - 200 tdi              | 173         |
| Radio cassette                    | 727         | Reflector                          | 676 - 677 | Seals - rear end door             | 801       | Side covers - 2.5 petrol          | 24          |
| Radio cassette & loudspeakers - f | 728         | Reflectors, fog lamp, reverse lam  | 676 - 677 | Seat assembly                     | 978       | Side repeater lamps               | 673         |
| Radio cassette & loudspeakers - u | 727         | Regulator rear rh                  | 806       | Seat assembly centre              | 965       | Silencer                          | 593         |
| Radius arm & links                | 434 - 435   | Regulator rh                       | 803       | Seat assembly centre              | 973       | Silencer exhaust                  | 585         |
| Raised air cleaner - 200tdi       | 569         | Relay                              | 697       | Seat assembly long                | 984       | Silencer exhaust                  | 590         |
| Raised air cleaner - 4 cylinder   | 568         | Relay                              | 717       | Seat assembly rh                  | 963       | Silencer exhaust                  | 590         |
| Rear - diesel turbo               | 590         | Relay dash harness                 | 714       | Seat assembly short               | 981       | Silencer exhaust                  | 592         |
| Rear - petrol and nat asp diesel  | 585 - 586   | Remote breathers                   | 429       | Seat assembly slatted             | 1015      | Sill bracket lh                   | 763         |
| Rear - tdi                        | 592         | Remote breathers                   | 431       | Seat assembly rh                  | 975       | Sill bracket lh                   | 766         |
| Rear - 200tdi                     | 593         | Repair kit caliper                 | 507       | Seat assembly short               | 981       | Sill bracket rh                   | 763         |
| Rear axle assembly                | 423 - 424   | Repair kit cylinder wheel          | 509       | Seat assembly                     | 978       | Sill bracket rh                   | 766         |
| Rear body lower - high capacity p | 844 - 854   | Reservoir                          | 730       | Seat assy rhs                     | 967       | Sill panel front rh               | 763         |
| Rear body lower - non station wag | 828 - 835   | Reservoir                          | 732       | Seat assy rhs                     | 970       | Sill panel front rh               | 766         |
| Rear body lower - station wagon   | 836 - 843   | Reservoir                          | 733       | Seat base                         | 758       | Sill panel rear lh                | 763         |
| Rear body upper - hard top        | 855 - 859   | Reservoir                          | 734       | Seat base                         | 758       | Sill panel rear lh                | 766         |
| Rear body upper - station wagon   | 860 - 866   | Reservoir                          | 736       | Seat base                         | 758 - 759 | Sill panel rear rh                | 763         |
| Rear brake pipes                  | 502 - 506   | Reservoir                          | 737       | Seat base rear                    | 758       | Sill panel rear rh                | 763         |
| Rear bumperettes and lifting ring | 748         | Reservoir assembly                 | 464       | Seat belt and overspeed warning s | 740       | Sill panel rear rh                | 766         |
| Rear disc brakes                  | 510         | Reservoir windscreen wash          | 737       | Seat belt rh                      | 1016      | Sill panels - except station wago | 763 - 765   |
| Rear drum brakes                  | 509         | Resonator                          | 559       | Seat frame                        | 957       | Sill panels - station wagon       | 766 - 768   |
| Rear end door                     | 796 - 798   | Retainer spare wheel               | 891       | Seat lock - forward facing indivi | 994       | Sill seal                         | 791         |
| Rear end door                     | 920 - 921   | Retention kit                      | 507       | Seat lock - rear forward facing s | 993       | Socket trailer                    | 1058        |
| Rear end door - locking mechanism | 813 - 814   | Rh/lh - county - 1988my onwards -  | 975 - 977 | Seat slide rh control             | 957       | Socket trailer                    | 1058        |
| Rear end door check mechanism     | 799 - 800   | Ring lifting towing                | 747       | Seatbase fittings                 | 760 - 762 | Socket trailer                    | 1060        |
| Rear eyebrows                     | 874 - 875   | Ring recovery                      | 749       | Seatbase insulation               | 942       | Solenoid                          | 533         |
| Rear flange - lt85                | 391         | Ring recovery/lashing              | 749       | Sedimentor                        | 549       | Spare wheel carrier - bonnet      | 891         |
| Rear flange - 4cyl/lt77s          | 369         | Road wheel                         | 433       | Sedimentors - optional - diesel   | 549       | Spare wheel carrier - rear end do | 892         |
| Rear floor cover - non carpet     | 954         | Rocker cover - v8 carb             | 268       | Selector and shafts - lt85        | 356       | Spare wheel cover                 | 1070 - 1072 |
| Rear forward facing seats         | 1034        | Rocker cover - 2.5 diesel          | 95        | Selector and shafts - lt85 - cont | 357       | Spare wheel stowage interior      | 1044 - 1046 |
| Rear forward facing seats - centr | 1024        | Rocker cover - 2.5 diesel turbo    | 144       | Selectors and shafts - lt77/lt77s | 321       | Speaker assembly                  | 727         |
| Rear forward facing seats - outer | 1022 - 1023 | Rocker cover - 2.5 petrol          | 41        | Selectors and shafts - lt77/lt77s | 322       | Speedo housing - lt85             | 383 - 384   |
| Rear inward facing seats          | 1025        | Rocker cover - 200 tdi             | 188       | Selectors and shafts - manual r38 | 343       | Speedo housing - 4cyl/lt77s       | 363 - 364   |
| Rear inward facing seats          | 1036        | Rocker cover - 300tdi              | 229       | Sensor                            | 555       | Speedometer mph                   | 724         |
| Rear lamps - stop/tail, indicator | 674 - 675   | Rocker shaft - 2.5 diesel          | 93        | Sensor                            | 557       | Split charge facility - from vin  | 708         |
| Rear lamps protection             | 876         | Rocker shaft - 2.5 diesel turbo    | 142       | Sensor vehicle speed              | 740       | Split charge facility - up to vin | 706 - 707   |
| Rear pipes - single tank - petrol | 531         | Rocker shaft - 200 tdi             | 186       | Separator & filter - 4 cyl petrol | 528 - 529 | Spring front driver               | 436         |
| Rear propshaft                    | 400 - 401   | Rocker shaft - 300tdi              | 227       | Separator vapour                  | 528       | Spring rear driver                | 442         |
|                                   |             | Rockers - 2.5 petrol               | 39        | Servo assembly                    | 488       | Spring rear passenger             | 442         |
|                                   |             | Rod assembly - lt85                | 395       | Servo assembly                    | 490       | Squab cloth                       | 965         |
|                                   |             | Rod assembly - 4cyl/lt77s          | 375       | Shaft drive rear rh               | 427       | Squab cloth                       | 973         |





## S - Continued

|                                   |           |                                   |           |                                   |             |                                   |             |
|-----------------------------------|-----------|-----------------------------------|-----------|-----------------------------------|-------------|-----------------------------------|-------------|
| Squab cloth                       | 978       | Support wing                      | 781       | Tap fuel                          | 545         | Top capping rh                    | 842         |
| Squab cloth                       | 982       | Supports and slides - basic seats | 957       | Tape-front door rh                | 885         | Top link, fulcrum, ball joint     | 439 - 440   |
| Squab cloth                       | 985       | Suppressor                        | 705       | Tape-rear side door rh            | 885         | Torsion bar rh                    | 790         |
| Squab driver seat                 | 958       | Switch brake light                | 478       | Tape body strobe lh               | 884         | Torsion bar rh                    | 793         |
| Squab lock - forward facing indiv | 995 - 996 | Switch choke                      | 481       | Tape bodyside lh                  | 884         | Towing ball and bracket           | 1050 - 1051 |
| Squab rh cloth                    | 963       | Switch fuel change over           | 545       | Tape front 'defender'             | 882         | Towing ball and bracket - h.c.p.u | 1052 - 1053 |
| Squab rh cloth                    | 975       | Switch fuel changeover            | 712       | Tape front door lh                | 884         | Towing hook                       | 1055        |
| Squab rhs cloth                   | 967       | Switch handbrake                  | 514       | Tape front door rh                | 887         | Towing jaw                        | 1054        |
| Squab rhs cloth                   | 970       | Switch hazard warning             | 712       | Tape rear 'defender 110'          | 882         | Towing pintle                     | 1056        |
| Squab vinyl                       | 965       | Switch high pressure              | 636       | Tape rear quarter rh              | 885         | Track rod assembly                | 462         |
| Starter - 2.5 petrol              | 65        | Switch hrw                        | 714       | Tape rear side door lh            | 884         | Trailer socket                    | 1058 - 1060 |
| Starter motor - v8 carb           | 297 - 298 | Switch ignition                   | 711       | Tape rear side door rh            | 887         | Transfer assembly - lt85          | 380         |
| Starter motor - 2.5 diesel        | 116 - 117 | Switch illuminated                | 665       | Tappets - 2.5 diesel              | 94          | Transfer assembly - 4cyl lt77s    | 361         |
| Starter motor - 2.5 diesel turbo  | 163 - 164 | Switch indicator horn dip         | 712       | Taps - dual tanks option - diesel | 544 - 545   | Transmission brake - lt85         | 397         |
| Starter motor - 200 tdi           | 207 - 208 | Switch interior light             | 679       | Terminal                          | 707         | Transmission brake - 4 cyl/lt77s  | 378         |
| Starter motor - 300tdi            | 244       | Switch interior light             | 712       | Terminal post                     | 707         | Transmission brake - 4cyl/lt77s   | 377         |
| Station wagon - bodyside - from n | 922 - 923 | Switch master light               | 712       | Terminal post                     | 708         | Trim 'a' post rh                  | 928         |
| Station wagon - roof - from note( | 931 - 932 | Switch oil pressure               | 183       | Thermostat                        | 641         | Trim 'a' post rh                  | 934         |
| Station wagon - roof and side -   | 928       | Switch rear fog lamp              | 712       | Thermostat & housing - v8 carb    | 271         | Trim 'a' post rh                  | 936         |
| Station wagon - roof and side - u | 929       | Switch reverse lamp               | 677       | Thermostat - 300tdi               | 232         | Trim 'b' post lh                  | 936         |
| Station wagon - up to vin 314267  | 930       | Switch rww                        | 713       | Thermostat housing - 2.5 diesel   | 98          | Trim 'b' post rh                  | 933         |
| Stay centre                       | 765       | Switch vacuum                     | 641       | Thermostat housing - 2.5 diesel t | 146         | Trim 'b' post rh                  | 934         |
| Stay front                        | 765       | Switch vacuum                     | 645       | Thermostat housing - 2.5 petrol   | 43          | Trim 'bc' post                    | 929         |
| Stay rh                           | 783       | Switch volt sensitive             | 708       | Thermostat housing - 200 tdi      | 191         | Trim 'd' post rh                  | 929         |
| Stay rh                           | 830       | Switch wash wipe                  | 712       | Throttle linkage - v8 carb        | 281         | Trim a post rh                    | 922         |
| Stay rh                           | 839       | Switches                          | 711 - 712 | Tie bar-rhs                       | 452         | Trim bc post                      | 922         |
| Steering box                      | 451       | Swivel pin housing                | 417 - 419 | Tie tube                          | 902         | Trim cantrail rh                  | 932         |
| Steering box-rhs                  | 455       | Swivel pin lower                  | 417       | Tie tube                          | 907         | Trim cantrail rh interm           | 928         |
| Steering column shroud            | 449       | Swivel pin upper                  | 417       | Tie tube front                    | 903         | Trim front pillar                 | 922         |
| Steering track rods               | 462 - 463 |                                   |           | Tie tube front                    | 905         | Trim panel bodyside rh            | 922         |
| Steering wheel and column         | 446 - 448 |                                   |           | Tie tube rear                     | 903         | Trim panel rear end rh            | 923         |
| Step assembly rear                | 880       |                                   |           | Tie tube rear                     | 905         | Trim rear lower                   | 934         |
| Step side                         | 877       |                                   |           | Timer glow plug                   | 716         | Trim rear lower                   | 936         |
| Stirrup step - side doors         | 877       |                                   |           | Timing belt - 2.5 diesel          | 82          | Trim rear pillar rh               | 934         |
| Striker bonnet                    | 775       | Tail pipe                         | 592       | Timing belt - 2.5 diesel turbo    | 134         | Trim rear pillar rh               | 936         |
| Striker lock                      | 809       | Tail pipe                         | 593       | Timing belt - 200 tdi             | 179         | Trim rear quarter rh              | 929         |
| Striker lock                      | 812       | Tailboard                         | 817       | Timing belt - 300 tdi             | 221         | Trim ring sunroof                 | 872         |
| Subframe & slide rh               | 964       | Tailboard - lower hinged          | 816       | Timing chain - 2.5 petrol         | 31          | Trim sidelight upper              | 929         |
| Subframe & slide rhs              | 967       | Tailboard - side hinged           | 817 - 820 | Toe panel gusset bracket          | 841         | Turbo charger - 2.5 diesel turbo  | 151 - 152   |
| Sump - v8 carb                    | 255       | Tailboard assembly                | 816       | Tool curtain                      | 1039        | Turbo charger - 200 tdi           | 196 - 197   |
| Sump - 2.5 diesel                 | 78        | Tailgate                          | 821       | Tool curtain                      | 1040        | Turbocharger - 300tdi             | 238         |
| Sump - 2.5 diesel turbo           | 130       | Tailgate - high capacity pick up  | 821 - 822 | Tool curtain - 1991my             | 1039        | Twin tanks-petrol-4 cyl and v8    | 532         |
| Sump - 2.5 petrol                 | 27        | Tank expansion                    | 619       | Tool curtain - 1991my             | 1040        |                                   |             |
| Sump - 300tdi                     | 217       | Tank expansion                    | 621       | Tool locker                       | 759         |                                   |             |
| Sump/ladder frame - 200 tdi       | 176       | Tank fuel                         | 520       | Tool stowage - pick up, truck cab | 1038        |                                   |             |
| Sunroof                           | 872 - 873 | Tank fuel                         | 522       | Tool stowage - station wagon      | 1041        |                                   |             |
| Sunvisor rh                       | 937       | Tank fuel                         | 524       | Tools                             | 1042 - 1043 | Under bonnet fuse box - from ma93 | 691         |
| Sunvisors                         | 937 - 938 | Tank vacuum                       | 648       | Top capping rh                    | 833         | Universal joint                   | 399         |
|                                   |           | Tap fuel                          | 544       |                                   |             |                                   |             |

## T

## U





**U - Continued**

Universal joint 401  
 Universal joint 448  
 Upper crash pad 911 - 912

**V**

Vacuum hose 489  
 Vacuum hose 490  
 Vacuum hose 491  
 Vacuum hoses - air conditioning - 492  
 Vacuum hoses - air conditioning - 491  
 Vacuum pipes & reservoir - rhs/lh 648  
 Vacuum pipes - carburetter - 2.5 49  
 Vacuum pump - 2.5 diesel 105  
 Vacuum pump - 2.5 diesel turbo 154  
 Vacuum pump - 200 tdi 199  
 Vacuum pump - 300 tdi 239  
 Vacuum tank 492  
 Valve air temp control 555  
 Valve air temp control 557  
 Valve and tappets - 300tdi 228  
 Valve check 554  
 Valve discharge 636  
 Valve dump 625  
 Valve egr 234  
 Valve non return 534  
 Valve non return 555  
 Valve non return 557  
 Valve one way 491  
 Valve pdwa 493  
 Valve pdwa/pcr 493  
 Valve pressure/vacuum 572  
 Valve water control 649  
 Valve water control 652  
 Valve water control 653  
 Valve water control 654  
 Valve water control 655  
 Valves & tappets - v8 carb 267  
 Valves & tappets - 2.5 diesel tur 143  
 Valves & tappets - 2.5 petrol 40  
 Valves and tappets - 200 tdi 187  
 Volute assembly - rhs 626

**W**

Water pump - non viscous - v8 car 258  
 Water pump - viscous - v8 carb 259  
 Water pump - 2.5 diesel 83 - 84  
 Water pump - 2.5 diesel - noise r 86  
 Water pump - 2.5 diesel turbo air 136  
 Water pump - 2.5 diesel turbo non 135  
 Water pump - 2.5 diesel with 65 a 85  
 Water pump - 2.5 petrol - air con 33  
 Water pump - 2.5 petrol - basic 32  
 Water pump - 200 tdi 180  
 Water pump - 300tdi 222  
 Wheel blower motor 646  
 Wheel box 729  
 Wheel road 433  
 Wheel steering 446  
 Wheelbrace 1042  
 Wheelguard rh 1064  
 Wheelguard rh 1065  
 Wheelguards - hcpu 1066  
 Wheelguards - standard pick up - 1064  
 Wheelguards - standard pick up - 1065  
 Window assembly 825  
 Window assembly rh 858  
 Window assembly rh 863  
 Windscreen 786 - 787  
 Windscreen frame 786  
 Windscreen wash - air con 731  
 Windscreen wash - non air con 730  
 Windscreen wipers 729  
 Wing front rh 777

**3**

300tdi 718

**5**

5 speed - manual 328





## DEFENDER 110 1987 onwards

1076

## NUMERICAL INDEX

| PART NO  | PAGE | PART NO   | PAGE | PART NO   | PAGE | PART NO   | PAGE | PART NO   | PAGE | PART NO   | PAGE |
|----------|------|-----------|------|-----------|------|-----------|------|-----------|------|-----------|------|
| AAM222L  | 712  | AAU5034   | 697  | AB606022L | 669  | AB606084  | 922  | AB608047L | 752  | AB610061L | 960  |
| AAM222L  | 722  | AAU5034   | 713  | AB606031L | 797  | AB606084  | 928  | AB608047L | 933  | AB610061L | 961  |
| AAP810   | 626  | AAU5034   | 740  | AB606031L | 821  | AB606084  | 934  | AB608051  | 665  | AB610081  | 960  |
| AAP811   | 626  | AAU6774   | 821  | AB606031L | 926  | AB606084  | 936  | AB608051L | 911  | AB610081L | 803  |
| AAP817   | 626  | AAU6774   | 846  | AB606034  | 726  | AB606124  | 728  | AB608054L | 629  | AB610081L | 806  |
| AAP876   | 627  | AAU6774   | 848  | AB606034  | 728  | AB608031  | 1060 | AB608054L | 666  | AB610124L | 911  |
| AAP890   | 627  | AAU6774   | 849  | AB606041  | 921  | AB608031L | 482  | AB608054L | 752  | AB612051L | 716  |
| AAP938   | 627  | AAU6774   | 850  | AB606041L | 492  | AB608031L | 696  | AB608054L | 914  | AB614061  | 728  |
| AAP939   | 627  | AAU6919   | 846  | AB606041L | 672  | AB608031L | 709  | AB608054L | 935  | AB614061L | 528  |
| AAU1700  | 493  | AAU6920   | 849  | AB606041L | 678  | AB608031L | 716  | AB608061L | 928  | AB614061L | 59   |
| AAU1979  | 51   | AAU7803   | 496  | AB606041L | 679  | AB608031L | 832  | AB608061L | 932  | AB614061L | 754  |
| AAU1979  | 605  | AAU7803   | 498  | AB606041L | 808  | AB608031L | 840  | AB608061L | 936  | AB614061L | 755  |
| AAU1979  | 608  | AAU7803   | 501  | AB606041L | 811  | AB60804   | 930  | AB608064L | 918  | AB614061L | 756  |
| AAU2249L | 114  | AAU8182   | 848  | AB606041L | 915  | AB608041  | 567  | AB608065L | 625  | AB614061L | 783  |
| AAU2249L | 161  | AAU8276   | 711  | AB606041L | 926  | AB608041L | 912  | AB608067L | 569  | AB614061L | 937  |
| AAU2249L | 205  | AAU9036   | 778  | AB606041L | 927  | AB608044L | 722  | AB608101L | 1063 | AB614064  | 911  |
| AAU2249L | 291  | AAU9902   | 103  | AB606041L | 950  | AB608044L | 781  | AB608107  | 932  | AB614065L | 769  |
| AAU2249L | 63   | AAU9902   | 546  | AB606041L | 953  | AB608044L | 923  | AB608107  | 936  | AB614081L | 868  |
| AAU2304  | 369  | AAU9902   | 549  | AB606041L | 961  | AB608047  | 566  | AB610031L | 271  | AB614081L | 870  |
| AAU2304  | 391  | AAU9903   | 103  | AB606044L | 723  | AB608047  | 669  | AB610031L | 280  | AB614081L | 938  |
| AAU2367  | 906  | AAU9903   | 546  | AB606044L | 912  | AB608047  | 670  | AB610031L | 557  | AB614088  | 770  |
| AAU2367  | 907  | AAU9903   | 549  | AB606044L | 915  | AB608047  | 671  | AB610041L | 482  | ACU1161   | 848  |
| AAU2825  | 425  | AA606044L | 710  | AB606051L | 734  | AB608047  | 689  | AB610041L | 710  | ACU1161   | 849  |
| AAU3509  | 534  | AA606044L | 921  | AB606051L | 736  | AB608047L | 1063 | AB610041L | 872  | ACU1762   | 848  |
| AAU3686  | 475  | AA610031  | 872  | AB606051L | 936  | AB608047L | 1064 | AB610051L | 1018 | ACU1762   | 849  |
| AAU3686  | 690  | AA610031  | 873  | AB606054L | 949  | AB608047L | 1065 | AB610051L | 1020 | ACU2063   | 848  |
| AAU3686  | 693  | AB600031  | 556  | AB606057  | 769  | AB608047L | 629  | AB610051L | 1023 | ACU3530   | 821  |
| AAU3686  | 702  | AB605051L | 737  | AB606057  | 801  | AB608047L | 666  | AB610051L | 689  | ACU3530   | 848  |
| AAU3686  | 783  | AB606021  | 664  | AB606061L | 29   | AB608047L | 676  | AB610051L | 751  | ACU3530   | 850  |
| AAU5034  | 688  | AB606021L | 659  | AB606064L | 911  | AB608047L | 695  | AB610051L | 761  | ACU3777   | 845  |





## DEFENDER 110 1987 onwards

1077

## NUMERICAL INDEX

| PART NO   | PAGE | PART NO   | PAGE | PART NO | PAGE | PART NO | PAGE | PART NO  | PAGE | PART NO | PAGE |
|-----------|------|-----------|------|---------|------|---------|------|----------|------|---------|------|
| ACU3777   | 848  | ADU4928L  | 113  | AEU1192 | 285  | AEU1688 | 285  | AEU1710  | 111  | AEU1778 | 54   |
| ACU5037   | 730  | ADU4928L  | 62   | AEU1192 | 55   | AEU1688 | 55   | AEU1710  | 113  | AEU1779 | 107  |
| ACU5037   | 731  | ADU5727L  | 803  | AEU1198 | 663  | AEU1689 | 108  | AEU1710  | 60   | AEU1779 | 156  |
| ACU5037   | 732  | ADU5727L  | 806  | AEU1205 | 663  | AEU1689 | 157  | AEU1710  | 62   | AEU1779 | 201  |
| ACU5037   | 733  | ADU6409L  | 734  | AEU1213 | 640  | AEU1689 | 202  | AEU1725  | 113  | AEU1779 | 284  |
| ACU5037   | 734  | ADU6409L  | 736  | AEU1213 | 644  | AEU1689 | 285  | AEU1725  | 62   | AEU1779 | 54   |
| ACU5037   | 736  | ADU6409L  | 737  | AEU1214 | 640  | AEU1689 | 55   | AEU1726  | 113  | AEU1780 | 107  |
| ACU5037   | 737  | ADU6418L  | 734  | AEU1214 | 644  | AEU1690 | 108  | AEU1726  | 62   | AEU1780 | 156  |
| ACU5037   | 738  | ADU6418L  | 736  | AEU1248 | 461  | AEU1690 | 157  | AEU1742  | 669  | AEU1780 | 201  |
| ACU5431   | 665  | ADU6418L  | 737  | AEU1355 | 669  | AEU1690 | 202  | AEU1747  | 699  | AEU1780 | 284  |
| AC606031L | 802  | ADU6693L  | 733  | AEU1446 | 517  | AEU1690 | 285  | AEU1750L | 299  | AEU1780 | 54   |
| AC606031L | 805  | ADU6693L  | 734  | AEU1488 | 426  | AEU1690 | 55   | AEU1775  | 107  | AEU1782 | 107  |
| AC606041L | 802  | ADU8363L  | 469  | AEU1489 | 426  | AEU1691 | 108  | AEU1775  | 156  | AEU1782 | 156  |
| AC606041L | 805  | ADU8363L  | 470  | AEU1527 | 113  | AEU1691 | 157  | AEU1775  | 201  | AEU1782 | 201  |
| AC606044L | 1023 | ADU8363L  | 471  | AEU1527 | 62   | AEU1691 | 202  | AEU1775  | 284  | AEU1782 | 284  |
| AC606064L | 915  | ADU8846L  | 495  | AEU1532 | 111  | AEU1691 | 285  | AEU1775  | 54   | AEU1782 | 54   |
| AC606081L | 862  | ADU8846L  | 497  | AEU1532 | 113  | AEU1691 | 55   | AEU1776  | 107  | AEU1784 | 107  |
| AC606081L | 864  | ADU8846L  | 501  | AEU1532 | 60   | AEU1694 | 107  | AEU1776  | 156  | AEU1784 | 156  |
| AC606104  | 912  | ADU9081L  | 469  | AEU1532 | 62   | AEU1694 | 156  | AEU1776  | 201  | AEU1784 | 201  |
| AC608041L | 625  | AD606041L | 914  | AEU1616 | 113  | AEU1694 | 201  | AEU1776  | 284  | AEU1784 | 284  |
| AC608065  | 665  | AD606044L | 723  | AEU1616 | 62   | AEU1694 | 284  | AEU1776  | 54   | AEU1784 | 54   |
| ADU1784L  | 735  | AD606044L | 911  | AEU1626 | 636  | AEU1694 | 54   | AEU1777  | 107  | AEU1785 | 107  |
| ADU1784L  | 736  | AD606074L | 727  | AEU1626 | 647  | AEU1706 | 111  | AEU1777  | 156  | AEU1785 | 156  |
| ADU1784L  | 737  | AD606074L | 728  | AEU1627 | 636  | AEU1706 | 113  | AEU1777  | 201  | AEU1785 | 201  |
| ADU2888L  | 514  | AEU1034   | 58   | AEU1627 | 647  | AEU1706 | 60   | AEU1777  | 284  | AEU1785 | 284  |
| ADU3430   | 776  | AEU1044   | 488  | AEU1628 | 647  | AEU1706 | 62   | AEU1777  | 54   | AEU1785 | 54   |
| ADU3469L  | 993  | AEU1045   | 488  | AEU1652 | 674  | AEU1708 | 113  | AEU1778  | 107  | AEU1786 | 108  |
| ADU3905   | 730  | AEU1192   | 108  | AEU1688 | 108  | AEU1708 | 62   | AEU1778  | 156  | AEU1786 | 157  |
| ADU3905   | 732  | AEU1192   | 157  | AEU1688 | 157  | AEU1709 | 113  | AEU1778  | 201  | AEU1786 | 202  |
| ADU3905   | 738  | AEU1192   | 202  | AEU1688 | 202  | AEU1709 | 62   | AEU1778  | 284  | AEU1786 | 285  |





## DEFENDER 110 1987 onwards

1078

## NUMERICAL INDEX

| PART NO | PAGE | PART NO  | PAGE | PART NO | PAGE | PART NO | PAGE | PART NO  | PAGE | PART NO  | PAGE |
|---------|------|----------|------|---------|------|---------|------|----------|------|----------|------|
| AEU1786 | 55   | AEU1942  | 60   | AEU2573 | 47   | AEU2737 | 397  | AEU4019  | 453  | AFU1080  | 800  |
| AEU1787 | 108  | AEU2129L | 195  | AEU2574 | 47   | AEU2738 | 377  | AEU4020  | 453  | AFU1080  | 814  |
| AEU1787 | 157  | AEU2147L | 547  | AEU2575 | 46   | AEU2738 | 397  | AEU4021  | 453  | AFU1080  | 856  |
| AEU1787 | 202  | AEU2147L | 548  | AEU2577 | 46   | AEU2741 | 488  | AEU4023  | 453  | AFU1080  | 860  |
| AEU1787 | 285  | AEU2148L | 547  | AEU2578 | 46   | AEU2761 | 452  | AEU4024  | 453  | AFU1080  | 865  |
| AEU1787 | 55   | AEU2148L | 548  | AEU2579 | 47   | AEU2805 | 825  | AEU4025  | 451  | AFU1080  | 900  |
| AEU1788 | 108  | AEU2149L | 547  | AEU2580 | 46   | AEU2806 | 825  | AEU4025  | 453  | AFU1080  | 904  |
| AEU1788 | 157  | AEU2149L | 548  | AEU2582 | 46   | AEU3015 | 488  | AEU4025  | 455  | AFU1080  | 995  |
| AEU1788 | 202  | AEU2496  | 509  | AEU2583 | 46   | AEU3055 | 640  | AEU4026  | 451  | AFU1085L | 576  |
| AEU1788 | 285  | AEU2497  | 509  | AEU2584 | 46   | AEU3055 | 644  | AEU4026  | 453  | AFU1085L | 577  |
| AEU1788 | 55   | AEU2498  | 509  | AEU2585 | 46   | AEU3055 | 647  | AEU4026  | 455  | AFU1085L | 578  |
| AEU1790 | 108  | AEU2507  | 111  | AEU2718 | 105  | AEU3056 | 636  | AFU1004  | 1043 | AFU1090L | 24   |
| AEU1790 | 157  | AEU2507  | 60   | AEU2718 | 154  | AEU3056 | 647  | AFU1024L | 1043 | AFU1090L | 30   |
| AEU1790 | 202  | AEU2508  | 425  | AEU2719 | 105  | AEU3067 | 636  | AFU1031  | 507  | AFU1090L | 66   |
| AEU1790 | 285  | AEU2515  | 425  | AEU2719 | 154  | AEU3068 | 636  | AFU1036  | 793  | AFU1090L | 694  |
| AEU1790 | 55   | AEU2520  | 414  | AEU2720 | 105  | AEU3076 | 111  | AFU1069  | 1032 | AFU1090L | 700  |
| AEU1791 | 108  | AEU2521  | 414  | AEU2720 | 154  | AEU3076 | 113  | AFU1069  | 764  | AFU1090L | 703  |
| AEU1791 | 157  | AEU2522  | 414  | AEU2721 | 725  | AEU3076 | 60   | AFU1069  | 783  | AFU1090L | 704  |
| AEU1791 | 202  | AEU2539  | 507  | AEU2722 | 725  | AEU4000 | 665  | AFU1070  | 1002 | AFU1104  | 776  |
| AEU1791 | 285  | AEU2539  | 508  | AEU2723 | 725  | AEU4001 | 665  | AFU1070  | 1009 | AFU1172  | 939  |
| AEU1791 | 55   | AEU2558  | 47   | AEU2724 | 725  | AEU4002 | 659  | AFU1070  | 999  | AFU1181  | 420  |
| AEU1792 | 108  | AEU2560  | 47   | AEU2733 | 377  | AEU4002 | 660  | AFU1071  | 939  | AFU1218L | 1064 |
| AEU1792 | 157  | AEU2562  | 47   | AEU2733 | 397  | AEU4002 | 661  | AFU1075  | 785  | AFU1218L | 1065 |
| AEU1792 | 202  | AEU2563  | 47   | AEU2734 | 377  | AEU4002 | 664  | AFU1075  | 875  | AFU1218L | 722  |
| AEU1792 | 285  | AEU2564  | 47   | AEU2734 | 397  | AEU4013 | 453  | AFU1077L | 475  | AFU1218L | 876  |
| AEU1792 | 55   | AEU2565  | 46   | AEU2735 | 377  | AEU4014 | 453  | AFU1077L | 577  | AFU1234  | 415  |
| AEU1880 | 509  | AEU2566  | 46   | AEU2735 | 397  | AEU4015 | 453  | AFU1079  | 1031 | AFU1234  | 417  |
| AEU1891 | 488  | AEU2569  | 47   | AEU2736 | 377  | AEU4016 | 453  | AFU1079  | 1033 | AFU1247  | 961  |
| AEU1915 | 62   | AEU2570  | 47   | AEU2736 | 397  | AEU4017 | 453  | AFU1079  | 783  | AFU1248  | 715  |
| AEU1942 | 111  | AEU2571  | 47   | AEU2737 | 377  | AEU4018 | 453  | AFU1079  | 837  | AFU1248  | 911  |





## DEFENDER 110 1987 onwards

1079

## NUMERICAL INDEX

| PART NO  | PAGE | PART NO    | PAGE | PART NO  | PAGE | PART NO   | PAGE | PART NO | PAGE | PART NO | PAGE |
|----------|------|------------|------|----------|------|-----------|------|---------|------|---------|------|
| AFU1248  | 914  | AFU1876    | 1063 | AFU1900  | 936  | AH614011L | 778  | ALR1618 | 752  | ALR2414 | 782  |
| AFU1256  | 1038 | AFU1876    | 821  | AFU1926  | 567  | AJU1136   | 567  | ALR1619 | 752  | ALR2415 | 782  |
| AFU1256  | 1041 | AFU1879L   | 125  | AFU1926L | 566  | AJU1136L  | 569  | ALR1737 | 787  | ALR2622 | 739  |
| AFU1256  | 801  | AFU1879L   | 126  | AFU1926L | 673  | AJ606011L | 912  | ALR1742 | 756  | ALR3966 | 825  |
| AFU1256  | 939  | AFU1879L   | 172  | AFU2501  | 916  | AJ606041  | 723  | ALR1743 | 756  | ALR3970 | 782  |
| AFU1257  | 752  | AFU1879L   | 73   | AFU2501  | 917  | AJ608031  | 722  | ALR1752 | 758  | ALR4057 | 782  |
| AFU1259  | 813  | AFU1879L   | 74   | AFU2503  | 906  | AJ608041  | 625  | ALR1753 | 758  | ALR4065 | 807  |
| AFU1259  | 819  | AFU1882L   | 125  | AFU2503  | 907  | AK606011L | 710  | ALR1757 | 754  | ALR4065 | 810  |
| AFU1261  | 939  | AFU1882L   | 172  | AFU2504  | 906  | AK606011L | 914  | ALR1800 | 788  | ALR4532 | 803  |
| AFU1262  | 794  | AFU1882L   | 214  | AFU2504  | 907  | AK606011L | 921  | ALR1801 | 788  | ALR4533 | 803  |
| AFU1263  | 989  | AFU1882L   | 28   | AFU2627  | 478  | AK606021L | 672  | ALR1982 | 598  | ALR4534 | 806  |
| AFU1265  | 1046 | AFU1882L   | 73   | AFU2636  | 722  | AK606031  | 911  | ALR2136 | 750  | ALR4535 | 806  |
| AFU1271  | 682  | AFU1887L   | 125  | AFU2636  | 753  | AK606031  | 912  | ALR2138 | 750  | ALR4540 | 788  |
| AFU1272  | 682  | AFU1887L   | 126  | AFU2636  | 921  | AK606031  | 915  | ALR2220 | 752  | ALR4541 | 788  |
| AFU1298  | 1032 | AFU1887L   | 172  | AFU2651  | 997  | AK608021  | 629  | ALR2261 | 782  | ALR4542 | 792  |
| AFU1350  | 1032 | AFU1887L   | 224  | AFU2692  | 914  | AK608021  | 666  | ALR2262 | 782  | ALR4543 | 792  |
| AFU1350  | 1036 | AFU1887L   | 73   | AFU2778  | 581  | AK608141L | 739  | ALR2264 | 782  | ALR4564 | 773  |
| AFU1350  | 517  | AFU1887L   | 74   | AFU2813  | 912  | AK610021L | 876  | ALR2265 | 782  | ALR4652 | 813  |
| AFU1350  | 824  | AFU1890L   | 141  | AFU2813  | 915  | AK612011L | 492  | ALR2302 | 855  | ALR4652 | 819  |
| AFU1386  | 747  | AFU1890L   | 37   | AFU2875  | 1018 | AK612011L | 769  | ALR2303 | 855  | ALR4769 | 801  |
| AFU1387  | 747  | AFU1890L   | 38   | AFU2875  | 1020 | AK616011  | 778  | ALR2318 | 790  | ALR4770 | 801  |
| AFU1400  | 377  | AFU1890L   | 92   | AFU2875  | 1023 | ALR1157   | 856  | ALR2318 | 793  | ALR4771 | 802  |
| AFU1400  | 378  | AFU1897    | 728  | AFU2879  | 740  | ALR1158   | 860  | ALR2319 | 790  | ALR4772 | 802  |
| AFU1400  | 397  | AFU1897    | 912  | AFU4162  | 901  | ALR1161   | 826  | ALR2319 | 793  | ALR4773 | 802  |
| AFU1497  | 939  | AFU1897LDE | 513  | AFU4173  | 323  | ALR1339   | 769  | ALR2321 | 790  | ALR4774 | 802  |
| AFU1499  | 744  | AFU1897LDE | 949  | AFU4173  | 344  | ALR1460   | 873  | ALR2322 | 790  | ALR4775 | 804  |
| AFU1841  | 821  | AFU1900    | 928  | AFU4173  | 755  | ALR1466   | 824  | ALR2377 | 892  | ALR4776 | 804  |
| AFU1841  | 848  | AFU1900    | 929  | AFU4241L | 679  | ALR1467   | 824  | ALR2378 | 892  | ALR4777 | 804  |
| AFU1848L | 45   | AFU1900    | 933  | AFU4241L | 680  | ALR1468   | 824  | ALR2385 | 773  | ALR4778 | 804  |
| AFU1848L | 99   | AFU1900    | 934  | AF608081 | 1013 | ALR1522   | 769  | ALR2386 | 873  | ALR4929 | 801  |





## DEFENDER 110 1987 onwards

1080

## NUMERICAL INDEX

| PART NO | PAGE | PART NO | PAGE | PART NO  | PAGE | PART NO | PAGE | PART NO | PAGE | PART NO | PAGE |
|---------|------|---------|------|----------|------|---------|------|---------|------|---------|------|
| ALR4936 | 791  | ALR5987 | 836  | ALR7128  | 843  | AMR2348 | 686  | AMR2978 | 737  | AMR3098 | 750  |
| ALR4937 | 791  | ALR5989 | 777  | ALR7129  | 843  | AMR2350 | 708  | AMR2978 | 738  | AMR3101 | 709  |
| ALR4938 | 795  | ALR5990 | 777  | AL614011 | 757  | AMR2351 | 696  | AMR2979 | 733  | AMR3104 | 683  |
| ALR4939 | 795  | ALR6121 | 778  | AMR1054  | 739  | AMR2357 | 670  | AMR2979 | 734  | AMR3124 | 710  |
| ALR5054 | 856  | ALR6122 | 778  | AMR1421  | 672  | AMR2358 | 720  | AMR2980 | 705  | AMR3135 | 708  |
| ALR5055 | 860  | ALR6219 | 803  | AMR1421  | 675  | AMR2358 | 721  | AMR2981 | 701  | AMR3138 | 689  |
| ALR5057 | 826  | ALR6224 | 808  | AMR1422  | 675  | AMR2393 | 720  | AMR2982 | 700  | AMR3142 | 680  |
| ALR5058 | 787  | ALR6225 | 776  | AMR1425  | 232  | AMR2411 | 721  | AMR2982 | 703  | AMR3155 | 680  |
| ALR5080 | 825  | ALR6250 | 791  | AMR1487  | 686  | AMR2416 | 720  | AMR2983 | 691  | AMR3158 | 680  |
| ALR5080 | 858  | ALR6251 | 795  | AMR1488  | 686  | AMR2416 | 721  | AMR3012 | 730  | AMR3247 | 671  |
| ALR5081 | 858  | ALR6256 | 788  | AMR1491  | 692  | AMR2425 | 184  | AMR3012 | 731  | AMR3294 | 728  |
| ALR5110 | 760  | ALR6257 | 788  | AMR1492  | 692  | AMR2425 | 225  | AMR3012 | 732  | AMR3321 | 232  |
| ALR5113 | 762  | ALR6258 | 792  | AMR1493  | 693  | AMR2449 | 712  | AMR3012 | 733  | AMR3322 | 680  |
| ALR5117 | 750  | ALR6259 | 792  | AMR1494  | 693  | AMR2474 | 730  | AMR3012 | 734  | AMR3324 | 708  |
| ALR5118 | 750  | ALR6280 | 791  | AMR1495  | 521  | AMR2474 | 732  | AMR3012 | 736  | AMR3325 | 708  |
| ALR5294 | 765  | ALR6365 | 758  | AMR1496  | 521  | AMR2475 | 709  | AMR3012 | 737  | AMR3412 | 243  |
| ALR5295 | 765  | ALR6366 | 758  | AMR1518  | 692  | AMR2532 | 708  | AMR3012 | 738  | AMR3414 | 728  |
| ALR5308 | 795  | ALR6374 | 750  | AMR1637  | 691  | AMR2625 | 709  | AMR3025 | 730  | AMR3417 | 728  |
| ALR5309 | 795  | ALR6375 | 750  | AMR1647  | 709  | AMR2628 | 725  | AMR3025 | 731  | AMR3418 | 728  |
| ALR5312 | 795  | ALR6678 | 778  | AMR2070  | 724  | AMR2631 | 724  | AMR3025 | 732  | AMR3443 | 726  |
| ALR5313 | 795  | ALR6708 | 844  | AMR2090  | 671  | AMR2956 | 705  | AMR3025 | 733  | AMR3444 | 709  |
| ALR5329 | 851  | ALR6840 | 777  | AMR2092  | 264  | AMR2959 | 701  | AMR3025 | 734  | AMR3448 | 692  |
| ALR5330 | 851  | ALR6842 | 777  | AMR2217  | 243  | AMR2962 | 700  | AMR3025 | 736  | AMR3449 | 692  |
| ALR5506 | 848  | ALR6843 | 777  | AMR2341  | 717  | AMR2962 | 703  | AMR3025 | 738  | AMR3450 | 692  |
| ALR5507 | 848  | ALR6851 | 796  | AMR2342  | 670  | AMR2972 | 695  | AMR3026 | 732  | AMR3480 | 687  |
| ALR5821 | 803  | ALR6852 | 796  | AMR2343  | 670  | AMR2973 | 695  | AMR3026 | 733  | AMR3481 | 687  |
| ALR5821 | 806  | ALR7005 | 754  | AMR2344  | 670  | AMR2976 | 697  | AMR3026 | 734  | AMR3482 | 687  |
| ALR5980 | 788  | ALR7105 | 828  | AMR2345  | 670  | AMR2977 | 697  | AMR3026 | 737  | AMR3483 | 687  |
| ALR5981 | 792  | ALR7106 | 828  | AMR2346  | 670  | AMR2978 | 731  | AMR3039 | 740  | AMR3484 | 687  |
| ALR5982 | 792  | ALR7107 | 829  | AMR2347  | 686  | AMR2978 | 736  | AMR3098 | 689  | AMR3727 | 680  |





## DEFENDER 110 1987 onwards

1081

## NUMERICAL INDEX

| PART NO   | PAGE | PART NO | PAGE | PART NO  | PAGE | PART NO    | PAGE | PART NO  | PAGE | PART NO   | PAGE |
|-----------|------|---------|------|----------|------|------------|------|----------|------|-----------|------|
| AMR3756   | 730  | ANR1969 | 470  | ANR2945  | 479  | AR606031L  | 845  | AWR1173  | 645  | BAU1825   | 111  |
| AMR3771   | 689  | ANR1998 | 464  | ANR2946  | 494  | AR608021L  | 783  | AWR1174  | 664  | BAU1825   | 60   |
| AMR3840   | 728  | ANR2003 | 283  | ANR2946  | 499  | AR608031L  | 449  | AWR1175  | 912  | BAU2144   | 669  |
| AMR3843   | 685  | ANR2054 | 743  | ANR2946  | 500  | AR608031L  | 707  | AWR1177  | 640  | BAU2193   | 111  |
| AMR3844   | 685  | ANR2056 | 743  | ANR2947  | 494  | AR608031L  | 783  | AWR1178  | 636  | BAU2193   | 60   |
| AMR3859   | 336  | ANR2056 | 744  | ANR2947  | 499  | AR608041L  | 513  | AWR1179  | 663  | BAU2195   | 111  |
| AMR3987   | 705  | ANR2135 | 470  | ANR2947  | 500  | AR608041L  | 514  | AWR1242  | 640  | BAU2195   | 60   |
| AMR3988   | 705  | ANR2136 | 471  | ANR2948  | 1069 | AR608061   | 939  | AWR1245  | 660  | BAU4611L  | 101  |
| AMR4019   | 705  | ANR2157 | 240  | ANR2994  | 452  | AR610051L  | 851  | AWR1247  | 659  | BAU4611L  | 149  |
| AMR4021   | 705  | ANR2162 | 479  | ANR2994  | 454  | AR610051L  | 876  | AWR1249  | 637  | BAU4865   | 453  |
| AMR4023   | 701  | ANR2326 | 743  | ANR2994  | 455  | ASU1009    | 712  | AWR1448  | 664  | BAU4870   | 453  |
| AMR4025   | 701  | ANR2327 | 743  | ANR2994  | 457  | ASU1151    | 708  | AWR1587  | 1024 | BAU4871   | 453  |
| AMR4027   | 700  | ANR2485 | 470  | ANR3036  | 444  | AS604044   | 826  | AWR1607  | 917  | BDU1496   | 231  |
| AMR4027   | 703  | ANR2485 | 471  | ANR3037  | 440  | AS604044   | 858  | AWR1666  | 660  | BD155888  | 689  |
| AMR4029   | 700  | ANR2487 | 471  | ANR3052  | 1042 | ATU1005L   | 103  | AWR2001  | 1016 | BD155888  | 751  |
| AMR4029   | 703  | ANR2503 | 500  | ANR3069  | 500  | ATU1005L   | 750  | AWR2001  | 1018 | BFP1265L  | 808  |
| AMR4042   | 705  | ANR2512 | 483  | ANR3231  | 446  | ATU1017L   | 429  | AWR2002  | 1016 | BFP1265L  | 810  |
| AMR4043   | 705  | ANR2776 | 506  | ANR3327  | 464  | ATU1017L   | 430  | AWR2332  | 653  | BHA4790L  | 729  |
| AM605061  | 778  | ANR2777 | 506  | ANR3400  | 477  | ATU1017L   | 431  | AWR2333  | 653  | BHA5131L  | 710  |
| ANR1338   | 482  | ANR2778 | 506  | ANR3410  | 435  | ATU1041    | 648  | AWR2334  | 653  | BHM7058L  | 669  |
| ANR1339   | 482  | ANR2779 | 506  | ANR3598  | 470  | ATU1041    | 661  | AWR2335  | 636  | BHM7063L  | 303  |
| ANR1415   | 501  | ANR2780 | 499  | ANR3615  | 499  | AUD2437L   | 281  | AW606084 | 781  | BHM7063L  | 331  |
| ANR1415   | 506  | ANR2783 | 490  | ANR3625  | 364  | AUD3306L   | 275  | AW606124 | 665  | BHM7063L  | 347  |
| ANR1419   | 474  | ANR2784 | 490  | ANR3692  | 511  | AUD4398L   | 275  | AW608081 | 727  | BH106051L | 136  |
| ANR1534PM | 433  | ANR2847 | 711  | ANR3693  | 511  | AUD4771L   | 275  | AW608081 | 728  | BH106051L | 252  |
| ANR1799   | 439  | ANR2848 | 711  | ANR3770  | 500  | AV608081L  | 993  | AZ610081 | 722  | BH106051L | 33   |
| ANR1808   | 131  | ANR2858 | 462  | ARA1501L | 521  | AWR1049LUH | 936  | BAU1689  | 358  | BH106051L | 373  |
| ANR1808   | 177  | ANR2859 | 462  | ARA1501L | 523  | AWR1168    | 637  | BAU1689  | 362  | BH106051L | 393  |
| ANR1808   | 28   | ANR2860 | 462  | ARA1502L | 523  | AWR1169    | 665  | BAU1689  | 381  | BH106051L | 84   |
| ANR1808   | 79   | ANR2868 | 218  | AR606021 | 740  | AWR1170    | 665  | BAU1689  | 429  | BH106051L | 85   |





## DEFENDER 110 1987 onwards

1082

## NUMERICAL INDEX

| PART NO   | PAGE | PART NO   | PAGE | PART NO   | PAGE | PART NO   | PAGE | PART NO   | PAGE | PART NO   | PAGE |
|-----------|------|-----------|------|-----------|------|-----------|------|-----------|------|-----------|------|
| BH106051L | 86   | BH108091L | 588  | BH108161L | 136  | BH108201L | 325  | BH110101L | 56   | BH112141L | 1057 |
| BH106061L | 308  | BH108091L | 590  | BH108161L | 162  | BH108201L | 64   | BH110121L | 349  | BH112141L | 348  |
| BH106061L | 493  | BH108091L | 64   | BH108161L | 206  | BH108201L | 744  | BH110121L | 365  | BH112201L | 1055 |
| BH106061L | 502  | BH108105L | 29   | BH108161L | 32   | BH108201L | 80   | BH110121L | 385  | BH112241L | 1057 |
| BH106061L | 504  | BH108105L | 309  | BH108161L | 33   | BH108251L | 132  | BH110121L | 463  | BH114161  | 435  |
| BH106061L | 505  | BH108105L | 44   | BH108161L | 64   | BH108251L | 80   | BH110181L | 1052 | BH114167  | 435  |
| BH106061L | 506  | BH108111L | 132  | BH108161L | 83   | BH110071L | 363  | BH110181L | 1056 | BH116101  | 1053 |
| BH106071  | 966  | BH108111L | 373  | BH108161L | 84   | BH110081L | 1050 | BH110181L | 748  | BH116121L | 1051 |
| BH106091L | 493  | BH108111L | 381  | BH108161L | 85   | BH110081L | 1056 | BH110201L | 1050 | BH116161L | 1054 |
| BH106091L | 501  | BH108111L | 382  | BH108161L | 86   | BH110081L | 364  | BH110201L | 1053 | BH116201  | 1052 |
| BH106111L | 493  | BH108111L | 80   | BH108171L | 135  | BH110081L | 382  | BH110201L | 109  | BH116207  | 434  |
| BH106111L | 816  | BH108131L | 132  | BH108171L | 136  | BH110081L | 384  | BH110201L | 158  | BH116261  | 1054 |
| BH106141L | 734  | BH108131L | 29   | BH108171L | 32   | BH110091L | 1062 | BH110201L | 203  | BH504101L | 258  |
| BH106141L | 736  | BH108131L | 582  | BH108171L | 33   | BH110091L | 116  | BH110201L | 56   | BH504101L | 259  |
| BH106141L | 737  | BH108131L | 80   | BH108171L | 83   | BH110091L | 118  | BH110201L | 745  | BH504121L | 283  |
| BH106151L | 146  | BH108141L | 45   | BH108171L | 84   | BH110091L | 163  | BH110221L | 286  | BH504151L | 258  |
| BH106151L | 43   | BH108141L | 589  | BH108171L | 85   | BH110091L | 165  | BH110221L | 334  | BH504151L | 259  |
| BH106151L | 98   | BH108141L | 853  | BH108171L | 86   | BH110091L | 207  | BH110221L | 441  | BH504151L | 287  |
| BH108061L | 477  | BH108151L | 135  | BH108181L | 106  | BH110091L | 209  | BH110221L | 749  | BH504161L | 258  |
| BH108061M | 417  | BH108151L | 136  | BH108181L | 109  | BH110091L | 349  | BH110241L | 286  | BH504161L | 259  |
| BH108061M | 419  | BH108151L | 29   | BH108181L | 155  | BH110091L | 363  | BH110241L | 747  | BH505111L | 276  |
| BH108091L | 115  | BH108151L | 32   | BH108181L | 158  | BH110091L | 364  | BH110241L | 749  | BH505111L | 293  |
| BH108091L | 162  | BH108151L | 33   | BH108181L | 200  | BH110091L | 382  | BH110251  | 909  | BH505121L | 258  |
| BH108091L | 206  | BH108151L | 39   | BH108181L | 203  | BH110091L | 383  | BH110301L | 909  | BH505121L | 259  |
| BH108091L | 295  | BH108151L | 83   | BH108181L | 362  | BH110091L | 384  | BH110351  | 444  | BH505161L | 259  |
| BH108091L | 448  | BH108151L | 84   | BH108181L | 381  | BH110091L | 520  | BH110521  | 880  | BH505201L | 286  |
| BH108091L | 503  | BH108151L | 85   | BH108181L | 53   | BH110101L | 109  | BH112091L | 304  | BH505241L | 257  |
| BH108091L | 504  | BH108151L | 86   | BH108181L | 56   | BH110101L | 158  | BH112101L | 1055 | BH505381L | 258  |
| BH108091L | 515  | BH108161L | 115  | BH108201L | 132  | BH110101L | 203  | BH112101L | 406  | BH505381L | 259  |
| BH108091L | 583  | BH108161L | 135  | BH108201L | 29   | BH110101L | 349  | BH112101L | 408  | BH505401L | 258  |







## DEFENDER 110 1987 onwards

1083

## NUMERICAL INDEX

| PART NO   | PAGE | PART NO    | PAGE | PART NO    | PAGE | PART NO    | PAGE | PART NO    | PAGE | PART NO    | PAGE |
|-----------|------|------------|------|------------|------|------------|------|------------|------|------------|------|
| BH505401L | 259  | BH608461   | 435  | BTR1047    | 882  | BTR1599    | 666  | BTR1884PMA | 1017 | BTR2980RWF | 889  |
| BH505401L | 283  | BH610281L  | 434  | BTR1049    | 882  | BTR1600    | 629  | BTR1884PMA | 1018 | BTR2982LVA | 883  |
| BH505441L | 287  | BH610321L  | 438  | BTR1050    | 882  | BTR1600    | 666  | BTR1884PMA | 1019 | BTR2983LVA | 883  |
| BH506111L | 286  | BH612321   | 439  | BTR1051    | 882  | BTR162RUV  | 888  | BTR1884PMA | 1020 | BTR2984LVA | 883  |
| BH506111L | 293  | BLS108L    | 351  | BTR1054RUK | 887  | BTR162RUW  | 888  | BTR1884PMA | 1023 | BTR304     | 1023 |
| BH506121L | 272  | BLS108L    | 352  | BTR1055RUK | 887  | BTR163RUV  | 888  | BTR1886LUH | 931  | BTR305LNP  | 922  |
| BH506161L | 272  | BLS108L    | 353  | BTR1056RUV | 887  | BTR163RUW  | 888  | BTR1886LUH | 933  | BTR306LNP  | 922  |
| BH506161L | 334  | BLS112L    | 321  | BTR1056RUW | 887  | BTR164RUV  | 887  | BTR2129NUC | 1072 | BTR341     | 924  |
| BH506161L | 480  | BLS112L    | 332  | BTR1057RUV | 887  | BTR164RUW  | 887  | BTR213     | 649  | BTR3415    | 939  |
| BH506201L | 293  | BLS112L    | 343  | BTR1057RUW | 887  | BTR165RUV  | 887  | BTR214     | 649  | BTR360     | 924  |
| BH604081  | 1044 | BMK1714    | 710  | BTR1109    | 623  | BTR165RUW  | 887  | BTR2307    | 915  | BTR361     | 940  |
| BH604151L | 462  | BMK1903    | 478  | BTR1116    | 623  | BTR1679    | 952  | BTR2308    | 915  | BTR362     | 940  |
| BH604151L | 463  | BMK2466    | 504  | BTR1117    | 623  | BTR1680    | 952  | BTR2371    | 927  | BTR363     | 940  |
| BH604161L | 991  | BMK2466    | 505  | BTR1130    | 633  | BTR1681LDE | 944  | BTR2372    | 927  | BTR364     | 941  |
| BH605101L | 1027 | BMK2466    | 506  | BTR1131    | 633  | BTR1682LDE | 944  | BTR2407RWF | 889  | BTR365     | 941  |
| BH605101L | 204  | BNP4556    | 803  | BTR1132    | 634  | BTR1683    | 945  | BTR2408RWF | 889  | BTR3792LCS | 739  |
| BH605101L | 287  | BNP4556    | 806  | BTR1133    | 634  | BTR1698    | 344  | BTR2409RWF | 889  | BTR3793LCS | 920  |
| BH605111L | 294  | BRC1393    | 807  | BTR1134    | 630  | BTR1698    | 755  | BTR2410RWF | 889  | BTR4317    | 623  |
| BH605121L | 253  | BRC1393    | 808  | BTR1135    | 630  | BTR1758RUY | 976  | BTR2411RWF | 889  | BTR4317    | 624  |
| BH605131L | 253  | BRC1393    | 810  | BTR1136    | 632  | BTR1759LCS | 976  | BTR2412RWF | 889  | BTR4318    | 623  |
| BH605131L | 292  | BRC1393    | 811  | BTR1137    | 632  | BTR1760RUY | 976  | BTR2413SUJ | 889  | BTR4318    | 624  |
| BH605201L | 292  | BRC8089L   | 689  | BTR1155    | 1024 | BTR1761RUY | 976  | BTR2414RWF | 889  | BTR4346    | 1021 |
| BH607161L | 454  | BRC8965PMA | 808  | BTR1194LDE | 948  | BTR1762LCS | 976  | BTR2415RWF | 889  | BTR4347    | 1021 |
| BH607161L | 456  | BRC8965PMA | 811  | BTR1197PMA | 942  | BTR1763LCS | 976  | BTR2745RWF | 889  | BTR4348    | 1021 |
| BH607161L | 458  | BTP1826    | 599  | BTR1198    | 952  | BTR1764RUY | 975  | BTR2746RWF | 889  | BTR4372    | 1016 |
| BH607191  | 452  | BTP1827    | 599  | BTR1200LDE | 943  | BTR1765RUY | 975  | BTR277     | 1073 | BTR4372    | 1017 |
| BH607191L | 454  | BTP2275    | 599  | BTR1347    | 666  | BTR1766LCS | 975  | BTR2934LCS | 1000 | BTR4372    | 1019 |
| BH607191L | 456  | BTP2282    | 599  | BTR1348    | 666  | BTR1767LCS | 975  | BTR2935RUY | 1000 | BTR4372    | 1023 |
| BH607191L | 458  | BTP2284    | 599  | BTR1349    | 629  | BTR1790    | 876  | BTR2936LCS | 1007 | BTR4373    | 1016 |
| BH607381  | 452  | BTR1045    | 882  | BTR1599    | 629  | BTR1884PMA | 1016 | BTR2937RUY | 1007 | BTR4373    | 1017 |





## DEFENDER 110 1987 onwards

1084

## NUMERICAL INDEX

| PART NO    | PAGE | PART NO    | PAGE | PART NO    | PAGE | PART NO   | PAGE | PART NO   | PAGE | PART NO   | PAGE |
|------------|------|------------|------|------------|------|-----------|------|-----------|------|-----------|------|
| BTR4373    | 1019 | BTR6165    | 635  | BTR8396    | 635  | BTR9626   | 1025 | BX110111L | 428  | CN100168L | 531  |
| BTR4373    | 1020 | BTR6188    | 567  | BTR8410    | 1017 | BTR978    | 927  | BX110111L | 439  | CN100168L | 532  |
| BTR4373    | 1023 | BTR6189    | 939  | BTR8411    | 1017 | BTR979    | 927  | BX112091  | 231  | CN100168L | 533  |
| BTR4376    | 1019 | BTR6193    | 926  | BTR8505    | 241  | BTR98RUK  | 888  | BX112201  | 452  | CN100168L | 573  |
| BTR4377    | 1020 | BTR6194    | 926  | BTR8593LDQ | 728  | BTR980    | 927  | BX112201  | 454  | CN100168L | 574  |
| BTR4433    | 627  | BTR6561    | 1019 | BTR8736    | 628  | BTR981    | 927  | BX112201  | 455  | CN100168L | 579  |
| BTR4434    | 627  | BTR6561    | 1020 | BTR912     | 911  | BTR982    | 633  | BX112201  | 457  | CN100208  | 622  |
| BTR445     | 633  | BTR6561    | 1023 | BTR9176LUH | 931  | BTR983    | 634  | BX116201L | 434  | CN100208L | 189  |
| BTR447     | 634  | BTR6562    | 1019 | BTR9178LUH | 933  | BTR984    | 653  | CA600424  | 553  | CN100208L | 230  |
| BTR4525LUH | 931  | BTR6562    | 1023 | BTR9179LUH | 934  | BTR985    | 653  | CA600424  | 556  | CN100208L | 41   |
| BTR4525LUH | 933  | BTR6620PMA | 803  | BTR9180LUH | 932  | BTR986    | 653  | CA600424  | 558  | CN100208L | 469  |
| BTR514LVA  | 889  | BTR6620PMA | 806  | BTR9181LUH | 931  | BTR987    | 653  | CCN110L   | 410  | CN100208L | 470  |
| BTR514MUB  | 887  | BTR6700LCS | 918  | BTR9183LUH | 936  | BTR988    | 634  | CCN110L   | 412  | CN100208L | 471  |
| BTR516LVA  | 889  | BTR6701LCS | 918  | BTR9270    | 344  | BTR988    | 653  | CDU51     | 336  | CN100208L | 607  |
| BTR516MUB  | 887  | BTR6702LCS | 919  | BTR9320    | 952  | BTR9884   | 1025 | CJ600041L | 734  | CN100208L | 96   |
| BTR5232    | 924  | BTR6703LCS | 919  | BTR9321LDE | 943  | BT606101L | 368  | CJ600041L | 736  | CN100258  | 230  |
| BTR5232    | 925  | BTR695     | 917  | BTR9385LUH | 931  | BT606101L | 388  | CJ600041L | 737  | CN100258  | 564  |
| BTR5233    | 924  | BTR7849PUC | 780  | BTR9400    | 649  | BX110071L | 1052 | CJ600144L | 271  | CN100258L | 146  |
| BTR5234    | 925  | BTR7850PUC | 780  | BTR9401    | 649  | BX110071L | 145  | CJ600164L | 559  | CN100258L | 152  |
| BTR5235    | 925  | BTR7895    | 952  | BTR9402    | 649  | BX110071L | 190  | CJ600224  | 144  | CN100258L | 189  |
| BTR5235    | 926  | BTR7896    | 952  | BTR9419    | 107  | BX110071L | 383  | CJ600304L | 191  | CN100258L | 43   |
| BTR5236    | 926  | BTR7897    | 952  | BTR9419    | 108  | BX110071L | 42   | CJ600504  | 561  | CN100258L | 469  |
| BTR549     | 891  | BTR7898    | 952  | BTR9419    | 284  | BX110071L | 428  | CJ600504L | 550  | CN100258L | 470  |
| BTR5779    | 1023 | BTR7959LCS | 920  | BTR9419    | 285  | BX110071L | 66   | CJ600504L | 559  | CN100258L | 471  |
| BTR5781    | 1024 | BTR7964LCS | 920  | BTR9419    | 54   | BX110071L | 97   | CJ600504L | 568  | CN100258L | 631  |
| BTR5782    | 1024 | BTR8114    | 945  | BTR9419    | 55   | BX110071M | 417  | CJ600564  | 561  | CN100258L | 634  |
| BTR5818    | 1007 | BTR8115    | 945  | BTR9552    | 728  | BX110071M | 418  | CLP3180   | 477  | CN100258L | 635  |
| BTR586LUH  | 932  | BTR8116    | 945  | BTR9614    | 715  | BX110091L | 439  | CN100148L | 41   | CN100258L | 649  |
| BTR6141    | 191  | BTR8117    | 945  | BTR9615    | 715  | BX110095M | 422  | CN100168L | 528  | CN100258L | 652  |
| BTR6164    | 635  | BTR8395    | 635  | BTR9625    | 1025 | BX110095M | 428  | CN100168L | 530  | CN100258L | 653  |





## DEFENDER 110 1987 onwards

1085

## NUMERICAL INDEX

| PART NO   | PAGE | PART NO   | PAGE | PART NO   | PAGE | PART NO   | PAGE | PART NO    | PAGE | PART NO  | PAGE |
|-----------|------|-----------|------|-----------|------|-----------|------|------------|------|----------|------|
| CN100258L | 654  | CN100508  | 608  | CRC1487   | 493  | CR120215  | 374  | C43640     | 740  | DRC1530  | 734  |
| CN100258L | 655  | CN100608  | 601  | CRC1487   | 495  | CR120215L | 394  | C45099     | 570  | DRC1530  | 736  |
| CN100258L | 96   | CN100608L | 607  | CRC1487   | 496  | CR120305  | 182  | C45099     | 579  | DRC1530  | 737  |
| CN100258L | 98   | CN100708  | 564  | CRC1487   | 497  | CR120335L | 321  | C45099L    | 573  | DRC1538  | 266  |
| CN100308  | 600  | CN100708  | 601  | CRC1487   | 498  | CR120335L | 343  | C45099L    | 709  | DRC1538  | 514  |
| CN100308  | 607  | CN100908  | 564  | CRC1487   | 499  | CS600244L | 489  | C45759L    | 146  | DRC2479  | 264  |
| CN100308I | 632  | CN100908L | 563  | CRC1487   | 500  | CS600244L | 490  | C457593    | 43   | DRC2713L | 731  |
| CN100308L | 279  | CP105061  | 702  | CRC1487   | 502  | CS600244L | 491  | C457593L   | 271  | DRC2713L | 733  |
| CN100308L | 554  | CP105081  | 574  | CRC1487   | 504  | CS600244L | 492  | C457593L   | 98   | DRC2713L | 734  |
| CN100308L | 605  | CP105121L | 491  | CRC1487   | 505  | CUD2399L  | 275  | C46082     | 688  | DRC2713L | 736  |
| CN100308L | 607  | CP106081  | 575  | CRC1487   | 506  | CUD2785L  | 275  | DA608044L  | 739  | DRC2713L | 737  |
| CN100308L | 649  | CP106121  | 620  | CRC2015   | 446  | CUD2788L  | 275  | DA608044L  | 918  | DRC8398  | 713  |
| CN100308L | 654  | CP108081L | 576  | CRC2131   | 489  | CZA4705L  | 722  | DA608044L  | 919  | DZA1435L | 811  |
| CN100308L | 655  | CP108081L | 577  | CRC2131   | 490  | CZH0619   | 728  | DA610051L  | 716  | DZA5097L | 913  |
| CN100408  | 606  | CP108081L | 702  | CRC2131   | 491  | CZH619    | 672  | DBP5840PMA | 808  | EAC32151 | 50   |
| CN100408L | 135  | CP108251  | 226  | CRC2131   | 492  | CZH619    | 675  | DBP5840PMA | 811  | EAM5549L | 734  |
| CN100408L | 136  | CP110161  | 152  | CRC2133   | 491  | CZK3164   | 728  | DBP5841PMA | 808  | EAM5549L | 736  |
| CN100408L | 180  | CRC1226   | 270  | CRC2134   | 491  | CZK3438L  | 815  | DBP5841PMA | 811  | EAM5549L | 737  |
| CN100408L | 32   | CRC1250   | 494  | CRC2135   | 489  | CZK619    | 625  | DBP6287PMA | 803  | EDP7510L | 477  |
| CN100408L | 33   | CRC1250   | 502  | CRC2135   | 490  | C22257L   | 707  | DBP6287PMA | 806  | EJP7738  | 342  |
| CN100408L | 83   | CRC1250L  | 495  | CRC2135   | 491  | C34950L   | 734  | DBP6532PMA | 918  | ERC1161L | 281  |
| CN100408L | 84   | CRC1250L  | 496  | CRC2144   | 491  | C34950L   | 736  | DBP6532PMA | 919  | ERC1351  | 264  |
| CN100408L | 85   | CRC1250L  | 497  | CR120081L | 484  | C34950L   | 737  | DBP6533PMA | 918  | ERC1353  | 288  |
| CN100408L | 86   | CRC1250L  | 498  | CR120105L | 321  | C37222L   | 111  | DBP6533PMA | 919  | ERC1561  | 145  |
| CN100508  | 556  | CRC1250L  | 501  | CR120105L | 343  | C37222L   | 60   | DCP3212L   | 477  | ERC1561  | 190  |
| CN100508  | 558  | CRC1250L  | 504  | CR120115L | 48   | C38637L   | 712  | DCP7384L   | 237  | ERC1561  | 42   |
| CN100508  | 600  | CRC1250L  | 505  | CR120171L | 56   | C39377L   | 689  | DRC1245    | 716  | ERC1561  | 97   |
| CN100508  | 605  | CRC1250L  | 506  | CR120205  | 968  | C39377L   | 693  | DRC1245    | 717  | ERC1637  | 267  |
| CN100508  | 606  | CRC1250L  | 808  | CR120205  | 970  | C393771L  | 694  | DRC1245    | 740  | ERC2042L | 277  |
| CN100508  | 607  | CRC1250L  | 811  | CR120205  | 976  | C43640    | 719  | DRC1530    | 698  | ERC210   | 265  |





## DEFENDER 110 1987 onwards

1086

## NUMERICAL INDEX

| PART NO  | PAGE | PART NO | PAGE | PART NO | PAGE | PART NO | PAGE | PART NO | PAGE | PART NO | PAGE |
|----------|------|---------|------|---------|------|---------|------|---------|------|---------|------|
| ERC211   | 265  | ERC3500 | 615  | ERC3955 | 572  | ERC4658 | 66   | ERC5128 | 25   | ERC5578 | 32   |
| ERC2135  | 270  | ERC3561 | 270  | ERC3956 | 278  | ERC4670 | 280  | ERC5139 | 115  | ERC5578 | 83   |
| ERC2139  | 271  | ERC3562 | 271  | ERC3956 | 279  | ERC4820 | 270  | ERC5139 | 64   | ERC5594 | 268  |
| ERC2143  | 271  | ERC3563 | 271  | ERC3956 | 554  | ERC4877 | 253  | ERC5151 | 56   | ERC5600 | 135  |
| ERC2144  | 268  | ERC3690 | 274  | ERC3956 | 558  | ERC4878 | 253  | ERC5152 | 109  | ERC5600 | 136  |
| ERC215   | 265  | ERC3724 | 615  | ERC3964 | 649  | ERC4879 | 253  | ERC5152 | 158  | ERC5600 | 180  |
| ERC2226L | 617  | ERC3729 | 270  | ERC3964 | 652  | ERC4880 | 253  | ERC5152 | 203  | ERC5600 | 32   |
| ERC224   | 265  | ERC3884 | 556  | ERC3964 | 654  | ERC4949 | 267  | ERC5152 | 56   | ERC5600 | 33   |
| ERC225   | 265  | ERC3884 | 558  | ERC3964 | 655  | ERC4995 | 124  | ERC5155 | 109  | ERC5600 | 83   |
| ERC2254  | 141  | ERC3889 | 558  | ERC4074 | 556  | ERC4995 | 126  | ERC5155 | 158  | ERC5600 | 84   |
| ERC2254  | 38   | ERC3890 | 555  | ERC416  | 253  | ERC4995 | 22   | ERC5155 | 203  | ERC5600 | 85   |
| ERC2254  | 92   | ERC3890 | 557  | ERC417  | 253  | ERC4995 | 23   | ERC5155 | 56   | ERC5600 | 86   |
| ERC2297  | 270  | ERC3891 | 556  | ERC4176 | 571  | ERC4995 | 72   | ERC5247 | 278  | ERC5654 | 135  |
| ERC2319  | 271  | ERC3891 | 558  | ERC4176 | 572  | ERC4995 | 74   | ERC5247 | 279  | ERC5654 | 136  |
| ERC2320  | 271  | ERC3892 | 551  | ERC4193 | 277  | ERC4996 | 124  | ERC5247 | 553  | ERC5654 | 32   |
| ERC256   | 270  | ERC3893 | 551  | ERC4293 | 556  | ERC4996 | 126  | ERC5247 | 554  | ERC5654 | 33   |
| ERC2734  | 583  | ERC3894 | 554  | ERC4293 | 558  | ERC4996 | 171  | ERC5293 | 66   | ERC5654 | 83   |
| ERC2838  | 269  | ERC3896 | 551  | ERC4294 | 556  | ERC4996 | 213  | ERC5349 | 25   | ERC5654 | 84   |
| ERC2839  | 269  | ERC3897 | 551  | ERC4294 | 558  | ERC4996 | 22   | ERC5361 | 29   | ERC5654 | 85   |
| ERC2869  | 24   | ERC3899 | 553  | ERC4480 | 102  | ERC4996 | 23   | ERC5386 | 56   | ERC5654 | 86   |
| ERC2920  | 266  | ERC3899 | 554  | ERC4591 | 555  | ERC4996 | 72   | ERC5387 | 56   | ERC5655 | 135  |
| ERC2973  | 252  | ERC3899 | 556  | ERC4591 | 557  | ERC4996 | 74   | ERC5400 | 553  | ERC5655 | 136  |
| ERC298   | 51   | ERC3915 | 278  | ERC4644 | 124  | ERC5052 | 553  | ERC5400 | 556  | ERC5655 | 180  |
| ERC2989  | 268  | ERC3915 | 279  | ERC4644 | 171  | ERC5052 | 555  | ERC5400 | 558  | ERC5655 | 32   |
| ERC3102  | 273  | ERC3915 | 554  | ERC4644 | 22   | ERC5052 | 557  | ERC5401 | 553  | ERC5655 | 33   |
| ERC3256  | 58   | ERC3930 | 280  | ERC4644 | 72   | ERC5068 | 273  | ERC5453 | 553  | ERC5655 | 83   |
| ERC3346L | 265  | ERC3931 | 280  | ERC4658 | 119  | ERC5086 | 125  | ERC5512 | 268  | ERC5655 | 84   |
| ERC3458  | 274  | ERC3946 | 551  | ERC4658 | 166  | ERC5086 | 28   | ERC5545 | 32   | ERC5655 | 85   |
| ERC3489  | 271  | ERC3954 | 552  | ERC4658 | 209  | ERC5086 | 73   | ERC5545 | 83   | ERC5655 | 86   |
| ERC3493  | 270  | ERC3955 | 552  | ERC4658 | 25   | ERC5127 | 25   | ERC5545 | 85   | ERC5705 | 259  |





## DEFENDER 110 1987 onwards

1087

## NUMERICAL INDEX

| PART NO | PAGE | PART NO | PAGE | PART NO  | PAGE | PART NO | PAGE | PART NO | PAGE | PART NO | PAGE |
|---------|------|---------|------|----------|------|---------|------|---------|------|---------|------|
| ERC5707 | 261  | ERC5923 | 615  | ERC6480  | 285  | ERC6869 | 29   | ERC7312 | 86   | ERC8450 | 141  |
| ERC5708 | 261  | ERC5923 | 90   | ERC6480  | 54   | ERC6878 | 278  | ERC7321 | 273  | ERC8450 | 92   |
| ERC5708 | 33   | ERC6047 | 99   | ERC6480  | 55   | ERC6878 | 279  | ERC7489 | 135  | ERC8460 | 44   |
| ERC5708 | 84   | ERC6071 | 56   | ERC6538  | 294  | ERC6878 | 554  | ERC7489 | 32   | ERC8501 | 617  |
| ERC5708 | 86   | ERC6072 | 55   | ERC6540  | 261  | ERC6890 | 615  | ERC7489 | 83   | ERC8505 | 551  |
| ERC5709 | 135  | ERC614  | 268  | ERC6545  | 286  | ERC6934 | 251  | ERC7510 | 146  | ERC8626 | 281  |
| ERC5709 | 136  | ERC6200 | 41   | ERC6547  | 294  | ERC6939 | 99   | ERC7510 | 43   | ERC8639 | 271  |
| ERC5709 | 180  | ERC6266 | 115  | ERC6551  | 119  | ERC6974 | 106  | ERC7510 | 98   | ERC8645 | 44   |
| ERC5709 | 261  | ERC6266 | 162  | ERC6551  | 166  | ERC6974 | 155  | ERC7530 | 137  | ERC8663 | 140  |
| ERC5709 | 33   | ERC6266 | 206  | ERC6551  | 209  | ERC6974 | 53   | ERC7530 | 34   | ERC8663 | 91   |
| ERC5709 | 84   | ERC6266 | 64   | ERC6551  | 66   | ERC6996 | 49   | ERC7530 | 87   | ERC8712 | 45   |
| ERC5709 | 86   | ERC6337 | 142  | ERC6552  | 269  | ERC7082 | 109  | ERC7548 | 294  | ERC8722 | 45   |
| ERC5749 | 269  | ERC6337 | 39   | ERC6720  | 615  | ERC7082 | 158  | ERC7834 | 33   | ERC8722 | 65   |
| ERC5761 | 251  | ERC6337 | 93   | ERC6722  | 615  | ERC7082 | 203  | ERC7834 | 86   | ERC8758 | 146  |
| ERC5786 | 274  | ERC6341 | 142  | ERC6723  | 615  | ERC7082 | 56   | ERC7865 | 265  | ERC8758 | 43   |
| ERC5830 | 292  | ERC6341 | 39   | ERC675   | 262  | ERC7089 | 25   | ERC7879 | 557  | ERC8758 | 98   |
| ERC5830 | 294  | ERC6341 | 93   | ERC675   | 263  | ERC7144 | 555  | ERC7881 | 557  | ERC8847 | 145  |
| ERC5830 | 296  | ERC6380 | 37   | ERC6761  | 101  | ERC7144 | 557  | ERC7882 | 557  | ERC8847 | 190  |
| ERC5875 | 274  | ERC6399 | 555  | ERC6761E | 101  | ERC7295 | 118  | ERC7922 | 51   | ERC8847 | 97   |
| ERC5913 | 139  | ERC6408 | 66   | ERC6821  | 141  | ERC7295 | 132  | ERC7929 | 269  | ERC8849 | 145  |
| ERC5913 | 183  | ERC6479 | 132  | ERC6821  | 38   | ERC7295 | 165  | ERC7940 | 137  | ERC8849 | 190  |
| ERC5913 | 224  | ERC6479 | 30   | ERC6821  | 92   | ERC7295 | 209  | ERC7940 | 34   | ERC8849 | 97   |
| ERC5913 | 35   | ERC6479 | 80   | ERC6859  | 128  | ERC7295 | 245  | ERC7940 | 87   | ERC8861 | 134  |
| ERC5913 | 36   | ERC6480 | 107  | ERC6859  | 174  | ERC7295 | 66   | ERC7974 | 115  | ERC8861 | 82   |
| ERC5913 | 89   | ERC6480 | 108  | ERC6859  | 76   | ERC7295 | 80   | ERC7974 | 162  | ERC8864 | 125  |
| ERC5913 | 90   | ERC6480 | 156  | ERC6860  | 128  | ERC7312 | 136  | ERC7974 | 206  | ERC8864 | 172  |
| ERC5923 | 139  | ERC6480 | 157  | ERC6860  | 76   | ERC7312 | 33   | ERC8049 | 144  | ERC8864 | 73   |
| ERC5923 | 183  | ERC6480 | 201  | ERC6861  | 128  | ERC7312 | 83   | ERC8119 | 49   | ERC8890 | 33   |
| ERC5923 | 224  | ERC6480 | 202  | ERC6861  | 174  | ERC7312 | 84   | ERC8124 | 44   | ERC8964 | 115  |
| ERC5923 | 36   | ERC6480 | 284  | ERC6861  | 76   | ERC7312 | 85   | ERC8164 | 261  | ERC8964 | 162  |





## DEFENDER 110 1987 onwards

1088

## NUMERICAL INDEX

| PART NO | PAGE | PART NO | PAGE | PART NO | PAGE | PART NO | PAGE | PART NO | PAGE | PART NO | PAGE |
|---------|------|---------|------|---------|------|---------|------|---------|------|---------|------|
| ERC8964 | 206  | ERC9103 | 39   | ERC9404 | 66   | ERC9708 | 48   | ERR1125 | 238  | ERR1274 | 178  |
| ERC8964 | 29   | ERC9106 | 39   | ERC9404 | 703  | ERC9728 | 95   | ERR1125 | 548  | ERR1291 | 176  |
| ERC8973 | 38   | ERC9107 | 39   | ERC9404 | 704  | ERC9765 | 128  | ERR1156 | 187  | ERR1299 | 183  |
| ERC8980 | 130  | ERC9137 | 142  | ERC9410 | 125  | ERC9765 | 76   | ERR1156 | 228  | ERR1304 | 195  |
| ERC8980 | 176  | ERC9137 | 93   | ERC9410 | 172  | ERC9884 | 35   | ERR1157 | 187  | ERR1330 | 209  |
| ERC8980 | 27   | ERC9138 | 39   | ERC9410 | 214  | ERC9884 | 89   | ERR1178 | 181  | ERR1333 | 194  |
| ERC8980 | 78   | ERC9188 | 23   | ERC9410 | 28   | ERR1019 | 185  | ERR1181 | 128  | ERR1347 | 139  |
| ERC8986 | 113  | ERC9188 | 74   | ERC9410 | 73   | ERR1019 | 226  | ERR1181 | 174  | ERR1347 | 36   |
| ERC8986 | 62   | ERC9188 | 77   | ERC9432 | 141  | ERR1040 | 219  | ERR1181 | 25   | ERR1347 | 90   |
| ERC8987 | 113  | ERC9199 | 133  | ERC9432 | 92   | ERR1041 | 219  | ERR1181 | 76   | ERR1351 | 230  |
| ERC8987 | 62   | ERC9199 | 81   | ERC9448 | 141  | ERR1063 | 137  | ERR1197 | 186  | ERR1390 | 175  |
| ERC9031 | 41   | ERC9220 | 144  | ERC9448 | 37   | ERR1063 | 181  | ERR1200 | 195  | ERR1391 | 175  |
| ERC9032 | 41   | ERC9220 | 41   | ERC9448 | 92   | ERR1063 | 34   | ERR1200 | 237  | ERR1424 | 180  |
| ERC9033 | 41   | ERC9220 | 95   | ERC9468 | 29   | ERR1063 | 87   | ERR1201 | 186  | ERR1435 | 192  |
| ERC9037 | 555  | ERC9240 | 118  | ERC9480 | 127  | ERR1084 | 219  | ERR1202 | 186  | ERR1436 | 633  |
| ERC9054 | 142  | ERC9240 | 165  | ERC9480 | 173  | ERR1085 | 219  | ERR1203 | 186  | ERR1436 | 653  |
| ERC9054 | 39   | ERC9240 | 209  | ERC9480 | 24   | ERR1086 | 219  | ERR1203 | 227  | ERR1440 | 209  |
| ERC9054 | 93   | ERC9278 | 39   | ERC9480 | 703  | ERR1088 | 137  | ERR1208 | 192  | ERR1454 | 41   |
| ERC9055 | 142  | ERC9294 | 49   | ERC9480 | 704  | ERR1088 | 181  | ERR1209 | 186  | ERR1454 | 95   |
| ERC9055 | 93   | ERC9398 | 279  | ERC9480 | 75   | ERR1088 | 34   | ERR1209 | 227  | ERR1458 | 197  |
| ERC9056 | 142  | ERC9404 | 118  | ERC9501 | 140  | ERR1088 | 87   | ERR1210 | 186  | ERR1471 | 189  |
| ERC9056 | 93   | ERC9404 | 125  | ERC9501 | 91   | ERR1092 | 221  | ERR1223 | 140  | ERR1471 | 230  |
| ERC9059 | 142  | ERC9404 | 132  | ERC9631 | 140  | ERR1094 | 214  | ERR1253 | 178  | ERR1471 | 96   |
| ERC9059 | 93   | ERC9404 | 165  | ERC9631 | 91   | ERR1107 | 186  | ERR1256 | 178  | ERR1475 | 127  |
| ERC9060 | 142  | ERC9404 | 209  | ERC9693 | 48   | ERR1117 | 137  | ERR1259 | 150  | ERR1475 | 173  |
| ERC9060 | 93   | ERC9404 | 226  | ERC9704 | 48   | ERR1117 | 34   | ERR1260 | 151  | ERR1475 | 75   |
| ERC9069 | 44   | ERC9404 | 236  | ERC9706 | 137  | ERR1117 | 87   | ERR1264 | 200  | ERR1499 | 191  |
| ERC9073 | 127  | ERC9404 | 239  | ERC9706 | 181  | ERR1125 | 151  | ERR1266 | 102  | ERR1509 | 195  |
| ERC9073 | 75   | ERC9404 | 245  | ERC9706 | 34   | ERR1125 | 194  | ERR1266 | 150  | ERR1510 | 140  |
| ERC9102 | 39   | ERC9404 | 30   | ERC9706 | 87   | ERR1125 | 196  | ERR1273 | 178  | ERR1510 | 37   |





## DEFENDER 110 1987 onwards

1089

## NUMERICAL INDEX

| PART NO | PAGE | PART NO  | PAGE | PART NO | PAGE | PART NO | PAGE | PART NO | PAGE | PART NO | PAGE |
|---------|------|----------|------|---------|------|---------|------|---------|------|---------|------|
| ERR1510 | 91   | ERR1729  | 96   | ERR2216 | 236  | ERR2535 | 273  | ERR3306 | 237  | ERR3459 | 183  |
| ERR1521 | 181  | ERR1780  | 265  | ERR2220 | 215  | ERR2551 | 265  | ERR3314 | 234  | ERR3468 | 237  |
| ERR1530 | 188  | ERR1782  | 265  | ERR2228 | 240  | ERR2605 | 106  | ERR3319 | 234  | ERR3479 | 232  |
| ERR1535 | 209  | ERR1790  | 176  | ERR2241 | 224  | ERR2605 | 155  | ERR333  | 197  | ERR3481 | 233  |
| ERR1535 | 25   | ERR1885  | 296  | ERR2264 | 299  | ERR2605 | 200  | ERR3339 | 237  | ERR3490 | 232  |
| ERR1535 | 66   | ERR1919  | 213  | ERR2266 | 223  | ERR2605 | 53   | ERR334  | 197  | ERR3494 | 152  |
| ERR1535 | 76   | ERR1921  | 267  | ERR2317 | 224  | ERR2623 | 183  | ERR3340 | 139  | ERR3494 | 197  |
| ERR1536 | 185  | ERR1922L | 252  | ERR2337 | 234  | ERR2640 | 251  | ERR3340 | 183  | ERR3495 | 152  |
| ERR1553 | 178  | ERR1939  | 225  | ERR2337 | 565  | ERR2732 | 227  | ERR3340 | 224  | ERR3495 | 197  |
| ERR1560 | 220  | ERR1972  | 221  | ERR2344 | 220  | ERR2767 | 213  | ERR3340 | 264  | ERR3539 | 239  |
| ERR1561 | 220  | ERR1973  | 221  | ERR2375 | 178  | ERR2789 | 223  | ERR3340 | 35   | ERR3545 | 231  |
| ERR1564 | 215  | ERR1976  | 106  | ERR2378 | 222  | ERR2798 | 242  | ERR3340 | 36   | ERR3545 | 236  |
| ERR1574 | 296  | ERR1976  | 155  | ERR2393 | 188  | ERR2803 | 191  | ERR3340 | 89   | ERR3547 | 231  |
| ERR1605 | 189  | ERR1976  | 200  | ERR2396 | 225  | ERR2850 | 565  | ERR3340 | 90   | ERR3579 | 234  |
| ERR1605 | 96   | ERR1976  | 53   | ERR2405 | 227  | ERR2851 | 565  | ERR3342 | 227  | ERR3580 | 234  |
| ERR1607 | 132  | ERR1990  | 264  | ERR2409 | 229  | ERR2860 | 140  | ERR3343 | 227  | ERR3581 | 234  |
| ERR1607 | 178  | ERR2023  | 236  | ERR2410 | 216  | ERR2861 | 140  | ERR335  | 152  | ERR3583 | 234  |
| ERR1607 | 29   | ERR2026  | 230  | ERR2418 | 216  | ERR2943 | 266  | ERR335  | 197  | ERR359  | 194  |
| ERR1607 | 80   | ERR2027  | 239  | ERR2419 | 216  | ERR2944 | 266  | ERR335  | 238  | ERR3604 | 133  |
| ERR1621 | 188  | ERR2028  | 100  | ERR2428 | 258  | ERR3    | 171  | ERR3356 | 219  | ERR3604 | 178  |
| ERR1630 | 128  | ERR2028  | 148  | ERR2428 | 259  | ERR3081 | 140  | ERR3368 | 188  | ERR3604 | 81   |
| ERR1630 | 174  | ERR2028  | 193  | ERR2429 | 271  | ERR3082 | 140  | ERR3380 | 135  | ERR3605 | 127  |
| ERR1630 | 215  | ERR2028  | 235  | ERR244  | 534  | ERR3084 | 230  | ERR3380 | 136  | ERR3605 | 173  |
| ERR1630 | 76   | ERR2073  | 263  | ERR25   | 178  | ERR309  | 182  | ERR3380 | 180  | ERR3605 | 24   |
| ERR1632 | 257  | ERR2073  | 291  | ERR2530 | 179  | ERR3283 | 224  | ERR3380 | 84   | ERR3605 | 75   |
| ERR1642 | 174  | ERR2100  | 215  | ERR2532 | 119  | ERR3284 | 222  | ERR3417 | 217  | ERR3606 | 138  |
| ERR1653 | 214  | ERR2109  | 238  | ERR2532 | 128  | ERR3286 | 220  | ERR3419 | 213  | ERR3606 | 182  |
| ERR1653 | 217  | ERR2112  | 215  | ERR2532 | 166  | ERR3287 | 223  | ERR3424 | 229  | ERR3606 | 34   |
| ERR1662 | 194  | ERR2215  | 241  | ERR2532 | 66   | ERR3291 | 232  | ERR3457 | 227  | ERR3606 | 88   |
| ERR1729 | 189  | ERR2216  | 231  | ERR2533 | 273  | ERR3299 | 217  | ERR3458 | 183  | ERR3607 | 139  |





## DEFENDER 110 1987 onwards

1090

## NUMERICAL INDEX

| PART NO | PAGE | PART NO | PAGE | PART NO  | PAGE | PART NO | PAGE | PART NO | PAGE | PART NO | PAGE |
|---------|------|---------|------|----------|------|---------|------|---------|------|---------|------|
| ERR3614 | 133  | ERR3738 | 232  | ERR4419  | 236  | ERR4682 | 186  | ERR4860 | 219  | ERR5034 | 74   |
| ERR3614 | 81   | ERR3753 | 225  | ERR4519L | 292  | ERR4685 | 232  | ERR4861 | 213  | ERR5041 | 188  |
| ERR3615 | 133  | ERR3754 | 231  | ERR4524  | 286  | ERR4686 | 232  | ERR4862 | 234  | ERR5041 | 229  |
| ERR3615 | 81   | ERR3756 | 231  | ERR4531  | 635  | ERR4687 | 227  | ERR4883 | 227  | ERR5055 | 234  |
| ERR3616 | 133  | ERR3777 | 228  | ERR4537  | 225  | ERR4688 | 565  | ERR4894 | 238  | ERR5057 | 235  |
| ERR3616 | 81   | ERR3779 | 227  | ERR4538  | 225  | ERR4691 | 229  | ERR4895 | 238  | ERR506  | 173  |
| ERR3617 | 101  | ERR3780 | 237  | ERR4539  | 225  | ERR4696 | 217  | ERR4923 | 272  | ERR506  | 189  |
| ERR3617 | 149  | ERR3785 | 233  | ERR4543  | 242  | ERR4697 | 217  | ERR4926 | 230  | ERR506  | 96   |
| ERR3618 | 141  | ERR3788 | 255  | ERR4556  | 252  | ERR4698 | 238  | ERR4926 | 564  | ERR5087 | 215  |
| ERR3618 | 92   | ERR3791 | 234  | ERR4574  | 119  | ERR4699 | 233  | ERR4933 | 41   | ERR5098 | 232  |
| ERR362  | 99   | ERR3807 | 242  | ERR4574  | 166  | ERR4706 | 230  | ERR4934 | 35   | ERR5099 | 222  |
| ERR3622 | 222  | ERR3809 | 217  | ERR4574  | 209  | ERR4707 | 215  | ERR4934 | 36   | ERR5259 | 222  |
| ERR3622 | 232  | ERR3920 | 118  | ERR4574  | 245  | ERR4708 | 222  | ERR4934 | 89   | ERR5261 | 184  |
| ERR3633 | 217  | ERR3924 | 209  | ERR4574  | 66   | ERR4709 | 231  | ERR4934 | 90   | ERR5262 | 184  |
| ERR3648 | 265  | ERR394  | 178  | ERR4575  | 219  | ERR4710 | 215  | ERR4935 | 270  | ERR5263 | 184  |
| ERR3650 | 265  | ERR3987 | 215  | ERR4576  | 220  | ERR4716 | 130  | ERR4936 | 257  | ERR528  | 182  |
| ERR3652 | 195  | ERR4047 | 234  | ERR4578  | 220  | ERR4716 | 27   | ERR500  | 182  | ERR530  | 182  |
| ERR3677 | 255  | ERR4120 | 220  | ERR4621  | 195  | ERR4716 | 78   | ERR5009 | 117  | ERR531  | 126  |
| ERR3682 | 146  | ERR4175 | 143  | ERR4621  | 237  | ERR4723 | 245  | ERR5009 | 164  | ERR531  | 182  |
| ERR3682 | 191  | ERR4175 | 187  | ERR4628  | 267  | ERR4725 | 236  | ERR5009 | 208  | ERR531  | 23   |
| ERR3682 | 43   | ERR4175 | 228  | ERR4632  | 229  | ERR4735 | 265  | ERR5009 | 244  | ERR531  | 74   |
| ERR3682 | 98   | ERR4175 | 40   | ERR4633  | 255  | ERR477  | 23   | ERR5027 | 225  | ERR532  | 182  |
| ERR3683 | 217  | ERR4175 | 94   | ERR4638  | 241  | ERR478  | 74   | ERR5033 | 718  | ERR535  | 105  |
| ERR371  | 633  | ERR4179 | 213  | ERR4639  | 241  | ERR479  | 126  | ERR5034 | 124  | ERR535  | 154  |
| ERR371  | 653  | ERR4285 | 288  | ERR4640  | 143  | ERR4802 | 238  | ERR5034 | 126  | ERR535  | 199  |
| ERR3733 | 240  | ERR4384 | 51   | ERR4640  | 187  | ERR4824 | 220  | ERR5034 | 171  | ERR539  | 51   |
| ERR3734 | 222  | ERR4385 | 44   | ERR4640  | 228  | ERR4834 | 229  | ERR5034 | 213  | ERR541  | 181  |
| ERR3735 | 223  | ERR4386 | 44   | ERR4640  | 40   | ERR4848 | 227  | ERR5034 | 22   | ERR551  | 192  |
| ERR3736 | 222  | ERR4387 | 44   | ERR4640  | 94   | ERR4852 | 238  | ERR5034 | 23   | ERR551  | 196  |
| ERR3737 | 232  | ERR4404 | 222  | ERR4664  | 219  | ERR4859 | 243  | ERR5034 | 72   | ERR559  | 186  |







## DEFENDER 110 1987 onwards

1091

## NUMERICAL INDEX

| PART NO | PAGE | PART NO | PAGE | PART NO | PAGE | PART NO | PAGE | PART NO | PAGE | PART NO | PAGE |
|---------|------|---------|------|---------|------|---------|------|---------|------|---------|------|
| ERR560  | 186  | ERR703  | 175  | ERR878  | 189  | ESR1287 | 527  | ESR203  | 596  | ESR2385 | 593  |
| ERR560  | 227  | ERR703  | 216  | ERR878  | 96   | ESR1287 | 573  | ESR204  | 596  | ESR2386 | 593  |
| ERR561  | 143  | ERR705  | 128  | ERR879  | 189  | ESR1287 | 579  | ESR2055 | 601  | ESR2422 | 233  |
| ERR561  | 187  | ERR705  | 174  | ERR879  | 96   | ESR1373 | 543  | ESR208  | 591  | ESR245  | 540  |
| ERR561  | 228  | ERR705  | 25   | ERR886  | 194  | ESR1373 | 565  | ESR2087 | 592  | ESR246  | 536  |
| ERR561  | 40   | ERR705  | 76   | ERR886  | 233  | ESR1554 | 612  | ESR2087 | 593  | ESR247  | 537  |
| ERR561  | 94   | ERR719  | 209  | ERR886  | 236  | ESR158  | 591  | ESR2102 | 564  | ESR255  | 593  |
| ERR586  | 126  | ERR719  | 245  | ERR894  | 194  | ESR159  | 587  | ESR2119 | 601  | ESR2623 | 564  |
| ERR586  | 23   | ERR736  | 144  | ERR894  | 233  | ESR1594 | 602  | ESR2120 | 601  | ESR2629 | 602  |
| ERR586  | 74   | ERR736  | 41   | ERR894  | 236  | ESR1617 | 581  | ESR2125 | 605  | ESR266  | 587  |
| ERR593  | 129  | ERR736  | 95   | ERR896  | 152  | ESR1650 | 526  | ESR219  | 587  | ESR266  | 591  |
| ERR593  | 77   | ERR737  | 144  | ERR896  | 197  | ESR1676 | 597  | ESR219  | 591  | ESR2662 | 600  |
| ERR595  | 26   | ERR737  | 95   | ERR900  | 179  | ESR1677 | 596  | ESR2215 | 592  | ESR2727 | 599  |
| ERR597  | 192  | ERR751  | 174  | ERR900  | 221  | ESR1678 | 596  | ESR2215 | 593  | ESR2728 | 601  |
| ERR605  | 128  | ERR765  | 185  | ERR913  | 171  | ESR1686 | 607  | ESR228  | 563  | ESR2729 | 601  |
| ERR605  | 174  | ERR806  | 207  | ERR913  | 213  | ESR169  | 589  | ESR2297 | 591  | ESR2730 | 601  |
| ERR605  | 25   | ERR807  | 207  | ERR928  | 182  | ESR1696 | 592  | ESR2298 | 600  | ESR2731 | 564  |
| ERR605  | 76   | ERR808  | 207  | ERR978  | 185  | ESR1800 | 599  | ESR2308 | 599  | ESR2733 | 619  |
| ERR607  | 143  | ERR848  | 182  | ESR0063 | 622  | ESR184  | 563  | ESR2309 | 601  | ESR2734 | 619  |
| ERR607  | 187  | ERR850  | 138  | ESR1004 | 561  | ESR1906 | 607  | ESR2313 | 622  | ESR2739 | 591  |
| ERR607  | 228  | ERR850  | 182  | ESR1004 | 563  | ESR1912 | 614  | ESR2315 | 567  | ESR276  | 563  |
| ERR607  | 40   | ERR850  | 34   | ESR1127 | 569  | ESR1913 | 614  | ESR2343 | 622  | ESR280  | 614  |
| ERR607  | 94   | ERR850  | 88   | ESR1128 | 569  | ESR1914 | 617  | ESR2344 | 622  | ESR281  | 614  |
| ERR631  | 194  | ERR852  | 615  | ESR1225 | 569  | ESR1915 | 617  | ESR2345 | 622  | ESR282  | 598  |
| ERR635  | 178  | ERR852  | 617  | ESR1262 | 614  | ESR1916 | 618  | ESR2346 | 622  | ESR282  | 599  |
| ERR663  | 188  | ERR874  | 189  | ESR1262 | 617  | ESR1917 | 618  | ESR2348 | 622  | ESR283  | 598  |
| ERR666  | 190  | ERR874  | 230  | ESR1265 | 569  | ESR1918 | 618  | ESR2349 | 622  | ESR283  | 599  |
| ERR667  | 194  | ERR874  | 96   | ESR1269 | 569  | ESR1919 | 618  | ESR2383 | 592  | ESR289  | 607  |
| ERR678  | 192  | ERR877  | 189  | ESR1278 | 576  | ESR1920 | 618  | ESR2384 | 592  | ESR298  | 607  |
| ERR696  | 191  | ERR877  | 96   | ESR1278 | 577  | ESR1931 | 602  | ESR2384 | 593  | ESR299  | 607  |





## DEFENDER 110 1987 onwards

1092

## NUMERICAL INDEX

| PART NO | PAGE | PART NO | PAGE | PART NO | PAGE | PART NO | PAGE | PART NO | PAGE | PART NO | PAGE |
|---------|------|---------|------|---------|------|---------|------|---------|------|---------|------|
| ESR301  | 475  | ESR3301 | 654  | ESR527  | 618  | ETC4022 | 36   | ETC4077 | 76   | ETC4308 | 102  |
| ESR301  | 539  | ESR3301 | 655  | ESR530  | 618  | ETC4022 | 90   | ETC4105 | 128  | ETC4308 | 150  |
| ESR301  | 542  | ESR3308 | 234  | ESR531  | 618  | ETC4033 | 139  | ETC4105 | 76   | ETC4330 | 253  |
| ESR3028 | 564  | ESR335  | 603  | ESR536  | 607  | ETC4033 | 89   | ETC4133 | 65   | ETC4354 | 253  |
| ESR3032 | 564  | ESR3495 | 591  | ESR54   | 592  | ETC4033 | 90   | ETC4140 | 42   | ETC4357 | 115  |
| ESR3118 | 543  | ESR352  | 537  | ESR570  | 618  | ETC4034 | 139  | ETC4154 | 132  | ETC4357 | 162  |
| ESR3121 | 600  | ESR352  | 541  | ESR571  | 618  | ETC4034 | 89   | ETC4154 | 178  | ETC4357 | 206  |
| ESR3124 | 543  | ESR354  | 535  | ESR583  | 617  | ETC4034 | 90   | ETC4154 | 80   | ETC4357 | 64   |
| ESR3126 | 543  | ESR354  | 548  | ESR584  | 621  | ETC4058 | 133  | ETC4156 | 102  | ETC4369 | 253  |
| ESR3127 | 543  | ESR359  | 592  | ESR63   | 621  | ETC4058 | 81   | ETC4156 | 150  | ETC4371 | 108  |
| ESR3128 | 543  | ESR359  | 593  | ESR68   | 598  | ETC4063 | 133  | ETC4197 | 109  | ETC4371 | 157  |
| ESR3130 | 543  | ESR360  | 592  | ESR69   | 598  | ETC4063 | 81   | ETC4197 | 158  | ETC4371 | 202  |
| ESR3131 | 543  | ESR360  | 593  | ESR71   | 614  | ETC4067 | 40   | ETC4197 | 203  | ETC4371 | 55   |
| ESR3133 | 543  | ESR361  | 591  | ESR76   | 596  | ETC4068 | 143  | ETC4212 | 110  | ETC4390 | 128  |
| ESR3134 | 543  | ESR370  | 563  | ESR77   | 596  | ETC4068 | 187  | ETC4212 | 159  | ETC4390 | 174  |
| ESR3135 | 543  | ESR394  | 535  | ESR78   | 596  | ETC4068 | 228  | ETC4212 | 57   | ETC4390 | 76   |
| ESR3152 | 592  | ESR395  | 535  | ESR79   | 596  | ETC4068 | 40   | ETC4246 | 143  | ETC4417 | 101  |
| ESR3162 | 564  | ESR398  | 617  | ESR95   | 592  | ETC4068 | 94   | ETC4246 | 187  | ETC4417 | 149  |
| ESR3173 | 567  | ESR399  | 617  | ESR95   | 593  | ETC4069 | 143  | ETC4246 | 228  | ETC4421 | 132  |
| ESR3175 | 567  | ESR400  | 607  | ETC4006 | 486  | ETC4069 | 187  | ETC4246 | 40   | ETC4421 | 80   |
| ESR3206 | 548  | ESR414  | 592  | ETC4014 | 145  | ETC4069 | 228  | ETC4246 | 94   | ETC4422 | 132  |
| ESR3260 | 591  | ESR414  | 593  | ETC4014 | 97   | ETC4069 | 40   | ETC4276 | 264  | ETC4422 | 80   |
| ESR3277 | 523  | ESR415  | 197  | ETC4021 | 139  | ETC4069 | 94   | ETC4291 | 102  | ETC4457 | 136  |
| ESR3293 | 592  | ESR415  | 563  | ETC4021 | 183  | ETC4070 | 101  | ETC4291 | 150  | ETC4457 | 84   |
| ESR3293 | 593  | ESR419  | 579  | ETC4021 | 35   | ETC4070 | 149  | ETC4292 | 102  | ETC4460 | 142  |
| ESR3294 | 592  | ESR421  | 579  | ETC4021 | 36   | ETC4076 | 145  | ETC4292 | 150  | ETC4460 | 39   |
| ESR3294 | 593  | ESR422  | 578  | ETC4021 | 89   | ETC4076 | 190  | ETC4293 | 102  | ETC4460 | 93   |
| ESR3301 | 649  | ESR439  | 593  | ETC4021 | 90   | ETC4076 | 97   | ETC4293 | 150  | ETC4466 | 58   |
| ESR3301 | 652  | ESR488  | 612  | ETC4022 | 139  | ETC4077 | 128  | ETC4294 | 102  | ETC4498 | 141  |
| ESR3301 | 653  | ESR489  | 612  | ETC4022 | 183  | ETC4077 | 174  | ETC4294 | 150  | ETC4498 | 38   |





## DEFENDER 110 1987 onwards

1093

## NUMERICAL INDEX

| PART NO  | PAGE | PART NO | PAGE | PART NO | PAGE | PART NO | PAGE | PART NO  | PAGE | PART NO | PAGE |
|----------|------|---------|------|---------|------|---------|------|----------|------|---------|------|
| ETC4498  | 92   | ETC4751 | 91   | ETC5040 | 45   | ETC5577 | 226  | ETC5780  | 165  | ETC5990 | 279  |
| ETC4529  | 124  | ETC4752 | 101  | ETC5064 | 132  | ETC5577 | 23   | ETC5783  | 106  | ETC5994 | 26   |
| ETC4529  | 126  | ETC4752 | 149  | ETC5064 | 178  | ETC5577 | 233  | ETC5783  | 155  | ETC6081 | 29   |
| ETC4529  | 171  | ETC4761 | 146  | ETC5064 | 80   | ETC5577 | 74   | ETC5783  | 200  | ETC6137 | 138  |
| ETC4529  | 23   | ETC4761 | 43   | ETC5065 | 132  | ETC5588 | 144  | ETC5783  | 53   | ETC6137 | 34   |
| ETC4529  | 72   | ETC4761 | 98   | ETC5065 | 178  | ETC5588 | 95   | ETC5815  | 106  | ETC6137 | 88   |
| ETC4529  | 74   | ETC4785 | 135  | ETC5065 | 80   | ETC5592 | 125  | ETC5815  | 155  | ETC6138 | 138  |
| ETC4616  | 105  | ETC4785 | 180  | ETC5147 | 555  | ETC5592 | 126  | ETC5815  | 200  | ETC6138 | 34   |
| ETC4616  | 154  | ETC4785 | 86   | ETC5147 | 557  | ETC5592 | 172  | ETC5815  | 53   | ETC6138 | 88   |
| ETC4616  | 199  | ETC4799 | 24   | ETC5172 | 42   | ETC5592 | 214  | ETC5816  | 141  | ETC6139 | 138  |
| ETC4630  | 133  | ETC4873 | 133  | ETC5182 | 484  | ETC5592 | 73   | ETC5835  | 58   | ETC6139 | 34   |
| ETC4630  | 178  | ETC4873 | 81   | ETC5183 | 484  | ETC5592 | 74   | ETC5847  | 554  | ETC6139 | 88   |
| ETC4630  | 81   | ETC4880 | 137  | ETC5187 | 29   | ETC5665 | 283  | ETC5866  | 40   | ETC6142 | 138  |
| ETC4639  | 555  | ETC4880 | 181  | ETC5190 | 31   | ETC5672 | 132  | ETC5898  | 151  | ETC6142 | 34   |
| ETC4643  | 140  | ETC4880 | 34   | ETC5191 | 31   | ETC5672 | 80   | ETC5898  | 196  | ETC6142 | 88   |
| ETC4643  | 91   | ETC4880 | 87   | ETC5276 | 183  | ETC5675 | 132  | ETC5900N | 19   | ETC6155 | 50   |
| ETC4649  | 140  | ETC4882 | 109  | ETC5312 | 99   | ETC5675 | 80   | ETC5918  | 279  | ETC6156 | 50   |
| ETC4649  | 91   | ETC4882 | 158  | ETC5329 | 273  | ETC5700 | 121  | ETC5955  | 41   | ETC6243 | 50   |
| ETC4650  | 85   | ETC4882 | 203  | ETC5330 | 44   | ETC5710 | 151  | ETC5958  | 146  | ETC6249 | 279  |
| ETC4670  | 145  | ETC4922 | 171  | ETC5331 | 99   | ETC5710 | 196  | ETC5958  | 191  | ETC6278 | 37   |
| ETC4670  | 190  | ETC4922 | 213  | ETC5337 | 581  | ETC5717 | 101  | ETC5958  | 43   | ETC6350 | 46   |
| ETC4670  | 97   | ETC4922 | 22   | ETC5340 | 531  | ETC5717 | 149  | ETC5958  | 98   | ETC6394 | 66   |
| ETC4678  | 484  | ETC4959 | 51   | ETC5340 | 533  | ETC5739 | 143  | ETC5965  | 146  | ETC6408 | 283  |
| ETC4686  | 484  | ETC4989 | 604  | ETC5347 | 35   | ETC5739 | 94   | ETC5965  | 43   | ETC6438 | 144  |
| ETC4697  | 73   | ETC4993 | 604  | ETC5347 | 89   | ETC5740 | 143  | ETC5965  | 98   | ETC6438 | 95   |
| ETC4706  | 138  | ETC4994 | 29   | ETC5397 | 570  | ETC5740 | 94   | ETC5967  | 146  | ETC6471 | 265  |
| ETC4706  | 88   | ETC4995 | 29   | ETC5397 | 571  | ETC5752 | 152  | ETC5967  | 191  | ETC6474 | 266  |
| ETC4728L | 281  | ETC4996 | 132  | ETC5398 | 572  | ETC5755 | 125  | ETC5967  | 43   | ETC6484 | 288  |
| ETC4751  | 140  | ETC4996 | 80   | ETC5412 | 37   | ETC5755 | 152  | ETC5967  | 98   | ETC6486 | 283  |
| ETC4751  | 37   | ETC5027 | 50   | ETC5576 | 296  | ETC5780 | 118  | ETC5989  | 279  | ETC6492 | 147  |





## DEFENDER 110 1987 onwards

1094

## NUMERICAL INDEX

| PART NO | PAGE | PART NO  | PAGE | PART NO  | PAGE | PART NO | PAGE | PART NO  | PAGE | PART NO | PAGE |
|---------|------|----------|------|----------|------|---------|------|----------|------|---------|------|
| ETC6510 | 141  | ETC6841  | 136  | ETC7123  | 275  | ETC7201 | 279  | ETC7398  | 614  | ETC7929 | 75   |
| ETC6510 | 38   | ETC6849  | 269  | ETC7126  | 276  | ETC7201 | 554  | ETC7503  | 147  | ETC7934 | 128  |
| ETC6510 | 92   | ETC6850L | 269  | ETC7127  | 275  | ETC7207 | 152  | ETC7530  | 186  | ETC7934 | 25   |
| ETC6531 | 125  | ETC6852  | 135  | ETC7128  | 145  | ETC7238 | 135  | ETC7553L | 261  | ETC7934 | 76   |
| ETC6531 | 126  | ETC6852  | 136  | ETC7128  | 190  | ETC7238 | 136  | ETC7554  | 180  | ETC7939 | 111  |
| ETC6531 | 172  | ETC6881  | 121  | ETC7128  | 42   | ETC7238 | 180  | ETC7558  | 152  | ETC7939 | 112  |
| ETC6531 | 214  | ETC6882  | 121  | ETC7128  | 97   | ETC7286 | 175  | ETC7596  | 124  | ETC7939 | 113  |
| ETC6531 | 73   | ETC6883  | 121  | ETC7135  | 38   | ETC7331 | 151  | ETC7596  | 22   | ETC7939 | 114  |
| ETC6531 | 74   | ETC6884  | 121  | ETC7135  | 92   | ETC7333 | 134  | ETC7596  | 72   | ETC7939 | 135  |
| ETC6532 | 125  | ETC6885  | 121  | ETC7136  | 149  | ETC7333 | 82   | ETC7633  | 147  | ETC7939 | 136  |
| ETC6532 | 126  | ETC6886  | 121  | ETC7136E | 149  | ETC7336 | 118  | ETC7654  | 152  | ETC7939 | 160  |
| ETC6532 | 172  | ETC6887  | 121  | ETC7144  | 46   | ETC7336 | 165  | ETC7667  | 151  | ETC7939 | 161  |
| ETC6532 | 214  | ETC6901  | 534  | ETC7184  | 151  | ETC7339 | 253  | ETC7714  | 250  | ETC7939 | 180  |
| ETC6532 | 73   | ETC6902  | 534  | ETC7184  | 196  | ETC7345 | 257  | ETC7750  | 147  | ETC7939 | 205  |
| ETC6532 | 74   | ETC6903  | 534  | ETC7186  | 151  | ETC7351 | 152  | ETC7750  | 99   | ETC7939 | 32   |
| ETC6535 | 273  | ETC6910  | 147  | ETC7187  | 144  | ETC7351 | 196  | ETC7756  | 110  | ETC7939 | 33   |
| ETC6549 | 279  | ETC6912  | 279  | ETC7188  | 278  | ETC7357 | 129  | ETC7756  | 159  | ETC7939 | 60   |
| ETC6550 | 279  | ETC6924  | 144  | ETC7188  | 279  | ETC7357 | 175  | ETC7756  | 57   | ETC7939 | 61   |
| ETC6579 | 279  | ETC6924  | 95   | ETC7188  | 554  | ETC7357 | 216  | ETC7774  | 144  | ETC7939 | 62   |
| ETC6581 | 279  | ETC6929  | 44   | ETC7189  | 278  | ETC7357 | 26   | ETC7867  | 130  | ETC7939 | 63   |
| ETC6607 | 283  | ETC6932  | 570  | ETC7189  | 279  | ETC7357 | 77   | ETC7867  | 176  | ETC7939 | 83   |
| ETC6630 | 484  | ETC6970  | 147  | ETC7189  | 554  | ETC7385 | 257  | ETC7867  | 27   | ETC7939 | 84   |
| ETC6640 | 152  | ETC6976  | 288  | ETC7190  | 140  | ETC7390 | 292  | ETC7867  | 78   | ETC7939 | 85   |
| ETC6647 | 283  | ETC7012  | 279  | ETC7193  | 278  | ETC7393 | 485  | ETC7869  | 100  | ETC7939 | 86   |
| ETC6663 | 152  | ETC7058  | 151  | ETC7193  | 554  | ETC7394 | 262  | ETC7869  | 148  | ETC7947 | 29   |
| ETC6669 | 152  | ETC7058  | 196  | ETC7195  | 279  | ETC7394 | 290  | ETC7869  | 193  | ETC7969 | 559  |
| ETC6675 | 101  | ETC7059  | 144  | ETC7199  | 278  | ETC7395 | 147  | ETC7915  | 270  | ETC7969 | 95   |
| ETC6675 | 149  | ETC7061  | 281  | ETC7199  | 279  | ETC7395 | 192  | ETC7917  | 147  | ETC7970 | 100  |
| ETC6812 | 615  | ETC7091  | 149  | ETC7199  | 554  | ETC7398 | 183  | ETC7929  | 127  | ETC7970 | 148  |
| ETC6841 | 135  | ETC7122  | 275  | ETC7201  | 278  | ETC7398 | 613  | ETC7929  | 173  | ETC7970 | 193  |





## DEFENDER 110 1987 onwards

1095

## NUMERICAL INDEX

| PART NO | PAGE | PART NO  | PAGE | PART NO   | PAGE | PART NO   | PAGE | PART NO   | PAGE | PART NO   | PAGE |
|---------|------|----------|------|-----------|------|-----------|------|-----------|------|-----------|------|
| ETC8001 | 184  | ETC8440  | 294  | ETC8765   | 296  | FB106111L | 230  | FB108081L | 56   | FB108121L | 292  |
| ETC8002 | 184  | ETC8441  | 292  | ETC8767   | 124  | FB106121L | 189  | FB108081L | 585  | FB108121L | 80   |
| ETC8003 | 184  | ETC8441  | 296  | ETC8808   | 184  | FB106121L | 96   | FB108081L | 64   | FB108121L | 847  |
| ETC8003 | 225  | ETC8442  | 126  | ETC8808   | 225  | FB108061  | 135  | FB108081L | 96   | FB108131  | 222  |
| ETC8007 | 191  | ETC8442  | 171  | ETC8809   | 184  | FB108061  | 136  | FB108101  | 1004 | FB108131L | 178  |
| ETC8031 | 185  | ETC8442  | 213  | ETC8810   | 184  | FB108061  | 329  | FB108101  | 1009 | FB108141L | 178  |
| ETC8031 | 226  | ETC8442  | 23   | ETC8810   | 225  | FB108061  | 362  | FB108101  | 178  | FB108151L | 178  |
| ETC8036 | 184  | ETC8442  | 74   | ETC8820   | 152  | FB108061  | 364  | FB108101  | 186  | FB108151L | 180  |
| ETC8036 | 226  | ETC8445  | 248  | ETC8820   | 197  | FB108061  | 384  | FB108101  | 220  | FB108161L | 192  |
| ETC8074 | 126  | ETC8470  | 195  | ETC8829   | 128  | FB108061  | 84   | FB108101  | 227  | FB108161L | 219  |
| ETC8074 | 171  | ETC8511  | 281  | ETC8829   | 25   | FB108061  | 85   | FB108101  | 236  | FB108161L | 330  |
| ETC8074 | 213  | ETC8513  | 281  | ETC8829   | 76   | FB108061  | 86   | FB108101  | 307  | FB108171  | 233  |
| ETC8074 | 23   | ETC8530  | 125  | ETC8833   | 264  | FB108061L | 83   | FB108101  | 330  | FB108171  | 336  |
| ETC8074 | 74   | ETC8550  | 179  | ETC8843   | 152  | FB108071L | 1031 | FB108101  | 331  | FB108171L | 180  |
| ETC8086 | 175  | ETC8559  | 292  | ETC8843   | 196  | FB108071L | 180  | FB108101  | 435  | FB108201L | 178  |
| ETC8095 | 186  | ETC8559  | 294  | ETC8847   | 184  | FB108071L | 219  | FB108101  | 787  | FB108201L | 220  |
| ETC8103 | 186  | ETC8559  | 296  | ETC8847   | 225  | FB108071L | 220  | FB108111  | 336  | FB108221  | 220  |
| ETC8191 | 129  | ETC8560  | 221  | ETC8853   | 178  | FB108081  | 337  | FB108111L | 142  | FB108241  | 222  |
| ETC8191 | 175  | ETC8579  | 296  | ETC8854   | 106  | FB108081L | 109  | FB108111L | 32   | FB108251  | 176  |
| ETC8191 | 216  | ETC8586  | 136  | ETC8854   | 155  | FB108081L | 115  | FB108111L | 324  | FB108251  | 243  |
| ETC8191 | 26   | ETC8600  | 144  | ETC8854   | 200  | FB108081L | 158  | FB108111L | 344  | FB108251  | 448  |
| ETC8191 | 77   | ETC8620  | 91   | ETC8854   | 53   | FB108081L | 162  | FB108111L | 362  | FB108261  | 222  |
| ETC8193 | 187  | ETC8636  | 144  | ETC9064   | 617  | FB108081L | 189  | FB108111L | 373  | FB108301L | 479  |
| ETC8193 | 228  | ETC8663  | 187  | ETC9065   | 617  | FB108081L | 203  | FB108111L | 381  | FB110071  | 245  |
| ETC8194 | 184  | ETC8663  | 228  | ETC9077   | 106  | FB108081L | 206  | FB108111L | 382  | FB110071M | 363  |
| ETC8352 | 171  | ETC8666  | 152  | ETC9077   | 155  | FB108081L | 220  | FB108111L | 393  | FB110081M | 364  |
| ETC8352 | 213  | ETC8676  | 129  | ETC9077   | 53   | FB108081L | 292  | FB108111L | 83   | FB110091M | 363  |
| ETC8362 | 23   | ETC8720  | 288  | FB105051L | 375  | FB108081L | 295  | FB108111L | 93   | FB110091M | 364  |
| ETC8362 | 74   | ETC8751  | 196  | FB106081L | 1046 | FB108081L | 324  | FB108121L | 132  | FB110131  | 221  |
| ETC8412 | 195  | ETC8751E | 196  | FB106081L | 191  | FB108081L | 344  | FB108121L | 176  | FB110141L | 179  |





## DEFENDER 110 1987 onwards

1096

## NUMERICAL INDEX

| PART NO   | PAGE | PART NO   | PAGE | PART NO   | PAGE | PART NO   | PAGE | PART NO | PAGE | PART NO | PAGE |
|-----------|------|-----------|------|-----------|------|-----------|------|---------|------|---------|------|
| FB110141L | 748  | FN108041L | 511  | FN108041L | 798  | FN110041  | 334  | FRC2365 | 309  | FRC2481 | 303  |
| FC110107L | 420  | FN108041L | 512  | FN108041L | 819  | FN110041  | 364  | FRC2365 | 326  | FRC2481 | 330  |
| FC110107L | 427  | FN108041L | 514  | FN108041L | 820  | FN110041L | 207  | FRC2365 | 349  | FRC2481 | 331  |
| FN105041L | 243  | FN108041L | 522  | FN108041L | 822  | FN110041L | 244  | FRC2365 | 366  | FRC2481 | 347  |
| FN106041  | 335  | FN108041L | 524  | FN108041L | 827  | FN110041L | 304  | FRC2365 | 386  | FRC2481 | 356  |
| FN106047L | 470  | FN108041L | 549  | FN108041L | 830  | FN110041L | 324  | FRC2368 | 357  | FRC2482 | 213  |
| FN106047L | 471  | FN108041L | 565  | FN108041L | 831  | FN110041L | 344  | FRC2370 | 349  | FRC2482 | 349  |
| FN106047L | 565  | FN108041L | 573  | FN108041L | 835  | FN110041L | 511  | FRC2370 | 357  | FRC2482 | 364  |
| FN106047L | 716  | FN108041L | 579  | FN108041L | 837  | FRC1032   | 355  | FRC2381 | 356  | FRC2482 | 382  |
| FN10804L  | 514  | FN108041L | 581  | FN108041L | 838  | FRC1034   | 355  | FRC2390 | 357  | FRC2482 | 384  |
| FN108041  | 227  | FN108041L | 583  | FN108041L | 846  | FRC1035   | 355  | FRC2402 | 303  | FRC2487 | 358  |
| FN108041  | 233  | FN108041L | 584  | FN108041L | 847  | FRC1193   | 406  | FRC2402 | 330  | FRC2488 | 351  |
| FN108041  | 236  | FN108041L | 585  | FN108041L | 853  | FRC1195   | 406  | FRC2402 | 331  | FRC2488 | 352  |
| FN108041  | 237  | FN108041L | 586  | FN108041L | 859  | FRC1197   | 406  | FRC2402 | 347  | FRC2528 | 303  |
| FN108041L | 1004 | FN108041L | 588  | FN108041L | 865  | FRC1199   | 406  | FRC2445 | 351  | FRC2528 | 331  |
| FN108041L | 1009 | FN108041L | 589  | FN108041L | 866  | FRC1201   | 406  | FRC2446 | 351  | FRC2528 | 347  |
| FN108041L | 1026 | FN108041L | 590  | FN108041L | 877  | FRC1203   | 406  | FRC2447 | 351  | FRC2542 | 349  |
| FN108041L | 1029 | FN108041L | 591  | FN108041L | 902  | FRC167    | 381  | FRC2448 | 351  | FRC2554 | 351  |
| FN108041L | 1031 | FN108041L | 604  | FN108041L | 903  | FRC2301   | 351  | FRC2449 | 351  | FRC2555 | 351  |
| FN108041L | 1033 | FN108041L | 609  | FN108041L | 905  | FRC2301   | 352  | FRC2454 | 427  | FRC2556 | 351  |
| FN108041L | 1035 | FN108041L | 616  | FN108041L | 969  | FRC2309   | 349  | FRC2455 | 427  | FRC2577 | 357  |
| FN108041L | 180  | FN108041L | 685  | FN108041L | 972  | FRC2310   | 419  | FRC2457 | 353  | FRC2578 | 355  |
| FN108041L | 192  | FN108041L | 706  | FN108041L | 974  | FRC2310   | 420  | FRC2464 | 368  | FRC2583 | 358  |
| FN108041L | 194  | FN108041L | 744  | FN108041L | 977  | FRC2310   | 428  | FRC2464 | 369  | FRC2587 | 358  |
| FN108041L | 195  | FN108041L | 755  | FN108041L | 979  | FRC2334   | 351  | FRC2464 | 388  | FRC2612 | 358  |
| FN108041L | 241  | FN108041L | 765  | FN108041L | 987  | FRC2334   | 352  | FRC2464 | 391  | FRC2622 | 358  |
| FN108041L | 244  | FN108041L | 768  | FN108041L | 992  | FRC2349   | 414  | FRC2465 | 349  | FRC2623 | 358  |
| FN108041L | 289  | FN108041L | 773  | FN108401  | 831  | FRC2349   | 416  | FRC2468 | 349  | FRC2626 | 324  |
| FN108041L | 435  | FN108041L | 783  | FN110041  | 221  | FRC2361   | 350  | FRC2470 | 355  | FRC2626 | 336  |
| FN108041L | 488  | FN108041L | 794  | FN110041  | 222  | FRC2365   | 307  | FRC2479 | 352  | FRC2626 | 344  |





## DEFENDER 110 1987 onwards

1097

## NUMERICAL INDEX

| PART NO | PAGE | PART NO | PAGE | PART NO | PAGE | PART NO | PAGE | PART NO | PAGE | PART NO | PAGE |
|---------|------|---------|------|---------|------|---------|------|---------|------|---------|------|
| FRC2626 | 358  | FRC3112 | 355  | FRC3602 | 369  | FRC4339 | 310  | FRC4494 | 354  | FRC4838 | 417  |
| FRC2644 | 414  | FRC3117 | 357  | FRC3602 | 391  | FRC4341 | 310  | FRC4499 | 374  | FRC4839 | 417  |
| FRC2648 | 358  | FRC3118 | 356  | FRC3725 | 417  | FRC4343 | 310  | FRC4499 | 375  | FRC4840 | 417  |
| FRC2671 | 66   | FRC3136 | 427  | FRC3725 | 419  | FRC4345 | 310  | FRC4499 | 394  | FRC4841 | 417  |
| FRC2859 | 335  | FRC3136 | 428  | FRC3731 | 349  | FRC4347 | 310  | FRC4499 | 395  | FRC4845 | 311  |
| FRC2883 | 417  | FRC3146 | 358  | FRC3732 | 355  | FRC4349 | 310  | FRC4501 | 307  | FRC4856 | 310  |
| FRC2883 | 418  | FRC3162 | 369  | FRC3806 | 355  | FRC4351 | 310  | FRC4501 | 309  | FRC4873 | 310  |
| FRC2884 | 417  | FRC3162 | 391  | FRC3890 | 414  | FRC4353 | 310  | FRC4501 | 326  | FRC4873 | 326  |
| FRC2884 | 418  | FRC3166 | 349  | FRC3891 | 414  | FRC4355 | 310  | FRC4505 | 395  | FRC4875 | 350  |
| FRC2885 | 417  | FRC3205 | 419  | FRC3896 | 352  | FRC4357 | 310  | FRC4509 | 374  | FRC4905 | 322  |
| FRC2885 | 418  | FRC3282 | 356  | FRC3897 | 352  | FRC4359 | 310  | FRC4509 | 394  | FRC4947 | 318  |
| FRC2886 | 417  | FRC3286 | 369  | FRC3898 | 351  | FRC4361 | 310  | FRC4714 | 351  | FRC4947 | 320  |
| FRC2886 | 418  | FRC3286 | 391  | FRC3898 | 352  | FRC4363 | 310  | FRC4718 | 430  | FRC4951 | 321  |
| FRC2889 | 415  | FRC3310 | 369  | FRC3987 | 355  | FRC4365 | 310  | FRC4719 | 430  | FRC4951 | 343  |
| FRC2894 | 417  | FRC3310 | 391  | FRC3988 | 420  | FRC4367 | 310  | FRC4803 | 303  | FRC5053 | 382  |
| FRC2894 | 418  | FRC3319 | 355  | FRC3988 | 427  | FRC4369 | 310  | FRC4803 | 331  | FRC5076 | 374  |
| FRC2897 | 417  | FRC3327 | 302  | FRC4142 | 415  | FRC4377 | 421  | FRC4803 | 347  | FRC5076 | 394  |
| FRC2897 | 418  | FRC3327 | 329  | FRC4206 | 415  | FRC4377 | 427  | FRC4808 | 130  | FRC5095 | 318  |
| FRC2906 | 417  | FRC3327 | 330  | FRC4282 | 307  | FRC4434 | 321  | FRC4808 | 151  | FRC5095 | 320  |
| FRC2916 | 417  | FRC3416 | 302  | FRC4282 | 309  | FRC4434 | 343  | FRC4808 | 197  | FRC5162 | 318  |
| FRC2933 | 410  | FRC3416 | 329  | FRC4307 | 404  | FRC4435 | 321  | FRC4808 | 226  | FRC5180 | 302  |
| FRC2933 | 412  | FRC3416 | 330  | FRC4319 | 420  | FRC4435 | 343  | FRC4808 | 238  | FRC5186 | 318  |
| FRC2975 | 303  | FRC3417 | 302  | FRC4320 | 420  | FRC4449 | 307  | FRC4808 | 27   | FRC5186 | 320  |
| FRC2975 | 331  | FRC3470 | 1062 | FRC4321 | 315  | FRC4449 | 308  | FRC4808 | 363  | FRC5204 | 406  |
| FRC2975 | 347  | FRC3477 | 1061 | FRC4327 | 310  | FRC4489 | 324  | FRC4808 | 383  | FRC5204 | 408  |
| FRC3002 | 407  | FRC3481 | 357  | FRC4329 | 310  | FRC4489 | 326  | FRC4808 | 78   | FRC5235 | 315  |
| FRC3002 | 409  | FRC3502 | 377  | FRC4331 | 310  | FRC4493 | 307  | FRC4810 | 307  | FRC5243 | 314  |
| FRC3072 | 350  | FRC3502 | 378  | FRC4333 | 310  | FRC4493 | 309  | FRC4810 | 308  | FRC5244 | 314  |
| FRC3073 | 349  | FRC3502 | 397  | FRC4335 | 310  | FRC4494 | 307  | FRC4810 | 326  | FRC5245 | 314  |
| FRC3099 | 420  | FRC3511 | 417  | FRC4337 | 310  | FRC4494 | 309  | FRC4810 | 349  | FRC5246 | 314  |





## DEFENDER 110 1987 onwards

1098

## NUMERICAL INDEX

| PART NO | PAGE | PART NO | PAGE | PART NO | PAGE | PART NO  | PAGE | PART NO | PAGE | PART NO | PAGE |
|---------|------|---------|------|---------|------|----------|------|---------|------|---------|------|
| FRC5247 | 314  | FRC5388 | 1061 | FRC5473 | 390  | FRC5607  | 354  | FRC6030 | 371  | FRC6306 | 394  |
| FRC5253 | 314  | FRC5389 | 1062 | FRC5478 | 373  | FRC5608  | 354  | FRC6030 | 390  | FRC6316 | 323  |
| FRC5255 | 302  | FRC5391 | 1062 | FRC5478 | 393  | FRC5609  | 354  | FRC6103 | 362  | FRC6317 | 324  |
| FRC5255 | 329  | FRC5409 | 363  | FRC5479 | 374  | FRC5610  | 354  | FRC6103 | 381  | FRC6318 | 323  |
| FRC5255 | 330  | FRC5409 | 383  | FRC5479 | 394  | FRC5611  | 354  | FRC6104 | 362  | FRC6375 | 304  |
| FRC5279 | 313  | FRC5413 | 363  | FRC5480 | 374  | FRC5612  | 354  | FRC6104 | 381  | FRC6402 | 507  |
| FRC5280 | 315  | FRC5413 | 383  | FRC5480 | 394  | FRC5613  | 354  | FRC6105 | 362  | FRC6403 | 507  |
| FRC5280 | 341  | FRC5415 | 364  | FRC5562 | 371  | FRC5614  | 354  | FRC6105 | 381  | FRC6595 | 374  |
| FRC5284 | 316  | FRC5415 | 384  | FRC5562 | 390  | FRC5615  | 354  | FRC6106 | 362  | FRC6595 | 394  |
| FRC5286 | 316  | FRC5416 | 364  | FRC5564 | 366  | FRC5616  | 354  | FRC6106 | 381  | FRC6670 | 313  |
| FRC5288 | 316  | FRC5416 | 384  | FRC5564 | 386  | FRC5622  | 382  | FRC6109 | 371  | FRC6685 | 299  |
| FRC5290 | 316  | FRC5438 | 369  | FRC5574 | 373  | FRC5661  | 406  | FRC6109 | 390  | FRC6782 | 421  |
| FRC5292 | 316  | FRC5438 | 391  | FRC5574 | 393  | FRC5661  | 408  | FRC6110 | 334  | FRC6782 | 422  |
| FRC5294 | 316  | FRC5439 | 368  | FRC5575 | 362  | FRC5674  | 349  | FRC6110 | 371  | FRC6783 | 421  |
| FRC5296 | 316  | FRC5439 | 388  | FRC5575 | 370  | FRC5678  | 313  | FRC6110 | 390  | FRC6783 | 422  |
| FRC5298 | 316  | FRC5440 | 370  | FRC5575 | 372  | FRC5679  | 313  | FRC6117 | 394  | FRC6784 | 421  |
| FRC5300 | 316  | FRC5440 | 389  | FRC5575 | 389  | FRC5690  | 406  | FRC6121 | 368  | FRC6784 | 422  |
| FRC5302 | 316  | FRC5442 | 368  | FRC5575 | 392  | FRC5690  | 408  | FRC6121 | 388  | FRC6785 | 421  |
| FRC5305 | 311  | FRC5442 | 388  | FRC5576 | 371  | FRC5698  | 358  | FRC6125 | 373  | FRC6785 | 422  |
| FRC5306 | 349  | FRC5446 | 369  | FRC5576 | 390  | FRC5806  | 420  | FRC6125 | 393  | FRC6786 | 421  |
| FRC5317 | 353  | FRC5446 | 391  | FRC5594 | 363  | FRC5806  | 427  | FRC6137 | 420  | FRC6786 | 422  |
| FRC5376 | 1061 | FRC5449 | 370  | FRC5594 | 383  | FRC5859  | 321  | FRC6137 | 427  | FRC6787 | 421  |
| FRC5378 | 1062 | FRC5449 | 389  | FRC5595 | 363  | FRC5859  | 343  | FRC6139 | 420  | FRC6787 | 422  |
| FRC5379 | 1061 | FRC5450 | 369  | FRC5595 | 383  | FRC5864  | 321  | FRC6145 | 305  | FRC6788 | 421  |
| FRC5380 | 1061 | FRC5450 | 391  | FRC5596 | 323  | FRC5864  | 343  | FRC6145 | 306  | FRC6788 | 422  |
| FRC5381 | 1061 | FRC5468 | 371  | FRC5602 | 354  | FRC5926  | 422  | FRC6145 | 332  | FRC6789 | 421  |
| FRC5383 | 1061 | FRC5468 | 390  | FRC5603 | 354  | FRC5926  | 428  | FRC6154 | 304  | FRC6789 | 422  |
| FRC5385 | 1062 | FRC5469 | 371  | FRC5604 | 354  | FRC5928R | 301  | FRC6244 | 307  | FRC6790 | 421  |
| FRC5386 | 1062 | FRC5469 | 390  | FRC5605 | 354  | FRC5978  | 352  | FRC6244 | 308  | FRC6790 | 422  |
| FRC5387 | 1062 | FRC5473 | 371  | FRC5606 | 354  | FRC6000  | 375  | FRC6246 | 307  | FRC6872 | 373  |







## DEFENDER 110 1987 onwards

1099

## NUMERICAL INDEX

| PART NO | PAGE | PART NO | PAGE | PART NO | PAGE | PART NO  | PAGE | PART NO | PAGE | PART NO | PAGE |
|---------|------|---------|------|---------|------|----------|------|---------|------|---------|------|
| FRC6872 | 393  | FRC7202 | 507  | FRC7452 | 367  | FRC7871  | 390  | FRC8093 | 397  | FRC8232 | 312  |
| FRC6873 | 373  | FRC7202 | 508  | FRC7452 | 387  | FRC7884  | 367  | FRC8104 | 307  | FRC8232 | 313  |
| FRC6873 | 393  | FRC7214 | 318  | FRC7453 | 367  | FRC7885  | 372  | FRC8104 | 308  | FRC8232 | 315  |
| FRC6933 | 1062 | FRC7214 | 320  | FRC7453 | 387  | FRC7885  | 392  | FRC8119 | 323  | FRC8239 | 322  |
| FRC6943 | 363  | FRC7257 | 427  | FRC7454 | 367  | FRC7886  | 323  | FRC8120 | 323  | FRC8239 | 343  |
| FRC6943 | 383  | FRC7313 | 324  | FRC7454 | 387  | FRC7886  | 344  | FRC8129 | 352  | FRC8240 | 322  |
| FRC6956 | 365  | FRC7325 | 395  | FRC7487 | 374  | FRC7904R | 346  | FRC8139 | 351  | FRC8246 | 318  |
| FRC6956 | 385  | FRC7329 | 507  | FRC7493 | 324  | FRC7926  | 365  | FRC8141 | 317  | FRC8246 | 320  |
| FRC6958 | 365  | FRC7330 | 321  | FRC7493 | 344  | FRC7926  | 385  | FRC8154 | 407  | FRC8250 | 358  |
| FRC6958 | 385  | FRC7332 | 321  | FRC7499 | 365  | FRC7929  | 372  | FRC8154 | 409  | FRC8270 | 357  |
| FRC6960 | 365  | FRC7333 | 321  | FRC7499 | 385  | FRC7929  | 392  | FRC8170 | 322  | FRC8271 | 358  |
| FRC6960 | 385  | FRC7333 | 343  | FRC7752 | 351  | FRC7930  | 362  | FRC8170 | 343  | FRC8285 | 318  |
| FRC6968 | 365  | FRC7334 | 321  | FRC7752 | 352  | FRC7930  | 374  | FRC8176 | 353  | FRC8285 | 320  |
| FRC6968 | 385  | FRC7334 | 343  | FRC7752 | 353  | FRC7930  | 394  | FRC8202 | 375  | FRC8290 | 363  |
| FRC7018 | 1061 | FRC7335 | 321  | FRC7753 | 353  | FRC7941  | 393  | FRC8203 | 374  | FRC8290 | 383  |
| FRC7018 | 372  | FRC7335 | 343  | FRC7754 | 356  | FRC7942  | 395  | FRC8204 | 375  | FRC8291 | 367  |
| FRC7018 | 392  | FRC7362 | 324  | FRC7757 | 353  | FRC7944  | 393  | FRC8208 | 352  | FRC8291 | 387  |
| FRC7043 | 368  | FRC7414 | 323  | FRC7761 | 352  | FRC7946  | 395  | FRC8209 | 352  | FRC8292 | 364  |
| FRC7043 | 369  | FRC7414 | 344  | FRC7763 | 352  | FRC7948  | 390  | FRC8210 | 351  | FRC8292 | 374  |
| FRC7043 | 388  | FRC7427 | 372  | FRC7764 | 351  | FRC7970  | 372  | FRC8211 | 353  | FRC8292 | 384  |
| FRC7043 | 391  | FRC7434 | 372  | FRC7766 | 356  | FRC7970  | 392  | FRC8211 | 355  | FRC8292 | 394  |
| FRC7065 | 416  | FRC7434 | 392  | FRC7767 | 356  | FRC7998  | 362  | FRC8213 | 355  | FRC8299 | 362  |
| FRC7155 | 323  | FRC7437 | 367  | FRC7769 | 356  | FRC7998  | 381  | FRC8214 | 351  | FRC8299 | 381  |
| FRC7155 | 344  | FRC7437 | 387  | FRC7810 | 367  | FRC8002  | 427  | FRC8215 | 350  | FRC8380 | 355  |
| FRC7160 | 323  | FRC7439 | 367  | FRC7810 | 387  | FRC8033  | 395  | FRC8220 | 407  | FRC8382 | 318  |
| FRC7160 | 344  | FRC7439 | 387  | FRC7852 | 351  | FRC8041  | 371  | FRC8220 | 409  | FRC8382 | 320  |
| FRC7192 | 322  | FRC7441 | 372  | FRC7855 | 336  | FRC8041  | 390  | FRC8221 | 420  | FRC8383 | 305  |
| FRC7195 | 321  | FRC7441 | 392  | FRC7860 | 324  | FRC8075  | 375  | FRC8221 | 427  | FRC8383 | 306  |
| FRC7201 | 507  | FRC7447 | 363  | FRC7860 | 344  | FRC8075  | 395  | FRC8222 | 427  | FRC8384 | 318  |
| FRC7201 | 508  | FRC7447 | 383  | FRC7871 | 371  | FRC8093  | 377  | FRC8227 | 427  | FRC8386 | 399  |





## DEFENDER 110 1987 onwards

1100

## NUMERICAL INDEX

| PART NO | PAGE | PART NO | PAGE | PART NO  | PAGE | PART NO | PAGE | PART NO  | PAGE | PART NO    | PAGE |
|---------|------|---------|------|----------|------|---------|------|----------|------|------------|------|
| FRC8389 | 400  | FRC8555 | 427  | FRC9389  | 315  | FRC9568 | 331  | FRC9938  | 386  | FS105107   | 545  |
| FRC8390 | 399  | FRC8558 | 382  | FRC9427  | 362  | FRC9568 | 347  | FRC9940  | 366  | FS106101L  | 331  |
| FRC8391 | 400  | FRC8560 | 394  | FRC9428  | 304  | FRC9568 | 66   | FRC9940  | 386  | FS106121   | 416  |
| FRC8397 | 349  | FRC8561 | 373  | FRC9428  | 337  | FRC9620 | 350  | FRC9942  | 366  | FS106161   | 217  |
| FRC8400 | 352  | FRC8700 | 420  | FRC9429  | 358  | FRC9621 | 351  | FRC9942  | 386  | FS106161   | 224  |
| FRC8401 | 352  | FRC8700 | 422  | FRC9430  | 337  | FRC9758 | 320  | FRC9944  | 366  | FS106161   | 231  |
| FRC8402 | 352  | FRC8700 | 427  | FRC9430  | 358  | FRC9761 | 319  | FRC9944  | 386  | FS106161   | 344  |
| FRC8403 | 352  | FRC8700 | 428  | FRC9460  | 367  | FRC9792 | 312  | FRC9946  | 366  | FS106161   | 473  |
| FRC8404 | 352  | FRC8722 | 324  | FRC9460  | 387  | FRC9803 | 305  | FRC9946  | 386  | FS106161   | 483  |
| FRC8405 | 352  | FRC8722 | 358  | FRC9462  | 367  | FRC9803 | 332  | FRC9948  | 366  | FS106161   | 563  |
| FRC8406 | 352  | FRC8724 | 323  | FRC9468N | 380  | FRC9812 | 316  | FRC9948  | 386  | FS106161   | 611  |
| FRC8409 | 353  | FRC8724 | 344  | FRC9469N | 361  | FRC9851 | 365  | FRC9950  | 366  | FS106161L  | 323  |
| FRC8421 | 355  | FRC8751 | 382  | FRC9470N | 361  | FRC9851 | 385  | FRC9950  | 386  | FS106161M  | 337  |
| FRC8422 | 352  | FRC8758 | 304  | FRC9513  | 372  | FRC9853 | 365  | FRC9952  | 366  | FS106161ML | 332  |
| FRC8452 | 356  | FRC8766 | 374  | FRC9513  | 392  | FRC9853 | 385  | FRC9952  | 386  | FS106167   | 190  |
| FRC8454 | 356  | FRC8767 | 375  | FRC9524  | 349  | FRC9865 | 304  | FRC9954  | 366  | FS106167   | 289  |
| FRC8455 | 357  | FRC8768 | 375  | FRC9526  | 316  | FRC9926 | 363  | FRC9954  | 386  | FS106167   | 322  |
| FRC8521 | 406  | FRC8769 | 375  | FRC9546  | 372  | FRC9926 | 366  | FRC9956  | 366  | FS106167   | 42   |
| FRC8529 | 348  | FRC8773 | 323  | FRC9546  | 392  | FRC9926 | 383  | FRC9956  | 386  | FS106167   | 58   |
| FRC8530 | 415  | FRC8777 | 351  | FRC9549  | 372  | FRC9928 | 366  | FRC9958  | 366  | FS106167   | 73   |
| FRC8530 | 416  | FRC8777 | 352  | FRC9549  | 392  | FRC9928 | 386  | FRC9958  | 386  | FS106167   | 97   |
| FRC8531 | 329  | FRC8777 | 353  | FRC9555  | 373  | FRC9930 | 366  | FRC9960  | 366  | FS106167I  | 612  |
| FRC8538 | 1062 | FRC8782 | 402  | FRC9556  | 352  | FRC9930 | 386  | FRC9960  | 386  | FS106167L  | 1011 |
| FRC8540 | 427  | FRC8783 | 402  | FRC9568  | 119  | FRC9932 | 366  | FRC9962  | 366  | FS106167L  | 1012 |
| FRC8541 | 1061 | FRC8863 | 358  | FRC9568  | 166  | FRC9932 | 386  | FRC9963  | 363  | FS106167L  | 1064 |
| FRC8544 | 371  | FRC8899 | 392  | FRC9568  | 209  | FRC9934 | 366  | FRC9963  | 383  | FS106167L  | 1065 |
| FRC8547 | 375  | FRC8900 | 372  | FRC9568  | 299  | FRC9934 | 386  | FS06167  | 763  | FS106167L  | 1073 |
| FRC8548 | 375  | FRC8917 | 366  | FRC9568  | 302  | FRC9936 | 366  | FS105101 | 233  | FS106167L  | 1074 |
| FRC8549 | 377  | FRC8917 | 386  | FRC9568  | 303  | FRC9936 | 386  | FS105107 | 207  | FS106167L  | 283  |
| FRC8549 | 397  | FRC9386 | 313  | FRC9568  | 330  | FRC9938 | 366  | FS105107 | 544  | FS106167L  | 322  |





## DEFENDER 110 1987 onwards

1101

## NUMERICAL INDEX

| PART NO   | PAGE | PART NO   | PAGE | PART NO   | PAGE | PART NO   | PAGE | PART NO   | PAGE | PART NO   | PAGE |
|-----------|------|-----------|------|-----------|------|-----------|------|-----------|------|-----------|------|
| FS106167L | 470  | FS106201L | 200  | FS106201L | 814  | FS108161L | 565  | FS108201L | 367  | FS108207L | 838  |
| FS106167L | 471  | FS106201L | 29   | FS106201L | 819  | FS108167  | 145  | FS108201L | 38   | FS108207L | 853  |
| FS106167L | 588  | FS106201L | 307  | FS106201L | 821  | FS108201  | 214  | FS108201L | 387  | FS108207L | 907  |
| FS106167L | 591  | FS106201L | 323  | FS106201L | 830  | FS108201  | 217  | FS108201L | 548  | FS10825L  | 514  |
| FS106167L | 613  | FS106201L | 344  | FS106201L | 833  | FS108201  | 226  | FS108201L | 549  | FS108251  | 226  |
| FS106167L | 614  | FS106201L | 373  | FS106201L | 839  | FS108201  | 236  | FS108201L | 565  | FS108251  | 230  |
| FS106167L | 616  | FS106201L | 444  | FS106201L | 842  | FS108201  | 238  | FS108201L | 581  | FS108251  | 232  |
| FS106167L | 617  | FS106201L | 469  | FS106201L | 850  | FS108201  | 239  | FS108201L | 584  | FS108251  | 242  |
| FS106167L | 618  | FS106201L | 510  | FS106201L | 859  | FS108201  | 240  | FS108201L | 609  | FS108251  | 329  |
| FS106167L | 621  | FS106201L | 529  | FS106201L | 865  | FS108201  | 435  | FS108201L | 75   | FS108251  | 331  |
| FS106167L | 624  | FS106201L | 53   | FS106201L | 869  | FS108201  | 438  | FS108201L | 80   | FS108251  | 336  |
| FS106167L | 707  | FS106201L | 530  | FS106201L | 871  | FS108201  | 439  | FS108201L | 87   | FS108251L | 1026 |
| FS106167L | 764  | FS106201L | 568  | FS106201L | 900  | FS108201  | 992  | FS108201L | 980  | FS108251L | 1029 |
| FS106167L | 765  | FS106201L | 598  | FS106201L | 939  | FS108201L | 1004 | FS108207  | 92   | FS108251L | 1031 |
| FS106167L | 766  | FS106201L | 609  | FS106207  | 322  | FS108201L | 1009 | FS108207L | 127  | FS108251L | 1033 |
| FS106167L | 767  | FS106201L | 618  | FS106207  | 393  | FS108201L | 1035 | FS108207L | 141  | FS108251L | 1062 |
| FS106167L | 774  | FS106201L | 619  | FS106251  | 335  | FS108201L | 1046 | FS108207L | 162  | FS108251L | 173  |
| FS106167L | 783  | FS106201L | 620  | FS106251  | 373  | FS108201L | 115  | FS108207L | 178  | FS108251L | 176  |
| FS106167L | 792  | FS106201L | 652  | FS106255L | 188  | FS108201L | 132  | FS108207L | 296  | FS108251L | 178  |
| FS106167L | 823  | FS106201L | 690  | FS108121  | 220  | FS108201L | 137  | FS108207L | 45   | FS108251L | 182  |
| FS106167L | 835  | FS106201L | 755  | FS108121  | 222  | FS108201L | 174  | FS108207L | 58   | FS108251L | 184  |
| FS106167L | 859  | FS106201L | 759  | FS108121  | 223  | FS108201L | 181  | FS108207L | 589  | FS108251L | 185  |
| FS106167L | 865  | FS106201L | 760  | FS108121  | 240  | FS108201L | 194  | FS108207L | 685  | FS108251L | 189  |
| FS106167L | 870  | FS106201L | 762  | FS108161  | 226  | FS108201L | 206  | FS108207L | 706  | FS108251L | 191  |
| FS106167L | 900  | FS106201L | 764  | FS108161  | 231  | FS108201L | 234  | FS108207L | 744  | FS108251L | 213  |
| FS106201L | 106  | FS106201L | 765  | FS108161  | 236  | FS108201L | 24   | FS108207L | 755  | FS108251L | 219  |
| FS106201L | 1073 | FS106201L | 767  | FS108161  | 240  | FS108201L | 283  | FS108207L | 765  | FS108251L | 220  |
| FS106201L | 1074 | FS106201L | 779  | FS108161L | 180  | FS108201L | 30   | FS108207L | 769  | FS108251L | 289  |
| FS106201L | 133  | FS106201L | 799  | FS108161L | 200  | FS108201L | 31   | FS108207L | 773  | FS108251L | 344  |
| FS106201L | 155  | FS106201L | 81   | FS108161L | 217  | FS108201L | 34   | FS108207L | 831  | FS108251L | 443  |





## DEFENDER 110 1987 onwards

1102

## NUMERICAL INDEX

| PART NO   | PAGE | PART NO    | PAGE | PART NO   | PAGE | PART NO | PAGE | PART NO | PAGE | PART NO | PAGE |
|-----------|------|------------|------|-----------|------|---------|------|---------|------|---------|------|
| FS108251L | 450  | FS108251L  | 96   | FS110301  | 224  | FTC1332 | 414  | FTC1748 | 363  | FTC2175 | 429  |
| FS108251L | 483  | FS108251L  | 968  | FS110301  | 241  | FTC1333 | 414  | FTC1752 | 314  | FTC2176 | 429  |
| FS108251L | 511  | FS108251L  | 969  | FS110301  | 242  | FTC1361 | 313  | FTC1760 | 314  | FTC2177 | 430  |
| FS108251L | 512  | FS108251L  | 971  | FS110301  | 245  | FTC1368 | 508  | FTC1765 | 321  | FTC2177 | 431  |
| FS108251L | 514  | FS108251L  | 972  | FS110301L | 183  | FTC1368 | 510  | FTC1791 | 315  | FTC2178 | 430  |
| FS108251L | 515  | FS108251L  | 974  | FS110301L | 207  | FTC1378 | 428  | FTC1814 | 321  | FTC2178 | 431  |
| FS108251L | 522  | FS108251L  | 977  | FS110301L | 209  | FTC1403 | 308  | FTC1919 | 364  | FTC2190 | 308  |
| FS108251L | 524  | FS108251L  | 979  | FS110301L | 244  | FTC1404 | 309  | FTC1967 | 510  | FTC2192 | 306  |
| FS108251L | 549  | FS108251L  | 987  | FS110301L | 442  | FTC1406 | 311  | FTC1989 | 314  | FTC2193 | 321  |
| FS108251L | 573  | FS108251M  | 338  | FS110301L | 547  | FTC1416 | 319  | FTC1994 | 209  | FTC2210 | 308  |
| FS108251L | 579  | FS108251M  | 363  | FS110301L | 548  | FTC1420 | 311  | FTC1994 | 245  | FTC2212 | 423  |
| FS108251L | 591  | FS108251ML | 371  | FS112401  | 334  | FTC1428 | 311  | FTC2005 | 314  | FTC2282 | 313  |
| FS108251L | 592  | FS108251ML | 373  | FS504047  | 281  | FTC1435 | 320  | FTC2005 | 339  | FTC2283 | 314  |
| FS108251L | 593  | FS108301   | 222  | FTC1074   | 319  | FTC1438 | 310  | FTC2005 | 341  | FTC2284 | 314  |
| FS108251L | 685  | FS108301   | 235  | FTC1084   | 372  | FTC1441 | 309  | FTC2006 | 314  | FTC2352 | 423  |
| FS108251L | 719  | FS108301L  | 176  | FTC1112   | 311  | FTC1441 | 336  | FTC2007 | 314  | FTC2353 | 423  |
| FS108251L | 721  | FS108301L  | 200  | FTC1249   | 400  | FTC1446 | 311  | FTC2008 | 314  | FTC2383 | 336  |
| FS108251L | 746  | FS108301L  | 243  | FTC1250   | 400  | FTC1455 | 315  | FTC2009 | 314  | FTC2385 | 342  |
| FS108251L | 773  | FS108301L  | 302  | FTC1250   | 401  | FTC1488 | 343  | FTC2061 | 363  | FTC2392 | 336  |
| FS108251L | 783  | FS108301L  | 32   | FTC1271   | 330  | FTC1489 | 322  | FTC2061 | 383  | FTC2396 | 339  |
| FS108251L | 794  | FS108301L  | 323  | FTC1282   | 311  | FTC1490 | 321  | FTC2084 | 314  | FTC2396 | 340  |
| FS108251L | 800  | FS108301L  | 337  | FTC1293   | 311  | FTC1518 | 307  | FTC2089 | 314  | FTC2397 | 339  |
| FS108251L | 822  | FS108301L  | 381  | FTC1301   | 314  | FTC1518 | 308  | FTC2090 | 314  | FTC2397 | 340  |
| FS108251L | 835  | FS108301L  | 548  | FTC1310   | 312  | FTC1533 | 308  | FTC2102 | 308  | FTC2450 | 321  |
| FS108251L | 846  | FS108301L  | 549  | FTC1311   | 313  | FTC159  | 66   | FTC2104 | 309  | FTC2462 | 313  |
| FS108251L | 878  | FS108301L  | 56   | FTC1311   | 339  | FTC160  | 299  | FTC2104 | 336  | FTC248  | 319  |
| FS108251L | 879  | FS108301L  | 974  | FTC1311   | 340  | FTC1724 | 428  | FTC2149 | 119  | FTC248  | 342  |
| FS108251L | 902  | FS108301L  | 979  | FTC1311   | 341  | FTC1725 | 428  | FTC2149 | 166  | FTC2504 | 312  |
| FS108251L | 903  | FS108351L  | 292  | FTC1312   | 313  | FTC1740 | 428  | FTC2149 | 209  | FTC2505 | 312  |
| FS108251L | 905  | FS108351L  | 294  | FTC1313   | 312  | FTC1741 | 372  | FTC2149 | 245  | FTC2528 | 417  |





## DEFENDER 110 1987 onwards

1103

## NUMERICAL INDEX

| PART NO  | PAGE | PART NO | PAGE | PART NO  | PAGE | PART NO | PAGE | PART NO | PAGE | PART NO | PAGE |
|----------|------|---------|------|----------|------|---------|------|---------|------|---------|------|
| FTC2529  | 417  | FTC279  | 319  | FTC317   | 342  | FTC3310 | 418  | FTC3586 | 412  | FTC3747 | 332  |
| FTC2530  | 417  | FTC281  | 319  | FTC3179  | 422  | FTC3311 | 418  | FTC3587 | 337  | FTC3749 | 332  |
| FTC2531  | 417  | FTC2822 | 310  | FTC3179  | 428  | FTC3320 | 510  | FTC3620 | 412  | FTC3751 | 332  |
| FTC254   | 414  | FTC283  | 319  | FTC3183  | 419  | FTC3321 | 510  | FTC3623 | 308  | FTC3753 | 332  |
| FTC2582  | 342  | FTC285  | 319  | FTC3183  | 422  | FTC3361 | 343  | FTC3646 | 414  | FTC3755 | 332  |
| FTC263   | 319  | FTC2859 | 372  | FTC3185  | 422  | FTC3366 | 338  | FTC3646 | 416  | FTC3757 | 332  |
| FTC265   | 319  | FTC2859 | 392  | FTC3185  | 428  | FTC3370 | 343  | FTC3647 | 417  | FTC3759 | 332  |
| FTC267   | 319  | FTC287  | 319  | FTC3196  | 66   | FTC3371 | 341  | FTC3647 | 418  | FTC3761 | 332  |
| FTC2687  | 336  | FTC2882 | 418  | FTC3197  | 299  | FTC3373 | 313  | FTC3648 | 419  | FTC3763 | 333  |
| FTC269   | 319  | FTC2885 | 343  | FTC322N  | 346  | FTC3375 | 508  | FTC3648 | 420  | FTC3765 | 333  |
| FTC271   | 319  | FTC2887 | 340  | FTC322R  | 346  | FTC3382 | 321  | FTC3649 | 427  | FTC3767 | 333  |
| FTC2712  | 340  | FTC289  | 319  | FTC3232  | 424  | FTC3382 | 332  | FTC3649 | 428  | FTC3769 | 333  |
| FTC2714  | 339  | FTC291  | 319  | FTC3245  | 400  | FTC3382 | 343  | FTC3670 | 418  | FTC3771 | 333  |
| FTC2716  | 339  | FTC293  | 319  | FTC3267  | 412  | FTC3387 | 336  | FTC3674 | 371  | FTC3773 | 333  |
| FTC2725  | 342  | FTC2941 | 342  | FTC3268  | 412  | FTC3391 | 342  | FTC3696 | 338  | FTC3775 | 333  |
| FTC2727  | 341  | FTC2945 | 342  | FTC3269  | 412  | FTC3401 | 415  | FTC3697 | 341  | FTC3777 | 333  |
| FTC273   | 319  | FTC2946 | 341  | FTC3272  | 408  | FTC3401 | 416  | FTC3698 | 371  | FTC3779 | 333  |
| FTC2731  | 341  | FTC2948 | 339  | FTC3272R | 408  | FTC3454 | 415  | FTC3699 | 341  | FTC3781 | 333  |
| FTC2733  | 339  | FTC295  | 319  | FTC3276  | 416  | FTC3454 | 416  | FTC3700 | 341  | FTC3783 | 333  |
| FTC2737  | 338  | FTC2957 | 302  | FTC3278  | 508  | FTC3455 | 419  | FTC3701 | 336  | FTC3785 | 333  |
| FTC275   | 319  | FTC2957 | 330  | FTC3279  | 508  | FTC3456 | 415  | FTC3703 | 338  | FTC3787 | 333  |
| FTC2750  | 406  | FTC2974 | 342  | FTC3280  | 402  | FTC3456 | 416  | FTC3711 | 337  | FTC382  | 372  |
| FTC2750R | 406  | FTC311  | 310  | FTC3281  | 402  | FTC347  | 311  | FTC3713 | 337  | FTC3846 | 510  |
| FTC277   | 319  | FTC3145 | 419  | FTC3299  | 510  | FTC357  | 313  | FTC3721 | 423  | FTC3847 | 342  |
| FTC278   | 370  | FTC3145 | 428  | FTC3300  | 403  | FTC358  | 312  | FTC3721 | 424  | FTC3848 | 332  |
| FTC278   | 389  | FTC3148 | 416  | FTC3301  | 403  | FTC3581 | 343  | FTC3722 | 424  | FTC3850 | 342  |
| FTC2783  | 420  | FTC3149 | 416  | FTC3304  | 424  | FTC3582 | 343  | FTC3739 | 332  | FTC3852 | 374  |
| FTC2783  | 422  | FTC316  | 310  | FTC3306  | 510  | FTC3583 | 343  | FTC3741 | 332  | FTC3852 | 394  |
| FTC2783  | 427  | FTC316  | 326  | FTC3308  | 418  | FTC3584 | 339  | FTC3743 | 332  | FTC3853 | 413  |
| FTC2783  | 428  | FTC317  | 319  | FTC3309  | 418  | FTC3584 | 340  | FTC3745 | 332  | FTC3855 | 413  |





## DEFENDER 110 1987 onwards

1104

## NUMERICAL INDEX

| PART NO | PAGE | PART NO | PAGE | PART NO | PAGE | PART NO | PAGE | PART NO | PAGE | PART NO   | PAGE |
|---------|------|---------|------|---------|------|---------|------|---------|------|-----------|------|
| FTC3857 | 413  | FTC3953 | 341  | FTC4113 | 343  | FTC4312 | 333  | FTC736  | 370  | FTC766    | 370  |
| FTC3859 | 413  | FTC3955 | 341  | FTC4131 | 332  | FTC4314 | 333  | FTC736  | 389  | FTC766    | 389  |
| FTC3861 | 413  | FTC3957 | 341  | FTC4171 | 339  | FTC4316 | 333  | FTC738  | 370  | FTC768    | 370  |
| FTC3863 | 413  | FTC3959 | 341  | FTC4171 | 340  | FTC4318 | 333  | FTC738  | 389  | FTC768    | 389  |
| FTC3865 | 413  | FTC3961 | 341  | FTC4171 | 341  | FTC4320 | 333  | FTC740  | 370  | FTC770    | 370  |
| FTC3867 | 413  | FTC3963 | 341  | FTC4172 | 339  | FTC4322 | 333  | FTC740  | 389  | FTC770    | 389  |
| FTC3869 | 408  | FTC3965 | 341  | FTC4172 | 340  | FTC4324 | 333  | FTC742  | 370  | FTC772    | 370  |
| FTC3871 | 408  | FTC3967 | 341  | FTC4173 | 329  | FTC4326 | 333  | FTC742  | 389  | FTC772    | 389  |
| FTC3873 | 408  | FTC3969 | 341  | FTC4174 | 329  | FTC4413 | 405  | FTC744  | 370  | FTC774    | 370  |
| FTC3875 | 408  | FTC4007 | 313  | FTC4177 | 329  | FTC4449 | 336  | FTC744  | 389  | FTC774    | 389  |
| FTC3877 | 408  | FTC4008 | 314  | FTC4178 | 362  | FTC4483 | 337  | FTC746  | 370  | FTC776    | 370  |
| FTC3879 | 408  | FTC4009 | 314  | FTC4178 | 381  | FTC4510 | 323  | FTC746  | 389  | FTC776    | 389  |
| FTC3881 | 408  | FTC4010 | 314  | FTC4186 | 383  | FTC4510 | 326  | FTC748  | 370  | FTC781    | 410  |
| FTC3883 | 408  | FTC4011 | 313  | FTC4187 | 363  | FTC4510 | 344  | FTC748  | 389  | FTC781    | 412  |
| FTC3885 | 408  | FTC4018 | 334  | FTC4188 | 366  | FTC4536 | 321  | FTC750  | 370  | FTC782N   | 406  |
| FTC3887 | 408  | FTC4021 | 336  | FTC419  | 320  | FTC4536 | 343  | FTC750  | 389  | FTC840    | 419  |
| FTC3889 | 408  | FTC4036 | 358  | FTC4206 | 336  | FTC503  | 324  | FTC752  | 370  | FTC859    | 422  |
| FTC3891 | 408  | FTC4036 | 374  | FTC4229 | 329  | FTC56   | 419  | FTC752  | 389  | FTC859    | 428  |
| FTC3893 | 408  | FTC4036 | 394  | FTC4238 | 338  | FTC575  | 119  | FTC754  | 370  | FTC861    | 419  |
| FTC3895 | 408  | FTC4037 | 373  | FTC4241 | 336  | FTC575  | 166  | FTC754  | 389  | FTC890    | 308  |
| FTC3904 | 431  | FTC4037 | 393  | FTC4242 | 341  | FTC575  | 209  | FTC756  | 370  | FTC902    | 508  |
| FTC3905 | 400  | FTC4053 | 336  | FTC4245 | 341  | FTC575  | 245  | FTC756  | 389  | FTC916    | 315  |
| FTC3911 | 330  | FTC4056 | 332  | FTC4296 | 333  | FTC726  | 370  | FTC758  | 370  | FTC918    | 306  |
| FTC3912 | 330  | FTC4095 | 375  | FTC4298 | 333  | FTC726  | 389  | FTC758  | 389  | FTC942    | 422  |
| FTC3915 | 344  | FTC4108 | 332  | FTC4300 | 333  | FTC730  | 370  | FTC760  | 370  | FTC942    | 428  |
| FTC3921 | 334  | FTC4108 | 343  | FTC4302 | 333  | FTC730  | 389  | FTC760  | 389  | FTC943    | 422  |
| FTC3922 | 334  | FTC4112 | 305  | FTC4304 | 333  | FTC732  | 370  | FTC762  | 370  | FTC943    | 428  |
| FTC3927 | 338  | FTC4112 | 306  | FTC4306 | 333  | FTC732  | 389  | FTC762  | 389  | FTC988    | 1061 |
| FTC3928 | 338  | FTC4112 | 326  | FTC4308 | 333  | FTC734  | 370  | FTC764  | 370  | FTP8030   | 599  |
| FTC3951 | 341  | FTC4112 | 332  | FTC4310 | 333  | FTC734  | 389  | FTC764  | 389  | FX108047L | 243  |





## DEFENDER 110 1987 onwards

1105

## NUMERICAL INDEX

| PART NO    | PAGE | PART NO   | PAGE | PART NO | PAGE | PART NO | PAGE | PART NO | PAGE | PART NO | PAGE |
|------------|------|-----------|------|---------|------|---------|------|---------|------|---------|------|
| FX110041   | 222  | LYQ100050 | 336  | MRC4753 | 794  | MRC5527 | 823  | MRC7104 | 939  | MRC8388 | 760  |
| FX110041   | 233  | LZX1505   | 275  | MRC4754 | 794  | MRC5527 | 838  | MRC7132 | 682  | MRC8388 | 762  |
| FX110041   | 548  | LZX1600L  | 275  | MRC4798 | 995  | MRC5527 | 839  | MRC7279 | 666  | MRC8389 | 1026 |
| FX110041L  | 218  | LZX1988L  | 275  | MRC4846 | 1046 | MRC5527 | 859  | MRC7281 | 629  | MRC8390 | 1026 |
| FX112041L  | 218  | LZX1989L  | 275  | MRC4885 | 1031 | MRC5527 | 902  | MRC7281 | 666  | MRC8392 | 1026 |
| F608081    | 992  | LZX2107L  | 275  | MRC4886 | 1031 | MRC5528 | 1002 | MRC7282 | 915  | MRC8393 | 1026 |
| GG106251L  | 450  | ML106015  | 568  | MRC5049 | 763  | MRC5528 | 1009 | MRC7283 | 915  | MRC8420 | 874  |
| GG108251L  | 450  | ML106015  | 569  | MRC5050 | 763  | MRC5528 | 759  | MRC7350 | 1069 | MRC8444 | 813  |
| GG108251L  | 478  | MM106301L | 1069 | MRC5071 | 836  | MRC5528 | 765  | MRC7354 | 1026 | MRC8444 | 819  |
| GG605081   | 476  | MRC1300   | 992  | MRC5153 | 765  | MRC5528 | 816  | MRC7359 | 1064 | MRC8524 | 1029 |
| GS108081L  | 350  | MRC1525   | 629  | MRC5153 | 767  | MRC5528 | 999  | MRC7360 | 1064 | MRC8564 | 734  |
| GS110501   | 324  | MRC1525   | 666  | MRC5394 | 927  | MRC5695 | 575  | MRC7361 | 1064 | MRC8564 | 736  |
| GS110501   | 344  | MRC1638   | 1036 | MRC5509 | 762  | MRC5757 | 1046 | MRC7361 | 1065 | MRC8564 | 737  |
| GS112141L  | 358  | MRC1979   | 890  | MRC5524 | 1027 | MRC5757 | 744  | MRC7362 | 1064 | MRC8584 | 915  |
| HAM4301L   | 690  | MRC1980   | 789  | MRC5525 | 759  | MRC5765 | 768  | MRC7365 | 1070 | MRC8585 | 915  |
| HN2005L    | 252  | MRC1980   | 793  | MRC5525 | 760  | MRC6019 | 765  | MRC7411 | 755  | MRC8626 | 754  |
| HN2005L    | 268  | MRC1980   | 798  | MRC5525 | 762  | MRC6027 | 830  | MRC7610 | 1026 | MRC8626 | 755  |
| HN2005L    | 674  | MRC199    | 1026 | MRC5525 | 807  | MRC6027 | 839  | MRC7623 | 776  | MRC8626 | 757  |
| JPC5641LUN | 932  | MRC200    | 1026 | MRC5525 | 810  | MRC6028 | 830  | MRC7626 | 1028 | MRC8626 | 759  |
| JPC5641LUN | 936  | MRC2178   | 789  | MRC5525 | 813  | MRC6028 | 839  | MRC7626 | 1034 | MRC8626 | 838  |
| JPC9023PMA | 803  | MRC2244   | 832  | MRC5525 | 859  | MRC6051 | 777  | MRC7755 | 1027 | MRC8732 | 1064 |
| JRC1775PMA | 808  | MRC2245   | 832  | MRC5525 | 865  | MRC6052 | 777  | MRC8047 | 772  | MRC8732 | 1065 |
| JRC1775PMA | 811  | MRC2481   | 765  | MRC5525 | 957  | MRC6359 | 768  | MRC8094 | 876  | MRC8736 | 830  |
| JS660L     | 529  | MRC2762   | 789  | MRC5525 | 966  | MRC6360 | 768  | MRC8136 | 760  | MRC8736 | 837  |
| JS660L     | 530  | MRC2762   | 793  | MRC5525 | 994  | MRC6436 | 838  | MRC8136 | 762  | MRC8926 | 778  |
| JZX1039L   | 275  | MRC4037   | 783  | MRC5527 | 1016 | MRC6437 | 838  | MRC8225 | 724  | MRC9006 | 814  |
| JZX1181L   | 275  | MRC4473   | 891  | MRC5527 | 728  | MRC6843 | 1004 | MRC8269 | 772  | MRC9006 | 819  |
| JZX1303L   | 275  | MRC4583   | 890  | MRC5527 | 754  | MRC6843 | 1009 | MRC8329 | 1026 | MRC9244 | 775  |
| JZX1394L   | 275  | MRC4619   | 891  | MRC5527 | 755  | MRC6845 | 1004 | MRC8330 | 1026 | MRC9361 | 1032 |
| KTP9024    | 597  | MRC4731   | 1030 | MRC5527 | 756  | MRC6845 | 1009 | MRC8378 | 625  | MRC9362 | 1032 |





## DEFENDER 110 1987 onwards

1106

## NUMERICAL INDEX

| PART NO | PAGE | PART NO  | PAGE | PART NO   | PAGE | PART NO   | PAGE | PART NO | PAGE | PART NO    | PAGE |
|---------|------|----------|------|-----------|------|-----------|------|---------|------|------------|------|
| MRC9367 | 1032 | MRC9720  | 756  | MTC1448   | 851  | MTC1948RD | 965  | MTC2863 | 786  | MTC3469    | 796  |
| MRC9368 | 1032 | MRC9734  | 783  | MTC1461   | 845  | MTC1949RD | 966  | MTC2864 | 786  | MTC3470    | 796  |
| MRC9377 | 784  | MRC9735  | 783  | MTC1462   | 845  | MTC1949RD | 973  | MTC3000 | 1073 | MTC3474    | 868  |
| MRC9378 | 784  | MRC9747  | 890  | MTC1479   | 848  | MTC1950RD | 965  | MTC3001 | 1073 | MTC3476    | 857  |
| MRC9388 | 841  | MRC9833  | 859  | MTC1481   | 848  | MTC2062   | 777  | MTC3021 | 878  | MTC3476    | 862  |
| MRC9393 | 772  | MRC9833  | 866  | MTC1482   | 848  | MTC2063   | 777  | MTC3032 | 1033 | MTC3481    | 852  |
| MRC9394 | 772  | MRC9851  | 653  | MTC1490   | 1044 | MTC2106   | 823  | MTC3042 | 1033 | MTC3482    | 852  |
| MRC9416 | 813  | MRC9922  | 628  | MTC1531   | 821  | MTC2107   | 823  | MTC3046 | 831  | MTC3486    | 852  |
| MRC9417 | 813  | MRC9938  | 625  | MTC1584   | 1044 | MTC2136   | 778  | MTC3051 | 1033 | MTC3499    | 449  |
| MRC9420 | 750  | MRC9939  | 625  | MTC1592   | 1045 | MTC2138   | 877  | MTC3052 | 1033 | MTC3515    | 851  |
| MRC9431 | 809  | MRC9940  | 625  | MTC1594   | 851  | MTC2202   | 761  | MTC3076 | 878  | MTC3521    | 846  |
| MRC9431 | 819  | MRC9941  | 625  | MTC1595   | 845  | MTC2203   | 761  | MTC3084 | 880  | MTC3523    | 914  |
| MRC9438 | 764  | MRC9998  | 625  | MTC1631   | 1027 | MTC2220   | 776  | MTC3085 | 880  | MTC3533    | 850  |
| MRC9438 | 767  | MR106300 | 1045 | MTC1650   | 482  | MTC2224   | 823  | MTC3086 | 880  | MTC3534    | 850  |
| MRC9481 | 957  | MR106300 | 845  | MTC1650   | 750  | MTC2225   | 823  | MTC3087 | 880  | MTC3538    | 845  |
| MRC9492 | 957  | MTC1039  | 836  | MTC1670   | 963  | MTC2248   | 756  | MTC3091 | 880  | MTC3556    | 822  |
| MRC9493 | 957  | MTC1042  | 798  | MTC1671   | 963  | MTC2252   | 754  | MTC3099 | 880  | MTC3557    | 822  |
| MRC9520 | 783  | MTC1078  | 450  | MTC1672   | 965  | MTC2548   | 877  | MTC3126 | 846  | MTC3558    | 846  |
| MRC9544 | 769  | MTC1233  | 878  | MTC1673RD | 965  | MTC2574AE | 898  | MTC3127 | 846  | MTC3569    | 845  |
| MRC9564 | 890  | MTC1233  | 880  | MTC1674RD | 963  | MTC2574AG | 898  | MTC3139 | 821  | MTC3611    | 482  |
| MRC9570 | 513  | MTC1356  | 1041 | MTC1675RD | 963  | MTC2575AE | 898  | MTC3165 | 1039 | MTC3705LDQ | 914  |
| MRC9570 | 514  | MTC1357  | 1041 | MTC1710   | 921  | MTC2575AG | 898  | MTC3166 | 1039 | MTC3801    | 449  |
| MRC9571 | 513  | MTC1359  | 1038 | MTC1714   | 957  | MTC2607   | 729  | MTC3203 | 1002 | MTC3862    | 770  |
| MRC9603 | 902  | MTC1359  | 1041 | MTC1715   | 957  | MTC2640   | 914  | MTC3203 | 868  | MTC3874    | 1073 |
| MRC9603 | 903  | MTC1382  | 450  | MTC1932RD | 964  | MTC2704   | 778  | MTC3203 | 870  | MTC3902    | 844  |
| MRC9603 | 905  | MTC1409  | 845  | MTC1932RD | 968  | MTC2799   | 752  | MTC3203 | 922  | MTC3906    | 848  |
| MRC9619 | 814  | MTC1416  | 1044 | MTC1932RD | 971  | MTC2805   | 628  | MTC3350 | 851  | MTC3907    | 848  |
| MRC9664 | 759  | MTC1423  | 1044 | MTC1933RD | 963  | MTC2808   | 722  | MTC3452 | 786  | MTC3908    | 821  |
| MRC9668 | 629  | MTC1439  | 821  | MTC1943   | 966  | MTC2826   | 914  | MTC3461 | 825  | MTC3917    | 821  |
| MRC9669 | 629  | MTC1439  | 850  | MTC1944   | 965  | MTC2827   | 914  | MTC3462 | 825  | MTC3923    | 822  |







## DEFENDER 110 1987 onwards

1107

## NUMERICAL INDEX

| PART NO   | PAGE | PART NO    | PAGE | PART NO | PAGE | PART NO | PAGE | PART NO | PAGE | PART NO    | PAGE |
|-----------|------|------------|------|---------|------|---------|------|---------|------|------------|------|
| MTC4002   | 853  | MTC4320    | 526  | MTC4993 | 852  | MTC5573 | 663  | MTC6452 | 997  | MTC6873AA  | 874  |
| MTC4003   | 853  | MTC4412    | 855  | MTC4994 | 868  | MTC5578 | 666  | MTC6453 | 997  | MTC6873CL  | 874  |
| MTC4054   | 906  | MTC4460    | 821  | MTC4994 | 870  | MTC5581 | 665  | MTC6503 | 815  | MTC6873CUF | 874  |
| MTC4054   | 907  | MTC4483RD  | 990  | MTC5034 | 862  | MTC5698 | 937  | MTC6504 | 815  | MTC6873CUH | 875  |
| MTC4061AE | 899  | MTC4488RD  | 997  | MTC5038 | 848  | MTC5699 | 937  | MTC6505 | 815  | MTC6873CUY | 875  |
| MTC4061AG | 899  | MTC4489RD  | 989  | MTC5039 | 848  | MTC5851 | 912  | MTC6506 | 815  | MTC6873HAF | 875  |
| MTC4063   | 898  | MTC4491RD  | 1005 | MTC5083 | 890  | MTC6006 | 628  | MTC6507 | 815  | MTC6873HC  | 874  |
| MTC4090   | 1029 | MTC4581    | 901  | MTC5084 | 890  | MTC6007 | 628  | MTC6544 | 825  | MTC6873HN  | 874  |
| MTC4095   | 754  | MTC4583    | 901  | MTC5086 | 852  | MTC6015 | 753  | MTC6568 | 868  | MTC6873HUJ | 874  |
| MTC4111   | 801  | MTC4584    | 901  | MTC5197 | 825  | MTC6040 | 911  | MTC6568 | 870  | MTC6873HUL | 875  |
| MTC4132   | 678  | MTC4601    | 1039 | MTC5212 | 922  | MTC6080 | 914  | MTC6630 | 798  | MTC6873HYE | 875  |
| MTC4156   | 846  | MTC4617LDQ | 912  | MTC5212 | 928  | MTC6109 | 753  | MTC6686 | 928  | MTC6873JC  | 874  |
| MTC4164   | 835  | MTC4618LDQ | 912  | MTC5212 | 934  | MTC6142 | 911  | MTC6686 | 932  | MTC6873JP  | 874  |
| MTC4165   | 835  | MTC4657    | 939  | MTC5212 | 936  | MTC6143 | 911  | MTC6792 | 994  | MTC6873JUG | 874  |
| MTC4196   | 760  | MTC4771    | 450  | MTC5227 | 915  | MTC6154 | 852  | MTC6793 | 989  | MTC6873JUH | 874  |
| MTC4197   | 761  | MTC4824    | 821  | MTC5312 | 857  | MTC6166 | 915  | MTC6794 | 989  | MTC6873LN  | 874  |
| MTC4215   | 761  | MTC4826    | 771  | MTC5394 | 856  | MTC6167 | 915  | MTC6795 | 989  | MTC6873LUS | 875  |
| MTC4220   | 771  | MTC4829    | 771  | MTC5394 | 860  | MTC6194 | 628  | MTC6798 | 754  | MTC6873NM  | 874  |
| MTC4290   | 801  | MTC4844    | 822  | MTC5395 | 856  | MTC6232 | 826  | MTC6801 | 995  | MTC6873NUC | 875  |
| MTC4313   | 893  | MTC4845    | 822  | MTC5395 | 860  | MTC6232 | 858  | MTC6801 | 996  | MTC6873PUE | 875  |
| MTC4313   | 895  | MTC4846    | 821  | MTC5428 | 900  | MTC6233 | 826  | MTC6802 | 995  | MTC6873SUB | 874  |
| MTC4313   | 897  | MTC4865    | 925  | MTC5429 | 900  | MTC6302 | 681  | MTC6802 | 996  | MTC6874AA  | 784  |
| MTC4313   | 899  | MTC4865    | 926  | MTC5458 | 723  | MTC6305 | 759  | MTC6820 | 927  | MTC6874CL  | 784  |
| MTC4314   | 893  | MTC4866    | 924  | MTC5459 | 723  | MTC6324 | 939  | MTC6827 | 770  | MTC6874CUF | 784  |
| MTC4314   | 895  | MTC4888    | 821  | MTC5463 | 788  | MTC6332 | 769  | MTC6835 | 1036 | MTC6874CUH | 785  |
| MTC4314   | 897  | MTC4942    | 908  | MTC5486 | 935  | MTC6340 | 758  | MTC6836 | 1036 | MTC6874CUY | 785  |
| MTC4314   | 899  | MTC4943    | 907  | MTC5486 | 936  | MTC6376 | 890  | MTC6839 | 1036 | MTC6874HC  | 784  |
| MTC4315   | 899  | MTC4944    | 907  | MTC5519 | 909  | MTC6382 | 629  | MTC6840 | 1036 | MTC6874HN  | 784  |
| MTC4317   | 898  | MTC4945    | 907  | MTC5525 | 763  | MTC6413 | 939  | MTC6871 | 915  | MTC6874HUJ | 785  |
| MTC4319   | 899  | MTC4992    | 852  | MTC5571 | 661  | MTC6448 | 997  | MTC6872 | 755  | MTC6874HUL | 785  |





## DEFENDER 110 1987 onwards

1108

## NUMERICAL INDEX

| PART NO    | PAGE | PART NO    | PAGE | PART NO   | PAGE | PART NO | PAGE | PART NO    | PAGE | PART NO | PAGE |
|------------|------|------------|------|-----------|------|---------|------|------------|------|---------|------|
| MTC6874HYE | 785  | MTC6875SUB | 785  | MTC7513   | 568  | MTC7981 | 829  | MTC8473    | 788  | MTC9962 | 973  |
| MTC6874JC  | 784  | MTC7004    | 1066 | MTC7513   | 826  | MTC7981 | 836  | MTC8474    | 788  | MTC9962 | 977  |
| MTC6874JP  | 784  | MTC7040    | 1066 | MTC7513   | 839  | MTC8145 | 904  | MTC8477    | 802  | MTC9962 | 978  |
| MTC6874JUG | 785  | MTC7041    | 1066 | MTC7513   | 869  | MTC8146 | 904  | MTC8478    | 804  | MTC9962 | 979  |
| MTC6874JUH | 785  | MTC7155    | 814  | MTC7513   | 871  | MTC8270 | 862  | MTC8500    | 636  | MTC9967 | 964  |
| MTC6874LN  | 784  | MTC7193AE  | 893  | MTC7513   | 999  | MTC8270 | 864  | MTC8788    | 792  | MTC9967 | 968  |
| MTC6874LUS | 785  | MTC7193AE  | 895  | MTC7516   | 665  | MTC8271 | 862  | MTC8789    | 792  | MTC9967 | 971  |
| MTC6874NM  | 784  | MTC7193AE  | 897  | MTC7523   | 818  | MTC8271 | 864  | MTC8790    | 805  | MTC9967 | 977  |
| MTC6874NUC | 785  | MTC7200AE  | 895  | MTC7523   | 820  | MTC8331 | 869  | MTC8791    | 805  | MTC9968 | 915  |
| MTC6874PUE | 785  | MTC7200AG  | 895  | MTC7525   | 820  | MTC8331 | 871  | MTC8947    | 861  | MUC1005 | 862  |
| MTC6874SUB | 785  | MTC7252    | 901  | MTC7631   | 957  | MTC8332 | 869  | MTC8951    | 796  | MUC1005 | 864  |
| MTC6875AA  | 784  | MTC7384    | 903  | MTC7631   | 964  | MTC8332 | 871  | MTC9424    | 996  | MUC1008 | 862  |
| MTC6875CL  | 784  | MTC7400    | 915  | MTC7710AE | 893  | MTC8333 | 857  | MTC9428    | 949  | MUC1008 | 864  |
| MTC6875CUF | 784  | MTC7431    | 901  | MTC7710AG | 893  | MTC8334 | 834  | MTC9428    | 950  | MUC1028 | 817  |
| MTC6875CUH | 785  | MTC7457    | 1038 | MTC7711AE | 893  | MTC8334 | 843  | MTC9429    | 949  | MUC1030 | 813  |
| MTC6875CUY | 785  | MTC7464    | 878  | MTC7711AG | 893  | MTC8335 | 1003 | MTC9429    | 950  | MUC1049 | 809  |
| MTC6875HC  | 784  | MTC7465    | 878  | MTC7737   | 628  | MTC8335 | 1006 | MTC9773    | 901  | MUC1086 | 908  |
| MTC6875HN  | 784  | MTC7466    | 878  | MTC7769   | 780  | MTC8335 | 1010 | MTC9914    | 710  | MUC1098 | 861  |
| MTC6875HUJ | 785  | MTC7471AE  | 895  | MTC7770   | 780  | MTC8335 | 999  | MTC9915    | 710  | MUC1139 | 666  |
| MTC6875HUL | 785  | MTC7471AG  | 895  | MTC7825   | 802  | MTC8349 | 926  | MTC9915LCS | 710  | MUC1227 | 756  |
| MTC6875HYE | 785  | MTC7480    | 850  | MTC7826   | 802  | MTC8357 | 1073 | MTC9956    | 963  | MUC1228 | 756  |
| MTC6875JC  | 784  | MTC7481    | 850  | MTC7828   | 804  | MTC8358 | 1073 | MTC9958    | 965  | MUC1233 | 761  |
| MTC6875JP  | 784  | MTC7482    | 850  | MTC7829   | 804  | MTC8376 | 899  | MTC9959    | 966  | MUC1234 | 761  |
| MTC6875JUG | 785  | MTC7483    | 850  | MTC7861   | 876  | MTC8440 | 1073 | MTC9959    | 973  | MUC1237 | 754  |
| MTC6875JUH | 785  | MTC7511    | 851  | MTC7878   | 840  | MTC8441 | 1073 | MTC9959    | 979  | MUC1248 | 924  |
| MTC6875LN  | 784  | MTC7512    | 851  | MTC7879   | 840  | MTC8460 | 804  | MTC9962    | 964  | MUC1249 | 952  |
| MTC6875LUS | 785  | MTC7513    | 1003 | MTC7886   | 836  | MTC8461 | 804  | MTC9962    | 965  | MUC1250 | 952  |
| MTC6875NM  | 784  | MTC7513    | 1006 | MTC7887   | 836  | MTC8468 | 802  | MTC9962    | 966  | MUC1253 | 952  |
| MTC6875NUC | 785  | MTC7513    | 1010 | MTC7980   | 829  | MTC8471 | 804  | MTC9962    | 968  | MUC1254 | 952  |
| MTC6875PUE | 785  | MTC7513    | 1074 | MTC7980   | 836  | MTC8472 | 804  | MTC9962    | 971  | MUC1255 | 952  |





## DEFENDER 110 1987 onwards

1109

## NUMERICAL INDEX

| PART NO    | PAGE | PART NO    | PAGE | PART NO | PAGE | PART NO    | PAGE | PART NO   | PAGE | PART NO | PAGE |
|------------|------|------------|------|---------|------|------------|------|-----------|------|---------|------|
| MUC1256RD  | 924  | MUC1361RD  | 943  | MUC1582 | 913  | MUC1678    | 699  | MUC1961   | 800  | MUC3023 | 722  |
| MUC1257LDE | 943  | MUC1362LDE | 944  | MUC1583 | 714  | MUC1679    | 492  | MUC2002   | 881  | MUC3024 | 803  |
| MUC1257RD  | 943  | MUC1362RD  | 943  | MUC1584 | 714  | MUC1679    | 648  | MUC2003   | 881  | MUC3025 | 803  |
| MUC1258LDE | 944  | MUC1363LDE | 944  | MUC1604 | 792  | MUC1680    | 660  | MUC2153   | 916  | MUC3026 | 806  |
| MUC1258RD  | 943  | MUC1363RD  | 944  | MUC1605 | 792  | MUC1682    | 637  | MUC2153   | 917  | MUC3027 | 806  |
| MUC1259LDE | 944  | MUC1364RD  | 947  | MUC1621 | 952  | MUC1682    | 641  | MUC2160RD | 946  | MUC3036 | 918  |
| MUC1259RD  | 944  | MUC1365RD  | 947  | MUC1651 | 788  | MUC1701    | 914  | MUC2161RD | 947  | MUC3037 | 918  |
| MUC1260RD  | 946  | MUC1367    | 714  | MUC1651 | 792  | MUC1703    | 914  | MUC2165   | 714  | MUC3096 | 861  |
| MUC1261RD  | 946  | MUC1368    | 714  | MUC1652 | 788  | MUC1704    | 862  | MUC2210   | 925  | MUC3097 | 861  |
| MUC1264LDE | 944  | MUC1382    | 914  | MUC1657 | 662  | MUC1704    | 864  | MUC2268   | 952  | MUC3242 | 929  |
| MUC1264RD  | 943  | MUC1383    | 914  | MUC1658 | 662  | MUC1705    | 862  | MUC2269   | 952  | MUC3244 | 914  |
| MUC1265LDE | 944  | MUC1384    | 914  | MUC1659 | 662  | MUC1705    | 864  | MUC2270   | 952  | MUC3249 | 914  |
| MUC1265RD  | 944  | MUC1402    | 921  | MUC1660 | 662  | MUC1706    | 862  | MUC2271   | 952  | MUC3278 | 666  |
| MUC1266RD  | 947  | MUC1412    | 760  | MUC1661 | 640  | MUC1706    | 864  | MUC2296   | 929  | MUC3302 | 828  |
| MUC1268    | 945  | MUC1474    | 929  | MUC1661 | 645  | MUC1707    | 862  | MUC2364   | 892  | MUC3303 | 829  |
| MUC1269    | 945  | MUC1484    | 861  | MUC1663 | 637  | MUC1707    | 864  | MUC2366   | 892  | MUC3309 | 828  |
| MUC1286    | 739  | MUC1488    | 958  | MUC1665 | 659  | MUC1713    | 802  | MUC2368   | 892  | MUC3394 | 794  |
| MUC1322    | 792  | MUC1494    | 943  | MUC1666 | 660  | MUC1714    | 804  | MUC2379   | 955  | MUC3394 | 808  |
| MUC1324    | 859  | MUC1495    | 950  | MUC1667 | 660  | MUC1716    | 914  | MUC2380   | 955  | MUC3394 | 811  |
| MUC1324    | 865  | MUC1495    | 953  | MUC1668 | 658  | MUC1730    | 788  | MUC2381   | 955  | MUC3492 | 805  |
| MUC1353AV  | 950  | MUC1497    | 945  | MUC1669 | 660  | MUC1731    | 788  | MUC2382   | 955  | MUC3493 | 805  |
| MUC1353LDE | 950  | MUC1498    | 945  | MUC1670 | 660  | MUC1757    | 948  | MUC2417   | 566  | MUC3498 | 753  |
| MUC1356RD  | 924  | MUC1499    | 943  | MUC1671 | 648  | MUC1757LDE | 948  | MUC2417   | 625  | MUC3566 | 856  |
| MUC1357LDE | 944  | MUC1500    | 949  | MUC1672 | 699  | MUC1758LDE | 951  | MUC2418   | 625  | MUC3566 | 860  |
| MUC1357RD  | 944  | MUC1501    | 862  | MUC1673 | 659  | MUC1758RD  | 951  | MUC2419   | 625  | MUC3590 | 781  |
| MUC1358LDE | 944  | MUC1501    | 864  | MUC1674 | 659  | MUC1759    | 950  | MUC2440   | 891  | MUC3601 | 781  |
| MUC1358RD  | 943  | MUC1508    | 928  | MUC1675 | 637  | MUC1759LDE | 950  | MUC2442   | 891  | MUC3630 | 930  |
| MUC1359RD  | 946  | MUC1520    | 958  | MUC1675 | 641  | MUC1888    | 790  | MUC2443   | 891  | MUC3630 | 933  |
| MUC1360RD  | 946  | MUC1554    | 929  | MUC1676 | 699  | MUC1889    | 790  | MUC2594   | 786  | MUC3631 | 930  |
| MUC1361LDE | 943  | MUC1555    | 929  | MUC1677 | 699  | MUC1961    | 793  | MUC2934   | 892  | MUC3631 | 933  |





## DEFENDER 110 1987 onwards

1110

## NUMERICAL INDEX

| PART NO | PAGE | PART NO    | PAGE | PART NO | PAGE | PART NO | PAGE | PART NO | PAGE | PART NO    | PAGE |
|---------|------|------------|------|---------|------|---------|------|---------|------|------------|------|
| MUC3695 | 659  | MUC3962    | 829  | MUC4319 | 754  | MUC4866 | 648  | MUC6040 | 641  | MUC6419    | 891  |
| MUC3707 | 890  | MUC3963    | 829  | MUC4358 | 640  | MUC4871 | 648  | MUC6042 | 637  | MUC6452    | 916  |
| MUC3708 | 890  | MUC3964    | 828  | MUC4358 | 645  | MUC4872 | 647  | MUC6042 | 641  | MUC6452    | 917  |
| MUC3733 | 786  | MUC3971    | 828  | MUC4358 | 647  | MUC4874 | 647  | MUC6050 | 637  | MUC6453    | 916  |
| MUC3764 | 861  | MUC3974    | 828  | MUC4375 | 637  | MUC4875 | 647  | MUC6050 | 641  | MUC6453    | 917  |
| MUC3765 | 861  | MUC4025    | 861  | MUC4375 | 641  | MUC4878 | 648  | MUC6052 | 637  | MUC6457    | 775  |
| MUC3766 | 861  | MUC4025    | 863  | MUC4455 | 648  | MUC4880 | 660  | MUC6052 | 641  | MUC6484    | 928  |
| MUC3767 | 861  | MUC4027    | 755  | MUC4455 | 661  | MUC4881 | 659  | MUC6053 | 637  | MUC6485    | 928  |
| MUC3768 | 861  | MUC4061ABE | 901  | MUC4471 | 799  | MUC4882 | 659  | MUC6053 | 641  | MUC6486    | 928  |
| MUC3768 | 863  | MUC4061ACG | 901  | MUC4474 | 799  | MUC4883 | 658  | MUC6054 | 637  | MUC6487    | 928  |
| MUC3769 | 861  | MUC4071    | 802  | MUC4477 | 799  | MUC4884 | 658  | MUC6054 | 641  | MUC6488    | 928  |
| MUC3770 | 861  | MUC4072    | 802  | MUC4481 | 799  | MUC4886 | 658  | MUC6055 | 637  | MUC6489    | 928  |
| MUC3770 | 863  | MUC4072    | 804  | MUC4486 | 799  | MUC4888 | 658  | MUC6055 | 641  | MUC6490    | 928  |
| MUC3771 | 862  | MUC4073    | 802  | MUC4499 | 762  | MUC4891 | 659  | MUC6056 | 637  | MUC6491    | 928  |
| MUC3771 | 864  | MUC4073    | 804  | MUC4524 | 902  | MUC4892 | 659  | MUC6056 | 641  | MUC6496    | 934  |
| MUC3791 | 861  | MUC4083    | 1013 | MUC4525 | 921  | MUC4895 | 660  | MUC6074 | 929  | MUC6496    | 935  |
| MUC3792 | 861  | MUC4108    | 1012 | MUC4538 | 901  | MUC5376 | 762  | MUC6075 | 929  | MUC6497    | 934  |
| MUC3794 | 861  | MUC4109    | 1012 | MUC4542 | 862  | MUC5456 | 993  | MUC6112 | 769  | MUC6498    | 934  |
| MUC3795 | 861  | MUC4149    | 955  | MUC4542 | 864  | MUC5525 | 766  | MUC6157 | 790  | MUC6499    | 934  |
| MUC3798 | 798  | MUC4150    | 955  | MUC4544 | 799  | MUC5743 | 993  | MUC6157 | 794  | MUC6519    | 824  |
| MUC3809 | 869  | MUC4152    | 955  | MUC4545 | 799  | MUC6001 | 660  | MUC6159 | 790  | MUC6519    | 831  |
| MUC3810 | 857  | MUC4153    | 955  | MUC4546 | 892  | MUC6011 | 660  | MUC6159 | 793  | MUC6651    | 933  |
| MUC3844 | 933  | MUC4161    | 1070 | MUC4801 | 915  | MUC6012 | 660  | MUC6163 | 789  | MUC6652    | 934  |
| MUC3845 | 933  | MUC4199    | 932  | MUC4804 | 773  | MUC6013 | 660  | MUC6164 | 789  | MUC6653    | 934  |
| MUC3882 | 869  | MUC4208    | 776  | MUC4806 | 773  | MUC6021 | 659  | MUC6166 | 758  | MUC6658    | 773  |
| MUC3883 | 869  | MUC4275    | 1043 | MUC4860 | 637  | MUC6037 | 637  | MUC6167 | 758  | MUC6659    | 773  |
| MUC3906 | 786  | MUC4289    | 787  | MUC4860 | 641  | MUC6037 | 641  | MUC6400 | 868  | MUC6667LDE | 950  |
| MUC3932 | 831  | MUC4290    | 787  | MUC4865 | 492  | MUC6038 | 637  | MUC6400 | 870  | MUC6667RD  | 950  |
| MUC3933 | 729  | MUC4291    | 1043 | MUC4865 | 648  | MUC6038 | 641  | MUC6400 | 923  | MUC6681    | 916  |
| MUC3958 | 828  | MUC4299    | 752  | MUC4866 | 492  | MUC6040 | 637  | MUC6418 | 891  | MUC6682    | 916  |





## DEFENDER 110 1987 onwards

1111

## NUMERICAL INDEX

| PART NO   | PAGE | PART NO   | PAGE | PART NO   | PAGE | PART NO   | PAGE | PART NO    | PAGE | PART NO    | PAGE |
|-----------|------|-----------|------|-----------|------|-----------|------|------------|------|------------|------|
| MUC6905   | 751  | MUC8409RD | 967  | MUC8731   | 833  | MUC9154   | 843  | MWC1055PMA | 1023 | MWC1497    | 993  |
| MUC6932   | 884  | MUC8409RD | 970  | MUC8736   | 816  | MUC9155   | 819  | MWC1058    | 1065 | MWC1602    | 792  |
| MUC7000   | 450  | MUC8411RD | 973  | MUC8737   | 816  | MUC9155   | 833  | MWC1059    | 1065 | MWC1603    | 792  |
| MUC7505   | 476  | MUC8412   | 973  | MUC8738   | 816  | MUC9155   | 843  | MWC1062    | 1065 | MWC1608    | 993  |
| MUC7506   | 478  | MUC8414   | 967  | MUC8739   | 816  | MUC9158   | 824  | MWC1063    | 1065 | MWC1609    | 993  |
| MUC7513   | 681  | MUC8414   | 970  | MUC8740   | 816  | MUC9158   | 832  | MWC1080    | 791  | MWC1614    | 993  |
| MUC7514   | 682  | MUC8428RD | 967  | MUC8741   | 816  | MUC9167   | 924  | MWC1081    | 791  | MWC1615    | 993  |
| MUC7598   | 722  | MUC8429RD | 967  | MUC8746   | 816  | MUC9167   | 925  | MWC1082    | 795  | MWC1622    | 809  |
| MUC7599   | 722  | MUC8430RD | 970  | MUC8748   | 834  | MUC9168   | 925  | MWC1083    | 795  | MWC1622    | 812  |
| MUC7636   | 968  | MUC8431RD | 970  | MUC8754   | 963  | MUC9169   | 926  | MWC1086    | 765  | MWC1623    | 987  |
| MUC7809   | 809  | MUC8432RD | 973  | MUC8754   | 968  | MUC9204   | 870  | MWC1087    | 765  | MWC1624    | 929  |
| MUC7809   | 812  | MUC8438   | 970  | MUC8754   | 970  | MUC9205   | 870  | MWC1092AG  | 893  | MWC1625    | 929  |
| MUC7904   | 786  | MUC8439   | 970  | MUC8754   | 976  | MUC9339   | 778  | MWC1092AG  | 895  | MWC1627    | 805  |
| MUC7907   | 787  | MUC8447   | 965  | MUC8755   | 824  | MUC9347   | 927  | MWC1092AG  | 897  | MWC1628    | 929  |
| MUC7911   | 787  | MUC8447   | 973  | MUC8756   | 824  | MUC9419   | 1016 | MWC1141    | 988  | MWC1629    | 929  |
| MUC7912   | 787  | MUC8448RD | 963  | MUC8759   | 835  | MUC9704   | 784  | MWC1474    | 918  | MWC1632    | 993  |
| MUC7915AE | 897  | MUC8448RD | 967  | MUC8779RD | 966  | MUC9864   | 987  | MWC1474    | 919  | MWC1633    | 993  |
| MUC7915AG | 897  | MUC8448RD | 970  | MUC8779RD | 973  | MUC9874   | 987  | MWC1476    | 807  | MWC1705RD  | 985  |
| MUC7916AE | 897  | MUC8449RD | 963  | MUC8780RD | 964  | MUC9875   | 987  | MWC1477    | 807  | MWC1706PB  | 985  |
| MUC7916AG | 897  | MUC8449RD | 967  | MUC8780RD | 968  | MUC9971RD | 985  | MWC1480    | 808  | MWC1707RD  | 982  |
| MUC7923   | 906  | MUC8449RD | 970  | MUC8780RD | 971  | MUC9972PB | 985  | MWC1481    | 808  | MWC1708PB  | 982  |
| MUC7947   | 968  | MUC8450RD | 973  | MUC8928   | 827  | MUC9974RD | 982  | MWC1484    | 808  | MWC1722    | 676  |
| MUC7947   | 969  | MUC8526   | 809  | MUC8949   | 830  | MUC9975PB | 982  | MWC1485    | 811  | MWC1736    | 809  |
| MUC7947   | 971  | MUC8526   | 812  | MUC8949   | 837  | MUC9999   | 993  | MWC1486    | 808  | MWC1737    | 809  |
| MUC7947   | 972  | MUC8707   | 817  | MUC9110   | 768  | MWC1010   | 964  | MWC1487    | 808  | MWC1743    | 920  |
| MUC7947   | 974  | MUC8716   | 834  | MUC9110   | 793  | MWC1010   | 969  | MWC1488    | 810  | MWC1743LCS | 920  |
| MUC7947   | 977  | MUC8716   | 843  | MUC9136   | 828  | MWC1010   | 972  | MWC1489    | 810  | MWC1744    | 920  |
| MUC7947   | 979  | MUC8717   | 834  | MUC9142   | 828  | MWC1018RD | 964  | MWC1492    | 811  | MWC1744LCS | 920  |
| MUC8364   | 811  | MUC8717   | 843  | MUC9154   | 819  | MWC1018RD | 969  | MWC1493    | 811  | MWC1812    | 809  |
| MUC8365   | 811  | MUC8730   | 833  | MUC9154   | 833  | MWC1018RD | 972  | MWC1496    | 993  | MWC1813    | 809  |





## DEFENDER 110 1987 onwards

1112

## NUMERICAL INDEX

| PART NO   | PAGE | PART NO    | PAGE | PART NO   | PAGE | PART NO | PAGE | PART NO | PAGE | PART NO | PAGE |
|-----------|------|------------|------|-----------|------|---------|------|---------|------|---------|------|
| MWC1820   | 824  | MWC2243HA  | 884  | MWC2896   | 928  | MWC3302 | 967  | MWC4535 | 968  | MWC4731 | 863  |
| MWC1821   | 824  | MWC2243LB  | 884  | MWC2926   | 769  | MWC3303 | 963  | MWC4535 | 971  | MWC4734 | 863  |
| MWC1826   | 566  | MWC2244HA  | 884  | MWC2938   | 824  | MWC3303 | 967  | MWC4536 | 967  | MWC4735 | 863  |
| MWC1827   | 566  | MWC2244LB  | 884  | MWC2938   | 834  | MWC3305 | 970  | MWC4536 | 977  | MWC4736 | 863  |
| MWC1837   | 794  | MWC2245HA  | 884  | MWC3103RD | 983  | MWC3306 | 967  | MWC4537 | 964  | MWC4737 | 863  |
| MWC1838   | 794  | MWC2245LB  | 884  | MWC3104RD | 986  | MWC3307 | 967  | MWC4548 | 973  | MWC4762 | 825  |
| MWC1898   | 789  | MWC2246HA  | 884  | MWC3105PB | 983  | MWC3312 | 813  | MWC4549 | 966  | MWC4763 | 802  |
| MWC1898   | 793  | MWC2246LB  | 884  | MWC3106PB | 986  | MWC3316 | 833  | MWC4549 | 973  | MWC4764 | 804  |
| MWC1899   | 789  | MWC2309    | 751  | MWC3107RD | 982  | MWC3316 | 842  | MWC4662 | 842  | MWC4771 | 857  |
| MWC1899   | 793  | MWC2314    | 922  | MWC3108PB | 982  | MWC3317 | 833  | MWC4663 | 842  | MWC4771 | 868  |
| MWC1950   | 808  | MWC2314    | 928  | MWC3109RD | 985  | MWC3317 | 842  | MWC4710 | 825  | MWC4772 | 857  |
| MWC1950   | 811  | MWC2314    | 934  | MWC3110PB | 985  | MWC3317 | 928  | MWC4711 | 825  | MWC4772 | 864  |
| MWC2120   | 833  | MWC2314    | 936  | MWC3111RD | 981  | MWC3320 | 824  | MWC4712 | 796  | MWC4773 | 825  |
| MWC2121   | 833  | MWC2315AV  | 950  | MWC3112PB | 981  | MWC3321 | 824  | MWC4713 | 796  | MWC4822 | 1000 |
| MWC2129   | 824  | MWC2315LDE | 950  | MWC3113RD | 984  | MWC3336 | 795  | MWC4714 | 868  | MWC4846 | 807  |
| MWC2129   | 831  | MWC2501    | 566  | MWC3114PB | 984  | MWC3337 | 795  | MWC4715 | 857  | MWC4847 | 807  |
| MWC2145   | 1038 | MWC2522    | 983  | MWC3136   | 513  | MWC3339 | 774  | MWC4715 | 864  | MWC4850 | 807  |
| MWC2146   | 1038 | MWC2522    | 986  | MWC3136   | 918  | MWC4370 | 803  | MWC4716 | 864  | MWC4850 | 810  |
| MWC2237HA | 884  | MWC2526    | 727  | MWC3136   | 919  | MWC4371 | 803  | MWC4717 | 857  | MWC4854 | 492  |
| MWC2237LB | 884  | MWC2530    | 727  | MWC3137   | 918  | MWC4380 | 980  | MWC4720 | 802  | MWC4860 | 658  |
| MWC2238HA | 884  | MWC2532    | 993  | MWC3137   | 919  | MWC4393 | 1035 | MWC4721 | 802  | MWC4950 | 973  |
| MWC2238LB | 884  | MWC2533    | 993  | MWC3137   | 932  | MWC4398 | 1035 | MWC4722 | 804  | MWC5001 | 810  |
| MWC2239HA | 884  | MWC2567    | 751  | MWC3138   | 993  | MWC4399 | 1035 | MWC4723 | 804  | MWC5002 | 810  |
| MWC2239LB | 884  | MWC2576RD  | 998  | MWC3139   | 993  | MWC4412 | 792  | MWC4724 | 804  | MWC5018 | 789  |
| MWC2240HA | 884  | MWC2580RD  | 1005 | MWC3148   | 809  | MWC4413 | 792  | MWC4725 | 804  | MWC5019 | 789  |
| MWC2240LB | 884  | MWC2780    | 918  | MWC3148   | 812  | MWC4534 | 964  | MWC4726 | 825  | MWC5054 | 1034 |
| MWC2241HA | 884  | MWC2781    | 918  | MWC3293   | 788  | MWC4534 | 968  | MWC4726 | 858  | MWC5055 | 1034 |
| MWC2241LB | 884  | MWC2782    | 919  | MWC3294   | 792  | MWC4534 | 971  | MWC4728 | 863  | MWC5201 | 872  |
| MWC2242HA | 884  | MWC2783    | 919  | MWC3301   | 970  | MWC4535 | 963  | MWC4729 | 863  | MWC5202 | 872  |
| MWC2242LB | 884  | MWC2891    | 993  | MWC3302   | 963  | MWC4535 | 964  | MWC4730 | 863  | MWC5217 | 867  |





## DEFENDER 110 1987 onwards

1113

## NUMERICAL INDEX

| PART NO    | PAGE | PART NO    | PAGE | PART NO    | PAGE | PART NO    | PAGE | PART NO    | PAGE | PART NO    | PAGE |
|------------|------|------------|------|------------|------|------------|------|------------|------|------------|------|
| MWC5417    | 993  | MWC5555RCF | 984  | MWC5675LCS | 976  | MWC5764    | 922  | MWC7620    | 825  | MWC8210    | 940  |
| MWC5455    | 993  | MWC5556LCS | 984  | MWC5676RCF | 975  | MWC5798    | 923  | MWC7620    | 858  | MWC8211    | 940  |
| MWC5463LCS | 1001 | MWC5558RCF | 985  | MWC5677RCF | 975  | MWC5799    | 923  | MWC7625    | 825  | MWC8212    | 940  |
| MWC5464RCF | 1001 | MWC5559LCS | 985  | MWC5679RCF | 975  | MWC6055    | 870  | MWC7625    | 858  | MWC8213    | 940  |
| MWC5464RUY | 1001 | MWC5561RCF | 985  | MWC5680RCF | 978  | MWC6106PCB | 977  | MWC7635    | 968  | MWC8214    | 940  |
| MWC5465LCS | 1000 | MWC5562LCS | 985  | MWC5681RCF | 978  | MWC6128    | 795  | MWC7635    | 971  | MWC8215    | 941  |
| MWC5466RCF | 1000 | MWC5568RCF | 985  | MWC5682RCF | 978  | MWC6129    | 795  | MWC7635    | 976  | MWC8216    | 941  |
| MWC5466RUY | 1000 | MWC5569LCS | 985  | MWC5683RCF | 979  | MWC6130    | 791  | MWC7636    | 971  | MWC8217    | 941  |
| MWC5491LCS | 1008 | MWC5573LCS | 959  | MWC5684RCF | 979  | MWC6143    | 836  | MWC7636    | 976  | MWC8218    | 941  |
| MWC5492RCF | 1008 | MWC5592RCF | 986  | MWC5685LCS | 978  | MWC6145    | 836  | MWC7641    | 826  | MWC8219    | 941  |
| MWC5492RUY | 1008 | MWC5593LCS | 986  | MWC5686LCS | 978  | MWC6203    | 922  | MWC7648    | 825  | MWC8223    | 788  |
| MWC5493LCS | 1007 | MWC5599LCS | 958  | MWC5687LCS | 978  | MWC6204    | 923  | MWC7648    | 858  | MWC8256LUJ | 885  |
| MWC5494RCF | 1007 | MWC5607LCS | 958  | MWC5688LCS | 979  | MWC6253    | 926  | MWC7652    | 825  | MWC8256LUJ | 886  |
| MWC5494RUY | 1007 | MWC5613LCS | 959  | MWC5689LCS | 979  | MWC6254    | 926  | MWC7652    | 858  | MWC8256LVA | 889  |
| MWC5507RCF | 991  | MWC5626RCF | 977  | MWC5708LUH | 934  | MWC6291    | 794  | MWC7657LDE | 946  | MWC8256MUB | 885  |
| MWC5507RUY | 1013 | MWC5626RUY | 977  | MWC5708LUH | 936  | MWC6450    | 794  | MWC7658LDE | 946  | MWC8256MUB | 886  |
| MWC5507RUY | 991  | MWC5628LCS | 977  | MWC5710LUH | 934  | MWC6450    | 800  | MWC7659LDE | 946  | MWC8257LUJ | 885  |
| MWC5508RUY | 1011 | MWC5630RCF | 975  | MWC5710LUH | 936  | MWC6698    | 867  | MWC7660LDE | 946  | MWC8257LUJ | 886  |
| MWC5525LCS | 990  | MWC5632RCF | 976  | MWC5711LUH | 934  | MWC6699    | 867  | MWC7661LDE | 947  | MWC8257MUB | 885  |
| MWC5530LCS | 991  | MWC5648RCF | 976  | MWC5711LUH | 936  | MWC6908    | 867  | MWC7662LDE | 947  | MWC8257MUB | 886  |
| MWC5533RCF | 981  | MWC5648RUY | 976  | MWC5712LUH | 934  | MWC6924    | 1009 | MWC7663LDE | 947  | MWC8270    | 788  |
| MWC5534LCS | 981  | MWC5649RCF | 976  | MWC5712LUH | 936  | MWC6925    | 1009 | MWC7665    | 828  | MWC8271    | 788  |
| MWC5536RCF | 982  | MWC5649RUY | 976  | MWC5713LUH | 934  | MWC7188RUM | 885  | MWC8201    | 940  | MWC8276    | 1035 |
| MWC5537LCS | 982  | MWC5661    | 1002 | MWC5713LUH | 936  | MWC7189RUM | 885  | MWC8202    | 940  | MWC8277    | 1035 |
| MWC5539RCF | 982  | MWC5667LCS | 975  | MWC5737LUH | 937  | MWC7190RUM | 885  | MWC8203    | 940  | MWC8464CUF | 780  |
| MWC5540LCS | 982  | MWC5668LCS | 976  | MWC5741    | 794  | MWC7191RUM | 885  | MWC8205    | 940  | MWC8464HCC | 780  |
| MWC5546RCF | 982  | MWC5669LCS | 976  | MWC5742    | 794  | MWC7612    | 863  | MWC8206    | 940  | MWC8464HCN | 780  |
| MWC5547LCS | 982  | MWC5670LCS | 976  | MWC5759    | 790  | MWC7614    | 863  | MWC8207    | 940  | MWC8464HUJ | 780  |
| MWC5549RCF | 983  | MWC5671LCS | 977  | MWC5759    | 800  | MWC7615    | 863  | MWC8208    | 940  | MWC8464JUG | 780  |
| MWC5550LCS | 983  | MWC5674LCS | 975  | MWC5763LNP | 922  | MWC7617    | 863  | MWC8209    | 940  | MWC8464LCN | 780  |





## DEFENDER 110 1987 onwards

1114

## NUMERICAL INDEX

| PART NO    | PAGE | PART NO    | PAGE | PART NO    | PAGE | PART NO    | PAGE | PART NO    | PAGE | PART NO    | PAGE |
|------------|------|------------|------|------------|------|------------|------|------------|------|------------|------|
| MWC8464LUS | 780  | MWC8567    | 781  | MWC9340    | 823  | MWC9842RUY | 975  | MXC1861LCS | 919  | MXC2651LCS | 979  |
| MWC8464NCM | 780  | MWC8590RUM | 885  | MWC9361    | 775  | MWC9843LCS | 976  | MXC1874RUP | 886  | MXC2652LCS | 978  |
| MWC8464NUC | 780  | MWC8591RUM | 885  | MWC9369LDE | 948  | MWC9844LCS | 976  | MXC1875RUP | 886  | MXC2728    | 810  |
| MWC8464SUB | 780  | MWC8615    | 1019 | MWC9370LDE | 948  | MWC9917    | 918  | MXC1989LCS | 920  | MXC2729    | 810  |
| MWC8465CUF | 780  | MWC8666    | 1011 | MWC9371LDE | 948  | MWC9918LCS | 918  | MXC1992LCS | 920  | MXC2744    | 996  |
| MWC8465HCC | 780  | MWC8667    | 1011 | MWC9376    | 949  | MXC1130PMA | 923  | MXC2031    | 860  | MXC2745    | 996  |
| MWC8465HCN | 780  | MWC8901LNP | 922  | MWC9380    | 774  | MXC1394LUH | 937  | MXC2033    | 856  | MXC2751    | 996  |
| MWC8465HUJ | 780  | MWC8910LNP | 923  | MWC9418    | 855  | MXC1436    | 793  | MXC2044    | 800  | MXC2780RCF | 989  |
| MWC8465JUG | 780  | MWC8911LNP | 923  | MWC9419    | 855  | MXC1624    | 878  | MXC2047    | 800  | MXC2780RUY | 990  |
| MWC8465JUH | 780  | MWC8914LNP | 932  | MWC9420    | 855  | MXC1645LUH | 932  | MXC2337LDE | 948  | MXC2932    | 777  |
| MWC8465LCN | 780  | MWC8915LNP | 932  | MWC9421    | 855  | MXC1684    | 781  | MXC2338LDE | 948  | MXC2932    | 778  |
| MWC8465LUS | 780  | MWC8942RCF | 976  | MWC9482    | 923  | MXC1790    | 800  | MXC2339LDE | 948  | MXC2948LDE | 924  |
| MWC8465NCM | 780  | MWC8942RUY | 976  | MWC9484LUH | 931  | MXC1800    | 918  | MXC2340LDE | 948  | MXC2949LDE | 924  |
| MWC8465NUC | 780  | MWC8943LCS | 976  | MWC9485LUH | 932  | MXC1800    | 919  | MXC2341    | 679  | MXC3167RUY | 985  |
| MWC8465SUB | 780  | MWC8944RCF | 975  | MWC9486LUH | 932  | MXC1804PMA | 942  | MXC2342    | 679  | MXC3168LCS | 985  |
| MWC8466CUF | 770  | MWC8945RCF | 975  | MWC9490LUH | 931  | MXC1805PMA | 942  | MXC2343LUH | 931  | MXC3169RUY | 982  |
| MWC8466HCC | 770  | MWC8946LCS | 975  | MWC9500    | 872  | MXC1806PMA | 942  | MXC2344LUH | 931  | MXC3170LCS | 982  |
| MWC8466HCN | 770  | MWC8947LCS | 975  | MWC9500    | 873  | MXC1813LCS | 996  | MXC2345LUH | 933  | MXC3188    | 629  |
| MWC8466HUJ | 770  | MWC8966    | 860  | MWC9601    | 678  | MXC1814LCS | 996  | MXC2347LUH | 931  | MXC3188    | 666  |
| MWC8466JUG | 770  | MWC8967    | 860  | MWC9601    | 679  | MXC1826RUY | 983  | MXC2348LUH | 934  | MXC3189    | 629  |
| MWC8466JUH | 770  | MWC9301    | 714  | MWC9604    | 935  | MXC1827RUY | 982  | MXC2348LUH | 935  | MXC3189    | 666  |
| MWC8466LCN | 770  | MWC9303    | 714  | MWC9606    | 673  | MXC1828RUY | 986  | MXC2537    | 1021 | MXC3254RUY | 975  |
| MWC8466LUS | 770  | MWC9304    | 714  | MWC9823LNP | 922  | MXC1829RUY | 985  | MXC2640RUY | 979  | MXC3255RUY | 975  |
| MWC8466NCM | 770  | MWC9306    | 714  | MWC9832LUH | 932  | MXC1830LCS | 983  | MXC2641RUY | 978  | MXC3256LCS | 975  |
| MWC8466NUC | 770  | MWC9313    | 1038 | MWC9832LUH | 933  | MXC1831LCS | 982  | MXC2645LCS | 978  | MXC3257LCS | 975  |
| MWC8466PUC | 770  | MWC9313    | 1041 | MWC9832LUH | 934  | MXC1832LCS | 986  | MXC2646RUY | 978  | MXC3258    | 957  |
| MWC8466SUB | 770  | MWC9322    | 723  | MWC9832LUH | 936  | MXC1833LCS | 985  | MXC2647LCS | 979  | MXC3259    | 957  |
| MWC8547    | 1007 | MWC9327PMA | 911  | MWC9841RCF | 975  | MXC1858LCS | 918  | MXC2648LCS | 978  | MXC3277    | 923  |
| MWC8548    | 1004 | MWC9338PMA | 911  | MWC9841RUY | 976  | MXC1859LCS | 918  | MXC2649RUY | 979  | MXC3278    | 923  |
| MWC8548    | 1007 | MWC9339PMA | 911  | MWC9842RCF | 975  | MXC1860LCS | 919  | MXC2650RUY | 978  | MXC3279    | 923  |







## DEFENDER 110 1987 onwards

1115

## NUMERICAL INDEX

| PART NO    | PAGE | PART NO    | PAGE | PART NO    | PAGE | PART NO | PAGE | PART NO | PAGE | PART NO   | PAGE |
|------------|------|------------|------|------------|------|---------|------|---------|------|-----------|------|
| MXC3282    | 1034 | MXC5480    | 1044 | MXC5821LCS | 984  | MXC6407 | 1071 | MXC8224 | 808  | MXC9587   | 794  |
| MXC3283    | 1034 | MXC5480    | 1046 | MXC5822RUY | 981  | MXC6411 | 1073 | MXC8225 | 808  | MXC9689   | 809  |
| MXC3319LNP | 922  | MXC5488    | 1019 | MXC5823LCS | 981  | MXC6538 | 924  | MXC8282 | 789  | MXC9689   | 812  |
| MXC3357    | 660  | MXC5488    | 1023 | MXC5829    | 802  | MXC6538 | 925  | MXC8282 | 793  | MXC9982   | 786  |
| MXC3358    | 660  | MXC5489    | 1019 | MXC5830    | 805  | MXC6539 | 924  | MXC8283 | 789  | MXC9982   | 787  |
| MXC3418    | 660  | MXC5489    | 1023 | MXC5832    | 802  | MXC6540 | 925  | MXC8283 | 793  | MXC9983   | 786  |
| MXC3676    | 860  | MXC5491    | 1018 | MXC5833    | 804  | MXC6541 | 925  | MXC8284 | 789  | MXC9983   | 787  |
| MXC3677    | 860  | MXC5492    | 1016 | MXC5834    | 804  | MXC6541 | 926  | MXC8285 | 789  | NAD10038  | 298  |
| MXC3680    | 856  | MXC5492    | 1018 | MXC5835    | 805  | MXC6542 | 926  | MXC8551 | 758  | NAD10040  | 65   |
| MXC3681    | 856  | MXC5493    | 1016 | MXC5836    | 802  | MXC6543 | 925  | MXC8552 | 758  | NC112041  | 437  |
| MXC3684    | 856  | MXC5493    | 1018 | MXC5837    | 804  | MXC6550 | 926  | MXC8554 | 758  | NC112041  | 443  |
| MXC3684    | 860  | MXC5495    | 1025 | MXC5856LUH | 931  | MXC6551 | 926  | MXC8555 | 758  | NC112041  | 462  |
| MXC3685    | 856  | MXC5497    | 1024 | MXC5857LUH | 933  | MXC7226 | 892  | MXC8556 | 759  | NC112041  | 463  |
| MXC3685    | 860  | MXC5509    | 1018 | MXC5968    | 842  | MXC7227 | 892  | MXC8573 | 752  | NH104041L | 225  |
| MXC4630    | 782  | MXC5509    | 1019 | MXC5969    | 842  | MXC7228 | 892  | MXC8574 | 752  | NH104041L | 38   |
| MXC4631    | 782  | MXC5521    | 1023 | MXC5973    | 833  | MXC7335 | 1072 | MXC8575 | 753  | NH104041L | 469  |
| MXC4738PMA | 918  | MXC5549    | 800  | MXC5974    | 833  | MXC7354 | 774  | MXC8934 | 834  | NH104041L | 533  |
| MXC4738PMA | 919  | MXC5575    | 800  | MXC6084PMA | 911  | MXC7373 | 762  | MXC8934 | 843  | NH104041L | 708  |
| MXC5010    | 872  | MXC5746    | 759  | MXC6142PMA | 953  | MXC7570 | 788  | MXC8935 | 834  | NH104041L | 725  |
| MXC5011    | 872  | MXC5778    | 964  | MXC6312    | 761  | MXC7571 | 788  | MXC8935 | 843  | NH104041L | 753  |
| MXC5015RUP | 886  | MXC5778    | 967  | MXC6315    | 760  | MXC7651 | 807  | MXC9012 | 750  | NH104041L | 776  |
| MXC5088PMA | 942  | MXC5778    | 976  | MXC6321    | 1040 | MXC7652 | 807  | MXC9013 | 750  | NH104041L | 805  |
| MXC5089PMA | 942  | MXC5779    | 964  | MXC6338    | 760  | MXC7732 | 773  | MXC9015 | 750  | NH104041L | 807  |
| MXC5090PMA | 942  | MXC5779    | 967  | MXC6338    | 762  | MXC7846 | 786  | MXC9116 | 760  | NH104041L | 810  |
| MXC5194    | 792  | MXC5779    | 976  | MXC6397    | 881  | MXC7847 | 786  | MXC9117 | 761  | NH104041L | 835  |
| MXC5195    | 792  | MXC5812RUY | 985  | MXC6398    | 881  | MXC7887 | 1072 | MXC9343 | 777  | NH104044  | 911  |
| MXC5477    | 1044 | MXC5813LCS | 985  | MXC6401    | 881  | MXC7958 | 788  | MXC9400 | 777  | NH105041  | 1058 |
| MXC5477    | 1046 | MXC5814RUY | 982  | MXC6402    | 881  | MXC7959 | 788  | MXC9402 | 777  | NH105041  | 1060 |
| MXC5479    | 1044 | MXC5815LCS | 982  | MXC6402    | 882  | MXC8222 | 808  | MXC9455 | 814  | NH105041  | 449  |
| MXC5479    | 1046 | MXC5820RUY | 984  | MXC6405    | 1071 | MXC8223 | 808  | MXC9586 | 794  | NH105041  | 517  |





## DEFENDER 110 1987 onwards

1116

## NUMERICAL INDEX

| PART NO   | PAGE | PART NO   | PAGE | PART NO   | PAGE | PART NO   | PAGE | PART NO   | PAGE | PART NO   | PAGE |
|-----------|------|-----------|------|-----------|------|-----------|------|-----------|------|-----------|------|
| NH105041  | 599  | NH106041  | 622  | NH106041L | 506  | NH106041L | 730  | NH106041L | 841  | NH108041L | 109  |
| NH105041  | 675  | NH106041I | 530  | NH106041L | 507  | NH106041L | 732  | NH106041L | 842  | NH108041L | 149  |
| NH105041  | 728  | NH106041L | 1002 | NH106041L | 529  | NH106041L | 746  | NH106041L | 851  | NH108041L | 150  |
| NH105041  | 740  | NH106041L | 1009 | NH106041L | 544  | NH106041L | 755  | NH106041L | 859  | NH108041L | 151  |
| NH105041  | 801  | NH106041L | 1012 | NH106041L | 550  | NH106041L | 756  | NH106041L | 865  | NH108041L | 158  |
| NH105041  | 960  | NH106041L | 1016 | NH106041L | 559  | NH106041L | 759  | NH106041L | 869  | NH108041L | 203  |
| NH105041  | 961  | NH106041L | 1027 | NH106041L | 560  | NH106041L | 760  | NH106041L | 871  | NH108041L | 27   |
| NH105041  | 962  | NH106041L | 1028 | NH106041L | 561  | NH106041L | 762  | NH106041L | 892  | NH108041L | 283  |
| NH105041L | 1001 | NH106041L | 1032 | NH106041L | 562  | NH106041L | 763  | NH106041L | 904  | NH108041L | 29   |
| NH105041L | 101  | NH106041L | 1034 | NH106041L | 563  | NH106041L | 764  | NH106041L | 907  | NH108041L | 292  |
| NH105041L | 149  | NH106041L | 1039 | NH106041L | 568  | NH106041L | 765  | NH106041L | 939  | NH108041L | 294  |
| NH105041L | 152  | NH106041L | 1059 | NH106041L | 575  | NH106041L | 766  | NH106041L | 957  | NH108041L | 295  |
| NH105041L | 196  | NH106041L | 1060 | NH106041L | 588  | NH106041L | 767  | NH106041L | 966  | NH108041L | 296  |
| NH105041L | 334  | NH106041L | 1064 | NH106041L | 591  | NH106041L | 772  | NH106041L | 989  | NH108041L | 31   |
| NH105041L | 486  | NH106041L | 1065 | NH106041L | 609  | NH106041L | 774  | NH106041L | 994  | NH108041L | 325  |
| NH105041L | 51   | NH106041L | 1073 | NH106041L | 611  | NH106041L | 775  | NH106041L | 999  | NH108041L | 375  |
| NH105041L | 544  | NH106041L | 1074 | NH106041L | 612  | NH106041L | 779  | NH106044  | 1000 | NH108041L | 44   |
| NH105041L | 545  | NH106041L | 252  | NH106041L | 620  | NH106041L | 783  | NH106044  | 1005 | NH108041L | 45   |
| NH105041L | 604  | NH106041L | 289  | NH106041L | 621  | NH106041L | 794  | NH106044  | 1008 | NH108041L | 56   |
| NH105041L | 676  | NH106041L | 323  | NH106041L | 624  | NH106041L | 800  | NH106044  | 995  | NH108041L | 73   |
| NH105041L | 693  | NH106041L | 344  | NH106041L | 631  | NH106041L | 803  | NH106044  | 996  | NH108041L | 78   |
| NH105041L | 694  | NH106041L | 348  | NH106041L | 632  | NH106041L | 809  | NH106044  | 997  | NH108041L | 99   |
| NH105041L | 702  | NH106041L | 444  | NH106041L | 649  | NH106041L | 813  | NH106044  | 998  | NH108044  | 775  |
| NH105041L | 714  | NH106041L | 468  | NH106041L | 652  | NH106041L | 816  | NH106045  | 508  | NH108065L | 147  |
| NH105041L | 715  | NH106041L | 473  | NH106041L | 654  | NH106041L | 823  | NH106047  | 289  | NH108065L | 196  |
| NH105041L | 717  | NH106041L | 493  | NH106041L | 655  | NH106041L | 827  | NH106047  | 620  | NH110041  | 511  |
| NH105041L | 726  | NH106041L | 501  | NH106041L | 682  | NH106041L | 830  | NH106047L | 562  | NH110041L | 1056 |
| NH105041L | 891  | NH106041L | 502  | NH106041L | 689  | NH106041L | 833  | NH106047L | 563  | NH110041L | 1061 |
| NH105041L | 911  | NH106041L | 504  | NH106041L | 690  | NH106041L | 835  | NH106047L | 569  | NH110041L | 116  |
| NH105041L | 999  | NH106041L | 505  | NH106041L | 707  | NH106041L | 839  | NH108041L | 102  | NH110041L | 118  |





## DEFENDER 110 1987 onwards

1117

## NUMERICAL INDEX

| PART NO    | PAGE | PART NO   | PAGE | PART NO   | PAGE | PART NO  | PAGE | PART NO | PAGE | PART NO | PAGE |
|------------|------|-----------|------|-----------|------|----------|------|---------|------|---------|------|
| NH110041L  | 131  | NH604041L | 49   | NM105011  | 856  | NN108021 | 624  | NRC2864 | 270  | NRC4772 | 488  |
| NH110041L  | 163  | NH604041L | 556  | NM105011  | 860  | NN108021 | 719  | NRC3301 | 252  | NRC4775 | 488  |
| NH110041L  | 177  | NH604041L | 558  | NM105011  | 904  | NN108021 | 721  | NRC3314 | 256  | NRC4776 | 576  |
| NH110041L  | 256  | NH605041L | 583  | NN105011  | 574  | NN108021 | 750  | NRC3406 | 603  | NRC4776 | 577  |
| NH110041L  | 28   | NH605041L | 1027 | NN105021L | 1069 | NN108021 | 775  | NRC3662 | 603  | NRC4776 | 578  |
| NH110041L  | 305  | NH605041L | 1034 | NN105021L | 914  | NN108021 | 879  | NRC3908 | 711  | NRC4837 | 606  |
| NH110041L  | 306  | NH605041L | 253  | NN106011  | 1074 | NRC1302  | 256  | NRC3923 | 440  | NRC4839 | 598  |
| NH110041L  | 325  | NH605041L | 257  | NN106011  | 444  | NRC1360  | 620  | NRC3977 | 603  | NRC4842 | 606  |
| NH110041L  | 349  | NH605041L | 276  | NN106011  | 468  | NRC2015  | 575  | NRC4162 | 616  | NRC4843 | 606  |
| NH110041L  | 382  | NH605041L | 292  | NN106011  | 613  | NRC2051  | 1057 | NRC4171 | 746  | NRC4844 | 606  |
| NH110041L  | 441  | NH605041L | 436  | NN106011  | 614  | NRC2087  | 575  | NRC4219 | 583  | NRC4853 | 748  |
| NH110041L  | 448  | NH605041L | 473  | NN106011  | 616  | NRC2089  | 565  | NRC4251 | 493  | NRC4854 | 748  |
| NH110041L  | 488  | NH605041L | 509  | NN106011  | 618  | NRC2089  | 575  | NRC4251 | 502  | NRC4966 | 746  |
| NH110041L  | 520  | NH605041L | 765  | NN106011L | 560  | NRC2159  | 573  | NRC4251 | 504  | NRC5104 | 515  |
| NH110041L  | 65   | NH605041L | 789  | NN106011L | 562  | NRC2159  | 574  | NRC4251 | 505  | NRC5220 | 473  |
| NH110041L  | 66   | NH605041L | 793  | NN106021  | 1073 | NRC2159  | 579  | NRC4251 | 506  | NRC5281 | 446  |
| NH110041L  | 745  | NH606041L | 359  | NN106021  | 470  | NRC2195  | 574  | NRC4317 | 442  | NRC5294 | 619  |
| NH110041L  | 79   | NH606045L | 283  | NN106021  | 471  | NRC2211  | 480  | NRC4318 | 442  | NRC5295 | 619  |
| NH110041LD | 359  | NH608061L | 141  | NN106021  | 545  | NRC2214  | 574  | NRC4365 | 436  | NRC5338 | 681  |
| NH112041L  | 101  | NH608061L | 92   | NN106021  | 730  | NRC2383  | 464  | NRC4475 | 473  | NRC5346 | 425  |
| NH112041L  | 1055 | NH614041  | 454  | NN106021  | 732  | NRC2383  | 609  | NRC4514 | 434  | NRC5387 | 681  |
| NH112041L  | 1057 | NH910011L | 281  | NN106021  | 775  | NRC2383  | 728  | NRC4515 | 434  | NRC5396 | 749  |
| NH112041L  | 149  | NH910241L | 281  | NN106021  | 779  | NRC2536  | 573  | NRC4516 | 435  | NRC5403 | 581  |
| NH112041L  | 750  | NJ108061L | 769  | NN106021  | 783  | NRC2536  | 574  | NRC4661 | 746  | NRC5403 | 583  |
| NH112041L  | 892  | NK106081  | 447  | NN106021  | 850  | NRC255   | 1061 | NRC4665 | 478  | NRC5403 | 585  |
| NH116041L  | 749  | NK106081  | 759  | NN106021  | 916  | NRC2652  | 573  | NRC4693 | 746  | NRC5403 | 589  |
| NH604041L  | 1012 | NK106081  | 765  | NN106021  | 917  | NRC2652  | 574  | NRC4733 | 747  | NRC5403 | 590  |
| NH604041L  | 295  | NM105011  | 840  | NN106021  | 937  | NRC2652  | 579  | NRC4757 | 520  | NRC5414 | 525  |
| NH604041L  | 476  | NM105011  | 697  | NN108021  | 450  | NRC2744  | 511  | NRC4765 | 522  | NRC5415 | 529  |
| NH604041L  | 477  | NM105011  | 832  | NN108021  | 546  | NRC2744  | 514  | NRC4765 | 524  | NRC5415 | 539  |





## DEFENDER 110 1987 onwards

1118

## NUMERICAL INDEX

| PART NO | PAGE | PART NO | PAGE | PART NO | PAGE | PART NO | PAGE | PART NO | PAGE | PART NO   | PAGE |
|---------|------|---------|------|---------|------|---------|------|---------|------|-----------|------|
| NRC5415 | 542  | NRC5823 | 616  | NRC6320 | 444  | NRC6526 | 522  | NRC7066 | 444  | NRC7436   | 744  |
| NRC5415 | 576  | NRC5824 | 616  | NRC6324 | 1052 | NRC6558 | 524  | NRC7124 | 515  | NRC7439   | 747  |
| NRC5415 | 577  | NRC5844 | 576  | NRC6339 | 544  | NRC6561 | 444  | NRC7127 | 448  | NRC7441   | 329  |
| NRC5415 | 578  | NRC5844 | 577  | NRC6352 | 632  | NRC6636 | 1052 | NRC7131 | 744  | NRC7441   | 480  |
| NRC5434 | 131  | NRC5886 | 747  | NRC6353 | 632  | NRC6653 | 512  | NRC7133 | 620  | NRC7448   | 605  |
| NRC5434 | 177  | NRC5985 | 608  | NRC6353 | 655  | NRC6658 | 443  | NRC7139 | 480  | NRC7455   | 1042 |
| NRC5434 | 28   | NRC6058 | 478  | NRC6372 | 436  | NRC6692 | 619  | NRC7154 | 568  | NRC7457   | 568  |
| NRC5434 | 79   | NRC6097 | 520  | NRC6374 | 581  | NRC6747 | 446  | NRC7164 | 744  | NRC7457   | 569  |
| NRC5478 | 746  | NRC62   | 520  | NRC6374 | 583  | NRC6747 | 447  | NRC7165 | 744  | NRC7458   | 611  |
| NRC5485 | 745  | NRC62   | 522  | NRC6374 | 589  | NRC6795 | 511  | NRC7227 | 604  | NRC7459   | 611  |
| NRC5494 | 474  | NRC62   | 524  | NRC6388 | 442  | NRC6795 | 514  | NRC7230 | 544  | NRC7459   | 612  |
| NRC5502 | 475  | NRC6221 | 443  | NRC6389 | 442  | NRC6799 | 482  | NRC7232 | 545  | NRC7571   | 747  |
| NRC5503 | 606  | NRC6235 | 441  | NRC6417 | 631  | NRC6836 | 525  | NRC7235 | 544  | NRC7578PM | 433  |
| NRC5544 | 597  | NRC6254 | 568  | NRC6417 | 649  | NRC6902 | 632  | NRC7238 | 544  | NRC7608   | 585  |
| NRC5544 | 599  | NRC6302 | 468  | NRC6418 | 631  | NRC6902 | 654  | NRC7240 | 545  | NRC7608   | 590  |
| NRC5593 | 441  | NRC6302 | 470  | NRC6418 | 649  | NRC6903 | 654  | NRC7249 | 544  | NRC7609   | 585  |
| NRC5602 | 441  | NRC6302 | 471  | NRC6419 | 631  | NRC6904 | 442  | NRC7249 | 545  | NRC7609   | 590  |
| NRC5603 | 441  | NRC6306 | 630  | NRC6419 | 632  | NRC6919 | 568  | NRC7303 | 539  | NRC7635   | 447  |
| NRC5606 | 749  | NRC6306 | 649  | NRC6419 | 649  | NRC6919 | 569  | NRC7310 | 538  | NRC7636   | 446  |
| NRC5607 | 749  | NRC6306 | 652  | NRC6419 | 654  | NRC6920 | 568  | NRC7310 | 542  | NRC7648   | 516  |
| NRC5623 | 549  | NRC6307 | 630  | NRC6420 | 630  | NRC6920 | 569  | NRC7311 | 544  | NRC7661   | 439  |
| NRC5627 | 747  | NRC6307 | 649  | NRC6420 | 649  | NRC6935 | 745  | NRC7318 | 541  | NRC7704   | 448  |
| NRC5665 | 746  | NRC6308 | 630  | NRC6421 | 630  | NRC6951 | 746  | NRC7319 | 541  | NRC7741   | 610  |
| NRC5674 | 443  | NRC6308 | 654  | NRC6422 | 630  | NRC6993 | 1043 | NRC7351 | 538  | NRC7758   | 1052 |
| NRC5707 | 444  | NRC6309 | 630  | NRC6430 | 604  | NRC6994 | 747  | NRC7351 | 542  | NRC7768   | 745  |
| NRC5742 | 325  | NRC6311 | 632  | NRC6432 | 583  | NRC7000 | 442  | NRC7372 | 549  | NRC7778   | 581  |
| NRC5743 | 325  | NRC6312 | 632  | NRC6466 | 581  | NRC7009 | 747  | NRC7387 | 448  | NRC7799   | 494  |
| NRC5758 | 444  | NRC6313 | 632  | NRC6467 | 581  | NRC7044 | 515  | NRC7422 | 711  | NRC7799   | 495  |
| NRC5804 | 749  | NRC6314 | 632  | NRC6481 | 1042 | NRC7050 | 444  | NRC7425 | 749  | NRC7799   | 496  |
| NRC5818 | 577  | NRC6314 | 654  | NRC6515 | 493  | NRC7053 | 746  | NRC7435 | 744  | NRC7799   | 497  |





## DEFENDER 110 1987 onwards

1119

## NUMERICAL INDEX

| PART NO | PAGE | PART NO | PAGE | PART NO | PAGE | PART NO | PAGE | PART NO | PAGE | PART NO | PAGE |
|---------|------|---------|------|---------|------|---------|------|---------|------|---------|------|
| NRC7799 | 498  | NRC8024 | 425  | NRC8247 | 652  | NRC8509 | 613  | NRC9098 | 655  | NRC9472 | 573  |
| NRC7801 | 493  | NRC8044 | 436  | NRC8248 | 652  | NRC8510 | 613  | NRC9107 | 568  | NRC9472 | 579  |
| NRC7827 | 473  | NRC8045 | 436  | NRC8323 | 1055 | NRC8518 | 444  | NRC9115 | 511  | NRC9474 | 522  |
| NRC7835 | 449  | NRC8048 | 1059 | NRC8323 | 1056 | NRC8560 | 482  | NRC9121 | 473  | NRC9492 | 468  |
| NRC7836 | 449  | NRC8048 | 1060 | NRC8323 | 1057 | NRC8588 | 451  | NRC9138 | 524  | NRC9501 | 359  |
| NRC7869 | 476  | NRC8059 | 515  | NRC8329 | 479  | NRC8589 | 451  | NRC9169 | 478  | NRC9507 | 576  |
| NRC7869 | 478  | NRC8087 | 539  | NRC8330 | 479  | NRC8593 | 491  | NRC9211 | 747  | NRC9508 | 573  |
| NRC7871 | 493  | NRC8103 | 540  | NRC8332 | 188  | NRC8609 | 598  | NRC9233 | 478  | NRC9543 | 523  |
| NRC7874 | 493  | NRC8104 | 537  | NRC8332 | 481  | NRC8618 | 139  | NRC9238 | 550  | NRC9543 | 525  |
| NRC7874 | 495  | NRC8104 | 542  | NRC8332 | 634  | NRC8618 | 183  | NRC9238 | 559  | NRC9557 | 131  |
| NRC7874 | 496  | NRC8108 | 541  | NRC8332 | 635  | NRC8618 | 36   | NRC9238 | 561  | NRC9557 | 177  |
| NRC7874 | 497  | NRC8198 | 616  | NRC8333 | 481  | NRC8618 | 613  | NRC9239 | 550  | NRC9557 | 28   |
| NRC7874 | 498  | NRC8199 | 616  | NRC8346 | 649  | NRC8618 | 614  | NRC9239 | 559  | NRC9557 | 79   |
| NRC7874 | 499  | NRC8201 | 610  | NRC8346 | 652  | NRC8618 | 90   | NRC9239 | 563  | NRC9560 | 131  |
| NRC7874 | 500  | NRC8204 | 325  | NRC8346 | 653  | NRC8620 | 655  | NRC9239 | 564  | NRC9560 | 325  |
| NRC7880 | 545  | NRC8208 | 1050 | NRC8346 | 654  | NRC8629 | 491  | NRC9246 | 429  | NRC9560 | 79   |
| NRC7893 | 537  | NRC8208 | 1052 | NRC8346 | 655  | NRC8690 | 488  | NRC9246 | 430  | NRC9561 | 325  |
| NRC7901 | 493  | NRC8210 | 1050 | NRC8347 | 652  | NRC8707 | 632  | NRC9246 | 431  | NRC9562 | 523  |
| NRC7902 | 493  | NRC8211 | 1050 | NRC8349 | 491  | NRC8721 | 493  | NRC9284 | 482  | NRC9575 | 494  |
| NRC7903 | 493  | NRC8213 | 503  | NRC8349 | 492  | NRC8734 | 482  | NRC9285 | 482  | NRC9575 | 495  |
| NRC7904 | 493  | NRC8214 | 503  | NRC8352 | 491  | NRC8897 | 504  | NRC9302 | 468  | NRC9575 | 496  |
| NRC7905 | 502  | NRC8215 | 503  | NRC8352 | 492  | NRC8955 | 550  | NRC9338 | 489  | NRC9575 | 497  |
| NRC7905 | 504  | NRC8215 | 504  | NRC8375 | 444  | NRC8955 | 559  | NRC9338 | 490  | NRC9575 | 498  |
| NRC7905 | 505  | NRC8215 | 506  | NRC8404 | 468  | NRC8955 | 563  | NRC9448 | 436  | NRC9595 | 480  |
| NRC7906 | 502  | NRC8229 | 1052 | NRC8405 | 468  | NRC8955 | 564  | NRC9449 | 436  | NRC9607 | 425  |
| NRC7979 | 536  | NRC8230 | 1052 | NRC8405 | 471  | NRC8962 | 559  | NRC9456 | 502  | NRC9668 | 666  |
| NRC7981 | 441  | NRC8231 | 462  | NRC8408 | 468  | NRC8984 | 568  | NRC9456 | 504  | NRC9669 | 666  |
| NRC7984 | 511  | NRC8232 | 462  | NRC8462 | 540  | NRC8987 | 559  | NRC9456 | 505  | NRC9678 | 525  |
| NRC7984 | 514  | NRC8238 | 585  | NRC8507 | 613  | NRC9035 | 503  | NRC9456 | 506  | NRC9700 | 436  |
| NRC8007 | 444  | NRC8245 | 652  | NRC8508 | 613  | NRC9091 | 655  | NRC9461 | 517  | NRC9710 | 608  |





## DEFENDER 110 1987 onwards

1120

## NUMERICAL INDEX

| PART NO | PAGE | PART NO   | PAGE | PART NO  | PAGE | PART NO  | PAGE | PART NO  | PAGE | PART NO | PAGE |
|---------|------|-----------|------|----------|------|----------|------|----------|------|---------|------|
| NRC9711 | 448  | NRC9862   | 577  | NTC1177  | 497  | NTC1800K | 585  | NTC2224  | 530  | NTC2706 | 439  |
| NRC9713 | 407  | NRC9863   | 577  | NTC1177  | 498  | NTC1888  | 437  | NTC2225  | 531  | NTC2707 | 439  |
| NRC9713 | 409  | NRC9865   | 578  | NTC1177  | 501  | NTC1888  | 443  | NTC2225  | 532  | NTC2723 | 464  |
| NRC9722 | 584  | NR604090L | 274  | NTC1201  | 325  | NTC1963  | 745  | NTC2227  | 531  | NTC2726 | 583  |
| NRC9724 | 584  | NSS       | 233  | NTC1201  | 359  | NTC2017  | 520  | NTC2229  | 526  | NTC2731 | 585  |
| NRC9726 | 605  | NS106011  | 902  | NTC1210  | 478  | NTC2022  | 592  | NTC2263  | 531  | NTC2736 | 605  |
| NRC9726 | 608  | NS106011  | 903  | NTC1212  | 654  | NTC2022  | 593  | NTC2263  | 532  | NTC2736 | 608  |
| NRC9728 | 435  | NS106011  | 905  | NTC1224  | 512  | NTC2029  | 605  | NTC2278  | 581  | NTC2743 | 474  |
| NRC9729 | 435  | NS106011  | 907  | NTC1224  | 514  | NTC2069  | 528  | NTC2278  | 589  | NTC2757 | 526  |
| NRC9731 | 493  | NS106011  | 909  | NTC1384  | 481  | NTC2069  | 530  | NTC2292  | 276  | NTC2830 | 561  |
| NRC9741 | 462  | NTC1030   | 581  | NTC1385  | 481  | NTC2072  | 529  | NTC2333  | 525  | NTC2832 | 590  |
| NRC9742 | 462  | NTC1030   | 583  | NTC1518  | 547  | NTC2072  | 530  | NTC2334  | 525  | NTC2837 | 520  |
| NRC9743 | 462  | NTC1030   | 588  | NTC1518  | 548  | NTC2073  | 528  | NTC2337  | 527  | NTC2876 | 528  |
| NRC9749 | 744  | NTC1030   | 590  | NTC1557  | 511  | NTC2086  | 474  | NTC2590  | 451  | NTC2876 | 530  |
| NRC9770 | 521  | NTC1048   | 576  | NTC1563  | 514  | NTC2087  | 474  | NTC2590E | 451  | NTC2876 | 531  |
| NRC9770 | 528  | NTC1048   | 578  | NTC1582  | 455  | NTC2089  | 522  | NTC2591  | 451  | NTC2876 | 532  |
| NRC9770 | 531  | NTC1088   | 655  | NTC1582E | 455  | NTC2093  | 532  | NTC2591E | 451  | NTC2876 | 533  |
| NRC9770 | 532  | NTC1089   | 655  | NTC1583  | 455  | NTC2096  | 533  | NTC2595  | 465  | NTC2914 | 526  |
| NRC9770 | 539  | NTC1090   | 655  | NTC1583E | 455  | NTC2097  | 533  | NTC2595  | 470  | NTC2927 | 614  |
| NRC9770 | 542  | NTC1112   | 476  | NTC1612  | 521  | NTC2099  | 533  | NTC2595  | 471  | NTC2928 | 614  |
| NRC9771 | 521  | NTC1133K  | 583  | NTC1643  | 515  | NTC2110  | 524  | NTC2597  | 466  | NTC3066 | 465  |
| NRC9771 | 528  | NTC1136K  | 583  | NTC1650  | 550  | NTC2122  | 530  | NTC2597  | 470  | NTC3333 | 576  |
| NRC9771 | 531  | NTC1154   | 439  | NTC1666  | 590  | NTC2156  | 521  | NTC2655  | 526  | NTC3333 | 578  |
| NRC9771 | 532  | NTC1175   | 495  | NTC1691  | 465  | NTC2157  | 536  | NTC2660  | 561  | NTC3333 | 579  |
| NRC9771 | 539  | NTC1175   | 497  | NTC1772  | 438  | NTC2157  | 540  | NTC2676  | 526  | NTC3346 | 535  |
| NRC9771 | 542  | NTC1176   | 495  | NTC1773  | 439  | NTC2179  | 538  | NTC2681  | 520  | NTC3346 | 548  |
| NRC9772 | 528  | NTC1176   | 497  | NTC1775  | 463  | NTC2179  | 542  | NTC2690  | 526  | NTC3372 | 489  |
| NRC9786 | 529  | NTC1176   | 501  | NTC1792  | 502  | NTC2180  | 523  | NTC2699  | 527  | NTC3372 | 490  |
| NRC9786 | 530  | NTC1177   | 495  | NTC1793K | 581  | NTC2223  | 528  | NTC2701K | 585  | NTC3372 | 492  |
| NRC9787 | 439  | NTC1177   | 496  | NTC1794K | 581  | NTC2224  | 528  | NTC2705  | 434  | NTC3391 | 525  |





## DEFENDER 110 1987 onwards

1121

## NUMERICAL INDEX

| PART NO | PAGE | PART NO | PAGE | PART NO | PAGE | PART NO | PAGE | PART NO | PAGE | PART NO | PAGE |
|---------|------|---------|------|---------|------|---------|------|---------|------|---------|------|
| NTC3396 | 474  | NTC3793 | 276  | NTC4578 | 505  | NTC5017 | 478  | NTC5897 | 618  | NTC7503 | 525  |
| NTC3453 | 605  | NTC3794 | 276  | NTC4580 | 582  | NTC5116 | 749  | NTC5900 | 325  | NTC7503 | 526  |
| NTC3455 | 545  | NTC3858 | 597  | NTC4586 | 582  | NTC5171 | 597  | NTC5900 | 359  | NTC7731 | 446  |
| NTC3457 | 545  | NTC3858 | 614  | NTC4595 | 539  | NTC5205 | 581  | NTC6168 | 597  | NTC7731 | 447  |
| NTC3459 | 474  | NTC3858 | 617  | NTC4596 | 538  | NTC5205 | 589  | NTC6195 | 790  | NTC7829 | 1042 |
| NTC3460 | 474  | NTC3862 | 571  | NTC4596 | 542  | NTC5278 | 846  | NTC6660 | 563  | NTC7843 | 743  |
| NTC3480 | 515  | NTC3863 | 571  | NTC4597 | 541  | NTC5279 | 846  | NTC6730 | 467  | NTC7844 | 743  |
| NTC3483 | 482  | NTC3866 | 528  | NTC4599 | 539  | NTC5351 | 524  | NTC6731 | 466  | NTC7855 | 711  |
| NTC3484 | 482  | NTC3867 | 528  | NTC4604 | 536  | NTC5401 | 747  | NTC6750 | 531  | NTC7933 | 478  |
| NTC3489 | 538  | NTC3891 | 572  | NTC4604 | 540  | NTC5582 | 592  | NTC6750 | 532  | NTC7937 | 1042 |
| NTC3489 | 542  | NTC3932 | 481  | NTC4609 | 597  | NTC5582 | 593  | NTC6751 | 532  | NTC7955 | 1042 |
| NTC3491 | 536  | NTC3933 | 481  | NTC4611 | 560  | NTC5624 | 617  | NTC6752 | 532  | NTC7956 | 1042 |
| NTC3491 | 540  | NTC3937 | 603  | NTC4611 | 562  | NTC5627 | 607  | NTC6776 | 437  | NTC7961 | 500  |
| NTC3543 | 608  | NTC4183 | 550  | NTC4612 | 559  | NTC5628 | 607  | NTC6781 | 434  | NTC7962 | 500  |
| NTC3608 | 587  | NTC4183 | 559  | NTC4614 | 585  | NTC5685 | 603  | NTC6790 | 467  | NTC7964 | 506  |
| NTC3608 | 591  | NTC4183 | 561  | NTC4617 | 585  | NTC5686 | 608  | NTC6828 | 437  | NTC7968 | 500  |
| NTC3650 | 592  | NTC4187 | 560  | NTC4618 | 439  | NTC5687 | 608  | NTC6837 | 437  | NTC7970 | 500  |
| NTC3650 | 593  | NTC4187 | 562  | NTC4655 | 561  | NTC5708 | 496  | NTC6847 | 602  | NTC8011 | 483  |
| NTC3692 | 530  | NTC4221 | 588  | NTC4657 | 747  | NTC5708 | 498  | NTC6847 | 614  | NTC8191 | 467  |
| NTC3751 | 550  | NTC4224 | 560  | NTC4720 | 438  | NTC5708 | 499  | NTC6847 | 617  | NTC8192 | 465  |
| NTC3751 | 559  | NTC4224 | 562  | NTC4833 | 587  | NTC5708 | 500  | NTC6863 | 465  | NTC8193 | 466  |
| NTC3751 | 561  | NTC4257 | 568  | NTC4833 | 591  | NTC5709 | 495  | NTC6944 | 419  | NTC8202 | 437  |
| NTC3763 | 571  | NTC4257 | 569  | NTC4844 | 446  | NTC5709 | 497  | NTC7097 | 483  | NTC8223 | 454  |
| NTC3764 | 571  | NTC4260 | 439  | NTC4893 | 597  | NTC5711 | 495  | NTC7161 | 621  | NTC8224 | 454  |
| NTC3766 | 571  | NTC4414 | 490  | NTC4895 | 607  | NTC5711 | 497  | NTC7161 | 622  | NTC8263 | 469  |
| NTC3778 | 561  | NTC4426 | 587  | NTC4898 | 607  | NTC5711 | 499  | NTC7224 | 469  | NTC8263 | 470  |
| NTC3778 | 563  | NTC4548 | 587  | NTC4944 | 474  | NTC5729 | 537  | NTC7240 | 483  | NTC8263 | 471  |
| NTC3791 | 468  | NTC4571 | 436  | NTC4945 | 474  | NTC5729 | 541  | NTC7307 | 434  | NTC8287 | 106  |
| NTC3791 | 470  | NTC4571 | 441  | NTC5000 | 467  | NTC5750 | 538  | NTC7331 | 434  | NTC8287 | 155  |
| NTC3791 | 471  | NTC4578 | 504  | NTC5001 | 466  | NTC5750 | 542  | NTC7398 | 545  | NTC8287 | 200  |





## DEFENDER 110 1987 onwards

1122

## NUMERICAL INDEX

| PART NO | PAGE | PART NO | PAGE | PART NO   | PAGE | PART NO   | PAGE | PART NO   | PAGE | PART NO   | PAGE |
|---------|------|---------|------|-----------|------|-----------|------|-----------|------|-----------|------|
| NTC8287 | 53   | NTC9070 | 155  | NTC9932   | 439  | NV110041L | 593  | NY106041L | 818  | NY108041L | 504  |
| NTC8328 | 438  | NTC9070 | 200  | NT108041L | 142  | NV114047  | 435  | NY106041L | 900  | NY108041L | 520  |
| NTC8450 | 496  | NTC9070 | 53   | NT108041L | 375  | NV116041  | 437  | NY106041L | 901  | NY108041L | 522  |
| NTC8450 | 498  | NTC9071 | 470  | NT108041L | 39   | NV116047  | 434  | NY106041L | 902  | NY108041L | 64   |
| NTC8451 | 496  | NTC9071 | 471  | NT108041L | 395  | NV605041L | 583  | NY106041L | 903  | NY108041L | 746  |
| NTC8452 | 495  | NTC9072 | 470  | NT108041L | 835  | NV608041L | 436  | NY106041L | 905  | NY108041L | 773  |
| NTC8453 | 496  | NTC9073 | 470  | NT108041L | 93   | NV608041L | 441  | NY106041L | 907  | NY108041L | 817  |
| NTC8453 | 498  | NTC9073 | 471  | NT108041L | 957  | NY105041  | 375  | NY106041L | 909  | NY108041L | 82   |
| NTC8453 | 499  | NTC9074 | 471  | NT110041L | 1062 | NY105041L | 373  | NY106041L | 995  | NY108041L | 822  |
| NTC8454 | 495  | NTC9099 | 471  | NT110041L | 192  | NY105041L | 393  | NY106041L | 996  | NY108041L | 878  |
| NTC8454 | 497  | NTC9198 | 283  | NT110041L | 371  | NY105041L | 634  | NY106041L | 997  | NY108041L | 879  |
| NTC8454 | 499  | NTC9208 | 471  | NT110041L | 390  | NY105041L | 653  | NY108041  | 601  | NY108041L | 891  |
| NTC8455 | 504  | NTC9224 | 325  | NT110041L | 633  | NY106041  | 464  | NY108041L | 101  | NY108041L | 968  |
| NTC8456 | 504  | NTC9262 | 745  | NT110041L | 653  | NY106041  | 602  | NY108041L | 115  | NY108041L | 970  |
| NTC8543 | 505  | NTC9359 | 474  | NT110041L | 677  | NY106041L | 1044 | NY108041L | 134  | NY108041L | 976  |
| NTC8544 | 483  | NTC9360 | 474  | NT112041  | 417  | NY106041L | 1045 | NY108041L | 149  | NY110041  | 438  |
| NTC8553 | 482  | NTC9366 | 743  | NT112041L | 415  | NY106041L | 1046 | NY108041L | 162  | NY110041L | 1050 |
| NTC8554 | 482  | NTC9415 | 218  | NT112041L | 475  | NY106041L | 234  | NY108041L | 206  | NY110041L | 1052 |
| NTC8592 | 492  | NTC9416 | 218  | NT112041L | 508  | NY106041L | 469  | NY108041L | 259  | NY110041L | 1053 |
| NTC8847 | 446  | NTC9461 | 435  | NT604041L | 479  | NY106041L | 503  | NY108041L | 371  | NY110041L | 324  |
| NTC8848 | 446  | NTC9462 | 435  | NT605041L | 258  | NY106041L | 576  | NY108041L | 375  | NY110041L | 325  |
| NTC8848 | 447  | NTC9481 | 743  | NT605041L | 259  | NY106041L | 577  | NY108041L | 390  | NY110041L | 344  |
| NTC8860 | 468  | NTC9485 | 743  | NT605041L | 292  | NY106041L | 578  | NY108041L | 395  | NY110041L | 358  |
| NTC8860 | 471  | NTC9493 | 743  | NT605041L | 479  | NY106041L | 614  | NY108041L | 435  | NY110041L | 427  |
| NTC8861 | 468  | NTC9500 | 744  | NT607041L | 479  | NY106041L | 617  | NY108041L | 438  | NY110041L | 428  |
| NTC8861 | 470  | NTC9501 | 744  | NT608041L | 436  | NY106041L | 619  | NY108041L | 443  | NY110041L | 437  |
| NTC9027 | 438  | NTC9502 | 743  | NT614041L | 457  | NY106041L | 621  | NY108041L | 448  | NY110041L | 444  |
| NTC9055 | 480  | NTC9704 | 471  | NV108041L | 592  | NY106041L | 794  | NY108041L | 479  | NY110041L | 463  |
| NTC9068 | 447  | NTC9726 | 499  | NV108041L | 593  | NY106041L | 800  | NY108041L | 490  | NY110041L | 547  |
| NTC9070 | 106  | NTC9726 | 500  | NV110041L | 592  | NY106041L | 817  | NY108041L | 503  | NY110041L | 747  |







## DEFENDER 110 1987 onwards

1123

## NUMERICAL INDEX

| PART NO   | PAGE | PART NO   | PAGE | PART NO   | PAGE | PART NO | PAGE | PART NO | PAGE | PART NO | PAGE |
|-----------|------|-----------|------|-----------|------|---------|------|---------|------|---------|------|
| NY110041L | 748  | NY607041L | 456  | PC108291L | 513  | PRC2497 | 712  | PRC3030 | 737  | PRC3543 | 1058 |
| NY110041L | 749  | NY607041L | 458  | PC108291L | 514  | PRC2505 | 141  | PRC3037 | 689  | PRC3588 | 674  |
| NY110041L | 852  | NY608041L | 435  | PC108291L | 516  | PRC2505 | 35   | PRC3085 | 677  | PRC3617 | 674  |
| NY110041L | 880  | NY608041L | 436  | PC108321L | 394  | PRC2505 | 36   | PRC3095 | 709  | PRC3625 | 685  |
| NY110051L | 439  | NY608041L | 440  | PC108321L | 395  | PRC2505 | 38   | PRC3098 | 525  | PRC3671 | 729  |
| NY112041L | 441  | NY608041L | 441  | PC108321L | 790  | PRC2505 | 92   | PRC3131 | 289  | PRC3672 | 729  |
| NY112041L | 834  | NY608041L | 454  | PC112291  | 478  | PRC2506 | 271  | PRC3180 | 685  | PRC3678 | 724  |
| NY114041  | 435  | NY608041L | 455  | PKX100030 | 276  | PRC2507 | 264  | PRC3180 | 707  | PRC3702 | 700  |
| NY116041  | 407  | NY608041L | 458  | PRC1039   | 349  | PRC2516 | 676  | PRC3180 | 724  | PRC3737 | 698  |
| NY116041  | 409  | NY610041  | 434  | PRC1039   | 677  | PRC2734 | 712  | PRC3247 | 707  | PRC3737 | 713  |
| NY116041L | 1051 | NY610041L | 438  | PRC1333   | 689  | PRC2735 | 711  | PRC3250 | 734  | PRC3738 | 697  |
| NY116041L | 1052 | NY612041  | 439  | PRC1333   | 750  | PRC2854 | 731  | PRC3250 | 736  | PRC3794 | 731  |
| NY116041L | 1053 | NZX8076L  | 275  | PRC1794   | 702  | PRC2854 | 733  | PRC3250 | 737  | PRC3794 | 736  |
| NY116041L | 1054 | NZ606041L | 399  | PRC1859   | 684  | PRC2854 | 734  | PRC3299 | 676  | PRC3794 | 737  |
| NY116041L | 443  | NZ606041L | 401  | PRC1860   | 683  | PRC2854 | 736  | PRC3353 | 514  | PRC3794 | 738  |
| NY116051L | 434  | PAM4356L  | 932  | PRC1984   | 719  | PRC2854 | 737  | PRC3359 | 146  | PRC3813 | 678  |
| NY120041L | 368  | PAM4356L  | 936  | PRC2015   | 685  | PRC2876 | 677  | PRC3359 | 191  | PRC3833 | 724  |
| NY120041L | 369  | PA105101  | 615  | PRC2057   | 719  | PRC2911 | 371  | PRC3359 | 271  | PRC3875 | 712  |
| NY120041L | 388  | PA105101L | 140  | PRC2167   | 669  | PRC2911 | 390  | PRC3366 | 43   | PRC3900 | 712  |
| NY120041L | 391  | PA105101L | 91   | PRC2167   | 670  | PRC2911 | 677  | PRC3366 | 98   | PRC3905 | 697  |
| NY120041L | 435  | PA105161L | 473  | PRC2230   | 683  | PRC2964 | 678  | PRC3389 | 689  | PRC4021 | 700  |
| NY120041L | 438  | PA106201  | 901  | PRC2239   | 717  | PRC2978 | 334  | PRC3430 | 712  | PRC4021 | 703  |
| NY604041L | 1044 | PA108101L | 341  | PRC2291   | 734  | PRC2978 | 707  | PRC3432 | 712  | PRC4021 | 704  |
| NY604041L | 462  | PA120801L | 323  | PRC2291   | 736  | PRC2979 | 226  | PRC3494 | 700  | PRC4021 | 706  |
| NY604041L | 463  | PA120801L | 344  | PRC2291   | 737  | PRC2979 | 724  | PRC3505 | 146  | PRC4043 | 139  |
| NY605041L | 479  | PCD100150 | 619  | PRC2403   | 1058 | PRC2980 | 724  | PRC3505 | 271  | PRC4043 | 89   |
| NY606041L | 406  | PC105401L | 395  | PRC2439   | 1059 | PRC3025 | 685  | PRC3537 | 694  | PRC4043 | 90   |
| NY606041L | 408  | PC106291  | 1061 | PRC2439   | 1060 | PRC3025 | 724  | PRC3541 | 43   | PRC4082 | 706  |
| NY607041L | 452  | PC106561L | 357  | PRC2443   | 689  | PRC3030 | 734  | PRC3541 | 98   | PRC4083 | 706  |
| NY607041L | 454  | PC106641  | 908  | PRC2471   | 729  | PRC3030 | 736  | PRC3542 | 1058 | PRC4084 | 706  |





## DEFENDER 110 1987 onwards

1124

## NUMERICAL INDEX

| PART NO | PAGE | PART NO    | PAGE | PART NO  | PAGE | PART NO | PAGE | PART NO | PAGE | PART NO  | PAGE |
|---------|------|------------|------|----------|------|---------|------|---------|------|----------|------|
| PRC4085 | 706  | PRC4427    | 714  | PRC5109  | 116  | PRC5736 | 732  | PRC5877 | 708  | PRC6295  | 92   |
| PRC4092 | 706  | PRC4430    | 271  | PRC5109E | 116  | PRC5736 | 733  | PRC5878 | 701  | PRC6311  | 686  |
| PRC4096 | 700  | PRC4433    | 714  | PRC5109E | 163  | PRC5736 | 734  | PRC5878 | 708  | PRC6336  | 716  |
| PRC4096 | 703  | PRC4433    | 715  | PRC5109E | 207  | PRC5736 | 736  | PRC5879 | 708  | PRC6348  | 727  |
| PRC4096 | 704  | PRC4442    | 514  | PRC5109N | 163  | PRC5736 | 738  | PRC5880 | 708  | PRC6387  | 139  |
| PRC4127 | 1060 | PRC4449    | 713  | PRC5109N | 207  | PRC5738 | 730  | PRC5883 | 1060 | PRC6387  | 183  |
| PRC4151 | 1060 | PRC4454    | 713  | PRC5141  | 735  | PRC5738 | 732  | PRC5912 | 719  | PRC6387  | 224  |
| PRC4152 | 1060 | PRC4456    | 719  | PRC5141  | 736  | PRC5739 | 733  | PRC6021 | 724  | PRC6387  | 35   |
| PRC4208 | 697  | PRC4471    | 710  | PRC5141  | 737  | PRC5739 | 734  | PRC6022 | 724  | PRC6387  | 36   |
| PRC4209 | 1058 | PRC4473    | 677  | PRC5356  | 1058 | PRC5741 | 730  | PRC6023 | 724  | PRC6387  | 89   |
| PRC4268 | 740  | PRC4497    | 740  | PRC5357  | 1058 | PRC5741 | 732  | PRC6036 | 740  | PRC6387  | 90   |
| PRC4276 | 729  | PRC4540    | 1058 | PRC5499  | 685  | PRC5742 | 730  | PRC6037 | 740  | PRC6574  | 289  |
| PRC4277 | 729  | PRC4540    | 1060 | PRC5524  | 684  | PRC5742 | 732  | PRC6080 | 700  | PRC6613N | 65   |
| PRC4282 | 740  | PRC4612    | 739  | PRC5537  | 712  | PRC5744 | 730  | PRC6080 | 703  | PRC6663  | 141  |
| PRC4297 | 478  | PRC4613    | 739  | PRC5538  | 116  | PRC5744 | 737  | PRC6080 | 704  | PRC6663  | 38   |
| PRC4298 | 740  | PRC4613LCS | 739  | PRC5538  | 163  | PRC5747 | 732  | PRC6081 | 700  | PRC6663  | 92   |
| PRC4299 | 740  | PRC4616    | 683  | PRC5538  | 207  | PRC5756 | 731  | PRC6081 | 703  | PRC6779  | 686  |
| PRC4301 | 740  | PRC4720    | 713  | PRC5543  | 533  | PRC5765 | 733  | PRC6081 | 704  | PRC6785  | 684  |
| PRC4304 | 740  | PRC4785    | 700  | PRC5544  | 693  | PRC5773 | 736  | PRC6082 | 700  | PRC6864  | 717  |
| PRC4306 | 698  | PRC4785    | 703  | PRC5600  | 695  | PRC5773 | 737  | PRC6082 | 703  | PRC6913  | 716  |
| PRC4311 | 698  | PRC4785    | 704  | PRC5602  | 693  | PRC5777 | 734  | PRC6082 | 704  | PRC6947  | 184  |
| PRC4324 | 726  | PRC4795    | 708  | PRC5603  | 695  | PRC5802 | 732  | PRC6082 | 708  | PRC7002  | 695  |
| PRC4327 | 727  | PRC4952    | 701  | PRC5670  | 689  | PRC5802 | 733  | PRC6083 | 696  | PRC7003  | 692  |
| PRC4370 | 726  | PRC4954    | 701  | PRC5679  | 712  | PRC5802 | 734  | PRC6133 | 289  | PRC7004  | 692  |
| PRC4372 | 139  | PRC4970    | 692  | PRC5680  | 696  | PRC5802 | 737  | PRC6141 | 289  | PRC7011  | 693  |
| PRC4372 | 89   | PRC4993    | 692  | PRC5685  | 709  | PRC5852 | 521  | PRC6144 | 289  | PRC7012  | 693  |
| PRC4372 | 90   | PRC4994    | 701  | PRC5723  | 708  | PRC5852 | 523  | PRC6167 | 1058 | PRC7018  | 523  |
| PRC4376 | 700  | PRC4995    | 706  | PRC5724  | 708  | PRC5852 | 525  | PRC6228 | 727  | PRC7019  | 525  |
| PRC4412 | 690  | PRC4996    | 701  | PRC5736  | 730  | PRC5874 | 1058 | PRC6290 | 710  | PRC7020  | 521  |
| PRC4427 | 708  | PRC5003    | 708  | PRC5736  | 731  | PRC5877 | 701  | PRC6295 | 141  | PRC7022  | 695  |





## DEFENDER 110 1987 onwards

1125

## NUMERICAL INDEX

| PART NO | PAGE | PART NO | PAGE | PART NO   | PAGE | PART NO   | PAGE | PART NO   | PAGE | PART NO    | PAGE |
|---------|------|---------|------|-----------|------|-----------|------|-----------|------|------------|------|
| PRC7044 | 673  | PRC8231 | 679  | PRC8928   | 694  | PS103121L | 357  | RA608236L | 935  | RB613102   | 762  |
| PRC7060 | 709  | PRC8243 | 686  | PRC9096   | 688  | PS103121L | 371  | RA608236L | 936  | RF608041   | 895  |
| PRC7100 | 708  | PRC8245 | 689  | PRC9188   | 727  | PS103121L | 908  | RA610123  | 708  | RF608041   | 897  |
| PRC7173 | 708  | PRC8246 | 713  | PRC9224   | 684  | PS104121L | 394  | RA610123  | 752  | RF608041   | 899  |
| PRC7175 | 684  | PRC8295 | 717  | PRC9226   | 684  | PS104121L | 395  | RA610167  | 739  | RJ608603   | 821  |
| PRC7204 | 264  | PRC8385 | 686  | PRC9324   | 697  | PS104127  | 776  | RA610183  | 770  | RJ610243   | 907  |
| PRC7255 | 675  | PRC8410 | 709  | PRC9325   | 697  | PS104127L | 374  | RA610183  | 906  | RJ612433   | 845  |
| PRC7277 | 697  | PRC8452 | 713  | PRC9327   | 695  | PS104127L | 513  | RA612156L | 1036 | RKC5098L   | 315  |
| PRC7311 | 724  | PRC8463 | 521  | PRC9329   | 695  | PS104127L | 514  | RA612156L | 995  | RRC2281    | 435  |
| PRC7313 | 724  | PRC8470 | 712  | PRC9331   | 693  | PS104127L | 516  | RA612157  | 1009 | RRC2303    | 400  |
| PRC7315 | 724  | PRC8495 | 729  | PRC9332   | 693  | PS104161  | 515  | RA612183  | 772  | RRC2409    | 935  |
| PRC7318 | 726  | PRC8548 | 680  | PRC9334   | 713  | PS105251  | 437  | RA612183  | 891  | RRC2432    | 758  |
| PRC7319 | 726  | PRC8558 | 739  | PRC9410   | 713  | PS105251  | 443  | RA612207L | 504  | RRC2440    | 854  |
| PRC7320 | 726  | PRC8559 | 729  | PRC9809   | 686  | PS105321L | 462  | RA612207L | 739  | RRC2443    | 845  |
| PRC7326 | 709  | PRC8559 | 739  | PRC9810   | 686  | PS106161  | 776  | RA612236  | 1036 | RRC2475    | 540  |
| PRC7329 | 709  | PRC8593 | 191  | PRC9902   | 689  | PS106201  | 478  | RA612237  | 1008 | RRC2476    | 935  |
| PRC7370 | 712  | PRC8664 | 730  | PRC9916   | 673  | PS106321L | 439  | RA612253L | 771  | RRC2479    | 502  |
| PRC7371 | 712  | PRC8664 | 732  | PRC9937   | 727  | PS603041L | 475  | RA612346  | 939  | RRC2481ABE | 898  |
| PRC7373 | 724  | PRC8664 | 737  | PRC9938   | 727  | PS603041L | 483  | RA612347  | 1029 | RRC2485    | 1015 |
| PRC7374 | 724  | PRC8707 | 521  | PRC9939   | 727  | PS603041L | 807  | RA612347L | 1044 | RRC2486    | 528  |
| PRC7542 | 692  | PRC8708 | 523  | PRC9941   | 727  | PS603041L | 810  | RA612373L | 833  | RRC2487    | 531  |
| PRC7851 | 696  | PRC8816 | 671  | PRC9941   | 728  | PS606101L | 267  | RA612373L | 834  | RRC2488    | 530  |
| PRC7867 | 695  | PRC8868 | 686  | PRC9993   | 671  | PS608101L | 407  | RA612373L | 842  | RRC2491    | 823  |
| PRC7992 | 669  | PRC8869 | 692  | PS102081  | 482  | PS608101L | 439  | RA612373L | 845  | RRC2497    | 757  |
| PRC7994 | 669  | PRC8870 | 692  | PS102081L | 475  | PS612080  | 816  | RA612373L | 880  | RRC2579    | 682  |
| PRC8072 | 689  | PRC8872 | 692  | PS103081L | 475  | PYC101120 | 234  | RA612373L | 902  | RRC2593    | 527  |
| PRC8123 | 716  | PRC8873 | 309  | PS103101L | 395  | RA607076  | 551  | RA612373L | 903  | RRC2595    | 935  |
| PRC8125 | 671  | PRC8873 | 337  | PS103101L | 807  | RA608177L | 1044 | RA612373L | 905  | RRC2596    | 935  |
| PRC8204 | 677  | PRC8876 | 717  | PS103101L | 810  | RA608177L | 522  | RB610082  | 830  | RRC2626    | 935  |
| PRC8230 | 711  | PRC8879 | 725  | PS103121  | 1061 | RA608177L | 799  | RB610082  | 837  | RRC2629    | 935  |





## DEFENDER 110 1987 onwards

1126

## NUMERICAL INDEX

| PART NO    | PAGE | PART NO | PAGE | PART NO    | PAGE | PART NO    | PAGE | PART NO   | PAGE | PART NO   | PAGE |
|------------|------|---------|------|------------|------|------------|------|-----------|------|-----------|------|
| RRC2635    | 683  | RRC4419 | 586  | RRC6245    | 823  | RRC6874    | 743  | RTC222    | 733  | RTC299310 | 216  |
| RRC2636    | 682  | RRC4419 | 590  | RRC6253    | 795  | RRC7190LUH | 936  | RTC2348   | 268  | RTC299310 | 26   |
| RRC2637    | 763  | RRC4422 | 907  | RRC6254    | 795  | RRC7198LUH | 936  | RTC2349   | 268  | RTC299310 | 77   |
| RRC2637    | 766  | RRC5528 | 561  | RRC6268LCS | 986  | RRC7587LUH | 936  | RTC2408   | 254  | RTC3022   | 526  |
| RRC2638    | 763  | RRC5533 | 835  | RRC6269RCF | 986  | RRO2125L   | 597  | RTC240820 | 254  | RTC3022   | 712  |
| RRC2638    | 766  | RRC5539 | 822  | RRC6269RUY | 986  | RRO2126L   | 597  | RTC2726   | 410  | RTC3022   | 815  |
| RRC2644    | 536  | RRC5539 | 835  | RRC6270LCS | 983  | RR612063   | 816  | RTC2726   | 412  | RTC3107   | 964  |
| RRC2645    | 536  | RRC5677 | 835  | RRC6271RCF | 983  | RR612103   | 902  | RTC2825   | 128  | RTC3108   | 964  |
| RRC2800    | 562  | RRC5727 | 562  | RRC6271RUY | 983  | RR612103   | 903  | RTC2825   | 174  | RTC3176   | 509  |
| RRC2963ABE | 898  | RRC5728 | 144  | RRC6287    | 847  | RR612103   | 905  | RTC2825   | 215  | RTC3197   | 288  |
| RRC2970    | 748  | RRC6104 | 987  | RRC6292    | 844  | RTC1139    | 425  | RTC2825   | 25   | RTC3215   | 111  |
| RRC2971    | 748  | RRC6105 | 987  | RRC6293    | 850  | RTC1148    | 525  | RTC2825   | 76   | RTC3215   | 60   |
| RRC3011    | 560  | RRC6106 | 987  | RRC6294    | 850  | RTC1526    | 507  | RTC2889   | 52   | RTC3278   | 58   |
| RRC3011    | 562  | RRC6111 | 987  | RRC6296    | 845  | RTC1718    | 253  | RTC2890   | 52   | RTC3292   | 113  |
| RRC3043    | 784  | RRC6149 | 530  | RRC6304    | 848  | RTC171810  | 253  | RTC2913   | 282  | RTC3292   | 62   |
| RRC3044    | 784  | RRC6150 | 531  | RRC6305    | 848  | RTC171820  | 253  | RTC2914   | 316  | RTC3354   | 744  |
| RRC3045    | 874  | RRC6154 | 854  | RRC6362    | 850  | RTC1956    | 373  | RTC2972N  | 249  | RTC3397   | 365  |
| RRC3264    | 909  | RRC6155 | 854  | RRC6363    | 850  | RTC1956    | 393  | RTC2972R  | 249  | RTC3397   | 385  |
| RRC3266    | 442  | RRC6168 | 854  | RRC6365    | 907  | RTC198     | 729  | RTC2991   | 72   | RTC3403   | 377  |
| RRC3352    | 442  | RRC6169 | 854  | RRC6390LCS | 986  | RTC2057    | 307  | RTC2992   | 25   | RTC3403   | 397  |
| RRC3355    | 442  | RRC6177 | 871  | RRC6391RCF | 986  | RTC210     | 674  | RTC2992   | 76   | RTC3418   | 509  |
| RRC3584    | 909  | RRC6186 | 954  | RRC6391RUY | 986  | RTC2104    | 282  | RTC299210 | 25   | RTC3429   | 420  |
| RRC3746    | 550  | RRC6198 | 757  | RRC6392LCS | 983  | RTC2117    | 254  | RTC299210 | 76   | RTC3429   | 422  |
| RRC3746    | 559  | RRC6215 | 838  | RRC6393RCF | 983  | RTC211710  | 254  | RTC2993   | 129  | RTC3429   | 427  |
| RRC3746    | 561  | RRC6216 | 838  | RRC6393RUY | 983  | RTC211720  | 254  | RTC2993   | 175  | RTC3429   | 428  |
| RRC3972    | 900  | RRC6233 | 763  | RRC6716    | 533  | RTC2186S   | 254  | RTC2993   | 216  | RTC3458   | 399  |
| RRC3973    | 900  | RRC6233 | 766  | RRC6744    | 540  | RTC218620  | 254  | RTC2993   | 26   | RTC3458   | 401  |
| RRC4002    | 550  | RRC6234 | 763  | RRC6745    | 537  | RTC222     | 730  | RTC2993   | 77   | RTC3474   | 58   |
| RRC4002    | 559  | RRC6234 | 766  | RRC6746    | 538  | RTC222     | 731  | RTC299310 | 129  | RTC3479   | 551  |
| RRC4418    | 527  | RRC6239 | 758  | RRC6747    | 541  | RTC222     | 732  | RTC299310 | 175  | RTC3497   | 271  |





## DEFENDER 110 1987 onwards

1127

## NUMERICAL INDEX

| PART NO  | PAGE | PART NO | PAGE | PART NO    | PAGE | PART NO  | PAGE | PART NO | PAGE | PART NO   | PAGE |
|----------|------|---------|------|------------|------|----------|------|---------|------|-----------|------|
| RTC3499  | 95   | RTC3665 | 47   | RTC3826    | 432  | RTC4054T | 1048 | RTC4398 | 460  | RTC4502   | 688  |
| RTC3502  | 553  | RTC3682 | 669  | RTC3867    | 729  | RTC4055A | 1049 | RTC4399 | 460  | RTC4502   | 713  |
| RTC3502  | 556  | RTC3683 | 669  | RTC3890    | 376  | RTC4055T | 1048 | RTC4400 | 460  | RTC4503   | 688  |
| RTC3502  | 558  | RTC3729 | 1058 | RTC3890    | 396  | RTC4056A | 1049 | RTC4401 | 460  | RTC4504   | 688  |
| RTC3518  | 278  | RTC3729 | 1060 | RTC3935PA  | 806  | RTC4056T | 1048 | RTC4402 | 461  | RTC4505   | 688  |
| RTC3518  | 279  | RTC3744 | 755  | RTC3938AV  | 945  | RTC4057A | 1049 | RTC4403 | 461  | RTC4507   | 698  |
| RTC3518  | 553  | RTC3744 | 756  | RTC3938AV  | 950  | RTC4057T | 1048 | RTC4404 | 461  | RTC4510   | 688  |
| RTC3518  | 555  | RTC3744 | 770  | RTC3938LDE | 945  | RTC4058A | 1049 | RTC4405 | 461  | RTC4510   | 698  |
| RTC3518  | 557  | RTC3744 | 783  | RTC3938LDE | 950  | RTC4058T | 1048 | RTC4406 | 461  | RTC4595R  | 20   |
| RTC3518  | 568  | RTC3744 | 911  | RTC3939PA  | 803  | RTC4059E | 70   | RTC4407 | 461  | RTC4608N  | 249  |
| RTC3519  | 432  | RTC3745 | 1064 | RTC3939PA  | 806  | RTC4102  | 964  | RTC4408 | 461  | RTC4615   | 669  |
| RTC3519  | 554  | RTC3745 | 1065 | RTC3940PA  | 803  | RTC4183  | 676  | RTC4409 | 461  | RTC4637   | 436  |
| RTC3562  | 717  | RTC3745 | 666  | RTC3940PA  | 806  | RTC4184  | 676  | RTC4410 | 461  | RTC4638   | 441  |
| RTC3566  | 275  | RTC3745 | 726  | RTC3959    | 730  | RTC4185  | 676  | RTC4419 | 46   | RTC4639   | 441  |
| RTC3610  | 619  | RTC3745 | 752  | RTC3959    | 732  | RTC4198  | 452  | RTC4420 | 46   | RTC4685   | 1073 |
| RTC3614  | 58   | RTC3745 | 769  | RTC3959    | 738  | RTC4198  | 454  | RTC4421 | 46   | RTC4686   | 1073 |
| RTC3626  | 509  | RTC3745 | 911  | RTC3985    | 22   | RTC4198  | 455  | RTC4425 | 480  | RTC4734S  | 26   |
| RTC3627  | 509  | RTC3748 | 803  | RTC4035A   | 1049 | RTC4198  | 457  | RTC4428 | 488  | RTC473420 | 26   |
| RTC3635  | 713  | RTC3748 | 806  | RTC4035T   | 1048 | RTC4200  | 626  | RTC4472 | 463  | RTC4738   | 448  |
| RTC3635  | 725  | RTC3750 | 915  | RTC4042A   | 1049 | RTC4201  | 626  | RTC4477 | 264  | RTC4740   | 526  |
| RTC3637R | 249  | RTC3755 | 960  | RTC4042T   | 1048 | RTC4340  | 890  | RTC4480 | 729  | RTC4741   | 526  |
| RTC3650  | 730  | RTC3764 | 958  | RTC4043A   | 1049 | RTC4341  | 890  | RTC4482 | 688  | RTC4778S  | 77   |
| RTC3650  | 731  | RTC3772 | 30   | RTC4043T   | 1048 | RTC4342  | 890  | RTC4488 | 426  | RTC477820 | 77   |
| RTC3650  | 732  | RTC3772 | 700  | RTC4047A   | 1049 | RTC4373  | 372  | RTC4490 | 365  | RTC4783   | 128  |
| RTC3650  | 733  | RTC3772 | 702  | RTC4047T   | 1048 | RTC4373  | 392  | RTC4490 | 385  | RTC4783   | 174  |
| RTC3650  | 734  | RTC3772 | 703  | RTC4049A   | 1049 | RTC4391  | 459  | RTC4497 | 688  | RTC4783   | 215  |
| RTC3650  | 736  | RTC3772 | 704  | RTC4049T   | 1048 | RTC4392  | 459  | RTC4498 | 688  | RTC4783   | 25   |
| RTC3650  | 737  | RTC3772 | 80   | RTC4051A   | 1049 | RTC4393  | 459  | RTC4500 | 688  | RTC4783   | 76   |
| RTC3650  | 738  | RTC3812 | 288  | RTC4051T   | 1048 | RTC4394  | 460  | RTC4500 | 698  | RTC478310 | 128  |
| RTC3663  | 47   | RTC3812 | 58   | RTC4054A   | 1049 | RTC4395  | 459  | RTC4501 | 688  | RTC478310 | 174  |





## DEFENDER 110 1987 onwards

1128

## NUMERICAL INDEX

| PART NO   | PAGE | PART NO | PAGE | PART NO  | PAGE | PART NO  | PAGE | PART NO  | PAGE | PART NO  | PAGE |
|-----------|------|---------|------|----------|------|----------|------|----------|------|----------|------|
| RTC478310 | 215  | RTC4908 | 47   | RTC5068  | 456  | RTC5629  | 59   | RTC5681E | 291  | RTC5687  | 160  |
| RTC478310 | 25   | RTC4978 | 116  | RTC5069  | 456  | RTC5670  | 112  | RTC5681N | 291  | RTC5687  | 161  |
| RTC478310 | 76   | RTC4978 | 163  | RTC5070  | 456  | RTC5670  | 114  | RTC5682E | 112  | RTC5687  | 205  |
| RTC4785   | 688  | RTC4978 | 207  | RTC5071  | 456  | RTC5670  | 160  | RTC5682E | 160  | RTC5687  | 291  |
| RTC4820   | 414  | RTC4979 | 116  | RTC5072  | 456  | RTC5670  | 161  | RTC5682E | 205  | RTC5687  | 61   |
| RTC4825   | 468  | RTC4979 | 163  | RTC5073  | 456  | RTC5670  | 205  | RTC5682E | 61   | RTC5687  | 63   |
| RTC4826   | 466  | RTC4979 | 207  | RTC5074  | 456  | RTC5670  | 291  | RTC5682N | 112  | RTC5688  | 290  |
| RTC4826   | 467  | RTC4980 | 116  | RTC5077  | 101  | RTC5670  | 61   | RTC5682N | 160  | RTC5688  | 291  |
| RTC4848   | 734  | RTC4980 | 163  | RTC5077  | 149  | RTC5670  | 63   | RTC5682N | 205  | RTC5689  | 112  |
| RTC4848   | 736  | RTC4980 | 207  | RTC5083E | 111  | RTC5671  | 114  | RTC5682N | 61   | RTC5689  | 114  |
| RTC4848   | 737  | RTC4981 | 116  | RTC5083E | 60   | RTC5671  | 161  | RTC5683E | 290  | RTC5689  | 160  |
| RTC4849   | 46   | RTC4981 | 163  | RTC5089  | 288  | RTC5671  | 205  | RTC5683N | 290  | RTC5689  | 161  |
| RTC4850   | 46   | RTC4981 | 207  | RTC5090  | 288  | RTC5671  | 291  | RTC5684  | 112  | RTC5689  | 205  |
| RTC4851   | 47   | RTC4982 | 116  | RTC5092  | 288  | RTC5671  | 63   | RTC5684  | 160  | RTC5689  | 290  |
| RTC4852   | 46   | RTC4982 | 163  | RTC5099  | 151  | RTC5674  | 106  | RTC5684  | 61   | RTC5689  | 291  |
| RTC4853   | 47   | RTC4982 | 207  | RTC5099  | 197  | RTC5674  | 155  | RTC5685  | 112  | RTC5689  | 61   |
| RTC4857   | 46   | RTC4983 | 116  | RTC5218E | 113  | RTC5674  | 53   | RTC5685  | 160  | RTC5689  | 63   |
| RTC4858   | 46   | RTC4983 | 163  | RTC5218E | 62   | RTC5675  | 106  | RTC5685  | 290  | RTC5700  | 297  |
| RTC4859   | 46   | RTC4983 | 207  | RTC5265R | 122  | RTC5675  | 155  | RTC5685  | 61   | RTC5705  | 828  |
| RTC4860   | 47   | RTC5001 | 507  | RTC5519  | 751  | RTC5675  | 53   | RTC5686  | 112  | RTC5706  | 828  |
| RTC4861   | 47   | RTC5012 | 672  | RTC5523  | 674  | RTC5680E | 114  | RTC5686  | 114  | RTC5707  | 828  |
| RTC4896   | 46   | RTC5013 | 672  | RTC5524  | 674  | RTC5680E | 161  | RTC5686  | 160  | RTC5708  | 828  |
| RTC4897   | 46   | RTC5044 | 290  | RTC5563  | 297  | RTC5680E | 205  | RTC5686  | 161  | RTC5709  | 829  |
| RTC4898   | 46   | RTC5045 | 290  | RTC5563  | 65   | RTC5680E | 291  | RTC5686  | 205  | RTC5710  | 828  |
| RTC4899   | 46   | RTC5048 | 297  | RTC5572  | 507  | RTC5680E | 63   | RTC5686  | 290  | RTC5711  | 828  |
| RTC4900   | 46   | RTC5048 | 65   | RTC5573  | 507  | RTC5680N | 114  | RTC5686  | 291  | RTC5712  | 829  |
| RTC4901   | 46   | RTC5049 | 297  | RTC5574  | 507  | RTC5680N | 161  | RTC5686  | 61   | RTC5727A | 1049 |
| RTC4903   | 46   | RTC5049 | 65   | RTC5577  | 297  | RTC5680N | 205  | RTC5686  | 63   | RTC5727T | 1048 |
| RTC4904   | 47   | RTC5066 | 842  | RTC5577  | 65   | RTC5680N | 291  | RTC5687  | 112  | RTC5728A | 1049 |
| RTC4906   | 47   | RTC5067 | 842  | RTC5628  | 289  | RTC5680N | 63   | RTC5687  | 114  | RTC5728T | 1048 |





## DEFENDER 110 1987 onwards

1129

## NUMERICAL INDEX

| PART NO  | PAGE | PART NO  | PAGE | PART NO   | PAGE | PART NO   | PAGE | PART NO   | PAGE | PART NO  | PAGE |
|----------|------|----------|------|-----------|------|-----------|------|-----------|------|----------|------|
| RTC5774  | 153  | RTC5925  | 291  | RTC5981T  | 1048 | RTC610    | 768  | RTC6238   | 792  | RTC6545  | 521  |
| RTC5775  | 153  | RTC5925  | 61   | RTC5983A  | 1049 | RTC6105   | 1016 | RTC6239   | 792  | RTC6545  | 523  |
| RTC5779A | 1067 | RTC5925  | 63   | RTC5983T  | 1048 | RTC6106   | 1016 | RTC6246   | 828  | RTC6545  | 525  |
| RTC5781A | 1067 | RTC5926  | 112  | RTC599320 | 129  | RTC6110   | 459  | RTC625    | 1051 | RTC6545  | 693  |
| RTC5782A | 1067 | RTC5926  | 114  | RTC601    | 765  | RTC6115   | 256  | RTC625    | 1053 | RTC6545  | 695  |
| RTC5816  | 481  | RTC5926  | 160  | RTC601    | 768  | RTC6115   | 359  | RTC6257   | 828  | RTC6564  | 187  |
| RTC5827  | 731  | RTC5926  | 161  | RTC6061N  | 297  | RTC6129   | 453  | RTC6266   | 796  | RTC6564  | 228  |
| RTC5827  | 733  | RTC5926  | 205  | RTC6065   | 1034 | RTC613    | 274  | RTC6270   | 838  | RTC6627  | 58   |
| RTC5827  | 734  | RTC5926  | 290  | RTC6072   | 275  | RTC613    | 768  | RTC6291   | 836  | RTC6634A | 1049 |
| RTC5827  | 736  | RTC5926  | 291  | RTC6077   | 110  | RTC6130   | 453  | RTC6324   | 726  | RTC6634T | 1048 |
| RTC5827  | 737  | RTC5926  | 61   | RTC6077   | 159  | RTC614    | 959  | RTC6350   | 778  | RTC6635  | 170  |
| RTC5828  | 733  | RTC5926  | 63   | RTC6077   | 57   | RTC6159   | 787  | RTC6351   | 778  | RTC6702  | 194  |
| RTC5828  | 734  | RTC5935  | 106  | RTC608    | 1013 | RTC6164   | 709  | RTC6352   | 778  | RTC6702  | 236  |
| RTC5841  | 414  | RTC5935  | 155  | RTC608    | 526  | RTC6167   | 138  | RTC6353   | 777  | RTC6751  | 311  |
| RTC5856N | 249  | RTC5935  | 200  | RTC608    | 994  | RTC6167   | 88   | RTC6354   | 777  | RTC6754  | 414  |
| RTC5856R | 249  | RTC5935  | 283  | RTC609    | 257  | RTC6168   | 138  | RTC6398   | 451  | RTC6755  | 414  |
| RTC5863  | 47   | RTC5935  | 53   | RTC609    | 274  | RTC6168   | 88   | RTC6398   | 455  | RTC6760  | 283  |
| RTC5869  | 462  | RTC5941  | 872  | RTC609    | 49   | RTC6174S  | 129  | RTC6399   | 451  | RTC6790  | 872  |
| RTC5870  | 462  | RTC5942  | 872  | RTC609    | 764  | RTC617420 | 129  | RTC6399   | 455  | RTC6793  | 21   |
| RTC5891  | 101  | RTC5942  | 873  | RTC609    | 766  | RTC6179   | 377  | RTC6401A  | 1049 | RTC6794  | 71   |
| RTC5891  | 149  | RTC5943  | 872  | RTC609    | 767  | RTC6179   | 397  | RTC6401T  | 1048 | RTC6795  | 123  |
| RTC5908  | 453  | RTC5947  | 58   | RTC609    | 778  | RTC6205   | 763  | RTC6442S  | 77   | RTC6797  | 326  |
| RTC5909  | 453  | RTC5970  | 47   | RTC609    | 841  | RTC6205   | 766  | RTC644220 | 77   | RTC6799  | 508  |
| RTC5918  | 269  | RTC5971  | 288  | RTC6093   | 151  | RTC6206   | 763  | RTC6453   | 1011 | RTC6800N | 20   |
| RTC5925  | 112  | RTC5978  | 628  | RTC6093   | 196  | RTC6206   | 766  | RTC6457   | 175  | RTC6800R | 20   |
| RTC5925  | 114  | RTC5979A | 1049 | RTC6094   | 151  | RTC6209   | 766  | RTC6462   | 863  | RTC6801N | 70   |
| RTC5925  | 160  | RTC5979T | 1048 | RTC6094   | 196  | RTC6210   | 766  | RTC6540   | 151  | RTC6801R | 70   |
| RTC5925  | 161  | RTC5980A | 1049 | RTC610    | 476  | RTC6213   | 775  | RTC6541   | 151  | RTC6802N | 122  |
| RTC5925  | 205  | RTC5980T | 1048 | RTC610    | 624  | RTC6218   | 758  | RTC6542   | 151  | RTC6802R | 122  |
| RTC5925  | 290  | RTC5981A | 1049 | RTC610    | 765  | RTC6222   | 825  | RTC6543   | 151  | RTC6826  | 754  |





## DEFENDER 110 1987 onwards

1130

## NUMERICAL INDEX

| PART NO  | PAGE | PART NO | PAGE | PART NO | PAGE | PART NO   | PAGE | PART NO   | PAGE | PART NO   | PAGE |
|----------|------|---------|------|---------|------|-----------|------|-----------|------|-----------|------|
| RTC6851  | 141  | RTC7423 | 636  | RTC7452 | 645  | RTC7470   | 637  | RU608123L | 762  | RU612183  | 850  |
| RTC6851  | 35   | RTC7424 | 636  | RTC7452 | 647  | RTC7470   | 641  | RU608123L | 928  | RU612183  | 903  |
| RTC6851  | 89   | RTC7425 | 636  | RTC7453 | 640  | RTC7470   | 646  | RU608123L | 932  | RU612373L | 1001 |
| RTC6851  | 92   | RTC7426 | 636  | RTC7453 | 645  | RTC7470   | 658  | RU608183L | 821  | RU612373L | 1027 |
| RTC6856  | 739  | RTC7427 | 636  | RTC7454 | 640  | RTC7470   | 661  | RU608253L | 957  | RU612373L | 1030 |
| RTC6862  | 414  | RTC7428 | 636  | RTC7454 | 644  | RTC7471   | 640  | RU608253L | 964  | RU612373L | 778  |
| RTC6868R | 301  | RTC7429 | 636  | RTC7454 | 699  | RTC7471   | 645  | RU608313L | 1003 | RU612373L | 801  |
| RTC6869A | 1049 | RTC7430 | 636  | RTC7455 | 640  | RTC7472   | 640  | RU608313L | 1006 | RU612373L | 824  |
| RTC6869T | 1048 | RTC7433 | 640  | RTC7455 | 644  | RTC7472   | 645  | RU608313L | 1010 | RU612373L | 829  |
| RTC6870A | 1049 | RTC7433 | 644  | RTC7456 | 640  | RTC7473   | 640  | RU608313L | 834  | RU612373L | 830  |
| RTC6870T | 1048 | RTC7434 | 640  | RTC7456 | 644  | RTC7473   | 645  | RU608313L | 843  | RU612373L | 832  |
| RTC6896  | 184  | RTC7434 | 644  | RTC7457 | 640  | RTC7474   | 641  | RU608313L | 857  | RU612373L | 833  |
| RTC6999R | 301  | RTC7436 | 640  | RTC7457 | 644  | RTC7474   | 646  | RU608313L | 869  | RU612373L | 836  |
| RTC7408  | 664  | RTC7436 | 644  | RTC7457 | 647  | RTC7588   | 640  | RU608313L | 871  | RU612373L | 837  |
| RTC7409  | 664  | RTC7439 | 640  | RTC7458 | 640  | RTC7588   | 644  | RU608313L | 968  | RU612373L | 842  |
| RTC7410  | 665  | RTC7439 | 644  | RTC7458 | 644  | RTC773    | 426  | RU608313L | 969  | RU612373L | 906  |
| RTC7411  | 660  | RTC7440 | 641  | RTC7459 | 661  | RTC8064   | 1063 | RU608313L | 971  | RU612373L | 907  |
| RTC7411  | 665  | RTC7440 | 646  | RTC7460 | 661  | RTC8065   | 1063 | RU608313L | 972  | RU612373L | 939  |
| RTC7412  | 665  | RTC7441 | 641  | RTC7461 | 661  | RTC844    | 425  | RU608313L | 974  | RU612373L | 961  |
| RTC7413  | 665  | RTC7441 | 646  | RTC7462 | 664  | RTC845    | 425  | RU608313L | 977  | RU612373L | 997  |
| RTC7414  | 640  | RTC7442 | 641  | RTC7463 | 664  | RTC8891   | 1050 | RU608313L | 979  | RU612503  | 1045 |
| RTC7414  | 645  | RTC7442 | 646  | RTC7464 | 664  | RTC8891   | 1053 | RU608313L | 999  | RU612503  | 526  |
| RTC7415  | 664  | RTC7443 | 663  | RTC7465 | 660  | RTC9535   | 433  | RU610253  | 826  | SA106161  | 814  |
| RTC7416  | 636  | RTC7445 | 663  | RTC7465 | 665  | RTC9580A  | 1053 | RU610253  | 858  | SA106161  | 909  |
| RTC7417  | 636  | RTC7446 | 641  | RTC7466 | 663  | RTC9581   | 1053 | RU610313L | 862  | SA106201  | 957  |
| RTC7418  | 636  | RTC7446 | 646  | RTC7467 | 658  | RT612253  | 878  | RU610313L | 864  | SA106251  | 813  |
| RTC7419  | 636  | RTC7448 | 663  | RTC7468 | 641  | RT612283  | 795  | RU612183  | 1045 | SA106351  | 902  |
| RTC7420  | 636  | RTC7450 | 665  | RTC7468 | 646  | RT612283  | 818  | RU612183  | 1066 | SA106351  | 903  |
| RTC7421  | 636  | RTC7451 | 663  | RTC7469 | 641  | RU608123L | 751  | RU612183  | 845  | SA106351  | 905  |
| RTC7422  | 636  | RTC7452 | 640  | RTC7469 | 646  | RU608123L | 760  | RU612183  | 848  | SA106401  | 902  |







## DEFENDER 110 1987 onwards

1131

## NUMERICAL INDEX

| PART NO   | PAGE | PART NO   | PAGE | PART NO   | PAGE | PART NO   | PAGE | PART NO   | PAGE | PART NO   | PAGE |
|-----------|------|-----------|------|-----------|------|-----------|------|-----------|------|-----------|------|
| SA106401  | 903  | SE105161  | 517  | SE106161L | 788  | SE108201  | 879  | SF108251  | 821  | SH106121L | 31   |
| SA106401  | 905  | SE105161  | 801  | SE106161L | 809  | SE108201  | 988  | SF108251L | 363  | SH106121L | 415  |
| SA106451  | 907  | SE105161L | 628  | SE106161L | 813  | SE108251  | 798  | SF108251L | 383  | SH106121L | 468  |
| SA108161  | 509  | SE105161L | 770  | SE106161L | 845  | SE108251  | 819  | SF604101  | 1014 | SH106121L | 507  |
| SA108201L | 377  | SE105165L | 993  | SE106161L | 995  | SE108251  | 837  | SF910141L | 993  | SH106121L | 508  |
| SA108201L | 378  | SE105201L | 513  | SE106164  | 1009 | SE108251  | 877  | SG103084  | 628  | SH106121L | 550  |
| SA108201L | 397  | SE105201L | 514  | SE106164  | 996  | SE108404L | 775  | SH104081L | 469  | SH106121L | 559  |
| SA506081L | 266  | SE105204  | 728  | SE106164  | 997  | SE108501  | 798  | SH104101L | 805  | SH106121L | 560  |
| SA506081L | 294  | SE105251  | 960  | SE106167  | 289  | SE108601  | 817  | SH104121L | 38   | SH106121L | 561  |
| SB108201L | 355  | SE105251  | 961  | SE106201L | 1002 | SE110401  | 786  | SH104201L | 533  | SH106121L | 562  |
| SD106401L | 909  | SE105251  | 962  | SE106201L | 1009 | SE604051L | 1002 | SH105121  | 449  | SH106121L | 568  |
| SE104124L | 514  | SE105251L | 1001 | SE106201L | 707  | SE604071L | 890  | SH105121  | 574  | SH106121L | 611  |
| SE104124L | 911  | SE105251L | 999  | SE106201L | 756  | SE808244  | 628  | SH105121L | 544  | SH106121L | 612  |
| SE104161L | 708  | SE105351  | 1058 | SE106201L | 817  | SFR47     | 91   | SH105121L | 634  | SH106121L | 689  |
| SE105101L | 717  | SE105351  | 1060 | SE106201L | 830  | SF104164  | 890  | SH105121L | 653  | SH106121L | 690  |
| SE105101L | 807  | SE105351L | 904  | SE106201L | 839  | SF104164  | 996  | SH105121L | 694  | SH106121L | 730  |
| SE105101L | 810  | SE105351L | 932  | SE106201L | 904  | SF104204L | 890  | SH105121L | 752  | SH106121L | 732  |
| SE105101L | 993  | SE105351L | 936  | SE106201L | 937  | SF105201  | 1069 | SH105161L | 334  | SH106124  | 1000 |
| SE105121  | 740  | SE105401  | 449  | SE106201L | 999  | SF106161  | 1069 | SH105161L | 702  | SH106124  | 1005 |
| SE105121L | 521  | SE106101L | 178  | SE106204  | 989  | SF106161  | 775  | SH105161L | 891  | SH106124  | 1008 |
| SE105121L | 523  | SE106121L | 133  | SE106204  | 997  | SF106161L | 807  | SH105201L | 486  | SH106124  | 998  |
| SE105121L | 525  | SE106121L | 447  | SE106251L | 892  | SF106161L | 810  | SH105201L | 914  | SH106141L | 1061 |
| SE105121L | 693  | SE106121L | 689  | SE106251L | 937  | SF106201L | 374  | SH105251L | 152  | SH106141L | 139  |
| SE105121L | 694  | SE106121L | 717  | SE106351L | 916  | SF106201L | 394  | SH105251L | 197  | SH106141L | 183  |
| SE105121L | 697  | SE106121L | 81   | SE106351L | 917  | SF106201L | 957  | SH105551  | 675  | SH106141L | 35   |
| SE105121L | 698  | SE106161  | 575  | SE106401  | 1002 | SF106201L | 964  | SH106101L | 303  | SH106141L | 36   |
| SE105121L | 717  | SE106161L | 1045 | SE106401  | 922  | SF106201L | 966  | SH106101L | 347  | SH106141L | 545  |
| SE105121L | 911  | SE106161L | 289  | SE106501  | 818  | SF106401  | 809  | SH106101L | 788  | SH106141L | 576  |
| SE105121L | 912  | SE106161L | 729  | SE108161L | 749  | SF106401  | 812  | SH106101L | 803  | SH106141L | 577  |
| SE105161  | 449  | SE106161L | 775  | SE108201  | 820  | SF108201L | 378  | SH106101L | 806  | SH106141L | 578  |





## DEFENDER 110 1987 onwards

1132

## NUMERICAL INDEX

| PART NO   | PAGE | PART NO   | PAGE | PART NO   | PAGE | PART NO   | PAGE | PART NO   | PAGE | PART NO   | PAGE |
|-----------|------|-----------|------|-----------|------|-----------|------|-----------|------|-----------|------|
| SH106141L | 719  | SH106207L | 619  | SH106351L | 813  | SH108251L | 109  | SH108251L | 75   | SH108401L | 987  |
| SH106141L | 720  | SH106207L | 620  | SH106451  | 473  | SH108251L | 127  | SH108251L | 76   | SH108451L | 296  |
| SH106141L | 822  | SH106251  | 1059 | SH108121L | 132  | SH108251L | 128  | SH108251L | 80   | SH108501L | 783  |
| SH106141L | 851  | SH106251  | 1060 | SH108121L | 178  | SH108251L | 132  | SH108251L | 88   | SH108701  | 585  |
| SH106141L | 89   | SH106251L | 1016 | SH108121L | 555  | SH108251L | 138  | SH108301L | 103  | SH108701  | 590  |
| SH106141L | 90   | SH106251L | 1032 | SH108141L | 106  | SH108251L | 149  | SH108301L | 1033 | SH108701  | 746  |
| SH106161  | 575  | SH106251L | 1039 | SH108141L | 155  | SH108251L | 155  | SH108301L | 106  | SH108701L | 581  |
| SH106161  | 602  | SH106251L | 1044 | SH108141L | 200  | SH108251L | 158  | SH108301L | 155  | SH108701L | 583  |
| SH106161  | 622  | SH106251L | 1073 | SH108141L | 334  | SH108251L | 200  | SH108301L | 200  | SH110141L | 587  |
| SH106161  | 772  | SH106251L | 358  | SH108141L | 45   | SH108251L | 203  | SH108301L | 309  | SH110141L | 591  |
| SH106161  | 841  | SH106251L | 464  | SH108141L | 53   | SH108251L | 283  | SH108301L | 355  | SH110161  | 587  |
| SH106161  | 994  | SH106251L | 503  | SH108141L | 588  | SH108251L | 294  | SH108301L | 356  | SH110161L | 448  |
| SH106161L | 468  | SH106251L | 631  | SH108141L | 591  | SH108251L | 302  | SH108301L | 357  | SH110201  | 1026 |
| SH106161L | 560  | SH106251L | 649  | SH108151  | 968  | SH108251L | 303  | SH108301L | 45   | SH110201  | 880  |
| SH106161L | 562  | SH106251L | 759  | SH108151  | 970  | SH108251L | 310  | SH108301L | 53   | SH110201L | 189  |
| SH106161M | 343  | SH106251L | 822  | SH108151  | 976  | SH108251L | 322  | SH108301L | 546  | SH110201L | 96   |
| SH106167  | 289  | SH106251L | 827  | SH108161  | 601  | SH108251L | 324  | SH108301L | 615  | SH110251L | 1035 |
| SH106167L | 778  | SH106251L | 868  | SH108161L | 125  | SH108251L | 34   | SH108301L | 64   | SH110251L | 1050 |
| SH106201  | 1027 | SH106251L | 870  | SH108161L | 130  | SH108251L | 347  | SH108301L | 822  | SH110251L | 436  |
| SH106201  | 746  | SH106301  | 444  | SH108161L | 135  | SH108251L | 362  | SH108301L | 865  | SH110251L | 442  |
| SH106201  | 841  | SH106301L | 348  | SH108161L | 27   | SH108251L | 371  | SH108301L | 908  | SH110251L | 745  |
| SH106201  | 907  | SH106301L | 654  | SH108161L | 30   | SH108251L | 381  | SH108351L | 522  | SH110251L | 747  |
| SH106201  | 957  | SH106301L | 655  | SH108161L | 624  | SH108251L | 382  | SH108351L | 773  | SH110251L | 852  |
| SH106204  | 921  | SH106301L | 773  | SH108161L | 749  | SH108251L | 390  | SH108401L | 296  | SH110301  | 1050 |
| SH106204  | 995  | SH106301L | 790  | SH108161L | 768  | SH108251L | 393  | SH108401L | 303  | SH110301  | 1052 |
| SH106205  | 599  | SH106351  | 819  | SH108161L | 78   | SH108251L | 395  | SH108401L | 309  | SH110301  | 1053 |
| SH106207L | 562  | SH106351L | 335  | SH108161L | 859  | SH108251L | 53   | SH108401L | 347  | SH110301  | 438  |
| SH106207L | 563  | SH106351L | 576  | SH108161L | 865  | SH108251L | 56   | SH108401L | 350  | SH110301L | 115  |
| SH106207L | 569  | SH106351L | 577  | SH108251L | 101  | SH108251L | 592  | SH108401L | 358  | SH110301L | 116  |
| SH106207L | 598  | SH106351L | 578  | SH108251L | 106  | SH108251L | 64   | SH108401L | 837  | SH110301L | 118  |





## DEFENDER 110 1987 onwards

1133

## NUMERICAL INDEX

| PART NO   | PAGE | PART NO   | PAGE | PART NO   | PAGE | PART NO   | PAGE | PART NO  | PAGE | PART NO | PAGE |
|-----------|------|-----------|------|-----------|------|-----------|------|----------|------|---------|------|
| SH110301L | 139  | SH116301  | 1062 | SH506101L | 296  | SP104101  | 776  | STC1004N | 301  | STC1180 | 1021 |
| SH110301L | 162  | SH214141  | 364  | SH506121L | 288  | SP104121  | 835  | STC1005N | 301  | STC1180 | 1023 |
| SH110301L | 163  | SH214141  | 384  | SH507091L | 256  | SP105121  | 545  | STC1007R | 301  | STC1182 | 720  |
| SH110301L | 165  | SH406061L | 407  | SH604031L | 252  | SP105121  | 832  | STC1012  | 1000 | STC1184 | 288  |
| SH110301L | 206  | SH406061L | 409  | SH604031L | 476  | SP105121  | 840  | STC1012  | 998  | STC1188 | 672  |
| SH110301L | 286  | SH504041L | 271  | SH604041L | 268  | SP105204  | 714  | STC1013  | 1005 | STC1188 | 675  |
| SH110301L | 35   | SH504041L | 277  | SH604051L | 1012 | SP105204  | 715  | STC1013  | 1007 | STC1189 | 675  |
| SH110301L | 36   | SH504051L | 257  | SH604051L | 49   | SP105204  | 726  | STC1036  | 306  | STC1207 | 626  |
| SH110301L | 363  | SH504051L | 260  | SH604071  | 1014 | SP604061  | 959  | STC1040  | 460  | STC1209 | 670  |
| SH110301L | 383  | SH504051L | 485  | SH604071L | 1012 | SR106201  | 902  | STC1041  | 461  | STC1210 | 670  |
| SH110301L | 448  | SH504051L | 486  | SH604071L | 1014 | SR106201  | 903  | STC1042  | 460  | STC1210 | 671  |
| SH110301L | 66   | SH504061L | 270  | SH604071L | 996  | SR106201  | 905  | STC1044  | 454  | STC1212 | 288  |
| SH110301L | 852  | SH505041L | 557  | SH604081L | 476  | SR106251L | 739  | STC1044  | 457  | STC1227 | 672  |
| SH110301L | 853  | SH505051  | 551  | SH604081L | 477  | SS106161L | 587  | STC1045  | 454  | STC1228 | 672  |
| SH110301L | 89   | SH505051L | 135  | SH605051L | 274  | SS106161L | 591  | STC1045  | 457  | STC1229 | 675  |
| SH110301L | 90   | SH505051L | 136  | SH605071  | 632  | SS108161L | 587  | STC1055  | 453  | STC1230 | 675  |
| SH110351L | 437  | SH505051L | 702  | SH605081L | 1034 | SS108161L | 591  | STC1086  | 222  | STC1241 | 298  |
| SH110401L | 382  | SH505061L | 260  | SH605081L | 439  | SS108201  | 234  | STC1120  | 551  | STC1242 | 298  |
| SH112201  | 1061 | SH505071L | 256  | SH606061L | 299  | SS108201  | 238  | STC1121  | 265  | STC1243 | 298  |
| SH112201  | 218  | SH505071L | 283  | SH606061L | 516  | SS108251L | 199  | STC1122  | 265  | STC1244 | 117  |
| SH112201  | 325  | SH505081L | 618  | SH607081L | 299  | SS108301L | 100  | STC1130  | 1062 | STC1244 | 164  |
| SH112251  | 1026 | SH505091L | 257  | SH607091L | 827  | SS108301L | 105  | STC1130  | 368  | STC1244 | 208  |
| SH112251L | 131  | SH505091L | 271  | SH910101  | 281  | SS108301L | 148  | STC1130  | 369  | STC1245 | 117  |
| SH112251L | 177  | SH506031  | 324  | SH910241L | 281  | SS108301L | 154  | STC1130  | 388  | STC1245 | 164  |
| SH112251L | 28   | SH506071L | 266  | SK110101  | 1062 | SS108301L | 193  | STC1130  | 391  | STC1245 | 208  |
| SH112251L | 325  | SH506071L | 268  | SL106121  | 746  | SS108404  | 786  | STC1172  | 198  | STC1246 | 117  |
| SH112251L | 359  | SH506071L | 294  | SL510031  | 502  | SS108701S | 336  | STC1180  | 1016 | STC1246 | 164  |
| SH112251L | 79   | SH506071L | 296  | SL510031  | 504  | SS110801  | 209  | STC1180  | 1018 | STC1246 | 208  |
| SH112301L | 304  | SH506081L | 255  | SL510031  | 505  | SS506060  | 283  | STC1180  | 1019 | STC1247 | 117  |
| SH112505  | 508  | SH506101L | 273  | SL510031  | 506  | SS506121L | 297  | STC1180  | 1020 | STC1247 | 164  |





## DEFENDER 110 1987 onwards

1134

## NUMERICAL INDEX

| PART NO | PAGE | PART NO  | PAGE | PART NO  | PAGE | PART NO  | PAGE | PART NO  | PAGE | PART NO | PAGE |
|---------|------|----------|------|----------|------|----------|------|----------|------|---------|------|
| STC1247 | 208  | STC1348A | 1049 | STC1557  | 198  | STC1747  | 728  | STC354AV | 963  | STC611  | 176  |
| STC1250 | 117  | STC1348T | 1048 | STC1558  | 153  | STC1786N | 301  | STC354PB | 963  | STC617  | 807  |
| STC1250 | 164  | STC1349A | 1049 | STC1559  | 104  | STC1787N | 301  | STC355AV | 965  | STC617  | 810  |
| STC1250 | 208  | STC1349T | 1048 | STC1562  | 104  | STC1851  | 670  | STC355PB | 965  | STC618  | 438  |
| STC1250 | 298  | STC1423  | 796  | STC1566  | 282  | STC1851  | 671  | STC359   | 509  | STC635  | 135  |
| STC1251 | 117  | STC1424  | 796  | STC1601  | 510  | STC1857  | 288  | STC360   | 509  | STC635  | 136  |
| STC1251 | 164  | STC1460  | 803  | STC1602  | 412  | STC1889  | 311  | STC361   | 509  | STC635  | 33   |
| STC1251 | 208  | STC1461  | 803  | STC1611  | 258  | STC1896  | 197  | STC363   | 198  | STC635  | 84   |
| STC1252 | 298  | STC1462  | 806  | STC1612  | 670  | STC1956  | 1060 | STC398   | 457  | STC635  | 86   |
| STC1253 | 298  | STC1463  | 806  | STC1612  | 671  | STC197   | 690  | STC416   | 459  | STC637  | 32   |
| STC1254 | 117  | STC1467  | 52   | STC1613  | 670  | STC199   | 26   | STC417   | 459  | STC637  | 83   |
| STC1254 | 164  | STC1470  | 796  | STC1613  | 671  | STC19920 | 26   | STC418   | 459  | STC637  | 85   |
| STC1254 | 208  | STC1471  | 796  | STC1614  | 670  | STC201   | 507  | STC439   | 712  | STC639  | 180  |
| STC1255 | 117  | STC1482  | 521  | STC1614  | 671  | STC205   | 275  | STC441   | 490  | STC640  | 33   |
| STC1255 | 164  | STC1485  | 670  | STC1628  | 338  | STC244   | 377  | STC442   | 490  | STC643  | 669  |
| STC1255 | 208  | STC1485  | 671  | STC1633  | 106  | STC244   | 397  | STC443   | 739  | STC700  | 353  |
| STC1257 | 69   | STC1486  | 670  | STC1633  | 155  | STC245   | 377  | STC456   | 623  | STC712  | 729  |
| STC1266 | 508  | STC1486  | 671  | STC1633  | 200  | STC245   | 397  | STC471   | 305  | STC717  | 1068 |
| STC1267 | 508  | STC1525  | 378  | STC1633  | 283  | STC246   | 377  | STC487   | 259  | STC718  | 1068 |
| STC1268 | 510  | STC1526  | 378  | STC1633  | 53   | STC246   | 397  | STC488   | 259  | STC719  | 1068 |
| STC1269 | 510  | STC1527  | 378  | STC1639  | 282  | STC251   | 679  | STC491   | 490  | STC721  | 1068 |
| STC1270 | 510  | STC1530  | 515  | STC1640  | 52   | STC262   | 194  | STC492   | 490  | STC722  | 1068 |
| STC1275 | 508  | STC1532  | 378  | STC1675  | 212  | STC290   | 436  | STC493   | 490  | STC723  | 1068 |
| STC128  | 527  | STC1533  | 378  | STC1694  | 237  | STC291   | 441  | STC509   | 275  | STC733  | 713  |
| STC128  | 563  | STC1536  | 378  | STC1695  | 237  | STC292   | 441  | STC510   | 275  | STC737  | 727  |
| STC1280 | 508  | STC1538  | 378  | STC1696  | 237  | STC293   | 441  | STC579   | 414  | STC742  | 65   |
| STC1281 | 510  | STC1546N | 328  | STC1697  | 237  | STC307   | 682  | STC579   | 416  | STC746  | 873  |
| STC130  | 113  | STC1547N | 328  | STC1736N | 211  | STC308   | 168  | STC581   | 353  | STC747  | 873  |
| STC130  | 62   | STC1548N | 328  | STC1738  | 237  | STC309N  | 169  | STC582   | 353  | STC748  | 873  |
| STC1346 | 869  | STC1549N | 328  | STC1739  | 237  | STC309R  | 169  | STC603   | 453  | STC749  | 873  |





## DEFENDER 110 1987 onwards

1135

## NUMERICAL INDEX

| PART NO | PAGE | PART NO  | PAGE | PART NO   | PAGE | PART NO   | PAGE | PART NO   | PAGE | PART NO  | PAGE |
|---------|------|----------|------|-----------|------|-----------|------|-----------|------|----------|------|
| STC760  | 637  | STC8355  | 744  | STC950    | 670  | SX110301  | 428  | TE108071L | 91   | TKC4635L | 317  |
| STC760  | 641  | STC8356  | 744  | STC951    | 670  | SY504072L | 268  | TE108081L | 39   | TKC4637  | 317  |
| STC761  | 637  | STC8358  | 119  | STC951    | 671  | TD108091L | 142  | TE108081L | 44   | TKC4639  | 317  |
| STC761  | 641  | STC8358  | 166  | STC952    | 624  | TD108091L | 93   | TE108131L | 45   | TKC4641  | 317  |
| STC762  | 637  | STC8358  | 209  | STC953    | 624  | TD108181  | 180  | TE108221  | 241  | TKC4643L | 317  |
| STC762  | 641  | STC8359  | 66   | STC958    | 216  | TE108031L | 124  | TE110051  | 245  | TKC4645  | 317  |
| STC79   | 1022 | STC8361  | 299  | STC960    | 196  | TE108031L | 126  | TE110051L | 184  | TKC4647L | 317  |
| STC793  | 195  | STC8362  | 299  | STC963    | 377  | TE108031L | 171  | TE110051L | 192  | TKC4649  | 317  |
| STC794  | 195  | STC837   | 457  | STC963    | 397  | TE108031L | 23   | TE110051L | 220  | TKC4651L | 317  |
| STC795  | 195  | STC8383E | 457  | STC964    | 377  | TE108031L | 72   | TE110061L | 118  | TKC4653L | 317  |
| STC796  | 195  | STC8384E | 457  | STC964    | 397  | TE108031L | 74   | TE110061L | 165  | TKC4655L | 317  |
| STC803  | 140  | STC851   | 410  | STC976    | 479  | TE108031L | 78   | TE110061L | 209  | TKC4657L | 317  |
| STC803  | 91   | STC851   | 412  | STC987    | 729  | TE108041L | 127  | TE110061L | 245  | TKC4659L | 317  |
| STC820  | 349  | STC8577  | 313  | STC99E    | 151  | TE108041L | 173  | TE110061L | 66   | TKC4661L | 317  |
| STC822  | 308  | STC873   | 712  | STC99N    | 151  | TE108041L | 24   | TE110071  | 225  | TKC4663L | 317  |
| STC8249 | 1068 | STC875   | 461  | SU112101L | 371  | TE108041L | 259  | TE110071  | 233  | TKC5779L | 305  |
| STC8254 | 1067 | STC876   | 460  | SU112101L | 390  | TE108041L | 75   | TE110071L | 184  | TKC5779L | 306  |
| STC8255 | 1067 | STC876   | 461  | SU112101M | 371  | TE108051L | 184  | TE110071L | 192  | TKC6932L | 312  |
| STC8256 | 1067 | STC887   | 457  | SX108201L | 119  | TE108051L | 192  | TE110151  | 222  | TRS1114L | 615  |
| STC8257 | 1067 | STC888   | 457  | SX108201L | 166  | TE108051L | 225  | TE505105L | 276  | UAM2857L | 217  |
| STC8259 | 1067 | STC889   | 461  | SX108201L | 209  | TE108051L | 233  | TE506101L | 283  | UAM2957  | 217  |
| STC8261 | 1067 | STC890   | 461  | SX108201L | 245  | TE108051L | 273  | TKC1229   | 326  | UKC1060  | 326  |
| STC8263 | 1067 | STC892   | 454  | SX108201L | 66   | TE108051L | 31   | TKC1229L  | 305  | UKC1060L | 310  |
| STC8267 | 681  | STC897   | 454  | SX108251  | 750  | TE108051L | 37   | TKC1229L  | 306  | UKC1060L | 338  |
| STC8268 | 681  | STC925   | 773  | SX108251  | 768  | TE108051L | 91   | TKC1235   | 326  | UKC1689L | 318  |
| STC8269 | 681  | STC925   | 774  | SX108251  | 830  | TE108061L | 134  | TKC1235L  | 305  | UKC1690L | 318  |
| STC8270 | 681  | STC926   | 774  | SX108251  | 837  | TE108061L | 178  | TKC1235L  | 306  | UKC170L  | 305  |
| STC8292 | 1067 | STC948   | 637  | SX108351L | 356  | TE108061L | 220  | TKC2596   | 322  | UKC170L  | 306  |
| STC8352 | 1067 | STC948   | 641  | SX110251M | 419  | TE108061L | 82   | TKC290L   | 322  | UKC170L  | 332  |
| STC8354 | 744  | STC949   | 670  | SX110251M | 420  | TE108071L | 140  | TKC4633   | 317  | UKC18L   | 318  |





## DEFENDER 110 1987 onwards

1136

## NUMERICAL INDEX

| PART NO  | PAGE | PART NO  | PAGE | PART NO   | PAGE | PART NO   | PAGE | PART NO   | PAGE | PART NO   | PAGE |
|----------|------|----------|------|-----------|------|-----------|------|-----------|------|-----------|------|
| UKC18L   | 320  | UKC3798L | 572  | UTP1883   | 627  | WA105001L | 101  | WA105001L | 752  | WA106041L | 1060 |
| UKC2089L | 322  | UKC3799L | 278  | WA103001L | 821  | WA105001L | 149  | WA105001L | 771  | WA106041L | 1061 |
| UKC2089L | 356  | UKC3799L | 279  | WA104001L | 225  | WA105001L | 152  | WA105001L | 784  | WA106041L | 1064 |
| UKC2105L | 322  | UKC3802L | 279  | WA104001L | 38   | WA105001L | 196  | WA105001L | 807  | WA106041L | 1073 |
| UKC2105L | 356  | UKC3803L | 151  | WA104001L | 469  | WA105001L | 334  | WA105001L | 810  | WA106041L | 1074 |
| UKC24L   | 305  | UKC3803L | 197  | WA104001L | 533  | WA105001L | 373  | WA105001L | 845  | WA106041L | 133  |
| UKC24L   | 306  | UKC3803L | 233  | WA104001L | 727  | WA105001L | 393  | WA105001L | 851  | WA106041L | 139  |
| UKC25L   | 304  | UKC3803L | 276  | WA104001L | 728  | WA105001L | 395  | WA105001L | 856  | WA106041L | 183  |
| UKC25L   | 305  | UKC3803L | 570  | WA104001L | 734  | WA105001L | 513  | WA105001L | 860  | WA106041L | 252  |
| UKC25L   | 334  | UKC3803L | 572  | WA104001L | 736  | WA105001L | 514  | WA105001L | 878  | WA106041L | 289  |
| UKC2738L | 307  | UKC6683L | 570  | WA104001L | 737  | WA105001L | 521  | WA105001L | 891  | WA106041L | 35   |
| UKC2738L | 308  | UKC6683L | 573  | WA104001L | 753  | WA105001L | 523  | WA105001L | 904  | WA106041L | 357  |
| UKC30L   | 305  | UKC6683L | 579  | WA104001L | 805  | WA105001L | 525  | WA105001L | 911  | WA106041L | 36   |
| UKC30L   | 306  | UKC6684L | 1059 | WA104001L | 808  | WA105001L | 544  | WA105001L | 912  | WA106041L | 371  |
| UKC30L   | 332  | UKC6684L | 482  | WA104001L | 811  | WA105001L | 569  | WA105001L | 993  | WA106041L | 373  |
| UKC3092  | 323  | UKC73L   | 321  | WA104001L | 845  | WA105001L | 628  | WA105001L | 999  | WA106041L | 375  |
| UKC31L   | 312  | UKC75L   | 321  | WA104004  | 665  | WA105001L | 634  | WA105004L | 628  | WA106041L | 393  |
| UKC31L   | 313  | UKC8L    | 311  | WA104004  | 728  | WA105001L | 653  | WA105041  | 740  | WA106041L | 450  |
| UKC31L   | 315  | UKC8L    | 338  | WA104004L | 752  | WA105001L | 676  | WA106001L | 1065 | WA106041L | 462  |
| UKC3115  | 322  | UKC8677L | 303  | WA104004L | 911  | WA105001L | 693  | WA106001L | 234  | WA106041L | 463  |
| UKC3530L | 312  | UKC8677L | 331  | WA104004L | 912  | WA105001L | 694  | WA106001L | 308  | WA106041L | 464  |
| UKC3530L | 315  | UKC8677L | 347  | WA104004L | 915  | WA105001L | 695  | WA106001L | 322  | WA106041L | 468  |
| UKC3531L | 313  | ULC1796L | 317  | WA105001  | 1060 | WA105001L | 696  | WA106001L | 415  | WA106041L | 469  |
| UKC3660L | 322  | UTP1125  | 627  | WA105001  | 449  | WA105001L | 697  | WA106001L | 618  | WA106041L | 473  |
| UKC37L   | 311  | UTP1126  | 627  | WA105001  | 574  | WA105001L | 698  | WA106001L | 833  | WA106041L | 485  |
| UKC37L   | 314  | UTP1258  | 626  | WA105001  | 599  | WA105001L | 709  | WA106001L | 842  | WA106041L | 486  |
| UKC3794L | 571  | UTP1259  | 626  | WA105001  | 629  | WA105001L | 710  | WA106041  | 602  | WA106041L | 503  |
| UKC3795L | 572  | UTP1281  | 626  | WA105001  | 666  | WA105001L | 717  | WA106041  | 622  | WA106041L | 504  |
| UKC3796L | 152  | UTP1282  | 626  | WA105001  | 880  | WA105001L | 727  | WA106041L | 1045 | WA106041L | 505  |
| UKC3798L | 570  | UTP1725  | 626  | WA105001L | 1001 | WA105001L | 728  | WA106041L | 1059 | WA106041L | 506  |





## DEFENDER 110 1987 onwards

1137

## NUMERICAL INDEX

| PART NO   | PAGE | PART NO   | PAGE | PART NO   | PAGE | PART NO   | PAGE | PART NO   | PAGE | PART NO   | PAGE |
|-----------|------|-----------|------|-----------|------|-----------|------|-----------|------|-----------|------|
| WA106041L | 507  | WA106041L | 767  | WA106041L | 909  | WA108051L | 127  | WA108051L | 310  | WA108051L | 514  |
| WA106041L | 508  | WA106041L | 772  | WA106041L | 916  | WA108051L | 132  | WA108051L | 322  | WA108051L | 516  |
| WA106041L | 529  | WA106041L | 773  | WA106041L | 917  | WA108051L | 137  | WA108051L | 325  | WA108051L | 520  |
| WA106041L | 530  | WA106041L | 774  | WA106041L | 937  | WA108051L | 147  | WA108051L | 34   | WA108051L | 522  |
| WA106041L | 560  | WA106041L | 783  | WA106041L | 938  | WA108051L | 148  | WA108051L | 356  | WA108051L | 524  |
| WA106041L | 562  | WA106041L | 788  | WA106041L | 939  | WA108051L | 149  | WA108051L | 357  | WA108051L | 53   |
| WA106041L | 563  | WA106041L | 790  | WA106041L | 989  | WA108051L | 151  | WA108051L | 362  | WA108051L | 544  |
| WA106041L | 568  | WA106041L | 792  | WA106044L | 1002 | WA108051L | 155  | WA108051L | 364  | WA108051L | 546  |
| WA106041L | 588  | WA106041L | 794  | WA106045L | 769  | WA108051L | 158  | WA108051L | 367  | WA108051L | 549  |
| WA106041L | 591  | WA106041L | 800  | WA106045L | 770  | WA108051L | 173  | WA108051L | 371  | WA108051L | 56   |
| WA106041L | 609  | WA106041L | 803  | WA106047L | 289  | WA108051L | 178  | WA108051L | 374  | WA108051L | 573  |
| WA106041L | 611  | WA106041L | 806  | WA106047L | 562  | WA108051L | 181  | WA108051L | 381  | WA108051L | 579  |
| WA106041L | 612  | WA106041L | 809  | WA106047L | 563  | WA108051L | 193  | WA108051L | 384  | WA108051L | 58   |
| WA106041L | 614  | WA106041L | 81   | WA106047L | 569  | WA108051L | 194  | WA108051L | 387  | WA108051L | 587  |
| WA106041L | 617  | WA106041L | 817  | WA106061L | 281  | WA108051L | 196  | WA108051L | 390  | WA108051L | 591  |
| WA106041L | 618  | WA106041L | 818  | WA108001  | 706  | WA108051L | 200  | WA108051L | 394  | WA108051L | 604  |
| WA106041L | 621  | WA106041L | 819  | WA108041  | 601  | WA108051L | 203  | WA108051L | 395  | WA108051L | 609  |
| WA106041L | 624  | WA106041L | 823  | WA108041  | 968  | WA108051L | 257  | WA108051L | 435  | WA108051L | 616  |
| WA106041L | 682  | WA106041L | 830  | WA108041  | 970  | WA108051L | 258  | WA108051L | 438  | WA108051L | 618  |
| WA106041L | 707  | WA106041L | 839  | WA108041  | 976  | WA108051L | 259  | WA108051L | 44   | WA108051L | 685  |
| WA106041L | 73   | WA106041L | 845  | WA108051L | 100  | WA108051L | 281  | WA108051L | 443  | WA108051L | 702  |
| WA106041L | 730  | WA106041L | 850  | WA108051L | 101  | WA108051L | 283  | WA108051L | 45   | WA108051L | 720  |
| WA106041L | 732  | WA106041L | 868  | WA108051L | 1026 | WA108051L | 289  | WA108051L | 450  | WA108051L | 721  |
| WA106041L | 735  | WA106041L | 869  | WA108051L | 1027 | WA108051L | 29   | WA108051L | 477  | WA108051L | 744  |
| WA106041L | 736  | WA106041L | 870  | WA108051L | 1029 | WA108051L | 292  | WA108051L | 478  | WA108051L | 746  |
| WA106041L | 737  | WA106041L | 871  | WA108051L | 103  | WA108051L | 293  | WA108051L | 479  | WA108051L | 749  |
| WA106041L | 739  | WA106041L | 89   | WA108051L | 1035 | WA108051L | 295  | WA108051L | 484  | WA108051L | 75   |
| WA106041L | 746  | WA106041L | 90   | WA108051L | 106  | WA108051L | 296  | WA108051L | 490  | WA108051L | 750  |
| WA106041L | 755  | WA106041L | 907  | WA108051L | 109  | WA108051L | 309  | WA108051L | 503  | WA108051L | 769  |
| WA106041L | 765  | WA106041L | 908  | WA108051L | 125  | WA108051L | 31   | WA108051L | 513  | WA108051L | 773  |





## DEFENDER 110 1987 onwards

1138

## NUMERICAL INDEX

| PART NO   | PAGE | PART NO   | PAGE | PART NO   | PAGE | PART NO   | PAGE | PART NO   | PAGE | PART NO   | PAGE |
|-----------|------|-----------|------|-----------|------|-----------|------|-----------|------|-----------|------|
| WA108051L | 786  | WA110001L | 442  | WA110061L | 463  | WA702101L | 268  | WC105001L | 914  | WC108051L | 1009 |
| WA108051L | 787  | WA110061  | 334  | WA110061L | 547  | WA702101L | 277  | WC105004  | 728  | WC108051L | 1029 |
| WA108051L | 790  | WA110061  | 511  | WA110061L | 56   | WA702101L | 281  | WC105007  | 714  | WC108051L | 1033 |
| WA108051L | 80   | WA110061  | 587  | WA110061L | 587  | WA704061  | 708  | WC105007  | 726  | WC108051L | 1046 |
| WA108051L | 800  | WA110061L | 1008 | WA110061L | 591  | WB106041  | 775  | WC105007  | 769  | WC108051L | 115  |
| WA108051L | 817  | WA110061L | 1026 | WA110061L | 66   | WB106041L | 1012 | WC106041L | 1012 | WC108051L | 162  |
| WA108051L | 819  | WA110061L | 1035 | WA110061L | 747  | WB106041L | 1028 | WC106041L | 1044 | WC108051L | 206  |
| WA108051L | 822  | WA110061L | 1050 | WA110061L | 748  | WB106041L | 1034 | WC106041L | 1046 | WC108051L | 448  |
| WA108051L | 831  | WA110061L | 109  | WA110061L | 776  | WB106041L | 268  | WC106041L | 258  | WC108051L | 522  |
| WA108051L | 835  | WA110061L | 118  | WA110061L | 852  | WB106041L | 58   | WC106041L | 259  | WC108051L | 524  |
| WA108051L | 838  | WA110061L | 158  | WA110061L | 853  | WB106045  | 1014 | WC106041L | 483  | WC108051L | 56   |
| WA108051L | 846  | WA110061L | 165  | WA110061L | 909  | WB108051L | 110  | WC106041L | 493  | WC108051L | 64   |
| WA108051L | 847  | WA110061L | 192  | WA110065  | 633  | WB108051L | 159  | WC106041L | 502  | WC108051L | 73   |
| WA108051L | 853  | WA110061L | 203  | WA110065  | 653  | WB108051L | 57   | WC106041L | 598  | WC108051L | 744  |
| WA108051L | 87   | WA110061L | 209  | WA112081L | 1026 | WB108051L | 711  | WC106041L | 620  | WC108051L | 768  |
| WA108051L | 878  | WA110061L | 245  | WA112081L | 1055 | WB108051L | 891  | WC106041L | 682  | WC108051L | 778  |
| WA108051L | 902  | WA110061L | 286  | WA112081L | 304  | WB114001L | 878  | WC106041L | 730  | WC108051L | 798  |
| WA108051L | 903  | WA110061L | 296  | WA112081L | 452  | WB120001  | 439  | WC106041L | 732  | WC108051L | 817  |
| WA108051L | 905  | WA110061L | 297  | WA112081L | 454  | WB600071L | 48   | WC106041L | 746  | WC108051L | 835  |
| WA108051L | 907  | WA110061L | 304  | WA112081L | 455  | WC104001L | 835  | WC106041L | 756  | WC108051L | 837  |
| WA108051L | 908  | WA110061L | 305  | WA112081L | 457  | WC104001L | 926  | WC106041L | 757  | WC108051L | 859  |
| WA108051L | 968  | WA110061L | 306  | WA112081L | 475  | WC105001  | 665  | WC106041L | 761  | WC108051L | 865  |
| WA108051L | 969  | WA110061L | 324  | WA112081L | 478  | WC105001  | 715  | WC106041L | 822  | WC108051L | 866  |
| WA108051L | 971  | WA110061L | 325  | WA112081L | 750  | WC105001L | 482  | WC106041L | 841  | WC108051L | 877  |
| WA108051L | 972  | WA110061L | 358  | WA112081L | 834  | WC105001L | 752  | WC106041L | 901  | WC108051L | 879  |
| WA108051L | 977  | WA110061L | 363  | WA112081L | 929  | WC105001L | 770  | WC106044L | 911  | WC108051L | 958  |
| WA108051L | 988  | WA110061L | 383  | WA120001  | 438  | WC105001L | 807  | WC106045  | 599  | WC108051L | 974  |
| WA108051L | 99   | WA110061L | 437  | WA600071  | 452  | WC105001L | 832  | WC106047  | 598  | WC108051L | 979  |
| WA110001L | 1052 | WA110061L | 442  | WA600091L | 816  | WC105001L | 840  | WC106047  | 620  | WC108051L | 980  |
| WA110001L | 1053 | WA110061L | 448  | WA702101L | 252  | WC105001L | 911  | WC108051L | 1004 | WC108051L | 983  |







## DEFENDER 110 1987 onwards

1139

## NUMERICAL INDEX

| PART NO    | PAGE | PART NO   | PAGE | PART NO   | PAGE | PART NO   | PAGE | PART NO   | PAGE | PART NO   | PAGE |
|------------|------|-----------|------|-----------|------|-----------|------|-----------|------|-----------|------|
| WC108051L  | 986  | WC600045L | 996  | WF106001L | 775  | WH600041L | 1014 | WL105001L | 517  | WL106001  | 588  |
| WC108051L  | 987  | WC702101  | 1063 | WF108001L | 794  | WJ105001  | 960  | WL105001L | 521  | WL106001  | 591  |
| WC108051L  | 990  | WC702101  | 506  | WF108001L | 957  | WJ105001  | 961  | WL105001L | 523  | WL106001  | 632  |
| WC108051L  | 992  | WC702101  | 526  | WF108004L | 786  | WJ106001L | 528  | WL105001L | 525  | WL106001  | 746  |
| WC110061   | 880  | WC702101  | 961  | WF110001L | 493  | WJ106001L | 587  | WL105001L | 544  | WL106001  | 850  |
| WC110061L  | 131  | WC702101L | 1001 | WF110001L | 495  | WJ106001L | 591  | WL105001L | 545  | WL106001L | 1011 |
| WC110061L  | 177  | WC702101L | 502  | WF110001L | 496  | WJ106007  | 59   | WL105001L | 674  | WL106001L | 1012 |
| WC110061L  | 256  | WC702101L | 504  | WF110001L | 497  | WJ108001  | 588  | WL105001L | 676  | WL106001L | 1016 |
| WC110061L  | 28   | WC702101L | 505  | WF110001L | 498  | WJ108001  | 591  | WL105001L | 693  | WL106001L | 1027 |
| WC110061L  | 344  | WC702101L | 994  | WF110001L | 499  | WJ108001L | 147  | WL105001L | 694  | WL106001L | 1028 |
| WC110061L  | 439  | WC702101L | 997  | WF110001L | 500  | WJ108001L | 983  | WL105001L | 697  | WL106001L | 1032 |
| WC110061L  | 441  | WD110061L | 359  | WF110001L | 502  | WJ108001L | 986  | WL105001L | 698  | WL106001L | 1034 |
| WC110061L  | 745  | WD112081L | 891  | WF110001L | 504  | WJ110001L | 463  | WL105001L | 702  | WL106001L | 1039 |
| WC110061L  | 79   | WE104001L | 225  | WF110001L | 505  | WJ600041L | 1073 | WL105001L | 717  | WL106001L | 105  |
| WC110061L  | 983  | WE104001L | 725  | WF110001L | 506  | WK606214L | 723  | WL105001L | 722  | WL106001L | 106  |
| WC110061L  | 986  | WE104001L | 805  | WF112001L | 475  | WK608213  | 1013 | WL105001L | 752  | WL106001L | 1061 |
| WC110061LD | 359  | WE106001L | 788  | WF116001L | 515  | WK608311  | 992  | WL105001L | 832  | WL106001L | 1064 |
| WC112081   | 443  | WE600041L | 716  | WF600041L | 689  | WL100001L | 707  | WL105001L | 840  | WL106001L | 1065 |
| WC112081   | 747  | WE600041L | 959  | WF600041L | 717  | WL104001L | 533  | WL105001L | 856  | WL106001L | 1073 |
| WC112081L  | 435  | WE600071L | 479  | WF600041L | 731  | WL104001L | 776  | WL105001L | 860  | WL106001L | 1074 |
| WC112081L  | 437  | WE600081  | 446  | WF600041L | 733  | WL104004  | 911  | WL105001L | 891  | WL106001L | 135  |
| WC112081L  | 462  | WE600101L | 480  | WF600041L | 734  | WL105001  | 1058 | WL105001L | 904  | WL106001L | 136  |
| WC112081L  | 463  | WE702101  | 961  | WF600041L | 736  | WL105001  | 1060 | WL105001L | 914  | WL106001L | 145  |
| WC112081L  | 582  | WE703081  | 707  | WF600041L | 737  | WL105001  | 574  | WL105004  | 714  | WL106001L | 146  |
| WC112081L  | 827  | WF104001L | 514  | WF600051L | 830  | WL105001  | 801  | WL105004  | 726  | WL106001L | 154  |
| WC116101   | 443  | WF105001L | 717  | WF600051L | 837  | WL105001  | 960  | WL105004  | 728  | WL106001L | 155  |
| WC600045L  | 1002 | WF105001L | 770  | WF600071L | 479  | WL105001  | 962  | WL106001  | 1059 | WL106001L | 180  |
| WC600045L  | 1009 | WF105001L | 912  | WF702108  | 722  | WL105001L | 334  | WL106001  | 1060 | WL106001L | 190  |
| WC600045L  | 1012 | WF106001L | 289  | WF703084  | 722  | WL105001L | 486  | WL106001  | 415  | WL106001L | 200  |
| WC600045L  | 922  | WF106001L | 717  | WF704064  | 723  | WL105001L | 51   | WL106001  | 575  | WL106001L | 252  |





## DEFENDER 110 1987 onwards

1140

## NUMERICAL INDEX

| PART NO   | PAGE | PART NO   | PAGE | PART NO   | PAGE | PART NO   | PAGE | PART NO   | PAGE | PART NO   | PAGE |
|-----------|------|-----------|------|-----------|------|-----------|------|-----------|------|-----------|------|
| WL106001L | 29   | WL106001L | 598  | WL106001L | 767  | WL106001L | 86   | WL106005L | 770  | WL108001L | 142  |
| WL106001L | 307  | WL106001L | 611  | WL106001L | 773  | WL106001L | 865  | WL106007L | 289  | WL108001L | 150  |
| WL106001L | 32   | WL106001L | 613  | WL106001L | 774  | WL106001L | 868  | WL106007L | 563  | WL108001L | 155  |
| WL106001L | 322  | WL106001L | 614  | WL106001L | 775  | WL106001L | 869  | WL106007L | 620  | WL108001L | 158  |
| WL106001L | 33   | WL106001L | 616  | WL106001L | 779  | WL106001L | 870  | WL106041  | 502  | WL108001L | 162  |
| WL106001L | 358  | WL106001L | 620  | WL106001L | 783  | WL106001L | 871  | WL106041  | 746  | WL108001L | 166  |
| WL106001L | 43   | WL106001L | 624  | WL106001L | 799  | WL106001L | 892  | WL106047  | 289  | WL108001L | 173  |
| WL106001L | 444  | WL106001L | 631  | WL106001L | 800  | WL106001L | 902  | WL106047L | 562  | WL108001L | 180  |
| WL106001L | 450  | WL106001L | 649  | WL106001L | 803  | WL106001L | 903  | WL108001L | 1004 | WL108001L | 181  |
| WL106001L | 468  | WL106001L | 652  | WL106001L | 806  | WL106001L | 904  | WL108001L | 1009 | WL108001L | 200  |
| WL106001L | 473  | WL106001L | 654  | WL106001L | 813  | WL106001L | 905  | WL108001L | 102  | WL108001L | 203  |
| WL106001L | 493  | WL106001L | 655  | WL106001L | 814  | WL106001L | 907  | WL108001L | 1026 | WL108001L | 206  |
| WL106001L | 501  | WL106001L | 689  | WL106001L | 816  | WL106001L | 937  | WL108001L | 1029 | WL108001L | 209  |
| WL106001L | 507  | WL106001L | 690  | WL106001L | 817  | WL106001L | 938  | WL108001L | 103  | WL108001L | 24   |
| WL106001L | 529  | WL106001L | 707  | WL106001L | 818  | WL106001L | 939  | WL108001L | 1031 | WL108001L | 245  |
| WL106001L | 53   | WL106001L | 719  | WL106001L | 819  | WL106001L | 957  | WL108001L | 1033 | WL108001L | 27   |
| WL106001L | 530  | WL106001L | 720  | WL106001L | 821  | WL106001L | 966  | WL108001L | 1046 | WL108001L | 29   |
| WL106001L | 544  | WL106001L | 730  | WL106001L | 822  | WL106001L | 97   | WL108001L | 106  | WL108001L | 294  |
| WL106001L | 545  | WL106001L | 732  | WL106001L | 823  | WL106001L | 98   | WL108001L | 1062 | WL108001L | 296  |
| WL106001L | 550  | WL106001L | 735  | WL106001L | 827  | WL106001L | 989  | WL108001L | 109  | WL108001L | 30   |
| WL106001L | 559  | WL106001L | 736  | WL106001L | 83   | WL106001L | 994  | WL108001L | 115  | WL108001L | 302  |
| WL106001L | 560  | WL106001L | 737  | WL106001L | 830  | WL106001L | 999  | WL108001L | 119  | WL108001L | 303  |
| WL106001L | 561  | WL106001L | 739  | WL106001L | 833  | WL106004  | 921  | WL108001L | 127  | WL108001L | 307  |
| WL106001L | 562  | WL106001L | 755  | WL106001L | 835  | WL106004L | 1000 | WL108001L | 128  | WL108001L | 309  |
| WL106001L | 563  | WL106001L | 756  | WL106001L | 839  | WL106004L | 1005 | WL108001L | 130  | WL108001L | 32   |
| WL106001L | 568  | WL106001L | 759  | WL106001L | 84   | WL106004L | 1008 | WL108001L | 132  | WL108001L | 322  |
| WL106001L | 576  | WL106001L | 763  | WL106001L | 842  | WL106004L | 996  | WL108001L | 135  | WL108001L | 323  |
| WL106001L | 577  | WL106001L | 764  | WL106001L | 85   | WL106004L | 997  | WL108001L | 136  | WL108001L | 324  |
| WL106001L | 578  | WL106001L | 765  | WL106001L | 851  | WL106004L | 998  | WL108001L | 137  | WL108001L | 325  |
| WL106001L | 58   | WL106001L | 766  | WL106001L | 859  | WL106005L | 769  | WL108001L | 141  | WL108001L | 33   |





DEFENDER 110 1987 onwards

1141

NUMERICAL INDEX

| PART NO   | PAGE | PART NO   | PAGE | PART NO   | PAGE | PART NO   | PAGE | PART NO    | PAGE | PART NO   | PAGE |
|-----------|------|-----------|------|-----------|------|-----------|------|------------|------|-----------|------|
| WL108001L | 335  | WL108001L | 555  | WL108001L | 769  | WL108001L | 907  | WL110001L  | 35   | WL112001L | 348  |
| WL108001L | 34   | WL108001L | 557  | WL108001L | 773  | WL108001L | 908  | WL110001L  | 364  | WL112001L | 359  |
| WL108001L | 347  | WL108001L | 56   | WL108001L | 78   | WL108001L | 92   | WL110001L  | 382  | WL112001L | 507  |
| WL108001L | 350  | WL108001L | 573  | WL108001L | 798  | WL108001L | 93   | WL110001L  | 384  | WL112001L | 508  |
| WL108001L | 355  | WL108001L | 579  | WL108001L | 80   | WL108001L | 980  | WL110001L  | 420  | WL112001L | 79   |
| WL108001L | 358  | WL108001L | 58   | WL108001L | 800  | WL108001L | 99   | WL110001L  | 427  | WL112201L | 325  |
| WL108001L | 373  | WL108001L | 581  | WL108001L | 817  | WL108001L | 992  | WL110001L  | 448  | WL600041L | 556  |
| WL108001L | 38   | WL108001L | 583  | WL108001L | 819  | WL110001  | 1050 | WL110001L  | 488  | WL600051  | 1027 |
| WL108001L | 382  | WL108001L | 584  | WL108001L | 820  | WL110001  | 1052 | WL110001L  | 507  | WL600051L | 551  |
| WL108001L | 39   | WL108001L | 585  | WL108001L | 822  | WL110001  | 1053 | WL110001L  | 520  | WL600061L | 359  |
| WL108001L | 393  | WL108001L | 586  | WL108001L | 827  | WL110001  | 1062 | WL110001L  | 56   | WL700101  | 526  |
| WL108001L | 417  | WL108001L | 588  | WL108001L | 83   | WL110001  | 417  | WL110001L  | 65   | WL700101  | 552  |
| WL108001L | 419  | WL108001L | 589  | WL108001L | 830  | WL110001L | 1026 | WL110001L  | 66   | WL700101L | 1063 |
| WL108001L | 435  | WL108001L | 590  | WL108001L | 831  | WL110001L | 1046 | WL110001L  | 745  | WM106001  | 772  |
| WL108001L | 438  | WL108001L | 591  | WL108001L | 838  | WL110001L | 109  | WL110001L  | 748  | WM106001  | 841  |
| WL108001L | 44   | WL108001L | 604  | WL108001L | 84   | WL110001L | 116  | WL110001L  | 79   | WM106001L | 303  |
| WL108001L | 443  | WL108001L | 609  | WL108001L | 846  | WL110001L | 131  | WL110001L  | 852  | WM106001L | 347  |
| WL108001L | 45   | WL108001L | 616  | WL108001L | 847  | WL110001L | 139  | WL110001L  | 853  | WM106001L | 609  |
| WL108001L | 450  | WL108001L | 624  | WL108001L | 85   | WL110001L | 158  | WL110001L  | 880  | WM106001L | 764  |
| WL108001L | 478  | WL108001L | 64   | WL108001L | 853  | WL110001L | 163  | WL110001L  | 89   | WM106001L | 766  |
| WL108001L | 488  | WL108001L | 66   | WL108001L | 859  | WL110001L | 177  | WL110001L  | 90   | WM106001L | 767  |
| WL108001L | 511  | WL108001L | 685  | WL108001L | 86   | WL110001L | 183  | WL110001L  | 909  | WM106001L | 778  |
| WL108001L | 512  | WL108001L | 706  | WL108001L | 865  | WL110001L | 203  | WL110001LD | 359  | WM106001L | 779  |
| WL108001L | 514  | WL108001L | 719  | WL108001L | 866  | WL110001L | 207  | WL110301L  | 36   | WM106001L | 839  |
| WL108001L | 515  | WL108001L | 721  | WL108001L | 87   | WL110001L | 256  | WL112001L  | 1026 | WM110001L | 436  |
| WL108001L | 522  | WL108001L | 744  | WL108001L | 877  | WL110001L | 28   | WL112001L  | 131  | WM110001L | 441  |
| WL108001L | 524  | WL108001L | 75   | WL108001L | 879  | WL110001L | 305  | WL112001L  | 177  | WM110001L | 442  |
| WL108001L | 53   | WL108001L | 755  | WL108001L | 902  | WL110001L | 306  | WL112001L  | 28   | WM600041L | 1012 |
| WL108001L | 546  | WL108001L | 76   | WL108001L | 903  | WL110001L | 325  | WL112001L  | 304  | WM600041L | 1014 |
| WL108001L | 549  | WL108001L | 765  | WL108001L | 905  | WL110001L | 349  | WL112001L  | 325  | WM600041L | 255  |





## DEFENDER 110 1987 onwards

1142

## NUMERICAL INDEX

| PART NO   | PAGE | PART NO   | PAGE | PART NO   | PAGE | PART NO   | PAGE | PART NO  | PAGE | PART NO  | PAGE |
|-----------|------|-----------|------|-----------|------|-----------|------|----------|------|----------|------|
| WM600041L | 257  | WM600051L | 476  | WM702001L | 694  | YEB10026  | 721  | ZXC9386  | 858  | 18G8619L | 111  |
| WM600041L | 260  | WM600051L | 509  | WM702001L | 911  | YEB10027  | 720  | ZXC9387  | 858  | 18G8619L | 60   |
| WM600041L | 268  | WM600051L | 583  | WM702001L | 994  | YEB10027  | 721  | 1H106301 | 632  | 18G8951L | 488  |
| WM600041L | 270  | WM600051L | 632  | WM704001L | 673  | YGA2682L  | 928  | 10211    | 672  | 18G8953L | 488  |
| WM600041L | 271  | WM600051L | 702  | WP105L    | 581  | YGA2682L  | 932  | 10802070 | 141  | 2K8686L  | 480  |
| WM600041L | 277  | WM600051L | 765  | WP105L    | 583  | YGA2682L  | 936  | 10802070 | 92   | 201235   | 788  |
| WM600041L | 299  | WM600051L | 768  | WP105L    | 585  | YGA451L   | 803  | 11H1781L | 473  | 201235   | 792  |
| WM600041L | 49   | WM600051L | 783  | WP105L    | 589  | YGA451L   | 806  | 11011L   | 460  | 20138    | 1013 |
| WM600041L | 558  | WM600051L | 841  | WP105L    | 590  | YQG10007  | 691  | 11820L   | 502  | 20138    | 992  |
| WM600041L | 599  | WM600061  | 407  | WP185     | 768  | YQG10008  | 691  | 12H220L  | 102  | 20147    | 1013 |
| WM600041L | 991  | WM600061  | 409  | WP185L    | 325  | YQG10011L | 691  | 12H220L  | 150  | 20147    | 992  |
| WM600051L | 1034 | WM600061L | 1044 | WP185L    | 522  | YUJ10037L | 713  | 13H1515L | 103  | 201647   | 788  |
| WM600051L | 105  | WM600061L | 266  | WP185L    | 592  | YWB10027L | 697  | 13H1515L | 546  | 213700   | 37   |
| WM600051L | 154  | WM600061L | 268  | WP185L    | 593  | YWB10027L | 714  | 13H2023L | 318  | 213961   | 176  |
| WM600051L | 199  | WM600061L | 283  | WP185L    | 827  | YWB10027L | 715  | 13H2023L | 320  | 213961   | 23   |
| WM600051L | 204  | WM600061L | 293  | WS105001  | 604  | YWB10032L | 695  | 13H2475L | 918  | 213961   | 255  |
| WM600051L | 256  | WM600061L | 294  | WS106001  | 1046 | YWB10032L | 696  | 13H2475L | 945  | 213961   | 35   |
| WM600051L | 258  | WM600061L | 295  | WS108001L | 544  | YWB10032L | 697  | 13H2475L | 950  | 213961   | 74   |
| WM600051L | 259  | WM600061L | 296  | WS108001L | 776  | YWB10032L | 709  | 13H489L  | 774  | 213961   | 89   |
| WM600051L | 260  | WM600061L | 297  | WS600041L | 1044 | YWB10032L | 714  | 13H7343L | 627  | 214228   | 49   |
| WM600051L | 271  | WM600061L | 480  | WS600041L | 604  | YWB10032L | 717  | 13H7343L | 628  | 214229   | 49   |
| WM600051L | 276  | WM600061L | 516  | WS600047L | 604  | YWC10050L | 716  | 13H9157  | 707  | 216708   | 556  |
| WM600051L | 283  | WM600071  | 1061 | WS600051  | 544  | YWT10003  | 717  | 139082   | 479  | 216962   | 368  |
| WM600051L | 287  | WM600071L | 256  | WS600061  | 776  | YWZ10003L | 716  | 150844   | 729  | 216962   | 369  |
| WM600051L | 292  | WM600071L | 827  | WS600091  | 816  | ZXC9117   | 725  | 154545   | 257  | 216962   | 388  |
| WM600051L | 293  | WM702001  | 675  | WW104001  | 753  | ZXC9118   | 725  | 154545   | 267  | 216962   | 391  |
| WM600051L | 294  | WM702001L | 1013 | WZX1505   | 275  | ZXC9119   | 725  | 156206   | 669  | 217245   | 452  |
| WM600051L | 295  | WM702001L | 252  | XBL10003L | 716  | ZXC9120   | 725  | 1643     | 1061 | 217245   | 454  |
| WM600051L | 436  | WM702001L | 270  | XQJ10002  | 728  | ZXC9121   | 725  | 17H2475L | 815  | 217245   | 456  |
| WM600051L | 439  | WM702001L | 281  | YEB10026  | 720  | ZXC9328   | 725  | 17H8764L | 507  | 217245   | 458  |





## DEFENDER 110 1987 onwards

1143

## NUMERICAL INDEX

| PART NO  | PAGE | PART NO | PAGE | PART NO | PAGE | PART NO | PAGE | PART NO | PAGE | PART NO | PAGE |
|----------|------|---------|------|---------|------|---------|------|---------|------|---------|------|
| 217245   | 749  | 232039  | 362  | 235113  | 720  | 242522  | 401  | 247040  | 93   | 247723  | 141  |
| 217325   | 1061 | 232039  | 429  | 235113  | 721  | 243618  | 1013 | 247051  | 141  | 247723  | 92   |
| 217352   | 420  | 232039  | 430  | 235113  | 772  | 243958  | 44   | 247051  | 37   | 247726  | 102  |
| 217353   | 420  | 232039  | 90   | 235113  | 774  | 243958  | 520  | 247051  | 92   | 247726  | 150  |
| 219704   | 1043 | 232042  | 237  | 235770  | 128  | 243958  | 522  | 247127  | 124  | 247737  | 142  |
| 22G1988L | 323  | 232042  | 309  | 235770  | 174  | 243958  | 524  | 247127  | 126  | 247737  | 93   |
| 22G1988L | 344  | 232042  | 336  | 235770  | 25   | 243959  | 124  | 247127  | 171  | 247738  | 142  |
| 22G1989L | 323  | 232042  | 337  | 235770  | 76   | 243959  | 146  | 247127  | 213  | 247738  | 93   |
| 22G1989L | 344  | 232042  | 364  | 236022  | 270  | 243959  | 185  | 247127  | 22   | 247742  | 34   |
| 2204L    | 272  | 232042  | 384  | 236070  | 418  | 243959  | 22   | 247127  | 23   | 247755  | 72   |
| 2215L    | 444  | 232043  | 270  | 236074  | 1062 | 243959  | 43   | 247127  | 72   | 247766  | 257  |
| 2215L    | 510  | 232043  | 271  | 236257  | 137  | 243959  | 72   | 247127  | 74   | 247766  | 29   |
| 2217L    | 283  | 232044  | 137  | 236257  | 181  | 243959  | 98   | 247153  | 142  | 247874  | 146  |
| 2217L    | 292  | 232044  | 181  | 236257  | 34   | 243960  | 141  | 247153  | 93   | 247874  | 43   |
| 2222     | 747  | 232044  | 34   | 236257  | 87   | 243960  | 92   | 247179  | 102  | 247874  | 98   |
| 2265L    | 522  | 232044  | 87   | 236408  | 176  | 243967  | 264  | 247179  | 150  | 247965  | 124  |
| 2265L    | 524  | 232046  | 136  | 236548  | 1062 | 243968  | 264  | 247212  | 58   | 247965  | 22   |
| 2266L    | 115  | 232046  | 33   | 236632  | 407  | 244009  | 1063 | 247554  | 24   | 247965  | 72   |
| 2266L    | 162  | 232046  | 83   | 2393    | 790  | 244487  | 138  | 247555  | 173  | 250053  | 1046 |
| 2266L    | 206  | 232046  | 84   | 2393    | 799  | 244487  | 182  | 247555  | 189  | 250830  | 140  |
| 2266L    | 504  | 232046  | 85   | 2393    | 800  | 244487  | 34   | 247555  | 96   | 250830  | 91   |
| 2266L    | 64   | 232046  | 86   | 239600  | 276  | 244487  | 88   | 247583  | 129  | 252164  | 452  |
| 230313   | 145  | 233220  | 479  | 239600  | 609  | 244488  | 138  | 247583  | 77   | 252164  | 747  |
| 230313   | 190  | 233243  | 673  | 239673  | 485  | 244488  | 181  | 247614  | 39   | 252513  | 251  |
| 230313   | 42   | 233244  | 675  | 239673  | 486  | 244488  | 34   | 247665  | 138  | 252514  | 270  |
| 230313   | 97   | 234532  | 399  | 240407  | 475  | 244488  | 88   | 247665  | 182  | 252516  | 258  |
| 230511   | 418  | 234532  | 401  | 240407  | 489  | 245003  | 58   | 247665  | 34   | 252516  | 259  |
| 232039   | 139  | 234957  | 509  | 240407  | 490  | 246109  | 1055 | 247665  | 88   | 252623  | 273  |
| 232039   | 358  | 235113  | 674  | 240708  | 476  | 247040  | 142  | 247683  | 141  | 253942  | 277  |
| 232039   | 36   | 235113  | 719  | 242522  | 399  | 247040  | 39   | 247683  | 92   | 253952  | 435  |





## DEFENDER 110 1987 onwards

1144

## NUMERICAL INDEX

| PART NO | PAGE | PART NO  | PAGE | PART NO | PAGE | PART NO | PAGE | PART NO | PAGE | PART NO | PAGE |
|---------|------|----------|------|---------|------|---------|------|---------|------|---------|------|
| 253952  | 440  | 267837   | 525  | 275679  | 141  | 301321  | 894  | 303975  | 818  | 307419  | 992  |
| 253952  | 747  | 269257   | 694  | 275679  | 38   | 301321  | 896  | 304125  | 1001 | 307420  | 1013 |
| 253963  | 452  | 269783   | 476  | 275679  | 92   | 301321  | 897  | 304125  | 961  | 307420  | 992  |
| 255227  | 1034 | 269783   | 477  | 276396  | 1043 | 301321  | 899  | 304125  | 999  | 3101    | 523  |
| 257017  | 252  | 27H2403L | 673  | 276426  | 568  | 301328  | 831  | 304301  | 902  | 3101    | 525  |
| 257064  | 270  | 27H5311  | 710  | 276426  | 569  | 301343  | 893  | 304301  | 903  | 312028  | 1013 |
| 257071  | 277  | 27H8207L | 669  | 276484  | 399  | 301343  | 895  | 304301  | 905  | 312856  | 678  |
| 257203  | 673  | 272632   | 476  | 277956  | 142  | 301343  | 897  | 304301  | 907  | 320045  | 757  |
| 257302  | 674  | 272712   | 476  | 277956  | 39   | 301343  | 899  | 304797  | 893  | 320045  | 838  |
| 257450  | 798  | 272712   | 477  | 277956  | 93   | 301347  | 992  | 304797  | 895  | 320608  | 678  |
| 257450  | 817  | 272713   | 476  | 2790    | 1073 | 301476  | 1000 | 304797  | 897  | 320674  | 998  |
| 264024  | 437  | 272713   | 477  | 279648  | 37   | 301476  | 998  | 304797  | 899  | 320699  | 959  |
| 264024  | 443  | 272714   | 476  | 2995    | 145  | 302177  | 857  | 3052    | 476  | 320719  | 1006 |
| 264590  | 674  | 272714   | 477  | 2995    | 42   | 302177  | 868  | 305232  | 794  | 320726  | 959  |
| 264590  | 675  | 272819   | 476  | 2995    | 97   | 302178  | 857  | 305232  | 814  | 3259    | 407  |
| 264591  | 672  | 272819   | 477  | 3H822L  | 849  | 302178  | 868  | 305232  | 837  | 3261    | 452  |
| 264591  | 674  | 273069   | 102  | 300816  | 749  | 302373  | 790  | 306287  | 857  | 3261    | 454  |
| 264591  | 675  | 273069   | 143  | 300953  | 894  | 302532  | 777  | 306287  | 862  | 3261    | 456  |
| 264591  | 676  | 273069   | 144  | 300953  | 896  | 302532  | 778  | 306289  | 857  | 3261L   | 458  |
| 264591  | 678  | 273069   | 150  | 300953  | 897  | 302532  | 838  | 306289  | 862  | 3290    | 251  |
| 264591  | 679  | 273069   | 187  | 300953  | 899  | 302532  | 868  | 306289  | 864  | 3290    | 348  |
| 264767  | 479  | 273069   | 233  | 300954  | 894  | 302532  | 870  | 306295  | 794  | 3290    | 417  |
| 265175  | 26   | 273069   | 40   | 300954  | 896  | 302648  | 1001 | 306316  | 1013 | 3291    | 417  |
| 265295  | 678  | 273069   | 41   | 300954  | 897  | 302648  | 997  | 306316  | 992  | 3292    | 305  |
| 266945  | 129  | 273069   | 94   | 300954  | 899  | 302933  | 1044 | 306564  | 790  | 3292    | 306  |
| 266945  | 175  | 273069   | 95   | 301005  | 997  | 302934  | 1044 | 306564  | 799  | 3292    | 349  |
| 266945  | 216  | 273370   | 276  | 301320  | 894  | 3036L   | 273  | 306564  | 800  | 3292    | 358  |
| 266945  | 77   | 273521   | 102  | 301320  | 896  | 3036L   | 293  | 307418  | 1013 | 3292    | 418  |
| 267604  | 270  | 273521   | 150  | 301320  | 897  | 303847  | 1044 | 307418  | 992  | 330271  | 829  |
| 267837  | 523  | 275234   | 31   | 301320  | 899  | 303847  | 1046 | 307419  | 1013 | 330366  | 824  |





## DEFENDER 110 1987 onwards

1145

## NUMERICAL INDEX

| PART NO | PAGE | PART NO | PAGE | PART NO | PAGE | PART NO | PAGE | PART NO | PAGE | PART NO | PAGE |
|---------|------|---------|------|---------|------|---------|------|---------|------|---------|------|
| 330553  | 902  | 331249  | 893  | 332672  | 1045 | 334611  | 860  | 338554  | 859  | 346786  | 726  |
| 330553  | 903  | 331249  | 895  | 332672  | 1046 | 334614  | 826  | 338554  | 865  | 346796  | 666  |
| 330553  | 905  | 331273  | 961  | 332674  | 1045 | 334615  | 869  | 339935  | 893  | 346804  | 1012 |
| 330578  | 900  | 331480  | 953  | 332674  | 1046 | 334966  | 760  | 339935  | 895  | 346849  | 775  |
| 330578  | 904  | 331481  | 953  | 332942  | 813  | 336288  | 994  | 339935  | 899  | 346878  | 799  |
| 330578  | 906  | 331481  | 955  | 333032  | 797  | 336294  | 994  | 339986  | 960  | 346894  | 629  |
| 330579  | 900  | 331670  | 954  | 333033  | 797  | 336294  | 996  | 345100  | 1030 | 346924  | 628  |
| 330579  | 904  | 331670  | 955  | 333034  | 797  | 336535  | 776  | 345100  | 1031 | 346941  | 752  |
| 330579  | 906  | 331673  | 904  | 333035  | 797  | 336577  | 827  | 345100  | 1032 | 346976  | 629  |
| 330602  | 1046 | 331674  | 904  | 333036  | 798  | 336780  | 953  | 345101  | 1030 | 347151  | 813  |
| 330615  | 832  | 331675  | 904  | 333203  | 801  | 336780  | 954  | 345101  | 1031 | 347343  | 989  |
| 330699  | 902  | 331676  | 904  | 333263  | 838  | 336781  | 953  | 345101  | 1032 | 347344  | 989  |
| 330699  | 903  | 331709  | 958  | 333486  | 826  | 336781  | 954  | 345213  | 958  | 347369  | 789  |
| 330699  | 905  | 331709  | 989  | 333487  | 860  | 337812  | 763  | 345597  | 674  | 347369  | 793  |
| 330790  | 825  | 331709  | 990  | 333490  | 856  | 337813  | 763  | 345597  | 675  | 347436  | 765  |
| 330791  | 825  | 331835  | 1001 | 333551  | 1004 | 337859  | 959  | 345683  | 1003 | 347553  | 961  |
| 330896  | 902  | 331835  | 998  | 333745  | 839  | 337873  | 958  | 345683  | 1006 | 347586  | 628  |
| 330896  | 903  | 331974  | 960  | 334121  | 752  | 337880  | 958  | 345683  | 1010 | 347594  | 819  |
| 330896  | 905  | 332146  | 835  | 334177  | 1002 | 337899  | 959  | 345683  | 999  | 347844  | 1034 |
| 330897  | 903  | 332147  | 814  | 334245  | 904  | 338013  | 478  | 345699  | 902  | 347861  | 995  |
| 330897  | 905  | 332201  | 859  | 334245  | 906  | 338015  | 750  | 345699  | 903  | 347862  | 995  |
| 330897  | 907  | 332201  | 865  | 334246  | 904  | 338015  | 762  | 345699  | 905  | 347863  | 995  |
| 331083  | 449  | 332215  | 856  | 334246  | 906  | 338017  | 762  | 345699  | 907  | 347866  | 1046 |
| 331221  | 894  | 332215  | 860  | 334540  | 1005 | 338023  | 689  | 345937  | 1027 | 347869  | 960  |
| 331221  | 896  | 332293  | 859  | 334540  | 1007 | 338023  | 751  | 345985  | 1063 | 347939  | 628  |
| 331221  | 897  | 332293  | 866  | 334601  | 1004 | 338028  | 762  | 346341  | 798  | 348430  | 904  |
| 331221  | 899  | 332355  | 960  | 334601  | 1008 | 338550  | 865  | 346341  | 817  | 348430  | 960  |
| 331222  | 894  | 332582  | 830  | 334610  | 856  | 338552  | 859  | 346410  | 961  | 348430  | 962  |
| 331222  | 896  | 332582  | 837  | 334610  | 860  | 338552  | 865  | 346576  | 752  | 348747  | 450  |
| 331222  | 897  | 332647  | 750  | 334611  | 856  | 338553  | 866  | 346722  | 450  | 349514  | 990  |





## DEFENDER 110 1987 onwards

1146

## NUMERICAL INDEX

| PART NO  | PAGE | PART NO  | PAGE | PART NO   | PAGE | PART NO | PAGE | PART NO | PAGE | PART NO | PAGE |
|----------|------|----------|------|-----------|------|---------|------|---------|------|---------|------|
| 349515   | 991  | 37H8119L | 103  | 395143    | 903  | 396800  | 896  | 4589L   | 84   | 501593  | 74   |
| 349516   | 1013 | 37H8119L | 546  | 395143    | 905  | 396800  | 897  | 4589L   | 86   | 502116  | 118  |
| 349516   | 991  | 371144   | 1038 | 395185    | 752  | 396800  | 899  | 4594    | 553  | 502116  | 165  |
| 349529   | 990  | 371144   | 1041 | 395191LCS | 921  | 396950  | 942  | 4594L   | 134  | 502116  | 209  |
| 349931   | 799  | 372336   | 890  | 395249    | 1030 | 396951  | 942  | 4594L   | 270  | 502116  | 245  |
| 349931   | 958  | 3830L    | 1034 | 395252    | 1031 | 3972    | 525  | 4594L   | 283  | 502116  | 66   |
| 349931   | 959  | 3830L    | 707  | 395252    | 1033 | 3982L   | 1044 | 4594L   | 294  | 502473  | 143  |
| 349931   | 990  | 3830L    | 990  | 395294    | 813  | 398776  | 818  | 4594L   | 296  | 502473  | 187  |
| 349943   | 960  | 3842     | 1044 | 395294    | 819  | 4034L   | 689  | 4594L   | 476  | 502473  | 228  |
| 349955   | 990  | 3852L    | 1013 | 395413    | 841  | 4067    | 286  | 4594L   | 82   | 502473  | 40   |
| 349996   | 957  | 3852L    | 922  | 395463    | 819  | 4075L   | 257  | 4866L   | 286  | 502473  | 94   |
| 349997   | 959  | 3887     | 774  | 395586    | 1028 | 4075L   | 957  | 4866L   | 294  | 502951  | 526  |
| 349998   | 959  | 3890     | 523  | 395587    | 1028 | 4075L   | 968  | 4868L   | 292  | 503352  | 709  |
| 351991   | 774  | 3890     | 525  | 395829    | 629  | 4075L   | 969  | 4868L   | 719  | 503805  | 351  |
| 3547     | 893  | 3898     | 744  | 395829    | 666  | 4075L   | 971  | 4868L   | 721  | 503805  | 352  |
| 359526   | 566  | 3900L    | 483  | 395830    | 629  | 4075L   | 972  | 4905    | 452  | 503805  | 353  |
| 359526   | 567  | 3900L    | 777  | 395830    | 666  | 4075L   | 977  | 4905    | 454  | 504006  | 124  |
| 367078   | 664  | 3900L    | 778  | 396416    | 926  | 4095    | 110  | 4905    | 455  | 504006  | 22   |
| 37H3694L | 729  | 3900L    | 991  | 396540    | 953  | 4095    | 159  | 4905    | 458  | 504006  | 72   |
| 37H4558L | 377  | 390939   | 226  | 396541    | 950  | 4095    | 57   | 500201  | 479  | 504233  | 527  |
| 37H4558L | 397  | 390939   | 690  | 396541    | 953  | 4233    | 1052 | 500447  | 520  | 50446   | 476  |
| 37H5208L | 729  | 391287   | 775  | 396542    | 950  | 4233    | 749  | 500746  | 436  | 50446   | 477  |
| 37H575L  | 103  | 392743   | 792  | 396542    | 953  | 4421    | 258  | 500746  | 441  | 50446   | 478  |
| 37H575L  | 546  | 393218   | 774  | 396696    | 1000 | 4421    | 259  | 501593  | 124  | 504673  | 527  |
| 37H770   | 549  | 395037   | 813  | 396696    | 998  | 4580    | 827  | 501593  | 126  | 505205  | 729  |
| 37H770L  | 103  | 395041   | 817  | 396697    | 1005 | 4589L   | 135  | 501593  | 171  | 50641   | 276  |
| 37H770L  | 546  | 395078   | 813  | 396697    | 1007 | 4589L   | 136  | 501593  | 213  | 507829  | 143  |
| 37H7920  | 546  | 395141   | 712  | 396698    | 1005 | 4589L   | 180  | 501593  | 22   | 507829  | 40   |
| 37H7920  | 549  | 395141   | 815  | 396739    | 997  | 4589L   | 261  | 501593  | 23   | 507829  | 94   |
| 37H8119  | 549  | 395143   | 902  | 396800    | 894  | 4589L   | 33   | 501593  | 72   | 508571  | 1062 |







## DEFENDER 110 1987 onwards

1147

## NUMERICAL INDEX

| PART NO  | PAGE | PART NO | PAGE | PART NO  | PAGE | PART NO | PAGE | PART NO | PAGE | PART NO | PAGE |
|----------|------|---------|------|----------|------|---------|------|---------|------|---------|------|
| 509045P  | 1062 | 521452  | 281  | 528004   | 26   | 538132  | 215  | 546798  | 40   | 552818  | 436  |
| 509045P  | 399  | 521452  | 485  | 53K3039L | 761  | 538132  | 25   | 546799  | 143  | 552818  | 441  |
| 509045P  | 401  | 521453  | 281  | 531586   | 669  | 538132  | 76   | 546799  | 187  | 552819  | 437  |
| 51K400IL | 711  | 522745  | 138  | 531604   | 707  | 538134  | 128  | 546799  | 228  | 552819  | 443  |
| 510267   | 545  | 522745  | 34   | 531689   | 482  | 538134  | 174  | 546799  | 94   | 554621  | 37   |
| 512646   | 49   | 522745  | 88   | 531893   | 509  | 538134  | 25   | 546841  | 78   | 554880  | 283  |
| 513171   | 44   | 52278   | 58   | 532387   | 130  | 538134  | 76   | 548169  | 509  | 554971  | 110  |
| 515060   | 673  | 522932  | 270  | 532387   | 176  | 538890L | 481  | 549229  | 399  | 554971  | 159  |
| 515466   | 377  | 522932  | 484  | 532387   | 27   | 539706  | 410  | 549229  | 401  | 554971  | 57   |
| 515466   | 397  | 522940  | 103  | 532387   | 78   | 539706  | 412  | 549230  | 410  | 557523  | 31   |
| 515467   | 377  | 522940  | 546  | 532736   | 707  | 539707  | 407  | 549232  | 410  | 559625  | 545  |
| 515467   | 397  | 522940  | 549  | 532943   | 322  | 539707  | 409  | 549234  | 410  | 559636  | 1054 |
| 515468   | 377  | 523203  | 276  | 533765   | 369  | 539718  | 406  | 549236  | 410  | 559882  | 747  |
| 515468   | 397  | 524765  | 140  | 533765   | 391  | 539720  | 406  | 549238  | 410  | 560553  | 1058 |
| 515470   | 377  | 524765  | 184  | 534790   | 275  | 539722  | 406  | 549240  | 410  | 560553  | 1060 |
| 515470   | 397  | 524765  | 225  | 534897   | 270  | 539724  | 406  | 549242  | 410  | 561195  | 404  |
| 517646   | 729  | 524765  | 233  | 535068   | 1056 | 539745  | 407  | 549244  | 410  | 561195  | 405  |
| 517689   | 103  | 524765  | 37   | 536577   | 124  | 539745  | 409  | 549246  | 410  | 561196  | 404  |
| 517689   | 546  | 524765  | 91   | 536577   | 72   | 541010  | 127  | 549248  | 410  | 561196  | 405  |
| 517689   | 549  | 525389  | 39   | 538039   | 132  | 541010  | 189  | 549250  | 410  | 562019  | 1043 |
| 517706   | 103  | 525428  | 147  | 538039   | 178  | 541010  | 75   | 549252  | 410  | 562481  | 475  |
| 517706   | 534  | 525428  | 192  | 538039   | 29   | 542636  | 29   | 549473  | 421  | 562481  | 482  |
| 517706   | 546  | 525428  | 99   | 538039   | 80   | 542846  | 539  | 549473  | 422  | 562748  | 549  |
| 517706   | 549  | 525497  | 140  | 538131   | 128  | 542846  | 542  | 549473  | 427  | 562756  | 1054 |
| 517976   | 103  | 525497  | 184  | 538131   | 174  | 543301  | 1042 | 549473  | 428  | 562756  | 749  |
| 517976   | 149  | 525497  | 225  | 538131   | 215  | 543589  | 38   | 549611  | 58   | 562979  | 604  |
| 517976   | 150  | 525497  | 37   | 538131   | 25   | 543589  | 575  | 549702  | 37   | 563190  | 103  |
| 517976   | 546  | 525497  | 91   | 538131   | 76   | 543765  | 527  | 549911  | 253  | 563190  | 546  |
| 519965   | 521  | 525569  | 707  | 538132   | 128  | 543767  | 527  | 550732  | 479  | 563195  | 102  |
| 520160   | 729  | 527269  | 22   | 538132   | 174  | 543819  | 463  | 551508  | 712  | 564258  | 268  |





## DEFENDER 110 1987 onwards

1148

## NUMERICAL INDEX

| PART NO | PAGE | PART NO | PAGE | PART NO | PAGE | PART NO | PAGE | PART NO | PAGE | PART NO | PAGE |
|---------|------|---------|------|---------|------|---------|------|---------|------|---------|------|
| 564307  | 44   | 568680  | 429  | 570822  | 672  | 571468  | 388  | 572168  | 581  | 576159  | 408  |
| 564308  | 147  | 568680  | 430  | 570822  | 673  | 571468  | 391  | 572168  | 583  | 576203  | 303  |
| 564308  | 45   | 568680  | 431  | 570822  | 674  | 571536  | 364  | 572168  | 585  | 576203  | 331  |
| 564308  | 99   | 568680  | 489  | 570822  | 675  | 571536  | 384  | 572168  | 589  | 576203  | 347  |
| 564332E | 102  | 568680  | 490  | 570829  | 673  | 571665  | 369  | 572168  | 590  | 576220  | 349  |
| 564332E | 150  | 568680  | 492  | 571043  | 357  | 571665  | 391  | 572312  | 597  | 576236  | 411  |
| 564455  | 137  | 568680  | 614  | 571134  | 334  | 571682  | 369  | 572312  | 599  | 576237  | 411  |
| 564455  | 181  | 568680  | 696  | 571134  | 350  | 571682  | 391  | 572548  | 489  | 576238  | 411  |
| 564455  | 34   | 568680  | 700  | 571134  | 382  | 571718  | 414  | 572548  | 490  | 576239  | 411  |
| 564455  | 87   | 568680  | 702  | 571142  | 351  | 571752  | 422  | 572839  | 527  | 576303  | 1061 |
| 564456  | 137  | 568680  | 703  | 571146  | 323  | 571752  | 428  | 572994  | 551  | 576476  | 299  |
| 564456  | 181  | 568680  | 704  | 571146  | 357  | 571755  | 416  | 573246  | 677  | 576557  | 66   |
| 564456  | 34   | 568686  | 37   | 571146  | 371  | 571944  | 349  | 573246  | 702  | 576723  | 303  |
| 564456  | 87   | 568687  | 37   | 571146  | 372  | 571970  | 369  | 573246  | 720  | 576723  | 331  |
| 564724  | 620  | 568688  | 140  | 571146  | 390  | 571970  | 391  | 573246  | 721  | 576723  | 347  |
| 564813  | 478  | 568688  | 91   | 571146  | 392  | 572077  | 452  | 573289  | 660  | 576973  | 509  |
| 564816  | 478  | 568689  | 140  | 571158  | 357  | 572077  | 454  | 573289  | 709  | 577458  | 276  |
| 565540  | 619  | 568788  | 111  | 571160  | 303  | 572077  | 455  | 574469  | 29   | 577458  | 570  |
| 565847  | 707  | 568788  | 60   | 571160  | 331  | 572077  | 457  | 574654  | 147  | 577458  | 573  |
| 56667   | 491  | 568858  | 463  | 571160  | 347  | 572087  | 436  | 574654  | 99   | 577458  | 574  |
| 566724L | 571  | 568883  | 476  | 571161  | 303  | 572166  | 581  | 575014  | 707  | 577458  | 576  |
| 566902  | 628  | 568883  | 477  | 571161  | 331  | 572166  | 583  | 575047  | 729  | 577458  | 577  |
| 567959  | 717  | 569006  | 525  | 571161  | 347  | 572166  | 585  | 575615  | 439  | 577458  | 578  |
| 568333  | 25   | 569291  | 478  | 571163  | 303  | 572166  | 589  | 575616  | 439  | 577458  | 579  |
| 568431  | 118  | 569522  | 448  | 571163  | 331  | 572166  | 590  | 575707  | 435  | 577459  | 573  |
| 568431  | 165  | 569701  | 476  | 571163  | 347  | 572167  | 581  | 575882  | 444  | 577459  | 579  |
| 568431  | 209  | 569714  | 489  | 571174  | 1062 | 572167  | 583  | 576137  | 303  | 577643  | 480  |
| 568431  | 245  | 569714  | 490  | 571439  | 323  | 572167  | 586  | 576137  | 331  | 577703  | 444  |
| 568630  | 430  | 570351  | 729  | 571468  | 368  | 572167  | 589  | 576137  | 347  | 577846  | 252  |
| 568630  | 431  | 570753  | 694  | 571468  | 369  | 572167  | 590  | 576159  | 406  | 577873  | 502  |





## DEFENDER 110 1987 onwards

1149

## NUMERICAL INDEX

| PART NO | PAGE | PART NO | PAGE | PART NO | PAGE | PART NO | PAGE | PART NO | PAGE | PART NO | PAGE |
|---------|------|---------|------|---------|------|---------|------|---------|------|---------|------|
| 577873  | 504  | 591227  | 349  | 594594  | 562  | 597586  | 324  | 602146  | 364  | 602687  | 271  |
| 577873  | 505  | 591231  | 302  | 594594  | 567  | 597586  | 344  | 602146  | 384  | 602687  | 43   |
| 577873  | 506  | 591394  | 350  | 594637  | 613  | 597586  | 72   | 602148  | 267  | 602687  | 98   |
| 577898  | 462  | 591519  | 355  | 594637  | 614  | 597586  | 74   | 602152  | 251  | 602910  | 264  |
| 577898  | 463  | 591988  | 302  | 594637  | 616  | 598006  | 270  | 602152  | 270  | 602912  | 264  |
| 578023  | 551  | 592324  | 488  | 594637  | 618  | 599552  | 130  | 602153  | 267  | 602913  | 264  |
| 578293  | 534  | 592326  | 575  | 594637  | 652  | 599552  | 27   | 602154  | 267  | 602953  | 288  |
| 578620  | 270  | 592358  | 479  | 594637  | 655  | 599552  | 363  | 602172  | 267  | 603031  | 266  |
| 579085  | 711  | 592443  | 491  | 594753  | 527  | 599552  | 383  | 602186  | 267  | 603127  | 268  |
| 579409  | 1058 | 592445  | 439  | 594946  | 452  | 599552  | 78   | 602191  | 266  | 603184  | 268  |
| 579409  | 1060 | 592513  | 1042 | 594946  | 454  | 599945  | 410  | 602192  | 266  | 603224  | 270  |
| 586438  | 680  | 592514  | 1042 | 594946  | 455  | 599945  | 412  | 602193  | 266  | 603224  | 271  |
| 586440  | 268  | 592773  | 443  | 594946  | 457  | 600226L | 669  | 602199  | 255  | 603237  | 485  |
| 586440  | 334  | 593692  | 410  | 594947  | 452  | 600265  | 454  | 602200  | 266  | 603277  | 270  |
| 587405  | 135  | 593692  | 412  | 594947  | 454  | 600265  | 457  | 602200  | 295  | 603301  | 253  |
| 587405  | 136  | 593693  | 410  | 594947  | 455  | 602040  | 265  | 602201  | 257  | 603330  | 280  |
| 587405  | 292  | 593693  | 412  | 594947  | 457  | 602061  | 254  | 602212  | 251  | 603378  | 267  |
| 587405  | 44   | 593802  | 357  | 595199  | 463  | 602067  | 264  | 602236  | 272  | 603428  | 260  |
| 587405  | 45   | 594087  | 335  | 595199  | 604  | 602070  | 255  | 602289  | 140  | 603431  | 539  |
| 589026  | 674  | 594091  | 330  | 595478  | 358  | 602071  | 264  | 602289  | 265  | 603431  | 542  |
| 589026  | 675  | 594134  | 335  | 595478  | 362  | 602076  | 272  | 602289  | 91   | 603441  | 270  |
| 589143  | 673  | 594493  | 410  | 595478  | 429  | 602082  | 254  | 602388  | 257  | 603446  | 288  |
| 589202  | 674  | 594594  | 276  | 595478  | 430  | 602097  | 267  | 602411  | 253  | 603535  | 253  |
| 589254  | 276  | 594594  | 278  | 595478  | 431  | 602098  | 266  | 602512  | 268  | 603554  | 265  |
| 589284  | 672  | 594594  | 279  | 596490  | 45   | 602099  | 272  | 602545  | 252  | 603561  | 270  |
| 589285  | 672  | 594594  | 429  | 597586  | 124  | 602123  | 265  | 602582  | 260  | 603622  | 281  |
| 589452  | 693  | 594594  | 430  | 597586  | 126  | 602130  | 251  | 602587  | 253  | 603659  | 176  |
| 589783  | 669  | 594594  | 431  | 597586  | 171  | 602141  | 251  | 602609  | 254  | 603659  | 255  |
| 589783  | 670  | 594594  | 481  | 597586  | 22   | 602142  | 267  | 602634  | 276  | 603672  | 271  |
| 589783  | 671  | 594594  | 554  | 597586  | 23   | 602146  | 251  | 602687  | 146  | 603672  | 288  |





## DEFENDER 110 1987 onwards

1150

## NUMERICAL INDEX

| PART NO | PAGE | PART NO | PAGE | PART NO | PAGE | PART NO | PAGE | PART NO | PAGE | PART NO | PAGE |
|---------|------|---------|------|---------|------|---------|------|---------|------|---------|------|
| 603673  | 288  | 607168  | 426  | 608246  | 406  | 612064  | 275  | 614718  | 204  | 6397    | 351  |
| 603675  | 268  | 607169  | 426  | 608246  | 408  | 612435  | 276  | 614718  | 287  | 6860L   | 475  |
| 603713  | 263  | 607173  | 425  | 608246  | 425  | 612898  | 251  | 614866  | 555  | 73037   | 920  |
| 603713  | 285  | 607177  | 426  | 608311  | 673  | 612989  | 253  | 614866  | 557  | 7316    | 411  |
| 603734  | 267  | 607178  | 426  | 608312  | 673  | 613087  | 260  | 614891  | 277  | 73198   | 1006 |
| 603796  | 265  | 607179  | 426  | 608395  | 297  | 613402  | 280  | 614891  | 555  | 77869   | 922  |
| 603851  | 553  | 607180  | 426  | 608395  | 65   | 613540  | 287  | 614891  | 557  | 77869   | 994  |
| 603887  | 573  | 607181  | 425  | 608400  | 509  | 613601  | 557  | 614892  | 555  | 77932   | 674  |
| 603887  | 574  | 607182  | 425  | 61K738  | 476  | 613620  | 293  | 614939  | 292  | 77941   | 526  |
| 603962  | 552  | 607183  | 425  | 61K738  | 477  | 613671  | 253  | 622324  | 334  | 78122   | 539  |
| 605011  | 546  | 607185  | 425  | 61K738  | 478  | 613718L | 280  | 622324  | 358  | 78159   | 796  |
| 605011  | 549  | 607187  | 426  | 610178  | 253  | 613857  | 288  | 622324  | 430  | 78210   | 731  |
| 605012  | 103  | 607188  | 426  | 610246  | 270  | 613910  | 485  | 622324  | 431  | 78210   | 733  |
| 605013  | 103  | 607189  | 426  | 610289  | 269  | 613910  | 486  | 622388  | 356  | 78210   | 734  |
| 606168  | 562  | 607190  | 426  | 610489  | 252  | 613915  | 484  | 624091  | 146  | 78210   | 736  |
| 606168  | 571  | 607191  | 426  | 610578  | 260  | 613915  | 485  | 624091  | 185  | 78210   | 737  |
| 606211  | 674  | 607197  | 426  | 611019  | 253  | 613915  | 486  | 624091  | 226  | 78227   | 476  |
| 608247  | 551  | 607357  | 425  | 611089  | 251  | 613916  | 485  | 624091  | 43   | 78227   | 477  |
| 606474  | 372  | 607567  | 461  | 611092  | 278  | 613916  | 486  | 624091  | 98   | 78237   | 960  |
| 606474  | 392  | 608000  | 461  | 611092  | 279  | 614037  | 264  | 625038  | 268  | 78237   | 961  |
| 606544  | 460  | 608004  | 672  | 611092  | 554  | 614106  | 283  | 634604  | 807  | 78248   | 1004 |
| 606545  | 460  | 608004  | 674  | 611097  | 278  | 614154  | 287  | 634604  | 808  | 78248   | 1038 |
| 606551  | 459  | 608065  | 460  | 611097  | 279  | 614188  | 269  | 634604  | 810  | 78248   | 1040 |
| 606666  | 417  | 608066  | 459  | 611097  | 554  | 614202  | 264  | 634604  | 811  | 78248   | 1041 |
| 606666  | 419  | 608246  | 324  | 611110  | 575  | 614443  | 273  | 6395L   | 132  | 78248   | 1045 |
| 606733  | 330  | 608246  | 349  | 611323  | 299  | 614538L | 281  | 6395L   | 178  | 78248   | 1046 |
| 607163  | 425  | 608246  | 363  | 611351  | 280  | 614585  | 252  | 6395L   | 219  | 78248   | 1064 |
| 607165  | 426  | 608246  | 383  | 611514  | 264  | 614617  | 489  | 6395L   | 29   | 78248   | 1065 |
| 607166  | 426  | 608246  | 404  | 611659L | 267  | 614617  | 490  | 6395L   | 299  | 78248   | 1066 |
| 607167  | 426  | 608246  | 405  | 611786  | 271  | 614670  | 263  | 6395L   | 80   | 78248   | 517  |





## DEFENDER 110 1987 onwards

1151

## NUMERICAL INDEX

| PART NO | PAGE | PART NO | PAGE | PART NO | PAGE | PART NO  | PAGE | PART NO  | PAGE | PART NO  | PAGE |
|---------|------|---------|------|---------|------|----------|------|----------|------|----------|------|
| 78248   | 747  | 78248   | 954  | 79122   | 530  | 79246    | 937  | 90518466 | 141  | 90576928 | 418  |
| 78248   | 759  | 78248   | 994  | 79122   | 531  | 79246    | 938  | 90518466 | 92   | 90577473 | 1044 |
| 78248   | 761  | 78384   | 1063 | 79122   | 533  | 79281    | 831  | 90519054 | 124  | 90577473 | 1046 |
| 78248   | 777  | 78593   | 268  | 79122   | 542  | 79283    | 831  | 90519054 | 22   | 90577473 | 433  |
| 78248   | 784  | 78782   | 257  | 79122   | 576  | 79283    | 837  | 90519054 | 72   | 90577473 | 892  |
| 78248   | 791  | 78832   | 856  | 79122   | 577  | 79289    | 831  | 90519055 | 124  | 90577509 | 749  |
| 78248   | 799  | 78832   | 860  | 79122   | 578  | 79289    | 837  | 90519055 | 126  | 90577642 | 480  |
| 78248   | 800  | 78861   | 268  | 79122   | 579  | 79293    | 831  | 90519055 | 171  | 90577704 | 444  |
| 78248   | 816  | 78862   | 252  | 79123   | 429  | 79293    | 837  | 90519055 | 213  | 90602025 | 253  |
| 78248   | 819  | 78862   | 268  | 79123   | 430  | 8G7019L  | 377  | 90519055 | 22   | 90602064 | 264  |
| 78248   | 823  | 79004   | 429  | 79123   | 431  | 8G7019L  | 397  | 90519055 | 23   | 90602072 | 264  |
| 78248   | 824  | 79004   | 430  | 79123   | 479  | 8G8837L  | 479  | 90519055 | 72   | 90602202 | 257  |
| 78248   | 829  | 79004   | 431  | 79127   | 496  | 850641   | 520  | 90519055 | 74   | 90602372 | 253  |
| 78248   | 830  | 79004   | 502  | 79127   | 498  | 8566L    | 128  | 90568054 | 191  | 90607170 | 426  |
| 78248   | 831  | 79026   | 189  | 79127   | 501  | 8566L    | 174  | 90568054 | 271  | 90608545 | 425  |
| 78248   | 832  | 79026   | 96   | 79127   | 502  | 8566L    | 215  | 90571086 | 349  | 90611504 | 272  |
| 78248   | 833  | 79027   | 230  | 79127   | 504  | 8566L    | 25   | 90571104 | 307  | 90611812 | 266  |
| 78248   | 834  | 79051   | 669  | 79127   | 505  | 8566L    | 76   | 90571104 | 308  | 90613049 | 56   |
| 78248   | 836  | 79051   | 670  | 79127   | 506  | 90301332 | 893  | 90571104 | 349  | 90613442 | 294  |
| 78248   | 837  | 79051   | 671  | 79134   | 552  | 90301332 | 895  | 90575015 | 707  | 90613913 | 485  |
| 78248   | 838  | 79051   | 781  | 79134   | 995  | 90301332 | 899  | 90575511 | 583  | 90613913 | 486  |
| 78248   | 842  | 79086   | 665  | 79134   | 996  | 90306199 | 1013 | 90575585 | 325  | 90614584 | 266  |
| 78248   | 843  | 79086   | 818  | 79158   | 529  | 90508035 | 1038 | 90575585 | 359  |          |      |
| 78248   | 870  | 79106   | 752  | 79158   | 530  | 90508545 | 522  | 90575597 | 463  |          |      |
| 78248   | 892  | 79118PH | 918  | 79158   | 531  | 90508545 | 524  | 90575748 | 581  |          |      |
| 78248   | 900  | 79121   | 475  | 79158   | 533  | 90513220 | 280  | 90575748 | 583  |          |      |
| 78248   | 904  | 79121   | 482  | 79158   | 576  | 90513454 | 407  | 90575748 | 589  |          |      |
| 78248   | 906  | 79121   | 530  | 79158   | 577  | 90513454 | 409  | 90575789 | 438  |          |      |
| 78248   | 923  | 79121   | 539  | 79158   | 578  | 90517711 | 103  | 90575878 | 444  |          |      |
| 78248   | 953  | 79121   | 542  | 79221   | 789  | 90517711 | 546  | 90575977 | 608  |          |      |









**LAND ROVER  
PARTS**

**Land Rover Parts** Lode Lane, Solihull, West Midlands, B92 8NW, England. Tel:- 021 722 2424