



MASTER INDEX

	PAGES
INTRODUCTION PAGES	1 - 7
ALPHABETICAL INDEX	8 - 16
ENGINE	17 - 66
ENGINE	67 - 119
ENGINE	120 - 166
ENGINE	167 - 209
ENGINE	210 - 245
ENGINE	246 - 299
GEARBOX	300 - 326
GEARBOX	327 - 344
GEARBOX	345 - 359
TRANSFER BOX	360 - 378
TRANSFER BOX	379 - 397
AXLES AND SUSPENSION	398 - 444
STEERING	445 - 471
VEHICLE AND ENGINE CONTROLS	472 - 486
BRAKES	487 - 517
FUEL SYSTEM AND AIR CLEANER	518 - 579
EXHAUST SYSTEM	580 - 593
COOLING/HEATING	594 - 637
COOLING/HEATING	638 - 641
COOLING/HEATING	642 - 649
COOLING/HEATING	650 - 655
COOLING/HEATING	656 - 666
BODY ELECTRICAL	667 - 740
BODY AND CHASSIS	741 - 909
INTERIOR TRIM	910 - 955
SEATS	956 - 1036
STOWAGE	1037 - 1046
ACCESSORIES - PAINTS	1047 - 1074
NUMERICAL INDEX	1076 - 1151

GROUP P

INTERIOR TRIM

INTERIOR TRIM	
UPPER CRASH PAD	911 - 912
ASH TRAY	913
PARCEL TRAY & HEATER DUCT	914 - 915
CUBBY BOX - UPTO VIN 456099	916
CUBBY BOX - FROM VIN 456100	917
FRONT DOOR	918
REAR SIDE DOOR	919
REAR END DOOR	920 - 921
STATION WAGON - BODYSIDE - FROM NOTE(1)	922 - 923
DASH TRIM	924 - 927
STATION WAGON - ROOF AND SIDE - UPTO VIN 314267	928
STATION WAGON - ROOF AND SIDE - UPTO VIN 314267	929
STATION WAGON - UP TO VIN 314267	930
STATION WAGON - ROOF - FROM NOTE(1)	931 - 932
HARD TOP	933
CAB	934 - 935
ROOF TRIM - DEFENDER 130 - 1991 MODEL YEAR	936
SUNVISORS	937 - 938
BONNET INSULATION	939
HEAT INSULATION - TURBO DIESEL	940 - 941
SEATBASE INSULATION	942
CARPETS - FRONT FLOOR	943 - 945
CARPETS - SEATBASE	946 - 949
CARPETS - INTERMEDIATE FLOOR	950
CARPETS - REAR FLOOR	951
FRONT FLOOR COVERS - RUBBER	952
INTERMEDIATE FLOOR COVER - NON CARPET	953
REAR FLOOR COVER - NON CARPET	954
ADDITIONAL FLOOR COVERS - UPTO VIN HA467836	955

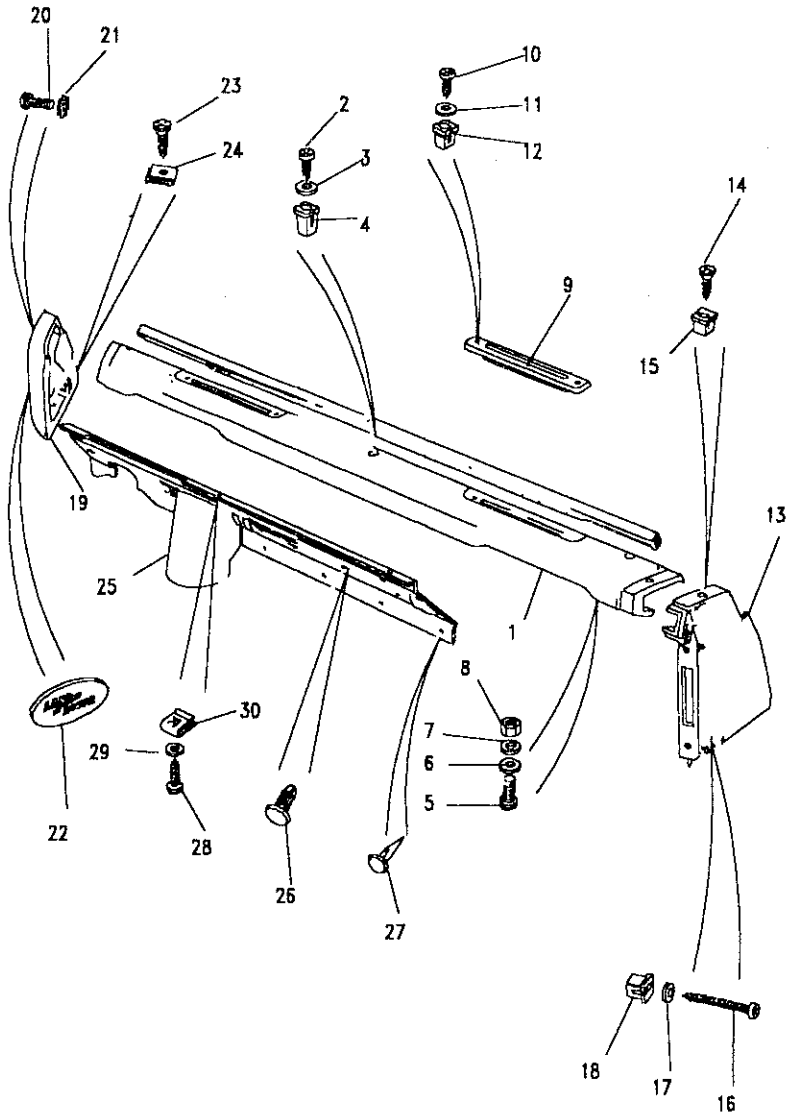




DEFENDER 110 1987 onwards

911

INTERIOR TRIM

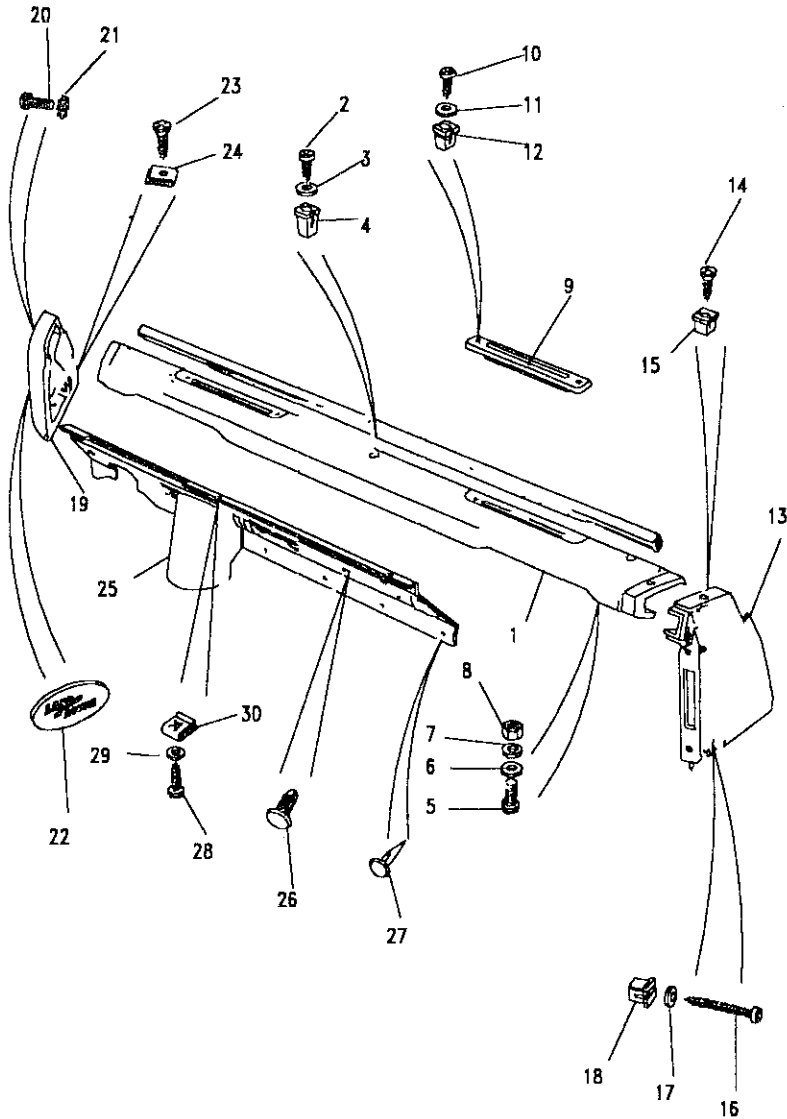


Model DEFENDER 110 1987 onwards
Page AFPXAA1A

FACIA - UPPER CRASH PAD

III. Part No.	Description	Qty	Remarks
1	MWC9327PMA	1	Crash pad - upper
	MXC6084PMA	1	Crash pad - upper
2	AB614064	8	Screw
3	WC106044L	3	Washer plain
4	RTC3744	3	Nut lokut
5	SE104124L	2	Screw
6	WA104004L	2	Washer plain
7	WL104004	2	Washer spring
8	NH104044	2	Nut
Fixings - Crash rail to front plate			
	WC105001L	4	Washer plain
	WM702001L	2	Washer spring
	NH105041L	2	Nut
	AB608051L	2	Screw
	AK606031	1	Nut spring
	RTC3745	2	Nut
	SE105121L	2	Screw
9	MTC6040	2	Demister outlet
	BTR912	2	Demister Outlet
10	AB606064L	4	Screw
11	WA105001L	4	Washer plain
12	RTC3745	4	Nut
Non Air conditioning only.			
13	MWC9338PMA	1	Trim panel - RHS
	MWC9339PMA	1	Trim panel - LHS
14	AD606044L	1	Screw
15	RTC3745	1	Nut
16	AB610124L	1	Screw
17	AFU1248	1	Washer plain
18	RTC3744	1	Nut
19	MTC6142	1	Grab Handle RH
	MTC6143	1	Grab Handle LH





Model DEFENDER 110 1987 onwards
Page AFPXAA1A

FACIA - UPPER CRASH PAD

Ill. Part No. **Description** **Qty** **Remarks**

Handle with Air conditioning

19	AWR1175	Grab handle RH	1	LHS
20	SE105121L	Screw	1	
21	WF105001L	Washer lock	1	
22	MTC5851	Badge	1	
23	AC606104	Screw	1	
24	AK606031	Nut spring	1	

Non Air conditioning.

25	MTC4617LDQ	Trim panel RHS	1	
	MTC4618LDQ	Trim panel LHS	1	
26	AFU1897	Fastener	2	
27	AFU2813	Fastener	6	
28	AB606044L	Screw	2	
29	WA104004L	Washer plain	2	
30	AJ606011L	Nut spring	2	
	AB608041L	Screw	6	
	WA105001L	Washer plain	6	

Note(1) When A/Con fitted item 13 is a vent, see heating & cooling.





DEFENDER 110 1987 onwards

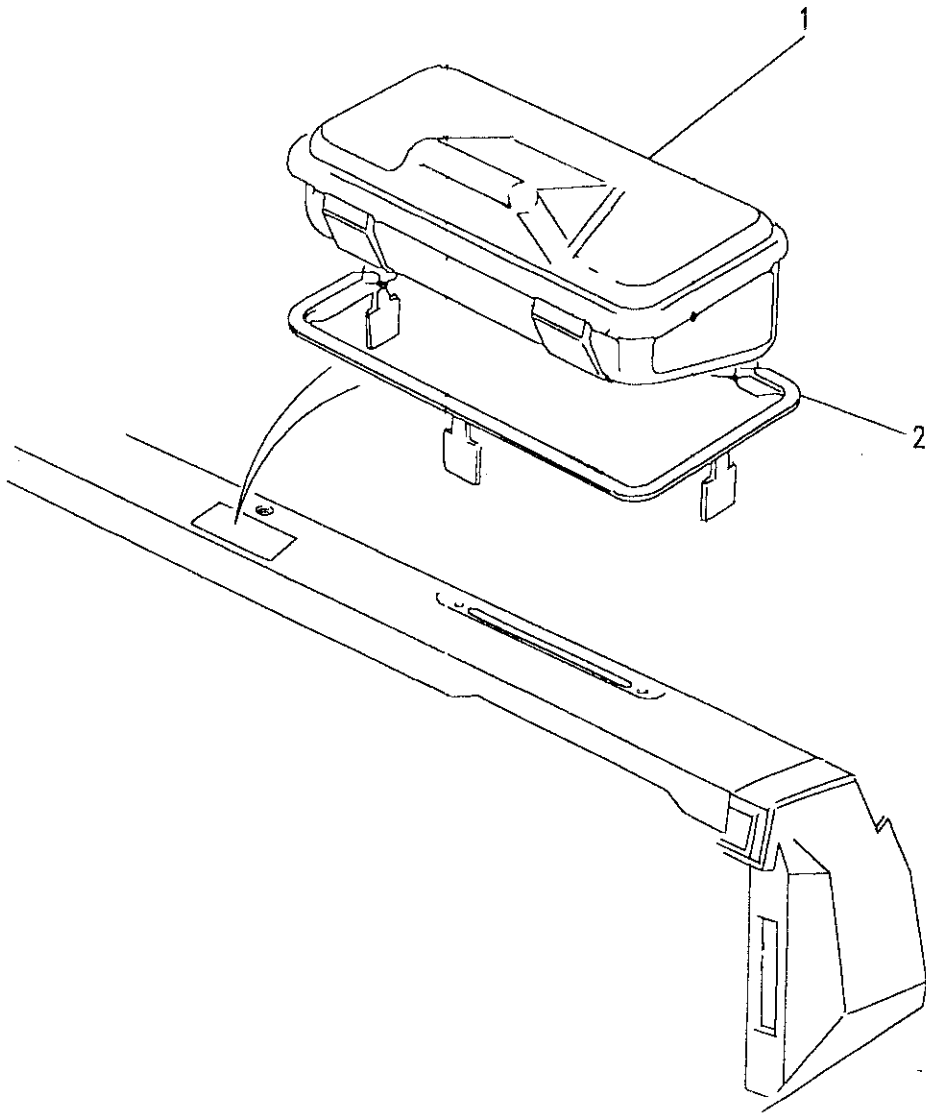
913

INTERIOR TRIM

Model DEFENDER 110 1987 onwards
Page AFPXAA3A

FACIA - ASH TRAY

III. Part No.	Description	Qty	Remarks
1 DZA5097L	Ash Tray	1	
2 MUC1582	Retainer	1	



Model DEFENDER 110 1987 onwards
Page AFPXAC1A

FACIA - PARCEL TRAY & HEATER DUCT

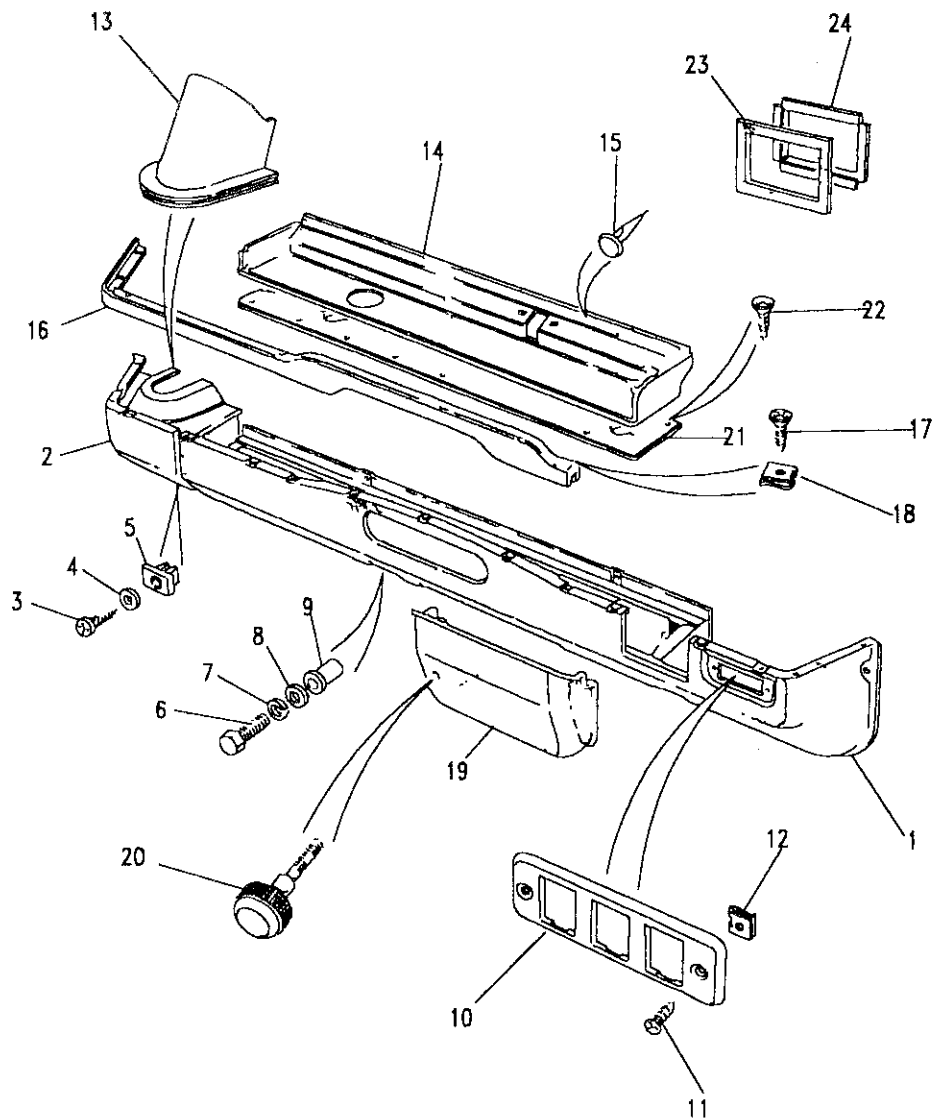
III. Part No. Description Qty Remarks

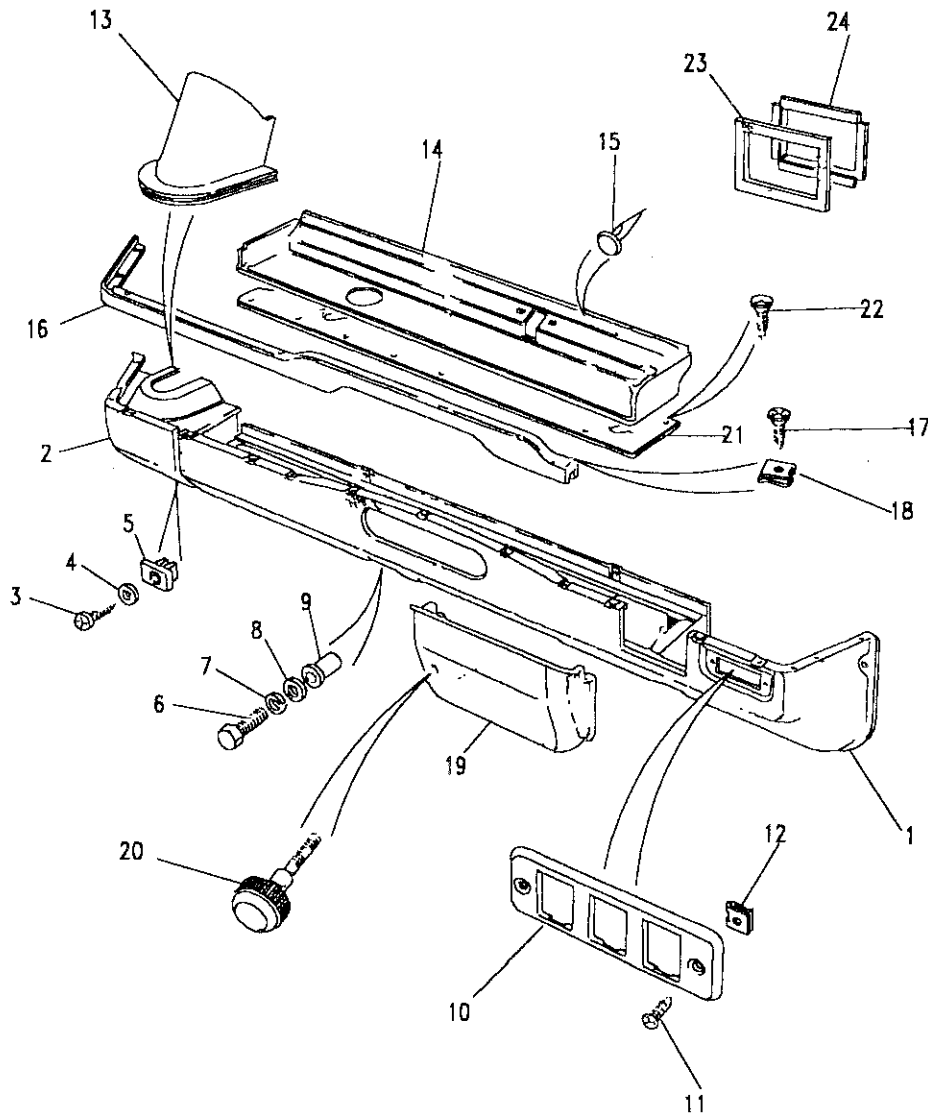
Non Air Conditioning

1	MTC2826	Heater duct RHS	1	
	MUC1384	Heater duct RHS	1	Speaker
	MTC2827	Heater duct LHS	1	
	MUC1383	Heater duct LHS	1	Speaker

Air Conditioning

1	MUC3249	Heater duct RHS	1	
	MUC3244	Heater duct RHS	1	Speaker
	MUC1703	Heater duct LHS	1	
	MUC1716	Heater duct LHS	1	Speaker
2	MTC3523	Cover wiper motor RHS	1	
	MUC1701	Cover wiper motor RHS	1	Speaker
	MTC6080	Cover wiper motor LHS	1	
	MUC1382	Cover wiper motor LHS	1	Speaker
3	AB608054L	Screw	10	
4	AFU1248	Washer plain	10	
5	AFU2692	Nut	10	
6	SH105201L	Screw	2	
7	WL105001L	Washer spring	2	
8	WC105001L	Washer plain	2	
9	NN105021L	Nutsert	2	
10	MTC2640	Switch panel	1	RHS
11	AD606041L	Screw	2	
12	AK606011L	Nut spring	2	
13	MTC3705LDQ	Cover	1	



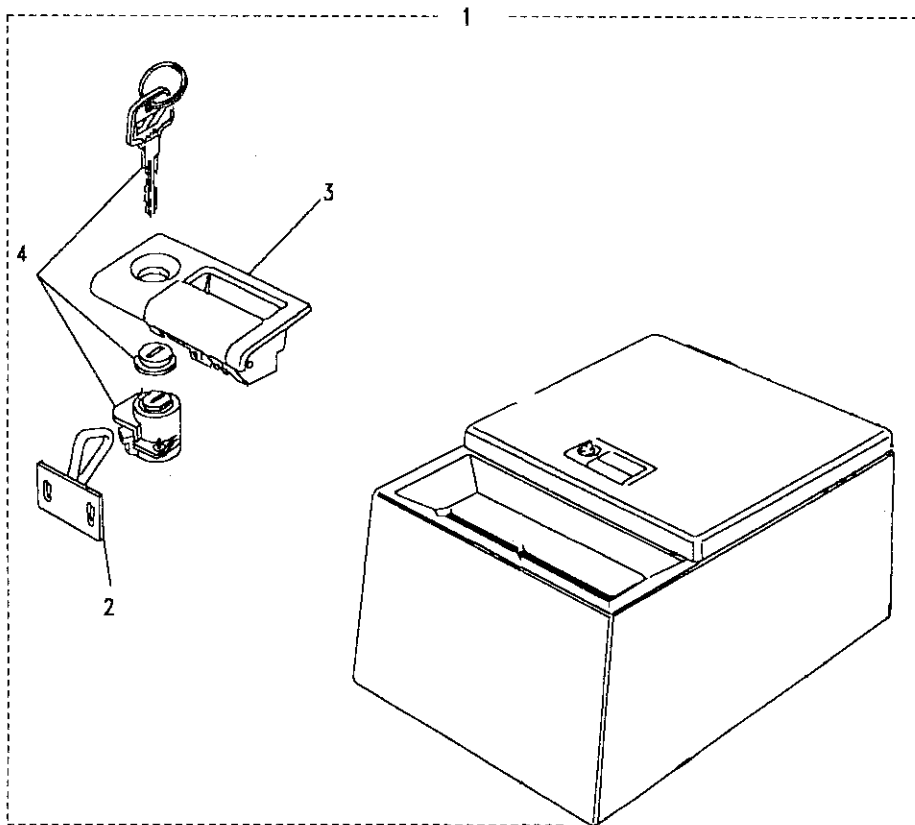


Model DEFENDER 110 1987 onwards
Page AFPXAC1A

FACIA - PARCEL TRAY & HEATER DUCT

Ill. Part No.	Description	Qty	Remarks
14	MRC7282	1	RHS
	MRC7283	1	LHS
Fixings - Parcel tray to Dash			
15	RTC3750	5	RHS
	AFU2813	5	LHS
	AB606044L	5)Alternative
	WA104004L	5)Fixings
16	MTC6166	1	RHS
	MTC6167	1	LHS
17	AC606064L	3	
18	AK606031	3	
19	BTR2307	1	
	MTC5227	1	Note(1)
	BTR2308	1	Upto VIN HA905871
		1	Note(1)
		1	From VIN HA905872
20	MTC9968	2	
21	MRC8584	1	RHS
	MRC8585	1	LHS
22	AB606041L	22	
23	MTC6871	1	Non Air Con
	MTC7400	1	Air Con
24	MUC4801	1	Non Air Con

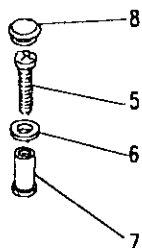
Note(1) Located on front of Fuse Box Cover



Model DEFENDER 110 1987 onwards
Page AFPXCC1A

TRIM - CUBBY BOX - UPTO VIN 456099

III. Part No.	Description	Qty	Remarks
1	MUC6681 Console	1	
2	MUC6682 Striker lock	1	
3	MUC6452 Latch	1	
4	MUC6453 Barrel lock and keys	1	
	MUC2153 Key blank	A/R	
5	SE106351L Screw	4	
6	WA106041L Washer plain	4	
7	NN106021 Nut anchor	4	
8	AFU2501 Plug	4	



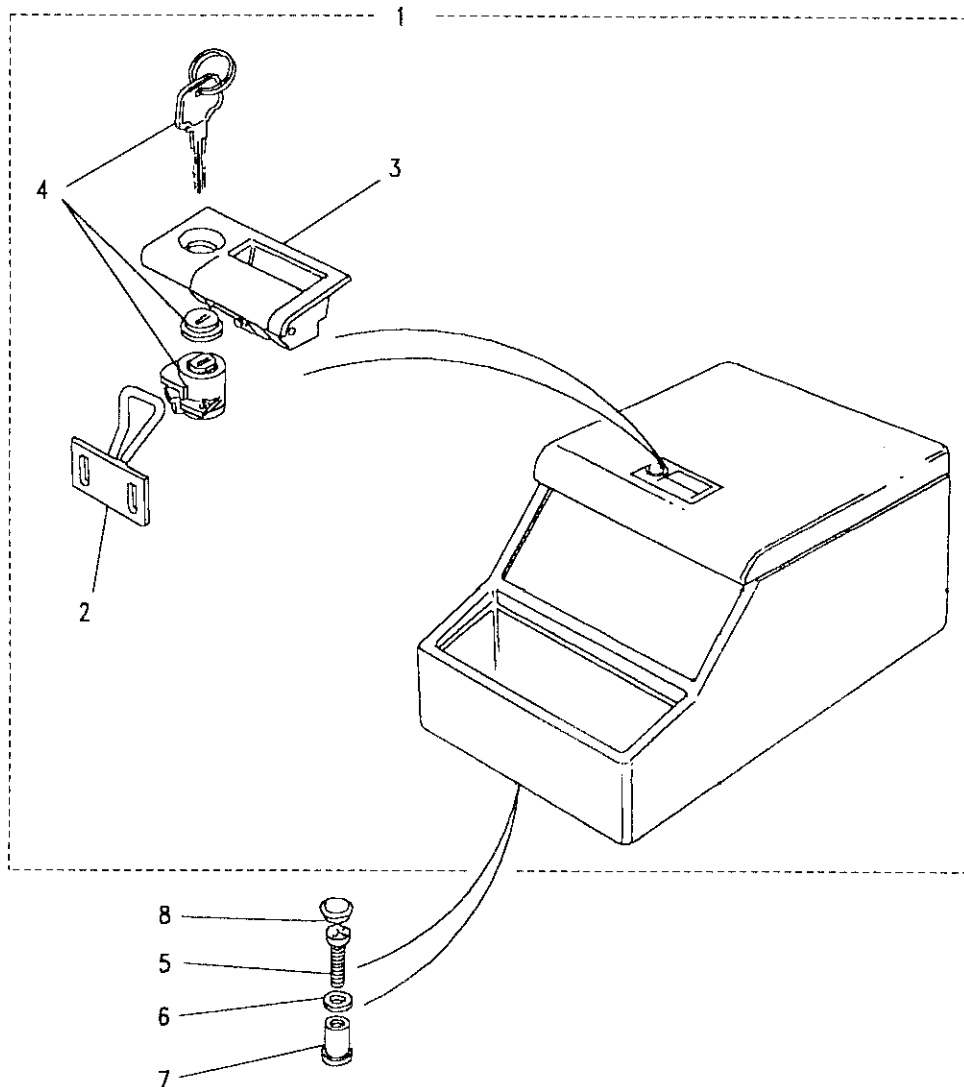


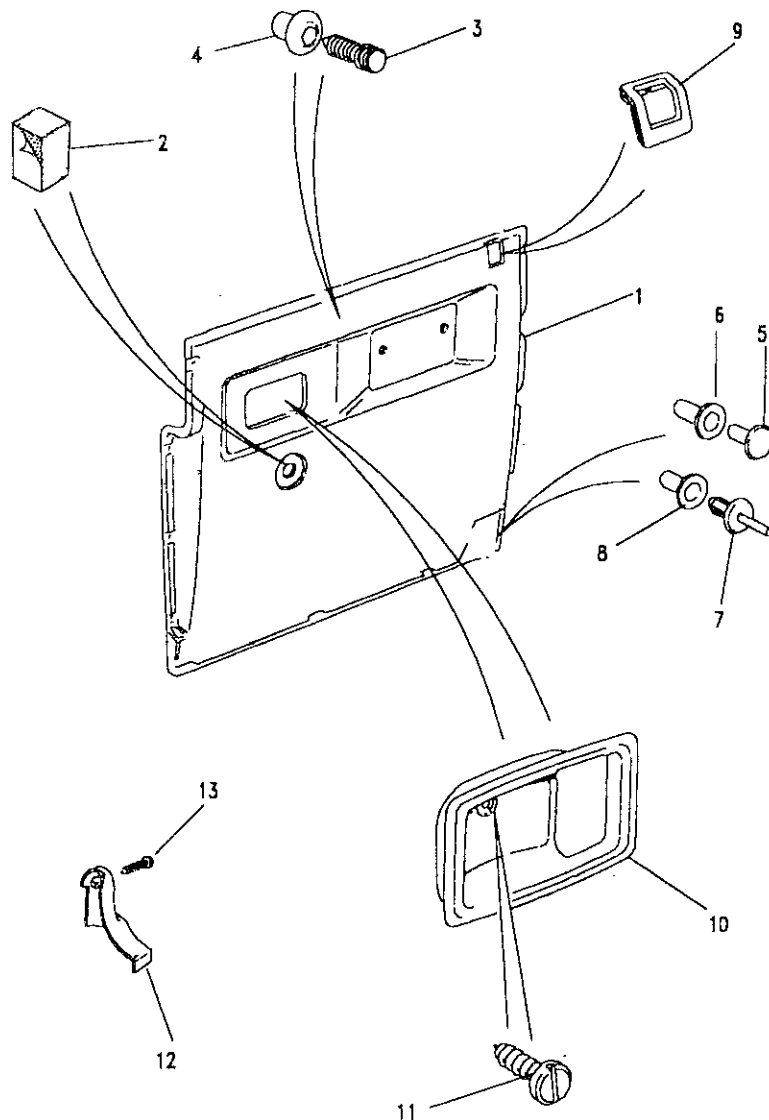
Model DEFENDER 110 1987 onwards

Page AFPXCC2A

TRIM - CUBBY BOX - FROM VIN 456100

III. Part No.	Description	Qty	Remarks
1 AWR1607	Cubby box	1	
2 BTR695	Striker lock	1	
3 MUC6452	Latch	1	
4 MUC6453	Barrel lock and keys	1	
MUC2153	Key blank	A/R	
5 SE106351L	Screw	4	
6 WA106041L	Washer plain	4	
7 NN106021	Nut anchor	4	
8 AFU2501	Plug	4	





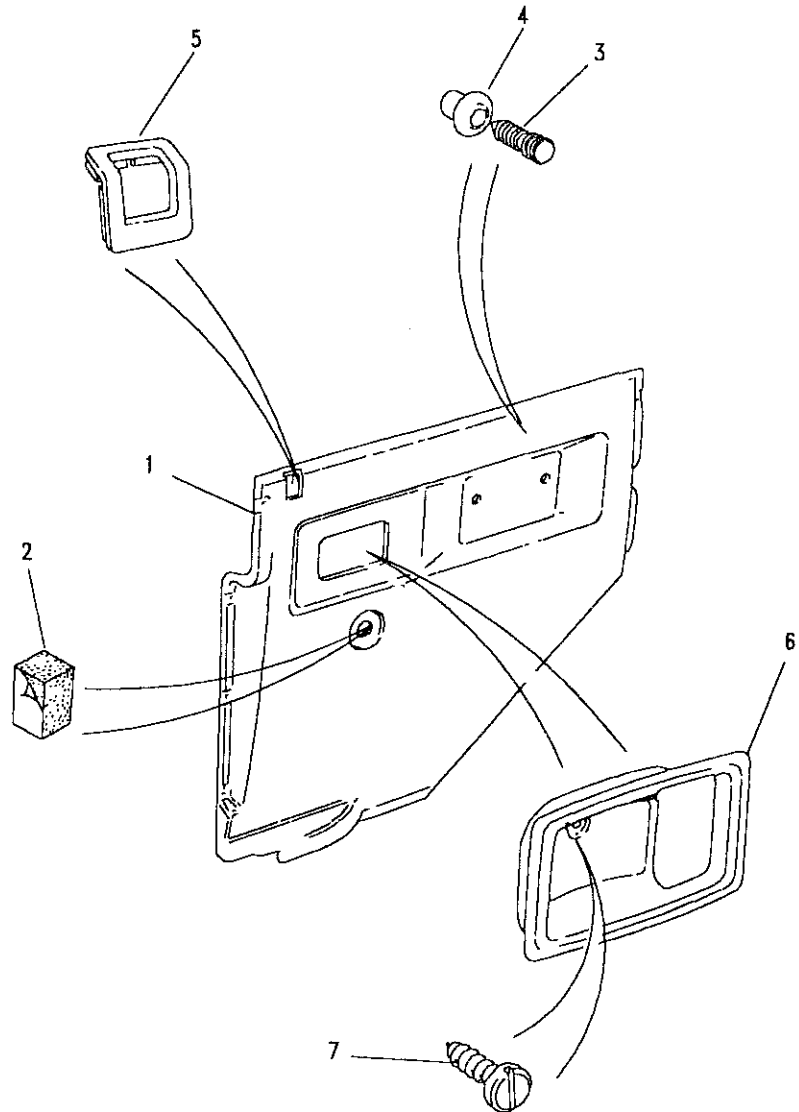
Model DEFENDER 110 1987 onwards

Page AFPXE1A

TRIM - FRONT DOOR

Ill. Part No.	Description	Qty	Remarks
Black - Upto DA314292 (Reg) & DA314268 (S/W)			
1	MWC2780	1	Casing front door lh
	MWC2781	1	Casing front door rh
Grey - From EA314293 (Reg) & EA314269 (S/W)			
1	MXC1858LCS	1	Casing front door RH
	MXC1859LCS	1	Casing front door LH
	BTR6700LCS	1	Casing front door RH
	BTR6701LCS	1	Casing front door LH
2	MWC3137	4	Spacer
3	MWC1474	24	Fastener
	MXC1800	24	Fastener
4	MWC3136	24	Snap Sac
5	79118PH	4	Trim Stud
6	13H2475L	4	Stud
7	MWC9918LCS	4	Lokut
8	MWC9917	4	Sac
9	MXC4738PMA	2	Escutcheon
10	DBP6532PMA	1	Escutcheon RH
	DBP6533PMA	1	Escutcheon LH
11	DA608044L	2	Screw
12	MUC3036	1	Checkstrap Cover RH
	MUC3037	1	Checkstrap Cover LH
13	AB608064L	2	Drive Screw





Model DEFENDER 110 1987 onwards

Page AFPXEE1A

TRIM - REAR SIDE DOOR

III. Part No.	Description	Qty	Remarks
Black - Upto DA314291 (Reg) & DA314267 (S/W)			
1 MWC2782	Casing rear side door rh	1	
MWC2783	Casing rear side door lh	1	
Grey - From EA314292 (Reg) & DA314268 (S/W)			
1 MXC1860LCS	Casing rear side door RH	1)Up to
MXC1861LCS	Casing rear side door LH	1)LA932486
BTR6702LCS	Casing rear side door RH	1)From
BTR6703LCS	Casing rear side door LH	1)LA932487
2 MWC3137	Foam spacer	4	
3 MWC1474	Fastener	24	Upto 344754
MXC1800	Fastener	24	From 344755
4 MWC3136	Snap sac	24	
5 MXC4738PMA	Escutcheon sill	2	
6 DBP6532PMA	Escutcheon RH handle	1	
DBP6533PMA	Escutcheon LH handle	1	
7 DA608044L	Screw	2	

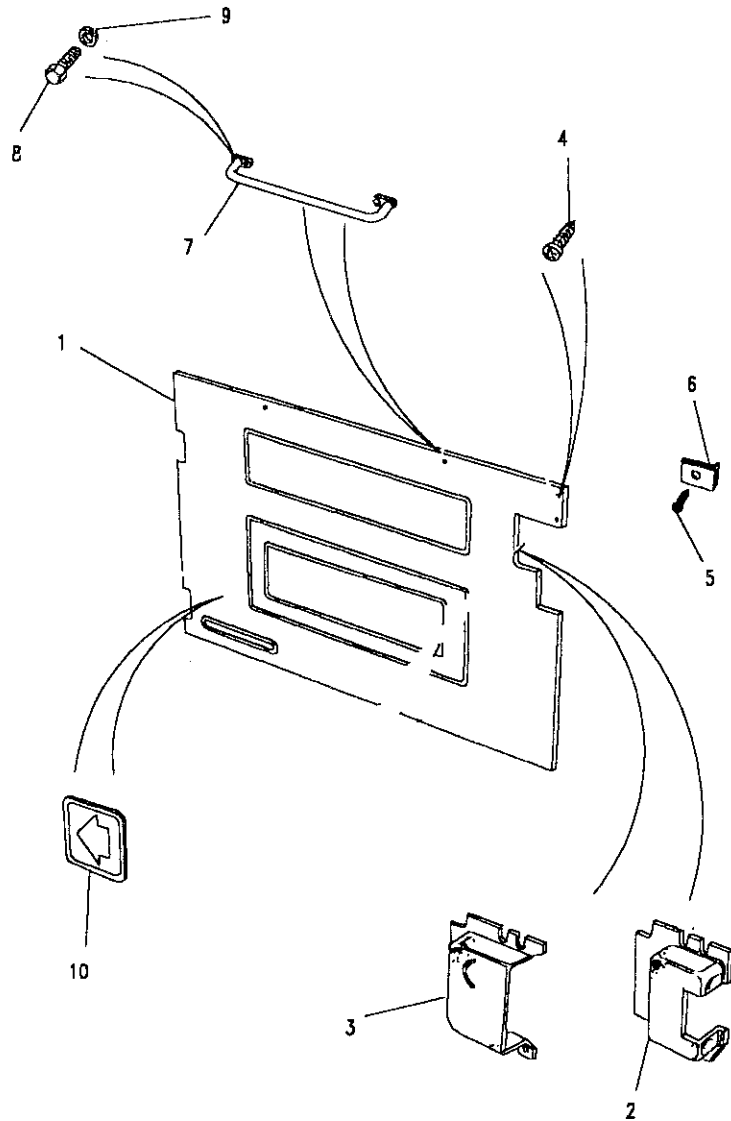




Model DEFENDER 110 1987 onwards

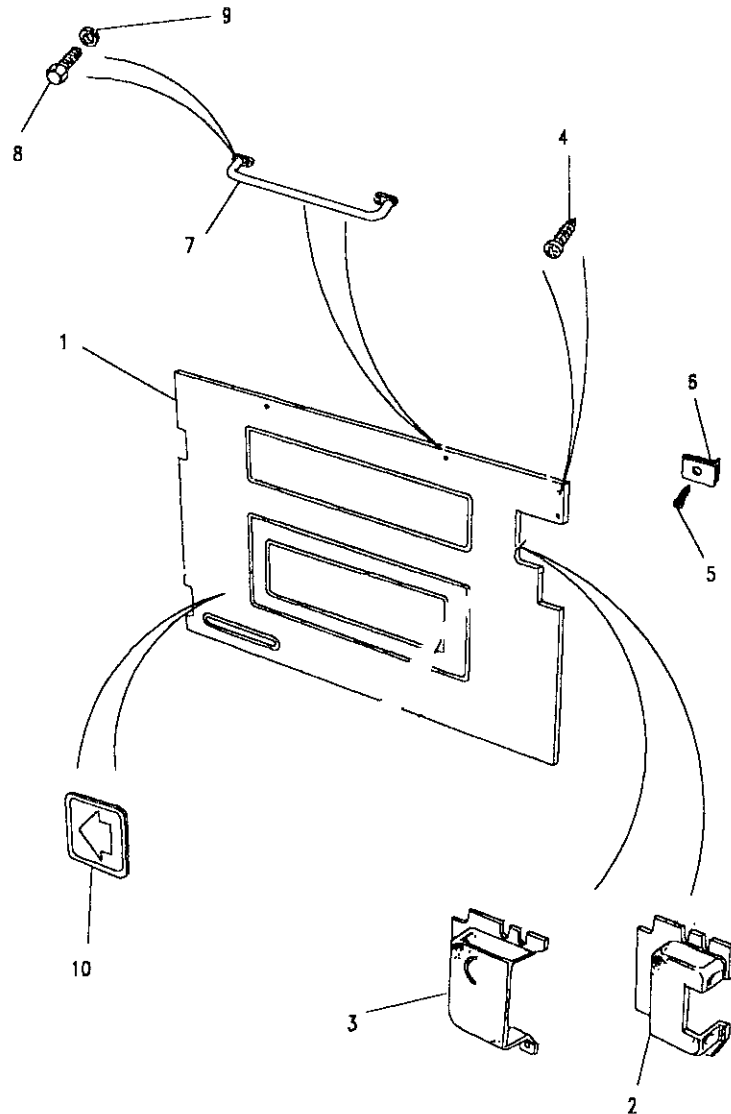
Page AFPXEG1A

TRIM - REAR END DOOR



III. Part No.	Description	Qty	Remarks
Except Rear Wash Wipe/Heated Rear Window			
1 MWC1743	Casing rearend door-Black	1	Upto Note(1)
MWC1743LCS	Casing rear end door-Grey	1	From Note(1) Upto Note(2)
MXC1989LCS	Casing rear end door	1	Note(4) From Note(2) Upto VIN KA929577
BTR7964LCS	Casing rear end door	1	Note(4) From VIN KA929578
With Rear Wash Wipe/Heated Rear Window			
1 MWC1744	Casing rearend door-Black	1	Upto Note(1)
MWC1744LCS	Casing rear end door-Grey	1	From Note(1) Upto Note(2)
MXC1992LCS	Casing rear end door	1	Note(4) From Note(2) Upto VIN JA910750
BTR3793LCS	Casing rear end door	1	Note(4) From VIN JA910751 Upto VIN KA929577
BTR7959LCS	Casing rear end door	1	Note(4) From VIN KA929578
73037	Clip retaining	8	





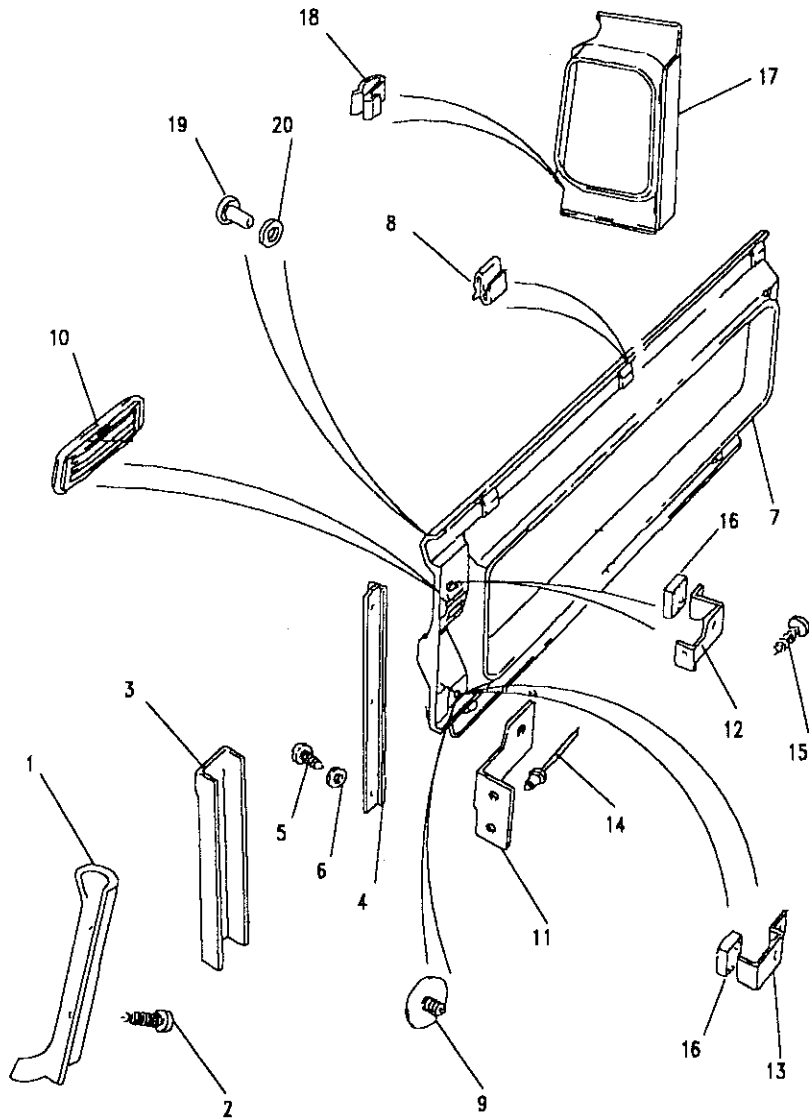
Model DEFENDER 110 1987 onwards
Page AFPXEG1A

TRIM - REAR END DOOR

III. Part No.	Description	Qty	Remarks
2	MTC1710	1	Upto Note(1)
3	395191LCS	1	From Note(1)
4	AB606041	3	Except RWW/HRW
	AFU2636	1	
5	AA606044L	2	RWW/HRW
6	AK606011L	2	RWW/HRW
7	MUC1402	1	
8	SH106204	2	
9	WL106004	2	
10	MUC4525	1	

- Note(1) Introduction of 1988 Model Year - Regular VIN EA314292, Station Wagon VIN EA314268
 Note(2) Introduction of 1989 Model Year - Regular VIN FA358798, Station Wagon VIN FA358791
 Note(3) RWW/HRW = Rear wash wipe/heated rear window
 Note(4) Includes checklink cover



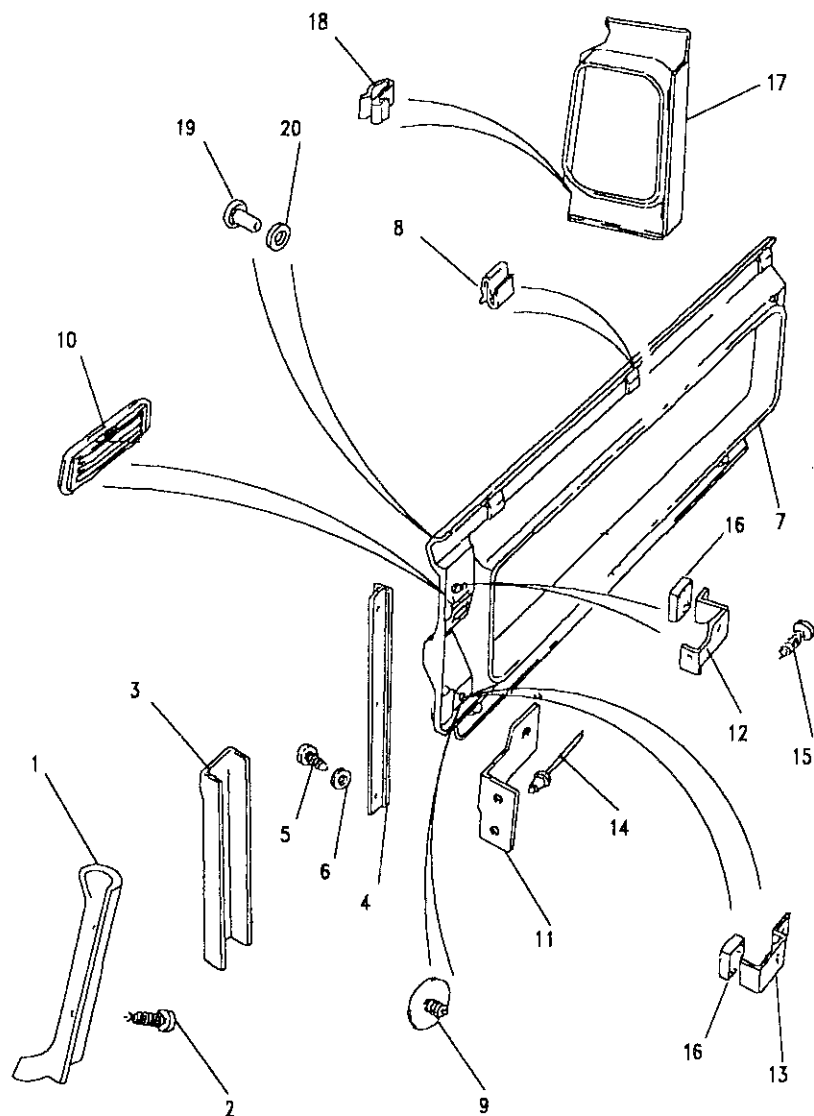


Model DEFENDER 110 1987 onwards
Page AFPXGC1A

TRIM - STATION WAGON - BODYSIDE - FROM NOTE(1)

III. Part No.	Description	Qty	Remarks
1	MTC5212	1	Trim A post RH
	MWC2314	1	Trim A post LH
2	AB606084	4	Screw
3	MWC8901LNP	2	Trim BC post
4	MWC9823LNP	2	Trim front pillar
	MXC3319LNP	2	Trim front pillar
5	77869	6	Screw
6	3852L	6	Washer plain
7	BTR306LNP	1	Trim panel bodyside RH
	BTR305LNP	1	Trim panel bodyside LH
8	MWC6203	6	Edge clip
	SE106401	1	Screw
	WC600045L	2	Washer plain
	MTC3203	1	Nut plate
	SE106401	3	Screw
	WC600045L	6	Washer plain
	MTC3203	3	Nut plate
9	MWC5763LNP	4	Fastener
10	MWC5764	2	Guide seat belt





Model DEFENDER 110 1987 onwards

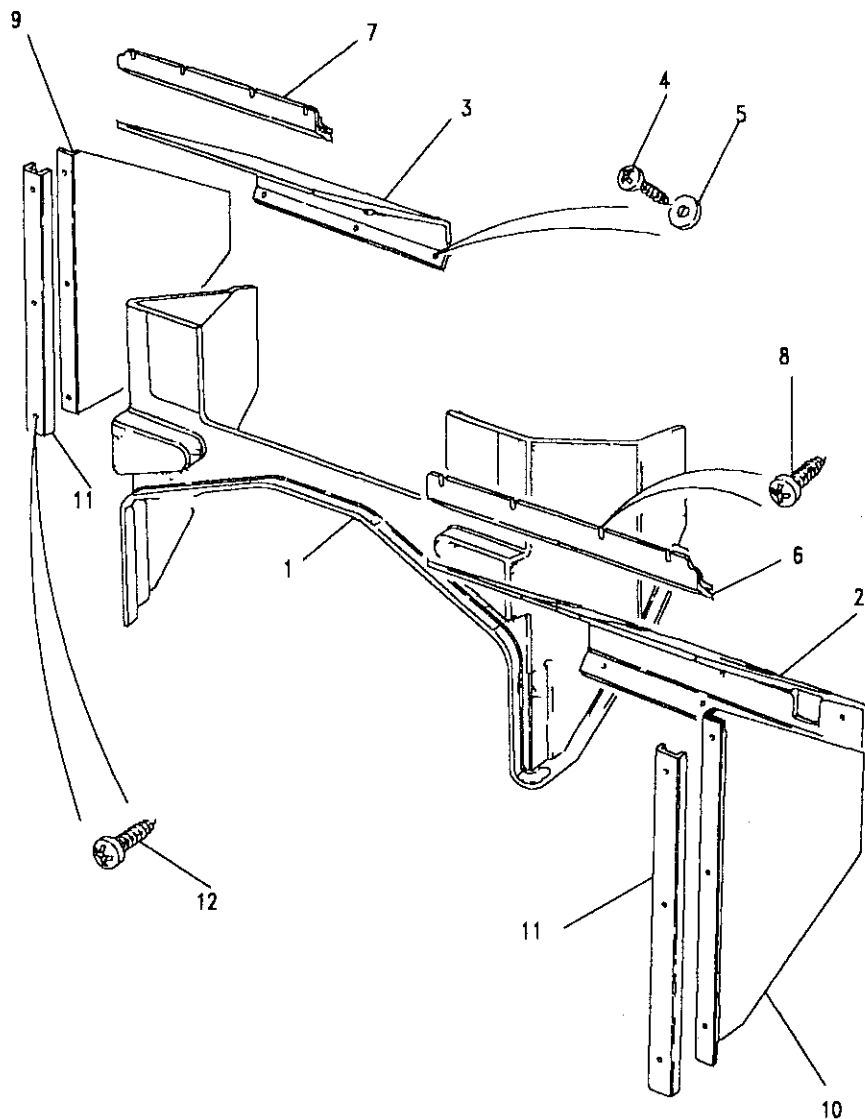
Page AFPXGC1A

TRIM - STATION WAGON - BODYSIDE - FROM NOTE(1)

III. Part No.	Description	Qty	Remarks
11 MWC5798	Retainer trim upper RH	1)Upto Note(2)
MWC5799	Retainer trim upper LH	1	
12 MXC3278	Retainer trim upper RH	1)From Note(2)
MXC3279	Retainer trim upper LH	1	
13 MXC3277	Retainer trim lower	2)From Note(2)
14 78248	Rivet	4	
15 AB608044L	Screw	4	Upto Note(2)
16 MUC6400	Pad	4	From Note(2)
17 MWC8910LNP	Trim panel rear end RH	1	From Note(2)
MWC8911LNP	Trim panel rear end LH	1	
18 MWC6204	Edge clip	4	From VIN 314292
19 MXC1130PMA	Plug trim	2	
20 MWC9482	Washer retaining	4	Note(3)

- Note(1) Introduction of 1988 Model Year - VIN EA314268
- Note(2) Introduction of 1989 Model Year - VIN FA
- Note(3) Required when seat belts for rear forward facing seats are not fitted
- Note(4) LNP = Mid grey
- Note(5) PMA = Black
- Note(6) Bodyside Trim upto VIN 314267 see page 928 - 930





Model DEFENDER 110 1987 onwards

Page AFPXIA1A

TRIM - DASH TRIM

III. Part No.

Description

Qty Remarks

4 Cylinder

1	BTR341	Insulation dash centre	1	
1	MUC1356RD	Carpet dash centre	1	Upto Note(1)
1	MXC2949LDE	Carpet dash centre	1	From Note(1)

V8

1	MUC1248	Insulation dash centre	1	Upto VIN FA423988
1	BTR360	Insulation dash centre	1	From VIN FA423989
1	MUC1256RD	Carpet dash centre	1	Upto Note(1)
1	MXC2948LDE	Carpet dash centre	1	From Note(1)

Toebox Trim - RHS - Non Air Con

2	MUC9167	Panel toebox trim RH	1	Upto VIN FA440772
2	MXC6538	Panel toebox trim RH	1	From VIN FA440773
				Upto VIN KA922165
2	BTR5232	Panel toebox trim RH	1	From VIN KA922166
3	MTC4866	Panel toebox trim LH	1	Upto VIN FA440772
3	MXC6539	Panel toebox trim LH	1	From VIN FA440773
				Upto VIN KA922165
3	BTR5233	Panel toebox trim LH	1	From VIN KA922166

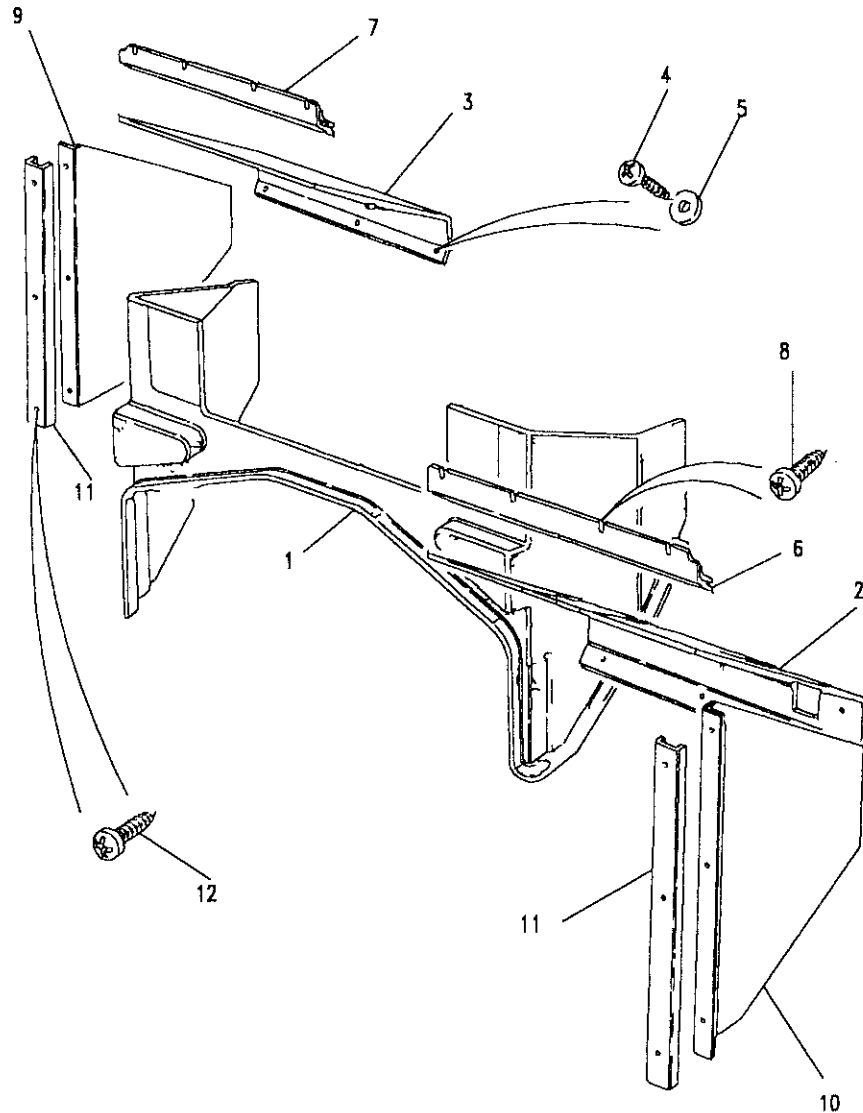




DEFENDER 110 1987 onwards

925

INTERIOR TRIM

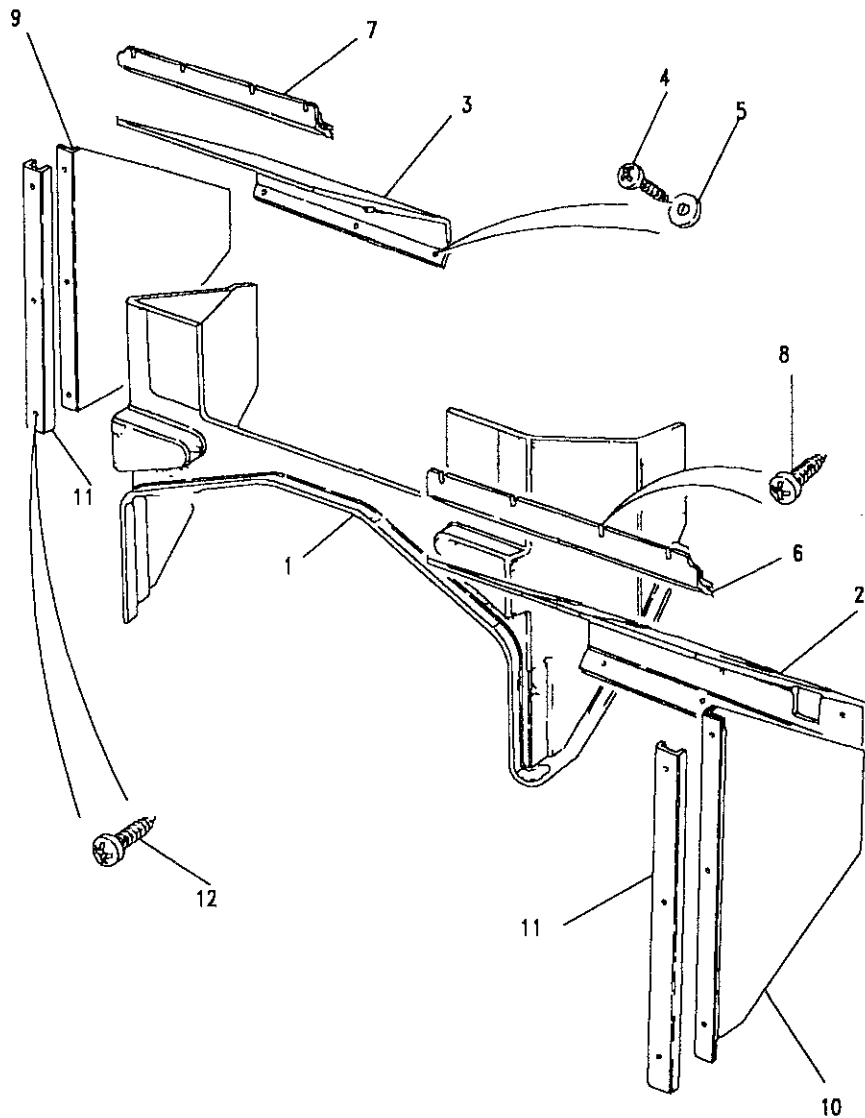


Model DEFENDER 110 1987 onwards
Page AFPXIA1A

TRIM - DASH TRIM

III. Part No.	Description	Qty	Remarks
Toebox Trim - RHS - Air Con			
2 MUC9167	Panel toebox trim RH	1	Upto VIN FA440772
2 MXC6538	Panel toebox trim RH	1	From VIN FA440773
			Upto VIN KA922165
2 BTR5232	Panel toebox trim RH	1	From VIN KA922166
3 MUC2210	Panel toebox trim LH	1	Upto VIN FA440772
3 MXC6543	Panel toebox trim LH	1	From VIN FA440773
Toebox Trim - LHS - Non Air Con			
2 MUC9168	Panel toebox trim RH	1	Upto VIN FA440772
2 MXC6540	Panel toebox trim RH	1	From VIN FA440773
			Upto VIN KA922252
2 BTR5234	Panel toebox trim RH	1	From VIN KA922253
3 MTC4865	Panel toebox trim LH	1	Upto VIN FA440772
3 MXC6541	Panel toebox trim LH	1	From VIN FA440773
			Upto VIN KA922252
3 BTR5235	Panel toebox trim LH	1	From VIN KA922253





Model DEFENDER 110 1987 onwards

Page AFPXIA1A

TRIM - DASH TRIM

III. Part No.

Description

Qty Remarks

Toebox Trim - LHS - Air Con

2	MUC9169	Panel toebox trim RH	1	Upto VIN FA440772
2	MXC6542	Panel toebox trim RH	1	From VIN FA440773
				Upto VIN KA922252
2	BTR5236	Panel toebox trim RH	1	From VIN KA922253
3	MTC4865	Panel toebox trim LH	1	Upto VIN FA440772
3	MXC6541	Panel toebox trim LH	1	From VIN FA440773
				Upto VIN KA922252
3	BTR5235	Panel toebox trim LH	1	From VIN KA922253
3	MTC8349	Baffle	1	Air Con
4	AB606041L	Screw	6	
5	WC104001L	Washer plain	6	
6	MWC6254	Retainer RH	1	Upto VIN FA440772
6	MXC6550	Retainer RH	1	From VIN FA440773
		-RHS		Upto VIN KA922165
		-LHS		Upto VIN KA922252
6	BTR6194	Retainer trim panel	1	
		-RHS		From VIN KA922166
		-LHS		From VIN KA922253
7	396416	Retainer LH	1	Upto VIN 303449
7	MWC6253	Retainer LH	1	From VIN 303450
				Upto VIN FA440772
7	MXC6551	Retainer LH	1	From VIN FA440773
		-RHS		Upto VIN KA922165
		-LHS		Upto VIN KA922252
7	BTR6193	Retainer trim panel	1	
		-RHS		From VIN KA922166
		-LHS		From VIN KA922253
8	AB606031L	Drive Screw	6	Upto Note(2)

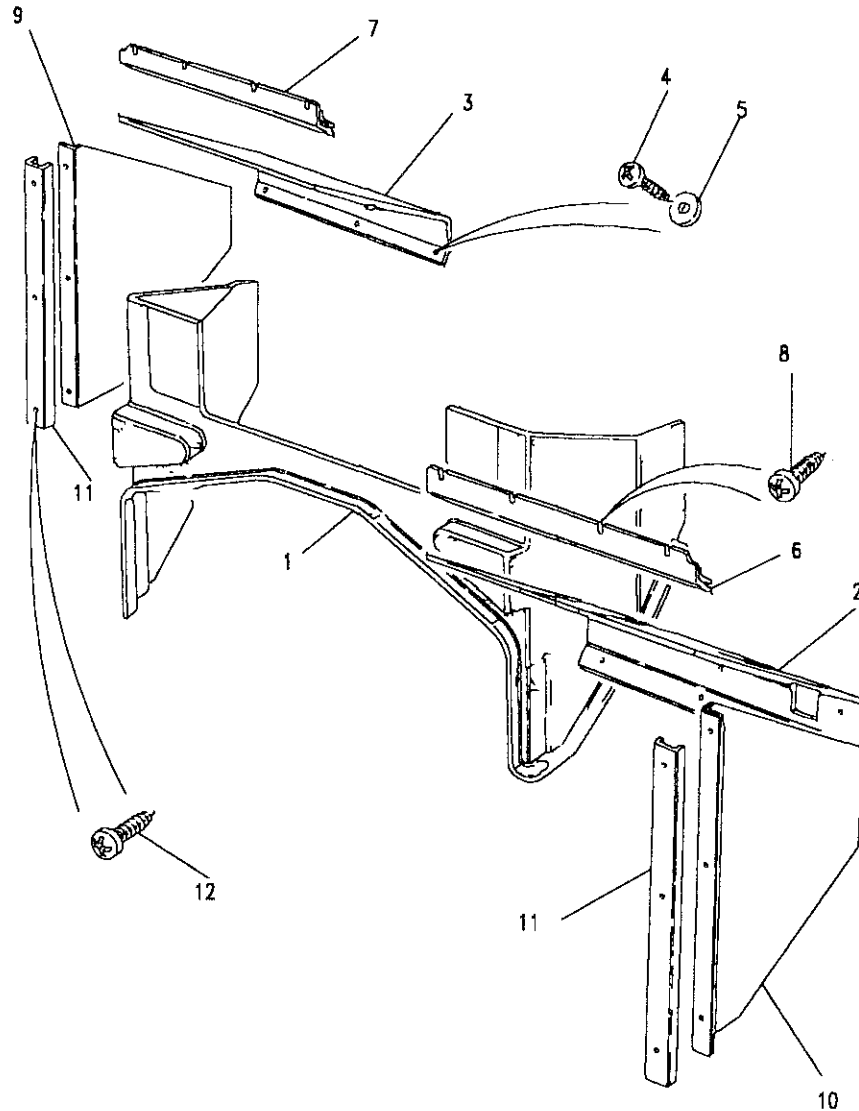




DEFENDER 110 1987 onwards

927

INTERIOR TRIM



Model DEFENDER 110 1987 onwards
Page AFPXIA1A

TRIM - DASH TRIM

III. Part No.	Description	Qty	Remarks
9 MRC5394	Cover dash side LH	1	Upto VIN 455595
9 BTR981	Cover dash side LH	1	From VIN HA455596
10 MTC6820	Cover dash side RH	1	Upto VIN 455595
10 BTR980	Cover dash side RH	1	From VIN HA455596
11 MUC9347	Retainer	2	Upto VIN 455595
11 BTR978	Retainer RH	1	From VIN HA455596
11 BTR2372	Retainer RH	1	Upto VIN HA903278
11 BTR979	Retainer LH	1	From VIN HA455596
11 BTR2371	Retainer LH	1	Upto VIN HA903278
12 AB606041L	Screw	6	From VIN HA903279

Note(1)

Introduction of 1988 Model Year - VIN EA

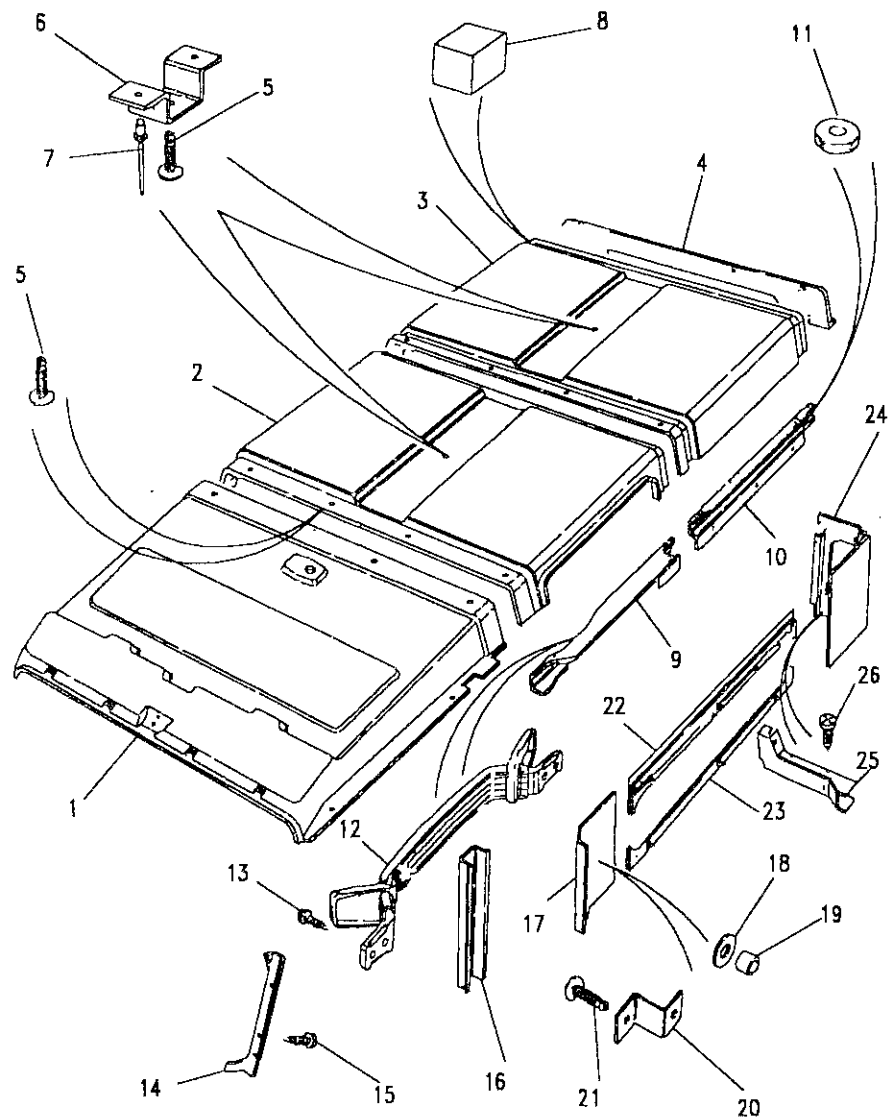
Note(2)

Upto VIN FA440772 only, From VIN FA440773 onwards use heater duct fixings items 3, 4 and 5 on page 914 - 915

Note(3)

RD = Brushwood, LDE = Slate





Model DEFENDER 110 1987 onwards
Page AFPXKA1A

TRIM - STATION WAGON - ROOF AND SIDE - UPTO VIN 314267

III. Part No.	Description	Qty	Remarks
1	MUC6484	1	Headlining
2	MUC6485	1	Headlining intermediate
3	MUC6486	1	Headlining rear
4	MUC6487	1	Lining rear end
	MWC2896	1	Lining rear end
5	AFU1900	20	Fastener
6	MTC6686	2	Bracket mounting
7	RU608123L	4	Rivet
8	MWC3317	2	Spacer foam
9	MUC6490	1	Trim cantrail RH interm
	MUC6491	1	Trim cantrail LH interm
10	MUC6488	1	Trim cantrail RH rear
	MUC6489	1	Trim cantrail LH rear
11	MUC1508	10	Felt spacer
12	YGA2682L	2	Grab handle
			Side
13	AB608061L	8	Screw
	YGA2682L	2	Grab handle
			Rear
	AB608061L	8	Screw
14	MTC5212	1	Trim 'A' post RH
	MWC2314	1	Trim 'A' post LH
15	AB606084	4	Screw

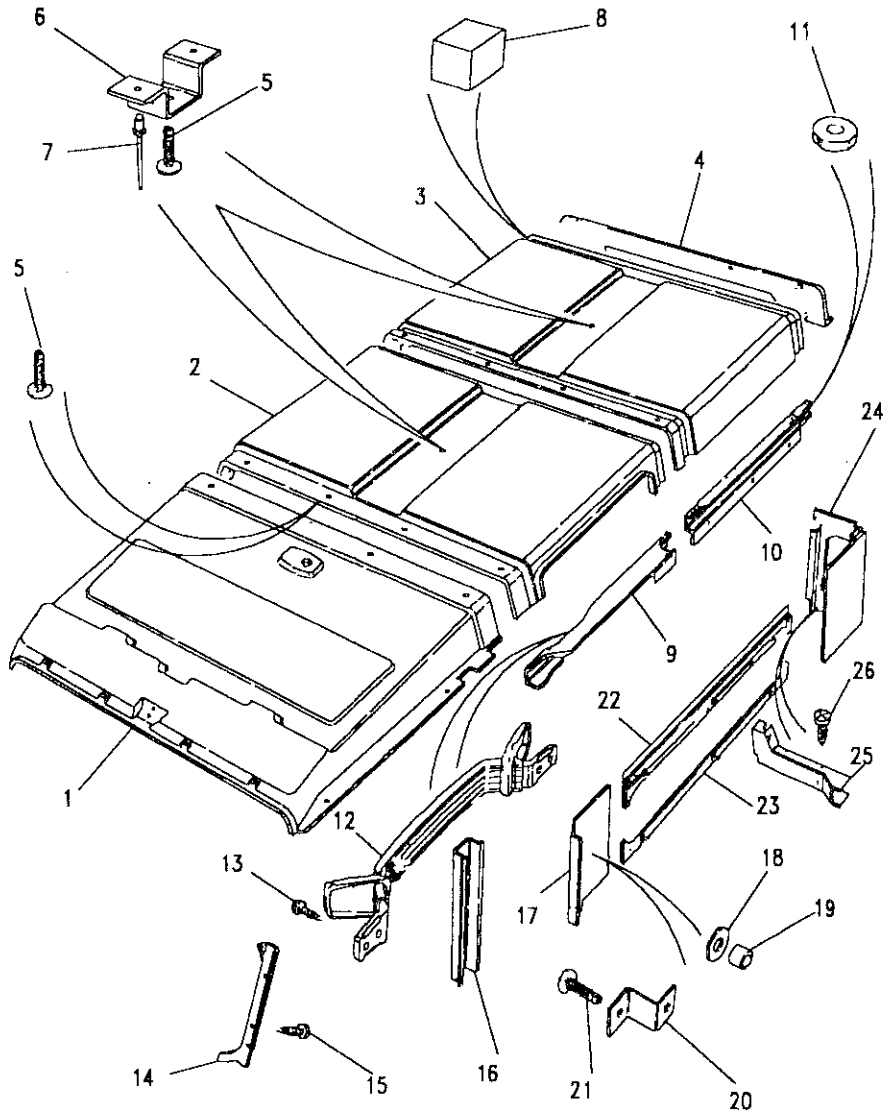




DEFENDER 110 1987 onwards

929

INTERIOR TRIM



Model DEFENDER 110 1987 onwards
Page AFPXKA1A

TRIM - STATION WAGON - ROOF AND SIDE - UPTO VIN 314267

Ill. Part No.	Description	Qty	Remarks
16 MUC2296	Trim 'BC' post	2	
17 MWC1628	Trim 'D' post RH	1)Note(2)
MWC1629	Trim 'D' post LH	1)
MWC1624	Trim 'D' post RH	1)Note(3)
MWC1625	Trim 'D' post LH	1)

Upper fixings

18 MUC6075	Spacer	2)Note(3)
19 WA112081L	Washer plain	2)

Lower fixings

20 MUC6074	Retainer trim	2)Note(3)
21 AFU1900	Fastener	2)
22 MUC1474	Trim sidelight upper	2	
23 MUC3242	Trim sidelight lower	2	
24 MUC1554	Trim rear quarter RH	1	
MUC1555	Trim rear quarter LH	1	

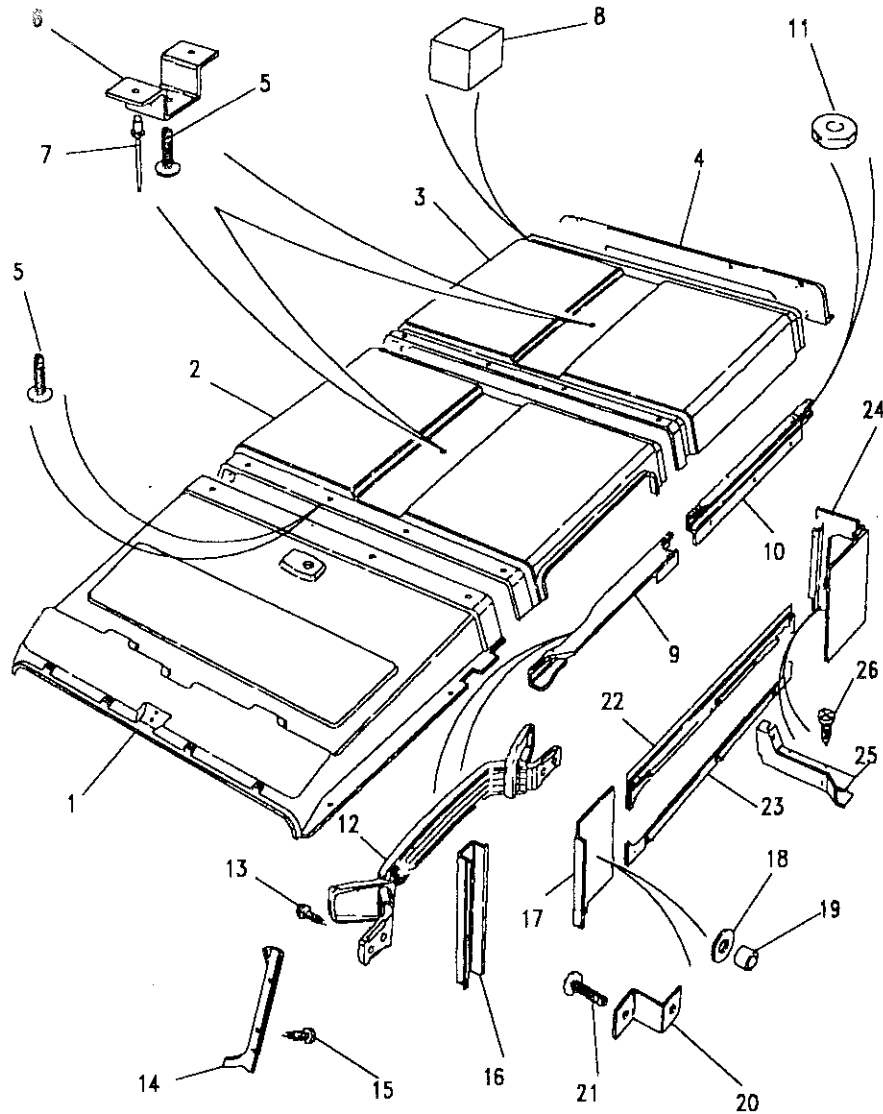




DEFENDER 110 1987 onwards

930

INTERIOR TRIM



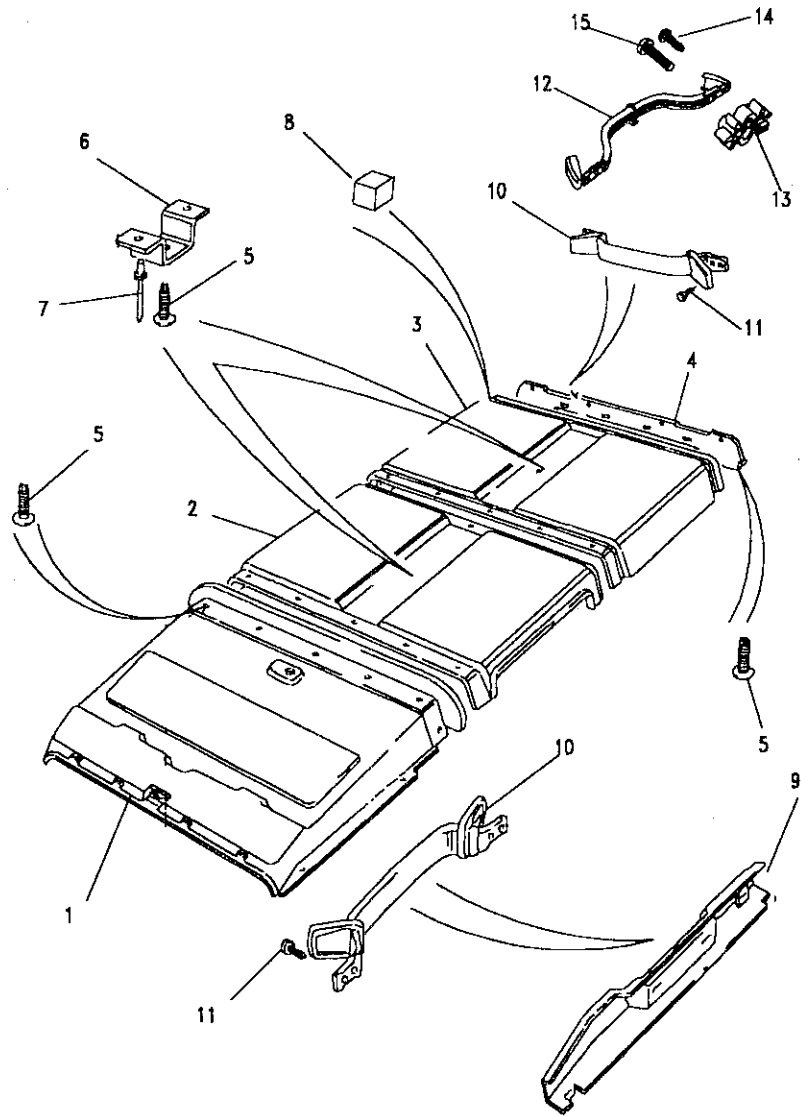
Model DEFENDER 110 1987 onwards
Page AFPXKA1A

TRIM - STATION WAGON - UP TO VIN 314267

Ill. Part No.	Description	Qty	Remarks
Germany			
25 MUC3630	Cover rear quarter panel	1	
MUC3631	Cover rear quarter panel	1	
26 AB60804	Screw	4	

Note(1) With ventilator aperture provision.
Note(2) For vehicles without inertia seat belts
Note(3) For vehicles with inertia seat belts



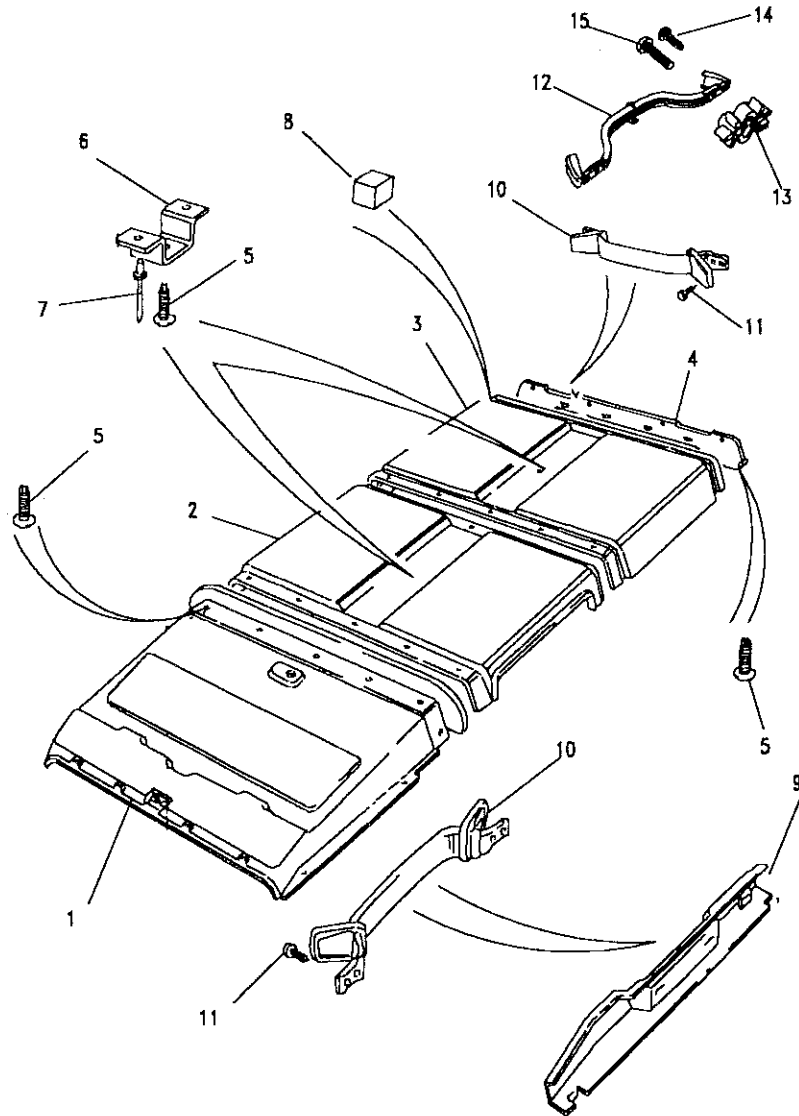


Model DEFENDER 110 1987 onwards
Page AFPXKA2A

TRIM - STATION WAGON - ROOF - FROM NOTE(1)

III. Part No.	Description	Qty	Remarks
Headlining front			
1	MXC2343LUH	1	Headlining front
	BTR9176LUH	1	Headlining front SW From MA939976
Headlining front - With sunroof aperture			
1	MWC9490LUH	1	Headlining front Upto Note(2)
	MXC5856LUH	1	Headlining front From Note(2)
	MXC2344LUH	1	Headlining front Upto VIN 455595
	BTR1886LUH	1	Headlining front From VIN HA455596
	BTR4525LUH	1	Headlining front From 1992MY
	BTR9181LUH	1	Headlining front From VIN JA906592 From MA939976
Headlining intermediate			
2	MWC9484LUH	1	Headlining intermediate
Headlining intermediate - Vehicles with sunroof			
2	MXC2347LUH	1	Headlining intermediate
	BTR9385LUH	1	Headlining intermediate Vixen





Model DEFENDER 110 1987 onwards
Page AFPXKA2A

TRIM - STATION WAGON - ROOF - FROM NOTE(1)

III. Part No.	Description	Qty	Remarks
3	MWC9485LUH	1	Headlining rear
	BTR9180LUH	1	Headlining rear
4	MWC9486LUH	1	Lining rear end
	MXC1645LUH	1	Lining rear end
	BTR586LUH	1	Lining rear end
5	MWC9832LUH	30	Fastener
6	MTC6686	2	Bracket mounting
7	RU608123L	4	Rivet
8	MUC4199	2	Foam spacer
	MWC3137	2	Foam spacer
9	MWC8914LNP	1	Trim cantrail RH
	MWC8915LNP	1	Trim cantrail LH
10	YGA2682L	4	Grab handle
11	AB608061L	16	Screw
12	JPC5641LUN	4	Grab handle
			Note(5)
13	PAM4356L	8	Spacer
14	AB608107	8	Screw
15	SE105351L	8	Screw

Note(1) Introduction of 1988 Model Year - VIN EA314268
 Note(2) Introduction of 1989 Model Year - VIN FA
 Note(3) LUH = Ripple grey
 Note(4) LNP = Mid grey
 Note(5) LUN = Ash

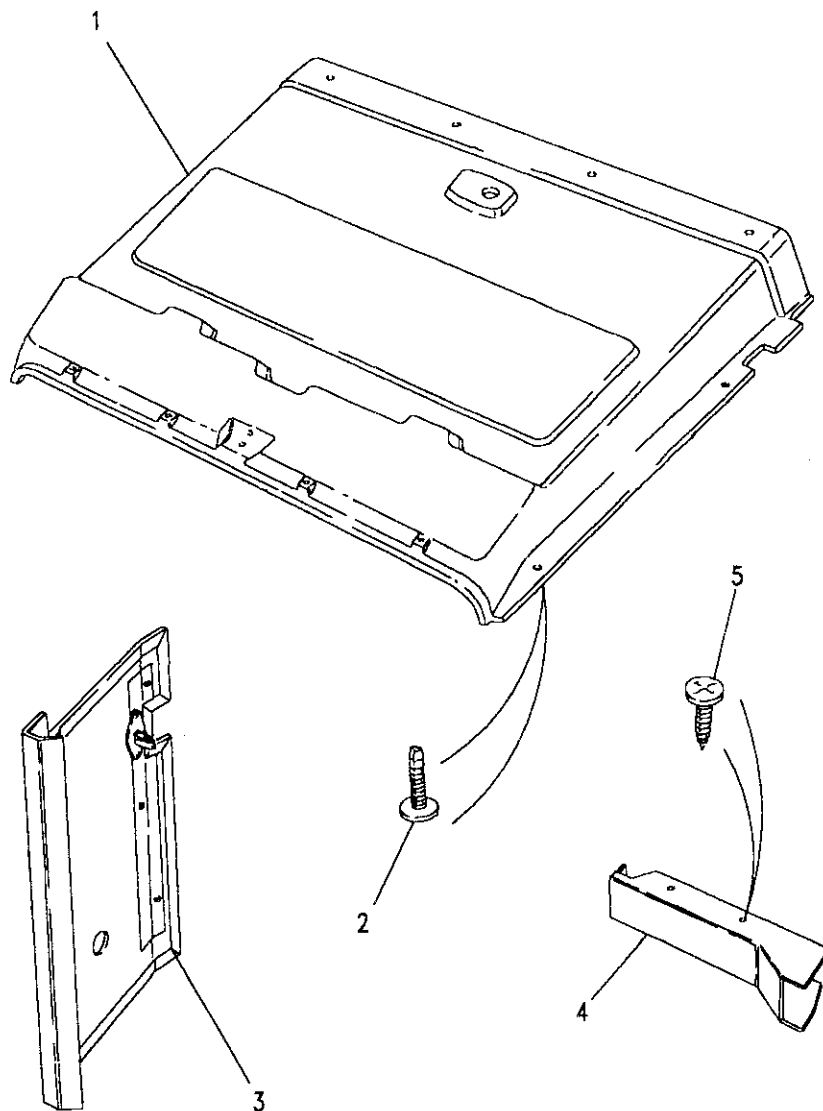




DEFENDER 110 1987 onwards

933

INTERIOR TRIM



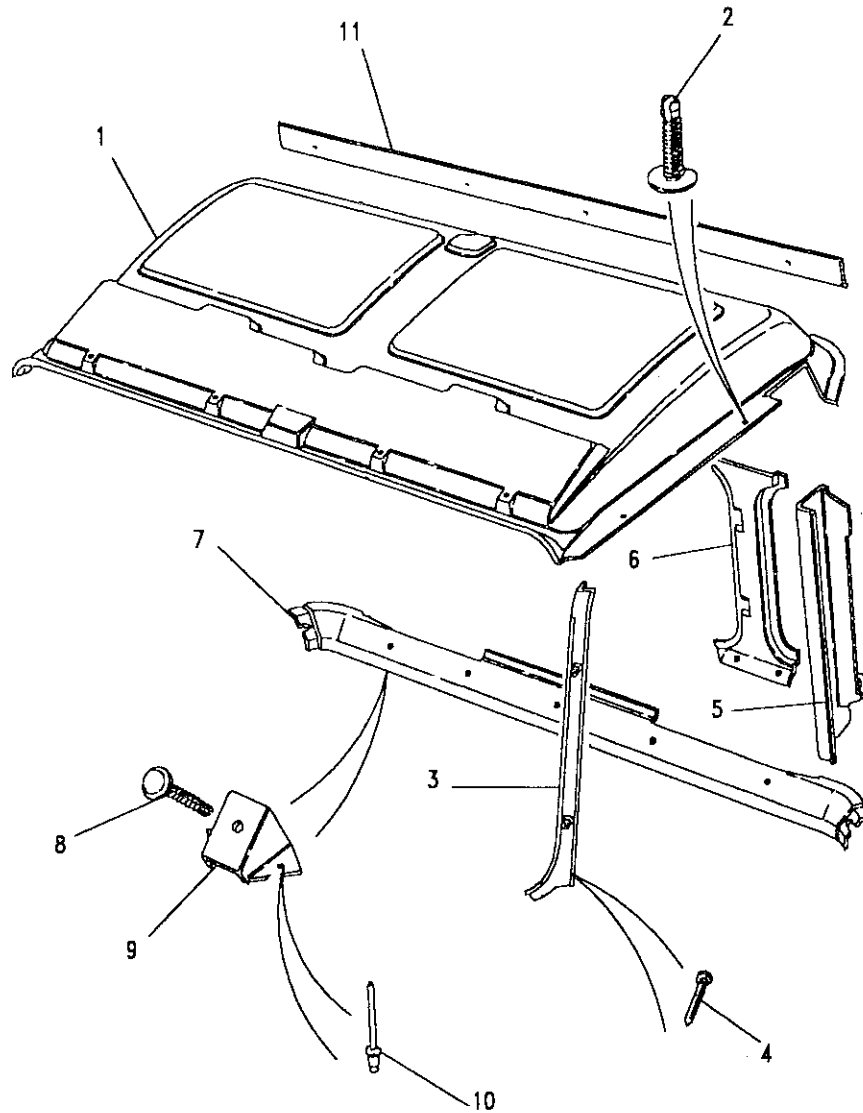
Model DEFENDER 110 1987 onwards
Page AFPXKA3A

TRIM - HARD TOP

III. Part No.	Description	Qty	Remarks
Headlining			
1 MUC6651	Headlining front	1	Upto VIN 314291
MXC5857LUH	Headlining front	1)From VIN 314292
)Upto VIN 455595
MXC2345LUH	Headlining front	1	From VIN HA455596
BTR9178LUH	Headlining front	1	From MA939976
Headlining with Sunroof Aperture			
1 BTR1886LUH	Headlining front	1	From 1992MY
BTR4525LUH	Headlining front	1	From VIN JA906592
2 AFU1900	Fastener	8	Upto VIN 314291
MWC9832LUH	Fastener	8	From VIN 314292
Germany - Upto VIN 314291			
3 MUC3844	Trim 'B' post RH	1	
MUC3845	Trim 'B' post LH	1	
4 MUC3630	Cover rear quarter panel	1	
MUC3631	Cover rear quarter panel	1	
5 AB608047L	Screw	4	

Note(1) LUH = Ripple grey



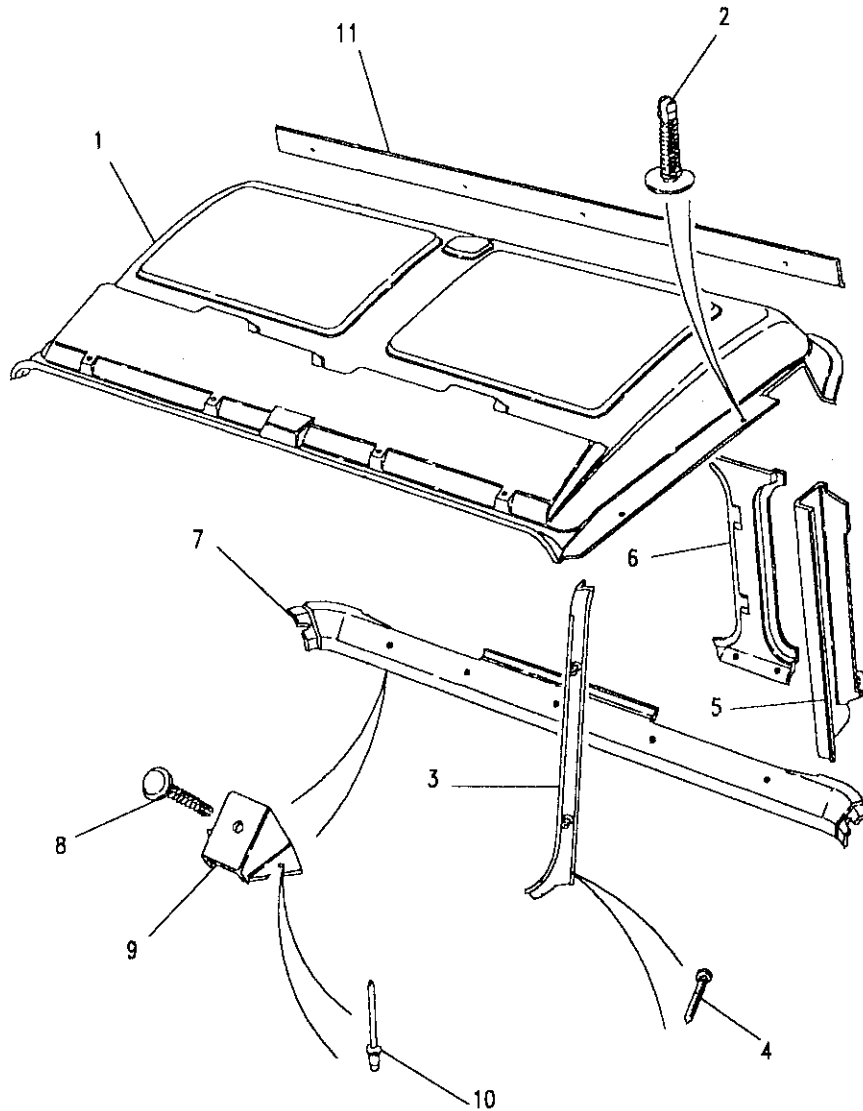


Model DEFENDER 110 1987 onwards
Page AFPXKA4A

TRIM - CAB

III. Part No.	Description	Qty	Remarks
1	MUC6496	1	Headlining
	MXC2348LUH	1	Headlining
	BTR9179LUH	1	Headlining
2	AFU1900	4	Fastener
	MWC9832LUH	4	Fastener
3	MTC5212	1	Trim 'A' post RH
	MWC2314	1	Trim 'A' post LH
4	AB606084	4	Screw
5	MUC6498	1	Trim 'B' post RH
	MUC6499	1	Trim 'B' post LH
	MWC5712LUH	1	Trim 'B' post RH
	MWC5713LUH	1	Trim 'B' post LH
6	MUC6652	1	Trim rear pillar RH
	MUC6653	1	Trim rear pillar LH
	MWC5710LUH	1	Trim rear pillar RH
	MWC5711LUH	1	Trim rear pillar LH
7	MUC6497	1	Trim rear lower
	MWC5708LUH	1	Trim rear lower
8	AFU1900	7	Fastener
	MWC9832LUH	7	Fastener





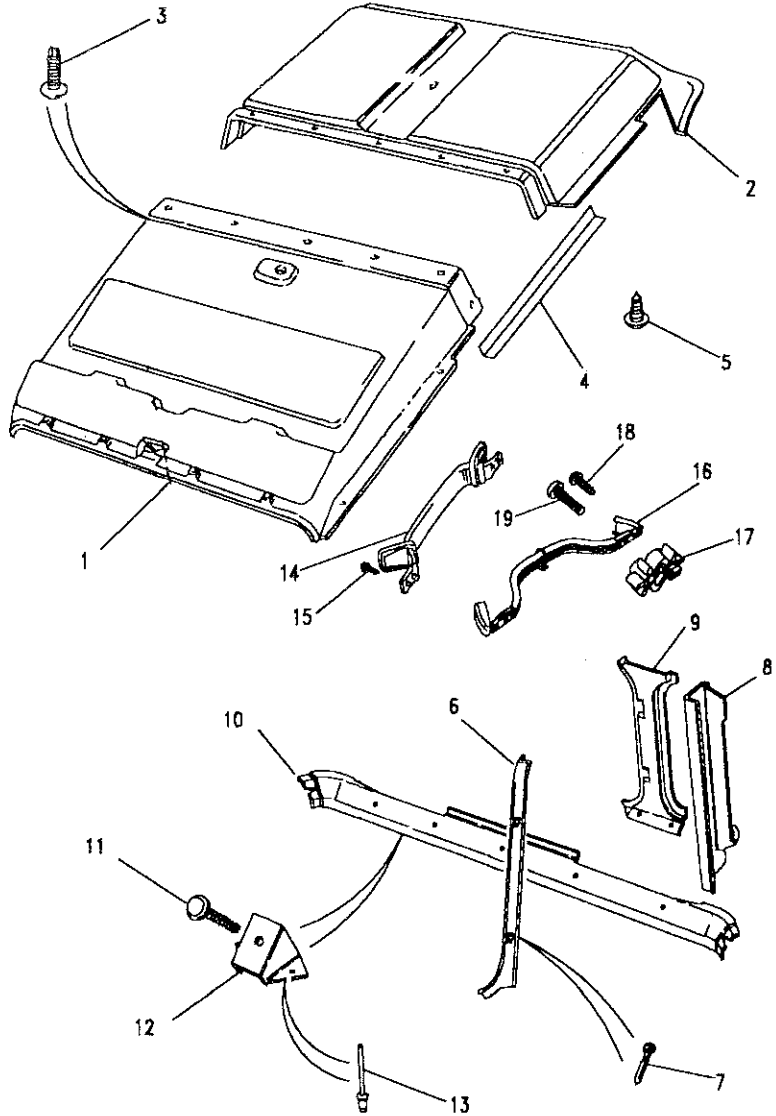
Model DEFENDER 110 1987 onwards
Page AFPXKA4A

TRIM - CAB

III. Part No.	Description	Qty	Remarks
9	MTC5486	7	
10	RA608236L	14	
11	MWC9604	1	From VIN 314369
	AB608054L	4	Upto VIN KA930143 From VIN 314369 Upto VIN KA930143
Defender 130 - Upto Note(1)			
MUC6496	Headlining front	1	Upto VIN 314368
MXC2348LUH	Headlining front	1	From VIN 314369
RRC2409	Headlining centre	1	
RRC2476	Headlining rear	1	
RRC2595	Trim cab back RH	1	
RRC2596	Trim cab back LH	1	
RRC2626	Trim cantrail rear RH	1	
RRC2629	Trim cantrail rear LH	1	

Note(1) Upto introduction of 1991 Model Year
Note(2) LUH = Ripple grey





Model DEFENDER 110 1987 onwards
 Page AFPXKA5A

TRIM - ROOF TRIM - DEFENDER 130 - 1991 MODEL YEAR

III. Part No.	Description	Qty	Remarks
1	RRC7587LUH	1	Headlining front
	BTR9183LUH	1	Headlining front
2	RRC7190LUH	1	Headlining rear
	AWR1049LUH	1	Headlining rear
3	MWC9832LUH	17	Fastener
4	RRC7198LUH	2	Side angle
5	AB606051L	2	Screw
6	MTC5212	1	Trim 'A' post RH
	MWC2314	1	Trim 'A' post LH
7	AB606084	4	Screw
8	MWC5712LUH	1	Trim 'B' post RH
	MWC5713LUH	1	Trim 'B' post LH
9	MWC5710LUH	1	Trim rear pillar RH
	MWC5711LUH	1	Trim rear pillar LH
10	MWC5708LUH	1	Trim rear lower
11	AFU1900	7	Fastener
12	MTC5486	7	Bracket mounting
13	RA608236L	14	Rivet
14	YGA2682L	4	Handle grab
	YGA2682L	2	Handle grab
15	AB608061L	16	Screw
	AB608061L	8	Screw
16	JPC5641LUN	2	Grab handle
17	PAM4356L	4	Spacer
18	AB608107	4	Screw
19	SE105351L	4	Screw

Note(1) LUH = Ripple grey
 Note(2) LUN = Ash





DEFENDER 110 1987 onwards

937

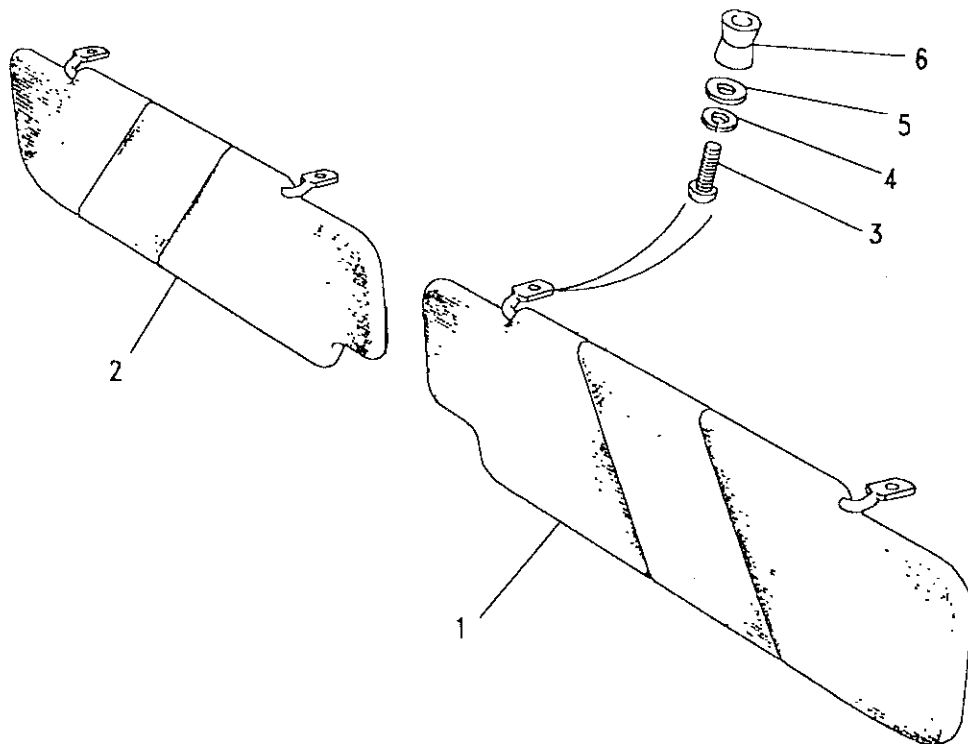
INTERIOR TRIM

Model DEFENDER 110 1987 onwards

Page AFPXKC1A

TRIM - SUNVISORS

III. Part No.	Description	Qty	Remarks
1	MTC5698	1	Upto VIN 314291
2	MTC5699	1	Upto VIN 314291
	MXC1394LUH	1	From VIN EA314292
	MWC5737LUH	1	Note(1) From VIN EA314292
Untrimmed Vehicle - Upto VIN KA926047			
3	SE106201L	4	Screw
4	WL106001L	4	Washer spring
5	WA106041L	4	Washer plain
6	NN106021	4	Nut anchor From VIN FA413939
Untrimmed Vehicle - From VIN KA926048			
3	AB614061L	4	Screw
4	WL106001L	4	Washer spring
5	WA106041L	4	Washer plain
6	79246	4	Nut spire
Trimmed Vehicle - Upto VIN KA926047			
3	SE106251L	4	Screw
4	WL106001L	4	Washer spring
5	WA106041L	4	Washer plain
6	NN106021	4	Nut anchor From VIN FA413939





Model DEFENDER 110 1987 onwards

Page AFPXKC1A

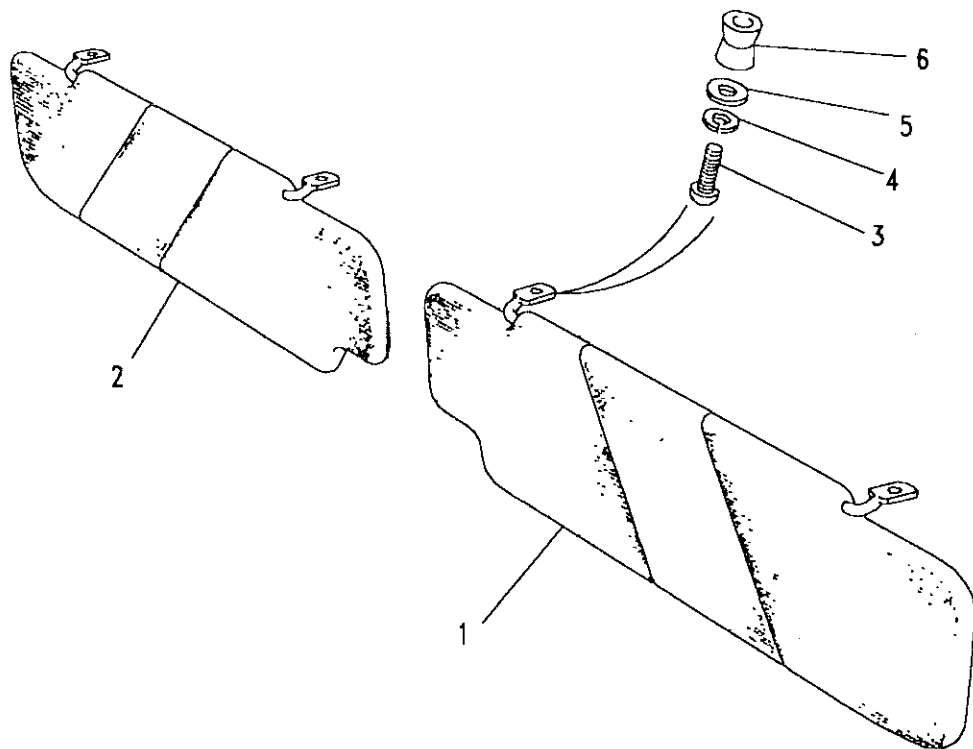
TRIM - SUNVISORS

III. Part No.	Description	Qty	Remarks
---------------	-------------	-----	---------

Trimmed Vehicle - From VIN KA926048			
3	AB614081L	Screw	4
4	WL106001L	Washer spring	4
5	WA106041L	Washer plain	4
6	79246	Nut spire	4

Note(1) Introduction of 1988 Model Year

Note(2) LUH = Ripple grey

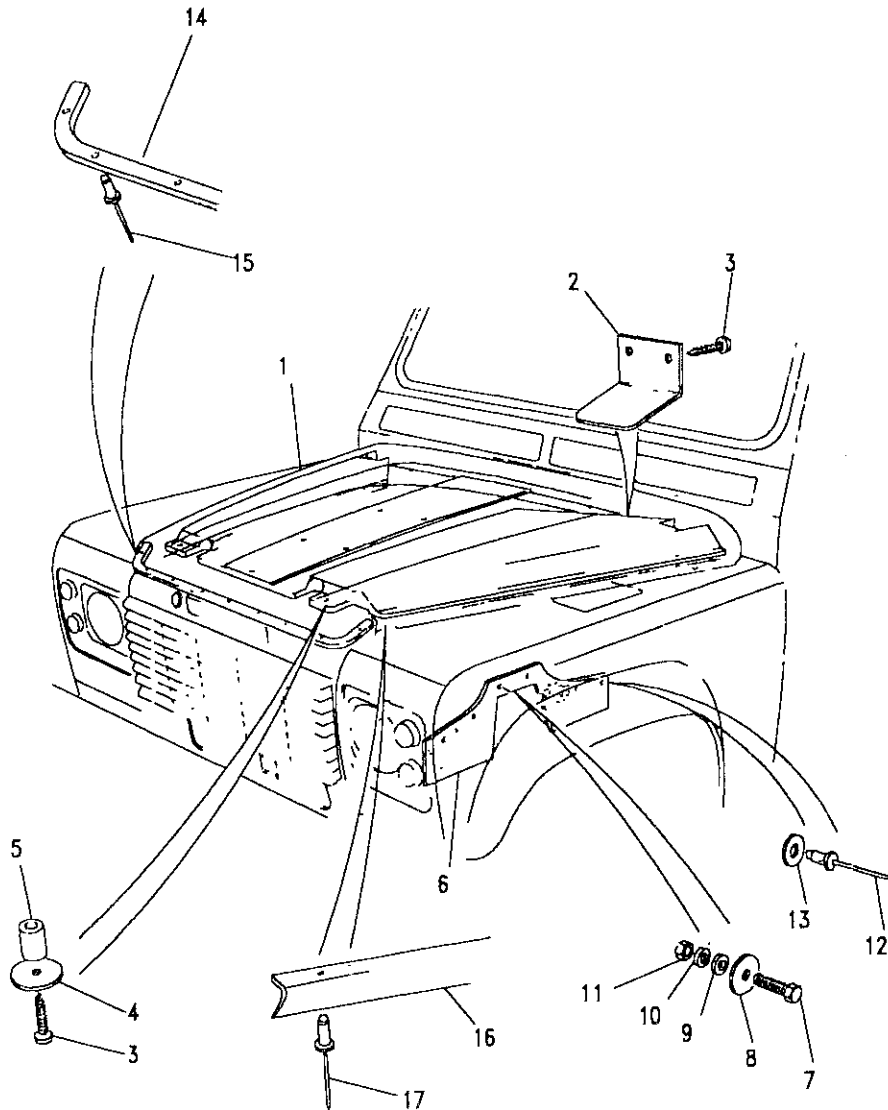




Model DEFENDER 110 1987 onwards
Page AFPXMA1A

TRIM - BONNET INSULATION

III. Part No.	Description	Qty	Remarks
1	BTR3415	1	Insulation bonnet
	BTR6189	1	Insulation bonnet
2	MTC4657	2	Bracket mounting
3	AR608061	13	Screw
	AR608061	9	From VIN JA915268
4	AFU1071	9	Washer
5	AFU1497	9	Spacer
	RU612373L	9	Rivet
	RU612373L	9	Alternative fixing
6	MTC6324	2	Insulation wheelarch
7	FS106201L	4	Flange screw
8	AFU1261	4	Washer plain
9	WA106041L	4	Washer plain
10	WL106001L	4	Washer spring
11	NH106041L	4	Nut
12	RA612346	8	Rivet
13	AFU1256	8	Washer plain
14	MRC7104	1	Finisher bonnet
15	AFU1172	9	Rivet
16	MTC6413	2	Seal bonnet side
17	RU612373L	16	Rivet





Model DEFENDER 110 1987 onwards

Page AFPXMA2A

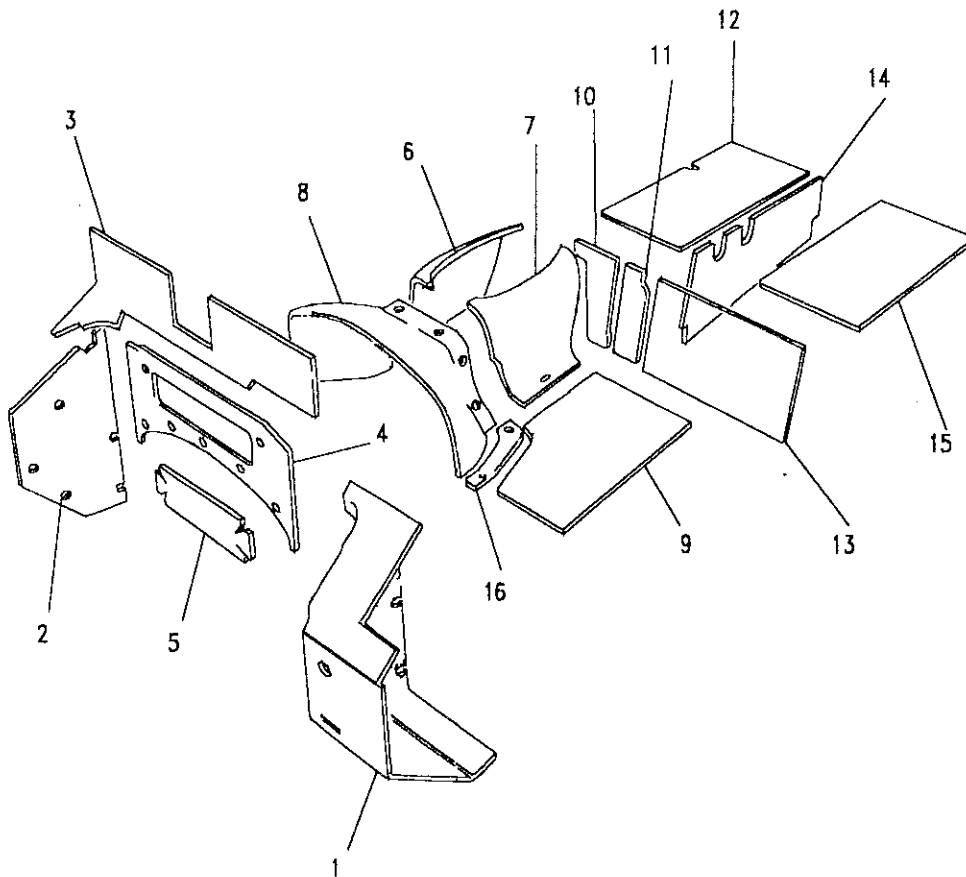
TRIM - HEAT INSULATION - TURBO DIESEL

III. Part No.

Description

Qty Remarks

1	MWC8203	Insulation toebox LH	1	RHS
	MWC8201	Insulation toebox LH	1	LHS
2	MWC8202	Insulation toebox innr RH	1	
3	MWC8205	Insulation dash vent	1	
4	MWC8206	Insulation dash panel	1	
5	MWC8207	Insulation lower dash	1	
6	MWC8208	Insulation tunnel RH	1	
7	MWC8209	Insulation tunnel LH	1	
8	MWC8210	Insulation diaphrm panel	1	
9	MWC8211	Insulation floor plate LH	1	
10	MWC8212	Insulation heelbd centre	1	RHS
	BTR362	Insulation heelbd centre	1	Upto VIN 455595 RHS
	MWC8213	Insulation heelbd centre	1	From VIN HA455596 LHS
	BTR361	Insulation heelbd centre	1	Upto VIN 455595 LHS
11	MWC8214	Insulation heelboard LH	1	From VIN HA455596
	BTR363	Insulation heelboard LH	1	Upto VIN 455595 From VIN HA455596





DEFENDER 110 1987 onwards

941

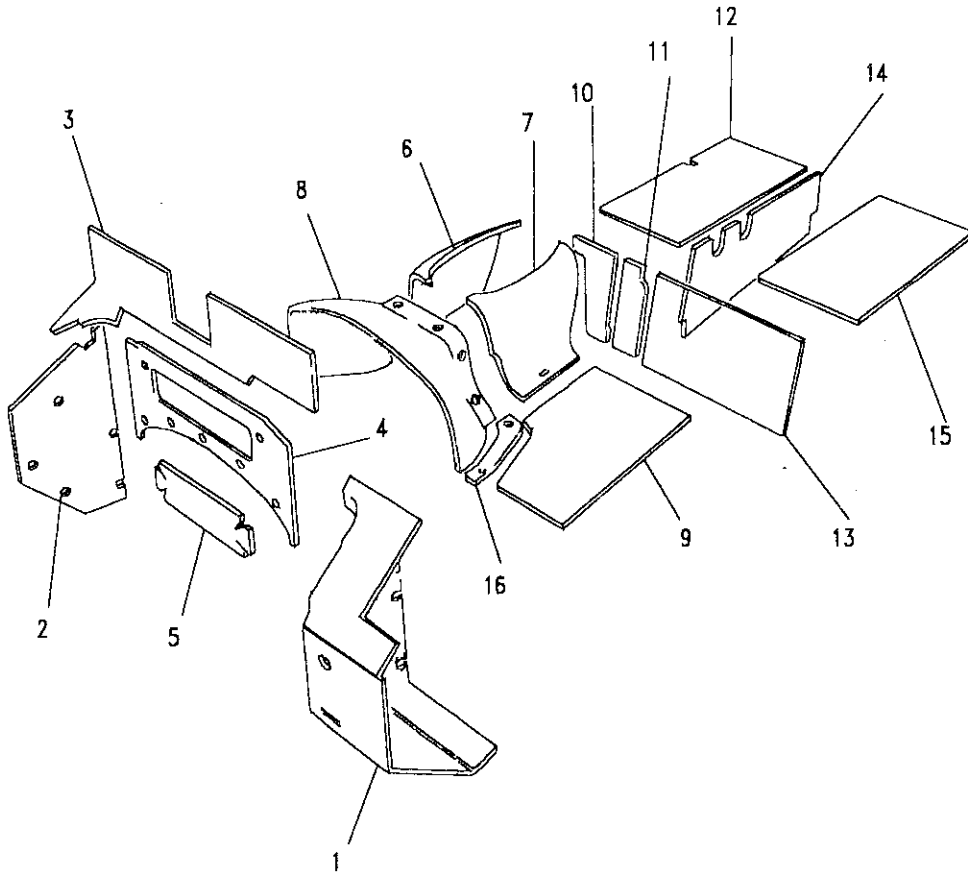
INTERIOR TRIM

Model DEFENDER 110 1987 onwards

Page AFPXMA2A

TRIM - HEAT INSULATION - TURBO DIESEL

III. Part No.	Description	Qty	Remarks
12 MWC8215	Insulation intmd panel LH	1	
13 MWC8216	Insulation batt box front	1	Upto VIN 455595
BTR364	Insulation batt box front	1	From VIN HA455596
14 MWC8217	Insulation batt box side	1	Upto VIN 455595
BTR365	Insulation batt box side	1	From VIN HA455596
15 MWC8218	Insulation batt box lid	1	
16 MWC8219	Insulation diaph flnge LH	1	





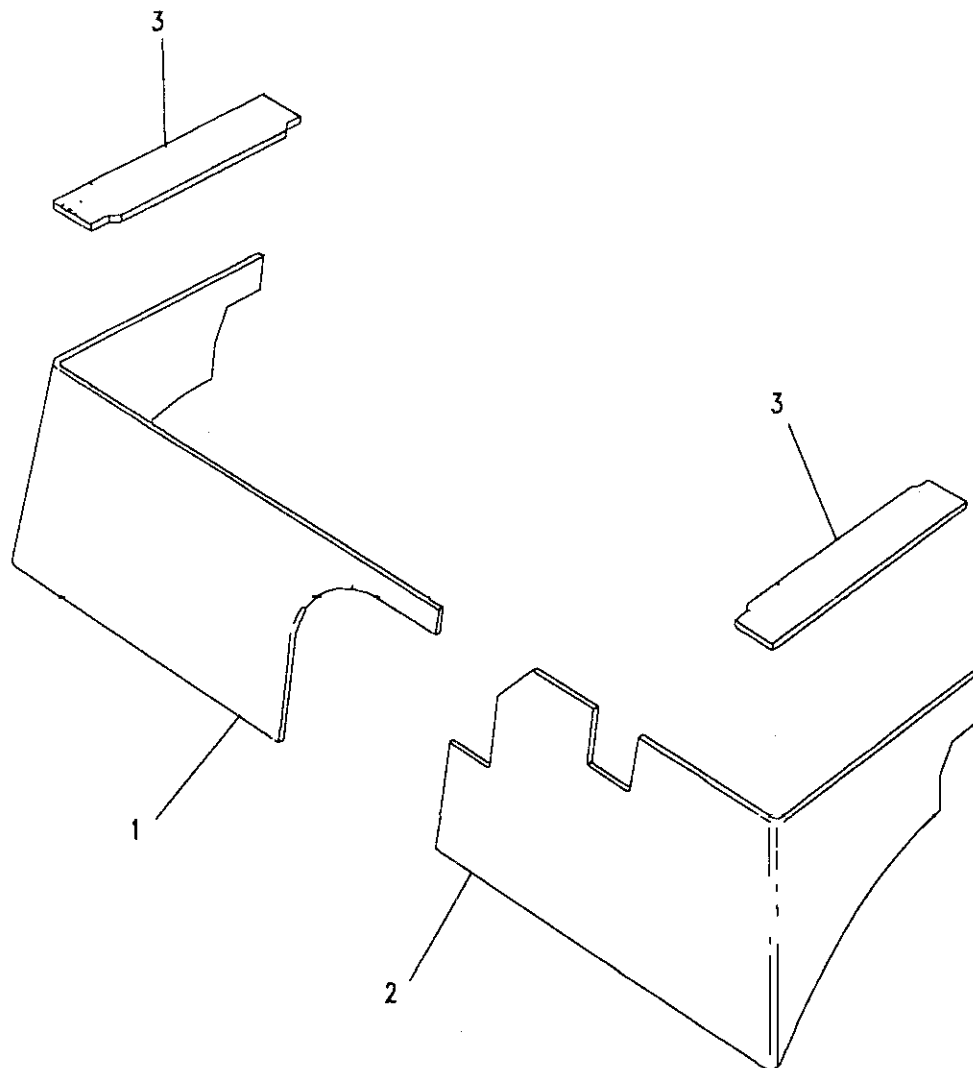
Model DEFENDER 110 1987 onwards

Page AFPXMA3A

TRIM - SEATBASE INSULATION

III. Part No.	Description	Qty	Remarks
Insulation seatbase front - Upto VIN 455595			
1	MXC1804PMA Insulation RH	1	4 cylinder
2	MXC1805PMA Insulation LH	1	4 cylinder
	MXC1806PMA Insulation	1	V8
Insulation seatbase front - From VIN HA455596			
1	MXC5088PMA Insulation RH	1	4 cylinder
2	MXC5089PMA Insulation LH	1	4 cylinder
	MXC5090PMA Insulation	1	V8 LT85
	BTR1197PMA Insulation	1	V8 LT77
Insulation seatbase top - Upto VIN 347052			
3	396950 Insulation RH	1	
	396951 Insulation LH	1	

Note(1) PMA = Black





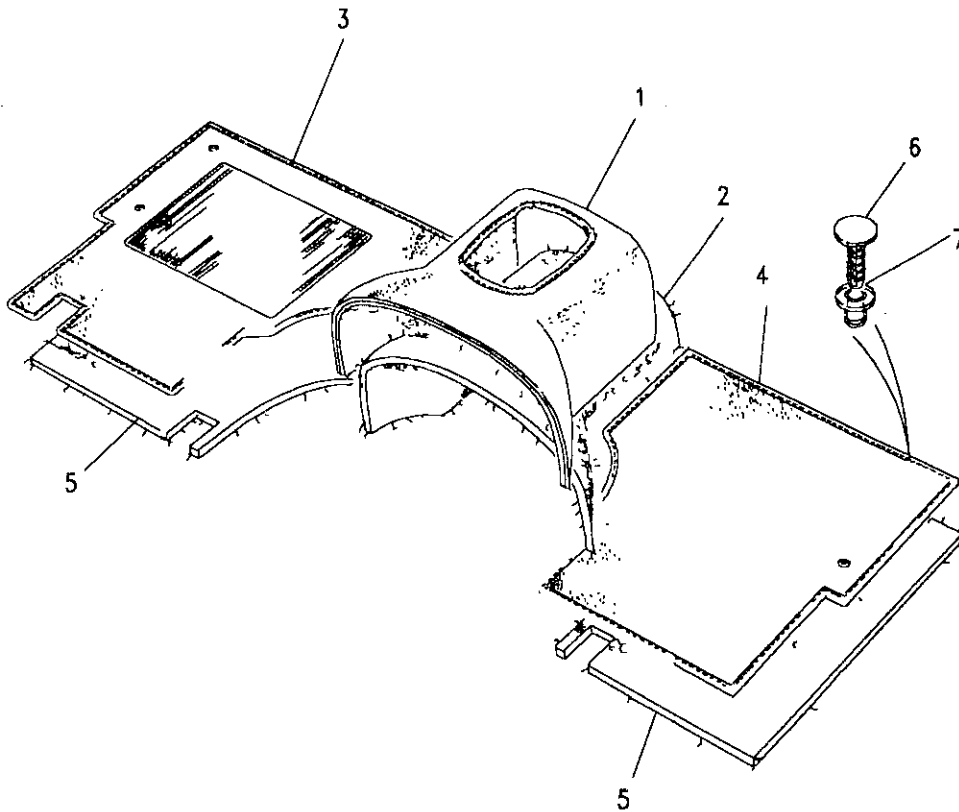
Model DEFENDER 110 1987 onwards

Page AFPXPA1A

TRIM - CARPETS - FRONT FLOOR

III. Part No.	Description	Qty	Remarks
Upto Note(1)			
1 MUC1361RD	Carpet tunnel	1	4 cylinder
MUC1257RD	Carpet tunnel	1	V8
From Note(1)			
4 Cylinder			
1 MUC1361LDE	Carpet tunnel	1	Upto LA939975
BTR9321LDE	Carpet tunnel	1	From MA939976
8 Cylinder			
MUC1257LDE	Carpet tunnel	1	V8 LT85
BTR1200LDE	Carpet tunnel	1	V8 LT77
BTR9321LDE	Carpet tunnel	1	From MA939976
2 MUC1499	Felt tunnel	1	4 cylinder
MUC1494	Felt tunnel	1	V8
Upto Note(1)			
3 MUC1358RD	Carpet front floor RH	1	RHS 4 cylinder
MUC1362RD	Carpet front floor RH	1	LHS 4 cylinder
MUC1258RD	Carpet front floor RH	1	RHS V8
MUC1264RD	Carpet front floor RH	1	LHS V8

Note(1) For centre dash carpet see page 924 - 927





Model DEFENDER 110 1987 onwards

Page AFPXA1A

TRIM - CARPETS - FRONT FLOOR

Ill. Part No. Description Qty Remarks

From Note(1)

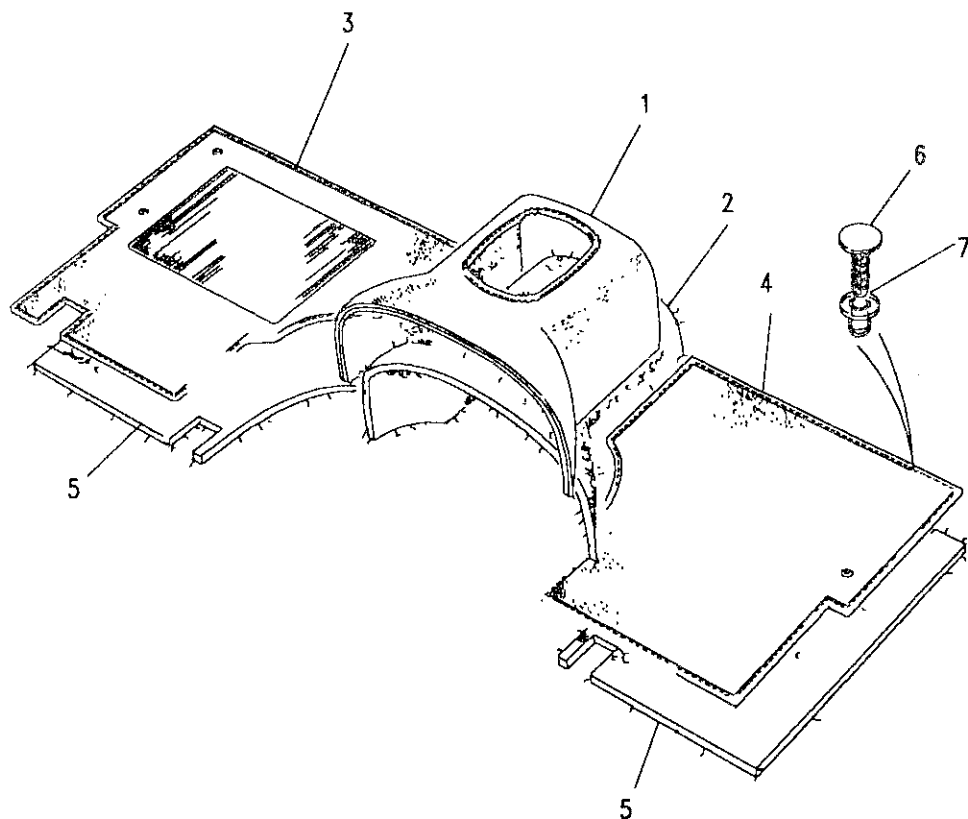
3	MUC1358LDE	Carpet front floor RH	1	RHS 4 cylinder
	MUC1362LDE	Carpet front floor RH	1	LHS 4 cylinder
	MUC1258LDE	Carpet front floor RH	1	RHS V8
	MUC1264LDE	Carpet front floor RH	1	LHS V8

Upto note(1)

4	MUC1357RD	Carpet front floor LH	1	RHS 4 cylinder
	MUC1363RD	Carpet front floor LH	1	LHS 4 cylinder
	MUC1259RD	Carpet front floor LH	1	RHS V8
	MUC1265RD	Carpet front floor LH	1	LHS V8

From Note(1)

4	MUC1357LDE	Carpet front floor LH	1	RHS 4 cylinder
	MUC1363LDE	Carpet front floor LH	1	LHS 4 cylinder
	MUC1259LDE	Carpet front floor LH	1	RHS V8 LT85
	BTR1682LDE	Carpet front floor LH	1	RHS V8 LT77
	MUC1265LDE	Carpet front floor LH	1	LHS V8 LT85
	BTR1681LDE	Carpet front floor LH	1	LHS V8 LT77





Model DEFENDER 110 1987 onwards
Page AFPXPA1A

TRIM - CARPETS - FRONT FLOOR

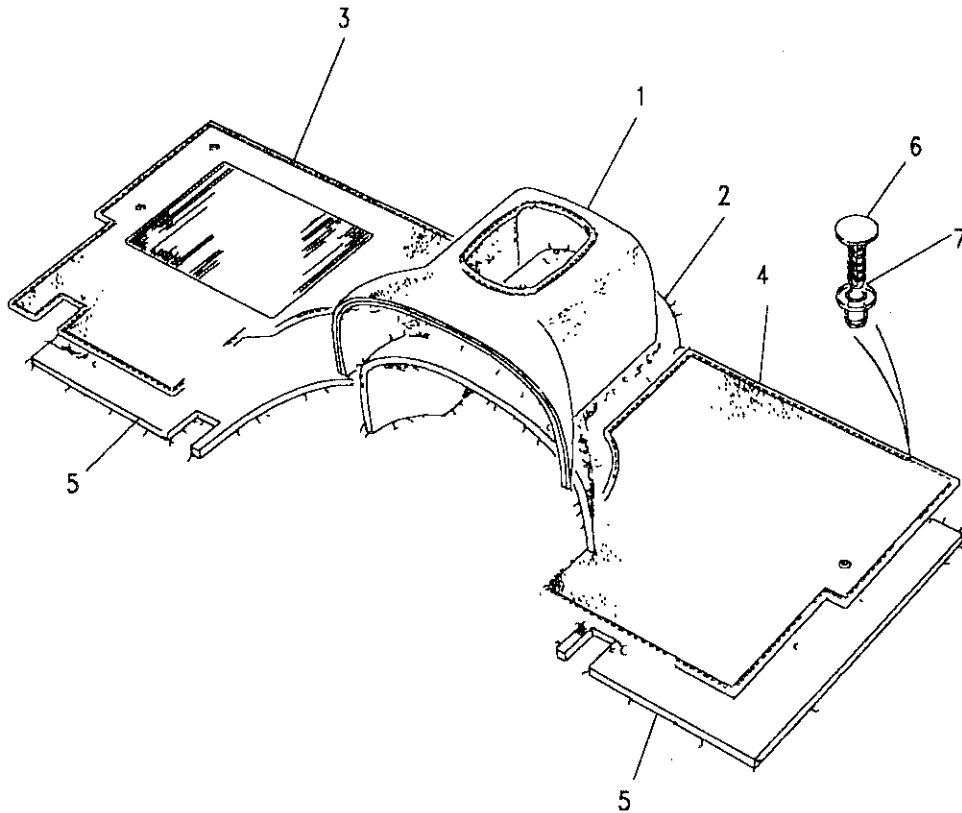
III. Part No.	Description	Qty	Remarks
5 MUC1498	Felt front floor RH	1	4 cylinder Upto VIN KA929547
BTR8114	Felt floor front RH	1	LT77 From VIN KA929548
MUC1497	Felt front floor LH	1	4 cylinder Upto VIN KA929547
BTR8115	Felt floor front LH	1	LT77 From VIN KA929548
MUC1268	Felt front floor RH	1	V8 Upto VIN KA929547
BTR8116	Felt floor front RH	1	V8 From VIN KA929548
MUC1269	Felt front floor LH	1	V8 LT85
BTR1683	Felt front floor LH	1	V8 LT77 Upto VIN KA929547
BTR8117	Felt floor front LH	1	V8 From VIN KA929548
6 RTC3938AV	Fastener	4	Upto Note(1)
RTC3938LDE	Fastener	4	From Note(1)
7 13H2475L	Stud anchor	4	

Note(1) Introduction of 1988 Model Year - Regular VIN EA314292, Station Wagon VIN EA314268

Note(2) RD = Brushwood

Note(3) LDE = Slate

Note(4) AV = Brushwood





Model DEFENDER 110 1987 onwards

Page AFPXPA2A

TRIM - CARPETS - SEATBASE

Ill. Part No. Description Qty Remarks

RHD 4 cylinder - Upto Note(2)

1	MUC1360RD	Carpet seatbase front RH	1	
	MUC2160RD	Carpet seatbase front RH	1	Note(1)
	MUC1359RD	Carpet seatbase front LH	1	

RHD 4 cylinder - From Note(2) upto VIN 347903

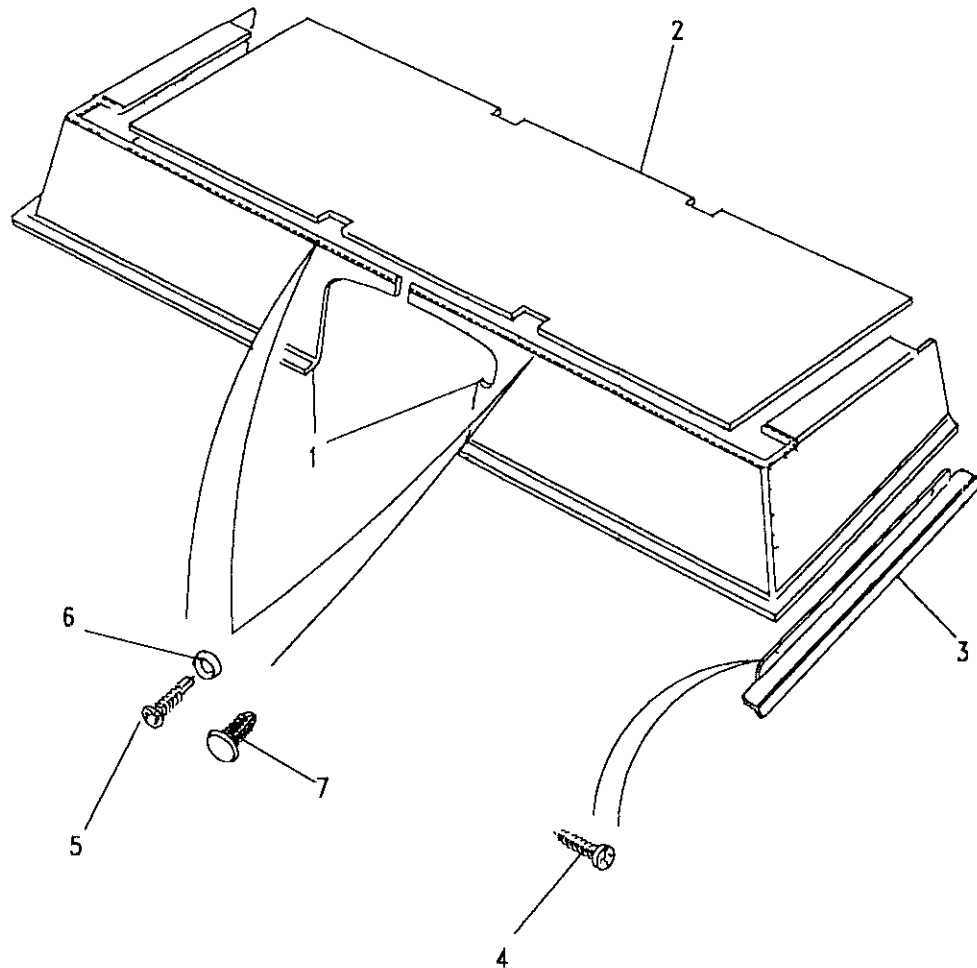
1	MWC7658LDE	Carpet seatbase front RH	1	
	MWC7658LDE	Carpet seatbase front RH	1	Note(1)
	MWC7657LDE	Carpet seatbase front LH	1	

RHD V8 - Upto Note(2)

1	MUC1260RD	Carpet seatbase front RH	1	
	MUC1260RD	Carpet seatbase front RH	1	Note(1)
	MUC1261RD	Carpet seatbase front LH	1	

RHD V8 - From Note(2) upto VIN 347903

1	MWC7660LDE	Carpet seatbase front RH	1	
	MWC7660LDE	Carpet seatbase front RH	1	Note(1)
	MWC7659LDE	Carpet seatbase front LH	1	



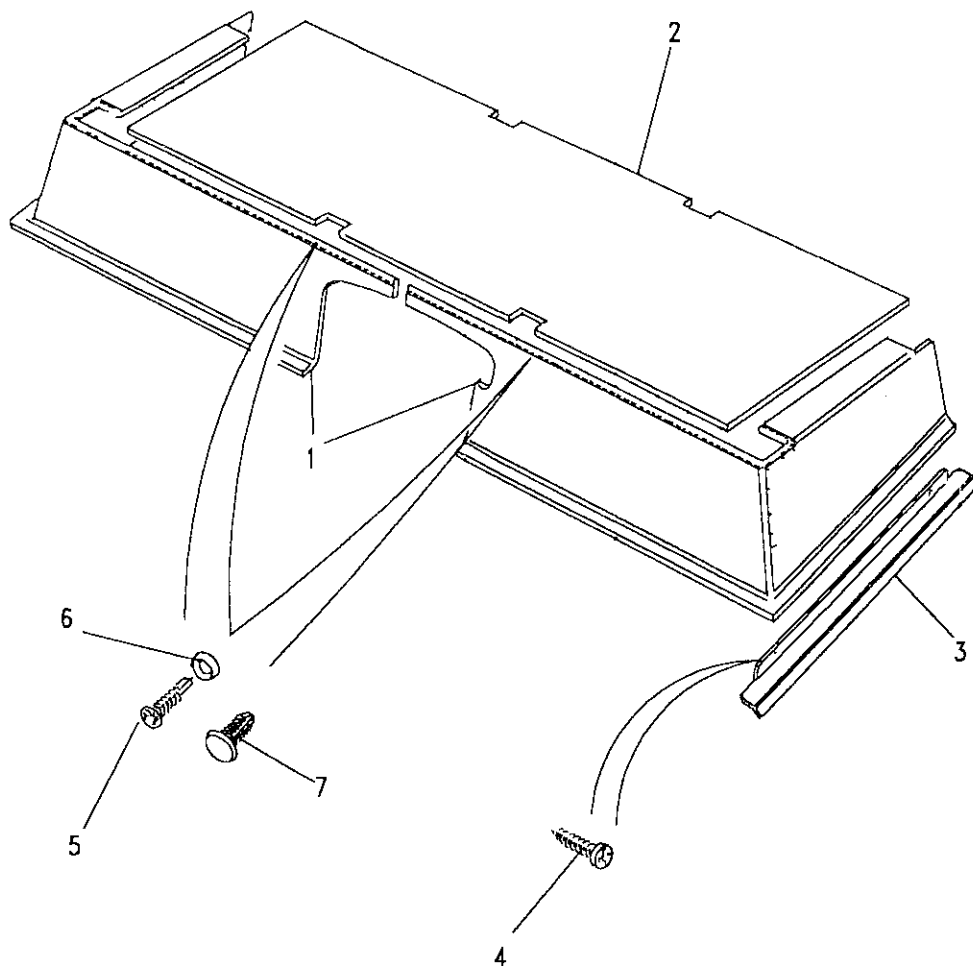


Model DEFENDER 110 1987 onwards

Page AFPXPA2A

TRIM - CARPETS - SEATBASE

III. Part No.	Description	Qty	Remarks
LHD 4 cylinder - Upto Note(2)			
1 MUC1364RD	Carpet seatbase front RH	1	
MUC2161RD	Carpet seatbase front RH	1	Note(1)
MUC1365RD	Carpet seatbase front LH	1	
LHD 4 cylinder - From Note(2) upto VIN 347903			
1 MWC7662LDE	Carpet seatbase front RH	1	
MWC7662LDE	Carpet seatbase front RH	1	Note(1)
MWC7661LDE	Carpet seatbase front LH	1	
LHD V8 - Upto Note(2)			
1 MUC1266RD	Carpet seatbase front	1	
MUC1266RD	Carpet seatbase front	1	Note(1)
LHD V8 - From Note(2) upto VIN 347903			
1 MWC7663LDE	Carpet seatbase front	1	
MWC7663LDE	Carpet seatbase front	1	Note(1)



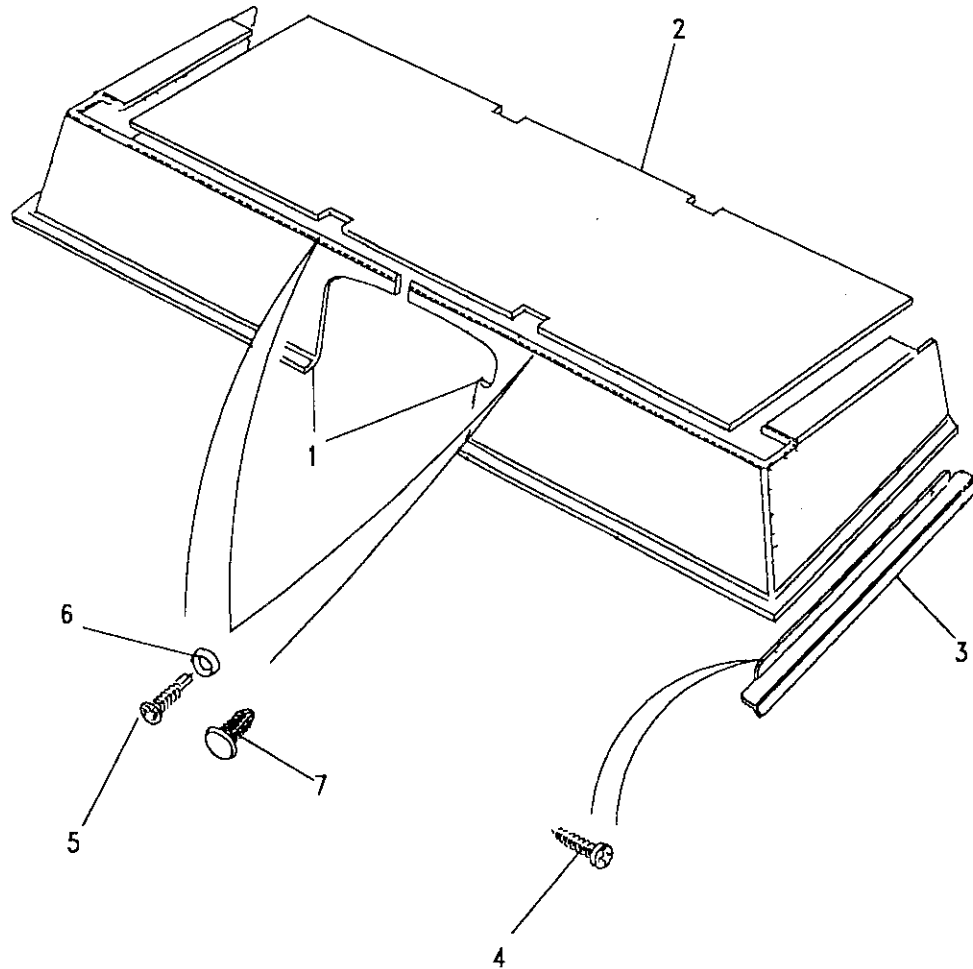


Model DEFENDER 110 1987 onwards

Page AFPXPA2A

TRIM - CARPETS - SEATBASE

III. Part No.	Description	Qty	Remarks
From VIN 347904 upto VIN 455595			
1	MWC9370LDE	1	4 cylinder
	MWC9371LDE	1	4 cylinder
	MWC9369LDE	1	V8
From VIN HA455596			
1	MXC2338LDE	1	4 cylinder
	MXC2339LDE	1	4 cylinder
	MXC2340LDE	1	V8 LT85
	BTR1194LDE	1	V8 LT77
2	MUC1757	1	Upto Note(2)
	MUC1757LDE	1	From Note(2)
			Upto VIN 455595
	MXC2337LDE	1	From VIN HA455596





DEFENDER 110 1987 onwards

949

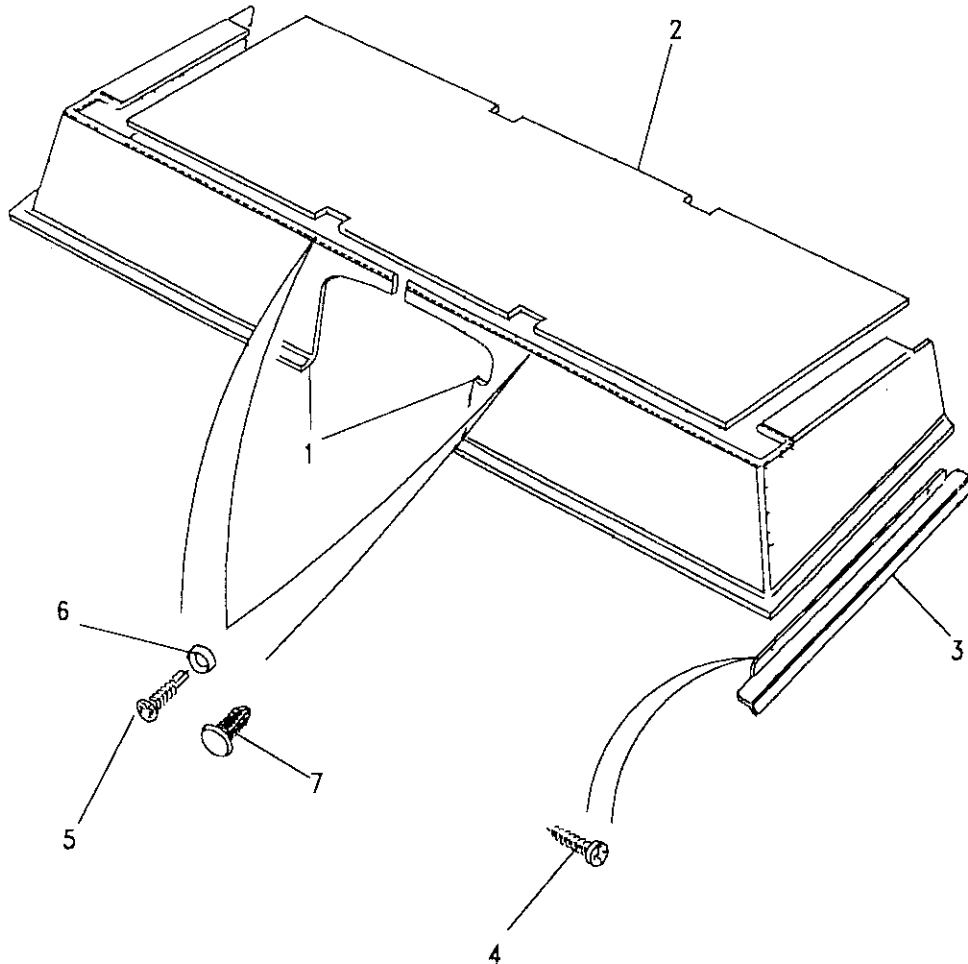
INTERIOR TRIM

Model DEFENDER 110 1987 onwards
Page AFPXPA2A

TRIM - CARPETS - SEATBASE

III. Part No.	Description	Qty	Remarks
3 MUC1500	Retainer	2	Upto VIN KA924784
Non Station Wagon only - From VIN 347904			
3 MWC9376	Retainer	2	Upto VIN KA924784
4 AB606054L	Screw	6	Upto VIN KA924784
5 MTC9428	Screw tek	16	Upto Note(2)
6 MTC9429	Washer cup	16	Upto Note(2)
7 AFU1897LDE	Fastener	9	From Note(2)

Note(1) Vehicles with additional fuel tank
 Note(2) Introduction of 1988 Model Year - Regular VIN EA314292, Station Wagon VIN EA314268
 Note(3) RD = Brushwood
 Note(4) LDE = Slate





Model DEFENDER 110 1987 onwards
Page AFPXPA3A

TRIM - CARPETS - INTERMEDIATE FLOOR

III. Part No.	Description	Qty	Remarks
1	MUC6667RD	1	Upto Note(1)
	MUC6667LDE	1	From Note(1)
2	396541	2	
3	396542	1	
4	AB606041L	6	
5	MUC1353AV	1	Upto Note(1)
	MUC1353LDE	1	From Note(1)
6	MUC1495	1	
7	RTC3938AV	4	Upto Note(1)
	RTC3938LDE	4	From Note(1)
8	13H2475L	4	

Carpet heelboard-Station Wagon - Upto Note(1)

9	MWC2315AV	1	10 seater
	MUC1759	1	12 seater

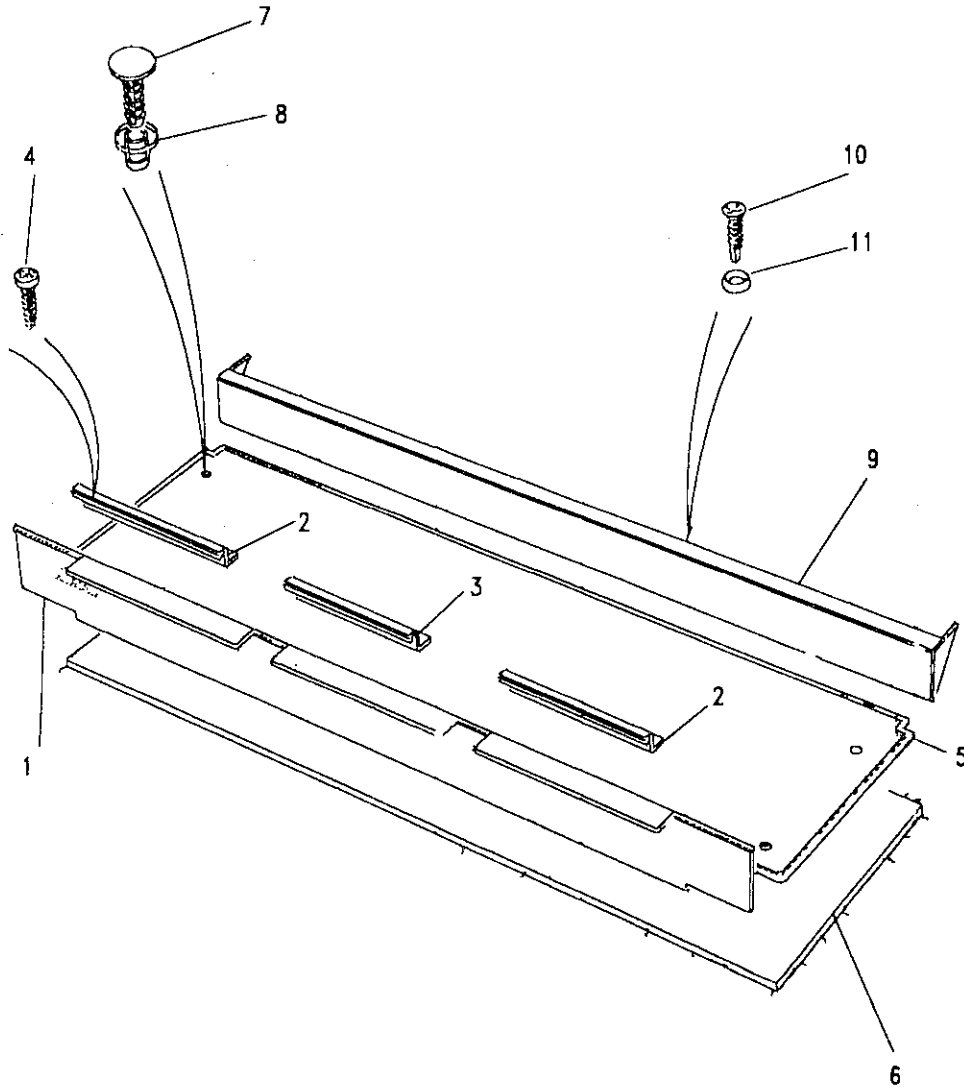
Carpet heelboard-Station Wagon - From Note(1)

9	MWC2315LDE	1	10 seater
	MUC1759LDE	1	12 seater
10	MTC9428	12	
11	MTC9429	12	

Note(1) Introduction of 1988 Model Year - Regular VIN EA314292, Station Wagon VIN EA314268

Note(2) AV = Brushwood

Note(3) LDE = Slate





DEFENDER 110 1987 onwards

951

INTERIOR TRIM

Model DEFENDER 110 1987 onwards

Page AFPXPC1A

TRIM - CARPETS - REAR FLOOR

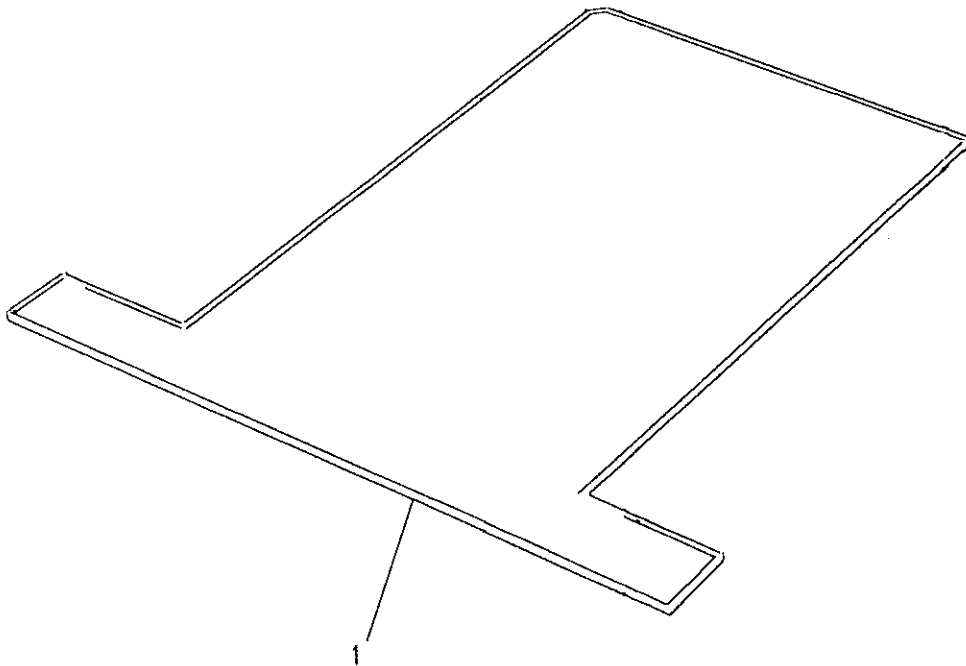
III. Part No.	Description	Qty	Remarks
1 MUC1758RD	Carpet rear floor	1	Upto Note(1)
MUC1758LDE	Carpet rear floor	1	From Note(1)

Note(1) Introduction of 1988 Model Year - Regular VIN EA314292, Station

Wagon VIN EA314268

Note(2) RD = Brushwood

Note(3) LDE = Slate



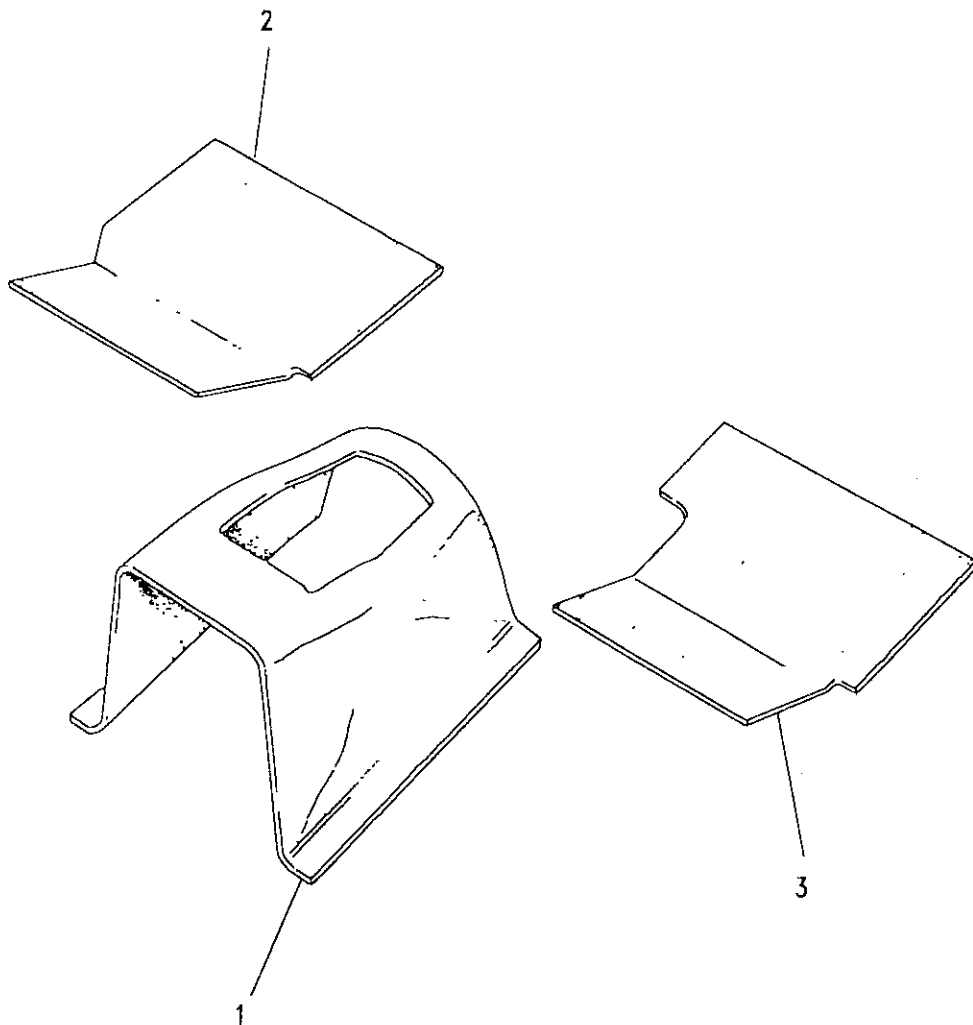


Model DEFENDER 110 1987 onwards

Page AFPXTA1A

TRIM - FRONT FLOOR COVERS - RUBBER

III. Part No.	Description	Qty	Remarks
1 MUC1621	Cover tunnel	1	4 cylinder
MUC1253	Cover tunnel V8	1	LT85
BTR1198	Cover tunnel V8	1	LT77
BTR9320	Cover tunnel V8	1	From MA939976
4 Cylinder			
2 MUC2268	Cover floor RH RHS	1	Upto VIN KA929547
BTR7896	Cover floor RH	1	LT77
			From VIN KA929548
MUC2270	Cover floor RH LHS	1	Upto VIN KA929547
BTR7896	Cover floor RH	1	LT77
			From VIN KA929548
3 MUC2269	Cover floor LH RHS	1	Upto VIN KA929547
BTR7895	Cover floor LH	1	LT77
			From VIN KA929548
MUC2271	Cover floor LH LHS	1	Upto VIN KA929547
BTR7895	Cover floor LH	1	LT77
			From VIN KA929548
V8			
2 MUC1250	Cover floor RH RHS	1	Upto VIN KA929547
BTR7898	Cover floor RH	1	From VIN KA929548
MUC1254	Cover floor RH LHS	1	Upto VIN KA929547
BTR7898	Cover floor RH	1	From VIN KA929548
3 MUC1249	Cover floor LH RHS	1	LT85
BTR1680	Cover floor LH RHS	1	LT77
			Upto VIN KA929547
BTR7897	Cover floor LH	1	From VIN KA929548
MUC1255	Cover floor LH LHS	1	LT85
BTR1679	Cover floor LH LHS	1	LT77
			Upto VIN KA929547
BTR7897	Cover floor LH	1	From VIN KA929548





DEFENDER 110 1987 onwards

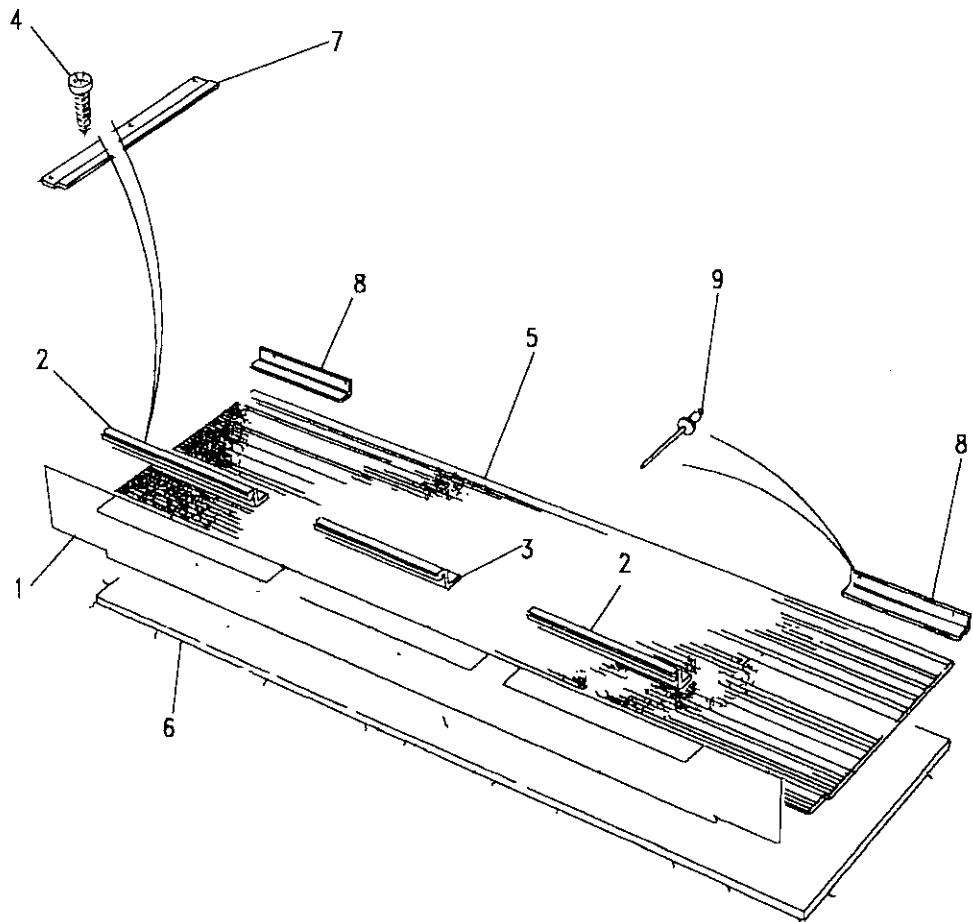
953

INTERIOR TRIM

Model DEFENDER 110 1987 onwards

Page AFPXTA2A

TRIM - INTERMEDIATE FLOOR COVER - NON CARPET



Ill. Part No.	Description	Qty	Remarks
1 396540	Cover toe panel	1	Upto VIN 455595
MXC6142PMA	Cover toe panel	1	From VIN HA455596
2 396541	Retainer outer	2	
3 396542	Retainer centre	1	
4 AB606041L	Screw	6	
5 331481	Mat intermediate floor	1	
6 MUC1495	Felt intermediate floor	1	
7 331480	Retainer side	2	
8 336780	Retainer heelboard RH	1	
336781	Retainer heelboard LH	1	
9 78248	Rivet	4	

Note(1) PMA = Black

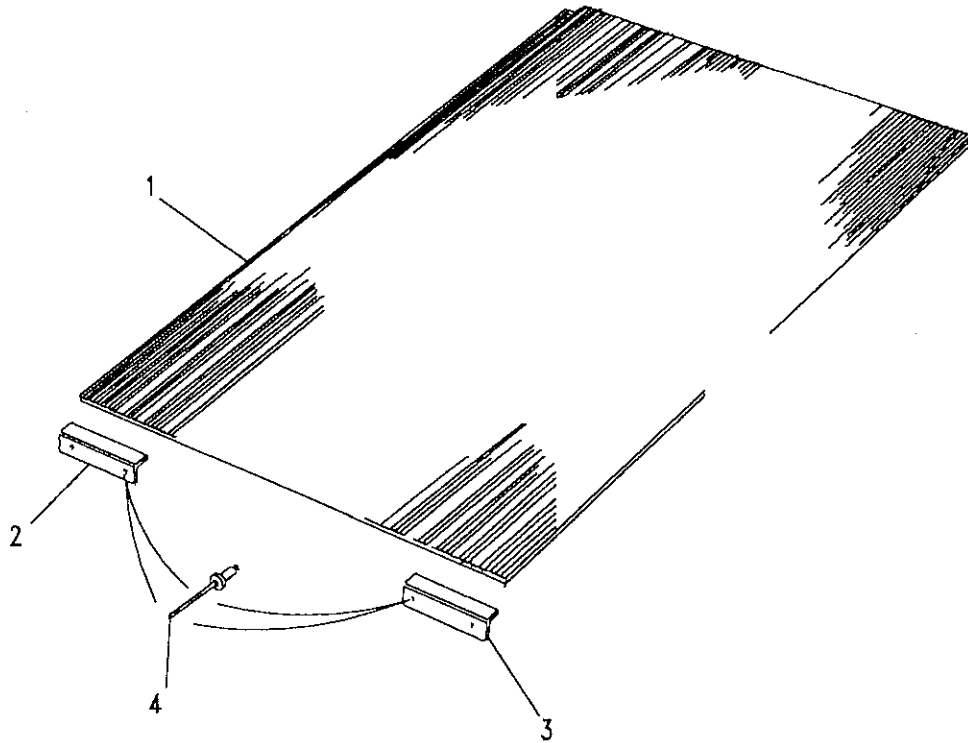




Model DEFENDER 110 1987 onwards
Page AFPXTA3A

TRIM - REAR FLOOR COVER - NON CARPET

III. Part No.	Description	Qty	Remarks
1 331670	Mat rear floor	1	
2 336780	Retainer RH	1	
3 336781	Retainer LH	1	
4 78248	Rivet	4	
Defender 130 RRC6186	Mat rear cab floor	1	





DEFENDER 110 1987 onwards

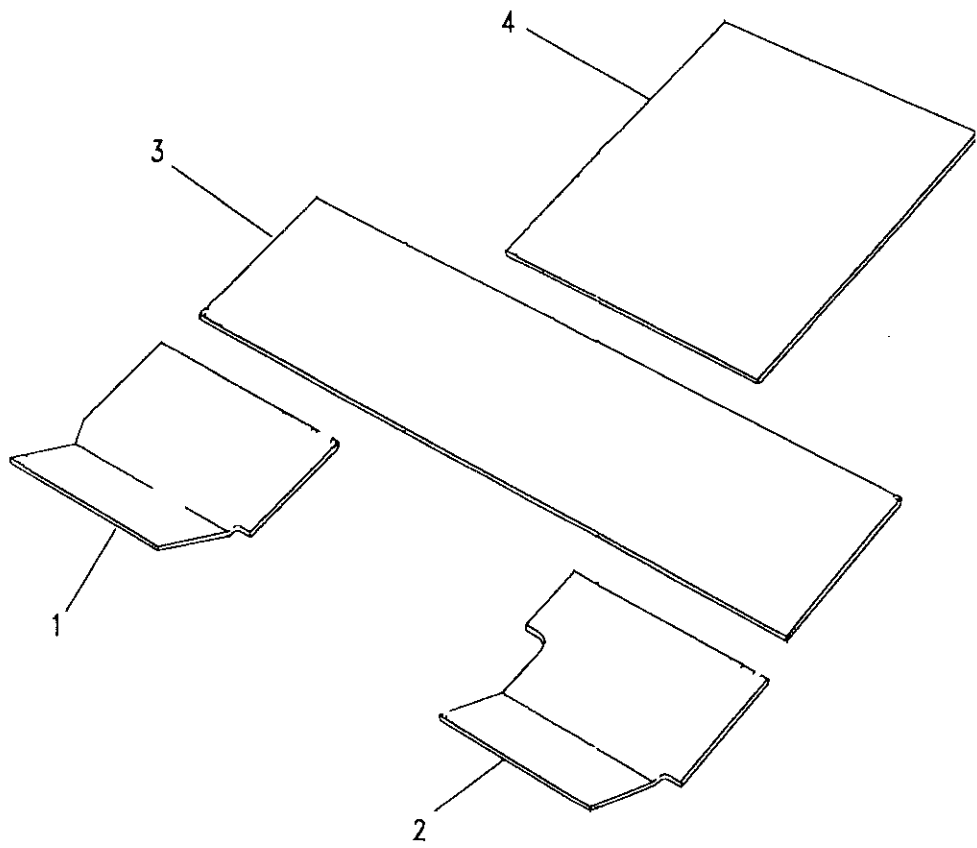
955

INTERIOR TRIM

Model DEFENDER 110 1987 onwards

Page AFPXTA4A

TRIM - ADDITIONAL FLOOR COVERS - UPTO VIN HA467836



III. Part No.

Description

Qty Remarks

Additional floor mats

1	MUC2380	Mat front RH	1	RHS 4 cylinder
	MUC2382	Mat front RH	1	LHS 4 cylinder
	MUC4150	Mat front RH	1	RHS V8
	MUC4152	Mat front RH	1	LHS V8
2	MUC2379	Mat front LH	1	RHS 4 cylinder
	MUC2381	Mat front LH	1	LHS 4 cylinder
	MUC4149	Mat front LH	1	RHS V8
	MUC4153	Mat front LH	1	LHS V8
3	331481	Mat intermediate	1	
4	331670	Mat rear	1	





MASTER INDEX

	PAGES
INTRODUCTION PAGES	1 - 7
ALPHABETICAL INDEX	8 - 16
ENGINE	17 - 66
ENGINE	67 - 119
ENGINE	120 - 166
ENGINE	167 - 209
ENGINE	210 - 245
ENGINE	246 - 299
GEARBOX	300 - 326
GEARBOX	327 - 344
GEARBOX	345 - 359
TRANSFER BOX	360 - 378
TRANSFER BOX	379 - 397
AXLES AND SUSPENSION	398 - 444
STEERING	445 - 471
VEHICLE AND ENGINE CONTROLS	472 - 486
BRAKES	487 - 517
FUEL SYSTEM AND AIR CLEANER	518 - 579
EXHAUST SYSTEM	580 - 593
COOLING/HEATING	594 - 637
COOLING/HEATING	638 - 641
COOLING/HEATING	642 - 649
COOLING/HEATING	650 - 655
COOLING/HEATING	656 - 666
BODY ELECTRICAL	667 - 740
BODY AND CHASSIS	741 - 909
INTERIOR TRIM	910 - 955
SEATS	956 - 1036
STOWAGE	1037 - 1046
ACCESSORIES - PAINTS	1047 - 1074
NUMERICAL INDEX	1076 - 1151

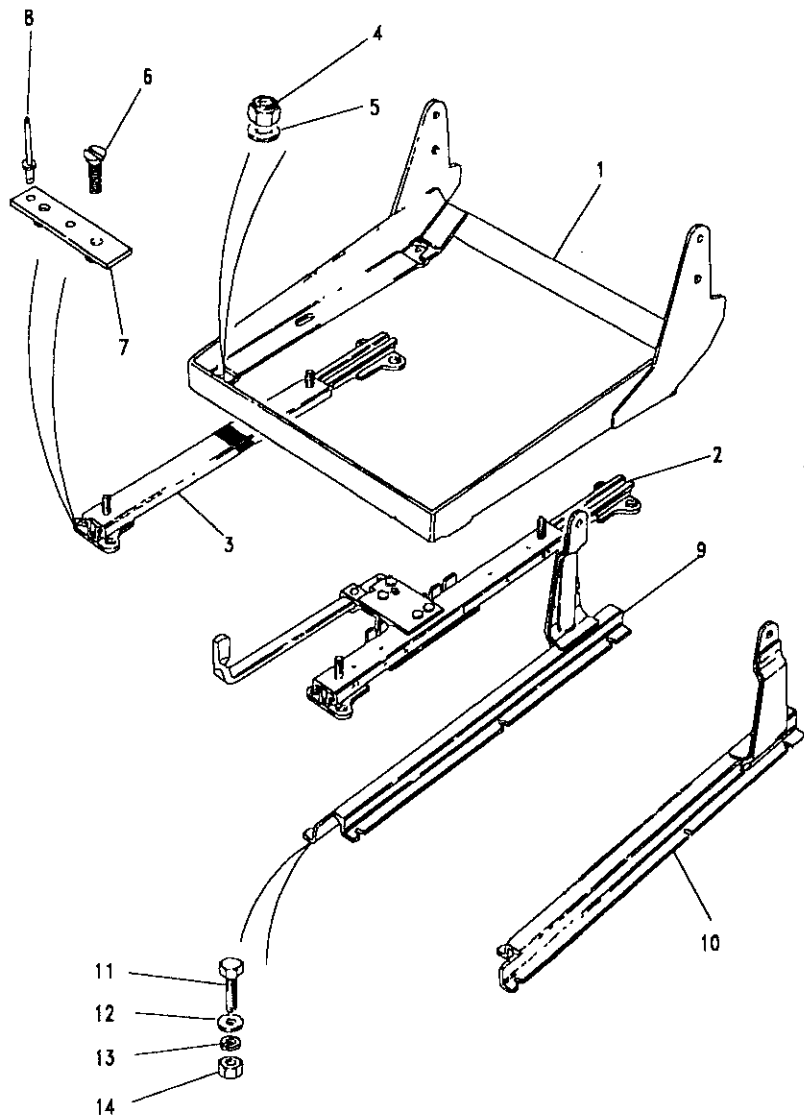
GROUP R

SEATS

SEATS

SUPPORTS AND SLIDES - BASIC SEATS	957
BASIC - VINYL	958 - 962
OUTER - COUNTY - TYPE A	963 - 964
CENTRE - COUNTY - TYPE A	965 - 966
DRIVER - COUNTY - TYPE B - NOTE(1)	967 - 969
PASSENGER - COUNTY - TYPE B - NOTE(1)	970 - 972
CENTRE - COUNTY - TYPE B - NOTE(1)	973 - 974
RH/LH - COUNTY - 1988MY ONWARDS - NOTE(1)	975 - 977
CENTRE - COUNTY - 1988MY ONWARDS - NOTE(1)	978 - 979
GRAB RAIL	980
FORWARD FACING SPLIT SEAT	981 - 988
FORWARD FACING - INDIVIDUAL TYPE	989 - 992
SEAT LOCK - REAR FORWARD FACING SPLIT SEAT	993
SEAT LOCK - FORWARD FACING INDIVIDUAL SEATS	994
SQUAB LOCK - FORWARD FACING INDIVIDUAL SEATS	995 - 996
INWARD FACING - TWO SEATER BENCH TYPE	997 - 1003
INWARD FACING - THREE SEATER BENCH TYPE	1004 - 1010
INWARD FACING - INDIVIDUAL	1011 - 1014
INWARD FACING - DEFENDER 130	1015
FRONT SEAT OUTER	1016
FRONT SEAT OUTER MA939976 On	1017
FRONT SEAT OUTER	1018
FRONT SEATS OUTER	1019 - 1020
FRONT SEAT CENTRE	1021
REAR FORWARD FACING SEATS - OUTER	1022 - 1023
REAR FORWARD FACING SEATS - CENTRE	1024
REAR INWARD FACING SEATS	1025
FRONT SEATS - ANCHORAGE RAIL.	1026
FRONT SEATS - HARNESS GUIDE.	1027
FRONT SEATS - SHOULDER ANCHORAGE.	1028
FRONT SEATS - INERTIA REEL MOUNTING.	1029
FRONT SEATS - STATION WAGON	1030
FRONT SEATS - SEATBASE.	1031
FRONT SEATS - SHOULDER.	1032
FRONT SEATS - BASE ASSY.	1033
REAR FORWARD FACING SEATS	1034
CHILD SEAT BELT RETENTION	1035
REAR INWARD FACING SEATS	1036





Model DEFENDER 110 1987 onwards

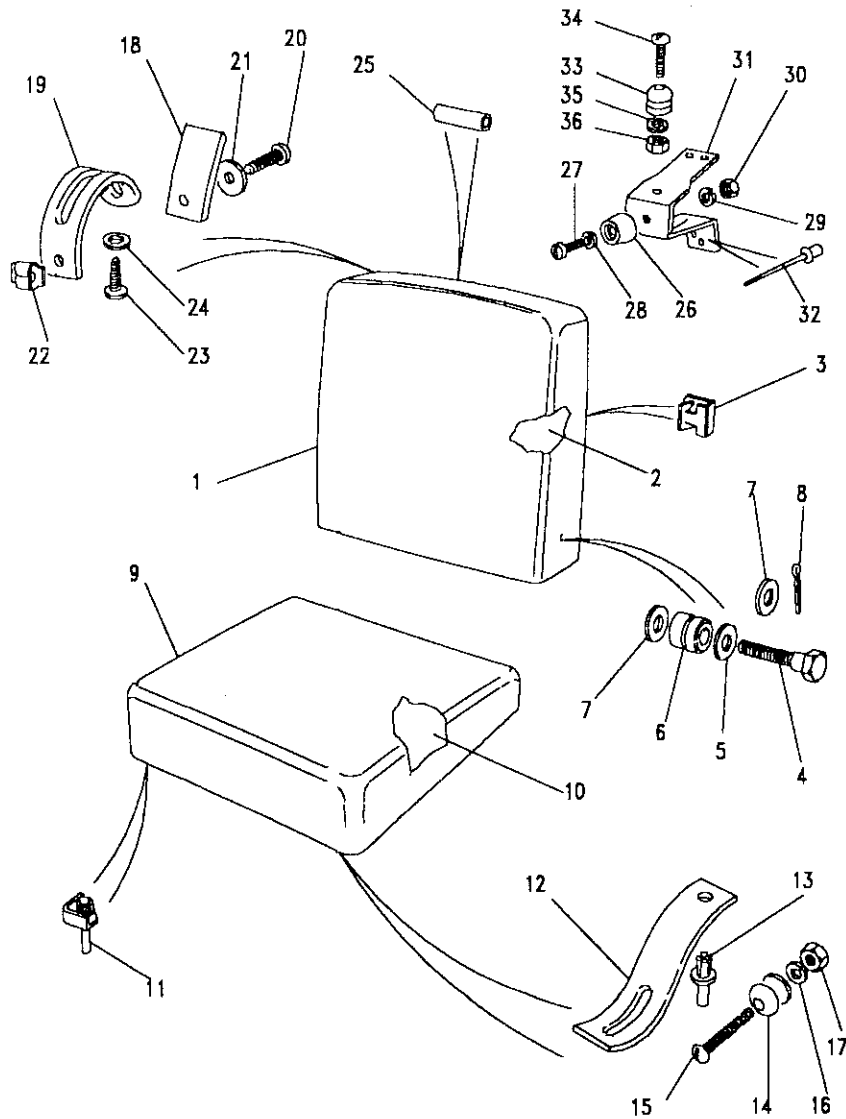
Page AFRXCA1A

FRONT SEATS - SUPPORTS AND SLIDES - BASIC SEATS

III. Part No.	Description	Qty	Remarks
1	349996	2	Seat frame
2	MRC9492	1	Seat slide RH control
	MRC9493	1	Seat slide LH control
	MXC3258	2	Seat slide RH control
3	MRC9481	2	Seat slide plain
	MXC3259	2	Seat slide LH plain
4	NT108041L	8	Lock nut
5	WF108001L	8	Washer shakeproof
	4075L	8	Washer plain
6	SF106201L	16	Screw
7	MTC7631	8	Nut plate
8	RU608253L	16	Rivet
	SA106201	8	Screw
	MRC5525	8	Washer plain
	WL106001L	8	Washer spring
	NH106041L	8	Nut
9	MTC1714	1	Support RH centre
10	MTC1715	1	Support LH centre
11	SH106201	6	Screw
12	MRC5525	12	Washer plain
13	WL106001L	6	Washer spring
14	NH106041L	6	Nut

Note(1) Introduction of 1991 Model Year - Deletion of centre seat

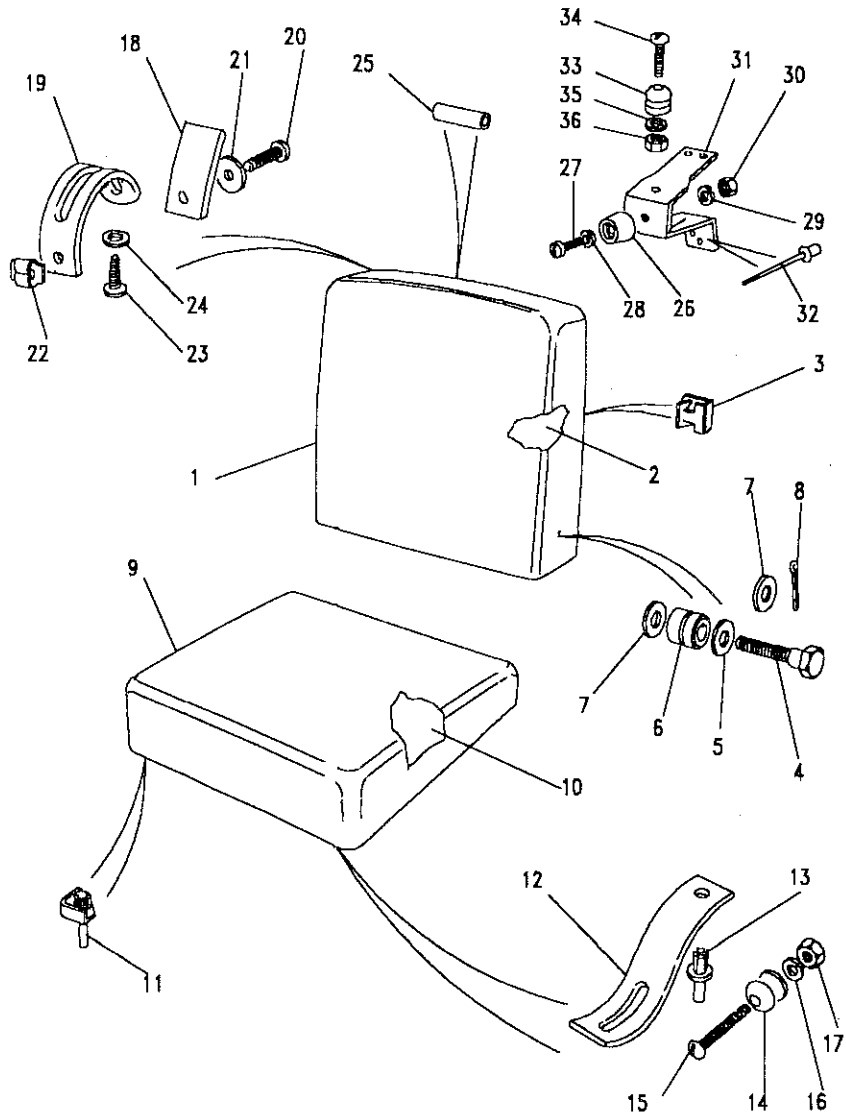




Model DEFENDER 110 1987 onwards
Page AFRXE1A

FRONT SEATS - BASIC - VINYL

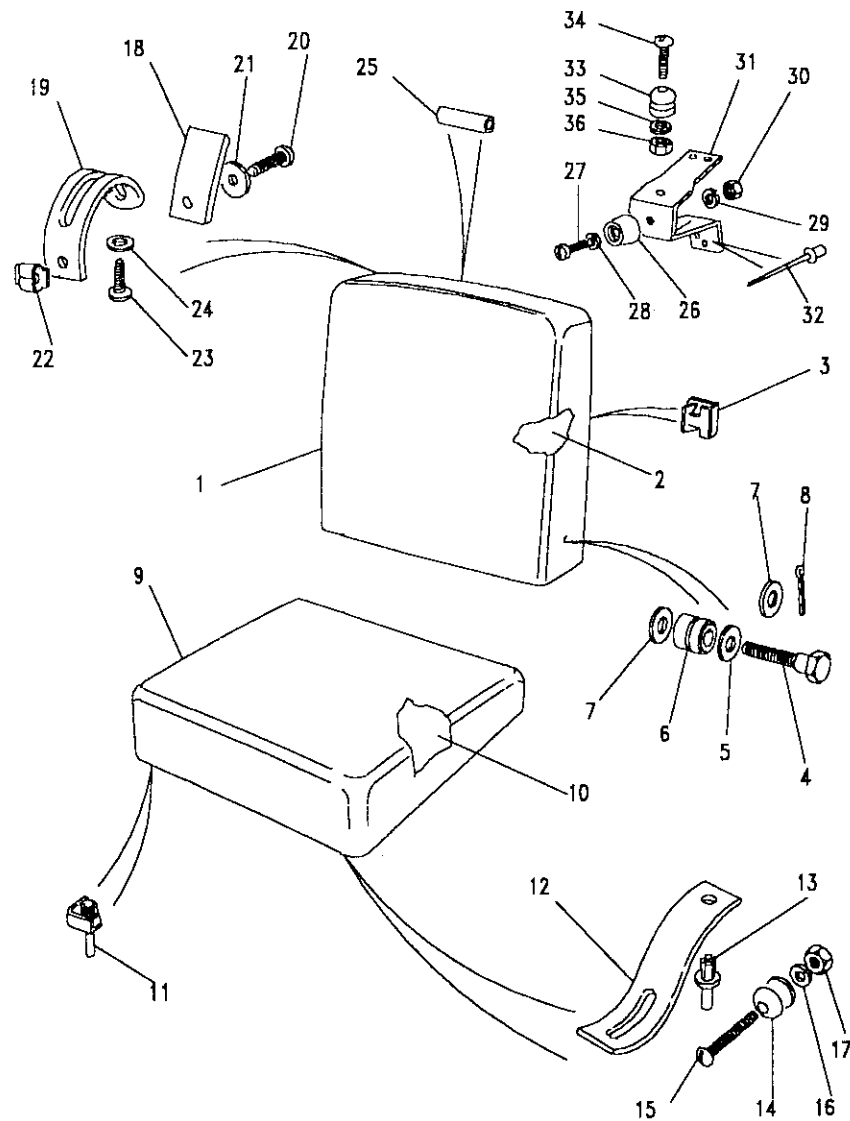
III. Part No.	Description	Qty	Remarks
Seat squab-black - Upto Note(1)			
1	MUC1520	1	Squab driver seat
	MUC1520	1	Squab passenger seat
	MUC1488	1	Squab centre seat
Seat squab-grey - From Note(1)			
1	MWC5599LCS	1	Squab driver seat
	MWC5599LCS	1	Squab passenger seat
	MWC5607LCS	1	Squab centre seat
2	337873	1	Interior driver squab
	337873	1	Interior passenger squab
	337880	1	Interior centre squab
3	RTC3764	24	Clip trim
	RTC3764	16	Clip trim
Fixings - Driver and passenger squab			
4	331709	8	Bolt
5	WC108051L	8	Washer plain
6	345213	4	Washer rubber
7	349931	4	Washer plastic



Model DEFENDER 110 1987 onwards
Page AFRXE1A

FRONT SEATS - BASIC - VINYL

III. Part No.	Description	Qty	Remarks
Fixings - Centre squab			
7 349931	Washer plastic	2	
8 RTC614	Pin split	2	
349997	Stop seat squab	4	
SP604061	Screw	4	
WE600041L	Shakeproof Washer	4	
349998	Strip edging seat frame	4	
Seat cushion-black - Upto Note(1)			
9 320699	Cushion driver seat	1	
320699	Cushion passenger seat	1	
320726	Cushion centre seat	1	
Seat cushion-grey - From Note(1)			
9 MWC5573LCS	Cushion driver seat	1	
MWC5573LCS	Cushion passenger seat	1	
MWC5613LCS	Cushion centre seat	1	Upto Note(2)
10 337899	Interior driver cushion	1	
337899	Interior passgr cushion	1	
337859	Interior centre cushion	1	



Model DEFENDER 110 1987 onwards

Page AFRXE1A

FRONT SEATS - BASIC - VINYL

III. Part No.	Description	Qty	Remarks
11 349943	Capping corner	12	Upto Note(2)
349943	Capping corner	8	From Note(2)
12 331974	Strap centre cushion	1	
13 RTC3755	Rivet plastic	1	
14 348430	Stud	1	
15 SE105251	Screw	1	
16 WL105001	Washer spring	1	
17 NH105041	Nut	1	

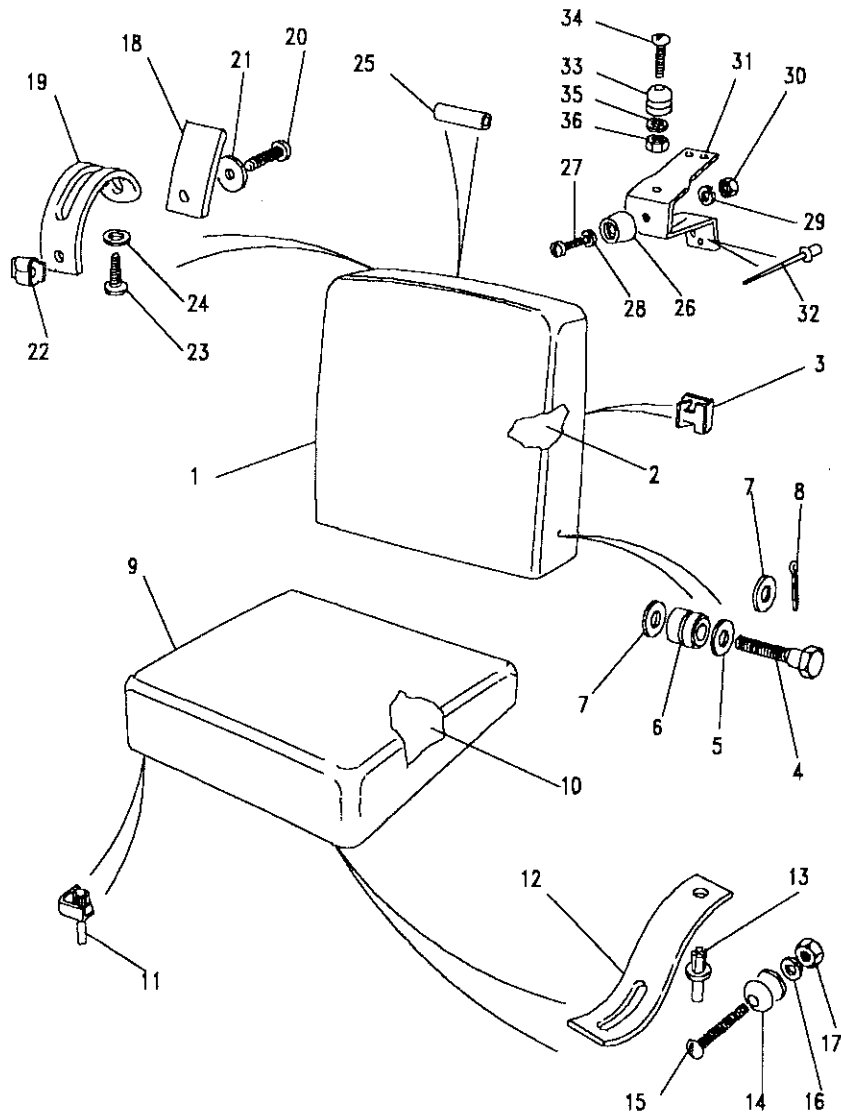
Fixings - Driver/Passenger squab - Station Wagon

18 339986	Packing rubber	4	
20 AB610081	Screw	4	
21 WJ105001	Washer plain	4	
22 78237	Nut spire	4	

Fixings - Centre squab - Station Wagon

18 347869	Packing rubber	1	
19 332355	Strap	1	
20 AB610061L	Screw	1	
21 WJ105001	Washer plain	2	
22 78237	Nut spire	2	

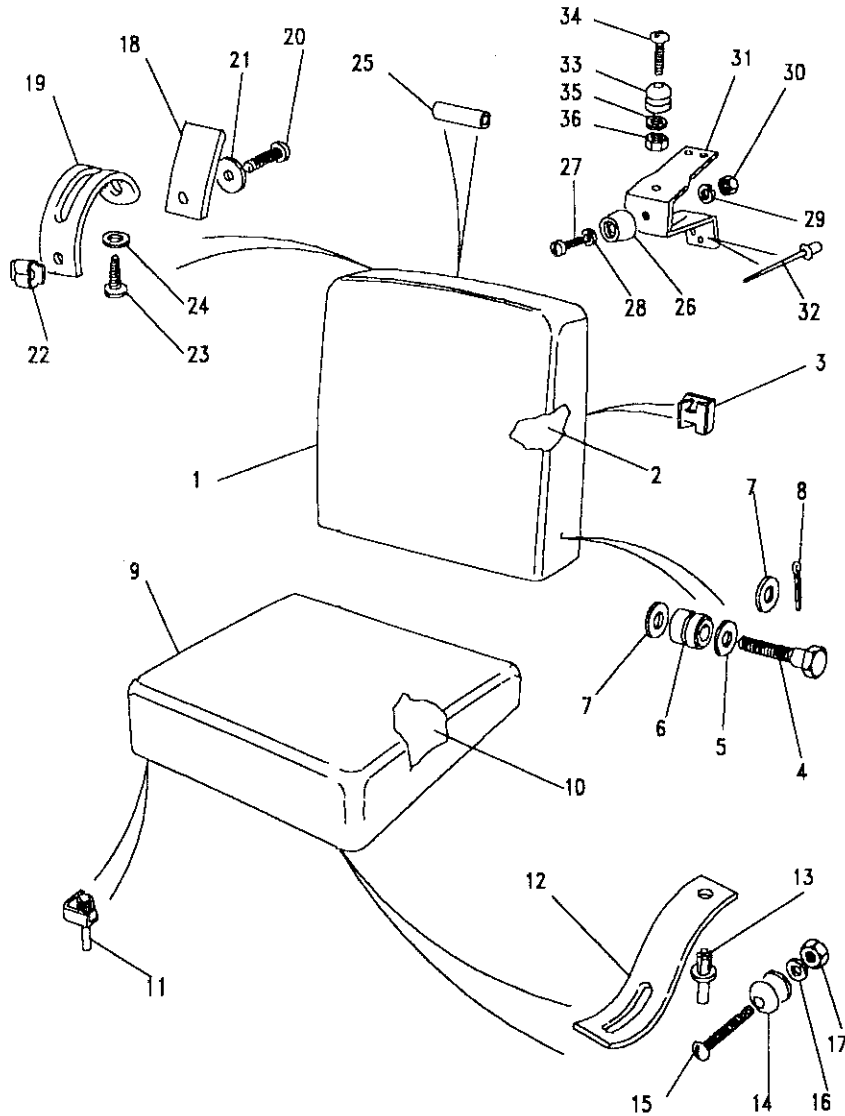




Model DEFENDER 110 1987 onwards
 Page AFRXE1A

FRONT SEATS - BASIC - VINYL

III. Part No.	Description	Qty	Remarks
Centr squab strap to grab rail - Station Wagon			
23 AB606041L	Screw	1	
24 AFU1247	Washer plain	1	
Fixings - Centre squab - Pick Up			
19 331273	Strap	2	
20 AB610061L	Screw	2	
21 WJ105001	Washer plain	2	
22 78237	Nut spire	2	
25 346410	Tube	3	
26 304125	Buffer rubber	2	
27 SE105251	Screw	2	
28 WC702101	Washer plain	2	
29 WE702101	Washer shakeproof	2	
30 NH105041	Nut	2	
31 347553	Bracket squab buffer	2	Upto Note(2)
32 RU612373L	Rivet	8	Upto Note(2)



Model DEFENDER 110 1987 onwards
Page AFRXE1A

FRONT SEATS - BASIC - VINYL

III. Part No.	Description	Qty	Remarks
---------------	-------------	-----	---------

Pick Up

33	348430	Stud	2
34	SE105251	Screw	2
35	WL105001	Washer spring	2
36	NH105041	Nut	2

Note(1) Introduction of 1988 Model Year - Regular VIN EA314292, Station Wagon VIN EA314268

Note(2) Introduction of 1991 Model Year - Deletion of centre seat

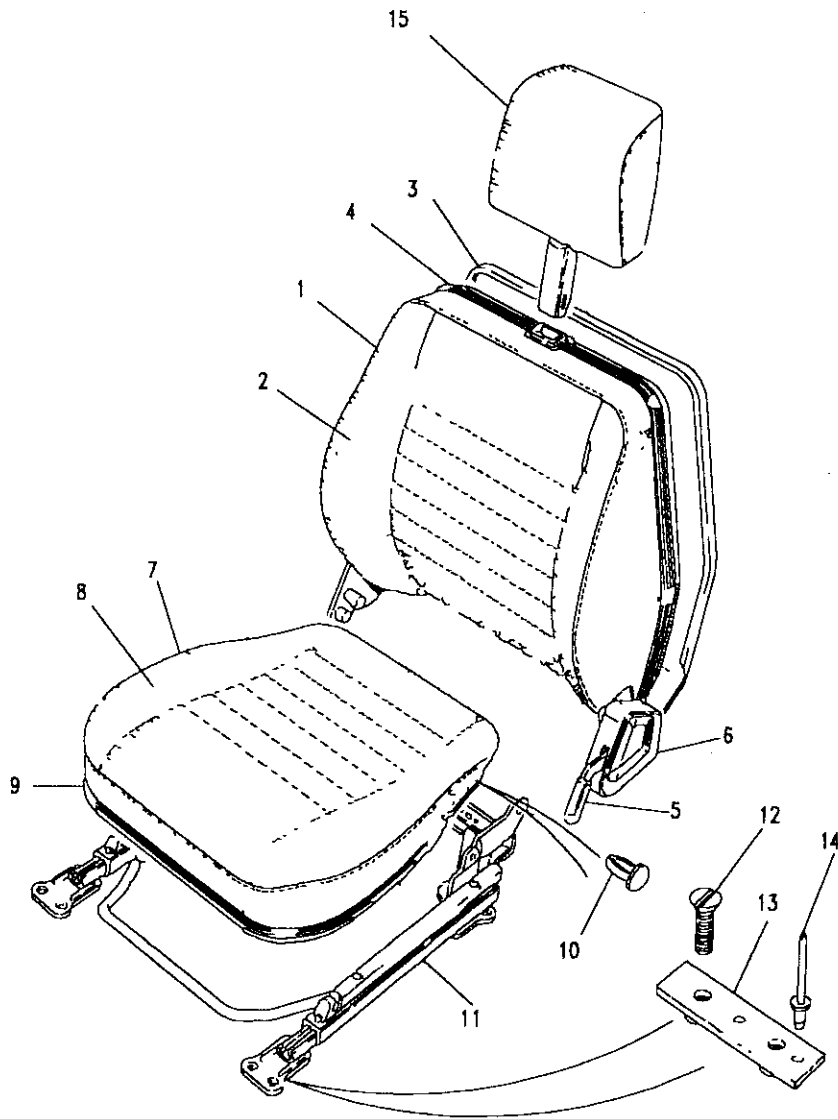




DEFENDER 110 1987 onwards

963

SEATS



Model DEFENDER 110 1987 onwards

Page AFRXEA2A

FRONT SEATS - OUTER - COUNTY - TYPE A

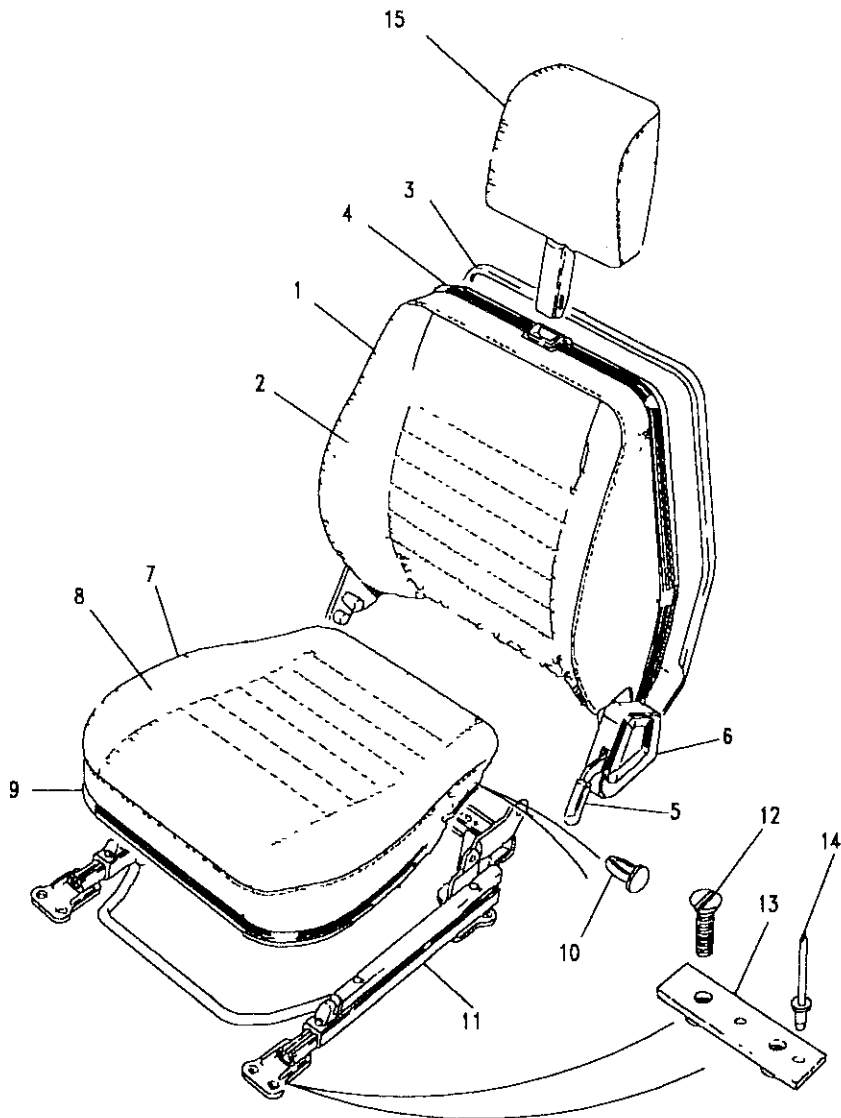
III. Part No.	Description	Qty	Remarks
Front seat outer - Brushwood/Berber cloth			
MTC1674RD	Seat assembly RH	1	Upto VIN 278331 No longer available
MTC1675RD	Seat assembly LH	1	Upto VIN 278331 No longer available
Front seat outer - Black vinyl			
MTC1670	Seat assembly RH	1	Upto VIN 277447 No longer available
MTC1671	Seat assembly LH	1	Upto VIN 277447 No longer available
1	MUC8448RD	1	Squab RH cloth
	MUC8449RD	1	Squab LH cloth
	MWC3302	1	Squab RH vinyl
	MWC3303	1	Squab LH vinyl
2	MTC1933RD	2	Cover squab cloth
	MWC4535	2	Cover squab vinyl
3	STC354AV	2	Panel back-brushwood
	STC354PB	2	Panel back-black
4	MTC9956	4	Trim locking
5	MUC8754	2	Knob-Black





Model DEFENDER 110 1987 onwards
Page AFRXEA2A

FRONT SEATS - OUTER - COUNTY - TYPE A



III. Part No.	Description	Qty	Remarks
6	RTC3108	1	Cover mechanism LH
	RTC3107	1	Cover mechanism RH
7	MUC8780RD	2	Cushion cloth
	MWC4535	2	Cushion vinyl
8	MTC1932RD	2	Cover cushion cloth
	MWC4534	2	Cover cushion vinyl
9	MTC9967	2	Trim locking
10	MTC9962	12	Trim nail
	RTC4102	2	Retaining rod assy
11	MXC5778	1	Subframe & slide RH
	MXC5779	1	Subframe & slide LH
	MWC4537	2	Bracket stop RH seat
12	SF106201L	16	Screw
13	MTC7631	8	Nut plate
14	RU608253L	16	Rivet
15	MWC1018RD	2	Head restraint cloth
	MWC1010	2	Head restraint vinyl

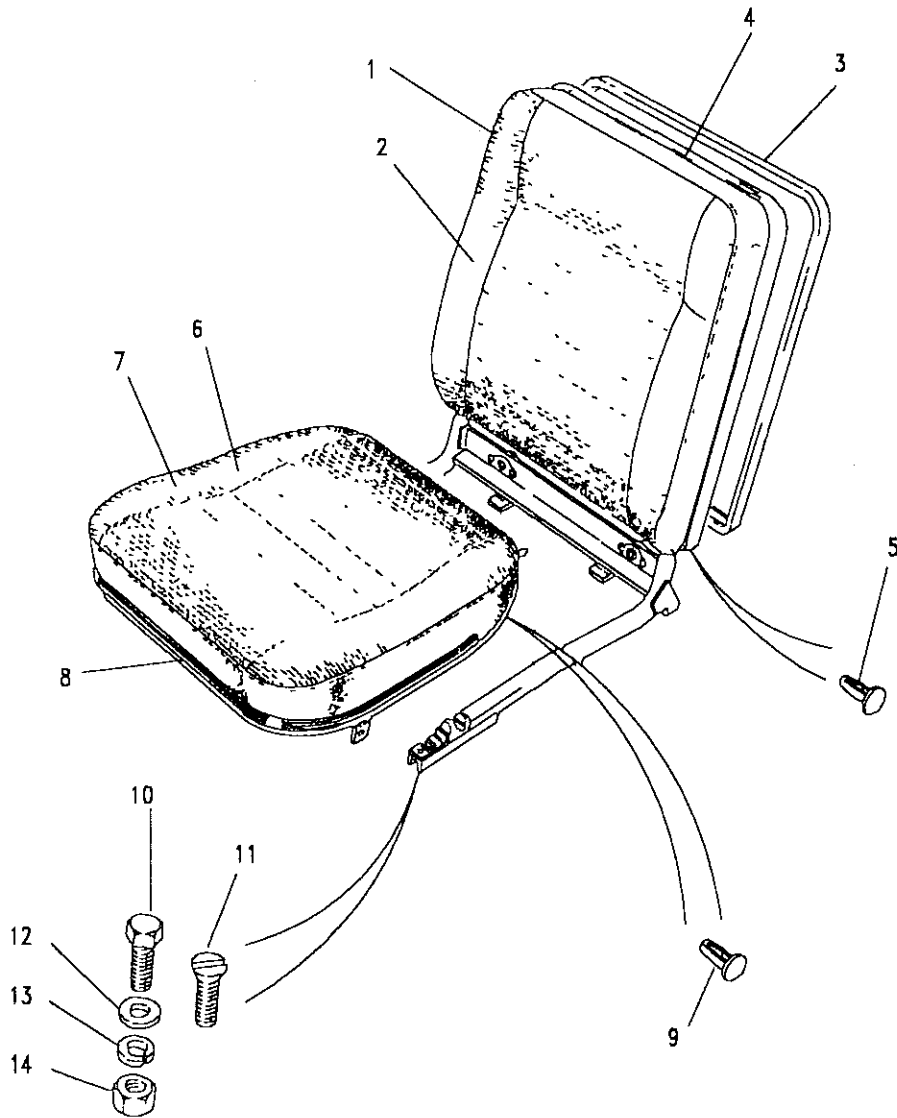




Model DEFENDER 110 1987 onwards
Page AFRXE3A

FRONT SEATS - CENTRE - COUNTY - TYPE A

Ill. Part No.	Description	Qty	Remarks
Front seat centre - Brushwood/Berber cloth			
MTC1673RD	Seat assembly centre	1	Upto VIN 278331 NLA use MUC8432RD
Front seat centre - Black vinyl			
MTC1672	Seat assembly centre	1	Upto VIN 278331 NLA use MWC4548 NLA-use MUC8450RD
1	MTC1948RD MUC8447	1	Squab cloth Squab vinyl
2	MTC1950RD MTC1944	1	Cover squab cloth Cover squab vinyl
3	STC355AV STC355PB	1	Panel back Brushwood Panel back Black
4	MTC9958	1	Trim locking
5	MTC9962	2	Trim nail

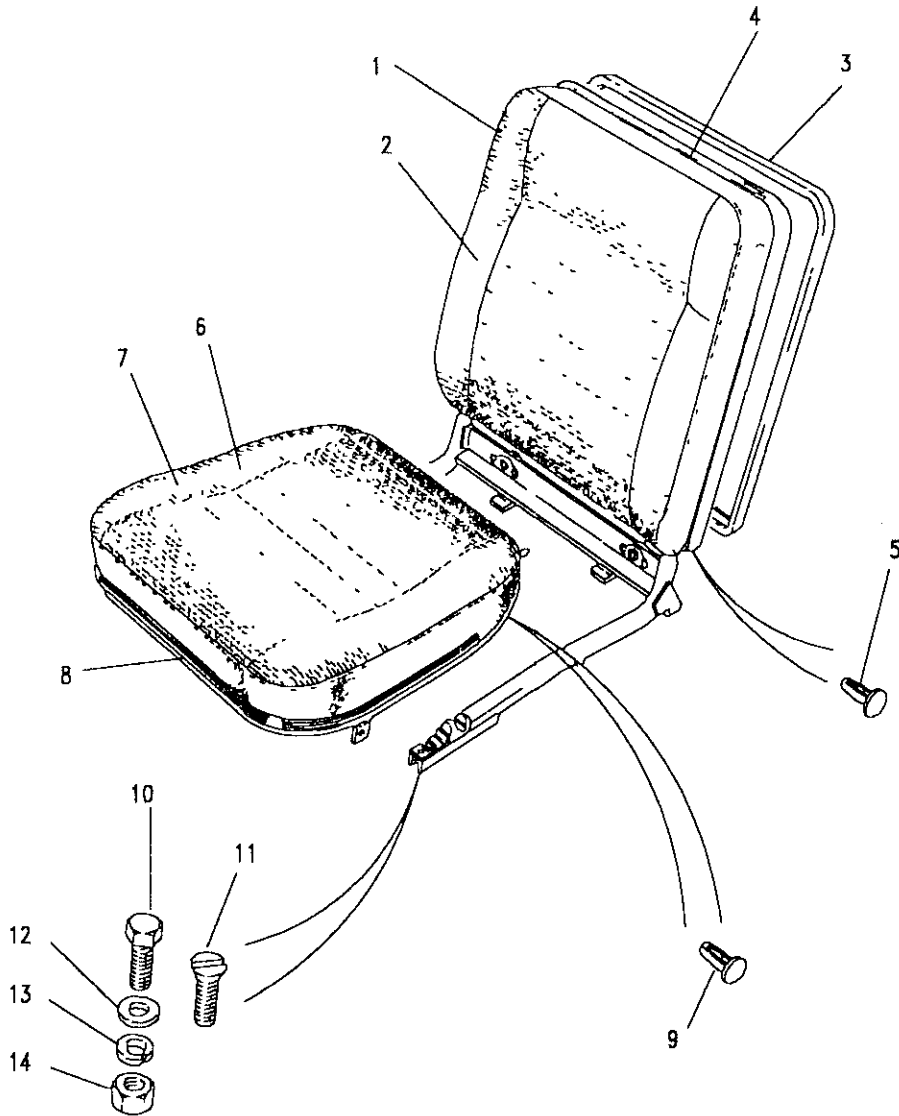




Model DEFENDER 110 1987 onwards
 Page AFRXE3A

FRONT SEATS - CENTRE - COUNTY - TYPE A

III. Part No.	Description	Qty	Remarks
6	MUC8779RD Cushion cloth	1	
	MWC4549 Cushion vinyl	1	
7	MTC1949RD Cover cushion cloth	1	
	MTC1943 Cover cushion vinyl	1	
8	MTC9959 Trim locking	1	
9	MTC9962 Trim nail	4	
10	BH106071 Bolt	2	Front
11	SF106201L Screw	2	Rear
12	MRC5525 Washer plain	4	
13	WL106001L Washer spring	4	
14	NH106041L Nut	4	





Model DEFENDER 110 1987 onwards
Page AFRXEA4A

FRONT SEATS - DRIVER - COUNTY - TYPE B - NOTE(1)

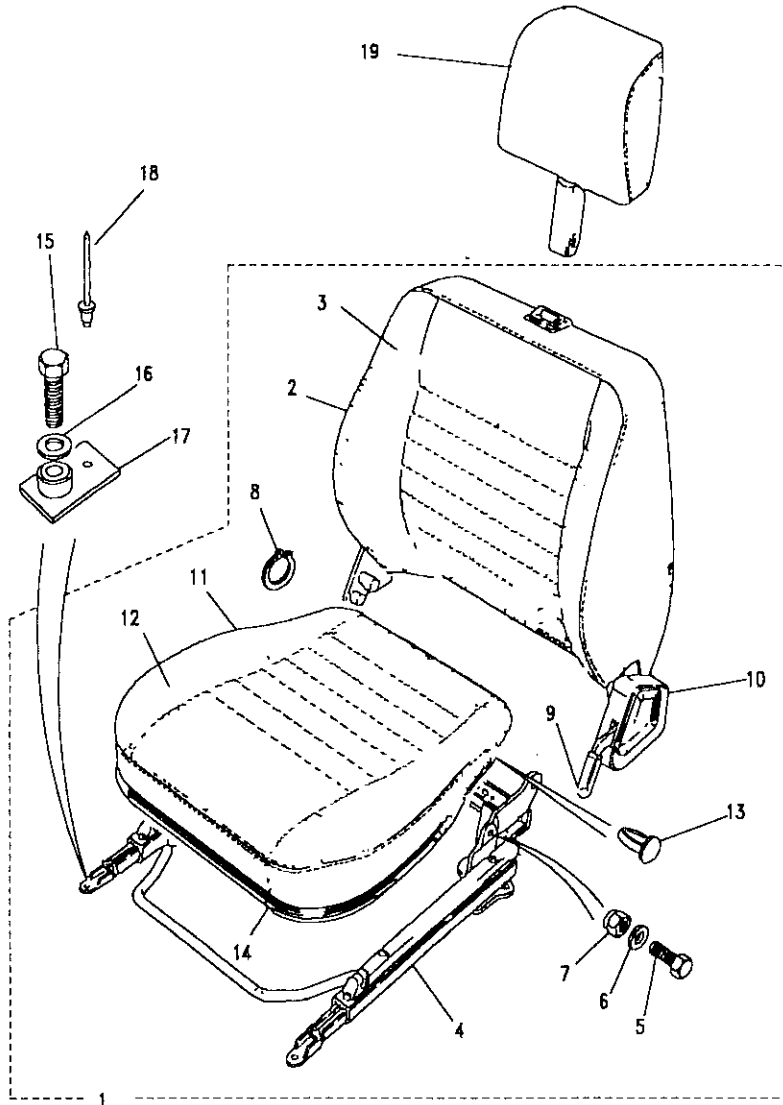
III. Part No. Description Qty Remarks

Drivers seat assy - Brushwood/Berber cloth

1	MUC8428RD	Seat assy RHS	1	From VIN 278331
	MUC8429RD	Seat assy LHS	1	From VIN 278331

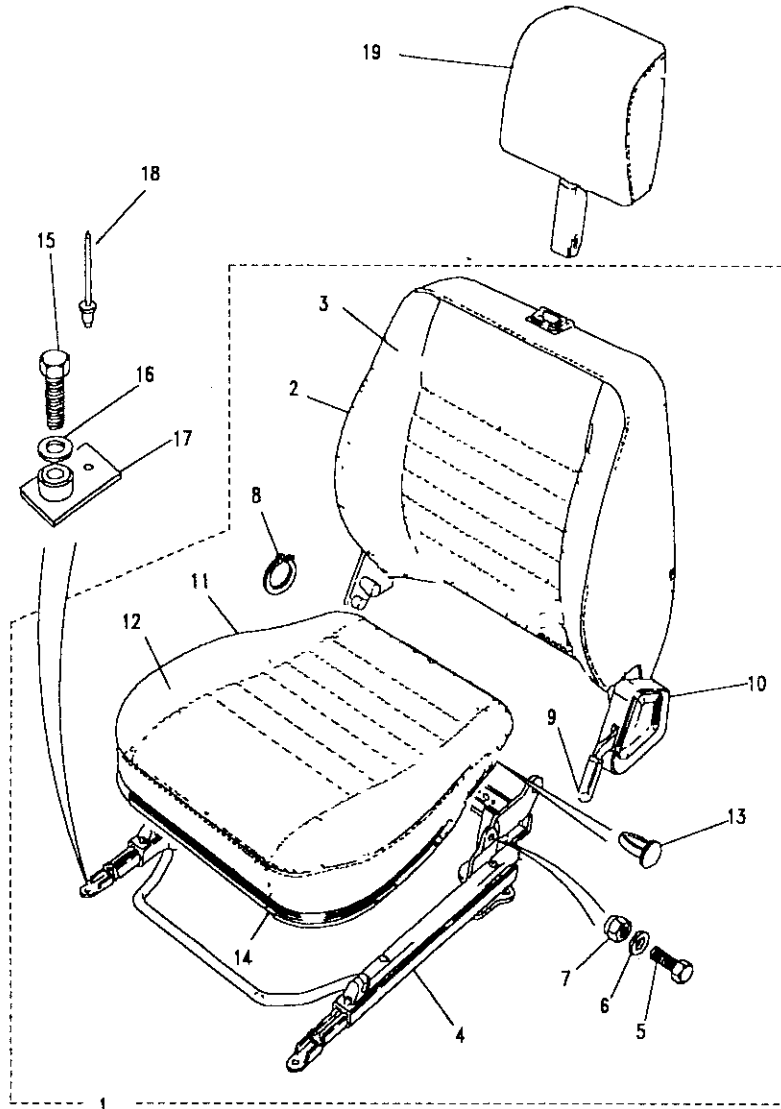
Drivers seat assy - Black vinyl

1	MWC3306	Seat assy RHS	1	From VIN 277447
	MWC3307	Seat assy LHS	1	From VIN 277447
2	MUC8448RD	Squab RHS cloth	1	
	MUC8449RD	Squab LHS cloth	1	
	MWC3302	Squab RHS vinyl	1	
	MWC3303	Squab LHS vinyl	1	
3	MUC8409RD	Cover squab cloth	1	
	MUC8414	Cover squab vinyl	1	
4	MXC5778	Subframe & slide RHS	1	
	MXC5779	Subframe & slide LHS	1	
	MWC4536	Bracket stop	2	RHS only



Model DEFENDER 110 1987 onwards
Page AFRXEA4A

FRONT SEATS - DRIVER - COUNTY - TYPE B - NOTE(1)



III. Part No.	Description	Qty	Remarks
5	SH108151	2	Screw
6	WA108041	2	Washer plain
7	NY108041L	2	Nut
8	CR120205	1	Circlip
9	MUC8754	1	Knob recline lever
10	MUC7636	1	Cover mechanism RHS
	MWC7635	1	Cover mechanism LHS
11	MUC8780RD	1	Cushion cloth
	MWC4535	1	Cushion vinyl
12	MTC1932RD	1	Cover cushion cloth
	MWC4534	1	Cover cushion vinyl
13	MTC9962	4	Trim nail
14	MTC9967	1	Trim locking

Fixings - When centre seat not fitted

15	FS108251L	4	Screw
16	WA108051L	4	Washer plain
	4075L	4	Spacer
17	MUC7947	4	Bush and plate
18	RU608313L	4	Rivet

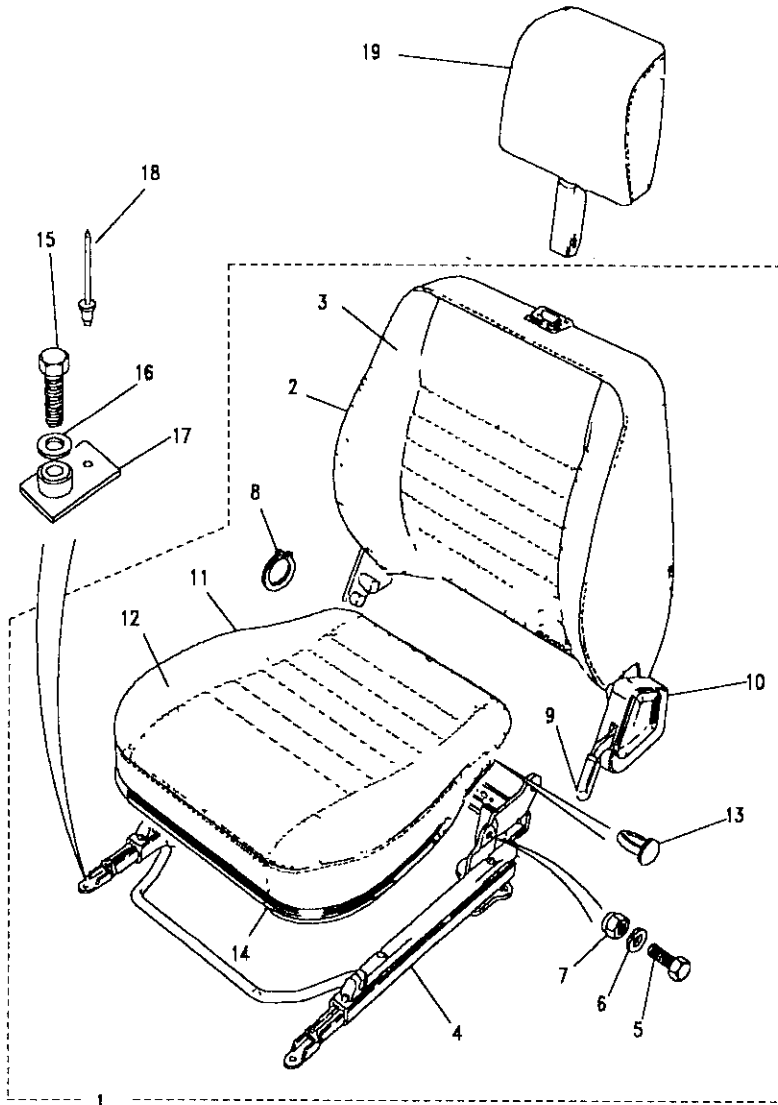


Model DEFENDER 110 1987 onwards
Page AFRXE4A

FRONT SEATS - DRIVER - COUNTY - TYPE B - NOTE(1)

III. Part No.	Description	Qty	Remarks
Fixings - When centre seat is fitted			
FS108251L	Screw	4	
WA108051L	Plain Washer	5	
4075L	Spacer	4	
MUC7947	Bush and Plate	3	
RU608313L	Rivet	3	
FN108041L	Nut	1	
19 MWC1018RD	Head restraint cloth	1	
MWC1010	Head Restraint vinyl	1	

Note(1) Upto introduction of 1988 Model Year
Note(2) Drivers seats are adjustable and have recline mechanism

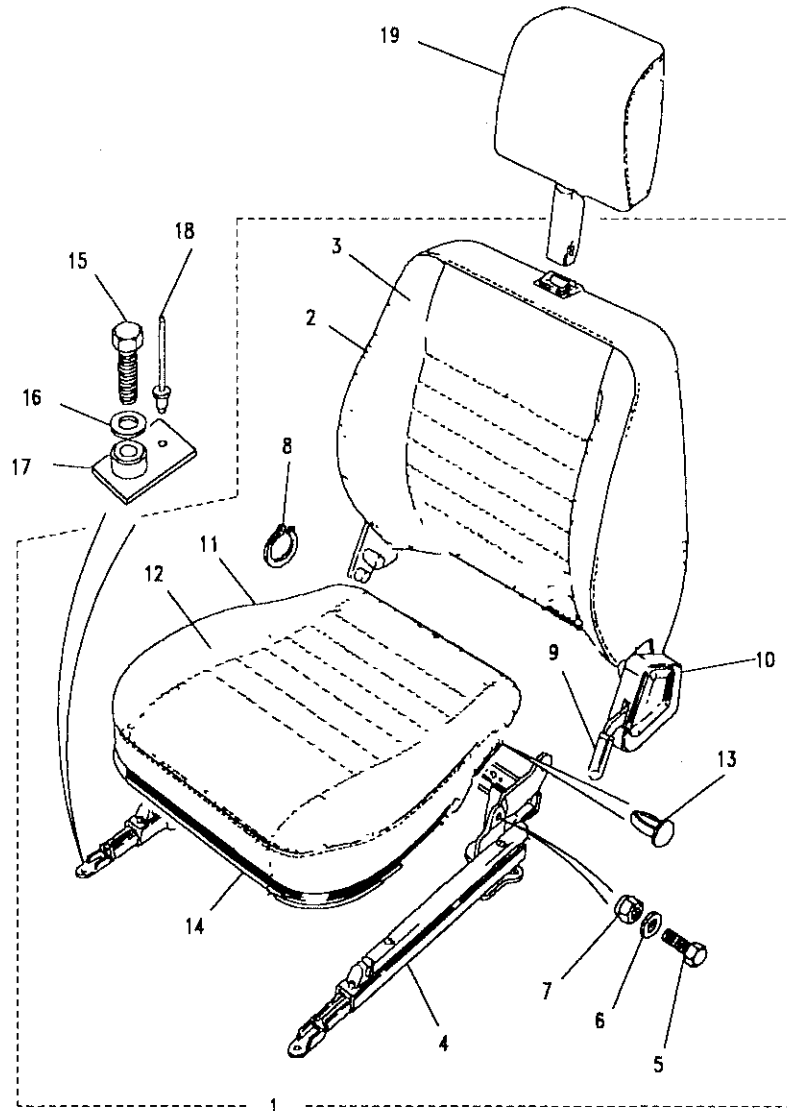




DEFENDER 110 1987 onwards

970

SEATS



Model DEFENDER 110 1987 onwards
Page AFRXEA5A

FRONT SEATS - PASSENGER - COUNTY - TYPE B - NOTE(1)

III. Part No.	Description	Qty	Remarks
Passenger seat assy - Brushwood/Berber cloth			
1 MUC8430RD	Seat assy RHS	1	From VIN 278331
MUC8431RD	Seat assy LHS	1	From VIN 278331
Passenger seat assy - Black vinyl			
1 MWC3301	Seat assy	1	From VIN 277447 NLA Use MWC3307
2 MUC8449RD	Squab RHS cloth	1	
MUC8448RD	Squab LHS cloth	1	
2 MWC3305	Squab and frame vinyl	1	
3 MUC8409RD	Cover squab cloth	1	
MUC8414	Cover squab vinyl	1	
4 MUC8439	Subframe-RHS	1)
MUC8438	Subframe-LHS	1)
5 SH108151	Screw	2)
6 WA108041	Washer plain	2)cloth seat only
7 NY108041L	Nut	2)
8 CR120205	Circlip	1)
9 MUC8754	Knob recline lever	1)





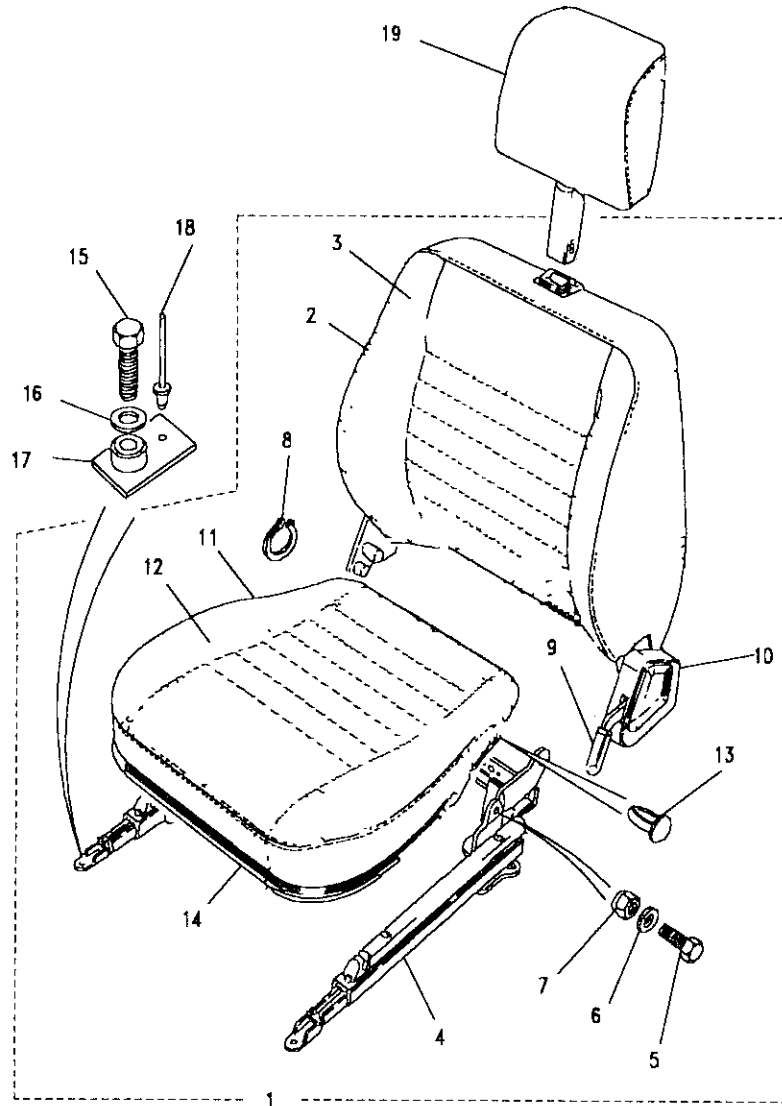
DEFENDER 110 1987 onwards

971

SEATS

Model DEFENDER 110 1987 onwards
Page AFRXEA5A

FRONT SEATS - PASSENGER - COUNTY - TYPE B - NOTE(1)



III. Part No.	Description	Qty	Remarks
10	MWC7635	1	Cover mechanism-RHS
	MWC7636	1	Cover mechanism-LHS
11	MUC8780RD	1	Cushion cloth
	MWC4535	1	Cushion vinyl
12	MTC1932RD	1	Cover cushion cloth
	MWC4534	1	Cover cushion vinyl
13	MTC9962	4	Trim nail
14	MTC9967	1	Trim locking

Fixings - When centre seat not fitted

15	FS108251L	4	Screw
16	WA108051L	4	Washer plain
	4075L	4	Spacer
17	MUC7947	4	Bush and plate
18	RU608313L	4	Rivet



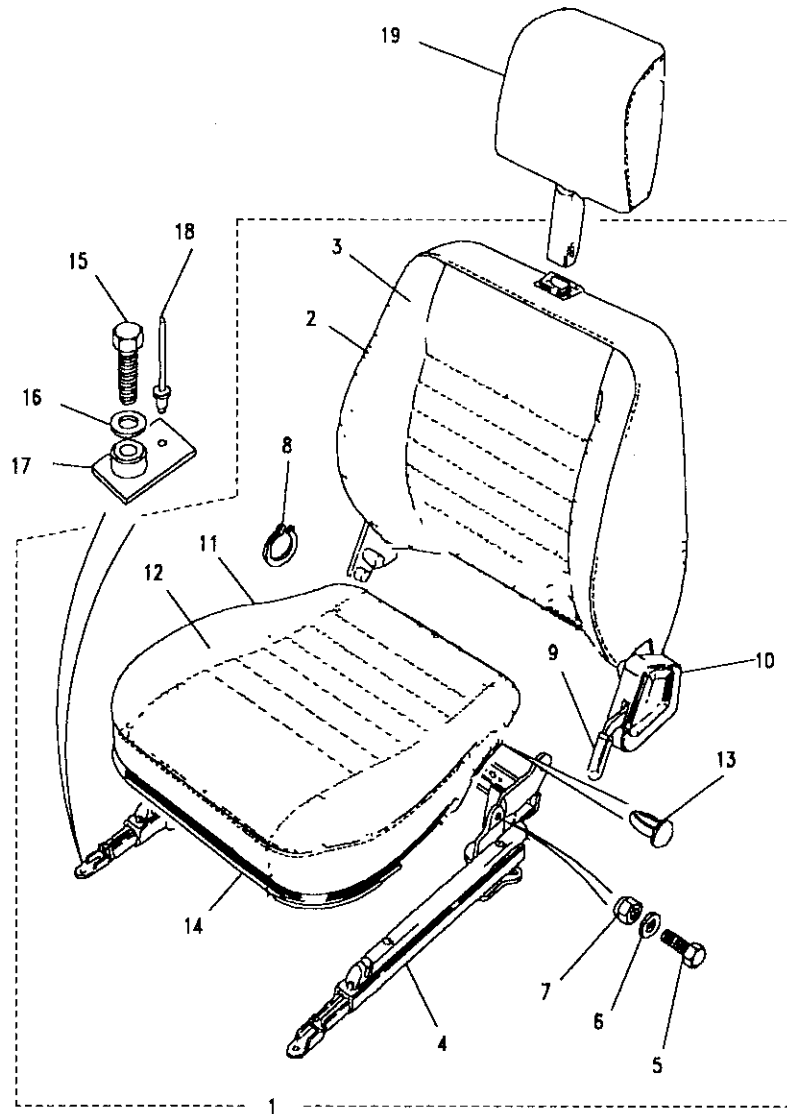


Model DEFENDER 110 1987 onwards
Page AFRXE5A

FRONT SEATS - PASSENGER - COUNTY - TYPE B - NOTE(1)

III. Part No.	Description	Qty	Remarks
fixings - When centre seat is fitted			
FS108251L	Screw	4	
WA108051L	Washer plain	5	
4075L	Spacer	4	
MUC7947	Bush And plate	3	
RU608313L	Rivet	3	
FN108041L	Nut	1	
19 MWC1018RD	Head restraint cloth	1	
MWC1010	Head restraint vinyl	1	

Note(1) Upto introduction of 1988 Model Year
 Note(2) Cloth seat is not adjustable but has recline mechanism
 Note(3) Vinyl seat is not adjustable and non recline

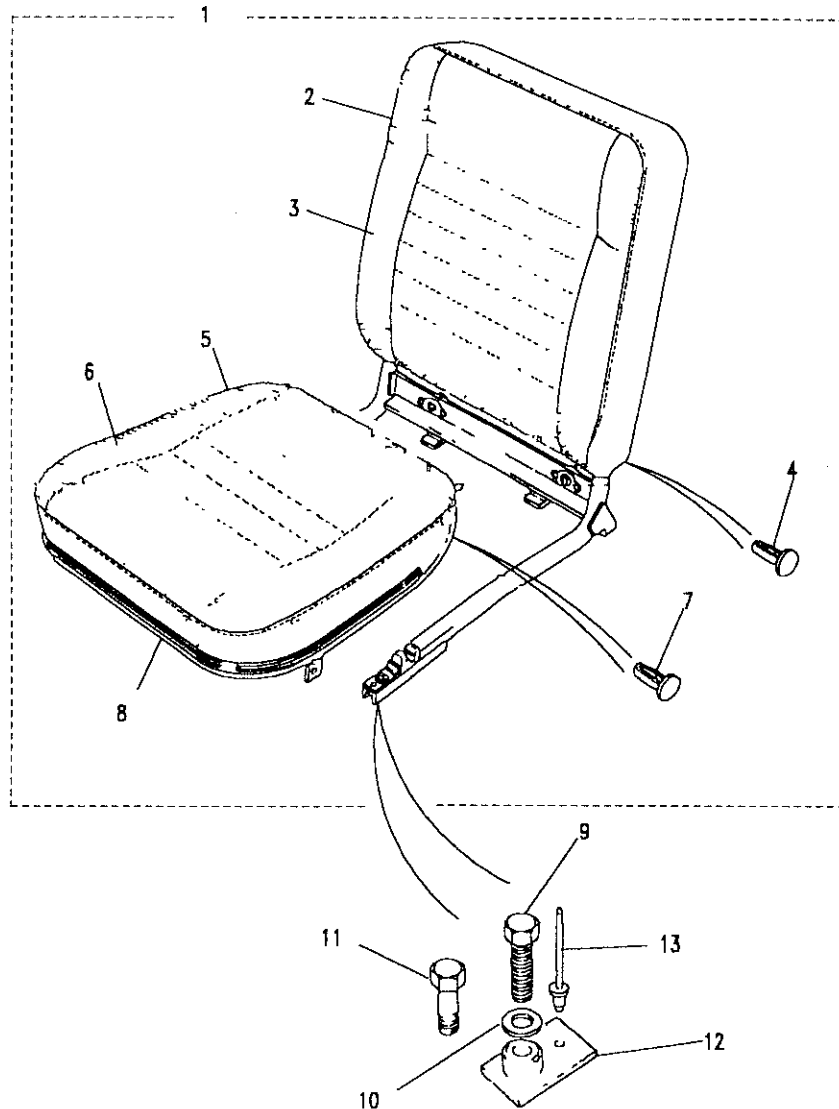




DEFENDER 110 1987 onwards

973

SEATS

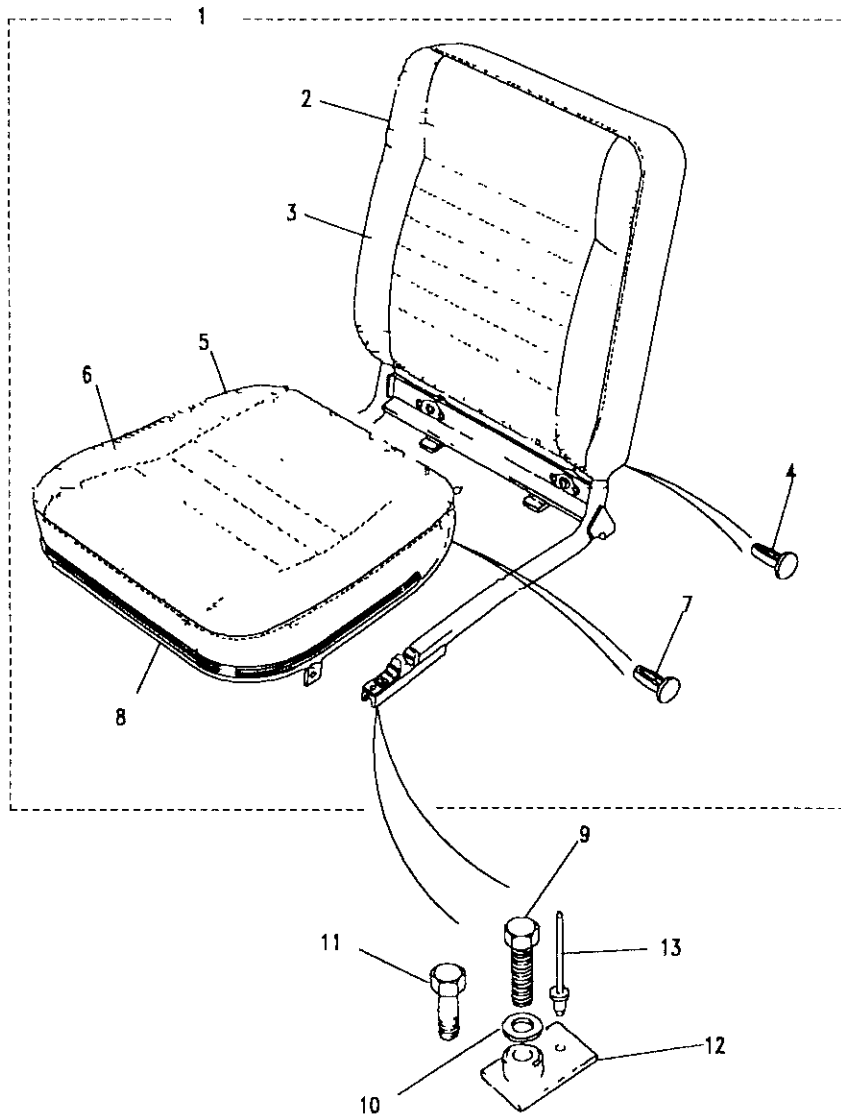


Model DEFENDER 110 1987 onwards
Page AFRXEA6A

FRONT SEATS - CENTRE - COUNTY - TYPE B - NOTE(1)

III. Part No.	Description	Qty	Remarks
Centre seat assy - Brushwood/Berber cloth			
1 MUC8432RD	Seat assembly centre	1	From VIN 278331
Centre seat assy - Black vinyl			
1 MWC4548	Seat assembly centre	1	From VIN 278331
2 MUC8450RD	Squab cloth	1	
MUC8447	Squab vinyl	1	
3 MUC8411RD	Cover squab cloth	1	
MUC8412	Cover squab vinyl	1	
4 MTC9962	Trim nail	4	
5 MUC8779RD	Cushion cloth	1	
MWC4549	Cushion vinyl	1	
6 MTC1949RD	Cover cushion cloth	1	
MWC4950	Cover cushion vinyl	1	
7 MTC9962	Trim nail	4	
8 MTC9959	Trim locking	1	





Model DEFENDER 110 1987 onwards

Page AFRXEA6A

FRONT SEATS - CENTRE - COUNTY - TYPE B - NOTE(1)

III. Part No.	Description	Qty	Remarks
9	FS108251L Screw	2	Rear
10	WC108051L Washer plain	4	
11	FS108301L Bolt	2	Front
12	MUC7947 Bush and plate	2	Front
13	RU608313L Rivet	2	
	FN108041L Nut	2	Rear

Note(1) Upto introduction of 1988 Model Year





Model DEFENDER 110 1987 onwards
Page AFRXEA7A

FRONT SEATS - RH/LH - COUNTY - 1988MY ONWARDS - NOTE(1)

III. Part No. Description Qty Remarks

Seat assy - Blue Grey/Grey cloth

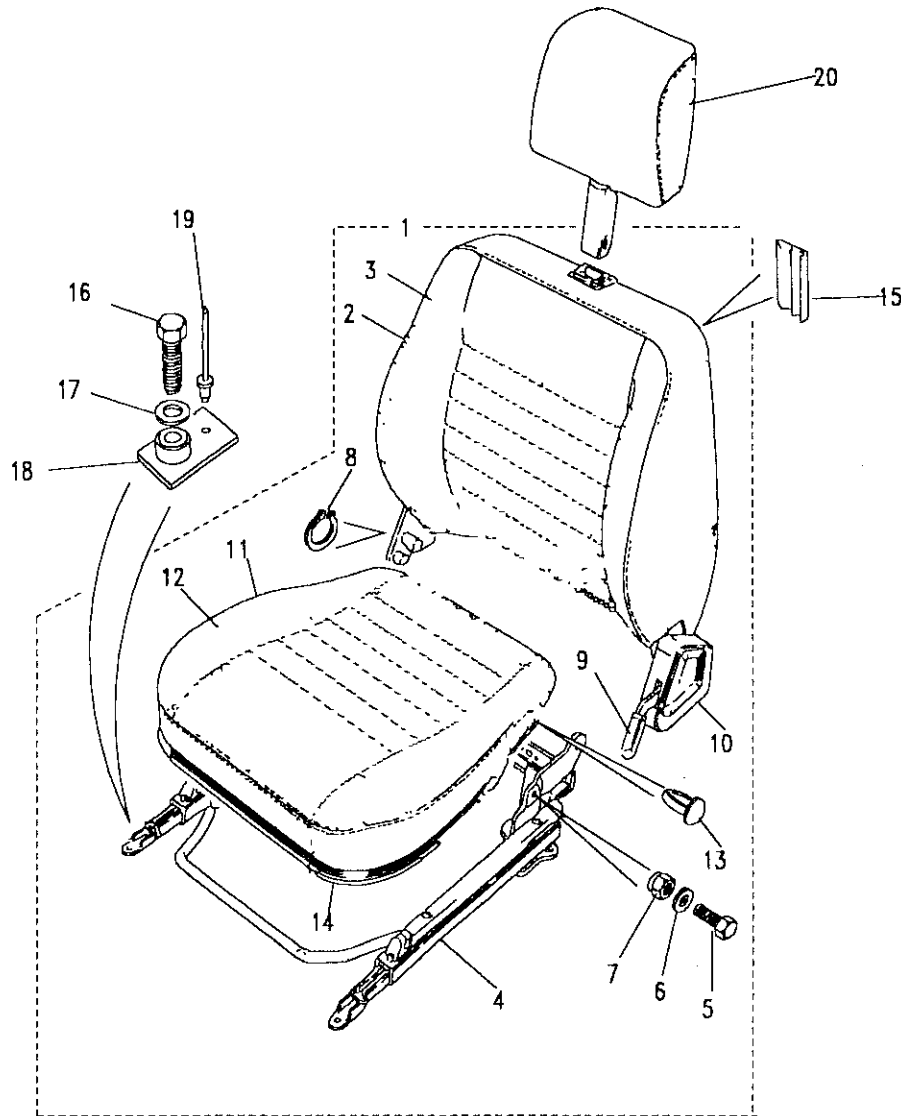
1	MWC5630RCF	Seat assembly RH	1	Upto Note(2)
	MWC5676RCF	Seat assembly LH	1	Upto Note(2)
	MWC8944RCF	Seat assembly RH	1	From Note(2) Upto VIN 455645
	MWC8945RCF	Seat assembly LH	1	From Note(2) Upto VIN 455645

Seat assy - Moorland/Grey cloth

1	MXC3254RUY	Seat assembly RH	1	From VIN HA455646
	MXC3255RUY	Seat assembly LH	1	From VIN HA455646
	BTR1764RUY	Seat assembly RH	1	Note(3) From VIN JA906601
	BTR1765RUY	Seat assembly LH	1	Note(3) From VIN JA906601

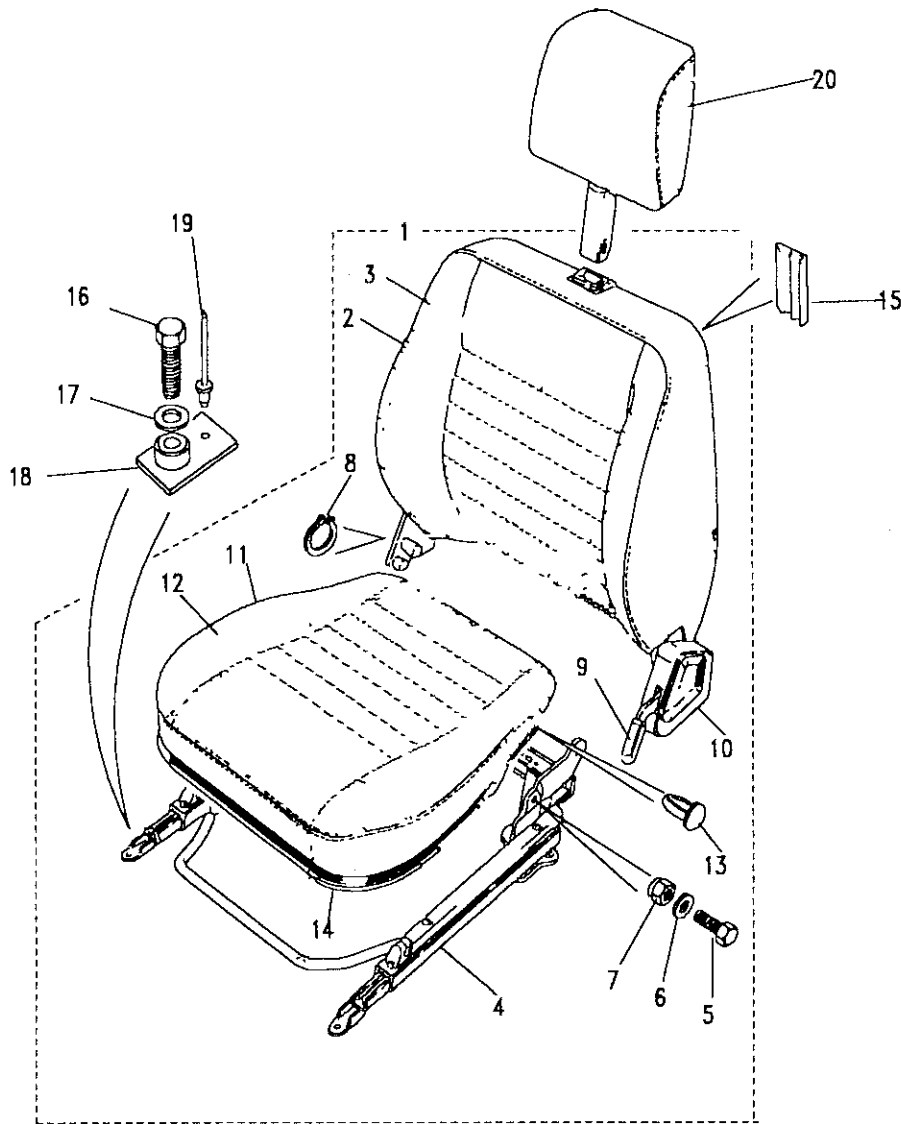
Seat assy - Grey vinyl

1	MWC5667LCS	Seat assembly RH	1	Upto Note(2)
	MWC5674LCS	Seat assembly LH	1	Upto Note(2)
	MWC8946LCS	Seat assembly RH	1	From Note(2) Upto VIN 456099
	MWC8947LCS	Seat assembly LH	1	From Note(2) Upto VIN 456099
	MXC3256LCS	Seat assembly RH	1	From VIN HA456100
	MXC3257LCS	Seat assembly LH	1	From VIN HA456100
	BTR1766LCS	Seat assembly RH	1	Note(3) From VIN JA906583
	BTR1767LCS	Seat assembly LH	1	Note(3) From VIN JA906583
2	MWC5677RCF	Squab RH cloth	1	Upto Note(2)
	MWC5679RCF	Squab LH cloth	1	Upto Note(2)
	MWC9842RCF	Squab RH cloth	1	From Note(2) Upto VIN 455645
	MWC9841RCF	Squab LH cloth	1	From Note(2) Upto VIN 455645
	MWC9842RUY	Squab RH cloth	1	From VIN HA455646



Model DEFENDER 110 1987 onwards
 Page AFRXE7A

FRONT SEATS - RH/LH - COUNTY - 1988MY ONWARDS - NOTE(1)



III. Part No.	Description	Qty	Remarks
MWC9841RUY	Squab LH cloth	1	From VIN HA455646
BTR1760RUY	Squab RH cloth	1	Note(3)
BTR1761RUY	Squab LH cloth	1	From VIN JA906601
MWC5668LCS	Squab RH vinyl	1	Note(3)
MWC5675LCS	Squab LH vinyl	1	From VIN JA906601
MWC9844LCS	Squab RH vinyl	1	Upto Note(2)
MWC9843LCS	Squab LH vinyl	1	From Note(2)
BTR1762LCS	Squab RH vinyl	1	From Note(2)
BTR1763LCS	Squab LH vinyl	1	Note(3)
3 MWC5632RCF	Cover squab cloth	2	From VIN JA906583
MWC8942RCF	Cover squab cloth	2	Upto Note(2)
MWC8942RUY	Cover squab cloth	2	From Note(2)
BTR1758RUY	Cover squab cloth	2	Upto VIN 455645
MWC5669LCS	Cover squab vinyl	2	From VIN HA455646
MWC8943LCS	Cover squab vinyl	2	Note(3)
BTR1759LCS	Cover squab vinyl	2	From VIN JA906601
4 MXC5778	Subframe & slide RH	1	Upto Note(2)
MXC5779	Subframe & slide LH	1	From Note(2)
5 SH108151	Screw	4	From VIN HA455646
6 WA108041	Washer plain	4	Note(3)
7 NY108041L	Nut	4	From VIN JA906601
8 CR120205	Circlip	2	Upto Note(2)
9 MUC8754	Knob recline lever	2	From Note(2)
10 MWC7636	Cover mechanism RH	1	Note(3)
MWC7635	Cover mechanism LH	1	From VIN JA906583
11 MWC5648RCF	Cushion cloth	2	Upto VIN 455645
MWC5648RUY	Cushion cloth	2	From VIN HA455646
MWC5670LCS	Cushion vinyl	2	
12 MWC5649RCF	Cover cushion cloth	2	Upto VIN 455645
MWC5649RUY	Cover cushion cloth	2	From VIN HA455646



DEFENDER 110 1987 onwards

977

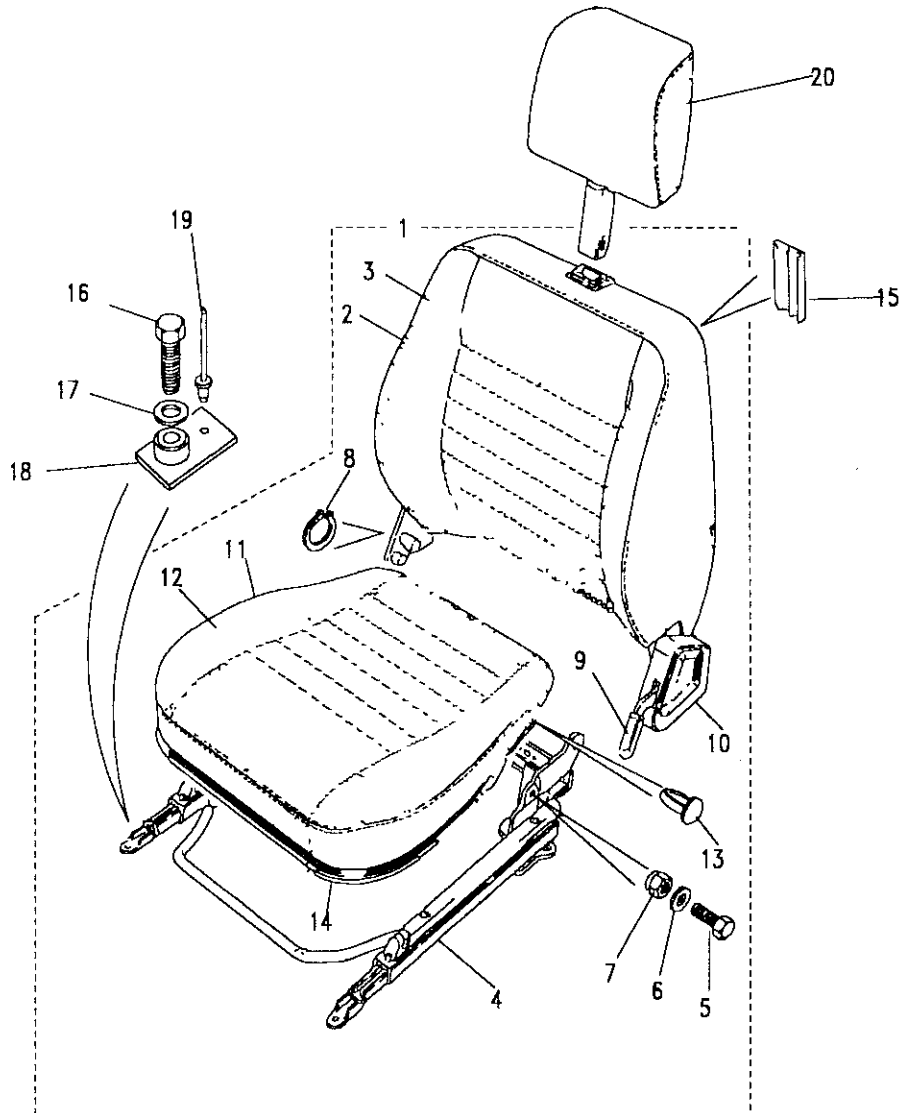
SEATS

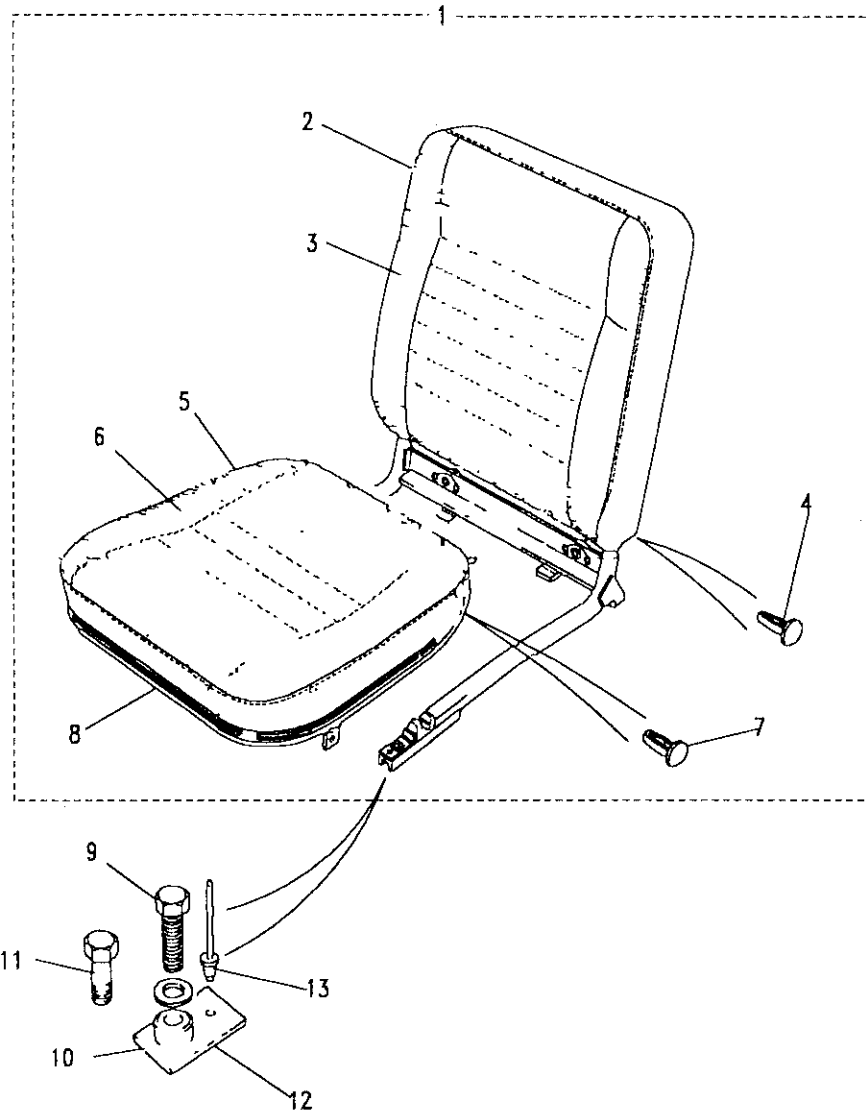
Model DEFENDER 110 1987 onwards
Page AFRXE7A

FRONT SEATS - RH/LH - COUNTY - 1988MY ONWARDS - NOTE(1)

III. Part No.	Description	Qty	Remarks
MWC5671LCS	Cover cushion vinyl	2	
13 MTC9962	Trim nail	8	
14 MTC9967	Trim locking	2	
15 MWC6106PCB	Rubbing strip	4	
When centre seat not fitted			
16 FS108251L	Screw	8	
17 WA108051L	Washer plain	8	
4075L	Spacer	8	
18 MUC7947	Bush & plate	8	
19 RU608313L	Rivet	8	
When centre seat is fitted			
16 FS108251L	Screw	8	
17 WA108051L	Washer plain	10	
4075L	Spacer	8	
18 MUC7947	Bush & plate	6	
19 RU608313L	Rivet	6	
FN108041L	Nut	2	
MWC4536	Bracket stop	2	Driver seat
20 MWC5626RCF	Head restraint cloth	2	RHS only
MWC5626RUY	Head restraint cloth	2	Upto VIN 455645
MWC5628LCS	Head restraint vinyl	2	From VIN HA455646

Note(1) From - Regular VIN EA314292, Station Wagon VIN EA314268
 Note(2) Introduction of 1989 Model Year - VIN FA
 Note(3) With map pocket-Station Wagon only-1992MY-VIN JA





Model DEFENDER 110 1987 onwards
Page AFRXEA8A

FRONT SEATS - CENTRE - COUNTY - 1988MY ONWARDS - NOTE(1)

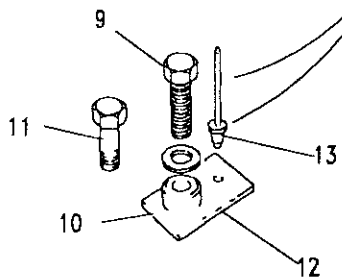
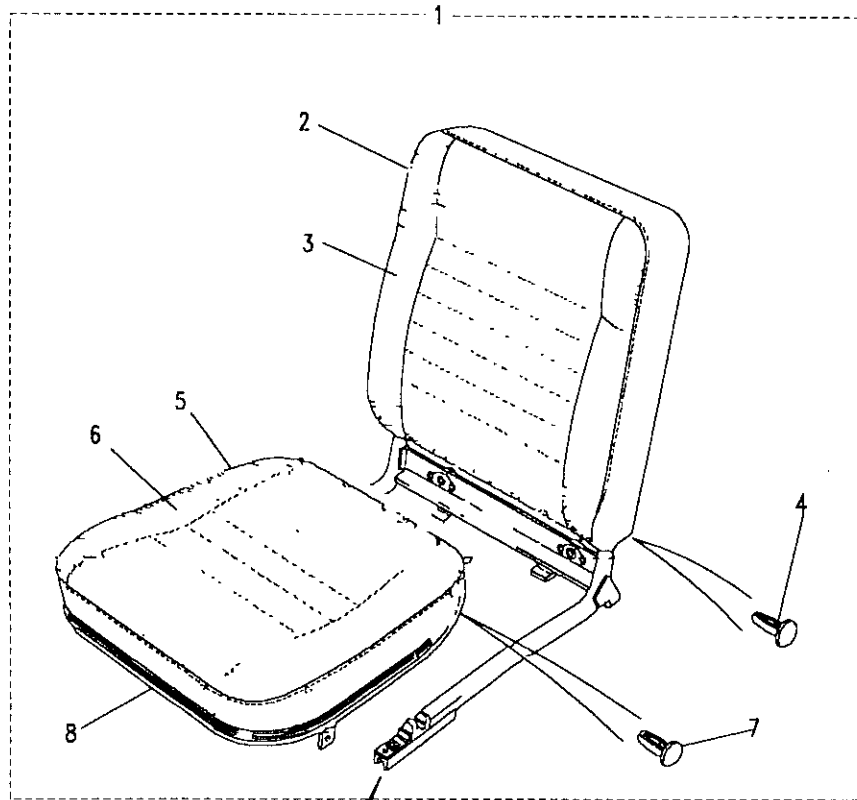
III. Part No.	Description	Qty	Remarks
Centre seat assy - Blue Grey/Grey cloth			
1 MWC5680RCF	Seat assembly	1	Upto VIN 455645
Centre seat assy - Moorland/Grey cloth			
1 MXC2646RUY	Seat assembly	1	From VIN HA455646
Centre seat assy - Grey vinyl			
1 MWC5685LCS	Seat assembly	1	Upto VIN 456099
1 MXC2645LCS	Seat assembly	1	From VIN HA456100
2 MWC5681RCF	Squab cloth	1	Upto VIN 455645
1 MXC2650RUY	Squab cloth	1	From VIN HA455646
1 MWC5686LCS	Squab vinyl	1	Upto VIN 456099
1 MXC2648LCS	Squab vinyl	1	From VIN HA456100
3 MWC5682RCF	Cover squab cloth	1	Upto VIN 455645
1 MXC2641RUY	Cover squab cloth	1	From VIN HA455646
1 MWC5687LCS	Cover squab vinyl	1	Upto VIN 456099
1 MXC2652LCS	Cover squab vinyl	1	From VIN HA456100
4 MTC9962	Trim nail	4	





DEFENDER 110 1987 onwards

979 SEATS



Model DEFENDER 110 1987 onwards
Page AFRXE8A

FRONT SEATS - CENTRE - COUNTY - 1988MY ONWARDS - NOTE(1)

III. Part No.	Description	Qty	Remarks
5 MWC5683RCF	Cushion cloth	1	Upto VIN 455645
MXC2649RUY	Cushion cloth	1	From VIN HA455646
MWC5688LCS	Cushion vinyl	1	Upto VIN 456099
MXC2647LCS	Cushion vinyl	1	From VIN HA456100
6 MWC5684RCF	Cover cushion cloth	1	Upto VIN 455645
MXC2640RUY	Cover cushion cloth	1	From VIN HA455646
MWC5689LCS	Cover cushion vinyl	1	Upto VIN 456099
MXC2651LCS	Cover cushion vinyl	1	From VIN HA456100
7 MTC9962	Trim nail	4	
8 MTC9959	Trim locking	1	
9 FS108251L	Screw	2	Rear
10 WC108051L	Washer plain	4	
11 FS108301L	Bolt	2	Front
12 MUC7947	Bush and plate	2	Front
13 RU608313L	Rivet	2	
FN108041L	Nut	2	Rear

Note(1) From - Regular VIN EA314059 Station Wagon VIN EA314174





Model DEFENDER 110 1987 onwards

Page AFRXE9A

REAR SEATS - GRAB RAIL

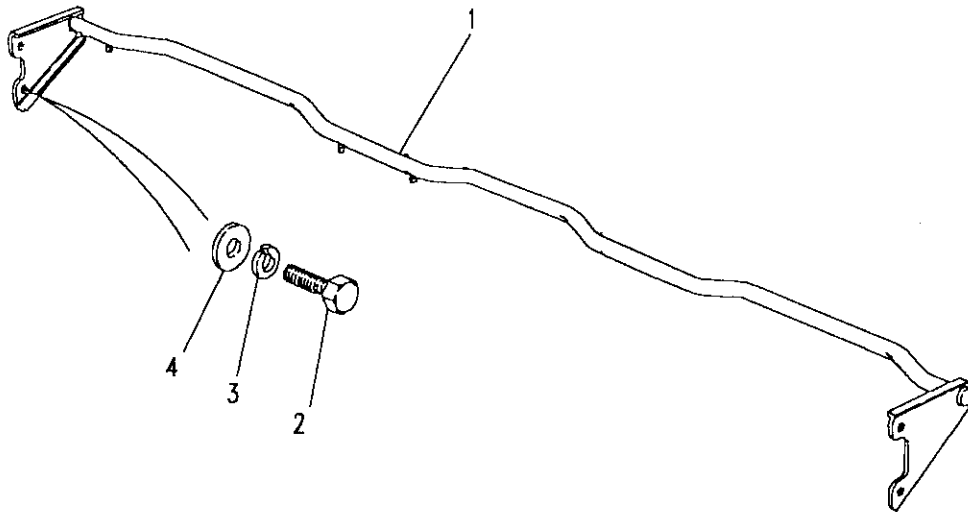
III. Part No. Description Qty Remarks

For rear forward facing seats - Station Wagon

1 MWC4380 Grab rail 1

Fixings - Grab rail to BC post

2 FS108201L Screw 4
3 WC108051L Washer plain 4
4 WL108001L Washer spring 4



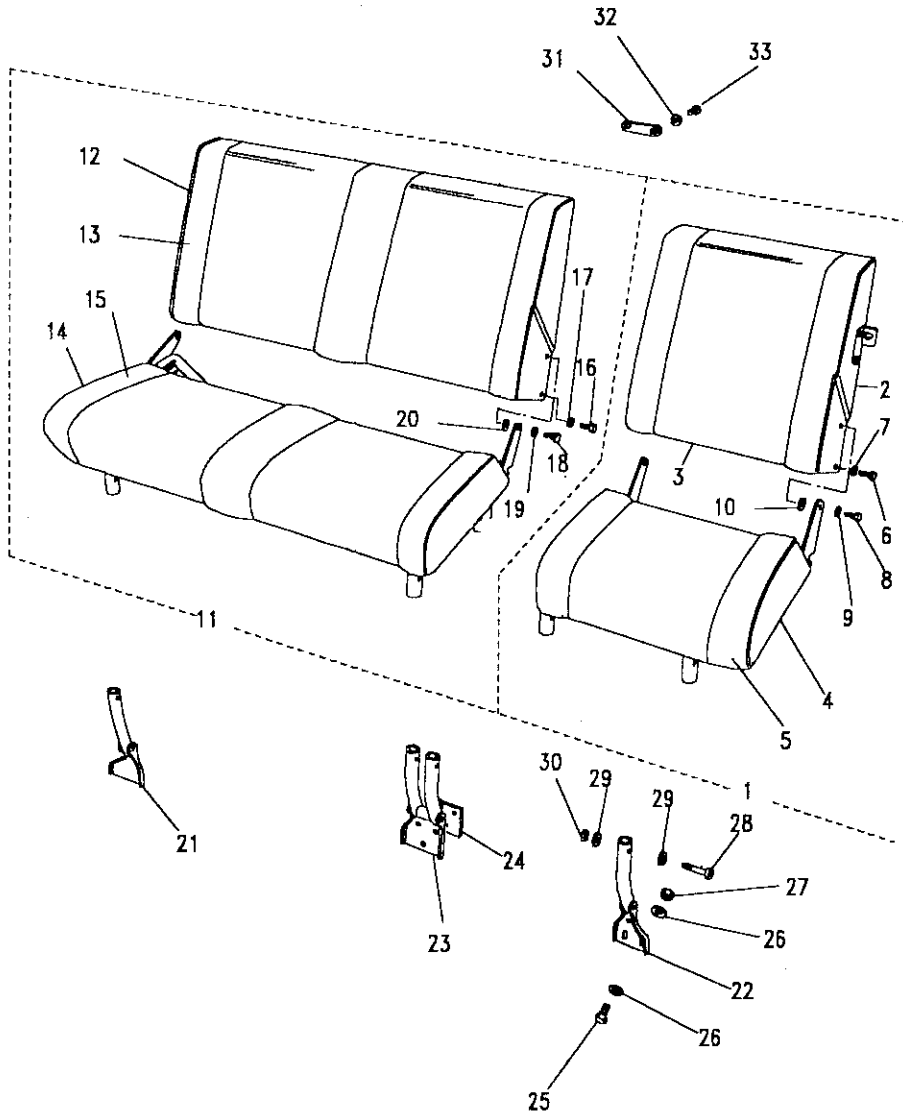


Model DEFENDER 110 1987 onwards
Page AFRXGC1A

REAR SEATS - FORWARD FACING SPLIT SEAT

III. Part No.	Description	Qty	Remarks
Forward facing seat assy - Short			
Brushwood/Berber cloth			
1 MWC3111RD	Seat assembly short	1	Upto Note(1)
Blue grey/Grey cloth			
1 MWC5533RCF	Seat assembly short	1	From Note(1) Upto note(2)
Moorland/Grey cloth			
1 MXC5822RUY	Seat assembly short	1	From Note(2)
Black vinyl			
1 MWC3112PB	Seat assembly short	1	Upto note(1)
Grey vinyl			
MWC5534LCS	Seat assembly short	1	From Note(1) Upto Note(2)
MXC5823LCS	Seat assembly short	1	From Note(2)

Note(1) Introduction Of 1988 Model year - VIN EA314268
Note(2) Introduction Of 1991 Model year - VIN FA418703 DEF110



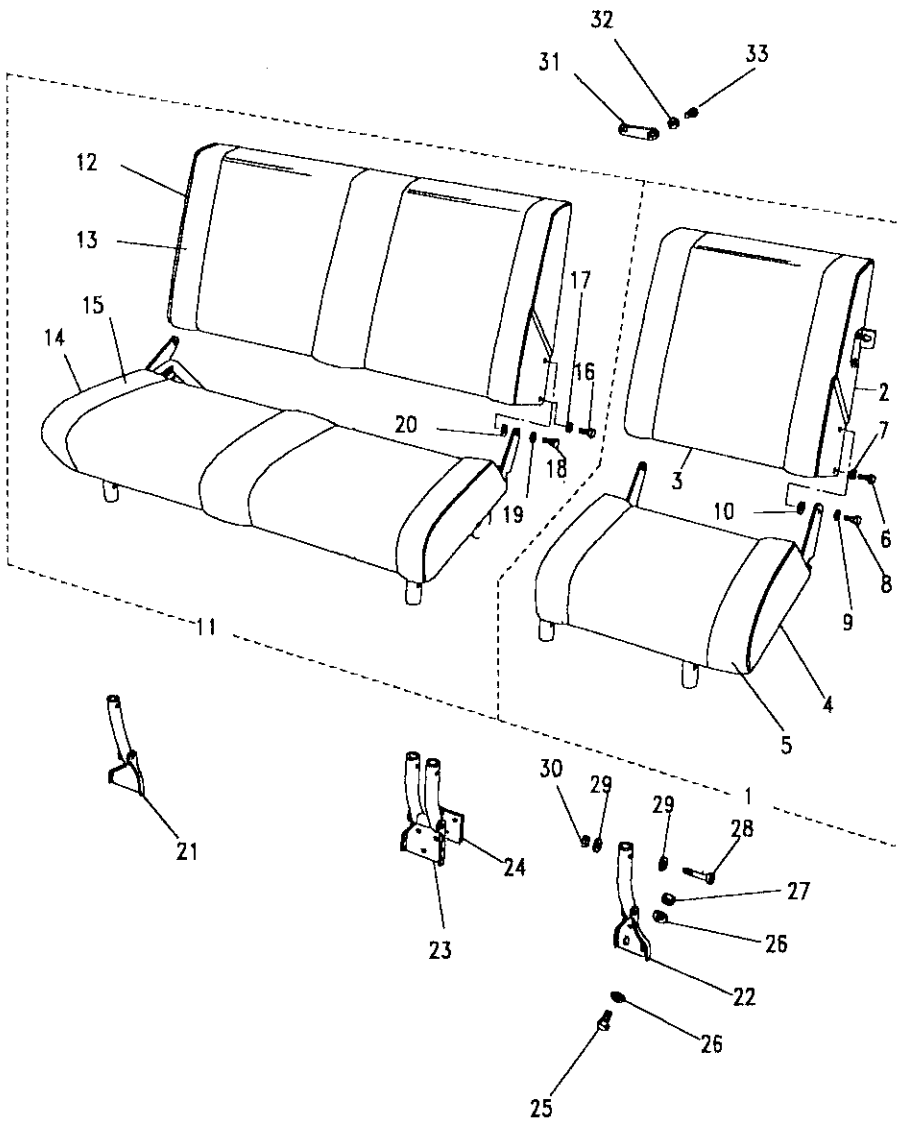


Model DEFENDER 110 1987 onwards
 Page AFRXGC1A

REAR SEATS - FORWARD FACING SPLIT SEAT

III. Part No.	Description	Qty	Remarks
2	MUC9974RD	1	Upto Note(1)
	MWC5536RCF	1	From Note(1)
			To Note(2)
	MXC3169RUY	1	From Note(2)
	MUC9975PB	1	Upto Note(1)
	MWC5537LCS	1	From Note(1)
			Upto Note(2)
	MXC3170LCS	1	From Note(2)
3	MWC1707RD	1	Upto Note(1)
	MWC5539RCF	1	From Note(1)
			Upto Note(2)
	MXC1827RUY	1	From Note(2)
	MWC1708PB	1	Upto Note(1)
	MWC5540LCS	1	From Note(1)
			Upto Note(2)
4	MXC1831LCS	1	From Note(2)
	MWC3107RD	1	Upto Note(1)
	MWC5546RCF	1	From Note(1)
			Upto Note(2)
	MXC5814RUY	1	From Note(2)
	MWC3108PB	1	Upto Note(1)
	MWC5547LCS	1	From Note(1)
			Upto Note(2)
	MXC5815LCS	1	From Note(2)

Note(1) Introduction of 1988 Model Year - VIN EA314268
 Note(2) Introduction of 1991 Model Year - VIN FA418703 DEF110



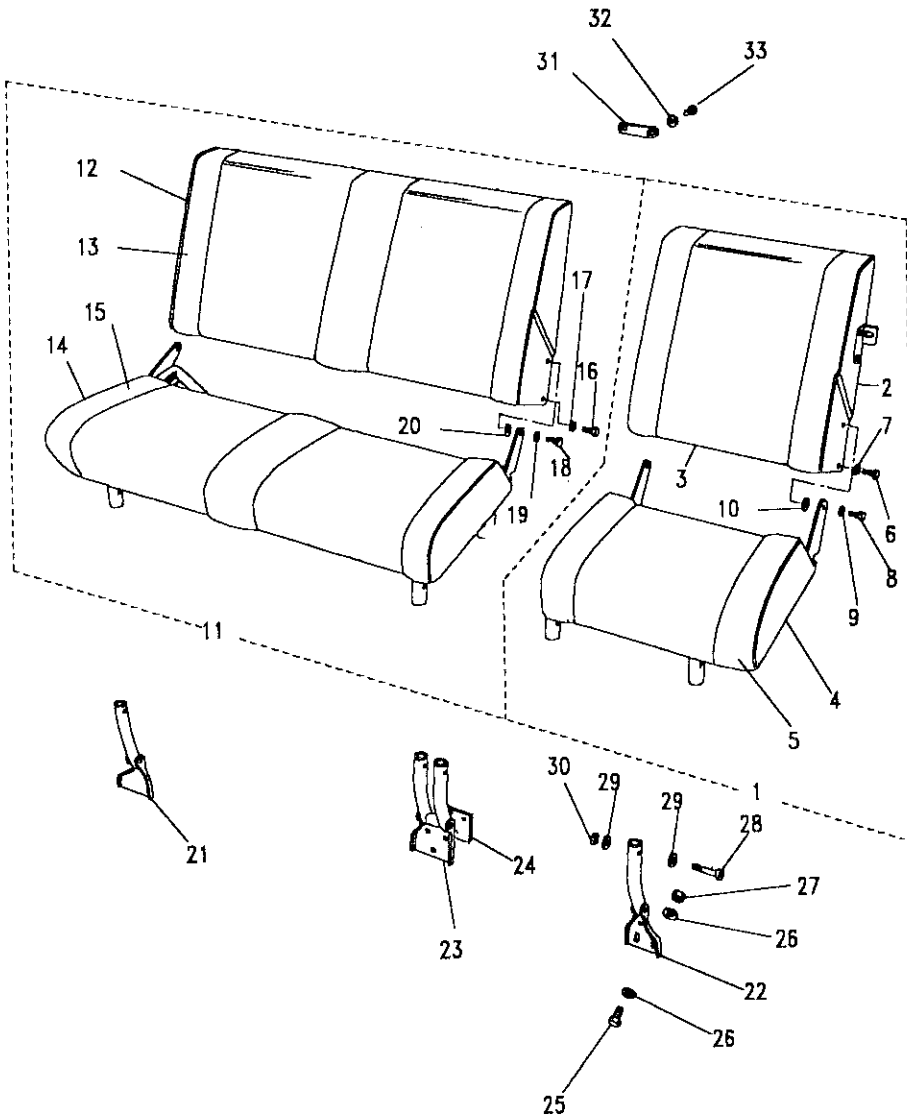


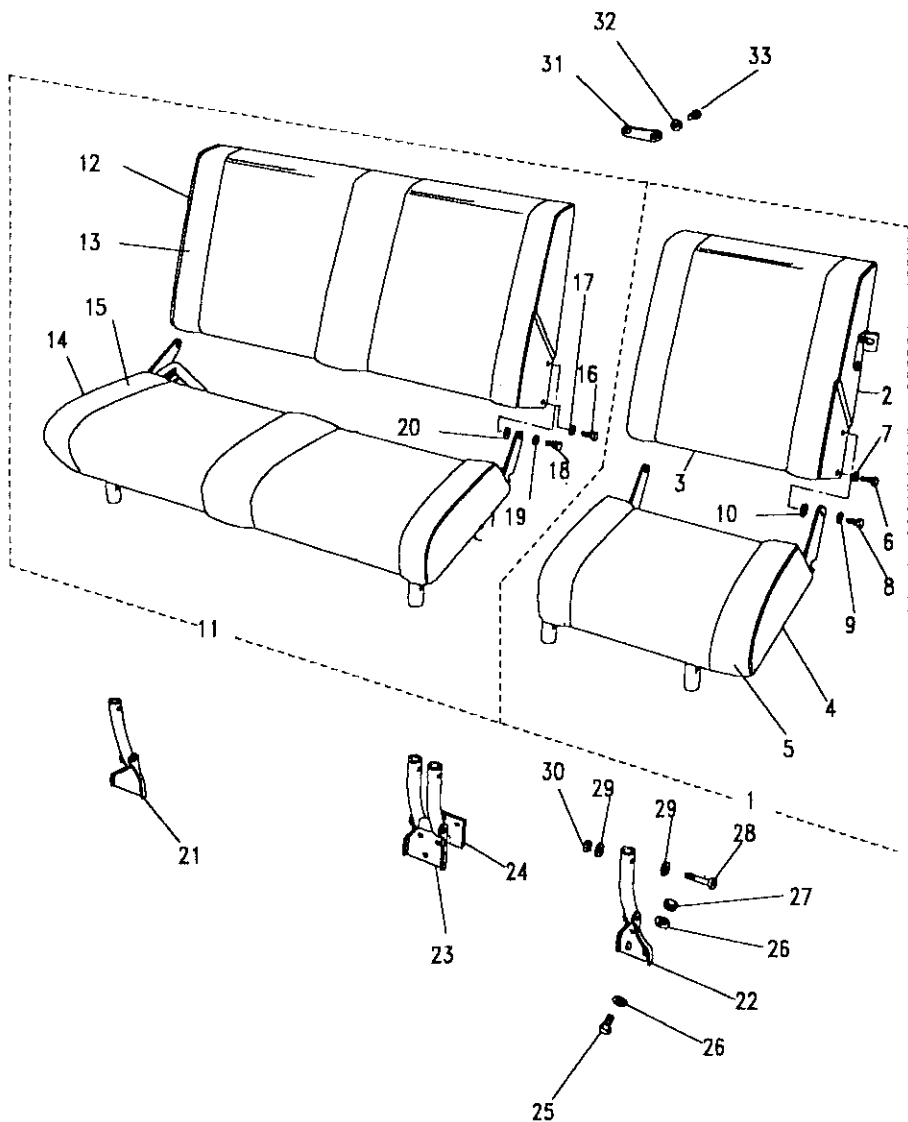
Model DEFENDER 110 1987 onwards
Page AFRXGC1A

REAR SEATS - FORWARD FACING SPLIT SEAT

III. Part No.	Description	Qty	Remarks
5	MWC3103RD	1	Upto Note(1)
	MWC5549RCF	1	From Note(1)
			Upto Note(2)
	MXC1826RUY	1	From Note(2)
	MWC3105PB	1	Upto Note(1)
	MWC5550LCS	1	From Note(1)
			Upto Note(2)
	MXC1830LCS	1	From Note(2)
6	MWC2522	1	Bolt special
7	WC108051L	1	Washer plain
8	MWC2522	2	Bolt special
9	WC110061L	2	Washer plain
10	WJ108001L	2	Washer plain
Defender 130			
2	RRC6271RCF	1	Squab cloth
			From 11-11-88
			Upto 1991MY
	RRC6271RUY	1	Squab cloth
	RRC6270LCS	1	Squab vinyl
4	RRC6393RCF	1	Cushion cloth
			From 11-11-88
			Upto 1991MY
	RRC6393RUY	1	Cushion cloth
	RRC6392LCS	1	Cushion vinyl
			From 11-11-88

Note(1) Introduction of 1988 Model Year - VIN EA314268
Note(2) Introduction of 1991 Model Year - VIN FA418703 DEF110





Model DEFENDER 110 1987 onwards
 Page AFRXGC1A

REAR SEATS - FORWARD FACING SPLIT SEAT

Ill. Part No.	Description	Qty	Remarks
Forward facing seat assy - Long			
Brushwood/Berber cloth			
11 MWC3113RD	Seat assembly long	1	Upto Note(1)
Blue Grey/Grey cloth			
11 MWC5555RCF	Seat assembly long	1	From Note(1) Upto Note(2)
Moorland/Grey cloth			
11 MXC5820RUY	Seat assembly long	1	From Note(2)
Black vinyl			
11 MWC3114PB	Seat assembly long	1	Upto Note(1)
Grey vinyl			
11 MWC5556LCS	Seat assembly long	1	From Note(1) Up to Note(2)
MXC5821LCS	Seat assembly long	1	From Note(2)

Note(1) Introduction of 1988 Model Year - VIN EA314268
 Note(2) Introduction of 1991 Model Year - VIN FA418703 DEF110





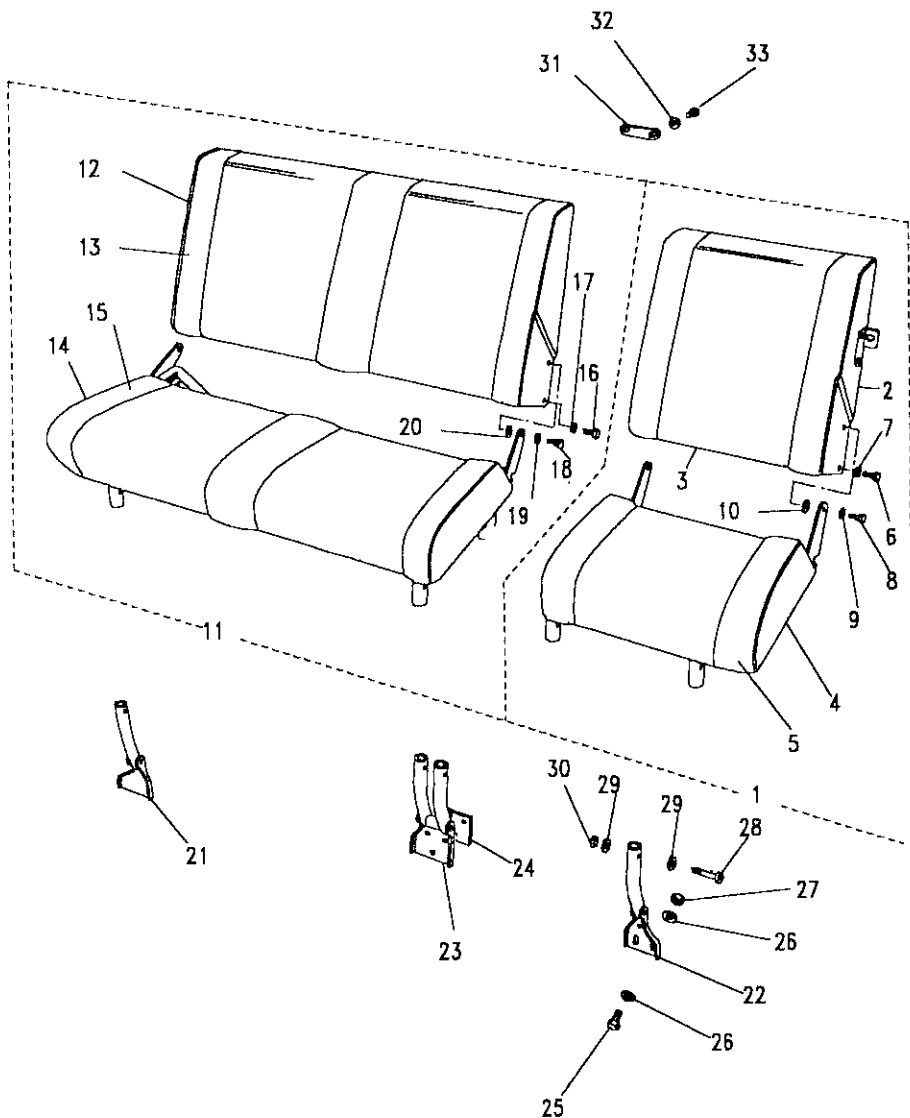
Model DEFENDER 110 1987 onwards

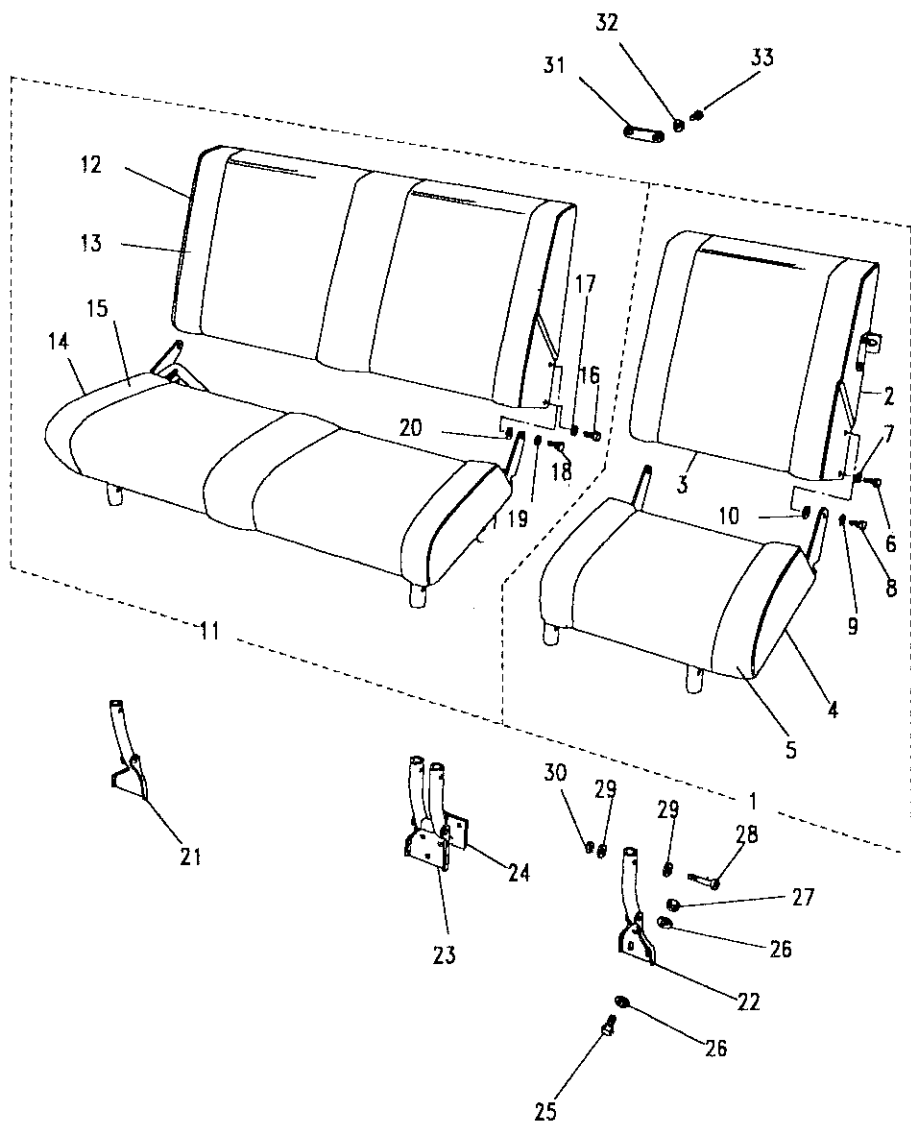
Page AFRXGC1A

REAR SEATS - FORWARD FACING SPLIT SEAT

III. Part No.	Description	Qty	Remarks
12	MUC9971RD	1	Upto Note(1)
	MWC5558RCF	1	From Note(1)
			Upto Note(2)
	MXC3167RUY	1	From Note(2)
	MUC9972PB	1	Upto Note(1)
	MWC5559LCS	1	From Note(1)
			Upto Note(2)
	MXC3168LCS	1	From Note(2)
13	MWC1705RD	1	Upto Note(1)
	MWC5561RCF	1	From Note(1)
			Upto Note(2)
	MXC1829RUY	1	From Note(2)
	MWC1706PB	1	Upto Note(1)
	MWC5562LCS	1	From Note(1)
			Upto Note(2)
	MXC1833LCS	1	From Note(2)
14	MWC3109RD	1	Upto Note(1)
	MWC5568RCF	1	From Note(1)
			Upto Note(2)
	MXC5812RUY	1	From Note(2)
	MWC3110PB	1	Upto Note(1)
	MWC5569LCS	1	From Note(1)
			Up to Note(2)
	MXC5813LCS	1	From Note(2)

Note(1) Introduction of 1988 Model Year - VIN EA314268
 Note(2) Introduction of 1991 Model Year - VIN FA418703 DEF110





Model DEFENDER 110 1987 onwards

Page AFRXGC1A

REAR SEATS - FORWARD FACING SPLIT SEAT

III. Part No.	Description	Qty	Remarks
15 MWC3104RD	Cover cushion cloth	1	Upto Note(1)
MWC5592RCF	Cover cushion cloth	1	From Note(1)
MXC1828RUY	Cover cushion cloth	1	Upto Note(2)
MWC3106PB	Cover cushion vinyl	1	From Note(2)
MWC5593LCS	Cover cushion vinyl	1	Upto Note(1)
MXC1832LCS	Cover cushion vinyl	1	From Note(2)
16 MWC2522	Bolt special	1	
17 WC108051L	Washer plain	1	
18 MWC2522	Bolt special	2	
19 WC110061L	Washer plain	2	
20 WJ108001L	Washer plain	2	
Defender 130			
12 RRC6269RCF	Squab cloth	1	From 11-11-88
			Upto FA419177
RRC6269RUY	Squab cloth	1	From FA419178
RRC6268LCS	Squab vinyl	1	From 11-11-88
14 RRC6391RCF	Cushion cloth	1	From 11-11-88
			Upto FA419177
RRC6391RUY	Cushion cloth	1	From FA419178
RRC6390LCS	Cushion vinyl	1	From 11-11-88

Note(1) Introduction Of 1988 Model Year - VIN EA314268

Note(2) Introduction Of 1991 Model Year - VIN FA418703 DEF110

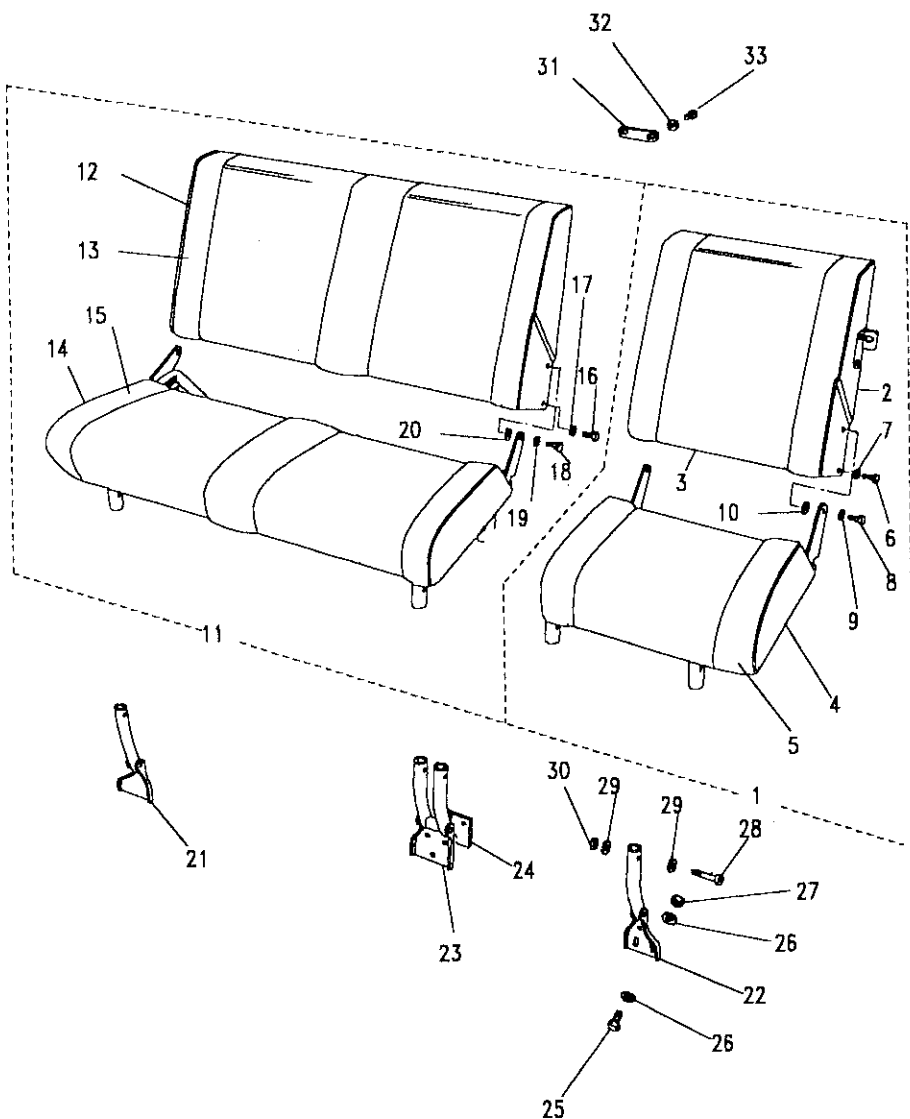




Model DEFENDER 110 1987 onwards
Page AFRXGC1A

REAR SEATS - FORWARD FACING SPLIT SEAT

III. Part No.	Description	Qty	Remarks
Defender 110			
21 MUC9874	Bracket mounting outer RH	1	
22 MUC9875	Bracket mounting outer LH	1	
23 MUC9864	Bracket mounting inner	1	
Defender 130			
21 RRC6104	Bracket mounting outer RH	1	From 22-7-88
22 RRC6105	Bracket mounting outer LH	1	From 22-7-88
23 RRC6106	Bracket mounting inner	1	From 22-7-88
RRC6111	Pad mounting	4	From 22-7-88
24 MWC1623	Plate reinforcement	1	
Fixings - Brackets to floor			
25 FS108251L	Screw	9	
26 WC108051L	Washer plain	18	
27 FN108041L	Nut	9	
Fixings - Seats to brackets			
28 SH108401L	Screw	4	
29 WC108051L	Washer plain	8	
30 FN108041L	Nut	4	



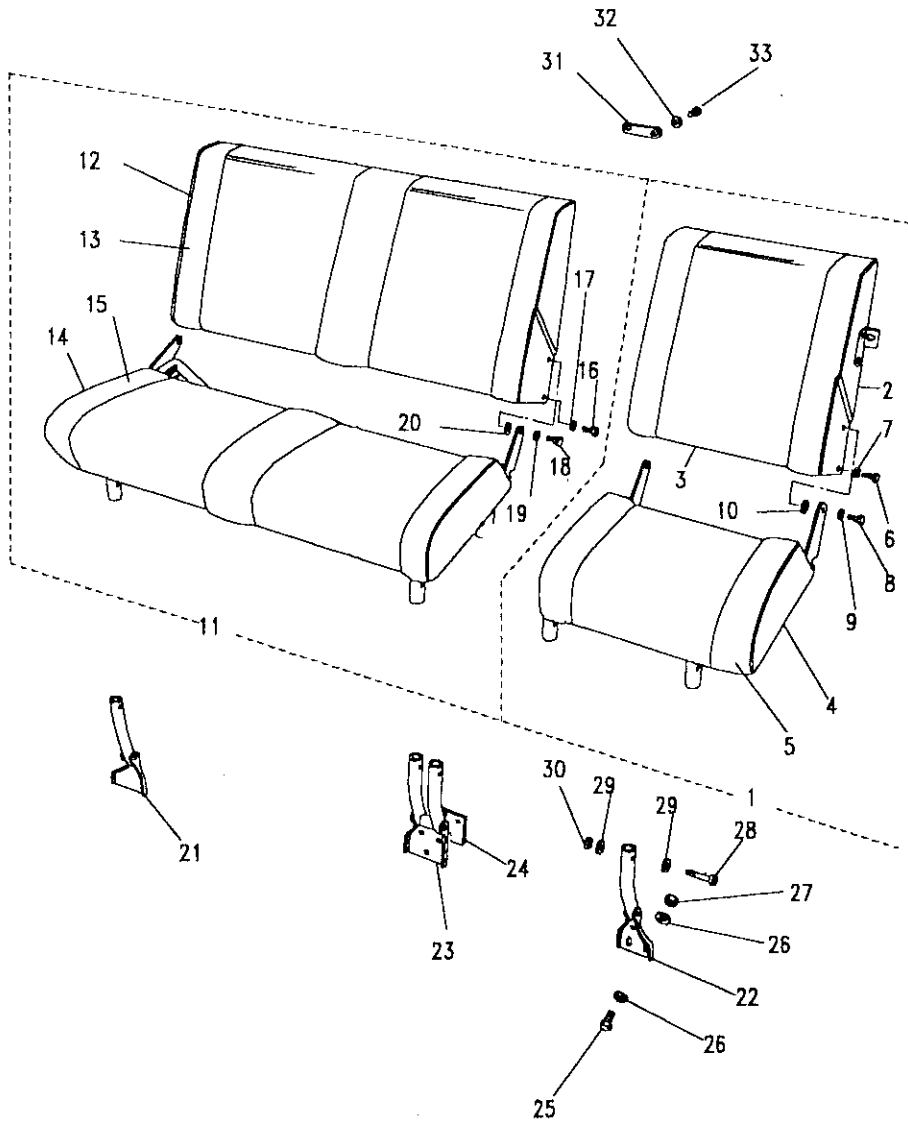


Model DEFENDER 110 1987 onwards

Page AFRXGC1A

REAR SEATS - FORWARD FACING SPLIT SEAT

III. Part No.	Description	Qty	Remarks
Australia			
31 MWC1141	Plate squab retention	1	
32 SE108201	Screw	2	
33 WA108051L	Washer plain	2	

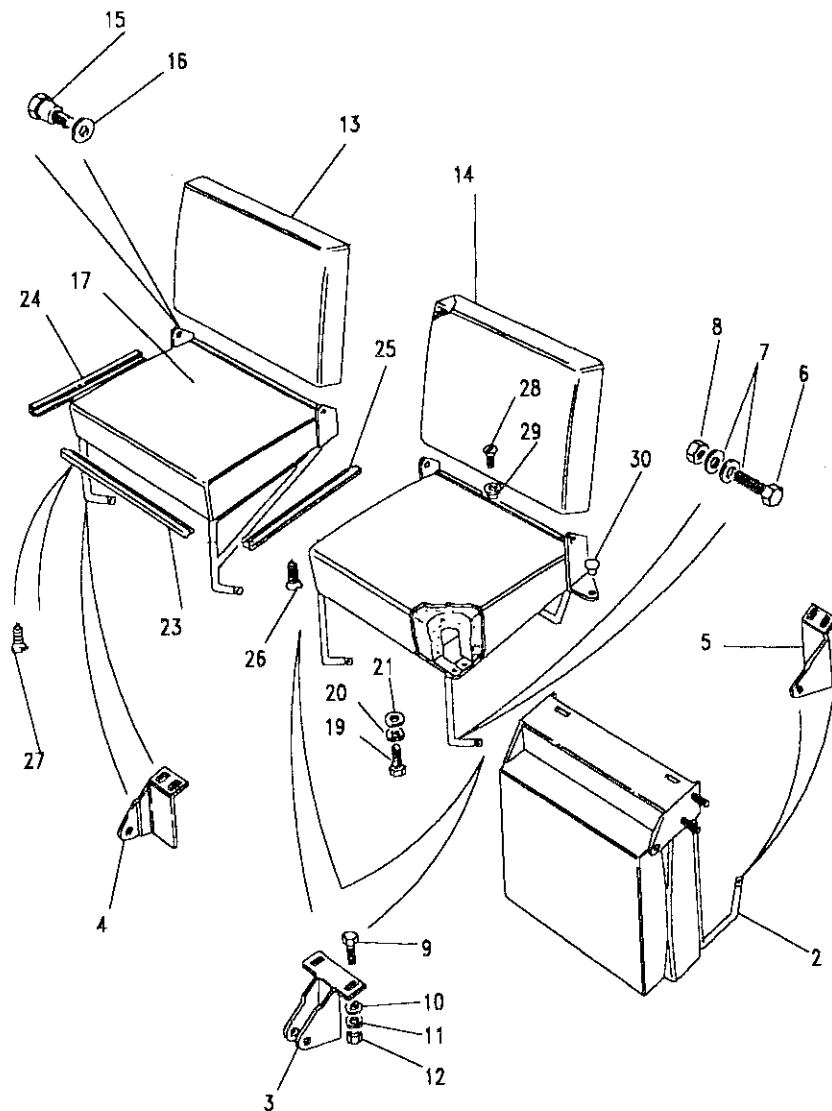




Model DEFENDER 110 1987 onwards

Page AFRXGE1A

REAR SEATS - FORWARD FACING - INDIVIDUAL TYPE



III. Part No.	Description	Qty	Remarks
1	347343	1	Seat frame centre
2	347344	2	Seat frame outer
3	MTC6793	2	Bracket support inner
4	MTC6794	1	Bracket support outer RH
5	MTC6795	1	Bracket support outer LH
6	331709	6	Bolt shouldered
7	AFU1263	12	Washer plain
8	NH106041L	6	Nut

Fixings - Brackets to floor

9	SE106204	14	Screw
10	WA106041L	14	Washer plain
11	WL106001L	14	Washer spring
12	NH106041L	14	Nut

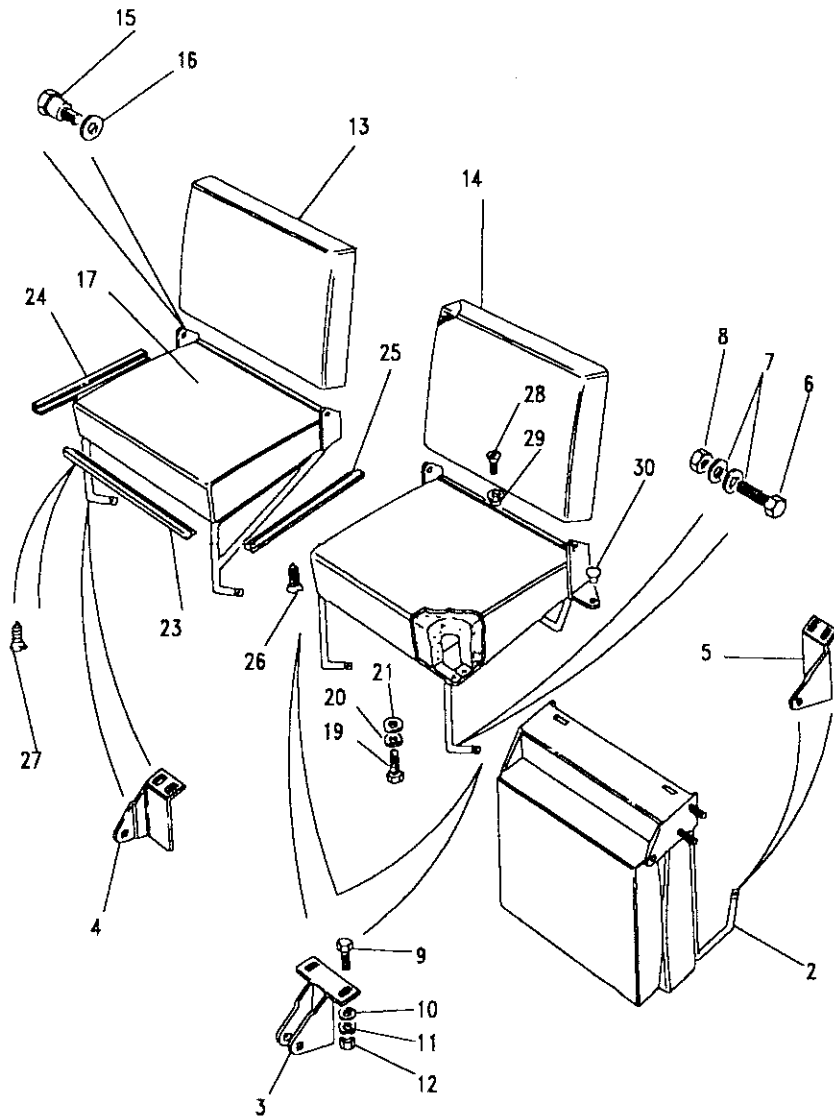
Seat squab - Brushwood/Berber cloth

13	MTC4489RD	3	Squab	Upto Note(1)
----	-----------	---	-------	--------------

Seat squab - Blue Grey/Grey cloth

13	MXC2780RCF	3	Squab	From Note(1) Upto Note(2)
----	------------	---	-------	------------------------------





Model DEFENDER 110 1987 onwards
Page AFRXGE1A

REAR SEATS - FORWARD FACING - INDIVIDUAL TYPE

Ill. Part No.	Description	Qty	Remarks
Seat squab - Moorland/Grey cloth			
13	MXC2780RUY Squab	3	From Note(2)
Seat squab - Black vinyl			
13	349514 Squab	3	Upto Note(1)
Seat squab - Grey vinyl			
13	MWC5525LCS Squab	3	From Note(1)
14	349529 Interior squab	3	
15	331709 Bolt shouldered	6	
16	3830L Washer steel	6	Upto Note(1)
	WC108051L Washer steel	6	From Note(1)
	349955 Washer rubber	6	
	349931 Washer plastic	6	
Seat cushion - Brushwood/Berber cloth			
17	MTC4483RD Cushion	3	Upto Note(1)



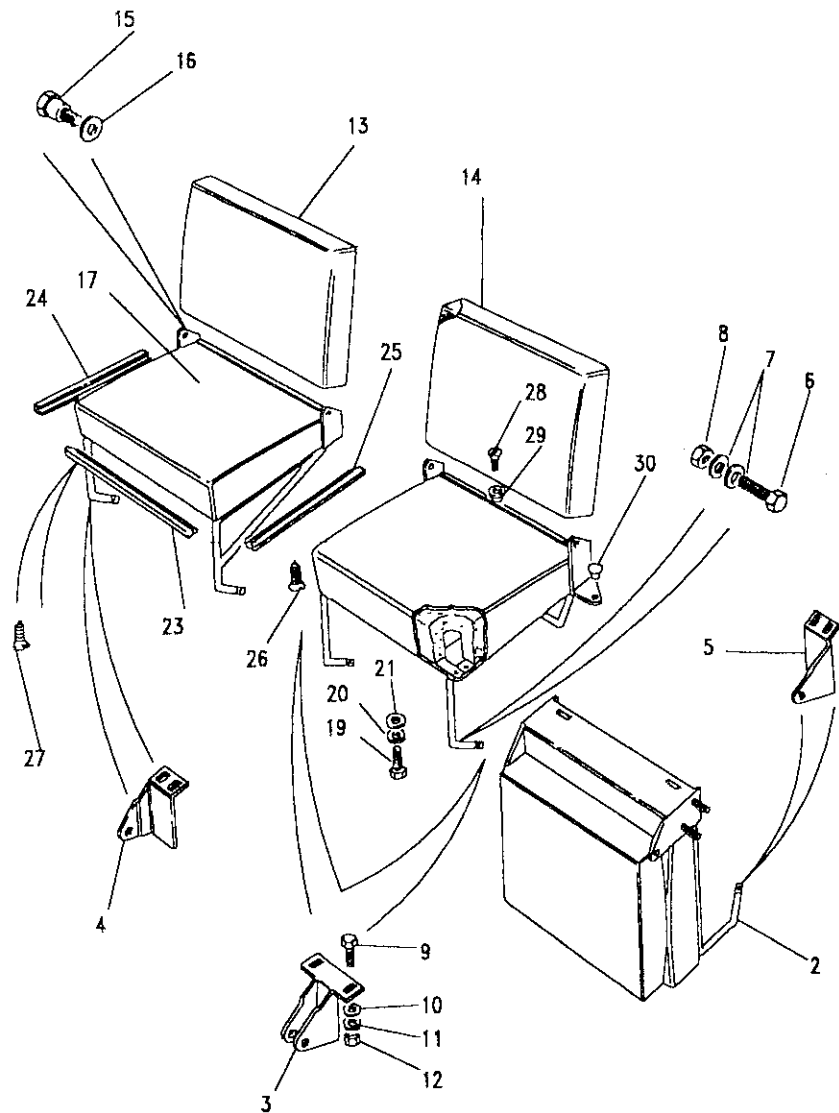


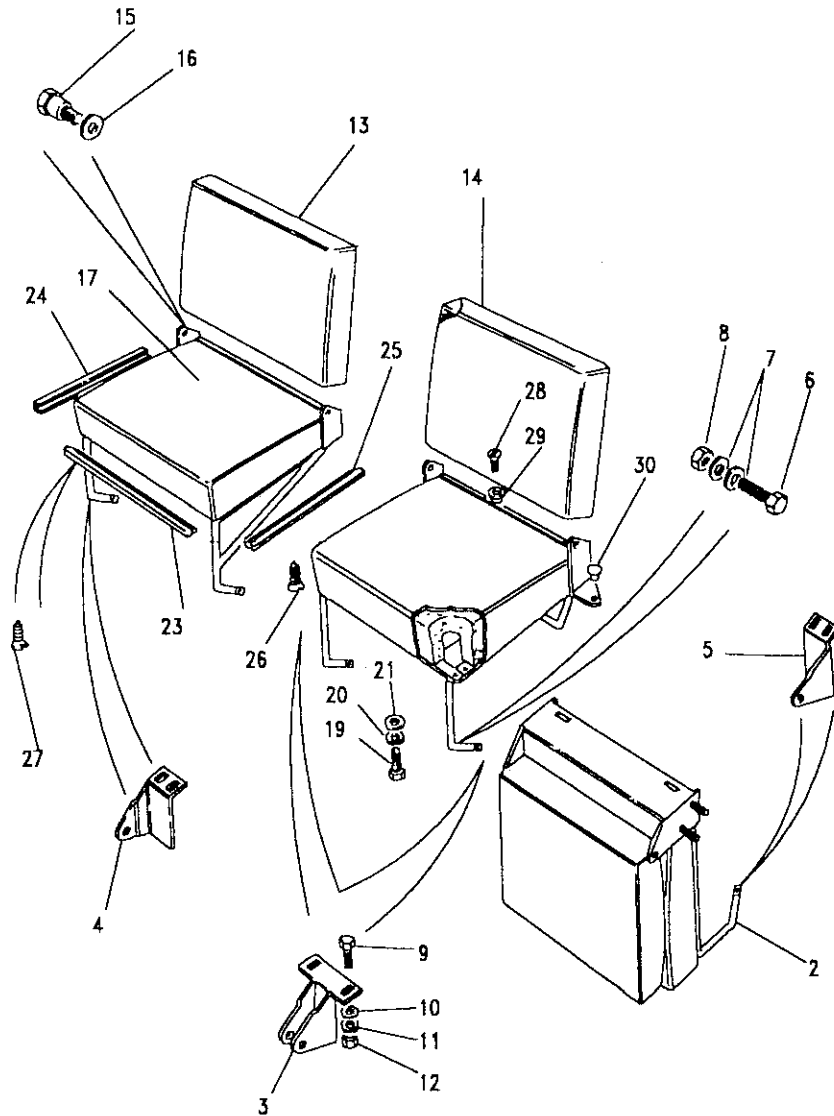
Model DEFENDER 110 1987 onwards

Page AFRXGE1A

REAR SEATS - FORWARD FACING - INDIVIDUAL TYPE

III. Part No.	Description	Qty	Remarks
Seat cushion - Blue Grey/Grey cloth			
17 MWC5507RCF	Cushion	3	From Note(1) Upto Note(2)
Seat cushion - Moorland/Grey cloth			
17 MWC5507RUY	Cushion	3	From Note(2)
Seat cushion - Black vinyl			
17 349515	Cushion	3	Upto Note(1)
Seat cushion - Grey vinyl			
17 MWC5530LCS	Cushion	3	From Note(1)
18 349516	Interior cushion	3	
Fixings - Cushion to frame			
19 BH604161L	Bolt	6	
20 WM600041L	Washer spring	6	
21 3900L	Washer plain	6	





Model DEFENDER 110 1987 onwards
Page AFRXGE1A

REAR SEATS - FORWARD FACING - INDIVIDUAL TYPE

Ill. Part No.	Description	Qty	Remarks
22 306316	Panel seat base	3	
23 307418	Finisher front	3	
24 307419	Finisher side RH	3	
25 307420	Finisher side LH	3	
26 20138	Screw	6	
27 20147	Screw	12	
28 F608081	Screw	6	
29 WK608311	Washer cup	6	
30 301347	Plug	10	

Fixings - Redundant holes in floor

FS108201	Screw	2	
WL108001L	Washer spring	2	
WC108051L	Washer plain	2	
FN108041L	Nut	2	
MRC1300	Plug	2	

Note(1) Introduction of 1988 Model Year - VIN EA314268
 Note(2) Introduction of 1991 Model Year - VIN HA

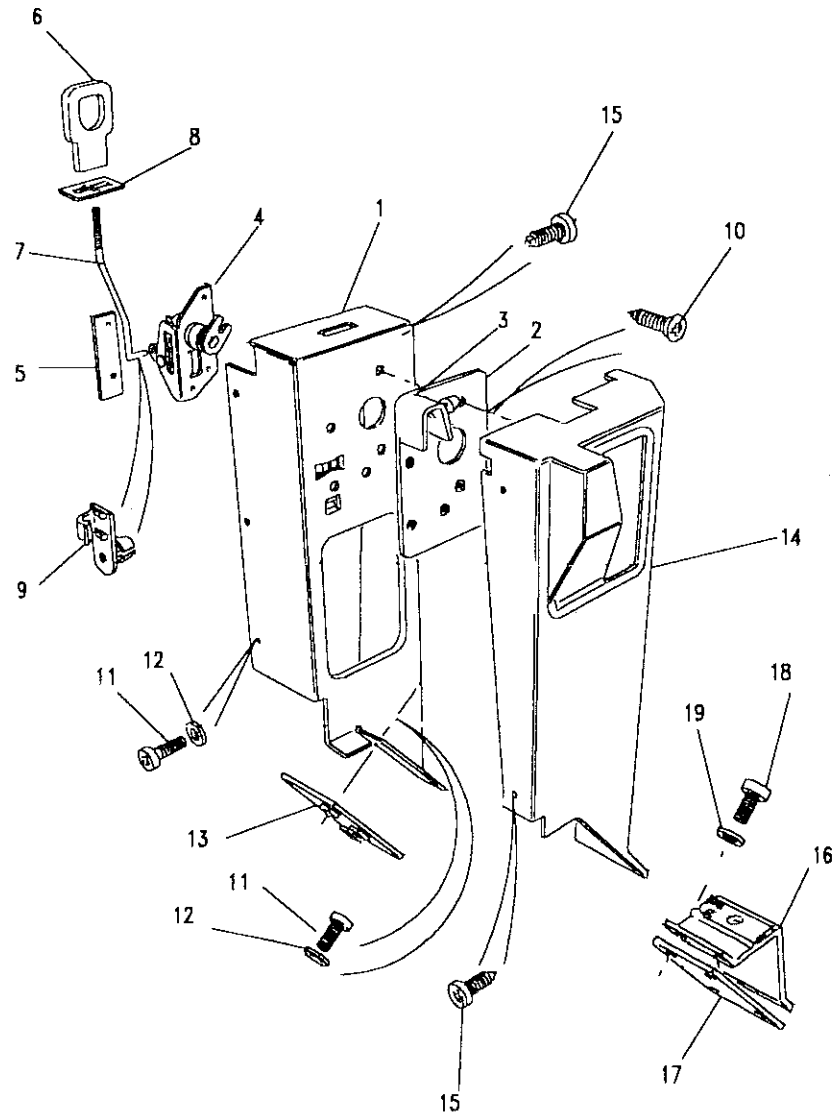




DEFENDER 110 1987 onwards

993

SEATS



Model DEFENDER 110 1987 onwards

Page AFRXIA1A

REAR SEATS - SEAT LOCK - REAR FORWARD FACING SPLIT SEAT

Ill. Part No.	Description	Qty	Remarks
1	MWC1496	1	Support latch RH
	MWC1497	1	Support latch LH
2	MWC3138	1	Latch Plate RH
	MWC3139	1	Latch Plate LH
3	MUC5456	2	Buffer rubber
4	MWC2532	1	Catch RH
	MWC2533	1	Catch LH
5	MUC9999	2	Plate tapped
6	MUC5743	2	Ring pull
7	MWC1614	1	Link RH
	MWC1615	1	Link LH
8	MWC2891	2	Washer retaining
9	ADU3469L	2	Clip linkage
10	SF910141L	10	Screw
11	SE105101L	16	Screw
12	WA105001L	16	Washer plain
13	MWC1608	1	Plate reinforcement RH
	MWC1609	1	Plate reinforcement LH
14	MWC1632	1	Cover RH
	MWC1633	1	Cover LH
15	AV608081L	12	Screw
16	MWC5417	2	Support outer
17	MWC5455	2	Plate support
18	SE105165L	8	Screw
19	WA105001L	8	Washer plate



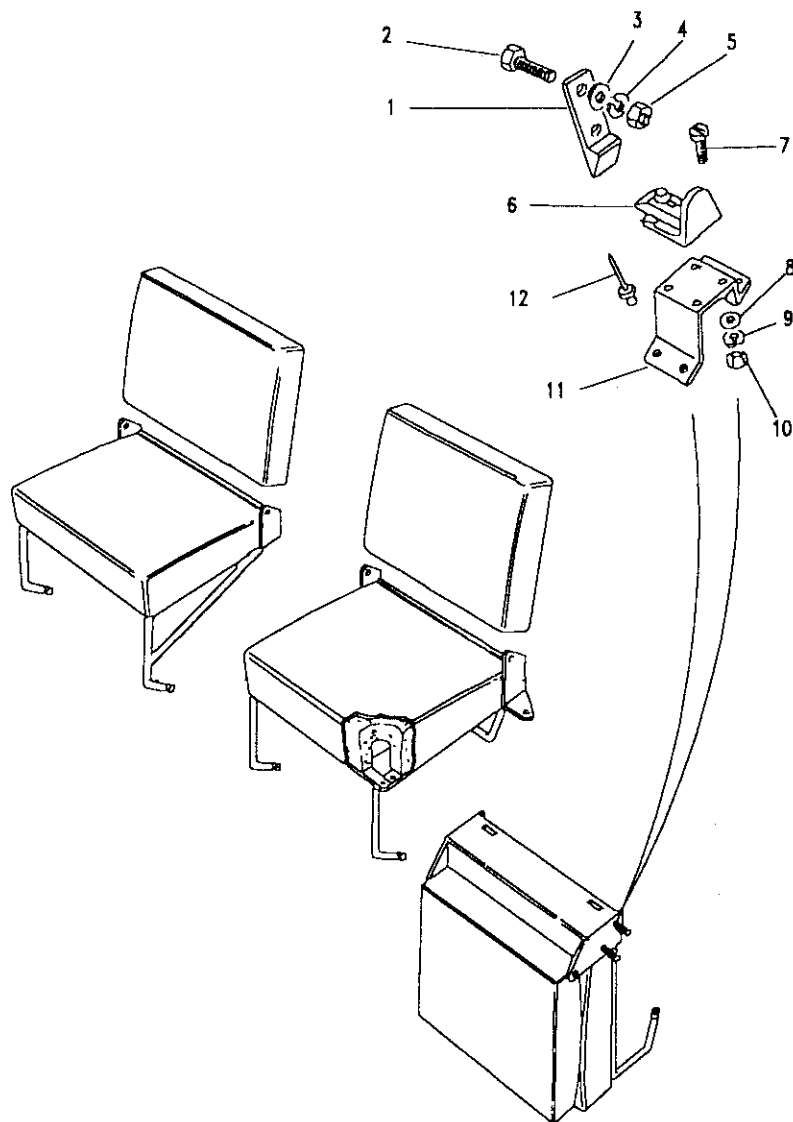


Model DEFENDER 110 1987 onwards

Page AFRXIA2A

REAR SEATS - SEAT LOCK - FORWARD FACING INDIVIDUAL SEATS

III. Part No.	Description	Qty	Remarks
1	336294	2	Striker seat lock
2	SH106161	4	Screw
3	MRC5525	4	Washer plain
4	WL106001L	4	Washer spring
5	NH106041L	4	Nut
6	336288	2	Catch seat lock
7	77869	8	Screw
8	WC702101L	8	Washer plain
9	WM702001L	8	Washer spring
10	RTC608	8	Nut
11	MTC6792	2	Bracket support
12	78248	8	Rivet





DEFENDER 110 1987 onwards

995

SEATS

Model DEFENDER 110 1987 onwards

Page AFRXIA3A

REAR SEATS - SQUAB LOCK - FORWARD FACING INDIVIDUAL SEATS

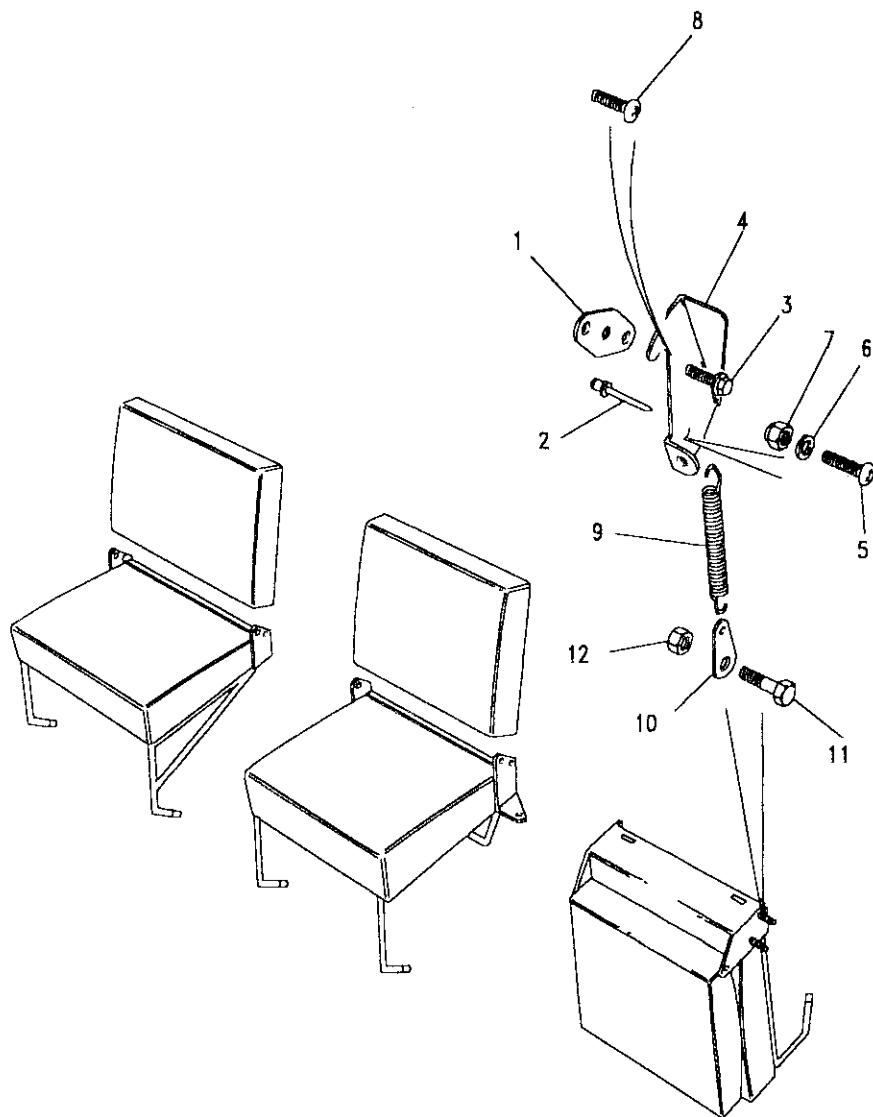
III. Part No. Description Qty Remarks

Upto VIN FA390314

1	347863	Nut plate	3
2	RA612156L	Rivet	6
3	MRC4798	Bolt shouldered	3
4	347861	Catch RH	1
	347861	Catch centre	1
	347862	Catch LH	1
5	SE106161L	Screw	3
6	AFU1080	Washer plain	6
7	NY106041L	Nut	3
8	79134	Screw catch stop	3
9	MTC6801	Spring	3
10	MTC6802	Plate anchor	3

Fixings - Anchor plate to centre seat

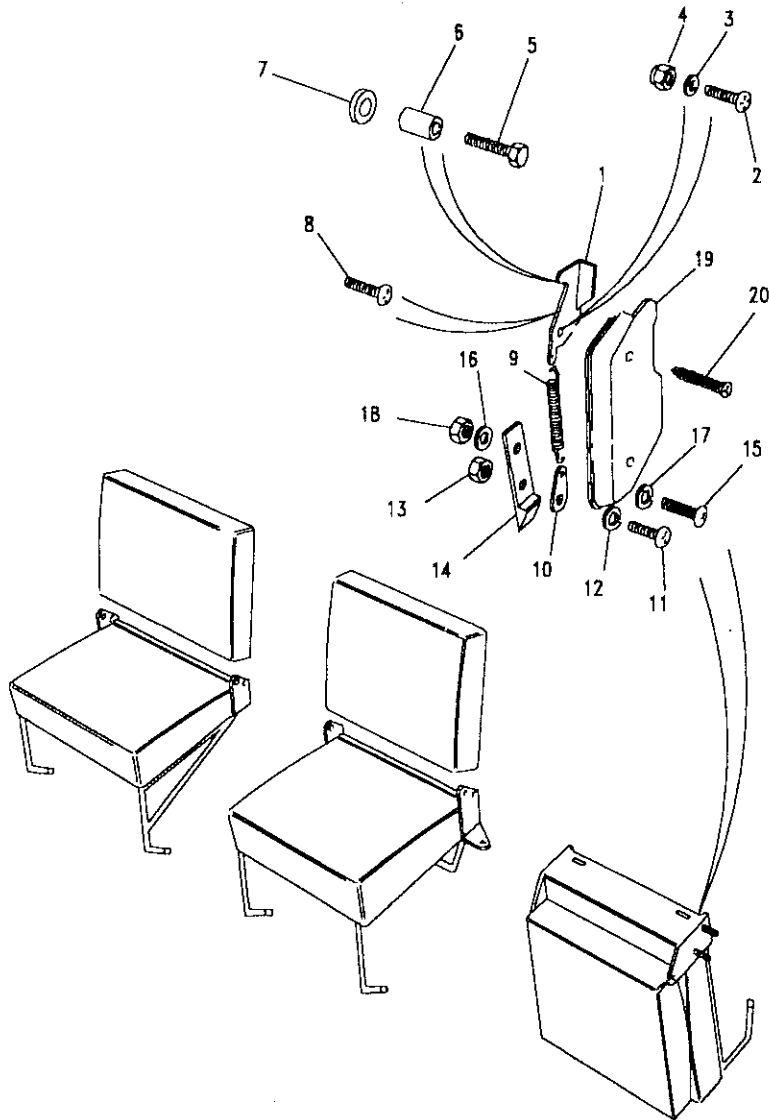
11	SH106204	Screw	1
12	NH106044	Nut	1





Model DEFENDER 110 1987 onwards
 Page AFRXIA4A

REAR SEATS - SQUAB LOCK - FORWARD FACING INDIVIDUAL SEATS



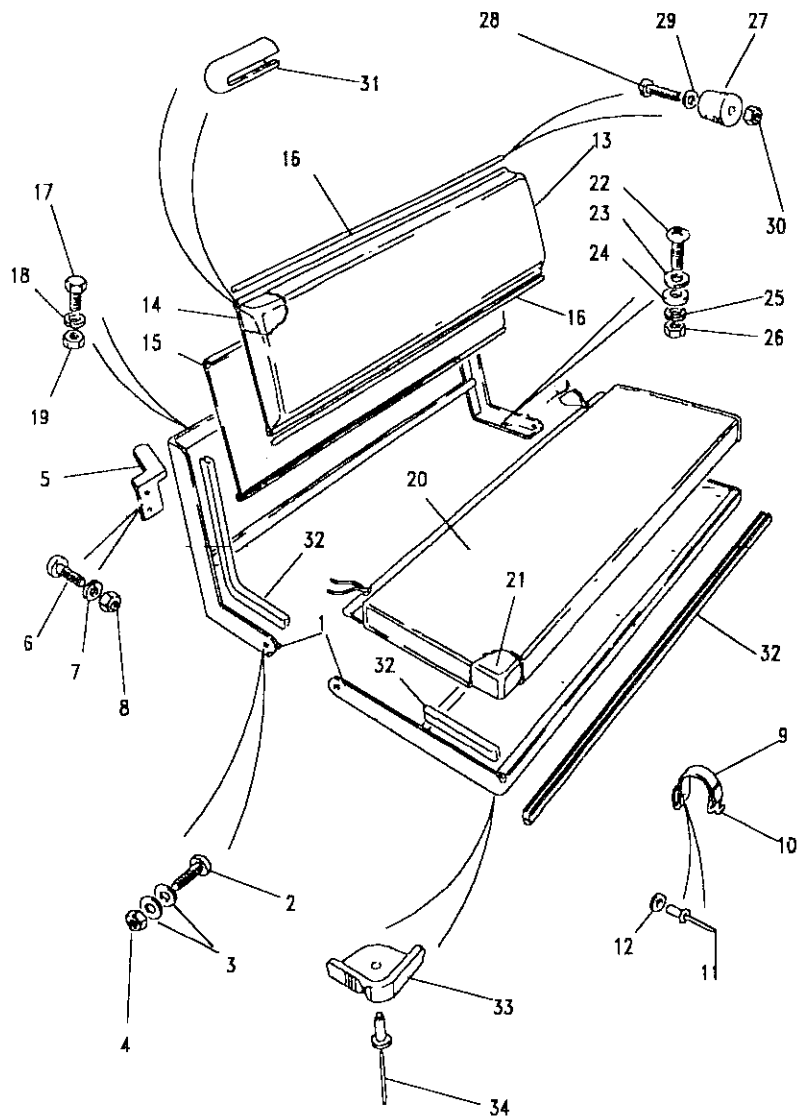
III. Part No.	Description	Qty	Remarks
From VIN FA390315			
1	MXC2744	1	Catch RH
	MXC2744	1	Catch centre
	MXC2745	1	Catch LH
2	SE106164	3	Screw
3	WC600045L	3	Washer plain
4	NY106041L	3	Nutoc Nut
5	SH604071L	3	Screw
6	MXC2751	3	Spacer
7	WC600045L	3	Washer plain
8	79134	3	Screw catch stop
9	MTC6801	3	Spring
10	MTC6802	3	Plate anchor
11	SE106164	3	Screw
12	WL106004L	3	Washer spring
13	NH106044	3	Nut
14	336294	2	Plate striker
15	SE106164	2	Screw
16	WC600045L	2	Washer plain
17	WL106004L	2	Washer spring
18	NH106044	2	Nut
19	MXC1813LCS	1	Cover RH squab
	MXC1813LCS	1	Cover centre squab
	MXC1814LCS	1	Cover LH squab
20	MTC9424	6	Screw
	SF104164	6	Screw

From VIN FA419521

) Except
) centre squab
)

Upto VIN FA419520
 From VIN FA419521



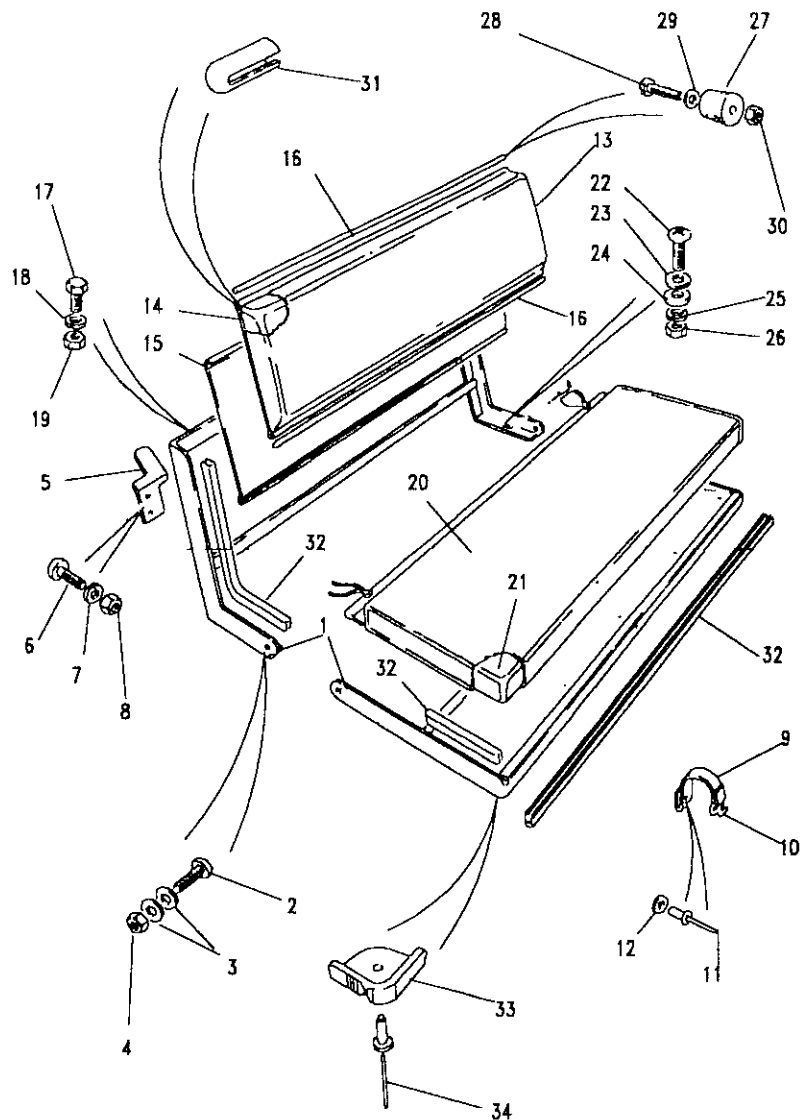


Model DEFENDER 110 1987 onwards
Page AFRXKA1A

REAR SEATS - INWARD FACING - TWO SEATER BENCH TYPE

Ill. Part No.	Description	Qty	Remarks
Upto introduction of 1988 Model Year			
1	MTC6448	1	Seat frame
2	SE106204	2	Screw
3	AFU2651	6	Washer plain
4	NY106041L	2	Nut
5	MTC6452	1	Clip RH
	MTC6453	1	Clip LH
6	SE106164	4	Screw
7	WL106004L	4	Washer spring
8	NH106044	4	Nut
9	302648	1	Strap seat
10	301005	1	Hook
11	RU612373L	2	Rivet
12	WC702101L	2	Washer plain
Seat backrest - Brushwood/Berber cloth			
13	MTC4488RD	1	Backrest
Seat backrest - Black vinyl			
13	396739	1	Backrest





Model DEFENDER 110 1987 onwards
Page AFRXKA1A

REAR SEATS - INWARD FACING - TWO SEATER BENCH TYPE

III. Part No.	Description	Qty	Remarks
14	396696 Pad	1	
15	STC1012 Panel	1	
16	301476 Rod	2	
Fixings - Backrest to frame			
17	SH106124 Screw	5	
18	WL106004L Washer spring	5	
19	NH106044 Nut	5	
Seat cushion - Brushwood/Berber cloth			
20	MWC2576RD Cushion	1	
Seat cushion - Black vinyl			
20	320674 Cushion	1	
21	331835 Pad	1	

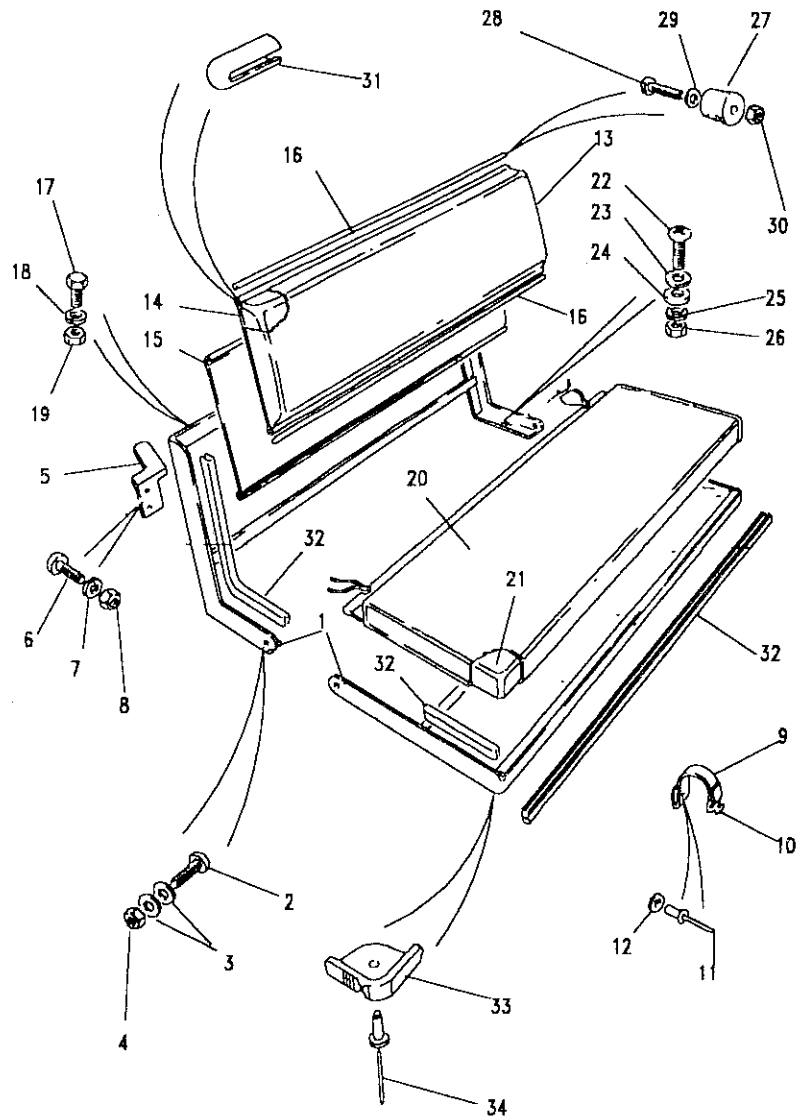




DEFENDER 110 1987 onwards

999

SEATS



Model DEFENDER 110 1987 onwards
Page AFRXKA1A

REAR SEATS - INWARD FACING - TWO SEATER BENCH TYPE

III. Part No. Description Qty Remarks

Fixings - Frame to wheelarch

22	SE106201L	Screw	2	
23	MRC5528	Washer plain	2	
24	AFU1070	Washer packing	4	
25	WL106001L	Washer spring	2	
26	NH106041L	Nut	2	
27	304125	Buffer rubber	2	
28	SE105251L	Screw	2	
29	WA105001L	Washer plain	2	
30	NH105041L	Nut	2	

Germany

31	MTC8335	Cover edge	2	
32	MTC7513	Strip edging	A/R	
33	345683	Finisher corner	2	No longer serviced
34	RU608313L	Rivet	2	

Note(1) Quantities shown are for one seat only

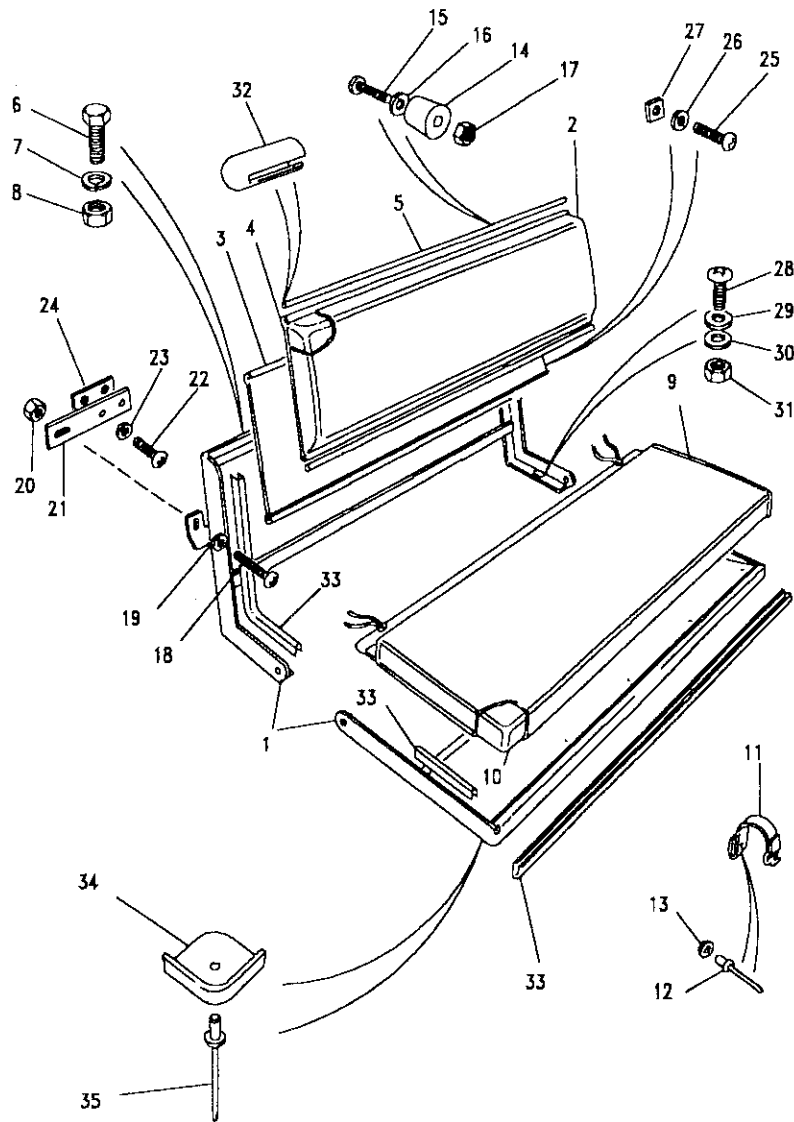




DEFENDER 110 1987 onwards

1000

SEATS



Model DEFENDER 110 1987 onwards
Page AFRXKA2A

REAR SEATS - INWARD FACING - TWO SEATER BENCH TYPE

III. Part No.	Description	Qty	Remarks
From 1988 Model Year VIN 314268 onwards			
1	MWC4822 Seat frame	1	
Seat backrest - Blue Grey/Grey cloth			
2	MWC5466RCF Backrest	1	Upto Note(1)
Seat backrest - Moorland/Grey cloth			
2	MWC5466RUY Backrest	1	From Note(1)
	BTR2935RUY Backrest	1	From VIN HA905792
Seat backrest - Grey vinyl			
2	MWC5465LCS Backrest	1	Upto VIN HA905791
	BTR2934LCS Backrest	1	From VIN HA905792
3	STC1012 Panel	1	Upto VIN HA905791
4	396696 Pad	1	Upto VIN HA905791
5	301476 Rod	2	Upto VIN HA905791
Fixings - Backrest to frame			
6	SH106124 Screw	5	
7	WL106004L Washer spring	5	
8	NH106044 Nut	5	

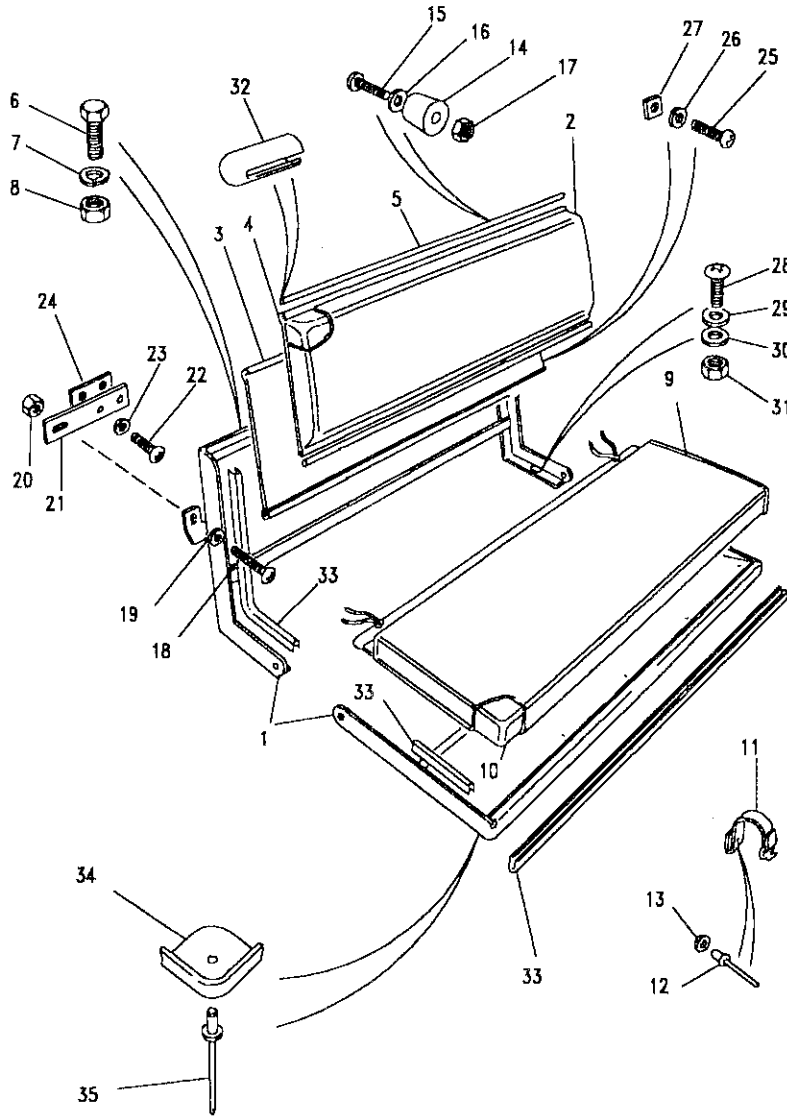




DEFENDER 110 1987 onwards

1001

SEATS

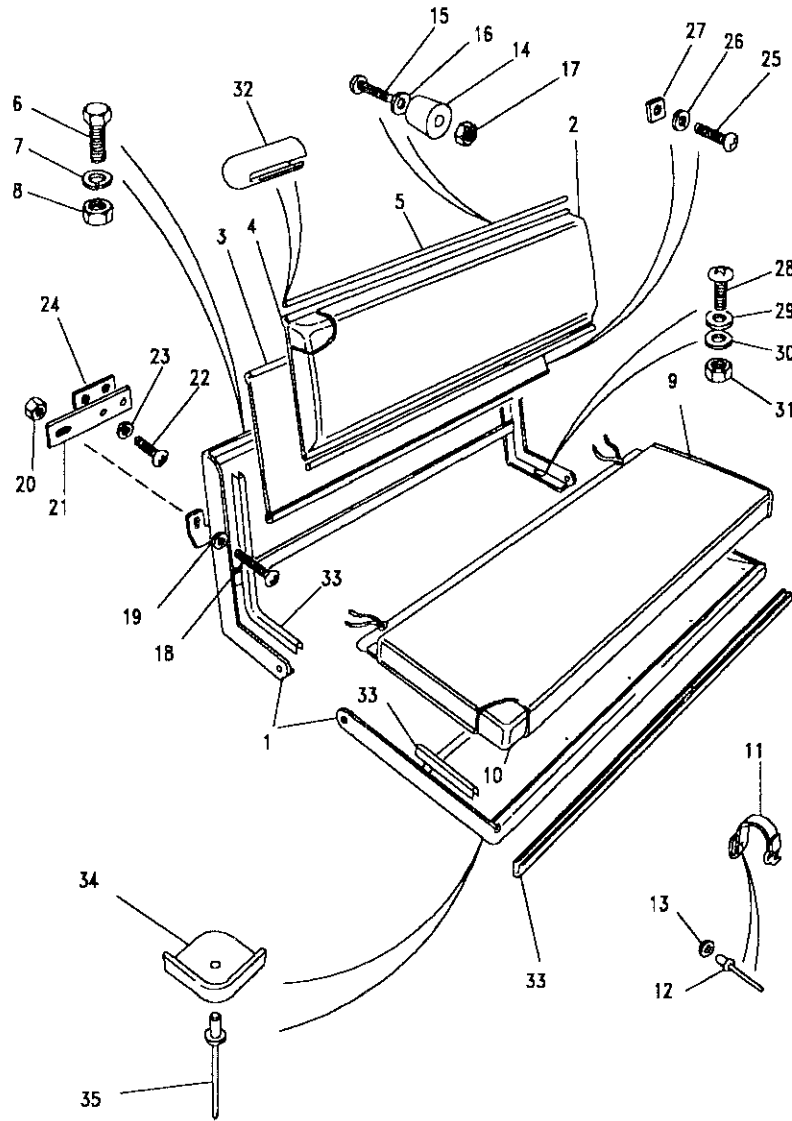


Model DEFENDER 110 1987 onwards
Page AFRXKA2A

REAR SEATS - INWARD FACING - TWO SEATER BENCH TYPE

III. Part No.	Description	Qty	Remarks
Seat cushion - Blue Grey/Grey cloth			
9 MWC5464RCF	Cushion	1	Upto Note(1)
Seat cushion - Moorland/Grey cloth			
9 MWC5464RUJ	Cushion	1	From Note(1)
Seat cushion - Grey vinyl			
9 MWC5463LCS	Cushion	1	
10 331835	Pad	1	
11 302648	Strap	1	
12 RU612373L	Rivet	2	
13 WC702101L	Washer plain	2	
14 304125	Buffer rubber	2	
15 SE105251L	Screw	2	
16 WA105001L	Washer plain	2	
17 NH105041L	Nut	2	





Model DEFENDER 110 1987 onwards
 Page AFRXKA2A

REAR SEATS - INWARD FACING - TWO SEATER BENCH TYPE

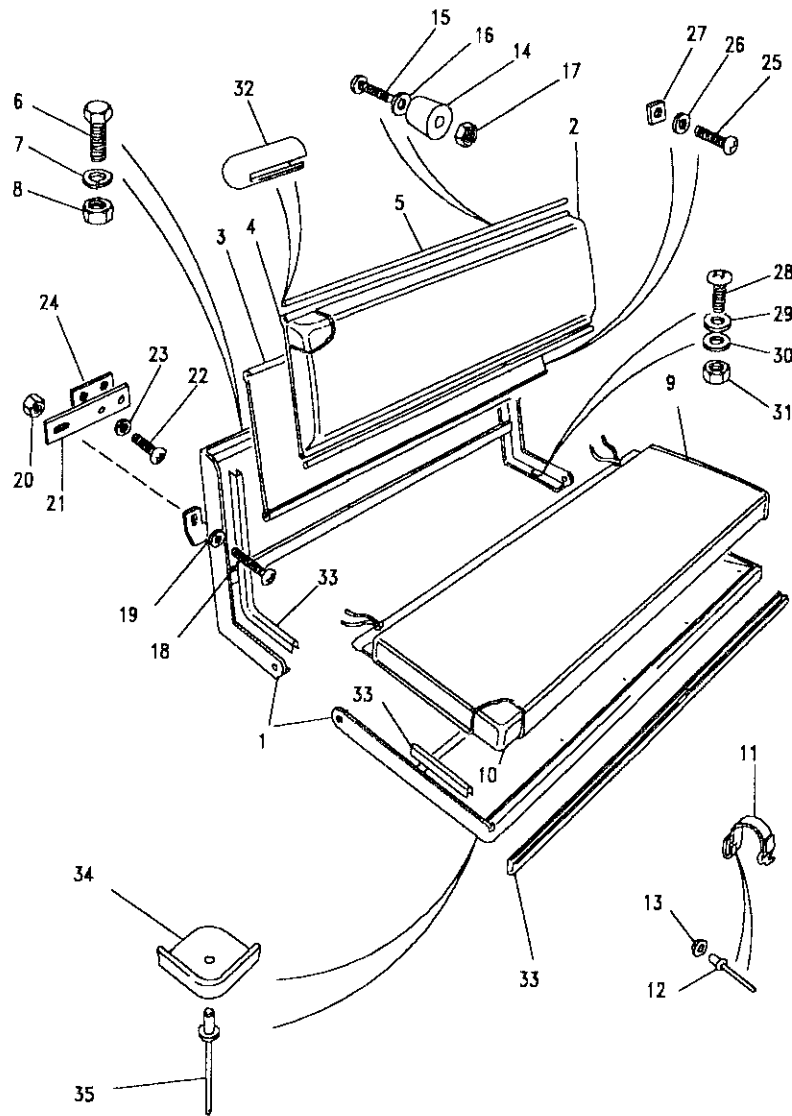
III. Part No.	Description	Qty	Remarks
Fixings - Seat frame to bodyside front			
18 SE106401	Screw	1	
19 WC600045L	Washer plain	1	
20 NH106041L	Nut	1	
21 MWC5661	Plate capping	1	
22 SE604051L	Screw	2	
23 WA106044L	Washer plain	2	
24 334177	Nut plate	1	
Fixings - Seat frame to bodyside rear			
25 SE106401	Screw	1	
26 WC600045L	Washer plain	2	
27 MTC3203	Nut plate	1	
Fixings - Seat frame to wheelarch			
28 SE106201L	Screw	2	
29 MRC5528	Washer plain	2	
30 AFU1070	Washer packing	2	
31 NH106041L	Nut	2	





DEFENDER 110 1987 onwards

1003 SEATS



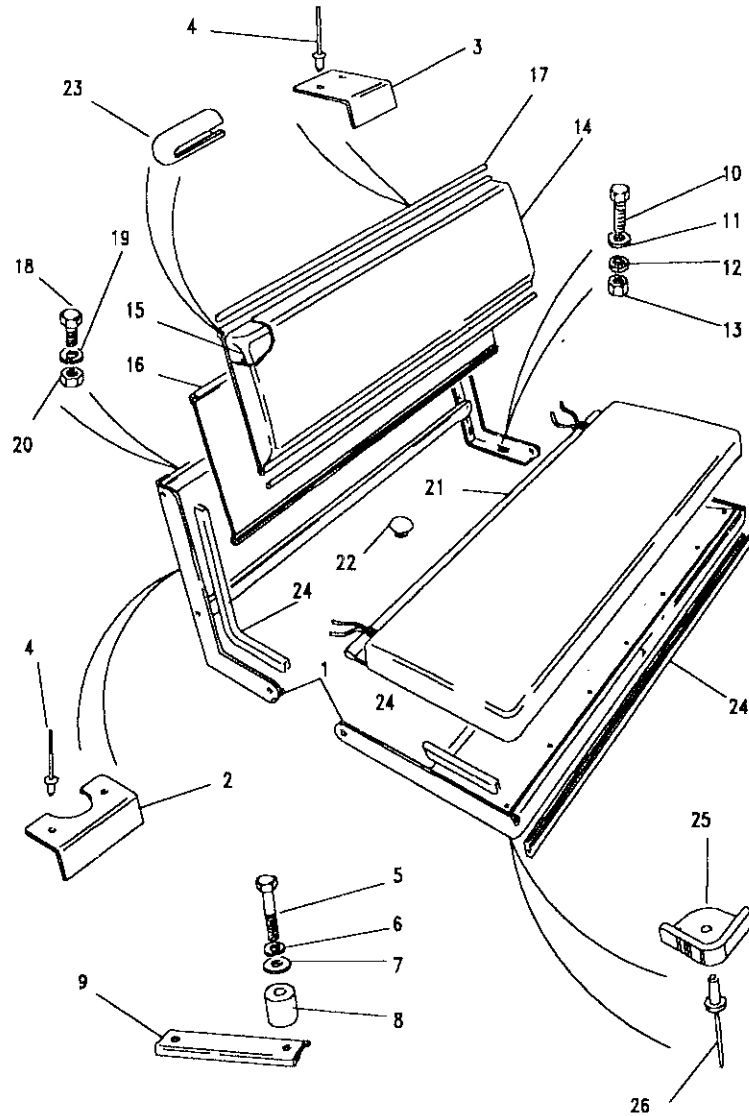
Model DEFENDER 110 1987 onwards
Page AFRXKA2A

REAR SEATS - INWARD FACING - TWO SEATER BENCH TYPE

III. Part No.	Description	Qty	Remarks
Germany			
32 MTC8335	Cover edge	2	
33 MTC7513	Strip edging	A/R	
34 345683	Finisher corner	2	No longer serviced
35 RU608313L	Rivet	2	

Note(1) Introduction of 1991 Model Year
 Note(2) Quantities shown are for one seat only



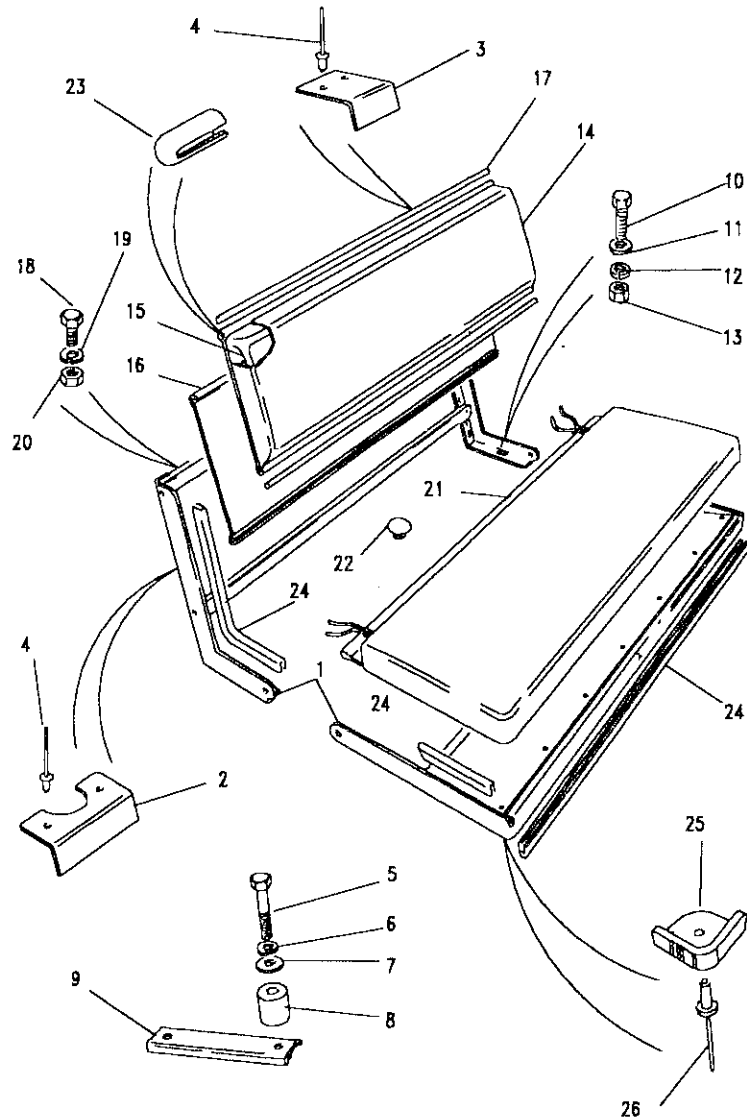


Model DEFENDER 110 1987 onwards
 Page AFRXKA3A

REAR SEATS - INWARD FACING - THREE SEATER BENCH TYPE

Ill. Part No.	Description	Qty	Remarks
Upto introduction of 1988 Model Year			
1	MWC8548	1	Seat frame
2	334601	1	Bracket retaining front
3	333551	1	Bracket retaining rear
Fixing - Bracket to bodyside capping			
4	78248	4	Rivet
Fixings - Seat frame to wheelarch front			
5	FB108101	2	Bolt
6	WL108001L	2	Washer spring
7	WC108051L	2	Washer plain
8	MRC6845	2	Distance piece
9	MRC6843	1	Stiffener
Fixings - Seat frame to wheelarch rear			
10	FS108201L	2	Screw
11	WC108051L	2	Washer plain
12	WL108001L	2	Washer spring
13	FN108041L	2	Nut





Model DEFENDER 110 1987 onwards
Page AFRXKA3A

REAR SEATS - INWARD FACING - THREE SEATER BENCH TYPE

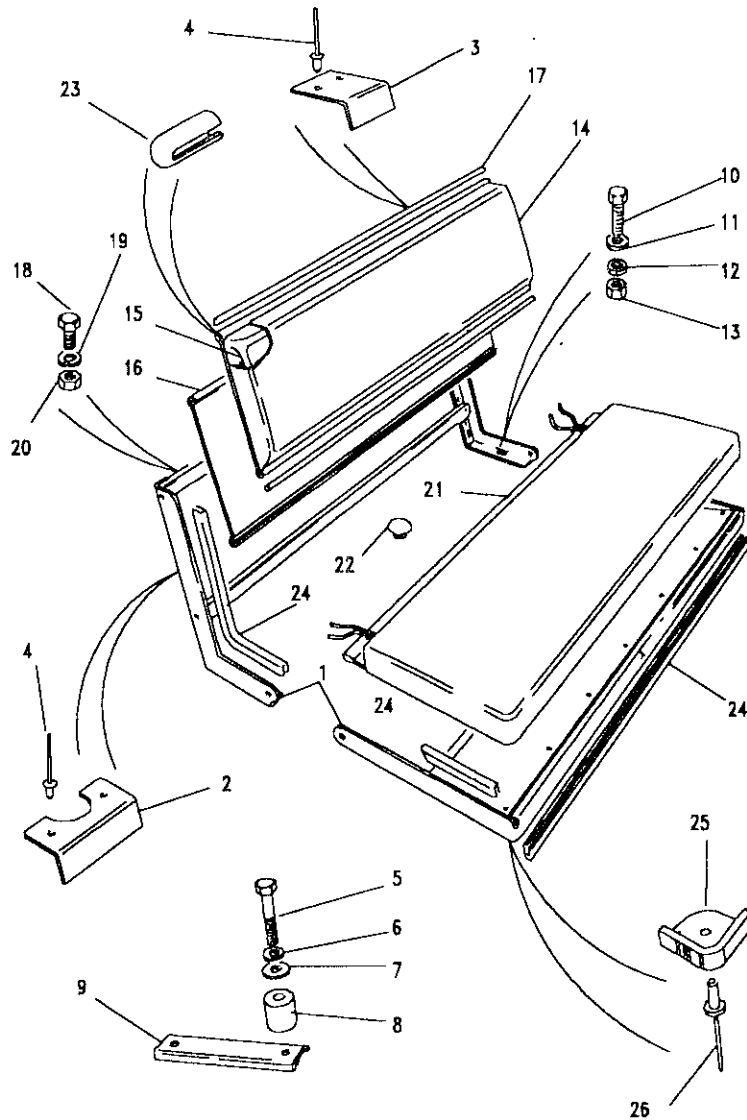
III. Part No.	Description	Qty	Remarks
Seat backrest - Brushwood/Berber cloth			
14 MTC4491RD	Backrest	1	
Seat backrest - Black vinyl			
14 396698	Backrest	1	
15 396697	Pad	1	
16 STC1013	Panel	1	
17 334540	Rod	2	
Fixings - Backrest to frame			
18 SH106124	Screw	6	
19 WL106004L	Washer spring	6	
20 NH106044	Nut	6	
Seat cushion - Brushwood/Berber cloth			
21 MWC2580RD	Cushion	1	





Model DEFENDER 110 1987 onwards
Page AFRXKA3A

REAR SEATS - INWARD FACING - THREE SEATER BENCH TYPE



III. Part No.	Description	Qty	Remarks
Seat cushion - Black vinyl			
21 320719	Cushion	1	
Redundant holes in wheelarch			
22 73198	Plug	1	
Germany			
23 MTC8335	Cover edge	2	
24 MTC7513	Strip edging	A/R	
25 345683	Finisher corner	2	No longer serviced
26 RU608313L	Rivet	2	

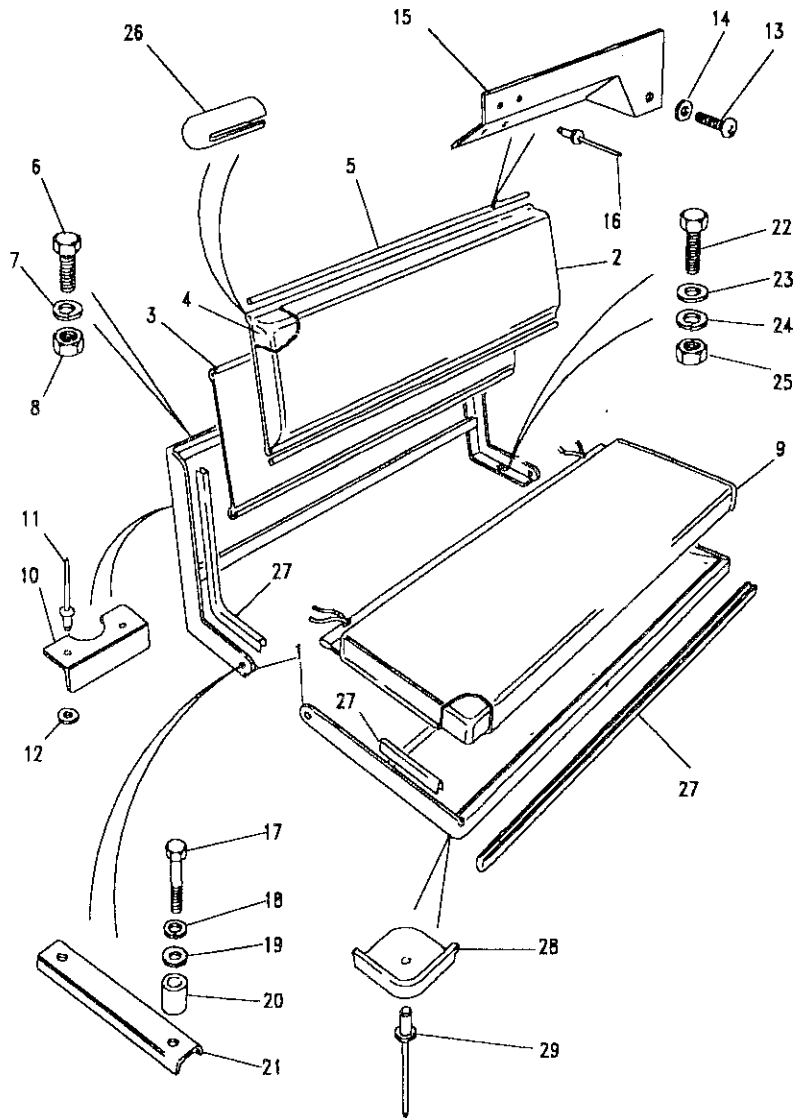
Note(1) Quantities shown are for one seat only





DEFENDER 110 1987 onwards

1007 SEATS

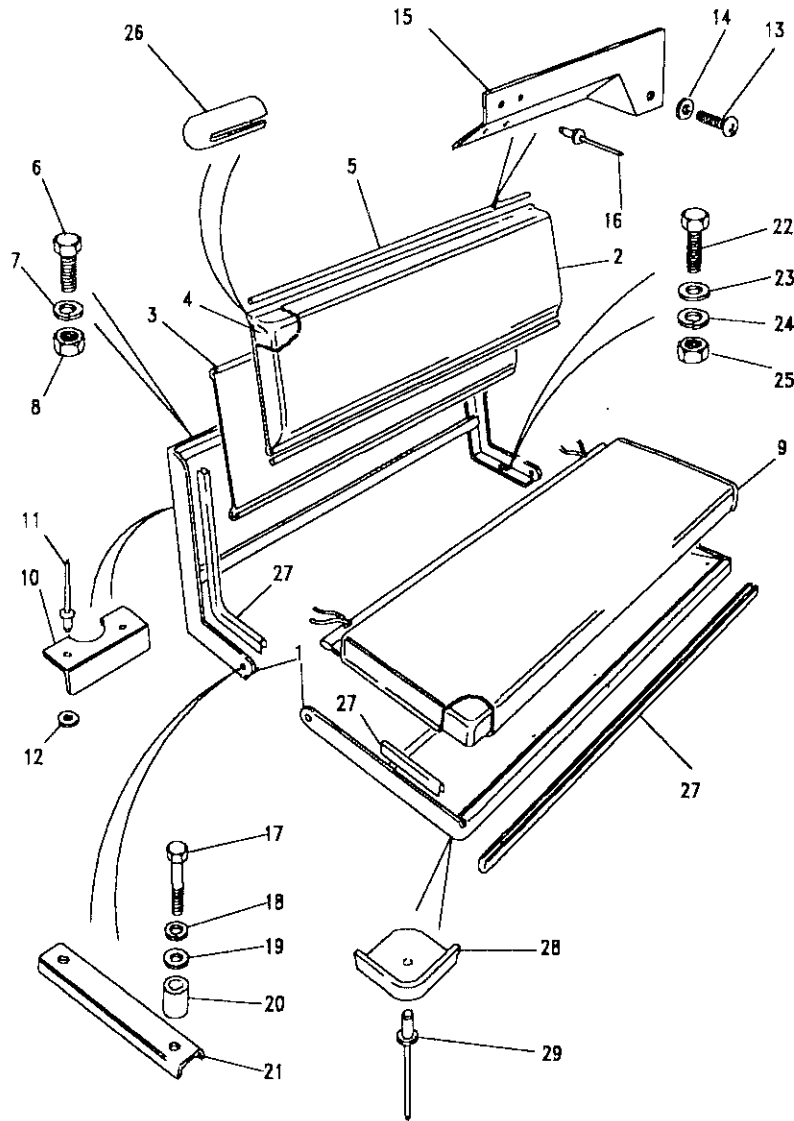


Model DEFENDER 110 1987 onwards
 Page AFRXKA4A

REAR SEATS - INWARD FACING - THREE SEATER BENCH TYPE

III. Part No.	Description	Qty	Remarks
From 1988 Model Year VIN 314268 onwards			
1 MWC8548	Seat frame RH	1	
MWC8547	Seat frame LH	1	
Spanish hard top with 9 seats 1992 introduction			
1 BTR5818	Seat frame LH	1	
Seat backrest - Blue Grey/Grey cloth			
2 MWC5494RCF	Backrest	1	Upto Note(1)
Seat backrest - Moorland/Grey cloth			
2 MWC5494RUY	Backrest	1	From Note(1)
BTR2937RUY	Backrest	1	Upto VIN HA906383
		1	From VIN HA906384
Seat backrest - Grey vinyl			
2 MWC5493LCS	Backrest	1	Upto VIN HA906383
BTR2936LCS	Backrest	1	From VIN HA906384
3 STC1013	Panel	1	Upto VIN HA906383
4 396697	Pad	1	Upto VIN HA906383
5 334540	Rod	2	Upto VIN HA906383





Model DEFENDER 110 1987 onwards
 Page AFRXKA4A

REAR SEATS - INWARD FACING - THREE SEATER BENCH TYPE

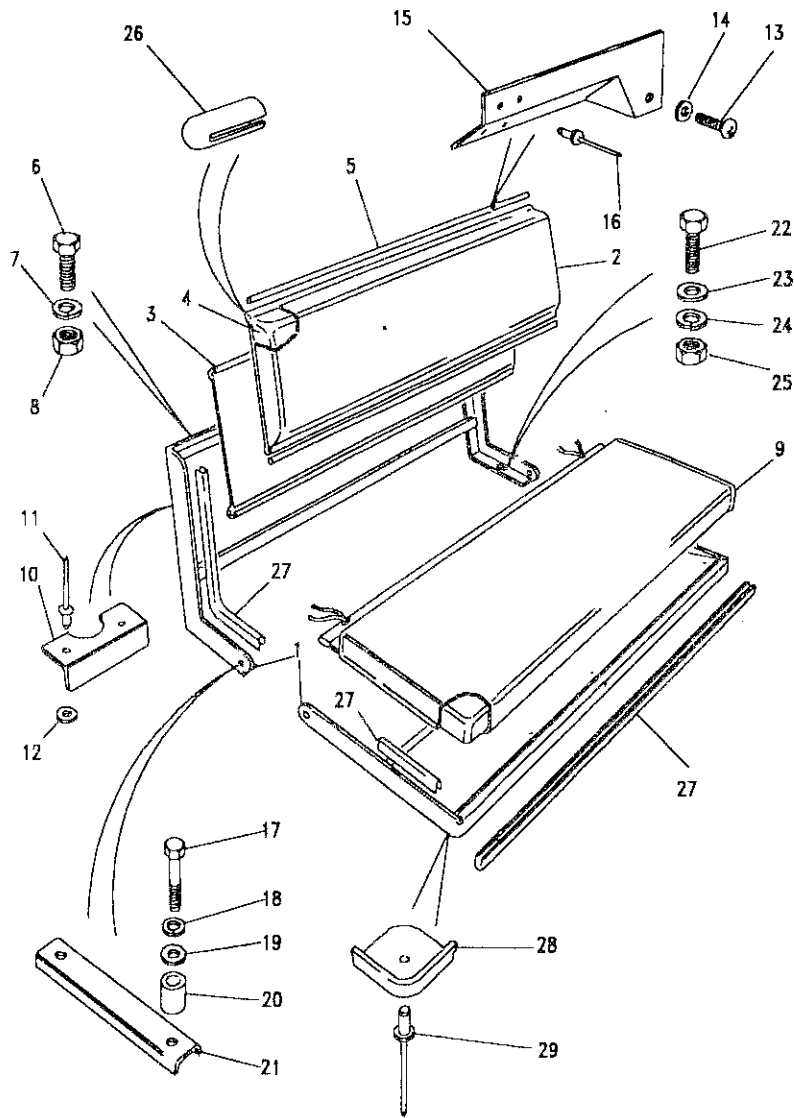
III. Part No.	Description	Qty	Remarks
Fixings - Backrest to seat frame			
6	SH106124 Screw	6	
7	WL106004L Washer spring	6	
8	NH106044 Nut	6	
Seat cushion - Blue Grey/Grey cloth			
9	MWC5492RCF Cushion	1	Upto Note(1)
Seat cushion - Moorland/Grey cloth			
9	MWC5492RUY Cushion	1	From Note(1)
Seat cushion - Grey vinyl			
9	MWC5491LCS Cushion	1	
Fixings - Seat frame to bodyside front			
10	334601 Bracket retaining	1	
11	RA612237 Rivet	2	
12	WA110061L Washer plain	2	





DEFENDER 110 1987 onwards

1009 SEATS



Model DEFENDER 110 1987 onwards
Page AFRXKA4A

REAR SEATS - INWARD FACING - THREE SEATER BENCH TYPE

III. Part No.	Description	Qty	Remarks
Fixings - Seat frame to bodyside rear			
13	SE106164 Screw	1	
14	WC600045L Washer plain	1	
15	MWC6924 Bracket capping RH	1	
	MWC6925 Bracket capping LH	1	
16	RA612157 Rivet	4	
Fixings - Seat frame to wheelarch front			
17	FB108101 Bolt	2	
18	WL108001L Washer spring	2	
19	WC108051L Washer plain	2	
20	MRC6845 Distance Piece	2	
21	MRC6843 Stiffener	1	
Fixings - Seat frame to wheelarch rear			
22	FS108201L Screw	2	
23	WC108051L Washer plain	2	
24	WL108001L Washer spring	2	
25	FN108041L Nut	2	
Fixings - Seat frame to wheelarch Spanish 9 seat 1992 On			
22	SE106201L Screw	2	
23	MRC5528 Washer plain	2	
25	NH106041L Nut	2	
	AFU1070 Washer packing	2	



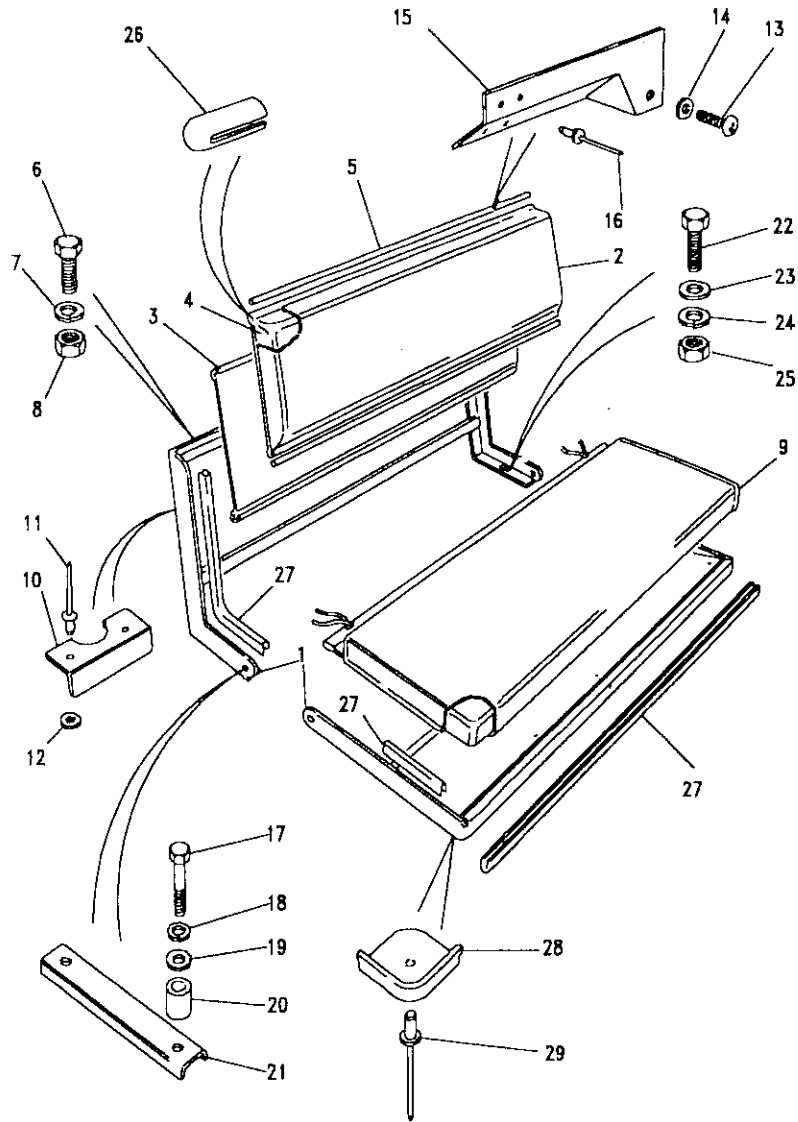


Model DEFENDER 110 1987 onwards
Page AFRXKA4A

REAR SEATS - INWARD FACING - THREE SEATER BENCH TYPE

Ill. Part No.	Description	Qty	Remarks
26	Cover edge	2	
27	Strip edging	A/R	
28	Finisher corner	2	No longer serviced
29	Rivet	2	

Note(1) Introduction of 1991 Model Year
Note(2) Quantities shown are for one seat only





DEFENDER 110 1987 onwards

1011

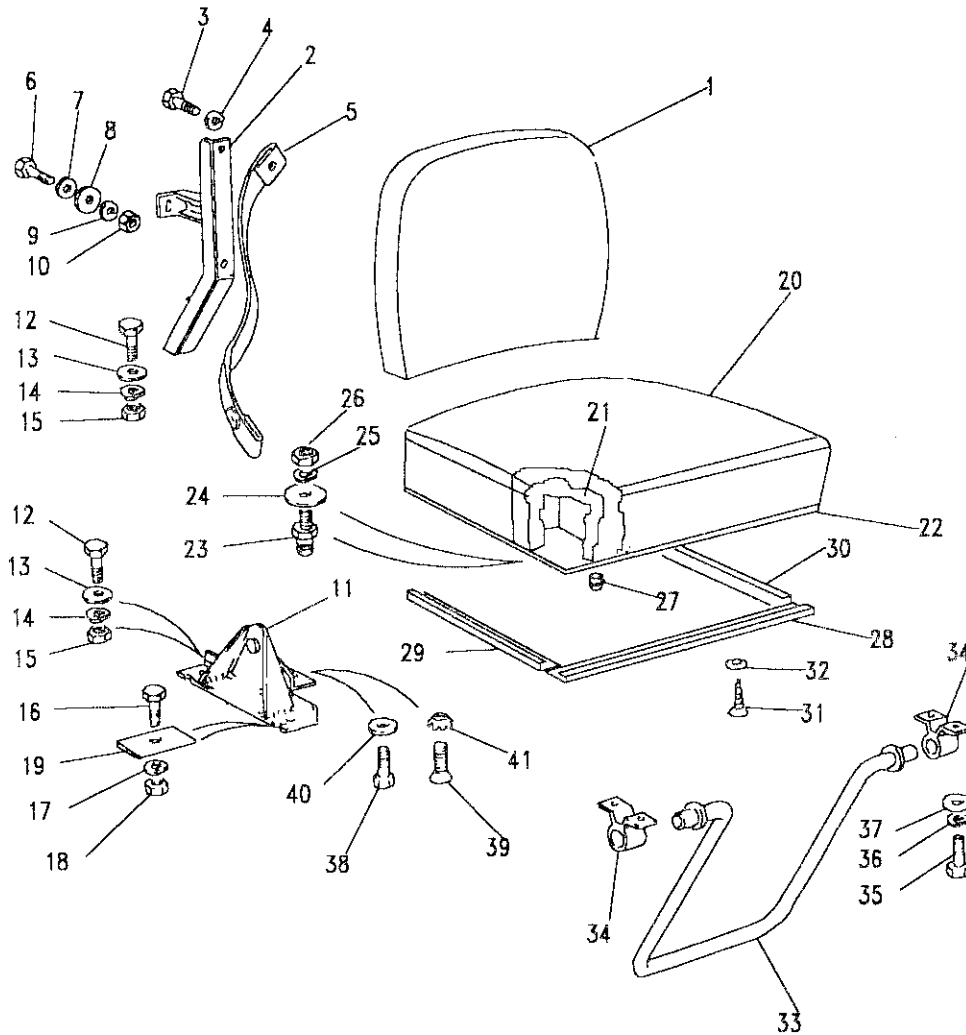
SEATS

Model DEFENDER 110 1987 onwards

Page AFRXKA5A

REAR SEATS - INWARD FACING - INDIVIDUAL

Ill. Part No.	Description	Qty	Remarks
Moorland/Grey cloth			
1	MWC5508RUY Backrest	4	
2	MWC8666 Support RH	4	
	MWC8667 Support LH	4	
Fixings - Backrest to support			
3	FS106167L Screw	16	
4	WL106001L Washer spring	16	
5	RTC6453 Strap retaining	4	





Model DEFENDER 110 1987 onwards

Page AFRXKA5A

REAR SEATS - INWARD FACING - INDIVIDUAL

III. Part No. Description Qty Remarks

Fixings - Support to capping

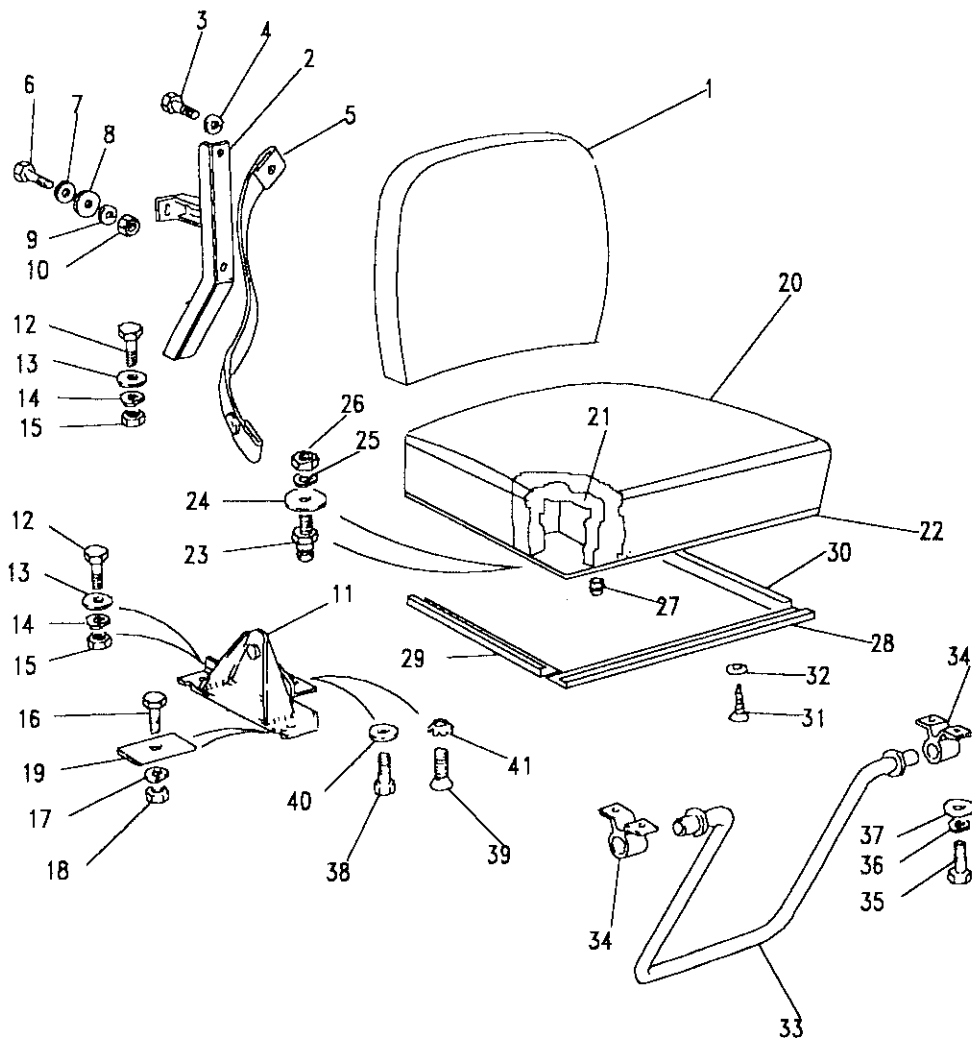
6	FS106167L	Screw	6
7	WB106041L	Washer plain	6
8	WC106041L	Washer plain	6
9	WL106001L	Washer spring	6
10	NH106041L	Nut	6
11	MUC4108	Bracket pivot RH	4
	MUC4109	Bracket pivot LH	4

Supports and outer brackets to wheelarch

12	SH604051L	Screw	16
13	WC600045L	Washer plain	16
14	WM600041L	Washer spring	16
15	NH604041L	Nut	16

Inner brackets to wheelarch

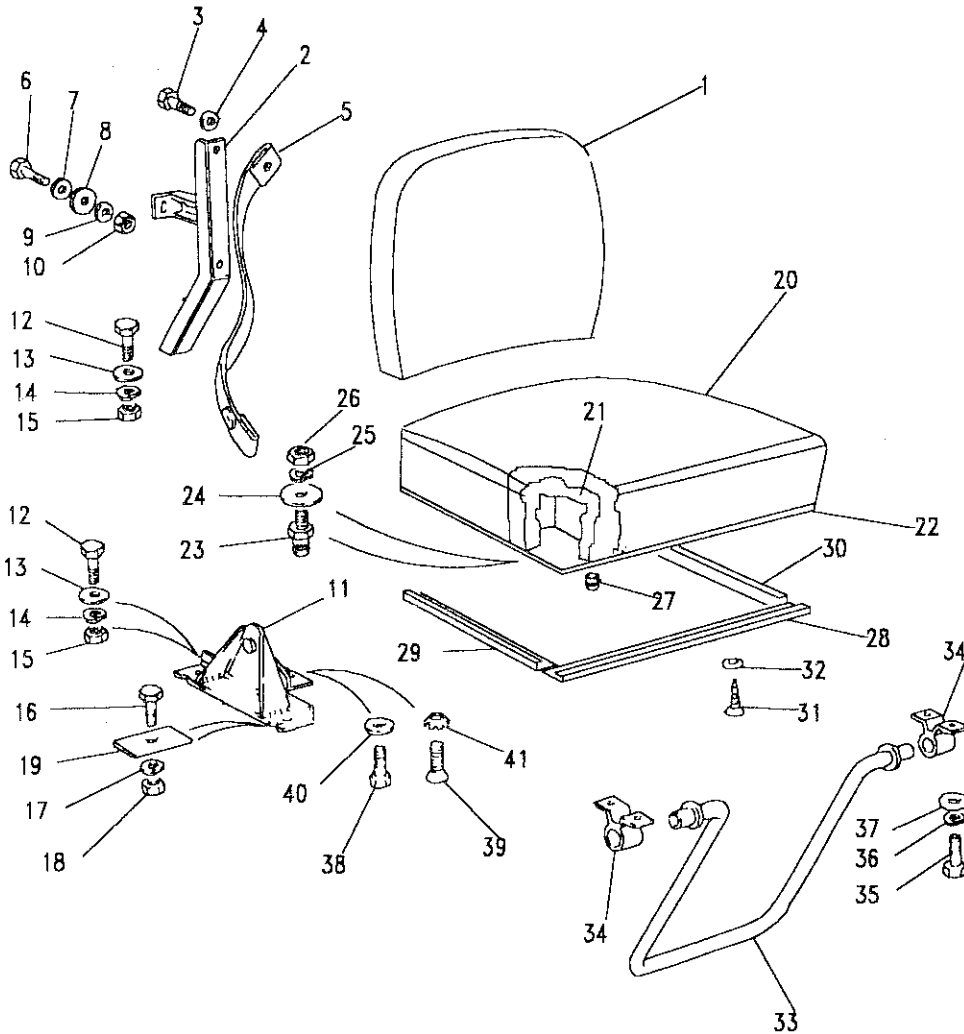
16	SH604071L	Screw	4
17	WM600041L	Washer spring	4
18	NH604041L	Nut	4
19	346804	Clamping bar	4



Model DEFENDER 110 1987 onwards
Page AFRXKA5A

REAR SEATS - INWARD FACING - INDIVIDUAL

III. Part No.	Description	Qty	Remarks
Moorland/Grey cloth			
20 MWC5507RUY	Cushion	4	
21 349516	Interior	4	
22 306316	Panel seat base	4	
23 243618	Stud	4	
24 3852L	Washer plain	4	
25 WM702001L	Washer spring	4	
26 RTC608	Nut	4	
27 312028	Buffer rubber	4	
28 307418	Finisher	4	Front
29 307419	Finisher RH	4	Side
30 307420	Finisher LH	4	Side
31 20138	Screw	8	Finisher
20147	Screw	16	Finisher
AF608081	Screw	8	Seat base
32 WK608213	Washer cup	8	
33 MUC4083	Support tube	4	
34 90306199	Tube bearing	8	



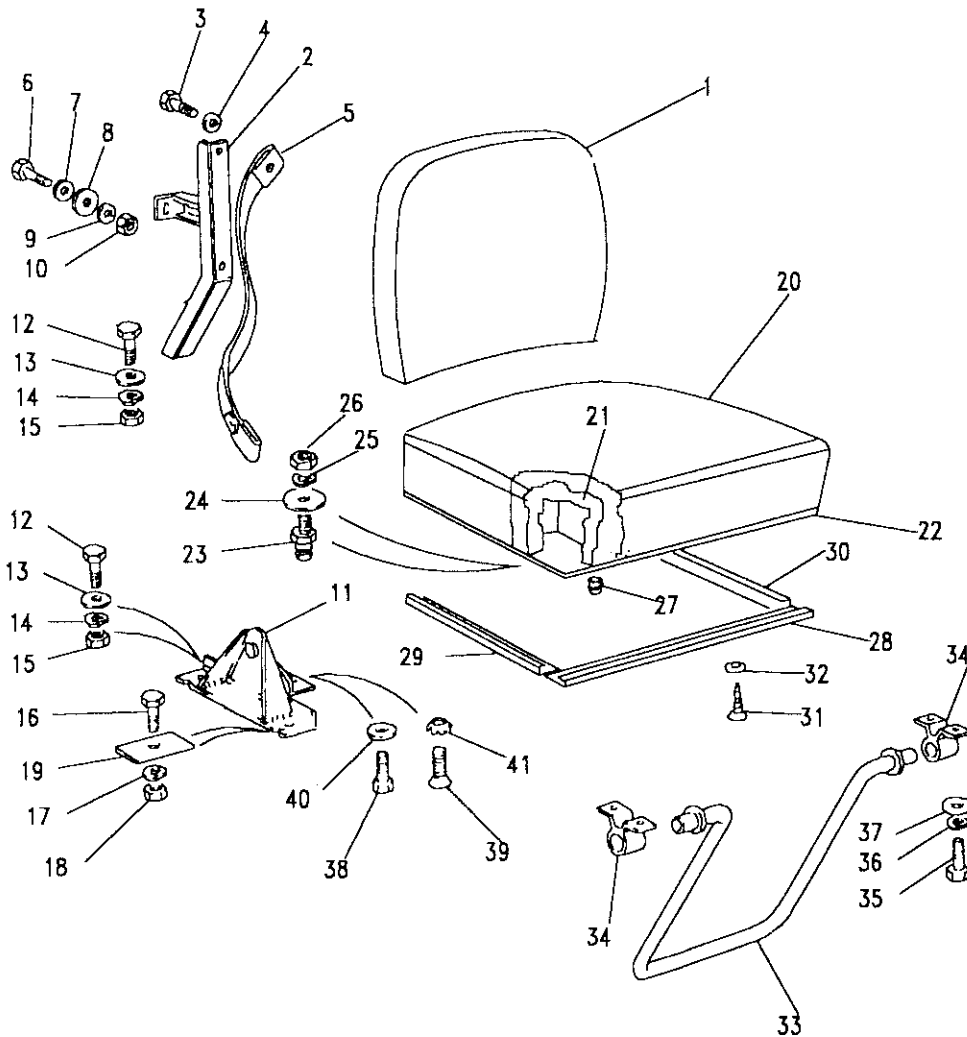


Model DEFENDER 110 1987 onwards

Page AFRXKA5A

REAR SEATS - INWARD FACING - INDIVIDUAL

Ill. Part No.	Description	Qty	Remarks
Fixings - Bearing to cushion frame			
35	SH604071L Screw	16	
36	WM600041L Washer spring	16	
37	WB106045 Washer plain	16	
Fixings - Pivot bracket to cushion frame			
38	SH604071 Screw	8	
39	SF604101 Screw	8	
40	WB106045 Washer plain	16	
41	WH600041L Washer shakeproof	8	Countersunk





DEFENDER 110 1987 onwards

1015

SEATS

Model DEFENDER 110 1987 onwards
Page AFRXKA6A

REAR SEATS - INWARD FACING - DEFENDER 130

Ill. Part No.	Description	Qty	Remarks
RRC2485	Seat assembly slatted	2	





Model DEFENDER 110 1987 onwards

Page AFRXPA1A

SAFETY HARNESS - FRONT SEAT OUTER

III. Part No.	Description	Qty	Remarks
---------------	-------------	-----	---------

Full Length Hood vehicle only

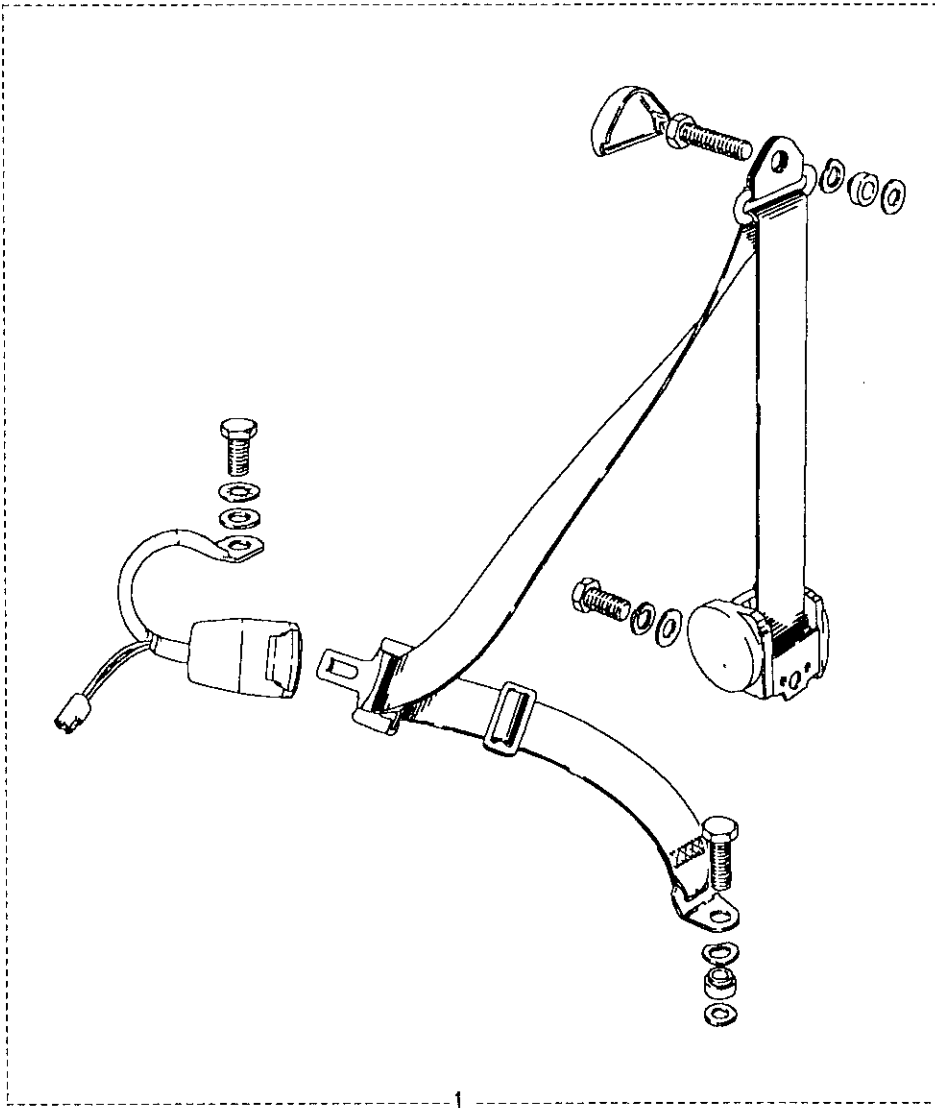
1	RTC6105	1	Seat belt RH	1	Upto VIN KA924692
	AWR2002	1	Seat belt RH)	
	BTR4372	1	Buckle assembly RH)	From VIN KA924693
	BTR1884PMA	2	Cap for bolt)	
	STC1180	1	Kit fixings)	
1	RTC6106	1	Seat belt LH	1	Upto VIN KA924692
	AWR2001	1	Seat belt LH)	
	BTR4373	1	Buckle assembly LH)	From VIN KA924693
	BTR1884PMA	2	Cap for bolt)	
	STC1180	1	Kit fixings)	
1	MUC9419	1	Seat belt LH	1	Audible warning

Station Wagon only

1	MXC5492	1	Seat belt RH	1	Upto VIN KA924692
	AWR2002	1	Seatbelt RH)	
	BTR4372	1	Buckle assembly RH)	From VIN KA924693
	BTR1884PMA	2	Cap for bolt)	
	STC1180	1	Kit fixings)	
1	MXC5493	1	Seat belt LH	1	Upto VIN KA924692
	AWR2001	1	Seat belt LH)	
	BTR4373	1	Buckle assembly LH)	From VIN KA924693
	BTR1884PMA	2	Cap for bolt)	
	STC1180	1	Kit fixings)	

Fixings for AWR2001/2

	WL106001L	1	Washer plain		
	SH106251L	1	Setscrew		
	NH106041L	2	Nut		
	MRC5527	1	Plain washer		





DEFENDER 110 1987 onwards

1017 SEATS

Model DEFENDER 110 1987 onwards

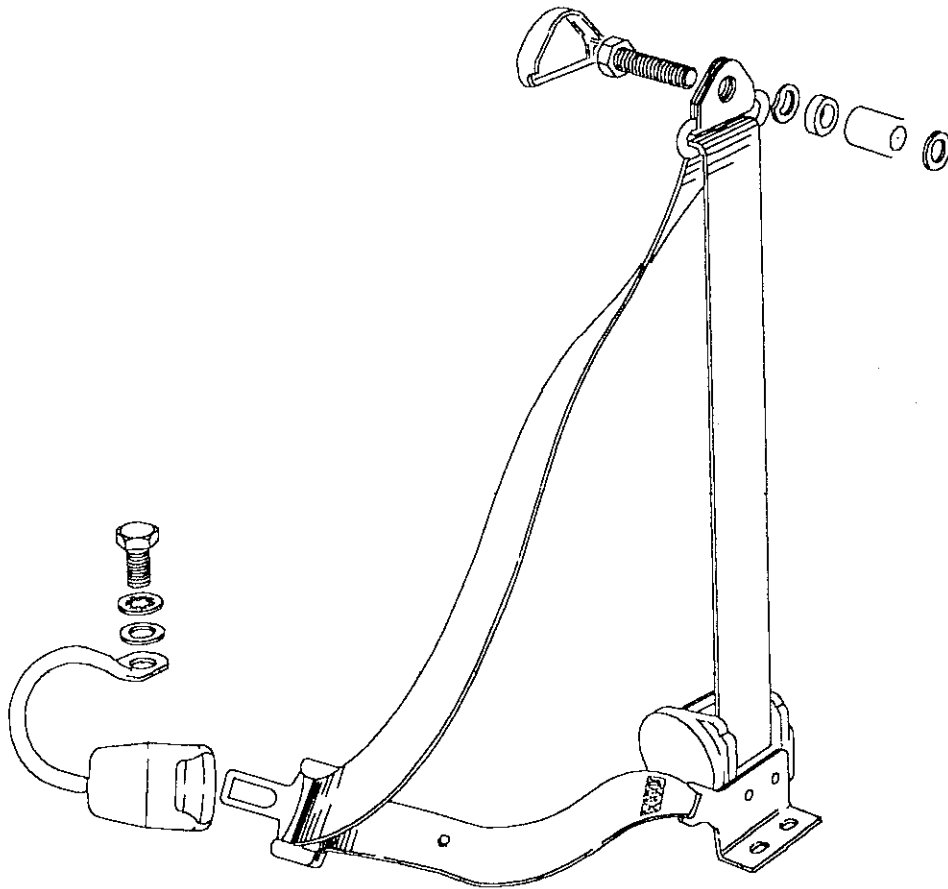
Page AFRXPA1B

SAFETY HARNESS - FRONT SEAT OUTER MA939976 On

III. Part No. Description Qty Remarks

Full Length Hood Vehicles

1	BTR8410	Seat belt RH	1
	BTR8411	Seat belt LH	1
	BTR4372	Buckle assembly RH	1
	BTR4373	Buckle assembly LH	1
	BTR1884PMA	Cap for bolt	2





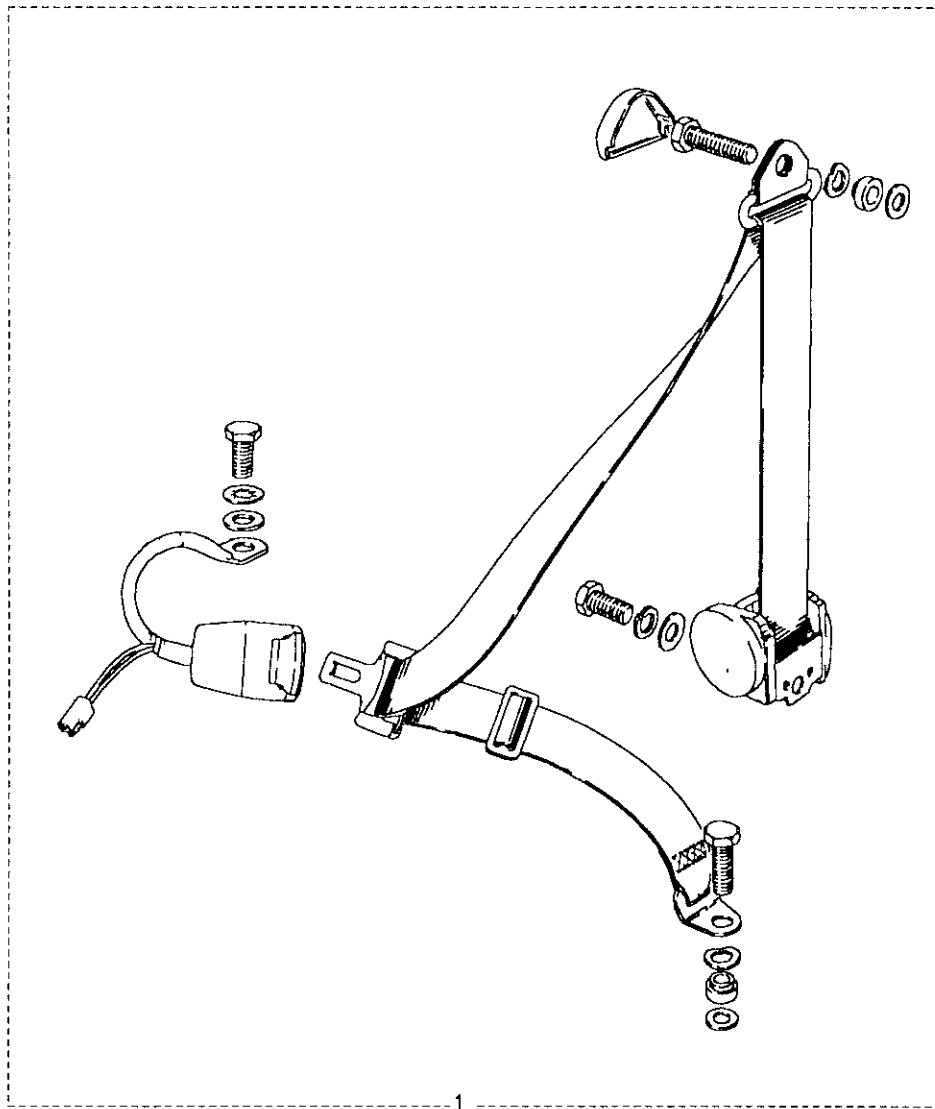
Model DEFENDER 110 1987 onwards

Page AFRXPA1A

SAFETY HARNESS - FRONT SEAT OUTER

III. Part No.	Description	Qty	Remarks
Station Wagon only			
1 MXC5491	Seat belt LH	1	Audible warning Upto VIN KA924692
AWR2001	Seat belt LH	1) From VIN KA924693
MXC5509	Buckle assembly LH	1	
BTR1884PMA	Cap for bolt	2)
STC1180	Kit fixings	1	
AFU2875	Clip retaining	2) On seatbase
AB610051L	Screw	4	
Cab and Hard Top - Upto VIN EA352029 - Note(1)			
1 MXC5492	Seat belt RH	1	
MXC5493	Seat belt LH	1	
MXC5491	Seat belt LH	1	Audible warning
Defender 130 - 1991 model year			
1 MXC5492	Seat belt RH	1	
MXC5493	Seat belt LH	1	
MXC5491	Seat belt LH	1	Audible warning

Note(1) From VIN EA352030 - see page 1019 - 1020





DEFENDER 110 1987 onwards

1019 SEATS

Model DEFENDER 110 1987 onwards
Page AFRXPA2A

SAFETY HARNESS - FRONT SEATS OUTER

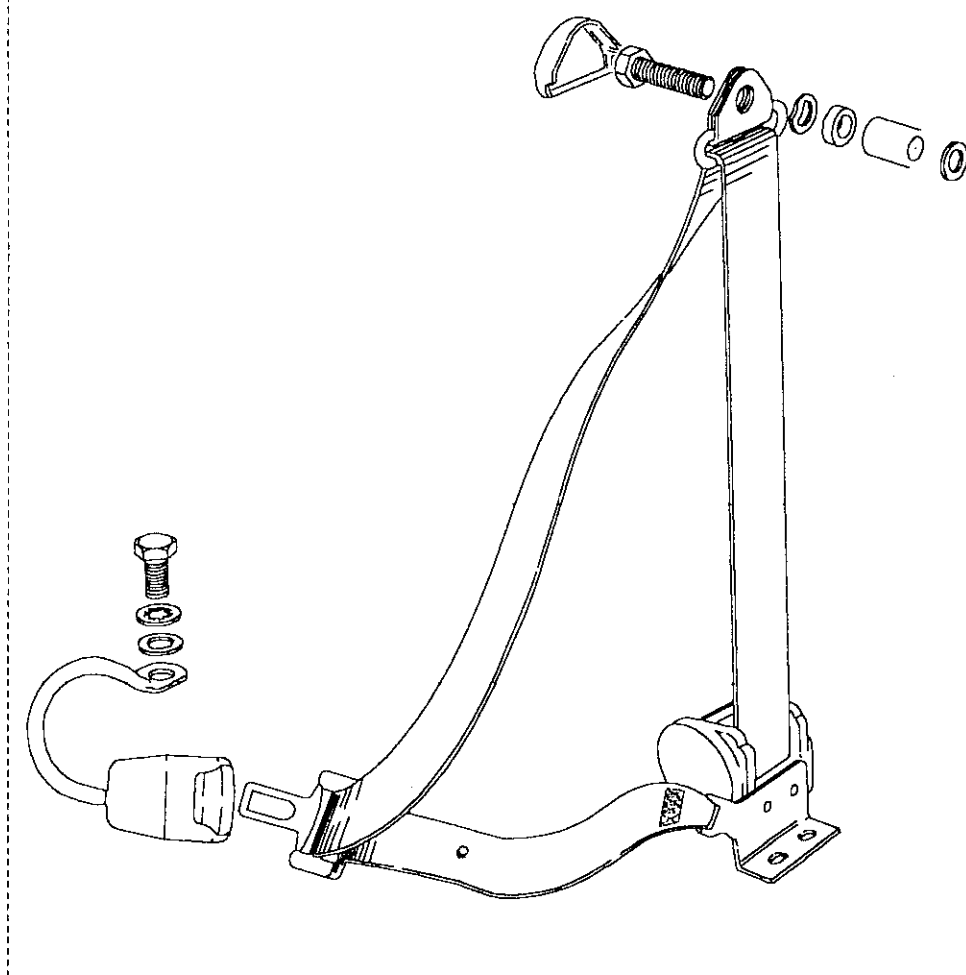
III. Part No. Description Qty Remarks

Cab and Hard Top - From VIN EA352030

1	MXC5488	Seat belt RH	1	Upto VIN KA924692
	BTR6562	Seat belt RH	1)
	BTR4372	Buckle assembly RH	1)From VIN KA924693
	BTR1884PMA	Cap for bolt	2)
	STC1180	Kit fixings	1)
1	MXC5489	Seat belt LH	1	Upto VIN KA924692
	BTR6561	Seat belt LH	1)
	BTR4373	Buckle assembly LH	1)From VIN KA924693
	BTR1884PMA	Cap for bolt	2)
	STC1180	Kit fixings	1)
1	MWC8615	Seat belt LH	1	Audible warning
				Upto VIN KA924692
	BTR6561	Seat belt LH	1)
	MXC5509	Buckle assembly LH	1)From VIN KA924693
	BTR1884PMA	Cap for bolt	2)
	STC1180	Kit fixings	1)

Australia - Chassis Cab - Tdi

1	BTR4376	Seat belt RH	1	From VIN JA907021
				Upto VIN KA924692
	BTR6562	Seat belt RH	1)
	BTR4372	Buckle assembly RH	1)From VIN KA924693
	BTR1884PMA	Cap for bolt	2)
	STC1180	Kit fixings	1)





DEFENDER 110 1987 onwards

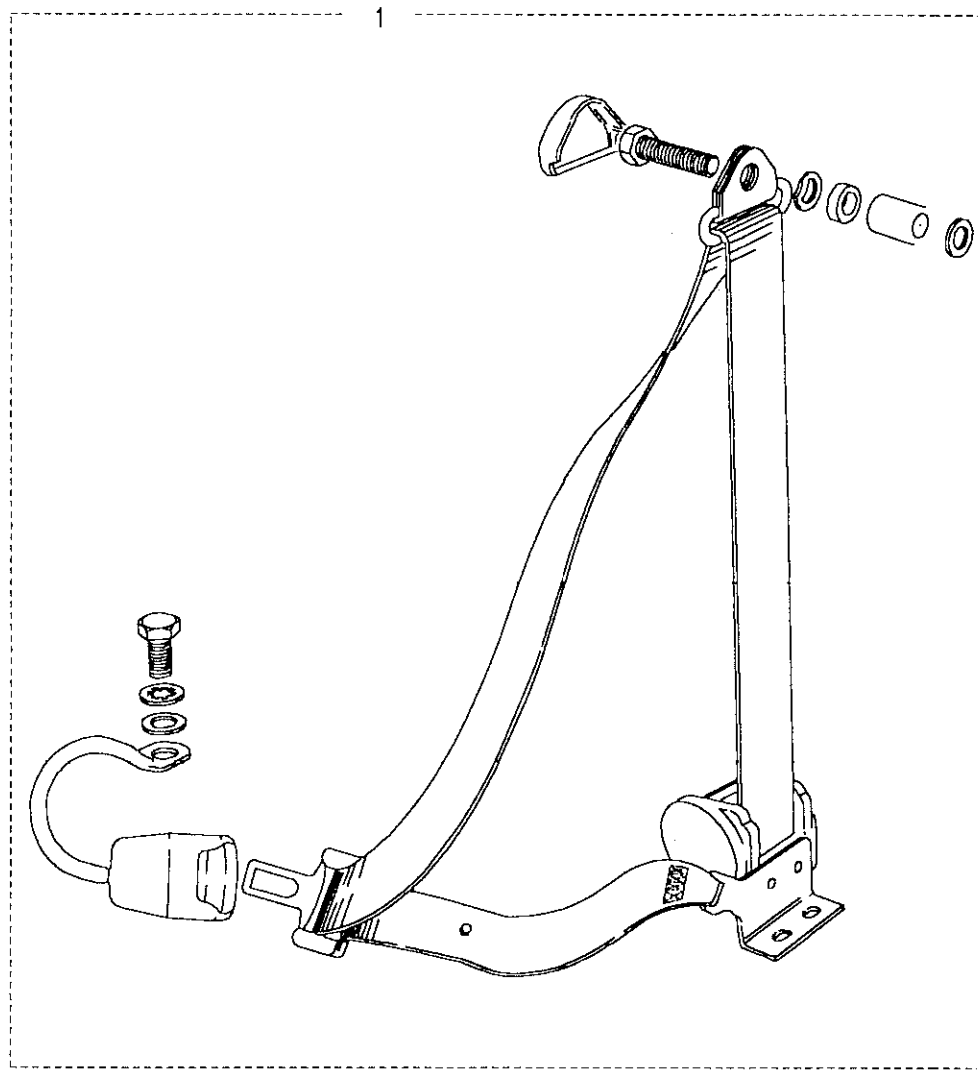
1020

SEATS

Model DEFENDER 110 1987 onwards
Page AFRXPA2A

SAFETY HARNESS - FRONT SEATS OUTER

III. Part No.	Description	Qty	Remarks
Australia - Chassis Cab - Tdi			
1 BTR4377	Seat belt LH	1	From VIN JA907021 Upto VIN KA924692
BTR6561	Seat belt LH	1)
BTR4373	Buckle assembly LH	1)From VIN KA924693
BTR1884PMA	Cap for bolt	2)
STC1180	Kit fixings	1)
AFU2875	Clip restraining	2	On seatbase
AB610051L	Screw	4	





DEFENDER 110 1987 onwards

1021 SEATS

Model DEFENDER 110 1987 onwards
Page AFRXPA4A

SAFETY HARNESS - FRONT SEAT CENTRE

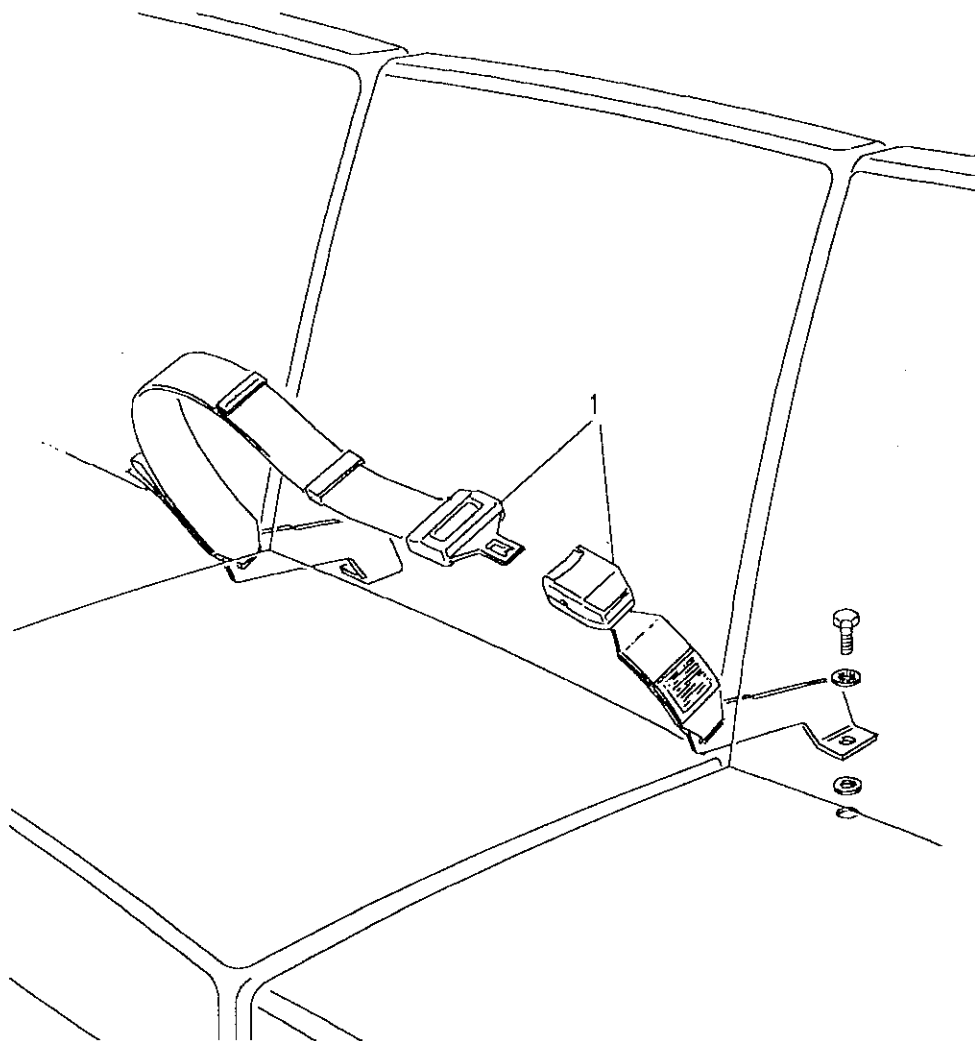
Ill. Part No.	Description	Qty	Remarks
1 MXC2537	Lap strap	1	Upto VIN KA924692
BTR4348	Lap belt	1)
BTR4346	Buckle lap belt	1)From VIN KA924693
BTR4347	Tongue lap belt	1)
STC1180	Kit fixings	1)

Defender 130

1 MXC2537	Lap strap	1	Upto VIN KA924692
BTR4348	Lap belt	1)
BTR4346	Buckle lap belt	1)From VIN KA924693
BTR4347	Tongue lap belt	1)
STC1180	Kit fixings	1)

Australia - Chassis Cab - Tdi

1 BTR4348	Lap belt	1	From VIN JA907021
BTR4346	Buckle lap belt	1)
BTR4347	Tongue lap belt	1)
STC1180	Kit fixings	1)





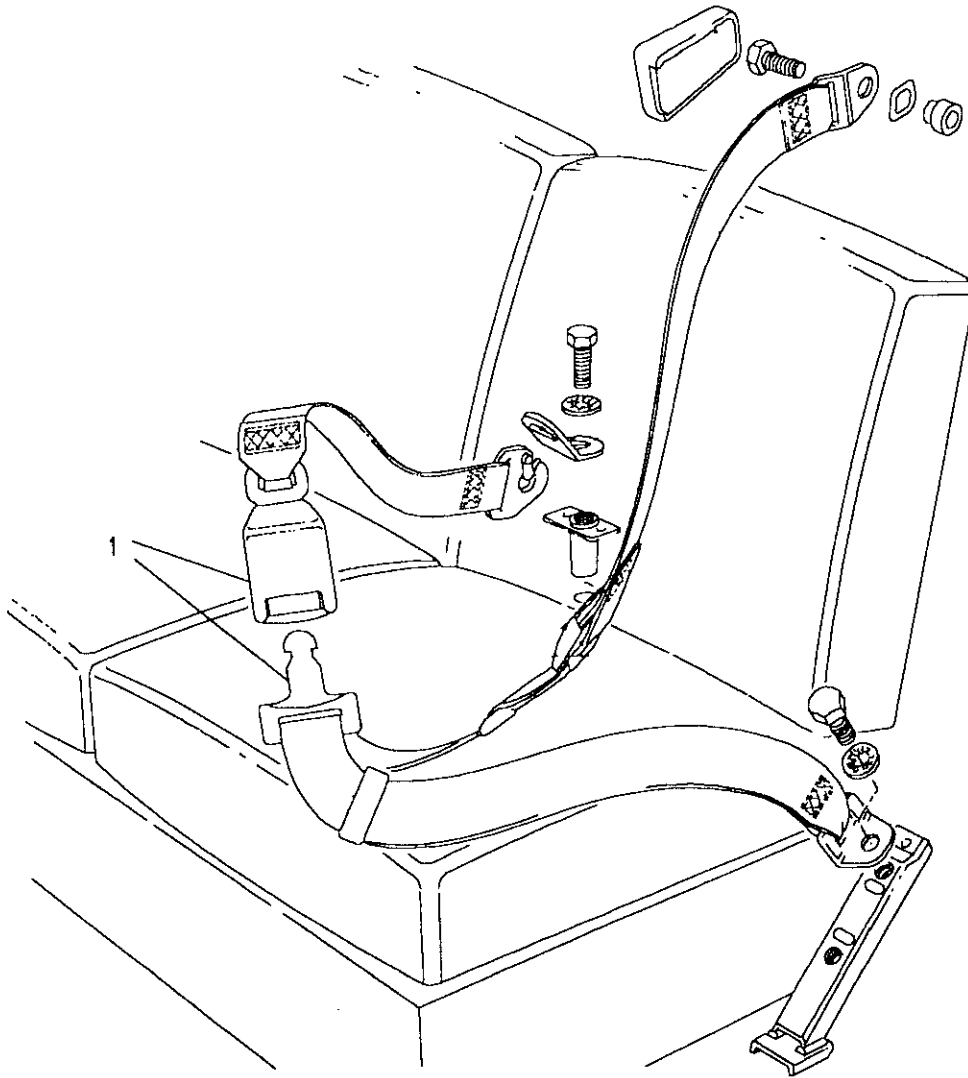
DEFENDER 110 1987 onwards

1022 SEATS

Model DEFENDER 110 1987 onwards
Page AFRXPC1A

SAFETY HARNESS - REAR FORWARD FACING SEATS - OUTER

III. Part No.	Description	Qty	Remarks
1 STC79	Seat belt	2	Static type



Model DEFENDER 110 1987 onwards

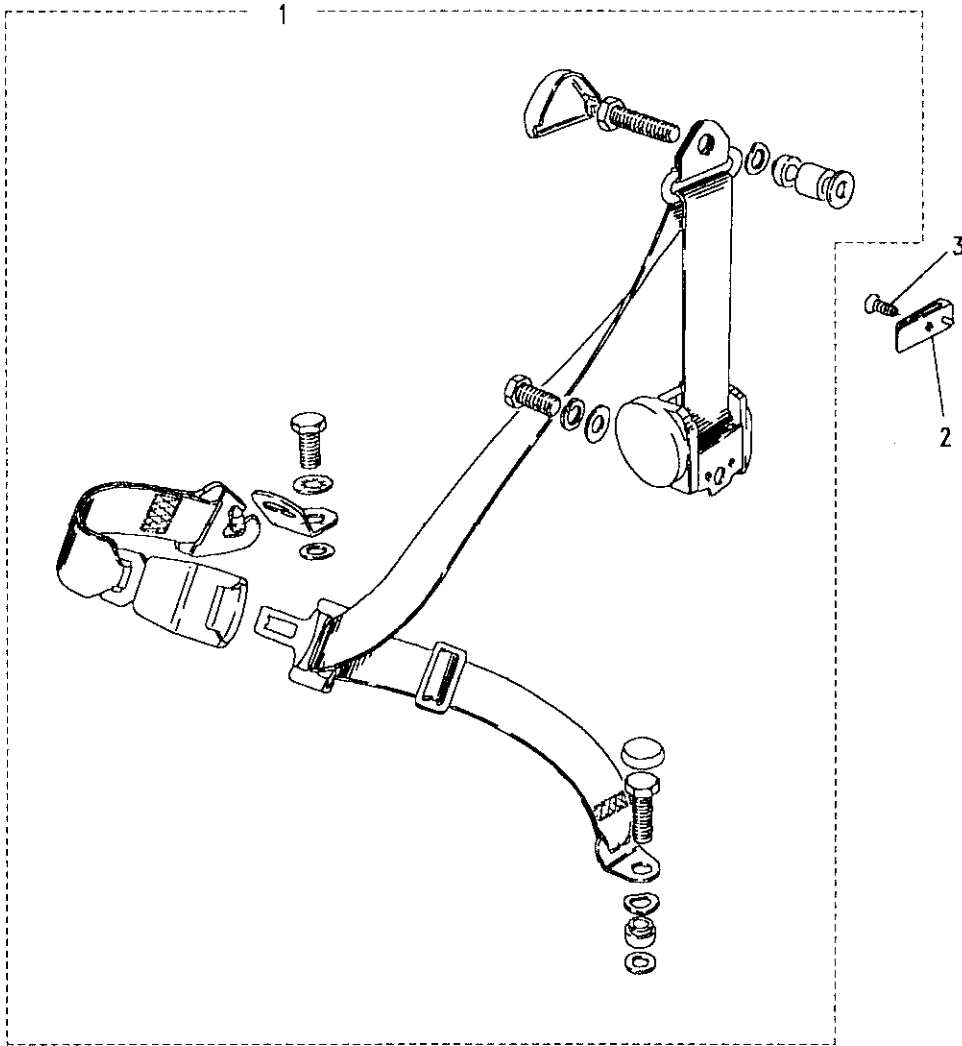
Page AFRXPC2A

SAFETY HARNESS - REAR FORWARD FACING SEATS - OUTER

III. Part No.	Description	Qty	Remarks
1 BTR304	Seat belt	2	Upto VIN KA924692
BTR5779	Seat belt	2)
MXC5521	Buckle assembly	2)From VIN KA924693
BTR1884PMA	Cap for bolt	4)
2 MWC1055PMA	Stowage clip	2	
3 AC606044L	Screw	2	

Defender 130 - 1991 model year

1 MXC5488	Seat belt RH	1	Upto VIN KA924692
BTR6562	Seat belt RH	1)
BTR4372	Buckle assembly RH	1)From VIN KA924693
BTR1884PMA	Cap for bolt	2)
STC1180	Fixing kit	1)
1 MXC5489	Seat belt LH	1	Upto VIN KA924692
BTR6561	Seat belt LH	1)
BTR4373	Buckle assembly LH	1)From VIN KA924693
BTR1884PMA	Cap for bolt	2)
STC1180	Fixing kit	1)
AFU2875	Clip retaining	2	
AB610051L	Screw	4	



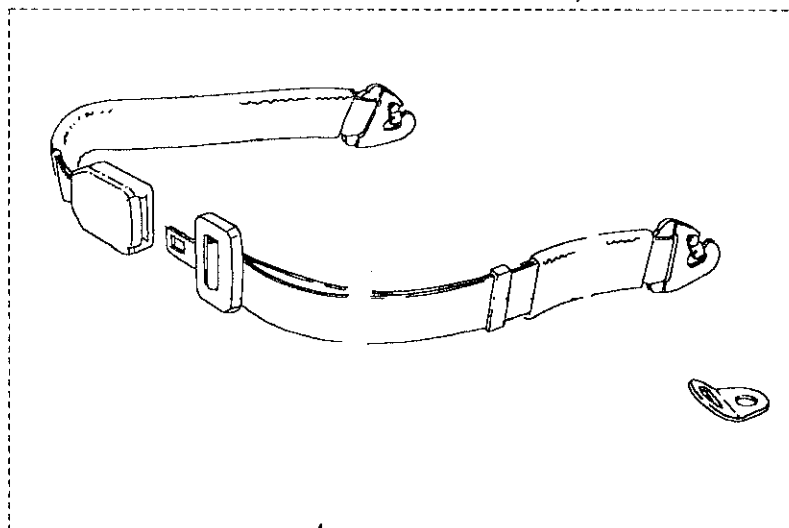


DEFENDER 110 1987 onwards

1024 SEATS

Model DEFENDER 110 1987 onwards
Page AFRXPC3A

SAFETY HARNESS - REAR FORWARD FACING SEATS - CENTRE



III. Part No.	Description	Qty	Remarks
1 MXC5497	Lap strap	1	Upto VIN KA924692
BTR5782	Lap belt-tongue	1	From VIN KA924693
BTR5781	Lap belt-buckle	1	From VIN KA924693

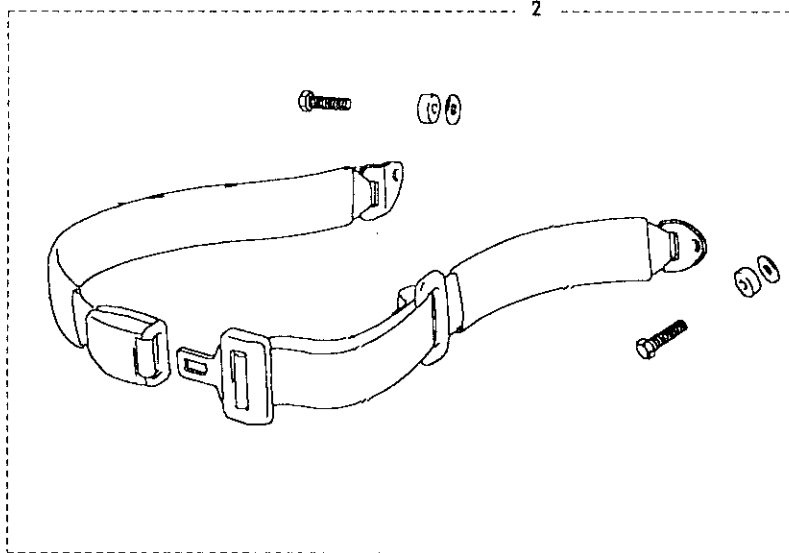
Defender 130 - 1991 Model year

1 BTR1155	Lap strap	1	
-----------	-----------	---	--

Defender 130 - MA945908 On

2 AWR1587	Lap strap	1	
-----------	-----------	---	--

Note(1) BTR5782 is a buckle & tongue
Note(2) BTR5781 is a buckle & buckle





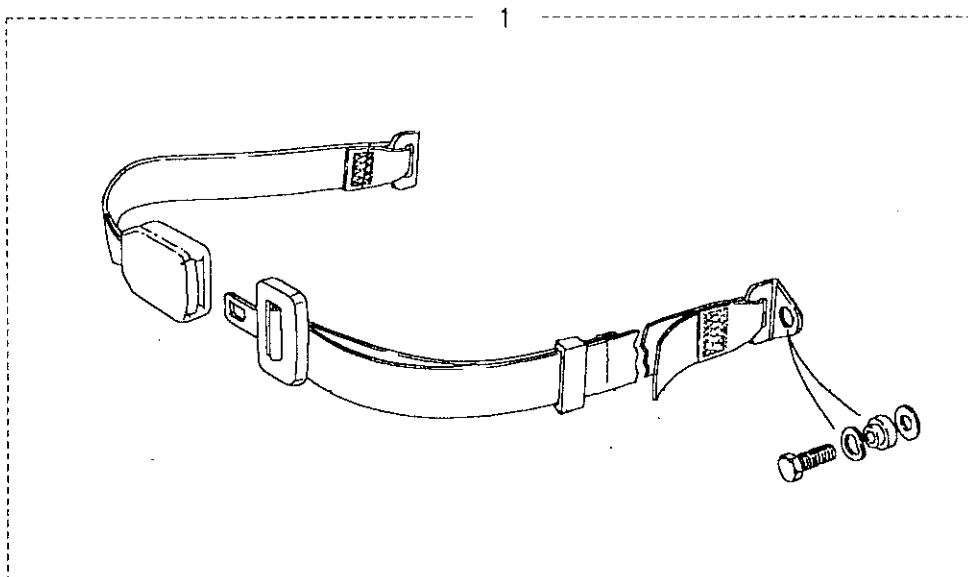
DEFENDER 110 1987 onwards

1025 SEATS

Model DEFENDER 110 1987 onwards
Page AFRXPE1A

SAFETY HARNESS - REAR INWARD FACING SEATS

III. Part No.	Description	Qty	Remarks
1 MXC5495	Lap strap	4	
Six inward facing seats option from 09/05/94			
2 BTR9626	Tongue seat belt	6	
3 BTR9884	Buckle centre seat	2	
BTR9625	Buckle seat belt	4	





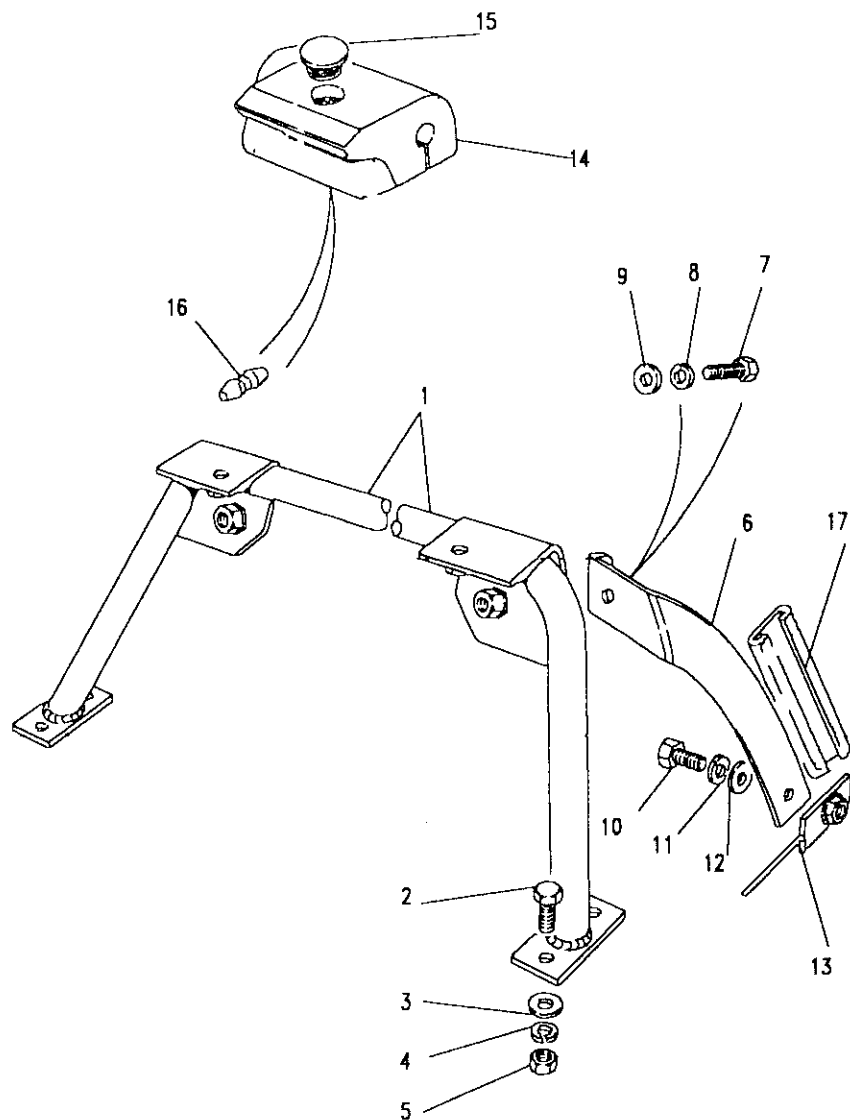
Model DEFENDER 110 1987 onwards
Page AFRXRA1A

SAFETY HARNESS - FRONT SEATS - ANCHORAGE RAIL.

III. Part No. Description Qty Remarks

Soft Top Only

Part No.	Description	Qty	Remarks
1	MRC7354	1	Rail anchorage
2	FS108251L	4	Screw
3	WA108051L	4	Washer plain
4	WL108001L	4	Washer spring
5	FN108041L	4	Nut
6	MRC199	1	Tie bar RH
	MRC200	1	Tie bar LH
7	SH112251	2	Screw
8	WL112001L	2	Washer spring
9	WA112081L	2	Washer plain
10	SH110201	2	Screw
11	WL110001L	2	Washer spring
12	WA110061L	2	Washer plain
13	MRC7610	2	Nut Plate
14	MRC8329	1	Finishing cap RH
	MRC8330	1	Finishing cap LH
15	MRC8389	4	Plug
16	MRC8390	14	Fixing Lug
	MRC8392	1	Cover tie bar RH
17	MRC8393	1	Cover tie bar LH





DEFENDER 110 1987 onwards

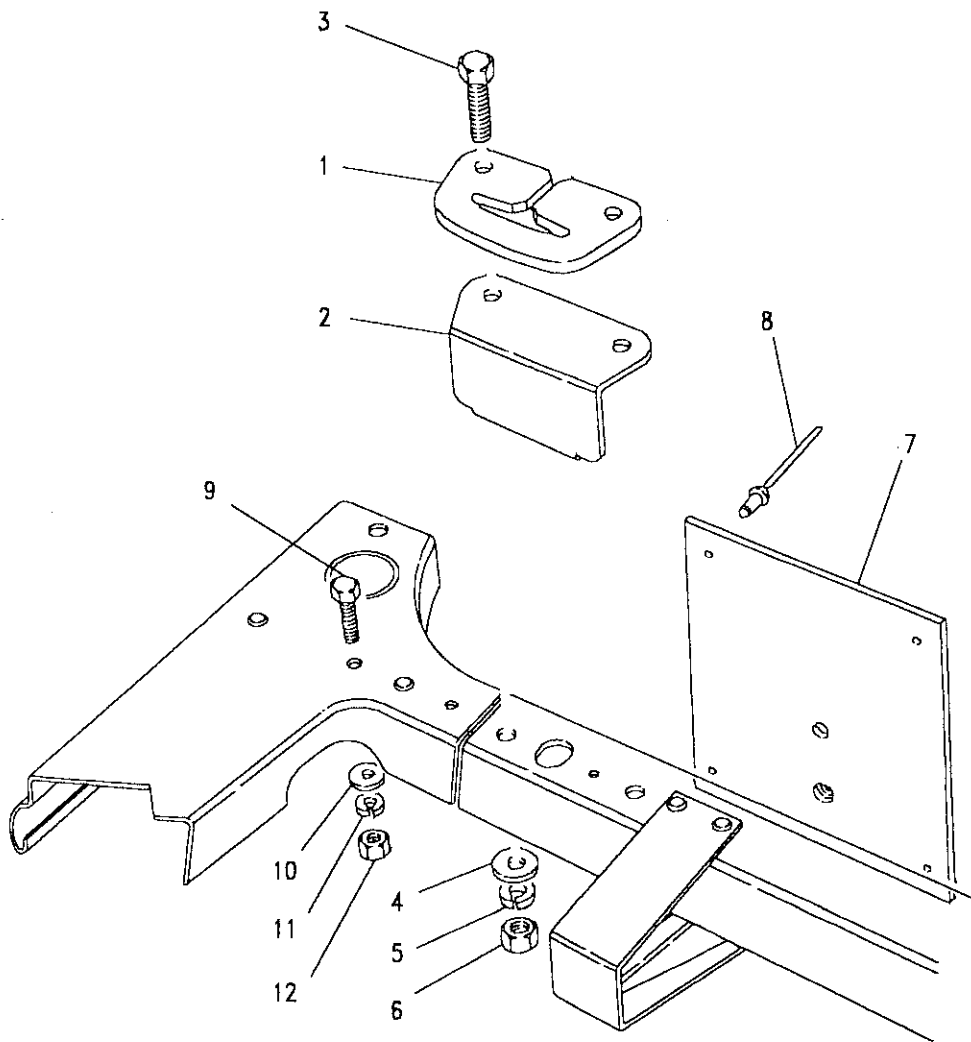
1027

SEATS

Model DEFENDER 110 1987 onwards

Page AFRXRA2A

SAFETY HARNESS - FRONT SEATS - HARNESS GUIDE.



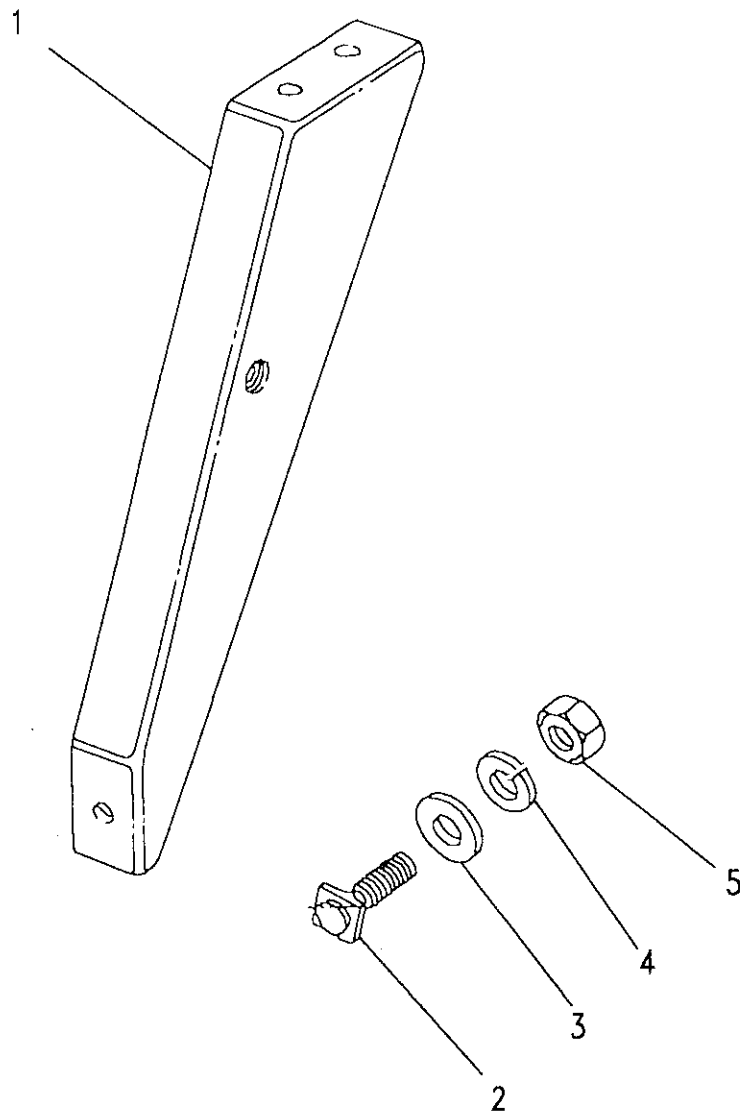
III. Part No.	Description	Qty	Remarks
Soft Top Only			
1	MRC7755	2	Guide
2	345937	2	Plate guide
3	BH605101L	4	Bolt
4	WA108051L	4	Washer plain
5	WL600051	4	Washer spring
6	NH605041L	4	Nut
7	MTC1631	2	Plate reinforcement
8	RU612373L	8	Rivet
9	SH106201	8	Screw
10	MRC5524	8	Washer plain
11	WL106001L	8	Washer spring
12	NH106041L	8	Nut





DEFENDER 110 1987 onwards

1028 SEATS



Model DEFENDER 110 1987 onwards

Page AFRXRA3A

SAFETY HARNESS - FRONT SEATS - SHOULDER ANCHORAGE.

III. Part No.	Description	Qty	Remarks
Hard Top Only			
1	395586	1	Bracket mounting RH
	395587	1	Bracket mounting LH
2	MRC7626	2	Bolt Plate
3	WB106041L	2	Washer plain
4	WL106001L	2	Washer spring
5	NH106041L	2	Nut

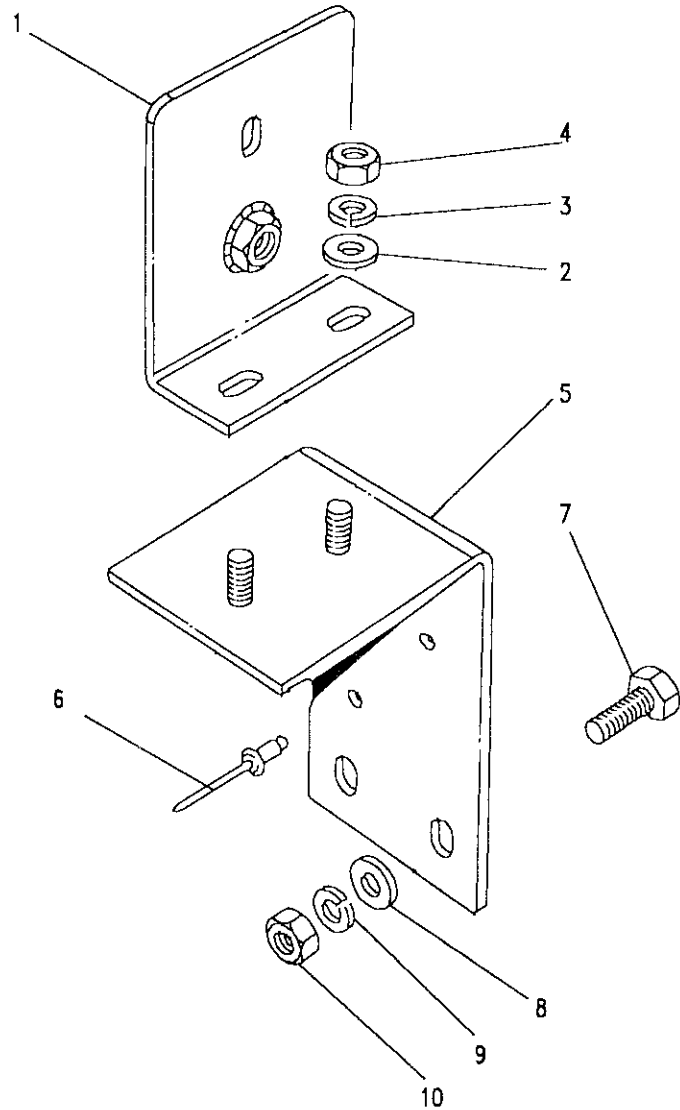




DEFENDER 110 1987 onwards

1029

SEATS



Model DEFENDER 110 1987 onwards
Page AFRXRA4A

SAFETY HARNESS - FRONT SEATS - INERTIA REEL MOUNTING.

III. Part No.	Description	Qty	Remarks
Chassis Cab & Hard Top Only			
1	MTC4090	2	Bracket mounting
2	WC108051L	4	Washer plain
3	WL108001L	4	Washer spring
4	FN108041L	4	Nut
5	MRC8524	2	Bracket mounting
6	RA612347	4	Rivet
7	FS108251L	4	Screw
8	WA108051L	4	Washer plain
9	WL108001L	4	Washer spring
10	FN108041L	4	Nut





DEFENDER 110 1987 onwards

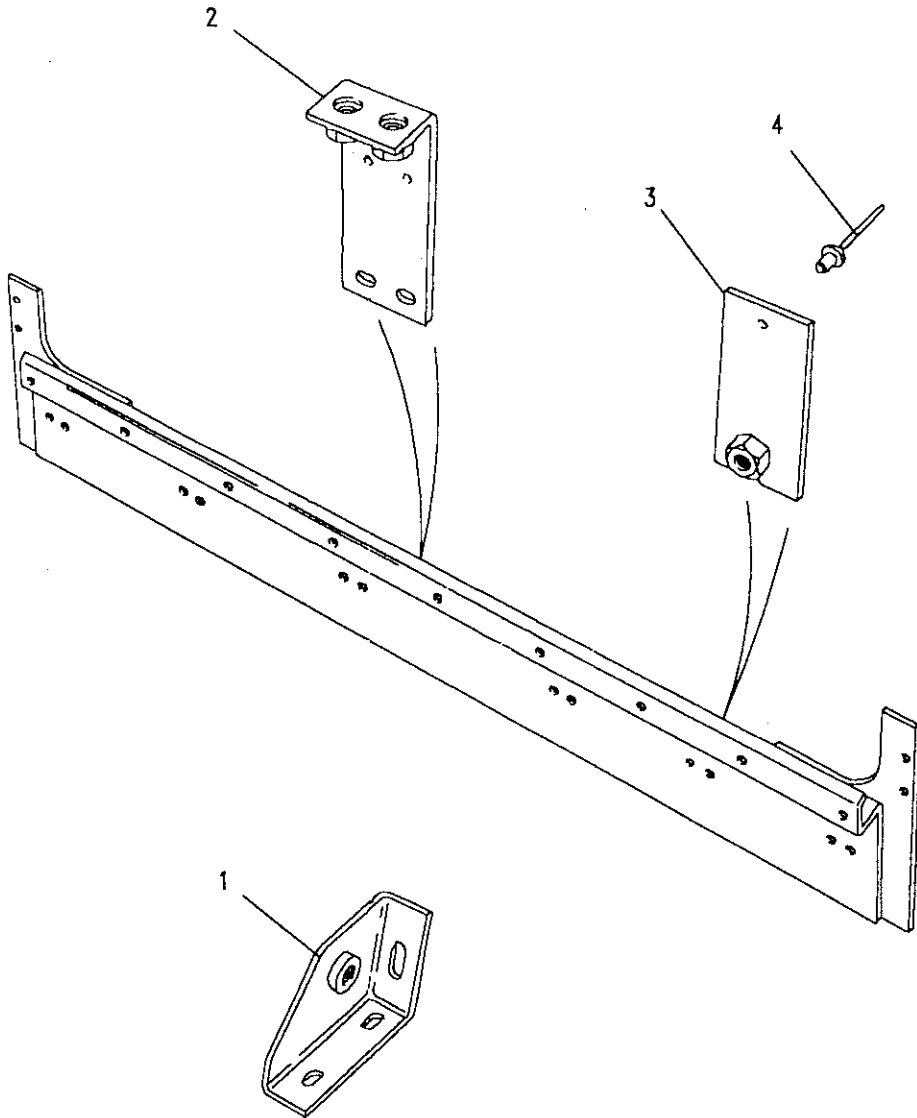
1030

SEATS

Model DEFENDER 110 1987 onwards
Page AFRXRA5A

SAFETY HARNESS ANCHORAGES - FRONT SEATS - STATION WAGON

III. Part No.	Description	Qty	Remarks
1 345100	Gusset sill RH	1	
345101	Gusset sill LH	1	
2 395249	Bracket mounting	2	
3 MRC4731	Nut Plate	2	
4 RU612373L	Rivet	2	





Model DEFENDER 110 1987 onwards

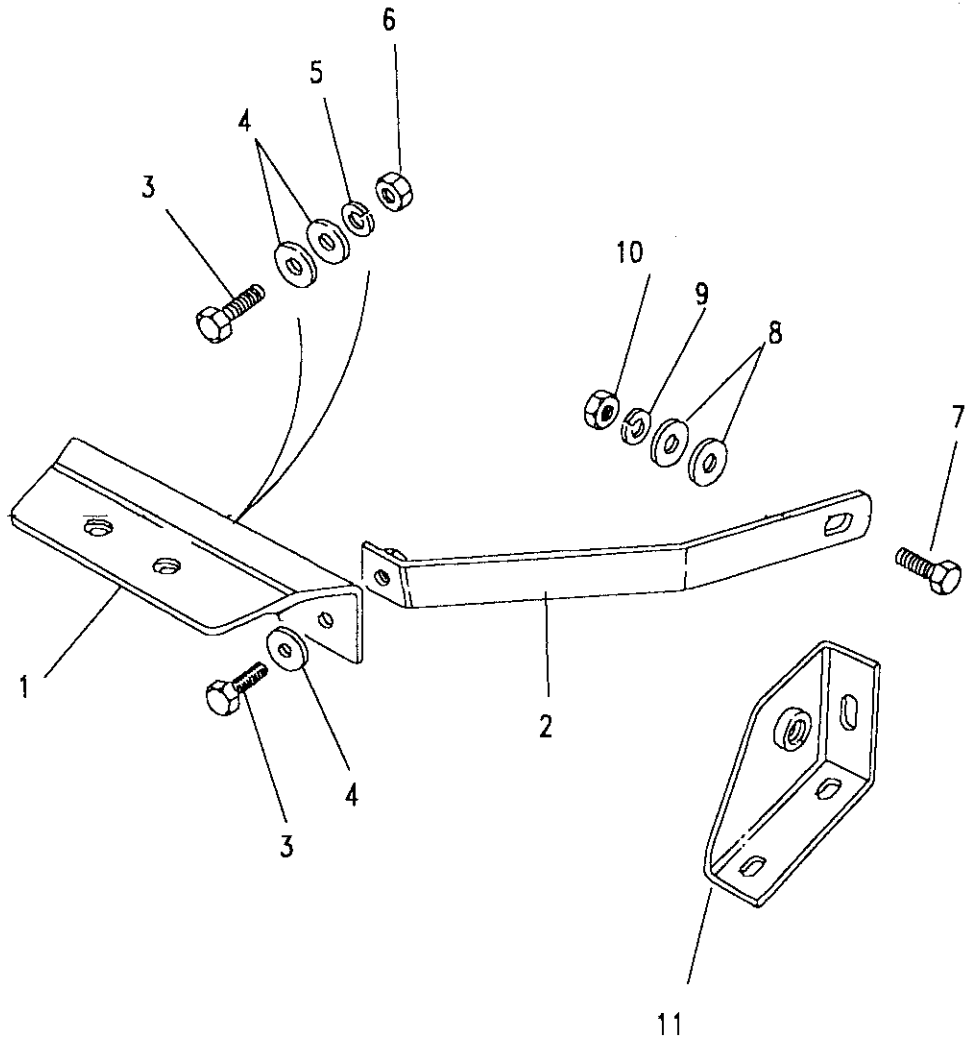
Page AFRXRA6A

SAFETY HARNESS ANCHORAGES - FRONT SEATS - SEATBASE.

III. Part No.	Description	Qty	Remarks
---------------	-------------	-----	---------

Soft & Hard Top

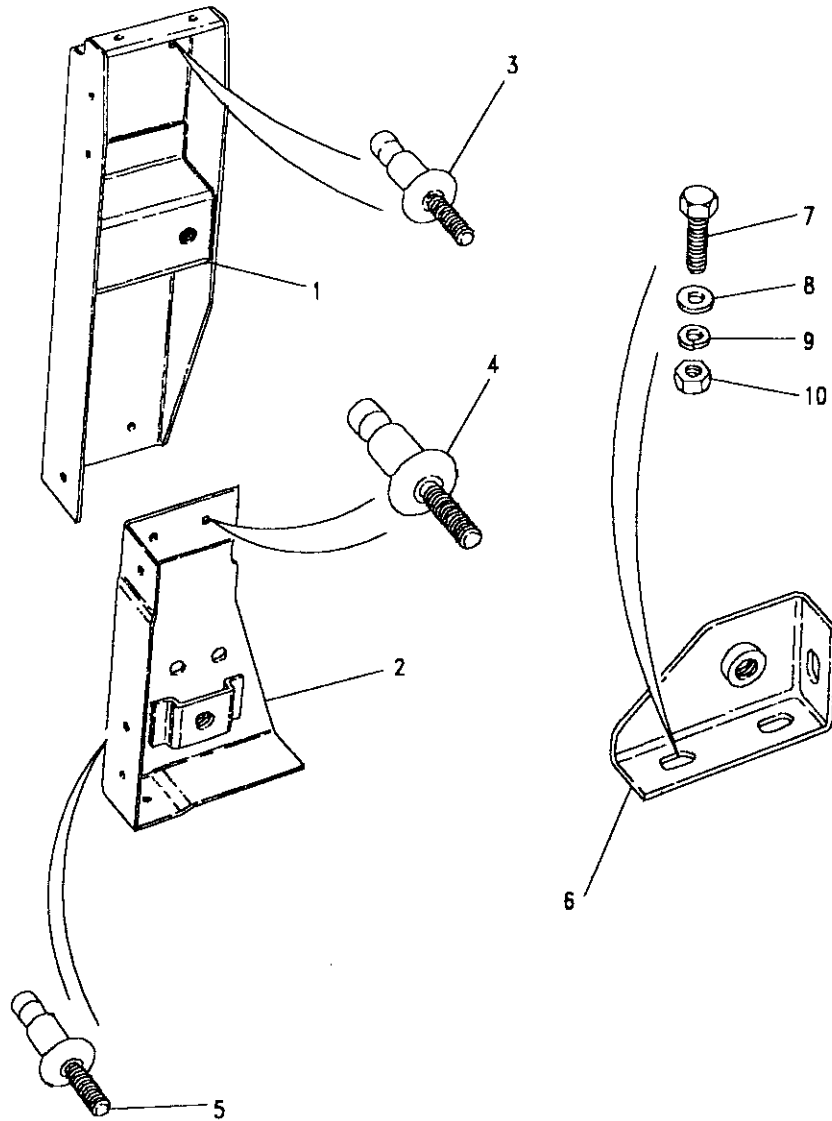
1	395252	Bracket mounting	2
	MRC4885	Tie bar RH	1
2	MRC4886	Tie bar LH	1
3	FB108071L	Bolt	4
4	AFU1079	Washer plain	6
5	WL108001L	Washer spring	4
6	FN108041L	Nut	2
7	FS108251L	Screw	2
8	AFU1079	Washer plain	4
9	WL108001L	Washer spring	2
10	FN108041L	Nut	2
11	345100	Gusset sill RH	1
	345101	Gusset sill LH	1





Model DEFENDER 110 1987 onwards
 Page AFRXRA7A

SAFETY HARNESS ANCHORAGES - FRONT SEATS - SHOULDER.



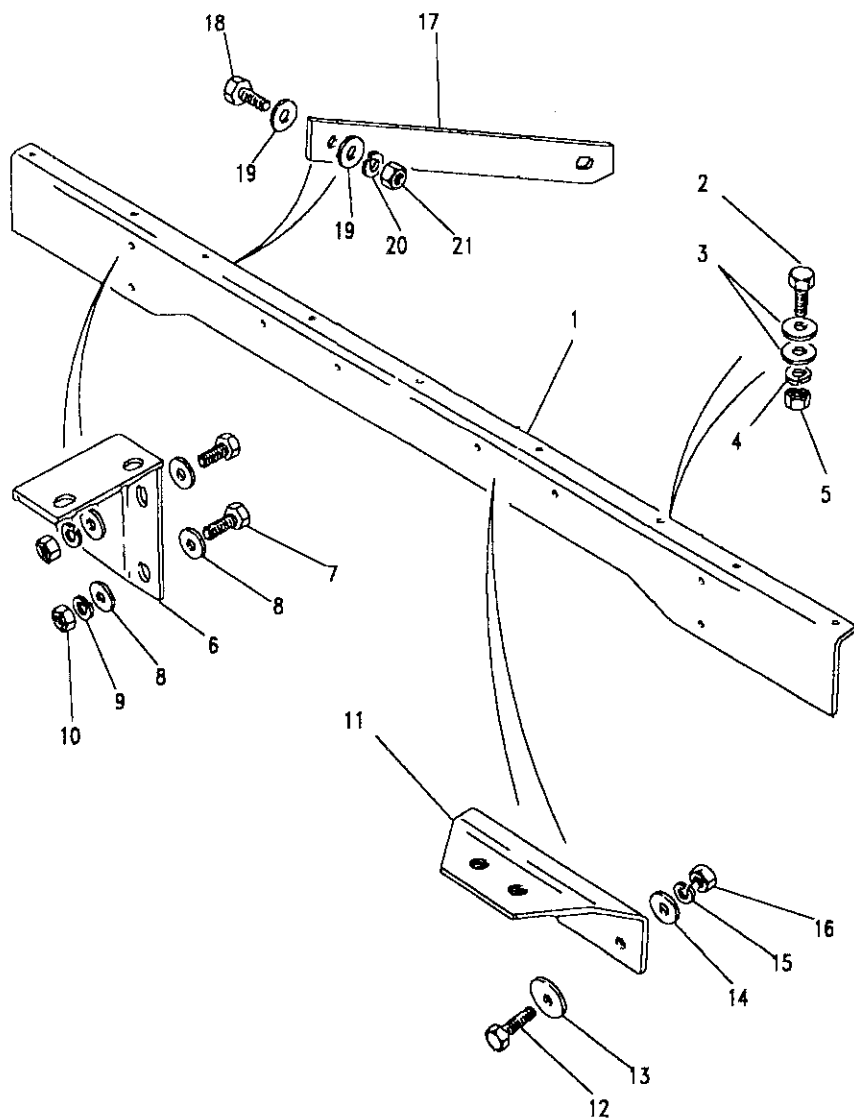
III. Part No.	Description	Qty	Remarks
Truck Cab Only			
1	MRC9361	1	Anchor upper LH
	MRC9362	1	Anchor upper RH
2	MRC9367	1	Anchor lower LH
	MRC9368	1	Anchor lower RH
3	AFU1298	12	Monobolt
4	AFU1350	6	Monobolt
5	AFU1298	12	Monobolt
6	345100	1	Gusset sill RH
	345101	1	Gusset sill LH
7	SH106251L	2	Screw
8	AFU1069	2	Washer plain
9	WL106001L	2	Washer spring
10	NH106041L	2	Nut





Model DEFENDER 110 1987 onwards
Page AFRXRA8A

SAFETY HARNESS ANCHORAGES - FRONT SEATS - BASE ASSY.



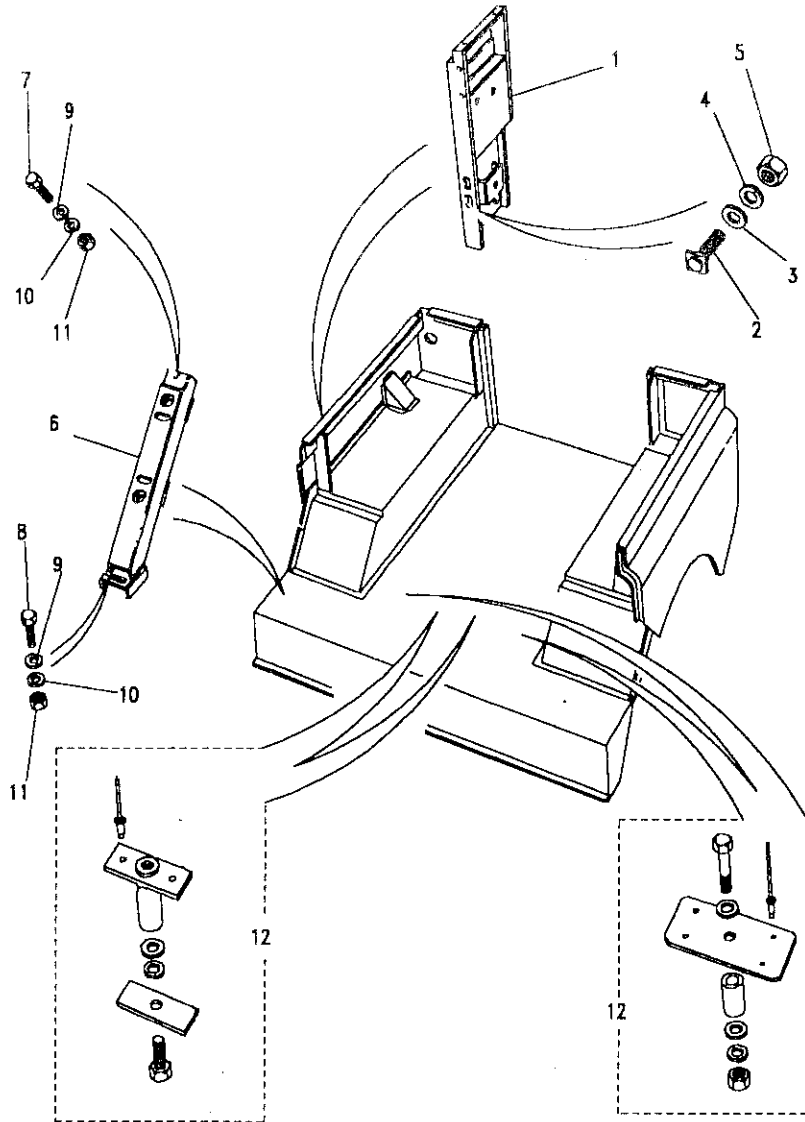
III. Part No.	Description	Qty	Remarks
Truck Cab Only			
1	MTC3042	1	Reinforcing Angle
2	FS108251L	9	Screw
3	WC108051L	18	Washer plain
4	WL108001L	9	Washer spring
5	FN108041L	9	Nut
6	MTC3051	1	Bracket RH
	MTC3052	1	Bracket LH
7	FS108251L	2	Screw
	SH108301L	2	Screw
8	WC108051L	8	Washer plain
9	WL108001L	4	Washer spring
10	FN108041L	4	Nut
11	395252	2	Bracket mounting
12	FS108251L	4	Screw
13	AFU1079	4	Washer plain
14	WC108051L	4	Washer plain
15	WL108001L	4	Washer spring
16	FN108041L	4	Nut
17	MTC3032	2	Tie bar
18	FS108251L	4	Screw
19	WC108051L	8	Washer plain
20	WL108001L	4	Washer spring
21	FN108041L	4	Nut





Model DEFENDER 110 1987 onwards
Page AFRXRC1A

SAFETY HARNESS ANCHORAGES - REAR FORWARD FACING SEATS



III. Part No.	Description	Qty	Remarks
1	MWC5054	1	Note(1)
	MWC5055	1	Note(1)
	MXC3282	1	Note(2)
	MXC3283	1	Note(2)
2	MRC7626	2	
3	WB106041L	2	
4	WL106001L	2	
5	NH106041L	2	
6	347844	2	Wheelarch
7	255227	2	Upper
8	SH605081L	2	Lower
9	3830L	4	
10	WM600051L	4	
11	NH605041L	4	
12	RTC6065	1	

Note(1) Upto Vin FA
Note(2) From Vin FA





Model DEFENDER 110 1987 onwards
Page AFRXRC2A

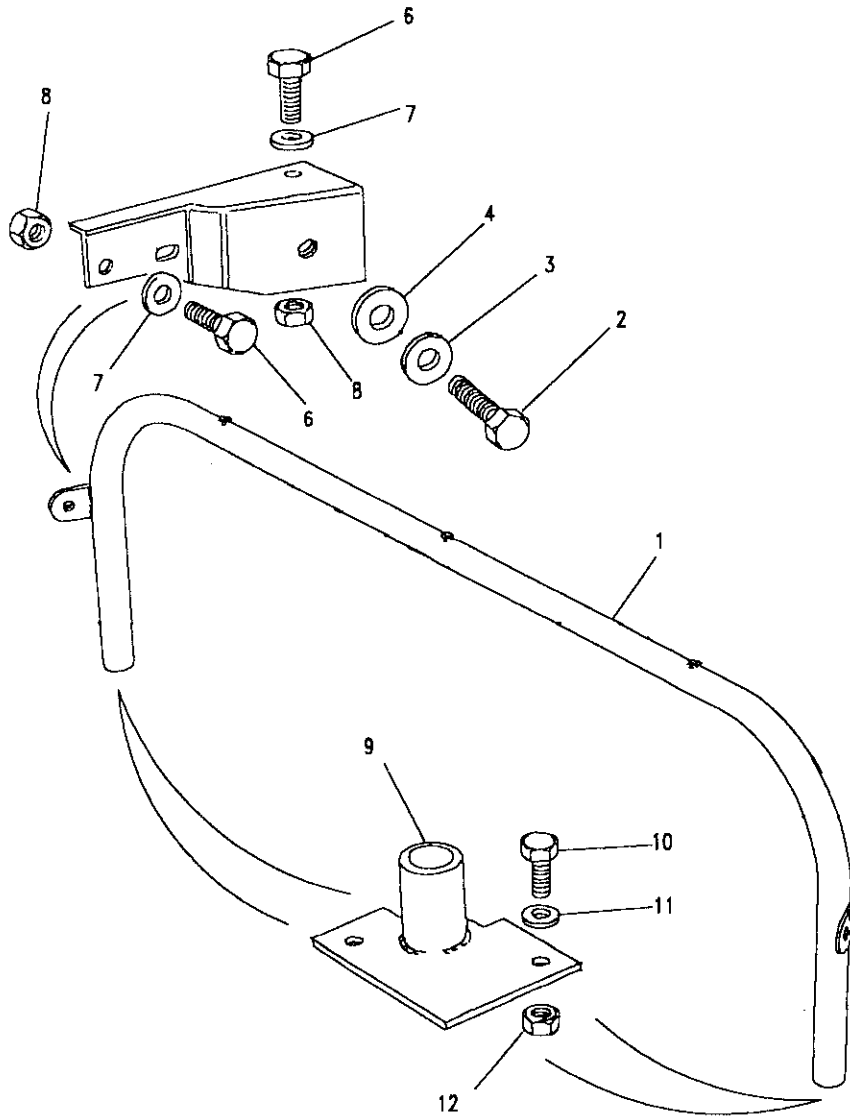
SAFETY HARNESS ANCHORAGES - CHILD SEAT BELT RETENTION

III. Part No. Description Qty Remarks
REAR FORWARD FACING SEATS - AUSTRALIA ONLY

From introduction of 1988 Model Year

Part No.	Description	Qty	Remarks
1	MWC4393 Tube mounting	1	
2	SH110251L Screw	2	
3	WA110061L Washer plain	2	
4	WA110061L Washer packing	A/R	
5	MWC8276 Bracket RH	1	
	MWC8277 Bracket LH	1	
6	FS108201L Screw	4	
7	WA108051L Washer plain	4	
8	FN108041L Nut	4	
9	MWC4398 Foot RH	1	
	MWC4399 Foot LH	1	
10	FS108201L Screw	4	
11	WA108051L Washer plain	4	
12	FN108041L Nut	4	

Note(1) Cannot be fitted to 12 Seater Station Wagon.





Model DEFENDER 110 1987 onwards

Page AFRXRE1A

SAFETY HARNESS ANCHORAGES - REAR INWARD FACING SEATS

III. Part No. Description Qty Remarks

1	MTC6836	Stiffener wheelarch front	2
2	MTC6835	Stiffener wheelarch centr	2
3	MRC1638	Stiffener wheelarch rear	2
4	MTC6840	Angle bracket front	2
5	MTC6839	Angle bracket centre	2

Fixings - Front stiffeners and angle brackets

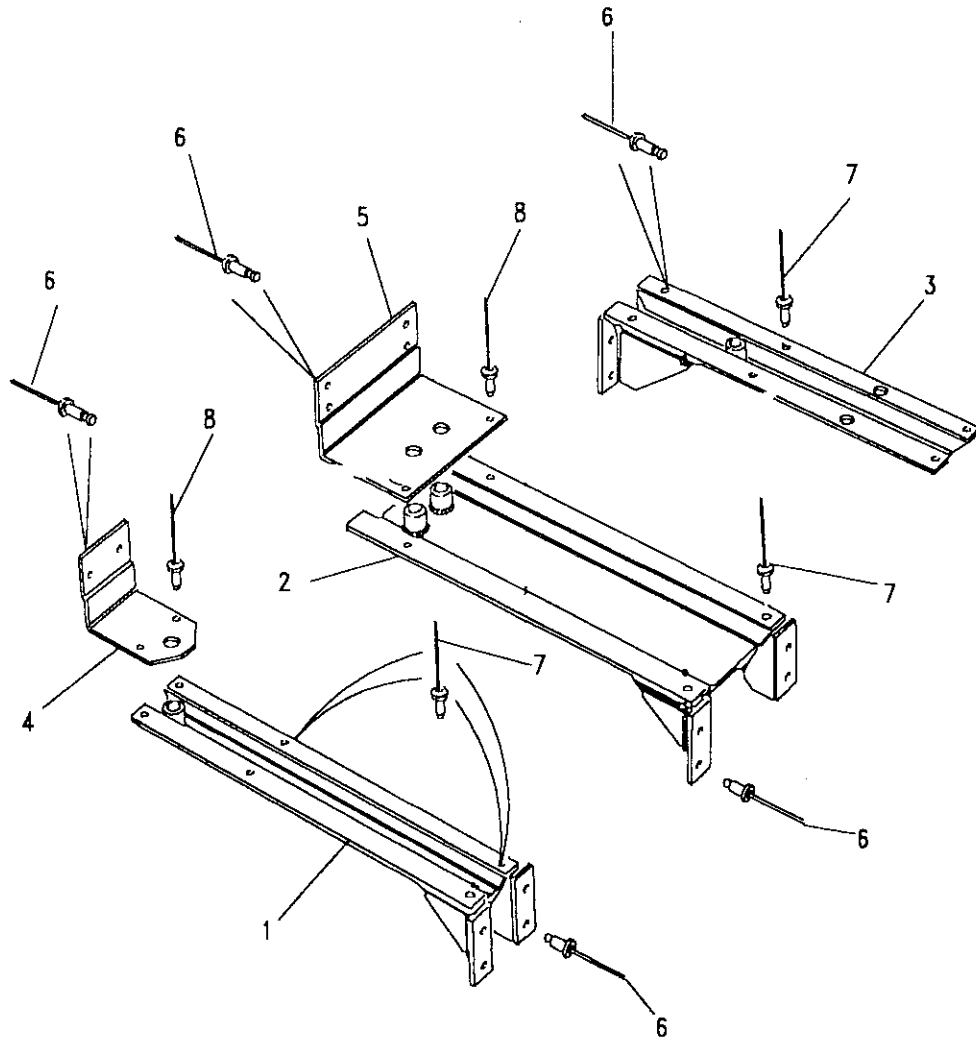
6	AFU1350	Monobolt	12
7	RA612156L	Rivet	8
8	RA612236	Rivet	4

Fixings - Centre stiffeners and angle brackets

6	AFU1350	Monobolt	16
7	RA612156L	Rivet	4
8	RA612236	Rivet	4

Fixings - Rear stiffener

6	AFU1350	Monobolt	8
7	RA612156L	Rivet	12





MASTER INDEX

	PAGES	GROUP S
INTRODUCTION PAGES	1 - 7	
ALPHABETICAL INDEX	8 - 16	STOWAGE
ENGINE	17 - 66	
ENGINE	67 - 119	
ENGINE	120 - 166	
ENGINE	167 - 209	STOWAGE
ENGINE	210 - 245	TOOL STOWAGE - PICK UP, TRUCK CAB AND H.C.P.U.
ENGINE	246 - 299	TOOL CURTAIN - UPTO 1991MY
GEARBOX	300 - 326	TOOL CURTAIN - 1991MY
GEARBOX	327 - 344	TOOL STOWAGE - STATION WAGON
GEARBOX	345 - 359	TOOLS
TRANSFER BOX	360 - 378	SPARE WHEEL STOWAGE INTERIOR
TRANSFER BOX	379 - 397	
AXLES AND SUSPENSION	398 - 444	
STEERING	445 - 471	
VEHICLE AND ENGINE CONTROLS	472 - 486	
BRAKES	487 - 517	
FUEL SYSTEM AND AIR CLEANER	518 - 579	
EXHAUST SYSTEM	580 - 593	
COOLING/HEATING	594 - 637	
COOLING/HEATING	638 - 641	
COOLING/HEATING	642 - 649	
COOLING/HEATING	650 - 655	
COOLING/HEATING	656 - 666	
BODY ELECTRICAL	667 - 740	
BODY AND CHASSIS	741 - 909	
INTERIOR TRIM	910 - 955	
SEATS	956 - 1036	
STOWAGE	1037 - 1046	
ACCESSORIES - PAINTS	1047 - 1074	
NUMERICAL INDEX	1076 - 1151	





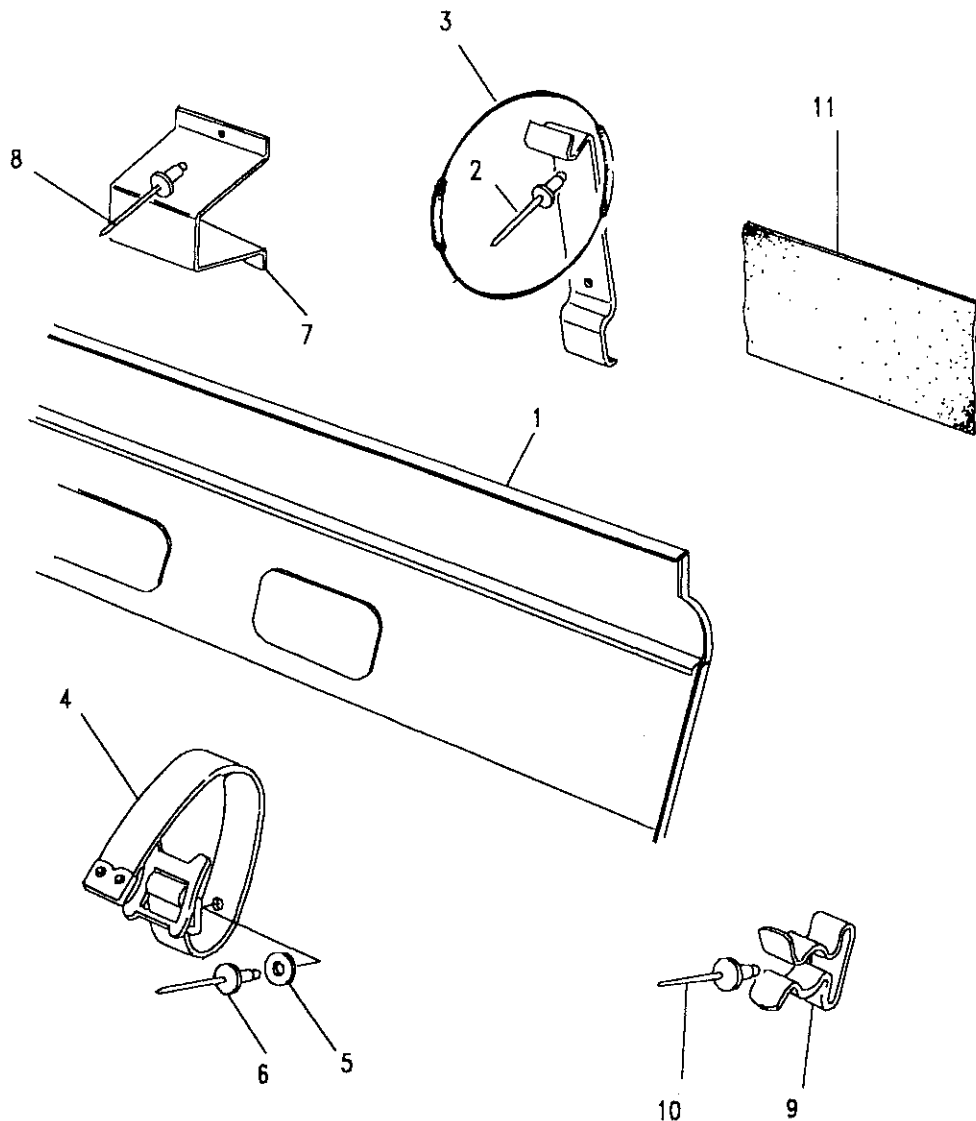
Model DEFENDER 110 1987 onwards

Page AFSXAA1A

STOWAGE - TOOL STOWAGE - PICK UP, TRUCK CAB AND H.C.P.U.

Ill. Part No.	Description	Qty	Remarks
1 MWC9313	Bracket tool roll	1)Note(1) & (2)
2 78248	Rivet	2)
3 371144	Ring retention	1)
MWC9313	Bracket jack base	1)Note(1)
78248	Rivet	2)
371144	Ring retention	1)
MWC9313	Bracket jack retention	1)Note(2)
78248	Rivet	2)
371144	Ring retention	1)
4 MTC1359	Strap jack retention	1)Note(1)
5 AFU1256	Washer	1)
6 78248	Rivet	1)
7 MWC2145	Bracket jack retention LH	1)Note(1)
MWC2146	Bracket jack Retention RH	1)
8 78248	Rivet	2)
9 90508035	Clip spring	4)Note(2)
10 78248	Rivet	4)
11 MTC7457	Pad anti rattle	A/R)Note(2))No longer)available

Note(1) Pick Up and Truck Cab
 Note(2) High Capacity Pick Up





DEFENDER 110 1987 onwards

1039

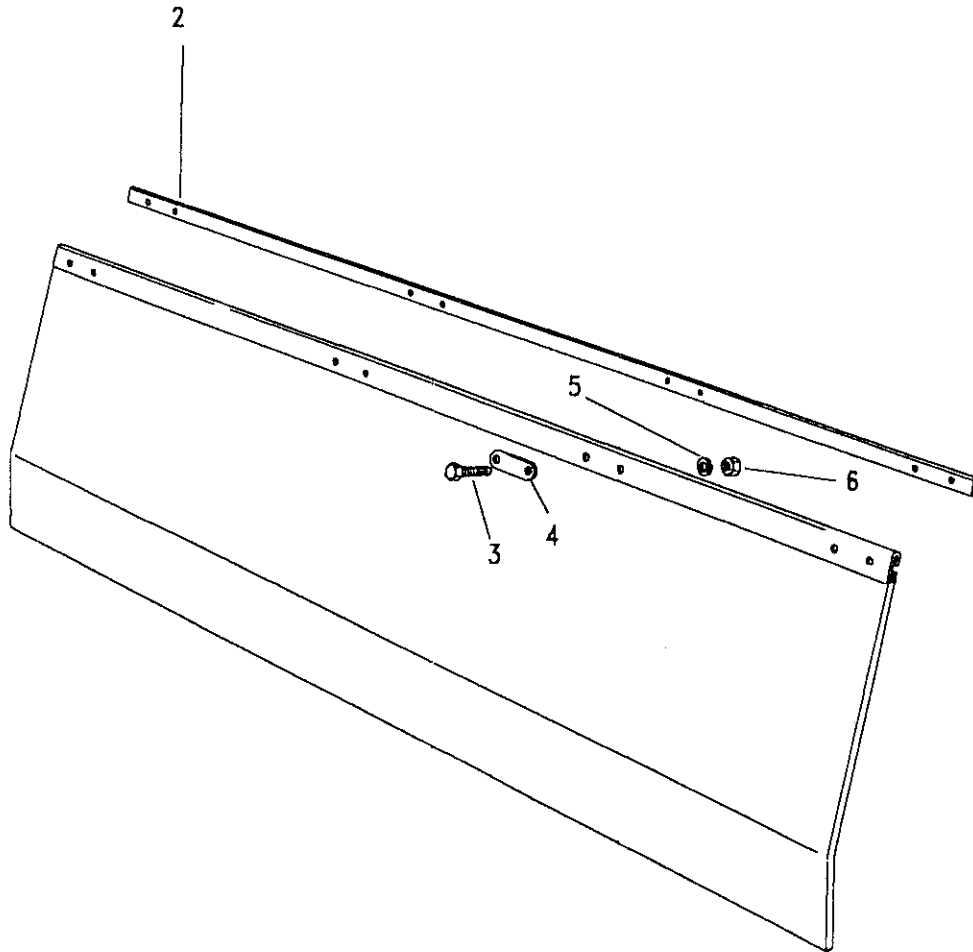
STOWAGE

Model DEFENDER 110 1987 onwards

Page AFSXAA2A

MISCELLANEOUS - TOOL CURTAIN - UPTO 1991MY

Ill. Part No.	Description	Qty	Remarks
Germany			
1	MTC3165	1	Tool curtain
2	MTC3166	1	Plate retaining
3	SH106251L	8	Screw
4	MTC4601	4	Washer plate
5	WL106001L	8	Washer spring
6	NH106041L	8	Nut

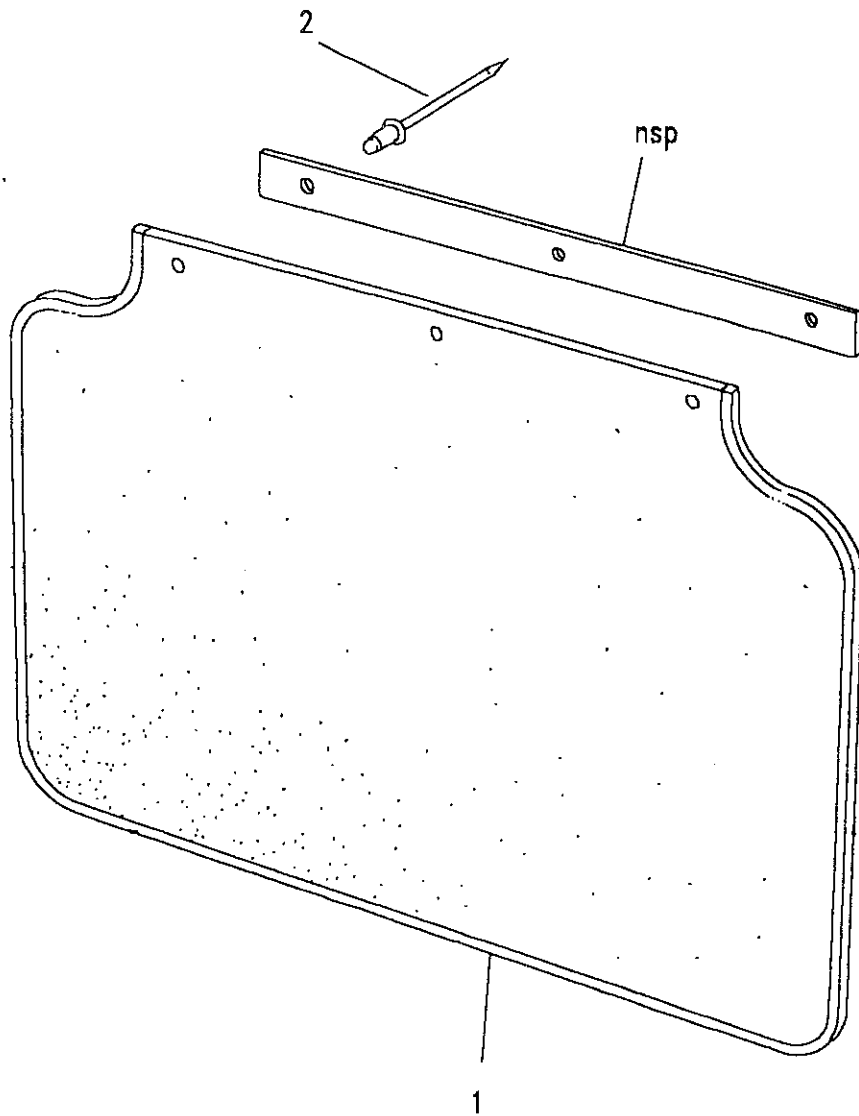




DEFENDER 110 1987 onwards

1040

STOWAGE



Model DEFENDER 110 1987 onwards
Page AFSXAA3A

MISCELLANEOUS - TOOL CURTAIN - 1991MY

Ill. Part No.	Description	Qty	Remarks
1 MXC6321	Tool curtain	1	
2 78248	Rivet	3	

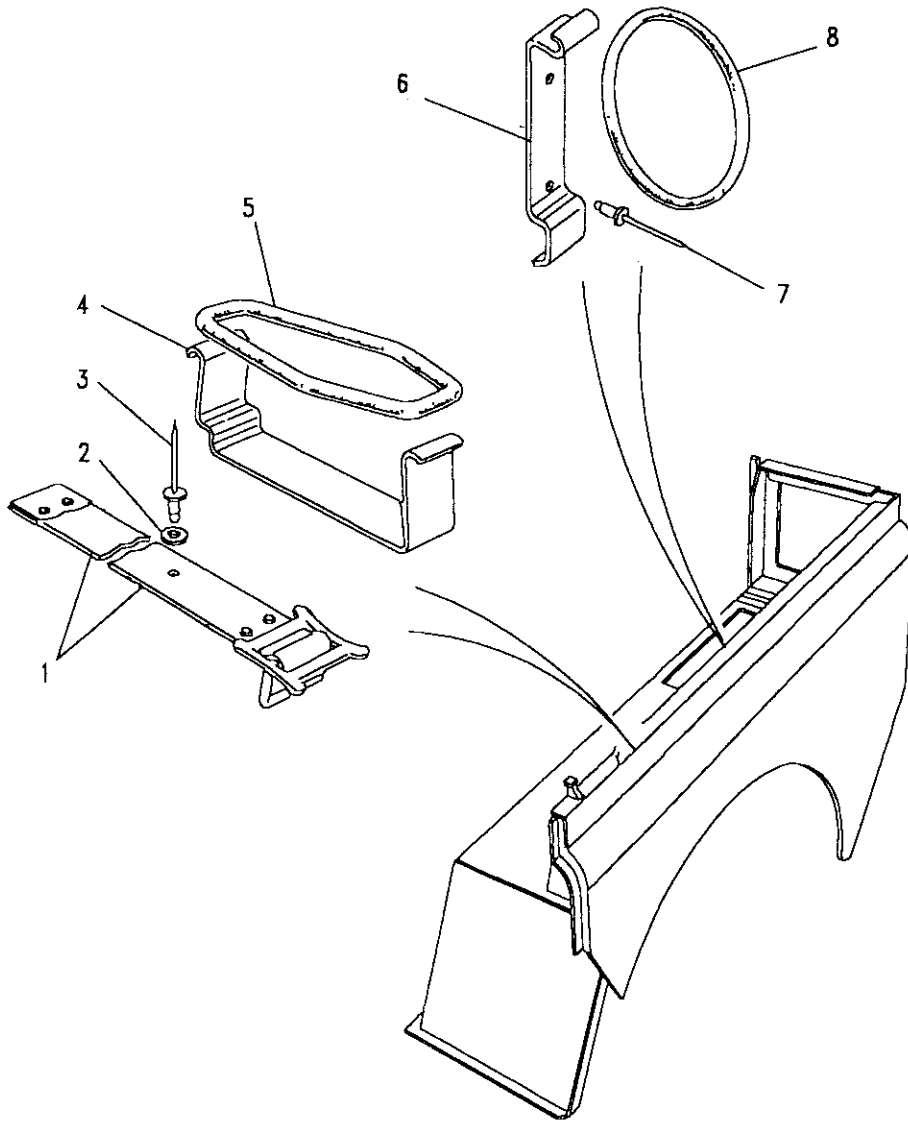




Model DEFENDER 110 1987 onwards
Page AFSXAA4A

MISCELLANEOUS - TOOL STOWAGE - STATION WAGON

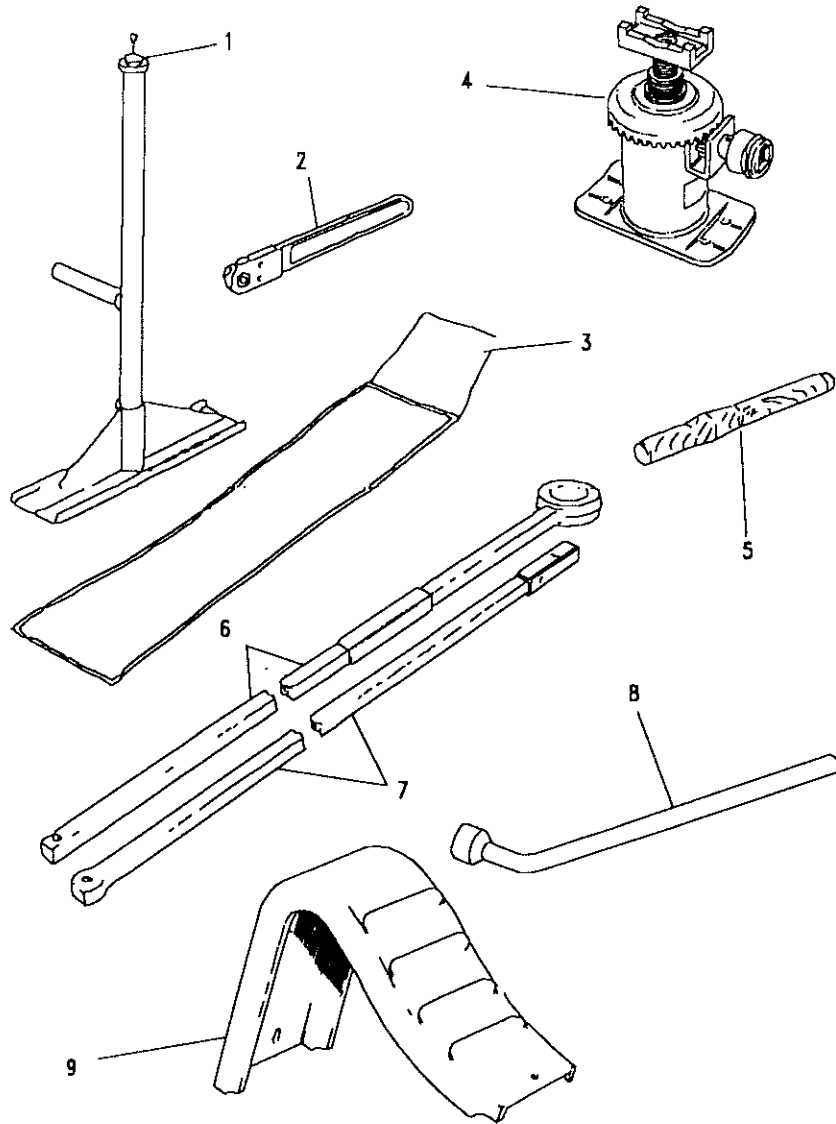
III. Part No.	Description	Qty	Remarks
1	MTC1359	2	Strap
2	78248	2	Rivet
3	AFU1256	2	Washer plain
4	MTC1357	1	Bracket
5	MTC1356	1	Ring retaining
6	MWC9313	2	Bracket
7	78248	4	Rivet
8	371144	2	Ring retaining





Model DEFENDER 110 1987 onwards
Page AFSXAC1A

MISCELLANEOUS - TOOLS



III. Part No.	Description	Qty	Remarks
1 NTC7955	Jack side lift	1	
2 NRC6481	Spanner ratchet	1	
3 NRC7455	Bag stowage	1	
4 NTC7956	Jack triple lift	1)
5 543301	Jack handle	1)H.C.P.U.
6 592514	Shaft jack	1)
7 592513	Shaft jack	1)
8 NTC7829	Wheelbrace	1	
9 NTC7937	Chock roadwheel	1	Up to MA941926
ANR3052	Chock roadwheel	1	From MA941927





DEFENDER 110 1987 onwards

1043

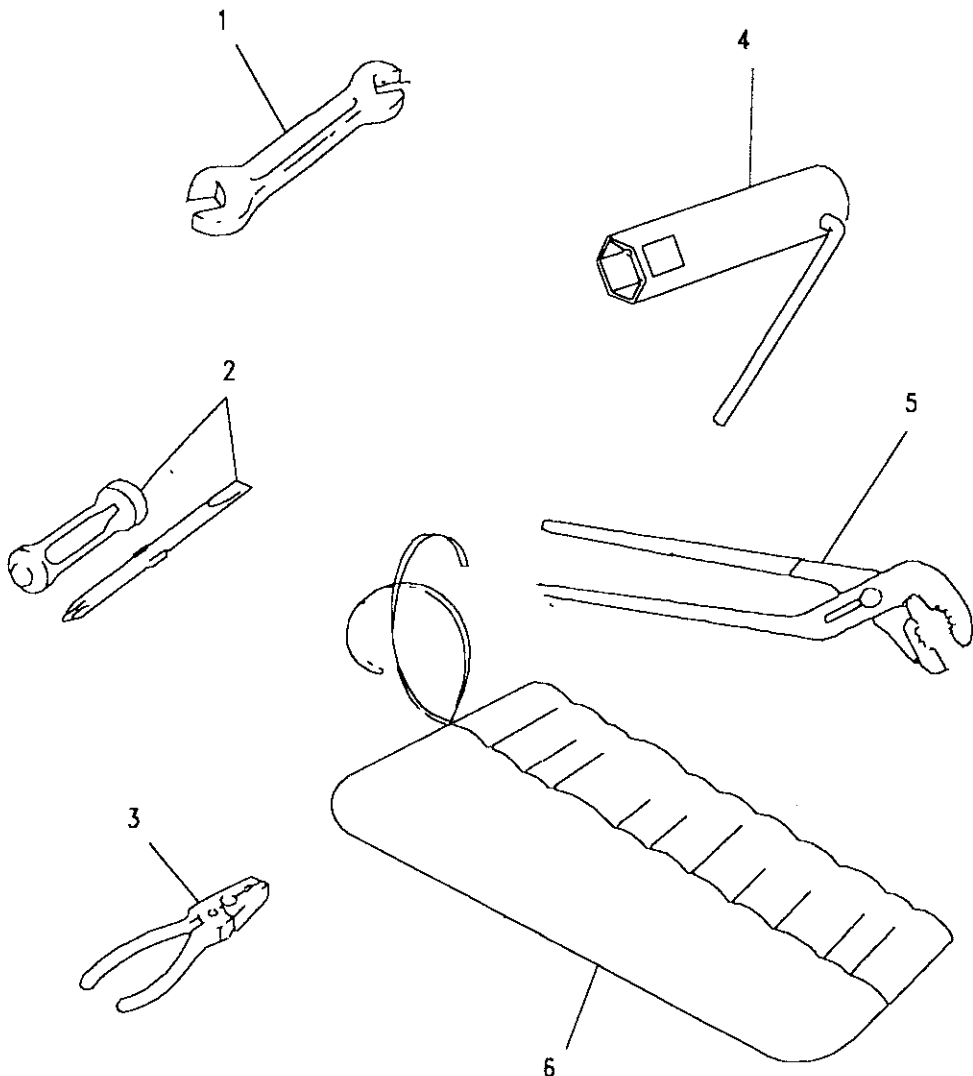
STOWAGE

Model DEFENDER 110 1987 onwards

Page AFSXAC2A

MISCELLANEOUS - TOOLS

Ill. Part No.	Description	Qty	Remarks
1 AFU1004	Spanner 6mm x 8mm	1	
276396	Spanner 7/16 x 1/2 AF	1	
2 NRC6993	Screwdriver	1	
3 AFU1024L	Pliers	1	
4 MUC4275	Box spanner	1	
5 MUC4291	Pliers adjustable	1	
6 219704	Roll tool	1	
562019	Gauge tyre pressure	1	

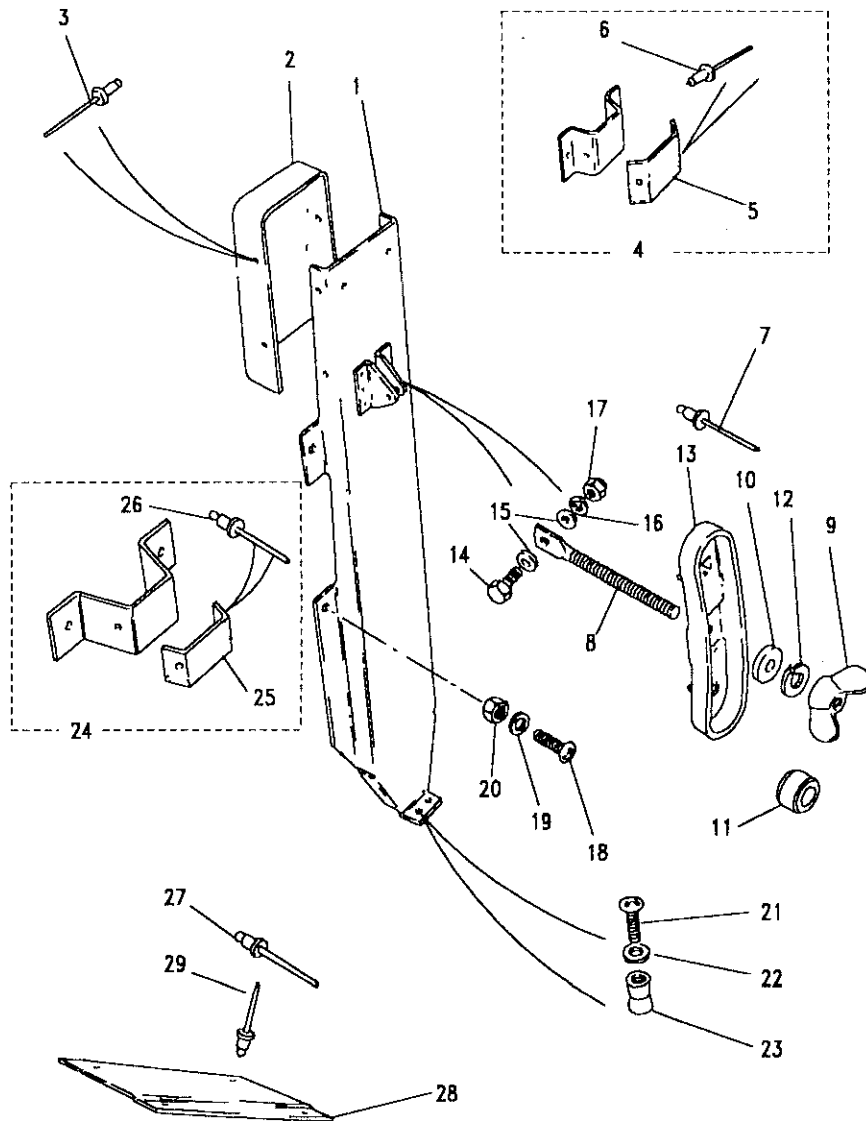




Model DEFENDER 110 1987 onwards

Page AFSXCA1A

STOWAGE - SPARE WHEEL STOWAGE INTERIOR



III. Part No.

Description

Qty Remarks

High Capacity Pick Up vehicles

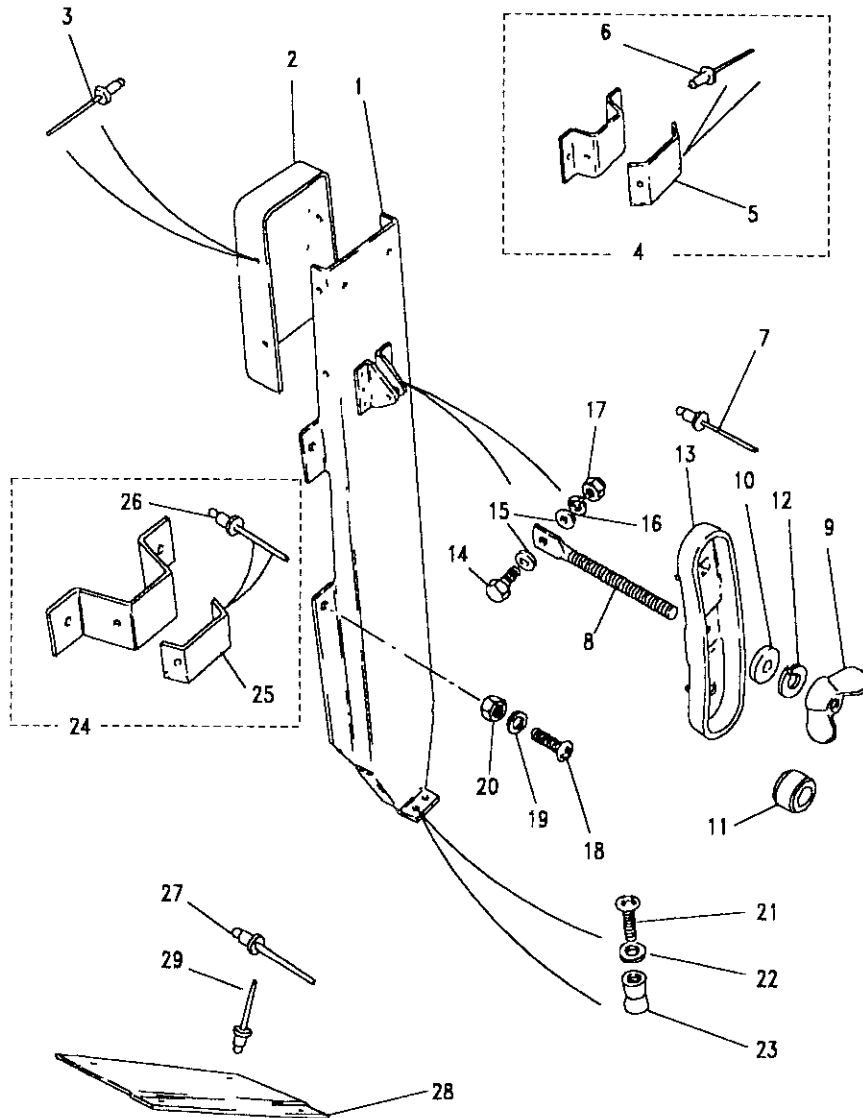
Part No.	Description	Qty	Remarks
1 MTC1584	Bracket spare wheel mntng	1	
2 MTC1416	Cover	1	
3 RA608177L	Rivet	4	
4 MTC1423	Bracket rubbing	1	
5 MTC1490	Rubbing strip	1	
6 RA612347L	Rivet	2	
7 RA608177L	Rivet	2	
8 302933	Tie bar 3/8" whit	1	Upto VIN FA450453
MXC5479	Tie Bar M16	1	From VIN FA450454
9 302934	Nut wing 3/8" whit	1	Upto VIN FA450453
90577473	Wheel nut M16	1	From VIN FA450454
10 3982L	Spacer	1	Upto VIN FA450453
11 MXC5480	Spacer	1	From VIN FA450454
12 WM600061L	Washer spring	1	Upto VIN FA450453
13 303847	Clamp	1	Upto VIN FA450453
MXC5477	Clamp	1	From VIN FA450454
14 BH604081	Bolt	1	Upto VIN FA450453
SH106251L	Screw	1	From VIN FA450454
15 3842	Washer plain	2	Upto VIN FA450453
WC106041L	Washer plain	2	From VIN FA450454
16 WS600041L	Washer spring	1	Upto VIN FA450453
17 NY604041L	Nut	1	Upto VIN FA450453
NY106041L	Nut	1	From VIN FA450454





Model DEFENDER 110 1987 onwards
Page AFSXCA1A

STOWAGE - SPARE WHEEL STOWAGE INTERIOR



iii. Part No.	Description	Qty	Remarks
High Capacity Pick Up vehicles			
18	SE106161L Screw	4	
19	WA106041L Washer plain	8	
20	NY106041L Nut	4	
21	SE106161L Screw	1	
22	WA106041L Washer plain	1	
23	MR106300 Rivnut	1	
24	332672 Bracket rubbing	2	Bodyside
25	332674 Rubbing strip	2	
26	78248 Rivet	4	
27	RU612503 Rivet	4	
28	MTC1592 Plate wearing	1	
29	RU612183 Rivet	4	





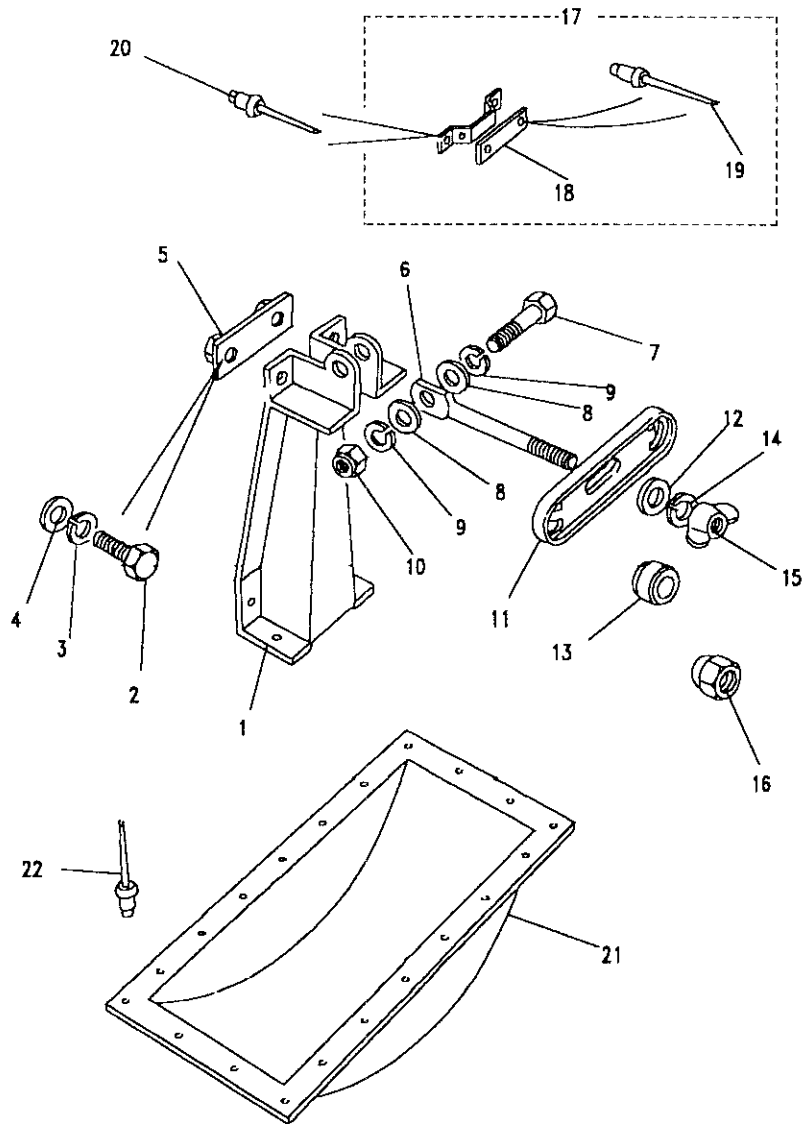
Model DEFENDER 110 1987 onwards
Page AFSXCA2A

STOWAGE - SPARE WHEEL STOWAGE INTERIOR

Ill. Part No. Description Qty Remarks

Non Station Wagon vehicles

Part No.	Description	Qty	Remarks
1	MRC4846	1	Bracket spare wheel
2	FS108201L	2	Bolt
3	WC108051L	2	Washer plain
4	WL108001L	2	Washer spring
5	MRC5757	1	Plate nut
6	347866	1	Tie Bar 3/8" UNF
	MXC5479	1	Tie Bar M16
7	FB106081L	1	Flange bolt
8	WC106041L	2	Washer plain
9	WS106001	2	Washer spring
10	NY106041L	1	Nut
11	303847	1	Clamp
	MXC5477	1	Clamp
12	AFU1265	1	Washer plain
13	MXC5480	1	Spacer
14	WL110001L	1	Washer spring
15	250053	1	Nut wing 3/8" UNF
16	90577473	1	Wheel Nut-M16
17	332672	2	Bracket rubbing strip
18	332674	2	Strip rubbing
19	78248	4	Rivet
20	78248	4	Rivet
21	330602	1	Housing spare wheel
22	78248	14	Rivet





MASTER INDEX

	PAGES
INTRODUCTION PAGES	1 - 7
ALPHABETICAL INDEX	8 - 16
ENGINE	17 - 66
ENGINE	67 - 119
ENGINE	120 - 166
ENGINE	167 - 209
ENGINE	210 - 245
ENGINE	246 - 299
GEARBOX	300 - 326
GEARBOX	327 - 344
GEARBOX	345 - 359
TRANSFER BOX	360 - 378
TRANSFER BOX	379 - 397
AXLES AND SUSPENSION	398 - 444
STEERING	445 - 471
VEHICLE AND ENGINE CONTROLS	472 - 486
BRAKES	487 - 517
FUEL SYSTEM AND AIR CLEANER	518 - 579
EXHAUST SYSTEM	580 - 593
COOLING/HEATING	594 - 637
COOLING/HEATING	638 - 641
COOLING/HEATING	642 - 649
COOLING/HEATING	650 - 655
COOLING/HEATING	656 - 666
BODY ELECTRICAL	667 - 740
BODY AND CHASSIS	741 - 909
INTERIOR TRIM	910 - 955
SEATS	956 - 1036
STOWAGE	1037 - 1046
ACCESSORIES - PAINTS	1047 - 1074
NUMERICAL INDEX	1076 - 1151

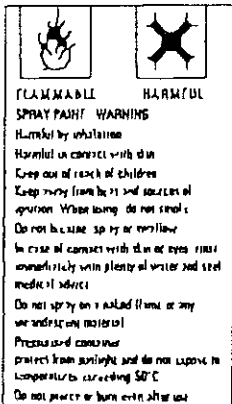
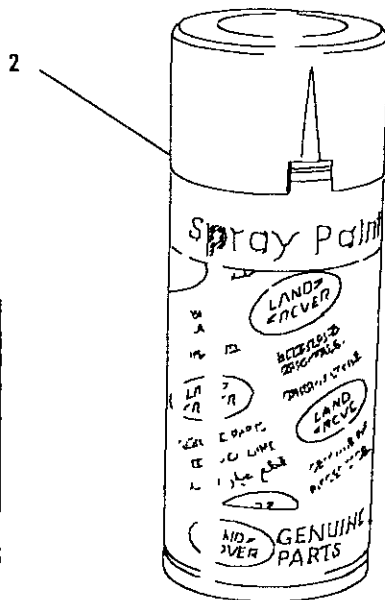
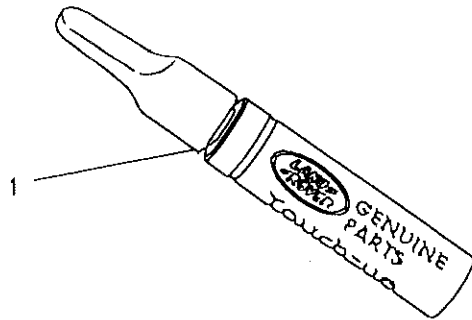
GROUP T

ACCESSORIES - PAINTS

ACCESSORIES - PAINTS

PAINT	1048 - 1049
TOWING BALL AND BRACKET	1050 - 1051
TOWING BALL AND BRACKET - H.C.P.U.	1052 - 1053
TOWING JAW	1054
TOWING HOOK	1055
TOWING PINTLE	1056
ROTATING TOWING PINTLE	1057
TRAILER SOCKET	1058 - 1060
CENTRE POWER TAKE OFF	1061 - 1062
LAMP GUARDS	1063
WHEELGUARDS - STANDARD PICK UP - TYPE A	1064
WHEELGUARDS - STANDARD PICK UP - TYPE B	1065
WHEELGUARDS - HCPU	1066
LUBRICANTS	1067
CAR CARE	1068
FIRE EXTINGUISHER	1069
SPARE WHEEL COVER	1070 - 1072
MUD FLAPS	1073 - 1074





Model DEFENDER 110 1987 onwards

Page AFTXAA1A

MISCELLANEOUS - PAINT

III. Part No.	Description	Qty	Remarks
---------------	-------------	-----	---------

TOUCH UP PENCIL

1	RTC4035T	Paint Venetian Red	1
	RTC4042T	Paint Bronze Green	1
	RTC4043T	Paint Marine Blue	1 NLS
	RTC4047T	Paint Trident Green	1 NLS
	RTC4049T	Paint Stratos Blue	1
	RTC4051T	Paint Arizona Tan	1
	RTC4054T	Paint Slate Grey	1
	RTC4058T	Paint Ivory	1
	RTC4055T	Paint White Primer	1 NLS
	RTC4056T	Paint Grey Primer	1 NLS
	RTC4057T	Paint Red Primer	1 NLS
	RTC5727T	Paint Shire Blue	1
	RTC5728T	Paint Arrow Red	1
	RTC5980T	Paint Arran Beige	1
	RTC5981T	Paint Eastnor Green	1
	RTC6401T	Paint Pacific Blue	1
	RTC6870T	Paint White	1
	RTC6869T	Paint Grey	1
	RTC5983T	Paint County Red	1
	RTC6634T	Paint County Green	1
	RTC5979T	Paint County Black	1
	STC1349T	Paint Montpelier Red	1
	STC1348T	Paint Coniston Green	1

Note(1)

NLS = No longer serviced

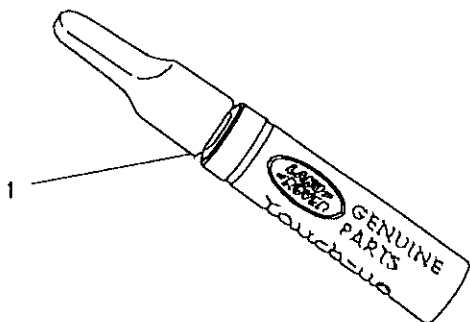




DEFENDER 110 1987 onwards

1049

ACCESSORIES - PAINTS



FLAMMABLE	HARMFUL
SPRAY PAINT WARNING	
Harmful by inhalation	
Harmful in contact with skin	
Keep out of reach of children	
Keep away from heat and sources of ignition. When using, do not smoke.	
Do not breathe spray or mist.	
In case of contact with skin or eyes, wash immediately with plenty of water and seek medical advice.	
Do not spray on a sealed flame or any inflammable material.	
Pressure canister	
Protect from sunlight and do not expose to temperatures exceeding 50°C	
Do not pierce or burn even after use.	

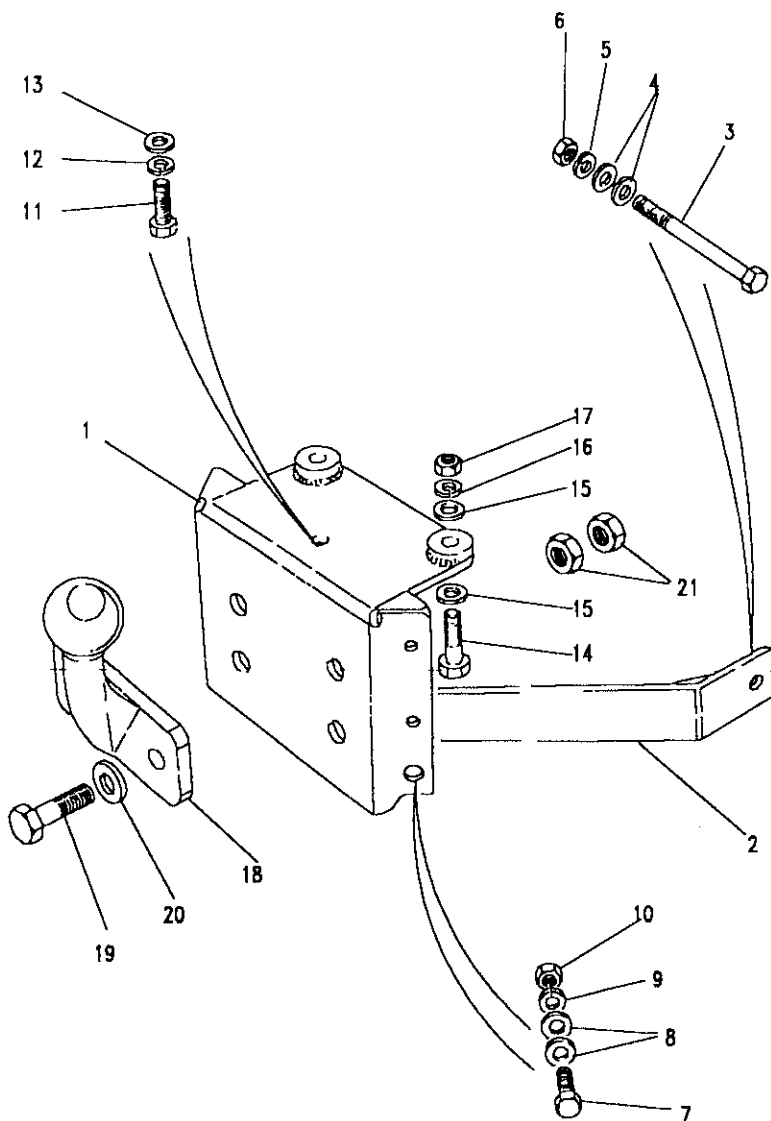
Model DEFENDER 110 1987 onwards

Page AFTXAA1A

MISCELLANEOUS - PAINT

III. Part No.	Description	Qty	Remarks
AEROSOL			
2	RTC4035A	1	Paint Venetian Red
	RTC4042A	1	Paint Bronze Green
	RTC4043A	1	Paint Marine Blue
	RTC4047A	1	Paint Trident Green
	RTC4049A	1	Paint Stratos Blue
	RTC4051A	1	Paint Arizona Tan
	RTC4054A	1	Paint Slate Grey
	RTC4058A	1	Paint Ivory
	RTC4055A	1	Paint White Primer
	RTC4056A	1	Paint Grey Primer
	RTC4057A	1	Paint Red Primer
	RTC5727A	1	Paint Shire Blue
	RTC5728A	1	Paint Arrow Red
	RTC5980A	1	Paint Arran Beige
	RTC5981A	1	Paint Eastnor Green
	RTC6401A	1	Paint Pacific Blue
	RTC6870A	1	Paint White
	RTC6869A	1	Paint Grey
	RTC5983A	1	Paint County Red
	RTC6634A	1	Paint County Green
	RTC5979A	1	Paint County Black
	STC1349A	1	Paint Montpellier Red
	STC1348A	1	Paint Coniston Green





Model DEFENDER 110 1987 onwards
Page AFTXCA1A

OPTIONAL EQUIPMENT - TOWING BALL AND BRACKET

III. Part No.	Description	Qty	Remarks
1	NRC8208	1	Bracket towing jaw
2	NRC8210	1	Tie bar RH
	NRC8211	1	Tie bar LH
Fixings - Tie bar to chassis sidemember			
3	BH110201L	2	Bolt
4	WA110061L	4	Washer plain
5	WL110001	2	Washer spring
6	NY110041L	2	Nut
Fixings - Tie bar to bracket			
7	SH110301	2	Screw
8	WA110061L	4	Washer plain
9	WL110001	2	Washer spring
10	NY110041L	2	Nut
Fixings - Bracket to rear crossmember			
11	SH110251L	1	Screw
12	WL110001	1	Washer spring
13	WA110061L	1	Washer plain
14	BH110081L	2	Bolt
15	WA110061L	4	Washer plain
16	WL110001	2	Washer spring
17	NY110041L	2	Nut
18	RTC8891	1	Ball towing 50mm
			Option

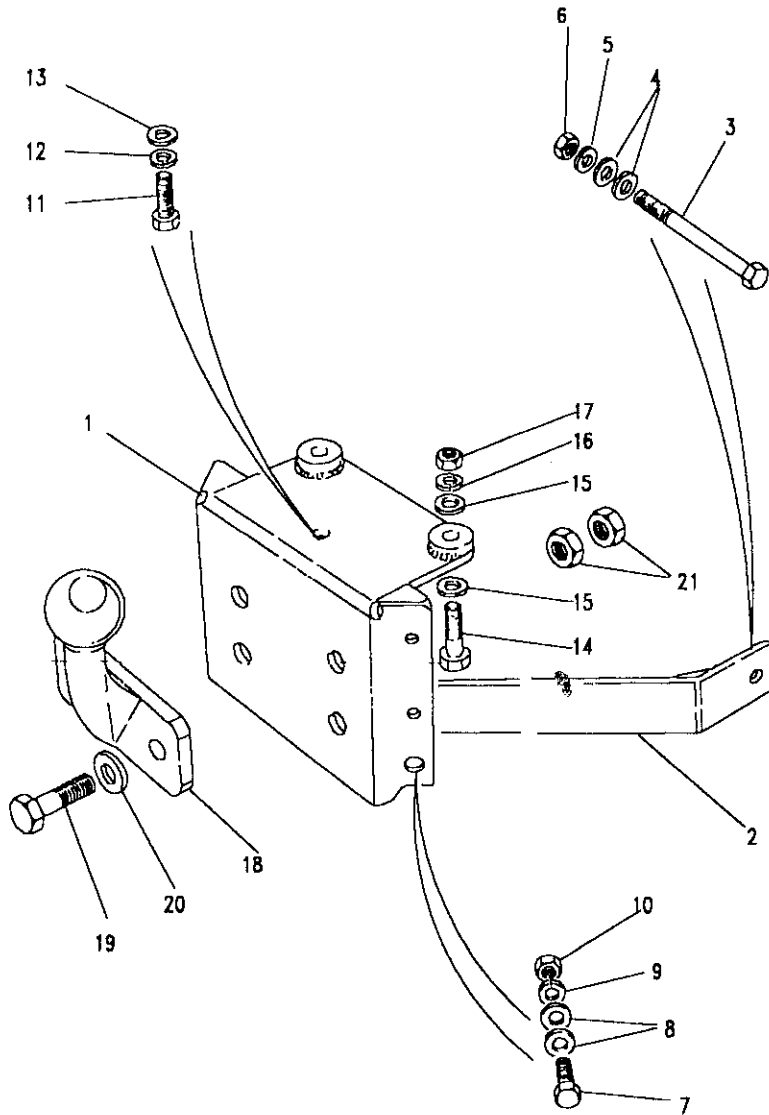


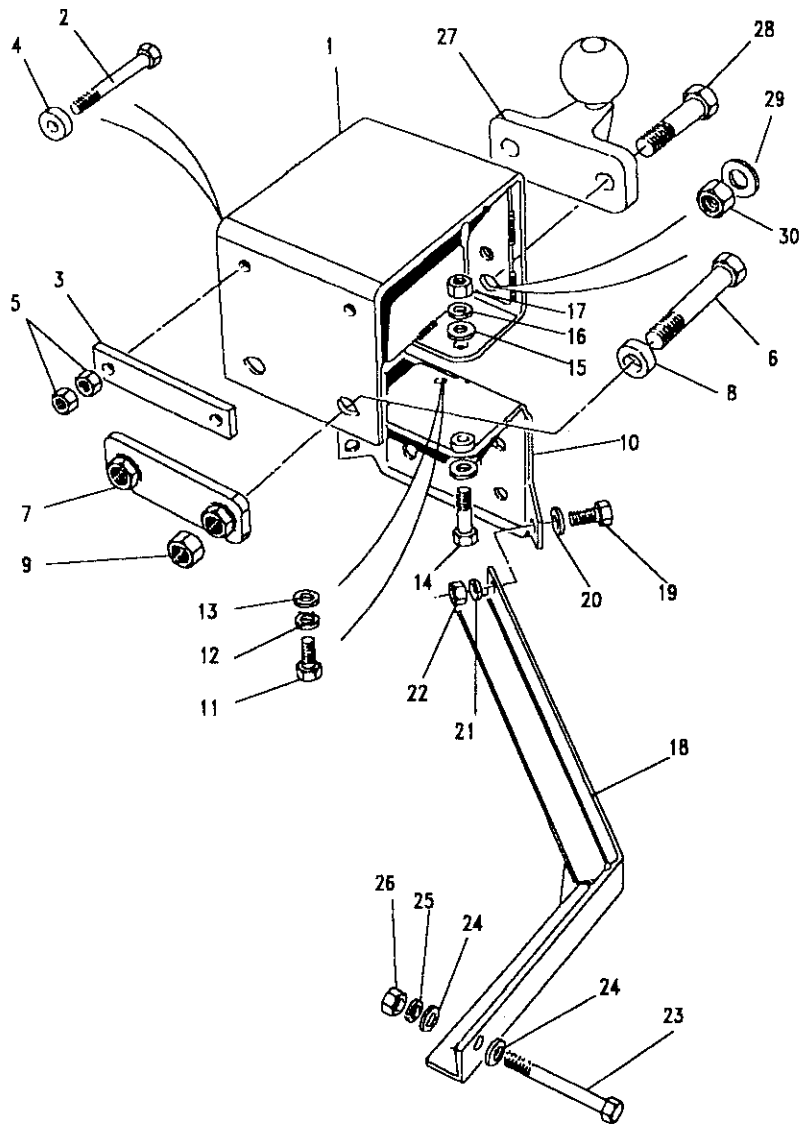


Model DEFENDER 110 1987 onwards
Page AFTXCA1A

OPTIONAL EQUIPMENT - TOWING BALL AND BRACKET

III. Part No.	Description	Qty	Remarks
Fixings - Towing ball to attachment bracket			
19	BH116121L Bolt	2	
20	RTC625 Washer	2	
21	NY116041L Nut	4	





Model DEFENDER 110 1987 onwards

Page AFTXCA2A

OPTIONAL EQUIPMENT - TOWING BALL AND BRACKET - H.C.P.U.

III. Part No. Description Qty Remarks

1 NRC7758 Extension towing bracket 1

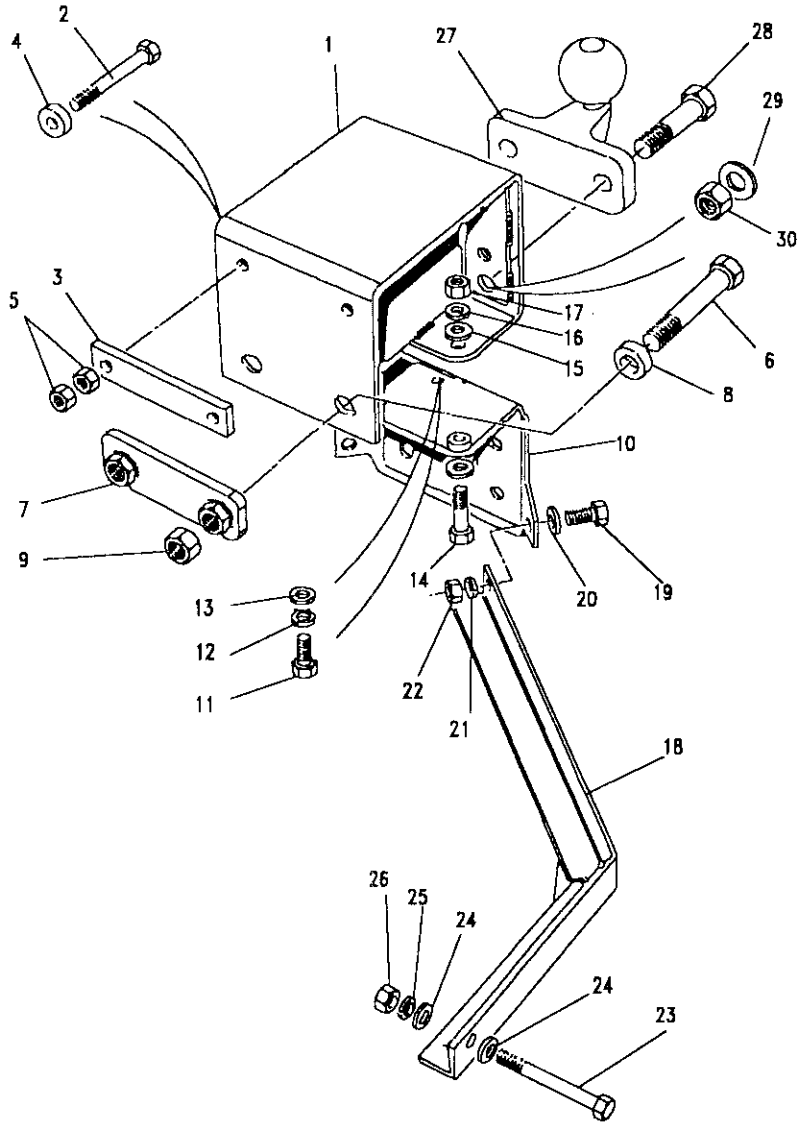
Fixings - Extension to rear crossmembers

2	BH110181L	Bolt upper fixing	2	
3		Plate	1	NLA
4	NRC6324	Spacer	2	
5	NY110041L	Nut	2	
6	BH116201	Bolt lower fixing	2	
7	NRC6636	Nut Plate	1	
8	4233	Washer	2	
9	NY116041L	Nut	2	
10	NRC8208	Bracket towing jaw	1	

Fixings - Bracket to extension assembly

11	SH110301	Screw	1	
12	WL110001	Washer spring	1	
13	WA110001L	Washer plain	1	
14	BX110071L	Bolt	2	
15	WA110001L	Washer plain	4	
16	WL110001	Washer spring	2	
17	NY110041L	Nut	2	
18	NRC8229	Tie bar LH	1	
	NRC8230	Tie bar RH	1	





Model DEFENDER 110 1987 onwards
Page AFTXCA2A

OPTIONAL EQUIPMENT - TOWING BALL AND BRACKET - H.C.P.U.

III. Part No.	Description	Qty	Remarks
Fixings - Tie bar to bracket			
19	SH110301 Screw	2	
20	WA110001L Washer plain	4	
21	WL110001 Washer spring	2	
22	NY110041L Nut	2	
Fixings - Tie bar to chassis			
23	BH110201L Bolt	2	
24	WA110001L Washer plain	4	
25	WL110001 Washer spring	2	
26	NY110041L Nut	2	
27	RTC8891 Ball towing 50mm	1	
28	BH116101 Bolt	2	
29	RTC625 Washer	2	
30	NY116041L Nut	2	
	RTC9580A Tow bar adjustable	1	HCPU
	RTC9581 Pin & clip	1	

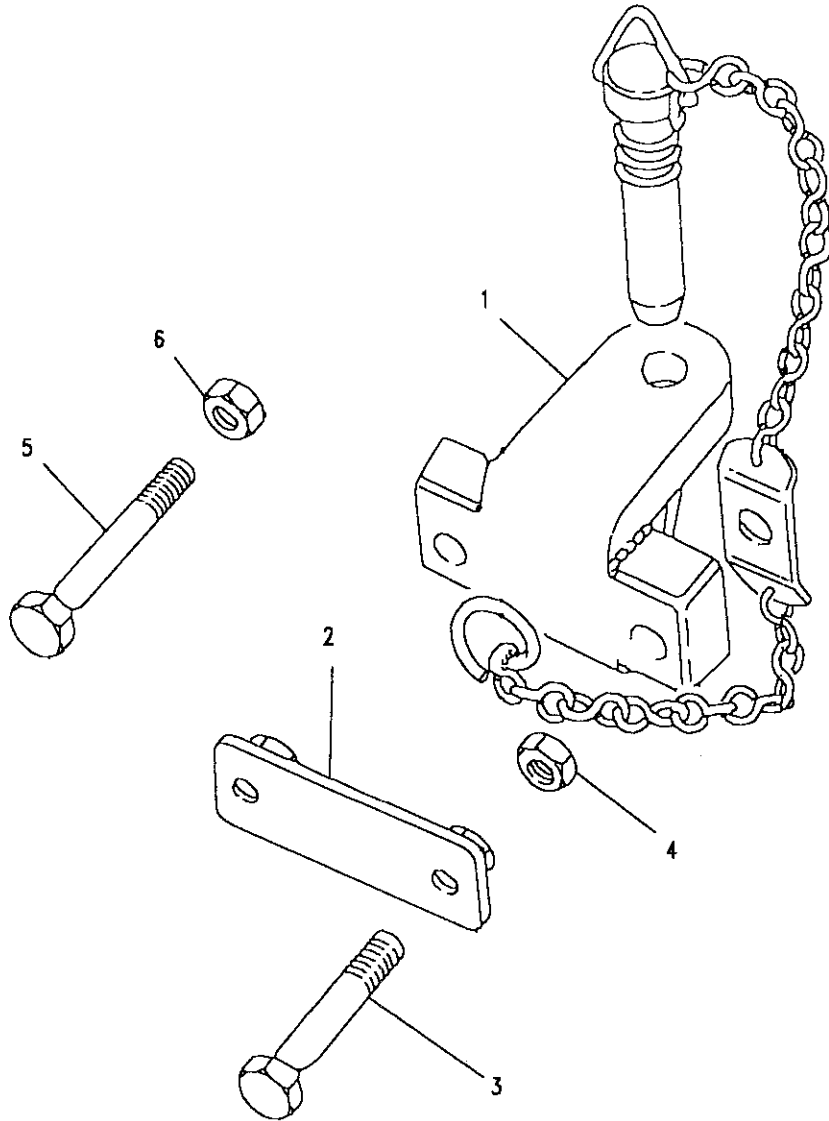




Model DEFENDER 110 1987 onwards
Page AFTXCC1A

OPTIONAL EQUIPMENT - TOWING JAW

III. Part No.	Description	Qty	Remarks
1 559636	Jaw towing	1	
Fixings - Towing jaw to rear crossmember			
2 562756	Distance piece	1	
3 BH116261	Bolt	2	
4 NY116041L	Nut	2	
Fixings - Towing jaw to bracket			
5 BH116161L	Bolt	2	
6 NY116041L	Nut	4	





DEFENDER 110 1987 onwards

1055

ACCESSORIES - PAINTS

Model DEFENDER 110 1987 onwards

Page AFTXCE1A

OPTIONAL EQUIPMENT - TOWING HOOK

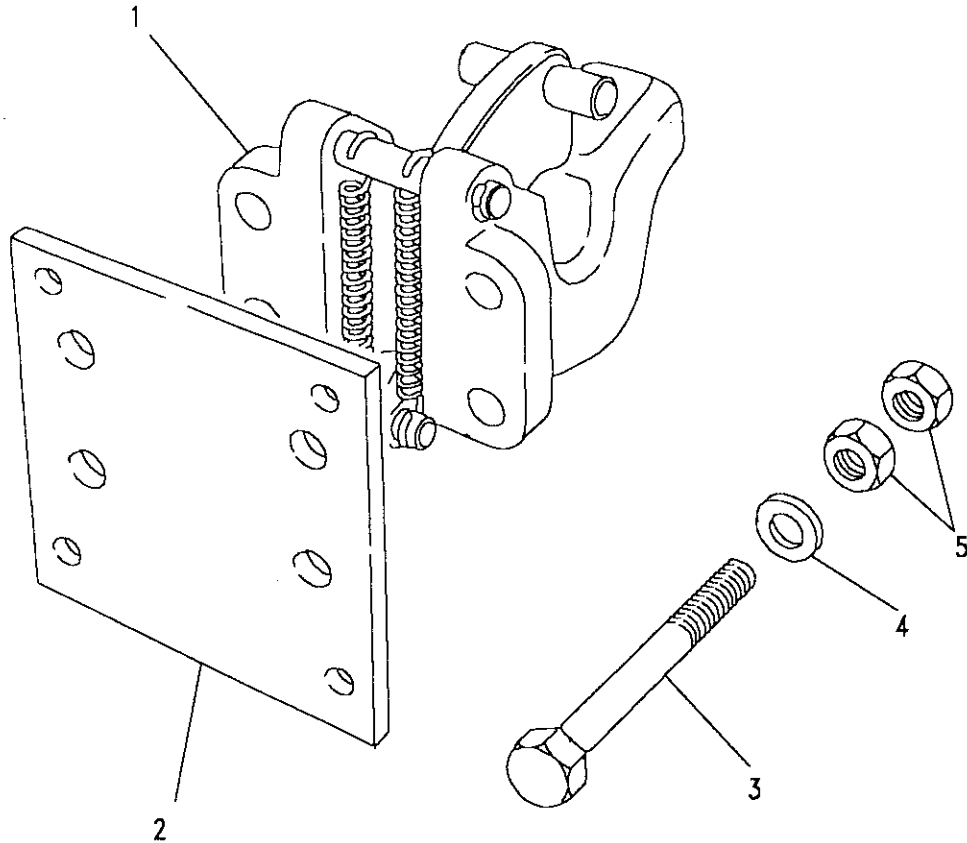
III. Part No.	Description	Qty	Remarks
1 246109	Hook towing	1	No longer available
2 NRC8323	Stiffener	1	

Fixings - Towing hook to crossmember

3 BH112201L	Bolt	4
4 WA112081L	Washer	4
5 NH112041L	Nut	8

Fixings - Towing hook to drop plate

BH112101L	Bolt	4
NH112041L	Nut	8



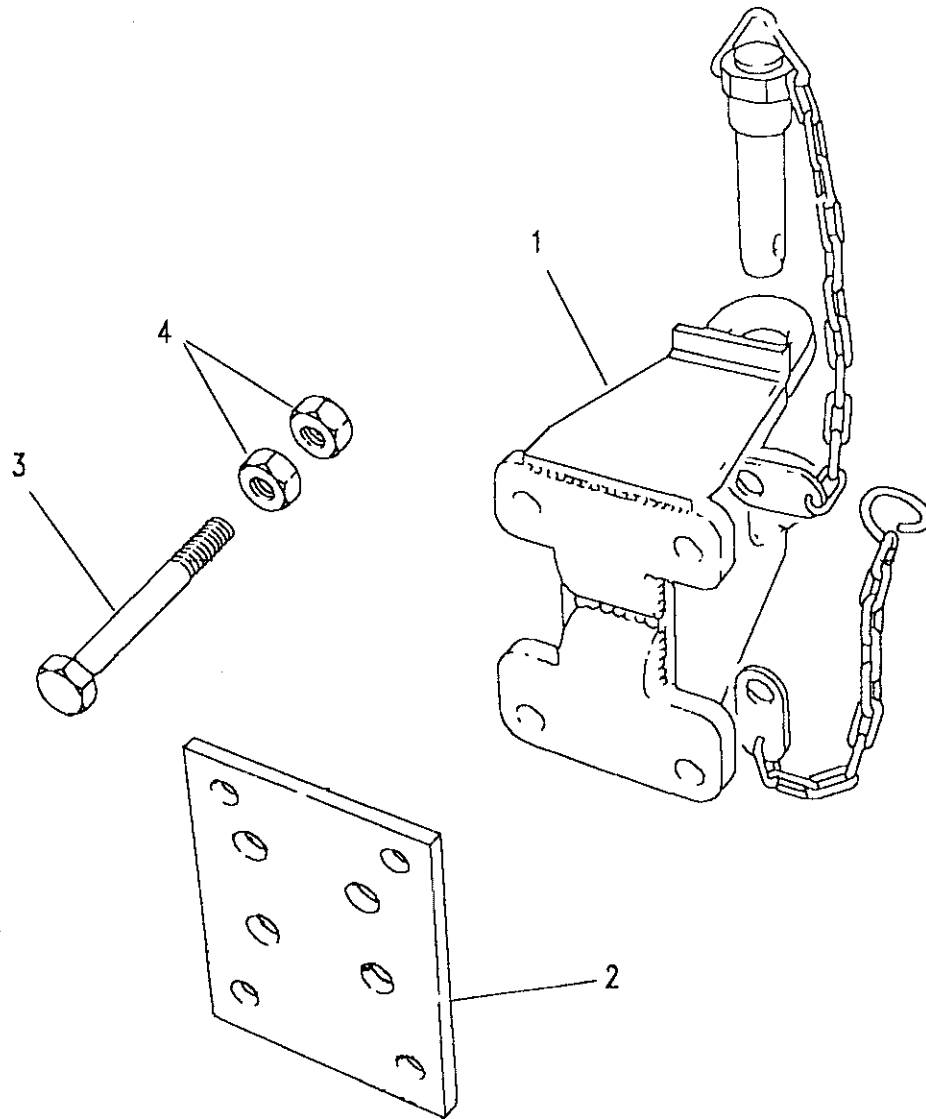


Model DEFENDER 110 1987 onwards

Page AFTXC11A

OPTIONAL EQUIPMENT - TOWING PINTLE

Ill. Part No.	Description	Qty	Remarks
1	535068	1	Pintle towing
2	NRC8323	1	Stiffener
Fixings - Pintle to crossmember			
3	BH110181L	4	Bolt
4	NH110041L	8	Nut
Fixings - Pintle to drop plate			
	BH110081L	4	Bolt
	NH110041L	8	Nut





DEFENDER 110 1987 onwards

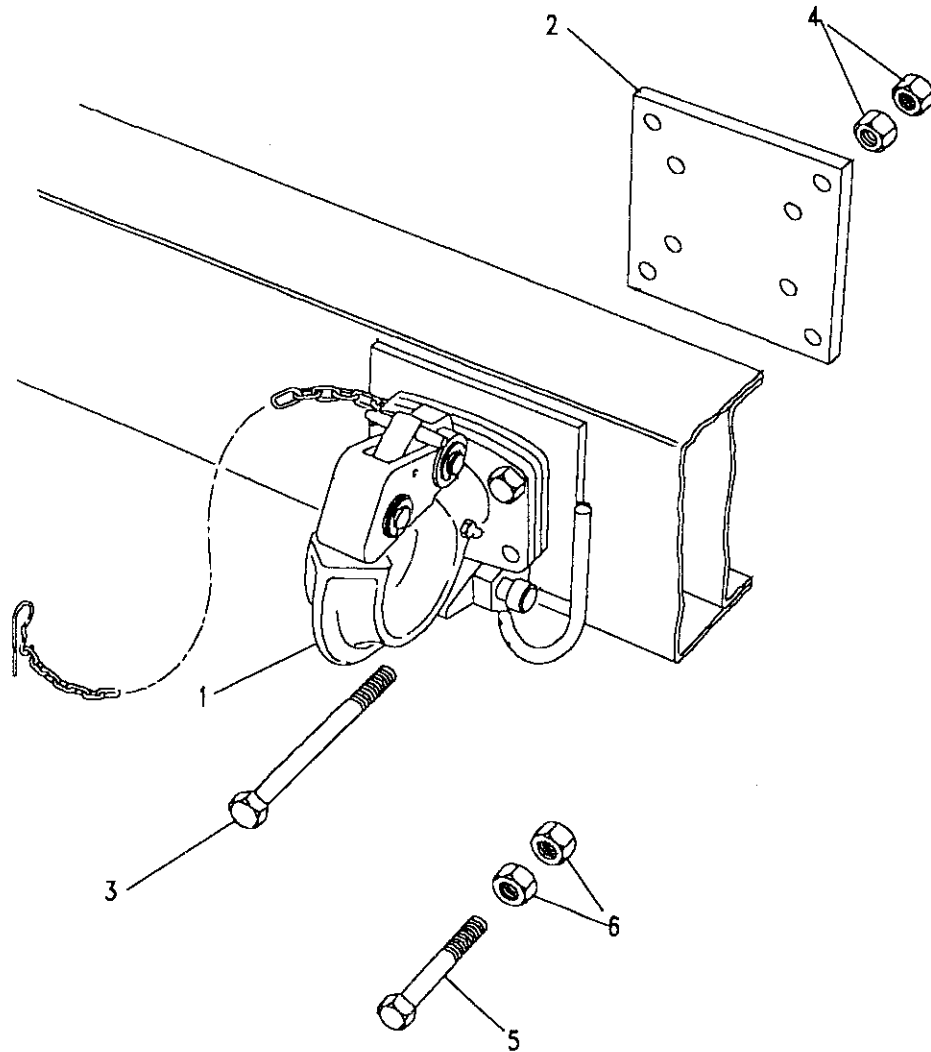
1057

ACCESSORIES - PAINTS

Model DEFENDER 110 1987 onwards
Page AFTXCI2A

OPTIONAL EQUIPMENT - ROTATING TOWING PINTLE

Ill. Part No.	Description	Qty	Remarks
1	NRC2051	1	Pintle towing rotating
2	NRC8323	1	Stiffener
Fixings - Pintle to crossmember			
3	BH112241L	4	Bolt
4	NH112041L	8	Nut
Fixings - Pintle to drop plate			
5	BH112141L	4	Bolt
6	NH112041L	8	Nut





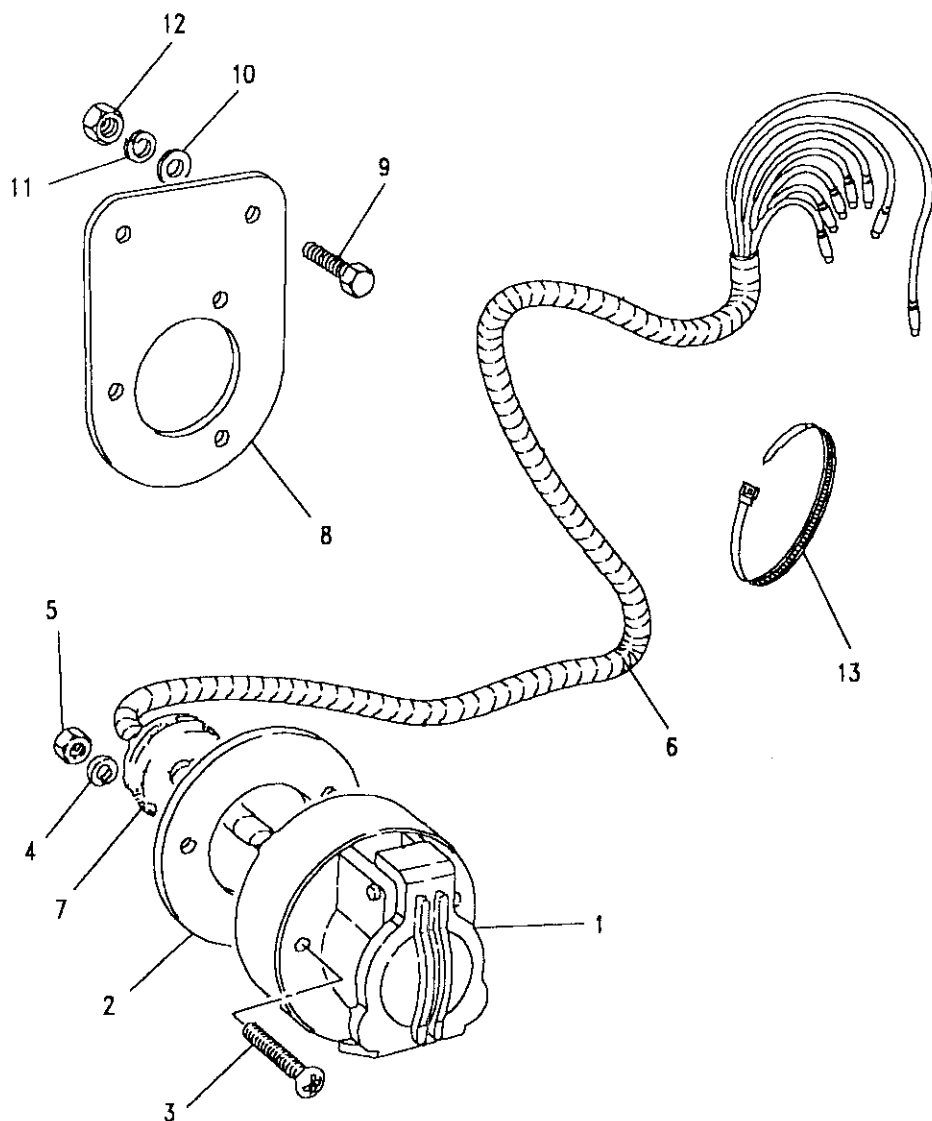
Model DEFENDER 110 1987 onwards

Page AFTXCK1A

OPTIONAL EQUIPMENT - TRAILER SOCKET

III. Part No.	Description	Qty	Remarks
Except Switzerland			
1	579409	1	7 pin
	RTC3729	1	Socket trailer Additional Note(2)
2	560553	1	Seal Note(1)
	PRC4540	2	Seal Note(2)
3	SE105351	6	Screw
4	WL105001	6	Washer spring
5	NH105041	6	Nut
UK and Europe.			
6	PRC2403	1	Cable assembly Note(1)
	PRC3543	1	Cable assembly Note(1) (3)
	PRC5357	1	Cable assembly Note(2)
	PRC5874	1	Cable assembly Note(2) (3)
Rest of World.			
6	PRC4209	1	Cable assembly Note(1)
	PRC3542	1	Cable assembly Note(1) (3)
	PRC5356	1	Cable assembly Note(2)
	PRC6167	1	Cable assembly Note(2) (3)

Note(1) Upto VIN 283346
 Note(2) From VIN 283347
 Note(3) H.C.P.U.

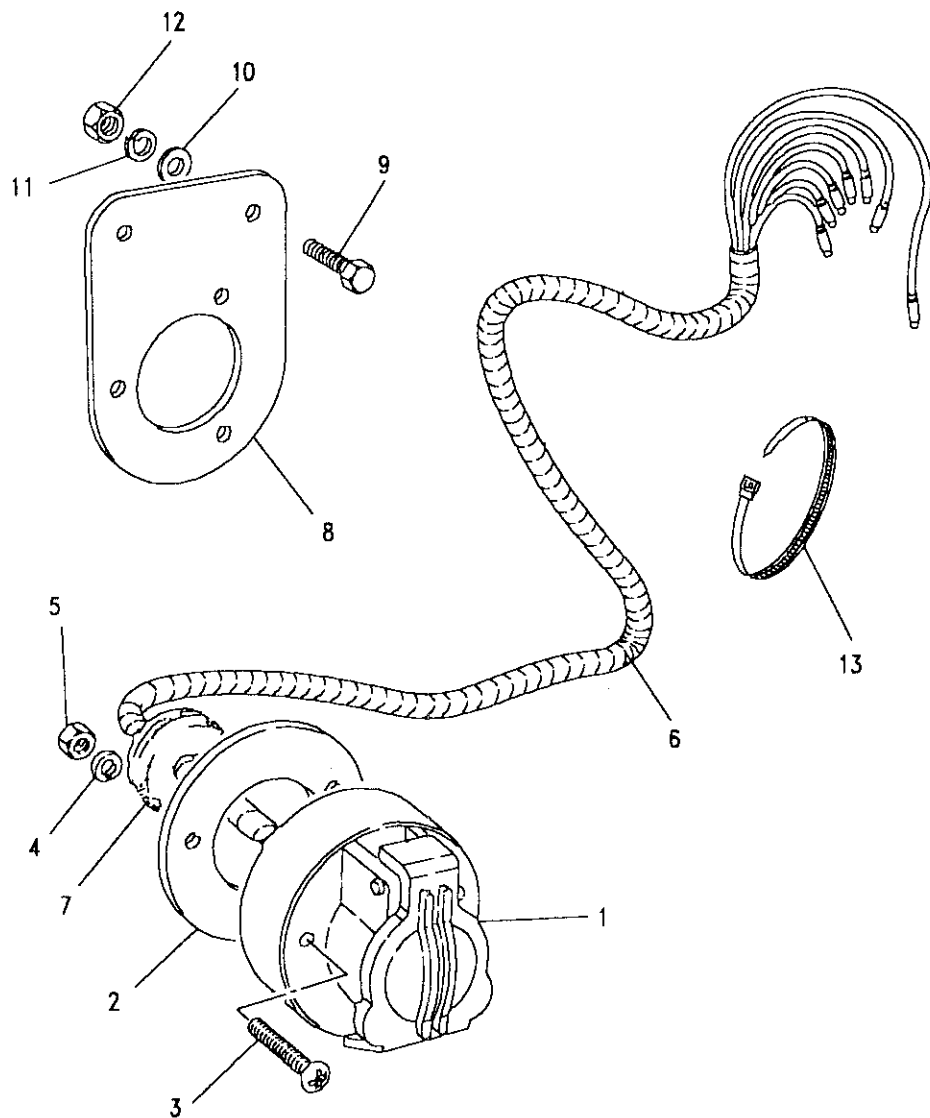


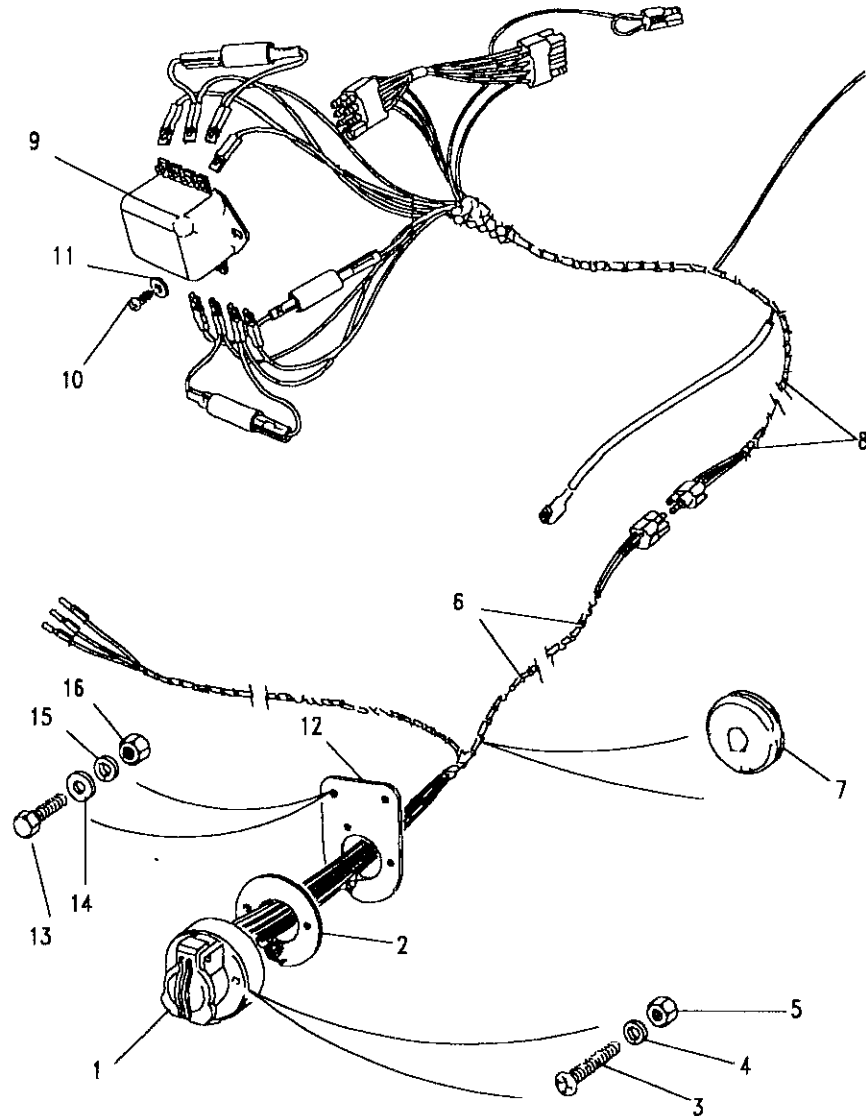


Model DEFENDER 110 1987 onwards
Page AFTXCK1A

OPTIONAL EQUIPMENT - TRAILER SOCKET

III. Part No.	Description	Qty	Remarks
7	PRC2439	1	Grommet
8	NRC8048	2	Bracket
9	SH106251	4	Screw
10	WA106041L	4	Washer plain
11	WL106001	4	Washer lock
12	NH106041L	4	Nut
13	UKC6684L	2	Tie cable





Model DEFENDER 110 1987 onwards
Page AFTXCK2A

OPTIONAL EQUIPMENT - TRAILER SOCKET

Ill. Part No.	Description	Qty	Remarks
Switzerland			
1	579409	1	7 pin
	RTC3729	1	Additional Note(2)
2	560553	1	Note(1)
	PRC4540	2	Note(2)
3	SE105351	6	
4	WL105001	6	
5	NH105041	6	
6	PRC4127	1	Note(1)
	PRC4152	1	Note(1) (3)
	PRC5883	1	Note(2)
7	PRC2439	1	
8	PRC4151	1	
9	STC1956	1	
10	AB608031	2	
11	WA105001	2	
12	NRC8048	2	
13	SH106251	4	
14	WA106041L	4	
15	WL106001	4	
16	NH106041L	4	

Note(1) Upto VIN 283346
 Note(2) From VIN 283347
 Note(3) H.C.P.U. only.

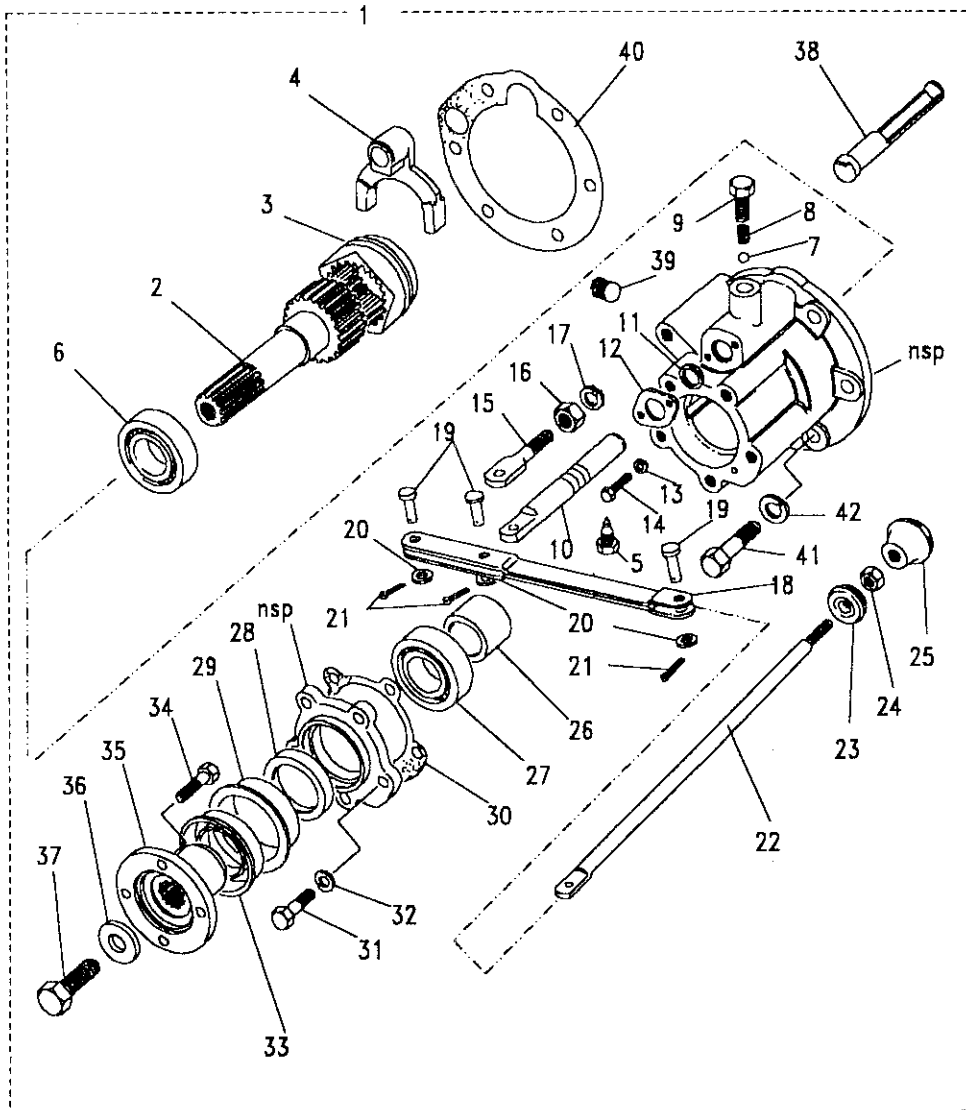


Model DEFENDER 110 1987 onwards

Page AFTXGA1A

OPTIONAL EQUIPMENT - CENTRE POWER TAKE OFF

Ill. Part No.	Description	Qty	Remarks
1	FTC988	1	4 Cylinder
	FRC8541	1	V8 5 speed
2	FRC5376	1	Shaft output
3	FRC5381	1	Dog
4	FRC5379	1	Fork selector
5	FRC7018	1	Screw retaining
6	217325	1	Bearing
7	1643	1	Ball detent
8	NRC255	1	Spring detent
9	SH112201	1	Screw detent
10	FRC5380	1	Shaft selector
11	FRC3477	1	O ring
12	FRC5388	1	Plate
13	WL106001L	2	Washer spring
14	SH106141L	2	Screw
15	576303	1	Pin pivot
16	NH110041L	1	Locknut
17	WM600071	1	Spring
18	FRC5383	1	Lever operating
19	PC106291	3	Pin clevis
20	WA106041L	3	Washer
21	PS103121	3	Pin split

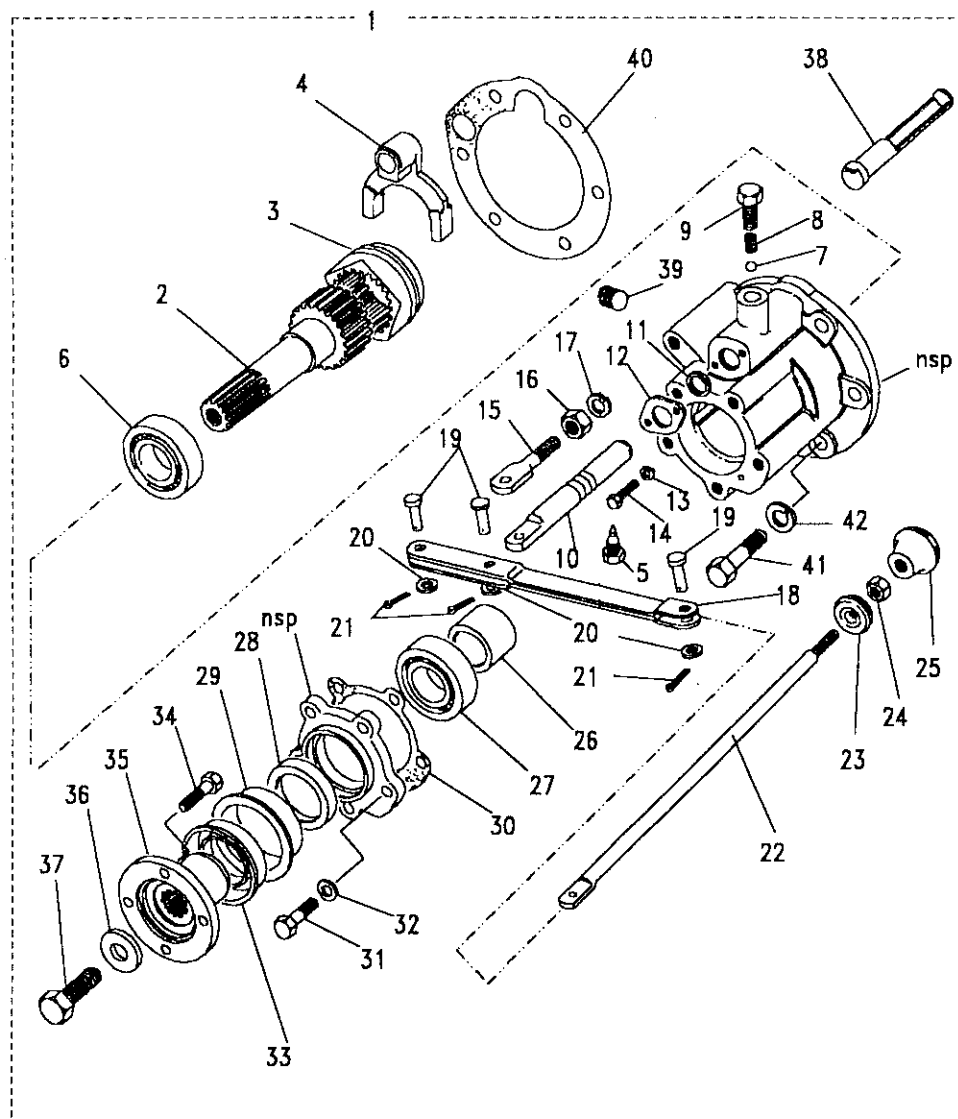


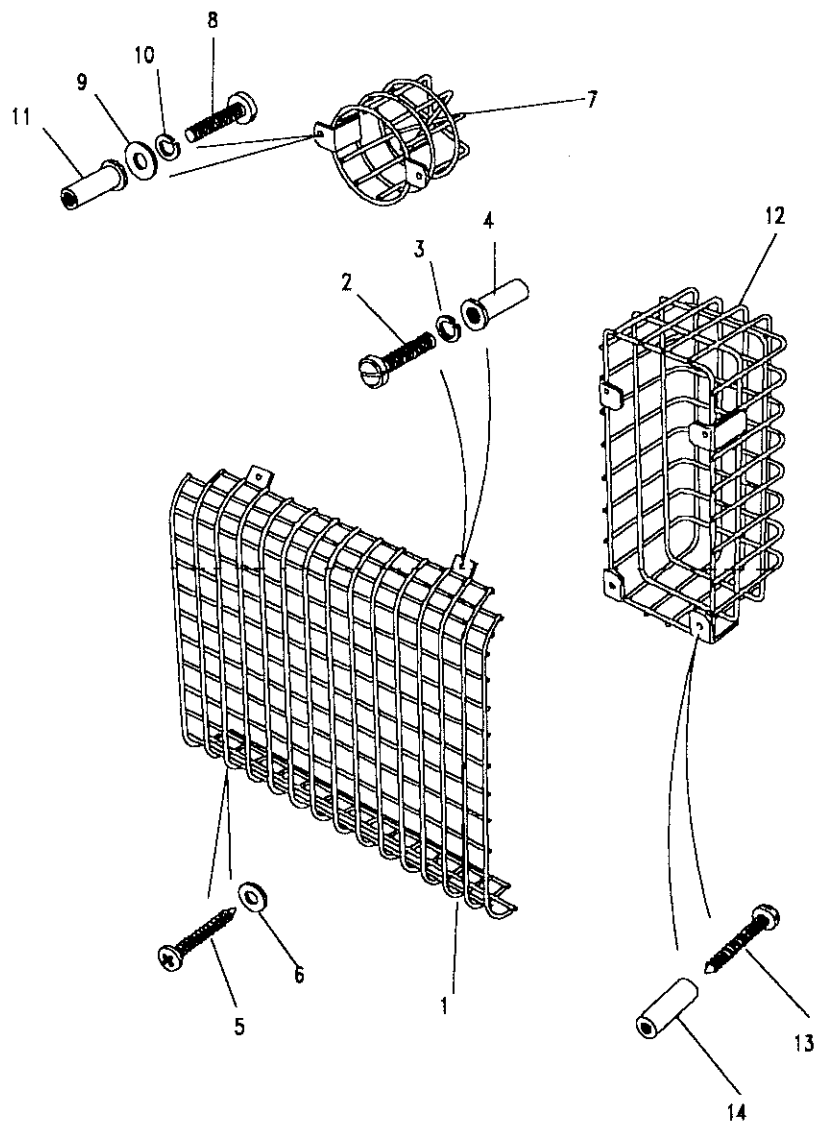
Model DEFENDER 110 1987 onwards

Page AFTXGA1A

OPTIONAL EQUIPMENT - CENTRE POWER TAKE OFF

III. Part No.	Description	Qty	Remarks
22 FRC5391	Rod operating	1	4 Cylinder
FRC8538	Rod operating	1	V8 5 speed
23 508571	Grommet	1	
24 NT110041L	Locknut	1	
25 FRC3470	Knob	1	
26 FRC5385	Spacer	1	
27 STC1130	Bearing	1	
28 FRC5387	Seal oil	1	
29 236548	Mudguard	1	
30 FRC5386	Gasket	1	
31 FS108251L	Screw	5	
32 WL108001L	Washer spring	5	
33 236074	Mudshield	1	
34 509045P	Bolt	4	
35 FRC5378	Flange	1	
36 571174	Washer	1	
37 SH116301	Screw	1	
38 FRC6933	Catcher oil	1	
39 SK110101	Grubscrew	1	No longer available
40 FRC5389	Washer joint	1	
41 BH110091L	Bolt	6	
42 WL110001	Washer spring	6	





Model DEFENDER 110 1987 onwards

Page AFTXIA1A

OPTIONAL EQUIPMENT - LAMP GUARDS

III. Part No.	Description	Qty	Remarks
1	345985 Guard lamp front	2	
2	78384 Screw	4	
3	WL700101L Washer spring	4	
4	AFU1876 Riv Nut	4	
5	AB608047L Screw	4	
6	WC702101 Plain Washer	4	
7	RTC8064 Kit lamp guard rear	1	Note(1)
8	78384 Screw	4	
9	WC702101 Washer plain	4	
10	WL700101L Washer spring	4	
11	AFU1876 Riv Nut	4	
12	RTC8065 Kit lamp guard rear	1	HCPU
13	AB608101L Screw	8	
14	244009 Spacer	8	

Note(1) Two Kits Required Per Vehicle

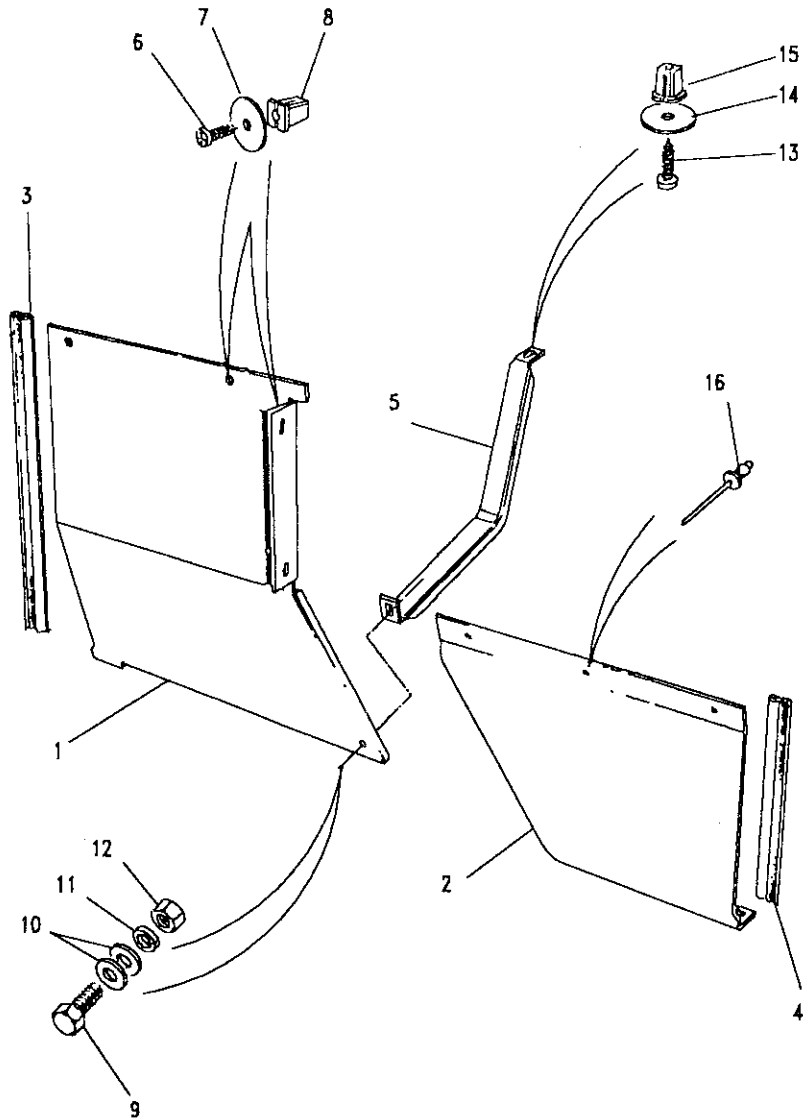




Model DEFENDER 110 1987 onwards
 Page AFTXIG1A

OPTIONAL EQUIPMENT - WHEELGUARDS - STANDARD PICK UP - TYPE A

Ill. Part No.	Description	Qty	Remarks
1	MRC7359	1	Wheelguard RH
2	MRC7360	1	Wheelguard LH
3	MRC7361	1	Seal RH
4	MRC7362	1	Seal LH
5	MRC8732	1	Stay
6	AB608047L	4	Screw
7	AFU1218L	4	Washer plain
8	RTC3745	4	Nut lokut
9	FS106167L	1	Screw-RH wheelguard
10	WA106041L	2	Washer plain
11	WL106001L	1	Washer spring
12	NH106041L	1	Nut
13	AB608047L	1	Screw
14	AFU1218L	1	Washer plain
15	RTC3745	1	Nut lokut
16	78248	3	Rivet-LH wheelguard

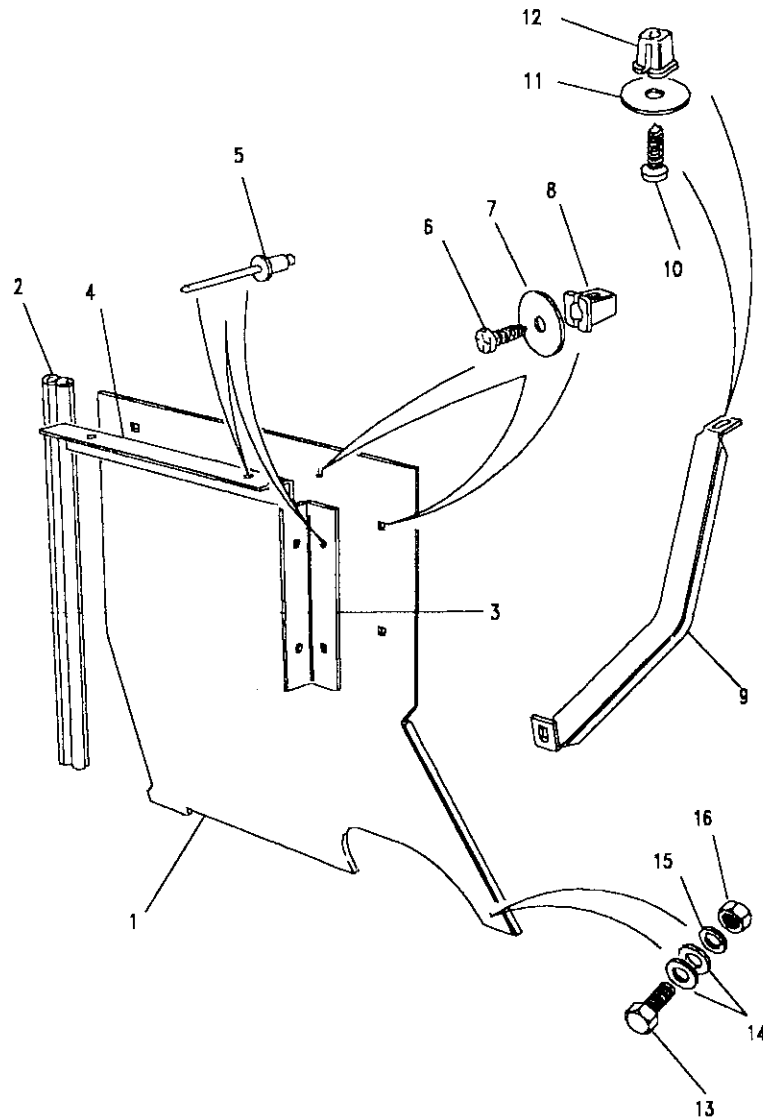




DEFENDER 110 1987 onwards

1065

ACCESSORIES - PAINTS



Model DEFENDER 110 1987 onwards

Page AFTXIG2A

OPTIONAL EQUIPMENT - WHEELGUARDS - STANDARD PICK UP - TYPE B

III. Part No.	Description	Qty	Remarks
1	MWC1058 Wheelguard RH	1	
	MWC1059 Wheelguard LH	1	
2	MRC7361 Seal	2	
3	MWC1062 Bracket mounting side	2	
4	MWC1063 Bracket mounting top	2	
5	78248 Rivet	8	
6	AB608047L Screw drive	8	
7	AFU1218L Washer plain	8	
8	RTC3745 Nut lokut	8	
9	MRC8732 Stay	2	
10	AB608047L Screw drive	2	
11	AFU1218L Washer plain	2	
12	RTC3745 Nut lokut	2	
13	FS106167L Screw	2	
14	WA106001L Washer plain	4	
15	WL106001L Washer spring	2	
16	NH106041L Nut	2	

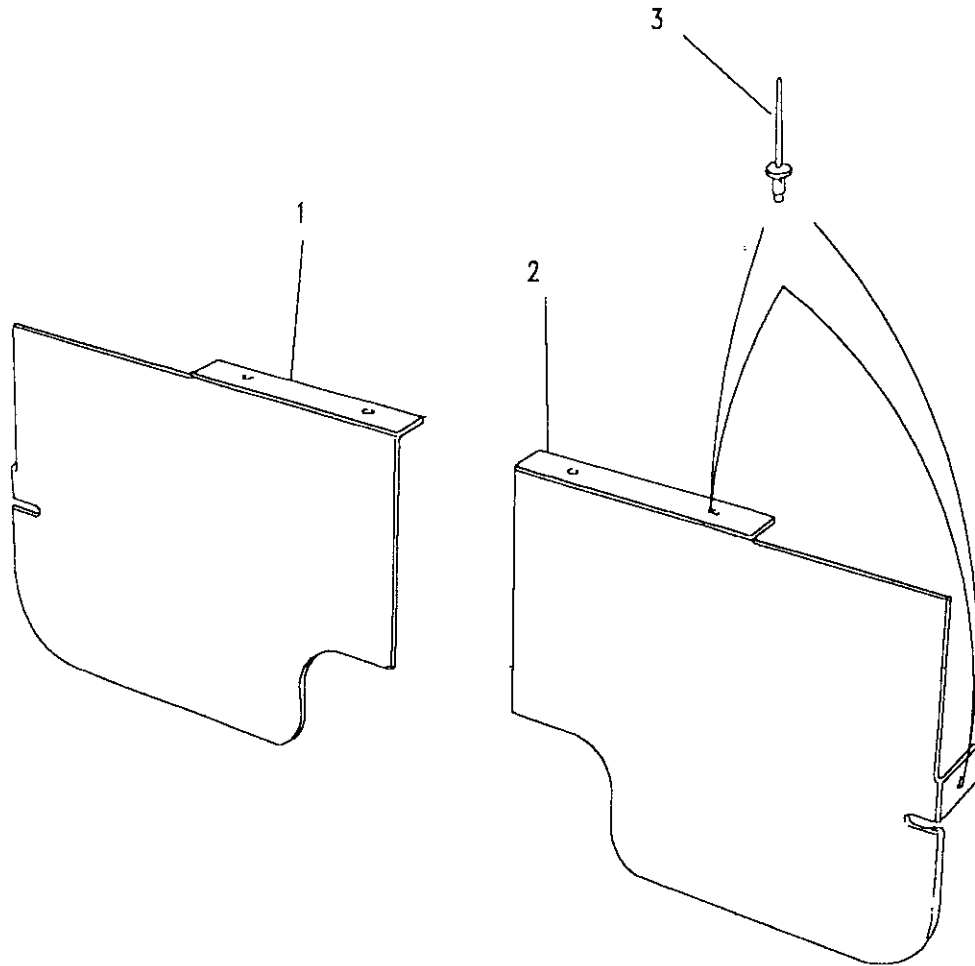




Model DEFENDER 110 1987 onwards
Page AFTXIG3A

OPTIONAL EQUIPMENT - WHEELGUARDS - HCPU

III. Part No.	Description	Qty	Remarks
1 MTC7041	Panel wheelguard front RH	1	No longer available
MTC7040	Panel wheelguard rear RH	1	No longer available
2 MTC7040	Panel wheelguard front LH	1	No longer available
MTC7004	Panel wheelguard rear LH	1	No longer available
3 RU612183	Rivet	8	
78248	Rivet	8	





DEFENDER 110 1987 onwards

1067

ACCESSORIES - PAINTS

Model DEFENDER 110 1987 onwards

Page AFTXLG1A

MISCELLANEOUS - LUBRICANTS

III. Part No.	Description	Qty	Remarks
Lubricants - UK only			
STC8257	Oil engine shpd 1 litre	A/R	SHPD
STC8256	Oil engine shpd 5 litres	A/R	SHPD
STC8255	Oil engine 1 litre	A/R	15W40
STC8254	Oil engine 5 litres	A/R	15W40
STC8259	Oil gear	A/R	EP90
STC8261	Fluid auto trans	A/R	Dextron II
STC8263	Fluid auto trans	A/R	Type G

Brake fluid - UK only

STC8292	Brake fluid	A/R	
---------	-------------	-----	--

Anti-freeze

RTC5782A	Anti-freeze 205 ltr	A/R	
RTC5781A	Anti-freeze 5 ltr	A/R	
RTC5779A	Anti-freeze 1 ltr	A/R	

Product guide

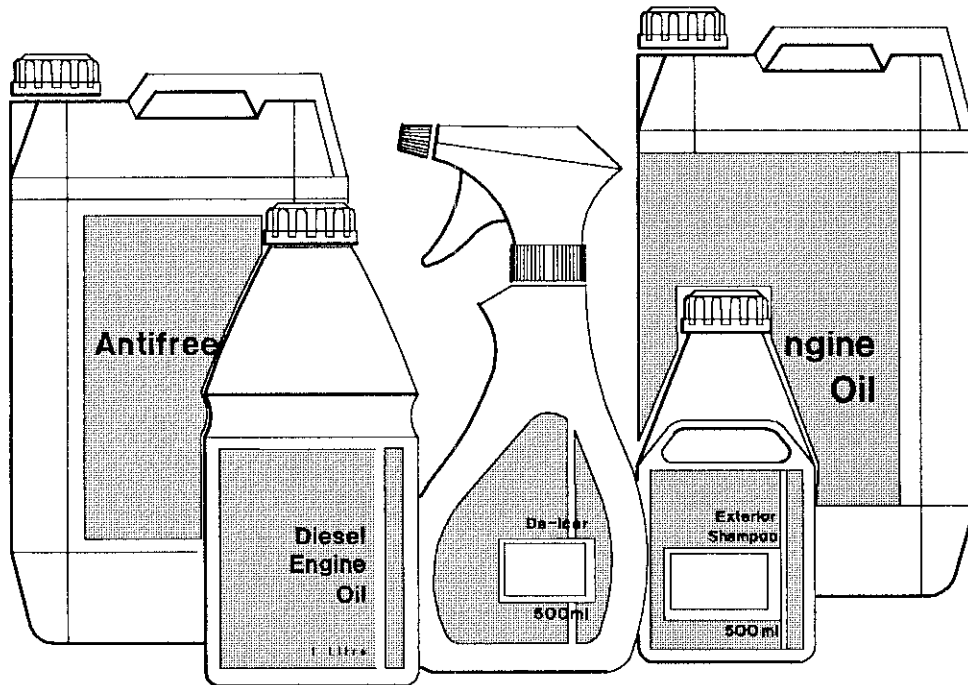
STC8352	Product guide	A/R	
---------	---------------	-----	--

Note(1)

Not available in all territories

Note(2)

For application details see product guide STC8352





DEFENDER 110 1987 onwards

1068

ACCESSORIES - PAINTS

Model DEFENDER 110 1987 onwards

Page AFTXLG1A

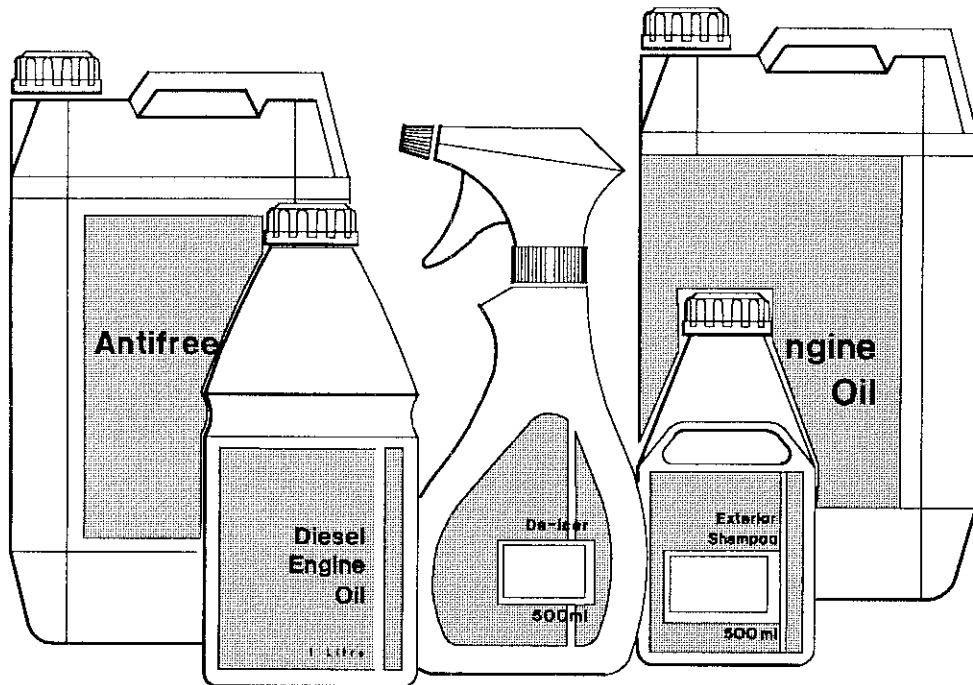
MISCELLANEOUS - CAR CARE

III. Part No. Description Qty Remarks

Europe only

STC8249	Screenwash	A/R 1 Bottle
STC717	De icer	A/R 500 ml trigger
STC718	Alloy wheel cleaner	A/R 500 ml trigger
STC719	Glass cleaner	A/R 500 ml trigger
STC721	Black bumper cleaner	A/R 500 ml bottle
STC722	Shampoo	A/R 500 ml bottle
STC723	Polish wax	A/R 500 ml bottle

Note(1) Not available in all territories





DEFENDER 110 1987 onwards

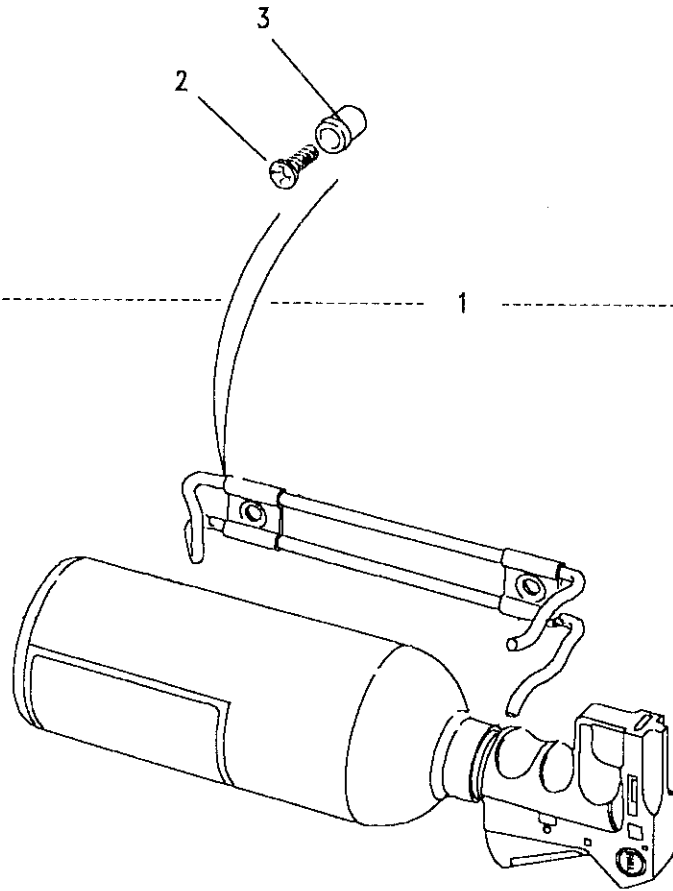
1069

ACCESSORIES - PAINTS

Model DEFENDER 110 1987 onwards
Page AFTXMA1A

OPTIONAL EQUIPMENT - FIRE EXTINGUISHER

III. Part No.	Description	Qty	Remarks
1 MRC7350	Extinguisher fire with bracket	1	Upto VIN KA922469
2 SF106161	Screw	2	
3 MM106301L	Rivnut	2	
1 ANR2948	Extinguisher fire	1	From VIN KA922470
2 SF105201	Screw	2	
3 NN105021L	Rivnut	2	





DEFENDER 110 1987 onwards

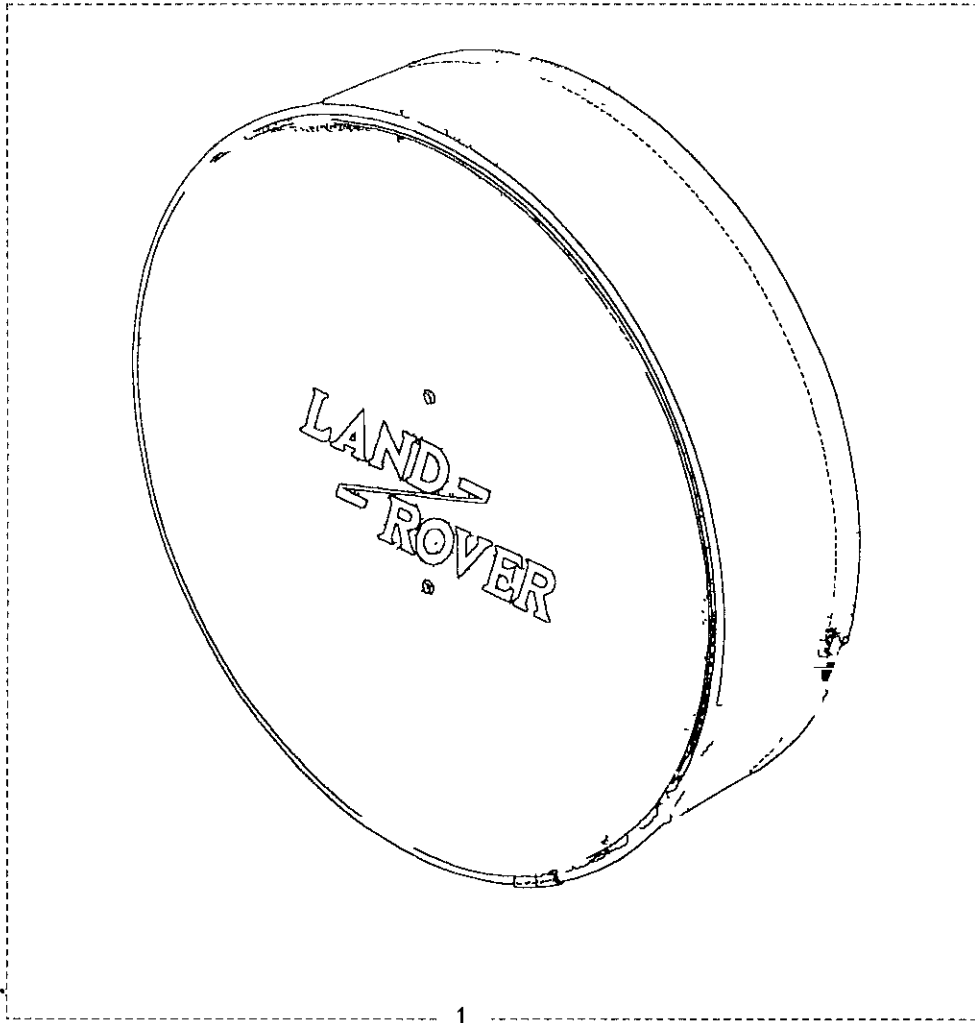
1070

ACCESSORIES - PAINTS

Model DEFENDER 110 1987 onwards

Page AFTXPA1A

OPTIONAL EQUIPMENT - SPARE WHEEL COVER



III. Part No.

Description

Qty Remarks

Upto VIN FA414615

1 MRC7365

Cover spare wheel

1 Option
No longer available
Use MXC6407
SeeAFTXPA2A
Germany

1 MUC4161

Cover spare wheel

1





DEFENDER 110 1987 onwards

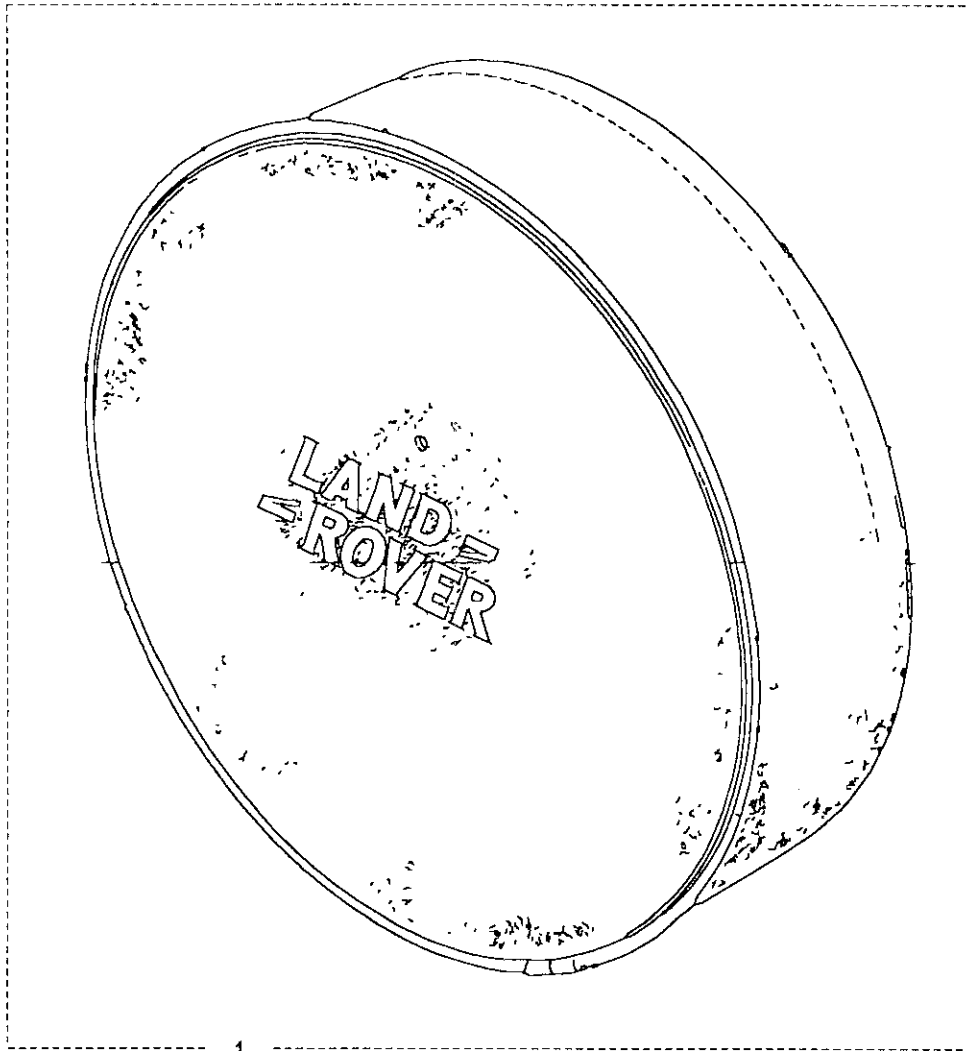
1071

ACCESSORIES - PAINTS

Model DEFENDER 110 1987 onwards
Page AFTXPA2A

OPTIONAL EQUIPMENT - SPARE WHEEL COVER

III. Part No.	Description	Qty	Remarks
From VIN FA414616 upto VIN HA906578			
1 MXC6407	Cover spare wheel	1	Option
1 MXC6405	Cover spare wheel	1	Germany



1

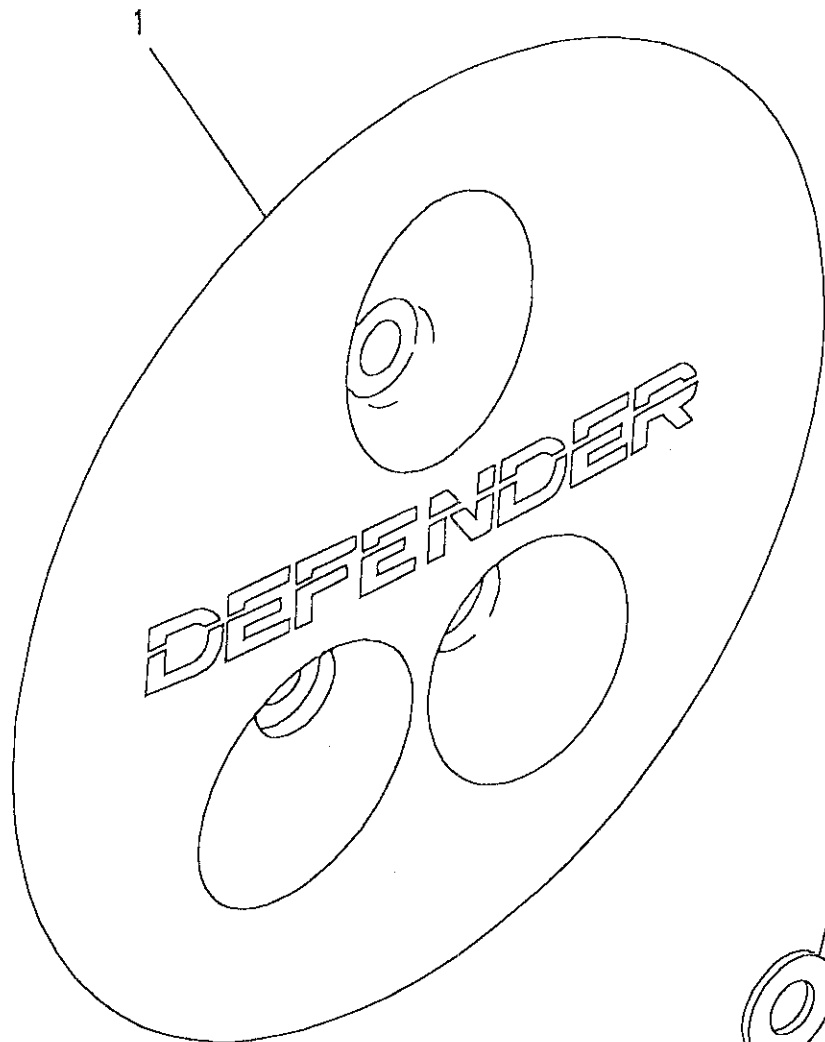




DEFENDER 110 1987 onwards

1072

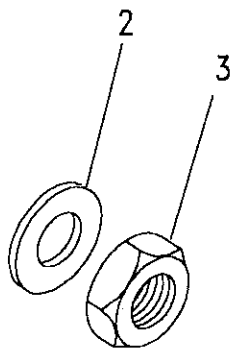
ACCESSORIES - PAINTS



Model DEFENDER 110 1987 onwards
Page AFTXPA3A

OPTIONAL EQUIPMENT - SPARE WHEEL COVER

III. Part No.	Description	Qty	Remarks
From VIN JA906579			
1	BTR2129NUC	1	Cover spare wheel
2	MXC7335	3	Washer plastic
3	MXC7887	3	Nut M16

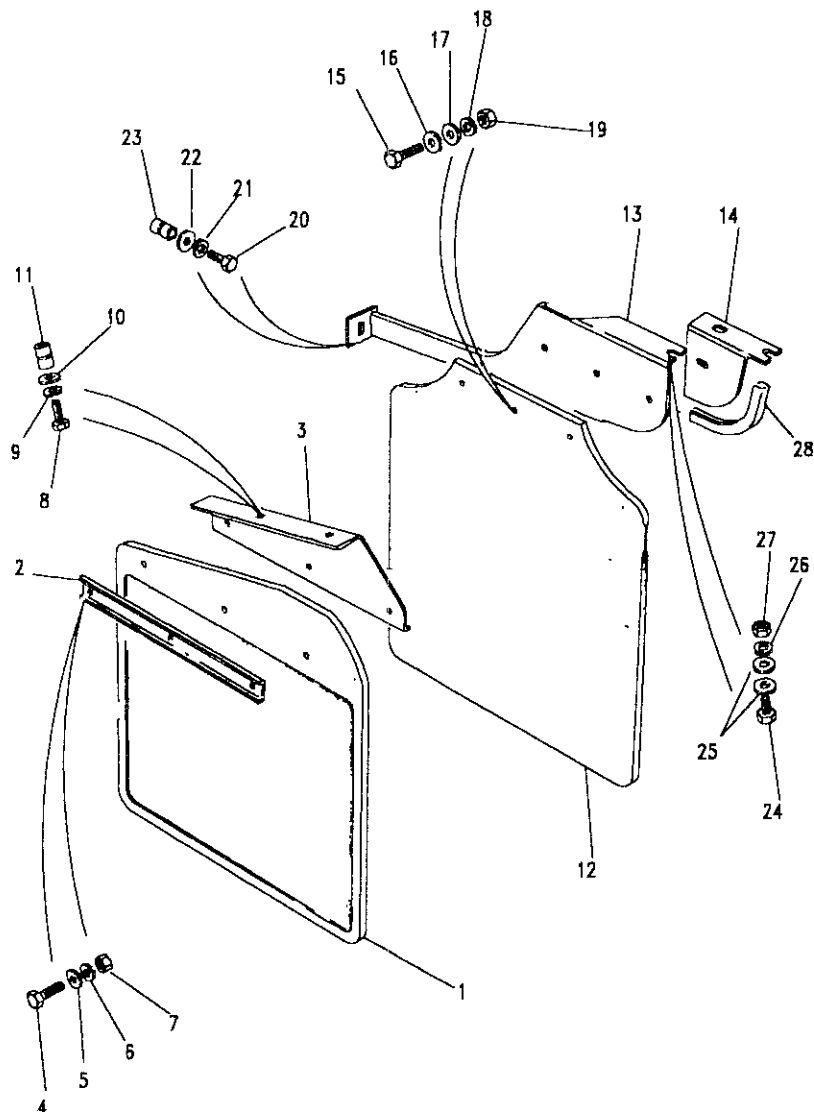




Model DEFENDER 110 1987 onwards

Page AFTXSA1A

OPTIONAL EQUIPMENT - MUD FLAPS



III. Part No.	Description	Qty	Remarks
1	RTC4685	1	
2	MTC3874	2	
3	MTC3000	1	
	MTC3001	1	
4	SH106251L	6	
5	WA106041L	6	
6	WL106001L	6	
7	NH106041L	6	
8	FS106201L	4	
9	WL106001L	4	
10	WA106041L	4	
11	NN106021	4	
12	RTC4686	1	Note(1)
	MXC6411	2	Note(2)
	BTR277	2	Note(2)
	BTR277	2	Note(3)
13	MTC8358	1	
	MTC8357	1	
14	MTC8440	1	HCPU
	MTC8441	1	HCPU
15	FS106167L	6	
16	WJ600041L	6	
17	2790	6	
18	WL106001L	6	

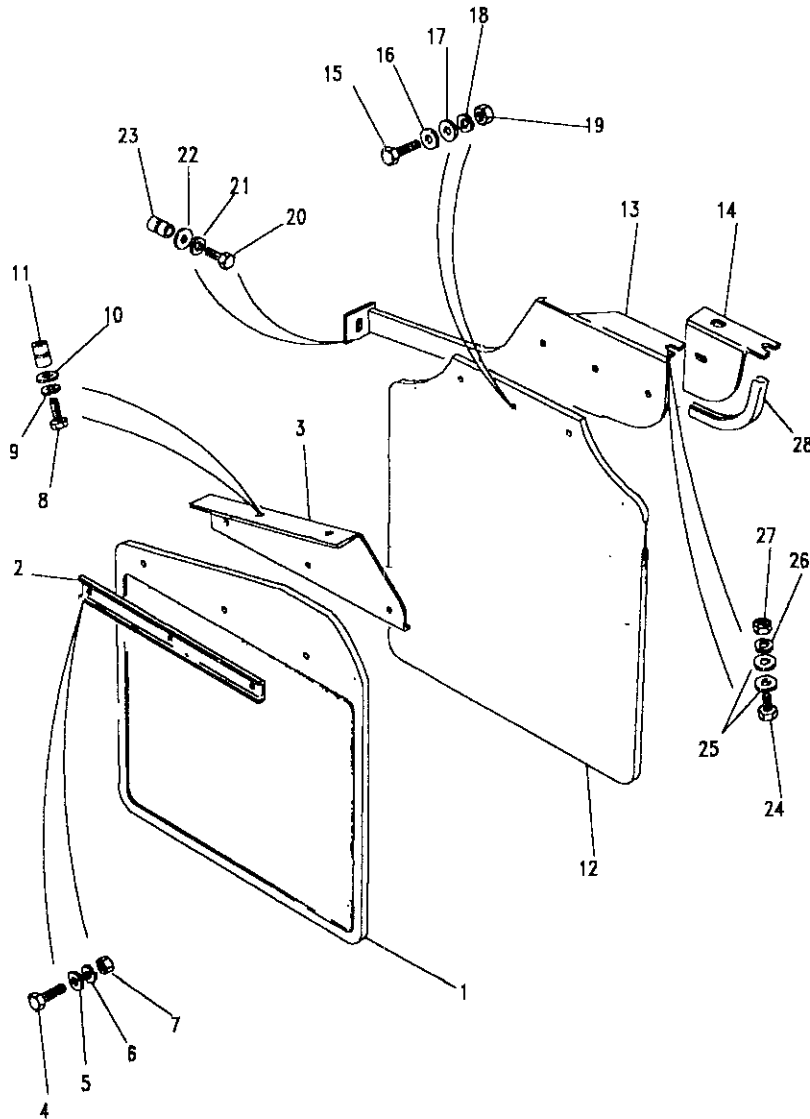
Note(1) Upto VIN FA414615
 Note(2) From VIN FA414616
 Note(3) From VIN FA417112-HCPU





Model DEFENDER 110 1987 onwards
 Page AFTXSA1A

OPTIONAL EQUIPMENT - MUD FLAPS



III. Part No.	Description	Qty	Remarks
19	NH106041L Nut	6	
20	FS106167L Screw	2	Note(1)
	FS106201L Flange screw	2	
21	WL106001L Washer spring	2	
22	WA106041L Washer plain	2	
23	NN106011 Nutsert	2	
24	FS106167L Screw	4	Note(1)
25	WA106041L Washer plain	8	
26	WL106001L Washer spring	4	
27	NH106041L Nut	4	
28	MTC7513 Strip edging	A/R	Germany

Note(1) Upto VIN FA414615
 Note(2) From VIN FA414616





MASTER INDEX

	PAGES
INTRODUCTION PAGES	1 - 7
ALPHABETICAL INDEX	8 - 16
ENGINE	17 - 66
ENGINE	67 - 119
ENGINE	120 - 166
ENGINE	167 - 209
ENGINE	210 - 245
ENGINE	246 - 299
GEARBOX	300 - 326
GEARBOX	327 - 344
GEARBOX	345 - 359
TRANSFER BOX	360 - 378
TRANSFER BOX	379 - 397
AXLES AND SUSPENSION	398 - 444
STEERING	445 - 471
VEHICLE AND ENGINE CONTROLS	472 - 486
BRAKES	487 - 517
FUEL SYSTEM AND AIR CLEANER	518 - 579
EXHAUST SYSTEM	580 - 593
COOLING/HEATING	594 - 637
COOLING/HEATING	638 - 641
COOLING/HEATING	642 - 649
COOLING/HEATING	650 - 655
COOLING/HEATING	656 - 666
BODY ELECTRICAL	667 - 740
BODY AND CHASSIS	741 - 909
INTERIOR TRIM	910 - 955
SEATS	956 - 1036
STOWAGE	1037 - 1046
ACCESSORIES - PAINTS	1047 - 1074
NUMERICAL INDEX	1076 - 1151

