



CITEL

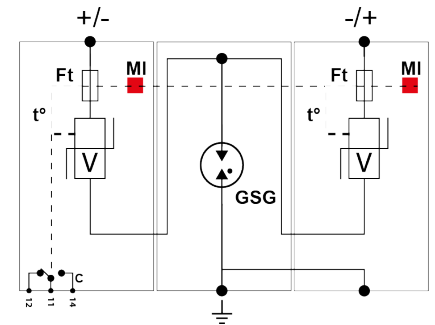
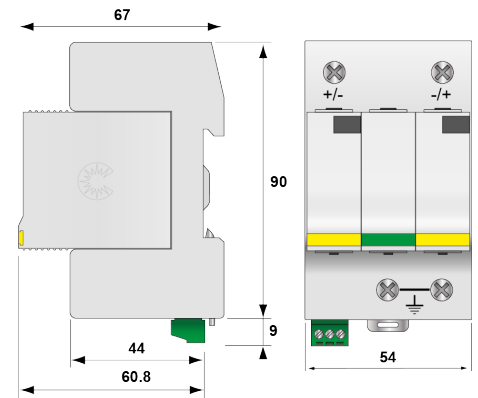


DS50PVS-1000G/51

- Type 2 surge protector
- 1000 Vdc
- I_n : 15 kA
- I_{max} : 40 kA
- Pluggable module
- Remote signaling
- UTE C61-740-51, EN 50539-11 compliance



Electrical Characteristics		
SPD type		2
Network		PV network 1000 Vdc
Nominal PV voltage	U_{ocstc}	1000 Vdc
Max. PV operating voltage	U_{cpv}	1200 Vdc
Residual Current <i>Leakage current to Ground</i>	I_{pe}	None
PV Permanent Operating current <i>Current consumption at U_{cpv}</i>	I_{cpv}	< 0.1 mA
Follow current	I_f	None
Nominal discharge current <i>15 x 8/20 μs impulses</i>	I_n	15 kA
Max. discharge current <i>max. withstand @ 8/20 μs by pole</i>	I_{max}	40 kA
Total Maximal discharge current <i>max. total withstand @ 8/20 μs</i>	I_{max} Total	60 kA
Current withstand short circuit PV	I_{scpv}	15000 A
Connection mode(s)		+/-/PE
Protection mode(s)		Common/Differential mode
Protection level +/- <i>@ I_n (8/20μs)</i>	U_p	4.6 kV
Protection level +/-PE (-/PE) <i>@ I_n (8/20μs)</i>	U_p	2.6 kV
Mechanical Characteristics		
Technology		MOV+GDT
Connection to Network		By screw terminals: 2.5-25 mm ² / by bus
Format		Plug-in modular box
Mounting		Symmetrical rail 35 mm (EN60715)
Housing material		Thermoplastic UL94-V0
Operating temperature		-40/+85°C
Protection rating		IP20
Outdoor application		false
Failsafe mode		Disconnection SPD of the PV line
Disconnection indicator		2 mechanical indicators
Spare module(s)		DSM50PV-1000G/51
Remote signaling of disconnection		Output on changeover contact
Dimensions		See diagram
Weight		0.278 kg
Disconnectors		
Thermal disconnector		Internal
Fuses		without



V: High-energy varistor
 GSG: Specific gas tube
 Ft: Thermal fuse
 C: Remote signaling contact
 t°: Thermal disconnection system
 MI: Disconnection indicator



CITEL

Standards		
Standards compliance		IEC 61643-31 / EN 50539.11
Certification		VDE / OVE / EAC
Part Number		480391