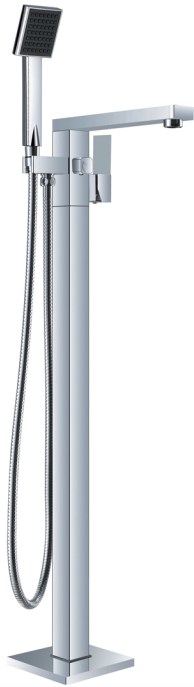


Nero



FREE STANDING BATH MIXER

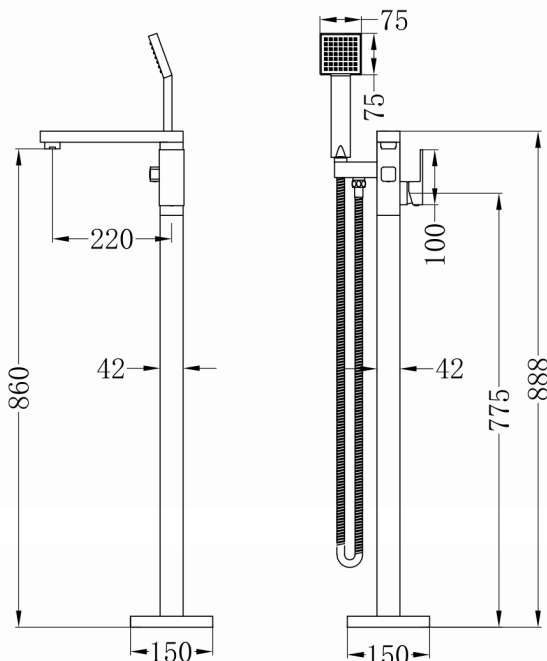


SPECIFICATION

PRODUCT CODE	YSW3107-03A
WELS RATING	3 STAR 8.5L/MIN
WATERMARK LICENSE	WM-060073
TEMPERATURE RATING	MIN 1°C-MAX 75°C
PRESSURE RATING	MIN 150KPa-MAX 500KPa

FINISH

	NR310703aCH	chrome
	NR310703aMB	matte black



Dimensions are nominal measurements only.

MAINTENANCE AND CARE

All surfaces should be cleaned with mild liquid detergent or soap and water.

Do not use cream cleaners or citrus based cleaning products, as they are abrasive.

Use of unsuitable cleaning agents may damage the surface. Any damage caused in this way will not be covered by warranty.

PACKAGING INCLUDES

- 1x mixer tap
- 1x hand shower rose
- 1x pvc shower hose
- 1x extension tube
- 1x floor cover plate
- 2x water pipes
- 1x mixer box
- 4x dynabolt
- 1x gloves
- 1x instruction
- 1x allen key pack

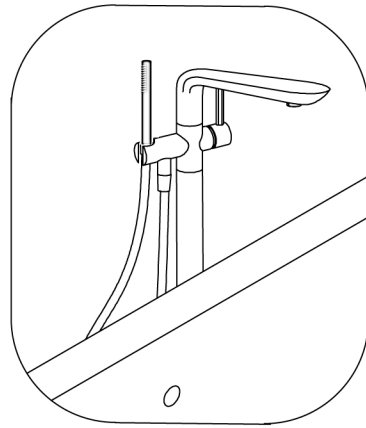


Version: 2021.03

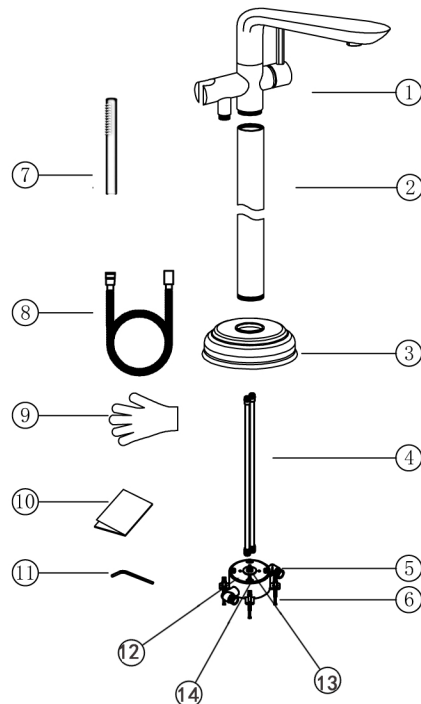
www.nerotapware.com.au

Installation Instruction

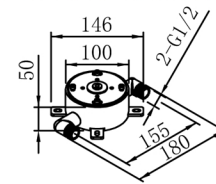
Please inspection all spare parts list when you open box, if any problem, please contract with seller. Spare parts list as follow.



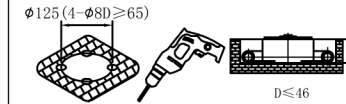
Item	Parts Name	QTY
1	Mixer Tap	1
2	Extension Tube	1
3	Floor Cover Plate	1
4	Water Pipes	2
5	Mixer Box	1
6	Dynabolt	4
7	Hand Shower Rose	1
8	Pvc Shower Hose	1
9	Gloves	1
10	Instruction	1
11	Allen Key Pack	1
12	Leveling Plate	1
13	Gradiometer	1
14	Testing Plugs	2



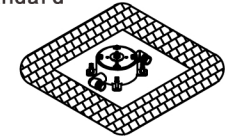
Notice: Not recommend to be installed on concrete slab



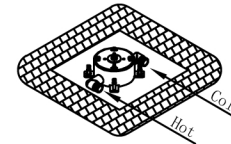
1. Mixer box should not finish more than 2mm above finish tile level



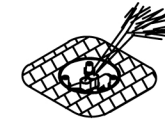
2. Connect hot and cold water use materials recommended Australian standard



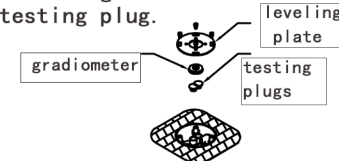
3. Adjust mixer box make sure in a level by gradiometer provided



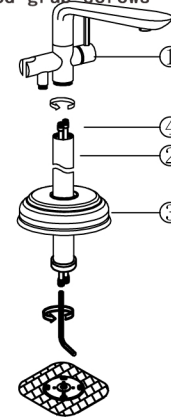
4. Test and check for water leaks



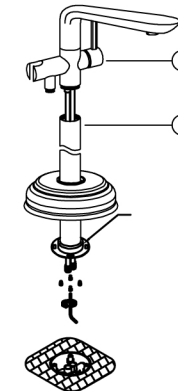
5. Undo 4 grub screws on the leveling plate and take out the gradiometer and testing plug.



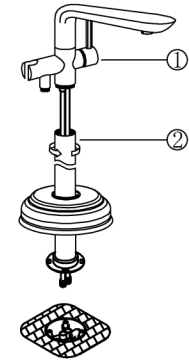
6. Attach the leveling plate onto the extension tube by provided grub screws



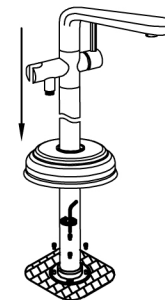
7. Screw hot and cold water pipes into the mixer body



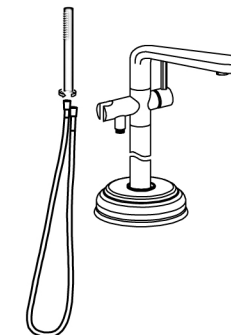
8. Fit floor cover plate onto the extension tube



9. Screw the extension tube onto the mixer, and fix hot and cold water piper into mixer box by M5 grub screws



10. Connect hand shower rose with PVC hose



11. Flush pipes work and test, check for water leaks

