



## APPLICATIONS



ATS 5200.101  
Certificate No. 23048  
Manufacturer: SFA  
Brand: Saniflo

Product Reference:  
**SA99**

SANIPACK PRO UP

# SANIPACK® Pro UP

Designed for discreet wall hung toilet installations, the Sanipack® Pro UP pumps waste from a toilet, basin and shower and has slim dimensions enabling possible concealment.



## TECHNICAL CHARACTERISTICS

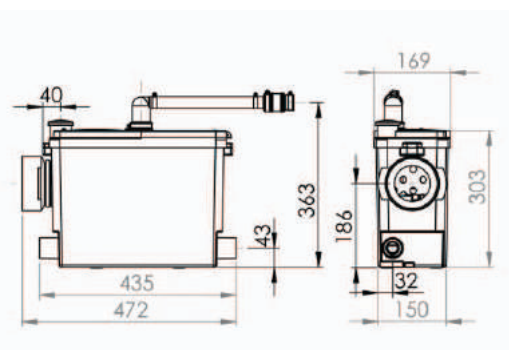
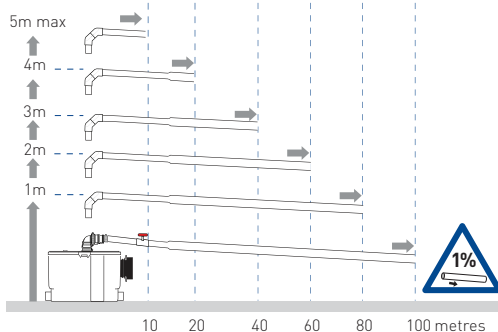
Discharge Pipework	20 mm
Motor Power	400 Watts
Voltages	220-240 V/50 Hz
Working Waste Water Temp	35°C
Product Weight	7 kg
Overall Measurements	401 x 295 x 146 mm
Inlet Pipework	40 mm
IP Rating	IP44

## WHY CHOOSE THIS PRODUCT?

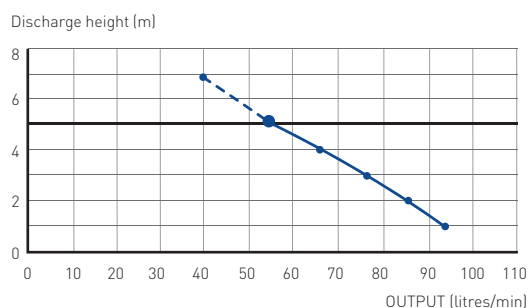
- Perfect for wall hung toilet suite
- Ideal solution for a complete en-suite
- Quiet technology
- Slim dimensions
- Access panels for ease of servicing
- Macerator needs minimum 4.5 L of unrestricted flush for optimal function
- Factory pre-mounted non return valve (supplied)

## VERTICAL/HORIZONTAL PERFORMANCE

Increase size of horizontal run by one pipe size after 5m.  
All horizontal pipework requires a minimum of 1:100 fall.



## FLOW RATE PERFORMANCE CHART



Made in France to the highest standards, needs to be installed by a licensed plumber