

APPLICATIONS



SANICUBIC 2 VX



ATS 5200.101
Certificate No. 23048
Manufacturer: SFA
Brand: Saniflo

Product Reference:
SA111

SANICUBIC® 2 VX

SINGLE PHASE

Sanicubic® 2 VX is a powerful lifting station used for demanding commercial situations. It features twin 2000w motors, vortex blade-less pumping technology which is well suited for applications to eliminate blockages.

WHY CHOOSE THIS PRODUCT?

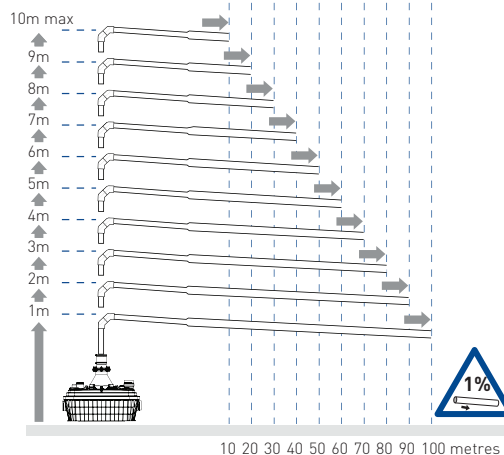
- Ideal for large volume commercial situations
- Large bore vortex pump with a 50 mm free passage capable of pumping waste water without the need to macerate.
- Easily removable motors for servicing and maintenance
- Large 120 L tank volume
- Easy to install – no need to excavate
- Two alarms for ultimate safety – both hard-wired
- Two integrated non-return valves and four inlets: 40/50/100/110 mm and one inlet 40/50 mm
- Working temperature of 35°C. Will handle up to 70°C for short periods.
- Volt free contact for connection to a Building Management System



Note: Isolation valves should be fitted to the inlet pipework and discharge pipework to isolate the unit for servicing.

VERTICAL/HORIZONTAL PERFORMANCE

Increase size of horizontal run by one pipe size after 5m. All horizontal pipework requires a minimum of 1:100 fall.



Made in France to the highest standards, needs to be installed by a licensed plumber



APPLICATIONS



SANICUBIC 2 VX



ATS 5200.101
Certificate No. 23048
Manufacturer: SFA
Brand: Saniflo

Product Reference:
SA111



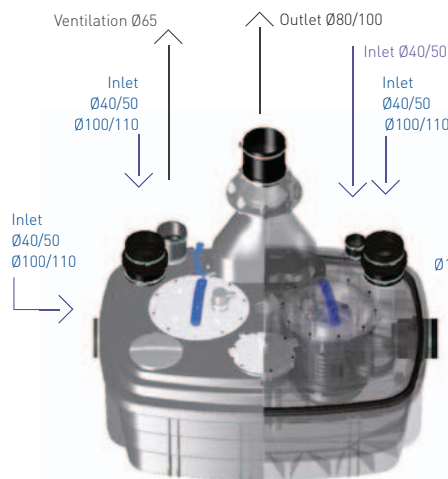
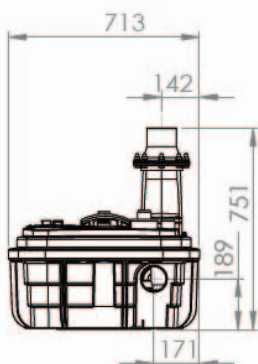
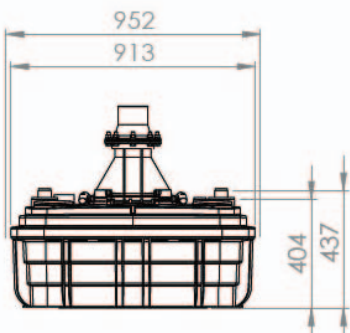
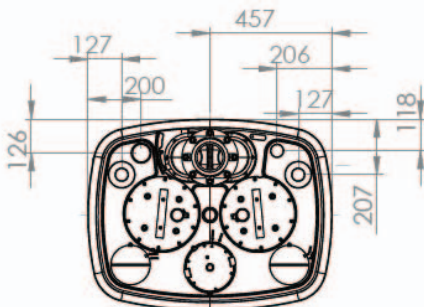
Remote wireless alarm



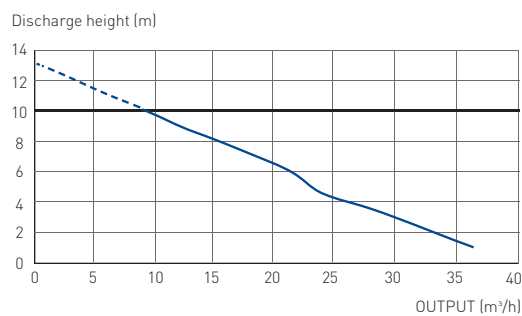
External mounted control box

TECHNICAL CHARACTERISTICS

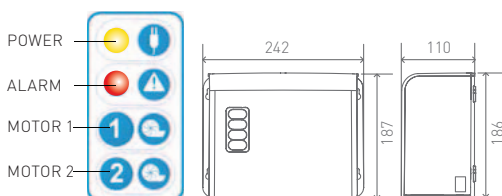
Discharge Pipework	80 mm pipework. Maximum vertical lift 10 m. 100 mm pipework maximum vertical lift 6 m.
Motor Power	2000 Watts x 2
Flow Rate	40 m ³ /h
Voltages	220-240 V/50 Hz
Tank Volume	120 L
Working Waste Water Temp	35°C/Max 70°C (intermittent)
Product Weight	59 kg
Overall Measurements	944 x 822 x 713 mm
IP Rating	IP68



FLOW RATE PERFORMANCE CHART



Externally mounted control box



Made in France to the highest standards, needs to be installed by a licensed plumber