



APPLICATIONS



SANICUBIC 1 WP



ATS 5200.101
Certificate No. 23048
Manufacturer: SFA
Brand: Saniflo

Product Reference:
SA107

SANICUBIC® 1 WP

Sanicubic® 1 WP is ideal for use in a granny flat addition as it can remove waste water from multiple fixtures. It features a powerful 1500W motor, high flow rate performance, and an IP68 waterproof rating.



WHY CHOOSE THIS PRODUCT?

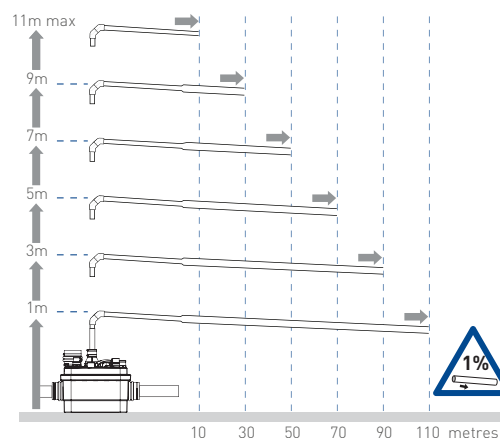
- Ideal for additional granny flats and studios
- Tough, reliable macerating lifting station
- New design with easily removable motor for servicing and maintenance
- Water level indicator unit can be easily removed for maintenance
- External hard wired audio visual alarm
- Features integrated non-return valves
- Centre heights of inlets 140 mm
- Working temperature of 35°C. Will handle up to 70°C for short periods (5 minutes)
- IP68 rated



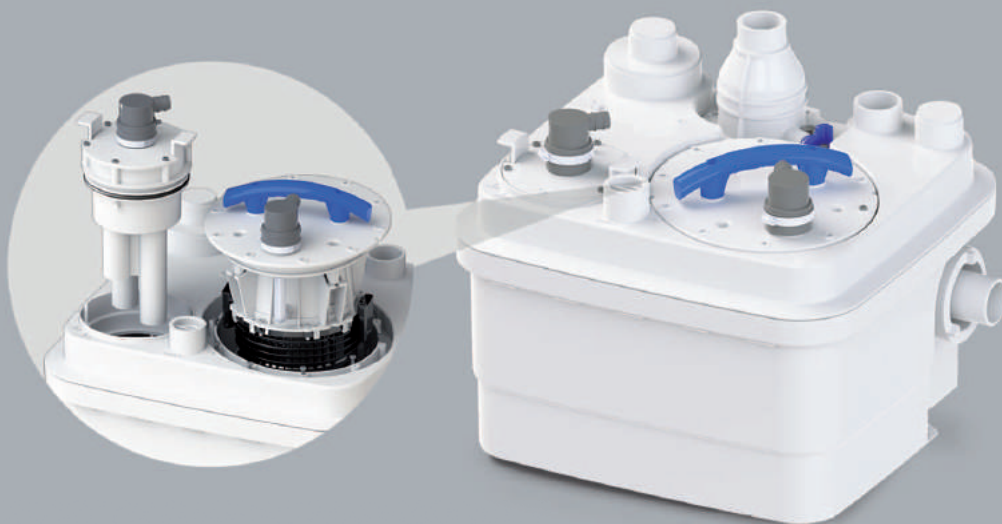
Note: Isolation valves should be fitted to the inlet pipework and discharge pipework to isolate the unit for servicing.

VERTICAL/HORIZONTAL PERFORMANCE

Increase size of horizontal run by one pipe size after 5m. All horizontal pipework requires a minimum of 1:100 fall.



Made in France to the highest standards, needs to be installed by a licensed plumber



APPLICATIONS



SANICUBIC 1 WP



ATS 5200.101
Certificate No. 23048
Manufacturer: SFA
Brand: Saniflo

Product Reference:
SA107



Remote hard wired alarm panel

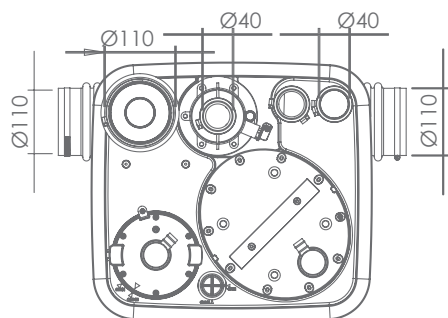
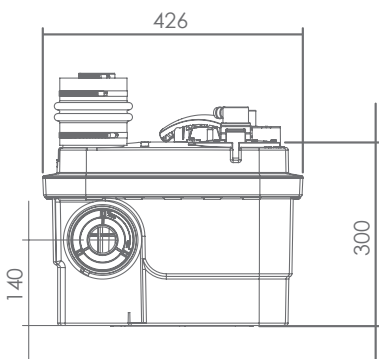
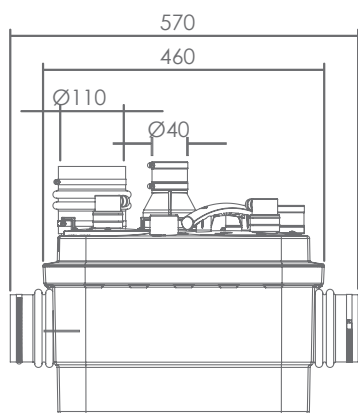


External mounted control box

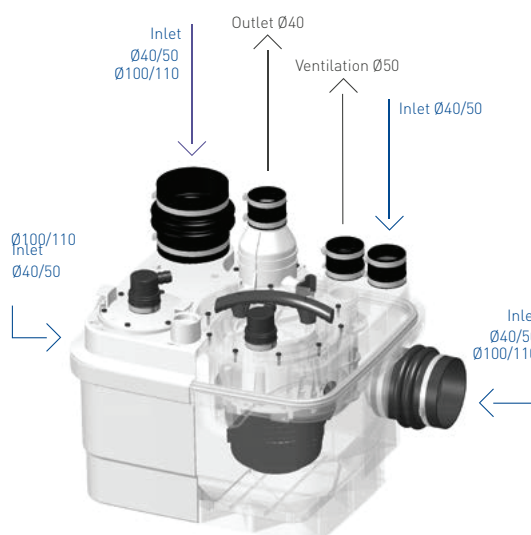


Robust blade suitable for heavy usage

Made in France to the highest standards, needs to be installed by a licensed plumber



TECHNICAL CHARACTERISTICS	
Discharge Pipework	40 mm
Motor Power	1500 Watts
Flow Rate	13 m ³ /h
Voltages	220-240 V/50 Hz
Tank Volume	32 L
Working Waste Water Temp	35°C/Max 70°C (intermittent)
Product Weight	20 kg
Overall Measurements	570 x 439 x 460 mm
Inlet Pipework	40/50/100/110 mm
IP Rating	IP68



FLOW RATE PERFORMANCE CHART

