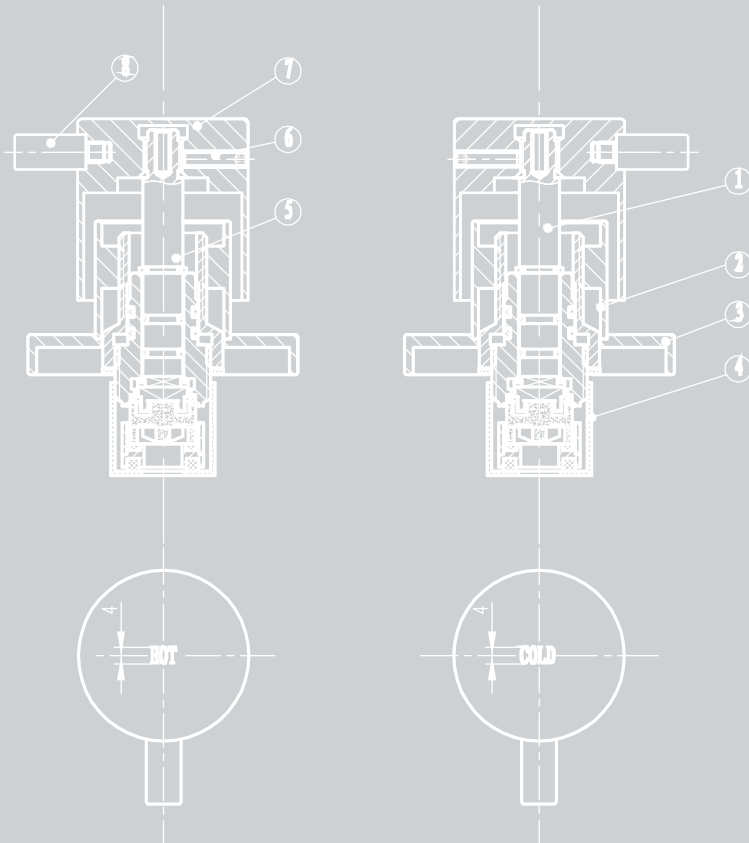


MIXER INSTALLATION INSTRUCTIONS



Contents

Basin & Sink mixer (bolt style)	2
Wall mixer	3
Wall Divertor mixer	4
Wall mixer on plate	5
Pull Out Sink Mixer	6
Basin & Sink mixer (sleeve style)	7
Replacement cartridge	8

Important Information

- All these instructions serve as a guide only and must be installed by a licenced plumber.
- All supply lines must be flushed prior to installation, removing any foreign matter.
- Stop valves must be installed as in accordance with the regulatory Authorities.
- Suitable for installation with most instantaneous hot water heaters
- Not suitable for gravity fed hot water systems

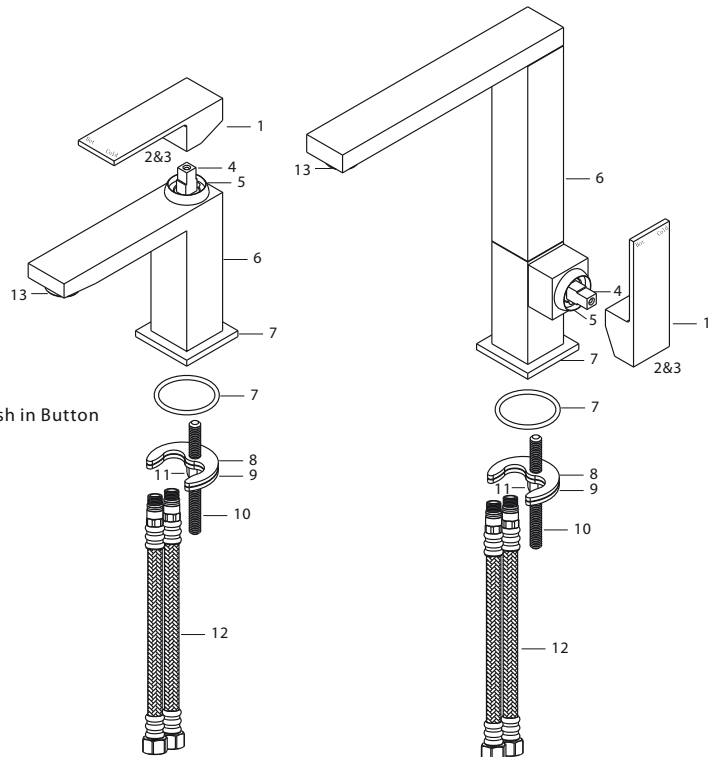
Maximum water temperature	70 degrees Celsius
Maximum water pressure	900kPa
Regulatory maximum water pressure	500kPa

On high pressure areas where the pressure exceeds the maximum water pressure as noted above, pressure limiting valves must be installed.

Basin & Sink Mixer

Bolt type installation

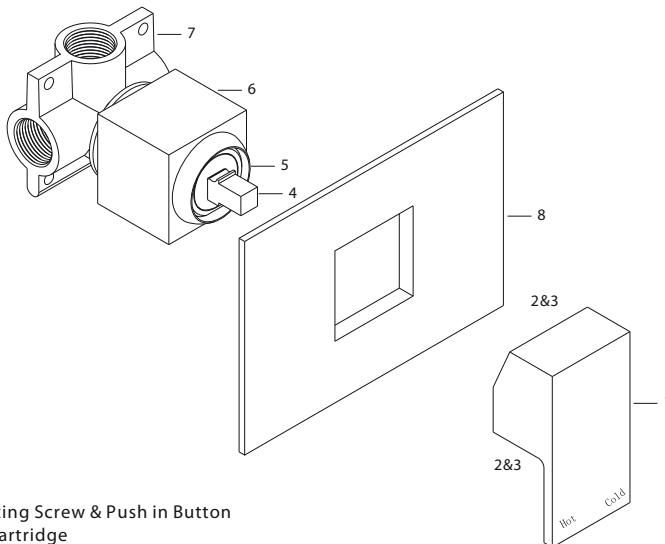
1. Insert M8 bolt (10) into underside of basin mixer body (6) and place the rubber seal into the base plate (7/7.1 depending on model) into position.
2. Before installing flexible hoses (12) apply lubricant to the O-rings, then proceed to install the hoses (12) into the underside of the mixer body (6) with the corresponding colours.
3. Align the base plate (7) with the flexible hoses (12) and the body of the mixer (6) over the basin hole.
4. Fit the C Ring rubber washer (8) and the C ring brass washer (9) over the M8 bolt (10) and proceed to tighten the hex bolt (11) firmly
5. Be sure to check that the mixer is secured firmly and that there is no visual signs of any leaks.



1. Handle
- 2 & 3. Handle Fixing Screw & Push in Button
4. Ceramic Disc Cartridge
5. Rosette & Cartridge Locknut
6. Mixer Body
7. Base Plate & Rubber Seal
8. C Ring Plastic Washer
9. C Ring Brass Washer
10. M8 Bolt
11. Hex Bolt
12. Inlet Hoses
13. Aerator

Wall Mixer

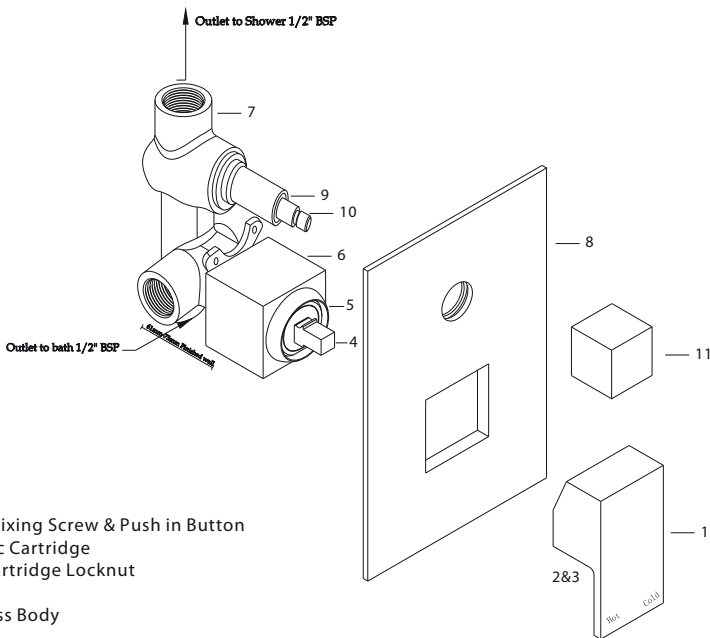
1. Please ensure that the depth is within your specification ensuring that there is mounting plate of noggin in the wall cavity.
2. Screw up main body to the noggin or mounting plate ensuring that the body of the mixer is straight and the water outlet is facing in an upright position
3. The wall mixer has the connection marking on the body. H = Hot, C = Cold. After connecting the water inlets please ensure that the unit is tested thoroughly for any leaks.
4. Fit the wall cover plate (7) over the main body (6) pushing it firmly against the wall.
5. Fit handle (1) making sure that its firmly onto cartridge (4) and the tighten the male allen key (2) and inset plastic cap (3 where provided) or screw the handle lever (if applicable) to the main handle (1)



1. Handle
- 2 & 3. Handle Fixing Screw & Push in Button
4. Ceramic Disc Cartridge
5. Rosette & Cartridge Locknut
6. Cover
7. Conceal Brass Body
8. Plate

Wall Divertor Mixer

1. Please ensure that the depth is within your specification ensuring that there is mounting plate of noggin in the wall cavity.
2. The diveror must be installed with the divertor knob above the mixer handle (1) or as shown in the image below.
2. Screw up main body to the noggin or mounting plate ensuring that the body of the mixer is straight and the water outlet is facing in an upright position
3. The wall mixer has the connection marking on the body. H = Hot, C = Cold. After connecting the water inlets please ensure that the unit is tested thoroughly for any leaks.
4. Fit the wall cover plate (7) over the main body (6) pushing it firmly against the wall.
5. Fit handle (1) making sure that its firmly onto cartridge (4) and the tighten the male allen key (2) and inset plastic cap (3 where provided) or screw the handle lever (if applicable) to the main handle (1)

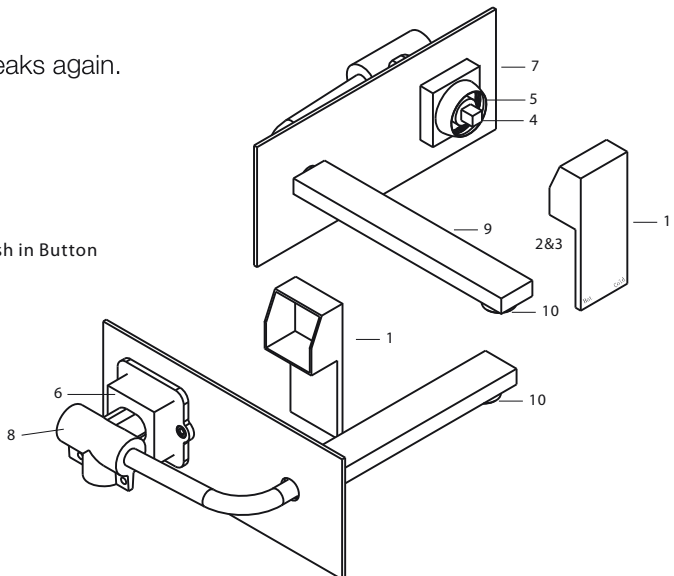


1. Handle
- 2 & 3. Handle Fixing Screw & Push in Button
4. Ceramic Disc Cartridge
5. Rosette & Cartridge Locknut
6. Cover
7. Conceal Brass Body
8. Plate
9. Brass Sleeve
10. Divertor Brass Cartridge
11. Divertor Handle

Wall Basin/Bath with Outlet Mixer on Plate

1. Please ensure that the depth is within your specification ensuring that there is mounting plate of noggin in the wall cavity.
2. Screw up main body to the noggin or mounting plate ensuring that the body of the mixer is straight and the water outlet connection with the attached water outlet is facing in an upright position.
3. The wall mixer has the connection marking on the body. H = Hot, C = Cold. After connecting the water inlets please ensure that the unit is tested thoroughly for any leaks.
4. Fit the wall cover plate (7) over the main body (6) pushing it firmly against the wall.
5. Fit handle (1) making sure that its firmly onto cartridge (4) and the tighten the male allen key (2) and inset plastic cap (3 where provided) or screw the handle lever (if applicable) to the main handle (1) . Linsol utilises 3 types of spout attachment which vary slightly, ensure if any threads needs to be sealed that a type of liquid Teflon or glue is used
6. Remove outlet grub screws (9) and screw push fit nipple onto water connection.
7. Fit outlet onto push fit nipple then screw in grub screws ensuring that no damage occurs to O-rings.
8. Check for any water leaks again.

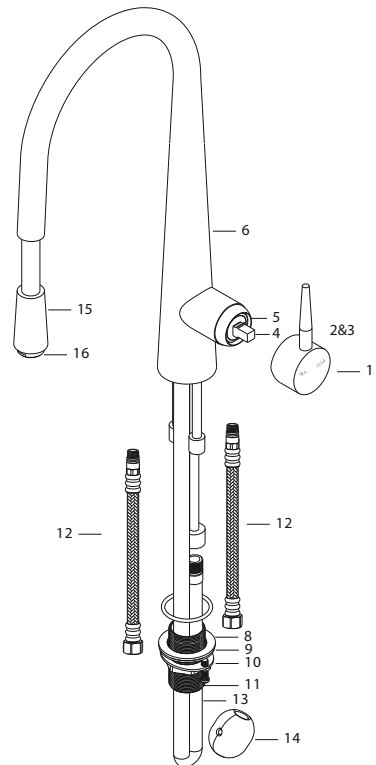
1. Handle
- 2 & 3. Handle Fixing Screw & Push in Button
4. Ceramic Disc Cartridge
5. Rosette & Cartridge Locknut
6. Cover
7. Plate
8. Conceal Brass Body
9. Outlet
10. Aerator



Pull Out Sink Mixer

Sleeve type installation

1. Place the rubber seal into the base plate (7) and into position.
2. Locate pull out hose (13) and pull out connection (14) and place O-ring (15) supplied into pull out connection (14) and tighten firmly.
3. Before installing cold flexible hose (15) apply lubricant to the O-rings, then proceed to install the cold hose (15) into the underside of the mixer body (6) with the corresponding colour.
4. Align the base plate (7) with the flexible hoses (12) and the mixer body (6) over the basin hole and fit off.
5. Fit O ring rubber washer (10), brass washer (9) and the brass locknut (11) over the flexible hoses (12) pull out hose (13) and tighten up. Once secure there is 2 screws in the locknut further tighten if needed.
6. Install hot flexible hose (16) ensuring that lubricant has been applied to the O-rings as well and tighten firmly.
7. Be sure to check that the mixer is secured firmly and that there is no visual signs of any leaks.

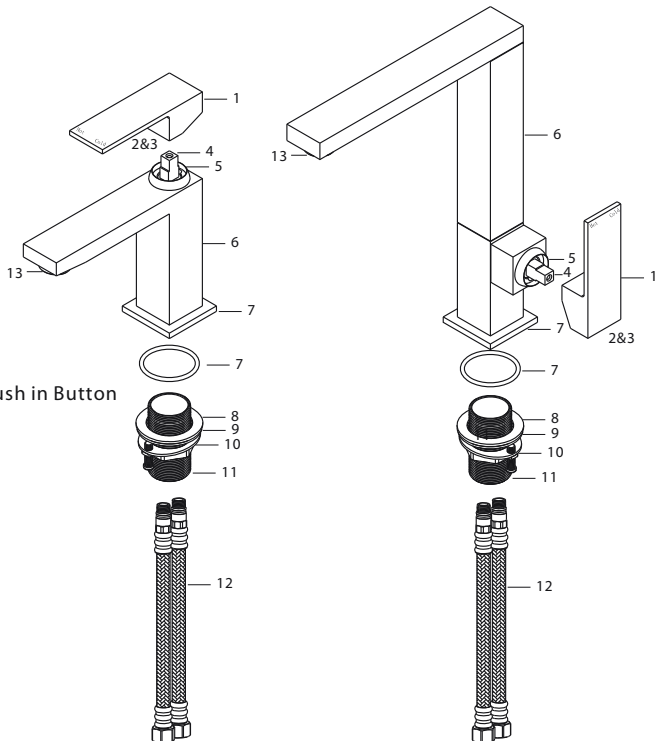


1. Handle
- 2 & 3. Handle Fixing Screw & Push in Button
4. Ceramic Disc Cartridge
5. Rosette & Cartridge Locknut
6. Mixer Body
7. Base Plate & Rubber Seal
8. O Ring Plastic Washer
9. O Ring Brass Washer
10. Fasten Bolt
11. Sleeve Bolt
12. Inlet Hoses
13. Pull Out Hose
14. Shot
15. Pull Out Head
16. Aerator

Basin & Sink Mixer

Sleeve type installation

1. Place the rubber seal into the base plate (7) and into position.
2. Before installing flexible hoses (12) apply lubricant to the O-rings, then proceed to install the flexible hoses (12) into the underside of the mixer body (6) with the corresponding colours.
3. Align the base plate (7) with the flexible hoses (12) and the mixer body (6) over the basin hole and fit off.
4. Fit O ring rubber washer (10), brass washer (9) and the brass locknut (11) over the flexible hoses (12) and tighten up. Once secure there is 2 screws in the locknut to further tighten if needed.
5. Be sure to check that the mixer is secured firmly and that there is no visual signs of any leaks.



1. Handle
- 2 & 3. Handle Fixing Screw & Push in Button
4. Ceramic Disc Cartridge
5. Rosette & Cartridge Locknut
6. Mixer Body
7. Base Plate & Rubber Seal
8. O Ring Plastic Washer
9. O Ring Brass Washer
10. Fasten Bolt
11. Sleeve Bolt
12. Inlet Hoses
13. Aerator

Replacing mixer cartridges

1. Turn off all water to mixer tapware ensuring that all dishwashers and washing machines are not in use.
2. Remove the plastic cap (2 depending on model)) or unscrew the lever of handle (3). Remove grub screw (2) and remove handle (1). Remove rosette (4) and loosen cartridge locknut (5). Ensure to take extra care as to not to damage the finish of the product.
3. After removing the mixer cartridge check inside the body (7) for foreign matter and clean if necessary.
4. Insert the new cartridge ensuring that the locking lugs on the bottom of the cartridge (6) are matching to the body locating holes (7) and hold firm whilst installing the cartridge locknut (5) and screw up firmly making sure you do not overtighten. Take extra care in this procedure as not to damage the thread on the body (7) or the locknut (5)
5. Turn on the water to the product and ensure no leaks are evident.
6. Fit the rosette (4) by hand and install the handle (1) and tighten grub screw making sure that the handle has a secure fitment. Push the plastic cap (2) or screw in the lever of the handle (3).