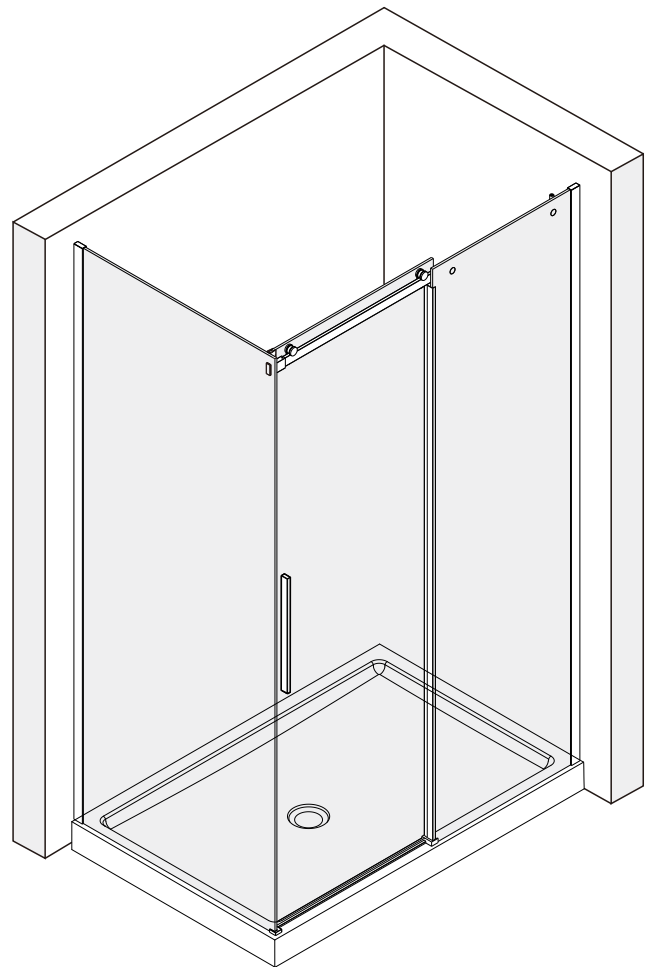
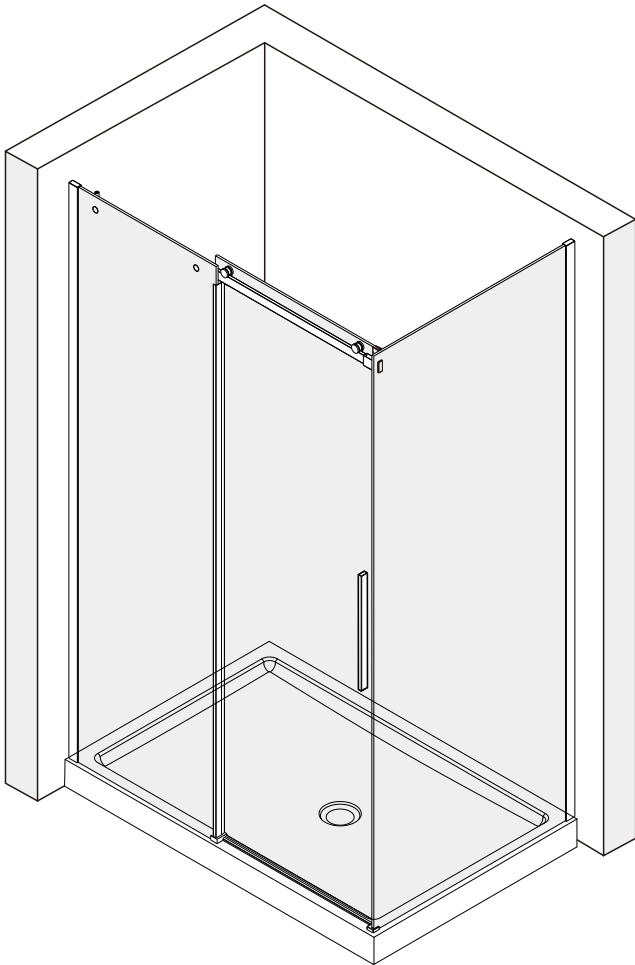


Instruction Manual Malanda/Avalon

1200x900(8mm)

With Decina's Exclusive EZI Clean Coating



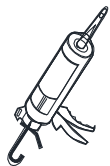
Important Pre-Installation Information

- Please read this entire instruction book before commencing installation.
- A licenced tradesman must be used for the installation.
- Ensure there is a gasket between all glass and metal components.
- Leave the plastic protectors on the glass corners until the last possible moment and handle with care.
- Instructions to install the shower tray are included with the shower tray.
- In cold climates, warming the gaskets and seals with hot water or a hairdryer will assist installation.
- On symmetrical pieces of glass, the EZI Clean coating is only on one face. This face will have a sticker on it to identify it. This side must be installed on the wet side of the shower.

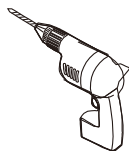
Maintenance

- The use of harsh or abrasive cleaners will cause deterioration of the EZI Clean coating. If water alone is not enough to clean the glass, Decina recommends the use of mild detergent solutions only.

Tools Required



Silicone Sealant



Drill



Level



Rubber Mallet



Pencil



Phillips Screwdriver



Tape Measure



Cutting Pliers



Utility Knife



6mm (1/4") and
3mm (1/8") Drill Bits

* *



Safety Goggles

* *

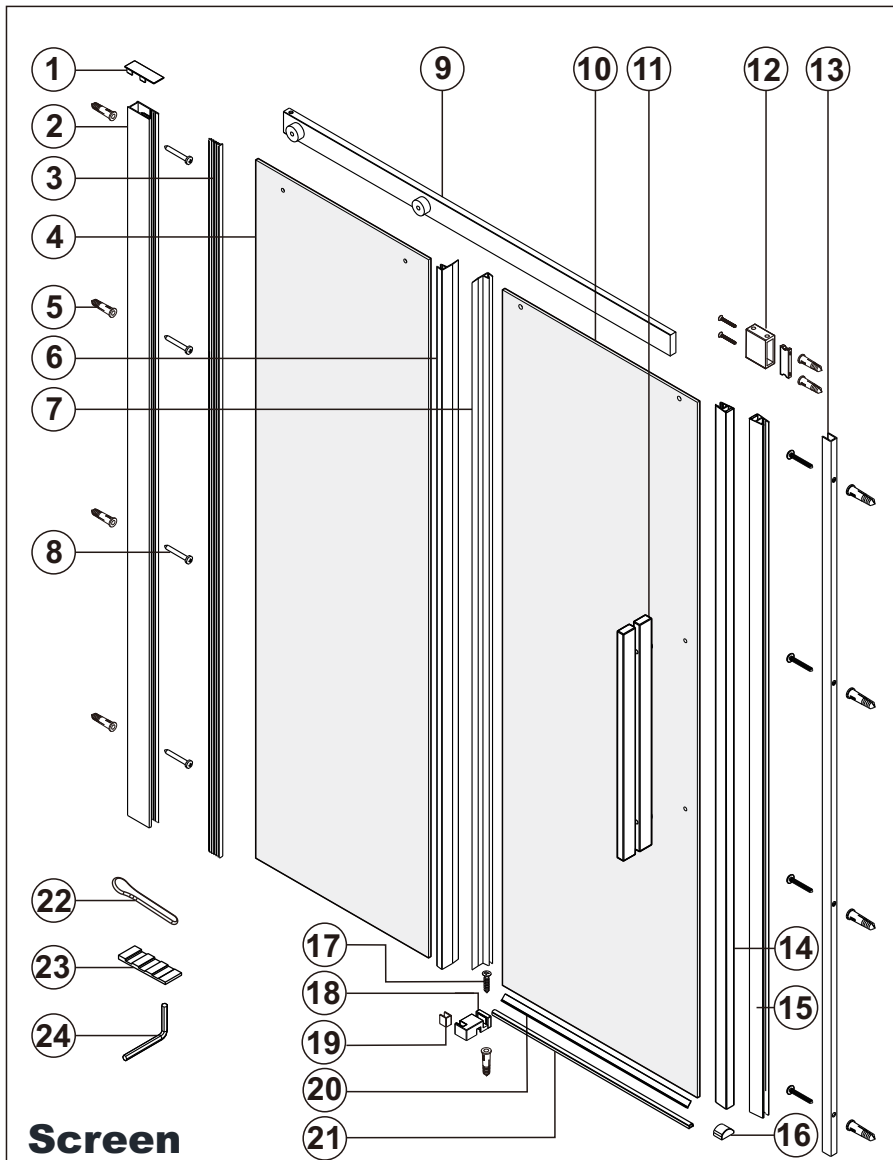


Gloves

** Use the correct type of drill bit for the material being drilled, with 6mm required for anchor fixing and 3mm used for screwing directly into the wall studs.*

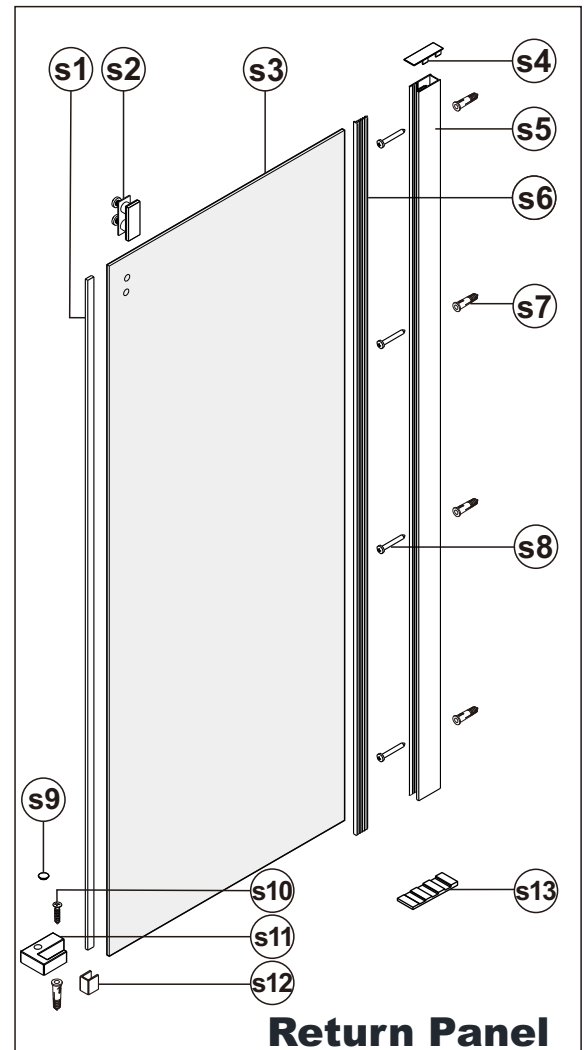
*** As with all toughened glass, take care while handling and wear safety goggles and gloves for personal protection.*

Parts List



Screen

1. Channel Cap	1 pcs	13. Magnet profile	1 pcs
2. Wall Channel	1 pcs	14. Magnetic Door Seal(1988mm)	1 pcs
3. Wall Channel Gasket	1 pcs	15. Magnetic Door Seal(2000mm)	1 pcs
4. Front Panel Glass	1 pcs	16. Cap L/R	1 pcs
5. Wall Anchor	11 pcs	17. Countersunk Philip head screw	1 pcs
6. Hinge Side Door Gasket(1918mm)	1 pcs	18. guideL/R	1 pcs
7. Hinge Side Door Gasket(1912mm)	1 pcs	19. Gasket	1 pcs
8. Phillips Head Screw ST4x40	10 pcs	20. Long Drip Strip	1 pcs
9. Rail	1 pcs	21. Threshold	1 pcs
10. Door Glass	1 pcs	22. Squeeze gasket tool	1 pcs
11. Handle	1 pcs	23. Glass Wedge spacer	2 pcs
12. Wall bracket base	1 pcs	24. Allan key kit2.5mm/3mm	1 pcs

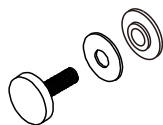


Return Panel

s1. Magnet strip	1 pcs
s2. Chrome kit for bar	1 pcs
s3. Side Panel Glass	1 pcs
s4. Channel Cap	1 pcs
s5. Wall Channel	1 pcs
s6. Wall Channel Gasket	1 pcs
s7. Wall Anchor	5 pcs
s8. Phillips Head Screw ST4x40	4 pcs
s9. Screw cap	2 pcs
s10. Countersunk Philip head screw	1 pcs
s11. 90°Bottom Clamp L/R	1 pcs
s12. Gasket	1 pcs
s13. Glass Wedge spacer	2 pcs



a1. Roller x2pcs



a2. Fixing plate x2pcs

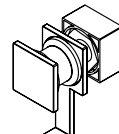


a3. Roller bumper x1pcs

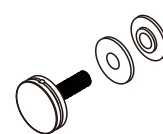


a4. Roller wrench tool x2pcs

Malanda: Round Roller



b1. Roller x2pcs



b2. Fixing plate x2pcs



b3. Fixing plate cap x2pcs



b4. Roller bumper x1pcs

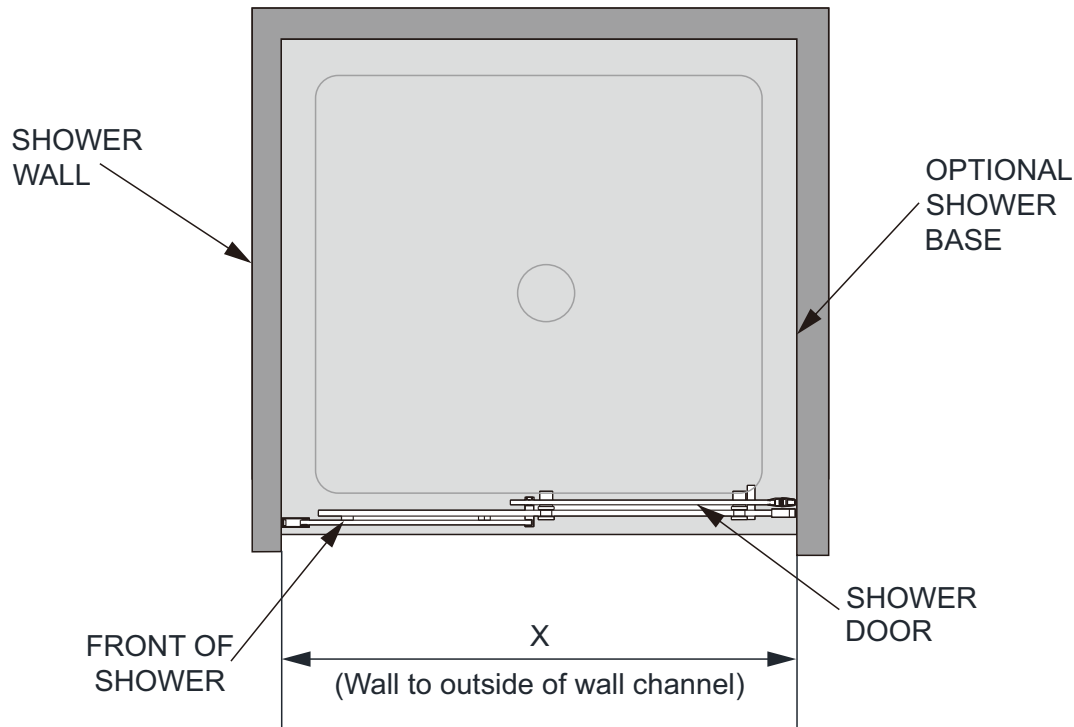


b5. Roller wrench tool x2pcs

Avalon: Square Roller

Determining Wall Channel Location

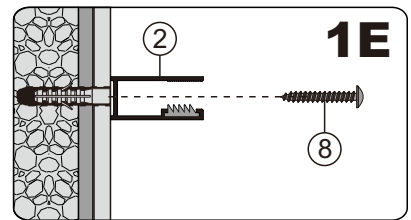
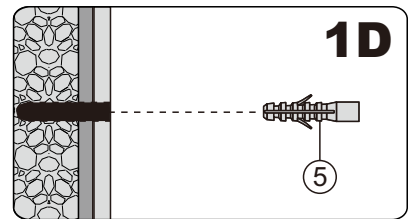
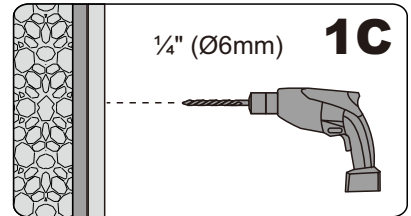
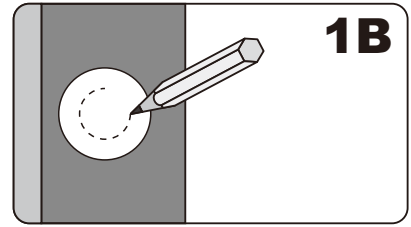
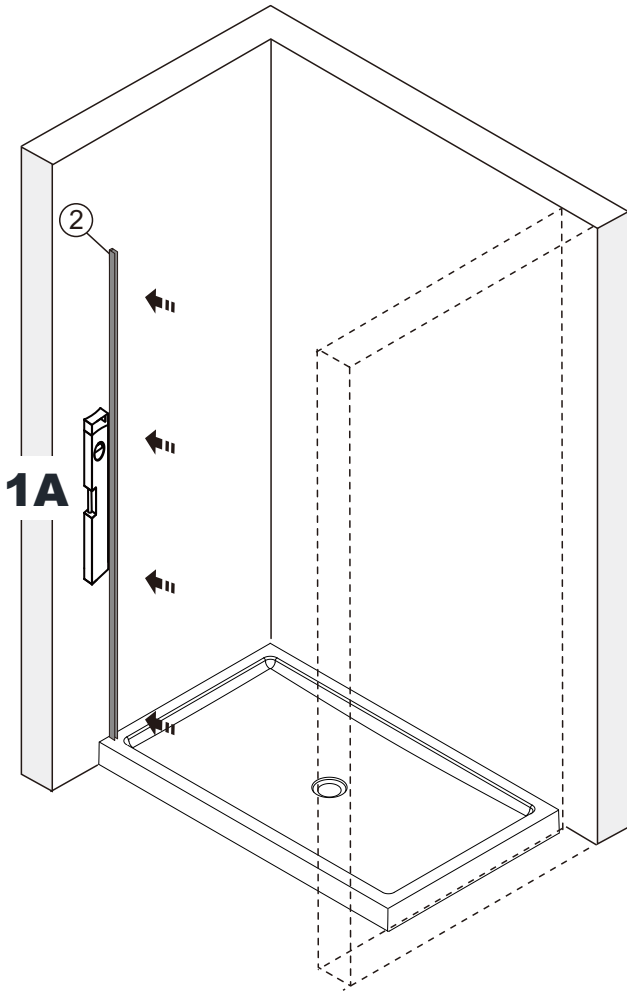
When commencing step 1 on the following page, please refer to this drawing and the tabulated dimensions for your size of system to assist in the correct location of the wall channels.



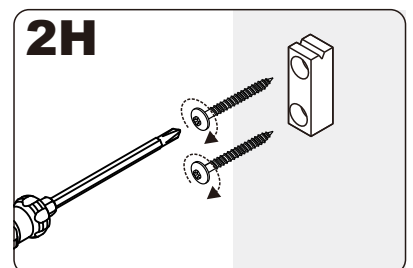
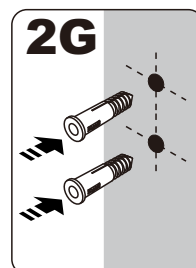
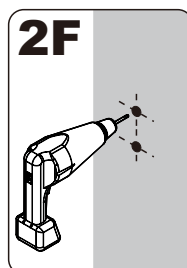
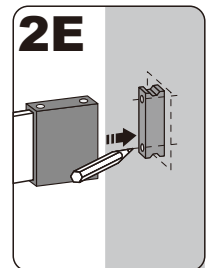
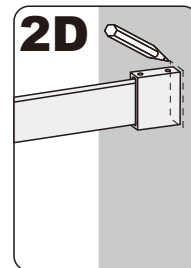
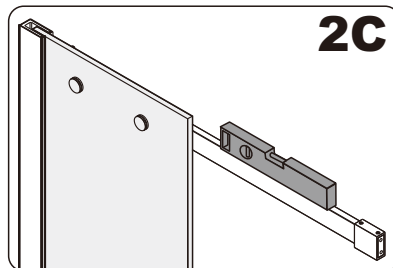
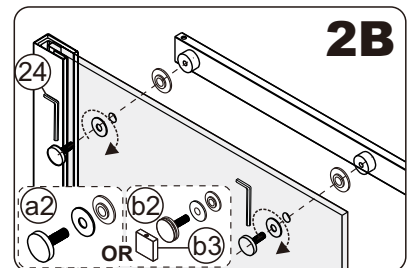
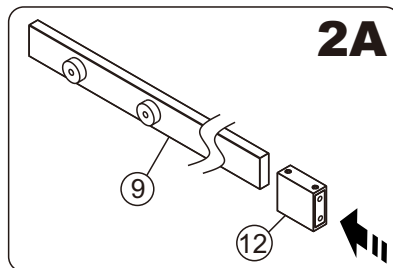
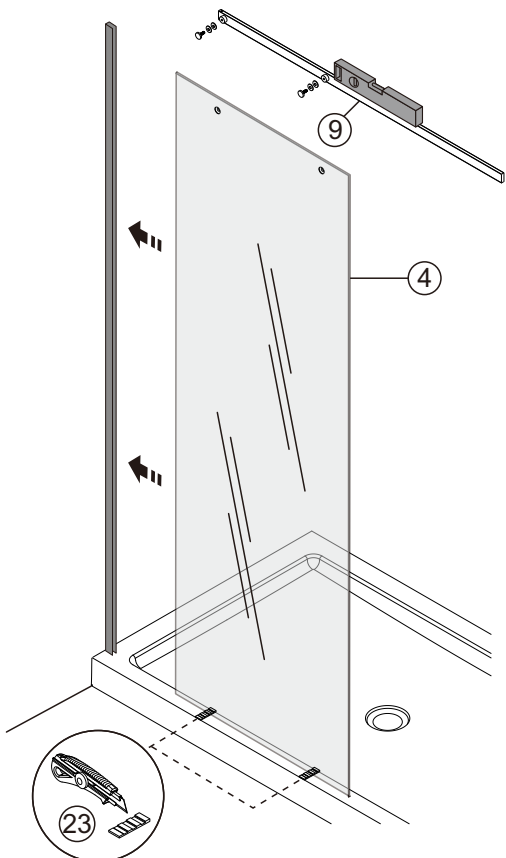
Screen Size	X (mm)
1200	1154-1178

- Locate the size of your shower screen in column 1 and use the value for X and Y on the same line to find the distance from the shower wall to the outside edge of the wall channels. If a shower base is fitted, do not measure from the edge of the shower base to determine the position of the wall channel.
- If your wall and shower base are not at right angles the glass will not push fully into the wall channel at the top or bottom. This misalignment is acceptable if not exceeding 15mm, however the overall shower size will then increase by the amount of this misalignment.
- If the screen footprint does not turn out square while the aluminium braces are being installed (step 3), the glass can be pulled out from the full depth of the channel by up to 15mm to assist in squaring.

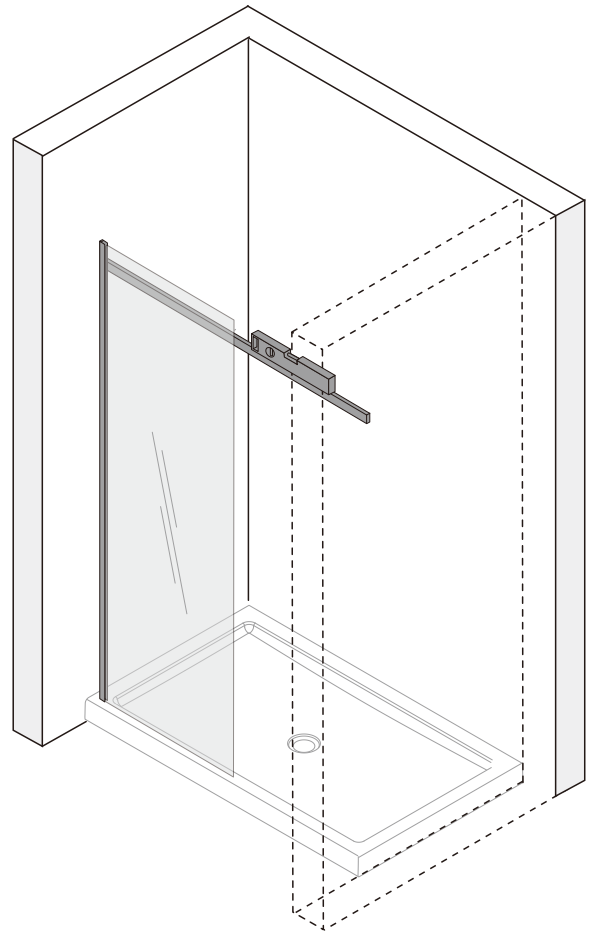
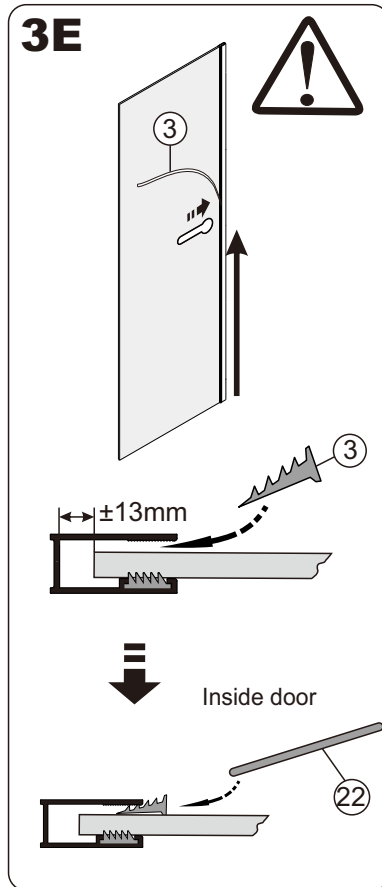
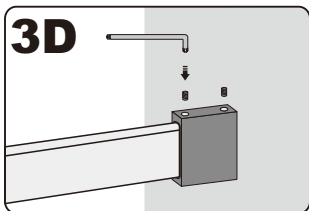
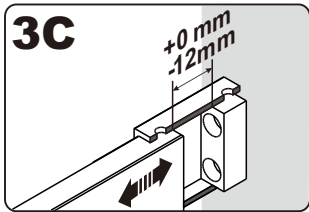
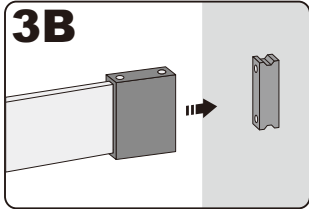
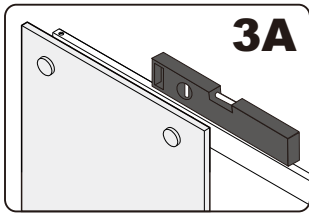
1



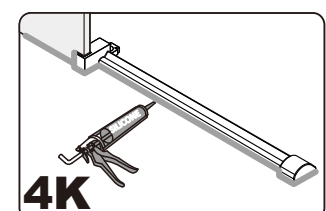
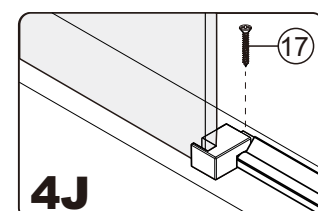
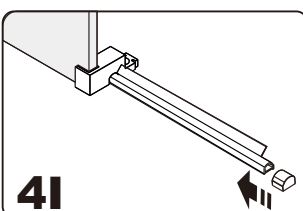
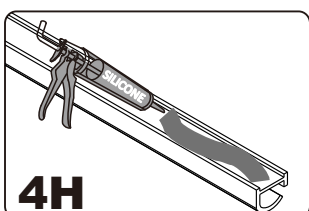
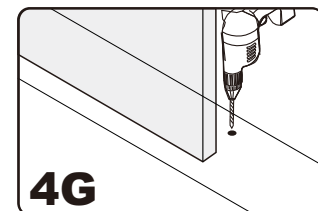
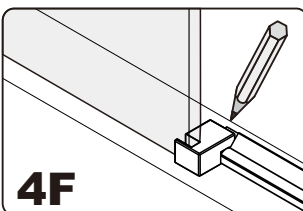
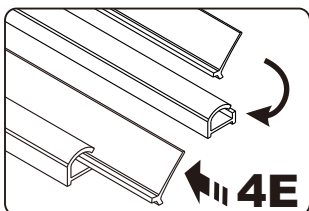
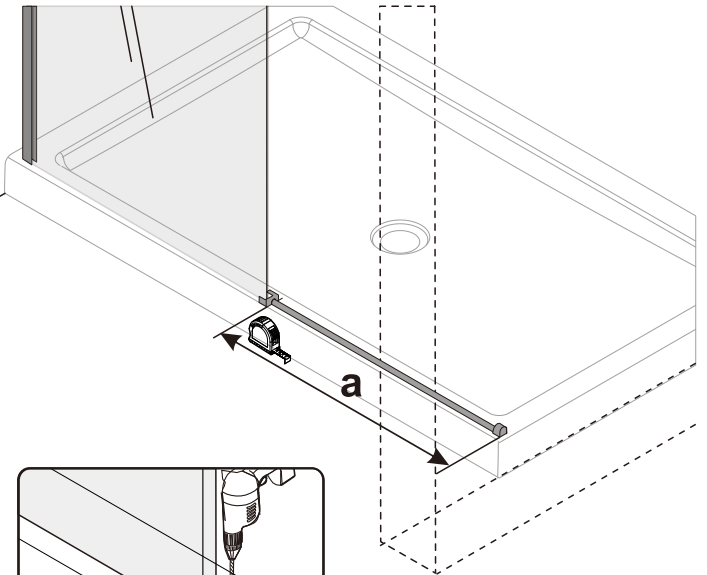
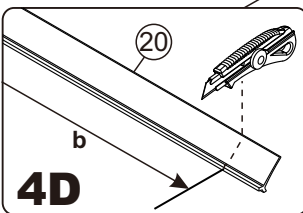
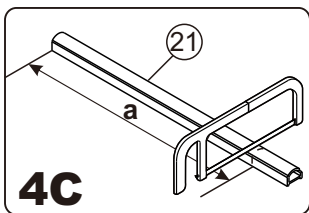
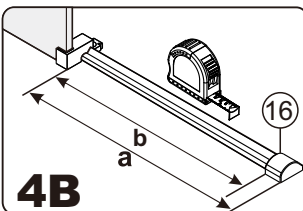
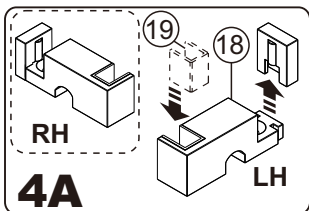
2



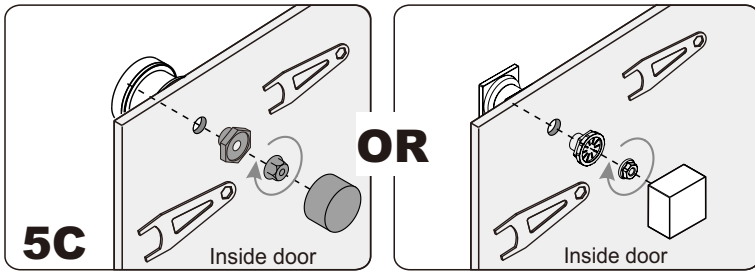
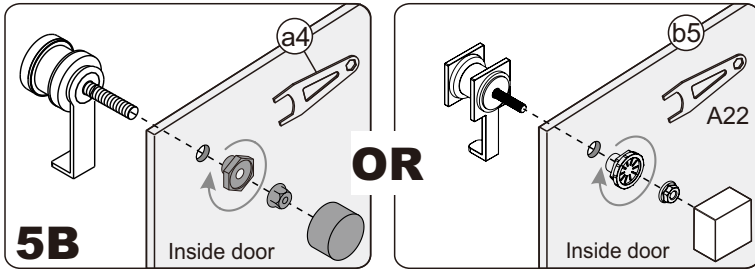
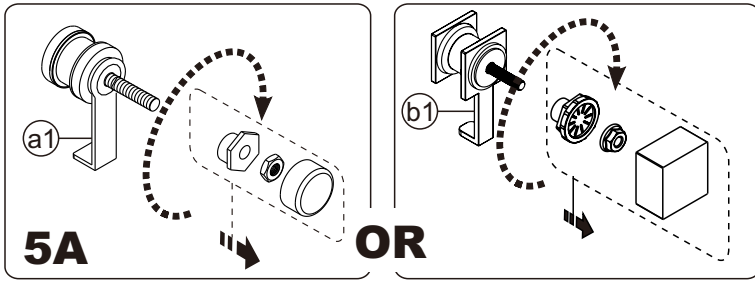
3



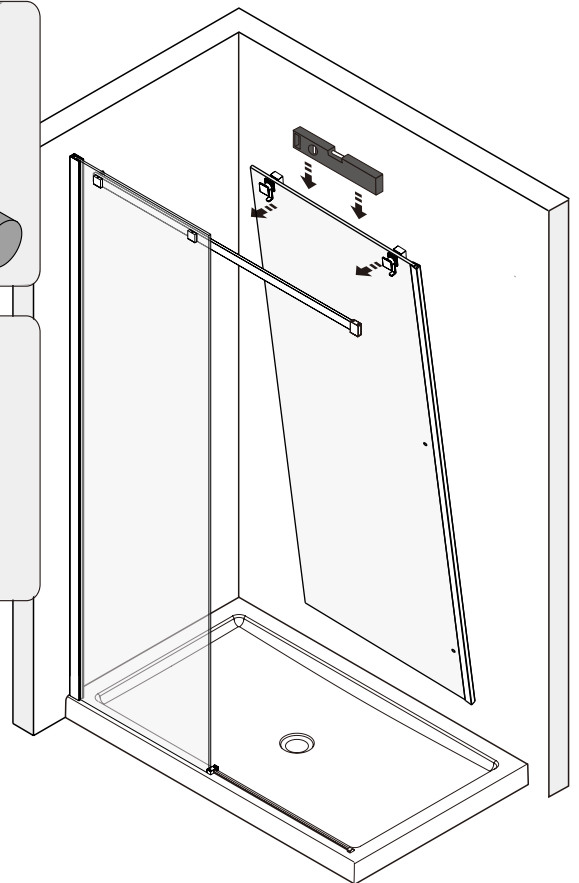
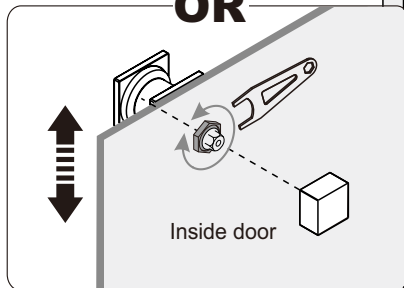
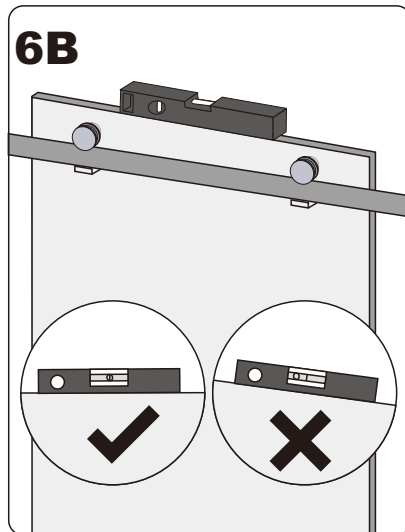
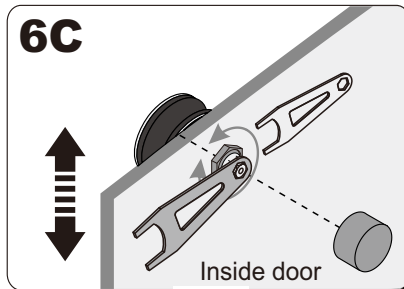
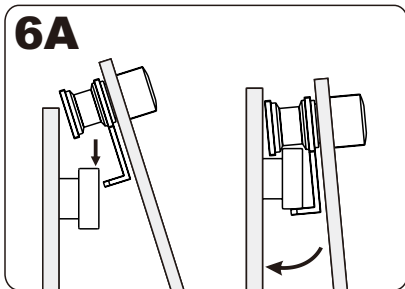
4



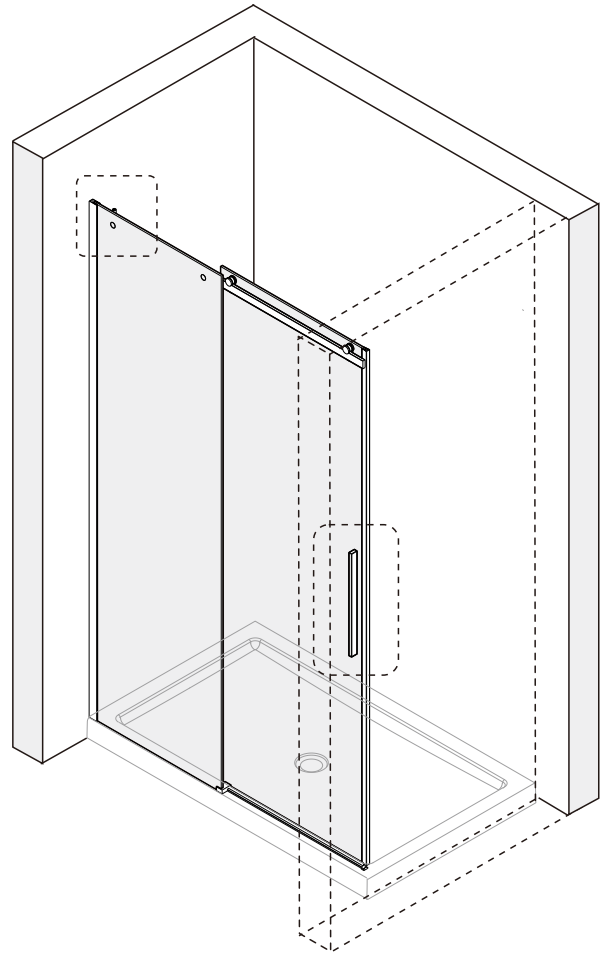
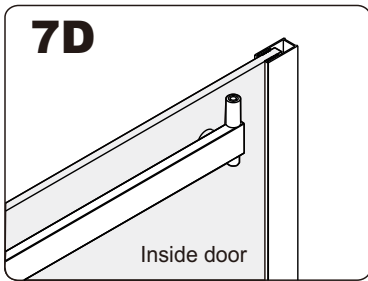
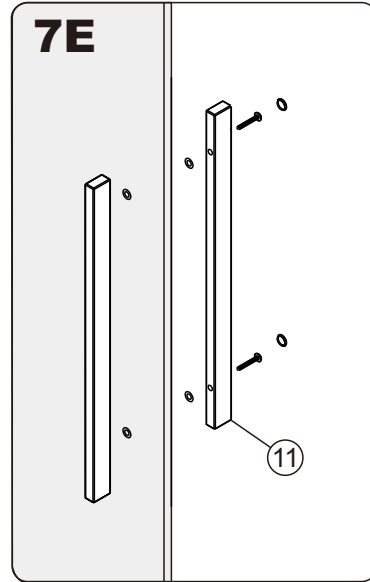
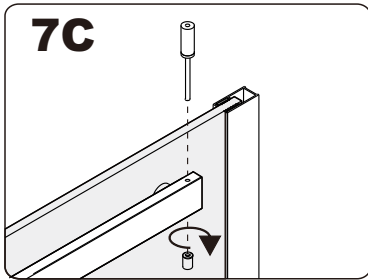
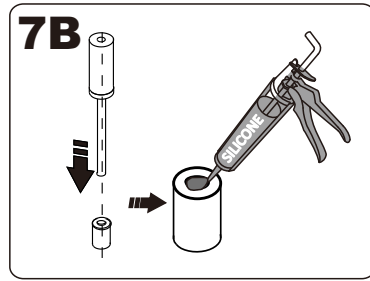
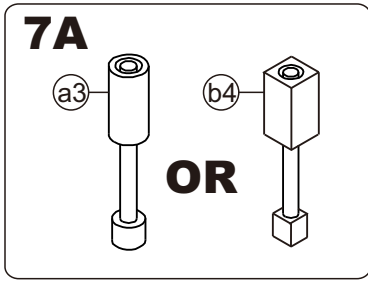
5



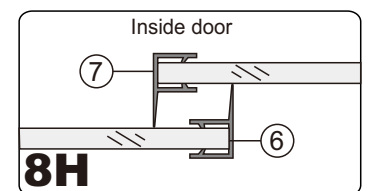
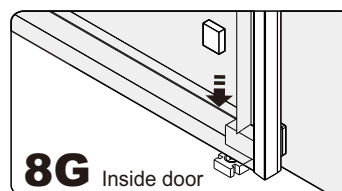
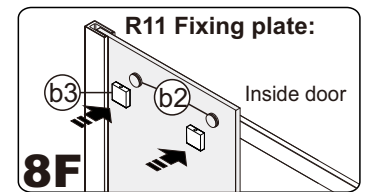
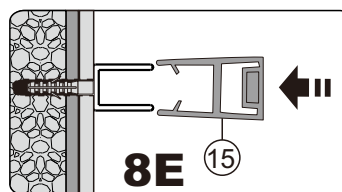
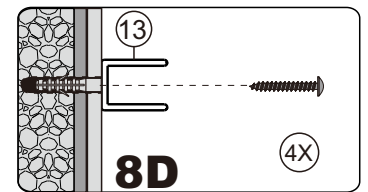
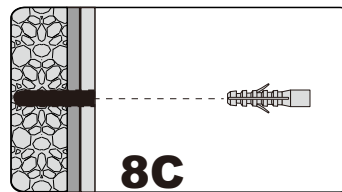
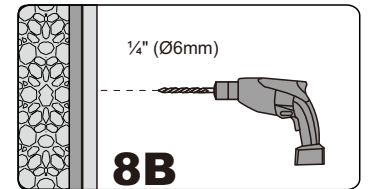
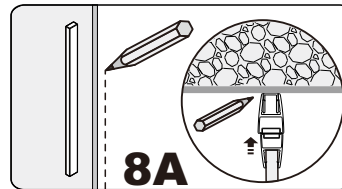
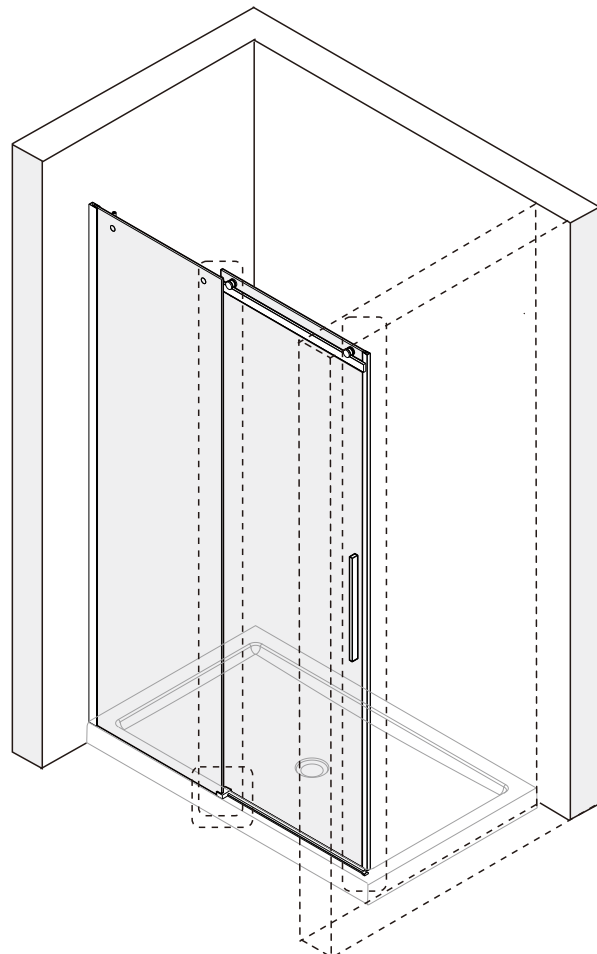
6



7



8

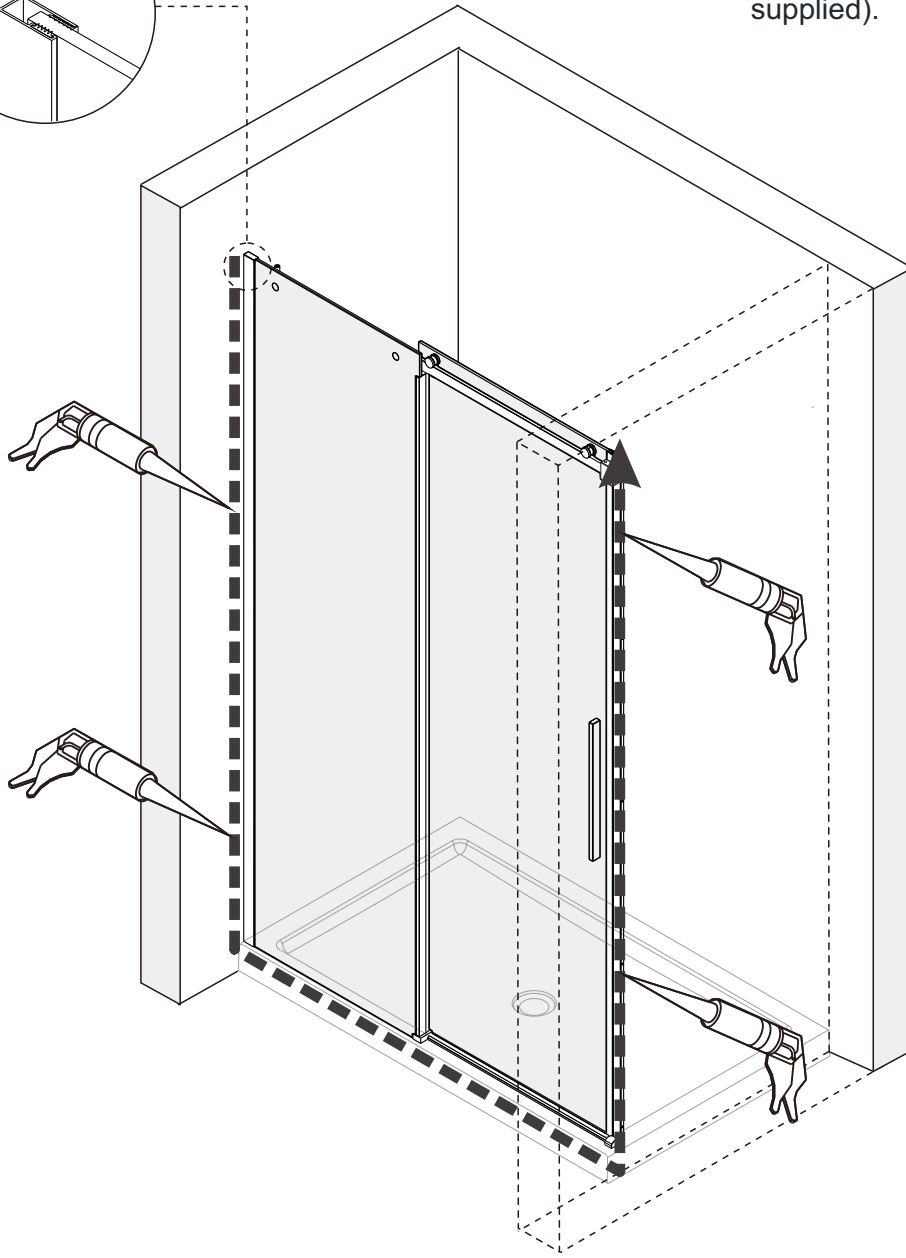
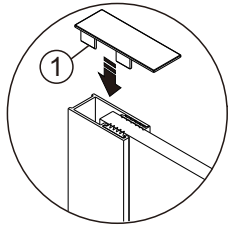




24 h

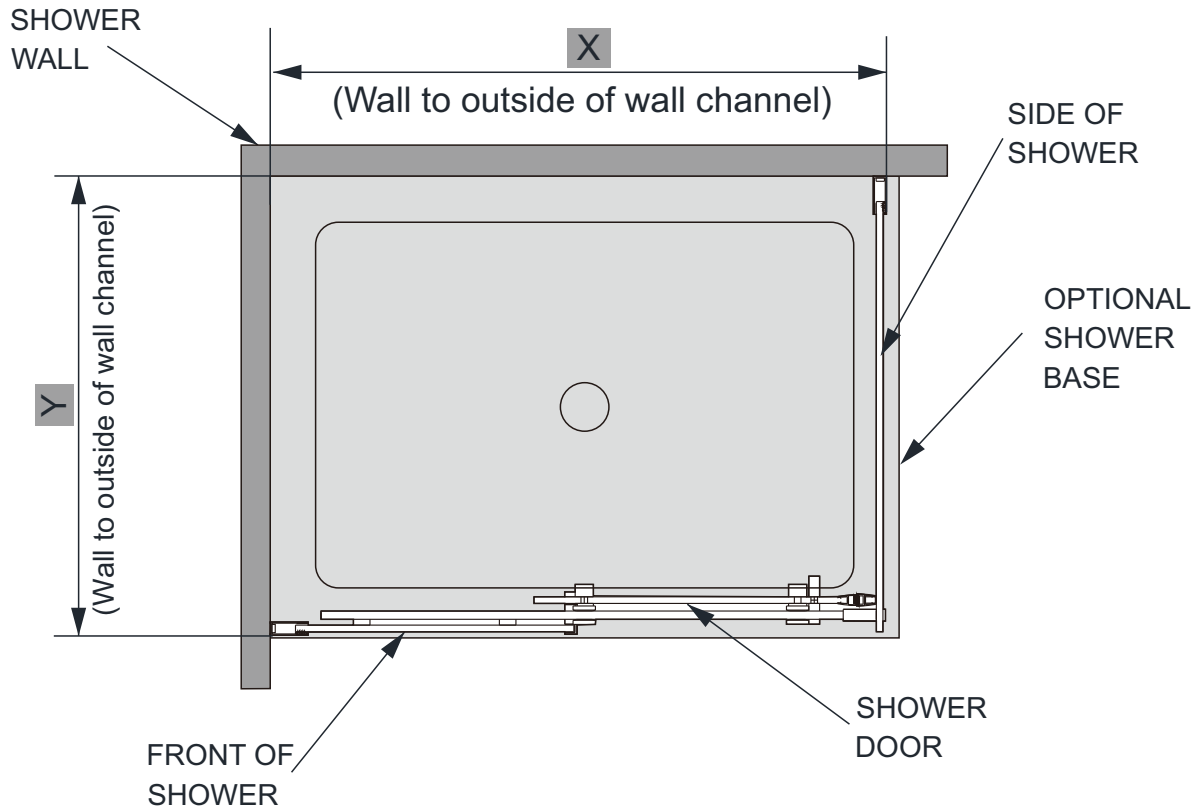


Silicone inside and outside of the shower (silicone not supplied).



Determining Wall Channel Location

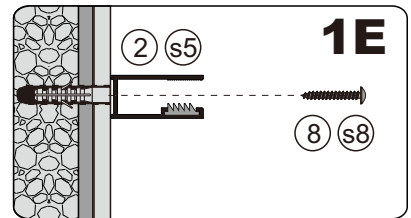
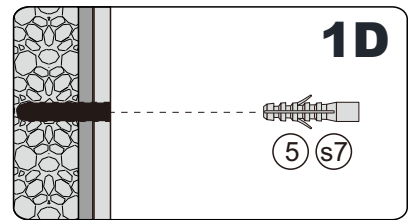
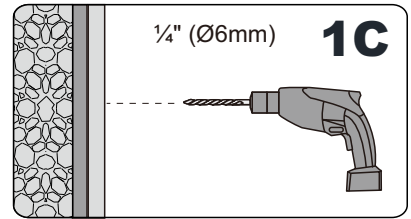
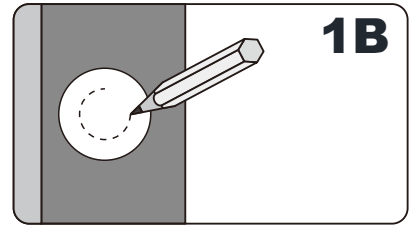
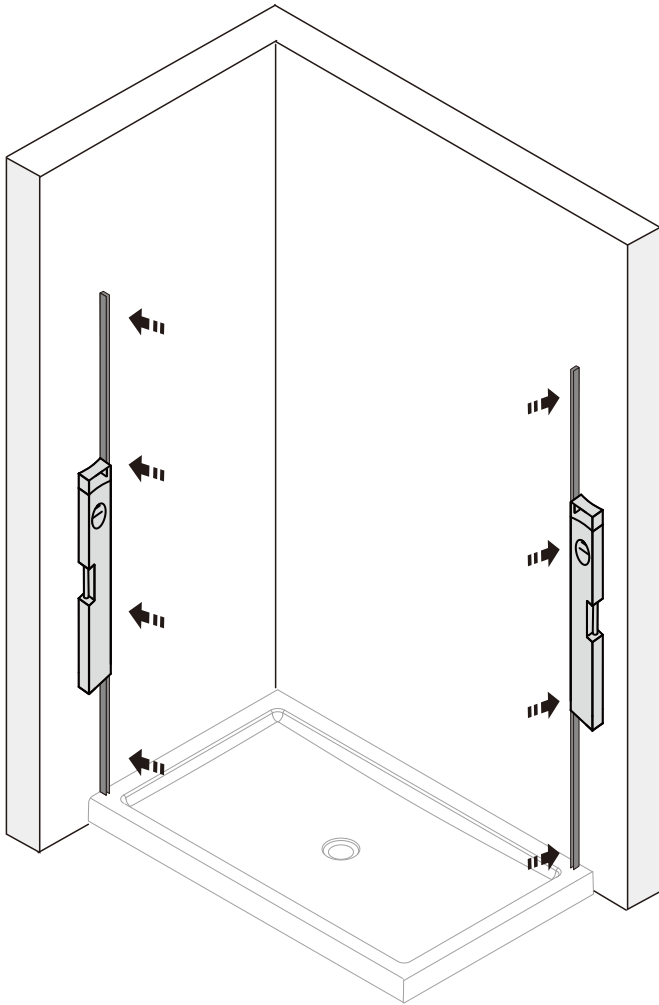
When commencing step 1 on the following page, please refer to this drawing and the tabulated dimensions for your size of system to assist in the correct location of the wall channels.



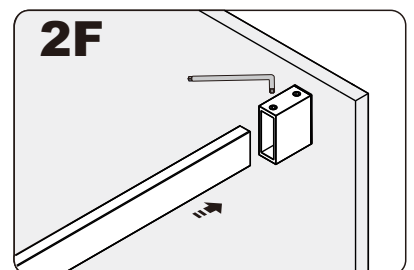
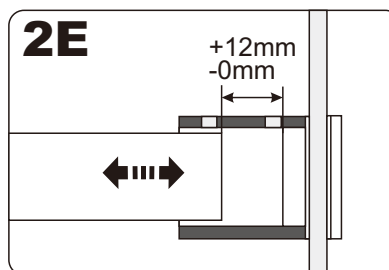
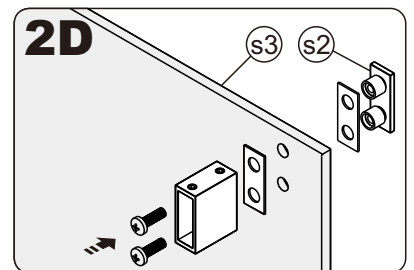
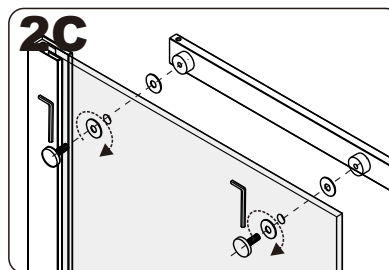
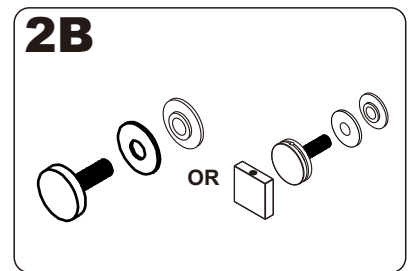
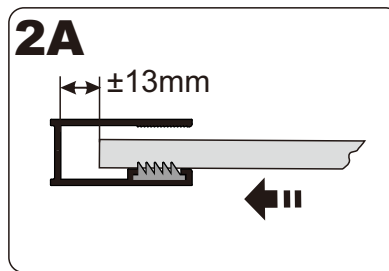
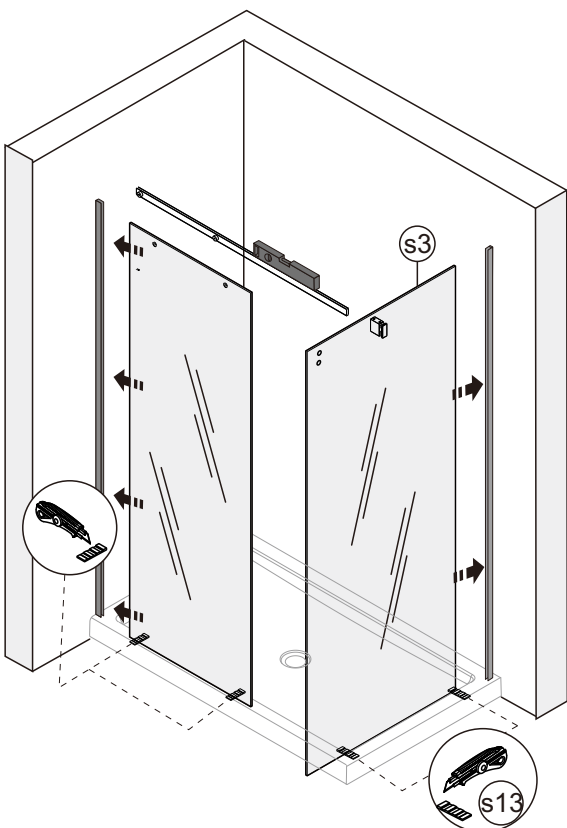
Screen Size	X (mm)	Y (mm)
1200 x 900	1154-1178	854-878

- Locate the size of your shower screen in column 1 and use the value for X and Y on the same line to find the distance from the shower wall to the outside edge of the wall channels. If a shower base is fitted, do not measure from the edge of the shower base to determine the position of the wall channel.
- If your wall and shower base are not at right angles the glass will not push fully into the wall channel at the top or bottom. This misalignment is acceptable if not exceeding 15mm, however the overall shower size will then increase by the amount of this misalignment.
- If the screen footprint does not turn out square while the aluminium braces are being installed (step 3), the glass can be pulled out from the full depth of the channel by up to 15mm to assist in squaring.

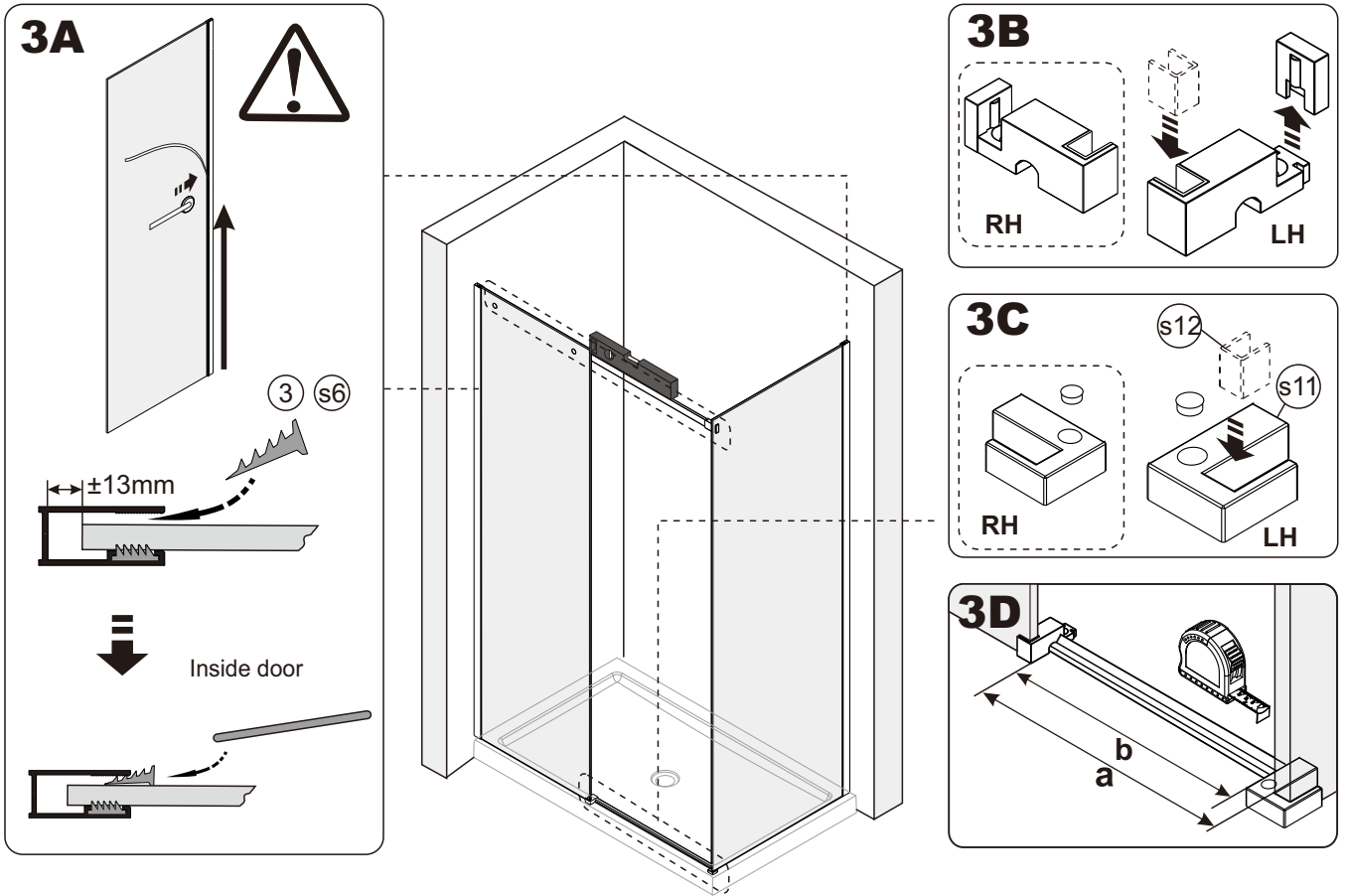
1



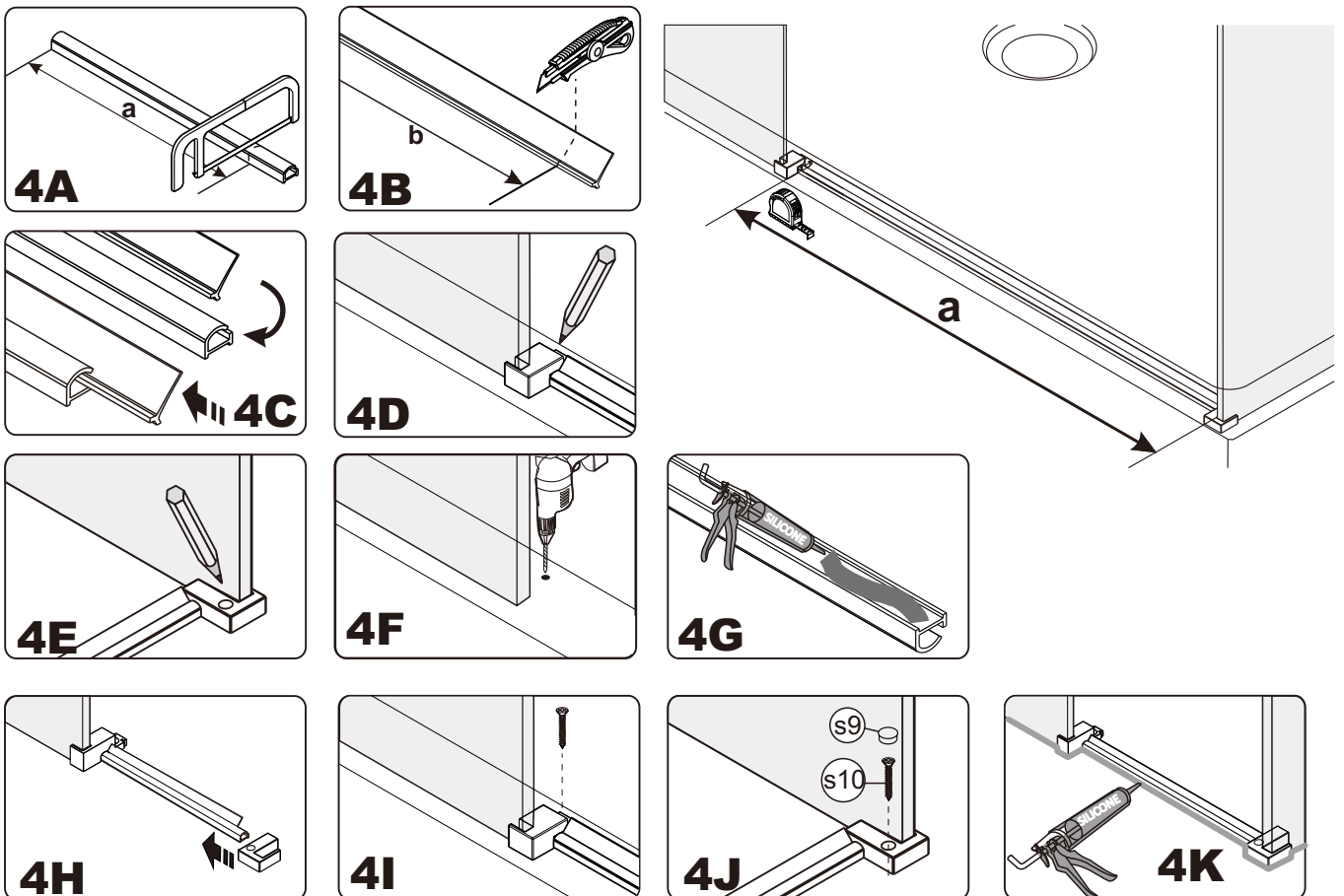
2



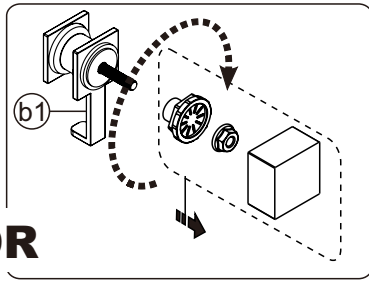
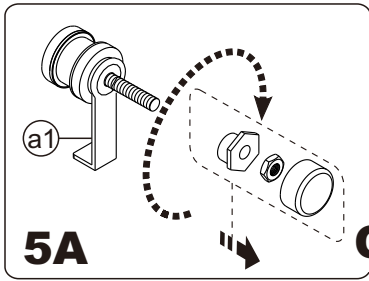
3



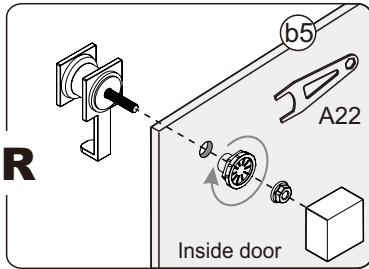
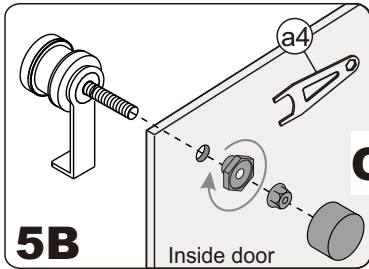
4



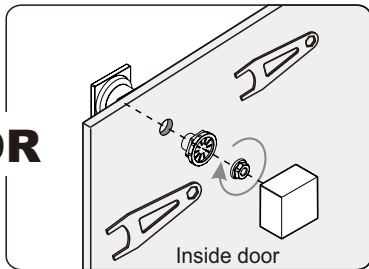
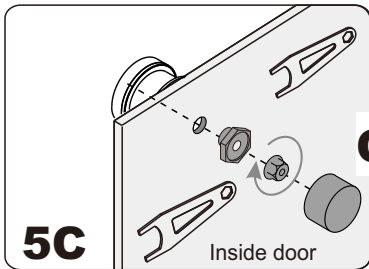
5



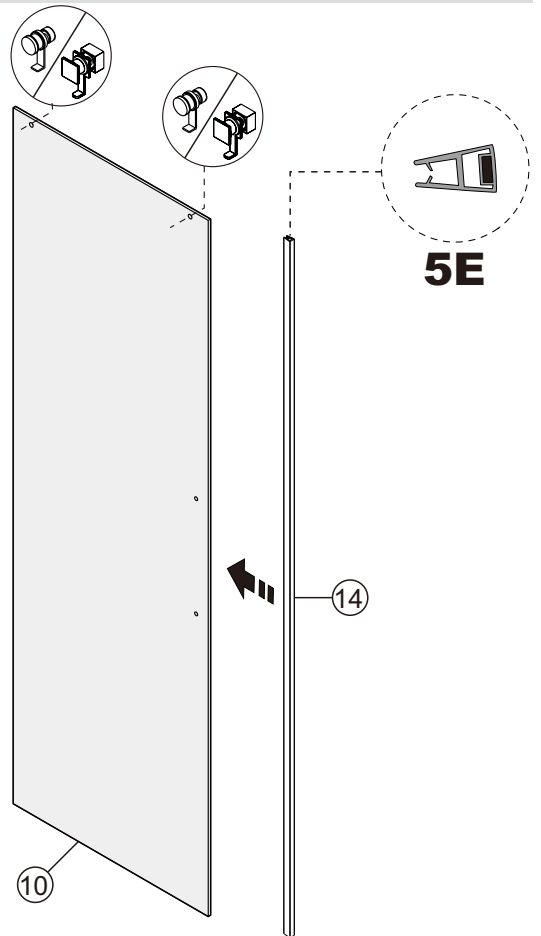
OR



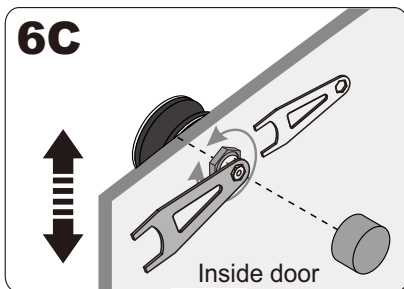
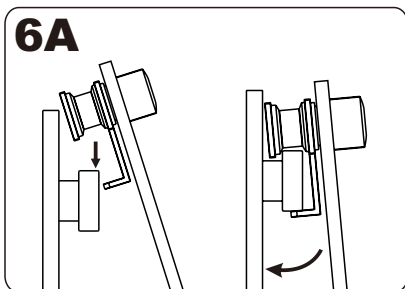
OR



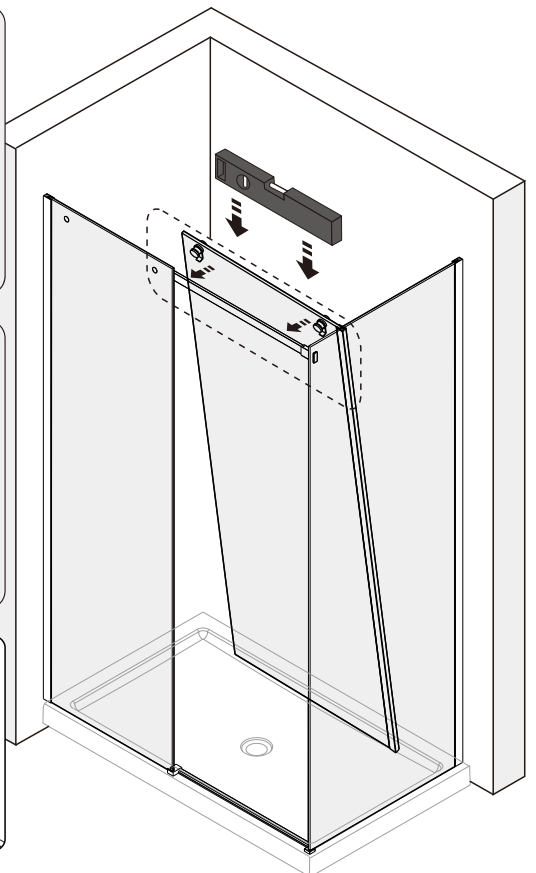
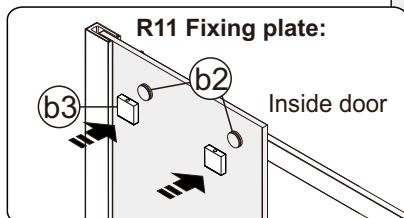
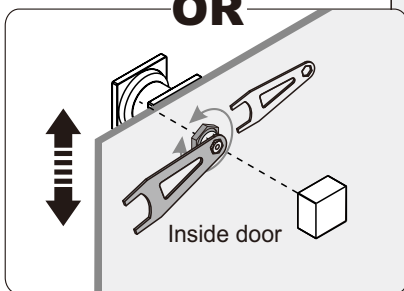
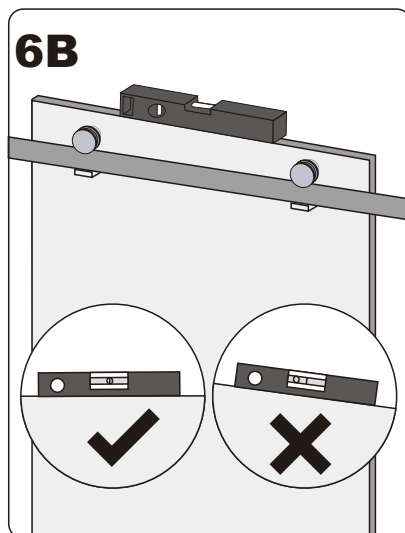
OR



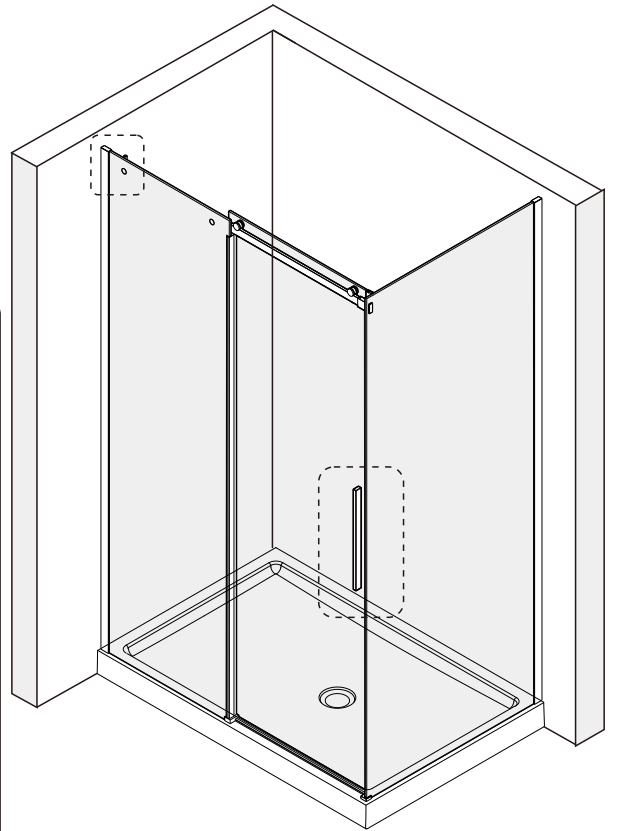
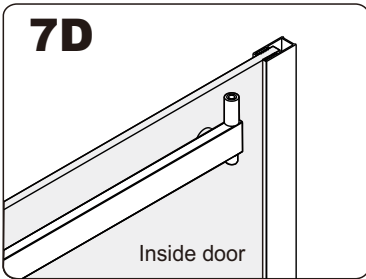
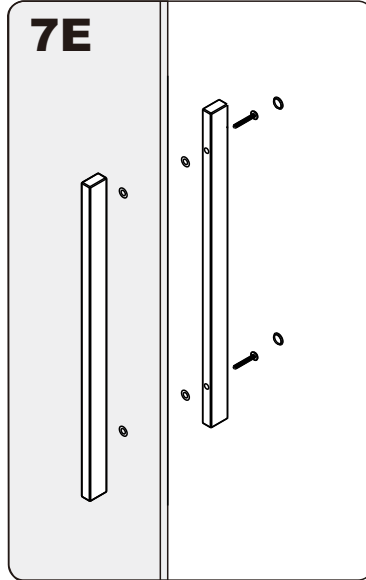
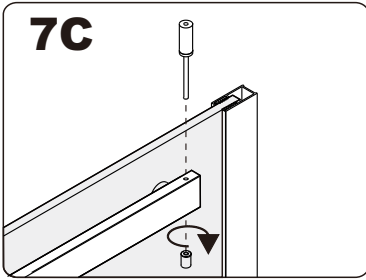
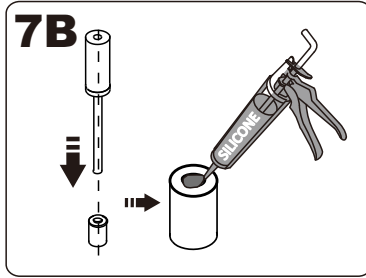
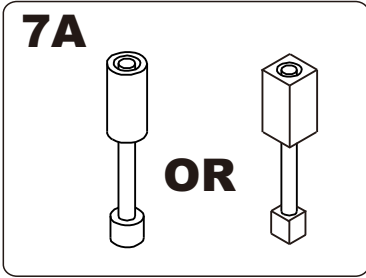
6



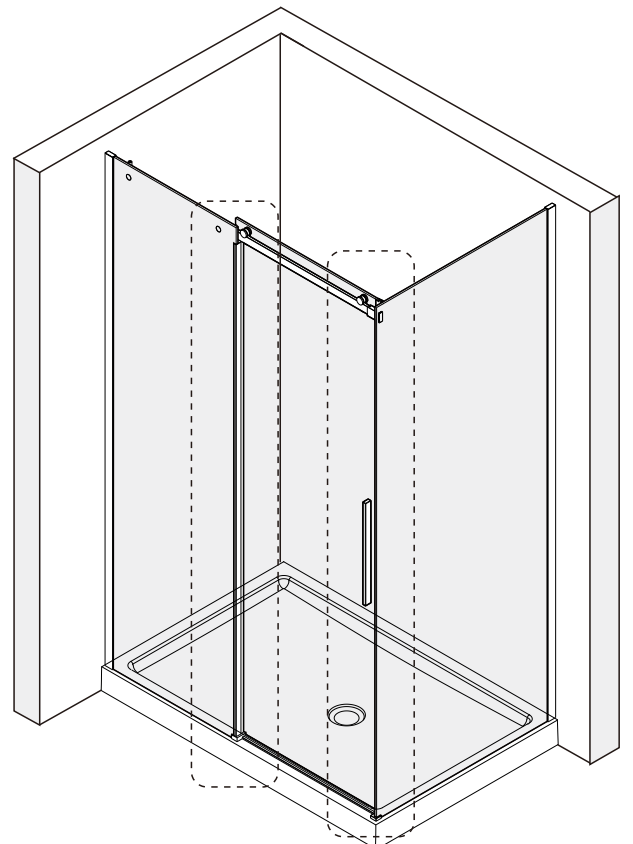
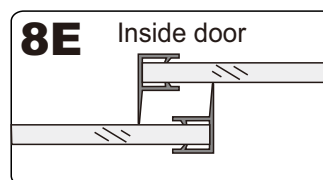
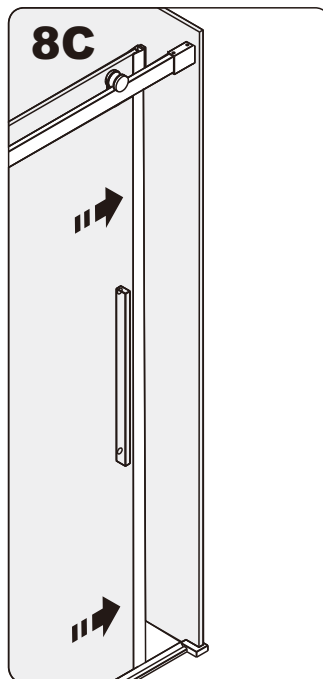
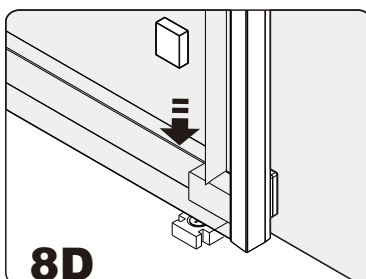
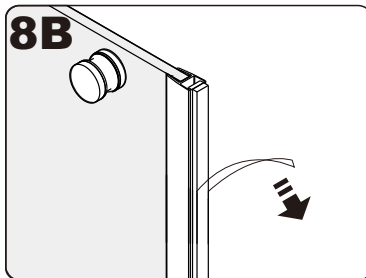
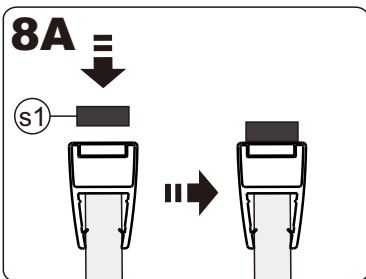
OR



7



8





Silicone inside and outside of the shower (silicone not)

