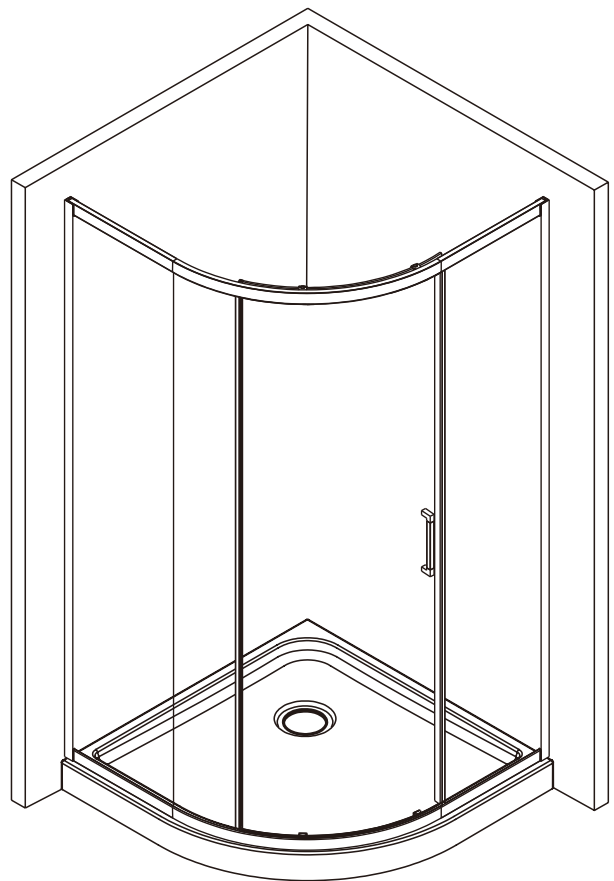
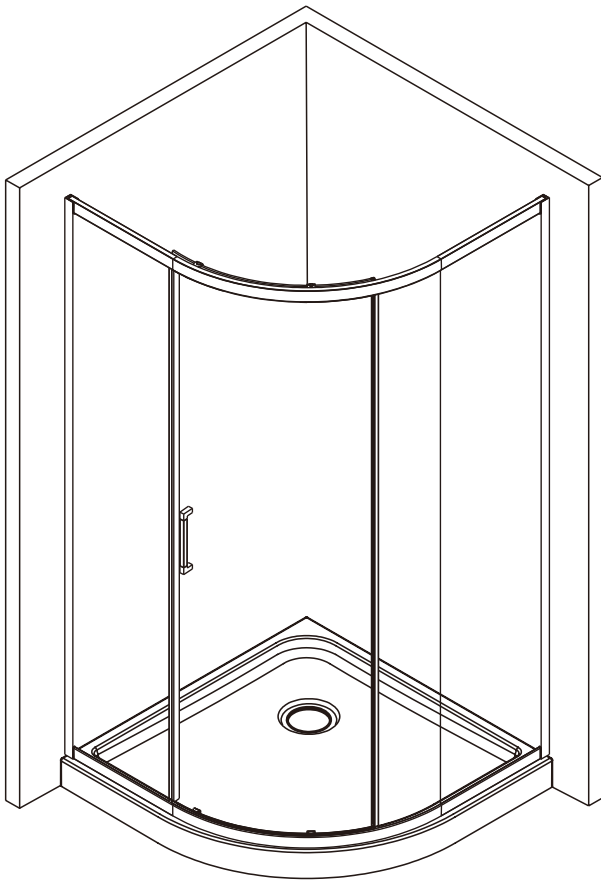


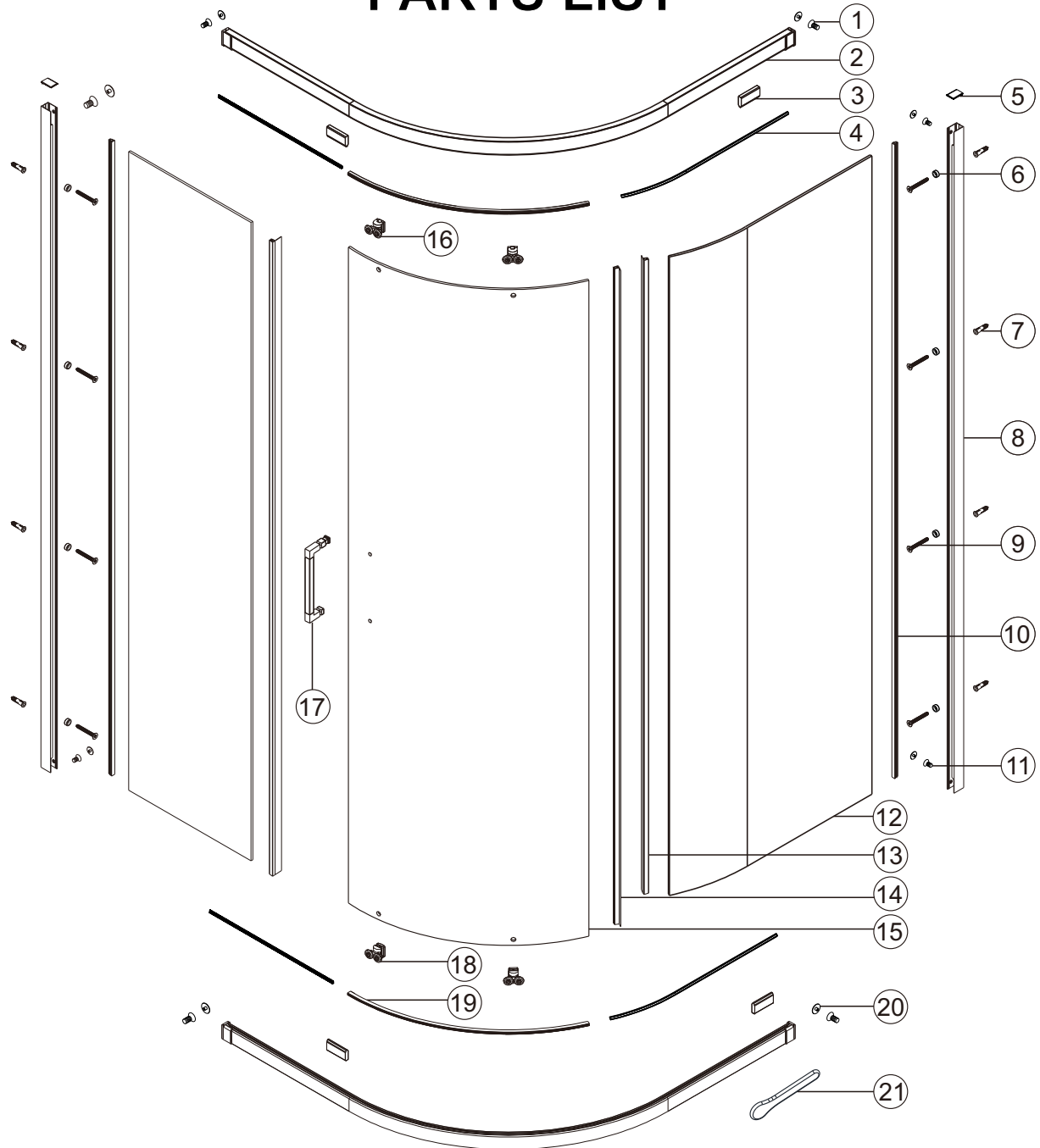
Instruction Manual

Floriano

1000 x 1000 Curved

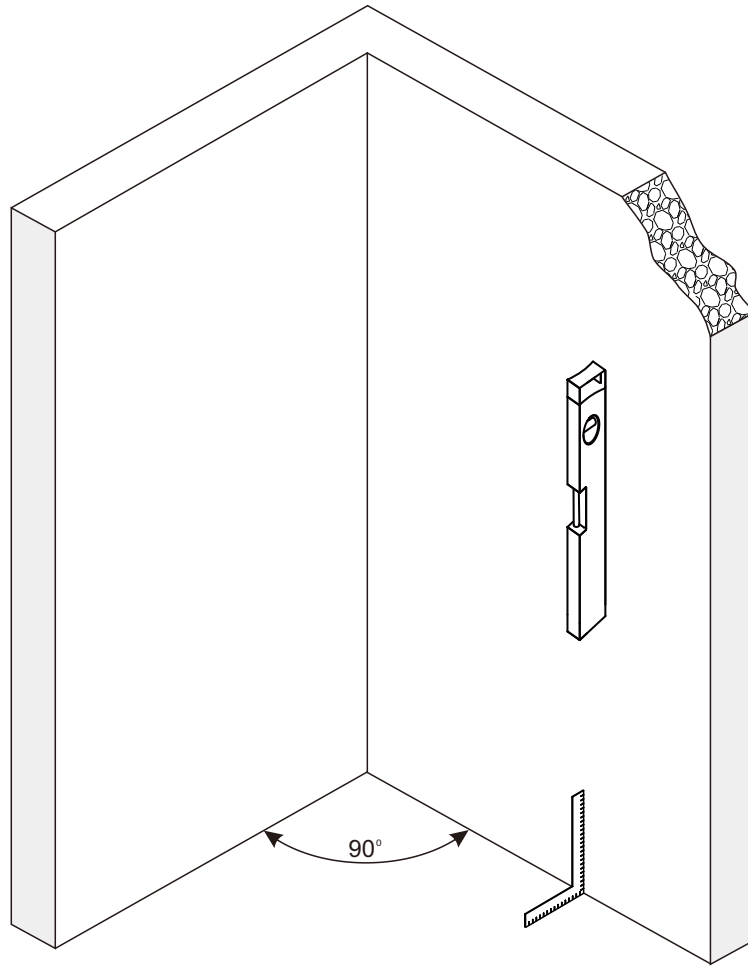


PARTS LIST

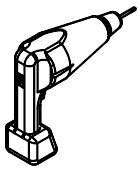


No.	Description	Qt.	No.	Description	Qt.
1	Screw M4 x 16	4	12	Fixed panel	2
2	Top and bottom profile	2	13	Gasket kit for door and fixed panel	2
3	Gasket	8	14	Gasket kit for door and fixed panel	2
4	Squeeze gasket	4	15	Pivot panel	1
5	Channel cap extrusion	2	16	Fixed Top Roller	2
6	Sleeve for screw	10	17	Handle	1
7	Wall anchor	10	18	Spring Loaded Roller	2
8	Chrome Wall Channel	2	19	Bead filler	2
9	Glass Wedge spacer	10	20	Screw cap	8
10	Materials tape	2	21	Squeeze gasket tool	1
11	Screw M4 x 10	4			

PARTS LIST FIXED PANEL



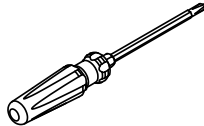
TOOLS AND MATERIALS REQUIRED



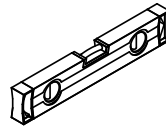
DRILL



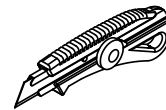
SCREWS



SCREWDR



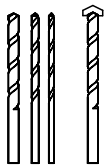
LEVEL



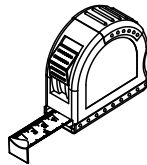
PRECISION KNIFE



SILICONE



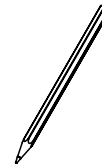
DRILL BITS: 1/8", 3/16" ET 1/4"
*MASONRY DRILL BIT



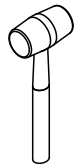
MEASURING TAPE



SET SQUARE

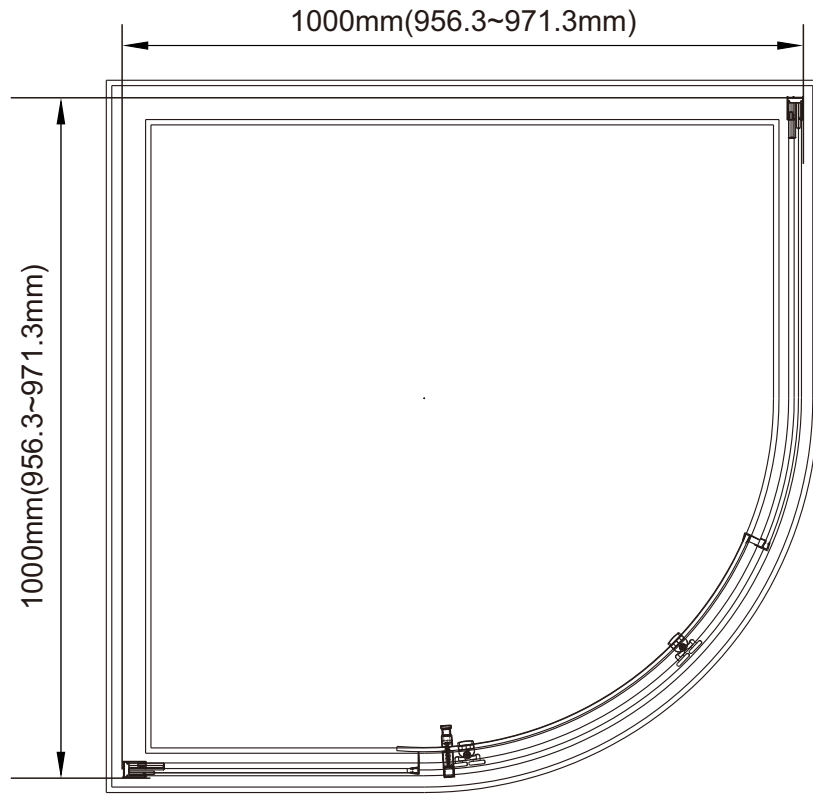


PENCIL

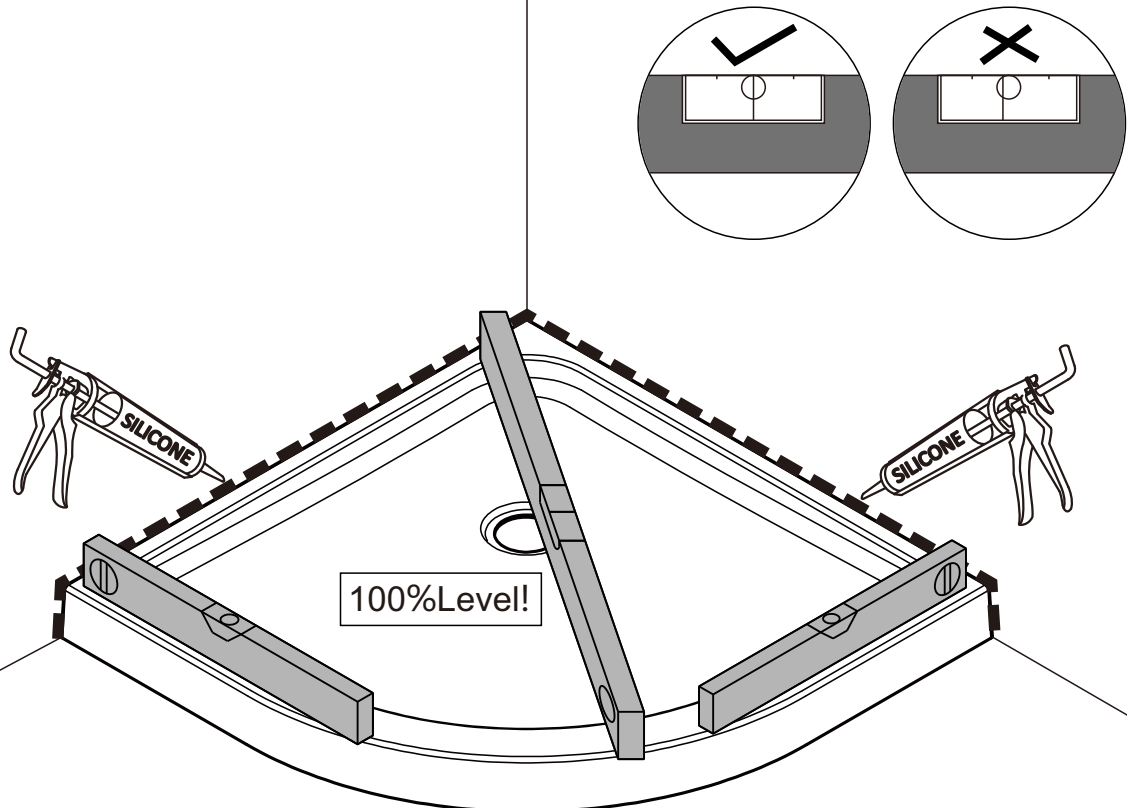


MALLET

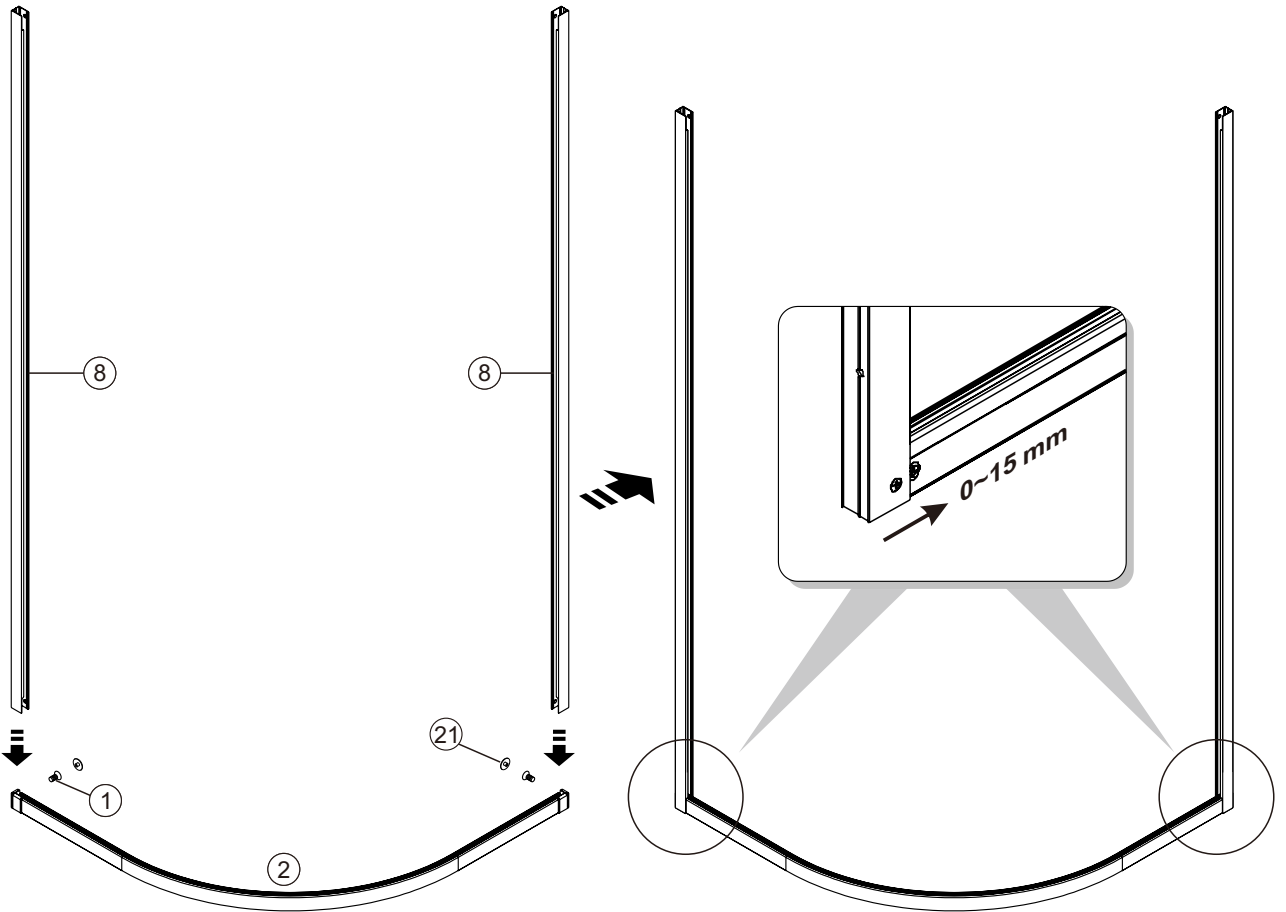
1



2

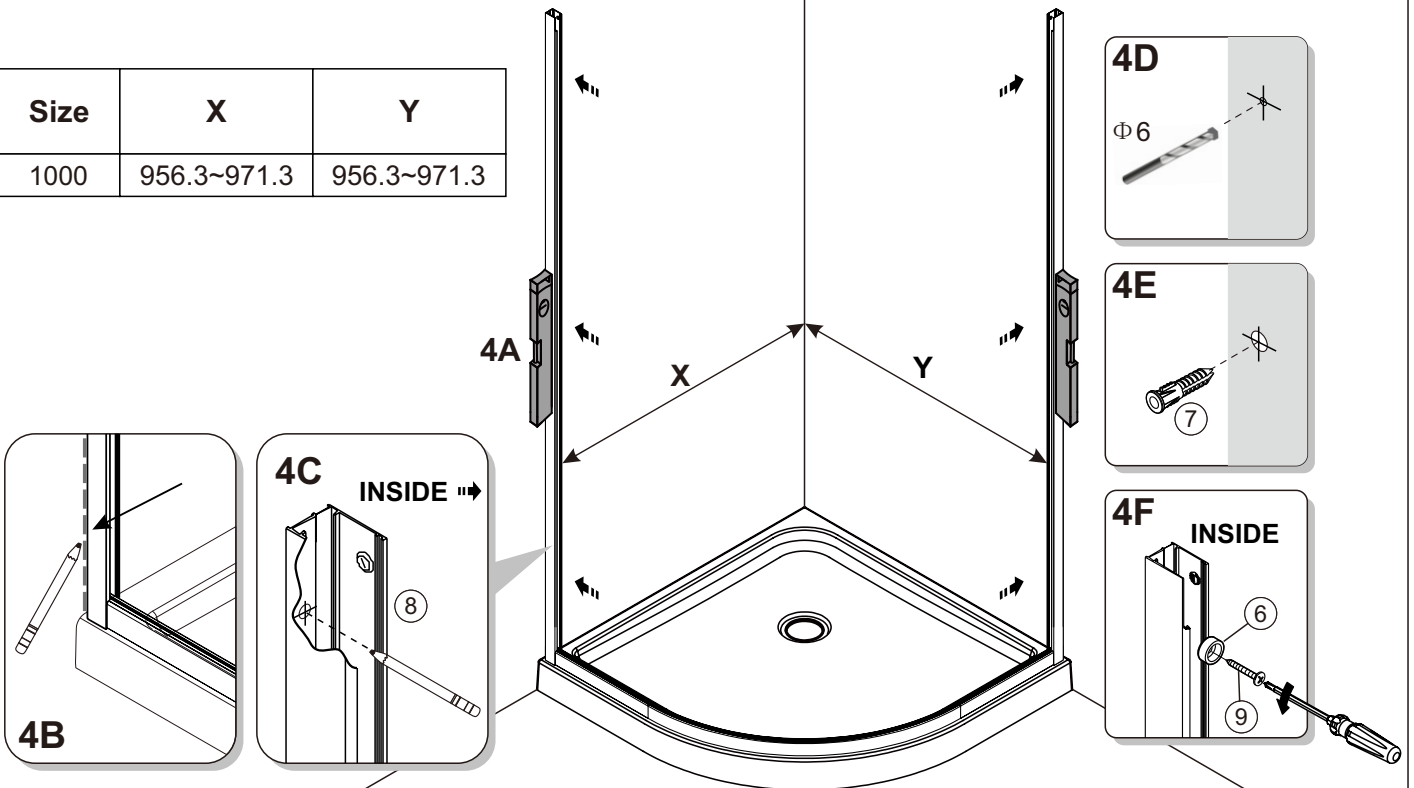


3

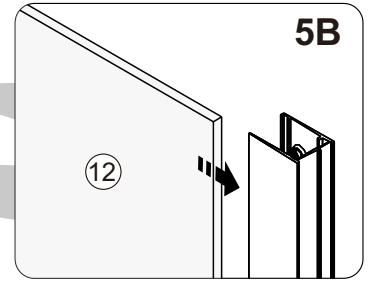
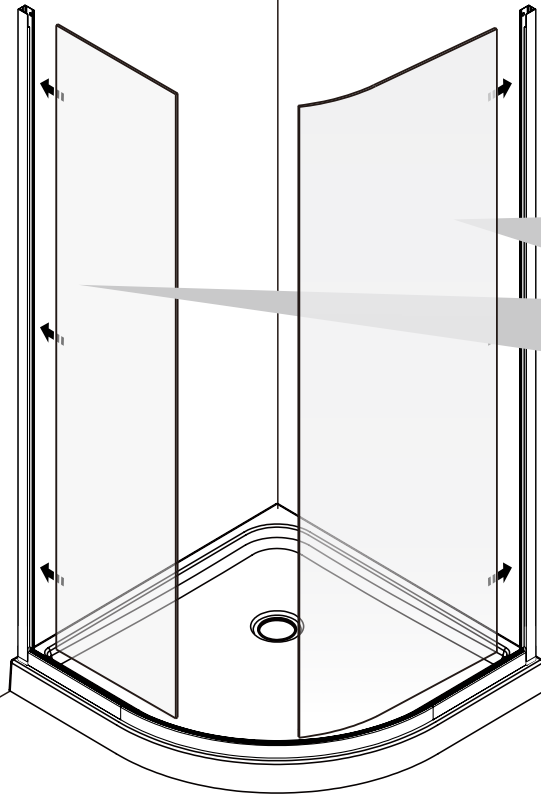


4

Size	X	Y
1000	956.3~971.3	956.3~971.3



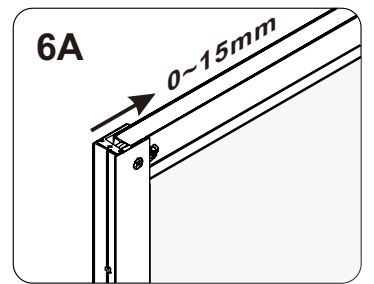
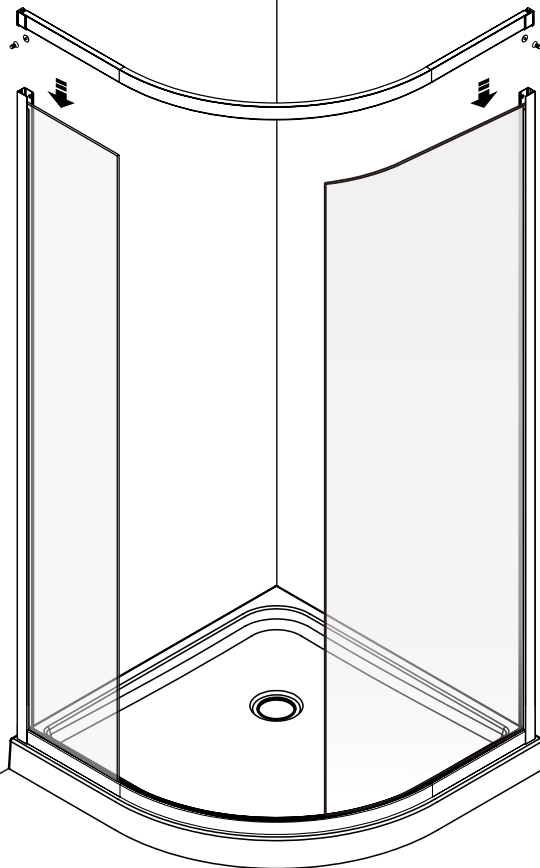
5



5B

12

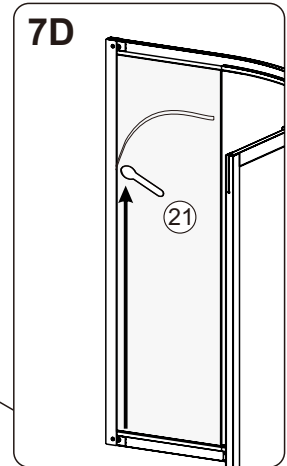
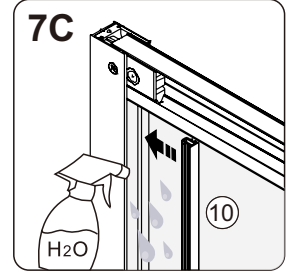
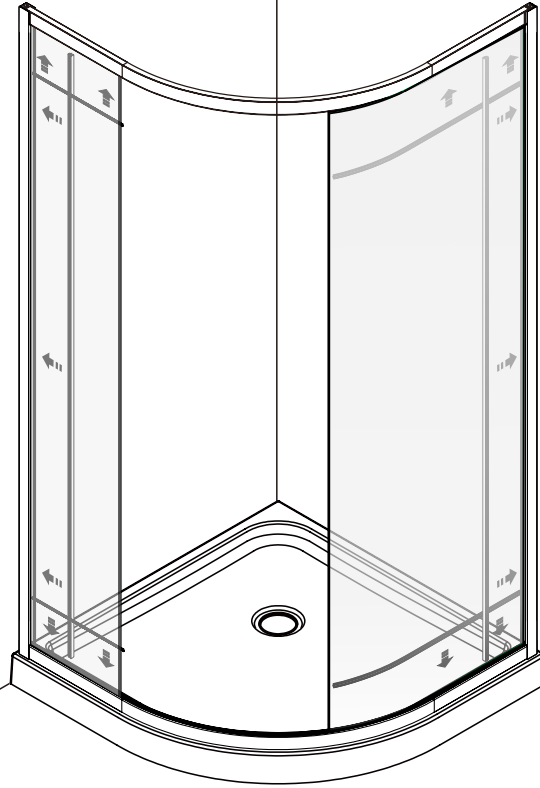
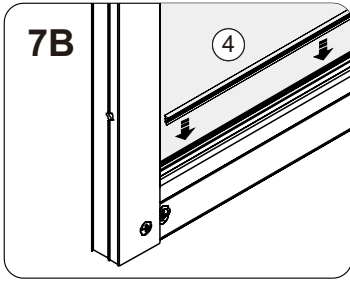
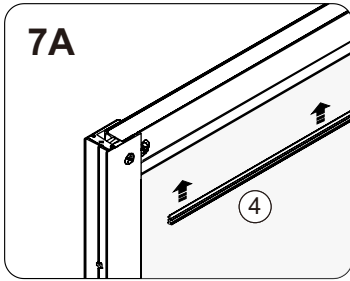
6



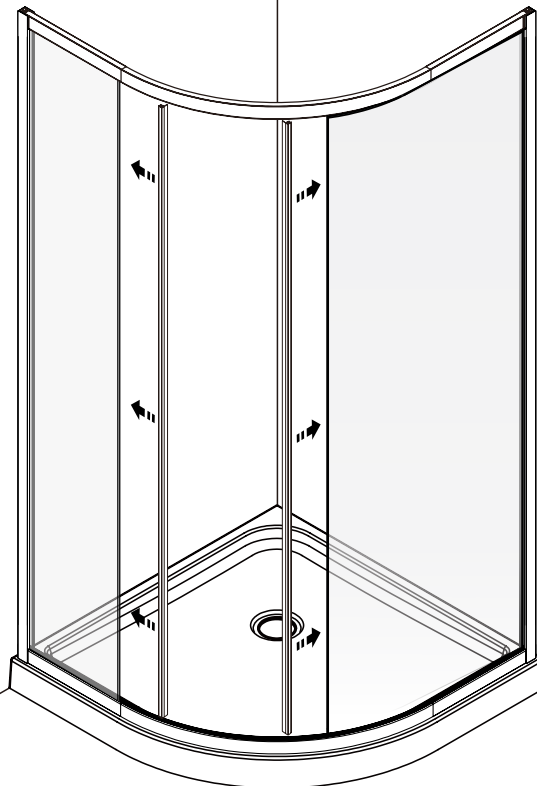
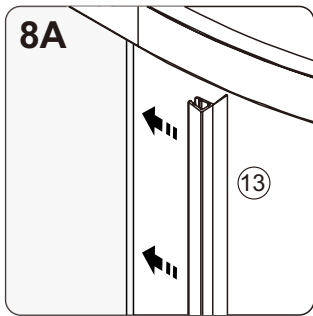
6A

0-15mm

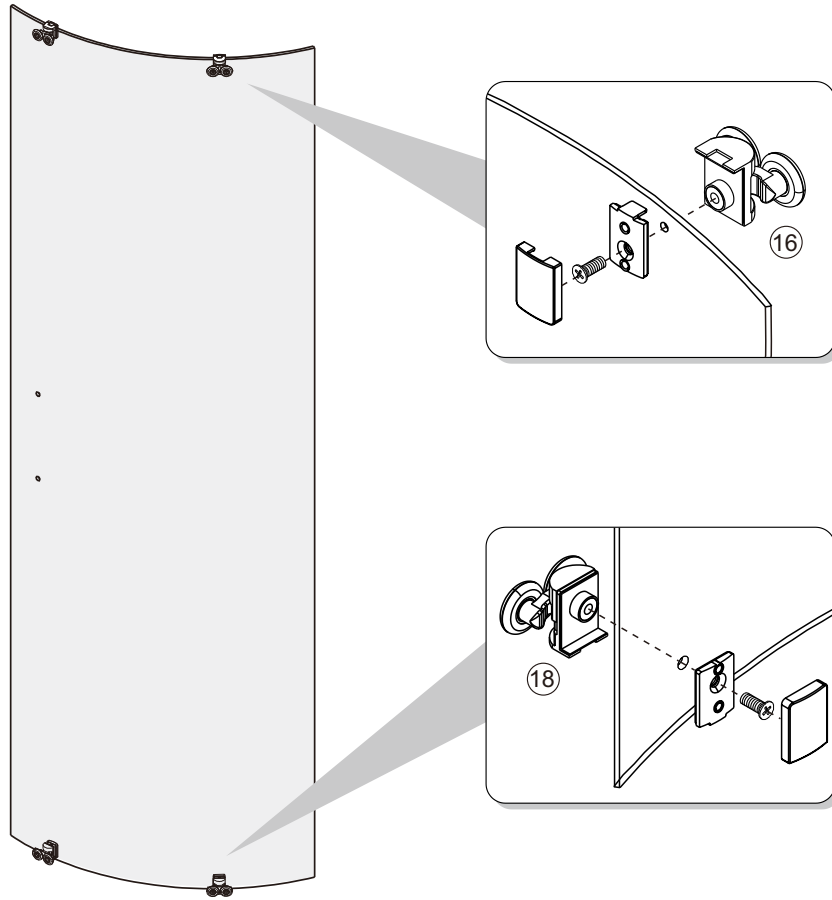
7



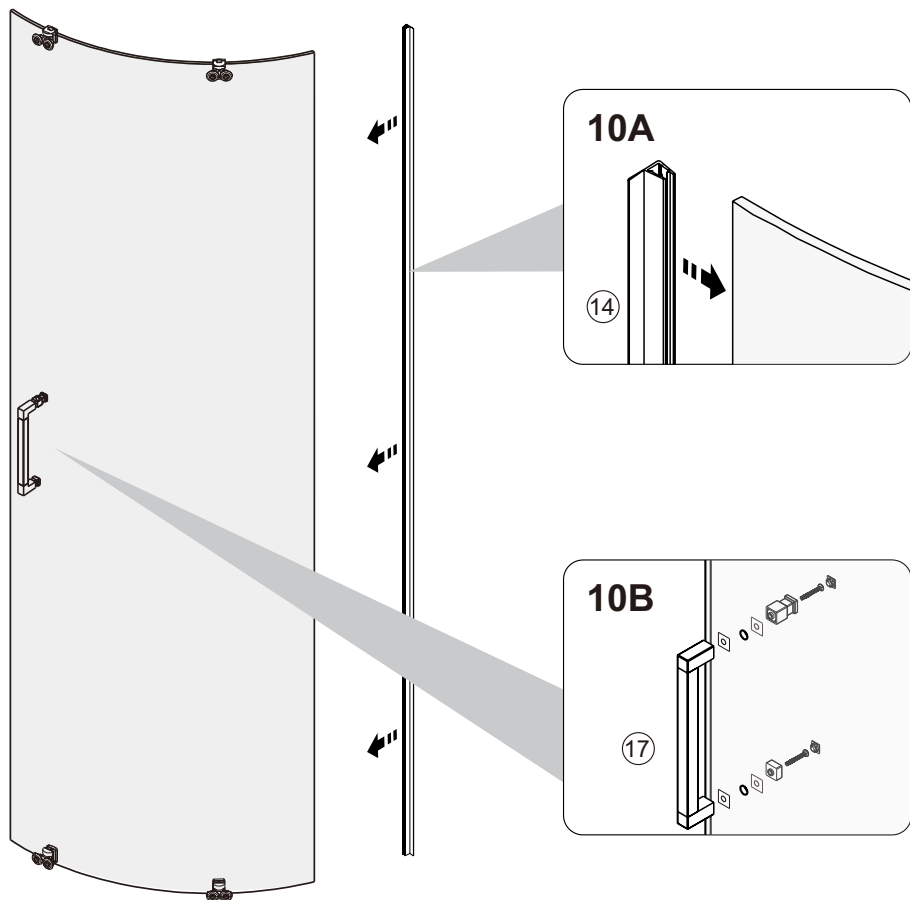
8



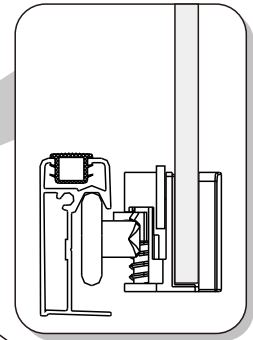
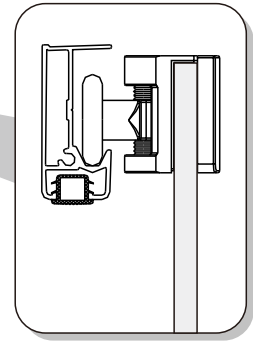
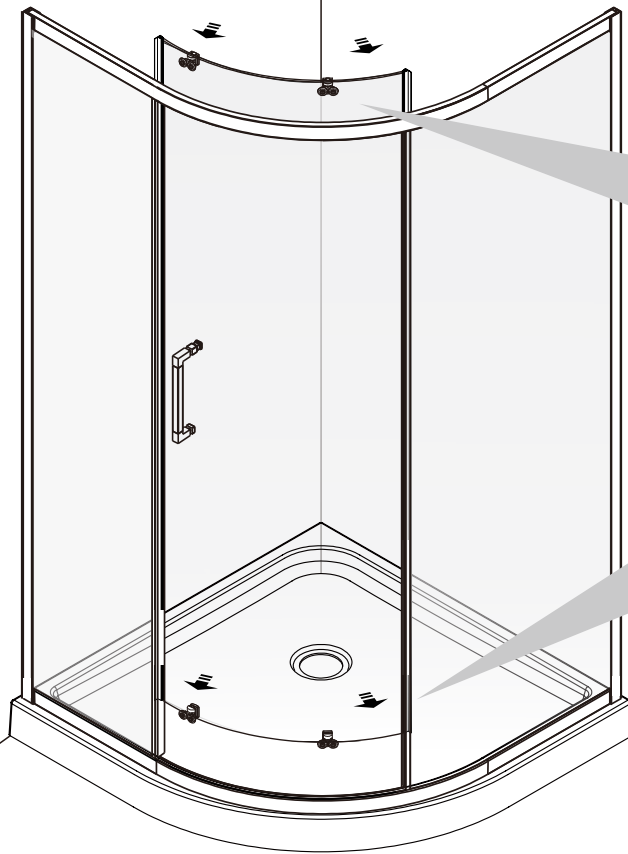
9



10



11



12

