

## 250mm Square Floor Waste Arrestor (suits 150mm pipe)

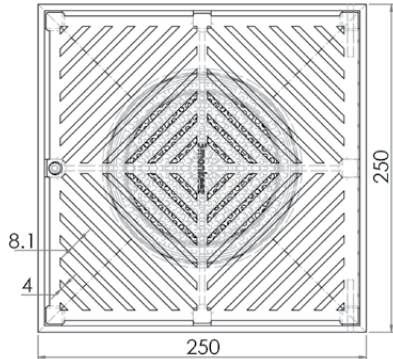


**FW-250BS-150-304**

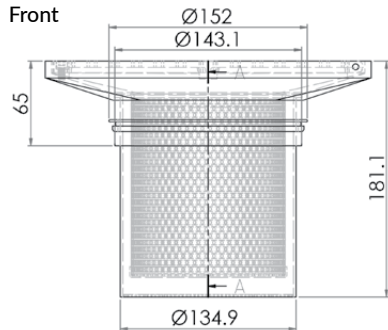
**FW-250BS-150-316**

- Hinged grate
- Heel proof
- Fixed strainer with 4mm holes
- Removable basket with 4mm holes
- 304 or 316 grade stainless steel
- Suits 150mm DWV, HDPE pipe

Top



Front



FW-BASKET-150

Cross Section

