

150mm Round Floor Waste Arrestor (suits 100mm pipe)



FW-150BR-304

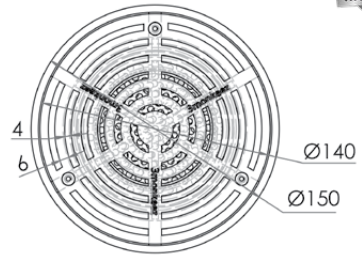
FW-150BR-316

- Removable grate
- Heel proof
- Fixed strainer with 4mm holes
- Removable basket with 4mm holes
- 304 or 316 grade stainless steel
- Suits 100mm DWV, HDPE pipe

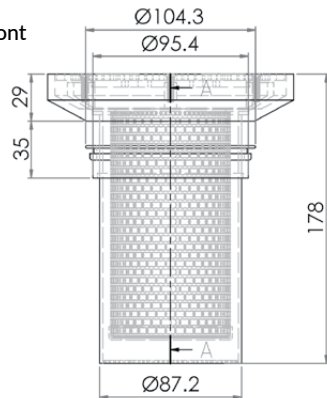


FW-BASKET-100

Top



Front



Cross Section

