

150mm Round Vinyl Floor Waste Arrestor (suits 100mm pipe)

FW-100VRBT-304

FW-100VRBT-316

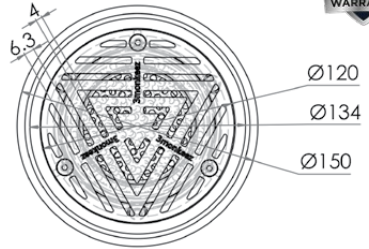
- Removable grate
- Heel proof
- Suits vinyl application
- Includes vinyl clamp
- Fixed strainer with 4mm holes
- Removable basket with 4mm holes
- 304 or 316 grade stainless steel
- Suits 100mm DWV, HDPE pipe



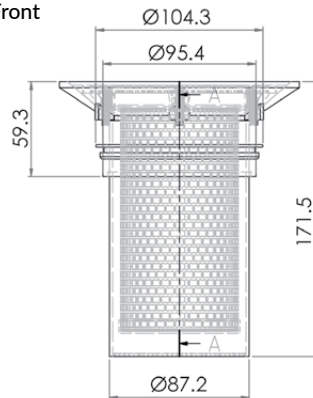
FW-BASKET-100



Top



Front



Cross Section

