

### Pan & Seat Combinations

SEATS	PANS																												
	BANKSIA	CAMEO	CARAVELLE	CONCORDE	CONTURA	CUBE	DORADO	EMERALD	FLEX	JUNIOR	LEDA	LIANO	LUNA	METRO	MIRAGE	MORGANA	NEWPORT	OPAL	OPAL II AND OPAL CLEANFLUSH	PROFILE	RETRO	SEIDO	STYLUS	SYMPHONY	TRIDENT	URBANE	URBANE COMPACT	VENECIA	VINTAGE
ARC STD												•															✓		
ARC SC												•															✓		
AVALON COMMERCIAL ^		•	•	•														✓	✓	•					•				•
AVALON SC ^		•	•	•														✓	✓	•					•				•
BANKSIA	✓																												
CARAVELLE COMMERCIAL		•	✓	✓					✓		•							•	•	•					•				•
CARAVELLE ^		✓	✓	✓							•							•	•	✓					✓				•
CARAVELLE CARE			✓																										
CARAVELLE SC		✓	✓	✓							•							•	•	✓		✓		✓					•
CONTURA					✓																								
CUBE SC						✓																							
DELUXE			•	✓							•											✓				✓			
JUNIOR										✓																			
LIANO												✓															•		
METRO														✓															
MORGANA																✓													
NEWPORT																	✓												
NOVALINK MKII																								•				•	
OPAL II SC																			✓										
PEDIGREE II		•	•	•							✓							✓	•	•					•				•
PEDIGREE II CARE																													
PROFILE		•	•	•				✓							✓			•	✓	✓		✓		•			✓	•	
SEIDO																						✓							
STIRLING																		✓											
STANDARD		•	•	•														•	•	•						•			•
TASMAN MKII																									✓				
THERMOLITE																													
TRIDENT		•	•	✓							•							•	•	✓					✓				•
TRIDENT SC		•	•	✓														✓	•	✓		✓		✓	✓				•
UNISEAT		•	•	✓							•							•	✓					•					
URBANE COMPACT																											✓		
VINTAGE																													✓
XENA							✓						✓																

#### LEGEND

^	✓	•
Toggle/Bolt Pack for blind fixing	Recommended	Suitable
405144		



### ARC

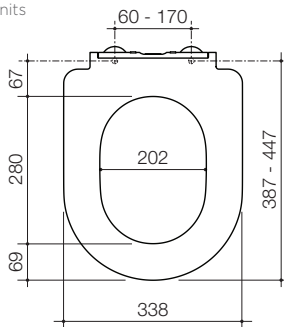
#### Toilet Seat

A modern design, double flap compression moulded seat • Blind fixing • Quick release hinges for easy removal & thorough clean • White only

CODE	TYPE
<b>300042W</b> White	D/Flap SC QR, Blind Fixing Hinge

SPARES	CODE
Soft-Close Hinge Pack (Pre 2015)	300117
Soft-Close Hinge Pack (Post 2015)	300126
Buffer Pack (Post 2011)	300110

C.Qty: 5 units



Seat section



Preview of hinge



### AVALON

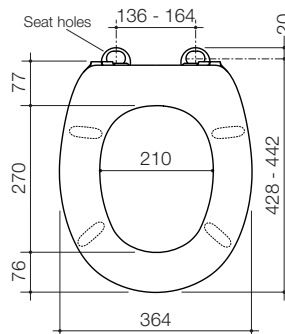
#### Soft Close Toilet Seat

A medium weight compression moulded seat in double flap style • Buffers on seat & flap with fully adjustable stainless steel hinges • Blind fixing standard • White only

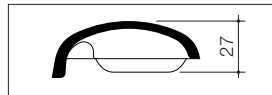
CODE	TYPE
<b>320029W</b> White	D/Flap SC, Blind Fixing Hinge

SPARES	CODE
Hinge Pack (Post 2011)	300118
Buffer Pack (Pre 2011)	320099
Buffer Pack (Post 2011)	300110

C.Qty: 4 units



Seat section



### AVALON

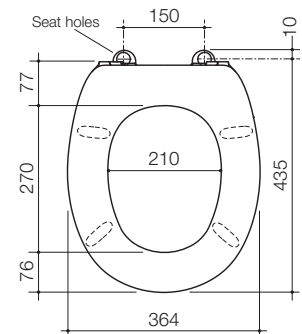
#### Commercial Toilet Seat

A medium weight compression moulded seat in double flap style • Buffers on seat & flap with fully adjustable stainless steel hinges • Blind fixing standard • White only

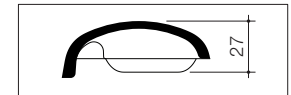
CODE	TYPE
<b>320027W</b> White	D/Flap Std, Blind Fixing Hinge

SPARES	CODE
Hinge Pack (Post 2011)	300118
Buffer Pack (Pre 2011)	320099
Buffer Pack (Post 2011)	300110

C.Qty: 4 units



Seat section





254003W

### CARAVELLE

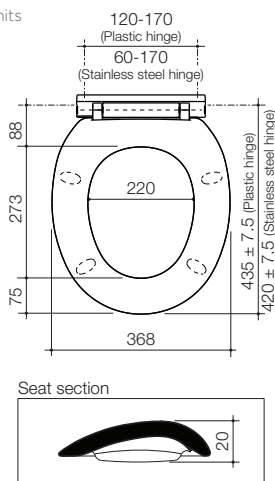
#### Toilet Seat

Standard or soft-close hinge available • Snap-on detachable medium weight seat for ease of cleaning & the ultimate in hygiene • Fully adjustable pan fittings • Blind fixing standard • White or ivory available • Fixing pack includes optional vandal resistant fittings

CODE	TYPE
254002W White	D/Flap Std QR, Plastic Blind Fixing Hinge
254002I Ivory	D/Flap Std QR, Plastic Blind Fixing Hinge
<b>254003W</b> White	D/Flap SC QR, Plastic Blind Fixing Hinge
254001W White	D/Flap SC QR, Stainless Steel Blind Fixing Hinge

SPARES	CODE
Blind Fixing Kit	405144
Bolt Pack for Bottom Fixing	405142
Fixing Pack (Post 2013)	254102
Buffer Pack (Pre 2013)	405196
Buffer Pack (Post 2013)	254110
QR Buttons (Pre 2013)	215225

C.Qty: 5 units



254008W

### CARAVELLE

#### Care Toilet Seat

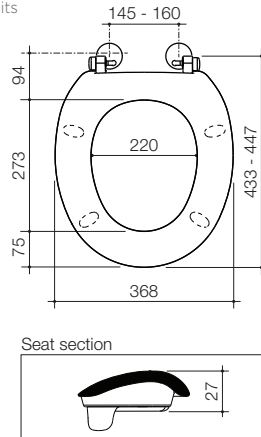
*Coloured seats are suitable for people with dementia & the vision impaired*

A specialised seat available in single or dual flap versions designed for persons with ambulant disabilities • Featuring solid stainless steel hinges, rotatable buffers for extra stability during sideways transfers • Blind fixing standard • White, Sorrento Blue or Anthracite Grey • Max load rating 400kg

CODE	TYPE
254007W White	S/Flap, Blind Fixing Hinge
254007SB Sorrento Blue	S/Flap, Blind Fixing Hinge
254007AG Anthracite Grey	S/Flap, Blind Fixing Hinge
<b>254008W</b> White	D/Flap, Blind Fixing Hinge
254008SB Sorrento Blue	D/Flap, Blind Fixing Hinge
254008AG Anthracite Grey	D/Flap, Blind Fixing Hinge

SPARES	CODE
Fixing Pack (post 2013)	254107
Buffer Pack (post 2013)	254110

C.Qty: 5 units



Preview of hinge



254006W

### CARAVELLE

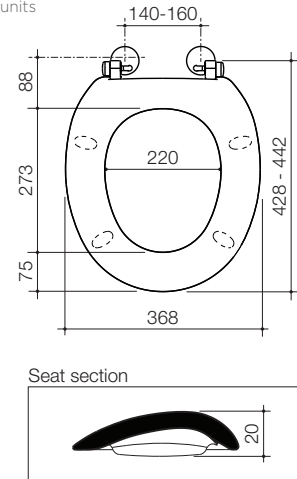
#### Commercial Toilet Seat

A medium weight seat in double flap style with stainless steel hinges • Fully adjustable blind fixing • Black or white available • Blind fixing standard

CODE	TYPE
<b>254006W</b> White	D/Flap Std, Stainless Steel Blind Fixing Hinge
254017B Black	S/Flap Std, Stainless Steel Blind Fixing Hinge

SPARES	CODE
Hinge & Fixing Pack (Pre 2013)	320127ST
Hinge & Fixing Pack (Post 2013)	254106
Buffer Pack (Pre 2013)	405196
Buffer Pack (Post 2013)	254110

C.Qty: 5 units





### COLANI

#### Care Toilet Seat

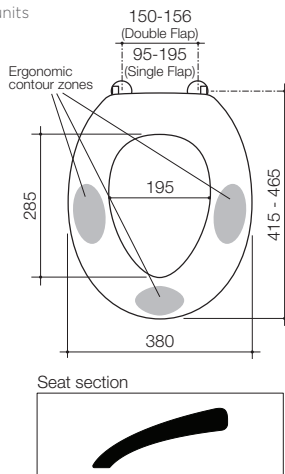
Coloured seats are suitable for people with dementia & the vision impaired

Recommended for ambulant persons with its ergonomic contour zones providing perfect support & stability • Particularly suitable for persons suffering from progressive muscular dystrophy • Rotatable buffers for extra stability • White, Sorrento Blue or Anthracite Grey • Blind fixing standard • Max load rating 250kg

CODE	TYPE
813010W White	S/Flap, Blind Fixing Hinge
813010SB Sorrento Blue	S/Flap, Blind Fixing Hinge
813010AG Anthracite Grey	S/Flap, Blind Fixing Hinge
<b>813100W</b> White	D/Flap, Blind Fixing Hinge

SPARES	CODE
Hinge Pack for D/Flap Seat	815300
Hinge Pack for S/Flap Seat	815100
Rotatable Buffer Pack	813301

C.Qty: 5 units



CARE SEAT LUMINANCE CONTRAST RATINGS	RATING	LUMINANCE CONTRAST WITH CAROMA WHITE (%)
Caroma White	79	
Caroma Sorrento Blue	7	81% luminance contrast
Caroma Anthracite Grey	12	72% luminance contrast



### CONTURA

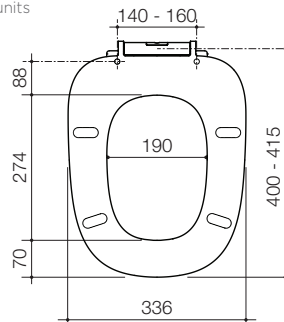
#### Integrated Soft Close Toilet Seat

Shaped to match the curvature of Contura pans • Soft-Close • Blind Fixing • White Only

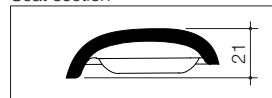
CODE	TYPE
<b>300051W</b> White	D/Flap SC, Blind Fixing Hinge

SPARES	CODE
Buffer Pack	300110

C.Qty: 5 units



Seat section



### CUBE

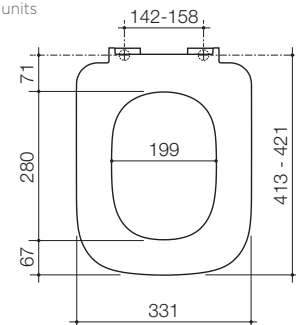
#### Soft Close Toilet Seat

A quality solid-section compression moulded soft close seat • Suits the Cube Smartflush range of pans • Soft-Close • Metal hinges • White Only

CODE	TYPE
<b>300024W</b> White	D/Flap SC

SPARES	CODE
Hinge Pack	300117
Buffer Pack	300110

C.Qty: 5 units



Seat section





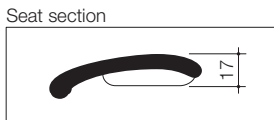
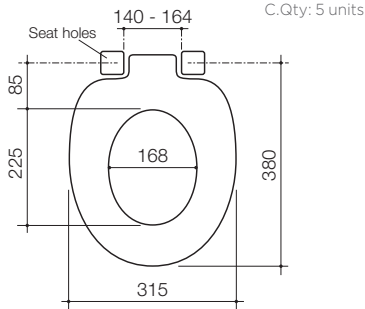
### JUNIOR

Toilet Seat

A single flap, medium weight injection moulded seat to suit infant requirements • Solid-section injection moulded seat • Reduced size to suit Junior pan only • Single flap • White or black

CODE	TYPE
<b>301030W</b> White	S/Flap Std
301030B Black	S/Flap Std

SPARES	CODE
Fittings - White	301284W
Fittings - Black	301284B
Buffer Pack	405196



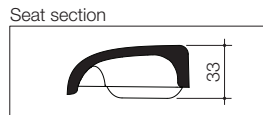
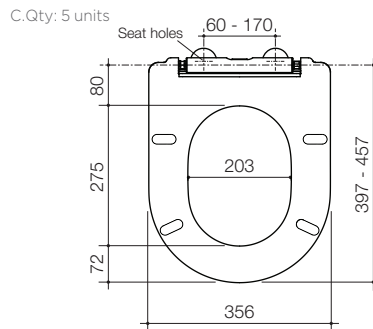
### LIANO

Toilet Seat

Made from quality solid-section compression moulded Urea Formaldehyde (a hard & dense material) • Suits Liano Pans • Soft-Close & standard close options • Quick release hinges for easy removal & thorough clean • Blind fixing • Single flap seat available for care applications, see Care & Commercial seats

CODE	TYPE
<b>300040W</b> White	D/Flap SC QR, Blind Fixing Hinge
300056W White	D/Flap Std QR, Blind Fixing Hinge
300040SB Sorrento Blue	D/Flap SC QR, Blind Fixing Hinge
300056SB Sorrento Blue	D/Flap Std QR, Blind Fixing Hinge
300040AG Anthracite Grey	D/Flap SC QR, Blind Fixing Hinge
300056AG Anthracite Grey	D/Flap Std QR, Blind Fixing Hinge

SPARES	CODE
Buffer Pack	300110
Soft-Close Hinge Pack	300126



### LIANO JUNIOR

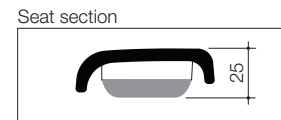
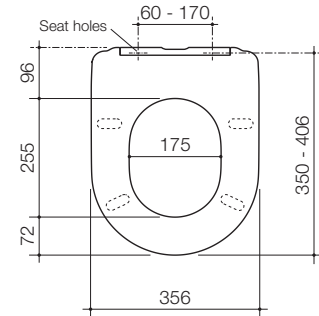
Soft Close Seat - Single Flap

Contemporary design to complement the Liano Junior range of toilet suites • Soft closing single flap seat • Quick release hinge for easy removal and thorough clean • Max load rating 400kg

CODE	TYPE
<b>300055W</b> White	S/Flap SC QR, Blind Fixing Hinge

SPARES	CODE
Buffer Pack	300110
Soft-Close Hinge Pack	300126

C.Qty: 5 units



Preview of hinge



Preview of hinge

CARE SEAT LUMINANCE CONTRAST RATINGS	RATING	LUMINANCE CONTRAST WITH CAROMA WHITE (%)
Caroma White	79	
Caroma Sorrento Blue	7	81% luminance contrast
Caroma Anthracite Grey	12	72% luminance contrast



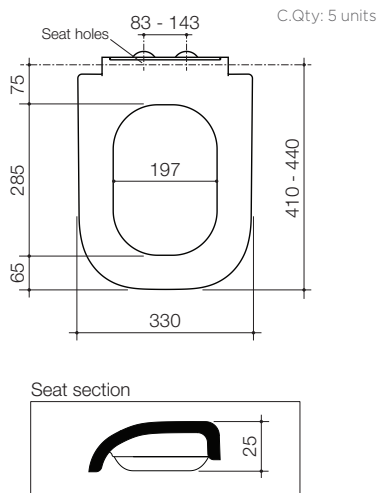
### LUNA

#### Square Toilet Seat

Suits Luna Square pan • Soft-Close • Quick release hinges for easy removal and thorough clean • White only

CODE	TYPE
<b>300062W</b> White	D/Flap SC, Blind Fixing Hinge

SPARES	CODE
Buffer Kit	300110
Soft-Close Hinge Pack	300126



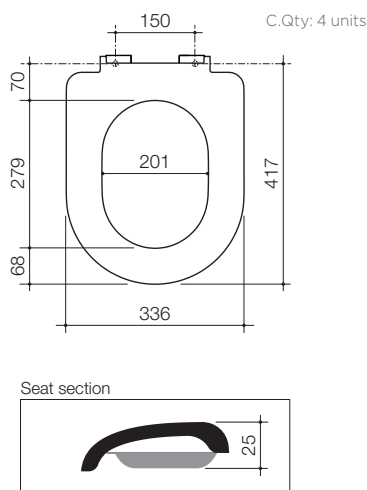
### METRO

#### Wall Faced Pan Toilet Seat

Made from quality solid-section compression moulded Urea Formaldehyde seat (hard & dense material) • Matches Metro wall faced pans. Suitable for Liano & Urbane wall faced Smartflush pans • Blind fixing standard • White only • Standard or soft-close hinge options • Soft-close single flap option

CODE	TYPE
300029W White	D/Flap Std, Blind Fixing Hinge
<b>300028W</b> White	D/Flap SC, Blind Fixing Hinge

SPARES	CODE
Soft-Close Hinge Pack	300117
Standard Hinge Hinge Pack	300122
Buffer Pack	300110



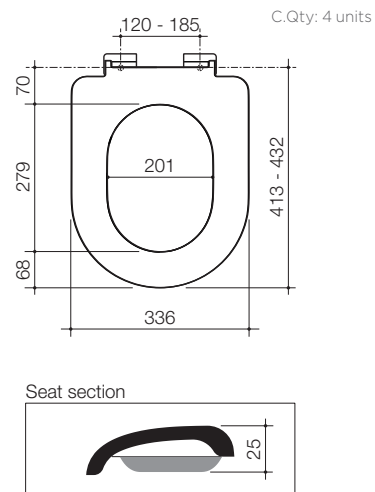
### METRO

#### Wall Hung Pan Toilet Seat

Made from quality solid-section compression moulded Urea Formaldehyde seat (hard & dense material) • Matches Metro wall hung pans • White only • Soft-close single flap option

CODE	TYPE
<b>813007W</b> White	D/Flap SC

SPARES	CODE
Buffer Pack	300110
Soft-Close Hinge Pack	300115





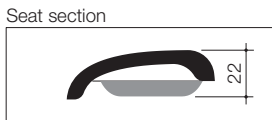
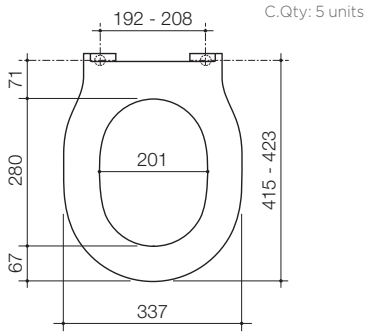
### OPAL II

#### Toilet Seat

Quality solid-section compression moulded soft close seat • Fitted with buffers & metal hinges • Suitable for the Opal II pan & Opal II Easy height pan • Single flap option

CODE	TYPE
<b>300030W</b> White	D/Flap SC
300031B Black	D/Flap Std
300030AG Anthracite Grey	D/Flap SC
300038W White	S/Flap Std

SPARES	CODE
Soft-Close Hinge Pack	300116
Buffer Pack	300110



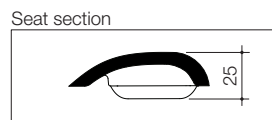
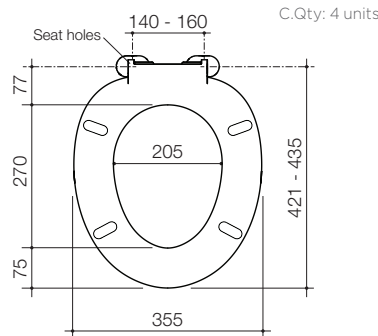
### PEDIGREE II

#### Toilet Seat

A premium, light weight compression moulded seat in double flap style with flat underside • Buffers on seat & flap reduce noise on impact • Metal adjustable hinges • Standard or soft-close hinges available • Blind fixings standard • Suitable for domestic & heavy duty commercial use

CODE	TYPE
<b>320040W</b> White	D/Flap SC, Blind Fixing Hinge
320020W White	D/Flap Std, Blind Fixing Hinge

SPARES	CODE
Fixing Pack (Pre 2012)	320245
Buffer Pack (Pre 2012)	320099
Buffer Pack (Post 2012)	300110
Standard Close Hinge Pack (Post 2012)	300119
Soft Close Hinge Pack (Post 2012)	300121



### PEDIGREE II

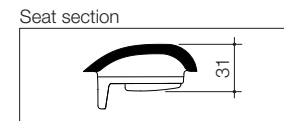
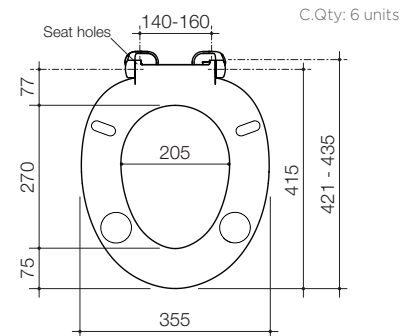
#### Care Seat

*Coloured seats are suitable for people with dementia & the vision impaired*

A specialised single flap seat designed for persons with ambulant disabilities • Features die cast metal hinges, heavy duty solid axle hinge & rotatable buffers for extra stability during sideways transfers • Blind fixing standard • White, Sorrento Blue or Anthracite Grey • Max load rating 250kg

CODE	TYPE
320030W White	S/Flap, Blind Fixing Hinge
<b>320030SB</b> Sorrento Blue	S/Flap, Blind Fixing Hinge
320030AG Anthracite Grey	S/Flap, Blind Fixing Hinge

SPARES	CODE
Hinge Pack (Post 2012)	300120
Buffer Pack (Post 2012)	300114
Hinge Pack (Pre 2012)	320269W





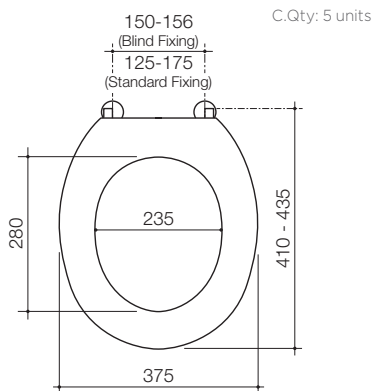
### PRESSALIT 2000

Toilet Seat

A seat for general purpose, heavy weight compression moulded seat with smooth contours for user comfort & ease of cleaning • Ideal for domestic & heavy duty commercial use • Solid-section compression-moulded seat • Option of standard hinges or blind fixing hinges • Suitable for domestic and heavy duty commercial use

CODE	TYPE
<b>816000W</b> White	D/Flap, Standard Hinge
816100W White	D/Flap, Blind Fixing Hinge

SPARES	CODE
Standard Hinge Pack	815000
Hinge Pack for D/Flap Seat	815300
Buffer Pack	815102
Grey Sleeve/Bush (each)	815701



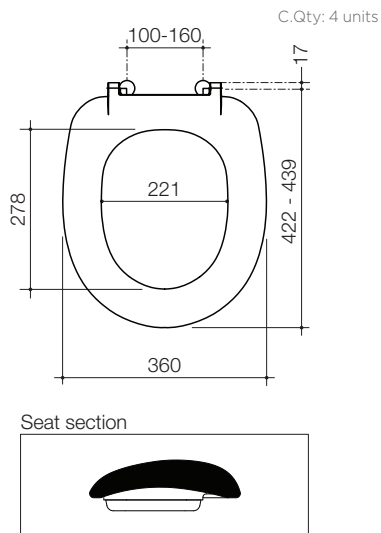
### PROFILE

Toilet Seat

Option of standard hinge or soft close with plastic connector hinge • White only

CODE	TYPE
300015W White	D/Flap, Standard Hinge
<b>300016W</b> White	D/Flap, Soft-Close Plastic Hinge
300017W White	D/Flap, Soft-Close Die Cast Hinge

SPARES	CODE
Buffer Pack	300111
Plastic Hinge Pack	300123
Chrome Hinge Pack	300124



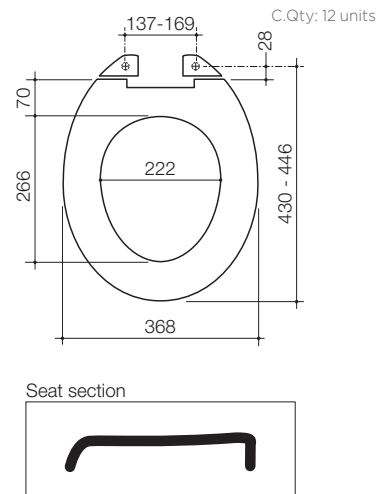
### STANDARD

Toilet Seat

A light weight, economic double flap seat • Thermo-plastic moulded double flap seat • Adjustable pan fittings • White or black

CODE	TYPE
<b>301106W</b> White	D/Flap, Std
301106B White	D/Flap, Std

SPARES	CODE
Bolt Pack	405142



CARE SEAT LUMINANCE CONTRAST RATINGS	RATING	LUMINANCE CONTRAST WITH CAROMA WHITE (%)
Caroma White	79	
Caroma Sorrento Blue	7	81% luminance contrast
Caroma Anthracite Grey	12	72% luminance contrast





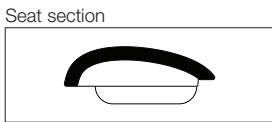
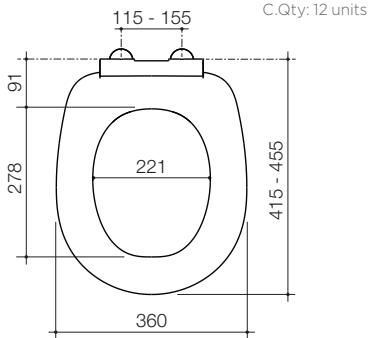
### STIRLING

Toilet Seat

A modern seat with all the trimmings, complete with quick release hinge for easy cleaning & the ultimate in hygiene • Suits Stirling Pan • Soft-close • Blind fixing standard

CODE	TYPE
<b>350020W</b> White	D/Flap SC QR, Blind Fixing Hinge

SPARES	CODE
Hinge Pack	350120
Buffer Pack (seat only)	300110



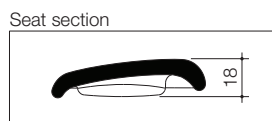
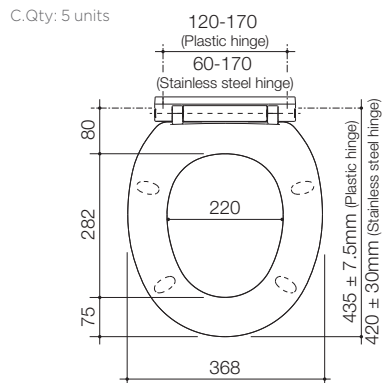
### TRIDENT

Toilet Seat

A unique snap-on detachable medium weight seat for ease of cleaning & the ultimate in hygiene • Fully adjustable pan fittings • Blind fixing is available with the use of the optional blind fixing kit • Fixing pack includes optional vandal resistant fittings • Standard or soft-close hinge available • White or ivory available • Suitable for domestic & light duty commercial use

CODE	TYPE
<b>254012W</b> White	D/Flap SC QR, Plastic Hinge
301104W White	D/Flap Std QR, Plastic Hinge
301104I Ivory	D/Flap Std QR, Plastic Hinge

SPARES	CODE
Blind Fixing Kit	405144
Buffer Pack (Pre 2013)	405196
Bolt Pack for Bottom Fixing	405142
Buffer Pack (Post 2013)	254110
QR Buttons (Pre 2013)	215225
Fixing Pack (Post 2013)	254102



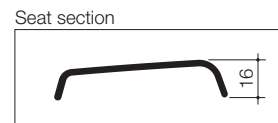
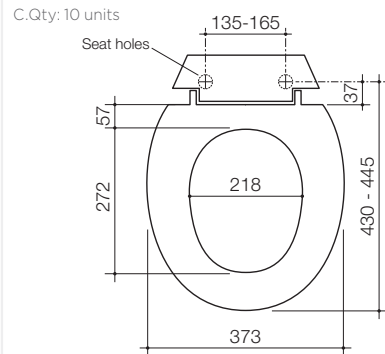
### UNISEAT

Toilet Seat

A modern light weight double flap seat • Thermoplastic moulded • Fully adjustable fittings • Suitable for domestic & light duty commercial use • White or ivory

CODE	TYPE
<b>301111W</b> White	D/Flap Std, Plastic Hinge

SPARES	CODE
Bolt Pack	405142





### URBANE COMPACT

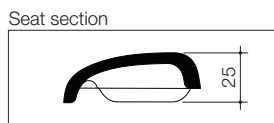
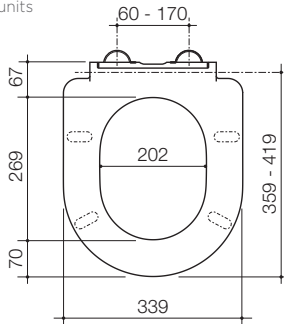
Toilet Seat

Suits the Urbane Compact Wall Hung pan • Soft-Close • Quick release hinges for easy removal & thorough clean • Blind fixing

CODE	TYPE
<b>300047W</b> White	D/Flap SC QR, Blind Fixing Hinge

SPARES	CODE
Buffer Pack	300110
Soft-Close Hinge Pack	300126

C.Qty: 10 units



Preview of hinge



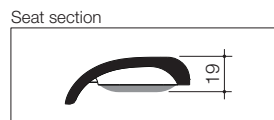
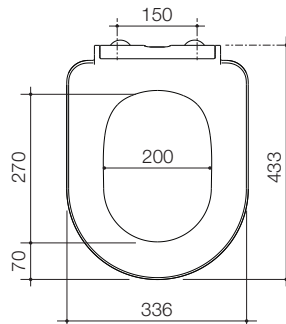
### VOGUE

Soft Close Toilet Seat

Quick release soft closing seat • Contemporary low-profile design • Optional coloured seat hinge caps • Available from 1st October, 2020 • For specification enquiries please contact your GWA representative

CODE	TYPE
<b>300065W</b> White	D/Flap SC QR, Blind Fixing Hinge

SPARES	CODE
Buffer Pack	300110
Soft-Close Hinge Pack	300126



Preview of hinge



### XENA

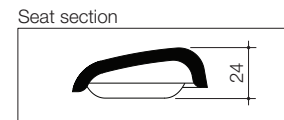
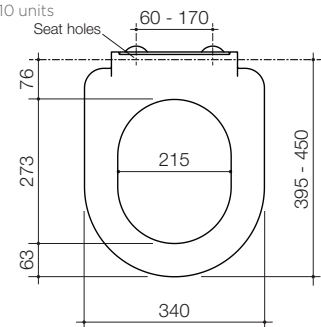
Toilet Seat

Soft-Close • Quick release white hinges for easy removal & thorough clean • Blind fixing

CODE	TYPE
<b>300050W</b> White	D/Flap SC QR, Blind Fixing Hinge

SPARES	CODE
Buffer Kit	300110
Soft-Close Hinge Pack	300126

C.Qty: 10 units



Preview of closed seat