

Installation and Operating Instructions

300070W Livewell Electronic Bidet Seat

Safety Precautions

WARNING



WARNING

- Battery is hazardous and is to be kept away from children (whether the battery is new or used)
- Battery can cause severe or fatal injuries in 2 hours or less if it is swallowed or placed inside any part of the body.
- Medical attention should be sought immediately if it is suspected the battery has been swallowed or placed any part of the body.
- The supplied remote control has been tested and complies with the requirements of AS/NZS 62368.1: 2018. consumer goods (products containing button/coin batteries) safety standard 2020.

SAFETY PRECAUTIONS

WARNING: THIS TOILET DOUCHE MUST BE INSTALLED WITH APPROPRIATE BACKFLOW PROTECTION CONFORMING TO THE NATIONAL CONSTRUCTION CODE - VOLUME 3

INSTALLATION MUST BE IN ACCORDANCE WITH AS/NZS 3500. 2 AND PLUMBING CODE OF AUSTRALIA.

THIS TOILET DOUCHE SEAT IS SUPPLIED WITH DUAL CHECK VALVES AND IT ALSO HAS AN AIR GAP IN THE WATER TANK THAT IS COMPLIANT TO AS2845. 2 - WATER SUPPLY BACKFLOW PREVENTION.

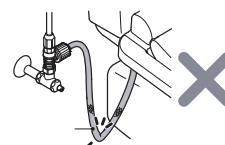
NOTE: LOCAL AUTHORITIES MAY HAVE VARYING REQUIREMENTS. CHECK TO CONFIRM IF A RPZ VALVE IS REQUIRED.

Caroma will not be liable for any loss arising from failure to comply with the following:

1. This product is an “1” type electrical appliance and must be safely connected to the grounding system.
2. This product is an electrical appliance and should not be installed in a location where it can come in contact with splashing water e.g. close to a shower or a high temperature location.
3. If the power supply code becomes damaged, do not use until it has been repaired by a qualified electrician.
4. The appliance should be permanently connected to the water supply.
5. The Portable Residual Current Device (PRCD) is supplied as part of the power supply cord and must be reliably fixed.

To avoid the risk of electric shock, short circuit or fire, never perform the following:

1. Do not insert or remove power plug with wet hands.
2. The power supply must comply with local regulations.
3. Do not turn the product upside down.
4. Do not distort or bend the flexible water inlet hose.



Caroma Industries Limited.

ABN 35 000 189 499

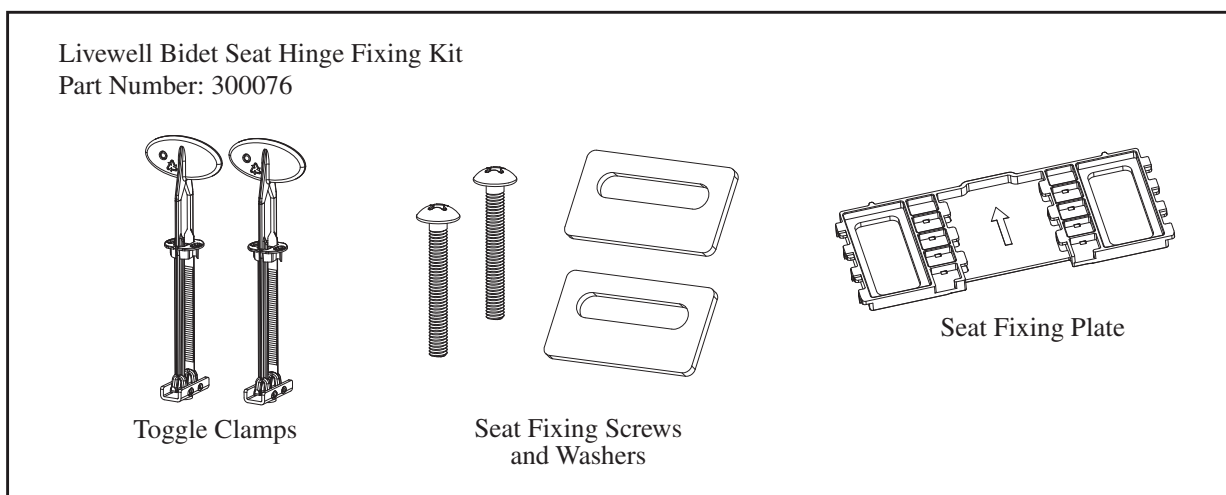
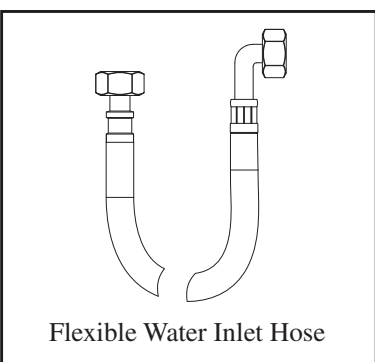
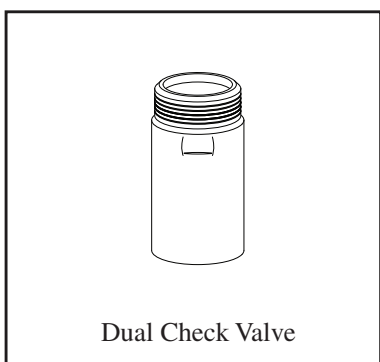
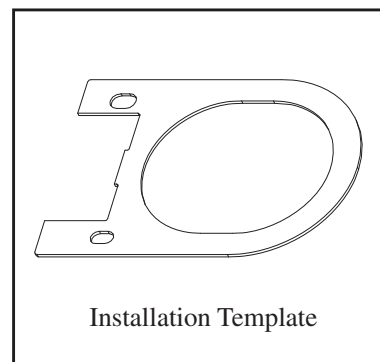
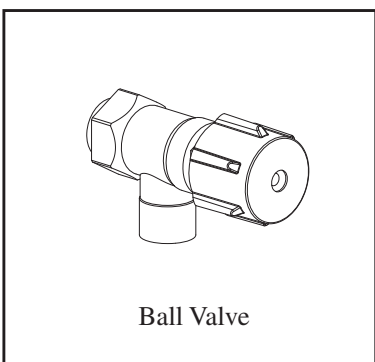
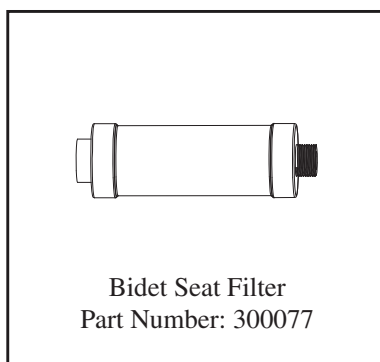
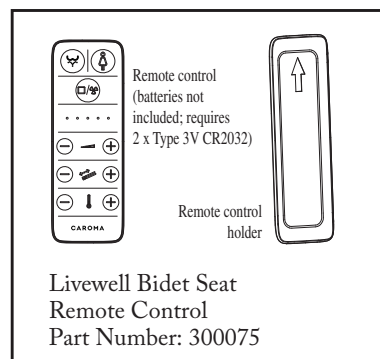
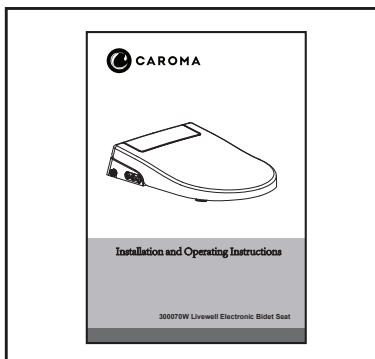
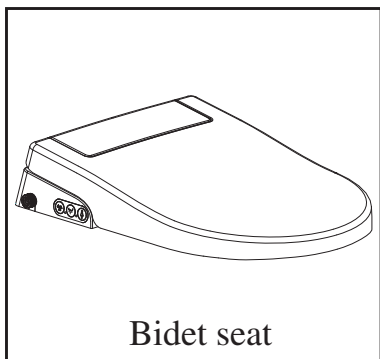
1 Melito Court, Prestons, NSW 2170

National Call Centre 13 14 16

caroma.com.au

Date of Issue: 02/09/2022
Revision No. 5

Bill of Material



Technical Specification

| | Model | 300070W |
|--------------------------|------------------------------|--|
| Wash | Rear Wash | • |
| | Front wash | • |
| | Massage | • |
| | Adjustable water temperature | OFF/5 Steps (Default 3rd) |
| | Adjustable flow rate | 5 Steps (Default 3rd) |
| | Adjustable flow position | 5 Steps (Default 3rd) |
| Warm air | Air dry | • |
| | Adjustable air rate | 5 Steps (Default 3rd) |
| | Adjustable dryer temperature | OFF/5 Steps (Default 3rd) |
| Hygiene | Nozzle self cleaning | • |
| | Nozzle manually cleaning | • |
| Other functions | Night light | • |
| | Quick release Lid and Seat | • |
| | Body keys | • |
| | Remote control | • |
| | Standby mode | • (Default OFF) |
| | Filter | • |
| | Wash Device | Flow rate |
| Water temperature | | 31~39°C |
| Wash cycle time | | 2 Minutes |
| Heating model | | Tank |
| Maximum heater power | | 2100W |
| Safety device | | Thermal Cuttoff Fuses\Liquid Level Switch\Thermostat |
| Backflow prevention | | Air Gap |
| Dry Device | Maximum speed of air | 0.2m ³ /min |
| | Maximum dryer power | 380W |
| | Dry cycle time | 3 Minutes |
| | Warm air temperature | OFF/35°C/39°C/43°C/47°C/50°C |
| | Safety device | Thermal Cuttoff Fuses\Thermostat |
| Remote control | Frequency range | 2460MHz |
| | Maximum RF output power | -10dBm |
| | Type of batteries | 3V CR2032 |
| | Number of batteries | 2 Pieces |
| Water supply connector | | G 1/2 |
| Rated voltage | | AC 230V 50Hz |
| Rated power consumption | | 1800W |
| Water supply pressure | | Connection on left side when facing the toilet |
| Length of power cord | | Approx 1.7m |
| Water supply pressure | | 50kpa dynamic pressure~1000kpa max static pressure |
| Water supply temperature | | 4~30°C |
| Ambient temperature | | 4~30°C |
| Waterproof rating | | IPX4 |
| Net weight | | Approx. 8.3Kg |
| Overall dimension | | Approx. 505 x 369 x 107 mm |

Caroma pursues a policy of continual improvement in design and performance of its products.

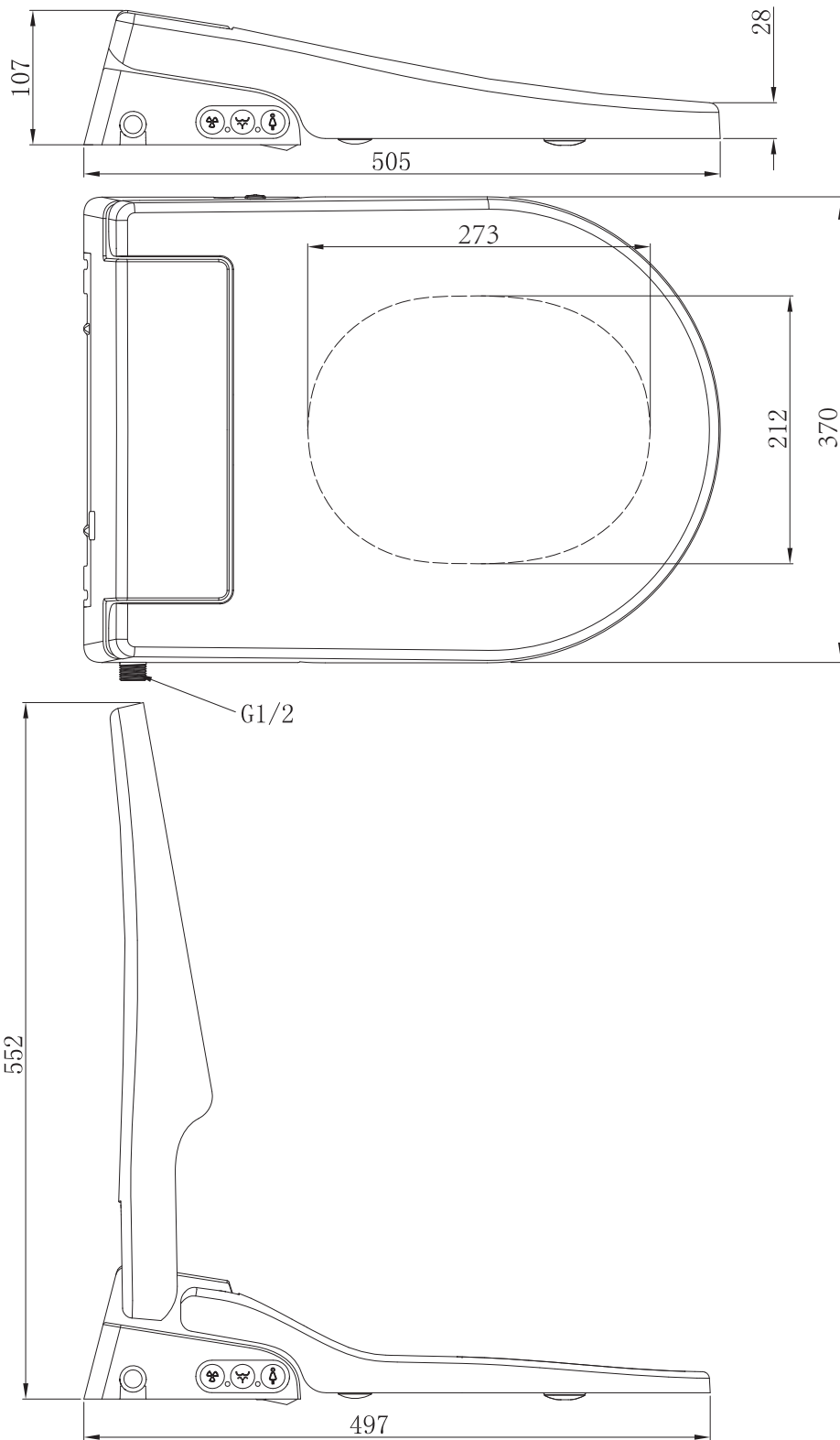
The right is therefore reserved to vary specifications without notice.

Always refer to the latest instructions for this product.

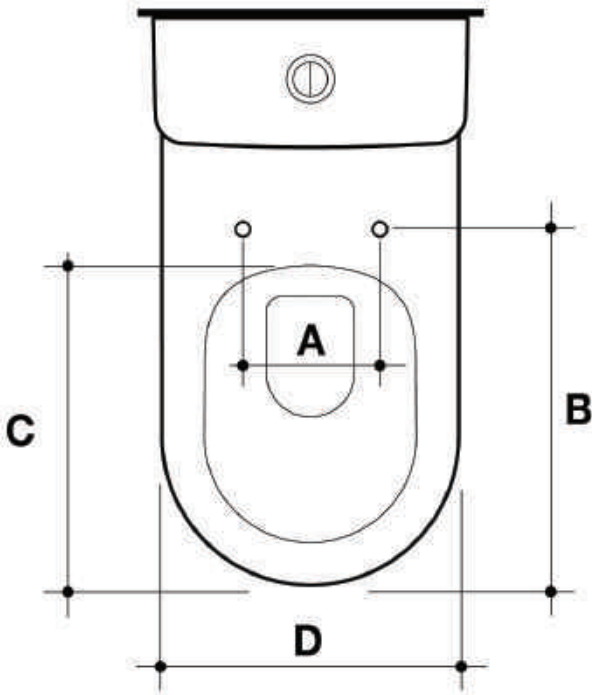
The images in these instructions are for reference only. Please always refer to the actual product.

Bidet Dimensions

Unit : mm

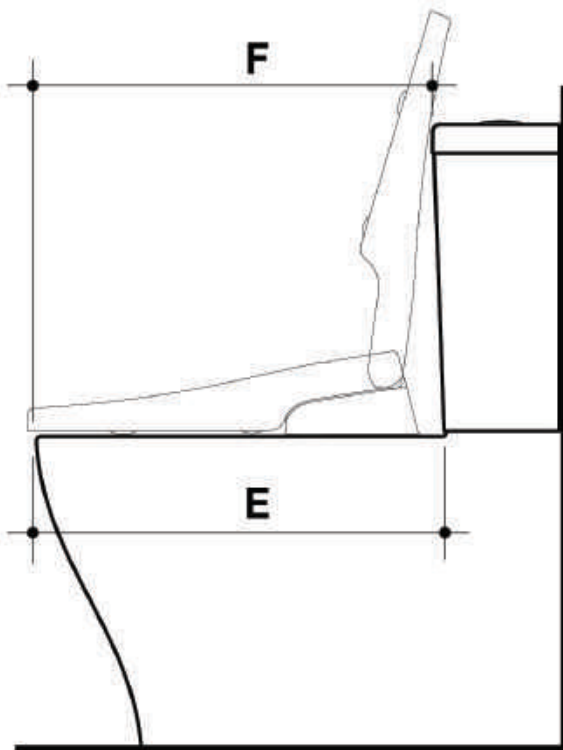


Toilet Sizing Guide



Measuring Guide for Retro-fit applications

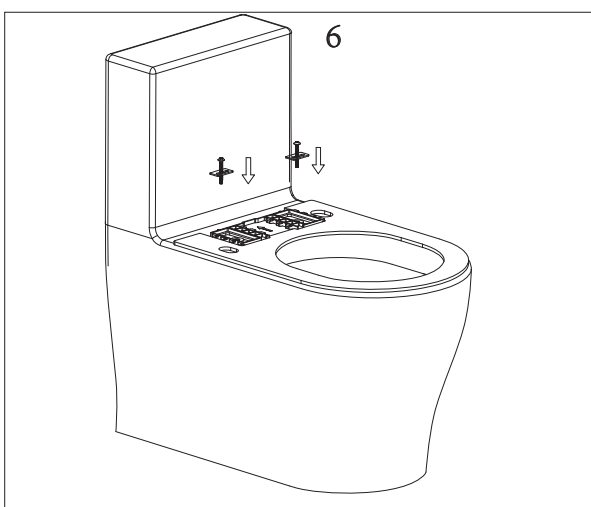
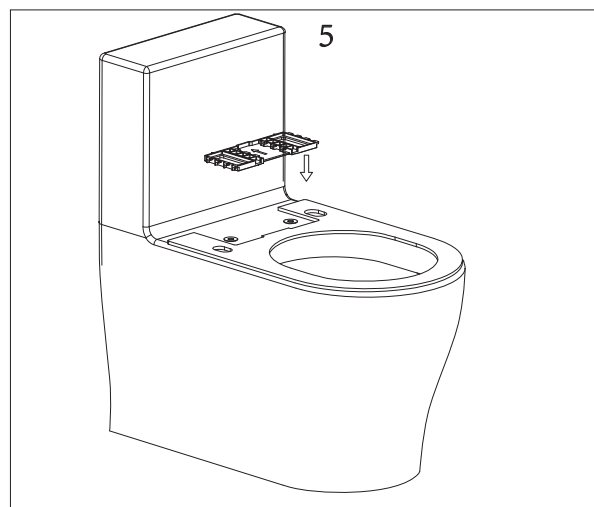
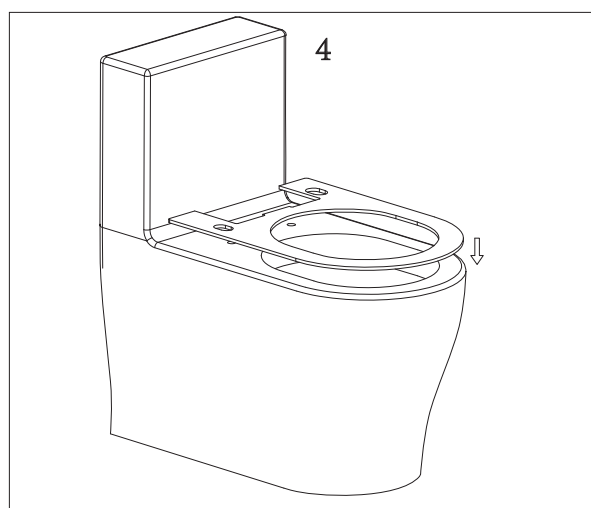
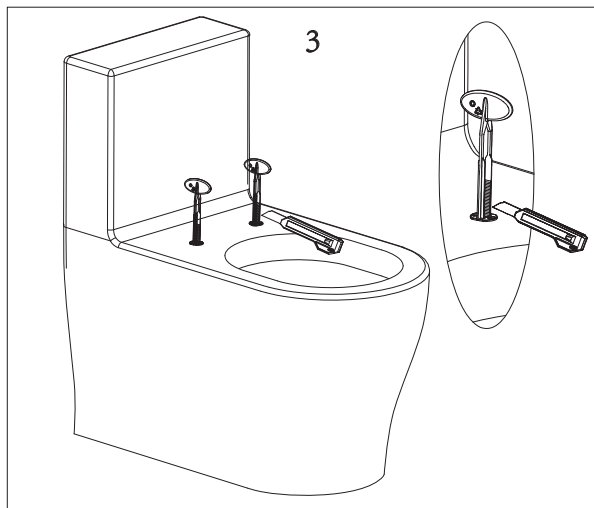
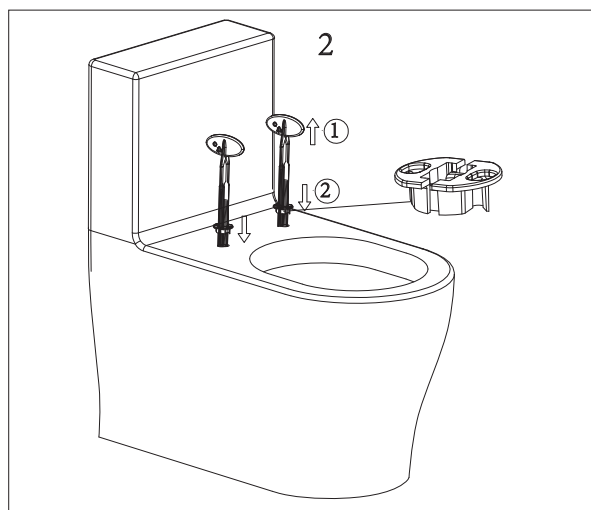
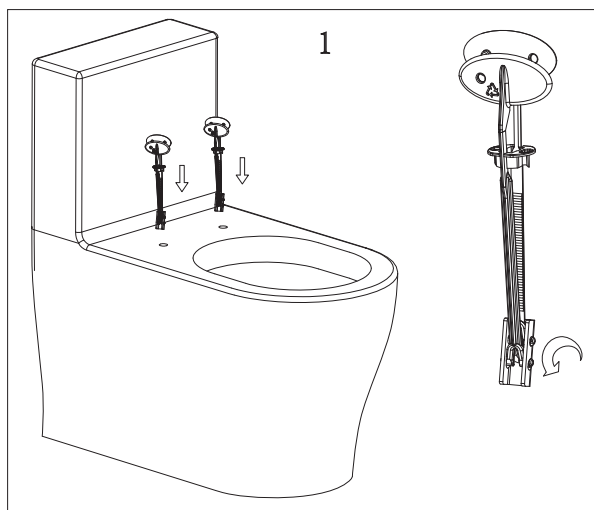
| | |
|----------|---------------------|
| A | Between 136 - 185mm |
| B | Between 403 - 464mm |
| C | 350mm minimum |
| D | Between 350 - 370mm |



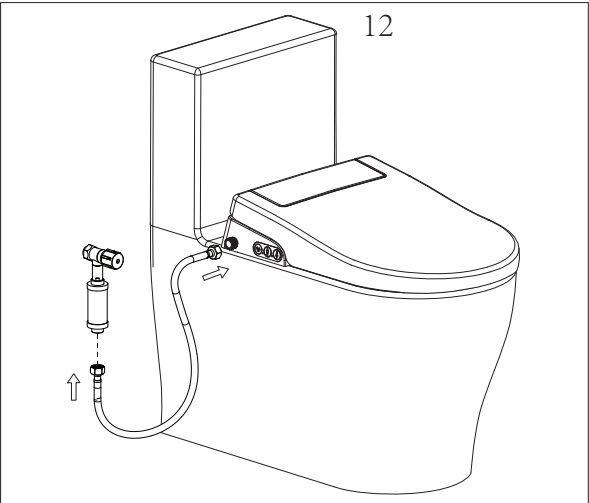
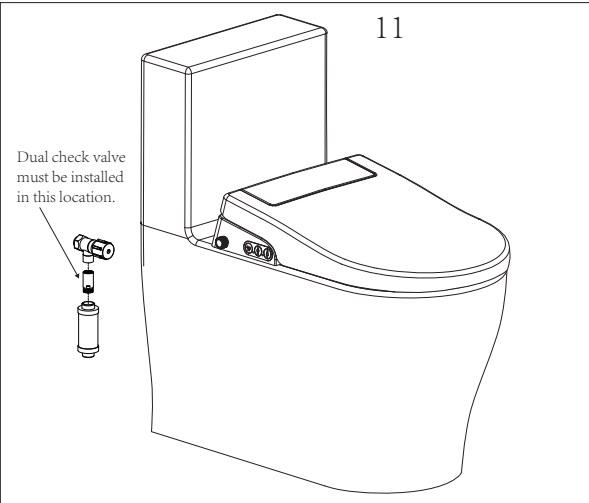
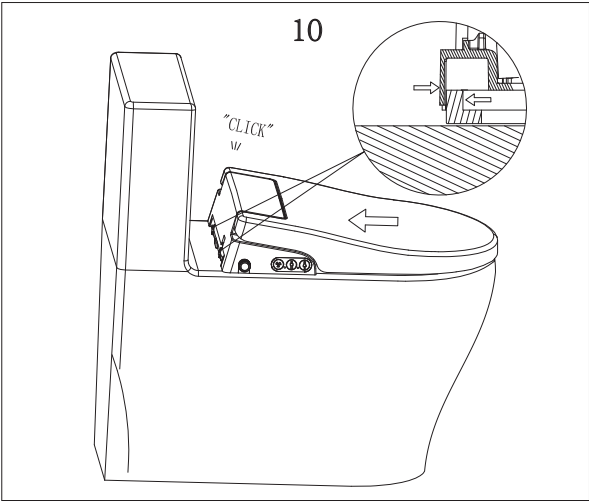
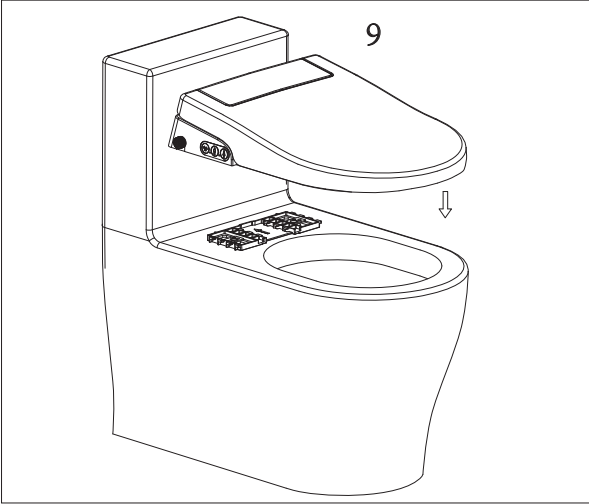
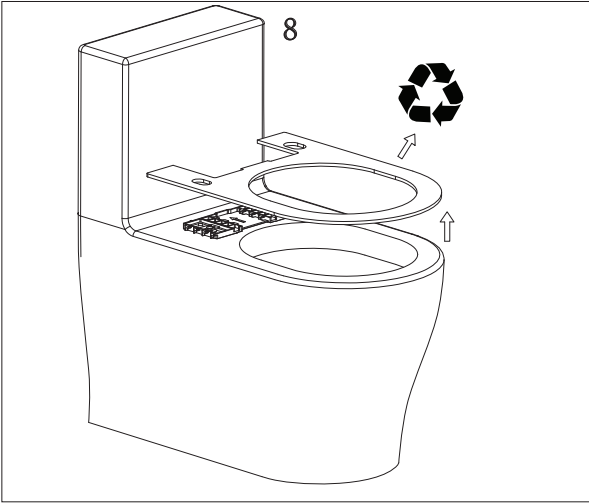
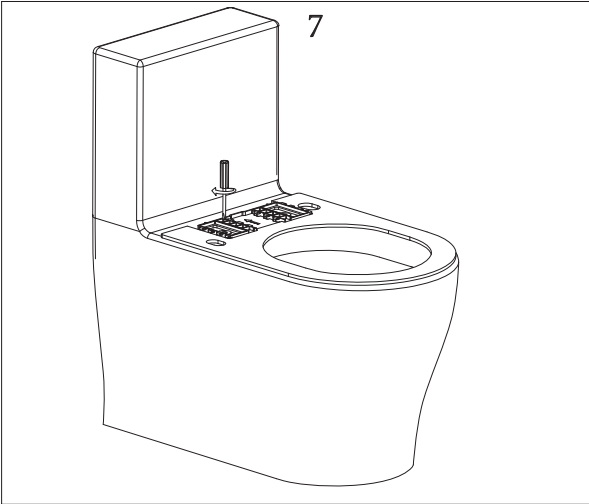
Measuring Guide for Retro-fit applications

| | |
|----------|---------------|
| E | Minimum 505mm |
| F | Minimum 470mm |

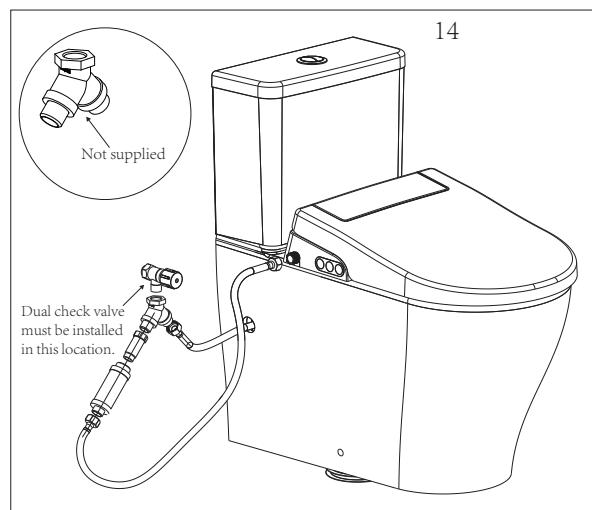
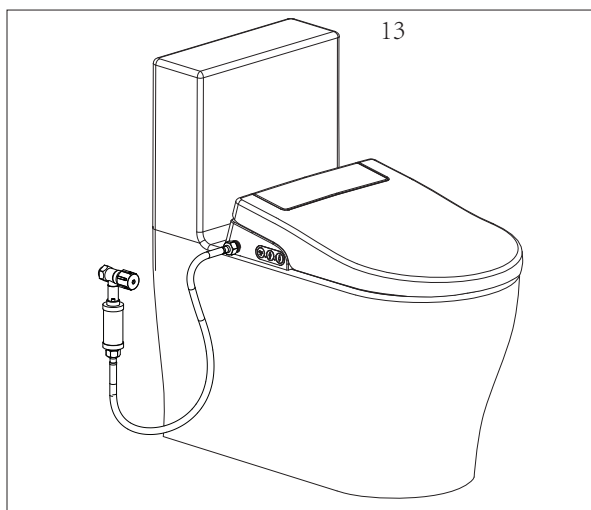
Installation Steps



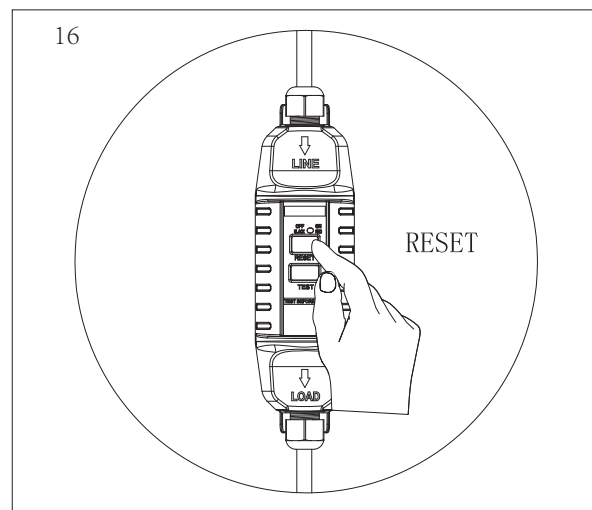
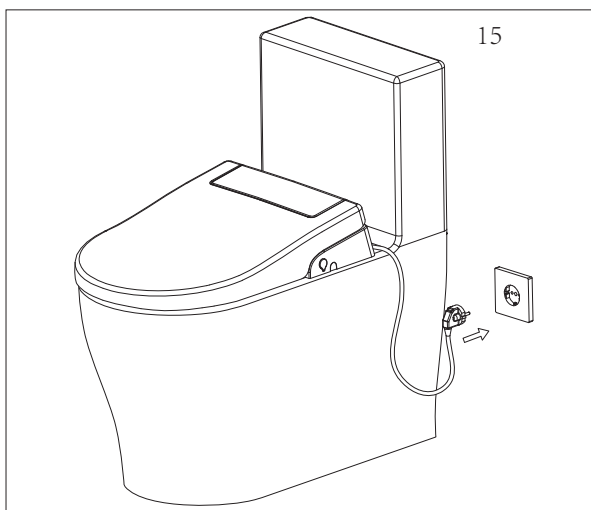
Installation Steps



Installation Steps

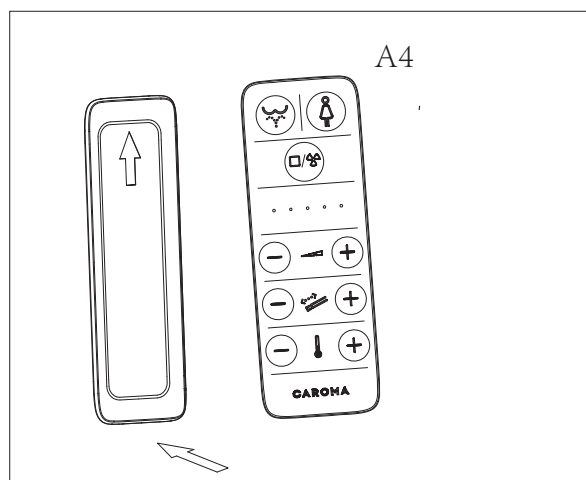
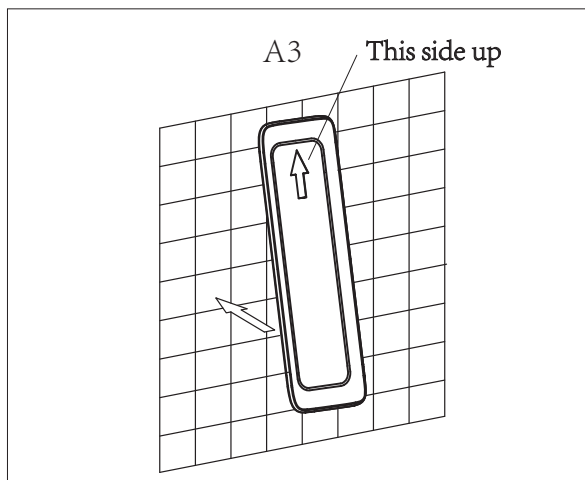
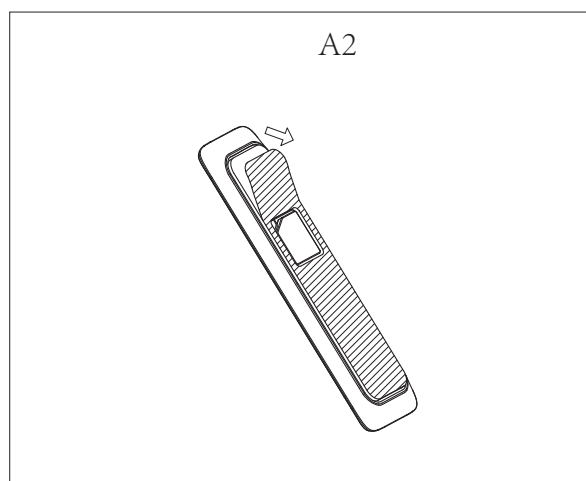
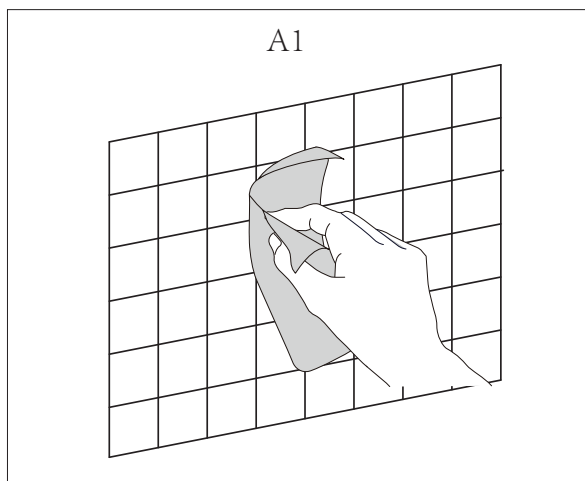
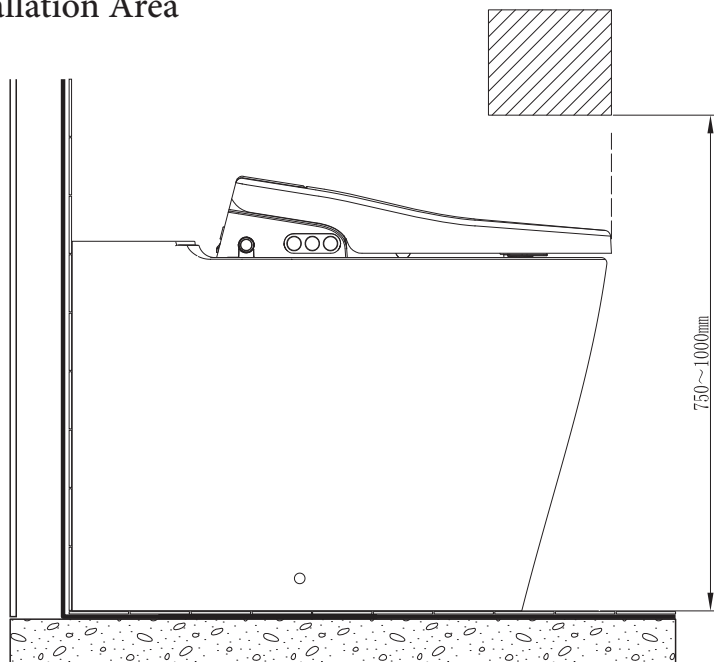


For bottom inlet installations only.



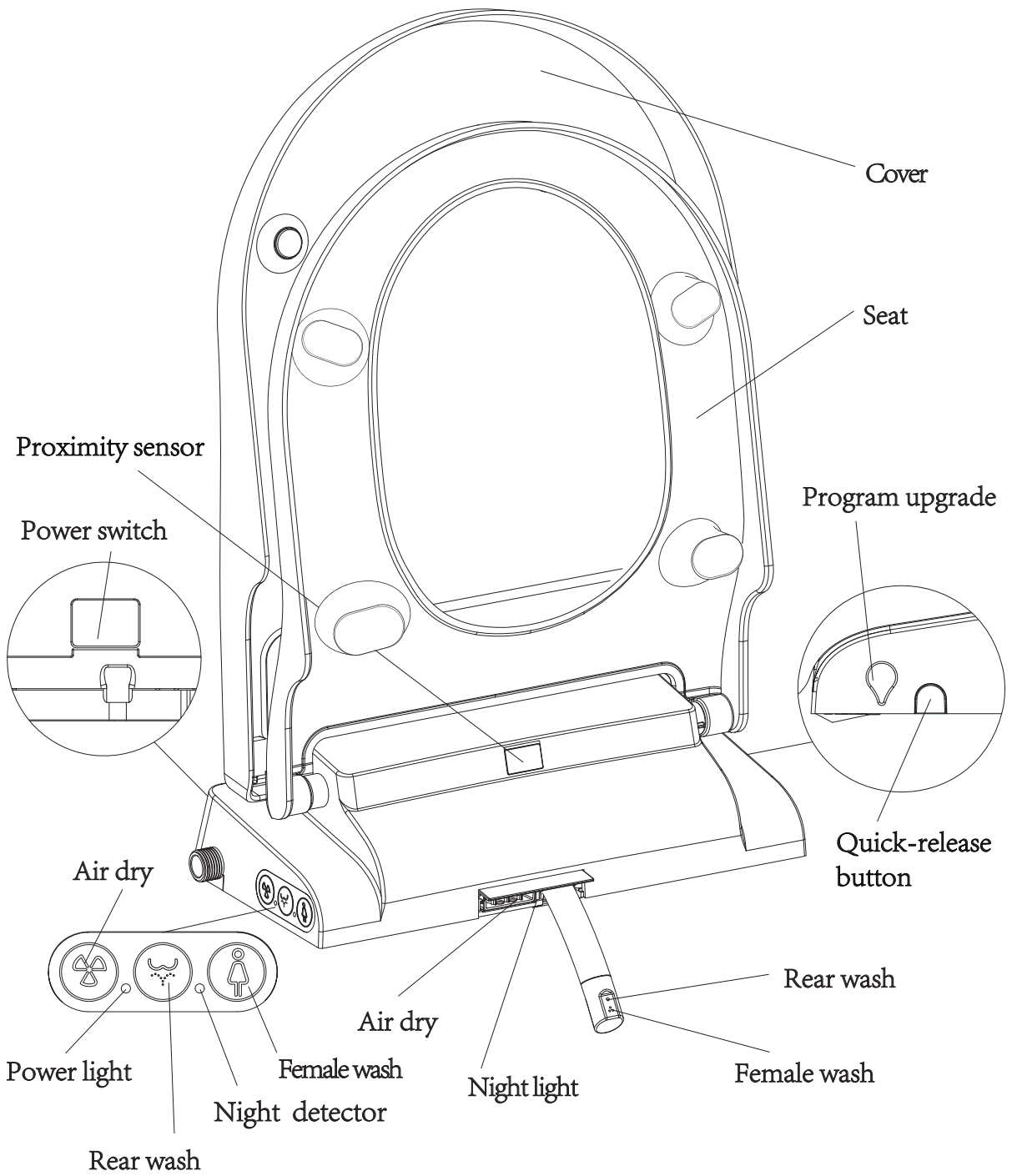
Install the Remote Control

Recommended Installation Area

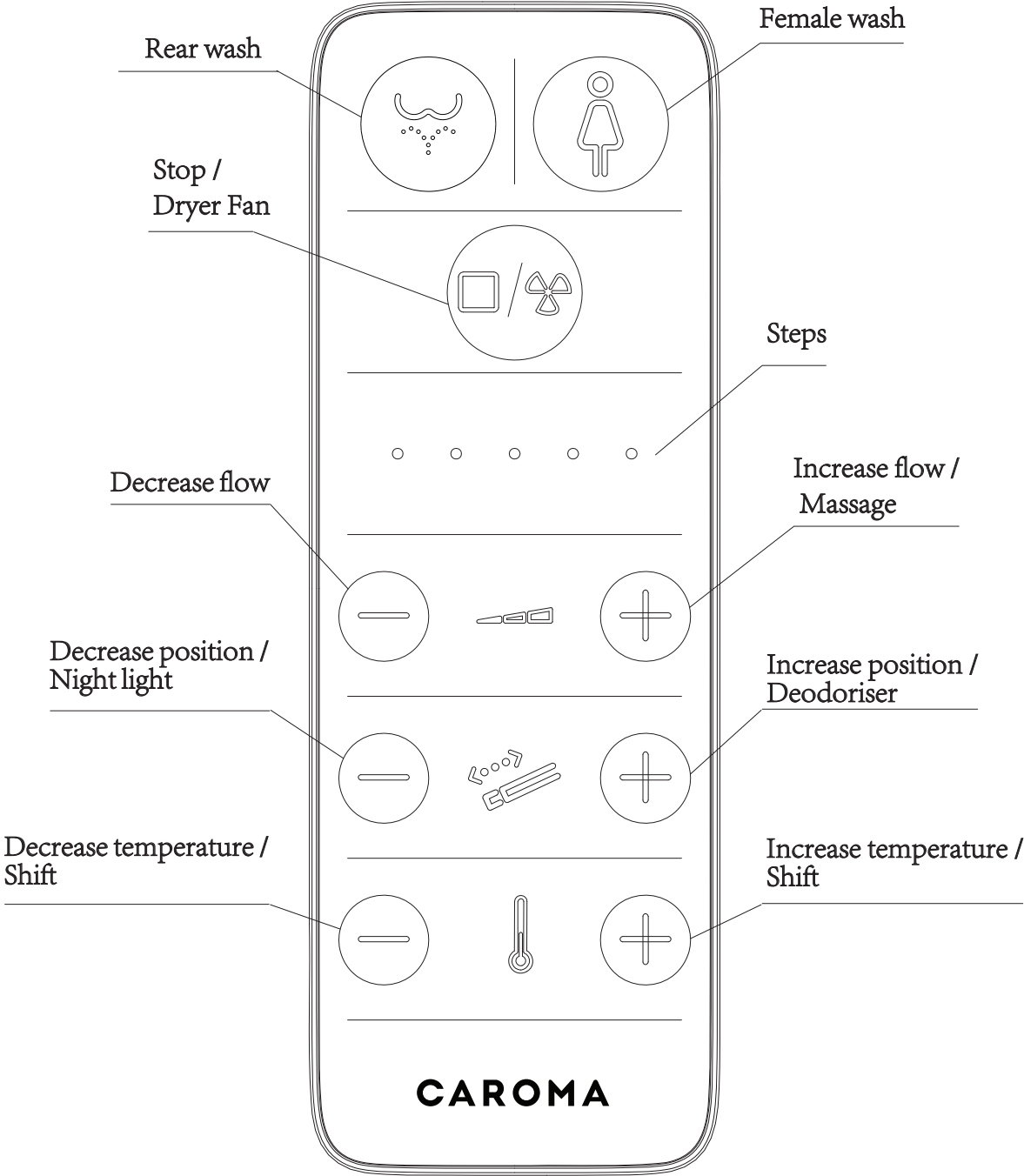




Overview

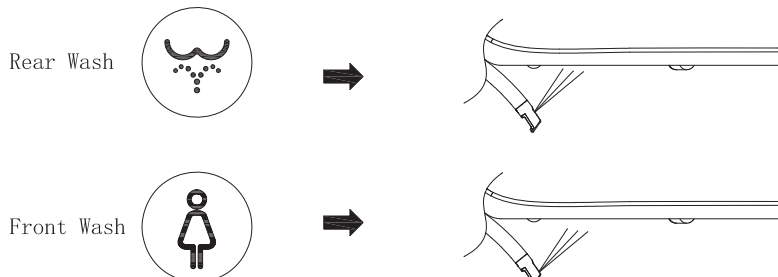


Remote Control



Rear Wash / Female Wash

While seated, press Rear Wash or Female Wash button on the remote control, the bidet will then start to wash and stop after 2 minutes (at Constant Temperature mode) and after 1 minute (at Gradual Cooling mode). You can stop washing at any time by pressing STOP on the remote control or any button on the bidet.



Note:

While using Rear Wash or Female Wash, it will wash at the fixed position for 10 seconds, and then move backwards and forwards for 18 seconds, then return to the fixed position until complete.

Adjusting the Flow Rate

During Rear Wash, Female Wash or Drying mode, press the Flow Rate button then Increase (+) or Decrease (-) on the remote control to adjust the flow rate of water and air. The lights on the remote control will change to indicate the setting.



Dry Operation

While seated, press the Air Dry button on the remote control to begin the drying process. It will stop automatically after 3 minutes. You can stop the drying function at any time by pressing STOP on the remote control or by pressing any button on the bidet.



Stop Operation

During Rear Wash, Female Wash or Drying mode, press the STOP button on the remote control or any button on the bidet and it will stop washing or drying.



Massage Operation (spray jet will move back and fourth)

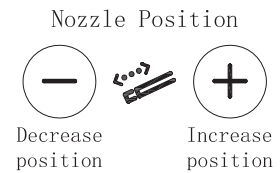
During Rear Wash, Female Wash or Drying mode, keep pressing Temperature (+) or (-) on the remote control then press Flow (+). Press Flow (+) again to alternate between the different massage modes:



| Remoter control LEDES | | Message Mode |
|-----------------------|------------------|-------------------------|
| | <p>• • • • •</p> | Oscillating |
| <p>-----</p> | <p>• • • • •</p> | Pulsating |
| | <p>• • • • •</p> | Oscillating + Pulsating |

Adjusting the Nozzle Position

During Rear Wash or Female Wash, press the Position button on the remote control then press Increase (+) or Decrease (-) to adjust the position of the nozzle. The lights on the remote control will change to indicate the setting.



Adjusting the Temperature

During Rear Wash or Female Wash or Drying, press the Temperature Increase (+) or Decrease (-) on the remote control to adjust the temperature.

The lights on the remote control will change to indicate the setting.



Setting the Night Light

Press and hold the Temperature Increase (+) on the remote control, and then press Position Decrease (-) to alternate between the different modes:

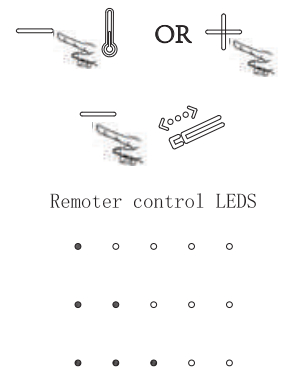
Off: When one (1) indicator light is on.

Always On: When two (2) indicator lights are on.

Smart: When three (3) indicator lights are on.

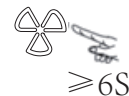
Note: In Smart mode, the night light will be ON in a dark environment and OFF in a bright environment.

Night Light is set to Always On mode by default.



Power Standby Mode

To go into Power Standby Mode, close the cover and press the Air Dry button for 6 seconds. Press the Air Dry button again for 6 seconds to come out of Standby Mode.



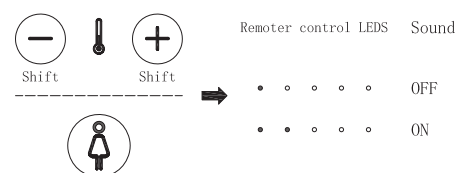
Sound Setting

The sound is ON by default. When the sound setting is ON there is an audible beep when the bidet receives commands or signals.

Press and hold the Temperature + button then press the Female Wash button to turn on and off the audible beep.

OFF MODE: when one indicator light is on.

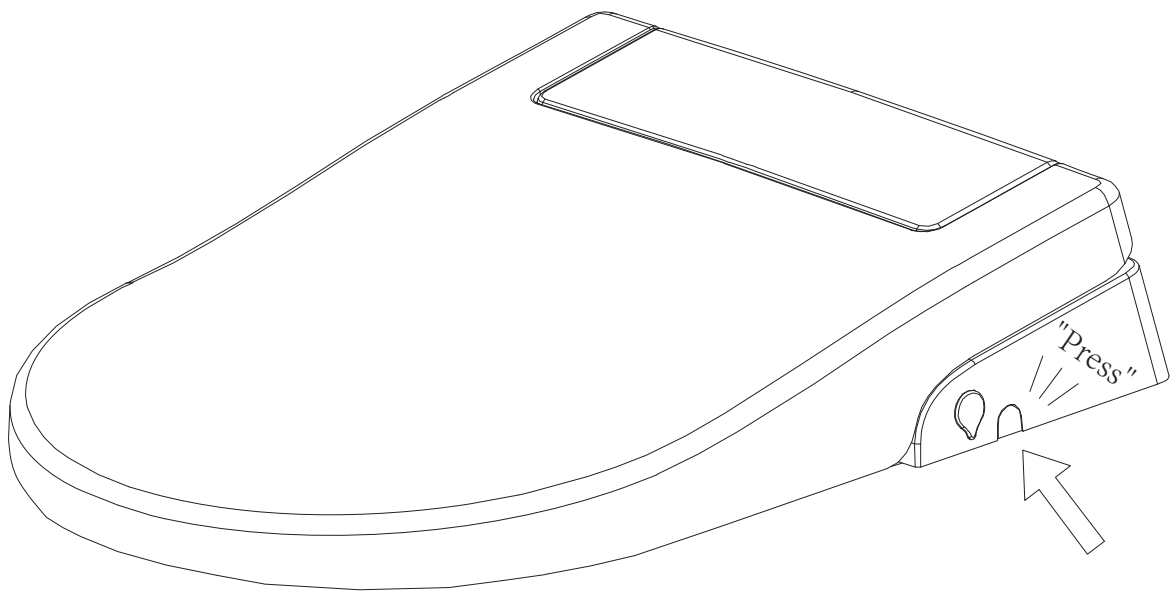
ON MODE: when two indicator light is on.





Resetting the Thermostat

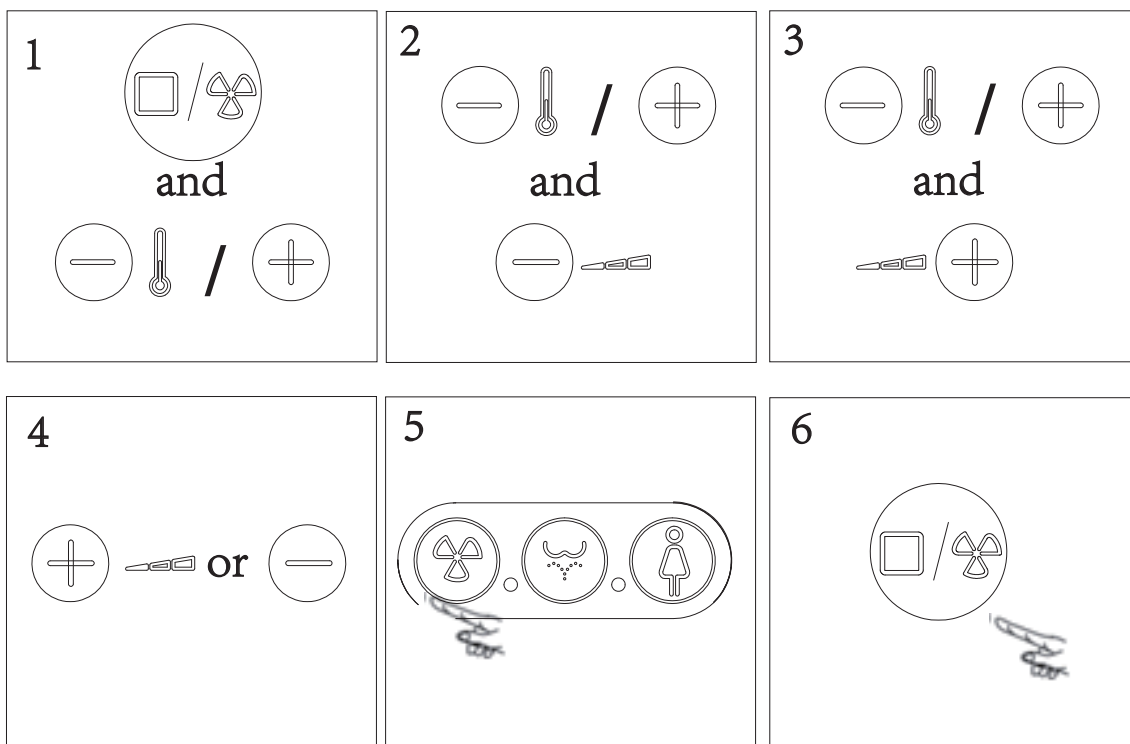
If the Electronic Bidet is used in a high temperature environment (e.g. room temperature exceeds 45 degrees Celcius) it is necessary to perform the below step otherwise the washing water may not heat up properly.



Remote Control Pairing Setting

If multiple electronic bidets are installed in the same area, you can change each remote control to operate a specific bidet seat.

1. Open both cover and seat and without sitting, set the Night Light to the OFF setting (see Night Light Setting).
2. Keep pressing the STOP button and the temperature adjust button on the remote control for a few seconds until an audible beep is heard. The indicator light will flicker.
3. Release the STOP button but keep pressing the SHIFT button.
4. Press the “-” and “+” of the FLOW button in order and then release the SHIFT button. At this stage the indicator light will show the ID code of the product and the fifth step light on the remote control will be illuminated.
5. By pressing “+” of the FLOW on the remote control, you can change the ID code to correspond with the indicator lamp.
6. Press the Drier button on the bidet seat.
7. Press the STOP button on the remote control to finalise setup.



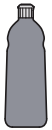
Care and Maintenance

| Maintenance Interval | Action |
|----------------------|--|
| Weekly | Clean all surfaces and corners. Clean the spray nozzle if required |
| Every 6 months | Replace the filter if required |

Cleaning Agents and Tools



Always use soft lint-free cloth



Warm soapy water or low acidic cleaning agent

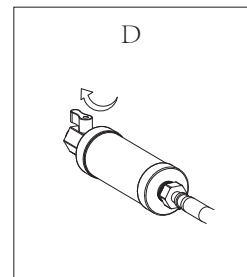
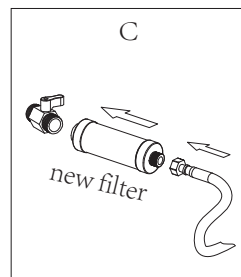
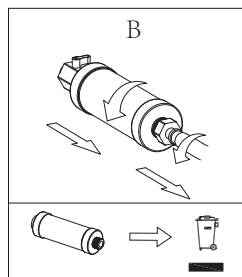
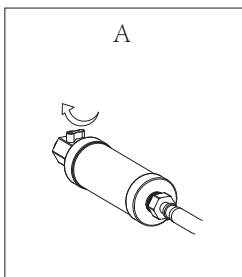
It is important that no abrasive cleaners are used, as these will remove the surface gloss of the product. At regular intervals the tightness of the hinge bolts must be checked as continual use may cause loosening over time.

Self-Cleaning Tank

If the Electronic Bidet has not been used for more than 72 hours and when the user is seated, self-cleaning will activate for 3 minutes. All buttons are inactive during the self-cleaning process and will return to normal operation once complete.

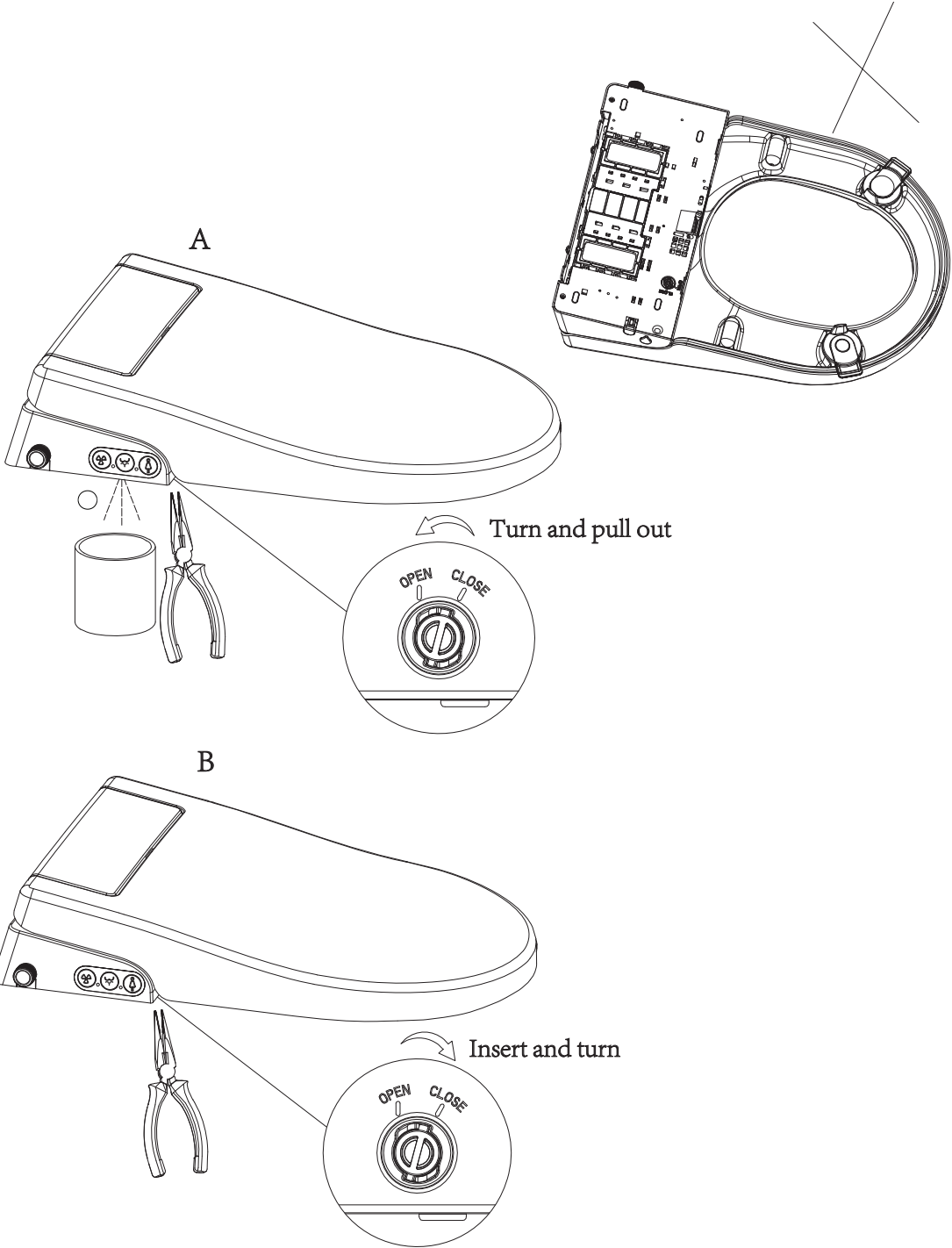
Replacing the Filter

The filter has a service life of approximately 6 months depending on the type of water used. The filter should be replaced when the wash flow pressure is low.



Draining the Water Tank

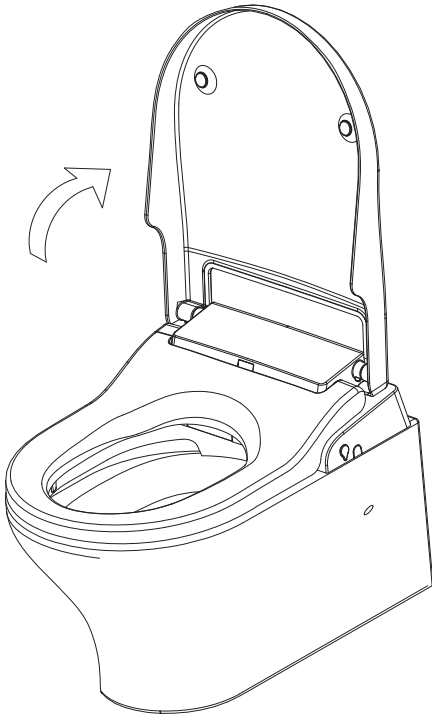
- 1. The water and power must be turned off before you disassemble the Electronic Bidet.
- 2. Do not invert or tilt the Electronic Bidet until you finish draining the water.



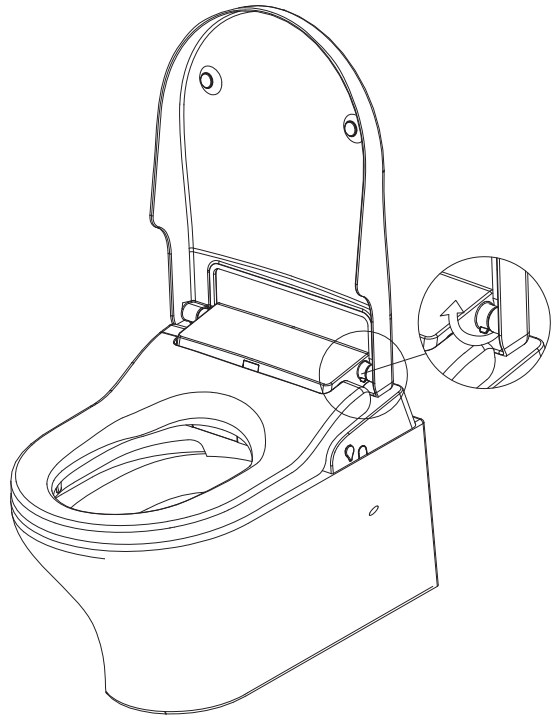


Quick-Release Seat & Cover

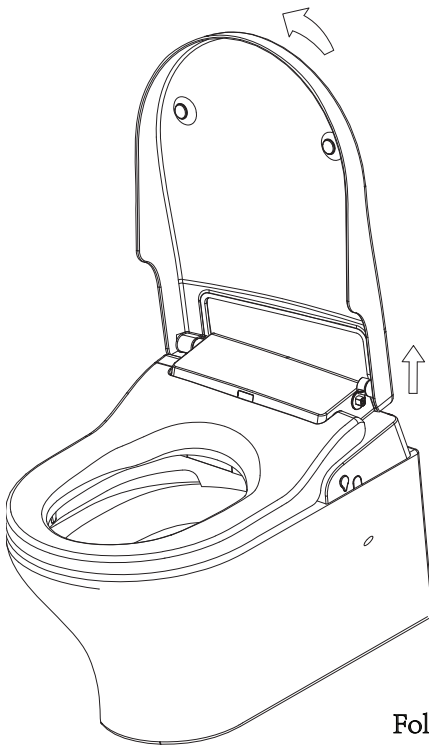
A



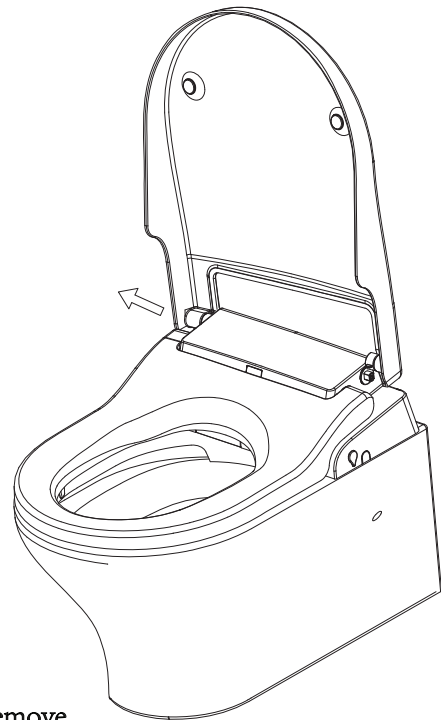
B



C



D

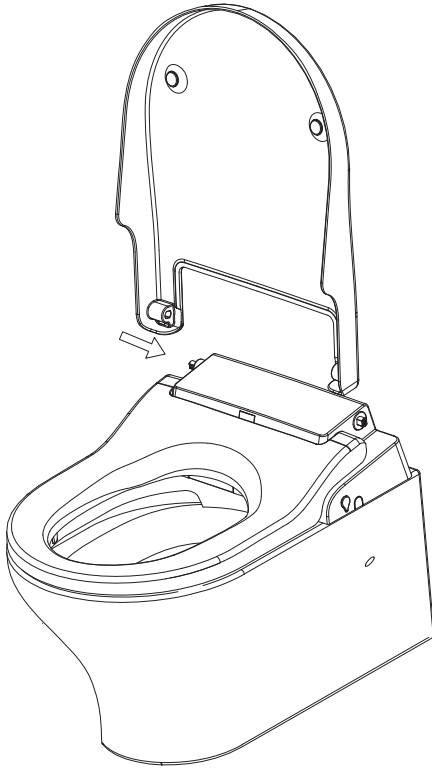


Follow similar steps to remove the seat as shown above.



Re-fitting Seat & Cover

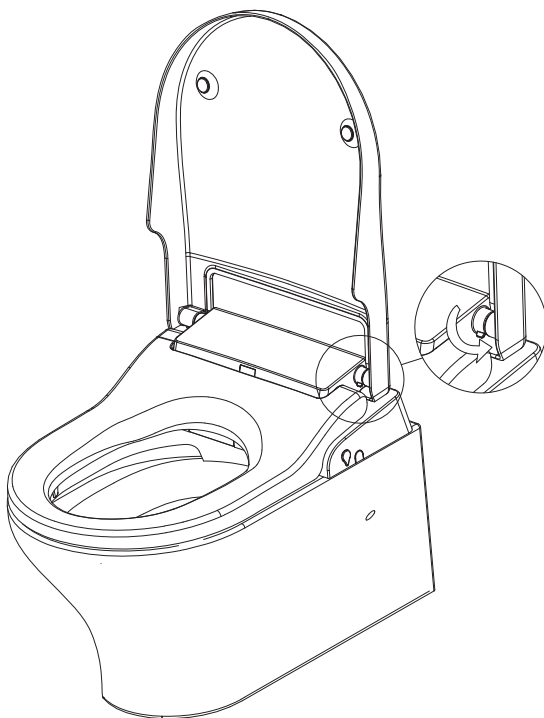
A



B



C



Follow similar steps to re-fit the seat as shown above.

Nozzle Cleaning

Perform manual nozzle cleaning operation as follows:

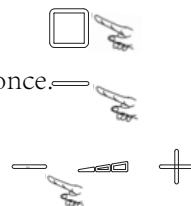
Open both cover and seat.

Press and hold the temperature - button and then press the decrease flow button once.

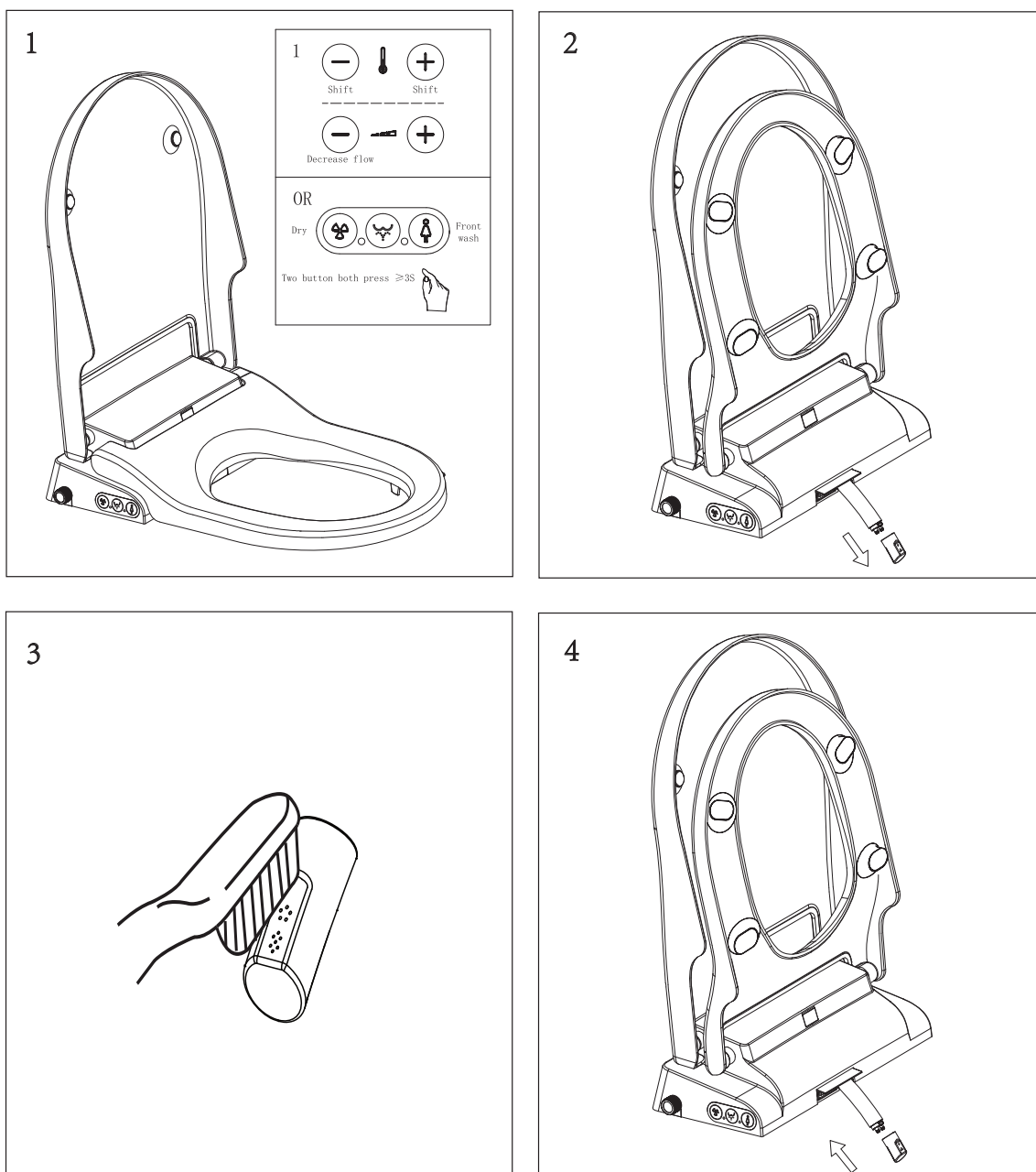
The nozzle will then extend and water will flow to clean.

The nozzle will retract after 5 minutes or when the Stop button is pressed on the remote control.

The nozzle spray piece can be removed as shown below by pulling.



The same operation can be performed without the remote control by pushing both the drier button and front wash button on the control unit on the side of the seat.



Replacing the Batteries

The remote control uses two (2) batteries type 3V CR2032 (not supplied).
When the Level light flashes continuously it is time to replace the batteries.

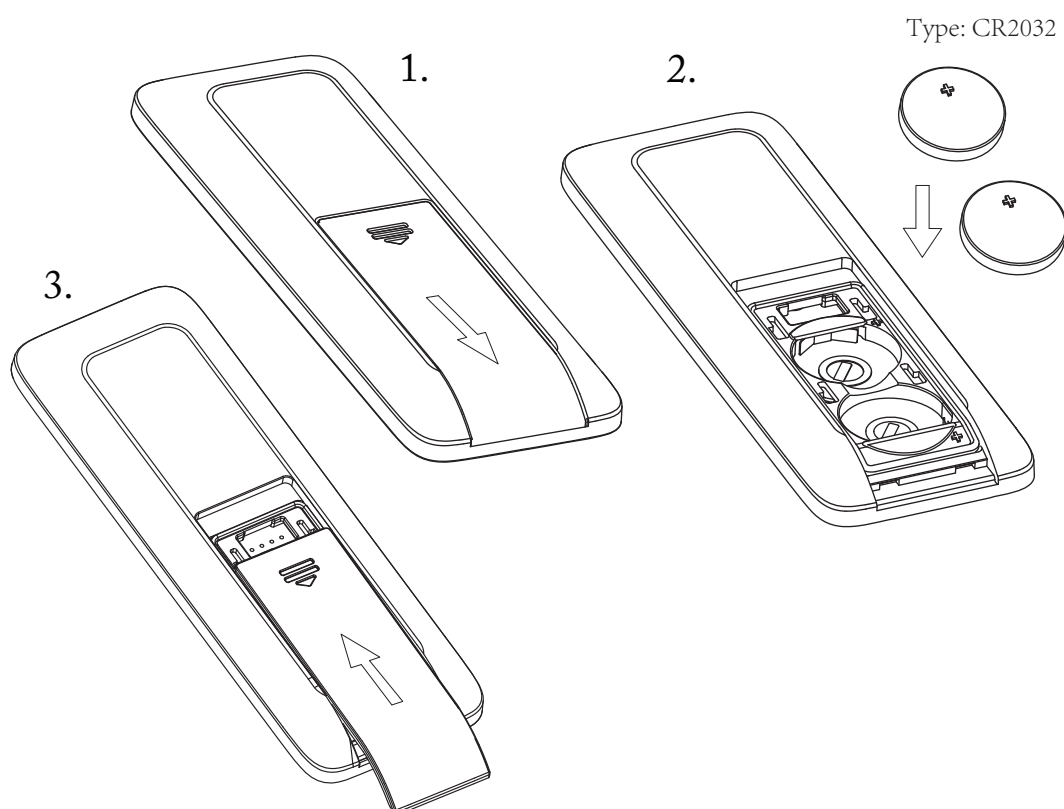
1. Do not attempt to recharge non-rechargeable batteries
2. Rechargeable batteries are to be removed from the appliance before being charged
3. Different brand of batteries or new and used batteries should not be mixed
4. Ensure batteries are inserted with the correct polarity
5. Flat batteries are to be removed from the appliance and disposed off safely
6. Remove the batteries if the appliance is to be stored unused for a lengthy period of time

WARNING



WARNING

- Battery is hazardous and is to be kept away from children (whether the battery is new or used)
- Battery can cause severe or fatal injuries in 2 hours or less if it is swallowed or placed inside any part of the body.
- Medical attention should be sought immediately if it is suspected the battery has been swallowed or placed any part of the body.
- The supplied remote control has been tested and complies with the requirements of AS/NZS 62368.1: 2018. consumer goods (products containing button/coin batteries) safety standard 2020.



Troubleshooting

| Problem | Potential cause | Suggested action |
|--|--|--|
| Not washing | The power supply may not be ON. | Turn ON the power. |
| | The water supply may not be opened. | Open the water inlet valve to ensure there is a water supply. |
| | The filter (if used) may be blocked. | Replace with a new filter. Service life is approx. 6 months. |
| | User may not be sitting on seat. | Sit on the seat and adjust sitting position (bidet will not operate if it cannot detect a user). |
| | Cover may be closed. | Open the cover and sit on the seat. |
| | May not have been used for more than 72 hours. | If not used for more than 72 hours: When the user sits down it will execute the self-cleaning function for approx. 3 minutes. All buttons are inactive during this function and will return to normal once complete. |
| The nozzle goes back suddenly | The washing cycle is 3 minutes at constant Temperature mode and 1 minute at gradual cooling. | This is normal; press the "Wash" button to restart washing function. |
| | There may be a problem with the water supply. | Check if there is a water outage in the area. |
| | The seat sensor may be detecting that the user is no longer sitting. | Adjust sitting position. |
| | The cover may be attempting to close. | Do not put down the cover while it is washing. |
| Low water flow rate | The water flow rate may be set to Low. | Increase the flow rate as per "Adjusting Water Flow Rate" chapter of instructions. |
| | The water supply pressure may be too low. | Please check and ensure the water supply pressure is ≥ 0.5 bar (dynamic pressure). |
| | The filter (if one is used) may be blocked. | Replace with a new filter. Service life is approx. 6 months. |
| | The nozzle may be blocked. | Replace with a new nozzle. |
| Low water temperature | The water temperature may be set to Low. | Increase the water temperature as per "Adjusting Temperature" chapter of instructions. |
| | The temperature of water supply may be too low. | Increase the water temperature as per "Adjusting Temperature" chapter of instructions or decrease the Flow Rate as per "Adjusting Water Flow Rate" chapter of instructions. |
| | The water thermostat is OFF. | Reset the the thermostat as per "Resetting Thermostat" chapter of instructions. |
| The nozzle extends slowly | When performing Wash function, the nozzle will self-clean before extending and may take some time. | This is normal. |
| Water flows out of nozzle but nozzle does not extend automatically | When performing Wash function, the nozzle will self-clean before coming out and may take some time. | This is normal. |
| | May not have been used for more than 72 hours. | This is normal. If not used for more than 72 hours and the user sits down, it will execute the self-cleaning function for approx. 3 minutes. |
| The Dryer will not work | The power supply may be OFF. | Turn ON the power. |
| | User may not be detected. | Sit on the seat and adjust sitting position. |
| | The cover may be closed. | Open the cover and sit on the seat. |
| | May not have been used for more than 72 hours. | If not used for more than 72 hours: When the user sits down it will execute the self-cleaning function for approx. 3 minutes. All buttons are inactive during this function and will return to normal once complete. |
| Low air temperature | The air temperature may be set to a low setting. | Increase the air temperature as per "Adjusting Temperature" chapter of instructions. |
| | The air heater is not heating. | Contact local distributor. |
| Night Light is always OFF | Bidet seat is located in a bright environment. | When the Night Light is set to Smart Mode, the Night Light feature will not work when located in a bright environment. |
| | The Night Light function may be OFF. | Open the Night Light function and adjust the Night Light mode as per "Setting Night Light" chapter of instructions. |
| Night light is always ON | Bidet seat is located in a dark environment. | When the Night Light is set to Smart Mode, the Night Light feature will not work when located in a dark environment. |
| | An object may be covering the sensor. | Remove any obstructions around the sensor. |
| | The Night Light may be set at 'Always ON' mode | Adjust the Night Light mode as per 'Setting Night Light' chapter of instructions. |
| The nozzle goes back automatically during manual cleaning | The nozzle goes back after washing 5 minutes. | This is normal. |
| | Press the "STOP" button. | Manual Cleaning will stop if the 'STOP' button is pressed on the remote control. |
| Remote control not working | No batteries in the remote control. | Install the correct batteries in the remote control. |
| | Battery power is too low. | When the battery power is low the LED of grade will flash. Replace the batteries. |
| | The Bidet code and remote control codes are not the same. | Set the remote control code to the correct one. See 'Remote Control Pairing Setting' chapter in instructions. |
| There are BEEP sounds when the bidet is working | There is a short BEEP when you are sitting down, and a long BEEP when you leave. There is also a short BEEP when the bidet receives a command. | This is normal. You can turn OFF the sound. Refer to 'Sound Setting' chapter in instructions. |
| The bidet is not operating normally | | Shut OFF the power and turn ON after one minute. If the bidet still does not work, contact local distributor. |
| The light on the body flash 6 times and constantly beeps | The water supply temperature may be too high. | Shut OFF the power and water supply, stop using the product and contact the local distributor. |
| The light on the body keeps flashing | | Check if the electrical power and water supply are working as normal, switch OFF the power and restart the product. If the bidet still will not work, please contact the local distributor. |



Caroma Industries Limited.

ABN 35 000 189 499

1 Melito Court, Prestons, NSW 2170

National Call Centre 13 14 16

caroma.com.au

Date of Issue: 02/09/2022
Revision No. 5